



EUROPEAN
TELECOMMUNICATION
STANDARD

ETS 300 607-3

April 1998

Sixth Edition

Source: SMG

Reference: RE/SMG-071110PR4-3

ICS: 33.020

Key words: Digital cellular telecommunications system, Global System for Mobile communications (GSM)



**Digital cellular telecommunications system (Phase 2);
Mobile Station (MS) conformance specification;
Part 3: Layer 3 (L3) Abstract Test Suite (ATS)
(GSM 11.10-3 version 4.20.1)**

ETSI

European Telecommunications Standards Institute

ETSI Secretariat

Postal address: F-06921 Sophia Antipolis CEDEX - FRANCE

Office address: 650 Route des Lucioles - Sophia Antipolis - Valbonne - FRANCE

X.400: c=fr, a=atlas, p=etsi, s=secretariat - **Internet:** secretariat@etsi.fr

Tel.: +33 4 92 94 42 00 - Fax: +33 4 93 65 47 16

Copyright Notification: No part may be reproduced except as authorized by written permission. The copyright and the foregoing restriction extend to reproduction in all media.

© European Telecommunications Standards Institute 1998. All rights reserved.

Contents

Foreword	7
1 Scope	9
2 Normative references	9
3 Definitions and abbreviations.....	12
3.1 Definitions.....	12
3.2 Abbreviations.....	12
4 Test Suite Structure (TSS).....	13
4.1 Test suite naming convention.....	13
4.2 Suite Overview	14
4.3 Test groups	14
4.3.1 Valid Behaviour tests (BV)	14
4.3.2 Invalid Behaviour/Inopportune Behaviour tests (BI-BO)	14
4.4 Test Step Structure	15
4.4.1 Preambles.....	15
4.4.2 Postambles	15
5 Test Purposes (TP).....	15
5.1 TP and test case naming convention	15
6 Abstract test method and test configurations.....	15
6.1 Test system model	15
6.2 Test Method.....	16
Annex A (normative): Layer 3 Abstract Test Suite.....	17
Suite overview.....	18
Suite structure.....	18
Test case index	19
Test step index	29
Default index.....	37
Declarations Part.....	38
Test suite type definitions	38
Simple type definitions	38
Structured Type definitions.....	40
ASN1 type definitions	64
Test suite operation definitions.....	87
Test suite parameter declarations	144
Test case selection expression definitions	164
Test suite constant declarations	167
Test case variable declarations.....	187
PCO declarations	192
Timer declarations	192
ASP type definitions.....	192
TTCN ASP Type definitions.....	192
PDU type definitions.....	220
TTCN PDU Type definitions	220
Constraints Part	247
Test suite type constraint declarations	247
Structured type constraint declarations	247
ASN1 type constraints.....	501

ASP	constraint declarations	514
	TTCN ASP constraint declarations	514
PDU	constraint declarations	546
	TTCN PDU constraint declarations	546
Dynamic Part		656
Test	Cases	656
	Test Group General	656
	Test Group InitialTest	671
	Test Group IdleMode	697
	Test Group BiBo	700
	Test Group RR	738
	Test Group MM	899
	Test Group CC	963
	Test Group StructureProc	1071
	Test Group EGSM Signalling	1093
	Test Group SS	1116
	Test Group SM	1209
Test	Step Library	1237
	Test Step Group management	1237
	Test Step Group ChConfig	1238
	Test Step Group Miscellaneous	1263
	Test Step Group SysInfo	1304
	Test Step Group OperatorOP	1316
	Test Step Group Postambles	1317
	Test Step Group Preambles	1320
Defaults	Library	1414
Annex B (normative):	Partial IXIT proforma	1421
Introduction		1421
B.1	Identification Summary	1422
B.2	Abstract Test Suite Summary	1422
B.3	Test Laboratory	1422
	B.3.1 Test Laboratory Identification	1422
	B.3.2 Accreditation status of the test service	1423
	B.3.3 Manager of Test Laboratory	1423
	B.3.4 Contact person of Test Laboratory	1423
	B.3.5 Means of Testing	1423
	B.3.6 Instructions for Completion	1424
B.4	Client	1425
	B.4.1 Client Identification	1425
	B.4.2 Client Test Manager	1426
	B.4.3 Client Contact person	1426
	B.4.4 Test Facilities Required	1426
B.5	System Under Test	1427
	B.5.1 SUT Information	1427
	B.5.2 Limitations of the SUT	1428
	B.5.3 Environmental Conditions	1429
B.6	Ancillary Protocols	1430
	B.6.1 Ancillary Protocols 1	1431
	B.6.2 Ancillary Protocols 2	1431
B.7	Protocol Layer Information for L3 of Mobile Station	1431
	B.7.1 Information provided for test purposes by the MS supplier	1431
	B.7.2 MMI information	1444
	B.7.3 Test house specified parameters	1449

Annex C: PCTR Proforma.....	1481
Annex D (normative): Enhanced Full Rate Abstract Test Suite	1482
Suite overview.....	1483
Suite structure.....	1483
Test case index	1484
Test step index	1485
Default index	1488
Declarations Part.....	1489
Test suite type definitions	1489
Simple type definitions	1489
Structured Type definitions.....	1491
ASN1 type definitions	1516
Test suite operation definitions.....	1539
Test suite parameter declarations	1596
Test case selection expression definitions	1616
Test suite constant declarations	1617
Test case variable declarations	1636
PCO declarations	1641
Timer declarations	1641
ASP type definitions.....	1641
TTCN ASP Type definitions.....	1641
PDU type definitions.....	1669
TTCN PDU Type definitions	1669
Constraints Part	1696
Test suite type constraint declarations	1696
Structured type constraint declarations	1696
ASN1 type constraints.....	1748
ASP constraint declarations.....	1761
TTCN ASP constraint declarations.....	1761
PDU constraint declarations.....	1776
TTCN PDU constraint declarations	1776
Dynamic Part.....	1804
Test Cases	1804
Test Group EFR.....	1804
Test Step Library	1867
Test Step Group management	1867
Test Step Group ChConfig.....	1867
Test Step Group Miscellaneous.....	1886
Test Step Group SysInfo.....	1900
Test Step Group OperatorOP	1911
Test Step Group Postambles.....	1912
Test Step Group Preambles	1914
Defaults Library.....	1932
Annex E (informative): Cell Selection Abstract Test Suite.....	1939
Suite overview.....	1940
Suite structure.....	1940
Test case index	1940
Test step index	1941
Default index	1944
Declarations Part.....	1945
Test suite type definitions	1945
Simple type definitions	1945
Structured Type definitions.....	1947
ASN1 type definitions	1971
Test suite operation definitions.....	1994

Test	suite parameter declarations	2052
Test	case selection expression definitions	2072
Test	suite constant declarations	2075
Test	case variable declarations	2094
PCO	declarations.....	2099
Timer	declarations.....	2099
ASP	type definitions	2099
	TTCN ASP Type definitions	2099
PDU	type definitions	2127
	TTCN PDU Type definitions.....	2127
Constraints Part.....		2154
Test	suite type constraint declarations.....	2154
	Structured type constraint declarations.....	2154
	ASN1 type constraints	2234
ASP	constraint declarations.....	2247
	TTCN ASP constraint declarations	2247
PDU	constraint declarations.....	2271
	TTCN PDU constraint declarations.....	2271
Dynamic Part.....		2334
Test	Cases.....	2334
	Test Group CellSelection	2334
Test	Step Library.....	2372
	Test Step Group management.....	2372
	Test Step Group ChConfig	2373
	Test Step Group Miscellaneous	2386
	Test Step Group SysInfo	2397
	Test Step Group OperatorOP.....	2417
	Test Step Group Postambles	2417
	Test Step Group Preambles.....	2419
Defaults	Library	2449
History.....		2455

Foreword

This sixth edition European Telecommunication Standard (ETS) has been produced by the Special Mobile Group (SMG) Technical Committee of the European Telecommunications Standards Institute (ETSI).

This ETS describes the technical characteristics and methods of test for Mobile Stations (MSs), operating in the 900 MHz and 1 800 MHz frequency band (GSM 900 and DCS 1 800) within the digital cellular telecommunications system.

This ETS corresponds to GSM technical specification GSM 11.10-3 version 4.20.1.

This part of the ETS (Part 3), contains Tree and Tabular Combined Notation (TTCN) for Layer 3, signalling for MS supporting Enhanced Full Rate Speech, and cell selection conformity specifications for which Mobile Stations, within the digital cellular telecommunications system (Phase 2), are tested for compliance.

The graphical form ATS

The TTCN.GR representation of these ATSs are contained in annex A, annex D and annex E of this ETS.

The machine processable ATS

The electronic forms of the machine processable files (TTCN MP format) corresponding to the ATS for Layer 3 are contained in the files¹⁾ L3-4k1.mp (Layer 3), EF-4k1.mp (Enhanced Full Rate), and CS-4k1.mp (Cell Selection) on the diskettes included as a part of this ETS (Part 3).

ETS 300 607 consists of three parts, which have the following ETS numbers and titles:

ETS 300 607-1 Digital cellular telecommunications system (Phase 2);
Mobile Station (MS) conformance specification;
Part 1: Conformance specification

Reference: GSM 11.10-1.

ETS 300 607-2 Digital cellular telecommunications system (Phase 2);
Mobile Station (MS) conformance specification;
Part 2: Protocol Implementation Conformance Statement (ICS)
proforma specification

Reference: GSM 11.10-2.

**ETS 300 607-3 Digital cellular telecommunications system (Phase 1);
Mobile Station (MS) conformance specification;
Part 3: Layer 3 (L3) Abstract Test Suite (ATS)**

Reference: GSM 11.10-3.

Transposition dates	
Date of adoption of this ETS:	3 April 1998
Date of latest announcement of this ETS (doa):	31 July 1998
Date of latest publication of new National Standard or endorsement of this ETS (dop/e):	31 January 1999
Date of withdrawal of any conflicting National Standard (dow):	31 January 1999

1) These files are located in an archive file named 6073_E6.LZH. Other file formats are available on request.

Blank Page

1 Scope

This European Telecommunication Standard (ETS) specifies the Abstract Test Suite (ATS) and partial IXIT proforma for the Network Layer (Layer 3) at the mobile radio interface of the GSM or DCS (Phase 2) mobile stations (MS) conforming to the ETSs for the Radio Resource management, the Mobility Management, the circuit-switched Call Control, the Supplementary Services and Short Message Services for the digital cellular telecommunications systems (Phase 2).

The ISO standards for the methodology of conformance testing are used as the basis for the test specifications.

2 Normative references

This ETS incorporates by dated and undated reference, provisions from other publications. These normative references are cited at the appropriate places in the text and the publications are listed hereafter. For dated references, subsequent amendments to or revisions of any of these publications apply to this ETS only when incorporated in it by amendment or revision. For undated references, the latest edition of the publication referred to applies.

- [1] ISO/IEC 9646-1: "Information Technology-OSI- Conformance Testing Methodology and Framework, Part 1: General Concepts".
- [2] ISO/IEC 9646-2: "Information Technology-OSI- Conformance Testing Methodology and Framework, Part 2: Abstract Test Suite Specification".
- [3] ISO/IEC 9646-3: "Information Technology-OSI- Conformance Testing Methodology and Framework, Part 3: The Tree and Tabular Combined Notation".
- [4] ISO/IEC 9646-5: "Information Technology-OSI- Conformance Testing Methodology and Framework, Part 5: Requirements on test laboratories and clients for the conformance assessment process".
- [5] ISO/IEC 8824: "Information Technology-OSI- Specification of Abstract Syntax Notation One (ASN.1)".
- [6] ISO/IEC 8825: "Information Technology-OSI- Specification of Basic Encoding Rules for Abstract Syntax Notation One (ASN.1)".
- [7] ITU-T Recommendation Q.773: "Specifications of Signalling System No.7; Transaction capabilities formats and encoding".
- [8] ETS 300 287: "Integrated Services Digital Network (ISDN); Signalling System No.7, Transaction Capabilities Application Part (TCAP) version 2".
- [9] ETS 300 406 (January 1995): "Methods for Testing and Specification (MTS); Protocol and profile conformance testing specifications; Standardization methodology".
- [10] ETS 300 501 (GSM 02.02 Version 4.2.2): "Digital cellular telecommunication system (Phase 2); Bearer Services (BS) supported by a GSM Public Land Mobile Network (PLMN)".
- [11] ETS 300 502 (GSM 02.03 Version 4.3.1): "Digital cellular telecommunication system (Phase 2); Teleservices supported by a GSM Public Land Mobile Network (PLMN)".
- [12] ETS 300 504 Edition 4 (GSM 02.06 Version 4.5.1): "Digital cellular telecommunication system (Phase 2); Types of Mobile Stations (MS)".
- [13] ETS 300 505 Edition 3 (GSM 02.07 Version 4.8.1): "Digital cellular telecommunication system (Phase 2); Mobile Station (MS) features".

- [14] ETS 300 511 Edition 2 (GSM 02.30 Version 4.13.0): "Digital cellular telecommunication system (Phase 2); Man-Machine Interface (MMI) of the Mobile Station (MS)".
- [15] ETS 300 523 Edition 2 (GSM 03.03 Version 4.9.0): "Digital cellular telecommunication system (Phase 2); Numbering, addressing and identification".
- [16] ETS 300 527 Edition 2 (GSM 03.09 Version 4.6.0): "Digital cellular telecommunications system (Phase 2); Handover procedures".
- [17] ETS 300 528 (GSM 03.10 Version 4.3.1): "Digital cellular telecommunications system (Phase 2); GSM Public Land Mobile Network (PLMN) connection types".
- [18] ETS 300 529 Edition 3 (GSM 03.11 Version 4.10.1): "Digital cellular telecommunication system (Phase 2); Technical realization of supplementary services".
- [19] ETS 300 530 (GSM 03.12 Version 4.4.2): "Digital cellular telecommunications system (Phase 2); Location registration procedures".
- [20] ETS 300 532 (GSM 03.14 Version 4.1.1): "Digital cellular telecommunications system (Phase 2); Support of Dual Tone Multi-Frequency signalling (DTMF) via the GSM system".
- [21] ETS 300 535 Edition 4 (GSM 03.22 Version 4.11.0): "Digital cellular telecommunication system (Phase 2); Functions related to Mobile Station (MS) in idle mode".
- [22] ETS 300 536 Edition 4 (GSM 03.40 Version 4.13.0): "Digital cellular telecommunication system (Phase 2); Technical realization of the Short Message Service (SMS) Point to Point (PP)".
- [23] ETS 300 537 Edition 2 (GSM 03.41 Version 4.11.0): "Digital cellular telecommunication system (Phase 2); Technical realization of Short Message Service Cell Broadcast (SMSCB)".
- [24] ETS 300 550 (GSM 04.01 Version 4.0.4): "Digital cellular telecommunications system (Phase 2); Mobile Station - Base Station System (MS - BSS) interface General aspects and principles".
- [25] ETS 300 552 (GSM 04.03 Version 4.1.1): "Digital cellular telecommunications system (Phase 2); Mobile Station - Base Station System (MS - BSS) interface Channel structures and access capabilities".
- [26] ETS 300 553 (GSM 04.04 Version 4.0.4): "Digital cellular telecommunication system (Phase 2); layer 1 General requirements".
- [27] ETS 300 554 (GSM 04.05 Version 4.0.3): "Digital cellular telecommunication system (Phase 2); Data Link (DL) layer General aspects".
- [28] ETS 300 555 (GSM 04.06 Version 4.4.0): "Digital cellular telecommunication system (Phase 2); Mobile Station - Base Station System (MS - BSS) interface Data Link (DL) layer specification".
- [29] ETS 300 556 (GSM 04.07 Version 4.3.1): "Digital cellular telecommunication system (Phase 2); Mobile radio interface signalling layer 3 General aspects".
- [30] ETS 300 557 Edition 9 (GSM 04.08 Version 4.19.1): "Digital cellular telecommunication system (Phase 2); Mobile radio interface layer 3 specification".

- [31] ETS 300 558 Edition 2 (GSM 04.10 Version 4.10.1): "Digital cellular telecommunication system (Phase 2); Mobile radio interface layer 3 Supplementary services specification General aspects".
- [32] ETS 300 559 Edition 4 (GSM 04.11 Version 4.10.0): "Digital cellular telecommunication system (Phase 2); Point-to-Point (PP) Short Message Service (SMS) support on mobile radio interface".
- [33] ETS 300 560 Edition 3 (GSM 04.12 Version 4.6.0): "Digital cellular telecommunication system (Phase 2); Short Message Service Cell Broadcast (SMSCB) support on the mobile radio interface".
- [34] ETS 300 564 Edition 3 (GSM 04.80 Version 4.11.1): "Digital cellular telecommunication system (Phase 2); Mobile radio interface layer 3 supplementary services specification Formats and coding".
- [35] ETS 300 565 (GSM 04.81 Version 4.4.1): "Digital cellular telecommunication system (Phase 2); Line identification supplementary services - Stage 3".
- [36] ETS 300 566 Edition 2 (GSM 04.82 Version 4.9.1): "Digital cellular telecommunication system (Phase 2); Call Forwarding (CF) supplementary services - Stage 3".
- [37] ETS 300 567 Edition 2 (GSM 04.83 Version 4.6.1): "Digital cellular telecommunication system (Phase 2); Call Waiting (CW) and Call Hold (HOLD) supplementary services - Stage 3".
- [38] ETS 300 568 (GSM 04.84 Version 4.3.2): "Digital cellular telecommunication system (Phase 2); MultiParty (MPTY) supplementary services - Stage 3".
- [39] ETS 300 569 Edition 2 (GSM 04.85 Version 4.1.1): "Digital cellular telecommunications system (Phase 2); Closed User Group (CUG) supplementary services - Stage 3".
- [40] ETS 300 570 (GSM 04.86 Version 4.5.2): "Digital cellular telecommunication system (Phase 2); Advice of Charge (AoC) supplementary services - Stage 3".
- [41] ETS 300 571 Edition 2 (GSM 04.88 Version 4.7.1): "Digital cellular telecommunication system (Phase 2); Call Barring (CB) supplementary services - Stage 3".
- [42] ETS 300 572 (GSM 04.90 Version 4.1.1): "Digital cellular telecommunication system (Phase 2); Unstructured supplementary services operation - Stage 3".
- [43] ETS 300 573 Edition 4 (GSM 05.01 Version 4.6.0): "Digital cellular telecommunications system (Phase 2); Physical layer on the radio path General description".
- [44] ETS 300 574 Edition 6 (GSM 05.02 Version 4.9.0): "Digital cellular telecommunication system (Phase 2); Multiplexing and multiple access on the radio path".
- [45] ETS 300 575 Edition 4 (GSM 05.03 Version 4.5.0): "Digital cellular telecommunication system (Phase 2); Channel coding".
- [46] ETS 300 576 (GSM 05.04 Version 4.0.3): "Digital cellular telecommunication system (Phase 2); Modulation".
- [47] ETS 300 577 Edition 12 (GSM 05.05 Version 4.20.0): "Digital cellular telecommunication system (Phase 2); Radio transmission and reception".
- [48] ETS 300 578 Edition 10 (GSM 05.08 Version 4.19.0): "Digital cellular telecommunication system (Phase 2); Radio subsystem link control".

- [49] ETS 300 579 Edition 6 (GSM 05.10 Version 4.9.0): "Digital cellular telecommunication system (Phase 2); Radio subsystem synchronisation".
- [50] ETS 300 582 Edition 4 (GSM 07.01 Version 4.10.0): "Digital cellular telecommunication system (Phase 2); General on Terminal Adaptation Functions (TAF) for Mobile Stations (MS)".
- [51] ETS 300 590 Edition 5 (GSM 08.08 Version 4.11.0): "Digital cellular telecommunications system (Phase 2); Mobile-services Switching Centre - Base Station System (MSC - BSS) interface Layer 3 specification".
- [52] ETS 300 596 Edition 4 (GSM 08.58 Version 4.9.0): "Digital cellular telecommunications system (Phase 2); Base Station Controller - Base Transceiver Station (BSC - BTS) interface Layer 3 specification".
- [53] ETS 300 599 Edition 7 (GSM 09.02 Version 4.17.0): "Digital cellular telecommunication system (Phase 2); Mobile Application Part (MAP) specification".
- [54] ETS 300 607-1 Edition 7 (GSM 11.10-1 Version 4.20.0): "Digital cellular telecommunications system (Phase 2); Mobile Station (MS) conformance specification; Part 1: Conformance specification".
- [55] ETS 300 607-2 Edition 2 (GSM 11.10-2 Version 4.15.0): "Digital cellular telecommunications system (Phase 2); Mobile Station (MS) conformance specification; Part 2: Protocol Implementation Conformance Statement (PICS) Proforma specification".

3 Definitions and abbreviations

3.1 Definitions

For the purposes of this ETS, the following definitions apply:

Abstract Test Suite (ATS): Refer to ISO/IEC 9646-1 [1].

Implementation Under Test (IUT): Refer to ISO/IEC 9646-1 [1].

Partial Protocol Implementation eXtra Information for Testing (IXIT): Refer to ISO/IEC 9646-1 [1].

Point of Controls and Observations (PCO): Refer to ISO/IEC 9646-1 [1].

Protocol Implementation Conformance Statement (ICS): Refer to ISO/IEC 9646-1 [1].

System Under Test (SUT): Refer to ISO/IEC 9646-1 [1].

3.2 Abbreviations

For the purposes of this ETS, the following abbreviations apply:

ATS	Abstract Test Suite
BI	Invalid Behaviour tests
BO	Inopportune Behaviour tests
BV	Valid Behaviour tests
CA	CApability tests
EDP-N	Event Detection Point - Notification
EDP-R	Event Detection Point - Request
ETS	European Telecommunication Standard
FE	Functional Entity
FSM	Finite State Machine
ICS	Implementation Conformance Statement
IUT	Implementation Under Test

IXIT	Implementation eXtra Information for Testing
PDU	Protocol Data Unit
SUT	System Under Test
TP	Test Purpose
TSS	Test Suite Structure

Further abbreviations used within GSM related ETS may be found in ETR 100.

Abbreviations for test case group names may be found in figure 1 and 2.

4 Test Suite Structure (TSS)

4.1 Test suite naming convention

The test group identifier for each group and subgroup is built according to the scheme in figure 1.

Identifier:	L3<c><s><g0><g1><g2><nn>
<c> = category:	BIT BIT, Basic Interconnection tests (not used) CA CA, Capability tests (not used) BV BV, Valid Behaviour tests BI-BOBI and BO, Invalid and Inopportune Behaviour tests
<g0> = group:	IN Initial tests ID Idle mode tests RR Radio Resource management MM Mobility Management CC Call Control SP Structured Procedures SS Supplementary services LLF Lower Layer Failures UUE Unknown, Unforeseen or erroneous Elements
<g1> = group:	CR Channel Request AT IMSI detach and IMSI attach SMT Sequenced MM / CC message transfer EC Establishment Cause IA Immediate assignment PG Test of paging MR Test of measurement report ASS Test of the channel HO Test of handover FR Test of frequency redefinition CMM Test of the channel mode modify procedure CY Test of ciphering mode setting CM Test of classmark CHR Test of channel release START Test of starting time IDAU Identification and authentication LU Location updating CON MM connection CCSMO State Machine Verification, Mobile Originating Call CCSMT State Machine Verification, Mobile Terminating Call SMICF State machine verification, In Call Functions CRE Call Re-establishment UUS User to user signalling UPD Unknown protocol discriminator TIS TI and skip indicator UMT Undefined or unexpected message type UIE Unforeseen information elements in the non-imperative NMIE Non-semantic mandatory IE errors CNR Unknown IE, comprehension not required SB Spare bits

<g2> = group:	AC	Handover / successful / active call
	CUE	Handover / successful / call under establishment
	FSY	Handover / successful / active call / finely synchronized
	PRS	Pre-synchronized handovers
	PRF	Protocol failures
	ACC	Location updating / accepted
	REJ	Location updating / rejected
	ABN	Location updating / abnormal cases
	REL	Location updating / release
	PER	Location updating / periodic
	HPER	Location updating / periodic HPLMN search
	IWAT	Location updating / interworking of attach and periodic
	EST	MM connection / establishment
	EXP	MM connection / expiry
	NWAB	MM connection / abortion by the network
	FRQP	MM connection / follow-on request pending
	U0	Mobile Originating Call U0 State
	U0.1	Mobile Originating Call U0.1 MM Connection pending
	U1	Mobile Originating Call U1 State
	U3	Mobile Originating Call U3 State
	U4	Mobile Originating Call U4 State
	U10	Mobile Originating Call U10 State
	U11	Mobile Originating Call U11 State
	U12	Mobile Originating Call U12 State
	U19	Mobile Originating Call U19 State
	U0	Mobile Terminating Call U0 State
	U6	Mobile Terminating Call U6 State
	U9	Mobile Terminating Call U9 State
	U7	Mobile Terminating Call U7 State
	U8	Mobile Terminating Call U8 State
	DTMF	State machine verification, In Call Functions / transfer
	CHC	State machine verification, In Call Functions /
	TICM	State machine verification, In Call Functions / in-
	OICM	State machine verification, In Call Functions / in-

Figure 1: Test group identifier naming convention scheme

4.2 Suite Overview

Figure 2 shows the structure of the test suites for L3.

L3 ATS									
BV							BI/O		
IN	ID	RR	MM	CC	SP	SS	SMS	LLF	UUE

Figure 2: Test suite structure of the L3 tests

4.3 Test groups

4.3.1 Valid Behaviour tests (BV)

Predefined state transitions are considered as valid. The test purposes in the valid behaviour test subgroup cover the verification of the normal and exceptional procedures of the various Finite State Machines (FSMs), i.e. a valid behaviour test is a test where the message sequence and the message contents are considered as valid.

4.3.2 Invalid Behaviour/Inopportune Behaviour tests (BI-BO)

This test sub group verifies that the Implementation Under Test (IUT) is able to react properly having received an invalid Protocol Data Unit (PDU) or in the case an inopportune protocol event occurs. An invalid PDU is defined as a syntactically incorrect message. An inopportune event is syntactically correct but occurs when it is not expected, e.g. a correctly coded operation is received in a wrong state (the IUT may respond Error UnexpectedComponentSequence).

4.4 Test Step Structure

4.4.1 Preambles

The preamble is defined for each test purpose.

4.4.2 Postambles

After each test case the IUT shall be brought to the state as defined in the postamble for each test purpose.

5 Test Purposes (TP)

For each conformance requirement a Test Purpose (TP) is defined. The test purposes are specified in the ATS Dynamic part (annex A).

5.1 TP and test case naming convention

In order clearly to map the conformance requirements specified in the prETS 300 607-1 and TTCN test cases in the ATS, the section numbers in the prETS 300 607-1 are used as test case names.

The identifier of each TP is identical to the name of the implemented TTCN test case.

"Test Purpose Identifier" = "Test Case Name" = TPI = TC_NN_A_B_C_D_E, where NN, A, B, C, D and E are digits used in the corresponding section numbers of prETS 300 607-1. For example, the test case name TC_26_5_6_2 is the TTCN specification corresponding to the conformance requirements in the section 26.5.6.1.2 in the prETS 300 607-1. In case where the section has been implemented in more than one test case sub numbering has been introduced. For example, the section 26.7.4.2.4 of prETS 300 607-1, Location updating/rejected/national roaming testing is split into 5 test cases. The corresponding TCs are identified as TC_26_7_4_2_4_1, TC_26_7_4_2_4_2, TC_26_7_4_2_4_3, TC_26_7_4_2_4_4 and TC_26_7_4_2_4_5, respectively.

6 Abstract test method and test configurations

The distributed test method applies to the L3 MS testing. The test method uses a lower tester and a Man-Machine Interface (MMI) as an upper tester at the SUT.

6.1 Test system model

The model of the L3 test system is based on the original protocol architecture at the air interface. The test system consists conceptually of a lower tester LT, the L3 test programme (executable test suite), a L2 radio link emulator, a management functional unit, the L1 service provider and a TRx set (see figure 1).

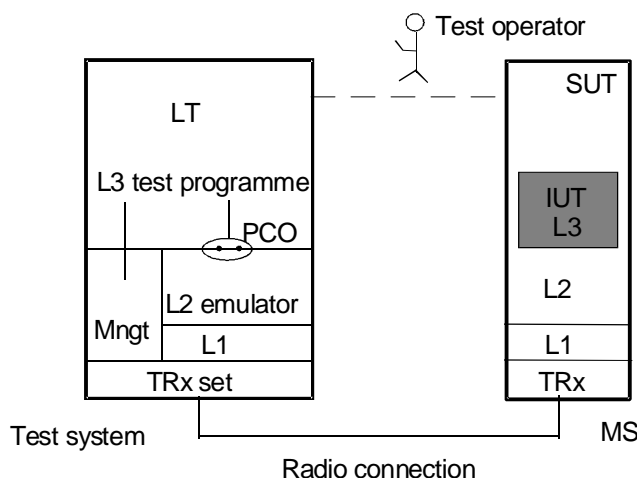


Figure 3: Test system and distributed test method

The LT provides the test environment and for test execution and the means of control and observation at the L3 lower service boundary within the test system.

The L3 TTCN test specification uses the three LT interfaces to communicate with the MS, the system under test, and with the other parts of the test system:

- Interface to the L2 emulator via the PCO;
- Interface to the management functional unit via TTCN test suite operations;
- Interface to the MS Man-Machine Interface (MMI) via a test operator.

6.2 Test Method

The PCO in the LT is defined as L2 SAP (SAP 0 + 3). The PCO has two FIFO queues (data buffers) to store all sending and receiving test events. The L2 primitives in the ATS which constitute mainly the interface to the L2 emulator are specified via the L2 primitives. In order to simulate multicell testing as required in some test cases, the defined primitives are able to address individual cells of the test system and the logic channels of each cell for the L3 message exchanges. The L2 emulator together with the underlying L1 and the TRx set support all message exchanges via correct radio links.

The management function unit has three management functions:

- L2 and L1 management;
- Channel management;
- TRx management;

The interface to the management function unit is presented in the ATS via a set of test suite operations. The major functions of the test suite management operations are:

- To load configuration parameters necessary for the test system.
- To control and get the necessary values of radio resources/ channels for tests.

The SUT (MS) has a more or less standardized MMI, such as keys, digital display, tones, etc. The ATS uses such kind of functions to provoke some procedures or to observe simple results at the SUT side. A human operator is needed during the test. The test system shall have an interface to the human operator to enable the test co-ordination.

Annex A (normative): Layer 3 Abstract Test Suite**The machine processable ATS**

The electronic forms of the machine processable files (TTCN MP format) corresponding to the ATS for EFR are contained in the file l3-4k1.mp²⁾ (Layer 3) on the diskette included as a part of this ETS (Part 3).

The graphical form ATS

The TTCN.GR representation of this ATS is contained in the remainder of this annex.

2) This file is located in an archive file named 6073_E6.LZH. Other file formats are available on request.

Suite overview

Suite structure

Test Suite Structure			
Suite Name:	GSM_L3_MS_v4200		
Standards Ref:	ETS 300 557		
PICS Ref:			
PIXIT Ref:			
Test Method(s):	Distributed Single Layer Test Method		
Comments:	Version 4.20.0		
Structure and Objectives			
Test Group Reference	Selection Ref	Test Group Objective	Page Nr
GSM_L3_MS_v4200/General/			656
GSM_L3_MS_v4200/InitialTest/			671
GSM_L3_MS_v4200/IdleMode/			697
GSM_L3_MS_v4200/BiBo/			700
GSM_L3_MS_v4200/RR/			738
GSM_L3_MS_v4200/MM/			899
GSM_L3_MS_v4200/CC/			963
GSM_L3_MS_v4200/StructureProc/			1071
GSM_L3_MS_v4200/EGSMsignalling/			1093
GSM_L3_MS_v4200/SS/			1116
GSM_L3_MS_v4200/SM/			1209
Detailed Comments:			

Test case index

Test Case Index				
Test Group Reference	Test Case Id	Selection ref	Description	Page Nr
GSM_L3_MS_v4200/General/	TC_11_1_1	SelExpr_0002	Verification of support and non-support of services (MT).	656
GSM_L3_MS_v4200/General/	TC_11_1_2	SelExpr_0007	Verification of support and non-support of services (MO).	658
GSM_L3_MS_v4200/General/	TC_11_2	SelExpr_0002	Verification of support of the single numbering scheme.	663
GSM_L3_MS_v4200/General/	TC_11_3	SelExpr_0003	Verification of non-support of services. (Advice of Charge Charging, AOCC)	664
GSM_L3_MS_v4200/General/	TC_11_4	SelExpr_0004	Verification of non-support of services. (Call Hold)	667
GSM_L3_MS_v4200/General/	TC_11_5	SelExpr_0005	Verification of non-support of services. (MultiParty)	668
GSM_L3_MS_v4200/General/	TC_11_6	SelExpr_0006	Verification of non-support of feature. (Fixed dialling number)	670
GSM_L3_MS_v4200/nitialTest/	TC_26_2_1_1	SelExpr_0101	Initial Layer 3 tests - Channel request / initial time.	671
GSM_L3_MS_v4200/nitialTest/	TC_26_2_1_2	SelExpr_0101	11.10 Ref. ver.4.10; CR Initial Layer 3 tests - Channel request / repetition time.	673
GSM_L3_MS_v4200/nitialTest/	TC_26_2_1_3	SelExpr_0101	11.10 Ref. ver.4.10; CR: C46 Initial Layer 3 tests - Channel request / random reference.	675
GSM_L3_MS_v4200/nitialTest/	TC_26_2_2	SelExpr_0101	11.10 Ref. ver.4.10; CR IMSI detach and IMSI attach.	676
GSM_L3_MS_v4200/nitialTest/	TC_26_2_3	SelExpr_0101	11.10 Ref. ver 4.10.0; CR. 0295-6r1. CR.C62r1.	678
GSM_L3_MS_v4200/nitialTest/	TC_26_2_4_1	SelExpr_0102	Sequenced MM / CM message transfer.	680
GSM_L3_MS_v4200/nitialTest/	TC_26_2_4_2	SelExpr_0103	Establishment Cause /pr1 (TCH)	682
GSM_L3_MS_v4200/nitialTest/	TC_26_2_4_3	SelExpr_0107	Establishment Cause /pr2 (/H)	684
GSM_L3_MS_v4200/nitialTest/	TC_26_2_4_4	SelExpr_0104	Establishment Cause /pr3 (TCH/FS)	686
GSM_L3_MS_v4200/nitialTest/	TC_26_2_4_5	SelExpr_0101	Establishment Cause /pr4 (data)	688
GSM_L3_MS_v4200/nitialTest/	TC_26_2_4_6	SelExpr_0101	Establishment Cause /pr5	691
GSM_L3_MS_v4200/nitialTest/	TC_26_2_4_7	SelExpr_0101	Establishment Cause /pr6	694
GSM_L3_MS_v4200/nitialTest/	TC_26_2_4_8	SelExpr_0105	Establishment Cause /pr7 (non-call-SS)	696
GSM_L3_MS_v4200/nitialTest/	TC_26_3_2	SelExpr_0106	Establishment Cause /pr8 (SMS/PP MO)	697
GSM_L3_MS_v4200/dleMode/	TC_26_3_3	SelExpr_0201	MS indication of available PLMNs	698
GSM_L3_MS_v4200/dleMode/	TC_26_3_4	SelExpr_0201	MS will send only if BSS is "on air".	699
GSM_L3_MS_v4200/dleMode/	TC_26_5_1	SelExpr_0201	Manual mode of PLMN selection	700
GSM_L3_MS_v4200/BiBo/	TC_26_5_2_1_1	SelExpr_0302	11.10 Ref. ver. 4.10.0; CR. 11.10-661. C64 Handling of unknown protocol discriminator	701
GSM_L3_MS_v4200/BiBo/	TC_26_5_2_1_2	SelExpr_0302	Handling of unknown TI and skip indicator / RR	702
GSM_L3_MS_v4200/BiBo/	TC_26_5_2_2	SelExpr_0302	TI Skip indicator / RR / RR Connection established	704
GSM_L3_MS_v4200/BiBo/	TC_26_5_2_3	SelExpr_0301	TI and skip indicator / MM	706
GSM_L3_MS_v4200/BiBo/	TC_26_5_3_1	SelExpr_0301	TI and skip indicator / CC	708
GSM_L3_MS_v4200/BiBo/	TC_26_5_3_2	SelExpr_0301	Undefined or unexpected Message type / undefined message type / CC	709
GSM_L3_MS_v4200/BiBo/	TC_26_5_3_2	SelExpr_0301	Undefined or unexpected message type / undefined message type / MM	709

GSM_L3_MS_v4200/ BiBo/	TC_26_5_3_3	SelExpr_0302	Undefined or unexpected message type / undefined message type / RR	710
GSM_L3_MS_v4200/ BiBo/	TC_26_5_3_4	SelExpr_0301	Undefined or unexpected message type / unexpected message type / CC	711
GSM_L3_MS_v4200/ BiBo/	TC_26_5_4_1	SelExpr_0302	Unforeseen info elements in non-imperative message part / duplicated info elements	712
GSM_L3_MS_v4200/ BiBo/	TC_26_5_5_1_1_1	SelExpr_0302	Non-semantic mandatory IE errors / RR / missing mandatory IE error / special case	713
GSM_L3_MS_v4200/ BiBo/	TC_26_5_5_1_1_2	SelExpr_0302	Non-semantic mandatory IE errors / RR / missing mandatory IE error / general case	714
GSM_L3_MS_v4200/ BiBo/	TC_26_5_5_1_2	SelExpr_0302	Non-semantic mandatory ie errors / RR / comprehension required	715
GSM_L3_MS_v4200/ BiBo/	TC_26_5_5_2_1	SelExpr_0301	Non-semantic mandatory IE errors / MM / syntactically incorrect mandatory IE	716
GSM_L3_MS_v4200/ BiBo/	TC_26_5_5_2_2	SelExpr_0302	Non-semantic mandatory IE errors / MM / syntactically incorrect mandatory IE 11.10 Ref. ver. 4.10.0; CR. 11.10-688	717
GSM_L3_MS_v4200/ BiBo/	TC_26_5_5_2_3	SelExpr_0302	Non-semantic mandatory IE errors / MM / syntactically incorrect mandatory IE	718
GSM_L3_MS_v4200/ BiBo/	TC_26_5_5_3_1_1	SelExpr_0301	Non-semantic mandatory IE errors / CC / missing mandatory IE / disconnect message	720
GSM_L3_MS_v4200/ BiBo/	TC_26_5_5_3_1_2	SelExpr_0301	Non-semantic mandatory IE errors / CC / missing mandatory IE / general case	721
GSM_L3_MS_v4200/ BiBo/	TC_26_5_5_3_2	SelExpr_0301	Non-semantic mandatory IE errors / CC / comprehension required	722
GSM_L3_MS_v4200/ BiBo/	TC_26_5_6_1_1	SelExpr_0302	Unknown IE, comprehension not required / MM / IE unknown in the protocol	723
GSM_L3_MS_v4200/ BiBo/	TC_26_5_6_1_2	SelExpr_0302	Unknown IE, comprehension not required / MM / IE unknown in the message	725
GSM_L3_MS_v4200/ BiBo/	TC_26_5_6_2_1	SelExpr_0301	Unknown info elements in the non-imperative message part / CC / Call establishment	726
GSM_L3_MS_v4200/ BiBo/	TC_26_5_6_2_2	SelExpr_0301	Unknown information elements in the non- imperative message part / CC / disconnect	727
GSM_L3_MS_v4200/ BiBo/	TC_26_5_6_2_3	SelExpr_0301	Unknown information elements in the non- imperative message part / CC / release	728
GSM_L3_MS_v4200/ BiBo/	TC_26_5_6_2_4	SelExpr_0301	Unknown info elements in the non-imperative message part / CC / release complete	729
GSM_L3_MS_v4200/ BiBo/	TC_26_5_6_3	SelExpr_0302	Unknown IE in the non-imperative message part, comprehension not required / RR / unknown in the protocol.	730
GSM_L3_MS_v4200/ BiBo/	TC_26_5_7_1_1	SelExpr_0302	Spare bits / RR / paging channel	731
GSM_L3_MS_v4200/ BiBo/	TC_26_5_7_1_2	SelExpr_0302	Spare bits / RR / BCCH	732
GSM_L3_MS_v4200/ BiBo/	TC_26_5_7_1_3	SelExpr_0302	pare bits / RR / AGCH	733
GSM_L3_MS_v4200/ BiBo/	TC_26_5_7_1_4	SelExpr_0302	Spare bits / RR / connected mode	734
GSM_L3_MS_v4200/ BiBo/	TC_26_5_7_2	SelExpr_0302	Spare bits / MM	735
GSM_L3_MS_v4200/ BiBo/	TC_26_5_7_3	SelExpr_0301	Spare bits / CC	736
GSM_L3_MS_v4200/ RR/	TC_26_6_1_1	SelExpr_0401	Immediate Assignment / SDCCH or TCH assignment	738
GSM_L3_MS_v4200/ RR/	TC_26_6_1_2	SelExpr_0401	Immediate Assignment / extended assignment	740
GSM_L3_MS_v4200/ RR/	TC_26_6_1_3	SelExpr_0401	Immediate Assignment / assignment rejection	743
GSM_L3_MS_v4200/ RR/	TC_26_6_1_4	SelExpr_0401	Immediate Assignment / ignore assignment	746
GSM_L3_MS_v4200/ RR/	TC_26_6_1_5	SelExpr_0401	Immediate Assignment after immediate assignment reject	748
GSM_L3_MS_v4200/ RR/	TC_26_6_2_1_1	SelExpr_0401	Paging / normal / type 1	749
GSM_L3_MS_v4200/ RR/	TC_26_6_2_1_2	SelExpr_0401	Paging / normal / type 2	751
GSM_L3_MS_v4200/ RR/	TC_26_6_2_1_3	SelExpr_0401	Paging / normal / type 3	753
GSM_L3_MS_v4200/ RR/	TC_26_6_2_2	SelExpr_0401	Paging / extended	755
GSM_L3_MS_v4200/	TC_26_6_2_3_1	SelExpr_0401	Paging / reorganisation / procedure 1	759

RR/ GSM_L3_MS_v4200/ RR/	TC_26_6_2_3_2	SelExpr_0401	Paging / reorganisation / procedure 2	761
GSM_L3_MS_v4200/ RR/	TC_26_6_2_4	SelExpr_0401	Paging / same as before	763
GSM_L3_MS_v4200/ RR/	TC_26_6_2_5	SelExpr_0401	Multislot CCCH handling	764
GSM_L3_MS_v4200/ RR/	TC_26_6_3_1	SelExpr_0402	Measurement / no neighbour	766
GSM_L3_MS_v4200/ RR/	TC_26_6_3_2	SelExpr_0402	Measurement / all neighbours present	768
GSM_L3_MS_v4200/ RR/	TC_26_6_3_3	SelExpr_0402	Measurement / barred cells and non-permitted NCCs	770
GSM_L3_MS_v4200/ RR/	TC_26_6_3_4	SelExpr_0402	Measurement / DTX	772
GSM_L3_MS_v4200/ RR/	TC_26_6_3_5	SelExpr_0402	Measurement / frequency formats	776
GSM_L3_MS_v4200/ RR/	TC_26_6_4_1	SelExpr_0401	Dedicated assignment / Successful case	779
GSM_L3_MS_v4200/ RR/	TC_26_6_4_2_1	SelExpr_0402	Dedicated assignment / failure / failure during active state	785
GSM_L3_MS_v4200/ RR/	TC_26_6_4_2_2	SelExpr_0401	Dedicated assignment / failure / general case	787
GSM_L3_MS_v4200/ RR/	TC_26_6_5_1	SelExpr_0402	Handover / successful / active call / non-synchronized	789
GSM_L3_MS_v4200/ RR/	TC_26_6_5_2_1	SelExpr_0410	Retransmit L3-msg during non synchr. HO from SDCCH/4_nonFH to TCH/F_FH.	794
GSM_L3_MS_v4200/ RR/	TC_26_6_5_2_2	SelExpr_0408	Retransmit L3-msg during non synchr. HO from SDCCH/4_nonFH to TCH/H_FH.	796
GSM_L3_MS_v4200/ RR/	TC_26_6_5_2_3	SelExpr_0410	Retransmit L3-msg during non synchr. HO from SDCCH/4_nonFH to SDCCH/8_FH.	798
GSM_L3_MS_v4200/ RR/	TC_26_6_5_2_4	SelExpr_0410	Retransmit L3-msg during non synchr. HO from SDCCH/8_nonFH in cell A to SDCCH/8_FH in cellB.	800
GSM_L3_MS_v4200/ RR/	TC_26_6_5_2_5	SelExpr_0408	Retransmit L3-msg during non synchr. HO from TCH/F_NonFH in cell A to TCH/H_NonFH in cellB.	802
GSM_L3_MS_v4200/ RR/	TC_26_6_5_2_6	SelExpr_0408	Retransmit L3-msg during non synchr. HO from TCH/H_FH in cell A to TCH/F_FH in cellB.	804
GSM_L3_MS_v4200/ RR/	TC_26_6_5_2_7	SelExpr_0410	Retransmit L3-msg during non synchr. HO from TCH/F_FH in cell A to TCH/F_FH in cellB.	806
GSM_L3_MS_v4200/ RR/	TC_26_6_5_2_8	SelExpr_0410	Retransmit L3-msg during non synchr. HO from TCH/SDCCH8_FH in cell A to TCH/F_NonFH in cellB.	808
GSM_L3_MS_v4200/ RR/	TC_26_6_5_2_9	SelExpr_0410	Retransmit L3-msg during non synchr. HO from SDCCH8_NoFH in cell A to TCH/F_FH in cellB.	810
GSM_L3_MS_v4200/ RR/	TC_26_6_5_2_10	SelExpr_0408	Retransmit L3-msg during non synchr. HO from TCH/SDCCH8_NoFH in cell A to TCH/H_FH in cellB.	812
GSM_L3_MS_v4200/ RR/	TC_26_6_5_3_1	SelExpr_0402	synchronised HO from TCH/F_FH in cellA to TCH/F_nonFH in cellB.	814
GSM_L3_MS_v4200/ RR/	TC_26_6_5_3_2	SelExpr_0408	synchronised HO from TCH/H_FH in cellA to TCH/H_nonFH in cellB.	816
GSM_L3_MS_v4200/ RR/	TC_26_6_5_4_1	SelExpr_0410	Handover/ successful/ call under establishment/ finely synchronized (HO: SDCCH8/FH -> SDCCH/8_FH)	818
GSM_L3_MS_v4200/ RR/	TC_26_6_5_4_2	SelExpr_0410	Handover/ successful/ call under establishment/ finely synchronized (HO: SDCCH8/FH -> SDCCH/4_noFH)	820
GSM_L3_MS_v4200/ RR/	TC_26_6_5_4_3	SelExpr_0410	Handover/ successful/ call under establishment/ finely synchronized (HO: TCH/F_NoFH -> TCH/F_FH)	822
GSM_L3_MS_v4200/ RR/	TC_26_6_5_4_4	SelExpr_0410	Handover/ successful/ call under establishment/ finely synchronized (HO: SDCCH8_NoFH -> TCH/F_NoFH)	824
GSM_L3_MS_v4200/ RR/	TC_26_6_5_5_1	SelExpr_0402	Handover / successful / active call / pre-synchronised / Timing Advance IE not included	826

GSM_L3_MS_v4200/RR/	TC_26_6_5_5_2	SelExpr_0410	Handover / successful / call being estab. / pre-synch. /Tim. Advance IE is included / reporting of obsrvd. time diff requested	829
GSM_L3_MS_v4200/RR/	TC_26_6_5_6	SelExpr_0409	Handover / successful / active call / pseudo - synchronised	832
GSM_L3_MS_v4200/RR/	TC_26_6_5_7	SelExpr_0402	Handover / successful / active call / non-synchronised / reporting of obsrvd. Time diff requested	835
GSM_L3_MS_v4200/RR/	TC_26_6_5_8	SelExpr_0402	Handover / L3-failure 11.10 Ref. ver.4.10.0; CR 11.10-720	837
GSM_L3_MS_v4200/RR/	TC_26_6_5_9	SelExpr_0402	Handover / L1-failure 11.10 Ref. ver.4.10.0; CR 11.10-720	839
GSM_L3_MS_v4200/RR/	TC_26_6_6_1	SelExpr_0401	Frequency redefinition	842
GSM_L3_MS_v4200/RR/	TC_26_6_7_1	SelExpr_0403	Channel mode modify / full rate	846
GSM_L3_MS_v4200/RR/	TC_26_6_7_2	SelExpr_0404	Channel mode modify / half rate 11.10 Ref ver. 4.10.0;CR.0295-17r1; 11.10-780	849
GSM_L3_MS_v4200/RR/	TC_26_6_8_1	SelExpr_0405	Ciphering mode / start ciphering	852
GSM_L3_MS_v4200/RR/	TC_26_6_8_2	SelExpr_0402	Ciphering mode / no ciphering	854
GSM_L3_MS_v4200/RR/	TC_26_6_8_3	SelExpr_0405	Ciphering mode / old cipher key	855
GSM_L3_MS_v4200/RR/	TC_26_6_8_4	SelExpr_0401	Ciphering mode / Change of mode, algorithm and key	856
GSM_L3_MS_v4200/RR/	TC_26_6_8_5	SelExpr_0401	Ciphering mode / IMEI request 11.10 REF. VER.4.10.0; CR. C92	863
GSM_L3_MS_v4200/RR/	TC_26_6_11_1	SelExpr_0406	Test of Classmark change	864
GSM_L3_MS_v4200/RR/	TC_26_6_11_2	SelExpr_0401	Test of Classmark Interrogation	866
GSM_L3_MS_v4200/RR/	TC_26_6_12_1	SelExpr_0401	Channel release / SDCCH	867
GSM_L3_MS_v4200/RR/	TC_26_6_12_2	SelExpr_0401	Channel release / SDCCH - no L2 ACK	869
GSM_L3_MS_v4200/RR/	TC_26_6_12_3	SelExpr_0403	Channel release / TCH-F	871
GSM_L3_MS_v4200/RR/	TC_26_6_12_4	SelExpr_0403	Channel release / TCH-F - no L2 ACK	873
GSM_L3_MS_v4200/RR/	TC_26_6_13_1	SelExpr_0401	Dedicated assignment with starting time / successful case / time not elapsed	875
GSM_L3_MS_v4200/RR/	TC_26_6_13_2	SelExpr_0401	Dedicated assignment with starting time / successful case / time elapsed	877
GSM_L3_MS_v4200/RR/	TC_26_6_13_3	SelExpr_0401	Dedicated assignment with starting time and frequency redefinition/ failure case / time not elapsed	879
GSM_L3_MS_v4200/RR/	TC_26_6_13_4	SelExpr_0401	Dedicated assignment with starting time and frequency redefinition/ failure case / time elapsed	881
GSM_L3_MS_v4200/RR/	TC_26_6_13_5	SelExpr_0401	Handover with starting time / successful case / time not elapsed	883
GSM_L3_MS_v4200/RR/	TC_26_6_13_6	SelExpr_0401	Handover with starting time / successful case / time elapsed	886
GSM_L3_MS_v4200/RR/	TC_26_6_13_7	SelExpr_0401	Handover with starting time and frequency redefinition / failure case / time not elapsed	889
GSM_L3_MS_v4200/RR/	TC_26_6_13_8	SelExpr_0401	Handover with starting time and frequency redefinition / failure case / time elapsed	892
GSM_L3_MS_v4200/RR/	TC_26_6_13_9	SelExpr_0401	Immediate assignment with starting time / successful case / time not elapsed	895
GSM_L3_MS_v4200/RR/	TC_26_6_13_10	SelExpr_0401	Immediate assignment with starting time / successful case / time elapsed	897
GSM_L3_MS_v4200/MM/	TC_26_7_1	SelExpr_0501	TMSI reallocation.	899
GSM_L3_MS_v4200/MM/	TC_26_7_2_1	SelExpr_0501	Authentication accepted.	900
GSM_L3_MS_v4200/MM/	TC_26_7_2_2	SelExpr_0501	Authentication Reject	901
GSM_L3_MS_v4200/MM/	TC_26_7_3_1	SelExpr_0501	General identification with IMSI and TMSI in non ciphered mode and IMEI in ciphered	903

GSM_L3_MS_v4200/ MM/	TC_26_7_3_2	SelExpr_0501	mode.	904
GSM_L3_MS_v4200/ MM/	TC_26_7_4_1	SelExpr_0501	Handling of IMSI shorter than the maximum length.	907
GSM_L3_MS_v4200/ MM/	TC_26_7_4_2_1	SelExpr_0501	Location Updating Accepted	909
GSM_L3_MS_v4200/ MM/	TC_26_7_4_2_2_1	SelExpr_0501	Location Update Reject with the cause "IMSI unknown in HLR", "illegal MS" or "Illegal ME".	911
GSM_L3_MS_v4200/ MM/	TC_26_7_4_2_2_2	SelExpr_0501	Location Update Rejected with the cause "PLMN not allowed" - test 1.	913
GSM_L3_MS_v4200/ MM/	TC_26_7_4_2_3	SelExpr_0501	Location Update Rejected with the cause "PLM not allowed" - test 2.	915
GSM_L3_MS_v4200/ MM/	TC_26_7_4_2_4_1	SelExpr_0501	Location Update Rejected with the cause "Location area not allowed".	917
GSM_L3_MS_v4200/ MM/	TC_26_7_4_2_4_2	SelExpr_0501	Location Updating / rejected / roaming / procedure1	918
GSM_L3_MS_v4200/ MM/	TC_26_7_4_2_4_3	SelExpr_0501	Location Updating / rejected / roaming / procedure2	920
GSM_L3_MS_v4200/ MM/	TC_26_7_4_2_4_4	SelExpr_0501	Location Updating / rejected / roaming / procedure3	922
GSM_L3_MS_v4200/ MM/	TC_26_7_4_2_4_5	SelExpr_0502	Location Updating / rejected / roaming / procedure4	923
GSM_L3_MS_v4200/ MM/	TC_26_7_4_3_1	SelExpr_0501	Location Updating / rejected / roaming / procedure5	924
GSM_L3_MS_v4200/ MM/	TC_26_7_4_3_2	SelExpr_0501	Location Updating / abnormal cases / random access fails	926
GSM_L3_MS_v4200/ MM/	TC_26_7_4_3_3	SelExpr_0501	Location updating / abnormal cases / attempt counter less or equal to 4, LAI different	930
GSM_L3_MS_v4200/ MM/	TC_26_7_4_3_4	SelExpr_0501	Location Updating/Abnormal cases/Attempt Counter Equal to 4	934
GSM_L3_MS_v4200/ MM/	TC_26_7_4_4	SelExpr_0501	Location updating/Abnormal cases/Attempt Counter Equal to 4, stored LAI equal to broadcast LAI	939
GSM_L3_MS_v4200/ MM/	TC_26_7_4_5_1	SelExpr_0502	To verify that the MS aborts the RR-connection at the expiry of timer T3240.	940
GSM_L3_MS_v4200/ MM/	TC_26_7_4_5_2	SelExpr_0501	Periodic Updating Procedure/ Change of T3212 value.	942
GSM_L3_MS_v4200/ MM/	TC_26_7_4_5_3	SelExpr_0501	Periodic Updating Procedure/ Reset of T3212 after receiving of the first L3 message.	944
GSM_L3_MS_v4200/ MM/	TC_26_7_4_5_4_1	SelExpr_0501	Periodic Updating Procedure/ Reset of T3212 after generic LUP or IMSI attach procedure	945
GSM_L3_MS_v4200/ MM/	TC_26_7_4_5_4_2	SelExpr_0501	Location updating/ periodic HPLMN search/ MS waits time T.	946
GSM_L3_MS_v4200/ MM/	TC_26_7_4_5_4_3	SelExpr_0501	Location updating/ periodic HPLMN search/ MS in manual mode.	947
GSM_L3_MS_v4200/ MM/	TC_26_7_4_6	SelExpr_0501	Location updating/ periodic HPLMN search/ MS waits at least two minutes	949
GSM_L3_MS_v4200/ MM/	TC_26_7_5_2	SelExpr_0501	Location updating/ interworking of attach and periodic.	951
GSM_L3_MS_v4200/ MM/	TC_26_7_5_3	SelExpr_0501	MM connection/ establishment with cipher.	953
GSM_L3_MS_v4200/ MM/	TC_26_7_5_4	SelExpr_0501	MM connection/ establishment without cipher.	954
GSM_L3_MS_v4200/ MM/	TC_26_7_5_4	SelExpr_0501	MM connection/ establishment rejected.	955
GSM_L3_MS_v4200/ MM/	TC_26_7_5_5	SelExpr_0501	MM connection/ establishment rejected cause 4.	956
GSM_L3_MS_v4200/ MM/	TC_26_7_5_6	SelExpr_0501	MM connection/ expiry T3230	957
GSM_L3_MS_v4200/ MM/	TC_26_7_5_7_1	SelExpr_0501	MM connection/ abortion by the network/ cause #6	959
GSM_L3_MS_v4200/ MM/	TC_26_7_5_7_2	SelExpr_0504	MM connection/ abortion by the network/ cause not equal #6	960
GSM_L3_MS_v4200/ MM/	TC_26_7_5_8_1	SelExpr_0501	MM connection / follow-on request pending / test1	961
GSM_L3_MS_v4200/ MM/	TC_26_7_5_8_2	SelExpr_0501	MM connection / follow-on request pending / test2	962
GSM_L3_MS_v4200/ MM/	TC_26_7_5_8_3	SelExpr_0501	MM connection / follow-on request pending / test3	963
GSM_L3_MS_v4200/ CC/	TC_26_8_1_2_1_1	SelExpr_0601	Outgoing call// U10 null state.	964
GSM_L3_MS_v4200/	TC_26_8_1_2_2_1	SelExpr_0601	Outgoing call / U0.1 MM connection pending /	

CC/ GSM_L3_MS_v4200/ CC/	TC_26_8_1_2_2_2	SelExpr_0601	CM service rejected	965
GSM_L3_MS_v4200/ CC/	TC_26_8_1_2_2_3	SelExpr_0601	Outgoing call / U0.1 MM connection pending / CM service accepted	966
GSM_L3_MS_v4200/ CC/	TC_26_8_1_2_3_1	SelExpr_0601	Outgoing call / U0.1 MM connection pending / lower layer failure	967
GSM_L3_MS_v4200/ CC/	TC_26_8_1_2_3_2	SelExpr_0601	Outgoing call / U1 call initiated / receiving CALL PROCEEDING	968
GSM_L3_MS_v4200/ CC/	TC_26_8_1_2_3_3	SelExpr_0601	Outgoing call / U1 call initiated / rejecting with RELEASE COMPLETE	969
GSM_L3_MS_v4200/ CC/	TC_26_8_1_2_3_4	SelExpr_0601	Outgoing call / U1 call initiated / T303 expiry	970
GSM_L3_MS_v4200/ CC/	TC_26_8_1_2_3_5	SelExpr_0601	Outgoing call / U1 call initiated / lower layer failure	971
GSM_L3_MS_v4200/ CC/	TC_26_8_1_2_3_6	SelExpr_0601	Outgoing call / U1 call initiated / receiving ALERTING	972
GSM_L3_MS_v4200/ CC/	TC_26_8_1_2_3_7	SelExpr_0601	Outgoing call / U1 call initiated / entering state U10	973
GSM_L3_MS_v4200/ CC/	TC_26_8_1_2_3_7	SelExpr_0601	Outgoing call / U1 call initiated / unknown message received	974
GSM_L3_MS_v4200/ CC/	TC_26_8_1_2_4_1	SelExpr_0601	Outgoing call / U3 MS originating call proceeding / ALERTING received	975
GSM_L3_MS_v4200/ CC/	TC_26_8_1_2_4_2	SelExpr_0601	Outgoing call / U3 MS originating call proceeding / CONNECT received	976
GSM_L3_MS_v4200/ CC/	TC_26_8_1_2_4_3	SelExpr_0601	Outgoing call / U3 MS origintg. call proceeding / PROGRESS received without in band information.	977
GSM_L3_MS_v4200/ CC/	TC_26_8_1_2_4_4	SelExpr_0601	Outgoing call / U3 MS originating call proceeding / PROGRESS with in band information	979
GSM_L3_MS_v4200/ CC/	TC_26_8_1_2_4_5	SelExpr_0601	Outgoing call / U3 MS originating call proceeding / DISCONNECT with in band tones	980
GSM_L3_MS_v4200/ CC/	TC_26_8_1_2_4_6	SelExpr_0601	Outgoing call / U3 MS originating call proceeding / DISCONNECT without in band tones	981
GSM_L3_MS_v4200/ CC/	TC_26_8_1_2_4_7	SelExpr_0601	Outgoing call / U3 MS originating call proceeding / RELEASE received	982
GSM_L3_MS_v4200/ CC/	TC_26_8_1_2_4_8	SelExpr_0601	Outgoing call / U3 MS originating call proceeding / termination requested by the user	983
GSM_L3_MS_v4200/ CC/	TC_26_8_1_2_4_9	SelExpr_0601	Outgoing call / U3 MS originating call proceeding / traffic channel allocation	984
GSM_L3_MS_v4200/ CC/	TC_26_8_1_2_4_10	SelExpr_0601	Outgoing call / U3 MS originating call proceeding / timer T310 timeout	985
GSM_L3_MS_v4200/ CC/	TC_26_8_1_2_4_11	SelExpr_0601	Outgoing call / U3 MS originating call proceeding / lower layer failure	986
GSM_L3_MS_v4200/ CC/	TC_26_8_1_2_4_12	SelExpr_0601	Outgoing call / U3 MS originating call proceeding / unknown message received	987
GSM_L3_MS_v4200/ CC/	TC_26_8_1_2_4_13	SelExpr_0605	Outgoing call / U3 MS originating call proceeding / Internal alerting indication	988
GSM_L3_MS_v4200/ CC/	TC_26_8_1_2_5_1	SelExpr_0601	Outgoing call / U4 call delivered / CONNECT received	989
GSM_L3_MS_v4200/ CC/	TC_26_8_1_2_5_2	SelExpr_0601	Outgoing call / U4 call delivered / termination requested by the user	990
GSM_L3_MS_v4200/ CC/	TC_26_8_1_2_5_3	SelExpr_0601	Outgoing call / U4 call delivered / DISCONNECT with in band tones	991
GSM_L3_MS_v4200/ CC/	TC_26_8_1_2_5_4	SelExpr_0601	Outgoing call / U4 call delivered / DISCONNECT without in band tones	992
GSM_L3_MS_v4200/ CC/	TC_26_8_1_2_5_5	SelExpr_0601	Outgoing call / U4 call delivered / RELEASE received	993
GSM_L3_MS_v4200/ CC/	TC_26_8_1_2_5_6	SelExpr_0601	Outgoing call / U4 call delivered / lower layer failure	994
GSM_L3_MS_v4200/ CC/	TC_26_8_1_2_5_7	SelExpr_0601	Outgoing call / U4 call delivered / traffic channel allocation	995
GSM_L3_MS_v4200/ CC/	TC_26_8_1_2_5_8	SelExpr_0601	Outgoing call / U4 call delivered / unknown message received	996
GSM_L3_MS_v4200/ CC/	TC_26_8_1_2_6_1	SelExpr_0601	U10 call active / termination requested by the user	997
GSM_L3_MS_v4200/ CC/	TC_26_8_1_2_6_2	SelExpr_0601	10 call active / RELEASE received	998
GSM_L3_MS_v4200/ CC/	TC_26_8_1_2_6_3	SelExpr_0601	U10 call active / DISCONNECT with in band	998

CC/ GSM_L3_MS_v4200/ CC/	TC_26_8_1_2_6_4	SelExpr_0601	tones U10 call active / DISCONNECT without in band tones	999
GSM_L3_MS_v4200/ CC/	TC_26_8_1_2_6_5	SelExpr_0601	U10 call active / RELEASE COMPLETE received	1000
GSM_L3_MS_v4200/ CC/	TC_26_8_1_2_6_6	SelExpr_0601	U10 call active / SETUP received	1001
GSM_L3_MS_v4200/ CC/	TC_26_8_1_2_7_1	SelExpr_0601	U11 disconnect request / clear collision	1002
GSM_L3_MS_v4200/ CC/	TC_26_8_1_2_7_2	SelExpr_0601	U11 disconnect request / RELEASE received	1003
GSM_L3_MS_v4200/ CC/	TC_26_8_1_2_7_3	SelExpr_0601	U11 disconnect request / timer T305 timeout	1004
GSM_L3_MS_v4200/ CC/	TC_26_8_1_2_7_4	SelExpr_0601	U11 disconnect request / lower layer failure	1005
GSM_L3_MS_v4200/ CC/	TC_26_8_1_2_7_5	SelExpr_0601	U11 disconnect request / unknown message received	1006
GSM_L3_MS_v4200/ CC/	TC_26_8_1_2_8_1	SelExpr_0604	U12 disconnect indication / call releasing requested by the user	1007
GSM_L3_MS_v4200/ CC/	TC_26_8_1_2_8_2	SelExpr_0604	U12 disconnect indication / RELEASE received	1008
GSM_L3_MS_v4200/ CC/	TC_26_8_1_2_8_3	SelExpr_0604	U12 disconnect indication / lower layer failure	1009
GSM_L3_MS_v4200/ CC/	TC_26_8_1_2_8_4	SelExpr_0604	U12 disconnect indication / unknown message received	1010
GSM_L3_MS_v4200/ CC/	TC_26_8_1_2_9_1	SelExpr_0601	Outgoing call / U19 release request / timer T308 timeout	1011
GSM_L3_MS_v4200/ CC/	TC_26_8_1_2_9_2	SelExpr_0601	Outgoing call / U19 release request / 2nd timer T308 timeout	1012
GSM_L3_MS_v4200/ CC/	TC_26_8_1_2_9_3	SelExpr_0601	Outgoing call / U19 release request / RELEASE received	1013
GSM_L3_MS_v4200/ CC/	TC_26_8_1_2_9_4	SelExpr_0601	Outgoing call / U19 release request / RELEASE COMPLETE received	1014
GSM_L3_MS_v4200/ CC/	TC_26_8_1_2_9_5	SelExpr_0601	Outgoing call / U19 release request / lower layer failure	1015
GSM_L3_MS_v4200/ CC/	TC_26_8_1_3_1_1	SelExpr_0600	Incoming call / U0 null state / SETUP received with a non supported bearer capability	1016
GSM_L3_MS_v4200/ CC/	TC_26_8_1_3_2_1	SelExpr_0603	Incoming call / U6 call present / automatic call rejection	1017
GSM_L3_MS_v4200/ CC/	TC_26_8_1_3_3_1	SelExpr_0606	Incoming call / U9 mobile terminating call confirmed / alerting or immediate connecting 11.10 Ref. ver. 4.10.0; CR.	1018
GSM_L3_MS_v4200/ CC/	TC_26_8_1_3_3_2	SelExpr_0602	Incoming call / U9 mobile terminating call confirmed / TCH assignment	1019
GSM_L3_MS_v4200/ CC/	TC_26_8_1_3_3_3	SelExpr_0602	Incoming call / U9 mobile terminating call confirmed / termination requested by the user	1020
GSM_L3_MS_v4200/ CC/	TC_26_8_1_3_3_4	SelExpr_0602	Incoming call / U9 mobile terminating call confirmed / DISCONNECT received	1021
GSM_L3_MS_v4200/ CC/	TC_26_8_1_3_3_5	SelExpr_0602	Incoming call / U9 mobile terminating call confirmed / RELEASE received	1022
GSM_L3_MS_v4200/ CC/	TC_26_8_1_3_3_6	SelExpr_0602	Incoming call / U9 mobile terminating call confirmed / lower layer failure	1023
GSM_L3_MS_v4200/ CC/	TC_26_8_1_3_3_7	SelExpr_0602	Incoming call / U9 mobile terminating call confirmed / unknown message received	1024
GSM_L3_MS_v4200/ CC/	TC_26_8_1_3_4_1	SelExpr_0602	Incoming call / U7 call received / call accepted	1025
GSM_L3_MS_v4200/ CC/	TC_26_8_1_3_4_2	SelExpr_0602	Incoming call / U7 call received / termination requested by the user 11.10 Ref. ver. 4.10.0; CR.	1026
GSM_L3_MS_v4200/ CC/	TC_26_8_1_3_4_3	SelExpr_0602	Incoming call / U7 call received / DISCONNECT received	1027
GSM_L3_MS_v4200/ CC/	TC_26_8_1_3_4_4	SelExpr_0602	Incoming call / U7 call received / RELEASE received	1028
GSM_L3_MS_v4200/ CC/	TC_26_8_1_3_4_5	SelExpr_0602	Incoming call / U7 call received / lower layer failure	1029
GSM_L3_MS_v4200/ CC/	TC_26_8_1_3_4_6	SelExpr_0602	Incoming call / U7 call received / unknown message received	1030
GSM_L3_MS_v4200/ CC/	TC_26_8_1_3_4_7	SelExpr_0602	Incoming call / U7 call received / TCH assignment	1031

GSM_L3_MS_v4200/ CC/	TC_26_8_1_3_4_8	SelExpr_0602	Incoming call / U7 call received / RELEASE COMPLETE received	1032
GSM_L3_MS_v4200/ CC/	TC_26_8_1_3_5_1	SelExpr_0602	Incoming call / U8 connect request / CONNECT acknowledged	1033
GSM_L3_MS_v4200/ CC/	TC_26_8_1_3_5_2	SelExpr_0602	Incoming call / U8 connect request / timer T313 timeout	1034
GSM_L3_MS_v4200/ CC/	TC_26_8_1_3_5_3	SelExpr_0602	Incoming call / U8 connect request / termination requested by the user	1035
GSM_L3_MS_v4200/ CC/	TC_26_8_1_3_5_4	SelExpr_0602	Incoming call / U8 connect request / DISCONNECT received with in-band information	1036
GSM_L3_MS_v4200/ CC/	TC_26_8_1_3_5_5	SelExpr_0602	Incoming call / U8 connect request / DISCONNECT received without in-band information	1037
GSM_L3_MS_v4200/ CC/	TC_26_8_1_3_5_6	SelExpr_0602	Incoming call / U8 connect request / RELEASE received	1038
GSM_L3_MS_v4200/ CC/	TC_26_8_1_3_5_7	SelExpr_0602	Incoming call / U8 connect request / lower layer failure	1039
GSM_L3_MS_v4200/ CC/	TC_26_8_1_3_5_8	SelExpr_0602	Incoming call / U8 connect request / TCH assignment	1040
GSM_L3_MS_v4200/ CC/	TC_26_8_1_3_5_9	SelExpr_0602	Incoming call / U8 connect request / unknown message received	1041
GSM_L3_MS_v4200/ CC/	TC_26_8_1_4_1_1	SelExpr_0604	In-call functions / DTMF information transfer / basic procedure	1042
GSM_L3_MS_v4200/ CC/	TC_26_8_1_4_2_1	SelExpr_0606	In-call functions / User notification / MS terminated	1044
GSM_L3_MS_v4200/ CC/	TC_26_8_1_4_3_1	SelExpr_0606	In-call functions / Channel changes / A successful channel change in active state/ Handover and assignment command	1045
GSM_L3_MS_v4200/ CC/	TC_26_8_1_4_3_2	SelExpr_0606	In-call functions / Channel changes / An unsuccessful channel change in active mode/ Handover and assignment command	1048
GSM_L3_MS_v4200/ CC/	TC_26_8_1_4_4_1	SelExpr_0607	In-call functions / MS terminated in-call modification / modify when new mode is not supported	1050
GSM_L3_MS_v4200/ CC/	TC_26_8_1_4_5_1	SelExpr_0607	In-call functions / MS originated in-call modification / A successful case of modifying	1052
GSM_L3_MS_v4200/ CC/	TC_26_8_1_4_5_2	SelExpr_0607	In-call functions / MS originated in-call modification / modify rejected	1053
GSM_L3_MS_v4200/ CC/	TC_26_8_1_4_5_3	SelExpr_0607	In-call functions / MS originated in-call modification / an abnormal case of acceptance	1054
GSM_L3_MS_v4200/ CC/	TC_26_8_1_4_5_4	SelExpr_0607	In-call functions / MS originated in-call modification / an abnormal case of rejection	1055
GSM_L3_MS_v4200/ CC/	TC_26_8_1_4_5_5	SelExpr_0607	In-call functions / MS originated in-call modification / timeout of timer T323	1056
GSM_L3_MS_v4200/ CC/	TC_26_8_1_4_5_6	SelExpr_0607	In-call functions / MS originated in-call modification / A successful channel change in state mobile originating modify	1057
GSM_L3_MS_v4200/ CC/	TC_26_8_1_4_5_7	SelExpr_0607	In-call functions / MS originated in-call modification / An unsuccessful channel change in state mobile originating modify	1059
GSM_L3_MS_v4200/ CC/	TC_26_8_1_4_5_8	SelExpr_0607	In-call functions / MS originated in-call modification / unknown message received	1061
GSM_L3_MS_v4200/ CC/	TC_26_8_1_4_5_9	SelExpr_0607	In-call functions / MS originated in-call modification / a release complete received	1062
GSM_L3_MS_v4200/ CC/	TC_26_8_2_1	SelExpr_0601	Call Re-establishment / Call Present, re-establishment allowed	1063
GSM_L3_MS_v4200/ CC/	TC_26_8_2_2	SelExpr_0601	Call Re-establishment / Call Present, re-establishment not allowed 11.10 Ref. ver. 4.10.0; CR.	1066
GSM_L3_MS_v4200/ CC/	TC_26_8_2_3	SelExpr_0601	Call Re-establishment / Call under establishment, transmission stopped 11.10 Ref. ver. 4.10.0; CR.	1068
GSM_L3_MS_v4200/ CC/	TC_26_8_3	SelExpr_0606	User to user signalling	1069
GSM_L3_MS_v4200/ StructureProc/	TC_26_9_2	SelExpr_0701	Structured procedures / MS originated call / early assignment	1071
GSM_L3_MS_v4200/ StructureProc/	TC_26_9_3	SelExpr_0701	Structured procedures / MS originated call / late assignment	1074
GSM_L3_MS_v4200/	TC_26_9_4	SelExpr_0701	Structured procedures / MS terminated call /	1077

StructureProc/ GSM_L3_MS_v4200/ StructureProc/	TC_26_9_5	SelExpr_0701	early assignment Structured procedures / MS terminated call / late assignment	1081
GSM_L3_MS_v4200/ StructureProc/	TC_26_9_6_1_1	SelExpr_0702	Structured procedures / emergency call / idle updated / preferred channel rate	1084
GSM_L3_MS_v4200/ StructureProc/	TC_26_9_6_1_2	SelExpr_0703	Structured procedures / emergency call / idle updated, non-preferred channel rate	1087
GSM_L3_MS_v4200/ StructureProc/	TC_26_9_6_2_1	SelExpr_0702	Structured procedures / emergency call / idle, no IMSI / accept case	1090
GSM_L3_MS_v4200/ StructureProc/	TC_26_9_6_2_2	SelExpr_0702	Structured procedures / emergency call / idle, no IMSI / reject case	1092
GSM_L3_MS_v4200/ EGSMsignalling/	TC_26_10_2_1	SelExpr_1001	E-GSM signalling/ RR / measurement	1093
GSM_L3_MS_v4200/ EGSMsignalling/	TC_26_10_2_2	SelExpr_1000	E-GSM signalling/ RR / immediate assignment	1097
GSM_L3_MS_v4200/ EGSMsignalling/	TC_26_10_2_3	SelExpr_1000	E-GSM signalling/ RR / channel assignment procedure	1099
GSM_L3_MS_v4200/ EGSMsignalling/	TC_26_10_2_4_1	SelExpr_1001	E-GSM signalling/ RR / Handover / successful case	1103
GSM_L3_MS_v4200/ EGSMsignalling/	TC_26_10_2_4_2	SelExpr_1001	E-GSM signalling/ RR / Handover / layer 1 failure	1107
GSM_L3_MS_v4200/ EGSMsignalling/	TC_26_10_2_5	SelExpr_1000	E-GSM signalling/ RR / frequency redefinition	1109
GSM_L3_MS_v4200/ EGSMsignalling/	TC_26_10_3_1	SelExpr_1002	E-GSM signalling/ structured procedure / mobile originating call	1112
GSM_L3_MS_v4200/ EGSMsignalling/	TC_26_10_3_2	SelExpr_1003	E-GSM signalling/ structured procedure / emergency call	1114
GSM_L3_MS_v4200/ SS/	TC_31_2_1_1_1	SelExpr_0809	Call forwarding supplementary services / Registration - Reg. accepted	1116
GSM_L3_MS_v4200/ SS/	TC_31_2_1_1_2	SelExpr_0810	Call forwarding supplementary services / Registration - Reg. rejected	1118
GSM_L3_MS_v4200/ SS/	TC_31_2_1_2_1	SelExpr_0811	Call forwarding supplementary services / Erasure by the subscriber - Erasure Accepted	1121
GSM_L3_MS_v4200/ SS/	TC_31_2_1_2_2	SelExpr_0809	Call forwarding supplementary services / Erasure by the subscriber - Erasure rejected	1123
GSM_L3_MS_v4200/ SS/	TC_31_2_1_3	SelExpr_0810	Call forwarding supplementary services / Activation	1125
GSM_L3_MS_v4200/ SS/	TC_31_2_1_4	SelExpr_0811	Call forwarding supplementary services / Deactivation	1127
GSM_L3_MS_v4200/ SS/	TC_31_2_1_6_1	SelExpr_0811	Call forwarding supplementary services / Interrogation - Interrogation Accepted	1129
GSM_L3_MS_v4200/ SS/	TC_31_2_1_6_2	SelExpr_0812	Call forwarding supplementary services / Interrogation - Interrogation Rejected	1131
GSM_L3_MS_v4200/ SS/	TC_31_2_1_7_1_1	SelExpr_0813	Normal operation - Served mobile subscriber side / Notification during an incoming call	1133
GSM_L3_MS_v4200/ SS/	TC_31_2_1_7_1_2	SelExpr_0810	Normal operation / served mobile subscriber side / Notification during outgoing call	1135
GSM_L3_MS_v4200/ SS/	TC_31_2_1_7_2	SelExpr_0810	Normal operation / Forwarded-to mobile subscriber side	1137
GSM_L3_MS_v4200/ SS/	TC_31_6_1_1	SelExpr_0802	AOC time related charging / MS originated call	1139
GSM_L3_MS_v4200/ SS/	TC_31_6_1_2	SelExpr_0802	AOC time related charging / MS terminated call	1141
GSM_L3_MS_v4200/ SS/	TC_31_6_1_5	SelExpr_0802	Change in charging information during a call	1143
GSM_L3_MS_v4200/ SS/	TC_31_6_1_6	SelExpr_0802	Different formats of charging information	1145
GSM_L3_MS_v4200/ SS/	TC_31_6_1_7	SelExpr_0819	OC on a Call Hold call	1148
GSM_L3_MS_v4200/ SS/	TC_31_6_1_8	SelExpr_0820	AOC on a MultiParty call	1150
GSM_L3_MS_v4200/ SS/	TC_31_6_2_1	SelExpr_0818	Charge Storage - Removal of SIM during an active call	1152
GSM_L3_MS_v4200/ SS/	TC_31_6_2_2	SelExpr_0821	Charge Storage - Interruption of power supply during an active call	1154
GSM_L3_MS_v4200/ SS/	TC_31_6_2_3	SelExpr_0802	Charge Storage - MS going out of coverage during an active AOCC Call	1155
GSM_L3_MS_v4200/ SS/	TC_31_6_2_4	SelExpr_0802	Charge Storage - ACMM operation / Mobile Originating	1156
GSM_L3_MS_v4200/ SS/	TC_31_6_2_5	SelExpr_0802	Charge Storage - ACMM operation / Mobile Terminating	1159

GSM_L3_MS_v4200/ SS/	TC_31_8_1_1	SelExpr_0801	Call restriction supplementary services / Registration of a password/ Registration accepted	1162
GSM_L3_MS_v4200/ SS/	TC_31_8_1_2_1	SelExpr_0801	Rejection after invoke of the RegisterPassword operation	1164
GSM_L3_MS_v4200/ SS/	TC_31_8_1_2_2	SelExpr_0801	Rejection after password check with negative result	1166
GSM_L3_MS_v4200/ SS/	TC_31_8_1_2_3	SelExpr_0801	Rejection after new password mismatch	1168
GSM_L3_MS_v4200/ SS/	TC_31_8_3_1	SelExpr_0814	Activation accepted	1170
GSM_L3_MS_v4200/ SS/	TC_31_8_3_2_1	SelExpr_0803	Rejection after invoke of ActivateSS operation	1173
GSM_L3_MS_v4200/ SS/	TC_31_8_3_2_2	SelExpr_0804	Rejection after use of password procedure	1175
GSM_L3_MS_v4200/ SS/	TC_31_8_4_1	SelExpr_0801	Deactivation accepted	1177
GSM_L3_MS_v4200/ SS/	TC_31_8_4_2_1	SelExpr_0808	Deactivation rejected / Rejection after invoke of DeactivateSS operation	1180
GSM_L3_MS_v4200/ SS/	TC_31_8_4_2_2	SelExpr_0805	Deactivation rejected / Rejection after use of password procedure	1182
GSM_L3_MS_v4200/ SS/	TC_31_8_6_1	SelExpr_0806	Interrogation / Interrogation accepted	1184
GSM_L3_MS_v4200/ SS/	TC_31_8_6_2	SelExpr_0807	Interrogation / Interrogation rejected	1187
GSM_L3_MS_v4200/ SS/	TC_31_8_7	SelExpr_0808	Normal operation	1190
GSM_L3_MS_v4200/ SS/	TC_31_9_1_1	SelExpr_0816	mobile station initiated / unstructured supplementary service request accepted	1192
GSM_L3_MS_v4200/ SS/	TC_31_9_1_2	SelExpr_0817	mobile station initiated / unstructured supplementary service data request rejected	1196
GSM_L3_MS_v4200/ SS/	TC_31_9_2_1	SelExpr_0817	network initiated / unstructured supplementary service request accepted	1201
GSM_L3_MS_v4200/ SS/	TC_31_9_2_2	SelExpr_0817	network initiated / unstructured supplementary service request rejected	1203
GSM_L3_MS_v4200/ SS/	TC_31_9_2_3	SelExpr_0817	network initiated / unstructured supplementary service data notification accepted	1204
GSM_L3_MS_v4200/ SS/	TC_31_9_2_4	SelExpr_0817	network initiated / unstructured supplementary service data notification rejected	1206
GSM_L3_MS_v4200/ SS/	TC_31_10	SelExpr_0815	MMI input for USSD	1207
GSM_L3_MS_v4200/ SM/	TC_34_2_1	SelExpr_0901	Short message service / SMS point to point - SMS mobile terminated	1209
GSM_L3_MS_v4200/ SM/	TC_34_2_2	SelExpr_0902	Short message service / SMS point to point - SMS mobile originated	1213
GSM_L3_MS_v4200/ SM/	TC_34_2_3	SelExpr_0903	Short message service / SMS point to point - Test of the memory available notification	1217
GSM_L3_MS_v4200/ SM/	TC_34_2_4	SelExpr_0904	Short message service / Test of the status report capabilities and of SMS-COMMAND	1221
GSM_L3_MS_v4200/ SM/	TC_34_2_5_1	SelExpr_0905	Short message service / Test of message class 0 to 3 - Test of Class 0 Short Messages	1224
GSM_L3_MS_v4200/ SM/	TC_34_2_5_2	SelExpr_0906	Short message service / Test of message class 0 to 3 - Test of Class 1 Short Messages	1226
GSM_L3_MS_v4200/ SM/	TC_34_2_5_3	SelExpr_0907	Short message service / Test of message class 0 to 3 - Test of Class 2 Short Messages	1228
GSM_L3_MS_v4200/ SM/	TC_34_2_7	SelExpr_0908	Short message service / Test of the replace mechanism for SM type 1-7	1230
GSM_L3_MS_v4200/ SM/	TC_34_2_8	SelExpr_0909	Short message service / Test of the reply path scheme	1232
GSM_L3_MS_v4200/ SM/	TC_34_3	SelExpr_0900	Short message service cell broadcast	1235

Detailed Comments:

Test step index

Test Step Index			
Test Step Group Reference	Test Step Id	Description	Page Nr
GSM_L3_MS_v4200/management/	StopAllBCCH	To stop the RF transmission of all BCCH channels in all active cells.	1237
GSM_L3_MS_v4200/management/	Stopmaindcch	To stop the transmission of main dcch channel.	1237
GSM_L3_MS_v4200/management/Ch Config/	CCConfigTCH		1238
GSM_L3_MS_v4200/management/Ch Config/	CCConfigTCH_B		1238
GSM_L3_MS_v4200/management/Ch Config/	CCConfigTCH_nociph		1239
GSM_L3_MS_v4200/management/Ch Config/	Config_CBMS_A_1	To set a physical channel and map FCCH, SCH, BCCH, CCCH, SDCCH4 and CBCH onto the physical channel which represents cell A.	1239
GSM_L3_MS_v4200/management/Ch Config/	Config_FACCHF_A_1	To set one physical channel used as TCHF_ACCH's of cell A.	1240
GSM_L3_MS_v4200/management/Ch Config/	Config_FACCHF_A_2	To set one physical channel used as TCHF_ACCH's for instance 2 of cell A.	1240
GSM_L3_MS_v4200/management/Ch Config/	Config_FACCHF_B_1	To set one physical channel used as TCHF_ACCH's of cell B.	1240
GSM_L3_MS_v4200/management/Ch Config/	Config_FACCHF_H_1	To set one physical channel used as TCHF_ACCH's of cell H.	1240
GSM_L3_MS_v4200/management/Ch Config/	Config_FACCHH_A_1	To set one physical channel used as TCHH_ACCH's of cell A.	1241
GSM_L3_MS_v4200/management/Ch Config/	Config_FACCHH_A_2	To set one physical channel used as TCHH_ACCH's of cell A.	1241
GSM_L3_MS_v4200/management/Ch Config/	Config_FACCHH_B_1	To set one physical channel used as TCHH_ACCH's of cell B.	1241
GSM_L3_MS_v4200/management/Ch Config/	Config_BCCH_CCCH_A_1	To set a physical channel and map FCCH, SCH, BCCH and CCCH onto the physical channel which represents cell A.	1242
GSM_L3_MS_v4200/management/Ch Config/	Config_BCCH_CCCH_A_2	To set a physical channel and map the second BCCH, CCCH onto the physical channel which represents cell A.	1242
GSM_L3_MS_v4200/management/Ch Config/	Config_BCCH_CCCH_A_3	To set a physical channel and map the third BCCH, CCCH onto the physical channel which represents cell A.	1242
GSM_L3_MS_v4200/management/Ch Config/	Config_BCCH_CCCH_A_4	To set a physical channel and map the fourth BCCH, CCCH onto the physical channel which represents cell A.	1243
GSM_L3_MS_v4200/management/Ch Config/	Config_BCCH_CCCH_B_1	To set a physical channel and map FCCH, SCH, BCCH and CCCH onto the physical channel which represents cell B.	1243
GSM_L3_MS_v4200/management/Ch Config/	Config_BCCH_CCCH_B_ho_1	To set a physical channel and map FCCH, SCH, BCCH and CCCH onto the physical channel which represents cell B with controllable td and fn.	1243
GSM_L3_MS_v4200/management/Ch Config/	Config_SDCCH4_A_1	To set a physical channel and map FCCH, SCH, BCCH, CCCH and SDCCH4 onto the physical channel which represents cell A.	1244
GSM_L3_MS_v4200/management/Ch Config/	Config_SDCCH4_B_1	To set a physical channel and map FCCH, SCH, BCCH, CCCH and SDCCH4 onto the physical channel which represents cell B.	1244
GSM_L3_MS_v4200/management/Ch Config/	Config_SDCCH4_B_ho_1	To set a physical channel and map FCCH, SCH, BCCH, CCCH and SDCCH4 onto the physical channel which represents cell B with controllable td and fn.	1245
GSM_L3_MS_v4200/management/Ch Config/	Config_SDCCH4_C_1	To set a physical channel and map FCCH, SCH, BCCH, CCCH and SDCCH4 onto the physical channel which represents cell C	1245
GSM_L3_MS_v4200/management/Ch Config/	Config_SDCCH4_D_1	To set a physical channel and map FCCH, SCH, BCCH, CCCH and SDCCH4 onto the physical channel which represents cell D	1246
GSM_L3_MS_v4200/management/Ch Config/	Config_SDCCH4_E_1	To set a physical channel and map FCCH, SCH, BCCH, CCCH and SDCCH4 onto the physical channel which represents cell E	1246
GSM_L3_MS_v4200/management/Ch Config/	Config_SDCCH4_F_1	To set a physical channel and map FCCH, SCH, BCCH, CCCH and SDCCH4 onto the physical channel which represents cell F	1247
GSM_L3_MS_v4200/management/Ch Config/	Config_SDCCH4_G_1	To set a physical channel and map FCCH, SCH,	1247

Config/	1	BCCH, CCCH and SDCCH4 onto the physical channel which represents cell G	
GSM_L3_MS_v4200/management/Ch Config/	Config_SDCCH4_H_1	To set a physical channel and map FCCH, SCH, BCCH, CCCH and SDCCH4 onto the physical channel which represents cell H	1248
GSM_L3_MS_v4200/management/Ch Config/	Config_SDCCH8_A_1	To set one physical channel used as SDCCH8 channel for instance 1 of cell A.	1248
GSM_L3_MS_v4200/management/Ch Config/	Config_SDCCH8_A_2	To set one physical channel used as SDCCH8 channel for instance 2 of cell A.	1249
GSM_L3_MS_v4200/management/Ch Config/	Config_SDCCH8_B_1	To set one physical channel used as SDCCH8 channel for instance 1 of cell B.	1249
GSM_L3_MS_v4200/management/Ch Config/	CombinedBCCH_A_C BMS	To set a physical channel and map FCCH, SCH, BCCH, CCCH and SDCCH4 onto the physical channel which represents cell A.	1250
GSM_L3_MS_v4200/management/Ch Config/	CombinedBCCH_A	To set a physical channel and map FCCH, SCH, BCCH, CCCH and SDCCH4 onto the physical channel which represents cell A.	1250
GSM_L3_MS_v4200/management/Ch Config/	CombinedBCCH_B	To set a physical channel and map FCCH, SCH, BCCH, CCCH and SDCCH4 onto the physical channel which represents cell B.	1250
GSM_L3_MS_v4200/management/Ch Config/	CombinedBCCH_B_ho	To set a physical channel and map FCCH, SCH, BCCH, CCCH and SDCCH4 onto the physical channel which represents cell B.	1251
GSM_L3_MS_v4200/management/Ch Config/	CombinedBCCH_C	To set a physical channel and map FCCH, SCH, BCCH, CCCH and SDCCH4 onto the physical channel which represents cell C.	1251
GSM_L3_MS_v4200/management/Ch Config/	CombinedBCCH_D	To set a physical channel and map FCCH, SCH, BCCH, CCCH and SDCCH4 onto the physical channel which represents cell D.	1251
GSM_L3_MS_v4200/management/Ch Config/	CombinedBCCH_E	To set a physical channel and map FCCH, SCH, BCCH, CCCH and SDCCH4 onto the physical channel which represents cell E.	1252
GSM_L3_MS_v4200/management/Ch Config/	CombinedBCCH_F	To set a physical channel and map FCCH, SCH, BCCH, CCCH and SDCCH4 onto the physical channel which represents cell F.	1252
GSM_L3_MS_v4200/management/Ch Config/	CombinedBCCH_G	To set a physical channel and map FCCH, SCH, BCCH, CCCH and SDCCH4 onto the physical channel which represents cell G.	1252
GSM_L3_MS_v4200/management/Ch Config/	CombinedBCCH_G_sp	To set a physical channel and map FCCH, SCH, BCCH, CCCH and SDCCH4 onto the physical channel which represents cell G.	1253
GSM_L3_MS_v4200/management/Ch Config/	CombinedBCCH_H	To set a physical channel and map FCCH, SCH, BCCH, CCCH and SDCCH4 onto the physical channel which represents cell H.	1253
GSM_L3_MS_v4200/management/Ch Config/	NonCombinedBCCH_A	To set one physical channel used as FCHH_SCH_BCCH_CCCH for cell A.	1254
GSM_L3_MS_v4200/management/Ch Config/	NonCombinedBCCH_A_2	To set a physical channel and map the second BCCH, CCCH onto the physical channel which represents cell A.	1254
GSM_L3_MS_v4200/management/Ch Config/	NonCombinedBCCH_A_3	To set a physical channel and map the third BCCH, CCCH onto the physical channel which represents cell A.	1254
GSM_L3_MS_v4200/management/Ch Config/	NonCombinedBCCH_A_4	To set a physical channel and map the fourth BCCH, CCCH onto the physical channel which represents cell A.	1255
GSM_L3_MS_v4200/management/Ch Config/	NonCombinedBCCH_B	To set a physical channel and map FCCH, SCH, BCCH, CCCH onto the physical channel which represents cell B for RR testing.	1255
GSM_L3_MS_v4200/management/Ch Config/	NonCombinedBCCH_B_ho	To set a physical channel and map FCCH, SCH, BCCH, CCCH onto the physical channel which represents cell B for RR testing.	1256
GSM_L3_MS_v4200/management/Ch Config/	FullRateCh_A_1	To set one physical channel used as TCHF_ACCH's for instance 1 of cell A.	1256
GSM_L3_MS_v4200/management/Ch Config/	FullRateCh_A_1_noci ph	To set one physical channel used as TCHF_ACCH's for instance 1 of cell A.	1257
GSM_L3_MS_v4200/management/Ch Config/	FullRateCh_A_2	To set one physical channel used as TCHF_ACCH's for instance 2 of cell A for TC_26_6_13_1.	1257
GSM_L3_MS_v4200/management/Ch Config/	FullRateCh_A_2_noci ph	To set one physical channel used as TCHF_ACCH's for instance 2 of cell A for TC_26_6_13_1.	1257
GSM_L3_MS_v4200/management/Ch Config/	FullRateCh_B_1	To set one physical channel used as TCHF_ACCH's for instance 1 of cell B.	1258
GSM_L3_MS_v4200/management/Ch Config/	FullRateCh_B_1_noci ph	To set one physical channel used as TCHF_ACCH's for instance 1 of cell B.	1258

GSM_L3_MS_v4200/management/Ch Config/	HalfRateCh_A_1	To set one physical channel used as TCHH_ACCH's for instance 1 of cell A.	1258
GSM_L3_MS_v4200/management/Ch Config/	HalfRateCh_A_1_nociph	To set one physical channel used as TCHH_ACCH's for instance 1 of cell A.	1259
GSM_L3_MS_v4200/management/Ch Config/	HalfRateCh_A_2	To set one physical channel used as TCHH_ACCH's for instance 2 of cell A for TC_26_6_13_1.	1259
GSM_L3_MS_v4200/management/Ch Config/	HalfRateCh_A_2_nociph	To set one physical channel used as TCHH_ACCH's for instance 2 of cell A for TC_26_6_13_1.	1260
GSM_L3_MS_v4200/management/Ch Config/	HalfRateCh_B_1	To set one physical channel used as TCHH_ACCH's for instance 1 of cell B	1260
GSM_L3_MS_v4200/management/Ch Config/	HalfRateCh_B_1_nociph	To set one physical channel used as TCHH_ACCH's for instance 1 of cell B	1261
GSM_L3_MS_v4200/management/Ch Config/	SDCCH8_A_1	To set one physical channel used as SDCCH8 channel for instance 1 of cell A.	1261
GSM_L3_MS_v4200/management/Ch Config/	SDCCH8_A_1_nociph	To set one physical channel used as SDCCH8 channel for instance 1 of cell A.	1261
GSM_L3_MS_v4200/management/Ch Config/	SDCCH8_A_2_nociph	To set one physical channel used as hopping SDCCH8 channel for instance 2 of cell A, for TC_26_6_13_1.	1262
GSM_L3_MS_v4200/management/Ch Config/	SDCCH8_B_1	To set one physical channel used as hopping SDCCH8 channel for instance 1 of cell B .	1262
GSM_L3_MS_v4200/management/Ch Config/	SDCCH8_B_1_nociph	To set one physical channel used as hopping SDCCH8 channel for instance 1 of cell B For TC_26_6_13_5.	1263
GSM_L3_MS_v4200/Miscellaneous/	Adjust_gsmanddcs_powerlvl		1263
GSM_L3_MS_v4200/Miscellaneous/	AOC_CHK_FAC	Check the receive of FACILITY within one second at AOCC	1264
GSM_L3_MS_v4200/Miscellaneous/	AssCh_complete		1264
GSM_L3_MS_v4200/Miscellaneous/	AssCh_failure		1265
GSM_L3_MS_v4200/Miscellaneous/	AssCmdGen		1266
GSM_L3_MS_v4200/Miscellaneous/	AssCmdGen_fh		1267
GSM_L3_MS_v4200/Miscellaneous/	Authentication	To execute the authentication procedure.	1267
GSM_L3_MS_v4200/Miscellaneous/	CallProcGen	To generate a CALL PROCEEDING message .	1268
GSM_L3_MS_v4200/Miscellaneous/	CCAssignTCH		1269
GSM_L3_MS_v4200/Miscellaneous/	CCCH_group_Paging_group		1270
GSM_L3_MS_v4200/Miscellaneous/	CCEstablishMO_SDCCH4		1271
GSM_L3_MS_v4200/Miscellaneous/	CCEstablishMO_TCH		1271
GSM_L3_MS_v4200/Miscellaneous/	CCEstablishMT_SDCCH4		1271
GSM_L3_MS_v4200/Miscellaneous/	CCEstablishMT_TCH		1272
GSM_L3_MS_v4200/Miscellaneous/	CC_Est_MT_Call		1272
GSM_L3_MS_v4200/Miscellaneous/	CC_EstMsTermCall		1273
GSM_L3_MS_v4200/Miscellaneous/	CCModifyTCH		1273
GSM_L3_MS_v4200/Miscellaneous/	CCPage		1274
GSM_L3_MS_v4200/Miscellaneous/	CCstatuschk_01	To check whether the MS under test is in the CC state `st` .	1274
GSM_L3_MS_v4200/Miscellaneous/	CCstatuschk_02	To check whether the MS under test is in the CC state `st` .	1274
GSM_L3_MS_v4200/Miscellaneous/	CCstatuschk_03	To check whether the MS under test is in the CC state `st` .	1275
GSM_L3_MS_v4200/Miscellaneous/	CCstatuschk_05	To check whether the MS under test is in the CC state `st` .	1275
GSM_L3_MS_v4200/Miscellaneous/	Check_Time		1275
GSM_L3_MS_v4200/Miscellaneous/	CheckTIsInStateU0		1276
GSM_L3_MS_v4200/Miscellaneous/	ChkMsrmtRpt		1276
GSM_L3_MS_v4200/Miscellaneous/	Ciphering_off	To switch off the ciphering. In presteps the ciphering shall be switched on.	1277
GSM_L3_MS_v4200/Miscellaneous/	Ciphering_on	To switch on the ciphering.	1277
GSM_L3_MS_v4200/Miscellaneous/	CMsrvcRq	To request a CM service	1277
GSM_L3_MS_v4200/Miscellaneous/	DTMFSignalling	To handle DTMF signalling initiated by the MS, which sends 'n' tones to the network.	1278
GSM_L3_MS_v4200/Miscellaneous/	EstablishFacMO		1278
GSM_L3_MS_v4200/Miscellaneous/	FnArith	To calculate the difference of two frame numbers `fn1` and `fn`. The test step uses TCV_Cnt1, TCV_Cnt2, TCV_K and TCV_Time.	1279
GSM_L3_MS_v4200/Miscellaneous/	IdentityRequest	To execute the identity procedure depending on the	1279

		given identity type. Used var's: TCV_ch, TCV_tmsi	
GSM_L3_MS_v4200/Miscellaneous/	ImsiAttach		1280
GSM_L3_MS_v4200/Miscellaneous/	ImsiAttachIni		1281
GSM_L3_MS_v4200/Miscellaneous/	ImsiAttachNoReaction		1282
GSM_L3_MS_v4200/Miscellaneous/	ImsiDetach		1283
GSM_L3_MS_v4200/Miscellaneous/	ImsiDetachNoReaction		1284
GSM_L3_MS_v4200/Miscellaneous/	InCallModi1		1284
GSM_L3_MS_v4200/Miscellaneous/	MM_LUP	To execute the Location Update Procedure. The parameter lup_mi is the actual mi of MS before MM_LUP.	1284
GSM_L3_MS_v4200/Miscellaneous/	MM_LUP2	To execute the Location Update Procedure. The parameter lup_mi is the actual mi of MS before MM_LUP.	1285
GSM_L3_MS_v4200/Miscellaneous/	MM_LUP3	To execute the normal Location Update Procedure. No check of parameter.	1285
GSM_L3_MS_v4200/Miscellaneous/	MM_LupAndStop	To execute the initialisation of the Location Update Procedure.	1285
GSM_L3_MS_v4200/Miscellaneous/	MM_LupAuthRpt	To initialise Location Update and repeated Authentication procedures till T3210 times out.	1286
GSM_L3_MS_v4200/Miscellaneous/	MM_LUPauth1	To execute the Location Update Procedure with authentication. Check of the parameter LAI, MSCClassMark and Mobile Identity is not required and are not checked.	1286
GSM_L3_MS_v4200/Miscellaneous/	MM_LUPauth2	To execute the Location Update Procedure with authentication. Checking of the parameter LAI, MSCClassMark and Mobile Identity is required.	1287
GSM_L3_MS_v4200/Miscellaneous/	MM_LUP_imsi	To execute the Location Update Procedure only for IMSI. The parameter lup_mi is the actual mi of MS before MM_LUP. It is called by TC_26_7_4_3_1.	1287
GSM_L3_MS_v4200/Miscellaneous/	MM_LupInit	To execute the initialisation of the Location Update Procedure.	1288
GSM_L3_MS_v4200/Miscellaneous/	MM_LupInit2	To execute the initialisation of the Location Update Procedure.	1288
GSM_L3_MS_v4200/Miscellaneous/	MM_LupInit3	To execute the initialisation of the Location Update Procedure.	1289
GSM_L3_MS_v4200/Miscellaneous/	MM_LupInit4	To execute the initialisation of the Location Update Procedure.	1289
GSM_L3_MS_v4200/Miscellaneous/	MM_LupInit5	To execute the initialisation of the Location Update Procedure.	1290
GSM_L3_MS_v4200/Miscellaneous/	MM_LupInit6	To execute the initialisation of the Location Update Procedure.	1290
GSM_L3_MS_v4200/Miscellaneous/	MM_LUP_tmsirealloc	To execute the Location Update Procedure. The parameter expectedlup_mi is the actual mi of MS before MM_LUP. The expectedlup_mi is not used in this teststep, it is not required to check it. The test step is called in TC_26_7_1.	1290
GSM_L3_MS_v4200/Miscellaneous/	MM_LUPper	To execute the periodic Location Update Procedure.	1291
GSM_L3_MS_v4200/Miscellaneous/	MM_LUPper2	To execute the periodic Location Update Procedure.	1291
GSM_L3_MS_v4200/Miscellaneous/	MM_LUPperauth	To execute the periodic Location Update Procedure.	1291
GSM_L3_MS_v4200/Miscellaneous/	MM_LUPperrej	To execute the periodic Location Update Procedure.	1292
GSM_L3_MS_v4200/Miscellaneous/	MM_LUPperrej2	To execute the Location Update Procedure, which shall be rejected.	1292
GSM_L3_MS_v4200/Miscellaneous/	MM_LUPperrej3	To execute the Location Updating Procedure, which shall be stopped with channel release.	1292
GSM_L3_MS_v4200/Miscellaneous/	MM_LupRej	To execute the Location Update Procedure, which shall be rejected.	1293
GSM_L3_MS_v4200/Miscellaneous/	MM_LupRej2	To execute the Location Update Procedure, which shall be rejected.	1293
GSM_L3_MS_v4200/Miscellaneous/	MM_PwrOrSimOff		1293
GSM_L3_MS_v4200/Miscellaneous/	MM_PwrOrSimOn		1293
GSM_L3_MS_v4200/Miscellaneous/	MM_check_ecall1	To check, if MS execute the emergency call.	1294
GSM_L3_MS_v4200/Miscellaneous/	MM_check_ecall2	To check, if MS execute the emergency call with IMSI	1295
GSM_L3_MS_v4200/Miscellaneous/	MM_no_cmservices	To check, if MS doesn't execute a MO CM connection procedure.	1295
GSM_L3_MS_v4200/Miscellaneous/	MM_no_paging	To check, if MS doesn't initiate a RR connection. The duration of the checking is set in given par.	1296

GSM_L3_MS_v4200/Miscellaneous/	NoReaction	To check whether MS doesn't initiate any RR connections.	1296
GSM_L3_MS_v4200/Miscellaneous/	RR_hocomp1	To finish the HO-procedure in non-synchronized HO cases.	1297
GSM_L3_MS_v4200/Miscellaneous/	RR_hocomp3	To finish the HO-procedure in synchronized HO cases.	1298
GSM_L3_MS_v4200/Miscellaneous/	RRmtcallprepare	To establish a full rate call with non hopping in cell A for GSM900 and DCS1800. IUT should be in idle updated state.	1298
GSM_L3_MS_v4200/Miscellaneous/	RcvSetupOrEsetup		1299
GSM_L3_MS_v4200/Miscellaneous/	SendSeqNo_chk	check sending sequence number.	1299
GSM_L3_MS_v4200/Miscellaneous/	SelectPagingCh		1300
GSM_L3_MS_v4200/Miscellaneous/	Set_CellChDescr	To set the cell channel description	1301
GSM_L3_MS_v4200/Miscellaneous/	SetupRcvMo2		1301
GSM_L3_MS_v4200/Miscellaneous/	Switchcell		1301
GSM_L3_MS_v4200/Miscellaneous/	SvcSupportedChk	To check whether the Basic Service svc is supported against PICS answers.	1302
GSM_L3_MS_v4200/Miscellaneous/	Timadv_Pwrlvl_chk	To check the power level and the timing advance in L1 head.	1303
GSM_L3_MS_v4200/Miscellaneous/	TmsiReallocation	To execute the TMSI reallocation procedure. Used var's: TCV_ch	1303
GSM_L3_MS_v4200/Miscellaneous/	Varinit_tch		1303
GSM_L3_MS_v4200/Miscellaneous/	Wait		1303
GSM_L3_MS_v4200/Miscellaneous/	Varinit_fix		1304
GSM_L3_MS_v4200/Miscellaneous/	WaitForInService	To wait until the MS enters the Idle and updated state.	1304
GSM_L3_MS_v4200/Miscellaneous/SysInfo/	ChgLAC_A	To change the LAC of cell A.	1304
GSM_L3_MS_v4200/Miscellaneous/SysInfo/	ChgLAC_B	To change the LAC of cell B.	1305
GSM_L3_MS_v4200/Miscellaneous/SysInfo/	ChgLAI_C	To change the LAI of cell C to HPLMN.	1306
GSM_L3_MS_v4200/Miscellaneous/SysInfo/	SysInfoSending_cbms	To send system information messages for the CBMS tests.	1307
GSM_L3_MS_v4200/Miscellaneous/SysInfo/	SysInfoSending_fh	To send system information messages for the L3 tests. The following parameters specified by input parameters.	1308
GSM_L3_MS_v4200/Miscellaneous/SysInfo/	SysInfoSending_nfh	To send system information messages with default parameters defined for L3 tests for which no other special parameters indicated.	1309
GSM_L3_MS_v4200/Miscellaneous/SysInfo/	SysInfoSending_nfhCb	To send system information messages with default parameters defined for L3 tests except that the cell is barred.	1311
GSM_L3_MS_v4200/Miscellaneous/SysInfo/	SysInfoSending_e	Sending of Systeminformation for cell A in EGSM test case TC_26_10_2_2.	1312
GSM_L3_MS_v4200/Miscellaneous/SysInfo/	SysInfo_SacchSending	To send SYSTEM INFORMATION 5 and 6 messages defined by parameters 'sysinfo5_pdu' and 'sysinfo6_pdu' in the parametrised 'ch' channel.	1313
GSM_L3_MS_v4200/Miscellaneous/SysInfo/	SysInfo_5bisSending	To send SYSTEM INFORMATION 5bis message defined by parameters 'sysinfo5bis_pdu' in the parametrised 'ch' channel.	1313
GSM_L3_MS_v4200/Miscellaneous/SysInfo/	SetNECI	To set the NECI =1.	1314
GSM_L3_MS_v4200/Miscellaneous/SysInfo/	SetATT	To set the ATT flag to "MS's in the cell should apply IMSI attach and detach procedure"	1315
GSM_L3_MS_v4200/OperatorOP/	InitCall	To initiate a call of the basic service `srv`.	1316
GSM_L3_MS_v4200/OperatorOP/	InitNonCallSupp	To attempt a non call related supplementary service at the MS under test.	1316
GSM_L3_MS_v4200/OperatorOP/	AtmpShortMsg	To attempt an MO short message service transaction at the MS under test.	1316
GSM_L3_MS_v4200/OperatorOP/	CheckUssdStringDisplayed	To check whether the correct USSD String is displayed on the MS	1316
GSM_L3_MS_v4200/OperatorOP/	PLMNsCHK	To check whether the MS presents a list of available PLMNs.	1316
GSM_L3_MS_v4200/OperatorOP/	RFtransCHK	To check whether the MS transmits any radio signal.	1317
GSM_L3_MS_v4200/Postambles/	PostLinkRelEnd	To release the RR connection and bring the MS back to Idle state. This teststep decides the final verdict and therefore it shall be used only at the end of testcases.	1317
GSM_L3_MS_v4200/Postambles/	PostMainLinkRel	To release the main signalling link `ch`, and bring the	1317

		MS back to Idle state.	
GSM_L3_MS_v4200/Postambles/	ChanRel	To release the RR connection on the channel TCV_ch and bring the MS back to Idle state.	1317
GSM_L3_MS_v4200/Postambles/	ChanRel_P	To release the RR connection on the channel TCV_chmaindcch and bring the MS back to Idle state.	1318
GSM_L3_MS_v4200/Postambles/	ChanRel_end	This teststep decides the verdict (P). To release the RR connection and bring the MS back to Idle state.	1318
GSM_L3_MS_v4200/Postambles/	RmvForbiddenPlmn	This teststep decides the final verdict and therefor it shall be used only at the end of testcases. To remove a forbidden PLMN (C_PLMN_2) of cell B in the list on SIM.	1318
GSM_L3_MS_v4200/Postambles/	RmvForbiddenPlmn1		1319
GSM_L3_MS_v4200/Preambles/	BasicServiceMO	1. This test step generates an appropriate MO SETUP message according to the IXIT parameters of Bearer services/Teleservices for an MO call. 2. The detailed algorithms for Bcap derivation for each Bearer service/Teleservice are described in test steps BS2xMO, BS3xMO, BS4xMO, BS5xMO, BS61or81MO, TS61MO and TS62MO.	1320
GSM_L3_MS_v4200/Preambles/	BasicServiceMOorTel ephony	To get a MO SETUP message with right BC IE.	1322
GSM_L3_MS_v4200/Preambles/	BasicServiceMT	1. This test step generates an appropriate MT SETUP message according to the IXIT parameters of Bearer services/Teleservices for an MT call. If possible the test step generates a 2nd MT SETUP message for TC_11_1_1. 2. The Bearer Capability in the 2nd SETUP message is chosen in such a way that as many parameters as possible are different from the Bcap in the first MT SETUP message. The detailed algorithms for Bcap derivation for each Bearer service/Teleservice are described in test steps BS2xMT, BS3xMT, BS61or81MT, TS61MT and TS62MT.	1323
GSM_L3_MS_v4200/Preambles/	BasicServiceMTorTel ephony	To get a MT SETUP message with right BC IE.	1324
GSM_L3_MS_v4200/Preambles/	BS2xMO	MO SETUP message with right Bcap for BS2x service.	1325
GSM_L3_MS_v4200/Preambles/	BS2xMT	MT SETUP message with right Bcap for BS2x service.	1328
GSM_L3_MS_v4200/Preambles/	BS3xMO	MO SETUP message with right Bcap for BS3x service.	1331
GSM_L3_MS_v4200/Preambles/	BS3xMT	MT SETUP message with right Bcap for BS3x service.	1334
GSM_L3_MS_v4200/Preambles/	BS4xMO	MO SETUP message with right Bcap for BS4x service.	1339
GSM_L3_MS_v4200/Preambles/	BS5xMO	MO SETUP message with right Bcap for BS5x service.	1341
GSM_L3_MS_v4200/Preambles/	BS61or81MO	To get a MO SETUP message with right BC IE for BS61 or BS81 service.	1342
GSM_L3_MS_v4200/Preambles/	BS61or81MT	To get a MT SETUP message with right BC IE for BS61 or BS81 service.	1346
GSM_L3_MS_v4200/Preambles/	CallCfmGen	generate a CALL CONFIRMED for CALL CONFIRMED message verifying	1351
GSM_L3_MS_v4200/Preambles/	Chmod	To assign correct values to the test case variables TCV_ChMod and TCV_ChModb.	44
GSM_L3_MS_v4200/Preambles/	Est_MO_Call	To establish a MO call in any cell.	1357
GSM_L3_MS_v4200/Preambles/	Est_MO_Call_init	To initiate a mobile originating call for the supported bearer capability. Only in HO cases.	1358
GSM_L3_MS_v4200/Preambles/	Est_MT_Call_FH	To establish a call with FH (in CELL A or B).	1359
GSM_L3_MS_v4200/Preambles/	Est_MT_CallNonFH	To establish a call with non hopping.	1360
GSM_L3_MS_v4200/Preambles/	IdleUpdated	This test step is called at the preamble of each test case.	1361
GSM_L3_MS_v4200/Preambles/	PreEnterIdleState_r02	To broadcast SYSTEM INFORMATION messages 2, 3, 4, 5 and 6 with some options in cell A, and wait for the SUT (MS) entering the Idle updated state. 2 parameters: max retransmission, and tx integer can be set/assigned and legal combination of CCCH-CONF, BS-AG-BLKS-RES, BS-PA-MFRMS are specified by parameter `ccd`.	1369
GSM_L3_MS_v4200/Preambles/	PreEnterCCstateU01 _21	To bring the MS into CC state U0.1 by procedure in table 26.8.1.2/1. This is used in CC testing.	1370

GSM_L3_MS_v4200/Preambles/	PreEnterCCstateU1_21	To bring the MS into CC state U1 by procedure in table 26.8.1.2/1. This is used in CC testing.	1371
GSM_L3_MS_v4200/Preambles/	PreEnterCCstateU1_22	To bring the MS into CC state U1 by procedure in table 26.8.1.2/2. This is used in CC testing.	1371
GSM_L3_MS_v4200/Preambles/	PreEnterCCstateU1_22Timer	To bring the MS into CC state U1 by procedure in table 26.8.1.2/2. This is used in CC testing.	1371
GSM_L3_MS_v4200/Preambles/	PreEnterCCstateU1_24	To bring the MS into CC state U1 by procedure in table 26.8.1.2/4. This is used in CC testing.	1372
GSM_L3_MS_v4200/Preambles/	PreEnterCCstateU1	To establish a mobile originating call and put the MS under test in the CC state U1.	1372
GSM_L3_MS_v4200/Preambles/	PreEnterCCstateU3	To establish a mobile originating call and put the MS under test in the CC state U3.	1373
GSM_L3_MS_v4200/Preambles/	PreEnterCCstateU3_21	To bring the MS into CC state U3 by procedure in table 26.8.1.2/1. This is used in CC testing.	1373
GSM_L3_MS_v4200/Preambles/	PreEnterCCstateU3_22	To bring the MS into CC state U3 by procedure in table 26.8.1.2/2. This is used in CC testing.	1373
GSM_L3_MS_v4200/Preambles/	PreEnterCCstateU3_23	To bring the MS into CC state U3 by procedure in table 26.8.1.2/3. This is used in CC testing.	1374
GSM_L3_MS_v4200/Preambles/	PreEnterCCstateU3_24	To bring the MS into CC state U3 by procedure in table 26.8.1.2/4. This is used in CC testing.	1374
GSM_L3_MS_v4200/Preambles/	PreEnterCCstateU4_21	To bring the MS into CC state U4 by procedure in table 26.8.1.2/1. This is used in CC testing.	1374
GSM_L3_MS_v4200/Preambles/	PreEnterCCstateU4_22	To bring the MS into CC state U4 by procedure in table 26.8.1.2/2. This is used in CC testing.	1375
GSM_L3_MS_v4200/Preambles/	PreEnterCCstateU4_23	To bring the MS into CC state U4 by procedure in table 26.8.1.2/3. This is used in CC testing.	1375
GSM_L3_MS_v4200/Preambles/	PreEnterCCstateU4_24	To bring the MS into CC state U4 by procedure in table 26.8.1.2/4. This is used in CC testing.	1375
GSM_L3_MS_v4200/Preambles/	PreEnterCCstateU6_32	To bring the MS into CC state U6 by procedure in table 26.8.1.3/2. This is used in CC testing.	1376
GSM_L3_MS_v4200/Preambles/	PreEnterCCstateU7_31	To bring the MS into CC state U7 by procedure in table 26.8.1.3/1. This is used in CC testing.	1376
GSM_L3_MS_v4200/Preambles/	PreEnterCCstateU7_32	To bring the MS into CC state U7 by procedure in table 26.8.1.3/2. This is used in CC testing.	1376
GSM_L3_MS_v4200/Preambles/	PreEnterCCstateU7_33	To bring the MS into CC state U7 by procedure in table 26.8.1.3/3. This is used in CC testing.	1377
GSM_L3_MS_v4200/Preambles/	PreEnterCCstateU8_31	To bring the MS into CC state U8 by procedure in table 26.8.1.3/1. This is used in CC testing.	1377
GSM_L3_MS_v4200/Preambles/	PreEnterCCstateU8_32	To bring the MS into CC state U8 by procedure in table 26.8.1.3/2. This is used in CC testing.	1378
GSM_L3_MS_v4200/Preambles/	PreEnterCCstateU8_33	To bring the MS into CC state U8 by procedure in table 26.8.1.3/3. This is used in CC testing.	1378
GSM_L3_MS_v4200/Preambles/	PreEnterCCstateU8_34_SS	Entering U8, non hopping, no ciphering.	1379
GSM_L3_MS_v4200/Preambles/	PreEnterCCstateU9_31		1379
GSM_L3_MS_v4200/Preambles/	PreEnterCCstateU9_32	To bring the MS into CC state U9 by procedure in table 26.8.1.3/2. This is used in CC testing.	1380
GSM_L3_MS_v4200/Preambles/	PreEnterCCstateU9_33	To bring the MS into CC state U9 by procedure in table 26.8.1.3/3. This is used in CC testing.	1380
GSM_L3_MS_v4200/Preambles/	PreEnterCCstateU9_34	To bring the MS into CC state U9 by procedure in table 26.8.1.3/4. This is used in CC testing.	1380
GSM_L3_MS_v4200/Preambles/	PreEnterCCstateU10	To establish a mobile terminating call for the supported bearer capability and put the MS under test in the CC state U10. The supported bearer capability is specified in the input parameter setup. With early assignment, SETUP message does not contain SIGNAL information element.	1381
GSM_L3_MS_v4200/Preambles/	PreEnterCCstateU10_late	To establish a mobile terminating call for the supported bearer capability and put the MS under test in the CC state U10. The supported bearer capability is specified in the input parameter setup. Late assignment only. The SETUP message shall contain a SIGNAL information element.	1382
GSM_L3_MS_v4200/Preambles/	PreEnterCCstateU10_r01	To establish a mobile terminating call for the supported bearer capability and put the MS in the CC state U10 with late assignment.	1383
GSM_L3_MS_v4200/Preambles/	PreEnterCCstateU10_21	To bring the MS into CC state U10 by procedure in table 26.8.1.2/1. This is used in CC testing.	1384
GSM_L3_MS_v4200/Preambles/	PreEnterCCstateU10_22	To bring the MS into CC state U10 by procedure in table 26.8.1.2/2. This is used in CC testing.	1384

GSM_L3_MS_v4200/Preambles/	PreEnterCCstateU11_23	To bring the MS into CC state U11 by procedure in table 26.8.1.2/3. This is used in CC testing.	1385
GSM_L3_MS_v4200/Preambles/	PreEnterCCstateU11_23Timer	To bring the MS into CC state U11 by procedure in table 26.8.1.2/3. This is used in CC testing.	1385
GSM_L3_MS_v4200/Preambles/	PreEnterCCstateU11_24	To bring the MS into CC state U11 by procedure in table 26.8.1.2/4. This is used in CC testing.	1386
GSM_L3_MS_v4200/Preambles/	PreEnterCCstateU12_21	To bring the MS into CC state U12 by procedure in table 26.8.1.2/1. This is used in CC testing.	1386
GSM_L3_MS_v4200/Preambles/	PreEnterCCstateU12_22	To bring the MS into CC state U12 by procedure in table 26.8.1.2/2. This is used in CC testing.	1386
GSM_L3_MS_v4200/Preambles/	PreEnterCCstateU12_23	To bring the MS into CC state U12 by procedure in table 26.8.1.2/3. This is used in CC testing.	1387
GSM_L3_MS_v4200/Preambles/	PreEnterCCstateU19_21	To bring the MS into CC state U19 by procedure in table 26.8.1.2/1. This is used in CC testing.	1387
GSM_L3_MS_v4200/Preambles/	PreEnterCCstateU19_24	To bring the MS into CC state U19 by procedure in table 26.8.1.2/4. This is used in CC testing.	1388
GSM_L3_MS_v4200/Preambles/	PreEnterCCstateU19_24Timer	To bring the MS into CC state U19 by procedure in table 26.8.1.2/4. This is used in CC testing.	1388
GSM_L3_MS_v4200/Preambles/	PreEstRRConn	To establish a RR connection on TSPX_SDCCH4SubDef	1389
GSM_L3_MS_v4200/Preambles/	PreEstRRC_MM	To establish a RR connection for MM testcases.	1389
GSM_L3_MS_v4200/Preambles/	PreModifySetup	To setup dual mode call and initiate MO incall modification.	1390
GSM_L3_MS_v4200/Preambles/	SpeechService	To select a speech service.	1390
GSM_L3_MS_v4200/Preambles/	StartCellA	To broadcast SYSTEM INFORMATION messages 2, 3, 4, 5 and 6 with default parameters in cell A, frequency hopping.	1391
GSM_L3_MS_v4200/Preambles/	StartCellA_1	To start cell A without hopping.	1391
GSM_L3_MS_v4200/Preambles/	StartCellB	To broadcast SYSTEM INFORMATION messages 2, 3, 4, 5 and 6 with default parameters in cell B.	1392
GSM_L3_MS_v4200/Preambles/	StartCellB_1	To start cell B with default parameters.	1393
GSM_L3_MS_v4200/Preambles/	StartCellB_egsm	To broadcast SYSTEM INFORMATION messages 2, 3, 4, 5 and 6 with default parameters in cell B.	1394
GSM_L3_MS_v4200/Preambles/	StartCellB_ho	To broadcast SYSTEM INFORMATION messages 2, 3, 4, 5 and 6 with default parameters in cell B. Cell B has a frame number difference 'fn' and the BCCH of cell B has a delay of 'td' bits to the BCCH of cell A.	1395
GSM_L3_MS_v4200/Preambles/	StartCellC	To broadcast SYSTEM INFORMATION messages 2, 3, 4, 5 and 6 with default parameters in cell C.	1396
GSM_L3_MS_v4200/Preambles/	Start_2cells		1396
GSM_L3_MS_v4200/Preambles/	StartMultiCells_01	To broadcast SYSTEM INFORMATION messages 2, 3, 4, 5 and 6 in multiple cells for idle mode testing.	1397
GSM_L3_MS_v4200/Preambles/	StartMultiCells_02	To broadcast SYSTEM INFORMATION messages 1, 2, 3, 4, 5 and 6 in multiple cells for measurement testing. Neighbour cells description for cell S1 is a formal parameter.	1400
GSM_L3_MS_v4200/Preambles/	StartMultiCells_02e	To broadcast SYSTEM INFORMATION messages 1, 2, 3, 4, 5 and 6 in multiple cells for measurement testing. Neighbour cells description for cell S1 is a formal parameter.	1402
GSM_L3_MS_v4200/Preambles/	StartMultiCells_03	To broadcast SYSTEM INFORMATION messages 1, 2, 3, 4, 5 and 6 in multiple cells for measurement testing. Neighbour cells description for cell S1 is a formal parameter.	1404
GSM_L3_MS_v4200/Preambles/	TS61MO	MO SETUP message with right Bcap for TS61 service.	1406
GSM_L3_MS_v4200/Preambles/	TS62MO	MO SETUP message with right Bcap for TS62 service.	1408
GSM_L3_MS_v4200/Preambles/	TS61MT	MT SETUP message with right Bcap for TS61 service.	1410
GSM_L3_MS_v4200/Preambles/	TS62MT	MT SETUP message with right Bcap for TS62 service.	1412

Detailed Comments:

Default index

Default Index			
Default Group Reference	Default Id	Description	Page Nr
GSM_L3_MS_v4200/	OtherEvents	To match unexpected events and sign final verdict for preambles.	1414
GSM_L3_MS_v4200/	OtherEventsFail	To match unexpected events and fail the test case.	1415
GSM_L3_MS_v4200/	OtherEventsFail_01	To match irrelevant CHANNEL REQUEST msg and return or match other unexpected events and fail the test case.	1416
GSM_L3_MS_v4200/	OtherEventsFail_02	To match unexpected events and fail the test case but ignore channel request messages that are sent before the lower tester has sent (and the MS received) the Immediate Assignment message.	1417
GSM_L3_MS_v4200/	OtherEvents_01	To match irrelevant messages and return	1418
GSM_L3_MS_v4200/	OtherEvents_02	To match unexpected events and sign final verdict for preambles but ignore channel request messages that are sent before the lower tester has sent (and the MS received) the Immediate Assignment message.	1419
GSM_L3_MS_v4200/	RcvHdOvAcc	To match any HANDOVER ACCESS then return to calling tree.	1420
Detailed Comments:			

Declarations Part

Test suite type definitions

Simple type definitions

Simple Type Definitions		
Type Name	Type Definition	Comments
B_1	BITSTRING [1]	Generic type for 1 bit value
B_2	BITSTRING [2]	Generic type for 2 bits value
B_3	BITSTRING [3]	Generic type for 3 bits value
B_4	BITSTRING [4]	Generic type for 4 bits value
B_5	BITSTRING [5]	Generic type for 5 bits value
B_6	BITSTRING [6]	Generic type for 6 bits value
B_8	BITSTRING [8]	Generic type for 8 bits value
BCCHFRQ	BITSTRING [5]	position of a bcch carrier in the bcch channel list
BCC	BITSTRING [3]	BS colour code
BCDN	OCTETSTRING [1..10]	BCD numbers, GSM 04.08, 10.5.4.7, octet 4-13
BSIC	BITSTRING [6]	base station identity code
CCCH_CON	BITSTRING[3]	number of physical channels for ccch GSM 04.08, 10.5.2.11
CCSTATE	INTEGER(1,3,4,6,7,8,9,10,11,12,19,26,27)	
CellID	IA5String	Cell identifier
CHANNEL	BITSTRING [2]	needed channel type
CHMOD_VAL	BITSTRING[8]	value for channel mode GSM 04.08, 10.5.2.6, 10.5.2.7
CH_TDMA	BITSTRING[5]	channel type and TDMA offset GSM 04.08, 10.5.2.5
CI	OCTETSTRING [2]	cell identity, GSM 04.08, 10.5.1.1
CKSN	BITSTRING[3]	ciphering key sequence number(only key sequence) GSM 04.08, 10.5.1.2
CLRSUP	BITSTRING('10100001'B)	CLIR suppression GSM 04.08, 10.5.4.11a
CLRINV	BITSTRING('10100010'B)	CLIR invocation GSM 04.08, 10.5.4.11b
CMSVTYPE	BITSTRING [4]	CM service type
CP_CAU	OCTETSTRING [1]	cp cause GSM 04.11, 8.1.4.2
CPHALG	BITSTRING[3]	Ciphering algorithm identifier GSM 04.08, 10.5.2.9
CS	BITSTRING [2]	coding standard
EstMode	OCTETSTRING [1]	establish mode
EXTB	BITSTRING [1]	extension bit
FCS	HEXSTRING [2]	TP failure cause
FLWCNTL	INTEGER(0, 1, 2)	type of flow control. 0--outband flow control; 1--inband flow control; 2-- no flow control
HORF	BITSTRING [8]	handover reference
HSN	BITSTRING[6]	Hopping sequence number e.g.GSM 04.08 10.5.2.5
IDTYPE	B_4	identity type
IEI_4	BITSTRING [4]	information element identifier, type 1
IEI_8	BITSTRING [8]	information element identifier, type 2-4
L2FMTYPE	INTEGER(1..3)	L2 frame type
LENGTH	OCTETSTRING [1]	IE length or L2 pseudo length. The L2 pseudo length is composed of a L2 pseudo length value, which is 6 bits long, and of 2 additional bits. See GSM 04.08 section 10.5.2.19
LOGICCH	IA5String	

LOGCH	IA5String	
MAC	OCTETSTRING[3]	mac, e.g. GSM 04.08 10.5.2.21
MAIO	BITSTRING[6]	MAIO, GSM 04.08 10.5.2.5
MAXTXPOW	INTEGER(0..31)	Max Tx Power Level GSM 04.08, 10.5.2.4
MR	OCTETSTRING [1]	SMS RP or TP message reference
MT	BITSTRING[8]	message type, structure of it see MTO
MTI	BITSTRING [3]	SMS RP message type indicator
NCC	BITSTRING [3]	PLMN colour code
NCCP	OCTETSTRING [1]	ncc permitted
NTI	BITSTRING('10000000'B, '10000001'B, '10000010'B)	notification indicator GSM 04.08, 10.5.4.20
PD	B_4	Protocol discriminator
PGG	BITSTRING [8]	the paging group of an MS to be paged in binary presentation
RATE	IA5String("F", "H")	
RAND	BITSTRING [128]	random number
RCSD	BITSTRING [8]	reverse call setup direction GSM 04.08, 10.5.4.22a
RelMode	OCTETSTRING [1]	release mode
REJCAU	OCTETSTRING [1]	reject cause GSM 04.08, 10.5.3.6
RPI	BITSTRING [8]	repeat indicator
RRCAU	BITSTRING [8]	RR cause GSM 04.08, 10.5.2.31
RXLEV	BITSTRING [6]	received signal strength
SAPID	OCTETSTRING [1]	sap identifier
SENDINGMODE	INTEGER(1..4)	the mode of sending two consecutive messages containing paging mode IE
SERVICES	IA5String("C_Telephony", "C_EmgCall", "C_AltSpchFax", "C_AutoFax", "C_Async300", "C_Async1200", "C_Async120075", "C_Async2400", "C_Async4800", "C_Async9600", "C_Sync1200", "C_Sync2400", "C_Sync4800", "C_Sync9600", "C_PAD300", "C_PAD1200", "C_PAD120075", "C_PAD2400", "C_PAD4800", "C_PAD9600", "C_Packet2400", "C_Packet4800", "C_Packet9600", "C_AltSpchData", "C_SpchData", "C_SS_CLIP", "C_SS_CLIR", "C_SS_CoLP", "C_SS_CoLR", "C_SS_CFU", "C_SS_CFB", "C_SS_CFNry", "C_SS_CFNrc", "C_SS_CW", "C_SS_HOLD", "C_SS_MPTY", "C_SS_CUG", "C_SS_AoCI", "C_SS_AoCC", "C_SS_BAOC", "C_SS_BOIC", "C_SS_BOIC-exHC", "C_SS_BAIC", "C_SS_BAIC-Roam", "C_Short_Message_MT/PP", "C_Short_Message_MO/PP", "C_Short_Message_CB")	
SHOCT	B_4	spare half octet for type 1 information element GSM 04.08, 10.5.1.8
SKI	B_4	Skip indicator
SN	BITSTRING [3]	all possible slot number, GSM 04.08 10.5.2.5
SPB	B_1	spare bit
SP2B	B_2	2 spare bits
SP3B	B_3	3 spare bits
SP5B	B_5	5 spare bits
SP6B	B_6	6 spare bits
SRES	OCTETSTRING [4]	authentication response signature
TPCD	OCTETSTRING [1..157]	TP command data
TPSCTS	HEXSTRING [14]	TP service centre time stamp
TPUD	OCTETSTRING [1..140]	TP user data
TSC	B_3	Training sequence code, GSM 04.08 10.5.2.5
T1	BITSTRING [11]	

T1_	B_5	T1'
T2	B_5	
T3	BITSTRING [6]	
T3_	B_3	T3'
TI_V	B_3	TI value
TMSI_V	OCTETSTRING[4]	TMSI value is octetstring of length 4
TZONES	INTEGER(-79..79)	time zones in 15 minute steps
WI	HEXSTRING [2]	wait indication, unit in second
Detailed Comments:		

Structured Type definitions

Structured Type Definition		
Type Name:	ACST	
Comments:	Auxiliary states (CC information element) GSM 04.08, 10.5.4.4	
Element Name	Type Definition	Comments
iei	IEI_8	
iel	LENGTH	
extb	EXTB	
sp3b	SP3B	
has	BITSTRING [2]	
mpas	BITSTRING [2]	
Detailed Comments:		

Structured Type Definition		
Type Name:	EFR_BCAP_3A_ETC	
Comments:	Speech Versions preferences as supported by the EFR mobile - see GSM 04.08/10.5.4.5/octet 3a etc/"speech version indication"	
Element Name	Type Definition	Comments
extb	EXTB	
cod	BITSTRING[1]	
spr2	BITSTRING[2]	
svi	BITSTRING [4]	
Detailed Comments:		

Structured Type Definition		
Type Name:	BCAP	
Comments:	Bearer capability (CC information element) GSM 04.08, 10.5.4.5	
Element Name	Type Definition	Comments
iei	IEI_8	
iel	LENGTH	
extb3	EXTB	
rchr	BITSTRING [2]	
cs	BITSTRING [1]	
tm	BITSTRING [1]	
itc	BITSTRING [3]	
oct_3a_etc_1	EFR_BCAP_3A_ETC	
oct_3a_etc_2	EFR_BCAP_3A_ETC	
oct_3a_etc_3	EFR_BCAP_3A_ETC	
oct_3a_etc_4	EFR_BCAP_3A_ETC	
oct_3a_etc_5	EFR_BCAP_3A_ETC	
oct_3a_etc_6	EFR_BCAP_3A_ETC	
extb4	EXTB	
spb	SPB	
strc	BITSTRING [2]	
dplxm	BITSTRING [1]	
config	BITSTRING [1]	
nirr	BITSTRING [1]	
est	BITSTRING [1]	
extb5	EXTB	
accid	BITSTRING [2]	
ra	BITSTRING [2]	
sacp	BITSTRING [3]	
extb6	EXTB	
l1id	BITSTRING [2]	
uil1	BITSTRING [4]	
sb	BITSTRING [1]	
extb6a	EXTB	
nsb	BITSTRING [1]	
nb	BITSTRING [1]	
ndb	BITSTRING [1]	
ur	BITSTRING [4]	
extb6b	EXTB	
ir	BITSTRING [2]	
nictx	BITSTRING [1]	
nicrx	BITSTRING [1]	
pi	BITSTRING [3]	
extb6c	EXTB	
ce	BITSTRING [2]	
modemt	BITSTRING [5]	
extb7	EXTB	
l2id	BITSTRING [2]	
uil2	BITSTRING [5]	
Detailed Comments:		

Structured Type Definition		
Type Name:	BLOCKTYPE	
Comments:	Block type, GSM 04.12, 3.3.1	
Element Name	Type Definition	Comments
spare1	SPB	
lpd	BITSTRING[2]	
lb	BITSTRING[1]	
sequence_number	BITSTRING[4]	
Detailed Comments:		

Structured Type Definition		
Type Name:	CAU	
Comments:	Cause (CC information element) GSM 04.08, 10.5.4.11	
Element Name	Type Definition	Comments
iei	IEI_8	
iel	LENGTH	
extb3	EXTB	
cs	CS	
spb	SPB	
location	BITSTRING [4]	
extb3a	EXTB	
rec	BITSTRING [7]	
extb4	EXTB	
cau_class	BITSTRING [3]	
cau_va	BITSTRING [4]	
cau_di	OCTETSTRING [1..28]	
Detailed Comments:	&COMMON_U06	

Structured Type Definition		
Type Name:	CCCAP	
Comments:	Call Control Capabilities GSM 04.08, 10.5.4.5a	
Element Name	Type Definition	Comments
iei	IEI_8	
iel	LENGTH	
spr	BITSTRING [7]	
dtmf	BITSTRING [1]	
Detailed Comments:		

Structured Type Definition		
Type Name:	CCD	
Comments:	Control channel description GSM 04.08, 10.5.2.11	
Element Name	Type Definition	Comments
spr1	BITSTRING [1]	
att	BITSTRING [1]	
babr	BITSTRING [3]	
ccch_con	BITSTRING [3]	
spr2	BITSTRING [5]	
bpm	BITSTRING [3]	
t3212	OCTETSTRING [1]	
Detailed Comments:		

Structured Type Definition		
Type Name:	CCHD	
Comments:	Cell channel description GSM 04.08, 10.5.2.1	
Element Name	Type Definition	Comments
iei	IEI_8	
rfl	OCTETSTRING [16]	
Detailed Comments:		

Structured Type Definition		
Type Name:	CD	
Comments:	Cell description GSM 04.08, 10.5.2.2	
Element Name	Type Definition	Comments
bcch_arfcn_h	BITSTRING [2]	
ncc	NCC	
bcc	BCC	
bcch_arfcn_l	BITSTRING [8]	
Detailed Comments:	The info element is two octets long.	

Structured Type Definition		
Type Name:	CDPN	
Comments:	Called party BCD number (CC information element) GSM 04.08, 10.5.4.7	
Element Name	Type Definition	Comments
iei	IEI_8	
iel	LENGTH	
tonnpi	TON_NPI	
digits	BCDN	
Detailed Comments:		

Structured Type Definition		
Type Name:	CDPS	
Comments:	Called party subaddress (CC information element) GSM 04.08, 10.5.4.8	
Element Name	Type Definition	Comments
iei	IEI_8	
iel	LENGTH	
subad	SUBAD	
Detailed Comments:		

Structured Type Definition		
Type Name:	CE	
Comments:	connection element	
Element Name	Type Definition	Comments
TorBothTorBothNT	B_2	
NTorBothTorBothNT	B_2	
Detailed Comments:		

Structured Type Definition		
Type Name:	CGPN	
Comments:	Calling party BCD number (CC information element) GSM 04.08, 10.5.4.9	
Element Name	Type Definition	Comments
iei	IEI_8	
iel	LENGTH	
tonnpi	TON_NPI	
psi	PI_SI	
digits	BCDN	
Detailed Comments:		

Structured Type Definition		
Type Name:	CGPS	
Comments:	Calling party subaddress (CC information element) GSM 04.08, 10.5.4.10	
Element Name	Type Definition	Comments
iei	IEI_8	
iel	LENGTH	
subad	SUBAD	
Detailed Comments:		

Structured Type Definition		
Type Name:	CHD	
Comments:	Channel description GSM 04.08, 10.5.2.5	
Element Name	Type Definition	Comments
iei	IEI_8	
cht_schn	BITSTRING [5]	
tn	BITSTRING [3]	
tsc	BITSTRING [3]	
hch	BITSTRING [1]	
maio	BITSTRING [6]	
hsn	BITSTRING [6]	
spr	BITSTRING [2]	
arfcn	BITSTRING [10]	
Detailed Comments:		

Structured Type Definition		
Type Name:	CHMOD	
Comments:	Channel mode, channel mode2 GSM 04.08, 10.5.2.6, 10.5.2.7	
Element Name	Type Definition	Comments
iei	IEI_8	
mode	B_8	
Detailed Comments:		

Structured Type Definition		
Type Name:	CHNEED	
Comments:	Channels needed GSM 04.08, 10.5.2.8	
Element Name	Type Definition	Comments
ch2	CHANNEL	
ch1	CHANNEL	
Detailed Comments:		

Structured Type Definition		
Type Name:	CNN	
Comments:	Connected number (CC information element) GSM 04.08, 10.5.4.13	
Element Name	Type Definition	Comments
iei	IEI_8	
iel	LENGTH	
tonnpi	TON_NPI	
pisi	PI_SI	
digits	BCDN	
Detailed Comments:		

Structured Type Definition		
Type Name:	CNS	
Comments:	Connected subaddress (CC information element) GSM 04.08, 10.5.4.14	
Element Name	Type Definition	Comments
iei	IEI_8	
iel	LENGTH	
subad	SUBAD	
Detailed Comments:		

Structured Type Definition		
Type Name:	CO	
Comments:	Cell options (BCCH / SACCH) GSM 04.08, 10.5.2.3	
Element Name	Type Definition	Comments
sprb	BITSTRING [1]	
pwrc	BITSTRING [1]	
dtx	BITSTRING [2]	
rlt	BITSTRING [4]	
Detailed Comments:		

Structured Type Definition		
Type Name:	Component_T	
Comments:	Component for sending (downlink) GSM 04.80, 3.6	
Element Name	Type Definition	Comments
comp_part1	OCTETSTRING	
invokeld	OCTETSTRING [1]	
comp_part2	OCTETSTRING	
comp_part3	OCTETSTRING	
comp_part4	OCTETSTRING	
comp_part5	OCTETSTRING	
comp_part6	OCTETSTRING	
comp_part7	OCTETSTRING	
comp_part8	OCTETSTRING	
comp_part9	OCTETSTRING	
comp_part10	OCTETSTRING	
comp_part11	OCTETSTRING	
comp_part12	OCTETSTRING	
Detailed Comments: This component is defined for the use in the downlink (from the test system to the IUT) direction.		

Structured Type Definition		
Type Name:	CPDATA	
Comments:	CP-User data element GSM 04.11, 8.1.4.1	
Element Name	Type Definition	Comments
iei	IEI_8	
iel	LENGTH	
rpack	RPACK	
rpdata	RPDATA	
rperr	RPERR	
rpsmma	RPSMMA	
Detailed Comments: One of the 4 types of rpdu is contained in the CPDATA.		

Structured Type Definition		
Type Name: CPHMS		
Comments: Cipher mode setting GSM 04.08, 10.5.2.9		
Element Name	Type Definition	Comments
iei	IEI_4	
algid	BITSTRING [3]	
sc	BITSTRING [1]	
Detailed Comments:		

Structured Type Definition		
Type Name: CPHKSN		
Comments: Ciphering key sequence number GSM 04.08, 10.5.1.2		
Element Name	Type Definition	Comments
sprb	BITSTRING [1]	
ks	BITSTRING [3]	
Detailed Comments:		

Structured Type Definition		
Type Name: CPH_RES		
Comments: Cipher response GSM 04.08, 10.5.2.10		
Element Name	Type Definition	Comments
iei	IEI_4	
sprb	BITSTRING [3]	
cr	BITSTRING [1]	
Detailed Comments:		

Structured Type Definition		
Type Name: CSP		
Comments: Cell selection parameters GSM 04.08, 10.5.2.4		
Element Name	Type Definition	Comments
crh	BITSTRING [3]	
mtmc	BITSTRING [5]	
acs	BITSTRING [1]	
neci	BITSTRING [1]	
ram	BITSTRING [6]	
Detailed Comments:		

Structured Type Definition		
Type Name: CST		
Comments: Call status (CC information element) GSM 04.08, 10.5.4.6		
Element Name	Type Definition	Comments
cs	CS	
csv	BITSTRING [6]	
Detailed Comments:		

Structured Type Definition		
Type Name:	FIE	
Comments:	Facility information element GSM 04.80, 3.6	
Element Name	Type Definition	Comments
iei	IEI_8	
iel	LENGTH	
components_1	Components	
components_t	Component_T	
Detailed Comments:	When sending normally only one component is sent, but when receiving any number of components can be received even though normally we are only interested in one component during the testing.	

Structured Type Definition		
Type Name:	FN	
Comments:	The time in reference to the frame numbering corresponding to the absolute frame number modulo 42432.	
Element Name	Type Definition	Comments
t1_	T1_	
t3	T3	
t2	T2	
Detailed Comments:	In STRT and RQR	

Structured Type Definition		
Type Name:	FRQCHS	
Comments:	Frequency channel sequence GSM 04.08, 10.5.2.12	
Element Name	Type Definition	Comments
iei	IEI_8	
larfcn	OCTETSTRING [1]	
incls	OCTETSTRING [8]	
Detailed Comments:		

Structured Type Definition		
Type Name:	FRQL	
Comments:	Frequency list, frequency short list GSM 04.08, 10.5.2.5, 10.5.2.6	
Element Name	Type Definition	Comments
iei	IEI_8	
iel	LENGTH	
fl	OCTETSTRING	
Detailed Comments:	frequency short list has a fixed length of 10 octets and does not contain the length indicator.	

Structured Type Definition		
Type Name:	FRQPARA	
Comments:	Parameters for Description of basic physical channel in frequency domain.	
Element Name	Type Definition	Comments
hch	BITSTRING[1]	
maio	BITSTRING [6]	
hsn	BITSTRING [6]	
spr	BITSTRING [2]	
arfcn	BITSTRING [10]	
maclength	LENGTH	
mac_8n	BITSTRING [8]	
mac_7n	BITSTRING [8]	
mac_6n	BITSTRING [8]	
mac_5n	BITSTRING [8]	
mac_4n	BITSTRING [8]	
mac_3n	BITSTRING [8]	
mac_2n	BITSTRING [8]	
mac_1n	BITSTRING [8]	
flst	FRQL	
Detailed Comments:		

Structured Type Definition		
Type Name:	HLCMP	
Comments:	High layer compatibility (CC information element) GSM 04.08, 10.5.4.16, ITU Q.931	
Element Name	Type Definition	Comments
iei	IEI_8	
iel	LENGTH	
extb3	EXTB	
cs	BITSTRING [2]	
in	BITSTRING [3]	
pmp	BITSTRING [2]	
extb4	EXTB	
hlci	BITSTRING [7]	
extb4a	EXTB	
ehlci	BITSTRING [7]	
Detailed Comments:		

Structured Type Definition		
Type Name:	HOACC_PARA	
Comments:	Handover Access parameters	
Element Name	Type Definition	Comments
num_bursts	OCTETSTRING[1]	
min_mspwr	OCTETSTRING[1]	
max_mspwr	OCTETSTRING[1]	
min_msta	BITSTRING[8]	
max_msta	BITSTRING[8]	
Detailed Comments:		

Structured Type Definition		
Type Name:	IARESTOCT	
Comments:		
Element Name	Type Definition	Comments
iei	IEI_8	
iaroct1	OCTETSTRING[1..11]	
iaroct2	IARESTOCT2	
Detailed Comments:		

Structured Type Definition		
Type Name: IARESTOCT2		
Comments:		
Element Name	Type Definition	Comments
p	BITSTRING[2]	
frqparalen	BITSTRING[6]	
spbt1	BITSTRING[2]	
maio	BITSTRING[6]	
ma	OCTETSTRING[0..8]	
spbt2	OCTETSTRING[0..8]	
Detailed Comments:		

Structured Type Definition		
Type Name: KPF (keypad facility)		
Comments: keypad facility GSM 04.08 clause 10.5.4.17		
Element Name	Type Definition	Comments
iei	IEI_8	
extb	EXTB	
kpf_info	IA5String [1]	
Detailed Comments: Is extb needed?		

Structured Type Definition		
Type Name: L1HD		
Comments: Layer 1 Header		
Element Name	Type Definition	Comments
spr1	BITSTRING[3]	
mspwrlvl	BITSTRING[5]	
spr2	BITSTRING[1]	
ta	BITSTRING[7]	
Detailed Comments:		

Structured Type Definition		
Type Name: LAI		
Comments: Location area identification GSM 04.08, 10.5.1.3		
Element Name	Type Definition	Comments
iei	IEI_8	
mcc	OCTETSTRING [2]	
mnc	OCTETSTRING [1]	
lac	OCTETSTRING [2]	
Detailed Comments:		

Structured Type Definition		
Type Name:	LLCMP	
Comments:	Low layer compatibility (CC information element) GSM 04.08, 10.5.4.18 and ETS DE/SPS-5034-1 (update of ETS 300 102-1)	
Element Name	Type Definition	Comments
iei	IEI_8	
iel	LENGTH	
extb3	EXTB	
cs	BITSTRING [2]	
itc	BITSTRING [5]	
extb3a	EXTB	
negind	BITSTRING[1]	
spb3a	SP6B	
extb4	EXTB	
tm	BITSTRING [2]	
itr	BITSTRING [5]	
extb4_1	EXTB	
rateml	BITSTRING [7]	
extb5	EXTB	
l1id	BITSTRING [2]	
uil1	BITSTRING [5]	
extb5a	EXTB	
sb	BITSTRING [1]	
neg	BITSTRING [1]	
ur	BITSTRING [5]	
extb5b1	EXTB	
ir	BITSTRING [2]	
nictx	BITSTRING [1]	
nicrx	BITSTRING [1]	
fctx	BITSTRING [1]	
fcrx	BITSTRING [1]	
spb5b1	SPB	
extb5b2	EXTB	
hdrb	BITSTRING[1]	
mfs	BITSTRING[1]	
mode	BITSTRING[1]	
llineg	BITSTRING[1]	
ass	BITSTRING[1]	
ibob	BITSTRING[1]	
spb5b2	SPB	
extb5c	EXTB	
nsb	BITSTRING [2]	
ndb	BITSTRING [2]	
pi	BITSTRING [3]	
extb5d	EXTB	
dplxm	BITSTRING [1]	
modemt	BITSTRING [6]	
extb6	EXTB	
l2id	BITSTRING [2]	
uil2	BITSTRING [5]	
extb6a1	EXTB	
modl2	BITSTRING[2]	
spb6a1	SP3B	
q933	BITSTRING [2]	
extb6a2	EXTB	
usl2pi	BITSTRING[7]	
extb6b	EXTB	
ws	BITSTRING[7]	
extb7	EXTB	
l3id	BITSTRING [2]	
uil3	BITSTRING [5]	
extb7a1	EXTB	
modl3	BITSTRING[2]	
spb7a1	SP5B	

extb7a2	EXTB	
usl3pi	BITSTRING[7]	
extb7b	EXTB	
spb7b	SP3B	
dps	BITSTRING [4]	
extb7c	EXTB	
pws	BITSTRING[7]	
Detailed Comments:		

Structured Type Definition		
Type Name:	LUT	
Comments:	Location updating type GSM 04.08, 10.5.3.5	
Element Name	Type Definition	Comments
foreq	BITSTRING [1]	
sprb	BITSTRING [1]	
lut	BITSTRING [2]	
Detailed Comments:		

Structured Type Definition		
Type Name:	MA	
Comments:	Mobile allocation GSM 04.08, 10.5.2.21	
Element Name	Type Definition	Comments
iei	IEI_8	
iel	LENGTH	
mac_8n	BITSTRING [8]	
mac_7n	BITSTRING [8]	
mac_6n	BITSTRING [8]	
mac_5n	BITSTRING [8]	
mac_4n	BITSTRING [8]	
mac_3n	BITSTRING [8]	
mac_2n	BITSTRING [8]	
mac_1n	BITSTRING [8]	
Detailed Comments:		

Structured Type Definition		
Type Name:	MI	
Comments:	Mobile identity GSM 04.08, 10.5.1.4	
Element Name	Type Definition	Comments
iei	IEI_8	
iel	LENGTH	
idigit_1	BITSTRING [4]	
oei	BITSTRING [1]	
toi	BITSTRING [3]	
idigits_other	OCTETSTRING [0..7]	
Detailed Comments:		

Structured Type Definition		
Type Name:	MODEMTYPE	
Comments:		
Element Name	Type Definition	Comments
V22bisOrV26ter	B_5	
Detailed Comments:		

Structured Type Definition		
Type Name: MSCLM1		
Comments: mobile station classmark 1 GSM 04.08, 10.5.1.5		
Element Name	Type Definition	Comments
spr1	BITSTRING [1]	
rl	BITSTRING [2]	
spr2	BITSTRING [1]	
a5_1	BITSTRING [1]	
rfpc	BITSTRING [3]	
Detailed Comments: 2 octets long		

Structured Type Definition		
Type Name: MSCLM2		
Comments: mobile station classmark 2 GSM 04.08, 10.5.1.6		
Element Name	Type Definition	Comments
iel	LENGTH	
spr1	BITSTRING [1]	
rl	BITSTRING [2]	
spr2	BITSTRING [1]	
a5_1	BITSTRING [1]	
rfpc	BITSTRING [3]	
spr3	BITSTRING [1]	
psc	BITSTRING [1]	
sssi	BITSTRING [2]	
smc	BITSTRING [1]	
spr4	BITSTRING [2]	
fc	BITSTRING [1]	
cm3	BITSTRING [1]	
spr5	BITSTRING [5]	
a5_3	BITSTRING [1]	
a5_2	BITSTRING [1]	
Detailed Comments: 4 octets long		

Structured Type Definition		
Type Name: MSCLM3		
Comments: Mobile station classmark 3 GSM 04.08, 10.5.1.7		
Element Name	Type Definition	Comments
iei	IEI_8	
iel	LENGTH	
spr1	BITSTRING [4]	
a5_7	BITSTRING [1]	
a5_6	BITSTRING [1]	
a5_5	BITSTRING [1]	
a5_4	BITSTRING [1]	
spr2	OCTETSTRING [11]	
Detailed Comments: The info element has 14 octets		

Structured Type Definition		
Type Name:	MSRR	
Comments:	measurement results GSM 04.08, 10.5.2.20	
Element Name	Type Definition	Comments
ba_used	BITSTRING [1]	
dtx_used	BITSTRING [1]	
rxlev_fsc	RXLEV	
spr1	BITSTRING [1]	
meas_valid	BITSTRING [1]	
rxlev_ssc	RXLEV	
spr2	BITSTRING [1]	
rxqual_fsc	BITSTRING [3]	
rxqual_ssc	BITSTRING [3]	
no_nc	BITSTRING [3]	
rxlev_nc1	RXLEV	
bcchfrq_nc1	BCCHFRQ	
bsic_nc1	BSIC	
rxlev_nc2	RXLEV	
bcchfrq_nc2	BCCHFRQ	
bsic_nc2	BSIC	
rxlev_nc3	RXLEV	
bcchfrq_nc3	BCCHFRQ	
bsic_nc3	BSIC	
rxlev_nc4	RXLEV	
bcchfrq_nc4	BCCHFRQ	
bsic_nc4	BSIC	
rxlev_nc5	RXLEV	
bcchfrq_nc5	BCCHFRQ	
bsic_nc5	BSIC	
rxlev_nc6	RXLEV	
bcchfrq_nc6	BCCHFRQ	
bsic_nc6	BSIC	
Detailed Comments:	The info element has a fixed length of 16 octets.	

Structured Type Definition		
Type Name:	MTDIF	
Comments:	Mobile time difference GSM 04.08, 10.5.1.21a	
Element Name	Type Definition	Comments
iei	IEI_8	
iel	LENGTH	
value	OCTETSTRING [3]	
Detailed Comments:		

Structured Type Definition		
Type Name:	NCD	
Comments:	Neighbour cells description GSM 04.08, 10.5.2.22	
Element Name	Type Definition	Comments
rfl2	BITSTRING [2]	
extind	BITSTRING [1]	
baind	BITSTRING [1]	
rfl4	BITSTRING [4]	
rfl	OCTETSTRING [15]	
Detailed Comments:		

Structured Type Definition		
Type Name:	NCD2	
Comments:	Neighbour cells description2 GSM 04.08, 10.5.2.22b	
Element Name	Type Definition	Comments
b128	BITSTRING [1]	
mbrpt	BITSTRING [2]	
baind	BITSTRING [1]	
b122_124	BITSTRING [3]	
rfl1	BITSTRING [1]	
rfl	OCTETSTRING [15]	
Detailed Comments:		

Structured Type Definition		
Type Name:	PCMD	
Comments:	Power command and access type GSM 04.08, 10.5.2.28, 10.5.2.28a	
Element Name	Type Definition	Comments
sprb	BITSTRING [3]	
pl	BITSTRING [5]	
Detailed Comments:		

Structured Type Definition		
Type Name:	PI	
Comments:	Progress indicator GSM 04.08, 10.5.4.21	
Element Name	Type Definition	Comments
iei	IEI_8	
iel	LENGTH	
extb3	EXTB	
cs	BITSTRING [2]	
spb	SPB	
loc	BITSTRING [4]	
extb4	EXTB	
prd	BITSTRING [7]	
Detailed Comments:	total 4 octets	

Structured Type Definition		
Type Name:	PI_SI	
Comments:	Presentation indicator & screening indicator GSM 04.08, 10.5.4.9, 10.5.4.13	
Element Name	Type Definition	Comments
extb	EXTB	
pi	BITSTRING [2]	
sp3b	SP3B	
si	BITSTRING [2]	
Detailed Comments:		

Structured Type Definition		
Type Name:	PM	
Comments:	Page mode GSM 04.08, 10.5.2.26	
Element Name	Type Definition	Comments
sprb	B_2	
pgm	B_2	
Detailed Comments:		

Structured Type Definition		
Type Name:	RACHCP	
Comments:	Rach control parameters GSM 04.08, 10.5.2.29	
Element Name	Type Definition	Comments
maxrtx	BITSTRING [2]	
txint	BITSTRING [4]	
cba	BITSTRING [1]	
re	BITSTRING [1]	
acc_2	BITSTRING [5]	
ec	BITSTRING [1]	
acc_1	BITSTRING [10]	
Detailed Comments: The info element has a fixed length of 3 octets.		

Structured Type Definition		
Type Name:	RPACK	
Comments:	SMS RP ACKNOWLEDGEMENT ms <-> n GSM 04.11, 7.3.3	
Element Name	Type Definition	Comments
sprb	SP5B	
rpmti	MTI	
rpmr	MR	
Detailed Comments:		

Structured Type Definition		
Type Name:	RPCAU	
Comments:	RP user data element GSM 04.11, 8.2.5.4	
Element Name	Type Definition	Comments
iei	IEI_8	
iel	LENGTH	
extb2	EXTB	
rpcau_class	BITSTRING [3]	
rpcau_va	BITSTRING [4]	
rpcau_di	OCTETSTRING [1]	
Detailed Comments:		

Structured Type Definition		
Type Name: RPDATA		
Comments: SMS RP DATA ms <-> n GSM 04.11, 7.3.1		
Element Name	Type Definition	Comments
sprb	SP5B	
rpmti	MTI	
rpmr	MR	
rpOaddr	CDPN	
rpDaddr	CDPN	
rpusrdat	RPUSRDAT	
Detailed Comments:		

Structured Type Definition		
Type Name: RPERR		
Comments: SMS RP ERROR ms <-> n GSM 04.11, 7.3.4		
Element Name	Type Definition	Comments
sprb	SP5B	
rpmti	MTI	
rpmr	MR	
rpcau	RPCAU	
rpusrdat	RPUSRDAT	
Detailed Comments:		

Structured Type Definition		
Type Name: RPSMMA		
Comments: SMS RP SMMA ms -> n GSM 04.11, 7.3.2		
Element Name	Type Definition	Comments
sprb	SP5B	
rpmti	MTI	
rpmr	MR	
Detailed Comments: SM memory available		

Structured Type Definition		
Type Name: RPUSRDAT		
Comments: RP user data element GSM 04.11, 8.2.5.3, GSM 03.40, 9.2.2		
Element Name	Type Definition	Comments
iei	IEI_8	
iel	LENGTH	
tpdeliver	SMDLVR	
tpsubmit	SMSBMT	
tpstatus_rpt	SMST_RPT	
tpcommand	SMCMD	
tpdlvr_sbmt_rpt	SMDLVR_RPT	
Detailed Comments: One of the six tpdu is contained in the RPUSRDATA. Since the structures of the messages SMS-Deliver-Report and SMS-Submit-Report are identical, they have been combined to tpdlvr_sbmt_rpt and therefore only five tp message types exist in this type definition.		

Structured Type Definition		
Type Name:	RQR	
Comments:	Request reference GSM 04.08, 10.5.2.30	
Element Name	Type Definition	Comments
ra	BITSTRING [8]	
fn	FN	
Detailed Comments:		

Structured Type Definition		
Type Name:	SI3RO	
Comments:	SI3 Rest Octets GSM 04.08, 10.5.2.34	
Element Name	Type Definition	Comments
pi	BITSTRING [1]	
cbq	BITSTRING [1]	
cro	BITSTRING [6]	
to	BITSTRING [3]	
pt	BITSTRING [5]	
poi	BITSTRING [1]	
po	BITSTRING [2]	
ti	BITSTRING [1]	
ecsc	BITSTRING [1]	
spr1	BITSTRING [3]	
spr2	BITSTRING [8]	
Detailed Comments: The info element has a fixed length of 4 octets.		

Structured Type Definition		
Type Name:	SI4RO	
Comments:	SI4 Rest Octets GSM 04.08, 10.5.2.35	
Element Name	Type Definition	Comments
pi	BITSTRING [1]	
cbq	BITSTRING [1]	
cro	BITSTRING [6]	
to	BITSTRING [3]	
pt	BITSTRING [5]	
poi	BITSTRING [1]	
po	BITSTRING [2]	
spr1	BITSTRING [5]	
spr2	BITSTRING [8]	
spr3	BITSTRING [8]	
spr4	BITSTRING [8]	
spr5	BITSTRING [8]	
spr6	BITSTRING [8]	
spr7	BITSTRING [8]	
spr8	BITSTRING [8]	
Detailed Comments: The info element has a fixed length of 10 octets.		

Structured Type Definition		
Type Name:	SI7RO	
Comments:	SI7 Rest Octets GSM 04.08, 10.5.2.36	
Element Name	Type Definition	Comments
pi	BITSTRING [1]	
cbq	BITSTRING [1]	
cro	BITSTRING [6]	
to	BITSTRING [3]	
pt	BITSTRING [5]	
poi	BITSTRING [1]	
po	BITSTRING [2]	
spr1	BITSTRING [5]	
spr2	BITSTRING [8]	
spr3	BITSTRING [8]	
spr4	BITSTRING [8]	
spr5	BITSTRING [8]	
spr6	BITSTRING [8]	
spr7	BITSTRING [8]	
spr8	BITSTRING [8]	
spr9	BITSTRING [8]	
spr10	BITSTRING [8]	
spr11	BITSTRING [8]	
spr12	BITSTRING [8]	
spr13	BITSTRING [8]	
spr14	BITSTRING [8]	
spr15	BITSTRING [8]	
spr16	BITSTRING [8]	
spr17	BITSTRING [8]	
spr18	BITSTRING [8]	
Detailed Comments:	The info element has a fixed length of 20 octets.	

Structured Type Definition		
Type Name:	SIGNAL	
Comments:	Signal (CC information element) GSM 04.08, 10.5.4.23	
Element Name	Type Definition	Comments
iei	IEI_8	
sigv	BITSTRING [8]	
Detailed Comments:		

Structured Type Definition		
Type Name:	SERIAL_NUMBER	
Comments:	Serial number for SMSCB, GSM 3.41, 9.3.2	
Element Name	Type Definition	Comments
gs	BITSTRING[2]	
message_code	BITSTRING[10]	
update_number	BITSTRING[4]	
Detailed Comments:		

Structured Type Definition		
Type Name:	SMCMD	
Comments:	SMS COMMAND, ms - > n. GSM 03.40, 9.2.2.4	
Element Name	Type Definition	Comments
sprb1	SP2B	
srr	BITSTRING[1]	
sprb2	SP3B	
mti	BITSTRING [2]	
mr	MR	
pid	TPPID	
ct	OCTETSTRING [1]	
mn	OCTETSTRING [1]	
da	TPA	
cdl	LENGTH	
cd	TPCD	
Detailed Comments:		

Structured Type Definition		
Type Name:	SMDLVR	
Comments:	SMS DELIVER, n - > ms. GSM 03.40, 9.2.2.1	
Element Name	Type Definition	Comments
rp	BITSTRING [1]	
udhi	BITSTRING [1]	
sri	BITSTRING [1]	
sprb2	SP2B	
mms	BITSTRING [1]	
mti	BITSTRING [2]	
oa	TPA	
pid	TPPID	
dcs	TPDCS	
scts	TPSCTS	
udl	LENGTH	
ud	TPUD	
Detailed Comments:		

Structured Type Definition		
Type Name:	SMDLVR_RPT	
Comments:	SMS DELIVER or SUBMIT REPORT contained in the RP ERROR PDU, n <-> ms. GSM 03.40, 9.2.2.1a, 9.2.2.2a.	
Element Name	Type Definition	Comments
sprb1	SP6B	
mti	BITSTRING [2]	
fcs	FCS	
Detailed Comments:		

Structured Type Definition		
Type Name: SMSBMT		
Comments: SMS SUBMIT, ms -> n. GSM 03.40, 9.2.2.2		
Element Name	Type Definition	Comments
rp	BITSTRING [1]	
udhi	BITSTRING [1]	
srr	BITSTRING [1]	
vpf	BITSTRING [2]	
rd	BITSTRING [1]	
mti	BITSTRING [2]	
mr	MR	
da	TPA	
pid	TPPID	
dcs	TPDCS	
vp1	OCTETSTRING [1]	
vp7	TPSCTS	
udl	LENGTH	
ud	TPUD	
Detailed Comments:		

Structured Type Definition		
Type Name: SMSCBpack		
Comments: SMS cell broadcasting packing data n -> ms. GSM 03.38, 6.1.2.2.1		
Element Name	Type Definition	Comments
block1	OCTETSTRING [16]	
block2	OCTETSTRING [22]	
block3	OCTETSTRING [22]	
block4	OCTETSTRING [22]	
Detailed Comments:		

Structured Type Definition		
Type Name: SMST_RPT		
Comments: SMS STATUS REPORT, n -> ms. GSM 03.40, 9.2.2.3		
Element Name	Type Definition	Comments
sprb1	SP5B	
mms	BITSTRING [1]	
mti	BITSTRING [2]	
mr	MR	
ra	TPA	
scts	TPSCTS	
dt	TPSCTS	
st	TPST	
Detailed Comments:		

Structured Type Definition		
Type Name: SSVI		
Comments: SS version indicator GSM 04.08, 10.5.4.24		
Element Name	Type Definition	Comments
iei	IEI_8	
iel	LENGTH	
ssv	OCTETSTRING [1]	
Detailed Comments:		

Structured Type Definition		
Type Name:	STRT	
Comments:	Starting time GSM 04.08, 10.5.2.38	
Element Name	Type Definition	Comments
iei	IEI_8	
fn	FN	
Detailed Comments:		

Structured Type Definition		
Type Name:	SUBAD	
Comments:	Subaddress GSM 04.08, 10.5.4.8, 10.5.4.10, 10.5.4.14	
Element Name	Type Definition	Comments
extb	EXTB	
tos	BITSTRING [3]	
oei	BITSTRING [1]	
sp3b	SP3B	
si	OCTETSTRING [2..23]	
Detailed Comments:		

Structured Type Definition		
Type Name:	SYNCHI	
Comments:	Synchronization indication GSM 04.08, 10.5.2.39	
Element Name	Type Definition	Comments
iei	IEI_4	
nci	B_1	
rot	B_1	
si	B_2	
Detailed Comments:		

Structured Type Definition		
Type Name:	TA	
Comments:	Timing advance GSM 04.08, 10.5.2.40	
Element Name	Type Definition	Comments
iei	IEI_8	
sprb	BITSTRING [2]	
value	BITSTRING [6]	
Detailed Comments:		

Structured Type Definition		
Type Name:	TDIF	
Comments:	Time difference GSM 04.08, 10.5.1.41	
Element Name	Type Definition	Comments
iei	IEI_8	
iel	LENGTH	
value	OCTETSTRING [1]	
Detailed Comments:		

Structured Type Definition		
Type Name:	TI	
Comments:	Transaction identifier GSM 04.08, 10.1	
Element Name	Type Definition	Comments
ti_f	BITSTRING [1]	
ti_v	TI_V	
Detailed Comments:		

Structured Type Definition		
Type Name:	TMSI	
Comments:	Temporary GSM 04.08, 10.5.2.42	
Element Name	Type Definition	Comments
iei	IEI_8	
tmsi_val	OCTETSTRING [4]	
Detailed Comments:		

Structured Type Definition		
Type Name:	TON_NPI	
Comments:	Type of number and numbering plan GSM 04.08, 10.5.4.7, 10.5.4.9, 10.5.4.13, GSM 03.40, 9.1.2.5	
Element Name	Type Definition	Comments
extb	EXTB	
ton	BITSTRING [3]	
npi	BITSTRING [4]	
Detailed Comments:		

Structured Type Definition		
Type Name:	TPA	
Comments:	TP address GSM 03.40, 9.1.2.5	
Element Name	Type Definition	Comments
iel	LENGTH	
tonnpi	TON_NPI	
digits	BCDN	
Detailed Comments:		

Structured Type Definition		
Type Name:	TPDCS	
Comments:	SMS data coding scheme GSM 03.38, 4, 5	
Element Name	Type Definition	Comments
cg	BITSTRING [4]	
code	BITSTRING [4]	
Detailed Comments: Identifying the coding scheme within the TP user data.		

Structured Type Definition		
Type Name:	TPPID	
Comments:	TP protocol identifier GSM 03.40, 9.2.3.9	
Element Name	Type Definition	Comments
type	BITSTRING [2]	
value	BITSTRING [6]	
Detailed Comments:		

Structured Type Definition		
Type Name:	TPST	
Comments:	TP status GSM 03.40, 9.2.3.15	
Element Name	Type Definition	Comments
sprb1	SPB	
value	BITSTRING [7]	
Detailed Comments:		

Structured Type Definition		
Type Name:	UNKWN	
Comments:	unknown IE	
Element Name	Type Definition	Comments
iei	IEI_8	
iel	LENGTH	
contents	OCTETSTRING	
Detailed Comments:		

Structured Type Definition		
Type Name:	UU	
Comments:	User-user GSM 04.08, 10.5.4.25	
Element Name	Type Definition	Comments
iei	IEI_8	
iel	LENGTH	
uupd	BITSTRING [8]	
uui	OCTETSTRING [1..128]	
Detailed Comments:	In SETUP, ALERTING, CONNECT, DISCONNECT, RELEASE and RELEASE COMPLETE messages the uui length is of 0 - 32 bytes. In USER INFORMATION messages the uui length is of 1 - 128.	

ASN1 type definitions

ASN.1 Type Definition	
Type Name:	Component
Comments:	ASN1_Encoding: BER
Type Definition	
CHOICE {	
registerSSComponents	RegisterSS_Components,
eraseSSComponents	EraseSS_Components,
activateSSComponents	ActivateSS_Components,
deactivateSSComponents	DeactivateSS_Components,
interrogateSSComponents	InterrogateSS_Components,
notifySSComponents	NotifySS_Components,
registerPasswordComponents	RegisterPassword_Components,
getPasswordComponents	GetPassword_Components,
processUnstructuredSSDataComponents	ProcessUnstructuredSSData_Components,
forwardCheckSSIndicationComponents	ForwardCheckSSIndication_Components,
processUnstructuredSSRequestComponents	ProcessUnstructuredSSRequest_Components,
unstructuredSSRequestComponents	UnstructuredSSRequest_Components,
unstructuredSSNotifyComponents	UnstructuredSSNotify_Components,
forwardCUGInfoComponents	ForwardCUGInfo_Components,
splitMPTYComponents	SplitMPTY_Components,
retrieveMPTYComponents	RetrieveMPTY_Components,
holdMPTYComponents	HoldMPTY_Components,
buildMPTYComponents	BuildMPTY_Components,
forwardChargeAdviceComponents	ForwardChargeAdvice_Components,
generalComponents	General_Components }
Detailed Comments:	Plural components as each type represents invoke, return result, return error etc.

ASN.1 Type Definition	
Type Name:	Components
Comments:	GSM 04.80, 3.6
Type Definition	
SET OF Component	
Detailed Comments:	ASN.1 transfer encoding rules: BER is not wholly used for the type Components. The contents of Components, without the octets encoding the tag and the length of SET OF, is carried as the Components value.

ASN.1 Type Definition	
Type Name:	ActivateSS_Components
Comments:	GSM 09.02, 14.5, 14.6.4, 14.6.6, 14.7.4, 14.7.7
Type Definition	
CHOICE {	
activateSS_InvokeComp	[1] IMPLICIT SEQUENCE {
invokeID	InvokeIDType,
localValue	INTEGER (12),
ss_ForBS	SS_ForBS_Code },
activateSS_ReturnResultComp	[2] IMPLICIT SEQUENCE {
invokeID	InvokeIDType,
result	SEQUENCE {
localValue	INTEGER (12),
ss_Info	SS_Info } },
activateSS_ReturnErrorComp	CHOICE {
errorCodes	[3] IMPLICIT SEQUENCE { invokeID InvokeIDType,
	errorCode ErrorLocalValues (bearerServiceNotProvisioned
	teleserviceNotProvisioned
	illegalSS_Operation
	dataMissing
	unexpectedDataValue
	negativePW_Check
	numberOfPW_AttemptsViolation) },
callBarredErr	[3] IMPLICIT SEQUENCE { invokeID InvokeIDType,
	errorCode ErrorLocalValues (callBarred),
	parameter CallBarringCause },
ss_ErrorStatusErr	[3] IMPLICIT SEQUENCE { invokeID InvokeIDType,
	errorCode ErrorLocalValues (ss_ErrorStatus),
	parameter SS_Status },
ss_SubscriptionViolationsErr	[3] IMPLICIT SEQUENCE { invokeID InvokeIDType,
	errorCode ErrorLocalValues (ss_SubscriptionViolation),
	parameter SS_SubscriptionOption },
ss_IncompatibilityErr	[3] IMPLICIT SEQUENCE { invokeID InvokeIDType,
	errorCode ErrorLocalValues (ss_Incompatibility),
	parameter SS_IncompatibilityCause },
systemFailureErr	[3] IMPLICIT SEQUENCE { invokeID InvokeIDType,
	errorCode ErrorLocalValues (systemFailure),
	parameter NetworkResource } },
activateSS_RejectComp	[4] IMPLICIT RejectComponent }
Detailed Comments:	Timer m (15 - 30 s)

ASN.1 Type Definition	
Type Name:	BuildMPTY_Components
Comments:	GSM 04.80, 4.2
Type Definition	
CHOICE {	
buildMPTY_InvokeComp	[1] IMPLICIT SEQUENCE {
invokeID	InvokeIDType,
localValue	INTEGER (124) },
buildMPTY_ReturnResultComp	[2] IMPLICIT SEQUENCE {
invokeID	InvokeIDType,
result	SEQUENCE {
localValue	INTEGER (124) } },
buildMPTY_ReturnErrorComp	CHOICE {
errorCodes	[3] IMPLICIT SEQUENCE { invokeID
	InvokeIDType,
	errorCode
	ErrorLocalValues (illegalSS_Operation
	ss_NotAvailable
	maxNumberOfMPTY_ParticipantsExceeded
	resourcesNotAvailable) },
ss_ErrorStatusErr	[3] IMPLICIT SEQUENCE { invokeID
	InvokeIDType,
	errorCode
	ErrorLocalValues (ss_ErrorStatus),
	parameter
	SS_Status },
ss_IncompatibilityErr	[3] IMPLICIT SEQUENCE { invokeID
	InvokeIDType,
	errorCode
	ErrorLocalValues (ss_Incompatibility),
	parameter
	SS_IncompatibilityCause },
systemFailureErr	[3] IMPLICIT SEQUENCE { invokeID
	InvokeIDType,
	errorCode
	ErrorLocalValues (systemFailure),
	parameter
	NetworkResource } },
buildMPTY_RejectComp	[4] IMPLICIT RejectComponent }
Detailed Comments:	Timer T_buildMPTY (5 - 30 s)

ASN.1 Type Definition	
Type Name:	DeactivateSS_Components
Comments:	GSM 09.02, 14.5, 14.6.4, 14.6.6, 14.7.4, 14.7.7
Type Definition	
CHOICE {	
deactivateSS_InvokeComp	[1] IMPLICIT SEQUENCE {
invokeID	InvokeIDType,
localValue	INTEGER (13),
ss_ForBS	SS_ForBS_Code },
deactivateSS_ReturnResultComp	[2] IMPLICIT SEQUENCE {
invokeID	InvokeIDType,
result	SEQUENCE {
localValue	INTEGER (13),
ss_Info	SS_Info } },
deactivateSS_ReturnErrorComp	CHOICE {
errorCodes	[3] IMPLICIT SEQUENCE { invokeID InvokeIDType,
	errorCode ErrorLocalValues (bearerServiceNotProvisioned
	teleserviceNotProvisioned
	illegalSS_Operation
	dataMissing
	unexpectedDataValue
	negativePW_Check
	numberOfPW_AttemptsViolation) },
callBarredErr	[3] IMPLICIT SEQUENCE { invokeID InvokeIDType,
	errorCode ErrorLocalValues (callBarred),
	parameter CallBarringCause },
ss_ErrorStatusErr	[3] IMPLICIT SEQUENCE { invokeID InvokeIDType,
	errorCode ErrorLocalValues (ss_ErrorStatus),
	parameter SS_Status },
ss_SubscriptionViolationsErr	[3] IMPLICIT SEQUENCE { invokeID InvokeIDType,
	errorCode ErrorLocalValues (ss_SubscriptionViolation),
	parameter SS_SubscriptionOption },
systemFailureErr	[3] IMPLICIT SEQUENCE { invokeID InvokeIDType,
	errorCode ErrorLocalValues (systemFailure),
	parameter NetworkResource } },
deactivateSS_RejectComp	[4] IMPLICIT RejectComponent }
Detailed Comments:	Timer m

ASN.1 Type Definition	
Type Name:	EraseSS_Components
Comments:	GSM 09.02, 14.5, 14.6.4, 14.6.6, 14.7.4, 14.7.7
Type Definition	
CHOICE {	
eraseSS_InvokeComp	[1] IMPLICIT SEQUENCE {
invokeID	InvokeIDType,
localValue	INTEGER (11),
ss_ForBS	SS_ForBS_Code },
eraseSS_ReturnResultComp	[2] IMPLICIT SEQUENCE {
invokeID	InvokeIDType,
result	SEQUENCE {
localValue	INTEGER (11),
ss_Info	SS_Info } },
eraseSS_ReturnErrorComp	CHOICE {
errorCodes	[3] IMPLICIT SEQUENCE { invokeID InvokeIDType,
errorCode	ErrorLocalValues (bearerServiceNotProvisioned
	teleserviceNotProvisioned
	illegalSS_Operation
	dataMissing
	unexpectedDataValue) },
callBarredErr	[3] IMPLICIT SEQUENCE { invokeID InvokeIDType,
errorCode	ErrorLocalValues (callBarred),
parameter	CallBarringCause },
ss_ErrorStatusErr	[3] IMPLICIT SEQUENCE { invokeID InvokeIDType,
errorCode	ErrorLocalValues (ss_ErrorStatus),
parameter	SS_Status },
systemFailureErr	[3] IMPLICIT SEQUENCE { invokeID InvokeIDType,
errorCode	ErrorLocalValues (systemFailure),
parameter	NetworkResource } },
eraseSS_RejectComp	[4] IMPLICIT RejectComponent }
Detailed Comments:	Timer m

ASN.1 Type Definition	
Type Name:	ForwardChargeAdvice_Components
Comments:	GSM 04.80, 4.2
Type Definition	
CHOICE {	
forwardChargeAdvice_InvokeComp	[1] IMPLICIT SEQUENCE {
invokeID	InvokeIDType,
localValue	INTEGER (125),
forwardChargeAdviceArg	SEQUENCE {
ss_Code	[0] SS_Code,
chargingInformation	[1] SEQUENCE{
e1	[1] INTEGER (0..max10TimesUnitsPerTime) OPTIONAL,
e2	[2] INTEGER (0..max10TimesTimeInterval) OPTIONAL,
e3	[3] INTEGER (0..max100TimesScalingFactor) OPTIONAL,
e4	[4] INTEGER (0..max10TimesIncrement) OPTIONAL,
e5	[5] INTEGER (0..max10TimesIncrementPerDataInterval) OPTIONAL,
e6	[6] INTEGER (0..maxNumberOfSegmentsPerDataInterval) OPTIONAL,
e7	[7] INTEGER (0..max10TimesInitialTime) OPTIONAL } },
forwardChargeAdvice_ReturnResultComp	[2] IMPLICIT SEQUENCE {
invokeID	InvokeIDType,
result	SEQUENCE {
localValue	INTEGER (125) } },
forwardChargeAdvice_RejectComp	[4] IMPLICIT RejectComponent }
Detailed Comments:	Timer T_aoc = 1 - 40 s

ASN.1 Type Definition	
Type Name:	ForwardCheckSSIndication_Components
Comments:	GSM 09.02, 14.5, 14.6.4, 14.6.6, 14.7.4, 14.7.7
Type Definition	
CHOICE {	
forwardCheckSSIndication_InvokeComp	[1] IMPLICIT SEQUENCE {
invokeID	InvokeIDType,
localValue	INTEGER (38) },
forwardCheckSSIndication_RejectComp	[4] IMPLICIT RejectComponent }
Detailed Comments:	

ASN.1 Type Definition	
Type Name:	ForwardCUGInfo_Components
Comments:	GSM 04.80, 4.2
Type Definition	
CHOICE {	
forwardCUGInfo_InvokeComp	[1] IMPLICIT SEQUENCE {
invokeID	InvokeIDType,
localValue	INTEGER (120),
forwardCUGInfo_Arg	SEQUENCE{
cug_Index	[0] IMPLICIT CUG_Index OPTIONAL,
suppressPrefCUG	[1] IMPLICIT NULL OPTIONAL,
suppressOA	[2] IMPLICIT NULL OPTIONAL }},
forwardCUGInfo_RejectComp	[4] IMPLICIT RejectComponent }
Detailed Comments:	

ASN.1 Type Definition	
Type Name:	General_Components
Comments:	Non specified components must match this type definition.
Type Definition	
CHOICE {	
general_InvokeComp	[1] IMPLICIT General_InvokeComponent,
general_ReturnResultComp	[2] IMPLICIT General_ReturnResultComponent,
general_ReturnErrorComp	[3] IMPLICIT General_ReturnErrorComponent,
general_RejectComp	[4] IMPLICIT RejectComponent }
-- This is the General InvokeComponent --	
General_InvokeComponent ::= SEQUENCE {	
invokeID	InvokeIDType,
linked_ID	[0] IMPLICIT InvokeIDType OPTIONAL,
operation_value	Operation,
argument	ANY OPTIONAL }
-- This is the General ReturnResultComponent --	
General_ReturnResultComponent ::= SEQUENCE {	
invokeID	InvokeIDType,
valueAndResult	SEQUENCE {
operation_value	Operation,
result	ANY } OPTIONAL }
-- This is the General ReturnErrorComponent --	
General_ReturnErrorComponent ::= SEQUENCE {	
invokeID	InvokeIDType,
error	ANY }
Detailed Comments:	

ASN.1 Type Definition	
Type Name:	GetPassword_Components
Comments:	GSM 09.02, 14.5, 14.6.4, 14.6.6, 14.7.4, 14.7.7
Type Definition	
CHOICE {	
getPassword_InvokeComp	[1] IMPLICIT SEQUENCE {
invokeID	InvokeIDType,
linkedID	[0] IMPLICIT InvokeIDType,
localValue	INTEGER (18),
guidanceInfo	ENUMERATED {
	enterPW (0),
	enterNewPW (1),
	enterNewPW_Again (2) } },
getPassword_ReturnResultComp	[2] IMPLICIT SEQUENCE {
invokeID	InvokeIDType,
result	SEQUENCE {
localValue	INTEGER (18),
currentPassword	Password } },
getPassword_RejectComp	[4] IMPLICIT RejectComponent }
Detailed Comments:	Timer m

ASN.1 Type Definition	
Type Name:	HoldMPTY_Components
Comments:	GSM 04.80, 4.2
Type Definition	
CHOICE {	
holdMPTY_InvokeComp	[1] IMPLICIT SEQUENCE {
invokeID	InvokeIDType,
localValue	INTEGER (123) },
holdMPTY_ReturnResultComp	[2] IMPLICIT SEQUENCE {
invokeID	InvokeIDType,
result	SEQUENCE {
localValue	INTEGER (123) } },
holdMPTY_ReturnErrorComp	CHOICE {
errorCodes	[3] IMPLICIT SEQUENCE { invokeID InvokeIDType,
	errorCode ErrorLocalValues (illegalSS_Operation
	facilityNotSupported) },
ss_ErrorStatusErr	[3] IMPLICIT SEQUENCE { invokeID InvokeIDType,
	errorCode ErrorLocalValues (ss_ErrorStatus),
	parameter SS_Status },
ss_IncompatibilityErr	[3] IMPLICIT SEQUENCE { invokeID InvokeIDType,
	errorCode ErrorLocalValues (ss_Incompatibility),
	parameter SS_IncompatibilityCause },
systemFailureErr	[3] IMPLICIT SEQUENCE { invokeID InvokeIDType,
	errorCode ErrorLocalValues (systemFailure),
	parameter NetworkResource } },
holdMPTY_RejectComp	[4] IMPLICIT RejectComponent }
Detailed Comments:	Timer T_holdMPTY (5 - 30 s)

ASN.1 Type Definition	
Type Name:	InterrogateSS_Components
Comments:	GSM 09.02, 14.5, 14.6.4, 14.6.6, 14.7.4, 14.7.7
Type Definition	
CHOICE {	
interrogateSS_InvokeComp	[1] IMPLICIT SEQUENCE {
invokeID	InvokeIDType,
localValue	INTEGER (14),
ss_ForBS	SS_ForBS_Code },
interrogateSS_ReturnResultComp	[2] IMPLICIT SEQUENCE {
invokeID	InvokeIDType,
result	SEQUENCE {
localValue	INTEGER (14),
interrogateSS_Res	CHOICE {
ss_Status	[0] IMPLICIT SS_Status,
basicServiceGroupList	[2] IMPLICIT BasicServiceGroupList,
forwardingFeatureList	[3] IMPLICIT ForwardingFeatureList,
cli_RestrictionInfo	[4] IMPLICIT SEQUENCE {
ss_Status	SS_Status,
cliRestrictionOption	CliRestrictionOption OPTIONAL } } } },
interrogateSS_ReturnErrorComp	CHOICE {
errorCodes	[3] IMPLICIT SEQUENCE { invokeID InvokeIDType,
errorCode	ErrorLocalValues (bearerServiceNotProvisioned
teleserviceNotProvisioned	illegalSS_Operation
ss_NotAvailable	dataMissing
unexpectedDataValue) },	
callBarredErr	[3] IMPLICIT SEQUENCE { invokeID InvokeIDType,
errorCode	ErrorLocalValues (callBarred),
parameter	CallBarringCause },
systemFailureErr	[3] IMPLICIT SEQUENCE { invokeID InvokeIDType,
errorCode	ErrorLocalValues (systemFailure),
parameter	NetworkResource } },
interrogateSS_RejectComp	[4] IMPLICIT RejectComponent }
Detailed Comments:	Timer m

ASN.1 Type Definition	
Type Name:	NotifySS_Components
Comments:	GSM 04.80, 4.2
Type Definition	
CHOICE {	
notifySS_InvokeComp	[1] IMPLICIT SEQUENCE {
invokeID	InvokeIDType,
localValue	INTEGER (16),
notifySS_Arg	SEQUENCE{
ss_Code	[1] IMPLICIT SS_Code OPTIONAL,
ss_Status	[4] IMPLICIT SS_Status OPTIONAL,
ss_Notification	[5] IMPLICIT OCTET STRING (SIZE (1)) OPTIONAL,
callsWaiting_Indicator	[14] IMPLICIT NULL OPTIONAL,
callOnHold_Indicator	[15] IMPLICIT ENUMERATED {
callRetrieved (0),	
callOnHold (1) } OPTIONAL,	
mpty_Indicator	[16] IMPLICIT NULL OPTIONAL,
cug_Index	[17] IMPLICIT CUG_Index OPTIONAL,
clirSuppressionRejected	[18] IMPLICIT NULL OPTIONAL } },
notifySS_RejectComp	[4] IMPLICIT RejectComponent }
Detailed Comments:	

ASN.1 Type Definition	
Type Name:	ProcessUnstructuredSSData_Components
Comments:	GSM 09.02, 14.5, 14.6.4, 14.6.6, 14.7.4, 14.7.7
Type Definition	
CHOICE {	
processUnstructuredSSData_InvokeComp	[1] IMPLICIT SEQUENCE {
invokeID	InvokeIDType,
localValue	INTEGER (19),
ss_UserData	SS_UserData },
processUnstructuredSSData_ReturnResultComp	[2] IMPLICIT SEQUENCE {
invokeID	InvokeIDType,
result	SEQUENCE {
localValue	INTEGER (19),
ss_UserData	SS_UserData } },
processUnstructuredSSData_ReturnErrorComp	CHOICE {
errorCodes	[3] IMPLICIT SEQUENCE { invokeID InvokeIDType,
	errorCode ErrorLocalValues (unexpectedDataValue) },
systemFailureErr	[3] IMPLICIT SEQUENCE { invokeID InvokeIDType,
	errorCode ErrorLocalValues (systemFailure),
parameter	NetworkResource} },
processUnstructuredSSData_RejectComp	[4] IMPLICIT RejectComponent }
Detailed Comments:	Timer m

ASN.1 Type Definition	
Type Name:	ProcessUnstructuredSSRequest_Components
Comments:	GSM 09.02, 14.5, 14.6.4, 14.6.6, 14.7.4, 14.7.7
Type Definition	
CHOICE {	
processUnstructuredSSRequest_InvokeComp	[1] IMPLICIT SEQUENCE {
invokeID	InvokeIDType,
localValue	INTEGER (59),
ussd_Arg	USSD_Arg },
processUnstructuredSSRequest_ReturnResultComp	[2] IMPLICIT SEQUENCE {
invokeID	InvokeIDType,
result	SEQUENCE {
localValue	INTEGER (59),
ussd_Res	USSD_Res} },
processUnstructuredSSRequest_ReturnErrorComp	CHOICE {
errorCodes	[3] IMPLICIT SEQUENCE { invokeID InvokeIDType,
	errorCode ErrorLocalValues (dataMissing
	unexpectedDataValue
	unknownAlphabet) },
callBarredErr	[3] IMPLICIT SEQUENCE { invokeID InvokeIDType,
	errorCode ErrorLocalValues (callBarred),
parameter	CallBarringCause },
systemFailureErr	[3] IMPLICIT SEQUENCE { invokeID InvokeIDType,
	errorCode ErrorLocalValues (systemFailure),
parameter	NetworkResource} },
processUnstructuredSSRequest_RejectComp	[4] IMPLICIT RejectComponent }
Detailed Comments:	Timer m

ASN.1 Type Definition	
Type Name:	RegisterPassword_Components
Comments:	GSM 09.02, 14.5, 14.6.4, 14.6.6, 14.7.4, 14.7.7
Type Definition	
CHOICE {	
registerPassword_InvokeComp	[1] IMPLICIT SEQUENCE {
invokeID	InvokeIDType,
localValue	INTEGER (17),
ss_Code	SS_Code } ,
registerPassword_ReturnResultComp	[2] IMPLICIT SEQUENCE {
invokeID	InvokeIDType,
result	SEQUENCE {
localValue	INTEGER (17),
newPassword	Password } } ,
registerPassword_ReturnErrorComp	CHOICE {
errorCodes	[3] IMPLICIT SEQUENCE { invokeID InvokeIDType,
	errorCode ErrorLocalValues (dataMissing
	unexpectedDataValue
	negativePW_Check
	numberOfPW_AttemptsViolation) },
callBarredErr	[3] IMPLICIT SEQUENCE { invokeID InvokeIDType,
	errorCode ErrorLocalValues (callBarred),
	parameter CallBarringCause },
ss_SubscriptionViolationErr	[3] IMPLICIT SEQUENCE { invokeID InvokeIDType,
	errorCode ErrorLocalValues (ss_SubscriptionViolation),
	parameter SS_SubscriptionOption },
systemFailureErr	[3] IMPLICIT SEQUENCE { invokeID InvokeIDType,
	errorCode ErrorLocalValues (systemFailure),
	parameter NetworkResource},
pw_RegistrationFailureErr	[3] IMPLICIT SEQUENCE { invokeID InvokeIDType,
	errorCode ErrorLocalValues (pw_RegistrationFailure),
	parameter PW_RegistrationFailureCause } },
registerPassword_RejectComp	[4] IMPLICIT RejectComponent }
Detailed Comments:	Timer m

ASN.1 Type Definition	
Type Name:	RegisterSS_Components
Comments:	GSM 09.02, 14.5, 14.6.4, 14.6.6, 14.7.4, 14.7.7
Type Definition	
CHOICE { registerSS_InvokeComp [1] IMPLICIT SEQUENCE { invokeID InvokeIDType, localValue INTEGER (10), registerSS_Arg SEQUENCE { ss_Code SS_Code, basicService BasicServiceCode OPTIONAL, forwardedToNumber [4] IMPLICIT AddressString OPTIONAL, forwardedToSubaddress [6] IMPLICIT ISDN_SubaddressString OPTIONAL, noReplyConditionTime [5] IMPLICIT NoReplyConditionTime OPTIONAL } }, registerSS_ReturnResultComp [2] IMPLICIT SEQUENCE { invokeID InvokeIDType, result SEQUENCE { localValue INTEGER (10), ss_Info SS_Info } }, registerSS_ReturnErrorComp CHOICE { errorCodes [3] IMPLICIT SEQUENCE { invokeID InvokeIDType, errorCode ErrorLocalValues (bearerServiceNotProvisioned teleserviceNotProvisioned illegalSS_Operation dataMissing unexpectedDataValue) }, callBarredErr [3] IMPLICIT SEQUENCE { invokeID InvokeIDType, errorCode ErrorLocalValues (callBarred), parameter CallBarringCause }, ss_IncompatibilityErr [3] IMPLICIT SEQUENCE { invokeID InvokeIDType, errorCode ErrorLocalValues (ss_Incompatibility), parameter SS_IncompatibilityCause }, systemFailureErr [3] IMPLICIT SEQUENCE { invokeID InvokeIDType, errorCode ErrorLocalValues (systemFailure), parameter NetworkResource } }, registerSS_RejectComp [4] IMPLICIT RejectComponent }	
Detailed Comments:	Timer m

ASN.1 Type Definition	
Type Name:	RejectComponent
Comments:	ITU-T Q.767
Type Definition	
SEQUENCE { invokedID CHOICE { derivable InvokeIDType, notDerivable NULL }, problem CHOICE { generalProblem [0] IMPLICIT GeneralProblem, invokeProblem [1] IMPLICIT InvokeProblem, returnResultProblem [2] IMPLICIT ReturnResultProblem, returnErrorProblem [3] IMPLICIT ReturnErrorProblem } }	
Detailed Comments:	Reject Component is not specific to any particular operation. The invokeID may be used to identify a specific operation.

ASN.1 Type Definition	
Type Name:	RetrieveMPTY_Components
Comments:	GSM 04.80, 4.2
Type Definition	
CHOICE {	
retrieveMPTY_InvokeComp	[1] IMPLICIT SEQUENCE {
invokeID	InvokeIDType,
localValue	INTEGER (122) },
retrieveMPTY_ReturnResultComp	[2] IMPLICIT SEQUENCE {
invokeID	InvokeIDType,
result	SEQUENCE {
localValue	INTEGER (122) } },
retrieveMPTY_ReturnErrorComp	CHOICE {
errorCodes	[3] IMPLICIT SEQUENCE { invokeID InvokeIDType,
	errorCode ErrorLocalValues (illegalSS_Operation
	facilityNotSupported) },
ss_ErrorStatusErr	[3] IMPLICIT SEQUENCE { invokeID InvokeIDType,
	errorCode ErrorLocalValues (ss_ErrorStatus),
	parameter SS_Status },
ss_IncompatibilityErr	[3] IMPLICIT SEQUENCE { invokeID InvokeIDType,
	errorCode ErrorLocalValues (ss_Incompatibility),
	parameter SS_IncompatibilityCause },
systemFailureErr	[3] IMPLICIT SEQUENCE { invokeID InvokeIDType,
	errorCode ErrorLocalValues (systemFailure),
	parameter NetworkResource } },
retrieveMPTY_RejectComp	[4] IMPLICIT RejectComponent }
Detailed Comments:	Timer T_retrieveMPTY (5 - 30 s)

ASN.1 Type Definition	
Type Name:	SplitMPTY_Components
Comments:	GSM 04.80, 4.2
Type Definition	
CHOICE {	
splitMPTY_InvokeComp	[1] IMPLICIT SEQUENCE {
invokeID	InvokeIDType,
localValue	INTEGER (121) },
splitMPTY_ReturnResultComp	[2] IMPLICIT SEQUENCE {
invokeID	InvokeIDType,
result	SEQUENCE {
localValue	INTEGER (121) } },
splitMPTY_ReturnErrorComp	CHOICE {
errorCodes	[3] IMPLICIT SEQUENCE { invokeID InvokeIDType,
	errorCode ErrorLocalValues (illegalSS_Operation
	facilityNotSupported) },
ss_ErrorStatusErr	[3] IMPLICIT SEQUENCE { invokeID InvokeIDType,
	errorCode ErrorLocalValues (ss_ErrorStatus),
	parameter SS_Status },
ss_IncompatibilityErr	[3] IMPLICIT SEQUENCE { invokeID InvokeIDType,
	errorCode ErrorLocalValues (ss_Incompatibility),
	parameter SS_IncompatibilityCause },
systemFailureErr	[3] IMPLICIT SEQUENCE { invokeID InvokeIDType,
	errorCode ErrorLocalValues (systemFailure),
	parameter NetworkResource } },
splitMPTY_RejectComp	[4] IMPLICIT RejectComponent }
Detailed Comments:	Timer T_splitMPTY (5 - 30 s)

ASN.1 Type Definition	
Type Name:	UnstructuredSSNotify_Components
Comments:	GSM 09.02, 14.5, 14.6.4, 14.6.6, 14.7.4, 14.7.7
Type Definition	
CHOICE {	
unstructuredSSNotify_InvokeComp	[1] IMPLICIT SEQUENCE {
invokeID	InvokeIDType,
localValue	INTEGER (61),
ussd_Arg	USSD_Arg },
unstructuredSSNotify_ReturnResultComp	[2] IMPLICIT SEQUENCE {
invokeID	InvokeIDType,
result	SEQUENCE {
localValue	INTEGER (61) } },
unstructuredSSNotify_ReturnErrorComp	CHOICE {
errorCodes	[3] IMPLICIT SEQUENCE { invokeID InvokeIDType,
	errorCode ErrorLocalValues (illegalSubscriber
	illegalEquipment
	absentSubscriber
	dataMissing
	unexpectedDataValue
	unknownAlphabet
	ussd_Busy) },
systemFailureErr	[3] IMPLICIT SEQUENCE { invokeID InvokeIDType,
	errorCode ErrorLocalValues (systemFailure),
	parameter NetworkResource } },
unstructuredSSNotify_RejectComp	[4] IMPLICIT RejectComponent }
Detailed Comments:	Timer m

ASN.1 Type Definition	
Type Name:	UnstructuredSSRequest_Components
Comments:	GSM 09.02, 14.5, 14.6.4, 14.6.6, 14.7.4, 14.7.7
Type Definition	
CHOICE {	
unstructuredSSRequest_InvokeComp	[1] IMPLICIT SEQUENCE {
invokeID	InvokeIDType,
localValue	INTEGER (60),
ussd_Arg	USSD_Arg },
unstructuredSSRequest_ReturnResultComp	[2] IMPLICIT SEQUENCE {
invokeID	InvokeIDType,
result	SEQUENCE {
localValue	INTEGER (60),
ussd_Res	USSD_Res } },
unstructuredSSRequest_ReturnErrorComp	CHOICE {
errorCodes	[3] IMPLICIT SEQUENCE { invokeID InvokeIDType,
	errorCode ErrorLocalValues (illegalSubscriber
	illegalEquipment
	absentSubscriber
	dataMissing
	unexpectedDataValue
	unknownAlphabet
	ussd_Busy) },
systemFailureErr	[3] IMPLICIT SEQUENCE { invokeID InvokeIDType,
	errorCode ErrorLocalValues (systemFailure),
	parameter NetworkResource } },
unstructuredSSRequest_RejectComp	[4] IMPLICIT RejectComponent }
Detailed Comments:	Timer m

ASN.1 Type Definition	
Type Name:	AddressString
Comments:	GSM 09.02, 14.7.8
Type Definition	
OCTET STRING (SIZE (1 .. maxAddressLength))	
Detailed Comments:	

ASN.1 Type Definition	
Type Name:	Asn1Integer
Comments:	INTEGER of ASN.1 type
Type Definition	
INTEGER	
Detailed Comments:	

ASN.1 Type Definition	
Type Name:	BasicServiceCode
Comments:	GSM 09.02, 14.7.8
Type Definition	
CHOICE { bearerService [2] IMPLICIT BearerServiceCode, teleservice [3] IMPLICIT TeleserviceCode }	
Detailed Comments:	

ASN.1 Type Definition	
Type Name:	BasicServiceGroupList
Comments:	GSM 09.02, 14.7.8
Type Definition	
SEQUENCE SIZE (1 .. maxNumOfBasicServiceGroups) OF BasicServiceCode	
Detailed Comments:	

ASN.1 Type Definition	
Type Name:	BearerServiceCode
Comments:	GSM 09.02, 14.7.10
Type Definition	
OCTET STRING (SIZE (1))	
Detailed Comments:	

ASN.1 Type Definition	
Type Name:	CallBarringCause
Comments:	GSM 09.02, 14.7.7
Type Definition	
ENUMERATED { barringServiceActive (0), operatorBarring (1) }	
Detailed Comments:	

ASN.1 Type Definition	
Type Name:	CallBarringFeature
Comments:	GSM 09.02, 14.7.4
Type Definition	
SEQUENCE { basicService BasicServiceCode OPTIONAL, ss_Status [4] IMPLICIT SS_Status OPTIONAL }	
Detailed Comments:	

ASN.1 Type Definition	
Type Name:	CallBarringFeatureList
Comments:	GSM 09.02, 14.7.4
Type Definition	
SEQUENCE SIZE (1..maxNumOfBasicServiceGroups) OF CallBarringFeature	
Detailed Comments:	

ASN.1 Type Definition	
Type Name:	CallBarringInfo
Comments:	GSM 09.02, 14.7.4
Type Definition	
SEQUENCE { ss_Code SS_Code OPTIONAL, callBarringFeatureList CallBarringFeatureList }	
Detailed Comments:	

ASN.1 Type Definition	
Type Name:	CliRestrictionOption
Comments:	GSM 09.02, 14.7.4
Type Definition	
ENUMERATED { permanent (0), temporaryDefaultRestricted (1), temporaryDefaultAllowed (2) }	
Detailed Comments:	

ASN.1 Type Definition	
Type Name:	CUG_Feature
Comments:	GSM 09.02, 14.7.4
Type Definition	
SEQUENCE { basicService BasicServiceCode OPTIONAL, preferentialCUG_Indicator CUG_Index OPTIONAL, interCUG_Restrictions InterCUG_Restrictions }	
Detailed Comments:	

ASN.1 Type Definition	
Type Name:	CUG_FeatureList
Comments:	GSM 09.02, 14.7.4
Type Definition	
SEQUENCE SIZE (1.. maxNumOfBasicServiceGroups) OF CUG_Feature	
Detailed Comments:	

ASN.1 Type Definition	
Type Name:	CUG_Index
Comments:	GSM 09.02, 14.7.4
Type Definition	
INTEGER (0..32767)	
Detailed Comments:	The internal structure is defined in ETS 300 138.

ASN.1 Type Definition	
Type Name:	CUG_Interlock
Comments:	GSM 09.02, 14.7.4
Type Definition	
OCTET STRING (SIZE (4))	
Detailed Comments:	

ASN.1 Type Definition	
Type Name:	CUG_Info
Comments:	GSM 09.02, 14.7.4
Type Definition	
SEQUENCE { cug_SubscriptionList CUG_SubscriptionList, cug_FeatureList CUG_FeatureList OPTIONAL }	
Detailed Comments:	

ASN.1 Type Definition	
Type Name:	CUG_Subscription
Comments:	GSM 09.02, 14.7.4
Type Definition	
SEQUENCE { cug_Index CUG_Index, cug_Interlock CUG_Interlock, intraCUG_Options IntraCUG_Options, basicServiceGroupList BasicServiceGroupList OPTIONAL }	
Detailed Comments:	

ASN.1 Type Definition	
Type Name:	CUG_SubscriptionList
Comments:	GSM 09.02, 14.7.4
Type Definition	
SEQUENCE SIZE (1.. maxNumOfCUG) OF CUG_Subscription	
Detailed Comments:	

ASN.1 Type Definition	
Type Name:	ErrorLocalValues
Comments:	GSM 04.80, 4.5
Type Definition	
<pre> INTEGER { unknownSubscriber (1), illegalSubscriber (9), bearerServiceNotProvisioned (10), teleserviceNotProvisioned (11), illegalEquipment (12), callBarred (13), illegalSS_Operation (16), ss_ErrorStatus (17), ss_NotAvailable (18), ss_SubscriptionViolation (19), ss_Incompatibility (20), facilityNotSupported (21), absentSubscriber (27), systemFailure (34), dataMissing (35), unexpectedDataValue (36), pw_RegistrationFailure (37), negativePW_Check (38), numberOfPW_AttemptsViolation (43), unknownAlphabet (71), ussd_Busy (72), maxNumberOfMPPTY_ParticipantsExceeded (126), resourcesNotAvailable (127) } </pre>	
Detailed Comments:	Elements of INTEGER are global for the ATS.

ASN.1 Type Definition	
Type Name:	ForwardingFeature
Comments:	GSM 09.02, 14.7.4
Type Definition	
<pre> SEQUENCE { basicService BasicServiceCode OPTIONAL, ss_Status [4] IMPLICIT SS_Status OPTIONAL, forwardedToNumber [5] IMPLICIT ISDN_AddressString OPTIONAL, forwardedToSubaddress [8] IMPLICIT ISDN_SubaddressString OPTIONAL, forwardingOptions [6] IMPLICIT ForwardingOptions OPTIONAL, noReplyConditionTime [7] IMPLICIT NoReplyConditionTime OPTIONAL } </pre>	
Detailed Comments:	

ASN.1 Type Definition	
Type Name:	ForwardingFeatureList
Comments:	GSM 09.02, 14.7.4
Type Definition	
SEQUENCE SIZE (1..maxNumOfBasicServiceGroups) OF ForwardingFeature	
Detailed Comments:	

ASN.1 Type Definition	
Type Name:	ForwardingInfo
Comments:	GSM 09.02, 14.7.4
Type Definition	
<pre> SEQUENCE { ss_Code SS_Code OPTIONAL, forwardingFeatureList ForwardingFeatureList } </pre>	
Detailed Comments:	

ASN.1 Type Definition	
Type Name:	ForwardingOptions
Comments:	GSM 09.02, 14.7.4
Type Definition	
OCTET STRING (SIZE (1))	
Detailed Comments:	

ASN.1 Type Definition	
Type Name:	GeneralProblem
Comments:	ITU-T Q.767
Type Definition	
TCAP_Problems (unrecognizedComponent mistypedComponent badlyStructuredComponent)	
Detailed Comments:	Type restricted to these three.

ASN.1 Type Definition	
Type Name:	InterCUG_Restrictions
Comments:	GSM 09.02, 14.7.4
Type Definition	
OCTET STRING (SIZE (1))	
Detailed Comments:	bits: 876543: 000000 (unused) bits 21: 00 CUG only facilities 01 CUG with outgoing access 10 CUG with incoming access 11 CUG with both outgoing and incoming access

ASN.1 Type Definition	
Type Name:	IntraCUG_Options
Comments:	GSM 09.02, 14.7.4
Type Definition	
ENUMERATED { noCUG_Restrictions (0), cugIC_CallBarred (1), cugOG_CallBarred (2) }	
Detailed Comments:	

ASN.1 Type Definition	
Type Name:	InvokeIDType
Comments:	ITU-T, Q.773
Type Definition	
INTEGER (-128 .. 127)	
Detailed Comments:	Values: Sending Components: If it is an invoke component then use Test Case Variable (with default) to set value. If another invoke component is sent the TCV should be incremented beforehand. If it is a return result, error or reject component in response to a received invoke component then use TCV also, making sure the value is set to the value of the received component beforehand. Receiving Components: If it is an invoke comp then use '?'. If it is a return result, error or reject component in response to a sent invoke component then use TCV value (as used in sent invoke component).

ASN.1 Type Definition	
Type Name:	InvokeProblem
Comments:	ITU-T Q.767
Type Definition	
TCAP_Problems (duplicateInvokeID unrecognizedOperation mistypedArgument resourceLimitation initiatingRelease unrecognizedLinkedID linkedResponseUnexpected unexpectedLinkedOperation)	
Detailed Comments:	Type restricted to these 8.

ASN.1 Type Definition	
Type Name:	ISDN_AddressString
Comments:	GSM 09.02, 14.7.8
Type Definition	
AddressString (SIZE (1 .. maxISDN_AddressLength))	
Detailed Comments:	

ASN.1 Type Definition	
Type Name:	ISDN_SubaddressString
Comments:	GSM 09.02, 14.7.8
Type Definition	
OCTET STRING (SIZE (1 .. maxISDN_SubaddressLength))	
Detailed Comments:	

ASN.1 Type Definition	
Type Name:	NetworkResource
Comments:	GSM 09.02, 14.7.8,
Type Definition	
ENUMERATED { plmn (0), hlr (1), vlr (2), pvlr (3), controllingMSC (4), vmsc (5), eir (6), rss (7) }	
Detailed Comments:	Elements of INTEGER are global for the ATS.

ASN.1 Type Definition	
Type Name:	NoReplyConditionTime
Comments:	GSM 09.02, 14.7.4
Type Definition	
INTEGER (5 .. 30)	
Detailed Comments:	

ASN.1 Type Definition	
Type Name:	Operation
Comments:	ITU-T Q.767
Type Definition	
CHOICE { localValue INTEGER, globalValue OBJECT IDENTIFIER}	
Detailed Comments:	

ASN.1 Type Definition	
Type Name:	OverrideCategory
Comments:	GSM 09.02, 14.7.4
Type Definition	
ENUMERATED { overrideEnabled (0), overrideDisabled (1) }	
Detailed Comments:	

ASN.1 Type Definition	
Type Name:	Password
Comments:	GSM 09.02, 14.7.4
Type Definition	
NumericString (FROM ("0" "1" "2" "3" "4" "5" "6" "7" "8" "9")) (SIZE (4))	
Detailed Comments:	

ASN.1 Type Definition	
Type Name:	PW_RegistrationFailureCause
Comments:	GSM 09.02, 14.7.7
Type Definition	
ENUMERATED { undetermined (0), invalidFormat (1), newPasswordsMismatch (2) }	
Detailed Comments:	

ASN.1 Type Definition	
Type Name:	ReturnErrorProblem
Comments:	ITU-T Q.767
Type Definition	
TCAP_Problems (unrecognizedInvokeID returnErrorUnexpected unrecognizedError unexpectedError mistypedParameter)	
Detailed Comments:	Type restricted to these 5.

ASN.1 Type Definition	
Type Name:	ReturnResultProblem
Comments:	ITU-T Q.767
Type Definition	
TCAP_Problems (unrecognizedInvokeID returnResultUnexpected mistypedResult)	
Detailed Comments:	Type restricted to these three.

ASN.1 Type Definition	
Type Name:	SS_Code
Comments:	GSM 09.02, 14.7.5
Type Definition	
OCTET STRING (SIZE (1))	
Detailed Comments:	group (bits 8765), and specific service (bits 4321)

ASN.1 Type Definition	
Type Name:	SS_Data
Comments:	GSM 09.02, 14.7.4
Type Definition	
SEQUENCE { ss_Code SS_Code OPTIONAL, ss_Status [4] IMPLICIT SS_Status OPTIONAL, ss_SubscriptionOption SS_SubscriptionOption OPTIONAL, basicServiceGroupList BasicServiceGroupList OPTIONAL }	
Detailed Comments:	

ASN.1 Type Definition	
Type Name:	SS_ForBS_Code
Comments:	GSM 09.02, 14.7.4
Type Definition	
SEQUENCE { ss_Code SS_Code, basicService BasicServiceCode OPTIONAL }	
Detailed Comments:	

ASN.1 Type Definition	
Type Name:	SS_IncompatibilityCause
Comments:	GSM 09.02, 14.7.8
Type Definition	
SEQUENCE { ss_Code [1] IMPLICIT SS_Code OPTIONAL, basicService BasicServiceCode OPTIONAL, ss_Status [4] SS_Status OPTIONAL }	
Detailed Comments:	

ASN.1 Type Definition	
Type Name:	SS_Info
Comments:	GSM 09.02, 14.7.4
Type Definition	
CHOICE { forwardingInfo [0] IMPLICIT ForwardingInfo, callBarringInfo [1] IMPLICIT CallBarringInfo, cug_Info [2] IMPLICIT CUG_Info, ss_Data [3] IMPLICIT SS_Data }	
Detailed Comments:	

ASN.1 Type Definition	
Type Name:	SS_Status
Comments:	GSM 09.02, 14.7.4
Type Definition	
OCTET STRING (SIZE (1))	
Detailed Comments:	bits 8765: 0000 unused, bits 4: SS state information Q bit, bits 3: SS state information P bit, bits 2: SS state information R bit, bits 1: SS state information A bit.

ASN.1 Type Definition	
Type Name:	SS_SubscriptionOption
Comments:	GSM 09.02, 14.7.4
Type Definition	
CHOICE { overrideCategory [1] IMPLICIT OverrideCategory, cliRestrictionOption [2] IMPLICIT CliRestrictionOption }	
Detailed Comments:	

ASN.1 Type Definition	
Type Name:	SS_UserData
Comments:	GSM 09.02, 14.7.4
Type Definition	
IA5String (SIZE (1 .. maxSignalInfoLength))	
Detailed Comments:	

ASN.1 Type Definition	
Type Name:	TCAP_Problems
Comments:	ITU-T Q.767
Type Definition	
INTEGER { unrecognizedComponent (0), -- GeneralProblem unrecognizedInvokeID (0), -- ReturnResultProblem, ReturnErrorProblem duplicateInvokeID (0), -- InvokeProblem mistypedComponent (1), -- GeneralProblem returnErrorUnexpected (1), -- ReturnErrorProblem returnResultUnexpected (1), -- ReturnResultProblem unrecognizedOperation (1), -- InvokeProblem badlyStructuredComponent (2), -- GeneralProblem unrecognizedError (2), -- ReturnErrorProblem mistypedArgument (2), -- InvokeProblem, originally called mistypedParameter in TCAP mistypedResult (2), -- ReturnResultProblem resourceLimitation (3), -- InvokeProblem unexpectedError (3), -- ReturnErrorProblem mistypedParameter (4), -- ReturnErrorProblem initiatingRelease (4), -- InvokeProblem unrecognizedLinkedID (5), -- InvokeProblem linkedResponseUnexpected (6), -- InvokeProblem unexpectedLinkedOperation (7) -- InvokeProblem }	
Detailed Comments:	Errors of the same integer value are distinguished by their different parent types (General, Invoke, ReturnResult, ReturnError).

ASN.1 Type Definition	
Type Name:	TeleserviceCode
Comments:	GSM 09.02, 14.7.9
Type Definition	
OCTET STRING (SIZE (1))	
Detailed Comments:	

ASN.1 Type Definition	
Type Name:	USSD_Arg
Comments:	GSM 09.02, 14.7.4
Type Definition	
SEQUENCE { ussd_DataCodingScheme USSD_DataCodingScheme, ussd_String USSD_String }	
Detailed Comments:	

ASN.1 Type Definition	
Type Name:	USSD_Res
Comments:	GSM 09.02, 14.7.4
Type Definition	
SEQUENCE { ussd_DataCodingScheme USSD_DataCodingScheme, ussd_String USSD_String }	
Detailed Comments:	

ASN.1 Type Definition	
Type Name:	USSD_DataCodingScheme
Comments:	GSM 09.02, 14.7.4
Type Definition	
OCTET STRING (SIZE (1))	
Detailed Comments:	

ASN.1 Type Definition	
Type Name:	USSD_String
Comments:	GSM 09.02, 14.7.4
Type Definition	
OCTET STRING (SIZE (1..maxUSSD_StringLength))	
Detailed Comments:	The structure of the contents of the USSD-String is dependent on the USSD-DataCodingScheme as described in TS GSM03.38.

Test suite operation definitions

Test Suite Operation Definition	
Operation Name:	OC_Asn1intToOct(n:Asn1Integer; l: INTEGER)
Result Type:	OCTETSTRING
Comments:	
Description	
<p>OC_Asn1intToOct converts the ASN.1 INTEGER `n` into OCTETSTRING with length = `l`.</p> <p>for example:</p> <p>OC_Asn1intToOct(14,1) = '0E'O; OC_Asn1intToOct(18,1) = '12'O; OC_Asn1intToOct(18,2) = '0012'O; OC_Asn1intToOct(-128,1) = '80'O (MSB (position p out of 1...p) represents $-2^{\exp(p-1)}$); OC_Asn1intToOct(-32768,2) = '8000'O (MSB (position p out of 1...p) represents $-2^{\exp(p-1)}$).</p>	
Detailed Comments:	

Test Suite Operation Definition	
Operation Name:	OC_Bcap(setup:SETUP_MO_PDU; callproc:CALL_PROC_PDU; mem:INTEGER)
Result Type:	BCAP
Comments:	
Description	
<p>OC_Bcap operation returns a bearer capability IE according the following rule:</p> <ul style="list-style-type: none"> - for `mem` = 1: <ul style="list-style-type: none"> - if bearer capability IE were presented in `callproc` the returned BC is the bearer capability 1 of the `callproc`; - otherwise, the returned bearer capability is the bearer capability 1 of the `setup`. - for `mem` = 2: <ul style="list-style-type: none"> - if bearer capability IE were presented in `callproc` the returned BC is the bearer capability 2 of the `callproc`; - otherwise, the returned bearer capability is the bearer capability 2 of the `setup`. 	
Detailed Comments:	

Test Suite Operation Definition	
Operation Name:	OC_BinAdd(bitstr1:BITSTRING; bitstr2:BITSTRING)
Result Type:	BITSTRING
Comments:	
Description	
<p>OC_BinAdd operation performs binary addition of two input parameters `bitstr1` and `bitstr2`, then returns the result of the addition. These two input parameters shall have the same length, the result of the operation has the same length as the input parameters.</p> <p>for example:</p> <p>OC_BinAdd('01000'B, '00110'B) = '01110'B; OC_BinAdd('01000'B, '00011'B) = '01011'B; OC_BinAdd('00100'B, '00010'B) = '00110'B.</p>	
Detailed Comments:	

Test Suite Operation Definition	
Operation Name:	OC_Bit7(bstring: B_8)
Result Type:	BITSTRING
Comments:	The input parameter bstring is of type BITSTRING[8].
Description	
OC_Bit7(bstring) returns the value of bit 7 in the `bstring`.	
for example:	
OC_Bit7('01010101'B) = '1'B,	
OC_Bit7('10101010'B) = '0'B	
Detailed Comments:	

Test Suite Operation Definition	
Operation Name:	OC_BCDtoInt(bcdstring:HEXSTRING; relevant_digits: INTEGER)
Result Type:	INTEGER
Comments:	
Description	
The operation OC_BCDtoInt converts last 'relevant_digits' of an HEXSTRING containing BCD coded digits to an integer representation of these relevant digits.	
Example: OC_BCDtoInt('12345'H, 3) := 345	
Detailed Comments:	

Test Suite Operation Definition	
Operation Name:	OC_CalledNumCHK(callednum:OCTETSTRING; dialnum:IA5String)
Result Type:	BOOLEAN
Comments:	
Description	
the operation OC_CalledNumCHK to check whether the called party number `callednum`, which is represented by OCTETSTRING, is the same as the dialed number `dialnum`, which is represented by IA5String. It returns TRUE if they are the same, otherwise FALSE.	
Detailed Comments:	

Test Suite Operation Definition	
Operation Name:	OC_ChkSRES(sres:OCTETSTRING; ki: BITSTRING; rand:BITSTRING)
Result Type:	BOOLEAN
Comments:	sres is 32 bits value.
Description	
OC_ChkSRES checks the input parameter `sres` according to the authentication algorithm defined in the following procedure. It returns TRUE if the `sres` is correct, otherwise it returns FALSE.	
<ul style="list-style-type: none"> - firstly the `ki` XOR to the `rand` results in RES1; - then compare the most significant 32 bits of the RES1 with the `sres`; - if they are equal, the `sres` is correct and the operation returns TRUE; - if they are not equal, the `sres` is wrong and the operation returns FALSE. 	
NOTE: this procedure is the test algorithm for authentication defined by GSM.	
Detailed Comments:	

Test Suite Operation Definition	
Operation Name:	OC_CnvtMax(max:INTEGER)
Result Type:	B_2
Comments:	
Description	
<p>The allowed integer values for max are 1, 2, 4, 7 (maximum number of retransmissions). The result BITSTRING is 2 bits long. OC_CnvtMax converts the input integer `max` into a BITSTRING according to the following rule:</p> <ol style="list-style-type: none"> 1. the result is '00'B if the `max` = 1, 2. the result is '01'B if the `max` = 2, 3. the result is '10'B if the `max` = 4, 4. the result is '11'B if the `max` = 7. <p>for example:</p> <p>OC_CnvtMax(1) = '00'B, OC_CnvtMax(7) = '11'B.</p>	
Detailed Comments:	

Test Suite Operation Definition	
Operation Name:	OC_CnvtTx(tx:INTEGER)
Result Type:	B_4
Comments:	The result BITSTRING is 4 bits long.
Description	
<p>OC_CnvtTx converts the input integer `tx` into a BITSTRING according to the following rule:</p> <ol style="list-style-type: none"> 1. the result is '0000'B if the `tx` = 3, 2. the result is '0001'B if the `tx` = 4, 3. the result is '0010'B if the `tx` = 5, 4. the result is '0011'B if the `tx` = 6, 5. the result is '0100'B if the `tx` = 7, 6. the result is '0101'B if the `tx` = 8, 7. the result is '0110'B if the `tx` = 9, 8. the result is '0111'B if the `tx` = 10, 9. the result is '1000'B if the `tx` = 11, 10. the result is '1001'B if the `tx` = 12, 11. the result is '1010'B if the `tx` = 14, 12. the result is '1011'B if the `tx` = 16, 13. the result is '1100'B if the `tx` = 20, 14. the result is '1101'B if the `tx` = 25, 15. the result is '1110'B if the `tx` = 32, 16. the result is '1111'B if the `tx` = 50. <p>for example:</p> <p>OC_CnvtTx(3) = '0000'B, OC_CnvtTx(5) = '0010'B.</p>	
Detailed Comments:	

Test Suite Operation Definition	
Operation Name:	OC_CodeSMSCBMessage(firstoct: INTEGER; lastoct: INTEGER)
Result Type:	OCTETSTRING
Comments:	
Description	
The operation codes a part of the contents for a cell broadcast short message. The cell broadcast short message, is 82 octets long, i.e. 93 characters, each represented by 7 bits. As many as possible different characters are sent, the characters are those corresponding to the 7-bit representation of the integers 0, 1, 2, ..., 92. The bits are arranged acc. to GSM 03.38, clause 6.1.2.1.1. The result of this operation is the octetstring of the octets 'firstoct' to 'lastoct' (16 octets for the first message block, 22 octets for the 2nd, 3rd and 4th blocks), with the octets of the cell broadcast short message being numbered from 1 to 82.	
Detailed Comments:	

Test Suite Operation Definition	
Operation Name:	OC_CodingOfUssdString(text: IA5String)
Result Type:	OCTETSTRING
Comments:	
Description	
This operation provides the coding for a USSD String 'text' in the default alphabet, each character represented by 7 bits. The bits are arranged acc. to GSM 03.38, clause 6.1.2.2.1.	
Detailed Comments:	

Test Suite Operation Definition	
Operation Name:	OC_ComputeSMContents(NumberOfCharacters: INTEGER)
Result Type:	OCTETSTRING
Comments:	max. 160 characters, i.e. 140 octets.
Description	
This operation provides a short message's contents with a specified number of characters 'NumberOfCharacters', each represented by 7 bits. As possible different characters are sent, the characters are those corresponding to the 7-bit representation of 0, 1, 2, ... up to ('NumberOfCharacters' - 1). If more than 128 characters are sent, the rest of the characters is the corresponding to 0, 1, ... up to (NumberOfCharacters - 128 - 1), e.g. for 160 characters: 0, 1, ..., 127, 0, 1, ..., 31. The bits are arranged acc. to GSM 03.38, clause 6.1.2.1.1.	
Detailed Comments:	

Test Suite Operation Definition	
Operation Name:	OC_ComputeSMContentsSpecText(NumbOfIA5chara: INTEGER; text: IA5String)
Result Type:	OCTETSTRING
Comments:	max. 160 characters, i.e. 140 octets.
Description	
This operation provides a short message's contents with a specified number of characters 'NumbOfIA5chara', each represented by 7 bits. 'text' is used as contents of the short message. If 'text' contains less than 'NumberOfCharacters' characters, 'text' is repeated until the short message reaches the 'NumberOfCharacters' characters long. The bits packing is arranged according to GSM 03.38, clause 6.1.2.1.1.	
Detailed Comments:	

Test Suite Operation Definition	
Operation Name:	OC_CphKeyGen(ki:BITSTRING; rand:BITSTRING)
Result Type:	BITSTRING
Comments:	both ki and rand are 128 bits values, the result of the operation is 64 bits value
Description	
OC_CphKeyGen generates the ciphering key from the input parameters according to the following procedure:	
<ul style="list-style-type: none"> - firstly the `ki` XOR to the `rand` results in RES1; - then discard the most significant 32 bits of the RES; - the next 64 bits of RES1 are the ciphering key, the operation returns this value. - the 32 least significant bits are not used. 	
Detailed Comments:	

Test Suite Operation Definition	
Operation Name:	OC_FirstDigi(bcddigits:HEXSTRING)
Result Type:	B_4
Comments:	
Description	
<p>The input parameter bcddigits shall be a BCD string (subset of HEXSTRING), the result is a BITSTRING[4] of a binary representation of one BCD digit.</p> <p>The function of the OC_FirstDigi is to return the first (most significant) digit of the input parameter `bcddigits`.</p> <p>for example:</p> <p>OC_FirstDigi('12345') = '0001'B, OC_FirstDigi('012345678') = '0000'B.</p>	
Detailed Comments:	

Test Suite Operation Definition	
Operation Name:	OC_FnInc(fn:FN; inc:INTEGER)
Result Type:	FN
Comments:	
Description	
<p>The function of OC_FnInc operation to increase frame number with `inc`. The frame number to be incremented is the input parameter `fn` in FN type and the increment `inc` is in INTEGER type, the incremented frame number is returned in FN type.</p> <pre> OC_FnInc(fn, inc) FN fn; INTEGER inc; { int fmin; FN frmout; fmin = 51 * ((fn.t3 - fn.t2) MOD 26) + fn.t3 + 1326 * fn.t1_ ; frmout.t1_ = ((fmin + inc) DIV 1326) MOD 32; frmout.t2 = (fmin + inc) MOD 26; frmout.t3 = (fmin + inc) MOD 51; return (frmout); } </pre>	
Detailed Comments:	

Test Suite Operation Definition	
Operation Name:	OC_GetSCTimeStamp(timezone:TZONES)
Result Type:	TPSCTS
Comments:	TPSCTS is HEXSTRING[14]
Description	
<p>This Operation provides the hexstring containing the service center time stamp (SCTS) according to GSM 03.40, clauses 9.2.2.1 and 9.2.3.11. The TSO reads the current time of the test systems clock and transforms the time in combination with the input parameter `timezone` into a service center time stamp.</p> <p>Example: 1996 April 18, 15:32:46, timezone=4 OC_GetSCTimeStamp returns 69408151236440</p>	
Detailed Comments:	

Test Suite Operation Definition	
Operation Name:	OC_IncTmsi(tmsi:TMSI_V; inc:OCTETSTRING)
Result Type:	TMSI_V
Comments:	the `tmsi` is 4 OCTETs long
Description	
OC_IncTmsi operation adds the two input parameters and returns the result. An overflow of addition is allowed.	
For example :	
OC_IncTmsi('33542140'O + '01'O) = '33542141'O;	
OC_IncTmsi('21322140'O + '08'O) = '21322148'O.	
Detailed Comments:	

Test Suite Operation Definition	
Operation Name:	OC_InRang(tx: INTEGER; maxret:INTEGER; m: INTEGER)
Result Type:	BOOLEAN
Comments:	
Description	
The operation returns TRUE if $(m \text{ DIV } (\maxret * ((230+\maxret -1)/\maxret)))$ is inside the following interval: $[0.8 - ((tx+1)/2) \text{ DIV } tx; 1.2 - ((tx+1)/2) \text{ DIV } tx]$	
where / is integer division, DIV is float division, m, tx and maxret are input parameters of the operation.	
Detailed Comments:	

Test Suite Operation Definition	
Operation Name:	OC_IntToOct(n:INTEGER; l: INTEGER)
Result Type:	OCTETSTRING
Comments:	
Description	
OC_IntToOct converts the INTEGER `n` into OCTETSTRING with length = `l`.	
for example:	
OC_IntToOct(14,1) = '0E'O;	
OC_IntToOct(18,1) = '12'O;	
OC_IntToOct(18,2) = '0012'O.	
Detailed Comments:	

Test Suite Operation Definition	
Operation Name:	OC_LeastBits(bstring:BITSTRING; lg:INTEGER)
Result Type:	BITSTRING
Comments:	
Description	
OC_LeastBits operation returns the `lg` least significant bits of the original `bstring`.	
for example:	
OC_LeastBits('110011000101010'B, 3) = '010'B,	
OC_LeastBits('110011000101010'B, 6) = '101010'B.	
Detailed Comments:	

Test Suite Operation Definition	
Operation Name:	OC_LengthOf(identity_field :MI)
Result Type:	INTEGER
Comments:	
Description	
OC_LengthOf operation returns the actual length of the `identity_field`, the unit of length is in OCTET.	
Detailed Comments:	

Test Suite Operation Definition	
Operation Name:	OC_LengthOfBCDN(bcdn :BCDN)
Result Type:	INTEGER
Comments:	
Description	
OC_LengthOfBCDN operation returns the actual length of an IE of type BCDN 'bcdn', the unit of length is in OCTET.	
Detailed Comments:	

Test Suite Operation Definition	
Operation Name:	OC_LengthOfComp(comp: Component_T)
Result Type:	LENGTH
Comments:	
Description	
OC_LengthOfComp operation returns the actual length of the Component_T `comp`, the unit of length is in OCTET.	
Detailed Comments:	

Test Suite Operation Definition	
Operation Name:	OC_LengthOfString(strg: IA5String)
Result Type:	INTEGER
Comments:	
Description	
OC_LengthOfString operation returns the actual length (number of characters) of the string `strg`.	
Detailed Comments:	

Test Suite Operation Definition	
Operation Name:	OC_LookupS(t: INTEGER; combined :BOOLEAN)
Result Type:	INTEGER
Comments:	the algorithm is derived from Table 3.1/GSM 04.08 for values of parameter S.
Description	
<p>This operation returns an INTEGER according the following algorithm:</p> <pre> OC_LookupS(t, comb) INTEGER t; BOOLEAN combined; { switch (t) { case 3: case 8: case 14: case 50: if (combined) then return(41) else return(55); break; case 4: case 9: case 16: if (combined) then return(52) else return(76); break; case 5: case 10: case 20: if (combined) then return(58) else return(109); break; case 6: case 11: case 25: if (combined) then return(86) else return(163); break; case 7: case 12: case 32: if (combined) then return(115) else return(217); break; } } </pre>	
Detailed Comments:	

Test Suite Operation Definition	
Operation Name:	OC_MostBits(bstring:BITSTRING; lg :INTEGER)
Result Type:	BITSTRING
Comments:	
Description	
OC_MostBits operation returns the `lg` most significant bits of the original `bstring`.	
for example:	
OC_LeastBits('110011000101010'B, 3) = '110'B, OC_LeastBits('110011000101010'B, 6) = '110011'B.	
Detailed Comments:	

Test Suite Operation Definition	
Operation Name:	OC_MsrReptChk(msrres: MSRR; index:INTEGER)
Result Type:	BOOLEAN
Comments:	parameter index is used for selecting different match pattern
Description	
<p>OC_MsrReptChk operation checks whether the received measurement report contains correct values:</p> <ol style="list-style-type: none"> 1. when the `index` = 1: <pre> if set { { msrres.bcchfrq_nc1, msrres.bsic_nc1}, { msrres.bcchfrq_nc2, msrres.bsic_nc2}, { msrres.bcchfrq_nc3, msrres.bsic_nc3}, { msrres.bcchfrq_nc4, msrres.bsic_nc4}, { msrres.bcchfrq_nc5, msrres.bsic_nc5}, { msrres.bcchfrq_nc6, msrres.bsic_nc6} } equals to set { {'0000'B, '001011'B}, {'01111'B, '001001'B}, {'10101'B, '001011'B}, {'10110'B, '001101'B}, {'11100'B, '001111'B}, {'11111'B, '001001'B} } then the operation returns TRUE otherwise FALSE. </pre> 2. when the `index` = 2: <pre> if set { { msrres.bcchfrq_nc1, msrres.bsic_nc1}, { msrres.bcchfrq_nc2, msrres.bsic_nc2}, { msrres.bcchfrq_nc3, msrres.bsic_nc3}, { msrres.bcchfrq_nc4, msrres.bsic_nc4}, { msrres.bcchfrq_nc5, msrres.bsic_nc5}, { msrres.bcchfrq_nc6, msrres.bsic_nc6} } equals to set { {'0000'B, '001011'B}, {'00100'B, '001001'B}, {'00110'B, '001011'B}, {'00101'B, '001101'B}, {'00010'B, '001111'B}, {'00111'B, '001001'B} } then the operation returns TRUE otherwise FALSE. </pre> 3. when the `index` = 3: <pre> if set { { msrres.bcchfrq_nc1, msrres.bsic_nc1}, { msrres.bcchfrq_nc2, msrres.bsic_nc2}, { msrres.bcchfrq_nc3, msrres.bsic_nc3}, { msrres.bcchfrq_nc4, msrres.bsic_nc4}, { msrres.bcchfrq_nc5, msrres.bsic_nc5}, { msrres.bcchfrq_nc6, msrres.bsic_nc6} } equals to set { {'00001'B, '001011'B}, {'00101'B, '001001'B}, {'00111'B, '001011'B}, {'00110'B, '001101'B}, {'00011'B, '001111'B}, {'01000'B, '001001'B} } then the operation returns TRUE otherwise FALSE. </pre> 4. when the `index` = 4 : <pre> if set { { msrres.bcchfrq_nc1, msrres.bsic_nc1}, { msrres.bcchfrq_nc2, msrres.bsic_nc2}, { msrres.bcchfrq_nc3, msrres.bsic_nc3}, { msrres.bcchfrq_nc4, msrres.bsic_nc4}, } equals to set { {'00000'B, '001011'B}, {'00010'B, '001111'B}, {'00001'B, '001111'B}, {'00011'B, '001001'B} } then the operation returns TRUE otherwise FALSE. </pre> 5. when the `index` = 5 : <pre> if set { { msrres.bcchfrq_nc1, msrres.bsic_nc1}, { msrres.bcchfrq_nc2, msrres.bsic_nc2}, { msrres.bcchfrq_nc3, msrres.bsic_nc3}, { msrres.bcchfrq_nc4, msrres.bsic_nc4}, } equals to set { {'00000'B, '001011'B}, {'00010'B, '001111'B}, {'00001'B, '001111'B}, {'00100'B, '001001'B} } then the operation returns TRUE otherwise FALSE. </pre> 	

6. when the `index` = 6:
- ```

if set { { msrres.bcchfrq_nc1, msrres.bsic_nc1}, { msrres.bcchfrq_nc2, msrres.bsic_nc2},
 { msrres.bcchfrq_nc3, msrres.bsic_nc3}, { msrres.bcchfrq_nc4, msrres.bsic_nc4},
 { msrres.bcchfrq_nc5, msrres.bsic_nc5}, { msrres.bcchfrq_nc6, msrres.bsic_nc6}
 }
equals to
set { {'00000'B, '001011'B}, {'00011'B, '001001'B},
 {'00100'B, '001011'B}, {'00101'B, '001101'B},
 {'00110'B, '001111'B}, {'00111'B, '001001'B}
 }
then the operation returns TRUE otherwise FALSE.

```
7. when the `index` = 7:
- ```

if set { { msrres.bcchfrq_nc1, msrres.bsic_nc1}, { msrres.bcchfrq_nc2, msrres.bsic_nc2},
        { msrres.bcchfrq_nc3, msrres.bsic_nc3}, { msrres.bcchfrq_nc4, msrres.bsic_nc4},
        { msrres.bcchfrq_nc5, msrres.bsic_nc5}, { msrres.bcchfrq_nc6, msrres.bsic_nc6}
      }
equals to
set { {'00000'B, '001011'B}, {'00100'B, '001001'B},
     {'00110'B, '001011'B}, {'00101'B, '001101'B},
     {'00010'B, '001111'B}, {'00111'B, '001001'B}
    }
then the operation returns TRUE otherwise FALSE.

```
8. when the `index` = 8 :
- ```

if set { { msrres.bcchfrq_nc1, msrres.bsic_nc1}, { msrres.bcchfrq_nc2, msrres.bsic_nc2}
 }
equals to
set { {'00000'B, '001011'B}, {'00010'B, '001101'B}
 }
then the operation returns TRUE otherwise FALSE.

```
9. when the `index` = 9 :
- ```

if set { { msrres.bcchfrq_nc1, msrres.bsic_nc1}, { msrres.bcchfrq_nc2, msrres.bsic_nc2}
      }
equals to
set { {'00110'B, '001011'B}, {'00111'B, '001101'B}
    }
then the operation returns TRUE otherwise FALSE.

```
10. when the `index` = 10 :
- ```

if set { { msrres.bcchfrq_nc1, msrres.bsic_nc1}, { msrres.bcchfrq_nc2, msrres.bsic_nc2}
 }
equals to
set { {'00011'B, '001011'B}, {'00101'B, '001101'B}
 }
then the operation returns TRUE otherwise FALSE.

```

**Detailed Comments:**

| <b>Test Suite Operation Definition</b>                                                                                                                                                |                                                                                                         |
|---------------------------------------------------------------------------------------------------------------------------------------------------------------------------------------|---------------------------------------------------------------------------------------------------------|
| <b>Operation Name:</b>                                                                                                                                                                | OC_OeBit(bcddigits:HEXSTRING)                                                                           |
| <b>Result Type:</b>                                                                                                                                                                   | BITSTRING                                                                                               |
| <b>Comments:</b>                                                                                                                                                                      | The input parameter `bcddigits` is really BCD string (subset of HEXSTRING), the result is BITSTRING[1]. |
| Description                                                                                                                                                                           |                                                                                                         |
| The function of the OC_OeBit is as the following:                                                                                                                                     |                                                                                                         |
| <ol style="list-style-type: none"> <li>1. it returns '1'B, if the length of the `bcddigits` is odd,</li> <li>2. it returns '0'B, if the length of the `bcddigits` is even.</li> </ol> |                                                                                                         |
| for example:                                                                                                                                                                          |                                                                                                         |
| OC_OeBit('12583') = '1'B,                                                                                                                                                             |                                                                                                         |
| OC_OeBit('87259957') = '0'B.                                                                                                                                                          |                                                                                                         |
| <b>Detailed Comments:</b>                                                                                                                                                             |                                                                                                         |

| <b>Test Suite Operation Definition</b>                    |                                |
|-----------------------------------------------------------|--------------------------------|
| <b>Operation Name:</b>                                    | OC_OctToInt(ostr: OCTETSTRING) |
| <b>Result Type:</b>                                       | INTEGER                        |
| <b>Comments:</b>                                          |                                |
| Description                                               |                                |
| OC_OctToInt converts the OCTETSTRING `ostr` into INTEGER. |                                |
| <b>Detailed Comments:</b>                                 |                                |

| <b>Test Suite Operation Definition</b>                                                                                                                                                                                                                                                             |                                     |
|----------------------------------------------------------------------------------------------------------------------------------------------------------------------------------------------------------------------------------------------------------------------------------------------------|-------------------------------------|
| <b>Operation Name:</b>                                                                                                                                                                                                                                                                             | OC_OctToInvokeIDType(o:OCTETSTRING) |
| <b>Result Type:</b>                                                                                                                                                                                                                                                                                | InvokeIDType                        |
| <b>Comments:</b>                                                                                                                                                                                                                                                                                   |                                     |
| Description                                                                                                                                                                                                                                                                                        |                                     |
| OC_OctToInvokeIDType converts the OCTETSTRING `o` into InvokeIDType, with the MSB of `o` representing the negative value $-2^{\exp(n-1)}$ , for example '80'O->'10000000'B-> -128. The rest of the bits can code positive values up to $+2^{\exp(n-2)-1}$ , for example '4F'O->'01111111'B-> +127. |                                     |
| for example:                                                                                                                                                                                                                                                                                       |                                     |
| OC_OctToInvokeIDType('80'O) = -128;                                                                                                                                                                                                                                                                |                                     |
| OC_OctToInvokeIDType('81'O) = -128+1 = -127;                                                                                                                                                                                                                                                       |                                     |
| OC_OctToInvokeIDType('40'O) = +64.                                                                                                                                                                                                                                                                 |                                     |
| OC_OctToInvokeIDType('7F'O) = +127.                                                                                                                                                                                                                                                                |                                     |
| OC_OctToInvokeIDType('C0'O) = -128+64 = -64.                                                                                                                                                                                                                                                       |                                     |
| <b>Detailed Comments:</b>                                                                                                                                                                                                                                                                          |                                     |

| <b>Test Suite Operation Definition</b>                                                                                                                                                                                                                                                                                                                                                                                                                                                                                                                                                       |                                                                                                                                                                              |
|----------------------------------------------------------------------------------------------------------------------------------------------------------------------------------------------------------------------------------------------------------------------------------------------------------------------------------------------------------------------------------------------------------------------------------------------------------------------------------------------------------------------------------------------------------------------------------------------|------------------------------------------------------------------------------------------------------------------------------------------------------------------------------|
| <b>Operation Name:</b>                                                                                                                                                                                                                                                                                                                                                                                                                                                                                                                                                                       | OC_OtherDigi(bcddigits:HEXSTRING)                                                                                                                                            |
| <b>Result Type:</b>                                                                                                                                                                                                                                                                                                                                                                                                                                                                                                                                                                          | OCTETSTRING                                                                                                                                                                  |
| <b>Comments:</b>                                                                                                                                                                                                                                                                                                                                                                                                                                                                                                                                                                             | The input parameter `bcddigits` is really BCD string (subset of HEXSTRING), the result is an even BCD digits except that the next to last may either be 'F'H or a BCD digit. |
| <b>Description</b>                                                                                                                                                                                                                                                                                                                                                                                                                                                                                                                                                                           |                                                                                                                                                                              |
| <p>The function of the OC_OtherDigi is as the following:</p> <ol style="list-style-type: none"> <li>1. If the number of the `bcddigits` is odd, the operation removes the most significant digit, and then reverses the order of each pair of digits;</li> <li>2. If the number of the `bcddigits` is even, first the operation suffixes the `bcddigits` with 'F'H, then removes the most significant digit, and then reverses the order of each pair of digits.</li> </ol> <p>for example:</p> <p>OC_OtherDigi('12345') = '3254',<br/>           OC_OtherDigi('12345678') = '325476F8'.</p> |                                                                                                                                                                              |
| <b>Detailed Comments:</b>                                                                                                                                                                                                                                                                                                                                                                                                                                                                                                                                                                    |                                                                                                                                                                              |

| <b>Test Suite Operation Definition</b>                                                                                                                                                                                                                                                                                                          |                                               |
|-------------------------------------------------------------------------------------------------------------------------------------------------------------------------------------------------------------------------------------------------------------------------------------------------------------------------------------------------|-----------------------------------------------|
| <b>Operation Name:</b>                                                                                                                                                                                                                                                                                                                          | OC_PosinSet(set: Components; comp: Component) |
| <b>Result Type:</b>                                                                                                                                                                                                                                                                                                                             | INTEGER                                       |
| <b>Comments:</b>                                                                                                                                                                                                                                                                                                                                |                                               |
| <b>Description</b>                                                                                                                                                                                                                                                                                                                              |                                               |
| <p>The operation OC_PosinSet returns the position of component `comp` within the SET `set`.</p> <p>for example:</p> <p>if the set = { registerSSComponents, eraseSSComponents, activateSSComponents, deactivateSSComponents }</p> <p>OC_PosinSet(set, registerSSComponents) = 0,<br/>           OC_PosinSet(set, activateSSComponents) = 2.</p> |                                               |
| <b>Detailed Comments:</b>                                                                                                                                                                                                                                                                                                                       |                                               |

| <b>Test Suite Operation Definition</b>                                                                                                                                                                                                                                                                                                                                                                                                                                                                                                                                                                                                                                                                                                                                                                                                                                                                                                                                                                                                                                                                                                                                                                                                                                                                                                                                                                                                                                                                                                                                                                                                                                                                                                                                                                                                                                                                                                                                                                                                                                                                                                                                                                                                                                                                                                                                                                                                                                                                                                                                                                                                                                                                                                                                                                                                                                                                                                                                                                                                                                                                                                                                                                                                                                                                                                                                                                                                                                                                                                                                                                                                                                                                                                                                                                                                                                                                                                                 |                                                           |
|--------------------------------------------------------------------------------------------------------------------------------------------------------------------------------------------------------------------------------------------------------------------------------------------------------------------------------------------------------------------------------------------------------------------------------------------------------------------------------------------------------------------------------------------------------------------------------------------------------------------------------------------------------------------------------------------------------------------------------------------------------------------------------------------------------------------------------------------------------------------------------------------------------------------------------------------------------------------------------------------------------------------------------------------------------------------------------------------------------------------------------------------------------------------------------------------------------------------------------------------------------------------------------------------------------------------------------------------------------------------------------------------------------------------------------------------------------------------------------------------------------------------------------------------------------------------------------------------------------------------------------------------------------------------------------------------------------------------------------------------------------------------------------------------------------------------------------------------------------------------------------------------------------------------------------------------------------------------------------------------------------------------------------------------------------------------------------------------------------------------------------------------------------------------------------------------------------------------------------------------------------------------------------------------------------------------------------------------------------------------------------------------------------------------------------------------------------------------------------------------------------------------------------------------------------------------------------------------------------------------------------------------------------------------------------------------------------------------------------------------------------------------------------------------------------------------------------------------------------------------------------------------------------------------------------------------------------------------------------------------------------------------------------------------------------------------------------------------------------------------------------------------------------------------------------------------------------------------------------------------------------------------------------------------------------------------------------------------------------------------------------------------------------------------------------------------------------------------------------------------------------------------------------------------------------------------------------------------------------------------------------------------------------------------------------------------------------------------------------------------------------------------------------------------------------------------------------------------------------------------------------------------------------------------------------------------------------|-----------------------------------------------------------|
| <b>Operation Name:</b>                                                                                                                                                                                                                                                                                                                                                                                                                                                                                                                                                                                                                                                                                                                                                                                                                                                                                                                                                                                                                                                                                                                                                                                                                                                                                                                                                                                                                                                                                                                                                                                                                                                                                                                                                                                                                                                                                                                                                                                                                                                                                                                                                                                                                                                                                                                                                                                                                                                                                                                                                                                                                                                                                                                                                                                                                                                                                                                                                                                                                                                                                                                                                                                                                                                                                                                                                                                                                                                                                                                                                                                                                                                                                                                                                                                                                                                                                                                                 | OC_RachSlots(fn1:FN; fn2:FN; cmbn: BOOLEAN; mode:INTEGER) |
| <b>Result Type:</b>                                                                                                                                                                                                                                                                                                                                                                                                                                                                                                                                                                                                                                                                                                                                                                                                                                                                                                                                                                                                                                                                                                                                                                                                                                                                                                                                                                                                                                                                                                                                                                                                                                                                                                                                                                                                                                                                                                                                                                                                                                                                                                                                                                                                                                                                                                                                                                                                                                                                                                                                                                                                                                                                                                                                                                                                                                                                                                                                                                                                                                                                                                                                                                                                                                                                                                                                                                                                                                                                                                                                                                                                                                                                                                                                                                                                                                                                                                                                    | INTEGER                                                   |
| <b>Comments:</b>                                                                                                                                                                                                                                                                                                                                                                                                                                                                                                                                                                                                                                                                                                                                                                                                                                                                                                                                                                                                                                                                                                                                                                                                                                                                                                                                                                                                                                                                                                                                                                                                                                                                                                                                                                                                                                                                                                                                                                                                                                                                                                                                                                                                                                                                                                                                                                                                                                                                                                                                                                                                                                                                                                                                                                                                                                                                                                                                                                                                                                                                                                                                                                                                                                                                                                                                                                                                                                                                                                                                                                                                                                                                                                                                                                                                                                                                                                                                       |                                                           |
| Description                                                                                                                                                                                                                                                                                                                                                                                                                                                                                                                                                                                                                                                                                                                                                                                                                                                                                                                                                                                                                                                                                                                                                                                                                                                                                                                                                                                                                                                                                                                                                                                                                                                                                                                                                                                                                                                                                                                                                                                                                                                                                                                                                                                                                                                                                                                                                                                                                                                                                                                                                                                                                                                                                                                                                                                                                                                                                                                                                                                                                                                                                                                                                                                                                                                                                                                                                                                                                                                                                                                                                                                                                                                                                                                                                                                                                                                                                                                                            |                                                           |
| <p>OC_RachSlots calculates the number of RACH slots between frame number `fn1` and `fn2` excluding the slots in `fn1` and `fn2`, then return the result of the calculation.</p> <p>If mode=0, 'fn1' denotes the (first) frame number for sending Paging Request, while 'fn2' denotes the (first) frame number for the received Channel Request. If mode=1 'fn1' and 'fn2' denote the (first) frame number for the received two subsequent Channel Requests. Any other values for mode is not allowed.</p> <p>Since the number of RACH slots depends on the RACH being combined or not with dedicated channels, the parameter 'cmbn' is needed: TRUE --&gt; combined, FALSE--&gt; not combined.</p> <p>It is assumed that the distance between fn1 and fn2 is not more than one group of 42432 TDMA frames (modulo 42432 is used to calculate t1' of fn1 and fn2). This is equivalent to approximately 196 seconds. The 51 TDMA frames in a multiframe are numbered 0 to 50.</p> <p>fn1' := fn1 mod 51<br/> fn2' := fn2 mod 51</p> <p>CASE 1: cmbn is FALSE ('not combined')</p> <p>When 'not combined', all slots are RACH slots.</p> <p>1.1 mode=0 (sending paging message at fn1)</p> <p>The paging uses the numbered frames 6 - 9, 12 -19, 22-29, 32-39 and 42-49.</p> <p>1.1.1 If fn1 is not in the paging TDMA frame mapping, it leads testing to a test system error.<br/> IF (fn1' &lt; 6) OR (9 &lt; fn1' &lt; 12) OR (19 &lt; fn1' &lt; 22) OR (29 &lt; fn1' &lt; 32) OR (39 &lt; fn1' &lt; 42) OR (fn1' &gt;49),<br/> A test system error! The calling test case shall re-run again.<br/> OTHERWISE</p> <p>1.1.2 The number of RACH slots is equal to the number of frames between fn1 + 3 and fn2. The fn1 is added by 3 because a page message occupies 4 slots. The fn1 indicates the first slot of the paging message.<br/> IF (fn1 + 3) &lt; fn2, OC_RachSlots := fn2 - (fn1 + 3) -1 = fn2 - fn1 - 4,</p> <p>1.1.3 If fn1+3 is equal to or greater than fn2, then this is due to fn2 being in the next group of 42432 frames. In this case 42432 frames have to be added.<br/> IF fn2 &lt;= (fn1 + 3), OC_RachSlots := fn2 -fn1 - 3 + 42432 -1 = fn2 -fn1 + 42428</p> <p>1.2 mode=1 (receiving channel request at fn1)</p> <p>The number of RACH slots is equal to the number of frames between fn1 and fn2</p> <p>1.2.1 IF fn1 &lt; fn2, OC_RachSlots := fn2 - fn1 - 1,<br/> 1.2.2 IF fn2 &lt;= fn1, OC_RachSlots := fn2 -fn1 + 42432 -1 = fn2 -fn1 + 42431</p> <p>CASE 2: cmbn is TRUE ('combined')</p> <p>When combined only the slots of the numbered frames 4, 5, 14 to 36, 45 and 46 in each multiframe are RACH slots, i.e.total 27 frames per multiframe.</p> <p>2.1 mode=0 (sending paging message at fn1)</p> <p>The paging uses the numbered frames 6 - 9 and 12 -19.</p> <p>2.1.1 If fn1 is not in the paging TDMA frame mapping, it leads testing to a test system error. If fn2 is not in the RACH TDMA frame mapping, it leads testing to fail.</p> <p>IF (fn2' &lt; 4) OR (5 &lt; fn2' &lt; 14) OR (36 &lt; fn2' &lt; 45) OR (fn2' &gt; 46), OC_RachSlots := -9999<br/> IF (fn1' &lt; 6) OR (9 &lt; fn1' &lt; 12) OR (fn1' &gt;19), A test system error! The calling test case shall re-run again.<br/> OTHERWISE</p> <p>2.1.2 Calculation of the number 'c' multiframes between fn1 + 3 and fn2. If fn1 + 3 is equal to or greater than fn2, then this is due to fn2 being in the next group of 42432 frames. In this case 42432 frames have to be added. '/' shall be the integer division, i.e. the result is also integer. Fractions are discarded.</p> <p>2.1.2.1 IF (fn1 + 3) &lt; fn2, c := fn2 / 51 - (fn1 + 3) / 51<br/> 2.1.2.2 IF fn2 &lt;= (fn1 + 3), c := fn2 / 51 - (fn1 + 3) / 51 + 42432 / 51 = fn2 / 51 - (fn1 + 3) / 51 + 832</p> <p>2.1.3 Calculation of the number of frames 'a' to be subtracted according to the position of fn1' within the multiframe<br/> IF (5 &lt; fn1' &lt; 9) , a := 2</p> |                                                           |

|                                                                                                                                                                                                                                                                                                                                                                                                                                                                                                                                                                                                                                                                                                                                                                                                                                                                                                                                                                                                                                                                                                                                                                                                                                                                                                                                                                                                                                                            |
|------------------------------------------------------------------------------------------------------------------------------------------------------------------------------------------------------------------------------------------------------------------------------------------------------------------------------------------------------------------------------------------------------------------------------------------------------------------------------------------------------------------------------------------------------------------------------------------------------------------------------------------------------------------------------------------------------------------------------------------------------------------------------------------------------------------------------------------------------------------------------------------------------------------------------------------------------------------------------------------------------------------------------------------------------------------------------------------------------------------------------------------------------------------------------------------------------------------------------------------------------------------------------------------------------------------------------------------------------------------------------------------------------------------------------------------------------------|
| <p>IF (fn1' =9),            a := 3<br/> IF (11 &lt; fn1' &lt; 20),    a := fn1' - 8</p> <p>2.2 mode=1 (receiving channel request at fn1)</p> <p>2.2.1 If fn1 or fn2 are not in the RACH TDMA frame mapping, it leads testing to fail.<br/> IF (fn2' &lt; 4) OR (5 &lt; fn2' &lt; 14) OR (36 &lt; fn2' &lt; 45) OR (fn2' &gt; 46)<br/> OR (fn1' &lt; 6) OR (9 &lt; fn1' &lt; 12) OR (fn1' &gt; 19), OC_RachSlots := -9999</p> <p>2.2.2 Calculation of the number 'c' multiframes between fn1 and fn2<br/> 2.2.2.1 IF fn1 &lt; fn2,    c := fn2 / 51 - fn1 / 51<br/> 2.2.2.2 IF fn2 &lt;= fn1    c := fn2 / 51 - fn1 / 51 + 42432 / 51 = fn2 / 51 - fn1 / 51 + 832</p> <p>2.2.3 Calculation of the number of frames 'a' to be subtracted according to the position of fn1' within the multiframe<br/> IF (3 &lt; fn1' &lt; 6:),      a:= fn1' - 3<br/> IF (13 &lt; fn1' &lt; 37),    a:= fn1' - 11<br/> IF (44 &lt; fn1' &lt; 47),    a:= fn1' - 19</p> <p>2.3 Calculation of the number of slots 'b' to be added according to the position of fn2' within the multiframe<br/> IF (3 &lt; fn2' &lt; 6:),      b:= fn2' - 4<br/> IF (13 &lt; fn2' &lt; 37),    b:= fn2' - 12<br/> IF (44 &lt; fn2' &lt; 47),    b:= fn2' - 20</p> <p>2.4 Calculation of the number of RACH slots. There are 27 RACH slots in each multiframe.<br/> OC_RachSlots := 27 * c + b - a</p> <p><b>Detailed Comments:</b>      TC_26_2_1_1 uses mode=0. TC_26_2_1_2 uses mode=1.</p> |
|------------------------------------------------------------------------------------------------------------------------------------------------------------------------------------------------------------------------------------------------------------------------------------------------------------------------------------------------------------------------------------------------------------------------------------------------------------------------------------------------------------------------------------------------------------------------------------------------------------------------------------------------------------------------------------------------------------------------------------------------------------------------------------------------------------------------------------------------------------------------------------------------------------------------------------------------------------------------------------------------------------------------------------------------------------------------------------------------------------------------------------------------------------------------------------------------------------------------------------------------------------------------------------------------------------------------------------------------------------------------------------------------------------------------------------------------------------|

| <b>Test Suite Operation Definition</b>                                                               |                                   |
|------------------------------------------------------------------------------------------------------|-----------------------------------|
| <b>Operation Name:</b>                                                                               | OC_Random(n1:INTEGER; n2:INTEGER) |
| <b>Result Type:</b>                                                                                  | INTEGER                           |
| <b>Comments:</b>                                                                                     |                                   |
| <b>Description</b>                                                                                   |                                   |
| This operation randomly returns one number from the following candidates:<br>'n1', 'n1'+1, ..., 'n2' |                                   |
| <b>Detailed Comments:</b>                                                                            |                                   |

| <b>Test Suite Operation Definition</b>                                                    |                                                     |
|-------------------------------------------------------------------------------------------|-----------------------------------------------------|
| <b>Operation Name:</b>                                                                    | OC_RcsdPresent(msg:MODIFY_PDU)                      |
| <b>Result Type:</b>                                                                       | BOOLEAN                                             |
| <b>Comments:</b>                                                                          | To check if RCSD IE is present or not in Modify PDU |
| <b>Description</b>                                                                        |                                                     |
| IF RCSD IE is present in the PDU passed on input parameter return TRUE ELSE return FALSE. |                                                     |
| <b>Detailed Comments:</b>                                                                 |                                                     |

| <b>Test Suite Operation Definition</b>                                                                                                                                                                                                                                                                                                                                                                                                                                                                                                                                                                                                                                                                                                                                                                                           |                                                                                                                                                                                                                                                                                                                                                                                                                                                                                                                                                                                                                                        |
|----------------------------------------------------------------------------------------------------------------------------------------------------------------------------------------------------------------------------------------------------------------------------------------------------------------------------------------------------------------------------------------------------------------------------------------------------------------------------------------------------------------------------------------------------------------------------------------------------------------------------------------------------------------------------------------------------------------------------------------------------------------------------------------------------------------------------------|----------------------------------------------------------------------------------------------------------------------------------------------------------------------------------------------------------------------------------------------------------------------------------------------------------------------------------------------------------------------------------------------------------------------------------------------------------------------------------------------------------------------------------------------------------------------------------------------------------------------------------------|
| <b>Operation Name:</b>                                                                                                                                                                                                                                                                                                                                                                                                                                                                                                                                                                                                                                                                                                                                                                                                           | OC_SaveAndProc1(val:INTEGER; mode :INTEGER; cnt:INTEGER; cmbnd:BOOLEAN)                                                                                                                                                                                                                                                                                                                                                                                                                                                                                                                                                                |
| <b>Result Type:</b>                                                                                                                                                                                                                                                                                                                                                                                                                                                                                                                                                                                                                                                                                                                                                                                                              | BOOLEAN                                                                                                                                                                                                                                                                                                                                                                                                                                                                                                                                                                                                                                |
| <b>Comments:</b>                                                                                                                                                                                                                                                                                                                                                                                                                                                                                                                                                                                                                                                                                                                                                                                                                 | This operation is used for storing and analysing the CHANNEL REQUEST message distribution.                                                                                                                                                                                                                                                                                                                                                                                                                                                                                                                                             |
| <b>Description</b>                                                                                                                                                                                                                                                                                                                                                                                                                                                                                                                                                                                                                                                                                                                                                                                                               |                                                                                                                                                                                                                                                                                                                                                                                                                                                                                                                                                                                                                                        |
| <p>The function of this operation is defined as an pseudo C code:</p> <pre> #define SAVE 0; #define PROC 1;  OC_SaveAndProc(val, mode,cnt) INTEGER    val, mode,cnt; BOOLEAN    combined; {   static INTEGER  buf[200];   int i, j, n;   if (mode == SAVE)     { cnt = cnt mod 200;       if (cmbnd == C_NotCombined) AND (val&lt;(151 + 8)) then         { buf[cnt] = val;           return (TRUE);         }       if (cmbnd == C_Combined) AND (val&lt;(81 + 8)) then         { buf[cnt] = val;           return (TRUE);         }       else return (FALSE);     }   if (mode == PROC)     {       for (i=0, i&lt;200, i++)         { n=0;           for (j=0, j&lt;200, j++)             if (buf[j] == buf[i])               n = n+1;           if (n &gt; 41) return (FALSE);         }       return(TRUE);     } } </pre> |                                                                                                                                                                                                                                                                                                                                                                                                                                                                                                                                                                                                                                        |
| <b>Detailed Comments:</b>                                                                                                                                                                                                                                                                                                                                                                                                                                                                                                                                                                                                                                                                                                                                                                                                        | <p>This test suite operation has two operation modes :</p> <ul style="list-style-type: none"> <li>- when the mode is SAVE and the val is less than 89 for combined or 159 for non-combined, it saves the value val into internal buffer and returns TRUE, otherwise returns FALSE. 200 values will be stored in the internal buffer when the operation is invoked 200 times.</li> <li>- When the mode is PROC, it analyses the values stored in the internal buffer, if no more than 41 of them are equal the operation returns TRUE, otherwise returns FALSE. ( i.e. for all n, <math>CARD\{ k f(k) = n \} \leq 41</math>)</li> </ul> |

| <b>Test Suite Operation Definition</b>                                                                                                                                                                                                                                                                                                                                                                                                                                                                                                                                                                            |                                                                                                                                                                                                                                                                                                                                                                                                                                                        |
|-------------------------------------------------------------------------------------------------------------------------------------------------------------------------------------------------------------------------------------------------------------------------------------------------------------------------------------------------------------------------------------------------------------------------------------------------------------------------------------------------------------------------------------------------------------------------------------------------------------------|--------------------------------------------------------------------------------------------------------------------------------------------------------------------------------------------------------------------------------------------------------------------------------------------------------------------------------------------------------------------------------------------------------------------------------------------------------|
| <b>Operation Name:</b>                                                                                                                                                                                                                                                                                                                                                                                                                                                                                                                                                                                            | OC_SaveAndProc3(val:BITSTRING; mode :INTEGER; cnt:INTEGER)                                                                                                                                                                                                                                                                                                                                                                                             |
| <b>Result Type:</b>                                                                                                                                                                                                                                                                                                                                                                                                                                                                                                                                                                                               | BOOLEAN                                                                                                                                                                                                                                                                                                                                                                                                                                                |
| <b>Comments:</b>                                                                                                                                                                                                                                                                                                                                                                                                                                                                                                                                                                                                  | This operation is used for storing and analysing the random reference.                                                                                                                                                                                                                                                                                                                                                                                 |
| <b>Description</b>                                                                                                                                                                                                                                                                                                                                                                                                                                                                                                                                                                                                |                                                                                                                                                                                                                                                                                                                                                                                                                                                        |
| <p>The function of this operation is defined as an pseudo C code:</p> <pre> #define SAVE 0; #define PROC 1;  OC_SaveAndProc(val, mode,cnt) BITSTRING[8] val; INTEGER    mode,cnt; { static BITSTRING[8]  buf[7]; int i, j, n=7; if (mode == SAVE)     { cnt = cnt mod 7;       buf[cnt] = val;       return(TRUE);     } if (mode == PROC)     {     for (i=0, i&lt;6, i++)         { for (j=i+1, j&lt;7, j++)             if (buf[j] == buf[i])                 { n = n-1;                   break;                 }             }         } if (n&gt;=4) then     return(TRUE) else return (FALSE); } } </pre> |                                                                                                                                                                                                                                                                                                                                                                                                                                                        |
| <b>Detailed Comments:</b>                                                                                                                                                                                                                                                                                                                                                                                                                                                                                                                                                                                         | <p>The function of this test suite operation is :</p> <ul style="list-style-type: none"> <li>- it saves the value val into internal buffer when the mode = SAVE. 7 values will be stored in the internal buffer when the operation is invoked 7 times.</li> <li>- it compares the values stored in the internal buffer when the mode = PROC, if 4 or more than 4 of them are different the operation returns TRUE, otherwise returns FALSE.</li> </ul> |

| <b>Test Suite Operation Definition</b>                                                                                                                                                                                                                                                                                                                                                                                                                                                                                                                                                                                                                                                                                                                                                                                                                                                                                                                                                                                                                                                                                                                                                                                                                                                                                                                                                                                                                                                                                                                                                                                                                                                                       |                                                                                                                                                                                                                                                                                                                                                |
|--------------------------------------------------------------------------------------------------------------------------------------------------------------------------------------------------------------------------------------------------------------------------------------------------------------------------------------------------------------------------------------------------------------------------------------------------------------------------------------------------------------------------------------------------------------------------------------------------------------------------------------------------------------------------------------------------------------------------------------------------------------------------------------------------------------------------------------------------------------------------------------------------------------------------------------------------------------------------------------------------------------------------------------------------------------------------------------------------------------------------------------------------------------------------------------------------------------------------------------------------------------------------------------------------------------------------------------------------------------------------------------------------------------------------------------------------------------------------------------------------------------------------------------------------------------------------------------------------------------------------------------------------------------------------------------------------------------|------------------------------------------------------------------------------------------------------------------------------------------------------------------------------------------------------------------------------------------------------------------------------------------------------------------------------------------------|
| <b>Operation Name:</b>                                                                                                                                                                                                                                                                                                                                                                                                                                                                                                                                                                                                                                                                                                                                                                                                                                                                                                                                                                                                                                                                                                                                                                                                                                                                                                                                                                                                                                                                                                                                                                                                                                                                                       | OC_SaveAndRetrv(val:RQR; mode, idx, ex: INTEGER)                                                                                                                                                                                                                                                                                               |
| <b>Result Type:</b>                                                                                                                                                                                                                                                                                                                                                                                                                                                                                                                                                                                                                                                                                                                                                                                                                                                                                                                                                                                                                                                                                                                                                                                                                                                                                                                                                                                                                                                                                                                                                                                                                                                                                          | RQR                                                                                                                                                                                                                                                                                                                                            |
| <b>Comments:</b>                                                                                                                                                                                                                                                                                                                                                                                                                                                                                                                                                                                                                                                                                                                                                                                                                                                                                                                                                                                                                                                                                                                                                                                                                                                                                                                                                                                                                                                                                                                                                                                                                                                                                             | This operation is used for storing and retrieving the random reference.                                                                                                                                                                                                                                                                        |
| Description                                                                                                                                                                                                                                                                                                                                                                                                                                                                                                                                                                                                                                                                                                                                                                                                                                                                                                                                                                                                                                                                                                                                                                                                                                                                                                                                                                                                                                                                                                                                                                                                                                                                                                  |                                                                                                                                                                                                                                                                                                                                                |
| <p>The function of this test suite operation is (in prose):</p> <ul style="list-style-type: none"> <li>- it saves the value val into internal buffer buff[idx] when the mode = SAVE and ex = 0. Maximum 9 values can be stored. The idx is ranged between 1-9.</li> <li>- it returns the value stored in the internal buffer buff[idx] when the mode = RETRV and ex = 0.</li> <li>- it returns a value which is different from any value stored in the buf and also different from any values which have been returned by the consecutive invocation of this operation with ex &lt;&gt; 0, if ex &lt;&gt; 0. The idx is ranged between 10-13.</li> </ul> <p>The function of this operation is defined as an pseudo C code:</p> <pre> #define SAVE 0; #define RETRV 1;  OC_SaveAndRetrv(val, mode, idx, ex) RQR      val; INTEGER  mode, idx, ex; {   int i, j;   static RQR  buf[14];   if ((mode == SAVE) AND (ex == 0))   {     buf[idx] = val;     buf[10].ra = '00000000'B;     buf[10].fn = '00'O;     buf[11].ra = '00000000'B;     buf[11].fn = '00'O;     buf[12].ra = '00000000'B;     buf[12].fn = '00'O;     buf[13].ra = '00000000'B;     buf[13].fn = '00'O;     return (buf[10]);   }   if ((mode == RETRV) AND (ex == 0))     return (buf[idx]);   if (ex != 0)   {     buf[0].ra = buf[1].ra + '00000001'B;     buf[0].fn = buf[1].fn;     for (j=1, j &lt; 13, j++)     {       for (i=1, i &lt; 14, i++)         if ( buf[0] == buf[i] )           { buf[0].ra = buf[i].ra + '00000001'B;             break;           }     }     if (i == 14)     {       buf[idx].ra = buf[0].ra;       return (buf[0]);     }   }   buf[idx].ra = buf[j].ra+'00000001'B;   return (buf[idx]); } </pre> |                                                                                                                                                                                                                                                                                                                                                |
| <b>Detailed Comments:</b>                                                                                                                                                                                                                                                                                                                                                                                                                                                                                                                                                                                                                                                                                                                                                                                                                                                                                                                                                                                                                                                                                                                                                                                                                                                                                                                                                                                                                                                                                                                                                                                                                                                                                    | <p>0. The pseudo C code gives one of the possible implementations for the OC description in prose.</p> <ol style="list-style-type: none"> <li>1. '00'O should be understood as equivalence of Fn_01, a TTCN structured type constraint.</li> <li>2. The OC can save maximum 13 RQR values. In SAVE mode, idx is ranged between 1-9.</li> </ol> |



3. For  $ex < 0$ , there are maximum 13 scans. In each scan a new value is assigned to `buf[0].ra`. If there is a 'non-match' in one of the 13 scans the `buf[0]` is returned. In case of 'all-match' for the 13 scans, the pair of (`buf[i].ra + '00000001'` at the last scan, `buf[idx].fn` is returned (idx is ranged between 10 - 13).

| <b>Test Suite Operation Definition</b>                                                                                                                                                                                                                                                                                                                                                                                                                                                                                                                                                                                                                                                                        |                                     |
|---------------------------------------------------------------------------------------------------------------------------------------------------------------------------------------------------------------------------------------------------------------------------------------------------------------------------------------------------------------------------------------------------------------------------------------------------------------------------------------------------------------------------------------------------------------------------------------------------------------------------------------------------------------------------------------------------------------|-------------------------------------|
| <b>Operation Name:</b>                                                                                                                                                                                                                                                                                                                                                                                                                                                                                                                                                                                                                                                                                        | OC_StartTime(frmn:FN; t, i:INTEGER) |
| <b>Result Type:</b>                                                                                                                                                                                                                                                                                                                                                                                                                                                                                                                                                                                                                                                                                           | STRT                                |
| <b>Comments:</b>                                                                                                                                                                                                                                                                                                                                                                                                                                                                                                                                                                                                                                                                                              |                                     |
| <b>Description</b>                                                                                                                                                                                                                                                                                                                                                                                                                                                                                                                                                                                                                                                                                            |                                     |
| <p>OC_StartTime operation generates the STARTING TIME IE according to the input parameters.</p> <p>(* frm is the current frame number,<br/> t is the "delay" in applying the new frequencies,<br/> i is the contents of the starting time IE. *)</p> <p>OC_StartTime(frmn, t, i)<br/> INTEGER t, i;<br/> FN frmn;<br/> {<br/> int tmp;<br/> STRT strt;</p> <p>tmp = 51 * ((frmn.t3 - frmn.t2) MOD 26) + frmn.t3 + 1326 * frmn.t1_ ;<br/> tmp = (tmp + t) MOD 42432;<br/> strt.fn.t1_ = (tmp DIV 1326) MOD 32;<br/> strt.fn.t2 = tmp MOD 26;<br/> strt.fn.t3 = tmp MOD 51;<br/> strt.iei = OMIT;<br/> if (i == 1) strt.iei := '01111100'B /* if i=1 the information element identifier shall be included \</p> |                                     |
| <b>Detailed Comments:</b>                                                                                                                                                                                                                                                                                                                                                                                                                                                                                                                                                                                                                                                                                     |                                     |

| <b>Test Suite Operation Definition</b>                                                                                                                                                                     |                                            |
|------------------------------------------------------------------------------------------------------------------------------------------------------------------------------------------------------------|--------------------------------------------|
| <b>Operation Name:</b>                                                                                                                                                                                     | OC_SubOctet(src:OCTETSTRING; len :INTEGER) |
| <b>Result Type:</b>                                                                                                                                                                                        | OCTETSTRING                                |
| <b>Comments:</b>                                                                                                                                                                                           |                                            |
| <b>Description</b>                                                                                                                                                                                         |                                            |
| <p>OC_SubOctet(src, len) is the octetstring of length `len` starting from the leftmost position of the source octetstring `src`.</p> <p>For example : OC_SubOctet('123456789ABCDEF'O, 4) = '12345678'O</p> |                                            |
| <b>Detailed Comments:</b>                                                                                                                                                                                  |                                            |

| <b>Test Suite Operation Definition</b>                                                                                                                                                                                                                                                                                                                                                                                                                                                                                                                                                                                                                                                                                                                                                                                                                                                                                                                                                                                                                                                                                                                                                                                                                                                                                                                                                                                                                                                                                                                                                                                                                                                                                                                                                                                                                                                                                                                                                                                                              |                                                        |
|-----------------------------------------------------------------------------------------------------------------------------------------------------------------------------------------------------------------------------------------------------------------------------------------------------------------------------------------------------------------------------------------------------------------------------------------------------------------------------------------------------------------------------------------------------------------------------------------------------------------------------------------------------------------------------------------------------------------------------------------------------------------------------------------------------------------------------------------------------------------------------------------------------------------------------------------------------------------------------------------------------------------------------------------------------------------------------------------------------------------------------------------------------------------------------------------------------------------------------------------------------------------------------------------------------------------------------------------------------------------------------------------------------------------------------------------------------------------------------------------------------------------------------------------------------------------------------------------------------------------------------------------------------------------------------------------------------------------------------------------------------------------------------------------------------------------------------------------------------------------------------------------------------------------------------------------------------------------------------------------------------------------------------------------------------|--------------------------------------------------------|
| <b>Operation Name:</b>                                                                                                                                                                                                                                                                                                                                                                                                                                                                                                                                                                                                                                                                                                                                                                                                                                                                                                                                                                                                                                                                                                                                                                                                                                                                                                                                                                                                                                                                                                                                                                                                                                                                                                                                                                                                                                                                                                                                                                                                                              | OC_SubchOfFacch(subch: B_1; cell:CellID; inst:INTEGER) |
| <b>Result Type:</b>                                                                                                                                                                                                                                                                                                                                                                                                                                                                                                                                                                                                                                                                                                                                                                                                                                                                                                                                                                                                                                                                                                                                                                                                                                                                                                                                                                                                                                                                                                                                                                                                                                                                                                                                                                                                                                                                                                                                                                                                                                 | LOGICCH                                                |
| <b>Comments:</b>                                                                                                                                                                                                                                                                                                                                                                                                                                                                                                                                                                                                                                                                                                                                                                                                                                                                                                                                                                                                                                                                                                                                                                                                                                                                                                                                                                                                                                                                                                                                                                                                                                                                                                                                                                                                                                                                                                                                                                                                                                    | subch is of type BITSTRING[1]                          |
| <b>Description</b>                                                                                                                                                                                                                                                                                                                                                                                                                                                                                                                                                                                                                                                                                                                                                                                                                                                                                                                                                                                                                                                                                                                                                                                                                                                                                                                                                                                                                                                                                                                                                                                                                                                                                                                                                                                                                                                                                                                                                                                                                                  |                                                        |
| <p>OC_SubchOfFacch operation returns a logic channel identifier for FACCH subchannel indicated by the input parameters 'subch', 'cell' and 'inst', where 'subch' is the subchannel number, 'cell' is the cell identifier which the channel belongs to, 'inst' is the instance of the channel.</p> <p>for example:</p> <p>OC_SubchOfFacch('0'B, C_CellA, 1) = C_FACCH0_A_1;<br/> OC_SubchOfFacch('1'B, C_CellA, 1) = C_FACCH1_A_1;<br/> OC_SubchOfFacch('0'B, C_CellB, 1) = C_FACCH0_B_1;<br/> OC_SubchOfFacch('1'B, C_CellB, 1) = C_FACCH1_B_1.</p> <p>pseudo C code definition for the operation as following :</p> <pre> OC_SubchOfFacch(subch, cell, inst) BITSTRING subch; CellID cell; INTEGER inst; {   LOGICCH logch;   if (subch=='0'B &amp;&amp; cell == C_CellA)     switch (inst)       {         case 1 : logch = C_FACCH0_A_1; break;         case 2 : logch = C_FACCH0_A_2; break;         case 3 : logch = C_FACCH0_A_3; break;       }   if (subch=='0'B &amp;&amp; cell == C_CellB)     switch (inst)       {         case 1 : logch = C_FACCH0_B_1; break;         case 2 : logch = C_FACCH0_B_2; break;         case 3 : logch = C_FACCH0_B_3; break;       }   if (subch=='0'B &amp;&amp; cell == C_CellC)     switch (inst)       {         case 1 : logch = C_FACCH0_C_1; break;         case 2 : logch = C_FACCH0_C_2; break;         case 3 : logch = C_FACCH0_C_3; break;       }   if (subch=='1'B &amp;&amp; cell == C_CellA)     switch (inst)       {         case 1 : logch = C_FACCH1_A_1; break;         case 2 : logch = C_FACCH1_A_2; break;         case 3 : logch = C_FACCH1_A_3; break;       }   if (subch=='1'B &amp;&amp; cell == C_CellB)     switch (inst)       {         case 1 : logch = C_FACCH1_B_1; break;         case 2 : logch = C_FACCH1_B_2; break;         case 3 : logch = C_FACCH1_B_3; break;       }   if (subch=='1'B &amp;&amp; cell == C_CellC)     switch (inst)       {         case 1 : logch = C_FACCH1_C_1; break;         case 2 : logch = C_FACCH1_C_2; break;       } } </pre> |                                                        |

```
 case 3 : logch = C_FACCHH1_C_3; break;
 }
 return(logch);
}
```

**Detailed Comments:**

| <b>Test Suite Operation Definition</b>                                                                                                                                                                                                                                                                                                                                                                                                                                                                                                                                                                                                                                                                                                                                                                                                                                                                                                                                                                                                                                                                                                                                                                                                                                                                                                                                                                                                                                                                                                                                                                                                                                                                                                                                                                                                                                                                                                                                                                     |                                                         |
|------------------------------------------------------------------------------------------------------------------------------------------------------------------------------------------------------------------------------------------------------------------------------------------------------------------------------------------------------------------------------------------------------------------------------------------------------------------------------------------------------------------------------------------------------------------------------------------------------------------------------------------------------------------------------------------------------------------------------------------------------------------------------------------------------------------------------------------------------------------------------------------------------------------------------------------------------------------------------------------------------------------------------------------------------------------------------------------------------------------------------------------------------------------------------------------------------------------------------------------------------------------------------------------------------------------------------------------------------------------------------------------------------------------------------------------------------------------------------------------------------------------------------------------------------------------------------------------------------------------------------------------------------------------------------------------------------------------------------------------------------------------------------------------------------------------------------------------------------------------------------------------------------------------------------------------------------------------------------------------------------------|---------------------------------------------------------|
| <b>Operation Name:</b>                                                                                                                                                                                                                                                                                                                                                                                                                                                                                                                                                                                                                                                                                                                                                                                                                                                                                                                                                                                                                                                                                                                                                                                                                                                                                                                                                                                                                                                                                                                                                                                                                                                                                                                                                                                                                                                                                                                                                                                     | OC_SubchOfSacchh(subch: B_1; cell:CellID; inst:INTEGER) |
| <b>Result Type:</b>                                                                                                                                                                                                                                                                                                                                                                                                                                                                                                                                                                                                                                                                                                                                                                                                                                                                                                                                                                                                                                                                                                                                                                                                                                                                                                                                                                                                                                                                                                                                                                                                                                                                                                                                                                                                                                                                                                                                                                                        | LOGICCH                                                 |
| <b>Comments:</b>                                                                                                                                                                                                                                                                                                                                                                                                                                                                                                                                                                                                                                                                                                                                                                                                                                                                                                                                                                                                                                                                                                                                                                                                                                                                                                                                                                                                                                                                                                                                                                                                                                                                                                                                                                                                                                                                                                                                                                                           | subch is of type BITSTRING[1]                           |
| <b>Description</b>                                                                                                                                                                                                                                                                                                                                                                                                                                                                                                                                                                                                                                                                                                                                                                                                                                                                                                                                                                                                                                                                                                                                                                                                                                                                                                                                                                                                                                                                                                                                                                                                                                                                                                                                                                                                                                                                                                                                                                                         |                                                         |
| <p>OC_SubchOfSacchh operation returns a logic channel identifier for SACCHH subchannel indicated by the input parameters 'subch', 'cell' and 'inst', where 'subch' is the subchannel number, 'cell' is the cell identifier which the channel belongs to, 'inst' is the instance of the channel.</p> <p>for example:</p> <pre> OC_SubchOfSacchh('0'B, C_CellA, 1) = C_SACCHH0_A_1; OC_SubchOfSacchh('1'B, C_CellA, 1) = C_SACCHH1_A_1; OC_SubchOfSacchh('0'B, C_CellB, 1) = C_SACCHH0_B_1; OC_SubchOfSacchh('1'B, C_CellB, 1) = C_SACCHH1_B_1.</pre> <p>pseudo C code definition for the operation as following :</p> <pre> OC_SubchOfSacchh(subch, cell, inst) BITSTRING subch; CellID cell; INTEGER inst; {   LOGICCH logch;   if (subch=='0'B &amp;&amp; cell == C_CellA)     switch (inst)     {       case 1 : logch = C_SACCHH0_A_1; break;       case 2 : logch = C_SACCHH0_A_2; break;       case 3 : logch = C_SACCHH0_A_3; break;     }   if (subch=='0'B &amp;&amp; cell == C_CellB)     switch (inst)     {       case 1 : logch = C_SACCHH0_B_1; break;       case 2 : logch = C_SACCHH0_B_2; break;       case 3 : logch = C_SACCHH0_B_3; break;     }   if (subch=='0'B &amp;&amp; cell == C_CellC)     switch (inst)     {       case 1 : logch = C_SACCHH0_C_1; break;       case 2 : logch = C_SACCHH0_C_2; break;       case 3 : logch = C_SACCHH0_C_3; break;     }   if (subch=='1'B &amp;&amp; cell == C_CellA)     switch (inst)     {       case 1 : logch = C_SACCHH1_A_1; break;       case 2 : logch = C_SACCHH1_A_2; break;       case 3 : logch = C_SACCHH1_A_3; break;     }   if (subch=='1'B &amp;&amp; cell == C_CellB)     switch (inst)     {       case 1 : logch = C_SACCHH1_B_1; break;       case 2 : logch = C_SACCHH1_B_2; break;       case 3 : logch = C_SACCHH1_B_3; break;     }   if (subch=='1'B &amp;&amp; cell == C_CellC)     switch (inst)     {       case 1 : logch = C_SACCHH1_C_1; break;       case 2 : logch = C_SACCHH1_C_2; break;     } }</pre> |                                                         |

|                                                                                                  |
|--------------------------------------------------------------------------------------------------|
| <pre>         case 3 : logch = C_SACCHH1_C_3; break;       }     }     return(logch);   } </pre> |
| <b>Detailed Comments:</b>                                                                        |

| <b>Test Suite Operation Definition</b>                                                                                                                                                                                                                                                                                                                                                                                                                                                                                                                                                                                                                                                                                                                                                                                                                                                                                                                                                                                                                                                                                                                                                                                                                                                                                                                                                                                                                                                                                                   |                                           |
|------------------------------------------------------------------------------------------------------------------------------------------------------------------------------------------------------------------------------------------------------------------------------------------------------------------------------------------------------------------------------------------------------------------------------------------------------------------------------------------------------------------------------------------------------------------------------------------------------------------------------------------------------------------------------------------------------------------------------------------------------------------------------------------------------------------------------------------------------------------------------------------------------------------------------------------------------------------------------------------------------------------------------------------------------------------------------------------------------------------------------------------------------------------------------------------------------------------------------------------------------------------------------------------------------------------------------------------------------------------------------------------------------------------------------------------------------------------------------------------------------------------------------------------|-------------------------------------------|
| <b>Operation Name:</b>                                                                                                                                                                                                                                                                                                                                                                                                                                                                                                                                                                                                                                                                                                                                                                                                                                                                                                                                                                                                                                                                                                                                                                                                                                                                                                                                                                                                                                                                                                                   | OC_SubchOfSacch4(subch: B_2; cell:CellID) |
| <b>Result Type:</b>                                                                                                                                                                                                                                                                                                                                                                                                                                                                                                                                                                                                                                                                                                                                                                                                                                                                                                                                                                                                                                                                                                                                                                                                                                                                                                                                                                                                                                                                                                                      | LOGICCH                                   |
| <b>Comments:</b>                                                                                                                                                                                                                                                                                                                                                                                                                                                                                                                                                                                                                                                                                                                                                                                                                                                                                                                                                                                                                                                                                                                                                                                                                                                                                                                                                                                                                                                                                                                         |                                           |
| Description                                                                                                                                                                                                                                                                                                                                                                                                                                                                                                                                                                                                                                                                                                                                                                                                                                                                                                                                                                                                                                                                                                                                                                                                                                                                                                                                                                                                                                                                                                                              |                                           |
| <p>OC_SubchOfSacch4 operation returns a logic channel identifier for SACCHC4 subchannel indicated by the input parameters `subch` and `cell`, where `subch` is the TDMA offset, `cell` is the cell identifier which the channel belongs to.</p> <p>for example:</p> <pre> OC_SubchOfSacch4('00'B, C_CellA) = C_SACCHC40_A; OC_SubchOfSacch4('01'B, C_CellA) = C_SACCHC41_A; OC_SubchOfSacch4('10'B, C_CellA) = C_SACCHC42_A; OC_SubchOfSacch4('11'B, C_CellA) = C_SACCHC43_A; OC_SubchOfSacch4('00'B, C_CellB) = C_SACCHC40_B; OC_SubchOfSacch4('01'B, C_CellB) = C_SACCHC41_B. </pre> <p>pseudo C code definition for the operation as following :</p> <pre> OC_SubchOfSacch4(subch, cell) BITSTRING subch; CellID cell; {   LOGICCH logch;   if (cell == C_CellA)     switch (subch)     {       case '00'B : logch = C_SACCHC40_A; break;       case '01'B : logch = C_SACCHC41_A; break;       case '10'B : logch = C_SACCHC42_A; break;       case '11'B : logch = C_SACCHC43_A; break;     }   if (cell == C_CellB)     switch (subch)     {       case '00'B : logch = C_SACCHC40_B; break;       case '01'B : logch = C_SACCHC41_B; break;       case '10'B : logch = C_SACCHC42_B; break;       case '11'B : logch = C_SACCHC43_B; break;     }   if (cell == C_CellC)     switch (subch)     {       case '00'B : logch = C_SACCHC40_C; break;       case '01'B : logch = C_SACCHC41_C; break;       case '10'B : logch = C_SACCHC42_C; break;       case '11'B : logch = C_SACCHC43_C; break;     }   return(logch); } </pre> |                                           |
| <b>Detailed Comments:</b>                                                                                                                                                                                                                                                                                                                                                                                                                                                                                                                                                                                                                                                                                                                                                                                                                                                                                                                                                                                                                                                                                                                                                                                                                                                                                                                                                                                                                                                                                                                |                                           |

| <b>Test Suite Operation Definition</b>                                                                                                                                                                                                                                                                                                                                                                                                                                                                                                                                                                                                                                                                                                                                                                                                                                                                                                                                                                                                                                                                                                                                                                                                                                                                                                                                                                                                                                                                                                                                                                                                                                                                                                                                                                                                                                                                                                                                                                                                                                                                                                                                                                                                                                                                                                                                                                                                                                                                                                |                                                         |
|---------------------------------------------------------------------------------------------------------------------------------------------------------------------------------------------------------------------------------------------------------------------------------------------------------------------------------------------------------------------------------------------------------------------------------------------------------------------------------------------------------------------------------------------------------------------------------------------------------------------------------------------------------------------------------------------------------------------------------------------------------------------------------------------------------------------------------------------------------------------------------------------------------------------------------------------------------------------------------------------------------------------------------------------------------------------------------------------------------------------------------------------------------------------------------------------------------------------------------------------------------------------------------------------------------------------------------------------------------------------------------------------------------------------------------------------------------------------------------------------------------------------------------------------------------------------------------------------------------------------------------------------------------------------------------------------------------------------------------------------------------------------------------------------------------------------------------------------------------------------------------------------------------------------------------------------------------------------------------------------------------------------------------------------------------------------------------------------------------------------------------------------------------------------------------------------------------------------------------------------------------------------------------------------------------------------------------------------------------------------------------------------------------------------------------------------------------------------------------------------------------------------------------------|---------------------------------------------------------|
| <b>Operation Name:</b>                                                                                                                                                                                                                                                                                                                                                                                                                                                                                                                                                                                                                                                                                                                                                                                                                                                                                                                                                                                                                                                                                                                                                                                                                                                                                                                                                                                                                                                                                                                                                                                                                                                                                                                                                                                                                                                                                                                                                                                                                                                                                                                                                                                                                                                                                                                                                                                                                                                                                                                | OC_SubchOfSacch8(subch: B_3; cell:CellID; inst:INTEGER) |
| <b>Result Type:</b>                                                                                                                                                                                                                                                                                                                                                                                                                                                                                                                                                                                                                                                                                                                                                                                                                                                                                                                                                                                                                                                                                                                                                                                                                                                                                                                                                                                                                                                                                                                                                                                                                                                                                                                                                                                                                                                                                                                                                                                                                                                                                                                                                                                                                                                                                                                                                                                                                                                                                                                   | LOGICCH                                                 |
| <b>Comments:</b>                                                                                                                                                                                                                                                                                                                                                                                                                                                                                                                                                                                                                                                                                                                                                                                                                                                                                                                                                                                                                                                                                                                                                                                                                                                                                                                                                                                                                                                                                                                                                                                                                                                                                                                                                                                                                                                                                                                                                                                                                                                                                                                                                                                                                                                                                                                                                                                                                                                                                                                      | offset is of type BITSTRING[3]                          |
| <b>Description</b>                                                                                                                                                                                                                                                                                                                                                                                                                                                                                                                                                                                                                                                                                                                                                                                                                                                                                                                                                                                                                                                                                                                                                                                                                                                                                                                                                                                                                                                                                                                                                                                                                                                                                                                                                                                                                                                                                                                                                                                                                                                                                                                                                                                                                                                                                                                                                                                                                                                                                                                    |                                                         |
| <p>OC_SubchOfSacch8 operation returns a logic channel identifier for SACCH8 subchannel indicated by the input parameters `subch`, `cell` and `inst`, where `subch` is the TDMA offset, `cell` is the cell identifier which the channel belongs to, `inst` is the instance of the channel.</p> <p>for example:</p> <pre> OC_SubchOfSacch8('000'B, C_CellA, 1) = C_SACCHC80_A_1; OC_SubchOfSacch8('001'B, C_CellA, 1) = C_SACCHC81_A_1; OC_SubchOfSacch8('010'B, C_CellA, 1) = C_SACCHC82_A_1; OC_SubchOfSacch8('011'B, C_CellA, 1) = C_SACCHC83_A_1; OC_SubchOfSacch8('100'B, C_CellA, 1) = C_SACCHC84_A_1; OC_SubchOfSacch8('101'B, C_CellA, 1) = C_SACCHC85_A_1; OC_SubchOfSacch8('110'B, C_CellA, 1) = C_SACCHC86_A_1; OC_SubchOfSacch8('111'B, C_CellA, 1) = C_SACCHC87_A_1; OC_SubchOfSacch8('000'B, C_CellB, 1) = C_SACCHC80_B_1; OC_SubchOfSacch8('001'B, C_CellB, 1) = C_SACCHC81_B_1; OC_SubchOfSacch8('000'B, C_CellC, 2) = C_SACCHC80_C_2; OC_SubchOfSacch8('001'B, C_CellC, 2) = C_SACCHC81_C_2.</pre> <p>pseudo C code definition for the operation as following :</p> <pre> OC_SubchOfSacch8(subch, cell, inst) BITSTRING subch; CellID cell; INTEGER inst; {   LOGICCH logch;   if (inst==1 &amp;&amp; cell == C_CellA)     switch (subch)     {       case '000'B : logch = C_SACCHC80_A_1; break;       case '001'B : logch = C_SACCHC81_A_1; break;       case '010'B : logch = C_SACCHC82_A_1; break;       case '011'B : logch = C_SACCHC83_A_1; break;       case '100'B : logch = C_SACCHC84_A_1; break;       case '101'B : logch = C_SACCHC85_A_1; break;       case '110'B : logch = C_SACCHC86_A_1; break;       case '111'B : logch = C_SACCHC87_A_1; break;     }   if (inst==2 &amp;&amp; cell == C_CellA)     switch (subch)     {       case '000'B : logch = C_SACCHC80_A_2; break;       case '001'B : logch = C_SACCHC81_A_2; break;       case '010'B : logch = C_SACCHC82_A_2; break;       case '011'B : logch = C_SACCHC83_A_2; break;       case '100'B : logch = C_SACCHC84_A_2; break;       case '101'B : logch = C_SACCHC85_A_2; break;       case '110'B : logch = C_SACCHC86_A_2; break;       case '111'B : logch = C_SACCHC87_A_2; break;     }   if (inst==3 &amp;&amp; cell == C_CellA)     switch (subch)     {       case '000'B : logch = C_SACCHC80_A_3; break;       case '001'B : logch = C_SACCHC81_A_3; break;       case '010'B : logch = C_SACCHC82_A_3; break;       case '011'B : logch = C_SACCHC83_A_3; break;       case '100'B : logch = C_SACCHC84_A_3; break;</pre> |                                                         |

```

 case '101'B : logch = C_SACCHC85_A_3; break;
 case '110'B : logch = C_SACCHC86_A_3; break;
 case '111'B : logch = C_SACCHC87_A_3; break;
 }
 if (inst==1 && cell == C_CellB)
 switch (subch)
 {
 case '000'B : logch = C_SACCHC80_B_1; break;
 case '001'B : logch = C_SACCHC81_B_1; break;
 case '010'B : logch = C_SACCHC82_B_1; break;
 case '011'B : logch = C_SACCHC83_B_1; break;
 case '100'B : logch = C_SACCHC84_B_1; break;
 case '101'B : logch = C_SACCHC85_B_1; break;
 case '110'B : logch = C_SACCHC86_B_1; break;
 case '111'B : logch = C_SACCHC87_B_1; break;
 }
 if (inst==2 && cell == C_CellB)
 switch (subch)
 {
 case '000'B : logch = C_SACCHC80_B_2; break;
 case '001'B : logch = C_SACCHC81_B_2; break;
 case '010'B : logch = C_SACCHC82_B_2; break;
 case '011'B : logch = C_SACCHC83_B_2; break;
 case '100'B : logch = C_SACCHC84_B_2; break;
 case '101'B : logch = C_SACCHC85_B_2; break;
 case '110'B : logch = C_SACCHC86_B_2; break;
 case '111'B : logch = C_SACCHC87_B_2; break;
 }
 if (inst==3 && cell == C_CellB)
 switch (subch)
 {
 case '000'B : logch = C_SACCHC80_B_3; break;
 case '001'B : logch = C_SACCHC81_B_3; break;
 case '010'B : logch = C_SACCHC82_B_3; break;
 case '011'B : logch = C_SACCHC83_B_3; break;
 case '100'B : logch = C_SACCHC84_B_3; break;
 case '101'B : logch = C_SACCHC85_B_3; break;
 case '110'B : logch = C_SACCHC86_B_3; break;
 case '111'B : logch = C_SACCHC87_B_3; break;
 }
 if (inst==1 && cell == C_CellC)
 switch (subch)
 {
 case '000'B : logch = C_SACCHC80_C_1; break;
 case '001'B : logch = C_SACCHC81_C_1; break;
 case '010'B : logch = C_SACCHC82_C_1; break;
 case '011'B : logch = C_SACCHC83_C_1; break;
 case '100'B : logch = C_SACCHC84_C_1; break;
 case '101'B : logch = C_SACCHC85_C_1; break;
 case '110'B : logch = C_SACCHC86_C_1; break;
 case '111'B : logch = C_SACCHC87_C_1; break;
 }
 if (inst==2 && cell == C_CellC)
 switch (subch)
 {
 case '000'B : logch = C_SACCHC80_C_2; break;
 case '001'B : logch = C_SACCHC81_C_2; break;
 case '010'B : logch = C_SACCHC82_C_2; break;
 case '011'B : logch = C_SACCHC83_C_2; break;
 case '100'B : logch = C_SACCHC84_C_2; break;
 case '101'B : logch = C_SACCHC85_C_2; break;
 case '110'B : logch = C_SACCHC86_C_2; break;
 case '111'B : logch = C_SACCHC87_C_2; break;
 }
 if (inst==3 && cell == C_CellC)

```

```
switch (subch)
{
 case '000'B : logch = C_SACCHC80_C_3; break;
 case '001'B : logch = C_SACCHC81_C_3; break;
 case '010'B : logch = C_SACCHC82_C_3; break;
 case '011'B : logch = C_SACCHC83_C_3; break;
 case '100'B : logch = C_SACCHC84_C_3; break;
 case '101'B : logch = C_SACCHC85_C_3; break;
 case '110'B : logch = C_SACCHC86_C_3; break;
 case '111'B : logch = C_SACCHC87_C_3; break;
}
return(logch);
}
```

**Detailed Comments:**



| <b>Test Suite Operation Definition</b>                                                                                                                                                                                                                                                                                                                                                                                                                                                                                                                                                                                                                                                                                                                                                                                                                                                                                                                                                                                                                                                                                                                                                                                                                                                                                                                                                                                                                                                                                                                                                                                                    |                                           |
|-------------------------------------------------------------------------------------------------------------------------------------------------------------------------------------------------------------------------------------------------------------------------------------------------------------------------------------------------------------------------------------------------------------------------------------------------------------------------------------------------------------------------------------------------------------------------------------------------------------------------------------------------------------------------------------------------------------------------------------------------------------------------------------------------------------------------------------------------------------------------------------------------------------------------------------------------------------------------------------------------------------------------------------------------------------------------------------------------------------------------------------------------------------------------------------------------------------------------------------------------------------------------------------------------------------------------------------------------------------------------------------------------------------------------------------------------------------------------------------------------------------------------------------------------------------------------------------------------------------------------------------------|-------------------------------------------|
| <b>Operation Name:</b>                                                                                                                                                                                                                                                                                                                                                                                                                                                                                                                                                                                                                                                                                                                                                                                                                                                                                                                                                                                                                                                                                                                                                                                                                                                                                                                                                                                                                                                                                                                                                                                                                    | OC_SubchOfSdcch4(subch: B_2; cell:CellID) |
| <b>Result Type:</b>                                                                                                                                                                                                                                                                                                                                                                                                                                                                                                                                                                                                                                                                                                                                                                                                                                                                                                                                                                                                                                                                                                                                                                                                                                                                                                                                                                                                                                                                                                                                                                                                                       | LOGICCH                                   |
| <b>Comments:</b>                                                                                                                                                                                                                                                                                                                                                                                                                                                                                                                                                                                                                                                                                                                                                                                                                                                                                                                                                                                                                                                                                                                                                                                                                                                                                                                                                                                                                                                                                                                                                                                                                          |                                           |
| <b>Description</b>                                                                                                                                                                                                                                                                                                                                                                                                                                                                                                                                                                                                                                                                                                                                                                                                                                                                                                                                                                                                                                                                                                                                                                                                                                                                                                                                                                                                                                                                                                                                                                                                                        |                                           |
| <p>OC_SubchOfSdcch4 operation returns a logic channel identifier for SDCCH4 subchannel indicated by the input parameters `subch` and `cell`, where `subch` is the TDMA offset, `cell` is the cell identifier which the channel belongs to.</p> <p>for example:</p> <pre> OC_SubchOfSdcch4('00'B, C_CellA) = C_SDCCH40_A; OC_SubchOfSdcch4('01'B, C_CellA) = C_SDCCH41_A; OC_SubchOfSdcch4('10'B, C_CellA) = C_SDCCH42_A; OC_SubchOfSdcch4('11'B, C_CellA) = C_SDCCH43_A; OC_SubchOfSdcch4('00'B, C_CellB) = C_SDCCH40_B; OC_SubchOfSdcch4('01'B, C_CellB) = C_SDCCH41_B.</pre> <p>pseudo C code definition for the operation as following :</p> <pre> OC_SubchOfSdcch4(subch, cell) BITSTRING subch; CellID cell; {     LOGICCH logch;     if (cell == C_CellA)         switch (subch)         {             case '00'B : logch = C_SDCCH40_A; break;             case '01'B : logch = C_SDCCH41_A; break;             case '10'B : logch = C_SDCCH42_A; break;             case '11'B : logch = C_SDCCH43_A; break;         }     if (cell == C_CellB)         switch (subch)         {             case '00'B : logch = C_SDCCH40_B; break;             case '01'B : logch = C_SDCCH41_B; break;             case '10'B : logch = C_SDCCH42_B; break;             case '11'B : logch = C_SDCCH43_B; break;         }     if (cell == C_CellC)         switch (subch)         {             case '00'B : logch = C_SDCCH40_C; break;             case '01'B : logch = C_SDCCH41_C; break;             case '10'B : logch = C_SDCCH42_C; break;             case '11'B : logch = C_SDCCH43_C; break;         }     return(logch); }</pre> |                                           |
| <b>Detailed Comments:</b>                                                                                                                                                                                                                                                                                                                                                                                                                                                                                                                                                                                                                                                                                                                                                                                                                                                                                                                                                                                                                                                                                                                                                                                                                                                                                                                                                                                                                                                                                                                                                                                                                 |                                           |

| <b>Test Suite Operation Definition</b>                                                                                                                                                                                                                                                                                                                                                                                                                                                                                                                                                                                                                                                                                                                                                                                                                                                                                                                                                                                                                                                                                                                                                                                                                                                                                                                                                                                                                                                                                                                                                                                                                                                                                                                                                                                                                                                                                                                                                                                                                                                                                                                                                                                                                                                                                                                                                                                                                                                                       |                                                         |
|--------------------------------------------------------------------------------------------------------------------------------------------------------------------------------------------------------------------------------------------------------------------------------------------------------------------------------------------------------------------------------------------------------------------------------------------------------------------------------------------------------------------------------------------------------------------------------------------------------------------------------------------------------------------------------------------------------------------------------------------------------------------------------------------------------------------------------------------------------------------------------------------------------------------------------------------------------------------------------------------------------------------------------------------------------------------------------------------------------------------------------------------------------------------------------------------------------------------------------------------------------------------------------------------------------------------------------------------------------------------------------------------------------------------------------------------------------------------------------------------------------------------------------------------------------------------------------------------------------------------------------------------------------------------------------------------------------------------------------------------------------------------------------------------------------------------------------------------------------------------------------------------------------------------------------------------------------------------------------------------------------------------------------------------------------------------------------------------------------------------------------------------------------------------------------------------------------------------------------------------------------------------------------------------------------------------------------------------------------------------------------------------------------------------------------------------------------------------------------------------------------------|---------------------------------------------------------|
| <b>Operation Name:</b>                                                                                                                                                                                                                                                                                                                                                                                                                                                                                                                                                                                                                                                                                                                                                                                                                                                                                                                                                                                                                                                                                                                                                                                                                                                                                                                                                                                                                                                                                                                                                                                                                                                                                                                                                                                                                                                                                                                                                                                                                                                                                                                                                                                                                                                                                                                                                                                                                                                                                       | OC_SubchOfSdcch8(subch: B_3; cell:CellID; inst:INTEGER) |
| <b>Result Type:</b>                                                                                                                                                                                                                                                                                                                                                                                                                                                                                                                                                                                                                                                                                                                                                                                                                                                                                                                                                                                                                                                                                                                                                                                                                                                                                                                                                                                                                                                                                                                                                                                                                                                                                                                                                                                                                                                                                                                                                                                                                                                                                                                                                                                                                                                                                                                                                                                                                                                                                          | LOGICCH                                                 |
| <b>Comments:</b>                                                                                                                                                                                                                                                                                                                                                                                                                                                                                                                                                                                                                                                                                                                                                                                                                                                                                                                                                                                                                                                                                                                                                                                                                                                                                                                                                                                                                                                                                                                                                                                                                                                                                                                                                                                                                                                                                                                                                                                                                                                                                                                                                                                                                                                                                                                                                                                                                                                                                             | offset is of type BITSTRING[3]                          |
| <b>Description</b>                                                                                                                                                                                                                                                                                                                                                                                                                                                                                                                                                                                                                                                                                                                                                                                                                                                                                                                                                                                                                                                                                                                                                                                                                                                                                                                                                                                                                                                                                                                                                                                                                                                                                                                                                                                                                                                                                                                                                                                                                                                                                                                                                                                                                                                                                                                                                                                                                                                                                           |                                                         |
| <p>OC_SubchOfSdcch8 operation returns a logic channel identifier for SDCCH8 subchannel indicated by the input parameters `subch`, `cell` and `inst`, where `subch` is the TDMA offset, `cell` is the cell identifier which the channel belongs to, `inst` is the instance of the channel.</p> <p>for example:</p> <pre> OC_SubchOfSdcch8('000'B, C_CellA, 1) = C_SDCCH80_A_1; OC_SubchOfSdcch8('001'B, C_CellA, 1) = C_SDCCH81_A_1; OC_SubchOfSdcch8('010'B, C_CellA, 1) = C_SDCCH82_A_1; OC_SubchOfSdcch8('011'B, C_CellA, 1) = C_SDCCH83_A_1; OC_SubchOfSdcch8('100'B, C_CellA, 1) = C_SDCCH84_A_1; OC_SubchOfSdcch8('101'B, C_CellA, 1) = C_SDCCH85_A_1; OC_SubchOfSdcch8('110'B, C_CellA, 1) = C_SDCCH86_A_1; OC_SubchOfSdcch8('111'B, C_CellA, 1) = C_SDCCH87_A_1; OC_SubchOfSdcch8('000'B, C_CellB, 1) = C_SDCCH80_B_1; OC_SubchOfSdcch8('001'B, C_CellB, 1) = C_SDCCH81_B_1; OC_SubchOfSdcch8('000'B, C_CellC, 2) = C_SDCCH80_C_2; OC_SubchOfSdcch8('001'B, C_CellC, 2) = C_SDCCH81_C_2.</pre> <p>pseudo C code definition for the operation as following :</p> <pre> OC_SubchOfSdcch8(subch, cell, inst) BITSTRING subch; CellID cell; INTEGER inst; {   LOGICCH logch;   if (inst==1 &amp;&amp; cell == C_CellA)     switch (subch)     {       case '000'B : logch = C_SDCCH80_A_1; break;       case '001'B : logch = C_SDCCH81_A_1; break;       case '010'B : logch = C_SDCCH82_A_1; break;       case '011'B : logch = C_SDCCH83_A_1; break;       case '100'B : logch = C_SDCCH84_A_1; break;       case '101'B : logch = C_SDCCH85_A_1; break;       case '110'B : logch = C_SDCCH86_A_1; break;       case '111'B : logch = C_SDCCH87_A_1; break;     }   if (inst==2 &amp;&amp; cell == C_CellA)     switch (subch)     {       case '000'B : logch = C_SDCCH80_A_2; break;       case '001'B : logch = C_SDCCH81_A_2; break;       case '010'B : logch = C_SDCCH82_A_2; break;       case '011'B : logch = C_SDCCH83_A_2; break;       case '100'B : logch = C_SDCCH84_A_2; break;       case '101'B : logch = C_SDCCH85_A_2; break;       case '110'B : logch = C_SDCCH86_A_2; break;       case '111'B : logch = C_SDCCH87_A_2; break;     }   if (inst==3 &amp;&amp; cell == C_CellA)     switch (subch)     {       case '000'B : logch = C_SDCCH80_A_3; break;       case '001'B : logch = C_SDCCH81_A_3; break;       case '010'B : logch = C_SDCCH82_A_3; break;       case '011'B : logch = C_SDCCH83_A_3; break;       case '100'B : logch = C_SDCCH84_A_3; break;     } }</pre> |                                                         |

```

 case '101'B : logch = C_SDCCH85_A_3; break;
 case '110'B : logch = C_SDCCH86_A_3; break;
 case '111'B : logch = C_SDCCH87_A_3; break;
 }
if (inst==1 && cell == C_CellB)
 switch (subch)
 {
 case '000'B : logch = C_SDCCH80_B_1; break;
 case '001'B : logch = C_SDCCH81_B_1; break;
 case '010'B : logch = C_SDCCH82_B_1; break;
 case '011'B : logch = C_SDCCH83_B_1; break;
 case '100'B : logch = C_SDCCH84_B_1; break;
 case '101'B : logch = C_SDCCH85_B_1; break;
 case '110'B : logch = C_SDCCH86_B_1; break;
 case '111'B : logch = C_SDCCH87_B_1; break;
 }
if (inst==2 && cell == C_CellB)
 switch (subch)
 {
 case '000'B : logch = C_SDCCH80_B_2; break;
 case '001'B : logch = C_SDCCH81_B_2; break;
 case '010'B : logch = C_SDCCH82_B_2; break;
 case '011'B : logch = C_SDCCH83_B_2; break;
 case '100'B : logch = C_SDCCH84_B_2; break;
 case '101'B : logch = C_SDCCH85_B_2; break;
 case '110'B : logch = C_SDCCH86_B_2; break;
 case '111'B : logch = C_SDCCH87_B_2; break;
 }
if (inst==3 && cell == C_CellB)
 switch (subch)
 {
 case '000'B : logch = C_SDCCH80_B_3; break;
 case '001'B : logch = C_SDCCH81_B_3; break;
 case '010'B : logch = C_SDCCH82_B_3; break;
 case '011'B : logch = C_SDCCH83_B_3; break;
 case '100'B : logch = C_SDCCH84_B_3; break;
 case '101'B : logch = C_SDCCH85_B_3; break;
 case '110'B : logch = C_SDCCH86_B_3; break;
 case '111'B : logch = C_SDCCH87_B_3; break;
 }
if (inst==1 && cell == C_CellC)
 switch (subch)
 {
 case '000'B : logch = C_SDCCH80_C_1; break;
 case '001'B : logch = C_SDCCH81_C_1; break;
 case '010'B : logch = C_SDCCH82_C_1; break;
 case '011'B : logch = C_SDCCH83_C_1; break;
 case '100'B : logch = C_SDCCH84_C_1; break;
 case '101'B : logch = C_SDCCH85_C_1; break;
 case '110'B : logch = C_SDCCH86_C_1; break;
 case '111'B : logch = C_SDCCH87_C_1; break;
 }
if (inst==2 && cell == C_CellC)
 switch (subch)
 {
 case '000'B : logch = C_SDCCH80_C_2; break;
 case '001'B : logch = C_SDCCH81_C_2; break;
 case '010'B : logch = C_SDCCH82_C_2; break;
 case '011'B : logch = C_SDCCH83_C_2; break;
 case '100'B : logch = C_SDCCH84_C_2; break;
 case '101'B : logch = C_SDCCH85_C_2; break;
 case '110'B : logch = C_SDCCH86_C_2; break;
 case '111'B : logch = C_SDCCH87_C_2; break;
 }
if (inst==3 && cell == C_CellC)

```

```

switch (subch)
{
 case '000'B : logch = C_SDCCH80_C_3; break;
 case '001'B : logch = C_SDCCH81_C_3; break;
 case '010'B : logch = C_SDCCH82_C_3; break;
 case '011'B : logch = C_SDCCH83_C_3; break;
 case '100'B : logch = C_SDCCH84_C_3; break;
 case '101'B : logch = C_SDCCH85_C_3; break;
 case '110'B : logch = C_SDCCH86_C_3; break;
 case '111'B : logch = C_SDCCH87_C_3; break;
}
return(logch);
}

```

**Detailed Comments:**

### Test Suite Operation Definition

**Operation Name:** OM\_2Msgs(ch:LOGICCH; pgg:PGG; mode:SENDINGMODE)

**Result Type:** BOOLEAN

**Comments:**

#### Description

OM\_2Msgs puts the layer 2 emulator into a special operation mode then returns. In this special mode the layer 2 emulator sends the next two consecutive messages in the following way:

- send the first message on the paging subchannel indicated by the `pgg` and `ch`;
- if the `mode` = C\_NxtButOne, send the second message in the next but one paging sub block;
- if the `mode` = C\_FmrAGB, send the second message in a former access grant block;
- if the `mode` = C\_BfReOcc, send the second message before the MS's original paging subchannel re-occurs but later than the next paging block of that CCCH (paging block not belong to the MS);
- if the `mode` = C\_NxtButOneNxt, nothing is sent in the next but one paging sub block, then send the second message in the next paging subblock of the MS's paging subchannel.

**Detailed Comments:**

| <b>Test Suite Operation Definition</b>                                                                                                                                                                                                                                                                                                                                                                                                                                                                                                                                                                                                                                                                                                                                                                                                                                                                                                                                                                                                                                                                                                                                                                                                                                                                                                                                                                                                                                                                                                                                                                                                                                                                                                                                                                                                                                                                                                                                                                                                                                                                                                                                                                                                                                                                                                                                                                                                                                                                                                                                                                                                                                                                                                                                                                                                                                                                                                                                                                                                                                                                                                                                                                                                                                                                                                                                                                                                                                   |                                                                                                                                                                                                                                                                                                                                                 |
|--------------------------------------------------------------------------------------------------------------------------------------------------------------------------------------------------------------------------------------------------------------------------------------------------------------------------------------------------------------------------------------------------------------------------------------------------------------------------------------------------------------------------------------------------------------------------------------------------------------------------------------------------------------------------------------------------------------------------------------------------------------------------------------------------------------------------------------------------------------------------------------------------------------------------------------------------------------------------------------------------------------------------------------------------------------------------------------------------------------------------------------------------------------------------------------------------------------------------------------------------------------------------------------------------------------------------------------------------------------------------------------------------------------------------------------------------------------------------------------------------------------------------------------------------------------------------------------------------------------------------------------------------------------------------------------------------------------------------------------------------------------------------------------------------------------------------------------------------------------------------------------------------------------------------------------------------------------------------------------------------------------------------------------------------------------------------------------------------------------------------------------------------------------------------------------------------------------------------------------------------------------------------------------------------------------------------------------------------------------------------------------------------------------------------------------------------------------------------------------------------------------------------------------------------------------------------------------------------------------------------------------------------------------------------------------------------------------------------------------------------------------------------------------------------------------------------------------------------------------------------------------------------------------------------------------------------------------------------------------------------------------------------------------------------------------------------------------------------------------------------------------------------------------------------------------------------------------------------------------------------------------------------------------------------------------------------------------------------------------------------------------------------------------------------------------------------------------------------|-------------------------------------------------------------------------------------------------------------------------------------------------------------------------------------------------------------------------------------------------------------------------------------------------------------------------------------------------|
| <b>Operation Name:</b>                                                                                                                                                                                                                                                                                                                                                                                                                                                                                                                                                                                                                                                                                                                                                                                                                                                                                                                                                                                                                                                                                                                                                                                                                                                                                                                                                                                                                                                                                                                                                                                                                                                                                                                                                                                                                                                                                                                                                                                                                                                                                                                                                                                                                                                                                                                                                                                                                                                                                                                                                                                                                                                                                                                                                                                                                                                                                                                                                                                                                                                                                                                                                                                                                                                                                                                                                                                                                                                   | OM_Assoc(lgch1:LOGICCH; sublgch1:LOGICCH; sublgch2:LOGICCH; sublgch3:LOGICCH; sublgch4:LOGICCH; sublgch5:LOGICCH; sublgch6:LOGICCH; sublgch7: LOGICCH; sublgch8:LOGICCH; lgch2:LOGICCH; sublgch9:LOGICCH; sublgch10:LOGICCH; sublgch11:LOGICCH; sublgch12:LOGICCH; sublgch13:LOGICCH; sublgch14:LOGICCH; sublgch15: LOGICCH; sublgch16:LOGICCH) |
| <b>Result Type:</b>                                                                                                                                                                                                                                                                                                                                                                                                                                                                                                                                                                                                                                                                                                                                                                                                                                                                                                                                                                                                                                                                                                                                                                                                                                                                                                                                                                                                                                                                                                                                                                                                                                                                                                                                                                                                                                                                                                                                                                                                                                                                                                                                                                                                                                                                                                                                                                                                                                                                                                                                                                                                                                                                                                                                                                                                                                                                                                                                                                                                                                                                                                                                                                                                                                                                                                                                                                                                                                                      | BOOLEAN                                                                                                                                                                                                                                                                                                                                         |
| <b>Comments:</b>                                                                                                                                                                                                                                                                                                                                                                                                                                                                                                                                                                                                                                                                                                                                                                                                                                                                                                                                                                                                                                                                                                                                                                                                                                                                                                                                                                                                                                                                                                                                                                                                                                                                                                                                                                                                                                                                                                                                                                                                                                                                                                                                                                                                                                                                                                                                                                                                                                                                                                                                                                                                                                                                                                                                                                                                                                                                                                                                                                                                                                                                                                                                                                                                                                                                                                                                                                                                                                                         |                                                                                                                                                                                                                                                                                                                                                 |
| <b>Description</b>                                                                                                                                                                                                                                                                                                                                                                                                                                                                                                                                                                                                                                                                                                                                                                                                                                                                                                                                                                                                                                                                                                                                                                                                                                                                                                                                                                                                                                                                                                                                                                                                                                                                                                                                                                                                                                                                                                                                                                                                                                                                                                                                                                                                                                                                                                                                                                                                                                                                                                                                                                                                                                                                                                                                                                                                                                                                                                                                                                                                                                                                                                                                                                                                                                                                                                                                                                                                                                                       |                                                                                                                                                                                                                                                                                                                                                 |
| <p>OM_Assoc operation associates the sub logic channel identifiers `sublgch1` to `sublgch8` and `sublgch9` to `sublgch16` with the generic "parent" channel identifier `lgch1` and `lgch2` respectively, therefore the subchannel identifiers can refer to the corresponding channels configured by OM_ChConf operation.</p> <p>The `lgch1` can be an identifier for SDCCH4, SDCCH8, FACCH and the `lgch2` can be SACCH4, SACCH8, and SACCH.</p> <p>"dummy" in the actual parameter list means the corresponding parameter is not used.</p> <p>Naming convention for logical channel constants:</p> <p style="text-align: center;">C_&lt;channel type&gt;[&lt;rate&gt;][&lt;subchannel&gt;][&lt;cell&gt;][&lt;instance&gt;]</p> <p>e.g.: C_FACCH H 0 _C _3 =&gt; C_FACCHH0_C_3</p> <p>channel type: FCCH, SCH, BCCH, CBCH, PCH, RACH, FACCH, SACCH, SDCCH, DCCH</p> <p>rate: F(ull), H(alf), 4 (fourths, C4 for SACCH4), 8 (eighths, C8 for SACCH8).</p> <p>subchannel: H: 0, 1<br/>(C)4: 0, ..., 3<br/>(C)8: 0, ..., 7</p> <p>cell: A, ..., H</p> <p>instance: 1, ..., 3 When several channels of the same type can exist in one cell simultaneously (in different time slots and / or on different frequencies) they are identified by their instance. The parameters of ChConf are used to specify the frequency and slot of this instance of the channel type.</p> <p>Not all possible combinations of this naming syntax have been used. According to the elements that are used / omitted the name can have a special meaning.</p> <p>Examples:                      Comments:</p> <p>C_FCCH_A                      FCCH of cell A.</p> <p>C_SCH_A                        SCH of cell A.</p> <p>C_BCCH_A_1                    First instance of a BCCH in cell A.</p> <p>C_CBCH_A                      CBCH of cell A.</p> <p>C_PCH_A_1                     First instance of a PCH in cell A (there is one instance of the PCH per BCCH in the cell).</p> <p>C_AGCH_A_1                    First instance of a AGCH in cell A (there is one instance of the AGCH per BCCH in the cell).</p> <p>C_RACH_A_1                    First instance of a RACH in cell A.</p> <p>C_FACCHF_A_1                 First instance of a full rate FACCH in cell A.</p> <p>C_FACCHH_A_1                 First instance of a half rate FACCH in cell A (all subchannels).</p> <p>C_FACCHH0_A_1                Subchannel 0 of the first instance of a half rate FACCH in cell A.</p> <p>C_SACCHF_A_1                 First instance of a full rate SACCH in cell A.</p> <p>C_SACCHH_A_1                 First instance of a half rate SACCH in cell A (all subchannels).</p> <p>C_SACCHH1_A_1                Subchannel 1 of the first instance of a half rate SACCH in cell A.</p> <p>C_SACCHC4_A                 SACCH/4 of cell A (all subchannels).</p> <p>C_SACCHC43_A                 Subchannel 3 of the SACCH/4 of cell A.</p> <p>C_SACCHC8_A_1                First instance of a SACCH/8 in cell A (all subchannels).</p> <p>C_SACCHC87_A_1              Subchannel 7 of the first instance of a SACCH/8 in cell A.</p> <p>C_SDCCH4_A                    SDCCH/4 of cell A (all subchannels).</p> <p>C_SDCCH42_A                  Subchannel 2 of the SDCCH/4 of cell A.</p> <p>C_SDCCH87_A_1                First instance of a SDCCH/8 in cell A (all subchannels).</p> <p>C_SDCCH87_A_1                Subchannel 7 of the first instance of a SDCCH/8 in cell A.</p> |                                                                                                                                                                                                                                                                                                                                                 |

This list covers all types of combinations used in the TTCN for the time being.

When the meaning refers to 'all' subchannels of a channel (eg. C\_FACCHH\_A\_1), it means that all active subchannels of this channel activated previously by OM\_ChConf, are associated with a logical channel identifier in the OM\_Assoc.

**Detailed Comments:**

| <b>Test Suite Operation Definition</b>                                                                                                                                                                                           |                                                                      |
|----------------------------------------------------------------------------------------------------------------------------------------------------------------------------------------------------------------------------------|----------------------------------------------------------------------|
| <b>Operation Name:</b>                                                                                                                                                                                                           | OM_BmInfo(ch:LOGICCH; mode:B_8)                                      |
| <b>Result Type:</b>                                                                                                                                                                                                              | BOOLEAN                                                              |
| <b>Comments:</b>                                                                                                                                                                                                                 | mode is of type BITSTRING[8], imode is a part of the channel mode IE |
| <b>Description</b>                                                                                                                                                                                                               |                                                                      |
| OM_BmInfo operation checks whether the MS starts transmitting Bm channel information according to the new channel mode 'mode'. The operation returns TRUE if the result of the check is correct otherwise the TSO returns FALSE. |                                                                      |
| <b>Detailed Comments:</b>                                                                                                                                                                                                        |                                                                      |

| <b>Test Suite Operation Definition</b>                                                                                                                                                                                                                                                                                                                                                                                                                                                                                                                                                                                                                                                                                                                                                                                                                                                                                                                                                                                                                                                                                                                                                                                                                                                                                                                                                                                                                                                                                                                                                                                                                                                                                                                                                                                                                                                                                                                                                                                                 |                                                                                      |
|----------------------------------------------------------------------------------------------------------------------------------------------------------------------------------------------------------------------------------------------------------------------------------------------------------------------------------------------------------------------------------------------------------------------------------------------------------------------------------------------------------------------------------------------------------------------------------------------------------------------------------------------------------------------------------------------------------------------------------------------------------------------------------------------------------------------------------------------------------------------------------------------------------------------------------------------------------------------------------------------------------------------------------------------------------------------------------------------------------------------------------------------------------------------------------------------------------------------------------------------------------------------------------------------------------------------------------------------------------------------------------------------------------------------------------------------------------------------------------------------------------------------------------------------------------------------------------------------------------------------------------------------------------------------------------------------------------------------------------------------------------------------------------------------------------------------------------------------------------------------------------------------------------------------------------------------------------------------------------------------------------------------------------------|--------------------------------------------------------------------------------------|
| <b>Operation Name:</b>                                                                                                                                                                                                                                                                                                                                                                                                                                                                                                                                                                                                                                                                                                                                                                                                                                                                                                                                                                                                                                                                                                                                                                                                                                                                                                                                                                                                                                                                                                                                                                                                                                                                                                                                                                                                                                                                                                                                                                                                                 | OM_ChangeRFOf2Cells( cellid1:CellID; bspwr1:INTEGER; cellid2:CellID; bspwr2:INTEGER) |
| <b>Result Type:</b>                                                                                                                                                                                                                                                                                                                                                                                                                                                                                                                                                                                                                                                                                                                                                                                                                                                                                                                                                                                                                                                                                                                                                                                                                                                                                                                                                                                                                                                                                                                                                                                                                                                                                                                                                                                                                                                                                                                                                                                                                    | BOOLEAN                                                                              |
| <b>Comments:</b>                                                                                                                                                                                                                                                                                                                                                                                                                                                                                                                                                                                                                                                                                                                                                                                                                                                                                                                                                                                                                                                                                                                                                                                                                                                                                                                                                                                                                                                                                                                                                                                                                                                                                                                                                                                                                                                                                                                                                                                                                       |                                                                                      |
| <b>Description</b>                                                                                                                                                                                                                                                                                                                                                                                                                                                                                                                                                                                                                                                                                                                                                                                                                                                                                                                                                                                                                                                                                                                                                                                                                                                                                                                                                                                                                                                                                                                                                                                                                                                                                                                                                                                                                                                                                                                                                                                                                     |                                                                                      |
| <p>This TSO is used to change the RF level of the cell 'cellid1' to the RF level 'bspwr1' and the RF level of the cell 'cellid2' to the RF level 'bspwr2' [dBuVemf], then the TSO returns TRUE.</p> <p>The main use of this TSO is to force the Mobile Station (MS) to select a new cell according to the GSM 05.08 and GSM 03.22.</p> <p>For the MS to select the new cell then the path loss criterion parameter (C1) of the old will have to be less than zero (C1 &lt; 0). This criterion is defined as:</p> $C1 = (A - \max(B, 0))$ <p>when A                      - Received Level Average - (RXLEV_ACCESS_MIN)<br/>                     B                              - MS_TXPWR_MAX_CCH - P {non DCS 1800}<br/>                                                      - MS_TXPWR_MAX_CCH + POWEROFFSET - P {DCS 1800}</p> <p>RXLEV_ACCESS_MIN      - Minimum received level at the MS required for access to the system.<br/>                     MS_TXPWR_MAX_CCH    - Maximum TX power level an MS may use when accessing the system until otherwise commanded.<br/>                     POWER OFFSET         - The power offset to be used in conjunction with the MS_TXPWR_MAX_CCH parameter by the class 3 DCS 1 800 MS.<br/>                     P                             - Maximum RF output power of the MS.</p> <p>All values are expressed in dBm.</p> <p>In most test cases MS_TXPWR_MAX_CCH and the POWER_OFFSET will be set at their minimum values thus C1 = A (B always being negative). Suitable levels of cells will be either 63 dBuV(C_E_default) ,53 dBuV(C_E_neighbourdefault) or 45 dBuV(C_E_suitable). Assuming that the MS uses a RXLEV_ACCESS_MIN between -110 and -115 dBm then to ensure that C1 &lt; 0 the test system's output needs to be set to ensure the level input detected by the MS is less than -123 dBm or lower (-115 plus an 8dB for discrimination between C1 or C2 values and 0, GSM 11.10-1 section 20). This value of -123 dBm corresponds to -10 dBuV (C_E_notsuitable)</p> |                                                                                      |
| <b>Detailed Comments:</b>                                                                                                                                                                                                                                                                                                                                                                                                                                                                                                                                                                                                                                                                                                                                                                                                                                                                                                                                                                                                                                                                                                                                                                                                                                                                                                                                                                                                                                                                                                                                                                                                                                                                                                                                                                                                                                                                                                                                                                                                              |                                                                                      |

| <b>Test Suite Operation Definition</b>                                                                                                                                                                                                                                                                                                                                                                                                                                                                                                                                                                                                                                                                                                                                                                                                                                                                                                                                                                                                                                                                                                                                                                                                                                                                                                                                                                                                                                                                                                                                                                                                                                                                                                                                                                                                                                                                                                                                                                                                                                                                                                                                                                                                                                                                                                                                                                                                                                                                                                                                                                                                                                                                                                                                                                                                                                                                                                                                                                                                                                                                                                                                                                                                                                                                                                                                                                                                                                                                                                                                                                                                                                                                                                                                                                                                                                                                                                                                                                                                                                                                                                                                                                 |                                                                                                                                                                                                                                                                                                                                                                                                           |
|--------------------------------------------------------------------------------------------------------------------------------------------------------------------------------------------------------------------------------------------------------------------------------------------------------------------------------------------------------------------------------------------------------------------------------------------------------------------------------------------------------------------------------------------------------------------------------------------------------------------------------------------------------------------------------------------------------------------------------------------------------------------------------------------------------------------------------------------------------------------------------------------------------------------------------------------------------------------------------------------------------------------------------------------------------------------------------------------------------------------------------------------------------------------------------------------------------------------------------------------------------------------------------------------------------------------------------------------------------------------------------------------------------------------------------------------------------------------------------------------------------------------------------------------------------------------------------------------------------------------------------------------------------------------------------------------------------------------------------------------------------------------------------------------------------------------------------------------------------------------------------------------------------------------------------------------------------------------------------------------------------------------------------------------------------------------------------------------------------------------------------------------------------------------------------------------------------------------------------------------------------------------------------------------------------------------------------------------------------------------------------------------------------------------------------------------------------------------------------------------------------------------------------------------------------------------------------------------------------------------------------------------------------------------------------------------------------------------------------------------------------------------------------------------------------------------------------------------------------------------------------------------------------------------------------------------------------------------------------------------------------------------------------------------------------------------------------------------------------------------------------------------------------------------------------------------------------------------------------------------------------------------------------------------------------------------------------------------------------------------------------------------------------------------------------------------------------------------------------------------------------------------------------------------------------------------------------------------------------------------------------------------------------------------------------------------------------------------------------------------------------------------------------------------------------------------------------------------------------------------------------------------------------------------------------------------------------------------------------------------------------------------------------------------------------------------------------------------------------------------------------------------------------------------------------------------------------|-----------------------------------------------------------------------------------------------------------------------------------------------------------------------------------------------------------------------------------------------------------------------------------------------------------------------------------------------------------------------------------------------------------|
| <b>Operation Name:</b>                                                                                                                                                                                                                                                                                                                                                                                                                                                                                                                                                                                                                                                                                                                                                                                                                                                                                                                                                                                                                                                                                                                                                                                                                                                                                                                                                                                                                                                                                                                                                                                                                                                                                                                                                                                                                                                                                                                                                                                                                                                                                                                                                                                                                                                                                                                                                                                                                                                                                                                                                                                                                                                                                                                                                                                                                                                                                                                                                                                                                                                                                                                                                                                                                                                                                                                                                                                                                                                                                                                                                                                                                                                                                                                                                                                                                                                                                                                                                                                                                                                                                                                                                                                 | OM_ChConf(bspwr: INTEGER; mspwr: INTEGER; acttype: BITSTRING; chmod: CHMOD; ta: TA; slot: SN; tsc: TSC; rf: FRQPARA; chcmbn: LOGCH; td: INTEGER; fn: INTEGER; babr, cch_con, bpm: B_3; pgfil: PG1_RQ_PDU; dtxu: BITSTRING; dtxd: BITSTRING; cell: CellID; lgch1: LOGICCH; lgch2: LOGICCH; lgch3: LOGICCH; lgch4: LOGICCH; lgch5: LOGICCH; lgch6: LOGICCH; lgch7: LOGICCH; lgch8: LOGICCH; lgch9: LOGICCH) |
| <b>Result Type:</b>                                                                                                                                                                                                                                                                                                                                                                                                                                                                                                                                                                                                                                                                                                                                                                                                                                                                                                                                                                                                                                                                                                                                                                                                                                                                                                                                                                                                                                                                                                                                                                                                                                                                                                                                                                                                                                                                                                                                                                                                                                                                                                                                                                                                                                                                                                                                                                                                                                                                                                                                                                                                                                                                                                                                                                                                                                                                                                                                                                                                                                                                                                                                                                                                                                                                                                                                                                                                                                                                                                                                                                                                                                                                                                                                                                                                                                                                                                                                                                                                                                                                                                                                                                                    | BOOLEAN                                                                                                                                                                                                                                                                                                                                                                                                   |
| <b>Comments:</b>                                                                                                                                                                                                                                                                                                                                                                                                                                                                                                                                                                                                                                                                                                                                                                                                                                                                                                                                                                                                                                                                                                                                                                                                                                                                                                                                                                                                                                                                                                                                                                                                                                                                                                                                                                                                                                                                                                                                                                                                                                                                                                                                                                                                                                                                                                                                                                                                                                                                                                                                                                                                                                                                                                                                                                                                                                                                                                                                                                                                                                                                                                                                                                                                                                                                                                                                                                                                                                                                                                                                                                                                                                                                                                                                                                                                                                                                                                                                                                                                                                                                                                                                                                                       |                                                                                                                                                                                                                                                                                                                                                                                                           |
| <b>Description</b>                                                                                                                                                                                                                                                                                                                                                                                                                                                                                                                                                                                                                                                                                                                                                                                                                                                                                                                                                                                                                                                                                                                                                                                                                                                                                                                                                                                                                                                                                                                                                                                                                                                                                                                                                                                                                                                                                                                                                                                                                                                                                                                                                                                                                                                                                                                                                                                                                                                                                                                                                                                                                                                                                                                                                                                                                                                                                                                                                                                                                                                                                                                                                                                                                                                                                                                                                                                                                                                                                                                                                                                                                                                                                                                                                                                                                                                                                                                                                                                                                                                                                                                                                                                     |                                                                                                                                                                                                                                                                                                                                                                                                           |
| <p>The operation sets the configuration of a basic physical channel according to the input parameters and map logic channel combination onto it:</p> <ul style="list-style-type: none"> <li>- bspwr: base station power level in dBuv;</li> <li>- mspwr: mobile station power level in "power control level";</li> <li>- acttype: type of activation: <ul style="list-style-type: none"> <li>- '000'B activation for intra-cell channel change ---- immediate assignment;</li> <li>- '001'B activation for intra-cell channel change ---- assignment;</li> <li>- '010'B activation for inter-cell channel change ---- asynchronous handover;</li> <li>- '011'B activation for inter-cell channel change ---- synchronous handover;</li> <li>- '100'B activation for additional assignment;</li> </ul> <p style="margin-left: 40px;">NOTE: the types defined above are all the same, no real difference</p> <ul style="list-style-type: none"> <li>- '101'B activation for receiving only;</li> </ul> </li> <li>- chmod: channel mode;</li> <li>- ta: timing advance ---- receive timing ta bit periods in advance of the normal receive timing if the channel is a dedicated channel ;</li> <li>- slot: time slot;</li> <li>- tsc: Training sequence code for normal bursts;</li> <li>- rf: ARFCN or hopping parameters;</li> <li>- chcmbn: logic channel combination mapping to the physical channel;</li> <li>- td: timing difference between the cell and conceptual timing reference ---- to make 2 cells with different timebase;</li> <li>- fn: initial frame number offset to the timing base counter ---- to make 2 cells with different frame numbers;</li> <li>- babr number of blocks reserved for access grant</li> <li>- cch-con CCCH/SDCCHs configuration</li> <li>- bpm multiframe period for transmission of PAGING REQUEST</li> <li>- pgfil: paging filling contents;</li> <li>- dtxu: mobile station discontinuous transmission: <ul style="list-style-type: none"> <li>- '0'B mobile station discontinuous transmission is not applied;</li> <li>- '1'B mobile station discontinuous transmission is applied;</li> </ul> </li> <li>- dtxd: base station discontinuous transmission: <ul style="list-style-type: none"> <li>- '0'B base station discontinuous transmission is not applied;</li> <li>- '1'B base station discontinuous transmission is applied;</li> </ul> </li> <li>- cell: cell identifier;</li> <li>- lgch1: logic channel identifier for the channel FCCH;</li> <li>- lgch2: logic channel identifier for the channel SCH;</li> <li>- lgch3: logic channel identifier for the channel BCCH;</li> <li>- lgch4: logic channel identifier for the channel PCH;</li> <li>- lgch5: logic channel identifier for the channel AGCH;</li> <li>- lgch6: logic channel identifier for the channel RACH;</li> <li>- lgch7: logic channel identifier for the channel FACCH or SDCCH;</li> <li>- lgch8: logic channel identifier for the channel SACCH;</li> <li>- lgch9: logic channel identifier for the channel CBCH;</li> </ul> <p>For parameters lgch1 to lgch9 "dummy" in the actual parameter list means that the corresponding parameters are not used.</p> <p>In the test cases the logic channel identifiers lgch1 to lgch9 are used to refer the logic channels configured by the operation. There are only generic identifiers for SDCCH4 or SDCCH8 or FACCH channel and SACCH4 or SACCH8 or SACCH, identifiers for subchannels of SDCCH4 or SDCCH8 or FACCH and SACCH4 or SACCH8 or SACCH are linked to the generic identifiers by OM_Assoc operation and in turn refer to the sub logic channels configured by the operation.</p> <p>Channel re-use whithiin OM_ChConf:</p> <p>When an OM_ChConf calls is made then the following rules can be applied for deciding whether or not to re-use existing physical channel.</p> <p>Decode the 'chcmbn' (channel combination) parameter to determine the new channel type.</p> <p>If new channel = "C_FCCH_SCH_BCCH_CCCH_SDCCH4_SACCH4" (combined) or</p> <p>if new channel = "C_CBCH_FCCH_SCH_BCCH_CCCH_SDCCH4_SACCH4" (combined + SMS) then re-use any existing control channel configuration with same CellID.</p> |                                                                                                                                                                                                                                                                                                                                                                                                           |

If new channel = "C\_FCCH\_SCH\_BCCH\_CCCH" (non-combined) then use any combined, combined + SMS or non-combined control channel configuration with the same CellID.

If new channel = "C\_BCCH\_CCCH\_2", "C\_BCCH\_CCCH\_3" or "C\_BCCH\_CCCH\_4" (ccch-group) then re-use any existing ccch-group control channel configuration with the same CellID and the slot, or re-use any existing combined, combined + SMS with the same CellID.

If new channel = "C\_TCHF\_ACCHF\_1", "C\_TCHF\_ACCHF\_2", "C\_TCHH\_ACCHH\_1", "C\_TCHH\_ACCHH\_2" (traffic) or "C\_SDCCH8\_SACCHC8\_1", "C\_SDCCH8\_SACCHC8\_2", "C\_SDCCH8\_SACCHC8\_3" (dedicated) then re-use any existing traffic or dedicated channel with the same channel description.

**Detailed Comments:**

| <b>Test Suite Operation Definition</b>                                                                                                                                                   |                                       |
|------------------------------------------------------------------------------------------------------------------------------------------------------------------------------------------|---------------------------------------|
| <b>Operation Name:</b>                                                                                                                                                                   | OM_ChMdModi(ch:LOGICCH; chmod: CHMOD) |
| <b>Result Type:</b>                                                                                                                                                                      | BOOLEAN                               |
| <b>Comments:</b>                                                                                                                                                                         |                                       |
| <b>Description</b>                                                                                                                                                                       |                                       |
| OM_ChMdModi operation passes channel mode IE for channel `ch` to lower layer emulator and requests the emulator to set the `ch` to the mode `chmod`. After the mode changed, it returns. |                                       |
| <b>Detailed Comments:</b>                                                                                                                                                                |                                       |

| <b>Test Suite Operation Definition</b>                                                                                                                                                                                                                                         |                                                       |
|--------------------------------------------------------------------------------------------------------------------------------------------------------------------------------------------------------------------------------------------------------------------------------|-------------------------------------------------------|
| <b>Operation Name:</b>                                                                                                                                                                                                                                                         | OM_CphMdChg(ch:LOGICCH; cphmod: CPHMS; key:BITSTRING) |
| <b>Result Type:</b>                                                                                                                                                                                                                                                            | BOOLEAN                                               |
| <b>Comments:</b>                                                                                                                                                                                                                                                               |                                                       |
| <b>Description</b>                                                                                                                                                                                                                                                             |                                                       |
| OM_CphMdChg operation passes ciphering parameters for channel `ch` to lower layer and sets the lower layer emulator into a special operation mode in which lower layer starts the 3-step ciphering mode setting sequence when the next L3 message on the channel `ch` arrives. |                                                       |
| <b>Detailed Comments:</b>                                                                                                                                                                                                                                                      |                                                       |

| <b>Test Suite Operation Definition</b>                                                                                                                                                                                                                                               |                                                    |
|--------------------------------------------------------------------------------------------------------------------------------------------------------------------------------------------------------------------------------------------------------------------------------------|----------------------------------------------------|
| <b>Operation Name:</b>                                                                                                                                                                                                                                                               | OM_CphMd(ch:LOGICCH; cphmod: CPHMS; key:BITSTRING) |
| <b>Result Type:</b>                                                                                                                                                                                                                                                                  | BOOLEAN                                            |
| <b>Comments:</b>                                                                                                                                                                                                                                                                     |                                                    |
| <b>Description</b>                                                                                                                                                                                                                                                                   |                                                    |
| OM_CphMd operation passes ciphering parameters for channel `ch` to lower layer and sets the channel `ch` in the ciphering mode `cphmod`. This operation puts the channel `ch` into specified ciphering mode `cphmod` immediately without the 3-step ciphering mode setting sequence. |                                                    |
| <b>Detailed Comments:</b>                                                                                                                                                                                                                                                            |                                                    |

| <b>Test Suite Operation Definition</b>                                                                                                                                         |                                                                                                                                                                                                                      |
|--------------------------------------------------------------------------------------------------------------------------------------------------------------------------------|----------------------------------------------------------------------------------------------------------------------------------------------------------------------------------------------------------------------|
| <b>Operation Name:</b>                                                                                                                                                         | OM_ComingFn(ch:LOGICCH)                                                                                                                                                                                              |
| <b>Result Type:</b>                                                                                                                                                            | FN                                                                                                                                                                                                                   |
| <b>Comments:</b>                                                                                                                                                               |                                                                                                                                                                                                                      |
| <b>Description</b>                                                                                                                                                             |                                                                                                                                                                                                                      |
| OM_ComingFn operation returns the frame number (FN modulo 42432) which is about 5 seconds later than current frame number and is able to carry L3 message on the channel `ch`. |                                                                                                                                                                                                                      |
| <b>Detailed Comments:</b>                                                                                                                                                      | The delay of about 5 seconds ensures that there is still enough time left for higher layer controller to prepare next TTCN send event after the OM_ComingFn returns. the exact delay value is up to the implementor. |



| <b>Test Suite Operation Definition</b>                                                                                                                                                                                                                                                                                                                                                                                                                                                                                                                                                                                                                                                                                                                                                                                                                                                                                                                                         |                                                                                                                                                                                                                                                          |
|--------------------------------------------------------------------------------------------------------------------------------------------------------------------------------------------------------------------------------------------------------------------------------------------------------------------------------------------------------------------------------------------------------------------------------------------------------------------------------------------------------------------------------------------------------------------------------------------------------------------------------------------------------------------------------------------------------------------------------------------------------------------------------------------------------------------------------------------------------------------------------------------------------------------------------------------------------------------------------|----------------------------------------------------------------------------------------------------------------------------------------------------------------------------------------------------------------------------------------------------------|
| <b>Operation Name:</b>                                                                                                                                                                                                                                                                                                                                                                                                                                                                                                                                                                                                                                                                                                                                                                                                                                                                                                                                                         | OM_Deactivate(ch1, ch2:LOGICCH)                                                                                                                                                                                                                          |
| <b>Result Type:</b>                                                                                                                                                                                                                                                                                                                                                                                                                                                                                                                                                                                                                                                                                                                                                                                                                                                                                                                                                            | BOOLEAN                                                                                                                                                                                                                                                  |
| <b>Comments:</b>                                                                                                                                                                                                                                                                                                                                                                                                                                                                                                                                                                                                                                                                                                                                                                                                                                                                                                                                                               |                                                                                                                                                                                                                                                          |
| <b>Description</b>                                                                                                                                                                                                                                                                                                                                                                                                                                                                                                                                                                                                                                                                                                                                                                                                                                                                                                                                                             |                                                                                                                                                                                                                                                          |
| <p>OM_Deactivate operation deactivates the logical channels `ch1` and `ch2`, then returns TRUE.</p> <p>The ch1 can be a DCCH or a TCH, the ch2 is the associated SACCH.</p> <p>Deactivation of an active SDCCH channel can be done by stopping transmission; this means that for the bursts on the BCCH carriers, dummy bursts shall be transmitted, for other bursts nothing shall be transmitted. Alternatively the deactivation of a SDCCH can be done by transmitting bad blocks on the SACCH with the parity bits set incorrectly. This will lead to a radio link failure in the MS.</p> <p>Deactivation of a TCH channel can be done by stopping transmission if it is non-BCCH.</p> <p>Deactivation of a SACCH_T can be done by transmitting bad blocks on the SACCH_T with the parity bits set incorrectly. The wrong channel coding on the SACCH will lead to a radio link failure in the MS after several seconds depending on the system information messages..</p> |                                                                                                                                                                                                                                                          |
| <b>Detailed Comments:</b>                                                                                                                                                                                                                                                                                                                                                                                                                                                                                                                                                                                                                                                                                                                                                                                                                                                                                                                                                      | <p>The TSO is called in</p> <p>TC_26_7_3_2, TC_26_7_4_3_2, TC_26_7_4_3_3, TC_26_7_4_3_4 on a SDCCH/4/SACCH/C4 channel in downlink,</p> <p>TC_26_2_4_1, TC_26_2_4_2, TC_26_8_2_1, TC_26_8_2_2, TC_26_8_2_3 on TCH/SACCH_T channel in both directions.</p> |

| <b>Test Suite Operation Definition</b>                                                                                                                                                                                                                                                                                                                                                                                                                                                                                                                                                                                                                                                                                                                                                                                                                                                                                                                                                                                                                                                                                                                                                                                                                                                                    |                                                                 |
|-----------------------------------------------------------------------------------------------------------------------------------------------------------------------------------------------------------------------------------------------------------------------------------------------------------------------------------------------------------------------------------------------------------------------------------------------------------------------------------------------------------------------------------------------------------------------------------------------------------------------------------------------------------------------------------------------------------------------------------------------------------------------------------------------------------------------------------------------------------------------------------------------------------------------------------------------------------------------------------------------------------------------------------------------------------------------------------------------------------------------------------------------------------------------------------------------------------------------------------------------------------------------------------------------------------|-----------------------------------------------------------------|
| <b>Operation Name:</b>                                                                                                                                                                                                                                                                                                                                                                                                                                                                                                                                                                                                                                                                                                                                                                                                                                                                                                                                                                                                                                                                                                                                                                                                                                                                                    | OM_FHCHK(ch:LOGICCH; ca:CCHD; ma:MA; cd:CHD; t :INTEGER; fn:FN) |
| <b>Result Type:</b>                                                                                                                                                                                                                                                                                                                                                                                                                                                                                                                                                                                                                                                                                                                                                                                                                                                                                                                                                                                                                                                                                                                                                                                                                                                                                       | BOOLEAN                                                         |
| <b>Comments:</b>                                                                                                                                                                                                                                                                                                                                                                                                                                                                                                                                                                                                                                                                                                                                                                                                                                                                                                                                                                                                                                                                                                                                                                                                                                                                                          |                                                                 |
| <b>Description</b>                                                                                                                                                                                                                                                                                                                                                                                                                                                                                                                                                                                                                                                                                                                                                                                                                                                                                                                                                                                                                                                                                                                                                                                                                                                                                        |                                                                 |
| <p>After the SS has been configured to start / change frequency hopping at a particular start time, this TSO instructs the SS to check whether the MS correctly uses the hopping frequencies on and after the expected start time according to the frequency parameters.</p> <p>If `t` = 0 or 32024 &lt;= `t` &lt;= 42431 the operation checks that the new frequencies starts "without delay".</p> <p>If 0 &lt; `t` &lt;= 31000 the operation checks that the new frequencies starts "on" the frame number of <math>(X + t) \bmod 42432</math>, where <math>x = 51 * ((fn.t3 - fn.t2) \bmod 26) + fn.t3 + 1326 * fn.t1</math>.</p> <p>If 31000 &lt; `t` &lt; 32024, or `t` &lt; 0 or `t` &gt; 42431 then the test has been configured incorrectly and should be re-run with a permitted value for `t`.</p> <p>This check is performed at the uplink RF burst level by sampling for a period of 3 seconds from the start time and should therefore be called immediately after the SS has been configured to start / change hopping. The operation returns TRUE if the MS behaviour is correct, otherwise it returns FALSE.</p> <p>Note: before this TSO is called, a layer 3 message must be sent to the MS to command the MS to start / change hopping using the same frequency hopping parameters.</p> |                                                                 |
| <b>Detailed Comments:</b>                                                                                                                                                                                                                                                                                                                                                                                                                                                                                                                                                                                                                                                                                                                                                                                                                                                                                                                                                                                                                                                                                                                                                                                                                                                                                 |                                                                 |

| <b>Test Suite Operation Definition</b>                                                                                                                                                                           |                                                                                                                                                                                                                                                                                                                                |
|------------------------------------------------------------------------------------------------------------------------------------------------------------------------------------------------------------------|--------------------------------------------------------------------------------------------------------------------------------------------------------------------------------------------------------------------------------------------------------------------------------------------------------------------------------|
| <b>Operation Name:</b>                                                                                                                                                                                           | OM_FreeResource(ch :LOGICCH)                                                                                                                                                                                                                                                                                                   |
| <b>Result Type:</b>                                                                                                                                                                                              | BOOLEAN                                                                                                                                                                                                                                                                                                                        |
| <b>Comments:</b>                                                                                                                                                                                                 |                                                                                                                                                                                                                                                                                                                                |
| <b>Description</b>                                                                                                                                                                                               |                                                                                                                                                                                                                                                                                                                                |
| <p>OM_FreeResource operation instructs the lower layer emulator to release the resources which have been allocated to the logical channel "ch". After the resources are released the operation returns TRUE.</p> |                                                                                                                                                                                                                                                                                                                                |
| <b>Detailed Comments:</b>                                                                                                                                                                                        | <p>In some test cases (most of them are hanhover test cases) different channels are needed while the test goes on. the purpose of the operation is to reuse lower layer resources (e.g. transceivers), which have been allocated to the previous channel, for configing another channel required in the next testing step.</p> |

| <b>Test Suite Operation Definition</b>                                                                                                                                                                                                                                                                                                                                                                                                                                                                                                                                                                                                                                                                                                                                                                                                |                                                                      |
|---------------------------------------------------------------------------------------------------------------------------------------------------------------------------------------------------------------------------------------------------------------------------------------------------------------------------------------------------------------------------------------------------------------------------------------------------------------------------------------------------------------------------------------------------------------------------------------------------------------------------------------------------------------------------------------------------------------------------------------------------------------------------------------------------------------------------------------|----------------------------------------------------------------------|
| <b>Operation Name:</b>                                                                                                                                                                                                                                                                                                                                                                                                                                                                                                                                                                                                                                                                                                                                                                                                                | OM_FreqDef(st:STRT; ma:MA; ch :LOGICCH; chd: CHD; ca:CCHD; frmn: FN) |
| <b>Result Type:</b>                                                                                                                                                                                                                                                                                                                                                                                                                                                                                                                                                                                                                                                                                                                                                                                                                   | BOOLEAN                                                              |
| <b>Comments:</b>                                                                                                                                                                                                                                                                                                                                                                                                                                                                                                                                                                                                                                                                                                                                                                                                                      |                                                                      |
| <b>Description</b>                                                                                                                                                                                                                                                                                                                                                                                                                                                                                                                                                                                                                                                                                                                                                                                                                    |                                                                      |
| <p>OM_FreqDef operation passes the frequency hopping parameters for channel `ch` to lower layer emulator. The emulator starts using these frequency parameters at the frame number indicated by starting time `st`. The parameter `frmn` indicates a reference frame number at which the first burst of the message, FREQUENCY REDEFINITION, ASSIGNMENT COMMAND or HANDOVER COMMAND, containing starting time is sent in the concerned cell.</p> <p>If <math>0 \leq (st - frmn) \bmod 42432 \leq 31623</math>, the indicated time is the next time when frame number mod 42432 is equal to st.</p> <p>If <math>32024 \leq (st - frmn) \bmod 42432 \leq 42431</math>, the indicated time has already elapsed. After completely sending out the message containing the parameter starting time the tester starts frequency hopping.</p> |                                                                      |
| <b>Detailed Comments:</b>                                                                                                                                                                                                                                                                                                                                                                                                                                                                                                                                                                                                                                                                                                                                                                                                             |                                                                      |

| <b>Test Suite Operation Definition</b>                                                                                                                                                                                                                                                                                                                                                                                                                                                         |                             |
|------------------------------------------------------------------------------------------------------------------------------------------------------------------------------------------------------------------------------------------------------------------------------------------------------------------------------------------------------------------------------------------------------------------------------------------------------------------------------------------------|-----------------------------|
| <b>Operation Name:</b>                                                                                                                                                                                                                                                                                                                                                                                                                                                                         | OM_GetHoaccPara(ch:LOGICCH) |
| <b>Result Type:</b>                                                                                                                                                                                                                                                                                                                                                                                                                                                                            | HOACC_PARA                  |
| <b>Comments:</b>                                                                                                                                                                                                                                                                                                                                                                                                                                                                               |                             |
| <b>Description</b>                                                                                                                                                                                                                                                                                                                                                                                                                                                                             |                             |
| <p>OM_GetHoaccPara instructs the lower layer emulator to return the total number of the handover access bursts received on channel `ch`, the observed minimum and maximum power levels in dBm modulo 256 and the observed minimum and maximum timing advance in bits modulo 256. The lower layer emulator starts the observation of handover access bursts as soon as sending out a HANDOVER COMMAND message. The TSO returns an accumulative result of the observation when it is called.</p> |                             |
| <b>Detailed Comments:</b>                                                                                                                                                                                                                                                                                                                                                                                                                                                                      |                             |

| <b>Test Suite Operation Definition</b>                                                                                                      |                        |
|---------------------------------------------------------------------------------------------------------------------------------------------|------------------------|
| <b>Operation Name:</b>                                                                                                                      | OM_GetL1Hd(ch:LOGICCH) |
| <b>Result Type:</b>                                                                                                                         | L1HD                   |
| <b>Comments:</b>                                                                                                                            |                        |
| <b>Description</b>                                                                                                                          |                        |
| <p>OM_GetL1Hd instructs the L 2 emulator to read the L 1 header of the next SACCH frame received on channel `ch` and return this value.</p> |                        |
| <b>Detailed Comments:</b>                                                                                                                   |                        |

| <b>Test Suite Operation Definition</b>                                                                                                                                                                                                                                                            |                               |
|---------------------------------------------------------------------------------------------------------------------------------------------------------------------------------------------------------------------------------------------------------------------------------------------------|-------------------------------|
| <b>Operation Name:</b>                                                                                                                                                                                                                                                                            | OM_LowerLayerFail(ch:LOGICCH) |
| <b>Result Type:</b>                                                                                                                                                                                                                                                                               | BOOLEAN                       |
| <b>Comments:</b>                                                                                                                                                                                                                                                                                  |                               |
| <b>Description</b>                                                                                                                                                                                                                                                                                |                               |
| <p>This operation is to force the lower layer failure, then it returns.</p> <p>The lower layer failure can be any one of layer 1 failures or layer 2 failures.</p> <ul style="list-style-type: none"> <li>- layer 1 failure, see GSM 05.08;</li> <li>- layer 2 failure, see GSM 04.06.</li> </ul> |                               |
| <b>Detailed Comments:</b>                                                                                                                                                                                                                                                                         |                               |

| <b>Test Suite Operation Definition</b>                                                                                                                                                                                                                                                                                                                                                                                                                                                                                                                 |                                    |
|--------------------------------------------------------------------------------------------------------------------------------------------------------------------------------------------------------------------------------------------------------------------------------------------------------------------------------------------------------------------------------------------------------------------------------------------------------------------------------------------------------------------------------------------------------|------------------------------------|
| <b>Operation Name:</b>                                                                                                                                                                                                                                                                                                                                                                                                                                                                                                                                 | OM_NoL2Ack(i:INTEGER; ch: LOGICCH) |
| <b>Result Type:</b>                                                                                                                                                                                                                                                                                                                                                                                                                                                                                                                                    | BOOLEAN                            |
| <b>Comments:</b>                                                                                                                                                                                                                                                                                                                                                                                                                                                                                                                                       |                                    |
| <b>Description</b>                                                                                                                                                                                                                                                                                                                                                                                                                                                                                                                                     |                                    |
| <p>When the parameter <math>i &gt; 0</math> the layer 2 emulator is put into a special operation mode then the TSO returns. In this special mode the layer 2 emulator shall not acknowledge the 'i'th occurrence of the L2 I frame which has the more data bit "M" = 0 on the channel 'ch'.</p> <p>The layer 2 emulator resumes normal operation when</p> <ul style="list-style-type: none"> <li>- either the TSO is called again with <math>i = 0</math> on the same 'ch',</li> <li>- or a data link SABM message is received on the 'ch'.</li> </ul> |                                    |
| <b>Detailed Comments:</b>                                                                                                                                                                                                                                                                                                                                                                                                                                                                                                                              |                                    |

| <b>Test Suite Operation Definition</b>                                                                                                                                                                                                                                                 |                            |
|----------------------------------------------------------------------------------------------------------------------------------------------------------------------------------------------------------------------------------------------------------------------------------------|----------------------------|
| <b>Operation Name:</b>                                                                                                                                                                                                                                                                 | OM_NotAckSetup(ch:LOGICCH) |
| <b>Result Type:</b>                                                                                                                                                                                                                                                                    | BOOLEAN                    |
| <b>Comments:</b>                                                                                                                                                                                                                                                                       |                            |
| <b>Description</b>                                                                                                                                                                                                                                                                     |                            |
| <p>This operation puts the layer 2 emulator into a special operation mode then returns. In this special mode the layer 2 emulator will not acknowledge the last L 2 frame which carries the SETUP message, and the layer 2 emulator resumes normal operation after this L 2 frame.</p> |                            |
| <b>Detailed Comments:</b>                                                                                                                                                                                                                                                              |                            |

| <b>Test Suite Operation Definition</b>                                                                                                                                                                                                                                                                                                                                                                                                                                                                                                                                                                |                                                     |
|-------------------------------------------------------------------------------------------------------------------------------------------------------------------------------------------------------------------------------------------------------------------------------------------------------------------------------------------------------------------------------------------------------------------------------------------------------------------------------------------------------------------------------------------------------------------------------------------------------|-----------------------------------------------------|
| <b>Operation Name:</b>                                                                                                                                                                                                                                                                                                                                                                                                                                                                                                                                                                                | OM_NoUAforDISC(ch:LOGICCH)                          |
| <b>Result Type:</b>                                                                                                                                                                                                                                                                                                                                                                                                                                                                                                                                                                                   | BOOLEAN                                             |
| <b>Comments:</b>                                                                                                                                                                                                                                                                                                                                                                                                                                                                                                                                                                                      |                                                     |
| <b>Description</b>                                                                                                                                                                                                                                                                                                                                                                                                                                                                                                                                                                                    |                                                     |
| <p>OM_NoUAforDISC and OM_ResumUAforDISC are a pair of TSOs. OM_NoUAforDISC forces the L2 emulator of the tester to enter a specific mode. OM_ResumUAforDISC resumes the L2 emulator to a normal L2 operational mode.</p> <p>In the specific mode on receiving a DISC on the channel 'ch', the L2 emulator</p> <ul style="list-style-type: none"> <li>- does not respond with a UA,</li> <li>- remains in the multiple-frame established state,</li> <li>- indicates that the DISC has been received (by means of subsequent DL_RELEASE_INDICATION ASPs).</li> </ul> <p>Then the TSO returns TRUE.</p> |                                                     |
| <b>Detailed Comments:</b>                                                                                                                                                                                                                                                                                                                                                                                                                                                                                                                                                                             | The TSO is called in TC_26_6_12_2 and TC_26_6_12_4. |

| <b>Test Suite Operation Definition</b>                                                                                                                                                                                                                                                                                                                                                                                        |                                                   |
|-------------------------------------------------------------------------------------------------------------------------------------------------------------------------------------------------------------------------------------------------------------------------------------------------------------------------------------------------------------------------------------------------------------------------------|---------------------------------------------------|
| <b>Operation Name:</b>                                                                                                                                                                                                                                                                                                                                                                                                        | OM_PgFill(cellid:CellID; msg:PG1_RQ_PDU)          |
| <b>Result Type:</b>                                                                                                                                                                                                                                                                                                                                                                                                           | BOOLEAN                                           |
| <b>Comments:</b>                                                                                                                                                                                                                                                                                                                                                                                                              | The result returned by the operation is not used. |
| <b>Description</b>                                                                                                                                                                                                                                                                                                                                                                                                            |                                                   |
| <p>OM_PgFill operation sets up the contents of paging filling frame to be sent on all paging subchannels continuously. If the contents of paging filling frame in cell 'cellid' have not been set up, the operation sets the contents to 'msg'. If paging filling frame in cell 'cellid' has been set up, the operation changes the paging filling message to 'msg'. After the required action has been taken it returns.</p> |                                                   |
| <b>Detailed Comments:</b>                                                                                                                                                                                                                                                                                                                                                                                                     |                                                   |

| <b>Test Suite Operation Definition</b>                                                                                                                                                                          |                                                                                                                   |
|-----------------------------------------------------------------------------------------------------------------------------------------------------------------------------------------------------------------|-------------------------------------------------------------------------------------------------------------------|
| <b>Operation Name:</b>                                                                                                                                                                                          | OM_Reactivate(ch1, ch2:LOGICCH)                                                                                   |
| <b>Result Type:</b>                                                                                                                                                                                             | BOOLEAN                                                                                                           |
| <b>Comments:</b>                                                                                                                                                                                                |                                                                                                                   |
| <b>Description</b>                                                                                                                                                                                              |                                                                                                                   |
| The TSO OM_Reactivate reactivates the logical channels 'ch1' and 'ch2' which were previously deactivated by the OM_Deactivate. Then the TSO returns TRUE. The ch1 is an SDCCH, the ch2 is the associated SACCH. |                                                                                                                   |
| Reactivation of deactivated SDCCH/SACCH channels means to restart normal transmissions both on the SDCCH and the associated SACCH as specified in the ETS 300 574 (GSM 05.02).                                  |                                                                                                                   |
| <b>Detailed Comments:</b>                                                                                                                                                                                       | The TSO is called in TC_26_7_3_2, TC_26_7_4_3_2, TC_26_7_4_3_3, TC_26_7_4_3_4 on the SDCCH/4 / SACCH/C4 channels. |

| <b>Test Suite Operation Definition</b>                                                                                        |                         |
|-------------------------------------------------------------------------------------------------------------------------------|-------------------------|
| <b>Operation Name:</b>                                                                                                        | OM_ReturnFn(ch:LOGICCH) |
| <b>Result Type:</b>                                                                                                           | FN                      |
| <b>Comments:</b>                                                                                                              |                         |
| <b>Description</b>                                                                                                            |                         |
| OM_ReturnFn operation returns the frame number (FN modulo 42432) on which the last L3 message was sent on logic channel 'ch'. |                         |
| <b>Detailed Comments:</b>                                                                                                     |                         |

| <b>Test Suite Operation Definition</b>                                                                                                                                                              |                                                     |
|-----------------------------------------------------------------------------------------------------------------------------------------------------------------------------------------------------|-----------------------------------------------------|
| <b>Operation Name:</b>                                                                                                                                                                              | OM_ResumUAforDISC(ch:LOGICCH)                       |
| <b>Result Type:</b>                                                                                                                                                                                 | BOOLEAN                                             |
| <b>Comments:</b>                                                                                                                                                                                    |                                                     |
| <b>Description</b>                                                                                                                                                                                  |                                                     |
| OM_NoUAforDISC and OM_ResumUAforDISC are a pair of TSOs. OM_NoUAforDISC forces the L2 emulator to enter a specific mode. OM_ResumUAforDISC resumes the L2 emulator to a normal L2 operational mode. |                                                     |
| OM_ResumeUAforDISC cancels the effect of OM_NoUAforDISC, returning L2 on the channel 'ch' to normal operation in the multiple-frame established state.                                              |                                                     |
| Then the TSO returns TRUE.                                                                                                                                                                          |                                                     |
| <b>Detailed Comments:</b>                                                                                                                                                                           | The TSO is called in TC_26_6_12_2 and TC_26_6_12_4. |

| <b>Test Suite Operation Definition</b>                                                                                                                                                                                                           |                                                   |
|--------------------------------------------------------------------------------------------------------------------------------------------------------------------------------------------------------------------------------------------------|---------------------------------------------------|
| <b>Operation Name:</b>                                                                                                                                                                                                                           | OM_SendSMSCBWhilePaging(ch:LOGICCH)               |
| <b>Result Type:</b>                                                                                                                                                                                                                              | BOOLEAN                                           |
| <b>Comments:</b>                                                                                                                                                                                                                                 | The result returned by the operation is not used. |
| <b>Description</b>                                                                                                                                                                                                                               |                                                   |
| The TSO makes the lower layers send the second SMSCB message at the same time as the MS is paged.                                                                                                                                                |                                                   |
| This shall be achieved by paging the MS immediately after the first block of the CB message has been sent. The SS shall ensure that the page is transmitted on the radio interface prior to the transmission of the 4th block of the CB message. |                                                   |
| <b>Detailed Comments:</b>                                                                                                                                                                                                                        |                                                   |

| <b>Test Suite Operation Definition</b>                                                                                                                                                                                                                                                                                      |                                  |
|-----------------------------------------------------------------------------------------------------------------------------------------------------------------------------------------------------------------------------------------------------------------------------------------------------------------------------|----------------------------------|
| <b>Operation Name:</b>                                                                                                                                                                                                                                                                                                      | OM_SendNextOn(ch:LOGICCH; fn:FN) |
| <b>Result Type:</b>                                                                                                                                                                                                                                                                                                         | BOOLEAN                          |
| <b>Comments:</b>                                                                                                                                                                                                                                                                                                            |                                  |
| <b>Description</b>                                                                                                                                                                                                                                                                                                          |                                  |
| OM_SendNextOn operation sets the lower layer emulator into a special operation mode then returns. In the special mode the lower layer emulator sends the next L3 message on the indicated frame number 'fn' on the 'ch' channel. After the next L3 message is sent, the lower layer resumes normal operation automatically. |                                  |
| <b>Detailed Comments:</b>                                                                                                                                                                                                                                                                                                   |                                  |

| <b>Test Suite Operation Definition</b>                                                                                                                                                                                                                                                                                                                                                                             |                                          |
|--------------------------------------------------------------------------------------------------------------------------------------------------------------------------------------------------------------------------------------------------------------------------------------------------------------------------------------------------------------------------------------------------------------------|------------------------------------------|
| <b>Operation Name:</b>                                                                                                                                                                                                                                                                                                                                                                                             | OM_SendNextOnHO(ch:LOGICCH; cnt:INTEGER) |
| <b>Result Type:</b>                                                                                                                                                                                                                                                                                                                                                                                                | BOOLEAN                                  |
| <b>Comments:</b>                                                                                                                                                                                                                                                                                                                                                                                                   | Used in non-synchronised handover tests  |
| <b>Description</b>                                                                                                                                                                                                                                                                                                                                                                                                 |                                          |
| OM_SendNextOnHO operation sets the lower layer emulator into a special operation mode then returns. In the special mode the lower layer emulator waits for the number of Handover bursts specified by the parameter 'cnt' on channel 'ch' before sending the next L3 message. After the message is sent, the lower layer resumes normal operation automatically. The TSO does not affect any TTCN receiving event. |                                          |
| <b>Detailed Comments:</b>                                                                                                                                                                                                                                                                                                                                                                                          |                                          |

| <b>Test Suite Operation Definition</b>                                                                                                                                                                                                                                                                                                                                                                                                                                                             |                                                   |
|----------------------------------------------------------------------------------------------------------------------------------------------------------------------------------------------------------------------------------------------------------------------------------------------------------------------------------------------------------------------------------------------------------------------------------------------------------------------------------------------------|---------------------------------------------------|
| <b>Operation Name:</b>                                                                                                                                                                                                                                                                                                                                                                                                                                                                             | OM_StartMsrReport(ch:LOGICCH)                     |
| <b>Result Type:</b>                                                                                                                                                                                                                                                                                                                                                                                                                                                                                | BOOLEAN                                           |
| <b>Comments:</b>                                                                                                                                                                                                                                                                                                                                                                                                                                                                                   | The result returned by the operation is not used. |
| <b>Description</b>                                                                                                                                                                                                                                                                                                                                                                                                                                                                                 |                                                   |
| The operation starts the reporting of received MEASUREMENT REPORT message to layer 3 emulator, then it returns with value TRUE.<br>Measurement Reports shall be disable by default. By default means that the tester filters them out from the TTCN in-buffer. This operation enables the reports entering the TTCN in-buffer. The OM_StopMsrReport operation disables the reports entering the TTCN in-buffer. When starting each test case, the measurement reports are filtered out by default. |                                                   |
| <b>Detailed Comments:</b>                                                                                                                                                                                                                                                                                                                                                                                                                                                                          |                                                   |

| <b>Test Suite Operation Definition</b>                                                                                                                                                                                                                                                                                                                                    |                                                                               |
|---------------------------------------------------------------------------------------------------------------------------------------------------------------------------------------------------------------------------------------------------------------------------------------------------------------------------------------------------------------------------|-------------------------------------------------------------------------------|
| <b>Operation Name:</b>                                                                                                                                                                                                                                                                                                                                                    | OM_StopAllBCCH(cell1, cell2, cell3, cell4, cell5, cell6, cell7, cell8:CellID) |
| <b>Result Type:</b>                                                                                                                                                                                                                                                                                                                                                       | BOOLEAN                                                                       |
| <b>Comments:</b>                                                                                                                                                                                                                                                                                                                                                          | The result returned by the operation is not used.                             |
| <b>Description</b>                                                                                                                                                                                                                                                                                                                                                        |                                                                               |
| The TSO stops the RF transmission on all BCCH channels including dummy bursts in the indicated cells, but keeps the uplink CCCH reception active. After all transmission have been stopped the TSO returns TRUE.<br>If a cell in the parameter list is not in use a "dummy" value needs to be assigned to it by the calling test case.<br>The TSO is called in TC_26_3_3. |                                                                               |
| <b>Detailed Comments:</b>                                                                                                                                                                                                                                                                                                                                                 |                                                                               |

| <b>Test Suite Operation Definition</b>                                                                                                                                                                                                                                                                                                                                                                                                                                |                                                   |
|-----------------------------------------------------------------------------------------------------------------------------------------------------------------------------------------------------------------------------------------------------------------------------------------------------------------------------------------------------------------------------------------------------------------------------------------------------------------------|---------------------------------------------------|
| <b>Operation Name:</b>                                                                                                                                                                                                                                                                                                                                                                                                                                                | OM_StopCell(cell:CellID)                          |
| <b>Result Type:</b>                                                                                                                                                                                                                                                                                                                                                                                                                                                   | BOOLEAN                                           |
| <b>Comments:</b>                                                                                                                                                                                                                                                                                                                                                                                                                                                      | The result returned by the operation is not used. |
| <b>Description</b>                                                                                                                                                                                                                                                                                                                                                                                                                                                    |                                                   |
| The TSO stops completely all RF transmission of the specific cell `cell`, including the dummy bursts on other slots. After all RF transmission have been stopped the TSO returns TRUE.<br>The cell shall be deleted from the lower layer tester and therefore if the cell 'cell' is required again by the calling test case it needs to be re-configured.<br>The TSO is called in TC_26_3_4, TC_26_6_6_1, TC_26_7_4_2_2_1, TC_26_7_4_2_2_2, TC_26_7_4_6, TC_31_6_2_3. |                                                   |
| <b>Detailed Comments:</b>                                                                                                                                                                                                                                                                                                                                                                                                                                             |                                                   |

| <b>Test Suite Operation Definition</b>                                                                                                                                                                                                                                                                                                                           |                                                   |
|------------------------------------------------------------------------------------------------------------------------------------------------------------------------------------------------------------------------------------------------------------------------------------------------------------------------------------------------------------------|---------------------------------------------------|
| <b>Operation Name:</b>                                                                                                                                                                                                                                                                                                                                           | OM_StopMsrReport(ch:LOGICCH)                      |
| <b>Result Type:</b>                                                                                                                                                                                                                                                                                                                                              | BOOLEAN                                           |
| <b>Comments:</b>                                                                                                                                                                                                                                                                                                                                                 | The result returned by the operation is not used. |
| <b>Description</b>                                                                                                                                                                                                                                                                                                                                               |                                                   |
| The operation stops the reporting of received MEASUREMENT REPORT message to layer 3 emulator, after measurement report stops it returns with value TRUE.                                                                                                                                                                                                         |                                                   |
| Measurement Reports shall be disable by default. By default means that the tester filters them out from the TTCN in-buffer. This operation disables the reports entering the TTCN in-buffer. The OM_StartMsrReport operation enables the reports entering the TTCN in-buffer. When starting each test case, the measurement reports are filtered out by default. |                                                   |
| <b>Detailed Comments:</b>                                                                                                                                                                                                                                                                                                                                        |                                                   |

| <b>Test Suite Operation Definition</b>                                                                                                                                                                                                                                                                                                                    |                              |
|-----------------------------------------------------------------------------------------------------------------------------------------------------------------------------------------------------------------------------------------------------------------------------------------------------------------------------------------------------------|------------------------------|
| <b>Operation Name:</b>                                                                                                                                                                                                                                                                                                                                    | OO_ACMIncCHK(para:IA5String) |
| <b>Result Type:</b>                                                                                                                                                                                                                                                                                                                                       | BOOLEAN                      |
| <b>Comments:</b>                                                                                                                                                                                                                                                                                                                                          |                              |
| <b>Description</b>                                                                                                                                                                                                                                                                                                                                        |                              |
| the OO_ACMIncCHK operation requests (e.g. from the control console of the test system) the test operator to read the value of ACM on SIM and check the increment of the value. Then the operator informs the test system whether the increment is as description `para`, if it is as the description the operation returns TRUE, otherwise returns FALSE. |                              |
| The value of ACM can be read either via MMI or by removing the SIM and using SIM reader.                                                                                                                                                                                                                                                                  |                              |
| <b>Detailed Comments:</b>                                                                                                                                                                                                                                                                                                                                 |                              |

| <b>Test Suite Operation Definition</b>                                                                                                                                                                                                                                |               |
|-----------------------------------------------------------------------------------------------------------------------------------------------------------------------------------------------------------------------------------------------------------------------|---------------|
| <b>Operation Name:</b>                                                                                                                                                                                                                                                | OO_ACMReading |
| <b>Result Type:</b>                                                                                                                                                                                                                                                   | BOOLEAN       |
| <b>Comments:</b>                                                                                                                                                                                                                                                      |               |
| <b>Description</b>                                                                                                                                                                                                                                                    |               |
| the OO_ACMReading operation requests (e.g. from the control console of the test system) the test operator to read and note the value of ACM on SIM. After the operator finishes the action, he informs the test system and the operation returns with the value TRUE. |               |
| The value of ACM can be read either via MMI or by removing the SIM and using SIM reader.                                                                                                                                                                              |               |
| <b>Detailed Comments:</b>                                                                                                                                                                                                                                             |               |

| <b>Test Suite Operation Definition</b>                                                                                                                                                                                                                |               |
|-------------------------------------------------------------------------------------------------------------------------------------------------------------------------------------------------------------------------------------------------------|---------------|
| <b>Operation Name:</b>                                                                                                                                                                                                                                | OO_ACMSetting |
| <b>Result Type:</b>                                                                                                                                                                                                                                   | BOOLEAN       |
| <b>Comments:</b>                                                                                                                                                                                                                                      |               |
| <b>Description</b>                                                                                                                                                                                                                                    |               |
| the OO_ACMSetting operation requests (e.g. from the control console of the test system) the test operator to reset the ACM to zero and set the ACMmax to 2 units. After the operator finishes the action and informs the test system it returns TRUE. |               |
| <b>Detailed Comments:</b>                                                                                                                                                                                                                             |               |

| <b>Test Suite Operation Definition</b>                                                                                                                    |              |
|-----------------------------------------------------------------------------------------------------------------------------------------------------------|--------------|
| <b>Operation Name:</b>                                                                                                                                    | OO_AddPwrAmp |
| <b>Result Type:</b>                                                                                                                                       | BOOLEAN      |
| <b>Comments:</b>                                                                                                                                          |              |
| <b>Description</b>                                                                                                                                        |              |
| This operation requests (e.g. from the control console of the test system) the test operator to add power amplification at the Mobile Station under test. |              |
| After the operator finishes the action, he informs the test system and the operation returns with the value TRUE.                                         |              |
| <b>Detailed Comments:</b>                                                                                                                                 |              |

| Test Suite Operation Definition                                                                                                                                                                                                                                                                                                                                                                                                                 |              |
|-------------------------------------------------------------------------------------------------------------------------------------------------------------------------------------------------------------------------------------------------------------------------------------------------------------------------------------------------------------------------------------------------------------------------------------------------|--------------|
| <b>Operation Name:</b>                                                                                                                                                                                                                                                                                                                                                                                                                          | OO_AltIndCHK |
| <b>Result Type:</b>                                                                                                                                                                                                                                                                                                                                                                                                                             | BOOLEAN      |
| <b>Comments:</b>                                                                                                                                                                                                                                                                                                                                                                                                                                |              |
| Description                                                                                                                                                                                                                                                                                                                                                                                                                                     |              |
| This operation first requests (e.g. from the control console of the test system) the test operator to check whether the alerting indication is generated. If the operator informs (e.g. from the control console of the test system) the test system that the alerting indication is generated, the operation returns TRUE. If the operator informs the test system that the alerting indication is not generated, the operation returns FALSE. |              |
| <b>Detailed Comments:</b>                                                                                                                                                                                                                                                                                                                                                                                                                       |              |

| Test Suite Operation Definition                                                                                                                                                                                                                                                                                                                                                                                                               |                 |
|-----------------------------------------------------------------------------------------------------------------------------------------------------------------------------------------------------------------------------------------------------------------------------------------------------------------------------------------------------------------------------------------------------------------------------------------------|-----------------|
| <b>Operation Name:</b>                                                                                                                                                                                                                                                                                                                                                                                                                        | OO_CalledNumCHK |
| <b>Result Type:</b>                                                                                                                                                                                                                                                                                                                                                                                                                           | BOOLEAN         |
| <b>Comments:</b>                                                                                                                                                                                                                                                                                                                                                                                                                              |                 |
| Description                                                                                                                                                                                                                                                                                                                                                                                                                                   |                 |
| This operation first requests (e.g. from the control console of the test system) the test operator to check whether the called party number is correctly displayed on the mobile station. If the operator informs (e.g. from the control console of the test system) the test system that the display is correct, the operation returns TRUE. If the operator informs the test system that the display is wrong, the operation returns FALSE. |                 |
| <b>Detailed Comments:</b>                                                                                                                                                                                                                                                                                                                                                                                                                     |                 |

| Test Suite Operation Definition                                                                                                                                                                                                                                                                                                                                                                                                              |                              |
|----------------------------------------------------------------------------------------------------------------------------------------------------------------------------------------------------------------------------------------------------------------------------------------------------------------------------------------------------------------------------------------------------------------------------------------------|------------------------------|
| <b>Operation Name:</b>                                                                                                                                                                                                                                                                                                                                                                                                                       | OO_CalledPtyNumCHK(num:CDPN) |
| <b>Result Type:</b>                                                                                                                                                                                                                                                                                                                                                                                                                          | BOOLEAN                      |
| <b>Comments:</b>                                                                                                                                                                                                                                                                                                                                                                                                                             |                              |
| Description                                                                                                                                                                                                                                                                                                                                                                                                                                  |                              |
| This operation first requests (e.g. from the control console of the test system) the test operator to check whether the called party number `num` is the one that was entered into the MS. If the operator informs (e.g. from the control console of the test system) the test system that the number is correct, the operation returns TRUE. If the operator informs the test system that the number is wrong, the operation returns FALSE. |                              |
| <b>Detailed Comments:</b>                                                                                                                                                                                                                                                                                                                                                                                                                    |                              |

| Test Suite Operation Definition                                                                                                                                                                                                                                                                                                                                                                                                                     |                            |
|-----------------------------------------------------------------------------------------------------------------------------------------------------------------------------------------------------------------------------------------------------------------------------------------------------------------------------------------------------------------------------------------------------------------------------------------------------|----------------------------|
| <b>Operation Name:</b>                                                                                                                                                                                                                                                                                                                                                                                                                              | OO_CheckAllSMPresentBut4th |
| <b>Result Type:</b>                                                                                                                                                                                                                                                                                                                                                                                                                                 | BOOLEAN                    |
| <b>Comments:</b>                                                                                                                                                                                                                                                                                                                                                                                                                                    |                            |
| Description                                                                                                                                                                                                                                                                                                                                                                                                                                         |                            |
| This operation requests (e.g. from the control console of the test system) the test operator to check if the mobile station under test has stored all short messages during the test case but not the 4th one which should have been replaced by the 5th(cf. GSM 11.10, clause 34.2.7.4). The messages are displayed. Then the operation returns.<br>TRUE: All SM present but not the 4th<br>FALSE: 4th SM present or 1st, 2nd, 3rd or 5th missing. |                            |
| <b>Detailed Comments:</b>                                                                                                                                                                                                                                                                                                                                                                                                                           |                            |

| Test Suite Operation Definition                                                                                                                                                                                                                                                                                                                                                                                                                                                                                                                                                   |                                                              |
|-----------------------------------------------------------------------------------------------------------------------------------------------------------------------------------------------------------------------------------------------------------------------------------------------------------------------------------------------------------------------------------------------------------------------------------------------------------------------------------------------------------------------------------------------------------------------------------|--------------------------------------------------------------|
| <b>Operation Name:</b>                                                                                                                                                                                                                                                                                                                                                                                                                                                                                                                                                            | OO_CheckCBSMReceived(NumbOfIA5chara: INTEGER; msg:SMSCBpack) |
| <b>Result Type:</b>                                                                                                                                                                                                                                                                                                                                                                                                                                                                                                                                                               | BOOLEAN                                                      |
| <b>Comments:</b>                                                                                                                                                                                                                                                                                                                                                                                                                                                                                                                                                                  |                                                              |
| Description                                                                                                                                                                                                                                                                                                                                                                                                                                                                                                                                                                       |                                                              |
| This operation requests (e.g. from the control console of the test system) the test operator to check whether the MS under test has correctly received the cell broadcast short message represented by 'msg'. Then the TSO returns<br>TRUE: if the CBSM has been correctly received,<br>FALSE: if non or an incorrect CBSM has been received.<br>The TSO needs to convert the 'msg' into IA5 string according to the packing character rules specified in the section 6.1.2 of ETS 300 628 (GSM 03.38). The 'NumbOfIA5chara' indicates the number of IA5 characters in the 'msg'. |                                                              |
| <b>Detailed Comments:</b>                                                                                                                                                                                                                                                                                                                                                                                                                                                                                                                                                         |                                                              |

| <b>Test Suite Operation Definition</b>                                                                                                                                                                                                                                                                          |                    |
|-----------------------------------------------------------------------------------------------------------------------------------------------------------------------------------------------------------------------------------------------------------------------------------------------------------------|--------------------|
| <b>Operation Name:</b>                                                                                                                                                                                                                                                                                          | OO_CheckMCEFOOnSIM |
| <b>Result Type:</b>                                                                                                                                                                                                                                                                                             | BOOLEAN            |
| <b>Comments:</b>                                                                                                                                                                                                                                                                                                |                    |
| <b>Description</b>                                                                                                                                                                                                                                                                                              |                    |
| This operation requests (e.g. from the control console of the test system) the test operator to check if the Memory Capacity Exceeded Flag has been set on the SIM simulator and to inform the test system of the result of the checking. If the checking succeeds the operation returns TRUE, FALSE otherwise. |                    |
| <b>Detailed Comments:</b>                                                                                                                                                                                                                                                                                       |                    |

| <b>Test Suite Operation Definition</b>                                                                                                                                                                                                                                                                            |                         |
|-------------------------------------------------------------------------------------------------------------------------------------------------------------------------------------------------------------------------------------------------------------------------------------------------------------------|-------------------------|
| <b>Operation Name:</b>                                                                                                                                                                                                                                                                                            | OO_CheckMCEFOOnSIMUnset |
| <b>Result Type:</b>                                                                                                                                                                                                                                                                                               | BOOLEAN                 |
| <b>Comments:</b>                                                                                                                                                                                                                                                                                                  |                         |
| <b>Description</b>                                                                                                                                                                                                                                                                                                |                         |
| This operation requests (e.g. from the control console of the test system) the test operator to check if the Memory Capacity Exceeded Flag has been unset on the SIM simulator and to inform the test system of the result of the checking. If the checking succeeds the operation returns TRUE, FALSE otherwise. |                         |
| <b>Detailed Comments:</b>                                                                                                                                                                                                                                                                                         |                         |

| <b>Test Suite Operation Definition</b>                                                                                                                                                                                                                                                                                                                                                                                                                                                                                                                                                                                                                                                                                                                  |                                                                   |
|---------------------------------------------------------------------------------------------------------------------------------------------------------------------------------------------------------------------------------------------------------------------------------------------------------------------------------------------------------------------------------------------------------------------------------------------------------------------------------------------------------------------------------------------------------------------------------------------------------------------------------------------------------------------------------------------------------------------------------------------------------|-------------------------------------------------------------------|
| <b>Operation Name:</b>                                                                                                                                                                                                                                                                                                                                                                                                                                                                                                                                                                                                                                                                                                                                  | OO_CheckMessageDisplayed(NumbOfIA5chara:INTEGER; msg:OCTETSTRING) |
| <b>Result Type:</b>                                                                                                                                                                                                                                                                                                                                                                                                                                                                                                                                                                                                                                                                                                                                     | BOOLEAN                                                           |
| <b>Comments:</b>                                                                                                                                                                                                                                                                                                                                                                                                                                                                                                                                                                                                                                                                                                                                        |                                                                   |
| <b>Description</b>                                                                                                                                                                                                                                                                                                                                                                                                                                                                                                                                                                                                                                                                                                                                      |                                                                   |
| This operation requests (e.g. from the control console of the test system) the test operator to check if the mobile station under test indicates that an SM has arrived. If the MS provides the functionality to display MT messages, it is checked that the message contents represented by 'msg' is correctly displayed. Then the operation returns<br>TRUE: if the MS indicates SM reception (and displays correct message),<br>FALSE: if the MS does not indicate SM reception (or displays incorrect message).<br>The TSO needs to convert the 'msg' into IA5 string according to the packing character rules specified in the section 6.1.2 of ETS 300 628 (GSM 03.38). The 'NumbOfIA5chara' indicates the number of IA5 characters in the 'msg'. |                                                                   |
| <b>Detailed Comments:</b>                                                                                                                                                                                                                                                                                                                                                                                                                                                                                                                                                                                                                                                                                                                               |                                                                   |

| <b>Test Suite Operation Definition</b>                                                                                                                                                                                                                                                                   |                                              |
|----------------------------------------------------------------------------------------------------------------------------------------------------------------------------------------------------------------------------------------------------------------------------------------------------------|----------------------------------------------|
| <b>Operation Name:</b>                                                                                                                                                                                                                                                                                   | OO_CheckUssdStringDisplayed(strg: IA5String) |
| <b>Result Type:</b>                                                                                                                                                                                                                                                                                      | BOOLEAN                                      |
| <b>Comments:</b>                                                                                                                                                                                                                                                                                         |                                              |
| <b>Description</b>                                                                                                                                                                                                                                                                                       |                                              |
| This operation requests (e.g. from the control console of the test system) the test operator to check if the mobile station under test displays the Ussd String 'strg'. Then the operation returns.<br>TRUE: MS displays the correct Ussd String.<br>FALSE: MS does not display the correct Ussd String. |                                              |
| <b>Detailed Comments:</b>                                                                                                                                                                                                                                                                                |                                              |

| <b>Test Suite Operation Definition</b>                                                                                                                                                                                                                                                                                                                                                                                    |                        |
|---------------------------------------------------------------------------------------------------------------------------------------------------------------------------------------------------------------------------------------------------------------------------------------------------------------------------------------------------------------------------------------------------------------------------|------------------------|
| <b>Operation Name:</b>                                                                                                                                                                                                                                                                                                                                                                                                    | OO_ConnectSIMSimulator |
| <b>Result Type:</b>                                                                                                                                                                                                                                                                                                                                                                                                       | BOOLEAN                |
| <b>Comments:</b>                                                                                                                                                                                                                                                                                                                                                                                                          |                        |
| <b>Description</b>                                                                                                                                                                                                                                                                                                                                                                                                        |                        |
| This operation requests (e.g. from the control console of the test system) the test operator to connect the SIM simulator to the mobile station under test.<br>For the contents of the SIM simulator the operator refers to the initial conditions of the test case acc. GSM 11.10, clause 34.2.3.3.<br>After the operator finishes the action, he informs the test system and the operation returns with the value TRUE. |                        |
| <b>Detailed Comments:</b>                                                                                                                                                                                                                                                                                                                                                                                                 |                        |



| <b>Test Suite Operation Definition</b>                                                                                                                             |                  |
|--------------------------------------------------------------------------------------------------------------------------------------------------------------------|------------------|
| <b>Operation Name:</b>                                                                                                                                             | OO_DepressEndKey |
| <b>Result Type:</b>                                                                                                                                                | BOOLEAN          |
| <b>Comments:</b>                                                                                                                                                   |                  |
| <b>Description</b>                                                                                                                                                 |                  |
| This operation requests (e.g. from the control console of the test system) the test operator to depress the 'END' key of the Mobile Stations keypad, then returns. |                  |
| <b>Detailed Comments:</b>                                                                                                                                          |                  |

| <b>Test Suite Operation Definition</b>                                                                                                                                                                                                                                                                                                              |                  |
|-----------------------------------------------------------------------------------------------------------------------------------------------------------------------------------------------------------------------------------------------------------------------------------------------------------------------------------------------------|------------------|
| <b>Operation Name:</b>                                                                                                                                                                                                                                                                                                                              | OO_DialCalledNum |
| <b>Result Type:</b>                                                                                                                                                                                                                                                                                                                                 | BOOLEAN          |
| <b>Comments:</b>                                                                                                                                                                                                                                                                                                                                    |                  |
| <b>Description</b>                                                                                                                                                                                                                                                                                                                                  |                  |
| This operation requests (e.g. from the control console of the test system) the test operator to dial the called party number at the Mobile Station under test but not press the "SEND" key (i.e. not initiate the call setup).<br>After the operator finishes the action, he informs the test system and the operation returns with the value TRUE. |                  |
| <b>Detailed Comments:</b>                                                                                                                                                                                                                                                                                                                           |                  |

| <b>Test Suite Operation Definition</b>                                                                                                                                                                                                                                                                                                                                                                                                                                                                                                                                                                                                                                                                                                                     |                                                                        |
|------------------------------------------------------------------------------------------------------------------------------------------------------------------------------------------------------------------------------------------------------------------------------------------------------------------------------------------------------------------------------------------------------------------------------------------------------------------------------------------------------------------------------------------------------------------------------------------------------------------------------------------------------------------------------------------------------------------------------------------------------------|------------------------------------------------------------------------|
| <b>Operation Name:</b>                                                                                                                                                                                                                                                                                                                                                                                                                                                                                                                                                                                                                                                                                                                                     | OO_DisplaySMAndSendReplySM(n, NumOfIA5chara: INTEGER; msg:OCTETSTRING) |
| <b>Result Type:</b>                                                                                                                                                                                                                                                                                                                                                                                                                                                                                                                                                                                                                                                                                                                                        | OCTETSTRING                                                            |
| <b>Comments:</b>                                                                                                                                                                                                                                                                                                                                                                                                                                                                                                                                                                                                                                                                                                                                           |                                                                        |
| <b>Description</b>                                                                                                                                                                                                                                                                                                                                                                                                                                                                                                                                                                                                                                                                                                                                         |                                                                        |
| This operation requests (e.g. from the control console of the test system) the test operator to display the 'n'-th short message received in the arriving order and to check whether the short message contents represented by 'msg' is correctly displayed.<br>Then the TSO asks the operator to send a reply short message from the mobile.<br>After the operator finishes the action, the operation returns with the message contents sent in OCTETSTRING.<br>The TSO needs to convert the 'msg' into IA5 string and the IA5 text entered by the operator into OCTETSTRING according to the packing character rules specified in the section 6.1.2 of ETS 300 628 (GSM 03.38). The 'NumOfIA5chara' indicates the number of IA5 characters in the 'msg'. |                                                                        |
| <b>Detailed Comments:</b>                                                                                                                                                                                                                                                                                                                                                                                                                                                                                                                                                                                                                                                                                                                                  |                                                                        |

| <b>Test Suite Operation Definition</b>                                                                                                                                                                                                                                                                                                                                                                                                                                   |                                    |
|--------------------------------------------------------------------------------------------------------------------------------------------------------------------------------------------------------------------------------------------------------------------------------------------------------------------------------------------------------------------------------------------------------------------------------------------------------------------------|------------------------------------|
| <b>Operation Name:</b>                                                                                                                                                                                                                                                                                                                                                                                                                                                   | OO_DTMFIndCHK(character:IA5String) |
| <b>Result Type:</b>                                                                                                                                                                                                                                                                                                                                                                                                                                                      | BOOLEAN                            |
| <b>Comments:</b>                                                                                                                                                                                                                                                                                                                                                                                                                                                         |                                    |
| <b>Description</b>                                                                                                                                                                                                                                                                                                                                                                                                                                                       |                                    |
| This operation first requests (e.g. from the control console of the test system) the test operator to check whether the `character` is indicated by the DTMF indicator of the MS. If the operator informs (e.g. from the control console of the test system) the test system that the MS does not give the indication of `character`, the operation returns FALSE. If the operator informs the test system that the MS gives the indication, the operation returns TRUE. |                                    |
| <b>Detailed Comments:</b>                                                                                                                                                                                                                                                                                                                                                                                                                                                |                                    |

| <b>Test Suite Operation Definition</b>                                                                                                                                                                                                                                           |                        |
|----------------------------------------------------------------------------------------------------------------------------------------------------------------------------------------------------------------------------------------------------------------------------------|------------------------|
| <b>Operation Name:</b>                                                                                                                                                                                                                                                           | OO_EmptyMessageStorage |
| <b>Result Type:</b>                                                                                                                                                                                                                                                              | BOOLEAN                |
| <b>Comments:</b>                                                                                                                                                                                                                                                                 |                        |
| <b>Description</b>                                                                                                                                                                                                                                                               |                        |
| This operation requests (e.g. from the control console of the test system) the test operator to empty the message storage of the mobile station under test.<br>After the operator finishes the action, he informs the test system and the operation returns with the value TRUE. |                        |
| <b>Detailed Comments:</b>                                                                                                                                                                                                                                                        |                        |

| <b>Test Suite Operation Definition</b>                                                                                                                                                                                                                                                                                                            |                              |
|---------------------------------------------------------------------------------------------------------------------------------------------------------------------------------------------------------------------------------------------------------------------------------------------------------------------------------------------------|------------------------------|
| <b>Operation Name:</b>                                                                                                                                                                                                                                                                                                                            | OO_EnterPswd(pswd:IA5String) |
| <b>Result Type:</b>                                                                                                                                                                                                                                                                                                                               | BOOLEAN                      |
| <b>Comments:</b>                                                                                                                                                                                                                                                                                                                                  |                              |
| <b>Description</b>                                                                                                                                                                                                                                                                                                                                |                              |
| This TSO displays a message on the control console to inform the operator that he is to enter a given password (the actual password is given by 'pswd') on the mobile. The operation waits for the operator to acknowledge the request, which may be done before or after entering the password into the mobile, and then returns the value TRUE. |                              |
| <b>Detailed Comments:</b>                                                                                                                                                                                                                                                                                                                         |                              |

| <b>Test Suite Operation Definition</b>                                                                                                                               |            |
|----------------------------------------------------------------------------------------------------------------------------------------------------------------------|------------|
| <b>Operation Name:</b>                                                                                                                                               | OO_HookOff |
| <b>Result Type:</b>                                                                                                                                                  | BOOLEAN    |
| <b>Comments:</b>                                                                                                                                                     |            |
| <b>Description</b>                                                                                                                                                   |            |
| This operation requests (e.g. from the control console of the test system) the test operator to answer the mobile terminating call at the Mobile Station under test. |            |
| This operation waits for the operator to acknowledge the request which may be done before or after the call has been answered and then returns the value TRUE.       |            |
| <b>Detailed Comments:</b>                                                                                                                                            |            |

| <b>Test Suite Operation Definition</b>                                                                                                                                                                                                                                                                                                                                                                                                                                                                                                  |                        |
|-----------------------------------------------------------------------------------------------------------------------------------------------------------------------------------------------------------------------------------------------------------------------------------------------------------------------------------------------------------------------------------------------------------------------------------------------------------------------------------------------------------------------------------------|------------------------|
| <b>Operation Name:</b>                                                                                                                                                                                                                                                                                                                                                                                                                                                                                                                  | OO_IFsetup_Telephony   |
| <b>Result Type:</b>                                                                                                                                                                                                                                                                                                                                                                                                                                                                                                                     | BOOLEAN                |
| <b>Comments:</b>                                                                                                                                                                                                                                                                                                                                                                                                                                                                                                                        |                        |
| <b>Description</b>                                                                                                                                                                                                                                                                                                                                                                                                                                                                                                                      |                        |
| This TSO requests (e.g. from the control console of the test system) the test operator to setup the external interface, or configuration of the MS in such a way that the MS is able to successfully receive the call for telephony service. If the MS supports both telephony without immediate connection mode and telephony with immediate connection mode, set the MS in telephony without immediate connection mode. After the operator finishes the required action and informs the test system, the TSO returns with value TRUE. |                        |
| This TSO is used in MO call test cases except TC_11_2, where this TSO is call for single-numbering scheme MT testing.                                                                                                                                                                                                                                                                                                                                                                                                                   |                        |
| <b>Detailed Comments:</b>                                                                                                                                                                                                                                                                                                                                                                                                                                                                                                               | used for TS11 and TS12 |

| <b>Test Suite Operation Definition</b>                                                                                                                                                                                                                                                                                                                                                                                                                                                                                                                                                                                                                                                                                                                                                                                                                                                                                                                                                                                                                                                                                                                                                                                                                                                                                                                                                                                                                                                                                                                                                                                                                                                                                                                                                                                                                                                                                                                                                                                                                                                                                                                                                                                                                                                                                                                                                                                                                                                                                              |                                                                               |
|-------------------------------------------------------------------------------------------------------------------------------------------------------------------------------------------------------------------------------------------------------------------------------------------------------------------------------------------------------------------------------------------------------------------------------------------------------------------------------------------------------------------------------------------------------------------------------------------------------------------------------------------------------------------------------------------------------------------------------------------------------------------------------------------------------------------------------------------------------------------------------------------------------------------------------------------------------------------------------------------------------------------------------------------------------------------------------------------------------------------------------------------------------------------------------------------------------------------------------------------------------------------------------------------------------------------------------------------------------------------------------------------------------------------------------------------------------------------------------------------------------------------------------------------------------------------------------------------------------------------------------------------------------------------------------------------------------------------------------------------------------------------------------------------------------------------------------------------------------------------------------------------------------------------------------------------------------------------------------------------------------------------------------------------------------------------------------------------------------------------------------------------------------------------------------------------------------------------------------------------------------------------------------------------------------------------------------------------------------------------------------------------------------------------------------------------------------------------------------------------------------------------------------------|-------------------------------------------------------------------------------|
| <b>Operation Name:</b>                                                                                                                                                                                                                                                                                                                                                                                                                                                                                                                                                                                                                                                                                                                                                                                                                                                                                                                                                                                                                                                                                                                                                                                                                                                                                                                                                                                                                                                                                                                                                                                                                                                                                                                                                                                                                                                                                                                                                                                                                                                                                                                                                                                                                                                                                                                                                                                                                                                                                                              | OO_IFsetup_BS2xorBS3x_MO(srv:SERVICES; itc, sacp:B_3; ce:B_2; rate:IA5String) |
| <b>Result Type:</b>                                                                                                                                                                                                                                                                                                                                                                                                                                                                                                                                                                                                                                                                                                                                                                                                                                                                                                                                                                                                                                                                                                                                                                                                                                                                                                                                                                                                                                                                                                                                                                                                                                                                                                                                                                                                                                                                                                                                                                                                                                                                                                                                                                                                                                                                                                                                                                                                                                                                                                                 | BOOLEAN                                                                       |
| <b>Comments:</b>                                                                                                                                                                                                                                                                                                                                                                                                                                                                                                                                                                                                                                                                                                                                                                                                                                                                                                                                                                                                                                                                                                                                                                                                                                                                                                                                                                                                                                                                                                                                                                                                                                                                                                                                                                                                                                                                                                                                                                                                                                                                                                                                                                                                                                                                                                                                                                                                                                                                                                                    |                                                                               |
| <b>Description</b>                                                                                                                                                                                                                                                                                                                                                                                                                                                                                                                                                                                                                                                                                                                                                                                                                                                                                                                                                                                                                                                                                                                                                                                                                                                                                                                                                                                                                                                                                                                                                                                                                                                                                                                                                                                                                                                                                                                                                                                                                                                                                                                                                                                                                                                                                                                                                                                                                                                                                                                  |                                                                               |
| <p>This TSO requests (e.g. from the control console of the test system) the test operator to setup the external interface, or the MS configuration in such a way that the MS, when triggered, is able to initiate the call for the BS2x or BS3x service `srv` with the specified itc, sacp, ce values. After the operator finishes the required action and informs the test system, the TSO returns with value TRUE.</p> <p>This TSO is used in MO call test cases except TC_11_2, where this TSO is call for single-numbering scheme MT testing.</p> <p>Three negotiable parameters, number of stop bit, number of data bit, parity information, are asked as global IXIT paramters for all TE configurations. If necessary, the test operator refers to the manual provided by manufacturer to configure the MS.</p> <p>The possible values are:</p> <p>1) srv ----- basic service</p> <ul style="list-style-type: none"> <li>- C_Async300           Basic Service 21, Asynchronous 300 bps</li> <li>- C_Async1200         Basic Service 22, Asynchronous 1.2 kbps</li> <li>- C_Async120075       Basic Service 23, Asynchronous 1200/75 bps</li> <li>- C_Async2400         Basic Service 24, Asynchronous 2.4 kbps</li> <li>- C_Async4800         Basic Service 25, Asynchronous 4.8 kbps</li> <li>- C_Async9600         Basic Service 26, Asynchronous 9.6 kbps</li> <li>- C_Sync1200           Basic Service 31, Synchronous 1.2 kbps</li> <li>- C_Sync2400           Basic Service 32, Synchronous 2.4 kbps</li> <li>- C_Sync4800           Basic Service 33, Synchronous 4.8 kbps</li> <li>- C_Sync9600           Basic Service 34, Synchronous 9.6 kbps</li> </ul> <p>2) itc ----- information transfer capability</p> <ul style="list-style-type: none"> <li>- '001'B               unrestricted digital information</li> <li>- '010'B               3.1 kHz audio, ex PLMN</li> </ul> <p>3) sacp ----- signalling access protocol</p> <ul style="list-style-type: none"> <li>- '001'B               I.440/450</li> <li>- '010'B               X.21</li> <li>- '101'B               X.28 - non dedicated PAD</li> <li>- '110'B               X.32</li> </ul> <p>4) ce ----- connection element</p> <ul style="list-style-type: none"> <li>- '00'B                 transparent</li> <li>- '01'B                 non transparent</li> </ul> <p>5) rate ----- channel rate</p> <ul style="list-style-type: none"> <li>- C_Full                full rate channel</li> <li>- C_Half                half rate channel</li> </ul> |                                                                               |
| <b>Detailed Comments:</b>                                                                                                                                                                                                                                                                                                                                                                                                                                                                                                                                                                                                                                                                                                                                                                                                                                                                                                                                                                                                                                                                                                                                                                                                                                                                                                                                                                                                                                                                                                                                                                                                                                                                                                                                                                                                                                                                                                                                                                                                                                                                                                                                                                                                                                                                                                                                                                                                                                                                                                           | Used for BS21, BS22, BS23, BS24, BS25, BS26, BS31, BS32, BS33, BS34           |

| <b>Test Suite Operation Definition</b>                                                                                                                                                                                                                                                                                                                                                                                                                                                                                                                                                                                                                                                                                                                                                                                                                                                                                                                                                                                                                                                                                                                                                                                                                                                                                                                                                                                                                                                                                                                                 |                                                          |
|------------------------------------------------------------------------------------------------------------------------------------------------------------------------------------------------------------------------------------------------------------------------------------------------------------------------------------------------------------------------------------------------------------------------------------------------------------------------------------------------------------------------------------------------------------------------------------------------------------------------------------------------------------------------------------------------------------------------------------------------------------------------------------------------------------------------------------------------------------------------------------------------------------------------------------------------------------------------------------------------------------------------------------------------------------------------------------------------------------------------------------------------------------------------------------------------------------------------------------------------------------------------------------------------------------------------------------------------------------------------------------------------------------------------------------------------------------------------------------------------------------------------------------------------------------------------|----------------------------------------------------------|
| <b>Operation Name:</b>                                                                                                                                                                                                                                                                                                                                                                                                                                                                                                                                                                                                                                                                                                                                                                                                                                                                                                                                                                                                                                                                                                                                                                                                                                                                                                                                                                                                                                                                                                                                                 | OO_IFsetup_BS4x_MO(srv:SERVICES; ce:B_2; rate:IA5String) |
| <b>Result Type:</b>                                                                                                                                                                                                                                                                                                                                                                                                                                                                                                                                                                                                                                                                                                                                                                                                                                                                                                                                                                                                                                                                                                                                                                                                                                                                                                                                                                                                                                                                                                                                                    | BOOLEAN                                                  |
| <b>Comments:</b>                                                                                                                                                                                                                                                                                                                                                                                                                                                                                                                                                                                                                                                                                                                                                                                                                                                                                                                                                                                                                                                                                                                                                                                                                                                                                                                                                                                                                                                                                                                                                       |                                                          |
| <b>Description</b>                                                                                                                                                                                                                                                                                                                                                                                                                                                                                                                                                                                                                                                                                                                                                                                                                                                                                                                                                                                                                                                                                                                                                                                                                                                                                                                                                                                                                                                                                                                                                     |                                                          |
| <p>This TSO requests (e.g. from the control console of the test system) the test operator to setup the external interface, or the MS configuration in such a way that the MS, when triggered, is able to initiate the call for the BS4x service `srv` with specified ur and ce values. After the operator finishes the required action and informs the test system, the TSO returns with value TRUE.</p> <p>Three negotiable parameters, number of stop bit, number of data bit, parity information, are asked as global IXIT parameters for all TE configurations. If necessary, the test operator refers to the manual provided by manufacturer to configure the MS.</p> <p>The possible values are:</p> <p>1) srv ----- basic service</p> <ul style="list-style-type: none"> <li>- C_PAD300            Basic Service 41, PAD access 300 bps</li> <li>- C_PAD1200         Basic Service 42, PAD access 1.2 kbps</li> <li>- C_PAD120075      Basic Service 43, PAD access 1200/75 bps</li> <li>- C_PAD2400         Basic Service 44, PAD access 2.4 kbps</li> <li>- C_PAD4800         Basic Service 45, PAD access 4.8 kbps</li> <li>- C_PAD9600         Basic Service 46, PAD access 9.6 kbps</li> </ul> <p>2) ce ----- connection element</p> <ul style="list-style-type: none"> <li>- '00'B                transparent</li> <li>- '01'B                non transparent</li> </ul> <p>3) rate ----- channel rate</p> <ul style="list-style-type: none"> <li>- C_Full                full rate channel</li> <li>- C_Half                half rate channel</li> </ul> |                                                          |
| <b>Detailed Comments:</b>                                                                                                                                                                                                                                                                                                                                                                                                                                                                                                                                                                                                                                                                                                                                                                                                                                                                                                                                                                                                                                                                                                                                                                                                                                                                                                                                                                                                                                                                                                                                              | Used for BS41, BS42, BS43, BS44, BS45, BS46              |

| <b>Test Suite Operation Definition</b>                                                                                                                                                                                                                                                                                                                                                                                                                                                                                                                                                                                                                                                                                                                                                                                                                                                                                                                                                                                                                                                                                                                                                                                                                                                                                                                                                            |                                                          |
|---------------------------------------------------------------------------------------------------------------------------------------------------------------------------------------------------------------------------------------------------------------------------------------------------------------------------------------------------------------------------------------------------------------------------------------------------------------------------------------------------------------------------------------------------------------------------------------------------------------------------------------------------------------------------------------------------------------------------------------------------------------------------------------------------------------------------------------------------------------------------------------------------------------------------------------------------------------------------------------------------------------------------------------------------------------------------------------------------------------------------------------------------------------------------------------------------------------------------------------------------------------------------------------------------------------------------------------------------------------------------------------------------|----------------------------------------------------------|
| <b>Operation Name:</b>                                                                                                                                                                                                                                                                                                                                                                                                                                                                                                                                                                                                                                                                                                                                                                                                                                                                                                                                                                                                                                                                                                                                                                                                                                                                                                                                                                            | OO_IFsetup_BS5x_MO(srv:SERVICES; ur:B_4; rate:IA5String) |
| <b>Result Type:</b>                                                                                                                                                                                                                                                                                                                                                                                                                                                                                                                                                                                                                                                                                                                                                                                                                                                                                                                                                                                                                                                                                                                                                                                                                                                                                                                                                                               | BOOLEAN                                                  |
| <b>Comments:</b>                                                                                                                                                                                                                                                                                                                                                                                                                                                                                                                                                                                                                                                                                                                                                                                                                                                                                                                                                                                                                                                                                                                                                                                                                                                                                                                                                                                  |                                                          |
| <b>Description</b>                                                                                                                                                                                                                                                                                                                                                                                                                                                                                                                                                                                                                                                                                                                                                                                                                                                                                                                                                                                                                                                                                                                                                                                                                                                                                                                                                                                |                                                          |
| <p>This TSO requests (e.g. from the control console of the test system) the test operator to setup the external interface, or the MS configuration in such a way that the MS, when triggered, is able to initiate the call for the BS5x service `srv` with the specified ur value. After the operator finishes the required action and informs the test system, the TSO returns with value TRUE.</p> <p>Three negotiable parameters, number of stop bit, number of data bit, parity information, are asked as global IXIT parameters for all TE configurations. If necessary, the test operator refers to the manual provided by manufacturer to configure the MS.</p> <p>The possible values are:</p> <p>1) srv ----- basic service</p> <ul style="list-style-type: none"> <li>- C_Packet2400        Basic Service 51, Packet access 2.4 kbps</li> <li>- C_Packet4800        Basic Service 52, Packet access 4.8 kbps</li> <li>- C_Packet9600        Basic Service 53, Packet access 9.6 kbps</li> </ul> <p>2) ur ----- user rate</p> <ul style="list-style-type: none"> <li>- '0011'B              2400 bit/s</li> <li>- '0100'B              4800 bit/s</li> <li>- '0101'B              9600 bit/s</li> </ul> <p>3) rate ----- channel rate</p> <ul style="list-style-type: none"> <li>- C_Full                full rate channel</li> <li>- C_Half                half rate channel</li> </ul> |                                                          |
| <b>Detailed Comments:</b>                                                                                                                                                                                                                                                                                                                                                                                                                                                                                                                                                                                                                                                                                                                                                                                                                                                                                                                                                                                                                                                                                                                                                                                                                                                                                                                                                                         | Used for BS51, BS52, BS53                                |

| <b>Test Suite Operation Definition</b>                                                                                                                                                                                                                                                                                                                                                                                                                                                                                                                                                                                                                                                                                                                                                                                                                                                                                                                                                                                                                                                                                                                                                                                                                                                                                                                                                                                                                                                                                                                                                                                                                                                                                                                                                                                                                                                                                                                                     |                                                                                |
|----------------------------------------------------------------------------------------------------------------------------------------------------------------------------------------------------------------------------------------------------------------------------------------------------------------------------------------------------------------------------------------------------------------------------------------------------------------------------------------------------------------------------------------------------------------------------------------------------------------------------------------------------------------------------------------------------------------------------------------------------------------------------------------------------------------------------------------------------------------------------------------------------------------------------------------------------------------------------------------------------------------------------------------------------------------------------------------------------------------------------------------------------------------------------------------------------------------------------------------------------------------------------------------------------------------------------------------------------------------------------------------------------------------------------------------------------------------------------------------------------------------------------------------------------------------------------------------------------------------------------------------------------------------------------------------------------------------------------------------------------------------------------------------------------------------------------------------------------------------------------------------------------------------------------------------------------------------------------|--------------------------------------------------------------------------------|
| <b>Operation Name:</b>                                                                                                                                                                                                                                                                                                                                                                                                                                                                                                                                                                                                                                                                                                                                                                                                                                                                                                                                                                                                                                                                                                                                                                                                                                                                                                                                                                                                                                                                                                                                                                                                                                                                                                                                                                                                                                                                                                                                                     | OO_IFsetup_BS61orBS81_MO(srv:SERVICES; ur:B_4; sa:B_1; ce:B_2; rate:IA5String) |
| <b>Result Type:</b>                                                                                                                                                                                                                                                                                                                                                                                                                                                                                                                                                                                                                                                                                                                                                                                                                                                                                                                                                                                                                                                                                                                                                                                                                                                                                                                                                                                                                                                                                                                                                                                                                                                                                                                                                                                                                                                                                                                                                        | BOOLEAN                                                                        |
| <b>Comments:</b>                                                                                                                                                                                                                                                                                                                                                                                                                                                                                                                                                                                                                                                                                                                                                                                                                                                                                                                                                                                                                                                                                                                                                                                                                                                                                                                                                                                                                                                                                                                                                                                                                                                                                                                                                                                                                                                                                                                                                           |                                                                                |
| <b>Description</b>                                                                                                                                                                                                                                                                                                                                                                                                                                                                                                                                                                                                                                                                                                                                                                                                                                                                                                                                                                                                                                                                                                                                                                                                                                                                                                                                                                                                                                                                                                                                                                                                                                                                                                                                                                                                                                                                                                                                                         |                                                                                |
| <p>This TSO requests (e.g. from the control console of the test system) the test operator to setup the external interface, or the MS configuration in such a way that the MS, when triggered, is able to initiate the call for BS61 or BS81 with the specified ur, ce and sa values, and the first bearer capability is speech. After the operator finishes the required action and informs the test system, the TSO returns with value TRUE.</p> <p>This TSO is used in MO call test cases except TC_11_2, where this TSO is call for single-numbering scheme MT testing.</p> <p>Three negotiable parameters, number of stop bit, number of data bit, parity information, are asked as global IXIT parameters for all TE configurations. If necessary, the test operator refers to the manual provided by manufacturer to configure the MS.</p> <p>The possible values are:</p> <p>1) srv ----- basic service</p> <ul style="list-style-type: none"> <li>- C_AltSpchData      Basic Service 61, Alternatie Speech/data</li> <li>- C_SpchData         Basic Service 81, Speech followed by data</li> </ul> <p>2) ur ----- user rate</p> <ul style="list-style-type: none"> <li>- '0001'B            300 bit/s</li> <li>- '0010'B            1200 bit/s</li> <li>- '0111'B            1200/75 bit/s</li> <li>- '0011'B            2400 bit/s</li> <li>- '0100'B            4800 bit/s</li> <li>- '0101'B            9600 bit/s</li> </ul> <p>3) sa ----- synchronous/asynchronous</p> <ul style="list-style-type: none"> <li>- '0'B                synchronous</li> <li>- '1'B                asynchronous</li> </ul> <p>4) ce ----- connection element</p> <ul style="list-style-type: none"> <li>- '00'B               transparent</li> <li>- '01'B               non transparent</li> </ul> <p>5) rate ----- channel rate</p> <ul style="list-style-type: none"> <li>- C_Full              full rate channel</li> <li>- C_Half              half rate channel</li> </ul> |                                                                                |
| <b>Detailed Comments:</b>                                                                                                                                                                                                                                                                                                                                                                                                                                                                                                                                                                                                                                                                                                                                                                                                                                                                                                                                                                                                                                                                                                                                                                                                                                                                                                                                                                                                                                                                                                                                                                                                                                                                                                                                                                                                                                                                                                                                                  | used for BS61 and BS81                                                         |

| <b>Test Suite Operation Definition</b>                                                                                                                                                                                                                                                                                                                                                                                                                                                                                                                                                                                                                                                                                                                                                                                                                                                                                                                                                                                                                                                                                                                                                                                                                                                                                                                                                                                                                                                                                                                                                                                                                                               |                                                                  |
|--------------------------------------------------------------------------------------------------------------------------------------------------------------------------------------------------------------------------------------------------------------------------------------------------------------------------------------------------------------------------------------------------------------------------------------------------------------------------------------------------------------------------------------------------------------------------------------------------------------------------------------------------------------------------------------------------------------------------------------------------------------------------------------------------------------------------------------------------------------------------------------------------------------------------------------------------------------------------------------------------------------------------------------------------------------------------------------------------------------------------------------------------------------------------------------------------------------------------------------------------------------------------------------------------------------------------------------------------------------------------------------------------------------------------------------------------------------------------------------------------------------------------------------------------------------------------------------------------------------------------------------------------------------------------------------|------------------------------------------------------------------|
| <b>Operation Name:</b>                                                                                                                                                                                                                                                                                                                                                                                                                                                                                                                                                                                                                                                                                                                                                                                                                                                                                                                                                                                                                                                                                                                                                                                                                                                                                                                                                                                                                                                                                                                                                                                                                                                               | OO_IFsetup_TS6x_MO(srv:SERVICES; ur:B_4; ce:B_2; rate:IA5String) |
| <b>Result Type:</b>                                                                                                                                                                                                                                                                                                                                                                                                                                                                                                                                                                                                                                                                                                                                                                                                                                                                                                                                                                                                                                                                                                                                                                                                                                                                                                                                                                                                                                                                                                                                                                                                                                                                  | BOOLEAN                                                          |
| <b>Comments:</b>                                                                                                                                                                                                                                                                                                                                                                                                                                                                                                                                                                                                                                                                                                                                                                                                                                                                                                                                                                                                                                                                                                                                                                                                                                                                                                                                                                                                                                                                                                                                                                                                                                                                     |                                                                  |
| <b>Description</b>                                                                                                                                                                                                                                                                                                                                                                                                                                                                                                                                                                                                                                                                                                                                                                                                                                                                                                                                                                                                                                                                                                                                                                                                                                                                                                                                                                                                                                                                                                                                                                                                                                                                   |                                                                  |
| <p>This TSO requests (e.g. from the control console of the test system) the test operator to setup the external interface, or the MS configuration in such a way that the MS, when triggered, is able to initiate the call for TS61 and TS62 with the specified ur and ce values, and the first bearer capability is speech. After the operator finishes the required action and informs the test system, the TSO returns with value TRUE.</p> <p>This TSO is used in MO call test cases except TC_11_2, where this TSO is call for single-numbering scheme MT testing.</p> <p>Three negotiable parameters, number of stop bit, number of data bit, parity information, are asked as global IXIT parameters for all TE configurations. If necessary, the test operator refers to the manual provided by manufacturer to configure the MS.</p> <p>The possible values are:</p> <p>1) srv ----- basic service</p> <ul style="list-style-type: none"> <li>- C_AltSpchFax      Teleservice 61, Alternatie Speech and Facsimile group 3</li> <li>- C_AutoFax          Teleservice 62, Automatic Facsimile group 3</li> </ul> <p>2) ur ----- user rate</p> <ul style="list-style-type: none"> <li>- '0011'B            2400 bit/s</li> <li>- '0100'B            4800 bit/s</li> <li>- '0101'B            9600 bit/s</li> </ul> <p>3) ce ----- connection element</p> <ul style="list-style-type: none"> <li>- '00'B                transparent</li> <li>- '01'B                non transparent</li> </ul> <p>4) rate ----- channel rate</p> <ul style="list-style-type: none"> <li>- C_Full                full rate channel</li> <li>- C_Half                half rate channel</li> </ul> |                                                                  |
| <b>Detailed Comments:</b>                                                                                                                                                                                                                                                                                                                                                                                                                                                                                                                                                                                                                                                                                                                                                                                                                                                                                                                                                                                                                                                                                                                                                                                                                                                                                                                                                                                                                                                                                                                                                                                                                                                            | used for TS61 and TS62                                           |

| <b>Test Suite Operation Definition</b>                                                                                                                                                                                                                                                                                                                                                                                                                                                                                                                                                                                                                            |                                           |
|-------------------------------------------------------------------------------------------------------------------------------------------------------------------------------------------------------------------------------------------------------------------------------------------------------------------------------------------------------------------------------------------------------------------------------------------------------------------------------------------------------------------------------------------------------------------------------------------------------------------------------------------------------------------|-------------------------------------------|
| <b>Operation Name:</b>                                                                                                                                                                                                                                                                                                                                                                                                                                                                                                                                                                                                                                            | OO_IFsetup_BS2x_MT(srv:SERVICES; itc:B_3) |
| <b>Result Type:</b>                                                                                                                                                                                                                                                                                                                                                                                                                                                                                                                                                                                                                                               | BOOLEAN                                   |
| <b>Comments:</b>                                                                                                                                                                                                                                                                                                                                                                                                                                                                                                                                                                                                                                                  |                                           |
| <b>Description</b>                                                                                                                                                                                                                                                                                                                                                                                                                                                                                                                                                                                                                                                |                                           |
| <p>This TSO requests (e.g. from the control console of the test system) the test operator to setup the external interface, or the MS configuration in such a way that the MS is able to successfully receive the call for the BS2x service `srv` with the specified itc value. After the operator finishes the required action and informs the test system, the TSO returns with value TRUE.</p> <p>Three negotiable parameters, number of stop bit, number of data bit, parity information, are asked as global IXIT paramters for all TE configurations. If necessary, the test operator refers to the manual provided by manufacturer to configure the MS.</p> |                                           |
| <b>Detailed Comments:</b>                                                                                                                                                                                                                                                                                                                                                                                                                                                                                                                                                                                                                                         | Used for BS21, BS22, BS24, BS25, BS26     |

| <b>Test Suite Operation Definition</b>                                                                                                                                                                                                                                                                                                                                                                                                                                                                                                                                                                                                                                  |                                                 |
|-------------------------------------------------------------------------------------------------------------------------------------------------------------------------------------------------------------------------------------------------------------------------------------------------------------------------------------------------------------------------------------------------------------------------------------------------------------------------------------------------------------------------------------------------------------------------------------------------------------------------------------------------------------------------|-------------------------------------------------|
| <b>Operation Name:</b>                                                                                                                                                                                                                                                                                                                                                                                                                                                                                                                                                                                                                                                  | OO_IFsetup_BS3x_MT(srv:SERVICES; itc, sacp:B_3) |
| <b>Result Type:</b>                                                                                                                                                                                                                                                                                                                                                                                                                                                                                                                                                                                                                                                     | BOOLEAN                                         |
| <b>Comments:</b>                                                                                                                                                                                                                                                                                                                                                                                                                                                                                                                                                                                                                                                        |                                                 |
| <b>Description</b>                                                                                                                                                                                                                                                                                                                                                                                                                                                                                                                                                                                                                                                      |                                                 |
| <p>This TSO requests (e.g. from the control console of the test system) the test operator to setup the external interface, orthe MS configuration in such a way that the MS is able to successfully receive the call for the BS3x service `srv` with specified itc and sacp values. After the operator finishes the required action and informs the test system, the TSO returns with value TRUE.</p> <p>Three negotiable parameters, number of stop bit, number of data bit, parity information, are asked as global IXIT parameters for all TE configurations. If necessary, the test operator refers to the manual provided by manufacturer to configure the MS.</p> |                                                 |
| <b>Detailed Comments:</b>                                                                                                                                                                                                                                                                                                                                                                                                                                                                                                                                                                                                                                               | Used for BS31, BS32, BS33, BS34                 |

| <b>Test Suite Operation Definition</b>                                                                                                                                                                                                                                                                                                                                                                                                                                                                                                                                                                                                                          |                                                        |
|-----------------------------------------------------------------------------------------------------------------------------------------------------------------------------------------------------------------------------------------------------------------------------------------------------------------------------------------------------------------------------------------------------------------------------------------------------------------------------------------------------------------------------------------------------------------------------------------------------------------------------------------------------------------|--------------------------------------------------------|
| <b>Operation Name:</b>                                                                                                                                                                                                                                                                                                                                                                                                                                                                                                                                                                                                                                          | OO_IFsetup_BS61orBS81_MT(srv:SERVICES; ur:B_4; sa:B_1) |
| <b>Result Type:</b>                                                                                                                                                                                                                                                                                                                                                                                                                                                                                                                                                                                                                                             | BOOLEAN                                                |
| <b>Comments:</b>                                                                                                                                                                                                                                                                                                                                                                                                                                                                                                                                                                                                                                                |                                                        |
| <b>Description</b>                                                                                                                                                                                                                                                                                                                                                                                                                                                                                                                                                                                                                                              |                                                        |
| <p>This TSO requests (e.g. from the control console of the test system) the test operator to setup the external interface, or the MS configuration in such a way that the MS is able to successfully receive the call for BS61 or BS81 with the specified ur and sa values. After the operator finishes the required action and informs the test system, the TSO returns with value TRUE.</p> <p>Three negotiable parameters, number of stop bit, number of data bit, parity information, are asked as global IXIT parameters for all TE configurations. If necessary, the test operator refers to the manual provided by manufacturer to configure the MS.</p> |                                                        |
| <b>Detailed Comments:</b>                                                                                                                                                                                                                                                                                                                                                                                                                                                                                                                                                                                                                                       | used for BS61 and BS81                                 |

| <b>Test Suite Operation Definition</b>                                                                                                                                                                                                                                                                                                                                                                                                                                                                                                                                                                                                                   |                                          |
|----------------------------------------------------------------------------------------------------------------------------------------------------------------------------------------------------------------------------------------------------------------------------------------------------------------------------------------------------------------------------------------------------------------------------------------------------------------------------------------------------------------------------------------------------------------------------------------------------------------------------------------------------------|------------------------------------------|
| <b>Operation Name:</b>                                                                                                                                                                                                                                                                                                                                                                                                                                                                                                                                                                                                                                   | OO_IFsetup_TS6x_MT(srv:SERVICES; ur:B_4) |
| <b>Result Type:</b>                                                                                                                                                                                                                                                                                                                                                                                                                                                                                                                                                                                                                                      | BOOLEAN                                  |
| <b>Comments:</b>                                                                                                                                                                                                                                                                                                                                                                                                                                                                                                                                                                                                                                         |                                          |
| <b>Description</b>                                                                                                                                                                                                                                                                                                                                                                                                                                                                                                                                                                                                                                       |                                          |
| <p>This TSO requests (e.g. from the control console of the test system) the test operator to setup the external interface, or the MS configuration in such a way that the MS is able to successfully receive the call for TS61 and TS62 with the specified ur value. After the operator finishes the required action and informs the test system, the TSO returns with value TRUE.</p> <p>Three negotiable parameters, number of stop bit, number of data bit, parity information, are asked as global IXIT parameters for all TE configurations. If necessary, the test operator refers to the manual provided by manufacturer to configure the MS.</p> |                                          |
| <b>Detailed Comments:</b>                                                                                                                                                                                                                                                                                                                                                                                                                                                                                                                                                                                                                                | used for TS61 and TS62                   |

| <b>Test Suite Operation Definition</b>                                                                                                                                                                                                                                                                                                                                                                                                                                                                                                                                                                                                                                                                                                                                                                                                                                                                                                                                                                                                                |                             |
|-------------------------------------------------------------------------------------------------------------------------------------------------------------------------------------------------------------------------------------------------------------------------------------------------------------------------------------------------------------------------------------------------------------------------------------------------------------------------------------------------------------------------------------------------------------------------------------------------------------------------------------------------------------------------------------------------------------------------------------------------------------------------------------------------------------------------------------------------------------------------------------------------------------------------------------------------------------------------------------------------------------------------------------------------------|-----------------------------|
| <b>Operation Name:</b>                                                                                                                                                                                                                                                                                                                                                                                                                                                                                                                                                                                                                                                                                                                                                                                                                                                                                                                                                                                                                                | OO_InCallModi(srv:SERVICES) |
| <b>Result Type:</b>                                                                                                                                                                                                                                                                                                                                                                                                                                                                                                                                                                                                                                                                                                                                                                                                                                                                                                                                                                                                                                   | BOOLEAN                     |
| <b>Comments:</b>                                                                                                                                                                                                                                                                                                                                                                                                                                                                                                                                                                                                                                                                                                                                                                                                                                                                                                                                                                                                                                      |                             |
| <b>Description</b>                                                                                                                                                                                                                                                                                                                                                                                                                                                                                                                                                                                                                                                                                                                                                                                                                                                                                                                                                                                                                                    |                             |
| <p>This operation requests (e.g. from the control console of the test system) the test operator to initiate a in-call modification at the Mobile Station under test, which is triggered by the calling tone identification (CNG) received by the MS, for the basic service 'srv', then returns TRUE. The calling test step can pass the 'srv' value either as TSPX or constant to the TSO.</p> <p>The possible service values include (see also test suite constant declarations):</p> <p>1) Teleservices</p> <ul style="list-style-type: none"> <li>- C_Telephony</li> <li>- C_EmgCall</li> <li>- C_AltSpchFax</li> <li>- C_AutoFax</li> </ul> <p>2) Bearer services</p> <ul style="list-style-type: none"> <li>- C_Async300, C_Async1200, C_Async120075, C_Async2400, C_Async4800, C_Async9600</li> <li>- C_Sync1200, C_Sync2400, C_Sync4800, C_Sync9600</li> <li>- C_PAD300, C_PAD1200, C_PAD120075, C_PAD2400, C_PAD4800, C_PAD9600</li> <li>- C_Packet2400, C_Packet4800, C_Packet9600</li> <li>- C_AltSpchData</li> <li>- C_SpchData</li> </ul> |                             |
| <b>Detailed Comments:</b>                                                                                                                                                                                                                                                                                                                                                                                                                                                                                                                                                                                                                                                                                                                                                                                                                                                                                                                                                                                                                             |                             |

| <b>Test Suite Operation Definition</b>                                                                                                                                                                                                                                                                                                                                                                                                                                                                                                                                                                                                                                                                                                                                                                                                                                                                                                                                                                                                                                                                                                                                                                                                                                                                                                                                                                                                                                                                                                                                                                                                                                                                                                                                                                                                                                                                                                                                                                                                                                                                                                                                                                                                                                                                                                     |                           |               |      |      |             |      |      |                |      |      |             |      |      |  |  |  |                         |      |      |                         |      |      |                      |      |      |              |      |      |               |      |      |                 |      |      |               |      |      |               |      |      |               |      |      |              |      |      |              |      |      |              |      |      |              |      |      |            |      |      |             |      |      |               |      |      |             |      |      |             |      |      |             |      |      |                |      |      |                |      |      |                |      |      |                 |      |      |              |      |      |
|--------------------------------------------------------------------------------------------------------------------------------------------------------------------------------------------------------------------------------------------------------------------------------------------------------------------------------------------------------------------------------------------------------------------------------------------------------------------------------------------------------------------------------------------------------------------------------------------------------------------------------------------------------------------------------------------------------------------------------------------------------------------------------------------------------------------------------------------------------------------------------------------------------------------------------------------------------------------------------------------------------------------------------------------------------------------------------------------------------------------------------------------------------------------------------------------------------------------------------------------------------------------------------------------------------------------------------------------------------------------------------------------------------------------------------------------------------------------------------------------------------------------------------------------------------------------------------------------------------------------------------------------------------------------------------------------------------------------------------------------------------------------------------------------------------------------------------------------------------------------------------------------------------------------------------------------------------------------------------------------------------------------------------------------------------------------------------------------------------------------------------------------------------------------------------------------------------------------------------------------------------------------------------------------------------------------------------------------|---------------------------|---------------|------|------|-------------|------|------|----------------|------|------|-------------|------|------|--|--|--|-------------------------|------|------|-------------------------|------|------|----------------------|------|------|--------------|------|------|---------------|------|------|-----------------|------|------|---------------|------|------|---------------|------|------|---------------|------|------|--------------|------|------|--------------|------|------|--------------|------|------|--------------|------|------|------------|------|------|-------------|------|------|---------------|------|------|-------------|------|------|-------------|------|------|-------------|------|------|----------------|------|------|----------------|------|------|----------------|------|------|-----------------|------|------|--------------|------|------|
| <b>Operation Name:</b>                                                                                                                                                                                                                                                                                                                                                                                                                                                                                                                                                                                                                                                                                                                                                                                                                                                                                                                                                                                                                                                                                                                                                                                                                                                                                                                                                                                                                                                                                                                                                                                                                                                                                                                                                                                                                                                                                                                                                                                                                                                                                                                                                                                                                                                                                                                     | OO_InitCall(srv:SERVICES) |               |      |      |             |      |      |                |      |      |             |      |      |  |  |  |                         |      |      |                         |      |      |                      |      |      |              |      |      |               |      |      |                 |      |      |               |      |      |               |      |      |               |      |      |              |      |      |              |      |      |              |      |      |              |      |      |            |      |      |             |      |      |               |      |      |             |      |      |             |      |      |             |      |      |                |      |      |                |      |      |                |      |      |                 |      |      |              |      |      |
| <b>Result Type:</b>                                                                                                                                                                                                                                                                                                                                                                                                                                                                                                                                                                                                                                                                                                                                                                                                                                                                                                                                                                                                                                                                                                                                                                                                                                                                                                                                                                                                                                                                                                                                                                                                                                                                                                                                                                                                                                                                                                                                                                                                                                                                                                                                                                                                                                                                                                                        | BOOLEAN                   |               |      |      |             |      |      |                |      |      |             |      |      |  |  |  |                         |      |      |                         |      |      |                      |      |      |              |      |      |               |      |      |                 |      |      |               |      |      |               |      |      |               |      |      |              |      |      |              |      |      |              |      |      |              |      |      |            |      |      |             |      |      |               |      |      |             |      |      |             |      |      |             |      |      |                |      |      |                |      |      |                |      |      |                 |      |      |              |      |      |
| <b>Comments:</b>                                                                                                                                                                                                                                                                                                                                                                                                                                                                                                                                                                                                                                                                                                                                                                                                                                                                                                                                                                                                                                                                                                                                                                                                                                                                                                                                                                                                                                                                                                                                                                                                                                                                                                                                                                                                                                                                                                                                                                                                                                                                                                                                                                                                                                                                                                                           |                           |               |      |      |             |      |      |                |      |      |             |      |      |  |  |  |                         |      |      |                         |      |      |                      |      |      |              |      |      |               |      |      |                 |      |      |               |      |      |               |      |      |               |      |      |              |      |      |              |      |      |              |      |      |              |      |      |            |      |      |             |      |      |               |      |      |             |      |      |             |      |      |             |      |      |                |      |      |                |      |      |                |      |      |                 |      |      |              |      |      |
| <b>Description</b>                                                                                                                                                                                                                                                                                                                                                                                                                                                                                                                                                                                                                                                                                                                                                                                                                                                                                                                                                                                                                                                                                                                                                                                                                                                                                                                                                                                                                                                                                                                                                                                                                                                                                                                                                                                                                                                                                                                                                                                                                                                                                                                                                                                                                                                                                                                         |                           |               |      |      |             |      |      |                |      |      |             |      |      |  |  |  |                         |      |      |                         |      |      |                      |      |      |              |      |      |               |      |      |                 |      |      |               |      |      |               |      |      |               |      |      |              |      |      |              |      |      |              |      |      |              |      |      |            |      |      |             |      |      |               |      |      |             |      |      |             |      |      |             |      |      |                |      |      |                |      |      |                |      |      |                 |      |      |              |      |      |
| <p>This operation requests (e.g. from the control console of the test system) the test operator to initiate an MS originating call for the basic service `srv`, then returns TRUE. The calling test step can pass the 'srv' value either as TSPX or constant to the TSO. The necessary MS configuration has been done in the corresponding TSO OO_IFsetup_xx...xx_MO before this TSO is called.</p> <p>The possible service values include (see also test suite constant declarations):</p> <p>1) Teleservices</p> <table border="0"> <tr><td>- C_Telephony</td><td>----</td><td>TS11</td></tr> <tr><td>- C_EmgCall</td><td>----</td><td>TS12</td></tr> <tr><td>- C_AltSpchFax</td><td>----</td><td>TS61</td></tr> <tr><td>- C_AutoFax</td><td>----</td><td>TS62</td></tr> <tr><td colspan="3"> </td></tr> <tr><td>- C_Short_Message_MT/PP</td><td>----</td><td>TS21</td></tr> <tr><td>- C_Short_Message_MO/PP</td><td>----</td><td>TS22</td></tr> <tr><td>- C_Short_Message_CB</td><td>----</td><td>TS23</td></tr> </table> <p>2) Bearer services</p> <table border="0"> <tr><td>- C_Async300</td><td>----</td><td>BS21</td></tr> <tr><td>- C_Async1200</td><td>----</td><td>BS22</td></tr> <tr><td>- C_Async120075</td><td>----</td><td>BS23</td></tr> <tr><td>- C_Async2400</td><td>----</td><td>BS24</td></tr> <tr><td>- C_Async4800</td><td>----</td><td>BS25</td></tr> <tr><td>- C_Async9600</td><td>----</td><td>BS26</td></tr> <tr><td>- C_Sync1200</td><td>----</td><td>BS31</td></tr> <tr><td>- C_Sync2400</td><td>----</td><td>BS32</td></tr> <tr><td>- C_Sync4800</td><td>----</td><td>BS33</td></tr> <tr><td>- C_Sync9600</td><td>----</td><td>BS34</td></tr> <tr><td>- C_PAD300</td><td>----</td><td>BS41</td></tr> <tr><td>- C_PAD1200</td><td>----</td><td>BS42</td></tr> <tr><td>- C_PAD120075</td><td>----</td><td>BS43</td></tr> <tr><td>- C_PAD2400</td><td>----</td><td>BS44</td></tr> <tr><td>- C_PAD4800</td><td>----</td><td>BS45</td></tr> <tr><td>- C_PAD9600</td><td>----</td><td>BS46</td></tr> <tr><td>- C_Packet2400</td><td>----</td><td>BS51</td></tr> <tr><td>- C_Packet4800</td><td>----</td><td>BS52</td></tr> <tr><td>- C_Packet9600</td><td>----</td><td>BS53</td></tr> <tr><td>- C_AltSpchData</td><td>----</td><td>BS61</td></tr> <tr><td>- C_SpchData</td><td>----</td><td>BS81</td></tr> </table> |                           | - C_Telephony | ---- | TS11 | - C_EmgCall | ---- | TS12 | - C_AltSpchFax | ---- | TS61 | - C_AutoFax | ---- | TS62 |  |  |  | - C_Short_Message_MT/PP | ---- | TS21 | - C_Short_Message_MO/PP | ---- | TS22 | - C_Short_Message_CB | ---- | TS23 | - C_Async300 | ---- | BS21 | - C_Async1200 | ---- | BS22 | - C_Async120075 | ---- | BS23 | - C_Async2400 | ---- | BS24 | - C_Async4800 | ---- | BS25 | - C_Async9600 | ---- | BS26 | - C_Sync1200 | ---- | BS31 | - C_Sync2400 | ---- | BS32 | - C_Sync4800 | ---- | BS33 | - C_Sync9600 | ---- | BS34 | - C_PAD300 | ---- | BS41 | - C_PAD1200 | ---- | BS42 | - C_PAD120075 | ---- | BS43 | - C_PAD2400 | ---- | BS44 | - C_PAD4800 | ---- | BS45 | - C_PAD9600 | ---- | BS46 | - C_Packet2400 | ---- | BS51 | - C_Packet4800 | ---- | BS52 | - C_Packet9600 | ---- | BS53 | - C_AltSpchData | ---- | BS61 | - C_SpchData | ---- | BS81 |
| - C_Telephony                                                                                                                                                                                                                                                                                                                                                                                                                                                                                                                                                                                                                                                                                                                                                                                                                                                                                                                                                                                                                                                                                                                                                                                                                                                                                                                                                                                                                                                                                                                                                                                                                                                                                                                                                                                                                                                                                                                                                                                                                                                                                                                                                                                                                                                                                                                              | ----                      | TS11          |      |      |             |      |      |                |      |      |             |      |      |  |  |  |                         |      |      |                         |      |      |                      |      |      |              |      |      |               |      |      |                 |      |      |               |      |      |               |      |      |               |      |      |              |      |      |              |      |      |              |      |      |              |      |      |            |      |      |             |      |      |               |      |      |             |      |      |             |      |      |             |      |      |                |      |      |                |      |      |                |      |      |                 |      |      |              |      |      |
| - C_EmgCall                                                                                                                                                                                                                                                                                                                                                                                                                                                                                                                                                                                                                                                                                                                                                                                                                                                                                                                                                                                                                                                                                                                                                                                                                                                                                                                                                                                                                                                                                                                                                                                                                                                                                                                                                                                                                                                                                                                                                                                                                                                                                                                                                                                                                                                                                                                                | ----                      | TS12          |      |      |             |      |      |                |      |      |             |      |      |  |  |  |                         |      |      |                         |      |      |                      |      |      |              |      |      |               |      |      |                 |      |      |               |      |      |               |      |      |               |      |      |              |      |      |              |      |      |              |      |      |              |      |      |            |      |      |             |      |      |               |      |      |             |      |      |             |      |      |             |      |      |                |      |      |                |      |      |                |      |      |                 |      |      |              |      |      |
| - C_AltSpchFax                                                                                                                                                                                                                                                                                                                                                                                                                                                                                                                                                                                                                                                                                                                                                                                                                                                                                                                                                                                                                                                                                                                                                                                                                                                                                                                                                                                                                                                                                                                                                                                                                                                                                                                                                                                                                                                                                                                                                                                                                                                                                                                                                                                                                                                                                                                             | ----                      | TS61          |      |      |             |      |      |                |      |      |             |      |      |  |  |  |                         |      |      |                         |      |      |                      |      |      |              |      |      |               |      |      |                 |      |      |               |      |      |               |      |      |               |      |      |              |      |      |              |      |      |              |      |      |              |      |      |            |      |      |             |      |      |               |      |      |             |      |      |             |      |      |             |      |      |                |      |      |                |      |      |                |      |      |                 |      |      |              |      |      |
| - C_AutoFax                                                                                                                                                                                                                                                                                                                                                                                                                                                                                                                                                                                                                                                                                                                                                                                                                                                                                                                                                                                                                                                                                                                                                                                                                                                                                                                                                                                                                                                                                                                                                                                                                                                                                                                                                                                                                                                                                                                                                                                                                                                                                                                                                                                                                                                                                                                                | ----                      | TS62          |      |      |             |      |      |                |      |      |             |      |      |  |  |  |                         |      |      |                         |      |      |                      |      |      |              |      |      |               |      |      |                 |      |      |               |      |      |               |      |      |               |      |      |              |      |      |              |      |      |              |      |      |              |      |      |            |      |      |             |      |      |               |      |      |             |      |      |             |      |      |             |      |      |                |      |      |                |      |      |                |      |      |                 |      |      |              |      |      |
|                                                                                                                                                                                                                                                                                                                                                                                                                                                                                                                                                                                                                                                                                                                                                                                                                                                                                                                                                                                                                                                                                                                                                                                                                                                                                                                                                                                                                                                                                                                                                                                                                                                                                                                                                                                                                                                                                                                                                                                                                                                                                                                                                                                                                                                                                                                                            |                           |               |      |      |             |      |      |                |      |      |             |      |      |  |  |  |                         |      |      |                         |      |      |                      |      |      |              |      |      |               |      |      |                 |      |      |               |      |      |               |      |      |               |      |      |              |      |      |              |      |      |              |      |      |              |      |      |            |      |      |             |      |      |               |      |      |             |      |      |             |      |      |             |      |      |                |      |      |                |      |      |                |      |      |                 |      |      |              |      |      |
| - C_Short_Message_MT/PP                                                                                                                                                                                                                                                                                                                                                                                                                                                                                                                                                                                                                                                                                                                                                                                                                                                                                                                                                                                                                                                                                                                                                                                                                                                                                                                                                                                                                                                                                                                                                                                                                                                                                                                                                                                                                                                                                                                                                                                                                                                                                                                                                                                                                                                                                                                    | ----                      | TS21          |      |      |             |      |      |                |      |      |             |      |      |  |  |  |                         |      |      |                         |      |      |                      |      |      |              |      |      |               |      |      |                 |      |      |               |      |      |               |      |      |               |      |      |              |      |      |              |      |      |              |      |      |              |      |      |            |      |      |             |      |      |               |      |      |             |      |      |             |      |      |             |      |      |                |      |      |                |      |      |                |      |      |                 |      |      |              |      |      |
| - C_Short_Message_MO/PP                                                                                                                                                                                                                                                                                                                                                                                                                                                                                                                                                                                                                                                                                                                                                                                                                                                                                                                                                                                                                                                                                                                                                                                                                                                                                                                                                                                                                                                                                                                                                                                                                                                                                                                                                                                                                                                                                                                                                                                                                                                                                                                                                                                                                                                                                                                    | ----                      | TS22          |      |      |             |      |      |                |      |      |             |      |      |  |  |  |                         |      |      |                         |      |      |                      |      |      |              |      |      |               |      |      |                 |      |      |               |      |      |               |      |      |               |      |      |              |      |      |              |      |      |              |      |      |              |      |      |            |      |      |             |      |      |               |      |      |             |      |      |             |      |      |             |      |      |                |      |      |                |      |      |                |      |      |                 |      |      |              |      |      |
| - C_Short_Message_CB                                                                                                                                                                                                                                                                                                                                                                                                                                                                                                                                                                                                                                                                                                                                                                                                                                                                                                                                                                                                                                                                                                                                                                                                                                                                                                                                                                                                                                                                                                                                                                                                                                                                                                                                                                                                                                                                                                                                                                                                                                                                                                                                                                                                                                                                                                                       | ----                      | TS23          |      |      |             |      |      |                |      |      |             |      |      |  |  |  |                         |      |      |                         |      |      |                      |      |      |              |      |      |               |      |      |                 |      |      |               |      |      |               |      |      |               |      |      |              |      |      |              |      |      |              |      |      |              |      |      |            |      |      |             |      |      |               |      |      |             |      |      |             |      |      |             |      |      |                |      |      |                |      |      |                |      |      |                 |      |      |              |      |      |
| - C_Async300                                                                                                                                                                                                                                                                                                                                                                                                                                                                                                                                                                                                                                                                                                                                                                                                                                                                                                                                                                                                                                                                                                                                                                                                                                                                                                                                                                                                                                                                                                                                                                                                                                                                                                                                                                                                                                                                                                                                                                                                                                                                                                                                                                                                                                                                                                                               | ----                      | BS21          |      |      |             |      |      |                |      |      |             |      |      |  |  |  |                         |      |      |                         |      |      |                      |      |      |              |      |      |               |      |      |                 |      |      |               |      |      |               |      |      |               |      |      |              |      |      |              |      |      |              |      |      |              |      |      |            |      |      |             |      |      |               |      |      |             |      |      |             |      |      |             |      |      |                |      |      |                |      |      |                |      |      |                 |      |      |              |      |      |
| - C_Async1200                                                                                                                                                                                                                                                                                                                                                                                                                                                                                                                                                                                                                                                                                                                                                                                                                                                                                                                                                                                                                                                                                                                                                                                                                                                                                                                                                                                                                                                                                                                                                                                                                                                                                                                                                                                                                                                                                                                                                                                                                                                                                                                                                                                                                                                                                                                              | ----                      | BS22          |      |      |             |      |      |                |      |      |             |      |      |  |  |  |                         |      |      |                         |      |      |                      |      |      |              |      |      |               |      |      |                 |      |      |               |      |      |               |      |      |               |      |      |              |      |      |              |      |      |              |      |      |              |      |      |            |      |      |             |      |      |               |      |      |             |      |      |             |      |      |             |      |      |                |      |      |                |      |      |                |      |      |                 |      |      |              |      |      |
| - C_Async120075                                                                                                                                                                                                                                                                                                                                                                                                                                                                                                                                                                                                                                                                                                                                                                                                                                                                                                                                                                                                                                                                                                                                                                                                                                                                                                                                                                                                                                                                                                                                                                                                                                                                                                                                                                                                                                                                                                                                                                                                                                                                                                                                                                                                                                                                                                                            | ----                      | BS23          |      |      |             |      |      |                |      |      |             |      |      |  |  |  |                         |      |      |                         |      |      |                      |      |      |              |      |      |               |      |      |                 |      |      |               |      |      |               |      |      |               |      |      |              |      |      |              |      |      |              |      |      |              |      |      |            |      |      |             |      |      |               |      |      |             |      |      |             |      |      |             |      |      |                |      |      |                |      |      |                |      |      |                 |      |      |              |      |      |
| - C_Async2400                                                                                                                                                                                                                                                                                                                                                                                                                                                                                                                                                                                                                                                                                                                                                                                                                                                                                                                                                                                                                                                                                                                                                                                                                                                                                                                                                                                                                                                                                                                                                                                                                                                                                                                                                                                                                                                                                                                                                                                                                                                                                                                                                                                                                                                                                                                              | ----                      | BS24          |      |      |             |      |      |                |      |      |             |      |      |  |  |  |                         |      |      |                         |      |      |                      |      |      |              |      |      |               |      |      |                 |      |      |               |      |      |               |      |      |               |      |      |              |      |      |              |      |      |              |      |      |              |      |      |            |      |      |             |      |      |               |      |      |             |      |      |             |      |      |             |      |      |                |      |      |                |      |      |                |      |      |                 |      |      |              |      |      |
| - C_Async4800                                                                                                                                                                                                                                                                                                                                                                                                                                                                                                                                                                                                                                                                                                                                                                                                                                                                                                                                                                                                                                                                                                                                                                                                                                                                                                                                                                                                                                                                                                                                                                                                                                                                                                                                                                                                                                                                                                                                                                                                                                                                                                                                                                                                                                                                                                                              | ----                      | BS25          |      |      |             |      |      |                |      |      |             |      |      |  |  |  |                         |      |      |                         |      |      |                      |      |      |              |      |      |               |      |      |                 |      |      |               |      |      |               |      |      |               |      |      |              |      |      |              |      |      |              |      |      |              |      |      |            |      |      |             |      |      |               |      |      |             |      |      |             |      |      |             |      |      |                |      |      |                |      |      |                |      |      |                 |      |      |              |      |      |
| - C_Async9600                                                                                                                                                                                                                                                                                                                                                                                                                                                                                                                                                                                                                                                                                                                                                                                                                                                                                                                                                                                                                                                                                                                                                                                                                                                                                                                                                                                                                                                                                                                                                                                                                                                                                                                                                                                                                                                                                                                                                                                                                                                                                                                                                                                                                                                                                                                              | ----                      | BS26          |      |      |             |      |      |                |      |      |             |      |      |  |  |  |                         |      |      |                         |      |      |                      |      |      |              |      |      |               |      |      |                 |      |      |               |      |      |               |      |      |               |      |      |              |      |      |              |      |      |              |      |      |              |      |      |            |      |      |             |      |      |               |      |      |             |      |      |             |      |      |             |      |      |                |      |      |                |      |      |                |      |      |                 |      |      |              |      |      |
| - C_Sync1200                                                                                                                                                                                                                                                                                                                                                                                                                                                                                                                                                                                                                                                                                                                                                                                                                                                                                                                                                                                                                                                                                                                                                                                                                                                                                                                                                                                                                                                                                                                                                                                                                                                                                                                                                                                                                                                                                                                                                                                                                                                                                                                                                                                                                                                                                                                               | ----                      | BS31          |      |      |             |      |      |                |      |      |             |      |      |  |  |  |                         |      |      |                         |      |      |                      |      |      |              |      |      |               |      |      |                 |      |      |               |      |      |               |      |      |               |      |      |              |      |      |              |      |      |              |      |      |              |      |      |            |      |      |             |      |      |               |      |      |             |      |      |             |      |      |             |      |      |                |      |      |                |      |      |                |      |      |                 |      |      |              |      |      |
| - C_Sync2400                                                                                                                                                                                                                                                                                                                                                                                                                                                                                                                                                                                                                                                                                                                                                                                                                                                                                                                                                                                                                                                                                                                                                                                                                                                                                                                                                                                                                                                                                                                                                                                                                                                                                                                                                                                                                                                                                                                                                                                                                                                                                                                                                                                                                                                                                                                               | ----                      | BS32          |      |      |             |      |      |                |      |      |             |      |      |  |  |  |                         |      |      |                         |      |      |                      |      |      |              |      |      |               |      |      |                 |      |      |               |      |      |               |      |      |               |      |      |              |      |      |              |      |      |              |      |      |              |      |      |            |      |      |             |      |      |               |      |      |             |      |      |             |      |      |             |      |      |                |      |      |                |      |      |                |      |      |                 |      |      |              |      |      |
| - C_Sync4800                                                                                                                                                                                                                                                                                                                                                                                                                                                                                                                                                                                                                                                                                                                                                                                                                                                                                                                                                                                                                                                                                                                                                                                                                                                                                                                                                                                                                                                                                                                                                                                                                                                                                                                                                                                                                                                                                                                                                                                                                                                                                                                                                                                                                                                                                                                               | ----                      | BS33          |      |      |             |      |      |                |      |      |             |      |      |  |  |  |                         |      |      |                         |      |      |                      |      |      |              |      |      |               |      |      |                 |      |      |               |      |      |               |      |      |               |      |      |              |      |      |              |      |      |              |      |      |              |      |      |            |      |      |             |      |      |               |      |      |             |      |      |             |      |      |             |      |      |                |      |      |                |      |      |                |      |      |                 |      |      |              |      |      |
| - C_Sync9600                                                                                                                                                                                                                                                                                                                                                                                                                                                                                                                                                                                                                                                                                                                                                                                                                                                                                                                                                                                                                                                                                                                                                                                                                                                                                                                                                                                                                                                                                                                                                                                                                                                                                                                                                                                                                                                                                                                                                                                                                                                                                                                                                                                                                                                                                                                               | ----                      | BS34          |      |      |             |      |      |                |      |      |             |      |      |  |  |  |                         |      |      |                         |      |      |                      |      |      |              |      |      |               |      |      |                 |      |      |               |      |      |               |      |      |               |      |      |              |      |      |              |      |      |              |      |      |              |      |      |            |      |      |             |      |      |               |      |      |             |      |      |             |      |      |             |      |      |                |      |      |                |      |      |                |      |      |                 |      |      |              |      |      |
| - C_PAD300                                                                                                                                                                                                                                                                                                                                                                                                                                                                                                                                                                                                                                                                                                                                                                                                                                                                                                                                                                                                                                                                                                                                                                                                                                                                                                                                                                                                                                                                                                                                                                                                                                                                                                                                                                                                                                                                                                                                                                                                                                                                                                                                                                                                                                                                                                                                 | ----                      | BS41          |      |      |             |      |      |                |      |      |             |      |      |  |  |  |                         |      |      |                         |      |      |                      |      |      |              |      |      |               |      |      |                 |      |      |               |      |      |               |      |      |               |      |      |              |      |      |              |      |      |              |      |      |              |      |      |            |      |      |             |      |      |               |      |      |             |      |      |             |      |      |             |      |      |                |      |      |                |      |      |                |      |      |                 |      |      |              |      |      |
| - C_PAD1200                                                                                                                                                                                                                                                                                                                                                                                                                                                                                                                                                                                                                                                                                                                                                                                                                                                                                                                                                                                                                                                                                                                                                                                                                                                                                                                                                                                                                                                                                                                                                                                                                                                                                                                                                                                                                                                                                                                                                                                                                                                                                                                                                                                                                                                                                                                                | ----                      | BS42          |      |      |             |      |      |                |      |      |             |      |      |  |  |  |                         |      |      |                         |      |      |                      |      |      |              |      |      |               |      |      |                 |      |      |               |      |      |               |      |      |               |      |      |              |      |      |              |      |      |              |      |      |              |      |      |            |      |      |             |      |      |               |      |      |             |      |      |             |      |      |             |      |      |                |      |      |                |      |      |                |      |      |                 |      |      |              |      |      |
| - C_PAD120075                                                                                                                                                                                                                                                                                                                                                                                                                                                                                                                                                                                                                                                                                                                                                                                                                                                                                                                                                                                                                                                                                                                                                                                                                                                                                                                                                                                                                                                                                                                                                                                                                                                                                                                                                                                                                                                                                                                                                                                                                                                                                                                                                                                                                                                                                                                              | ----                      | BS43          |      |      |             |      |      |                |      |      |             |      |      |  |  |  |                         |      |      |                         |      |      |                      |      |      |              |      |      |               |      |      |                 |      |      |               |      |      |               |      |      |               |      |      |              |      |      |              |      |      |              |      |      |              |      |      |            |      |      |             |      |      |               |      |      |             |      |      |             |      |      |             |      |      |                |      |      |                |      |      |                |      |      |                 |      |      |              |      |      |
| - C_PAD2400                                                                                                                                                                                                                                                                                                                                                                                                                                                                                                                                                                                                                                                                                                                                                                                                                                                                                                                                                                                                                                                                                                                                                                                                                                                                                                                                                                                                                                                                                                                                                                                                                                                                                                                                                                                                                                                                                                                                                                                                                                                                                                                                                                                                                                                                                                                                | ----                      | BS44          |      |      |             |      |      |                |      |      |             |      |      |  |  |  |                         |      |      |                         |      |      |                      |      |      |              |      |      |               |      |      |                 |      |      |               |      |      |               |      |      |               |      |      |              |      |      |              |      |      |              |      |      |              |      |      |            |      |      |             |      |      |               |      |      |             |      |      |             |      |      |             |      |      |                |      |      |                |      |      |                |      |      |                 |      |      |              |      |      |
| - C_PAD4800                                                                                                                                                                                                                                                                                                                                                                                                                                                                                                                                                                                                                                                                                                                                                                                                                                                                                                                                                                                                                                                                                                                                                                                                                                                                                                                                                                                                                                                                                                                                                                                                                                                                                                                                                                                                                                                                                                                                                                                                                                                                                                                                                                                                                                                                                                                                | ----                      | BS45          |      |      |             |      |      |                |      |      |             |      |      |  |  |  |                         |      |      |                         |      |      |                      |      |      |              |      |      |               |      |      |                 |      |      |               |      |      |               |      |      |               |      |      |              |      |      |              |      |      |              |      |      |              |      |      |            |      |      |             |      |      |               |      |      |             |      |      |             |      |      |             |      |      |                |      |      |                |      |      |                |      |      |                 |      |      |              |      |      |
| - C_PAD9600                                                                                                                                                                                                                                                                                                                                                                                                                                                                                                                                                                                                                                                                                                                                                                                                                                                                                                                                                                                                                                                                                                                                                                                                                                                                                                                                                                                                                                                                                                                                                                                                                                                                                                                                                                                                                                                                                                                                                                                                                                                                                                                                                                                                                                                                                                                                | ----                      | BS46          |      |      |             |      |      |                |      |      |             |      |      |  |  |  |                         |      |      |                         |      |      |                      |      |      |              |      |      |               |      |      |                 |      |      |               |      |      |               |      |      |               |      |      |              |      |      |              |      |      |              |      |      |              |      |      |            |      |      |             |      |      |               |      |      |             |      |      |             |      |      |             |      |      |                |      |      |                |      |      |                |      |      |                 |      |      |              |      |      |
| - C_Packet2400                                                                                                                                                                                                                                                                                                                                                                                                                                                                                                                                                                                                                                                                                                                                                                                                                                                                                                                                                                                                                                                                                                                                                                                                                                                                                                                                                                                                                                                                                                                                                                                                                                                                                                                                                                                                                                                                                                                                                                                                                                                                                                                                                                                                                                                                                                                             | ----                      | BS51          |      |      |             |      |      |                |      |      |             |      |      |  |  |  |                         |      |      |                         |      |      |                      |      |      |              |      |      |               |      |      |                 |      |      |               |      |      |               |      |      |               |      |      |              |      |      |              |      |      |              |      |      |              |      |      |            |      |      |             |      |      |               |      |      |             |      |      |             |      |      |             |      |      |                |      |      |                |      |      |                |      |      |                 |      |      |              |      |      |
| - C_Packet4800                                                                                                                                                                                                                                                                                                                                                                                                                                                                                                                                                                                                                                                                                                                                                                                                                                                                                                                                                                                                                                                                                                                                                                                                                                                                                                                                                                                                                                                                                                                                                                                                                                                                                                                                                                                                                                                                                                                                                                                                                                                                                                                                                                                                                                                                                                                             | ----                      | BS52          |      |      |             |      |      |                |      |      |             |      |      |  |  |  |                         |      |      |                         |      |      |                      |      |      |              |      |      |               |      |      |                 |      |      |               |      |      |               |      |      |               |      |      |              |      |      |              |      |      |              |      |      |              |      |      |            |      |      |             |      |      |               |      |      |             |      |      |             |      |      |             |      |      |                |      |      |                |      |      |                |      |      |                 |      |      |              |      |      |
| - C_Packet9600                                                                                                                                                                                                                                                                                                                                                                                                                                                                                                                                                                                                                                                                                                                                                                                                                                                                                                                                                                                                                                                                                                                                                                                                                                                                                                                                                                                                                                                                                                                                                                                                                                                                                                                                                                                                                                                                                                                                                                                                                                                                                                                                                                                                                                                                                                                             | ----                      | BS53          |      |      |             |      |      |                |      |      |             |      |      |  |  |  |                         |      |      |                         |      |      |                      |      |      |              |      |      |               |      |      |                 |      |      |               |      |      |               |      |      |               |      |      |              |      |      |              |      |      |              |      |      |              |      |      |            |      |      |             |      |      |               |      |      |             |      |      |             |      |      |             |      |      |                |      |      |                |      |      |                |      |      |                 |      |      |              |      |      |
| - C_AltSpchData                                                                                                                                                                                                                                                                                                                                                                                                                                                                                                                                                                                                                                                                                                                                                                                                                                                                                                                                                                                                                                                                                                                                                                                                                                                                                                                                                                                                                                                                                                                                                                                                                                                                                                                                                                                                                                                                                                                                                                                                                                                                                                                                                                                                                                                                                                                            | ----                      | BS61          |      |      |             |      |      |                |      |      |             |      |      |  |  |  |                         |      |      |                         |      |      |                      |      |      |              |      |      |               |      |      |                 |      |      |               |      |      |               |      |      |               |      |      |              |      |      |              |      |      |              |      |      |              |      |      |            |      |      |             |      |      |               |      |      |             |      |      |             |      |      |             |      |      |                |      |      |                |      |      |                |      |      |                 |      |      |              |      |      |
| - C_SpchData                                                                                                                                                                                                                                                                                                                                                                                                                                                                                                                                                                                                                                                                                                                                                                                                                                                                                                                                                                                                                                                                                                                                                                                                                                                                                                                                                                                                                                                                                                                                                                                                                                                                                                                                                                                                                                                                                                                                                                                                                                                                                                                                                                                                                                                                                                                               | ----                      | BS81          |      |      |             |      |      |                |      |      |             |      |      |  |  |  |                         |      |      |                         |      |      |                      |      |      |              |      |      |               |      |      |                 |      |      |               |      |      |               |      |      |               |      |      |              |      |      |              |      |      |              |      |      |              |      |      |            |      |      |             |      |      |               |      |      |             |      |      |             |      |      |             |      |      |                |      |      |                |      |      |                |      |      |                 |      |      |              |      |      |
| <b>Detailed Comments:</b>                                                                                                                                                                                                                                                                                                                                                                                                                                                                                                                                                                                                                                                                                                                                                                                                                                                                                                                                                                                                                                                                                                                                                                                                                                                                                                                                                                                                                                                                                                                                                                                                                                                                                                                                                                                                                                                                                                                                                                                                                                                                                                                                                                                                                                                                                                                  |                           |               |      |      |             |      |      |                |      |      |             |      |      |  |  |  |                         |      |      |                         |      |      |                      |      |      |              |      |      |               |      |      |                 |      |      |               |      |      |               |      |      |               |      |      |              |      |      |              |      |      |              |      |      |              |      |      |            |      |      |             |      |      |               |      |      |             |      |      |             |      |      |             |      |      |                |      |      |                |      |      |                |      |      |                 |      |      |              |      |      |

| <b>Test Suite Operation Definition</b>                                                                                                                                                                                                                                                                          |                  |
|-----------------------------------------------------------------------------------------------------------------------------------------------------------------------------------------------------------------------------------------------------------------------------------------------------------------|------------------|
| <b>Operation Name:</b>                                                                                                                                                                                                                                                                                          | OO_InitNonCallSS |
| <b>Result Type:</b>                                                                                                                                                                                                                                                                                             | BOOLEAN          |
| <b>Comments:</b>                                                                                                                                                                                                                                                                                                |                  |
| <b>Description</b>                                                                                                                                                                                                                                                                                              |                  |
| <p>This operation requests (e.g. from the control console of the test system) the test operator to initiate a non call related supplementary service which is supported by the MS.</p> <p>After the operator finishes the action, he informs the test system and the operation returns with the value TRUE.</p> |                  |
| <b>Detailed Comments:</b>                                                                                                                                                                                                                                                                                       |                  |



| <b>Test Suite Operation Definition</b>                                                                                                                                    |                              |
|---------------------------------------------------------------------------------------------------------------------------------------------------------------------------|------------------------------|
| <b>Operation Name:</b>                                                                                                                                                    | OO_InitSS(action: IA5String) |
| <b>Result Type:</b>                                                                                                                                                       | BOOLEAN                      |
| <b>Comments:</b>                                                                                                                                                          |                              |
| <b>Description</b>                                                                                                                                                        |                              |
| This operation requests (e.g. from the control console of the test system) the test operator to initiate the required supplementary service by the MMI sequence `action`. |                              |
| After the operator finishes the action, he informs the test system and the operation returns with the value TRUE.                                                         |                              |
| <b>Detailed Comments:</b>                                                                                                                                                 |                              |

| <b>Test Suite Operation Definition</b>                                                                                                                                                                                                                                                                                                                                                                                                                                                                                                      |                 |
|---------------------------------------------------------------------------------------------------------------------------------------------------------------------------------------------------------------------------------------------------------------------------------------------------------------------------------------------------------------------------------------------------------------------------------------------------------------------------------------------------------------------------------------------|-----------------|
| <b>Operation Name:</b>                                                                                                                                                                                                                                                                                                                                                                                                                                                                                                                      | OO_InServiceCHK |
| <b>Result Type:</b>                                                                                                                                                                                                                                                                                                                                                                                                                                                                                                                         | BOOLEAN         |
| <b>Comments:</b>                                                                                                                                                                                                                                                                                                                                                                                                                                                                                                                            |                 |
| <b>Description</b>                                                                                                                                                                                                                                                                                                                                                                                                                                                                                                                          |                 |
| This operation first requests (e.g. from the control console of the test system) the test operator to check whether the Mobile Station under test is in normal service state ("Idle, updated")-- listening to CCCH and BCCH and with U1 UPDATED status. If the operator informs (e.g. from the control console of the test system) the test system that the MS does not give any service indication, the operation returns FALSE. If the operator informs the test system that the MS gives service indication, the operation returns TRUE. |                 |
| <b>Detailed Comments:</b>                                                                                                                                                                                                                                                                                                                                                                                                                                                                                                                   |                 |

| <b>Test Suite Operation Definition</b>                                                                                                |         |
|---------------------------------------------------------------------------------------------------------------------------------------|---------|
| <b>Operation Name:</b>                                                                                                                | OO_Key  |
| <b>Result Type:</b>                                                                                                                   | BOOLEAN |
| <b>Comments:</b>                                                                                                                      |         |
| <b>Description</b>                                                                                                                    |         |
| This operation returns TRUE if a key of the SS' keyboard has been pressed. Otherwise it returns FALSE.                                |         |
| After OO_PressKeyWhenInService was called, the TSO is then continuously called until the test operator hits a key or a timer expires. |         |
| <b>Detailed Comments:</b>                                                                                                             |         |

| <b>Test Suite Operation Definition</b>                                                                                                                                                                                                                                 |             |
|------------------------------------------------------------------------------------------------------------------------------------------------------------------------------------------------------------------------------------------------------------------------|-------------|
| <b>Operation Name:</b>                                                                                                                                                                                                                                                 | OO_MptyCall |
| <b>Result Type:</b>                                                                                                                                                                                                                                                    | BOOLEAN     |
| <b>Comments:</b>                                                                                                                                                                                                                                                       |             |
| <b>Description</b>                                                                                                                                                                                                                                                     |             |
| This operation requests (e.g. from the control console of the test system) the test operator to enter MultiParty MMI command at the Mobile Station under test, then it returns with the value TRUE after the operator finishes the action and informs the test system. |             |
| <b>Detailed Comments:</b>                                                                                                                                                                                                                                              |             |

| <b>Test Suite Operation Definition</b>                                                                                                                                                                              |                                   |
|---------------------------------------------------------------------------------------------------------------------------------------------------------------------------------------------------------------------|-----------------------------------|
| <b>Operation Name:</b>                                                                                                                                                                                              | OO_MSSetupStoreClass1SMInMEMemory |
| <b>Result Type:</b>                                                                                                                                                                                                 | BOOLEAN                           |
| <b>Comments:</b>                                                                                                                                                                                                    |                                   |
| <b>Description</b>                                                                                                                                                                                                  |                                   |
| This operation requests (e.g. from the control console of the test system) the test operator to setup the MS under test to store class 1 SM in the ME memory (by way of MMI, as described in PICS/PIXIT statement). |                                   |
| After the operator finishes the action, he informs the test system and the operation returns with the value TRUE.                                                                                                   |                                   |
| <b>Detailed Comments:</b>                                                                                                                                                                                           |                                   |

| <b>Test Suite Operation Definition</b>                                                                                                                                                                                                                                                                                                                                                                                                                                                                                                                                         |             |
|--------------------------------------------------------------------------------------------------------------------------------------------------------------------------------------------------------------------------------------------------------------------------------------------------------------------------------------------------------------------------------------------------------------------------------------------------------------------------------------------------------------------------------------------------------------------------------|-------------|
| <b>Operation Name:</b>                                                                                                                                                                                                                                                                                                                                                                                                                                                                                                                                                         | OO_PLMNsCHK |
| <b>Result Type:</b>                                                                                                                                                                                                                                                                                                                                                                                                                                                                                                                                                            | BOOLEAN     |
| <b>Comments:</b>                                                                                                                                                                                                                                                                                                                                                                                                                                                                                                                                                               |             |
| <b>Description</b>                                                                                                                                                                                                                                                                                                                                                                                                                                                                                                                                                             |             |
| This operation first requests (e.g. from the control console of the test system) the test operator to check whether the Mobile Station presents a list of available PLMNs. The list shall include the MNC and MCC of cells 1 to 7, but not cell 8 (for GSM900) or cells 1 to 6, but not cell 7 (for DCS1800). If the operator informs (e.g. from the control console of the test system) the test system that the MS correctly presents the list, the operation returns TRUE. If the operator informs the test system that the list is incorrect, the operation returns FALSE. |             |
| <b>Detailed Comments:</b>                                                                                                                                                                                                                                                                                                                                                                                                                                                                                                                                                      |             |

| <b>Test Suite Operation Definition</b>                                                                                                                              |                    |
|---------------------------------------------------------------------------------------------------------------------------------------------------------------------|--------------------|
| <b>Operation Name:</b>                                                                                                                                              | OO_PLMNselModeAuto |
| <b>Result Type:</b>                                                                                                                                                 | BOOLEAN            |
| <b>Comments:</b>                                                                                                                                                    |                    |
| <b>Description</b>                                                                                                                                                  |                    |
| This operation switches the PLMN selection mode of the MS to automatic selection. After correctly switching of the mode the operation returns TRUE otherwise FALSE. |                    |
| <b>Detailed Comments:</b>                                                                                                                                           |                    |

| <b>Test Suite Operation Definition</b>                                                                                                                           |                   |
|------------------------------------------------------------------------------------------------------------------------------------------------------------------|-------------------|
| <b>Operation Name:</b>                                                                                                                                           | OO_PLMNselModeMan |
| <b>Result Type:</b>                                                                                                                                              | BOOLEAN           |
| <b>Comments:</b>                                                                                                                                                 |                   |
| <b>Description</b>                                                                                                                                               |                   |
| This operation switches the PLMN selection mode of the MS to manual selection. After correctly switching of the mode the operation returns TRUE otherwise FALSE. |                   |
| <b>Detailed Comments:</b>                                                                                                                                        |                   |

| <b>Test Suite Operation Definition</b>                                                                                                                                                                       |            |
|--------------------------------------------------------------------------------------------------------------------------------------------------------------------------------------------------------------|------------|
| <b>Operation Name:</b>                                                                                                                                                                                       | OO_PowerUp |
| <b>Result Type:</b>                                                                                                                                                                                          | BOOLEAN    |
| <b>Comments:</b>                                                                                                                                                                                             |            |
| <b>Description</b>                                                                                                                                                                                           |            |
| This operation requests (e.g. from the control console of the test system) the test operator to power up the Mobile Station under test and to inform after the test system, then it returns with value TRUE. |            |
| <b>Detailed Comments:</b>                                                                                                                                                                                    |            |

| <b>Test Suite Operation Definition</b>                                                                                                                                                                         |              |
|----------------------------------------------------------------------------------------------------------------------------------------------------------------------------------------------------------------|--------------|
| <b>Operation Name:</b>                                                                                                                                                                                         | OO_PowerDown |
| <b>Result Type:</b>                                                                                                                                                                                            | BOOLEAN      |
| <b>Comments:</b>                                                                                                                                                                                               |              |
| <b>Description</b>                                                                                                                                                                                             |              |
| This operation requests (e.g. from the control console of the test system) the test operator to power down the Mobile Station under test and to inform after the test system, then it returns with value TRUE. |              |
| <b>Detailed Comments:</b>                                                                                                                                                                                      |              |

| <b>Test Suite Operation Definition</b>                                                                                                                                                                |                          |
|-------------------------------------------------------------------------------------------------------------------------------------------------------------------------------------------------------|--------------------------|
| <b>Operation Name:</b>                                                                                                                                                                                | OO_PressKeyWhenInService |
| <b>Result Type:</b>                                                                                                                                                                                   | BOOLEAN                  |
| <b>Comments:</b>                                                                                                                                                                                      |                          |
| <b>Description</b>                                                                                                                                                                                    |                          |
| This operation requests (e.g. from the control console of the test system) the test operator to press any key when the MS shows the service indicator, then returns. The return value is always TRUE. |                          |
| Working with OO_Key together, the TSO displays a prompt to the test operator and then immediately returns.                                                                                            |                          |
| <b>Detailed Comments:</b>                                                                                                                                                                             |                          |

| <b>Test Suite Operation Definition</b>                                                                                                                                                                                                                                                                            |                                                                  |
|-------------------------------------------------------------------------------------------------------------------------------------------------------------------------------------------------------------------------------------------------------------------------------------------------------------------|------------------------------------------------------------------|
| <b>Operation Name:</b>                                                                                                                                                                                                                                                                                            | OO_RecallAndDisplaySM(NumbOfIA5chara: INTEGER; msg: OCTETSTRING) |
| <b>Result Type:</b>                                                                                                                                                                                                                                                                                               | BOOLEAN                                                          |
| <b>Comments:</b>                                                                                                                                                                                                                                                                                                  |                                                                  |
| <b>Description</b>                                                                                                                                                                                                                                                                                                |                                                                  |
| This operation requests (e.g. from the control console of the test system) the test operator to recall and display an SM stored in the ME of the MS under test e.g. by means of the MMI. Then the operator checks whether the short message contents represented by 'msg' is correctly displayed. The TSO returns |                                                                  |
| TRUE: if SM can be recalled and displayed correctly in comparison with the 'msg',                                                                                                                                                                                                                                 |                                                                  |
| FALSE: if SM can not be recalled or displayed, or displayed incorrectly in comparison with the 'msg'.                                                                                                                                                                                                             |                                                                  |
| The TSO needs to convert the 'msg' into IA5 string according to the packing character rules specified in the section 6.1.2 of ETS 300 628 (GSM 03.38). The 'NumbOfIA5chara' indicates the number of IA5 characters in the 'msg'.                                                                                  |                                                                  |
| <b>Detailed Comments:</b>                                                                                                                                                                                                                                                                                         |                                                                  |

| <b>Test Suite Operation Definition</b>                                                                                                                                                                                                                                                                                                |                |
|---------------------------------------------------------------------------------------------------------------------------------------------------------------------------------------------------------------------------------------------------------------------------------------------------------------------------------------|----------------|
| <b>Operation Name:</b>                                                                                                                                                                                                                                                                                                                | OO_RemoveOneSM |
| <b>Result Type:</b>                                                                                                                                                                                                                                                                                                                   | BOOLEAN        |
| <b>Comments:</b>                                                                                                                                                                                                                                                                                                                      |                |
| <b>Description</b>                                                                                                                                                                                                                                                                                                                    |                |
| This operation requests (e.g. from the control console of the test system) the test operator to remove one of the SM from the message store and then to inform the test system. It does not matter which short message has been removed. After that the operation returns with value TRUE. The returned value is not used in the ATS. |                |
| <b>Detailed Comments:</b>                                                                                                                                                                                                                                                                                                             |                |

| <b>Test Suite Operation Definition</b>                                                                                                                                                                                                                 |               |
|--------------------------------------------------------------------------------------------------------------------------------------------------------------------------------------------------------------------------------------------------------|---------------|
| <b>Operation Name:</b>                                                                                                                                                                                                                                 | OO_RemvPwrAmp |
| <b>Result Type:</b>                                                                                                                                                                                                                                    | BOOLEAN       |
| <b>Comments:</b>                                                                                                                                                                                                                                       |               |
| <b>Description</b>                                                                                                                                                                                                                                     |               |
| This operation requests (e.g. from the control console of the test system) the test operator to remove the added power amplification at the Mobile Station under test and to inform after the test system, then the operation returns with value TRUE. |               |
| <b>Detailed Comments:</b>                                                                                                                                                                                                                              |               |

| <b>Test Suite Operation Definition</b>                                                                                                                                                                                                                                                                                                                                                                                                 |                |
|----------------------------------------------------------------------------------------------------------------------------------------------------------------------------------------------------------------------------------------------------------------------------------------------------------------------------------------------------------------------------------------------------------------------------------------|----------------|
| <b>Operation Name:</b>                                                                                                                                                                                                                                                                                                                                                                                                                 | OO_RFoutputCHK |
| <b>Result Type:</b>                                                                                                                                                                                                                                                                                                                                                                                                                    | BOOLEAN        |
| <b>Comments:</b>                                                                                                                                                                                                                                                                                                                                                                                                                       |                |
| <b>Description</b>                                                                                                                                                                                                                                                                                                                                                                                                                     |                |
| This operation first requests (e.g. from the control console of the test system) the test operator to check whether the Mobile Station produces any RF output. If the operator informs (e.g. from the control console of the test system) the test system that the MS does not produce any RF output, the operation returns FALSE. If the operator informs the test system that the MS produces RF output, the operation returns TRUE. |                |
| <b>Detailed Comments:</b>                                                                                                                                                                                                                                                                                                                                                                                                              |                |

| <b>Test Suite Operation Definition</b>                                                                                                                                                                                      |                                  |
|-----------------------------------------------------------------------------------------------------------------------------------------------------------------------------------------------------------------------------|----------------------------------|
| <b>Operation Name:</b>                                                                                                                                                                                                      | OO_SelPLMN(par_plmn:OCTETSTRING) |
| <b>Result Type:</b>                                                                                                                                                                                                         | BOOLEAN                          |
| <b>Comments:</b>                                                                                                                                                                                                            |                                  |
| <b>Description</b>                                                                                                                                                                                                          |                                  |
| This operation requests (e.g. from the control console of the test system) the test operator to select the given PLMN in par_plmn manually, and to inform after the test system then the operation returns with value TRUE. |                                  |
| <b>Detailed Comments:</b>                                                                                                                                                                                                   |                                  |

| <b>Test Suite Operation Definition</b>                                                                                                                                                                                                                                                                                       |                       |
|------------------------------------------------------------------------------------------------------------------------------------------------------------------------------------------------------------------------------------------------------------------------------------------------------------------------------|-----------------------|
| <b>Operation Name:</b>                                                                                                                                                                                                                                                                                                       | OO_SendMOShortMessage |
| <b>Result Type:</b>                                                                                                                                                                                                                                                                                                          | BOOLEAN               |
| <b>Comments:</b>                                                                                                                                                                                                                                                                                                             |                       |
| <b>Description</b>                                                                                                                                                                                                                                                                                                           |                       |
| This operation requests (e.g. from the control console of the test system) the test operator to send a short message from the mobile station under test.<br>The operation waits for the operator to acknowledge the request which may be done before or after sending the MO Short Message, and then returns the value TRUE. |                       |
| <b>Detailed Comments:</b>                                                                                                                                                                                                                                                                                                    |                       |

| <b>Test Suite Operation Definition</b>                                                                                                                                                                                                                                                                    |                      |
|-----------------------------------------------------------------------------------------------------------------------------------------------------------------------------------------------------------------------------------------------------------------------------------------------------------|----------------------|
| <b>Operation Name:</b>                                                                                                                                                                                                                                                                                    | OO_SendSMSCOMMANDDel |
| <b>Result Type:</b>                                                                                                                                                                                                                                                                                       | BOOLEAN              |
| <b>Comments:</b>                                                                                                                                                                                                                                                                                          |                      |
| <b>Description</b>                                                                                                                                                                                                                                                                                        |                      |
| This operation requests (e.g. from the control console of the test system) the test operator to send a SMS COMMAND message from the mobile station under test containing requiring to delete the previously submitted SM and then to inform the test system. Then, the operation returns with value TRUE. |                      |
| <b>Detailed Comments:</b>                                                                                                                                                                                                                                                                                 |                      |

| <b>Test Suite Operation Definition</b>                                                                                                                                                                                                                                                                 |                      |
|--------------------------------------------------------------------------------------------------------------------------------------------------------------------------------------------------------------------------------------------------------------------------------------------------------|----------------------|
| <b>Operation Name:</b>                                                                                                                                                                                                                                                                                 | OO_SendSMSCOMMANDEnq |
| <b>Result Type:</b>                                                                                                                                                                                                                                                                                    | BOOLEAN              |
| <b>Comments:</b>                                                                                                                                                                                                                                                                                       |                      |
| <b>Description</b>                                                                                                                                                                                                                                                                                     |                      |
| This operation requests (e.g. from the control console of the test system) the test operator to send a SMS COMMAND message from the mobile station under test containing an enquiry about the previously submitted SM and then to inform the test system. Then, the operation returns with value TRUE. |                      |
| <b>Detailed Comments:</b>                                                                                                                                                                                                                                                                              |                      |

| <b>Test Suite Operation Definition</b>                                                                                                                                                                                                                                                              |                  |
|-----------------------------------------------------------------------------------------------------------------------------------------------------------------------------------------------------------------------------------------------------------------------------------------------------|------------------|
| <b>Operation Name:</b>                                                                                                                                                                                                                                                                              | OO_SetRefuseCall |
| <b>Result Type:</b>                                                                                                                                                                                                                                                                                 | BOOLEAN          |
| <b>Comments:</b>                                                                                                                                                                                                                                                                                    |                  |
| <b>Description</b>                                                                                                                                                                                                                                                                                  |                  |
| This operation first requests (e.g. from the control console of the test system) the test operator to enable call refusal on the MS. After the operator completes the action and informs (e.g. from the control console of the test system) the test system, the operation returns with value TRUE. |                  |
| <b>Detailed Comments:</b>                                                                                                                                                                                                                                                                           |                  |

| Test Suite Operation Definition                                                                                                                                                                                                                                                                                                                                            |                               |
|----------------------------------------------------------------------------------------------------------------------------------------------------------------------------------------------------------------------------------------------------------------------------------------------------------------------------------------------------------------------------|-------------------------------|
| <b>Operation Name:</b>                                                                                                                                                                                                                                                                                                                                                     | OO_ShortKeyDepr(ch:IA5String) |
| <b>Result Type:</b>                                                                                                                                                                                                                                                                                                                                                        | BOOLEAN                       |
| <b>Comments:</b>                                                                                                                                                                                                                                                                                                                                                           |                               |
| Description                                                                                                                                                                                                                                                                                                                                                                |                               |
| This operation requests (e.g. from the control console of the test system) the test operator to cause a DTMF tone to be generated, e.g. by short depression of the key `ch` on the Mobile Station under test. The operation waits for the operator to acknowledge the request which may be done before or after generating the DTMF tone, and then returns the value TRUE. |                               |
| <b>Detailed Comments:</b>                                                                                                                                                                                                                                                                                                                                                  |                               |

| Test Suite Operation Definition                                                                                                                                                                                                                                                                                        |           |
|------------------------------------------------------------------------------------------------------------------------------------------------------------------------------------------------------------------------------------------------------------------------------------------------------------------------|-----------|
| <b>Operation Name:</b>                                                                                                                                                                                                                                                                                                 | OO_SIMIns |
| <b>Result Type:</b>                                                                                                                                                                                                                                                                                                    | BOOLEAN   |
| <b>Comments:</b>                                                                                                                                                                                                                                                                                                       |           |
| Description                                                                                                                                                                                                                                                                                                            |           |
| This operation requests (e.g. from the control console of the test system) the test operator to insert the SIM card into the Mobile Station under test. After the operator completes the action and informs (e.g. from the control console of the test system) the test system, the operation returns with value TRUE. |           |
| <b>Detailed Comments:</b>                                                                                                                                                                                                                                                                                              |           |

| Test Suite Operation Definition                                                                                                                                                                                                                                                                                          |            |
|--------------------------------------------------------------------------------------------------------------------------------------------------------------------------------------------------------------------------------------------------------------------------------------------------------------------------|------------|
| <b>Operation Name:</b>                                                                                                                                                                                                                                                                                                   | OO_SIM2Ins |
| <b>Result Type:</b>                                                                                                                                                                                                                                                                                                      | BOOLEAN    |
| <b>Comments:</b>                                                                                                                                                                                                                                                                                                         |            |
| Description                                                                                                                                                                                                                                                                                                              |            |
| This operation requests (e.g. from the control console of the test system) the test operator to insert the SIM card 2 into the Mobile Station under test. After the operator completes the action and informs (e.g. from the control console of the test system) the test system, the operation returns with value TRUE. |            |
| The SIM Card 2 shall contain the following parameter values, which are different from default values(SIM Card 1):<br>IMSI= '001011234'<br>HPLMN_search_period=6min.                                                                                                                                                      |            |
| <b>Detailed Comments:</b>                                                                                                                                                                                                                                                                                                |            |

| Test Suite Operation Definition                                                                                                                                                                                                                                                        |            |
|----------------------------------------------------------------------------------------------------------------------------------------------------------------------------------------------------------------------------------------------------------------------------------------|------------|
| <b>Operation Name:</b>                                                                                                                                                                                                                                                                 | OO_SIM3Ins |
| <b>Result Type:</b>                                                                                                                                                                                                                                                                    | BOOLEAN    |
| <b>Comments:</b>                                                                                                                                                                                                                                                                       |            |
| Description                                                                                                                                                                                                                                                                            |            |
| This operation requests (e.g. from the control console of the test system) the test operator to insert the SIM card 3 into the Mobile Station under test and turn the MS power on, after the test operator finishes the action and informs the test system it returns with value TRUE. |            |
| The SIM Card 3 shall contain fixed dialling number allocated and activated.                                                                                                                                                                                                            |            |
| <b>Detailed Comments:</b>                                                                                                                                                                                                                                                              |            |

| Test Suite Operation Definition                                                                                                                                                                                                                                                                                        |           |
|------------------------------------------------------------------------------------------------------------------------------------------------------------------------------------------------------------------------------------------------------------------------------------------------------------------------|-----------|
| <b>Operation Name:</b>                                                                                                                                                                                                                                                                                                 | OO_SIMRmv |
| <b>Result Type:</b>                                                                                                                                                                                                                                                                                                    | BOOLEAN   |
| <b>Comments:</b>                                                                                                                                                                                                                                                                                                       |           |
| Description                                                                                                                                                                                                                                                                                                            |           |
| This operation requests (e.g. from the control console of the test system) the test operator to remove the SIM card from the Mobile Station under test. After the operator completes the action and informs (e.g. from the control console of the test system) the test system, the operation returns with value TRUE. |           |
| <b>Detailed Comments:</b>                                                                                                                                                                                                                                                                                              |           |

| <b>Test Suite Operation Definition</b>                                                                                                                                                                                                                                                 |                     |
|----------------------------------------------------------------------------------------------------------------------------------------------------------------------------------------------------------------------------------------------------------------------------------------|---------------------|
| <b>Operation Name:</b>                                                                                                                                                                                                                                                                 | OO_SIMSimulAttIndOK |
| <b>Result Type:</b>                                                                                                                                                                                                                                                                    | BOOLEAN             |
| <b>Comments:</b>                                                                                                                                                                                                                                                                       |                     |
| <b>Description</b>                                                                                                                                                                                                                                                                     |                     |
| This operation requests (e.g. from the control console of the test system) the test operator to check whether the SIM simulator indicates an attempt made by the ME to store the short message in the SIM. The SIM simulator returns the status response "OK" ("90 00"). Then returns. |                     |
| Attempt indicated: TRUE                                                                                                                                                                                                                                                                |                     |
| Attempt NOT indicated: FALSE                                                                                                                                                                                                                                                           |                     |
| <b>Detailed Comments:</b>                                                                                                                                                                                                                                                              |                     |

| <b>Test Suite Operation Definition</b>                                                                                                                                                                                                                                                             |                             |
|----------------------------------------------------------------------------------------------------------------------------------------------------------------------------------------------------------------------------------------------------------------------------------------------------|-----------------------------|
| <b>Operation Name:</b>                                                                                                                                                                                                                                                                             | OO_SIMSimulAttIndMemProblem |
| <b>Result Type:</b>                                                                                                                                                                                                                                                                                | BOOLEAN                     |
| <b>Comments:</b>                                                                                                                                                                                                                                                                                   |                             |
| <b>Description</b>                                                                                                                                                                                                                                                                                 |                             |
| This operation requests (e.g. from the control console of the test system) the test operator to check whether the SIM simulator indicates an attempt made by the ME to store the short message in the SIM. The SIM simulator returns the status response "Memory Problem" ("92 40"). Then returns. |                             |
| Attempt indicated: TRUE                                                                                                                                                                                                                                                                            |                             |
| Attempt NOT indicated: FALSE                                                                                                                                                                                                                                                                       |                             |
| <b>Detailed Comments:</b>                                                                                                                                                                                                                                                                          |                             |

| <b>Test Suite Operation Definition</b>                                                                                                                                                                                                                                                                                                                                                                                                      |                             |
|---------------------------------------------------------------------------------------------------------------------------------------------------------------------------------------------------------------------------------------------------------------------------------------------------------------------------------------------------------------------------------------------------------------------------------------------|-----------------------------|
| <b>Operation Name:</b>                                                                                                                                                                                                                                                                                                                                                                                                                      | OO_SSresultCHK(svc:INTEGER) |
| <b>Result Type:</b>                                                                                                                                                                                                                                                                                                                                                                                                                         | BOOLEAN                     |
| <b>Comments:</b>                                                                                                                                                                                                                                                                                                                                                                                                                            |                             |
| <b>Description</b>                                                                                                                                                                                                                                                                                                                                                                                                                          |                             |
| This operation first requests (e.g. from the control console of the test system) the test operator to check the user indication of the result of the supplementary service `svc`. If the operator informs (e.g. from the control console of the test system) the test system that the indication is correct, the operation returns TRUE. If the operator informs the test system that the indication is wrong, the operation returns FALSE. |                             |
| <b>Detailed Comments:</b>                                                                                                                                                                                                                                                                                                                                                                                                                   |                             |

| <b>Test Suite Operation Definition</b>                                                                                                                                                                                                                                                                                                                          |             |
|-----------------------------------------------------------------------------------------------------------------------------------------------------------------------------------------------------------------------------------------------------------------------------------------------------------------------------------------------------------------|-------------|
| <b>Operation Name:</b>                                                                                                                                                                                                                                                                                                                                          | OO_SwitchOn |
| <b>Result Type:</b>                                                                                                                                                                                                                                                                                                                                             | BOOLEAN     |
| <b>Comments:</b>                                                                                                                                                                                                                                                                                                                                                |             |
| <b>Description</b>                                                                                                                                                                                                                                                                                                                                              |             |
| This operation requests (e.g. from the control console of the test system) the test operator to switch on (or if there is no switch then to restore the power to) the Mobile Station under test. After the operator completes the action and informs (e.g. from the control console of the test system) the test system, the operation returns with value TRUE. |             |
| <b>Detailed Comments:</b>                                                                                                                                                                                                                                                                                                                                       |             |

| <b>Test Suite Operation Definition</b>                                                                                                                                                                                                                                                                                                                            |              |
|-------------------------------------------------------------------------------------------------------------------------------------------------------------------------------------------------------------------------------------------------------------------------------------------------------------------------------------------------------------------|--------------|
| <b>Operation Name:</b>                                                                                                                                                                                                                                                                                                                                            | OO_SwitchOff |
| <b>Result Type:</b>                                                                                                                                                                                                                                                                                                                                               | BOOLEAN      |
| <b>Comments:</b>                                                                                                                                                                                                                                                                                                                                                  |              |
| <b>Description</b>                                                                                                                                                                                                                                                                                                                                                |              |
| This operation requests (e.g. from the control console of the test system) the test operator to switch off (or if there is no switch then to remove the power from) the Mobile Station under test. After the operator completes the action and informs (e.g. from the control console of the test system) the test system, the operation returns with value TRUE. |              |
| <b>Detailed Comments:</b>                                                                                                                                                                                                                                                                                                                                         |              |

| <b>Test Suite Operation Definition</b>                                                                                                                                                                                                                                                                                                                                                                                                                                                              |                   |
|-----------------------------------------------------------------------------------------------------------------------------------------------------------------------------------------------------------------------------------------------------------------------------------------------------------------------------------------------------------------------------------------------------------------------------------------------------------------------------------------------------|-------------------|
| <b>Operation Name:</b>                                                                                                                                                                                                                                                                                                                                                                                                                                                                              | OO_TCHThroConnCHK |
| <b>Result Type:</b>                                                                                                                                                                                                                                                                                                                                                                                                                                                                                 | BOOLEAN           |
| <b>Comments:</b>                                                                                                                                                                                                                                                                                                                                                                                                                                                                                    |                   |
| <b>Description</b>                                                                                                                                                                                                                                                                                                                                                                                                                                                                                  |                   |
| This operation first requests (e.g. from the control console of the test system) the test operator to check whether the TCH is through connected. The SS has to generate a noise pattern so that the operator can check this. If the operator informs (e.g. from the control console of the test system) the test system that the TCH is through connected, the operation returns TRUE. If the operator informs the test system that the TCH is not through connected, the operation returns FALSE. |                   |
| <b>Detailed Comments:</b>                                                                                                                                                                                                                                                                                                                                                                                                                                                                           |                   |

| <b>Test Suite Operation Definition</b>                                                                                                                                                                                                                                     |             |
|----------------------------------------------------------------------------------------------------------------------------------------------------------------------------------------------------------------------------------------------------------------------------|-------------|
| <b>Operation Name:</b>                                                                                                                                                                                                                                                     | OO_TermCall |
| <b>Result Type:</b>                                                                                                                                                                                                                                                        | BOOLEAN     |
| <b>Comments:</b>                                                                                                                                                                                                                                                           |             |
| <b>Description</b>                                                                                                                                                                                                                                                         |             |
| This operation first requests (e.g. from the control console of the test system) the test operator to terminate the ongoing call. After the operator completes the action and informs (e.g. from the control console of the test system) the test system, it returns TRUE. |             |
| <b>Detailed Comments:</b>                                                                                                                                                                                                                                                  |             |

| <b>Test Suite Operation Definition</b>                                                                                                                                                                                                  |                  |
|-----------------------------------------------------------------------------------------------------------------------------------------------------------------------------------------------------------------------------------------|------------------|
| <b>Operation Name:</b>                                                                                                                                                                                                                  | OO_TguardTimeOut |
| <b>Result Type:</b>                                                                                                                                                                                                                     | BOOLEAN          |
| <b>Comments:</b>                                                                                                                                                                                                                        |                  |
| <b>Description</b>                                                                                                                                                                                                                      |                  |
| This operation informs (e.g. from the control console of the test system) the test operator that the T_guard timer has expired during the test case leading to an inconclusive or fail verdict and returns immediately with value TRUE. |                  |
| <b>Detailed Comments:</b>                                                                                                                                                                                                               |                  |

| <b>Test Suite Operation Definition</b>                                                                                                                                                                                                                                                                                                                                                                                          |                |
|---------------------------------------------------------------------------------------------------------------------------------------------------------------------------------------------------------------------------------------------------------------------------------------------------------------------------------------------------------------------------------------------------------------------------------|----------------|
| <b>Operation Name:</b>                                                                                                                                                                                                                                                                                                                                                                                                          | OO_ToneStopCHK |
| <b>Result Type:</b>                                                                                                                                                                                                                                                                                                                                                                                                             | BOOLEAN        |
| <b>Comments:</b>                                                                                                                                                                                                                                                                                                                                                                                                                |                |
| <b>Description</b>                                                                                                                                                                                                                                                                                                                                                                                                              |                |
| This operation first requests (e.g. from the control console of the test system) the test operator to check whether the MS stops the tone generation. If the operator informs (e.g. from the control console of the test system) the test system that the MS does not stop tone generation, the operation returns FALSE. If the operator informs the test system that the MS stops tone generation, the operation returns TRUE. |                |
| Definition of "tone generation":                                                                                                                                                                                                                                                                                                                                                                                                |                |
| -During MO call: MS generates alerting tone/presents inband information sent by the network.                                                                                                                                                                                                                                                                                                                                    |                |
| -During MT call: MS generates ringing tone.                                                                                                                                                                                                                                                                                                                                                                                     |                |
| <b>Detailed Comments:</b>                                                                                                                                                                                                                                                                                                                                                                                                       |                |

## Test suite parameter declarations

| Test Suite Parameter Declarations |         |                         |                                                                |
|-----------------------------------|---------|-------------------------|----------------------------------------------------------------|
| Parameter Name                    | Type    | PICS/PIXIT Ref          | Comments                                                       |
| TSPC_24DataF                      | BOOLEAN | PICS Table A.25 Item 12 | 2.4 k full rate data mode supported                            |
| TSPC_24DataH                      | BOOLEAN | PICS Table A.25 Item 13 | 2.4 k half rate data mode supported                            |
| TSPC_48DataF                      | BOOLEAN | PICS Table A.25 Item 14 | 4.8 k full rate data mode supported                            |
| TSPC_48DataH                      | BOOLEAN | PICS Table A.25 Item 15 | 4.8 k half rate data mode supported                            |
| TSPC_96Data                       | BOOLEAN | PICS Table A.25 Item 16 | 9.6 k full rate data mode supported                            |
| TSPC_Feat_A51                     | BOOLEAN | PICS Table A.2 Item 17  | ciphering algorithm A5/1 supported                             |
| TSPC_Feat_A52                     | BOOLEAN | PICS Table A.2 Item 18  | ciphering algorithm A5/2 supported                             |
| TSPC_AddCharSet                   | BOOLEAN | PICS Table A.25 Item 47 | A, B, C, D chars supported                                     |
| TSPC_AddInfo_PseudoSynch          | BOOLEAN | PICS                    | Pseudo synchronised supported                                  |
| TSPC_AlertInd                     | BOOLEAN | PICS Table A.25 Item 49 | alerting indication to the user supported                      |
| TSPC_SvcOnTCH                     | BOOLEAN | PICS Table A.25 Item 22 | at least one service on traffic channel supported              |
| TSPC_SMS                          | BOOLEAN | PICS Table A.25 Item 31 | at least one short message service supported                   |
| TSPC_SS                           | BOOLEAN | PICS Table A.25 Item 29 | at least one supplementary service supported                   |
| TSPC_AutoAutoMode                 | BOOLEAN | PICS Table A.25 Item 48 | automatically enter automatic selection of PLMN mode supported |
| TSPC_BasCharSet                   | BOOLEAN | PICS Table A.25 Item 46 | Chars 0-9, *, # supported                                      |
| TSPC_CalledNumDisp                | BOOLEAN | PICS Table A.2 Item 1   | called number display supported                                |
| TSPC_DCS                          | BOOLEAN | PICS Table A.1 Item 3   | testing DCS1800                                                |
| TSPC_DetachOnPwrDn                | BOOLEAN | PICS Table A.25 Item 38 | detach on power down supported                                 |
| TSPC_DetachOnSIMRmv               | BOOLEAN | PICS Table A.25 Item 39 | detach on SIM remove supported                                 |
| TSPC_DisprcvSMS                   | BOOLEAN | PICS Table A.25 Item 34 | display of received SMS supported                              |
| TSPC_DualRate                     | BOOLEAN | PICS Table A.25 Item 23 | dual rate channel types supported                              |
| TSPC_EGSM                         | BOOLEAN | PICS Table A.1 Item 2   | both standard and extended GSM band supported                  |
| TSPC_EmgOnly                      | BOOLEAN | PICS Table A.25 Item 27 | the only circuit switched basic service is emergency call      |
| TSPC_followOnReq                  | BOOLEAN | PICS Table A.25 Item 53 | follow-on request procedure supported                          |
| TSPC_HalfRateData                 | BOOLEAN | PICS Table A.25 Item 6  | half rate data supported                                       |
| TSPC_HalfRateSpeech               | BOOLEAN | PICS Table A.25 Item 3  | half rate speech mode supported                                |
| TSPC_InCallMod                    | BOOLEAN | PICS Table A.25 Item 52 | In-Call modification supported                                 |
| TSPC_NoimmConn                    | BOOLEAN | PICS Table A.25 Item 51 | at least one service not support immediate connection          |
| TSPC_Feat_FND                     | BOOLEAN | PICS Table A.2 Item 21  | FND feature supported                                          |
| TSPC_NonCallSS                    | BOOLEAN | PICS Table A.25 Item 30 | non call related supplementary service supported               |
| TSPC_MTsvc                        | BOOLEAN | PICS Table A.25 Item 19 | at least one MT circuit switched basic service supported       |
| TSPC_MOsvc                        | BOOLEAN | PICS Table A.25 Item 20 | at least one MO circuit switched basic service supported       |
| TSPC_PGSM                         | BOOLEAN | PICS Table A.1 Item 1   | only standard GSM band supported                               |
| TSPC_RefusalCall                  | BOOLEAN | PICS Table A.25 Item 54 | refusal of call supported                                      |
| TSPC_ReplaceSMS                   | BOOLEAN | PICS Table A.25 Item 33 | replace SMS supported                                          |
| TSPC_ReplyProc                    | BOOLEAN | PICS Table A.25 Item 32 | (SMS) reply procedures supported                               |
| TSPC_RFAmp                        | BOOLEAN | PICS Table A.25 Item 55 | RF amplification supported                                     |
| TSPC_SDCCHOnly                    | BOOLEAN | PICS Table A.25 Item 21 | only SDCCH supported                                           |
| TSPC_Serv_SS_AoCC                 | BOOLEAN | PICS Table A.5 Item 14  | AOCC SS supported                                              |
| TSPC_Serv_SS_BAIC                 | BOOLEAN | PICS Table A.5 Item 18  | BAIC SS supported                                              |
| TSPC_Serv_SS_BI                   | BOOLEAN | PICS                    | BI SS supported                                                |



|                       |         |                         |                                                   |
|-----------------------|---------|-------------------------|---------------------------------------------------|
| TSPC_Serv_SS_BICRoam  | BOOLEAN | PICS Table A.5 Item 19  | BICRoam SS supported                              |
| TSPC_Serv_SS_BAOC     | BOOLEAN | PICS Table A.5 Item 15  | BAOC SS supported                                 |
| TSPC_Serv_SS_BOIC     | BOOLEAN | PICS Table A.5 Item 16  | BOIC SS supported                                 |
| TSPC_Serv_SS_BOICexHC | BOOLEAN | PICS Table A.5 Item 17  | BOICexHC SS supported                             |
| TSPC_Serv_SS_CFB      | BOOLEAN | PICS Table A.5 Item 6   | CFB supported                                     |
| TSPC_Serv_SS_CFNry    | BOOLEAN | PICS Table A.5 Item 7   | CFNry supported                                   |
| TSPC_Serv_SS_CFNrc    | BOOLEAN | PICS Table A.5 Item 8   | CFNrc supported                                   |
| TSPC_Serv_SS_CFU      | BOOLEAN | PICS Table A.5 Item 5   | CFU supported                                     |
| TSPC_Serv_SS_HOLD     | BOOLEAN | PICS Table A.5 Item 10  | Call Hold SS supported                            |
| TSPC_Serv_SS_MPTY     | BOOLEAN | PICS Table A.5 Item 11  | multiparty SS supported                           |
| TSPC_Serv_SS_unstruct | BOOLEAN | PICS                    | USSD supported                                    |
| TSPC_Serv_TS11        | BOOLEAN | PICS Table A.3 Item 1   | telephony supported                               |
| TSPC_Serv_TS12        | BOOLEAN | PICS Table A.3 Item 2   | emergency call supported                          |
| TSPC_Serv_TS21        | BOOLEAN | PICS Table A.3 Item 3   | SMS MT/PP supported                               |
| TSPC_Serv_TS22        | BOOLEAN | PICS Table A.3 Item 4   | SMS MO/PP supported                               |
| TSPC_Serv_TS23        | BOOLEAN | PICS Table A.3 Item 5   | SMS cell broadcast supported                      |
| TSPC_Serv_TS61        | BOOLEAN | PICS                    | alternate speech and G3 fax (TS61) supported      |
| TSPC_Serv_TS62        | BOOLEAN | PICS                    | automatic G3 fax (TS62) supported                 |
| TSPC_Serv_BS21        | BOOLEAN | PICS Table A.4 Item 1   | data circuit duplex async 300 bit/s supported     |
| TSPC_Serv_BS22        | BOOLEAN | PICS Table A.4 Item 2   | data circuit duplex async 1200 bit/s supported    |
| TSPC_Serv_BS23        | BOOLEAN | PICS Table A.4 Item 3   | data circuit duplex async 1200/75 bit/s supported |
| TSPC_Serv_BS24        | BOOLEAN | PICS Table A.4 Item 4   | data circuit duplex async 2400 bit/s supported    |
| TSPC_Serv_BS25        | BOOLEAN | PICS Table A.4 Item 5   | data circuit duplex async 4800 bit/s supported    |
| TSPC_Serv_BS26        | BOOLEAN | PICS Table A.4 Item 6   | data circuit duplex async 9600 bit/s supported    |
| TSPC_Serv_BS31        | BOOLEAN | PICS Table A.4 Item 7   | data circuit duplex sync 1200 bit/s supported     |
| TSPC_Serv_BS32        | BOOLEAN | PICS Table A.4 Item 8   | data circuit duplex sync 2400 bit/s supported     |
| TSPC_Serv_BS33        | BOOLEAN | PICS Table A.4 Item 9   | data circuit duplex sync 4800 bit/s supported     |
| TSPC_Serv_BS34        | BOOLEAN | PICS Table A.4 Item 10  | data circuit duplex sync 9600 bit/s supported     |
| TSPC_Serv_BS41        | BOOLEAN | PICS Table A.4 Item 11  | PAD access 300 bit/s supported                    |
| TSPC_Serv_BS42        | BOOLEAN | PICS Table A.4 Item 12  | PAD access 1200 bit/s supported                   |
| TSPC_Serv_BS43        | BOOLEAN | PICS Table A.4 Item 13  | PAD access 1200/75 bit/s supported                |
| TSPC_Serv_BS44        | BOOLEAN | PICS Table A.4 Item 14  | PAD access 2400 bit/s supported                   |
| TSPC_Serv_BS45        | BOOLEAN | PICS Table A.4 Item 15  | PAD access 4800 bit/s supported                   |
| TSPC_Serv_BS46        | BOOLEAN | PICS Table A.4 Item 16  | PAD access 9600 bit/s supported                   |
| TSPC_Serv_BS51        | BOOLEAN | PICS Table A.4 Item 17  | packet access 2400 bit/s supported                |
| TSPC_Serv_BS52        | BOOLEAN | PICS Table A.4 Item 18  | packet access 4800 bit/s supported                |
| TSPC_Serv_BS53        | BOOLEAN | PICS Table A.4 Item 19  | packet access 9600 bit/s supported                |
| TSPC_Serv_BS61        | BOOLEAN | PICS                    | alternate speech/data (BS61) supported            |
| TSPC_Serv_BS81        | BOOLEAN | PICS                    | speech followed data (BS81) supported             |
| TSPC_SMSStatusRepCap  | BOOLEAN | PICS Table A.25 Item 35 | SMS status report capabilities supported          |
| TSPC_StoreRcvSMSME    | BOOLEAN | PICS Table A.25 Item 37 | Storage of received SMS in ME supported           |
| TSPC_StoreRcvSMSSIM   | BOOLEAN | PICS Table A.25 Item 36 | Storage of received SMS in SIM supported          |
| TSPC_SIMRmv           | BOOLEAN | PICS Table A.25 Item 40 | SIM removable without power down supported        |
| TSPC_SwitchOnOff      | BOOLEAN | PICS Table A.2 Item 15  | switch on/off supported                           |
| TSPC_TranspDataOnly   | BOOLEAN | PICS Table A.25 Item 9  | only transparent data service supported           |
| TSPC_CC               | BOOLEAN | PICS Table A.25 Item 26 | CC protocol for at least one BC                   |

|                      |         |                         |                                                                                                                                                                                  |
|----------------------|---------|-------------------------|----------------------------------------------------------------------------------------------------------------------------------------------------------------------------------|
| TSPC_TeleSvc         | BOOLEAN | PICS Table A.25 Item 25 | supported                                                                                                                                                                        |
| TSPC_EFR             | BOOLEAN |                         | at least one teleservice supported                                                                                                                                               |
|                      |         |                         | Set to TRUE for GSM-900 Phase 2+ (EFR) MS which supports any EFR features, and FALSE otherwise.                                                                                  |
| TSPC_EFR_Speech_v2   | BOOLEAN |                         | Set to TRUE for GSM-900 Phase 2+ (EFR) MS which supports Speech Version 2 and FALSE otherwise.                                                                                   |
| TSPC_EFR_Speech_v3   | BOOLEAN |                         | Set to TRUE for GSM-900 Phase 2+ (EFR) MS which supports Speech Version 3 and FALSE otherwise.                                                                                   |
| TSPC_EFR_EmgCallBcap | BOOLEAN |                         | Set to TRUE if received ESETUP msg contains bearer capability IE, otherwise FALSE.                                                                                               |
| TSPC_FullRateSpeech  | BOOLEAN | PICS Table A.25 Item 2  | full rate speech mode supported                                                                                                                                                  |
| TSPC_FullRateOnly    | BOOLEAN | PICS Table A.25 Item 24 | only full rate channel type supported                                                                                                                                            |
| TSPX_AltNb           | BOOLEAN | PIXIT                   | use alternative neighbour cells description. default : FALSE                                                                                                                     |
| TSPX_TE_stopbit      | B_1     | PIXIT                   | TE conf. number stop bits. default value : '0'B, 1 bit                                                                                                                           |
| TSPX_TE_databit      | B_1     | PIXIT                   | TE conf. number data bits. default value : '1'B, 8 bits                                                                                                                          |
| TSPX_TE_FLCT         | FLWCNTL | PIXIT                   | TE flow control. default : 0, outband flow control                                                                                                                               |
| TSPX_TE_parity       | B_3     | PIXIT                   | TE conf. parity. default : '001'B, no parity                                                                                                                                     |
| TSPX_BS_21_itc1      | B_3     | PIXIT                   | itc value supported for BS21. default value : '001'B, UDI                                                                                                                        |
| TSPX_BS_21_more_itc  | BOOLEAN | PIXIT                   | more than one itc value supported by BS21. default value : FALSE, only one itc                                                                                                   |
| TSPX_BS_21_T_NT      | BOOLEAN | PIXIT                   | both T and NT supported by BS21. default value : FALSE, not support both transparent and non transparent modes                                                                   |
| TSPX_BS_21_ce        | B_2     | PIXIT                   | ce value used in MO call and if the answer to TSPX_BS_21_T_NT is FALSE, the manufacturer must precise which mode is supported by the MS. default value : '00'B, transparent mode |
| TSPX_BS_21_sacp      | B_3     | PIXIT                   | sacp value used in MO call. default value : '001'B, I440/450                                                                                                                     |
| TSPX_BS_21_itc2      | B_3     | PIXIT                   | other itc value supported by BS21, it shall be different from the previous one if the answer to TSPX_BS_21_more_itc is TRUE. default value : '001'B, UDI                         |
| TSPX_BS_22_itc1      | B_3     | PIXIT                   | itc value supported by BS22. default value : '010'B, 3.1kHz audio, exPLMN                                                                                                        |
| TSPX_BS_22_more_itc  | BOOLEAN | PIXIT                   | more than one itc value supported by BS22. default value : FALSE, only one itc                                                                                                   |
| TSPX_BS_22_T_NT      | BOOLEAN | PIXIT                   | both T and NT supported by BS22. default value : FALSE, not support both transparent and non transparent modes                                                                   |
| TSPX_BS_22_ce        | B_2     | PIXIT                   | ce value used in MO call and if the answer to TSPX_BS_22_T_NT is FALSE, the manufacturer must precise which mode is supported by the MS. default value : '01'B, non transparent  |
| TSPX_BS_22_sacp      | B_3     | PIXIT                   | sacp value used in MO call. default value : '001'B, I440/450                                                                                                                     |
| TSPX_BS_22_itc2      | B_3     | PIXIT                   | other itc value supported by                                                                                                                                                     |

|                     |         |       |                                                                                                                                                                                                                           |
|---------------------|---------|-------|---------------------------------------------------------------------------------------------------------------------------------------------------------------------------------------------------------------------------|
| TSPX_BS_23_itc      | B_3     | PIXIT | BS22, it shall be different from the previous one if the answer to TSPX_BS_22_more_itc is TRUE. default value : '010'B, 3.1kHz audio, exPLMN<br>itc value supported by BS23. default value : '010'B, 3.1kHz audio, exPLMN |
| TSPX_BS_23_T_NT     | BOOLEAN | PIXIT | both T and NT supported for BS23. default value : FALSE, not support both transparent and non transparent modes                                                                                                           |
| TSPX_BS_23_ce       | B_2     | PIXIT | ce value used in MO call. default value : '00'B, transparent                                                                                                                                                              |
| TSPX_BS_23_sacp     | B_3     | PIXIT | sacp value used in MO call. default value : '001'B, 1440/450                                                                                                                                                              |
| TSPX_BS_24_itc1     | B_3     | PIXIT | itc value supported by BS24. default value : '010'B, 3.1kHz audio, exPLMN                                                                                                                                                 |
| TSPX_BS_24_more_itc | BOOLEAN | PIXIT | more than one itc value supported by BS24. default value : FALSE, only one itc                                                                                                                                            |
| TSPX_BS_24_T_NT     | BOOLEAN | PIXIT | both T and NT supported by BS24. default value : FALSE, not support both transparent and non transparent modes                                                                                                            |
| TSPX_BS_24_ce       | B_2     | PIXIT | ce value used in MO call and if the answer to TSPX_BS_24_T_NT is FALSE, the manufacturer must precise which mode is supported by the MS. default value : '00'B, transparent                                               |
| TSPX_BS_24_sacp     | B_3     | PIXIT | sacp value used in MO call. default value : '001'B, 1440/450                                                                                                                                                              |
| TSPX_BS_24_itc2     | B_3     | PIXIT | other itc value supported by BS24, it shall be different from the previous one if the answer to TSPX_BS_24_more_itc is TRUE. default value : '010'B, 3.1kHz audio, exPLMN                                                 |
| TSPX_BS_25_itc1     | B_3     | PIXIT | itc value supported by BS25. default value : '001'B, UDI                                                                                                                                                                  |
| TSPX_BS_25_more_itc | BOOLEAN | PIXIT | more than one itc value supported by BS25. default value : FALSE, only one itc                                                                                                                                            |
| TSPX_BS_25_T_NT     | BOOLEAN | PIXIT | both T and NT supported by BS25. default value : FALSE, not support both transparent and non transparent modes                                                                                                            |
| TSPX_BS_25_ce       | B_2     | PIXIT | ce value used in MO call and if the answer to TSPX_BS_25_T_NT is FALSE, the manufacturer must precise which mode is supported by the MS. default value : '00'B, transparent                                               |
| TSPX_BS_25_sacp     | B_3     | PIXIT | sacp value used in MO call. default value : '001'B, 1440/450                                                                                                                                                              |
| TSPX_BS_25_itc2     | B_3     | PIXIT | other itc value supported by BS25, it shall be different from the previous one if the answer to TSPX_BS_25_more_itc is TRUE. default value : '001'B, UDI                                                                  |
| TSPX_BS_26_itc1     | B_3     | PIXIT | itc value supported by BS26. default value : '010'B, 3.1kHz audio, exPLMN                                                                                                                                                 |
| TSPX_BS_26_more_itc | BOOLEAN | PIXIT | more than one itc value supported by BS26. default value : FALSE, only one itc                                                                                                                                            |
| TSPX_BS_26_T_NT     | BOOLEAN | PIXIT | both T and NT supported by BS26. default value : FALSE, not support both transparent and non transparent modes                                                                                                            |

|                      |         |       |                                                                                                                                                                             |
|----------------------|---------|-------|-----------------------------------------------------------------------------------------------------------------------------------------------------------------------------|
| TSPX_BS_26_ce        | B_2     | PIXIT | ce value used in MO call and if the answer to TSPX_BS_26_T_NT is FALSE, the manufacturer must precise which mode is supported by the MS. default value : '00'B, transparent |
| TSPX_BS_26_sacp      | B_3     | PIXIT | sacp value used in MO call. default value : '001'B, I440/450                                                                                                                |
| TSPX_BS_26_itc2      | B_3     | PIXIT | other itc value supported by BS26, it shall be differenet from the previous one if the answer to TSPX_BS_26_more_itc is TRUE. default value : '010'B, 3.1kHz audio, exPLMN  |
| TSPX_BS_31_more_itc  | BOOLEAN | PIXIT | more than one itc value supported by BS31. default value : FALSE, only one itc                                                                                              |
| TSPX_BS_31_more_sacp | BOOLEAN | PIXIT | more than one sacp value supported by BS31. default value : FALSE, only one sacp                                                                                            |
| TSPX_BS_31_itc1      | B_3     | PIXIT | itc value supported by BS31. default value : '001'B, UDI                                                                                                                    |
| TSPX_BS_31_sacp1     | B_3     | PIXIT | sacp value supported by BS31. default value : '001'B, I440/450                                                                                                              |
| TSPX_BS_31_itc2      | B_3     | PIXIT | other itc value supported by BS31, it shall be differenet from the previous one if the answer to TSPX_BS_31_more_itc is TRUE. default value : '001'B, UDI                   |
| TSPX_BS_31_sacp2     | B_3     | PIXIT | other sacp value supported by BS31, it shall be differenet from the previous one if the answer to TSPX_BS_31_more_sacp is TRUE. default value : '001'B, I440/450            |
| TSPX_BS_32_itc1      | B_3     | PIXIT | itc value supported by BS32. default value : '010'B, 3.1kHz audio, exPLMN                                                                                                   |
| TSPX_BS_32_more_itc  | BOOLEAN | PIXIT | more than one itc value supported by BS32. default value : FALSE, only one itc                                                                                              |
| TSPX_BS_32_more_sacp | BOOLEAN | PIXIT | more than one sacp value supported by BS32. default value : FALSE, only one sacp                                                                                            |
| TSPX_BS_32_sacp1     | B_3     | PIXIT | sacp value supported by BS32. default value : '110'B, X.32                                                                                                                  |
| TSPX_BS_32_X32_T_NT  | BOOLEAN | PIXIT | BS 32 both T and NT supported for X32 3.1kHz. default value : FALSE, not support both transparent and non transparent modes                                                 |
| TSPX_BS_32_X32_ce    | B_2     | PIXIT | if the answer to TSPX_BS_32_X32_T_NT is FALSE, the manufacturer must precise which mode is supported by the MS. default value : '01'B, non transparent                      |
| TSPX_BS_32_itc2      | B_3     | PIXIT | other itc value supported by BS32, it shall be differenet from the previous one if the answer to TSPX_BS_32_more_itc is TRUE. default value : '010'B, 3.1kHz audio, exPLMN  |
| TSPX_BS_32_sacp2     | B_3     | PIXIT | other sacp value supported by BS32, it shall be differenet from the previous one if the answer to TSPX_BS_32_more_sacp is TRUE. default value : '110'B, X.32                |
| TSPX_BS_33_itc1      | B_3     | PIXIT | itc value supported by BS33. default value : '001'B, UDI                                                                                                                    |
| TSPX_BS_33_more_itc  | BOOLEAN | PIXIT | more than one itc value supported by BS33. default value : FALSE, only one itc                                                                                              |

|                      |         |       |                                                                                                                                                                            |
|----------------------|---------|-------|----------------------------------------------------------------------------------------------------------------------------------------------------------------------------|
| TSPX_BS_33_more_sacp | BOOLEAN | PIXIT | more than one sacp value supported by BS33. default value : FALSE, only one sacp                                                                                           |
| TSPX_BS_33_sacp1     | B_3     | PIXIT | sacp value supported by BS33. default value : '010'B, X.21                                                                                                                 |
| TSPX_BS_33_X32_T_NT  | BOOLEAN | PIXIT | BS 33 both T and NT supported for X32 3.1kHz. default value : FALSE, not support both transparent and non transparent modes                                                |
| TSPX_BS_33_X32_ce    | B_2     | PIXIT | if the answer to TSPX_BS_33_X32_T_NT is FALSE, the manufacturer must precise which mode is supported by the MS. default value : '00'B, transparent                         |
| TSPX_BS_33_itc2      | B_3     | PIXIT | other itc value supported by BS32, it shall be differenet from the previous one if the answer to TSPX_BS_33_more_itc is TRUE. default value : '001'B, UDI                  |
| TSPX_BS_33_sacp2     | B_3     | PIXIT | other sacp value supported by BS33, it shall be differenet from the previous one if the answer to TSPX_BS_33_more_sacp is TRUE. default value : '010'B, X.21               |
| TSPX_BS_34_itc1      | B_3     | PIXIT | itc value supported by BS34. default value : '010'B, 3.1kHz audio, exPLMN                                                                                                  |
| TSPX_BS_34_more_itc  | BOOLEAN | PIXIT | more than one itc value supported by BS34. default value : FALSE, only one itc                                                                                             |
| TSPX_BS_34_more_sacp | BOOLEAN | PIXIT | more than one sacp value supported by BS34. default value : FALSE, only one sacp                                                                                           |
| TSPX_BS_34_sacp1     | B_3     | PIXIT | sacp value supported by BS34. default value : '001'B, I440/450                                                                                                             |
| TSPX_BS_34_X32_T_NT  | BOOLEAN | PIXIT | BS 34 both T and NT supported for X32 3.1kHz. default value : FALSE, not support both transparent and non transparent modes                                                |
| TSPX_BS_34_X32_ce    | B_2     | PIXIT | if the answer to TSPX_BS_34_X32_T_NT is FALSE, the manufacturer must precise which mode is supported by the MS. default value : '00'B, transparent                         |
| TSPX_BS_34_itc2      | B_3     | PIXIT | other itc value supported by BS34, it shall be differenet from the previous one if the answer to TSPX_BS_34_more_itc is TRUE. default value : '010'B, 3.1kHz audio, exPLMN |
| TSPX_BS_34_sacp2     | B_3     | PIXIT | other sacp value supported by BS34, it shall be differenet from the previous one if the answer to TSPX_BS_34_more_sacp is TRUE. default value : '001'B, I440/450           |
| TSPX_BS_41_T_NT      | BOOLEAN | PIXIT | BS41 both T and NT supported . default value : FALSE, not support both                                                                                                     |
| TSPX_BS_41_ce        | B_2     | PIXIT | ce value used in BS41 MO call. default value : '00'B, transparent                                                                                                          |
| TSPX_BS_42_T_NT      | BOOLEAN | PIXIT | BS42 both T and NT supported . default value : FALSE, not support both transparent and non transparent modes                                                               |
| TSPX_BS_42_ce        | B_2     | PIXIT | ce value used in BS42 MO call. default value : '010'B, non transparent                                                                                                     |
| TSPX_BS_43_T_NT      | BOOLEAN | PIXIT | BS43 both T and NT supported . default value : FALSE, not                                                                                                                  |

|                       |         |       |                                                                                                                                                                                                          |
|-----------------------|---------|-------|----------------------------------------------------------------------------------------------------------------------------------------------------------------------------------------------------------|
| TSPX_BS_43_ce         | B_2     | PIXIT | support both transparent and non transparent modes                                                                                                                                                       |
| TSPX_BS_44_T_NT       | BOOLEAN | PIXIT | ce value used in BS43 MO call. default value : '00'B, transparent                                                                                                                                        |
| TSPX_BS_44_ce         | B_2     | PIXIT | BS44 both T and NT supported . default value : FALSE, not support both transparent and non transparent modes                                                                                             |
| TSPX_BS_45_T_NT       | BOOLEAN | PIXIT | ce value used in BS44 MO call. default value : '00'B, transparent                                                                                                                                        |
| TSPX_BS_45_ce         | B_2     | PIXIT | BS45 both T and NT supported . default value : FALSE, not support both transparent and non transparent modes                                                                                             |
| TSPX_BS_46_T_NT       | BOOLEAN | PIXIT | ce value used in BS45 MO call. default value : '01'B, non transparent                                                                                                                                    |
| TSPX_BS_46_ce         | B_2     | PIXIT | BS46 both T and NT supported . default value : FALSE, not support both transparent and non transparent modes                                                                                             |
| TSPX_BS_61_S          | BOOLEAN | PIXIT | ce value used in BS46 MO call. default value : '00'B, transparent                                                                                                                                        |
| TSPX_BS_61_S_more_ur  | BOOLEAN | PIXIT | synchronous data supported by BS 61 . default value : TRUE, synchronous mode                                                                                                                             |
| TSPX_BS_61_S_ur1      | B_4     | PIXIT | more than one user rate for synchronous data service supported by BS61. default value : FALSE, only one user rate                                                                                        |
| TSPX_BS_61_S_ur2      | B_4     | PIXIT | usrer rate value supported for synchronous data service of BS61. default value : '0100'B, 4.8 kbit/s                                                                                                     |
| TSPX_BS_61_A          | BOOLEAN | PIXIT | another usrer rate value supported for synchronous data service of BS61. it shall be different from the previous one if the answer to TSPX_BS_61_S_more_ur is TRUE. default value : '0100'B, 4.8 kbit/s  |
| TSPX_BS_61_A_ur1      | B_4     | PIXIT | asynchronous data service supported by BS61 . default value : TRUE, asynchronous                                                                                                                         |
| TSPX_BS_61_A_ur1_T_NT | BOOLEAN | PIXIT | usrer rate value supported for asynchronous data service of BS61. default value : '0101'B, 9.6 kbit/s                                                                                                    |
| TSPX_BS_61_A_ur1_ce   | B_2     | PIXIT | both T and NT supported for the rate TSPX_BS_61_A_ur1 of BS61. default value : FALSE, not support both transparent and non transparent modes                                                             |
| TSPX_BS_61_A_more_ur  | BOOLEAN | PIXIT | if the answer to TSPX_BS_61_A_ur1_T_NT is FALSE, the manufacturer must precise which mode is supported by the MS. default value : '00'B, transparent                                                     |
| TSPX_BS_61_A_ur2      | B_4     | PIXIT | more than one user rate for asynchronous data service supported by BS61. default value : FALSE, only one user rate                                                                                       |
| TSPX_BS_61_A_ur2_T_NT | BOOLEAN | PIXIT | another usrer rate value supported for asynchronous data service of BS61. it shall be different from the previous one if the answer to TSPX_BS_61_A_more_ur is TRUE. default value : '0101'B, 9.6 kbit/s |
|                       |         |       | both T and NT supported for the rate TSPX_BS_61_A_ur2 of BS61. default value : FALSE, not                                                                                                                |

|                       |         |       |                                                                                                                                                                                                          |
|-----------------------|---------|-------|----------------------------------------------------------------------------------------------------------------------------------------------------------------------------------------------------------|
| TSPX_BS_81_S          | BOOLEAN | PIXIT | support both transparent and non transparent modes                                                                                                                                                       |
| TSPX_BS_81_S_more_ur  | BOOLEAN | PIXIT | synchronous data supported by BS 81. default value : TRUE, synchronous mode                                                                                                                              |
| TSPX_BS_81_S_ur1      | B_4     | PIXIT | more than one user rate for synchronous data service supported by BS81. default value : FALSE, only one user rate                                                                                        |
| TSPX_BS_81_S_ur2      | B_4     | PIXIT | usrer rate value supported for synchronous data service of BS81. default value : '0101'B, 9.6 kbit/s                                                                                                     |
| TSPX_BS_81_A          | BOOLEAN | PIXIT | another usrer rate value supported for synchronous data service of BS81. it shall be different from the previous one if the answer to TSPX_BS_81_S_more_ur is TRUE. default value : '0101'B, 9.6 kbit/s  |
| TSPX_BS_81_A_ur1      | B_4     | PIXIT | asynchronous data service supported by BS81. default value : TRUE, asynchronous mode                                                                                                                     |
| TSPX_BS_81_A_ur1_T_NT | BOOLEAN | PIXIT | usrer rate value supported for asynchronous data service of BS81. default value : '0100'B, 4.8 kbit/s                                                                                                    |
| TSPX_BS_81_A_ur1_ce   | B_2     | PIXIT | both T and NT supported for the rate TSPX_BS_81_A_ur1 of BS81. default value : FALSE, not support both transparent and non transparent modes                                                             |
| TSPX_BS_81_A_more_ur  | BOOLEAN | PIXIT | if the answer to TSPX_BS_81_A_ur1_T_NT is FALSE, the manufacturer must precise which mode is supported by the MS. default value : '01'B, non transparent                                                 |
| TSPX_BS_81_A_ur2      | B_4     | PIXIT | more than one user rate for asynchronous data service supported by BS81. default value : FALSE, only one user rate                                                                                       |
| TSPX_BS_81_A_ur2_T_NT | BOOLEAN | PIXIT | another usrer rate value supported for asynchronous data service of BS81. it shall be different from the previous one if the answer to TSPX_BS_81_A_more_ur is TRUE. default value : '0100'B, 4.8 kbit/s |
| TSPX_TS_61_T_NT       | BOOLEAN | PIXIT | both T and NT supported for the rate TSPX_BS_81_A_ur2 of BS81. default value : FALSE, not support both transparent and non transparent modes                                                             |
| TSPX_TS_61_ce         | B_2     | PIXIT | both T and NT supported for TS61(fax). default value : FALSE, not support both transparent and non transparent modes                                                                                     |
| TSPX_TS_61_ur1        | B_4     | PIXIT | if the answer to TSPX_TS_61_T_NT is FALSE, the manufacturer must precise which mode is supported by the MS. default value : '01'B, non transparent                                                       |
| TSPX_TS_61_more_ur    | BOOLEAN | PIXIT | user rate for TS61(fax). default value : '0101'B, 9.6 kbit/s                                                                                                                                             |
| TSPX_TS_61_ur2        | B_4     | PIXIT | more than one user rate supported for TS61. default value : FALSE, only one user rate                                                                                                                    |
|                       |         |       | another user rate for TS61, it shall be different from the previous one if the answer to TSPX_TS_61_more_ur is TRUE.                                                                                     |

|                    |           |       |                                                                                                                                                                                   |
|--------------------|-----------|-------|-----------------------------------------------------------------------------------------------------------------------------------------------------------------------------------|
| TSPX_TS_62_T_NT    | BOOLEAN   | PIXIT | default value : '0101'B, 9.6 kbit/s both T and NT supported for TS62. default value : FALSE, not support both transparent and non transparent modes                               |
| TSPX_TS_62_ce      | B_2       | PIXIT | if the answer to TSPX_TS_62_T_NT is FALSE, the manufacturer must precise which mode is supported by the MS. default value : '00'B, transparent                                    |
| TSPX_TS_62_ur1     | B_4       | PIXIT | user rate for TS62. default value : '0100'B, 4.8 kbit/s                                                                                                                           |
| TSPX_TS_62_more_ur | BOOLEAN   | PIXIT | more than one user rate supported by TS62. default value : FALSE, only one user rate                                                                                              |
| TSPX_TS_62_ur2     | B_4       | PIXIT | another user rate for TS62, it shall be different from the previous one if the answer to TSPX_TS_62_more_ur is TRUE. default value : '0100'B, 4.8 kbit/s                          |
| TSPX_DTMF          | B_1       | PIXIT | call control capabilities: value '1'B means MS supports DTMF                                                                                                                      |
| TSPX_modF          | CHMOD_VAL | PIXIT | any non signalling full rate channel mode for TC_26_6_4_1                                                                                                                         |
| TSPX_modH          | CHMOD_VAL | PIXIT | any non signalling half channel mode for TC_26_6_4_1                                                                                                                              |
| TSPX_anymod        | CHMOD_VAL | PIXIT | channel mode for TC_62_10_2_4_2. Any supported value except signalling and Full rate speech. possible values are '00000011'B' 12k data, '00001011'B 6k data, '0010011'B 3.6k data |
| TSPX_CKSNA         | CKSN      | PIXIT | cipher key sequence number                                                                                                                                                        |
| TSPX_CKSNB         | CKSN      | PIXIT | cipher key sequence number                                                                                                                                                        |
| TSPX_CKSNC         | CKSN      | PIXIT | cipher key sequence number                                                                                                                                                        |
| TSPX_CKSNDef       | CKSN      | PIXIT | default cipher key sequence number                                                                                                                                                |
| TSPX_RfPwrCap      | B_3       | PIXIT | RF power capability                                                                                                                                                               |
| TSPX_RevLevel      | B_2       | PIXIT | Revision level of classmark 1                                                                                                                                                     |
| TSPX_CiphAlgA5_1   | B_1       | PIXIT | A5/1 algorithm: '1'B : available, '0'B: not available                                                                                                                             |
| TSPX_CiphAlgA5_2   | B_1       | PIXIT | A5/2 algorithm: '1'B : available, '0'B: not available                                                                                                                             |
| TSPX_CiphAlgA5_3   | B_1       | PIXIT | A5/3 algorithm: '1'B : available, '0'B: not available                                                                                                                             |
| TSPX_CiphAlgA5_4   | B_1       | PIXIT | A5/4 algorithm: '1'B : available, '0'B: not available                                                                                                                             |
| TSPX_CiphAlgA5_5   | B_1       | PIXIT | A5/5 algorithm: '1'B : available, '0'B: not available                                                                                                                             |
| TSPX_CiphAlgA5_6   | B_1       | PIXIT | A5/6 algorithm: '1'B : available, '0'B: not available                                                                                                                             |
| TSPX_CiphAlgA5_7   | B_1       | PIXIT | A5/7 algorithm: '1'B : available, '0'B: not available                                                                                                                             |
| TSPX_pSyncCap      | B_1       | PIXIT | pseudo synchronisation capability, '0'B: not present '1'B: present                                                                                                                |
| TSPX_SSscrnInd     | B_2       | PIXIT | SS screen indicator                                                                                                                                                               |
| TSPX_SMCap         | B_1       | PIXIT | short message capability, '0'B: not present '1'B: present                                                                                                                         |
| TSPX_frqCap        | B_1       | PIXIT | frequency capability. DCS: reserved, GSM: '0'B not support extension band, '1'B support extension band                                                                            |
| TSPX_ClsMk3        | B_1       | PIXIT | classmark 3 indicator, '0'B no additional capability info, '1'B additional capability info in class mark 3                                                                        |
| TSPX_RfPwrCapAmp   | B_3       | PIXIT | RF power capability with external RF amplifier                                                                                                                                    |
| TSPX_CphAlgA       | CPHALG    | PIXIT | any supported ciphering algorithm                                                                                                                                                 |



|                 |           |       |                                                           |
|-----------------|-----------|-------|-----------------------------------------------------------|
| TSPX_CphAlgB    | CPHALG    | PIXIT | ciphering algorithm supported                             |
| TSPX_CphAlgC    | CPHALG    | PIXIT | ciphering algorithm supported                             |
| TSPX_CphAlgD    | CPHALG    | PIXIT | ciphering algorithm supported                             |
| TSPX_CphAlgE    | CPHALG    | PIXIT | ciphering algorithm supported                             |
| TSPX_CphAlgDef  | CPHALG    | PIXIT | default ciphering algorithm                               |
| TSPX_DTMFInd    | BOOLEAN   | PIXIT | DTMF indication to user supported                         |
| TSPX_NoOfHoAccA | INTEGER   | PIXIT | number of handover access bursts, value range 10 - 20     |
| TSPX_NoOfHoAccB | INTEGER   | PIXIT | number of handover access bursts, value range 10 - 20     |
| TSPX_NoOfHoAccC | INTEGER   | PIXIT | number of handover access bursts, value range 10 - 20     |
| TSPX_NoOfHoAccD | INTEGER   | PIXIT | number of handover access bursts, value range 5 - 10      |
| TSPX_NoOfHoAccE | INTEGER   | PIXIT | number of handover access bursts, value range 5 - 10      |
| TSPX_NoOfHoAccF | INTEGER   | PIXIT | number of handover access bursts, value range 5 - 10      |
| TSPX_NoOfHoAccG | INTEGER   | PIXIT | number of handover access bursts, value range 2 - 5       |
| TSPX_NoOfHoAccH | INTEGER   | PIXIT | number of handover access bursts, value range 2 - 5       |
| TSPX_NoOfHoAccI | INTEGER   | PIXIT | number of handover access bursts, value range 2 - 5       |
| TSPX_HoRefA     | HORF      | PIXIT | Hand over reference, GSM 04.08, 10.5.2.15                 |
| TSPX_HoRefB     | HORF      | PIXIT | Hand over reference, GSM 04.08, 10.5.2.15                 |
| TSPX_HoRefC     | HORF      | PIXIT | Hand over reference, GSM 04.08, 10.5.2.15                 |
| TSPX_HoRefD     | HORF      | PIXIT | Hand over reference, GSM 04.08, 10.5.2.15                 |
| TSPX_HoRefE     | HORF      | PIXIT | Hand over reference, GSM 04.08, 10.5.2.15                 |
| TSPX_HoRefF     | HORF      | PIXIT | Hand over reference, GSM 04.08, 10.5.2.15                 |
| TSPX_HoRefG     | HORF      | PIXIT | Hand over reference, GSM 04.08, 10.5.2.15                 |
| TSPX_HoRefH     | HORF      | PIXIT | Hand over reference, GSM 04.08, 10.5.2.15                 |
| TSPX_HoRefI     | HORF      | PIXIT | Hand over reference, GSM 04.08, 10.5.2.15                 |
| TSPX_HoRefJ     | HORF      | PIXIT | Hand over reference, GSM 04.08, 10.5.2.15                 |
| TSPX_HSN        | INTEGER   | PIXIT | Hopping sequence number<br>value range: 0 - 63            |
| TSPX_IMSI       | HEXSTRING | PIXIT | IMSI of the MS                                            |
| TSPX_IMEI       | HEXSTRING | PIXIT | IMEI of the MS.                                           |
| TSPX_IMEISV     | HEXSTRING | PIXIT | IMEISV of the MS.<br>Used in: TC_26_6_8_5,<br>TC_26_7_3_1 |
| TSPX_Ki         | BITSTRING | PIXIT | default authentication key used in testing                |
| TSPX_MAIO       | INTEGER   | PIXIT | mobile allocation index offset,<br>value range: 0 - 63    |
| TSPX_MaxRetrans | INTEGER   | PIXIT | Max-Retrans                                               |
| TSPX_MSTxpwrMax | MAXTXPOW  | PIXIT | maximum output power from MS                              |
| TSPX_PwrIvlA    | INTEGER   | PIXIT | power level, value between 2 to 15                        |
| TSPX_PwrIvlB    | INTEGER   | PIXIT | power level, value between 2 to 15                        |
| TSPX_PwrIvlC    | INTEGER   | PIXIT | power level, value between 2 to 15                        |
| TSPX_PwrIvlD    | INTEGER   | PIXIT | power level, value between 2 to 15                        |
| TSPX_RANDA      | RAND      | PIXIT | challenge RAND                                            |
| TSPX_RANDB      | RAND      | PIXIT | challenge RAND                                            |

|                      |         |       |                                                                                                                                                                                      |
|----------------------|---------|-------|--------------------------------------------------------------------------------------------------------------------------------------------------------------------------------------|
| TSPX_RANDC           | RAND    | PIXIT | challenge RAND                                                                                                                                                                       |
| TSPX_RANDDef         | RAND    | PIXIT | default challenge RAND                                                                                                                                                               |
| TSPX_SDCCH4SubA      | B_2     | PIXIT | TDMA offset of SDCCH/4 subchannel                                                                                                                                                    |
| TSPX_SDCCH4SubB      | B_2     | PIXIT | TDMA offset of SDCCH/4 subchannel                                                                                                                                                    |
| TSPX_SDCCH4SubC      | B_2     | PIXIT | TDMA offset of SDCCH/4 subchannel                                                                                                                                                    |
| TSPX_SDCCH4SubDef    | B_2     | PIXIT | TDMA offset of default SDCCH/4 subchannel                                                                                                                                            |
| TSPX_SDCCH8SubA      | B_3     | PIXIT | TDMA offset of SDCCH/8 subchannel                                                                                                                                                    |
| TSPX_SDCCH8SubB      | B_3     | PIXIT | TDMA offset of SDCCH/8 subchannel                                                                                                                                                    |
| TSPX_SDCCH8SubC      | B_3     | PIXIT | TDMA offset of SDCCH/8 subchannel                                                                                                                                                    |
| TSPX_SDCCH8SubD      | B_3     | PIXIT | TDMA offset of SDCCH/8 subchannel                                                                                                                                                    |
| TSPX_SDCCH8SubE      | B_3     | PIXIT | TDMA offset of SDCCH/8 subchannel                                                                                                                                                    |
| TSPX_SDCCH8SubF      | B_3     | PIXIT | TDMA offset of SDCCH/8 subchannel                                                                                                                                                    |
| TSPX_SDCCH8SubG      | B_3     | PIXIT | TDMA offset of SDCCH/8 subchannel                                                                                                                                                    |
| TSPX_SDCCH8SubDef    | B_3     | PIXIT | TDMA offset of default SDCCH/8 subchannel                                                                                                                                            |
| TSPX_TC1M            | INTEGER | PIXIT | timer value for GSM timer TC1M (for SMS)                                                                                                                                             |
| TSPX_MaxCPDataRetx   | INTEGER | PIXIT | max. number of CP data retransmissions for SMS                                                                                                                                       |
| TSPX_Immconn         | BOOLEAN | PIXIT | Immediate connect supported                                                                                                                                                          |
| TSPX_TimadvA         | INTEGER | PIXIT | timing advance                                                                                                                                                                       |
| TSPX_TimadvB         | INTEGER | PIXIT | timing advance                                                                                                                                                                       |
| TSPX_TimadvC         | INTEGER | PIXIT | timing advance                                                                                                                                                                       |
| TSPX_TmSltA          | SN      | PIXIT | time slot                                                                                                                                                                            |
| TSPX_TmSltB          | SN      | PIXIT | time slot                                                                                                                                                                            |
| TSPX_TmSltC          | SN      | PIXIT | time slot                                                                                                                                                                            |
| TSPX_TmSltD          | SN      | PIXIT | time slot                                                                                                                                                                            |
| TSPX_TmSltE          | SN      | PIXIT | time slot                                                                                                                                                                            |
| TSPX_TmSltF          | SN      | PIXIT | time slot                                                                                                                                                                            |
| TSPX_TmSltG          | SN      | PIXIT | time slot                                                                                                                                                                            |
| TSPX_TmSltDef        | SN      | PIXIT | default time slot                                                                                                                                                                    |
| TSPX_TmSltNotZero    | SN      | PIXIT | time slot, arbitrarily value, but not zero.                                                                                                                                          |
| TSPX_TmSltNotZero1   | SN      | PIXIT | time slot, arbitrarily value, but not zero and not TSPX_TmSltNotZero                                                                                                                 |
| TSPX_Txint           | INTEGER | PIXIT | Tx-Integer                                                                                                                                                                           |
| TSPX_TscA            | TSC     | PIXIT | training sequence code                                                                                                                                                               |
| TSPX_TscB            | TSC     | PIXIT | training sequence code                                                                                                                                                               |
| TSPX_TscC            | TSC     | PIXIT | training sequence code                                                                                                                                                               |
| TSPX_TscD            | TSC     | PIXIT | training sequence code                                                                                                                                                               |
| TSPX_TscE            | TSC     | PIXIT | training sequence code                                                                                                                                                               |
| TSPX_TscF            | TSC     | PIXIT | training sequence code                                                                                                                                                               |
| TSPX_TscG            | TSC     | PIXIT | training sequence code                                                                                                                                                               |
| TSPX_TscDef          | TSC     | PIXIT | default TSC                                                                                                                                                                          |
| TSPX_T3122           | WI      | PIXIT | value of timer T3122, HEXSTRING[2]                                                                                                                                                   |
| TSPX_TCHcarrierA_ho  | INTEGER | PIXIT | the value can be chosen arbitrarily from cell allocation of cell A (GSM), but not BCCH carrier .possible value is : 10, 17, 26, 34, 42, 45, 46, 52, 59, 66, 73, 74, 75, 76, 108, 114 |
| TSPX_TCHcarrierA_hod | INTEGER | PIXIT | the value can be chosen arbitrarily from cell allocation of cell A (DCS), but not BCCH carrier . possible value is : 734,741,754,759,762,766,767,773,775,779,782,791,798,829,832,8   |

|                       |             |       |                                                                                                                                                                              |
|-----------------------|-------------|-------|------------------------------------------------------------------------------------------------------------------------------------------------------------------------------|
| TSPX_TCHcarrierB      | INTEGER     | PIXIT | 44<br>TCH and SDCCH channel frequency number of cell B (GSM)                                                                                                                 |
| TSPX_TCHcarrierBd     | INTEGER     | PIXIT | TCH and SDCCH channel frequency number of cell B (DCS)                                                                                                                       |
| TSPX_TCHcarrierB_ho   | INTEGER     | PIXIT | the value can be chosen arbitrarily from cell allocation of cell B (GSM), but not BCCH carrier . possibles value is : 14,18,22,24,30,31,38,60,66,73,74,75,76,108,114         |
| TSPX_TCHcarrierB_hod  | INTEGER     | PIXIT | not BCCH carrier of cell B. the value can be chosen arbitrarily from cell allocation of cell B (DCS), which is (739,743,746,749,756,758,761,771,779,782,791,798,829,832,844) |
| TSPX_TCHcarrierB2_ho  | INTEGER     | PIXIT | Chosen arbitrarily from cell allocation B for GSM HO cases, but not BCCH carrier!                                                                                            |
| TSPX_TCHcarrierB2_hod | INTEGER     | PIXIT | Chosen arbitrarily from cell allocation B for DCS HO cases, but not BCCH carrier!                                                                                            |
| TSPX_TCHHSubA         | B_1         | PIXIT | TDMA offset of half rate subchannel                                                                                                                                          |
| TSPX_TCHHSubDef       | B_1         | PIXIT | TDMA offset of default half rate subchannel                                                                                                                                  |
| TSPX_TMSI             | TMSI_V      | PIXIT | TMSI of the MS used in test                                                                                                                                                  |
| TSPX_TMSI1            | TMSI_V      | PIXIT | another TMSI used in test which shall differ from TSPX_TMSI, TSPX_TMSI + '01'O<br>TSPX_TMSI + '02'O<br>TSPX_TMSI + '03'O                                                     |
| TSPX_Uupd             | B_8         | PIXIT | user-user protocol discriminator                                                                                                                                             |
| TSPX_UuInfo           | OCTETSTRING | PIXIT | user-user information                                                                                                                                                        |
| TSPX_k                | INTEGER     | PIXIT | timing of cell A before cell B k bit periods for TC_26_6_5_1, TC_26_6_5_2_?, TC_26_6_5_3_?, TC_26_6_5_4_?.                                                                   |
| TSPX_y                | INTEGER     | PIXIT | timing advance for TC_26_6_5_3_?, TC_26_6_5_4_?, TC_26_6_5_5_?. The values of TSPX_k (or TSPX_k1) and TSPX_y: $0 < (2 * TSPX_k + TSPX_y) \text{ MOD } 256 < 60$ .            |
| TSPX_k1               | INTEGER     | PIXIT | timing of cell A before cell B k bit periods for TC_26_6_5_5_?                                                                                                               |
| TSPX_k2               | INTEGER     | PIXIT | timing of cell A before cell B k bit periods for TC_26_6_5_6                                                                                                                 |
| TSPX_y2               | INTEGER     | PIXIT | timing advance for TC_26_6_5_6, value range : 11 - 62.                                                                                                                       |
| TSPX_k3               | INTEGER     | PIXIT | timing of cell A before cell B k bit periods for TC_26_6_5_7                                                                                                                 |
| TSPX_y3               | INTEGER     | PIXIT | timing advance for TC_26_6_5_7                                                                                                                                               |
| TSPX_nPara            | INTEGER     | PIXIT | the n'th ChReq for TC_26_6_1_2, shall be choose to [1..8], MAXRETRANS for TC_26_6_1_2 is 7 (See 11.10 for more explanation).                                                 |
| TSPX_kPara            | INTEGER     | PIXIT | the k'th ChReq for TC_26_6_1_2                                                                                                                                               |
| TSPX_rPara            | INTEGER     | PIXIT | the r'th ChReq for TC_26_6_1_2                                                                                                                                               |
| TSPX_i1Para           | INTEGER     | PIXIT | for TC_26_1_2                                                                                                                                                                |
| TSPX_i2Para           | INTEGER     | PIXIT | for TC_26_1_2                                                                                                                                                                |
| TSPX_i3Para           | INTEGER     | PIXIT | the r'th ChReq for TC_26_6_1_2                                                                                                                                               |
| TSPX_n1Para           | INTEGER     | PIXIT | the n'th ChReq for TC_26_6_1_3                                                                                                                                               |
| TSPX_i4Para           | INTEGER     | PIXIT | for TC_26_6_1_3                                                                                                                                                              |
| TSPX_xPara            | INTEGER     | PIXIT | t3122 for TC_26_6_1_3                                                                                                                                                        |
| TSPX_AGBLKS1          | INTEGER     | PIXIT | BS-AG-BLKS-RES for TC_26_6_2_3_1, TC_26_6_2_1_1                                                                                                                              |

|                |           |       |                                                                                                                                        |
|----------------|-----------|-------|----------------------------------------------------------------------------------------------------------------------------------------|
| TSPX_PAMFRMS1  | INTEGER   | PIXIT | BS-PA-MFRMS for TC_26_6_2_3_1 (shall not be set to 9), TC_26_6_2_1_1                                                                   |
| TSPX_CcchConf1 | CCCH_CON  | PIXIT | paging subchannel for TC_26_6_2_3_1, TC_26_6_2_1_1                                                                                     |
| TSPX_PgSubch   | INTEGER   | PIXIT | paging subchannel for TC_26_6_2_3_1                                                                                                    |
| TSPX_AGBLKS2   | INTEGER   | PIXIT | BS-AG-BLKS-RES for TC_26_6_2_3_2, TC_26_6_2_1_2                                                                                        |
| TSPX_PAMFRMS2  | INTEGER   | PIXIT | BS-PA-MFRMS for TC_26_6_2_3_2, TC_26_6_2_1_2                                                                                           |
| TSPX_CcchConf2 | CCCH_CON  | PIXIT | paging subchannel for TC_26_6_2_3_2, TC_26_6_2_1_2                                                                                     |
| TSPX_AGBLKS3   | INTEGER   | PIXIT | BS-AG-BLKS-RES for TC_26_6_2_4, TC_26_6_2_2, TC_26_6_2_1_3                                                                             |
| TSPX_PAMFRMS3  | INTEGER   | PIXIT | BS-PA-MFRMS for TC_26_6_2_4, TC_26_6_2_2, TC_26_6_2_1_3                                                                                |
| TSPX_CcchConf3 | CCCH_CON  | PIXIT | paging subchannel for TC_26_6_2_4, TC_26_6_2_2, TC_26_6_2_1_3                                                                          |
| TSPX_AGBLKS4   | INTEGER   | PIXIT | BS-AG-BLKS-RES for TC_26_6_2_5                                                                                                         |
| TSPX_PAMFRMS4  | INTEGER   | PIXIT | BS-PA-MFRMS for TC_26_6_2_5                                                                                                            |
| TSPX_CcchConf4 | CCCH_CON  | PIXIT | paging subchannel for TC_26_6_2_5 (shall be in the set ('010', '100', '110'))                                                          |
| TSPX_Chtp1     | CH_TDMA   | PIXIT | channel type for TC_26_6_13_1, any value supported by the MS                                                                           |
| TSPX_ChMod1    | CHMOD_VAL | PIXIT | channel mode for TC_26_6_13_1, any value for the channel type of TSPX_Chtp1                                                            |
| TSPX_Maio1     | INTEGER   | PIXIT | hopping parameter for TC_26_6_13_1, its value between 0 and (the number of frequencies) -1, which is defined in TSPX_Ma1, default : 2  |
| TSPX_Ma1       | MAC       | PIXIT | mobile allocation for TC_26_6_13_1, its value shall indicate number of frequencies between 1 and 17. default : '010101'O               |
| TSPX_Hsn1      | INTEGER   | PIXIT | hopping parameter for TC_26_6_13_1. default: 1                                                                                         |
| TSPX_Maio2     | INTEGER   | PIXIT | hopping parameter for TC_26_6_13_1, its value between 0 and (the number of frequencies) -1, which is defined in TSPX_Ma2, default : 8  |
| TSPX_Ma2       | MAC       | PIXIT | mobile allocation for TC_26_6_13_1, its value shall indicate number of frequencies between 1 and 17. default : '01362A5'O              |
| TSPX_Hsn2      | INTEGER   | PIXIT | hopping parameter for TC_26_6_13_1, default : 6                                                                                        |
| TSPX_Maio3     | INTEGER   | PIXIT | hopping parameter for TC_26_6_13_1, its value between 0 and (the number of frequencies) -1, which is defined in TSPX_Ma3, default : 14 |
| TSPX_Ma3       | MAC       | PIXIT | mobile allocation for TC_26_6_13_1, its value shall indicate number of frequencies between 1 and 17. default : '01FFFA'O               |
| TSPX_Hsn3      | INTEGER   | PIXIT | hopping parameter for TC_26_6_13_1, default : 0                                                                                        |

|             |           |       |                                                                                                                                        |
|-------------|-----------|-------|----------------------------------------------------------------------------------------------------------------------------------------|
| TSPX_Chtp2  | CH_TDMA   | PIXIT | channel type for TC_26_6_13_2, any value supported by the MS                                                                           |
| TSPX_ChMod2 | CHMOD_VAL | PIXIT | channel mode for TC_26_6_13_2                                                                                                          |
| TSPX_Maio4  | INTEGER   | PIXIT | hopping parameter for TC_26_6_13_2, its value between 0 and (the number of frequencies) -1, which is defined in TSPX_Ma4, default : 3  |
| TSPX_Ma4    | MAC       | PIXIT | mobile allocation for TC_26_6_13_2, its value shall indicate number of frequencies between 1 and 17. default : '001141'O               |
| TSPX_Hsn4   | INTEGER   | PIXIT | hopping parameter for TC_26_6_13_2, default : 0                                                                                        |
| TSPX_Maio5  | INTEGER   | PIXIT | hopping parameter for TC_26_6_13_2, its value between 0 and (the number of frequencies) -1, which is defined in TSPX_Ma5, default : 9  |
| TSPX_Ma5    | MAC       | PIXIT | mobile allocation for TC_26_6_13_2, its value shall indicate number of frequencies between 1 and 17. default : '01ABCB'O               |
| TSPX_Hsn5   | INTEGER   | PIXIT | hopping parameter for TC_26_6_13_2, default : 16                                                                                       |
| TSPX_Chtp3  | CH_TDMA   | PIXIT | channel type for TC_26_6_13_3, any value supported by the MS                                                                           |
| TSPX_Maio6  | INTEGER   | PIXIT | hopping parameter for TC_26_6_13_3, its value between 0 and (the number of frequencies) -1, which is defined in TSPX_Ma6, default : 4  |
| TSPX_Ma6    | MAC       | PIXIT | mobile allocation for TC_26_6_13_3, its value shall indicate number of frequencies between 1 and 17. default : '006248'O               |
| TSPX_Hsn6   | INTEGER   | PIXIT | hopping parameter for TC_26_6_13_3, default : 4                                                                                        |
| TSPX_Maio7  | INTEGER   | PIXIT | hopping parameter for TC_26_6_13_3, its value between 0 and (the number of frequencies) -1, which is defined in TSPX_Ma7, default : 10 |
| TSPX_Ma7    | MAC       | PIXIT | mobile allocation for TC_26_6_13_3, its value shall indicate number of frequencies between 2 and 17. default : '009AFB'O               |
| TSPX_Chtp4  | CH_TDMA   | PIXIT | channel type for TC_26_6_13_3, any value supported by the MS                                                                           |
| TSPX_Maio8  | INTEGER   | PIXIT | hopping parameter for TC_26_6_13_3, its value between 0 and (the number of frequencies) -1, which is defined in TSPX_Ma8, default : 1  |
| TSPX_Ma8    | MAC       | PIXIT | mobile allocation for TC_26_6_13_3, its value shall indicate number of frequencies between 2 and 17. default : '002800'O               |
| TSPX_Hsn8   | INTEGER   | PIXIT | hopping parameter for TC_26_6_13_3, default : 40                                                                                       |
| TSPX_Maio9  | INTEGER   | PIXIT | hopping parameter for TC_26_6_13_3, its value between 0 and (the number of frequencies) -1, which is defined in TSPX_Ma9, default : 15 |
| TSPX_Ma9    | MAC       | PIXIT | mobile allocation for TC_26_6_13_3, its value shall indicate number of frequencies between 2 and 17. default :                         |

|             |           |       |                                                                                                                                         |
|-------------|-----------|-------|-----------------------------------------------------------------------------------------------------------------------------------------|
| TSPX_Hsn9   | INTEGER   | PIXIT | '01FFFB'O<br>hopping parameter for TC_26_6_13_3, default : 8                                                                            |
| TSPX_Chtp5  | CH_TDMA   | PIXIT | SDCCH8 subchannel immediately assigned, TC_26_6_13_4                                                                                    |
| TSPX_Maio10 | INTEGER   | PIXIT | hopping parameter for TC_26_6_13_4, its value between 0 and (the number of frequencies) -1, which is defined in TSPX_Ma10, default : 5  |
| TSPX_Ma10   | MAC       | PIXIT | mobile allocation for TC_26_6_13_4, its value shall indicate number of frequencies between 1 and 17. default : '01D082'O                |
| TSPX_Hsn10  | INTEGER   | PIXIT | hopping parameter for TC_26_6_13_4, default: 0                                                                                          |
| TSPX_Maio11 | INTEGER   | PIXIT | hopping parameter for TC_26_6_13_4, its value between 0 and (the number of frequencies) -1, which is defined in TSPX_Ma11, default : 11 |
| TSPX_Ma11   | MAC       | PIXIT | mobile allocation for TC_26_6_13_4, its value shall indicate number of frequencies between 2 and 17. default : '00CFF3'O                |
| TSPX_Chtp6  | CH_TDMA   | PIXIT | channel type of a non- existing channel in Assignment Cmd, TC_26_6_13_4                                                                 |
| TSPX_Maio12 | INTEGER   | PIXIT | hopping parameter for TC_26_6_13_4, its value between 0 and (the number of frequencies) -1, which is defined in TSPX_Ma12, default : 1  |
| TSPX_Ma12   | MAC       | PIXIT | mobile allocation for TC_26_6_13_4, its value shall indicate number of frequencies between 1 and 17. default : '010100'O                |
| TSPX_Hsn12  | INTEGER   | PIXIT | hopping parameter for TC_26_6_13_4, default : 39                                                                                        |
| TSPX_Maio13 | INTEGER   | PIXIT | hopping parameter for TC_26_6_13_4, its value between 0 and (the number of frequencies) -1, which is defined in TSPX_Ma13, default : 6  |
| TSPX_Ma13   | MAC       | PIXIT | mobile allocation for TC_26_6_13_4, its value shall indicate number of frequencies between 1 and 17. default : '00E690'O                |
| TSPX_Hsn13  | INTEGER   | PIXIT | hopping parameter for TC_26_6_13_4, default: 42                                                                                         |
| TSPX_Chtp7  | CH_TDMA   | PIXIT | channel type for TC_26_6_13_5                                                                                                           |
| TSPX_ChMod4 | CHMOD_VAL | PIXIT | channel mode for TC_26_6_13_5                                                                                                           |
| TSPX_Maio14 | INTEGER   | PIXIT | hopping parameter for TC_26_6_13_5, its value between 0 and (the number of frequencies) -1, which is defined in TSPX_Ma14, default : 5  |
| TSPX_Ma14   | MAC       | PIXIT | mobile allocation for TC_26_6_13_5, its value shall indicate number of frequencies between 1 and 17. default : '014A28'O                |
| TSPX_Hsn14  | INTEGER   | PIXIT | hopping parameter for TC_26_6_13_5, default : 50                                                                                        |
| TSPX_Maio15 | INTEGER   | PIXIT | hopping parameter for TC_26_6_13_5, its value between 0 and (the number of frequencies) -1, which is defined in TSPX_Ma15, default : 12 |
| TSPX_Ma15   | MAC       | PIXIT | mobile allocation for                                                                                                                   |

|             |           |       |                                                                                                                                         |
|-------------|-----------|-------|-----------------------------------------------------------------------------------------------------------------------------------------|
| TSPX_Hsn15  | INTEGER   | PIXIT | TC_26_6_13_5, its value shall indicate number of frequencies between 1 and 16. default : '00FF79'O                                      |
| TSPX_Maio16 | INTEGER   | PIXIT | hopping parameter for TC_26_6_13_5, default : 33                                                                                        |
| TSPX_Ma16   | MAC       | PIXIT | hopping parameter for TC_26_6_13_5, its value between 0 and (the number of frequencies) -1, which is defined in TSPX_Ma16, default : 2  |
| TSPX_Hsn16  | INTEGER   | PIXIT | mobile allocation for TC_26_6_13_5, its value shall indicate number of frequencies between 1 and 16. default : '001110'O                |
| TSPX_Chtp8  | CH_TDMA   | PIXIT | hopping parameter for TC_26_6_13_5, default : 21                                                                                        |
| TSPX_ChMod5 | CHMOD_VAL | PIXIT | channel type for TC_26_6_13_6                                                                                                           |
| TSPX_Maio17 | INTEGER   | PIXIT | channel mode for TC_26_6_13_6                                                                                                           |
| TSPX_Ma17   | MAC       | PIXIT | hopping parameter for TC_26_6_13_6, its value between 0 and (the number of frequencies) -1, which is defined in TSPX_Ma17, default : 7  |
| TSPX_Hsn17  | INTEGER   | PIXIT | mobile allocation for TC_26_6_13_6, its value shall indicate number of frequencies between 1 and 17. default : '00E6A1'O                |
| TSPX_Maio18 | INTEGER   | PIXIT | hopping parameter for TC_26_6_13_6, default : 22                                                                                        |
| TSPX_Ma18   | MAC       | PIXIT | hopping parameter for TC_26_6_13_6, its value between 0 and (the number of frequencies) -1, which is defined in TSPX_Ma18, default : 13 |
| TSPX_Hsn18  | INTEGER   | PIXIT | mobile allocation for TC_26_6_13_6, its value shall indicate number of frequencies between 1 and 16. default : '00FFF9'O                |
| TSPX_Maio19 | INTEGER   | PIXIT | hopping parameter for TC_26_6_13_6, default : 9                                                                                         |
| TSPX_Ma19   | MAC       | PIXIT | hopping parameter for TC_26_6_13_6, its value between 0 and (the number of frequencies) -1, which is defined in TSPX_Ma19, default : 3  |
| TSPX_Hsn19  | INTEGER   | PIXIT | mobile allocation for TC_26_6_13_6, its value shall indicate number of frequencies between 1 and 16. default : '001111'O                |
| TSPX_Chtp9  | CH_TDMA   | PIXIT | hopping parameter for TC_26_6_13_6, default : 44                                                                                        |
| TSPX_ChMod6 | CHMOD_VAL | PIXIT | channel type for TC_26_6_13_7                                                                                                           |
| TSPX_Maio20 | INTEGER   | PIXIT | channel mode for TC_26_6_13_7                                                                                                           |
| TSPX_Ma20   | MAC       | PIXIT | hopping parameter for TC_26_6_13_7, its value between 0 and (the number of frequencies) -1, which is defined in TSPX_Ma20, default : 8  |
| TSPX_Hsn20  | INTEGER   | PIXIT | mobile allocation for TC_26_6_13_7, its value shall indicate number of frequencies between 1 and 17. default : '016699'O                |
| TSPX_Maio21 | INTEGER   | PIXIT | hopping parameter for TC_26_6_13_7, default : 30                                                                                        |
|             |           |       | hopping parameter for TC_26_6_13_7, its value between 0 and (the number of frequencies) -1, which is defined in                         |

|             |           |       |                                                                                                                                                     |
|-------------|-----------|-------|-----------------------------------------------------------------------------------------------------------------------------------------------------|
| TSPX_Ma21   | MAC       | PIXIT | TSPX_Ma21, default : 14<br>mobile allocation for TC_26_6_13_7, its value shall indicate number of frequencies between 1 and 17. default : '01FEFB'O |
| TSPX_Chtp10 | CH_TDMA   | PIXIT | channel type for TC_26_6_13_7                                                                                                                       |
| TSPX_Maio22 | INTEGER   | PIXIT | hopping parameter for TC_26_6_13_7, its value between 0 and (the number of frequencies) -1, which is defined in TSPX_Ma22, default : 4              |
| TSPX_Ma22   | MAC       | PIXIT | mobile allocation for TC_26_6_13_7, its value shall indicate number of frequencies between 1 and 16. default : '006241'O                            |
| TSPX_Hsn22  | INTEGER   | PIXIT | hopping parameter for TC_26_6_13_7, default : 11                                                                                                    |
| TSPX_Maio23 | INTEGER   | PIXIT | hopping parameter for TC_26_6_13_7, its value between 0 and (the number of frequencies) -1, which is defined in TSPX_Ma23, default : 11             |
| TSPX_Ma23   | MAC       | PIXIT | mobile allocation for TC_26_6_13_7, its value shall indicate number of frequencies between 1 and 16. default : '00FF1B'O                            |
| TSPX_Hsn23  | INTEGER   | PIXIT | hopping parameter for TC_26_6_13_7, default : 60                                                                                                    |
| TSPX_Chtp11 | CH_TDMA   | PIXIT | SDCCH8 subchannel immediately assigned, TC_26_6_13_8                                                                                                |
| TSPX_ChMod7 | CHMOD_VAL | PIXIT | channel mode for TC_26_6_13_8                                                                                                                       |
| TSPX_Maio24 | INTEGER   | PIXIT | hopping parameter for TC_26_6_13_8, its value between 0 and (the number of frequencies) -1, which is defined in TSPX_Ma24, default : 9              |
| TSPX_Ma24   | MAC       | PIXIT | mobile allocation for TC_26_6_13_8, its value shall indicate number of frequencies between 1 and 17. default : '00E6E9'O                            |
| TSPX_Hsn24  | INTEGER   | PIXIT | hopping parameter for TC_26_6_13_8, default : 7                                                                                                     |
| TSPX_Maio25 | INTEGER   | PIXIT | hopping parameter for TC_26_6_13_8, its value between 0 and (the number of frequencies) -1, which is defined in TSPX_Ma25, default : 15             |
| TSPX_Ma25   | MAC       | PIXIT | mobile allocation for TC_26_6_13_8, its value shall indicate number of frequencies between 1 and 17. default : '01FFFB'O                            |
| TSPX_Chtp12 | CH_TDMA   | PIXIT | channel type of a non- existing channel in Assignment Cmd, TC_26_6_13_8                                                                             |
| TSPX_Maio26 | INTEGER   | PIXIT | hopping parameter for TC_26_6_13_8, its value between 0 and (the number of frequencies) -1, which is defined in TSPX_Ma26, default : 5              |
| TSPX_Ma26   | MAC       | PIXIT | mobile allocation for TC_26_6_13_8, its value shall indicate number of frequencies between 1 and 16. default : '009168'O                            |
| TSPX_Hsn26  | INTEGER   | PIXIT | hopping parameter for TC_26_6_13_8, default : 9                                                                                                     |
| TSPX_Maio27 | INTEGER   | PIXIT | hopping parameter for TC_26_6_13_8, its value between 0 and (the number of frequencies)                                                             |



|                    |          |       |                                                                                                                                          |
|--------------------|----------|-------|------------------------------------------------------------------------------------------------------------------------------------------|
| TSPX_Ma27          | MAC      | PIXIT | -1, which is defined in TSPX_Ma27, default : 1                                                                                           |
| TSPX_Hsn27         | INTEGER  | PIXIT | mobile allocation for TC_26_6_13_8, its value shall indicate number of frequencies between 1 and 16. default : '004080'O                 |
| TSPX_Chtp13        | CH_TDMA  | PIXIT | hopping parameter for TC_26_6_13_8, default : 38                                                                                         |
| TSPX_Tm3           | INTEGER  | PIXIT | channel type for TC_26_6_13_9                                                                                                            |
| TSPX_Maio28        | INTEGER  | PIXIT | channel mode for TC_26_6_13_9, value between 60 -100                                                                                     |
| TSPX_Ma28          | MAC      | PIXIT | hopping parameter for TC_26_6_13_9, its value between 0 and (the number of frequencies) -1, which is defined in TSPX_Ma28, default : 10  |
| TSPX_Hsn28         | INTEGER  | PIXIT | mobile allocation for TC_26_6_13_9, its value shall indicate number of frequencies between 1 and 17. default : '00EE7A'O                 |
| TSPX_Maio29        | INTEGER  | PIXIT | hopping parameter for TC_26_6_13_9, default : 11                                                                                         |
| TSPX_Ma29          | MAC      | PIXIT | hopping parameter for TC_26_6_13_9, its value between 0 and (the number of frequencies) -1, which is defined in TSPX_Ma29, default : 6   |
| TSPX_Chtp14        | CH_TDMA  | PIXIT | mobile allocation for TC_26_6_13_9, its value shall indicate number of frequencies between 1 and 17. default : '00F070'O                 |
| TSPX_Maio30        | INTEGER  | PIXIT | channel type for TC_26_6_13_10                                                                                                           |
| TSPX_Ma30          | MAC      | PIXIT | hopping parameter for TC_26_6_13_10, its value between 0 and (the number of frequencies) -1, which is defined in TSPX_Ma30, default : 11 |
| TSPX_Hsn30         | INTEGER  | PIXIT | mobile allocation for TC_26_6_13_10, its value shall indicate number of frequencies between 1 and 17. default : '017F69'O                |
| TSPX_Maio31        | INTEGER  | PIXIT | hopping parameter for TC_26_6_13_10, default : 62                                                                                        |
| TSPX_Ma31          | MAC      | PIXIT | hopping parameter for TC_26_6_13_10, its value between 0 and (the number of frequencies) -1, which is defined in TSPX_Ma31, default : 1  |
| TSPX_MOBscSvcA     | SERVICES | PIXIT | mobile allocation for TC_26_6_13_10, its value shall indicate number of frequencies between 1 and 17. default : '000101'O                |
| TSPX_MOBscSvcB     | SERVICES | PIXIT | any supported MO basic service                                                                                                           |
| TSPX_MOBscSvcC     | SERVICES | PIXIT | any supported MO basic service                                                                                                           |
| TSPX_MOBscSvcD     | SERVICES | PIXIT | any supported MO basic service                                                                                                           |
| TSPX_MOBscSvcE     | SERVICES | PIXIT | any supported MO basic service                                                                                                           |
| TSPX_MOBscSvcF     | SERVICES | PIXIT | any supported MO basic service                                                                                                           |
| TSPX_MOBscSvcG     | SERVICES | PIXIT | any supported MO basic service                                                                                                           |
| TSPX_MOBscSvcH     | SERVICES | PIXIT | any supported MO basic service                                                                                                           |
| TSPX_MOBscSvcI     | SERVICES | PIXIT | any supported MO basic service                                                                                                           |
| TSPX_MOBscSvcJ     | SERVICES | PIXIT | any supported MO basic service                                                                                                           |
| TSPX_MT_DualModSvc | SERVICES | PIXIT | any supported MO basic service                                                                                                           |
| TSPX_MT_NonSptSvc  | SERVICES | PIXIT | any supported MT dual mode service                                                                                                       |
| TSPX_MTBscSvcA     | SERVICES | PIXIT | any not supported MT basic service                                                                                                       |
|                    |          |       | any supported MT basic service                                                                                                           |

|                     |          |       |                                                                |
|---------------------|----------|-------|----------------------------------------------------------------|
| TSPX_MTBscSvcB      | SERVICES | PIXIT | any supported MT basic service                                 |
| TSPX_MTBscSvcC      | SERVICES | PIXIT | any supported MT basic service                                 |
| TSPX_MTBscSvcD      | SERVICES | PIXIT | any supported MT basic service                                 |
| TSPX_MTBscSvcE      | SERVICES | PIXIT | any supported MT basic service                                 |
| TSPX_MTBscSvcF      | SERVICES | PIXIT | any supported MT basic service                                 |
| TSPX_MTBscSvcG      | SERVICES | PIXIT | any supported MT basic service                                 |
| TSPX_MTBscSvcH      | SERVICES | PIXIT | any supported MT basic service                                 |
| TSPX_MTBscSvcI      | SERVICES | PIXIT | any supported MT basic service                                 |
| TSPX_MTBscSvcJ      | SERVICES | PIXIT | any supported MT basic service                                 |
| TSPX_MTNIC_BscSvcA  | SERVICES | PIXIT | any supported MT basic service<br>without immediate connection |
| TSPX_MTNIC_BscSvcB  | SERVICES | PIXIT | any supported MT basic service<br>without immediate connection |
| TSPX_MTNIC_BscSvcC  | SERVICES | PIXIT | any supported MT basic service<br>without immediate connection |
| TSPX_MTNIC_BscSvcD  | SERVICES | PIXIT | any supported MT basic service<br>without immediate connection |
| TSPX_MTNIC_BscSvcE  | SERVICES | PIXIT | any supported MT basic service<br>without immediate connection |
| TSPX_MTNIC_BscSvcF  | SERVICES | PIXIT | any supported MT basic service<br>without immediate connection |
| TSPX_MTNIC_BscSvcG  | SERVICES | PIXIT | any supported MT basic service<br>without immediate connection |
| TSPX_MTNIC_BscSvcH  | SERVICES | PIXIT | any supported MT basic service<br>without immediate connection |
| TSPX_MTNIC_BscSvcI  | SERVICES | PIXIT | any supported MT basic service<br>without immediate connection |
| TSPX_MTNIC_BscSvcJ  | SERVICES | PIXIT | any supported MT basic service<br>without immediate connection |
| TSPX_Telephony_Rate | RATE     | PIXIT | channel rate for TS11, default<br>value : C_Full               |
| TSPX_MOChRateA      | RATE     | PIXIT | channel rate for<br>TSPX_MOBscSvcA, default value<br>: C_Full  |
| TSPX_MOChRateB      | RATE     | PIXIT | channel rate for<br>TSPX_MOBscSvcB, default value<br>: C_Full  |
| TSPX_MOChRateC      | RATE     | PIXIT | channel rate for<br>TSPX_MOBscSvcC, default value<br>: C_Full  |
| TSPX_MOChRateD      | RATE     | PIXIT | channel rate for<br>TSPX_MOBscSvcD, default value<br>: C_Full  |
| TSPX_MOChRateE      | RATE     | PIXIT | channel rate for<br>TSPX_MOBscSvcE, default value<br>: C_Full  |
| TSPX_MOChRateF      | RATE     | PIXIT | channel rate for<br>TSPX_MOBscSvcF, default value<br>: C_Full  |
| TSPX_MOChRateG      | RATE     | PIXIT | channel rate for<br>TSPX_MOBscSvcG, default value<br>: C_Full  |
| TSPX_MOChRateH      | RATE     | PIXIT | channel rate for<br>TSPX_MOBscSvcH, default value<br>: C_Full  |
| TSPX_MOChRateI      | RATE     | PIXIT | channel rate for<br>TSPX_MOBscSvcI, default value :<br>C_Full  |
| TSPX_MOChRateJ      | RATE     | PIXIT | channel rate for<br>TSPX_MOBscSvcJ, default value<br>: C_Full  |
| TSPX_MTChRateA      | RATE     | PIXIT | channel rate for<br>TSPX_MTBscSvcA, default value<br>: C_Full  |
| TSPX_MTChRateB      | RATE     | PIXIT | channel rate for<br>TSPX_MTBscSvcB, default value<br>: C_Full  |
| TSPX_MTChRateC      | RATE     | PIXIT | channel rate for<br>TSPX_MTBscSvcC, default value<br>: C_Full  |
| TSPX_MTChRateD      | RATE     | PIXIT | channel rate for                                               |

|                           |          |       |                                                                |
|---------------------------|----------|-------|----------------------------------------------------------------|
| TSPX_MTChRateE            | RATE     | PIXIT | TSPX_MTBscSvcD, default value : C_Full                         |
| TSPX_MTChRateF            | RATE     | PIXIT | channel rate for TSPX_MTBscSvcE, default value : C_Full        |
| TSPX_MTChRateG            | RATE     | PIXIT | channel rate for TSPX_MTBscSvcF, default value : C_Full        |
| TSPX_MTChRateH            | RATE     | PIXIT | channel rate for TSPX_MTBscSvcG, default value : C_Full        |
| TSPX_MTChRateI            | RATE     | PIXIT | channel rate for TSPX_MTBscSvcH, default value : C_Full        |
| TSPX_MTChRateJ            | RATE     | PIXIT | channel rate for TSPX_MTBscSvcI, default value : C_Full        |
| TSPX_MTNIC_ChRateA        | RATE     | PIXIT | channel rate for TSPX_MTNIC_BscSvcA, default value : C_Full    |
| TSPX_MTNIC_ChRateB        | RATE     | PIXIT | channel rate for TSPX_MTNIC_BscSvcB, default value : C_Full    |
| TSPX_MTNIC_ChRateC        | RATE     | PIXIT | channel rate for TSPX_MTNIC_BscSvcC, default value : C_Full    |
| TSPX_MTNIC_ChRateD        | RATE     | PIXIT | channel rate for TSPX_MTNIC_BscSvcD, default value : C_Full    |
| TSPX_MTNIC_ChRateE        | RATE     | PIXIT | channel rate for TSPX_MTNIC_BscSvcE, default value : C_Full    |
| TSPX_MTNIC_ChRateF        | RATE     | PIXIT | channel rate for TSPX_MTNIC_BscSvcF, default value : C_Full    |
| TSPX_MTNIC_ChRateG        | RATE     | PIXIT | channel rate for TSPX_MTNIC_BscSvcG, default value : C_Full    |
| TSPX_MTNIC_ChRateH        | RATE     | PIXIT | channel rate for TSPX_MTNIC_BscSvcH, default value : C_Full    |
| TSPX_MTNIC_ChRateI        | RATE     | PIXIT | channel rate for TSPX_MTNIC_BscSvcI, default value : C_Full    |
| TSPX_MTNIC_ChRateJ        | RATE     | PIXIT | channel rate for TSPX_MTNIC_BscSvcJ, default value : C_Full    |
| TSPX_EmgCallRate          | RATE     | PIXIT | Rate for the basic service supported for MO emergency calls    |
| TSPX_MO_NonCallSS         | SERVICES | PIXIT | any supported MO non-call related supplementary service        |
| TSPX_MO_BscSvc_SMS        | SERVICES | PIXIT | any supported MO SMS calls                                     |
| TSPX_MO_DualModSvc        | SERVICES | PIXIT | any supported MO dual mode call                                |
| TSPX_MO_DualModRate       | RATE     | PIXIT | Rate for the supported MO dual mode call in TSPX_MO_DualModSvc |
| <b>Detailed Comments:</b> |          |       |                                                                |

## Test case selection expression definitions

| Test Case Selection Expression Definitions |                                                                                                                                                                                                                                                                                                                                                                                                                            |                                                                             |
|--------------------------------------------|----------------------------------------------------------------------------------------------------------------------------------------------------------------------------------------------------------------------------------------------------------------------------------------------------------------------------------------------------------------------------------------------------------------------------|-----------------------------------------------------------------------------|
| Expression Name                            | Selection Expression                                                                                                                                                                                                                                                                                                                                                                                                       | Comments                                                                    |
| SelExpr_0000                               | TRUE                                                                                                                                                                                                                                                                                                                                                                                                                       | General test group always selected                                          |
| SelExpr_0001                               | TRUE                                                                                                                                                                                                                                                                                                                                                                                                                       | always selected                                                             |
| SelExpr_0002                               | TSPC_MTsvc                                                                                                                                                                                                                                                                                                                                                                                                                 | MT circuit switched basic service supported                                 |
| SelExpr_0003                               | NOT TSPC_Serv_SS_AoCC                                                                                                                                                                                                                                                                                                                                                                                                      | AOCC not supported                                                          |
| SelExpr_0004                               | TSPC_Serv_SS_AoCC AND(NOT TSPC_Serv_SS_HOLD)                                                                                                                                                                                                                                                                                                                                                                               | AOCC supported but Call Hold not supported                                  |
| SelExpr_0005                               | TSPC_Serv_SS_AoCC AND TSPC_Serv_SS_HOLD AND(NOT TSPC_Serv_SS_MPTY)                                                                                                                                                                                                                                                                                                                                                         | AOCC and Call Hold supported but multiparty not supported                   |
| SelExpr_0006                               | NOT TSPC_Feat_FND                                                                                                                                                                                                                                                                                                                                                                                                          | FND feature not supported                                                   |
| SelExpr_0007                               | TSPC_MOsvc                                                                                                                                                                                                                                                                                                                                                                                                                 | MO circuit switched basic service supported                                 |
| SelExpr_0100                               | TRUE                                                                                                                                                                                                                                                                                                                                                                                                                       | initial test group always selected                                          |
| SelExpr_0101                               | TRUE                                                                                                                                                                                                                                                                                                                                                                                                                       | always selected                                                             |
| SelExpr_0102                               | TSPC_SvcOnTCH                                                                                                                                                                                                                                                                                                                                                                                                              | at least one service on traffic channel supported                           |
| SelExpr_0103                               | TSPC_DualRate                                                                                                                                                                                                                                                                                                                                                                                                              | half rate channel supported                                                 |
| SelExpr_0104                               | TSPC_Serv_BS21 OR TSPC_Serv_BS22 OR TSPC_Serv_BS23 OR TSPC_Serv_BS24 OR TSPC_Serv_BS25 OR TSPC_Serv_BS26 OR TSPC_Serv_BS31 OR TSPC_Serv_BS32 OR TSPC_Serv_BS33 OR TSPC_Serv_BS34 OR TSPC_Serv_BS41 OR TSPC_Serv_BS42 OR TSPC_Serv_BS43 OR TSPC_Serv_BS44 OR TSPC_Serv_BS45 OR TSPC_Serv_BS46 OR TSPC_Serv_BS51 OR TSPC_Serv_BS52 OR TSPC_Serv_BS53 OR TSPC_Serv_BS61 OR TSPC_Serv_BS81 OR TSPC_Serv_TS61 OR TSPC_Serv_TS62 | at least one data service supported                                         |
| SelExpr_0105                               | TSPC_NonCallSS                                                                                                                                                                                                                                                                                                                                                                                                             | non call related supplementary service supported                            |
| SelExpr_0106                               | TSPC_Serv_TS22                                                                                                                                                                                                                                                                                                                                                                                                             | MO short message service supported                                          |
| SelExpr_0107                               | TSPC_Serv_TS11 OR TSPC_Serv_TS12                                                                                                                                                                                                                                                                                                                                                                                           | speech supported                                                            |
| SelExpr_0200                               | TRUE                                                                                                                                                                                                                                                                                                                                                                                                                       | idleMode test group always selected                                         |
| SelExpr_0201                               | TRUE                                                                                                                                                                                                                                                                                                                                                                                                                       | always selected                                                             |
| SelExpr_0300                               | TRUE                                                                                                                                                                                                                                                                                                                                                                                                                       | BiBo test group always selected                                             |
| SelExpr_0301                               | TSPC_Serv_TS11 OR TSPC_Serv_TS12 OR SelExpr_0104                                                                                                                                                                                                                                                                                                                                                                           | CC protocol for at least one BC supported                                   |
| SelExpr_0302                               | TRUE                                                                                                                                                                                                                                                                                                                                                                                                                       | always selected                                                             |
| SelExpr_0400                               | TRUE                                                                                                                                                                                                                                                                                                                                                                                                                       | RR test group always selected                                               |
| SelExpr_0401                               | TRUE                                                                                                                                                                                                                                                                                                                                                                                                                       | always selected                                                             |
| SelExpr_0402                               | SelExpr_0301                                                                                                                                                                                                                                                                                                                                                                                                               | CC protocol for at least one BC supported                                   |
| SelExpr_0403                               | SelExpr_0301                                                                                                                                                                                                                                                                                                                                                                                                               | Full rate traffic channel supported                                         |
| SelExpr_0404                               | TSPC_DualRate                                                                                                                                                                                                                                                                                                                                                                                                              | Dual rate traffic channel supported                                         |
| SelExpr_0405                               | SelExpr_0301 AND(TSPC_Feat_A51 OR TSPC_Feat_A52)                                                                                                                                                                                                                                                                                                                                                                           | call control protocol and (A5/1 or A5/2) algorithm supported                |
| SelExpr_0406                               | SelExpr_0301 AND TSPC_RFAmp                                                                                                                                                                                                                                                                                                                                                                                                | call control protocol and RF amplification supported                        |
| SelExpr_0407                               | SelExpr_0301                                                                                                                                                                                                                                                                                                                                                                                                               | call control protocol and full rate traffic channel supported               |
| SelExpr_0408                               | SelExpr_0301 AND TSPC_DualRate                                                                                                                                                                                                                                                                                                                                                                                             | call control protocol and dual rate traffic channel supported               |
| SelExpr_0409                               | SelExpr_0301 AND TSPC_AddInfo_PseudoSynch                                                                                                                                                                                                                                                                                                                                                                                  | CC protocol for at least one BC supported and Pseudo synchronised supported |
| SelExpr_0410                               | TSPC_MOsvc                                                                                                                                                                                                                                                                                                                                                                                                                 | at least one MO circuit switched basic service supported                    |
| SelExpr_0500                               | TRUE                                                                                                                                                                                                                                                                                                                                                                                                                       | MM test group always selected                                               |
| SelExpr_0501                               | TRUE                                                                                                                                                                                                                                                                                                                                                                                                                       | always selected                                                             |
| SelExpr_0502                               | TSPC_SIMRmv                                                                                                                                                                                                                                                                                                                                                                                                                | SIM removable without power down supported                                  |
| SelExpr_0503                               | TSPC_Serv_TS11 OR TSPC_Serv_TS12                                                                                                                                                                                                                                                                                                                                                                                           | speech supported                                                            |

|              |                                                                                                              |                                                                                                                |
|--------------|--------------------------------------------------------------------------------------------------------------|----------------------------------------------------------------------------------------------------------------|
| SelExpr_0504 | TSPC_NonCallSS                                                                                               | The MS supports a non call related supplementary service operation during an active call                       |
| SelExpr_0600 | TSPC_MOsvc OR TSPC_MTsvc                                                                                     | CC test group                                                                                                  |
| SelExpr_0601 | TSPC_MOsvc AND(NOT TSPC_EmgOnly)                                                                             | at least one mobile originating circuit switched basic service supported and not only emergency call supported |
| SelExpr_0602 | (TSPC_NoimmConn) AND TSPC_MTsvc                                                                              | immediate connect not supported and at least one mobile terminated circuit switched basic service supported    |
| SelExpr_0603 | TSPC_RefusalCall AND TSPC_MTsvc                                                                              | refusal of call supported and at least one mobile terminated circuit switched basic service supported          |
| SelExpr_0604 | TSPC_Serv_TS11 OR TSPC_Serv_TS12 OR TSPC_Serv_TS61 OR TSPC_Serv_BS61 OR TSPC_Serv_BS81                       | speech supported                                                                                               |
| SelExpr_0605 | SelExpr_0604 AND TSPC_AlertInd                                                                               | speech & alerting supported                                                                                    |
| SelExpr_0606 | TSPC_MTsvc                                                                                                   | at least one mobile terminated circuit switched basic service supported                                        |
| SelExpr_0607 | TSPC_Serv_TS61 OR TSPC_Serv_BS61 OR TSPC_Serv_BS81                                                           | dual mode services supported                                                                                   |
| SelExpr_0700 | SelExpr_0301                                                                                                 | StructureProc test group                                                                                       |
| SelExpr_0701 | TSPC_Serv_TS11 OR TSPC_Serv_TS62                                                                             | at least one teleservice (except emergency call and dual service) supported                                    |
| SelExpr_0702 | TSPC_Serv_TS12                                                                                               | emergency call supported                                                                                       |
| SelExpr_0703 | TSPC_Serv_TS12 AND TSPC_DualRate                                                                             | dual rate emergency call supported                                                                             |
| SelExpr_0800 | TSPC_SS                                                                                                      | SS test group                                                                                                  |
| SelExpr_0801 | TSPC_Serv_SS_BOIC OR TSPC_Serv_SS_BAIC OR TSPC_Serv_SS_BOICexHC OR TSPC_Serv_SS_BICRoam OR TSPC_Serv_SS_BAOC | at least one of call restrictions supported                                                                    |
| SelExpr_0802 | TSPC_Serv_SS_AoCC                                                                                            | AOCC supported                                                                                                 |
| SelExpr_0803 | TSPC_Serv_SS_BOIC                                                                                            | BOIC supported                                                                                                 |
| SelExpr_0804 | TSPC_Serv_SS_BAIC                                                                                            | BAIC supported                                                                                                 |
| SelExpr_0805 | TSPC_Serv_SS_BOICexHC                                                                                        | BOICexHC supported                                                                                             |
| SelExpr_0806 | TSPC_Serv_SS_BOICexHC OR TSPC_Serv_SS_BAIC                                                                   | BOICexHC OR BAIC supported                                                                                     |
| SelExpr_0807 | TSPC_Serv_SS_BOIC OR TSPC_Serv_SS_BICRoam                                                                    | BOIC OR BICRoam supported                                                                                      |
| SelExpr_0808 | TSPC_Serv_SS_BI                                                                                              | BI supported                                                                                                   |
| SelExpr_0809 | TSPC_Serv_SS_CFNry OR TSPC_Serv_SS_CFU                                                                       | CFNry or CFU supported                                                                                         |
| SelExpr_0810 | TSPC_Serv_SS_CFB OR TSPC_Serv_SS_CFU OR TSPC_Serv_SS_CFNrc OR TSPC_Serv_SS_CFNry                             | CFB or CFU or CFNry or CFNrc supported                                                                         |
| SelExpr_0811 | TSPC_Serv_SS_CFB OR TSPC_Serv_SS_CFNrc OR TSPC_Serv_SS_CFNry                                                 | CFNry or CFNrc or CFB supported                                                                                |
| SelExpr_0812 | TSPC_Serv_SS_CFNrc OR TSPC_Serv_SS_CFB                                                                       | CFNrc or CFB supported                                                                                         |
| SelExpr_0813 | TSPC_Serv_SS_CFB                                                                                             | CFB supported                                                                                                  |
| SelExpr_0814 | TSPC_Serv_SS_BICRoam OR TSPC_Serv_SS_BAOC                                                                    | BAOC or BICRoam supported                                                                                      |
| SelExpr_0815 | TRUE                                                                                                         | always selected                                                                                                |
| SelExpr_0816 | TSPC_Serv_SS_unstruct                                                                                        | USSD supported                                                                                                 |
| SelExpr_0817 | TSPC_Serv_SS_unstruct AND SelExpr_0301                                                                       | USSD and CC protocol for at least one BC supported                                                             |
| SelExpr_0818 | TSPC_Serv_SS_AoCC AND TSPC_SIMRmv                                                                            | AOCC and SIM removable without power down supported                                                            |
| SelExpr_0819 | TSPC_Serv_SS_AoCC AND TSPC_Serv_SS_HOLD                                                                      | AOCC and Call Hold supported                                                                                   |
| SelExpr_0820 | TSPC_Serv_SS_AoCC AND TSPC_Serv_SS_MPTY                                                                      | AOCC and Multi Party service supported                                                                         |
| SelExpr_0821 | TSPC_Serv_SS_AoCC AND TSPC_SwitchOnOff                                                                       | AOCC and switch on/off supported                                                                               |
| SelExpr_0900 | TSPC_SMS                                                                                                     | SMS test group                                                                                                 |
| SelExpr_0901 | TSPC_Serv_TS21 AND SelExpr_0301                                                                              | MT/PP supported and CC protocol for at least one BC supported                                                  |

|                           |                                                                                            |                                                                                                                                                           |
|---------------------------|--------------------------------------------------------------------------------------------|-----------------------------------------------------------------------------------------------------------------------------------------------------------|
| SelExpr_0902              | TSPC_Serv_TS22 AND<br>TSPC_Serv_TS21 AND SelExpr_0301                                      | MO/PP supported and MT/PP supported<br>and CC protocol for at least one BC<br>supported                                                                   |
| SelExpr_0903              | TSPC_Serv_TS22 AND<br>TSPC_StoreRcvSMSME AND<br>TSPC_StoreRcvSMSSIM                        | MO/PP supported AND storage of SMS in<br>the ME supported AND storage of SMS in<br>the SIM supported                                                      |
| SelExpr_0904              | TSPC_Serv_TS22 AND<br>TSPC_Serv_TS21 AND<br>TSPC_SMSStatusRepCap                           | MO/PP supported AND MT/PP supported<br>AND SMS Status report capabilities<br>supported                                                                    |
| SelExpr_0905              | TSPC_Serv_TS21 AND<br>TSPC_DisprcvSMS                                                      | MT/PP supported AND display of<br>received short message supported                                                                                        |
| SelExpr_0906              | TSPC_Serv_TS21 AND<br>TSPC_DisprcvSMS<br>AND(TSPC_StoreRcvSMSME OR<br>TSPC_StoreRcvSMSSIM) | MT/PP supported AND display of<br>received short message supported AND<br>(storage of SMS in the ME supported OR<br>storage of SMS in the SIM supported ) |
| SelExpr_0907              | TSPC_Serv_TS21 AND<br>TSPC_StoreRcvSMSSIM                                                  | MT/PP supported AND display of<br>received short message supported AND<br>storage of SMS in the SIM supported                                             |
| SelExpr_0908              | TSPC_Serv_TS21 AND<br>TSPC_ReplaceSMS AND<br>TSPC_DisprcvSMS                               | MT/PP supported AND "replace short<br>message" and "display of received short<br>message" supported                                                       |
| SelExpr_0909              | TSPC_Serv_TS22 AND<br>TSPC_Serv_TS21 AND TSPC_ReplyProc<br>AND TSPC_DisprcvSMS             | MO/PP supported AND MT/PP supported<br>AND "reply procedure" and "display of<br>received short message" supported                                         |
| SelExpr_1000              | TSPC_EGSM                                                                                  | E- band supported                                                                                                                                         |
| SelExpr_1001              | SelExpr_0301                                                                               | CC protocol for at least one BC supported                                                                                                                 |
| SelExpr_1002              | TSPC_Serv_TS11 OR TSPC_Serv_TS61<br>OR TSPC_Serv_TS62                                      | telephony supported or alternate<br>speech/data supported or Teleservice<br>automatic G3 fax supported                                                    |
| SelExpr_1003              | TSPC_Serv_TS12                                                                             | emergency call supported                                                                                                                                  |
| <b>Detailed Comments:</b> |                                                                                            |                                                                                                                                                           |

## Test suite constant declarations

| Test Suite Constant Declarations |         |        |                                                        |
|----------------------------------|---------|--------|--------------------------------------------------------|
| Constant Name                    | Type    | Value  | Comments                                               |
| C_arfcnA                         | INTEGER | 20     | ARFCN 20                                               |
| C_arfcn_1                        | INTEGER | 1      | ARFCN 1                                                |
| C_arfcn_2                        | INTEGER | 2      | ARFCN 2                                                |
| C_arfcn_1015                     | INTEGER | 1015   | ARFCN 1015                                             |
| C_arfcn_10                       | INTEGER | 10     | ARFCN 10                                               |
| C_arfcn_34                       | INTEGER | 34     | ARFCN 34                                               |
| C_arfcnB                         | INTEGER | 10     | ARFCN of cell B                                        |
| C_arfcnC                         | INTEGER | 30     | ARFCN 30                                               |
| C_arfcnH                         | INTEGER | 44     | ARFCN 44                                               |
| C_arfcnAd                        | INTEGER | 590    | ARFCN 590                                              |
| C_arfcnAd_1                      | INTEGER | 520    | ARFCN 520                                              |
| C_arfcnAd_2                      | INTEGER | 514    | ARFCN 514                                              |
| C_arfcnAd_3                      | INTEGER | 715    | ARFCN 715                                              |
| C_arfcnAd_4                      | INTEGER | 747    | ARFCN 747                                              |
| C_arfcnAd_5                      | INTEGER | 734    | ARFCN 734                                              |
| C_arfcnAd_6                      | INTEGER | 759    | ARFCN 759                                              |
| C_arfcnBd                        | INTEGER | 520    | ARFCN 520                                              |
| C_arfcnCd                        | INTEGER | 700    | ARFCN 700                                              |
| C_arfcnHd                        | INTEGER | 810    | ARFCN 810                                              |
| C_arfcn_tchA                     | INTEGER | 30     | ARFCN f30                                              |
| C_arfcn_tchAd                    | INTEGER | 650    | ARFCN 650                                              |
| C_arfcn_tchB                     | INTEGER | 114    | ARFCN 114                                              |
| C_arfcn_tchBd                    | INTEGER | 844    | ARFCN 844                                              |
| C_arfcnEgsm                      | INTEGER | 990    | ARFCN 990                                              |
| C_arfcnEgsm_jacmd                | INTEGER | 20     | ARFCN 20                                               |
| C_arfcnEgsm_asscmd               | INTEGER | 20     | ARFCN 20                                               |
| C_BCCHcarrierB_ho                | INTEGER | 40     | BCCH frequency number of cell B for Ho cases (GSM: 40) |
| C_BCCHcarrierB_hod               | INTEGER | 764    | BCCH frequency number of cell B for Ho cases (DCS:764) |
| C_Noarfcn                        | INTEGER | 65534  | No arfcn defined ( hopping channel)                    |
| C_ATT_0                          | INTEGER | 0      | Attach value 0                                         |
| C_ATT_1                          | INTEGER | 1      | Attach value 1                                         |
| C_NCC                            | NCC     | '001'B | Network color code                                     |
| C_NCC_0                          | NCC     | '000'B | Network color code value '000'B                        |
| C_NCC_1                          | NCC     | '001'B | Network color code value '001'B                        |
| C_NCC_2                          | NCC     | '010'B | Network color code value '010'B                        |
| C_NCC_3                          | NCC     | '011'B | Network color code value '011'B                        |
| C_NCC_4                          | NCC     | '100'B | Network color code value '100'B                        |
| C_NCC_5                          | NCC     | '101'B | Network color code value '101'B                        |
| C_NCC_6                          | NCC     | '110'B | Network color code value '110'B                        |
| C_NCC_7                          | NCC     | '111'B | Network color code value '111'B                        |
| C_NCCP_2                         | NCCP    | '02'O  | Network color code permitted value '02'O               |
| C_NCCP_10                        | NCCP    | '0A'O  | Network color code permitted value '0A'O               |
| C_BCC                            | BCC     | '101'B | Base Station color code                                |
| C_BCC_0                          | BCC     | '000'B | Base Station color code value 0                        |
| C_BCC_1                          | BCC     | '001'B | Base Station color code value 1                        |
| C_BCC_3                          | BCC     | '011'B | Base Station color code value 3                        |
| C_BCC_5                          | BCC     | '101'B | Base Station color code value 5                        |
| C_BCC_7                          | BCC     | '111'B | Base Station color code value 7                        |
| C_cch_1nonComb                   | B_3     | '000'B | cch_con = 1 basic ch non combined                      |
| C_cch_1Comb                      | B_3     | '001'B | cch_con = 1 basic ch combined                          |
| C_cch_2Comb                      | B_3     | '011'B | cch_con = 2 basic ch combined                          |
| C_cch_3Comb                      | B_3     | '101'B | cch_con = 3 basic ch combined                          |

|                  |             |                                     |                                                                                                                                                                                                     |
|------------------|-------------|-------------------------------------|-----------------------------------------------------------------------------------------------------------------------------------------------------------------------------------------------------|
| C_cch_4Comb      | B_3         | '111'B                              | cch_con = 4 basic ch combined                                                                                                                                                                       |
| C_cch_2nonComb   | B_3         | '010'B                              | cch_con = 2 basic chs non combined                                                                                                                                                                  |
| C_cch_3nonComb   | B_3         | '100'B                              | cch_con = 3 basic chs non combined                                                                                                                                                                  |
| C_cch_4nonComb   | B_3         | '110'B                              | cch_con = 4 basic chs non combined                                                                                                                                                                  |
| C_cch_XnonComb   | B_3         | '???'B                              | cch_con = non combined                                                                                                                                                                              |
| C_cch_NotAllowed | B_3         | '???'B                              | all number value permitted                                                                                                                                                                          |
| C_cchd_e_407     | OCTETSTRING | '8DEA0DF4CC6C4AFAFB100000000000'O   | cch_con = value reserved after testing '001'B                                                                                                                                                       |
| C_cchd_e_408     | OCTETSTRING | '8A0A1CFD3EF4610E2FFFFA0000000000'O | f-list for cellchdescr using of 128 format. The coded set is {980, 981, 982, 983, 990, 991, 992, 993, 994, 1000, 1005, 1010, 1015}.<br>Length = 16<br>TC_26_10_4, k=2, c=1<br>TC_26.10.6, c=1       |
| C_cchd_e_409     | OCTETSTRING | '89EA037F433C7B042BFEBFEC10000000'O | f-list for cellchdescr using of 256 format. The coded set is {20, 40, 66, 73, 74, 75, 76, 77, 78, 79, 108, 114,115}<br>Length = 16<br>TC_26_10_4, k=2, c=2<br>TC_26.10.6, c=2                       |
| C_cchd_e_410     | OCTETSTRING | '841EEA893EF98143B1610000000000'O   | f-list for cellchdescr using of 512 format. The coded set is {980, 981, 982, 983, 990, 991, 992, 993, 994, 1000, 1005, 1010, 1015}.<br>Length = 16<br>TC_26_10_4, k=2, c=3 TC: 26.10.6 c=3          |
| C_cchd_e_411     | OCTETSTRING | '8FEA703E084210000000000000000'O    | f-list for cellchdescr using of 1024 format.<br>Length = 16                                                                                                                                         |
| C_cchd_e_412     | OCTETSTRING | '8FEA703E084210000000000000000'O    | f-list for cellchdescr using of variable bit format. The coded set is {980, 981, 982, 983, 990, 991, 992, 993, 994, 1000, 1005, 1010, 1015}.<br>Length = 16<br>TC_26_10_4, k=2, c=5 TC: 26.10.6 c=5 |
| C_cchd_e_414     | OCTETSTRING | '0002080000007F020000008000080000'O | f-list for cellchdescr using of bit map 0 format. The coded set is {20, 40, 66, 73, 74, 75, 76, 77, 78, 79, 108, 114,115}<br>Length = 16<br>TC_26_10_4, k=2, c=6                                    |
| C_cchd_e_415     | OCTETSTRING | '00000000000000002000020002000000'O | f-list for cellchdescr using of bit map 0 format.<br>Length = 16<br>f_list: 30, 50 ,70<br>TC: 26.10.6 c=6                                                                                           |
| C_cchd_e_415     | OCTETSTRING | '841EEA893EF98143800000000000000'O  | f-list for cellchdescr using range 1024 format. The coded set is {0, 30, 40, 66, 80, 1005, 1010, 1015}.<br>Length = 16<br>TC_26_10_4, k=2, c=4 TC: 26.10.6 c=4                                      |
| C_ChMod_s        | CHMOD_VAL   | '00000000'B                         | Mode : signalling only.                                                                                                                                                                             |
| C_ChMod_r        | CHMOD_VAL   | '00000001'B                         | Mode : speech full or half rate.                                                                                                                                                                    |
| C_ChMod_12k      | CHMOD_VAL   | '00000011'B                         | Mode : 12k radio rate.                                                                                                                                                                              |
| C_ChMod_6k       | CHMOD_VAL   | '00001011'B                         | Mode : 6k radio rate.                                                                                                                                                                               |
| C_ChMod_3k       | CHMOD_VAL   | '00010011'B                         | Mode : 3.6k radio rate.                                                                                                                                                                             |
| C_Sap0           | SAPID       | '00'O                               | service access point 0                                                                                                                                                                              |
| C_Sap3           | SAPID       | '03'O                               | service access point 3                                                                                                                                                                              |
| C_CellA          | CellID      | "C_CellA"                           | cell A -- cell 1                                                                                                                                                                                    |



|                      |             |                                    |                                                                                                                                                                                                      |
|----------------------|-------------|------------------------------------|------------------------------------------------------------------------------------------------------------------------------------------------------------------------------------------------------|
| C_CellB              | CellID      | "C_CellB"                          | cell B -- cell 2                                                                                                                                                                                     |
| C_CellC              | CellID      | "C_CellC"                          | cell C -- cell 3                                                                                                                                                                                     |
| C_CellD              | CellID      | "C_CellD"                          | cell D -- cell 4                                                                                                                                                                                     |
| C_CellE              | CellID      | "C_CellE"                          | cell E -- cell 5                                                                                                                                                                                     |
| C_CellF              | CellID      | "C_CellF"                          | cell F -- cell 6                                                                                                                                                                                     |
| C_CellG              | CellID      | "C_CellG"                          | cell G -- cell 7                                                                                                                                                                                     |
| C_CellH              | CellID      | "C_CellH"                          | cell H -- cell 8                                                                                                                                                                                     |
| C_ci_cellA           | CI          | '0001'O                            | Cell Id for cell A                                                                                                                                                                                   |
| C_ci_cellB           | CI          | '0002'O                            | Cell Id for cell B                                                                                                                                                                                   |
| C_ci_cellC           | CI          | '0003'O                            | Cell Id for cell C                                                                                                                                                                                   |
| C_ci_cellD           | CI          | '0004'O                            | Cell Id for cell D                                                                                                                                                                                   |
| C_ci_cellE           | CI          | '0005'O                            | Cell Id for cell E                                                                                                                                                                                   |
| C_ci_cellF           | CI          | '0006'O                            | Cell Id for cell F                                                                                                                                                                                   |
| C_ci_cellG           | CI          | '0007'O                            | Cell Id for cell G                                                                                                                                                                                   |
| C_ci_cellH           | CI          | '0008'O                            | Cell Id for cell H                                                                                                                                                                                   |
| C_cks_nokey          | BITSTRING   | '111'B                             | No key available                                                                                                                                                                                     |
| C_E_default          | INTEGER     | 63                                 | Default field strength                                                                                                                                                                               |
| C_E_neighbourdefault | INTEGER     | 53                                 | Default field strength of neighbouring cells.                                                                                                                                                        |
| C_E_suitable         | INTEGER     | 45                                 | Field strength of a suitable cell                                                                                                                                                                    |
| C_E_otsuitable       | INTEGER     | -10                                | Field strength of a not suitable cell for reselection (C1 < 0)                                                                                                                                       |
| C_E_otsuitable_fSel  | INTEGER     | 24                                 | Field strength of a not suitable cell for selection                                                                                                                                                  |
| C_flist_e_401        | OCTETSTRING | '8DF68AEC00'O                      | It includes the list of f's in EGSM test cases. The coded set is {1005, 1010, 1015}, range 128 format<br>Length = 5<br>TC_26_10_4, k=1, c=1 TC: 26.10.5.1 k=1/2,c=1                                  |
| C_flist_e_402        | OCTETSTRING | '8A2481FF03F8'O                    | It includes the list of f's in EGSM test cases. The coded set is {73, 74, 75, 76, 77}, range 256 format.<br>Length = 6<br>TC_26_10_4, k=1, c=2 TC: 26.10.5.1 k=1/2,c=2                               |
| C_flist_e_403        | OCTETSTRING | '89EA00BFC040'O                    | It includes the list of f's in EGSM test cases. The coded set is {980, 981, 982, 983}, range 512 format.<br>Length = 6<br>TC_26_10_4, k=1, c=3 TC: 26.10.5.1 k=1/2,c=3                               |
| C_flist_e_404        | OCTETSTRING | '801EED02BEC0'O                    | It includes the list of f's in EGSM test cases. The coded set is {30, 40, 1010, 1015}, range 1024 format.<br>Length = 6<br>TC_26_10_4, k=1, c=4 TC: 26.10.5.1 k=1/2,c=4                              |
| C_flist_e_405        | OCTETSTRING | '8FEC001F000010'O                  | It includes the list of f's in EGSM test cases. The coded set is {980, 991, 992, 993, 994, 1015}.<br>Length = 7<br>TC_26_10_4, k=1, c=5 TC: 26.10.5.1 k=1/2,c=5                                      |
| C_flist_e_406        | OCTETSTRING | '0000000000000020000008000080000'O | It includes the list of f's in EGSM test cases. The coded set is {20, 40, 66}, bitmap 0 format.<br>Length = 16<br>TC_26_10_4, k=1, c=6 TC: 26.10.5.1 k=2,c=6                                         |
| C_flist_e_407        | OCTETSTRING | '8DEA0DF4CC6C4AFAFB100000000000'O  | It includes the list of f's in EGSM test cases. The coded set is {980, 981, 982, 983, 990, 991, 992, 993, 994, 1000, 1005, 1010, 1015}, range 128 format.<br>Length = 16<br>TC_26_10_4, k=2, c=1 TC: |

|               |             |                                         |                                                                                                                                                                                                                                                                        |
|---------------|-------------|-----------------------------------------|------------------------------------------------------------------------------------------------------------------------------------------------------------------------------------------------------------------------------------------------------------------------|
| C_flist_e_408 | OCTETSTRING | '8A0A1CFD3EF4610E2FFFF<br>A0000'O       | 26.10.5.1 k=3,c=1<br>TC: 26.10.6 c=1<br>It includes the list of f's in EGSM test cases. The coded set is {20, 40, 66, 73, 74, 75, 76, 77, 78, 79, 108, 114, 115}, range 256 format.<br>Length = 13<br>TC_26_10_4, k=2, c=2 TC:<br>26.10.5.1 k=3,c=2<br>TC: 26.10.6 c=2 |
| C_flist_e_409 | OCTETSTRING | '89EA037F433C7B042BFEBF<br>EC1000000'O  | It includes the list of f's in EGSM test cases. The coded set is {980, 981, 982, 983, 990, 991, 992, 993, 994, 1000, 1005, 1010, 1015}, range 512 format.<br>Length = 16<br>TC_26_10_4, k=2, c=3 TC:<br>26.10.5.2 k=3,c=3<br>TC: 26.10.6 c=3                           |
| C_flist_e_410 | OCTETSTRING | '841EEA893EF98143B161'O                 | Length = 10<br>TC: 26.10.5.2 k=3,c=4                                                                                                                                                                                                                                   |
| C_flist_e_411 | OCTETSTRING | '8FEA703E084210'O                       | It includes the list of f's in EGSM test cases. The coded set is {980, 981, 982, 983, 990, 991, 992, 993, 994, 1000, 1005, 1010, 1015}, variable bitmap format.<br>Length = 7<br>TC_26_10_4, k=2, c=5 TC:<br>26.10.5.1 k=3,c=5<br>TC: 26.10.6 c=5                      |
| C_flist_e_412 | OCTETSTRING | '0002080000007F020000008<br>000080000'O | It includes the list of f's in EGSM test cases. The coded set is {20, 40, 66, 73, 74, 75, 76, 77, 78, 79, 108, 114, 115}, bitmap 0 format.<br>Length = 16<br>TC_26_10_4, k=2, c=6 TC:<br>26.10.5.1 k=3,c=6                                                             |
| C_flist_e_415 | OCTETSTRING | '841EEA893EF9814380'O                   | It includes the list of f's in EGSM test cases. The coded set is {0, 30, 40, 66, 80, 1005, 1010, 1015}, range 1024 format.<br>Length = 9<br>Format: 1024<br>TC_26_10_4, k=2, c=4 TC:<br>26.10.6 c=4                                                                    |
| C_flist_e_416 | OCTETSTRING | '0002080000007F020000008<br>000080000'O | bit map 0 format. The coded set is {20, 40, 66, 73, 74, 75, 76, 77, 78, 79, 108, 114}<br>Length = 16                                                                                                                                                                   |
| C_BABR_0      | B_3         | '000'B                                  | BABR value 0                                                                                                                                                                                                                                                           |
| C_BABR_1      | B_3         | '001'B                                  | BABR value 1                                                                                                                                                                                                                                                           |
| C_BABR_2      | B_3         | '010'B                                  | BABR value 2                                                                                                                                                                                                                                                           |
| C_BPM_0       | B_3         | '000'B                                  | BPM value 0, 2 multiframe                                                                                                                                                                                                                                              |
| C_BPM_2       | B_3         | '010'B                                  | BPM value 2, 4 multiframe                                                                                                                                                                                                                                              |
| C_BPM_3       | B_3         | '011'B                                  | BPM value 3, 5 multiframe                                                                                                                                                                                                                                              |
| C_BPM_7       | B_3         | '111'B                                  | BPM value 7, 9 multiframe                                                                                                                                                                                                                                              |
| C_T3212_0     | OCTETSTRING | '00'O                                   | T3212 infinite                                                                                                                                                                                                                                                         |
| C_T3212_1     | OCTETSTRING | '01'O                                   | T3212 6 mn / 1 deci hours                                                                                                                                                                                                                                              |
| C_T3212_2     | OCTETSTRING | '02'O                                   | T3212 12 mn / 2 deci hours                                                                                                                                                                                                                                             |
| C_T3212_5     | OCTETSTRING | '05'O                                   | T3212 30 mn / 5 deci hours                                                                                                                                                                                                                                             |
| C_IMSI        | INTEGER     | 0                                       | MI type: IMSI                                                                                                                                                                                                                                                          |
| C_TMSI        | INTEGER     | 1                                       | MI type: TMSI                                                                                                                                                                                                                                                          |
| C_IMEI        | INTEGER     | 2                                       | MI type: IMEI                                                                                                                                                                                                                                                          |
| C_IMEISV      | INTEGER     | 3                                       | MI type: IMEISV                                                                                                                                                                                                                                                        |
| C_shortIMSI   | HEXSTRING   | '001011234'H                            | A short IMSI                                                                                                                                                                                                                                                           |
| C_LAC_1       | OCTETSTRING | '0001'O                                 | lac 1.                                                                                                                                                                                                                                                                 |
| C_LAC_2       | OCTETSTRING | '0002'O                                 | lac 2.                                                                                                                                                                                                                                                                 |
| C_LAC_3       | OCTETSTRING | '0003'O                                 | lac 3.                                                                                                                                                                                                                                                                 |
| C_LAC_4       | OCTETSTRING | '0004'O                                 | lac 4.                                                                                                                                                                                                                                                                 |

|               |             |              |                                           |
|---------------|-------------|--------------|-------------------------------------------|
| C_LAC_5       | OCTETSTRING | '0005'O      | lac 5.                                    |
| C_LAC_6       | OCTETSTRING | '0006'O      | lac 6.                                    |
| C_LAC_7       | OCTETSTRING | '0007'O      | lac 7.                                    |
| C_LAC_8       | OCTETSTRING | '0008'O      | lac 8.                                    |
| C_LAC_spe     | OCTETSTRING | '5344'O      | lac '5344'H.                              |
| C_lacdeleted  | OCTETSTRING | 'FFFE'O      | lac value deleted.                        |
| C_MCC_1       | OCTETSTRING | '00F1'O      | MCC 1                                     |
| C_MCC_2       | OCTETSTRING | '00F2'O      | MCC 2                                     |
| C_MCC_3       | OCTETSTRING | '00F3'O      | MCC 3                                     |
| C_MCC_4       | OCTETSTRING | '00F4'O      | MCC 4                                     |
| C_MCC_5       | OCTETSTRING | '00F5'O      | MCC 5                                     |
| C_MCC_6       | OCTETSTRING | '00F6'O      | MCC 6                                     |
| C_MCC_7       | OCTETSTRING | '00F7'O      | MCC 7                                     |
| C_MCC_8       | OCTETSTRING | '00F8'O      | MCC 8                                     |
| C_MCC_9       | OCTETSTRING | '013B'O      | MCC 9                                     |
| C_Max_1       | INTEGER     | 1            | Max Retrans value 1                       |
| C_Max_2       | INTEGER     | 2            | Max Retrans value 2                       |
| C_Max_7       | INTEGER     | 7            | Max Retrans value 7                       |
| C_NECI_0      | INTEGER     | 0            | NECI value 0, not supported               |
| C_NECI_1      | INTEGER     | 1            | NECI value 1, supported                   |
| C_PLMN_1      | OCTETSTRING | '10'O        | PLMN 1 (mnc=01)                           |
| C_PLMN_2      | OCTETSTRING | '20'O        | PLMN 2 (mnc=02)                           |
| C_PLMN_3      | OCTETSTRING | '30'O        | PLMN 3 (mnc=03)                           |
| C_PLMN_4      | OCTETSTRING | 'F0'O        | PLMN 4                                    |
| C_PLMN_5      | OCTETSTRING | 'F2'O        | PLMN 5                                    |
| C_PLMN_6      | OCTETSTRING | 'F3'O        | PLMN 6                                    |
| C_PLMN_7      | OCTETSTRING | 'F4'O        | PLMN 7                                    |
| C_PLMN_8      | OCTETSTRING | 'F5'O        | PLMN 8                                    |
| C_PLMN_9      | OCTETSTRING | 'F6'O        | PLMN 9                                    |
| C_PLMN_10     | OCTETSTRING | 'F7'O        | PLMN 10                                   |
| C_PLMN_Home   | OCTETSTRING | '10'O        | PLMN 1 (mnc=01)                           |
| C_TxInt_5     | INTEGER     | 5            | Tx Integer value 5                        |
| C_TxInt_7     | INTEGER     | 7            | Tx Integer value 7                        |
| C_TxInt_10    | INTEGER     | 10           | Tx Integer value 10                       |
| C_NotCombined | BOOLEAN     | FALSE        | CCCH not combined with SDCCH              |
| C_Combined    | BOOLEAN     | TRUE         | CCCH combined with SDCCH                  |
| C_FCCH_A      | LOGICCH     | "C_FCCH_A"   | frequency correction channel of cell A(1) |
| C_FCCH_B      | LOGICCH     | "C_FCCH_B"   | frequency correction channel of cell B(2) |
| C_FCCH_C      | LOGICCH     | "C_FCCH_C"   | frequency correction channel of cell C(3) |
| C_FCCH_D      | LOGICCH     | "C_FCCH_D"   | frequency correction channel of cell D(4) |
| C_FCCH_E      | LOGICCH     | "C_FCCH_E"   | frequency correction channel of cell E(5) |
| C_FCCH_F      | LOGICCH     | "C_FCCH_F"   | frequency correction channel of cell F(6) |
| C_FCCH_G      | LOGICCH     | "C_FCCH_G"   | frequency correction channel of cell G(7) |
| C_FCCH_H      | LOGICCH     | "C_FCCH_H"   | frequency correction channel of cell H(8) |
| C_SCH_A       | LOGICCH     | "C_SCH_A"    | sync channel of cell A(1)                 |
| C_SCH_B       | LOGICCH     | "C_SCH_B"    | sync channel of cell B(2)                 |
| C_SCH_C       | LOGICCH     | "C_SCH_C"    | sync channel of cell C(3)                 |
| C_SCH_D       | LOGICCH     | "C_SCH_D"    | sync channel of cell D(4)                 |
| C_SCH_E       | LOGICCH     | "C_SCH_E"    | sync channel of cell E(5)                 |
| C_SCH_F       | LOGICCH     | "C_SCH_F"    | sync channel of cell F(6)                 |
| C_SCH_G       | LOGICCH     | "C_SCH_G"    | sync channel of cell G(7)                 |
| C_SCH_H       | LOGICCH     | "C_SCH_H"    | sync channel of cell H(8)                 |
| C_BCCH_A_1    | LOGICCH     | "C_BCCH_A_1" | 1st broadcast channel of cell A           |
| C_BCCH_A_2    | LOGICCH     | "C_BCCH_A_2" | 2nd broadcast channel of cell A           |
| C_BCCH_A_3    | LOGICCH     | "C_BCCH_A_3" | 3rd broadcast channel of cell A           |
| C_BCCH_A_4    | LOGICCH     | "C_BCCH_A_4" | 4th broadcast channel of cell A           |
| C_BCCH_B_1    | LOGICCH     | "C_BCCH_B_1" | 1st broadcast channel of cell B           |
| C_BCCH_C_1    | LOGICCH     | "C_BCCH_C_1" | 1st broadcast channel of cell C           |

|            |         |              |                                             |
|------------|---------|--------------|---------------------------------------------|
| C_BCCH_D_1 | LOGICCH | "C_BCCH_D_1" | 1st broadcast channel of cell D             |
| C_BCCH_E_1 | LOGICCH | "C_BCCH_E_1" | 1st broadcast channel of cell E             |
| C_BCCH_F_1 | LOGICCH | "C_BCCH_F_1" | 1st broadcast channel of cell F             |
| C_BCCH_G_1 | LOGICCH | "C_BCCH_G_1" | 1st broadcast channel of cell G             |
| C_BCCH_H_1 | LOGICCH | "C_BCCH_H_1" | 1st broadcast channel of cell H             |
| C_CBCH_A   | LOGICCH | "C_CBCH_A"   | Cell broadcast channel in cell A            |
| C_AGCH_A_1 | LOGICCH | "C_AGCH_A_1" | 1st down link CCCH (AGCH) of cell A         |
| C_AGCH_A_2 | LOGICCH | "C_AGCH_A_2" | 2nd down link CCCH (AGCH) of cell A         |
| C_AGCH_A_3 | LOGICCH | "C_AGCH_A_3" | 3rd down link CCCH (AGCH) of cell A         |
| C_AGCH_A_4 | LOGICCH | "C_AGCH_A_4" | 4th down link CCCH (AGCH) of cell A         |
| C_AGCH_B_1 | LOGICCH | "C_AGCH_B_1" | 1st down link CCCH (AGCH) of cell B         |
| C_AGCH_B_2 | LOGICCH | "C_AGCH_B_2" | 2nd down link CCCH (AGCH) of cell B         |
| C_AGCH_B_3 | LOGICCH | "C_AGCH_B_3" | 3rd down link CCCH (AGCH) of cell B         |
| C_AGCH_B_4 | LOGICCH | "C_AGCH_B_4" | 4th down link CCCH (AGCH) of cell B         |
| C_AGCH_C_1 | LOGICCH | "C_AGCH_C_1" | 1st down link CCCH (AGCH) of cell C         |
| C_AGCH_C_2 | LOGICCH | "C_AGCH_C_2" | 2nd down link CCCH (AGCH) of cell C         |
| C_AGCH_C_3 | LOGICCH | "C_AGCH_C_3" | 3rd down link CCCH (AGCH) of cell C         |
| C_AGCH_C_4 | LOGICCH | "C_AGCH_C_4" | 4th down link CCCH (AGCH) of cell C         |
| C_AGCH_D_1 | LOGICCH | "C_AGCH_D_1" | 1st down link CCCH (AGCH) of cell D         |
| C_AGCH_E_1 | LOGICCH | "C_AGCH_E_1" | 1st down link CCCH (AGCH) of cell E         |
| C_AGCH_F_1 | LOGICCH | "C_AGCH_F_1" | 1st down link CCCH (AGCH) of cell F         |
| C_AGCH_G_1 | LOGICCH | "C_AGCH_G_1" | 1st down link CCCH (AGCH) of cell G         |
| C_AGCH_H_1 | LOGICCH | "C_AGCH_H_1" | 1st down link CCCH (AGCH) of cell H         |
| C_PCH_A_1  | LOGICCH | "C_PCH_A_1"  | 1st down link CCCH (PCH) of cell A          |
| C_PCH_A_2  | LOGICCH | "C_PCH_A_2"  | 2nd down link CCCH (PCH) of cell A          |
| C_PCH_A_3  | LOGICCH | "C_PCH_A_3"  | 3rd down link CCCH (PCH) of cell A          |
| C_PCH_A_4  | LOGICCH | "C_PCH_A_4"  | 4th down link CCCH (PCH) of cell A          |
| C_PCH_B_1  | LOGICCH | "C_PCH_B_1"  | 1st down link CCCH (PCH) of cell B          |
| C_PCH_B_2  | LOGICCH | "C_PCH_B_2"  | 2nd down link CCCH (PCH) of cell B          |
| C_PCH_B_3  | LOGICCH | "C_PCH_B_3"  | 3rd down link CCCH (PCH) of cell B          |
| C_PCH_B_4  | LOGICCH | "C_PCH_B_4"  | 4th down link CCCH (PCH) of cell B          |
| C_PCH_C_1  | LOGICCH | "C_PCH_C_1"  | 1st down link CCCH (PCH) of cell C          |
| C_PCH_C_2  | LOGICCH | "C_PCH_C_2"  | 2nd down link CCCH (PCH) of cell C          |
| C_PCH_C_3  | LOGICCH | "C_PCH_C_3"  | 3rd down link CCCH (PCH) of cell C          |
| C_PCH_C_4  | LOGICCH | "C_PCH_C_4"  | 4th down link CCCH (PCH) of cell C          |
| C_PCH_D_1  | LOGICCH | "C_PCH_D_1"  | 1st down link CCCH (PCH and AGCH) of cell D |
| C_PCH_E_1  | LOGICCH | "C_PCH_E_1"  | 1st down link CCCH (PCH) of cell E          |
| C_PCH_F_1  | LOGICCH | "C_PCH_F_1"  | 1st down link CCCH (PCH) of cell F          |

|               |         |                 |                                            |
|---------------|---------|-----------------|--------------------------------------------|
| C_PCH_G_1     | LOGICCH | "C_PCH_G_1"     | 1st down link CCCH (PCH) of cell G         |
| C_PCH_H_1     | LOGICCH | "C_PCH_H_1"     | 1st down link CCCH (PCH) of cell H         |
| C_RACH_A_1    | LOGICCH | "C_RACH_A_1"    | 1st uplink CCCH (RACH) of cell A           |
| C_RACH_A_2    | LOGICCH | "C_RACH_A_2"    | 2nd uplink CCCH (RACH) of cell A           |
| C_RACH_A_3    | LOGICCH | "C_RACH_A_3"    | 3rd uplink CCCH (RACH) of cell A           |
| C_RACH_A_4    | LOGICCH | "C_RACH_A_4"    | 4th uplink CCCH (RACH) of cell A           |
| C_RACH_B_1    | LOGICCH | "C_RACH_B_1"    | 1st uplink CCCH (RACH) of cell B           |
| C_RACH_C_1    | LOGICCH | "C_RACH_C_1"    | 1st uplink CCCH (RACH) of cell C           |
| C_RACH_D_1    | LOGICCH | "C_RACH_D_1"    | 1st uplink CCCH (RACH) of cell D           |
| C_RACH_E_1    | LOGICCH | "C_RACH_E_1"    | 1st uplink CCCH (RACH) of cell E           |
| C_RACH_F_1    | LOGICCH | "C_RACH_F_1"    | 1st uplink CCCH (RACH) of cell F           |
| C_RACH_G_1    | LOGICCH | "C_RACH_G_1"    | 1st uplink CCCH (RACH) of cell G           |
| C_RACH_H_1    | LOGICCH | "C_RACH_H_1"    | 1st uplink CCCH (RACH) of cell H           |
| C_FACCHF_A_1  | LOGICCH | "C_FACCHF_A_1"  | FACCH associated with 1st TCH/F of cell A  |
| C_FACCHF_A_2  | LOGICCH | "C_FACCHF_A_2"  | FACCH associated with 2nd TCH/F of cell A  |
| C_FACCHF_A_3  | LOGICCH | "C_FACCHF_A_3"  | FACCH associated with 3rd TCH/F of cell A  |
| C_FACCHF_B_1  | LOGICCH | "C_FACCHF_B_1"  | FACCH associated with 1st TCH/F of cell B  |
| C_FACCHF_B_2  | LOGICCH | "C_FACCHF_B_2"  | FACCH associated with 2nd TCH/F of cell B  |
| C_FACCHF_B_3  | LOGICCH | "C_FACCHF_B_3"  | FACCH associated with 3rd TCH/F of cell B  |
| C_FACCHF_C_1  | LOGICCH | "C_FACCHF_C_1"  | FACCH associated with 1st TCH/F of cell C  |
| C_FACCHF_C_2  | LOGICCH | "C_FACCHF_C_2"  | FACCH associated with 2nd TCH/F of cell C  |
| C_FACCHF_C_3  | LOGICCH | "C_FACCHF_C_3"  | FACCH associated with 3rd TCH/F of cell C  |
| C_FACCHF_H_1  | LOGICCH | "C_FACCHF_H_1"  | FACCH associated with 1st TCH/F of cell H  |
| C_FACCHH_A_1  | LOGICCH | "C_FACCHH_A_1"  | FACCH associated with 1st TCH/H of cell A  |
| C_FACCHH_A_2  | LOGICCH | "C_FACCHH_A_2"  | FACCH associated with 2nd TCH/H of cell A  |
| C_FACCHH_A_3  | LOGICCH | "C_FACCHH_A_3"  | FACCH associated with 3rd TCH/H of cell A  |
| C_FACCHH_B_1  | LOGICCH | "C_FACCHH_B_1"  | FACCH associated with 1st TCH/H of cell B  |
| C_FACCHH_B_2  | LOGICCH | "C_FACCHH_B_2"  | FACCH associated with 2nd TCH/H of cell B  |
| C_FACCHH_B_3  | LOGICCH | "C_FACCHH_B_3"  | FACCH associated with 3rd TCH/H of cell B  |
| C_FACCHH_C_1  | LOGICCH | "C_FACCHH_C_1"  | FACCH associated with 1st TCH/H of cell C  |
| C_FACCHH_C_2  | LOGICCH | "C_FACCHH_C_2"  | FACCH associated with 2nd TCH/H of cell C  |
| C_FACCHH_C_3  | LOGICCH | "C_FACCHH_C_3"  | FACCH associated with 3rd TCH/H of cell C  |
| C_FACCHH0_A_1 | LOGICCH | "C_FACCHH0_A_1" | FACCH associated with 1st TCH/H0 of cell A |
| C_FACCHH1_A_1 | LOGICCH | "C_FACCHH1_A_1" | FACCH associated with 1st TCH/H1 of cell A |
| C_FACCHH0_A_2 | LOGICCH | "C_FACCHH0_A_2" | FACCH associated with 2nd TCH/H0 of cell A |
| C_FACCHH1_A_2 | LOGICCH | "C_FACCHH1_A_2" | FACCH associated with 2nd TCH/H1 of cell A |
| C_FACCHH0_A_3 | LOGICCH | "C_FACCHH0_A_3" | FACCH associated with 3rd TCH/H0 of cell A |
| C_FACCHH1_A_3 | LOGICCH | "C_FACCHH1_A_3" | FACCH associated with 3rd TCH/H1 of cell A |
| C_FACCHH0_B_1 | LOGICCH | "C_FACCHH0_B_1" | FACCH associated with 1st TCH/H0 of cell B |
| C_FACCHH1_B_1 | LOGICCH | "C_FACCHH1_B_1" | FACCH associated with 1st TCH/H1 of cell B |

|               |         |                 |                                             |
|---------------|---------|-----------------|---------------------------------------------|
| C_FACCH0_B_2  | LOGICCH | "C_FACCH0_B_2"  | FACCH associated with 2nd TCH/H0 of cell B  |
| C_FACCH1_B_2  | LOGICCH | "C_FACCH1_B_2"  | FACCH associated with 2nd TCH/H1 of cell B  |
| C_FACCH0_B_3  | LOGICCH | "C_FACCH0_B_3"  | FACCH associated with 3rd TCH/H0 of cell B  |
| C_FACCH1_B_3  | LOGICCH | "C_FACCH1_B_3"  | FACCH associated with 3rd TCH/H1 of cell B  |
| C_FACCH0_C_1  | LOGICCH | "C_FACCH0_C_1"  | FACCH associated with 1st TCH/H0 of cell C  |
| C_FACCH1_C_1  | LOGICCH | "C_FACCH1_C_1"  | FACCH associated with 1st TCH/H1 of cell C  |
| C_FACCH0_C_2  | LOGICCH | "C_FACCH0_C_2"  | FACCH associated with 2nd TCH/H0 of cell C  |
| C_FACCH1_C_2  | LOGICCH | "C_FACCH1_C_2"  | FACCH associated with 2nd TCH/H1 of cell C  |
| C_FACCH0_C_3  | LOGICCH | "C_FACCH0_C_3"  | FACCH associated with 3rd TCH/H0 of cell C  |
| C_FACCH1_C_3  | LOGICCH | "C_FACCH1_C_3"  | FACCH associated with 3rd TCH/H1 of cell C  |
| C_SACCH_A     | LOGICCH | "C_SACCH_A"     | all SACCHs of cell A                        |
| C_SACCH_B     | LOGICCH | "C_SACCH_B"     | all SACCHs of cell B                        |
| C_SACCH_C     | LOGICCH | "C_SACCH_C"     | all SACCHs of cell C                        |
| C_SACCH_D     | LOGICCH | "C_SACCH_D"     | all SACCHs of cell D                        |
| C_SACCH_E     | LOGICCH | "C_SACCH_E"     | all SACCHs of cell E                        |
| C_SACCH_F     | LOGICCH | "C_SACCH_F"     | all SACCHs of cell F                        |
| C_SACCH_G     | LOGICCH | "C_SACCH_G"     | all SACCHs of cell G                        |
| C_SACCH_H     | LOGICCH | "C_SACCH_H"     | all SACCHs of cell H                        |
| C_SACCHF_A_1  | LOGICCH | "C_SACCHF_A_1"  | SACCH associated with 1st TCH/F of cell A   |
| C_SACCHF_A_2  | LOGICCH | "C_SACCHF_A_2"  | SACCH associated with 2nd TCH/F of cell A   |
| C_SACCHF_B_1  | LOGICCH | "C_SACCHF_B_1"  | SACCH associated with 1st TCH/F of cell B   |
| C_SACCHF_B_2  | LOGICCH | "C_SACCHF_B_2"  | SACCH associated with 2nd TCH/F of cell B   |
| C_SACCHF_H_1  | LOGICCH | "C_SACCHF_H_1"  | SACCH associated with 1st TCH/F of cell H   |
| C_SACCHH_A_1  | LOGICCH | "C_SACCHH_A_1"  | SACCH associated with 1st TCH/H of cell A   |
| C_SACCHH_A_2  | LOGICCH | "C_SACCHH_A_2"  | SACCH associated with 2nd TCH/H of cell A   |
| C_SACCHH_A_3  | LOGICCH | "C_SACCHH_A_3"  | SACCH associated with 3rd TCH/H of cell A   |
| C_SACCHH_B_1  | LOGICCH | "C_SACCHH_B_1"  | SACCH associated with 1st TCH/H of cell B   |
| C_SACCHH_B_2  | LOGICCH | "C_SACCHH_B_2"  | SACCH associated with 2nd TCH/H of cell B   |
| C_SACCHH_B_3  | LOGICCH | "C_SACCHH_B_3"  | SACCH associated with 3rd TCH/H of cell B   |
| C_SACCHH_C_1  | LOGICCH | "C_SACCHH_C_1"  | SACCH associated with 1st TCH/H of cell C   |
| C_SACCHH_C_2  | LOGICCH | "C_SACCHH_C_2"  | SACCH associated with 2nd TCH/H of cell C   |
| C_SACCHH_C_3  | LOGICCH | "C_SACCHH_C_3"  | SACCH associated with 3rd TCH/H of cell C   |
| C_SACCHH0_A_1 | LOGICCH | "C_SACCHH0_A_1" | SACCH associated with 1st TCH/H_0 of cell A |
| C_SACCHH1_A_1 | LOGICCH | "C_SACCHH1_A_1" | SACCH associated with 1st TCH/H_1 of cell A |
| C_SACCHH0_A_2 | LOGICCH | "C_SACCHH0_A_2" | SACCH associated with 2nd TCH/H_0 of cell A |
| C_SACCHH1_A_2 | LOGICCH | "C_SACCHH1_A_2" | SACCH associated with 2nd TCH/H_1 of cell A |
| C_SACCHH0_A_3 | LOGICCH | "C_SACCHH0_A_3" | SACCH associated with 3rd TCH/H_0 of cell A |
| C_SACCHH1_A_3 | LOGICCH | "C_SACCHH1_A_3" | SACCH associated with 3rd TCH/H_1 of cell A |
| C_SACCHH0_B_1 | LOGICCH | "C_SACCHH0_B_1" | SACCH associated with 1st TCH/H_0 of cell B |

|               |         |                 |                                                  |
|---------------|---------|-----------------|--------------------------------------------------|
| C_SACCHH1_B_1 | LOGICCH | "C_SACCHH1_B_1" | SACCH associated with 1st TCH/H_1 of cell B      |
| C_SACCHH0_B_2 | LOGICCH | "C_SACCHH0_B_2" | SACCH associated with 2nd TCH/H_0 of cell B      |
| C_SACCHH1_B_2 | LOGICCH | "C_SACCHH1_B_2" | SACCH associated with 2nd TCH/H_1 of cell B      |
| C_SACCHH0_B_3 | LOGICCH | "C_SACCHH0_B_3" | SACCH associated with 3rd TCH/H_0 of cell B      |
| C_SACCHH1_B_3 | LOGICCH | "C_SACCHH1_B_3" | SACCH associated with 3rd TCH/H_1 of cell B      |
| C_SACCHH0_C_1 | LOGICCH | "C_SACCHH0_C_1" | SACCH associated with 1st TCH/H_0 of cell C      |
| C_SACCHH1_C_1 | LOGICCH | "C_SACCHH1_C_1" | SACCH associated with 1st TCH/H_1 of cell C      |
| C_SACCHH0_C_2 | LOGICCH | "C_SACCHH0_C_2" | SACCH associated with 2nd TCH/H_0 of cell C      |
| C_SACCHH1_C_2 | LOGICCH | "C_SACCHH1_C_2" | SACCH associated with 2nd TCH/H_1 of cell C      |
| C_SACCHH0_C_3 | LOGICCH | "C_SACCHH0_C_3" | SACCH associated with 3rd TCH/H_0 of cell C      |
| C_SACCHH1_C_3 | LOGICCH | "C_SACCHH1_C_3" | SACCH associated with 3rd TCH/H_1 of cell C      |
| C_SACCHC4_A   | LOGICCH | "C_SACCHC4_A"   | SACCHC4 channel of cell A                        |
| C_SACCHC4_B   | LOGICCH | "C_SACCHC4_B"   | SACCHC4 channel of cell B                        |
| C_SACCHC4_C   | LOGICCH | "C_SACCHC4_C"   | SACCHC4 channel of cell C                        |
| C_SACCHC4_D   | LOGICCH | "C_SACCHC4_D"   | SACCHC4 channel of cell D                        |
| C_SACCHC4_E   | LOGICCH | "C_SACCHC4_E"   | SACCHC4 channel of cell E                        |
| C_SACCHC4_F   | LOGICCH | "C_SACCHC4_F"   | SACCHC4 channel of cell F                        |
| C_SACCHC4_G   | LOGICCH | "C_SACCHC4_G"   | SACCHC4 channel of cell G                        |
| C_SACCHC4_H   | LOGICCH | "C_SACCHC4_H"   | SACCHC4 channel of cell H                        |
| C_SACCHC40_A  | LOGICCH | "C_SACCHC40_A"  | SACCH/C4(0) associated with SDCCH/4(0) of cell A |
| C_SACCHC41_A  | LOGICCH | "C_SACCHC41_A"  | SACCH/C4(1) associated with SDCCH/4(1) of cell A |
| C_SACCHC42_A  | LOGICCH | "C_SACCHC42_A"  | SACCH/C4(2) associated with SDCCH/4(2) of cell A |
| C_SACCHC43_A  | LOGICCH | "C_SACCHC43_A"  | SACCH/C4(3) associated with SDCCH/4(3) of cell A |
| C_SACCHC40_B  | LOGICCH | "C_SACCHC40_B"  | SACCH/C4(0) associated with SDCCH/4(0) of cell B |
| C_SACCHC41_B  | LOGICCH | "C_SACCHC41_B"  | SACCH/C4(1) associated with SDCCH/4(1) of cell B |
| C_SACCHC42_B  | LOGICCH | "C_SACCHC42_B"  | SACCH/C4(2) associated with SDCCH/4(2) of cell B |
| C_SACCHC43_B  | LOGICCH | "C_SACCHC43_B"  | SACCH/C4(3) associated with SDCCH/4(3) of cell B |
| C_SACCHC40_C  | LOGICCH | "C_SACCHC40_C"  | SACCH/C4(0) associated with SDCCH/4(0) of cell C |
| C_SACCHC41_C  | LOGICCH | "C_SACCHC41_C"  | SACCH/C4(1) associated with SDCCH/4(1) of cell C |
| C_SACCHC42_C  | LOGICCH | "C_SACCHC42_C"  | SACCH/C4(2) associated with SDCCH/4(2) of cell C |
| C_SACCHC43_C  | LOGICCH | "C_SACCHC43_C"  | SACCH/C4(3) associated with SDCCH/4(3) of cell C |
| C_SACCHC40_D  | LOGICCH | "C_SACCHC40_D"  | SACCH/C4(0) associated with SDCCH/4(0) of cell D |
| C_SACCHC41_D  | LOGICCH | "C_SACCHC41_D"  | SACCH/C4(1) associated with SDCCH/4(1) of cell D |
| C_SACCHC42_D  | LOGICCH | "C_SACCHC42_D"  | SACCH/C4(2) associated with SDCCH/4(2) of cell D |
| C_SACCHC43_D  | LOGICCH | "C_SACCHC43_D"  | SACCH/C4(3) associated with SDCCH/4(3) of cell D |
| C_SACCHC40_E  | LOGICCH | "C_SACCHC40_E"  | SACCH/C4(0) associated with SDCCH/4(0) of cell E |
| C_SACCHC41_E  | LOGICCH | "C_SACCHC41_E"  | SACCH/C4(1) associated with SDCCH/4(1) of cell E |
| C_SACCHC42_E  | LOGICCH | "C_SACCHC42_E"  | SACCH/C4(2) associated with SDCCH/4(2) of cell E |
| C_SACCHC43_E  | LOGICCH | "C_SACCHC43_E"  | SACCH/C4(3) associated with SDCCH/4(3) of cell E |

|                |         |                  |                                                      |
|----------------|---------|------------------|------------------------------------------------------|
| C_SACCHC40_F   | LOGICCH | "C_SACCHC40_F"   | SACCH/C4(0) associated with SDCCH/4(0) of cell F     |
| C_SACCHC41_F   | LOGICCH | "C_SACCHC41_F"   | SACCH/C4(1) associated with SDCCH/4(1) of cell F     |
| C_SACCHC42_F   | LOGICCH | "C_SACCHC42_F"   | SACCH/C4(2) associated with SDCCH/4(2) of cell F     |
| C_SACCHC43_F   | LOGICCH | "C_SACCHC43_F"   | SACCH/C4(3) associated with SDCCH/4(3) of cell F     |
| C_SACCHC40_G   | LOGICCH | "C_SACCHC40_G"   | SACCH/C4(0) associated with SDCCH/4(0) of cell G     |
| C_SACCHC41_G   | LOGICCH | "C_SACCHC41_G"   | SACCH/C4(1) associated with SDCCH/4(1) of cell G     |
| C_SACCHC42_G   | LOGICCH | "C_SACCHC42_G"   | SACCH/C4(2) associated with SDCCH/4(2) of cell G     |
| C_SACCHC43_G   | LOGICCH | "C_SACCHC43_G"   | SACCH/C4(3) associated with SDCCH/4(3) of cell G     |
| C_SACCHC40_H   | LOGICCH | "C_SACCHC40_C"   | SACCH/C4(0) associated with SDCCH/4(0) of cell H     |
| C_SACCHC41_H   | LOGICCH | "C_SACCHC41_C"   | SACCH/C4(1) associated with SDCCH/4(1) of cell H     |
| C_SACCHC42_H   | LOGICCH | "C_SACCHC42_C"   | SACCH/C4(2) associated with SDCCH/4(2) of cell H     |
| C_SACCHC43_H   | LOGICCH | "C_SACCHC43_C"   | SACCH/C4(3) associated with SDCCH/4(3) of cell H     |
| C_SACCHC8_A_1  | LOGICCH | "C_SACCHC8_A_1"  | 1st SACCH/8 channel of cell A                        |
| C_SACCHC8_A_2  | LOGICCH | "C_SACCHC8_A_2"  | 2nd SACCH/8 channel of cell A                        |
| C_SACCHC8_A_3  | LOGICCH | "C_SACCHC8_A_3"  | 3rd SACCH/8 channel of cell A                        |
| C_SACCHC8_B_1  | LOGICCH | "C_SACCHC8_B_1"  | 1st SACCH/8 channel of cell B                        |
| C_SACCHC8_B_2  | LOGICCH | "C_SACCHC8_B_2"  | 2nd SACCH/8 channel of cell B                        |
| C_SACCHC8_B_3  | LOGICCH | "C_SACCHC8_B_3"  | 3rd SACCH/8 channel of cell B                        |
| C_SACCHC8_C_1  | LOGICCH | "C_SACCHC8_C_1"  | 1st SACCH/8 channel of cell C                        |
| C_SACCHC8_C_2  | LOGICCH | "C_SACCHC8_C_2"  | 2nd SACCH/8 channel of cell C                        |
| C_SACCHC8_C_3  | LOGICCH | "C_SACCHC8_C_3"  | 3rd SACCH/8 channel of cell C                        |
| C_SACCHC80_A_1 | LOGICCH | "C_SACCHC80_A_1" | SACCH/C8(0) associated with 1st SDCCH/8(0) of cell A |
| C_SACCHC81_A_1 | LOGICCH | "C_SACCHC81_A_1" | SACCH/C8(1) associated with 1st SDCCH/8(1) of cell A |
| C_SACCHC82_A_1 | LOGICCH | "C_SACCHC82_A_1" | SACCH/C8(2) associated with 1st SDCCH/8(2) of cell A |
| C_SACCHC83_A_1 | LOGICCH | "C_SACCHC83_A_1" | SACCH/C8(3) associated with 1st SDCCH/8(3) of cell A |
| C_SACCHC84_A_1 | LOGICCH | "C_SACCHC84_A_1" | SACCH/C8(4) associated with 1st SDCCH/8(4) of cell A |
| C_SACCHC85_A_1 | LOGICCH | "C_SACCHC85_A_1" | SACCH/C8(5) associated with 1st SDCCH/8(5) of cell A |
| C_SACCHC86_A_1 | LOGICCH | "C_SACCHC86_A_1" | SACCH/C8(6) associated with 1st SDCCH/8(6) of cell A |
| C_SACCHC87_A_1 | LOGICCH | "C_SACCHC87_A_1" | SACCH/C8(7) associated with 1st SDCCH/8(7) of cell A |
| C_SACCHC80_A_2 | LOGICCH | "C_SACCHC80_A_2" | SACCH/C8(0) associated with 2nd SDCCH/8(0) of cell A |
| C_SACCHC81_A_2 | LOGICCH | "C_SACCHC81_A_2" | SACCH/C8(1) associated with 2nd SDCCH/8(1) of cell A |
| C_SACCHC82_A_2 | LOGICCH | "C_SACCHC82_A_2" | SACCH/C8(2) associated with 2nd SDCCH/8(2) of cell A |
| C_SACCHC83_A_2 | LOGICCH | "C_SACCHC83_A_2" | SACCH/C8(3) associated with 2nd SDCCH/8(3) of cell A |
| C_SACCHC84_A_2 | LOGICCH | "C_SACCHC84_A_2" | SACCH/C8(4) associated with 2nd SDCCH/8(4) of cell A |
| C_SACCHC85_A_2 | LOGICCH | "C_SACCHC85_A_2" | SACCH/C8(5) associated with 2nd SDCCH/8(5) of cell A |
| C_SACCHC86_A_2 | LOGICCH | "C_SACCHC86_A_2" | SACCH/C8(6) associated with 2nd SDCCH/8(6) of cell A |
| C_SACCHC87_A_2 | LOGICCH | "C_SACCHC87_A_2" | SACCH/C8(7) associated with 2nd SDCCH/8(7) of cell A |
| C_SACCHC80_A_3 | LOGICCH | "C_SACCHC80_A_3" | SACCH/C8(0) associated with 3rd SDCCH/8(0) of cell A |
| C_SACCHC81_A_3 | LOGICCH | "C_SACCHC81_A_3" | SACCH/C8(1) associated with 3rd SDCCH/8(1) of cell A |
| C_SACCHC82_A_3 | LOGICCH | "C_SACCHC82_A_3" | SACCH/C8(2) associated with 3rd                      |



|                |         |                  |                                                                              |
|----------------|---------|------------------|------------------------------------------------------------------------------|
| C_SACCHC83_A_3 | LOGICCH | "C_SACCHC83_A_3" | SDCCH/8(2) of cell A<br>SACCH/C8(3) associated with 3rd SDCCH/8(3) of cell A |
| C_SACCHC84_A_3 | LOGICCH | "C_SACCHC84_A_3" | SACCH/C8(4) associated with 3rd SDCCH/8(4) of cell A                         |
| C_SACCHC85_A_3 | LOGICCH | "C_SACCHC85_A_3" | SACCH/C8(5) associated with 3rd SDCCH/8(5) of cell A                         |
| C_SACCHC86_A_3 | LOGICCH | "C_SACCHC86_A_3" | SACCH/C8(6) associated with 3rd SDCCH/8(6) of cell A                         |
| C_SACCHC87_A_3 | LOGICCH | "C_SACCHC87_A_3" | SACCH/C8(7) associated with 3rd SDCCH/8(7) of cell A                         |
| C_SACCHC80_B_1 | LOGICCH | "C_SACCHC80_B_1" | SACCH/C8(0) associated with 1st SDCCH/8(0) of cell B                         |
| C_SACCHC81_B_1 | LOGICCH | "C_SACCHC81_B_1" | SACCH/C8(1) associated with 1st SDCCH/8(1) of cell B                         |
| C_SACCHC82_B_1 | LOGICCH | "C_SACCHC82_B_1" | SACCH/C8(2) associated with 1st SDCCH/8(2) of cell B                         |
| C_SACCHC83_B_1 | LOGICCH | "C_SACCHC83_B_1" | SACCH/C8(3) associated with 1st SDCCH/8(3) of cell B                         |
| C_SACCHC84_B_1 | LOGICCH | "C_SACCHC84_B_1" | SACCH/C8(4) associated with 1st SDCCH/8(4) of cell B                         |
| C_SACCHC85_B_1 | LOGICCH | "C_SACCHC85_B_1" | SACCH/C8(5) associated with 1st SDCCH/8(5) of cell B                         |
| C_SACCHC86_B_1 | LOGICCH | "C_SACCHC86_B_1" | SACCH/C8(6) associated with 1st SDCCH/8(6) of cell B                         |
| C_SACCHC87_B_1 | LOGICCH | "C_SACCHC87_B_1" | SACCH/C8(7) associated with 1st SDCCH/8(7) of cell B                         |
| C_SACCHC80_B_2 | LOGICCH | "C_SACCHC80_B_2" | SACCH/C8(0) associated with 2nd SDCCH/8(0) of cell B                         |
| C_SACCHC81_B_2 | LOGICCH | "C_SACCHC81_B_2" | SACCH/C8(1) associated with 2nd SDCCH/8(1) of cell B                         |
| C_SACCHC82_B_2 | LOGICCH | "C_SACCHC82_B_2" | SACCH/C8(2) associated with 2nd SDCCH/8(2) of cell B                         |
| C_SACCHC83_B_2 | LOGICCH | "C_SACCHC83_B_2" | SACCH/C8(3) associated with 2nd SDCCH/8(3) of cell B                         |
| C_SACCHC84_B_2 | LOGICCH | "C_SACCHC84_B_2" | SACCH/C8(4) associated with 2nd SDCCH/8(4) of cell B                         |
| C_SACCHC85_B_2 | LOGICCH | "C_SACCHC85_B_2" | SACCH/C8(5) associated with 2nd SDCCH/8(5) of cell B                         |
| C_SACCHC86_B_2 | LOGICCH | "C_SACCHC86_B_2" | SACCH/C8(6) associated with 2nd SDCCH/8(6) of cell B                         |
| C_SACCHC87_B_2 | LOGICCH | "C_SACCHC87_B_2" | SACCH/C8(7) associated with 2nd SDCCH/8(7) of cell B                         |
| C_SACCHC80_B_3 | LOGICCH | "C_SACCHC80_B_3" | SACCH/C8(0) associated with 3rd SDCCH/8(0) of cell B                         |
| C_SACCHC81_B_3 | LOGICCH | "C_SACCHC81_B_3" | SACCH/C8(1) associated with 3rd SDCCH/8(1) of cell B                         |
| C_SACCHC82_B_3 | LOGICCH | "C_SACCHC82_B_3" | SACCH/C8(2) associated with 3rd SDCCH/8(2) of cell B                         |
| C_SACCHC83_B_3 | LOGICCH | "C_SACCHC83_B_3" | SACCH/C8(3) associated with 3rd SDCCH/8(3) of cell B                         |
| C_SACCHC84_B_3 | LOGICCH | "C_SACCHC84_B_3" | SACCH/C8(4) associated with 3rd SDCCH/8(4) of cell B                         |
| C_SACCHC85_B_3 | LOGICCH | "C_SACCHC85_B_3" | SACCH/C8(5) associated with 3rd SDCCH/8(5) of cell B                         |
| C_SACCHC86_B_3 | LOGICCH | "C_SACCHC86_B_3" | SACCH/C8(6) associated with 3rd SDCCH/8(6) of cell B                         |
| C_SACCHC87_B_3 | LOGICCH | "C_SACCHC87_B_3" | SACCH/C8(7) associated with 3rd SDCCH/8(7) of cell B                         |
| C_SACCHC80_C_1 | LOGICCH | "C_SACCHC80_C_1" | SACCH/C8(0) associated with 1st SDCCH/8(0) of cell C                         |
| C_SACCHC81_C_1 | LOGICCH | "C_SACCHC81_C_1" | SACCH/C8(1) associated with 1st SDCCH/8(1) of cell C                         |
| C_SACCHC82_C_1 | LOGICCH | "C_SACCHC82_C_1" | SACCH/C8(2) associated with 1st SDCCH/8(2) of cell C                         |
| C_SACCHC83_C_1 | LOGICCH | "C_SACCHC83_C_1" | SACCH/C8(3) associated with 1st SDCCH/8(3) of cell C                         |
| C_SACCHC84_C_1 | LOGICCH | "C_SACCHC84_C_1" | SACCH/C8(4) associated with 1st SDCCH/8(4) of cell C                         |
| C_SACCHC85_C_1 | LOGICCH | "C_SACCHC85_C_1" | SACCH/C8(5) associated with 1st SDCCH/8(5) of cell C                         |

|                |         |                  |                                                      |
|----------------|---------|------------------|------------------------------------------------------|
| C_SACCHC86_C_1 | LOGICCH | "C_SACCHC86_C_1" | SACCH/C8(6) associated with 1st SDCCH/8(6) of cell C |
| C_SACCHC87_C_1 | LOGICCH | "C_SACCHC87_C_1" | SACCH/C8(7) associated with 1st SDCCH/8(7) of cell C |
| C_SACCHC80_C_2 | LOGICCH | "C_SACCHC80_C_2" | SACCH/C8(0) associated with 2nd SDCCH/8(0) of cell C |
| C_SACCHC81_C_2 | LOGICCH | "C_SACCHC81_C_2" | SACCH/C8(1) associated with 2nd SDCCH/8(1) of cell C |
| C_SACCHC82_C_2 | LOGICCH | "C_SACCHC82_C_2" | SACCH/C8(2) associated with 2nd SDCCH/8(2) of cell C |
| C_SACCHC83_C_2 | LOGICCH | "C_SACCHC83_C_2" | SACCH/C8(3) associated with 2nd SDCCH/8(3) of cell C |
| C_SACCHC84_C_2 | LOGICCH | "C_SACCHC84_C_2" | SACCH/C8(4) associated with 2nd SDCCH/8(4) of cell C |
| C_SACCHC85_C_2 | LOGICCH | "C_SACCHC85_C_2" | SACCH/C8(5) associated with 2nd SDCCH/8(5) of cell C |
| C_SACCHC86_C_2 | LOGICCH | "C_SACCHC86_C_2" | SACCH/C8(6) associated with 2nd SDCCH/8(6) of cell C |
| C_SACCHC87_C_2 | LOGICCH | "C_SACCHC87_C_2" | SACCH/C8(7) associated with 2nd SDCCH/8(7) of cell C |
| C_SACCHC80_C_3 | LOGICCH | "C_SACCHC80_C_3" | SACCH/C8(0) associated with 3rd SDCCH/8(0) of cell C |
| C_SACCHC81_C_3 | LOGICCH | "C_SACCHC81_C_3" | SACCH/C8(1) associated with 3rd SDCCH/8(1) of cell C |
| C_SACCHC82_C_3 | LOGICCH | "C_SACCHC82_C_3" | SACCH/C8(2) associated with 3rd SDCCH/8(2) of cell C |
| C_SACCHC83_C_3 | LOGICCH | "C_SACCHC83_C_3" | SACCH/C8(3) associated with 3rd SDCCH/8(3) of cell C |
| C_SACCHC84_C_3 | LOGICCH | "C_SACCHC84_C_3" | SACCH/C8(4) associated with 3rd SDCCH/8(4) of cell C |
| C_SACCHC85_C_3 | LOGICCH | "C_SACCHC85_C_3" | SACCH/C8(5) associated with 3rd SDCCH/8(5) of cell C |
| C_SACCHC86_C_3 | LOGICCH | "C_SACCHC86_C_3" | SACCH/C8(6) associated with 3rd SDCCH/8(6) of cell C |
| C_SACCHC87_C_3 | LOGICCH | "C_SACCHC87_C_3" | SACCH/C8(7) associated with 3rd SDCCH/8(7) of cell C |
| C_SDCCH4_A     | LOGICCH | "C_SDCCH4_A"     | SDCCH/4 channel of cell A                            |
| C_SDCCH4_B     | LOGICCH | "C_SDCCH4_B"     | SDCCH/4 channel of cell B                            |
| C_SDCCH4_C     | LOGICCH | "C_SDCCH4_C"     | SDCCH/4 channel of cell C                            |
| C_SDCCH4_D     | LOGICCH | "C_SDCCH4_D"     | SDCCH/4 channel of cell D                            |
| C_SDCCH4_E     | LOGICCH | "C_SDCCH4_E"     | SDCCH/4 channel of cell E                            |
| C_SDCCH4_F     | LOGICCH | "C_SDCCH4_F"     | SDCCH/4 channel of cell F                            |
| C_SDCCH4_G     | LOGICCH | "C_SDCCH4_G"     | SDCCH/4 channel of cell G                            |
| C_SDCCH4_H     | LOGICCH | "C_SDCCH4_H"     | SDCCH/4 channel of cell H                            |
| C_SDCCH40_A    | LOGICCH | "C_SDCCH40_A"    | SDCCH/4(0) of cell A                                 |
| C_SDCCH41_A    | LOGICCH | "C_SDCCH41_A"    | SDCCH/4(1) of cell A                                 |
| C_SDCCH42_A    | LOGICCH | "C_SDCCH42_A"    | SDCCH/4(2) of cell A                                 |
| C_SDCCH43_A    | LOGICCH | "C_SDCCH43_A"    | SDCCH/4(3) of cell A                                 |
| C_SDCCH40_B    | LOGICCH | "C_SDCCH40_B"    | SDCCH/4(0) of cell B                                 |
| C_SDCCH41_B    | LOGICCH | "C_SDCCH41_B"    | SDCCH/4(1) of cell B                                 |
| C_SDCCH42_B    | LOGICCH | "C_SDCCH42_B"    | SDCCH/4(2) of cell B                                 |
| C_SDCCH43_B    | LOGICCH | "C_SDCCH43_B"    | SDCCH/4(3) of cell B                                 |
| C_SDCCH40_C    | LOGICCH | "C_SDCCH40_C"    | SDCCH/4(0) of cell C                                 |
| C_SDCCH41_C    | LOGICCH | "C_SDCCH41_C"    | SDCCH/4(1) of cell C                                 |
| C_SDCCH42_C    | LOGICCH | "C_SDCCH42_C"    | SDCCH/4(2) of cell C                                 |
| C_SDCCH43_C    | LOGICCH | "C_SDCCH43_C"    | SDCCH/4(3) of cell C                                 |
| C_SDCCH40_D    | LOGICCH | "C_SDCCH40_D"    | SDCCH/4(0) of cell D                                 |
| C_SDCCH41_D    | LOGICCH | "C_SDCCH41_D"    | SDCCH/4(1) of cell D                                 |
| C_SDCCH42_D    | LOGICCH | "C_SDCCH42_D"    | SDCCH/4(2) of cell D                                 |
| C_SDCCH43_D    | LOGICCH | "C_SDCCH43_D"    | SDCCH/4(3) of cell D                                 |
| C_SDCCH40_E    | LOGICCH | "C_SDCCH40_E"    | SDCCH/4(0) of cell E                                 |
| C_SDCCH41_E    | LOGICCH | "C_SDCCH41_E"    | SDCCH/4(1) of cell E                                 |
| C_SDCCH42_E    | LOGICCH | "C_SDCCH42_E"    | SDCCH/4(2) of cell E                                 |
| C_SDCCH43_E    | LOGICCH | "C_SDCCH43_E"    | SDCCH/4(3) of cell E                                 |
| C_SDCCH40_F    | LOGICCH | "C_SDCCH40_F"    | SDCCH/4(0) of cell F                                 |
| C_SDCCH41_F    | LOGICCH | "C_SDCCH41_F"    | SDCCH/4(1) of cell F                                 |
| C_SDCCH42_F    | LOGICCH | "C_SDCCH42_F"    | SDCCH/4(2) of cell F                                 |
| C_SDCCH43_F    | LOGICCH | "C_SDCCH43_F"    | SDCCH/4(3) of cell F                                 |

|               |         |                 |                               |
|---------------|---------|-----------------|-------------------------------|
| C_SDCCH40_G   | LOGICCH | "C_SDCCH40_G"   | SDCCH/4(0) of cell G          |
| C_SDCCH41_G   | LOGICCH | "C_SDCCH41_G"   | SDCCH/4(1) of cell G          |
| C_SDCCH42_G   | LOGICCH | "C_SDCCH42_G"   | SDCCH/4(2) of cell G          |
| C_SDCCH43_G   | LOGICCH | "C_SDCCH43_G"   | SDCCH/4(3) of cell G          |
| C_SDCCH40_H   | LOGICCH | "C_SDCCH40_H"   | SDCCH/4(0) of cell H          |
| C_SDCCH41_H   | LOGICCH | "C_SDCCH41_H"   | SDCCH/4(1) of cell H          |
| C_SDCCH42_H   | LOGICCH | "C_SDCCH42_H"   | SDCCH/4(2) of cell H          |
| C_SDCCH43_H   | LOGICCH | "C_SDCCH43_H"   | SDCCH/4(3) of cell H          |
| C_SDCCH8_A_1  | LOGICCH | "C_SDCCH8_A_1"  | 1st SDCCH/8 channel of cell A |
| C_SDCCH8_A_2  | LOGICCH | "C_SDCCH8_A_2"  | 2nd SDCCH/8 channel of cell A |
| C_SDCCH8_A_3  | LOGICCH | "C_SDCCH8_A_3"  | 3rd SDCCH/8 channel of cell A |
| C_SDCCH8_B_1  | LOGICCH | "C_SDCCH8_B_1"  | 1st SDCCH/8 channel of cell B |
| C_SDCCH8_B_2  | LOGICCH | "C_SDCCH8_B_2"  | 2nd SDCCH/8 channel of cell B |
| C_SDCCH80_A_1 | LOGICCH | "C_SDCCH80_A_1" | 1st SDCCH/8(0) of cell A      |
| C_SDCCH81_A_1 | LOGICCH | "C_SDCCH81_A_1" | 1st SDCCH/8(1) of cell A      |
| C_SDCCH82_A_1 | LOGICCH | "C_SDCCH82_A_1" | 1st SDCCH/8(2) of cell A      |
| C_SDCCH83_A_1 | LOGICCH | "C_SDCCH83_A_1" | 1st SDCCH/8(3) of cell A      |
| C_SDCCH84_A_1 | LOGICCH | "C_SDCCH84_A_1" | 1st SDCCH/8(4) of cell A      |
| C_SDCCH85_A_1 | LOGICCH | "C_SDCCH85_A_1" | 1st SDCCH/8(5) of cell A      |
| C_SDCCH86_A_1 | LOGICCH | "C_SDCCH86_A_1" | 1st SDCCH/8(6) of cell A      |
| C_SDCCH87_A_1 | LOGICCH | "C_SDCCH87_A_1" | 1st SDCCH/8(7) of cell A      |
| C_SDCCH80_A_2 | LOGICCH | "C_SDCCH80_A_2" | 2nd SDCCH/8(0) of cell A      |
| C_SDCCH81_A_2 | LOGICCH | "C_SDCCH81_A_2" | 2nd SDCCH/8(1) of cell A      |
| C_SDCCH82_A_2 | LOGICCH | "C_SDCCH82_A_2" | 2nd SDCCH/8(2) of cell A      |
| C_SDCCH83_A_2 | LOGICCH | "C_SDCCH83_A_2" | 2nd SDCCH/8(3) of cell A      |
| C_SDCCH84_A_2 | LOGICCH | "C_SDCCH84_A_2" | 2nd SDCCH/8(4) of cell A      |
| C_SDCCH85_A_2 | LOGICCH | "C_SDCCH85_A_2" | 2nd SDCCH/8(5) of cell A      |
| C_SDCCH86_A_2 | LOGICCH | "C_SDCCH86_A_2" | 2nd SDCCH/8(6) of cell A      |
| C_SDCCH87_A_2 | LOGICCH | "C_SDCCH87_A_2" | 2nd SDCCH/8(7) of cell A      |
| C_SDCCH80_A_3 | LOGICCH | "C_SDCCH80_A_3" | 3rd SDCCH/8(0) of cell A      |
| C_SDCCH81_A_3 | LOGICCH | "C_SDCCH81_A_3" | 3rd SDCCH/8(1) of cell A      |
| C_SDCCH82_A_3 | LOGICCH | "C_SDCCH82_A_3" | 3rd SDCCH/8(2) of cell A      |
| C_SDCCH83_A_3 | LOGICCH | "C_SDCCH83_A_3" | 3rd SDCCH/8(3) of cell A      |
| C_SDCCH84_A_3 | LOGICCH | "C_SDCCH84_A_3" | 3rd SDCCH/8(4) of cell A      |
| C_SDCCH85_A_3 | LOGICCH | "C_SDCCH85_A_3" | 3rd SDCCH/8(5) of cell A      |
| C_SDCCH86_A_3 | LOGICCH | "C_SDCCH86_A_3" | 3rd SDCCH/8(6) of cell A      |
| C_SDCCH87_A_3 | LOGICCH | "C_SDCCH87_A_3" | 3rd SDCCH/8(7) of cell A      |
| C_SDCCH80_B_1 | LOGICCH | "C_SDCCH80_B_1" | 1st SDCCH/8(0) of cell B      |
| C_SDCCH81_B_1 | LOGICCH | "C_SDCCH81_B_1" | 1st SDCCH/8(1) of cell B      |
| C_SDCCH82_B_1 | LOGICCH | "C_SDCCH82_B_1" | 1st SDCCH/8(2) of cell B      |
| C_SDCCH83_B_1 | LOGICCH | "C_SDCCH83_B_1" | 1st SDCCH/8(3) of cell B      |
| C_SDCCH84_B_1 | LOGICCH | "C_SDCCH84_B_1" | 1st SDCCH/8(4) of cell B      |
| C_SDCCH85_B_1 | LOGICCH | "C_SDCCH85_B_1" | 1st SDCCH/8(5) of cell B      |
| C_SDCCH86_B_1 | LOGICCH | "C_SDCCH86_B_1" | 1st SDCCH/8(6) of cell B      |
| C_SDCCH87_B_1 | LOGICCH | "C_SDCCH87_B_1" | 1st SDCCH/8(7) of cell B      |
| C_SDCCH80_B_2 | LOGICCH | "C_SDCCH80_B_2" | 2nd SDCCH/8(0) of cell B      |
| C_SDCCH81_B_2 | LOGICCH | "C_SDCCH81_B_2" | 2nd SDCCH/8(1) of cell B      |
| C_SDCCH82_B_2 | LOGICCH | "C_SDCCH82_B_2" | 2nd SDCCH/8(2) of cell B      |
| C_SDCCH83_B_2 | LOGICCH | "C_SDCCH83_B_2" | 2nd SDCCH/8(3) of cell B      |
| C_SDCCH84_B_2 | LOGICCH | "C_SDCCH84_B_2" | 2nd SDCCH/8(4) of cell B      |
| C_SDCCH85_B_2 | LOGICCH | "C_SDCCH85_B_2" | 2nd SDCCH/8(5) of cell B      |
| C_SDCCH86_B_2 | LOGICCH | "C_SDCCH86_B_2" | 2nd SDCCH/8(6) of cell B      |
| C_SDCCH87_B_2 | LOGICCH | "C_SDCCH87_B_2" | 2nd SDCCH/8(7) of cell B      |
| C_SDCCH80_B_3 | LOGICCH | "C_SDCCH80_B_3" | 3rd SDCCH/8(0) of cell B      |
| C_SDCCH81_B_3 | LOGICCH | "C_SDCCH81_B_3" | 3rd SDCCH/8(1) of cell B      |
| C_SDCCH82_B_3 | LOGICCH | "C_SDCCH82_B_3" | 3rd SDCCH/8(2) of cell B      |
| C_SDCCH83_B_3 | LOGICCH | "C_SDCCH83_B_3" | 3rd SDCCH/8(3) of cell B      |
| C_SDCCH84_B_3 | LOGICCH | "C_SDCCH84_B_3" | 3rd SDCCH/8(4) of cell B      |
| C_SDCCH85_B_3 | LOGICCH | "C_SDCCH85_B_3" | 3rd SDCCH/8(5) of cell B      |
| C_SDCCH86_B_3 | LOGICCH | "C_SDCCH86_B_3" | 3rd SDCCH/8(6) of cell B      |
| C_SDCCH87_B_3 | LOGICCH | "C_SDCCH87_B_3" | 3rd SDCCH/8(7) of cell B      |
| C_SDCCH80_C_1 | LOGICCH | "C_SDCCH80_C_1" | 1st SDCCH/8(0) of cell C      |
| C_SDCCH81_C_1 | LOGICCH | "C_SDCCH81_C_1" | 1st SDCCH/8(1) of cell C      |
| C_SDCCH82_C_1 | LOGICCH | "C_SDCCH82_C_1" | 1st SDCCH/8(2) of cell C      |
| C_SDCCH83_C_1 | LOGICCH | "C_SDCCH83_C_1" | 1st SDCCH/8(3) of cell C      |

|                                           |             |                                             |                                                  |
|-------------------------------------------|-------------|---------------------------------------------|--------------------------------------------------|
| C_SDCCH84_C_1                             | LOGICCH     | "C_SDCCH84_C_1"                             | 1st SDCCH/8(4) of cell C                         |
| C_SDCCH85_C_1                             | LOGICCH     | "C_SDCCH85_C_1"                             | 1st SDCCH/8(5) of cell C                         |
| C_SDCCH86_C_1                             | LOGICCH     | "C_SDCCH86_C_1"                             | 1st SDCCH/8(6) of cell C                         |
| C_SDCCH87_C_1                             | LOGICCH     | "C_SDCCH87_C_1"                             | 1st SDCCH/8(7) of cell C                         |
| C_SDCCH80_C_2                             | LOGICCH     | "C_SDCCH80_C_2"                             | 2nd SDCCH/8(0) of cell C                         |
| C_SDCCH81_C_2                             | LOGICCH     | "C_SDCCH81_C_2"                             | 2nd SDCCH/8(1) of cell C                         |
| C_SDCCH82_C_2                             | LOGICCH     | "C_SDCCH82_C_2"                             | 2nd SDCCH/8(2) of cell C                         |
| C_SDCCH83_C_2                             | LOGICCH     | "C_SDCCH83_C_2"                             | 2nd SDCCH/8(3) of cell C                         |
| C_SDCCH84_C_2                             | LOGICCH     | "C_SDCCH84_C_2"                             | 2nd SDCCH/8(4) of cell C                         |
| C_SDCCH85_C_2                             | LOGICCH     | "C_SDCCH85_C_2"                             | 2nd SDCCH/8(5) of cell C                         |
| C_SDCCH86_C_2                             | LOGICCH     | "C_SDCCH86_C_2"                             | 2nd SDCCH/8(6) of cell C                         |
| C_SDCCH87_C_2                             | LOGICCH     | "C_SDCCH87_C_2"                             | 2nd SDCCH/8(7) of cell C                         |
| C_SDCCH80_C_3                             | LOGICCH     | "C_SDCCH80_C_3"                             | 3rd SDCCH/8(0) of cell C                         |
| C_SDCCH81_C_3                             | LOGICCH     | "C_SDCCH81_C_3"                             | 3rd SDCCH/8(1) of cell C                         |
| C_SDCCH82_C_3                             | LOGICCH     | "C_SDCCH82_C_3"                             | 3rd SDCCH/8(2) of cell C                         |
| C_SDCCH83_C_3                             | LOGICCH     | "C_SDCCH83_C_3"                             | 3rd SDCCH/8(3) of cell C                         |
| C_SDCCH84_C_3                             | LOGICCH     | "C_SDCCH84_C_3"                             | 3rd SDCCH/8(4) of cell C                         |
| C_SDCCH85_C_3                             | LOGICCH     | "C_SDCCH85_C_3"                             | 3rd SDCCH/8(5) of cell C                         |
| C_SDCCH86_C_3                             | LOGICCH     | "C_SDCCH86_C_3"                             | 3rd SDCCH/8(6) of cell C                         |
| C_SDCCH87_C_3                             | LOGICCH     | "C_SDCCH87_C_3"                             | 3rd SDCCH/8(7) of cell C                         |
| C_CHSDCCH8_FH                             | OCTETSTRING | '00'O                                       | ch.type SDCCH8 with FH                           |
| C_CHSDCCH8_NonFH                          | OCTETSTRING | '01'O                                       | ch.type SDCCH8 No FH                             |
| C_CHSDCCH4_NonFH                          | OCTETSTRING | '03'O                                       | ch.type SDCCH4 NoFH                              |
| C_CHTCHF_FH                               | OCTETSTRING | '04'O                                       | ch.type TCHF FH                                  |
| C_CHTCHF_NonFH                            | OCTETSTRING | '05'O                                       | ch.type TCHF NonFH                               |
| C_CHTCHH_FH                               | OCTETSTRING | '06'O                                       | ch.type TCHH FH                                  |
| C_TCHF_ACCHF_1                            | LOGCH       | "C_TCHF_ACCHF_1"                            | first TCH/F + ACCHs type channel                 |
| C_TCHF_ACCHF_2                            | LOGCH       | "C_TCHF_ACCHF_2"                            | second TCH/F + ACCHs type channel                |
| C_TCHH_ACCHH_1                            | LOGCH       | "C_TCHH_ACCHH_1"                            | first TCH/H + ACCHs type channel                 |
| C_TCHH_ACCHH_2                            | LOGCH       | "C_TCHH_ACCHH_2"                            | second TCH/H + ACCHs type channel                |
| C_FCCH_SCH_BCCH_CCCH_H                    | LOGCH       | "C_FCCH_SCH_BCCH_CCCH_H"                    | FCCH_SCH_BCCH_CCCH type channel                  |
| C_BCCH_CCCH_2                             | LOGCH       | "C_BCCH_CCCH_2"                             | second BCCH_CCCH type channel                    |
| C_BCCH_CCCH_3                             | LOGCH       | "C_BCCH_CCCH_3"                             | third BCCH_CCCH type channel                     |
| C_BCCH_CCCH_4                             | LOGCH       | "C_BCCH_CCCH_4"                             | fourth BCCH_CCCH type channel                    |
| C_FCCH_SCH_BCCH_CCCH_H_SDCCH4_SACCHC4     | LOGCH       | "C_FCCH_SCH_BCCH_CCCH_H_SDCCH4_SACCHC4"     | combined CCCH type channel                       |
| C_CBCH_FCCH_SCH_BCC_H_CCCH_SDCCH4_SACCHC4 | LOGCH       | "C_CBCH_FCCH_SCH_BCC_H_CCCH_SDCCH4_SACCHC4" | combined CCCH type channel for cell broadcast SM |
| C_SDCCH8_SACCHC8_1                        | LOGCH       | "C_SDCCH8_SACCHC8_1"                        | first SDCCH/8 type channel                       |
| C_SDCCH8_SACCHC8_2                        | LOGCH       | "C_SDCCH8_SACCHC8_2"                        | second SDCCH/8 type channel                      |
| C_SDCCH8_SACCHC8_3                        | LOGCH       | "C_SDCCH8_SACCHC8_3"                        | 3rd SDCCH/8 type channel                         |
| C_S0                                      | SN          | '000'B                                      | time slot 0                                      |
| C_S2                                      | SN          | '010'B                                      | time slot 2                                      |
| C_S3                                      | SN          | '011'B                                      | time slot 3                                      |
| C_S4                                      | SN          | '100'B                                      | time slot 4                                      |
| C_S6                                      | SN          | '110'B                                      | time slot 6                                      |
| C_SAVE                                    | INTEGER     | 0                                           | the OC_SaveAndProc saves input values            |
| C_PROC                                    | INTEGER     | 1                                           | the OC_SvaAndProc processes saved values         |
| C_RETRV                                   | INTEGER     | 1                                           |                                                  |
| C_U1                                      | CCSTATE     | 1                                           | CC state U1                                      |
| C_U3                                      | CCSTATE     | 3                                           | CC state U3                                      |
| C_U4                                      | CCSTATE     | 4                                           | CC state U4                                      |
| C_U6                                      | CCSTATE     | 6                                           | CC state U6                                      |
| C_U7                                      | CCSTATE     | 7                                           | CC state U7                                      |
| C_U8                                      | CCSTATE     | 8                                           | CC state U8                                      |
| C_U9                                      | CCSTATE     | 9                                           | CC state U9                                      |
| C_U10                                     | CCSTATE     | 10                                          | CC state U10                                     |
| C_U11                                     | CCSTATE     | 11                                          | CC state U11                                     |

|                  |             |                 |                                                                                                                                                 |
|------------------|-------------|-----------------|-------------------------------------------------------------------------------------------------------------------------------------------------|
| C_U12            | CCSTATE     | 12              | CC state U12                                                                                                                                    |
| C_U19            | CCSTATE     | 19              | CC state U19                                                                                                                                    |
| C_U26            | CCSTATE     | 26              | CC state U26                                                                                                                                    |
| C_NxtButOne      | SENDINGMODE | 1               | send the second message on the next but one paging subblock                                                                                     |
| C_FmrAGB         | SENDINGMODE | 2               | send the second message on the former access grant block                                                                                        |
| C_BfReOcc        | SENDINGMODE | 3               | send the second message before the MS's original paging subchannel re-occurs, but later than the next paging block of that CCCH                 |
| C_NxtButOneNxt   | SENDINGMODE | 4               | nothing is sent in the next but one paging sub block, then send the second message<br>in the next paging subblock of the MS's paging subchannel |
| C_CMServiceTypeE | CMSVTYPE    | '0010'B         | CM Service Type for emergency call.                                                                                                             |
| C_Telephony      | IA5String   | "C_Telephony"   | telephony service (TS11)                                                                                                                        |
| C_EmgCall        | IA5String   | "C_EmgCall"     | emergency call service (TS12)                                                                                                                   |
| C_AltSpchFax     | IA5String   | "C_AltSpchFax"  | alternate speech and G3 fax service (TS61)                                                                                                      |
| C_AutoFax        | IA5String   | "C_AutoFax"     | automatic G3 fax service (TS62)                                                                                                                 |
| C_Async300       | IA5String   | "C_Async300"    | data circuit duplex async. 300 bit/s service (BS21)                                                                                             |
| C_Async1200      | IA5String   | "C_Async1200"   | data circuit duplex async. 1200 bit/s service (BS22)                                                                                            |
| C_Async120075    | IA5String   | "C_Async120075" | data circuit duplex async. 1200/75 bit/s service (BS23)                                                                                         |
| C_Async2400      | IA5String   | "C_Async2400"   | data circuit duplex async. 2400 bit/s service (BS24)                                                                                            |
| C_Async4800      | IA5String   | "C_Async4800"   | data circuit duplex async. 4800 bit/s service (BS25)                                                                                            |
| C_Async9600      | IA5String   | "C_Async9600"   | data circuit duplex async 9600 bit/s service (BS26)                                                                                             |
| C_Sync1200       | IA5String   | "C_Sync1200"    | data circuit duplex sync. 1200 bit/s service (BS31)                                                                                             |
| C_Sync2400       | IA5String   | "C_Sync2400"    | data circuit duplex sync. 2400 bit/s service (BS32)                                                                                             |
| C_Sync4800       | IA5String   | "C_Sync4800"    | data circuit duplex sync. 4800 bit/s service (BS33)                                                                                             |
| C_Sync9600       | IA5String   | "C_Sync9600"    | data circuit duplex sync 9600 bit/s service (BS34)                                                                                              |
| C_PAD300         | IA5String   | "C_PAD300"      | PAD access 300 bit/s service (BS41)                                                                                                             |
| C_PAD1200        | IA5String   | "C_PAD1200"     | PAD access 1200 bit/s service (BS42)                                                                                                            |
| C_PAD120075      | IA5String   | "C_PAD120075"   | PAD access 1200/75 bit/s service (BS43)                                                                                                         |
| C_PAD2400        | IA5String   | "C_PAD2400"     | PAD access 2400 bit/s service (BS44)                                                                                                            |
| C_PAD4800        | IA5String   | "C_PAD4800"     | PAD access 4800 bit/s service (BS45)                                                                                                            |
| C_PAD9600        | IA5String   | "C_PAD9600"     | PAD access 9600 bit/s service (BS46)                                                                                                            |
| C_Packet2400     | IA5String   | "C_Packet2400"  | packet access 2400 bit/s service (BS51)                                                                                                         |
| C_Packet4800     | IA5String   | "C_Packet4800"  | packet access 4800 bit/s service (BS52)                                                                                                         |
| C_Packet9600     | IA5String   | "C_Packet9600"  | packet access 9600 bit/s service (BS53)                                                                                                         |
| C_AltSpchData    | IA5String   | "C_AltSpchData" | alternate speech/data service (BS61)                                                                                                            |
| C_SpchData       | IA5String   | "C_SpchData"    | speech followed data service (BS81)                                                                                                             |
| C_l              | INTEGER     | 1               | l command of L 2                                                                                                                                |
| C_one            | INTEGER     | 1               | one frequency, no hopping                                                                                                                       |
| C_Immass         | BITSTRING   | '000'B          | activation for immediate assignment                                                                                                             |

|                       |           |             |                                                                       |
|-----------------------|-----------|-------------|-----------------------------------------------------------------------|
| C_Ass                 | BITSTRING | '001'B      | activation for assignment                                             |
| C_Asynho              | BITSTRING | '010'B      | activation for non synchronous handover                               |
| C_Synho               | BITSTRING | '011'B      | activation for synchronous handover                                   |
| C_Rcv                 | BITSTRING | '101'B      | activation for receiving only                                         |
| C_LocEndRel           | RelMode   | '01'O       | local end release                                                     |
| C_MaxPwrLvID          | INTEGER   | 15          | Max power level for MS DCS                                            |
| C_MaxPwrLvG           | INTEGER   | 19          | Max power level for MS GSM                                            |
| C_rc_conditIEerror    | REJCAU    | '64'O       | reject cause:<br>Conditional IE error                                 |
| C_rc_congestion       | REJCAU    | '16'O       | reject cause:<br>congestion                                           |
| C_rc_illegal_ms       | REJCAU    | '03'O       | reject cause:<br>illegal MS                                           |
| C_rc_illegal_me       | REJCAU    | '06'O       | reject cause:<br>illegal ME                                           |
| C_rc_imsiunknownhlr   | REJCAU    | '02'O       | reject cause:<br>IMSI unknown in HLR                                  |
| C_rc_imsiunknownvlr   | REJCAU    | '04'O       | reject cause:<br>IMSI unknown in VLR                                  |
| C_rc_invalidmaninfo   | REJCAU    | '60'O       | reject cause:<br>invalid mandatory information                        |
| C_rc_LAnotallowed     | REJCAU    | '0C'O       | reject cause:<br>LocationArea is not allowed                          |
| C_rc_networkfailure   | REJCAU    | '11'O       | reject cause:<br>network failure                                      |
| C_rc_notidentified    | REJCAU    | '26'O       | reject cause:<br>can not be identified                                |
| C_rc_plmn_not         | REJCAU    | '0B'O       | reject cause:<br>PLMN not allowed                                     |
| C_rc_protocolerror    | REJCAU    | '6F'O       | reject cause:<br>Protocol error unspecified                           |
| C_rc_reqservoptnotsub | REJCAU    | '21'O       | reject cause:<br>requested service option not subscribed              |
| C_rc_roamingnot       | REJCAU    | '0D'O       | reject cause:<br>Roaming not allowed                                  |
| C_Restablishment      | B_1       | '0'B        | Restablishment allowed                                                |
| C_noRestablishment    | B_1       | '1'B        | No restablishment allowed                                             |
| C_SlotNU              | SN        | '111'B      | Slot Number not used                                                  |
| C_CellReselectHys12   | INTEGER   | 6           | Cell Reselection Hysteresis value 12db                                |
| C_CellReselectHys4    | INTEGER   | 2           | Cell Reselection Hysteresis value 4db                                 |
| C_RI_alternate        | B_8       | '11010001'B | Bcap repeat indicator for alternate (circular selection)              |
| C_RI_follow           | B_8       | '11010011'B | Bcap repeat indicator for successive (sequential selection)           |
| C_SIMIn               | BOOLEAN   | FALSE       | SIM is always inserted in a test case                                 |
| C_SIMneedRmv          | BOOLEAN   | TRUE        | Removal of SIM is needed in a test case (SIM is not always inserted.) |
| C_Yes                 | BOOLEAN   | TRUE        |                                                                       |
| C_No                  | BOOLEAN   | FALSE       |                                                                       |
| C_Start_lmsi          | INTEGER   | 1           | Test case body starts without TMSI                                    |
| C_Start_Tmsi          | INTEGER   | 2           | Test case body starts with Tmsi_01                                    |
| C_Start_TmsiOff       | INTEGER   | 5           | Test case body starts with Tmsi_01. MS has been deactivated.          |
| C_Start_Rej           | INTEGER   | 3           | Test case body starts with LAI deleted. MS has been deactivated.      |
| C_Start_PLMNnot       | INTEGER   | 4           | Test case body starts with PLMN not allowed                           |

|                       |         |        |                                                                       |
|-----------------------|---------|--------|-----------------------------------------------------------------------|
| C_Test_fh             | INTEGER | 1      | Test case with possibly frequency hopping                             |
| C_Test_nfh            | INTEGER | 2      | Test case with no frequency hopping                                   |
| C_Test_egsm           | INTEGER | 3      | Test case for egsm                                                    |
| C_Test_cbms           | INTEGER | 4      | Test case for CBMS                                                    |
| C_normal_updating     | B_2     | '00'B  | normal location updating                                              |
| C_periodic_updating   | B_2     | '01'B  | periodic location updating                                            |
| C_normalOrperiodic    | B_2     | '0?'B  | periodic or normal location updating                                  |
| C_imsi_attach         | B_2     | '10'B  | location updating IMSI attach                                         |
| C_norm_period_attach  | B_2     | '??'B  | imsi attach or periodic location updating or normal location updating |
| C_normal_paging       | B_2     | '00'B  | normal page mode                                                      |
| C_extended_paging     | B_2     | '01'B  | extended paging                                                       |
| C_reorg_paging        | B_2     | '10'B  | paging reorganisation                                                 |
| C_sab_paging          | B_2     | '11'B  | same as before paging                                                 |
| C_non_synchronised    | B_2     | '00'B  | non-synchronised                                                      |
| C_synchronised        | B_2     | '01'B  | synchronised                                                          |
| C_pre_synchronised    | B_2     | '10'B  | pre-synchronised                                                      |
| C_pseudo_synchronised | B_2     | '11'B  | pseudo-synchronised                                                   |
| C_not_report_otd      | B_1     | '0'B   | not report observed time difference                                   |
| C_report_otd          | B_1     | '1'B   | report observed time difference                                       |
| C_Tzone0              | TZONES  | 0      | Time zone 0 (used in TC_34_2_1, TC_34_2_5_3)                          |
| C_Tzone1              | TZONES  | 4      | Time zone 4 (used in TC_34_2_2, TC_34_2_7)                            |
| C_Tzone2              | TZONES  | 10     | Time zone 10 (used in TC_34_2_3)                                      |
| C_Tzone3              | TZONES  | 15     | Time zone 15 (used in TC_34_2_4)                                      |
| C_Tzone4              | TZONES  | 25     | Time zone 25 (used in TC_34_2_5_1)                                    |
| C_Tzone5              | TZONES  | 35     | Time zone 35 (used in TC_34_2_5_2)                                    |
| C_Tzone6              | TZONES  | 45     | Time zone 45 (used in TC_34_2_8)                                      |
| C_T_AssCmd            | INTEGER | 900    | 600ms + 300ms(tolerance)                                              |
| C_T_Wait1stChReq      | INTEGER | 35000  | max time for full BCCH data decoding                                  |
| C_T_mrsrp             | INTEGER | 1500   | 3 times time btw 2 msr rpt.                                           |
| C_T_T3124             | INTEGER | 675    | T3124(675ms)                                                          |
| C_T_T3211plus         | INTEGER | 20000  | 20s                                                                   |
| C_T_T3212             | INTEGER | 360000 | T3212(6min)                                                           |
| C_T_T3212min          | INTEGER | 345000 | T3212(6min) - 15sec                                                   |
| C_T_T3212dif          | INTEGER | 15000  | Difference between T3212 and T3212min                                 |
| C_T_T3210min          | INTEGER | 18000  | 90 % of timer T3210 in ms                                             |
| C_T_T3210             | INTEGER | 20000  | timer T3210 in ms                                                     |
| C_T_T3211min          | INTEGER | 13500  | 90% T3211 in ms                                                       |
| C_T_T3230min          | INTEGER | 13500  | 90% T3230 in ms                                                       |
| C_T_T3240min          | INTEGER | 9000   | 90% T3240 in ms                                                       |
| C_T_T3240tol          | INTEGER | 2000   | 20% T3240 in ms                                                       |
| C_T_Wait              | INTEGER | 5000   | 5s. T3126max                                                          |
| C_T_Wait1             | INTEGER | 1000   | 1s                                                                    |
| C_T_Wait_FAC          | INTEGER | 1500   | 1.5s Facility response time (1s) + tolerance (0.5s)                   |
| C_release_time        | INTEGER | 11     | release timer value                                                   |
| C_RegCFNRy            | INTEGER | 1      | registration of call forwarding service for CFNRy (speech)            |
| C_RegCFU              | INTEGER | 2      | registration of call forwarding service for CFU (all facsimile)       |
| C_RegCF               | INTEGER | 3      | registration of call forwarding service for CF (all facsimile)        |
| C_ErsCFC              | INTEGER | 4      | erasure of call forwarding service for CFC (all facsimile)            |

|                      |             |        |                                                                                                            |
|----------------------|-------------|--------|------------------------------------------------------------------------------------------------------------|
| C_ErsCFNRc           | INTEGER     | 5      | erasure of call forwarding service for CFNRc (all basic services)                                          |
| C_ErsCFNRy           | INTEGER     | 6      | erasure of call forwarding service for CFNRy (all facsimile)                                               |
| C_ActCF              | INTEGER     | 7      | activation of call forwarding service for CF (all synchronous services)                                    |
| C_ActCFU             | INTEGER     | 8      | activation of call forwarding service for CFU (all basic services)                                         |
| C_DeactCFC           | INTEGER     | 9      | deactivation of call forwarding service for CFC (speech)                                                   |
| C_DeactCFNRc         | INTEGER     | 10     | deactivation of call forwarding service for CFNRc (all facsimile)                                          |
| C_InterrogCFC        | INTEGER     | 11     | interrogation of call forwarding service for CFC (Speech)                                                  |
| C_InterrogCFB        | INTEGER     | 12     | interrogation of call forwarding service for CFB (all basic services)                                      |
| C_NotifyCFB          | INTEGER     | 13     | notification of call forwarding service for CFB (incoming call is forwarded)                               |
| C_NotifyCFU          | INTEGER     | 14     | notification of call forwarding service for CFU (provisioned, registered, active)                          |
| C_NotifyCFC          | INTEGER     | 15     | notification of call forwarding service for CFC (provisioned, registered, active)                          |
| C_NotifyCFNRc        | INTEGER     | 16     | notification of call forwarding service for CFNRc (Ms not reachable)                                       |
| C_RegPswd            | INTEGER     | 17     | Registration of password for all call barring services                                                     |
| C_ActBOAC            | INTEGER     | 18     | Activation of BOAC                                                                                         |
| C_ActBICRoam         | INTEGER     | 19     | Activation of BICRoam                                                                                      |
| C_ActBOIC            | INTEGER     | 20     | Activation of BOIC                                                                                         |
| C_ActBAIC            | INTEGER     | 21     | Activation of BAIC                                                                                         |
| C_DeactBO            | INTEGER     | 22     | Deactivation of BO                                                                                         |
| C_DeactBI            | INTEGER     | 23     | Deactivation of BI                                                                                         |
| C_DeactBOICExHC      | INTEGER     | 24     | Deactivation of BOICExHC                                                                                   |
| C_NotifyBI           | INTEGER     | 25     | Notify of BI                                                                                               |
| C_InterrogBOIC       | INTEGER     | 26     | Interrogation of BOIC                                                                                      |
| C_InterrogBOICExHC   | INTEGER     | 27     | Interrogation of BOICExHC                                                                                  |
| C_Full               | IA5String   | "F"    | full rate channel                                                                                          |
| C_Half               | IA5String   | "H"    | half rate channel                                                                                          |
| C_nirr_dontcare      | B_1         | '?'B   | NIRR no meaning or requested                                                                               |
| C_Rchr_dontcare      | B_2         | '??'B  | radio channel requirement not checked                                                                      |
| C_Rchr_Full          | B_2         | '01'B  | radio channel requirement : full rate                                                                      |
| C_Rchr_DualForDualH  | B_2         | '1?'B  | radio channel requirement : dual rate support/half rate preferred or dual rate support/full rate preferred |
| C_Rchr_DualForDualH0 | B_2         | '10'B  | radio channel requirement : dual rate support/half rate preferred or dual rate support/full rate preferred |
| C_StartingTimeHO     | INTEGER     | 238    | Starting time 238 (1.1s), in TC_26_6_5_1, TC_26_6_5_4_2                                                    |
| C_StrT_1000          | INTEGER     | 1000   | Starting time 1000, in TC_26_6_13_1                                                                        |
| C_Norm               | OCTETSTRING | '00'O  | Establish mode: normal                                                                                     |
| C_Speech             | B_3         | '000'B | Info. Transfer Cap. speech                                                                                 |
| C_3100Hz             | B_3         | '010'B | Info. Transfer Cap. 3.1 kHz                                                                                |
| C_UDI                | B_3         | '001'B | Info. Transfer Cap. UDI                                                                                    |
| C_FAX3               | B_3         | '011'B | Info. Transfer Cap. FAX3                                                                                   |
| C_SDUintegrity       | B_2         | '00'B  | Structure SDU integrity                                                                                    |
| C_Unstructured       | B_2         | '11'B  | Structure Unstructured                                                                                     |
| C_struc_dontchk      | B_2         | '??'B  | Structure not checked                                                                                      |



|                                    |             |          |                                         |
|------------------------------------|-------------|----------|-----------------------------------------|
| C_nirr_nomeaning                   | B_1         | '0'B     | NIRR no meaning                         |
| C_no_rate_adaption                 | B_2         | '00'B    | Rate adaption no                        |
| C_rate_adaption_V110               | B_2         | '01'B    | Rate adaption V110                      |
| C_rate_adaption_X31                | B_2         | '10'B    | Rate adaption X31 flag                  |
| C_sacp_NA                          | B_3         | '001'B   | Signaling access NA<br>(sec.11.8.1.5.1) |
| C_l440_450                         | B_3         | '001'B   | Signaling access l440/450               |
| C_X21                              | B_3         | '010'B   | Signaling access X21                    |
| C_X28_unui                         | B_3         | '100'B   | Signaling access X28 U NUI              |
| C_X28_nond                         | B_3         | '101'B   | Signaling access X28 non<br>dedicated   |
| C_X32                              | B_3         | '110'B   | Signaling access X32                    |
| C_Synchronous                      | B_1         | '0'B     | Synchronous                             |
| C_Asynchronous                     | B_1         | '1'B     | Asynchronous                            |
| C_stopbit_NA                       | B_1         | '0'B     | Number of Stop bits NA                  |
| C_stopbit_dontcare                 | B_1         | '?'B     | Number of Stop bits not care            |
| C_databit_NA                       | B_1         | '1'B     | Number of Data bits not care            |
| C_databit_dontcare                 | B_1         | '?'B     | Number of Data bits NA                  |
| C_300bs                            | B_4         | '0001'B  | User rate 300 bs                        |
| C_1200bs                           | B_4         | '0010'B  | User rate 1200 bs                       |
| C_120075bs                         | B_4         | '0111'B  | User rate 1200/75 bs                    |
| C_2400bs                           | B_4         | '0011'B  | User rate 2400 bs                       |
| C_4800bs                           | B_4         | '0100'B  | User rate 4800 bs                       |
| C_9600bs                           | B_4         | '0101'B  | User rate 9600 bs                       |
| C_parity_NA                        | B_3         | '011'B   | Parity NA                               |
| C_parity_dontcare                  | B_3         | '???'B   | Parity not care                         |
| C_ir_8kbs                          | B_2         | '10'B    | Intermediate rate 8 Kbs                 |
| C_ir_16kbs                         | B_2         | '11'B    | Intermediate rate 16 Kbs                |
| C_ir_8or16kbs                      | B_2         | '1?'B    | Intermediate rate 8 or 16 Kbs           |
| C_transparent                      | B_2         | '00'B    | Connection element T                    |
| C_nottransparent                   | B_2         | '01'B    | Connection element NT                   |
| C_BothT                            | B_2         | '10'B    | Connection element both T               |
| C_BothNT                           | B_2         | '11'B    | Connection element both NT              |
| C_modemt_none                      | B_5         | '00000'B | no modem                                |
| C_modemt_V21                       | B_5         | '00001'B | modem V21                               |
| C_modemt_V22                       | B_5         | '00010'B | modem V22                               |
| C_modemt_V22bis                    | B_5         | '00011'B | modem V22bis                            |
| C_modemt_V23                       | B_5         | '00100'B | modem V23                               |
| C_modemt_V32                       | B_5         | '00110'B | modem V32                               |
| C_ISO6429                          | B_5         | '01000'B | Inband flow control                     |
| C_COPnoFLCT                        | B_5         | '01100'B | No flow control                         |
| C_X25_fct                          | B_5         | '00110'B | X25 flow control                        |
| C_Outband                          | FLWCNTL     | 0        | outband flow control                    |
| C_Inband                           | FLWCNTL     | 1        | outband flow control                    |
| C_Nocontrol                        | FLWCNTL     | 2        | outband flow control                    |
| C_uil2p_dontcare                   | B_5         | '?????'B | not checked                             |
| C_HSN_0                            | INTEGER     | 0        | cyclic hopping                          |
| maxAddressLength                   | Asn1Integer | 20       |                                         |
| maxISDN_AddressLength              | Asn1Integer | 9        |                                         |
| maxISDN_SubaddressLength           | Asn1Integer | 21       |                                         |
| maxNumOfBasicServiceGroups         | Asn1Integer | 13       |                                         |
| maxNumOfCUG                        | Asn1Integer | 10       |                                         |
| maxNumberOfSegmentsPerDataInterval | Asn1Integer | 8191     |                                         |
| maxSignalInfoLength                | Asn1Integer | 200      |                                         |
| maxUSSD_StringLength               | Asn1Integer | 160      |                                         |
| max10TimesIncrement                | Asn1Integer | 8191     |                                         |
| max10TimesIncrementPerDataInterval | Asn1Integer | 8191     |                                         |
| max10TimesInitialTime              | Asn1Integer | 8191     |                                         |
| max100TimesScalingFactor           | Asn1Integer | 8191     |                                         |
| max10TimesTimeInterval             | Asn1Integer | 8191     |                                         |
| max10TimesUnitsPerTime             | Asn1Integer | 8191     |                                         |
| <b>Detailed Comments:</b>          |             |          |                                         |



## Test case variable declarations

| Test Case Variable Declarations |               |                                                                                                                                                                                                                                                                                                                                                                                                                                                                                                                                        |                                                            |
|---------------------------------|---------------|----------------------------------------------------------------------------------------------------------------------------------------------------------------------------------------------------------------------------------------------------------------------------------------------------------------------------------------------------------------------------------------------------------------------------------------------------------------------------------------------------------------------------------------|------------------------------------------------------------|
| Variable Name                   | Type          | Value                                                                                                                                                                                                                                                                                                                                                                                                                                                                                                                                  | Comments                                                   |
| TCV_CC                          | BOOLEAN       | TSPC_Serv_TS11 OR<br>TSPC_Serv_TS12 OR<br>TSPC_Serv_TS61 OR<br>TSPC_Serv_TS62 OR<br>TSPC_Serv_BS21 OR<br>TSPC_Serv_BS22 OR<br>TSPC_Serv_BS23 OR<br>TSPC_Serv_BS24 OR<br>TSPC_Serv_BS25 OR<br>TSPC_Serv_BS26 OR<br>TSPC_Serv_BS31 OR<br>TSPC_Serv_BS32 OR<br>TSPC_Serv_BS33 OR<br>TSPC_Serv_BS34 OR<br>TSPC_Serv_BS41 OR<br>TSPC_Serv_BS42 OR<br>TSPC_Serv_BS43 OR<br>TSPC_Serv_BS44 OR<br>TSPC_Serv_BS45 OR<br>TSPC_Serv_BS46 OR<br>TSPC_Serv_BS51 OR<br>TSPC_Serv_BS52 OR<br>TSPC_Serv_BS53 OR<br>TSPC_Serv_BS61 OR<br>TSPC_Serv_BS81 |                                                            |
| TCV_AssCmd                      | ASS_CMD_PDU   |                                                                                                                                                                                                                                                                                                                                                                                                                                                                                                                                        | to hold ASSIGNMENT<br>COMMAND PDU                          |
| TCV_Bcap1                       | BCAP          |                                                                                                                                                                                                                                                                                                                                                                                                                                                                                                                                        | to hold bearer capability                                  |
| TCV_BcapMT1                     | BCAP          |                                                                                                                                                                                                                                                                                                                                                                                                                                                                                                                                        | to hold BC for MT call                                     |
| TCV_BcapMO1                     | BCAP          |                                                                                                                                                                                                                                                                                                                                                                                                                                                                                                                                        | to hold BC for MO call                                     |
| TCV_Bcap2                       | BCAP          |                                                                                                                                                                                                                                                                                                                                                                                                                                                                                                                                        | to hold bearer capability                                  |
| TCV_BcapMT2                     | BCAP          |                                                                                                                                                                                                                                                                                                                                                                                                                                                                                                                                        | to hold BC for MT call                                     |
| TCV_bs_ag_blks_res              | INTEGER       |                                                                                                                                                                                                                                                                                                                                                                                                                                                                                                                                        |                                                            |
| TCV_bs_cc_chans                 | INTEGER       |                                                                                                                                                                                                                                                                                                                                                                                                                                                                                                                                        |                                                            |
| TCV_bs_pa_mfrms                 | INTEGER       |                                                                                                                                                                                                                                                                                                                                                                                                                                                                                                                                        |                                                            |
| TCV_CalledNum                   | CDPN          |                                                                                                                                                                                                                                                                                                                                                                                                                                                                                                                                        | to hold called party number                                |
| TCV_CallProc                    | CALL_PROC_PDU |                                                                                                                                                                                                                                                                                                                                                                                                                                                                                                                                        | to hold CALL PROCEEDING PDU                                |
| TCV_CallCfm                     | CALL_CO_PDU   |                                                                                                                                                                                                                                                                                                                                                                                                                                                                                                                                        | to hold CALL CONFIRM PDU                                   |
| TCV_Cau                         | CAU           |                                                                                                                                                                                                                                                                                                                                                                                                                                                                                                                                        | to hold cause                                              |
| TCV_Cau0                        | CAU           |                                                                                                                                                                                                                                                                                                                                                                                                                                                                                                                                        | to hold cause                                              |
| TCV_CAgsm                       | CCHD          |                                                                                                                                                                                                                                                                                                                                                                                                                                                                                                                                        | To compute Cell Channel<br>Descriptor for gsm              |
| TCV_CAdcs                       | CCHD          |                                                                                                                                                                                                                                                                                                                                                                                                                                                                                                                                        | To compute Cell Channel<br>Descriptor for dcs              |
| TCV_CB1                         | OCTETSTRING   |                                                                                                                                                                                                                                                                                                                                                                                                                                                                                                                                        | store SMSCB block data                                     |
| TCV_CB2                         | OCTETSTRING   |                                                                                                                                                                                                                                                                                                                                                                                                                                                                                                                                        | store SMSCB block data                                     |
| TCV_CB3                         | OCTETSTRING   |                                                                                                                                                                                                                                                                                                                                                                                                                                                                                                                                        | store SMSCB block data                                     |
| TCV_CB4                         | OCTETSTRING   |                                                                                                                                                                                                                                                                                                                                                                                                                                                                                                                                        | store SMSCB block data                                     |
| TCV_CE                          | CE            |                                                                                                                                                                                                                                                                                                                                                                                                                                                                                                                                        |                                                            |
| TCV_Ccchg                       | INTEGER       |                                                                                                                                                                                                                                                                                                                                                                                                                                                                                                                                        | CCCH_GROUP                                                 |
| TCV_Ccd0A                       | CCD           |                                                                                                                                                                                                                                                                                                                                                                                                                                                                                                                                        | a copy of control channel<br>description in use for cell A |
| TCV_Ccd0B                       | CCD           |                                                                                                                                                                                                                                                                                                                                                                                                                                                                                                                                        | a copy of control channel<br>description in use for cell B |
| TCV_Ccd0C                       | CCD           |                                                                                                                                                                                                                                                                                                                                                                                                                                                                                                                                        | a copy of control channel<br>description in use for cell C |
| TCV_Ccd0D                       | CCD           |                                                                                                                                                                                                                                                                                                                                                                                                                                                                                                                                        | a copy of control channel<br>description in use for cell D |
| TCV_Ccd0E                       | CCD           |                                                                                                                                                                                                                                                                                                                                                                                                                                                                                                                                        | a copy of control channel<br>description in use for cell E |
| TCV_Ccd0F                       | CCD           |                                                                                                                                                                                                                                                                                                                                                                                                                                                                                                                                        | a copy of control channel<br>description in use for cell F |
| TCV_Ccd0G                       | CCD           |                                                                                                                                                                                                                                                                                                                                                                                                                                                                                                                                        | a copy of control channel<br>description in use for cell G |
| TCV_Ccd0H                       | CCD           |                                                                                                                                                                                                                                                                                                                                                                                                                                                                                                                                        | a copy of control channel<br>description in use for cell H |

|                     |             |          |                                                                                          |
|---------------------|-------------|----------|------------------------------------------------------------------------------------------|
| TCV_cchdescr        | OCTETSTRING |          | Frequency list of Cell Channel Descr, used in EGSM                                       |
| TCV_CCSt            | CST         |          | to hold call status                                                                      |
| TCV_ch              | LOGICCH     | "dummy"  | to hold logic channel                                                                    |
| TCV_ch1             | LOGICCH     | "dummy"  | to hold logic channel                                                                    |
| TCV_sacch           | LOGICCH     | "dummy"  | to hold logic channel                                                                    |
| TCV_sacch_B         | LOGICCH     | "dummy"  | to hold logic channel                                                                    |
| TCV_sacch_C         | LOGICCH     | "dummy"  | to hold logic channel                                                                    |
| TCV_sacch_D         | LOGICCH     | "dummy"  | to hold logic channel                                                                    |
| TCV_sacch_E         | LOGICCH     | "dummy"  | to hold logic channel                                                                    |
| TCV_sacch_F         | LOGICCH     | "dummy"  | to hold logic channel                                                                    |
| TCV_sacch_G         | LOGICCH     | "dummy"  | to hold logic channel                                                                    |
| TCV_sacch_H         | LOGICCH     | "dummy"  | to hold logic channel                                                                    |
| TCV_sacch8          | LOGICCH     | "dummy"  | to hold logic channel                                                                    |
| TCV_sacchTch        | LOGICCH     | "dummy"  | to hold logic channel                                                                    |
| TCV_sacchTch1       | LOGICCH     | "dummy"  | to hold logic channel                                                                    |
| TCV_sacchTch_H      | LOGICCH     | "dummy"  | to hold logic channel                                                                    |
| TCV_chTch           | LOGICCH     | "dummy"  | to hold logic channel                                                                    |
| TCV_chTch1          | LOGICCH     | "dummy"  | to hold logic channel                                                                    |
| TCV_chSms           | LOGICCH     | "dummy"  | to hold logic channel                                                                    |
| TCV_agch            | LOGICCH     | "dummy"  | downlink access grant channel                                                            |
| TCV_WorkingCh       | LOGICCH     | "dummy"  | to hold logic channel                                                                    |
| TCV_cellid          | CellID      |          | to hold the cell identifier                                                              |
| TCV_Char            | IA5String   |          | to hold the IA5 char. corresponding to a DTMF tone                                       |
| TCV_chd1            | CHD         |          | to hold channel description IE                                                           |
| TCV_cchd1           | CCHD        |          | to hold cell channel description IE                                                      |
| TCV_ChMod           | CHMOD       |          | to hold channel mode IE                                                                  |
| TCV_ChModb          | CHMOD       |          | to hold channel mode IE for second mode in dual mode services                            |
| TCV_Tchtype         | CH_TDMA     | '00001'B | Traffic channel type and TDMA offset in channel description IE                           |
| TCV_chtype          | CH_TDMA     |          | to channel type and TDMA offset in channel description IE                                |
| TCV_cksn            | BITSTRING   |          | to hold the CKSN.                                                                        |
| TCV_Cnt             | INTEGER     |          | general loop counter                                                                     |
| TCV_Cnt1            | INTEGER     |          | general loop counter                                                                     |
| TCV_Cnt2            | INTEGER     |          | general loop counter                                                                     |
| TCV_Cntstart        | BOOLEAN     | FALSE    | general loop counter start decision                                                      |
| TCV_Cntref          | INTEGER     |          | Reference for general loop counter                                                       |
| TCV_CphAlg          | BITSTRING   |          | ciphering algorithm                                                                      |
| TCV_CphKey          | BITSTRING   |          | ciphering key                                                                            |
| TCV_CphMd           | CPHMS       |          | ciphering mode setting                                                                   |
| TCV_CPDataRetx      | INTEGER     |          | Number of CP Data retransmissions for SMS                                                |
| TCV_ChRate          | IA5String   | C_Full   | to hold channel rate                                                                     |
| TCV_ChRate1         | IA5String   | C_Full   | to hold channel rate                                                                     |
| TCV_counter_c       | INTEGER     |          | loop counter c                                                                           |
| TCV_counter_k       | INTEGER     |          | loop counter k                                                                           |
| TCV_Fk              | INTEGER     |          | to hold an interval between events                                                       |
| TCV_flist           | OCTETSTRING |          | Frequency List, used in EGSM for IE "frequency list" or "frequency short list"           |
| TCV_flistl          | LENGTH      |          | Length of Frequency List, used in EGSM for IE "frequency list" or "frequency short list" |
| TCV_Fn              | FN          |          | to hold the frame number (T1', T2, T3)                                                   |
| TCV_Fn1             | FN          |          | to hold the frame number (T1', T2, T3)                                                   |
| TCV_FnAss           | FN          |          | to hold the frame number in AssCmd statement                                             |
| TCV_FnBurst         | FN          |          | to hold the frame number of first burst of handover access                               |
| TCV_FollowingOctets | OCTETSTRING |          | Contains the octets following the                                                        |

|                     |              |         |                                                                           |
|---------------------|--------------|---------|---------------------------------------------------------------------------|
| TCV_HoaccPara       | HOACC_PARA   |         | invoke id                                                                 |
| TCV_Horf            | HORF         |         | Handover access timing and power                                          |
| TCV_HoCMD           | HO_CMD_PDU   |         | Variable for HO reference in HO-Messages of HO cases.                     |
| TCV_Hrf             | HORF         |         | to hold handover PDU                                                      |
| TCV_iel             | LENGTH       |         | to hold handover reference                                                |
| TCV_kcnt            | INTEGER      |         | Length of IE                                                              |
| TCV_K               | INTEGER      |         | loop counter                                                              |
| TCV_L1Head0         | L1HD         |         | to hold L 1 header                                                        |
| TCV_L1Head          | L1HD         |         | to hold L 1 header                                                        |
| TCV_lac             | OCTETSTRING  |         | to hold the lac. 2 octets                                                 |
| TCV_lacunknown      | OCTETSTRING  | '????'O | to hold a wild card lac when the lac is unknown                           |
| TCV_mccunknown      | OCTETSTRING  | '????'O | to hold a wild card mcc value                                             |
| TCV_plmnunknown     | OCTETSTRING  | '??'O   | to hold a wild card plmn value                                            |
| TCV_n               | INTEGER      |         |                                                                           |
| TCV_Neci            | BITSTRING    |         |                                                                           |
| TCV_M               | INTEGER      |         | counter                                                                   |
| TCV_maio            | MAIO         |         | to hold MAIO                                                              |
| TCV_mae1            | BITSTRING    |         | Mobile Allocation in EGSM. It includes the 1.octet of MA                  |
| TCV_mae2            | BITSTRING    |         | Mobile Allocation in EGSM. It includes the 2.octet of MA                  |
| TCV_Max             | BITSTRING    |         | to hold Max-retrans bitstring                                             |
| TCV_MemCapExcd      | BOOLEAN      |         | RP error Memory Capacity Exceeded was sent                                |
| TCV_MsrRes          | MSRR         |         | to hold measurement results                                               |
| TCV_Mt              | BITSTRING    |         | to hold message type                                                      |
| TCV_Mt1             | BITSTRING    |         | to hold message type                                                      |
| TCV_Modify          | MODIFY_PDU   |         | To hold Modify message                                                    |
| TCV_Null            | BOOLEAN      |         | to collect useless result from some test suite operations                 |
| TCV_PgCh            | LOGICCH      | "dummy" | logical channel for paging                                                |
| TCV_Pgg             | PGG          |         | paging group                                                              |
| TCV_PreviousOctets  | OCTETSTRING  |         | Contains the octets previous to the invoke id                             |
| TCV_ProtErrorUnspec | BOOLEAN      |         | RP error Protocol Error Unspecified was sent                              |
| TCV_Pwrlvl          | BITSTRING    |         | to hold the power level                                                   |
| TCV_Pwrlvl_ho       | BITSTRING    |         | power level for HO_CMD, used in HO cases.                                 |
| TCV_Rchr            | B_2          |         | to hold Radio channel requirement                                         |
| TCV_Res             | BOOLEAN      |         | to hold the result of a test suite operation                              |
| TCV_Rpmr            | MR           |         | RP message reference for SMS                                              |
| TCV_Rqr             | RQR          |         | to hold the request reference                                             |
| TCV_Rqr9            | RQR          |         | to hold the request reference differing from TCV_Rqr                      |
| TCV_Rqr10           | RQR          |         | to hold the request reference differing from TCV_Rqr, TCV_Rqr9            |
| TCV_Rqr11           | RQR          |         | to hold the request reference differing from TCV_Rqr, TCV_Rqr9, TCV_Rqr10 |
| TCV_Rr              | BITSTRING    |         | to hold the random request reference                                      |
| TCV_Rr1             | BITSTRING    |         | to hold the random reference                                              |
| TCV_Service         | SERVICES     |         | to hold basicservice selected                                             |
| TCV_Service1        | SERVICES     |         | to hold basicservice selected                                             |
| TCV_Setup_mo        | SETUP_MO_PDU |         | to hold the SETUP PDU (MO)                                                |
| TCV_Setup_mo1       | SETUP_MO_PDU |         | to hold the SETUP PDU (MO)                                                |
| TCV_Setup_mt        | SETUP_MT_PDU |         | to hold the SETUP PDU (MT)                                                |
| TCV_Setup_mt1       | SETUP_MT_PDU |         | to hold the 2nd SETUP PDU (MT)                                            |
| TCV_2ndtest         | BOOLEAN      |         | 2nd test required in TC_11_1_1                                            |
| TCV_Esetup          | ESETUP_PDU   |         | to hold the emergency SETUP                                               |

|                   |                 |                  |                                                                    |
|-------------------|-----------------|------------------|--------------------------------------------------------------------|
| TCV_Esetup1       | ESETUP_PDU      |                  | PDU<br>to hold the emergency SETUP PDU                             |
| TCV_Ecall         | BOOLEAN         | FALSE            | it is set to TRUE, if the service under test is emergency call     |
| TCV_slot          | SN              |                  | To hold the default slot used during the entire TC.                |
| TCV_sdcch_slot    | SN              |                  | To hold the slot for SDCCH during LU.                              |
| TCV_sl2           | SN              |                  | To hold a second working slot number.                              |
| TCV_Sres          | OCTETSTRING     |                  | to hold the SRES returned                                          |
| TCV_sysinfo5      | SYSINFO5_PDU    |                  | to hold the SysInfo5 PDU                                           |
| TCV_sysinfo5      | SYSINFO5_PDU    |                  | to hold the SysInfo5 PDU for cell A                                |
| TCV_sysinfo5bis   | SYSINFO5bis_PDU |                  | to hold the SysInfo5bis PDU for cell A                             |
| TCV_sysinfo5_B    | SYSINFO5_PDU    |                  | to hold the SysInfo5 PDU for cell B                                |
| TCV_sysinfo5_C    | SYSINFO5_PDU    |                  | to hold the SysInfo5 PDU for cell c                                |
| TCV_sysinfo5_D    | SYSINFO5_PDU    |                  | to hold the SysInfo5 PDU for cell D                                |
| TCV_sysinfo5_E    | SYSINFO5_PDU    |                  | to hold the SysInfo5 PDU for cell E                                |
| TCV_sysinfo5_F    | SYSINFO5_PDU    |                  | to hold the SysInfo5 PDU for cell F                                |
| TCV_sysinfo5_G    | SYSINFO5_PDU    |                  | to hold the SysInfo5 PDU for cell G                                |
| TCV_sysinfo5_H    | SYSINFO5_PDU    |                  | to hold the SysInfo5 PDU for cell H                                |
| TCV_sysinfo5bis_A | SYSINFO5bis_PDU |                  | to hold the SysInfo5bis PDU for cell A(TC_26_10_2_4_1)             |
| TCV_sysinfo5bis_B | SYSINFO5bis_PDU |                  | to hold the SysInfo5bis PDU for cell B                             |
| TCV_sysinfo6      | SYSINFO6_PDU    |                  | to hold the SysInfo6 PDU                                           |
| TCV_sysinfo6      | SYSINFO6_PDU    |                  | to hold the SysInfo6 PDU for cell A                                |
| TCV_sysinfo6_B    | SYSINFO6_PDU    |                  | to hold the SysInfo6 PDU for cell B                                |
| TCV_sysinfo6_C    | SYSINFO6_PDU    |                  | to hold the SysInfo6 PDU for cell C                                |
| TCV_sysinfo6_D    | SYSINFO6_PDU    |                  | to hold the SysInfo6 PDU for cell D                                |
| TCV_sysinfo6_E    | SYSINFO6_PDU    |                  | to hold the SysInfo6 PDU for cell E                                |
| TCV_sysinfo6_F    | SYSINFO6_PDU    |                  | to hold the SysInfo6 PDU for cell F                                |
| TCV_sysinfo6_G    | SYSINFO6_PDU    |                  | to hold the SysInfo6 PDU for cell G                                |
| TCV_sysinfo6_H    | SYSINFO6_PDU    |                  | to hold the SysInfo6 PDU for cell H                                |
| TCV_temp          | INTEGER         |                  | to hold results of expressions that are to be passed as parameters |
| TCV_temp1         | INTEGER         |                  | to hold temporary integer values                                   |
| TCV_temp2         | INTEGER         |                  | to hold temporary integer values                                   |
| TCV_ti_v          | TI_V            |                  | to hold the transaction id. value                                  |
| TCV_ti_v_2        | TI_V            |                  | to hold the transaction id. value for another transaction          |
| TCV_T             | INTEGER         |                  | to hold Tx-integer chosen randomly                                 |
| TCV_T_TwiceTC1M   | INTEGER         | TSPX_TC1M * 2000 | Twice TC1M in ms                                                   |
| TCV_chdescr_arfcn | INTEGER         |                  | ARFCN carrier of actual cell                                       |
| TCV_tch_arfcn     | INTEGER         |                  | ARFCN carrier for traffic channel                                  |
| TCV_asscmd_ts     | BITSTRING       |                  | Time slot for channel description in assignment cmd.               |
| TCV_ts            | BITSTRING       |                  | Time slot for channel description in handover cmd.                 |
| TCV_ia_ts         | BITSTRING       |                  | Time slot for channel description in immediate assignment          |

|                 |             |         |                                                                  |
|-----------------|-------------|---------|------------------------------------------------------------------|
| TCV_tsc         | TSC         |         | To hold the default training sequence used during the entire TC. |
| TCV_Td          | OCTETSTRING |         | to hold timing difference                                        |
| TCV_Time        | INTEGER     |         | to hold the measured value of T310 or T305 or T308               |
| TCV_TI          | TI          |         | to hold the transaction ID for MO calls in sending evets         |
| TCV_TI0         | TI          |         | to hold the transaction ID for MO calls in receiving evets       |
| TCV_TI1         | TI          |         | to hold the transaction ID                                       |
| TCV_TI2         | TI          |         | to hold the transaction ID                                       |
| TCV_TI3         | TI          |         | to hold the transaction ID                                       |
| TCV_tmp         | INTEGER     |         | temporary integer variable                                       |
| TCV_Tx          | BITSTRING   |         | to hold Tx bitstring                                             |
| TCV_S           | INTEGER     |         | to hold the S parameter                                          |
| TCV_Upd         | BOOLEAN     |         | to hold the information whether the MS is updated or not.        |
| TCV_UssdString  | IA5String   |         | String for USS Data                                              |
| TCV_UssdString1 | IA5String   |         | String for USS Data                                              |
| TCV_UssdString2 | IA5String   |         | String for USS Data                                              |
| TCV_Invkld      | OCTETSTRING |         | to hold SS transaction ID                                        |
| TCV_Invkld0     | OCTETSTRING |         | to hold SS transaction ID                                        |
| TCV_Invkld1     | OCTETSTRING |         | to hold SS transaction ID                                        |
| TCV_Comp        | Components  |         | to hold SS Components                                            |
| TCV_Strt        | STRT        |         | to hold starting time                                            |
| TCV_CBch        | LOGICCH     | "dummy" | Cell Broadcast channel                                           |
| TCV_Tpmr        | MR          |         | TP message reference                                             |
| TCV_TPOA1       | BCDN        |         | TP originating address digits                                    |
| TCV_TPOA2       | BCDN        |         | TP originating address digits                                    |
| TCV_TPDA        | BCDN        |         | TP destination address digits                                    |
| TCV_RPOA_MT     | BCDN        |         | RP originating address digits for MT short messages              |
| TCV_RPOA_MO     | BCDN        |         | RP originating address digits for MO short messages              |
| TCV_RPOA1       | BCDN        |         | RP originating address digits for MT short messages              |
| TCV_RPOA2       | BCDN        |         | RP originating address digits for MT short messages              |
| TCV_RPDA_MT     | BCDN        |         | RP destination address digits for MT short messages              |
| TCV_RPDA_MO     | BCDN        |         | RP destination address digits for MO short messages              |
| TCV_SMTtypeM    | INTEGER     |         | Replace short message type                                       |
| TCV_SMTtypeN    | INTEGER     |         | Replace short message type                                       |
| TCV_SMcntns     | OCTETSTRING |         | short message contents                                           |
| TCV_SMSCBpack   | SMSCBpack   |         | CB message contents                                              |
| TCV_freq        | FRQPARA     |         | to hold Freq type constraints                                    |
| TCV_srv         | SERVICES    |         | to hold MT service                                               |
| TCV_ur          | B_4         |         | to hold user rate                                                |
| TCV_itc         | B_3         |         | to hold information transfer capability                          |
| TCV_sacp        | B_3         |         | to hold service access protocol                                  |
| TCV_ce          | B_2         |         | to hold connection element                                       |
| TCV_ce1         | B_2         |         | to hold connection element                                       |
| TCV_ce3         | B_2         |         | to hold connection element                                       |
| TCV_sa          | B_1         |         | to hold synchronous/asynchronous                                 |
| TCV_ir          | B_2         |         | to hold intermediate rate                                        |
| TCV_uil1p       | B_2         |         | to hold user information layer 1 protocol                        |
| TCV_modemt      | B_5         |         | to hold modem type                                               |
| TCV_MODEM       | MODEMTYPE   |         |                                                                  |
| TCV_ur2         | B_4         |         | to hold user rate for second configuration                       |
| TCV_itc2        | B_3         |         | to hold information transfer capability for second configuration |
| TCV_sacp2       | B_3         |         | to hold service access protocol for                              |

|                                                                        |         |       |                                                                           |
|------------------------------------------------------------------------|---------|-------|---------------------------------------------------------------------------|
| TCV_strc                                                               | B_2     |       | second configuration                                                      |
| TCV_sa2                                                                | B_1     |       | to hold structure                                                         |
| TCV_supported                                                          | BOOLEAN | FALSE | to hold<br>synchronous/asynchronous for<br>second configuration           |
| TCV_SpecialCase                                                        | BOOLEAN | FALSE | used for indicating a selected<br>service is declared supported or<br>not |
| <b>Detailed Comments:</b>                                              |         |       |                                                                           |
| used for indicating whether a test<br>case tests non-supported service |         |       |                                                                           |

### PCO declarations

| PCO Declarations                                                                                                                                                                                                                                                                                                                                                                                                                     |        |      |          |
|--------------------------------------------------------------------------------------------------------------------------------------------------------------------------------------------------------------------------------------------------------------------------------------------------------------------------------------------------------------------------------------------------------------------------------------|--------|------|----------|
| PCO Name                                                                                                                                                                                                                                                                                                                                                                                                                             | Type   | Role | Comments |
| L                                                                                                                                                                                                                                                                                                                                                                                                                                    | SAP0_3 | LT   |          |
| <b>Detailed Comments:</b>                                                                                                                                                                                                                                                                                                                                                                                                            |        |      |          |
| 1. The PCO consists of multiple SAPs: the SAP0 and SAP3.<br>2. The lower tester (LT) is the user of the data link layer service.<br>3. The SAP0 at the lower tester controlling and observing the exchange of CC, MM, RR and SS PDUs (messages) on the DCCH, SACCH and/or RACH, BCCH, CCCH channels.<br>4. The SAP3 at the lower tester controlling and observing the exchange of SMS PDUs (messages) on the DCCH or SACCH channels. |        |      |          |

### Timer declarations

| Timer Declarations                                                                                                                                                                                                                                                                                                                                                                          |                |      |                             |
|---------------------------------------------------------------------------------------------------------------------------------------------------------------------------------------------------------------------------------------------------------------------------------------------------------------------------------------------------------------------------------------------|----------------|------|-----------------------------|
| Timer Name                                                                                                                                                                                                                                                                                                                                                                                  | Duration       | Unit | Comments                    |
| T_dly                                                                                                                                                                                                                                                                                                                                                                                       |                | ms   | general purpose delay timer |
| T_dly1                                                                                                                                                                                                                                                                                                                                                                                      |                | ms   | general purpose delay timer |
| T_dly2                                                                                                                                                                                                                                                                                                                                                                                      |                | ms   | general purpose delay timer |
| T_dlyAss                                                                                                                                                                                                                                                                                                                                                                                    | 5000           | ms   | AssCmd timer, 1)            |
| T_guard                                                                                                                                                                                                                                                                                                                                                                                     | 300            | s    | guard timer                 |
| T_release                                                                                                                                                                                                                                                                                                                                                                                   | C_release_time | s    | release timer               |
| <b>Detailed Comments:</b>                                                                                                                                                                                                                                                                                                                                                                   |                |      |                             |
| 1) In order to give to the lower tester enough time to dequeue and to send out the call SETUP and the other call establishment related messages in the sending buffer before starting sending of ASSIGNMENT COMMAND message, the default value 5s is used in the test step AssCh_complete. In the test step AssCh_failure the timer value is set to 4s. For the TC_26_6_4_1, 600ms is used. |                |      |                             |

### ASP type definitions

#### TTCN ASP Type definitions

| ASP Type Definition       |                                                                                                                                       |          |
|---------------------------|---------------------------------------------------------------------------------------------------------------------------------------|----------|
| <b>ASP Name:</b>          | DL_EstRq (DL_ESTABLISH_REQUEST)                                                                                                       |          |
| <b>PCO Type:</b>          | SAP0_3                                                                                                                                |          |
| <b>Comments:</b>          | The ASP is used to request the establishment of multiple frame operation (L3 -> L2). The normal establishment procedure is initiated. |          |
| Parameter Name            | Parameter Type                                                                                                                        | Comments |
| sapi                      | SAPID                                                                                                                                 |          |
| logic_ch                  | LOGICCH                                                                                                                               |          |
| establish_mode            | EstMode                                                                                                                               |          |
| <b>Detailed Comments:</b> |                                                                                                                                       |          |



| ASP Type Definition       |                                                                                                                                              |          |
|---------------------------|----------------------------------------------------------------------------------------------------------------------------------------------|----------|
| <b>ASP Name:</b>          | DL_EstIn (DL_ESTABLISH_INDICATION)                                                                                                           |          |
| <b>PCO Type:</b>          | SAP0_3                                                                                                                                       |          |
| <b>Comments:</b>          | The ASP is used to indicate the establishment of multiple frame operation (L2 -> L3). The normal establishment procedure has been initiated. |          |
| Parameter Name            | Parameter Type                                                                                                                               | Comments |
| sapi                      | SAPID                                                                                                                                        |          |
| logic_ch                  | LOGICCH                                                                                                                                      |          |
| establish_mode            | EstMode                                                                                                                                      |          |
| fn                        | FN                                                                                                                                           |          |
| <b>Detailed Comments:</b> |                                                                                                                                              |          |

| ASP Type Definition       |                                                                                                                                                                                                                     |          |
|---------------------------|---------------------------------------------------------------------------------------------------------------------------------------------------------------------------------------------------------------------|----------|
| <b>ASP Name:</b>          | DL_EstInCmsRq (DL_ESTABLISH_INDICATION_CM_SERVICE_REQUEST)                                                                                                                                                          |          |
| <b>PCO Type:</b>          | SAP0_3                                                                                                                                                                                                              |          |
| <b>Comments:</b>          | The ASP is used to indicate the establishment of multiple frame operation due to the receipt of the MM CM SERVICE REQUEST message (L2 -> L3). The contention resolution establishment procedure has been initiated. |          |
| Parameter Name            | Parameter Type                                                                                                                                                                                                      | Comments |
| sapi                      | SAPID                                                                                                                                                                                                               |          |
| logic_ch                  | LOGICCH                                                                                                                                                                                                             |          |
| establish_mode            | EstMode                                                                                                                                                                                                             |          |
| msg                       | CMS_RQ_PDU                                                                                                                                                                                                          |          |
| fn                        | FN                                                                                                                                                                                                                  |          |
| <b>Detailed Comments:</b> |                                                                                                                                                                                                                     |          |

| ASP Type Definition       |                                                                                                                                                                                                                            |          |
|---------------------------|----------------------------------------------------------------------------------------------------------------------------------------------------------------------------------------------------------------------------|----------|
| <b>ASP Name:</b>          | DL_EstInLupRq (DL_ESTABLISH_INDICATION_LOCATION_UPDATING_REQUEST)                                                                                                                                                          |          |
| <b>PCO Type:</b>          | SAP0_3                                                                                                                                                                                                                     |          |
| <b>Comments:</b>          | The ASP is used to indicate the establishment of multiple frame operation due to the receipt of the MM LOCATION UPDATING REQUEST message (L2 -> L3). The contention resolution establishment procedure has been initiated. |          |
| Parameter Name            | Parameter Type                                                                                                                                                                                                             | Comments |
| sapi                      | SAPID                                                                                                                                                                                                                      |          |
| logic_ch                  | LOGICCH                                                                                                                                                                                                                    |          |
| establish_mode            | EstMode                                                                                                                                                                                                                    |          |
| msg                       | LUP_RQ_PDU                                                                                                                                                                                                                 |          |
| fn                        | FN                                                                                                                                                                                                                         |          |
| <b>Detailed Comments:</b> |                                                                                                                                                                                                                            |          |

| ASP Type Definition       |                                                                                                                                                                                                                         |          |
|---------------------------|-------------------------------------------------------------------------------------------------------------------------------------------------------------------------------------------------------------------------|----------|
| <b>ASP Name:</b>          | DL_EstInImsidIn (DL_ESTABLISH_INDICATION_IMSI_DETACH_INDICATION)                                                                                                                                                        |          |
| <b>PCO Type:</b>          | SAP0_3                                                                                                                                                                                                                  |          |
| <b>Comments:</b>          | The ASP is used to indicate the establishment of multiple frame operation due to the receipt of the MM IMSI DETACH INDICATION message (L2 -> L3). The contention resolution establishment procedure has been initiated. |          |
| Parameter Name            | Parameter Type                                                                                                                                                                                                          | Comments |
| sapi                      | SAPID                                                                                                                                                                                                                   |          |
| logic_ch                  | LOGICCH                                                                                                                                                                                                                 |          |
| establish_mode            | EstMode                                                                                                                                                                                                                 |          |
| msg                       | IMSID_IN_PDU                                                                                                                                                                                                            |          |
| fn                        | FN                                                                                                                                                                                                                      |          |
| <b>Detailed Comments:</b> |                                                                                                                                                                                                                         |          |

| ASP Type Definition       |                                                                                                                                                                                                                  |          |
|---------------------------|------------------------------------------------------------------------------------------------------------------------------------------------------------------------------------------------------------------|----------|
| <b>ASP Name:</b>          | DL_EstInPgRes (DL_ESTABLISH_INDICATION_PAGING_RESPONSE)                                                                                                                                                          |          |
| <b>PCO Type:</b>          | SAP0_3                                                                                                                                                                                                           |          |
| <b>Comments:</b>          | The ASP is used to indicate the establishment of multiple frame operation due to the receipt of the RR PAGING RESPONSE message (L2 -> L3). The contention resolution establishment procedure has been initiated. |          |
| Parameter Name            | Parameter Type                                                                                                                                                                                                   | Comments |
| sapi                      | SAPID                                                                                                                                                                                                            |          |
| logic_ch                  | LOGICCH                                                                                                                                                                                                          |          |
| establish_mode            | EstMode                                                                                                                                                                                                          |          |
| msg                       | PG_RES_PDU                                                                                                                                                                                                       |          |
| fn                        | FN                                                                                                                                                                                                               |          |
| <b>Detailed Comments:</b> |                                                                                                                                                                                                                  |          |

| ASP Type Definition       |                                                                                                                                                                                                                             |          |
|---------------------------|-----------------------------------------------------------------------------------------------------------------------------------------------------------------------------------------------------------------------------|----------|
| <b>ASP Name:</b>          | DL_EstInCmreRq (DL_ESTABLISH_INDICATION_CM_REESTABLISHMENT_REQUEST)                                                                                                                                                         |          |
| <b>PCO Type:</b>          | SAP0_3                                                                                                                                                                                                                      |          |
| <b>Comments:</b>          | The ASP is used to indicate the establishment of multiple frame operation due to the receipt of the MM CM REESTABLISHMENT REQUEST message (L2 -> L3). The contention resolution establishment procedure has been initiated. |          |
| Parameter Name            | Parameter Type                                                                                                                                                                                                              | Comments |
| sapi                      | SAPID                                                                                                                                                                                                                       |          |
| logic_ch                  | LOGICCH                                                                                                                                                                                                                     |          |
| establish_mode            | EstMode                                                                                                                                                                                                                     |          |
| msg                       | CMRE_RQ_PDU                                                                                                                                                                                                                 |          |
| fn                        | FN                                                                                                                                                                                                                          |          |
| <b>Detailed Comments:</b> |                                                                                                                                                                                                                             |          |

| ASP Type Definition       |                                                                                                       |          |
|---------------------------|-------------------------------------------------------------------------------------------------------|----------|
| <b>ASP Name:</b>          | DL_EstCo (DL_ESTABLISH_CONFIRM)                                                                       |          |
| <b>PCO Type:</b>          | SAP0_3                                                                                                |          |
| <b>Comments:</b>          | The ASP is used by the L2 to inform the L3 about the establishment of multiple frame link (L2 -> L3). |          |
| Parameter Name            | Parameter Type                                                                                        | Comments |
| sapi                      | SAPID                                                                                                 |          |
| logic_ch                  | LOGICCH                                                                                               |          |
| establish_mode            | EstMode                                                                                               |          |
| <b>Detailed Comments:</b> |                                                                                                       |          |

| ASP Type Definition       |                                                                                                                                                       |          |
|---------------------------|-------------------------------------------------------------------------------------------------------------------------------------------------------|----------|
| <b>ASP Name:</b>          | DL_RelIn (DL_RELEASE_INDICATION)                                                                                                                      |          |
| <b>PCO Type:</b>          | SAP0_3                                                                                                                                                |          |
| <b>Comments:</b>          | The ASP is used to indicate the termination of an established multiple frame operation or to report an unsuccessful establishment attempt (L2 -> L3). |          |
| Parameter Name            | Parameter Type                                                                                                                                        | Comments |
| sapi                      | SAPID                                                                                                                                                 |          |
| logic_ch                  | LOGICCH                                                                                                                                               |          |
| release_mode              | RelMode                                                                                                                                               |          |
| outstanding_indicator     | BOOLEAN                                                                                                                                               |          |
| fn                        | FN                                                                                                                                                    |          |
| <b>Detailed Comments:</b> | The outstanding indicator indicates whether or not there are outstanding acknowledgements or unsolved DL_DATA_REQUEST primitives.                     |          |

| ASP Type Definition       |                                                                                      |          |
|---------------------------|--------------------------------------------------------------------------------------|----------|
| <b>ASP Name:</b>          | DL_RaInChRq (DL_RANDOM_ACCESS_INDICATION_CHANNEL_REQUEST)                            |          |
| <b>PCO Type:</b>          | SAP0_3                                                                               |          |
| <b>Comments:</b>          | The ASP is used to indicate the arrival of an RR CHANNEL REQUEST message (L2 -> L3). |          |
| Parameter Name            | Parameter Type                                                                       | Comments |
| sapi                      | SAPID                                                                                |          |
| logic_ch                  | LOGICCH                                                                              |          |
| fn                        | FN                                                                                   |          |
| msg                       | CH_RQ_PDU                                                                            |          |
| <b>Detailed Comments:</b> |                                                                                      |          |

| ASP Type Definition       |                                                                                      |          |
|---------------------------|--------------------------------------------------------------------------------------|----------|
| <b>ASP Name:</b>          | DL_RaInHoacc (DL_RADOM_ACCESS_INDICATION_HANDOVER_ACCESS)                            |          |
| <b>PCO Type:</b>          | SAP0_3                                                                               |          |
| <b>Comments:</b>          | The ASP is used to indicate the arrival of an RR HANDOVER ACCESS message (L2 -> L3). |          |
| Parameter Name            | Parameter Type                                                                       | Comments |
| sapi                      | SAPID                                                                                |          |
| logic_ch                  | LOGICCH                                                                              |          |
| msg                       | HOACC_PDU                                                                            |          |
| fn                        | FN                                                                                   |          |
| <b>Detailed Comments:</b> |                                                                                      |          |

| ASP Type Definition       |                                                                                                                               |          |
|---------------------------|-------------------------------------------------------------------------------------------------------------------------------|----------|
| <b>ASP Name:</b>          | DL_UdatRqImmass (DL_UNIT_DATA_REQUEST_IMMEDIATE_ASSIGNMENT)                                                                   |          |
| <b>PCO Type:</b>          | SAP0_3                                                                                                                        |          |
| <b>Comments:</b>          | The ASP is used to request the transmission of the RR IMMEDIATE ASSIGNMENT message using unacknowledged operation (L3 -> L2). |          |
| Parameter Name            | Parameter Type                                                                                                                | Comments |
| sapi                      | SAPID                                                                                                                         |          |
| logic_ch                  | LOGICCH                                                                                                                       |          |
| msg                       | IMMASS_PDU                                                                                                                    |          |
| <b>Detailed Comments:</b> |                                                                                                                               |          |

| ASP Type Definition       |                                                                                                                                                        |          |
|---------------------------|--------------------------------------------------------------------------------------------------------------------------------------------------------|----------|
| <b>ASP Name:</b>          | DL_UdatRqImmass_sp (DL_UNIT_DATA_REQUEST_IMMEDIATE_ASSIGNMENT)                                                                                         |          |
| <b>PCO Type:</b>          | SAP0_3                                                                                                                                                 |          |
| <b>Comments:</b>          | The ASP is used to request the transmission of the RR IMMEDIATE ASSIGNMENT message using unacknowledged operation (L3 -> L2) on the MS paging channel. |          |
| Parameter Name            | Parameter Type                                                                                                                                         | Comments |
| sapi                      | SAPID                                                                                                                                                  |          |
| logic_ch                  | LOGICCH                                                                                                                                                |          |
| pgg                       | PGG                                                                                                                                                    |          |
| msg                       | IMMASS_PDU                                                                                                                                             |          |
| <b>Detailed Comments:</b> |                                                                                                                                                        |          |

| ASP Type Definition       |                                                                                                                                        |          |
|---------------------------|----------------------------------------------------------------------------------------------------------------------------------------|----------|
| <b>ASP Name:</b>          | DL_UdatRqImmassx (DL_UNIT_DATA_REQUEST_IMMEDIATE_ASSIGNMENT_EXTENDED)                                                                  |          |
| <b>PCO Type:</b>          | SAP0_3                                                                                                                                 |          |
| <b>Comments:</b>          | The ASP is used to request the transmission of the RR IMMEDIATE ASSIGNMENT EXTENDED message using unacknowledged operation (L3 -> L2). |          |
| Parameter Name            | Parameter Type                                                                                                                         | Comments |
| sapi                      | SAPID                                                                                                                                  |          |
| logic_ch                  | LOGICCH                                                                                                                                |          |
| msg                       | IMMASSX_PDU                                                                                                                            |          |
| <b>Detailed Comments:</b> |                                                                                                                                        |          |

| ASP Type Definition       |                                                                                                                                                                 |          |
|---------------------------|-----------------------------------------------------------------------------------------------------------------------------------------------------------------|----------|
| <b>ASP Name:</b>          | DL_UdatRqImmassx_sp<br>(DL_UNIT_DATA_REQUEST_IMMEDIATE_ASSIGNMENT_EXTENDED)                                                                                     |          |
| <b>PCO Type:</b>          | SAP0_3                                                                                                                                                          |          |
| <b>Comments:</b>          | The ASP is used to request the transmission of the RR IMMEDIATE ASSIGNMENT EXTENDED message using unacknowledged operation (L3 -> L2) on the MS paging channel. |          |
| Parameter Name            | Parameter Type                                                                                                                                                  | Comments |
| sapi                      | SAPID                                                                                                                                                           |          |
| logic_ch                  | LOGICCH                                                                                                                                                         |          |
| pgg                       | PGG                                                                                                                                                             |          |
| msg                       | IMMASSX_PDU                                                                                                                                                     |          |
| <b>Detailed Comments:</b> |                                                                                                                                                                 |          |

| ASP Type Definition       |                                                                                                                                      |          |
|---------------------------|--------------------------------------------------------------------------------------------------------------------------------------|----------|
| <b>ASP Name:</b>          | DL_UdatRqImmassRej (DL_UNIT_DATA_REQUEST_IMMEDIATE_ASSIGNMENT_REJECT)                                                                |          |
| <b>PCO Type:</b>          | SAP0_3                                                                                                                               |          |
| <b>Comments:</b>          | The ASP is used to request the transmission of the RR IMMEDIATE ASSIGNMENT REJECT message using unacknowledged operation (L3 -> L2). |          |
| Parameter Name            | Parameter Type                                                                                                                       | Comments |
| sapi                      | SAPID                                                                                                                                |          |
| logic_ch                  | LOGICCH                                                                                                                              |          |
| msg                       | IMMASS_REJ_PDU                                                                                                                       |          |
| <b>Detailed Comments:</b> |                                                                                                                                      |          |

| ASP Type Definition       |                                                                                                                                                               |          |
|---------------------------|---------------------------------------------------------------------------------------------------------------------------------------------------------------|----------|
| <b>ASP Name:</b>          | DL_UdatRqImmassRej_sp (DL_UNIT_DATA_REQUEST_IMMEDIATE_ASSIGNMENT_REJECT)                                                                                      |          |
| <b>PCO Type:</b>          | SAP0_3                                                                                                                                                        |          |
| <b>Comments:</b>          | The ASP is used to request the transmission of the RR IMMEDIATE ASSIGNMENT REJECT message using unacknowledged operation (L3 -> L2) on the MS paging channel. |          |
| Parameter Name            | Parameter Type                                                                                                                                                | Comments |
| sapi                      | SAPID                                                                                                                                                         |          |
| logic_ch                  | LOGICCH                                                                                                                                                       |          |
| pgg                       | PGG                                                                                                                                                           |          |
| msg                       | IMMASS_REJ_PDU                                                                                                                                                |          |
| <b>Detailed Comments:</b> |                                                                                                                                                               |          |

| ASP Type Definition                                                              |                                                                                                                         |          |
|----------------------------------------------------------------------------------|-------------------------------------------------------------------------------------------------------------------------|----------|
| <b>ASP Name:</b>                                                                 | DL_UdatInMsrRpt (DL_DATA_INDICATION_MEASUREMENT_REPORT)                                                                 |          |
| <b>PCO Type:</b>                                                                 | SAP0_3                                                                                                                  |          |
| <b>Comments:</b>                                                                 | The ASP is used to indicate the receipt of the RR MEASUREMENT REPORT message using unacknowledged operation (L2 -> L3). |          |
| Parameter Name                                                                   | Parameter Type                                                                                                          | Comments |
| sapi                                                                             | SAPID                                                                                                                   |          |
| logic_ch                                                                         | LOGICCH                                                                                                                 |          |
| msg                                                                              | MSR_RPT_PDU                                                                                                             |          |
| fn                                                                               | FN                                                                                                                      |          |
| <b>Detailed Comments:</b> The ASPs are continuously received during the testing. |                                                                                                                         |          |

| ASP Type Definition       |                                                                                                          |          |
|---------------------------|----------------------------------------------------------------------------------------------------------|----------|
| <b>ASP Name:</b>          | DL_UdatRqSMSCBData (DL_UNIT_DATA_REQUEST_SMSCB_DATA)                                                     |          |
| <b>PCO Type:</b>          | SAP0_3                                                                                                   |          |
| <b>Comments:</b>          | The ASP is used to request the transmission of the SMSCB data using unacknowledged operation (L3 -> L2). |          |
| Parameter Name            | Parameter Type                                                                                           | Comments |
| sapi                      | SAPID                                                                                                    |          |
| logic_ch                  | LOGICCH                                                                                                  |          |
| msg                       | SMSCB_PDU                                                                                                |          |
| <b>Detailed Comments:</b> |                                                                                                          |          |

| ASP Type Definition       |                                                                                                                                |          |
|---------------------------|--------------------------------------------------------------------------------------------------------------------------------|----------|
| <b>ASP Name:</b>          | DL_UdatRqPg1Rq (DL_UNIT_DATA_REQUEST_PAGING_REQUEST_TYPE1)                                                                     |          |
| <b>PCO Type:</b>          | SAP0_3                                                                                                                         |          |
| <b>Comments:</b>          | The ASP is used to request the transmission of the RR PAGING REQUEST TYPE 1 message using unacknowledged operation (L3 -> L2). |          |
| Parameter Name            | Parameter Type                                                                                                                 | Comments |
| sapi                      | SAPID                                                                                                                          |          |
| logic_ch                  | LOGICCH                                                                                                                        |          |
| pgg                       | PGG                                                                                                                            |          |
| msg                       | PG1_RQ_PDU                                                                                                                     |          |
| <b>Detailed Comments:</b> |                                                                                                                                |          |

| ASP Type Definition       |                                                                                                                                |          |
|---------------------------|--------------------------------------------------------------------------------------------------------------------------------|----------|
| <b>ASP Name:</b>          | DL_UdatRqPg2Rq (DL_UNIT_DATA_REQUEST_PAGING_REQUEST_TYPE2)                                                                     |          |
| <b>PCO Type:</b>          | SAP0_3                                                                                                                         |          |
| <b>Comments:</b>          | The ASP is used to request the transmission of the RR PAGING REQUEST TYPE 2 message using unacknowledged operation (L3 -> L2). |          |
| Parameter Name            | Parameter Type                                                                                                                 | Comments |
| sapi                      | SAPID                                                                                                                          |          |
| logic_ch                  | LOGICCH                                                                                                                        |          |
| pgg                       | PGG                                                                                                                            |          |
| msg                       | PG2_RQ_PDU                                                                                                                     |          |
| <b>Detailed Comments:</b> |                                                                                                                                |          |

| ASP Type Definition       |                                                                                                                                |          |
|---------------------------|--------------------------------------------------------------------------------------------------------------------------------|----------|
| <b>ASP Name:</b>          | DL_UdatRqPg3Rq (DL_UNIT_DATA_REQUEST_PAGING_REQUEST_TYPE3)                                                                     |          |
| <b>PCO Type:</b>          | SAP0_3                                                                                                                         |          |
| <b>Comments:</b>          | The ASP is used to request the transmission of the RR PAGING REQUEST TYPE 3 message using unacknowledged operation (L3 -> L2). |          |
| Parameter Name            | Parameter Type                                                                                                                 | Comments |
| sapi                      | SAPID                                                                                                                          |          |
| logic_ch                  | LOGICCH                                                                                                                        |          |
| pgg                       | PGG                                                                                                                            |          |
| msg                       | PG3_RQ_PDU                                                                                                                     |          |
| <b>Detailed Comments:</b> |                                                                                                                                |          |

| ASP Type Definition       |                                                                                                                                              |          |
|---------------------------|----------------------------------------------------------------------------------------------------------------------------------------------|----------|
| <b>ASP Name:</b>          | DL_UdatRqSchinfo<br>(DL_UNIT_DATA_REQUEST_SYNCHRONIZATION_CHANNEL_INFORMATION)                                                               |          |
| <b>PCO Type:</b>          | SAP0_3                                                                                                                                       |          |
| <b>Comments:</b>          | The ASP is used to request the transmission of the RR SYNCHRONIZATION CHANNEL INFORMATION message using unacknowledged operation (L3 -> L2). |          |
| Parameter Name            | Parameter Type                                                                                                                               | Comments |
| sapi                      | SAPID                                                                                                                                        |          |
| logic_ch                  | LOGICCH                                                                                                                                      |          |
| msg                       | SCHINFO_PDU                                                                                                                                  |          |
| <b>Detailed Comments:</b> |                                                                                                                                              |          |

| ASP Type Definition       |                                                                                                                                    |          |
|---------------------------|------------------------------------------------------------------------------------------------------------------------------------|----------|
| <b>ASP Name:</b>          | DL_UdatRqSysinfo1 (DL_UNIT_DATA_REQUEST_SYSTEM_INFORMATION_TYPE1)                                                                  |          |
| <b>PCO Type:</b>          | SAP0_3                                                                                                                             |          |
| <b>Comments:</b>          | The ASP is used to request the transmission of the RR SYSTEM INFORMATION TYPE 1 message using unacknowledged operation (L3 -> L2). |          |
| Parameter Name            | Parameter Type                                                                                                                     | Comments |
| sapi                      | SAPID                                                                                                                              |          |
| logic_ch                  | LOGICCH                                                                                                                            |          |
| msg                       | SYSINFO1_PDU                                                                                                                       |          |
| <b>Detailed Comments:</b> |                                                                                                                                    |          |

| ASP Type Definition       |                                                                                                                |          |
|---------------------------|----------------------------------------------------------------------------------------------------------------|----------|
| <b>ASP Name:</b>          | DL_UdatRqSysinfo1_nh (DL_UNIT_DATA_REQUEST_SYSTEM_INFORMATION_TYPE1)                                           |          |
| <b>PCO Type:</b>          | SAP0_3                                                                                                         |          |
| <b>Comments:</b>          | The ASP is used to request the transmission of the RR SYSTEM INFORMATION TYPE 3 message in case of non hopping |          |
| Parameter Name            | Parameter Type                                                                                                 | Comments |
| sapi                      | SAPID                                                                                                          |          |
| logic_ch                  | LOGICCH                                                                                                        |          |
| msg                       | SYSINFO3_PDU                                                                                                   |          |
| <b>Detailed Comments:</b> |                                                                                                                |          |

| ASP Type Definition       |                                                                                                                                    |          |
|---------------------------|------------------------------------------------------------------------------------------------------------------------------------|----------|
| <b>ASP Name:</b>          | DL_UdatRqSysinfo2 (DL_UNIT_DATA_REQUEST_SYSTEM_INFORMATION_TYPE2)                                                                  |          |
| <b>PCO Type:</b>          | SAP0_3                                                                                                                             |          |
| <b>Comments:</b>          | The ASP is used to request the transmission of the RR SYSTEM INFORMATION TYPE 2 message using unacknowledged operation (L3 -> L2). |          |
| Parameter Name            | Parameter Type                                                                                                                     | Comments |
| sapi                      | SAPID                                                                                                                              |          |
| logic_ch                  | LOGICCH                                                                                                                            |          |
| msg                       | SYSINFO2_PDU                                                                                                                       |          |
| <b>Detailed Comments:</b> |                                                                                                                                    |          |

| ASP Type Definition       |                                                                                                                                       |          |
|---------------------------|---------------------------------------------------------------------------------------------------------------------------------------|----------|
| <b>ASP Name:</b>          | DL_UdatRqSysinfo2bis (DL_UNIT_DATA_REQUEST_SYSTEM_INFORMATION_TYPE2bis)                                                               |          |
| <b>PCO Type:</b>          | SAP0_3                                                                                                                                |          |
| <b>Comments:</b>          | The ASP is used to request the transmission of the RR SYSTEM INFORMATION TYPE 2bis message using unacknowledged operation (L3 -> L2). |          |
| Parameter Name            | Parameter Type                                                                                                                        | Comments |
| sapi                      | SAPID                                                                                                                                 |          |
| logic_ch                  | LOGICCH                                                                                                                               |          |
| msg                       | SYSINFO2bis_PDU                                                                                                                       |          |
| <b>Detailed Comments:</b> |                                                                                                                                       |          |

| ASP Type Definition       |                                                                                                                                       |          |
|---------------------------|---------------------------------------------------------------------------------------------------------------------------------------|----------|
| <b>ASP Name:</b>          | DL_UdatRqSysinfo2ter (DL_UNIT_DATA_REQUEST_SYSTEM_INFORMATION_TYPE2ter)                                                               |          |
| <b>PCO Type:</b>          | SAP0_3                                                                                                                                |          |
| <b>Comments:</b>          | The ASP is used to request the transmission of the RR SYSTEM INFORMATION TYPE 2ter message using unacknowledged operation (L3 -> L2). |          |
| Parameter Name            | Parameter Type                                                                                                                        | Comments |
| sapi                      | SAPID                                                                                                                                 |          |
| logic_ch                  | LOGICCH                                                                                                                               |          |
| msg                       | SYSINFO2ter_PDU                                                                                                                       |          |
| <b>Detailed Comments:</b> |                                                                                                                                       |          |

| ASP Type Definition       |                                                                                                                                    |          |
|---------------------------|------------------------------------------------------------------------------------------------------------------------------------|----------|
| <b>ASP Name:</b>          | DL_UdatRqSysinfo3 (DL_UNIT_DATA_REQUEST_SYSTEM_INFORMATION_TYPE3)                                                                  |          |
| <b>PCO Type:</b>          | SAP0_3                                                                                                                             |          |
| <b>Comments:</b>          | The ASP is used to request the transmission of the RR SYSTEM INFORMATION TYPE 3 message using unacknowledged operation (L3 -> L2). |          |
| Parameter Name            | Parameter Type                                                                                                                     | Comments |
| sapi                      | SAPID                                                                                                                              |          |
| logic_ch                  | LOGICCH                                                                                                                            |          |
| msg                       | SYSINFO3_PDU                                                                                                                       |          |
| <b>Detailed Comments:</b> |                                                                                                                                    |          |

| ASP Type Definition       |                                                                                                                                    |          |
|---------------------------|------------------------------------------------------------------------------------------------------------------------------------|----------|
| <b>ASP Name:</b>          | DL_UdatRqSysinfo4 (DL_UNIT_DATA_REQUEST_SYSTEM_INFORMATION_TYPE4)                                                                  |          |
| <b>PCO Type:</b>          | SAP0_3                                                                                                                             |          |
| <b>Comments:</b>          | The ASP is used to request the transmission of the RR SYSTEM INFORMATION TYPE 4 message using unacknowledged operation (L3 -> L2). |          |
| Parameter Name            | Parameter Type                                                                                                                     | Comments |
| sapi                      | SAPID                                                                                                                              |          |
| logic_ch                  | LOGICCH                                                                                                                            |          |
| msg                       | SYSINFO4_PDU                                                                                                                       |          |
| <b>Detailed Comments:</b> |                                                                                                                                    |          |

| ASP Type Definition       |                                                                                                                                    |          |
|---------------------------|------------------------------------------------------------------------------------------------------------------------------------|----------|
| <b>ASP Name:</b>          | DL_UdatRqSysinfo5 (DL_UNIT_DATA_REQUEST_SYSTEM_INFORMATION_TYPE5)                                                                  |          |
| <b>PCO Type:</b>          | SAP0_3                                                                                                                             |          |
| <b>Comments:</b>          | The ASP is used to request the transmission of the RR SYSTEM INFORMATION TYPE 5 message using unacknowledged operation (L3 -> L2). |          |
| Parameter Name            | Parameter Type                                                                                                                     | Comments |
| sapi                      | SAPID                                                                                                                              |          |
| logic_ch                  | LOGICCH                                                                                                                            |          |
| msg                       | SYSINFO5_PDU                                                                                                                       |          |
| <b>Detailed Comments:</b> |                                                                                                                                    |          |

| ASP Type Definition       |                                                                                                                                       |          |
|---------------------------|---------------------------------------------------------------------------------------------------------------------------------------|----------|
| <b>ASP Name:</b>          | DL_UdatRqSysinfo5bis (DL_UNIT_DATA_REQUEST_SYSTEM_INFORMATION_TYPE5bis)                                                               |          |
| <b>PCO Type:</b>          | SAP0_3                                                                                                                                |          |
| <b>Comments:</b>          | The ASP is used to request the transmission of the RR SYSTEM INFORMATION TYPE 5bis message using unacknowledged operation (L3 -> L2). |          |
| Parameter Name            | Parameter Type                                                                                                                        | Comments |
| sapi                      | SAPID                                                                                                                                 |          |
| logic_ch                  | LOGICCH                                                                                                                               |          |
| msg                       | SYSINFO5bis_PDU                                                                                                                       |          |
| <b>Detailed Comments:</b> |                                                                                                                                       |          |

| ASP Type Definition       |                                                                                                                                       |          |
|---------------------------|---------------------------------------------------------------------------------------------------------------------------------------|----------|
| <b>ASP Name:</b>          | DL_UdatRqSysinfo5ter (DL_UNIT_DATA_REQUEST_SYSTEM_INFORMATION_TYPE5ter)                                                               |          |
| <b>PCO Type:</b>          | SAP0_3                                                                                                                                |          |
| <b>Comments:</b>          | The ASP is used to request the transmission of the RR SYSTEM INFORMATION TYPE 5ter message using unacknowledged operation (L3 -> L2). |          |
| Parameter Name            | Parameter Type                                                                                                                        | Comments |
| sapi                      | SAPID                                                                                                                                 |          |
| logic_ch                  | LOGICCH                                                                                                                               |          |
| msg                       | SYSINFO5ter_PDU                                                                                                                       |          |
| <b>Detailed Comments:</b> |                                                                                                                                       |          |

| ASP Type Definition       |                                                                                                                                    |          |
|---------------------------|------------------------------------------------------------------------------------------------------------------------------------|----------|
| <b>ASP Name:</b>          | DL_UdatRqSysinfo6 (DL_UNIT_DATA_REQUEST_SYSTEM_INFORMATION_TYPE6)                                                                  |          |
| <b>PCO Type:</b>          | SAP0_3                                                                                                                             |          |
| <b>Comments:</b>          | The ASP is used to request the transmission of the RR SYSTEM INFORMATION TYPE 6 message using unacknowledged operation (L3 -> L2). |          |
| Parameter Name            | Parameter Type                                                                                                                     | Comments |
| sapi                      | SAPID                                                                                                                              |          |
| logic_ch                  | LOGICCH                                                                                                                            |          |
| msg                       | SYSINFO6_PDU                                                                                                                       |          |
| <b>Detailed Comments:</b> |                                                                                                                                    |          |

| ASP Type Definition       |                                                                                                                                    |          |
|---------------------------|------------------------------------------------------------------------------------------------------------------------------------|----------|
| <b>ASP Name:</b>          | DL_UdatRqSysinfo7 (DL_UNIT_DATA_REQUEST_SYSTEM_INFORMATION_TYPE7)                                                                  |          |
| <b>PCO Type:</b>          | SAP0_3                                                                                                                             |          |
| <b>Comments:</b>          | The ASP is used to request the transmission of the RR SYSTEM INFORMATION TYPE 7 message using unacknowledged operation (L3 -> L2). |          |
| Parameter Name            | Parameter Type                                                                                                                     | Comments |
| sapi                      | SAPID                                                                                                                              |          |
| logic_ch                  | LOGICCH                                                                                                                            |          |
| msg                       | SYSINFO7_PDU                                                                                                                       |          |
| <b>Detailed Comments:</b> |                                                                                                                                    |          |

| ASP Type Definition       |                                                                                                                                    |          |
|---------------------------|------------------------------------------------------------------------------------------------------------------------------------|----------|
| <b>ASP Name:</b>          | DL_UdatRqSysinfo8 (DL_UNIT_DATA_REQUEST_SYSTEM_INFORMATION_TYPE8)                                                                  |          |
| <b>PCO Type:</b>          | SAP0_3                                                                                                                             |          |
| <b>Comments:</b>          | The ASP is used to request the transmission of the RR SYSTEM INFORMATION TYPE 8 message using unacknowledged operation (L3 -> L2). |          |
| Parameter Name            | Parameter Type                                                                                                                     | Comments |
| sapi                      | SAPID                                                                                                                              |          |
| logic_ch                  | LOGICCH                                                                                                                            |          |
| msg                       | SYSINFO8_PDU                                                                                                                       |          |
| <b>Detailed Comments:</b> |                                                                                                                                    |          |

| ASP Type Definition       |                                                                                                                       |          |
|---------------------------|-----------------------------------------------------------------------------------------------------------------------|----------|
| <b>ASP Name:</b>          | DL_UdatInClmChn (DL_UdatINDICATION_CLASSMARK_CHANGE)                                                                  |          |
| <b>PCO Type:</b>          | SAP0_3                                                                                                                |          |
| <b>Comments:</b>          | The ASP is used to indicate the receipt of the RR CLASSMARK CHANGE message using unacknowledged operation (L2 -> L3). |          |
| Parameter Name            | Parameter Type                                                                                                        | Comments |
| sapi                      | SAPID                                                                                                                 |          |
| logic_ch                  | LOGICCH                                                                                                               |          |
| msg                       | CLM_CHN_PDU                                                                                                           |          |
| fn                        | FN                                                                                                                    |          |
| <b>Detailed Comments:</b> |                                                                                                                       |          |



| ASP Type Definition       |                                                                                                                           |          |
|---------------------------|---------------------------------------------------------------------------------------------------------------------------|----------|
| <b>ASP Name:</b>          | DL_DatRqAssCmd (DL_DATA_REQUEST_ASSIGNMENT_COMMAND)                                                                       |          |
| <b>PCO Type:</b>          | SAP0_3                                                                                                                    |          |
| <b>Comments:</b>          | The ASP is used to request the transmission of the RR ASSIGNMENT COMMAND message using acknowledged operation (L3 -> L2). |          |
| Parameter Name            | Parameter Type                                                                                                            | Comments |
| sapi                      | SAPID                                                                                                                     |          |
| logic_ch                  | LOGICCH                                                                                                                   |          |
| msg                       | ASS_CMD_PDU                                                                                                               |          |
| <b>Detailed Comments:</b> |                                                                                                                           |          |

| ASP Type Definition                                                                                                            |                                                                                                                        |          |
|--------------------------------------------------------------------------------------------------------------------------------|------------------------------------------------------------------------------------------------------------------------|----------|
| <b>ASP Name:</b>                                                                                                               | DL_DatInAssCom (DL_DATA_INDICATION_ASSIGNMENT_COMPLETE)                                                                |          |
| <b>PCO Type:</b>                                                                                                               | SAP0_3                                                                                                                 |          |
| <b>Comments:</b>                                                                                                               | The ASP is used to indicate the receipt of the RR ASSIGNMENT COMPLETE message using acknowledged operation (L2 -> L3). |          |
| Parameter Name                                                                                                                 | Parameter Type                                                                                                         | Comments |
| sapi                                                                                                                           | SAPID                                                                                                                  |          |
| logic_ch                                                                                                                       | LOGICCH                                                                                                                |          |
| msg                                                                                                                            | ASS_COM_PDU                                                                                                            |          |
| fn                                                                                                                             | FN                                                                                                                     |          |
| <b>Detailed Comments:</b> The ASP is a result of the ASP DL_RESUME_REQUEST of the SUT sending the ASSIGNMENT COMPLETE message. |                                                                                                                        |          |

| ASP Type Definition                                                                                                              |                                                                                                                       |          |
|----------------------------------------------------------------------------------------------------------------------------------|-----------------------------------------------------------------------------------------------------------------------|----------|
| <b>ASP Name:</b>                                                                                                                 | DL_DatInAssfl (DL_DATA_INDICATION_ASSIGNMENT_FAILURE)                                                                 |          |
| <b>PCO Type:</b>                                                                                                                 | SAP0_3                                                                                                                |          |
| <b>Comments:</b>                                                                                                                 | The ASP is used to indicate the receipt of the RR ASSIGNMENT FAILURE message using acknowledged operation (L2 -> L3). |          |
| Parameter Name                                                                                                                   | Parameter Type                                                                                                        | Comments |
| sapi                                                                                                                             | SAPID                                                                                                                 |          |
| logic_ch                                                                                                                         | LOGICCH                                                                                                               |          |
| msg                                                                                                                              | ASSFL_PDU                                                                                                             |          |
| fn                                                                                                                               | FN                                                                                                                    |          |
| <b>Detailed Comments:</b> The ASP is a result of the ASP DL_RECONNECT_REQUEST of the SUT sending the ASSIGNMENT FAILURE message. |                                                                                                                       |          |

| ASP Type Definition       |                                                                                          |          |
|---------------------------|------------------------------------------------------------------------------------------|----------|
| <b>ASP Name:</b>          | DL_DatInCmsRq (DL_DATA_INDICATION_CM_SERVICE_REQUEST)                                    |          |
| <b>PCO Type:</b>          | SAP0_3                                                                                   |          |
| <b>Comments:</b>          | The ASP is used to indicate the receipt of the MM CM SERVICE REQUEST message (L2 -> L3). |          |
| Parameter Name            | Parameter Type                                                                           | Comments |
| sapi                      | SAPID                                                                                    |          |
| logic_ch                  | LOGICCH                                                                                  |          |
| msg                       | CMS_RQ_PDU                                                                               |          |
| fn                        | FN                                                                                       |          |
| <b>Detailed Comments:</b> |                                                                                          |          |

| ASP Type Definition       |                                                                                                                            |          |
|---------------------------|----------------------------------------------------------------------------------------------------------------------------|----------|
| <b>ASP Name:</b>          | DL_DatRqChmmo (DL_DATA_REQUEST_CHANNEL_MODE_MODIFY)                                                                        |          |
| <b>PCO Type:</b>          | SAP0_3                                                                                                                     |          |
| <b>Comments:</b>          | The ASP is used to request the transmission of the RR CHANNEL MODE MODIFY message using acknowledged operation (L3 -> L2). |          |
| Parameter Name            | Parameter Type                                                                                                             | Comments |
| sapi                      | SAPID                                                                                                                      |          |
| logic_ch                  | LOGICCH                                                                                                                    |          |
| msg                       | CHMMO_PDU                                                                                                                  |          |
| <b>Detailed Comments:</b> |                                                                                                                            |          |

| ASP Type Definition       |                                                                                                                                    |          |
|---------------------------|------------------------------------------------------------------------------------------------------------------------------------|----------|
| <b>ASP Name:</b>          | DL_DatInChmmoAck (DL_DATA_INDICATION_CHANNEL_MODE_MODIFY_ACKNOWLEDGE)                                                              |          |
| <b>PCO Type:</b>          | SAP0_3                                                                                                                             |          |
| <b>Comments:</b>          | The ASP is used to indicate the receipt of the RR CHANNEL MODE MODIFY ACKNOWLEDGE message using acknowledged operation (L2 -> L3). |          |
| Parameter Name            | Parameter Type                                                                                                                     | Comments |
| sapi                      | SAPID                                                                                                                              |          |
| logic_ch                  | LOGICCH                                                                                                                            |          |
| msg                       | CHMMO_ACK_PDU                                                                                                                      |          |
| fn                        | FN                                                                                                                                 |          |
| <b>Detailed Comments:</b> |                                                                                                                                    |          |

| ASP Type Definition       |                                                                                                                        |          |
|---------------------------|------------------------------------------------------------------------------------------------------------------------|----------|
| <b>ASP Name:</b>          | DL_DatRqChRel (DL_DATA_REQUEST_CHANNEL_RELEASE)                                                                        |          |
| <b>PCO Type:</b>          | SAP0_3                                                                                                                 |          |
| <b>Comments:</b>          | The ASP is used to request the transmission of the RR CHANNEL_RELEASE message using acknowledged operation (L3 -> L2). |          |
| Parameter Name            | Parameter Type                                                                                                         | Comments |
| sapi                      | SAPID                                                                                                                  |          |
| logic_ch                  | LOGICCH                                                                                                                |          |
| msg                       | CH_REL_PDU                                                                                                             |          |
| <b>Detailed Comments:</b> |                                                                                                                        |          |

| ASP Type Definition       |                                                                                                                        |          |
|---------------------------|------------------------------------------------------------------------------------------------------------------------|----------|
| <b>ASP Name:</b>          | DL_DatRqChRelErr (DL_DATA_REQUEST_CHANNEL_RELEASE_ERROR)                                                               |          |
| <b>PCO Type:</b>          | SAP0_3                                                                                                                 |          |
| <b>Comments:</b>          | The ASP is used to request the transmission of the RR CHANNEL_RELEASE message using acknowledged operation (L3 -> L2). |          |
| Parameter Name            | Parameter Type                                                                                                         | Comments |
| sapi                      | SAPID                                                                                                                  |          |
| logic_ch                  | LOGICCH                                                                                                                |          |
| msg                       | CH_REL_PDU_ERR                                                                                                         |          |
| <b>Detailed Comments:</b> |                                                                                                                        |          |

| ASP Type Definition       |                                                                                                                               |          |
|---------------------------|-------------------------------------------------------------------------------------------------------------------------------|----------|
| <b>ASP Name:</b>          | DL_DatRqCphmCmd (DL_DATA_REQUEST_CIPHERING_MODE_COMMAND)                                                                      |          |
| <b>PCO Type:</b>          | SAP0_3                                                                                                                        |          |
| <b>Comments:</b>          | The ASP is used to request the transmission of the RR CIPHERING_MODE_COMMAND message using acknowledged operation (L3 -> L2). |          |
| Parameter Name            | Parameter Type                                                                                                                | Comments |
| sapi                      | SAPID                                                                                                                         |          |
| logic_ch                  | LOGICCH                                                                                                                       |          |
| msg                       | CPHM_CMD_PDU                                                                                                                  |          |
| <b>Detailed Comments:</b> |                                                                                                                               |          |

| ASP Type Definition       |                                                                                                                                       |          |
|---------------------------|---------------------------------------------------------------------------------------------------------------------------------------|----------|
| <b>ASP Name:</b>          | DL_DatRqCphmCmdErr (DL_DATA_REQUEST_CIPHERING_MODE_COMMAND_ERROR)                                                                     |          |
| <b>PCO Type:</b>          | SAP0_3                                                                                                                                |          |
| <b>Comments:</b>          | The ASP is used to request the transmission of the invalid RR CIPHERING_MODE_COMMAND message using acknowledged operation (L3 -> L2). |          |
| Parameter Name            | Parameter Type                                                                                                                        | Comments |
| sapi                      | SAPID                                                                                                                                 |          |
| logic_ch                  | LOGICCH                                                                                                                               |          |
| msg                       | CPHM_CMD_PDU_ERR                                                                                                                      |          |
| <b>Detailed Comments:</b> |                                                                                                                                       |          |

| ASP Type Definition       |                                                                                                                            |          |
|---------------------------|----------------------------------------------------------------------------------------------------------------------------|----------|
| <b>ASP Name:</b>          | DL_DatInCphmCom (DL_DATA_INDICATION_CIPHERING_MODE_COMPLETE)                                                               |          |
| <b>PCO Type:</b>          | SAP0_3                                                                                                                     |          |
| <b>Comments:</b>          | The ASP is used to indicate the receipt of the RR CIPHERING MODE COMPLETE message using acknowledged operation (L2 -> L3). |          |
| Parameter Name            | Parameter Type                                                                                                             | Comments |
| sapi                      | SAPID                                                                                                                      |          |
| logic_ch                  | LOGICCH                                                                                                                    |          |
| msg                       | CPHM_COM_PDU                                                                                                               |          |
| fn                        | FN                                                                                                                         |          |
| <b>Detailed Comments:</b> |                                                                                                                            |          |

| ASP Type Definition       |                                                                                                                     |          |
|---------------------------|---------------------------------------------------------------------------------------------------------------------|----------|
| <b>ASP Name:</b>          | DL_DatInClmChn (DL_DAT_INDICATION_CLASSMARK_CHANGE)                                                                 |          |
| <b>PCO Type:</b>          | SAP0_3                                                                                                              |          |
| <b>Comments:</b>          | The ASP is used to indicate the receipt of the RR CLASSMARK CHANGE message using acknowledged operation (L2 -> L3). |          |
| Parameter Name            | Parameter Type                                                                                                      | Comments |
| sapi                      | SAPID                                                                                                               |          |
| logic_ch                  | LOGICCH                                                                                                             |          |
| msg                       | CLM_CHN_PDU                                                                                                         |          |
| fn                        | FN                                                                                                                  |          |
| <b>Detailed Comments:</b> |                                                                                                                     |          |

| ASP Type Definition       |                                                                                                                          |          |
|---------------------------|--------------------------------------------------------------------------------------------------------------------------|----------|
| <b>ASP Name:</b>          | DL_DatRqClmEnq (DL_DATA_REQUEST_CLASSMARK_ENQUIRY)                                                                       |          |
| <b>PCO Type:</b>          | SAP0_3                                                                                                                   |          |
| <b>Comments:</b>          | The ASP is used to request the transmission of the RR CLASSMARK ENQUIRY message using acknowledged operation (L3 -> L2). |          |
| Parameter Name            | Parameter Type                                                                                                           | Comments |
| sapi                      | SAPID                                                                                                                    |          |
| logic_ch                  | LOGICCH                                                                                                                  |          |
| msg                       | CLM_ENQ_PDU                                                                                                              |          |
| <b>Detailed Comments:</b> |                                                                                                                          |          |

| ASP Type Definition       |                                                                                                                               |          |
|---------------------------|-------------------------------------------------------------------------------------------------------------------------------|----------|
| <b>ASP Name:</b>          | DL_DatRqFrqre (DL_DATA_REQUEST_FREQUENCY_REDEFINITION)                                                                        |          |
| <b>PCO Type:</b>          | SAP0_3                                                                                                                        |          |
| <b>Comments:</b>          | The ASP is used to request the transmission of the RR FREQUENCY REDEFINITION message using acknowledged operation (L3 -> L2). |          |
| Parameter Name            | Parameter Type                                                                                                                | Comments |
| sapi                      | SAPID                                                                                                                         |          |
| logic_ch                  | LOGICCH                                                                                                                       |          |
| msg                       | FRQRE_PDU                                                                                                                     |          |
| <b>Detailed Comments:</b> |                                                                                                                               |          |

| ASP Type Definition       |                                                                                                                         |          |
|---------------------------|-------------------------------------------------------------------------------------------------------------------------|----------|
| <b>ASP Name:</b>          | DL_DatRqHoCmd (DL_DATA_REQUEST_HANDOVER_COMMAND)                                                                        |          |
| <b>PCO Type:</b>          | SAP0_3                                                                                                                  |          |
| <b>Comments:</b>          | The ASP is used to request the transmission of the RR HANDOVER COMMAND message using acknowledged operation (L3 -> L2). |          |
| Parameter Name            | Parameter Type                                                                                                          | Comments |
| sapi                      | SAPID                                                                                                                   |          |
| logic_ch                  | LOGICCH                                                                                                                 |          |
| msg                       | HO_CMD_PDU                                                                                                              |          |
| <b>Detailed Comments:</b> |                                                                                                                         |          |

| ASP Type Definition       |                                                                                                                      |          |
|---------------------------|----------------------------------------------------------------------------------------------------------------------|----------|
| <b>ASP Name:</b>          | DL_DatInHoCom (DL_DATA_INDICATION_HANDOVER_COMPLETE)                                                                 |          |
| <b>PCO Type:</b>          | SAP0_3                                                                                                               |          |
| <b>Comments:</b>          | The ASP is used to indicate the receipt of the RR HANDOVER COMPLETE message using acknowledged operation (L2 -> L3). |          |
| Parameter Name            | Parameter Type                                                                                                       | Comments |
| sapi                      | SAPID                                                                                                                |          |
| logic_ch                  | LOGICCH                                                                                                              |          |
| msg                       | HO_COM_PDU                                                                                                           |          |
| fn                        | FN                                                                                                                   |          |
| <b>Detailed Comments:</b> | The ASP is a result of the ASP DL_RESUME_REQUEST of the SUT sending the HANDOVER COMPLETE message.                   |          |

| ASP Type Definition       |                                                                                                                     |          |
|---------------------------|---------------------------------------------------------------------------------------------------------------------|----------|
| <b>ASP Name:</b>          | DL_DatInHofl (DL_DATA_INDICATION_HANDOVER_FAILURE)                                                                  |          |
| <b>PCO Type:</b>          | SAP0_3                                                                                                              |          |
| <b>Comments:</b>          | The ASP is used to indicate the receipt of the RR HANDOVER FAILURE message using acknowledged operation (L2 -> L3). |          |
| Parameter Name            | Parameter Type                                                                                                      | Comments |
| sapi                      | SAPID                                                                                                               |          |
| logic_ch                  | LOGICCH                                                                                                             |          |
| msg                       | HOFL_PDU                                                                                                            |          |
| fn                        | FN                                                                                                                  |          |
| <b>Detailed Comments:</b> | The ASP is a result of the ASP DL_RECONNECT_REQUEST of the SUT sending the HANDOVER FAILURE message.                |          |

| ASP Type Definition       |                                                                                                                             |          |
|---------------------------|-----------------------------------------------------------------------------------------------------------------------------|----------|
| <b>ASP Name:</b>          | DL_DatRqPhyinfo (DL_DATA_REQUEST_PHYSICAL_INFORMATION)                                                                      |          |
| <b>PCO Type:</b>          | SAP0_3                                                                                                                      |          |
| <b>Comments:</b>          | The ASP is used to request the transmission of the RR PHYSICAL INFORMATION message using acknowledged operation (L3 -> L2). |          |
| Parameter Name            | Parameter Type                                                                                                              | Comments |
| sapi                      | SAPID                                                                                                                       |          |
| logic_ch                  | LOGICCH                                                                                                                     |          |
| msg                       | PHYINFO_PDU                                                                                                                 |          |
| <b>Detailed Comments:</b> |                                                                                                                             |          |

| ASP Type Definition       |                                                                                                           |          |
|---------------------------|-----------------------------------------------------------------------------------------------------------|----------|
| <b>ASP Name:</b>          | DL_DatInRrst (DL_DATA_INDICATION_RR_STATUS)                                                               |          |
| <b>PCO Type:</b>          | SAP0_3                                                                                                    |          |
| <b>Comments:</b>          | The ASP is used to indicate the receipt of the RR STATUS message using acknowledged operation (L2 -> L3). |          |
| Parameter Name            | Parameter Type                                                                                            | Comments |
| sapi                      | SAPID                                                                                                     |          |
| logic_ch                  | LOGICCH                                                                                                   |          |
| msg                       | RRST_PDU                                                                                                  |          |
| fn                        | FN                                                                                                        |          |
| <b>Detailed Comments:</b> |                                                                                                           |          |

| ASP Type Definition       |                                                                                                                              |          |
|---------------------------|------------------------------------------------------------------------------------------------------------------------------|----------|
| <b>ASP Name:</b>          | DL_DatRqAuthRej (DL_DATA_REQUEST_AUTHENTICATION_REJECT)                                                                      |          |
| <b>PCO Type:</b>          | SAP0_3                                                                                                                       |          |
| <b>Comments:</b>          | The ASP is used to request the transmission of the MM AUTHENTICATION REJECT message using acknowledged operation (L3 -> L2). |          |
| Parameter Name            | Parameter Type                                                                                                               | Comments |
| sapi                      | SAPID                                                                                                                        |          |
| logic_ch                  | LOGICCH                                                                                                                      |          |
| msg                       | AUTH_REJ_PDU                                                                                                                 |          |
| <b>Detailed Comments:</b> |                                                                                                                              |          |

| ASP Type Definition       |                                                                                                                               |          |
|---------------------------|-------------------------------------------------------------------------------------------------------------------------------|----------|
| <b>ASP Name:</b>          | DL_DatRqAuthRq (DL_DATA_REQUEST_AUTHENTICATION_REQUEST)                                                                       |          |
| <b>PCO Type:</b>          | SAP0_3                                                                                                                        |          |
| <b>Comments:</b>          | The ASP is used to request the transmission of the MM AUTHENTICATION REQUEST message using acknowledged operation (L3 -> L2). |          |
| Parameter Name            | Parameter Type                                                                                                                | Comments |
| sapi                      | SAPID                                                                                                                         |          |
| logic_ch                  | LOGICCH                                                                                                                       |          |
| msg                       | AUTH_RQ_PDU                                                                                                                   |          |
| <b>Detailed Comments:</b> |                                                                                                                               |          |

| ASP Type Definition       |                                                                                                                            |          |
|---------------------------|----------------------------------------------------------------------------------------------------------------------------|----------|
| <b>ASP Name:</b>          | DL_DatInAuthRes (DL_DATA_INDICATION_AUTHENTICATION_RESPONSE)                                                               |          |
| <b>PCO Type:</b>          | SAP0_3                                                                                                                     |          |
| <b>Comments:</b>          | The ASP is used to indicate the receipt of the MM AUTHENTICATION RESPONSE message using acknowledged operation (L2 -> L3). |          |
| Parameter Name            | Parameter Type                                                                                                             | Comments |
| sapi                      | SAPID                                                                                                                      |          |
| logic_ch                  | LOGICCH                                                                                                                    |          |
| msg                       | AUTH_RES_PDU                                                                                                               |          |
| fn                        | FN                                                                                                                         |          |
| <b>Detailed Comments:</b> |                                                                                                                            |          |

| ASP Type Definition       |                                                                                                                          |          |
|---------------------------|--------------------------------------------------------------------------------------------------------------------------|----------|
| <b>ASP Name:</b>          | DL_DatRqCmsAcP (DL_DATA_REQUEST_CM_SERVICE_ACCEPT)                                                                       |          |
| <b>PCO Type:</b>          | SAP0_3                                                                                                                   |          |
| <b>Comments:</b>          | The ASP is used to request the transmission of the MM CM SERVICE ACCEPT message using acknowledged operation (L3 -> L2). |          |
| Parameter Name            | Parameter Type                                                                                                           | Comments |
| sapi                      | SAPID                                                                                                                    |          |
| logic_ch                  | LOGICCH                                                                                                                  |          |
| msg                       | CMS_ACP_PDU                                                                                                              |          |
| <b>Detailed Comments:</b> |                                                                                                                          |          |

| ASP Type Definition       |                                                                                                                          |          |
|---------------------------|--------------------------------------------------------------------------------------------------------------------------|----------|
| <b>ASP Name:</b>          | DL_DatRqCmsRej (DL_DATA_REQUEST_CM_SERVICE_REJECT)                                                                       |          |
| <b>PCO Type:</b>          | SAP0_3                                                                                                                   |          |
| <b>Comments:</b>          | The ASP is used to request the transmission of the MM CM SERVICE REJECT message using acknowledged operation (L3 -> L2). |          |
| Parameter Name            | Parameter Type                                                                                                           | Comments |
| sapi                      | SAPID                                                                                                                    |          |
| logic_ch                  | LOGICCH                                                                                                                  |          |
| msg                       | CMS_REJ_PDU                                                                                                              |          |
| <b>Detailed Comments:</b> |                                                                                                                          |          |

| ASP Type Definition       |                                                                                                              |          |
|---------------------------|--------------------------------------------------------------------------------------------------------------|----------|
| <b>ASP Name:</b>          | DL_DatRqAbrt (DL_DATA_REQUEST_ABORT)                                                                         |          |
| <b>PCO Type:</b>          | SAP0_3                                                                                                       |          |
| <b>Comments:</b>          | The ASP is used to request the transmission of the MM ABORT message using acknowledged operation (L3 -> L2). |          |
| Parameter Name            | Parameter Type                                                                                               | Comments |
| sapi                      | SAPID                                                                                                        |          |
| logic_ch                  | LOGICCH                                                                                                      |          |
| msg                       | ABRT_PDU                                                                                                     |          |
| <b>Detailed Comments:</b> |                                                                                                              |          |

| ASP Type Definition       |                                                                                                                         |          |
|---------------------------|-------------------------------------------------------------------------------------------------------------------------|----------|
| <b>ASP Name:</b>          | DL_DatRqIdRq (DL_DATA_REQUEST_IDENTITY_REQUEST)                                                                         |          |
| <b>PCO Type:</b>          | SAP0_3                                                                                                                  |          |
| <b>Comments:</b>          | The ASP is used to request the transmission of the MM IDENTITY REQUEST message using acknowledged operation (L3 -> L2). |          |
| Parameter Name            | Parameter Type                                                                                                          | Comments |
| sapi                      | SAPID                                                                                                                   |          |
| logic_ch                  | LOGICCH                                                                                                                 |          |
| msg                       | ID_RQ_PDU                                                                                                               |          |
| <b>Detailed Comments:</b> |                                                                                                                         |          |

| ASP Type Definition       |                                                                                                                      |          |
|---------------------------|----------------------------------------------------------------------------------------------------------------------|----------|
| <b>ASP Name:</b>          | DL_DatInIdRes (DL_DATA_INDICATION_IDENTIFY_RESPONSE)                                                                 |          |
| <b>PCO Type:</b>          | SAP0_3                                                                                                               |          |
| <b>Comments:</b>          | The ASP is used to indicate the receipt of the MM IDENTITY RESPONSE message using acknowledged operation (L2 -> L3). |          |
| Parameter Name            | Parameter Type                                                                                                       | Comments |
| sapi                      | SAPID                                                                                                                |          |
| logic_ch                  | LOGICCH                                                                                                              |          |
| msg                       | ID_RES_PDU                                                                                                           |          |
| fn                        | FN                                                                                                                   |          |
| <b>Detailed Comments:</b> |                                                                                                                      |          |

| ASP Type Definition       |                                                                                                                                 |          |
|---------------------------|---------------------------------------------------------------------------------------------------------------------------------|----------|
| <b>ASP Name:</b>          | DL_DatRqLupAcp (DL_DATA_REQUEST_LOCATION_UPDATING_ACCEPT)                                                                       |          |
| <b>PCO Type:</b>          | SAP0_3                                                                                                                          |          |
| <b>Comments:</b>          | The ASP is used to request the transmission of the MM LOCATION UPDATING ACCEPT message using acknowledged operation (L3 -> L2). |          |
| Parameter Name            | Parameter Type                                                                                                                  | Comments |
| sapi                      | SAPID                                                                                                                           |          |
| logic_ch                  | LOGICCH                                                                                                                         |          |
| msg                       | LUP_ACP_PDU                                                                                                                     |          |
| <b>Detailed Comments:</b> |                                                                                                                                 |          |

| ASP Type Definition       |                                                                                                                                 |          |
|---------------------------|---------------------------------------------------------------------------------------------------------------------------------|----------|
| <b>ASP Name:</b>          | DL_DatRqLupAcpErr (DL_DATA_REQUEST_LOCATION_UPDATING_ACCEPT_ERR)                                                                |          |
| <b>PCO Type:</b>          | SAP0_3                                                                                                                          |          |
| <b>Comments:</b>          | The ASP is used to request the transmission of the MM LOCATION UPDATING ACCEPT message using acknowledged operation (L3 -> L2). |          |
| Parameter Name            | Parameter Type                                                                                                                  | Comments |
| sapi                      | SAPID                                                                                                                           |          |
| logic_ch                  | LOGICCH                                                                                                                         |          |
| msg                       | LUP_ACP_PDU_ERR                                                                                                                 |          |
| <b>Detailed Comments:</b> |                                                                                                                                 |          |

| ASP Type Definition       |                                                                                                                                 |          |
|---------------------------|---------------------------------------------------------------------------------------------------------------------------------|----------|
| <b>ASP Name:</b>          | DL_DatRqLupRej (DL_DATA_REQUEST_LOCATION_UPDATING_REJECT)                                                                       |          |
| <b>PCO Type:</b>          | SAP0_3                                                                                                                          |          |
| <b>Comments:</b>          | The ASP is used to request the transmission of the MM LOCATION UPDATING REJECT message using acknowledged operation (L3 -> L2). |          |
| Parameter Name            | Parameter Type                                                                                                                  | Comments |
| sapi                      | SAPID                                                                                                                           |          |
| logic_ch                  | LOGICCH                                                                                                                         |          |
| msg                       | LUP_REJ_PDU                                                                                                                     |          |
| <b>Detailed Comments:</b> |                                                                                                                                 |          |

| ASP Type Definition       |                                                                                                           |          |
|---------------------------|-----------------------------------------------------------------------------------------------------------|----------|
| <b>ASP Name:</b>          | DL_DatInMmst (DL_DATA_INDICATION_MM_STATUS)                                                               |          |
| <b>PCO Type:</b>          | SAP0_3                                                                                                    |          |
| <b>Comments:</b>          | The ASP is used to indicate the receipt of the MM STATUS message using acknowledged operation (L2 -> L3). |          |
| Parameter Name            | Parameter Type                                                                                            | Comments |
| sapi                      | SAPID                                                                                                     |          |
| logic_ch                  | LOGICCH                                                                                                   |          |
| msg                       | MMST_PDU                                                                                                  |          |
| fn                        | FN                                                                                                        |          |
| <b>Detailed Comments:</b> |                                                                                                           |          |

| ASP Type Definition       |                                                                                                                                  |          |
|---------------------------|----------------------------------------------------------------------------------------------------------------------------------|----------|
| <b>ASP Name:</b>          | DL_DatRqTmsireCmd (DL_DATA_REQUEST_TMSI_REALLOCATION_COMMAND)                                                                    |          |
| <b>PCO Type:</b>          | SAP0_3                                                                                                                           |          |
| <b>Comments:</b>          | The ASP is used to request the transmission of the MM TMSI REALLOCATION COMMAND message using acknowledged operation (L3 -> L2). |          |
| Parameter Name            | Parameter Type                                                                                                                   | Comments |
| sapi                      | SAPID                                                                                                                            |          |
| logic_ch                  | LOGICCH                                                                                                                          |          |
| msg                       | TMSIRE_CMD_PDU                                                                                                                   |          |
| <b>Detailed Comments:</b> |                                                                                                                                  |          |

| ASP Type Definition       |                                                                                                                               |          |
|---------------------------|-------------------------------------------------------------------------------------------------------------------------------|----------|
| <b>ASP Name:</b>          | DL_DatInTmsireCom (DL_DATA_INDICATION_TMSI_REALLOCATION_COMPLETE)                                                             |          |
| <b>PCO Type:</b>          | SAP0_3                                                                                                                        |          |
| <b>Comments:</b>          | The ASP is used to indicate the receipt of the MM TMSI REALLOCATION COMPLETE message using acknowledged operation (L2 -> L3). |          |
| Parameter Name            | Parameter Type                                                                                                                | Comments |
| sapi                      | SAPID                                                                                                                         |          |
| logic_ch                  | LOGICCH                                                                                                                       |          |
| msg                       | TMSIRE_COM_PDU                                                                                                                |          |
| fn                        | FN                                                                                                                            |          |
| <b>Detailed Comments:</b> |                                                                                                                               |          |

| ASP Type Definition       |                                                                                                                 |          |
|---------------------------|-----------------------------------------------------------------------------------------------------------------|----------|
| <b>ASP Name:</b>          | DL_DatRqAlert (DL_DATA_REQUEST_ALERTING)                                                                        |          |
| <b>PCO Type:</b>          | SAP0_3                                                                                                          |          |
| <b>Comments:</b>          | The ASP is used to request the transmission of the CC ALERTING message using acknowledged operation (L3 -> L2). |          |
| Parameter Name            | Parameter Type                                                                                                  | Comments |
| sapi                      | SAPID                                                                                                           |          |
| logic_ch                  | LOGICCH                                                                                                         |          |
| msg                       | ALERT_PDU                                                                                                       |          |
| <b>Detailed Comments:</b> |                                                                                                                 |          |



| ASP Type Definition       |                                                                                                             |          |
|---------------------------|-------------------------------------------------------------------------------------------------------------|----------|
| <b>ASP Name:</b>          | DL_DatInAlert (DL_DATA_INDICATION_ALERTING)                                                                 |          |
| <b>PCO Type:</b>          | SAP0_3                                                                                                      |          |
| <b>Comments:</b>          | The ASP is used to indicate the receipt of the CC ALERTING message using acknowledged operation (L2 -> L3). |          |
| Parameter Name            | Parameter Type                                                                                              | Comments |
| sapi                      | SAPID                                                                                                       |          |
| logic_ch                  | LOGICCH                                                                                                     |          |
| msg                       | ALERT_PDU                                                                                                   |          |
| fn                        | FN                                                                                                          |          |
| <b>Detailed Comments:</b> |                                                                                                             |          |

| ASP Type Definition       |                                                                                                                   |          |
|---------------------------|-------------------------------------------------------------------------------------------------------------------|----------|
| <b>ASP Name:</b>          | DL_DatInCallCo (DL_DATA_INDICATION_CALL_CONFIRMED)                                                                |          |
| <b>PCO Type:</b>          | SAP0_3                                                                                                            |          |
| <b>Comments:</b>          | The ASP is used to indicate the receipt of the CC CALL CONFIRMED message using acknowledged operation (L2 -> L3). |          |
| Parameter Name            | Parameter Type                                                                                                    | Comments |
| sapi                      | SAPID                                                                                                             |          |
| logic_ch                  | LOGICCH                                                                                                           |          |
| msg                       | CALL_CO_PDU                                                                                                       |          |
| fn                        | FN                                                                                                                |          |
| <b>Detailed Comments:</b> |                                                                                                                   |          |

| ASP Type Definition       |                                                                                                                        |          |
|---------------------------|------------------------------------------------------------------------------------------------------------------------|----------|
| <b>ASP Name:</b>          | DL_DatRqCallProc (DL_DATA_REQUEST_CALL_PROCEEDING)                                                                     |          |
| <b>PCO Type:</b>          | SAP0_3                                                                                                                 |          |
| <b>Comments:</b>          | The ASP is used to request the transmission of the CC CALL PROCEEDING message using acknowledged operation (L3 -> L2). |          |
| Parameter Name            | Parameter Type                                                                                                         | Comments |
| sapi                      | SAPID                                                                                                                  |          |
| logic_ch                  | LOGICCH                                                                                                                |          |
| msg                       | CALL_PROC_PDU                                                                                                          |          |
| <b>Detailed Comments:</b> |                                                                                                                        |          |

| ASP Type Definition       |                                                                                                                |          |
|---------------------------|----------------------------------------------------------------------------------------------------------------|----------|
| <b>ASP Name:</b>          | DL_DatRqConn (DL_DATA_REQUEST_CONNECT)                                                                         |          |
| <b>PCO Type:</b>          | SAP0_3                                                                                                         |          |
| <b>Comments:</b>          | The ASP is used to request the transmission of the CC CONNECT message using acknowledged operation (L3 -> L2). |          |
| Parameter Name            | Parameter Type                                                                                                 | Comments |
| sapi                      | SAPID                                                                                                          |          |
| logic_ch                  | LOGICCH                                                                                                        |          |
| msg                       | CONN_PDU                                                                                                       |          |
| <b>Detailed Comments:</b> |                                                                                                                |          |

| ASP Type Definition       |                                                                                                                |          |
|---------------------------|----------------------------------------------------------------------------------------------------------------|----------|
| <b>ASP Name:</b>          | DL_DatRqConnErr (DL_DATA_REQUEST_CONNECT_ERR)                                                                  |          |
| <b>PCO Type:</b>          | SAP0_3                                                                                                         |          |
| <b>Comments:</b>          | The ASP is used to request the transmission of the CC CONNECT message using acknowledged operation (L3 -> L2). |          |
| Parameter Name            | Parameter Type                                                                                                 | Comments |
| sapi                      | SAPID                                                                                                          |          |
| logic_ch                  | LOGICCH                                                                                                        |          |
| msg                       | CONN_PDU_ERR                                                                                                   |          |
| <b>Detailed Comments:</b> |                                                                                                                |          |

| ASP Type Definition       |                                                                                                            |          |
|---------------------------|------------------------------------------------------------------------------------------------------------|----------|
| <b>ASP Name:</b>          | DL_DatInConn (DL_DATA_INDICATION_CONNECT)                                                                  |          |
| <b>PCO Type:</b>          | SAP0_3                                                                                                     |          |
| <b>Comments:</b>          | The ASP is used to indicate the receipt of the CC CONNECT message using acknowledged operation (L2 -> L3). |          |
| Parameter Name            | Parameter Type                                                                                             | Comments |
| sapi                      | SAPID                                                                                                      |          |
| logic_ch                  | LOGICCH                                                                                                    |          |
| msg                       | CONN_PDU                                                                                                   |          |
| fn                        | FN                                                                                                         |          |
| <b>Detailed Comments:</b> |                                                                                                            |          |

| ASP Type Definition       |                                                                                                                            |          |
|---------------------------|----------------------------------------------------------------------------------------------------------------------------|----------|
| <b>ASP Name:</b>          | DL_DatRqConnAck (DL_DATA_REQUEST_CONNECT_ACKNOWLEDGE)                                                                      |          |
| <b>PCO Type:</b>          | SAP0_3                                                                                                                     |          |
| <b>Comments:</b>          | The ASP is used to request the transmission of the CC CONNECT ACKNOWLEDGE message using acknowledged operation (L3 -> L2). |          |
| Parameter Name            | Parameter Type                                                                                                             | Comments |
| sapi                      | SAPID                                                                                                                      |          |
| logic_ch                  | LOGICCH                                                                                                                    |          |
| msg                       | CONN_ACK_PDU                                                                                                               |          |
| <b>Detailed Comments:</b> |                                                                                                                            |          |

| ASP Type Definition       |                                                                                                                          |          |
|---------------------------|--------------------------------------------------------------------------------------------------------------------------|----------|
| <b>ASP Name:</b>          | DL_DatInConnAck (DL_DATA_INDICATION_CONNECT_ACKNOWLEDGE)                                                                 |          |
| <b>PCO Type:</b>          | SAP0_3                                                                                                                   |          |
| <b>Comments:</b>          | The ASP is used to indicate the reception of the CC CONNECT ACKNOWLEDGE message using acknowledged operation (L2 -> L3). |          |
| Parameter Name            | Parameter Type                                                                                                           | Comments |
| sapi                      | SAPID                                                                                                                    |          |
| logic_ch                  | LOGICCH                                                                                                                  |          |
| msg                       | CONN_ACK_PDU                                                                                                             |          |
| fn                        | FN                                                                                                                       |          |
| <b>Detailed Comments:</b> |                                                                                                                          |          |

| ASP Type Definition       |                                                                                                                   |          |
|---------------------------|-------------------------------------------------------------------------------------------------------------------|----------|
| <b>ASP Name:</b>          | DL_DatRqDisc (DL_DATA_REQUEST_DISCONNECT)                                                                         |          |
| <b>PCO Type:</b>          | SAP0_3                                                                                                            |          |
| <b>Comments:</b>          | The ASP is used to request the transmission of the CC DISCONNECT message using acknowledged operation (L3 -> L2). |          |
| Parameter Name            | Parameter Type                                                                                                    | Comments |
| sapi                      | SAPID                                                                                                             |          |
| logic_ch                  | LOGICCH                                                                                                           |          |
| msg                       | DISC_PDU                                                                                                          |          |
| <b>Detailed Comments:</b> |                                                                                                                   |          |

| ASP Type Definition       |                                                                                                                   |          |
|---------------------------|-------------------------------------------------------------------------------------------------------------------|----------|
| <b>ASP Name:</b>          | DL_DatRqDiscErr (DL_DATA_REQUEST_DISCONNECT_ERR)                                                                  |          |
| <b>PCO Type:</b>          | SAP0_3                                                                                                            |          |
| <b>Comments:</b>          | The ASP is used to request the transmission of the CC DISCONNECT message using acknowledged operation (L3 -> L2). |          |
| Parameter Name            | Parameter Type                                                                                                    | Comments |
| sapi                      | SAPID                                                                                                             |          |
| logic_ch                  | LOGICCH                                                                                                           |          |
| msg                       | DISC_PDU_ERR                                                                                                      |          |
| <b>Detailed Comments:</b> |                                                                                                                   |          |

| ASP Type Definition       |                                                                                                               |          |
|---------------------------|---------------------------------------------------------------------------------------------------------------|----------|
| <b>ASP Name:</b>          | DL_DatInDisc (DL_DATA_INDICATION_DISCONNECT)                                                                  |          |
| <b>PCO Type:</b>          | SAP0_3                                                                                                        |          |
| <b>Comments:</b>          | The ASP is used to indicate the receipt of the CC DISCONNECT message using acknowledged operation (L2 -> L3). |          |
| Parameter Name            | Parameter Type                                                                                                | Comments |
| sapi                      | SAPID                                                                                                         |          |
| logic_ch                  | LOGICCH                                                                                                       |          |
| msg                       | DISC_PDU                                                                                                      |          |
| fn                        | FN                                                                                                            |          |
| <b>Detailed Comments:</b> |                                                                                                               |          |

| ASP Type Definition       |                                                                                                                    |          |
|---------------------------|--------------------------------------------------------------------------------------------------------------------|----------|
| <b>ASP Name:</b>          | DL_DatInESetup (DL_DATA_INDICATION_EMERGENCY_SETUP)                                                                |          |
| <b>PCO Type:</b>          | SAP0_3                                                                                                             |          |
| <b>Comments:</b>          | The ASP is used to indicate the receipt of the CC EMERGENCY_SETUP message using acknowledged operation (L2 -> L3). |          |
| Parameter Name            | Parameter Type                                                                                                     | Comments |
| sapi                      | SAPID                                                                                                              |          |
| logic_ch                  | LOGICCH                                                                                                            |          |
| msg                       | ESETUP_PDU                                                                                                         |          |
| fn                        | FN                                                                                                                 |          |
| <b>Detailed Comments:</b> |                                                                                                                    |          |

| ASP Type Definition       |                                                                                                                 |          |
|---------------------------|-----------------------------------------------------------------------------------------------------------------|----------|
| <b>ASP Name:</b>          | DL_DatRqFac (DL_DATA_REQUEST_FACILITY)                                                                          |          |
| <b>PCO Type:</b>          | SAP0_3                                                                                                          |          |
| <b>Comments:</b>          | The ASP is used to request the transmission of the CC FACILITY message using acknowledged operation (L3 -> L2). |          |
| Parameter Name            | Parameter Type                                                                                                  | Comments |
| sapi                      | SAPID                                                                                                           |          |
| logic_ch                  | LOGICCH                                                                                                         |          |
| msg                       | FAC_PDU                                                                                                         |          |
| <b>Detailed Comments:</b> |                                                                                                                 |          |

| ASP Type Definition       |                                                                                                             |          |
|---------------------------|-------------------------------------------------------------------------------------------------------------|----------|
| <b>ASP Name:</b>          | DL_DatInFac (DL_DATA_INDICATION_FACILITY)                                                                   |          |
| <b>PCO Type:</b>          | SAP0_3                                                                                                      |          |
| <b>Comments:</b>          | The ASP is used to indicate the receipt of the CC FACILITY message using acknowledged operation (L2 -> L3). |          |
| Parameter Name            | Parameter Type                                                                                              | Comments |
| sapi                      | SAPID                                                                                                       |          |
| logic_ch                  | LOGICCH                                                                                                     |          |
| msg                       | FAC_PDU                                                                                                     |          |
| fn                        | FN                                                                                                          |          |
| <b>Detailed Comments:</b> |                                                                                                             |          |

| ASP Type Definition       |                                                                                                         |          |
|---------------------------|---------------------------------------------------------------------------------------------------------|----------|
| <b>ASP Name:</b>          | DL_DatInHold (DL_DATA_INDICATION_HOLD)                                                                  |          |
| <b>PCO Type:</b>          | SAP0_3                                                                                                  |          |
| <b>Comments:</b>          | The ASP is used to indicate the receipt of the CC HOLD message using acknowledged operation (L2 -> L3). |          |
| Parameter Name            | Parameter Type                                                                                          | Comments |
| sapi                      | SAPID                                                                                                   |          |
| logic_ch                  | LOGICCH                                                                                                 |          |
| msg                       | HOLD_PDU                                                                                                |          |
| fn                        | FN                                                                                                      |          |
| <b>Detailed Comments:</b> |                                                                                                         |          |

| ASP Type Definition       |                                                                                                                         |          |
|---------------------------|-------------------------------------------------------------------------------------------------------------------------|----------|
| <b>ASP Name:</b>          | DL_DatRqHoldAck (DL_DATA_REQUEST_HOLD_ACKNOWLEDGE)                                                                      |          |
| <b>PCO Type:</b>          | SAP0_3                                                                                                                  |          |
| <b>Comments:</b>          | The ASP is used to request the transmission of the CC HOLD ACKNOWLEDGE message using acknowledged operation (L3 -> L2). |          |
| Parameter Name            | Parameter Type                                                                                                          | Comments |
| sapi                      | SAPID                                                                                                                   |          |
| logic_ch                  | LOGICCH                                                                                                                 |          |
| msg                       | HOLD_ACK_PDU                                                                                                            |          |
| <b>Detailed Comments:</b> |                                                                                                                         |          |

| ASP Type Definition       |                                                                                                               |          |
|---------------------------|---------------------------------------------------------------------------------------------------------------|----------|
| <b>ASP Name:</b>          | DL_DatRqModify (DL_DATA_REQUEST_MODIFY)                                                                       |          |
| <b>PCO Type:</b>          | SAP0_3                                                                                                        |          |
| <b>Comments:</b>          | The ASP is used to request the transmission of the CC MODIFY message using acknowledged operation (L3 -> L2). |          |
| Parameter Name            | Parameter Type                                                                                                | Comments |
| sapi                      | SAPID                                                                                                         |          |
| logic_ch                  | LOGICCH                                                                                                       |          |
| msg                       | MODIFY_PDU                                                                                                    |          |
| <b>Detailed Comments:</b> |                                                                                                               |          |

| ASP Type Definition       |                                                                                                           |          |
|---------------------------|-----------------------------------------------------------------------------------------------------------|----------|
| <b>ASP Name:</b>          | DL_DatInModify (DL_DATA_INDICATION_MODIFY)                                                                |          |
| <b>PCO Type:</b>          | SAP0_3                                                                                                    |          |
| <b>Comments:</b>          | The ASP is used to indicate the receipt of the CC MODIFY message using acknowledged operation (L2 -> L3). |          |
| Parameter Name            | Parameter Type                                                                                            | Comments |
| sapi                      | SAPID                                                                                                     |          |
| logic_ch                  | LOGICCH                                                                                                   |          |
| msg                       | MODIFY_PDU                                                                                                |          |
| fn                        | FN                                                                                                        |          |
| <b>Detailed Comments:</b> |                                                                                                           |          |

| ASP Type Definition       |                                                                                                                        |          |
|---------------------------|------------------------------------------------------------------------------------------------------------------------|----------|
| <b>ASP Name:</b>          | DL_DatRqModifyCom (DL_DATA_REQUEST_MODIFY_COMPLETE)                                                                    |          |
| <b>PCO Type:</b>          | SAP0_3                                                                                                                 |          |
| <b>Comments:</b>          | The ASP is used to request the transmission of the CC MODIFY COMPLETE message using acknowledged operation (L3 -> L2). |          |
| Parameter Name            | Parameter Type                                                                                                         | Comments |
| sapi                      | SAPID                                                                                                                  |          |
| logic_ch                  | LOGICCH                                                                                                                |          |
| msg                       | MODIFY_COM_PDU                                                                                                         |          |
| <b>Detailed Comments:</b> |                                                                                                                        |          |

| ASP Type Definition       |                                                                                                                      |          |
|---------------------------|----------------------------------------------------------------------------------------------------------------------|----------|
| <b>ASP Name:</b>          | DL_DatRqModifyRej (DL_DATA_REQUEST_MODIFY_REJECT)                                                                    |          |
| <b>PCO Type:</b>          | SAP0_3                                                                                                               |          |
| <b>Comments:</b>          | The ASP is used to request the transmission of the CC MODIFY REJECT message using acknowledged operation (L3 -> L2). |          |
| Parameter Name            | Parameter Type                                                                                                       | Comments |
| sapi                      | SAPID                                                                                                                |          |
| logic_ch                  | LOGICCH                                                                                                              |          |
| msg                       | MODIFY_REJ_PDU                                                                                                       |          |
| <b>Detailed Comments:</b> |                                                                                                                      |          |

| ASP Type Definition       |                                                                                                                  |          |
|---------------------------|------------------------------------------------------------------------------------------------------------------|----------|
| <b>ASP Name:</b>          | DL_DatInModifyRej (DL_DATA_INDICATION_MODIFY_REJECT)                                                             |          |
| <b>PCO Type:</b>          | SAP0_3                                                                                                           |          |
| <b>Comments:</b>          | The ASP is used to indicate the receipt of the CC MODIFY REJECT message using acknowledged operation (L2 -> L3). |          |
| Parameter Name            | Parameter Type                                                                                                   | Comments |
| sapi                      | SAPID                                                                                                            |          |
| logic_ch                  | LOGICCH                                                                                                          |          |
| msg                       | MODIFY_REJ_PDU                                                                                                   |          |
| fn                        | FN                                                                                                               |          |
| <b>Detailed Comments:</b> |                                                                                                                  |          |

| ASP Type Definition       |                                                                                                               |          |
|---------------------------|---------------------------------------------------------------------------------------------------------------|----------|
| <b>ASP Name:</b>          | DL_DatRqNotify (DL_DATA_REQUEST_NOTIFY)                                                                       |          |
| <b>PCO Type:</b>          | SAP0_3                                                                                                        |          |
| <b>Comments:</b>          | The ASP is used to request the transmission of the CC NOTIFY message using acknowledged operation (L3 -> L2). |          |
| Parameter Name            | Parameter Type                                                                                                | Comments |
| sapi                      | SAPID                                                                                                         |          |
| logic_ch                  | LOGICCH                                                                                                       |          |
| msg                       | NOTIFY_PDU                                                                                                    |          |
| <b>Detailed Comments:</b> |                                                                                                               |          |

| ASP Type Definition       |                                                                                                                 |          |
|---------------------------|-----------------------------------------------------------------------------------------------------------------|----------|
| <b>ASP Name:</b>          | DL_DatRqProg (DL_DATA_REQUEST_PROGRESS)                                                                         |          |
| <b>PCO Type:</b>          | SAP0_3                                                                                                          |          |
| <b>Comments:</b>          | The ASP is used to request the transmission of the CC PROGRESS message using acknowledged operation (L3 -> L2). |          |
| Parameter Name            | Parameter Type                                                                                                  | Comments |
| sapi                      | SAPID                                                                                                           |          |
| logic_ch                  | LOGICCH                                                                                                         |          |
| msg                       | PROG_PDU                                                                                                        |          |
| <b>Detailed Comments:</b> |                                                                                                                 |          |

| ASP Type Definition       |                                                                                                                 |          |
|---------------------------|-----------------------------------------------------------------------------------------------------------------|----------|
| <b>ASP Name:</b>          | DL_DatRqRegister (DL_DATA_REQUEST_REGISTER)                                                                     |          |
| <b>PCO Type:</b>          | SAP0_3                                                                                                          |          |
| <b>Comments:</b>          | The ASP is used to request the transmission of the SS REGISTER message using acknowledged operation (L3 -> L2). |          |
| Parameter Name            | Parameter Type                                                                                                  | Comments |
| sapi                      | SAPID                                                                                                           |          |
| logic_ch                  | LOGICCH                                                                                                         |          |
| msg                       | REGISTER_PDU                                                                                                    |          |
| <b>Detailed Comments:</b> |                                                                                                                 |          |

| ASP Type Definition       |                                                                                                      |          |
|---------------------------|------------------------------------------------------------------------------------------------------|----------|
| <b>ASP Name:</b>          | DL_DatInRegister (DL_DATA_INDICATION_REGISTER)                                                       |          |
| <b>PCO Type:</b>          | SAP0_3                                                                                               |          |
| <b>Comments:</b>          | The ASP is used to receive the transmission of the SS REGISTER message using acknowledged operation. |          |
| Parameter Name            | Parameter Type                                                                                       | Comments |
| sapi                      | SAPID                                                                                                |          |
| logic_ch                  | LOGICCH                                                                                              |          |
| msg                       | REGISTER_PDU                                                                                         |          |
| fn                        | FN                                                                                                   |          |
| <b>Detailed Comments:</b> |                                                                                                      |          |

| ASP Type Definition       |                                                                                                                |          |
|---------------------------|----------------------------------------------------------------------------------------------------------------|----------|
| <b>ASP Name:</b>          | DL_DatRqRel (DL_DATA_REQUEST_RELEASE)                                                                          |          |
| <b>PCO Type:</b>          | SAP0_3                                                                                                         |          |
| <b>Comments:</b>          | The ASP is used to request the transmission of the CC RELEASE message using acknowledged operation (L3 -> L2). |          |
| Parameter Name            | Parameter Type                                                                                                 | Comments |
| sapi                      | SAPID                                                                                                          |          |
| logic_ch                  | LOGICCH                                                                                                        |          |
| msg                       | REL_PDU                                                                                                        |          |
| <b>Detailed Comments:</b> |                                                                                                                |          |

| ASP Type Definition       |                                                                                                            |          |
|---------------------------|------------------------------------------------------------------------------------------------------------|----------|
| <b>ASP Name:</b>          | DL_DatInRel (DL_DATA_INDICATION_RELEASE)                                                                   |          |
| <b>PCO Type:</b>          | SAP0_3                                                                                                     |          |
| <b>Comments:</b>          | The ASP is used to indicate the receipt of the CC RELEASE message using acknowledged operation (L2 -> L3). |          |
| Parameter Name            | Parameter Type                                                                                             | Comments |
| sapi                      | SAPID                                                                                                      |          |
| logic_ch                  | LOGICCH                                                                                                    |          |
| msg                       | REL_PDU                                                                                                    |          |
| fn                        | FN                                                                                                         |          |
| <b>Detailed Comments:</b> |                                                                                                            |          |

| ASP Type Definition       |                                                                                                                         |          |
|---------------------------|-------------------------------------------------------------------------------------------------------------------------|----------|
| <b>ASP Name:</b>          | DL_DatRqRelCmp (DL_DATA_REQUEST_RELEASE_COMPLETE)                                                                       |          |
| <b>PCO Type:</b>          | SAP0_3                                                                                                                  |          |
| <b>Comments:</b>          | The ASP is used to request the transmission of the CC RELEASE COMPLETE message using acknowledged operation (L3 -> L2). |          |
| Parameter Name            | Parameter Type                                                                                                          | Comments |
| sapi                      | SAPID                                                                                                                   |          |
| logic_ch                  | LOGICCH                                                                                                                 |          |
| msg                       | REL_COM_PDU                                                                                                             |          |
| <b>Detailed Comments:</b> |                                                                                                                         |          |

| ASP Type Definition       |                                                                                                                     |          |
|---------------------------|---------------------------------------------------------------------------------------------------------------------|----------|
| <b>ASP Name:</b>          | DL_DatInRelCmp (DL_DATA_INDICATION_RELEASE_COMPLETE)                                                                |          |
| <b>PCO Type:</b>          | SAP0_3                                                                                                              |          |
| <b>Comments:</b>          | The ASP is used to indicate the receipt of the CC RELEASE COMPLETE message using acknowledged operation (L2 -> L3). |          |
| Parameter Name            | Parameter Type                                                                                                      | Comments |
| sapi                      | SAPID                                                                                                               |          |
| logic_ch                  | LOGICCH                                                                                                             |          |
| msg                       | REL_COM_PDU                                                                                                         |          |
| fn                        | FN                                                                                                                  |          |
| <b>Detailed Comments:</b> |                                                                                                                     |          |

| ASP Type Definition       |                                                                                                              |          |
|---------------------------|--------------------------------------------------------------------------------------------------------------|----------|
| <b>ASP Name:</b>          | DL_DatRqSetup (DL_DATA_REQUEST_SETUP)                                                                        |          |
| <b>PCO Type:</b>          | SAP0_3                                                                                                       |          |
| <b>Comments:</b>          | The ASP is used to request the transmission of the CC SETUP message using acknowledged operation (L3 -> L2). |          |
| Parameter Name            | Parameter Type                                                                                               | Comments |
| sapi                      | SAPID                                                                                                        |          |
| logic_ch                  | LOGICCH                                                                                                      |          |
| msg                       | SETUP_MT_PDU                                                                                                 |          |
| <b>Detailed Comments:</b> |                                                                                                              |          |

| ASP Type Definition       |                                                                                                          |          |
|---------------------------|----------------------------------------------------------------------------------------------------------|----------|
| <b>ASP Name:</b>          | DL_DatInSetup (DL_DATA_INDICATION_SETUP)                                                                 |          |
| <b>PCO Type:</b>          | SAP0_3                                                                                                   |          |
| <b>Comments:</b>          | The ASP is used to indicate the receipt of the CC SETUP message using acknowledged operation (L2 -> L3). |          |
| Parameter Name            | Parameter Type                                                                                           | Comments |
| sapi                      | SAPID                                                                                                    |          |
| logic_ch                  | LOGICCH                                                                                                  |          |
| msg                       | SETUP_MO_PDU                                                                                             |          |
| fn                        | FN                                                                                                       |          |
| <b>Detailed Comments:</b> |                                                                                                          |          |

| ASP Type Definition       |                                                                                                               |          |
|---------------------------|---------------------------------------------------------------------------------------------------------------|----------|
| <b>ASP Name:</b>          | DL_DatInStartDtmf (DL_DATA_INDICATION_START_DTMF)                                                             |          |
| <b>PCO Type:</b>          | SAP0_3                                                                                                        |          |
| <b>Comments:</b>          | The ASP is used to indicate the receipt of the CC START_DTMF message using acknowledged operation (L2 -> L3). |          |
| Parameter Name            | Parameter Type                                                                                                | Comments |
| sapi                      | SAPID                                                                                                         |          |
| logic_ch                  | LOGICCH                                                                                                       |          |
| msg                       | START_DTMF_PDU                                                                                                |          |
| fn                        | FN                                                                                                            |          |
| <b>Detailed Comments:</b> |                                                                                                               |          |



| ASP Type Definition       |                                                                                                                               |          |
|---------------------------|-------------------------------------------------------------------------------------------------------------------------------|----------|
| <b>ASP Name:</b>          | DL_DatRqStartDtmfAck (DL_DATA_REQUEST_START_DTMF_ACKNOWLEDGE)                                                                 |          |
| <b>PCO Type:</b>          | SAP0_3                                                                                                                        |          |
| <b>Comments:</b>          | The ASP is used to request the transmission of the CC START DTMF ACKNOWLEDGE message using acknowledged operation (L3 -> L2). |          |
| Parameter Name            | Parameter Type                                                                                                                | Comments |
| sapi                      | SAPID                                                                                                                         |          |
| logic_ch                  | LOGICCH                                                                                                                       |          |
| msg                       | START_DTMF_ACK_PDU                                                                                                            |          |
| <b>Detailed Comments:</b> |                                                                                                                               |          |

| ASP Type Definition       |                                                                                                                         |          |
|---------------------------|-------------------------------------------------------------------------------------------------------------------------|----------|
| <b>ASP Name:</b>          | DL_DatRqStartDtmfRej (DL_DATA_REQUEST_START_DTMF_REJCT)                                                                 |          |
| <b>PCO Type:</b>          | SAP0_3                                                                                                                  |          |
| <b>Comments:</b>          | The ASP is used to request the transmission of the CC START DTMF REJCT message using acknowledged operation (L3 -> L2). |          |
| Parameter Name            | Parameter Type                                                                                                          | Comments |
| sapi                      | SAPID                                                                                                                   |          |
| logic_ch                  | LOGICCH                                                                                                                 |          |
| msg                       | START_DTMF_REJ_PDU                                                                                                      |          |
| <b>Detailed Comments:</b> |                                                                                                                         |          |

| ASP Type Definition       |                                                                                                              |          |
|---------------------------|--------------------------------------------------------------------------------------------------------------|----------|
| <b>ASP Name:</b>          | DL_DatInStopDtmf (DL_DATA_INDICATION_STOP_DTMF)                                                              |          |
| <b>PCO Type:</b>          | SAP0_3                                                                                                       |          |
| <b>Comments:</b>          | The ASP is used to indicate the receipt of the CC STOP_DTMF message using acknowledged operation (L2 -> L3). |          |
| Parameter Name            | Parameter Type                                                                                               | Comments |
| sapi                      | SAPID                                                                                                        |          |
| logic_ch                  | LOGICCH                                                                                                      |          |
| msg                       | STOP_DTMF_PDU                                                                                                |          |
| fn                        | FN                                                                                                           |          |
| <b>Detailed Comments:</b> |                                                                                                              |          |

| ASP Type Definition       |                                                                                                                              |          |
|---------------------------|------------------------------------------------------------------------------------------------------------------------------|----------|
| <b>ASP Name:</b>          | DL_DatRqStopDtmfAck (DL_DATA_REQUEST_STOP_DTMF_ACKNOWLEDGE)                                                                  |          |
| <b>PCO Type:</b>          | SAP0_3                                                                                                                       |          |
| <b>Comments:</b>          | The ASP is used to request the transmission of the CC STOP DTMF ACKNOWLEDGE message using acknowledged operation (L3 -> L2). |          |
| Parameter Name            | Parameter Type                                                                                                               | Comments |
| sapi                      | SAPID                                                                                                                        |          |
| logic_ch                  | LOGICCH                                                                                                                      |          |
| msg                       | STOP_DTMF_ACK_PDU                                                                                                            |          |
| <b>Detailed Comments:</b> |                                                                                                                              |          |

| ASP Type Definition       |                                                                                                               |          |
|---------------------------|---------------------------------------------------------------------------------------------------------------|----------|
| <b>ASP Name:</b>          | DL_DatRqCcst (DL_DATA_REQUEST_CC_STATUS)                                                                      |          |
| <b>PCO Type:</b>          | SAP0_3                                                                                                        |          |
| <b>Comments:</b>          | The ASP is used to request the transmission of the CC STATUS message using acknowledged operation (L3 -> L2). |          |
| Parameter Name            | Parameter Type                                                                                                | Comments |
| sapi                      | SAPID                                                                                                         |          |
| logic_ch                  | LOGICCH                                                                                                       |          |
| msg                       | CCST_PDU                                                                                                      |          |
| <b>Detailed Comments:</b> |                                                                                                               |          |

| ASP Type Definition       |                                                                                                           |          |
|---------------------------|-----------------------------------------------------------------------------------------------------------|----------|
| <b>ASP Name:</b>          | DL_DatInCcst (DL_DATA_INDICATION_CC_STATUS)                                                               |          |
| <b>PCO Type:</b>          | SAP0_3                                                                                                    |          |
| <b>Comments:</b>          | The ASP is used to indicate the receipt of the CC STATUS message using acknowledged operation (L2 -> L3). |          |
| Parameter Name            | Parameter Type                                                                                            | Comments |
| sapi                      | SAPID                                                                                                     |          |
| logic_ch                  | LOGICCH                                                                                                   |          |
| msg                       | CCST_PDU                                                                                                  |          |
| fn                        | FN                                                                                                        |          |
| <b>Detailed Comments:</b> |                                                                                                           |          |

| ASP Type Definition       |                                                                                                                   |          |
|---------------------------|-------------------------------------------------------------------------------------------------------------------|----------|
| <b>ASP Name:</b>          | DL_DatRqCcstEnq (DL_DATA_REQUEST_CC_STATUS_ENQ)                                                                   |          |
| <b>PCO Type:</b>          | SAP0_3                                                                                                            |          |
| <b>Comments:</b>          | The ASP is used to request the transmission of the CC STATUS_ENQ message using acknowledged operation (L3 -> L2). |          |
| Parameter Name            | Parameter Type                                                                                                    | Comments |
| sapi                      | SAPID                                                                                                             |          |
| logic_ch                  | LOGICCH                                                                                                           |          |
| msg                       | CCST_ENQ_PDU                                                                                                      |          |
| <b>Detailed Comments:</b> |                                                                                                                   |          |

| ASP Type Definition       |                                                                                  |          |
|---------------------------|----------------------------------------------------------------------------------|----------|
| <b>ASP Name:</b>          | DL_DatRqUndefCC (DL_DATA_REQUEST)                                                |          |
| <b>PCO Type:</b>          | SAP0_3                                                                           |          |
| <b>Comments:</b>          | The ASP is used to transmit any message using acknowledged operation (L3 -> L2). |          |
| Parameter Name            | Parameter Type                                                                   | Comments |
| sapi                      | SAPID                                                                            |          |
| logic_ch                  | LOGICCH                                                                          |          |
| msg                       | CONN_PDU                                                                         |          |
| <b>Detailed Comments:</b> |                                                                                  |          |

| ASP Type Definition       |                                                                                  |          |
|---------------------------|----------------------------------------------------------------------------------|----------|
| <b>ASP Name:</b>          | DL_DatRqUndefMM (DL_DATA_REQUEST)                                                |          |
| <b>PCO Type:</b>          | SAP0_3                                                                           |          |
| <b>Comments:</b>          | The ASP is used to transmit any message using acknowledged operation (L3 -> L2). |          |
| Parameter Name            | Parameter Type                                                                   | Comments |
| sapi                      | SAPID                                                                            |          |
| logic_ch                  | LOGICCH                                                                          |          |
| msg                       | ID_RES_PDU                                                                       |          |
| <b>Detailed Comments:</b> |                                                                                  |          |

| ASP Type Definition       |                                                                                  |          |
|---------------------------|----------------------------------------------------------------------------------|----------|
| <b>ASP Name:</b>          | DL_DatRqUndefRR (DL_DATA_REQUEST)                                                |          |
| <b>PCO Type:</b>          | SAP0_3                                                                           |          |
| <b>Comments:</b>          | The ASP is used to transmit any message using acknowledged operation (L3 -> L2). |          |
| Parameter Name            | Parameter Type                                                                   | Comments |
| sapi                      | SAPID                                                                            |          |
| logic_ch                  | LOGICCH                                                                          |          |
| msg                       | PART_REL_PDU                                                                     |          |
| <b>Detailed Comments:</b> |                                                                                  |          |

| ASP Type Definition       |                                                                                  |          |
|---------------------------|----------------------------------------------------------------------------------|----------|
| <b>ASP Name:</b>          | DL_DatRqUnknown (DL_DATA_REQUEST)                                                |          |
| <b>PCO Type:</b>          | SAP0_3                                                                           |          |
| <b>Comments:</b>          | The ASP is used to transmit any message using acknowledged operation (L3 -> L2). |          |
| Parameter Name            | Parameter Type                                                                   | Comments |
| sapi                      | SAPID                                                                            |          |
| logic_ch                  | LOGICCH                                                                          |          |
| msg                       | CCST_ENQ_PDU                                                                     |          |
| <b>Detailed Comments:</b> |                                                                                  |          |

| ASP Type Definition       |                                                                                                                    |          |
|---------------------------|--------------------------------------------------------------------------------------------------------------------|----------|
| <b>ASP Name:</b>          | DL_DatInCpData (DL_DATA_INDICATION_CP_DATA)                                                                        |          |
| <b>PCO Type:</b>          | SAP0_3                                                                                                             |          |
| <b>Comments:</b>          | The ASP is used to indicate the receipt of the SMS CP DATA message using acknowledged operation (L2 -> L3) for MT. |          |
| Parameter Name            | Parameter Type                                                                                                     | Comments |
| sapi                      | SAPID                                                                                                              |          |
| logic_ch                  | LOGICCH                                                                                                            |          |
| msg                       | CP_DATA_PDU                                                                                                        |          |
| fn                        | FN                                                                                                                 |          |
| <b>Detailed Comments:</b> |                                                                                                                    |          |

| ASP Type Definition       |                                                                                                                        |          |
|---------------------------|------------------------------------------------------------------------------------------------------------------------|----------|
| <b>ASP Name:</b>          | DL_DatRqCpData (DL_DATA_REQUEST_CP_DATA)                                                                               |          |
| <b>PCO Type:</b>          | SAP0_3                                                                                                                 |          |
| <b>Comments:</b>          | The ASP is used to request the transmission of the SMS CP DATA message using acknowledged operation (L3 -> L2) for MO. |          |
| Parameter Name            | Parameter Type                                                                                                         | Comments |
| sapi                      | SAPID                                                                                                                  |          |
| logic_ch                  | LOGICCH                                                                                                                |          |
| msg                       | CP_DATA_PDU                                                                                                            |          |
| <b>Detailed Comments:</b> |                                                                                                                        |          |

| ASP Type Definition       |                                                                                                              |          |
|---------------------------|--------------------------------------------------------------------------------------------------------------|----------|
| <b>ASP Name:</b>          | DL_DatInCpDataAck (DL_DATA_INDICATION_CPDATA_ACKNOWLEDGE)                                                    |          |
| <b>PCO Type:</b>          | SAP0_3                                                                                                       |          |
| <b>Comments:</b>          | The ASP is used to indicate the receipt of the SMS CP DATA message using acknowledged operation (L2 -> L3) . |          |
| Parameter Name            | Parameter Type                                                                                               | Comments |
| sapi                      | SAPID                                                                                                        |          |
| logic_ch                  | LOGICCH                                                                                                      |          |
| msg                       | CPDATA_ACK_PDU                                                                                               |          |
| fn                        | FN                                                                                                           |          |
| <b>Detailed Comments:</b> |                                                                                                              |          |

| ASP Type Definition       |                                                                                                                         |          |
|---------------------------|-------------------------------------------------------------------------------------------------------------------------|----------|
| <b>ASP Name:</b>          | DL_DatRqCpDataAck (DL_DATA_REQUEST_CPDATA_ACKNOWLEDGE)                                                                  |          |
| <b>PCO Type:</b>          | SAP0_3                                                                                                                  |          |
| <b>Comments:</b>          | The ASP is used to request the transmission of the CP DATA ACKNOWLEDGE message using acknowledged operation (L3 -> L2). |          |
| Parameter Name            | Parameter Type                                                                                                          | Comments |
| sapi                      | SAPID                                                                                                                   |          |
| logic_ch                  | LOGICCH                                                                                                                 |          |
| msg                       | CPDATA_ACK_PDU                                                                                                          |          |
| <b>Detailed Comments:</b> |                                                                                                                         |          |

| ASP Type Definition       |                                                                                                                         |          |
|---------------------------|-------------------------------------------------------------------------------------------------------------------------|----------|
| <b>ASP Name:</b>          | DL_DatRqCpError (DL_DATA_REQUEST_CP_ERROR)                                                                              |          |
| <b>PCO Type:</b>          | SAP0_3                                                                                                                  |          |
| <b>Comments:</b>          | The ASP is used to request the transmission of the SMS CP ERROR message using acknowledged operation (L3 -> L2) for MO. |          |
| Parameter Name            | Parameter Type                                                                                                          | Comments |
| sapi                      | SAPID                                                                                                                   |          |
| logic_ch                  | LOGICCH                                                                                                                 |          |
| msg                       | CPERR_PDU                                                                                                               |          |
| <b>Detailed Comments:</b> |                                                                                                                         |          |

| ASP Type Definition       |                                                                                                                                                                          |          |
|---------------------------|--------------------------------------------------------------------------------------------------------------------------------------------------------------------------|----------|
| <b>ASP Name:</b>          | MDL_ReIRq (MDL_RELEASE_REQUEST)                                                                                                                                          |          |
| <b>PCO Type:</b>          | SAP0_3                                                                                                                                                                   |          |
| <b>Comments:</b>          | The ASP is used to request the local end termination of a previous established acknowledged mode operation (L3 -> L2). The local end termination procedure is initiated. |          |
| Parameter Name            | Parameter Type                                                                                                                                                           | Comments |
| sapi                      | SAPID                                                                                                                                                                    |          |
| logic_ch                  | LOGICCH                                                                                                                                                                  |          |
| release_mode              | RelMode                                                                                                                                                                  |          |
| <b>Detailed Comments:</b> |                                                                                                                                                                          |          |

### PDU type definitions

#### TTCN PDU Type definitions

| PDU Type Definition       |                                                    |          |
|---------------------------|----------------------------------------------------|----------|
| <b>PDU Name:</b>          | ASS_CMD_PDU                                        |          |
| <b>PCO Type:</b>          | SAP0_3                                             |          |
| <b>Comments:</b>          | RR ASSSIGNMENT COMMAND n -> ms<br>GSM 04.08, 9.1.2 |          |
| Field Name                | Field Type                                         | Comments |
| ski                       | SKI                                                |          |
| rrpd                      | PD                                                 |          |
| mt                        | MT                                                 |          |
| ch1d_at                   | CHD                                                |          |
| pcmd                      | PCMD                                               |          |
| frql_at                   | FRQL                                               |          |
| cchd                      | CCHD                                               |          |
| ch1mod                    | CHMOD                                              |          |
| ch2d_at                   | CHD                                                |          |
| ch2mod                    | CHMOD                                              |          |
| ma_at                     | MA                                                 |          |
| strt                      | STRT                                               |          |
| frql_bt                   | FRQL                                               |          |
| ch1d_bt                   | CHD                                                |          |
| ch2d_bt                   | CHD                                                |          |
| frqchs_bt                 | FRQCHS                                             |          |
| ma_bt                     | MA                                                 |          |
| cphms                     | CPHMS                                              |          |
| <b>Detailed Comments:</b> |                                                    |          |

| PDU Type Definition       |                                                    |          |
|---------------------------|----------------------------------------------------|----------|
| <b>PDU Name:</b>          | ASS_COM_PDU                                        |          |
| <b>PCO Type:</b>          | SAP0_3                                             |          |
| <b>Comments:</b>          | RR ASSIGNMENT COMPLETE ms -> n<br>GSM 04.08, 9.1.3 |          |
| Field Name                | Field Type                                         | Comments |
| ski                       | SKI                                                |          |
| rrpd                      | PD                                                 |          |
| mt                        | MT                                                 |          |
| rrcau                     | RRCAU                                              |          |
| <b>Detailed Comments:</b> |                                                    |          |

| PDU Type Definition       |                                                   |          |
|---------------------------|---------------------------------------------------|----------|
| <b>PDU Name:</b>          | ASSFL_PDU                                         |          |
| <b>PCO Type:</b>          | SAP0_3                                            |          |
| <b>Comments:</b>          | RR ASSIGNMENT FAILURE ms -> n<br>GSM 04.08, 9.1.4 |          |
| Field Name                | Field Type                                        | Comments |
| ski                       | SKI                                               |          |
| rrpd                      | PD                                                |          |
| mt                        | MT                                                |          |
| rrcau                     | RRCAU                                             |          |
| <b>Detailed Comments:</b> |                                                   |          |

| PDU Type Definition       |                                                    |          |
|---------------------------|----------------------------------------------------|----------|
| <b>PDU Name:</b>          | CHMMO_PDU                                          |          |
| <b>PCO Type:</b>          | SAP0_3                                             |          |
| <b>Comments:</b>          | RR CHANNEL MODE MODIFY n -> ms<br>GSM 04.08, 9.1.5 |          |
| Field Name                | Field Type                                         | Comments |
| ski                       | SKI                                                |          |
| rrpd                      | PD                                                 |          |
| mt                        | MT                                                 |          |
| chd                       | CHD                                                |          |
| chmod                     | CHMOD                                              |          |
| <b>Detailed Comments:</b> |                                                    |          |

| PDU Type Definition       |                                                                |          |
|---------------------------|----------------------------------------------------------------|----------|
| <b>PDU Name:</b>          | CHMMO_ACK_PDU                                                  |          |
| <b>PCO Type:</b>          | SAP0_3                                                         |          |
| <b>Comments:</b>          | RR CHANNEL MODE MODIFY ACKNOWLEDGE ms -> n<br>GSM 04.08, 9.1.6 |          |
| Field Name                | Field Type                                                     | Comments |
| ski                       | SKI                                                            |          |
| rrpd                      | PD                                                             |          |
| mt                        | MT                                                             |          |
| chd                       | CHD                                                            |          |
| chmod                     | CHMOD                                                          |          |
| <b>Detailed Comments:</b> |                                                                |          |

| PDU Type Definition       |                                                |          |
|---------------------------|------------------------------------------------|----------|
| <b>PDU Name:</b>          | CH_REL_PDU                                     |          |
| <b>PCO Type:</b>          | SAP0_3                                         |          |
| <b>Comments:</b>          | RR CHANNEL RELEASE n -> ms<br>GSM 04.08, 9.1.7 |          |
| Field Name                | Field Type                                     | Comments |
| ski                       | SKI                                            |          |
| rrpd                      | PD                                             |          |
| mt                        | MT                                             |          |
| rrcau                     | RRCAU                                          |          |
| <b>Detailed Comments:</b> |                                                |          |

| PDU Type Definition       |                                                                                 |          |
|---------------------------|---------------------------------------------------------------------------------|----------|
| <b>PDU Name:</b>          | CH_REL_PDU_ERR                                                                  |          |
| <b>PCO Type:</b>          | SAP0_3                                                                          |          |
| <b>Comments:</b>          | RR CHANNEL RELEASE containing additional unknown IE n -> ms<br>GSM 04.08, 9.1.7 |          |
| Field Name                | Field Type                                                                      | Comments |
| ski                       | SKI                                                                             |          |
| rrpd                      | PD                                                                              |          |
| mt                        | MT                                                                              |          |
| rrcau                     | RRCAU                                                                           |          |
| add                       | OCTETSTRING                                                                     |          |
| <b>Detailed Comments:</b> |                                                                                 |          |

| PDU Type Definition       |                                                |          |
|---------------------------|------------------------------------------------|----------|
| <b>PDU Name:</b>          | CH_RQ_PDU                                      |          |
| <b>PCO Type:</b>          | SAP0_3                                         |          |
| <b>Comments:</b>          | RR CHANNEL REQUEST ms -> n<br>GSM 04.08, 9.1.8 |          |
| Field Name                | Field Type                                     | Comments |
| ecau_rrf                  | BITSTRING [8]                                  |          |
| <b>Detailed Comments:</b> |                                                |          |

| PDU Type Definition       |                                                       |          |
|---------------------------|-------------------------------------------------------|----------|
| <b>PDU Name:</b>          | CPHM_CMD_PDU                                          |          |
| <b>PCO Type:</b>          | SAP0_3                                                |          |
| <b>Comments:</b>          | RR CIPHERING MODE COMMAND n -> ms<br>GSM 04.08, 9.1.9 |          |
| Field Name                | Field Type                                            | Comments |
| ski                       | SKI                                                   |          |
| rrpd                      | PD                                                    |          |
| mt                        | MT                                                    |          |
| cph_res                   | CPH_RES                                               |          |
| cphms                     | CPHMS                                                 |          |
| <b>Detailed Comments:</b> |                                                       |          |

| PDU Type Definition       |                                                                          |          |
|---------------------------|--------------------------------------------------------------------------|----------|
| <b>PDU Name:</b>          | CPHM_CMD_PDU_ERR                                                         |          |
| <b>PCO Type:</b>          | SAP0_3                                                                   |          |
| <b>Comments:</b>          | RR CIPHERING MODE COMMAND with additional unknown IE<br>GSM 04.08, 9.1.9 |          |
| Field Name                | Field Type                                                               | Comments |
| ski                       | SKI                                                                      |          |
| rrpd                      | PD                                                                       |          |
| mt                        | MT                                                                       |          |
| cph_res                   | CPH_RES                                                                  |          |
| cphms                     | CPHMS                                                                    |          |
| add                       | OCTETSTRING                                                              |          |
| <b>Detailed Comments:</b> |                                                                          |          |

| PDU Type Definition       |                                                         |          |
|---------------------------|---------------------------------------------------------|----------|
| <b>PDU Name:</b>          | CPHM_COM_PDU                                            |          |
| <b>PCO Type:</b>          | SAP0_3                                                  |          |
| <b>Comments:</b>          | RR CIPHERING MODE COMPLETE ms -> n<br>GSM 04.08, 9.1.10 |          |
| Field Name                | Field Type                                              | Comments |
| ski                       | SKI                                                     |          |
| rrpd                      | PD                                                      |          |
| mt                        | MT                                                      |          |
| mei                       | MI                                                      |          |
| <b>Detailed Comments:</b> |                                                         |          |

| PDU Type Definition       |                                                  |          |
|---------------------------|--------------------------------------------------|----------|
| <b>PDU Name:</b>          | CLM_CHN_PDU                                      |          |
| <b>PCO Type:</b>          | SAP0_3                                           |          |
| <b>Comments:</b>          | RR CLASSMARK CHANGE ms -> n<br>GSM 04.08, 9.1.11 |          |
| Field Name                | Field Type                                       | Comments |
| ski                       | SKI                                              |          |
| rrpd                      | PD                                               |          |
| mt                        | MT                                               |          |
| msclm                     | MSCLM2                                           |          |
| msclm_adi                 | MSCLM3                                           |          |
| <b>Detailed Comments:</b> |                                                  |          |

| PDU Type Definition       |                                                   |          |
|---------------------------|---------------------------------------------------|----------|
| <b>PDU Name:</b>          | CLM_ENQ_PDU                                       |          |
| <b>PCO Type:</b>          | SAP0_3                                            |          |
| <b>Comments:</b>          | RR CLASSMARK ENQUIRY n -> ms<br>GSM 04.08, 9.1.12 |          |
| Field Name                | Field Type                                        | Comments |
| ski                       | SKI                                               |          |
| rrpd                      | PD                                                |          |
| mt                        | MT                                                |          |
| <b>Detailed Comments:</b> |                                                   |          |

| PDU Type Definition       |                                                         |          |
|---------------------------|---------------------------------------------------------|----------|
| <b>PDU Name:</b>          | FRQRE_PDU                                               |          |
| <b>PCO Type:</b>          | SAP0_3                                                  |          |
| <b>Comments:</b>          | RR FREQUENCY REDEFINITIONY n -> ms<br>GSM 04.08, 9.1.13 |          |
| Field Name                | Field Type                                              | Comments |
| ski                       | SKI                                                     |          |
| rrpd                      | PD                                                      |          |
| mt                        | MT                                                      |          |
| chd                       | CHD                                                     |          |
| ma                        | MA                                                      |          |
| strt                      | STRT                                                    |          |
| cchd                      | CCHD                                                    |          |
| <b>Detailed Comments:</b> |                                                         |          |

| PDU Type Definition       |                                                 |          |
|---------------------------|-------------------------------------------------|----------|
| <b>PDU Name:</b>          | HOACC_PDU                                       |          |
| <b>PCO Type:</b>          | SAP0_3                                          |          |
| <b>Comments:</b>          | RR HANDOVER ACCESS ms -> n<br>GSM 04.08, 9.1.14 |          |
| Field Name                | Field Type                                      | Comments |
| horf                      | HORF                                            |          |
| <b>Detailed Comments:</b> |                                                 |          |

| PDU Type Definition       |                                                  |          |
|---------------------------|--------------------------------------------------|----------|
| <b>PDU Name:</b>          | HO_CMD_PDU                                       |          |
| <b>PCO Type:</b>          | SAP0_3                                           |          |
| <b>Comments:</b>          | RR HANDOVER COMMAND n -> ms<br>GSM 04.08, 9.1.15 |          |
| Field Name                | Field Type                                       | Comments |
| ski                       | SKI                                              |          |
| rrpd                      | PD                                               |          |
| mt                        | MT                                               |          |
| cd                        | CD                                               |          |
| ch1d_at                   | CHD                                              |          |
| horf                      | HORF                                             |          |
| pcmd                      | PCMD                                             |          |
| synchi                    | SYNCHI                                           |          |
| frqsl_at                  | FRQL                                             |          |
| frql_at                   | FRQL                                             |          |
| cchd                      | CCHD                                             |          |
| ch1mod                    | CHMOD                                            |          |
| ch2d_at                   | CHD                                              |          |
| ch2mod                    | CHMOD                                            |          |
| frqchs_at                 | FRQCHS                                           |          |
| ma_at                     | MA                                               |          |
| strt                      | STRT                                             |          |
| rtdif                     | TDIF                                             |          |
| ta                        | TA                                               |          |
| frqsl_bt                  | FRQL                                             |          |
| frql_bt                   | FRQL                                             |          |
| ch1d_bt                   | CHD                                              |          |
| ch2d_bt                   | CHD                                              |          |
| frqchs_bt                 | FRQCHS                                           |          |
| ma_bt                     | MA                                               |          |
| cphms                     | CPHMS                                            |          |
| <b>Detailed Comments:</b> |                                                  |          |



| PDU Type Definition       |                                                   |          |
|---------------------------|---------------------------------------------------|----------|
| <b>PDU Name:</b>          | HO_COM_PDU                                        |          |
| <b>PCO Type:</b>          | SAP0_3                                            |          |
| <b>Comments:</b>          | RR HANDOVER COMPLETE ms -> n<br>GSM 04.08, 9.1.16 |          |
| Field Name                | Field Type                                        | Comments |
| ski                       | SKI                                               |          |
| rrpd                      | PD                                                |          |
| mt                        | MT                                                |          |
| rrcau                     | RRCAU                                             |          |
| motdif                    | MTDIF                                             |          |
| <b>Detailed Comments:</b> |                                                   |          |

| PDU Type Definition       |                                                  |          |
|---------------------------|--------------------------------------------------|----------|
| <b>PDU Name:</b>          | HOFL_PDU                                         |          |
| <b>PCO Type:</b>          | SAP0_3                                           |          |
| <b>Comments:</b>          | RR HANDOVER FAILURE ms -> n<br>GSM 04.08, 9.1.17 |          |
| Field Name                | Field Type                                       | Comments |
| ski                       | SKI                                              |          |
| rrpd                      | PD                                               |          |
| mt                        | MT                                               |          |
| rrcau                     | RRCAU                                            |          |
| <b>Detailed Comments:</b> |                                                  |          |

| PDU Type Definition       |                                                      |          |
|---------------------------|------------------------------------------------------|----------|
| <b>PDU Name:</b>          | IMMASS_PDU                                           |          |
| <b>PCO Type:</b>          | SAP0_3                                               |          |
| <b>Comments:</b>          | RR IMMEDIATE ASSIGNMENT n -> ms<br>GSM 04.08, 9.1.18 |          |
| Field Name                | Field Type                                           | Comments |
| l2_pl                     | LENGTH                                               |          |
| ski                       | SKI                                                  |          |
| rrpd                      | PD                                                   |          |
| mt                        | MT                                                   |          |
| shoct                     | SHOCT                                                |          |
| pm                        | PM                                                   |          |
| chd                       | CHD                                                  |          |
| rqr                       | RQR                                                  |          |
| ta                        | TA                                                   |          |
| ma                        | MA                                                   |          |
| strt                      | STRT                                                 |          |
| iaroct                    | IARESTOCT                                            |          |
| <b>Detailed Comments:</b> | The message has a fixed length of 23 octets.         |          |

| PDU Type Definition       |                                                      |          |
|---------------------------|------------------------------------------------------|----------|
| <b>PDU Name:</b>          | IMMASSX_PDU                                          |          |
| <b>PCO Type:</b>          | SAP0_3                                               |          |
| <b>Comments:</b>          | RR IMMEDIATE ASSIGNMENT n -> ms<br>GSM 04.08, 9.1.19 |          |
| Field Name                | Field Type                                           | Comments |
| l2_pl                     | LENGTH                                               |          |
| ski                       | SKI                                                  |          |
| rrpd                      | PD                                                   |          |
| mt                        | MT                                                   |          |
| shoct                     | SHOCT                                                |          |
| pm                        | PM                                                   |          |
| chd1                      | CHD                                                  |          |
| rqr1                      | RQR                                                  |          |
| ta1                       | TA                                                   |          |
| chd2                      | CHD                                                  |          |
| rqr2                      | RQR                                                  |          |
| ta2                       | TA                                                   |          |
| ma                        | MA                                                   |          |
| strt                      | STRT                                                 |          |
| iaxroct                   | OCTETSTRING [1..4]                                   |          |
| <b>Detailed Comments:</b> | The message has a fixed length of 23 octets.         |          |

| PDU Type Definition       |                                                  |          |
|---------------------------|--------------------------------------------------|----------|
| <b>PDU Name:</b>          | IMMASS_REJ_PDU                                   |          |
| <b>PCO Type:</b>          | SAP0_3                                           |          |
| <b>Comments:</b>          | RR IMMEDIATE REJECT n -> ms<br>GSM 04.08, 9.1.20 |          |
| Field Name                | Field Type                                       | Comments |
| l2_pl                     | LENGTH                                           |          |
| ski                       | SKI                                              |          |
| rrpd                      | PD                                               |          |
| mt                        | MT                                               |          |
| shoct                     | SHOCT                                            |          |
| pm                        | PM                                               |          |
| rqr1                      | RQR                                              |          |
| wi1                       | WI                                               |          |
| rqr2                      | RQR                                              |          |
| wi2                       | WI                                               |          |
| rqr3                      | RQR                                              |          |
| wi3                       | WI                                               |          |
| rqr4                      | RQR                                              |          |
| wi4                       | WI                                               |          |
| iarroct                   | OCTETSTRING [3]                                  |          |
| <b>Detailed Comments:</b> | The message has a fixed length of 23 octets.     |          |

| PDU Type Definition       |                                                    |          |
|---------------------------|----------------------------------------------------|----------|
| <b>PDU Name:</b>          | MSR_RPT_PDU                                        |          |
| <b>PCO Type:</b>          | SAP0_3                                             |          |
| <b>Comments:</b>          | RR MEASUREMENT REPORT ms -> n<br>GSM 04.08, 9.1.21 |          |
| Field Name                | Field Type                                         | Comments |
| ski                       | SKI                                                |          |
| rrpd                      | PD                                                 |          |
| mt                        | MT                                                 |          |
| msrr                      | MSRR                                               |          |
| <b>Detailed Comments:</b> |                                                    |          |

| PDU Type Definition       |                                                      |          |
|---------------------------|------------------------------------------------------|----------|
| <b>PDU Name:</b>          | PG1_RQ_PDU                                           |          |
| <b>PCO Type:</b>          | SAP0_3                                               |          |
| <b>Comments:</b>          | RR PAGING REQUEST_TYPE1 n -> ms<br>GSM 04.08, 9.1.22 |          |
| Field Name                | Field Type                                           | Comments |
| l2_pl                     | LENGTH                                               |          |
| ski                       | SKI                                                  |          |
| rrpd                      | PD                                                   |          |
| mt                        | MT                                                   |          |
| chn_m1_2                  | CHNEED                                               |          |
| pm                        | PM                                                   |          |
| mi1                       | MI                                                   |          |
| mi2                       | MI                                                   |          |
| p1roct                    | OCTETSTRING [0..17]                                  |          |
| <b>Detailed Comments:</b> | The message has a fixed length of 23 octets.         |          |

| PDU Type Definition       |                                                      |          |
|---------------------------|------------------------------------------------------|----------|
| <b>PDU Name:</b>          | PG2_RQ_PDU                                           |          |
| <b>PCO Type:</b>          | SAP0_3                                               |          |
| <b>Comments:</b>          | RR PAGING REQUEST TYPE2 n -> ms<br>GSM 04.08, 9.1.23 |          |
| Field Name                | Field Type                                           | Comments |
| l2_pl                     | LENGTH                                               |          |
| ski                       | SKI                                                  |          |
| rrpd                      | PD                                                   |          |
| mt                        | MT                                                   |          |
| chn_m1_2                  | CHNEED                                               |          |
| pm                        | PM                                                   |          |
| mi1                       | TMSI                                                 |          |
| mi2                       | TMSI                                                 |          |
| mi3                       | MI                                                   |          |
| p2roct                    | OCTETSTRING [1..11]                                  |          |
| <b>Detailed Comments:</b> | The message has a fixed length of 23 octets.         |          |

| PDU Type Definition       |                                                                                   |          |
|---------------------------|-----------------------------------------------------------------------------------|----------|
| <b>PDU Name:</b>          | PG3_RQ_PDU                                                                        |          |
| <b>PCO Type:</b>          | SAP0_3                                                                            |          |
| <b>Comments:</b>          | RR PAGING REQUEST TYPE3 n -> ms<br>GSM 04.08, 9.1.24                              |          |
| Field Name                | Field Type                                                                        | Comments |
| l2_pl                     | LENGTH                                                                            |          |
| ski                       | SKI                                                                               |          |
| rrpd                      | PD                                                                                |          |
| mt                        | MT                                                                                |          |
| chn_m1_2                  | CHNEED                                                                            |          |
| pm                        | PM                                                                                |          |
| mi1                       | TMSI                                                                              |          |
| mi2                       | TMSI                                                                              |          |
| mi3                       | TMSI                                                                              |          |
| mi4                       | TMSI                                                                              |          |
| p3roct                    | OCTETSTRING [3]                                                                   |          |
| <b>Detailed Comments:</b> | The message has an L2 pseudo length of 19 octets and a total length of 23 octets. |          |

| PDU Type Definition       |                                                 |          |
|---------------------------|-------------------------------------------------|----------|
| <b>PDU Name:</b>          | PG_RES_PDU                                      |          |
| <b>PCO Type:</b>          | SAP0_3                                          |          |
| <b>Comments:</b>          | RR PAGING RESPONSE ms -> n<br>GSM 04.08, 9.1.25 |          |
| Field Name                | Field Type                                      | Comments |
| ski                       | SKI                                             |          |
| rrpd                      | PD                                              |          |
| mt                        | MT                                              |          |
| shoct                     | SHOCT                                           |          |
| cphksn                    | CPHKS                                           |          |
| msclm                     | MSCLM2                                          |          |
| mi                        | MI                                              |          |
| <b>Detailed Comments:</b> |                                                 |          |

| PDU Type Definition       |                                                 |          |
|---------------------------|-------------------------------------------------|----------|
| <b>PDU Name:</b>          | PART_REL_PDU                                    |          |
| <b>PCO Type:</b>          | SAP0_3                                          |          |
| <b>Comments:</b>          | RR PARTIAL RELEASE n -> ms<br>GSM 04.08, 9.1.26 |          |
| Field Name                | Field Type                                      | Comments |
| ski                       | SKI                                             |          |
| rrpd                      | PD                                              |          |
| mt                        | MT                                              |          |
| chd                       | MAC                                             |          |
| <b>Detailed Comments:</b> |                                                 |          |

| PDU Type Definition       |                                                            |          |
|---------------------------|------------------------------------------------------------|----------|
| <b>PDU Name:</b>          | PHYINFO_PDU                                                |          |
| <b>PCO Type:</b>          | SAP0_3                                                     |          |
| <b>Comments:</b>          | RR PHYSICAL INFORMATION n -> ms<br>GSM 04.08 clause 9.1.28 |          |
| Field Name                | Field Type                                                 | Comments |
| ski                       | SKI                                                        |          |
| rrpd                      | PD                                                         |          |
| mt                        | MT                                                         |          |
| ta                        | TA                                                         |          |
| <b>Detailed Comments:</b> |                                                            |          |

| PDU Type Definition       |                                         |          |
|---------------------------|-----------------------------------------|----------|
| <b>PDU Name:</b>          | RRST_PDU                                |          |
| <b>PCO Type:</b>          | SAP0_3                                  |          |
| <b>Comments:</b>          | RR STATUS n <-> ms<br>GSM 04.08, 9.1.29 |          |
| Field Name                | Field Type                              | Comments |
| ski                       | SKI                                     |          |
| rrpd                      | PD                                      |          |
| mt                        | MT                                      |          |
| rrcau                     | RRCAU                                   |          |
| <b>Detailed Comments:</b> |                                         |          |

| PDU Type Definition       |                                                                     |          |
|---------------------------|---------------------------------------------------------------------|----------|
| <b>PDU Name:</b>          | SCHINFO_PDU                                                         |          |
| <b>PCO Type:</b>          | SAP0_3                                                              |          |
| <b>Comments:</b>          | RR SYNCHRONIZATION CHANNEL INFORMATION n -> ms<br>GSM 04.08, 9.1.30 |          |
| Field Name                | Field Type                                                          | Comments |
| ncc                       | NCC                                                                 |          |
| bcc                       | BCC                                                                 |          |
| t1                        | T1                                                                  |          |
| t2                        | T2                                                                  |          |
| t3_                       | T3_                                                                 |          |
| <b>Detailed Comments:</b> | SCHINFO_PDU has a total length of 25 bits (GSM 04.04).              |          |

| PDU Type Definition       |                                                                                   |          |
|---------------------------|-----------------------------------------------------------------------------------|----------|
| <b>PDU Name:</b>          | SYSINFO1_PDU                                                                      |          |
| <b>PCO Type:</b>          | SAP0_3                                                                            |          |
| <b>Comments:</b>          | RR SYSTEM INFORMATION TYPE1 n -> ms<br>GSM 04.08, 9.1.31                          |          |
| Field Name                | Field Type                                                                        | Comments |
| l2_pl                     | LENGTH                                                                            |          |
| ski                       | SKI                                                                               |          |
| rrpd                      | PD                                                                                |          |
| mt                        | MT                                                                                |          |
| cchd                      | CCHD                                                                              |          |
| rachcp                    | RACHCP                                                                            |          |
| si1roct                   | OCTETSTRING [1]                                                                   |          |
| <b>Detailed Comments:</b> | The message has an L2 pseudo length of 21 octets and a total length of 23 octets. |          |

| PDU Type Definition       |                                                                                   |          |
|---------------------------|-----------------------------------------------------------------------------------|----------|
| <b>PDU Name:</b>          | SYSINFO2_PDU                                                                      |          |
| <b>PCO Type:</b>          | SAP0_3                                                                            |          |
| <b>Comments:</b>          | RR SYSTEM INFORMATION TYPE2 n -> ms<br>GSM 04.08, 9.1.32                          |          |
| Field Name                | Field Type                                                                        | Comments |
| l2_pl                     | LENGTH                                                                            |          |
| ski                       | SKI                                                                               |          |
| rrpd                      | PD                                                                                |          |
| mt                        | MT                                                                                |          |
| bcchfl                    | NCD                                                                               |          |
| nccp                      | NCCP                                                                              |          |
| rachcp                    | RACHCP                                                                            |          |
| <b>Detailed Comments:</b> | The message has an L2 pseudo length of 22 octets and a total length of 23 octets. |          |

| PDU Type Definition       |                                                                                                                                                                                                                                                      |          |
|---------------------------|------------------------------------------------------------------------------------------------------------------------------------------------------------------------------------------------------------------------------------------------------|----------|
| <b>PDU Name:</b>          | SYSINFO2bis_PDU                                                                                                                                                                                                                                      |          |
| <b>PCO Type:</b>          | SAP0_3                                                                                                                                                                                                                                               |          |
| <b>Comments:</b>          | RR SYSTEM INFORMATION TYPE2bis or 2ter n -> ms<br>GSM 04.08, 9.1.33, 9.1.33a                                                                                                                                                                         |          |
| Field Name                | Field Type                                                                                                                                                                                                                                           | Comments |
| l2_pl                     | LENGTH                                                                                                                                                                                                                                               |          |
| ski                       | SKI                                                                                                                                                                                                                                                  |          |
| rrpd                      | PD                                                                                                                                                                                                                                                   |          |
| mt                        | MT                                                                                                                                                                                                                                                   |          |
| xbcchfl                   | NCD                                                                                                                                                                                                                                                  |          |
| rachcp                    | RACHCP                                                                                                                                                                                                                                               |          |
| si2bisroct                | OCTETSTRING [1..4]                                                                                                                                                                                                                                   |          |
| <b>Detailed Comments:</b> | This PDU type is used both for SYSINFO2bis, as well as for 2ter.<br>The 2bis message has an L2 pseudo length of 21 octets and a total length of 23 octets.<br>The 2ter message has an L2 pseudo length of 18 octets and a total length of 23 octets. |          |

| PDU Type Definition       |                                                                                        |          |
|---------------------------|----------------------------------------------------------------------------------------|----------|
| <b>PDU Name:</b>          | SYSINFO2ter_PDU                                                                        |          |
| <b>PCO Type:</b>          | SAP0_3                                                                                 |          |
| <b>Comments:</b>          | RR SYSTEM INFORMATION 2ter n -> ms<br>GSM 04.08, 9.1.34                                |          |
| Field Name                | Field Type                                                                             | Comments |
| l2_pl                     | LENGTH                                                                                 |          |
| ski                       | SKI                                                                                    |          |
| rrpd                      | PD                                                                                     |          |
| mt                        | MT                                                                                     |          |
| xbcchfl                   | NCD2                                                                                   |          |
| si2terroct                | OCTETSTRING[4]                                                                         |          |
| <b>Detailed Comments:</b> | The 2ter message has an L2 pseudo length of 18 octets and a total length of 23 octets. |          |

| PDU Type Definition       |                                                                                   |          |
|---------------------------|-----------------------------------------------------------------------------------|----------|
| <b>PDU Name:</b>          | SYSINFO3_PDU                                                                      |          |
| <b>PCO Type:</b>          | SAP0_3                                                                            |          |
| <b>Comments:</b>          | RR SYSTEM INFORMATION TYPE3 n -> ms<br>GSM 04.08, 9.1.34                          |          |
| Field Name                | Field Type                                                                        | Comments |
| l2_pl                     | LENGTH                                                                            |          |
| ski                       | SKI                                                                               |          |
| rrpd                      | PD                                                                                |          |
| mt                        | MT                                                                                |          |
| ci                        | CI                                                                                |          |
| lai                       | LAI                                                                               |          |
| ccd                       | CCD                                                                               |          |
| co                        | CO                                                                                |          |
| csp                       | CSP                                                                               |          |
| rachcp                    | RACHCP                                                                            |          |
| si3roct                   | SI3RO                                                                             |          |
| <b>Detailed Comments:</b> | The message has an L2 pseudo length of 18 octets and a total length of 23 octets. |          |

| PDU Type Definition       |                                                          |          |
|---------------------------|----------------------------------------------------------|----------|
| <b>PDU Name:</b>          | SYSINFO4_PDU                                             |          |
| <b>PCO Type:</b>          | SAP0_3                                                   |          |
| <b>Comments:</b>          | RR SYSTEM INFORMATION TYPE4 n -> ms<br>GSM 04.08, 9.1.35 |          |
| Field Name                | Field Type                                               | Comments |
| l2_pl                     | LENGTH                                                   |          |
| ski                       | SKI                                                      |          |
| rrpd                      | PD                                                       |          |
| mt                        | MT                                                       |          |
| lai                       | LAI                                                      |          |
| csp                       | CSP                                                      |          |
| rachcp                    | RACHCP                                                   |          |
| cbchd                     | CHD                                                      |          |
| cbchma                    | MA                                                       |          |
| si4roct                   | SI4RO                                                    |          |
| <b>Detailed Comments:</b> | The message has a total length of 23 octets.             |          |

| PDU Type Definition       |                                                          |          |
|---------------------------|----------------------------------------------------------|----------|
| <b>PDU Name:</b>          | SYSINFO5_PDU                                             |          |
| <b>PCO Type:</b>          | SAP0_3                                                   |          |
| <b>Comments:</b>          | RR SYSTEM INFORMATION TYPE5 n -> ms<br>GSM 04.08, 9.1.36 |          |
| Field Name                | Field Type                                               | Comments |
| ski                       | SKI                                                      |          |
| rrpd                      | PD                                                       |          |
| mt                        | MT                                                       |          |
| bcchfl                    | NCD                                                      |          |
| <b>Detailed Comments:</b> |                                                          |          |

| PDU Type Definition       |                                                             |          |
|---------------------------|-------------------------------------------------------------|----------|
| <b>PDU Name:</b>          | SYSINFO5bis_PDU                                             |          |
| <b>PCO Type:</b>          | SAP0_3                                                      |          |
| <b>Comments:</b>          | RR SYSTEM INFORMATION TYPE5bis n -> ms<br>GSM 04.08, 9.1.38 |          |
| Field Name                | Field Type                                                  | Comments |
| ski                       | SKI                                                         |          |
| rrpd                      | PD                                                          |          |
| mt                        | MT                                                          |          |
| xbcchfl                   | NCD                                                         |          |
| <b>Detailed Comments:</b> |                                                             |          |

| PDU Type Definition       |                                                             |          |
|---------------------------|-------------------------------------------------------------|----------|
| <b>PDU Name:</b>          | SYSINFO5ter_PDU                                             |          |
| <b>PCO Type:</b>          | SAP0_3                                                      |          |
| <b>Comments:</b>          | RR SYSTEM INFORMATION TYPE5ter n -> ms<br>GSM 04.08, 9.1.39 |          |
| Field Name                | Field Type                                                  | Comments |
| ski                       | SKI                                                         |          |
| rrpd                      | PD                                                          |          |
| mt                        | MT                                                          |          |
| xbcchfl                   | NCD2                                                        |          |
| <b>Detailed Comments:</b> |                                                             |          |

| PDU Type Definition       |                                                          |          |
|---------------------------|----------------------------------------------------------|----------|
| <b>PDU Name:</b>          | SYSINFO6_PDU                                             |          |
| <b>PCO Type:</b>          | SAP0_3                                                   |          |
| <b>Comments:</b>          | RR SYSTEM INFORMATION TYPE6 n -> ms<br>GSM 04.08, 9.1.38 |          |
| Field Name                | Field Type                                               | Comments |
| ski                       | SKI                                                      |          |
| rrpd                      | PD                                                       |          |
| mt                        | MT                                                       |          |
| ci                        | CI                                                       |          |
| lai                       | LAI                                                      |          |
| co                        | CO                                                       |          |
| nccp                      | NCCP                                                     |          |
| <b>Detailed Comments:</b> |                                                          |          |

| PDU Type Definition                                                    |                                                          |          |
|------------------------------------------------------------------------|----------------------------------------------------------|----------|
| <b>PDU Name:</b>                                                       | SYSINFO7_PDU                                             |          |
| <b>PCO Type:</b>                                                       | SAP0_3                                                   |          |
| <b>Comments:</b>                                                       | RR SYSTEM INFORMATION TYPE7 n -> ms<br>GSM 04.08, 9.1.41 |          |
| Field Name                                                             | Field Type                                               | Comments |
| l2_pl                                                                  | LENGTH                                                   |          |
| ski                                                                    | SKI                                                      |          |
| rrpd                                                                   | PD                                                       |          |
| mt                                                                     | MT                                                       |          |
| si7roct                                                                | SI7RO                                                    |          |
| <b>Detailed Comments:</b> The message has a total length of 23 octets. |                                                          |          |

| PDU Type Definition                                                    |                                                          |          |
|------------------------------------------------------------------------|----------------------------------------------------------|----------|
| <b>PDU Name:</b>                                                       | SYSINFO8_PDU                                             |          |
| <b>PCO Type:</b>                                                       | SAP0_3                                                   |          |
| <b>Comments:</b>                                                       | RR SYSTEM INFORMATION TYPE8 n -> ms<br>GSM 04.08, 9.1.42 |          |
| Field Name                                                             | Field Type                                               | Comments |
| l2_pl                                                                  | LENGTH                                                   |          |
| ski                                                                    | SKI                                                      |          |
| rrpd                                                                   | PD                                                       |          |
| mt                                                                     | MT                                                       |          |
| si8roct                                                                | SI7RO                                                    |          |
| <b>Detailed Comments:</b> The message has a total length of 23 octets. |                                                          |          |

| PDU Type Definition       |                                      |          |
|---------------------------|--------------------------------------|----------|
| <b>PDU Name:</b>          | ABRT_PDU                             |          |
| <b>PCO Type:</b>          | SAP0_3                               |          |
| <b>Comments:</b>          | MM ABORT n -> ms<br>GSM 04.08, 9.2.8 |          |
| Field Name                | Field Type                           | Comments |
| ski                       | SKI                                  |          |
| mmpd                      | PD                                   |          |
| mt                        | MT                                   |          |
| rejcau                    | REJCAU                               |          |
| <b>Detailed Comments:</b> |                                      |          |



| PDU Type Definition       |                                                      |          |
|---------------------------|------------------------------------------------------|----------|
| <b>PDU Name:</b>          | AUTH_REJ_PDU                                         |          |
| <b>PCO Type:</b>          | SAP0_3                                               |          |
| <b>Comments:</b>          | MM AUTHENTICATION REJECT n -> ms<br>GSM 04.08, 9.2.1 |          |
| Field Name                | Field Type                                           | Comments |
| ski                       | SKI                                                  |          |
| mmpd                      | PD                                                   |          |
| mt                        | MT                                                   |          |
| <b>Detailed Comments:</b> |                                                      |          |

| PDU Type Definition       |                                                       |          |
|---------------------------|-------------------------------------------------------|----------|
| <b>PDU Name:</b>          | AUTH_RQ_PDU                                           |          |
| <b>PCO Type:</b>          | SAP0_3                                                |          |
| <b>Comments:</b>          | MM AUTHENTICATION REQUEST n -> ms<br>GSM 04.08, 9.2.2 |          |
| Field Name                | Field Type                                            | Comments |
| ski                       | SKI                                                   |          |
| mmpd                      | PD                                                    |          |
| mt                        | MT                                                    |          |
| shoct                     | SHOCT                                                 |          |
| cphksn                    | CPHKS                                                 |          |
| rand                      | RAND                                                  |          |
| <b>Detailed Comments:</b> |                                                       |          |

| PDU Type Definition       |                                                        |          |
|---------------------------|--------------------------------------------------------|----------|
| <b>PDU Name:</b>          | AUTH_RES_PDU                                           |          |
| <b>PCO Type:</b>          | SAP0_3                                                 |          |
| <b>Comments:</b>          | MM AUTHENTICATION RESPONSE ms -> n<br>GSM 04.08, 9.2.3 |          |
| Field Name                | Field Type                                             | Comments |
| ski                       | SKI                                                    |          |
| mmpd                      | PD                                                     |          |
| mt                        | MT                                                     |          |
| sres                      | SRES                                                   |          |
| <b>Detailed Comments:</b> |                                                        |          |

| PDU Type Definition       |                                                           |          |
|---------------------------|-----------------------------------------------------------|----------|
| <b>PDU Name:</b>          | CMRE_RQ_PDU                                               |          |
| <b>PCO Type:</b>          | SAP0_3                                                    |          |
| <b>Comments:</b>          | MM CM REESTABLISHMENT REQUEST ms -> n<br>GSM 04.08, 9.2.4 |          |
| Field Name                | Field Type                                                | Comments |
| ski                       | SKI                                                       |          |
| mmpd                      | PD                                                        |          |
| mt                        | MT                                                        |          |
| shoct                     | SHOCT                                                     |          |
| cphksn                    | CPHKS                                                     |          |
| msclm                     | MSCLM2                                                    |          |
| mi                        | MI                                                        |          |
| lai                       | LAI                                                       |          |
| <b>Detailed Comments:</b> |                                                           |          |

| PDU Type Definition       |                                                  |          |
|---------------------------|--------------------------------------------------|----------|
| <b>PDU Name:</b>          | CMS_ACP_PDU                                      |          |
| <b>PCO Type:</b>          | SAP0_3                                           |          |
| <b>Comments:</b>          | MM CM SERVICE ACCEPT n -> ms<br>GSM 04.08, 9.2.5 |          |
| Field Name                | Field Type                                       | Comments |
| ski                       | SKI                                              |          |
| mmpd                      | PD                                               |          |
| mt                        | MT                                               |          |
| <b>Detailed Comments:</b> |                                                  |          |

| PDU Type Definition       |                                                  |          |
|---------------------------|--------------------------------------------------|----------|
| <b>PDU Name:</b>          | CMS_REJ_PDU                                      |          |
| <b>PCO Type:</b>          | SAP0_3                                           |          |
| <b>Comments:</b>          | MM CM SERVICE REJECT n -> ms<br>GSM 04.08, 9.2.6 |          |
| Field Name                | Field Type                                       | Comments |
| ski                       | SKI                                              |          |
| mmpd                      | PD                                               |          |
| mt                        | MT                                               |          |
| mmcau                     | REJCAU                                           |          |
| <b>Detailed Comments:</b> |                                                  |          |

| PDU Type Definition       |                                                   |          |
|---------------------------|---------------------------------------------------|----------|
| <b>PDU Name:</b>          | CMS_RQ_PDU                                        |          |
| <b>PCO Type:</b>          | SAP0_3                                            |          |
| <b>Comments:</b>          | MM CM SERVICE REQUEST ms -> n<br>GSM 04.08, 9.2.9 |          |
| Field Name                | Field Type                                        | Comments |
| ski                       | SKI                                               |          |
| mmpd                      | PD                                                |          |
| mt                        | MT                                                |          |
| cphksn                    | CPHKSN                                            |          |
| svtype                    | CMSVTYPE                                          |          |
| msclm                     | MSCLM2                                            |          |
| mi                        | MI                                                |          |
| <b>Detailed Comments:</b> |                                                   |          |

| PDU Type Definition       |                                                  |          |
|---------------------------|--------------------------------------------------|----------|
| <b>PDU Name:</b>          | ID_RQ_PDU                                        |          |
| <b>PCO Type:</b>          | SAP0_3                                           |          |
| <b>Comments:</b>          | MM IDENTITY REQUEST n -> ms<br>GSM 04.08, 9.2.10 |          |
| Field Name                | Field Type                                       | Comments |
| ski                       | SKI                                              |          |
| mmpd                      | PD                                               |          |
| mt                        | MT                                               |          |
| shoct                     | SHOCT                                            |          |
| idtype                    | IDTYPE                                           |          |
| <b>Detailed Comments:</b> |                                                  |          |

| PDU Type Definition       |                                                   |          |
|---------------------------|---------------------------------------------------|----------|
| <b>PDU Name:</b>          | ID_RES_PDU                                        |          |
| <b>PCO Type:</b>          | SAP0_3                                            |          |
| <b>Comments:</b>          | MM IDENTITY RESPONSE ms -> n<br>GSM 04.08, 9.2.11 |          |
| Field Name                | Field Type                                        | Comments |
| ski                       | SKI                                               |          |
| mmpd                      | PD                                                |          |
| mt                        | MT                                                |          |
| mi                        | MI                                                |          |
| <b>Detailed Comments:</b> |                                                   |          |

| PDU Type Definition       |                                                        |          |
|---------------------------|--------------------------------------------------------|----------|
| <b>PDU Name:</b>          | IMSID_IN_PDU                                           |          |
| <b>PCO Type:</b>          | SAP0_3                                                 |          |
| <b>Comments:</b>          | MM IMSI DETACH INDICATION ms -> n<br>GSM 04.08, 9.2.12 |          |
| Field Name                | Field Type                                             | Comments |
| ski                       | SKI                                                    |          |
| mmpd                      | PD                                                     |          |
| mt                        | MT                                                     |          |
| msclm                     | MSCLM1                                                 |          |
| mi                        | MI                                                     |          |
| <b>Detailed Comments:</b> |                                                        |          |

| PDU Type Definition       |                                                          |          |
|---------------------------|----------------------------------------------------------|----------|
| <b>PDU Name:</b>          | LUP_ACP_PDU                                              |          |
| <b>PCO Type:</b>          | SAP0_3                                                   |          |
| <b>Comments:</b>          | MM LOCATION UPDATING ACCEPT n -> ms<br>GSM 04.08, 9.2.13 |          |
| Field Name                | Field Type                                               | Comments |
| ski                       | SKI                                                      |          |
| mmpd                      | PD                                                       |          |
| mt                        | MT                                                       |          |
| lai                       | LAI                                                      |          |
| mi                        | MI                                                       |          |
| fop                       | IEI_8                                                    |          |
| <b>Detailed Comments:</b> |                                                          |          |

| PDU Type Definition       |                                                          |          |
|---------------------------|----------------------------------------------------------|----------|
| <b>PDU Name:</b>          | LUP_ACP_PDU_ERR                                          |          |
| <b>PCO Type:</b>          | SAP0_3                                                   |          |
| <b>Comments:</b>          | MM LOCATION UPDATING ACCEPT n -> ms<br>GSM 04.08, 9.2.13 |          |
| Field Name                | Field Type                                               | Comments |
| ski                       | SKI                                                      |          |
| mmpd                      | PD                                                       |          |
| mt                        | MT                                                       |          |
| lai                       | LAI                                                      |          |
| mi                        | MI                                                       |          |
| dupmi                     | MI                                                       |          |
| <b>Detailed Comments:</b> |                                                          |          |

| PDU Type Definition       |                                                          |          |
|---------------------------|----------------------------------------------------------|----------|
| <b>PDU Name:</b>          | LUP_REJ_PDU                                              |          |
| <b>PCO Type:</b>          | SAP0_3                                                   |          |
| <b>Comments:</b>          | MM LOCATION UPDATING REJECT n -> ms<br>GSM 04.08, 9.2.14 |          |
| Field Name                | Field Type                                               | Comments |
| ski                       | SKI                                                      |          |
| mmpd                      | PD                                                       |          |
| mt                        | MT                                                       |          |
| rejcau                    | REJCAU                                                   |          |
| <b>Detailed Comments:</b> |                                                          |          |

| PDU Type Definition       |                                                           |          |
|---------------------------|-----------------------------------------------------------|----------|
| <b>PDU Name:</b>          | LUP_RQ_PDU                                                |          |
| <b>PCO Type:</b>          | SAP0_3                                                    |          |
| <b>Comments:</b>          | MM LOCATION UPDATING REQUEST ms -> n<br>GSM 04.08, 9.2.15 |          |
| Field Name                | Field Type                                                | Comments |
| ski                       | SKI                                                       |          |
| mmpd                      | PD                                                        |          |
| mt                        | MT                                                        |          |
| cphksn                    | CPHKS                                                     |          |
| lutype                    | LUT                                                       |          |
| lai                       | LAI                                                       |          |
| msclm                     | MSCLM1                                                    |          |
| mi                        | MI                                                        |          |
| <b>Detailed Comments:</b> |                                                           |          |

| PDU Type Definition       |                                         |          |
|---------------------------|-----------------------------------------|----------|
| <b>PDU Name:</b>          | MMST_PDU                                |          |
| <b>PCO Type:</b>          | SAP0_3                                  |          |
| <b>Comments:</b>          | MM STATUS n <-> ms<br>GSM 04.08, 9.2.16 |          |
| Field Name                | Field Type                              | Comments |
| ski                       | SKI                                     |          |
| mmpd                      | PD                                      |          |
| mt                        | MT                                      |          |
| rejcau                    | REJCAU                                  |          |
| <b>Detailed Comments:</b> |                                         |          |

| PDU Type Definition       |                                                           |          |
|---------------------------|-----------------------------------------------------------|----------|
| <b>PDU Name:</b>          | TMSIRE_CMD_PDU                                            |          |
| <b>PCO Type:</b>          | SAP0_3                                                    |          |
| <b>Comments:</b>          | MM TMSI REALLOCATION COMMAND n -> ms<br>GSM 04.08, 9.2.17 |          |
| Field Name                | Field Type                                                | Comments |
| ski                       | SKI                                                       |          |
| mmpd                      | PD                                                        |          |
| mt                        | MT                                                        |          |
| lai                       | LAI                                                       |          |
| mi                        | MI                                                        |          |
| <b>Detailed Comments:</b> |                                                           |          |

| PDU Type Definition       |                                                            |          |
|---------------------------|------------------------------------------------------------|----------|
| <b>PDU Name:</b>          | TMSIRE_COM_PDU                                             |          |
| <b>PCO Type:</b>          | SAP0_3                                                     |          |
| <b>Comments:</b>          | MM TMSI REALLOCATION COMPLETE ms -> n<br>GSM 04.08, 9.2.18 |          |
| Field Name                | Field Type                                                 | Comments |
| ski                       | SKI                                                        |          |
| mmpd                      | PD                                                         |          |
| mt                        | MT                                                         |          |
| <b>Detailed Comments:</b> |                                                            |          |

| PDU Type Definition       |                                          |          |
|---------------------------|------------------------------------------|----------|
| <b>PDU Name:</b>          | ALERT_PDU                                |          |
| <b>PCO Type:</b>          | SAP0_3                                   |          |
| <b>Comments:</b>          | CC ALERTING ms <-> n<br>GSM 04.08, 9.3.1 |          |
| Field Name                | Field Type                               | Comments |
| ti                        | TI                                       |          |
| ccpd                      | PD                                       |          |
| mt                        | MT                                       |          |
| fie                       | FIE                                      |          |
| pi                        | PI                                       |          |
| uu                        | UU                                       |          |
| ssvi                      | SSVI                                     |          |
| <b>Detailed Comments:</b> |                                          |          |

| PDU Type Definition       |                                               |          |
|---------------------------|-----------------------------------------------|----------|
| <b>PDU Name:</b>          | CALL_CO_PDU                                   |          |
| <b>PCO Type:</b>          | SAP0_3                                        |          |
| <b>Comments:</b>          | CC CALL CONFIRMED ms -> n<br>GSM 04.08, 9.3.2 |          |
| Field Name                | Field Type                                    | Comments |
| ti                        | TI                                            |          |
| ccpd                      | PD                                            |          |
| mt                        | MT                                            |          |
| bcri                      | RPI                                           |          |
| bcap1                     | BCAP                                          |          |
| bcap2                     | BCAP                                          |          |
| cau                       | CAU                                           |          |
| cccap                     | CCCAP                                         |          |
| <b>Detailed Comments:</b> |                                               |          |

| PDU Type Definition       |                                                |          |
|---------------------------|------------------------------------------------|----------|
| <b>PDU Name:</b>          | CALL_PROC_PDU                                  |          |
| <b>PCO Type:</b>          | SAP0_3                                         |          |
| <b>Comments:</b>          | CC CALL PROCEEDING n -> ms<br>GSM 04.08, 9.3.3 |          |
| Field Name                | Field Type                                     | Comments |
| ti                        | TI                                             |          |
| ccpd                      | PD                                             |          |
| mt                        | MT                                             |          |
| bcri                      | RPI                                            |          |
| bcap1                     | BCAP                                           |          |
| bcap2                     | BCAP                                           |          |
| fie                       | FIE                                            |          |
| pi                        | PI                                             |          |
| <b>Detailed Comments:</b> |                                                |          |

| PDU Type Definition       |                                         |          |
|---------------------------|-----------------------------------------|----------|
| <b>PDU Name:</b>          | CONN_PDU                                |          |
| <b>PCO Type:</b>          | SAP0_3                                  |          |
| <b>Comments:</b>          | CC CONNECT n <-> ms<br>GSM 04.08, 9.3.5 |          |
| Field Name                | Field Type                              | Comments |
| ti                        | TI                                      |          |
| ccpd                      | PD                                      |          |
| mt                        | MT                                      |          |
| fie                       | FIE                                     |          |
| pi                        | PI                                      |          |
| cnr                       | CNN                                     |          |
| cns                       | CNS                                     |          |
| uu                        | UU                                      |          |
| ssvi                      | SSVI                                    |          |
| <b>Detailed Comments:</b> |                                         |          |

| PDU Type Definition       |                                                |          |
|---------------------------|------------------------------------------------|----------|
| <b>PDU Name:</b>          | CONN_PDU_ERR                                   |          |
| <b>PCO Type:</b>          | SAP0_3                                         |          |
| <b>Comments:</b>          | CC CONNECT n <-> ms<br>Used as invalid message |          |
| Field Name                | Field Type                                     | Comments |
| ti                        | TI                                             |          |
| ccpd                      | PD                                             |          |
| mt                        | MT                                             |          |
| unknown                   | UNKWN                                          |          |
| <b>Detailed Comments:</b> |                                                |          |

| PDU Type Definition       |                                                     |          |
|---------------------------|-----------------------------------------------------|----------|
| <b>PDU Name:</b>          | CONN_ACK_PDU                                        |          |
| <b>PCO Type:</b>          | SAP0_3                                              |          |
| <b>Comments:</b>          | CC CONNECT ACKNOWLEDGE ms <-> n<br>GSM 04.08, 9.3.6 |          |
| Field Name                | Field Type                                          | Comments |
| ti                        | TI                                                  |          |
| ccpd                      | PD                                                  |          |
| mt                        | MT                                                  |          |
| <b>Detailed Comments:</b> |                                                     |          |

| PDU Type Definition       |                                                              |          |
|---------------------------|--------------------------------------------------------------|----------|
| <b>PDU Name:</b>          | DISC_PDU                                                     |          |
| <b>PCO Type:</b>          | SAP0_3                                                       |          |
| <b>Comments:</b>          | CC DISCONNECT ms <-> n (both directions)<br>GSM 04.08, 9.3.7 |          |
| Field Name                | Field Type                                                   | Comments |
| ti                        | TI                                                           |          |
| ccpd                      | PD                                                           |          |
| mt                        | MT                                                           |          |
| cau                       | CAU                                                          |          |
| fie                       | FIE                                                          |          |
| pi                        | PI                                                           |          |
| uu                        | UU                                                           |          |
| ssvi                      | SSVI                                                         |          |
| <b>Detailed Comments:</b> |                                                              |          |

| PDU Type Definition       |              |          |
|---------------------------|--------------|----------|
| <b>PDU Name:</b>          | DISC_PDU_ERR |          |
| <b>PCO Type:</b>          | SAP0_3       |          |
| <b>Comments:</b>          |              |          |
| Field Name                | Field Type   | Comments |
| ti                        | TI           |          |
| ccpd                      | PD           |          |
| mt                        | MT           |          |
| cau                       | CAU          |          |
| unknown                   | UNKWN        |          |
| <b>Detailed Comments:</b> |              |          |

| PDU Type Definition       |                                                |          |
|---------------------------|------------------------------------------------|----------|
| <b>PDU Name:</b>          | ESETUP_PDU                                     |          |
| <b>PCO Type:</b>          | SAP0_3                                         |          |
| <b>Comments:</b>          | CC EMERGENCY SETUP ms -> n<br>GSM 04.08, 9.3.8 |          |
| Field Name                | Field Type                                     | Comments |
| ti                        | TI                                             |          |
| ccpd                      | PD                                             |          |
| mt                        | MT                                             |          |
| bcap                      | BCAP                                           |          |
| <b>Detailed Comments:</b> |                                                |          |

| PDU Type Definition       |                                          |          |
|---------------------------|------------------------------------------|----------|
| <b>PDU Name:</b>          | FAC_PDU                                  |          |
| <b>PCO Type:</b>          | SAP0_3                                   |          |
| <b>Comments:</b>          | CC FACILITY n <-> ms<br>GSM 04.08, 9.3.9 |          |
| Field Name                | Field Type                               | Comments |
| ti                        | TI                                       |          |
| cc_sspd                   | PD                                       |          |
| mt                        | MT                                       |          |
| fie                       | FIE                                      |          |
| ssvi                      | SSVI                                     |          |
| <b>Detailed Comments:</b> |                                          |          |

| PDU Type Definition       |                                      |          |
|---------------------------|--------------------------------------|----------|
| <b>PDU Name:</b>          | HOLD_PDU                             |          |
| <b>PCO Type:</b>          | SAP0_3                               |          |
| <b>Comments:</b>          | CC HOLD ms -> n<br>GSM 04.08, 9.3.10 |          |
| Field Name                | Field Type                           | Comments |
| ti                        | TI                                   |          |
| ccpd                      | PD                                   |          |
| mt                        | MT                                   |          |
| <b>Detailed Comments:</b> |                                      |          |

| PDU Type Definition       |                                                  |          |
|---------------------------|--------------------------------------------------|----------|
| <b>PDU Name:</b>          | HOLD_ACK_PDU                                     |          |
| <b>PCO Type:</b>          | SAP0_3                                           |          |
| <b>Comments:</b>          | CC HOLD ACKNOWLEDGE n -> ms<br>GSM 04.08, 9.3.11 |          |
| Field Name                | Field Type                                       | Comments |
| ti                        | TI                                               |          |
| ccpd                      | PD                                               |          |
| mt                        | MT                                               |          |
| <b>Detailed Comments:</b> |                                                  |          |

| PDU Type Definition       |                                         |          |
|---------------------------|-----------------------------------------|----------|
| <b>PDU Name:</b>          | MODIFY_PDU                              |          |
| <b>PCO Type:</b>          | SAP0_3                                  |          |
| <b>Comments:</b>          | CC MODIFY ms <-> n<br>GSM 04.08, 9.3.13 |          |
| Field Name                | Field Type                              | Comments |
| ti                        | TI                                      |          |
| ccpd                      | PD                                      |          |
| mt                        | MT                                      |          |
| bcap                      | BCAP                                    |          |
| llcmp                     | LLCMP                                   |          |
| hlcmp                     | HLCMP                                   |          |
| rcsd                      | RCSD                                    |          |
| <b>Detailed Comments:</b> |                                         |          |

| PDU Type Definition       |                                                  |          |
|---------------------------|--------------------------------------------------|----------|
| <b>PDU Name:</b>          | MODIFY_COM_PDU                                   |          |
| <b>PCO Type:</b>          | SAP0_3                                           |          |
| <b>Comments:</b>          | CC MODIFY COMPLETE ms <-> n<br>GSM 04.08, 9.3.14 |          |
| Field Name                | Field Type                                       | Comments |
| ti                        | TI                                               |          |
| ccpd                      | PD                                               |          |
| mt                        | MT                                               |          |
| bcap                      | BCAP                                             |          |
| llcmp                     | LLCMP                                            |          |
| hlcmp                     | HLCMP                                            |          |
| rcsd                      | RCSD                                             |          |
| <b>Detailed Comments:</b> |                                                  |          |

| PDU Type Definition       |                                                |          |
|---------------------------|------------------------------------------------|----------|
| <b>PDU Name:</b>          | MODIFY_REJ_PDU                                 |          |
| <b>PCO Type:</b>          | SAP0_3                                         |          |
| <b>Comments:</b>          | CC MODIFY REJECT ms <-> n<br>GSM 04.08, 9.3.15 |          |
| Field Name                | Field Type                                     | Comments |
| ti                        | TI                                             |          |
| ccpd                      | PD                                             |          |
| mt                        | MT                                             |          |
| bcap                      | BCAP                                           |          |
| cau                       | CAU                                            |          |
| llcmp                     | LLCMP                                          |          |
| hlcmp                     | HLCMP                                          |          |
| <b>Detailed Comments:</b> |                                                |          |



| PDU Type Definition       |                                         |          |
|---------------------------|-----------------------------------------|----------|
| <b>PDU Name:</b>          | NOTIFY_PDU                              |          |
| <b>PCO Type:</b>          | SAP0_3                                  |          |
| <b>Comments:</b>          | CC NOTIFY ms <-> n<br>GSM 04.08, 9.3.16 |          |
| Field Name                | Field Type                              | Comments |
| ti                        | TI                                      |          |
| ccpd                      | PD                                      |          |
| mt                        | MT                                      |          |
| nti                       | NTI                                     |          |
| <b>Detailed Comments:</b> |                                         |          |

| PDU Type Definition       |                                        |          |
|---------------------------|----------------------------------------|----------|
| <b>PDU Name:</b>          | REGISTER_PDU                           |          |
| <b>PCO Type:</b>          | SAP0_3                                 |          |
| <b>Comments:</b>          | SS REGISTER ms <-> n<br>GSM 04.80, 2.4 |          |
| Field Name                | Field Type                             | Comments |
| ti                        | TI                                     |          |
| sspd                      | PD                                     |          |
| mt                        | MT                                     |          |
| fie                       | FIE                                    |          |
| ssvi                      | SSVI                                   |          |
| <b>Detailed Comments:</b> |                                        |          |

| PDU Type Definition       |                                          |          |
|---------------------------|------------------------------------------|----------|
| <b>PDU Name:</b>          | PROG_PDU                                 |          |
| <b>PCO Type:</b>          | SAP0_3                                   |          |
| <b>Comments:</b>          | CC PROGRESS n -> ms<br>GSM 04.08, 9.3.17 |          |
| Field Name                | Field Type                               | Comments |
| ti                        | TI                                       |          |
| ccpd                      | PD                                       |          |
| mt                        | MT                                       |          |
| pi                        | PI                                       |          |
| uu                        | UU                                       |          |
| <b>Detailed Comments:</b> |                                          |          |

| PDU Type Definition       |                                          |          |
|---------------------------|------------------------------------------|----------|
| <b>PDU Name:</b>          | REL_PDU                                  |          |
| <b>PCO Type:</b>          | SAP0_3                                   |          |
| <b>Comments:</b>          | CC RELEASE n <-> ms<br>GSM 04.08, 9.3.18 |          |
| Field Name                | Field Type                               | Comments |
| ti                        | TI                                       |          |
| ccpd                      | PD                                       |          |
| mt                        | MT                                       |          |
| cau                       | CAU                                      |          |
| cau2                      | CAU                                      |          |
| fie                       | FIE                                      |          |
| uu                        | UU                                       |          |
| ssvi                      | SSVI                                     |          |
| <b>Detailed Comments:</b> |                                          |          |

| PDU Type Definition       |                                                                         |          |
|---------------------------|-------------------------------------------------------------------------|----------|
| <b>PDU Name:</b>          | REL_COM_PDU                                                             |          |
| <b>PCO Type:</b>          | SAP0_3                                                                  |          |
| <b>Comments:</b>          | CC or SS RELEASE COMPLETE n <-> ms<br>GSM 04.08, 9.3.19; GSM 04.80, 2.5 |          |
| Field Name                | Field Type                                                              | Comments |
| ti                        | TI                                                                      |          |
| cc_sspd                   | PD                                                                      |          |
| mt                        | MT                                                                      |          |
| cau                       | CAU                                                                     |          |
| fie                       | FIE                                                                     |          |
| uu                        | UU                                                                      |          |
| ssvi                      | SSVI                                                                    |          |
| <b>Detailed Comments:</b> |                                                                         |          |

| PDU Type Definition       |                                         |          |
|---------------------------|-----------------------------------------|----------|
| <b>PDU Name:</b>          | SETUP_MO_PDU                            |          |
| <b>PCO Type:</b>          | SAP0_3                                  |          |
| <b>Comments:</b>          | CC SETUP n <- ms<br>GSM 04.08, 9.3.23.2 |          |
| Field Name                | Field Type                              | Comments |
| ti                        | TI                                      |          |
| ccpd                      | PD                                      |          |
| mt                        | MT                                      |          |
| bcri                      | RPI                                     |          |
| bcap1                     | BCAP                                    |          |
| bcap2                     | BCAP                                    |          |
| fie                       | FIE                                     |          |
| cgps                      | CGPS                                    |          |
| cdpn                      | CDPN                                    |          |
| cdps                      | CDPS                                    |          |
| llcri                     | RPI                                     |          |
| llcmp1                    | LLCMP                                   |          |
| llcmp2                    | LLCMP                                   |          |
| hlcri                     | RPI                                     |          |
| hlcmp1                    | HLCMP                                   |          |
| hlcmp2                    | HLCMP                                   |          |
| uu                        | UU                                      |          |
| ssvi                      | SSVI                                    |          |
| clirsup                   | CLRSUP                                  |          |
| clirinv                   | CLRINV                                  |          |
| cccacp                    | CCCACP                                  |          |
| <b>Detailed Comments:</b> |                                         |          |

| PDU Type Definition       |                                         |          |
|---------------------------|-----------------------------------------|----------|
| <b>PDU Name:</b>          | SETUP_MT_PDU                            |          |
| <b>PCO Type:</b>          | SAP0_3                                  |          |
| <b>Comments:</b>          | CC SETUP n -> ms<br>GSM 04.08, 9.3.23.1 |          |
| Field Name                | Field Type                              | Comments |
| ti                        | TI                                      |          |
| ccpd                      | PD                                      |          |
| mt                        | MT                                      |          |
| bcri                      | RPI                                     |          |
| bcap1                     | BCAP                                    |          |
| bcap2                     | BCAP                                    |          |
| fie                       | FIE                                     |          |
| pi                        | PI                                      |          |
| sig                       | SIGNAL                                  |          |
| cgpn                      | CGPN                                    |          |
| cgps                      | CGPS                                    |          |
| cdpn                      | CDPN                                    |          |
| cdps                      | CDPS                                    |          |
| llcri                     | RPI                                     |          |
| llcmp1                    | LLCMP                                   |          |
| llcmp2                    | LLCMP                                   |          |
| hlcri                     | RPI                                     |          |
| hlcmp1                    | HLCMP                                   |          |
| hlcmp2                    | HLCMP                                   |          |
| uu                        | UU                                      |          |
| <b>Detailed Comments:</b> |                                         |          |

| PDU Type Definition       |                                 |          |
|---------------------------|---------------------------------|----------|
| <b>PDU Name:</b>          | SMSCB_PDU                       |          |
| <b>PCO Type:</b>          | SAP0_3                          |          |
| <b>Comments:</b>          | SMSCB message<br>GSM 03.41, 9.3 |          |
| Field Name                | Field Type                      | Comments |
| blocktype                 | BLOCKTYPE                       |          |
| serial_number             | SERIAL_NUMBER                   |          |
| message_id                | OCTETSTRING[2]                  |          |
| dcs                       | TPDCS                           |          |
| page_param                | BITSTRING[8]                    |          |
| message_contents          | OCTETSTRING                     |          |
| <b>Detailed Comments:</b> |                                 |          |

| PDU Type Definition       |                                            |          |
|---------------------------|--------------------------------------------|----------|
| <b>PDU Name:</b>          | START_DTMF_PDU                             |          |
| <b>PCO Type:</b>          | SAP0_3                                     |          |
| <b>Comments:</b>          | CC START DTMF ms -> n<br>GSM 04.08, 9.3.24 |          |
| Field Name                | Field Type                                 | Comments |
| ti                        | TI                                         |          |
| ccpd                      | PD                                         |          |
| mt                        | MT                                         |          |
| kpf                       | KPF                                        |          |
| <b>Detailed Comments:</b> |                                            |          |

| PDU Type Definition       |                                                        |          |
|---------------------------|--------------------------------------------------------|----------|
| <b>PDU Name:</b>          | START_DTMF_ACK_PDU                                     |          |
| <b>PCO Type:</b>          | SAP0_3                                                 |          |
| <b>Comments:</b>          | CC START DTMF ACKNOWLEDGE n -> ms<br>GSM 04.08, 9.3.25 |          |
| Field Name                | Field Type                                             | Comments |
| ti                        | TI                                                     |          |
| ccpd                      | PD                                                     |          |
| mt                        | MT                                                     |          |
| kpf                       | KPF                                                    |          |
| <b>Detailed Comments:</b> |                                                        |          |

| PDU Type Definition       |                                                   |          |
|---------------------------|---------------------------------------------------|----------|
| <b>PDU Name:</b>          | START_DTMF_REJ_PDU                                |          |
| <b>PCO Type:</b>          | SAP0_3                                            |          |
| <b>Comments:</b>          | CC START DTMF REJECT n -> ms<br>GSM 04.08, 9.3.26 |          |
| Field Name                | Field Type                                        | Comments |
| ti                        | TI                                                |          |
| ccpd                      | PD                                                |          |
| mt                        | MT                                                |          |
| cau                       | CAU                                               |          |
| <b>Detailed Comments:</b> |                                                   |          |

| PDU Type Definition       |                                         |          |
|---------------------------|-----------------------------------------|----------|
| <b>PDU Name:</b>          | CCST_PDU                                |          |
| <b>PCO Type:</b>          | SAP0_3                                  |          |
| <b>Comments:</b>          | CC STATUS n <-> ms<br>GSM 04.08, 9.3.27 |          |
| Field Name                | Field Type                              | Comments |
| ti                        | TI                                      |          |
| ccpd                      | PD                                      |          |
| mt                        | MT                                      |          |
| cau                       | CAU                                     |          |
| cst                       | CST                                     |          |
| acst                      | ACST                                    |          |
| <b>Detailed Comments:</b> |                                         |          |

| PDU Type Definition       |                                                 |          |
|---------------------------|-------------------------------------------------|----------|
| <b>PDU Name:</b>          | CCST_ENQ_PDU                                    |          |
| <b>PCO Type:</b>          | SAP0_3                                          |          |
| <b>Comments:</b>          | CC STATUS ENQUIRY ms <-> n<br>GSM 04.08, 9.3.28 |          |
| Field Name                | Field Type                                      | Comments |
| ti                        | TI                                              |          |
| ccpd                      | PD                                              |          |
| mt                        | MT                                              |          |
| <b>Detailed Comments:</b> |                                                 |          |

| PDU Type Definition       |                                           |          |
|---------------------------|-------------------------------------------|----------|
| <b>PDU Name:</b>          | STOP_DTMF_PDU                             |          |
| <b>PCO Type:</b>          | SAP0_3                                    |          |
| <b>Comments:</b>          | CC STOP DTMF ms -> n<br>GSM 04.08, 9.3.29 |          |
| Field Name                | Field Type                                | Comments |
| ti                        | TI                                        |          |
| ccpd                      | PD                                        |          |
| mt                        | MT                                        |          |
| <b>Detailed Comments:</b> |                                           |          |

| PDU Type Definition       |                                                       |          |
|---------------------------|-------------------------------------------------------|----------|
| <b>PDU Name:</b>          | STOP_DTMF_ACK_PDU                                     |          |
| <b>PCO Type:</b>          | SAP0_3                                                |          |
| <b>Comments:</b>          | CC STOP DTMF acknowledge n -> ms<br>GSM 04.08, 9.3.30 |          |
| Field Name                | Field Type                                            | Comments |
| ti                        | TI                                                    |          |
| ccpd                      | PD                                                    |          |
| mt                        | MT                                                    |          |
| <b>Detailed Comments:</b> |                                                       |          |

| PDU Type Definition                                                                                                                                                               |                                          |          |
|-----------------------------------------------------------------------------------------------------------------------------------------------------------------------------------|------------------------------------------|----------|
| <b>PDU Name:</b>                                                                                                                                                                  | CP_DATA_PDU                              |          |
| <b>PCO Type:</b>                                                                                                                                                                  | SAP0_3                                   |          |
| <b>Comments:</b>                                                                                                                                                                  | SMS CP DATA ms <-> n<br>GSM 04.11, 7.2.1 |          |
| Field Name                                                                                                                                                                        | Field Type                               | Comments |
| ti                                                                                                                                                                                | TI                                       |          |
| smspd                                                                                                                                                                             | PD                                       |          |
| mt                                                                                                                                                                                | MT                                       |          |
| CPdata                                                                                                                                                                            | CPDATA                                   |          |
| <b>Detailed Comments:</b> CPDATA contains RPDU - RP_ACK or RP_ERROR, either returning to the MS in case of MO, or reporting the outcome of a MT messaging attempt in case of MT . |                                          |          |

| PDU Type Definition       |                                                  |          |
|---------------------------|--------------------------------------------------|----------|
| <b>PDU Name:</b>          | CPDATA_ACK_PDU                                   |          |
| <b>PCO Type:</b>          | SAP0_3                                           |          |
| <b>Comments:</b>          | CP DATA ACKNOWLEDGE ms <-> n<br>GSM 04.11, 7.2.2 |          |
| Field Name                | Field Type                                       | Comments |
| ti                        | TI                                               |          |
| smspd                     | PD                                               |          |
| mt                        | MT                                               |          |
| <b>Detailed Comments:</b> |                                                  |          |

| PDU Type Definition       |                                                                                                                                                         |          |
|---------------------------|---------------------------------------------------------------------------------------------------------------------------------------------------------|----------|
| <b>PDU Name:</b>          | CPERR_PDU                                                                                                                                               |          |
| <b>PCO Type:</b>          | SAP0_3                                                                                                                                                  |          |
| <b>Comments:</b>          | CP_ERROR n <-> ms<br>GSM 04.11, 7.2.3                                                                                                                   |          |
| Field Name                | Field Type                                                                                                                                              | Comments |
| ti                        | TI                                                                                                                                                      |          |
| smspd                     | PD                                                                                                                                                      |          |
| mt                        | MT                                                                                                                                                      |          |
| cp_cause                  | CP_CAU                                                                                                                                                  |          |
| <b>Detailed Comments:</b> | CP_UDAT contains RPDU, RP_ACK or RP_ERROR, either returning to the MS in case of MO, or reporting the outcome of a MT messaging attempt in case of MT . |          |

## Constraints Part

### Test suite type constraint declarations

### Structured type constraint declarations

| Structured Type Constraint |                                                                                                                                               |          |
|----------------------------|-----------------------------------------------------------------------------------------------------------------------------------------------|----------|
| <b>Constraint Name:</b>    | Bcap_MO(rchr1:B_2; itc1:B_3; strc1:B_2; nirr:B_1; ra1 :B_2; sacp:B_3; sb, nsb1, ndb1:B_1; ur1:B_4; ir1:B_2; parity:B_3; ce1:B_2; modemt1:B_5) |          |
| <b>Structured Type:</b>    | BCAP                                                                                                                                          |          |
| <b>Derivation Path:</b>    |                                                                                                                                               |          |
| <b>Comments:</b>           | BS bearer capability without OCTET 7 for direction ms -> n                                                                                    |          |
| Element Name               | Element Value                                                                                                                                 | Comments |
| iei                        | '00000100'B                                                                                                                                   |          |
| iel                        | '07'O                                                                                                                                         |          |
| extb3                      | '1'B                                                                                                                                          |          |
| rchr                       | rchr1                                                                                                                                         |          |
| cs                         | '0'B                                                                                                                                          |          |
| tm                         | '0'B                                                                                                                                          |          |
| itc                        | itc1                                                                                                                                          |          |
| oct_3a_etc_1               | -                                                                                                                                             |          |
| oct_3a_etc_2               | -                                                                                                                                             |          |
| oct_3a_etc_3               | -                                                                                                                                             |          |
| oct_3a_etc_4               | -                                                                                                                                             |          |
| oct_3a_etc_5               | -                                                                                                                                             |          |
| oct_3a_etc_6               | -                                                                                                                                             |          |
| extb4                      | '1'B                                                                                                                                          |          |
| spb                        | '0'B                                                                                                                                          |          |
| strc                       | strc1                                                                                                                                         |          |
| dplx                       | '1'B                                                                                                                                          |          |
| config                     | '0'B                                                                                                                                          |          |
| nirr                       | nirr                                                                                                                                          |          |
| est                        | '0'B                                                                                                                                          |          |
| extb5                      | '1'B                                                                                                                                          |          |
| accid                      | '00'B                                                                                                                                         |          |
| ra                         | ra1                                                                                                                                           |          |
| sacp                       | sacp                                                                                                                                          |          |
| extb6                      | '0'B                                                                                                                                          |          |
| l1id                       | '01'B                                                                                                                                         |          |
| uil1                       | '0000'B                                                                                                                                       |          |
| sb                         | sb                                                                                                                                            |          |
| extb6a                     | '0'B                                                                                                                                          |          |
| nsb                        | nsb1                                                                                                                                          |          |
| nb                         | '0'B                                                                                                                                          |          |
| ndb                        | ndb1                                                                                                                                          |          |
| ur                         | ur1                                                                                                                                           |          |
| extb6b                     | '0'B                                                                                                                                          |          |
| ir                         | ir1                                                                                                                                           |          |
| nictx                      | '0'B                                                                                                                                          |          |
| nicrx                      | '0'B                                                                                                                                          |          |
| pi                         | parity                                                                                                                                        |          |
| extb6c                     | '1'B                                                                                                                                          |          |
| ce                         | ce1                                                                                                                                           |          |
| modemt                     | modemt1                                                                                                                                       |          |
| extb7                      | -                                                                                                                                             |          |
| l2id                       | -                                                                                                                                             |          |
| uil2                       | -                                                                                                                                             |          |
| <b>Detailed Comments:</b>  |                                                                                                                                               |          |

| <b>Structured Type Constraint</b> |                                                                                                                                        |          |
|-----------------------------------|----------------------------------------------------------------------------------------------------------------------------------------|----------|
| <b>Constraint Name:</b>           | Bcap_MT(itc1:B_3; strc1:B_2; nirr:B_1; ra1 :B_2; sacp:B_3; sb:B_1; nbsb, nbdb:B_1; ur1:B_4; ir1:B_2; parity:B_3; ce1:B_2; modemt1:B_5) |          |
| <b>Structured Type:</b>           | BCAP                                                                                                                                   |          |
| <b>Derivation Path:</b>           |                                                                                                                                        |          |
| <b>Comments:</b>                  | BS bearer capability for direction n->ms                                                                                               |          |
| Element Name                      | Element Value                                                                                                                          | Comments |
| iei                               | '00000100'B                                                                                                                            |          |
| iel                               | '07'O                                                                                                                                  |          |
| extb3                             | '1'B                                                                                                                                   |          |
| rchr                              | '01'B                                                                                                                                  |          |
| cs                                | '0'B                                                                                                                                   |          |
| tm                                | '0'B                                                                                                                                   |          |
| itc                               | itc1                                                                                                                                   |          |
| oct_3a_etc_1                      | -                                                                                                                                      |          |
| oct_3a_etc_2                      | -                                                                                                                                      |          |
| oct_3a_etc_3                      | -                                                                                                                                      |          |
| oct_3a_etc_4                      | -                                                                                                                                      |          |
| oct_3a_etc_5                      | -                                                                                                                                      |          |
| oct_3a_etc_6                      | -                                                                                                                                      |          |
| extb4                             | '1'B                                                                                                                                   |          |
| spb                               | '0'B                                                                                                                                   |          |
| strc                              | strc1                                                                                                                                  |          |
| dplx                              | '1'B                                                                                                                                   |          |
| config                            | '0'B                                                                                                                                   |          |
| nirr                              | nirr                                                                                                                                   |          |
| est                               | '0'B                                                                                                                                   |          |
| extb5                             | '1'B                                                                                                                                   |          |
| accid                             | '00'B                                                                                                                                  |          |
| ra                                | ra1                                                                                                                                    |          |
| sacp                              | sacp                                                                                                                                   |          |
| extb6                             | '0'B                                                                                                                                   |          |
| l1id                              | '01'B                                                                                                                                  |          |
| uil1                              | '0000'B                                                                                                                                |          |
| sb                                | sb                                                                                                                                     |          |
| extb6a                            | '0'B                                                                                                                                   |          |
| nsb                               | nbsb                                                                                                                                   |          |
| nb                                | '0'B                                                                                                                                   |          |
| ndb                               | nbdb                                                                                                                                   |          |
| ur                                | ur1                                                                                                                                    |          |
| extb6b                            | '0'B                                                                                                                                   |          |
| ir                                | ir1                                                                                                                                    |          |
| nictx                             | '0'B                                                                                                                                   |          |
| nicrx                             | '0'B                                                                                                                                   |          |
| pi                                | parity                                                                                                                                 |          |
| extb6c                            | '1'B                                                                                                                                   |          |
| ce                                | ce1                                                                                                                                    |          |
| modemt                            | modemt1                                                                                                                                |          |
| extb7                             | -                                                                                                                                      |          |
| l2id                              | -                                                                                                                                      |          |
| uil2                              | -                                                                                                                                      |          |
| <b>Detailed Comments:</b>         |                                                                                                                                        |          |



| Structured Type Constraint |                                                                                                                                                          |          |
|----------------------------|----------------------------------------------------------------------------------------------------------------------------------------------------------|----------|
| <b>Constraint Name:</b>    | BcapX_MO(rchr1:B_2; itc1:B_3; strc1:B_2; nirr:B_1; ra1 :B_2; sacp:B_3; sb, nsb1, ndb1:B_1; ur1:B_4; ir1:B_2; parity:B_3; ce1:B_2; modemt1:B_5; fctl:B_5) |          |
| <b>Structured Type:</b>    | BCAP                                                                                                                                                     |          |
| <b>Derivation Path:</b>    |                                                                                                                                                          |          |
| <b>Comments:</b>           | BS bearer capability with OCTET 7 for direction ms -> n                                                                                                  |          |
| Element Name               | Element Value                                                                                                                                            | Comments |
| iei                        | '00000100'B                                                                                                                                              |          |
| iel                        | ('07'O, '08'O)                                                                                                                                           |          |
| extb3                      | '1'B                                                                                                                                                     |          |
| rchr                       | rchr1                                                                                                                                                    |          |
| cs                         | '0'B                                                                                                                                                     |          |
| tm                         | '0'B                                                                                                                                                     |          |
| itc                        | itc1                                                                                                                                                     |          |
| oct_3a_etc_1               | -                                                                                                                                                        |          |
| oct_3a_etc_2               | -                                                                                                                                                        |          |
| oct_3a_etc_3               | -                                                                                                                                                        |          |
| oct_3a_etc_4               | -                                                                                                                                                        |          |
| oct_3a_etc_5               | -                                                                                                                                                        |          |
| oct_3a_etc_6               | -                                                                                                                                                        |          |
| extb4                      | '1'B                                                                                                                                                     |          |
| spb                        | '0'B                                                                                                                                                     |          |
| strc                       | strc1                                                                                                                                                    |          |
| dplxm                      | '1'B                                                                                                                                                     |          |
| config                     | '0'B                                                                                                                                                     |          |
| nirr                       | nirr                                                                                                                                                     |          |
| est                        | '0'B                                                                                                                                                     |          |
| extb5                      | '1'B                                                                                                                                                     |          |
| accid                      | '00'B                                                                                                                                                    |          |
| ra                         | ra1                                                                                                                                                      |          |
| sacp                       | sacp                                                                                                                                                     |          |
| extb6                      | '0'B                                                                                                                                                     |          |
| l1id                       | '01'B                                                                                                                                                    |          |
| uil1                       | '0000'B                                                                                                                                                  |          |
| sb                         | sb                                                                                                                                                       |          |
| extb6a                     | '0'B                                                                                                                                                     |          |
| nsb                        | nsb1                                                                                                                                                     |          |
| nb                         | '0'B                                                                                                                                                     |          |
| ndb                        | ndb1                                                                                                                                                     |          |
| ur                         | ur1                                                                                                                                                      |          |
| extb6b                     | '0'B                                                                                                                                                     |          |
| ir                         | ir1                                                                                                                                                      |          |
| nictx                      | '0'B                                                                                                                                                     |          |
| nicrx                      | '0'B                                                                                                                                                     |          |
| pi                         | parity                                                                                                                                                   |          |
| extb6c                     | '1'B                                                                                                                                                     |          |
| ce                         | ce1                                                                                                                                                      |          |
| modemt                     | modemt1                                                                                                                                                  |          |
| extb7                      | '1'B IF_PRESENT                                                                                                                                          |          |
| l2id                       | '10'B IF_PRESENT                                                                                                                                         |          |
| uil2                       | fctl IF_PRESENT                                                                                                                                          |          |
| <b>Detailed Comments:</b>  |                                                                                                                                                          |          |

| <b>Structured Type Constraint</b> |                                                                                                                                                   |          |
|-----------------------------------|---------------------------------------------------------------------------------------------------------------------------------------------------|----------|
| <b>Constraint Name:</b>           | BcapX_MT(itc1:B_3; strc1:B_2; nirr:B_1; ra1 :B_2; sacp:B_3; sb:B_1; nbsb, nbdb:B_1; ur1:B_4; ir1:B_2; parity:B_3; ce1:B_2; modemt1:B_5; flct:B_5) |          |
| <b>Structured Type:</b>           | BCAP                                                                                                                                              |          |
| <b>Derivation Path:</b>           |                                                                                                                                                   |          |
| <b>Comments:</b>                  | BS bearer capability for direction n->ms BS 21, .. 26, except BS23                                                                                |          |
| Element Name                      | Element Value                                                                                                                                     | Comments |
| iei                               | '00000100'B                                                                                                                                       |          |
| iel                               | '08'O                                                                                                                                             |          |
| extb3                             | '1'B                                                                                                                                              |          |
| rchr                              | '01'B                                                                                                                                             |          |
| cs                                | '0'B                                                                                                                                              |          |
| tm                                | '0'B                                                                                                                                              |          |
| itc                               | itc1                                                                                                                                              |          |
| oct_3a_etc_1                      | -                                                                                                                                                 |          |
| oct_3a_etc_2                      | -                                                                                                                                                 |          |
| oct_3a_etc_3                      | -                                                                                                                                                 |          |
| oct_3a_etc_4                      | -                                                                                                                                                 |          |
| oct_3a_etc_5                      | -                                                                                                                                                 |          |
| oct_3a_etc_6                      | -                                                                                                                                                 |          |
| extb4                             | '1'B                                                                                                                                              |          |
| spb                               | '0'B                                                                                                                                              |          |
| strc                              | strc1                                                                                                                                             |          |
| dplx                              | '1'B                                                                                                                                              |          |
| config                            | '0'B                                                                                                                                              |          |
| nirr                              | nirr                                                                                                                                              |          |
| est                               | '0'B                                                                                                                                              |          |
| extb5                             | '1'B                                                                                                                                              |          |
| accid                             | '00'B                                                                                                                                             |          |
| ra                                | ra1                                                                                                                                               |          |
| sacp                              | sacp                                                                                                                                              |          |
| extb6                             | '0'B                                                                                                                                              |          |
| l1id                              | '01'B                                                                                                                                             |          |
| uil1                              | '0000'B                                                                                                                                           |          |
| sb                                | sb                                                                                                                                                |          |
| extb6a                            | '0'B                                                                                                                                              |          |
| nsb                               | nbsb                                                                                                                                              |          |
| nb                                | '0'B                                                                                                                                              |          |
| ndb                               | nbdb                                                                                                                                              |          |
| ur                                | ur1                                                                                                                                               |          |
| extb6b                            | '0'B                                                                                                                                              |          |
| ir                                | ir1                                                                                                                                               |          |
| nictx                             | '0'B                                                                                                                                              |          |
| nicrx                             | '0'B                                                                                                                                              |          |
| pi                                | parity                                                                                                                                            |          |
| extb6c                            | '1'B                                                                                                                                              |          |
| ce                                | ce1                                                                                                                                               |          |
| modemt                            | modemt1                                                                                                                                           |          |
| extb7                             | '1'B                                                                                                                                              |          |
| l2id                              | '10'B                                                                                                                                             |          |
| uil2                              | flct                                                                                                                                              |          |
| <b>Detailed Comments:</b>         |                                                                                                                                                   |          |

| Structured Type Constraint |                                                              |          |
|----------------------------|--------------------------------------------------------------|----------|
| <b>Constraint Name:</b>    | Bcap_02                                                      |          |
| <b>Structured Type:</b>    | BCAP                                                         |          |
| <b>Derivation Path:</b>    | Bcap_Speech_MT.                                              |          |
| <b>Comments:</b>           | invalid information element, length = 1, arbitrary contents. |          |
| Element Name               | Element Value                                                | Comments |
| iei                        | -                                                            |          |
| iel                        | '01'O                                                        |          |
| extb3                      | '1'B                                                         |          |
| rchr                       | '11'B                                                        |          |
| cs                         | '0'B                                                         |          |
| tm                         | '1'B                                                         |          |
| itc                        | '110'B                                                       |          |
| <b>Detailed Comments:</b>  |                                                              |          |

| Structured Type Constraint |                                                  |          |
|----------------------------|--------------------------------------------------|----------|
| <b>Constraint Name:</b>    | Bcap_Speech_Efr_MO(rcr:B_2)                      |          |
| <b>Structured Type:</b>    | BCAP                                             |          |
| <b>Derivation Path:</b>    |                                                  |          |
| <b>Comments:</b>           | EFR speech bearer capability for direction ms->n |          |
| Element Name               | Element Value                                    | Comments |
| iei                        | '00000100'B                                      |          |
| iel                        | ('03'O, '04'O, '05'O, '06'O, '07'O)              |          |
| extb3                      | '0'B                                             |          |
| rchr                       | rcr                                              |          |
| cs                         | '0'B                                             |          |
| tm                         | '0'B                                             |          |
| itc                        | '000'B                                           |          |
| oct_3a_etc_1               | ?                                                |          |
| oct_3a_etc_2               | ?                                                |          |
| oct_3a_etc_3               | *                                                |          |
| oct_3a_etc_4               | *                                                |          |
| oct_3a_etc_5               | *                                                |          |
| oct_3a_etc_6               | *                                                |          |
| extb4                      | -                                                |          |
| spb                        | -                                                |          |
| strc                       | -                                                |          |
| dplxm                      | -                                                |          |
| config                     | -                                                |          |
| nirr                       | -                                                |          |
| est                        | -                                                |          |
| extb5                      | -                                                |          |
| accid                      | -                                                |          |
| ra                         | -                                                |          |
| sacp                       | -                                                |          |
| extb6                      | -                                                |          |
| l1id                       | -                                                |          |
| uil1                       | -                                                |          |
| sb                         | -                                                |          |
| extb6a                     | -                                                |          |
| nsb                        | -                                                |          |
| nb                         | -                                                |          |
| ndb                        | -                                                |          |
| ur                         | -                                                |          |
| extb6b                     | -                                                |          |
| ir                         | -                                                |          |
| nictx                      | -                                                |          |
| nicrx                      | -                                                |          |
| pi                         | -                                                |          |
| extb6c                     | -                                                |          |
| ce                         | -                                                |          |
| modemt                     | -                                                |          |
| extb7                      | -                                                |          |
| l2id                       | -                                                |          |
| uil2                       | -                                                |          |
| <b>Detailed Comments:</b>  |                                                  |          |

| Structured Type Constraint |                                               |          |
|----------------------------|-----------------------------------------------|----------|
| <b>Constraint Name:</b>    | Bcap_Speech_MO(rcr:B_2)                       |          |
| <b>Structured Type:</b>    | BCAP                                          |          |
| <b>Derivation Path:</b>    |                                               |          |
| <b>Comments:</b>           | speech bearer capability for direction ms->n. |          |
| Element Name               | Element Value                                 | Comments |
| iei                        | '00000100'B                                   |          |
| iel                        | '01'O                                         |          |
| extb3                      | '1'B                                          |          |
| rchr                       | rcr                                           |          |
| cs                         | '0'B                                          |          |
| tm                         | '0'B                                          |          |
| itc                        | '000'B                                        |          |
| oct_3a_etc_1               | -                                             |          |
| oct_3a_etc_2               | -                                             |          |
| oct_3a_etc_3               | -                                             |          |
| oct_3a_etc_4               | -                                             |          |
| oct_3a_etc_5               | -                                             |          |
| oct_3a_etc_6               | -                                             |          |
| extb4                      | -                                             |          |
| spb                        | -                                             |          |
| strc                       | -                                             |          |
| dplxm                      | -                                             |          |
| config                     | -                                             |          |
| nirr                       | -                                             |          |
| est                        | -                                             |          |
| extb5                      | -                                             |          |
| accid                      | -                                             |          |
| ra                         | -                                             |          |
| sacp                       | -                                             |          |
| extb6                      | -                                             |          |
| l1id                       | -                                             |          |
| uil1                       | -                                             |          |
| sb                         | -                                             |          |
| extb6a                     | -                                             |          |
| nsb                        | -                                             |          |
| nb                         | -                                             |          |
| ndb                        | -                                             |          |
| ur                         | -                                             |          |
| extb6b                     | -                                             |          |
| ir                         | -                                             |          |
| nictx                      | -                                             |          |
| nicrx                      | -                                             |          |
| pi                         | -                                             |          |
| extb6c                     | -                                             |          |
| ce                         | -                                             |          |
| modemt                     | -                                             |          |
| extb7                      | -                                             |          |
| l2id                       | -                                             |          |
| uil2                       | -                                             |          |
| <b>Detailed Comments:</b>  |                                               |          |

| Structured Type Constraint |                                              |          |
|----------------------------|----------------------------------------------|----------|
| <b>Constraint Name:</b>    | Bcap_Speech_MT                               |          |
| <b>Structured Type:</b>    | BCAP                                         |          |
| <b>Derivation Path:</b>    |                                              |          |
| <b>Comments:</b>           | speech bearer capability for direction n->ms |          |
| Element Name               | Element Value                                | Comments |
| iei                        | '00000100'B                                  |          |
| iel                        | '01'O                                        |          |
| extb3                      | '1'B                                         |          |
| rchr                       | '01'B                                        |          |
| cs                         | '0'B                                         |          |
| tm                         | '0'B                                         |          |
| itc                        | '000'B                                       |          |
| oct_3a_etc_1               | -                                            |          |
| oct_3a_etc_2               | -                                            |          |
| oct_3a_etc_3               | -                                            |          |
| oct_3a_etc_4               | -                                            |          |
| oct_3a_etc_5               | -                                            |          |
| oct_3a_etc_6               | -                                            |          |
| extb4                      | -                                            |          |
| spb                        | -                                            |          |
| strc                       | -                                            |          |
| dplxm                      | -                                            |          |
| config                     | -                                            |          |
| nirr                       | -                                            |          |
| est                        | -                                            |          |
| extb5                      | -                                            |          |
| accid                      | -                                            |          |
| ra                         | -                                            |          |
| sacp                       | -                                            |          |
| extb6                      | -                                            |          |
| l1id                       | -                                            |          |
| uil1                       | -                                            |          |
| sb                         | -                                            |          |
| extb6a                     | -                                            |          |
| nsb                        | -                                            |          |
| nb                         | -                                            |          |
| ndb                        | -                                            |          |
| ur                         | -                                            |          |
| extb6b                     | -                                            |          |
| ir                         | -                                            |          |
| nictx                      | -                                            |          |
| nicrx                      | -                                            |          |
| pi                         | -                                            |          |
| extb6c                     | -                                            |          |
| ce                         | -                                            |          |
| modemt                     | -                                            |          |
| extb7                      | -                                            |          |
| l2id                       | -                                            |          |
| uil2                       | -                                            |          |
| <b>Detailed Comments:</b>  |                                              |          |

| Structured Type Constraint |                                                 |          |
|----------------------------|-------------------------------------------------|----------|
| <b>Constraint Name:</b>    | Blocktype_01 (seqnum: BITSTRING; lb: BITSTRING) |          |
| <b>Structured Type:</b>    | BLOCKTYPE                                       |          |
| <b>Derivation Path:</b>    |                                                 |          |
| <b>Comments:</b>           | Block type,<br>GSM 04.12, 3.3.1                 |          |
| Element Name               | Element Value                                   | Comments |
| spare1                     | '0'B                                            |          |
| lpd                        | '01'B                                           |          |
| lb                         | lb                                              |          |
| sequence_number            | seqnum                                          |          |
| <b>Detailed Comments:</b>  |                                                 |          |

| Structured Type Constraint |                                                        |          |
|----------------------------|--------------------------------------------------------|----------|
| <b>Constraint Name:</b>    | BcchFreqLst_Omit                                       |          |
| <b>Structured Type:</b>    | NCD                                                    |          |
| <b>Derivation Path:</b>    |                                                        |          |
| <b>Comments:</b>           | Omit Bcch Frequency list (Neighbour cells description) |          |
| Element Name               | Element Value                                          | Comments |
| rfl2                       | -                                                      |          |
| extind                     | -                                                      |          |
| baind                      | -                                                      |          |
| rfl4                       | -                                                      |          |
| rfl                        | -                                                      |          |
| <b>Detailed Comments:</b>  |                                                        |          |

| Structured Type Constraint |                                                                                                                                            |          |
|----------------------------|--------------------------------------------------------------------------------------------------------------------------------------------|----------|
| <b>Constraint Name:</b>    | BcchFreqLst_01                                                                                                                             |          |
| <b>Structured Type:</b>    | NCD                                                                                                                                        |          |
| <b>Derivation Path:</b>    |                                                                                                                                            |          |
| <b>Comments:</b>           | Default neighbour cells description for SYSTEM INFORMATION 2 and 5 under GSM900 with the ARFCN list = {10, 20, 40, 80, 90, 100, 110, 120}. |          |
| Element Name               | Element Value                                                                                                                              | Comments |
| rfl2                       | '00'B                                                                                                                                      |          |
| extind                     | '0'B                                                                                                                                       |          |
| baind                      | '0'B                                                                                                                                       |          |
| rfl4                       | '0000'B                                                                                                                                    |          |
| rfl                        | '802008020080000000008000080200'O                                                                                                          |          |
| <b>Detailed Comments:</b>  |                                                                                                                                            |          |

| Structured Type Constraint |                                                                                                                                        |          |
|----------------------------|----------------------------------------------------------------------------------------------------------------------------------------|----------|
| <b>Constraint Name:</b>    | BcchFreqLst_02                                                                                                                         |          |
| <b>Structured Type:</b>    | NCD                                                                                                                                    |          |
| <b>Derivation Path:</b>    | BcchFreqLst_01.                                                                                                                        |          |
| <b>Comments:</b>           | Alternative neighbour cells description for SYSTEM INFORMATION 2 and 5 under GSM900.<br>These are ARFCNs 15, 85, 95, 105, 115, and 122 |          |
| Element Name               | Element Value                                                                                                                          | Comments |
| rfl4                       | '0010'B                                                                                                                                |          |
| rfl                        | '04010040100000000000000004000'O                                                                                                       |          |
| <b>Detailed Comments:</b>  |                                                                                                                                        |          |

| Structured Type Constraint |                                                                                                                                                 |          |
|----------------------------|-------------------------------------------------------------------------------------------------------------------------------------------------|----------|
| <b>Constraint Name:</b>    | BcchFreqLst_03                                                                                                                                  |          |
| <b>Structured Type:</b>    | NCD                                                                                                                                             |          |
| <b>Derivation Path:</b>    |                                                                                                                                                 |          |
| <b>Comments:</b>           | Default neighbour cells description for SYSTEM INFORMATION 2 and 5 for DCS1800 for cell B with the ARFCN list = {520, 600, 700, 780, 810, 870}. |          |
| Element Name               | Element Value                                                                                                                                   | Comments |
| rfl2                       | '10'B                                                                                                                                           |          |
| extind                     | '0'B                                                                                                                                            |          |
| baind                      | '0'B                                                                                                                                            |          |
| rfl4                       | '1001'B                                                                                                                                         |          |
| rfl                        | '04412C168E44000000000000000000'O                                                                                                               |          |
| <b>Detailed Comments:</b>  |                                                                                                                                                 |          |

| Structured Type Constraint |                                                                                     |          |
|----------------------------|-------------------------------------------------------------------------------------|----------|
| <b>Constraint Name:</b>    | BcchFreqLst_04                                                                      |          |
| <b>Structured Type:</b>    | NCD                                                                                 |          |
| <b>Derivation Path:</b>    | BcchFreqLst_01.                                                                     |          |
| <b>Comments:</b>           | Alternative neighbour cells description for SYSTEM INFORMATION 2 and 5 for DCS1800. |          |
| Element Name               | Element Value                                                                       | Comments |
| rfl2                       | '10'B                                                                               |          |
| extind                     | '0'B                                                                                |          |
| baind                      | '0'B                                                                                |          |
| rfl4                       | '1001'B                                                                             |          |
| rfl                        | '09412C168E44000000000000000000'O                                                   |          |
| <b>Detailed Comments:</b>  |                                                                                     |          |

| Structured Type Constraint |                                                                                             |          |
|----------------------------|---------------------------------------------------------------------------------------------|----------|
| <b>Constraint Name:</b>    | BcchFreqLst_05                                                                              |          |
| <b>Structured Type:</b>    | NCD                                                                                         |          |
| <b>Derivation Path:</b>    |                                                                                             |          |
| <b>Comments:</b>           | cells description for SYSTEM INFORMATION 2 and 5 of cell 1 for idle mode testing of GSM900. |          |
| Element Name               | Element Value                                                                               | Comments |
| rfl2                       | '00'B                                                                                       |          |
| extind                     | '0'B                                                                                        |          |
| baind                      | '0'B                                                                                        |          |
| rfl4                       | '1000'B                                                                                     |          |
| rfl                        | '000001001000030000004000000040'O                                                           |          |
| <b>Detailed Comments:</b>  |                                                                                             |          |

| Structured Type Constraint |                                                                                             |          |
|----------------------------|---------------------------------------------------------------------------------------------|----------|
| <b>Constraint Name:</b>    | BcchFreqLst_06                                                                              |          |
| <b>Structured Type:</b>    | NCD                                                                                         |          |
| <b>Derivation Path:</b>    | BcchFreqLst_05.                                                                             |          |
| <b>Comments:</b>           | cells description for SYSTEM INFORMATION 2 and 5 of cell 2 for idle mode testing of GSM900. |          |
| Element Name               | Element Value                                                                               | Comments |
| rfl4                       | '0100'B                                                                                     |          |
| rfl                        | '0000020020000C0000008000000080'O                                                           |          |
| <b>Detailed Comments:</b>  |                                                                                             |          |



| Structured Type Constraint |                                                                                             |          |
|----------------------------|---------------------------------------------------------------------------------------------|----------|
| <b>Constraint Name:</b>    | BcchFreqLst_07                                                                              |          |
| <b>Structured Type:</b>    | NCD                                                                                         |          |
| <b>Derivation Path:</b>    | BcchFreqLst_05.                                                                             |          |
| <b>Comments:</b>           | cells description for SYSTEM INFORMATION 2 and 5 of cell 3 for idle mode testing of GSM900. |          |
| Element Name               | Element Value                                                                               | Comments |
| rfl4                       | '0010'B                                                                                     |          |
| rfl                        | '000004004000300000010000000100'O                                                           |          |
| <b>Detailed Comments:</b>  |                                                                                             |          |

| Structured Type Constraint |                                                                                             |          |
|----------------------------|---------------------------------------------------------------------------------------------|----------|
| <b>Constraint Name:</b>    | BcchFreqLst_08                                                                              |          |
| <b>Structured Type:</b>    | NCD                                                                                         |          |
| <b>Derivation Path:</b>    | BcchFreqLst_05.                                                                             |          |
| <b>Comments:</b>           | cells description for SYSTEM INFORMATION 2 and 5 of cell 4 for idle mode testing of GSM900. |          |
| Element Name               | Element Value                                                                               | Comments |
| rfl4                       | '0001'B                                                                                     |          |
| rfl                        | '000008008000C00000020000000200'O                                                           |          |
| <b>Detailed Comments:</b>  |                                                                                             |          |

| Structured Type Constraint |                                                                                             |          |
|----------------------------|---------------------------------------------------------------------------------------------|----------|
| <b>Constraint Name:</b>    | BcchFreqLst_09                                                                              |          |
| <b>Structured Type:</b>    | NCD                                                                                         |          |
| <b>Derivation Path:</b>    | BcchFreqLst_05.                                                                             |          |
| <b>Comments:</b>           | cells description for SYSTEM INFORMATION 2 and 5 of cell 5 for idle mode testing of GSM900. |          |
| Element Name               | Element Value                                                                               | Comments |
| rfl4                       | '0000'B                                                                                     |          |
| rfl                        | '800010010003000000040000000400'O                                                           |          |
| <b>Detailed Comments:</b>  |                                                                                             |          |

| Structured Type Constraint |                                                                                             |          |
|----------------------------|---------------------------------------------------------------------------------------------|----------|
| <b>Constraint Name:</b>    | BcchFreqLst_10                                                                              |          |
| <b>Structured Type:</b>    | NCD                                                                                         |          |
| <b>Derivation Path:</b>    | BcchFreqLst_05.                                                                             |          |
| <b>Comments:</b>           | cells description for SYSTEM INFORMATION 2 and 5 of cell 6 for idle mode testing of GSM900. |          |
| Element Name               | Element Value                                                                               | Comments |
| rfl4                       | '0000'B                                                                                     |          |
| rfl                        | '40002002000C000000080000000800'O                                                           |          |
| <b>Detailed Comments:</b>  |                                                                                             |          |

| Structured Type Constraint |                                                                                             |          |
|----------------------------|---------------------------------------------------------------------------------------------|----------|
| <b>Constraint Name:</b>    | BcchFreqLst_11                                                                              |          |
| <b>Structured Type:</b>    | NCD                                                                                         |          |
| <b>Derivation Path:</b>    | BcchFreqLst_05.                                                                             |          |
| <b>Comments:</b>           | cells description for SYSTEM INFORMATION 2 and 5 of cell 7 for idle mode testing of GSM900. |          |
| Element Name               | Element Value                                                                               | Comments |
| rfl4                       | '0000'B                                                                                     |          |
| rfl                        | '200040040030000000100000001000'O                                                           |          |
| <b>Detailed Comments:</b>  |                                                                                             |          |

| Structured Type Constraint |                                                                                             |          |
|----------------------------|---------------------------------------------------------------------------------------------|----------|
| <b>Constraint Name:</b>    | BcchFreqLst_12                                                                              |          |
| <b>Structured Type:</b>    | NCD                                                                                         |          |
| <b>Derivation Path:</b>    | BcchFreqLst_05.                                                                             |          |
| <b>Comments:</b>           | cells description for SYSTEM INFORMATION 2 and 5 of cell 8 for idle mode testing of GSM900. |          |
| Element Name               | Element Value                                                                               | Comments |
| rfl4                       | '1000'B                                                                                     |          |
| rfl                        | '00000000000000000000000000000000'O                                                         |          |
| <b>Detailed Comments:</b>  |                                                                                             |          |

| Structured Type Constraint |                                                                                              |          |
|----------------------------|----------------------------------------------------------------------------------------------|----------|
| <b>Constraint Name:</b>    | BcchFreqLst_13                                                                               |          |
| <b>Structured Type:</b>    | NCD                                                                                          |          |
| <b>Derivation Path:</b>    | BcchFreqLst_01.                                                                              |          |
| <b>Comments:</b>           | cells description for SYSTEM INFORMATION 2 and 5 of cell 1 for idle mode testing of DCS1800. |          |
| Element Name               | Element Value                                                                                | Comments |
| rfl2                       | '10'B                                                                                        |          |
| rfl4                       | '1001'B                                                                                      |          |
| rfl                        | '042DE8EDB149B80000000000000000'O                                                            |          |
| <b>Detailed Comments:</b>  |                                                                                              |          |

| Structured Type Constraint |                                                                                              |          |
|----------------------------|----------------------------------------------------------------------------------------------|----------|
| <b>Constraint Name:</b>    | BcchFreqLst_14                                                                               |          |
| <b>Structured Type:</b>    | NCD                                                                                          |          |
| <b>Derivation Path:</b>    | BcchFreqLst_01.                                                                              |          |
| <b>Comments:</b>           | cells description for SYSTEM INFORMATION 2 and 5 of cell 2 for idle mode testing of DCS1800. |          |
| Element Name               | Element Value                                                                                | Comments |
| rfl2                       | '10'B                                                                                        |          |
| rfl4                       | '1001'B                                                                                      |          |
| rfl                        | '04AE28ECF0CBB80000000000000000'O                                                            |          |
| <b>Detailed Comments:</b>  |                                                                                              |          |

| Structured Type Constraint |                                                                                              |          |
|----------------------------|----------------------------------------------------------------------------------------------|----------|
| <b>Constraint Name:</b>    | BcchFreqLst_15                                                                               |          |
| <b>Structured Type:</b>    | NCD                                                                                          |          |
| <b>Derivation Path:</b>    | BcchFreqLst_01.                                                                              |          |
| <b>Comments:</b>           | cells description for SYSTEM INFORMATION 2 and 5 of cell 3 for idle mode testing of DCS1800. |          |
| Element Name               | Element Value                                                                                | Comments |
| rfl2                       | '10'B                                                                                        |          |
| rfl4                       | '1001'B                                                                                      |          |
| rfl                        | '052E68EC304DB80000000000000000'O                                                            |          |
| <b>Detailed Comments:</b>  |                                                                                              |          |

| Structured Type Constraint |                                                                                              |          |
|----------------------------|----------------------------------------------------------------------------------------------|----------|
| <b>Constraint Name:</b>    | BcchFreqLst_16                                                                               |          |
| <b>Structured Type:</b>    | NCD                                                                                          |          |
| <b>Derivation Path:</b>    | BcchFreqLst_01.                                                                              |          |
| <b>Comments:</b>           | cells description for SYSTEM INFORMATION 2 and 5 of cell 4 for idle mode testing of DCS1800. |          |
| Element Name               | Element Value                                                                                | Comments |
| rfl2                       | '10'B                                                                                        |          |
| rfl4                       | '1001'B                                                                                      |          |
| rfl                        | '05AEA8EB6FCFB80000000000000000'O                                                            |          |
| <b>Detailed Comments:</b>  |                                                                                              |          |

| Structured Type Constraint |                                                                                              |          |
|----------------------------|----------------------------------------------------------------------------------------------|----------|
| <b>Constraint Name:</b>    | BcchFreqLst_17                                                                               |          |
| <b>Structured Type:</b>    | NCD                                                                                          |          |
| <b>Derivation Path:</b>    | BcchFreqLst_01.                                                                              |          |
| <b>Comments:</b>           | cells description for SYSTEM INFORMATION 2 and 5 of cell 5 for idle mode testing of DCS1800. |          |
| Element Name               | Element Value                                                                                | Comments |
| rfl2                       | '10'B                                                                                        |          |
| rfl4                       | '1001'B                                                                                      |          |
| rfl                        | '062F6869EF53B80000000000000000'O                                                            |          |
| <b>Detailed Comments:</b>  |                                                                                              |          |

| Structured Type Constraint |                                                                                              |          |
|----------------------------|----------------------------------------------------------------------------------------------|----------|
| <b>Constraint Name:</b>    | BcchFreqLst_18                                                                               |          |
| <b>Structured Type:</b>    | NCD                                                                                          |          |
| <b>Derivation Path:</b>    | BcchFreqLst_01.                                                                              |          |
| <b>Comments:</b>           | cells description for SYSTEM INFORMATION 2 and 5 of cell 6 for idle mode testing of DCS1800. |          |
| Element Name               | Element Value                                                                                | Comments |
| rfl2                       | '10'B                                                                                        |          |
| rfl4                       | '1001'B                                                                                      |          |
| rfl                        | '06AF28E9EED3B80000000000000000'O                                                            |          |
| <b>Detailed Comments:</b>  |                                                                                              |          |

| Structured Type Constraint |                                                                                              |          |
|----------------------------|----------------------------------------------------------------------------------------------|----------|
| <b>Constraint Name:</b>    | BcchFreqLst_19                                                                               |          |
| <b>Structured Type:</b>    | NCD                                                                                          |          |
| <b>Derivation Path:</b>    | BcchFreqLst_01.                                                                              |          |
| <b>Comments:</b>           | cells description for SYSTEM INFORMATION 2 and 5 of cell 7 for idle mode testing of DCS1800. |          |
| Element Name               | Element Value                                                                                | Comments |
| rfl2                       | '10'B                                                                                        |          |
| rfl4                       | '1001'B                                                                                      |          |
| rfl                        | '072F5FE900D5480000000000000000'O                                                            |          |
| <b>Detailed Comments:</b>  |                                                                                              |          |

| Structured Type Constraint |                                                                                                                                          |          |
|----------------------------|------------------------------------------------------------------------------------------------------------------------------------------|----------|
| <b>Constraint Name:</b>    | BcchFreqLst_20                                                                                                                           |          |
| <b>Structured Type:</b>    | NCD                                                                                                                                      |          |
| <b>Derivation Path:</b>    | BcchFreqLst_01.                                                                                                                          |          |
| <b>Comments:</b>           | Neighbour cells description for SYSTEM INFORMATION 5 for measurement testing. Empty BA list, format is bitmap 0, IE carries complete BA. |          |
| Element Name               | Element Value                                                                                                                            | Comments |
| baind                      | '1'B                                                                                                                                     |          |
| rfl                        | '00000000000000000000000000000000'O                                                                                                      |          |
| <b>Detailed Comments:</b>  |                                                                                                                                          |          |

| Structured Type Constraint |                                                                                                                                                                                                                                                                |          |
|----------------------------|----------------------------------------------------------------------------------------------------------------------------------------------------------------------------------------------------------------------------------------------------------------|----------|
| <b>Constraint Name:</b>    | BcchFreqLst_21                                                                                                                                                                                                                                                 |          |
| <b>Structured Type:</b>    | NCD                                                                                                                                                                                                                                                            |          |
| <b>Derivation Path:</b>    |                                                                                                                                                                                                                                                                |          |
| <b>Comments:</b>           | Neighbour cells description for SYSTEM INFORMATION 5 for measurement testing. BA list = {2, 4, 5, 6, 7, 8, 9, 10, 11, 12, 13, 14, 16, 17, 18, 19, 20, 21, 22, 23, 24, 26, 28, 29, 30, 32, 34, 35, 36, 38, 40, 44}, format is bitmap 0, IE carries complete BA. |          |
| Element Name               | Element Value                                                                                                                                                                                                                                                  | Comments |
| rfl2                       | '00'B                                                                                                                                                                                                                                                          |          |
| extind                     | '0'B                                                                                                                                                                                                                                                           |          |
| baind                      | '1'B                                                                                                                                                                                                                                                           |          |
| rfl4                       | '0000'B                                                                                                                                                                                                                                                        |          |
| rfl                        | '00000000000000000000000008AEBAFFBFFA'O                                                                                                                                                                                                                        |          |
| <b>Detailed Comments:</b>  |                                                                                                                                                                                                                                                                |          |

| Structured Type Constraint |                                                                                                                                                          |          |
|----------------------------|----------------------------------------------------------------------------------------------------------------------------------------------------------|----------|
| <b>Constraint Name:</b>    | BcchFreqLst_22                                                                                                                                           |          |
| <b>Structured Type:</b>    | NCD                                                                                                                                                      |          |
| <b>Derivation Path:</b>    | BcchFreqLst_01.                                                                                                                                          |          |
| <b>Comments:</b>           | Neighbour cells description for SYSTEM INFORMATION 5 for measurement testing. BA list = {2, 14, 20, 38, 44}, format is bitmap 0, IE carries complete BA. |          |
| Element Name               | Element Value                                                                                                                                            | Comments |
| baind                      | '1'B                                                                                                                                                     |          |
| rfl                        | '000000000000000000000000082000082002'O                                                                                                                  |          |
| <b>Detailed Comments:</b>  |                                                                                                                                                          |          |

| Structured Type Constraint |                                                                                                                                                     |          |
|----------------------------|-----------------------------------------------------------------------------------------------------------------------------------------------------|----------|
| <b>Constraint Name:</b>    | BcchFreqLst_24                                                                                                                                      |          |
| <b>Structured Type:</b>    | NCD                                                                                                                                                 |          |
| <b>Derivation Path:</b>    |                                                                                                                                                     |          |
| <b>Comments:</b>           | neighbour cells description with out channel for SYSTEM INFORMATION 5 for GSM. Empty BA-list. Format is bitmap 0, IE carries only a part of the BA. |          |
| Element Name               | Element Value                                                                                                                                       | Comments |
| rfl2                       | '00'B                                                                                                                                               |          |
| extind                     | '1'B                                                                                                                                                |          |
| baind                      | '1'B                                                                                                                                                |          |
| rfl4                       | '0000'B                                                                                                                                             |          |
| rfl                        | '00000000000000000000000000000000'O                                                                                                                 |          |
| <b>Detailed Comments:</b>  |                                                                                                                                                     |          |

| Structured Type Constraint |                                                                                                                                                        |          |
|----------------------------|--------------------------------------------------------------------------------------------------------------------------------------------------------|----------|
| <b>Constraint Name:</b>    | BcchFreqLst_25                                                                                                                                         |          |
| <b>Structured Type:</b>    | NCD                                                                                                                                                    |          |
| <b>Derivation Path:</b>    |                                                                                                                                                        |          |
| <b>Comments:</b>           | Neighbour cells description without channel for SYSTEM INFORMATION 5 for DCS1800. Empty BA-list. Format is bitmap 0, IE carries only a part of the BA. |          |
| Element Name               | Element Value                                                                                                                                          | Comments |
| rfl2                       | '10'B                                                                                                                                                  |          |
| extind                     | '1'B                                                                                                                                                   |          |
| baind                      | '1'B                                                                                                                                                   |          |
| rfl4                       | '0000'B                                                                                                                                                |          |
| rfl                        | '00000000000000000000000000000000'O                                                                                                                    |          |
| <b>Detailed Comments:</b>  |                                                                                                                                                        |          |

| Structured Type Constraint |                                                                                                                                                              |          |
|----------------------------|--------------------------------------------------------------------------------------------------------------------------------------------------------------|----------|
| <b>Constraint Name:</b>    | BcchFreqLst_26                                                                                                                                               |          |
| <b>Structured Type:</b>    | NCD                                                                                                                                                          |          |
| <b>Derivation Path:</b>    |                                                                                                                                                              |          |
| <b>Comments:</b>           | Neighbour cells description for SYSTEM INFORMATION 5bis for GSM900. ARFCN 500 belongs to the BA list, format is 1024 range, IE carries only a part of the BA |          |
| Element Name               | Element Value                                                                                                                                                | Comments |
| rfl2                       | '10'B                                                                                                                                                        |          |
| extind                     | '1'B                                                                                                                                                         |          |
| baind                      | '1'B                                                                                                                                                         |          |
| rfl4                       | '0001'B                                                                                                                                                      |          |
| rfl                        | 'F400000000000000000000000000000000'O                                                                                                                        |          |
| <b>Detailed Comments:</b>  |                                                                                                                                                              |          |

| Structured Type Constraint |                                                                                                                                                                     |          |
|----------------------------|---------------------------------------------------------------------------------------------------------------------------------------------------------------------|----------|
| <b>Constraint Name:</b>    | BcchFreqLst_27                                                                                                                                                      |          |
| <b>Structured Type:</b>    | NCD                                                                                                                                                                 |          |
| <b>Derivation Path:</b>    |                                                                                                                                                                     |          |
| <b>Comments:</b>           | Neighbour cells description for SYSTEM INFORMATION 5 for DCS1800. BA list = {514, 530, 549, 602, 665, 686, 762, 810}, format is 1024 range, IE carries complete BA. |          |
| Element Name               | Element Value                                                                                                                                                       | Comments |
| rfl2                       | '10'B                                                                                                                                                               |          |
| extind                     | '0'B                                                                                                                                                                |          |
| baind                      | '1'B                                                                                                                                                                |          |
| rfl4                       | '0010'B                                                                                                                                                             |          |
| rfl                        | '99C6187B6D0D4C380000000000000000'O                                                                                                                                 |          |
| <b>Detailed Comments:</b>  |                                                                                                                                                                     |          |

| Structured Type Constraint |                                                                                                                                                                                                                                                                          |          |
|----------------------------|--------------------------------------------------------------------------------------------------------------------------------------------------------------------------------------------------------------------------------------------------------------------------|----------|
| <b>Constraint Name:</b>    | BcchFreqLst_28                                                                                                                                                                                                                                                           |          |
| <b>Structured Type:</b>    | NCD                                                                                                                                                                                                                                                                      |          |
| <b>Derivation Path:</b>    |                                                                                                                                                                                                                                                                          |          |
| <b>Comments:</b>           | Neighbour cells description for SYSTEM INFORMATION 5 for measurement testing. BA list = {2, 4, 5, 6, 7, 8, 9, 10, 11, 12, 13, 14, 16, 17, 18, 19, 20, 21, 22, 23, 24, 26, 28, 29, 30, 32, 34, 35, 36, 38, 40, 44}, format is bitmap 0, IE carries only a part of the BA. |          |
| Element Name               | Element Value                                                                                                                                                                                                                                                            | Comments |
| rfl2                       | '00'B                                                                                                                                                                                                                                                                    |          |
| extind                     | '1'B                                                                                                                                                                                                                                                                     |          |
| baind                      | '1'B                                                                                                                                                                                                                                                                     |          |
| rfl4                       | '0000'B                                                                                                                                                                                                                                                                  |          |
| rfl                        | '000000000000000000000000000000000008AEBAFFBFFA'O                                                                                                                                                                                                                        |          |
| <b>Detailed Comments:</b>  |                                                                                                                                                                                                                                                                          |          |

| Structured Type Constraint |                                                                                                                                                                                    |          |
|----------------------------|------------------------------------------------------------------------------------------------------------------------------------------------------------------------------------|----------|
| <b>Constraint Name:</b>    | BcchFreqLst_29                                                                                                                                                                     |          |
| <b>Structured Type:</b>    | NCD                                                                                                                                                                                |          |
| <b>Derivation Path:</b>    |                                                                                                                                                                                    |          |
| <b>Comments:</b>           | Neighbour cells description for SYSTEM INFORMATION 5 for DCS1800 measurement testing. BA list = {549, 602, 665, 686, 810}. Format is range 1024, IE carries only a part of the BA. |          |
| Element Name               | Element Value                                                                                                                                                                      | Comments |
| rfl2                       | '10'B                                                                                                                                                                              |          |
| extind                     | '1'B                                                                                                                                                                               |          |
| baind                      | '1'B                                                                                                                                                                               |          |
| rfl4                       | '0010'B                                                                                                                                                                            |          |
| rfl                        | '99E0A472E10000000000000000000000'O                                                                                                                                                |          |
| <b>Detailed Comments:</b>  |                                                                                                                                                                                    |          |

| Structured Type Constraint |                                                                                                                                                            |          |
|----------------------------|------------------------------------------------------------------------------------------------------------------------------------------------------------|----------|
| <b>Constraint Name:</b>    | BcchFreqLst_30                                                                                                                                             |          |
| <b>Structured Type:</b>    | NCD                                                                                                                                                        |          |
| <b>Derivation Path:</b>    |                                                                                                                                                            |          |
| <b>Comments:</b>           | Neighbour cells description for SYSTEM INFORMATION 5bis for measurement testing. BA list {0, 800}, format is range 1024, IE carries only a part of the BA. |          |
| Element Name               | Element Value                                                                                                                                              | Comments |
| rfl2                       | '10'B                                                                                                                                                      |          |
| extind                     | '1'B                                                                                                                                                       |          |
| baind                      | '1'B                                                                                                                                                       |          |
| rfl4                       | '0111'B                                                                                                                                                    |          |
| rfl                        | '20000000000000000000000000000000'O                                                                                                                        |          |
| <b>Detailed Comments:</b>  |                                                                                                                                                            |          |

| Structured Type Constraint |                                                                                                                                                                                 |          |
|----------------------------|---------------------------------------------------------------------------------------------------------------------------------------------------------------------------------|----------|
| <b>Constraint Name:</b>    | BcchFreqLst_31                                                                                                                                                                  |          |
| <b>Structured Type:</b>    | NCD                                                                                                                                                                             |          |
| <b>Derivation Path:</b>    |                                                                                                                                                                                 |          |
| <b>Comments:</b>           | Neighbour cells description for SYSTEM INFORMATION 5 for DCS1800 measurement testing. BA list {20, 514, 530, 549, 762}, format is range 1024, IE carries only a part of the BA. |          |
| Element Name               | Element Value                                                                                                                                                                   | Comments |
| rfl2                       | '10'B                                                                                                                                                                           |          |
| extind                     | '1'B                                                                                                                                                                            |          |
| baind                      | '1'B                                                                                                                                                                            |          |
| rfl4                       | '0000'B                                                                                                                                                                         |          |
| rfl                        | '1473FF8AFC00000000000000000000'O                                                                                                                                               |          |
| <b>Detailed Comments:</b>  |                                                                                                                                                                                 |          |

| Structured Type Constraint |                                                                                                                                                                         |          |
|----------------------------|-------------------------------------------------------------------------------------------------------------------------------------------------------------------------|----------|
| <b>Constraint Name:</b>    | BcchFreqLst_32                                                                                                                                                          |          |
| <b>Structured Type:</b>    | NCD                                                                                                                                                                     |          |
| <b>Derivation Path:</b>    |                                                                                                                                                                         |          |
| <b>Comments:</b>           | Neighbour cells description for SYSTEM INFORMATION 5 for DCS1800 measurement testing. BA list {514, 549, 602, 665, 810 }, format is range 1024, IE carries complete BA. |          |
| Element Name               | Element Value                                                                                                                                                           | Comments |
| rfl2                       | '10'B                                                                                                                                                                   |          |
| extind                     | '0'B                                                                                                                                                                    |          |
| baind                      | '1'B                                                                                                                                                                    |          |
| rfl4                       | '0000'B                                                                                                                                                                 |          |
| rfl                        | '5AE5B4375BC00000000000000000000'O                                                                                                                                      |          |
| <b>Detailed Comments:</b>  |                                                                                                                                                                         |          |

| Structured Type Constraint |                                                                                                                                                       |          |
|----------------------------|-------------------------------------------------------------------------------------------------------------------------------------------------------|----------|
| <b>Constraint Name:</b>    | BcchFreqLst_33                                                                                                                                        |          |
| <b>Structured Type:</b>    | NCD                                                                                                                                                   |          |
| <b>Derivation Path:</b>    |                                                                                                                                                       |          |
| <b>Comments:</b>           | Neighbour cells description for SYSTEM INFORMATION 5 for GSM900. BA list = {2, 14, 20, 38, 44}, format is bitmap 0, IE carries only a part of the BA. |          |
| Element Name               | Element Value                                                                                                                                         | Comments |
| rfl2                       | '00'B                                                                                                                                                 |          |
| extind                     | '1'B                                                                                                                                                  |          |
| baind                      | '1'B                                                                                                                                                  |          |
| rfl4                       | '0000'B                                                                                                                                               |          |
| rfl                        | '000000000000000000000000082000082002'O                                                                                                               |          |
| <b>Detailed Comments:</b>  |                                                                                                                                                       |          |

| Structured Type Constraint |                                                                                                                                                                              |          |
|----------------------------|------------------------------------------------------------------------------------------------------------------------------------------------------------------------------|----------|
| <b>Constraint Name:</b>    | BcchFreqLst_34                                                                                                                                                               |          |
| <b>Structured Type:</b>    | NCD                                                                                                                                                                          |          |
| <b>Derivation Path:</b>    |                                                                                                                                                                              |          |
| <b>Comments:</b>           | Neighbour cells description for SYSTEM INFORMATION 5 for DCS1800 measurement testing.<br>BA list = {549, 602, 810 }, format is range 1024, IE carries only a part of the BA. |          |
| Element Name               | Element Value                                                                                                                                                                | Comments |
| rfl2                       | '10'B                                                                                                                                                                        |          |
| extind                     | '1'B                                                                                                                                                                         |          |
| baind                      | '1'B                                                                                                                                                                         |          |
| rfl4                       | '0010'B                                                                                                                                                                      |          |
| rfl                        | '5AE5B4000000000000000000000000'O                                                                                                                                            |          |
| <b>Detailed Comments:</b>  |                                                                                                                                                                              |          |

| Structured Type Constraint |                                                                                                                                                                         |          |
|----------------------------|-------------------------------------------------------------------------------------------------------------------------------------------------------------------------|----------|
| <b>Constraint Name:</b>    | BcchFreqLst_34d                                                                                                                                                         |          |
| <b>Structured Type:</b>    | NCD                                                                                                                                                                     |          |
| <b>Derivation Path:</b>    |                                                                                                                                                                         |          |
| <b>Comments:</b>           | Neighbour cells description for SYSTEM INFORMATION 5 for DCS1800 measurement testing.<br>BA list = {514, 665 }, format is range 1024, IE carries only a part of the BA. |          |
| Element Name               | Element Value                                                                                                                                                           | Comments |
| rfl2                       | '10'B                                                                                                                                                                   |          |
| extind                     | '1'B                                                                                                                                                                    |          |
| baind                      | '1'B                                                                                                                                                                    |          |
| rfl4                       | '0010'B                                                                                                                                                                 |          |
| rfl                        | '99B480000000000000000000000000'O                                                                                                                                       |          |
| <b>Detailed Comments:</b>  |                                                                                                                                                                         |          |

| Structured Type Constraint |                                                                               |          |
|----------------------------|-------------------------------------------------------------------------------|----------|
| <b>Constraint Name:</b>    | BcchFreqLst_35                                                                |          |
| <b>Structured Type:</b>    | NCD                                                                           |          |
| <b>Derivation Path:</b>    | BcchFreqLst_01.                                                               |          |
| <b>Comments:</b>           | Neighbour cells description for SYSTEM INFORMATION 5 for measurement testing. |          |
| Element Name               | Element Value                                                                 | Comments |
| baind                      | '1'B                                                                          |          |
| rfl                        | '000000000000000000000000082082082082'O                                       |          |
| <b>Detailed Comments:</b>  |                                                                               |          |

| Structured Type Constraint |                                                                               |          |
|----------------------------|-------------------------------------------------------------------------------|----------|
| <b>Constraint Name:</b>    | BcchFreqLst_36                                                                |          |
| <b>Structured Type:</b>    | NCD                                                                           |          |
| <b>Derivation Path:</b>    | BcchFreqLst_01.                                                               |          |
| <b>Comments:</b>           | Neighbour cells description for SYSTEM INFORMATION 5 for measurement testing. |          |
| Element Name               | Element Value                                                                 | Comments |
| extind                     | '1'B                                                                          |          |
| baind                      | '1'B                                                                          |          |
| rfl                        | '000000000000000000000000082082082002'O                                       |          |
| <b>Detailed Comments:</b>  |                                                                               |          |

| Structured Type Constraint |                                                                               |          |
|----------------------------|-------------------------------------------------------------------------------|----------|
| <b>Constraint Name:</b>    | BcchFreqLst_37                                                                |          |
| <b>Structured Type:</b>    | NCD                                                                           |          |
| <b>Derivation Path:</b>    |                                                                               |          |
| <b>Comments:</b>           | Neighbour cells description for SYSTEM INFORMATION 5 for measurement testing. |          |
| Element Name               | Element Value                                                                 | Comments |
| rfl2                       | '00'B                                                                         |          |
| extind                     | '1'B                                                                          |          |
| baind                      | '1'B                                                                          |          |
| rfl4                       | '0000'B                                                                       |          |
| rfl                        | '00000000000000000000000000000000A2'O                                         |          |
| <b>Detailed Comments:</b>  | only used in TC_26_6_3_5                                                      |          |

| Structured Type Constraint |                                                                   |          |
|----------------------------|-------------------------------------------------------------------|----------|
| <b>Constraint Name:</b>    | BcchFreqLst_38                                                    |          |
| <b>Structured Type:</b>    | NCD                                                               |          |
| <b>Derivation Path:</b>    |                                                                   |          |
| <b>Comments:</b>           | Neighbour cells description for SYSTEM INFORMATION 5 for DCS1800. |          |
| Element Name               | Element Value                                                     | Comments |
| rfl2                       | '10'B                                                             |          |
| extind                     | '1'B                                                              |          |
| baind                      | '1'B                                                              |          |
| rfl4                       | '0110'B                                                           |          |
| rfl                        | 'CBA3BEB89A9048C000000000000000'O                                 |          |
| <b>Detailed Comments:</b>  |                                                                   |          |

| Structured Type Constraint |                                                                   |          |
|----------------------------|-------------------------------------------------------------------|----------|
| <b>Constraint Name:</b>    | BcchFreqLst_39                                                    |          |
| <b>Structured Type:</b>    | NCD                                                               |          |
| <b>Derivation Path:</b>    |                                                                   |          |
| <b>Comments:</b>           | Neighbour cells description for SYSTEM INFORMATION 5 for DCS1800. |          |
| Element Name               | Element Value                                                     | Comments |
| rfl2                       | '10'B                                                             |          |
| extind                     | '1'B                                                              |          |
| baind                      | '1'B                                                              |          |
| rfl4                       | '1111'B                                                           |          |
| rfl                        | 'E28000000010000014500000000000'O                                 |          |
| <b>Detailed Comments:</b>  |                                                                   |          |

| Structured Type Constraint |                                                                   |          |
|----------------------------|-------------------------------------------------------------------|----------|
| <b>Constraint Name:</b>    | BcchFreqLst_40                                                    |          |
| <b>Structured Type:</b>    | NCD                                                               |          |
| <b>Derivation Path:</b>    |                                                                   |          |
| <b>Comments:</b>           | Neighbour cells description for SYSTEM INFORMATION 5 for DCS1800. |          |
| Element Name               | Element Value                                                     | Comments |
| rfl2                       | '10'B                                                             |          |
| extind                     | '1'B                                                              |          |
| baind                      | '1'B                                                              |          |
| rfl4                       | '1101'B                                                           |          |
| rfl                        | '5B9458000000000000000000000000'O                                 |          |
| <b>Detailed Comments:</b>  |                                                                   |          |



| Structured Type Constraint |                                                                      |          |
|----------------------------|----------------------------------------------------------------------|----------|
| <b>Constraint Name:</b>    | BcchFreqLst_41                                                       |          |
| <b>Structured Type:</b>    | NCD                                                                  |          |
| <b>Derivation Path:</b>    |                                                                      |          |
| <b>Comments:</b>           | Neighbour cells description for SYSTEM INFORMATION 5 BIS for GSM900. |          |
| Element Name               | Element Value                                                        | Comments |
| rfl2                       | '10'B                                                                |          |
| extind                     | '1'B                                                                 |          |
| baind                      | '1'B                                                                 |          |
| rfl4                       | '1001'B                                                              |          |
| rfl                        | '097BBA32AE888C0000000000000000'O                                    |          |
| <b>Detailed Comments:</b>  |                                                                      |          |

| Structured Type Constraint |                                                                  |          |
|----------------------------|------------------------------------------------------------------|----------|
| <b>Constraint Name:</b>    | BcchFreqLst_42                                                   |          |
| <b>Structured Type:</b>    | NCD                                                              |          |
| <b>Derivation Path:</b>    |                                                                  |          |
| <b>Comments:</b>           | Neighbour cells description for SYSTEM INFORMATION 5 for GSM900. |          |
| Element Name               | Element Value                                                    | Comments |
| rfl2                       | '10'B                                                            |          |
| extind                     | '1'B                                                             |          |
| baind                      | '1'B                                                             |          |
| rfl4                       | '1000'B                                                          |          |
| rfl                        | 'FA0787AE4B880000000000000000'O                                  |          |
| <b>Detailed Comments:</b>  |                                                                  |          |

| Structured Type Constraint |                                                                  |          |
|----------------------------|------------------------------------------------------------------|----------|
| <b>Constraint Name:</b>    | BcchFreqLst_43                                                   |          |
| <b>Structured Type:</b>    | NCD                                                              |          |
| <b>Derivation Path:</b>    |                                                                  |          |
| <b>Comments:</b>           | Neighbour cells description for SYSTEM INFORMATION 5 for GSM900. |          |
| Element Name               | Element Value                                                    | Comments |
| rfl2                       | '10'B                                                            |          |
| extind                     | '1'B                                                             |          |
| baind                      | '1'B                                                             |          |
| rfl4                       | '1111'B                                                          |          |
| rfl                        | 'E2800000001000001440000000000'O                                 |          |
| <b>Detailed Comments:</b>  |                                                                  |          |

| Structured Type Constraint |                                                                   |          |
|----------------------------|-------------------------------------------------------------------|----------|
| <b>Constraint Name:</b>    | BcchFreqLst_44                                                    |          |
| <b>Structured Type:</b>    | NCD                                                               |          |
| <b>Derivation Path:</b>    |                                                                   |          |
| <b>Comments:</b>           | Neighbour cells description for SYSTEM INFORMATION 5 for DCS1800. |          |
| Element Name               | Element Value                                                     | Comments |
| rfl2                       | '10'B                                                             |          |
| extind                     | '1'B                                                              |          |
| baind                      | '1'B                                                              |          |
| rfl4                       | '1011'B                                                           |          |
| rfl                        | '97E8E80CEF800000000000000000'O                                   |          |
| <b>Detailed Comments:</b>  |                                                                   |          |

| Structured Type Constraint |                                                                                            |          |
|----------------------------|--------------------------------------------------------------------------------------------|----------|
| <b>Constraint Name:</b>    | BcchFreqLst_45                                                                             |          |
| <b>Structured Type:</b>    | NCD                                                                                        |          |
| <b>Derivation Path:</b>    | BcchFreqLst_01.                                                                            |          |
| <b>Comments:</b>           | Default neighbour cells description of cell B for SYSTEM INFORMATION 2 and 5 under GSM900. |          |
| Element Name               | Element Value                                                                              | Comments |
| rfl                        | '8020080200800000000000000000200'O                                                         |          |
| <b>Detailed Comments:</b>  |                                                                                            |          |

| Structured Type Constraint |                                                                                                                                      |          |
|----------------------------|--------------------------------------------------------------------------------------------------------------------------------------|----------|
| <b>Constraint Name:</b>    | BcchFreqLst_46                                                                                                                       |          |
| <b>Structured Type:</b>    | NCD                                                                                                                                  |          |
| <b>Derivation Path:</b>    |                                                                                                                                      |          |
| <b>Comments:</b>           | Default neighbour cells description for SYSTEM INFORMATION 2bis and 5bis in cell A under EGSMwith the ARFCN list = {988, 990, 1003}. |          |
| Element Name               | Element Value                                                                                                                        | Comments |
| rfl2                       | '10'B                                                                                                                                |          |
| extind                     | '1'B                                                                                                                                 |          |
| baind                      | '0'B                                                                                                                                 |          |
| rfl4                       | '1011'B                                                                                                                              |          |
| rfl                        | 'EE07F3000000000000000000000000'O                                                                                                    |          |
| <b>Detailed Comments:</b>  |                                                                                                                                      |          |

| Structured Type Constraint |                                                                                                                                        |          |
|----------------------------|----------------------------------------------------------------------------------------------------------------------------------------|----------|
| <b>Constraint Name:</b>    | BcchFreqLst_47                                                                                                                         |          |
| <b>Structured Type:</b>    | NCD                                                                                                                                    |          |
| <b>Derivation Path:</b>    |                                                                                                                                        |          |
| <b>Comments:</b>           | Default neighbour cells description for SYSTEM INFORMATION 2bis and 5bis in cell B under EGSMwith the ARFCN list = {1005, 1010, 1015}. |          |
| Element Name               | Element Value                                                                                                                          | Comments |
| rfl2                       | '10'B                                                                                                                                  |          |
| extind                     | '1'B                                                                                                                                   |          |
| baind                      | '0'B                                                                                                                                   |          |
| rfl4                       | '1101'B                                                                                                                                |          |
| rfl                        | 'F68AEC000000000000000000000000'O                                                                                                      |          |
| <b>Detailed Comments:</b>  |                                                                                                                                        |          |

| Structured Type Constraint |                                                                                                                                                                                   |          |
|----------------------------|-----------------------------------------------------------------------------------------------------------------------------------------------------------------------------------|----------|
| <b>Constraint Name:</b>    | BcchFreqLst_48                                                                                                                                                                    |          |
| <b>Structured Type:</b>    | NCD                                                                                                                                                                               |          |
| <b>Derivation Path:</b>    |                                                                                                                                                                                   |          |
| <b>Comments:</b>           | Default neighbour cells description for SYSTEM INFORMATION 2 and 5 for DCS1800 for cell B in RR, MM and SMS test cases with the ARFCN list = {520, 590, 600, 700, 780, 810, 870}. |          |
| Element Name               | Element Value                                                                                                                                                                     | Comments |
| rfl2                       | '10'B                                                                                                                                                                             |          |
| extind                     | '0'B                                                                                                                                                                              |          |
| baind                      | '0'B                                                                                                                                                                              |          |
| rfl4                       | '1001'B                                                                                                                                                                           |          |
| rfl                        | '04411307BB00C80000000000000000'O                                                                                                                                                 |          |
| <b>Detailed Comments:</b>  |                                                                                                                                                                                   |          |

| Structured Type Constraint |                                                                                                                                                  |          |
|----------------------------|--------------------------------------------------------------------------------------------------------------------------------------------------|----------|
| <b>Constraint Name:</b>    | BcchFreqLst_50                                                                                                                                   |          |
| <b>Structured Type:</b>    | NCD                                                                                                                                              |          |
| <b>Derivation Path:</b>    | BcchFreqLst_25.                                                                                                                                  |          |
| <b>Comments:</b>           | Neighbour cells description without channel for SYSTEM INFORMATION 5 for DCS1800. Empty BA-list. Format is bitmap 0, IE carries the complete BA. |          |
| Element Name               | Element Value                                                                                                                                    | Comments |
| extind                     | '0'B                                                                                                                                             |          |
| <b>Detailed Comments:</b>  |                                                                                                                                                  |          |

| Structured Type Constraint |                                                                                                                                                                         |          |
|----------------------------|-------------------------------------------------------------------------------------------------------------------------------------------------------------------------|----------|
| <b>Constraint Name:</b>    | BcchFreqLst_51                                                                                                                                                          |          |
| <b>Structured Type:</b>    | NCD                                                                                                                                                                     |          |
| <b>Derivation Path:</b>    |                                                                                                                                                                         |          |
| <b>Comments:</b>           | Neighbour cells description for SYSTEM INFORMATION 5 for DCS1800 measurement testing. BA list { 514, 530, 762}, format is range 1024, IE carries only a part of the BA. |          |
| Element Name               | Element Value                                                                                                                                                           | Comments |
| rfl2                       | '10'B                                                                                                                                                                   |          |
| extind                     | '1'B                                                                                                                                                                    |          |
| baind                      | '1'B                                                                                                                                                                    |          |
| rfl4                       | '0010'B                                                                                                                                                                 |          |
| rfl                        | '12F83A00000000000000000000000000'O                                                                                                                                     |          |
| <b>Detailed Comments:</b>  |                                                                                                                                                                         |          |

| Structured Type Constraint |                                                                                                                                                                  |          |
|----------------------------|------------------------------------------------------------------------------------------------------------------------------------------------------------------|----------|
| <b>Constraint Name:</b>    | BcchFreqLst_52                                                                                                                                                   |          |
| <b>Structured Type:</b>    | NCD                                                                                                                                                              |          |
| <b>Derivation Path:</b>    | BcchFreqLst_33.                                                                                                                                                  |          |
| <b>Comments:</b>           | Neighbour cells description for SYSTEM INFORMATION 5 of cell B for EGSM. BA list = {10, 36, 40, 114, 118}, format is bitmap 0, IE carries only a part of the BA. |          |
| Element Name               | Element Value                                                                                                                                                    | Comments |
| baind                      | '0'B                                                                                                                                                             |          |
| rfl4                       | '0000'B                                                                                                                                                          |          |
| rfl                        | '22000000000000000000000000000000'O                                                                                                                              |          |
| <b>Detailed Comments:</b>  |                                                                                                                                                                  |          |

| Structured Type Constraint |                                                                                         |          |
|----------------------------|-----------------------------------------------------------------------------------------|----------|
| <b>Constraint Name:</b>    | BcchFreqLst_e201                                                                        |          |
| <b>Structured Type:</b>    | NCD                                                                                     |          |
| <b>Derivation Path:</b>    | BcchFreqLst_01.                                                                         |          |
| <b>Comments:</b>           | Default neighbour cells description any cell for SYSTEM INFORMATION 2 and 5 under EGSM. |          |
| Element Name               | Element Value                                                                           | Comments |
| rfl                        | '038C0D0C000000000000000000000000'O                                                     |          |
| <b>Detailed Comments:</b>  |                                                                                         |          |

| Structured Type Constraint |                                                                                         |          |
|----------------------------|-----------------------------------------------------------------------------------------|----------|
| <b>Constraint Name:</b>    | BcchFreqLst_e202                                                                        |          |
| <b>Structured Type:</b>    | NCD                                                                                     |          |
| <b>Derivation Path:</b>    | BcchFreqLst_01.                                                                         |          |
| <b>Comments:</b>           | Default neighbour cells description any cell for SYSTEM INFORMATION 2 and 5 under EGSM. |          |
| Element Name               | Element Value                                                                           | Comments |
| rfl                        | '058DEF07FE000000000000000000000'O                                                      |          |
| <b>Detailed Comments:</b>  |                                                                                         |          |

| Structured Type Constraint |                                                                                         |          |
|----------------------------|-----------------------------------------------------------------------------------------|----------|
| <b>Constraint Name:</b>    | BcchFreqLst_e203                                                                        |          |
| <b>Structured Type:</b>    | NCD                                                                                     |          |
| <b>Derivation Path:</b>    | BcchFreqLst_01.                                                                         |          |
| <b>Comments:</b>           | Default neighbour cells description any cell for SYSTEM INFORMATION 2 and 5 under EGSM. |          |
| Element Name               | Element Value                                                                           | Comments |
| rfl                        | '078904797F83F98000000000000000'O                                                       |          |
| <b>Detailed Comments:</b>  |                                                                                         |          |

| Structured Type Constraint |                                                                                         |          |
|----------------------------|-----------------------------------------------------------------------------------------|----------|
| <b>Constraint Name:</b>    | BcchFreqLst_e204                                                                        |          |
| <b>Structured Type:</b>    | NCD                                                                                     |          |
| <b>Derivation Path:</b>    | BcchFreqLst_01.                                                                         |          |
| <b>Comments:</b>           | Default neighbour cells description any cell for SYSTEM INFORMATION 2 and 5 under EGSM. |          |
| Element Name               | Element Value                                                                           | Comments |
| rfl                        | '0987EDFF0E3CFD00000000000000000'O                                                      |          |
| <b>Detailed Comments:</b>  |                                                                                         |          |

| Structured Type Constraint |                                                                                         |          |
|----------------------------|-----------------------------------------------------------------------------------------|----------|
| <b>Constraint Name:</b>    | BcchFreqLst_e205                                                                        |          |
| <b>Structured Type:</b>    | NCD                                                                                     |          |
| <b>Derivation Path:</b>    | BcchFreqLst_01.                                                                         |          |
| <b>Comments:</b>           | Default neighbour cells description any cell for SYSTEM INFORMATION 2 and 5 under EGSM. |          |
| Element Name               | Element Value                                                                           | Comments |
| rfl                        | '078E00000020020000000000000000'O                                                       |          |
| <b>Detailed Comments:</b>  |                                                                                         |          |

| Structured Type Constraint |                                                                                         |          |
|----------------------------|-----------------------------------------------------------------------------------------|----------|
| <b>Constraint Name:</b>    | BcchFreqLst_e206                                                                        |          |
| <b>Structured Type:</b>    | NCD                                                                                     |          |
| <b>Derivation Path:</b>    | BcchFreqLst_01.                                                                         |          |
| <b>Comments:</b>           | Default neighbour cells description any cell for SYSTEM INFORMATION 2 and 5 under EGSM. |          |
| Element Name               | Element Value                                                                           | Comments |
| rfl                        | '10000000000000000000000000000200'O                                                     |          |
| <b>Detailed Comments:</b>  |                                                                                         |          |

| Structured Type Constraint |                                                                                         |          |
|----------------------------|-----------------------------------------------------------------------------------------|----------|
| <b>Constraint Name:</b>    | BcchFreqLst_e207                                                                        |          |
| <b>Structured Type:</b>    | NCD                                                                                     |          |
| <b>Derivation Path:</b>    | BcchFreqLst_01.                                                                         |          |
| <b>Comments:</b>           | Default neighbour cells description any cell for SYSTEM INFORMATION 2 and 5 under EGSM. |          |
| Element Name               | Element Value                                                                           | Comments |
| rfl                        | '078904797F83F98000000000000000'O                                                       |          |
| <b>Detailed Comments:</b>  |                                                                                         |          |

| Structured Type Constraint |                                                                                         |          |
|----------------------------|-----------------------------------------------------------------------------------------|----------|
| <b>Constraint Name:</b>    | BcchFreqLst_e208                                                                        |          |
| <b>Structured Type:</b>    | NCD                                                                                     |          |
| <b>Derivation Path:</b>    | BcchFreqLst_01.                                                                         |          |
| <b>Comments:</b>           | Default neighbour cells description any cell for SYSTEM INFORMATION 2 and 5 under EGSM. |          |
| Element Name               | Element Value                                                                           | Comments |
| rfl                        | '058C0026D000000000000000000000'0                                                       |          |
| <b>Detailed Comments:</b>  |                                                                                         |          |

| Structured Type Constraint |                                                                                         |          |
|----------------------------|-----------------------------------------------------------------------------------------|----------|
| <b>Constraint Name:</b>    | BcchFreqLst_e209                                                                        |          |
| <b>Structured Type:</b>    | NCD                                                                                     |          |
| <b>Derivation Path:</b>    | BcchFreqLst_01.                                                                         |          |
| <b>Comments:</b>           | Default neighbour cells description any cell for SYSTEM INFORMATION 2 and 5 under EGSM. |          |
| Element Name               | Element Value                                                                           | Comments |
| rfl                        | '058A00137400000000000000000000'0                                                       |          |
| <b>Detailed Comments:</b>  |                                                                                         |          |

| Structured Type Constraint |                                                                                         |          |
|----------------------------|-----------------------------------------------------------------------------------------|----------|
| <b>Constraint Name:</b>    | BcchFreqLst_e210                                                                        |          |
| <b>Structured Type:</b>    | NCD                                                                                     |          |
| <b>Derivation Path:</b>    | BcchFreqLst_01.                                                                         |          |
| <b>Comments:</b>           | Default neighbour cells description any cell for SYSTEM INFORMATION 2 and 5 under EGSM. |          |
| Element Name               | Element Value                                                                           | Comments |
| rfl                        | '0583E8100500000000000000000000'0                                                       |          |
| <b>Detailed Comments:</b>  |                                                                                         |          |

| Structured Type Constraint |                                                                                         |          |
|----------------------------|-----------------------------------------------------------------------------------------|----------|
| <b>Constraint Name:</b>    | BcchFreqLst_e211                                                                        |          |
| <b>Structured Type:</b>    | NCD                                                                                     |          |
| <b>Derivation Path:</b>    | BcchFreqLst_01.                                                                         |          |
| <b>Comments:</b>           | Default neighbour cells description any cell for SYSTEM INFORMATION 2 and 5 under EGSM. |          |
| Element Name               | Element Value                                                                           | Comments |
| rfl                        | '058FBA020014000000000000000000'0                                                       |          |
| <b>Detailed Comments:</b>  |                                                                                         |          |

| Structured Type Constraint |                                                                                         |          |
|----------------------------|-----------------------------------------------------------------------------------------|----------|
| <b>Constraint Name:</b>    | BcchFreqLst_e212                                                                        |          |
| <b>Structured Type:</b>    | NCD                                                                                     |          |
| <b>Derivation Path:</b>    | BcchFreqLst_01.                                                                         |          |
| <b>Comments:</b>           | Default neighbour cells description any cell for SYSTEM INFORMATION 2 and 5 under EGSM. |          |
| Element Name               | Element Value                                                                           | Comments |
| rfl                        | '06890478FCC0000000000000000000'0                                                       |          |
| <b>Detailed Comments:</b>  |                                                                                         |          |





| Structured Type Constraint |                                             |          |
|----------------------------|---------------------------------------------|----------|
| <b>Constraint Name:</b>    | Ca3_g01                                     |          |
| <b>Structured Type:</b>    | CCHD                                        |          |
| <b>Derivation Path:</b>    |                                             |          |
| <b>Comments:</b>           | 12 ARFCNs for GSM of TC_26_6_6_1            |          |
| Element Name               | Element Value                               | Comments |
| iei                        | '01100010'B                                 |          |
| rfl                        | '0000000000000000000000000000E0F0F1'<br>O   |          |
| <b>Detailed Comments:</b>  | ca_pgsm(3) = 12, B_ARFCN = 21, not in MA(3) |          |

| Structured Type Constraint |                                              |          |
|----------------------------|----------------------------------------------|----------|
| <b>Constraint Name:</b>    | Ca3_g02                                      |          |
| <b>Structured Type:</b>    | CCHD                                         |          |
| <b>Derivation Path:</b>    |                                              |          |
| <b>Comments:</b>           | 12 ARFCNs for GSM of TC_26_6_6_1             |          |
| Element Name               | Element Value                                | Comments |
| iei                        | '01100010'B                                  |          |
| rfl                        | '00010001010001012001010001018080'<br>O      |          |
| <b>Detailed Comments:</b>  | ca_pgsm(3) = 12, B_ARFCN = 121, not in MA(3) |          |

| Structured Type Constraint |                                              |          |
|----------------------------|----------------------------------------------|----------|
| <b>Constraint Name:</b>    | Ca3_g03                                      |          |
| <b>Structured Type:</b>    | CCHD                                         |          |
| <b>Derivation Path:</b>    |                                              |          |
| <b>Comments:</b>           | 12 ARFCNs for GSM of TC_26_6_6_1             |          |
| Element Name               | Element Value                                | Comments |
| iei                        | '01100010'B                                  |          |
| rfl                        | '00C0008000C000C000C000C000000010'<br>O      |          |
| <b>Detailed Comments:</b>  | ca_pgsm(3) = 12, B_ARFCN = 103, not in MA(3) |          |

| Structured Type Constraint |                                             |          |
|----------------------------|---------------------------------------------|----------|
| <b>Constraint Name:</b>    | Ca3_g04                                     |          |
| <b>Structured Type:</b>    | CCHD                                        |          |
| <b>Derivation Path:</b>    |                                             |          |
| <b>Comments:</b>           | 12 ARFCNs for GSM of TC_26_6_6_1            |          |
| Element Name               | Element Value                               | Comments |
| iei                        | '01100010'B                                 |          |
| rfl                        | '00000000080018180000180018001880'<br>O     |          |
| <b>Detailed Comments:</b>  | ca_pgsm(3) = 12, B_ARFCN = 93, not in MA(3) |          |

| Structured Type Constraint |                                             |          |
|----------------------------|---------------------------------------------|----------|
| <b>Constraint Name:</b>    | Ca3_g05                                     |          |
| <b>Structured Type:</b>    | CCHD                                        |          |
| <b>Derivation Path:</b>    |                                             |          |
| <b>Comments:</b>           | 12 ARFCNs for GSM of TC_26_6_6_1            |          |
| Element Name               | Element Value                               | Comments |
| iei                        | '01100010'B                                 |          |
| rfl                        | '00000000002000240024002401240024'<br>O     |          |
| <b>Detailed Comments:</b>  | ca_pgsm(3) = 12, B_ARFCN = 83, not in MA(3) |          |



| Structured Type Constraint |                                             |          |
|----------------------------|---------------------------------------------|----------|
| <b>Constraint Name:</b>    | Ca3_g06                                     |          |
| <b>Structured Type:</b>    | CCHD                                        |          |
| <b>Derivation Path:</b>    |                                             |          |
| <b>Comments:</b>           | 12 ARFCNs for GSM of TC_26_6_6_1            |          |
| Element Name               | Element Value                               | Comments |
| iei                        | '01100010'B                                 |          |
| rfl                        | '00300300003000000300300003000000'<br>O     |          |
| <b>Detailed Comments:</b>  | ca_pgsm(3) = 12, B_ARFCN = 45, not in MA(3) |          |

| Structured Type Constraint |                                             |          |
|----------------------------|---------------------------------------------|----------|
| <b>Constraint Name:</b>    | Ca3_g07                                     |          |
| <b>Structured Type:</b>    | CCHD                                        |          |
| <b>Derivation Path:</b>    |                                             |          |
| <b>Comments:</b>           | 12 ARFCNs for GSM of TC_26_6_6_1            |          |
| Element Name               | Element Value                               | Comments |
| iei                        | '01100010'B                                 |          |
| rfl                        | '00101000100000080800080810128080'<br>O     |          |
| <b>Detailed Comments:</b>  | ca_pgsm(3) = 12, B_ARFCN = 85, not in MA(3) |          |

| Structured Type Constraint |                                             |          |
|----------------------------|---------------------------------------------|----------|
| <b>Constraint Name:</b>    | Ca3_g08                                     |          |
| <b>Structured Type:</b>    | CCHD                                        |          |
| <b>Derivation Path:</b>    |                                             |          |
| <b>Comments:</b>           | 12 ARFCNs for GSM of TC_26_6_6_1            |          |
| Element Name               | Element Value                               | Comments |
| iei                        | '01100010'B                                 |          |
| rfl                        | '0F0000000000038000002000000F0'<br>O        |          |
| <b>Detailed Comments:</b>  | ca_pgsm(3) = 12, B_ARFCN = 67, not in MA(3) |          |

| Structured Type Constraint |                                             |          |
|----------------------------|---------------------------------------------|----------|
| <b>Constraint Name:</b>    | Ca3_g09                                     |          |
| <b>Structured Type:</b>    | CCHD                                        |          |
| <b>Derivation Path:</b>    |                                             |          |
| <b>Comments:</b>           | 12 ARFCNs for GSM of TC_26_6_6_1            |          |
| Element Name               | Element Value                               | Comments |
| iei                        | '01100010'B                                 |          |
| rfl                        | '008181000000040460000000008181'<br>O       |          |
| <b>Detailed Comments:</b>  | ca_pgsm(3) = 12, B_ARFCN = 66, not in MA(3) |          |

| Structured Type Constraint |                                                              |          |
|----------------------------|--------------------------------------------------------------|----------|
| <b>Constraint Name:</b>    | Ca2_d01                                                      |          |
| <b>Structured Type:</b>    | CCHD                                                         |          |
| <b>Derivation Path:</b>    |                                                              |          |
| <b>Comments:</b>           | 30 ARFCNs for DCS of TC_26_6_6_1.                            |          |
| Element Name               | Element Value                                                | Comments |
| iei                        | '01100010'B                                                  |          |
| rfl                        | '8F5E000000000000000000001FFFFFFF'<br>O                      |          |
| <b>Detailed Comments:</b>  | ca_dcs(2) = 30, Org_ARFCN = 700, B_ARFCN = 804, not in MA(2) |          |

| Structured Type Constraint |                                                              |          |
|----------------------------|--------------------------------------------------------------|----------|
| <b>Constraint Name:</b>    | Ca2_d02                                                      |          |
| <b>Structured Type:</b>    | CCHD                                                         |          |
| <b>Derivation Path:</b>    |                                                              |          |
| <b>Comments:</b>           | 30 ARFCNs for DCS of TC_26_6_6_1                             |          |
| Element Name               | Element Value                                                | Comments |
| iei                        | '01100010'B                                                  |          |
| rfl                        | '8F5E7FFF00FF00F0000E00000000000'<br>O                       |          |
| <b>Detailed Comments:</b>  | ca_dcs(2) = 30, Org_ARFCN = 700, B_ARFCN = 705, not in MA(2) |          |

| Structured Type Constraint |                                                              |          |
|----------------------------|--------------------------------------------------------------|----------|
| <b>Constraint Name:</b>    | Ca2_d03                                                      |          |
| <b>Structured Type:</b>    | CCHD                                                         |          |
| <b>Derivation Path:</b>    |                                                              |          |
| <b>Comments:</b>           | 30 ARFCNs for DCS of TC_26_6_6_1                             |          |
| Element Name               | Element Value                                                | Comments |
| iei                        | '01100010'B                                                  |          |
| rfl                        | '8F5E3C00FF00FF00FF00180000000000'<br>O                      |          |
| <b>Detailed Comments:</b>  | ca_dcs(2) = 30, Org_ARFCN = 700, B_ARFCN = 703, not in MA(2) |          |

| Structured Type Constraint |                                                              |          |
|----------------------------|--------------------------------------------------------------|----------|
| <b>Constraint Name:</b>    | Ca2_d04                                                      |          |
| <b>Structured Type:</b>    | CCHD                                                         |          |
| <b>Derivation Path:</b>    |                                                              |          |
| <b>Comments:</b>           | 30 ARFCNs for DCS of TC_26_6_6_1                             |          |
| Element Name               | Element Value                                                | Comments |
| iei                        | '01100010'B                                                  |          |
| rfl                        | '8F5E00000000F0000F000FF54555554'<br>O                       |          |
| <b>Detailed Comments:</b>  | ca_dcs(2) = 30, Org_ARFCN = 700, B_ARFCN = 759, not in MA(2) |          |

| Structured Type Constraint |                                                              |          |
|----------------------------|--------------------------------------------------------------|----------|
| <b>Constraint Name:</b>    | Ca2_d05                                                      |          |
| <b>Structured Type:</b>    | CCHD                                                         |          |
| <b>Derivation Path:</b>    |                                                              |          |
| <b>Comments:</b>           | 30 ARFCNs for DCS of TC_26_6_6_1                             |          |
| Element Name               | Element Value                                                | Comments |
| iei                        | '01100010'B                                                  |          |
| rfl                        | '8F5E2828282B0000FFFF000010101010'<br>O                      |          |
| <b>Detailed Comments:</b>  | ca_dcs(2) = 30, Org_ARFCN = 700, B_ARFCN = 730, not in MA(2) |          |

| Structured Type Constraint |                                                              |          |
|----------------------------|--------------------------------------------------------------|----------|
| <b>Constraint Name:</b>    | Ca2_d06                                                      |          |
| <b>Structured Type:</b>    | CCHD                                                         |          |
| <b>Derivation Path:</b>    |                                                              |          |
| <b>Comments:</b>           | 30 ARFCNs for DCS of TC_26_6_6_1                             |          |
| Element Name               | Element Value                                                | Comments |
| iei                        | '01100010'B                                                  |          |
| rfl                        | '8F5E00FF002022222222222202007E'<br>O                        |          |
| <b>Detailed Comments:</b>  | ca_dcs(2) = 30, Org_ARFCN = 700, B_ARFCN = 794, not in MA(2) |          |

| Structured Type Constraint |                                                              |          |
|----------------------------|--------------------------------------------------------------|----------|
| <b>Constraint Name:</b>    | Ca2_d07                                                      |          |
| <b>Structured Type:</b>    | CCHD                                                         |          |
| <b>Derivation Path:</b>    |                                                              |          |
| <b>Comments:</b>           | 30 ARFCNs for DCS of TC_26_6_6_1                             |          |
| Element Name               | Element Value                                                | Comments |
| iei                        | '01100010'B                                                  |          |
| rfl                        | '8F5E032B2B2B20000000000000000000'<br>O                      |          |
| <b>Detailed Comments:</b>  | ca_dcs(2) = 30, Org_ARFCN = 700, B_ARFCN = 734, not in MA(2) |          |

| Structured Type Constraint |                                                              |          |
|----------------------------|--------------------------------------------------------------|----------|
| <b>Constraint Name:</b>    | Ca2_d08                                                      |          |
| <b>Structured Type:</b>    | CCHD                                                         |          |
| <b>Derivation Path:</b>    |                                                              |          |
| <b>Comments:</b>           | 30 ARFCNs for DCS of TC_26_6_6_1                             |          |
| Element Name               | Element Value                                                | Comments |
| iei                        | '01100010'B                                                  |          |
| rfl                        | '8F5E405050501404F404000F00000000'<br>O                      |          |
| <b>Detailed Comments:</b>  | ca_dcs(2) = 30, Org_ARFCN = 700, B_ARFCN = 779, not in MA(2) |          |

| Structured Type Constraint |                                                              |          |
|----------------------------|--------------------------------------------------------------|----------|
| <b>Constraint Name:</b>    | Ca2_d09                                                      |          |
| <b>Structured Type:</b>    | CCHD                                                         |          |
| <b>Derivation Path:</b>    |                                                              |          |
| <b>Comments:</b>           | 30 ARFCNs for DCS of TC_26_6_6_1                             |          |
| Element Name               | Element Value                                                | Comments |
| iei                        | '01100010'B                                                  |          |
| rfl                        | '8F5E00F000F00078000C808FA0A0202F'<br>O                      |          |
| <b>Detailed Comments:</b>  | ca_dcs(2) = 30, Org_ARFCN = 700, B_ARFCN = 744, not in MA(2) |          |

| Structured Type Constraint |                                                              |          |
|----------------------------|--------------------------------------------------------------|----------|
| <b>Constraint Name:</b>    | Ca3_d01                                                      |          |
| <b>Structured Type:</b>    | CCHD                                                         |          |
| <b>Derivation Path:</b>    |                                                              |          |
| <b>Comments:</b>           | 12 ARFCNs for DCS of TC_26_6_6_1                             |          |
| Element Name               | Element Value                                                | Comments |
| iei                        | '01100010'B                                                  |          |
| rfl                        | '8F5E000000000000000000000000F0F0F0'<br>O                    |          |
| <b>Detailed Comments:</b>  | ca_dcs(3) = 12, Org_ARFCN = 700, B_ARFCN = 804, not in MA(3) |          |

| Structured Type Constraint |                                                              |          |
|----------------------------|--------------------------------------------------------------|----------|
| <b>Constraint Name:</b>    | Ca3_d02                                                      |          |
| <b>Structured Type:</b>    | CCHD                                                         |          |
| <b>Derivation Path:</b>    |                                                              |          |
| <b>Comments:</b>           | 12 ARFCNs for DCS of TC_26_6_6_1                             |          |
| Element Name               | Element Value                                                | Comments |
| iei                        | '01100010'B                                                  |          |
| rfl                        | '8F5E7F00F80000000000000000000000'<br>O                      |          |
| <b>Detailed Comments:</b>  | ca_dcs(3) = 12, Org_ARFCN = 700, B_ARFCN = 705, not in MA(3) |          |

| Structured Type Constraint |                                                              |          |
|----------------------------|--------------------------------------------------------------|----------|
| <b>Constraint Name:</b>    | Ca3_d03                                                      |          |
| <b>Structured Type:</b>    | CCHD                                                         |          |
| <b>Derivation Path:</b>    |                                                              |          |
| <b>Comments:</b>           | 12 ARFCNs for DCS of TC_26_6_6_1                             |          |
| Element Name               | Element Value                                                | Comments |
| iei                        | '01100010'B                                                  |          |
| rfl                        | '8F5E5000600C0030000C003000000000'<br>O                      |          |
| <b>Detailed Comments:</b>  | ca_dcs(3) = 12, Org_ARFCN = 700, B_ARFCN = 703, not in MA(3) |          |

| Structured Type Constraint |                                                              |          |
|----------------------------|--------------------------------------------------------------|----------|
| <b>Constraint Name:</b>    | Ca3_d04                                                      |          |
| <b>Structured Type:</b>    | CCHD                                                         |          |
| <b>Derivation Path:</b>    |                                                              |          |
| <b>Comments:</b>           | 12 ARFCNs for DCS of TC_26_6_6_1                             |          |
| Element Name               | Element Value                                                | Comments |
| iei                        | '01100010'B                                                  |          |
| rfl                        | '8F5E00000000000004F0000640300C00'<br>O                      |          |
| <b>Detailed Comments:</b>  | ca_dcs(3) = 12, Org_ARFCN = 700, B_ARFCN = 759, not in MA(3) |          |

| Structured Type Constraint |                                                              |          |
|----------------------------|--------------------------------------------------------------|----------|
| <b>Constraint Name:</b>    | Ca3_d05                                                      |          |
| <b>Structured Type:</b>    | CCHD                                                         |          |
| <b>Derivation Path:</b>    |                                                              |          |
| <b>Comments:</b>           | 12 ARFCNs for DCS of TC_26_6_6_1                             |          |
| Element Name               | Element Value                                                | Comments |
| iei                        | '01100010'B                                                  |          |
| rfl                        | '8F5E0060103300000240400000040400'<br>O                      |          |
| <b>Detailed Comments:</b>  | ca_dcs(3) = 12, Org_ARFCN = 700, B_ARFCN = 730, not in MA(3) |          |

| Structured Type Constraint |                                                              |          |
|----------------------------|--------------------------------------------------------------|----------|
| <b>Constraint Name:</b>    | Ca3_d06                                                      |          |
| <b>Structured Type:</b>    | CCHD                                                         |          |
| <b>Derivation Path:</b>    |                                                              |          |
| <b>Comments:</b>           | 12 ARFCNs for DCS of TC_26_6_6_1                             |          |
| Element Name               | Element Value                                                | Comments |
| iei                        | '01100010'B                                                  |          |
| rfl                        | '8F5E0000002000200000080802025858'<br>O                      |          |
| <b>Detailed Comments:</b>  | ca_dcs(3) = 12, Org_ARFCN = 700, B_ARFCN = 794, not in MA(3) |          |

| Structured Type Constraint |                                                              |          |
|----------------------------|--------------------------------------------------------------|----------|
| <b>Constraint Name:</b>    | Ca3_d07                                                      |          |
| <b>Structured Type:</b>    | CCHD                                                         |          |
| <b>Derivation Path:</b>    |                                                              |          |
| <b>Comments:</b>           | 12 ARFCNs for DCS of TC_26_6_6_1                             |          |
| Element Name               | Element Value                                                | Comments |
| iei                        | '01100010'B                                                  |          |
| rfl                        | '8F5E00080800600000484808080800'<br>O                        |          |
| <b>Detailed Comments:</b>  | ca_dcs(3) = 12, Org_ARFCN = 700, B_ARFCN = 734, not in MA(3) |          |

| Structured Type Constraint                                                             |                                          |          |
|----------------------------------------------------------------------------------------|------------------------------------------|----------|
| <b>Constraint Name:</b>                                                                | Ca3_d08                                  |          |
| <b>Structured Type:</b>                                                                | CCHD                                     |          |
| <b>Derivation Path:</b>                                                                |                                          |          |
| <b>Comments:</b>                                                                       | 12 ARFCNs for DCS of TC_26_6_6_1         |          |
| Element Name                                                                           | Element Value                            | Comments |
| iei                                                                                    | '01100010'B                              |          |
| rfl                                                                                    | '8F5E00F00000000000000000F40404F40'<br>O |          |
| <b>Detailed Comments:</b> ca_dcs(3) = 12, Org_ARFCN = 700, B_ARFCN = 779, not in MA(3) |                                          |          |

| Structured Type Constraint                                                             |                                         |          |
|----------------------------------------------------------------------------------------|-----------------------------------------|----------|
| <b>Constraint Name:</b>                                                                | Ca3_d09                                 |          |
| <b>Structured Type:</b>                                                                | CCHD                                    |          |
| <b>Derivation Path:</b>                                                                |                                         |          |
| <b>Comments:</b>                                                                       | 12 ARFCNs for DCS of TC_26_6_6_1        |          |
| Element Name                                                                           | Element Value                           | Comments |
| iei                                                                                    | '01100010'B                             |          |
| rfl                                                                                    | '8F5E0020030404180000202020060000'<br>O |          |
| <b>Detailed Comments:</b> ca_dcs(3) = 12, Org_ARFCN = 700, B_ARFCN = 744, not in MA(3) |                                         |          |

| Structured Type Constraint |               |          |
|----------------------------|---------------|----------|
| <b>Constraint Name:</b>    | CallCntrlCap  |          |
| <b>Structured Type:</b>    | CCCAP         |          |
| <b>Derivation Path:</b>    |               |          |
| <b>Comments:</b>           | CC state 'st' |          |
| Element Name               | Element Value | Comments |
| iei                        | '00010101'B   |          |
| iel                        | '01'O         |          |
| spr                        | '0000000'B    |          |
| dtmf                       | TSPX_DTMF     |          |
| <b>Detailed Comments:</b>  |               |          |

| Structured Type Constraint |                          |          |
|----------------------------|--------------------------|----------|
| <b>Constraint Name:</b>    | CallState_01(st:INTEGER) |          |
| <b>Structured Type:</b>    | CST                      |          |
| <b>Derivation Path:</b>    |                          |          |
| <b>Comments:</b>           | CC state 'st'            |          |
| Element Name               | Element Value            | Comments |
| cs                         | '11'B                    |          |
| csv                        | INT_TO_BIT(st, 6)        |          |
| <b>Detailed Comments:</b>  |                          |          |

| Structured Type Constraint |                                                                           |          |
|----------------------------|---------------------------------------------------------------------------|----------|
| <b>Constraint Name:</b>    | Cause_Def                                                                 |          |
| <b>Structured Type:</b>    | CAU                                                                       |          |
| <b>Derivation Path:</b>    |                                                                           |          |
| <b>Comments:</b>           | cause information element with any valid cause value, any valid location. |          |
| Element Name               | Element Value                                                             | Comments |
| iei                        | -                                                                         |          |
| iel                        | ?                                                                         |          |
| extb3                      | '1'B                                                                      |          |
| cs                         | '11'B                                                                     |          |
| spb                        | '0'B                                                                      |          |
| location                   | ('0000'B, '0001'B, '0010'B, '0011'B, '0100'B, '0101'B, '0111'B, '1010'B)  |          |
| extb3a                     | -                                                                         |          |
| rec                        | -                                                                         |          |
| extb4                      | ?                                                                         |          |
| cau_class                  | ?                                                                         |          |
| cau_va                     | ?                                                                         |          |
| cau_di                     | *                                                                         |          |
| <b>Detailed Comments:</b>  |                                                                           |          |

| Structured Type Constraint |                                                                    |          |
|----------------------------|--------------------------------------------------------------------|----------|
| <b>Constraint Name:</b>    | Cause_01                                                           |          |
| <b>Structured Type:</b>    | CAU                                                                |          |
| <b>Derivation Path:</b>    |                                                                    |          |
| <b>Comments:</b>           | cause information element with cause value = #16, location = user. |          |
| Element Name               | Element Value                                                      | Comments |
| iei                        | -                                                                  |          |
| iel                        | '02'O                                                              |          |
| extb3                      | '1'B                                                               |          |
| cs                         | '11'B                                                              |          |
| spb                        | '0'B                                                               |          |
| location                   | '0000'B                                                            |          |
| extb3a                     | -                                                                  |          |
| rec                        | -                                                                  |          |
| extb4                      | '1'B                                                               |          |
| cau_class                  | '001'B                                                             |          |
| cau_va                     | '0000'B                                                            |          |
| cau_di                     | -                                                                  |          |
| <b>Detailed Comments:</b>  |                                                                    |          |

| Structured Type Constraint |                                                                                           |          |
|----------------------------|-------------------------------------------------------------------------------------------|----------|
| <b>Constraint Name:</b>    | Cause_01iei                                                                               |          |
| <b>Structured Type:</b>    | CAU                                                                                       |          |
| <b>Derivation Path:</b>    | Cause_01.                                                                                 |          |
| <b>Comments:</b>           | optional (IEI present) cause information element with cause value = #16, location = user. |          |
| Element Name               | Element Value                                                                             | Comments |
| iei                        | '00001000'B                                                                               |          |
| <b>Detailed Comments:</b>  |                                                                                           |          |

| Structured Type Constraint |                 |          |
|----------------------------|-----------------|----------|
| <b>Constraint Name:</b>    | Cause_02        |          |
| <b>Structured Type:</b>    | CAU             |          |
| <b>Derivation Path:</b>    | Cause_01.       |          |
| <b>Comments:</b>           | cause value #97 |          |
| Element Name               | Element Value   | Comments |
| iel                        | ?               |          |
| location                   | ?               |          |
| extb4                      | ?               |          |
| cau_class                  | '110'B          |          |
| cau_va                     | '0001'B         |          |
| cau_di                     | *               |          |
| <b>Detailed Comments:</b>  |                 |          |

| Structured Type Constraint |                                                              |          |
|----------------------------|--------------------------------------------------------------|----------|
| <b>Constraint Name:</b>    | Cause_03                                                     |          |
| <b>Structured Type:</b>    | CAU                                                          |          |
| <b>Derivation Path:</b>    | Cause_01.Cause_02.                                           |          |
| <b>Comments:</b>           | cause #98 -- message type not compatible with protocol state |          |
| Element Name               | Element Value                                                | Comments |
| cau_va                     | '0010'B                                                      |          |
| <b>Detailed Comments:</b>  |                                                              |          |

| Structured Type Constraint |                                                         |          |
|----------------------------|---------------------------------------------------------|----------|
| <b>Constraint Name:</b>    | Cause_04                                                |          |
| <b>Structured Type:</b>    | CAU                                                     |          |
| <b>Derivation Path:</b>    | Cause_01.Cause_02.                                      |          |
| <b>Comments:</b>           | The cause value is #96 -- invalid mandatory information |          |
| Element Name               | Element Value                                           | Comments |
| cau_va                     | '0000'B                                                 |          |
| <b>Detailed Comments:</b>  |                                                         |          |

| Structured Type Constraint |                                                         |          |
|----------------------------|---------------------------------------------------------|----------|
| <b>Constraint Name:</b>    | Cause_04iei                                             |          |
| <b>Structured Type:</b>    | CAU                                                     |          |
| <b>Derivation Path:</b>    |                                                         |          |
| <b>Comments:</b>           | The cause value is #96 -- invalid mandatory information |          |
| Element Name               | Element Value                                           | Comments |
| iei                        | '00001000'B                                             |          |
| iel                        | ?                                                       |          |
| extb3                      | '1'B                                                    |          |
| cs                         | '11'B                                                   |          |
| spb                        | '0'B                                                    |          |
| location                   | ?                                                       |          |
| extb3a                     | -                                                       |          |
| rec                        | -                                                       |          |
| extb4                      | ?                                                       |          |
| cau_class                  | '110'B                                                  |          |
| cau_va                     | '0000'B                                                 |          |
| cau_di                     | *                                                       |          |
| <b>Detailed Comments:</b>  |                                                         |          |

| Structured Type Constraint |                                                           |          |
|----------------------------|-----------------------------------------------------------|----------|
| <b>Constraint Name:</b>    | Cause_06                                                  |          |
| <b>Structured Type:</b>    | CAU                                                       |          |
| <b>Derivation Path:</b>    | Cause_01.                                                 |          |
| <b>Comments:</b>           | Cause information element containing arbitrary spare bits |          |
| Element Name               | Element Value                                             | Comments |
| spb                        | '1'B                                                      |          |
| cau_class                  | '000'B                                                    |          |
| cau_va                     | '0001'B                                                   |          |
| <b>Detailed Comments:</b>  |                                                           |          |

| Structured Type Constraint |                                                   |          |
|----------------------------|---------------------------------------------------|----------|
| <b>Constraint Name:</b>    | Cause_07                                          |          |
| <b>Structured Type:</b>    | CAU                                               |          |
| <b>Derivation Path:</b>    | Cause_01.                                         |          |
| <b>Comments:</b>           | cause information element with cause value = #81. |          |
| Element Name               | Element Value                                     | Comments |
| iei                        | '00001000'B                                       |          |
| iel                        | ?                                                 |          |
| location                   | ?                                                 |          |
| extb4                      | ?                                                 |          |
| cau_class                  | '101'B                                            |          |
| cau_va                     | '0001'B                                           |          |
| cau_di                     | *                                                 |          |
| <b>Detailed Comments:</b>  |                                                   |          |

| Structured Type Constraint |                       |          |
|----------------------------|-----------------------|----------|
| <b>Constraint Name:</b>    | Cause_08              |          |
| <b>Structured Type:</b>    | CAU                   |          |
| <b>Derivation Path:</b>    |                       |          |
| <b>Comments:</b>           | used as an unknown IE |          |
| Element Name               | Element Value         | Comments |
| iei                        | '00100100'B           |          |
| iel                        | '01'O                 |          |
| extb3                      | '1'B                  |          |
| cs                         | '11'B                 |          |
| spb                        | '1'B                  |          |
| location                   | '1111'B               |          |
| extb3a                     | -                     |          |
| rec                        | -                     |          |
| extb4                      | -                     |          |
| cau_class                  | -                     |          |
| cau_va                     | -                     |          |
| cau_di                     | -                     |          |
| <b>Detailed Comments:</b>  |                       |          |



| Structured Type Constraint |                       |          |
|----------------------------|-----------------------|----------|
| <b>Constraint Name:</b>    | Cause_09              |          |
| <b>Structured Type:</b>    | CAU                   |          |
| <b>Derivation Path:</b>    | Cause_08.             |          |
| <b>Comments:</b>           | used as an unknown IE |          |
| Element Name               | Element Value         | Comments |
| iei                        | '01111101'B           |          |
| iel                        | '01'O                 |          |
| extb3                      | '1'B                  |          |
| cs                         | '11'B                 |          |
| spb                        | '0'B                  |          |
| location                   | '1110'B               |          |
| <b>Detailed Comments:</b>  |                       |          |

| Structured Type Constraint |                                                                   |          |
|----------------------------|-------------------------------------------------------------------|----------|
| <b>Constraint Name:</b>    | Cause_10                                                          |          |
| <b>Structured Type:</b>    | CAU                                                               |          |
| <b>Derivation Path:</b>    |                                                                   |          |
| <b>Comments:</b>           | cause information element with cause value = #1, location = user. |          |
| Element Name               | Element Value                                                     | Comments |
| iei                        | '00001000'B                                                       |          |
| iel                        | '02'O                                                             |          |
| extb3                      | '1'B                                                              |          |
| cs                         | '11'B                                                             |          |
| spb                        | '0'B                                                              |          |
| location                   | '0000'B                                                           |          |
| extb3a                     | -                                                                 |          |
| rec                        | -                                                                 |          |
| extb4                      | '1'B                                                              |          |
| cau_class                  | '000'B                                                            |          |
| cau_va                     | '0001'B                                                           |          |
| cau_di                     | -                                                                 |          |
| <b>Detailed Comments:</b>  |                                                                   |          |

| Structured Type Constraint |                                                   |          |
|----------------------------|---------------------------------------------------|----------|
| <b>Constraint Name:</b>    | Cause_11                                          |          |
| <b>Structured Type:</b>    | CAU                                               |          |
| <b>Derivation Path:</b>    |                                                   |          |
| <b>Comments:</b>           | cause information element with cause value = #31. |          |
| Element Name               | Element Value                                     | Comments |
| iei                        | '00001000'B                                       |          |
| iel                        | '02'O                                             |          |
| extb3                      | '1'B                                              |          |
| cs                         | '11'B                                             |          |
| spb                        | '0'B                                              |          |
| location                   | '0000'B                                           |          |
| extb3a                     | -                                                 |          |
| rec                        | -                                                 |          |
| extb4                      | '1'B                                              |          |
| cau_class                  | '001'B                                            |          |
| cau_va                     | '1111'B                                           |          |
| cau_di                     | -                                                 |          |
| <b>Detailed Comments:</b>  |                                                   |          |

| Structured Type Constraint |                                                   |          |
|----------------------------|---------------------------------------------------|----------|
| <b>Constraint Name:</b>    | Cause_12                                          |          |
| <b>Structured Type:</b>    | CAU                                               |          |
| <b>Derivation Path:</b>    |                                                   |          |
| <b>Comments:</b>           | cause information element with cause value = #88. |          |
| Element Name               | Element Value                                     | Comments |
| iei                        | '00001000'B                                       |          |
| iel                        | '02'O                                             |          |
| extb3                      | '1'B                                              |          |
| cs                         | '11'B                                             |          |
| spb                        | '0'B                                              |          |
| location                   | '????'B                                           |          |
| extb3a                     | -                                                 |          |
| rec                        | -                                                 |          |
| extb4                      | '1'B                                              |          |
| cau_class                  | '101'B                                            |          |
| cau_va                     | '1000'B                                           |          |
| cau_di                     | -                                                 |          |
| <b>Detailed Comments:</b>  |                                                   |          |

| Structured Type Constraint |                                                   |          |
|----------------------------|---------------------------------------------------|----------|
| <b>Constraint Name:</b>    | Cause_13                                          |          |
| <b>Structured Type:</b>    | CAU                                               |          |
| <b>Derivation Path:</b>    |                                                   |          |
| <b>Comments:</b>           | cause information element with cause value = #21. |          |
| Element Name               | Element Value                                     | Comments |
| iei                        | '00001000'B                                       |          |
| iel                        | '02'O                                             |          |
| extb3                      | '1'B                                              |          |
| cs                         | '11'B                                             |          |
| spb                        | '0'B                                              |          |
| location                   | '????'B                                           |          |
| extb3a                     | -                                                 |          |
| rec                        | -                                                 |          |
| extb4                      | '1'B                                              |          |
| cau_class                  | '001'B                                            |          |
| cau_va                     | '0101'B                                           |          |
| cau_di                     | -                                                 |          |
| <b>Detailed Comments:</b>  |                                                   |          |

| Structured Type Constraint |                                                    |          |
|----------------------------|----------------------------------------------------|----------|
| <b>Constraint Name:</b>    | Cause_14                                           |          |
| <b>Structured Type:</b>    | CAU                                                |          |
| <b>Derivation Path:</b>    |                                                    |          |
| <b>Comments:</b>           | cause information element with cause value = #102. |          |
| Element Name               | Element Value                                      | Comments |
| iei                        | '00001000'B                                        |          |
| iel                        | ?                                                  |          |
| extb3                      | '1'B                                               |          |
| cs                         | '11'B                                              |          |
| spb                        | '0'B                                               |          |
| location                   | '????'B                                            |          |
| extb3a                     | -                                                  |          |
| rec                        | -                                                  |          |
| extb4                      | ?                                                  |          |
| cau_class                  | '110'B                                             |          |
| cau_va                     | '0110'B                                            |          |
| cau_di                     | *                                                  |          |
| <b>Detailed Comments:</b>  |                                                    |          |

| Structured Type Constraint |                                                            |          |
|----------------------------|------------------------------------------------------------|----------|
| <b>Constraint Name:</b>    | Cause_15                                                   |          |
| <b>Structured Type:</b>    | CAU                                                        |          |
| <b>Derivation Path:</b>    |                                                            |          |
| <b>Comments:</b>           | cause information element with cause value = #47, n -> ms. |          |
| Element Name               | Element Value                                              | Comments |
| iei                        | -                                                          |          |
| iel                        | '02'O                                                      |          |
| extb3                      | '1'B                                                       |          |
| cs                         | '11'B                                                      |          |
| spb                        | '0'B                                                       |          |
| location                   | '0010'B                                                    |          |
| extb3a                     | -                                                          |          |
| rec                        | -                                                          |          |
| extb4                      | '1'B                                                       |          |
| cau_class                  | '010'B                                                     |          |
| cau_va                     | '1111'B                                                    |          |
| cau_di                     | -                                                          |          |
| <b>Detailed Comments:</b>  |                                                            |          |

| Structured Type Constraint |                                                                                                      |          |
|----------------------------|------------------------------------------------------------------------------------------------------|----------|
| <b>Constraint Name:</b>    | Cause_16                                                                                             |          |
| <b>Structured Type:</b>    | CAU                                                                                                  |          |
| <b>Derivation Path:</b>    |                                                                                                      |          |
| <b>Comments:</b>           | cause information element with cause value = #58 bearer capability not presently available, n -> ms. |          |
| Element Name               | Element Value                                                                                        | Comments |
| iei                        | -                                                                                                    |          |
| iel                        | '02'O                                                                                                |          |
| extb3                      | '1'B                                                                                                 |          |
| cs                         | '11'B                                                                                                |          |
| spb                        | '0'B                                                                                                 |          |
| location                   | '0010'B                                                                                              |          |
| extb3a                     | -                                                                                                    |          |
| rec                        | -                                                                                                    |          |
| extb4                      | '1'B                                                                                                 |          |
| cau_class                  | '011'B                                                                                               |          |
| cau_va                     | '1010'B                                                                                              |          |
| cau_di                     | -                                                                                                    |          |
| <b>Detailed Comments:</b>  |                                                                                                      |          |

| Structured Type Constraint |                                                                                             |          |
|----------------------------|---------------------------------------------------------------------------------------------|----------|
| <b>Constraint Name:</b>    | Cause_17                                                                                    |          |
| <b>Structured Type:</b>    | CAU                                                                                         |          |
| <b>Derivation Path:</b>    |                                                                                             |          |
| <b>Comments:</b>           | optional (IEI present) cause information element with cause value = #17 user busy. ms -> n. |          |
| Element Name               | Element Value                                                                               | Comments |
| iei                        | '00001000'B                                                                                 |          |
| iel                        | ?                                                                                           |          |
| extb3                      | '1'B                                                                                        |          |
| cs                         | '11'B                                                                                       |          |
| spb                        | '0'B                                                                                        |          |
| location                   | '????'B                                                                                     |          |
| extb3a                     | -                                                                                           |          |
| rec                        | -                                                                                           |          |
| extb4                      | ?                                                                                           |          |
| cau_class                  | '001'B                                                                                      |          |
| cau_va                     | '0001'B                                                                                     |          |
| cau_di                     | *                                                                                           |          |
| <b>Detailed Comments:</b>  |                                                                                             |          |

| Structured Type Constraint |                                                                                       |          |
|----------------------------|---------------------------------------------------------------------------------------|----------|
| <b>Constraint Name:</b>    | Cause_18                                                                              |          |
| <b>Structured Type:</b>    | CAU                                                                                   |          |
| <b>Derivation Path:</b>    |                                                                                       |          |
| <b>Comments:</b>           | cause information element with cause value = #30 response to status enquiry. ms -> n. |          |
| Element Name               | Element Value                                                                         | Comments |
| iei                        | -                                                                                     |          |
| iel                        | ?                                                                                     |          |
| extb3                      | '1'B                                                                                  |          |
| cs                         | '11'B                                                                                 |          |
| spb                        | '0'B                                                                                  |          |
| location                   | '????'B                                                                               |          |
| extb3a                     | -                                                                                     |          |
| rec                        | -                                                                                     |          |
| extb4                      | ?                                                                                     |          |
| cau_class                  | '001'B                                                                                |          |
| cau_va                     | '1110'B                                                                               |          |
| cau_di                     | *                                                                                     |          |
| <b>Detailed Comments:</b>  |                                                                                       |          |

| Structured Type Constraint |                                                   |          |
|----------------------------|---------------------------------------------------|----------|
| <b>Constraint Name:</b>    | Cause_22                                          |          |
| <b>Structured Type:</b>    | CAU                                               |          |
| <b>Derivation Path:</b>    |                                                   |          |
| <b>Comments:</b>           | cause information element with cause value = #81. |          |
| Element Name               | Element Value                                     | Comments |
| iei                        | '00001000'B                                       |          |
| iel                        | '02'O                                             |          |
| extb3                      | '1'B                                              |          |
| cs                         | '11'B                                             |          |
| spb                        | '0'B                                              |          |
| location                   | '????'B                                           |          |
| extb3a                     | -                                                 |          |
| rec                        | -                                                 |          |
| extb4                      | '1'B                                              |          |
| cau_class                  | '101'B                                            |          |
| cau_va                     | '0001'B                                           |          |
| cau_di                     | -                                                 |          |
| <b>Detailed Comments:</b>  |                                                   |          |

| Structured Type Constraint |                                                    |          |
|----------------------------|----------------------------------------------------|----------|
| <b>Constraint Name:</b>    | Cause_23                                           |          |
| <b>Structured Type:</b>    | CAU                                                |          |
| <b>Derivation Path:</b>    |                                                    |          |
| <b>Comments:</b>           | cause information element with cause value = #102. |          |
| Element Name               | Element Value                                      | Comments |
| iei                        | '00001000'B                                        |          |
| iel                        | '02'O                                              |          |
| extb3                      | '1'B                                               |          |
| cs                         | '11'B                                              |          |
| spb                        | '0'B                                               |          |
| location                   | '0000'B                                            |          |
| extb3a                     | -                                                  |          |
| rec                        | -                                                  |          |
| extb4                      | '1'B                                               |          |
| cau_class                  | '110'B                                             |          |
| cau_va                     | '0110'B                                            |          |
| cau_di                     | -                                                  |          |
| <b>Detailed Comments:</b>  |                                                    |          |

| Structured Type Constraint |                                                                          |          |
|----------------------------|--------------------------------------------------------------------------|----------|
| <b>Constraint Name:</b>    | Cause_26                                                                 |          |
| <b>Structured Type:</b>    | CAU                                                                      |          |
| <b>Derivation Path:</b>    |                                                                          |          |
| <b>Comments:</b>           | cause information element with cause value = #16, location = user. n->ms |          |
| Element Name               | Element Value                                                            | Comments |
| iei                        | '00001000'B                                                              |          |
| iel                        | '02'O                                                                    |          |
| extb3                      | '1'B                                                                     |          |
| cs                         | '11'B                                                                    |          |
| spb                        | '0'B                                                                     |          |
| location                   | '0000'B                                                                  |          |
| extb3a                     | -                                                                        |          |
| rec                        | -                                                                        |          |
| extb4                      | '1'B                                                                     |          |
| cau_class                  | '001'B                                                                   |          |
| cau_va                     | '0000'B                                                                  |          |
| cau_di                     | -                                                                        |          |
| <b>Detailed Comments:</b>  |                                                                          |          |

| Structured Type Constraint |                         |          |
|----------------------------|-------------------------|----------|
| <b>Constraint Name:</b>    | Cause_27                |          |
| <b>Structured Type:</b>    | CAU                     |          |
| <b>Derivation Path:</b>    | Cause_26.               |          |
| <b>Comments:</b>           | cause value #88, ms->n. |          |
| Element Name               | Element Value           | Comments |
| iel                        | ?                       |          |
| location                   | ?                       |          |
| extb4                      | ?                       |          |
| cau_class                  | '101'B                  |          |
| cau_va                     | '1000'B                 |          |
| cau_di                     | *                       |          |
| <b>Detailed Comments:</b>  |                         |          |

| Structured Type Constraint |                                                                                |          |
|----------------------------|--------------------------------------------------------------------------------|----------|
| <b>Constraint Name:</b>    | Cause_28                                                                       |          |
| <b>Structured Type:</b>    | CAU                                                                            |          |
| <b>Derivation Path:</b>    |                                                                                |          |
| <b>Comments:</b>           | cause information element with cause value = #29 'facility rejected', n -> ms. |          |
| Element Name               | Element Value                                                                  | Comments |
| iei                        | '00001000'B                                                                    |          |
| iel                        | '02'O                                                                          |          |
| extb3                      | '1'B                                                                           |          |
| cs                         | '11'B                                                                          |          |
| spb                        | '0'B                                                                           |          |
| location                   | '0010'B                                                                        |          |
| extb3a                     | -                                                                              |          |
| rec                        | -                                                                              |          |
| extb4                      | '1'B                                                                           |          |
| cau_class                  | '001'B                                                                         |          |
| cau_va                     | '1101'B                                                                        |          |
| cau_di                     | -                                                                              |          |
| <b>Detailed Comments:</b>  |                                                                                |          |

| Structured Type Constraint |               |          |
|----------------------------|---------------|----------|
| <b>Constraint Name:</b>    | Cdpn_01       |          |
| <b>Structured Type:</b>    | CDPN          |          |
| <b>Derivation Path:</b>    |               |          |
| <b>Comments:</b>           |               |          |
| Element Name               | Element Value | Comments |
| iei                        | '01011110'B   |          |
| iel                        | '02'O         |          |
| tonnpi                     | TonNpi_02     |          |
| digits                     | '01'O         |          |
| <b>Detailed Comments:</b>  |               |          |

| Structured Type Constraint |               |          |
|----------------------------|---------------|----------|
| <b>Constraint Name:</b>    | Cdps_01       |          |
| <b>Structured Type:</b>    | CDPS          |          |
| <b>Derivation Path:</b>    |               |          |
| <b>Comments:</b>           |               |          |
| Element Name               | Element Value | Comments |
| iei                        | '01101101'B   |          |
| iel                        | '03'O         |          |
| subad                      | SubAdd_01     |          |
| <b>Detailed Comments:</b>  |               |          |

| Structured Type Constraint |                 |          |
|----------------------------|-----------------|----------|
| <b>Constraint Name:</b>    | CellChDes_Omit  |          |
| <b>Structured Type:</b>    | CCHD            |          |
| <b>Derivation Path:</b>    |                 |          |
| <b>Comments:</b>           | Omit descriptor |          |
| Element Name               | Element Value   | Comments |
| iei                        | -               |          |
| rfl                        | -               |          |
| <b>Detailed Comments:</b>  |                 |          |

| Structured Type Constraint |                                         |          |
|----------------------------|-----------------------------------------|----------|
| <b>Constraint Name:</b>    | CellChDes_01                            |          |
| <b>Structured Type:</b>    | CCHD                                    |          |
| <b>Derivation Path:</b>    |                                         |          |
| <b>Comments:</b>           | ARFCN = 124                             |          |
| Element Name               | Element Value                           | Comments |
| iei                        | '01100010'B                             |          |
| rfl                        | '38000000000000000000000000000000'<br>O |          |
| <b>Detailed Comments:</b>  |                                         |          |

| Structured Type Constraint |                                         |          |
|----------------------------|-----------------------------------------|----------|
| <b>Constraint Name:</b>    | CellChDes_01d                           |          |
| <b>Structured Type:</b>    | CCHD                                    |          |
| <b>Derivation Path:</b>    |                                         |          |
| <b>Comments:</b>           | ARFCN = 801                             |          |
| Element Name               | Element Value                           | Comments |
| iei                        | '01100010'B                             |          |
| rfl                        | 'BF908000000000000000000000000000'<br>O |          |
| <b>Detailed Comments:</b>  |                                         |          |

| Structured Type Constraint |                                                                        |          |
|----------------------------|------------------------------------------------------------------------|----------|
| <b>Constraint Name:</b>    | CellChDes_02                                                           |          |
| <b>Structured Type:</b>    | CCHD                                                                   |          |
| <b>Derivation Path:</b>    |                                                                        |          |
| <b>Comments:</b>           | for cell A in RR testing of GSM 900 with the ARFCN_list={20,30,50,70}. |          |
| Element Name               | Element Value                                                          | Comments |
| iei                        | -                                                                      |          |
| rfl                        | '00000000000000200002000020080000'<br>O                                |          |
| <b>Detailed Comments:</b>  |                                                                        |          |

| Structured Type Constraint |                                                                                  |          |
|----------------------------|----------------------------------------------------------------------------------|----------|
| <b>Constraint Name:</b>    | CellChDes_03                                                                     |          |
| <b>Structured Type:</b>    | CCHD                                                                             |          |
| <b>Derivation Path:</b>    |                                                                                  |          |
| <b>Comments:</b>           | for cell A in RR testing of DCS1800 with the ARFCN list = {590, 650, 750, 850}.. |          |
| Element Name               | Element Value                                                                    | Comments |
| iei                        | -                                                                                |          |
| rfl                        | '89272827190000000000000000000000'<br>O                                          |          |
| <b>Detailed Comments:</b>  |                                                                                  |          |

| Structured Type Constraint |                                        |          |
|----------------------------|----------------------------------------|----------|
| <b>Constraint Name:</b>    | CellChDes_04                           |          |
| <b>Structured Type:</b>    | CCHD                                   |          |
| <b>Derivation Path:</b>    |                                        |          |
| <b>Comments:</b>           | for cell B in RR testing of GSM 900.   |          |
| Element Name               | Element Value                          | Comments |
| iei                        | -                                      |          |
| rfl                        | '0000000000000000000000000000200'<br>O |          |
| <b>Detailed Comments:</b>  |                                        |          |











| Structured Type Constraint |                                                                                      |          |
|----------------------------|--------------------------------------------------------------------------------------|----------|
| <b>Constraint Name:</b>    | CellChDes_19                                                                         |          |
| <b>Structured Type:</b>    | CCHD                                                                                 |          |
| <b>Derivation Path:</b>    |                                                                                      |          |
| <b>Comments:</b>           | Frequency list for EGSM test case TC_26_10_2_2: 0, 30, 40, 66, 80, 1005, 1010, 1015. |          |
| Element Name               | Element Value                                                                        | Comments |
| iei                        | -                                                                                    |          |
| rfl                        | '841EEA893EF981438000000000000000'                                                   |          |
|                            | O                                                                                    |          |
| <b>Detailed Comments:</b>  |                                                                                      |          |

| Structured Type Constraint |                                                                                                                                                   |          |
|----------------------------|---------------------------------------------------------------------------------------------------------------------------------------------------|----------|
| <b>Constraint Name:</b>    | CellChDes_20_A                                                                                                                                    |          |
| <b>Structured Type:</b>    | CCHD                                                                                                                                              |          |
| <b>Derivation Path:</b>    | CellChDes_01.                                                                                                                                     |          |
| <b>Comments:</b>           | Cell Channel Description for cell A in RR testing of GSM 900 HO cases with the ARFCN_list={10,17,20,26,34,42,45,46,52,59,66,73,74,75,76,108,114}. |          |
| Element Name               | Element Value                                                                                                                                     | Comments |
| rfl                        | '0002080000000F220408320222090200'                                                                                                                |          |
|                            | O                                                                                                                                                 |          |
| <b>Detailed Comments:</b>  |                                                                                                                                                   |          |

| Structured Type Constraint |                                                                                                                                                     |          |
|----------------------------|-----------------------------------------------------------------------------------------------------------------------------------------------------|----------|
| <b>Constraint Name:</b>    | CellChDes_20_Aman                                                                                                                                   |          |
| <b>Structured Type:</b>    | CCHD                                                                                                                                                |          |
| <b>Derivation Path:</b>    |                                                                                                                                                     |          |
| <b>Comments:</b>           | Cell Channel Description for any cell in RR testing of GSM 900 HO cases with the ARFCN_list={10,17,20,26,34,42,45,46,52,59,66,73,74,75,76,108,114}. |          |
| Element Name               | Element Value                                                                                                                                       | Comments |
| iei                        | -                                                                                                                                                   |          |
| rfl                        | '0002080000000F020408320202090200'                                                                                                                  |          |
|                            | O                                                                                                                                                   |          |
| <b>Detailed Comments:</b>  |                                                                                                                                                     |          |

| Structured Type Constraint |                                                                                                                                                                                   |          |
|----------------------------|-----------------------------------------------------------------------------------------------------------------------------------------------------------------------------------|----------|
| <b>Constraint Name:</b>    | CellChDes_201_Ad                                                                                                                                                                  |          |
| <b>Structured Type:</b>    | CCHD                                                                                                                                                                              |          |
| <b>Derivation Path:</b>    |                                                                                                                                                                                   |          |
| <b>Comments:</b>           | Cell Channel Description for cell A in RR testing of DCS1800 HO cases with the ARFCN_list={734,741,747,754,759,762,766,767,773,775,779,782,791,798,829,832,844} using 256 format. |          |
| Element Name               | Element Value                                                                                                                                                                     | Comments |
| iei                        | -                                                                                                                                                                                 |          |
| rfl                        | '8B6F14F32FC602C59EFA5499940000'                                                                                                                                                  |          |
|                            | O                                                                                                                                                                                 |          |
| <b>Detailed Comments:</b>  |                                                                                                                                                                                   |          |

| Structured Type Constraint |                                                                                                                                                                                                                                           |          |
|----------------------------|-------------------------------------------------------------------------------------------------------------------------------------------------------------------------------------------------------------------------------------------|----------|
| <b>Constraint Name:</b>    | CellChDes_202_Ad                                                                                                                                                                                                                          |          |
| <b>Structured Type:</b>    | CCHD                                                                                                                                                                                                                                      |          |
| <b>Derivation Path:</b>    | CellChDes_01.                                                                                                                                                                                                                             |          |
| <b>Comments:</b>           | Cell Channel Description for cell A in RR testing of DCS1800 HO cases with the Complete Cell Allocation of Cell A in 512 format.<br>ARFCN_list={734,741,747,754,759,762,766,767,773,775,779,782,791,798,829,832,844}<br>using 512 format. |          |
| Element Name               | Element Value                                                                                                                                                                                                                             | Comments |
| rfl                        | '896F0A7CC5FC700A8B9F7FF45246334<br>0'O                                                                                                                                                                                                   |          |
| <b>Detailed Comments:</b>  |                                                                                                                                                                                                                                           |          |

| Structured Type Constraint |                                                                                                                                                                  |          |
|----------------------------|------------------------------------------------------------------------------------------------------------------------------------------------------------------|----------|
| <b>Constraint Name:</b>    | CellChDes_203_Ad                                                                                                                                                 |          |
| <b>Structured Type:</b>    | CCHD                                                                                                                                                             |          |
| <b>Derivation Path:</b>    | CellChDes_01.                                                                                                                                                    |          |
| <b>Comments:</b>           | Cell Channel Description for cell A in TC_26_6_13 with the ARFCN_list={734,741,747,754,759,762,766,767,773,775,779,782,791,798,829,832,844}<br>using 256 format. |          |
| Element Name               | Element Value                                                                                                                                                    | Comments |
| iei                        | -                                                                                                                                                                |          |
| rfl                        | '8B6F1473F32FC602C59EFA54999400<br>0'O                                                                                                                           |          |
| <b>Detailed Comments:</b>  |                                                                                                                                                                  |          |

| Structured Type Constraint |                                                                                                                                                                                                                                     |          |
|----------------------------|-------------------------------------------------------------------------------------------------------------------------------------------------------------------------------------------------------------------------------------|----------|
| <b>Constraint Name:</b>    | CellChDes_202_Adman                                                                                                                                                                                                                 |          |
| <b>Structured Type:</b>    | CCHD                                                                                                                                                                                                                                |          |
| <b>Derivation Path:</b>    | CellChDes_01.                                                                                                                                                                                                                       |          |
| <b>Comments:</b>           | Cell Channel Description for cell A in RR testing of DCS1800 HO cases with the Complete Cell Allocation of Cell A in HO cases using 512 format.<br>ARFCN_list={734,741,747,754,759,762,766,767,773,775,779,782,791,798,829,832,844} |          |
| Element Name               | Element Value                                                                                                                                                                                                                       | Comments |
| iei                        | -                                                                                                                                                                                                                                   |          |
| rfl                        | '896F0A7CC5FC700A8B9F7FF45246334<br>0'O                                                                                                                                                                                             |          |
| <b>Detailed Comments:</b>  |                                                                                                                                                                                                                                     |          |

| Structured Type Constraint |                                                                                                                                                |          |
|----------------------------|------------------------------------------------------------------------------------------------------------------------------------------------|----------|
| <b>Constraint Name:</b>    | CellChDes_20_B                                                                                                                                 |          |
| <b>Structured Type:</b>    | CCHD                                                                                                                                           |          |
| <b>Derivation Path:</b>    | CellChDes_01.                                                                                                                                  |          |
| <b>Comments:</b>           | for cell B in RR testing of GSM 900 HO cases with the complete Cell Allocation ARFCN_list={14,18,22,24,30,31,38,40,60,66,73,74,75,76,108,114}. |          |
| Element Name               | Element Value                                                                                                                                  | Comments |
| rfl                        | '000208000000F02080000A060A22000'<br>O                                                                                                         |          |
| <b>Detailed Comments:</b>  |                                                                                                                                                |          |

| Structured Type Constraint |                                                                                                                                                |          |
|----------------------------|------------------------------------------------------------------------------------------------------------------------------------------------|----------|
| <b>Constraint Name:</b>    | CellChDes_20_Bman                                                                                                                              |          |
| <b>Structured Type:</b>    | CCHD                                                                                                                                           |          |
| <b>Derivation Path:</b>    |                                                                                                                                                |          |
| <b>Comments:</b>           | for cell B in RR testing of GSM 900 HO cases with the complete Cell Allocation ARFCN_list={14,18,22,24,30,31,38,40,60,66,73,74,75,76,108,114}. |          |
| Element Name               | Element Value                                                                                                                                  | Comments |
| iei                        | -                                                                                                                                              |          |
| rfl                        | '000208000000F02080000A060A22000'<br>O                                                                                                         |          |
| <b>Detailed Comments:</b>  |                                                                                                                                                |          |

| Structured Type Constraint |                                                                                                   |          |
|----------------------------|---------------------------------------------------------------------------------------------------|----------|
| <b>Constraint Name:</b>    | CellChDes_20_Be(par_rfl:OCTETSTRING)                                                              |          |
| <b>Structured Type:</b>    | CCHD                                                                                              |          |
| <b>Derivation Path:</b>    |                                                                                                   |          |
| <b>Comments:</b>           | for cell B in RR testing of EGSM HO cases with the complete Cell Allocation ARFCN_list={par_rfl}. |          |
| Element Name               | Element Value                                                                                     | Comments |
| iei                        | '01100010'B                                                                                       |          |
| rfl                        | par_rfl                                                                                           |          |
| <b>Detailed Comments:</b>  |                                                                                                   |          |

| Structured Type Constraint |                                                                                                                                                                               |          |
|----------------------------|-------------------------------------------------------------------------------------------------------------------------------------------------------------------------------|----------|
| <b>Constraint Name:</b>    | CellChDes_201_Bd                                                                                                                                                              |          |
| <b>Structured Type:</b>    | CCHD                                                                                                                                                                          |          |
| <b>Derivation Path:</b>    |                                                                                                                                                                               |          |
| <b>Comments:</b>           | Cell Channel Description for cell B in RR testing of DCS1800 HO cases with the ARFCN_list={739,743,746,749,756,758,761,764,771,779,782,791,798,829,832,844} using 256 format. |          |
| Element Name               | Element Value                                                                                                                                                                 | Comments |
| iei                        | -                                                                                                                                                                             |          |
| rfl                        | '8A71907137B602C5DEF7A348D800000'<br>O                                                                                                                                        |          |
| <b>Detailed Comments:</b>  |                                                                                                                                                                               |          |

| Structured Type Constraint |                                                                                                                                                            |          |
|----------------------------|------------------------------------------------------------------------------------------------------------------------------------------------------------|----------|
| <b>Constraint Name:</b>    | CellChDes_20_B0d                                                                                                                                           |          |
| <b>Structured Type:</b>    | CCHD                                                                                                                                                       |          |
| <b>Derivation Path:</b>    |                                                                                                                                                            |          |
| <b>Comments:</b>           | the complete Cell Allocation List_ARFCN= complete cell allocation of cell B in HO cases. {739,743,746,749,756,758,761,764,771,779,782,791,798,829,832,844} |          |
| Element Name               | Element Value                                                                                                                                              | Comments |
| iei                        | '01100010'B                                                                                                                                                |          |
| rfl                        | '8F718920524080900810000000240040'<br>O                                                                                                                    |          |
| <b>Detailed Comments:</b>  |                                                                                                                                                            |          |

| Structured Type Constraint |                                                                                                 |          |
|----------------------------|-------------------------------------------------------------------------------------------------|----------|
| <b>Constraint Name:</b>    | CellChDes_21_B                                                                                  |          |
| <b>Structured Type:</b>    | CCHD                                                                                            |          |
| <b>Derivation Path:</b>    | CellChDes_01.                                                                                   |          |
| <b>Comments:</b>           | for any cell in RR testing of GSM 900 HO cases with the ARFCN_list={40,66,73,74,75,76,108,114}. |          |
| Element Name               | Element Value                                                                                   | Comments |
| rfl                        | '0002080000000F000400008000000000'<br>O                                                         |          |
| <b>Detailed Comments:</b>  |                                                                                                 |          |

| Structured Type Constraint |                                                                                                        |          |
|----------------------------|--------------------------------------------------------------------------------------------------------|----------|
| <b>Constraint Name:</b>    | CellChDes_21_Bd                                                                                        |          |
| <b>Structured Type:</b>    | CCHD                                                                                                   |          |
| <b>Derivation Path:</b>    | CellChDes_01.                                                                                          |          |
| <b>Comments:</b>           | for cell B in RR testing of GSM 900 HO cases with the List_ARFCN={761,764,771,779,782,791,798,829,832} |          |
| Element Name               | Element Value                                                                                          | Comments |
| rfl                        | '897C87BD09BC61060F90000000000000'<br>O                                                                |          |
| <b>Detailed Comments:</b>  |                                                                                                        |          |

| Structured Type Constraint |                                            |          |
|----------------------------|--------------------------------------------|----------|
| <b>Constraint Name:</b>    | CellChDes_22                               |          |
| <b>Structured Type:</b>    | CCHD                                       |          |
| <b>Derivation Path:</b>    |                                            |          |
| <b>Comments:</b>           | for cell A in EGSM testing: 20, 30, 50, 70 |          |
| Element Name               | Element Value                              | Comments |
| iei                        | -                                          |          |
| rfl                        | '00000000000000200002000020080000'<br>O    |          |
| <b>Detailed Comments:</b>  |                                            |          |

| Structured Type Constraint |                                                                                               |          |
|----------------------------|-----------------------------------------------------------------------------------------------|----------|
| <b>Constraint Name:</b>    | CellChDes_23A                                                                                 |          |
| <b>Structured Type:</b>    | CCHD                                                                                          |          |
| <b>Derivation Path:</b>    |                                                                                               |          |
| <b>Comments:</b>           | for cell A in EGSM testing, TC_26_10_2_4_1 : 20, 40, 66, 73, 74, 75, 76, 77, 78, 79, 108, 114 |          |
| Element Name               | Element Value                                                                                 | Comments |
| iei                        | -                                                                                             |          |
| rfl                        | '0002080000007F02000008000080000'<br>O                                                        |          |
| <b>Detailed Comments:</b>  |                                                                                               |          |

| Structured Type Constraint |                                                                     |          |
|----------------------------|---------------------------------------------------------------------|----------|
| <b>Constraint Name:</b>    | CellChDes_23B                                                       |          |
| <b>Structured Type:</b>    | CCHD                                                                |          |
| <b>Derivation Path:</b>    |                                                                     |          |
| <b>Comments:</b>           | for cell A in EGSM testing, TC_26_10_2_4_1 : 10, 12, 40, 60, 62, 63 |          |
| Element Name               | Element Value                                                       | Comments |
| iei                        | -                                                                   |          |
| rfl                        | '0000000000000004800008000000A00'<br>O                              |          |
| <b>Detailed Comments:</b>  |                                                                     |          |



| Structured Type Constraint |                                                                                                        |          |
|----------------------------|--------------------------------------------------------------------------------------------------------|----------|
| <b>Constraint Name:</b>    | CellChDes_r01                                                                                          |          |
| <b>Structured Type:</b>    | CCHD                                                                                                   |          |
| <b>Derivation Path:</b>    |                                                                                                        |          |
| <b>Comments:</b>           | for cell A in RR testing of DCS1800 with the ARFCN_list={773, 775, 779, 782, 791, 798, 829, 832, 844}. |          |
| Element Name               | Element Value                                                                                          | Comments |
| iei                        | '01100010'B                                                                                            |          |
| rfl                        | '8D8299C22EF52CC0000000000000000000'<br>O                                                              |          |
| <b>Detailed Comments:</b>  |                                                                                                        |          |

| Structured Type Constraint |                                                                     |          |
|----------------------------|---------------------------------------------------------------------|----------|
| <b>Constraint Name:</b>    | CellChDes_r02                                                       |          |
| <b>Structured Type:</b>    | CCHD                                                                |          |
| <b>Derivation Path:</b>    |                                                                     |          |
| <b>Comments:</b>           | for cell A in RR testing of GSM 900 with the ARFCN_list={741, 747}. |          |
| Element Name               | Element Value                                                       | Comments |
| iei                        | '01100010'B                                                         |          |
| rfl                        | '8F72820000000000000000000000000000'<br>O                           |          |
| <b>Detailed Comments:</b>  |                                                                     |          |

| Structured Type Constraint |                                                                                                         |          |
|----------------------------|---------------------------------------------------------------------------------------------------------|----------|
| <b>Constraint Name:</b>    | CellChDes_r03                                                                                           |          |
| <b>Structured Type:</b>    | CCHD                                                                                                    |          |
| <b>Derivation Path:</b>    |                                                                                                         |          |
| <b>Comments:</b>           | for cell A in RR testing of GSM 900 with the ARFCN_list={45, 46, 52, 59, 66, 73, 74, 75, 76, 108, 114}. |          |
| Element Name               | Element Value                                                                                           | Comments |
| iei                        | '01100010'B                                                                                             |          |
| rfl                        | '0002080000000000F02040830000000000'<br>O                                                               |          |
| <b>Detailed Comments:</b>  |                                                                                                         |          |

| Structured Type Constraint |                                                                   |          |
|----------------------------|-------------------------------------------------------------------|----------|
| <b>Constraint Name:</b>    | CellChDes_r04                                                     |          |
| <b>Structured Type:</b>    | CCHD                                                              |          |
| <b>Derivation Path:</b>    |                                                                   |          |
| <b>Comments:</b>           | for cell A in RR testing of GSM 900 with the ARFCN_list={17, 20}. |          |
| Element Name               | Element Value                                                     | Comments |
| iei                        | '01100010'B                                                       |          |
| rfl                        | '000000000000000000000000000000000090000'<br>O                    |          |
| <b>Detailed Comments:</b>  |                                                                   |          |

| Structured Type Constraint |                                                |          |
|----------------------------|------------------------------------------------|----------|
| <b>Constraint Name:</b>    | CellDescrp(ncc1, bcc1:B_3; par_arfcn: INTEGER) |          |
| <b>Structured Type:</b>    | CD                                             |          |
| <b>Derivation Path:</b>    |                                                |          |
| <b>Comments:</b>           | BCCH channel for Cell A                        |          |
| Element Name               | Element Value                                  | Comments |
| bcch_arfcn_h               | OC_MostBits( INT_TO_BIT( par_arfcn, 10), 2)    |          |
| ncc                        | ncc1                                           |          |
| bcc                        | bcc1                                           |          |
| bcch_arfcn_l               | OC_LeastBits( INT_TO_BIT( par_arfcn, 10), 8)   |          |
| <b>Detailed Comments:</b>  |                                                |          |

| Structured Type Constraint |               |          |
|----------------------------|---------------|----------|
| <b>Constraint Name:</b>    | CellOpt_01    |          |
| <b>Structured Type:</b>    | CO            |          |
| <b>Derivation Path:</b>    |               |          |
| <b>Comments:</b>           |               |          |
| Element Name               | Element Value | Comments |
| sprb                       | '0'B          |          |
| pwrc                       | '0'B          |          |
| dtx                        | '10'B         |          |
| rlt                        | '0001'B       |          |
| <b>Detailed Comments:</b>  |               |          |

| Structured Type Constraint |                                     |          |
|----------------------------|-------------------------------------|----------|
| <b>Constraint Name:</b>    | CellOpt_02                          |          |
| <b>Structured Type:</b>    | CO                                  |          |
| <b>Derivation Path:</b>    |                                     |          |
| <b>Comments:</b>           | parameters from 26.3.1 of GSM 11.10 |          |
| Element Name               | Element Value                       | Comments |
| sprb                       | '0'B                                |          |
| pwrc                       | '0'B                                |          |
| dtx                        | '10'B                               |          |
| rlt                        | '0101'B                             |          |
| <b>Detailed Comments:</b>  |                                     |          |

| Structured Type Constraint |                             |          |
|----------------------------|-----------------------------|----------|
| <b>Constraint Name:</b>    | CellOpt_03                  |          |
| <b>Structured Type:</b>    | CO                          |          |
| <b>Derivation Path:</b>    |                             |          |
| <b>Comments:</b>           | used in measurement testing |          |
| Element Name               | Element Value               | Comments |
| sprb                       | '0'B                        |          |
| pwrc                       | '1'B                        |          |
| dtx                        | '01'B                       |          |
| rlt                        | '0001'B                     |          |
| <b>Detailed Comments:</b>  |                             |          |

| Structured Type Constraint |                          |          |
|----------------------------|--------------------------|----------|
| <b>Constraint Name:</b>    | CellOpt_04               |          |
| <b>Structured Type:</b>    | CO                       |          |
| <b>Derivation Path:</b>    |                          |          |
| <b>Comments:</b>           | spare bit is set to '1'B |          |
| Element Name               | Element Value            | Comments |
| sprb                       | '1'B                     |          |
| pwrC                       | '0'B                     |          |
| dtX                        | '10'B                    |          |
| rlt                        | '0001'B                  |          |
| <b>Detailed Comments:</b>  |                          |          |

| Structured Type Constraint |               |          |
|----------------------------|---------------|----------|
| <b>Constraint Name:</b>    | CellOpt_05    |          |
| <b>Structured Type:</b>    | CO            |          |
| <b>Derivation Path:</b>    |               |          |
| <b>Comments:</b>           |               |          |
| Element Name               | Element Value | Comments |
| sprb                       | '0'B          |          |
| pwrC                       | '0'B          |          |
| dtX                        | '10'B         |          |
| rlt                        | '1111'B       |          |
| <b>Detailed Comments:</b>  |               |          |

| Structured Type Constraint |                          |          |
|----------------------------|--------------------------|----------|
| <b>Constraint Name:</b>    | CellOpt_06               |          |
| <b>Structured Type:</b>    | CO                       |          |
| <b>Derivation Path:</b>    | CellOpt_04.              |          |
| <b>Comments:</b>           | spare bit is set to '1'B |          |
| Element Name               | Element Value            | Comments |
| pwrC                       | '1'B                     |          |
| <b>Detailed Comments:</b>  |                          |          |

| Structured Type Constraint |                                          |          |
|----------------------------|------------------------------------------|----------|
| <b>Constraint Name:</b>    | CellSelPara(crh, mtmc:INTEGER; neci:B_1) |          |
| <b>Structured Type:</b>    | CSP                                      |          |
| <b>Derivation Path:</b>    |                                          |          |
| <b>Comments:</b>           | Default value.                           |          |
| Element Name               | Element Value                            | Comments |
| crh                        | INT_TO_BIT(crh, 3)                       |          |
| mtmc                       | INT_TO_BIT(mtmc, 5)                      |          |
| acs                        | '0'B                                     |          |
| neci                       | neci                                     |          |
| ram                        | '000000'B                                |          |
| <b>Detailed Comments:</b>  |                                          |          |

| Structured Type Constraint |                           |          |
|----------------------------|---------------------------|----------|
| <b>Constraint Name:</b>    | CellSelPara_01            |          |
| <b>Structured Type:</b>    | CSP                       |          |
| <b>Derivation Path:</b>    |                           |          |
| <b>Comments:</b>           | Default value for GSM900. |          |
| Element Name               | Element Value             | Comments |
| crh                        | '110'B                    |          |
| mtmc                       | '10011'B                  |          |
| acs                        | '0'B                      |          |
| neci                       | '0'B                      |          |
| ram                        | '000000'B                 |          |
| <b>Detailed Comments:</b>  |                           |          |

| Structured Type Constraint |                            |          |
|----------------------------|----------------------------|----------|
| <b>Constraint Name:</b>    | CellSelPara_04             |          |
| <b>Structured Type:</b>    | CSP                        |          |
| <b>Derivation Path:</b>    | CellSelPara_01.            |          |
| <b>Comments:</b>           | Default value for DCS1800. |          |
| Element Name               | Element Value              | Comments |
| mtmc                       | '01111'B                   |          |
| <b>Detailed Comments:</b>  |                            |          |

| Structured Type Constraint |                                                    |          |
|----------------------------|----------------------------------------------------|----------|
| <b>Constraint Name:</b>    | Cgpn_01                                            |          |
| <b>Structured Type:</b>    | CGPN                                               |          |
| <b>Derivation Path:</b>    |                                                    |          |
| <b>Comments:</b>           | calling party BCD number with arbitrary spare bits |          |
| Element Name               | Element Value                                      | Comments |
| iei                        | '01011100'B                                        |          |
| iel                        | '03'O                                              |          |
| tonnpi                     | TonNpi_01                                          |          |
| pis                        | PiSi_01                                            |          |
| digits                     | '01'O                                              |          |
| <b>Detailed Comments:</b>  |                                                    |          |

| Structured Type Constraint |               |          |
|----------------------------|---------------|----------|
| <b>Constraint Name:</b>    | Cgps_01       |          |
| <b>Structured Type:</b>    | CGPS          |          |
| <b>Derivation Path:</b>    |               |          |
| <b>Comments:</b>           |               |          |
| Element Name               | Element Value | Comments |
| iei                        | '01011101'B   |          |
| iel                        | '03'O         |          |
| subad                      | SubAdd_01     |          |
| <b>Detailed Comments:</b>  |               |          |

| Structured Type Constraint |                                                                    |          |
|----------------------------|--------------------------------------------------------------------|----------|
| <b>Constraint Name:</b>    | ChDescrp_nfh(type:CH_TDMA; slot:SN; tsc:TSC; par_arfcn: INTEGER)   |          |
| <b>Structured Type:</b>    | CHD                                                                |          |
| <b>Derivation Path:</b>    |                                                                    |          |
| <b>Comments:</b>           | Channel description for CC testing, non hopping, no starting time. |          |
| Element Name               | Element Value                                                      | Comments |
| iei                        | -                                                                  |          |
| cht_schn                   | type                                                               |          |
| tn                         | slot                                                               |          |
| tsc                        | tsc                                                                |          |
| hch                        | '0'B                                                               |          |
| maio                       | -                                                                  |          |
| hsn                        | -                                                                  |          |
| spr                        | '00'B                                                              |          |
| arfcn                      | INT_TO_BIT(par_arfcn, 10)                                          |          |
| <b>Detailed Comments:</b>  |                                                                    |          |

| Structured Type Constraint |                                                                              |          |
|----------------------------|------------------------------------------------------------------------------|----------|
| <b>Constraint Name:</b>    | ChDescrp_nfhiei(type:CH_TDMA; slot:SN; tsc:TSC; par_arfcn: INTEGER)          |          |
| <b>Structured Type:</b>    | CHD                                                                          |          |
| <b>Derivation Path:</b>    |                                                                              |          |
| <b>Comments:</b>           | Channel description for CC testing, non hopping, no starting time, with iei. |          |
| Element Name               | Element Value                                                                | Comments |
| iei                        | '01100100'B                                                                  |          |
| cht_schn                   | type                                                                         |          |
| tn                         | slot                                                                         |          |
| tsc                        | tsc                                                                          |          |
| hch                        | '0'B                                                                         |          |
| maio                       | -                                                                            |          |
| hsn                        | -                                                                            |          |
| spr                        | '00'B                                                                        |          |
| arfcn                      | INT_TO_BIT(par_arfcn, 10)                                                    |          |
| <b>Detailed Comments:</b>  |                                                                              |          |

| Structured Type Constraint |                                                                                           |          |
|----------------------------|-------------------------------------------------------------------------------------------|----------|
| <b>Constraint Name:</b>    | ChDescrp_fh( par_chtype: CH_TDMA; ts_ccch: SN; tsc:TSC; maio:MAIO; hsn:HSN)               |          |
| <b>Structured Type:</b>    | CHD                                                                                       |          |
| <b>Derivation Path:</b>    |                                                                                           |          |
| <b>Comments:</b>           | A derived constraint for <<Channel description >>ie with TCH/F freq. hopping in any CELL. |          |
| Element Name               | Element Value                                                                             | Comments |
| iei                        | -                                                                                         |          |
| cht_schn                   | par_chtype                                                                                |          |
| tn                         | ts_ccch                                                                                   |          |
| tsc                        | tsc                                                                                       |          |
| hch                        | '1'B                                                                                      |          |
| maio                       | maio                                                                                      |          |
| hsn                        | hsn                                                                                       |          |
| spr                        | -                                                                                         |          |
| arfcn                      | -                                                                                         |          |
| <b>Detailed Comments:</b>  |                                                                                           |          |

| Structured Type Constraint |                                                                                           |          |
|----------------------------|-------------------------------------------------------------------------------------------|----------|
| <b>Constraint Name:</b>    | ChDescrp_fhiei( par_chtype: CH_TDMA; ts_ccch: SN; tsc:TSC; maio:MAIO; hsn:HSN)            |          |
| <b>Structured Type:</b>    | CHD                                                                                       |          |
| <b>Derivation Path:</b>    |                                                                                           |          |
| <b>Comments:</b>           | A derived constraint for <<Channel description >>ie with TCH/F freq. hopping in any CELL. |          |
| Element Name               | Element Value                                                                             | Comments |
| iei                        | '01100100'B                                                                               |          |
| cht_schn                   | par_chtype                                                                                |          |
| tn                         | ts_ccch                                                                                   |          |
| tsc                        | tsc                                                                                       |          |
| hch                        | '1'B                                                                                      |          |
| maio                       | maio                                                                                      |          |
| hsn                        | hsn                                                                                       |          |
| spr                        | -                                                                                         |          |
| arfcn                      | -                                                                                         |          |
| <b>Detailed Comments:</b>  |                                                                                           |          |

| Structured Type Constraint |                                                                   |          |
|----------------------------|-------------------------------------------------------------------|----------|
| <b>Constraint Name:</b>    | ChDescrp_sdcch8_fh(slot:SN; tsc:TSC; sch:B_3; maio:MAIO; hsn:HSN) |          |
| <b>Structured Type:</b>    | CHD                                                               |          |
| <b>Derivation Path:</b>    |                                                                   |          |
| <b>Comments:</b>           | Channel description for SDCCH8.                                   |          |
| Element Name               | Element Value                                                     | Comments |
| iei                        | -                                                                 |          |
| cht_schn                   | INT_TO_BIT((8 + BIT_TO_INT( sch)), 5)                             |          |
| tn                         | slot                                                              |          |
| tsc                        | tsc                                                               |          |
| hch                        | '1'B                                                              |          |
| maio                       | maio                                                              |          |
| hsn                        | hsn                                                               |          |
| spr                        | -                                                                 |          |
| arfcn                      | -                                                                 |          |
| <b>Detailed Comments:</b>  |                                                                   |          |

| Structured Type Constraint |                                                                 |          |
|----------------------------|-----------------------------------------------------------------|----------|
| <b>Constraint Name:</b>    | ChDescrp_sdcch8_nfh(slot:SN; tsc:TSC; subch:B_3; arfcn:INTEGER) |          |
| <b>Structured Type:</b>    | CHD                                                             |          |
| <b>Derivation Path:</b>    |                                                                 |          |
| <b>Comments:</b>           | Channel description for SDCCH8 in cell A for RR test.           |          |
| Element Name               | Element Value                                                   | Comments |
| iei                        | -                                                               |          |
| cht_schn                   | INT_TO_BIT((8 + BIT_TO_INT(subch)), 5)                          |          |
| tn                         | slot                                                            |          |
| tsc                        | tsc                                                             |          |
| hch                        | '0'B                                                            |          |
| maio                       | -                                                               |          |
| hsn                        | -                                                               |          |
| spr                        | '00'B                                                           |          |
| arfcn                      | INT_TO_BIT(arfcn, 10)                                           |          |
| <b>Detailed Comments:</b>  |                                                                 |          |

| Structured Type Constraint |                                                        |          |
|----------------------------|--------------------------------------------------------|----------|
| <b>Constraint Name:</b>    | ChDescrp_tchf_fh(slot:SN; tsc:TSC; maio:MAIO; hsn:HSN) |          |
| <b>Structured Type:</b>    | CHD                                                    |          |
| <b>Derivation Path:</b>    |                                                        |          |
| <b>Comments:</b>           | Channel description for TCH/F in cell A for RR test.   |          |
| Element Name               | Element Value                                          | Comments |
| iei                        | -                                                      |          |
| cht_schn                   | '00001'B                                               |          |
| tn                         | slot                                                   |          |
| tsc                        | tsc                                                    |          |
| hch                        | '1'B                                                   |          |
| maio                       | maio                                                   |          |
| hsn                        | hsn                                                    |          |
| spr                        | -                                                      |          |
| arfcn                      | -                                                      |          |
| <b>Detailed Comments:</b>  | Used in TC_26_6_4_1 only                               |          |

| Structured Type Constraint |                                                                    |          |
|----------------------------|--------------------------------------------------------------------|----------|
| <b>Constraint Name:</b>    | ChDescrp_tchh_fh( slot:SN; tsc:TSC; subch:B_1; maio:MAIO; hsn:HSN) |          |
| <b>Structured Type:</b>    | CHD                                                                |          |
| <b>Derivation Path:</b>    |                                                                    |          |
| <b>Comments:</b>           | Channel description for TCH/H in cell A for RR test.               |          |
| Element Name               | Element Value                                                      | Comments |
| iei                        | -                                                                  |          |
| cht_schn                   | INT_TO_BIT((2 + BIT_TO_INT(subch)),<br>5)                          |          |
| tn                         | slot                                                               |          |
| tsc                        | tsc                                                                |          |
| hch                        | '1'B                                                               |          |
| maio                       | maio                                                               |          |
| hsn                        | hsn                                                                |          |
| spr                        | -                                                                  |          |
| arfcn                      | -                                                                  |          |
| <b>Detailed Comments:</b>  | Used in TC_26_6_4_1 only                                           |          |

| Structured Type Constraint |                                                                |          |
|----------------------------|----------------------------------------------------------------|----------|
| <b>Constraint Name:</b>    | ChDescrp_tchh_nfh( slot:SN; tsc:TSC; subch:B_1; arfcn:INTEGER) |          |
| <b>Structured Type:</b>    | CHD                                                            |          |
| <b>Derivation Path:</b>    |                                                                |          |
| <b>Comments:</b>           | Channel description for TCH/F in cell A for RR test.           |          |
| Element Name               | Element Value                                                  | Comments |
| iei                        | -                                                              |          |
| cht_schn                   | INT_TO_BIT(( 2 + BIT_TO_INT( subch)),<br>5)                    |          |
| tn                         | slot                                                           |          |
| tsc                        | tsc                                                            |          |
| hch                        | '0'B                                                           |          |
| maio                       | -                                                              |          |
| hsn                        | -                                                              |          |
| spr                        | '00'B                                                          |          |
| arfcn                      | INT_TO_BIT( arfcn, 10)                                         |          |
| <b>Detailed Comments:</b>  |                                                                |          |

| Structured Type Constraint |                  |          |
|----------------------------|------------------|----------|
| <b>Constraint Name:</b>    | ChMod( mode:B_8) |          |
| <b>Structured Type:</b>    | CHMOD            |          |
| <b>Derivation Path:</b>    |                  |          |
| <b>Comments:</b>           |                  |          |
| Element Name               | Element Value    | Comments |
| iei                        | -                |          |
| mode                       | mode             |          |
| <b>Detailed Comments:</b>  |                  |          |

| Structured Type Constraint |                             |          |
|----------------------------|-----------------------------|----------|
| <b>Constraint Name:</b>    | ChMod_r01                   |          |
| <b>Structured Type:</b>    | CHMOD                       |          |
| <b>Derivation Path:</b>    |                             |          |
| <b>Comments:</b>           | for TC_26_6_13_1 after time |          |
| Element Name               | Element Value               | Comments |
| iei                        | '01100011'B                 |          |
| mode                       | TSPX_ChMod1                 |          |
| <b>Detailed Comments:</b>  |                             |          |

| Structured Type Constraint |                             |          |
|----------------------------|-----------------------------|----------|
| <b>Constraint Name:</b>    | ChMod_r02                   |          |
| <b>Structured Type:</b>    | CHMOD                       |          |
| <b>Derivation Path:</b>    |                             |          |
| <b>Comments:</b>           | for TC_26_6_13_2 after time |          |
| Element Name               | Element Value               | Comments |
| iei                        | '01100011'B                 |          |
| mode                       | TSPX_ChMod2                 |          |
| <b>Detailed Comments:</b>  |                             |          |

| Structured Type Constraint |                  |          |
|----------------------------|------------------|----------|
| <b>Constraint Name:</b>    | ChMod_r03        |          |
| <b>Structured Type:</b>    | CHMOD            |          |
| <b>Derivation Path:</b>    | ChMod_r01.       |          |
| <b>Comments:</b>           | for TC_26_6_13_5 |          |
| Element Name               | Element Value    | Comments |
| mode                       | TSPX_ChMod4      |          |
| <b>Detailed Comments:</b>  |                  |          |

| Structured Type Constraint |                  |          |
|----------------------------|------------------|----------|
| <b>Constraint Name:</b>    | ChMod_r04        |          |
| <b>Structured Type:</b>    | CHMOD            |          |
| <b>Derivation Path:</b>    | ChMod_r01.       |          |
| <b>Comments:</b>           | for TC_26_6_13_6 |          |
| Element Name               | Element Value    | Comments |
| mode                       | TSPX_ChMod5      |          |
| <b>Detailed Comments:</b>  |                  |          |



| Structured Type Constraint |                  |          |
|----------------------------|------------------|----------|
| <b>Constraint Name:</b>    | ChMod_r05        |          |
| <b>Structured Type:</b>    | CHMOD            |          |
| <b>Derivation Path:</b>    | ChMod_r01.       |          |
| <b>Comments:</b>           | for TC_26_6_13_7 |          |
| Element Name               | Element Value    | Comments |
| mode                       | TSPX_ChMod6      |          |
| <b>Detailed Comments:</b>  |                  |          |

| Structured Type Constraint |                  |          |
|----------------------------|------------------|----------|
| <b>Constraint Name:</b>    | ChMod_r06        |          |
| <b>Structured Type:</b>    | CHMOD            |          |
| <b>Derivation Path:</b>    | ChMod_r01.       |          |
| <b>Comments:</b>           | for TC_26_6_13_8 |          |
| Element Name               | Element Value    | Comments |
| mode                       | TSPX_ChMod7      |          |
| <b>Detailed Comments:</b>  |                  |          |

| Structured Type Constraint |                 |          |
|----------------------------|-----------------|----------|
| <b>Constraint Name:</b>    | ChMod_sign      |          |
| <b>Structured Type:</b>    | CHMOD           |          |
| <b>Derivation Path:</b>    |                 |          |
| <b>Comments:</b>           | signalling only |          |
| Element Name               | Element Value   | Comments |
| iei                        | -               |          |
| mode                       | C_ChMod_s       |          |
| <b>Detailed Comments:</b>  |                 |          |

| Structured Type Constraint |                 |          |
|----------------------------|-----------------|----------|
| <b>Constraint Name:</b>    | ChMod_sign_iei  |          |
| <b>Structured Type:</b>    | CHMOD           |          |
| <b>Derivation Path:</b>    |                 |          |
| <b>Comments:</b>           | signalling only |          |
| Element Name               | Element Value   | Comments |
| iei                        | '01100011'B     |          |
| mode                       | C_ChMod_s       |          |
| <b>Detailed Comments:</b>  |                 |          |

| Structured Type Constraint |                           |          |
|----------------------------|---------------------------|----------|
| <b>Constraint Name:</b>    | ChMod_speech              |          |
| <b>Structured Type:</b>    | CHMOD                     |          |
| <b>Derivation Path:</b>    | ChMod_sign.               |          |
| <b>Comments:</b>           | speech full or half rate. |          |
| Element Name               | Element Value             | Comments |
| mode                       | C_ChMod_r                 |          |
| <b>Detailed Comments:</b>  |                           |          |

| Structured Type Constraint |                           |          |
|----------------------------|---------------------------|----------|
| <b>Constraint Name:</b>    | ChMod_speech_iei          |          |
| <b>Structured Type:</b>    | CHMOD                     |          |
| <b>Derivation Path:</b>    |                           |          |
| <b>Comments:</b>           | speech full or half rate. |          |
| Element Name               | Element Value             | Comments |
| iei                        | '01100011'B               |          |
| mode                       | C_ChMod_r                 |          |
| <b>Detailed Comments:</b>  |                           |          |

| Structured Type Constraint |                                                     |          |
|----------------------------|-----------------------------------------------------|----------|
| <b>Constraint Name:</b>    | ChMod_12k                                           |          |
| <b>Structured Type:</b>    | CHMOD                                               |          |
| <b>Derivation Path:</b>    | ChMod_sign.                                         |          |
| <b>Comments:</b>           | data 9.6 kb/s full rate, ( 12.0 kb/s air interface) |          |
| Element Name               | Element Value                                       | Comments |
| mode                       | C_ChMod_12k                                         |          |
| <b>Detailed Comments:</b>  |                                                     |          |

| Structured Type Constraint |                                                   |          |
|----------------------------|---------------------------------------------------|----------|
| <b>Constraint Name:</b>    | ChMod_6k                                          |          |
| <b>Structured Type:</b>    | CHMOD                                             |          |
| <b>Derivation Path:</b>    | ChMod_sign.                                       |          |
| <b>Comments:</b>           | data 4.8 kb/s full rate, (6.0 kb/s air interface) |          |
| Element Name               | Element Value                                     | Comments |
| mode                       | C_ChMod_6k                                        |          |
| <b>Detailed Comments:</b>  |                                                   |          |

| Structured Type Constraint |                                                   |          |
|----------------------------|---------------------------------------------------|----------|
| <b>Constraint Name:</b>    | ChMod_3k                                          |          |
| <b>Structured Type:</b>    | CHMOD                                             |          |
| <b>Derivation Path:</b>    | ChMod_sign.                                       |          |
| <b>Comments:</b>           | data 2.4 kb/s full rate, (3.6 kb/s air interface) |          |
| Element Name               | Element Value                                     | Comments |
| mode                       | C_ChMod_3k                                        |          |
| <b>Detailed Comments:</b>  |                                                   |          |

| Structured Type Constraint |                                       |          |
|----------------------------|---------------------------------------|----------|
| <b>Constraint Name:</b>    | ChMod_rcv                             |          |
| <b>Structured Type:</b>    | CHMOD                                 |          |
| <b>Derivation Path:</b>    | ChMod_sign.                           |          |
| <b>Comments:</b>           | used only in the OM_ChConf operation, |          |
| Element Name               | Element Value                         | Comments |
| mode                       | '11111111'B                           |          |
| <b>Detailed Comments:</b>  |                                       |          |

| Structured Type Constraint |                    |          |
|----------------------------|--------------------|----------|
| <b>Constraint Name:</b>    | ChMod_omit         |          |
| <b>Structured Type:</b>    | CHMOD              |          |
| <b>Derivation Path:</b>    |                    |          |
| <b>Comments:</b>           | parametrised mode. |          |
| Element Name               | Element Value      | Comments |
| iei                        | -                  |          |
| mode                       | -                  |          |
| <b>Detailed Comments:</b>  |                    |          |

| Structured Type Constraint |               |          |
|----------------------------|---------------|----------|
| <b>Constraint Name:</b>    | Chneed_01     |          |
| <b>Structured Type:</b>    | CHNEED        |          |
| <b>Derivation Path:</b>    |               |          |
| <b>Comments:</b>           | any channel   |          |
| Element Name               | Element Value | Comments |
| ch2                        | '00'B         |          |
| ch1                        | '00'B         |          |
| <b>Detailed Comments:</b>  |               |          |

| Structured Type Constraint |                       |          |
|----------------------------|-----------------------|----------|
| <b>Constraint Name:</b>    | Chneed_02             |          |
| <b>Structured Type:</b>    | CHNEED                |          |
| <b>Derivation Path:</b>    |                       |          |
| <b>Comments:</b>           | SDCCH channel needed. |          |
| Element Name               | Element Value         | Comments |
| ch2                        | '00'B                 |          |
| ch1                        | '01'B                 |          |
| <b>Detailed Comments:</b>  |                       |          |

| Structured Type Constraint |                       |          |
|----------------------------|-----------------------|----------|
| <b>Constraint Name:</b>    | Chneed_03             |          |
| <b>Structured Type:</b>    | CHNEED                |          |
| <b>Derivation Path:</b>    |                       |          |
| <b>Comments:</b>           | TCH/F channel needed. |          |
| Element Name               | Element Value         | Comments |
| ch2                        | '00'B                 |          |
| ch1                        | '10'B                 |          |
| <b>Detailed Comments:</b>  |                       |          |

| Structured Type Constraint |                           |          |
|----------------------------|---------------------------|----------|
| <b>Constraint Name:</b>    | Chneed_04                 |          |
| <b>Structured Type:</b>    | CHNEED                    |          |
| <b>Derivation Path:</b>    |                           |          |
| <b>Comments:</b>           | Dual rate channel needed. |          |
| Element Name               | Element Value             | Comments |
| ch2                        | '00'B                     |          |
| ch1                        | '11'B                     |          |
| <b>Detailed Comments:</b>  |                           |          |

| Structured Type Constraint |               |          |
|----------------------------|---------------|----------|
| <b>Constraint Name:</b>    | CiphRes_01    |          |
| <b>Structured Type:</b>    | CPH_RES       |          |
| <b>Derivation Path:</b>    |               |          |
| <b>Comments:</b>           |               |          |
| Element Name               | Element Value | Comments |
| iei                        | -             |          |
| sprb                       | '000'B        |          |
| cr                         | '0'B          |          |
| <b>Detailed Comments:</b>  |               |          |

| Structured Type Constraint |               |          |
|----------------------------|---------------|----------|
| <b>Constraint Name:</b>    | CiphRes_02    |          |
| <b>Structured Type:</b>    | CPH_RES       |          |
| <b>Derivation Path:</b>    |               |          |
| <b>Comments:</b>           |               |          |
| Element Name               | Element Value | Comments |
| iei                        | -             |          |
| sprb                       | '000'B        |          |
| cr                         | '1'B          |          |
| <b>Detailed Comments:</b>  |               |          |

| Structured Type Constraint |                  |          |
|----------------------------|------------------|----------|
| <b>Constraint Name:</b>    | ClassMark1       |          |
| <b>Structured Type:</b>    | MSCLM1           |          |
| <b>Derivation Path:</b>    |                  |          |
| <b>Comments:</b>           |                  |          |
| Element Name               | Element Value    | Comments |
| spr1                       | '0'B             |          |
| rl                         | TSPX_RevLevel    |          |
| spr2                       | '0'B             |          |
| a5_1                       | TSPX_CiphAlgA5_1 |          |
| rfpc                       | TSPX_RfPwrCap    |          |
| <b>Detailed Comments:</b>  |                  |          |

| Structured Type Constraint |                  |          |
|----------------------------|------------------|----------|
| <b>Constraint Name:</b>    | ClassMark2       |          |
| <b>Structured Type:</b>    | MSCLM2           |          |
| <b>Derivation Path:</b>    |                  |          |
| <b>Comments:</b>           |                  |          |
| Element Name               | Element Value    | Comments |
| iel                        | '03'O            |          |
| spr1                       | '0'B             |          |
| rl                         | TSPX_RevLevel    |          |
| spr2                       | '0'B             |          |
| a5_1                       | TSPX_CiphAlgA5_1 |          |
| rfpc                       | TSPX_RfPwrCap    |          |
| spr3                       | '0'B             |          |
| psc                        | TSPX_pSyncCap    |          |
| sssi                       | TSPX_SSscrnInd   |          |
| smc                        | TSPX_SMCap       |          |
| spr4                       | '00'B            |          |
| fc                         | TSPX_frqCap      |          |
| cm3                        | TSPX_ClsMk3      |          |
| spr5                       | '00000'B         |          |
| a5_3                       | TSPX_CiphAlgA5_3 |          |
| a5_2                       | TSPX_CiphAlgA5_2 |          |
| <b>Detailed Comments:</b>  |                  |          |

| Structured Type Constraint |                  |          |
|----------------------------|------------------|----------|
| <b>Constraint Name:</b>    | ClassMark2Amp    |          |
| <b>Structured Type:</b>    | MSCLM2           |          |
| <b>Derivation Path:</b>    |                  |          |
| <b>Comments:</b>           |                  |          |
| Element Name               | Element Value    | Comments |
| iel                        | '03'O            |          |
| spr1                       | '0'B             |          |
| rl                         | TSPX_RevLevel    |          |
| spr2                       | '0'B             |          |
| a5_1                       | TSPX_CiphAlgA5_1 |          |
| rfpc                       | TSPX_RfPwrCapAmp |          |
| spr3                       | '0'B             |          |
| psc                        | TSPX_pSyncCap    |          |
| sssi                       | TSPX_SSscrnInd   |          |
| smc                        | TSPX_SMCap       |          |
| spr4                       | '00'B            |          |
| fc                         | TSPX_frqCap      |          |
| cm3                        | TSPX_ClsMk3      |          |
| spr5                       | '00000'B         |          |
| a5_3                       | TSPX_CiphAlgA5_3 |          |
| a5_2                       | TSPX_CiphAlgA5_2 |          |
| <b>Detailed Comments:</b>  |                  |          |

| Structured Type Constraint |                         |          |
|----------------------------|-------------------------|----------|
| <b>Constraint Name:</b>    | ClassMark3              |          |
| <b>Structured Type:</b>    | MSCLM3                  |          |
| <b>Derivation Path:</b>    |                         |          |
| <b>Comments:</b>           |                         |          |
| Element Name               | Element Value           | Comments |
| iei                        | '00100000'B             |          |
| iel                        | '0D'O                   |          |
| spr1                       | '0000'B                 |          |
| a5_7                       | TSPX_CiphAlgA5_7        |          |
| a5_6                       | TSPX_CiphAlgA5_6        |          |
| a5_5                       | TSPX_CiphAlgA5_5        |          |
| a5_4                       | TSPX_CiphAlgA5_4        |          |
| spr2                       | '00000000000000000000'O |          |
| <b>Detailed Comments:</b>  |                         |          |

| Structured Type Constraint |                                                                                             |          |
|----------------------------|---------------------------------------------------------------------------------------------|----------|
| <b>Constraint Name:</b>    | CntrlChDscrp_inv                                                                            |          |
| <b>Structured Type:</b>    | CCD                                                                                         |          |
| <b>Derivation Path:</b>    |                                                                                             |          |
| <b>Comments:</b>           | One CCCH combined with SDCCH and attach/detach not allowed. Some spare bits are set to '1'B |          |
| Element Name               | Element Value                                                                               | Comments |
| spr1                       | '1'B                                                                                        |          |
| att                        | '0'B                                                                                        |          |
| babr                       | '000'B                                                                                      |          |
| ccch_con                   | '001'B                                                                                      |          |
| spr2                       | '01100'B                                                                                    |          |
| bpm                        | '011'B                                                                                      |          |
| t3212                      | '00'O                                                                                       |          |
| <b>Detailed Comments:</b>  |                                                                                             |          |

| Structured Type Constraint |                                                                       |          |
|----------------------------|-----------------------------------------------------------------------|----------|
| <b>Constraint Name:</b>    | CntrlChDscrp(att: INTEGER; babr, cch_con, bpm:B_3; timer:OCTETSTRING) |          |
| <b>Structured Type:</b>    | CCD                                                                   |          |
| <b>Derivation Path:</b>    |                                                                       |          |
| <b>Comments:</b>           | Generic Control channel descriptor.                                   |          |
| Element Name               | Element Value                                                         | Comments |
| spr1                       | '0'B                                                                  |          |
| att                        | INT_TO_BIT(att,1)                                                     |          |
| babr                       | babr                                                                  |          |
| ccch_con                   | cch_con                                                               |          |
| spr2                       | '00000'B                                                              |          |
| bpm                        | bpm                                                                   |          |
| t3212                      | timer                                                                 |          |
| <b>Detailed Comments:</b>  |                                                                       |          |

| Structured Type Constraint |                        |          |
|----------------------------|------------------------|----------|
| <b>Constraint Name:</b>    | CphKeySN_01( cksn:B_3) |          |
| <b>Structured Type:</b>    | CPHKS                  |          |
| <b>Derivation Path:</b>    |                        |          |
| <b>Comments:</b>           |                        |          |
| Element Name               | Element Value          | Comments |
| sprb                       | '0'B                   |          |
| ks                         | cksn                   |          |
| <b>Detailed Comments:</b>  |                        |          |

| Structured Type Constraint |                                                                            |          |
|----------------------------|----------------------------------------------------------------------------|----------|
| <b>Constraint Name:</b>    | CphKeySN_02                                                                |          |
| <b>Structured Type:</b>    | CPHKSN                                                                     |          |
| <b>Derivation Path:</b>    |                                                                            |          |
| <b>Comments:</b>           | An invalid ciphering key sequence number containing spare bit set to '1'B. |          |
| Element Name               | Element Value                                                              | Comments |
| sprb                       | '1'B                                                                       |          |
| ks                         | '000'B                                                                     |          |
| <b>Detailed Comments:</b>  |                                                                            |          |

| Structured Type Constraint |                                       |          |
|----------------------------|---------------------------------------|----------|
| <b>Constraint Name:</b>    | CphKeySN_06                           |          |
| <b>Structured Type:</b>    | CPHKSN                                |          |
| <b>Derivation Path:</b>    |                                       |          |
| <b>Comments:</b>           | ciphering key sequence number no key. |          |
| Element Name               | Element Value                         | Comments |
| sprb                       | '0'B                                  |          |
| ks                         | '111'B                                |          |
| <b>Detailed Comments:</b>  |                                       |          |

| Structured Type Constraint |                             |          |
|----------------------------|-----------------------------|----------|
| <b>Constraint Name:</b>    | CphKeySN_07(par: BITSTRING) |          |
| <b>Structured Type:</b>    | CPHKSN                      |          |
| <b>Derivation Path:</b>    |                             |          |
| <b>Comments:</b>           |                             |          |
| Element Name               | Element Value               | Comments |
| sprb                       | '0'B                        |          |
| ks                         | par                         |          |
| <b>Detailed Comments:</b>  |                             |          |

| Structured Type Constraint |               |          |
|----------------------------|---------------|----------|
| <b>Constraint Name:</b>    | CphMod_omit   |          |
| <b>Structured Type:</b>    | CPHMS         |          |
| <b>Derivation Path:</b>    |               |          |
| <b>Comments:</b>           |               |          |
| Element Name               | Element Value | Comments |
| iei                        | -             |          |
| algid                      | -             |          |
| sc                         | -             |          |
| <b>Detailed Comments:</b>  |               |          |

| Structured Type Constraint |                |          |
|----------------------------|----------------|----------|
| <b>Constraint Name:</b>    | CphMod_01      |          |
| <b>Structured Type:</b>    | CPHMS          |          |
| <b>Derivation Path:</b>    |                |          |
| <b>Comments:</b>           |                |          |
| Element Name               | Element Value  | Comments |
| iei                        | -              |          |
| algid                      | TSPX_CphAlgDef |          |
| sc                         | '1'B           |          |
| <b>Detailed Comments:</b>  |                |          |

| Structured Type Constraint |               |          |
|----------------------------|---------------|----------|
| <b>Constraint Name:</b>    | CphMod_02     |          |
| <b>Structured Type:</b>    | CPHMS         |          |
| <b>Derivation Path:</b>    | CphMod_01.    |          |
| <b>Comments:</b>           | No ciphering  |          |
| Element Name               | Element Value | Comments |
| sc                         | '0'B          |          |
| <b>Detailed Comments:</b>  |               |          |

| Structured Type Constraint |                |          |
|----------------------------|----------------|----------|
| <b>Constraint Name:</b>    | CphMod_02iei   |          |
| <b>Structured Type:</b>    | CPHMS          |          |
| <b>Derivation Path:</b>    |                |          |
| <b>Comments:</b>           | No ciphering   |          |
| Element Name               | Element Value  | Comments |
| iei                        | '1001'B        |          |
| algid                      | TSPX_CphAlgDef |          |
| sc                         | '0'B           |          |
| <b>Detailed Comments:</b>  |                |          |

| Structured Type Constraint |               |          |
|----------------------------|---------------|----------|
| <b>Constraint Name:</b>    | CphMod_03     |          |
| <b>Structured Type:</b>    | CPHMS         |          |
| <b>Derivation Path:</b>    |               |          |
| <b>Comments:</b>           |               |          |
| Element Name               | Element Value | Comments |
| iei                        | -             |          |
| algid                      | '000'B        |          |
| sc                         | '1'B          |          |
| <b>Detailed Comments:</b>  |               |          |

| Structured Type Constraint |                                                        |          |
|----------------------------|--------------------------------------------------------|----------|
| <b>Constraint Name:</b>    | CphMod_04(alg:BITSTRING)                               |          |
| <b>Structured Type:</b>    | CPHMS                                                  |          |
| <b>Derivation Path:</b>    |                                                        |          |
| <b>Comments:</b>           | starting ciphering with the ciphering algorithm `alg`. |          |
| Element Name               | Element Value                                          | Comments |
| iei                        | -                                                      |          |
| algid                      | alg                                                    |          |
| sc                         | '1'B                                                   |          |
| <b>Detailed Comments:</b>  |                                                        |          |

| Structured Type Constraint |                                                        |          |
|----------------------------|--------------------------------------------------------|----------|
| <b>Constraint Name:</b>    | CphMod_04iei(alg:BITSTRING)                            |          |
| <b>Structured Type:</b>    | CPHMS                                                  |          |
| <b>Derivation Path:</b>    |                                                        |          |
| <b>Comments:</b>           | starting ciphering with the ciphering algorithm `alg`. |          |
| Element Name               | Element Value                                          | Comments |
| iei                        | '1001'B                                                |          |
| algid                      | alg                                                    |          |
| sc                         | '1'B                                                   |          |
| <b>Detailed Comments:</b>  |                                                        |          |



| Structured Type Constraint |                                                                              |          |
|----------------------------|------------------------------------------------------------------------------|----------|
| <b>Constraint Name:</b>    | facilityIErcv( comp:Component)                                               |          |
| <b>Structured Type:</b>    | FIE                                                                          |          |
| <b>Derivation Path:</b>    |                                                                              |          |
| <b>Comments:</b>           | A received FIE may contain several components, but at least contains "comp". |          |
| Element Name               | Element Value                                                                | Comments |
| iei                        | -                                                                            |          |
| iel                        | ?                                                                            |          |
| components_1               | Comps_01( comp)                                                              |          |
| components_t               | -                                                                            |          |
| <b>Detailed Comments:</b>  |                                                                              |          |

| Structured Type Constraint |                                                                              |          |
|----------------------------|------------------------------------------------------------------------------|----------|
| <b>Constraint Name:</b>    | facilityIErcviei( comp:Component)                                            |          |
| <b>Structured Type:</b>    | FIE                                                                          |          |
| <b>Derivation Path:</b>    |                                                                              |          |
| <b>Comments:</b>           | A received FIE may contain several components, but at least contains "comp". |          |
| Element Name               | Element Value                                                                | Comments |
| iei                        | '00011100'B                                                                  |          |
| iel                        | ?                                                                            |          |
| components_1               | Comps_01( comp)                                                              |          |
| components_t               | -                                                                            |          |
| <b>Detailed Comments:</b>  |                                                                              |          |

| Structured Type Constraint |                                   |          |
|----------------------------|-----------------------------------|----------|
| <b>Constraint Name:</b>    | facilityIEtsnd( comp:Component_T) |          |
| <b>Structured Type:</b>    | FIE                               |          |
| <b>Derivation Path:</b>    |                                   |          |
| <b>Comments:</b>           |                                   |          |
| Element Name               | Element Value                     | Comments |
| iei                        | -                                 |          |
| iel                        | OC_LengthOfComp( comp)            |          |
| components_1               | -                                 |          |
| components_t               | comp                              |          |
| <b>Detailed Comments:</b>  |                                   |          |

| Structured Type Constraint |                                      |          |
|----------------------------|--------------------------------------|----------|
| <b>Constraint Name:</b>    | facilityIEtsndiei( comp:Component_T) |          |
| <b>Structured Type:</b>    | FIE                                  |          |
| <b>Derivation Path:</b>    |                                      |          |
| <b>Comments:</b>           |                                      |          |
| Element Name               | Element Value                        | Comments |
| iei                        | '00011100'B                          |          |
| iel                        | OC_LengthOfComp( comp)               |          |
| components_1               | -                                    |          |
| components_t               | comp                                 |          |
| <b>Detailed Comments:</b>  |                                      |          |

| Structured Type Constraint |                                     |          |
|----------------------------|-------------------------------------|----------|
| <b>Constraint Name:</b>    | Fn_01                               |          |
| <b>Structured Type:</b>    | FN                                  |          |
| <b>Derivation Path:</b>    |                                     |          |
| <b>Comments:</b>           | not pertaining to the MS under test |          |
| Element Name               | Element Value                       | Comments |
| t1_                        | '00000'B                            |          |
| t3                         | '000000'B                           |          |
| t2                         | '00000'B                            |          |
| <b>Detailed Comments:</b>  |                                     |          |

| Structured Type Constraint |                         |          |
|----------------------------|-------------------------|----------|
| <b>Constraint Name:</b>    | FreqBCCH(arfcn:INTEGER) |          |
| <b>Structured Type:</b>    | FRQPARA                 |          |
| <b>Derivation Path:</b>    |                         |          |
| <b>Comments:</b>           | Broadcast channel.      |          |
| Element Name               | Element Value           | Comments |
| hch                        | '0'B                    |          |
| maio                       | -                       |          |
| hsn                        | -                       |          |
| spr                        | '00'B                   |          |
| arfcn                      | INT_TO_BIT( arfcn, 10)  |          |
| maclength                  | '00'O                   |          |
| mac_8n                     | -                       |          |
| mac_7n                     | -                       |          |
| mac_6n                     | -                       |          |
| mac_5n                     | -                       |          |
| mac_4n                     | -                       |          |
| mac_3n                     | -                       |          |
| mac_2n                     | -                       |          |
| mac_1n                     | -                       |          |
| flst                       | -                       |          |
| <b>Detailed Comments:</b>  |                         |          |

| Structured Type Constraint |                |          |
|----------------------------|----------------|----------|
| <b>Constraint Name:</b>    | Freqchseq_omit |          |
| <b>Structured Type:</b>    | FRQCHS         |          |
| <b>Derivation Path:</b>    |                |          |
| <b>Comments:</b>           |                |          |
| Element Name               | Element Value  | Comments |
| iei                        | -              |          |
| larfcn                     | -              |          |
| incs                       | -              |          |
| <b>Detailed Comments:</b>  |                |          |

| Structured Type Constraint |                                                                        |          |
|----------------------------|------------------------------------------------------------------------|----------|
| <b>Constraint Name:</b>    | Freqchseq_01                                                           |          |
| <b>Structured Type:</b>    | FRQCHS                                                                 |          |
| <b>Derivation Path:</b>    |                                                                        |          |
| <b>Comments:</b>           | Frequency channel sequence with the f_list={40,66,73,74,75,76,108,114} |          |
| Element Name               | Element Value                                                          | Comments |
| iei                        | '01101001'B                                                            |          |
| larfcn                     | '28'O                                                                  |          |
| incs                       | '0B71110026000000'O                                                    |          |
| <b>Detailed Comments:</b>  |                                                                        |          |

| Structured Type Constraint |                                                                                                                             |          |
|----------------------------|-----------------------------------------------------------------------------------------------------------------------------|----------|
| <b>Constraint Name:</b>    | Freqchseq_02                                                                                                                |          |
| <b>Structured Type:</b>    | FRQCHS                                                                                                                      |          |
| <b>Derivation Path:</b>    |                                                                                                                             |          |
| <b>Comments:</b>           | Frequency channel sequence with the List_ARFCN={14,18,22,24,30,31,38,40,66,73,74,75,76,108}<br>cross reference: Frql_20_B72 |          |
| Element Name               | Element Value                                                                                                               | Comments |
| iei                        | '01101001'B                                                                                                                 |          |
| larfcn                     | '0E'O                                                                                                                       |          |
| incls                      | '4426172017111002'O                                                                                                         |          |
| <b>Detailed Comments:</b>  |                                                                                                                             |          |

| Structured Type Constraint |                                                         |          |
|----------------------------|---------------------------------------------------------|----------|
| <b>Constraint Name:</b>    | Freqchseq_03                                            |          |
| <b>Structured Type:</b>    | FRQCHS                                                  |          |
| <b>Derivation Path:</b>    |                                                         |          |
| <b>Comments:</b>           | Frequency channel sequence with the List_ARFCN={14,114} |          |
| Element Name               | Element Value                                           | Comments |
| iei                        | '01101001'B                                             |          |
| larfcn                     | '0E'O                                                   |          |
| incls                      | '000000A000000000'O                                     |          |
| <b>Detailed Comments:</b>  |                                                         |          |

| Structured Type Constraint |                                                         |          |
|----------------------------|---------------------------------------------------------|----------|
| <b>Constraint Name:</b>    | Freqchseq_04                                            |          |
| <b>Structured Type:</b>    | FRQCHS                                                  |          |
| <b>Derivation Path:</b>    |                                                         |          |
| <b>Comments:</b>           | Frequency channel sequence with the List_ARFCN={40,114} |          |
| Element Name               | Element Value                                           | Comments |
| iei                        | '01101001'B                                             |          |
| larfcn                     | '28'O                                                   |          |
| incls                      | '0000E00000000000'O                                     |          |
| <b>Detailed Comments:</b>  |                                                         |          |

| Structured Type Constraint |                                                                  |          |
|----------------------------|------------------------------------------------------------------|----------|
| <b>Constraint Name:</b>    | Freqchseq_05                                                     |          |
| <b>Structured Type:</b>    | FRQCHS                                                           |          |
| <b>Derivation Path:</b>    |                                                                  |          |
| <b>Comments:</b>           | Frequency channel sequence with the List_ARFCN={66, 75, 76, 108} |          |
| Element Name               | Element Value                                                    | Comments |
| iei                        | '01101001'B                                                      |          |
| larfcn                     | '42'O                                                            |          |
| incls                      | '9100200000000000'O                                              |          |
| <b>Detailed Comments:</b>  |                                                                  |          |

| Structured Type Constraint |                                                                                                                      |          |
|----------------------------|----------------------------------------------------------------------------------------------------------------------|----------|
| <b>Constraint Name:</b>    | Freqchseq_06                                                                                                         |          |
| <b>Structured Type:</b>    | FRQCHS                                                                                                               |          |
| <b>Derivation Path:</b>    |                                                                                                                      |          |
| <b>Comments:</b>           | Frequency channel sequence with the<br>List_ARFCN={14,18,22,24,30,31,38,53,66,73,74,75,76,108,114}<br>see Frql_20_B5 |          |
| Element Name               | Element Value                                                                                                        | Comments |
| iei                        | '01101001'B                                                                                                          |          |
| larfcn                     | '0E'O                                                                                                                |          |
| incs                       | '442617FD71110026'O                                                                                                  |          |
| <b>Detailed Comments:</b>  |                                                                                                                      |          |

| Structured Type Constraint |                                                                                        |          |
|----------------------------|----------------------------------------------------------------------------------------|----------|
| <b>Constraint Name:</b>    | Freqchseq_22                                                                           |          |
| <b>Structured Type:</b>    | FRQCHS                                                                                 |          |
| <b>Derivation Path:</b>    |                                                                                        |          |
| <b>Comments:</b>           | Frequency channel sequence with the List_ARFCN={10,17,20,26,59,66,73,74,75,76,108,114} |          |
| Element Name               | Element Value                                                                          | Comments |
| iei                        | '01101001'B                                                                            |          |
| larfcn                     | '0A'O                                                                                  |          |
| incs                       | '7360037711100260'O                                                                    |          |
| <b>Detailed Comments:</b>  |                                                                                        |          |

| Structured Type Constraint |                                               |          |
|----------------------------|-----------------------------------------------|----------|
| <b>Constraint Name:</b>    | FreqTCH( arfcn:INTEGER)                       |          |
| <b>Structured Type:</b>    | FRQPARA                                       |          |
| <b>Derivation Path:</b>    |                                               |          |
| <b>Comments:</b>           | Default Traffic channel non frequency hopping |          |
| Element Name               | Element Value                                 | Comments |
| hch                        | '0'B                                          |          |
| maio                       | -                                             |          |
| hsn                        | -                                             |          |
| spr                        | '00'B                                         |          |
| arfcn                      | INT_TO_BIT( arfcn, 10)                        |          |
| maclength                  | '00'O                                         |          |
| mac_8n                     | -                                             |          |
| mac_7n                     | -                                             |          |
| mac_6n                     | -                                             |          |
| mac_5n                     | -                                             |          |
| mac_4n                     | -                                             |          |
| mac_3n                     | -                                             |          |
| mac_2n                     | -                                             |          |
| mac_1n                     | -                                             |          |
| flst                       | -                                             |          |
| <b>Detailed Comments:</b>  |                                               |          |

| Structured Type Constraint |                                                     |          |
|----------------------------|-----------------------------------------------------|----------|
| <b>Constraint Name:</b>    | FreqTCH_omit                                        |          |
| <b>Structured Type:</b>    | FRQPARA                                             |          |
| <b>Derivation Path:</b>    |                                                     |          |
| <b>Comments:</b>           | Omitted FRQPARA when not needed in parameters list. |          |
| Element Name               | Element Value                                       | Comments |
| hch                        | -                                                   |          |
| maio                       | -                                                   |          |
| hsn                        | -                                                   |          |
| spr                        | -                                                   |          |
| arfcn                      | -                                                   |          |
| maclength                  | -                                                   |          |
| mac_8n                     | -                                                   |          |
| mac_7n                     | -                                                   |          |
| mac_6n                     | -                                                   |          |
| mac_5n                     | -                                                   |          |
| mac_4n                     | -                                                   |          |
| mac_3n                     | -                                                   |          |
| mac_2n                     | -                                                   |          |
| mac_1n                     | -                                                   |          |
| flst                       | -                                                   |          |
| <b>Detailed Comments:</b>  |                                                     |          |

| Structured Type Constraint |                                                              |          |
|----------------------------|--------------------------------------------------------------|----------|
| <b>Constraint Name:</b>    | FreqTCHa1                                                    |          |
| <b>Structured Type:</b>    | FRQPARA                                                      |          |
| <b>Derivation Path:</b>    |                                                              |          |
| <b>Comments:</b>           | Traffic channel for cell A, ARFCN = 124 hopping, for GSM900. |          |
| Element Name               | Element Value                                                | Comments |
| hch                        | '1'B                                                         |          |
| maio                       | '000000'B                                                    |          |
| hsn                        | '111111'B                                                    |          |
| spr                        | -                                                            |          |
| arfcn                      | -                                                            |          |
| maclength                  | '01'O                                                        |          |
| mac_8n                     | '00000001'B                                                  |          |
| mac_7n                     | -                                                            |          |
| mac_6n                     | -                                                            |          |
| mac_5n                     | -                                                            |          |
| mac_4n                     | -                                                            |          |
| mac_3n                     | -                                                            |          |
| mac_2n                     | -                                                            |          |
| mac_1n                     | -                                                            |          |
| flst                       | Frql_04                                                      |          |
| <b>Detailed Comments:</b>  |                                                              |          |

| Structured Type Constraint |                                                              |          |
|----------------------------|--------------------------------------------------------------|----------|
| <b>Constraint Name:</b>    | FreqTCHa2                                                    |          |
| <b>Structured Type:</b>    | FRQPARA                                                      |          |
| <b>Derivation Path:</b>    | FreqTCHa1.                                                   |          |
| <b>Comments:</b>           | Traffic channel for cell A, ARFCN = 801 hopping, for DCS1800 |          |
| Element Name               | Element Value                                                | Comments |
| flst                       | Frql_05                                                      |          |
| <b>Detailed Comments:</b>  |                                                              |          |

| Structured Type Constraint |                                                             |          |
|----------------------------|-------------------------------------------------------------|----------|
| <b>Constraint Name:</b>    | FreqTCHa3                                                   |          |
| <b>Structured Type:</b>    | FRQPARA                                                     |          |
| <b>Derivation Path:</b>    |                                                             |          |
| <b>Comments:</b>           | Traffic channel for cell A, hopping, GSM900 for TC_26_6_4_1 |          |
| Element Name               | Element Value                                               | Comments |
| hch                        | '1'B                                                        |          |
| maio                       | '000001'B                                                   |          |
| hsn                        | '000001'B                                                   |          |
| spr                        | -                                                           |          |
| arfcn                      | -                                                           |          |
| maclength                  | '02'O                                                       |          |
| mac_8n                     | '00000011'B                                                 |          |
| mac_7n                     | '11111111'B                                                 |          |
| mac_6n                     | -                                                           |          |
| mac_5n                     | -                                                           |          |
| mac_4n                     | -                                                           |          |
| mac_3n                     | -                                                           |          |
| mac_2n                     | -                                                           |          |
| mac_1n                     | -                                                           |          |
| flst                       | Frql_10                                                     |          |
| <b>Detailed Comments:</b>  |                                                             |          |

| Structured Type Constraint |                                                              |          |
|----------------------------|--------------------------------------------------------------|----------|
| <b>Constraint Name:</b>    | FreqTCHa4                                                    |          |
| <b>Structured Type:</b>    | FRQPARA                                                      |          |
| <b>Derivation Path:</b>    |                                                              |          |
| <b>Comments:</b>           | Traffic channel for cell A, hopping, DCS1800 for TC_26_6_4_1 |          |
| Element Name               | Element Value                                                | Comments |
| hch                        | '1'B                                                         |          |
| maio                       | '000000'B                                                    |          |
| hsn                        | '101000'B                                                    |          |
| spr                        | -                                                            |          |
| arfcn                      | -                                                            |          |
| maclength                  | '01'O                                                        |          |
| mac_8n                     | '00000001'B                                                  |          |
| mac_7n                     | -                                                            |          |
| mac_6n                     | -                                                            |          |
| mac_5n                     | -                                                            |          |
| mac_4n                     | -                                                            |          |
| mac_3n                     | -                                                            |          |
| mac_2n                     | -                                                            |          |
| mac_1n                     | -                                                            |          |
| flst                       | Frql_15                                                      |          |
| <b>Detailed Comments:</b>  |                                                              |          |

| Structured Type Constraint |                                                             |          |
|----------------------------|-------------------------------------------------------------|----------|
| <b>Constraint Name:</b>    | FreqTCHa5                                                   |          |
| <b>Structured Type:</b>    | FRQPARA                                                     |          |
| <b>Derivation Path:</b>    |                                                             |          |
| <b>Comments:</b>           | Traffic channel for cell A, hopping, GSM900 for TC_26_6_4_1 |          |
| Element Name               | Element Value                                               | Comments |
| hch                        | '1'B                                                        |          |
| maio                       | '000101'B                                                   |          |
| hsn                        | '000000'B                                                   |          |
| spr                        | -                                                           |          |
| arfcn                      | -                                                           |          |
| maclength                  | '01'O                                                       |          |
| mac_8n                     | '00111111'B                                                 |          |
| mac_7n                     | -                                                           |          |
| mac_6n                     | -                                                           |          |
| mac_5n                     | -                                                           |          |
| mac_4n                     | -                                                           |          |
| mac_3n                     | -                                                           |          |
| mac_2n                     | -                                                           |          |
| mac_1n                     | -                                                           |          |
| flst                       | Frql_09                                                     |          |
| <b>Detailed Comments:</b>  |                                                             |          |

| Structured Type Constraint |                                                             |          |
|----------------------------|-------------------------------------------------------------|----------|
| <b>Constraint Name:</b>    | FreqTCHa6                                                   |          |
| <b>Structured Type:</b>    | FRQPARA                                                     |          |
| <b>Derivation Path:</b>    |                                                             |          |
| <b>Comments:</b>           | Traffic channel for cell A, hopping, GSM900 for TC_26_6_4_1 |          |
| Element Name               | Element Value                                               | Comments |
| hch                        | '1'B                                                        |          |
| maio                       | '000011'B                                                   |          |
| hsn                        | '001000'B                                                   |          |
| spr                        | -                                                           |          |
| arfcn                      | -                                                           |          |
| maclength                  | '02'O                                                       |          |
| mac_8n                     | '00000001'B                                                 |          |
| mac_7n                     | '11000111'B                                                 |          |
| mac_6n                     | -                                                           |          |
| mac_5n                     | -                                                           |          |
| mac_4n                     | -                                                           |          |
| mac_3n                     | -                                                           |          |
| mac_2n                     | -                                                           |          |
| mac_1n                     | -                                                           |          |
| flst                       | Frql_14                                                     |          |
| <b>Detailed Comments:</b>  |                                                             |          |

| Structured Type Constraint |                                                             |          |
|----------------------------|-------------------------------------------------------------|----------|
| <b>Constraint Name:</b>    | FreqTCHa7                                                   |          |
| <b>Structured Type:</b>    | FRQPARA                                                     |          |
| <b>Derivation Path:</b>    |                                                             |          |
| <b>Comments:</b>           | Traffic channel for cell A, hopping, GSM900 for TC_26_6_4_1 |          |
| Element Name               | Element Value                                               | Comments |
| hch                        | '1'B                                                        |          |
| maio                       | '000011'B                                                   |          |
| hsn                        | '001000'B                                                   |          |
| spr                        | -                                                           |          |
| arfcn                      | -                                                           |          |
| maclength                  | '02'O                                                       |          |
| mac_8n                     | '00000111'B                                                 |          |
| mac_7n                     | '11100011'B                                                 |          |
| mac_6n                     | -                                                           |          |
| mac_5n                     | -                                                           |          |
| mac_4n                     | -                                                           |          |
| mac_3n                     | -                                                           |          |
| mac_2n                     | -                                                           |          |
| mac_1n                     | -                                                           |          |
| flst                       | Frql_11                                                     |          |
| <b>Detailed Comments:</b>  |                                                             |          |

| Structured Type Constraint |                                                              |          |
|----------------------------|--------------------------------------------------------------|----------|
| <b>Constraint Name:</b>    | FreqTCHa8                                                    |          |
| <b>Structured Type:</b>    | FRQPARA                                                      |          |
| <b>Derivation Path:</b>    |                                                              |          |
| <b>Comments:</b>           | Traffic channel for cell A, hopping, DCS1800 for TC_26_6_4_1 |          |
| Element Name               | Element Value                                                | Comments |
| hch                        | '1'B                                                         |          |
| maio                       | '000001'B                                                    |          |
| hsn                        | '000001'B                                                    |          |
| spr                        | -                                                            |          |
| arfcn                      | -                                                            |          |
| maclength                  | '02'O                                                        |          |
| mac_8n                     | '00000011'B                                                  |          |
| mac_7n                     | '11111111'B                                                  |          |
| mac_6n                     | -                                                            |          |
| mac_5n                     | -                                                            |          |
| mac_4n                     | -                                                            |          |
| mac_3n                     | -                                                            |          |
| mac_2n                     | -                                                            |          |
| mac_1n                     | -                                                            |          |
| flst                       | Frql_13                                                      |          |
| <b>Detailed Comments:</b>  |                                                              |          |



| Structured Type Constraint |                                                             |          |
|----------------------------|-------------------------------------------------------------|----------|
| <b>Constraint Name:</b>    | FreqTCHa9                                                   |          |
| <b>Structured Type:</b>    | FRQPARA                                                     |          |
| <b>Derivation Path:</b>    |                                                             |          |
| <b>Comments:</b>           | Traffic channel for cell A, hopping, GSM900 for TC_26_6_4_1 |          |
| Element Name               | Element Value                                               | Comments |
| hch                        | '1'B                                                        |          |
| maio                       | '000101'B                                                   |          |
| hsn                        | '000000'B                                                   |          |
| spr                        | -                                                           |          |
| arfcn                      | -                                                           |          |
| maclength                  | '01'O                                                       |          |
| mac_8n                     | '00111111'B                                                 |          |
| mac_7n                     | -                                                           |          |
| mac_6n                     | -                                                           |          |
| mac_5n                     | -                                                           |          |
| mac_4n                     | -                                                           |          |
| mac_3n                     | -                                                           |          |
| mac_2n                     | -                                                           |          |
| mac_1n                     | -                                                           |          |
| flst                       | Frql_08                                                     |          |
| <b>Detailed Comments:</b>  |                                                             |          |

| Structured Type Constraint |                                                             |          |
|----------------------------|-------------------------------------------------------------|----------|
| <b>Constraint Name:</b>    | FreqTCHa10                                                  |          |
| <b>Structured Type:</b>    | FRQPARA                                                     |          |
| <b>Derivation Path:</b>    |                                                             |          |
| <b>Comments:</b>           | Traffic channel for cell A, hopping, GSM900 for TC_26_6_4_1 |          |
| Element Name               | Element Value                                               | Comments |
| hch                        | '1'B                                                        |          |
| maio                       | '000000'B                                                   |          |
| hsn                        | '101000'B                                                   |          |
| spr                        | -                                                           |          |
| arfcn                      | -                                                           |          |
| maclength                  | '01'O                                                       |          |
| mac_8n                     | '00000001'B                                                 |          |
| mac_7n                     | -                                                           |          |
| mac_6n                     | -                                                           |          |
| mac_5n                     | -                                                           |          |
| mac_4n                     | -                                                           |          |
| mac_3n                     | -                                                           |          |
| mac_2n                     | -                                                           |          |
| mac_1n                     | -                                                           |          |
| flst                       | Frql_12                                                     |          |
| <b>Detailed Comments:</b>  |                                                             |          |

| Structured Type Constraint |                                                             |          |
|----------------------------|-------------------------------------------------------------|----------|
| <b>Constraint Name:</b>    | FreqTCHa_21g                                                |          |
| <b>Structured Type:</b>    | FRQPARA                                                     |          |
| <b>Derivation Path:</b>    |                                                             |          |
| <b>Comments:</b>           | GSM 900 traffic channel of cell A, hopping for TC_26_5_6_3. |          |
| Element Name               | Element Value                                               | Comments |
| hch                        | '1'B                                                        |          |
| maio                       | '000000'B                                                   |          |
| hsn                        | '000000'B                                                   |          |
| spr                        | -                                                           |          |
| arfcn                      | -                                                           |          |
| maclength                  | '01'O                                                       |          |
| mac_8n                     | '00000010'B                                                 |          |
| mac_7n                     | -                                                           |          |
| mac_6n                     | -                                                           |          |
| mac_5n                     | -                                                           |          |
| mac_4n                     | -                                                           |          |
| mac_3n                     | -                                                           |          |
| mac_2n                     | -                                                           |          |
| mac_1n                     | -                                                           |          |
| flst                       | Frql_38                                                     |          |
| <b>Detailed Comments:</b>  |                                                             |          |

| Structured Type Constraint |                                                              |          |
|----------------------------|--------------------------------------------------------------|----------|
| <b>Constraint Name:</b>    | FreqTCHa_21d                                                 |          |
| <b>Structured Type:</b>    | FRQPARA                                                      |          |
| <b>Derivation Path:</b>    |                                                              |          |
| <b>Comments:</b>           | DCS 1800 traffic channel of cell A, hopping for TC_26_5_6_3. |          |
| Element Name               | Element Value                                                | Comments |
| hch                        | '1'B                                                         |          |
| maio                       | '000000'B                                                    |          |
| hsn                        | '000000'B                                                    |          |
| spr                        | -                                                            |          |
| arfcn                      | -                                                            |          |
| maclength                  | '01'O                                                        |          |
| mac_8n                     | '00000010'B                                                  |          |
| mac_7n                     | -                                                            |          |
| mac_6n                     | -                                                            |          |
| mac_5n                     | -                                                            |          |
| mac_4n                     | -                                                            |          |
| mac_3n                     | -                                                            |          |
| mac_2n                     | -                                                            |          |
| mac_1n                     | -                                                            |          |
| flst                       | Frql_38d                                                     |          |
| <b>Detailed Comments:</b>  |                                                              |          |

| Structured Type Constraint |                                                                                          |          |
|----------------------------|------------------------------------------------------------------------------------------|----------|
| <b>Constraint Name:</b>    | FreqTCH_ef1(par_ma: BITSTRING; par_freqlist: OCTETSTRING; par_flist: LENGTH; n :INTEGER) |          |
| <b>Structured Type:</b>    | FRQPARA                                                                                  |          |
| <b>Derivation Path:</b>    |                                                                                          |          |
| <b>Comments:</b>           | Broadcast channel of cell A for EGSM.                                                    |          |
| Element Name               | Element Value                                                                            | Comments |
| hch                        | '1'B                                                                                     |          |
| maio                       | INT_TO_BIT((TSPX_MAIO MOD n), 6)                                                         |          |
| hsn                        | INT_TO_BIT(TSPX_HSN, 6)                                                                  |          |
| spr                        | -                                                                                        |          |
| arfcn                      | -                                                                                        |          |
| maclength                  | '01'O                                                                                    |          |
| mac_8n                     | par_ma                                                                                   |          |
| mac_7n                     | -                                                                                        |          |
| mac_6n                     | -                                                                                        |          |
| mac_5n                     | -                                                                                        |          |
| mac_4n                     | -                                                                                        |          |
| mac_3n                     | -                                                                                        |          |
| mac_2n                     | -                                                                                        |          |
| mac_1n                     | -                                                                                        |          |
| flist                      | Frql_20_egsm(par_freqlist, par_flist)                                                    |          |
| <b>Detailed Comments:</b>  |                                                                                          |          |

| Structured Type Constraint |                                                                                                               |          |
|----------------------------|---------------------------------------------------------------------------------------------------------------|----------|
| <b>Constraint Name:</b>    | FreqTCH_ef2(par_ma1: BITSTRING; par_ma2: BITSTRING; par_freqlist: OCTETSTRING; par_flist: LENGTH; n :INTEGER) |          |
| <b>Structured Type:</b>    | FRQPARA                                                                                                       |          |
| <b>Derivation Path:</b>    |                                                                                                               |          |
| <b>Comments:</b>           | Broadcast channel of cell A for EGSM.                                                                         |          |
| Element Name               | Element Value                                                                                                 | Comments |
| hch                        | '1'B                                                                                                          |          |
| maio                       | INT_TO_BIT((TSPX_MAIO MOD n), 6)                                                                              |          |
| hsn                        | INT_TO_BIT(TSPX_HSN, 6)                                                                                       |          |
| spr                        | -                                                                                                             |          |
| arfcn                      | -                                                                                                             |          |
| maclength                  | '02'O                                                                                                         |          |
| mac_8n                     | par_ma2                                                                                                       |          |
| mac_7n                     | par_ma1                                                                                                       |          |
| mac_6n                     | -                                                                                                             |          |
| mac_5n                     | -                                                                                                             |          |
| mac_4n                     | -                                                                                                             |          |
| mac_3n                     | -                                                                                                             |          |
| mac_2n                     | -                                                                                                             |          |
| mac_1n                     | -                                                                                                             |          |
| flist                      | Frql_20_egsm(par_freqlist, par_flist)                                                                         |          |
| <b>Detailed Comments:</b>  |                                                                                                               |          |

| Structured Type Constraint |                                              |          |
|----------------------------|----------------------------------------------|----------|
| <b>Constraint Name:</b>    | FreqTCHa_hof1                                |          |
| <b>Structured Type:</b>    | FRQPARA                                      |          |
| <b>Derivation Path:</b>    |                                              |          |
| <b>Comments:</b>           | a hopping traffic channel of cell A for GSM. |          |
| Element Name               | Element Value                                | Comments |
| hch                        | '1'B                                         |          |
| maio                       | INT_TO_BIT((TSPX_MAIO MOD 12), 6)            |          |
| hsn                        | INT_TO_BIT(TSPX_HSN, 6)                      |          |
| spr                        | -                                            |          |
| arfcn                      | -                                            |          |
| maclength                  | '02'O                                        |          |
| mac_8n                     | '00001111'B                                  |          |
| mac_7n                     | '11111111'B                                  |          |
| mac_6n                     | -                                            |          |
| mac_5n                     | -                                            |          |
| mac_4n                     | -                                            |          |
| mac_3n                     | -                                            |          |
| mac_2n                     | -                                            |          |
| mac_1n                     | -                                            |          |
| flst                       | Frql_20_A                                    |          |
| <b>Detailed Comments:</b>  |                                              |          |

| Structured Type Constraint |                                         |          |
|----------------------------|-----------------------------------------|----------|
| <b>Constraint Name:</b>    | FreqTCHa_hof1d                          |          |
| <b>Structured Type:</b>    | FRQPARA                                 |          |
| <b>Derivation Path:</b>    |                                         |          |
| <b>Comments:</b>           | a hopping channel of cell A for DCS1800 |          |
| Element Name               | Element Value                           | Comments |
| hch                        | '1'B                                    |          |
| maio                       | INT_TO_BIT((TSPX_MAIO MOD 9), 6)        |          |
| hsn                        | INT_TO_BIT(TSPX_HSN, 6)                 |          |
| spr                        | -                                       |          |
| arfcn                      | -                                       |          |
| maclength                  | '02'O                                   |          |
| mac_8n                     | '00000001'B                             |          |
| mac_7n                     | '11111111'B                             |          |
| mac_6n                     | -                                       |          |
| mac_5n                     | -                                       |          |
| mac_4n                     | -                                       |          |
| mac_3n                     | -                                       |          |
| mac_2n                     | -                                       |          |
| mac_1n                     | -                                       |          |
| flst                       | Frql_20_Ad                              |          |
| <b>Detailed Comments:</b>  |                                         |          |

| Structured Type Constraint |                                                                              |          |
|----------------------------|------------------------------------------------------------------------------|----------|
| <b>Constraint Name:</b>    | FreqTCHa_hof2                                                                |          |
| <b>Structured Type:</b>    | FRQPARA                                                                      |          |
| <b>Derivation Path:</b>    |                                                                              |          |
| <b>Comments:</b>           | a hopping full rate channel of cell A, but only one frequency (114) for GSM. |          |
| Element Name               | Element Value                                                                | Comments |
| hch                        | '1'B                                                                         |          |
| maio                       | '000000'B                                                                    |          |
| hsn                        | '000000'B                                                                    |          |
| spr                        | -                                                                            |          |
| arfcn                      | -                                                                            |          |
| maclength                  | '03'O                                                                        |          |
| mac_8n                     | '00000001'B                                                                  |          |
| mac_7n                     | '00000000'B                                                                  |          |
| mac_6n                     | '00000000'B                                                                  |          |
| mac_5n                     | -                                                                            |          |
| mac_4n                     | -                                                                            |          |
| mac_3n                     | -                                                                            |          |
| mac_2n                     | -                                                                            |          |
| mac_1n                     | -                                                                            |          |
| flst                       | Frql_20_A0                                                                   |          |
| <b>Detailed Comments:</b>  |                                                                              |          |

| Structured Type Constraint |                                                                             |          |
|----------------------------|-----------------------------------------------------------------------------|----------|
| <b>Constraint Name:</b>    | FreqTCHa_hof2d                                                              |          |
| <b>Structured Type:</b>    | FRQPARA                                                                     |          |
| <b>Derivation Path:</b>    |                                                                             |          |
| <b>Comments:</b>           | a hopping full rate channel of cell A but only one frequency (844) for DCS. |          |
| Element Name               | Element Value                                                               | Comments |
| hch                        | '1'B                                                                        |          |
| maio                       | '000000'B                                                                   |          |
| hsn                        | '000000'B                                                                   |          |
| spr                        | -                                                                           |          |
| arfcn                      | -                                                                           |          |
| maclength                  | '03'O                                                                       |          |
| mac_8n                     | '00000001'B                                                                 |          |
| mac_7n                     | '00000000'B                                                                 |          |
| mac_6n                     | '00000000'B                                                                 |          |
| mac_5n                     | -                                                                           |          |
| mac_4n                     | -                                                                           |          |
| mac_3n                     | -                                                                           |          |
| mac_2n                     | -                                                                           |          |
| mac_1n                     | -                                                                           |          |
| flst                       | Frql_20_A0d                                                                 |          |
| <b>Detailed Comments:</b>  |                                                                             |          |

| Structured Type Constraint |                                                                                                                  |          |
|----------------------------|------------------------------------------------------------------------------------------------------------------|----------|
| <b>Constraint Name:</b>    | FreqTCHa_hof3                                                                                                    |          |
| <b>Structured Type:</b>    | FRQPARA                                                                                                          |          |
| <b>Derivation Path:</b>    |                                                                                                                  |          |
| <b>Comments:</b>           | a hopping channel of cell A with hopping frequencies :<br>{10,17,20,26,34,42,45,46,52,59,66,73,74,75,76,108,114} |          |
| Element Name               | Element Value                                                                                                    | Comments |
| hch                        | '1'B                                                                                                             |          |
| maio                       | INT_TO_BIT((TSPX_MAIO MOD 17), 6)                                                                                |          |
| hsn                        | INT_TO_BIT(TSPX_HSN, 6)                                                                                          |          |
| spr                        | -                                                                                                                |          |
| arfcn                      | -                                                                                                                |          |
| maclength                  | '03'O                                                                                                            |          |
| mac_8n                     | '00000001'B                                                                                                      |          |
| mac_7n                     | '11111111'B                                                                                                      |          |
| mac_6n                     | '11111111'B                                                                                                      |          |
| mac_5n                     | -                                                                                                                |          |
| mac_4n                     | -                                                                                                                |          |
| mac_3n                     | -                                                                                                                |          |
| mac_2n                     | -                                                                                                                |          |
| mac_1n                     | -                                                                                                                |          |
| flst                       | Frql_20_A0                                                                                                       |          |
| <b>Detailed Comments:</b>  |                                                                                                                  |          |

| Structured Type Constraint |                                                                                  |          |
|----------------------------|----------------------------------------------------------------------------------|----------|
| <b>Constraint Name:</b>    | FreqTCHa_hof3d                                                                   |          |
| <b>Structured Type:</b>    | FRQPARA                                                                          |          |
| <b>Derivation Path:</b>    |                                                                                  |          |
| <b>Comments:</b>           | a hopping channel of cell A. Indicating complete Cell Allocation of Cell A (DCS) |          |
| Element Name               | Element Value                                                                    | Comments |
| hch                        | '1'B                                                                             |          |
| maio                       | INT_TO_BIT((TSPX_MAIO MOD 17), 6)                                                |          |
| hsn                        | INT_TO_BIT(TSPX_HSN, 6)                                                          |          |
| spr                        | -                                                                                |          |
| arfcn                      | -                                                                                |          |
| maclength                  | '03'O                                                                            |          |
| mac_8n                     | '00000001'B                                                                      |          |
| mac_7n                     | '11111111'B                                                                      |          |
| mac_6n                     | '11111111'B                                                                      |          |
| mac_5n                     | -                                                                                |          |
| mac_4n                     | -                                                                                |          |
| mac_3n                     | -                                                                                |          |
| mac_2n                     | -                                                                                |          |
| mac_1n                     | -                                                                                |          |
| flst                       | Frql_20_A0d                                                                      |          |
| <b>Detailed Comments:</b>  |                                                                                  |          |

| Structured Type Constraint |                                                                                                                           |          |
|----------------------------|---------------------------------------------------------------------------------------------------------------------------|----------|
| <b>Constraint Name:</b>    | FreqTCHa_hof4                                                                                                             |          |
| <b>Structured Type:</b>    | FRQPARA                                                                                                                   |          |
| <b>Derivation Path:</b>    | FreqTCHa_hof3.                                                                                                            |          |
| <b>Comments:</b>           | a hopping channel of cell A with hopping frequencies : {10, 17, 26, 34, 42, 45, 46, 52, 59, 66, 73, 74, 75, 76, 108, 114} |          |
| Element Name               | Element Value                                                                                                             | Comments |
| hch                        | '1'B                                                                                                                      |          |
| maio                       | INT_TO_BIT((TSPX_MAIO MOD 16), 6)                                                                                         |          |
| hsn                        | INT_TO_BIT(C_HSN_0, 6)                                                                                                    |          |
| mac_6n                     | '11111011'B                                                                                                               |          |
| <b>Detailed Comments:</b>  |                                                                                                                           |          |

| Structured Type Constraint |                                                                                                                                                       |          |
|----------------------------|-------------------------------------------------------------------------------------------------------------------------------------------------------|----------|
| <b>Constraint Name:</b>    | FreqTCHa_hof4d                                                                                                                                        |          |
| <b>Structured Type:</b>    | FRQPARA                                                                                                                                               |          |
| <b>Derivation Path:</b>    | FreqTCHa_hof3d.                                                                                                                                       |          |
| <b>Comments:</b>           | a hopping channel of cell A. Indicating complete Cell Allocation of Cell A (DCS)<br>{734,741,754,759,762,766,767,773,775,779,782,791,798,829,832,844} |          |
| Element Name               | Element Value                                                                                                                                         | Comments |
| maio                       | INT_TO_BIT((TSPX_MAIO MOD 17), 6)                                                                                                                     |          |
| hsn                        | INT_TO_BIT( C_HSN_0, 6)                                                                                                                               |          |
| mac_6n                     | '11111111'B                                                                                                                                           |          |
| <b>Detailed Comments:</b>  |                                                                                                                                                       |          |

| Structured Type Constraint |                                   |          |
|----------------------------|-----------------------------------|----------|
| <b>Constraint Name:</b>    | FreqTCHb_hof1                     |          |
| <b>Structured Type:</b>    | FRQPARA                           |          |
| <b>Derivation Path:</b>    |                                   |          |
| <b>Comments:</b>           | Broadcast channel of cell B.      |          |
| Element Name               | Element Value                     | Comments |
| hch                        | '1'B                              |          |
| maio                       | INT_TO_BIT((TSPX_MAIO MOD 12), 6) |          |
| hsn                        | INT_TO_BIT(TSPX_HSN, 6)           |          |
| spr                        | -                                 |          |
| arfcn                      | -                                 |          |
| maclength                  | '02'O                             |          |
| mac_8n                     | '00001111'B                       |          |
| mac_7n                     | '11111111'B                       |          |
| mac_6n                     | -                                 |          |
| mac_5n                     | -                                 |          |
| mac_4n                     | -                                 |          |
| mac_3n                     | -                                 |          |
| mac_2n                     | -                                 |          |
| mac_1n                     | -                                 |          |
| flst                       | Frql_20_B3                        |          |
| <b>Detailed Comments:</b>  |                                   |          |

| Structured Type Constraint |                                                 |          |
|----------------------------|-------------------------------------------------|----------|
| <b>Constraint Name:</b>    | FreqTCHb_hof1d                                  |          |
| <b>Structured Type:</b>    | FRQPARA                                         |          |
| <b>Derivation Path:</b>    |                                                 |          |
| <b>Comments:</b>           | Broadcast channel of cell B for hopping DCS1800 |          |
| Element Name               | Element Value                                   | Comments |
| hch                        | '1'B                                            |          |
| maio                       | INT_TO_BIT((TSPX_MAIO MOD 12), 6)               |          |
| hsn                        | INT_TO_BIT(TSPX_HSN, 6)                         |          |
| spr                        | -                                               |          |
| arfcn                      | -                                               |          |
| maclength                  | '02'O                                           |          |
| mac_8n                     | '00001111'B                                     |          |
| mac_7n                     | '11111111'B                                     |          |
| mac_6n                     | -                                               |          |
| mac_5n                     | -                                               |          |
| mac_4n                     | -                                               |          |
| mac_3n                     | -                                               |          |
| mac_2n                     | -                                               |          |
| mac_1n                     | -                                               |          |
| flst                       | Frql_20_B3d                                     |          |
| <b>Detailed Comments:</b>  |                                                 |          |

| Structured Type Constraint |                                  |          |
|----------------------------|----------------------------------|----------|
| <b>Constraint Name:</b>    | FreqTCHb_hof2                    |          |
| <b>Structured Type:</b>    | FRQPARA                          |          |
| <b>Derivation Path:</b>    |                                  |          |
| <b>Comments:</b>           | a hopping traffic channel        |          |
| Element Name               | Element Value                    | Comments |
| hch                        | '1'B                             |          |
| maio                       | INT_TO_BIT((TSPX_MAIO MOD 8), 6) |          |
| hsn                        | INT_TO_BIT(TSPX_HSN, 6)          |          |
| spr                        | -                                |          |
| arfcn                      | -                                |          |
| maclength                  | '01'O                            |          |
| mac_8n                     | '11111111'B                      |          |
| mac_7n                     | -                                |          |
| mac_6n                     | -                                |          |
| mac_5n                     | -                                |          |
| mac_4n                     | -                                |          |
| mac_3n                     | -                                |          |
| mac_2n                     | -                                |          |
| mac_1n                     | -                                |          |
| flst                       | Frql_20_B4                       |          |
| <b>Detailed Comments:</b>  |                                  |          |

| Structured Type Constraint |                                                 |          |
|----------------------------|-------------------------------------------------|----------|
| <b>Constraint Name:</b>    | FreqTCHb_hof2d                                  |          |
| <b>Structured Type:</b>    | FRQPARA                                         |          |
| <b>Derivation Path:</b>    |                                                 |          |
| <b>Comments:</b>           | Broadcast channel of cell B for hopping DCS1800 |          |
| Element Name               | Element Value                                   | Comments |
| hch                        | '1'B                                            |          |
| maio                       | INT_TO_BIT((TSPX_MAIO MOD 8), 6)                |          |
| hsn                        | INT_TO_BIT(TSPX_HSN, 6)                         |          |
| spr                        | -                                               |          |
| arfcn                      | -                                               |          |
| maclength                  | '01'O                                           |          |
| mac_8n                     | '11111111'B                                     |          |
| mac_7n                     | -                                               |          |
| mac_6n                     | -                                               |          |
| mac_5n                     | -                                               |          |
| mac_4n                     | -                                               |          |
| mac_3n                     | -                                               |          |
| mac_2n                     | -                                               |          |
| mac_1n                     | -                                               |          |
| flst                       | Frql_20_B4d                                     |          |
| <b>Detailed Comments:</b>  |                                                 |          |



| Structured Type Constraint |                                   |          |
|----------------------------|-----------------------------------|----------|
| <b>Constraint Name:</b>    | FreqTCHb_hof3                     |          |
| <b>Structured Type:</b>    | FRQPARA                           |          |
| <b>Derivation Path:</b>    |                                   |          |
| <b>Comments:</b>           |                                   |          |
| Element Name               | Element Value                     | Comments |
| hch                        | '1'B                              |          |
| maio                       | INT_TO_BIT((TSPX_MAIO MOD 11), 6) |          |
| hsn                        | INT_TO_BIT(TSPX_HSN, 6)           |          |
| spr                        | -                                 |          |
| arfcn                      | -                                 |          |
| maclength                  | '02'O                             |          |
| mac_8n                     | '01111111'B                       |          |
| mac_7n                     | '11111111'B                       |          |
| mac_6n                     | -                                 |          |
| mac_5n                     | -                                 |          |
| mac_4n                     | -                                 |          |
| mac_3n                     | -                                 |          |
| mac_2n                     | -                                 |          |
| mac_1n                     | -                                 |          |
| flst                       | Frql_20_B5                        |          |
| <b>Detailed Comments:</b>  |                                   |          |

| Structured Type Constraint |                                   |          |
|----------------------------|-----------------------------------|----------|
| <b>Constraint Name:</b>    | FreqTCHb_hof3d                    |          |
| <b>Structured Type:</b>    | FRQPARA                           |          |
| <b>Derivation Path:</b>    |                                   |          |
| <b>Comments:</b>           |                                   |          |
| Element Name               | Element Value                     | Comments |
| hch                        | '1'B                              |          |
| maio                       | INT_TO_BIT((TSPX_MAIO MOD 15), 6) |          |
| hsn                        | INT_TO_BIT(TSPX_HSN, 6)           |          |
| spr                        | -                                 |          |
| arfcn                      | -                                 |          |
| maclength                  | '02'O                             |          |
| mac_8n                     | '00000111'B                       |          |
| mac_7n                     | '11111111'B                       |          |
| mac_6n                     | -                                 |          |
| mac_5n                     | -                                 |          |
| mac_4n                     | -                                 |          |
| mac_3n                     | -                                 |          |
| mac_2n                     | -                                 |          |
| mac_1n                     | -                                 |          |
| flst                       | Frql_20_B5d                       |          |
| <b>Detailed Comments:</b>  |                                   |          |

| Structured Type Constraint |                                  |          |
|----------------------------|----------------------------------|----------|
| <b>Constraint Name:</b>    | FreqTCHb_hof4                    |          |
| <b>Structured Type:</b>    | FRQPARA                          |          |
| <b>Derivation Path:</b>    |                                  |          |
| <b>Comments:</b>           |                                  |          |
| Element Name               | Element Value                    | Comments |
| hch                        | '1'B                             |          |
| maio                       | INT_TO_BIT((TSPX_MAIO MOD 3), 6) |          |
| hsn                        | INT_TO_BIT(TSPX_HSN, 6)          |          |
| spr                        | -                                |          |
| arfcn                      | -                                |          |
| maclength                  | '01'O                            |          |
| mac_8n                     | '00011100'B                      |          |
| mac_7n                     | -                                |          |
| mac_6n                     | -                                |          |
| mac_5n                     | -                                |          |
| mac_4n                     | -                                |          |
| mac_3n                     | -                                |          |
| mac_2n                     | -                                |          |
| mac_1n                     | -                                |          |
| flst                       | Frql_20_B4                       |          |
| <b>Detailed Comments:</b>  |                                  |          |

| Structured Type Constraint |                                  |          |
|----------------------------|----------------------------------|----------|
| <b>Constraint Name:</b>    | FreqTCHb_hof4d                   |          |
| <b>Structured Type:</b>    | FRQPARA                          |          |
| <b>Derivation Path:</b>    |                                  |          |
| <b>Comments:</b>           | TC_26_6_5_2_2                    |          |
| Element Name               | Element Value                    | Comments |
| hch                        | '1'B                             |          |
| maio                       | INT_TO_BIT((TSPX_MAIO MOD 3), 6) |          |
| hsn                        | INT_TO_BIT(TSPX_HSN, 6)          |          |
| spr                        | -                                |          |
| arfcn                      | -                                |          |
| maclength                  | '02'O                            |          |
| mac_8n                     | '00000000'B                      |          |
| mac_7n                     | '11100000'B                      |          |
| mac_6n                     | -                                |          |
| mac_5n                     | -                                |          |
| mac_4n                     | -                                |          |
| mac_3n                     | -                                |          |
| mac_2n                     | -                                |          |
| mac_1n                     | -                                |          |
| flst                       | Frql_20_B6d                      |          |
| <b>Detailed Comments:</b>  |                                  |          |

| Structured Type Constraint |                                             |          |
|----------------------------|---------------------------------------------|----------|
| <b>Constraint Name:</b>    | FreqTCHb_hof5                               |          |
| <b>Structured Type:</b>    | FRQPARA                                     |          |
| <b>Derivation Path:</b>    |                                             |          |
| <b>Comments:</b>           | full rate hopping channel of cell B for GSM |          |
| Element Name               | Element Value                               | Comments |
| hch                        | '1'B                                        |          |
| maio                       | INT_TO_BIT((TSPX_MAIO MOD 5), 6)            |          |
| hsn                        | INT_TO_BIT(TSPX_HSN, 6)                     |          |
| spr                        | -                                           |          |
| arfcn                      | -                                           |          |
| maclength                  | '01'O                                       |          |
| mac_8n                     | '10100111'B                                 |          |
| mac_7n                     | -                                           |          |
| mac_6n                     | -                                           |          |
| mac_5n                     | -                                           |          |
| mac_4n                     | -                                           |          |
| mac_3n                     | -                                           |          |
| mac_2n                     | -                                           |          |
| mac_1n                     | -                                           |          |
| flst                       | Frql_20_B0                                  |          |
| <b>Detailed Comments:</b>  |                                             |          |

| Structured Type Constraint |                                               |          |
|----------------------------|-----------------------------------------------|----------|
| <b>Constraint Name:</b>    | FreqTCHb_hof5d                                |          |
| <b>Structured Type:</b>    | FRQPARA                                       |          |
| <b>Derivation Path:</b>    |                                               |          |
| <b>Comments:</b>           | a full rate hopping channel of cell B for DCS |          |
| Element Name               | Element Value                                 | Comments |
| hch                        | '1'B                                          |          |
| maio                       | INT_TO_BIT((TSPX_MAIO MOD 9), 6)              |          |
| hsn                        | INT_TO_BIT(TSPX_HSN, 6)                       |          |
| spr                        | -                                             |          |
| arfcn                      | -                                             |          |
| maclength                  | '02'O                                         |          |
| mac_8n                     | '00000001'B                                   |          |
| mac_7n                     | '11111111'B                                   |          |
| mac_6n                     | -                                             |          |
| mac_5n                     | -                                             |          |
| mac_4n                     | -                                             |          |
| mac_3n                     | -                                             |          |
| mac_2n                     | -                                             |          |
| mac_1n                     | -                                             |          |
| flst                       | Frql_20_B9d                                   |          |
| <b>Detailed Comments:</b>  |                                               |          |

| Structured Type Constraint            |                                  |          |
|---------------------------------------|----------------------------------|----------|
| <b>Constraint Name:</b> FreqTCHb_hof6 |                                  |          |
| <b>Structured Type:</b> FRQPARA       |                                  |          |
| <b>Derivation Path:</b>               |                                  |          |
| <b>Comments:</b>                      |                                  |          |
| Element Name                          | Element Value                    | Comments |
| hch                                   | '1'B                             |          |
| maio                                  | INT_TO_BIT((TSPX_MAIO MOD 2), 6) |          |
| hsn                                   | INT_TO_BIT(TSPX_HSN, 6)          |          |
| spr                                   | -                                |          |
| arfcn                                 | -                                |          |
| maclength                             | '02'O                            |          |
| mac_8n                                | '10000000'B                      |          |
| mac_7n                                | '00000001'B                      |          |
| mac_6n                                | -                                |          |
| mac_5n                                | -                                |          |
| mac_4n                                | -                                |          |
| mac_3n                                | -                                |          |
| mac_2n                                | -                                |          |
| mac_1n                                | -                                |          |
| flst                                  | Frql_20_B0                       |          |
| <b>Detailed Comments:</b>             |                                  |          |

| Structured Type Constraint             |                                  |          |
|----------------------------------------|----------------------------------|----------|
| <b>Constraint Name:</b> FreqTCHb_hof6d |                                  |          |
| <b>Structured Type:</b> FRQPARA        |                                  |          |
| <b>Derivation Path:</b>                |                                  |          |
| <b>Comments:</b>                       |                                  |          |
| Element Name                           | Element Value                    | Comments |
| hch                                    | '1'B                             |          |
| maio                                   | INT_TO_BIT((TSPX_MAIO MOD 3), 6) |          |
| hsn                                    | '000000'B                        |          |
| spr                                    | -                                |          |
| arfcn                                  | -                                |          |
| maclength                              | '02'O                            |          |
| mac_8n                                 | '00000110'B                      |          |
| mac_7n                                 | '10000000'B                      |          |
| mac_6n                                 | -                                |          |
| mac_5n                                 | -                                |          |
| mac_4n                                 | -                                |          |
| mac_3n                                 | -                                |          |
| mac_2n                                 | -                                |          |
| mac_1n                                 | -                                |          |
| flst                                   | Frql_20_B8d                      |          |
| <b>Detailed Comments:</b>              |                                  |          |

| Structured Type Constraint |                                  |          |
|----------------------------|----------------------------------|----------|
| <b>Constraint Name:</b>    | FreqTCHb_hof7                    |          |
| <b>Structured Type:</b>    | FRQPARA                          |          |
| <b>Derivation Path:</b>    |                                  |          |
| <b>Comments:</b>           | channel of cell B.               |          |
| Element Name               | Element Value                    | Comments |
| hch                        | '1'B                             |          |
| maio                       | INT_TO_BIT((TSPX_MAIO MOD 2), 6) |          |
| hsn                        | INT_TO_BIT(TSPX_HSN, 6)          |          |
| spr                        | -                                |          |
| arfcn                      | -                                |          |
| maclength                  | '02'O                            |          |
| mac_8n                     | '10000000'B                      |          |
| mac_7n                     | '10000000'B                      |          |
| mac_6n                     | -                                |          |
| mac_5n                     | -                                |          |
| mac_4n                     | -                                |          |
| mac_3n                     | -                                |          |
| mac_2n                     | -                                |          |
| mac_1n                     | -                                |          |
| flst                       | Frql_20_B0                       |          |
| <b>Detailed Comments:</b>  |                                  |          |

| Structured Type Constraint |                                   |          |
|----------------------------|-----------------------------------|----------|
| <b>Constraint Name:</b>    | FreqTCHb_hof7d                    |          |
| <b>Structured Type:</b>    | FRQPARA                           |          |
| <b>Derivation Path:</b>    |                                   |          |
| <b>Comments:</b>           |                                   |          |
| Element Name               | Element Value                     | Comments |
| hch                        | '1'B                              |          |
| maio                       | INT_TO_BIT((TSPX_MAIO MOD 15), 6) |          |
| hsn                        | INT_TO_BIT(C_HSN_0, 6)            |          |
| spr                        | -                                 |          |
| arfcn                      | -                                 |          |
| maclength                  | '02'O                             |          |
| mac_8n                     | '01111111'B                       |          |
| mac_7n                     | '11111111'B                       |          |
| mac_6n                     | -                                 |          |
| mac_5n                     | -                                 |          |
| mac_4n                     | -                                 |          |
| mac_3n                     | -                                 |          |
| mac_2n                     | -                                 |          |
| mac_1n                     | -                                 |          |
| flst                       | Frql_20_11d                       |          |
| <b>Detailed Comments:</b>  |                                   |          |

| Structured Type Constraint |                                                                    |          |
|----------------------------|--------------------------------------------------------------------|----------|
| <b>Constraint Name:</b>    | FreqTCHb_hof8                                                      |          |
| <b>Structured Type:</b>    | FRQPARA                                                            |          |
| <b>Derivation Path:</b>    |                                                                    |          |
| <b>Comments:</b>           | traffic channel of cell B. Hopping on List_ARFCN={66, 75, 76, 108} |          |
| Element Name               | Element Value                                                      | Comments |
| hch                        | '1'B                                                               |          |
| maio                       | INT_TO_BIT((TSPX_MAIO MOD 4), 6)                                   |          |
| hsn                        | INT_TO_BIT(TSPX_HSN, 6)                                            |          |
| spr                        | -                                                                  |          |
| arfcn                      | -                                                                  |          |
| maclength                  | '02'O                                                              |          |
| mac_8n                     | '01110010'B                                                        |          |
| mac_7n                     | '00000000'B                                                        |          |
| mac_6n                     | -                                                                  |          |
| mac_5n                     | -                                                                  |          |
| mac_4n                     | -                                                                  |          |
| mac_3n                     | -                                                                  |          |
| mac_2n                     | -                                                                  |          |
| mac_1n                     | -                                                                  |          |
| flst                       | Frql_20_B0                                                         |          |
| <b>Detailed Comments:</b>  |                                                                    |          |

| Structured Type Constraint |                                                     |          |
|----------------------------|-----------------------------------------------------|----------|
| <b>Constraint Name:</b>    | FreqTCHb_hof8d                                      |          |
| <b>Structured Type:</b>    | FRQPARA                                             |          |
| <b>Derivation Path:</b>    |                                                     |          |
| <b>Comments:</b>           | traffic channel of cell B. List_ARFCN={758,761,771} |          |
| Element Name               | Element Value                                       | Comments |
| hch                        | '1'B                                                |          |
| maio                       | INT_TO_BIT((TSPX_MAIO MOD 3), 6)                    |          |
| hsn                        | INT_TO_BIT(TSPX_HSN, 6)                             |          |
| spr                        | -                                                   |          |
| arfcn                      | -                                                   |          |
| maclength                  | '01'O                                               |          |
| mac_8n                     | '00000111'B                                         |          |
| mac_7n                     | -                                                   |          |
| mac_6n                     | -                                                   |          |
| mac_5n                     | -                                                   |          |
| mac_4n                     | -                                                   |          |
| mac_3n                     | -                                                   |          |
| mac_2n                     | -                                                   |          |
| mac_1n                     | -                                                   |          |
| flst                       | Frql_20_B12d                                        |          |
| <b>Detailed Comments:</b>  |                                                     |          |

| Structured Type Constraint |                                             |          |
|----------------------------|---------------------------------------------|----------|
| <b>Constraint Name:</b>    | FreqTCHb_hof9                               |          |
| <b>Structured Type:</b>    | FRQPARA                                     |          |
| <b>Derivation Path:</b>    |                                             |          |
| <b>Comments:</b>           | full rate hopping channel of cell B for GSM |          |
| Element Name               | Element Value                               | Comments |
| hch                        | '1'B                                        |          |
| maio                       | INT_TO_BIT((TSPX_MAIO MOD 16), 6)           |          |
| hsn                        | INT_TO_BIT(TSPX_HSN, 6)                     |          |
| spr                        | -                                           |          |
| arfcn                      | -                                           |          |
| maclength                  | '02'O                                       |          |
| mac_8n                     | '11111111'B                                 |          |
| mac_7n                     | '11111111'B                                 |          |
| mac_6n                     | -                                           |          |
| mac_5n                     | -                                           |          |
| mac_4n                     | -                                           |          |
| mac_3n                     | -                                           |          |
| mac_2n                     | -                                           |          |
| mac_1n                     | -                                           |          |
| flst                       | Frql_20_B2                                  |          |
| <b>Detailed Comments:</b>  |                                             |          |

| Structured Type Constraint |                                               |          |
|----------------------------|-----------------------------------------------|----------|
| <b>Constraint Name:</b>    | FreqTCHb_hof9d                                |          |
| <b>Structured Type:</b>    | FRQPARA                                       |          |
| <b>Derivation Path:</b>    |                                               |          |
| <b>Comments:</b>           | a full rate hopping channel of cell B for DCS |          |
| Element Name               | Element Value                                 | Comments |
| hch                        | '1'B                                          |          |
| maio                       | INT_TO_BIT((TSPX_MAIO MOD 13), 6)             |          |
| hsn                        | INT_TO_BIT(TSPX_HSN, 6)                       |          |
| spr                        | -                                             |          |
| arfcn                      | -                                             |          |
| maclength                  | '02'O                                         |          |
| mac_8n                     | '00111111'B                                   |          |
| mac_7n                     | '10111111'B                                   |          |
| mac_6n                     | -                                             |          |
| mac_5n                     | -                                             |          |
| mac_4n                     | -                                             |          |
| mac_3n                     | -                                             |          |
| mac_2n                     | -                                             |          |
| mac_1n                     | -                                             |          |
| flst                       | Frql_20_B0d                                   |          |
| <b>Detailed Comments:</b>  |                                               |          |

| Structured Type Constraint |                                               |          |
|----------------------------|-----------------------------------------------|----------|
| <b>Constraint Name:</b>    | FreqSDCCHa_hof1                               |          |
| <b>Structured Type:</b>    | FRQPARA                                       |          |
| <b>Derivation Path:</b>    |                                               |          |
| <b>Comments:</b>           | hopping with {73,74,75} of cell allocation A. |          |
| Element Name               | Element Value                                 | Comments |
| hch                        | '1'B                                          |          |
| maio                       | INT_TO_BIT((TSPX_MAIO MOD 3), 6)              |          |
| hsn                        | INT_TO_BIT(TSPX_HSN, 6)                       |          |
| spr                        | -                                             |          |
| arfcn                      | -                                             |          |
| maclength                  | '03'O                                         |          |
| mac_8n                     | '00000000'B                                   |          |
| mac_7n                     | '00111000'B                                   |          |
| mac_6n                     | '00000000'B                                   |          |
| mac_5n                     | -                                             |          |
| mac_4n                     | -                                             |          |
| mac_3n                     | -                                             |          |
| mac_2n                     | -                                             |          |
| mac_1n                     | -                                             |          |
| flst                       | Frql_20_A0                                    |          |
| <b>Detailed Comments:</b>  |                                               |          |

| Structured Type Constraint |                                                                      |          |
|----------------------------|----------------------------------------------------------------------|----------|
| <b>Constraint Name:</b>    | FreqSDCCHa_hof1d                                                     |          |
| <b>Structured Type:</b>    | FRQPARA                                                              |          |
| <b>Derivation Path:</b>    |                                                                      |          |
| <b>Comments:</b>           | a hopping channel of cell A with {773,775,779} of cell allocation A. |          |
| Element Name               | Element Value                                                        | Comments |
| hch                        | '1'B                                                                 |          |
| maio                       | INT_TO_BIT((TSPX_MAIO MOD 3), 6)                                     |          |
| hsn                        | INT_TO_BIT(TSPX_HSN, 6)                                              |          |
| spr                        | -                                                                    |          |
| arfcn                      | -                                                                    |          |
| maclength                  | '03'O                                                                |          |
| mac_8n                     | '00000000'B                                                          |          |
| mac_7n                     | '00000111'B                                                          |          |
| mac_6n                     | '00000000'B                                                          |          |
| mac_5n                     | -                                                                    |          |
| mac_4n                     | -                                                                    |          |
| mac_3n                     | -                                                                    |          |
| mac_2n                     | -                                                                    |          |
| mac_1n                     | -                                                                    |          |
| flst                       | Frql_20_A0d                                                          |          |
| <b>Detailed Comments:</b>  |                                                                      |          |



| Structured Type Constraint |                                                                                                                |          |
|----------------------------|----------------------------------------------------------------------------------------------------------------|----------|
| <b>Constraint Name:</b>    | FreqSDCCHa_hof2                                                                                                |          |
| <b>Structured Type:</b>    | FRQPARA                                                                                                        |          |
| <b>Derivation Path:</b>    |                                                                                                                |          |
| <b>Comments:</b>           | a hopping channel with hopping frequencies are the Complete Cell Allocation of cell A except for BCCH. For GSM |          |
| Element Name               | Element Value                                                                                                  | Comments |
| hch                        | '1'B                                                                                                           |          |
| maio                       | INT_TO_BIT((TSPX_MAIO MOD 16), 6)                                                                              |          |
| hsn                        | INT_TO_BIT(TSPX_HSN, 6)                                                                                        |          |
| spr                        | -                                                                                                              |          |
| arfcn                      | -                                                                                                              |          |
| maclength                  | '03'O                                                                                                          |          |
| mac_8n                     | '00000001'B                                                                                                    |          |
| mac_7n                     | '11111111'B                                                                                                    |          |
| mac_6n                     | '11111011'B                                                                                                    |          |
| mac_5n                     | -                                                                                                              |          |
| mac_4n                     | -                                                                                                              |          |
| mac_3n                     | -                                                                                                              |          |
| mac_2n                     | -                                                                                                              |          |
| mac_1n                     | -                                                                                                              |          |
| flst                       | Frql_20_A0                                                                                                     |          |
| <b>Detailed Comments:</b>  |                                                                                                                |          |

| Structured Type Constraint |                                                                                                                           |          |
|----------------------------|---------------------------------------------------------------------------------------------------------------------------|----------|
| <b>Constraint Name:</b>    | FreqSDCCHa_hof2d                                                                                                          |          |
| <b>Structured Type:</b>    | FRQPARA                                                                                                                   |          |
| <b>Derivation Path:</b>    |                                                                                                                           |          |
| <b>Comments:</b>           | a hopping channel of cell A. the hopping frequencies are the Complete Cell Allocation of cell A except for BCCH. For DCS. |          |
| Element Name               | Element Value                                                                                                             | Comments |
| hch                        | '1'B                                                                                                                      |          |
| maio                       | INT_TO_BIT((TSPX_MAIO MOD 16), 6)                                                                                         |          |
| hsn                        | INT_TO_BIT(TSPX_HSN, 6)                                                                                                   |          |
| spr                        | -                                                                                                                         |          |
| arfcn                      | -                                                                                                                         |          |
| maclength                  | '03'O                                                                                                                     |          |
| mac_8n                     | '00000001'B                                                                                                               |          |
| mac_7n                     | '11111111'B                                                                                                               |          |
| mac_6n                     | '11111011'B                                                                                                               |          |
| mac_5n                     | -                                                                                                                         |          |
| mac_4n                     | -                                                                                                                         |          |
| mac_3n                     | -                                                                                                                         |          |
| mac_2n                     | -                                                                                                                         |          |
| mac_1n                     | -                                                                                                                         |          |
| flst                       | Frql_20_A0d                                                                                                               |          |
| <b>Detailed Comments:</b>  |                                                                                                                           |          |

| Structured Type Constraint |                                                                                     |          |
|----------------------------|-------------------------------------------------------------------------------------|----------|
| <b>Constraint Name:</b>    | FreqSDCCHa_hof3                                                                     |          |
| <b>Structured Type:</b>    | FRQPARA                                                                             |          |
| <b>Derivation Path:</b>    |                                                                                     |          |
| <b>Comments:</b>           | hopping channel with the Complete Cell Allocation of cell A except 20 and 52.(GSNM) |          |
| Element Name               | Element Value                                                                       | Comments |
| hch                        | '1'B                                                                                |          |
| maio                       | INT_TO_BIT((TSPX_MAIO MOD 15), 6)                                                   |          |
| hsn                        | '000000'B                                                                           |          |
| spr                        | -                                                                                   |          |
| arfcn                      | -                                                                                   |          |
| maclength                  | '03'O                                                                               |          |
| mac_8n                     | '00000001'B                                                                         |          |
| mac_7n                     | '11111110'B                                                                         |          |
| mac_6n                     | '11111011'B                                                                         |          |
| mac_5n                     | -                                                                                   |          |
| mac_4n                     | -                                                                                   |          |
| mac_3n                     | -                                                                                   |          |
| mac_2n                     | -                                                                                   |          |
| mac_1n                     | -                                                                                   |          |
| flst                       | Frql_20_A0                                                                          |          |
| <b>Detailed Comments:</b>  |                                                                                     |          |

| Structured Type Constraint |                                                                                                         |          |
|----------------------------|---------------------------------------------------------------------------------------------------------|----------|
| <b>Constraint Name:</b>    | FreqSDCCHa_hof3d                                                                                        |          |
| <b>Structured Type:</b>    | FRQPARA                                                                                                 |          |
| <b>Derivation Path:</b>    |                                                                                                         |          |
| <b>Comments:</b>           | hopping channel of cell A with the Complete Cell Allocation of cell A with except 747 and 767.<br>(DCS) |          |
| Element Name               | Element Value                                                                                           | Comments |
| hch                        | '1'B                                                                                                    |          |
| maio                       | INT_TO_BIT((TSPX_MAIO MOD 15), 6)                                                                       |          |
| hsn                        | '000000'B                                                                                               |          |
| spr                        | -                                                                                                       |          |
| arfcn                      | -                                                                                                       |          |
| maclength                  | '03'O                                                                                                   |          |
| mac_8n                     | '00000001'B                                                                                             |          |
| mac_7n                     | '11111111'B                                                                                             |          |
| mac_6n                     | '01111011'B                                                                                             |          |
| mac_5n                     | -                                                                                                       |          |
| mac_4n                     | -                                                                                                       |          |
| mac_3n                     | -                                                                                                       |          |
| mac_2n                     | -                                                                                                       |          |
| mac_1n                     | -                                                                                                       |          |
| flst                       | Frql_20_A0d                                                                                             |          |
| <b>Detailed Comments:</b>  |                                                                                                         |          |

| Structured Type Constraint |                                   |          |
|----------------------------|-----------------------------------|----------|
| <b>Constraint Name:</b>    | FreqSDCCH8b_hof1                  |          |
| <b>Structured Type:</b>    | FRQPARA                           |          |
| <b>Derivation Path:</b>    |                                   |          |
| <b>Comments:</b>           | hopping SDCCH8 channel            |          |
| Element Name               | Element Value                     | Comments |
| hch                        | '1'B                              |          |
| maio                       | INT_TO_BIT((TSPX_MAIO MOD 15), 6) |          |
| hsn                        | INT_TO_BIT(TSPX_HSN, 6)           |          |
| spr                        | -                                 |          |
| arfcn                      | -                                 |          |
| maclength                  | '02'O                             |          |
| mac_8n                     | '01111111'B                       |          |
| mac_7n                     | '11111111'B                       |          |
| mac_6n                     | -                                 |          |
| mac_5n                     | -                                 |          |
| mac_4n                     | -                                 |          |
| mac_3n                     | -                                 |          |
| mac_2n                     | -                                 |          |
| mac_1n                     | -                                 |          |
| flst                       | Frql_20_B7                        |          |
| <b>Detailed Comments:</b>  |                                   |          |

| Structured Type Constraint |                                  |          |
|----------------------------|----------------------------------|----------|
| <b>Constraint Name:</b>    | FreqSDCCH8b_hof1d                |          |
| <b>Structured Type:</b>    | FRQPARA                          |          |
| <b>Derivation Path:</b>    |                                  |          |
| <b>Comments:</b>           | hopping SDCCH8 channel           |          |
| Element Name               | Element Value                    | Comments |
| hch                        | '1'B                             |          |
| maio                       | INT_TO_BIT((TSPX_MAIO MOD 2), 6) |          |
| hsn                        | '000000'B                        |          |
| spr                        | -                                |          |
| arfcn                      | -                                |          |
| maclength                  | '01'O                            |          |
| mac_8n                     | '00000011'B                      |          |
| mac_7n                     | -                                |          |
| mac_6n                     | -                                |          |
| mac_5n                     | -                                |          |
| mac_4n                     | -                                |          |
| mac_3n                     | -                                |          |
| mac_2n                     | -                                |          |
| mac_1n                     | -                                |          |
| flst                       | Frql_20_B7d                      |          |
| <b>Detailed Comments:</b>  |                                  |          |

| Structured Type Constraint |                                   |          |
|----------------------------|-----------------------------------|----------|
| <b>Constraint Name:</b>    | FreqSDCCH8b_hof2                  |          |
| <b>Structured Type:</b>    | FRQPARA                           |          |
| <b>Derivation Path:</b>    |                                   |          |
| <b>Comments:</b>           | hopping SDCCH8 channel            |          |
| Element Name               | Element Value                     | Comments |
| hch                        | '1'B                              |          |
| maio                       | INT_TO_BIT((TSPX_MAIO MOD 14), 6) |          |
| hsn                        | INT_TO_BIT(TSPX_HSN, 6)           |          |
| spr                        | -                                 |          |
| arfcn                      | -                                 |          |
| maclength                  | '02'O                             |          |
| mac_8n                     | '00111111'B                       |          |
| mac_7n                     | '11111111'B                       |          |
| mac_6n                     | -                                 |          |
| mac_5n                     | -                                 |          |
| mac_4n                     | -                                 |          |
| mac_3n                     | -                                 |          |
| mac_2n                     | -                                 |          |
| mac_1n                     | -                                 |          |
| flst                       | Frql_20_B72                       |          |
| <b>Detailed Comments:</b>  |                                   |          |

| Structured Type Constraint |                                                                                                                   |          |
|----------------------------|-------------------------------------------------------------------------------------------------------------------|----------|
| <b>Constraint Name:</b>    | FreqSDCCH8b_hof2d                                                                                                 |          |
| <b>Structured Type:</b>    | FRQPARA                                                                                                           |          |
| <b>Derivation Path:</b>    |                                                                                                                   |          |
| <b>Comments:</b>           | hopping SDCCH8 channel in cell B, hopping frequencies are the complete cell allocation of cell B<br>( 512 format) |          |
| Element Name               | Element Value                                                                                                     | Comments |
| hch                        | '1'B                                                                                                              |          |
| maio                       | INT_TO_BIT((TSPX_MAIO MOD 16), 6)                                                                                 |          |
| hsn                        | INT_TO_BIT(C_HSN_0, 6)                                                                                            |          |
| spr                        | -                                                                                                                 |          |
| arfcn                      | -                                                                                                                 |          |
| maclength                  | '02'O                                                                                                             |          |
| mac_8n                     | '11111111'B                                                                                                       |          |
| mac_7n                     | '11111111'B                                                                                                       |          |
| mac_6n                     | -                                                                                                                 |          |
| mac_5n                     | -                                                                                                                 |          |
| mac_4n                     | -                                                                                                                 |          |
| mac_3n                     | -                                                                                                                 |          |
| mac_2n                     | -                                                                                                                 |          |
| mac_1n                     | -                                                                                                                 |          |
| flst                       | Frql_20_B0d                                                                                                       |          |
| <b>Detailed Comments:</b>  |                                                                                                                   |          |

| Structured Type Constraint |                                                                      |          |
|----------------------------|----------------------------------------------------------------------|----------|
| <b>Constraint Name:</b>    | FreqSDCCH8b_hof3                                                     |          |
| <b>Structured Type:</b>    | FRQPARA                                                              |          |
| <b>Derivation Path:</b>    |                                                                      |          |
| <b>Comments:</b>           | hopping SDCCH8 channel including complete cell allocation of cell B. |          |
| Element Name               | Element Value                                                        | Comments |
| hch                        | '1'B                                                                 |          |
| maio                       | INT_TO_BIT((TSPX_MAIO MOD 16), 6)                                    |          |
| hsn                        | INT_TO_BIT( C_HSN_0, 6)                                              |          |
| spr                        | -                                                                    |          |
| arfcn                      | -                                                                    |          |
| maclength                  | '02'O                                                                |          |
| mac_8n                     | '11111111'B                                                          |          |
| mac_7n                     | '11111111'B                                                          |          |
| mac_6n                     | -                                                                    |          |
| mac_5n                     | -                                                                    |          |
| mac_4n                     | -                                                                    |          |
| mac_3n                     | -                                                                    |          |
| mac_2n                     | -                                                                    |          |
| mac_1n                     | -                                                                    |          |
| flst                       | Frql_20_B0                                                           |          |
| <b>Detailed Comments:</b>  |                                                                      |          |

| Structured Type Constraint |                                                        |          |
|----------------------------|--------------------------------------------------------|----------|
| <b>Constraint Name:</b>    | FreqSDCCH8_rg1                                         |          |
| <b>Structured Type:</b>    | FRQPARA                                                |          |
| <b>Derivation Path:</b>    |                                                        |          |
| <b>Comments:</b>           | hopping SDCCH8 channel of TC_26_6_13_1 for GSM .       |          |
| Element Name               | Element Value                                          | Comments |
| hch                        | '1'B                                                   |          |
| maio                       | INT_TO_BIT(TSPX_Maio1, 6)                              |          |
| hsn                        | INT_TO_BIT(TSPX_Hsn1, 6)                               |          |
| spr                        | -                                                      |          |
| arfcn                      | -                                                      |          |
| maclength                  | '03'O                                                  |          |
| mac_8n                     | INT_TO_BIT((OC_OctToInt(TSPX_Ma1) / 65536), 8)         |          |
| mac_7n                     | INT_TO_BIT(((OC_OctToInt(TSPX_Ma1) / 256) MOD 256), 8) |          |
| mac_6n                     | INT_TO_BIT((OC_OctToInt(TSPX_Ma1) MOD 256), 8)         |          |
| mac_5n                     | -                                                      |          |
| mac_4n                     | -                                                      |          |
| mac_3n                     | -                                                      |          |
| mac_2n                     | -                                                      |          |
| mac_1n                     | -                                                      |          |
| flst                       | Frql_20_A0                                             |          |
| <b>Detailed Comments:</b>  |                                                        |          |

| Structured Type Constraint |                                                        |          |
|----------------------------|--------------------------------------------------------|----------|
| <b>Constraint Name:</b>    | FreqSDCCH8_rg2                                         |          |
| <b>Structured Type:</b>    | FRQPARA                                                |          |
| <b>Derivation Path:</b>    | FreqSDCCH8_rg1.                                        |          |
| <b>Comments:</b>           | hopping SDCCH8 channel of TC_26_6_13_2 for GSM .       |          |
| Element Name               | Element Value                                          | Comments |
| maio                       | INT_TO_BIT(TSPX_Maio4, 6)                              |          |
| hsn                        | INT_TO_BIT(TSPX_Hsn4, 6)                               |          |
| mac_8n                     | INT_TO_BIT((OC_OctToInt(TSPX_Ma4) / 65536), 8)         |          |
| mac_7n                     | INT_TO_BIT(((OC_OctToInt(TSPX_Ma4) / 256) MOD 256), 8) |          |
| mac_6n                     | INT_TO_BIT((OC_OctToInt(TSPX_Ma4) MOD 256), 8)         |          |
| <b>Detailed Comments:</b>  |                                                        |          |

| Structured Type Constraint |                                                  |          |
|----------------------------|--------------------------------------------------|----------|
| <b>Constraint Name:</b>    | FreqSDCCH8_rd1                                   |          |
| <b>Structured Type:</b>    | FRQPARA                                          |          |
| <b>Derivation Path:</b>    | FreqSDCCH8_rg1.                                  |          |
| <b>Comments:</b>           | hopping SDCCH8 channel of TC_26_6_13_1 for DCS . |          |
| Element Name               | Element Value                                    | Comments |
| flst                       | Frql_20_A1d                                      |          |
| <b>Detailed Comments:</b>  |                                                  |          |

| Structured Type Constraint |                                                  |          |
|----------------------------|--------------------------------------------------|----------|
| <b>Constraint Name:</b>    | FreqSDCCH8_rd2                                   |          |
| <b>Structured Type:</b>    | FRQPARA                                          |          |
| <b>Derivation Path:</b>    | FreqSDCCH8_rg1.FreqSDCCH8_rg2.                   |          |
| <b>Comments:</b>           | hopping SDCCH8 channel of TC_26_6_13_2 for DCS . |          |
| Element Name               | Element Value                                    | Comments |
| flst                       | Frql_20_A1d                                      |          |
| <b>Detailed Comments:</b>  |                                                  |          |

| Structured Type Constraint |                                                   |          |
|----------------------------|---------------------------------------------------|----------|
| <b>Constraint Name:</b>    | FreqSDCCH8_e                                      |          |
| <b>Structured Type:</b>    | FRQPARA                                           |          |
| <b>Derivation Path:</b>    |                                                   |          |
| <b>Comments:</b>           | hopping SDCCH8 channel of TC_26_6_10_3 for EGSM . |          |
| Element Name               | Element Value                                     | Comments |
| hch                        | '1'B                                              |          |
| maio                       | -                                                 |          |
| hsn                        | -                                                 |          |
| spr                        | '00'B                                             |          |
| arfcn                      | INT_TO_BIT(40, 10)                                |          |
| maclength                  | '00'O                                             |          |
| mac_8n                     | -                                                 |          |
| mac_7n                     | -                                                 |          |
| mac_6n                     | -                                                 |          |
| mac_5n                     | -                                                 |          |
| mac_4n                     | -                                                 |          |
| mac_3n                     | -                                                 |          |
| mac_2n                     | -                                                 |          |
| mac_1n                     | -                                                 |          |
| flst                       | -                                                 |          |
| <b>Detailed Comments:</b>  |                                                   |          |

| Structured Type Constraint |                                             |          |
|----------------------------|---------------------------------------------|----------|
| <b>Constraint Name:</b>    | FreqSDCCH8_e1                               |          |
| <b>Structured Type:</b>    | FRQPARA                                     |          |
| <b>Derivation Path:</b>    |                                             |          |
| <b>Comments:</b>           | SDCCH8 channel of TC_26_6_10_2_2 for EGSM . |          |
| Element Name               | Element Value                               | Comments |
| hch                        | '0'B                                        |          |
| maio                       | -                                           |          |
| hsn                        | -                                           |          |
| spr                        | '00'B                                       |          |
| arfcn                      | INT_TO_BIT(1015, 10)                        |          |
| maclength                  | '00'O                                       |          |
| mac_8n                     | -                                           |          |
| mac_7n                     | -                                           |          |
| mac_6n                     | -                                           |          |
| mac_5n                     | -                                           |          |
| mac_4n                     | -                                           |          |
| mac_3n                     | -                                           |          |
| mac_2n                     | -                                           |          |
| mac_1n                     | -                                           |          |
| flst                       | -                                           |          |
| <b>Detailed Comments:</b>  |                                             |          |

| Structured Type Constraint |                                                                                       |          |
|----------------------------|---------------------------------------------------------------------------------------|----------|
| <b>Constraint Name:</b>    | FreqSDCCH8_e2                                                                         |          |
| <b>Structured Type:</b>    | FRQPARA                                                                               |          |
| <b>Derivation Path:</b>    |                                                                                       |          |
| <b>Comments:</b>           | hopping with<br>indicates to the ARFCN_list={0, 80, 1005, 1010} of cell allocation A. |          |
| Element Name               | Element Value                                                                         | Comments |
| hch                        | '1'B                                                                                  |          |
| maio                       | INT_TO_BIT((TSPX_MAIO MOD 4), 6)                                                      |          |
| hsn                        | INT_TO_BIT(TSPX_HSN, 6)                                                               |          |
| spr                        | -                                                                                     |          |
| arfcn                      | -                                                                                     |          |
| maclength                  | '01'O                                                                                 |          |
| mac_8n                     | '01110001'B                                                                           |          |
| mac_7n                     | -                                                                                     |          |
| mac_6n                     | -                                                                                     |          |
| mac_5n                     | -                                                                                     |          |
| mac_4n                     | -                                                                                     |          |
| mac_3n                     | -                                                                                     |          |
| mac_2n                     | -                                                                                     |          |
| mac_1n                     | -                                                                                     |          |
| flst                       | Frql_20_A0E                                                                           |          |
| <b>Detailed Comments:</b>  |                                                                                       |          |

| Structured Type Constraint |                                                        |          |
|----------------------------|--------------------------------------------------------|----------|
| <b>Constraint Name:</b>    | Freq_rg2                                               |          |
| <b>Structured Type:</b>    | FRQPARA                                                |          |
| <b>Derivation Path:</b>    | FreqSDCCH8_rg1.                                        |          |
| <b>Comments:</b>           | hopping channel of TC_26_6_13_1 for GSM , before time. |          |
| Element Name               | Element Value                                          | Comments |
| maio                       | INT_TO_BIT(TSPX_Maio3, 6)                              |          |
| hsn                        | INT_TO_BIT(TSPX_Hsn3, 6)                               |          |
| mac_8n                     | INT_TO_BIT((OC_OctToInt(TSPX_Ma3) / 65536), 8)         |          |
| mac_7n                     | INT_TO_BIT(((OC_OctToInt(TSPX_Ma3) / 256) MOD 256), 8) |          |
| mac_6n                     | INT_TO_BIT((OC_OctToInt(TSPX_Ma3) MOD 256), 8)         |          |
| <b>Detailed Comments:</b>  |                                                        |          |

| Structured Type Constraint |                                                       |          |
|----------------------------|-------------------------------------------------------|----------|
| <b>Constraint Name:</b>    | Freq_rd2                                              |          |
| <b>Structured Type:</b>    | FRQPARA                                               |          |
| <b>Derivation Path:</b>    | FreqSDCCH8_rg1.Freq_rg2.                              |          |
| <b>Comments:</b>           | hopping channel of TC_26_6_13_1 for DCS, before time. |          |
| Element Name               | Element Value                                         | Comments |
| flst                       | Frql_20_A1d                                           |          |
| <b>Detailed Comments:</b>  |                                                       |          |

| Structured Type Constraint |                                                        |          |
|----------------------------|--------------------------------------------------------|----------|
| <b>Constraint Name:</b>    | Freq_rg4                                               |          |
| <b>Structured Type:</b>    | FRQPARA                                                |          |
| <b>Derivation Path:</b>    | FreqSDCCH8_rg1.                                        |          |
| <b>Comments:</b>           | hopping channel of TC_26_6_13_2 for GSM, after time.   |          |
| Element Name               | Element Value                                          | Comments |
| maio                       | INT_TO_BIT(TSPX_Maio5, 6)                              |          |
| hsn                        | INT_TO_BIT(TSPX_Hsn5, 6)                               |          |
| mac_8n                     | INT_TO_BIT((OC_OctToInt(TSPX_Ma5) / 65536), 8)         |          |
| mac_7n                     | INT_TO_BIT(((OC_OctToInt(TSPX_Ma5) / 256) MOD 256), 8) |          |
| mac_6n                     | INT_TO_BIT((OC_OctToInt(TSPX_Ma5) MOD 256), 8)         |          |
| <b>Detailed Comments:</b>  |                                                        |          |

| Structured Type Constraint |                                                      |          |
|----------------------------|------------------------------------------------------|----------|
| <b>Constraint Name:</b>    | Freq_rd4                                             |          |
| <b>Structured Type:</b>    | FRQPARA                                              |          |
| <b>Derivation Path:</b>    | FreqSDCCH8_rg1.Freq_rg4.                             |          |
| <b>Comments:</b>           | hopping channel of TC_26_6_13_2 for DCS, after time. |          |
| Element Name               | Element Value                                        | Comments |
| flst                       | Frql_20_A1d                                          |          |
| <b>Detailed Comments:</b>  |                                                      |          |



| Structured Type Constraint |                                                                |          |
|----------------------------|----------------------------------------------------------------|----------|
| <b>Constraint Name:</b>    | Freq_rg5                                                       |          |
| <b>Structured Type:</b>    | FRQPARA                                                        |          |
| <b>Derivation Path:</b>    |                                                                |          |
| <b>Comments:</b>           | hopping channel of TC_26_6_13_3 for GSM, immediate assignment. |          |
| Element Name               | Element Value                                                  | Comments |
| hch                        | '1'B                                                           |          |
| maio                       | INT_TO_BIT(TSPX_Maio6, 6)                                      |          |
| hsn                        | INT_TO_BIT(TSPX_Hsn6, 6)                                       |          |
| spr                        | -                                                              |          |
| arfcn                      | -                                                              |          |
| maclength                  | '03'O                                                          |          |
| mac_8n                     | INT_TO_BIT((OC_OctToInt(TSPX_Ma6) / 65536), 8)                 |          |
| mac_7n                     | INT_TO_BIT(((OC_OctToInt(TSPX_Ma6) / 256) MOD 256), 8)         |          |
| mac_6n                     | INT_TO_BIT((OC_OctToInt(TSPX_Ma6) MOD 256), 8)                 |          |
| mac_5n                     | -                                                              |          |
| mac_4n                     | -                                                              |          |
| mac_3n                     | -                                                              |          |
| mac_2n                     | -                                                              |          |
| mac_1n                     | -                                                              |          |
| flst                       | Frql_20_A0                                                     |          |
| <b>Detailed Comments:</b>  |                                                                |          |

| Structured Type Constraint |                                                                |          |
|----------------------------|----------------------------------------------------------------|----------|
| <b>Constraint Name:</b>    | Freq_rd5                                                       |          |
| <b>Structured Type:</b>    | FRQPARA                                                        |          |
| <b>Derivation Path:</b>    | Freq_rg5.                                                      |          |
| <b>Comments:</b>           | hopping channel of TC_26_6_13_3 for DCS, immediate assignment. |          |
| Element Name               | Element Value                                                  | Comments |
| flst                       | Frql_20_A1d                                                    |          |
| <b>Detailed Comments:</b>  |                                                                |          |

| Structured Type Constraint |                                                                |          |
|----------------------------|----------------------------------------------------------------|----------|
| <b>Constraint Name:</b>    | Freq_rg7                                                       |          |
| <b>Structured Type:</b>    | FRQPARA                                                        |          |
| <b>Derivation Path:</b>    | FreqSDCCH8_rg1.                                                |          |
| <b>Comments:</b>           | hopping channel of TC_26_6_13_4 for GSM, immediate assignment. |          |
| Element Name               | Element Value                                                  | Comments |
| maio                       | INT_TO_BIT(TSPX_Maio10, 6)                                     |          |
| hsn                        | INT_TO_BIT(TSPX_Hsn10, 6)                                      |          |
| mac_8n                     | INT_TO_BIT((OC_OctToInt(TSPX_Ma10) / 65536), 8)                |          |
| mac_7n                     | INT_TO_BIT(((OC_OctToInt(TSPX_Ma10) / 256) MOD 256), 8)        |          |
| mac_6n                     | INT_TO_BIT((OC_OctToInt(TSPX_Ma10) MOD 256), 8)                |          |
| <b>Detailed Comments:</b>  |                                                                |          |

| Structured Type Constraint |                                                                |          |
|----------------------------|----------------------------------------------------------------|----------|
| <b>Constraint Name:</b>    | Freq_rd7                                                       |          |
| <b>Structured Type:</b>    | FRQPARA                                                        |          |
| <b>Derivation Path:</b>    | FreqSDCCH8_rg1.Freq_rg7.                                       |          |
| <b>Comments:</b>           | hopping channel of TC_26_6_13_4 for DCS, immediate assignment. |          |
| Element Name               | Element Value                                                  | Comments |
| flst                       | Frql_20_A1d                                                    |          |
| <b>Detailed Comments:</b>  |                                                                |          |

| Structured Type Constraint |                                                     |          |
|----------------------------|-----------------------------------------------------|----------|
| <b>Constraint Name:</b>    | Freq_rg8                                            |          |
| <b>Structured Type:</b>    | FRQPARA                                             |          |
| <b>Derivation Path:</b>    | FreqSDCCH8_rg1.                                     |          |
| <b>Comments:</b>           | hopping channel of TC_26_4_2_2 for GSM, assignment. |          |
| Element Name               | Element Value                                       | Comments |
| maio                       | '000000'B                                           |          |
| hsn                        | '000100'B                                           |          |
| mac_8n                     | '00001110'B                                         |          |
| <b>Detailed Comments:</b>  |                                                     |          |

| Structured Type Constraint |                                                                 |          |
|----------------------------|-----------------------------------------------------------------|----------|
| <b>Constraint Name:</b>    | Freq_rd8                                                        |          |
| <b>Structured Type:</b>    | FRQPARA                                                         |          |
| <b>Derivation Path:</b>    | FreqSDCCH8_rg1.Freq_rg8.                                        |          |
| <b>Comments:</b>           | hopping channel of TC_26_6_4_2_2 for DCS, immediate assignment. |          |
| Element Name               | Element Value                                                   | Comments |
| flst                       | Frql_17                                                         |          |
| <b>Detailed Comments:</b>  |                                                                 |          |

| Structured Type Constraint |                                                                       |          |
|----------------------------|-----------------------------------------------------------------------|----------|
| <b>Constraint Name:</b>    | Freq_rg9                                                              |          |
| <b>Structured Type:</b>    | FRQPARA                                                               |          |
| <b>Derivation Path:</b>    | FreqSDCCH8_rg1.                                                       |          |
| <b>Comments:</b>           | hopping channel of TC_26_6_13_5 for GSM, immediate assignment. cell A |          |
| Element Name               | Element Value                                                         | Comments |
| maio                       | INT_TO_BIT(TSPX_Maio14, 6)                                            |          |
| hsn                        | INT_TO_BIT(TSPX_Hsn14, 6)                                             |          |
| mac_8n                     | INT_TO_BIT((OC_OctToInt(TSPX_Ma14) / 65536), 8)                       |          |
| mac_7n                     | INT_TO_BIT(((OC_OctToInt(TSPX_Ma14) / 256) MOD 256), 8)               |          |
| mac_6n                     | INT_TO_BIT((OC_OctToInt(TSPX_Ma14) MOD 256), 8)                       |          |
| <b>Detailed Comments:</b>  |                                                                       |          |

| Structured Type Constraint |                                                                |          |
|----------------------------|----------------------------------------------------------------|----------|
| <b>Constraint Name:</b>    | Freq_rd9                                                       |          |
| <b>Structured Type:</b>    | FRQPARA                                                        |          |
| <b>Derivation Path:</b>    | FreqSDCCH8_rg1.Freq_rg9.                                       |          |
| <b>Comments:</b>           | hopping channel of TC_26_6_13_5 for DCS, immediate assignment. |          |
| Element Name               | Element Value                                                  | Comments |
| flst                       | Frql_20_A1d                                                    |          |
| <b>Detailed Comments:</b>  |                                                                |          |

| Structured Type Constraint |                                                                                |          |
|----------------------------|--------------------------------------------------------------------------------|----------|
| <b>Constraint Name:</b>    | Freq_rg10                                                                      |          |
| <b>Structured Type:</b>    | FRQPARA                                                                        |          |
| <b>Derivation Path:</b>    |                                                                                |          |
| <b>Comments:</b>           | hopping channel of TC_26_6_13_5 for GSM, hanfover command after time in Cell B |          |
| Element Name               | Element Value                                                                  | Comments |
| hch                        | '1'B                                                                           |          |
| maio                       | INT_TO_BIT(TSPX_Maio15, 6)                                                     |          |
| hsn                        | INT_TO_BIT(TSPX_Hsn15, 6)                                                      |          |
| spr                        | -                                                                              |          |
| arfcn                      | -                                                                              |          |
| maclength                  | '03'O                                                                          |          |
| mac_8n                     | INT_TO_BIT((OC_OctToInt(TSPX_Ma15) / 65536), 8)                                |          |
| mac_7n                     | INT_TO_BIT(((OC_OctToInt(TSPX_Ma15) / 256) MOD 256), 8)                        |          |
| mac_6n                     | INT_TO_BIT((OC_OctToInt(TSPX_Ma15) MOD 256), 8)                                |          |
| mac_5n                     | -                                                                              |          |
| mac_4n                     | -                                                                              |          |
| mac_3n                     | -                                                                              |          |
| mac_2n                     | -                                                                              |          |
| mac_1n                     | -                                                                              |          |
| flst                       | Frql_20_B0                                                                     |          |
| <b>Detailed Comments:</b>  |                                                                                |          |

| Structured Type Constraint |                                                                                 |          |
|----------------------------|---------------------------------------------------------------------------------|----------|
| <b>Constraint Name:</b>    | Freq_rg11                                                                       |          |
| <b>Structured Type:</b>    | FRQPARA                                                                         |          |
| <b>Derivation Path:</b>    | Freq_rg10.                                                                      |          |
| <b>Comments:</b>           | hopping channel of TC_26_6_13_5 for GSM, hanfover command before time in Cell B |          |
| Element Name               | Element Value                                                                   | Comments |
| maio                       | INT_TO_BIT(TSPX_Maio16, 6)                                                      |          |
| hsn                        | INT_TO_BIT(TSPX_Hsn16, 6)                                                       |          |
| mac_8n                     | INT_TO_BIT((OC_OctToInt(TSPX_Ma16) / 65536), 8)                                 |          |
| mac_7n                     | INT_TO_BIT(((OC_OctToInt(TSPX_Ma16) / 256) MOD 256), 8)                         |          |
| mac_6n                     | INT_TO_BIT((OC_OctToInt(TSPX_Ma16) MOD 256), 8)                                 |          |
| <b>Detailed Comments:</b>  |                                                                                 |          |

| Structured Type Constraint |                                                                                 |          |
|----------------------------|---------------------------------------------------------------------------------|----------|
| <b>Constraint Name:</b>    | Freq_rd11                                                                       |          |
| <b>Structured Type:</b>    | FRQPARA                                                                         |          |
| <b>Derivation Path:</b>    | Freq_rg10.Freq_rg11.                                                            |          |
| <b>Comments:</b>           | hopping channel of TC_26_6_13_5 for DCS, hanfover command before time in Cell B |          |
| Element Name               | Element Value                                                                   | Comments |
| flst                       | Frql_20_B1d                                                                     |          |
| <b>Detailed Comments:</b>  |                                                                                 |          |

| Structured Type Constraint |                                                                       |          |
|----------------------------|-----------------------------------------------------------------------|----------|
| <b>Constraint Name:</b>    | Freq_rg12                                                             |          |
| <b>Structured Type:</b>    | FRQPARA                                                               |          |
| <b>Derivation Path:</b>    | FreqSDCCH8_rg1.                                                       |          |
| <b>Comments:</b>           | hopping channel of TC_26_6_13_6 for GSM, immediate assignment. cell A |          |
| Element Name               | Element Value                                                         | Comments |
| maio                       | INT_TO_BIT(TSPX_Maio17, 6)                                            |          |
| hsn                        | INT_TO_BIT(TSPX_Hsn17, 6)                                             |          |
| mac_8n                     | INT_TO_BIT((OC_OctToInt(TSPX_Ma17) / 65536), 8)                       |          |
| mac_7n                     | INT_TO_BIT(((OC_OctToInt(TSPX_Ma17) / 256) MOD 256), 8)               |          |
| mac_6n                     | INT_TO_BIT((OC_OctToInt(TSPX_Ma17) MOD 256), 8)                       |          |
| <b>Detailed Comments:</b>  |                                                                       |          |

| Structured Type Constraint |                                                                       |          |
|----------------------------|-----------------------------------------------------------------------|----------|
| <b>Constraint Name:</b>    | Freq_rd12                                                             |          |
| <b>Structured Type:</b>    | FRQPARA                                                               |          |
| <b>Derivation Path:</b>    | FreqSDCCH8_rg1.Freq_rg12.                                             |          |
| <b>Comments:</b>           | hopping channel of TC_26_6_13_6 for DCS, immediate assignment. Cell A |          |
| Element Name               | Element Value                                                         | Comments |
| flst                       | Frql_20_A1d                                                           |          |
| <b>Detailed Comments:</b>  |                                                                       |          |

| Structured Type Constraint |                                                                                |          |
|----------------------------|--------------------------------------------------------------------------------|----------|
| <b>Constraint Name:</b>    | Freq_rg13                                                                      |          |
| <b>Structured Type:</b>    | FRQPARA                                                                        |          |
| <b>Derivation Path:</b>    | Freq_rg10.                                                                     |          |
| <b>Comments:</b>           | hopping channel of TC_26_6_13_6 for GSM, hanfover command after time in Cell B |          |
| Element Name               | Element Value                                                                  | Comments |
| maio                       | INT_TO_BIT(TSPX_Maio18, 6)                                                     |          |
| hsn                        | INT_TO_BIT(TSPX_Hsn18, 6)                                                      |          |
| mac_8n                     | INT_TO_BIT((OC_OctToInt(TSPX_Ma18) / 65536), 8)                                |          |
| mac_7n                     | INT_TO_BIT(((OC_OctToInt(TSPX_Ma18) / 256) MOD 256), 8)                        |          |
| mac_6n                     | INT_TO_BIT((OC_OctToInt(TSPX_Ma18) MOD 256), 8)                                |          |
| <b>Detailed Comments:</b>  |                                                                                |          |

| Structured Type Constraint |                                                                                |          |
|----------------------------|--------------------------------------------------------------------------------|----------|
| <b>Constraint Name:</b>    | Freq_rd13                                                                      |          |
| <b>Structured Type:</b>    | FRQPARA                                                                        |          |
| <b>Derivation Path:</b>    | Freq_rg10.                                                                     |          |
| <b>Comments:</b>           | hopping channel of TC_26_6_13_6 for DCS, handover command after time in Cell B |          |
| Element Name               | Element Value                                                                  | Comments |
| flst                       | Frql_20_B1d                                                                    |          |
| <b>Detailed Comments:</b>  |                                                                                |          |

| Structured Type Constraint |                                                                |          |
|----------------------------|----------------------------------------------------------------|----------|
| <b>Constraint Name:</b>    | Freq_rg14                                                      |          |
| <b>Structured Type:</b>    | FRQPARA                                                        |          |
| <b>Derivation Path:</b>    | FreqSDCCH8_rg1.                                                |          |
| <b>Comments:</b>           | hopping channel of TC_26_6_13_7 for GSM, immediate assignment. |          |
| Element Name               | Element Value                                                  | Comments |
| maio                       | INT_TO_BIT(TSPX_Maio20, 6)                                     |          |
| hsn                        | INT_TO_BIT(TSPX_Hsn20, 6)                                      |          |
| mac_8n                     | INT_TO_BIT((OC_OctToInt(TSPX_Ma20) / 65536), 8)                |          |
| mac_7n                     | INT_TO_BIT(((OC_OctToInt(TSPX_Ma20) / 256) MOD 256), 8)        |          |
| mac_6n                     | INT_TO_BIT((OC_OctToInt(TSPX_Ma20) MOD 256), 8)                |          |
| <b>Detailed Comments:</b>  |                                                                |          |

| Structured Type Constraint |                                                                |          |
|----------------------------|----------------------------------------------------------------|----------|
| <b>Constraint Name:</b>    | Freq_rd14                                                      |          |
| <b>Structured Type:</b>    | FRQPARA                                                        |          |
| <b>Derivation Path:</b>    | FreqSDCCH8_rg1.Freq_rg14.                                      |          |
| <b>Comments:</b>           | hopping channel of TC_26_6_13_7 for DCS, immediate assignment. |          |
| Element Name               | Element Value                                                  | Comments |
| flst                       | Frql_20_A1d                                                    |          |
| <b>Detailed Comments:</b>  |                                                                |          |

| Structured Type Constraint |                                                                |          |
|----------------------------|----------------------------------------------------------------|----------|
| <b>Constraint Name:</b>    | Freq_rg15                                                      |          |
| <b>Structured Type:</b>    | FRQPARA                                                        |          |
| <b>Derivation Path:</b>    | FreqSDCCH8_rg1.                                                |          |
| <b>Comments:</b>           | hopping channel of TC_26_6_13_8 for GSM, immediate assignment. |          |
| Element Name               | Element Value                                                  | Comments |
| maio                       | INT_TO_BIT(TSPX_Maio24, 6)                                     |          |
| hsn                        | INT_TO_BIT(TSPX_Hsn24, 6)                                      |          |
| mac_8n                     | INT_TO_BIT((OC_OctToInt(TSPX_Ma24) / 65536), 8)                |          |
| mac_7n                     | INT_TO_BIT(((OC_OctToInt(TSPX_Ma24) / 256) MOD 256), 8)        |          |
| mac_6n                     | INT_TO_BIT((OC_OctToInt(TSPX_Ma24) MOD 256), 8)                |          |
| <b>Detailed Comments:</b>  |                                                                |          |

| Structured Type Constraint |                                                                |          |
|----------------------------|----------------------------------------------------------------|----------|
| <b>Constraint Name:</b>    | Freq_rd15                                                      |          |
| <b>Structured Type:</b>    | FRQPARA                                                        |          |
| <b>Derivation Path:</b>    | FreqSDCCH8_rg1.Freq_rg15.                                      |          |
| <b>Comments:</b>           | hopping channel of TC_26_6_13_8 for DCS, immediate assignment. |          |
| Element Name               | Element Value                                                  | Comments |
| flst                       | Frql_20_A1d                                                    |          |
| <b>Detailed Comments:</b>  |                                                                |          |

| Structured Type Constraint |                                                                            |          |
|----------------------------|----------------------------------------------------------------------------|----------|
| <b>Constraint Name:</b>    | Freq_rg16                                                                  |          |
| <b>Structured Type:</b>    | FRQPARA                                                                    |          |
| <b>Derivation Path:</b>    | FreqSDCCH8_rg1.                                                            |          |
| <b>Comments:</b>           | hopping channel of TC_26_6_13_9 for GSM, immediate assignment before time. |          |
| Element Name               | Element Value                                                              | Comments |
| maio                       | INT_TO_BIT(TSPX_Maio29, 6)                                                 |          |
| hsn                        | INT_TO_BIT(TSPX_Hsn28, 6)                                                  |          |
| mac_8n                     | INT_TO_BIT((OC_OctToInt(TSPX_Ma29) / 65536), 8)                            |          |
| mac_7n                     | INT_TO_BIT(((OC_OctToInt(TSPX_Ma29) / 256) MOD 256), 8)                    |          |
| mac_6n                     | INT_TO_BIT((OC_OctToInt(TSPX_Ma29) MOD 256), 8)                            |          |
| <b>Detailed Comments:</b>  |                                                                            |          |

| Structured Type Constraint |                                                                            |          |
|----------------------------|----------------------------------------------------------------------------|----------|
| <b>Constraint Name:</b>    | Freq_rd16                                                                  |          |
| <b>Structured Type:</b>    | FRQPARA                                                                    |          |
| <b>Derivation Path:</b>    | FreqSDCCH8_rg1.Freq_rg16.                                                  |          |
| <b>Comments:</b>           | hopping channel of TC_26_6_13_8 for DCS, immediate assignment before time. |          |
| Element Name               | Element Value                                                              | Comments |
| flst                       | Frql_20_A1d                                                                |          |
| <b>Detailed Comments:</b>  |                                                                            |          |

| Structured Type Constraint |                                                                            |          |
|----------------------------|----------------------------------------------------------------------------|----------|
| <b>Constraint Name:</b>    | Freq_rg17                                                                  |          |
| <b>Structured Type:</b>    | FRQPARA                                                                    |          |
| <b>Derivation Path:</b>    | FreqSDCCH8_rg1.                                                            |          |
| <b>Comments:</b>           | hopping channel of TC_26_6_13_10 for GSM, immediate assignment after time. |          |
| Element Name               | Element Value                                                              | Comments |
| maio                       | INT_TO_BIT(TSPX_Maio30, 6)                                                 |          |
| hsn                        | INT_TO_BIT(TSPX_Hsn30, 6)                                                  |          |
| mac_8n                     | INT_TO_BIT((OC_OctToInt(TSPX_Ma30) / 65536), 8)                            |          |
| mac_7n                     | INT_TO_BIT(((OC_OctToInt(TSPX_Ma30) / 256) MOD 256), 8)                    |          |
| mac_6n                     | INT_TO_BIT((OC_OctToInt(TSPX_Ma30) MOD 256), 8)                            |          |
| <b>Detailed Comments:</b>  |                                                                            |          |

| Structured Type Constraint |                                                                           |          |
|----------------------------|---------------------------------------------------------------------------|----------|
| <b>Constraint Name:</b>    | Freq_rd17                                                                 |          |
| <b>Structured Type:</b>    | FRQPARA                                                                   |          |
| <b>Derivation Path:</b>    | FreqSDCCH8_rg1.Freq_rg17.                                                 |          |
| <b>Comments:</b>           | hopping channel of TC_26_6_13_8 for DCS, immediate assignment after time. |          |
| Element Name               | Element Value                                                             | Comments |
| flst                       | Frql_20_A1d                                                               |          |
| <b>Detailed Comments:</b>  |                                                                           |          |

| Structured Type Constraint |                                                               |          |
|----------------------------|---------------------------------------------------------------|----------|
| <b>Constraint Name:</b>    | Freq_rg18                                                     |          |
| <b>Structured Type:</b>    | FRQPARA                                                       |          |
| <b>Derivation Path:</b>    |                                                               |          |
| <b>Comments:</b>           | hopping channel of TC_26_6_6_1 for GSM, immediate assignment. |          |
| Element Name               | Element Value                                                 | Comments |
| hch                        | '1'B                                                          |          |
| maio                       | '001001'B                                                     |          |
| hsn                        | '000000'B                                                     |          |
| spr                        | -                                                             |          |
| arfcn                      | -                                                             |          |
| maclength                  | '08'O                                                         |          |
| mac_8n                     | '00000000'B                                                   |          |
| mac_7n                     | '00000000'B                                                   |          |
| mac_6n                     | '00000000'B                                                   |          |
| mac_5n                     | '00000000'B                                                   |          |
| mac_4n                     | '00000000'B                                                   |          |
| mac_3n                     | '00000000'B                                                   |          |
| mac_2n                     | '00111111'B                                                   |          |
| mac_1n                     | '11111110'B                                                   |          |
| flst                       | Frql_20                                                       |          |
| <b>Detailed Comments:</b>  |                                                               |          |

| Structured Type Constraint |                                                               |          |
|----------------------------|---------------------------------------------------------------|----------|
| <b>Constraint Name:</b>    | Freq_rd18                                                     |          |
| <b>Structured Type:</b>    | FRQPARA                                                       |          |
| <b>Derivation Path:</b>    | Freq_rg18.                                                    |          |
| <b>Comments:</b>           | hopping channel of TC_26_6_6_1 for DCS, immediate assignment. |          |
| Element Name               | Element Value                                                 | Comments |
| flst                       | Frql_29                                                       |          |
| <b>Detailed Comments:</b>  |                                                               |          |

| Structured Type Constraint |                                                               |          |
|----------------------------|---------------------------------------------------------------|----------|
| <b>Constraint Name:</b>    | Freq_rg19                                                     |          |
| <b>Structured Type:</b>    | FRQPARA                                                       |          |
| <b>Derivation Path:</b>    | Freq_rg18.                                                    |          |
| <b>Comments:</b>           | hopping channel of TC_26_6_6_1 for GSM, immediate assignment. |          |
| Element Name               | Element Value                                                 | Comments |
| mac_8n                     | '10000000'B                                                   |          |
| mac_7n                     | '00000000'B                                                   |          |
| mac_6n                     | '00000000'B                                                   |          |
| mac_5n                     | '10000000'B                                                   |          |
| mac_4n                     | '00100000'B                                                   |          |
| mac_3n                     | '00000000'B                                                   |          |
| mac_2n                     | '00000000'B                                                   |          |
| mac_1n                     | '00000101'B                                                   |          |
| flst                       | Frql_21                                                       |          |
| <b>Detailed Comments:</b>  |                                                               |          |

| Structured Type Constraint |                                                               |          |
|----------------------------|---------------------------------------------------------------|----------|
| <b>Constraint Name:</b>    | Freq_rd19                                                     |          |
| <b>Structured Type:</b>    | FRQPARA                                                       |          |
| <b>Derivation Path:</b>    | Freq_rg18.Freq_rg19.                                          |          |
| <b>Comments:</b>           | hopping channel of TC_26_6_6_1 for DCS, immediate assignment. |          |
| Element Name               | Element Value                                                 | Comments |
| flst                       | Frql_30                                                       |          |
| <b>Detailed Comments:</b>  |                                                               |          |

| Structured Type Constraint |                                                               |          |
|----------------------------|---------------------------------------------------------------|----------|
| <b>Constraint Name:</b>    | Freq_rg20                                                     |          |
| <b>Structured Type:</b>    | FRQPARA                                                       |          |
| <b>Derivation Path:</b>    | Freq_rg18.                                                    |          |
| <b>Comments:</b>           | hopping channel of TC_26_6_6_1 for GSM, immediate assignment. |          |
| Element Name               | Element Value                                                 | Comments |
| mac_8n                     | '01000000'B                                                   |          |
| mac_7n                     | '00000000'B                                                   |          |
| mac_6n                     | '00000000'B                                                   |          |
| mac_5n                     | '00000010'B                                                   |          |
| mac_4n                     | '00000000'B                                                   |          |
| mac_3n                     | '00000000'B                                                   |          |
| mac_2n                     | '00000000'B                                                   |          |
| mac_1n                     | '01100101'B                                                   |          |
| flst                       | Frql_22                                                       |          |
| <b>Detailed Comments:</b>  |                                                               |          |

| Structured Type Constraint |                                                               |          |
|----------------------------|---------------------------------------------------------------|----------|
| <b>Constraint Name:</b>    | Freq_rd20                                                     |          |
| <b>Structured Type:</b>    | FRQPARA                                                       |          |
| <b>Derivation Path:</b>    | Freq_rg18.Freq_rg20.                                          |          |
| <b>Comments:</b>           | hopping channel of TC_26_6_6_1 for DCS, immediate assignment. |          |
| Element Name               | Element Value                                                 | Comments |
| flst                       | Frql_31                                                       |          |
| <b>Detailed Comments:</b>  |                                                               |          |

| Structured Type Constraint |                                                               |          |
|----------------------------|---------------------------------------------------------------|----------|
| <b>Constraint Name:</b>    | Freq_rg21                                                     |          |
| <b>Structured Type:</b>    | FRQPARA                                                       |          |
| <b>Derivation Path:</b>    | Freq_rg18.                                                    |          |
| <b>Comments:</b>           | hopping channel of TC_26_6_6_1 for GSM, immediate assignment. |          |
| Element Name               | Element Value                                                 | Comments |
| mac_8n                     | '00000001'B                                                   |          |
| mac_7n                     | '00000000'B                                                   |          |
| mac_6n                     | '01000010'B                                                   |          |
| mac_5n                     | '00000000'B                                                   |          |
| mac_4n                     | '00000000'B                                                   |          |
| mac_3n                     | '00000001'B                                                   |          |
| mac_2n                     | '01110000'B                                                   |          |
| mac_1n                     | '00000000'B                                                   |          |
| flst                       | Frql_23                                                       |          |
| <b>Detailed Comments:</b>  |                                                               |          |



| Structured Type Constraint |                                                                     |          |
|----------------------------|---------------------------------------------------------------------|----------|
| <b>Constraint Name:</b>    | Freq_rd21                                                           |          |
| <b>Structured Type:</b>    | FRQPARA                                                             |          |
| <b>Derivation Path:</b>    | Freq_rg18.Freq_rg21.                                                |          |
| <b>Comments:</b>           | hopping channel of TC_26_6_6_1 for DCS, immediate assignment.       |          |
| Element Name               | Element Value                                                       | Comments |
| flst                       | Frql_32                                                             |          |
| <b>Detailed Comments:</b>  | ARFCN's: 717, ..., 724, 733, ..., 744, 757, ..., 760, 773, ..., 812 |          |

| Structured Type Constraint |                                                               |          |
|----------------------------|---------------------------------------------------------------|----------|
| <b>Constraint Name:</b>    | Freq_rg22                                                     |          |
| <b>Structured Type:</b>    | FRQPARA                                                       |          |
| <b>Derivation Path:</b>    | Freq_rg18.                                                    |          |
| <b>Comments:</b>           | hopping channel of TC_26_6_6_1 for GSM, immediate assignment. |          |
| Element Name               | Element Value                                                 | Comments |
| mac_8n                     | '01001000'B                                                   |          |
| mac_7n                     | '00000000'B                                                   |          |
| mac_6n                     | '00000000'B                                                   |          |
| mac_5n                     | '00000000'B                                                   |          |
| mac_4n                     | '00000000'B                                                   |          |
| mac_3n                     | '00001101'B                                                   |          |
| mac_2n                     | '01000100'B                                                   |          |
| mac_1n                     | '00000001'B                                                   |          |
| flst                       | Frql_24                                                       |          |
| <b>Detailed Comments:</b>  |                                                               |          |

| Structured Type Constraint |                                                                                                                                                                                                |          |
|----------------------------|------------------------------------------------------------------------------------------------------------------------------------------------------------------------------------------------|----------|
| <b>Constraint Name:</b>    | Freq_rd22                                                                                                                                                                                      |          |
| <b>Structured Type:</b>    | FRQPARA                                                                                                                                                                                        |          |
| <b>Derivation Path:</b>    | Freq_rg18.Freq_rg22.                                                                                                                                                                           |          |
| <b>Comments:</b>           | hopping channel of TC_26_6_6_1 for DCS, immediate assignment.                                                                                                                                  |          |
| Element Name               | Element Value                                                                                                                                                                                  | Comments |
| flst                       | Frql_33                                                                                                                                                                                        |          |
| <b>Detailed Comments:</b>  | 64 ARFCN's: 702, ..., 732, 749, 750, 754, ..., 756, 758, 762, ..., 764, 766, 770, ..., 772, 774, 778, ..., 780, 782, 786, ..., 788, 790, 794, ..., 796, 798, 802, ..., 804, 806, 810, ..., 812 |          |

| Structured Type Constraint |                                                               |          |
|----------------------------|---------------------------------------------------------------|----------|
| <b>Constraint Name:</b>    | Freq_rg23                                                     |          |
| <b>Structured Type:</b>    | FRQPARA                                                       |          |
| <b>Derivation Path:</b>    | Freq_rg18.                                                    |          |
| <b>Comments:</b>           | hopping channel of TC_26_6_6_1 for GSM, immediate assignment. |          |
| Element Name               | Element Value                                                 | Comments |
| mac_8n                     | '11111111'B                                                   |          |
| mac_7n                     | '10000000'B                                                   |          |
| mac_6n                     | '00000000'B                                                   |          |
| mac_5n                     | '00000000'B                                                   |          |
| mac_4n                     | '00000000'B                                                   |          |
| mac_3n                     | '00000000'B                                                   |          |
| mac_2n                     | '00011111'B                                                   |          |
| mac_1n                     | '00000000'B                                                   |          |
| flst                       | Frql_25                                                       |          |
| <b>Detailed Comments:</b>  |                                                               |          |

| Structured Type Constraint |                                                                                                                                                                                                                           |          |
|----------------------------|---------------------------------------------------------------------------------------------------------------------------------------------------------------------------------------------------------------------------|----------|
| <b>Constraint Name:</b>    | Freq_rd23                                                                                                                                                                                                                 |          |
| <b>Structured Type:</b>    | FRQPARA                                                                                                                                                                                                                   |          |
| <b>Derivation Path:</b>    | Freq_rg18.Freq_rg23.                                                                                                                                                                                                      |          |
| <b>Comments:</b>           | hopping channel of TC_26_6_6_1 for DCS, immediate assignment.                                                                                                                                                             |          |
| Element Name               | Element Value                                                                                                                                                                                                             | Comments |
| flst                       | Frql_34                                                                                                                                                                                                                   |          |
| <b>Detailed Comments:</b>  | ARFCN's: 707, 709, ..., 713, 715, 717, ..., 721, 723, 725, ..., 729, 731, 733, ..., 737, 739, 741, ..., 745, 747, 749, ..., 753, 755, 757, ..., 761, 763, 765, ..., 769, 771, 779, 787, 795, 798, ..., 803, 806, ..., 811 |          |

| Structured Type Constraint |                                                               |          |
|----------------------------|---------------------------------------------------------------|----------|
| <b>Constraint Name:</b>    | Freq_rg24                                                     |          |
| <b>Structured Type:</b>    | FRQPARA                                                       |          |
| <b>Derivation Path:</b>    | Freq_rg18.                                                    |          |
| <b>Comments:</b>           | hopping channel of TC_26_6_6_1 for GSM, immediate assignment. |          |
| Element Name               | Element Value                                                 | Comments |
| mac_8n                     | '11111000'B                                                   |          |
| mac_7n                     | '00000000'B                                                   |          |
| mac_6n                     | '00000000'B                                                   |          |
| mac_5n                     | '00000000'B                                                   |          |
| mac_4n                     | '00000000'B                                                   |          |
| mac_3n                     | '00000000'B                                                   |          |
| mac_2n                     | '00011111'B                                                   |          |
| mac_1n                     | '00000000'B                                                   |          |
| flst                       | Frql_26                                                       |          |
| <b>Detailed Comments:</b>  |                                                               |          |

| Structured Type Constraint |                                                                                                                                                                                        |          |
|----------------------------|----------------------------------------------------------------------------------------------------------------------------------------------------------------------------------------|----------|
| <b>Constraint Name:</b>    | Freq_rd24                                                                                                                                                                              |          |
| <b>Structured Type:</b>    | FRQPARA                                                                                                                                                                                |          |
| <b>Derivation Path:</b>    | Freq_rg18.Freq_rg24.                                                                                                                                                                   |          |
| <b>Comments:</b>           | hopping channel of TC_26_6_6_1 for DCS, immediate assignment.                                                                                                                          |          |
| Element Name               | Element Value                                                                                                                                                                          | Comments |
| flst                       | Frql_35                                                                                                                                                                                |          |
| <b>Detailed Comments:</b>  | ARFCN's: 705, ..., 736, 749, 751, 753, 755, 757, 759, 761, 763, 765, 767, 769, 771, 773, 775, 777, 779, 781, 783, 785, 787, 789, 791, 793, 795, 797, 799, 801, 803, 805, 807, 809, 811 |          |

| Structured Type Constraint |                                                               |          |
|----------------------------|---------------------------------------------------------------|----------|
| <b>Constraint Name:</b>    | Freq_rg25                                                     |          |
| <b>Structured Type:</b>    | FRQPARA                                                       |          |
| <b>Derivation Path:</b>    | Freq_rg18.                                                    |          |
| <b>Comments:</b>           | hopping channel of TC_26_6_6_1 for GSM, immediate assignment. |          |
| Element Name               | Element Value                                                 | Comments |
| mac_8n                     | '00000000'B                                                   |          |
| mac_7n                     | '00000000'B                                                   |          |
| mac_6n                     | '00000000'B                                                   |          |
| mac_5n                     | '00000000'B                                                   |          |
| mac_4n                     | '00000000'B                                                   |          |
| mac_3n                     | '00001111'B                                                   |          |
| mac_2n                     | '11111110'B                                                   |          |
| mac_1n                     | '00000000'B                                                   |          |
| flst                       | Frql_27                                                       |          |
| <b>Detailed Comments:</b>  |                                                               |          |

| Structured Type Constraint |                                                                                                                                                                                                           |          |
|----------------------------|-----------------------------------------------------------------------------------------------------------------------------------------------------------------------------------------------------------|----------|
| <b>Constraint Name:</b>    | Freq_rd25                                                                                                                                                                                                 |          |
| <b>Structured Type:</b>    | FRQPARA                                                                                                                                                                                                   |          |
| <b>Derivation Path:</b>    | Freq_rg18.Freq_rg25.                                                                                                                                                                                      |          |
| <b>Comments:</b>           | hopping channel of TC_26_6_6_1 for DCS, immediate assignment.                                                                                                                                             |          |
| Element Name               | Element Value                                                                                                                                                                                             | Comments |
| flst                       | Frql_36                                                                                                                                                                                                   |          |
| <b>Detailed Comments:</b>  | ARFCN's: 702, 704, 706, 708, 710, 712, 714, 716, 718, 720, 722, 724, 726, 728, 730, 732, 734, 76, 738, 740, 742, 744, 746, 748, 750, 852, 754, 756, 758, 760, 762, 764, ..., 780, 789, ..., 796, 805, 812 |          |

| Structured Type Constraint |                                                               |          |
|----------------------------|---------------------------------------------------------------|----------|
| <b>Constraint Name:</b>    | Freq_rg26                                                     |          |
| <b>Structured Type:</b>    | FRQPARA                                                       |          |
| <b>Derivation Path:</b>    |                                                               |          |
| <b>Comments:</b>           | hopping channel of TC_26_6_6_1 for GSM, immediate assignment. |          |
| Element Name               | Element Value                                                 | Comments |
| hch                        | '1'B                                                          |          |
| maio                       | '001001'B                                                     |          |
| hsn                        | '000000'B                                                     |          |
| spr                        | -                                                             |          |
| arfcn                      | -                                                             |          |
| maclength                  | '08'O                                                         |          |
| mac_8n                     | '11111111'B                                                   |          |
| mac_7n                     | '11110000'B                                                   |          |
| mac_6n                     | '00000000'B                                                   |          |
| mac_5n                     | '00000000'B                                                   |          |
| mac_4n                     | '00000000'B                                                   |          |
| mac_3n                     | '00000000'B                                                   |          |
| mac_2n                     | '00000000'B                                                   |          |
| mac_1n                     | '00000000'B                                                   |          |
| flst                       | Frql_28                                                       |          |
| <b>Detailed Comments:</b>  |                                                               |          |

| Structured Type Constraint |                                                               |          |
|----------------------------|---------------------------------------------------------------|----------|
| <b>Constraint Name:</b>    | Freq_rd26                                                     |          |
| <b>Structured Type:</b>    | FRQPARA                                                       |          |
| <b>Derivation Path:</b>    |                                                               |          |
| <b>Comments:</b>           | hopping channel of TC_26_6_6_1 for DCS, immediate assignment. |          |
| Element Name               | Element Value                                                 | Comments |
| hch                        | '1'B                                                          |          |
| maio                       | '001001'B                                                     |          |
| hsn                        | '000000'B                                                     |          |
| spr                        | -                                                             |          |
| arfcn                      | -                                                             |          |
| maclength                  | '08'O                                                         |          |
| mac_8n                     | '11111111'B                                                   |          |
| mac_7n                     | '11110000'B                                                   |          |
| mac_6n                     | '00000000'B                                                   |          |
| mac_5n                     | '00000000'B                                                   |          |
| mac_4n                     | '00000000'B                                                   |          |
| mac_3n                     | '00000000'B                                                   |          |
| mac_2n                     | '00000000'B                                                   |          |
| mac_1n                     | '00000000'B                                                   |          |
| flst                       | Frql_37                                                       |          |
| <b>Detailed Comments:</b>  | ARFCN's: 717, ..., 748, 765, ..., 796                         |          |

| Structured Type Constraint |                                                   |          |
|----------------------------|---------------------------------------------------|----------|
| <b>Constraint Name:</b>    | Frql(par_flist, par_flistl:LENGTH)                |          |
| <b>Structured Type:</b>    | FRQL                                              |          |
| <b>Derivation Path:</b>    |                                                   |          |
| <b>Comments:</b>           | parameterized frequency list information element. |          |
| Element Name               | Element Value                                     | Comments |
| iei                        | '00000101'B                                       |          |
| iel                        | par_flistl                                        |          |
| fl                         | par_flist                                         |          |
| <b>Detailed Comments:</b>  |                                                   |          |

| Structured Type Constraint |               |          |
|----------------------------|---------------|----------|
| <b>Constraint Name:</b>    | Frql_omit     |          |
| <b>Structured Type:</b>    | FRQL          |          |
| <b>Derivation Path:</b>    |               |          |
| <b>Comments:</b>           |               |          |
| Element Name               | Element Value | Comments |
| iei                        | -             |          |
| iel                        | -             |          |
| fl                         | -             |          |
| <b>Detailed Comments:</b>  |               |          |

| Structured Type Constraint |                                                         |          |
|----------------------------|---------------------------------------------------------|----------|
| <b>Constraint Name:</b>    | Frql_short(flist:OCTETSTRING)                           |          |
| <b>Structured Type:</b>    | FRQL                                                    |          |
| <b>Derivation Path:</b>    |                                                         |          |
| <b>Comments:</b>           | parameterized frequency short list information element. |          |
| Element Name               | Element Value                                           | Comments |
| iei                        | '00000010'B                                             |          |
| iel                        | -                                                       |          |
| fl                         | flist                                                   |          |
| <b>Detailed Comments:</b>  |                                                         |          |

| Structured Type Constraint |                                                   |          |
|----------------------------|---------------------------------------------------|----------|
| <b>Constraint Name:</b>    | Frql_01                                           |          |
| <b>Structured Type:</b>    | FRQL                                              |          |
| <b>Derivation Path:</b>    |                                                   |          |
| <b>Comments:</b>           | coded as length = 1 and unrecognised IE contents. |          |
| Element Name               | Element Value                                     | Comments |
| iei                        | -                                                 |          |
| iel                        | '01'O                                             |          |
| fl                         | '00'O                                             |          |
| <b>Detailed Comments:</b>  |                                                   |          |

| Structured Type Constraint |                                                   |          |
|----------------------------|---------------------------------------------------|----------|
| <b>Constraint Name:</b>    | Frql_02                                           |          |
| <b>Structured Type:</b>    | FRQL                                              |          |
| <b>Derivation Path:</b>    |                                                   |          |
| <b>Comments:</b>           | coded as length = 1 and unrecognised IE contents. |          |
| Element Name               | Element Value                                     | Comments |
| iei                        | '11011010'B                                       |          |
| iel                        | -                                                 |          |
| fl                         | -                                                 |          |
| <b>Detailed Comments:</b>  |                                                   |          |



| Structured Type Constraint |                                               |          |
|----------------------------|-----------------------------------------------|----------|
| <b>Constraint Name:</b>    | Frql_10                                       |          |
| <b>Structured Type:</b>    | FRQL                                          |          |
| <b>Derivation Path:</b>    |                                               |          |
| <b>Comments:</b>           | ARFCNs 10, 17, 20, 26, 34, 42, 45, 46, 52, 59 |          |
| Element Name               | Element Value                                 | Comments |
| iei                        | '00000101'B                                   |          |
| iel                        | '10'O                                         |          |
| fl                         | '00000000000000000000408320202090200'<br>O    |          |
| <b>Detailed Comments:</b>  |                                               |          |

| Structured Type Constraint |                                                     |          |
|----------------------------|-----------------------------------------------------|----------|
| <b>Constraint Name:</b>    | Frql_11                                             |          |
| <b>Structured Type:</b>    | FRQL                                                |          |
| <b>Derivation Path:</b>    |                                                     |          |
| <b>Comments:</b>           | ARFCNs 45, 46, 52, 59, 66, 73, 74, 75, 76, 108, 114 |          |
| Element Name               | Element Value                                       | Comments |
| iei                        | '00000101'B                                         |          |
| iel                        | '10'O                                               |          |
| fl                         | '0002080000000F020408300000000000'<br>O             |          |
| <b>Detailed Comments:</b>  |                                                     |          |

| Structured Type Constraint |                                           |          |
|----------------------------|-------------------------------------------|----------|
| <b>Constraint Name:</b>    | Frql_12                                   |          |
| <b>Structured Type:</b>    | FRQL                                      |          |
| <b>Derivation Path:</b>    |                                           |          |
| <b>Comments:</b>           | ARFCNs 17, 20                             |          |
| Element Name               | Element Value                             | Comments |
| iei                        | '00000101'B                               |          |
| iel                        | '10'O                                     |          |
| fl                         | '0000000000000000000000000000090000'<br>O |          |
| <b>Detailed Comments:</b>  |                                           |          |

| Structured Type Constraint |                                                         |          |
|----------------------------|---------------------------------------------------------|----------|
| <b>Constraint Name:</b>    | Frql_13                                                 |          |
| <b>Structured Type:</b>    | FRQL                                                    |          |
| <b>Derivation Path:</b>    |                                                         |          |
| <b>Comments:</b>           | ARFCNs 734, 741, 747, 754, 759, 766, 773, 775, 779, 782 |          |
| Element Name               | Element Value                                           | Comments |
| iei                        | '00000101'B                                             |          |
| iel                        | '10'O                                                   |          |
| fl                         | '82FEF6837EBF0300FCFEF6000000000'<br>O                  |          |
| <b>Detailed Comments:</b>  |                                                         |          |

| Structured Type Constraint |                                                     |          |
|----------------------------|-----------------------------------------------------|----------|
| <b>Constraint Name:</b>    | Frql_14                                             |          |
| <b>Structured Type:</b>    | FRQL                                                |          |
| <b>Derivation Path:</b>    |                                                     |          |
| <b>Comments:</b>           | ARFCNs: 773, 775, 779, 782, 791, 789, 829, 832, 844 |          |
| Element Name               | Element Value                                       | Comments |
| iei                        | '00000101'B                                         |          |
| iel                        | '10'O                                               |          |
| fl                         | '8315FB0AFF3F40C33F5A000000000000'<br>O             |          |
| <b>Detailed Comments:</b>  |                                                     |          |

| Structured Type Constraint |                                         |          |
|----------------------------|-----------------------------------------|----------|
| <b>Constraint Name:</b>    | Frql_15                                 |          |
| <b>Structured Type:</b>    | FRQL                                    |          |
| <b>Derivation Path:</b>    |                                         |          |
| <b>Comments:</b>           | ARFCNs 741, 747                         |          |
| Element Name               | Element Value                           | Comments |
| iei                        | '00000101'B                             |          |
| iel                        | '10'O                                   |          |
| fl                         | '82EBFD00000000000000000000000000'<br>O |          |
| <b>Detailed Comments:</b>  |                                         |          |

| Structured Type Constraint |                                         |          |
|----------------------------|-----------------------------------------|----------|
| <b>Constraint Name:</b>    | Frql_17                                 |          |
| <b>Structured Type:</b>    | FRQL                                    |          |
| <b>Derivation Path:</b>    |                                         |          |
| <b>Comments:</b>           | ARFCNs 590, 650, 750, 850               |          |
| Element Name               | Element Value                           | Comments |
| iei                        | '00000101'B                             |          |
| iel                        | '10'O                                   |          |
| fl                         | 'EECE1931000000000000000000000000'<br>O |          |
| <b>Detailed Comments:</b>  |                                         |          |

| Structured Type Constraint |                                          |          |
|----------------------------|------------------------------------------|----------|
| <b>Constraint Name:</b>    | Frql_20                                  |          |
| <b>Structured Type:</b>    | FRQL                                     |          |
| <b>Derivation Path:</b>    |                                          |          |
| <b>Comments:</b>           | ARFCNs = 1.. 64 for GSM of TC_26_6_6_1   |          |
| Element Name               | Element Value                            | Comments |
| iei                        | '00000101'B                              |          |
| iel                        | '10'O                                    |          |
| fl                         | '0000000000000000FFFFFFFFFFFFFFF'<br>F'O |          |
| <b>Detailed Comments:</b>  |                                          |          |

| Structured Type Constraint |                                                                                                                       |          |
|----------------------------|-----------------------------------------------------------------------------------------------------------------------|----------|
| <b>Constraint Name:</b>    | Frql_20_A0                                                                                                            |          |
| <b>Structured Type:</b>    | FRQL                                                                                                                  |          |
| <b>Derivation Path:</b>    |                                                                                                                       |          |
| <b>Comments:</b>           | Complete Cell Allocation of cell A in HO cases.<br>ARFCN_list={10,17,20,26,34,42,45,46,52,59,66,73,74,75,76,108,114}. |          |
| Element Name               | Element Value                                                                                                         | Comments |
| iei                        | '00000101'B                                                                                                           |          |
| iel                        | '10'O                                                                                                                 |          |
| fl                         | '000208000000F020408320202090200'<br>O                                                                                |          |
| <b>Detailed Comments:</b>  |                                                                                                                       |          |

| Structured Type Constraint |                                                                                                                                                                                                                                             |          |
|----------------------------|---------------------------------------------------------------------------------------------------------------------------------------------------------------------------------------------------------------------------------------------|----------|
| <b>Constraint Name:</b>    | Frql_20_A0d                                                                                                                                                                                                                                 |          |
| <b>Structured Type:</b>    | FRQL                                                                                                                                                                                                                                        |          |
| <b>Derivation Path:</b>    |                                                                                                                                                                                                                                             |          |
| <b>Comments:</b>           | Complete Cell Allocation of Cell A in HO cases using 512 format.<br>frequency list, after time for a target cell used in HO_case in cell A for DCS1800.<br>List_ARFCN={734,741,747,754,759,762,766,767,773,775,779,782,791,798,829,832,844} |          |
| Element Name               | Element Value                                                                                                                                                                                                                               | Comments |
| iei                        | '00000101'B                                                                                                                                                                                                                                 |          |
| iel                        | '10'O                                                                                                                                                                                                                                       |          |
| fl                         | '896F0A7CC5FC700A8B9F7FF45246334'<br>0'O                                                                                                                                                                                                    |          |
| <b>Detailed Comments:</b>  |                                                                                                                                                                                                                                             |          |

| Structured Type Constraint |                                                          |          |
|----------------------------|----------------------------------------------------------|----------|
| <b>Constraint Name:</b>    | Frql_20_egsm(par_flist: OCTETSTRING; par_flistl: LENGTH) |          |
| <b>Structured Type:</b>    | FRQL                                                     |          |
| <b>Derivation Path:</b>    |                                                          |          |
| <b>Comments:</b>           | Complete Cell Allocation in EGSM cases.                  |          |
| Element Name               | Element Value                                            | Comments |
| iei                        | '00000101'B                                              |          |
| iel                        | par_flistl                                               |          |
| fl                         | par_flist                                                |          |
| <b>Detailed Comments:</b>  |                                                          |          |

| Structured Type Constraint |                                                                                                             |          |
|----------------------------|-------------------------------------------------------------------------------------------------------------|----------|
| <b>Constraint Name:</b>    | Frql_20_A                                                                                                   |          |
| <b>Structured Type:</b>    | FRQL                                                                                                        |          |
| <b>Derivation Path:</b>    |                                                                                                             |          |
| <b>Comments:</b>           | frequency list, after time used in HO_case in cell A.<br>List_ARFCN={10,17,20,26,59,66,73,74,75,76,108,114} |          |
| Element Name               | Element Value                                                                                               | Comments |
| iei                        | '00000101'B                                                                                                 |          |
| iel                        | '10'O                                                                                                       |          |
| fl                         | '000208000000F020400000002090200'<br>O                                                                      |          |
| <b>Detailed Comments:</b>  |                                                                                                             |          |



| Structured Type Constraint |                                                                                                                                        |          |
|----------------------------|----------------------------------------------------------------------------------------------------------------------------------------|----------|
| <b>Constraint Name:</b>    | Frql_20_Ad                                                                                                                             |          |
| <b>Structured Type:</b>    | FRQL                                                                                                                                   |          |
| <b>Derivation Path:</b>    |                                                                                                                                        |          |
| <b>Comments:</b>           | frequency list used in HO_case in cell A for DCS1800 using 256 format for the List_ARFCN={747, 775, 779, 782, 791, 798, 829, 832, 844} |          |
| Element Name               | Element Value                                                                                                                          | Comments |
| iei                        | '00000101'B                                                                                                                            |          |
| iel                        | '09'O                                                                                                                                  |          |
| fl                         | '8B7599F045EFA499C0'O                                                                                                                  |          |
| <b>Detailed Comments:</b>  |                                                                                                                                        |          |

| Structured Type Constraint |                                                                                                                                                                                                       |          |
|----------------------------|-------------------------------------------------------------------------------------------------------------------------------------------------------------------------------------------------------|----------|
| <b>Constraint Name:</b>    | Frql_20_A1d                                                                                                                                                                                           |          |
| <b>Structured Type:</b>    | FRQL                                                                                                                                                                                                  |          |
| <b>Derivation Path:</b>    |                                                                                                                                                                                                       |          |
| <b>Comments:</b>           | frequency list, after time for cell B used in TC_26_6_13 for cell A (DCS) using 256 format for the List_ARFCN = {734, 741, 747, 754, 759, 762, 766, 767, 773, 775, 779, 782, 791, 798, 829, 832, 844} |          |
| Element Name               | Element Value                                                                                                                                                                                         | Comments |
| iei                        | '00000101'B                                                                                                                                                                                           |          |
| iel                        | '0F'O                                                                                                                                                                                                 |          |
| fl                         | '8B6F1473F32FC602C59EFA5499940'O                                                                                                                                                                      |          |
| <b>Detailed Comments:</b>  |                                                                                                                                                                                                       |          |

| Structured Type Constraint |                                                                                                                       |          |
|----------------------------|-----------------------------------------------------------------------------------------------------------------------|----------|
| <b>Constraint Name:</b>    | Frql_20_A2                                                                                                            |          |
| <b>Structured Type:</b>    | FRQL                                                                                                                  |          |
| <b>Derivation Path:</b>    |                                                                                                                       |          |
| <b>Comments:</b>           | Complete Cell Allocation of cell A in HO cases.<br>ARFCN_list={10,17,20,26,34,42,45,46,52,59,66,73,74,75,76,108,114}. |          |
| Element Name               | Element Value                                                                                                         | Comments |
| iei                        | '00000101'B                                                                                                           |          |
| iel                        | '10'O                                                                                                                 |          |
| fl                         | '000208000000F020408320202090200'O                                                                                    |          |
| <b>Detailed Comments:</b>  |                                                                                                                       |          |

| Structured Type Constraint |                                                                                                                                                                                                                                             |          |
|----------------------------|---------------------------------------------------------------------------------------------------------------------------------------------------------------------------------------------------------------------------------------------|----------|
| <b>Constraint Name:</b>    | Frql_20_A2d                                                                                                                                                                                                                                 |          |
| <b>Structured Type:</b>    | FRQL                                                                                                                                                                                                                                        |          |
| <b>Derivation Path:</b>    |                                                                                                                                                                                                                                             |          |
| <b>Comments:</b>           | Complete Cell Allocation of Cell A in HO cases using 512 format.<br>frequency list, after time for a target cell used in HO_case in cell A for DCS1800.<br>List_ARFCN={734,741,747,754,759,762,766,767,773,775,779,782,791,798,829,832,844} |          |
| Element Name               | Element Value                                                                                                                                                                                                                               | Comments |
| iei                        | '00000101'B                                                                                                                                                                                                                                 |          |
| iel                        | '10'O                                                                                                                                                                                                                                       |          |
| fl                         | '896F0A7CC5FC700A8B9F7FF452463340'O                                                                                                                                                                                                         |          |
| <b>Detailed Comments:</b>  |                                                                                                                                                                                                                                             |          |

| Structured Type Constraint |                                                                                                                                   |          |
|----------------------------|-----------------------------------------------------------------------------------------------------------------------------------|----------|
| <b>Constraint Name:</b>    | Frql_20_B0                                                                                                                        |          |
| <b>Structured Type:</b>    | FRQL                                                                                                                              |          |
| <b>Derivation Path:</b>    |                                                                                                                                   |          |
| <b>Comments:</b>           | Complete Cell Allocation of cell B in HO cases.<br>all of the CA: ARFCN_list={14,18,22,24,30,31,38,40,60,66,73,74,75,76,108,114}. |          |
| Element Name               | Element Value                                                                                                                     | Comments |
| iei                        | '00000101'B                                                                                                                       |          |
| iel                        | '10'O                                                                                                                             |          |
| fl                         | '0002080000000F02080000A060A22000'<br>O                                                                                           |          |
| <b>Detailed Comments:</b>  |                                                                                                                                   |          |

| Structured Type Constraint |                                                                                                                                                                                           |          |
|----------------------------|-------------------------------------------------------------------------------------------------------------------------------------------------------------------------------------------|----------|
| <b>Constraint Name:</b>    | Frql_20_B0d                                                                                                                                                                               |          |
| <b>Structured Type:</b>    | FRQL                                                                                                                                                                                      |          |
| <b>Derivation Path:</b>    |                                                                                                                                                                                           |          |
| <b>Comments:</b>           | frequency list, after time for cell B using 512 format.<br>List_ARFCN= complete cell allocation of cell B in HO cases.<br>739,743,746,749,756,758,761,764,771,779,782,791,798,829,832,844 |          |
| Element Name               | Element Value                                                                                                                                                                             | Comments |
| iei                        | '00000101'B                                                                                                                                                                               |          |
| iel                        | '0F'O                                                                                                                                                                                     |          |
| fl                         | '8971883C46FB700A8BDF7DF4324330'<br>O                                                                                                                                                     |          |
| <b>Detailed Comments:</b>  |                                                                                                                                                                                           |          |

| Structured Type Constraint |                                                                                                       |          |
|----------------------------|-------------------------------------------------------------------------------------------------------|----------|
| <b>Constraint Name:</b>    | Frql_20_B1                                                                                            |          |
| <b>Structured Type:</b>    | FRQL                                                                                                  |          |
| <b>Derivation Path:</b>    |                                                                                                       |          |
| <b>Comments:</b>           | frequency list, after time for cell B.<br>List_ARFCN={14,18,22,24,30,31,38,53,66,73,74,75,76,108,114} |          |
| Element Name               | Element Value                                                                                         | Comments |
| iei                        | '00000101'B                                                                                           |          |
| iel                        | '10'O                                                                                                 |          |
| fl                         | '0002080000000F020010002060222000'<br>O                                                               |          |
| <b>Detailed Comments:</b>  |                                                                                                       |          |

| Structured Type Constraint |                                                                                                                                                    |          |
|----------------------------|----------------------------------------------------------------------------------------------------------------------------------------------------|----------|
| <b>Constraint Name:</b>    | Frql_20_B1d                                                                                                                                        |          |
| <b>Structured Type:</b>    | FRQL                                                                                                                                               |          |
| <b>Derivation Path:</b>    |                                                                                                                                                    |          |
| <b>Comments:</b>           | frequency list, used in TC_26_6_13 for cell B. List_ARFCN =<br>{739,743,746,749,756,758,761,764,771,779,782,791,798,829,832,844} using 256 format. |          |
| Element Name               | Element Value                                                                                                                                      | Comments |
| iei                        | '00000101'B                                                                                                                                        |          |
| iel                        | '0D'O                                                                                                                                              |          |
| fl                         | '8A71907137B602C5DEF7A348D8'O                                                                                                                      |          |
| <b>Detailed Comments:</b>  |                                                                                                                                                    |          |

| Structured Type Constraint |                                                                                                                                                          |          |
|----------------------------|----------------------------------------------------------------------------------------------------------------------------------------------------------|----------|
| <b>Constraint Name:</b>    | Frql_20_B2                                                                                                                                               |          |
| <b>Structured Type:</b>    | FRQL                                                                                                                                                     |          |
| <b>Derivation Path:</b>    |                                                                                                                                                          |          |
| <b>Comments:</b>           | frequency list, after time for cell B. Complete Cell Allocation of cell B in HO cases.<br>List_ARFCN={14,18,22,24,30,31,38,40,60,66,73,74,75,76,108,114} |          |
| Element Name               | Element Value                                                                                                                                            | Comments |
| iei                        | '00000101'B                                                                                                                                              |          |
| iel                        | '10'O                                                                                                                                                    |          |
| fl                         | '0002080000000F02080000A060A22000'<br>O                                                                                                                  |          |
| <b>Detailed Comments:</b>  |                                                                                                                                                          |          |

| Structured Type Constraint |                                                                                           |          |
|----------------------------|-------------------------------------------------------------------------------------------|----------|
| <b>Constraint Name:</b>    | Frql_20_B3                                                                                |          |
| <b>Structured Type:</b>    | FRQL                                                                                      |          |
| <b>Derivation Path:</b>    |                                                                                           |          |
| <b>Comments:</b>           | frequency list, after time for cell B. List_ARFCN={14,18,22,24,60,66,73,74,75,76,108,114} |          |
| Element Name               | Element Value                                                                             | Comments |
| iei                        | '00000101'B                                                                               |          |
| iel                        | '10'O                                                                                     |          |
| fl                         | '0002080000000F020800000000A22000'<br>O                                                   |          |
| <b>Detailed Comments:</b>  |                                                                                           |          |

| Structured Type Constraint |                                                                                      |          |
|----------------------------|--------------------------------------------------------------------------------------|----------|
| <b>Constraint Name:</b>    | Frql_20_B4                                                                           |          |
| <b>Structured Type:</b>    | FRQL                                                                                 |          |
| <b>Derivation Path:</b>    |                                                                                      |          |
| <b>Comments:</b>           | frequency list, after time for cell B. List_ARFCN={40, 66, 73, 74, 75, 76, 108, 114} |          |
| Element Name               | Element Value                                                                        | Comments |
| iei                        | '00000101'B                                                                          |          |
| iel                        | '10'O                                                                                |          |
| fl                         | '0002080000000F020000008000000000'<br>O                                              |          |
| <b>Detailed Comments:</b>  |                                                                                      |          |

| Structured Type Constraint |                                                                                                                                     |          |
|----------------------------|-------------------------------------------------------------------------------------------------------------------------------------|----------|
| <b>Constraint Name:</b>    | Frql_20_B3d                                                                                                                         |          |
| <b>Structured Type:</b>    | FRQL                                                                                                                                |          |
| <b>Derivation Path:</b>    |                                                                                                                                     |          |
| <b>Comments:</b>           | frequency list, after time for cell B using 1024 format.<br>List_ARFCN={749, 758, 761, 764, 771, 779, 782, 791, 798, 829, 832, 844} |          |
| Element Name               | Element Value                                                                                                                       | Comments |
| iei                        | '00000101'B                                                                                                                         |          |
| iel                        | '0D'O                                                                                                                               |          |
| fl                         | '830EF70BFEB843C3FBF9F1D018'O                                                                                                       |          |
| <b>Detailed Comments:</b>  |                                                                                                                                     |          |

| Structured Type Constraint |                                                                                                                     |          |
|----------------------------|---------------------------------------------------------------------------------------------------------------------|----------|
| <b>Constraint Name:</b>    | FrqI_20_B4d                                                                                                         |          |
| <b>Structured Type:</b>    | FRQL                                                                                                                |          |
| <b>Derivation Path:</b>    |                                                                                                                     |          |
| <b>Comments:</b>           | frequency list, after time for cell B. variable bit map format. List_ARFCN={764, 779, 782, 791, 798, 829, 832, 844} |          |
| Element Name               | Element Value                                                                                                       | Comments |
| iei                        | '00000101'B                                                                                                         |          |
| iel                        | '0D'O                                                                                                               |          |
| fl                         | '8F7E0001201020000000480080'O                                                                                       |          |
| <b>Detailed Comments:</b>  |                                                                                                                     |          |

| Structured Type Constraint |                                                                                                       |          |
|----------------------------|-------------------------------------------------------------------------------------------------------|----------|
| <b>Constraint Name:</b>    | FrqI_20_B5                                                                                            |          |
| <b>Structured Type:</b>    | FRQL                                                                                                  |          |
| <b>Derivation Path:</b>    |                                                                                                       |          |
| <b>Comments:</b>           | frequency list, after time for cell B.<br>List_ARFCN={14,18,22,24,30,31,38,53,66,73,74,75,76,108,114} |          |
| Element Name               | Element Value                                                                                         | Comments |
| iei                        | '00000101'B                                                                                           |          |
| iel                        | '10'O                                                                                                 |          |
| fl                         | '000208000000F020010002060222000'O                                                                    |          |
| <b>Detailed Comments:</b>  |                                                                                                       |          |

| Structured Type Constraint |                                                                                                              |          |
|----------------------------|--------------------------------------------------------------------------------------------------------------|----------|
| <b>Constraint Name:</b>    | FrqI_20_B5d                                                                                                  |          |
| <b>Structured Type:</b>    | FRQL                                                                                                         |          |
| <b>Derivation Path:</b>    |                                                                                                              |          |
| <b>Comments:</b>           | frequency list, after time for cell B.<br>List_ARFCN={756, 758, 761, 771, 779, 782, 791, 798, 829, 832, 844} |          |
| Element Name               | Element Value                                                                                                | Comments |
| iei                        | '00000101'B                                                                                                  |          |
| iel                        | '09'O                                                                                                        |          |
| fl                         | '8D7A23B07B3D7FD4D0'O                                                                                        |          |
| <b>Detailed Comments:</b>  |                                                                                                              |          |

| Structured Type Constraint |                                                                                                              |          |
|----------------------------|--------------------------------------------------------------------------------------------------------------|----------|
| <b>Constraint Name:</b>    | FrqI_20_B6d                                                                                                  |          |
| <b>Structured Type:</b>    | FRQL                                                                                                         |          |
| <b>Derivation Path:</b>    |                                                                                                              |          |
| <b>Comments:</b>           | frequency list, after time for cell B.<br>List_ARFCN={761,764,771,779,782,791,798,829,832} range 512 format. |          |
| Element Name               | Element Value                                                                                                | Comments |
| iei                        | '00000101'B                                                                                                  |          |
| iel                        | '0A'O                                                                                                        |          |
| fl                         | '897C87BD09BC61060F90'O                                                                                      |          |
| <b>Detailed Comments:</b>  |                                                                                                              |          |

| Structured Type Constraint |                                                                                                       |          |
|----------------------------|-------------------------------------------------------------------------------------------------------|----------|
| <b>Constraint Name:</b>    | Frql_20_B7                                                                                            |          |
| <b>Structured Type:</b>    | FRQL                                                                                                  |          |
| <b>Derivation Path:</b>    |                                                                                                       |          |
| <b>Comments:</b>           | frequency list, after time for cell B.<br>List_ARFCN={14,18,22,24,30,31,38,60,66,73,74,75,76,108,114} |          |
| Element Name               | Element Value                                                                                         | Comments |
| iei                        | '00000101'B                                                                                           |          |
| iel                        | '10'O                                                                                                 |          |
| fl                         | '0002080000000F020800002060222000'<br>O                                                               |          |
| <b>Detailed Comments:</b>  |                                                                                                       |          |

| Structured Type Constraint |                                                                                                 |          |
|----------------------------|-------------------------------------------------------------------------------------------------|----------|
| <b>Constraint Name:</b>    | Frql_20_B72                                                                                     |          |
| <b>Structured Type:</b>    | FRQL                                                                                            |          |
| <b>Derivation Path:</b>    |                                                                                                 |          |
| <b>Comments:</b>           | frequency list, after time for cell B. List_ARFCN={14,18,22,24,30,31,38,40,66,73,74,75, 76,108} |          |
| Element Name               | Element Value                                                                                   | Comments |
| iei                        | '00000101'B                                                                                     |          |
| iel                        | '10'O                                                                                           |          |
| fl                         | '0000080000000F02000000A060A22000'<br>O                                                         |          |
| <b>Detailed Comments:</b>  |                                                                                                 |          |

| Structured Type Constraint |                                                                                        |          |
|----------------------------|----------------------------------------------------------------------------------------|----------|
| <b>Constraint Name:</b>    | Frql_20_B7d                                                                            |          |
| <b>Structured Type:</b>    | FRQL                                                                                   |          |
| <b>Derivation Path:</b>    |                                                                                        |          |
| <b>Comments:</b>           | frequency short list, after time for cell B using 128 format.<br>List_ARFCN={746, 779} |          |
| Element Name               | Element Value                                                                          | Comments |
| iei                        | '00000010'B                                                                            |          |
| iel                        | '03'O                                                                                  |          |
| fl                         | '8D7521'O                                                                              |          |
| <b>Detailed Comments:</b>  |                                                                                        |          |

| Structured Type Constraint |                                                                                                                                                                                            |          |
|----------------------------|--------------------------------------------------------------------------------------------------------------------------------------------------------------------------------------------|----------|
| <b>Constraint Name:</b>    | Frql_20_B8d                                                                                                                                                                                |          |
| <b>Structured Type:</b>    | FRQL                                                                                                                                                                                       |          |
| <b>Derivation Path:</b>    |                                                                                                                                                                                            |          |
| <b>Comments:</b>           | frequency list, after time for cell B using 1024 format.<br>List_ARFCN= complete cell allocation of cell B in HO cases.<br>739,743,746,749,756,758,761,764,771,779,782,791,798,829,832,844 |          |
| Element Name               | Element Value                                                                                                                                                                              | Comments |
| iei                        | '00000101'B                                                                                                                                                                                |          |
| iel                        | '10'O                                                                                                                                                                                      |          |
| fl                         | '8303F886FDBC0148BEFDFBF41890633'<br>C'O                                                                                                                                                   |          |
| <b>Detailed Comments:</b>  |                                                                                                                                                                                            |          |

| Structured Type Constraint |                                                                                                            |          |
|----------------------------|------------------------------------------------------------------------------------------------------------|----------|
| <b>Constraint Name:</b>    | Frql_20_B9d                                                                                                |          |
| <b>Structured Type:</b>    | FRQL                                                                                                       |          |
| <b>Derivation Path:</b>    |                                                                                                            |          |
| <b>Comments:</b>           | frequency list, after time for cell B using 256 format<br>List_ARFCN={746,749,756,761,764,798,829,832,844} |          |
| Element Name               | Element Value                                                                                              | Comments |
| iei                        | '00000101'B                                                                                                |          |
| iel                        | '09'O                                                                                                      |          |
| fl                         | '8B751A5B45DFA19990'O                                                                                      |          |
| <b>Detailed Comments:</b>  |                                                                                                            |          |

| Structured Type Constraint |                                                                                   |          |
|----------------------------|-----------------------------------------------------------------------------------|----------|
| <b>Constraint Name:</b>    | Frql_20_B10d                                                                      |          |
| <b>Structured Type:</b>    | FRQL                                                                              |          |
| <b>Derivation Path:</b>    |                                                                                   |          |
| <b>Comments:</b>           | frequency list, after time for cell B using range 256 format, ARFCN={764,779,782} |          |
| Element Name               | Element Value                                                                     | Comments |
| iei                        | '00000101'B                                                                       |          |
| iel                        | '05'O                                                                             |          |
| fl                         | '8B7E097D00'O                                                                     |          |
| <b>Detailed Comments:</b>  |                                                                                   |          |

| Structured Type Constraint |                                                                                                                                                     |          |
|----------------------------|-----------------------------------------------------------------------------------------------------------------------------------------------------|----------|
| <b>Constraint Name:</b>    | Frql_20_11d                                                                                                                                         |          |
| <b>Structured Type:</b>    | FRQL                                                                                                                                                |          |
| <b>Derivation Path:</b>    |                                                                                                                                                     |          |
| <b>Comments:</b>           | frequency list, after time for cell B using variable bit map format for<br>List_ARFCN={739,743,746,749,756,758,764,771,779,782,791,798,829,832,844} |          |
| Element Name               | Element Value                                                                                                                                       | Comments |
| iei                        | '00000101'B                                                                                                                                         |          |
| iel                        | '0F'O                                                                                                                                               |          |
| fl                         | '8F718920504080900810000000240040'<br>O                                                                                                             |          |
| <b>Detailed Comments:</b>  |                                                                                                                                                     |          |

| Structured Type Constraint |                                                                                       |          |
|----------------------------|---------------------------------------------------------------------------------------|----------|
| <b>Constraint Name:</b>    | Frql_20_B12d                                                                          |          |
| <b>Structured Type:</b>    | FRQL                                                                                  |          |
| <b>Derivation Path:</b>    |                                                                                       |          |
| <b>Comments:</b>           | frequency short list, after time for cell B using 128 format List_ARFCN={758,761,771} |          |
| Element Name               | Element Value                                                                         | Comments |
| iei                        | '00000010'B                                                                           |          |
| iel                        | '04'O                                                                                 |          |
| fl                         | '8D7B0DD8'O                                                                           |          |
| <b>Detailed Comments:</b>  |                                                                                       |          |

| Structured Type Constraint |                                                                                                                         |          |
|----------------------------|-------------------------------------------------------------------------------------------------------------------------|----------|
| <b>Constraint Name:</b>    | Frql_20_A0E                                                                                                             |          |
| <b>Structured Type:</b>    | FRQL                                                                                                                    |          |
| <b>Derivation Path:</b>    |                                                                                                                         |          |
| <b>Comments:</b>           | Complete Cell Allocation of cell A in EGSM cases using of 1024 format.<br>ARFCN_list={0, 30, 40, 66, 1005, 1010, 1015}. |          |
| Element Name               | Element Value                                                                                                           | Comments |
| iei                        | '00000101'B                                                                                                             |          |
| iel                        | '10'O                                                                                                                   |          |
| fl                         | '841EEA893EF98143800000000000000'<br>O                                                                                  |          |
| <b>Detailed Comments:</b>  |                                                                                                                         |          |

| Structured Type Constraint                           |                                           |          |
|------------------------------------------------------|-------------------------------------------|----------|
| <b>Constraint Name:</b>                              | Frql_21                                   |          |
| <b>Structured Type:</b>                              | FRQL                                      |          |
| <b>Derivation Path:</b>                              |                                           |          |
| <b>Comments:</b>                                     | ARFCNs = 61.. 124 for GSM of TC_26_6_6_1  |          |
| Element Name                                         | Element Value                             | Comments |
| iei                                                  | '00000101'B                               |          |
| iel                                                  | '10'O                                     |          |
| fl                                                   | '0FFFFFFFFFFFFFFFFF00000000000000'<br>0'O |          |
| <b>Detailed Comments:</b> B_ARFCN = 62, not in MA(1) |                                           |          |

| Structured Type Constraint                          |                                                        |          |
|-----------------------------------------------------|--------------------------------------------------------|----------|
| <b>Constraint Name:</b>                             | Frql_22                                                |          |
| <b>Structured Type:</b>                             | FRQL                                                   |          |
| <b>Derivation Path:</b>                             |                                                        |          |
| <b>Comments:</b>                                    | ARFCNs = 1, 3, 5, ...,123, 2, 4 for GSM of TC_26_6_6_1 |          |
| Element Name                                        | Element Value                                          | Comments |
| iei                                                 | '00000101'B                                            |          |
| iel                                                 | '10'O                                                  |          |
| fl                                                  | '05555555555555555555555555555555F'<br>O               |          |
| <b>Detailed Comments:</b> B_ARFCN = 5, not in MA(1) |                                                        |          |

| Structured Type Constraint                          |                                                        |          |
|-----------------------------------------------------|--------------------------------------------------------|----------|
| <b>Constraint Name:</b>                             | Frql_23                                                |          |
| <b>Structured Type:</b>                             | FRQL                                                   |          |
| <b>Derivation Path:</b>                             |                                                        |          |
| <b>Comments:</b>                                    | ARFCNs= 2, 4, 6, ..., 124, 1, 3 for GSM of TC_26_6_6_1 |          |
| Element Name                                        | Element Value                                          | Comments |
| iei                                                 | '00000101'B                                            |          |
| iel                                                 | '10'O                                                  |          |
| fl                                                  | '0AAAAAAAAAAAAAAAAAAAAAAAAAAAAA'<br>AAAAF'O            |          |
| <b>Detailed Comments:</b> B_ARFCN = 8, not in MA(1) |                                                        |          |





| Structured Type Constraint                           |                                              |          |
|------------------------------------------------------|----------------------------------------------|----------|
| <b>Constraint Name:</b>                              | Frql_28                                      |          |
| <b>Structured Type:</b>                              | FRQL                                         |          |
| <b>Derivation Path:</b>                              |                                              |          |
| <b>Comments:</b>                                     | ARFCNs = 51, ...,114, for GSM of TC_26_6_6_1 |          |
| Element Name                                         | Element Value                                | Comments |
| iei                                                  | '00000101'B                                  |          |
| iel                                                  | '10'O                                        |          |
| fl                                                   | '0003FFFFFFFFFFFFFFFFC00000000000<br>0'O     |          |
| <b>Detailed Comments:</b> B_ARFCN = 59, not in MA(1) |                                              |          |

| Structured Type Constraint                                             |                                                |          |
|------------------------------------------------------------------------|------------------------------------------------|----------|
| <b>Constraint Name:</b>                                                | Frql_29                                        |          |
| <b>Structured Type:</b>                                                | FRQL                                           |          |
| <b>Derivation Path:</b>                                                |                                                |          |
| <b>Comments:</b>                                                       | ARFCNs = 749, ..., 812, for DCS of TC_26_6_6_1 |          |
| Element Name                                                           | Element Value                                  | Comments |
| iei                                                                    | '00000101'B                                    |          |
| iel                                                                    | '10'O                                          |          |
| fl                                                                     | '8F5E800000000000FFFFFFFFFFFFFFF<br>F'O        |          |
| <b>Detailed Comments:</b> Org_ARFCN = 701, B_ARFCN = 805, not in MA(1) |                                                |          |

| Structured Type Constraint                                             |                                                |          |
|------------------------------------------------------------------------|------------------------------------------------|----------|
| <b>Constraint Name:</b>                                                | Frql_30                                        |          |
| <b>Structured Type:</b>                                                | FRQL                                           |          |
| <b>Derivation Path:</b>                                                |                                                |          |
| <b>Comments:</b>                                                       | ARFCNs = 749, ..., 812, for DCS of TC_26_6_6_1 |          |
| Element Name                                                           | Element Value                                  | Comments |
| iei                                                                    | '00000101'B                                    |          |
| iel                                                                    | '10'O                                          |          |
| fl                                                                     | '8F5EFFFFFFFFFFFFFFFF8000000000<br>0'O         |          |
| <b>Detailed Comments:</b> Org_ARFCN = 701, B_ARFCN = 706, not in MA(1) |                                                |          |

| Structured Type Constraint                                             |                                                                                             |          |
|------------------------------------------------------------------------|---------------------------------------------------------------------------------------------|----------|
| <b>Constraint Name:</b>                                                | Frql_31                                                                                     |          |
| <b>Structured Type:</b>                                                | FRQL                                                                                        |          |
| <b>Derivation Path:</b>                                                |                                                                                             |          |
| <b>Comments:</b>                                                       | ARFCNs = 702, 704, ..., 812, 733, 741, 749, 757, 765, 773, 781, 789, for DCS of TC_26_6_6_1 |          |
| Element Name                                                           | Element Value                                                                               | Comments |
| iei                                                                    | '00000101'B                                                                                 |          |
| iel                                                                    | '10'O                                                                                       |          |
| fl                                                                     | '8F5ED5555555D5D5D5D5D5D555<br>55'O                                                         |          |
| <b>Detailed Comments:</b> Org_ARFCN = 701, B_ARFCN = 704, not in MA(1) |                                                                                             |          |

| Structured Type Constraint |                                                                                             |          |
|----------------------------|---------------------------------------------------------------------------------------------|----------|
| <b>Constraint Name:</b>    | FrqL_32                                                                                     |          |
| <b>Structured Type:</b>    | FRQL                                                                                        |          |
| <b>Derivation Path:</b>    |                                                                                             |          |
| <b>Comments:</b>           | ARFCNs = 717, ..., 724, 733, ..., 744, 757, ..., 760, 773, ..., 812, for DCS of TC_26_6_6_1 |          |
| Element Name               | Element Value                                                                               | Comments |
| iei                        | '00000101'B                                                                                 |          |
| iel                        | '10'O                                                                                       |          |
| fl                         | '8F5E8000FF00FFF000F000FFFFFFFFF<br>F'O                                                     |          |
| <b>Detailed Comments:</b>  | Org_ARFCN = 701, B_ARFCN = 760, not in MA(1)                                                |          |

| Structured Type Constraint |                                                                                                                                                                                                                   |          |
|----------------------------|-------------------------------------------------------------------------------------------------------------------------------------------------------------------------------------------------------------------|----------|
| <b>Constraint Name:</b>    | FrqL_33                                                                                                                                                                                                           |          |
| <b>Structured Type:</b>    | FRQL                                                                                                                                                                                                              |          |
| <b>Derivation Path:</b>    |                                                                                                                                                                                                                   |          |
| <b>Comments:</b>           | ARFCNs: 702, ..., 732, 749, 750, 754, ..., 756, 758, 762, ..., 764, 766, 770, ..., 772, 774, 778, ..., 780, 782, 786, ..., 788, 790, 794, ..., 796, 798, 802, ..., 804, 806, 810, ..., 812 for DCS of TC_26_6_6_1 |          |
| Element Name               | Element Value                                                                                                                                                                                                     | Comments |
| iei                        | '00000101'B                                                                                                                                                                                                       |          |
| iel                        | '10'O                                                                                                                                                                                                             |          |
| fl                         | '8F5EFFFFFFFFF000447474747474747<br>'O                                                                                                                                                                            |          |
| <b>Detailed Comments:</b>  | Org_ARFCN = 701, B_ARFCN = 731, not in MA(1)                                                                                                                                                                      |          |

| Structured Type Constraint |                                                                                                                                                                                                                                                   |          |
|----------------------------|---------------------------------------------------------------------------------------------------------------------------------------------------------------------------------------------------------------------------------------------------|----------|
| <b>Constraint Name:</b>    | FrqL_34                                                                                                                                                                                                                                           |          |
| <b>Structured Type:</b>    | FRQL                                                                                                                                                                                                                                              |          |
| <b>Derivation Path:</b>    |                                                                                                                                                                                                                                                   |          |
| <b>Comments:</b>           | ARFCNs = 707, 709, ..., 713, 715, 717, ..., 721, 723, 725, ..., 729, 731, 733, ..., 737, 739, 741, ..., 745, 747, 749, ..., 753, 755, 757, ..., 761, 763, 765, ..., 769, 771, 779, 787, 795, 798, ..., 803, 806, ..., 811, for DCS of TC_26_6_6_1 |          |
| Element Name               | Element Value                                                                                                                                                                                                                                     | Comments |
| iei                        | '00000101'B                                                                                                                                                                                                                                       |          |
| iel                        | '10'O                                                                                                                                                                                                                                             |          |
| fl                         | '8F5E82FAFAFAFAFAFAFAFAFA0202027E<br>7E'O                                                                                                                                                                                                         |          |
| <b>Detailed Comments:</b>  | Org_ARFCN = 701, B_ARFCN = 795, not in MA(1)                                                                                                                                                                                                      |          |

| Structured Type Constraint |                                                                                                                                                                                                                |          |
|----------------------------|----------------------------------------------------------------------------------------------------------------------------------------------------------------------------------------------------------------|----------|
| <b>Constraint Name:</b>    | FrqL_35                                                                                                                                                                                                        |          |
| <b>Structured Type:</b>    | FRQL                                                                                                                                                                                                           |          |
| <b>Derivation Path:</b>    |                                                                                                                                                                                                                |          |
| <b>Comments:</b>           | ARFCNs = 705, ..., 736, 749, 751, 753, 755, 757, 759, 761, 763, 765, 767, 769, 771, 773, 775, 777, 779, 781, 783, 785, 787, 789, 791, 793, 795, 797, 799, 801, 803, 805, 807, 809, 811, for DCS of TC_26_6_6_1 |          |
| Element Name               | Element Value                                                                                                                                                                                                  | Comments |
| iei                        | '00000101'B                                                                                                                                                                                                    |          |
| iel                        | '10'O                                                                                                                                                                                                          |          |
| fl                         | '8F5E8FFFFFFFFF000AAAAAAAAAAAA<br>AAA'O                                                                                                                                                                        |          |
| <b>Detailed Comments:</b>  | Org_ARFCN = 701, B_ARFCN = 735, not in MA(1)                                                                                                                                                                   |          |



| Structured Type Constraint |                                                             |          |
|----------------------------|-------------------------------------------------------------|----------|
| <b>Constraint Name:</b>    | Hlcmp_AnyOrOmit                                             |          |
| <b>Structured Type:</b>    | HLCMP                                                       |          |
| <b>Derivation Path:</b>    |                                                             |          |
| <b>Comments:</b>           | High Layer Compatibility IE with parameter "any" or "omit". |          |
| Element Name               | Element Value                                               | Comments |
| iei                        | '01111101'B IF_PRESENT                                      |          |
| iel                        | *                                                           |          |
| extb3                      | *                                                           |          |
| cs                         | *                                                           |          |
| in                         | *                                                           |          |
| pmpp                       | *                                                           |          |
| extb4                      | *                                                           |          |
| hlci                       | *                                                           |          |
| extb4a                     | *                                                           |          |
| ehlci                      | *                                                           |          |
| <b>Detailed Comments:</b>  | used in test cases where the HLC is not checked             |          |

| Structured Type Constraint |                                                                                       |          |
|----------------------------|---------------------------------------------------------------------------------------|----------|
| <b>Constraint Name:</b>    | Hlcmp_NotApplicable                                                                   |          |
| <b>Structured Type:</b>    | HLCMP                                                                                 |          |
| <b>Derivation Path:</b>    |                                                                                       |          |
| <b>Comments:</b>           | High Layer Compatibility IE wich is not applicable for a specific service (empty IE). |          |
| Element Name               | Element Value                                                                         | Comments |
| iei                        | '01111101'B                                                                           |          |
| iel                        | '00'O                                                                                 |          |
| extb3                      | -                                                                                     |          |
| cs                         | -                                                                                     |          |
| in                         | -                                                                                     |          |
| pmpp                       | -                                                                                     |          |
| extb4                      | -                                                                                     |          |
| hlci                       | -                                                                                     |          |
| extb4a                     | -                                                                                     |          |
| ehlci                      | -                                                                                     |          |
| <b>Detailed Comments:</b>  |                                                                                       |          |

| Structured Type Constraint |                                                 |          |
|----------------------------|-------------------------------------------------|----------|
| <b>Constraint Name:</b>    | Hlcmp_TS61                                      |          |
| <b>Structured Type:</b>    | HLCMP                                           |          |
| <b>Derivation Path:</b>    |                                                 |          |
| <b>Comments:</b>           | High Layer Compatibility IE for teleservice 61. |          |
| Element Name               | Element Value                                   | Comments |
| iei                        | '01111101'B                                     |          |
| iel                        | '02'O                                           |          |
| extb3                      | '1'B                                            |          |
| cs                         | '00'B                                           |          |
| in                         | '100'B                                          |          |
| pmpp                       | '01'B                                           |          |
| extb4                      | '?'B                                            |          |
| hlci                       | '0000100'B                                      |          |
| extb4a                     | *                                               |          |
| ehlci                      | *                                               |          |
| <b>Detailed Comments:</b>  |                                                 |          |



| Structured Type Constraint |                       |          |
|----------------------------|-----------------------|----------|
| <b>Constraint Name:</b>    | IaRestOct_03          |          |
| <b>Structured Type:</b>    | IARESTOCT             |          |
| <b>Derivation Path:</b>    |                       |          |
| <b>Comments:</b>           | used in TC_26_6_13_9. |          |
| Element Name               | Element Value         | Comments |
| iei                        | -                     |          |
| iaroct1                    | -                     |          |
| iaroct2                    | IaRestOct2_01         |          |
| <b>Detailed Comments:</b>  |                       |          |

| Structured Type Constraint |                        |          |
|----------------------------|------------------------|----------|
| <b>Constraint Name:</b>    | IaRestOct_04           |          |
| <b>Structured Type:</b>    | IARESTOCT              |          |
| <b>Derivation Path:</b>    |                        |          |
| <b>Comments:</b>           | used in TC_26_6_13_10. |          |
| Element Name               | Element Value          | Comments |
| iei                        | -                      |          |
| iaroct1                    | -                      |          |
| iaroct2                    | IaRestOct2_02          |          |
| <b>Detailed Comments:</b>  |                        |          |

| Structured Type Constraint |                           |          |
|----------------------------|---------------------------|----------|
| <b>Constraint Name:</b>    | IaRestOct_05              |          |
| <b>Structured Type:</b>    | IARESTOCT                 |          |
| <b>Derivation Path:</b>    |                           |          |
| <b>Comments:</b>           |                           |          |
| Element Name               | Element Value             | Comments |
| iei                        | -                         |          |
| iaroct1                    | '1A4C6B8EAF37B21A2D5B65'O |          |
| iaroct2                    | -                         |          |
| <b>Detailed Comments:</b>  |                           |          |

| Structured Type Constraint |               |          |
|----------------------------|---------------|----------|
| <b>Constraint Name:</b>    | IaRestOct_06  |          |
| <b>Structured Type:</b>    | IARESTOCT     |          |
| <b>Derivation Path:</b>    |               |          |
| <b>Comments:</b>           |               |          |
| Element Name               | Element Value | Comments |
| iei                        | -             |          |
| iaroct1                    | '2B2B2B'O     |          |
| iaroct2                    | -             |          |
| <b>Detailed Comments:</b>  |               |          |

| Structured Type Constraint |                     |          |
|----------------------------|---------------------|----------|
| <b>Constraint Name:</b>    | IaRestOct_08        |          |
| <b>Structured Type:</b>    | IARESTOCT           |          |
| <b>Derivation Path:</b>    |                     |          |
| <b>Comments:</b>           |                     |          |
| Element Name               | Element Value       | Comments |
| iei                        | -                   |          |
| iaroct1                    | '2B2B2B2B2B2B2B2B'O |          |
| iaroct2                    | -                   |          |
| <b>Detailed Comments:</b>  |                     |          |

| Structured Type Constraint |                            |          |
|----------------------------|----------------------------|----------|
| <b>Constraint Name:</b>    | laRestOct2_01              |          |
| <b>Structured Type:</b>    | IARESTOCT2                 |          |
| <b>Derivation Path:</b>    |                            |          |
| <b>Comments:</b>           |                            |          |
| Element Name               | Element Value              | Comments |
| p                          | '10'B                      |          |
| frqparalen                 | '000100'B                  |          |
| spbt1                      | '00'B                      |          |
| maio                       | INT_TO_BIT(TSPX_Maio29, 6) |          |
| ma                         | TSPX_Ma29                  |          |
| spbt2                      | -                          |          |
| <b>Detailed Comments:</b>  |                            |          |

| Structured Type Constraint |                            |          |
|----------------------------|----------------------------|----------|
| <b>Constraint Name:</b>    | laRestOct2_02              |          |
| <b>Structured Type:</b>    | IARESTOCT2                 |          |
| <b>Derivation Path:</b>    |                            |          |
| <b>Comments:</b>           |                            |          |
| Element Name               | Element Value              | Comments |
| p                          | '10'B                      |          |
| frqparalen                 | '000100'B                  |          |
| spbt1                      | '00'B                      |          |
| maio                       | INT_TO_BIT(TSPX_Maio31, 6) |          |
| ma                         | TSPX_Ma31                  |          |
| spbt2                      | -                          |          |
| <b>Detailed Comments:</b>  |                            |          |

| Structured Type Constraint |                                |          |
|----------------------------|--------------------------------|----------|
| <b>Constraint Name:</b>    | KeyPad_01(character:IA5String) |          |
| <b>Structured Type:</b>    | KPF                            |          |
| <b>Derivation Path:</b>    |                                |          |
| <b>Comments:</b>           |                                |          |
| Element Name               | Element Value                  | Comments |
| iei                        | '00101100'B                    |          |
| extb                       | '0'B                           |          |
| kpf_info                   | character                      |          |
| <b>Detailed Comments:</b>  |                                |          |

| Structured Type Constraint |               |          |
|----------------------------|---------------|----------|
| <b>Constraint Name:</b>    | KeyPad_02     |          |
| <b>Structured Type:</b>    | KPF           |          |
| <b>Derivation Path:</b>    |               |          |
| <b>Comments:</b>           |               |          |
| Element Name               | Element Value | Comments |
| iei                        | '00101100'B   |          |
| extb                       | '0'B          |          |
| kpf_info                   | ?             |          |
| <b>Detailed Comments:</b>  |               |          |

| Structured Type Constraint |                                                                        |          |
|----------------------------|------------------------------------------------------------------------|----------|
| <b>Constraint Name:</b>    | Llcmp_AnyOrOmit                                                        |          |
| <b>Structured Type:</b>    | LLCMP                                                                  |          |
| <b>Derivation Path:</b>    |                                                                        |          |
| <b>Comments:</b>           | High Layer Compatibility IE which has any or omit value in all fields. |          |
| Element Name               | Element Value                                                          | Comments |
| iei                        | '01111100'B IF_PRESENT                                                 |          |
| iel                        | *                                                                      |          |
| extb3                      | *                                                                      |          |
| cs                         | *                                                                      |          |
| itc                        | *                                                                      |          |
| extb3a                     | *                                                                      |          |
| negind                     | *                                                                      |          |
| spb3a                      | *                                                                      |          |
| extb4                      | *                                                                      |          |
| tm                         | *                                                                      |          |
| itr                        | *                                                                      |          |
| extb4_1                    | *                                                                      |          |
| rateml                     | *                                                                      |          |
| extb5                      | *                                                                      |          |
| l1id                       | *                                                                      |          |
| uil1                       | *                                                                      |          |
| extb5a                     | *                                                                      |          |
| sb                         | *                                                                      |          |
| neg                        | *                                                                      |          |
| ur                         | *                                                                      |          |
| extb5b1                    | *                                                                      |          |
| ir                         | *                                                                      |          |
| nictx                      | *                                                                      |          |
| nicrx                      | *                                                                      |          |
| fctx                       | *                                                                      |          |
| fcrx                       | *                                                                      |          |
| spb5b1                     | *                                                                      |          |
| extb5b2                    | *                                                                      |          |
| hdrb                       | *                                                                      |          |
| mfs                        | *                                                                      |          |
| mode                       | *                                                                      |          |
| llineg                     | *                                                                      |          |
| ass                        | *                                                                      |          |
| ibob                       | *                                                                      |          |
| spb5b2                     | *                                                                      |          |
| extb5c                     | *                                                                      |          |
| nsb                        | *                                                                      |          |
| ndb                        | *                                                                      |          |
| pi                         | *                                                                      |          |
| extb5d                     | *                                                                      |          |
| dplxm                      | *                                                                      |          |
| modemt                     | *                                                                      |          |
| extb6                      | *                                                                      |          |
| l2id                       | *                                                                      |          |
| uil2                       | *                                                                      |          |
| extb6a1                    | *                                                                      |          |
| modl2                      | *                                                                      |          |
| spb6a1                     | *                                                                      |          |
| q933                       | *                                                                      |          |
| extb6a2                    | *                                                                      |          |
| usl2pi                     | *                                                                      |          |
| extb6b                     | *                                                                      |          |
| ws                         | *                                                                      |          |
| extb7                      | *                                                                      |          |
| l3id                       | *                                                                      |          |
| uil3                       | *                                                                      |          |
| extb7a1                    | *                                                                      |          |
| modl3                      | *                                                                      |          |



|                           |   |  |
|---------------------------|---|--|
| spb7a1                    | * |  |
| extb7a2                   | * |  |
| usl3pi                    | * |  |
| extb7b                    | * |  |
| spb7b                     | * |  |
| dps                       | * |  |
| extb7c                    | * |  |
| pws                       | * |  |
| <b>Detailed Comments:</b> |   |  |

| Structured Type Constraint |                                                                                        |          |
|----------------------------|----------------------------------------------------------------------------------------|----------|
| <b>Constraint Name:</b>    | Llcmp_NotApplicable                                                                    |          |
| <b>Structured Type:</b>    | LLCMP                                                                                  |          |
| <b>Derivation Path:</b>    |                                                                                        |          |
| <b>Comments:</b>           | High Layer Compatibility IE which is not applicable for a specific service (empty IE). |          |
| Element Name               | Element Value                                                                          | Comments |
| iei                        | '01111100'B                                                                            |          |
| iel                        | '00'O                                                                                  |          |
| extb3                      | -                                                                                      |          |
| cs                         | -                                                                                      |          |
| itc                        | -                                                                                      |          |
| extb3a                     | -                                                                                      |          |
| negind                     | -                                                                                      |          |
| spb3a                      | -                                                                                      |          |
| extb4                      | -                                                                                      |          |
| tm                         | -                                                                                      |          |
| itr                        | -                                                                                      |          |
| extb4_1                    | -                                                                                      |          |
| rateml                     | -                                                                                      |          |
| extb5                      | -                                                                                      |          |
| l1id                       | -                                                                                      |          |
| uil1                       | -                                                                                      |          |
| extb5a                     | -                                                                                      |          |
| sb                         | -                                                                                      |          |
| neg                        | -                                                                                      |          |
| ur                         | -                                                                                      |          |
| extb5b1                    | -                                                                                      |          |
| ir                         | -                                                                                      |          |
| nictx                      | -                                                                                      |          |
| nicrx                      | -                                                                                      |          |
| fctx                       | -                                                                                      |          |
| fcrx                       | -                                                                                      |          |
| spb5b1                     | -                                                                                      |          |
| extb5b2                    | -                                                                                      |          |
| hdrb                       | -                                                                                      |          |
| mfs                        | -                                                                                      |          |
| mode                       | -                                                                                      |          |
| llineg                     | -                                                                                      |          |
| ass                        | -                                                                                      |          |
| ibob                       | -                                                                                      |          |
| spb5b2                     | -                                                                                      |          |
| extb5c                     | -                                                                                      |          |
| nsb                        | -                                                                                      |          |
| ndb                        | -                                                                                      |          |
| pi                         | -                                                                                      |          |
| extb5d                     | -                                                                                      |          |
| dplx                       | -                                                                                      |          |
| modemt                     | -                                                                                      |          |
| extb6                      | -                                                                                      |          |
| l2id                       | -                                                                                      |          |
| uil2                       | -                                                                                      |          |
| extb6a1                    | -                                                                                      |          |
| modl2                      | -                                                                                      |          |
| spb6a1                     | -                                                                                      |          |
| q933                       | -                                                                                      |          |
| extb6a2                    | -                                                                                      |          |
| usl2pi                     | -                                                                                      |          |
| extb6b                     | -                                                                                      |          |
| ws                         | -                                                                                      |          |
| extb7                      | -                                                                                      |          |
| l3id                       | -                                                                                      |          |
| uil3                       | -                                                                                      |          |
| extb7a1                    | -                                                                                      |          |
| modl3                      | -                                                                                      |          |

|                           |   |  |
|---------------------------|---|--|
| spb7a1                    | - |  |
| extb7a2                   | - |  |
| usl3pi                    | - |  |
| extb7b                    | - |  |
| spb7b                     | - |  |
| dps                       | - |  |
| extb7c                    | - |  |
| pws                       | - |  |
| <b>Detailed Comments:</b> |   |  |

| Structured Type Constraint |                                                                     |          |
|----------------------------|---------------------------------------------------------------------|----------|
| <b>Constraint Name:</b>    | Llcmp_BS2xOrBS4x_UDI                                                |          |
| <b>Structured Type:</b>    | LLCMP                                                               |          |
| <b>Derivation Path:</b>    |                                                                     |          |
| <b>Comments:</b>           | Lower Layer Compatibility IE for a setup PDU, B.2.2.1 of GSM 07.01. |          |
| Element Name               | Element Value                                                       | Comments |
| iei                        | '01111100'B                                                         |          |
| iel                        | ('06'O, '07'O, '08'O, '09'O, '0A'O, '0B'O, '0C'O, '0D'O, '0E'O)     |          |
| extb3                      | '?'B                                                                |          |
| cs                         | '00'B                                                               |          |
| itc                        | '01000'B                                                            |          |
| extb3a                     | '1'B IF_PRESENT                                                     |          |
| negind                     | *                                                                   |          |
| spb3a                      | '000000'B IF_PRESENT                                                |          |
| extb4                      | '1'B                                                                |          |
| tm                         | '00'B                                                               |          |
| itr                        | '10000'B                                                            |          |
| extb4_1                    | -                                                                   |          |
| rateml                     | -                                                                   |          |
| extb5                      | '0'B                                                                |          |
| l1id                       | '01'B                                                               |          |
| uil1                       | '00001'B                                                            |          |
| extb5a                     | '0'B                                                                |          |
| sb                         | '1'B                                                                |          |
| neg                        | '0'B                                                                |          |
| ur                         | ('00010'B, '00011'B, '00101'B, '01000'B, '10111'B, '11110'B)        |          |
| extb5b1                    | '0'B                                                                |          |
| ir                         | ('01'B, '10'B)                                                      |          |
| nictx                      | '?'B                                                                |          |
| nicrx                      | '?'B                                                                |          |
| fctx                       | '0'B                                                                |          |
| fcx                        | '0'B                                                                |          |
| spb5b1                     | '0'B                                                                |          |
| extb5b2                    | -                                                                   |          |
| hdrb                       | -                                                                   |          |
| mfs                        | -                                                                   |          |
| mode                       | -                                                                   |          |
| llineg                     | -                                                                   |          |
| ass                        | -                                                                   |          |
| ibob                       | -                                                                   |          |
| spb5b2                     | -                                                                   |          |
| extb5c                     | '?'B                                                                |          |
| nsb                        | ('01'B, '11'B)                                                      |          |
| ndb                        | ('10'B, '11'B)                                                      |          |
| pi                         | ('000'B, '010'B, '011'B, '100'B, '101'B)                            |          |
| extb5d                     | '1'B IF_PRESENT                                                     |          |
| dplx                       | *                                                                   |          |
| modemt                     | *                                                                   |          |
| extb6                      | *                                                                   |          |
| l2id                       | *                                                                   |          |
| uil2                       | *                                                                   |          |
| extb6a1                    | *                                                                   |          |
| modl2                      | *                                                                   |          |
| spb6a1                     | *                                                                   |          |
| q933                       | *                                                                   |          |
| extb6a2                    | *                                                                   |          |
| usl2pi                     | *                                                                   |          |
| extb6b                     | *                                                                   |          |
| ws                         | *                                                                   |          |
| extb7                      | *                                                                   |          |
| l3id                       | *                                                                   |          |
| uil3                       | *                                                                   |          |

|                           |                                                                                                               |  |
|---------------------------|---------------------------------------------------------------------------------------------------------------|--|
| extb7a1                   | *                                                                                                             |  |
| modl3                     | *                                                                                                             |  |
| spb7a1                    | *                                                                                                             |  |
| extb7a2                   | *                                                                                                             |  |
| usl3pi                    | *                                                                                                             |  |
| extb7b                    | *                                                                                                             |  |
| spb7b                     | *                                                                                                             |  |
| dps                       | *                                                                                                             |  |
| extb7c                    | *                                                                                                             |  |
| pws                       | *                                                                                                             |  |
| <b>Detailed Comments:</b> | Corresponding to the Bearer Services 21 ... 26, 41 ... 46 Unrestrict digital information transfer capability. |  |

| Structured Type Constraint |                                                                                                                                           |          |
|----------------------------|-------------------------------------------------------------------------------------------------------------------------------------------|----------|
| <b>Constraint Name:</b>    | Llcmp_BS2xOrBS61aOrBS81a_3100                                                                                                             |          |
| <b>Structured Type:</b>    | LLCMP                                                                                                                                     |          |
| <b>Derivation Path:</b>    | Llcmp_BS2xOrBS4x_UDI.                                                                                                                     |          |
| <b>Comments:</b>           | Lower Layer Compatibility IE for a setup PDU, B.2.2.2 of GSM 07.01.                                                                       |          |
| Element Name               | Element Value                                                                                                                             | Comments |
| iel                        | ('07'O,'08'O,'09'O,'0A'O,'0B'O,'0C'O,'0D'O,'0E'O)                                                                                         |          |
| extb3                      | '?'B                                                                                                                                      |          |
| cs                         | '00'B                                                                                                                                     |          |
| itc                        | '10000'B                                                                                                                                  |          |
| extb4                      | '1'B                                                                                                                                      |          |
| tm                         | '00'B                                                                                                                                     |          |
| itr                        | '10000'B                                                                                                                                  |          |
| extb5                      | '0'B                                                                                                                                      |          |
| l1id                       | '01'B                                                                                                                                     |          |
| uil1                       | '00011'B                                                                                                                                  |          |
| extb5a                     | '0'B                                                                                                                                      |          |
| sb                         | ?                                                                                                                                         |          |
| neg                        | ?                                                                                                                                         |          |
| ur                         | ?                                                                                                                                         |          |
| extb5b1                    | '0'B                                                                                                                                      |          |
| ir                         | ?                                                                                                                                         |          |
| nictx                      | ?                                                                                                                                         |          |
| nicrx                      | ?                                                                                                                                         |          |
| fctx                       | ?                                                                                                                                         |          |
| fcrx                       | ?                                                                                                                                         |          |
| spb5b1                     | '0'B                                                                                                                                      |          |
| extb5c                     | '0'B                                                                                                                                      |          |
| nsb                        | ?                                                                                                                                         |          |
| ndb                        | ?                                                                                                                                         |          |
| pi                         | ?                                                                                                                                         |          |
| extb5d                     | '1'B                                                                                                                                      |          |
| dplxm                      | ?                                                                                                                                         |          |
| modemt                     | ('010001'B,'010010'B,'010011'B,'010100'B,'010111'B,'011100'B)                                                                             |          |
| <b>Detailed Comments:</b>  | Corresponding to the Bearer Services 21 ... 26, 61 Asynchronous or 81 Asynchronous 3.1 kHz audio ex-PLMN information transfer capability. |          |

| <b>Structured Type Constraint</b> |                                                                                                      |          |
|-----------------------------------|------------------------------------------------------------------------------------------------------|----------|
| <b>Constraint Name:</b>           | Llcmp_BS3x_UDI                                                                                       |          |
| <b>Structured Type:</b>           | LLCMP                                                                                                |          |
| <b>Derivation Path:</b>           | Llcmp_BS2xOrBS4x_UDI.                                                                                |          |
| <b>Comments:</b>                  | Lower Layer Compatibility IE for a setup PDU, B.2.3.1 of GSM 07.01.                                  |          |
| Element Name                      | Element Value                                                                                        | Comments |
| iel                               | ('05'O, '06'O, '07'O, '08'O, '09'O, '0A'O, '0B'O, '0C'O, '0D'O, '0E'O)                               |          |
| extb3                             | '?B                                                                                                  |          |
| cs                                | '00'B                                                                                                |          |
| itc                               | '01000'B                                                                                             |          |
| extb4                             | '1'B                                                                                                 |          |
| tm                                | '00'B                                                                                                |          |
| itr                               | '10000'B                                                                                             |          |
| extb5                             | '0'B                                                                                                 |          |
| l1id                              | '01'B                                                                                                |          |
| uil1                              | ('00001'B, '01001'B)                                                                                 |          |
| extb5a                            | '0'B                                                                                                 |          |
| sb                                | '0'B                                                                                                 |          |
| neg                               | '0'B                                                                                                 |          |
| ur                                | ('00010'B, '00011'B, '00101'B, '01000'B)                                                             |          |
| extb5b1                           | '?B                                                                                                  |          |
| ir                                | ('01'B, '10'B)                                                                                       |          |
| nictx                             | '?B                                                                                                  |          |
| nicrx                             | '?B                                                                                                  |          |
| fctx                              | '?B                                                                                                  |          |
| fcrx                              | '?B                                                                                                  |          |
| spb5b1                            | '0'B                                                                                                 |          |
| extb5c                            | '0'B IF_PRESENT                                                                                      |          |
| nsb                               | *                                                                                                    |          |
| ndb                               | *                                                                                                    |          |
| pi                                | *                                                                                                    |          |
| extb5d                            | '1'B IF_PRESENT                                                                                      |          |
| dplx                              | *                                                                                                    |          |
| modemt                            | *                                                                                                    |          |
| extb6                             | *                                                                                                    |          |
| l2id                              | '10'B IF_PRESENT                                                                                     |          |
| uil2                              | ('00110'B, '00111'B) IF_PRESENT                                                                      |          |
| extb7                             | *                                                                                                    |          |
| l3id                              | '11'B IF_PRESENT                                                                                     |          |
| uil3                              | ('00110'B, '00111'B) IF_PRESENT                                                                      |          |
| <b>Detailed Comments:</b>         | Corresponding to the Bearer Services 31 ... 34 unrestricted digital information transfer capability. |          |

| Structured Type Constraint |                                                                                                                                |          |
|----------------------------|--------------------------------------------------------------------------------------------------------------------------------|----------|
| <b>Constraint Name:</b>    | Llcmp_BS3xOrBS61sOrBS81s_3100                                                                                                  |          |
| <b>Structured Type:</b>    | LLCMP                                                                                                                          |          |
| <b>Derivation Path:</b>    | Llcmp_BS2xOrBS4x_UDI.                                                                                                          |          |
| <b>Comments:</b>           | Lower Layer Compatibility IE for a setup PDU, B.2.3.2 of GSM 07.01.                                                            |          |
| Element Name               | Element Value                                                                                                                  | Comments |
| iel                        | ('03'O,'04'O,'08'O,'09'O,'0A'O,'0B'O,'0C'O,'0D'O,'0E'O)                                                                        |          |
| extb3                      | '?'B                                                                                                                           |          |
| cs                         | '00'B                                                                                                                          |          |
| itc                        | '10000'B                                                                                                                       |          |
| extb4                      | '1'B                                                                                                                           |          |
| tm                         | '00'B                                                                                                                          |          |
| itr                        | '10000'B                                                                                                                       |          |
| extb5                      | '?'B                                                                                                                           |          |
| l1id                       | '01'B                                                                                                                          |          |
| uil1                       | '00011'B                                                                                                                       |          |
| extb5a                     | '0'B IF_PRESENT                                                                                                                |          |
| sb                         | *                                                                                                                              |          |
| neg                        | *                                                                                                                              |          |
| ur                         | *                                                                                                                              |          |
| extb5b1                    | *                                                                                                                              |          |
| ir                         | *                                                                                                                              |          |
| nictx                      | *                                                                                                                              |          |
| nicrx                      | *                                                                                                                              |          |
| fctx                       | *                                                                                                                              |          |
| fcrx                       | *                                                                                                                              |          |
| spb5b1                     | *                                                                                                                              |          |
| extb5c                     | '0'B IF_PRESENT                                                                                                                |          |
| nsb                        | *                                                                                                                              |          |
| ndb                        | *                                                                                                                              |          |
| pi                         | *                                                                                                                              |          |
| extb5d                     | '1'B IF_PRESENT                                                                                                                |          |
| dplxm                      | *                                                                                                                              |          |
| modemt                     | ('010010'B,'010011'B,'010111'B,'011100'B) IF_PRESENT                                                                           |          |
| extb6                      | *                                                                                                                              |          |
| l2id                       | '10'B IF_PRESENT                                                                                                               |          |
| uil2                       | ('00110'B,'00111'B) IF_PRESENT                                                                                                 |          |
| extb7                      | *                                                                                                                              |          |
| l3id                       | '11'B IF_PRESENT                                                                                                               |          |
| uil3                       | ('00110'B,'00111'B) IF_PRESENT                                                                                                 |          |
| <b>Detailed Comments:</b>  | Corresponding to the Bearer Services 31 ... 34, 61 Synchronous or 81 Synchronous 3.1kHz audio information transfer capability. |          |

| Structured Type Constraint |                                                                                                      |          |
|----------------------------|------------------------------------------------------------------------------------------------------|----------|
| <b>Constraint Name:</b>    | Llcmp_BS5x                                                                                           |          |
| <b>Structured Type:</b>    | LLCMP                                                                                                |          |
| <b>Derivation Path:</b>    | Llcmp_BS2xOrBS4x_UDI.                                                                                |          |
| <b>Comments:</b>           | Lower Layer Compatibility IE for a setup PDU, B.2.5.1 of GSM 07.01.                                  |          |
| Element Name               | Element Value                                                                                        | Comments |
| iel                        | ('06'O,'07'O,'08'O,'09'O,'0A'O,'0B'O,'0C'O,'0D'O,'0E'O)                                              |          |
| extb3                      | '?B                                                                                                  |          |
| cs                         | '00'B                                                                                                |          |
| itc                        | '01000'B                                                                                             |          |
| extb4                      | '1'B                                                                                                 |          |
| tm                         | '00'B                                                                                                |          |
| itr                        | '10000'B                                                                                             |          |
| extb5                      | '0'B                                                                                                 |          |
| l1id                       | '01'B                                                                                                |          |
| uil1                       | '01001'B                                                                                             |          |
| extb5a                     | '?B                                                                                                  |          |
| sb                         | '0'B                                                                                                 |          |
| neg                        | '0'B                                                                                                 |          |
| ur                         | ('00011'B,'00101'B,'01000'B)                                                                         |          |
| extb5b1                    | *                                                                                                    |          |
| ir                         | *                                                                                                    |          |
| nictx                      | *                                                                                                    |          |
| nicrx                      | *                                                                                                    |          |
| fctx                       | *                                                                                                    |          |
| fcrx                       | *                                                                                                    |          |
| spb5b1                     | *                                                                                                    |          |
| extb5c                     | *                                                                                                    |          |
| nsb                        | *                                                                                                    |          |
| ndb                        | *                                                                                                    |          |
| pi                         | *                                                                                                    |          |
| extb5d                     | *                                                                                                    |          |
| dplxm                      | *                                                                                                    |          |
| modemt                     | *                                                                                                    |          |
| extb6                      | ?                                                                                                    |          |
| l2id                       | '10'B                                                                                                |          |
| uil2                       | ('00110'B,'00111'B)                                                                                  |          |
| extb7                      | ?                                                                                                    |          |
| l3id                       | '11'B                                                                                                |          |
| uil3                       | ('00110'B,'00111'B)                                                                                  |          |
| <b>Detailed Comments:</b>  | Corresponding to the Bearer Services 51 ... 53 unrestricted digital information transfer capability. |          |

| Structured Type Constraint |                    |          |
|----------------------------|--------------------|----------|
| <b>Constraint Name:</b>    | LocAreald_anyomit  |          |
| <b>Structured Type:</b>    | LAI                |          |
| <b>Derivation Path:</b>    |                    |          |
| <b>Comments:</b>           | Omitted constraint |          |
| Element Name               | Element Value      | Comments |
| iei                        | *                  |          |
| mcc                        | *                  |          |
| mnc                        | *                  |          |
| lac                        | *                  |          |
| <b>Detailed Comments:</b>  |                    |          |



| Structured Type Constraint |                                      |          |
|----------------------------|--------------------------------------|----------|
| <b>Constraint Name:</b>    | LocAreald(mcc, mnc, lac:OCTETSTRING) |          |
| <b>Structured Type:</b>    | LAI                                  |          |
| <b>Derivation Path:</b>    |                                      |          |
| <b>Comments:</b>           | Cell A default value for L3 test     |          |
| Element Name               | Element Value                        | Comments |
| iei                        | -                                    |          |
| mcc                        | mcc                                  |          |
| mnc                        | mnc                                  |          |
| lac                        | lac                                  |          |
| <b>Detailed Comments:</b>  |                                      |          |

| Structured Type Constraint |                                         |          |
|----------------------------|-----------------------------------------|----------|
| <b>Constraint Name:</b>    | LocArealdiei(mcc, mnc, lac:OCTETSTRING) |          |
| <b>Structured Type:</b>    | LAI                                     |          |
| <b>Derivation Path:</b>    |                                         |          |
| <b>Comments:</b>           | Cell A default value for L3 test        |          |
| Element Name               | Element Value                           | Comments |
| iei                        | '00010011'B                             |          |
| mcc                        | mcc                                     |          |
| mnc                        | mnc                                     |          |
| lac                        | lac                                     |          |
| <b>Detailed Comments:</b>  |                                         |          |

| Structured Type Constraint |                        |          |
|----------------------------|------------------------|----------|
| <b>Constraint Name:</b>    | LocUpType( locup:B_2)  |          |
| <b>Structured Type:</b>    | LUT                    |          |
| <b>Derivation Path:</b>    |                        |          |
| <b>Comments:</b>           | location updating type |          |
| Element Name               | Element Value          | Comments |
| foreq                      | '?'B                   |          |
| sprb                       | '0'B                   |          |
| lut                        | locup                  |          |
| <b>Detailed Comments:</b>  |                        |          |

| Structured Type Constraint |                                                                         |          |
|----------------------------|-------------------------------------------------------------------------|----------|
| <b>Constraint Name:</b>    | Ma1_g01                                                                 |          |
| <b>Structured Type:</b>    | MA                                                                      |          |
| <b>Derivation Path:</b>    |                                                                         |          |
| <b>Comments:</b>           | Used in TC_26_6_6_1 for GSM and DCS, cell allocation contains 64 ARFCHs |          |
| Element Name               | Element Value                                                           | Comments |
| iei                        | -                                                                       |          |
| iel                        | '08'O                                                                   |          |
| mac_8n                     | '00000000'B                                                             |          |
| mac_7n                     | '00000000'B                                                             |          |
| mac_6n                     | '00000000'B                                                             |          |
| mac_5n                     | '00000000'B                                                             |          |
| mac_4n                     | '00000000'B                                                             |          |
| mac_3n                     | '00000000'B                                                             |          |
| mac_2n                     | '00111111'B                                                             |          |
| mac_1n                     | '11111110'B                                                             |          |
| <b>Detailed Comments:</b>  |                                                                         |          |

| Structured Type Constraint |                                                                         |          |
|----------------------------|-------------------------------------------------------------------------|----------|
| <b>Constraint Name:</b>    | Ma1_g02                                                                 |          |
| <b>Structured Type:</b>    | MA                                                                      |          |
| <b>Derivation Path:</b>    |                                                                         |          |
| <b>Comments:</b>           | Used in TC_26_6_6_1 for GSM and DCS, cell allocation contains 64 ARFCHs |          |
| Element Name               | Element Value                                                           | Comments |
| iei                        | -                                                                       |          |
| iel                        | '08'O                                                                   |          |
| mac_8n                     | '10000000'B                                                             |          |
| mac_7n                     | '00000000'B                                                             |          |
| mac_6n                     | '00000000'B                                                             |          |
| mac_5n                     | '10000000'B                                                             |          |
| mac_4n                     | '00100000'B                                                             |          |
| mac_3n                     | '00000000'B                                                             |          |
| mac_2n                     | '00000000'B                                                             |          |
| mac_1n                     | '00000101'B                                                             |          |
| <b>Detailed Comments:</b>  |                                                                         |          |

| Structured Type Constraint |                                                                         |          |
|----------------------------|-------------------------------------------------------------------------|----------|
| <b>Constraint Name:</b>    | Ma1_g03                                                                 |          |
| <b>Structured Type:</b>    | MA                                                                      |          |
| <b>Derivation Path:</b>    |                                                                         |          |
| <b>Comments:</b>           | Used in TC_26_6_6_1 for GSM and DCS, cell allocation contains 64 ARFCHs |          |
| Element Name               | Element Value                                                           | Comments |
| iei                        | -                                                                       |          |
| iel                        | '08'O                                                                   |          |
| mac_8n                     | '01000000'B                                                             |          |
| mac_7n                     | '00000000'B                                                             |          |
| mac_6n                     | '00000000'B                                                             |          |
| mac_5n                     | '00000010'B                                                             |          |
| mac_4n                     | '00000000'B                                                             |          |
| mac_3n                     | '00000000'B                                                             |          |
| mac_2n                     | '00000000'B                                                             |          |
| mac_1n                     | '01100101'B                                                             |          |
| <b>Detailed Comments:</b>  |                                                                         |          |

| Structured Type Constraint |                                                                         |          |
|----------------------------|-------------------------------------------------------------------------|----------|
| <b>Constraint Name:</b>    | Ma1_g04                                                                 |          |
| <b>Structured Type:</b>    | MA                                                                      |          |
| <b>Derivation Path:</b>    |                                                                         |          |
| <b>Comments:</b>           | Used in TC_26_6_6_1 for GSM and DCS, cell allocation contains 64 ARFCHs |          |
| Element Name               | Element Value                                                           | Comments |
| iei                        | -                                                                       |          |
| iel                        | '08'O                                                                   |          |
| mac_8n                     | '00000001'B                                                             |          |
| mac_7n                     | '00000000'B                                                             |          |
| mac_6n                     | '01000010'B                                                             |          |
| mac_5n                     | '00000000'B                                                             |          |
| mac_4n                     | '00000000'B                                                             |          |
| mac_3n                     | '00000001'B                                                             |          |
| mac_2n                     | '01110000'B                                                             |          |
| mac_1n                     | '00000000'B                                                             |          |
| <b>Detailed Comments:</b>  |                                                                         |          |

| Structured Type Constraint |                                                                         |          |
|----------------------------|-------------------------------------------------------------------------|----------|
| <b>Constraint Name:</b>    | Ma1_g05                                                                 |          |
| <b>Structured Type:</b>    | MA                                                                      |          |
| <b>Derivation Path:</b>    |                                                                         |          |
| <b>Comments:</b>           | Used in TC_26_6_6_1 for GSM and DCS, cell allocation contains 64 ARFCHs |          |
| Element Name               | Element Value                                                           | Comments |
| iei                        | -                                                                       |          |
| iel                        | '08'O                                                                   |          |
| mac_8n                     | '01001000'B                                                             |          |
| mac_7n                     | '00000000'B                                                             |          |
| mac_6n                     | '00000000'B                                                             |          |
| mac_5n                     | '00000000'B                                                             |          |
| mac_4n                     | '00000000'B                                                             |          |
| mac_3n                     | '00001101'B                                                             |          |
| mac_2n                     | '01000100'B                                                             |          |
| mac_1n                     | '00000001'B                                                             |          |
| <b>Detailed Comments:</b>  |                                                                         |          |

| Structured Type Constraint |                                                                         |          |
|----------------------------|-------------------------------------------------------------------------|----------|
| <b>Constraint Name:</b>    | Ma1_g06                                                                 |          |
| <b>Structured Type:</b>    | MA                                                                      |          |
| <b>Derivation Path:</b>    |                                                                         |          |
| <b>Comments:</b>           | Used in TC_26_6_6_1 for GSM and DCS, cell allocation contains 64 ARFCHs |          |
| Element Name               | Element Value                                                           | Comments |
| iei                        | -                                                                       |          |
| iel                        | '08'O                                                                   |          |
| mac_8n                     | '11111111'B                                                             |          |
| mac_7n                     | '10000000'B                                                             |          |
| mac_6n                     | '00000000'B                                                             |          |
| mac_5n                     | '00000000'B                                                             |          |
| mac_4n                     | '00000000'B                                                             |          |
| mac_3n                     | '00000000'B                                                             |          |
| mac_2n                     | '00011111'B                                                             |          |
| mac_1n                     | '00000000'B                                                             |          |
| <b>Detailed Comments:</b>  |                                                                         |          |

| Structured Type Constraint |                                                                         |          |
|----------------------------|-------------------------------------------------------------------------|----------|
| <b>Constraint Name:</b>    | Ma1_g07                                                                 |          |
| <b>Structured Type:</b>    | MA                                                                      |          |
| <b>Derivation Path:</b>    |                                                                         |          |
| <b>Comments:</b>           | Used in TC_26_6_6_1 for GSM and DCS, cell allocation contains 64 ARFCHs |          |
| Element Name               | Element Value                                                           | Comments |
| iei                        | -                                                                       |          |
| iel                        | '08'O                                                                   |          |
| mac_8n                     | '11111000'B                                                             |          |
| mac_7n                     | '00000000'B                                                             |          |
| mac_6n                     | '00000000'B                                                             |          |
| mac_5n                     | '00000000'B                                                             |          |
| mac_4n                     | '00000000'B                                                             |          |
| mac_3n                     | '00000000'B                                                             |          |
| mac_2n                     | '00011111'B                                                             |          |
| mac_1n                     | '00000000'B                                                             |          |
| <b>Detailed Comments:</b>  |                                                                         |          |

| Structured Type Constraint |                                                                         |          |
|----------------------------|-------------------------------------------------------------------------|----------|
| <b>Constraint Name:</b>    | Ma1_g08                                                                 |          |
| <b>Structured Type:</b>    | MA                                                                      |          |
| <b>Derivation Path:</b>    |                                                                         |          |
| <b>Comments:</b>           | Used in TC_26_6_6_1 for GSM and DCS, cell allocation contains 64 ARFCHs |          |
| Element Name               | Element Value                                                           | Comments |
| iei                        | -                                                                       |          |
| iel                        | '08'O                                                                   |          |
| mac_8n                     | '00000000'B                                                             |          |
| mac_7n                     | '00000000'B                                                             |          |
| mac_6n                     | '00000000'B                                                             |          |
| mac_5n                     | '00000000'B                                                             |          |
| mac_4n                     | '00000000'B                                                             |          |
| mac_3n                     | '00001111'B                                                             |          |
| mac_2n                     | '11111110'B                                                             |          |
| mac_1n                     | '00000000'B                                                             |          |
| <b>Detailed Comments:</b>  |                                                                         |          |

| Structured Type Constraint |                                                                         |          |
|----------------------------|-------------------------------------------------------------------------|----------|
| <b>Constraint Name:</b>    | Ma1_g09                                                                 |          |
| <b>Structured Type:</b>    | MA                                                                      |          |
| <b>Derivation Path:</b>    |                                                                         |          |
| <b>Comments:</b>           | Used in TC_26_6_6_1 for GSM and DCS, cell allocation contains 64 ARFCHs |          |
| Element Name               | Element Value                                                           | Comments |
| iei                        | -                                                                       |          |
| iel                        | '08'O                                                                   |          |
| mac_8n                     | '11111111'B                                                             |          |
| mac_7n                     | '11110000'B                                                             |          |
| mac_6n                     | '00000000'B                                                             |          |
| mac_5n                     | '00000000'B                                                             |          |
| mac_4n                     | '00000000'B                                                             |          |
| mac_3n                     | '00000000'B                                                             |          |
| mac_2n                     | '00000000'B                                                             |          |
| mac_1n                     | '00000000'B                                                             |          |
| <b>Detailed Comments:</b>  |                                                                         |          |

| Structured Type Constraint |                                                                         |          |
|----------------------------|-------------------------------------------------------------------------|----------|
| <b>Constraint Name:</b>    | Ma2_g01                                                                 |          |
| <b>Structured Type:</b>    | MA                                                                      |          |
| <b>Derivation Path:</b>    |                                                                         |          |
| <b>Comments:</b>           | Used in TC_26_6_6_1 for GSM and DCS, cell allocation contains 30 ARFCHs |          |
| Element Name               | Element Value                                                           | Comments |
| iei                        | -                                                                       |          |
| iel                        | '04'O                                                                   |          |
| mac_8n                     | '00111111'B                                                             |          |
| mac_7n                     | '11111100'B                                                             |          |
| mac_6n                     | '00000000'B                                                             |          |
| mac_5n                     | '00000000'B                                                             |          |
| mac_4n                     | -                                                                       |          |
| mac_3n                     | -                                                                       |          |
| mac_2n                     | -                                                                       |          |
| mac_1n                     | -                                                                       |          |
| <b>Detailed Comments:</b>  |                                                                         |          |

| Structured Type Constraint |                                                                         |          |
|----------------------------|-------------------------------------------------------------------------|----------|
| <b>Constraint Name:</b>    | Ma2_g02                                                                 |          |
| <b>Structured Type:</b>    | MA                                                                      |          |
| <b>Derivation Path:</b>    |                                                                         |          |
| <b>Comments:</b>           | Used in TC_26_6_6_1 for GSM and DCS, cell allocation contains 30 ARFCHs |          |
| Element Name               | Element Value                                                           | Comments |
| iei                        | -                                                                       |          |
| iel                        | '04'O                                                                   |          |
| mac_8n                     | '00000000'B                                                             |          |
| mac_7n                     | '00000000'B                                                             |          |
| mac_6n                     | '00000000'B                                                             |          |
| mac_5n                     | '00001111'B                                                             |          |
| mac_4n                     | -                                                                       |          |
| mac_3n                     | -                                                                       |          |
| mac_2n                     | -                                                                       |          |
| mac_1n                     | -                                                                       |          |
| <b>Detailed Comments:</b>  |                                                                         |          |

| Structured Type Constraint |                                                                         |          |
|----------------------------|-------------------------------------------------------------------------|----------|
| <b>Constraint Name:</b>    | Ma2_g03                                                                 |          |
| <b>Structured Type:</b>    | MA                                                                      |          |
| <b>Derivation Path:</b>    |                                                                         |          |
| <b>Comments:</b>           | Used in TC_26_6_6_1 for GSM and DCS, cell allocation contains 30 ARFCHs |          |
| Element Name               | Element Value                                                           | Comments |
| iei                        | -                                                                       |          |
| iel                        | '04'O                                                                   |          |
| mac_8n                     | '00000000'B                                                             |          |
| mac_7n                     | '00011111'B                                                             |          |
| mac_6n                     | '00000000'B                                                             |          |
| mac_5n                     | '00000000'B                                                             |          |
| mac_4n                     | -                                                                       |          |
| mac_3n                     | -                                                                       |          |
| mac_2n                     | -                                                                       |          |
| mac_1n                     | -                                                                       |          |
| <b>Detailed Comments:</b>  |                                                                         |          |

| Structured Type Constraint |                                                                         |          |
|----------------------------|-------------------------------------------------------------------------|----------|
| <b>Constraint Name:</b>    | Ma2_g04                                                                 |          |
| <b>Structured Type:</b>    | MA                                                                      |          |
| <b>Derivation Path:</b>    |                                                                         |          |
| <b>Comments:</b>           | Used in TC_26_6_6_1 for GSM and DCS, cell allocation contains 30 ARFCHs |          |
| Element Name               | Element Value                                                           | Comments |
| iei                        | -                                                                       |          |
| iel                        | '04'O                                                                   |          |
| mac_8n                     | '00000000'B                                                             |          |
| mac_7n                     | '00001010'B                                                             |          |
| mac_6n                     | '10101010'B                                                             |          |
| mac_5n                     | '00000000'B                                                             |          |
| mac_4n                     | -                                                                       |          |
| mac_3n                     | -                                                                       |          |
| mac_2n                     | -                                                                       |          |
| mac_1n                     | -                                                                       |          |
| <b>Detailed Comments:</b>  |                                                                         |          |

| Structured Type Constraint |                                                                         |          |
|----------------------------|-------------------------------------------------------------------------|----------|
| <b>Constraint Name:</b>    | Ma2_g05                                                                 |          |
| <b>Structured Type:</b>    | MA                                                                      |          |
| <b>Derivation Path:</b>    |                                                                         |          |
| <b>Comments:</b>           | Used in TC_26_6_6_1 for GSM and DCS, cell allocation contains 30 ARFCHs |          |
| Element Name               | Element Value                                                           | Comments |
| iei                        | -                                                                       |          |
| iel                        | '04'O                                                                   |          |
| mac_8n                     | '00010101'B                                                             |          |
| mac_7n                     | '01000000'B                                                             |          |
| mac_6n                     | '00000000'B                                                             |          |
| mac_5n                     | '10101000'B                                                             |          |
| mac_4n                     | -                                                                       |          |
| mac_3n                     | -                                                                       |          |
| mac_2n                     | -                                                                       |          |
| mac_1n                     | -                                                                       |          |
| <b>Detailed Comments:</b>  |                                                                         |          |

| Structured Type Constraint |                                                                         |          |
|----------------------------|-------------------------------------------------------------------------|----------|
| <b>Constraint Name:</b>    | Ma2_g06                                                                 |          |
| <b>Structured Type:</b>    | MA                                                                      |          |
| <b>Derivation Path:</b>    |                                                                         |          |
| <b>Comments:</b>           | Used in TC_26_6_6_1 for GSM and DCS, cell allocation contains 30 ARFCHs |          |
| Element Name               | Element Value                                                           | Comments |
| iei                        | -                                                                       |          |
| iel                        | '04'O                                                                   |          |
| mac_8n                     | '00011010'B                                                             |          |
| mac_7n                     | '10100000'B                                                             |          |
| mac_6n                     | '00000000'B                                                             |          |
| mac_5n                     | '00011100'B                                                             |          |
| mac_4n                     | -                                                                       |          |
| mac_3n                     | -                                                                       |          |
| mac_2n                     | -                                                                       |          |
| mac_1n                     | -                                                                       |          |
| <b>Detailed Comments:</b>  |                                                                         |          |

| Structured Type Constraint |                                                                         |          |
|----------------------------|-------------------------------------------------------------------------|----------|
| <b>Constraint Name:</b>    | Ma2_g07                                                                 |          |
| <b>Structured Type:</b>    | MA                                                                      |          |
| <b>Derivation Path:</b>    |                                                                         |          |
| <b>Comments:</b>           | Used in TC_26_6_6_1 for GSM and DCS, cell allocation contains 30 ARFCHs |          |
| Element Name               | Element Value                                                           | Comments |
| iei                        | -                                                                       |          |
| iel                        | '04'O                                                                   |          |
| mac_8n                     | '00011100'B                                                             |          |
| mac_7n                     | '00000011'B                                                             |          |
| mac_6n                     | '10011100'B                                                             |          |
| mac_5n                     | '00000000'B                                                             |          |
| mac_4n                     | -                                                                       |          |
| mac_3n                     | -                                                                       |          |
| mac_2n                     | -                                                                       |          |
| mac_1n                     | -                                                                       |          |
| <b>Detailed Comments:</b>  |                                                                         |          |

| Structured Type Constraint |                                                                         |          |
|----------------------------|-------------------------------------------------------------------------|----------|
| <b>Constraint Name:</b>    | Ma2_g08                                                                 |          |
| <b>Structured Type:</b>    | MA                                                                      |          |
| <b>Derivation Path:</b>    |                                                                         |          |
| <b>Comments:</b>           | Used in TC_26_6_6_1 for GSM and DCS, cell allocation contains 30 ARFCHs |          |
| Element Name               | Element Value                                                           | Comments |
| iei                        | -                                                                       |          |
| iel                        | '04'O                                                                   |          |
| mac_8n                     | '00000001'B                                                             |          |
| mac_7n                     | '00100100'B                                                             |          |
| mac_6n                     | '10010000'B                                                             |          |
| mac_5n                     | '00011111'B                                                             |          |
| mac_4n                     | -                                                                       |          |
| mac_3n                     | -                                                                       |          |
| mac_2n                     | -                                                                       |          |
| mac_1n                     | -                                                                       |          |
| <b>Detailed Comments:</b>  |                                                                         |          |

| Structured Type Constraint |                                                                         |          |
|----------------------------|-------------------------------------------------------------------------|----------|
| <b>Constraint Name:</b>    | Ma2_g09                                                                 |          |
| <b>Structured Type:</b>    | MA                                                                      |          |
| <b>Derivation Path:</b>    |                                                                         |          |
| <b>Comments:</b>           | Used in TC_26_6_6_1 for GSM and DCS, cell allocation contains 30 ARFCHs |          |
| Element Name               | Element Value                                                           | Comments |
| iei                        | -                                                                       |          |
| iel                        | '04'O                                                                   |          |
| mac_8n                     | '00110000'B                                                             |          |
| mac_7n                     | '00000011'B                                                             |          |
| mac_6n                     | '11010000'B                                                             |          |
| mac_5n                     | '00001111'B                                                             |          |
| mac_4n                     | -                                                                       |          |
| mac_3n                     | -                                                                       |          |
| mac_2n                     | -                                                                       |          |
| mac_1n                     | -                                                                       |          |
| <b>Detailed Comments:</b>  |                                                                         |          |

| Structured Type Constraint |                                                                         |          |
|----------------------------|-------------------------------------------------------------------------|----------|
| <b>Constraint Name:</b>    | Ma3_g01                                                                 |          |
| <b>Structured Type:</b>    | MA                                                                      |          |
| <b>Derivation Path:</b>    |                                                                         |          |
| <b>Comments:</b>           | Used in TC_26_6_6_1 for GSM and DCS, cell allocation contains 12 ARFCHs |          |
| Element Name               | Element Value                                                           | Comments |
| iei                        | -                                                                       |          |
| iel                        | '02'O                                                                   |          |
| mac_8n                     | '00001110'B                                                             |          |
| mac_7n                     | '11111111'B                                                             |          |
| mac_6n                     | -                                                                       |          |
| mac_5n                     | -                                                                       |          |
| mac_4n                     | -                                                                       |          |
| mac_3n                     | -                                                                       |          |
| mac_2n                     | -                                                                       |          |
| mac_1n                     | -                                                                       |          |
| <b>Detailed Comments:</b>  |                                                                         |          |

| Structured Type Constraint |                                                                         |          |
|----------------------------|-------------------------------------------------------------------------|----------|
| <b>Constraint Name:</b>    | Ma3_g02                                                                 |          |
| <b>Structured Type:</b>    | MA                                                                      |          |
| <b>Derivation Path:</b>    |                                                                         |          |
| <b>Comments:</b>           | Used in TC_26_6_6_1 for GSM and DCS, cell allocation contains 12 ARFCHs |          |
| Element Name               | Element Value                                                           | Comments |
| iei                        | -                                                                       |          |
| iel                        | '02'O                                                                   |          |
| mac_8n                     | '00000100'B                                                             |          |
| mac_7n                     | '00000011'B                                                             |          |
| mac_6n                     | -                                                                       |          |
| mac_5n                     | -                                                                       |          |
| mac_4n                     | -                                                                       |          |
| mac_3n                     | -                                                                       |          |
| mac_2n                     | -                                                                       |          |
| mac_1n                     | -                                                                       |          |
| <b>Detailed Comments:</b>  |                                                                         |          |

| Structured Type Constraint |                                                                         |          |
|----------------------------|-------------------------------------------------------------------------|----------|
| <b>Constraint Name:</b>    | Ma3_g03                                                                 |          |
| <b>Structured Type:</b>    | MA                                                                      |          |
| <b>Derivation Path:</b>    |                                                                         |          |
| <b>Comments:</b>           | Used in TC_26_6_6_1 for GSM and DCS, cell allocation contains 12 ARFCHs |          |
| Element Name               | Element Value                                                           | Comments |
| iei                        | -                                                                       |          |
| iel                        | '02'O                                                                   |          |
| mac_8n                     | '00001010'B                                                             |          |
| mac_7n                     | '10100000'B                                                             |          |
| mac_6n                     | -                                                                       |          |
| mac_5n                     | -                                                                       |          |
| mac_4n                     | -                                                                       |          |
| mac_3n                     | -                                                                       |          |
| mac_2n                     | -                                                                       |          |
| mac_1n                     | -                                                                       |          |
| <b>Detailed Comments:</b>  |                                                                         |          |

| Structured Type Constraint |                                                                         |          |
|----------------------------|-------------------------------------------------------------------------|----------|
| <b>Constraint Name:</b>    | Ma3_g04                                                                 |          |
| <b>Structured Type:</b>    | MA                                                                      |          |
| <b>Derivation Path:</b>    |                                                                         |          |
| <b>Comments:</b>           | Used in TC_26_6_6_1 for GSM and DCS, cell allocation contains 12 ARFCHs |          |
| Element Name               | Element Value                                                           | Comments |
| iei                        | -                                                                       |          |
| iel                        | '02'O                                                                   |          |
| mac_8n                     | '00000111'B                                                             |          |
| mac_7n                     | '11000000'B                                                             |          |
| mac_6n                     | -                                                                       |          |
| mac_5n                     | -                                                                       |          |
| mac_4n                     | -                                                                       |          |
| mac_3n                     | -                                                                       |          |
| mac_2n                     | -                                                                       |          |
| mac_1n                     | -                                                                       |          |
| <b>Detailed Comments:</b>  |                                                                         |          |



| Structured Type Constraint |                                                                         |          |
|----------------------------|-------------------------------------------------------------------------|----------|
| <b>Constraint Name:</b>    | Ma3_g05                                                                 |          |
| <b>Structured Type:</b>    | MA                                                                      |          |
| <b>Derivation Path:</b>    |                                                                         |          |
| <b>Comments:</b>           | Used in TC_26_6_6_1 for GSM and DCS, cell allocation contains 12 ARFCHs |          |
| Element Name               | Element Value                                                           | Comments |
| iei                        | -                                                                       |          |
| iel                        | '02'O                                                                   |          |
| mac_8n                     | '00001010'B                                                             |          |
| mac_7n                     | '10010101'B                                                             |          |
| mac_6n                     | -                                                                       |          |
| mac_5n                     | -                                                                       |          |
| mac_4n                     | -                                                                       |          |
| mac_3n                     | -                                                                       |          |
| mac_2n                     | -                                                                       |          |
| mac_1n                     | -                                                                       |          |
| <b>Detailed Comments:</b>  |                                                                         |          |

| Structured Type Constraint |                                                                         |          |
|----------------------------|-------------------------------------------------------------------------|----------|
| <b>Constraint Name:</b>    | Ma3_g06                                                                 |          |
| <b>Structured Type:</b>    | MA                                                                      |          |
| <b>Derivation Path:</b>    |                                                                         |          |
| <b>Comments:</b>           | Used in TC_26_6_6_1 for GSM and DCS, cell allocation contains 12 ARFCHs |          |
| Element Name               | Element Value                                                           | Comments |
| iei                        | -                                                                       |          |
| iel                        | '02'O                                                                   |          |
| mac_8n                     | '00001111'B                                                             |          |
| mac_7n                     | '00001011'B                                                             |          |
| mac_6n                     | -                                                                       |          |
| mac_5n                     | -                                                                       |          |
| mac_4n                     | -                                                                       |          |
| mac_3n                     | -                                                                       |          |
| mac_2n                     | -                                                                       |          |
| mac_1n                     | -                                                                       |          |
| <b>Detailed Comments:</b>  |                                                                         |          |

| Structured Type Constraint |                                                                         |          |
|----------------------------|-------------------------------------------------------------------------|----------|
| <b>Constraint Name:</b>    | Ma3_g07                                                                 |          |
| <b>Structured Type:</b>    | MA                                                                      |          |
| <b>Derivation Path:</b>    |                                                                         |          |
| <b>Comments:</b>           | Used in TC_26_6_6_1 for GSM and DCS, cell allocation contains 12 ARFCHs |          |
| Element Name               | Element Value                                                           | Comments |
| iei                        | -                                                                       |          |
| iel                        | '02'O                                                                   |          |
| mac_8n                     | '00001010'B                                                             |          |
| mac_7n                     | '11110011'B                                                             |          |
| mac_6n                     | -                                                                       |          |
| mac_5n                     | -                                                                       |          |
| mac_4n                     | -                                                                       |          |
| mac_3n                     | -                                                                       |          |
| mac_2n                     | -                                                                       |          |
| mac_1n                     | -                                                                       |          |
| <b>Detailed Comments:</b>  |                                                                         |          |

| Structured Type Constraint |                                                                         |          |
|----------------------------|-------------------------------------------------------------------------|----------|
| <b>Constraint Name:</b>    | Ma3_g08                                                                 |          |
| <b>Structured Type:</b>    | MA                                                                      |          |
| <b>Derivation Path:</b>    |                                                                         |          |
| <b>Comments:</b>           | Used in TC_26_6_6_1 for GSM and DCS, cell allocation contains 12 ARFCHs |          |
| Element Name               | Element Value                                                           | Comments |
| iei                        | -                                                                       |          |
| iel                        | '02'O                                                                   |          |
| mac_8n                     | '00001111'B                                                             |          |
| mac_7n                     | '00101111'B                                                             |          |
| mac_6n                     | -                                                                       |          |
| mac_5n                     | -                                                                       |          |
| mac_4n                     | -                                                                       |          |
| mac_3n                     | -                                                                       |          |
| mac_2n                     | -                                                                       |          |
| mac_1n                     | -                                                                       |          |
| <b>Detailed Comments:</b>  |                                                                         |          |

| Structured Type Constraint |                                                                         |          |
|----------------------------|-------------------------------------------------------------------------|----------|
| <b>Constraint Name:</b>    | Ma3_g09                                                                 |          |
| <b>Structured Type:</b>    | MA                                                                      |          |
| <b>Derivation Path:</b>    |                                                                         |          |
| <b>Comments:</b>           | Used in TC_26_6_6_1 for GSM and DCS, cell allocation contains 12 ARFCHs |          |
| Element Name               | Element Value                                                           | Comments |
| iei                        | -                                                                       |          |
| iel                        | '02'O                                                                   |          |
| mac_8n                     | '00001111'B                                                             |          |
| mac_7n                     | '10111110'B                                                             |          |
| mac_6n                     | -                                                                       |          |
| mac_5n                     | -                                                                       |          |
| mac_4n                     | -                                                                       |          |
| mac_3n                     | -                                                                       |          |
| mac_2n                     | -                                                                       |          |
| mac_1n                     | -                                                                       |          |
| <b>Detailed Comments:</b>  |                                                                         |          |

| Structured Type Constraint |                                     |          |
|----------------------------|-------------------------------------|----------|
| <b>Constraint Name:</b>    | Mi_01                               |          |
| <b>Structured Type:</b>    | MI                                  |          |
| <b>Derivation Path:</b>    |                                     |          |
| <b>Comments:</b>           | used as a comprehension required IE |          |
| Element Name               | Element Value                       | Comments |
| iei                        | '00000000'B                         |          |
| iel                        | '01'O                               |          |
| idigit_1                   | '1110'B                             |          |
| oei                        | '1'B                                |          |
| toi                        | '111'B                              |          |
| idigits_other              | -                                   |          |
| <b>Detailed Comments:</b>  |                                     |          |

| Structured Type Constraint |                         |          |
|----------------------------|-------------------------|----------|
| <b>Constraint Name:</b>    | Mi_02                   |          |
| <b>Structured Type:</b>    | MI                      |          |
| <b>Derivation Path:</b>    |                         |          |
| <b>Comments:</b>           | used as an unknown IEI. |          |
| Element Name               | Element Value           | Comments |
| iei                        | '10101110'B             |          |
| iel                        | -                       |          |
| idigit_1                   | -                       |          |
| oei                        | -                       |          |
| toi                        | -                       |          |
| idigits_other              | -                       |          |
| <b>Detailed Comments:</b>  | used in TC_26_5_6_1_1.  |          |

| Structured Type Constraint |                       |          |
|----------------------------|-----------------------|----------|
| <b>Constraint Name:</b>    | Mi_05                 |          |
| <b>Structured Type:</b>    | MI                    |          |
| <b>Derivation Path:</b>    |                       |          |
| <b>Comments:</b>           | used as an unknown IE |          |
| Element Name               | Element Value         | Comments |
| iei                        | '00000010'B           |          |
| iel                        | 'E0'O                 |          |
| idigit_1                   | '1001'B               |          |
| oei                        | '0'B                  |          |
| toi                        | '000'B                |          |
| idigits_other              | -                     |          |
| <b>Detailed Comments:</b>  |                       |          |

| Structured Type Constraint |                         |          |
|----------------------------|-------------------------|----------|
| <b>Constraint Name:</b>    | Mi_06                   |          |
| <b>Structured Type:</b>    | MI                      |          |
| <b>Derivation Path:</b>    |                         |          |
| <b>Comments:</b>           | used as an unknown IEI. |          |
| Element Name               | Element Value           | Comments |
| iei                        | '00010011'B             |          |
| iel                        | '02'O                   |          |
| idigit_1                   | '1010'B                 |          |
| oei                        | '0'B                    |          |
| toi                        | '111'B                  |          |
| idigits_other              | '78'O                   |          |
| <b>Detailed Comments:</b>  | used in TC_26_5_6_1_2.  |          |

| Structured Type Constraint |                         |          |
|----------------------------|-------------------------|----------|
| <b>Constraint Name:</b>    | Milmei_01               |          |
| <b>Structured Type:</b>    | MI                      |          |
| <b>Derivation Path:</b>    |                         |          |
| <b>Comments:</b>           | IMEI                    |          |
| Element Name               | Element Value           | Comments |
| iei                        | -                       |          |
| iel                        | '08'O                   |          |
| idigit_1                   | OC_FirstDigi(TSPX_IMEI) |          |
| oei                        | '1'B                    |          |
| toi                        | '010'B                  |          |
| idigits_other              | OC_OtherDigi(TSPX_IMEI) |          |
| <b>Detailed Comments:</b>  |                         |          |

| Structured Type Constraint |                           |          |
|----------------------------|---------------------------|----------|
| <b>Constraint Name:</b>    | Milmeisv_01               |          |
| <b>Structured Type:</b>    | MI                        |          |
| <b>Derivation Path:</b>    |                           |          |
| <b>Comments:</b>           | TSPX_IMEISV               |          |
| Element Name               | Element Value             | Comments |
| iei                        | -                         |          |
| iel                        | '09'O                     |          |
| idigit_1                   | OC_FirstDigi(TSPX_IMEISV) |          |
| oei                        | '0'B                      |          |
| toi                        | '011'B                    |          |
| idigits_other              | OC_OtherDigi(TSPX_IMEISV) |          |
| <b>Detailed Comments:</b>  |                           |          |

| Structured Type Constraint |                           |          |
|----------------------------|---------------------------|----------|
| <b>Constraint Name:</b>    | Milmeisv_01iei            |          |
| <b>Structured Type:</b>    | MI                        |          |
| <b>Derivation Path:</b>    |                           |          |
| <b>Comments:</b>           | TSPX_IMEISV               |          |
| Element Name               | Element Value             | Comments |
| iei                        | '00010111'B               |          |
| iel                        | '09'O                     |          |
| idigit_1                   | OC_FirstDigi(TSPX_IMEISV) |          |
| oei                        | '0'B                      |          |
| toi                        | '011'B                    |          |
| idigits_other              | OC_OtherDigi(TSPX_IMEISV) |          |
| <b>Detailed Comments:</b>  |                           |          |

| Structured Type Constraint |                                                   |          |
|----------------------------|---------------------------------------------------|----------|
| <b>Constraint Name:</b>    | Milmsi_01                                         |          |
| <b>Structured Type:</b>    | MI                                                |          |
| <b>Derivation Path:</b>    |                                                   |          |
| <b>Comments:</b>           | the TSPX_IMSI is the IMSI of the MS under test    |          |
| Element Name               | Element Value                                     | Comments |
| iei                        | -                                                 |          |
| iel                        | OC_IntToOct(((<br>LENGTH_OF(TSPX_IMSI))/2 + 1),1) |          |
| idigit_1                   | OC_FirstDigi(TSPX_IMSI)                           |          |
| oei                        | OC_OeBit(TSPX_IMSI)                               |          |
| toi                        | '001'B                                            |          |
| idigits_other              | OC_OtherDigi(TSPX_IMSI)                           |          |
| <b>Detailed Comments:</b>  |                                                   |          |

| Structured Type Constraint |                                                   |          |
|----------------------------|---------------------------------------------------|----------|
| <b>Constraint Name:</b>    | Milmsi_01iei                                      |          |
| <b>Structured Type:</b>    | MI                                                |          |
| <b>Derivation Path:</b>    |                                                   |          |
| <b>Comments:</b>           | the TSPX_IMSI is the IMSI of the MS under test    |          |
| Element Name               | Element Value                                     | Comments |
| iei                        | '00010111'B                                       |          |
| iel                        | OC_IntToOct(((<br>LENGTH_OF(TSPX_IMSI))/2 + 1),1) |          |
| idigit_1                   | OC_FirstDigi(TSPX_IMSI)                           |          |
| oei                        | OC_OeBit(TSPX_IMSI)                               |          |
| toi                        | '001'B                                            |          |
| idigits_other              | OC_OtherDigi(TSPX_IMSI)                           |          |
| <b>Detailed Comments:</b>  |                                                   |          |

| Structured Type Constraint |                                                                                                                              |          |
|----------------------------|------------------------------------------------------------------------------------------------------------------------------|----------|
| <b>Constraint Name:</b>    | Milmsi_02                                                                                                                    |          |
| <b>Structured Type:</b>    | MI                                                                                                                           |          |
| <b>Derivation Path:</b>    |                                                                                                                              |          |
| <b>Comments:</b>           | This constraint is used in paging filling message. No mobile is paged (Type of identity is set to '000'B, i.e. no identity). |          |
| Element Name               | Element Value                                                                                                                | Comments |
| iei                        | -                                                                                                                            |          |
| iel                        | '01'O                                                                                                                        |          |
| idigit_1                   | '1111'B                                                                                                                      |          |
| oei                        | '0'B                                                                                                                         |          |
| toi                        | '000'B                                                                                                                       |          |
| idigits_other              | -                                                                                                                            |          |
| <b>Detailed Comments:</b>  |                                                                                                                              |          |

| Structured Type Constraint                                   |                                                                                                   |          |
|--------------------------------------------------------------|---------------------------------------------------------------------------------------------------|----------|
| <b>Constraint Name:</b>                                      | Milmsi_31                                                                                         |          |
| <b>Structured Type:</b>                                      | MI                                                                                                |          |
| <b>Derivation Path:</b>                                      |                                                                                                   |          |
| <b>Comments:</b>                                             | An another IMSI differing from Milmsi_01for RR testing, which is shorter than the maximum length. |          |
| Element Name                                                 | Element Value                                                                                     | Comments |
| iei                                                          | -                                                                                                 |          |
| iel                                                          | '05'O                                                                                             |          |
| idigit_1                                                     | '0000'B                                                                                           |          |
| oei                                                          | '1'B                                                                                              |          |
| toi                                                          | '001'B                                                                                            |          |
| idigits_other                                                | '10102143'O                                                                                       |          |
| <b>Detailed Comments:</b> IMSI has 9 digits: '00 10 11 23 4' |                                                                                                   |          |

| Structured Type Constraint                                                                                                    |                                                                                                   |          |
|-------------------------------------------------------------------------------------------------------------------------------|---------------------------------------------------------------------------------------------------|----------|
| <b>Constraint Name:</b>                                                                                                       | Milmsi_31iei                                                                                      |          |
| <b>Structured Type:</b>                                                                                                       | MI                                                                                                |          |
| <b>Derivation Path:</b>                                                                                                       |                                                                                                   |          |
| <b>Comments:</b>                                                                                                              | An another IMSI differing from Milmsi_01for RR testing, which is shorter than the maximum length. |          |
| Element Name                                                                                                                  | Element Value                                                                                     | Comments |
| iei                                                                                                                           | '00010111'B                                                                                       |          |
| iel                                                                                                                           | '05'O                                                                                             |          |
| idigit_1                                                                                                                      | '0000'B                                                                                           |          |
| oei                                                                                                                           | '1'B                                                                                              |          |
| toi                                                                                                                           | '001'B                                                                                            |          |
| idigits_other                                                                                                                 | '10102143'O                                                                                       |          |
| <b>Detailed Comments:</b> IMSI has 9 digits: '00 10 11 23 4'. The iei appears in the messages, e.g. location updating accept. |                                                                                                   |          |

| Structured Type Constraint |                                                          |          |
|----------------------------|----------------------------------------------------------|----------|
| <b>Constraint Name:</b>    | Milmsi_r01                                               |          |
| <b>Structured Type:</b>    | MI                                                       |          |
| <b>Derivation Path:</b>    |                                                          |          |
| <b>Comments:</b>           | An another IMSI differing from Milmsi_01 for RR testing. |          |
| Element Name               | Element Value                                            | Comments |
| iei                        | -                                                        |          |
| iel                        | '07'O                                                    |          |
| idigit_1                   | '0000'B                                                  |          |
| oei                        | '1'B                                                     |          |
| toi                        | '001'B                                                   |          |
| idigits_other              | '981032547698'O                                          |          |
| <b>Detailed Comments:</b>  | IMSI has 13 digits: '08 90 12 34 56 78 9'                |          |

| Structured Type Constraint |                                                          |          |
|----------------------------|----------------------------------------------------------|----------|
| <b>Constraint Name:</b>    | Milmsi_r01iei                                            |          |
| <b>Structured Type:</b>    | MI                                                       |          |
| <b>Derivation Path:</b>    |                                                          |          |
| <b>Comments:</b>           | An another IMSI differing from Milmsi_01 for RR testing. |          |
| Element Name               | Element Value                                            | Comments |
| iei                        | '00010111'B                                              |          |
| iel                        | '07'O                                                    |          |
| idigit_1                   | '0000'B                                                  |          |
| oei                        | '1'B                                                     |          |
| toi                        | '001'B                                                   |          |
| idigits_other              | '981032547698'O                                          |          |
| <b>Detailed Comments:</b>  | IMSI has 13 digits: '08 90 12 34 56 78 9'                |          |

| Structured Type Constraint |                       |          |
|----------------------------|-----------------------|----------|
| <b>Constraint Name:</b>    | MiMsi_omit            |          |
| <b>Structured Type:</b>    | MI                    |          |
| <b>Derivation Path:</b>    |                       |          |
| <b>Comments:</b>           | omit MSI for testing. |          |
| Element Name               | Element Value         | Comments |
| iei                        | -                     |          |
| iel                        | -                     |          |
| idigit_1                   | -                     |          |
| oei                        | -                     |          |
| toi                        | -                     |          |
| idigits_other              | -                     |          |
| <b>Detailed Comments:</b>  |                       |          |

| Structured Type Constraint |                           |          |
|----------------------------|---------------------------|----------|
| <b>Constraint Name:</b>    | MiTmsi_01                 |          |
| <b>Structured Type:</b>    | MI                        |          |
| <b>Derivation Path:</b>    |                           |          |
| <b>Comments:</b>           | default TMSI for testing. |          |
| Element Name               | Element Value             | Comments |
| iei                        | -                         |          |
| iel                        | '05'O                     |          |
| idigit_1                   | '1111'B                   |          |
| oei                        | '0'B                      |          |
| toi                        | '100'B                    |          |
| idigits_other              | TSPX_TMSI                 |          |
| <b>Detailed Comments:</b>  |                           |          |

| Structured Type Constraint |                           |          |
|----------------------------|---------------------------|----------|
| <b>Constraint Name:</b>    | MiTmsi_01iei              |          |
| <b>Structured Type:</b>    | MI                        |          |
| <b>Derivation Path:</b>    |                           |          |
| <b>Comments:</b>           | default TMSI for testing. |          |
| Element Name               | Element Value             | Comments |
| iei                        | '00010111'B               |          |
| iel                        | '05'O                     |          |
| idigit_1                   | '1111'B                   |          |
| oei                        | '0'B                      |          |
| toi                        | '100'B                    |          |
| idigits_other              | TSPX_TMSI                 |          |
| <b>Detailed Comments:</b>  |                           |          |

| Structured Type Constraint |               |          |
|----------------------------|---------------|----------|
| <b>Constraint Name:</b>    | MiTmsi_02     |          |
| <b>Structured Type:</b>    | MI            |          |
| <b>Derivation Path:</b>    |               |          |
| <b>Comments:</b>           | A new TMSI    |          |
| Element Name               | Element Value | Comments |
| iei                        | -             |          |
| iel                        | '05'O         |          |
| idigit_1                   | '1111'B       |          |
| oei                        | '0'B          |          |
| toi                        | '100'B        |          |
| idigits_other              | TSPX_TMSI1    |          |
| <b>Detailed Comments:</b>  |               |          |

| Structured Type Constraint |               |          |
|----------------------------|---------------|----------|
| <b>Constraint Name:</b>    | MiTmsi_02iei  |          |
| <b>Structured Type:</b>    | MI            |          |
| <b>Derivation Path:</b>    |               |          |
| <b>Comments:</b>           | A new TMSI    |          |
| Element Name               | Element Value | Comments |
| iei                        | '00010111'B   |          |
| iel                        | '05'O         |          |
| idigit_1                   | '1111'B       |          |
| oei                        | '0'B          |          |
| toi                        | '100'B        |          |
| idigits_other              | TSPX_TMSI1    |          |
| <b>Detailed Comments:</b>  |               |          |

| Structured Type Constraint                                                                 |                               |          |
|--------------------------------------------------------------------------------------------|-------------------------------|----------|
| <b>Constraint Name:</b>                                                                    | MiTmsi_r01                    |          |
| <b>Structured Type:</b>                                                                    | MI                            |          |
| <b>Derivation Path:</b>                                                                    |                               |          |
| <b>Comments:</b>                                                                           | A TMSI differs from MiTmsi_01 |          |
| Element Name                                                                               | Element Value                 | Comments |
| iei                                                                                        | -                             |          |
| iel                                                                                        | '05'O                         |          |
| idigit_1                                                                                   | '1111'B                       |          |
| oei                                                                                        | '0'B                          |          |
| toi                                                                                        | '100'B                        |          |
| idigits_other                                                                              | OC_IncTmsi(TSPX_TMSI, '01'O)  |          |
| <b>Detailed Comments:</b> Note: the TSPX_TMSI + '01'O shall not be identical to TSPX_TMSI1 |                               |          |

| Structured Type Constraint |                                                     |          |
|----------------------------|-----------------------------------------------------|----------|
| <b>Constraint Name:</b>    | MiTmsi_r02                                          |          |
| <b>Structured Type:</b>    | MI                                                  |          |
| <b>Derivation Path:</b>    |                                                     |          |
| <b>Comments:</b>           | default TMSI for testing with toi setting to no id. |          |
| Element Name               | Element Value                                       | Comments |
| iei                        | -                                                   |          |
| iel                        | '05'O                                               |          |
| idigit_1                   | '1111'B                                             |          |
| oei                        | '0'B                                                |          |
| toi                        | '000'B                                              |          |
| idigits_other              | TSPX_TMSI                                           |          |
| <b>Detailed Comments:</b>  |                                                     |          |

| Structured Type Constraint |                                                     |          |
|----------------------------|-----------------------------------------------------|----------|
| <b>Constraint Name:</b>    | MiTmsi_r02iei                                       |          |
| <b>Structured Type:</b>    | MI                                                  |          |
| <b>Derivation Path:</b>    |                                                     |          |
| <b>Comments:</b>           | default TMSI for testing with toi setting to no id. |          |
| Element Name               | Element Value                                       | Comments |
| iei                        | '00010111'B                                         |          |
| iel                        | '05'O                                               |          |
| idigit_1                   | '1111'B                                             |          |
| oei                        | '0'B                                                |          |
| toi                        | '000'B                                              |          |
| idigits_other              | TSPX_TMSI                                           |          |
| <b>Detailed Comments:</b>  |                                                     |          |

| Structured Type Constraint |               |          |
|----------------------------|---------------|----------|
| <b>Constraint Name:</b>    | MoblAllc_01   |          |
| <b>Structured Type:</b>    | MA            |          |
| <b>Derivation Path:</b>    |               |          |
| <b>Comments:</b>           | non hopping   |          |
| Element Name               | Element Value | Comments |
| iei                        | -             |          |
| iel                        | '00'O         |          |
| mac_8n                     | -             |          |
| mac_7n                     | -             |          |
| mac_6n                     | -             |          |
| mac_5n                     | -             |          |
| mac_4n                     | -             |          |
| mac_3n                     | -             |          |
| mac_2n                     | -             |          |
| mac_1n                     | -             |          |
| <b>Detailed Comments:</b>  |               |          |



| Structured Type Constraint |                |          |
|----------------------------|----------------|----------|
| <b>Constraint Name:</b>    | MoblAllc_01iei |          |
| <b>Structured Type:</b>    | MA             |          |
| <b>Derivation Path:</b>    |                |          |
| <b>Comments:</b>           | non hopping    |          |
| Element Name               | Element Value  | Comments |
| iei                        | '01110010'B    |          |
| iel                        | '00'O          |          |
| mac_8n                     | -              |          |
| mac_7n                     | -              |          |
| mac_6n                     | -              |          |
| mac_5n                     | -              |          |
| mac_4n                     | -              |          |
| mac_3n                     | -              |          |
| mac_2n                     | -              |          |
| mac_1n                     | -              |          |
| <b>Detailed Comments:</b>  |                |          |

| Structured Type Constraint |               |          |
|----------------------------|---------------|----------|
| <b>Constraint Name:</b>    | MoblAllc_02   |          |
| <b>Structured Type:</b>    | MA            |          |
| <b>Derivation Path:</b>    | MoblAllc_01.  |          |
| <b>Comments:</b>           | hopping       |          |
| Element Name               | Element Value | Comments |
| iei                        | '01110010'B   |          |
| iel                        | '01'O         |          |
| mac_8n                     | '00000010'B   |          |
| <b>Detailed Comments:</b>  |               |          |

| Structured Type Constraint |                                |          |
|----------------------------|--------------------------------|----------|
| <b>Constraint Name:</b>    | MoblAllc_04                    |          |
| <b>Structured Type:</b>    | MA                             |          |
| <b>Derivation Path:</b>    |                                |          |
| <b>Comments:</b>           | hopping used in TC_26_6_4_2_2. |          |
| Element Name               | Element Value                  | Comments |
| iei                        | '01110010'B                    |          |
| iel                        | '01'O                          |          |
| mac_8n                     | '00001110'B                    |          |
| mac_7n                     | -                              |          |
| mac_6n                     | -                              |          |
| mac_5n                     | -                              |          |
| mac_4n                     | -                              |          |
| mac_3n                     | -                              |          |
| mac_2n                     | -                              |          |
| mac_1n                     | -                              |          |
| <b>Detailed Comments:</b>  |                                |          |

| Structured Type Constraint |                                                                                                                                                                     |          |
|----------------------------|---------------------------------------------------------------------------------------------------------------------------------------------------------------------|----------|
| <b>Constraint Name:</b>    | MoblAllc_20_A0                                                                                                                                                      |          |
| <b>Structured Type:</b>    | MA                                                                                                                                                                  |          |
| <b>Derivation Path:</b>    |                                                                                                                                                                     |          |
| <b>Comments:</b>           | hopping with 0001 1111 1111 1111 1111<br>indicates all of the frequencies in CA of cell A with<br>ARFCN_list={10,17,20,26,34,42,45,46,52,59,66,73,74,75,76,108,114} |          |
| Element Name               | Element Value                                                                                                                                                       | Comments |
| iei                        | -                                                                                                                                                                   |          |
| iel                        | '03'O                                                                                                                                                               |          |
| mac_8n                     | '00000001'B                                                                                                                                                         |          |
| mac_7n                     | '11111111'B                                                                                                                                                         |          |
| mac_6n                     | '11111111'B                                                                                                                                                         |          |
| mac_5n                     | -                                                                                                                                                                   |          |
| mac_4n                     | -                                                                                                                                                                   |          |
| mac_3n                     | -                                                                                                                                                                   |          |
| mac_2n                     | -                                                                                                                                                                   |          |
| mac_1n                     | -                                                                                                                                                                   |          |
| <b>Detailed Comments:</b>  |                                                                                                                                                                     |          |

| Structured Type Constraint |                                                                                                                                                                 |          |
|----------------------------|-----------------------------------------------------------------------------------------------------------------------------------------------------------------|----------|
| <b>Constraint Name:</b>    | MoblAllc_20_A1                                                                                                                                                  |          |
| <b>Structured Type:</b>    | MA                                                                                                                                                              |          |
| <b>Derivation Path:</b>    |                                                                                                                                                                 |          |
| <b>Comments:</b>           | indicates all of the frequencies in CA of cell A with<br>ARFCN_list={10,17,20,26,34,42,45,46,52,59,66,73,74,75,76,108,114} except for the BCCH<br>frequency 20. |          |
| Element Name               | Element Value                                                                                                                                                   | Comments |
| iei                        | '01110010'B                                                                                                                                                     |          |
| iel                        | '03'O                                                                                                                                                           |          |
| mac_8n                     | '00000001'B                                                                                                                                                     |          |
| mac_7n                     | '11111111'B                                                                                                                                                     |          |
| mac_6n                     | '11111011'B                                                                                                                                                     |          |
| mac_5n                     | -                                                                                                                                                               |          |
| mac_4n                     | -                                                                                                                                                               |          |
| mac_3n                     | -                                                                                                                                                               |          |
| mac_2n                     | -                                                                                                                                                               |          |
| mac_1n                     | -                                                                                                                                                               |          |
| <b>Detailed Comments:</b>  |                                                                                                                                                                 |          |

| Structured Type Constraint |                                                                                                                                                             |          |
|----------------------------|-------------------------------------------------------------------------------------------------------------------------------------------------------------|----------|
| <b>Constraint Name:</b>    | MoblAllc_20_A3d                                                                                                                                             |          |
| <b>Structured Type:</b>    | MA                                                                                                                                                          |          |
| <b>Derivation Path:</b>    |                                                                                                                                                             |          |
| <b>Comments:</b>           | indicates all of the frequencies in CA of cell A<br>ARFCN_list={734,741,747,754,759,762,766,767,773,775,779,782,791,798,829,832,844} except<br>747 and 767. |          |
| Element Name               | Element Value                                                                                                                                               | Comments |
| iei                        | -                                                                                                                                                           |          |
| iel                        | '03'O                                                                                                                                                       |          |
| mac_8n                     | '00000001'B                                                                                                                                                 |          |
| mac_7n                     | '11111111'B                                                                                                                                                 |          |
| mac_6n                     | '01111011'B                                                                                                                                                 |          |
| mac_5n                     | -                                                                                                                                                           |          |
| mac_4n                     | -                                                                                                                                                           |          |
| mac_3n                     | -                                                                                                                                                           |          |
| mac_2n                     | -                                                                                                                                                           |          |
| mac_1n                     | -                                                                                                                                                           |          |
| <b>Detailed Comments:</b>  |                                                                                                                                                             |          |

| Structured Type Constraint |                                                                                                             |          |
|----------------------------|-------------------------------------------------------------------------------------------------------------|----------|
| <b>Constraint Name:</b>    | MoblAllc_252                                                                                                |          |
| <b>Structured Type:</b>    | MA                                                                                                          |          |
| <b>Derivation Path:</b>    |                                                                                                             |          |
| <b>Comments:</b>           | hopping with 0001 1100<br>indicates ARFCN_list={40,66,73,74,75,76,108,114}<br>to the ARFCN_list={73,74,75}. |          |
| Element Name               | Element Value                                                                                               | Comments |
| iei                        | '01110010'B                                                                                                 |          |
| iel                        | '01'O                                                                                                       |          |
| mac_8n                     | '00011100'B                                                                                                 |          |
| mac_7n                     | -                                                                                                           |          |
| mac_6n                     | -                                                                                                           |          |
| mac_5n                     | -                                                                                                           |          |
| mac_4n                     | -                                                                                                           |          |
| mac_3n                     | -                                                                                                           |          |
| mac_2n                     | -                                                                                                           |          |
| mac_1n                     | -                                                                                                           |          |
| <b>Detailed Comments:</b>  |                                                                                                             |          |

| Structured Type Constraint |                                                                                                               |          |
|----------------------------|---------------------------------------------------------------------------------------------------------------|----------|
| <b>Constraint Name:</b>    | MoblAllc_252d                                                                                                 |          |
| <b>Structured Type:</b>    | MA                                                                                                            |          |
| <b>Derivation Path:</b>    |                                                                                                               |          |
| <b>Comments:</b>           | hopping with 0111 0000 0<br>List_ARFCN={761,764,771,779,782,791,798,829,832} to the ARFCN_list={791,798,829}. |          |
| Element Name               | Element Value                                                                                                 | Comments |
| iei                        | '01110010'B                                                                                                   |          |
| iel                        | '02'O                                                                                                         |          |
| mac_8n                     | '00000000'B                                                                                                   |          |
| mac_7n                     | '11100000'B                                                                                                   |          |
| mac_6n                     | -                                                                                                             |          |
| mac_5n                     | -                                                                                                             |          |
| mac_4n                     | -                                                                                                             |          |
| mac_3n                     | -                                                                                                             |          |
| mac_2n                     | -                                                                                                             |          |
| mac_1n                     | -                                                                                                             |          |
| <b>Detailed Comments:</b>  |                                                                                                               |          |

| Structured Type Constraint |                                                                                     |          |
|----------------------------|-------------------------------------------------------------------------------------|----------|
| <b>Constraint Name:</b>    | MoblAllc_22                                                                         |          |
| <b>Structured Type:</b>    | MA                                                                                  |          |
| <b>Derivation Path:</b>    |                                                                                     |          |
| <b>Comments:</b>           | hopping with all of f's from cell allocation of cell B with except of {764,832,844} |          |
| Element Name               | Element Value                                                                       | Comments |
| iei                        | '01110010'B                                                                         |          |
| iel                        | '02'O                                                                               |          |
| mac_8n                     | '00111111'B                                                                         |          |
| mac_7n                     | '01111111'B                                                                         |          |
| mac_6n                     | -                                                                                   |          |
| mac_5n                     | -                                                                                   |          |
| mac_4n                     | -                                                                                   |          |
| mac_3n                     | -                                                                                   |          |
| mac_2n                     | -                                                                                   |          |
| mac_1n                     | -                                                                                   |          |
| <b>Detailed Comments:</b>  |                                                                                     |          |

| Structured Type Constraint |                                                                              |          |
|----------------------------|------------------------------------------------------------------------------|----------|
| <b>Constraint Name:</b>    | MoblAllc_281                                                                 |          |
| <b>Structured Type:</b>    | MA                                                                           |          |
| <b>Derivation Path:</b>    |                                                                              |          |
| <b>Comments:</b>           | hopping with<br>indicates to the ARFCN_list={73,74,75} of cell allocation A. |          |
| Element Name               | Element Value                                                                | Comments |
| iei                        | -                                                                            |          |
| iel                        | '03'O                                                                        |          |
| mac_8n                     | '00000000'B                                                                  |          |
| mac_7n                     | '00111000'B                                                                  |          |
| mac_6n                     | '00000000'B                                                                  |          |
| mac_5n                     | -                                                                            |          |
| mac_4n                     | -                                                                            |          |
| mac_3n                     | -                                                                            |          |
| mac_2n                     | -                                                                            |          |
| mac_1n                     | -                                                                            |          |
| <b>Detailed Comments:</b>  |                                                                              |          |

| Structured Type Constraint |                                                                                 |          |
|----------------------------|---------------------------------------------------------------------------------|----------|
| <b>Constraint Name:</b>    | MoblAllc_281d                                                                   |          |
| <b>Structured Type:</b>    | MA                                                                              |          |
| <b>Derivation Path:</b>    |                                                                                 |          |
| <b>Comments:</b>           | hopping with<br>indicates to the ARFCN_list={773,775,779} of cell allocation A. |          |
| Element Name               | Element Value                                                                   | Comments |
| iei                        | -                                                                               |          |
| iel                        | '03'O                                                                           |          |
| mac_8n                     | '00000000'B                                                                     |          |
| mac_7n                     | '00000111'B                                                                     |          |
| mac_6n                     | '00000000'B                                                                     |          |
| mac_5n                     | -                                                                               |          |
| mac_4n                     | -                                                                               |          |
| mac_3n                     | -                                                                               |          |
| mac_2n                     | -                                                                               |          |
| mac_1n                     | -                                                                               |          |
| <b>Detailed Comments:</b>  |                                                                                 |          |

| Structured Type Constraint |                                                                                                                                |          |
|----------------------------|--------------------------------------------------------------------------------------------------------------------------------|----------|
| <b>Constraint Name:</b>    | MoblAllc_281e                                                                                                                  |          |
| <b>Structured Type:</b>    | MA                                                                                                                             |          |
| <b>Derivation Path:</b>    |                                                                                                                                |          |
| <b>Comments:</b>           | hopping sequence with EGSM frequencies. The frequencies which are used in the mobile hopping sequence are {0, 80, 1005, 1010}. |          |
| Element Name               | Element Value                                                                                                                  | Comments |
| iei                        | -                                                                                                                              |          |
| iel                        | '01'O                                                                                                                          |          |
| mac_8n                     | '10111000'B                                                                                                                    |          |
| mac_7n                     | -                                                                                                                              |          |
| mac_6n                     | -                                                                                                                              |          |
| mac_5n                     | -                                                                                                                              |          |
| mac_4n                     | -                                                                                                                              |          |
| mac_3n                     | -                                                                                                                              |          |
| mac_2n                     | -                                                                                                                              |          |
| mac_1n                     | -                                                                                                                              |          |
| <b>Detailed Comments:</b>  |                                                                                                                                |          |

| Structured Type Constraint |                                                                                                                                            |          |
|----------------------------|--------------------------------------------------------------------------------------------------------------------------------------------|----------|
| <b>Constraint Name:</b>    | MoblAllc_281e2                                                                                                                             |          |
| <b>Structured Type:</b>    | MA                                                                                                                                         |          |
| <b>Derivation Path:</b>    |                                                                                                                                            |          |
| <b>Comments:</b>           | hopping with<br>indicates to the ARFCN_list={20,66,78} of E-GSM cell allocation with<br>ARFCN_List={20,40,66,73,74,75,76,77,78,79,108,114} |          |
| Element Name               | Element Value                                                                                                                              | Comments |
| iei                        | -                                                                                                                                          |          |
| iel                        | '02'O                                                                                                                                      |          |
| mac_8n                     | '00000001'B                                                                                                                                |          |
| mac_7n                     | '00000101'B                                                                                                                                |          |
| mac_6n                     | -                                                                                                                                          |          |
| mac_5n                     | -                                                                                                                                          |          |
| mac_4n                     | -                                                                                                                                          |          |
| mac_3n                     | -                                                                                                                                          |          |
| mac_2n                     | -                                                                                                                                          |          |
| mac_1n                     | -                                                                                                                                          |          |
| <b>Detailed Comments:</b>  |                                                                                                                                            |          |

| Structured Type Constraint |                                                                                            |          |
|----------------------------|--------------------------------------------------------------------------------------------|----------|
| <b>Constraint Name:</b>    | MoblAllc_282                                                                               |          |
| <b>Structured Type:</b>    | MA                                                                                         |          |
| <b>Derivation Path:</b>    |                                                                                            |          |
| <b>Comments:</b>           | hopping with<br>indicates to the Complete Cell Allocation of cell A with except for BCCH-f |          |
| Element Name               | Element Value                                                                              | Comments |
| iei                        | -                                                                                          |          |
| iel                        | '03'O                                                                                      |          |
| mac_8n                     | '00000001'B                                                                                |          |
| mac_7n                     | '11111111'B                                                                                |          |
| mac_6n                     | '11111011'B                                                                                |          |
| mac_5n                     | -                                                                                          |          |
| mac_4n                     | -                                                                                          |          |
| mac_3n                     | -                                                                                          |          |
| mac_2n                     | -                                                                                          |          |
| mac_1n                     | -                                                                                          |          |
| <b>Detailed Comments:</b>  |                                                                                            |          |

| Structured Type Constraint |                                                                                                     |          |
|----------------------------|-----------------------------------------------------------------------------------------------------|----------|
| <b>Constraint Name:</b>    | MoblAllc_20_B1                                                                                      |          |
| <b>Structured Type:</b>    | MA                                                                                                  |          |
| <b>Derivation Path:</b>    |                                                                                                     |          |
| <b>Comments:</b>           | hopping with 1111 1111 1111 1111<br>ARFCN_list={14,18,22,24,30,31,38,40,60,66,73,74,75,76,108,114}. |          |
| Element Name               | Element Value                                                                                       | Comments |
| iei                        | -                                                                                                   |          |
| iel                        | '02'O                                                                                               |          |
| mac_8n                     | '11111111'B                                                                                         |          |
| mac_7n                     | '11111111'B                                                                                         |          |
| mac_6n                     | -                                                                                                   |          |
| mac_5n                     | -                                                                                                   |          |
| mac_4n                     | -                                                                                                   |          |
| mac_3n                     | -                                                                                                   |          |
| mac_2n                     | -                                                                                                   |          |
| mac_1n                     | -                                                                                                   |          |
| <b>Detailed Comments:</b>  |                                                                                                     |          |

| Structured Type Constraint |                                                                              |          |
|----------------------------|------------------------------------------------------------------------------|----------|
| <b>Constraint Name:</b>    | MoblAllc_20_B1iei                                                            |          |
| <b>Structured Type:</b>    | MA                                                                           |          |
| <b>Derivation Path:</b>    |                                                                              |          |
| <b>Comments:</b>           | hopping with ARFCN_list={14,18,22,24,30,31,38,40,60,66,73,74,75,76,108,114}. |          |
| Element Name               | Element Value                                                                | Comments |
| iei                        | '01110010'B                                                                  |          |
| iel                        | '02'O                                                                        |          |
| mac_8n                     | '10100111'B                                                                  |          |
| mac_7n                     | -                                                                            |          |
| mac_6n                     | -                                                                            |          |
| mac_5n                     | -                                                                            |          |
| mac_4n                     | -                                                                            |          |
| mac_3n                     | -                                                                            |          |
| mac_2n                     | -                                                                            |          |
| mac_1n                     | -                                                                            |          |
| <b>Detailed Comments:</b>  |                                                                              |          |

| Structured Type Constraint |                                    |          |
|----------------------------|------------------------------------|----------|
| <b>Constraint Name:</b>    | MoblAllc_20_Be1(par_ma: BITSTRING) |          |
| <b>Structured Type:</b>    | MA                                 |          |
| <b>Derivation Path:</b>    |                                    |          |
| <b>Comments:</b>           | hopping with par_ma                |          |
| Element Name               | Element Value                      | Comments |
| iei                        | -                                  |          |
| iel                        | '01'O                              |          |
| mac_8n                     | par_ma                             |          |
| mac_7n                     | -                                  |          |
| mac_6n                     | -                                  |          |
| mac_5n                     | -                                  |          |
| mac_4n                     | -                                  |          |
| mac_3n                     | -                                  |          |
| mac_2n                     | -                                  |          |
| mac_1n                     | -                                  |          |
| <b>Detailed Comments:</b>  |                                    |          |

| Structured Type Constraint |                                                         |          |
|----------------------------|---------------------------------------------------------|----------|
| <b>Constraint Name:</b>    | MoblAllc_20_Be2(par_ma1: BITSTRING; par_ma2: BITSTRING) |          |
| <b>Structured Type:</b>    | MA                                                      |          |
| <b>Derivation Path:</b>    |                                                         |          |
| <b>Comments:</b>           | hopping with par_ma1 and par_ma2                        |          |
| Element Name               | Element Value                                           | Comments |
| iei                        | -                                                       |          |
| iel                        | '02'O                                                   |          |
| mac_8n                     | par_ma1                                                 |          |
| mac_7n                     | par_ma2                                                 |          |
| mac_6n                     | -                                                       |          |
| mac_5n                     | -                                                       |          |
| mac_4n                     | -                                                       |          |
| mac_3n                     | -                                                       |          |
| mac_2n                     | -                                                       |          |
| mac_1n                     | -                                                       |          |
| <b>Detailed Comments:</b>  |                                                         |          |

| Structured Type Constraint |                                                            |          |
|----------------------------|------------------------------------------------------------|----------|
| <b>Constraint Name:</b>    | MoblAllc_20_Be2iei(par_ma1: BITSTRING; par_ma2: BITSTRING) |          |
| <b>Structured Type:</b>    | MA                                                         |          |
| <b>Derivation Path:</b>    |                                                            |          |
| <b>Comments:</b>           | hopping with par_ma1 and par_ma2                           |          |
| Element Name               | Element Value                                              | Comments |
| iei                        | '01110010'B                                                |          |
| iel                        | '02'O                                                      |          |
| mac_8n                     | par_ma1                                                    |          |
| mac_7n                     | par_ma2                                                    |          |
| mac_6n                     | -                                                          |          |
| mac_5n                     | -                                                          |          |
| mac_4n                     | -                                                          |          |
| mac_3n                     | -                                                          |          |
| mac_2n                     | -                                                          |          |
| mac_1n                     | -                                                          |          |
| <b>Detailed Comments:</b>  |                                                            |          |

| Structured Type Constraint |                                                                                    |          |
|----------------------------|------------------------------------------------------------------------------------|----------|
| <b>Constraint Name:</b>    | MoblAllc_20_A2                                                                     |          |
| <b>Structured Type:</b>    | MA                                                                                 |          |
| <b>Derivation Path:</b>    |                                                                                    |          |
| <b>Comments:</b>           | hopping with default Cell Allocation of HO cases and only one frequency in hopping |          |
| Element Name               | Element Value                                                                      | Comments |
| iei                        | -                                                                                  |          |
| iel                        | '03'O                                                                              |          |
| mac_8n                     | '00000001'B                                                                        |          |
| mac_7n                     | '00000000'B                                                                        |          |
| mac_6n                     | '00000000'B                                                                        |          |
| mac_5n                     | -                                                                                  |          |
| mac_4n                     | -                                                                                  |          |
| mac_3n                     | -                                                                                  |          |
| mac_2n                     | -                                                                                  |          |
| mac_1n                     | -                                                                                  |          |
| <b>Detailed Comments:</b>  |                                                                                    |          |

| Structured Type Constraint |                                                                                                                                                                                              |          |
|----------------------------|----------------------------------------------------------------------------------------------------------------------------------------------------------------------------------------------|----------|
| <b>Constraint Name:</b>    | MoblAllc_20_A2iei                                                                                                                                                                            |          |
| <b>Structured Type:</b>    | MA                                                                                                                                                                                           |          |
| <b>Derivation Path:</b>    |                                                                                                                                                                                              |          |
| <b>Comments:</b>           | hopping with 1000 0000 0000 0000<br>indicates from default Cell Allocation of HO cases with the<br>ARFCN_List={10,17,20,26,34,42,45,46,52,59,66,73,74,75,76,108,114} the<br>ARFCN_list={114} |          |
| Element Name               | Element Value                                                                                                                                                                                | Comments |
| iei                        | '01110010'B                                                                                                                                                                                  |          |
| iel                        | '03'O                                                                                                                                                                                        |          |
| mac_8n                     | '00000001'B                                                                                                                                                                                  |          |
| mac_7n                     | '00000000'B                                                                                                                                                                                  |          |
| mac_6n                     | '00000000'B                                                                                                                                                                                  |          |
| mac_5n                     | -                                                                                                                                                                                            |          |
| mac_4n                     | -                                                                                                                                                                                            |          |
| mac_3n                     | -                                                                                                                                                                                            |          |
| mac_2n                     | -                                                                                                                                                                                            |          |
| mac_1n                     | -                                                                                                                                                                                            |          |
| <b>Detailed Comments:</b>  |                                                                                                                                                                                              |          |

| Structured Type Constraint |                                                                                                                                         |          |
|----------------------------|-----------------------------------------------------------------------------------------------------------------------------------------|----------|
| <b>Constraint Name:</b>    | MoblAllc_20_A3                                                                                                                          |          |
| <b>Structured Type:</b>    | MA                                                                                                                                      |          |
| <b>Derivation Path:</b>    |                                                                                                                                         |          |
| <b>Comments:</b>           | indicates all of the frequencies in CA of cell A<br>ARFCN_list={10,17,20,26,34,42,45,46,52,59,66,73,74,75,76,108,114} except 20 and 52. |          |
| Element Name               | Element Value                                                                                                                           | Comments |
| iei                        | -                                                                                                                                       |          |
| iel                        | '03'O                                                                                                                                   |          |
| mac_8n                     | '00000001'B                                                                                                                             |          |
| mac_7n                     | '11111110'B                                                                                                                             |          |
| mac_6n                     | '11111011'B                                                                                                                             |          |
| mac_5n                     | -                                                                                                                                       |          |
| mac_4n                     | -                                                                                                                                       |          |
| mac_3n                     | -                                                                                                                                       |          |
| mac_2n                     | -                                                                                                                                       |          |
| mac_1n                     | -                                                                                                                                       |          |
| <b>Detailed Comments:</b>  |                                                                                                                                         |          |

| Structured Type Constraint |               |          |
|----------------------------|---------------|----------|
| <b>Constraint Name:</b>    | MoblAllc_omit |          |
| <b>Structured Type:</b>    | MA            |          |
| <b>Derivation Path:</b>    |               |          |
| <b>Comments:</b>           |               |          |
| Element Name               | Element Value | Comments |
| iei                        | -             |          |
| iel                        | -             |          |
| mac_8n                     | -             |          |
| mac_7n                     | -             |          |
| mac_6n                     | -             |          |
| mac_5n                     | -             |          |
| mac_4n                     | -             |          |
| mac_3n                     | -             |          |
| mac_2n                     | -             |          |
| mac_1n                     | -             |          |
| <b>Detailed Comments:</b>  |               |          |

| Structured Type Constraint |               |          |
|----------------------------|---------------|----------|
| <b>Constraint Name:</b>    | MoblAllc_r01  |          |
| <b>Structured Type:</b>    | MA            |          |
| <b>Derivation Path:</b>    |               |          |
| <b>Comments:</b>           |               |          |
| Element Name               | Element Value | Comments |
| iei                        | '01110010'B   |          |
| iel                        | '02'O         |          |
| mac_8n                     | '00000011'B   |          |
| mac_7n                     | '11111101'B   |          |
| mac_6n                     | -             |          |
| mac_5n                     | -             |          |
| mac_4n                     | -             |          |
| mac_3n                     | -             |          |
| mac_2n                     | -             |          |
| mac_1n                     | -             |          |
| <b>Detailed Comments:</b>  |               |          |



| Structured Type Constraint |               |          |
|----------------------------|---------------|----------|
| <b>Constraint Name:</b>    | MoblAllc_r02  |          |
| <b>Structured Type:</b>    | MA            |          |
| <b>Derivation Path:</b>    |               |          |
| <b>Comments:</b>           |               |          |
| Element Name               | Element Value | Comments |
| iei                        | '01110010'B   |          |
| iel                        | '02'O         |          |
| mac_8n                     | '00000111'B   |          |
| mac_7n                     | '11100011'B   |          |
| mac_6n                     | -             |          |
| mac_5n                     | -             |          |
| mac_4n                     | -             |          |
| mac_3n                     | -             |          |
| mac_2n                     | -             |          |
| mac_1n                     | -             |          |
| <b>Detailed Comments:</b>  |               |          |

| Structured Type Constraint |               |          |
|----------------------------|---------------|----------|
| <b>Constraint Name:</b>    | MoblAllc_r03  |          |
| <b>Structured Type:</b>    | MA            |          |
| <b>Derivation Path:</b>    | MoblAllc_r01. |          |
| <b>Comments:</b>           |               |          |
| Element Name               | Element Value | Comments |
| iel                        | '01'O         |          |
| mac_8n                     | '00000001'B   |          |
| mac_7n                     | -             |          |
| <b>Detailed Comments:</b>  |               |          |

| Structured Type Constraint |               |          |
|----------------------------|---------------|----------|
| <b>Constraint Name:</b>    | MoblAllc_r04  |          |
| <b>Structured Type:</b>    | MA            |          |
| <b>Derivation Path:</b>    |               |          |
| <b>Comments:</b>           |               |          |
| Element Name               | Element Value | Comments |
| iei                        | '01110010'B   |          |
| iel                        | '02'O         |          |
| mac_8n                     | '00000001'B   |          |
| mac_7n                     | '11000111'B   |          |
| mac_6n                     | -             |          |
| mac_5n                     | -             |          |
| mac_4n                     | -             |          |
| mac_3n                     | -             |          |
| mac_2n                     | -             |          |
| mac_1n                     | -             |          |
| <b>Detailed Comments:</b>  |               |          |

| Structured Type Constraint |                                                        |          |
|----------------------------|--------------------------------------------------------|----------|
| <b>Constraint Name:</b>    | MoblAllc_r05                                           |          |
| <b>Structured Type:</b>    | MA                                                     |          |
| <b>Derivation Path:</b>    | MoblAllc_r01.                                          |          |
| <b>Comments:</b>           | used in TC_26_6_13_1 for immediate assignment command  |          |
| Element Name               | Element Value                                          | Comments |
| iei                        | -                                                      |          |
| iel                        | '03'O                                                  |          |
| mac_8n                     | INT_TO_BIT((OC_OctToInt(TSPX_Ma1) / 65536), 8)         |          |
| mac_7n                     | INT_TO_BIT(((OC_OctToInt(TSPX_Ma1) / 256) MOD 256), 8) |          |
| mac_6n                     | INT_TO_BIT((OC_OctToInt(TSPX_Ma1) MOD 256), 8)         |          |
| mac_5n                     | -                                                      |          |
| mac_4n                     | -                                                      |          |
| mac_3n                     | -                                                      |          |
| mac_2n                     | -                                                      |          |
| mac_1n                     | -                                                      |          |
| <b>Detailed Comments:</b>  |                                                        |          |

| Structured Type Constraint |                                                        |          |
|----------------------------|--------------------------------------------------------|----------|
| <b>Constraint Name:</b>    | MoblAllc_r06                                           |          |
| <b>Structured Type:</b>    | MA                                                     |          |
| <b>Derivation Path:</b>    |                                                        |          |
| <b>Comments:</b>           | used in TC_26_6_13_1 after time                        |          |
| Element Name               | Element Value                                          | Comments |
| iei                        | '01110010'B                                            |          |
| iel                        | '03'O                                                  |          |
| mac_8n                     | INT_TO_BIT((OC_OctToInt(TSPX_Ma2) / 65536), 8)         |          |
| mac_7n                     | INT_TO_BIT(((OC_OctToInt(TSPX_Ma2) / 256) MOD 256), 8) |          |
| mac_6n                     | INT_TO_BIT((OC_OctToInt(TSPX_Ma2) MOD 256), 8)         |          |
| mac_5n                     | -                                                      |          |
| mac_4n                     | -                                                      |          |
| mac_3n                     | -                                                      |          |
| mac_2n                     | -                                                      |          |
| mac_1n                     | -                                                      |          |
| <b>Detailed Comments:</b>  |                                                        |          |

| Structured Type Constraint |                                                        |          |
|----------------------------|--------------------------------------------------------|----------|
| <b>Constraint Name:</b>    | MoblAllc_r07                                           |          |
| <b>Structured Type:</b>    | MA                                                     |          |
| <b>Derivation Path:</b>    |                                                        |          |
| <b>Comments:</b>           | used in TC_26_6_13_1 and TC_26_6_13_2 before time      |          |
| Element Name               | Element Value                                          | Comments |
| iei                        | '01110010'B                                            |          |
| iel                        | '03'O                                                  |          |
| mac_8n                     | INT_TO_BIT((OC_OctToInt(TSPX_Ma3) / 65536), 8)         |          |
| mac_7n                     | INT_TO_BIT(((OC_OctToInt(TSPX_Ma3) / 256) MOD 256), 8) |          |
| mac_6n                     | INT_TO_BIT((OC_OctToInt(TSPX_Ma3) MOD 256), 8)         |          |
| mac_5n                     | -                                                      |          |
| mac_4n                     | -                                                      |          |
| mac_3n                     | -                                                      |          |
| mac_2n                     | -                                                      |          |
| mac_1n                     | -                                                      |          |
| <b>Detailed Comments:</b>  |                                                        |          |

| Structured Type Constraint |                                                        |          |
|----------------------------|--------------------------------------------------------|----------|
| <b>Constraint Name:</b>    | MoblAllc_r08                                           |          |
| <b>Structured Type:</b>    | MA                                                     |          |
| <b>Derivation Path:</b>    | MoblAllc_r01.MoblAllc_r05.                             |          |
| <b>Comments:</b>           | used in TC_26_6_13_2 for immediate assignment command  |          |
| Element Name               | Element Value                                          | Comments |
| mac_8n                     | INT_TO_BIT((OC_OctToInt(TSPX_Ma4) / 65536), 8)         |          |
| mac_7n                     | INT_TO_BIT(((OC_OctToInt(TSPX_Ma4) / 256) MOD 256), 8) |          |
| mac_6n                     | INT_TO_BIT((OC_OctToInt(TSPX_Ma4) MOD 256), 8)         |          |
| <b>Detailed Comments:</b>  |                                                        |          |

| Structured Type Constraint |                                                        |          |
|----------------------------|--------------------------------------------------------|----------|
| <b>Constraint Name:</b>    | MoblAllc_r09                                           |          |
| <b>Structured Type:</b>    | MA                                                     |          |
| <b>Derivation Path:</b>    |                                                        |          |
| <b>Comments:</b>           | used in TC_26_6_13_2 after time                        |          |
| Element Name               | Element Value                                          | Comments |
| iei                        | '01110010'B                                            |          |
| iel                        | '03'O                                                  |          |
| mac_8n                     | INT_TO_BIT((OC_OctToInt(TSPX_Ma5) / 65536), 8)         |          |
| mac_7n                     | INT_TO_BIT(((OC_OctToInt(TSPX_Ma5) / 256) MOD 256), 8) |          |
| mac_6n                     | INT_TO_BIT((OC_OctToInt(TSPX_Ma5) MOD 256), 8)         |          |
| mac_5n                     | -                                                      |          |
| mac_4n                     | -                                                      |          |
| mac_3n                     | -                                                      |          |
| mac_2n                     | -                                                      |          |
| mac_1n                     | -                                                      |          |
| <b>Detailed Comments:</b>  |                                                        |          |

| Structured Type Constraint |                                                        |          |
|----------------------------|--------------------------------------------------------|----------|
| <b>Constraint Name:</b>    | MoblAllc_r10                                           |          |
| <b>Structured Type:</b>    | MA                                                     |          |
| <b>Derivation Path:</b>    | MoblAllc_r01.MoblAllc_r05.                             |          |
| <b>Comments:</b>           | used in TC_26_6_13_3 for immediate assignment          |          |
| Element Name               | Element Value                                          | Comments |
| mac_8n                     | INT_TO_BIT((OC_OctToInt(TSPX_Ma6) / 65536), 8)         |          |
| mac_7n                     | INT_TO_BIT(((OC_OctToInt(TSPX_Ma6) / 256) MOD 256), 8) |          |
| mac_6n                     | INT_TO_BIT((OC_OctToInt(TSPX_Ma6) MOD 256), 8)         |          |
| <b>Detailed Comments:</b>  |                                                        |          |

| Structured Type Constraint |                                                        |          |
|----------------------------|--------------------------------------------------------|----------|
| <b>Constraint Name:</b>    | MoblAllc_r11                                           |          |
| <b>Structured Type:</b>    | MA                                                     |          |
| <b>Derivation Path:</b>    |                                                        |          |
| <b>Comments:</b>           | used in TC_26_6_13_3 for frequency redefinition        |          |
| Element Name               | Element Value                                          | Comments |
| iei                        | -                                                      |          |
| iel                        | '03'O                                                  |          |
| mac_8n                     | INT_TO_BIT((OC_OctToInt(TSPX_Ma7) / 65536), 8)         |          |
| mac_7n                     | INT_TO_BIT(((OC_OctToInt(TSPX_Ma7) / 256) MOD 256), 8) |          |
| mac_6n                     | INT_TO_BIT((OC_OctToInt(TSPX_Ma7) MOD 256), 8)         |          |
| mac_5n                     | -                                                      |          |
| mac_4n                     | -                                                      |          |
| mac_3n                     | -                                                      |          |
| mac_2n                     | -                                                      |          |
| mac_1n                     | -                                                      |          |
| <b>Detailed Comments:</b>  |                                                        |          |

| Structured Type Constraint |                                                        |          |
|----------------------------|--------------------------------------------------------|----------|
| <b>Constraint Name:</b>    | MoblAllc_r12                                           |          |
| <b>Structured Type:</b>    | MA                                                     |          |
| <b>Derivation Path:</b>    | MoblAllc_r11.                                          |          |
| <b>Comments:</b>           | used in TC_26_6_13_3 for assignment command after time |          |
| Element Name               | Element Value                                          | Comments |
| iei                        | '01110010'B                                            |          |
| mac_8n                     | INT_TO_BIT((OC_OctToInt(TSPX_Ma8) / 65536), 8)         |          |
| mac_7n                     | INT_TO_BIT(((OC_OctToInt(TSPX_Ma8) / 256) MOD 256), 8) |          |
| mac_6n                     | INT_TO_BIT((OC_OctToInt(TSPX_Ma8) MOD 256), 8)         |          |
| <b>Detailed Comments:</b>  |                                                        |          |

| Structured Type Constraint |                                                         |          |
|----------------------------|---------------------------------------------------------|----------|
| <b>Constraint Name:</b>    | MoblAllc_r13                                            |          |
| <b>Structured Type:</b>    | MA                                                      |          |
| <b>Derivation Path:</b>    |                                                         |          |
| <b>Comments:</b>           | used in TC_26_6_13_3 for assignment command before time |          |
| Element Name               | Element Value                                           | Comments |
| iei                        | '01110010'B                                             |          |
| iel                        | '03'O                                                   |          |
| mac_8n                     | INT_TO_BIT((OC_OctToInt(TSPX_Ma9) / 65536), 8)          |          |
| mac_7n                     | INT_TO_BIT(((OC_OctToInt(TSPX_Ma9) / 256) MOD 256), 8)  |          |
| mac_6n                     | INT_TO_BIT((OC_OctToInt(TSPX_Ma9) MOD 256), 8)          |          |
| mac_5n                     | -                                                       |          |
| mac_4n                     | -                                                       |          |
| mac_3n                     | -                                                       |          |
| mac_2n                     | -                                                       |          |
| mac_1n                     | -                                                       |          |
| <b>Detailed Comments:</b>  |                                                         |          |

| Structured Type Constraint |                                                         |          |
|----------------------------|---------------------------------------------------------|----------|
| <b>Constraint Name:</b>    | MoblAllc_r14                                            |          |
| <b>Structured Type:</b>    | MA                                                      |          |
| <b>Derivation Path:</b>    | MoblAllc_r01.MoblAllc_r05.                              |          |
| <b>Comments:</b>           | used in TC_26_6_13_4 for immediate assignment           |          |
| Element Name               | Element Value                                           | Comments |
| mac_8n                     | INT_TO_BIT((OC_OctToInt(TSPX_Ma10) / 65536), 8)         |          |
| mac_7n                     | INT_TO_BIT(((OC_OctToInt(TSPX_Ma10) / 256) MOD 256), 8) |          |
| mac_6n                     | INT_TO_BIT((OC_OctToInt(TSPX_Ma10) MOD 256), 8)         |          |
| <b>Detailed Comments:</b>  |                                                         |          |

| Structured Type Constraint |                                                         |          |
|----------------------------|---------------------------------------------------------|----------|
| <b>Constraint Name:</b>    | MoblAllc_r15                                            |          |
| <b>Structured Type:</b>    | MA                                                      |          |
| <b>Derivation Path:</b>    | MoblAllc_r01.MoblAllc_r05.                              |          |
| <b>Comments:</b>           | used in TC_26_6_13_4 for frequency redefinition         |          |
| Element Name               | Element Value                                           | Comments |
| mac_8n                     | INT_TO_BIT((OC_OctToInt(TSPX_Ma11) / 65536), 8)         |          |
| mac_7n                     | INT_TO_BIT(((OC_OctToInt(TSPX_Ma11) / 256) MOD 256), 8) |          |
| mac_6n                     | INT_TO_BIT((OC_OctToInt(TSPX_Ma11) MOD 256), 8)         |          |
| <b>Detailed Comments:</b>  |                                                         |          |

| Structured Type Constraint |                                                         |          |
|----------------------------|---------------------------------------------------------|----------|
| <b>Constraint Name:</b>    | MobilAllc_r16                                           |          |
| <b>Structured Type:</b>    | MA                                                      |          |
| <b>Derivation Path:</b>    |                                                         |          |
| <b>Comments:</b>           | used in TC_26_6_13_4 for assignment command after time  |          |
| Element Name               | Element Value                                           | Comments |
| iei                        | '01110010'B                                             |          |
| iel                        | '03'O                                                   |          |
| mac_8n                     | INT_TO_BIT((OC_OctToInt(TSPX_Ma12) / 65536), 8)         |          |
| mac_7n                     | INT_TO_BIT(((OC_OctToInt(TSPX_Ma12) / 256) MOD 256), 8) |          |
| mac_6n                     | INT_TO_BIT((OC_OctToInt(TSPX_Ma12) MOD 256), 8)         |          |
| mac_5n                     | -                                                       |          |
| mac_4n                     | -                                                       |          |
| mac_3n                     | -                                                       |          |
| mac_2n                     | -                                                       |          |
| mac_1n                     | -                                                       |          |
| <b>Detailed Comments:</b>  |                                                         |          |

| Structured Type Constraint |                                                         |          |
|----------------------------|---------------------------------------------------------|----------|
| <b>Constraint Name:</b>    | MobilAllc_r17                                           |          |
| <b>Structured Type:</b>    | MA                                                      |          |
| <b>Derivation Path:</b>    |                                                         |          |
| <b>Comments:</b>           | used in TC_26_6_13_4 for assignment command before time |          |
| Element Name               | Element Value                                           | Comments |
| iei                        | '01110010'B                                             |          |
| iel                        | '03'O                                                   |          |
| mac_8n                     | INT_TO_BIT((OC_OctToInt(TSPX_Ma13) / 65536), 8)         |          |
| mac_7n                     | INT_TO_BIT(((OC_OctToInt(TSPX_Ma13) / 256) MOD 256), 8) |          |
| mac_6n                     | INT_TO_BIT((OC_OctToInt(TSPX_Ma13) MOD 256), 8)         |          |
| mac_5n                     | -                                                       |          |
| mac_4n                     | -                                                       |          |
| mac_3n                     | -                                                       |          |
| mac_2n                     | -                                                       |          |
| mac_1n                     | -                                                       |          |
| <b>Detailed Comments:</b>  |                                                         |          |

| Structured Type Constraint |                                                         |          |
|----------------------------|---------------------------------------------------------|----------|
| <b>Constraint Name:</b>    | MobilAllc_r18                                           |          |
| <b>Structured Type:</b>    | MA                                                      |          |
| <b>Derivation Path:</b>    | MobilAllc_r01.MobilAllc_r05.                            |          |
| <b>Comments:</b>           | used in TC_26_6_13_5 for immediate assignment           |          |
| Element Name               | Element Value                                           | Comments |
| mac_8n                     | INT_TO_BIT((OC_OctToInt(TSPX_Ma14) / 65536), 8)         |          |
| mac_7n                     | INT_TO_BIT(((OC_OctToInt(TSPX_Ma14) / 256) MOD 256), 8) |          |
| mac_6n                     | INT_TO_BIT((OC_OctToInt(TSPX_Ma14) MOD 256), 8)         |          |
| <b>Detailed Comments:</b>  |                                                         |          |

| Structured Type Constraint |                                                         |          |
|----------------------------|---------------------------------------------------------|----------|
| <b>Constraint Name:</b>    | MoblAllc_r20                                            |          |
| <b>Structured Type:</b>    | MA                                                      |          |
| <b>Derivation Path:</b>    | MoblAllc_r01.MoblAllc_r05.                              |          |
| <b>Comments:</b>           | used in TC_26_6_13_5 for handover before time           |          |
| Element Name               | Element Value                                           | Comments |
| mac_8n                     | INT_TO_BIT((OC_OctToInt(TSPX_Ma16) / 65536), 8)         |          |
| mac_7n                     | INT_TO_BIT(((OC_OctToInt(TSPX_Ma16) / 256) MOD 256), 8) |          |
| mac_6n                     | INT_TO_BIT((OC_OctToInt(TSPX_Ma16) MOD 256), 8)         |          |
| <b>Detailed Comments:</b>  |                                                         |          |

| Structured Type Constraint |                                                         |          |
|----------------------------|---------------------------------------------------------|----------|
| <b>Constraint Name:</b>    | MoblAllc_r21                                            |          |
| <b>Structured Type:</b>    | MA                                                      |          |
| <b>Derivation Path:</b>    | MoblAllc_r01.MoblAllc_r05.                              |          |
| <b>Comments:</b>           | used in TC_26_6_13_6 for immediate assignment           |          |
| Element Name               | Element Value                                           | Comments |
| mac_8n                     | INT_TO_BIT((OC_OctToInt(TSPX_Ma17) / 65536), 8)         |          |
| mac_7n                     | INT_TO_BIT(((OC_OctToInt(TSPX_Ma17) / 256) MOD 256), 8) |          |
| mac_6n                     | INT_TO_BIT((OC_OctToInt(TSPX_Ma17) MOD 256), 8)         |          |
| <b>Detailed Comments:</b>  |                                                         |          |

| Structured Type Constraint |                                                         |          |
|----------------------------|---------------------------------------------------------|----------|
| <b>Constraint Name:</b>    | MoblAllc_r22                                            |          |
| <b>Structured Type:</b>    | MA                                                      |          |
| <b>Derivation Path:</b>    | MoblAllc_r01.MoblAllc_r05.                              |          |
| <b>Comments:</b>           | used in TC_26_6_13_6 for handover after time            |          |
| Element Name               | Element Value                                           | Comments |
| mac_8n                     | INT_TO_BIT((OC_OctToInt(TSPX_Ma18) / 65536), 8)         |          |
| mac_7n                     | INT_TO_BIT(((OC_OctToInt(TSPX_Ma18) / 256) MOD 256), 8) |          |
| mac_6n                     | INT_TO_BIT((OC_OctToInt(TSPX_Ma18) MOD 256), 8)         |          |
| <b>Detailed Comments:</b>  |                                                         |          |

| Structured Type Constraint |                                                         |          |
|----------------------------|---------------------------------------------------------|----------|
| <b>Constraint Name:</b>    | MoblAllc_r23                                            |          |
| <b>Structured Type:</b>    | MA                                                      |          |
| <b>Derivation Path:</b>    | MoblAllc_r01.MoblAllc_r05.                              |          |
| <b>Comments:</b>           | used in TC_26_6_13_6 for handover before time           |          |
| Element Name               | Element Value                                           | Comments |
| mac_8n                     | INT_TO_BIT((OC_OctToInt(TSPX_Ma19) / 65536), 8)         |          |
| mac_7n                     | INT_TO_BIT(((OC_OctToInt(TSPX_Ma19) / 256) MOD 256), 8) |          |
| mac_6n                     | INT_TO_BIT((OC_OctToInt(TSPX_Ma19) MOD 256), 8)         |          |
| <b>Detailed Comments:</b>  |                                                         |          |

| Structured Type Constraint |                                                         |          |
|----------------------------|---------------------------------------------------------|----------|
| <b>Constraint Name:</b>    | MoblAllc_r24                                            |          |
| <b>Structured Type:</b>    | MA                                                      |          |
| <b>Derivation Path:</b>    | MoblAllc_r01.MoblAllc_r05.                              |          |
| <b>Comments:</b>           | used in TC_26_6_13_7 for immediate assignment           |          |
| Element Name               | Element Value                                           | Comments |
| mac_8n                     | INT_TO_BIT((OC_OctToInt(TSPX_Ma20) / 65536), 8)         |          |
| mac_7n                     | INT_TO_BIT(((OC_OctToInt(TSPX_Ma20) / 256) MOD 256), 8) |          |
| mac_6n                     | INT_TO_BIT((OC_OctToInt(TSPX_Ma20) MOD 256), 8)         |          |
| <b>Detailed Comments:</b>  |                                                         |          |

| Structured Type Constraint |                                                         |          |
|----------------------------|---------------------------------------------------------|----------|
| <b>Constraint Name:</b>    | MoblAllc_r25                                            |          |
| <b>Structured Type:</b>    | MA                                                      |          |
| <b>Derivation Path:</b>    | MoblAllc_r01.MoblAllc_r05.                              |          |
| <b>Comments:</b>           | used in TC_26_6_13_7 for frequency redefinition         |          |
| Element Name               | Element Value                                           | Comments |
| mac_8n                     | INT_TO_BIT((OC_OctToInt(TSPX_Ma21) / 65536), 8)         |          |
| mac_7n                     | INT_TO_BIT(((OC_OctToInt(TSPX_Ma21) / 256) MOD 256), 8) |          |
| mac_6n                     | INT_TO_BIT((OC_OctToInt(TSPX_Ma21) MOD 256), 8)         |          |
| <b>Detailed Comments:</b>  |                                                         |          |

| Structured Type Constraint |                                                         |          |
|----------------------------|---------------------------------------------------------|----------|
| <b>Constraint Name:</b>    | MoblAllc_r26                                            |          |
| <b>Structured Type:</b>    | MA                                                      |          |
| <b>Derivation Path:</b>    | MoblAllc_r01.MoblAllc_r05.                              |          |
| <b>Comments:</b>           | used in TC_26_6_13_7 for HANDOVER COMMAND after time    |          |
| Element Name               | Element Value                                           | Comments |
| mac_8n                     | INT_TO_BIT((OC_OctToInt(TSPX_Ma22) / 65536), 8)         |          |
| mac_7n                     | INT_TO_BIT(((OC_OctToInt(TSPX_Ma22) / 256) MOD 256), 8) |          |
| mac_6n                     | INT_TO_BIT((OC_OctToInt(TSPX_Ma22) MOD 256), 8)         |          |
| <b>Detailed Comments:</b>  |                                                         |          |

| Structured Type Constraint |                                                         |          |
|----------------------------|---------------------------------------------------------|----------|
| <b>Constraint Name:</b>    | MoblAllc_r27                                            |          |
| <b>Structured Type:</b>    | MA                                                      |          |
| <b>Derivation Path:</b>    | MoblAllc_r01.MoblAllc_r05.                              |          |
| <b>Comments:</b>           | used in TC_26_6_13_7 for HANDOVER COMMAND before time   |          |
| Element Name               | Element Value                                           | Comments |
| mac_8n                     | INT_TO_BIT((OC_OctToInt(TSPX_Ma23) / 65536), 8)         |          |
| mac_7n                     | INT_TO_BIT(((OC_OctToInt(TSPX_Ma23) / 256) MOD 256), 8) |          |
| mac_6n                     | INT_TO_BIT((OC_OctToInt(TSPX_Ma23) MOD 256), 8)         |          |
| <b>Detailed Comments:</b>  |                                                         |          |



| Structured Type Constraint |                                                         |          |
|----------------------------|---------------------------------------------------------|----------|
| <b>Constraint Name:</b>    | MoblAllc_r28                                            |          |
| <b>Structured Type:</b>    | MA                                                      |          |
| <b>Derivation Path:</b>    | MoblAllc_r01.MoblAllc_r05.                              |          |
| <b>Comments:</b>           | used in TC_26_6_13_8 for immediate assignment           |          |
| Element Name               | Element Value                                           | Comments |
| mac_8n                     | INT_TO_BIT((OC_OctToInt(TSPX_Ma24) / 65536), 8)         |          |
| mac_7n                     | INT_TO_BIT(((OC_OctToInt(TSPX_Ma24) / 256) MOD 256), 8) |          |
| mac_6n                     | INT_TO_BIT((OC_OctToInt(TSPX_Ma24) MOD 256), 8)         |          |
| <b>Detailed Comments:</b>  |                                                         |          |

| Structured Type Constraint |                                                         |          |
|----------------------------|---------------------------------------------------------|----------|
| <b>Constraint Name:</b>    | MoblAllc_r29                                            |          |
| <b>Structured Type:</b>    | MA                                                      |          |
| <b>Derivation Path:</b>    | MoblAllc_r01.MoblAllc_r05.                              |          |
| <b>Comments:</b>           | used in TC_26_6_13_8 for frequency redefinition         |          |
| Element Name               | Element Value                                           | Comments |
| mac_8n                     | INT_TO_BIT((OC_OctToInt(TSPX_Ma25) / 65536), 8)         |          |
| mac_7n                     | INT_TO_BIT(((OC_OctToInt(TSPX_Ma25) / 256) MOD 256), 8) |          |
| mac_6n                     | INT_TO_BIT((OC_OctToInt(TSPX_Ma25) MOD 256), 8)         |          |
| <b>Detailed Comments:</b>  |                                                         |          |

| Structured Type Constraint |                                                         |          |
|----------------------------|---------------------------------------------------------|----------|
| <b>Constraint Name:</b>    | MoblAllc_r30                                            |          |
| <b>Structured Type:</b>    | MA                                                      |          |
| <b>Derivation Path:</b>    | MoblAllc_r01.MoblAllc_r05.                              |          |
| <b>Comments:</b>           | used in TC_26_6_13_8 for HANDOVER COMMAND after time    |          |
| Element Name               | Element Value                                           | Comments |
| mac_8n                     | INT_TO_BIT((OC_OctToInt(TSPX_Ma26) / 65536), 8)         |          |
| mac_7n                     | INT_TO_BIT(((OC_OctToInt(TSPX_Ma26) / 256) MOD 256), 8) |          |
| mac_6n                     | INT_TO_BIT((OC_OctToInt(TSPX_Ma26) MOD 256), 8)         |          |
| <b>Detailed Comments:</b>  |                                                         |          |

| Structured Type Constraint |                                                         |          |
|----------------------------|---------------------------------------------------------|----------|
| <b>Constraint Name:</b>    | MoblAllc_r31                                            |          |
| <b>Structured Type:</b>    | MA                                                      |          |
| <b>Derivation Path:</b>    | MoblAllc_r01.MoblAllc_r05.                              |          |
| <b>Comments:</b>           | used in TC_26_6_13_8 for HANDOVER COMMAND before time   |          |
| Element Name               | Element Value                                           | Comments |
| mac_8n                     | INT_TO_BIT((OC_OctToInt(TSPX_Ma27) / 65536), 8)         |          |
| mac_7n                     | INT_TO_BIT(((OC_OctToInt(TSPX_Ma27) / 256) MOD 256), 8) |          |
| mac_6n                     | INT_TO_BIT((OC_OctToInt(TSPX_Ma27) MOD 256), 8)         |          |
| <b>Detailed Comments:</b>  |                                                         |          |

| Structured Type Constraint |                                                           |          |
|----------------------------|-----------------------------------------------------------|----------|
| <b>Constraint Name:</b>    | MoblAllc_r32                                              |          |
| <b>Structured Type:</b>    | MA                                                        |          |
| <b>Derivation Path:</b>    | MoblAllc_r01.MoblAllc_r05.                                |          |
| <b>Comments:</b>           | used in TC_26_6_13_9 for immediate assignment, after time |          |
| Element Name               | Element Value                                             | Comments |
| mac_8n                     | INT_TO_BIT((OC_OctToInt(TSPX_Ma28) / 65536), 8)           |          |
| mac_7n                     | INT_TO_BIT(((OC_OctToInt(TSPX_Ma28) / 256) MOD 256), 8)   |          |
| mac_6n                     | INT_TO_BIT((OC_OctToInt(TSPX_Ma28) MOD 256), 8)           |          |
| <b>Detailed Comments:</b>  |                                                           |          |

| Structured Type Constraint |                                                         |          |
|----------------------------|---------------------------------------------------------|----------|
| <b>Constraint Name:</b>    | MoblAllc_r33                                            |          |
| <b>Structured Type:</b>    | MA                                                      |          |
| <b>Derivation Path:</b>    | MoblAllc_r01.MoblAllc_r05.                              |          |
| <b>Comments:</b>           | used in TC_26_6_13_10 for immediate assignment          |          |
| Element Name               | Element Value                                           | Comments |
| mac_8n                     | INT_TO_BIT((OC_OctToInt(TSPX_Ma30) / 65536), 8)         |          |
| mac_7n                     | INT_TO_BIT(((OC_OctToInt(TSPX_Ma30) / 256) MOD 256), 8) |          |
| mac_6n                     | INT_TO_BIT((OC_OctToInt(TSPX_Ma30) MOD 256), 8)         |          |
| <b>Detailed Comments:</b>  |                                                         |          |

| Structured Type Constraint |                                                             |          |
|----------------------------|-------------------------------------------------------------|----------|
| <b>Constraint Name:</b>    | MsrResult_01                                                |          |
| <b>Structured Type:</b>    | MSRR                                                        |          |
| <b>Derivation Path:</b>    |                                                             |          |
| <b>Comments:</b>           | A measurement results IE containing no measurement results. |          |
| Element Name               | Element Value                                               | Comments |
| ba_used                    | '1'B                                                        |          |
| dtx_used                   | '0'B                                                        |          |
| rxlev_fsc                  | ?                                                           |          |
| spr1                       | '0'B                                                        |          |
| meas_valid                 | '0'B                                                        |          |
| rxlev_ssc                  | ?                                                           |          |
| spr2                       | '0'B                                                        |          |
| rxqual_fsc                 | ?                                                           |          |
| rxqual_ssc                 | ?                                                           |          |
| no_nc                      | ('000'B, '111'B)                                            |          |
| rxlev_nc1                  | '000000'B                                                   |          |
| bcchfrq_nc1                | '00000'B                                                    |          |
| bsic_nc1                   | '000000'B                                                   |          |
| rxlev_nc2                  | '000000'B                                                   |          |
| bcchfrq_nc2                | '00000'B                                                    |          |
| bsic_nc2                   | '000000'B                                                   |          |
| rxlev_nc3                  | '000000'B                                                   |          |
| bcchfrq_nc3                | '00000'B                                                    |          |
| bsic_nc3                   | '000000'B                                                   |          |
| rxlev_nc4                  | '000000'B                                                   |          |
| bcchfrq_nc4                | '00000'B                                                    |          |
| bsic_nc4                   | '000000'B                                                   |          |
| rxlev_nc5                  | '000000'B                                                   |          |
| bcchfrq_nc5                | '00000'B                                                    |          |
| bsic_nc5                   | '000000'B                                                   |          |
| rxlev_nc6                  | '000000'B                                                   |          |
| bcchfrq_nc6                | '00000'B                                                    |          |
| bsic_nc6                   | '000000'B                                                   |          |
| <b>Detailed Comments:</b>  |                                                             |          |

| Structured Type Constraint |                                              |          |
|----------------------------|----------------------------------------------|----------|
| <b>Constraint Name:</b>    | MsrResult_02                                 |          |
| <b>Structured Type:</b>    | MSRR                                         |          |
| <b>Derivation Path:</b>    |                                              |          |
| <b>Comments:</b>           | A measurement results IE matching any value. |          |
| Element Name               | Element Value                                | Comments |
| ba_used                    | ?                                            |          |
| dtx_used                   | '0'B                                         |          |
| rxlev_fsc                  | ?                                            |          |
| spr1                       | '0'B                                         |          |
| meas_valid                 | ?                                            |          |
| rxlev_ssc                  | ?                                            |          |
| spr2                       | '0'B                                         |          |
| rxqual_fsc                 | ?                                            |          |
| rxqual_ssc                 | ?                                            |          |
| no_nc                      | ?                                            |          |
| rxlev_nc1                  | *                                            |          |
| bcchfrq_nc1                | *                                            |          |
| bsic_nc1                   | *                                            |          |
| rxlev_nc2                  | *                                            |          |
| bcchfrq_nc2                | *                                            |          |
| bsic_nc2                   | *                                            |          |
| rxlev_nc3                  | *                                            |          |
| bcchfrq_nc3                | *                                            |          |
| bsic_nc3                   | *                                            |          |
| rxlev_nc4                  | *                                            |          |
| bcchfrq_nc4                | *                                            |          |
| bsic_nc4                   | *                                            |          |
| rxlev_nc5                  | *                                            |          |
| bcchfrq_nc5                | *                                            |          |
| bsic_nc5                   | *                                            |          |
| rxlev_nc6                  | *                                            |          |
| bcchfrq_nc6                | *                                            |          |
| bsic_nc6                   | *                                            |          |
| <b>Detailed Comments:</b>  |                                              |          |

| Structured Type Constraint |                                                            |          |
|----------------------------|------------------------------------------------------------|----------|
| <b>Constraint Name:</b>    | MsrResult_03                                               |          |
| <b>Structured Type:</b>    | MSRR                                                       |          |
| <b>Derivation Path:</b>    |                                                            |          |
| <b>Comments:</b>           | A measurement results IE containing 6 measurement results. |          |
| Element Name               | Element Value                                              | Comments |
| ba_used                    | '1'B                                                       |          |
| dtx_used                   | '0'B                                                       |          |
| rxlev_fsc                  | ?                                                          |          |
| spr1                       | '0'B                                                       |          |
| meas_valid                 | '0'B                                                       |          |
| rxlev_ssc                  | ?                                                          |          |
| spr2                       | '0'B                                                       |          |
| rxqual_fsc                 | ?                                                          |          |
| rxqual_ssc                 | ?                                                          |          |
| no_nc                      | '110'B                                                     |          |
| rxlev_nc1                  | ?                                                          |          |
| bcchfrq_nc1                | ?                                                          |          |
| bsic_nc1                   | ?                                                          |          |
| rxlev_nc2                  | ?                                                          |          |
| bcchfrq_nc2                | ?                                                          |          |
| bsic_nc2                   | ?                                                          |          |
| rxlev_nc3                  | ?                                                          |          |
| bcchfrq_nc3                | ?                                                          |          |
| bsic_nc3                   | ?                                                          |          |
| rxlev_nc4                  | ?                                                          |          |
| bcchfrq_nc4                | ?                                                          |          |
| bsic_nc4                   | ?                                                          |          |
| rxlev_nc5                  | ?                                                          |          |
| bcchfrq_nc5                | ?                                                          |          |
| bsic_nc5                   | ?                                                          |          |
| rxlev_nc6                  | ?                                                          |          |
| bcchfrq_nc6                | ?                                                          |          |
| bsic_nc6                   | ?                                                          |          |
| <b>Detailed Comments:</b>  |                                                            |          |

| <b>Structured Type Constraint</b> |                                                                     |          |
|-----------------------------------|---------------------------------------------------------------------|----------|
| <b>Constraint Name:</b>           | MsrResult_03e1                                                      |          |
| <b>Structured Type:</b>           | MSRR                                                                |          |
| <b>Derivation Path:</b>           |                                                                     |          |
| <b>Comments:</b>                  | A measurement results IE containing 6 measurement results for EGSM. |          |
| Element Name                      | Element Value                                                       | Comments |
| ba_used                           | '1'B                                                                |          |
| dtx_used                          | '0'B                                                                |          |
| rxlev_fsc                         | ?                                                                   |          |
| spr1                              | '0'B                                                                |          |
| meas_valid                        | '0'B                                                                |          |
| rxlev_ssc                         | ?                                                                   |          |
| spr2                              | '0'B                                                                |          |
| rxqual_fsc                        | ?                                                                   |          |
| rxqual_ssc                        | ?                                                                   |          |
| no_nc                             | '110'B                                                              |          |
| rxlev_nc1                         | ?                                                                   |          |
| bcchfrq_nc1                       | '00001'B                                                            |          |
| bsic_nc1                          | '001011'B                                                           |          |
| rxlev_nc2                         | ?                                                                   |          |
| bcchfrq_nc2                       | '00010'B                                                            |          |
| bsic_nc2                          | '001111'B                                                           |          |
| rxlev_nc3                         | ?                                                                   |          |
| bcchfrq_nc3                       | '00100'B                                                            |          |
| bsic_nc3                          | '001101'B                                                           |          |
| rxlev_nc4                         | ?                                                                   |          |
| bcchfrq_nc4                       | '00101'B                                                            |          |
| bsic_nc4                          | '001001'B                                                           |          |
| rxlev_nc5                         | ?                                                                   |          |
| bcchfrq_nc5                       | '00110'B                                                            |          |
| bsic_nc5                          | '001111'B                                                           |          |
| rxlev_nc6                         | ?                                                                   |          |
| bcchfrq_nc6                       | '00111'B                                                            |          |
| bsic_nc6                          | '001101'B                                                           |          |
| <b>Detailed Comments:</b>         |                                                                     |          |

| Structured Type Constraint |                                                                     |          |
|----------------------------|---------------------------------------------------------------------|----------|
| <b>Constraint Name:</b>    | MsrResult_03e2                                                      |          |
| <b>Structured Type:</b>    | MSRR                                                                |          |
| <b>Derivation Path:</b>    |                                                                     |          |
| <b>Comments:</b>           | A measurement results IE containing 6 measurement results for EGSM. |          |
| Element Name               | Element Value                                                       | Comments |
| ba_used                    | '1'B                                                                |          |
| dtx_used                   | '0'B                                                                |          |
| rxlev_fsc                  | ?                                                                   |          |
| spr1                       | '0'B                                                                |          |
| meas_valid                 | '0'B                                                                |          |
| rxlev_ssc                  | ?                                                                   |          |
| spr2                       | '0'B                                                                |          |
| rxqual_fsc                 | ?                                                                   |          |
| rxqual_ssc                 | ?                                                                   |          |
| no_nc                      | '110'B                                                              |          |
| rxlev_nc1                  | ?                                                                   |          |
| bcchfrq_nc1                | '00010'B                                                            |          |
| bsic_nc1                   | '001011'B                                                           |          |
| rxlev_nc2                  | ?                                                                   |          |
| bcchfrq_nc2                | '00011'B                                                            |          |
| bsic_nc2                   | '001111'B                                                           |          |
| rxlev_nc3                  | ?                                                                   |          |
| bcchfrq_nc3                | '00100'B                                                            |          |
| bsic_nc3                   | '001101'B                                                           |          |
| rxlev_nc4                  | ?                                                                   |          |
| bcchfrq_nc4                | '00101'B                                                            |          |
| bsic_nc4                   | '001001'B                                                           |          |
| rxlev_nc5                  | ?                                                                   |          |
| bcchfrq_nc5                | '00110'B                                                            |          |
| bsic_nc5                   | '001111'B                                                           |          |
| rxlev_nc6                  | ?                                                                   |          |
| bcchfrq_nc6                | '00001'B                                                            |          |
| bsic_nc6                   | '001100'B                                                           |          |
| <b>Detailed Comments:</b>  |                                                                     |          |

| Structured Type Constraint |                                                                     |          |
|----------------------------|---------------------------------------------------------------------|----------|
| <b>Constraint Name:</b>    | MsrResult_03e3                                                      |          |
| <b>Structured Type:</b>    | MSRR                                                                |          |
| <b>Derivation Path:</b>    |                                                                     |          |
| <b>Comments:</b>           | A measurement results IE containing 6 measurement results for EGSM. |          |
| Element Name               | Element Value                                                       | Comments |
| ba_used                    | '1'B                                                                |          |
| dtx_used                   | '0'B                                                                |          |
| rxlev_fsc                  | ?                                                                   |          |
| spr1                       | '0'B                                                                |          |
| meas_valid                 | '0'B                                                                |          |
| rxlev_ssc                  | ?                                                                   |          |
| spr2                       | '0'B                                                                |          |
| rxqual_fsc                 | ?                                                                   |          |
| rxqual_ssc                 | ?                                                                   |          |
| no_nc                      | '110'B                                                              |          |
| rxlev_nc1                  | ?                                                                   |          |
| bcchfrq_nc1                | '00010'B                                                            |          |
| bsic_nc1                   | '001011'B                                                           |          |
| rxlev_nc2                  | ?                                                                   |          |
| bcchfrq_nc2                | '00011'B                                                            |          |
| bsic_nc2                   | '001111'B                                                           |          |
| rxlev_nc3                  | ?                                                                   |          |
| bcchfrq_nc3                | '00110'B                                                            |          |
| bsic_nc3                   | '001001'B                                                           |          |
| rxlev_nc4                  | ?                                                                   |          |
| bcchfrq_nc4                | '01000'B                                                            |          |
| bsic_nc4                   | '001111'B                                                           |          |
| rxlev_nc5                  | ?                                                                   |          |
| bcchfrq_nc5                | '01000'B                                                            |          |
| bsic_nc5                   | '001101'B                                                           |          |
| rxlev_nc6                  | ?                                                                   |          |
| bcchfrq_nc6                | '00001'B                                                            |          |
| bsic_nc6                   | '001100'B                                                           |          |
| <b>Detailed Comments:</b>  |                                                                     |          |



| Structured Type Constraint |                                                                     |          |
|----------------------------|---------------------------------------------------------------------|----------|
| <b>Constraint Name:</b>    | MsrResult_03e4                                                      |          |
| <b>Structured Type:</b>    | MSRR                                                                |          |
| <b>Derivation Path:</b>    |                                                                     |          |
| <b>Comments:</b>           | A measurement results IE containing 6 measurement results for EGSM. |          |
| Element Name               | Element Value                                                       | Comments |
| ba_used                    | '1'B                                                                |          |
| dtx_used                   | '0'B                                                                |          |
| rxlev_fsc                  | ?                                                                   |          |
| spr1                       | '0'B                                                                |          |
| meas_valid                 | '0'B                                                                |          |
| rxlev_ssc                  | ?                                                                   |          |
| spr2                       | '0'B                                                                |          |
| rxqual_fsc                 | ?                                                                   |          |
| rxqual_ssc                 | ?                                                                   |          |
| no_nc                      | '110'B                                                              |          |
| rxlev_nc1                  | ?                                                                   |          |
| bcchfrq_nc1                | '00010'B                                                            |          |
| bsic_nc1                   | '001011'B                                                           |          |
| rxlev_nc2                  | ?                                                                   |          |
| bcchfrq_nc2                | '00011'B                                                            |          |
| bsic_nc2                   | '001111'B                                                           |          |
| rxlev_nc3                  | ?                                                                   |          |
| bcchfrq_nc3                | '00110'B                                                            |          |
| bsic_nc3                   | '001101'B                                                           |          |
| rxlev_nc4                  | ?                                                                   |          |
| bcchfrq_nc4                | '00111'B                                                            |          |
| bsic_nc4                   | '001001'B                                                           |          |
| rxlev_nc5                  | ?                                                                   |          |
| bcchfrq_nc5                | '01000'B                                                            |          |
| bsic_nc5                   | '001111'B                                                           |          |
| rxlev_nc6                  | ?                                                                   |          |
| bcchfrq_nc6                | '00001'B                                                            |          |
| bsic_nc6                   | '001100'B                                                           |          |
| <b>Detailed Comments:</b>  |                                                                     |          |

| Structured Type Constraint |                                                                     |          |
|----------------------------|---------------------------------------------------------------------|----------|
| <b>Constraint Name:</b>    | MsrResult_03e5                                                      |          |
| <b>Structured Type:</b>    | MSRR                                                                |          |
| <b>Derivation Path:</b>    |                                                                     |          |
| <b>Comments:</b>           | A measurement results IE containing 6 measurement results for EGSM. |          |
| Element Name               | Element Value                                                       | Comments |
| ba_used                    | '1'B                                                                |          |
| dtx_used                   | '0'B                                                                |          |
| rxlev_fsc                  | ?                                                                   |          |
| spr1                       | '0'B                                                                |          |
| meas_valid                 | '0'B                                                                |          |
| rxlev_ssc                  | ?                                                                   |          |
| spr2                       | '0'B                                                                |          |
| rxqual_fsc                 | ?                                                                   |          |
| rxqual_ssc                 | ?                                                                   |          |
| no_nc                      | '110'B                                                              |          |
| rxlev_nc1                  | ?                                                                   |          |
| bcchfrq_nc1                | '00010'B                                                            |          |
| bsic_nc1                   | '001011'B                                                           |          |
| rxlev_nc2                  | ?                                                                   |          |
| bcchfrq_nc2                | '00011'B                                                            |          |
| bsic_nc2                   | '001111'B                                                           |          |
| rxlev_nc3                  | ?                                                                   |          |
| bcchfrq_nc3                | '00101'B                                                            |          |
| bsic_nc3                   | '001101'B                                                           |          |
| rxlev_nc4                  | ?                                                                   |          |
| bcchfrq_nc4                | '00110'B                                                            |          |
| bsic_nc4                   | '001001'B                                                           |          |
| rxlev_nc5                  | ?                                                                   |          |
| bcchfrq_nc5                | '00111'B                                                            |          |
| bsic_nc5                   | '001111'B                                                           |          |
| rxlev_nc6                  | ?                                                                   |          |
| bcchfrq_nc6                | '00001'B                                                            |          |
| bsic_nc6                   | '001100'B                                                           |          |
| <b>Detailed Comments:</b>  |                                                                     |          |

| Structured Type Constraint |                                                            |          |
|----------------------------|------------------------------------------------------------|----------|
| <b>Constraint Name:</b>    | MsrResult_04                                               |          |
| <b>Structured Type:</b>    | MSRR                                                       |          |
| <b>Derivation Path:</b>    | MsrResult_03.                                              |          |
| <b>Comments:</b>           | A measurement results IE containing 4 measurement results. |          |
| Element Name               | Element Value                                              | Comments |
| no_nc                      | '100'B                                                     |          |
| bcchfrq_nc1                | ('00000'B, '00001'B, '00011'B, '00100'B)                   |          |
| bsic_nc1                   | ('001011'B, '001111'B, '001001'B)                          |          |
| bcchfrq_nc2                | ('00000'B, '00001'B, '00011'B, '00100'B)                   |          |
| bsic_nc2                   | ('001011'B, '001111'B, '001001'B)                          |          |
| bcchfrq_nc3                | ('00000'B, '00001'B, '00011'B, '00100'B)                   |          |
| bsic_nc3                   | ('001011'B, '001111'B, '001001'B)                          |          |
| bcchfrq_nc4                | ('00000'B, '00001'B, '00011'B, '00100'B)                   |          |
| bsic_nc4                   | ('001011'B, '001111'B, '001001'B)                          |          |
| rxlev_nc5                  | '000000'B                                                  |          |
| bcchfrq_nc5                | '00000'B                                                   |          |
| bsic_nc5                   | '000000'B                                                  |          |
| rxlev_nc6                  | '000000'B                                                  |          |
| bcchfrq_nc6                | '00000'B                                                   |          |
| bsic_nc6                   | '000000'B                                                  |          |
| <b>Detailed Comments:</b>  |                                                            |          |

| Structured Type Constraint |                                                                    |          |
|----------------------------|--------------------------------------------------------------------|----------|
| <b>Constraint Name:</b>    | MsrResult_04e                                                      |          |
| <b>Structured Type:</b>    | MSRR                                                               |          |
| <b>Derivation Path:</b>    | MsrResult_03.                                                      |          |
| <b>Comments:</b>           | A measurement results IE containing 3 measurement results for EGSM |          |
| Element Name               | Element Value                                                      | Comments |
| no_nc                      | '100'B                                                             |          |
| rxlev_nc1                  | ?                                                                  |          |
| bcchfrq_nc1                | '00001'B                                                           |          |
| bsic_nc1                   | '001011'B                                                          |          |
| rxlev_nc2                  | ?                                                                  |          |
| bcchfrq_nc2                | '00011'B                                                           |          |
| bsic_nc2                   | '001101'B                                                          |          |
| rxlev_nc3                  | ?                                                                  |          |
| bcchfrq_nc3                | '00110'B                                                           |          |
| bsic_nc3                   | '001001'B                                                          |          |
| <b>Detailed Comments:</b>  |                                                                    |          |

| Structured Type Constraint |                                                                             |          |
|----------------------------|-----------------------------------------------------------------------------|----------|
| <b>Constraint Name:</b>    | MsrResult_05                                                                |          |
| <b>Structured Type:</b>    | MSRR                                                                        |          |
| <b>Derivation Path:</b>    | MsrResult_03.                                                               |          |
| <b>Comments:</b>           | A measurement results IE containing 6 measurement results and DTX was used. |          |
| Element Name               | Element Value                                                               | Comments |
| dtx_used                   | '1'B                                                                        |          |
| bcchfrq_nc1                | ('00000'B, '00011'B, '00100'B, '00101'B, '00110'B, '00111'B)                |          |
| bsic_nc1                   | ('001011'B, '001101'B, '001111'B, '001001'B)                                |          |
| bcchfrq_nc2                | ('00000'B, '00011'B, '00100'B, '00101'B, '00110'B, '00111'B)                |          |
| bsic_nc2                   | ('001011'B, '001101'B, '001111'B, '001001'B)                                |          |
| bcchfrq_nc3                | ('00000'B, '00011'B, '00100'B, '00101'B, '00110'B, '00111'B)                |          |
| bsic_nc3                   | ('001011'B, '001101'B, '001111'B, '001001'B)                                |          |
| bcchfrq_nc4                | ('00001'B, '00100'B, '00101'B, '00110'B, '00111'B, '01000'B)                |          |
| bsic_nc4                   | ('001011'B, '001101'B, '001111'B, '001001'B)                                |          |
| bcchfrq_nc5                | ('00001'B, '00100'B, '00101'B, '00110'B, '00111'B, '01000'B)                |          |
| bsic_nc5                   | ('001011'B, '001101'B, '001111'B, '001001'B)                                |          |
| bcchfrq_nc6                | ('00001'B, '00100'B, '00101'B, '00110'B, '00111'B, '01000'B)                |          |
| bsic_nc6                   | ('001011'B, '001101'B, '001111'B, '001001'B)                                |          |
| <b>Detailed Comments:</b>  |                                                                             |          |

| Structured Type Constraint |                                                                                   |          |
|----------------------------|-----------------------------------------------------------------------------------|----------|
| <b>Constraint Name:</b>    | MsrResult_06                                                                      |          |
| <b>Structured Type:</b>    | MSRR                                                                              |          |
| <b>Derivation Path:</b>    | MsrResult_03.MsrResult_05.                                                        |          |
| <b>Comments:</b>           | A measurement results IE containing 6 measurement results and DTX is not checked. |          |
| Element Name               | Element Value                                                                     | Comments |
| dtx_used                   | ?                                                                                 |          |
| <b>Detailed Comments:</b>  |                                                                                   |          |

| Structured Type Constraint |                                                            |          |
|----------------------------|------------------------------------------------------------|----------|
| <b>Constraint Name:</b>    | MsrResult_07                                               |          |
| <b>Structured Type:</b>    | MSRR                                                       |          |
| <b>Derivation Path:</b>    | MsrResult_03.                                              |          |
| <b>Comments:</b>           | A measurement results IE containing 2 measurement results. |          |
| Element Name               | Element Value                                              | Comments |
| ba_used                    | '1'B                                                       |          |
| dtx_used                   | '0'B                                                       |          |
| rxlev_fsc                  | ?                                                          |          |
| spr1                       | '0'B                                                       |          |
| meas_valid                 | '0'B                                                       |          |
| rxlev_ssc                  | ?                                                          |          |
| spr2                       | '0'B                                                       |          |
| rxqual_fsc                 | ?                                                          |          |
| rxqual_ssc                 | ?                                                          |          |
| no_nc                      | '010'B                                                     |          |
| rxlev_nc1                  | ?                                                          |          |
| bcchfrq_nc1                | ('00000'B, '00010'B)                                       |          |
| bsic_nc1                   | ('001011'B, '001101'B)                                     |          |
| rxlev_nc2                  | ?                                                          |          |
| bcchfrq_nc2                | ('00000'B, '00010'B)                                       |          |
| bsic_nc2                   | ('001011'B, '001101'B)                                     |          |
| rxlev_nc3                  | '000000'B                                                  |          |
| bcchfrq_nc3                | '00000'B                                                   |          |
| bsic_nc3                   | '000000'B                                                  |          |
| rxlev_nc4                  | '000000'B                                                  |          |
| bcchfrq_nc4                | '00000'B                                                   |          |
| bsic_nc4                   | '000000'B                                                  |          |
| rxlev_nc5                  | '000000'B                                                  |          |
| bcchfrq_nc5                | '00000'B                                                   |          |
| bsic_nc5                   | '000000'B                                                  |          |
| rxlev_nc6                  | '000000'B                                                  |          |
| bcchfrq_nc6                | '00000'B                                                   |          |
| bsic_nc6                   | '000000'B                                                  |          |
| <b>Detailed Comments:</b>  |                                                            |          |

| Structured Type Constraint |                                                                                                                                                                                                                                                         |          |
|----------------------------|---------------------------------------------------------------------------------------------------------------------------------------------------------------------------------------------------------------------------------------------------------|----------|
| <b>Constraint Name:</b>    | Mtdif_01(ta_a, td_b:INTEGER)                                                                                                                                                                                                                            |          |
| <b>Structured Type:</b>    | MTDIF                                                                                                                                                                                                                                                   |          |
| <b>Derivation Path:</b>    |                                                                                                                                                                                                                                                         |          |
| <b>Comments:</b>           | ta_a: timing advance in cell A, td_b: time difference leg in cell B.                                                                                                                                                                                    |          |
| Element Name               | Element Value                                                                                                                                                                                                                                           | Comments |
| iei                        | '01110111'B                                                                                                                                                                                                                                             |          |
| iel                        | '03'O                                                                                                                                                                                                                                                   |          |
| value                      | (OC_IntToOct(((2*td_b + ta_a) MOD 2097152)-2), 3), OC_IntToOct(((2*td_b + ta_a) MOD 2097152)-1), 3), OC_IntToOct(((2*td_b + ta_a) MOD 2097152), 3), OC_IntToOct(((2*td_b + ta_a) MOD 2097152)+1), 3), OC_IntToOct(((2*td_b + ta_a) MOD 2097152)+2), 3)) |          |
| <b>Detailed Comments:</b>  |                                                                                                                                                                                                                                                         |          |

| Structured Type Constraint |                                 |          |
|----------------------------|---------------------------------|----------|
| <b>Constraint Name:</b>    | NT_BothT_BothNTorT_BothT_BothNT |          |
| <b>Structured Type:</b>    | CE                              |          |
| <b>Derivation Path:</b>    |                                 |          |
| <b>Comments:</b>           |                                 |          |
| Element Name               | Element Value                   | Comments |
| TorBothTorBothNT           | ('00'B, '10'B, '11'B)           |          |
| NTorBothTorBothNT          | ('01'B, '10'B, '11'B)           |          |
| <b>Detailed Comments:</b>  |                                 |          |

| Structured Type Constraint |                               |          |
|----------------------------|-------------------------------|----------|
| <b>Constraint Name:</b>    | Pcmd_19(powerlevel:BITSTRING) |          |
| <b>Structured Type:</b>    | PCMD                          |          |
| <b>Derivation Path:</b>    |                               |          |
| <b>Comments:</b>           |                               |          |
| Element Name               | Element Value                 | Comments |
| sprb                       | '000'B                        |          |
| pl                         | powerlevel                    |          |
| <b>Detailed Comments:</b>  |                               |          |

| Structured Type Constraint |                                                              |          |
|----------------------------|--------------------------------------------------------------|----------|
| <b>Constraint Name:</b>    | Pcmd_20( powerlevel:B_5)                                     |          |
| <b>Structured Type:</b>    | PCMD                                                         |          |
| <b>Derivation Path:</b>    |                                                              |          |
| <b>Comments:</b>           | PowerCmd used in synchronized and non synchronized HO cases. |          |
| Element Name               | Element Value                                                | Comments |
| sprb                       | '011'B                                                       |          |
| pl                         | powerlevel                                                   |          |
| <b>Detailed Comments:</b>  |                                                              |          |

| Structured Type Constraint |                                                    |          |
|----------------------------|----------------------------------------------------|----------|
| <b>Constraint Name:</b>    | PiSi_01                                            |          |
| <b>Structured Type:</b>    | PI_SI                                              |          |
| <b>Derivation Path:</b>    |                                                    |          |
| <b>Comments:</b>           | calling party BCD number with arbitrary spare bits |          |
| Element Name               | Element Value                                      | Comments |
| extb                       | '1'B                                               |          |
| pi                         | '00'B                                              |          |
| sp3b                       | '110'B                                             |          |
| si                         | '00'B                                              |          |
| <b>Detailed Comments:</b>  |                                                    |          |

| Structured Type Constraint |                    |          |
|----------------------------|--------------------|----------|
| <b>Constraint Name:</b>    | Pm( pgm:B_2)       |          |
| <b>Structured Type:</b>    | PM                 |          |
| <b>Derivation Path:</b>    |                    |          |
| <b>Comments:</b>           | normal paging mode |          |
| Element Name               | Element Value      | Comments |
| sprb                       | '00'B              |          |
| pgm                        | pgm                |          |
| <b>Detailed Comments:</b>  |                    |          |

| Structured Type Constraint |                                               |          |
|----------------------------|-----------------------------------------------|----------|
| <b>Constraint Name:</b>    | Pm_02                                         |          |
| <b>Structured Type:</b>    | PM                                            |          |
| <b>Derivation Path:</b>    |                                               |          |
| <b>Comments:</b>           | normal paging mode with arbitrary spare bits. |          |
| Element Name               | Element Value                                 | Comments |
| sprb                       | '11'B                                         |          |
| pgm                        | '00'B                                         |          |
| <b>Detailed Comments:</b>  |                                               |          |

| Structured Type Constraint |                                                                                       |          |
|----------------------------|---------------------------------------------------------------------------------------|----------|
| <b>Constraint Name:</b>    | ProcessUSSData_02( Invkid :OCTETSTRING; prevbits: OCTETSTRING; follbits: OCTETSTRING) |          |
| <b>Structured Type:</b>    | Component_T                                                                           |          |
| <b>Derivation Path:</b>    |                                                                                       |          |
| <b>Comments:</b>           | Return Result for Process Unstructured SS Data                                        |          |
| Element Name               | Element Value                                                                         | Comments |
| comp_part1                 | prevbits                                                                              |          |
| invokeld                   | Invkid                                                                                |          |
| comp_part2                 | follbits                                                                              |          |
| comp_part3                 | -                                                                                     |          |
| comp_part4                 | -                                                                                     |          |
| comp_part5                 | -                                                                                     |          |
| comp_part6                 | -                                                                                     |          |
| comp_part7                 | -                                                                                     |          |
| comp_part8                 | -                                                                                     |          |
| comp_part9                 | -                                                                                     |          |
| comp_part10                | -                                                                                     |          |
| comp_part11                | -                                                                                     |          |
| comp_part12                | -                                                                                     |          |
| <b>Detailed Comments:</b>  |                                                                                       |          |

| Structured Type Constraint |                                                                                          |          |
|----------------------------|------------------------------------------------------------------------------------------|----------|
| <b>Constraint Name:</b>    | ProcessUSSRequest_02( Invkid :OCTETSTRING; prevbits: OCTETSTRING; follbits: OCTETSTRING) |          |
| <b>Structured Type:</b>    | Component_T                                                                              |          |
| <b>Derivation Path:</b>    |                                                                                          |          |
| <b>Comments:</b>           | Reject or Return Error for Process Unstructured SS request                               |          |
| Element Name               | Element Value                                                                            | Comments |
| comp_part1                 | prevbits                                                                                 |          |
| invokeld                   | Invkid                                                                                   |          |
| comp_part2                 | follbits                                                                                 |          |
| comp_part3                 | -                                                                                        |          |
| comp_part4                 | -                                                                                        |          |
| comp_part5                 | -                                                                                        |          |
| comp_part6                 | -                                                                                        |          |
| comp_part7                 | -                                                                                        |          |
| comp_part8                 | -                                                                                        |          |
| comp_part9                 | -                                                                                        |          |
| comp_part10                | -                                                                                        |          |
| comp_part11                | -                                                                                        |          |
| comp_part12                | -                                                                                        |          |
| <b>Detailed Comments:</b>  |                                                                                          |          |

| Structured Type Constraint |                             |          |
|----------------------------|-----------------------------|----------|
| <b>Constraint Name:</b>    | ProgInd_omit                |          |
| <b>Structured Type:</b>    | PI                          |          |
| <b>Derivation Path:</b>    |                             |          |
| <b>Comments:</b>           | Omitted Progress Indicator. |          |
| Element Name               | Element Value               | Comments |
| iei                        | -                           |          |
| iel                        | -                           |          |
| extb3                      | -                           |          |
| cs                         | -                           |          |
| spb                        | -                           |          |
| loc                        | -                           |          |
| extb4                      | -                           |          |
| prd                        | -                           |          |
| <b>Detailed Comments:</b>  |                             |          |

| Structured Type Constraint |                                                                             |          |
|----------------------------|-----------------------------------------------------------------------------|----------|
| <b>Constraint Name:</b>    | ProgInd_01                                                                  |          |
| <b>Structured Type:</b>    | PI                                                                          |          |
| <b>Derivation Path:</b>    |                                                                             |          |
| <b>Comments:</b>           | Progress Indicator with progress description #8 (inband info now available) |          |
| Element Name               | Element Value                                                               | Comments |
| iei                        | '00011110'B                                                                 |          |
| iel                        | '02'O                                                                       |          |
| extb3                      | '1'B                                                                        |          |
| cs                         | '11'B                                                                       |          |
| spb                        | '1'B                                                                        |          |
| loc                        | '0000'B                                                                     |          |
| extb4                      | '1'B                                                                        |          |
| prd                        | '0001000'B                                                                  |          |
| <b>Detailed Comments:</b>  |                                                                             |          |

| Structured Type Constraint |                                                      |          |
|----------------------------|------------------------------------------------------|----------|
| <b>Constraint Name:</b>    | ProgInd_02                                           |          |
| <b>Structured Type:</b>    | PI                                                   |          |
| <b>Derivation Path:</b>    |                                                      |          |
| <b>Comments:</b>           | Progress Indicator containing progress indicator #4. |          |
| Element Name               | Element Value                                        | Comments |
| iei                        | -                                                    |          |
| iel                        | '02'O                                                |          |
| extb3                      | '1'B                                                 |          |
| cs                         | '11'B                                                |          |
| spb                        | '0'B                                                 |          |
| loc                        | '0001'B                                              |          |
| extb4                      | '1'B                                                 |          |
| prd                        | '0000100'B                                           |          |
| <b>Detailed Comments:</b>  |                                                      |          |

| Structured Type Constraint |                                                      |          |
|----------------------------|------------------------------------------------------|----------|
| <b>Constraint Name:</b>    | ProgInd_03                                           |          |
| <b>Structured Type:</b>    | PI                                                   |          |
| <b>Derivation Path:</b>    |                                                      |          |
| <b>Comments:</b>           | Progress Indicator containing progress indicator #8. |          |
| Element Name               | Element Value                                        | Comments |
| iei                        | -                                                    |          |
| iel                        | '02'O                                                |          |
| extb3                      | '1'B                                                 |          |
| cs                         | '11'B                                                |          |
| spb                        | '0'B                                                 |          |
| loc                        | '0001'B                                              |          |
| extb4                      | '1'B                                                 |          |
| prd                        | '0001000'B                                           |          |
| <b>Detailed Comments:</b>  |                                                      |          |

| Structured Type Constraint |                                                      |          |
|----------------------------|------------------------------------------------------|----------|
| <b>Constraint Name:</b>    | ProgInd_03iei                                        |          |
| <b>Structured Type:</b>    | PI                                                   |          |
| <b>Derivation Path:</b>    |                                                      |          |
| <b>Comments:</b>           | Progress Indicator containing progress indicator #8. |          |
| Element Name               | Element Value                                        | Comments |
| iei                        | '00011110'B                                          |          |
| iel                        | '02'O                                                |          |
| extb3                      | '1'B                                                 |          |
| cs                         | '11'B                                                |          |
| spb                        | '0'B                                                 |          |
| loc                        | '0001'B                                              |          |
| extb4                      | '1'B                                                 |          |
| prd                        | '0001000'B                                           |          |
| <b>Detailed Comments:</b>  |                                                      |          |

| Structured Type Constraint |                                             |          |
|----------------------------|---------------------------------------------|----------|
| <b>Constraint Name:</b>    | RachCntrlPara(maxtx:B_2; txint:B_4; re:B_1) |          |
| <b>Structured Type:</b>    | RACHCP                                      |          |
| <b>Derivation Path:</b>    |                                             |          |
| <b>Comments:</b>           | Default value for L 3 testing.              |          |
| Element Name               | Element Value                               | Comments |
| maxrtx                     | maxtx                                       |          |
| txint                      | txint                                       |          |
| cba                        | '0'B                                        |          |
| re                         | re                                          |          |
| acc_2                      | '00000'B                                    |          |
| ec                         | '0'B                                        |          |
| acc_1                      | '0000000000'B                               |          |
| <b>Detailed Comments:</b>  |                                             |          |



| Structured Type Constraint |                                |          |
|----------------------------|--------------------------------|----------|
| <b>Constraint Name:</b>    | RachCntrlPara_01               |          |
| <b>Structured Type:</b>    | RACHCP                         |          |
| <b>Derivation Path:</b>    |                                |          |
| <b>Comments:</b>           | Default value for L 3 testing. |          |
| Element Name               | Element Value                  | Comments |
| maxrtx                     | '00'B                          |          |
| txint                      | '0010'B                        |          |
| cba                        | '0'B                           |          |
| re                         | '0'B                           |          |
| acc_2                      | '00000'B                       |          |
| ec                         | '0'B                           |          |
| acc_1                      | '0000000000'B                  |          |
| <b>Detailed Comments:</b>  |                                |          |

| Structured Type Constraint |                                                  |          |
|----------------------------|--------------------------------------------------|----------|
| <b>Constraint Name:</b>    | RachCntrlPara_r01                                |          |
| <b>Structured Type:</b>    | RACHCP                                           |          |
| <b>Derivation Path:</b>    |                                                  |          |
| <b>Comments:</b>           | Call reestablishment is not allowed in the cell. |          |
| Element Name               | Element Value                                    | Comments |
| maxrtx                     | '00'B                                            |          |
| txint                      | '0010'B                                          |          |
| cba                        | '0'B                                             |          |
| re                         | '1'B                                             |          |
| acc_2                      | '00000'B                                         |          |
| ec                         | '0'B                                             |          |
| acc_1                      | '0000000000'B                                    |          |
| <b>Detailed Comments:</b>  |                                                  |          |

| Structured Type Constraint |                                                                     |          |
|----------------------------|---------------------------------------------------------------------|----------|
| <b>Constraint Name:</b>    | RegisterSSRslt_01(id:OCTETSTRING)                                   |          |
| <b>Structured Type:</b>    | Component_T                                                         |          |
| <b>Derivation Path:</b>    |                                                                     |          |
| <b>Comments:</b>           |                                                                     |          |
| Element Name               | Element Value                                                       | Comments |
| comp_part1                 | 'A2210201'O                                                         |          |
| invokeld                   | id                                                                  |          |
| comp_part2                 | '301C02010AA01704012A301230208301<br>1084010785058100342143870105'O |          |
| comp_part3                 | -                                                                   |          |
| comp_part4                 | -                                                                   |          |
| comp_part5                 | -                                                                   |          |
| comp_part6                 | -                                                                   |          |
| comp_part7                 | -                                                                   |          |
| comp_part8                 | -                                                                   |          |
| comp_part9                 | -                                                                   |          |
| comp_part10                | -                                                                   |          |
| comp_part11                | -                                                                   |          |
| comp_part12                | -                                                                   |          |
| <b>Detailed Comments:</b>  |                                                                     |          |

| Structured Type Constraint |                                                                                        |          |
|----------------------------|----------------------------------------------------------------------------------------|----------|
| <b>Constraint Name:</b>    | RegisterSSRsit_02(id:OCTETSTRING)                                                      |          |
| <b>Structured Type:</b>    | Component_T                                                                            |          |
| <b>Derivation Path:</b>    |                                                                                        |          |
| <b>Comments:</b>           |                                                                                        |          |
| Element Name               | Element Value                                                                          | Comments |
| comp_part1                 | 'A2800201'O                                                                            |          |
| invokeld                   | id                                                                                     |          |
| comp_part2                 | '308002010AA0800401213080308083016<br>0840107850581003421430000000000000<br>00000000'O |          |
| comp_part3                 | -                                                                                      |          |
| comp_part4                 | -                                                                                      |          |
| comp_part5                 | -                                                                                      |          |
| comp_part6                 | -                                                                                      |          |
| comp_part7                 | -                                                                                      |          |
| comp_part8                 | -                                                                                      |          |
| comp_part9                 | -                                                                                      |          |
| comp_part10                | -                                                                                      |          |
| comp_part11                | -                                                                                      |          |
| comp_part12                | -                                                                                      |          |
| <b>Detailed Comments:</b>  |                                                                                        |          |

| Structured Type Constraint |                                  |          |
|----------------------------|----------------------------------|----------|
| <b>Constraint Name:</b>    | RegisterSSErr_01(id:OCTETSTRING) |          |
| <b>Structured Type:</b>    | Component_T                      |          |
| <b>Derivation Path:</b>    |                                  |          |
| <b>Comments:</b>           |                                  |          |
| Element Name               | Element Value                    | Comments |
| comp_part1                 | 'A3060201'O                      |          |
| invokeld                   | id                               |          |
| comp_part2                 | '02010A'O                        |          |
| comp_part3                 | -                                |          |
| comp_part4                 | -                                |          |
| comp_part5                 | -                                |          |
| comp_part6                 | -                                |          |
| comp_part7                 | -                                |          |
| comp_part8                 | -                                |          |
| comp_part9                 | -                                |          |
| comp_part10                | -                                |          |
| comp_part11                | -                                |          |
| comp_part12                | -                                |          |
| <b>Detailed Comments:</b>  |                                  |          |

| Structured Type Constraint |                                  |          |
|----------------------------|----------------------------------|----------|
| <b>Constraint Name:</b>    | RegisterSSRej_01(id:OCTETSTRING) |          |
| <b>Structured Type:</b>    | Component_T                      |          |
| <b>Derivation Path:</b>    |                                  |          |
| <b>Comments:</b>           |                                  |          |
| Element Name               | Element Value                    | Comments |
| comp_part1                 | 'A4800201'O                      |          |
| invokeld                   | id                               |          |
| comp_part2                 | '8101030000'O                    |          |
| comp_part3                 | -                                |          |
| comp_part4                 | -                                |          |
| comp_part5                 | -                                |          |
| comp_part6                 | -                                |          |
| comp_part7                 | -                                |          |
| comp_part8                 | -                                |          |
| comp_part9                 | -                                |          |
| comp_part10                | -                                |          |
| comp_part11                | -                                |          |
| comp_part12                | -                                |          |
| <b>Detailed Comments:</b>  |                                  |          |

| Structured Type Constraint |                                    |          |
|----------------------------|------------------------------------|----------|
| <b>Constraint Name:</b>    | RegPasswdSSRslt_01(id:OCTETSTRING) |          |
| <b>Structured Type:</b>    | Component_T                        |          |
| <b>Derivation Path:</b>    |                                    |          |
| <b>Comments:</b>           |                                    |          |
| Element Name               | Element Value                      | Comments |
| comp_part1                 | 'A2800201'O                        |          |
| invokeld                   | id                                 |          |
| comp_part2                 | '308002011112043938373600000000'O  |          |
| comp_part3                 | -                                  |          |
| comp_part4                 | -                                  |          |
| comp_part5                 | -                                  |          |
| comp_part6                 | -                                  |          |
| comp_part7                 | -                                  |          |
| comp_part8                 | -                                  |          |
| comp_part9                 | -                                  |          |
| comp_part10                | -                                  |          |
| comp_part11                | -                                  |          |
| comp_part12                | -                                  |          |
| <b>Detailed Comments:</b>  |                                    |          |

| Structured Type Constraint |                                   |          |
|----------------------------|-----------------------------------|----------|
| <b>Constraint Name:</b>    | RegPasswdSSErr_01(id:OCTETSTRING) |          |
| <b>Structured Type:</b>    | Component_T                       |          |
| <b>Derivation Path:</b>    |                                   |          |
| <b>Comments:</b>           |                                   |          |
| Element Name               | Element Value                     | Comments |
| comp_part1                 | 'A3060201'O                       |          |
| invokeld                   | id                                |          |
| comp_part2                 | '020113'O                         |          |
| comp_part3                 | -                                 |          |
| comp_part4                 | -                                 |          |
| comp_part5                 | -                                 |          |
| comp_part6                 | -                                 |          |
| comp_part7                 | -                                 |          |
| comp_part8                 | -                                 |          |
| comp_part9                 | -                                 |          |
| comp_part10                | -                                 |          |
| comp_part11                | -                                 |          |
| comp_part12                | -                                 |          |
| <b>Detailed Comments:</b>  |                                   |          |

| Structured Type Constraint |                                   |          |
|----------------------------|-----------------------------------|----------|
| <b>Constraint Name:</b>    | RegPasswdSSErr_02(id:OCTETSTRING) |          |
| <b>Structured Type:</b>    | Component_T                       |          |
| <b>Derivation Path:</b>    |                                   |          |
| <b>Comments:</b>           |                                   |          |
| Element Name               | Element Value                     | Comments |
| comp_part1                 | 'A3800201'O                       |          |
| invokeld                   | id                                |          |
| comp_part2                 | '0201260000'O                     |          |
| comp_part3                 | -                                 |          |
| comp_part4                 | -                                 |          |
| comp_part5                 | -                                 |          |
| comp_part6                 | -                                 |          |
| comp_part7                 | -                                 |          |
| comp_part8                 | -                                 |          |
| comp_part9                 | -                                 |          |
| comp_part10                | -                                 |          |
| comp_part11                | -                                 |          |
| comp_part12                | -                                 |          |
| <b>Detailed Comments:</b>  |                                   |          |

| Structured Type Constraint |                                   |          |
|----------------------------|-----------------------------------|----------|
| <b>Constraint Name:</b>    | RegPasswdSSErr_03(id:OCTETSTRING) |          |
| <b>Structured Type:</b>    | Component_T                       |          |
| <b>Derivation Path:</b>    |                                   |          |
| <b>Comments:</b>           |                                   |          |
| Element Name               | Element Value                     | Comments |
| comp_part1                 | 'A3090201'O                       |          |
| invokeld                   | id                                |          |
| comp_part2                 | '0201250A0102'O                   |          |
| comp_part3                 | -                                 |          |
| comp_part4                 | -                                 |          |
| comp_part5                 | -                                 |          |
| comp_part6                 | -                                 |          |
| comp_part7                 | -                                 |          |
| comp_part8                 | -                                 |          |
| comp_part9                 | -                                 |          |
| comp_part10                | -                                 |          |
| comp_part11                | -                                 |          |
| comp_part12                | -                                 |          |
| <b>Detailed Comments:</b>  |                                   |          |

| Structured Type Constraint |                                |          |
|----------------------------|--------------------------------|----------|
| <b>Constraint Name:</b>    | SI3RestOctetDef                |          |
| <b>Structured Type:</b>    | SI3RO                          |          |
| <b>Derivation Path:</b>    |                                |          |
| <b>Comments:</b>           | Default value for L 3 testing. |          |
| Element Name               | Element Value                  | Comments |
| pi                         | '0'B                           |          |
| cbq                        | '0'B                           |          |
| cro                        | '101011'B                      |          |
| to                         | '001'B                         |          |
| pt                         | '01011'B                       |          |
| poi                        | '0'B                           |          |
| po                         | '01'B                          |          |
| ti                         | '0'B                           |          |
| ecsc                       | '1'B                           |          |
| spr1                       | '011'B                         |          |
| spr2                       | '00101011'B                    |          |
| <b>Detailed Comments:</b>  |                                |          |

| Structured Type Constraint |                                     |          |
|----------------------------|-------------------------------------|----------|
| <b>Constraint Name:</b>    | SI3RestOctet_inv                    |          |
| <b>Structured Type:</b>    | SI3RO                               |          |
| <b>Derivation Path:</b>    |                                     |          |
| <b>Comments:</b>           | Invalid rest octet (not all '2B'O). |          |
| Element Name               | Element Value                       | Comments |
| pi                         | '0'B                                |          |
| cbq                        | '0'B                                |          |
| cro                        | '101011'B                           |          |
| to                         | '001'B                              |          |
| pt                         | '01011'B                            |          |
| poi                        | '0'B                                |          |
| po                         | '01'B                               |          |
| ti                         | '0'B                                |          |
| ecsc                       | '1'B                                |          |
| spr1                       | '011'B                              |          |
| spr2                       | '11101110'B                         |          |
| <b>Detailed Comments:</b>  |                                     |          |

| Structured Type Constraint |                                |          |
|----------------------------|--------------------------------|----------|
| <b>Constraint Name:</b>    | SI4RestOctetDef                |          |
| <b>Structured Type:</b>    | SI4RO                          |          |
| <b>Derivation Path:</b>    |                                |          |
| <b>Comments:</b>           | Default value for L 3 testing. |          |
| Element Name               | Element Value                  | Comments |
| pi                         | '0'B                           |          |
| cbq                        | '0'B                           |          |
| cro                        | '101011'B                      |          |
| to                         | '001'B                         |          |
| pt                         | '01011'B                       |          |
| poi                        | '0'B                           |          |
| po                         | '01'B                          |          |
| spr1                       | '01011'B                       |          |
| spr2                       | '00101011'B                    |          |
| spr3                       | '00101011'B                    |          |
| spr4                       | '00101011'B                    |          |
| spr5                       | '00101011'B                    |          |
| spr6                       | '00101011'B                    |          |
| spr7                       | '00101011'B                    |          |
| spr8                       | '00101011'B                    |          |
| <b>Detailed Comments:</b>  |                                |          |

| Structured Type Constraint |                                        |          |
|----------------------------|----------------------------------------|----------|
| <b>Constraint Name:</b>    | SI4RestOctet_CBMS                      |          |
| <b>Structured Type:</b>    | SI4RO                                  |          |
| <b>Derivation Path:</b>    |                                        |          |
| <b>Comments:</b>           | Rest octets for SMSCB SysInf4 message. |          |
| Element Name               | Element Value                          | Comments |
| pi                         | '0'B                                   |          |
| cbq                        | '0'B                                   |          |
| cro                        | '101011'B                              |          |
| to                         | '001'B                                 |          |
| pt                         | '01011'B                               |          |
| poi                        | '0'B                                   |          |
| po                         | '01'B                                  |          |
| spr1                       | '01011'B                               |          |
| spr2                       | '00101011'B                            |          |
| spr3                       | -                                      |          |
| spr4                       | -                                      |          |
| spr5                       | -                                      |          |
| spr6                       | -                                      |          |
| spr7                       | -                                      |          |
| spr8                       | -                                      |          |
| <b>Detailed Comments:</b>  |                                        |          |

| Structured Type Constraint |                                     |          |
|----------------------------|-------------------------------------|----------|
| <b>Constraint Name:</b>    | SI4RestOctet_inv                    |          |
| <b>Structured Type:</b>    | SI4RO                               |          |
| <b>Derivation Path:</b>    |                                     |          |
| <b>Comments:</b>           | Invalid rest octet (not all '2B'O). |          |
| Element Name               | Element Value                       | Comments |
| pi                         | '0'B                                |          |
| cbq                        | '0'B                                |          |
| cro                        | '101011'B                           |          |
| to                         | '001'B                              |          |
| pt                         | '01011'B                            |          |
| poi                        | '0'B                                |          |
| po                         | '01'B                               |          |
| spr1                       | '01011'B                            |          |
| spr2                       | '00101011'B                         |          |
| spr3                       | '00101011'B                         |          |
| spr4                       | '00101011'B                         |          |
| spr5                       | '00101011'B                         |          |
| spr6                       | '00101011'B                         |          |
| spr7                       | '00101011'B                         |          |
| spr8                       | '11101110'B                         |          |
| <b>Detailed Comments:</b>  |                                     |          |

| Structured Type Constraint |                                                   |          |
|----------------------------|---------------------------------------------------|----------|
| <b>Constraint Name:</b>    | SerialNumber_01                                   |          |
| <b>Structured Type:</b>    | SERIAL_NUMBER                                     |          |
| <b>Derivation Path:</b>    |                                                   |          |
| <b>Comments:</b>           | Serial number for first SMSCB,<br>GSM 3.41, 9.3.2 |          |
| Element Name               | Element Value                                     | Comments |
| gs                         | '00'B                                             |          |
| message_code               | '0000000000'B                                     |          |
| update_number              | '0000'B                                           |          |
| <b>Detailed Comments:</b>  |                                                   |          |

| Structured Type Constraint |                                                    |          |
|----------------------------|----------------------------------------------------|----------|
| <b>Constraint Name:</b>    | SerialNumber_02                                    |          |
| <b>Structured Type:</b>    | SERIAL_NUMBER                                      |          |
| <b>Derivation Path:</b>    |                                                    |          |
| <b>Comments:</b>           | Serial number for second SMSCB,<br>GSM 3.41, 9.3.2 |          |
| Element Name               | Element Value                                      | Comments |
| gs                         | '00'B                                              |          |
| message_code               | '0000000001'B                                      |          |
| update_number              | '0000'B                                            |          |
| <b>Detailed Comments:</b>  |                                                    |          |

| Structured Type Constraint |                                                                                                 |          |
|----------------------------|-------------------------------------------------------------------------------------------------|----------|
| <b>Constraint Name:</b>    | SerialNumber_03                                                                                 |          |
| <b>Structured Type:</b>    | SERIAL_NUMBER                                                                                   |          |
| <b>Derivation Path:</b>    |                                                                                                 |          |
| <b>Comments:</b>           | Serial number for third SMSCB, same message code as second SMSCB but updated<br>GSM 3.41, 9.3.2 |          |
| Element Name               | Element Value                                                                                   | Comments |
| gs                         | '00'B                                                                                           |          |
| message_code               | '0000000001'B                                                                                   |          |
| update_number              | '0001'B                                                                                         |          |
| <b>Detailed Comments:</b>  |                                                                                                 |          |

| Structured Type Constraint |                                                                                                          |          |
|----------------------------|----------------------------------------------------------------------------------------------------------|----------|
| <b>Constraint Name:</b>    | USSDReq_01( Invkid :OCTETSTRING; prevbits: OCTETSTRING; follbits: OCTETSTRING;<br>ussdString: IA5String) |          |
| <b>Structured Type:</b>    | Component_T                                                                                              |          |
| <b>Derivation Path:</b>    |                                                                                                          |          |
| <b>Comments:</b>           | ReturnResult for Process Unstructured SS request                                                         |          |
| Element Name               | Element Value                                                                                            | Comments |
| comp_part1                 | prevbits                                                                                                 |          |
| invokeld                   | Invkid                                                                                                   |          |
| comp_part2                 | follbits                                                                                                 |          |
| comp_part3                 | OC_CodingOfUssdString(ussdString)                                                                        |          |
| comp_part4                 | -                                                                                                        |          |
| comp_part5                 | -                                                                                                        |          |
| comp_part6                 | -                                                                                                        |          |
| comp_part7                 | -                                                                                                        |          |
| comp_part8                 | -                                                                                                        |          |
| comp_part9                 | -                                                                                                        |          |
| comp_part10                | -                                                                                                        |          |
| comp_part11                | -                                                                                                        |          |
| comp_part12                | -                                                                                                        |          |
| <b>Detailed Comments:</b>  |                                                                                                          |          |

| Structured Type Constraint |                                                        |          |
|----------------------------|--------------------------------------------------------|----------|
| <b>Constraint Name:</b>    | USSDReq_03(Invkid :OCTETSTRING; ussdstring: IA5String) |          |
| <b>Structured Type:</b>    | Component_T                                            |          |
| <b>Derivation Path:</b>    |                                                        |          |
| <b>Comments:</b>           | Invoke for UnstructuredSS-Request                      |          |
| Element Name               | Element Value                                          | Comments |
| comp_part1                 | 'A11E0201'O                                            |          |
| invokeld                   | Invkid                                                 |          |
| comp_part2                 | '02013C0F'O                                            |          |
| comp_part3                 | OC_CodingOfUssdString(ussdstring)                      |          |
| comp_part4                 | -                                                      |          |
| comp_part5                 | -                                                      |          |
| comp_part6                 | -                                                      |          |
| comp_part7                 | -                                                      |          |
| comp_part8                 | -                                                      |          |
| comp_part9                 | -                                                      |          |
| comp_part10                | -                                                      |          |
| comp_part11                | -                                                      |          |
| comp_part12                | -                                                      |          |
| <b>Detailed Comments:</b>  |                                                        |          |



| Structured Type Constraint |                                 |          |
|----------------------------|---------------------------------|----------|
| <b>Constraint Name:</b>    | USSDReq_06(Invkid :OCTETSTRING) |          |
| <b>Structured Type:</b>    | Component_T                     |          |
| <b>Derivation Path:</b>    |                                 |          |
| <b>Comments:</b>           | Unstructured SS - Request       |          |
| Element Name               | Element Value                   | Comments |
| comp_part1                 | 'A2030201'O                     |          |
| invokeld                   | Invkid                          |          |
| comp_part2                 | -                               |          |
| comp_part3                 | -                               |          |
| comp_part4                 | -                               |          |
| comp_part5                 | -                               |          |
| comp_part6                 | -                               |          |
| comp_part7                 | -                               |          |
| comp_part8                 | -                               |          |
| comp_part9                 | -                               |          |
| comp_part10                | -                               |          |
| comp_part11                | -                               |          |
| comp_part12                | -                               |          |
| <b>Detailed Comments:</b>  |                                 |          |

| Structured Type Constraint |                                                             |          |
|----------------------------|-------------------------------------------------------------|----------|
| <b>Constraint Name:</b>    | EraseSSRslt_01(id:OCTETSTRING)                              |          |
| <b>Structured Type:</b>    | Component_T                                                 |          |
| <b>Derivation Path:</b>    |                                                             |          |
| <b>Comments:</b>           |                                                             |          |
| Element Name               | Element Value                                               | Comments |
| comp_part1                 | 'A21D0201'O                                                 |          |
| invokeld                   | id                                                          |          |
| comp_part2                 | '301802010BA0800401283080308083016<br>0840104000000000000'O |          |
| comp_part3                 | -                                                           |          |
| comp_part4                 | -                                                           |          |
| comp_part5                 | -                                                           |          |
| comp_part6                 | -                                                           |          |
| comp_part7                 | -                                                           |          |
| comp_part8                 | -                                                           |          |
| comp_part9                 | -                                                           |          |
| comp_part10                | -                                                           |          |
| comp_part11                | -                                                           |          |
| comp_part12                | -                                                           |          |
| <b>Detailed Comments:</b>  |                                                             |          |

| Structured Type Constraint |                                       |          |
|----------------------------|---------------------------------------|----------|
| <b>Constraint Name:</b>    | EraseSSRslt_02(id:OCTETSTRING)        |          |
| <b>Structured Type:</b>    | Component_T                           |          |
| <b>Derivation Path:</b>    |                                       |          |
| <b>Comments:</b>           |                                       |          |
| Element Name               | Element Value                         | Comments |
| comp_part1                 | 'A2140201'O                           |          |
| invokeld                   | id                                    |          |
| comp_part2                 | '300F02010BA00A04012B30053003840104'O |          |
| comp_part3                 | -                                     |          |
| comp_part4                 | -                                     |          |
| comp_part5                 | -                                     |          |
| comp_part6                 | -                                     |          |
| comp_part7                 | -                                     |          |
| comp_part8                 | -                                     |          |
| comp_part9                 | -                                     |          |
| comp_part10                | -                                     |          |
| comp_part11                | -                                     |          |
| comp_part12                | -                                     |          |
| <b>Detailed Comments:</b>  |                                       |          |

| Structured Type Constraint |                               |          |
|----------------------------|-------------------------------|----------|
| <b>Constraint Name:</b>    | EraseSSErr_01(id:OCTETSTRING) |          |
| <b>Structured Type:</b>    | Component_T                   |          |
| <b>Derivation Path:</b>    |                               |          |
| <b>Comments:</b>           |                               |          |
| Element Name               | Element Value                 | Comments |
| comp_part1                 | 'A3060201'O                   |          |
| invokeld                   | id                            |          |
| comp_part2                 | '02010B'O                     |          |
| comp_part3                 | -                             |          |
| comp_part4                 | -                             |          |
| comp_part5                 | -                             |          |
| comp_part6                 | -                             |          |
| comp_part7                 | -                             |          |
| comp_part8                 | -                             |          |
| comp_part9                 | -                             |          |
| comp_part10                | -                             |          |
| comp_part11                | -                             |          |
| comp_part12                | -                             |          |
| <b>Detailed Comments:</b>  |                               |          |

| Structured Type Constraint |                               |          |
|----------------------------|-------------------------------|----------|
| <b>Constraint Name:</b>    | EraseSSRej_01(id:OCTETSTRING) |          |
| <b>Structured Type:</b>    | Component_T                   |          |
| <b>Derivation Path:</b>    |                               |          |
| <b>Comments:</b>           |                               |          |
| Element Name               | Element Value                 | Comments |
| comp_part1                 | 'A4800201'O                   |          |
| invokeld                   | id                            |          |
| comp_part2                 | '8101030000'O                 |          |
| comp_part3                 | -                             |          |
| comp_part4                 | -                             |          |
| comp_part5                 | -                             |          |
| comp_part6                 | -                             |          |
| comp_part7                 | -                             |          |
| comp_part8                 | -                             |          |
| comp_part9                 | -                             |          |
| comp_part10                | -                             |          |
| comp_part11                | -                             |          |
| comp_part12                | -                             |          |
| <b>Detailed Comments:</b>  |                               |          |

| Structured Type Constraint |                                                     |          |
|----------------------------|-----------------------------------------------------|----------|
| <b>Constraint Name:</b>    | ActivateSSRslt_01(id:OCTETSTRING)                   |          |
| <b>Structured Type:</b>    | Component_T                                         |          |
| <b>Derivation Path:</b>    |                                                     |          |
| <b>Comments:</b>           | CF all synchronous services                         |          |
| Element Name               | Element Value                                       | Comments |
| comp_part1                 | 'A2800201'O                                         |          |
| invokeld                   | id                                                  |          |
| comp_part2                 | '301402010CA0800401203008300682016884010700000000'O |          |
| comp_part3                 | -                                                   |          |
| comp_part4                 | -                                                   |          |
| comp_part5                 | -                                                   |          |
| comp_part6                 | -                                                   |          |
| comp_part7                 | -                                                   |          |
| comp_part8                 | -                                                   |          |
| comp_part9                 | -                                                   |          |
| comp_part10                | -                                                   |          |
| comp_part11                | -                                                   |          |
| comp_part12                | -                                                   |          |
| <b>Detailed Comments:</b>  |                                                     |          |

| Structured Type Constraint |                                               |          |
|----------------------------|-----------------------------------------------|----------|
| <b>Constraint Name:</b>    | ActivateSSRslt_02(id:OCTETSTRING)             |          |
| <b>Structured Type:</b>    | Component_T                                   |          |
| <b>Derivation Path:</b>    |                                               |          |
| <b>Comments:</b>           | CFU all basic services                        |          |
| Element Name               | Element Value                                 | Comments |
| comp_part1                 | 'A2180201'O                                   |          |
| invokeld                   | id                                            |          |
| comp_part2                 | '308002010CA0800401213005300384010700000000'O |          |
| comp_part3                 | -                                             |          |
| comp_part4                 | -                                             |          |
| comp_part5                 | -                                             |          |
| comp_part6                 | -                                             |          |
| comp_part7                 | -                                             |          |
| comp_part8                 | -                                             |          |
| comp_part9                 | -                                             |          |
| comp_part10                | -                                             |          |
| comp_part11                | -                                             |          |
| comp_part12                | -                                             |          |
| <b>Detailed Comments:</b>  |                                               |          |

| Structured Type Constraint |                                                     |          |
|----------------------------|-----------------------------------------------------|----------|
| <b>Constraint Name:</b>    | ActivateSSRslt_03(id:OCTETSTRING)                   |          |
| <b>Structured Type:</b>    | Component_T                                         |          |
| <b>Derivation Path:</b>    |                                                     |          |
| <b>Comments:</b>           | BAOC all synchronous services                       |          |
| Element Name               | Element Value                                       | Comments |
| comp_part1                 | 'A21B0201'O                                         |          |
| invokeld                   | id                                                  |          |
| comp_part2                 | '308002010CA1800401923008300682016884010700000000'O |          |
| comp_part3                 | -                                                   |          |
| comp_part4                 | -                                                   |          |
| comp_part5                 | -                                                   |          |
| comp_part6                 | -                                                   |          |
| comp_part7                 | -                                                   |          |
| comp_part8                 | -                                                   |          |
| comp_part9                 | -                                                   |          |
| comp_part10                | -                                                   |          |
| comp_part11                | -                                                   |          |
| comp_part12                | -                                                   |          |
| <b>Detailed Comments:</b>  |                                                     |          |

| Structured Type Constraint |                                               |          |
|----------------------------|-----------------------------------------------|----------|
| <b>Constraint Name:</b>    | ActivateSSRslt_04(id:OCTETSTRING)             |          |
| <b>Structured Type:</b>    | Component_T                                   |          |
| <b>Derivation Path:</b>    |                                               |          |
| <b>Comments:</b>           | BICRoam for all basic service groups.         |          |
| Element Name               | Element Value                                 | Comments |
| comp_part1                 | 'A2180201'O                                   |          |
| invokeld                   | id                                            |          |
| comp_part2                 | '301302010CA10E04019B3080308084010700000000'O |          |
| comp_part3                 | -                                             |          |
| comp_part4                 | -                                             |          |
| comp_part5                 | -                                             |          |
| comp_part6                 | -                                             |          |
| comp_part7                 | -                                             |          |
| comp_part8                 | -                                             |          |
| comp_part9                 | -                                             |          |
| comp_part10                | -                                             |          |
| comp_part11                | -                                             |          |
| comp_part12                | -                                             |          |
| <b>Detailed Comments:</b>  |                                               |          |

| Structured Type Constraint |                                  |          |
|----------------------------|----------------------------------|----------|
| <b>Constraint Name:</b>    | ActivateSSErr_01(id:OCTETSTRING) |          |
| <b>Structured Type:</b>    | Component_T                      |          |
| <b>Derivation Path:</b>    |                                  |          |
| <b>Comments:</b>           | BOIC                             |          |
| Element Name               | Element Value                    | Comments |
| comp_part1                 | 'A3060201'O                      |          |
| invokeld                   | id                               |          |
| comp_part2                 | '020113'O                        |          |
| comp_part3                 | -                                |          |
| comp_part4                 | -                                |          |
| comp_part5                 | -                                |          |
| comp_part6                 | -                                |          |
| comp_part7                 | -                                |          |
| comp_part8                 | -                                |          |
| comp_part9                 | -                                |          |
| comp_part10                | -                                |          |
| comp_part11                | -                                |          |
| comp_part12                | -                                |          |
| <b>Detailed Comments:</b>  |                                  |          |

| Structured Type Constraint |                                  |          |
|----------------------------|----------------------------------|----------|
| <b>Constraint Name:</b>    | ActivateSSErr_02(id:OCTETSTRING) |          |
| <b>Structured Type:</b>    | Component_T                      |          |
| <b>Derivation Path:</b>    |                                  |          |
| <b>Comments:</b>           | BOIC                             |          |
| Element Name               | Element Value                    | Comments |
| comp_part1                 | 'A3800201'O                      |          |
| invokeld                   | id                               |          |
| comp_part2                 | '0201260000'O                    |          |
| comp_part3                 | -                                |          |
| comp_part4                 | -                                |          |
| comp_part5                 | -                                |          |
| comp_part6                 | -                                |          |
| comp_part7                 | -                                |          |
| comp_part8                 | -                                |          |
| comp_part9                 | -                                |          |
| comp_part10                | -                                |          |
| comp_part11                | -                                |          |
| comp_part12                | -                                |          |
| <b>Detailed Comments:</b>  |                                  |          |

| Structured Type Constraint |                                                     |          |
|----------------------------|-----------------------------------------------------|----------|
| <b>Constraint Name:</b>    | DeactivateSSRslt_01(id:OCTETSTRING)                 |          |
| <b>Structured Type:</b>    | Component_T                                         |          |
| <b>Derivation Path:</b>    |                                                     |          |
| <b>Comments:</b>           | CFC speech                                          |          |
| Element Name               | Element Value                                       | Comments |
| comp_part1                 | 'A21B0201'O                                         |          |
| invokeld                   | id                                                  |          |
| comp_part2                 | '301602010DA0800401283080300683011084010600000000'O |          |
| comp_part3                 | -                                                   |          |
| comp_part4                 | -                                                   |          |
| comp_part5                 | -                                                   |          |
| comp_part6                 | -                                                   |          |
| comp_part7                 | -                                                   |          |
| comp_part8                 | -                                                   |          |
| comp_part9                 | -                                                   |          |
| comp_part10                | -                                                   |          |
| comp_part11                | -                                                   |          |
| comp_part12                | -                                                   |          |
| <b>Detailed Comments:</b>  |                                                     |          |

| Structured Type Constraint |                                                 |          |
|----------------------------|-------------------------------------------------|----------|
| <b>Constraint Name:</b>    | DeactivateSSRslt_02(id:OCTETSTRING)             |          |
| <b>Structured Type:</b>    | Component_T                                     |          |
| <b>Derivation Path:</b>    |                                                 |          |
| <b>Comments:</b>           | CFNRc all facsimile                             |          |
| Element Name               | Element Value                                   | Comments |
| comp_part1                 | 'A2190201'O                                     |          |
| invokeld                   | id                                              |          |
| comp_part2                 | '301402010DA00F04012B300A30808301608401060000'O |          |
| comp_part3                 | -                                               |          |
| comp_part4                 | -                                               |          |
| comp_part5                 | -                                               |          |
| comp_part6                 | -                                               |          |
| comp_part7                 | -                                               |          |
| comp_part8                 | -                                               |          |
| comp_part9                 | -                                               |          |
| comp_part10                | -                                               |          |
| comp_part11                | -                                               |          |
| comp_part12                | -                                               |          |
| <b>Detailed Comments:</b>  |                                                 |          |

| Structured Type Constraint |                                     |          |
|----------------------------|-------------------------------------|----------|
| <b>Constraint Name:</b>    | DeactivateSSRslt_03(id:OCTETSTRING) |          |
| <b>Structured Type:</b>    | Component_T                         |          |
| <b>Derivation Path:</b>    |                                     |          |
| <b>Comments:</b>           | DeactivateSSRslt for Speech         |          |
| Element Name               | Element Value                       | Comments |
| comp_part1                 | 'A2800201'O                         |          |
| invokeld                   | id                                  |          |
| comp_part2                 | '300C02010DA107300530038301100000'O |          |
| comp_part3                 | -                                   |          |
| comp_part4                 | -                                   |          |
| comp_part5                 | -                                   |          |
| comp_part6                 | -                                   |          |
| comp_part7                 | -                                   |          |
| comp_part8                 | -                                   |          |
| comp_part9                 | -                                   |          |
| comp_part10                | -                                   |          |
| comp_part11                | -                                   |          |
| comp_part12                | -                                   |          |
| <b>Detailed Comments:</b>  |                                     |          |

| Structured Type Constraint |                                     |          |
|----------------------------|-------------------------------------|----------|
| <b>Constraint Name:</b>    | DeactivateSSRslt_04(id:OCTETSTRING) |          |
| <b>Structured Type:</b>    | Component_T                         |          |
| <b>Derivation Path:</b>    |                                     |          |
| <b>Comments:</b>           | DeactivateSSRslt for all facsimile  |          |
| Element Name               | Element Value                       | Comments |
| comp_part1                 | 'A2800201'O                         |          |
| invokeld                   | id                                  |          |
| comp_part2                 | '300C02010DA107300530038301600000'  |          |
|                            | O                                   |          |
| comp_part3                 | -                                   |          |
| comp_part4                 | -                                   |          |
| comp_part5                 | -                                   |          |
| comp_part6                 | -                                   |          |
| comp_part7                 | -                                   |          |
| comp_part8                 | -                                   |          |
| comp_part9                 | -                                   |          |
| comp_part10                | -                                   |          |
| comp_part11                | -                                   |          |
| comp_part12                | -                                   |          |
| <b>Detailed Comments:</b>  |                                     |          |

| Structured Type Constraint |                                    |          |
|----------------------------|------------------------------------|----------|
| <b>Constraint Name:</b>    | DeactivateSSErr_01(id:OCTETSTRING) |          |
| <b>Structured Type:</b>    | Component_T                        |          |
| <b>Derivation Path:</b>    |                                    |          |
| <b>Comments:</b>           |                                    |          |
| Element Name               | Element Value                      | Comments |
| comp_part1                 | 'A3800201'O                        |          |
| invokeld                   | id                                 |          |
| comp_part2                 | '0201130000'O                      |          |
| comp_part3                 | -                                  |          |
| comp_part4                 | -                                  |          |
| comp_part5                 | -                                  |          |
| comp_part6                 | -                                  |          |
| comp_part7                 | -                                  |          |
| comp_part8                 | -                                  |          |
| comp_part9                 | -                                  |          |
| comp_part10                | -                                  |          |
| comp_part11                | -                                  |          |
| comp_part12                | -                                  |          |
| <b>Detailed Comments:</b>  |                                    |          |



| Structured Type Constraint |                                    |          |
|----------------------------|------------------------------------|----------|
| <b>Constraint Name:</b>    | DeactivateSSErr_02(id:OCTETSTRING) |          |
| <b>Structured Type:</b>    | Component_T                        |          |
| <b>Derivation Path:</b>    |                                    |          |
| <b>Comments:</b>           |                                    |          |
| Element Name               | Element Value                      | Comments |
| comp_part1                 | 'A3060201'O                        |          |
| invokeld                   | id                                 |          |
| comp_part2                 | '020126'O                          |          |
| comp_part3                 | -                                  |          |
| comp_part4                 | -                                  |          |
| comp_part5                 | -                                  |          |
| comp_part6                 | -                                  |          |
| comp_part7                 | -                                  |          |
| comp_part8                 | -                                  |          |
| comp_part9                 | -                                  |          |
| comp_part10                | -                                  |          |
| comp_part11                | -                                  |          |
| comp_part12                | -                                  |          |
| <b>Detailed Comments:</b>  |                                    |          |

| Structured Type Constraint |                                                                                     |          |
|----------------------------|-------------------------------------------------------------------------------------|----------|
| <b>Constraint Name:</b>    | FwdChAdvSS_01                                                                       |          |
| <b>Structured Type:</b>    | Component_T                                                                         |          |
| <b>Derivation Path:</b>    |                                                                                     |          |
| <b>Comments:</b>           | AoC- Charging                                                                       |          |
| Element Name               | Element Value                                                                       | Comments |
| comp_part1                 | 'A1270201'O                                                                         |          |
| invokeld                   | '00'O                                                                               |          |
| comp_part2                 | '02017D3080800172A11881013C820200<br>8C830164840200FA85010086010087020<br>2580000'O |          |
| comp_part3                 | -                                                                                   |          |
| comp_part4                 | -                                                                                   |          |
| comp_part5                 | -                                                                                   |          |
| comp_part6                 | -                                                                                   |          |
| comp_part7                 | -                                                                                   |          |
| comp_part8                 | -                                                                                   |          |
| comp_part9                 | -                                                                                   |          |
| comp_part10                | -                                                                                   |          |
| comp_part11                | -                                                                                   |          |
| comp_part12                | -                                                                                   |          |
| <b>Detailed Comments:</b>  |                                                                                     |          |

| Structured Type Constraint |                                                                                 |          |
|----------------------------|---------------------------------------------------------------------------------|----------|
| <b>Constraint Name:</b>    | FwdChAdvSS_02                                                                   |          |
| <b>Structured Type:</b>    | Component_T                                                                     |          |
| <b>Derivation Path:</b>    |                                                                                 |          |
| <b>Comments:</b>           | AoC- Charging                                                                   |          |
| Element Name               | Element Value                                                                   | Comments |
| comp_part1                 | 'A1250201'O                                                                     |          |
| invokeld                   | '00'O                                                                           |          |
| comp_part2                 | '02017D3080800172A1168101008201008<br>30164840203E885010086010087010000<br>00'O |          |
| comp_part3                 | -                                                                               |          |
| comp_part4                 | -                                                                               |          |
| comp_part5                 | -                                                                               |          |
| comp_part6                 | -                                                                               |          |
| comp_part7                 | -                                                                               |          |
| comp_part8                 | -                                                                               |          |
| comp_part9                 | -                                                                               |          |
| comp_part10                | -                                                                               |          |
| comp_part11                | -                                                                               |          |
| comp_part12                | -                                                                               |          |
| <b>Detailed Comments:</b>  |                                                                                 |          |

| Structured Type Constraint |                                                                                         |          |
|----------------------------|-----------------------------------------------------------------------------------------|----------|
| <b>Constraint Name:</b>    | FwdChAdvSS_03                                                                           |          |
| <b>Structured Type:</b>    | Component_T                                                                             |          |
| <b>Derivation Path:</b>    |                                                                                         |          |
| <b>Comments:</b>           | AoC- Charging                                                                           |          |
| Element Name               | Element Value                                                                           | Comments |
| comp_part1                 | 'A1290201'O                                                                             |          |
| invokeld                   | '00'O                                                                                   |          |
| comp_part2                 | '02017D3080800172A11A810209C48202<br>00A0830200C8840213888501008601008<br>70202580000'O |          |
| comp_part3                 | -                                                                                       |          |
| comp_part4                 | -                                                                                       |          |
| comp_part5                 | -                                                                                       |          |
| comp_part6                 | -                                                                                       |          |
| comp_part7                 | -                                                                                       |          |
| comp_part8                 | -                                                                                       |          |
| comp_part9                 | -                                                                                       |          |
| comp_part10                | -                                                                                       |          |
| comp_part11                | -                                                                                       |          |
| comp_part12                | -                                                                                       |          |
| <b>Detailed Comments:</b>  |                                                                                         |          |

| Structured Type Constraint |                                                                       |          |
|----------------------------|-----------------------------------------------------------------------|----------|
| <b>Constraint Name:</b>    | FwdChAdvSS_04                                                         |          |
| <b>Structured Type:</b>    | Component_T                                                           |          |
| <b>Derivation Path:</b>    |                                                                       |          |
| <b>Comments:</b>           | AoC- Charging                                                         |          |
| Element Name               | Element Value                                                         | Comments |
| comp_part1                 | 'A1240201'O                                                           |          |
| invokeld                   | '00'O                                                                 |          |
| comp_part2                 | '02017D3080800172A11581010A82010A83016484010085016486010A87010A0000'O |          |
| comp_part3                 | -                                                                     |          |
| comp_part4                 | -                                                                     |          |
| comp_part5                 | -                                                                     |          |
| comp_part6                 | -                                                                     |          |
| comp_part7                 | -                                                                     |          |
| comp_part8                 | -                                                                     |          |
| comp_part9                 | -                                                                     |          |
| comp_part10                | -                                                                     |          |
| comp_part11                | -                                                                     |          |
| comp_part12                | -                                                                     |          |
| <b>Detailed Comments:</b>  |                                                                       |          |

| Structured Type Constraint |                                                                             |          |
|----------------------------|-----------------------------------------------------------------------------|----------|
| <b>Constraint Name:</b>    | FwdChAdvSS_05                                                               |          |
| <b>Structured Type:</b>    | Component_T                                                                 |          |
| <b>Derivation Path:</b>    |                                                                             |          |
| <b>Comments:</b>           | AoC- Charging                                                               |          |
| Element Name               | Element Value                                                               | Comments |
| comp_part1                 | 'A1270201'O                                                                 |          |
| invokeld                   | '00'O                                                                       |          |
| comp_part2                 | '02017D3080800172A11881017D8202012C830164840200FA85016486010A8702012C0000'O |          |
| comp_part3                 | -                                                                           |          |
| comp_part4                 | -                                                                           |          |
| comp_part5                 | -                                                                           |          |
| comp_part6                 | -                                                                           |          |
| comp_part7                 | -                                                                           |          |
| comp_part8                 | -                                                                           |          |
| comp_part9                 | -                                                                           |          |
| comp_part10                | -                                                                           |          |
| comp_part11                | -                                                                           |          |
| comp_part12                | -                                                                           |          |
| <b>Detailed Comments:</b>  |                                                                             |          |

| Structured Type Constraint |                                                                               |          |
|----------------------------|-------------------------------------------------------------------------------|----------|
| <b>Constraint Name:</b>    | FwdChAdvSS_06                                                                 |          |
| <b>Structured Type:</b>    | Component_T                                                                   |          |
| <b>Derivation Path:</b>    |                                                                               |          |
| <b>Comments:</b>           | AoC- Charging                                                                 |          |
| Element Name               | Element Value                                                                 | Comments |
| comp_part1                 | 'A1240201'O                                                                   |          |
| invokeld                   | '00'O                                                                         |          |
| comp_part2                 | '02017D3080800172A1158101008201008<br>301008401008501008601008701000000'<br>O |          |
| comp_part3                 | -                                                                             |          |
| comp_part4                 | -                                                                             |          |
| comp_part5                 | -                                                                             |          |
| comp_part6                 | -                                                                             |          |
| comp_part7                 | -                                                                             |          |
| comp_part8                 | -                                                                             |          |
| comp_part9                 | -                                                                             |          |
| comp_part10                | -                                                                             |          |
| comp_part11                | -                                                                             |          |
| comp_part12                | -                                                                             |          |
| <b>Detailed Comments:</b>  |                                                                               |          |

| Structured Type Constraint |                                                                                 |          |
|----------------------------|---------------------------------------------------------------------------------|----------|
| <b>Constraint Name:</b>    | FwdChAdvSS_07                                                                   |          |
| <b>Structured Type:</b>    | Component_T                                                                     |          |
| <b>Derivation Path:</b>    |                                                                                 |          |
| <b>Comments:</b>           | AoC- Charging                                                                   |          |
| Element Name               | Element Value                                                                   | Comments |
| comp_part1                 | 'A1250201'O                                                                     |          |
| invokeld                   | '00'O                                                                           |          |
| comp_part2                 | '02017D3080800172A1168101008201008<br>30164840203E885010086010087010000<br>00'O |          |
| comp_part3                 | -                                                                               |          |
| comp_part4                 | -                                                                               |          |
| comp_part5                 | -                                                                               |          |
| comp_part6                 | -                                                                               |          |
| comp_part7                 | -                                                                               |          |
| comp_part8                 | -                                                                               |          |
| comp_part9                 | -                                                                               |          |
| comp_part10                | -                                                                               |          |
| comp_part11                | -                                                                               |          |
| comp_part12                | -                                                                               |          |
| <b>Detailed Comments:</b>  |                                                                                 |          |

| Structured Type Constraint |                                                                                     |          |
|----------------------------|-------------------------------------------------------------------------------------|----------|
| <b>Constraint Name:</b>    | FwdChAdvSS_08                                                                       |          |
| <b>Structured Type:</b>    | Component_T                                                                         |          |
| <b>Derivation Path:</b>    |                                                                                     |          |
| <b>Comments:</b>           | AoC- Charging                                                                       |          |
| Element Name               | Element Value                                                                       | Comments |
| comp_part1                 | 'A1270201'O                                                                         |          |
| invokeld                   | '00'O                                                                               |          |
| comp_part2                 | '02017D3080800172A11881013C820200<br>8C830164840200FA85010086010087020<br>2580000'O |          |
| comp_part3                 | -                                                                                   |          |
| comp_part4                 | -                                                                                   |          |
| comp_part5                 | -                                                                                   |          |
| comp_part6                 | -                                                                                   |          |
| comp_part7                 | -                                                                                   |          |
| comp_part8                 | -                                                                                   |          |
| comp_part9                 | -                                                                                   |          |
| comp_part10                | -                                                                                   |          |
| comp_part11                | -                                                                                   |          |
| comp_part12                | -                                                                                   |          |
| <b>Detailed Comments:</b>  |                                                                                     |          |

| Structured Type Constraint |                                                                               |          |
|----------------------------|-------------------------------------------------------------------------------|----------|
| <b>Constraint Name:</b>    | FwdChAdvSS_09                                                                 |          |
| <b>Structured Type:</b>    | Component_T                                                                   |          |
| <b>Derivation Path:</b>    |                                                                               |          |
| <b>Comments:</b>           | AoC- Charging                                                                 |          |
| Element Name               | Element Value                                                                 | Comments |
| comp_part1                 | 'A1240201'O                                                                   |          |
| invokeld                   | '00'O                                                                         |          |
| comp_part2                 | '02017D3080800172A11581010A82010A<br>83016484010085010086010087010A000<br>0'O |          |
| comp_part3                 | -                                                                             |          |
| comp_part4                 | -                                                                             |          |
| comp_part5                 | -                                                                             |          |
| comp_part6                 | -                                                                             |          |
| comp_part7                 | -                                                                             |          |
| comp_part8                 | -                                                                             |          |
| comp_part9                 | -                                                                             |          |
| comp_part10                | -                                                                             |          |
| comp_part11                | -                                                                             |          |
| comp_part12                | -                                                                             |          |
| <b>Detailed Comments:</b>  |                                                                               |          |

| Structured Type Constraint |                                                                                     |          |
|----------------------------|-------------------------------------------------------------------------------------|----------|
| <b>Constraint Name:</b>    | FwdChAdvSS_10                                                                       |          |
| <b>Structured Type:</b>    | Component_T                                                                         |          |
| <b>Derivation Path:</b>    |                                                                                     |          |
| <b>Comments:</b>           | AoC- Charging                                                                       |          |
| Element Name               | Element Value                                                                       | Comments |
| comp_part1                 | 'A1270201'O                                                                         |          |
| invokeld                   | '00'O                                                                               |          |
| comp_part2                 | '02017D3080800172A11881017D820201<br>2C830164840200FA85010086010087020<br>12C0000'O |          |
| comp_part3                 | -                                                                                   |          |
| comp_part4                 | -                                                                                   |          |
| comp_part5                 | -                                                                                   |          |
| comp_part6                 | -                                                                                   |          |
| comp_part7                 | -                                                                                   |          |
| comp_part8                 | -                                                                                   |          |
| comp_part9                 | -                                                                                   |          |
| comp_part10                | -                                                                                   |          |
| comp_part11                | -                                                                                   |          |
| comp_part12                | -                                                                                   |          |
| <b>Detailed Comments:</b>  |                                                                                     |          |

| Structured Type Constraint |                                                                                   |          |
|----------------------------|-----------------------------------------------------------------------------------|----------|
| <b>Constraint Name:</b>    | FwdChAdvSS_11                                                                     |          |
| <b>Structured Type:</b>    | Component_T                                                                       |          |
| <b>Derivation Path:</b>    |                                                                                   |          |
| <b>Comments:</b>           | AoC- Charging                                                                     |          |
| Element Name               | Element Value                                                                     | Comments |
| comp_part1                 | 'A1260201'O                                                                       |          |
| invokeld                   | '00'O                                                                             |          |
| comp_part2                 | '02017D3080800172A1178101648202011<br>883016484016485010086010087020258<br>0000'O |          |
| comp_part3                 | -                                                                                 |          |
| comp_part4                 | -                                                                                 |          |
| comp_part5                 | -                                                                                 |          |
| comp_part6                 | -                                                                                 |          |
| comp_part7                 | -                                                                                 |          |
| comp_part8                 | -                                                                                 |          |
| comp_part9                 | -                                                                                 |          |
| comp_part10                | -                                                                                 |          |
| comp_part11                | -                                                                                 |          |
| comp_part12                | -                                                                                 |          |
| <b>Detailed Comments:</b>  |                                                                                   |          |

| Structured Type Constraint |                                                                                   |          |
|----------------------------|-----------------------------------------------------------------------------------|----------|
| <b>Constraint Name:</b>    | FwdChAdvSS_12                                                                     |          |
| <b>Structured Type:</b>    | Component_T                                                                       |          |
| <b>Derivation Path:</b>    |                                                                                   |          |
| <b>Comments:</b>           | AoC- Charging                                                                     |          |
| Element Name               | Element Value                                                                     | Comments |
| comp_part1                 | 'A1260201'O                                                                       |          |
| invokeld                   | '00'O                                                                             |          |
| comp_part2                 | '02017D3080800172A1178101648202008<br>C83016484013285010086010087020258<br>0000'O |          |
| comp_part3                 | -                                                                                 |          |
| comp_part4                 | -                                                                                 |          |
| comp_part5                 | -                                                                                 |          |
| comp_part6                 | -                                                                                 |          |
| comp_part7                 | -                                                                                 |          |
| comp_part8                 | -                                                                                 |          |
| comp_part9                 | -                                                                                 |          |
| comp_part10                | -                                                                                 |          |
| comp_part11                | -                                                                                 |          |
| comp_part12                | -                                                                                 |          |
| <b>Detailed Comments:</b>  |                                                                                   |          |

| Structured Type Constraint |                                                                                 |          |
|----------------------------|---------------------------------------------------------------------------------|----------|
| <b>Constraint Name:</b>    | FwdChAdvSS_13                                                                   |          |
| <b>Structured Type:</b>    | Component_T                                                                     |          |
| <b>Derivation Path:</b>    |                                                                                 |          |
| <b>Comments:</b>           | AoC- Charging                                                                   |          |
| Element Name               | Element Value                                                                   | Comments |
| comp_part1                 | 'A1250201'O                                                                     |          |
| invokeld                   | '00'O                                                                           |          |
| comp_part2                 | '02017D3080800172A1168101648202019<br>083016484010085010086010087010000<br>00'O |          |
| comp_part3                 | -                                                                               |          |
| comp_part4                 | -                                                                               |          |
| comp_part5                 | -                                                                               |          |
| comp_part6                 | -                                                                               |          |
| comp_part7                 | -                                                                               |          |
| comp_part8                 | -                                                                               |          |
| comp_part9                 | -                                                                               |          |
| comp_part10                | -                                                                               |          |
| comp_part11                | -                                                                               |          |
| comp_part12                | -                                                                               |          |
| <b>Detailed Comments:</b>  |                                                                                 |          |

| Structured Type Constraint |                                                     |          |
|----------------------------|-----------------------------------------------------|----------|
| <b>Constraint Name:</b>    | FwdChAdvSS_14                                       |          |
| <b>Structured Type:</b>    | Component_T                                         |          |
| <b>Derivation Path:</b>    |                                                     |          |
| <b>Comments:</b>           | AoC- Charging                                       |          |
| Element Name               | Element Value                                       | Comments |
| comp_part1                 | 'A1190201'O                                         |          |
| invokeld                   | '00'O                                               |          |
| comp_part2                 | '02017D3011800172A1808101648202019<br>08301640000'O |          |
| comp_part3                 | -                                                   |          |
| comp_part4                 | -                                                   |          |
| comp_part5                 | -                                                   |          |
| comp_part6                 | -                                                   |          |
| comp_part7                 | -                                                   |          |
| comp_part8                 | -                                                   |          |
| comp_part9                 | -                                                   |          |
| comp_part10                | -                                                   |          |
| comp_part11                | -                                                   |          |
| comp_part12                | -                                                   |          |
| <b>Detailed Comments:</b>  |                                                     |          |

| Structured Type Constraint |                                                                                 |          |
|----------------------------|---------------------------------------------------------------------------------|----------|
| <b>Constraint Name:</b>    | FwdChAdvSS_15                                                                   |          |
| <b>Structured Type:</b>    | Component_T                                                                     |          |
| <b>Derivation Path:</b>    |                                                                                 |          |
| <b>Comments:</b>           | AoC- Charging                                                                   |          |
| Element Name               | Element Value                                                                   | Comments |
| comp_part1                 | 'A1250201'O                                                                     |          |
| invokeld                   | '00'O                                                                           |          |
| comp_part2                 | '02017D3080800172A1168101468202019<br>083016484010085010086010087010000<br>00'O |          |
| comp_part3                 | -                                                                               |          |
| comp_part4                 | -                                                                               |          |
| comp_part5                 | -                                                                               |          |
| comp_part6                 | -                                                                               |          |
| comp_part7                 | -                                                                               |          |
| comp_part8                 | -                                                                               |          |
| comp_part9                 | -                                                                               |          |
| comp_part10                | -                                                                               |          |
| comp_part11                | -                                                                               |          |
| comp_part12                | -                                                                               |          |
| <b>Detailed Comments:</b>  |                                                                                 |          |



| Structured Type Constraint |                                                                                   |          |
|----------------------------|-----------------------------------------------------------------------------------|----------|
| <b>Constraint Name:</b>    | FwdChAdvSS_16                                                                     |          |
| <b>Structured Type:</b>    | Component_T                                                                       |          |
| <b>Derivation Path:</b>    |                                                                                   |          |
| <b>Comments:</b>           | AoC- Charging                                                                     |          |
| Element Name               | Element Value                                                                     | Comments |
| comp_part1                 | 'A1260201'O                                                                       |          |
| invokeld                   | '00'O                                                                             |          |
| comp_part2                 | '02017D3080800172A1178102008282020<br>190830164840100850100860100870100<br>0000'O |          |
| comp_part3                 | -                                                                                 |          |
| comp_part4                 | -                                                                                 |          |
| comp_part5                 | -                                                                                 |          |
| comp_part6                 | -                                                                                 |          |
| comp_part7                 | -                                                                                 |          |
| comp_part8                 | -                                                                                 |          |
| comp_part9                 | -                                                                                 |          |
| comp_part10                | -                                                                                 |          |
| comp_part11                | -                                                                                 |          |
| comp_part12                | -                                                                                 |          |
| <b>Detailed Comments:</b>  |                                                                                   |          |

| Structured Type Constraint |                                                                                   |          |
|----------------------------|-----------------------------------------------------------------------------------|----------|
| <b>Constraint Name:</b>    | FwdChAdvSS_17                                                                     |          |
| <b>Structured Type:</b>    | Component_T                                                                       |          |
| <b>Derivation Path:</b>    |                                                                                   |          |
| <b>Comments:</b>           | AoC- Charging                                                                     |          |
| Element Name               | Element Value                                                                     | Comments |
| comp_part1                 | 'A1260201'O                                                                       |          |
| invokeld                   | '00'O                                                                             |          |
| comp_part2                 | '02017D3080800172A117810200BE8202<br>019083016484010085010086010087010<br>00000'O |          |
| comp_part3                 | -                                                                                 |          |
| comp_part4                 | -                                                                                 |          |
| comp_part5                 | -                                                                                 |          |
| comp_part6                 | -                                                                                 |          |
| comp_part7                 | -                                                                                 |          |
| comp_part8                 | -                                                                                 |          |
| comp_part9                 | -                                                                                 |          |
| comp_part10                | -                                                                                 |          |
| comp_part11                | -                                                                                 |          |
| comp_part12                | -                                                                                 |          |
| <b>Detailed Comments:</b>  |                                                                                   |          |

| Structured Type Constraint |                                                                                   |          |
|----------------------------|-----------------------------------------------------------------------------------|----------|
| <b>Constraint Name:</b>    | FwdChAdvSS_18                                                                     |          |
| <b>Structured Type:</b>    | Component_T                                                                       |          |
| <b>Derivation Path:</b>    |                                                                                   |          |
| <b>Comments:</b>           | AoC- Charging                                                                     |          |
| Element Name               | Element Value                                                                     | Comments |
| comp_part1                 | 'A1260201'O                                                                       |          |
| invokeld                   | '00'O                                                                             |          |
| comp_part2                 | '02017D3080800172A1178102012282020<br>190830164840100850100860100870100<br>0000'O |          |
| comp_part3                 | -                                                                                 |          |
| comp_part4                 | -                                                                                 |          |
| comp_part5                 | -                                                                                 |          |
| comp_part6                 | -                                                                                 |          |
| comp_part7                 | -                                                                                 |          |
| comp_part8                 | -                                                                                 |          |
| comp_part9                 | -                                                                                 |          |
| comp_part10                | -                                                                                 |          |
| comp_part11                | -                                                                                 |          |
| comp_part12                | -                                                                                 |          |
| <b>Detailed Comments:</b>  |                                                                                   |          |

| Structured Type Constraint |                                                                                 |          |
|----------------------------|---------------------------------------------------------------------------------|----------|
| <b>Constraint Name:</b>    | FwdChAdvSS_19                                                                   |          |
| <b>Structured Type:</b>    | Component_T                                                                     |          |
| <b>Derivation Path:</b>    |                                                                                 |          |
| <b>Comments:</b>           | AoC- Charging                                                                   |          |
| Element Name               | Element Value                                                                   | Comments |
| comp_part1                 | 'A1800201'O                                                                     |          |
| invokeld                   | '00'O                                                                           |          |
| comp_part2                 | '02017D301B800172A116810164820202<br>268301648401648501008601008701640<br>000'O |          |
| comp_part3                 | -                                                                               |          |
| comp_part4                 | -                                                                               |          |
| comp_part5                 | -                                                                               |          |
| comp_part6                 | -                                                                               |          |
| comp_part7                 | -                                                                               |          |
| comp_part8                 | -                                                                               |          |
| comp_part9                 | -                                                                               |          |
| comp_part10                | -                                                                               |          |
| comp_part11                | -                                                                               |          |
| comp_part12                | -                                                                               |          |
| <b>Detailed Comments:</b>  |                                                                                 |          |

| Structured Type Constraint |                                                                                 |          |
|----------------------------|---------------------------------------------------------------------------------|----------|
| <b>Constraint Name:</b>    | FwdChAdvSS_20                                                                   |          |
| <b>Structured Type:</b>    | Component_T                                                                     |          |
| <b>Derivation Path:</b>    |                                                                                 |          |
| <b>Comments:</b>           | AoC- Charging                                                                   |          |
| Element Name               | Element Value                                                                   | Comments |
| comp_part1                 | 'A1800201'O                                                                     |          |
| invokeld                   | '00'O                                                                           |          |
| comp_part2                 | '02017D301B800172A11681010A820201<br>2C8301648401008501008601008701000<br>000'O |          |
| comp_part3                 | -                                                                               |          |
| comp_part4                 | -                                                                               |          |
| comp_part5                 | -                                                                               |          |
| comp_part6                 | -                                                                               |          |
| comp_part7                 | -                                                                               |          |
| comp_part8                 | -                                                                               |          |
| comp_part9                 | -                                                                               |          |
| comp_part10                | -                                                                               |          |
| comp_part11                | -                                                                               |          |
| comp_part12                | -                                                                               |          |
| <b>Detailed Comments:</b>  |                                                                                 |          |

| Structured Type Constraint |                                                                               |          |
|----------------------------|-------------------------------------------------------------------------------|----------|
| <b>Constraint Name:</b>    | FwdChAdvSS_21                                                                 |          |
| <b>Structured Type:</b>    | Component_T                                                                   |          |
| <b>Derivation Path:</b>    |                                                                               |          |
| <b>Comments:</b>           | AoC- Charging, charging value is 0.                                           |          |
| Element Name               | Element Value                                                                 | Comments |
| comp_part1                 | 'A1800201'O                                                                   |          |
| invokeld                   | '00'O                                                                         |          |
| comp_part2                 | '02017D301A800172A115810100820100<br>830100840100850100860100870100000<br>0'O |          |
| comp_part3                 | -                                                                             |          |
| comp_part4                 | -                                                                             |          |
| comp_part5                 | -                                                                             |          |
| comp_part6                 | -                                                                             |          |
| comp_part7                 | -                                                                             |          |
| comp_part8                 | -                                                                             |          |
| comp_part9                 | -                                                                             |          |
| comp_part10                | -                                                                             |          |
| comp_part11                | -                                                                             |          |
| comp_part12                | -                                                                             |          |
| <b>Detailed Comments:</b>  |                                                                               |          |

| Structured Type Constraint |                                    |          |
|----------------------------|------------------------------------|----------|
| <b>Constraint Name:</b>    | GetPasswdSS_01(linkid:OCTETSTRING) |          |
| <b>Structured Type:</b>    | Component_T                        |          |
| <b>Derivation Path:</b>    |                                    |          |
| <b>Comments:</b>           | getpassword                        |          |
| Element Name               | Element Value                      | Comments |
| comp_part1                 | 'A10C0201'O                        |          |
| invokeld                   | '00'O                              |          |
| comp_part2                 | '8001'O                            |          |
| comp_part3                 | linkid                             |          |
| comp_part4                 | '0201120A0100'O                    |          |
| comp_part5                 | -                                  |          |
| comp_part6                 | -                                  |          |
| comp_part7                 | -                                  |          |
| comp_part8                 | -                                  |          |
| comp_part9                 | -                                  |          |
| comp_part10                | -                                  |          |
| comp_part11                | -                                  |          |
| comp_part12                | -                                  |          |
| <b>Detailed Comments:</b>  |                                    |          |

| Structured Type Constraint |                                    |          |
|----------------------------|------------------------------------|----------|
| <b>Constraint Name:</b>    | GetPasswdSS_02(linkid:OCTETSTRING) |          |
| <b>Structured Type:</b>    | Component_T                        |          |
| <b>Derivation Path:</b>    |                                    |          |
| <b>Comments:</b>           | getpassword (enter new password)   |          |
| Element Name               | Element Value                      | Comments |
| comp_part1                 | 'A10C0201'O                        |          |
| invokeld                   | '00'O                              |          |
| comp_part2                 | '8001'O                            |          |
| comp_part3                 | linkid                             |          |
| comp_part4                 | '0201120A0101'O                    |          |
| comp_part5                 | -                                  |          |
| comp_part6                 | -                                  |          |
| comp_part7                 | -                                  |          |
| comp_part8                 | -                                  |          |
| comp_part9                 | -                                  |          |
| comp_part10                | -                                  |          |
| comp_part11                | -                                  |          |
| comp_part12                | -                                  |          |
| <b>Detailed Comments:</b>  |                                    |          |

| Structured Type Constraint |                                        |          |
|----------------------------|----------------------------------------|----------|
| <b>Constraint Name:</b>    | GetPasswdSS_03(linkid:OCTETSTRING)     |          |
| <b>Structured Type:</b>    | Component_T                            |          |
| <b>Derivation Path:</b>    |                                        |          |
| <b>Comments:</b>           | getpassword (enter new password again) |          |
| Element Name               | Element Value                          | Comments |
| comp_part1                 | 'A10C0201'O                            |          |
| invokeld                   | '00'O                                  |          |
| comp_part2                 | '8001'O                                |          |
| comp_part3                 | linkid                                 |          |
| comp_part4                 | '0201120A0102'O                        |          |
| comp_part5                 | -                                      |          |
| comp_part6                 | -                                      |          |
| comp_part7                 | -                                      |          |
| comp_part8                 | -                                      |          |
| comp_part9                 | -                                      |          |
| comp_part10                | -                                      |          |
| comp_part11                | -                                      |          |
| comp_part12                | -                                      |          |
| <b>Detailed Comments:</b>  |                                        |          |

| Structured Type Constraint |                                      |          |
|----------------------------|--------------------------------------|----------|
| <b>Constraint Name:</b>    | InterrogateSSRslt_01(id:OCTETSTRING) |          |
| <b>Structured Type:</b>    | Component_T                          |          |
| <b>Derivation Path:</b>    |                                      |          |
| <b>Comments:</b>           | CFB all basic services               |          |
| Element Name               | Element Value                        | Comments |
| comp_part1                 | 'A20D0201'O                          |          |
| invokeld                   | id                                   |          |
| comp_part2                 | '308002010E8001040000'O              |          |
| comp_part3                 | -                                    |          |
| comp_part4                 | -                                    |          |
| comp_part5                 | -                                    |          |
| comp_part6                 | -                                    |          |
| comp_part7                 | -                                    |          |
| comp_part8                 | -                                    |          |
| comp_part9                 | -                                    |          |
| comp_part10                | -                                    |          |
| comp_part11                | -                                    |          |
| comp_part12                | -                                    |          |
| <b>Detailed Comments:</b>  |                                      |          |

| Structured Type Constraint |                                                 |          |
|----------------------------|-------------------------------------------------|----------|
| <b>Constraint Name:</b>    | InterrogateSSRslt_02(id:OCTETSTRING)            |          |
| <b>Structured Type:</b>    | Component_T                                     |          |
| <b>Derivation Path:</b>    |                                                 |          |
| <b>Comments:</b>           | CFNRy Speech                                    |          |
| Element Name               | Element Value                                   | Comments |
| comp_part1                 | 'A2190201'O                                     |          |
| invokeld                   | id                                              |          |
| comp_part2                 | '301402010EA30F300D83011184010785058100342143'O |          |
| comp_part3                 | -                                               |          |
| comp_part4                 | -                                               |          |
| comp_part5                 | -                                               |          |
| comp_part6                 | -                                               |          |
| comp_part7                 | -                                               |          |
| comp_part8                 | -                                               |          |
| comp_part9                 | -                                               |          |
| comp_part10                | -                                               |          |
| comp_part11                | -                                               |          |
| comp_part12                | -                                               |          |
| <b>Detailed Comments:</b>  |                                                 |          |

| Structured Type Constraint |                                      |          |
|----------------------------|--------------------------------------|----------|
| <b>Constraint Name:</b>    | InterrogateSSRslt_03(id:OCTETSTRING) |          |
| <b>Structured Type:</b>    | Component_T                          |          |
| <b>Derivation Path:</b>    |                                      |          |
| <b>Comments:</b>           | BAIC                                 |          |
| Element Name               | Element Value                        | Comments |
| comp_part1                 | 'A20D0201'O                          |          |
| invokeld                   | id                                   |          |
| comp_part2                 | '300802010EA203830111'O              |          |
| comp_part3                 | -                                    |          |
| comp_part4                 | -                                    |          |
| comp_part5                 | -                                    |          |
| comp_part6                 | -                                    |          |
| comp_part7                 | -                                    |          |
| comp_part8                 | -                                    |          |
| comp_part9                 | -                                    |          |
| comp_part10                | -                                    |          |
| comp_part11                | -                                    |          |
| comp_part12                | -                                    |          |
| <b>Detailed Comments:</b>  |                                      |          |

| Structured Type Constraint |                                      |          |
|----------------------------|--------------------------------------|----------|
| <b>Constraint Name:</b>    | InterrogateSSRslt_04(id:OCTETSTRING) |          |
| <b>Structured Type:</b>    | Component_T                          |          |
| <b>Derivation Path:</b>    |                                      |          |
| <b>Comments:</b>           | BAIC                                 |          |
| Element Name               | Element Value                        | Comments |
| comp_part1                 | 'A20B0201'O                          |          |
| invokeld                   | id                                   |          |
| comp_part2                 | '300602010E800107'O                  |          |
| comp_part3                 | -                                    |          |
| comp_part4                 | -                                    |          |
| comp_part5                 | -                                    |          |
| comp_part6                 | -                                    |          |
| comp_part7                 | -                                    |          |
| comp_part8                 | -                                    |          |
| comp_part9                 | -                                    |          |
| comp_part10                | -                                    |          |
| comp_part11                | -                                    |          |
| comp_part12                | -                                    |          |
| <b>Detailed Comments:</b>  |                                      |          |

| Structured Type Constraint |                                     |          |
|----------------------------|-------------------------------------|----------|
| <b>Constraint Name:</b>    | InterrogateSSErr_01(id:OCTETSTRING) |          |
| <b>Structured Type:</b>    | Component_T                         |          |
| <b>Derivation Path:</b>    |                                     |          |
| <b>Comments:</b>           | CFNRc                               |          |
| Element Name               | Element Value                       | Comments |
| comp_part1                 | 'A3060201'O                         |          |
| invokeld                   | id                                  |          |
| comp_part2                 | '020112'O                           |          |
| comp_part3                 | -                                   |          |
| comp_part4                 | -                                   |          |
| comp_part5                 | -                                   |          |
| comp_part6                 | -                                   |          |
| comp_part7                 | -                                   |          |
| comp_part8                 | -                                   |          |
| comp_part9                 | -                                   |          |
| comp_part10                | -                                   |          |
| comp_part11                | -                                   |          |
| comp_part12                | -                                   |          |
| <b>Detailed Comments:</b>  |                                     |          |

| Structured Type Constraint |                                     |          |
|----------------------------|-------------------------------------|----------|
| <b>Constraint Name:</b>    | InterrogateSSErr_02(id:OCTETSTRING) |          |
| <b>Structured Type:</b>    | Component_T                         |          |
| <b>Derivation Path:</b>    |                                     |          |
| <b>Comments:</b>           |                                     |          |
| Element Name               | Element Value                       | Comments |
| comp_part1                 | 'A3800201'O                         |          |
| invokeld                   | id                                  |          |
| comp_part2                 | '0201120000'O                       |          |
| comp_part3                 | -                                   |          |
| comp_part4                 | -                                   |          |
| comp_part5                 | -                                   |          |
| comp_part6                 | -                                   |          |
| comp_part7                 | -                                   |          |
| comp_part8                 | -                                   |          |
| comp_part9                 | -                                   |          |
| comp_part10                | -                                   |          |
| comp_part11                | -                                   |          |
| comp_part12                | -                                   |          |
| <b>Detailed Comments:</b>  |                                     |          |

| Structured Type Constraint |                                     |          |
|----------------------------|-------------------------------------|----------|
| <b>Constraint Name:</b>    | InterrogateSSRej_01(id:OCTETSTRING) |          |
| <b>Structured Type:</b>    | Component_T                         |          |
| <b>Derivation Path:</b>    |                                     |          |
| <b>Comments:</b>           |                                     |          |
| Element Name               | Element Value                       | Comments |
| comp_part1                 | 'A4800201'O                         |          |
| invokeld                   | id                                  |          |
| comp_part2                 | '8101030000'O                       |          |
| comp_part3                 | -                                   |          |
| comp_part4                 | -                                   |          |
| comp_part5                 | -                                   |          |
| comp_part6                 | -                                   |          |
| comp_part7                 | -                                   |          |
| comp_part8                 | -                                   |          |
| comp_part9                 | -                                   |          |
| comp_part10                | -                                   |          |
| comp_part11                | -                                   |          |
| comp_part12                | -                                   |          |
| <b>Detailed Comments:</b>  |                                     |          |



| Structured Type Constraint |                                     |          |
|----------------------------|-------------------------------------|----------|
| <b>Constraint Name:</b>    | InterrogateSSRej_02(id:OCTETSTRING) |          |
| <b>Structured Type:</b>    | Component_T                         |          |
| <b>Derivation Path:</b>    |                                     |          |
| <b>Comments:</b>           |                                     |          |
| Element Name               | Element Value                       | Comments |
| comp_part1                 | 'A4060201'O                         |          |
| invokeld                   | id                                  |          |
| comp_part2                 | '810103'O                           |          |
| comp_part3                 | -                                   |          |
| comp_part4                 | -                                   |          |
| comp_part5                 | -                                   |          |
| comp_part6                 | -                                   |          |
| comp_part7                 | -                                   |          |
| comp_part8                 | -                                   |          |
| comp_part9                 | -                                   |          |
| comp_part10                | -                                   |          |
| comp_part11                | -                                   |          |
| comp_part12                | -                                   |          |
| <b>Detailed Comments:</b>  |                                     |          |

| Structured Type Constraint |                               |          |
|----------------------------|-------------------------------|----------|
| <b>Constraint Name:</b>    | NotificationSS_01             |          |
| <b>Structured Type:</b>    | Component_T                   |          |
| <b>Derivation Path:</b>    |                               |          |
| <b>Comments:</b>           | incoming call forwarded.      |          |
| Element Name               | Element Value                 | Comments |
| comp_part1                 | 'A1100201'O                   |          |
| invokeld                   | '01'O                         |          |
| comp_part2                 | '02011030808101298501020000'O |          |
| comp_part3                 | -                             |          |
| comp_part4                 | -                             |          |
| comp_part5                 | -                             |          |
| comp_part6                 | -                             |          |
| comp_part7                 | -                             |          |
| comp_part8                 | -                             |          |
| comp_part9                 | -                             |          |
| comp_part10                | -                             |          |
| comp_part11                | -                             |          |
| comp_part12                | -                             |          |
| <b>Detailed Comments:</b>  |                               |          |

| Structured Type Constraint |                                        |          |
|----------------------------|----------------------------------------|----------|
| <b>Constraint Name:</b>    | NotificationSS_02                      |          |
| <b>Structured Type:</b>    | Component_T                            |          |
| <b>Derivation Path:</b>    |                                        |          |
| <b>Comments:</b>           | CFU provisioned, registered and active |          |
| Element Name               | Element Value                          | Comments |
| comp_part1                 | 'A1800201'O                            |          |
| invokeld                   | '00'O                                  |          |
| comp_part2                 | '02011030068101218401070000'O          |          |
| comp_part3                 | -                                      |          |
| comp_part4                 | -                                      |          |
| comp_part5                 | -                                      |          |
| comp_part6                 | -                                      |          |
| comp_part7                 | -                                      |          |
| comp_part8                 | -                                      |          |
| comp_part9                 | -                                      |          |
| comp_part10                | -                                      |          |
| comp_part11                | -                                      |          |
| comp_part12                | -                                      |          |
| <b>Detailed Comments:</b>  |                                        |          |

| Structured Type Constraint |                                        |          |
|----------------------------|----------------------------------------|----------|
| <b>Constraint Name:</b>    | NotificationSS_03                      |          |
| <b>Structured Type:</b>    | Component_T                            |          |
| <b>Derivation Path:</b>    |                                        |          |
| <b>Comments:</b>           | CFC provisioned, registered and active |          |
| Element Name               | Element Value                          | Comments |
| comp_part1                 | 'A1100201'O                            |          |
| invokeld                   | '01'O                                  |          |
| comp_part2                 | '02011030808101288401070000'O          |          |
| comp_part3                 | -                                      |          |
| comp_part4                 | -                                      |          |
| comp_part5                 | -                                      |          |
| comp_part6                 | -                                      |          |
| comp_part7                 | -                                      |          |
| comp_part8                 | -                                      |          |
| comp_part9                 | -                                      |          |
| comp_part10                | -                                      |          |
| comp_part11                | -                                      |          |
| comp_part12                | -                                      |          |
| <b>Detailed Comments:</b>  |                                        |          |

| Structured Type Constraint |                               |          |
|----------------------------|-------------------------------|----------|
| <b>Constraint Name:</b>    | NotificationSS_04             |          |
| <b>Structured Type:</b>    | Component_T                   |          |
| <b>Derivation Path:</b>    |                               |          |
| <b>Comments:</b>           | CFNRc forwarded call          |          |
| Element Name               | Element Value                 | Comments |
| comp_part1                 | 'A1800201'O                   |          |
| invokeld                   | '00'O                         |          |
| comp_part2                 | '020110300681012B8501010000'O |          |
| comp_part3                 | -                             |          |
| comp_part4                 | -                             |          |
| comp_part5                 | -                             |          |
| comp_part6                 | -                             |          |
| comp_part7                 | -                             |          |
| comp_part8                 | -                             |          |
| comp_part9                 | -                             |          |
| comp_part10                | -                             |          |
| comp_part11                | -                             |          |
| comp_part12                | -                             |          |
| <b>Detailed Comments:</b>  |                               |          |

| Structured Type Constraint |                           |          |
|----------------------------|---------------------------|----------|
| <b>Constraint Name:</b>    | NotificationSS_05         |          |
| <b>Structured Type:</b>    | Component_T               |          |
| <b>Derivation Path:</b>    |                           |          |
| <b>Comments:</b>           | BI                        |          |
| Element Name               | Element Value             | Comments |
| comp_part1                 | 'A10E0201'O               |          |
| invokeld                   | '00'O                     |          |
| comp_part2                 | '0201103006810199840107'O |          |
| comp_part3                 | -                         |          |
| comp_part4                 | -                         |          |
| comp_part5                 | -                         |          |
| comp_part6                 | -                         |          |
| comp_part7                 | -                         |          |
| comp_part8                 | -                         |          |
| comp_part9                 | -                         |          |
| comp_part10                | -                         |          |
| comp_part11                | -                         |          |
| comp_part12                | -                         |          |
| <b>Detailed Comments:</b>  |                           |          |

| Structured Type Constraint |                                                               |          |
|----------------------------|---------------------------------------------------------------|----------|
| <b>Constraint Name:</b>    | NotificationSS_06(Invkid :OCTETSTRING; ussdstring: IA5String) |          |
| <b>Structured Type:</b>    | Component_T                                                   |          |
| <b>Derivation Path:</b>    |                                                               |          |
| <b>Comments:</b>           | UnstructuredSS-Notify                                         |          |
| Element Name               | Element Value                                                 | Comments |
| comp_part1                 | 'A1140201'O                                                   |          |
| invokeld                   | Invkid                                                        |          |
| comp_part2                 | '02013D0F'O                                                   |          |
| comp_part3                 | OC_CodingOfUssdString(ussdstring)                             |          |
| comp_part4                 | -                                                             |          |
| comp_part5                 | -                                                             |          |
| comp_part6                 | -                                                             |          |
| comp_part7                 | -                                                             |          |
| comp_part8                 | -                                                             |          |
| comp_part9                 | -                                                             |          |
| comp_part10                | -                                                             |          |
| comp_part11                | -                                                             |          |
| comp_part12                | -                                                             |          |
| <b>Detailed Comments:</b>  |                                                               |          |

| Structured Type Constraint |                                        |          |
|----------------------------|----------------------------------------|----------|
| <b>Constraint Name:</b>    | NotificationSS_08(Invkid :OCTETSTRING) |          |
| <b>Structured Type:</b>    | Component_T                            |          |
| <b>Derivation Path:</b>    |                                        |          |
| <b>Comments:</b>           | UnstructuredSS-Notify                  |          |
| Element Name               | Element Value                          | Comments |
| comp_part1                 | 'A2030201'O                            |          |
| invokeld                   | Invkid                                 |          |
| comp_part2                 | -                                      |          |
| comp_part3                 | -                                      |          |
| comp_part4                 | -                                      |          |
| comp_part5                 | -                                      |          |
| comp_part6                 | -                                      |          |
| comp_part7                 | -                                      |          |
| comp_part8                 | -                                      |          |
| comp_part9                 | -                                      |          |
| comp_part10                | -                                      |          |
| comp_part11                | -                                      |          |
| comp_part12                | -                                      |          |
| <b>Detailed Comments:</b>  |                                        |          |

| Structured Type Constraint |                                    |          |
|----------------------------|------------------------------------|----------|
| <b>Constraint Name:</b>    | BuildMptySSRsit_01(id:OCTETSTRING) |          |
| <b>Structured Type:</b>    | Component_T                        |          |
| <b>Derivation Path:</b>    |                                    |          |
| <b>Comments:</b>           | ReturnResult for buildMPTY         |          |
| Element Name               | Element Value                      | Comments |
| comp_part1                 | 'A2800201'O                        |          |
| invokeld                   | id                                 |          |
| comp_part2                 | '0000'O                            |          |
| comp_part3                 | -                                  |          |
| comp_part4                 | -                                  |          |
| comp_part5                 | -                                  |          |
| comp_part6                 | -                                  |          |
| comp_part7                 | -                                  |          |
| comp_part8                 | -                                  |          |
| comp_part9                 | -                                  |          |
| comp_part10                | -                                  |          |
| comp_part11                | -                                  |          |
| comp_part12                | -                                  |          |
| <b>Detailed Comments:</b>  |                                    |          |

| Structured Type Constraint |                |          |
|----------------------------|----------------|----------|
| <b>Constraint Name:</b>    | RelTmdDif_omit |          |
| <b>Structured Type:</b>    | TDIF           |          |
| <b>Derivation Path:</b>    |                |          |
| <b>Comments:</b>           |                |          |
| Element Name               | Element Value  | Comments |
| iei                        | -              |          |
| iel                        | -              |          |
| value                      | -              |          |
| <b>Detailed Comments:</b>  |                |          |

| Structured Type Constraint |                                         |          |
|----------------------------|-----------------------------------------|----------|
| <b>Constraint Name:</b>    | RelTmdDif_01(ta_a: INTEGER)             |          |
| <b>Structured Type:</b>    | TDIF                                    |          |
| <b>Derivation Path:</b>    |                                         |          |
| <b>Comments:</b>           | ta_a: timing advance value in cell A.   |          |
| Element Name               | Element Value                           | Comments |
| iei                        | '01111011'B                             |          |
| iel                        | '01'O                                   |          |
| value                      | OC_IntToOct(((2*ta_a + 10) MOD 256), 1) |          |
| <b>Detailed Comments:</b>  |                                         |          |

| Structured Type Constraint |                                      |          |
|----------------------------|--------------------------------------|----------|
| <b>Constraint Name:</b>    | Rqr1(Rr: BITSTRING; Fn: FN)          |          |
| <b>Structured Type:</b>    | RQR                                  |          |
| <b>Derivation Path:</b>    |                                      |          |
| <b>Comments:</b>           | not address the MS under test        |          |
| Element Name               | Element Value                        | Comments |
| ra                         | INT_TO_BIT(( BIT_TO_INT(Rr) + 1), 8) |          |
| fn                         | OC_FnInc( Fn, 2)                     |          |
| <b>Detailed Comments:</b>  |                                      |          |

| Structured Type Constraint |                              |          |
|----------------------------|------------------------------|----------|
| <b>Constraint Name:</b>    | Rqr2(Rr: BITSTRING; Fn: FN)  |          |
| <b>Structured Type:</b>    | RQR                          |          |
| <b>Derivation Path:</b>    |                              |          |
| <b>Comments:</b>           | To address the MS under test |          |
| Element Name               | Element Value                | Comments |
| ra                         | Rr                           |          |
| fn                         | Fn                           |          |
| <b>Detailed Comments:</b>  |                              |          |

| Structured Type Constraint |                                     |          |
|----------------------------|-------------------------------------|----------|
| <b>Constraint Name:</b>    | Rqr3                                |          |
| <b>Structured Type:</b>    | RQR                                 |          |
| <b>Derivation Path:</b>    |                                     |          |
| <b>Comments:</b>           | not pertaining to the MS under test |          |
| Element Name               | Element Value                       | Comments |
| ra                         | '00000000'B                         |          |
| fn                         | Fn_01                               |          |
| <b>Detailed Comments:</b>  |                                     |          |

| Structured Type Constraint |                                       |          |
|----------------------------|---------------------------------------|----------|
| <b>Constraint Name:</b>    | Signal_01                             |          |
| <b>Structured Type:</b>    | SIGNAL                                |          |
| <b>Derivation Path:</b>    |                                       |          |
| <b>Comments:</b>           | signal value is arbitrarily selected. |          |
| Element Name               | Element Value                         | Comments |
| iei                        | '00110100'B                           |          |
| sigv                       | '00000000'B                           |          |
| <b>Detailed Comments:</b>  |                                       |          |

| Structured Type Constraint |                                                |          |
|----------------------------|------------------------------------------------|----------|
| <b>Constraint Name:</b>    | Signal_02                                      |          |
| <b>Structured Type:</b>    | SIGNAL                                         |          |
| <b>Derivation Path:</b>    |                                                |          |
| <b>Comments:</b>           | Signal IE with value #7 "call waiting tone on" |          |
| Element Name               | Element Value                                  | Comments |
| iei                        | '00110100'B                                    |          |
| sigv                       | '00000111'B                                    |          |
| <b>Detailed Comments:</b>  |                                                |          |

| Structured Type Constraint |                      |          |
|----------------------------|----------------------|----------|
| <b>Constraint Name:</b>    | StartingTm_01(fn:FN) |          |
| <b>Structured Type:</b>    | STRT                 |          |
| <b>Derivation Path:</b>    |                      |          |
| <b>Comments:</b>           |                      |          |
| Element Name               | Element Value        | Comments |
| iei                        | '01111101'B          |          |
| fn                         | fn                   |          |
| <b>Detailed Comments:</b>  |                      |          |

| Structured Type Constraint |                 |          |
|----------------------------|-----------------|----------|
| <b>Constraint Name:</b>    | StartingTm_omit |          |
| <b>Structured Type:</b>    | STRT            |          |
| <b>Derivation Path:</b>    |                 |          |
| <b>Comments:</b>           |                 |          |
| Element Name               | Element Value   | Comments |
| iei                        | -               |          |
| fn                         | -               |          |
| <b>Detailed Comments:</b>  |                 |          |

| Structured Type Constraint |                                 |          |
|----------------------------|---------------------------------|----------|
| <b>Constraint Name:</b>    | SubAdd_01                       |          |
| <b>Structured Type:</b>    | SUBAD                           |          |
| <b>Derivation Path:</b>    |                                 |          |
| <b>Comments:</b>           | containing arbitrary spare bits |          |
| Element Name               | Element Value                   | Comments |
| extb                       | '1'B                            |          |
| tos                        | '000'B                          |          |
| oei                        | '0'B                            |          |
| sp3b                       | '111'B                          |          |
| si                         | '5001'O                         |          |
| <b>Detailed Comments:</b>  |                                 |          |

| Structured Type Constraint |               |          |
|----------------------------|---------------|----------|
| <b>Constraint Name:</b>    | Synchi_omit   |          |
| <b>Structured Type:</b>    | SYNCHI        |          |
| <b>Derivation Path:</b>    |               |          |
| <b>Comments:</b>           |               |          |
| Element Name               | Element Value | Comments |
| iei                        | -             |          |
| nci                        | -             |          |
| rot                        | -             |          |
| si                         | -             |          |
| <b>Detailed Comments:</b>  |               |          |

| Structured Type Constraint |                          |          |
|----------------------------|--------------------------|----------|
| <b>Constraint Name:</b>    | Synchi( rot:B_1; si:B_2) |          |
| <b>Structured Type:</b>    | SYNCHI                   |          |
| <b>Derivation Path:</b>    |                          |          |
| <b>Comments:</b>           |                          |          |
| Element Name               | Element Value            | Comments |
| iei                        | '1101'B                  |          |
| nci                        | '0'B                     |          |
| rot                        | rot                      |          |
| si                         | si                       |          |
| <b>Detailed Comments:</b>  |                          |          |

| Structured Type Constraint |                                        |          |
|----------------------------|----------------------------------------|----------|
| <b>Constraint Name:</b>    | Synchi_01                              |          |
| <b>Structured Type:</b>    | SYNCHI                                 |          |
| <b>Derivation Path:</b>    |                                        |          |
| <b>Comments:</b>           | coded as a comprehension required IEI. |          |
| Element Name               | Element Value                          | Comments |
| iei                        | '0000'B                                |          |
| nci                        | '0'B                                   |          |
| rot                        | '0'B                                   |          |
| si                         | '00'B                                  |          |
| <b>Detailed Comments:</b>  |                                        |          |

| Structured Type Constraint |                                    |          |
|----------------------------|------------------------------------|----------|
| <b>Constraint Name:</b>    | TimingAdv( bits:INTEGER)           |          |
| <b>Structured Type:</b>    | TA                                 |          |
| <b>Derivation Path:</b>    |                                    |          |
| <b>Comments:</b>           | Time Advance value is pameterized. |          |
| Element Name               | Element Value                      | Comments |
| iei                        | -                                  |          |
| sprb                       | '00'B                              |          |
| value                      | INT_TO_BIT(bits, 6)                |          |
| <b>Detailed Comments:</b>  |                                    |          |

| Structured Type Constraint |                              |          |
|----------------------------|------------------------------|----------|
| <b>Constraint Name:</b>    | TimingAdv_iei( bits:INTEGER) |          |
| <b>Structured Type:</b>    | TA                           |          |
| <b>Derivation Path:</b>    |                              |          |
| <b>Comments:</b>           | 0 time advance.              |          |
| Element Name               | Element Value                | Comments |
| iei                        | '01111101'B                  |          |
| sprb                       | '00'B                        |          |
| value                      | INT_TO_BIT(bits, 6)          |          |
| <b>Detailed Comments:</b>  |                              |          |

| Structured Type Constraint |                                 |          |
|----------------------------|---------------------------------|----------|
| <b>Constraint Name:</b>    | TimingAdv_inv                   |          |
| <b>Structured Type:</b>    | TA                              |          |
| <b>Derivation Path:</b>    |                                 |          |
| <b>Comments:</b>           | containing arbitrary spare bits |          |
| Element Name               | Element Value                   | Comments |
| iei                        | -                               |          |
| sprb                       | '11'B                           |          |
| value                      | '000000'B                       |          |
| <b>Detailed Comments:</b>  |                                 |          |



| Structured Type Constraint |                                      |          |
|----------------------------|--------------------------------------|----------|
| <b>Constraint Name:</b>    | TimingAdv_omit                       |          |
| <b>Structured Type:</b>    | TA                                   |          |
| <b>Derivation Path:</b>    |                                      |          |
| <b>Comments:</b>           | Time Advance value is parameterized. |          |
| Element Name               | Element Value                        | Comments |
| iei                        | -                                    |          |
| sprb                       | -                                    |          |
| value                      | -                                    |          |
| <b>Detailed Comments:</b>  |                                      |          |

| Structured Type Constraint |                                                                 |          |
|----------------------------|-----------------------------------------------------------------|----------|
| <b>Constraint Name:</b>    | TI_01                                                           |          |
| <b>Structured Type:</b>    | TI                                                              |          |
| <b>Derivation Path:</b>    |                                                                 |          |
| <b>Comments:</b>           | used by the MS in the transaction initiated by the test system. |          |
| Element Name               | Element Value                                                   | Comments |
| ti_f                       | '1'B                                                            |          |
| ti_v                       | '000'B                                                          |          |
| <b>Detailed Comments:</b>  |                                                                 |          |

| Structured Type Constraint |                                                                                  |          |
|----------------------------|----------------------------------------------------------------------------------|----------|
| <b>Constraint Name:</b>    | TI_02                                                                            |          |
| <b>Structured Type:</b>    | TI                                                                               |          |
| <b>Derivation Path:</b>    |                                                                                  |          |
| <b>Comments:</b>           | used in the messages sent to the MS in the transaction initiated by test system. |          |
| Element Name               | Element Value                                                                    | Comments |
| ti_f                       | '0'B                                                                             |          |
| ti_v                       | '000'B                                                                           |          |
| <b>Detailed Comments:</b>  |                                                                                  |          |

| Structured Type Constraint |                                                                                  |          |
|----------------------------|----------------------------------------------------------------------------------|----------|
| <b>Constraint Name:</b>    | TI_03                                                                            |          |
| <b>Structured Type:</b>    | TI                                                                               |          |
| <b>Derivation Path:</b>    |                                                                                  |          |
| <b>Comments:</b>           | used in the messages sent to the MS in the transaction initiated by test system. |          |
| Element Name               | Element Value                                                                    | Comments |
| ti_f                       | '0'B                                                                             |          |
| ti_v                       | '110'B                                                                           |          |
| <b>Detailed Comments:</b>  |                                                                                  |          |

| Structured Type Constraint |                 |          |
|----------------------------|-----------------|----------|
| <b>Constraint Name:</b>    | TI_04           |          |
| <b>Structured Type:</b>    | TI              |          |
| <b>Derivation Path:</b>    |                 |          |
| <b>Comments:</b>           | arbitrary value |          |
| Element Name               | Element Value   | Comments |
| ti_f                       | '0'B            |          |
| ti_v                       | '011'B          |          |
| <b>Detailed Comments:</b>  |                 |          |

| Structured Type Constraint |                                                                 |          |
|----------------------------|-----------------------------------------------------------------|----------|
| <b>Constraint Name:</b>    | TI_05                                                           |          |
| <b>Structured Type:</b>    | TI                                                              |          |
| <b>Derivation Path:</b>    |                                                                 |          |
| <b>Comments:</b>           | used by the MS in the transaction initiated by the test system. |          |
| Element Name               | Element Value                                                   | Comments |
| ti_f                       | '1'B                                                            |          |
| ti_v                       | '110'B                                                          |          |
| <b>Detailed Comments:</b>  |                                                                 |          |

| Structured Type Constraint |               |          |
|----------------------------|---------------|----------|
| <b>Constraint Name:</b>    | TI_06         |          |
| <b>Structured Type:</b>    | TI            |          |
| <b>Derivation Path:</b>    |               |          |
| <b>Comments:</b>           |               |          |
| Element Name               | Element Value | Comments |
| ti_f                       | '0'B          |          |
| ti_v                       | '111'B        |          |
| <b>Detailed Comments:</b>  |               |          |

| Structured Type Constraint |                                                                             |          |
|----------------------------|-----------------------------------------------------------------------------|----------|
| <b>Constraint Name:</b>    | TI_07(ti :TI_V)                                                             |          |
| <b>Structured Type:</b>    | TI                                                                          |          |
| <b>Derivation Path:</b>    |                                                                             |          |
| <b>Comments:</b>           | used in the messages sent to the MS in the transaction initiated by the MS. |          |
| Element Name               | Element Value                                                               | Comments |
| ti_f                       | '0'B                                                                        |          |
| ti_v                       | ti                                                                          |          |
| <b>Detailed Comments:</b>  |                                                                             |          |

| Structured Type Constraint |                                                                                           |          |
|----------------------------|-------------------------------------------------------------------------------------------|----------|
| <b>Constraint Name:</b>    | TI_08(ti:TI_V)                                                                            |          |
| <b>Structured Type:</b>    | TI                                                                                        |          |
| <b>Derivation Path:</b>    |                                                                                           |          |
| <b>Comments:</b>           | used in the messages sent to the MS in the transaction initiated by the system simulator. |          |
| Element Name               | Element Value                                                                             | Comments |
| ti_f                       | '1'B                                                                                      |          |
| ti_v                       | ti                                                                                        |          |
| <b>Detailed Comments:</b>  |                                                                                           |          |

| Structured Type Constraint |                                                        |          |
|----------------------------|--------------------------------------------------------|----------|
| <b>Constraint Name:</b>    | TI_09                                                  |          |
| <b>Structured Type:</b>    | TI                                                     |          |
| <b>Derivation Path:</b>    |                                                        |          |
| <b>Comments:</b>           | used by the MS in the transaction initiated by the MS. |          |
| Element Name               | Element Value                                          | Comments |
| ti_f                       | '0'B                                                   |          |
| ti_v                       | ?                                                      |          |
| <b>Detailed Comments:</b>  |                                                        |          |

| Structured Type Constraint |               |          |
|----------------------------|---------------|----------|
| <b>Constraint Name:</b>    | Tmsi_01       |          |
| <b>Structured Type:</b>    | TMSI          |          |
| <b>Derivation Path:</b>    |               |          |
| <b>Comments:</b>           |               |          |
| Element Name               | Element Value | Comments |
| iei                        | -             |          |
| tmsi_val                   | TSPX_TMSI     |          |
| <b>Detailed Comments:</b>  |               |          |

| Structured Type Constraint                                                                 |                              |          |
|--------------------------------------------------------------------------------------------|------------------------------|----------|
| <b>Constraint Name:</b>                                                                    | Tmsi_r01                     |          |
| <b>Structured Type:</b>                                                                    | TMSI                         |          |
| <b>Derivation Path:</b>                                                                    |                              |          |
| <b>Comments:</b>                                                                           |                              |          |
| Element Name                                                                               | Element Value                | Comments |
| iei                                                                                        | -                            |          |
| tmsi_val                                                                                   | OC_IncTmsi(TSPX_TMSI, '01'O) |          |
| <b>Detailed Comments:</b> Note: the TSPX_TMSI + '01'O shall not be identical to TSPX_TMSI1 |                              |          |

| Structured Type Constraint                                                                 |                              |          |
|--------------------------------------------------------------------------------------------|------------------------------|----------|
| <b>Constraint Name:</b>                                                                    | Tmsi_r03                     |          |
| <b>Structured Type:</b>                                                                    | TMSI                         |          |
| <b>Derivation Path:</b>                                                                    |                              |          |
| <b>Comments:</b>                                                                           |                              |          |
| Element Name                                                                               | Element Value                | Comments |
| iei                                                                                        | -                            |          |
| tmsi_val                                                                                   | OC_IncTmsi(TSPX_TMSI, '02'O) |          |
| <b>Detailed Comments:</b> Note: the TSPX_TMSI + '02'O shall not be identical to TSPX_TMSI1 |                              |          |

| Structured Type Constraint                                                                 |                              |          |
|--------------------------------------------------------------------------------------------|------------------------------|----------|
| <b>Constraint Name:</b>                                                                    | Tmsi_r04                     |          |
| <b>Structured Type:</b>                                                                    | TMSI                         |          |
| <b>Derivation Path:</b>                                                                    |                              |          |
| <b>Comments:</b>                                                                           |                              |          |
| Element Name                                                                               | Element Value                | Comments |
| iei                                                                                        | -                            |          |
| tmsi_val                                                                                   | OC_IncTmsi(TSPX_TMSI, '03'O) |          |
| <b>Detailed Comments:</b> Note: the TSPX_TMSI + '03'O shall not be identical to TSPX_TMSI1 |                              |          |

| Structured Type Constraint                                                                 |                              |          |
|--------------------------------------------------------------------------------------------|------------------------------|----------|
| <b>Constraint Name:</b>                                                                    | Tmsi_r05                     |          |
| <b>Structured Type:</b>                                                                    | TMSI                         |          |
| <b>Derivation Path:</b>                                                                    |                              |          |
| <b>Comments:</b>                                                                           |                              |          |
| Element Name                                                                               | Element Value                | Comments |
| iei                                                                                        | -                            |          |
| tmsi_val                                                                                   | OC_IncTmsi(TSPX_TMSI, '04'O) |          |
| <b>Detailed Comments:</b> Note: the TSPX_TMSI + '04'O shall not be identical to TSPX_TMSI1 |                              |          |

| Structured Type Constraint |               |          |
|----------------------------|---------------|----------|
| <b>Constraint Name:</b>    | TonNpi_01     |          |
| <b>Structured Type:</b>    | TON_NPI       |          |
| <b>Derivation Path:</b>    |               |          |
| <b>Comments:</b>           |               |          |
| Element Name               | Element Value | Comments |
| extb                       | '0'B          |          |
| ton                        | '000'B        |          |
| npi                        | '0000'B       |          |
| <b>Detailed Comments:</b>  |               |          |

| Structured Type Constraint |               |          |
|----------------------------|---------------|----------|
| <b>Constraint Name:</b>    | TonNpi_02     |          |
| <b>Structured Type:</b>    | TON_NPI       |          |
| <b>Derivation Path:</b>    |               |          |
| <b>Comments:</b>           |               |          |
| Element Name               | Element Value | Comments |
| extb                       | '1'B          |          |
| ton                        | '000'B        |          |
| npi                        | '0000'B       |          |
| <b>Detailed Comments:</b>  |               |          |

| Structured Type Constraint |               |          |
|----------------------------|---------------|----------|
| <b>Constraint Name:</b>    | TonNpi_03     |          |
| <b>Structured Type:</b>    | TON_NPI       |          |
| <b>Derivation Path:</b>    |               |          |
| <b>Comments:</b>           |               |          |
| Element Name               | Element Value | Comments |
| extb                       | '1'B          |          |
| ton                        | '001'B        |          |
| npi                        | '0001'B       |          |
| <b>Detailed Comments:</b>  |               |          |

| Structured Type Constraint |               |          |
|----------------------------|---------------|----------|
| <b>Constraint Name:</b>    | TonNpi_04     |          |
| <b>Structured Type:</b>    | TON_NPI       |          |
| <b>Derivation Path:</b>    |               |          |
| <b>Comments:</b>           |               |          |
| Element Name               | Element Value | Comments |
| extb                       | '1'B          |          |
| ton                        | ?             |          |
| npi                        | ?             |          |
| <b>Detailed Comments:</b>  |               |          |

| Structured Type Constraint |                                                 |          |
|----------------------------|-------------------------------------------------|----------|
| <b>Constraint Name:</b>    | UnknownIE_01                                    |          |
| <b>Structured Type:</b>    | UNKWN                                           |          |
| <b>Derivation Path:</b>    |                                                 |          |
| <b>Comments:</b>           | An invalid IE coded as comprehension required . |          |
| Element Name               | Element Value                                   | Comments |
| iei                        | '00000000'B                                     |          |
| iel                        | '01'O                                           |          |
| contents                   | '54'O                                           |          |
| <b>Detailed Comments:</b>  |                                                 |          |

| Structured Type Constraint |                                     |          |
|----------------------------|-------------------------------------|----------|
| <b>Constraint Name:</b>    | UnknownIE_02                        |          |
| <b>Structured Type:</b>    | UNKWN                               |          |
| <b>Derivation Path:</b>    |                                     |          |
| <b>Comments:</b>           | An invalid FIE coded as unknown IE. |          |
| Element Name               | Element Value                       | Comments |
| iei                        | '01001100'B                         |          |
| iel                        | '01'O                               |          |
| contents                   | 'FF'O                               |          |
| <b>Detailed Comments:</b>  |                                     |          |

| Structured Type Constraint |                   |          |
|----------------------------|-------------------|----------|
| <b>Constraint Name:</b>    | UnknownIE         |          |
| <b>Structured Type:</b>    | CHD               |          |
| <b>Derivation Path:</b>    |                   |          |
| <b>Comments:</b>           | used as unkown IE |          |
| Element Name               | Element Value     | Comments |
| iei                        | '01101001'B       |          |
| cht_schn                   | '00000'B          |          |
| tn                         | '010'B            |          |
| tsc                        | '101'B            |          |
| hch                        | '1'B              |          |
| maio                       | '001100'B         |          |
| hsn                        | '101010'B         |          |
| spr                        | -                 |          |
| arfcn                      | -                 |          |
| <b>Detailed Comments:</b>  |                   |          |

| Structured Type Constraint |                                                                                    |          |
|----------------------------|------------------------------------------------------------------------------------|----------|
| <b>Constraint Name:</b>    | CpData_01(tpoa1, rpoa_mt:BCDN; rpmr: MR; timezone:TZONES)                          |          |
| <b>Structured Type:</b>    | CPDATA                                                                             |          |
| <b>Derivation Path:</b>    |                                                                                    |          |
| <b>Comments:</b>           |                                                                                    |          |
| Element Name               | Element Value                                                                      | Comments |
| iei                        | -                                                                                  |          |
| iel                        | OC_IntToOct(( 159 +<br>OC_LengthOfBCDN( tpoa1) +<br>OC_LengthOfBCDN( rpoa_mt)), 1) |          |
| rpack                      | -                                                                                  |          |
| rpdata                     | RpData_01( rpoa_mt, tpoa1, rpmr,<br>timezone)                                      |          |
| rperr                      | -                                                                                  |          |
| rpsmma                     | -                                                                                  |          |
| <b>Detailed Comments:</b>  |                                                                                    |          |

| Structured Type Constraint |                     |          |
|----------------------------|---------------------|----------|
| <b>Constraint Name:</b>    | CpData_02(rpmr: MR) |          |
| <b>Structured Type:</b>    | CPDATA              |          |
| <b>Derivation Path:</b>    |                     |          |
| <b>Comments:</b>           |                     |          |
| Element Name               | Element Value       | Comments |
| iei                        | -                   |          |
| iel                        | ?                   |          |
| rpack                      | RpAck_01(rpmr)      |          |
| rpdata                     | -                   |          |
| rperr                      | -                   |          |
| rpsmma                     | -                   |          |
| <b>Detailed Comments:</b>  |                     |          |

| Structured Type Constraint |                       |          |
|----------------------------|-----------------------|----------|
| <b>Constraint Name:</b>    | CpData_03(rpd:RPDATA) |          |
| <b>Structured Type:</b>    | CPDATA                |          |
| <b>Derivation Path:</b>    |                       |          |
| <b>Comments:</b>           |                       |          |
| Element Name               | Element Value         | Comments |
| iei                        | -                     |          |
| iel                        | ?                     |          |
| rpack                      | -                     |          |
| rpdata                     | rpd                   |          |
| rperr                      | -                     |          |
| rpsmma                     | -                     |          |
| <b>Detailed Comments:</b>  |                       |          |

| Structured Type Constraint |                     |          |
|----------------------------|---------------------|----------|
| <b>Constraint Name:</b>    | CpData_04(rpmr: MR) |          |
| <b>Structured Type:</b>    | CPDATA              |          |
| <b>Derivation Path:</b>    |                     |          |
| <b>Comments:</b>           |                     |          |
| Element Name               | Element Value       | Comments |
| iei                        | -                   |          |
| iel                        | '02'O               |          |
| rpack                      | RpAck_02(rpmr)      |          |
| rpdata                     | -                   |          |
| rperr                      | -                   |          |
| rpsmma                     | -                   |          |
| <b>Detailed Comments:</b>  |                     |          |

| Structured Type Constraint |                                                                            |          |
|----------------------------|----------------------------------------------------------------------------|----------|
| <b>Constraint Name:</b>    | CpData_05(tpoa1, rpoa_mt:BCDN; rpmr: MR; timezone:TZONES)                  |          |
| <b>Structured Type:</b>    | CPDATA                                                                     |          |
| <b>Derivation Path:</b>    |                                                                            |          |
| <b>Comments:</b>           |                                                                            |          |
| Element Name               | Element Value                                                              | Comments |
| iei                        | -                                                                          |          |
| iel                        | OC_IntToOct((159 + OC_LengthOfBCDN(tpoa1) + OC_LengthOfBCDN( rpoa_mt)), 1) |          |
| rpack                      | -                                                                          |          |
| rpdata                     | RpData_05( rpoa_mt, toa1, rpmr, timezone)                                  |          |
| rperr                      | -                                                                          |          |
| rpsmma                     | -                                                                          |          |
| <b>Detailed Comments:</b>  |                                                                            |          |

| Structured Type Constraint |                                                                            |          |
|----------------------------|----------------------------------------------------------------------------|----------|
| <b>Constraint Name:</b>    | CpData_06(tpoa1, rpoa_mt:BCDN; rpmr: MR; timezone:TZONES)                  |          |
| <b>Structured Type:</b>    | CPDATA                                                                     |          |
| <b>Derivation Path:</b>    |                                                                            |          |
| <b>Comments:</b>           |                                                                            |          |
| Element Name               | Element Value                                                              | Comments |
| iei                        | -                                                                          |          |
| iel                        | OC_IntToOct((159 + OC_LengthOfBCDN(tpoa1) + OC_LengthOfBCDN( rpoa_mt)), 1) |          |
| rpack                      | -                                                                          |          |
| rpdata                     | RpData_06( rpoa_mt, toa1, rpmr, timezone)                                  |          |
| rperr                      | -                                                                          |          |
| rpsmma                     | -                                                                          |          |
| <b>Detailed Comments:</b>  |                                                                            |          |

| Structured Type Constraint |                                       |          |
|----------------------------|---------------------------------------|----------|
| <b>Constraint Name:</b>    | CpData_07(rpmr: MR)                   |          |
| <b>Structured Type:</b>    | CPDATA                                |          |
| <b>Derivation Path:</b>    |                                       |          |
| <b>Comments:</b>           | RP Error: Protocol Error, unspecified |          |
| Element Name               | Element Value                         | Comments |
| iei                        | -                                     |          |
| iel                        | ?                                     |          |
| rpack                      | -                                     |          |
| rpdata                     | -                                     |          |
| rperr                      | RpError_01(rpmr)                      |          |
| rpsmma                     | -                                     |          |
| <b>Detailed Comments:</b>  |                                       |          |

| Structured Type Constraint |                                      |          |
|----------------------------|--------------------------------------|----------|
| <b>Constraint Name:</b>    | CpData_08(rpmr: MR)                  |          |
| <b>Structured Type:</b>    | CPDATA                               |          |
| <b>Derivation Path:</b>    |                                      |          |
| <b>Comments:</b>           | RP Error: Memory Capability Exceeded |          |
| Element Name               | Element Value                        | Comments |
| iei                        | -                                    |          |
| iel                        | ?                                    |          |
| rpack                      | -                                    |          |
| rpdata                     | -                                    |          |
| rperr                      | RpError_02(rpmr)                     |          |
| rpsmma                     | -                                    |          |
| <b>Detailed Comments:</b>  |                                      |          |

| Structured Type Constraint |               |          |
|----------------------------|---------------|----------|
| <b>Constraint Name:</b>    | CpData_09     |          |
| <b>Structured Type:</b>    | CPDATA        |          |
| <b>Derivation Path:</b>    |               |          |
| <b>Comments:</b>           | RP_SMAA       |          |
| Element Name               | Element Value | Comments |
| iei                        | -             |          |
| iel                        | ?             |          |
| rpack                      | -             |          |
| rpdata                     | -             |          |
| rperr                      | -             |          |
| rpsmma                     | RpSMMA_01     |          |
| <b>Detailed Comments:</b>  |               |          |

| Structured Type Constraint |                                                                                    |          |
|----------------------------|------------------------------------------------------------------------------------|----------|
| <b>Constraint Name:</b>    | CpData_10(tpoa1, rpoa_mt:BCDN; rpmr: MR; timezone:TZONES)                          |          |
| <b>Structured Type:</b>    | CPDATA                                                                             |          |
| <b>Derivation Path:</b>    |                                                                                    |          |
| <b>Comments:</b>           |                                                                                    |          |
| Element Name               | Element Value                                                                      | Comments |
| iei                        | -                                                                                  |          |
| iel                        | OC_IntToOct(( 159 +<br>OC_LengthOfBCDN( tpoa1) +<br>OC_LengthOfBCDN( rpoa_mt)), 1) |          |
| rpack                      | -                                                                                  |          |
| rpdata                     | RpData_07( rpoa_mt, tpoa1, rpmr,<br>timezone)                                      |          |
| rperr                      | -                                                                                  |          |
| rpsmma                     | -                                                                                  |          |
| <b>Detailed Comments:</b>  |                                                                                    |          |



| Structured Type Constraint |                                                                           |          |
|----------------------------|---------------------------------------------------------------------------|----------|
| <b>Constraint Name:</b>    | CpData_12(tpda, rpoa_mt:BCDN; tpmr: MR; rpmr: MR; timezone:TZONES)        |          |
| <b>Structured Type:</b>    | CPDATA                                                                    |          |
| <b>Derivation Path:</b>    |                                                                           |          |
| <b>Comments:</b>           | n -> ms, RP DATA(SMS-STATUS-REPORT)                                       |          |
| Element Name               | Element Value                                                             | Comments |
| iei                        | -                                                                         |          |
| iel                        | OC_IntToOct(( 25 + OC_LengthOfBCDN(tpda) + OC_LengthOfBCDN( rpoa_mt)), 1) |          |
| rpack                      | -                                                                         |          |
| rpdata                     | RpData_09( rpoa_mt, tpda, tpmr, rpmr, timezone)                           |          |
| rperr                      | -                                                                         |          |
| rpsmma                     | -                                                                         |          |
| <b>Detailed Comments:</b>  |                                                                           |          |

| Structured Type Constraint |                                                                                                    |          |
|----------------------------|----------------------------------------------------------------------------------------------------|----------|
| <b>Constraint Name:</b>    | CpData_15(tpoa1: BCDN; rpoa_mt: BCDN; smtype: INTEGER; text: IA5String; rpmr: MR; timezone:TZONES) |          |
| <b>Structured Type:</b>    | CPDATA                                                                                             |          |
| <b>Derivation Path:</b>    |                                                                                                    |          |
| <b>Comments:</b>           |                                                                                                    |          |
| Element Name               | Element Value                                                                                      | Comments |
| iei                        | -                                                                                                  |          |
| iel                        | OC_IntToOct(( 159 + OC_LengthOfBCDN( tpoa1) + OC_LengthOfBCDN( rpoa_mt)), 1)                       |          |
| rpack                      | -                                                                                                  |          |
| rpdata                     | RpData_12( tpoa1, rpoa_mt, smtype, text, rpmr, timezone)                                           |          |
| rperr                      | -                                                                                                  |          |
| rpsmma                     | -                                                                                                  |          |
| <b>Detailed Comments:</b>  |                                                                                                    |          |

| Structured Type Constraint |                                                                                   |          |
|----------------------------|-----------------------------------------------------------------------------------|----------|
| <b>Constraint Name:</b>    | CpData_16(tpoa1: BCDN; rpoa_mt: BCDN; text: IA5String; rpmr: MR; timezone:TZONES) |          |
| <b>Structured Type:</b>    | CPDATA                                                                            |          |
| <b>Derivation Path:</b>    |                                                                                   |          |
| <b>Comments:</b>           |                                                                                   |          |
| Element Name               | Element Value                                                                     | Comments |
| iei                        | -                                                                                 |          |
| iel                        | OC_IntToOct(( 159 + OC_LengthOfBCDN( tpoa1) + OC_LengthOfBCDN( rpoa_mt)), 1)      |          |
| rpack                      | -                                                                                 |          |
| rpdata                     | RpData_13( tpoa1, rpoa_mt, text, rpmr, timezone)                                  |          |
| rperr                      | -                                                                                 |          |
| rpsmma                     | -                                                                                 |          |
| <b>Detailed Comments:</b>  |                                                                                   |          |

| Structured Type Constraint |                                       |          |
|----------------------------|---------------------------------------|----------|
| <b>Constraint Name:</b>    | CpData_17(tpda,rpda:BCDN; tpud: TPUD) |          |
| <b>Structured Type:</b>    | CPDATA                                |          |
| <b>Derivation Path:</b>    |                                       |          |
| <b>Comments:</b>           |                                       |          |
| Element Name               | Element Value                         | Comments |
| iei                        | -                                     |          |
| iel                        | ?                                     |          |
| rpack                      | -                                     |          |
| rpdata                     | RpData_14(tpda, rpda,tpud)            |          |
| rperr                      | -                                     |          |
| rpsmma                     | -                                     |          |
| <b>Detailed Comments:</b>  |                                       |          |

| Structured Type Constraint |                                                           |          |
|----------------------------|-----------------------------------------------------------|----------|
| <b>Constraint Name:</b>    | RpData_01(rpoa_mt, tpoa1:BCDN; rpmr: MR; timezone:TZONES) |          |
| <b>Structured Type:</b>    | RPDATA                                                    |          |
| <b>Derivation Path:</b>    |                                                           |          |
| <b>Comments:</b>           | n->ms                                                     |          |
| Element Name               | Element Value                                             | Comments |
| sprb                       | '00000'B                                                  |          |
| rpmti                      | '001'B                                                    |          |
| rpmr                       | rpmr                                                      |          |
| rpOaddr                    | RpOrigAddr_01(rpoa_mt)                                    |          |
| rpDaddr                    | RpDestAddr_01                                             |          |
| rpusrdat                   | RpUsrData_01(tpoa1, timezone)                             |          |
| <b>Detailed Comments:</b>  |                                                           |          |

| Structured Type Constraint |               |          |
|----------------------------|---------------|----------|
| <b>Constraint Name:</b>    | RpData_03     |          |
| <b>Structured Type:</b>    | RPDATA        |          |
| <b>Derivation Path:</b>    |               |          |
| <b>Comments:</b>           | ms->n         |          |
| Element Name               | Element Value | Comments |
| sprb                       | '00000'B      |          |
| rpmti                      | '000'B        |          |
| rpmr                       | ?             |          |
| rpOaddr                    | RpOrigAddr_02 |          |
| rpDaddr                    | RpDestAddr_02 |          |
| rpusrdat                   | RpUsrData_02  |          |
| <b>Detailed Comments:</b>  |               |          |

| Structured Type Constraint |                                                           |          |
|----------------------------|-----------------------------------------------------------|----------|
| <b>Constraint Name:</b>    | RpData_05(rpoa_mt, tpoa1:BCDN; rpmr: MR; timezone:TZONES) |          |
| <b>Structured Type:</b>    | RPDATA                                                    |          |
| <b>Derivation Path:</b>    |                                                           |          |
| <b>Comments:</b>           | n->ms                                                     |          |
| Element Name               | Element Value                                             | Comments |
| sprb                       | '00000'B                                                  |          |
| rpmti                      | '001'B                                                    |          |
| rpmr                       | rpmr                                                      |          |
| rpOaddr                    | RpOrigAddr_01(rpoa_mt)                                    |          |
| rpDaddr                    | RpDestAddr_01                                             |          |
| rpusrdat                   | RpUsrData_03(tpoa1, timezone)                             |          |
| <b>Detailed Comments:</b>  |                                                           |          |

| Structured Type Constraint |                                                           |          |
|----------------------------|-----------------------------------------------------------|----------|
| <b>Constraint Name:</b>    | RpData_06(rpoa_mt, tpoa1:BCDN; rpmr: MR; timezone:TZONES) |          |
| <b>Structured Type:</b>    | RPDATA                                                    |          |
| <b>Derivation Path:</b>    |                                                           |          |
| <b>Comments:</b>           | n->ms                                                     |          |
| Element Name               | Element Value                                             | Comments |
| sprb                       | '00000'B                                                  |          |
| rpmti                      | '001'B                                                    |          |
| rpmr                       | rpmr                                                      |          |
| rpOaddr                    | RpOrigAddr_01(rpoa_mt)                                    |          |
| rpDaddr                    | RpDestAddr_01                                             |          |
| rpusrdat                   | RpUsrData_04(tpoa1, timezone)                             |          |
| <b>Detailed Comments:</b>  |                                                           |          |

| Structured Type Constraint |                                                            |          |
|----------------------------|------------------------------------------------------------|----------|
| <b>Constraint Name:</b>    | RpData_07( rpoa_mt, tpoa1:BCDN; rpmr: MR; timezone:TZONES) |          |
| <b>Structured Type:</b>    | RPDATA                                                     |          |
| <b>Derivation Path:</b>    |                                                            |          |
| <b>Comments:</b>           | n->ms                                                      |          |
| Element Name               | Element Value                                              | Comments |
| sprb                       | '00000'B                                                   |          |
| rpmti                      | '001'B                                                     |          |
| rpmr                       | rpmr                                                       |          |
| rpOaddr                    | RpOrigAddr_01(rpoa_mt)                                     |          |
| rpDaddr                    | RpDestAddr_01                                              |          |
| rpusrdat                   | RpUsrData_05(tpoa1, timezone)                              |          |
| <b>Detailed Comments:</b>  |                                                            |          |

| Structured Type Constraint |                                |          |
|----------------------------|--------------------------------|----------|
| <b>Constraint Name:</b>    | RpData_08                      |          |
| <b>Structured Type:</b>    | RPDATA                         |          |
| <b>Derivation Path:</b>    |                                |          |
| <b>Comments:</b>           | ms->n, status report requested |          |
| Element Name               | Element Value                  | Comments |
| sprb                       | '00000'B                       |          |
| rpmti                      | '000'B                         |          |
| rpmr                       | ?                              |          |
| rpOaddr                    | RpOrigAddr_02                  |          |
| rpDaddr                    | RpDestAddr_02                  |          |
| rpusrdat                   | RpUsrData_06                   |          |
| <b>Detailed Comments:</b>  |                                |          |

| Structured Type Constraint |                                                                    |          |
|----------------------------|--------------------------------------------------------------------|----------|
| <b>Constraint Name:</b>    | RpData_09(rpoa_mt, tpda:BCDN; tpmr: MR; rpmr: MR; timezone:TZONES) |          |
| <b>Structured Type:</b>    | RPDATA                                                             |          |
| <b>Derivation Path:</b>    |                                                                    |          |
| <b>Comments:</b>           | n->ms, RP DATA(SMS-STATUS-REPORT)                                  |          |
| Element Name               | Element Value                                                      | Comments |
| sprb                       | '00000'B                                                           |          |
| rpmti                      | '001'B                                                             |          |
| rpmr                       | rpmr                                                               |          |
| rpOaddr                    | RpOrigAddr_01(rpoa_mt)                                             |          |
| rpDaddr                    | RpDestAddr_01                                                      |          |
| rpusrdat                   | RpUsrData_07(tpda, tpmr, timezone)                                 |          |
| <b>Detailed Comments:</b>  |                                                                    |          |

| Structured Type Constraint |                                           |          |
|----------------------------|-------------------------------------------|----------|
| <b>Constraint Name:</b>    | RpData_11(rpmr: MR; tpcom:SMCMD)          |          |
| <b>Structured Type:</b>    | RPDATA                                    |          |
| <b>Derivation Path:</b>    |                                           |          |
| <b>Comments:</b>           | ms->n, RP data( SMS-COMMAND( Delete))     |          |
| Element Name               | Element Value                             | Comments |
| sprb                       | '00000'B                                  |          |
| rpmti                      | '000'B                                    |          |
| rpmr                       | OC_IntToOct(( OC_OctToInt( rpmr) + 1), 1) |          |
| rpOaddr                    | RpOrigAddr_02                             |          |
| rpDaddr                    | RpDestAddr_02                             |          |
| rpusrdat                   | RpUsrData_09( tpcom)                      |          |
| <b>Detailed Comments:</b>  |                                           |          |

| Structured Type Constraint |                                                                                                    |          |
|----------------------------|----------------------------------------------------------------------------------------------------|----------|
| <b>Constraint Name:</b>    | RpData_12(tpoa1: BCDN; rpoa_mt: BCDN; smtype: INTEGER; text: IA5String; rpmr: MR; timezone:TZONES) |          |
| <b>Structured Type:</b>    | RPDATA                                                                                             |          |
| <b>Derivation Path:</b>    |                                                                                                    |          |
| <b>Comments:</b>           | n->ms                                                                                              |          |
| Element Name               | Element Value                                                                                      | Comments |
| sprb                       | '00000'B                                                                                           |          |
| rpmti                      | '001'B                                                                                             |          |
| rpmr                       | rpmr                                                                                               |          |
| rpOaddr                    | RpOrigAddr_03(rpoa_mt)                                                                             |          |
| rpDaddr                    | RpDestAddr_01                                                                                      |          |
| rpusrdat                   | RpUsrData_10(tpoa1, smtype, text, timezone)                                                        |          |
| <b>Detailed Comments:</b>  |                                                                                                    |          |

| Structured Type Constraint |                                                                                  |          |
|----------------------------|----------------------------------------------------------------------------------|----------|
| <b>Constraint Name:</b>    | RpData_13(tpoa: BCDN; rpoa_mt: BCDN; text: IA5String; rpmr: MR; timezone:TZONES) |          |
| <b>Structured Type:</b>    | RPDATA                                                                           |          |
| <b>Derivation Path:</b>    |                                                                                  |          |
| <b>Comments:</b>           | n->ms                                                                            |          |
| Element Name               | Element Value                                                                    | Comments |
| sprb                       | '00000'B                                                                         |          |
| rpmti                      | '001'B                                                                           |          |
| rpmr                       | rpmr                                                                             |          |
| rpOaddr                    | RpOrigAddr_03(rpoa_mt)                                                           |          |
| rpDaddr                    | RpDestAddr_01                                                                    |          |
| rpusrdat                   | RpUsrData_11(tpoa, text, timezone)                                               |          |
| <b>Detailed Comments:</b>  |                                                                                  |          |

| Structured Type Constraint |                                               |          |
|----------------------------|-----------------------------------------------|----------|
| <b>Constraint Name:</b>    | RpData_14(tpda: BCDN; rpda: BCDN; tpud: TPUD) |          |
| <b>Structured Type:</b>    | RPDATA                                        |          |
| <b>Derivation Path:</b>    |                                               |          |
| <b>Comments:</b>           | ms->n                                         |          |
| Element Name               | Element Value                                 | Comments |
| sprb                       | '00000'B                                      |          |
| rpmti                      | '000'B                                        |          |
| rpmr                       | ?                                             |          |
| rpOaddr                    | RpOrigAddr_02                                 |          |
| rpDaddr                    | RpDestAddr_03(rpda)                           |          |
| rpusrdat                   | RpUsrData_12(tpda,tpud)                       |          |
| <b>Detailed Comments:</b>  |                                               |          |

| Structured Type Constraint |                    |          |
|----------------------------|--------------------|----------|
| <b>Constraint Name:</b>    | RpAck_01(rpmr: MR) |          |
| <b>Structured Type:</b>    | RPACK              |          |
| <b>Derivation Path:</b>    |                    |          |
| <b>Comments:</b>           | ms->n              |          |
| Element Name               | Element Value      | Comments |
| sprb                       | '00000'B           |          |
| rpmti                      | '010'B             |          |
| rpmr                       | rpmr               |          |
| <b>Detailed Comments:</b>  |                    |          |

| Structured Type Constraint |                    |          |
|----------------------------|--------------------|----------|
| <b>Constraint Name:</b>    | RpAck_02(rpmr: MR) |          |
| <b>Structured Type:</b>    | RPACK              |          |
| <b>Derivation Path:</b>    |                    |          |
| <b>Comments:</b>           | RP_ACK n->ms       |          |
| Element Name               | Element Value      | Comments |
| sprb                       | '00000'B           |          |
| rpmti                      | '011'B             |          |
| rpmr                       | rpmr               |          |
| <b>Detailed Comments:</b>  |                    |          |

| Structured Type Constraint |                             |          |
|----------------------------|-----------------------------|----------|
| <b>Constraint Name:</b>    | RpError_01(rpmr: MR)        |          |
| <b>Structured Type:</b>    | RPERR                       |          |
| <b>Derivation Path:</b>    |                             |          |
| <b>Comments:</b>           | Protocol error, unspecified |          |
| Element Name               | Element Value               | Comments |
| sprb                       | '00000'B                    |          |
| rpmti                      | '100'B                      |          |
| rpmr                       | rpmr                        |          |
| rpcau                      | RpCause_01                  |          |
| rpusrdat                   | -                           |          |
| <b>Detailed Comments:</b>  |                             |          |

| Structured Type Constraint |                          |          |
|----------------------------|--------------------------|----------|
| <b>Constraint Name:</b>    | RpError_02(rpmr: MR)     |          |
| <b>Structured Type:</b>    | RPERR                    |          |
| <b>Derivation Path:</b>    |                          |          |
| <b>Comments:</b>           | Memory Capacity Exceeded |          |
| Element Name               | Element Value            | Comments |
| sprb                       | '00000'B                 |          |
| rpmti                      | '100'B                   |          |
| rpmr                       | rpmr                     |          |
| rpcau                      | RpCause_02               |          |
| rpusrdat                   | -                        |          |
| <b>Detailed Comments:</b>  |                          |          |

| Structured Type Constraint |                                                       |          |
|----------------------------|-------------------------------------------------------|----------|
| <b>Constraint Name:</b>    | RpCause_01                                            |          |
| <b>Structured Type:</b>    | RPCAU                                                 |          |
| <b>Derivation Path:</b>    |                                                       |          |
| <b>Comments:</b>           | ms->n, Protocol error, unspecified, cuase number 111. |          |
| Element Name               | Element Value                                         | Comments |
| iei                        | -                                                     |          |
| iel                        | ?                                                     |          |
| extb2                      | '0'B                                                  |          |
| rpcau_class                | '110'B                                                |          |
| rpcau_va                   | '1111'B                                               |          |
| rpcau_di                   | *                                                     |          |
| <b>Detailed Comments:</b>  |                                                       |          |

| Structured Type Constraint |                                                   |          |
|----------------------------|---------------------------------------------------|----------|
| <b>Constraint Name:</b>    | RpCause_02                                        |          |
| <b>Structured Type:</b>    | RPCAU                                             |          |
| <b>Derivation Path:</b>    |                                                   |          |
| <b>Comments:</b>           | ms->n, Memory Capacity Exceeded, cause number 22. |          |
| Element Name               | Element Value                                     | Comments |
| iei                        | -                                                 |          |
| iel                        | ?                                                 |          |
| extb2                      | '0'B                                              |          |
| rpcau_class                | '001'B                                            |          |
| rpcau_va                   | '0110'B                                           |          |
| rpcau_di                   | *                                                 |          |
| <b>Detailed Comments:</b>  |                                                   |          |

| Structured Type Constraint |               |          |
|----------------------------|---------------|----------|
| <b>Constraint Name:</b>    | RpSMMA_01     |          |
| <b>Structured Type:</b>    | RPSMMA        |          |
| <b>Derivation Path:</b>    |               |          |
| <b>Comments:</b>           | ms->n         |          |
| Element Name               | Element Value | Comments |
| sprb                       | '00000'B      |          |
| rpmti                      | '110'B        |          |
| rpmr                       | ?             |          |
| <b>Detailed Comments:</b>  |               |          |

| Structured Type Constraint |                                                     |          |
|----------------------------|-----------------------------------------------------|----------|
| <b>Constraint Name:</b>    | RpUsrData_01(tpoa1:BCDN; timezone:TZONES)           |          |
| <b>Structured Type:</b>    | RPUSRDAT                                            |          |
| <b>Derivation Path:</b>    |                                                     |          |
| <b>Comments:</b>           |                                                     |          |
| Element Name               | Element Value                                       | Comments |
| iei                        | -                                                   |          |
| iel                        | OC_IntToOct(( 153 +<br>OC_LengthOfBCDN( tpoa1)), 1) |          |
| tpdeliver                  | TpDeliver_01( tpoa1, timezone)                      |          |
| tpsubmit                   | -                                                   |          |
| tpstatus_rpt               | -                                                   |          |
| tpcommand                  | -                                                   |          |
| tpdlvr_sbmt_rpt            | -                                                   |          |
| <b>Detailed Comments:</b>  |                                                     |          |

| Structured Type Constraint |               |          |
|----------------------------|---------------|----------|
| <b>Constraint Name:</b>    | RpUsrData_02  |          |
| <b>Structured Type:</b>    | RPUSRDAT      |          |
| <b>Derivation Path:</b>    |               |          |
| <b>Comments:</b>           |               |          |
| Element Name               | Element Value | Comments |
| iei                        | -             |          |
| iel                        | ?             |          |
| tpdeliver                  | -             |          |
| tpsubmit                   | TpSubmit_01   |          |
| tpstatus_rpt               | -             |          |
| tpcommand                  | -             |          |
| tpdlvr_sbmt_rpt            | -             |          |
| <b>Detailed Comments:</b>  |               |          |

| Structured Type Constraint |                                                  |          |
|----------------------------|--------------------------------------------------|----------|
| <b>Constraint Name:</b>    | RpUsrData_03(tpoa1:BCDN; timezone:TZONES)        |          |
| <b>Structured Type:</b>    | RPUSRDAT                                         |          |
| <b>Derivation Path:</b>    |                                                  |          |
| <b>Comments:</b>           |                                                  |          |
| Element Name               | Element Value                                    | Comments |
| iei                        | -                                                |          |
| iel                        | OC_IntToOct((153+OC_LengthOfBCDN(t<br>poa1)), 1) |          |
| tpdeliver                  | TpDeliver_02(tpoa1, timezone)                    |          |
| tpsubmit                   | -                                                |          |
| tpstatus_rpt               | -                                                |          |
| tpcommand                  | -                                                |          |
| tpdlvr_sbmt_rpt            | -                                                |          |
| <b>Detailed Comments:</b>  |                                                  |          |

| Structured Type Constraint |                                                     |          |
|----------------------------|-----------------------------------------------------|----------|
| <b>Constraint Name:</b>    | RpUsrData_04(tpoa1:BCDN; timezone:TZONES)           |          |
| <b>Structured Type:</b>    | RPUSRDAT                                            |          |
| <b>Derivation Path:</b>    |                                                     |          |
| <b>Comments:</b>           |                                                     |          |
| Element Name               | Element Value                                       | Comments |
| iei                        | -                                                   |          |
| iel                        | OC_IntToOct(( 153 +<br>OC_LengthOfBCDN( tpoa1)), 1) |          |
| tpdeliver                  | TpDeliver_03(tpoa1, timezone)                       |          |
| tpsubmit                   | -                                                   |          |
| tpstatus_rpt               | -                                                   |          |
| tpcommand                  | -                                                   |          |
| tpdlvr_sbmt_rpt            | -                                                   |          |
| <b>Detailed Comments:</b>  |                                                     |          |

| Structured Type Constraint |                                                  |          |
|----------------------------|--------------------------------------------------|----------|
| <b>Constraint Name:</b>    | RpUsrData_05(tpoa1:BCDN; timezone:TZONES)        |          |
| <b>Structured Type:</b>    | RPUSRDAT                                         |          |
| <b>Derivation Path:</b>    |                                                  |          |
| <b>Comments:</b>           |                                                  |          |
| Element Name               | Element Value                                    | Comments |
| iei                        | -                                                |          |
| iel                        | OC_IntToOct((153+OC_LengthOfBCDN(t<br>poa1)), 1) |          |
| tpdeliver                  | TpDeliver_04(tpoa1, timezone)                    |          |
| tpsubmit                   | -                                                |          |
| tpstatus_rpt               | -                                                |          |
| tpcommand                  | -                                                |          |
| tpdlvr_sbmt_rpt            | -                                                |          |
| <b>Detailed Comments:</b>  |                                                  |          |

| Structured Type Constraint |               |          |
|----------------------------|---------------|----------|
| <b>Constraint Name:</b>    | RpUsrData_06  |          |
| <b>Structured Type:</b>    | RPUSRDAT      |          |
| <b>Derivation Path:</b>    |               |          |
| <b>Comments:</b>           |               |          |
| Element Name               | Element Value | Comments |
| iei                        | -             |          |
| iel                        | ?             |          |
| tpdeliver                  | -             |          |
| tpsubmit                   | TpSubmit_02   |          |
| tpstatus_rpt               | -             |          |
| tpcommand                  | -             |          |
| tpdlvr_sbmt_rpt            | -             |          |
| <b>Detailed Comments:</b>  |               |          |



| Structured Type Constraint |                                                   |          |
|----------------------------|---------------------------------------------------|----------|
| <b>Constraint Name:</b>    | RpUsrData_07( tpda:BCDN; mr: MR; timezone:TZONES) |          |
| <b>Structured Type:</b>    | RPUSRDAT                                          |          |
| <b>Derivation Path:</b>    |                                                   |          |
| <b>Comments:</b>           |                                                   |          |
| Element Name               | Element Value                                     | Comments |
| iei                        | -                                                 |          |
| iel                        | OC_IntToOct(( 19 + OC_LengthOfBCDN(tpda)), 1)     |          |
| tpdeliver                  | -                                                 |          |
| tpsubmit                   | -                                                 |          |
| tpstatus_rpt               | TpStatusReport_01( tpda, mr, timezone)            |          |
| tpcommand                  | -                                                 |          |
| tpdlvr_sbmt_rpt            | -                                                 |          |
| <b>Detailed Comments:</b>  |                                                   |          |

| Structured Type Constraint |                           |          |
|----------------------------|---------------------------|----------|
| <b>Constraint Name:</b>    | RpUsrData_09(tpcom:SMCMD) |          |
| <b>Structured Type:</b>    | RPUSRDAT                  |          |
| <b>Derivation Path:</b>    |                           |          |
| <b>Comments:</b>           | SMS-COMMAND(Delete)       |          |
| Element Name               | Element Value             | Comments |
| iei                        | -                         |          |
| iel                        | ?                         |          |
| tpdeliver                  | -                         |          |
| tpsubmit                   | -                         |          |
| tpstatus_rpt               | -                         |          |
| tpcommand                  | tpcom                     |          |
| tpdlvr_sbmt_rpt            | -                         |          |
| <b>Detailed Comments:</b>  |                           |          |

| Structured Type Constraint |                                                                              |          |
|----------------------------|------------------------------------------------------------------------------|----------|
| <b>Constraint Name:</b>    | RpUsrData_10(tpoa1: BCDN; smtype: INTEGER; text: IA5String; timezone:TZONES) |          |
| <b>Structured Type:</b>    | RPUSRDAT                                                                     |          |
| <b>Derivation Path:</b>    |                                                                              |          |
| <b>Comments:</b>           |                                                                              |          |
| Element Name               | Element Value                                                                | Comments |
| iei                        | -                                                                            |          |
| iel                        | OC_IntToOct((153+OC_LengthOfBCDN(tpoa1)), 1)                                 |          |
| tpdeliver                  | TpDeliver_05(tpoa1, smtype, text, timezone)                                  |          |
| tpsubmit                   | -                                                                            |          |
| tpstatus_rpt               | -                                                                            |          |
| tpcommand                  | -                                                                            |          |
| tpdlvr_sbmt_rpt            | -                                                                            |          |
| <b>Detailed Comments:</b>  |                                                                              |          |

| Structured Type Constraint |                                                             |          |
|----------------------------|-------------------------------------------------------------|----------|
| <b>Constraint Name:</b>    | RpUsrData_11(tpoa1: BCDN; text: IA5String; timezone:TZONES) |          |
| <b>Structured Type:</b>    | RPUSRDAT                                                    |          |
| <b>Derivation Path:</b>    |                                                             |          |
| <b>Comments:</b>           |                                                             |          |
| Element Name               | Element Value                                               | Comments |
| iei                        | -                                                           |          |
| iel                        | OC_IntToOct((153+OC_LengthOfBCDN(tpoa1)), 1)                |          |
| tpdeliver                  | TpDeliver_06(tpoa1, text, timezone)                         |          |
| tpsubmit                   | -                                                           |          |
| tpstatus_rpt               | -                                                           |          |
| tpcommand                  | -                                                           |          |
| tpdlvr_sbmt_rpt            | -                                                           |          |
| <b>Detailed Comments:</b>  |                                                             |          |

| Structured Type Constraint |                                      |          |
|----------------------------|--------------------------------------|----------|
| <b>Constraint Name:</b>    | RpUsrData_12(tpda: BCDN; tpud: TPUD) |          |
| <b>Structured Type:</b>    | RPUSRDAT                             |          |
| <b>Derivation Path:</b>    |                                      |          |
| <b>Comments:</b>           |                                      |          |
| Element Name               | Element Value                        | Comments |
| iei                        | -                                    |          |
| iel                        | ?                                    |          |
| tpdeliver                  | -                                    |          |
| tpsubmit                   | TpSubmit_03(tpda,tpud)               |          |
| tpstatus_rpt               | -                                    |          |
| tpcommand                  | -                                    |          |
| tpdlvr_sbmt_rpt            | -                                    |          |
| <b>Detailed Comments:</b>  |                                      |          |

| Structured Type Constraint |                                           |          |
|----------------------------|-------------------------------------------|----------|
| <b>Constraint Name:</b>    | TpDeliver_01(tpoa1:BCDN; timezone:TZONES) |          |
| <b>Structured Type:</b>    | SMDLVR                                    |          |
| <b>Derivation Path:</b>    |                                           |          |
| <b>Comments:</b>           |                                           |          |
| Element Name               | Element Value                             | Comments |
| rp                         | '0'B                                      |          |
| udhi                       | '0'B                                      |          |
| sri                        | '0'B                                      |          |
| sprb2                      | '00'B                                     |          |
| mms                        | '0'B                                      |          |
| mti                        | '00'B                                     |          |
| oa                         | SmOrigAddr_01(tpoa1)                      |          |
| pid                        | Tppid_01                                  |          |
| dcs                        | Tpdcs_01                                  |          |
| scts                       | OC_GetSCTimeStamp(timezone)               |          |
| udl                        | 'A0'O                                     |          |
| ud                         | OC_ComputeSMContents(160)                 |          |
| <b>Detailed Comments:</b>  |                                           |          |

| Structured Type Constraint |                                           |          |
|----------------------------|-------------------------------------------|----------|
| <b>Constraint Name:</b>    | TpDeliver_02(tpoa1:BCDN; timezone:TZONES) |          |
| <b>Structured Type:</b>    | SMDLVR                                    |          |
| <b>Derivation Path:</b>    |                                           |          |
| <b>Comments:</b>           |                                           |          |
| Element Name               | Element Value                             | Comments |
| rp                         | '0'B                                      |          |
| udhi                       | '0'B                                      |          |
| sri                        | '0'B                                      |          |
| sprb2                      | '00'B                                     |          |
| mms                        | '0'B                                      |          |
| mti                        | '00'B                                     |          |
| oa                         | SmOrigAddr_01(tpoa1)                      |          |
| pid                        | Tppid_01                                  |          |
| dcs                        | Tpdcs_02                                  |          |
| scts                       | OC_GetSCTimeStamp(timezone)               |          |
| udl                        | 'A0'O                                     |          |
| ud                         | OC_ComputeSMContents(160)                 |          |
| <b>Detailed Comments:</b>  |                                           |          |

| Structured Type Constraint |                                           |          |
|----------------------------|-------------------------------------------|----------|
| <b>Constraint Name:</b>    | TpDeliver_03(tpoa1:BCDN; timezone:TZONES) |          |
| <b>Structured Type:</b>    | SMDLVR                                    |          |
| <b>Derivation Path:</b>    |                                           |          |
| <b>Comments:</b>           |                                           |          |
| Element Name               | Element Value                             | Comments |
| rp                         | '0'B                                      |          |
| udhi                       | '0'B                                      |          |
| sri                        | '0'B                                      |          |
| sprb2                      | '00'B                                     |          |
| mms                        | '0'B                                      |          |
| mti                        | '00'B                                     |          |
| oa                         | SmOrigAddr_01(tpoa1)                      |          |
| pid                        | Tppid_01                                  |          |
| dcs                        | Tpdcs_03                                  |          |
| scts                       | OC_GetSCTimeStamp(timezone)               |          |
| udl                        | 'A0'O                                     |          |
| ud                         | OC_ComputeSMContents(160)                 |          |
| <b>Detailed Comments:</b>  |                                           |          |

| Structured Type Constraint |                                           |          |
|----------------------------|-------------------------------------------|----------|
| <b>Constraint Name:</b>    | TpDeliver_04(tpoa1:BCDN; timezone:TZONES) |          |
| <b>Structured Type:</b>    | SMDLVR                                    |          |
| <b>Derivation Path:</b>    |                                           |          |
| <b>Comments:</b>           |                                           |          |
| Element Name               | Element Value                             | Comments |
| rp                         | '0'B                                      |          |
| udhi                       | '0'B                                      |          |
| sri                        | '0'B                                      |          |
| sprb2                      | '00'B                                     |          |
| mms                        | '0'B                                      |          |
| mti                        | '00'B                                     |          |
| oa                         | SmOrigAddr_01(tpoa1)                      |          |
| pid                        | Tppid_01                                  |          |
| dcs                        | Tpdcs_04                                  |          |
| scts                       | OC_GetSCTimeStamp(timezone)               |          |
| udl                        | 'A'O                                      |          |
| ud                         | OC_ComputeSMContents(160)                 |          |
| <b>Detailed Comments:</b>  |                                           |          |

| Structured Type Constraint |                                                                             |          |
|----------------------------|-----------------------------------------------------------------------------|----------|
| <b>Constraint Name:</b>    | TpDeliver_05(tpoa: BCDN; smtype: INTEGER; text: IA5String; timezone:TZONES) |          |
| <b>Structured Type:</b>    | SMDLVR                                                                      |          |
| <b>Derivation Path:</b>    |                                                                             |          |
| <b>Comments:</b>           |                                                                             |          |
| Element Name               | Element Value                                                               | Comments |
| rp                         | '0'B                                                                        |          |
| udhi                       | '0'B                                                                        |          |
| sri                        | '0'B                                                                        |          |
| sprb2                      | '00'B                                                                       |          |
| mms                        | '1'B                                                                        |          |
| mti                        | '00'B                                                                       |          |
| oa                         | SmOrigAddr_02( tpoa)                                                        |          |
| pid                        | Tppid_02( smtype)                                                           |          |
| dcs                        | Tpdcs_01                                                                    |          |
| scts                       | OC_GetSCTimeStamp( timezone)                                                |          |
| udl                        | 'A'O                                                                        |          |
| ud                         | OC_ComputeSMContentsSpecText( 160, text)                                    |          |
| <b>Detailed Comments:</b>  |                                                                             |          |

| Structured Type Constraint |                                                            |          |
|----------------------------|------------------------------------------------------------|----------|
| <b>Constraint Name:</b>    | TpDeliver_06(tpoa: BCDN; text: IA5String; timezone:TZONES) |          |
| <b>Structured Type:</b>    | SMDLVR                                                     |          |
| <b>Derivation Path:</b>    |                                                            |          |
| <b>Comments:</b>           |                                                            |          |
| Element Name               | Element Value                                              | Comments |
| rp                         | '1'B                                                       |          |
| udhi                       | '0'B                                                       |          |
| sri                        | '0'B                                                       |          |
| sprb2                      | '00'B                                                      |          |
| mms                        | '1'B                                                       |          |
| mti                        | '00'B                                                      |          |
| oa                         | SmOrigAddr_02( tpoa)                                       |          |
| pid                        | Tppid_01                                                   |          |
| dcs                        | Tpdcs_01                                                   |          |
| scts                       | OC_GetSCTimeStamp( timezone)                               |          |
| udl                        | 'A'O                                                       |          |
| ud                         | OC_ComputeSMContentsSpecText( 160, text)                   |          |
| <b>Detailed Comments:</b>  |                                                            |          |

| Structured Type Constraint |               |          |
|----------------------------|---------------|----------|
| <b>Constraint Name:</b>    | TpSubmit_01   |          |
| <b>Structured Type:</b>    | SMSBMT        |          |
| <b>Derivation Path:</b>    |               |          |
| <b>Comments:</b>           |               |          |
| Element Name               | Element Value | Comments |
| rp                         | ?             |          |
| udhi                       | ?             |          |
| srr                        | ?             |          |
| vpf                        | ?             |          |
| rd                         | ?             |          |
| mti                        | '01'B         |          |
| mr                         | ?             |          |
| da                         | SmDestAddr_01 |          |
| pid                        | Tppid_01      |          |
| dcs                        | Tpdcs_01      |          |
| vp1                        | ?             |          |
| vp7                        | -             |          |
| udl                        | ?             |          |
| ud                         | ?             |          |
| <b>Detailed Comments:</b>  |               |          |

| Structured Type Constraint |                         |          |
|----------------------------|-------------------------|----------|
| <b>Constraint Name:</b>    | TpSubmit_02             |          |
| <b>Structured Type:</b>    | SMSBMT                  |          |
| <b>Derivation Path:</b>    |                         |          |
| <b>Comments:</b>           | status report requested |          |
| Element Name               | Element Value           | Comments |
| rp                         | '0'B                    |          |
| udhi                       | ?                       |          |
| srr                        | '1'B                    |          |
| vpf                        | ?                       |          |
| rd                         | ?                       |          |
| mti                        | '01'B                   |          |
| mr                         | ?                       |          |
| da                         | SmDestAddr_01           |          |
| pid                        | Tppid_01                |          |
| dcs                        | Tpdcs_01                |          |
| vp1                        | ?                       |          |
| vp7                        | -                       |          |
| udl                        | ?                       |          |
| ud                         | ?                       |          |
| <b>Detailed Comments:</b>  |                         |          |

| Structured Type Constraint |                                     |          |
|----------------------------|-------------------------------------|----------|
| <b>Constraint Name:</b>    | TpSubmit_03(tpda: BCDN; tpud: TPUD) |          |
| <b>Structured Type:</b>    | SMSBMT                              |          |
| <b>Derivation Path:</b>    |                                     |          |
| <b>Comments:</b>           |                                     |          |
| Element Name               | Element Value                       | Comments |
| rp                         | ?                                   |          |
| udhi                       | ?                                   |          |
| srr                        | ?                                   |          |
| vpf                        | '10'B                               |          |
| rd                         | ?                                   |          |
| mti                        | '01'B                               |          |
| mr                         | ?                                   |          |
| da                         | SmDestAddr_02(tpda)                 |          |
| pid                        | Tppid_01                            |          |
| dcs                        | Tpdcs_01                            |          |
| vp1                        | 'A7'O                               |          |
| vp7                        | -                                   |          |
| udl                        | ?                                   |          |
| ud                         | tpud                                |          |
| <b>Detailed Comments:</b>  |                                     |          |

| Structured Type Constraint |                                                        |          |
|----------------------------|--------------------------------------------------------|----------|
| <b>Constraint Name:</b>    | TpStatusReport_01( tpda:BCDN; mr: MR; timezone:TZONES) |          |
| <b>Structured Type:</b>    | SMST_RPT                                               |          |
| <b>Derivation Path:</b>    |                                                        |          |
| <b>Comments:</b>           |                                                        |          |
| Element Name               | Element Value                                          | Comments |
| sprb1                      | '00000'B                                               |          |
| mms                        | '1'B                                                   |          |
| mti                        | '10'B                                                  |          |
| mr                         | mr                                                     |          |
| ra                         | SmDestAddr_02( tpda)                                   |          |
| scts                       | OC_GetSCTimeStamp( timezone)                           |          |
| dt                         | OC_GetSCTimeStamp( timezone)                           |          |
| st                         | TpStatus_01                                            |          |
| <b>Detailed Comments:</b>  |                                                        |          |

| Structured Type Constraint |                                                                                                                |          |
|----------------------------|----------------------------------------------------------------------------------------------------------------|----------|
| <b>Constraint Name:</b>    | SmOrigAddr_01(tpoa1:BCDN)                                                                                      |          |
| <b>Structured Type:</b>    | TPA                                                                                                            |          |
| <b>Derivation Path:</b>    |                                                                                                                |          |
| <b>Comments:</b>           | international number coded E.164 (GSM 11.10, 34.2.1.3, specific message contents). Used in SMS-DELIVER (n->ms) |          |
| Element Name               | Element Value                                                                                                  | Comments |
| iel                        | OC_IntToOct((OC_LengthOfBCDN( tpoa1) * 2), 1)                                                                  |          |
| tonnpi                     | TonNpi_03                                                                                                      |          |
| digits                     | tpoa1                                                                                                          |          |
| <b>Detailed Comments:</b>  |                                                                                                                |          |

| Structured Type Constraint |                                                                                                                |          |
|----------------------------|----------------------------------------------------------------------------------------------------------------|----------|
| <b>Constraint Name:</b>    | SmOrigAddr_02(tpoa: BCDN)                                                                                      |          |
| <b>Structured Type:</b>    | TPA                                                                                                            |          |
| <b>Derivation Path:</b>    |                                                                                                                |          |
| <b>Comments:</b>           | international number coded E.164 (GSM 11.10, 34.2.1.3, specific message contents). Used in SMS-DELIVER (n->ms) |          |
| Element Name               | Element Value                                                                                                  | Comments |
| iel                        | OC_IntToOct((OC_LengthOfBCDN( tpoa) * 2), 1)                                                                   |          |
| tonnpi                     | TonNpi_03                                                                                                      |          |
| digits                     | tpoa                                                                                                           |          |
| <b>Detailed Comments:</b>  |                                                                                                                |          |

| Structured Type Constraint |                                                                                                               |          |
|----------------------------|---------------------------------------------------------------------------------------------------------------|----------|
| <b>Constraint Name:</b>    | SmDestAddr_01                                                                                                 |          |
| <b>Structured Type:</b>    | TPA                                                                                                           |          |
| <b>Derivation Path:</b>    |                                                                                                               |          |
| <b>Comments:</b>           | international number coded E.164 (GSM 11.10, 34.2.1.3, specific message contents). Used in SMS-SUBMIT (ms->n) |          |
| Element Name               | Element Value                                                                                                 | Comments |
| iel                        | ?                                                                                                             |          |
| tonnpi                     | TonNpi_04                                                                                                     |          |
| digits                     | ?                                                                                                             |          |
| <b>Detailed Comments:</b>  |                                                                                                               |          |

| Structured Type Constraint |                                                                                                               |          |
|----------------------------|---------------------------------------------------------------------------------------------------------------|----------|
| <b>Constraint Name:</b>    | SmDestAddr_02(tpda: BCDN)                                                                                     |          |
| <b>Structured Type:</b>    | TPA                                                                                                           |          |
| <b>Derivation Path:</b>    |                                                                                                               |          |
| <b>Comments:</b>           | international number coded E.164 (GSM 11.10, 34.2.1.3, specific message contents). Used in SMS-SUBMIT (ms->n) |          |
| Element Name               | Element Value                                                                                                 | Comments |
| iel                        | OC_IntToOct(( OC_LengthOfBCDN( tpda * 2), 1)                                                                  |          |
| tonnpi                     | TonNpi_03                                                                                                     |          |
| digits                     | tpda                                                                                                          |          |
| <b>Detailed Comments:</b>  |                                                                                                               |          |

| Structured Type Constraint |                                                                                                      |          |
|----------------------------|------------------------------------------------------------------------------------------------------|----------|
| <b>Constraint Name:</b>    | RpOrigAddr_01(rpoa_mt: BCDN)                                                                         |          |
| <b>Structured Type:</b>    | CDPN                                                                                                 |          |
| <b>Derivation Path:</b>    |                                                                                                      |          |
| <b>Comments:</b>           | Called party BCD number (CC information element)<br>GSM 04.08, 10.5.4.7. Used in SMS-DELIVER (n->ms) |          |
| Element Name               | Element Value                                                                                        | Comments |
| iei                        | -                                                                                                    |          |
| iel                        | OC_IntToOct(( OC_LengthOfBCDN( rpoa_mt) + 1), 1)                                                     |          |
| tonnpi                     | TonNpi_03                                                                                            |          |
| digits                     | rpoa_mt                                                                                              |          |
| <b>Detailed Comments:</b>  |                                                                                                      |          |

| Structured Type Constraint |                                                                                                     |          |
|----------------------------|-----------------------------------------------------------------------------------------------------|----------|
| <b>Constraint Name:</b>    | RpOrigAddr_02                                                                                       |          |
| <b>Structured Type:</b>    | CDPN                                                                                                |          |
| <b>Derivation Path:</b>    |                                                                                                     |          |
| <b>Comments:</b>           | Called party BCD number (CC information element)<br>GSM 04.08, 10.5.4.7. Used in SMS-SUBMIT (ms->n) |          |
| Element Name               | Element Value                                                                                       | Comments |
| iei                        | -                                                                                                   |          |
| iel                        | '00'O                                                                                               |          |
| tonnpi                     | -                                                                                                   |          |
| digits                     | -                                                                                                   |          |
| <b>Detailed Comments:</b>  |                                                                                                     |          |

| Structured Type Constraint |                                                                                                      |          |
|----------------------------|------------------------------------------------------------------------------------------------------|----------|
| <b>Constraint Name:</b>    | RpOrigAddr_03(rpoa: BCDN)                                                                            |          |
| <b>Structured Type:</b>    | CDPN                                                                                                 |          |
| <b>Derivation Path:</b>    |                                                                                                      |          |
| <b>Comments:</b>           | Called party BCD number (CC information element)<br>GSM 04.08, 10.5.4.7. Used in SMS-DELIVER (n->ms) |          |
| Element Name               | Element Value                                                                                        | Comments |
| iei                        | -                                                                                                    |          |
| iel                        | OC_IntToOct((OC_LengthOfBCDN( rpoa) + 1), 1)                                                         |          |
| tonnpi                     | TonNpi_03                                                                                            |          |
| digits                     | rpoa                                                                                                 |          |
| <b>Detailed Comments:</b>  |                                                                                                      |          |



| Structured Type Constraint |                                                                                                      |          |
|----------------------------|------------------------------------------------------------------------------------------------------|----------|
| <b>Constraint Name:</b>    | RpDestAddr_01                                                                                        |          |
| <b>Structured Type:</b>    | CDPN                                                                                                 |          |
| <b>Derivation Path:</b>    |                                                                                                      |          |
| <b>Comments:</b>           | Called party BCD number (CC information element)<br>GSM 04.08, 10.5.4.7. Used in SMS-DELIVER (n->ms) |          |
| Element Name               | Element Value                                                                                        | Comments |
| iei                        | -                                                                                                    |          |
| iel                        | '00'O                                                                                                |          |
| tonnpi                     | -                                                                                                    |          |
| digits                     | -                                                                                                    |          |
| <b>Detailed Comments:</b>  |                                                                                                      |          |

| Structured Type Constraint |                                                                                                     |          |
|----------------------------|-----------------------------------------------------------------------------------------------------|----------|
| <b>Constraint Name:</b>    | RpDestAddr_02                                                                                       |          |
| <b>Structured Type:</b>    | CDPN                                                                                                |          |
| <b>Derivation Path:</b>    |                                                                                                     |          |
| <b>Comments:</b>           | Called party BCD number (CC information element)<br>GSM 04.08, 10.5.4.7. Used in SMS-SUBMIT (ms->n) |          |
| Element Name               | Element Value                                                                                       | Comments |
| iei                        | -                                                                                                   |          |
| iel                        | ('02'O, '03'O, '04'O, '05'O, '06'O, '07'O,<br>'08'O, '09'O, '0A'O, '0B'O)                           |          |
| tonnpi                     | *                                                                                                   |          |
| digits                     | *                                                                                                   |          |
| <b>Detailed Comments:</b>  |                                                                                                     |          |

| Structured Type Constraint |                                                                         |          |
|----------------------------|-------------------------------------------------------------------------|----------|
| <b>Constraint Name:</b>    | RpDestAddr_03(rpda: BCDN)                                               |          |
| <b>Structured Type:</b>    | CDPN                                                                    |          |
| <b>Derivation Path:</b>    |                                                                         |          |
| <b>Comments:</b>           | Called party BCD number (CC information element)<br>GSM 04.08, 10.5.4.7 |          |
| Element Name               | Element Value                                                           | Comments |
| iei                        | -                                                                       |          |
| iel                        | ?                                                                       |          |
| tonnpi                     | ?                                                                       |          |
| digits                     | rpda                                                                    |          |
| <b>Detailed Comments:</b>  |                                                                         |          |

| Structured Type Constraint |                                        |          |
|----------------------------|----------------------------------------|----------|
| <b>Constraint Name:</b>    | SMSCBdata(b1, b2, b3, b4: OCTETSTRING) |          |
| <b>Structured Type:</b>    | SMSCBpack                              |          |
| <b>Derivation Path:</b>    |                                        |          |
| <b>Comments:</b>           | SMS cell broadcasting packing data     |          |
| Element Name               | Element Value                          | Comments |
| block1                     | b1                                     |          |
| block2                     | b2                                     |          |
| block3                     | b3                                     |          |
| block4                     | b4                                     |          |
| <b>Detailed Comments:</b>  |                                        |          |

| Structured Type Constraint |                                                              |          |
|----------------------------|--------------------------------------------------------------|----------|
| <b>Constraint Name:</b>    | Tppid_01                                                     |          |
| <b>Structured Type:</b>    | TPPID                                                        |          |
| <b>Derivation Path:</b>    |                                                              |          |
| <b>Comments:</b>           | TP protocol identifier,GSM 03.40, 9.2.3.9<br>default value 0 |          |
| Element Name               | Element Value                                                | Comments |
| type                       | '00'B                                                        |          |
| value                      | '000000'B                                                    |          |
| <b>Detailed Comments:</b>  |                                                              |          |

| Structured Type Constraint |                                                              |          |
|----------------------------|--------------------------------------------------------------|----------|
| <b>Constraint Name:</b>    | Tppid_02(smtype: INTEGER)                                    |          |
| <b>Structured Type:</b>    | TPPID                                                        |          |
| <b>Derivation Path:</b>    |                                                              |          |
| <b>Comments:</b>           | TP protocol identifier,GSM 03.40, 9.2.3.9<br>default value 0 |          |
| Element Name               | Element Value                                                | Comments |
| type                       | '01'B                                                        |          |
| value                      | INT_TO_BIT(smtype, 6)                                        |          |
| <b>Detailed Comments:</b>  |                                                              |          |

| Structured Type Constraint |                                                               |          |
|----------------------------|---------------------------------------------------------------|----------|
| <b>Constraint Name:</b>    | Tpdcs_01                                                      |          |
| <b>Structured Type:</b>    | TPDCS                                                         |          |
| <b>Derivation Path:</b>    |                                                               |          |
| <b>Comments:</b>           | SMS data coding scheme, GSM 03.38, 4, 5<br>default value is 0 |          |
| Element Name               | Element Value                                                 | Comments |
| cg                         | '0000'B                                                       |          |
| code                       | '0000'B                                                       |          |
| <b>Detailed Comments:</b>  |                                                               |          |

| Structured Type Constraint |                                                    |          |
|----------------------------|----------------------------------------------------|----------|
| <b>Constraint Name:</b>    | Tpdcs_02                                           |          |
| <b>Structured Type:</b>    | TPDCS                                              |          |
| <b>Derivation Path:</b>    |                                                    |          |
| <b>Comments:</b>           | SMS data coding scheme, GSM 03.38, 4, 5<br>class 2 |          |
| Element Name               | Element Value                                      | Comments |
| cg                         | '1111'B                                            |          |
| code                       | '0010'B                                            |          |
| <b>Detailed Comments:</b>  |                                                    |          |

| Structured Type Constraint |                                                    |          |
|----------------------------|----------------------------------------------------|----------|
| <b>Constraint Name:</b>    | Tpdcs_03                                           |          |
| <b>Structured Type:</b>    | TPDCS                                              |          |
| <b>Derivation Path:</b>    |                                                    |          |
| <b>Comments:</b>           | SMS data coding scheme, GSM 03.38, 4, 5<br>class 1 |          |
| Element Name               | Element Value                                      | Comments |
| cg                         | '1111'B                                            |          |
| code                       | '0001'B                                            |          |
| <b>Detailed Comments:</b>  |                                                    |          |

| Structured Type Constraint |                                                    |          |
|----------------------------|----------------------------------------------------|----------|
| <b>Constraint Name:</b>    | Tpdcs_04                                           |          |
| <b>Structured Type:</b>    | TPDCS                                              |          |
| <b>Derivation Path:</b>    |                                                    |          |
| <b>Comments:</b>           | SMS data coding scheme, GSM 03.38, 4, 5<br>class 0 |          |
| Element Name               | Element Value                                      | Comments |
| cg                         | '1111'B                                            |          |
| code                       | '0000'B                                            |          |
| <b>Detailed Comments:</b>  |                                                    |          |

| Structured Type Constraint |                                                                      |          |
|----------------------------|----------------------------------------------------------------------|----------|
| <b>Constraint Name:</b>    | Tpdcs_05                                                             |          |
| <b>Structured Type:</b>    | TPDCS                                                                |          |
| <b>Derivation Path:</b>    |                                                                      |          |
| <b>Comments:</b>           | SMS data coding scheme, GSM 03.38, 4, 5<br>default alphabet, english |          |
| Element Name               | Element Value                                                        | Comments |
| cg                         | '0000'B                                                              |          |
| code                       | '0001'B                                                              |          |
| <b>Detailed Comments:</b>  |                                                                      |          |

| Structured Type Constraint |                                   |          |
|----------------------------|-----------------------------------|----------|
| <b>Constraint Name:</b>    | TpStatus_01                       |          |
| <b>Structured Type:</b>    | TPST                              |          |
| <b>Derivation Path:</b>    |                                   |          |
| <b>Comments:</b>           | Short message received by the SME |          |
| Element Name               | Element Value                     | Comments |
| sprb1                      | '0'B                              |          |
| value                      | '0000000'B                        |          |
| <b>Detailed Comments:</b>  |                                   |          |

| Structured Type Constraint |                                                       |          |
|----------------------------|-------------------------------------------------------|----------|
| <b>Constraint Name:</b>    | TpCommand_01(tpmr: MR)                                |          |
| <b>Structured Type:</b>    | SMCMD                                                 |          |
| <b>Derivation Path:</b>    |                                                       |          |
| <b>Comments:</b>           | Enquiry related to previously submitted short message |          |
| Element Name               | Element Value                                         | Comments |
| sprb1                      | '00'B                                                 |          |
| srr                        | '0'B                                                  |          |
| sprb2                      | '000'B                                                |          |
| mti                        | '10'B                                                 |          |
| mr                         | OC_IntToOct( OC_OctToInt( tpmr) + 1, 1)               |          |
| pid                        | Tppid_01                                              |          |
| ct                         | '00'O                                                 |          |
| mn                         | ?                                                     |          |
| da                         | ?                                                     |          |
| cdl                        | ?                                                     |          |
| cd                         | ?                                                     |          |
| <b>Detailed Comments:</b>  |                                                       |          |

| Structured Type Constraint |                                           |          |
|----------------------------|-------------------------------------------|----------|
| <b>Constraint Name:</b>    | TpCommand_02(tpmr: MR)                    |          |
| <b>Structured Type:</b>    | SMCMD                                     |          |
| <b>Derivation Path:</b>    |                                           |          |
| <b>Comments:</b>           | Delete previously submitted short message |          |
| Element Name               | Element Value                             | Comments |
| sprb1                      | '00'B                                     |          |
| srr                        | '0'B                                      |          |
| sprb2                      | '000'B                                    |          |
| mti                        | '10'B                                     |          |
| mr                         | OC_IntToOct(OC_OctToInt(tpmr) + 1, 1)     |          |
| pid                        | Tppid_01                                  |          |
| ct                         | '02'O                                     |          |
| mn                         | ?                                         |          |
| da                         | ?                                         |          |
| cdl                        | ?                                         |          |
| cd                         | ?                                         |          |
| <b>Detailed Comments:</b>  |                                           |          |

| Structured Type Constraint |                 |          |
|----------------------------|-----------------|----------|
| <b>Constraint Name:</b>    | UuInfo_omit     |          |
| <b>Structured Type:</b>    | UU              |          |
| <b>Derivation Path:</b>    |                 |          |
| <b>Comments:</b>           | Omitted UUInfo. |          |
| Element Name               | Element Value   | Comments |
| iei                        | -               |          |
| iel                        | -               |          |
| uupd                       | -               |          |
| uui                        | -               |          |
| <b>Detailed Comments:</b>  |                 |          |

| Structured Type Constraint |                                              |          |
|----------------------------|----------------------------------------------|----------|
| <b>Constraint Name:</b>    | UuInfo                                       |          |
| <b>Structured Type:</b>    | UU                                           |          |
| <b>Derivation Path:</b>    |                                              |          |
| <b>Comments:</b>           | Delete previously submitted short message    |          |
| Element Name               | Element Value                                | Comments |
| iei                        | '01111110'B                                  |          |
| iel                        | OC_IntToOct(1+<br>LENGTH_OF(TSPX_UuInfo), 1) |          |
| uupd                       | TSPX_Uupd                                    |          |
| uui                        | TSPX_UuInfo                                  |          |
| <b>Detailed Comments:</b>  |                                              |          |

| Structured Type Constraint |                      |          |
|----------------------------|----------------------|----------|
| <b>Constraint Name:</b>    | V22bisOrV26ter       |          |
| <b>Structured Type:</b>    | MODEMTYPE            |          |
| <b>Derivation Path:</b>    |                      |          |
| <b>Comments:</b>           |                      |          |
| Element Name               | Element Value        | Comments |
| V22bisOrV26ter             | ('00011'B, '00101'B) |          |
| <b>Detailed Comments:</b>  |                      |          |

**ASN1 type constraints**

| <b>ASN.1 Type Constraint Declaration</b> |                                                                                                                                                                                                                                                   |
|------------------------------------------|---------------------------------------------------------------------------------------------------------------------------------------------------------------------------------------------------------------------------------------------------|
| <b>Constraint Name:</b>                  | ActivateSS_01                                                                                                                                                                                                                                     |
| <b>ASN.1 Type:</b>                       | Component                                                                                                                                                                                                                                         |
| <b>Derivation Path:</b>                  |                                                                                                                                                                                                                                                   |
| <b>Comments:</b>                         | CF all synchronous services                                                                                                                                                                                                                       |
| <b>Constraint Value</b>                  |                                                                                                                                                                                                                                                   |
| activateSSComponents                     | <pre> activateSS_InvokeComp {   invokeID          ?,   localValue        12,   ss_ForBS          {                     ss_Code          '20'H,                     basicService      bearerService '68'H                     } }           </pre> |
| <b>Detailed Comments:</b>                |                                                                                                                                                                                                                                                   |

| <b>ASN.1 Type Constraint Declaration</b> |                                                                                                                                                                                        |
|------------------------------------------|----------------------------------------------------------------------------------------------------------------------------------------------------------------------------------------|
| <b>Constraint Name:</b>                  | ActivateSS_02                                                                                                                                                                          |
| <b>ASN.1 Type:</b>                       | Component                                                                                                                                                                              |
| <b>Derivation Path:</b>                  |                                                                                                                                                                                        |
| <b>Comments:</b>                         | CFU all basic services                                                                                                                                                                 |
| <b>Constraint Value</b>                  |                                                                                                                                                                                        |
| activateSSComponents                     | <pre> activateSS_InvokeComp {   invokeID          ?,   localValue        12,   ss_ForBS          {                     ss_Code          '21'H                     } }           </pre> |
| <b>Detailed Comments:</b>                |                                                                                                                                                                                        |

| <b>ASN.1 Type Constraint Declaration</b> |                                                                                                                                                                                                                                                   |
|------------------------------------------|---------------------------------------------------------------------------------------------------------------------------------------------------------------------------------------------------------------------------------------------------|
| <b>Constraint Name:</b>                  | ActivateSS_03                                                                                                                                                                                                                                     |
| <b>ASN.1 Type:</b>                       | Component                                                                                                                                                                                                                                         |
| <b>Derivation Path:</b>                  |                                                                                                                                                                                                                                                   |
| <b>Comments:</b>                         | BAOC all synchronous services                                                                                                                                                                                                                     |
| <b>Constraint Value</b>                  |                                                                                                                                                                                                                                                   |
| activateSSComponents                     | <pre> activateSS_InvokeComp {   invokeID          ?,   localValue        12,   ss_ForBS          {                     ss_Code          '92'H,                     basicService      bearerService '68'H                     } }           </pre> |
| <b>Detailed Comments:</b>                |                                                                                                                                                                                                                                                   |

| <b>ASN.1 Type Constraint Declaration</b> |                                                                                                                                                                                                                          |
|------------------------------------------|--------------------------------------------------------------------------------------------------------------------------------------------------------------------------------------------------------------------------|
| <b>Constraint Name:</b>                  | ActivateSS_04                                                                                                                                                                                                            |
| <b>ASN.1 Type:</b>                       | Component                                                                                                                                                                                                                |
| <b>Derivation Path:</b>                  |                                                                                                                                                                                                                          |
| <b>Comments:</b>                         | BIC-Roam                                                                                                                                                                                                                 |
| <b>Constraint Value</b>                  |                                                                                                                                                                                                                          |
| activateSSComponents                     | <pre> activateSS_InvokeComp {   invokeID          ?,   localValue        12,   ss_ForBS          {                     { ss_Code          '9B'H -- BIC-Roam                     }                   } }           </pre> |
| <b>Detailed Comments:</b>                |                                                                                                                                                                                                                          |

| <b>ASN.1 Type Constraint Declaration</b> |                                                                                                                                                                                                              |
|------------------------------------------|--------------------------------------------------------------------------------------------------------------------------------------------------------------------------------------------------------------|
| <b>Constraint Name:</b>                  | ActivateSS_05                                                                                                                                                                                                |
| <b>ASN.1 Type:</b>                       | Component                                                                                                                                                                                                    |
| <b>Derivation Path:</b>                  |                                                                                                                                                                                                              |
| <b>Comments:</b>                         | BOIC                                                                                                                                                                                                         |
| <b>Constraint Value</b>                  |                                                                                                                                                                                                              |
| activateSSComponents                     | <pre> activateSS_InvokeComp {   invokeID          ?,   localValue        12,   ss_ForBS          {                     { ss_Code          '93'H                     }                   } }           </pre> |
| <b>Detailed Comments:</b>                |                                                                                                                                                                                                              |

| <b>ASN.1 Type Constraint Declaration</b> |                                                                                                                                                                                                              |
|------------------------------------------|--------------------------------------------------------------------------------------------------------------------------------------------------------------------------------------------------------------|
| <b>Constraint Name:</b>                  | ActivateSS_06                                                                                                                                                                                                |
| <b>ASN.1 Type:</b>                       | Component                                                                                                                                                                                                    |
| <b>Derivation Path:</b>                  |                                                                                                                                                                                                              |
| <b>Comments:</b>                         | BAIC                                                                                                                                                                                                         |
| <b>Constraint Value</b>                  |                                                                                                                                                                                                              |
| activateSSComponents                     | <pre> activateSS_InvokeComp {   invokeID          ?,   localValue        12,   ss_ForBS          {                     { ss_Code          '9A'H                     }                   } }           </pre> |
| <b>Detailed Comments:</b>                |                                                                                                                                                                                                              |

| <b>ASN.1 Type Constraint Declaration</b> |                                                         |
|------------------------------------------|---------------------------------------------------------|
| <b>Constraint Name:</b>                  | BldMptySS_01                                            |
| <b>ASN.1 Type:</b>                       | Component                                               |
| <b>Derivation Path:</b>                  |                                                         |
| <b>Comments:</b>                         | build multiparty request                                |
| <b>Constraint Value</b>                  |                                                         |
| buildMPTYComponents buildMPTY_InvokeComp | <pre> {   invokeID      ?,   localValue    124 } </pre> |
| <b>Detailed Comments:</b>                |                                                         |

| <b>ASN.1 Type Constraint Declaration</b> |                                                                              |
|------------------------------------------|------------------------------------------------------------------------------|
| <b>Constraint Name:</b>                  | Comps_01( comp:Component)                                                    |
| <b>ASN.1 Type:</b>                       | Components                                                                   |
| <b>Derivation Path:</b>                  |                                                                              |
| <b>Comments:</b>                         | A received FIE may contain several components, but at least contains "comp". |
| <b>Constraint Value</b>                  |                                                                              |
| SUPERSET({ comp})                        |                                                                              |
| <b>Detailed Comments:</b>                |                                                                              |

| <b>ASN.1 Type Constraint Declaration</b>       |                                                                                                                                        |
|------------------------------------------------|----------------------------------------------------------------------------------------------------------------------------------------|
| <b>Constraint Name:</b>                        | DeactivateSS_01                                                                                                                        |
| <b>ASN.1 Type:</b>                             | Component                                                                                                                              |
| <b>Derivation Path:</b>                        |                                                                                                                                        |
| <b>Comments:</b>                               | CFC for speech                                                                                                                         |
| <b>Constraint Value</b>                        |                                                                                                                                        |
| deactivateSSComponents deactivateSS_InvokeComp | <pre> {   invokeID      ?,   localValue    13,   ss_ForBS     {     ss_Code     '28'H,     basicService teleservice '10'H   } } </pre> |
| <b>Detailed Comments:</b>                      |                                                                                                                                        |

| <b>ASN.1 Type Constraint Declaration</b>       |                                                                                                                                        |
|------------------------------------------------|----------------------------------------------------------------------------------------------------------------------------------------|
| <b>Constraint Name:</b>                        | DeactivateSS_02                                                                                                                        |
| <b>ASN.1 Type:</b>                             | Component                                                                                                                              |
| <b>Derivation Path:</b>                        |                                                                                                                                        |
| <b>Comments:</b>                               | CFNRc for all facsimile                                                                                                                |
| <b>Constraint Value</b>                        |                                                                                                                                        |
| deactivateSSComponents deactivateSS_InvokeComp | <pre> {   invokeID      ?,   localValue    13,   ss_ForBS     {     ss_Code     '2B'H,     basicService teleservice '60'H   } } </pre> |
| <b>Detailed Comments:</b>                      |                                                                                                                                        |

| <b>ASN.1 Type Constraint Declaration</b> |                                                                                                                                                                            |
|------------------------------------------|----------------------------------------------------------------------------------------------------------------------------------------------------------------------------|
| <b>Constraint Name:</b>                  | DeactivateSS_03                                                                                                                                                            |
| <b>ASN.1 Type:</b>                       | Component                                                                                                                                                                  |
| <b>Derivation Path:</b>                  |                                                                                                                                                                            |
| <b>Comments:</b>                         | deactivation for barring                                                                                                                                                   |
| <b>Constraint Value</b>                  |                                                                                                                                                                            |
| deactivateSSComponents                   | <pre> deactivateSS_InvokeComp {   invokeID          ?,   localValue        13,   ss_ForBS   {     ss_Code '90'H,     basicService teleservice '10'H   } }           </pre> |
| <b>Detailed Comments:</b>                |                                                                                                                                                                            |

| <b>ASN.1 Type Constraint Declaration</b> |                                                                                                                                                                            |
|------------------------------------------|----------------------------------------------------------------------------------------------------------------------------------------------------------------------------|
| <b>Constraint Name:</b>                  | DeactivateSS_04                                                                                                                                                            |
| <b>ASN.1 Type:</b>                       | Component                                                                                                                                                                  |
| <b>Derivation Path:</b>                  |                                                                                                                                                                            |
| <b>Comments:</b>                         | deactivation for barring of outgoing calls                                                                                                                                 |
| <b>Constraint Value</b>                  |                                                                                                                                                                            |
| deactivateSSComponents                   | <pre> deactivateSS_InvokeComp {   invokeID          ?,   localValue        13,   ss_ForBS   {     ss_Code '91'H,     basicService teleservice '60'H   } }           </pre> |
| <b>Detailed Comments:</b>                |                                                                                                                                                                            |

| <b>ASN.1 Type Constraint Declaration</b> |                                                                                                                                        |
|------------------------------------------|----------------------------------------------------------------------------------------------------------------------------------------|
| <b>Constraint Name:</b>                  | DeactivateSS_05                                                                                                                        |
| <b>ASN.1 Type:</b>                       | Component                                                                                                                              |
| <b>Derivation Path:</b>                  |                                                                                                                                        |
| <b>Comments:</b>                         | deactivation for barring of incoming calls                                                                                             |
| <b>Constraint Value</b>                  |                                                                                                                                        |
| deactivateSSComponents                   | <pre> deactivateSS_InvokeComp {   invokeID          ?,   localValue        13,   ss_ForBS   {     ss_Code '99'H   } }           </pre> |
| <b>Detailed Comments:</b>                |                                                                                                                                        |



| <b>ASN.1 Type Constraint Declaration</b> |                                                                                                                                      |
|------------------------------------------|--------------------------------------------------------------------------------------------------------------------------------------|
| <b>Constraint Name:</b>                  | DeactivateSS_06                                                                                                                      |
| <b>ASN.1 Type:</b>                       | Component                                                                                                                            |
| <b>Derivation Path:</b>                  |                                                                                                                                      |
| <b>Comments:</b>                         | deactivation for BOICExHC                                                                                                            |
| <b>Constraint Value</b>                  |                                                                                                                                      |
| deactivateSSComponents                   | <pre> deactivateSS_InvokeComp {   invokeID          ?,   localValue        13,   ss_ForBS   {     ss_Code         '94'H   } } </pre> |
| <b>Detailed Comments:</b>                |                                                                                                                                      |

| <b>ASN.1 Type Constraint Declaration</b> |                                                                                                                                                                        |
|------------------------------------------|------------------------------------------------------------------------------------------------------------------------------------------------------------------------|
| <b>Constraint Name:</b>                  | EraseSS_01                                                                                                                                                             |
| <b>ASN.1 Type:</b>                       | Component                                                                                                                                                              |
| <b>Derivation Path:</b>                  |                                                                                                                                                                        |
| <b>Comments:</b>                         | CFC for all facsimile                                                                                                                                                  |
| <b>Constraint Value</b>                  |                                                                                                                                                                        |
| eraseSSComponents                        | <pre> eraseSS_InvokeComp {   invokeID          ?,   localValue        11,   ss_ForBS   {     ss_Code         '28'H,     basicService    teleservice '60'H   } } </pre> |
| <b>Detailed Comments:</b>                |                                                                                                                                                                        |

| <b>ASN.1 Type Constraint Declaration</b> |                                                                                                                                 |
|------------------------------------------|---------------------------------------------------------------------------------------------------------------------------------|
| <b>Constraint Name:</b>                  | EraseSS_02                                                                                                                      |
| <b>ASN.1 Type:</b>                       | Component                                                                                                                       |
| <b>Derivation Path:</b>                  |                                                                                                                                 |
| <b>Comments:</b>                         | CFNRc for all basic services                                                                                                    |
| <b>Constraint Value</b>                  |                                                                                                                                 |
| eraseSSComponents                        | <pre> eraseSS_InvokeComp {   invokeID          ?,   localValue        11,   ss_ForBS   {     ss_Code         '2B'H   } } </pre> |
| <b>Detailed Comments:</b>                |                                                                                                                                 |

| <b>ASN.1 Type Constraint Declaration</b> |                                                                                                                                                                       |
|------------------------------------------|-----------------------------------------------------------------------------------------------------------------------------------------------------------------------|
| <b>Constraint Name:</b>                  | EraseSS_03                                                                                                                                                            |
| <b>ASN.1 Type:</b>                       | Component                                                                                                                                                             |
| <b>Derivation Path:</b>                  |                                                                                                                                                                       |
| <b>Comments:</b>                         | CFU for speech                                                                                                                                                        |
| <b>Constraint Value</b>                  |                                                                                                                                                                       |
| eraseSSComponents                        | <pre> eraseSS_InvokeComp {   invokeID          ?,   localValue        11,   ss_ForBS   {     ss_Code '21'H,     basicService teleservice '10'H   } }           </pre> |
| <b>Detailed Comments:</b>                |                                                                                                                                                                       |

| <b>ASN.1 Type Constraint Declaration</b> |                                                                                                                                                                       |
|------------------------------------------|-----------------------------------------------------------------------------------------------------------------------------------------------------------------------|
| <b>Constraint Name:</b>                  | EraseSS_04                                                                                                                                                            |
| <b>ASN.1 Type:</b>                       | Component                                                                                                                                                             |
| <b>Derivation Path:</b>                  |                                                                                                                                                                       |
| <b>Comments:</b>                         | CFNRy for all facsimile                                                                                                                                               |
| <b>Constraint Value</b>                  |                                                                                                                                                                       |
| eraseSSComponents                        | <pre> eraseSS_InvokeComp {   invokeID          ?,   localValue        11,   ss_ForBS   {     ss_Code '2A'H,     basicService teleservice '60'H   } }           </pre> |
| <b>Detailed Comments:</b>                |                                                                                                                                                                       |

| <b>ASN.1 Type Constraint Declaration</b> |                                                                                                              |
|------------------------------------------|--------------------------------------------------------------------------------------------------------------|
| <b>Constraint Name:</b>                  | FwdChAdvRslt_01                                                                                              |
| <b>ASN.1 Type:</b>                       | Component                                                                                                    |
| <b>Derivation Path:</b>                  |                                                                                                              |
| <b>Comments:</b>                         |                                                                                                              |
| <b>Constraint Value</b>                  |                                                                                                              |
| forwardChargeAdviceComponents            | <pre> forwardChargeAdvice_ReturnResultComp {   invokeID          0,   result            * }           </pre> |
| <b>Detailed Comments:</b>                |                                                                                                              |

| <b>ASN.1 Type Constraint Declaration</b> |                                                                                                                                          |
|------------------------------------------|------------------------------------------------------------------------------------------------------------------------------------------|
| <b>Constraint Name:</b>                  | GetPasswdRslt_01                                                                                                                         |
| <b>ASN.1 Type:</b>                       | Component                                                                                                                                |
| <b>Derivation Path:</b>                  |                                                                                                                                          |
| <b>Comments:</b>                         |                                                                                                                                          |
| <b>Constraint Value</b>                  |                                                                                                                                          |
| getPasswordComponents                    | <pre> getPassword_ReturnResultComp {   invokeID          0,   result   {     localValue      18,     currentPassword "1234"   } } </pre> |
| <b>Detailed Comments:</b>                |                                                                                                                                          |

| <b>ASN.1 Type Constraint Declaration</b> |                                                                                                                                          |
|------------------------------------------|------------------------------------------------------------------------------------------------------------------------------------------|
| <b>Constraint Name:</b>                  | GetPasswdRslt_02                                                                                                                         |
| <b>ASN.1 Type:</b>                       | Component                                                                                                                                |
| <b>Derivation Path:</b>                  |                                                                                                                                          |
| <b>Comments:</b>                         |                                                                                                                                          |
| <b>Constraint Value</b>                  |                                                                                                                                          |
| getPasswordComponents                    | <pre> getPassword_ReturnResultComp {   invokeID          0,   result   {     localValue      18,     currentPassword "9876"   } } </pre> |
| <b>Detailed Comments:</b>                |                                                                                                                                          |

| <b>ASN.1 Type Constraint Declaration</b> |                                                                                                                                          |
|------------------------------------------|------------------------------------------------------------------------------------------------------------------------------------------|
| <b>Constraint Name:</b>                  | GetPasswdRslt_03                                                                                                                         |
| <b>ASN.1 Type:</b>                       | Component                                                                                                                                |
| <b>Derivation Path:</b>                  |                                                                                                                                          |
| <b>Comments:</b>                         |                                                                                                                                          |
| <b>Constraint Value</b>                  |                                                                                                                                          |
| getPasswordComponents                    | <pre> getPassword_ReturnResultComp {   invokeID          0,   result   {     localValue      18,     currentPassword "9877"   } } </pre> |
| <b>Detailed Comments:</b>                |                                                                                                                                          |



| <b>ASN.1 Type Constraint Declaration</b> |                                                                                                                                                                   |
|------------------------------------------|-------------------------------------------------------------------------------------------------------------------------------------------------------------------|
| <b>Constraint Name:</b>                  | InterrogateSS_04                                                                                                                                                  |
| <b>ASN.1 Type:</b>                       | Component                                                                                                                                                         |
| <b>Derivation Path:</b>                  |                                                                                                                                                                   |
| <b>Comments:</b>                         | CFB for all facsimile                                                                                                                                             |
| <b>Constraint Value</b>                  |                                                                                                                                                                   |
| interrogateSSComponents                  | <pre> interrogateSS_InvokeComp {   invokeID          ?,   localValue        14,   ss_ForBS   {     ss_Code '29'H,     basicService teleservice '60'H   } } </pre> |
| <b>Detailed Comments:</b>                |                                                                                                                                                                   |

| <b>ASN.1 Type Constraint Declaration</b> |                                                                                                                               |
|------------------------------------------|-------------------------------------------------------------------------------------------------------------------------------|
| <b>Constraint Name:</b>                  | InterrogateSS_05                                                                                                              |
| <b>ASN.1 Type:</b>                       | Component                                                                                                                     |
| <b>Derivation Path:</b>                  |                                                                                                                               |
| <b>Comments:</b>                         | BICRoam                                                                                                                       |
| <b>Constraint Value</b>                  |                                                                                                                               |
| interrogateSSComponents                  | <pre> interrogateSS_InvokeComp {   invokeID          ?,   localValue        14,   ss_ForBS   {     ss_Code '9B'H   } } </pre> |
| <b>Detailed Comments:</b>                |                                                                                                                               |

| <b>ASN.1 Type Constraint Declaration</b> |                                                                                                                               |
|------------------------------------------|-------------------------------------------------------------------------------------------------------------------------------|
| <b>Constraint Name:</b>                  | InterrogateSS_06                                                                                                              |
| <b>ASN.1 Type:</b>                       | Component                                                                                                                     |
| <b>Derivation Path:</b>                  |                                                                                                                               |
| <b>Comments:</b>                         | BOIC                                                                                                                          |
| <b>Constraint Value</b>                  |                                                                                                                               |
| interrogateSSComponents                  | <pre> interrogateSS_InvokeComp {   invokeID          ?,   localValue        14,   ss_ForBS   {     ss_Code '93'H   } } </pre> |
| <b>Detailed Comments:</b>                |                                                                                                                               |

| <b>ASN.1 Type Constraint Declaration</b> |                                                                                                                                                  |
|------------------------------------------|--------------------------------------------------------------------------------------------------------------------------------------------------|
| <b>Constraint Name:</b>                  | InterrogateSS_07                                                                                                                                 |
| <b>ASN.1 Type:</b>                       | Component                                                                                                                                        |
| <b>Derivation Path:</b>                  |                                                                                                                                                  |
| <b>Comments:</b>                         | BAIC                                                                                                                                             |
| <b>Constraint Value</b>                  |                                                                                                                                                  |
| interrogateSSComponents                  | <pre> interrogateSS_InvokeComp {   invokeID          ?,   localValue        14,   ss_ForBS   {     ss_Code          '9A'H   } }           </pre> |
| <b>Detailed Comments:</b>                |                                                                                                                                                  |

| <b>ASN.1 Type Constraint Declaration</b> |                                                                                                                                                  |
|------------------------------------------|--------------------------------------------------------------------------------------------------------------------------------------------------|
| <b>Constraint Name:</b>                  | InterrogateSS_08                                                                                                                                 |
| <b>ASN.1 Type:</b>                       | Component                                                                                                                                        |
| <b>Derivation Path:</b>                  |                                                                                                                                                  |
| <b>Comments:</b>                         | BOICExHC                                                                                                                                         |
| <b>Constraint Value</b>                  |                                                                                                                                                  |
| interrogateSSComponents                  | <pre> interrogateSS_InvokeComp {   invokeID          ?,   localValue        14,   ss_ForBS   {     ss_Code          '94'H   } }           </pre> |
| <b>Detailed Comments:</b>                |                                                                                                                                                  |

| <b>ASN.1 Type Constraint Declaration</b> |                                                                                                                                                              |
|------------------------------------------|--------------------------------------------------------------------------------------------------------------------------------------------------------------|
| <b>Constraint Name:</b>                  | NotificationSS_07(Invkid: OCTETSTRING)                                                                                                                       |
| <b>ASN.1 Type:</b>                       | Component                                                                                                                                                    |
| <b>Derivation Path:</b>                  |                                                                                                                                                              |
| <b>Comments:</b>                         |                                                                                                                                                              |
| <b>Constraint Value</b>                  |                                                                                                                                                              |
| unstructuredSSNotifyComponents           | <pre> unstructuredSSNotify_ReturnResultComp {   invokeID          OC_OctToInvokeIDType(Invkid),   result   {     localValue        61   } }           </pre> |
| <b>Detailed Comments:</b>                |                                                                                                                                                              |

| <b>ASN.1 Type Constraint Declaration</b> |                                                                                                             |
|------------------------------------------|-------------------------------------------------------------------------------------------------------------|
| <b>Constraint Name:</b>                  | NotificationSS_09(Invkid: OCTETSTRING)                                                                      |
| <b>ASN.1 Type:</b>                       | Component                                                                                                   |
| <b>Derivation Path:</b>                  |                                                                                                             |
| <b>Comments:</b>                         |                                                                                                             |
| <b>Constraint Value</b>                  |                                                                                                             |
| unstructuredSSNotifyComponents           | unstructuredSSNotify_ReturnErrorComp                                                                        |
|                                          | <pre> errorCodes {   invokeID          OC_OctToInvokeIDType(Invkid),   errorCode         ussd_Busy } </pre> |
| <b>Detailed Comments:</b>                |                                                                                                             |

| <b>ASN.1 Type Constraint Declaration</b> |                                                                                                                                                                                                         |
|------------------------------------------|---------------------------------------------------------------------------------------------------------------------------------------------------------------------------------------------------------|
| <b>Constraint Name:</b>                  | RegisterSS_01                                                                                                                                                                                           |
| <b>ASN.1 Type:</b>                       | Component                                                                                                                                                                                               |
| <b>Derivation Path:</b>                  |                                                                                                                                                                                                         |
| <b>Comments:</b>                         | CFNRy Speech                                                                                                                                                                                            |
| <b>Constraint Value</b>                  |                                                                                                                                                                                                         |
| registerSSComponents                     | registerSS_InvokeComp {                                                                                                                                                                                 |
| invokeID                                 | ?,                                                                                                                                                                                                      |
| localValue                               | 10,                                                                                                                                                                                                     |
|                                          | <pre> registerSS_Arg {   ss_Code          '2A'H,   basicService teleservice '10'H,   forwardedToNumber '8100342143'H,   -- Unknown Number/ISDN telephony + '00431234'   noReplyConditionTime 5 } </pre> |
|                                          | }                                                                                                                                                                                                       |
| <b>Detailed Comments:</b>                |                                                                                                                                                                                                         |

| <b>ASN.1 Type Constraint Declaration</b> |                                                                                                                                                    |
|------------------------------------------|----------------------------------------------------------------------------------------------------------------------------------------------------|
| <b>Constraint Name:</b>                  | RegisterSS_02                                                                                                                                      |
| <b>ASN.1 Type:</b>                       | Component                                                                                                                                          |
| <b>Derivation Path:</b>                  |                                                                                                                                                    |
| <b>Comments:</b>                         | CFU                                                                                                                                                |
| <b>Constraint Value</b>                  |                                                                                                                                                    |
| registerSSComponents                     | registerSS_InvokeComp {                                                                                                                            |
| invokeID                                 | ?,                                                                                                                                                 |
| localValue                               | 10,                                                                                                                                                |
| registerSS_Arg {                         |                                                                                                                                                    |
|                                          | <pre> ss_Code          '21'H, basicService teleservice '60'H, forwardedToNumber '8100342143'H -- Unknown Number/ISDN telephony + '00431234' </pre> |
|                                          | }                                                                                                                                                  |
|                                          | }                                                                                                                                                  |
| <b>Detailed Comments:</b>                |                                                                                                                                                    |

| <b>ASN.1 Type Constraint Declaration</b> |                                                                                                                                                                                                                                                                                                                                                                          |
|------------------------------------------|--------------------------------------------------------------------------------------------------------------------------------------------------------------------------------------------------------------------------------------------------------------------------------------------------------------------------------------------------------------------------|
| <b>Constraint Name:</b>                  | RegisterSS_03                                                                                                                                                                                                                                                                                                                                                            |
| <b>ASN.1 Type:</b>                       | Component                                                                                                                                                                                                                                                                                                                                                                |
| <b>Derivation Path:</b>                  |                                                                                                                                                                                                                                                                                                                                                                          |
| <b>Comments:</b>                         | CFB                                                                                                                                                                                                                                                                                                                                                                      |
| <b>Constraint Value</b>                  |                                                                                                                                                                                                                                                                                                                                                                          |
| registerSSComponents                     | <pre> registerSS_InvokeComp {   invokeID      ?,   localValue    10,   registerSS_Arg {                                 ss_Code      '29'H,                                 basicService bearerService '60'H,                                 forwardedToNumber '8100342143'H                                 -- Unknown Number/ISDN telephony + '00431234'   } } </pre> |
| <b>Detailed Comments:</b>                |                                                                                                                                                                                                                                                                                                                                                                          |

| <b>ASN.1 Type Constraint Declaration</b> |                                                                                                                                                                                                                                                                                                                                                                        |
|------------------------------------------|------------------------------------------------------------------------------------------------------------------------------------------------------------------------------------------------------------------------------------------------------------------------------------------------------------------------------------------------------------------------|
| <b>Constraint Name:</b>                  | RegisterSS_04                                                                                                                                                                                                                                                                                                                                                          |
| <b>ASN.1 Type:</b>                       | Component                                                                                                                                                                                                                                                                                                                                                              |
| <b>Derivation Path:</b>                  |                                                                                                                                                                                                                                                                                                                                                                        |
| <b>Comments:</b>                         | CF for all facsimile                                                                                                                                                                                                                                                                                                                                                   |
| <b>Constraint Value</b>                  |                                                                                                                                                                                                                                                                                                                                                                        |
| registerSSComponents                     | <pre> registerSS_InvokeComp {   invokeID      ?,   localValue    10,   registerSS_Arg {                                 ss_Code      '20'H,                                 basicService teleservice '60'H,                                 forwardedToNumber '8100342143'H                                 -- Unknown Number/ISDN telephony + '00431234'   } } </pre> |
| <b>Detailed Comments:</b>                |                                                                                                                                                                                                                                                                                                                                                                        |

| <b>ASN.1 Type Constraint Declaration</b> |                                                                                                          |
|------------------------------------------|----------------------------------------------------------------------------------------------------------|
| <b>Constraint Name:</b>                  | RegPasswdSS_01                                                                                           |
| <b>ASN.1 Type:</b>                       | Component                                                                                                |
| <b>Derivation Path:</b>                  |                                                                                                          |
| <b>Comments:</b>                         | All call restriction services.                                                                           |
| <b>Constraint Value</b>                  |                                                                                                          |
| registerPasswordComponents               | <pre> registerPassword_InvokeComp {   invokeID      ?,   localValue    17,   ss_Code      '90'H } </pre> |
| <b>Detailed Comments:</b>                |                                                                                                          |



| <b>ASN.1 Type Constraint Declaration</b> |                                                                                                                                        |
|------------------------------------------|----------------------------------------------------------------------------------------------------------------------------------------|
| <b>Constraint Name:</b>                  | ProcessUSSData_01(ussdString: IA5String)                                                                                               |
| <b>ASN.1 Type:</b>                       | Component                                                                                                                              |
| <b>Derivation Path:</b>                  |                                                                                                                                        |
| <b>Comments:</b>                         |                                                                                                                                        |
| <b>Constraint Value</b>                  |                                                                                                                                        |
| processUnstructuredSSDataComponents      | processUnstructuredSSData_InvokeComp<br><pre> {   invokeID          ?,   localValue        19,   ss_UserData       ussdString } </pre> |
| <b>Detailed Comments:</b>                |                                                                                                                                        |

| <b>ASN.1 Type Constraint Declaration</b> |                                                                                                                                                                                                                                   |
|------------------------------------------|-----------------------------------------------------------------------------------------------------------------------------------------------------------------------------------------------------------------------------------|
| <b>Constraint Name:</b>                  | ProcessUSSDReq_01(ussdString: IA5String)                                                                                                                                                                                          |
| <b>ASN.1 Type:</b>                       | Component                                                                                                                                                                                                                         |
| <b>Derivation Path:</b>                  |                                                                                                                                                                                                                                   |
| <b>Comments:</b>                         |                                                                                                                                                                                                                                   |
| <b>Constraint Value</b>                  |                                                                                                                                                                                                                                   |
| processUnstructuredSSRequestComponents   | processUnstructuredSSRequest_InvokeComp<br><pre> {   invokeID          ?,   localValue        59,   ussd_Arg          {     ussd_DataCodingScheme 'F0'O,     ussd_String           OC_CodingOfUssdString(ussdString)   } } </pre> |
| <b>Detailed Comments:</b>                |                                                                                                                                                                                                                                   |

| <b>ASN.1 Type Constraint Declaration</b> |                                                                                                                                                                                                                                                                                             |
|------------------------------------------|---------------------------------------------------------------------------------------------------------------------------------------------------------------------------------------------------------------------------------------------------------------------------------------------|
| <b>Constraint Name:</b>                  | USSDReq_04( Invkid :OCTETSTRING; ussdString: IA5String)                                                                                                                                                                                                                                     |
| <b>ASN.1 Type:</b>                       | Component                                                                                                                                                                                                                                                                                   |
| <b>Derivation Path:</b>                  |                                                                                                                                                                                                                                                                                             |
| <b>Comments:</b>                         | ReturnResult for Unstructured SS request                                                                                                                                                                                                                                                    |
| <b>Constraint Value</b>                  |                                                                                                                                                                                                                                                                                             |
| unstructuredSSRequestComponents          | unstructuredSSRequest_ReturnResultComp<br><pre> {   invokeID          OC_OctToInvokeIDType(Invkid),   result            {     localValue        60,     ussd_Res          {       ussd_DataCodingScheme 'F0'O,       ussd_String       OC_CodingOfUssdString(ussdString)     }   } } </pre> |
| <b>Detailed Comments:</b>                |                                                                                                                                                                                                                                                                                             |

| <b>ASN.1 Type Constraint Declaration</b> |                                                                                            |
|------------------------------------------|--------------------------------------------------------------------------------------------|
| <b>Constraint Name:</b>                  | USSDReq_05( Invkid :OCTETSTRING)                                                           |
| <b>ASN.1 Type:</b>                       | Component                                                                                  |
| <b>Derivation Path:</b>                  |                                                                                            |
| <b>Comments:</b>                         | Return Error for UnstructuredSS-Request with the error code USSD Busy                      |
| <b>Constraint Value</b>                  |                                                                                            |
| unstructuredSSRequestComponents          | unstructuredSSRequest_ReturnErrorComp<br>errorCodes                                        |
|                                          | {<br>invokeID            OC_OctToInvokeIDType(Invkid),<br>errorCode         ussd_Busy<br>} |
| <b>Detailed Comments:</b>                |                                                                                            |

**ASP constraint declarations**

**TTCN ASP constraint declarations**

| <b>ASP Constraint Declaration</b> |                                   |          |
|-----------------------------------|-----------------------------------|----------|
| <b>Constraint Name:</b>           | Abort( ch: LOGICCH; pdu:ABRT_PDU) |          |
| <b>ASP Type:</b>                  | DL_DatRqAbrt                      |          |
| <b>Derivation Path:</b>           |                                   |          |
| <b>Comments:</b>                  | To send an Abort message.         |          |
| Parameter Name                    | Parameter Value                   | Comments |
| sapi                              | C_Sap0                            |          |
| logic_ch                          | ch                                |          |
| msg                               | pdu                               |          |
| <b>Detailed Comments:</b>         |                                   |          |

| <b>ASP Constraint Declaration</b> |                                |          |
|-----------------------------------|--------------------------------|----------|
| <b>Constraint Name:</b>           | AlertRcv(pdu: ALERT_PDU)       |          |
| <b>ASP Type:</b>                  | DL_DatInAlert                  |          |
| <b>Derivation Path:</b>           |                                |          |
| <b>Comments:</b>                  | To receive an ALERTING message |          |
| Parameter Name                    | Parameter Value                | Comments |
| sapi                              | C_Sap0                         |          |
| logic_ch                          | ?                              |          |
| msg                               | pdu                            |          |
| fn                                | ?                              |          |
| <b>Detailed Comments:</b>         |                                |          |

| <b>ASP Constraint Declaration</b> |                                       |          |
|-----------------------------------|---------------------------------------|----------|
| <b>Constraint Name:</b>           | AlertSnd( ch:LOGICCH; pdu: ALERT_PDU) |          |
| <b>ASP Type:</b>                  | DL_DatRqAlert                         |          |
| <b>Derivation Path:</b>           |                                       |          |
| <b>Comments:</b>                  | To send an ALERTING message           |          |
| Parameter Name                    | Parameter Value                       | Comments |
| sapi                              | C_Sap0                                |          |
| logic_ch                          | ch                                    |          |
| msg                               | pdu                                   |          |
| <b>Detailed Comments:</b>         |                                       |          |

| ASP Constraint Declaration |                                                                            |          |
|----------------------------|----------------------------------------------------------------------------|----------|
| <b>Constraint Name:</b>    | AssCmd(ch:LOGICCH; pdu: ASS_CMD_PDU)                                       |          |
| <b>ASP Type:</b>           | DL_DatRqAssCmd                                                             |          |
| <b>Derivation Path:</b>    |                                                                            |          |
| <b>Comments:</b>           | To send an ASSIGNMENT COMMAND message which is assigned in send statement. |          |
| Parameter Name             | Parameter Value                                                            | Comments |
| sapi                       | C_Sap0                                                                     |          |
| logic_ch                   | ch                                                                         |          |
| msg                        | pdu                                                                        |          |
| <b>Detailed Comments:</b>  |                                                                            |          |

| ASP Constraint Declaration |                                                   |          |
|----------------------------|---------------------------------------------------|----------|
| <b>Constraint Name:</b>    | AssCmp(ch:LOGICCH; pdu:ASS_COM_PDU)               |          |
| <b>ASP Type:</b>           | DL_DatInAssCom                                    |          |
| <b>Derivation Path:</b>    |                                                   |          |
| <b>Comments:</b>           | To match any received ASSIGNMENT COMPLETE message |          |
| Parameter Name             | Parameter Value                                   | Comments |
| sapi                       | C_Sap0                                            |          |
| logic_ch                   | ch                                                |          |
| msg                        | pdu                                               |          |
| fn                         | ?                                                 |          |
| <b>Detailed Comments:</b>  |                                                   |          |

| ASP Constraint Declaration |                          |          |
|----------------------------|--------------------------|----------|
| <b>Constraint Name:</b>    | AssFI_02(ch:LOGICCH)     |          |
| <b>ASP Type:</b>           | DL_DatInAssfl            |          |
| <b>Derivation Path:</b>    |                          |          |
| <b>Comments:</b>           | protocol error undefined |          |
| Parameter Name             | Parameter Value          | Comments |
| sapi                       | C_Sap0                   |          |
| logic_ch                   | ch                       |          |
| msg                        | AssgnFI_02               |          |
| fn                         | ?                        |          |
| <b>Detailed Comments:</b>  |                          |          |

| ASP Constraint Declaration |                            |          |
|----------------------------|----------------------------|----------|
| <b>Constraint Name:</b>    | AssFI_any_cau(ch: LOGICCH) |          |
| <b>ASP Type:</b>           | DL_DatInAssfl              |          |
| <b>Derivation Path:</b>    |                            |          |
| <b>Comments:</b>           |                            |          |
| Parameter Name             | Parameter Value            | Comments |
| sapi                       | C_Sap0                     |          |
| logic_ch                   | ch                         |          |
| msg                        | AssgnFI_01                 |          |
| fn                         | ?                          |          |
| <b>Detailed Comments:</b>  |                            |          |

| ASP Constraint Declaration |                                                                |          |
|----------------------------|----------------------------------------------------------------|----------|
| <b>Constraint Name:</b>    | AuthReq(ch: LOGICCH; pdu: AUTH_RQ_PDU)                         |          |
| <b>ASP Type:</b>           | DL_DatRqAuthRq                                                 |          |
| <b>Derivation Path:</b>    |                                                                |          |
| <b>Comments:</b>           | To send an AUTHENTICATION REQUEST message with default values. |          |
| Parameter Name             | Parameter Value                                                | Comments |
| sapi                       | C_Sap0                                                         |          |
| logic_ch                   | ch                                                             |          |
| msg                        | pdu                                                            |          |
| <b>Detailed Comments:</b>  |                                                                |          |

| ASP Constraint Declaration |                                                                           |          |
|----------------------------|---------------------------------------------------------------------------|----------|
| <b>Constraint Name:</b>    | AuthReq_inv_01(ch: LOGICCH; rand:RAND)                                    |          |
| <b>ASP Type:</b>           | DL_DatRqAuthRq                                                            |          |
| <b>Derivation Path:</b>    |                                                                           |          |
| <b>Comments:</b>           | To send an AUTHENTICATION REQUEST message containing arbitrary spare bits |          |
| Parameter Name             | Parameter Value                                                           | Comments |
| sapi                       | C_Sap0                                                                    |          |
| logic_ch                   | ch                                                                        |          |
| msg                        | AuthRequest_inv_01( rand)                                                 |          |
| <b>Detailed Comments:</b>  |                                                                           |          |

| ASP Constraint Declaration |                                                               |          |
|----------------------------|---------------------------------------------------------------|----------|
| <b>Constraint Name:</b>    | AuthRejSnd( ch: LOGICCH; pdu:AUTH_REJ_PDU)                    |          |
| <b>ASP Type:</b>           | DL_DatRqAuthRej                                               |          |
| <b>Derivation Path:</b>    |                                                               |          |
| <b>Comments:</b>           | To send an AUTHENTICATION REJECT message with default values. |          |
| Parameter Name             | Parameter Value                                               | Comments |
| sapi                       | C_Sap0                                                        |          |
| logic_ch                   | ch                                                            |          |
| msg                        | pdu                                                           |          |
| <b>Detailed Comments:</b>  |                                                               |          |

| ASP Constraint Declaration |                                                                                |          |
|----------------------------|--------------------------------------------------------------------------------|----------|
| <b>Constraint Name:</b>    | AuthRes(pdu: AUTH_RES_PDU)                                                     |          |
| <b>ASP Type:</b>           | DL_DatInAuthRes                                                                |          |
| <b>Derivation Path:</b>    |                                                                                |          |
| <b>Comments:</b>           | To match any received AUTHENTICATION RESPONSE message which contains any SRES. |          |
| Parameter Name             | Parameter Value                                                                | Comments |
| sapi                       | C_Sap0                                                                         |          |
| logic_ch                   | ?                                                                              |          |
| msg                        | pdu                                                                            |          |
| fn                         | ?                                                                              |          |
| <b>Detailed Comments:</b>  |                                                                                |          |

| ASP Constraint Declaration |                                         |          |
|----------------------------|-----------------------------------------|----------|
| <b>Constraint Name:</b>    | CallCfm( pdu: CALL_CO_PDU)              |          |
| <b>ASP Type:</b>           | DL_DatInCallCo                          |          |
| <b>Derivation Path:</b>    |                                         |          |
| <b>Comments:</b>           | To receive a CC CALL CONFIRMED message. |          |
| Parameter Name             | Parameter Value                         | Comments |
| sapi                       | C_Sap0                                  |          |
| logic_ch                   | ?                                       |          |
| msg                        | pdu                                     |          |
| fn                         | ?                                       |          |
| <b>Detailed Comments:</b>  |                                         |          |

| ASP Constraint Declaration |                                           |          |
|----------------------------|-------------------------------------------|----------|
| <b>Constraint Name:</b>    | CallProc(ch: LOGICCH; pdu: CALL_PROC_PDU) |          |
| <b>ASP Type:</b>           | DL_DatRqCallProc                          |          |
| <b>Derivation Path:</b>    |                                           |          |
| <b>Comments:</b>           | To send a CALL PROCEEDING message.        |          |
| Parameter Name             | Parameter Value                           | Comments |
| sapi                       | C_Sap0                                    |          |
| logic_ch                   | ch                                        |          |
| msg                        | pdu                                       |          |
| <b>Detailed Comments:</b>  |                                           |          |

| ASP Constraint Declaration |                                                    |          |
|----------------------------|----------------------------------------------------|----------|
| <b>Constraint Name:</b>    | CCStRcv(ch: LOGICCH; pdu:CCST_PDU)                 |          |
| <b>ASP Type:</b>           | DL_DatInCcst                                       |          |
| <b>Derivation Path:</b>    |                                                    |          |
| <b>Comments:</b>           | To match any received STATUS message with TI = Ti. |          |
| Parameter Name             | Parameter Value                                    | Comments |
| sapi                       | C_Sap0                                             |          |
| logic_ch                   | ch                                                 |          |
| msg                        | pdu                                                |          |
| fn                         | ?                                                  |          |
| <b>Detailed Comments:</b>  |                                                    |          |

| ASP Constraint Declaration |                                                                           |          |
|----------------------------|---------------------------------------------------------------------------|----------|
| <b>Constraint Name:</b>    | CCStSnd(ch: LOGICCH; pdu:CCST_PDU)                                        |          |
| <b>ASP Type:</b>           | DL_DatRqCcst                                                              |          |
| <b>Derivation Path:</b>    |                                                                           |          |
| <b>Comments:</b>           | To send a CC STATUS message without mandatory cause IE and call state IE. |          |
| Parameter Name             | Parameter Value                                                           | Comments |
| sapi                       | C_Sap0                                                                    |          |
| logic_ch                   | ch                                                                        |          |
| msg                        | pdu                                                                       |          |
| <b>Detailed Comments:</b>  |                                                                           |          |

| ASP Constraint Declaration |                                          |          |
|----------------------------|------------------------------------------|----------|
| <b>Constraint Name:</b>    | CCStESnd(ch: LOGICCH; pdu: CCST_ENQ_PDU) |          |
| <b>ASP Type:</b>           | DL_DatRqCstEnq                           |          |
| <b>Derivation Path:</b>    |                                          |          |
| <b>Comments:</b>           | To send a STATUS ENQUIRY message.        |          |
| Parameter Name             | Parameter Value                          | Comments |
| sapi                       | C_Sap0                                   |          |
| logic_ch                   | ch                                       |          |
| msg                        | pdu                                      |          |
| <b>Detailed Comments:</b>  |                                          |          |

| ASP Constraint Declaration |                                            |          |
|----------------------------|--------------------------------------------|----------|
| <b>Constraint Name:</b>    | ChmmoAckRcv(ch:LOGICCH; msg:CHMMO_ACK_PDU) |          |
| <b>ASP Type:</b>           | DL_DatInChmmoAck                           |          |
| <b>Derivation Path:</b>    |                                            |          |
| <b>Comments:</b>           |                                            |          |
| Parameter Name             | Parameter Value                            | Comments |
| sapi                       | C_Sap0                                     |          |
| logic_ch                   | ch                                         |          |
| msg                        | msg                                        |          |
| fn                         | ?                                          |          |
| <b>Detailed Comments:</b>  |                                            |          |

| ASP Constraint Declaration |                                        |          |
|----------------------------|----------------------------------------|----------|
| <b>Constraint Name:</b>    | ChmmoReqSnd(ch:LOGICCH; msg:CHMMO_PDU) |          |
| <b>ASP Type:</b>           | DL_DatRqChmmo                          |          |
| <b>Derivation Path:</b>    |                                        |          |
| <b>Comments:</b>           |                                        |          |
| Parameter Name             | Parameter Value                        | Comments |
| sapi                       | C_Sap0                                 |          |
| logic_ch                   | ch                                     |          |
| msg                        | msg                                    |          |
| <b>Detailed Comments:</b>  |                                        |          |

| ASP Constraint Declaration |                                     |          |
|----------------------------|-------------------------------------|----------|
| <b>Constraint Name:</b>    | ChRel(ch: LOGICCH; pdu: CH_REL_PDU) |          |
| <b>ASP Type:</b>           | DL_DatRqChRel                       |          |
| <b>Derivation Path:</b>    |                                     |          |
| <b>Comments:</b>           | To send a CHANNEL RELEASE message.  |          |
| Parameter Name             | Parameter Value                     | Comments |
| sapi                       | C_Sap0                              |          |
| logic_ch                   | ch                                  |          |
| msg                        | pdu                                 |          |
| <b>Detailed Comments:</b>  |                                     |          |

| ASP Constraint Declaration |                                                                                       |          |
|----------------------------|---------------------------------------------------------------------------------------|----------|
| <b>Constraint Name:</b>    | ChRel_inv( ch:LOGICCH)                                                                |          |
| <b>ASP Type:</b>           | DL_DatRqChRelErr                                                                      |          |
| <b>Derivation Path:</b>    |                                                                                       |          |
| <b>Comments:</b>           | To send a CHANNEL RELEASE message containing additional IE unknown in the RR protocol |          |
| Parameter Name             | Parameter Value                                                                       | Comments |
| sapi                       | C_Sap0                                                                                |          |
| logic_ch                   | ch                                                                                    |          |
| msg                        | ChRelease_inv_03                                                                      |          |
| <b>Detailed Comments:</b>  | used in TC_26_5_6_3                                                                   |          |

| ASP Constraint Declaration |                                                              |          |
|----------------------------|--------------------------------------------------------------|----------|
| <b>Constraint Name:</b>    | ChReq(pdu: CH_RQ_PDU)                                        |          |
| <b>ASP Type:</b>           | DL_RaInChRq                                                  |          |
| <b>Derivation Path:</b>    |                                                              |          |
| <b>Comments:</b>           | To receive a primitive containing a CHANNEL REQUEST message. |          |
| Parameter Name             | Parameter Value                                              | Comments |
| sapi                       | C_Sap0                                                       |          |
| logic_ch                   | ?                                                            |          |
| fn                         | ?                                                            |          |
| msg                        | pdu                                                          |          |
| <b>Detailed Comments:</b>  |                                                              |          |

| ASP Constraint Declaration |                                                |          |
|----------------------------|------------------------------------------------|----------|
| <b>Constraint Name:</b>    | ChReq_01(ch:LOGICCH; pdu:CH_RQ_PDU)            |          |
| <b>ASP Type:</b>           | DL_RaInChRq                                    |          |
| <b>Derivation Path:</b>    |                                                |          |
| <b>Comments:</b>           | To receive a CHANNEL REQUEST message in cell B |          |
| Parameter Name             | Parameter Value                                | Comments |
| sapi                       | C_Sap0                                         |          |
| logic_ch                   | ch                                             |          |
| fn                         | ?                                              |          |
| msg                        | pdu                                            |          |
| <b>Detailed Comments:</b>  |                                                |          |

| ASP Constraint Declaration |                                                                                                       |          |
|----------------------------|-------------------------------------------------------------------------------------------------------|----------|
| <b>Constraint Name:</b>    | ClassChgURcv( pdu:CLM_CHN_PDU)                                                                        |          |
| <b>ASP Type:</b>           | DL_UdatInCImChn                                                                                       |          |
| <b>Derivation Path:</b>    |                                                                                                       |          |
| <b>Comments:</b>           | to match a received CLASSMARK CHANGE message containing classmark2 indicating original rf power class |          |
| Parameter Name             | Parameter Value                                                                                       | Comments |
| sapi                       | C_Sap0                                                                                                |          |
| logic_ch                   | ?                                                                                                     |          |
| msg                        | pdu                                                                                                   |          |
| fn                         | ?                                                                                                     |          |
| <b>Detailed Comments:</b>  |                                                                                                       |          |

| ASP Constraint Declaration |                                                                                                                                |          |
|----------------------------|--------------------------------------------------------------------------------------------------------------------------------|----------|
| <b>Constraint Name:</b>    | ClassChgDRcv( pdu:CLM_CHN_PDU)                                                                                                 |          |
| <b>ASP Type:</b>           | DL_DatInCImChn                                                                                                                 |          |
| <b>Derivation Path:</b>    |                                                                                                                                |          |
| <b>Comments:</b>           | to match a received CLASSMARK CHANGE message containing classmark2 indicating original rf power class and possible classmark3. |          |
| Parameter Name             | Parameter Value                                                                                                                | Comments |
| sapi                       | C_Sap0                                                                                                                         |          |
| logic_ch                   | ?                                                                                                                              |          |
| msg                        | pdu                                                                                                                            |          |
| fn                         | ?                                                                                                                              |          |
| <b>Detailed Comments:</b>  |                                                                                                                                |          |

| ASP Constraint Declaration |                            |          |
|----------------------------|----------------------------|----------|
| <b>Constraint Name:</b>    | ClassMkEnq_01(ch: LOGICCH) |          |
| <b>ASP Type:</b>           | DL_DatRqCImEnq             |          |
| <b>Derivation Path:</b>    |                            |          |
| <b>Comments:</b>           |                            |          |
| Parameter Name             | Parameter Value            | Comments |
| sapi                       | C_Sap0                     |          |
| logic_ch                   | ch                         |          |
| msg                        | ClassMarkEnq_01            |          |
| <b>Detailed Comments:</b>  |                            |          |

| ASP Constraint Declaration |                                      |          |
|----------------------------|--------------------------------------|----------|
| <b>Constraint Name:</b>    | CmreReq_02(mi:MI; lai:LAI; cksn:B_3) |          |
| <b>ASP Type:</b>           | DL_EstInCmreRq                       |          |
| <b>Derivation Path:</b>    |                                      |          |
| <b>Comments:</b>           |                                      |          |
| Parameter Name             | Parameter Value                      | Comments |
| sapi                       | C_Sap0                               |          |
| logic_ch                   | ?                                    |          |
| establish_mode             | ?                                    |          |
| msg                        | CMReEstReq_02( mi, lai, cksn)        |          |
| fn                         | ?                                    |          |
| <b>Detailed Comments:</b>  |                                      |          |

| ASP Constraint Declaration |                                        |          |
|----------------------------|----------------------------------------|----------|
| <b>Constraint Name:</b>    | CMSerAcp(ch:LOGICCH; pdu: CMS_ACP_PDU) |          |
| <b>ASP Type:</b>           | DL_DatRqCmsAcp                         |          |
| <b>Derivation Path:</b>    |                                        |          |
| <b>Comments:</b>           | To send a CM service accept message.   |          |
| Parameter Name             | Parameter Value                        | Comments |
| sapi                       | C_Sap0                                 |          |
| logic_ch                   | ch                                     |          |
| msg                        | pdu                                    |          |
| <b>Detailed Comments:</b>  |                                        |          |



| ASP Constraint Declaration |                                                               |          |
|----------------------------|---------------------------------------------------------------|----------|
| <b>Constraint Name:</b>    | CMSerRej(ch:LOGICCH; pdu: CMS_REJ_PDU)                        |          |
| <b>ASP Type:</b>           | DL_DatRqCmsRej                                                |          |
| <b>Derivation Path:</b>    |                                                               |          |
| <b>Comments:</b>           | reject cause = "service or option not available, unspecified" |          |
| Parameter Name             | Parameter Value                                               | Comments |
| sapi                       | C_Sap0                                                        |          |
| logic_ch                   | ch                                                            |          |
| msg                        | pdu                                                           |          |
| <b>Detailed Comments:</b>  |                                                               |          |

| ASP Constraint Declaration |                                          |          |
|----------------------------|------------------------------------------|----------|
| <b>Constraint Name:</b>    | CMSerReq(pdu: CMS_RQ_PDU)                |          |
| <b>ASP Type:</b>           | DL_EstInCmsRq                            |          |
| <b>Derivation Path:</b>    |                                          |          |
| <b>Comments:</b>           | To receive a CM SERVICE REQUEST message. |          |
| Parameter Name             | Parameter Value                          | Comments |
| sapi                       | C_Sap0                                   |          |
| logic_ch                   | ?                                        |          |
| establish_mode             | ?                                        |          |
| msg                        | pdu                                      |          |
| fn                         | ?                                        |          |
| <b>Detailed Comments:</b>  |                                          |          |

| ASP Constraint Declaration |                                                  |          |
|----------------------------|--------------------------------------------------|----------|
| <b>Constraint Name:</b>    | CMSerDatReq( pdu:CMS_RQ_PDU)                     |          |
| <b>ASP Type:</b>           | DL_DatInCmsRq                                    |          |
| <b>Derivation Path:</b>    |                                                  |          |
| <b>Comments:</b>           | To match any received CM SERVICE REQUEST message |          |
| Parameter Name             | Parameter Value                                  | Comments |
| sapi                       | C_Sap0                                           |          |
| logic_ch                   | ?                                                |          |
| msg                        | pdu                                              |          |
| fn                         | ?                                                |          |
| <b>Detailed Comments:</b>  |                                                  |          |

| ASP Constraint Declaration |                                          |          |
|----------------------------|------------------------------------------|----------|
| <b>Constraint Name:</b>    | ConnAckRcv(pdu: CONN_ACK_PDU)            |          |
| <b>ASP Type:</b>           | DL_DatInConnAck                          |          |
| <b>Derivation Path:</b>    |                                          |          |
| <b>Comments:</b>           | To receive a CONNECT ACKNOWLEDGE message |          |
| Parameter Name             | Parameter Value                          | Comments |
| sapi                       | C_Sap0                                   |          |
| logic_ch                   | ?                                        |          |
| msg                        | pdu                                      |          |
| fn                         | ?                                        |          |
| <b>Detailed Comments:</b>  |                                          |          |

| ASP Constraint Declaration |                                           |          |
|----------------------------|-------------------------------------------|----------|
| <b>Constraint Name:</b>    | ConnAckSnd(ch:LOGICCH; pdu: CONN_ACK_PDU) |          |
| <b>ASP Type:</b>           | DL_DatRqConnAck                           |          |
| <b>Derivation Path:</b>    |                                           |          |
| <b>Comments:</b>           | To send a CONNECT ACKNOWLEDGE message.    |          |
| Parameter Name             | Parameter Value                           | Comments |
| sapi                       | C_Sap0                                    |          |
| logic_ch                   | ch                                        |          |
| msg                        | pdu                                       |          |
| <b>Detailed Comments:</b>  |                                           |          |

| ASP Constraint Declaration |                                                                                         |          |
|----------------------------|-----------------------------------------------------------------------------------------|----------|
| <b>Constraint Name:</b>    | Conn_invSnd( ch:LOGICCH; pdu:CONN_PDU_ERR)                                              |          |
| <b>ASP Type:</b>           | DL_DatRqConnErr                                                                         |          |
| <b>Derivation Path:</b>    |                                                                                         |          |
| <b>Comments:</b>           | To send a CC CONNECT message containing a mandatory IE coded as comprehension required. |          |
| Parameter Name             | Parameter Value                                                                         | Comments |
| sapi                       | C_Sap0                                                                                  |          |
| logic_ch                   | ch                                                                                      |          |
| msg                        | pdu                                                                                     |          |
| <b>Detailed Comments:</b>  |                                                                                         |          |

| ASP Constraint Declaration |                                  |          |
|----------------------------|----------------------------------|----------|
| <b>Constraint Name:</b>    | ConnRcv(pdu: CONN_PDU)           |          |
| <b>ASP Type:</b>           | DL_DatInConn                     |          |
| <b>Derivation Path:</b>    |                                  |          |
| <b>Comments:</b>           | To receive a CC CONNECT message. |          |
| Parameter Name             | Parameter Value                  | Comments |
| sapi                       | C_Sap0                           |          |
| logic_ch                   | ?                                |          |
| msg                        | pdu                              |          |
| fn                         | ?                                |          |
| <b>Detailed Comments:</b>  |                                  |          |

| ASP Constraint Declaration |                                     |          |
|----------------------------|-------------------------------------|----------|
| <b>Constraint Name:</b>    | ConnSnd(ch: LOGICCH; pdu: CONN_PDU) |          |
| <b>ASP Type:</b>           | DL_DatRqConn                        |          |
| <b>Derivation Path:</b>    |                                     |          |
| <b>Comments:</b>           | To send a CC CONNECT message.       |          |
| Parameter Name             | Parameter Value                     | Comments |
| sapi                       | C_Sap0                              |          |
| logic_ch                   | ch                                  |          |
| msg                        | pdu                                 |          |
| <b>Detailed Comments:</b>  |                                     |          |

| ASP Constraint Declaration |                                           |          |
|----------------------------|-------------------------------------------|----------|
| <b>Constraint Name:</b>    | CphCmd(ch: LOGICCH; pdu: CPHM_CMD_PDU)    |          |
| <b>ASP Type:</b>           | DL_DatRqCphmCmd                           |          |
| <b>Derivation Path:</b>    |                                           |          |
| <b>Comments:</b>           | To send a CIPHERING MODE COMMAND message. |          |
| Parameter Name             | Parameter Value                           | Comments |
| sapi                       | C_Sap0                                    |          |
| logic_ch                   | ch                                        |          |
| msg                        | pdu                                       |          |
| <b>Detailed Comments:</b>  |                                           |          |

| ASP Constraint Declaration |                                                                           |          |
|----------------------------|---------------------------------------------------------------------------|----------|
| <b>Constraint Name:</b>    | CphCmd_inv(ch:LOGICCH; pdu:CPHM_CMD_PDU_ERR)                              |          |
| <b>ASP Type:</b>           | DL_DatRqCphmCmdErr                                                        |          |
| <b>Derivation Path:</b>    |                                                                           |          |
| <b>Comments:</b>           | To send a CIPHERING MODE COMMAND message containing additional unknown IE |          |
| Parameter Name             | Parameter Value                                                           | Comments |
| sapi                       | C_Sap0                                                                    |          |
| logic_ch                   | ch                                                                        |          |
| msg                        | CphModeCmd_inv_03                                                         |          |
| <b>Detailed Comments:</b>  |                                                                           |          |

| ASP Constraint Declaration |                                               |          |
|----------------------------|-----------------------------------------------|----------|
| <b>Constraint Name:</b>    | CphCom(pdu: CPHM_COM_PDU)                     |          |
| <b>ASP Type:</b>           | DL_DatInCphmCom                               |          |
| <b>Derivation Path:</b>    |                                               |          |
| <b>Comments:</b>           | To receive a CIPHERING MODE COMPLETE message. |          |
| Parameter Name             | Parameter Value                               | Comments |
| sapi                       | C_Sap0                                        |          |
| logic_ch                   | ?                                             |          |
| msg                        | pdu                                           |          |
| fn                         | ?                                             |          |
| <b>Detailed Comments:</b>  |                                               |          |

| ASP Constraint Declaration |                                                                                          |          |
|----------------------------|------------------------------------------------------------------------------------------|----------|
| <b>Constraint Name:</b>    | Disc_inv(ch: LOGICCH; pdu:DISC_PDU)                                                      |          |
| <b>ASP Type:</b>           | DL_DatRqDisc                                                                             |          |
| <b>Derivation Path:</b>    |                                                                                          |          |
| <b>Comments:</b>           | To send a DISCONNECT message containing the transaction ID not refer to the active call. |          |
| Parameter Name             | Parameter Value                                                                          | Comments |
| sapi                       | C_Sap0                                                                                   |          |
| logic_ch                   | ch                                                                                       |          |
| msg                        | pdu                                                                                      |          |
| <b>Detailed Comments:</b>  |                                                                                          |          |

| ASP Constraint Declaration |                                                     |          |
|----------------------------|-----------------------------------------------------|----------|
| <b>Constraint Name:</b>    | Disc_inv_err(ch:LOGICCH; pdu:DISC_PDU_ERR)          |          |
| <b>ASP Type:</b>           | DL_DatRqDiscErr                                     |          |
| <b>Derivation Path:</b>    |                                                     |          |
| <b>Comments:</b>           | To send a DISCONNECT message containing unknown IEI |          |
| Parameter Name             | Parameter Value                                     | Comments |
| sapi                       | C_Sap0                                              |          |
| logic_ch                   | ch                                                  |          |
| msg                        | pdu                                                 |          |
| <b>Detailed Comments:</b>  |                                                     |          |

| ASP Constraint Declaration |                                         |          |
|----------------------------|-----------------------------------------|----------|
| <b>Constraint Name:</b>    | DiscRcv(ch:LOGICCH; pdu: DISC_PDU)      |          |
| <b>ASP Type:</b>           | DL_DatInDisc                            |          |
| <b>Derivation Path:</b>    |                                         |          |
| <b>Comments:</b>           | To match a received DISCONNECT message. |          |
| Parameter Name             | Parameter Value                         | Comments |
| sapi                       | C_Sap0                                  |          |
| logic_ch                   | ch                                      |          |
| msg                        | pdu                                     |          |
| fn                         | ?                                       |          |
| <b>Detailed Comments:</b>  |                                         |          |

| ASP Constraint Declaration |                                    |          |
|----------------------------|------------------------------------|----------|
| <b>Constraint Name:</b>    | DiscSnd(ch:LOGICCH; pdu: DISC_PDU) |          |
| <b>ASP Type:</b>           | DL_DatRqDisc                       |          |
| <b>Derivation Path:</b>    |                                    |          |
| <b>Comments:</b>           | To send a DISCONNECT message.      |          |
| Parameter Name             | Parameter Value                    | Comments |
| sapi                       | C_Sap0                             |          |
| logic_ch                   | ch                                 |          |
| msg                        | pdu                                |          |
| <b>Detailed Comments:</b>  |                                    |          |

| ASP Constraint Declaration |                                                                                                       |          |
|----------------------------|-------------------------------------------------------------------------------------------------------|----------|
| <b>Constraint Name:</b>    | DLEstCo( ch:LOGICCH)                                                                                  |          |
| <b>ASP Type:</b>           | DL_EstCo                                                                                              |          |
| <b>Derivation Path:</b>    |                                                                                                       |          |
| <b>Comments:</b>           | The ASP is used by the L2 to inform the L3 about the establishment of multiple frame link (L2 -> L3). |          |
| Parameter Name             | Parameter Value                                                                                       | Comments |
| sapi                       | C_Sap3                                                                                                |          |
| logic_ch                   | ch                                                                                                    |          |
| establish_mode             | C_Norm                                                                                                |          |
| <b>Detailed Comments:</b>  |                                                                                                       |          |

| ASP Constraint Declaration |                                               |          |
|----------------------------|-----------------------------------------------|----------|
| <b>Constraint Name:</b>    | DLEstRq( ch:LOGICCH)                          |          |
| <b>ASP Type:</b>           | DL_EstRq                                      |          |
| <b>Derivation Path:</b>    |                                               |          |
| <b>Comments:</b>           | Request of a layer 2 connection establishment |          |
| Parameter Name             | Parameter Value                               | Comments |
| sapi                       | C_Sap3                                        |          |
| logic_ch                   | ch                                            |          |
| establish_mode             | C_Norm                                        |          |
| <b>Detailed Comments:</b>  |                                               |          |

| ASP Constraint Declaration |                                                  |          |
|----------------------------|--------------------------------------------------|----------|
| <b>Constraint Name:</b>    | DLEstInd(ch :LOGICCH)                            |          |
| <b>ASP Type:</b>           | DL_EstIn                                         |          |
| <b>Derivation Path:</b>    |                                                  |          |
| <b>Comments:</b>           | Indication of a layer 2 connection establishment |          |
| Parameter Name             | Parameter Value                                  | Comments |
| sapi                       | C_Sap0                                           |          |
| logic_ch                   | ch                                               |          |
| establish_mode             | ?                                                |          |
| fn                         | ?                                                |          |
| <b>Detailed Comments:</b>  |                                                  |          |

| ASP Constraint Declaration |                                                             |          |
|----------------------------|-------------------------------------------------------------|----------|
| <b>Constraint Name:</b>    | DLEstInd_2(ch:LOGICCH)                                      |          |
| <b>ASP Type:</b>           | DL_EstIn                                                    |          |
| <b>Derivation Path:</b>    |                                                             |          |
| <b>Comments:</b>           | Indication of a layer 2 connection establishment for SAPI 3 |          |
| Parameter Name             | Parameter Value                                             | Comments |
| sapi                       | C_Sap3                                                      |          |
| logic_ch                   | ch                                                          |          |
| establish_mode             | ?                                                           |          |
| fn                         | ?                                                           |          |
| <b>Detailed Comments:</b>  |                                                             |          |

| ASP Constraint Declaration |                                                                 |          |
|----------------------------|-----------------------------------------------------------------|----------|
| <b>Constraint Name:</b>    | DLRelInd_01                                                     |          |
| <b>ASP Type:</b>           | DL_RelIn                                                        |          |
| <b>Derivation Path:</b>    |                                                                 |          |
| <b>Comments:</b>           | Layer 2 indication of the layer 2 connection has been released. |          |
| Parameter Name             | Parameter Value                                                 | Comments |
| sapi                       | C_Sap0                                                          |          |
| logic_ch                   | ?                                                               |          |
| release_mode               | ?                                                               |          |
| outstanding_indicator      | ?                                                               |          |
| fn                         | ?                                                               |          |
| <b>Detailed Comments:</b>  |                                                                 |          |

| ASP Constraint Declaration |                                                                 |          |
|----------------------------|-----------------------------------------------------------------|----------|
| <b>Constraint Name:</b>    | DLRelInd_02                                                     |          |
| <b>ASP Type:</b>           | DL_Relln                                                        |          |
| <b>Derivation Path:</b>    |                                                                 |          |
| <b>Comments:</b>           | Layer 2 indication of the layer 2 connection has been released. |          |
| Parameter Name             | Parameter Value                                                 | Comments |
| sapi                       | C_Sap0                                                          |          |
| logic_ch                   | ?                                                               |          |
| release_mode               | C_LocEndRel                                                     |          |
| outstanding_indicator      | ?                                                               |          |
| fn                         | ?                                                               |          |
| <b>Detailed Comments:</b>  |                                                                 |          |

| ASP Constraint Declaration |                                             |          |
|----------------------------|---------------------------------------------|----------|
| <b>Constraint Name:</b>    | ESetupRcv(pdu: ESETUP_PDU)                  |          |
| <b>ASP Type:</b>           | DL_DatInESetup                              |          |
| <b>Derivation Path:</b>    |                                             |          |
| <b>Comments:</b>           | To receive an emergency call SETUP message. |          |
| Parameter Name             | Parameter Value                             | Comments |
| sapi                       | C_Sap0                                      |          |
| logic_ch                   | ?                                           |          |
| msg                        | pdu                                         |          |
| fn                         | ?                                           |          |
| <b>Detailed Comments:</b>  |                                             |          |

| ASP Constraint Declaration |                                                                   |          |
|----------------------------|-------------------------------------------------------------------|----------|
| <b>Constraint Name:</b>    | FacilityRcv(fac:FAC_PDU)                                          |          |
| <b>ASP Type:</b>           | DL_DatInFac                                                       |          |
| <b>Derivation Path:</b>    |                                                                   |          |
| <b>Comments:</b>           | To receive a FACILITY message containing build multiparty request |          |
| Parameter Name             | Parameter Value                                                   | Comments |
| sapi                       | C_Sap0                                                            |          |
| logic_ch                   | ?                                                                 |          |
| msg                        | fac                                                               |          |
| fn                         | ?                                                                 |          |
| <b>Detailed Comments:</b>  |                                                                   |          |

| ASP Constraint Declaration |                                              |          |
|----------------------------|----------------------------------------------|----------|
| <b>Constraint Name:</b>    | FacilitySnd( ch:LOGICCH; fac:FAC_PDU)        |          |
| <b>ASP Type:</b>           | DL_DatRqFac                                  |          |
| <b>Derivation Path:</b>    |                                              |          |
| <b>Comments:</b>           | To send the FACILITY message passed by 'fac' |          |
| Parameter Name             | Parameter Value                              | Comments |
| sapi                       | C_Sap0                                       |          |
| logic_ch                   | ch                                           |          |
| msg                        | fac                                          |          |
| <b>Detailed Comments:</b>  |                                              |          |

| ASP Constraint Declaration |                                        |          |
|----------------------------|----------------------------------------|----------|
| <b>Constraint Name:</b>    | FrqRedfSnd( ch:LOGICCH; pdu:FRQRE_PDU) |          |
| <b>ASP Type:</b>           | DL_DatRqFrqre                          |          |
| <b>Derivation Path:</b>    |                                        |          |
| <b>Comments:</b>           |                                        |          |
| Parameter Name             | Parameter Value                        | Comments |
| sapi                       | C_Sap0                                 |          |
| logic_ch                   | ch                                     |          |
| msg                        | pdu                                    |          |
| <b>Detailed Comments:</b>  |                                        |          |

| ASP Constraint Declaration |                                                                                 |          |
|----------------------------|---------------------------------------------------------------------------------|----------|
| <b>Constraint Name:</b>    | HndOvSnd(ch:LOGICCH; msg:HO_CMD_PDU)                                            |          |
| <b>ASP Type:</b>           | DL_DatRqHoCmd                                                                   |          |
| <b>Derivation Path:</b>    |                                                                                 |          |
| <b>Comments:</b>           | To send a HANOVER COMMAND indicating a finely synchronised intra cell handover. |          |
| Parameter Name             | Parameter Value                                                                 | Comments |
| sapi                       | C_Sap0                                                                          |          |
| logic_ch                   | ch                                                                              |          |
| msg                        | msg                                                                             |          |
| <b>Detailed Comments:</b>  |                                                                                 |          |

| ASP Constraint Declaration |                                         |          |
|----------------------------|-----------------------------------------|----------|
| <b>Constraint Name:</b>    | HndOvAcc_01                             |          |
| <b>ASP Type:</b>           | DL_RaInHoacc                            |          |
| <b>Derivation Path:</b>    |                                         |          |
| <b>Comments:</b>           | To received any HANOVER ACCESS message. |          |
| Parameter Name             | Parameter Value                         | Comments |
| sapi                       | C_Sap0                                  |          |
| logic_ch                   | ?                                       |          |
| msg                        | HandOverAcc_01                          |          |
| fn                         | ?                                       |          |
| <b>Detailed Comments:</b>  |                                         |          |

| ASP Constraint Declaration |                                                         |          |
|----------------------------|---------------------------------------------------------|----------|
| <b>Constraint Name:</b>    | HndOvAccRcv(ch: LOGICCH; msg:HOACC_PDU)                 |          |
| <b>ASP Type:</b>           | DL_RaInHoacc                                            |          |
| <b>Derivation Path:</b>    |                                                         |          |
| <b>Comments:</b>           | To received any HANOVER ACCESS message on channel `ch`. |          |
| Parameter Name             | Parameter Value                                         | Comments |
| sapi                       | C_Sap0                                                  |          |
| logic_ch                   | ch                                                      |          |
| msg                        | msg                                                     |          |
| fn                         | ?                                                       |          |
| <b>Detailed Comments:</b>  |                                                         |          |

| ASP Constraint Declaration |                                                                       |          |
|----------------------------|-----------------------------------------------------------------------|----------|
| <b>Constraint Name:</b>    | HndOvFIRcv(ch:LOGICCH; msg :HOFL_PDU)                                 |          |
| <b>ASP Type:</b>           | DL_DatInHofl                                                          |          |
| <b>Derivation Path:</b>    |                                                                       |          |
| <b>Comments:</b>           | To match a received HANDOVER FAILURE message containing any RR cause. |          |
| Parameter Name             | Parameter Value                                                       | Comments |
| sapi                       | C_Sap0                                                                |          |
| logic_ch                   | ch                                                                    |          |
| msg                        | msg                                                                   |          |
| fn                         | ?                                                                     |          |
| <b>Detailed Comments:</b>  |                                                                       |          |

| ASP Constraint Declaration |                                                         |          |
|----------------------------|---------------------------------------------------------|----------|
| <b>Constraint Name:</b>    | HndOvCmpRcv(ch:LOGICCH; msg:HO_COM_PDU)                 |          |
| <b>ASP Type:</b>           | DL_DatInHoCom                                           |          |
| <b>Derivation Path:</b>    |                                                         |          |
| <b>Comments:</b>           | To receive any HANDOVER COMPLETE message on channel ch. |          |
| Parameter Name             | Parameter Value                                         | Comments |
| sapi                       | C_Sap0                                                  |          |
| logic_ch                   | ch                                                      |          |
| msg                        | msg                                                     |          |
| fn                         | ?                                                       |          |
| <b>Detailed Comments:</b>  |                                                         |          |

| ASP Constraint Declaration |                              |          |
|----------------------------|------------------------------|----------|
| <b>Constraint Name:</b>    | HoldRcv( pdu:HOLD_PDU)       |          |
| <b>ASP Type:</b>           | DL_DatInHold                 |          |
| <b>Derivation Path:</b>    |                              |          |
| <b>Comments:</b>           | To receive any HOLD message. |          |
| Parameter Name             | Parameter Value              | Comments |
| sapi                       | C_Sap0                       |          |
| logic_ch                   | ?                            |          |
| msg                        | pdu                          |          |
| fn                         | ?                            |          |
| <b>Detailed Comments:</b>  |                              |          |

| ASP Constraint Declaration |                                           |          |
|----------------------------|-------------------------------------------|----------|
| <b>Constraint Name:</b>    | HoldAckSnd( ch:LOGICCH; pdu:HOLD_ACK_PDU) |          |
| <b>ASP Type:</b>           | DL_DatRqHoldAck                           |          |
| <b>Derivation Path:</b>    |                                           |          |
| <b>Comments:</b>           |                                           |          |
| Parameter Name             | Parameter Value                           | Comments |
| sapi                       | C_Sap0                                    |          |
| logic_ch                   | ch                                        |          |
| msg                        | pdu                                       |          |
| <b>Detailed Comments:</b>  |                                           |          |



| ASP Constraint Declaration |                                   |          |
|----------------------------|-----------------------------------|----------|
| <b>Constraint Name:</b>    | IDReq(ch:LOGICCH; pdu: ID_RQ_PDU) |          |
| <b>ASP Type:</b>           | DL_DatRqldRq                      |          |
| <b>Derivation Path:</b>    |                                   |          |
| <b>Comments:</b>           | To send IDENTITY REQUEST message  |          |
| Parameter Name             | Parameter Value                   | Comments |
| sapi                       | C_Sap0                            |          |
| logic_ch                   | ch                                |          |
| msg                        | pdu                               |          |
| <b>Detailed Comments:</b>  |                                   |          |

| ASP Constraint Declaration |                                         |          |
|----------------------------|-----------------------------------------|----------|
| <b>Constraint Name:</b>    | IDRes(pdu: ID_RES_PDU)                  |          |
| <b>ASP Type:</b>           | DL_DatInIdRes                           |          |
| <b>Derivation Path:</b>    |                                         |          |
| <b>Comments:</b>           | To receive a IDENTITY RESPONSE message. |          |
| Parameter Name             | Parameter Value                         | Comments |
| sapi                       | C_Sap0                                  |          |
| logic_ch                   | ?                                       |          |
| msg                        | pdu                                     |          |
| fn                         | ?                                       |          |
| <b>Detailed Comments:</b>  |                                         |          |

| ASP Constraint Declaration |                                          |          |
|----------------------------|------------------------------------------|----------|
| <b>Constraint Name:</b>    | ImmAss(ch: LOGICCH; pdu: IMMASS_PDU)     |          |
| <b>ASP Type:</b>           | DL_UdatRqImm                             |          |
| <b>Derivation Path:</b>    |                                          |          |
| <b>Comments:</b>           | To send an IMMEDIATE ASSIGNMENT message. |          |
| Parameter Name             | Parameter Value                          | Comments |
| sapi                       | C_Sap0                                   |          |
| logic_ch                   | ch                                       |          |
| msg                        | pdu                                      |          |
| <b>Detailed Comments:</b>  |                                          |          |

| ASP Constraint Declaration |                                                                   |          |
|----------------------------|-------------------------------------------------------------------|----------|
| <b>Constraint Name:</b>    | ImmAssSp(ch:LOGICCH; pgg:PGG; msg:IMMASS_PDU)                     |          |
| <b>ASP Type:</b>           | DL_UdatRqImm_sp                                                   |          |
| <b>Derivation Path:</b>    |                                                                   |          |
| <b>Comments:</b>           | To send an IMMEDIATE ASSIGNMENT message on the MS paging channel. |          |
| Parameter Name             | Parameter Value                                                   | Comments |
| sapi                       | C_Sap0                                                            |          |
| logic_ch                   | ch                                                                |          |
| pgg                        | pgg                                                               |          |
| msg                        | msg                                                               |          |
| <b>Detailed Comments:</b>  |                                                                   |          |

| ASP Constraint Declaration |                                                                                               |          |
|----------------------------|-----------------------------------------------------------------------------------------------|----------|
| <b>Constraint Name:</b>    | ImmAssX( ch:LOGICCH; pdu:IMMASSX_PDU)                                                         |          |
| <b>ASP Type:</b>           | DL_UdatRqImmssx                                                                               |          |
| <b>Derivation Path:</b>    |                                                                                               |          |
| <b>Comments:</b>           | To send an IMMEDIATE ASSIGNMENT EXTENDED message which assigns the SDCCH/4 channel for the MS |          |
| Parameter Name             | Parameter Value                                                                               | Comments |
| sapi                       | C_Sap0                                                                                        |          |
| logic_ch                   | ch                                                                                            |          |
| msg                        | pdu                                                                                           |          |
| <b>Detailed Comments:</b>  | The request reference (Rr, Fn) is used for the MS1, whilst (Rr_9, Fn_9) for MS2.              |          |

| ASP Constraint Declaration |                                                                            |          |
|----------------------------|----------------------------------------------------------------------------|----------|
| <b>Constraint Name:</b>    | ImmAssXSp(ch:LOGICCH; pgg:PGG; msg:IMMASSX_PDU)                            |          |
| <b>ASP Type:</b>           | DL_UdatRqImmssx_sp                                                         |          |
| <b>Derivation Path:</b>    |                                                                            |          |
| <b>Comments:</b>           | To send an IMMEDIATE ASSIGNMENT EXTENDED message on the MS paging channel. |          |
| Parameter Name             | Parameter Value                                                            | Comments |
| sapi                       | C_Sap0                                                                     |          |
| logic_ch                   | ch                                                                         |          |
| pgg                        | pgg                                                                        |          |
| msg                        | msg                                                                        |          |
| <b>Detailed Comments:</b>  |                                                                            |          |

| ASP Constraint Declaration |                                                                                                               |          |
|----------------------------|---------------------------------------------------------------------------------------------------------------|----------|
| <b>Constraint Name:</b>    | ImmAssRej( ch:LOGICCH; pdu:IMMASS_REJ_PDU)                                                                    |          |
| <b>ASP Type:</b>           | DL_UdatRqImmssRej                                                                                             |          |
| <b>Derivation Path:</b>    |                                                                                                               |          |
| <b>Comments:</b>           | To send an IMMEDIATE ASSIGNMENT REJECT message containing normal paging mode and wait indication = 0 seconds. |          |
| Parameter Name             | Parameter Value                                                                                               | Comments |
| sapi                       | C_Sap0                                                                                                        |          |
| logic_ch                   | ch                                                                                                            |          |
| msg                        | pdu                                                                                                           |          |
| <b>Detailed Comments:</b>  |                                                                                                               |          |

| ASP Constraint Declaration |                                                                          |          |
|----------------------------|--------------------------------------------------------------------------|----------|
| <b>Constraint Name:</b>    | ImmAssRejSp( ch:LOGICCH; pgg:PGG; msg:IMMASS_REJ_PDU)                    |          |
| <b>ASP Type:</b>           | DL_UdatRqImmssRej_sp                                                     |          |
| <b>Derivation Path:</b>    |                                                                          |          |
| <b>Comments:</b>           | To send an IMMEDIATE ASSIGNMENT REJECT message on the MS paging channel. |          |
| Parameter Name             | Parameter Value                                                          | Comments |
| sapi                       | C_Sap0                                                                   |          |
| logic_ch                   | ch                                                                       |          |
| pgg                        | pgg                                                                      |          |
| msg                        | msg                                                                      |          |
| <b>Detailed Comments:</b>  | Only used in TC_26_6_2_4                                                 |          |

| ASP Constraint Declaration |                                                                                                                   |          |
|----------------------------|-------------------------------------------------------------------------------------------------------------------|----------|
| <b>Constraint Name:</b>    | ImsiDet( pdu:IMSID_IN_PDU)                                                                                        |          |
| <b>ASP Type:</b>           | DL_EstInImsidIn                                                                                                   |          |
| <b>Derivation Path:</b>    |                                                                                                                   |          |
| <b>Comments:</b>           | To match a received IMSI DETACH INDICATION message matching any MS classmark1 value and any mobile identity value |          |
| Parameter Name             | Parameter Value                                                                                                   | Comments |
| sapi                       | C_Sap0                                                                                                            |          |
| logic_ch                   | ?                                                                                                                 |          |
| establish_mode             | ?                                                                                                                 |          |
| msg                        | pdu                                                                                                               |          |
| fn                         | ?                                                                                                                 |          |
| <b>Detailed Comments:</b>  |                                                                                                                   |          |

| ASP Constraint Declaration |                                                                                               |          |
|----------------------------|-----------------------------------------------------------------------------------------------|----------|
| <b>Constraint Name:</b>    | LocAcp( ch:LOGICCH; pdu:LUP_ACP_PDU)                                                          |          |
| <b>ASP Type:</b>           | DL_DatRqLupAcp                                                                                |          |
| <b>Derivation Path:</b>    |                                                                                               |          |
| <b>Comments:</b>           | To send a LOCATION UPDATING ACCEPT message with a new mobile identity TMSI and location area. |          |
| Parameter Name             | Parameter Value                                                                               | Comments |
| sapi                       | C_Sap0                                                                                        |          |
| logic_ch                   | ch                                                                                            |          |
| msg                        | pdu                                                                                           |          |
| <b>Detailed Comments:</b>  |                                                                                               |          |

| ASP Constraint Declaration |                                                                               |          |
|----------------------------|-------------------------------------------------------------------------------|----------|
| <b>Constraint Name:</b>    | LocAcp_inv( ch: LOGICCH; mi1, mi2:MI; mcc, mnc, lac:OCTETSTRING)              |          |
| <b>ASP Type:</b>           | DL_DatRqLupAcpErr                                                             |          |
| <b>Derivation Path:</b>    |                                                                               |          |
| <b>Comments:</b>           | To send a LOCATION UPDATING ACCEPT message with duplicated mobile identities. |          |
| Parameter Name             | Parameter Value                                                               | Comments |
| sapi                       | C_Sap0                                                                        |          |
| logic_ch                   | ch                                                                            |          |
| msg                        | LocUpdtAcp_inv_01( mi1, mi2, mcc, mnc, lac)                                   |          |
| <b>Detailed Comments:</b>  |                                                                               |          |

| ASP Constraint Declaration |                                                                                                        |          |
|----------------------------|--------------------------------------------------------------------------------------------------------|----------|
| <b>Constraint Name:</b>    | LocUp( ch: LOGICCH; pdu:LUP_RQ_PDU)                                                                    |          |
| <b>ASP Type:</b>           | DL_EstInLupRq                                                                                          |          |
| <b>Derivation Path:</b>    |                                                                                                        |          |
| <b>Comments:</b>           | To match a received LOCATION UPDATING REQUEST message containing location updating type = IMSI attach. |          |
| Parameter Name             | Parameter Value                                                                                        | Comments |
| sapi                       | C_Sap0                                                                                                 |          |
| logic_ch                   | ch                                                                                                     |          |
| establish_mode             | ?                                                                                                      |          |
| msg                        | pdu                                                                                                    |          |
| fn                         | ?                                                                                                      |          |
| <b>Detailed Comments:</b>  |                                                                                                        |          |

| ASP Constraint Declaration |                                                                                                                  |          |
|----------------------------|------------------------------------------------------------------------------------------------------------------|----------|
| <b>Constraint Name:</b>    | LocRej( ch: LOGICCH; pdu:LUP_REJ_PDU)                                                                            |          |
| <b>ASP Type:</b>           | DL_DatRqLupRej                                                                                                   |          |
| <b>Derivation Path:</b>    |                                                                                                                  |          |
| <b>Comments:</b>           | To send a LOCATION UPDATING REJECT message containing the reject cause IMSI unknown in HLR.<br>Used var's:<br>ch |          |
| Parameter Name             | Parameter Value                                                                                                  | Comments |
| sapi                       | C_Sap0                                                                                                           |          |
| logic_ch                   | ch                                                                                                               |          |
| msg                        | pdu                                                                                                              |          |
| <b>Detailed Comments:</b>  |                                                                                                                  |          |

| ASP Constraint Declaration |                        |          |
|----------------------------|------------------------|----------|
| <b>Constraint Name:</b>    | MDLRelReq(ch :LOGICCH) |          |
| <b>ASP Type:</b>           | MDL_RelRq              |          |
| <b>Derivation Path:</b>    |                        |          |
| <b>Comments:</b>           |                        |          |
| Parameter Name             | Parameter Value        | Comments |
| sapi                       | C_Sap0                 |          |
| logic_ch                   | ch                     |          |
| release_mode               | C_LocEndRel            |          |
| <b>Detailed Comments:</b>  |                        |          |

| ASP Constraint Declaration |                                       |          |
|----------------------------|---------------------------------------|----------|
| <b>Constraint Name:</b>    | ModifySnd(ch:LOGICCH; msg:MODIFY_PDU) |          |
| <b>ASP Type:</b>           | DL_DatRqModify                        |          |
| <b>Derivation Path:</b>    |                                       |          |
| <b>Comments:</b>           |                                       |          |
| Parameter Name             | Parameter Value                       | Comments |
| sapi                       | C_Sap0                                |          |
| logic_ch                   | ch                                    |          |
| msg                        | msg                                   |          |
| <b>Detailed Comments:</b>  |                                       |          |

| ASP Constraint Declaration |                           |          |
|----------------------------|---------------------------|----------|
| <b>Constraint Name:</b>    | ModifyRcv(msg:MODIFY_PDU) |          |
| <b>ASP Type:</b>           | DL_DatInModify            |          |
| <b>Derivation Path:</b>    |                           |          |
| <b>Comments:</b>           |                           |          |
| Parameter Name             | Parameter Value           | Comments |
| sapi                       | C_Sap0                    |          |
| logic_ch                   | ?                         |          |
| msg                        | msg                       |          |
| fn                         | ?                         |          |
| <b>Detailed Comments:</b>  |                           |          |

| ASP Constraint Declaration |                                              |          |
|----------------------------|----------------------------------------------|----------|
| <b>Constraint Name:</b>    | ModifyCmpSnd(ch:LOGICCH; msg:MODIFY_COM_PDU) |          |
| <b>ASP Type:</b>           | DL_DatRqModifyCom                            |          |
| <b>Derivation Path:</b>    |                                              |          |
| <b>Comments:</b>           | n -> ms                                      |          |
| Parameter Name             | Parameter Value                              | Comments |
| sapi                       | C_Sap0                                       |          |
| logic_ch                   | ch                                           |          |
| msg                        | msg                                          |          |
| <b>Detailed Comments:</b>  |                                              |          |

| ASP Constraint Declaration |                                                |          |
|----------------------------|------------------------------------------------|----------|
| <b>Constraint Name:</b>    | ModifyRejRqSnd(ch:LOGICCH; msg:MODIFY_REJ_PDU) |          |
| <b>ASP Type:</b>           | DL_DatRqModifyRej                              |          |
| <b>Derivation Path:</b>    |                                                |          |
| <b>Comments:</b>           |                                                |          |
| Parameter Name             | Parameter Value                                | Comments |
| sapi                       | C_Sap0                                         |          |
| logic_ch                   | ch                                             |          |
| msg                        | msg                                            |          |
| <b>Detailed Comments:</b>  |                                                |          |

| ASP Constraint Declaration |                                              |          |
|----------------------------|----------------------------------------------|----------|
| <b>Constraint Name:</b>    | ModifyRejRcv(ch:LOGICCH; msg:MODIFY_REJ_PDU) |          |
| <b>ASP Type:</b>           | DL_DatInModifyRej                            |          |
| <b>Derivation Path:</b>    |                                              |          |
| <b>Comments:</b>           |                                              |          |
| Parameter Name             | Parameter Value                              | Comments |
| sapi                       | C_Sap0                                       |          |
| logic_ch                   | ch                                           |          |
| msg                        | msg                                          |          |
| fn                         | ?                                            |          |
| <b>Detailed Comments:</b>  |                                              |          |

| ASP Constraint Declaration |                                                                   |          |
|----------------------------|-------------------------------------------------------------------|----------|
| <b>Constraint Name:</b>    | MMSt( pdu:MMST_PDU)                                               |          |
| <b>ASP Type:</b>           | DL_DatInMmst                                                      |          |
| <b>Derivation Path:</b>    |                                                                   |          |
| <b>Comments:</b>           | To receive a MM STATUS message containing reject cause value #97. |          |
| Parameter Name             | Parameter Value                                                   | Comments |
| sapi                       | C_Sap0                                                            |          |
| logic_ch                   | ?                                                                 |          |
| msg                        | pdu                                                               |          |
| fn                         | ?                                                                 |          |
| <b>Detailed Comments:</b>  |                                                                   |          |

| ASP Constraint Declaration |                                                              |          |
|----------------------------|--------------------------------------------------------------|----------|
| <b>Constraint Name:</b>    | MsrRept( pdu:MSR_RPT_PDU)                                    |          |
| <b>ASP Type:</b>           | DL_UdatInMsrRpt                                              |          |
| <b>Derivation Path:</b>    |                                                              |          |
| <b>Comments:</b>           | To receive a measurement report without measurement results. |          |
| Parameter Name             | Parameter Value                                              | Comments |
| sapi                       | C_Sap0                                                       |          |
| logic_ch                   | ?                                                            |          |
| msg                        | pdu                                                          |          |
| fn                         | ?                                                            |          |
| <b>Detailed Comments:</b>  |                                                              |          |

| ASP Constraint Declaration |                                                                                            |          |
|----------------------------|--------------------------------------------------------------------------------------------|----------|
| <b>Constraint Name:</b>    | NotifySnd(ch:LOGICCH; msg:NOTIFY_PDU)                                                      |          |
| <b>ASP Type:</b>           | DL_DatRqNotify                                                                             |          |
| <b>Derivation Path:</b>    |                                                                                            |          |
| <b>Comments:</b>           | To send a NOTIFY message to the MS. The message contains any valid notification indicator. |          |
| Parameter Name             | Parameter Value                                                                            | Comments |
| sapi                       | C_Sap0                                                                                     |          |
| logic_ch                   | ch                                                                                         |          |
| msg                        | msg                                                                                        |          |
| <b>Detailed Comments:</b>  |                                                                                            |          |

| ASP Constraint Declaration |                                                                                                                                                                                                                                                  |          |
|----------------------------|--------------------------------------------------------------------------------------------------------------------------------------------------------------------------------------------------------------------------------------------------|----------|
| <b>Constraint Name:</b>    | PgReq1(ch:LOGICCH; pgg:PGG; pg1_req_pdu: PG1_RQ_PDU)                                                                                                                                                                                             |          |
| <b>ASP Type:</b>           | DL_UdatRqPg1Rq                                                                                                                                                                                                                                   |          |
| <b>Derivation Path:</b>    |                                                                                                                                                                                                                                                  |          |
| <b>Comments:</b>           | To send a PAGING REQUEST TYPE 1 message to the paging group indicated by the parameter pgg which is derived from system parameters. The PAGING REQUEST TYPE1 message requests normal paging mode, any channel and for the MS identity TSPX_TMSI. |          |
| Parameter Name             | Parameter Value                                                                                                                                                                                                                                  | Comments |
| sapi                       | C_Sap0                                                                                                                                                                                                                                           |          |
| logic_ch                   | ch                                                                                                                                                                                                                                               |          |
| pgg                        | pgg                                                                                                                                                                                                                                              |          |
| msg                        | pg1_req_pdu                                                                                                                                                                                                                                      |          |
| <b>Detailed Comments:</b>  |                                                                                                                                                                                                                                                  |          |

| ASP Constraint Declaration |                                                                                                                                                                                                                                                  |          |
|----------------------------|--------------------------------------------------------------------------------------------------------------------------------------------------------------------------------------------------------------------------------------------------|----------|
| <b>Constraint Name:</b>    | PgReq2(ch:LOGICCH; pgg:PGG; pg2_req_pdu: PG2_RQ_PDU)                                                                                                                                                                                             |          |
| <b>ASP Type:</b>           | DL_UdatRqPg2Rq                                                                                                                                                                                                                                   |          |
| <b>Derivation Path:</b>    |                                                                                                                                                                                                                                                  |          |
| <b>Comments:</b>           | To send a PAGING REQUEST TYPE 1 message to the paging group indicated by the parameter pgg which is derived from system parameters. The PAGING REQUEST TYPE1 message requests normal paging mode, any channel and for the MS identity TSPX_TMSI. |          |
| Parameter Name             | Parameter Value                                                                                                                                                                                                                                  | Comments |
| sapi                       | C_Sap0                                                                                                                                                                                                                                           |          |
| logic_ch                   | ch                                                                                                                                                                                                                                               |          |
| pgg                        | pgg                                                                                                                                                                                                                                              |          |
| msg                        | pg2_req_pdu                                                                                                                                                                                                                                      |          |
| <b>Detailed Comments:</b>  |                                                                                                                                                                                                                                                  |          |

| ASP Constraint Declaration |                                                                                                                                                                                                                                                  |          |
|----------------------------|--------------------------------------------------------------------------------------------------------------------------------------------------------------------------------------------------------------------------------------------------|----------|
| <b>Constraint Name:</b>    | PgReq3(ch:LOGICCH; pgg:PGG; pg3_req_pdu: PG3_RQ_PDU)                                                                                                                                                                                             |          |
| <b>ASP Type:</b>           | DL_UdatRqPg3Rq                                                                                                                                                                                                                                   |          |
| <b>Derivation Path:</b>    |                                                                                                                                                                                                                                                  |          |
| <b>Comments:</b>           | To send a PAGING REQUEST TYPE 1 message to the paging group indicated by the parameter pgg which is derived from system parameters. The PAGING REQUEST TYPE1 message requests normal paging mode, any channel and for the MS identity TSPX_TMSI. |          |
| Parameter Name             | Parameter Value                                                                                                                                                                                                                                  | Comments |
| sapi                       | C_Sap0                                                                                                                                                                                                                                           |          |
| logic_ch                   | ch                                                                                                                                                                                                                                               |          |
| pgg                        | pgg                                                                                                                                                                                                                                              |          |
| msg                        | pg3_req_pdu                                                                                                                                                                                                                                      |          |
| <b>Detailed Comments:</b>  |                                                                                                                                                                                                                                                  |          |

| ASP Constraint Declaration |                                       |          |
|----------------------------|---------------------------------------|----------|
| <b>Constraint Name:</b>    | PagingRes(pdu: PG_RES_PDU)            |          |
| <b>ASP Type:</b>           | DL_EstInPgRes                         |          |
| <b>Derivation Path:</b>    |                                       |          |
| <b>Comments:</b>           | To receive a PAGING RESPONSE message. |          |
| Parameter Name             | Parameter Value                       | Comments |
| sapi                       | C_Sap0                                |          |
| logic_ch                   | ?                                     |          |
| establish_mode             | ?                                     |          |
| msg                        | pdu                                   |          |
| fn                         | ?                                     |          |
| <b>Detailed Comments:</b>  |                                       |          |

| ASP Constraint Declaration |                                                                    |          |
|----------------------------|--------------------------------------------------------------------|----------|
| <b>Constraint Name:</b>    | PgRes( ch:LOGICCH; pdu:PG_RES_PDU)                                 |          |
| <b>ASP Type:</b>           | DL_EstInPgRes                                                      |          |
| <b>Derivation Path:</b>    |                                                                    |          |
| <b>Comments:</b>           | To match any received PAGING RESPONSE message on the channel `ch`. |          |
| Parameter Name             | Parameter Value                                                    | Comments |
| sapi                       | C_Sap0                                                             |          |
| logic_ch                   | ch                                                                 |          |
| establish_mode             | ?                                                                  |          |
| msg                        | pdu                                                                |          |
| fn                         | ?                                                                  |          |
| <b>Detailed Comments:</b>  |                                                                    |          |

| ASP Constraint Declaration |                                |          |
|----------------------------|--------------------------------|----------|
| <b>Constraint Name:</b>    | PhyInfo_01(ch: LOGICCH; ta:TA) |          |
| <b>ASP Type:</b>           | DL_DatRqPhyinfo                |          |
| <b>Derivation Path:</b>    |                                |          |
| <b>Comments:</b>           |                                |          |
| Parameter Name             | Parameter Value                | Comments |
| sapi                       | C_Sap0                         |          |
| logic_ch                   | ch                             |          |
| msg                        | Phyinfo_01(ta)                 |          |
| <b>Detailed Comments:</b>  |                                |          |

| ASP Constraint Declaration |                                     |          |
|----------------------------|-------------------------------------|----------|
| <b>Constraint Name:</b>    | Progress(ch:LOGICCH; pdu: PROG_PDU) |          |
| <b>ASP Type:</b>           | DL_DatRqProg                        |          |
| <b>Derivation Path:</b>    |                                     |          |
| <b>Comments:</b>           | To send a PROGRESS message.         |          |
| Parameter Name             | Parameter Value                     | Comments |
| sapi                       | C_Sap0                              |          |
| logic_ch                   | ch                                  |          |
| msg                        | pdu                                 |          |
| <b>Detailed Comments:</b>  |                                     |          |

| ASP Constraint Declaration |                                           |          |
|----------------------------|-------------------------------------------|----------|
| <b>Constraint Name:</b>    | Register_01(ch:LOGICCH; reg:REGISTER_PDU) |          |
| <b>ASP Type:</b>           | DL_DatInRegister                          |          |
| <b>Derivation Path:</b>    |                                           |          |
| <b>Comments:</b>           | To receive any Register message.          |          |
| Parameter Name             | Parameter Value                           | Comments |
| sapi                       | C_Sap0                                    |          |
| logic_ch                   | ch                                        |          |
| msg                        | reg                                       |          |
| fn                         | ?                                         |          |
| <b>Detailed Comments:</b>  |                                           |          |

| ASP Constraint Declaration |                               |          |
|----------------------------|-------------------------------|----------|
| <b>Constraint Name:</b>    | Register_03(reg:REGISTER_PDU) |          |
| <b>ASP Type:</b>           | DL_DatInRegister              |          |
| <b>Derivation Path:</b>    |                               |          |
| <b>Comments:</b>           | CFNRy                         |          |
| Parameter Name             | Parameter Value               | Comments |
| sapi                       | C_Sap0                        |          |
| logic_ch                   | ?                             |          |
| msg                        | reg                           |          |
| fn                         | ?                             |          |
| <b>Detailed Comments:</b>  |                               |          |

| ASP Constraint Declaration |                                                                        |          |
|----------------------------|------------------------------------------------------------------------|----------|
| <b>Constraint Name:</b>    | RegisterReq(ch: LOGICCH; reg:REGISTER_PDU)                             |          |
| <b>ASP Type:</b>           | DL_DatRqRegister                                                       |          |
| <b>Derivation Path:</b>    |                                                                        |          |
| <b>Comments:</b>           | To send a REGISTER message containing Invoke for UnstructuredSS-Notify |          |
| Parameter Name             | Parameter Value                                                        | Comments |
| sapi                       | C_Sap0                                                                 |          |
| logic_ch                   | ch                                                                     |          |
| msg                        | reg                                                                    |          |
| <b>Detailed Comments:</b>  |                                                                        |          |



| ASP Constraint Declaration |                                  |          |
|----------------------------|----------------------------------|----------|
| <b>Constraint Name:</b>    | ReleaseRcv(pdu: REL_PDU)         |          |
| <b>ASP Type:</b>           | DL_DatInRel                      |          |
| <b>Derivation Path:</b>    |                                  |          |
| <b>Comments:</b>           | To receive a CC RELEASE message. |          |
| Parameter Name             | Parameter Value                  | Comments |
| sapi                       | C_Sap0                           |          |
| logic_ch                   | ?                                |          |
| msg                        | pdu                              |          |
| fn                         | ?                                |          |
| <b>Detailed Comments:</b>  |                                  |          |

| ASP Constraint Declaration |                                       |          |
|----------------------------|---------------------------------------|----------|
| <b>Constraint Name:</b>    | ReleaseSnd(ch: LOGICCH; pdu: REL_PDU) |          |
| <b>ASP Type:</b>           | DL_DatRqRel                           |          |
| <b>Derivation Path:</b>    |                                       |          |
| <b>Comments:</b>           | To send a RELEASE message.            |          |
| Parameter Name             | Parameter Value                       | Comments |
| sapi                       | C_Sap0                                |          |
| logic_ch                   | ch                                    |          |
| msg                        | pdu                                   |          |
| <b>Detailed Comments:</b>  |                                       |          |

| ASP Constraint Declaration |                                        |          |
|----------------------------|----------------------------------------|----------|
| <b>Constraint Name:</b>    | RelComRcv(pdu: REL_COM_PDU)            |          |
| <b>ASP Type:</b>           | DL_DatInRelCmp                         |          |
| <b>Derivation Path:</b>    |                                        |          |
| <b>Comments:</b>           | To receive a RELEASE COMPLETE message. |          |
| Parameter Name             | Parameter Value                        | Comments |
| sapi                       | C_Sap0                                 |          |
| logic_ch                   | ?                                      |          |
| msg                        | pdu                                    |          |
| fn                         | ?                                      |          |
| <b>Detailed Comments:</b>  |                                        |          |

| ASP Constraint Declaration |                                         |          |
|----------------------------|-----------------------------------------|----------|
| <b>Constraint Name:</b>    | RelComSnd(ch:LOGICCH; pdu: REL_COM_PDU) |          |
| <b>ASP Type:</b>           | DL_DatRqRelCmp                          |          |
| <b>Derivation Path:</b>    |                                         |          |
| <b>Comments:</b>           | To send a RELEASE COMPLETE message.     |          |
| Parameter Name             | Parameter Value                         | Comments |
| sapi                       | C_Sap0                                  |          |
| logic_ch                   | ch                                      |          |
| msg                        | pdu                                     |          |
| <b>Detailed Comments:</b>  |                                         |          |

| ASP Constraint Declaration |                                                                |          |
|----------------------------|----------------------------------------------------------------|----------|
| <b>Constraint Name:</b>    | RrStatusRcv( ch:LOGICCH; pdu:RRST_PDU)                         |          |
| <b>ASP Type:</b>           | DL_DatInRrst                                                   |          |
| <b>Derivation Path:</b>    |                                                                |          |
| <b>Comments:</b>           | To match a received RR STATUS message containing any RR cause. |          |
| Parameter Name             | Parameter Value                                                | Comments |
| sapi                       | C_Sap0                                                         |          |
| logic_ch                   | ch                                                             |          |
| msg                        | pdu                                                            |          |
| fn                         | ?                                                              |          |
| <b>Detailed Comments:</b>  |                                                                |          |

| ASP Constraint Declaration |                                      |          |
|----------------------------|--------------------------------------|----------|
| <b>Constraint Name:</b>    | SMSCBReq( ch:LOGICCH; pdu:SMSCB_PDU) |          |
| <b>ASP Type:</b>           | DL_UdatRqSMSCBData                   |          |
| <b>Derivation Path:</b>    |                                      |          |
| <b>Comments:</b>           | To send a SMSCB message, first block |          |
| Parameter Name             | Parameter Value                      | Comments |
| sapi                       | C_Sap3                               |          |
| logic_ch                   | ch                                   |          |
| msg                        | pdu                                  |          |
| <b>Detailed Comments:</b>  |                                      |          |

| ASP Constraint Declaration |                             |          |
|----------------------------|-----------------------------|----------|
| <b>Constraint Name:</b>    | SetupRcv(pdu: SETUP_MO_PDU) |          |
| <b>ASP Type:</b>           | DL_DatInSetup               |          |
| <b>Derivation Path:</b>    |                             |          |
| <b>Comments:</b>           | To receive a SETUP message. |          |
| Parameter Name             | Parameter Value             | Comments |
| sapi                       | C_Sap0                      |          |
| logic_ch                   | ?                           |          |
| msg                        | pdu                         |          |
| fn                         | ?                           |          |
| <b>Detailed Comments:</b>  |                             |          |

| ASP Constraint Declaration |                                                                   |          |
|----------------------------|-------------------------------------------------------------------|----------|
| <b>Constraint Name:</b>    | SetupSnd(ch: LOGICCH; setup:SETUP_MT_PDU)                         |          |
| <b>ASP Type:</b>           | DL_DatRqSetup                                                     |          |
| <b>Derivation Path:</b>    |                                                                   |          |
| <b>Comments:</b>           | To send a SETUP message which is the input parameter of this ASP. |          |
| Parameter Name             | Parameter Value                                                   | Comments |
| sapi                       | C_Sap0                                                            |          |
| logic_ch                   | ch                                                                |          |
| msg                        | setup                                                             |          |
| <b>Detailed Comments:</b>  |                                                                   |          |

| ASP Constraint Declaration |                                  |          |
|----------------------------|----------------------------------|----------|
| <b>Constraint Name:</b>    | StartDTMFRcv(msg:START_DTMF_PDU) |          |
| <b>ASP Type:</b>           | DL_DatInStartDtmf                |          |
| <b>Derivation Path:</b>    |                                  |          |
| <b>Comments:</b>           |                                  |          |
| Parameter Name             | Parameter Value                  | Comments |
| sapi                       | C_Sap0                           |          |
| logic_ch                   | ?                                |          |
| msg                        | msg                              |          |
| fn                         | ?                                |          |
| <b>Detailed Comments:</b>  |                                  |          |

| ASP Constraint Declaration |                                                     |          |
|----------------------------|-----------------------------------------------------|----------|
| <b>Constraint Name:</b>    | StartDTMFAckSnd(ch:LOGICCH; msg:START_DTMF_ACK_PDU) |          |
| <b>ASP Type:</b>           | DL_DatRqStartDtmfAck                                |          |
| <b>Derivation Path:</b>    |                                                     |          |
| <b>Comments:</b>           |                                                     |          |
| Parameter Name             | Parameter Value                                     | Comments |
| sapi                       | C_Sap0                                              |          |
| logic_ch                   | ch                                                  |          |
| msg                        | msg                                                 |          |
| <b>Detailed Comments:</b>  |                                                     |          |

| ASP Constraint Declaration |                                                      |          |
|----------------------------|------------------------------------------------------|----------|
| <b>Constraint Name:</b>    | StartDTMFRejSnd(ch: LOGICCH; msg:START_DTMF_REJ_PDU) |          |
| <b>ASP Type:</b>           | DL_DatRqStartDtmfRej                                 |          |
| <b>Derivation Path:</b>    |                                                      |          |
| <b>Comments:</b>           |                                                      |          |
| Parameter Name             | Parameter Value                                      | Comments |
| sapi                       | C_Sap0                                               |          |
| logic_ch                   | ch                                                   |          |
| msg                        | msg                                                  |          |
| <b>Detailed Comments:</b>  |                                                      |          |

| ASP Constraint Declaration |                                |          |
|----------------------------|--------------------------------|----------|
| <b>Constraint Name:</b>    | StopDTMFRcv(msg:STOP_DTMF_PDU) |          |
| <b>ASP Type:</b>           | DL_DatInStopDtmf               |          |
| <b>Derivation Path:</b>    |                                |          |
| <b>Comments:</b>           |                                |          |
| Parameter Name             | Parameter Value                | Comments |
| sapi                       | C_Sap0                         |          |
| logic_ch                   | ?                              |          |
| msg                        | msg                            |          |
| fn                         | ?                              |          |
| <b>Detailed Comments:</b>  |                                |          |

| ASP Constraint Declaration |                                                    |          |
|----------------------------|----------------------------------------------------|----------|
| <b>Constraint Name:</b>    | StopDTMFAckSnd(ch: LOGICCH; msg:STOP_DTMF_ACK_PDU) |          |
| <b>ASP Type:</b>           | DL_DatRqStopDtmfAck                                |          |
| <b>Derivation Path:</b>    |                                                    |          |
| <b>Comments:</b>           |                                                    |          |
| Parameter Name             | Parameter Value                                    | Comments |
| sapi                       | C_Sap0                                             |          |
| logic_ch                   | ch                                                 |          |
| msg                        | msg                                                |          |
| <b>Detailed Comments:</b>  |                                                    |          |

| ASP Constraint Declaration |                                                                      |          |
|----------------------------|----------------------------------------------------------------------|----------|
| <b>Constraint Name:</b>    | Synclnfo(ch:LOGICCH; bcc:BCC; ncc:NCC)                               |          |
| <b>ASP Type:</b>           | DL_UdatRqSchinfo                                                     |          |
| <b>Derivation Path:</b>    |                                                                      |          |
| <b>Comments:</b>           | To send SYNCHRONIZATION INFORMATION message with default parameters. |          |
| Parameter Name             | Parameter Value                                                      | Comments |
| sapi                       | C_Sap0                                                               |          |
| logic_ch                   | ch                                                                   |          |
| msg                        | Synclnfor( bcc, ncc)                                                 |          |
| <b>Detailed Comments:</b>  |                                                                      |          |

| ASP Constraint Declaration |                                                                       |          |
|----------------------------|-----------------------------------------------------------------------|----------|
| <b>Constraint Name:</b>    | Syslnfo1(ch:LOGICCH; cchd:CCHD; maxtx:B_2; txint:B_4; re:B_1)         |          |
| <b>ASP Type:</b>           | DL_UdatRqSyslnfo1                                                     |          |
| <b>Derivation Path:</b>    |                                                                       |          |
| <b>Comments:</b>           | To send SYSTEM INFORMATION TYPE 1 in cell A for RR testing of GSM900. |          |
| Parameter Name             | Parameter Value                                                       | Comments |
| sapi                       | C_Sap0                                                                |          |
| logic_ch                   | ch                                                                    |          |
| msg                        | Syslnf1(cchd, maxtx, txint, re)                                       |          |
| <b>Detailed Comments:</b>  |                                                                       |          |

| ASP Constraint Declaration |                                                                                                                                      |          |
|----------------------------|--------------------------------------------------------------------------------------------------------------------------------------|----------|
| <b>Constraint Name:</b>    | Syslnfo1_nh(ch:LOGICCH; ci:CI; mcc, mnc, lac:OCTETSTRING; ccd:CCD; co:CO; crh, mtmc:INTEGER; neci:B_1; maxtx:B_2; txint:B_4; re:B_1) |          |
| <b>ASP Type:</b>           | DL_UdatRqSyslnfo1_nh                                                                                                                 |          |
| <b>Derivation Path:</b>    |                                                                                                                                      |          |
| <b>Comments:</b>           |                                                                                                                                      |          |
| Parameter Name             | Parameter Value                                                                                                                      | Comments |
| sapi                       | C_Sap0                                                                                                                               |          |
| logic_ch                   | ch                                                                                                                                   |          |
| msg                        | Syslnf3(ci, mcc, mnc, lac, ccd, co, crh, mtmc, neci, maxtx, txint, re)                                                               |          |
| <b>Detailed Comments:</b>  |                                                                                                                                      |          |

| ASP Constraint Declaration |                                                                                                                            |          |
|----------------------------|----------------------------------------------------------------------------------------------------------------------------|----------|
| <b>Constraint Name:</b>    | SysInfo2(ch: LOGICCH; bcchfl: NCD; maxtx:B_2; txint:B_4; re:B_1; nccp:NCCP)                                                |          |
| <b>ASP Type:</b>           | DL_UdatRqSysinfo2                                                                                                          |          |
| <b>Derivation Path:</b>    |                                                                                                                            |          |
| <b>Comments:</b>           | To send the default SYSTEM INFORMATION TYPE 2 message containing default neighbour cells description in cell B for GSM900. |          |
| Parameter Name             | Parameter Value                                                                                                            | Comments |
| sapi                       | C_Sap0                                                                                                                     |          |
| logic_ch                   | ch                                                                                                                         |          |
| msg                        | SysInf2(bcchfl, maxtx, txint, re, nccp)                                                                                    |          |
| <b>Detailed Comments:</b>  |                                                                                                                            |          |

| ASP Constraint Declaration |                                                                                      |          |
|----------------------------|--------------------------------------------------------------------------------------|----------|
| <b>Constraint Name:</b>    | SysInfo2bis(ch: LOGICCH)                                                             |          |
| <b>ASP Type:</b>           | DL_UdatRqSysinfo2bis                                                                 |          |
| <b>Derivation Path:</b>    |                                                                                      |          |
| <b>Comments:</b>           | SYSTEM INFORMATION 2bis in cell A under EGSM with the ARFCN list = {988, 990, 1003}. |          |
| Parameter Name             | Parameter Value                                                                      | Comments |
| sapi                       | C_Sap0                                                                               |          |
| logic_ch                   | ch                                                                                   |          |
| msg                        | SysInf2bis                                                                           |          |
| <b>Detailed Comments:</b>  |                                                                                      |          |

| ASP Constraint Declaration |                                                                                                                                   |          |
|----------------------------|-----------------------------------------------------------------------------------------------------------------------------------|----------|
| <b>Constraint Name:</b>    | SysInfo3(ch:LOGICCH; ci:CI; mcc, mnc, lac:OCTETSTRING; ccd:CCD; co:CO; crh, mtmc:INTEGER; neci:B_1; maxtx:B_2; txint:B_4; re:B_1) |          |
| <b>ASP Type:</b>           | DL_UdatRqSysinfo3                                                                                                                 |          |
| <b>Derivation Path:</b>    |                                                                                                                                   |          |
| <b>Comments:</b>           |                                                                                                                                   |          |
| Parameter Name             | Parameter Value                                                                                                                   | Comments |
| sapi                       | C_Sap0                                                                                                                            |          |
| logic_ch                   | ch                                                                                                                                |          |
| msg                        | SysInf3(ci, mcc, mnc, lac, ccd, co, crh, mtmc, neci, maxtx, txint, re)                                                            |          |
| <b>Detailed Comments:</b>  |                                                                                                                                   |          |

| ASP Constraint Declaration |                                                                                                           |          |
|----------------------------|-----------------------------------------------------------------------------------------------------------|----------|
| <b>Constraint Name:</b>    | SysInfo3_inv_01( mcc, mnc, lac:OCTETSTRING)                                                               |          |
| <b>ASP Type:</b>           | DL_UdatRqSysinfo3                                                                                         |          |
| <b>Derivation Path:</b>    |                                                                                                           |          |
| <b>Comments:</b>           | To send a SYSTEM INFORMATION message containing new location area and rest octets which are not all '2B'0 |          |
| Parameter Name             | Parameter Value                                                                                           | Comments |
| sapi                       | C_Sap0                                                                                                    |          |
| logic_ch                   | C_BCCH_A_1                                                                                                |          |
| msg                        | SysInf3_inv_01( mcc, mnc, lac)                                                                            |          |
| <b>Detailed Comments:</b>  |                                                                                                           |          |

| ASP Constraint Declaration |                                                                                                            |          |
|----------------------------|------------------------------------------------------------------------------------------------------------|----------|
| <b>Constraint Name:</b>    | SysInfo4(ch:LOGICCH; mcc, mnc, lac:OCTETSTRING; crh, mtmc:INTEGER; neci:B_1; maxtx:B_2; txint:B_4; re:B_1) |          |
| <b>ASP Type:</b>           | DL_UdatRqSysinfo4                                                                                          |          |
| <b>Derivation Path:</b>    |                                                                                                            |          |
| <b>Comments:</b>           | To send a default SYSTEM INFORMATION TYPE 4 message                                                        |          |
| Parameter Name             | Parameter Value                                                                                            | Comments |
| sapi                       | C_Sap0                                                                                                     |          |
| logic_ch                   | ch                                                                                                         |          |
| msg                        | SysInf4(mcc, mnc, lac, crh, mtmc, neci, maxtx, txint, re)                                                  |          |
| <b>Detailed Comments:</b>  |                                                                                                            |          |

| ASP Constraint Declaration |                                                                                                                            |          |
|----------------------------|----------------------------------------------------------------------------------------------------------------------------|----------|
| <b>Constraint Name:</b>    | SysInfo4_CBMS(ch:LOGICCH; mcc, mnc, lac:OCTETSTRING; crh, mtmc:INTEGER; neci:B_1; maxtx:B_2; txint:B_4; re:B_1; cbchd:CHD) |          |
| <b>ASP Type:</b>           | DL_UdatRqSysinfo4                                                                                                          |          |
| <b>Derivation Path:</b>    |                                                                                                                            |          |
| <b>Comments:</b>           | To send a SYSTEM INFORMATION TYPE 4 message for SMSCB with the values or GSM 11.10, 34.3                                   |          |
| Parameter Name             | Parameter Value                                                                                                            | Comments |
| sapi                       | C_Sap0                                                                                                                     |          |
| logic_ch                   | ch                                                                                                                         |          |
| msg                        | SysInf4_CBMS(mcc, mnc, lac, crh, mtmc, neci, maxtx,txint, re, cbchd)                                                       |          |
| <b>Detailed Comments:</b>  |                                                                                                                            |          |

| ASP Constraint Declaration |                                                                                     |          |
|----------------------------|-------------------------------------------------------------------------------------|----------|
| <b>Constraint Name:</b>    | SysInfo4_inv_01( mcc, mnc, lac:OCTETSTRING)                                         |          |
| <b>ASP Type:</b>           | DL_UdatRqSysinfo4                                                                   |          |
| <b>Derivation Path:</b>    |                                                                                     |          |
| <b>Comments:</b>           | To send a SYSTEM INFORMATION message containing rest octets which are not all '2B'O |          |
| Parameter Name             | Parameter Value                                                                     | Comments |
| sapi                       | C_Sap0                                                                              |          |
| logic_ch                   | C_BCCH_A_1                                                                          |          |
| msg                        | SysInf4_inv_01( mcc, mnc, lac)                                                      |          |
| <b>Detailed Comments:</b>  |                                                                                     |          |

| ASP Constraint Declaration |                                                     |          |
|----------------------------|-----------------------------------------------------|----------|
| <b>Constraint Name:</b>    | SysInfo5(sacch: LOGICCH; sysinfo5_pdu:SYSINFO5_PDU) |          |
| <b>ASP Type:</b>           | DL_UdatRqSysinfo5                                   |          |
| <b>Derivation Path:</b>    |                                                     |          |
| <b>Comments:</b>           | To send a SYSTEM INFORMATION TYPE 5 message.        |          |
| Parameter Name             | Parameter Value                                     | Comments |
| sapi                       | C_Sap0                                              |          |
| logic_ch                   | sacch                                               |          |
| msg                        | sysinfo5_pdu                                        |          |
| <b>Detailed Comments:</b>  |                                                     |          |

| ASP Constraint Declaration |                                                              |          |
|----------------------------|--------------------------------------------------------------|----------|
| <b>Constraint Name:</b>    | SysInfo5bis(sacch: LOGICCH; sysinfo5bis_pdu:SYSINFO5bis_PDU) |          |
| <b>ASP Type:</b>           | DL_UdatRqSysinfo5bis                                         |          |
| <b>Derivation Path:</b>    |                                                              |          |
| <b>Comments:</b>           | To send a SYSTEM INFORMATION TYPE 5bis message.              |          |
| Parameter Name             | Parameter Value                                              | Comments |
| sapi                       | C_Sap0                                                       |          |
| logic_ch                   | sacch                                                        |          |
| msg                        | sysinfo5bis_pdu                                              |          |
| <b>Detailed Comments:</b>  |                                                              |          |

| ASP Constraint Declaration |                                                     |          |
|----------------------------|-----------------------------------------------------|----------|
| <b>Constraint Name:</b>    | SysInfo6(sacch: LOGICCH; sysinfo6_pdu:SYSINFO6_PDU) |          |
| <b>ASP Type:</b>           | DL_UdatRqSysinfo6                                   |          |
| <b>Derivation Path:</b>    |                                                     |          |
| <b>Comments:</b>           | To send a SYSTEM INFORMATION TYPE 6 message.        |          |
| Parameter Name             | Parameter Value                                     | Comments |
| sapi                       | C_Sap0                                              |          |
| logic_ch                   | sacch                                               |          |
| msg                        | sysinfo6_pdu                                        |          |
| <b>Detailed Comments:</b>  |                                                     |          |

| ASP Constraint Declaration |                                                                |          |
|----------------------------|----------------------------------------------------------------|----------|
| <b>Constraint Name:</b>    | TmsiReallocSnd( par:MI; ch:LOGICCH; mcc, mnc, lac:OCTETSTRING) |          |
| <b>ASP Type:</b>           | DL_DatRqTmsireCmd                                              |          |
| <b>Derivation Path:</b>    |                                                                |          |
| <b>Comments:</b>           | To send a TMSI REALLOCATION COMMAND message.                   |          |
| Parameter Name             | Parameter Value                                                | Comments |
| sapi                       | C_Sap0                                                         |          |
| logic_ch                   | ch                                                             |          |
| msg                        | TmsiReallocCmd(par, mcc, mnc, lac)                             |          |
| <b>Detailed Comments:</b>  |                                                                |          |

| ASP Constraint Declaration |                                                  |          |
|----------------------------|--------------------------------------------------|----------|
| <b>Constraint Name:</b>    | TmsiReallocCmp( ch:LOGICCH)                      |          |
| <b>ASP Type:</b>           | DL_DatInTmsireCom                                |          |
| <b>Derivation Path:</b>    |                                                  |          |
| <b>Comments:</b>           | To receive a TMSI REALLOCATION COMPLETE message. |          |
| Parameter Name             | Parameter Value                                  | Comments |
| sapi                       | C_Sap0                                           |          |
| logic_ch                   | ch                                               |          |
| msg                        | TmsiReallocComp                                  |          |
| fn                         | ?                                                |          |
| <b>Detailed Comments:</b>  |                                                  |          |

| ASP Constraint Declaration |                                      |          |
|----------------------------|--------------------------------------|----------|
| <b>Constraint Name:</b>    | UndefCC( ch: LOGICCH; pdu: CONN_PDU) |          |
| <b>ASP Type:</b>           | DL_DatRqUndefCC                      |          |
| <b>Derivation Path:</b>    |                                      |          |
| <b>Comments:</b>           | To send an undefined Layer 3 message |          |
| Parameter Name             | Parameter Value                      | Comments |
| sapi                       | C_Sap0                               |          |
| logic_ch                   | ch                                   |          |
| msg                        | pdu                                  |          |
| <b>Detailed Comments:</b>  |                                      |          |

| ASP Constraint Declaration |                                      |          |
|----------------------------|--------------------------------------|----------|
| <b>Constraint Name:</b>    | UndefMM( ch:LOGICCH; pdu:ID_RES_PDU) |          |
| <b>ASP Type:</b>           | DL_DatRqUndefMM                      |          |
| <b>Derivation Path:</b>    |                                      |          |
| <b>Comments:</b>           | To send an undefined MM message      |          |
| Parameter Name             | Parameter Value                      | Comments |
| sapi                       | C_Sap0                               |          |
| logic_ch                   | ch                                   |          |
| msg                        | pdu                                  |          |
| <b>Detailed Comments:</b>  |                                      |          |

| ASP Constraint Declaration |                                         |          |
|----------------------------|-----------------------------------------|----------|
| <b>Constraint Name:</b>    | UndefRR( ch: LOGICCH; pdu:PART_REL_PDU) |          |
| <b>ASP Type:</b>           | DL_DatRqUndefRR                         |          |
| <b>Derivation Path:</b>    |                                         |          |
| <b>Comments:</b>           | To send an undefined RR message         |          |
| Parameter Name             | Parameter Value                         | Comments |
| sapi                       | C_Sap0                                  |          |
| logic_ch                   | ch                                      |          |
| msg                        | pdu                                     |          |
| <b>Detailed Comments:</b>  |                                         |          |

| ASP Constraint Declaration |                                                                        |          |
|----------------------------|------------------------------------------------------------------------|----------|
| <b>Constraint Name:</b>    | Unknown( ch: LOGICCH; pdu: CCST_ENQ_PDU)                               |          |
| <b>ASP Type:</b>           | DL_DatRqUnknown                                                        |          |
| <b>Derivation Path:</b>    |                                                                        |          |
| <b>Comments:</b>           | To send an unknown CC message which is coded like a CC STATUS ENQUIRY. |          |
| Parameter Name             | Parameter Value                                                        | Comments |
| sapi                       | C_Sap0                                                                 |          |
| logic_ch                   | ch                                                                     |          |
| msg                        | pdu                                                                    |          |
| <b>Detailed Comments:</b>  |                                                                        |          |



| ASP Constraint Declaration |                                                                                                                    |          |
|----------------------------|--------------------------------------------------------------------------------------------------------------------|----------|
| <b>Constraint Name:</b>    | DatInCpData( ch:LOGICCH; message:CP_DATA_PDU)                                                                      |          |
| <b>ASP Type:</b>           | DL_DatInCpData                                                                                                     |          |
| <b>Derivation Path:</b>    |                                                                                                                    |          |
| <b>Comments:</b>           | The ASP is used to indicate the receipt of the SMS CP DATA message using acknowledged operation (L2 -> L3) for MT. |          |
| Parameter Name             | Parameter Value                                                                                                    | Comments |
| sapi                       | C_Sap3                                                                                                             |          |
| logic_ch                   | ch                                                                                                                 |          |
| msg                        | message                                                                                                            |          |
| fn                         | ?                                                                                                                  |          |
| <b>Detailed Comments:</b>  |                                                                                                                    |          |

| ASP Constraint Declaration |                                                                                                            |          |
|----------------------------|------------------------------------------------------------------------------------------------------------|----------|
| <b>Constraint Name:</b>    | DatRqCpData(message:CP_DATA_PDU; ch: LOGICCH)                                                              |          |
| <b>ASP Type:</b>           | DL_DatRqCpData                                                                                             |          |
| <b>Derivation Path:</b>    |                                                                                                            |          |
| <b>Comments:</b>           | ASP to request the transmission of the SMS CP DATA message using acknowledged operation (L3 -> L2) for MO. |          |
| Parameter Name             | Parameter Value                                                                                            | Comments |
| sapi                       | C_Sap3                                                                                                     |          |
| logic_ch                   | ch                                                                                                         |          |
| msg                        | message                                                                                                    |          |
| <b>Detailed Comments:</b>  |                                                                                                            |          |

| ASP Constraint Declaration |                                                                                                              |          |
|----------------------------|--------------------------------------------------------------------------------------------------------------|----------|
| <b>Constraint Name:</b>    | DatInCpDataAck(message:CPDATA_ACK_PDU)                                                                       |          |
| <b>ASP Type:</b>           | DL_DatInCpDataAck                                                                                            |          |
| <b>Derivation Path:</b>    |                                                                                                              |          |
| <b>Comments:</b>           | The ASP is used to indicate the receipt of the SMS CP DATA message using acknowledged operation (L2 -> L3) . |          |
| Parameter Name             | Parameter Value                                                                                              | Comments |
| sapi                       | C_Sap3                                                                                                       |          |
| logic_ch                   | ?                                                                                                            |          |
| msg                        | message                                                                                                      |          |
| fn                         | ?                                                                                                            |          |
| <b>Detailed Comments:</b>  |                                                                                                              |          |

| ASP Constraint Declaration |                                                                                                                 |          |
|----------------------------|-----------------------------------------------------------------------------------------------------------------|----------|
| <b>Constraint Name:</b>    | DatRqCpDataAck(message:CPDATA_ACK_PDU; ch: LOGICCH)                                                             |          |
| <b>ASP Type:</b>           | DL_DatRqCpDataAck                                                                                               |          |
| <b>Derivation Path:</b>    |                                                                                                                 |          |
| <b>Comments:</b>           | The ASP is used to request the transmission of the SMS CP DATA message using acknowledged operation (L3 -> L2). |          |
| Parameter Name             | Parameter Value                                                                                                 | Comments |
| sapi                       | C_Sap3                                                                                                          |          |
| logic_ch                   | ch                                                                                                              |          |
| msg                        | message                                                                                                         |          |
| <b>Detailed Comments:</b>  |                                                                                                                 |          |

| ASP Constraint Declaration |                                                                                                             |          |
|----------------------------|-------------------------------------------------------------------------------------------------------------|----------|
| <b>Constraint Name:</b>    | DatRqCpError(message:CPERR_PDU; ch: LOGICCH)                                                                |          |
| <b>ASP Type:</b>           | DL_DatRqCpError                                                                                             |          |
| <b>Derivation Path:</b>    |                                                                                                             |          |
| <b>Comments:</b>           | ASP to request the transmission of the SMS CP ERROR message using acknowledged operation (L3 -> L2) for MO. |          |
| Parameter Name             | Parameter Value                                                                                             | Comments |
| sapi                       | C_Sap3                                                                                                      |          |
| logic_ch                   | ch                                                                                                          |          |
| msg                        | message                                                                                                     |          |
| <b>Detailed Comments:</b>  |                                                                                                             |          |

### PDU constraint declarations

### TTCN PDU constraint declarations

| PDU Constraint Declaration |                                                                          |          |
|----------------------------|--------------------------------------------------------------------------|----------|
| <b>Constraint Name:</b>    | Alerting_01(Ti :TI)                                                      |          |
| <b>PDU Type:</b>           | ALERT_PDU                                                                |          |
| <b>Derivation Path:</b>    |                                                                          |          |
| <b>Comments:</b>           | An ALERTING message containing mandatory IE's only to be sent to the MS. |          |
| Field Name                 | Field Value                                                              | Comments |
| ti                         | Ti                                                                       |          |
| ccpd                       | '0011'B                                                                  |          |
| mt                         | '00000001'B                                                              |          |
| fie                        | -                                                                        |          |
| pi                         | -                                                                        |          |
| uu                         | -                                                                        |          |
| ssvi                       | -                                                                        |          |
| <b>Detailed Comments:</b>  |                                                                          |          |

| PDU Constraint Declaration |                                                                  |          |
|----------------------------|------------------------------------------------------------------|----------|
| <b>Constraint Name:</b>    | Alerting_04(Ti :TI; fie:FIE)                                     |          |
| <b>PDU Type:</b>           | ALERT_PDU                                                        |          |
| <b>Derivation Path:</b>    |                                                                  |          |
| <b>Comments:</b>           | An ALERTING message containing facility IE to be sent to the MS. |          |
| Field Name                 | Field Value                                                      | Comments |
| ti                         | Ti                                                               |          |
| ccpd                       | '0011'B                                                          |          |
| mt                         | '00000001'B                                                      |          |
| fie                        | fie                                                              |          |
| pi                         | -                                                                |          |
| uu                         | -                                                                |          |
| ssvi                       | -                                                                |          |
| <b>Detailed Comments:</b>  |                                                                  |          |

| PDU Constraint Declaration |                                       |          |
|----------------------------|---------------------------------------|----------|
| <b>Constraint Name:</b>    | AlertingInd_01( ti:Ti)                |          |
| <b>PDU Type:</b>           | ALERT_PDU                             |          |
| <b>Derivation Path:</b>    |                                       |          |
| <b>Comments:</b>           | To match an received ALERTING message |          |
| Field Name                 | Field Value                           | Comments |
| ti                         | ti                                    |          |
| ccpd                       | '0011'B                               |          |
| mt                         | '0?000001'B                           |          |
| fie                        | *                                     |          |
| pi                         | -                                     |          |
| uu                         | *                                     |          |
| ssvi                       | *                                     |          |
| <b>Detailed Comments:</b>  |                                       |          |

| PDU Constraint Declaration |                                       |          |
|----------------------------|---------------------------------------|----------|
| <b>Constraint Name:</b>    | AlertingInd_02(Ti:Ti)                 |          |
| <b>PDU Type:</b>           | ALERT_PDU                             |          |
| <b>Derivation Path:</b>    |                                       |          |
| <b>Comments:</b>           | To match an received ALERTING message |          |
| Field Name                 | Field Value                           | Comments |
| ti                         | Ti                                    |          |
| ccpd                       | '0011'B                               |          |
| mt                         | '0?000001'B                           |          |
| fie                        | *                                     |          |
| pi                         | -                                     |          |
| uu                         | *                                     |          |
| ssvi                       | *                                     |          |
| <b>Detailed Comments:</b>  |                                       |          |

| PDU Constraint Declaration |                                                                                                                                             |          |
|----------------------------|---------------------------------------------------------------------------------------------------------------------------------------------|----------|
| <b>Constraint Name:</b>    | AsgnCmd_fh( slot:SN; tsc:TSC; chtype:CH_TDMA; par_pwlvl:INTEGER; maio:MAIO; hsn:HSN; frql:FRQL; Cchd:CCHD; chmod:CHMOD; ma:MA; Cphms:CPHMS) |          |
| <b>PDU Type:</b>           | ASS_CMD_PDU                                                                                                                                 |          |
| <b>Derivation Path:</b>    |                                                                                                                                             |          |
| <b>Comments:</b>           | An ASSIGNMENT COMMAND message for hopping without starting time.                                                                            |          |
| Field Name                 | Field Value                                                                                                                                 | Comments |
| ski                        | '0000'B                                                                                                                                     |          |
| rrpd                       | '0110'B                                                                                                                                     |          |
| mt                         | '00101110'B                                                                                                                                 |          |
| ch1d_at                    | ChDescrp_fh(chtype, slot, tsc, maio, hsn)                                                                                                   |          |
| pcmd                       | Pcmd_19(INT_TO_BIT(par_pwlvl, 5))                                                                                                           |          |
| frql_at                    | frql                                                                                                                                        |          |
| cchd                       | Cchd                                                                                                                                        |          |
| ch1mod                     | chmod                                                                                                                                       |          |
| ch2d_at                    | -                                                                                                                                           |          |
| ch2mod                     | -                                                                                                                                           |          |
| ma_at                      | ma                                                                                                                                          |          |
| strt                       | -                                                                                                                                           |          |
| frql_bt                    | -                                                                                                                                           |          |
| ch1d_bt                    | -                                                                                                                                           |          |
| ch2d_bt                    | -                                                                                                                                           |          |
| frqchs_bt                  | -                                                                                                                                           |          |
| ma_bt                      | -                                                                                                                                           |          |
| cphms                      | Cphms                                                                                                                                       |          |
| <b>Detailed Comments:</b>  |                                                                                                                                             |          |

| PDU Constraint Declaration |                                                                                                                        |          |
|----------------------------|------------------------------------------------------------------------------------------------------------------------|----------|
| <b>Constraint Name:</b>    | AsgnCmd_nfh( type:CH_TDMA; slot:SN; tsc:TSC; par_pwlvl, arfcn:INTEGER; cchd:CCHD; chmod:CHMOD; strt:STRT; cphms:CPHMS) |          |
| <b>PDU Type:</b>           | ASS_CMD_PDU                                                                                                            |          |
| <b>Derivation Path:</b>    |                                                                                                                        |          |
| <b>Comments:</b>           | An ASSIGNMENT COMMAND message. The channel mode and type are specified as parameters.                                  |          |
| Field Name                 | Field Value                                                                                                            | Comments |
| ski                        | '0000'B                                                                                                                |          |
| rrpd                       | '0110'B                                                                                                                |          |
| mt                         | '00101110'B                                                                                                            |          |
| ch1d_at                    | ChDescrip_nfh( type, slot, tsc, arfcn)                                                                                 |          |
| pcmd                       | Pcmd_19(INT_TO_BIT(par_pwlvl, 5))                                                                                      |          |
| frql_at                    | -                                                                                                                      |          |
| cchd                       | cchd                                                                                                                   |          |
| ch1mod                     | chmod                                                                                                                  |          |
| ch2d_at                    | -                                                                                                                      |          |
| ch2mod                     | -                                                                                                                      |          |
| ma_at                      | -                                                                                                                      |          |
| strt                       | strt                                                                                                                   |          |
| frql_bt                    | -                                                                                                                      |          |
| ch1d_bt                    | -                                                                                                                      |          |
| ch2d_bt                    | -                                                                                                                      |          |
| frqchs_bt                  | -                                                                                                                      |          |
| ma_bt                      | -                                                                                                                      |          |
| cphms                      | cphms                                                                                                                  |          |
| <b>Detailed Comments:</b>  | used iin CC testing                                                                                                    |          |

| PDU Constraint Declaration |                                                                                                                                  |          |
|----------------------------|----------------------------------------------------------------------------------------------------------------------------------|----------|
| <b>Constraint Name:</b>    | AsgnCmd_tchf_fh( slot:SN; tsc:TSC; par_pwlvl:INTEGER; maio:MAIO; hsn:HSN; frql:FRQL; cchd:CCHD; chmod:CHMOD; ma:MA; cphms:CPHMS) |          |
| <b>PDU Type:</b>           | ASS_CMD_PDU                                                                                                                      |          |
| <b>Derivation Path:</b>    |                                                                                                                                  |          |
| <b>Comments:</b>           | An ASSIGNMENT COMMAND message                                                                                                    |          |
| Field Name                 | Field Value                                                                                                                      | Comments |
| ski                        | '0000'B                                                                                                                          |          |
| rrpd                       | '0110'B                                                                                                                          |          |
| mt                         | '00101110'B                                                                                                                      |          |
| ch1d_at                    | ChDescrip_tchf_fh( slot, tsc, maio, hsn)                                                                                         |          |
| pcmd                       | Pcmd_19(INT_TO_BIT(par_pwlvl, 5))                                                                                                |          |
| frql_at                    | frql                                                                                                                             |          |
| cchd                       | cchd                                                                                                                             |          |
| ch1mod                     | chmod                                                                                                                            |          |
| ch2d_at                    | -                                                                                                                                |          |
| ch2mod                     | -                                                                                                                                |          |
| ma_at                      | ma                                                                                                                               |          |
| strt                       | -                                                                                                                                |          |
| frql_bt                    | -                                                                                                                                |          |
| ch1d_bt                    | -                                                                                                                                |          |
| ch2d_bt                    | -                                                                                                                                |          |
| frqchs_bt                  | -                                                                                                                                |          |
| ma_bt                      | -                                                                                                                                |          |
| cphms                      | cphms                                                                                                                            |          |
| <b>Detailed Comments:</b>  |                                                                                                                                  |          |

| PDU Constraint Declaration |                                                                                                                                             |          |
|----------------------------|---------------------------------------------------------------------------------------------------------------------------------------------|----------|
| <b>Constraint Name:</b>    | AsgnCmd_tchh_fh( subch:B_1; slot:SN; tsc:TSC; par_pwlvl:INTEGER; maio:MAIO; hsn:HSN; frql:FRQL; cchd:CCHD; chmod:CHMOD; ma:MA; cphms:CPHMS) |          |
| <b>PDU Type:</b>           | ASS_CMD_PDU                                                                                                                                 |          |
| <b>Derivation Path:</b>    |                                                                                                                                             |          |
| <b>Comments:</b>           | An ASSIGNMENT COMMAND message                                                                                                               |          |
| Field Name                 | Field Value                                                                                                                                 | Comments |
| ski                        | '0000'B                                                                                                                                     |          |
| rrpd                       | '0110'B                                                                                                                                     |          |
| mt                         | '00101110'B                                                                                                                                 |          |
| ch1d_at                    | ChDescrp_tchh_fh( slot, tsc, subch, maio, hsn)                                                                                              |          |
| pcmd                       | Pcmd_19(INT_TO_BIT(par_pwlvl, 5))                                                                                                           |          |
| frql_at                    | frql                                                                                                                                        |          |
| cchd                       | cchd                                                                                                                                        |          |
| ch1mod                     | chmod                                                                                                                                       |          |
| ch2d_at                    | -                                                                                                                                           |          |
| ch2mod                     | -                                                                                                                                           |          |
| ma_at                      | ma                                                                                                                                          |          |
| strt                       | -                                                                                                                                           |          |
| frql_bt                    | -                                                                                                                                           |          |
| ch1d_bt                    | -                                                                                                                                           |          |
| ch2d_bt                    | -                                                                                                                                           |          |
| frqchs_bt                  | -                                                                                                                                           |          |
| ma_bt                      | -                                                                                                                                           |          |
| cphms                      | cphms                                                                                                                                       |          |
| <b>Detailed Comments:</b>  |                                                                                                                                             |          |

| PDU Constraint Declaration |                                                                                                             |          |
|----------------------------|-------------------------------------------------------------------------------------------------------------|----------|
| <b>Constraint Name:</b>    | AsgnCmd_tchh_nfh( subch:B_1; slot:SN; tsc:TSC; par_pwlvl, arfcn:INTEGER; cchd:CCHD; chmod:CHMOD; strt:STRT) |          |
| <b>PDU Type:</b>           | ASS_CMD_PDU                                                                                                 |          |
| <b>Derivation Path:</b>    |                                                                                                             |          |
| <b>Comments:</b>           | An ASSIGNMENT COMMAND message                                                                               |          |
| Field Name                 | Field Value                                                                                                 | Comments |
| ski                        | '0000'B                                                                                                     |          |
| rrpd                       | '0110'B                                                                                                     |          |
| mt                         | '00101110'B                                                                                                 |          |
| ch1d_at                    | ChDescrp_tchh_nfh( slot, tsc, subch, arfcn)                                                                 |          |
| pcmd                       | Pcmd_19(INT_TO_BIT(par_pwlvl, 5))                                                                           |          |
| frql_at                    | -                                                                                                           |          |
| cchd                       | cchd                                                                                                        |          |
| ch1mod                     | chmod                                                                                                       |          |
| ch2d_at                    | -                                                                                                           |          |
| ch2mod                     | -                                                                                                           |          |
| ma_at                      | -                                                                                                           |          |
| strt                       | strt                                                                                                        |          |
| frql_bt                    | -                                                                                                           |          |
| ch1d_bt                    | -                                                                                                           |          |
| ch2d_bt                    | -                                                                                                           |          |
| frqchs_bt                  | -                                                                                                           |          |
| ma_bt                      | -                                                                                                           |          |
| cphms                      | -                                                                                                           |          |
| <b>Detailed Comments:</b>  |                                                                                                             |          |

| PDU Constraint Declaration |                                                                                                              |          |
|----------------------------|--------------------------------------------------------------------------------------------------------------|----------|
| <b>Constraint Name:</b>    | AsgnCmd_22_Ae1(ts_ccch: BITSTRING; par_chtype:CH_TDMA; par_flist:OCTETSTRING; par_flistl: LENGTH; n:INTEGER) |          |
| <b>PDU Type:</b>           | ASS_CMD_PDU                                                                                                  |          |
| <b>Derivation Path:</b>    |                                                                                                              |          |
| <b>Comments:</b>           | An ASSIGNMENT COMMAND message assigning TCH/F non FH channel in cell A for EGSM.                             |          |
| Field Name                 | Field Value                                                                                                  | Comments |
| ski                        | '0000'B                                                                                                      |          |
| rrpd                       | '0110'B                                                                                                      |          |
| mt                         | '00101110'B                                                                                                  |          |
| ch1d_at                    | ChDescrp_fh( par_chtype, ts_ccch, TSPX_TscDef, INT_TO_BIT((TSPX_MAIO MOD n),6), INT_TO_BIT(TSPX_HSN, 6))     |          |
| pcmd                       | Pcmd_19('01001'B)                                                                                            |          |
| frql_at                    | Frql_20_egsm(par_flist, par_flistl)                                                                          |          |
| cchd                       | -                                                                                                            |          |
| ch1mod                     | -                                                                                                            |          |
| ch2d_at                    | -                                                                                                            |          |
| ch2mod                     | -                                                                                                            |          |
| ma_at                      | -                                                                                                            |          |
| strt                       | -                                                                                                            |          |
| frql_bt                    | -                                                                                                            |          |
| ch1d_bt                    | -                                                                                                            |          |
| ch2d_bt                    | -                                                                                                            |          |
| frqchs_bt                  | -                                                                                                            |          |
| ma_bt                      | -                                                                                                            |          |
| cphms                      | -                                                                                                            |          |
| <b>Detailed Comments:</b>  |                                                                                                              |          |

| PDU Constraint Declaration |                                                                                                            |          |
|----------------------------|------------------------------------------------------------------------------------------------------------|----------|
| <b>Constraint Name:</b>    | AsgnCmd_22_Ae2(ts_ccch: BITSTRING; par_chtype:CH_TDMA; par_cchd: OCTETSTRING; par_ma:BITSTRING; n:INTEGER) |          |
| <b>PDU Type:</b>           | ASS_CMD_PDU                                                                                                |          |
| <b>Derivation Path:</b>    |                                                                                                            |          |
| <b>Comments:</b>           | An ASSIGNMENT COMMAND message assigning TCH/F non FH channel in cell A for EGSM.                           |          |
| Field Name                 | Field Value                                                                                                | Comments |
| ski                        | '0000'B                                                                                                    |          |
| rrpd                       | '0110'B                                                                                                    |          |
| mt                         | '00101110'B                                                                                                |          |
| ch1d_at                    | ChDescrp_fh( par_chtype, ts_ccch, TSPX_TscDef, INT_TO_BIT((TSPX_MAIO MOD n),6), INT_TO_BIT(TSPX_HSN, 6))   |          |
| pcmd                       | Pcmd_19('01001'B)                                                                                          |          |
| frql_at                    | -                                                                                                          |          |
| cchd                       | CellChDes_20_Be(par_cchd)                                                                                  |          |
| ch1mod                     | -                                                                                                          |          |
| ch2d_at                    | -                                                                                                          |          |
| ch2mod                     | -                                                                                                          |          |
| ma_at                      | MoblAllc_20_Be1(par_ma)                                                                                    |          |
| strt                       | -                                                                                                          |          |
| frql_bt                    | -                                                                                                          |          |
| ch1d_bt                    | -                                                                                                          |          |
| ch2d_bt                    | -                                                                                                          |          |
| frqchs_bt                  | -                                                                                                          |          |
| ma_bt                      | -                                                                                                          |          |
| cphms                      | -                                                                                                          |          |
| <b>Detailed Comments:</b>  |                                                                                                            |          |

| PDU Constraint Declaration |                                                                                                                                |          |
|----------------------------|--------------------------------------------------------------------------------------------------------------------------------|----------|
| <b>Constraint Name:</b>    | AsgnCmd_22_Ae3(ts_ccch: BITSTRING; par_chtype:CH_TDMA; par_cchd: OCTETSTRING; par_ma1:BITSTRING; par_ma2:BITSTRING; n:INTEGER) |          |
| <b>PDU Type:</b>           | ASS_CMD_PDU                                                                                                                    |          |
| <b>Derivation Path:</b>    |                                                                                                                                |          |
| <b>Comments:</b>           | An ASSIGNMENT COMMAND message assigning TCH/F non FH channel in cell A for EGSM.                                               |          |
| Field Name                 | Field Value                                                                                                                    | Comments |
| ski                        | '0000'B                                                                                                                        |          |
| rrpd                       | '0110'B                                                                                                                        |          |
| mt                         | '00101110'B                                                                                                                    |          |
| ch1d_at                    | ChDescrp_fh( par_chtype, ts_ccch, TSPX_TscDef, INT_TO_BIT((TSPX_MAIO MOD n),6), INT_TO_BIT(TSPX_HSN, 6))                       |          |
| pcmd                       | Pcmd_19('01001'B)                                                                                                              |          |
| frql_at                    | -                                                                                                                              |          |
| cchd                       | CellChDes_20_Be(par_cchd)                                                                                                      |          |
| ch1mod                     | -                                                                                                                              |          |
| ch2d_at                    | -                                                                                                                              |          |
| ch2mod                     | -                                                                                                                              |          |
| ma_at                      | MoblAllc_20_Be2iei(par_ma1, par_ma2)                                                                                           |          |
| strt                       | -                                                                                                                              |          |
| frql_bt                    | -                                                                                                                              |          |
| ch1d_bt                    | -                                                                                                                              |          |
| ch2d_bt                    | -                                                                                                                              |          |
| frqchs_bt                  | -                                                                                                                              |          |
| ma_bt                      | -                                                                                                                              |          |
| cphms                      | -                                                                                                                              |          |
| <b>Detailed Comments:</b>  |                                                                                                                                |          |

| PDU Constraint Declaration |                                                                  |          |
|----------------------------|------------------------------------------------------------------|----------|
| <b>Constraint Name:</b>    | AsgnCmd_inv_01(slot:SN; tsc:TSC)                                 |          |
| <b>PDU Type:</b>           | ASS_CMD_PDU                                                      |          |
| <b>Derivation Path:</b>    |                                                                  |          |
| <b>Comments:</b>           | An ASSIGNMENT COMMAND message containing invalid skip identifier |          |
| Field Name                 | Field Value                                                      | Comments |
| ski                        | '0100'B                                                          |          |
| rrpd                       | '0110'B                                                          |          |
| mt                         | '00101110'B                                                      |          |
| ch1d_at                    | ChDescrp_nfh( '00001'B, slot, tsc, C_arfcnA)                     |          |
| pcmd                       | Pcmd_19('01001'B)                                                |          |
| frql_at                    | -                                                                |          |
| cchd                       | -                                                                |          |
| ch1mod                     | -                                                                |          |
| ch2d_at                    | -                                                                |          |
| ch2mod                     | -                                                                |          |
| ma_at                      | -                                                                |          |
| strt                       | -                                                                |          |
| frql_bt                    | -                                                                |          |
| ch1d_bt                    | -                                                                |          |
| ch2d_bt                    | -                                                                |          |
| frqchs_bt                  | -                                                                |          |
| ma_bt                      | -                                                                |          |
| cphms                      | -                                                                |          |
| <b>Detailed Comments:</b>  |                                                                  |          |

| PDU Constraint Declaration |                                                                                                   |          |
|----------------------------|---------------------------------------------------------------------------------------------------|----------|
| <b>Constraint Name:</b>    | AsgnCmd_r14(slot:SN; tsc:TSC; str:STRT)                                                           |          |
| <b>PDU Type:</b>           | ASS_CMD_PDU                                                                                       |          |
| <b>Derivation Path:</b>    |                                                                                                   |          |
| <b>Comments:</b>           | An ASSIGNMENT COMMAND message defined by PIXIT                                                    |          |
| Field Name                 | Field Value                                                                                       | Comments |
| ski                        | '0000'B                                                                                           |          |
| rrpd                       | '0110'B                                                                                           |          |
| mt                         | '00101110'B                                                                                       |          |
| ch1d_at                    | ChDescrp_fh( TSPX_Chtp1, slot, tsc,<br>INT_TO_BIT(TSPX_Maio2, 6),<br>INT_TO_BIT(TSPX_Hsn2, 6))    |          |
| pcmd                       | Pcmd_19( INT_TO_BIT( TSPX_PwrlvIA,<br>5))                                                         |          |
| frql_at                    | -                                                                                                 |          |
| cchd                       | -                                                                                                 |          |
| ch1mod                     | ChMod_r01                                                                                         |          |
| ch2d_at                    | -                                                                                                 |          |
| ch2mod                     | -                                                                                                 |          |
| ma_at                      | MoblAllc_r06                                                                                      |          |
| strt                       | strt                                                                                              |          |
| frql_bt                    | -                                                                                                 |          |
| ch1d_bt                    | ChDescrp_fhiei( TSPX_Chtp1, slot, tsc,<br>INT_TO_BIT(TSPX_Maio3, 6),<br>INT_TO_BIT(TSPX_Hsn3, 6)) |          |
| ch2d_bt                    | -                                                                                                 |          |
| frqchs_bt                  | -                                                                                                 |          |
| ma_bt                      | MoblAllc_r07                                                                                      |          |
| cphms                      | -                                                                                                 |          |
| <b>Detailed Comments:</b>  | used in TC_26_6_13_1 only.                                                                        |          |

| PDU Constraint Declaration |                                                                                                     |          |
|----------------------------|-----------------------------------------------------------------------------------------------------|----------|
| <b>Constraint Name:</b>    | AsgnCmd_r15(slot:SN; tsc:TSC; slot2:SN; tsc2:TSC; str:STRT)                                         |          |
| <b>PDU Type:</b>           | ASS_CMD_PDU                                                                                         |          |
| <b>Derivation Path:</b>    |                                                                                                     |          |
| <b>Comments:</b>           | An ASSIGNMENT COMMAND message defined by PIXIT                                                      |          |
| Field Name                 | Field Value                                                                                         | Comments |
| ski                        | '0000'B                                                                                             |          |
| rrpd                       | '0110'B                                                                                             |          |
| mt                         | '00101110'B                                                                                         |          |
| ch1d_at                    | ChDescrp_fh( TSPX_Chtp2, slot, tsc,<br>INT_TO_BIT(TSPX_Maio5, 6),<br>INT_TO_BIT(TSPX_Hsn5, 6))      |          |
| pcmd                       | Pcmd_19( INT_TO_BIT( TSPX_PwrlvIB,<br>5))                                                           |          |
| frql_at                    | -                                                                                                   |          |
| cchd                       | -                                                                                                   |          |
| ch1mod                     | ChMod_r02                                                                                           |          |
| ch2d_at                    | -                                                                                                   |          |
| ch2mod                     | -                                                                                                   |          |
| ma_at                      | MoblAllc_r09                                                                                        |          |
| strt                       | strt                                                                                                |          |
| frql_bt                    | -                                                                                                   |          |
| ch1d_bt                    | ChDescrp_fhiei( TSPX_Chtp2, slot2, tsc2,<br>INT_TO_BIT(TSPX_Maio3, 6),<br>INT_TO_BIT(TSPX_Hsn3, 6)) |          |
| ch2d_bt                    | -                                                                                                   |          |
| frqchs_bt                  | -                                                                                                   |          |
| ma_bt                      | MoblAllc_r07                                                                                        |          |
| cphms                      | -                                                                                                   |          |
| <b>Detailed Comments:</b>  | used in TC_26_6_13_2 only.                                                                          |          |



| PDU Constraint Declaration |                                                                                                   |          |
|----------------------------|---------------------------------------------------------------------------------------------------|----------|
| <b>Constraint Name:</b>    | AsgnCmd_r16(slot:SN; tsc:TSC; strt:STRT)                                                          |          |
| <b>PDU Type:</b>           | ASS_CMD_PDU                                                                                       |          |
| <b>Derivation Path:</b>    |                                                                                                   |          |
| <b>Comments:</b>           | An ASSIGNMENT COMMAND message defined by PIXIT                                                    |          |
| Field Name                 | Field Value                                                                                       | Comments |
| ski                        | '0000'B                                                                                           |          |
| rrpd                       | '0110'B                                                                                           |          |
| mt                         | '00101110'B                                                                                       |          |
| ch1d_at                    | ChDescrp_fh( TSPX_Chtp4, slot, tsc,<br>INT_TO_BIT(TSPX_Maio8, 6),<br>INT_TO_BIT(TSPX_Hsn8, 6))    |          |
| pcmd                       | Pcmd_19( INT_TO_BIT( TSPX_PwrlVIC,<br>5))                                                         |          |
| frql_at                    | -                                                                                                 |          |
| cchd                       | -                                                                                                 |          |
| ch1mod                     | ChMod_r01                                                                                         |          |
| ch2d_at                    | -                                                                                                 |          |
| ch2mod                     | -                                                                                                 |          |
| ma_at                      | MoblAlc_r12                                                                                       |          |
| strt                       | strt                                                                                              |          |
| frql_bt                    | -                                                                                                 |          |
| ch1d_bt                    | ChDescrp_fhiei( TSPX_Chtp4, slot, tsc,<br>INT_TO_BIT(TSPX_Maio9, 6),<br>INT_TO_BIT(TSPX_Hsn9, 6)) |          |
| ch2d_bt                    | -                                                                                                 |          |
| frqchs_bt                  | -                                                                                                 |          |
| ma_bt                      | MoblAlc_r13                                                                                       |          |
| cphms                      | -                                                                                                 |          |
| <b>Detailed Comments:</b>  | used in TC_26_6_13_3 only.                                                                        |          |

| PDU Constraint Declaration |                                                                                                     |          |
|----------------------------|-----------------------------------------------------------------------------------------------------|----------|
| <b>Constraint Name:</b>    | AsgnCmd_r17(slot:SN; tsc:TSC; strt:STRT)                                                            |          |
| <b>PDU Type:</b>           | ASS_CMD_PDU                                                                                         |          |
| <b>Derivation Path:</b>    |                                                                                                     |          |
| <b>Comments:</b>           | An ASSIGNMENT COMMAND message defined by PIXIT                                                      |          |
| Field Name                 | Field Value                                                                                         | Comments |
| ski                        | '0000'B                                                                                             |          |
| rrpd                       | '0110'B                                                                                             |          |
| mt                         | '00101110'B                                                                                         |          |
| ch1d_at                    | ChDescrp_fh( TSPX_Chtp6, slot, tsc,<br>INT_TO_BIT(TSPX_Maio12, 6),<br>INT_TO_BIT(TSPX_Hsn12, 6))    |          |
| pcmd                       | Pcmd_19( INT_TO_BIT( TSPX_PwrlVID,<br>5))                                                           |          |
| frql_at                    | -                                                                                                   |          |
| cchd                       | -                                                                                                   |          |
| ch1mod                     | ChMod_sign_iei                                                                                      |          |
| ch2d_at                    | -                                                                                                   |          |
| ch2mod                     | -                                                                                                   |          |
| ma_at                      | MoblAlc_r16                                                                                         |          |
| strt                       | strt                                                                                                |          |
| frql_bt                    | -                                                                                                   |          |
| ch1d_bt                    | ChDescrp_fhiei( TSPX_Chtp6, slot, tsc,<br>INT_TO_BIT(TSPX_Maio13, 6),<br>INT_TO_BIT(TSPX_Hsn13, 6)) |          |
| ch2d_bt                    | -                                                                                                   |          |
| frqchs_bt                  | -                                                                                                   |          |
| ma_bt                      | MoblAlc_r17                                                                                         |          |
| cphms                      | -                                                                                                   |          |
| <b>Detailed Comments:</b>  | used in TC_26_6_13_3 only.                                                                          |          |

| PDU Constraint Declaration |                                                      |          |
|----------------------------|------------------------------------------------------|----------|
| <b>Constraint Name:</b>    | AsgnCmp_02                                           |          |
| <b>PDU Type:</b>           | ASS_COM_PDU                                          |          |
| <b>Derivation Path:</b>    |                                                      |          |
| <b>Comments:</b>           | An ASSIGNMENT COMPLETE message containing any cause. |          |
| Field Name                 | Field Value                                          | Comments |
| ski                        | '0000'B                                              |          |
| rrpd                       | '0110'B                                              |          |
| mt                         | '00101001'B                                          |          |
| rrcau                      | ?                                                    |          |
| <b>Detailed Comments:</b>  |                                                      |          |

| PDU Constraint Declaration |             |          |
|----------------------------|-------------|----------|
| <b>Constraint Name:</b>    | AssgnFI_01  |          |
| <b>PDU Type:</b>           | ASSFL_PDU   |          |
| <b>Derivation Path:</b>    |             |          |
| <b>Comments:</b>           |             |          |
| Field Name                 | Field Value | Comments |
| ski                        | '0000'B     |          |
| rrpd                       | '0110'B     |          |
| mt                         | '00101111'B |          |
| rrcau                      | ?           |          |
| <b>Detailed Comments:</b>  |             |          |

| PDU Constraint Declaration |             |          |
|----------------------------|-------------|----------|
| <b>Constraint Name:</b>    | AssgnFI_02  |          |
| <b>PDU Type:</b>           | ASSFL_PDU   |          |
| <b>Derivation Path:</b>    | AssgnFI_01. |          |
| <b>Comments:</b>           | #6F         |          |
| Field Name                 | Field Value | Comments |
| rrcau                      | '01101111'B |          |
| <b>Detailed Comments:</b>  |             |          |

| PDU Constraint Declaration |                                                                        |          |
|----------------------------|------------------------------------------------------------------------|----------|
| <b>Constraint Name:</b>    | Abortmsg_01(par: REJCAU)                                               |          |
| <b>PDU Type:</b>           | ABRT_PDU                                                               |          |
| <b>Derivation Path:</b>    |                                                                        |          |
| <b>Comments:</b>           | An ABORT message with reject cause which should be given as parameter. |          |
| Field Name                 | Field Value                                                            | Comments |
| ski                        | '0000'B                                                                |          |
| mmpd                       | '0101'B                                                                |          |
| mt                         | '00101001'B                                                            |          |
| rejcau                     | par                                                                    |          |
| <b>Detailed Comments:</b>  |                                                                        |          |

| PDU Constraint Declaration |                                                                                                                           |          |
|----------------------------|---------------------------------------------------------------------------------------------------------------------------|----------|
| <b>Constraint Name:</b>    | AuthRequest(cksn: B_3; rand:RAND)                                                                                         |          |
| <b>PDU Type:</b>           | AUTH_RQ_PDU                                                                                                               |          |
| <b>Derivation Path:</b>    |                                                                                                                           |          |
| <b>Comments:</b>           | An AUTHENTICATION REQUEST message containing default ciphering key sequence number and default challenge RAND from PIXIT. |          |
| Field Name                 | Field Value                                                                                                               | Comments |
| ski                        | '0000'B                                                                                                                   |          |
| mmpd                       | '0101'B                                                                                                                   |          |
| mt                         | '00010010'B                                                                                                               |          |
| shoct                      | '0000'B                                                                                                                   |          |
| cphksn                     | CphKeySN_07(cksn)                                                                                                         |          |
| rand                       | rand                                                                                                                      |          |
| <b>Detailed Comments:</b>  |                                                                                                                           |          |

| PDU Constraint Declaration |                                                                           |          |
|----------------------------|---------------------------------------------------------------------------|----------|
| <b>Constraint Name:</b>    | AuthRequest_inv_01( rand:RAND)                                            |          |
| <b>PDU Type:</b>           | AUTH_RQ_PDU                                                               |          |
| <b>Derivation Path:</b>    |                                                                           |          |
| <b>Comments:</b>           | An invalid AUTHENTICATION REQUEST message containing arbitrary spare bits |          |
| Field Name                 | Field Value                                                               | Comments |
| ski                        | '0000'B                                                                   |          |
| mmpd                       | '0101'B                                                                   |          |
| mt                         | '00010010'B                                                               |          |
| shoct                      | '0101'B                                                                   |          |
| cphksn                     | CphKeySN_02                                                               |          |
| rand                       | rand                                                                      |          |
| <b>Detailed Comments:</b>  |                                                                           |          |

| PDU Constraint Declaration |                                   |          |
|----------------------------|-----------------------------------|----------|
| <b>Constraint Name:</b>    | AuthReject_01                     |          |
| <b>PDU Type:</b>           | AUTH_REJ_PDU                      |          |
| <b>Derivation Path:</b>    |                                   |          |
| <b>Comments:</b>           | An AUTHENTICATION REJECT message. |          |
| Field Name                 | Field Value                       | Comments |
| ski                        | '0000'B                           |          |
| mmpd                       | '0101'B                           |          |
| mt                         | '00010001'B                       |          |
| <b>Detailed Comments:</b>  |                                   |          |

| PDU Constraint Declaration |                                                       |          |
|----------------------------|-------------------------------------------------------|----------|
| <b>Constraint Name:</b>    | AuthResponse                                          |          |
| <b>PDU Type:</b>           | AUTH_RES_PDU                                          |          |
| <b>Derivation Path:</b>    |                                                       |          |
| <b>Comments:</b>           | An AUTHENTICATION RESPONSE message matching any SRES. |          |
| Field Name                 | Field Value                                           | Comments |
| ski                        | '0000'B                                               |          |
| mmpd                       | '0101'B                                               |          |
| mt                         | '0?010100'B                                           |          |
| sres                       | ?                                                     |          |
| <b>Detailed Comments:</b>  |                                                       |          |

| PDU Constraint Declaration |                                                |          |
|----------------------------|------------------------------------------------|----------|
| <b>Constraint Name:</b>    | CallConfirm_01( ti:TI)                         |          |
| <b>PDU Type:</b>           | CALL_CO_PDU                                    |          |
| <b>Derivation Path:</b>    |                                                |          |
| <b>Comments:</b>           | a CALL CONFIRMED message with TI parameterized |          |
| Field Name                 | Field Value                                    | Comments |
| ti                         | ti                                             |          |
| ccpd                       | '0011'B                                        |          |
| mt                         | '0?001000'B                                    |          |
| bcri                       | *                                              |          |
| bcap1                      | *                                              |          |
| bcap2                      | *                                              |          |
| cau                        | -                                              |          |
| cccap                      | *                                              |          |
| <b>Detailed Comments:</b>  |                                                |          |

| PDU Constraint Declaration |                                          |          |
|----------------------------|------------------------------------------|----------|
| <b>Constraint Name:</b>    | CallConfirm_02(Ti:TI)                    |          |
| <b>PDU Type:</b>           | CALL_CO_PDU                              |          |
| <b>Derivation Path:</b>    |                                          |          |
| <b>Comments:</b>           | a CALL CONFIRMED message with cause #17. |          |
| Field Name                 | Field Value                              | Comments |
| ti                         | Ti                                       |          |
| ccpd                       | '0011'B                                  |          |
| mt                         | '0?001000'B                              |          |
| bcri                       | *                                        |          |
| bcap1                      | *                                        |          |
| bcap2                      | *                                        |          |
| cau                        | Cause_17                                 |          |
| cccap                      | *                                        |          |
| <b>Detailed Comments:</b>  |                                          |          |

| PDU Constraint Declaration |                                                               |          |
|----------------------------|---------------------------------------------------------------|----------|
| <b>Constraint Name:</b>    | CallConfirm_03( ti:TI)                                        |          |
| <b>PDU Type:</b>           | CALL_CO_PDU                                                   |          |
| <b>Derivation Path:</b>    |                                                               |          |
| <b>Comments:</b>           | a CALL CONFIRMED message with bcap1 presented but not checked |          |
| Field Name                 | Field Value                                                   | Comments |
| ti                         | ti                                                            |          |
| ccpd                       | '0011'B                                                       |          |
| mt                         | '0?001000'B                                                   |          |
| bcri                       | *                                                             |          |
| bcap1                      | ?                                                             |          |
| bcap2                      | *                                                             |          |
| cau                        | -                                                             |          |
| cccap                      | *                                                             |          |
| <b>Detailed Comments:</b>  |                                                               |          |

| <b>PDU Constraint Declaration</b> |                                                          |          |
|-----------------------------------|----------------------------------------------------------|----------|
| <b>Constraint Name:</b>           | CallConfirm_04( ti:TI; Bcap1:BCAP)                       |          |
| <b>PDU Type:</b>                  | CALL_CO_PDU                                              |          |
| <b>Derivation Path:</b>           |                                                          |          |
| <b>Comments:</b>                  | a CALL CONFIRMED message with TI and bcap1 parameterized |          |
| Field Name                        | Field Value                                              | Comments |
| ti                                | ti                                                       |          |
| ccpd                              | '0011'B                                                  |          |
| mt                                | '0?001000'B                                              |          |
| bcri                              | -                                                        |          |
| bcap1                             | Bcap1                                                    |          |
| bcap2                             | -                                                        |          |
| cau                               | -                                                        |          |
| cccap                             | *                                                        |          |
| <b>Detailed Comments:</b>         |                                                          |          |

| <b>PDU Constraint Declaration</b> |                                                   |          |
|-----------------------------------|---------------------------------------------------|----------|
| <b>Constraint Name:</b>           | CallConfirm_05( ti:TI; ri:RPI; Bcap1, Bcap2:BCAP) |          |
| <b>PDU Type:</b>                  | CALL_CO_PDU                                       |          |
| <b>Derivation Path:</b>           |                                                   |          |
| <b>Comments:</b>                  | a CALL CONFIRMED message with TI parameterized    |          |
| Field Name                        | Field Value                                       | Comments |
| ti                                | ti                                                |          |
| ccpd                              | '0011'B                                           |          |
| mt                                | '0?001000'B                                       |          |
| bcri                              | ri                                                |          |
| bcap1                             | Bcap1                                             |          |
| bcap2                             | Bcap2                                             |          |
| cau                               | -                                                 |          |
| cccap                             | *                                                 |          |
| <b>Detailed Comments:</b>         |                                                   |          |

| <b>PDU Constraint Declaration</b> |                                                                         |          |
|-----------------------------------|-------------------------------------------------------------------------|----------|
| <b>Constraint Name:</b>           | CallConfirm_20( ti:TI)                                                  |          |
| <b>PDU Type:</b>                  | CALL_CO_PDU                                                             |          |
| <b>Derivation Path:</b>           |                                                                         |          |
| <b>Comments:</b>                  | a CALL CONFIRMED message without bearer capability information elements |          |
| Field Name                        | Field Value                                                             | Comments |
| ti                                | ti                                                                      |          |
| ccpd                              | '0011'B                                                                 |          |
| mt                                | '0?001000'B                                                             |          |
| bcri                              | -                                                                       |          |
| bcap1                             | -                                                                       |          |
| bcap2                             | -                                                                       |          |
| cau                               | -                                                                       |          |
| cccap                             | *                                                                       |          |
| <b>Detailed Comments:</b>         |                                                                         |          |

| PDU Constraint Declaration |                                          |          |
|----------------------------|------------------------------------------|----------|
| <b>Constraint Name:</b>    | CallConfirm_Efr_20( ti:TI)               |          |
| <b>PDU Type:</b>           | CALL_CO_PDU                              |          |
| <b>Derivation Path:</b>    |                                          |          |
| <b>Comments:</b>           | a CALL CONFIRMED message for EFR Mobiles |          |
| Field Name                 | Field Value                              | Comments |
| ti                         | ti                                       |          |
| ccpd                       | '0011'B                                  |          |
| mt                         | '0?001000'B                              |          |
| bcri                       | -                                        |          |
| bcap1                      | *                                        |          |
| bcap2                      | -                                        |          |
| cau                        | -                                        |          |
| cccap                      | *                                        |          |
| <b>Detailed Comments:</b>  |                                          |          |

| PDU Constraint Declaration |                                                      |          |
|----------------------------|------------------------------------------------------|----------|
| <b>Constraint Name:</b>    | CallProced_01(Ti:TI)                                 |          |
| <b>PDU Type:</b>           | CALL_PROC_PDU                                        |          |
| <b>Derivation Path:</b>    |                                                      |          |
| <b>Comments:</b>           | An CALL PROCEEDING message with mandatory IE's only. |          |
| Field Name                 | Field Value                                          | Comments |
| ti                         | Ti                                                   |          |
| ccpd                       | '0011'B                                              |          |
| mt                         | '00000010'B                                          |          |
| bcri                       | -                                                    |          |
| bcap1                      | -                                                    |          |
| bcap2                      | -                                                    |          |
| fie                        | -                                                    |          |
| pi                         | -                                                    |          |
| <b>Detailed Comments:</b>  |                                                      |          |

| PDU Constraint Declaration |                                                         |          |
|----------------------------|---------------------------------------------------------|----------|
| <b>Constraint Name:</b>    | CallProced_03                                           |          |
| <b>PDU Type:</b>           | CALL_PROC_PDU                                           |          |
| <b>Derivation Path:</b>    |                                                         |          |
| <b>Comments:</b>           | An CALL PROCEEDING message templet used for CallProcGen |          |
| Field Name                 | Field Value                                             | Comments |
| ti                         | ?                                                       |          |
| ccpd                       | '0011'B                                                 |          |
| mt                         | '00000010'B                                             |          |
| bcri                       | -                                                       |          |
| bcap1                      | -                                                       |          |
| bcap2                      | -                                                       |          |
| fie                        | -                                                       |          |
| pi                         | -                                                       |          |
| <b>Detailed Comments:</b>  |                                                         |          |

| PDU Constraint Declaration |                                |          |
|----------------------------|--------------------------------|----------|
| <b>Constraint Name:</b>    | CallProced_inv_02(Ti:TI)       |          |
| <b>PDU Type:</b>           | CALL_PROC_PDU                  |          |
| <b>Derivation Path:</b>    |                                |          |
| <b>Comments:</b>           | used as an invalid CC message. |          |
| Field Name                 | Field Value                    | Comments |
| ti                         | Ti                             |          |
| ccpd                       | '0011'B                        |          |
| mt                         | '00000010'B                    |          |
| bcri                       | '01011110'B                    |          |
| bcap1                      | Bcap_02                        |          |
| bcap2                      | -                              |          |
| fi                         | -                              |          |
| pi                         | -                              |          |
| <b>Detailed Comments:</b>  |                                |          |

| PDU Constraint Declaration |                                                      |          |
|----------------------------|------------------------------------------------------|----------|
| <b>Constraint Name:</b>    | CCStatus_01(Ti:TI)                                   |          |
| <b>PDU Type:</b>           | CCST_PDU                                             |          |
| <b>Derivation Path:</b>    |                                                      |          |
| <b>Comments:</b>           | A CC STATUS message to match any received CC STATUS. |          |
| Field Name                 | Field Value                                          | Comments |
| ti                         | Ti                                                   |          |
| ccpd                       | '0011'B                                              |          |
| mt                         | '0?111101'B                                          |          |
| cau                        | ?                                                    |          |
| cst                        | ?                                                    |          |
| acst                       | *                                                    |          |
| <b>Detailed Comments:</b>  |                                                      |          |

| PDU Constraint Declaration |                                             |          |
|----------------------------|---------------------------------------------|----------|
| <b>Constraint Name:</b>    | CCStatus_02( ti:TI)                         |          |
| <b>PDU Type:</b>           | CCST_PDU                                    |          |
| <b>Derivation Path:</b>    |                                             |          |
| <b>Comments:</b>           | A STATUS message containing cause value #97 |          |
| Field Name                 | Field Value                                 | Comments |
| ti                         | ti                                          |          |
| ccpd                       | '0011'B                                     |          |
| mt                         | '0?111101'B                                 |          |
| cau                        | Cause_02                                    |          |
| cst                        | ?                                           |          |
| acst                       | *                                           |          |
| <b>Detailed Comments:</b>  |                                             |          |

| PDU Constraint Declaration |                                              |          |
|----------------------------|----------------------------------------------|----------|
| <b>Constraint Name:</b>    | CCStatus_03(Ti:TI)                           |          |
| <b>PDU Type:</b>           | CCST_PDU                                     |          |
| <b>Derivation Path:</b>    | CCStatus_01.                                 |          |
| <b>Comments:</b>           | CC STATUS message containing cause value #98 |          |
| Field Name                 | Field Value                                  | Comments |
| ti                         | Ti                                           |          |
| cau                        | Cause_03                                     |          |
| <b>Detailed Comments:</b>  |                                              |          |

| PDU Constraint Declaration |                                                |          |
|----------------------------|------------------------------------------------|----------|
| <b>Constraint Name:</b>    | CCStatus_04(Ti:Ti)                             |          |
| <b>PDU Type:</b>           | CCST_PDU                                       |          |
| <b>Derivation Path:</b>    | CCStatus_01.                                   |          |
| <b>Comments:</b>           | A CC STATUS message containing cause value #96 |          |
| Field Name                 | Field Value                                    | Comments |
| ti                         | Ti                                             |          |
| cau                        | Cause_04                                       |          |
| <b>Detailed Comments:</b>  |                                                |          |

| PDU Constraint Declaration |                                                                                         |          |
|----------------------------|-----------------------------------------------------------------------------------------|----------|
| <b>Constraint Name:</b>    | CCStatus_08(Ti:Ti; st:INTEGER)                                                          |          |
| <b>PDU Type:</b>           | CCST_PDU                                                                                |          |
| <b>Derivation Path:</b>    |                                                                                         |          |
| <b>Comments:</b>           | A CC STATUS message to match a received CC STATUS containing CC state 'st', cause = #97 |          |
| Field Name                 | Field Value                                                                             | Comments |
| ti                         | Ti                                                                                      |          |
| ccpd                       | '0011'B                                                                                 |          |
| mt                         | '0?111101'B                                                                             |          |
| cau                        | Cause_02                                                                                |          |
| cst                        | CallState_01(st)                                                                        |          |
| acst                       | *                                                                                       |          |
| <b>Detailed Comments:</b>  |                                                                                         |          |

| PDU Constraint Declaration |                                                                                           |          |
|----------------------------|-------------------------------------------------------------------------------------------|----------|
| <b>Constraint Name:</b>    | CCStatus_14(Ti:Ti; st:INTEGER)                                                            |          |
| <b>PDU Type:</b>           | CCST_PDU                                                                                  |          |
| <b>Derivation Path:</b>    |                                                                                           |          |
| <b>Comments:</b>           | A CC STATUS message to match a received CC STATUS containing CC state = 'st', cause = #30 |          |
| Field Name                 | Field Value                                                                               | Comments |
| ti                         | Ti                                                                                        |          |
| ccpd                       | '0011'B                                                                                   |          |
| mt                         | '0?111101'B                                                                               |          |
| cau                        | Cause_18                                                                                  |          |
| cst                        | CallState_01(st)                                                                          |          |
| acst                       | *                                                                                         |          |
| <b>Detailed Comments:</b>  |                                                                                           |          |

| PDU Constraint Declaration |                                                                   |          |
|----------------------------|-------------------------------------------------------------------|----------|
| <b>Constraint Name:</b>    | CCStatus_inv_01( ti:Ti)                                           |          |
| <b>PDU Type:</b>           | CCST_PDU                                                          |          |
| <b>Derivation Path:</b>    |                                                                   |          |
| <b>Comments:</b>           | A CC STATUS message without mandatory cause IE and call state IE. |          |
| Field Name                 | Field Value                                                       | Comments |
| ti                         | ti                                                                |          |
| ccpd                       | '0011'B                                                           |          |
| mt                         | '00111101'B                                                       |          |
| cau                        | -                                                                 |          |
| cst                        | -                                                                 |          |
| acst                       | -                                                                 |          |
| <b>Detailed Comments:</b>  |                                                                   |          |



| PDU Constraint Declaration |                          |          |
|----------------------------|--------------------------|----------|
| <b>Constraint Name:</b>    | CCStatusEq_01(Ti:Ti)     |          |
| <b>PDU Type:</b>           | CCST_ENQ_PDU             |          |
| <b>Derivation Path:</b>    |                          |          |
| <b>Comments:</b>           | A STATUS ENQUIRY message |          |
| Field Name                 | Field Value              | Comments |
| ti                         | Ti                       |          |
| ccpd                       | '0011'B                  |          |
| mt                         | '00110100'B              |          |
| <b>Detailed Comments:</b>  |                          |          |

| PDU Constraint Declaration |                                    |          |
|----------------------------|------------------------------------|----------|
| <b>Constraint Name:</b>    | ChmomoAck_01(chmd:CHMOD; chd: CHD) |          |
| <b>PDU Type:</b>           | CHMMO_ACK_PDU                      |          |
| <b>Derivation Path:</b>    |                                    |          |
| <b>Comments:</b>           |                                    |          |
| Field Name                 | Field Value                        | Comments |
| ski                        | '0000'B                            |          |
| rrpd                       | '0110'B                            |          |
| mt                         | '00010111'B                        |          |
| chd                        | chd                                |          |
| chmod                      | chmd                               |          |
| <b>Detailed Comments:</b>  |                                    |          |

| PDU Constraint Declaration |                                   |          |
|----------------------------|-----------------------------------|----------|
| <b>Constraint Name:</b>    | ChmomoAck_02(chmd:CHMOD; chd:CHD) |          |
| <b>PDU Type:</b>           | CHMMO_ACK_PDU                     |          |
| <b>Derivation Path:</b>    |                                   |          |
| <b>Comments:</b>           |                                   |          |
| Field Name                 | Field Value                       | Comments |
| ski                        | '0000'B                           |          |
| rrpd                       | '0110'B                           |          |
| mt                         | '00010111'B                       |          |
| chd                        | chd                               |          |
| chmod                      | chmd                              |          |
| <b>Detailed Comments:</b>  |                                   |          |

| PDU Constraint Declaration |                                                                        |          |
|----------------------------|------------------------------------------------------------------------|----------|
| <b>Constraint Name:</b>    | ChmomoAck_08(type:CH_TDMA; chmd:B_8; slot:SN; tsc :TSC; arfcn:INTEGER) |          |
| <b>PDU Type:</b>           | CHMMO_ACK_PDU                                                          |          |
| <b>Derivation Path:</b>    |                                                                        |          |
| <b>Comments:</b>           |                                                                        |          |
| Field Name                 | Field Value                                                            | Comments |
| ski                        | '0000'B                                                                |          |
| rrpd                       | '0110'B                                                                |          |
| mt                         | '00010111'B                                                            |          |
| chd                        | ChDescrp_nfh(type, slot, tsc, arfcn)                                   |          |
| chmod                      | ChMod(chmd)                                                            |          |
| <b>Detailed Comments:</b>  |                                                                        |          |

| PDU Constraint Declaration |                                                                  |          |
|----------------------------|------------------------------------------------------------------|----------|
| <b>Constraint Name:</b>    | ChmomoReq_01(chmd:CHMOD; chd:CHD)                                |          |
| <b>PDU Type:</b>           | CHMMO_PDU                                                        |          |
| <b>Derivation Path:</b>    |                                                                  |          |
| <b>Comments:</b>           | the channel being modified is default full rate traffic channel. |          |
| Field Name                 | Field Value                                                      | Comments |
| ski                        | '0000'B                                                          |          |
| rrpd                       | '0110'B                                                          |          |
| mt                         | '00010000'B                                                      |          |
| chd                        | chd                                                              |          |
| chmod                      | chmd                                                             |          |
| <b>Detailed Comments:</b>  |                                                                  |          |

| PDU Constraint Declaration |                                   |          |
|----------------------------|-----------------------------------|----------|
| <b>Constraint Name:</b>    | ChmomoReq_02(chmd:CHMOD; chd:CHD) |          |
| <b>PDU Type:</b>           | CHMMO_PDU                         |          |
| <b>Derivation Path:</b>    |                                   |          |
| <b>Comments:</b>           |                                   |          |
| Field Name                 | Field Value                       | Comments |
| ski                        | '0000'B                           |          |
| rrpd                       | '0110'B                           |          |
| mt                         | '00010000'B                       |          |
| chd                        | chd                               |          |
| chmod                      | chmd                              |          |
| <b>Detailed Comments:</b>  |                                   |          |

| PDU Constraint Declaration |                                                                            |          |
|----------------------------|----------------------------------------------------------------------------|----------|
| <b>Constraint Name:</b>    | ChmomoReq_07(type: CH_TDMA; chmd: B_8; slot: SN; tsc: TSC; arfcn: INTEGER) |          |
| <b>PDU Type:</b>           | CHMMO_PDU                                                                  |          |
| <b>Derivation Path:</b>    |                                                                            |          |
| <b>Comments:</b>           |                                                                            |          |
| Field Name                 | Field Value                                                                | Comments |
| ski                        | '0000'B                                                                    |          |
| rrpd                       | '0110'B                                                                    |          |
| mt                         | '00010000'B                                                                |          |
| chd                        | ChDescrp_nfh(type, slot, tsc, arfcn)                                       |          |
| chmod                      | ChMod(chmd)                                                                |          |
| <b>Detailed Comments:</b>  |                                                                            |          |

| PDU Constraint Declaration |                                                        |          |
|----------------------------|--------------------------------------------------------|----------|
| <b>Constraint Name:</b>    | ChRelease_01                                           |          |
| <b>PDU Type:</b>           | CH_REL_PDU                                             |          |
| <b>Derivation Path:</b>    |                                                        |          |
| <b>Comments:</b>           | A CHANNEL RELEASE message with RR cause = normal event |          |
| Field Name                 | Field Value                                            | Comments |
| ski                        | '0000'B                                                |          |
| rrpd                       | '0110'B                                                |          |
| mt                         | '00001101'B                                            |          |
| rrcau                      | '00000000'B                                            |          |
| <b>Detailed Comments:</b>  |                                                        |          |

| PDU Constraint Declaration |                                                                  |          |
|----------------------------|------------------------------------------------------------------|----------|
| <b>Constraint Name:</b>    | ChRelease_inv_01                                                 |          |
| <b>PDU Type:</b>           | CH_REL_PDU                                                       |          |
| <b>Derivation Path:</b>    | ChRelease_01.                                                    |          |
| <b>Comments:</b>           | An invalid CHANNEL RELEASE message without mandatory IE RR cause |          |
| Field Name                 | Field Value                                                      | Comments |
| rrcau                      | -                                                                |          |
| <b>Detailed Comments:</b>  |                                                                  |          |

| PDU Constraint Declaration |                                                                  |          |
|----------------------------|------------------------------------------------------------------|----------|
| <b>Constraint Name:</b>    | ChRelease_inv_02                                                 |          |
| <b>PDU Type:</b>           | CH_REL_PDU                                                       |          |
| <b>Derivation Path:</b>    | ChRelease_01.                                                    |          |
| <b>Comments:</b>           | A CHANNEL RELEASE message containing incorrect skip indicator 6. |          |
| Field Name                 | Field Value                                                      | Comments |
| ski                        | '0110'B                                                          |          |
| <b>Detailed Comments:</b>  |                                                                  |          |

| PDU Constraint Declaration |                                                                               |          |
|----------------------------|-------------------------------------------------------------------------------|----------|
| <b>Constraint Name:</b>    | ChRelease_inv_03                                                              |          |
| <b>PDU Type:</b>           | CH_REL_PDU_ERR                                                                |          |
| <b>Derivation Path:</b>    |                                                                               |          |
| <b>Comments:</b>           | A CHANNEL RELEASE message containing additional IE unknown in the RR protocol |          |
| Field Name                 | Field Value                                                                   | Comments |
| ski                        | '0000'B                                                                       |          |
| rrpd                       | '0110'B                                                                       |          |
| mt                         | '00001101'B                                                                   |          |
| rrcau                      | '00000000'B                                                                   |          |
| add                        | '6205AA55EF6701'O                                                             |          |
| <b>Detailed Comments:</b>  |                                                                               |          |

| PDU Constraint Declaration |                                                                              |          |
|----------------------------|------------------------------------------------------------------------------|----------|
| <b>Constraint Name:</b>    | ChRequest_01                                                                 |          |
| <b>PDU Type:</b>           | CH_RQ_PDU                                                                    |          |
| <b>Derivation Path:</b>    |                                                                              |          |
| <b>Comments:</b>           | A CHANNEL REQUEST message containing establishment cause = answer to paging. |          |
| Field Name                 | Field Value                                                                  | Comments |
| ecau_rrf                   | '100?????'B                                                                  |          |
| <b>Detailed Comments:</b>  |                                                                              |          |

| PDU Constraint Declaration |                                               |          |
|----------------------------|-----------------------------------------------|----------|
| <b>Constraint Name:</b>    | ChRequest_02                                  |          |
| <b>PDU Type:</b>           | CH_RQ_PDU                                     |          |
| <b>Derivation Path:</b>    |                                               |          |
| <b>Comments:</b>           | To match any received CHANNEL REQUEST message |          |
| Field Name                 | Field Value                                   | Comments |
| ecau_rrf                   | '????????'B                                   |          |
| <b>Detailed Comments:</b>  |                                               |          |

| PDU Constraint Declaration |                                                                                                                                                     |          |
|----------------------------|-----------------------------------------------------------------------------------------------------------------------------------------------------|----------|
| <b>Constraint Name:</b>    | ChRequest_03                                                                                                                                        |          |
| <b>PDU Type:</b>           | CH_RQ_PDU                                                                                                                                           |          |
| <b>Derivation Path:</b>    |                                                                                                                                                     |          |
| <b>Comments:</b>           | To match the received CHANNEL REQUEST message containing establishment cause = '0001'B,<br>"other procedures which can be completed with an SDCCH". |          |
| Field Name                 | Field Value                                                                                                                                         | Comments |
| ecau_rrf                   | '0001????'B                                                                                                                                         |          |
| <b>Detailed Comments:</b>  |                                                                                                                                                     |          |

| PDU Constraint Declaration |                                                                                                                                                                                                                                           |          |
|----------------------------|-------------------------------------------------------------------------------------------------------------------------------------------------------------------------------------------------------------------------------------------|----------|
| <b>Constraint Name:</b>    | ChRequest_04                                                                                                                                                                                                                              |          |
| <b>PDU Type:</b>           | CH_RQ_PDU                                                                                                                                                                                                                                 |          |
| <b>Derivation Path:</b>    |                                                                                                                                                                                                                                           |          |
| <b>Comments:</b>           | To match the received CHANNEL REQUEST message which originates a call (establishment cause = '111'B), "Originating call and TCH/F is needed, or IMSI detach, SMS or SS procedures that can be completed with an SDCCH and NECI set to 0". |          |
| Field Name                 | Field Value                                                                                                                                                                                                                               | Comments |
| ecau_rrf                   | '111????'B                                                                                                                                                                                                                                |          |
| <b>Detailed Comments:</b>  |                                                                                                                                                                                                                                           |          |

| PDU Constraint Declaration |                                                                                                                                                                                                             |          |
|----------------------------|-------------------------------------------------------------------------------------------------------------------------------------------------------------------------------------------------------------|----------|
| <b>Constraint Name:</b>    | ChRequest_05                                                                                                                                                                                                |          |
| <b>PDU Type:</b>           | CH_RQ_PDU                                                                                                                                                                                                   |          |
| <b>Derivation Path:</b>    |                                                                                                                                                                                                             |          |
| <b>Comments:</b>           | To match the received CHANNEL REQUEST message containing establishment cause = '0100'B, "Originating speech call from dual-rate mobile station when TCH/H is sufficient and the network sets NECI bit to 1" |          |
| Field Name                 | Field Value                                                                                                                                                                                                 | Comments |
| ecau_rrf                   | '0100????'B                                                                                                                                                                                                 |          |
| <b>Detailed Comments:</b>  |                                                                                                                                                                                                             |          |

| PDU Constraint Declaration |                                                                                                                       |          |
|----------------------------|-----------------------------------------------------------------------------------------------------------------------|----------|
| <b>Constraint Name:</b>    | ChRequest_06                                                                                                          |          |
| <b>PDU Type:</b>           | CH_RQ_PDU                                                                                                             |          |
| <b>Derivation Path:</b>    |                                                                                                                       |          |
| <b>Comments:</b>           | To match the received CHANNEL REQUEST message which originates a half rate data call (establishment cause = '0101'B). |          |
| Field Name                 | Field Value                                                                                                           | Comments |
| ecau_rrf                   | '0101????'B                                                                                                           |          |
| <b>Detailed Comments:</b>  |                                                                                                                       |          |

| PDU Constraint Declaration |                                                                                   |          |
|----------------------------|-----------------------------------------------------------------------------------|----------|
| <b>Constraint Name:</b>    | ChRequest_07                                                                      |          |
| <b>PDU Type:</b>           | CH_RQ_PDU                                                                         |          |
| <b>Derivation Path:</b>    |                                                                                   |          |
| <b>Comments:</b>           | To match the received CHANNEL REQUEST message with establishment cause = '0010'B. |          |
| Field Name                 | Field Value                                                                       | Comments |
| ecau_rrf                   | '0010????'B                                                                       |          |
| <b>Detailed Comments:</b>  |                                                                                   |          |

| PDU Constraint Declaration |                                                                                   |          |
|----------------------------|-----------------------------------------------------------------------------------|----------|
| <b>Constraint Name:</b>    | ChRequest_08                                                                      |          |
| <b>PDU Type:</b>           | CH_RQ_PDU                                                                         |          |
| <b>Derivation Path:</b>    |                                                                                   |          |
| <b>Comments:</b>           | To match the received CHANNEL REQUEST message with establishment cause = '0011'B. |          |
| Field Name                 | Field Value                                                                       | Comments |
| ecau_rrf                   | '0011????'B                                                                       |          |
| <b>Detailed Comments:</b>  |                                                                                   |          |

| PDU Constraint Declaration |                                                                                  |          |
|----------------------------|----------------------------------------------------------------------------------|----------|
| <b>Constraint Name:</b>    | ChRequest_09                                                                     |          |
| <b>PDU Type:</b>           | CH_RQ_PDU                                                                        |          |
| <b>Derivation Path:</b>    |                                                                                  |          |
| <b>Comments:</b>           | To match the received CHANNEL REQUEST message with establishment cause = '000'B. |          |
| Field Name                 | Field Value                                                                      | Comments |
| ecau_rrf                   | '000?????'B                                                                      |          |
| <b>Detailed Comments:</b>  |                                                                                  |          |

| PDU Constraint Declaration |                                                              |          |
|----------------------------|--------------------------------------------------------------|----------|
| <b>Constraint Name:</b>    | ChRequest_10                                                 |          |
| <b>PDU Type:</b>           | CH_RQ_PDU                                                    |          |
| <b>Derivation Path:</b>    |                                                              |          |
| <b>Comments:</b>           | A CHANNEL REQUEST message with establishment cause = '110'B. |          |
| Field Name                 | Field Value                                                  | Comments |
| ecau_rrf                   | '110?????'B                                                  |          |
| <b>Detailed Comments:</b>  |                                                              |          |

| PDU Constraint Declaration |                                                                                     |          |
|----------------------------|-------------------------------------------------------------------------------------|----------|
| <b>Constraint Name:</b>    | ChRequest_11                                                                        |          |
| <b>PDU Type:</b>           | CH_RQ_PDU                                                                           |          |
| <b>Derivation Path:</b>    |                                                                                     |          |
| <b>Comments:</b>           | To match the received CHANNEL REQUEST message with establishment cause = '011010'B. |          |
| Field Name                 | Field Value                                                                         | Comments |
| ecau_rrf                   | '011010??'B                                                                         |          |
| <b>Detailed Comments:</b>  |                                                                                     |          |

| PDU Constraint Declaration |                                                                                  |          |
|----------------------------|----------------------------------------------------------------------------------|----------|
| <b>Constraint Name:</b>    | ChRequest_12                                                                     |          |
| <b>PDU Type:</b>           | CH_RQ_PDU                                                                        |          |
| <b>Derivation Path:</b>    |                                                                                  |          |
| <b>Comments:</b>           | To match the received CHANNEL REQUEST message with establishment cause = '100'B. |          |
| Field Name                 | Field Value                                                                      | Comments |
| ecau_rrf                   | '100?????'B                                                                      |          |
| <b>Detailed Comments:</b>  |                                                                                  |          |

| PDU Constraint Declaration |                                                                                                        |          |
|----------------------------|--------------------------------------------------------------------------------------------------------|----------|
| <b>Constraint Name:</b>    | ChRequest_13                                                                                           |          |
| <b>PDU Type:</b>           | CH_RQ_PDU                                                                                              |          |
| <b>Derivation Path:</b>    |                                                                                                        |          |
| <b>Comments:</b>           | To match the received CHANNEL REQUEST message with establishment cause = '100'B or '0010'B or '0001'B. |          |
| Field Name                 | Field Value                                                                                            | Comments |
| ecau_rrf                   | ('100?????'B, '0010?????'B, '0001?????'B)                                                              |          |
| <b>Detailed Comments:</b>  |                                                                                                        |          |

| PDU Constraint Declaration |                                                                                                        |          |
|----------------------------|--------------------------------------------------------------------------------------------------------|----------|
| <b>Constraint Name:</b>    | ChRequest_14                                                                                           |          |
| <b>PDU Type:</b>           | CH_RQ_PDU                                                                                              |          |
| <b>Derivation Path:</b>    |                                                                                                        |          |
| <b>Comments:</b>           | To match the received CHANNEL REQUEST message with establishment cause = '100'B or '0011'B or '0001'B. |          |
| Field Name                 | Field Value                                                                                            | Comments |
| ecau_rrf                   | ('100?????'B, '0011?????'B, '0001?????'B)                                                              |          |
| <b>Detailed Comments:</b>  |                                                                                                        |          |

| PDU Constraint Declaration |                                                                                                                                                             |          |
|----------------------------|-------------------------------------------------------------------------------------------------------------------------------------------------------------|----------|
| <b>Constraint Name:</b>    | ChRequest_15                                                                                                                                                |          |
| <b>PDU Type:</b>           | CH_RQ_PDU                                                                                                                                                   |          |
| <b>Derivation Path:</b>    |                                                                                                                                                             |          |
| <b>Comments:</b>           | To match the received CHANNEL REQUEST message with establishment cause = '111'B or '0100'B or '0101'B --- initiate outgoing call or SDCCH other procedures. |          |
| Field Name                 | Field Value                                                                                                                                                 | Comments |
| ecau_rrf                   | ('111?????'B, '0100?????'B, '0101?????'B, '101?????'B, '0001?????'B)                                                                                        |          |
| <b>Detailed Comments:</b>  |                                                                                                                                                             |          |

| PDU Constraint Declaration |                                                                                                     |          |
|----------------------------|-----------------------------------------------------------------------------------------------------|----------|
| <b>Constraint Name:</b>    | ChRequest_16                                                                                        |          |
| <b>PDU Type:</b>           | CH_RQ_PDU                                                                                           |          |
| <b>Derivation Path:</b>    |                                                                                                     |          |
| <b>Comments:</b>           | To match the received CHANNEL REQUEST message with establishment cause = '101'B for emergency call. |          |
| Field Name                 | Field Value                                                                                         | Comments |
| ecau_rrf                   | '101?????'B                                                                                         |          |
| <b>Detailed Comments:</b>  |                                                                                                     |          |

| PDU Constraint Declaration |                                                                                  |          |
|----------------------------|----------------------------------------------------------------------------------|----------|
| <b>Constraint Name:</b>    | ChRequest_17                                                                     |          |
| <b>PDU Type:</b>           | CH_RQ_PDU                                                                        |          |
| <b>Derivation Path:</b>    |                                                                                  |          |
| <b>Comments:</b>           | A CHANNEL REQUEST message containing establishment cause = 100, 0010, 0011, 0001 |          |
| Field Name                 | Field Value                                                                      | Comments |
| ecau_rrf                   | ('100?????'B, '0010?????'B, '0011?????'B, '0001?????'B)                          |          |
| <b>Detailed Comments:</b>  |                                                                                  |          |

| PDU Constraint Declaration |                                                                                   |          |
|----------------------------|-----------------------------------------------------------------------------------|----------|
| <b>Constraint Name:</b>    | ChRequest_18                                                                      |          |
| <b>PDU Type:</b>           | CH_RQ_PDU                                                                         |          |
| <b>Derivation Path:</b>    |                                                                                   |          |
| <b>Comments:</b>           | To match the received CHANNEL REQUEST message with establishment cause = '0000'B. |          |
| Field Name                 | Field Value                                                                       | Comments |
| ecau_rrf                   | '0000????'B                                                                       |          |
| <b>Detailed Comments:</b>  |                                                                                   |          |

| PDU Constraint Declaration |                                                                                                                      |          |
|----------------------------|----------------------------------------------------------------------------------------------------------------------|----------|
| <b>Constraint Name:</b>    | ChRequest_19                                                                                                         |          |
| <b>PDU Type:</b>           | CH_RQ_PDU                                                                                                            |          |
| <b>Derivation Path:</b>    |                                                                                                                      |          |
| <b>Comments:</b>           | To match the received CHANNEL REQUEST message with establishment cause = '111'B or '101'B --- initiate outgoing call |          |
| Field Name                 | Field Value                                                                                                          | Comments |
| ecau_rrf                   | ('111????'B, '101????'B)                                                                                             |          |
| <b>Detailed Comments:</b>  |                                                                                                                      |          |

| PDU Constraint Declaration |                                                                                   |          |
|----------------------------|-----------------------------------------------------------------------------------|----------|
| <b>Constraint Name:</b>    | ClassChange_01                                                                    |          |
| <b>PDU Type:</b>           | CLM_CHN_PDU                                                                       |          |
| <b>Derivation Path:</b>    |                                                                                   |          |
| <b>Comments:</b>           | CLASSMARK CHANGE message containing classmark2 indicating original rf power class |          |
| Field Name                 | Field Value                                                                       | Comments |
| ski                        | '0000'B                                                                           |          |
| rrpd                       | '0110'B                                                                           |          |
| mt                         | '00010110'B                                                                       |          |
| msclm                      | ClassMark2                                                                        |          |
| msclm_adi                  | -                                                                                 |          |
| <b>Detailed Comments:</b>  |                                                                                   |          |

| PDU Constraint Declaration |                                                                                                                     |          |
|----------------------------|---------------------------------------------------------------------------------------------------------------------|----------|
| <b>Constraint Name:</b>    | ClassChange_02                                                                                                      |          |
| <b>PDU Type:</b>           | CLM_CHN_PDU                                                                                                         |          |
| <b>Derivation Path:</b>    | ClassChange_01.                                                                                                     |          |
| <b>Comments:</b>           | CLASSMARK CHANGE message containing classmark2 indicating new rf power class due to addition of power amplification |          |
| Field Name                 | Field Value                                                                                                         | Comments |
| msclm                      | ClassMark2Amp                                                                                                       |          |
| <b>Detailed Comments:</b>  |                                                                                                                     |          |

| PDU Constraint Declaration |                                                                                                            |          |
|----------------------------|------------------------------------------------------------------------------------------------------------|----------|
| <b>Constraint Name:</b>    | ClassChange_03                                                                                             |          |
| <b>PDU Type:</b>           | CLM_CHN_PDU                                                                                                |          |
| <b>Derivation Path:</b>    | ClassChange_01.                                                                                            |          |
| <b>Comments:</b>           | CLASSMARK CHANGE message containing classmark2 indicating original rf power class and possible classmark3. |          |
| Field Name                 | Field Value                                                                                                | Comments |
| msclm                      | ClassMark2                                                                                                 |          |
| msclm_adi                  | ClassMark3 IF_PRESENT                                                                                      |          |
| <b>Detailed Comments:</b>  |                                                                                                            |          |

| PDU Constraint Declaration |                 |          |
|----------------------------|-----------------|----------|
| <b>Constraint Name:</b>    | ClassMarkEnq_01 |          |
| <b>PDU Type:</b>           | CLM_ENQ_PDU     |          |
| <b>Derivation Path:</b>    |                 |          |
| <b>Comments:</b>           |                 |          |
| Field Name                 | Field Value     | Comments |
| ski                        | '0000'B         |          |
| rrpd                       | '0110'B         |          |
| mt                         | '00010011'B     |          |
| <b>Detailed Comments:</b>  |                 |          |

| PDU Constraint Declaration |                                         |          |
|----------------------------|-----------------------------------------|----------|
| <b>Constraint Name:</b>    | CMReEstReq_02(mi:MI; lai:LAI; cksn:B_3) |          |
| <b>PDU Type:</b>           | CMRE_RQ_PDU                             |          |
| <b>Derivation Path:</b>    |                                         |          |
| <b>Comments:</b>           |                                         |          |
| Field Name                 | Field Value                             | Comments |
| ski                        | '0000'B                                 |          |
| mmpd                       | '0101'B                                 |          |
| mt                         | '0?101000'B                             |          |
| shoct                      | '0000'B                                 |          |
| cphksn                     | CphKeySN_01( cksn)                      |          |
| msclm                      | ClassMark2                              |          |
| mi                         | mi                                      |          |
| lai                        | lai IF_PRESENT                          |          |
| <b>Detailed Comments:</b>  |                                         |          |

| PDU Constraint Declaration |                             |          |
|----------------------------|-----------------------------|----------|
| <b>Constraint Name:</b>    | CMServiceAcp_01             |          |
| <b>PDU Type:</b>           | CMS_ACP_PDU                 |          |
| <b>Derivation Path:</b>    |                             |          |
| <b>Comments:</b>           | a CM SERVICE ACCEPT message |          |
| Field Name                 | Field Value                 | Comments |
| ski                        | '0000'B                     |          |
| mmpd                       | '0101'B                     |          |
| mt                         | '00100001'B                 |          |
| <b>Detailed Comments:</b>  |                             |          |

| PDU Constraint Declaration |                                                               |          |
|----------------------------|---------------------------------------------------------------|----------|
| <b>Constraint Name:</b>    | CMServiceRej_01                                               |          |
| <b>PDU Type:</b>           | CMS_REJ_PDU                                                   |          |
| <b>Derivation Path:</b>    |                                                               |          |
| <b>Comments:</b>           | reject cause = 'service or option not available, unspecified" |          |
| Field Name                 | Field Value                                                   | Comments |
| ski                        | '0000'B                                                       |          |
| mmpd                       | '0101'B                                                       |          |
| mt                         | '00100010'B                                                   |          |
| mmcau                      | '20'O                                                         |          |
| <b>Detailed Comments:</b>  |                                                               |          |



| PDU Constraint Declaration |                                    |          |
|----------------------------|------------------------------------|----------|
| <b>Constraint Name:</b>    | CMServiceRej_02                    |          |
| <b>PDU Type:</b>           | CMS_REJ_PDU                        |          |
| <b>Derivation Path:</b>    |                                    |          |
| <b>Comments:</b>           | reject cause = "IMEI not accepted" |          |
| Field Name                 | Field Value                        | Comments |
| ski                        | '0000'B                            |          |
| mmpd                       | '0101'B                            |          |
| mt                         | '00100010'B                        |          |
| mmcau                      | '05'O                              |          |
| <b>Detailed Comments:</b>  |                                    |          |

| PDU Constraint Declaration |                                               |          |
|----------------------------|-----------------------------------------------|----------|
| <b>Constraint Name:</b>    | CMServiceRej_03                               |          |
| <b>PDU Type:</b>           | CMS_REJ_PDU                                   |          |
| <b>Derivation Path:</b>    |                                               |          |
| <b>Comments:</b>           | reject cause = "Service Option not supported" |          |
| Field Name                 | Field Value                                   | Comments |
| ski                        | '0000'B                                       |          |
| mmpd                       | '0101'B                                       |          |
| mt                         | '00100010'B                                   |          |
| mmcau                      | '20'O                                         |          |
| <b>Detailed Comments:</b>  |                                               |          |

| PDU Constraint Declaration |                                  |          |
|----------------------------|----------------------------------|----------|
| <b>Constraint Name:</b>    | CMServiceRej_04                  |          |
| <b>PDU Type:</b>           | CMS_REJ_PDU                      |          |
| <b>Derivation Path:</b>    |                                  |          |
| <b>Comments:</b>           | reject cause = 'network failure' |          |
| Field Name                 | Field Value                      | Comments |
| ski                        | '0000'B                          |          |
| mmpd                       | '0101'B                          |          |
| mt                         | '00100010'B                      |          |
| mmcau                      | '11'O                            |          |
| <b>Detailed Comments:</b>  |                                  |          |

| PDU Constraint Declaration |                                                               |          |
|----------------------------|---------------------------------------------------------------|----------|
| <b>Constraint Name:</b>    | CMServiceRej_30(par: REJCAU)                                  |          |
| <b>PDU Type:</b>           | CMS_REJ_PDU                                                   |          |
| <b>Derivation Path:</b>    |                                                               |          |
| <b>Comments:</b>           | reject cause = 'service or option not available, unsepcified' |          |
| Field Name                 | Field Value                                                   | Comments |
| ski                        | '0000'B                                                       |          |
| mmpd                       | '0101'B                                                       |          |
| mt                         | '00100010'B                                                   |          |
| mmcau                      | par                                                           |          |
| <b>Detailed Comments:</b>  |                                                               |          |

| PDU Constraint Declaration |                                                  |          |
|----------------------------|--------------------------------------------------|----------|
| <b>Constraint Name:</b>    | CMServiceReq_01                                  |          |
| <b>PDU Type:</b>           | CMS_RQ_PDU                                       |          |
| <b>Derivation Path:</b>    |                                                  |          |
| <b>Comments:</b>           | To match any received CM SERVICE REQUEST message |          |
| Field Name                 | Field Value                                      | Comments |
| ski                        | '0000'B                                          |          |
| mmpd                       | '0101'B                                          |          |
| mt                         | '0?100100'B                                      |          |
| cphksn                     | ?                                                |          |
| svtype                     | ?                                                |          |
| msclm                      | ?                                                |          |
| mi                         | ?                                                |          |
| <b>Detailed Comments:</b>  |                                                  |          |

| PDU Constraint Declaration |                                                                                                                          |          |
|----------------------------|--------------------------------------------------------------------------------------------------------------------------|----------|
| <b>Constraint Name:</b>    | CMServiceReq_02                                                                                                          |          |
| <b>PDU Type:</b>           | CMS_RQ_PDU                                                                                                               |          |
| <b>Derivation Path:</b>    | CMServiceReq_01.                                                                                                         |          |
| <b>Comments:</b>           | To match a received CM SERVICE REQUEST message containing mobile station classmark 2 indicating new RF power capability. |          |
| Field Name                 | Field Value                                                                                                              | Comments |
| msclm                      | ClassMark2Amp                                                                                                            |          |
| <b>Detailed Comments:</b>  |                                                                                                                          |          |

| PDU Constraint Declaration |                                                                                                                                                                                                 |          |
|----------------------------|-------------------------------------------------------------------------------------------------------------------------------------------------------------------------------------------------|----------|
| <b>Constraint Name:</b>    | CMServiceReq_04                                                                                                                                                                                 |          |
| <b>PDU Type:</b>           | CMS_RQ_PDU                                                                                                                                                                                      |          |
| <b>Derivation Path:</b>    | CMServiceReq_01.                                                                                                                                                                                |          |
| <b>Comments:</b>           | To match a received CM SERVICE REQUEST message containing CM service type = "Mobile originating call establishment or packet mode connection establishment" or " emergency call establishment". |          |
| Field Name                 | Field Value                                                                                                                                                                                     | Comments |
| svtype                     | ('0001'B, '0010'B)                                                                                                                                                                              |          |
| <b>Detailed Comments:</b>  |                                                                                                                                                                                                 |          |

| PDU Constraint Declaration |                                                                                |          |
|----------------------------|--------------------------------------------------------------------------------|----------|
| <b>Constraint Name:</b>    | CMServiceReq_05(mi:MI)                                                         |          |
| <b>PDU Type:</b>           | CMS_RQ_PDU                                                                     |          |
| <b>Derivation Path:</b>    |                                                                                |          |
| <b>Comments:</b>           | To match any received CM SERVICE REQUEST message for emergency call with IMEI. |          |
| Field Name                 | Field Value                                                                    | Comments |
| ski                        | '0000'B                                                                        |          |
| mmpd                       | '0101'B                                                                        |          |
| mt                         | '0?100100'B                                                                    |          |
| cphksn                     | ?                                                                              |          |
| svtype                     | C_CMServiceTypeE                                                               |          |
| msclm                      | ?                                                                              |          |
| mi                         | mi                                                                             |          |
| <b>Detailed Comments:</b>  |                                                                                |          |

| PDU Constraint Declaration |                                                                                                 |          |
|----------------------------|-------------------------------------------------------------------------------------------------|----------|
| <b>Constraint Name:</b>    | CMServiceReq_06( cksn:B_3)                                                                      |          |
| <b>PDU Type:</b>           | CMS_RQ_PDU                                                                                      |          |
| <b>Derivation Path:</b>    |                                                                                                 |          |
| <b>Comments:</b>           | To match any received CM SERVICE REQUEST message for emergency call with TMSI and correct CKSN. |          |
| Field Name                 | Field Value                                                                                     | Comments |
| ski                        | '0000'B                                                                                         |          |
| mmpd                       | '0101'B                                                                                         |          |
| mt                         | '0?100100'B                                                                                     |          |
| cphksn                     | CphKeySN_01( cksn)                                                                              |          |
| svtype                     | C_CMServiceTypeE                                                                                |          |
| msclm                      | ?                                                                                               |          |
| mi                         | MiTmsi_01                                                                                       |          |
| <b>Detailed Comments:</b>  |                                                                                                 |          |

| PDU Constraint Declaration |                                                                                                                          |          |
|----------------------------|--------------------------------------------------------------------------------------------------------------------------|----------|
| <b>Constraint Name:</b>    | CMServiceReq_07                                                                                                          |          |
| <b>PDU Type:</b>           | CMS_RQ_PDU                                                                                                               |          |
| <b>Derivation Path:</b>    | CMServiceReq_01.                                                                                                         |          |
| <b>Comments:</b>           | To match any received CM SERVICE REQUEST message for emergency call with IMEI and CKSN indicating "no key is available". |          |
| Field Name                 | Field Value                                                                                                              | Comments |
| cphksn                     | CphKeySN_06                                                                                                              |          |
| svtype                     | C_CMServiceTypeE                                                                                                         |          |
| msclm                      | ClassMark2                                                                                                               |          |
| mi                         | Milmei_01                                                                                                                |          |
| <b>Detailed Comments:</b>  |                                                                                                                          |          |

| PDU Constraint Declaration |                                                                                                 |          |
|----------------------------|-------------------------------------------------------------------------------------------------|----------|
| <b>Constraint Name:</b>    | CMServiceReq_08                                                                                 |          |
| <b>PDU Type:</b>           | CMS_RQ_PDU                                                                                      |          |
| <b>Derivation Path:</b>    | CMServiceReq_01.                                                                                |          |
| <b>Comments:</b>           | To match the received CM SERVICE REQUEST message indicating " supplementary service activation" |          |
| Field Name                 | Field Value                                                                                     | Comments |
| svtype                     | '1000'B                                                                                         |          |
| <b>Detailed Comments:</b>  |                                                                                                 |          |

| PDU Constraint Declaration |                                                                                       |          |
|----------------------------|---------------------------------------------------------------------------------------|----------|
| <b>Constraint Name:</b>    | CMServiceReq_09                                                                       |          |
| <b>PDU Type:</b>           | CMS_RQ_PDU                                                                            |          |
| <b>Derivation Path:</b>    | CMServiceReq_01.                                                                      |          |
| <b>Comments:</b>           | To match the received CM SERVICE REQUEST message indicating " short message transfer" |          |
| Field Name                 | Field Value                                                                           | Comments |
| svtype                     | '0100'B                                                                               |          |
| <b>Detailed Comments:</b>  |                                                                                       |          |

| PDU Constraint Declaration |                                                  |          |
|----------------------------|--------------------------------------------------|----------|
| <b>Constraint Name:</b>    | CMServiceReq_30(parexpected_mi: MI)              |          |
| <b>PDU Type:</b>           | CMS_RQ_PDU                                       |          |
| <b>Derivation Path:</b>    |                                                  |          |
| <b>Comments:</b>           | To match any received CM SERVICE REQUEST message |          |
| Field Name                 | Field Value                                      | Comments |
| ski                        | '0000'B                                          |          |
| mmpd                       | '0101'B                                          |          |
| mt                         | '0?100100'B                                      |          |
| cphksn                     | ?                                                |          |
| svtype                     | ?                                                |          |
| msclm                      | ?                                                |          |
| mi                         | parexpected_mi                                   |          |
| <b>Detailed Comments:</b>  |                                                  |          |

| PDU Constraint Declaration |                                                      |          |
|----------------------------|------------------------------------------------------|----------|
| <b>Constraint Name:</b>    | CMServiceReq_31(parexpected_mi: MI; cksn: BITSTRING) |          |
| <b>PDU Type:</b>           | CMS_RQ_PDU                                           |          |
| <b>Derivation Path:</b>    |                                                      |          |
| <b>Comments:</b>           | To match any received CM SERVICE REQUEST message     |          |
| Field Name                 | Field Value                                          | Comments |
| ski                        | '0000'B                                              |          |
| mmpd                       | '0101'B                                              |          |
| mt                         | '0?100100'B                                          |          |
| cphksn                     | CphKeySN_07(cksn)                                    |          |
| svtype                     | C_CMServiceTypeE                                     |          |
| msclm                      | ?                                                    |          |
| mi                         | parexpected_mi                                       |          |
| <b>Detailed Comments:</b>  |                                                      |          |

| PDU Constraint Declaration |                                                      |          |
|----------------------------|------------------------------------------------------|----------|
| <b>Constraint Name:</b>    | CMServiceReq_32(parexpected_mi: MI; cksn: BITSTRING) |          |
| <b>PDU Type:</b>           | CMS_RQ_PDU                                           |          |
| <b>Derivation Path:</b>    |                                                      |          |
| <b>Comments:</b>           | To match any received CM SERVICE REQUEST message     |          |
| Field Name                 | Field Value                                          | Comments |
| ski                        | '0000'B                                              |          |
| mmpd                       | '0101'B                                              |          |
| mt                         | '0?100100'B                                          |          |
| cphksn                     | CphKeySN_07(cksn)                                    |          |
| svtype                     | ?                                                    |          |
| msclm                      | ?                                                    |          |
| mi                         | parexpected_mi                                       |          |
| <b>Detailed Comments:</b>  |                                                      |          |

| PDU Constraint Declaration |                                                |          |
|----------------------------|------------------------------------------------|----------|
| <b>Constraint Name:</b>    | Connect_01( ti:TI)                             |          |
| <b>PDU Type:</b>           | CONN_PDU                                       |          |
| <b>Derivation Path:</b>    |                                                |          |
| <b>Comments:</b>           | CC CONNECT message matching any received value |          |
| Field Name                 | Field Value                                    | Comments |
| ti                         | ti                                             |          |
| ccpd                       | '0011'B                                        |          |
| mt                         | '0?000111'B                                    |          |
| fie                        | *                                              |          |
| pi                         | -                                              |          |
| cnn                        | -                                              |          |
| cns                        | *                                              |          |
| uu                         | *                                              |          |
| ssvi                       | *                                              |          |
| <b>Detailed Comments:</b>  |                                                |          |

| PDU Constraint Declaration |                                                    |          |
|----------------------------|----------------------------------------------------|----------|
| <b>Constraint Name:</b>    | Connect_02(Ti:TI)                                  |          |
| <b>PDU Type:</b>           | CONN_PDU                                           |          |
| <b>Derivation Path:</b>    |                                                    |          |
| <b>Comments:</b>           | CC CONNECT message containing mandatory IE's only. |          |
| Field Name                 | Field Value                                        | Comments |
| ti                         | Ti                                                 |          |
| ccpd                       | '0011'B                                            |          |
| mt                         | '00000111'B                                        |          |
| fie                        | -                                                  |          |
| pi                         | -                                                  |          |
| cnn                        | -                                                  |          |
| cns                        | -                                                  |          |
| uu                         | -                                                  |          |
| ssvi                       | -                                                  |          |
| <b>Detailed Comments:</b>  |                                                    |          |

| PDU Constraint Declaration |                                           |          |
|----------------------------|-------------------------------------------|----------|
| <b>Constraint Name:</b>    | Connect_05(Ti:TI; fie:FIE)                |          |
| <b>PDU Type:</b>           | CONN_PDU                                  |          |
| <b>Derivation Path:</b>    |                                           |          |
| <b>Comments:</b>           | CC CONNECT message containing faciliy IE. |          |
| Field Name                 | Field Value                               | Comments |
| ti                         | Ti                                        |          |
| ccpd                       | '0011'B                                   |          |
| mt                         | '00000111'B                               |          |
| fie                        | fie                                       |          |
| pi                         | -                                         |          |
| cnn                        | -                                         |          |
| cns                        | -                                         |          |
| uu                         | -                                         |          |
| ssvi                       | -                                         |          |
| <b>Detailed Comments:</b>  |                                           |          |

| PDU Constraint Declaration |                                                                                       |          |
|----------------------------|---------------------------------------------------------------------------------------|----------|
| <b>Constraint Name:</b>    | Connect_inv_01(Ti:TI)                                                                 |          |
| <b>PDU Type:</b>           | CONN_PDU_ERR                                                                          |          |
| <b>Derivation Path:</b>    |                                                                                       |          |
| <b>Comments:</b>           | An invalid CONNECT message containing an optional IE coded as comprehension required. |          |
| Field Name                 | Field Value                                                                           | Comments |
| ti                         | Ti                                                                                    |          |
| ccpd                       | '0011'B                                                                               |          |
| mt                         | '00000111'B                                                                           |          |
| unknown                    | UnknownIE_01                                                                          |          |
| <b>Detailed Comments:</b>  |                                                                                       |          |

| PDU Constraint Declaration |                                       |          |
|----------------------------|---------------------------------------|----------|
| <b>Constraint Name:</b>    | ConnectAck_01( ti:TI)                 |          |
| <b>PDU Type:</b>           | CONN_ACK_PDU                          |          |
| <b>Derivation Path:</b>    |                                       |          |
| <b>Comments:</b>           | A CONNECT ACKNOWLEDGE message n -> ms |          |
| Field Name                 | Field Value                           | Comments |
| ti                         | ti                                    |          |
| ccpd                       | '0011'B                               |          |
| mt                         | '00001111'B                           |          |
| <b>Detailed Comments:</b>  |                                       |          |

| PDU Constraint Declaration |                               |          |
|----------------------------|-------------------------------|----------|
| <b>Constraint Name:</b>    | ConnectAck_02(Ti:TI)          |          |
| <b>PDU Type:</b>           | CONN_ACK_PDU                  |          |
| <b>Derivation Path:</b>    |                               |          |
| <b>Comments:</b>           | A CONNECT ACKNOWLEDGE message |          |
| Field Name                 | Field Value                   | Comments |
| ti                         | Ti                            |          |
| ccpd                       | '0011'B                       |          |
| mt                         | '0?001111'B                   |          |
| <b>Detailed Comments:</b>  |                               |          |

| PDU Constraint Declaration |                                                                                 |          |
|----------------------------|---------------------------------------------------------------------------------|----------|
| <b>Constraint Name:</b>    | CphModeCmd_01                                                                   |          |
| <b>PDU Type:</b>           | CPHM_CMD_PDU                                                                    |          |
| <b>Derivation Path:</b>    |                                                                                 |          |
| <b>Comments:</b>           | CIPHERING MODE COMMAND message, the cipherring algorithm is specified by PIXIT. |          |
| Field Name                 | Field Value                                                                     | Comments |
| ski                        | '0000'B                                                                         |          |
| rrpd                       | '0110'B                                                                         |          |
| mt                         | '00110101'B                                                                     |          |
| cph_res                    | CiphRes_01                                                                      |          |
| cphms                      | CphMod_01                                                                       |          |
| <b>Detailed Comments:</b>  |                                                                                 |          |

| PDU Constraint Declaration |                                                   |          |
|----------------------------|---------------------------------------------------|----------|
| <b>Constraint Name:</b>    | CphModeCmd_02                                     |          |
| <b>PDU Type:</b>           | CPHM_CMD_PDU                                      |          |
| <b>Derivation Path:</b>    | CphModeCmd_01.                                    |          |
| <b>Comments:</b>           | CIPHERING MODE COMMAND message with no ciphering. |          |
| Field Name                 | Field Value                                       | Comments |
| cphms                      | CphMod_02                                         |          |
| <b>Detailed Comments:</b>  |                                                   |          |

| PDU Constraint Declaration |                                                                                                                    |          |
|----------------------------|--------------------------------------------------------------------------------------------------------------------|----------|
| <b>Constraint Name:</b>    | CphModeCmd_03                                                                                                      |          |
| <b>PDU Type:</b>           | CPHM_CMD_PDU                                                                                                       |          |
| <b>Derivation Path:</b>    | CphModeCmd_01.                                                                                                     |          |
| <b>Comments:</b>           | CIPHERING MODE COMMAND message with no ciphering and IMEI included, the ciphering algorithm is specified by PIXIT. |          |
| Field Name                 | Field Value                                                                                                        | Comments |
| cph_res                    | CiphRes_02                                                                                                         |          |
| cphms                      | CphMod_02                                                                                                          |          |
| <b>Detailed Comments:</b>  |                                                                                                                    |          |

| PDU Constraint Declaration |                                                                    |          |
|----------------------------|--------------------------------------------------------------------|----------|
| <b>Constraint Name:</b>    | CphModeCmd_inv_01                                                  |          |
| <b>PDU Type:</b>           | CPHM_CMD_PDU                                                       |          |
| <b>Derivation Path:</b>    | CphModeCmd_01.                                                     |          |
| <b>Comments:</b>           | Invalid CIPHERING MODE COMMAND message with mandatory IE's missing |          |
| Field Name                 | Field Value                                                        | Comments |
| cph_res                    | -                                                                  |          |
| cphms                      | -                                                                  |          |
| <b>Detailed Comments:</b>  |                                                                    |          |

| PDU Constraint Declaration |                                                                     |          |
|----------------------------|---------------------------------------------------------------------|----------|
| <b>Constraint Name:</b>    | CphModeCmd_inv_02                                                   |          |
| <b>PDU Type:</b>           | CPHM_CMD_PDU                                                        |          |
| <b>Derivation Path:</b>    | CphModeCmd_01.                                                      |          |
| <b>Comments:</b>           | CIPHERING MODE COMMAND message containing incorrect skip identifier |          |
| Field Name                 | Field Value                                                         | Comments |
| ski                        | '0011'B                                                             |          |
| <b>Detailed Comments:</b>  |                                                                     |          |

| PDU Constraint Declaration |                                                      |          |
|----------------------------|------------------------------------------------------|----------|
| <b>Constraint Name:</b>    | CphModeCmd_inv_03                                    |          |
| <b>PDU Type:</b>           | CPHM_CMD_PDU_ERR                                     |          |
| <b>Derivation Path:</b>    |                                                      |          |
| <b>Comments:</b>           | CIPHERING MODE COMMAND message containing unknown IE |          |
| Field Name                 | Field Value                                          | Comments |
| ski                        | '0000'B                                              |          |
| rrpd                       | '0110'B                                              |          |
| mt                         | '00110101'B                                          |          |
| cph_res                    | CiphRes_01                                           |          |
| cphms                      | CphMod_03                                            |          |
| add                        | '92'O                                                |          |
| <b>Detailed Comments:</b>  |                                                      |          |

| PDU Constraint Declaration |                                                       |          |
|----------------------------|-------------------------------------------------------|----------|
| <b>Constraint Name:</b>    | CphModeCmp_01                                         |          |
| <b>PDU Type:</b>           | CPHM_COM_PDU                                          |          |
| <b>Derivation Path:</b>    |                                                       |          |
| <b>Comments:</b>           | To match any received CIPHERING MODE COMPLETE message |          |
| Field Name                 | Field Value                                           | Comments |
| ski                        | '0000'B                                               |          |
| rrpd                       | '0110'B                                               |          |
| mt                         | '00110010'B                                           |          |
| mei                        | *                                                     |          |
| <b>Detailed Comments:</b>  |                                                       |          |

| PDU Constraint Declaration |                                                                   |          |
|----------------------------|-------------------------------------------------------------------|----------|
| <b>Constraint Name:</b>    | CphModeCmp_02                                                     |          |
| <b>PDU Type:</b>           | CPHM_COM_PDU                                                      |          |
| <b>Derivation Path:</b>    | CphModeCmp_01.                                                    |          |
| <b>Comments:</b>           | To match a received CIPHERING MODE COMPLETE message without IMEI. |          |
| Field Name                 | Field Value                                                       | Comments |
| mei                        | -                                                                 |          |
| <b>Detailed Comments:</b>  |                                                                   |          |

| PDU Constraint Declaration |                                                                      |          |
|----------------------------|----------------------------------------------------------------------|----------|
| <b>Constraint Name:</b>    | CphModeCmp_03                                                        |          |
| <b>PDU Type:</b>           | CPHM_COM_PDU                                                         |          |
| <b>Derivation Path:</b>    |                                                                      |          |
| <b>Comments:</b>           | To match a received CIPHERING MODE COMPLETE message containing IMEI. |          |
| Field Name                 | Field Value                                                          | Comments |
| ski                        | '0000'B                                                              |          |
| rrpd                       | '0110'B                                                              |          |
| mt                         | '00110010'B                                                          |          |
| mei                        | Milmeisv_01iei                                                       |          |
| <b>Detailed Comments:</b>  |                                                                      |          |

| PDU Constraint Declaration |                                                                                         |          |
|----------------------------|-----------------------------------------------------------------------------------------|----------|
| <b>Constraint Name:</b>    | DisconnS(Ti:Ti; cau:CAU; progind:PI; uuinf:UU)                                          |          |
| <b>PDU Type:</b>           | DISC_PDU                                                                                |          |
| <b>Derivation Path:</b>    |                                                                                         |          |
| <b>Comments:</b>           | A DISCONNECT message that contains cause = normal clearing and progress indicator = #8. |          |
| Field Name                 | Field Value                                                                             | Comments |
| ti                         | Ti                                                                                      |          |
| ccpd                       | '0011'B                                                                                 |          |
| mt                         | '00100101'B                                                                             |          |
| cau                        | cau                                                                                     |          |
| fie                        | -                                                                                       |          |
| pi                         | progind                                                                                 |          |
| uu                         | uuinf                                                                                   |          |
| ssvi                       | -                                                                                       |          |
| <b>Detailed Comments:</b>  |                                                                                         |          |



| PDU Constraint Declaration |                                                                   |          |
|----------------------------|-------------------------------------------------------------------|----------|
| <b>Constraint Name:</b>    | DisconnR(Ti:TI; cau:CAU)                                          |          |
| <b>PDU Type:</b>           | DISC_PDU                                                          |          |
| <b>Derivation Path:</b>    |                                                                   |          |
| <b>Comments:</b>           | A default DISCONNECT message matching parametrised value ms -> n. |          |
| Field Name                 | Field Value                                                       | Comments |
| ti                         | Ti                                                                |          |
| ccpd                       | '0011'B                                                           |          |
| mt                         | '0?100101'B                                                       |          |
| cau                        | cau                                                               |          |
| fie                        | *                                                                 |          |
| pi                         | *                                                                 |          |
| uu                         | *                                                                 |          |
| ssvi                       | *                                                                 |          |
| <b>Detailed Comments:</b>  |                                                                   |          |

| PDU Constraint Declaration |                                                                                                                                                           |          |
|----------------------------|-----------------------------------------------------------------------------------------------------------------------------------------------------------|----------|
| <b>Constraint Name:</b>    | Disconn_10(Ti:TI)                                                                                                                                         |          |
| <b>PDU Type:</b>           | DISC_PDU                                                                                                                                                  |          |
| <b>Derivation Path:</b>    |                                                                                                                                                           |          |
| <b>Comments:</b>           | To match a received DISCONNECT message containing transaction identifier = Ti , cause #68 and facility_IE45 for ForarwdChargeAdvice ReturnResult ms -> n. |          |
| Field Name                 | Field Value                                                                                                                                               | Comments |
| ti                         | Ti                                                                                                                                                        |          |
| ccpd                       | '0011'B                                                                                                                                                   |          |
| mt                         | '0?100101'B                                                                                                                                               |          |
| cau                        | Cause_Def                                                                                                                                                 |          |
| fie                        | facilityIErcviei( FwdChAdvRslt_01)                                                                                                                        |          |
| pi                         | *                                                                                                                                                         |          |
| uu                         | *                                                                                                                                                         |          |
| ssvi                       | *                                                                                                                                                         |          |
| <b>Detailed Comments:</b>  |                                                                                                                                                           |          |

| PDU Constraint Declaration |                                                                                                                            |          |
|----------------------------|----------------------------------------------------------------------------------------------------------------------------|----------|
| <b>Constraint Name:</b>    | Disconn_inv_01( ti:TI)                                                                                                     |          |
| <b>PDU Type:</b>           | DISC_PDU                                                                                                                   |          |
| <b>Derivation Path:</b>    |                                                                                                                            |          |
| <b>Comments:</b>           | A DISCONNECT message containing cause value #16 and location = user, the transaction ID does not refer to the active call. |          |
| Field Name                 | Field Value                                                                                                                | Comments |
| ti                         | ti                                                                                                                         |          |
| ccpd                       | '0011'B                                                                                                                    |          |
| mt                         | '00100101'B                                                                                                                |          |
| cau                        | Cause_01                                                                                                                   |          |
| fie                        | -                                                                                                                          |          |
| pi                         | -                                                                                                                          |          |
| uu                         | -                                                                                                                          |          |
| ssvi                       | -                                                                                                                          |          |
| <b>Detailed Comments:</b>  |                                                                                                                            |          |

| PDU Constraint Declaration |                                                                            |          |
|----------------------------|----------------------------------------------------------------------------|----------|
| <b>Constraint Name:</b>    | Disconn_inv_02( ti:TI)                                                     |          |
| <b>PDU Type:</b>           | DISC_PDU                                                                   |          |
| <b>Derivation Path:</b>    |                                                                            |          |
| <b>Comments:</b>           | A DISCONNECT message in which the mandatory IE cause is missing. (N -> MS) |          |
| Field Name                 | Field Value                                                                | Comments |
| ti                         | ti                                                                         |          |
| ccpd                       | '0011'B                                                                    |          |
| mt                         | '00100101'B                                                                |          |
| cau                        | -                                                                          |          |
| fie                        | -                                                                          |          |
| pi                         | -                                                                          |          |
| uu                         | -                                                                          |          |
| ssvi                       | -                                                                          |          |
| <b>Detailed Comments:</b>  |                                                                            |          |

| PDU Constraint Declaration |                                                                   |          |
|----------------------------|-------------------------------------------------------------------|----------|
| <b>Constraint Name:</b>    | Disconn_inv_03( ti :TI)                                           |          |
| <b>PDU Type:</b>           | DISC_PDU_ERR                                                      |          |
| <b>Derivation Path:</b>    |                                                                   |          |
| <b>Comments:</b>           | An invalid DISCONNECT message which contains optional unknown IEI |          |
| Field Name                 | Field Value                                                       | Comments |
| ti                         | ti                                                                |          |
| ccpd                       | '0011'B                                                           |          |
| mt                         | '00100101'B                                                       |          |
| cau                        | Cause_01                                                          |          |
| unknown                    | UnknownIE_02                                                      |          |
| <b>Detailed Comments:</b>  |                                                                   |          |

| PDU Constraint Declaration |                                                               |          |
|----------------------------|---------------------------------------------------------------|----------|
| <b>Constraint Name:</b>    | Disconn_inv_04( ti :TI)                                       |          |
| <b>PDU Type:</b>           | DISC_PDU                                                      |          |
| <b>Derivation Path:</b>    |                                                               |          |
| <b>Comments:</b>           | An invalid DISCONNECT message containing arbitrary spare bits |          |
| Field Name                 | Field Value                                                   | Comments |
| ti                         | ti                                                            |          |
| ccpd                       | '0011'B                                                       |          |
| mt                         | '00100101'B                                                   |          |
| cau                        | Cause_06                                                      |          |
| fie                        | -                                                             |          |
| pi                         | ProgInd_01                                                    |          |
| uu                         | -                                                             |          |
| ssvi                       | -                                                             |          |
| <b>Detailed Comments:</b>  |                                                               |          |

| PDU Constraint Declaration |                                                                                                       |          |
|----------------------------|-------------------------------------------------------------------------------------------------------|----------|
| <b>Constraint Name:</b>    | FacilityPdu_05(Ti:TI)                                                                                 |          |
| <b>PDU Type:</b>           | FAC_PDU                                                                                               |          |
| <b>Derivation Path:</b>    |                                                                                                       |          |
| <b>Comments:</b>           | FACILITY message, call dependent, used in TC_11_3, containing any facility information element ms->n. |          |
| Field Name                 | Field Value                                                                                           | Comments |
| ti                         | Ti                                                                                                    |          |
| cc_sspd                    | '0011'B                                                                                               |          |
| mt                         | '0?111010'B                                                                                           |          |
| fie                        | ?                                                                                                     |          |
| ssvi                       | *                                                                                                     |          |
| <b>Detailed Comments:</b>  |                                                                                                       |          |

| PDU Constraint Declaration |                                           |          |
|----------------------------|-------------------------------------------|----------|
| <b>Constraint Name:</b>    | FacilityPdu_25(Ti:TI; fie:FIE)            |          |
| <b>PDU Type:</b>           | FAC_PDU                                   |          |
| <b>Derivation Path:</b>    |                                           |          |
| <b>Comments:</b>           | FACILITY message, call dependent, n -> ms |          |
| Field Name                 | Field Value                               | Comments |
| ti                         | Ti                                        |          |
| cc_sspd                    | '0011'B                                   |          |
| mt                         | '00111010'B                               |          |
| fie                        | fie                                       |          |
| ssvi                       | -                                         |          |
| <b>Detailed Comments:</b>  |                                           |          |

| PDU Constraint Declaration |                                             |          |
|----------------------------|---------------------------------------------|----------|
| <b>Constraint Name:</b>    | FacilityPdu_25_ci(Ti:TI; fie:FIE)           |          |
| <b>PDU Type:</b>           | FAC_PDU                                     |          |
| <b>Derivation Path:</b>    |                                             |          |
| <b>Comments:</b>           | FACILITY message, call independent, n -> ms |          |
| Field Name                 | Field Value                                 | Comments |
| ti                         | Ti                                          |          |
| cc_sspd                    | '1011'B                                     |          |
| mt                         | '00111010'B                                 |          |
| fie                        | fie                                         |          |
| ssvi                       | -                                           |          |
| <b>Detailed Comments:</b>  |                                             |          |

| PDU Constraint Declaration |                                          |          |
|----------------------------|------------------------------------------|----------|
| <b>Constraint Name:</b>    | FacilityPdu_26(Ti:TI; fie:FIE)           |          |
| <b>PDU Type:</b>           | FAC_PDU                                  |          |
| <b>Derivation Path:</b>    |                                          |          |
| <b>Comments:</b>           | FACILITY message, call dependent ms -> n |          |
| Field Name                 | Field Value                              | Comments |
| ti                         | Ti                                       |          |
| cc_sspd                    | '0011'B                                  |          |
| mt                         | '0?111010'B                              |          |
| fie                        | fie                                      |          |
| ssvi                       | *                                        |          |
| <b>Detailed Comments:</b>  |                                          |          |

| PDU Constraint Declaration |                                            |          |
|----------------------------|--------------------------------------------|----------|
| <b>Constraint Name:</b>    | FacilityPdu_26_ci(Ti:TI; fie:FIE)          |          |
| <b>PDU Type:</b>           | FAC_PDU                                    |          |
| <b>Derivation Path:</b>    |                                            |          |
| <b>Comments:</b>           | FACILITY message, call independent ms -> n |          |
| Field Name                 | Field Value                                | Comments |
| ti                         | Ti                                         |          |
| cc_sspd                    | '1011'B                                    |          |
| mt                         | '0?111010'B                                |          |
| fie                        | fie                                        |          |
| ssvi                       | *                                          |          |
| <b>Detailed Comments:</b>  |                                            |          |

| PDU Constraint Declaration |                                                    |          |
|----------------------------|----------------------------------------------------|----------|
| <b>Constraint Name:</b>    | FreqRedef_01(chd:CHD; ma:MA; strt:STRT; cchd:CCHD) |          |
| <b>PDU Type:</b>           | FRQRE_PDU                                          |          |
| <b>Derivation Path:</b>    |                                                    |          |
| <b>Comments:</b>           |                                                    |          |
| Field Name                 | Field Value                                        | Comments |
| ski                        | '0000'B                                            |          |
| rrpd                       | '0110'B                                            |          |
| mt                         | '00010100'B                                        |          |
| chd                        | chd                                                |          |
| ma                         | ma                                                 |          |
| strt                       | strt                                               |          |
| cchd                       | cchd                                               |          |
| <b>Detailed Comments:</b>  |                                                    |          |

| PDU Constraint Declaration |                                                                                                                          |          |
|----------------------------|--------------------------------------------------------------------------------------------------------------------------|----------|
| <b>Constraint Name:</b>    | FreqRedef_20(ts_ccch: BITSTRING; par_chtype:CH_TDMA; par_cchd: OCTETSTRING; par_ma:BITSTRING; par_stime:STRT; n:INTEGER) |          |
| <b>PDU Type:</b>           | FRQRE_PDU                                                                                                                |          |
| <b>Derivation Path:</b>    |                                                                                                                          |          |
| <b>Comments:</b>           | Frequency Redefinition                                                                                                   |          |
| Field Name                 | Field Value                                                                                                              | Comments |
| ski                        | '0000'B                                                                                                                  |          |
| rrpd                       | '0110'B                                                                                                                  |          |
| mt                         | '00010100'B                                                                                                              |          |
| chd                        | ChDescrp_fh( par_chtype, ts_ccch, TSPX_TscDef, INT_TO_BIT((TSPX_MAIO MOD n), 6), INT_TO_BIT(TSPX_HSN, 6))                |          |
| ma                         | MoblAllc_20_Be1(par_ma)                                                                                                  |          |
| strt                       | par_stime                                                                                                                |          |
| cchd                       | CellChDes_20_Be(par_cchd)                                                                                                |          |
| <b>Detailed Comments:</b>  |                                                                                                                          |          |

| PDU Constraint Declaration |                                                                                                           |          |
|----------------------------|-----------------------------------------------------------------------------------------------------------|----------|
| <b>Constraint Name:</b>    | FreqRedef_21(ts_ccch: BITSTRING; par_chtype:CH_TDMA; par_ma:BITSTRING; par_stime:STRT; n:INTEGER)         |          |
| <b>PDU Type:</b>           | FRQRE_PDU                                                                                                 |          |
| <b>Derivation Path:</b>    |                                                                                                           |          |
| <b>Comments:</b>           | Frequency Redefinition                                                                                    |          |
| Field Name                 | Field Value                                                                                               | Comments |
| ski                        | '0000'B                                                                                                   |          |
| rrpd                       | '0110'B                                                                                                   |          |
| mt                         | '00010100'B                                                                                               |          |
| chd                        | ChDescrp_fh( par_chtype, ts_ccch, TSPX_TscDef, INT_TO_BIT((TSPX_MAIO MOD n), 6), INT_TO_BIT(TSPX_HSN, 6)) |          |
| ma                         | MoblAllc_20_Be1(par_ma)                                                                                   |          |
| strt                       | par_stime                                                                                                 |          |
| cchd                       | -                                                                                                         |          |
| <b>Detailed Comments:</b>  |                                                                                                           |          |

| PDU Constraint Declaration |                                                                                                                                               |          |
|----------------------------|-----------------------------------------------------------------------------------------------------------------------------------------------|----------|
| <b>Constraint Name:</b>    | FreqRedef_22( ts_ccch: BITSTRING; par_chtype:CH_TDMA; par_cchd: OCTETSTRING; par_ma1:BITSTRING; par_ma2:BITSTRING; par_stime:STRT; n:INTEGER) |          |
| <b>PDU Type:</b>           | FRQRE_PDU                                                                                                                                     |          |
| <b>Derivation Path:</b>    |                                                                                                                                               |          |
| <b>Comments:</b>           | Frequency Redefinition                                                                                                                        |          |
| Field Name                 | Field Value                                                                                                                                   | Comments |
| ski                        | '0000'B                                                                                                                                       |          |
| rrpd                       | '0110'B                                                                                                                                       |          |
| mt                         | '00010100'B                                                                                                                                   |          |
| chd                        | ChDescrp_fh( par_chtype, ts_ccch, TSPX_TscDef, INT_TO_BIT((TSPX_MAIO MOD n), 6), INT_TO_BIT(TSPX_HSN, 6))                                     |          |
| ma                         | MoblAllc_20_Be2(par_ma1, par_ma2)                                                                                                             |          |
| strt                       | par_stime                                                                                                                                     |          |
| cchd                       | CellChDes_20_Be(par_cchd)                                                                                                                     |          |
| <b>Detailed Comments:</b>  |                                                                                                                                               |          |

| PDU Constraint Declaration |                                               |          |
|----------------------------|-----------------------------------------------|----------|
| <b>Constraint Name:</b>    | HandOverAcc_01                                |          |
| <b>PDU Type:</b>           | HOACC_PDU                                     |          |
| <b>Derivation Path:</b>    |                                               |          |
| <b>Comments:</b>           | To match any received HANDOVER ACCESS message |          |
| Field Name                 | Field Value                                   | Comments |
| horf                       | ?                                             |          |
| <b>Detailed Comments:</b>  |                                               |          |

| PDU Constraint Declaration |                                                                                |          |
|----------------------------|--------------------------------------------------------------------------------|----------|
| <b>Constraint Name:</b>    | HandOverAcc_02(horef:HORF)                                                     |          |
| <b>PDU Type:</b>           | HOACC_PDU                                                                      |          |
| <b>Derivation Path:</b>    |                                                                                |          |
| <b>Comments:</b>           | To match a received HANDOVER ACCESS message with handover reference ` horef` . |          |
| Field Name                 | Field Value                                                                    | Comments |
| horf                       | horf                                                                           |          |
| <b>Detailed Comments:</b>  |                                                                                |          |

| PDU Constraint Declaration |                                                                                                                                                                                |          |
|----------------------------|--------------------------------------------------------------------------------------------------------------------------------------------------------------------------------|----------|
| <b>Constraint Name:</b>    | HandOverCmd_nfh( type:CH_TDMA; slot:SN; tsc:TSC; ncc, bcc:B_3; sdccharfcn, tcharfcn:INTEGER; horf:HORF; pwlvl:B_5; synchi:SYNCHI; chmod:CHMOD; rtdif:TDIF; ta:TA; cphms:CPHMS) |          |
| <b>PDU Type:</b>           | HO_CMD_PDU                                                                                                                                                                     |          |
| <b>Derivation Path:</b>    |                                                                                                                                                                                |          |
| <b>Comments:</b>           | An HANDOVER COMMAND indicating finely synchronised intra cell handover.                                                                                                        |          |
| Field Name                 | Field Value                                                                                                                                                                    | Comments |
| ski                        | '0000'B                                                                                                                                                                        |          |
| rrpd                       | '0110'B                                                                                                                                                                        |          |
| mt                         | '00101011'B                                                                                                                                                                    |          |
| cd                         | CellDescrp( ncc, bcc, sdccharfcn)                                                                                                                                              |          |
| ch1d_at                    | ChDescrp_nfh( type, slot, tsc, tcharfcn)                                                                                                                                       |          |
| horf                       | horf                                                                                                                                                                           |          |
| pcmd                       | Pcmd_20( pwlvl)                                                                                                                                                                |          |
| synchi                     | synchi                                                                                                                                                                         |          |
| frqsl_at                   | -                                                                                                                                                                              |          |
| frql_at                    | -                                                                                                                                                                              |          |
| cchd                       | -                                                                                                                                                                              |          |
| ch1mod                     | chmod                                                                                                                                                                          |          |
| ch2d_at                    | -                                                                                                                                                                              |          |
| ch2mod                     | -                                                                                                                                                                              |          |
| frqchs_at                  | -                                                                                                                                                                              |          |
| ma_at                      | -                                                                                                                                                                              |          |
| strt                       | -                                                                                                                                                                              |          |
| rtdif                      | rtdif                                                                                                                                                                          |          |
| ta                         | ta                                                                                                                                                                             |          |
| frqsl_bt                   | -                                                                                                                                                                              |          |
| frql_bt                    | -                                                                                                                                                                              |          |
| ch1d_bt                    | -                                                                                                                                                                              |          |
| ch2d_bt                    | -                                                                                                                                                                              |          |
| frqchs_bt                  | -                                                                                                                                                                              |          |
| ma_bt                      | -                                                                                                                                                                              |          |
| cphms                      | cphms                                                                                                                                                                          |          |
| <b>Detailed Comments:</b>  |                                                                                                                                                                                |          |

| <b>PDU Constraint Declaration</b> |                                                                                                                                                                                                                                  |          |
|-----------------------------------|----------------------------------------------------------------------------------------------------------------------------------------------------------------------------------------------------------------------------------|----------|
| <b>Constraint Name:</b>           | HandOverCmd_fh( type:CH_TDMA; slot:SN; tsc:TSC; ncc, bcc:B_3; sdccharfcn, mod, hsn:INTEGER; horf:HORF; pwlv:B_5; synchi:SYNCHI; frql1, frql2:FRQL; cchd:CCHD; chmod:CHMOD; frqchs:FRQCHS; ma:MA; rtdif:TDIF; ta:TA; cphms:CPHMS) |          |
| <b>PDU Type:</b>                  | HO_CMD_PDU                                                                                                                                                                                                                       |          |
| <b>Derivation Path:</b>           |                                                                                                                                                                                                                                  |          |
| <b>Comments:</b>                  | A derived HANOVER COMMAND containing TCH/F_FH in non synchronized new CELL A.                                                                                                                                                    |          |
| Field Name                        | Field Value                                                                                                                                                                                                                      | Comments |
| ski                               | '0000'B                                                                                                                                                                                                                          |          |
| rrpd                              | '0110'B                                                                                                                                                                                                                          |          |
| mt                                | '00101011'B                                                                                                                                                                                                                      |          |
| cd                                | CellDescrp( ncc, bcc, sdccharfcn)                                                                                                                                                                                                |          |
| ch1d_at                           | ChDescrp_fh( type, slot, tsc, INT_TO_BIT(( TSPX_MAIO MOD mod), 6), INT_TO_BIT( hsn, 6))                                                                                                                                          |          |
| horf                              | horf                                                                                                                                                                                                                             |          |
| pcmd                              | Pcmd_20( pwlv)                                                                                                                                                                                                                   |          |
| synchi                            | synchi                                                                                                                                                                                                                           |          |
| frqsl_at                          | frql1                                                                                                                                                                                                                            |          |
| frql_at                           | frql2                                                                                                                                                                                                                            |          |
| cchd                              | cchd                                                                                                                                                                                                                             |          |
| ch1mod                            | chmod                                                                                                                                                                                                                            |          |
| ch2d_at                           | -                                                                                                                                                                                                                                |          |
| ch2mod                            | -                                                                                                                                                                                                                                |          |
| frqchs_at                         | frqchs                                                                                                                                                                                                                           |          |
| ma_at                             | ma                                                                                                                                                                                                                               |          |
| strt                              | -                                                                                                                                                                                                                                |          |
| rtdif                             | rtdif                                                                                                                                                                                                                            |          |
| ta                                | ta                                                                                                                                                                                                                               |          |
| frqsl_bt                          | -                                                                                                                                                                                                                                |          |
| frql_bt                           | -                                                                                                                                                                                                                                |          |
| ch1d_bt                           | -                                                                                                                                                                                                                                |          |
| ch2d_bt                           | -                                                                                                                                                                                                                                |          |
| frqchs_bt                         | -                                                                                                                                                                                                                                |          |
| ma_bt                             | -                                                                                                                                                                                                                                |          |
| cphms                             | cphms                                                                                                                                                                                                                            |          |
| <b>Detailed Comments:</b>         |                                                                                                                                                                                                                                  |          |

| PDU Constraint Declaration |                                                                                                                                                                                                                   |          |
|----------------------------|-------------------------------------------------------------------------------------------------------------------------------------------------------------------------------------------------------------------|----------|
| <b>Constraint Name:</b>    | HandOverCmd(ncc, bcc:B_3; slot:SN; tsc:TSC; cchd:CCHD; strt:STRT; arfcn: INTEGER; type:CH_TDMA; maio1, maio2, hsn1, hsn2:INTEGER; horf:HORF; pwlvl:INTEGER; synchi:SYNCHI; chmod:CHMOD; ma1, ma2:MA; cphms:CPHMS) |          |
| <b>PDU Type:</b>           | HO_CMD_PDU                                                                                                                                                                                                        |          |
| <b>Derivation Path:</b>    |                                                                                                                                                                                                                   |          |
| <b>Comments:</b>           | non synchronised, no ciphering for GSM                                                                                                                                                                            |          |
| Field Name                 | Field Value                                                                                                                                                                                                       | Comments |
| ski                        | '0000'B                                                                                                                                                                                                           |          |
| rrpd                       | '0110'B                                                                                                                                                                                                           |          |
| mt                         | '00101011'B                                                                                                                                                                                                       |          |
| cd                         | CellDescrp(ncc, bcc, arfcn)                                                                                                                                                                                       |          |
| ch1d_at                    | ChDescrp_fh( type, slot, tsc, INT_TO_BIT( maio1, 6), INT_TO_BIT( hsn1, 6))                                                                                                                                        |          |
| horf                       | horf                                                                                                                                                                                                              |          |
| pcmd                       | Pcmd_19( INT_TO_BIT( pwlvl, 5))                                                                                                                                                                                   |          |
| synchi                     | synchi                                                                                                                                                                                                            |          |
| frqsl_at                   | -                                                                                                                                                                                                                 |          |
| frql_at                    | -                                                                                                                                                                                                                 |          |
| cchd                       | cchd                                                                                                                                                                                                              |          |
| ch1mod                     | chmod                                                                                                                                                                                                             |          |
| ch2d_at                    | -                                                                                                                                                                                                                 |          |
| ch2mod                     | -                                                                                                                                                                                                                 |          |
| frqchs_at                  | -                                                                                                                                                                                                                 |          |
| ma_at                      | ma1                                                                                                                                                                                                               |          |
| strt                       | strt                                                                                                                                                                                                              |          |
| rtdif                      | -                                                                                                                                                                                                                 |          |
| ta                         | -                                                                                                                                                                                                                 |          |
| frqsl_bt                   | -                                                                                                                                                                                                                 |          |
| frql_bt                    | -                                                                                                                                                                                                                 |          |
| ch1d_bt                    | ChDescrp_fhiei( type, slot, tsc, INT_TO_BIT( maio2, 6), INT_TO_BIT( hsn2, 6))                                                                                                                                     |          |
| ch2d_bt                    | -                                                                                                                                                                                                                 |          |
| frqchs_bt                  | -                                                                                                                                                                                                                 |          |
| ma_bt                      | ma2                                                                                                                                                                                                               |          |
| cphms                      | cphms                                                                                                                                                                                                             |          |
| <b>Detailed Comments:</b>  | used in TC_26_6_13_5 only.                                                                                                                                                                                        |          |



| <b>PDU Constraint Declaration</b> |                                                                   |          |
|-----------------------------------|-------------------------------------------------------------------|----------|
| <b>Constraint Name:</b>           | HandOverCmd_inv_01(slot:SN; tsc:TSC; ncc, bcc:B_3; arfcn:INTEGER) |          |
| <b>PDU Type:</b>                  | HO_CMD_PDU                                                        |          |
| <b>Derivation Path:</b>           |                                                                   |          |
| <b>Comments:</b>                  | An invalid HANOVER COMMAND containing incorrect skip indicator.   |          |
| Field Name                        | Field Value                                                       | Comments |
| ski                               | '0101'B                                                           |          |
| rrpd                              | '0110'B                                                           |          |
| mt                                | '00101011'B                                                       |          |
| cd                                | CellDescrp( ncc, bcc, arfcn)                                      |          |
| ch1d_at                           | ChDescrp_nfh('00001'B, slot, tsc, arfcn)                          |          |
| horf                              | '00000001'B                                                       |          |
| pcmd                              | Pcmd_19('01000'B)                                                 |          |
| synchi                            | -                                                                 |          |
| frqsl_at                          | -                                                                 |          |
| frql_at                           | -                                                                 |          |
| cchd                              | -                                                                 |          |
| ch1mod                            | -                                                                 |          |
| ch2d_at                           | -                                                                 |          |
| ch2mod                            | -                                                                 |          |
| frqchs_at                         | -                                                                 |          |
| ma_at                             | -                                                                 |          |
| strt                              | -                                                                 |          |
| rtdif                             | -                                                                 |          |
| ta                                | -                                                                 |          |
| frqsl_bt                          | -                                                                 |          |
| frql_bt                           | -                                                                 |          |
| ch1d_bt                           | -                                                                 |          |
| ch2d_bt                           | -                                                                 |          |
| frqchs_bt                         | -                                                                 |          |
| ma_bt                             | -                                                                 |          |
| cphms                             | -                                                                 |          |
| <b>Detailed Comments:</b>         |                                                                   |          |

| PDU Constraint Declaration |                                                                                                       |          |
|----------------------------|-------------------------------------------------------------------------------------------------------|----------|
| <b>Constraint Name:</b>    | HandOverCmd_inv_02(slot:SN; tsc:TSC; ncc, bcc:B_3; arfcn:INTEGER)                                     |          |
| <b>PDU Type:</b>           | HO_CMD_PDU                                                                                            |          |
| <b>Derivation Path:</b>    |                                                                                                       |          |
| <b>Comments:</b>           | HANDOVER COMMAND which contains, in the non-imperative part, an IE encoded as comprehension required. |          |
| Field Name                 | Field Value                                                                                           | Comments |
| ski                        | '0000'B                                                                                               |          |
| rrpd                       | '0110'B                                                                                               |          |
| mt                         | '00101011'B                                                                                           |          |
| cd                         | CellDescrp( ncc, bcc, arfcn)                                                                          |          |
| ch1d_at                    | ChDescrp_nfh('00001'B, slot, tsc, C_arfcnA)                                                           |          |
| horf                       | '00000001'B                                                                                           |          |
| pcmd                       | Pcmd_19('01000'B)                                                                                     |          |
| synchi                     | Synchi_01                                                                                             |          |
| frqsl_at                   | Frql_01                                                                                               |          |
| frql_at                    | -                                                                                                     |          |
| cchd                       | -                                                                                                     |          |
| ch1mod                     | -                                                                                                     |          |
| ch2d_at                    | -                                                                                                     |          |
| ch2mod                     | -                                                                                                     |          |
| frqchs_at                  | -                                                                                                     |          |
| ma_at                      | -                                                                                                     |          |
| strt                       | -                                                                                                     |          |
| rtdif                      | -                                                                                                     |          |
| ta                         | -                                                                                                     |          |
| frqsl_bt                   | -                                                                                                     |          |
| frql_bt                    | -                                                                                                     |          |
| ch1d_bt                    | -                                                                                                     |          |
| ch2d_bt                    | -                                                                                                     |          |
| frqchs_bt                  | -                                                                                                     |          |
| ma_bt                      | -                                                                                                     |          |
| cphms                      | -                                                                                                     |          |
| <b>Detailed Comments:</b>  |                                                                                                       |          |

| PDU Constraint Declaration |                                                  |          |
|----------------------------|--------------------------------------------------|----------|
| <b>Constraint Name:</b>    | HandOverCmp_01                                   |          |
| <b>PDU Type:</b>           | HO_COM_PDU                                       |          |
| <b>Derivation Path:</b>    |                                                  |          |
| <b>Comments:</b>           | To match any received HANDOVER COMPLETE message. |          |
| Field Name                 | Field Value                                      | Comments |
| ski                        | '0000'B                                          |          |
| rrpd                       | '0110'B                                          |          |
| mt                         | '00101100'B                                      |          |
| rrcau                      | ?                                                |          |
| motdif                     | *                                                |          |
| <b>Detailed Comments:</b>  |                                                  |          |

| PDU Constraint Declaration |                                                                                                                           |          |
|----------------------------|---------------------------------------------------------------------------------------------------------------------------|----------|
| <b>Constraint Name:</b>    | HandOverCmp_03(ta_a, td_b:INTEGER)                                                                                        |          |
| <b>PDU Type:</b>           | HO_COM_PDU                                                                                                                |          |
| <b>Derivation Path:</b>    |                                                                                                                           |          |
| <b>Comments:</b>           | To match a received HANDOVER COMPLETE message with mobile time difference = $(2 * td\_b + ta\_a) \bmod 2\ 097\ 152 + - 2$ |          |
| Field Name                 | Field Value                                                                                                               | Comments |
| ski                        | '0000'B                                                                                                                   |          |
| rrpd                       | '0110'B                                                                                                                   |          |
| mt                         | '00101100'B                                                                                                               |          |
| rrcau                      | ?                                                                                                                         |          |
| motdif                     | Mtdif_01( ta_a, td_b)                                                                                                     |          |
| <b>Detailed Comments:</b>  |                                                                                                                           |          |

| PDU Constraint Declaration |                                                            |          |
|----------------------------|------------------------------------------------------------|----------|
| <b>Constraint Name:</b>    | HandOverCmp_20                                             |          |
| <b>PDU Type:</b>           | HO_COM_PDU                                                 |          |
| <b>Derivation Path:</b>    |                                                            |          |
| <b>Comments:</b>           | A basic received constraint for HANDOVER COMPLETE message. |          |
| Field Name                 | Field Value                                                | Comments |
| ski                        | '0000'B                                                    |          |
| rrpd                       | '0110'B                                                    |          |
| mt                         | '00101100'B                                                |          |
| rrcau                      | '00000000'B                                                |          |
| motdif                     | *                                                          |          |
| <b>Detailed Comments:</b>  |                                                            |          |

| PDU Constraint Declaration |                                                   |          |
|----------------------------|---------------------------------------------------|----------|
| <b>Constraint Name:</b>    | HandOvFail_01                                     |          |
| <b>PDU Type:</b>           | HOFL_PDU                                          |          |
| <b>Derivation Path:</b>    |                                                   |          |
| <b>Comments:</b>           | A HANDOVER FAILURE message matching any RR cause. |          |
| Field Name                 | Field Value                                       | Comments |
| ski                        | '0000'B                                           |          |
| rrpd                       | '0110'B                                           |          |
| mt                         | '00101000'B                                       |          |
| rrcau                      | ?                                                 |          |
| <b>Detailed Comments:</b>  |                                                   |          |

| PDU Constraint Declaration |                                                                    |          |
|----------------------------|--------------------------------------------------------------------|----------|
| <b>Constraint Name:</b>    | HandOvFail_02                                                      |          |
| <b>PDU Type:</b>           | HOFL_PDU                                                           |          |
| <b>Derivation Path:</b>    |                                                                    |          |
| <b>Comments:</b>           | A HANDOVER FAILURE message matching any abnormal release RR cause. |          |
| Field Name                 | Field Value                                                        | Comments |
| ski                        | '0000'B                                                            |          |
| rrpd                       | '0110'B                                                            |          |
| mt                         | '00101000'B                                                        |          |
| rrcau                      | ('00000001'B, '00000010'B, '00000011'B, '00000100'B, '01101111'B)  |          |
| <b>Detailed Comments:</b>  |                                                                    |          |

| PDU Constraint Declaration |                   |          |
|----------------------------|-------------------|----------|
| <b>Constraint Name:</b>    | Holdpdu_01(Ti:Ti) |          |
| <b>PDU Type:</b>           | HOLD_PDU          |          |
| <b>Derivation Path:</b>    |                   |          |
| <b>Comments:</b>           |                   |          |
| Field Name                 | Field Value       | Comments |
| ti                         | Ti                |          |
| ccpd                       | '0011'B           |          |
| mt                         | '0?011000'B       |          |
| <b>Detailed Comments:</b>  |                   |          |

| PDU Constraint Declaration |                      |          |
|----------------------------|----------------------|----------|
| <b>Constraint Name:</b>    | HoldAckpdu_01(Ti:Ti) |          |
| <b>PDU Type:</b>           | HOLD_ACK_PDU         |          |
| <b>Derivation Path:</b>    |                      |          |
| <b>Comments:</b>           |                      |          |
| Field Name                 | Field Value          | Comments |
| ti                         | Ti                   |          |
| ccpd                       | '0011'B              |          |
| mt                         | '00011001'B          |          |
| <b>Detailed Comments:</b>  |                      |          |

| PDU Constraint Declaration |                                                                |          |
|----------------------------|----------------------------------------------------------------|----------|
| <b>Constraint Name:</b>    | IDResponse_01                                                  |          |
| <b>PDU Type:</b>           | ID_RES_PDU                                                     |          |
| <b>Derivation Path:</b>    |                                                                |          |
| <b>Comments:</b>           | An IDENTITY RESPONSE message which matches any mobile identity |          |
| Field Name                 | Field Value                                                    | Comments |
| ski                        | '0000'B                                                        |          |
| mmpd                       | '0101'B                                                        |          |
| mt                         | '0?011001'B                                                    |          |
| mi                         | ?                                                              |          |
| <b>Detailed Comments:</b>  |                                                                |          |

| PDU Constraint Declaration |                                                                      |          |
|----------------------------|----------------------------------------------------------------------|----------|
| <b>Constraint Name:</b>    | IDResponse_02                                                        |          |
| <b>PDU Type:</b>           | ID_RES_PDU                                                           |          |
| <b>Derivation Path:</b>    | IDResponse_01.                                                       |          |
| <b>Comments:</b>           | An IDENTITY RESPONSE message which matches TMSI of the MS under test |          |
| Field Name                 | Field Value                                                          | Comments |
| mi                         | MiTmsi_01                                                            |          |
| <b>Detailed Comments:</b>  |                                                                      |          |

| PDU Constraint Declaration |                                                                               |          |
|----------------------------|-------------------------------------------------------------------------------|----------|
| <b>Constraint Name:</b>    | IDResponse_30(par:MI)                                                         |          |
| <b>PDU Type:</b>           | ID_RES_PDU                                                                    |          |
| <b>Derivation Path:</b>    |                                                                               |          |
| <b>Comments:</b>           | An IDENTITY RESPONSE message which matches the given MI of the MS under test. |          |
| Field Name                 | Field Value                                                                   | Comments |
| ski                        | '0000'B                                                                       |          |
| mmpd                       | '0101'B                                                                       |          |
| mt                         | '0?011001'B                                                                   |          |
| mi                         | par                                                                           |          |
| <b>Detailed Comments:</b>  |                                                                               |          |

| PDU Constraint Declaration |                                                           |          |
|----------------------------|-----------------------------------------------------------|----------|
| <b>Constraint Name:</b>    | IDRequest_01(type:B_4)                                    |          |
| <b>PDU Type:</b>           | ID_RQ_PDU                                                 |          |
| <b>Derivation Path:</b>    |                                                           |          |
| <b>Comments:</b>           | An IDENTITY REQUEST message with specified identity type. |          |
| Field Name                 | Field Value                                               | Comments |
| ski                        | '0000'B                                                   |          |
| mmpd                       | '0101'B                                                   |          |
| mt                         | '00011000'B                                               |          |
| shoct                      | '0000'B                                                   |          |
| idtype                     | type                                                      |          |
| <b>Detailed Comments:</b>  |                                                           |          |

| PDU Constraint Declaration |                                                                    |          |
|----------------------------|--------------------------------------------------------------------|----------|
| <b>Constraint Name:</b>    | IDRequest_inv_01(skip :INTEGER)                                    |          |
| <b>PDU Type:</b>           | ID_RQ_PDU                                                          |          |
| <b>Derivation Path:</b>    |                                                                    |          |
| <b>Comments:</b>           | An invalid IDENTITY REQUEST message with incorrect skip indicator. |          |
| Field Name                 | Field Value                                                        | Comments |
| ski                        | INT_TO_BIT(skip, 4)                                                |          |
| mmpd                       | '0101'B                                                            |          |
| mt                         | '00011000'B                                                        |          |
| shoct                      | '0000'B                                                            |          |
| idtype                     | '0001'B                                                            |          |
| <b>Detailed Comments:</b>  |                                                                    |          |

| PDU Constraint Declaration |                                                                                           |          |
|----------------------------|-------------------------------------------------------------------------------------------|----------|
| <b>Constraint Name:</b>    | IDRequest_inv_02                                                                          |          |
| <b>PDU Type:</b>           | ID_RQ_PDU                                                                                 |          |
| <b>Derivation Path:</b>    |                                                                                           |          |
| <b>Comments:</b>           | An invalid IDENTITY REQUEST message of which the identity type is coded as reserved value |          |
| Field Name                 | Field Value                                                                               | Comments |
| ski                        | '0000'B                                                                                   |          |
| mmpd                       | '0101'B                                                                                   |          |
| mt                         | '00011000'B                                                                               |          |
| shoct                      | '0000'B                                                                                   |          |
| idtype                     | '1111'B                                                                                   |          |
| <b>Detailed Comments:</b>  |                                                                                           |          |

| PDU Constraint Declaration |                                                                     |          |
|----------------------------|---------------------------------------------------------------------|----------|
| <b>Constraint Name:</b>    | IDRequest_inv_03                                                    |          |
| <b>PDU Type:</b>           | ID_RQ_PDU                                                           |          |
| <b>Derivation Path:</b>    |                                                                     |          |
| <b>Comments:</b>           | An invalid IDENTITY REQUEST message containing arbitrary spare bits |          |
| Field Name                 | Field Value                                                         | Comments |
| ski                        | '0000'B                                                             |          |
| mmpd                       | '0101'B                                                             |          |
| mt                         | '00011000'B                                                         |          |
| shoct                      | '1010'B                                                             |          |
| idtype                     | '1100'B                                                             |          |
| <b>Detailed Comments:</b>  |                                                                     |          |

| PDU Constraint Declaration |                                                                                           |          |
|----------------------------|-------------------------------------------------------------------------------------------|----------|
| <b>Constraint Name:</b>    | ImmAsgn_01Def(Rr: BITSTRING; Fn: FN; sub:B_2; slot:SN; tsc:TSC; par_arfcn:INTEGER; ta:TA) |          |
| <b>PDU Type:</b>           | IMMASS_PDU                                                                                |          |
| <b>Derivation Path:</b>    |                                                                                           |          |
| <b>Comments:</b>           | An IMMEDIATE ASSIGNMENT message to assign SDCCH/4 channel.                                |          |
| Field Name                 | Field Value                                                                               | Comments |
| l2_pl                      | '2D'O                                                                                     |          |
| ski                        | '0000'B                                                                                   |          |
| rrpd                       | '0110'B                                                                                   |          |
| mt                         | '00111111'B                                                                               |          |
| shoct                      | '0000'B                                                                                   |          |
| pm                         | Pm( C_normal_paging)                                                                      |          |
| chd                        | ChDescrp_nfh( INT_TO_BIT(( 4 +<br>BIT_TO_INT( sub)), 5), slot, tsc,<br>par_arfcn)         |          |
| rqr                        | Rqr2(Rr, Fn)                                                                              |          |
| ta                         | ta                                                                                        |          |
| ma                         | MoblAllc_01                                                                               |          |
| strt                       | -                                                                                         |          |
| iaroct                     | laRestOct_01                                                                              |          |
| <b>Detailed Comments:</b>  |                                                                                           |          |

| PDU Constraint Declaration                         |                                                                        |          |
|----------------------------------------------------|------------------------------------------------------------------------|----------|
| <b>Constraint Name:</b>                            | ImmAsgn_02(Rr: BITSTRING; Fn: FN; ta:TA; chd:CHD; ma:MA)               |          |
| <b>PDU Type:</b>                                   | IMMASS_PDU                                                             |          |
| <b>Derivation Path:</b>                            |                                                                        |          |
| <b>Comments:</b>                                   | An IMMEDIATE ASSIGNMENT message to assign a frequency hopping channel. |          |
| Field Name                                         | Field Value                                                            | Comments |
| l2_pl                                              | '4D'O                                                                  |          |
| ski                                                | '0000'B                                                                |          |
| rrpd                                               | '0110'B                                                                |          |
| mt                                                 | '00111111'B                                                            |          |
| shoct                                              | '0000'B                                                                |          |
| pm                                                 | Pm( C_normal_paging)                                                   |          |
| chd                                                | chd                                                                    |          |
| rqr                                                | Rqr2(Rr, Fn)                                                           |          |
| ta                                                 | ta                                                                     |          |
| ma                                                 | ma                                                                     |          |
| strt                                               | -                                                                      |          |
| iaroct                                             | laRestOct_06                                                           |          |
| <b>Detailed Comments:</b> Used only in TC_26_6_6_1 |                                                                        |          |

| PDU Constraint Declaration |                                                                                                     |          |
|----------------------------|-----------------------------------------------------------------------------------------------------|----------|
| <b>Constraint Name:</b>    | ImmAsgn_nfh(Rr: BITSTRING; Fn: FN; type: CH_TDMA; slot:SN; tsc:TSC; ta:TA; arfcn: INTEGER; pgm:B_2) |          |
| <b>PDU Type:</b>           | IMMASS_PDU                                                                                          |          |
| <b>Derivation Path:</b>    |                                                                                                     |          |
| <b>Comments:</b>           | An IMMEDIATE ASSIGNMENT message to assign TCH/F or TCH/H channel.                                   |          |
| Field Name                 | Field Value                                                                                         | Comments |
| l2_pl                      | '2D'O                                                                                               |          |
| ski                        | '0000'B                                                                                             |          |
| rrpd                       | '0110'B                                                                                             |          |
| mt                         | '00111111'B                                                                                         |          |
| shoct                      | '0000'B                                                                                             |          |
| pm                         | Pm( pgm)                                                                                            |          |
| chd                        | ChDescrp_nfh(type, slot, tsc, arfcn)                                                                |          |
| rqr                        | Rqr2(Rr, Fn)                                                                                        |          |
| ta                         | ta                                                                                                  |          |
| ma                         | MoblAlc_01                                                                                          |          |
| strt                       | -                                                                                                   |          |
| iaroct                     | laRestOct_01                                                                                        |          |
| <b>Detailed Comments:</b>  |                                                                                                     |          |

| PDU Constraint Declaration |                                                                                                                          |          |
|----------------------------|--------------------------------------------------------------------------------------------------------------------------|----------|
| <b>Constraint Name:</b>    | ImmAsgn_221( Rr:BITSTRING; Fn:FN; ts_ccch:SN; tsc:TSC; par_chtype:CH_TDMA; maio:MAIO; hsn:HSN; ta:TA; ma:MA; iel:LENGTH) |          |
| <b>PDU Type:</b>           | IMMASS_PDU                                                                                                               |          |
| <b>Derivation Path:</b>    |                                                                                                                          |          |
| <b>Comments:</b>           | An IMMEDIATE ASSIGNMENT message.                                                                                         |          |
| Field Name                 | Field Value                                                                                                              | Comments |
| l2_pl                      | OC_IntToOct((( 11 + OC_OctToInt( iel)) * 4) + 1, 1)                                                                      |          |
| ski                        | '0000'B                                                                                                                  |          |
| rrpd                       | '0110'B                                                                                                                  |          |
| mt                         | '00111111'B                                                                                                              |          |
| shoct                      | '0000'B                                                                                                                  |          |
| pm                         | Pm( C_normal_paging)                                                                                                     |          |
| chd                        | ChDescrp_fh( par_chtype, ts_ccch, tsc, maio, hsn)                                                                        |          |
| rqr                        | Rqr2(Rr, Fn)                                                                                                             |          |
| ta                         | ta                                                                                                                       |          |
| ma                         | ma                                                                                                                       |          |
| strt                       | -                                                                                                                        |          |
| iaroct                     | laRestOct( iel)                                                                                                          |          |
| <b>Detailed Comments:</b>  |                                                                                                                          |          |

| PDU Constraint Declaration |                                                                                 |          |
|----------------------------|---------------------------------------------------------------------------------|----------|
| <b>Constraint Name:</b>    | ImmAsgn_27(Rr: BITSTRING; Fn: FN;ts_ccch: BITSTRING; par_arfcn: INTEGER; ta:TA) |          |
| <b>PDU Type:</b>           | IMMASS_PDU                                                                      |          |
| <b>Derivation Path:</b>    |                                                                                 |          |
| <b>Comments:</b>           | An IMMEDIATE ASSIGNMENT message to assign SDCCH/8 NonFH channel in any cell.    |          |
| Field Name                 | Field Value                                                                     | Comments |
| l2_pl                      | '2D'O                                                                           |          |
| ski                        | '0000'B                                                                         |          |
| rrpd                       | '0110'B                                                                         |          |
| mt                         | '00111111'B                                                                     |          |
| shoct                      | '0000'B                                                                         |          |
| pm                         | Pm( C_normal_paging)                                                            |          |
| chd                        | ChDescrip_sdcch8_nfh( ts_ccch,<br>TSPX_TscDef, TSPX_SDCCH8SubDef,<br>par_arfcn) |          |
| rqr                        | Rqr2(Rr, Fn)                                                                    |          |
| ta                         | ta                                                                              |          |
| ma                         | MoblAlc_01                                                                      |          |
| strt                       | -                                                                               |          |
| iaroct                     | laRestOct_01                                                                    |          |
| <b>Detailed Comments:</b>  |                                                                                 |          |

| PDU Constraint Declaration |                                                                                               |          |
|----------------------------|-----------------------------------------------------------------------------------------------|----------|
| <b>Constraint Name:</b>    | ImmAsgn_E_01(Rr: BITSTRING; Fn: FN;ts_ccch: BITSTRING; tsc:TSC; par_arfcn: INTEGER;<br>ta:TA) |          |
| <b>PDU Type:</b>           | IMMASS_PDU                                                                                    |          |
| <b>Derivation Path:</b>    |                                                                                               |          |
| <b>Comments:</b>           | An IMMEDIATE ASSIGNMENT message to assign SDCCH/8 NonFH channel in any cell.                  |          |
| Field Name                 | Field Value                                                                                   | Comments |
| l2_pl                      | '2D'O                                                                                         |          |
| ski                        | '0000'B                                                                                       |          |
| rrpd                       | '0110'B                                                                                       |          |
| mt                         | '00111111'B                                                                                   |          |
| shoct                      | '0000'B                                                                                       |          |
| pm                         | Pm( C_normal_paging)                                                                          |          |
| chd                        | ChDescrip_sdcch8_nfh( ts_ccch, tsc,<br>TSPX_SDCCH8SubA, par_arfcn)                            |          |
| rqr                        | Rqr2(Rr, Fn)                                                                                  |          |
| ta                         | ta                                                                                            |          |
| ma                         | MoblAlc_01                                                                                    |          |
| strt                       | -                                                                                             |          |
| iaroct                     | laRestOct_01                                                                                  |          |
| <b>Detailed Comments:</b>  |                                                                                               |          |



| PDU Constraint Declaration |                                                                                                                       |          |
|----------------------------|-----------------------------------------------------------------------------------------------------------------------|----------|
| <b>Constraint Name:</b>    | ImmAsgn_E_02(Rr: BITSTRING; Fn: FN;ts_ccch: BITSTRING; tsc:TSC; ta:TA)                                                |          |
| <b>PDU Type:</b>           | IMMASS_PDU                                                                                                            |          |
| <b>Derivation Path:</b>    |                                                                                                                       |          |
| <b>Comments:</b>           | An IMMEDIATE ASSIGNMENT message to assign SDCCH/8 FH channel in EGSM cases.                                           |          |
| Field Name                 | Field Value                                                                                                           | Comments |
| l2_pl                      | '31'O                                                                                                                 |          |
| ski                        | '0000'B                                                                                                               |          |
| rrpd                       | '0110'B                                                                                                               |          |
| mt                         | '00111111'B                                                                                                           |          |
| shoct                      | '0000'B                                                                                                               |          |
| pm                         | Pm( C_normal_paging)                                                                                                  |          |
| chd                        | ChDescrp_sdcch8_fh(ts_ccch, tsc,<br>TSPX_SDCCH8SubB,<br>INT_TO_BIT((TSPX_MAIO MOD 4), 6),<br>INT_TO_BIT(TSPX_HSN, 6)) |          |
| rqr                        | Rqr2(Rr, Fn)                                                                                                          |          |
| ta                         | ta                                                                                                                    |          |
| ma                         | MoblAlc_281e                                                                                                          |          |
| strt                       | -                                                                                                                     |          |
| iaroct                     | laRestOct_02                                                                                                          |          |
| <b>Detailed Comments:</b>  |                                                                                                                       |          |

| PDU Constraint Declaration |                                                                                             |          |
|----------------------------|---------------------------------------------------------------------------------------------|----------|
| <b>Constraint Name:</b>    | ImmAsgn_inv_01(Rr :BITSTRING; Fn:FN; slot:SN; tsc:TSC; arfcn:INTEGER; ta:TA)                |          |
| <b>PDU Type:</b>           | IMMASS_PDU                                                                                  |          |
| <b>Derivation Path:</b>    |                                                                                             |          |
| <b>Comments:</b>           | An invalid IMMEDIATE ASSIGNMENT message with unknown skip indicator ('0001'B)               |          |
| Field Name                 | Field Value                                                                                 | Comments |
| l2_pl                      | '2D'O                                                                                       |          |
| ski                        | '0001'B                                                                                     |          |
| rrpd                       | '0110'B                                                                                     |          |
| mt                         | '00111111'B                                                                                 |          |
| shoct                      | '0000'B                                                                                     |          |
| pm                         | Pm( C_normal_paging)                                                                        |          |
| chd                        | ChDescrp_nfh( INT_TO_BIT(( 4 +<br>BIT_TO_INT( TSPX_SDCCH4SubDef)),<br>5), slot, tsc, arfcn) |          |
| rqr                        | Rqr2(Rr, Fn)                                                                                |          |
| ta                         | ta                                                                                          |          |
| ma                         | MoblAlc_01                                                                                  |          |
| strt                       | -                                                                                           |          |
| iaroct                     | laRestOct_01                                                                                |          |
| <b>Detailed Comments:</b>  |                                                                                             |          |

| PDU Constraint Declaration |                                                                                             |          |
|----------------------------|---------------------------------------------------------------------------------------------|----------|
| <b>Constraint Name:</b>    | ImmAsgn_inv_04(Rr:BITSTRING; Fn:FN; slot:SN; tsc:TSC; ta:TA; arfcn:INTEGER)                 |          |
| <b>PDU Type:</b>           | IMMASS_PDU                                                                                  |          |
| <b>Derivation Path:</b>    |                                                                                             |          |
| <b>Comments:</b>           | An invalid IMMEDIATE ASSIGNMENT message containing arbitrary spare bits                     |          |
| Field Name                 | Field Value                                                                                 | Comments |
| l2_pl                      | '2D'O                                                                                       |          |
| ski                        | '0000'B                                                                                     |          |
| rrpd                       | '0110'B                                                                                     |          |
| mt                         | '00111111'B                                                                                 |          |
| shoct                      | '1010'B                                                                                     |          |
| pm                         | Pm_02                                                                                       |          |
| chd                        | ChDescrp_nfh( INT_TO_BIT(( 4 +<br>BIT_TO_INT( TSPX_SDCCH4SubDef)),<br>5), slot, tsc, arfcn) |          |
| rqr                        | Rqr2(Rr, Fn)                                                                                |          |
| ta                         | ta                                                                                          |          |
| ma                         | MoblAlc_01                                                                                  |          |
| strt                       | -                                                                                           |          |
| iaroct                     | laRestOct_05                                                                                |          |
| <b>Detailed Comments:</b>  |                                                                                             |          |

| PDU Constraint Declaration |                                                |          |
|----------------------------|------------------------------------------------|----------|
| <b>Constraint Name:</b>    | ImmAsgn_r(chd:CHD; Rr:BITSTRING; Fn:FN; ta:TA) |          |
| <b>PDU Type:</b>           | IMMASS_PDU                                     |          |
| <b>Derivation Path:</b>    |                                                |          |
| <b>Comments:</b>           | An IMMEDIATE ASSIGNMENT message.               |          |
| Field Name                 | Field Value                                    | Comments |
| l2_pl                      | '2D'O                                          |          |
| ski                        | '0000'B                                        |          |
| rrpd                       | '0110'B                                        |          |
| mt                         | '00111111'B                                    |          |
| shoct                      | '0000'B                                        |          |
| pm                         | Pm( C_normal_paging)                           |          |
| chd                        | chd                                            |          |
| rqr                        | Rqr2(Rr, Fn)                                   |          |
| ta                         | ta                                             |          |
| ma                         | MoblAlc_01                                     |          |
| strt                       | -                                              |          |
| iaroct                     | laRestOct_01                                   |          |
| <b>Detailed Comments:</b>  |                                                |          |

| PDU Constraint Declaration |                                                                                     |          |
|----------------------------|-------------------------------------------------------------------------------------|----------|
| <b>Constraint Name:</b>    | ImmAsgn_r02(Rr: BITSTRING; Fn: FN; sub:B_3; slot:SN; tsc:TSC; ta:TA; arfcn:INTEGER) |          |
| <b>PDU Type:</b>           | IMMASS_PDU                                                                          |          |
| <b>Derivation Path:</b>    |                                                                                     |          |
| <b>Comments:</b>           | An IMMEDIATE ASSIGNMENT message to assign SDCCH/8 channel.                          |          |
| Field Name                 | Field Value                                                                         | Comments |
| l2_pl                      | '2D'O                                                                               |          |
| ski                        | '0000'B                                                                             |          |
| rrpd                       | '0110'B                                                                             |          |
| mt                         | '00111111'B                                                                         |          |
| shoct                      | '0000'B                                                                             |          |
| pm                         | Pm( C_normal_paging)                                                                |          |
| chd                        | ChDescrp_sdcch8_nfh( slot, tsc, sub, arfcn)                                         |          |
| rqr                        | Rqr2(Rr, Fn)                                                                        |          |
| ta                         | ta                                                                                  |          |
| ma                         | MoblAlc_01                                                                          |          |
| strt                       | -                                                                                   |          |
| iaroct                     | laRestOct_01                                                                        |          |
| <b>Detailed Comments:</b>  |                                                                                     |          |

| PDU Constraint Declaration |                                                                                                |          |
|----------------------------|------------------------------------------------------------------------------------------------|----------|
| <b>Constraint Name:</b>    | ImmAsgn_r13(Rr: BITSTRING; Fn: FN; chd:CHD; ta:TA)                                             |          |
| <b>PDU Type:</b>           | IMMASS_PDU                                                                                     |          |
| <b>Derivation Path:</b>    |                                                                                                |          |
| <b>Comments:</b>           | An IMMEDIATE ASSIGNMENT message to assign TCH/F channel with a time advance of 30 bit periods. |          |
| Field Name                 | Field Value                                                                                    | Comments |
| l2_pl                      | '2D'O                                                                                          |          |
| ski                        | '0000'B                                                                                        |          |
| rrpd                       | '0110'B                                                                                        |          |
| mt                         | '00111111'B                                                                                    |          |
| shoct                      | '0000'B                                                                                        |          |
| pm                         | Pm( C_normal_paging)                                                                           |          |
| chd                        | chd                                                                                            |          |
| rqr                        | Rqr2(Rr, Fn)                                                                                   |          |
| ta                         | ta                                                                                             |          |
| ma                         | MoblAlc_01                                                                                     |          |
| strt                       | -                                                                                              |          |
| iaroct                     | laRestOct_01                                                                                   |          |
| <b>Detailed Comments:</b>  |                                                                                                |          |

| PDU Constraint Declaration |                                                                                                |          |
|----------------------------|------------------------------------------------------------------------------------------------|----------|
| <b>Constraint Name:</b>    | ImmAsgn_r14(Rr: BITSTRING; Fn: FN; chd:CHD; ta:TA)                                             |          |
| <b>PDU Type:</b>           | IMMASS_PDU                                                                                     |          |
| <b>Derivation Path:</b>    |                                                                                                |          |
| <b>Comments:</b>           | An IMMEDIATE ASSIGNMENT message to assign TCH/H channel with a time advance of 30 bit periods. |          |
| Field Name                 | Field Value                                                                                    | Comments |
| l2_pl                      | '2D'O                                                                                          |          |
| ski                        | '0000'B                                                                                        |          |
| rrpd                       | '0110'B                                                                                        |          |
| mt                         | '00111111'B                                                                                    |          |
| shoct                      | '0000'B                                                                                        |          |
| pm                         | Pm( C_normal_paging)                                                                           |          |
| chd                        | chd                                                                                            |          |
| rqr                        | Rqr2(Rr, Fn)                                                                                   |          |
| ta                         | ta                                                                                             |          |
| ma                         | MoblAllc_01                                                                                    |          |
| strt                       | -                                                                                              |          |
| iaroct                     | laRestOct_01                                                                                   |          |
| <b>Detailed Comments:</b>  |                                                                                                |          |

| PDU Constraint Declaration |                                                                                                              |          |
|----------------------------|--------------------------------------------------------------------------------------------------------------|----------|
| <b>Constraint Name:</b>    | ImmAsgn_r27(Rr: BITSTRING; Fn: FN; slot:SN; tsc:TSC; ta:TA)                                                  |          |
| <b>PDU Type:</b>           | IMMASS_PDU                                                                                                   |          |
| <b>Derivation Path:</b>    |                                                                                                              |          |
| <b>Comments:</b>           | An IMMEDIATE ASSIGNMENT message to assign SDCCH/8 channel for TC_26_6_13_1.                                  |          |
| Field Name                 | Field Value                                                                                                  | Comments |
| l2_pl                      | '39'O                                                                                                        |          |
| ski                        | '0000'B                                                                                                      |          |
| rrpd                       | '0110'B                                                                                                      |          |
| mt                         | '00111111'B                                                                                                  |          |
| shoct                      | '0000'B                                                                                                      |          |
| pm                         | Pm( C_normal_paging)                                                                                         |          |
| chd                        | ChDescrp_sdcch8_fh(slot, tsc,<br>TSPX_SDCCH8SubA,<br>INT_TO_BIT(TSPX_Maio1, 6),<br>INT_TO_BIT(TSPX_Hsn1, 6)) |          |
| rqr                        | Rqr2(Rr, Fn)                                                                                                 |          |
| ta                         | ta                                                                                                           |          |
| ma                         | MoblAllc_r05                                                                                                 |          |
| strt                       | -                                                                                                            |          |
| iaroct                     | laRestOct_08                                                                                                 |          |
| <b>Detailed Comments:</b>  |                                                                                                              |          |

| PDU Constraint Declaration |                                                                                                              |          |
|----------------------------|--------------------------------------------------------------------------------------------------------------|----------|
| <b>Constraint Name:</b>    | ImmAsgn_r28(Rr: BITSTRING; Fn: FN; slot:SN; tsc:TSC; ta:TA)                                                  |          |
| <b>PDU Type:</b>           | IMMASS_PDU                                                                                                   |          |
| <b>Derivation Path:</b>    |                                                                                                              |          |
| <b>Comments:</b>           | An IMMEDIATE ASSIGNMENT message to assign SDCCH/8 channel for TC_26_6_13_2 .                                 |          |
| Field Name                 | Field Value                                                                                                  | Comments |
| l2_pl                      | '39'O                                                                                                        |          |
| ski                        | '0000'B                                                                                                      |          |
| rrpd                       | '0110'B                                                                                                      |          |
| mt                         | '00111111'B                                                                                                  |          |
| shoct                      | '0000'B                                                                                                      |          |
| pm                         | Pm( C_normal_paging)                                                                                         |          |
| chd                        | ChDescrp_sdcch8_fh(slot, tsc,<br>TSPX_SDCCH8SubB,<br>INT_TO_BIT(TSPX_Maio4, 6),<br>INT_TO_BIT(TSPX_Hsn4, 6)) |          |
| rqr                        | Rqr2(Rr, Fn)                                                                                                 |          |
| ta                         | ta                                                                                                           |          |
| ma                         | MoblAlc_r08                                                                                                  |          |
| strt                       | -                                                                                                            |          |
| iaroct                     | laRestOct_08                                                                                                 |          |
| <b>Detailed Comments:</b>  |                                                                                                              |          |

| PDU Constraint Declaration |                                                                                                |          |
|----------------------------|------------------------------------------------------------------------------------------------|----------|
| <b>Constraint Name:</b>    | ImmAsgn_r29(Rr: BITSTRING; Fn: FN; slot:SN; tsc:TSC; ta:TA)                                    |          |
| <b>PDU Type:</b>           | IMMASS_PDU                                                                                     |          |
| <b>Derivation Path:</b>    |                                                                                                |          |
| <b>Comments:</b>           | An IMMEDIATE ASSIGNMENT message to assign the channel defined by PIXIT for TC_26_6_13_3.       |          |
| Field Name                 | Field Value                                                                                    | Comments |
| l2_pl                      | '39'O                                                                                          |          |
| ski                        | '0000'B                                                                                        |          |
| rrpd                       | '0110'B                                                                                        |          |
| mt                         | '00111111'B                                                                                    |          |
| shoct                      | '0000'B                                                                                        |          |
| pm                         | Pm( C_normal_paging)                                                                           |          |
| chd                        | ChDescrp_fh( TSPX_Chtp3, slot, tsc,<br>INT_TO_BIT(TSPX_Maio6, 6),<br>INT_TO_BIT(TSPX_Hsn6, 6)) |          |
| rqr                        | Rqr2(Rr, Fn)                                                                                   |          |
| ta                         | ta                                                                                             |          |
| ma                         | MoblAlc_r10                                                                                    |          |
| strt                       | -                                                                                              |          |
| iaroct                     | laRestOct_08                                                                                   |          |
| <b>Detailed Comments:</b>  |                                                                                                |          |

| PDU Constraint Declaration |                                                                                                  |          |
|----------------------------|--------------------------------------------------------------------------------------------------|----------|
| <b>Constraint Name:</b>    | ImmAsgn_r30(Rr: BITSTRING; Fn: FN; slot:SN; tsc:TSC; ta:TA)                                      |          |
| <b>PDU Type:</b>           | IMMASS_PDU                                                                                       |          |
| <b>Derivation Path:</b>    |                                                                                                  |          |
| <b>Comments:</b>           | An IMMEDIATE ASSIGNMENT message for TC_26_6_13_4.                                                |          |
| Field Name                 | Field Value                                                                                      | Comments |
| l2_pl                      | '39'O                                                                                            |          |
| ski                        | '0000'B                                                                                          |          |
| rrpd                       | '0110'B                                                                                          |          |
| mt                         | '00111111'B                                                                                      |          |
| shoct                      | '0000'B                                                                                          |          |
| pm                         | Pm( C_normal_paging)                                                                             |          |
| chd                        | ChDescrp_fh( TSPX_Chtp5, slot, tsc,<br>INT_TO_BIT(TSPX_Maio10, 6),<br>INT_TO_BIT(TSPX_Hsn10, 6)) |          |
| rqr                        | Rqr2(Rr, Fn)                                                                                     |          |
| ta                         | ta                                                                                               |          |
| ma                         | MoblAllc_r14                                                                                     |          |
| strt                       | -                                                                                                |          |
| iaroct                     | laRestOct_08                                                                                     |          |
| <b>Detailed Comments:</b>  |                                                                                                  |          |

| PDU Constraint Declaration |                                                                                                                |          |
|----------------------------|----------------------------------------------------------------------------------------------------------------|----------|
| <b>Constraint Name:</b>    | ImmAsgn_r31(Rr: BITSTRING; Fn: FN; slot:SN; tsc:TSC; ta:TA)                                                    |          |
| <b>PDU Type:</b>           | IMMASS_PDU                                                                                                     |          |
| <b>Derivation Path:</b>    |                                                                                                                |          |
| <b>Comments:</b>           | An IMMEDIATE ASSIGNMENT message to assign SDCCH/8 channel for TC_26_6_13_5.                                    |          |
| Field Name                 | Field Value                                                                                                    | Comments |
| l2_pl                      | '39'O                                                                                                          |          |
| ski                        | '0000'B                                                                                                        |          |
| rrpd                       | '0110'B                                                                                                        |          |
| mt                         | '00111111'B                                                                                                    |          |
| shoct                      | '0000'B                                                                                                        |          |
| pm                         | Pm( C_normal_paging)                                                                                           |          |
| chd                        | ChDescrp_sdcch8_fh(slot, tsc,<br>TSPX_SDCCH8SubB,<br>INT_TO_BIT(TSPX_Maio14, 6),<br>INT_TO_BIT(TSPX_Hsn14, 6)) |          |
| rqr                        | Rqr2(Rr, Fn)                                                                                                   |          |
| ta                         | ta                                                                                                             |          |
| ma                         | MoblAllc_r18                                                                                                   |          |
| strt                       | -                                                                                                              |          |
| iaroct                     | laRestOct_08                                                                                                   |          |
| <b>Detailed Comments:</b>  |                                                                                                                |          |

| PDU Constraint Declaration |                                                                                                                |          |
|----------------------------|----------------------------------------------------------------------------------------------------------------|----------|
| <b>Constraint Name:</b>    | ImmAsgn_r32(Rr: BITSTRING; Fn: FN; slot:SN; tsc:TSC; ta:TA)                                                    |          |
| <b>PDU Type:</b>           | IMMASS_PDU                                                                                                     |          |
| <b>Derivation Path:</b>    |                                                                                                                |          |
| <b>Comments:</b>           | An IMMEDIATE ASSIGNMENT message to assign SDCCH/8 channel for TC_26_6_13_6.                                    |          |
| Field Name                 | Field Value                                                                                                    | Comments |
| l2_pl                      | '39'O                                                                                                          |          |
| ski                        | '0000'B                                                                                                        |          |
| rrpd                       | '0110'B                                                                                                        |          |
| mt                         | '00111111'B                                                                                                    |          |
| shoct                      | '0000'B                                                                                                        |          |
| pm                         | Pm( C_normal_paging)                                                                                           |          |
| chd                        | ChDescrp_sdcch8_fh(slot, tsc,<br>TSPX_SDCCH8SubC,<br>INT_TO_BIT(TSPX_Maio17, 6),<br>INT_TO_BIT(TSPX_Hsn17, 6)) |          |
| rqr                        | Rqr2(Rr, Fn)                                                                                                   |          |
| ta                         | ta                                                                                                             |          |
| ma                         | MoblAlc_r21                                                                                                    |          |
| strt                       | -                                                                                                              |          |
| iaroct                     | laRestOct_08                                                                                                   |          |
| <b>Detailed Comments:</b>  |                                                                                                                |          |

| PDU Constraint Declaration |                                                                                                  |          |
|----------------------------|--------------------------------------------------------------------------------------------------|----------|
| <b>Constraint Name:</b>    | ImmAsgn_r33(Rr: BITSTRING; Fn: FN; slot:SN; tsc:TSC; ta:TA)                                      |          |
| <b>PDU Type:</b>           | IMMASS_PDU                                                                                       |          |
| <b>Derivation Path:</b>    |                                                                                                  |          |
| <b>Comments:</b>           | An IMMEDIATE ASSIGNMENT message to assign the channel defined by PIXIT for TC_26_6_13_7.         |          |
| Field Name                 | Field Value                                                                                      | Comments |
| l2_pl                      | '39'O                                                                                            |          |
| ski                        | '0000'B                                                                                          |          |
| rrpd                       | '0110'B                                                                                          |          |
| mt                         | '00111111'B                                                                                      |          |
| shoct                      | '0000'B                                                                                          |          |
| pm                         | Pm( C_normal_paging)                                                                             |          |
| chd                        | ChDescrp_fh( TSPX_Chtp9, slot, tsc,<br>INT_TO_BIT(TSPX_Maio20, 6),<br>INT_TO_BIT(TSPX_Hsn20, 6)) |          |
| rqr                        | Rqr2(Rr, Fn)                                                                                     |          |
| ta                         | ta                                                                                               |          |
| ma                         | MoblAlc_r24                                                                                      |          |
| strt                       | -                                                                                                |          |
| iaroct                     | laRestOct_08                                                                                     |          |
| <b>Detailed Comments:</b>  |                                                                                                  |          |

| PDU Constraint Declaration |                                                                                                  |          |
|----------------------------|--------------------------------------------------------------------------------------------------|----------|
| <b>Constraint Name:</b>    | ImmAsgn_r34(Rr: BITSTRING; Fn: FN; slot:SN; tsc:TSC; ta:TA)                                      |          |
| <b>PDU Type:</b>           | IMMASS_PDU                                                                                       |          |
| <b>Derivation Path:</b>    |                                                                                                  |          |
| <b>Comments:</b>           | An IMMEDIATE ASSIGNMENT message to assign the channel defined by PIXIT for TC_26_6_13_8.         |          |
| Field Name                 | Field Value                                                                                      | Comments |
| l2_pl                      | '39'O                                                                                            |          |
| ski                        | '0000'B                                                                                          |          |
| rrpd                       | '0110'B                                                                                          |          |
| mt                         | '00111111'B                                                                                      |          |
| shoct                      | '0000'B                                                                                          |          |
| pm                         | Pm( C_normal_paging)                                                                             |          |
| chd                        | ChDescrp_fh( TSPX_Chtp11,slot, tsc,<br>INT_TO_BIT(TSPX_Maio24, 6),<br>INT_TO_BIT(TSPX_Hsn24, 6)) |          |
| rqr                        | Rqr2(Rr, Fn)                                                                                     |          |
| ta                         | ta                                                                                               |          |
| ma                         | MoblAllc_r28                                                                                     |          |
| strt                       | -                                                                                                |          |
| iaroct                     | laRestOct_08                                                                                     |          |
| <b>Detailed Comments:</b>  |                                                                                                  |          |

| PDU Constraint Declaration |                                                                                                   |          |
|----------------------------|---------------------------------------------------------------------------------------------------|----------|
| <b>Constraint Name:</b>    | ImmAsgn_r35(Rr: BITSTRING; Fn: FN; slot:SN; tsc:TSC; ta:TA; starttm:STRT)                         |          |
| <b>PDU Type:</b>           | IMMASS_PDU                                                                                        |          |
| <b>Derivation Path:</b>    |                                                                                                   |          |
| <b>Comments:</b>           | An IMMEDIATE ASSIGNMENT message to assign the channel defined by PIXIT for TC_26_6_13_9.          |          |
| Field Name                 | Field Value                                                                                       | Comments |
| l2_pl                      | '45'O                                                                                             |          |
| ski                        | '0000'B                                                                                           |          |
| rrpd                       | '0110'B                                                                                           |          |
| mt                         | '00111111'B                                                                                       |          |
| shoct                      | '0000'B                                                                                           |          |
| pm                         | Pm( C_normal_paging)                                                                              |          |
| chd                        | ChDescrp_fh( TSPX_Chtp13, slot, tsc,<br>INT_TO_BIT(TSPX_Maio28, 6),<br>INT_TO_BIT(TSPX_Hsn28, 6)) |          |
| rqr                        | Rqr2(Rr, Fn)                                                                                      |          |
| ta                         | ta                                                                                                |          |
| ma                         | MoblAllc_r32                                                                                      |          |
| strt                       | starttm                                                                                           |          |
| iaroct                     | laRestOct_03                                                                                      |          |
| <b>Detailed Comments:</b>  |                                                                                                   |          |



| PDU Constraint Declaration |                                                                                                   |          |
|----------------------------|---------------------------------------------------------------------------------------------------|----------|
| <b>Constraint Name:</b>    | ImmAsgn_r36(Rr: BITSTRING; Fn: FN; slot:SN; tsc:TSC; ta:TA; starttm:STRT)                         |          |
| <b>PDU Type:</b>           | IMMASS_PDU                                                                                        |          |
| <b>Derivation Path:</b>    |                                                                                                   |          |
| <b>Comments:</b>           | An IMMEDIATE ASSIGNMENT message to assign the channel defined by PIXIT for TC_26_6_13_10.         |          |
| Field Name                 | Field Value                                                                                       | Comments |
| l2_pl                      | '45'O                                                                                             |          |
| ski                        | '0000'B                                                                                           |          |
| rrpd                       | '0110'B                                                                                           |          |
| mt                         | '00111111'B                                                                                       |          |
| shoct                      | '0000'B                                                                                           |          |
| pm                         | Pm( C_normal_paging)                                                                              |          |
| chd                        | ChDescrp_fh( TSPX_Chtp14, slot, tsc,<br>INT_TO_BIT(TSPX_Maio30, 6),<br>INT_TO_BIT(TSPX_Hsn30, 6)) |          |
| rqr                        | Rqr2(Rr, Fn)                                                                                      |          |
| ta                         | ta                                                                                                |          |
| ma                         | MoblAllc_r33                                                                                      |          |
| strt                       | starttm                                                                                           |          |
| iaroct                     | laRestOct_04                                                                                      |          |
| <b>Detailed Comments:</b>  |                                                                                                   |          |

| PDU Constraint Declaration |                                                                                          |          |
|----------------------------|------------------------------------------------------------------------------------------|----------|
| <b>Constraint Name:</b>    | ImmAsgn_sdcch8(Rr: BITSTRING; Fn: FN; slot:SN; tsc:TSC; subch:B_3; arfcn:INTEGER; ta:TA) |          |
| <b>PDU Type:</b>           | IMMASS_PDU                                                                               |          |
| <b>Derivation Path:</b>    |                                                                                          |          |
| <b>Comments:</b>           | An IMMEDIATE ASSIGNMENT message to assign SDCCH8 channel                                 |          |
| Field Name                 | Field Value                                                                              | Comments |
| l2_pl                      | '2D'O                                                                                    |          |
| ski                        | '0000'B                                                                                  |          |
| rrpd                       | '0110'B                                                                                  |          |
| mt                         | '00111111'B                                                                              |          |
| shoct                      | '0000'B                                                                                  |          |
| pm                         | Pm( C_normal_paging)                                                                     |          |
| chd                        | ChDescrp_sdcch8_nfh(slot, tsc, subch,<br>arfcn)                                          |          |
| rqr                        | Rqr2(Rr, Fn)                                                                             |          |
| ta                         | ta                                                                                       |          |
| ma                         | MoblAllc_01                                                                              |          |
| strt                       | -                                                                                        |          |
| iaroct                     | laRestOct_01                                                                             |          |
| <b>Detailed Comments:</b>  |                                                                                          |          |

| PDU Constraint Declaration |                                                                                            |          |
|----------------------------|--------------------------------------------------------------------------------------------|----------|
| <b>Constraint Name:</b>    | ImmAsgnX_01(Rr: BITSTRING; Fn: FN; sub1, sub2:B_3; slot:SN; tsc:TSC; ta:TA; arfcn:INTEGER) |          |
| <b>PDU Type:</b>           | IMMASSX_PDU                                                                                |          |
| <b>Derivation Path:</b>    |                                                                                            |          |
| <b>Comments:</b>           | An IMMEDIATE ASSIGNMENT EXTENDED message to assign SDCCH/8 channel.                        |          |
| Field Name                 | Field Value                                                                                | Comments |
| l2_pl                      | '49'O                                                                                      |          |
| ski                        | '0000'B                                                                                    |          |
| rrpd                       | '0110'B                                                                                    |          |
| mt                         | '00111001'B                                                                                |          |
| shoct                      | '0000'B                                                                                    |          |
| pm                         | Pm( C_extended_paging)                                                                     |          |
| chd1                       | ChDescrp_sdcch8_nfh( slot, tsc, sub1, arfcn)                                               |          |
| rqr1                       | Rqr2(Rr, Fn)                                                                               |          |
| ta1                        | ta                                                                                         |          |
| chd2                       | ChDescrp_sdcch8_nfh( slot, tsc, sub2, arfcn)                                               |          |
| rqr2                       | Rqr2(Rr, Fn)                                                                               |          |
| ta2                        | ta                                                                                         |          |
| ma                         | MobIAlIc_01                                                                                |          |
| strt                       | -                                                                                          |          |
| iaxroct                    | '2B2B2B2B'O                                                                                |          |
| <b>Detailed Comments:</b>  |                                                                                            |          |

| PDU Constraint Declaration |                                                                                                                                                      |          |
|----------------------------|------------------------------------------------------------------------------------------------------------------------------------------------------|----------|
| <b>Constraint Name:</b>    | ImmAsgnX_02( slot:SN; tsc:TSC; ta:TA; arfcn:INTEGER)                                                                                                 |          |
| <b>PDU Type:</b>           | IMMASSX_PDU                                                                                                                                          |          |
| <b>Derivation Path:</b>    |                                                                                                                                                      |          |
| <b>Comments:</b>           | An IMMEDIATE ASSIGNMENT EXTENDED message containing paging mode = paging reorganisation and Request References that do not pertain to MS under test. |          |
| Field Name                 | Field Value                                                                                                                                          | Comments |
| l2_pl                      | '49'O                                                                                                                                                |          |
| ski                        | '0000'B                                                                                                                                              |          |
| rrpd                       | '0110'B                                                                                                                                              |          |
| mt                         | '00111001'B                                                                                                                                          |          |
| shoct                      | '0000'B                                                                                                                                              |          |
| pm                         | Pm( C_reorg_paging)                                                                                                                                  |          |
| chd1                       | ChDescrp_sdcch8_nfh( slot, tsc, TSPX_SDCCH8SubA, arfcn)                                                                                              |          |
| rqr1                       | Rqr3                                                                                                                                                 |          |
| ta1                        | ta                                                                                                                                                   |          |
| chd2                       | ChDescrp_sdcch8_nfh( slot, tsc, TSPX_SDCCH8SubB, C_arfcnA)                                                                                           |          |
| rqr2                       | Rqr3                                                                                                                                                 |          |
| ta2                        | ta                                                                                                                                                   |          |
| ma                         | MobIAlIc_01                                                                                                                                          |          |
| strt                       | -                                                                                                                                                    |          |
| iaxroct                    | '2B2B2B2B'O                                                                                                                                          |          |
| <b>Detailed Comments:</b>  |                                                                                                                                                      |          |

| PDU Constraint Declaration |                                                                                                                                                      |          |
|----------------------------|------------------------------------------------------------------------------------------------------------------------------------------------------|----------|
| <b>Constraint Name:</b>    | ImmAsgnX_03( slot:SN; tsc:TSC; ta:TA; arfcn:INTEGER)                                                                                                 |          |
| <b>PDU Type:</b>           | IMMASSX_PDU                                                                                                                                          |          |
| <b>Derivation Path:</b>    |                                                                                                                                                      |          |
| <b>Comments:</b>           | An IMMEDIATE ASSIGNMENT EXTENDED message containing paging mode = paging reorganisation and Request References that do not pertain to MS under test. |          |
| Field Name                 | Field Value                                                                                                                                          | Comments |
| l2_pl                      | '49'O                                                                                                                                                |          |
| ski                        | '0000'B                                                                                                                                              |          |
| rrpd                       | '0110'B                                                                                                                                              |          |
| mt                         | '00111001'B                                                                                                                                          |          |
| shoct                      | '0000'B                                                                                                                                              |          |
| pm                         | Pm( C_reorg_paging)                                                                                                                                  |          |
| chd1                       | ChDescrp_sdcch8_nfh( slot, tsc, TSPX_SDCCH8SubA, arfcn)                                                                                              |          |
| rqr1                       | Rqr3                                                                                                                                                 |          |
| ta1                        | ta                                                                                                                                                   |          |
| chd2                       | ChDescrp_sdcch8_nfh( slot, tsc, TSPX_SDCCH8SubB, 30)                                                                                                 |          |
| rqr2                       | Rqr3                                                                                                                                                 |          |
| ta2                        | ta                                                                                                                                                   |          |
| ma                         | MobIAllc_01                                                                                                                                          |          |
| strt                       | -                                                                                                                                                    |          |
| iaxroct                    | '2B2B2B2B'O                                                                                                                                          |          |
| <b>Detailed Comments:</b>  |                                                                                                                                                      |          |

| PDU Constraint Declaration |                                                                                                                                                      |          |
|----------------------------|------------------------------------------------------------------------------------------------------------------------------------------------------|----------|
| <b>Constraint Name:</b>    | ImmAsgnX_04( slot:SN; tsc:TSC; ta:TA; arfcn:INTEGER)                                                                                                 |          |
| <b>PDU Type:</b>           | IMMASSX_PDU                                                                                                                                          |          |
| <b>Derivation Path:</b>    |                                                                                                                                                      |          |
| <b>Comments:</b>           | An IMMEDIATE ASSIGNMENT EXTENDED message containing paging mode = paging reorganisation and Request References that do not pertain to MS under test. |          |
| Field Name                 | Field Value                                                                                                                                          | Comments |
| l2_pl                      | '49'O                                                                                                                                                |          |
| ski                        | '0000'B                                                                                                                                              |          |
| rrpd                       | '0110'B                                                                                                                                              |          |
| mt                         | '00111001'B                                                                                                                                          |          |
| shoct                      | '0000'B                                                                                                                                              |          |
| pm                         | Pm( C_reorg_paging)                                                                                                                                  |          |
| chd1                       | ChDescrp_sdcch8_nfh( slot, tsc, TSPX_SDCCH8SubA, arfcn)                                                                                              |          |
| rqr1                       | Rqr3                                                                                                                                                 |          |
| ta1                        | ta                                                                                                                                                   |          |
| chd2                       | ChDescrp_sdcch8_nfh( slot, tsc, TSPX_SDCCH8SubB, 30)                                                                                                 |          |
| rqr2                       | Rqr3                                                                                                                                                 |          |
| ta2                        | ta                                                                                                                                                   |          |
| ma                         | MobIAllc_01                                                                                                                                          |          |
| strt                       | -                                                                                                                                                    |          |
| iaxroct                    | '2B2B2B2B'O                                                                                                                                          |          |
| <b>Detailed Comments:</b>  |                                                                                                                                                      |          |

| PDU Constraint Declaration |                                                                                                        |          |
|----------------------------|--------------------------------------------------------------------------------------------------------|----------|
| <b>Constraint Name:</b>    | ImmAsgnX_r01(Rr: BITSTRING; Fn: FN; Rr_9: BITSTRING; Fn_9: FN; slot:SN; tsc:TSC; ta:TA; arfcn:INTEGER) |          |
| <b>PDU Type:</b>           | IMMASSX_PDU                                                                                            |          |
| <b>Derivation Path:</b>    |                                                                                                        |          |
| <b>Comments:</b>           | An IMMEDIATE ASSIGNMENT message to assign SDCCH/4 channel.                                             |          |
| Field Name                 | Field Value                                                                                            | Comments |
| l2_pl                      | '49'O                                                                                                  |          |
| ski                        | '0000'B                                                                                                |          |
| rrpd                       | '0110'B                                                                                                |          |
| mt                         | '00111001'B                                                                                            |          |
| shoct                      | '0000'B                                                                                                |          |
| pm                         | Pm( C_normal_paging)                                                                                   |          |
| chd1                       | ChDescrp_nfh( INT_TO_BIT(( 4 + BIT_TO_INT( TSPX_SDCCH4SubA)), 5), slot, tsc, arfcn)                    |          |
| rqr1                       | Rqr2(Rr, Fn)                                                                                           |          |
| ta1                        | ta                                                                                                     |          |
| chd2                       | ChDescrp_nfh( INT_TO_BIT(( 4 + BIT_TO_INT( TSPX_SDCCH4SubB)), 5), slot, tsc, arfcn)                    |          |
| rqr2                       | Rqr2(Rr_9, Fn_9)                                                                                       |          |
| ta2                        | ta                                                                                                     |          |
| ma                         | MobAllc_01                                                                                             |          |
| strt                       | -                                                                                                      |          |
| iaxroct                    | '2B2B2B2B'O                                                                                            |          |
| <b>Detailed Comments:</b>  |                                                                                                        |          |

| PDU Constraint Declaration |                                                                                                        |          |
|----------------------------|--------------------------------------------------------------------------------------------------------|----------|
| <b>Constraint Name:</b>    | ImmAsgnX_r02(Rr: BITSTRING; Fn: FN; Rr_9: BITSTRING; Fn_9: FN; slot:SN; tsc:TSC; ta:TA; arfcn:INTEGER) |          |
| <b>PDU Type:</b>           | IMMASSX_PDU                                                                                            |          |
| <b>Derivation Path:</b>    |                                                                                                        |          |
| <b>Comments:</b>           | An IMMEDIATE ASSIGNMENT message to assign SDCCH/8 channel.                                             |          |
| Field Name                 | Field Value                                                                                            | Comments |
| l2_pl                      | '49'O                                                                                                  |          |
| ski                        | '0000'B                                                                                                |          |
| rrpd                       | '0110'B                                                                                                |          |
| mt                         | '00111001'B                                                                                            |          |
| shoct                      | '0000'B                                                                                                |          |
| pm                         | Pm( C_normal_paging)                                                                                   |          |
| chd1                       | ChDescrp_sdcch8_nfh( slot, tsc, TSPX_SDCCH8SubB, arfcn)                                                |          |
| rqr1                       | Rqr2(Rr, Fn)                                                                                           |          |
| ta1                        | ta                                                                                                     |          |
| chd2                       | ChDescrp_sdcch8_nfh( slot, tsc, TSPX_SDCCH8SubC, arfcn)                                                |          |
| rqr2                       | Rqr2(Rr_9, Fn_9)                                                                                       |          |
| ta2                        | ta                                                                                                     |          |
| ma                         | MobAllc_01                                                                                             |          |
| strt                       | -                                                                                                      |          |
| iaxroct                    | '2B2B2B2B'O                                                                                            |          |
| <b>Detailed Comments:</b>  |                                                                                                        |          |

| PDU Constraint Declaration |                                                                                             |          |
|----------------------------|---------------------------------------------------------------------------------------------|----------|
| <b>Constraint Name:</b>    | ImmAsgnX_r03(Rr: BITSTRING; Fn: FN; sub1, sub2:B_2; slot:SN; tsc:TSC; ta:TA; arfcn:INTEGER) |          |
| <b>PDU Type:</b>           | IMMASSX_PDU                                                                                 |          |
| <b>Derivation Path:</b>    |                                                                                             |          |
| <b>Comments:</b>           | An IMMEDIATE ASSIGNMENT message to assign SDCCH/4 channel.                                  |          |
| Field Name                 | Field Value                                                                                 | Comments |
| l2_pl                      | '49'O                                                                                       |          |
| ski                        | '0000'B                                                                                     |          |
| rrpd                       | '0110'B                                                                                     |          |
| mt                         | '00111001'B                                                                                 |          |
| shoct                      | '0000'B                                                                                     |          |
| pm                         | Pm( C_extended_paging)                                                                      |          |
| chd1                       | ChDescrp_nfh( INT_TO_BIT(( 4 + BIT_TO_INT( sub1)), 5), slot, tsc, arfcn)                    |          |
| rqr1                       | Rqr2(Rr, Fn)                                                                                |          |
| ta1                        | ta                                                                                          |          |
| chd2                       | ChDescrp_nfh( INT_TO_BIT(( 4 + BIT_TO_INT( sub2)), 5), slot, tsc, arfcn)                    |          |
| rqr2                       | Rqr2(Rr, Fn)                                                                                |          |
| ta2                        | ta                                                                                          |          |
| ma                         | MoblAllc_01                                                                                 |          |
| strt                       | -                                                                                           |          |
| iaxroct                    | '2B2B2B2B'O                                                                                 |          |
| <b>Detailed Comments:</b>  |                                                                                             |          |

| PDU Constraint Declaration |                                                                       |          |
|----------------------------|-----------------------------------------------------------------------|----------|
| <b>Constraint Name:</b>    | ImmAsgnRej_01(Rr: BITSTRING; Fn: FN)                                  |          |
| <b>PDU Type:</b>           | IMMASS_REJ_PDU                                                        |          |
| <b>Derivation Path:</b>    |                                                                       |          |
| <b>Comments:</b>           | An IMMEDIATE ASSIGNMENT REJECT message containing normal paging mode. |          |
| Field Name                 | Field Value                                                           | Comments |
| l2_pl                      | '4D'O                                                                 |          |
| ski                        | '0000'B                                                               |          |
| rrpd                       | '0110'B                                                               |          |
| mt                         | '00111010'B                                                           |          |
| shoct                      | '0000'B                                                               |          |
| pm                         | Pm( C_normal_paging)                                                  |          |
| rqr1                       | Rqr2(Rr, Fn)                                                          |          |
| wi1                        | '00'H                                                                 |          |
| rqr2                       | Rqr2(Rr, Fn)                                                          |          |
| wi2                        | '00'H                                                                 |          |
| rqr3                       | Rqr2(Rr, Fn)                                                          |          |
| wi3                        | '00'H                                                                 |          |
| rqr4                       | Rqr2(Rr, Fn)                                                          |          |
| wi4                        | '00'H                                                                 |          |
| iarroct                    | '2B2B2B'O                                                             |          |
| <b>Detailed Comments:</b>  |                                                                       |          |

| PDU Constraint Declaration |                                                                                                               |          |
|----------------------------|---------------------------------------------------------------------------------------------------------------|----------|
| <b>Constraint Name:</b>    | ImmAsgnRej_02(Rr:BITSTRING; Fn: FN)                                                                           |          |
| <b>PDU Type:</b>           | IMMASS_REJ_PDU                                                                                                |          |
| <b>Derivation Path:</b>    |                                                                                                               |          |
| <b>Comments:</b>           | An IMMEDIATE ASSIGNMENT REJECT message in which only the third request reference addresses the MS under test. |          |
| Field Name                 | Field Value                                                                                                   | Comments |
| l2_pl                      | '4D'O                                                                                                         |          |
| ski                        | '0000'B                                                                                                       |          |
| rrpd                       | '0110'B                                                                                                       |          |
| mt                         | '00111010'B                                                                                                   |          |
| shoct                      | '0000'B                                                                                                       |          |
| pm                         | Pm( C_normal_paging)                                                                                          |          |
| rqr1                       | Rqr1(Rr, Fn)                                                                                                  |          |
| wi1                        | '02'H                                                                                                         |          |
| rqr2                       | Rqr1(Rr, Fn)                                                                                                  |          |
| wi2                        | '02'H                                                                                                         |          |
| rqr3                       | Rqr2(Rr, Fn)                                                                                                  |          |
| wi3                        | '00'H                                                                                                         |          |
| rqr4                       | Rqr1(Rr, Fn)                                                                                                  |          |
| wi4                        | '02'H                                                                                                         |          |
| iarroct                    | '2B2B2B'O                                                                                                     |          |
| <b>Detailed Comments:</b>  |                                                                                                               |          |

| PDU Constraint Declaration |                                                                                                       |          |
|----------------------------|-------------------------------------------------------------------------------------------------------|----------|
| <b>Constraint Name:</b>    | ImmAsgnRej_03(Rr: BITSTRING; Fn: FN)                                                                  |          |
| <b>PDU Type:</b>           | IMMASS_REJ_PDU                                                                                        |          |
| <b>Derivation Path:</b>    | ImmAsgnRej_01.                                                                                        |          |
| <b>Comments:</b>           | An IMMEDIATE ASSIGNMENT REJECT message containing normal paging mode and wait indication = 5 seconds. |          |
| Field Name                 | Field Value                                                                                           | Comments |
| rqr1                       | Rqr2(Rr, Fn)                                                                                          |          |
| wi1                        | '05'H                                                                                                 |          |
| rqr2                       | Rqr2(Rr, Fn)                                                                                          |          |
| wi2                        | '05'H                                                                                                 |          |
| rqr3                       | Rqr2(Rr, Fn)                                                                                          |          |
| wi3                        | '05'H                                                                                                 |          |
| rqr4                       | Rqr2(Rr, Fn)                                                                                          |          |
| wi4                        | '05'H                                                                                                 |          |
| iarroct                    | '2B2B2B'O                                                                                             |          |
| <b>Detailed Comments:</b>  |                                                                                                       |          |

| PDU Constraint Declaration |                                                                                                       |          |
|----------------------------|-------------------------------------------------------------------------------------------------------|----------|
| <b>Constraint Name:</b>    | ImmAsgnRej_04(Rr: BITSTRING; Fn: FN)                                                                  |          |
| <b>PDU Type:</b>           | IMMASS_REJ_PDU                                                                                        |          |
| <b>Derivation Path:</b>    | ImmAsgnRej_01.                                                                                        |          |
| <b>Comments:</b>           | An IMMEDIATE ASSIGNMENT REJECT message containing normal paging mode and wait indication = 6 seconds. |          |
| Field Name                 | Field Value                                                                                           | Comments |
| rqr1                       | Rqr2(Rr, Fn)                                                                                          |          |
| wi1                        | '06'H                                                                                                 |          |
| rqr2                       | Rqr2(Rr, Fn)                                                                                          |          |
| wi2                        | '06'H                                                                                                 |          |
| rqr3                       | Rqr2(Rr, Fn)                                                                                          |          |
| wi3                        | '06'H                                                                                                 |          |
| rqr4                       | Rqr2(Rr, Fn)                                                                                          |          |
| wi4                        | '06'H                                                                                                 |          |
| iarroct                    | '2B2B2B'O                                                                                             |          |
| <b>Detailed Comments:</b>  |                                                                                                       |          |

| PDU Constraint Declaration |                                                                                              |          |
|----------------------------|----------------------------------------------------------------------------------------------|----------|
| <b>Constraint Name:</b>    | ImmAsgnRej_inv_01(Rr: BITSTRING; Fn: FN)                                                     |          |
| <b>PDU Type:</b>           | IMMASS_REJ_PDU                                                                               |          |
| <b>Derivation Path:</b>    | ImmAsgnRej_01.                                                                               |          |
| <b>Comments:</b>           | An invalid IMMEDIATE ASSIGNMENT REJECT message with skip indicator = 2, reject time = 255 s. |          |
| Field Name                 | Field Value                                                                                  | Comments |
| ski                        | '0010'B                                                                                      |          |
| rqr1                       | Rqr2(Rr, Fn)                                                                                 |          |
| wi1                        | 'FF'H                                                                                        |          |
| rqr2                       | Rqr2(Rr, Fn)                                                                                 |          |
| wi2                        | 'FF'H                                                                                        |          |
| rqr3                       | Rqr2(Rr, Fn)                                                                                 |          |
| wi3                        | 'FF'H                                                                                        |          |
| rqr4                       | Rqr2(Rr, Fn)                                                                                 |          |
| wi4                        | 'FF'H                                                                                        |          |
| <b>Detailed Comments:</b>  |                                                                                              |          |

| PDU Constraint Declaration |                                                                                |          |
|----------------------------|--------------------------------------------------------------------------------|----------|
| <b>Constraint Name:</b>    | ImmAsgnRej_inv_02(Rr: BITSTRING; Fn: FN)                                       |          |
| <b>PDU Type:</b>           | IMMASS_REJ_PDU                                                                 |          |
| <b>Derivation Path:</b>    | ImmAsgnRej_01.                                                                 |          |
| <b>Comments:</b>           | An invalid IMMEDIATE ASSIGNMENT REJECT message containing arbitrary spare bits |          |
| Field Name                 | Field Value                                                                    | Comments |
| shoct                      | '1010'B                                                                        |          |
| pm                         | Pm( C_normal_paging)                                                           |          |
| rqr1                       | Rqr2(Rr, Fn)                                                                   |          |
| rqr2                       | Rqr2(Rr, Fn)                                                                   |          |
| wi2                        | TSPX_T3122                                                                     |          |
| rqr3                       | Rqr2(Rr, Fn)                                                                   |          |
| wi3                        | TSPX_T3122                                                                     |          |
| rqr4                       | Rqr2(Rr, Fn)                                                                   |          |
| wi4                        | TSPX_T3122                                                                     |          |
| iarroct                    | '010101'O                                                                      |          |
| <b>Detailed Comments:</b>  |                                                                                |          |

| PDU Constraint Declaration |                                                                                                                              |          |
|----------------------------|------------------------------------------------------------------------------------------------------------------------------|----------|
| <b>Constraint Name:</b>    | ImmAsgnRej_r01(rqr1, rqr2, rqr3, rqr4: RQR; t1, t2: INTEGER)                                                                 |          |
| <b>PDU Type:</b>           | IMMASS_REJ_PDU                                                                                                               |          |
| <b>Derivation Path:</b>    |                                                                                                                              |          |
| <b>Comments:</b>           | An IMMEDIATE ASSIGNMENT REJECT message in which only the second and the third request reference addresses the MS under test. |          |
| Field Name                 | Field Value                                                                                                                  | Comments |
| l2_pl                      | '4D'O                                                                                                                        |          |
| ski                        | '0000'B                                                                                                                      |          |
| rrpd                       | '0110'B                                                                                                                      |          |
| mt                         | '00111010'B                                                                                                                  |          |
| shoct                      | '0000'B                                                                                                                      |          |
| pm                         | Pm( C_normal_paging)                                                                                                         |          |
| rqr1                       | rqr1                                                                                                                         |          |
| wi1                        | '00'H                                                                                                                        |          |
| rqr2                       | rqr2                                                                                                                         |          |
| wi2                        | INT_TO_HEX(t1, 2)                                                                                                            |          |
| rqr3                       | rqr3                                                                                                                         |          |
| wi3                        | INT_TO_HEX(t2, 2)                                                                                                            |          |
| rqr4                       | rqr4                                                                                                                         |          |
| wi4                        | '00'H                                                                                                                        |          |
| iarroct                    | '2B2B2B'O                                                                                                                    |          |
| <b>Detailed Comments:</b>  |                                                                                                                              |          |

| PDU Constraint Declaration |                                                                       |          |
|----------------------------|-----------------------------------------------------------------------|----------|
| <b>Constraint Name:</b>    | ImmAsgnRej_r02(Rr: BITSTRING; Fn: FN)                                 |          |
| <b>PDU Type:</b>           | IMMASS_REJ_PDU                                                        |          |
| <b>Derivation Path:</b>    |                                                                       |          |
| <b>Comments:</b>           | An IMMEDIATE ASSIGNMENT REJECT message containing normal paging mode. |          |
| Field Name                 | Field Value                                                           | Comments |
| l2_pl                      | '4D'O                                                                 |          |
| ski                        | '0000'B                                                               |          |
| rrpd                       | '0110'B                                                               |          |
| mt                         | '00111010'B                                                           |          |
| shoct                      | '0000'B                                                               |          |
| pm                         | Pm( C_normal_paging)                                                  |          |
| rqr1                       | Rqr2(Rr, Fn)                                                          |          |
| wi1                        | '00'H                                                                 |          |
| rqr2                       | Rqr1(Rr, Fn)                                                          |          |
| wi2                        | '00'H                                                                 |          |
| rqr3                       | Rqr1(Rr, Fn)                                                          |          |
| wi3                        | '00'H                                                                 |          |
| rqr4                       | Rqr1(Rr, Fn)                                                          |          |
| wi4                        | '00'H                                                                 |          |
| iarroct                    | '2B2B2B'O                                                             |          |
| <b>Detailed Comments:</b>  |                                                                       |          |

| PDU Constraint Declaration |                                                                                                                                                                            |          |
|----------------------------|----------------------------------------------------------------------------------------------------------------------------------------------------------------------------|----------|
| <b>Constraint Name:</b>    | ImmAsgnRej_r04                                                                                                                                                             |          |
| <b>PDU Type:</b>           | IMMASS_REJ_PDU                                                                                                                                                             |          |
| <b>Derivation Path:</b>    |                                                                                                                                                                            |          |
| <b>Comments:</b>           | An IMMEDIATE ASSIGNMENT REJECT message containing paging mode = "extended paging" and wait indication = 0 seconds. The Request References do not pertain to MS under test. |          |
| Field Name                 | Field Value                                                                                                                                                                | Comments |
| l2_pl                      | '4D'O                                                                                                                                                                      |          |
| ski                        | '0000'B                                                                                                                                                                    |          |
| rrpd                       | '0110'B                                                                                                                                                                    |          |
| mt                         | '00111010'B                                                                                                                                                                |          |
| shoct                      | '0000'B                                                                                                                                                                    |          |
| pm                         | Pm( C_extended_paging)                                                                                                                                                     |          |
| rqr1                       | Rqr3                                                                                                                                                                       |          |
| wi1                        | '00'H                                                                                                                                                                      |          |
| rqr2                       | Rqr3                                                                                                                                                                       |          |
| wi2                        | '00'H                                                                                                                                                                      |          |
| rqr3                       | Rqr3                                                                                                                                                                       |          |
| wi3                        | '00'H                                                                                                                                                                      |          |
| rqr4                       | Rqr3                                                                                                                                                                       |          |
| wi4                        | '00'H                                                                                                                                                                      |          |
| iarroct                    | '2B2B2B'O                                                                                                                                                                  |          |
| <b>Detailed Comments:</b>  |                                                                                                                                                                            |          |



| PDU Constraint Declaration |                                                                                               |          |
|----------------------------|-----------------------------------------------------------------------------------------------|----------|
| <b>Constraint Name:</b>    | ImsiDetach_01                                                                                 |          |
| <b>PDU Type:</b>           | IMSID_IN_PDU                                                                                  |          |
| <b>Derivation Path:</b>    |                                                                                               |          |
| <b>Comments:</b>           | IMSI DETACH INDICATION message matching any MS classmark1 value and any mobile identity value |          |
| Field Name                 | Field Value                                                                                   | Comments |
| ski                        | '0000'B                                                                                       |          |
| mmpd                       | '0101'B                                                                                       |          |
| mt                         | '0?000001'B                                                                                   |          |
| msclm                      | ?                                                                                             |          |
| mi                         | ?                                                                                             |          |
| <b>Detailed Comments:</b>  |                                                                                               |          |

| PDU Constraint Declaration |                                                                                 |          |
|----------------------------|---------------------------------------------------------------------------------|----------|
| <b>Constraint Name:</b>    | ImsiDetach_30(par:MI)                                                           |          |
| <b>PDU Type:</b>           | IMSID_IN_PDU                                                                    |          |
| <b>Derivation Path:</b>    |                                                                                 |          |
| <b>Comments:</b>           | IMSI DETACH INDICATION message matching any MS classmark1 value and given IMSI. |          |
| Field Name                 | Field Value                                                                     | Comments |
| ski                        | '0000'B                                                                         |          |
| mmpd                       | '0101'B                                                                         |          |
| mt                         | '0?000001'B                                                                     |          |
| msclm                      | ?                                                                               |          |
| mi                         | par                                                                             |          |
| <b>Detailed Comments:</b>  |                                                                                 |          |

| PDU Constraint Declaration |                                                                                                     |          |
|----------------------------|-----------------------------------------------------------------------------------------------------|----------|
| <b>Constraint Name:</b>    | LocUpdtAcp(mcc, mnc, lac:OCTETSTRING)                                                               |          |
| <b>PDU Type:</b>           | LUP_ACP_PDU                                                                                         |          |
| <b>Derivation Path:</b>    |                                                                                                     |          |
| <b>Comments:</b>           | A LOCATION UPDATING ACCEPT message without mobile identity and LAI of PLMN2.<br>LAC set in TCV_lac. |          |
| Field Name                 | Field Value                                                                                         | Comments |
| ski                        | '0000'B                                                                                             |          |
| mmpd                       | '0101'B                                                                                             |          |
| mt                         | '00000010'B                                                                                         |          |
| lai                        | LocAreald(mcc, mnc, lac)                                                                            |          |
| mi                         | -                                                                                                   |          |
| fop                        | -                                                                                                   |          |
| <b>Detailed Comments:</b>  |                                                                                                     |          |

| PDU Constraint Declaration |                                                       |          |
|----------------------------|-------------------------------------------------------|----------|
| <b>Constraint Name:</b>    | LocUpdtAcp_01(newmi: MI; mcc, mnc, lac:OCTETSTRING)   |          |
| <b>PDU Type:</b>           | LUP_ACP_PDU                                           |          |
| <b>Derivation Path:</b>    |                                                       |          |
| <b>Comments:</b>           | To assign a new TMSI with or without mobile identity. |          |
| Field Name                 | Field Value                                           | Comments |
| ski                        | '0000'B                                               |          |
| mmpd                       | '0101'B                                               |          |
| mt                         | '00000010'B                                           |          |
| lai                        | LocAreald(mcc, mnc, lac)                              |          |
| mi                         | newmi                                                 |          |
| fop                        | -                                                     |          |
| <b>Detailed Comments:</b>  |                                                       |          |

| PDU Constraint Declaration |                                           |          |
|----------------------------|-------------------------------------------|----------|
| <b>Constraint Name:</b>    | LocUpdtAcp_02( mcc, mnc, lac:OCTETSTRING) |          |
| <b>PDU Type:</b>           | LUP_ACP_PDU                               |          |
| <b>Derivation Path:</b>    |                                           |          |
| <b>Comments:</b>           | To assign a new TMSI.                     |          |
| Field Name                 | Field Value                               | Comments |
| ski                        | '0000'B                                   |          |
| mmpd                       | '0101'B                                   |          |
| mt                         | '00000010'B                               |          |
| lai                        | LocAreaId(mcc, mnc, lac)                  |          |
| mi                         | -                                         |          |
| fop                        | '10100001'B                               |          |
| <b>Detailed Comments:</b>  |                                           |          |

| PDU Constraint Declaration |                                                                                   |          |
|----------------------------|-----------------------------------------------------------------------------------|----------|
| <b>Constraint Name:</b>    | LocUpdtAcp_inv_01(mi1, mi2:MI; mcc, mnc, lac:OCTETSTRING)                         |          |
| <b>PDU Type:</b>           | LUP_ACP_PDU_ERR                                                                   |          |
| <b>Derivation Path:</b>    |                                                                                   |          |
| <b>Comments:</b>           | Invalid LOCATION UPDATING ACCEPT message containing duplicated mobile identifier. |          |
| Field Name                 | Field Value                                                                       | Comments |
| ski                        | '0000'B                                                                           |          |
| mmpd                       | '0101'B                                                                           |          |
| mt                         | '00000010'B                                                                       |          |
| lai                        | LocAreaId( mcc, mnc, lac)                                                         |          |
| mi                         | mi1                                                                               |          |
| dupmi                      | mi2                                                                               |          |
| <b>Detailed Comments:</b>  |                                                                                   |          |

| PDU Constraint Declaration |                                                                        |          |
|----------------------------|------------------------------------------------------------------------|----------|
| <b>Constraint Name:</b>    | LocUpdtReq_01( locup:B_2)                                              |          |
| <b>PDU Type:</b>           | LUP_RQ_PDU                                                             |          |
| <b>Derivation Path:</b>    |                                                                        |          |
| <b>Comments:</b>           | A LOCATION UPDATING REQUEST message containing location updating type. |          |
| Field Name                 | Field Value                                                            | Comments |
| ski                        | '0000'B                                                                |          |
| mmpd                       | '0101'B                                                                |          |
| mt                         | '0?001000'B                                                            |          |
| cphksn                     | ?                                                                      |          |
| lutype                     | LocUpType( locup)                                                      |          |
| lai                        | ?                                                                      |          |
| msclm                      | ?                                                                      |          |
| mi                         | ?                                                                      |          |
| <b>Detailed Comments:</b>  |                                                                        |          |

| PDU Constraint Declaration |                                                    |          |
|----------------------------|----------------------------------------------------|----------|
| <b>Constraint Name:</b>    | LocUpdtReq_04( locup:B_2; par:MI)                  |          |
| <b>PDU Type:</b>           | LUP_RQ_PDU                                         |          |
| <b>Derivation Path:</b>    |                                                    |          |
| <b>Comments:</b>           | LOCATION UPDATING REQUEST message containing TMSI. |          |
| Field Name                 | Field Value                                        | Comments |
| ski                        | '0000'B                                            |          |
| mmpd                       | '0101'B                                            |          |
| mt                         | '0?001000'B                                        |          |
| cphksn                     | ?                                                  |          |
| lutype                     | LocUpType(locup)                                   |          |
| lai                        | ?                                                  |          |
| msclm                      | ?                                                  |          |
| mi                         | par                                                |          |
| <b>Detailed Comments:</b>  |                                                    |          |

| PDU Constraint Declaration |                                                 |          |
|----------------------------|-------------------------------------------------|----------|
| <b>Constraint Name:</b>    | LocUpdtReq_05                                   |          |
| <b>PDU Type:</b>           | LUP_RQ_PDU                                      |          |
| <b>Derivation Path:</b>    |                                                 |          |
| <b>Comments:</b>           | to match any LOCATION UPDATING REQUEST message. |          |
| Field Name                 | Field Value                                     | Comments |
| ski                        | '0000'B                                         |          |
| mmpd                       | '0101'B                                         |          |
| mt                         | '0?001000'B                                     |          |
| cphksn                     | ?                                               |          |
| lutype                     | ?                                               |          |
| lai                        | ?                                               |          |
| msclm                      | ?                                               |          |
| mi                         | ?                                               |          |
| <b>Detailed Comments:</b>  |                                                 |          |

| PDU Constraint Declaration |                                                                              |          |
|----------------------------|------------------------------------------------------------------------------|----------|
| <b>Constraint Name:</b>    | LocUpdtReq_31(par:MI; mcc, mnc, lac:OCTETSTRING; locup:B_2; cksn: BITSTRING) |          |
| <b>PDU Type:</b>           | LUP_RQ_PDU                                                                   |          |
| <b>Derivation Path:</b>    |                                                                              |          |
| <b>Comments:</b>           | A parameterised LOCATION UPDATING REQUEST message                            |          |
| Field Name                 | Field Value                                                                  | Comments |
| ski                        | '0000'B                                                                      |          |
| mmpd                       | '0101'B                                                                      |          |
| mt                         | '0?001000'B                                                                  |          |
| cphksn                     | CphKeySN_07(cksn)                                                            |          |
| lutype                     | LocUpType(locup)                                                             |          |
| lai                        | LocAreald(mcc, mnc, lac)                                                     |          |
| msclm                      | ClassMark1                                                                   |          |
| mi                         | par                                                                          |          |
| <b>Detailed Comments:</b>  |                                                                              |          |

| PDU Constraint Declaration |                                     |          |
|----------------------------|-------------------------------------|----------|
| <b>Constraint Name:</b>    | LocUpdtRej_01 (par:REJCAU)          |          |
| <b>PDU Type:</b>           | LUP_REJ_PDU                         |          |
| <b>Derivation Path:</b>    |                                     |          |
| <b>Comments:</b>           | A LOCATION UPDATING REJECT message. |          |
| Field Name                 | Field Value                         | Comments |
| ski                        | '0000'B                             |          |
| mmpd                       | '0101'B                             |          |
| mt                         | '00000100'B                         |          |
| rejcau                     | par                                 |          |
| <b>Detailed Comments:</b>  |                                     |          |

| PDU Constraint Declaration |                                                                                                      |          |
|----------------------------|------------------------------------------------------------------------------------------------------|----------|
| <b>Constraint Name:</b>    | MMstatus_01                                                                                          |          |
| <b>PDU Type:</b>           | MMST_PDU                                                                                             |          |
| <b>Derivation Path:</b>    |                                                                                                      |          |
| <b>Comments:</b>           | A MM STATUS message containing reject cause value #97-- message type non-existent or not implemented |          |
| Field Name                 | Field Value                                                                                          | Comments |
| ski                        | '0000'B                                                                                              |          |
| mmpd                       | '0101'B                                                                                              |          |
| mt                         | '0?110001'B                                                                                          |          |
| rejcau                     | '61'O                                                                                                |          |
| <b>Detailed Comments:</b>  |                                                                                                      |          |

| PDU Constraint Declaration |                                                   |          |
|----------------------------|---------------------------------------------------|----------|
| <b>Constraint Name:</b>    | MMstatus_02                                       |          |
| <b>PDU Type:</b>           | MMST_PDU                                          |          |
| <b>Derivation Path:</b>    | MMstatus_01.                                      |          |
| <b>Comments:</b>           | cause value = #96-- invalid mandatory information |          |
| Field Name                 | Field Value                                       | Comments |
| rejcau                     | '60'O                                             |          |
| <b>Detailed Comments:</b>  |                                                   |          |

| PDU Constraint Declaration |                                                                          |          |
|----------------------------|--------------------------------------------------------------------------|----------|
| <b>Constraint Name:</b>    | MMstatus_03                                                              |          |
| <b>PDU Type:</b>           | MMST_PDU                                                                 |          |
| <b>Derivation Path:</b>    | MMstatus_01.                                                             |          |
| <b>Comments:</b>           | cause value = #98 -- message type not compatible with the protocol state |          |
| Field Name                 | Field Value                                                              | Comments |
| rejcau                     | '62'O                                                                    |          |
| <b>Detailed Comments:</b>  |                                                                          |          |

| PDU Constraint Declaration |                               |          |
|----------------------------|-------------------------------|----------|
| <b>Constraint Name:</b>    | ModifyComp_02(Ti:TI; bc:BCAP) |          |
| <b>PDU Type:</b>           | MODIFY_COM_PDU                |          |
| <b>Derivation Path:</b>    |                               |          |
| <b>Comments:</b>           | n -> ms                       |          |
| Field Name                 | Field Value                   | Comments |
| ti                         | Ti                            |          |
| ccpd                       | '0011'B                       |          |
| mt                         | '00011111'B                   |          |
| bcap                       | bc                            |          |
| llcmp                      | -                             |          |
| hlcmp                      | -                             |          |
| rscsd                      | ?                             |          |
| <b>Detailed Comments:</b>  |                               |          |

| PDU Constraint Declaration |                               |          |
|----------------------------|-------------------------------|----------|
| <b>Constraint Name:</b>    | ModifyComp_03(Ti:TI; bc:BCAP) |          |
| <b>PDU Type:</b>           | MODIFY_COM_PDU                |          |
| <b>Derivation Path:</b>    |                               |          |
| <b>Comments:</b>           | n -> ms                       |          |
| Field Name                 | Field Value                   | Comments |
| ti                         | Ti                            |          |
| ccpd                       | '0011'B                       |          |
| mt                         | '00011111'B                   |          |
| bcap                       | bc                            |          |
| llcmp                      | -                             |          |
| hlcmp                      | -                             |          |
| rscsd                      | -                             |          |
| <b>Detailed Comments:</b>  |                               |          |

| PDU Constraint Declaration |                              |          |
|----------------------------|------------------------------|----------|
| <b>Constraint Name:</b>    | ModifyInd_01(Ti:TI; bc:BCAP) |          |
| <b>PDU Type:</b>           | MODIFY_PDU                   |          |
| <b>Derivation Path:</b>    |                              |          |
| <b>Comments:</b>           |                              |          |
| Field Name                 | Field Value                  | Comments |
| ti                         | Ti                           |          |
| ccpd                       | '0011'B                      |          |
| mt                         | '0?010111'B                  |          |
| bcap                       | bc                           |          |
| llcmp                      | *                            |          |
| hlcmp                      | *                            |          |
| rscsd                      | *                            |          |
| <b>Detailed Comments:</b>  |                              |          |

| PDU Constraint Declaration |                              |          |
|----------------------------|------------------------------|----------|
| <b>Constraint Name:</b>    | ModifyReq_01(Ti:TI; bc:BCAP) |          |
| <b>PDU Type:</b>           | MODIFY_PDU                   |          |
| <b>Derivation Path:</b>    |                              |          |
| <b>Comments:</b>           |                              |          |
| Field Name                 | Field Value                  | Comments |
| ti                         | Ti                           |          |
| ccpd                       | '0011'B                      |          |
| mt                         | '00010111'B                  |          |
| bcap                       | bc                           |          |
| llcmp                      | -                            |          |
| hlcmp                      | -                            |          |
| rscd                       | -                            |          |
| <b>Detailed Comments:</b>  |                              |          |

| PDU Constraint Declaration |                             |          |
|----------------------------|-----------------------------|----------|
| <b>Constraint Name:</b>    | ModifyRj_01(Ti:TI; bc:BCAP) |          |
| <b>PDU Type:</b>           | MODIFY_REJ_PDU              |          |
| <b>Derivation Path:</b>    |                             |          |
| <b>Comments:</b>           |                             |          |
| Field Name                 | Field Value                 | Comments |
| ti                         | Ti                          |          |
| ccpd                       | '0011'B                     |          |
| mt                         | '0?010011'B                 |          |
| bcap                       | bc                          |          |
| cau                        | ?                           |          |
| llcmp                      | *                           |          |
| hlcmp                      | *                           |          |
| <b>Detailed Comments:</b>  |                             |          |

| PDU Constraint Declaration |                                                   |          |
|----------------------------|---------------------------------------------------|----------|
| <b>Constraint Name:</b>    | ModifyRjRq_01(Ti:TI; bc:BCAP)                     |          |
| <b>PDU Type:</b>           | MODIFY_REJ_PDU                                    |          |
| <b>Derivation Path:</b>    |                                                   |          |
| <b>Comments:</b>           | cause = bearer capability not presently available |          |
| Field Name                 | Field Value                                       | Comments |
| ti                         | Ti                                                |          |
| ccpd                       | '0011'B                                           |          |
| mt                         | '00010011'B                                       |          |
| bcap                       | bc                                                |          |
| cau                        | Cause_16                                          |          |
| llcmp                      | -                                                 |          |
| hlcmp                      | -                                                 |          |
| <b>Detailed Comments:</b>  |                                                   |          |

| PDU Constraint Declaration |                                                  |          |
|----------------------------|--------------------------------------------------|----------|
| <b>Constraint Name:</b>    | MsrReport_01                                     |          |
| <b>PDU Type:</b>           | MSR_RPT_PDU                                      |          |
| <b>Derivation Path:</b>    |                                                  |          |
| <b>Comments:</b>           | A measurement report without measurement results |          |
| Field Name                 | Field Value                                      | Comments |
| ski                        | '0000'B                                          |          |
| rrpd                       | '0110'B                                          |          |
| mt                         | '00010101'B                                      |          |
| msrr                       | MsrResult_01                                     |          |
| <b>Detailed Comments:</b>  |                                                  |          |

| PDU Constraint Declaration |                                                      |          |
|----------------------------|------------------------------------------------------|----------|
| <b>Constraint Name:</b>    | MsrReport_02                                         |          |
| <b>PDU Type:</b>           | MSR_RPT_PDU                                          |          |
| <b>Derivation Path:</b>    |                                                      |          |
| <b>Comments:</b>           | A measurement report match any received MSR_RPT_PDU. |          |
| Field Name                 | Field Value                                          | Comments |
| ski                        | '0000'B                                              |          |
| rrpd                       | '0110'B                                              |          |
| mt                         | '00010101'B                                          |          |
| msrr                       | MsrResult_02                                         |          |
| <b>Detailed Comments:</b>  |                                                      |          |

| PDU Constraint Declaration |                                                                   |          |
|----------------------------|-------------------------------------------------------------------|----------|
| <b>Constraint Name:</b>    | MsrReport_03                                                      |          |
| <b>PDU Type:</b>           | MSR_RPT_PDU                                                       |          |
| <b>Derivation Path:</b>    |                                                                   |          |
| <b>Comments:</b>           | A measurement report containing results for 6 strongest carriers. |          |
| Field Name                 | Field Value                                                       | Comments |
| ski                        | '0000'B                                                           |          |
| rrpd                       | '0110'B                                                           |          |
| mt                         | '00010101'B                                                       |          |
| msrr                       | MsrResult_03                                                      |          |
| <b>Detailed Comments:</b>  |                                                                   |          |

| PDU Constraint Declaration |                                                                   |          |
|----------------------------|-------------------------------------------------------------------|----------|
| <b>Constraint Name:</b>    | MsrReport_03e(par_measres: MSRR)                                  |          |
| <b>PDU Type:</b>           | MSR_RPT_PDU                                                       |          |
| <b>Derivation Path:</b>    |                                                                   |          |
| <b>Comments:</b>           | A measurement report containing results for 6 strongest carriers. |          |
| Field Name                 | Field Value                                                       | Comments |
| ski                        | '0000'B                                                           |          |
| rrpd                       | '0110'B                                                           |          |
| mt                         | '00010101'B                                                       |          |
| msrr                       | par_measres                                                       |          |
| <b>Detailed Comments:</b>  |                                                                   |          |

| PDU Constraint Declaration |                                                       |          |
|----------------------------|-------------------------------------------------------|----------|
| <b>Constraint Name:</b>    | MsrReport_04                                          |          |
| <b>PDU Type:</b>           | MSR_RPT_PDU                                           |          |
| <b>Derivation Path:</b>    |                                                       |          |
| <b>Comments:</b>           | A measurement report containing 4 strongest carriers. |          |
| Field Name                 | Field Value                                           | Comments |
| ski                        | '0000'B                                               |          |
| rrpd                       | '0110'B                                               |          |
| mt                         | '00010101'B                                           |          |
| msrr                       | MsrResult_04                                          |          |
| <b>Detailed Comments:</b>  |                                                       |          |

| PDU Constraint Declaration |                                                       |          |
|----------------------------|-------------------------------------------------------|----------|
| <b>Constraint Name:</b>    | MsrReport_04e                                         |          |
| <b>PDU Type:</b>           | MSR_RPT_PDU                                           |          |
| <b>Derivation Path:</b>    |                                                       |          |
| <b>Comments:</b>           | A measurement report containing 4 strongest carriers. |          |
| Field Name                 | Field Value                                           | Comments |
| ski                        | '0000'B                                               |          |
| rrpd                       | '0110'B                                               |          |
| mt                         | '00010101'B                                           |          |
| msrr                       | MsrResult_04e                                         |          |
| <b>Detailed Comments:</b>  |                                                       |          |

| PDU Constraint Declaration |                                                                        |          |
|----------------------------|------------------------------------------------------------------------|----------|
| <b>Constraint Name:</b>    | MsrReport_05                                                           |          |
| <b>PDU Type:</b>           | MSR_RPT_PDU                                                            |          |
| <b>Derivation Path:</b>    |                                                                        |          |
| <b>Comments:</b>           | A measurement report containing 6 strongest carriers and DTX was used. |          |
| Field Name                 | Field Value                                                            | Comments |
| ski                        | '0000'B                                                                |          |
| rrpd                       | '0110'B                                                                |          |
| mt                         | '00010101'B                                                            |          |
| msrr                       | MsrResult_05                                                           |          |
| <b>Detailed Comments:</b>  |                                                                        |          |

| PDU Constraint Declaration |                                                                              |          |
|----------------------------|------------------------------------------------------------------------------|----------|
| <b>Constraint Name:</b>    | MsrReport_06                                                                 |          |
| <b>PDU Type:</b>           | MSR_RPT_PDU                                                                  |          |
| <b>Derivation Path:</b>    |                                                                              |          |
| <b>Comments:</b>           | A measurement report containing 6 strongest carriers and DTX is not checked. |          |
| Field Name                 | Field Value                                                                  | Comments |
| ski                        | '0000'B                                                                      |          |
| rrpd                       | '0110'B                                                                      |          |
| mt                         | '00010101'B                                                                  |          |
| msrr                       | MsrResult_06                                                                 |          |
| <b>Detailed Comments:</b>  |                                                                              |          |

| PDU Constraint Declaration |                                                                           |          |
|----------------------------|---------------------------------------------------------------------------|----------|
| <b>Constraint Name:</b>    | MsrReport_07                                                              |          |
| <b>PDU Type:</b>           | MSR_RPT_PDU                                                               |          |
| <b>Derivation Path:</b>    |                                                                           |          |
| <b>Comments:</b>           | A measurement report containing 2 strongest carriers and DTX is not used. |          |
| Field Name                 | Field Value                                                               | Comments |
| ski                        | '0000'B                                                                   |          |
| rrpd                       | '0110'B                                                                   |          |
| mt                         | '00010101'B                                                               |          |
| msrr                       | MsrResult_07                                                              |          |
| <b>Detailed Comments:</b>  |                                                                           |          |



| PDU Constraint Declaration |                                                       |          |
|----------------------------|-------------------------------------------------------|----------|
| <b>Constraint Name:</b>    | NotifiReq_01(Ti:Ti)                                   |          |
| <b>PDU Type:</b>           | NOTIFY_PDU                                            |          |
| <b>Derivation Path:</b>    |                                                       |          |
| <b>Comments:</b>           | Containing any valid notification indicator. n -> ms. |          |
| Field Name                 | Field Value                                           | Comments |
| ti                         | Ti                                                    |          |
| ccpd                       | '0011'B                                               |          |
| mt                         | '00111110'B                                           |          |
| nti                        | '10000000'B                                           |          |
| <b>Detailed Comments:</b>  |                                                       |          |

| PDU Constraint Declaration |                                                |          |
|----------------------------|------------------------------------------------|----------|
| <b>Constraint Name:</b>    | PagingRes_01                                   |          |
| <b>PDU Type:</b>           | PG_RES_PDU                                     |          |
| <b>Derivation Path:</b>    |                                                |          |
| <b>Comments:</b>           | To match any received PAGING RESPONSE message. |          |
| Field Name                 | Field Value                                    | Comments |
| ski                        | '0000'B                                        |          |
| rrpd                       | '0110'B                                        |          |
| mt                         | '00100111'B                                    |          |
| shoct                      | '0000'B                                        |          |
| cphksn                     | ?                                              |          |
| msclm                      | ?                                              |          |
| mi                         | ?                                              |          |
| <b>Detailed Comments:</b>  |                                                |          |

| PDU Constraint Declaration |                                                                                     |          |
|----------------------------|-------------------------------------------------------------------------------------|----------|
| <b>Constraint Name:</b>    | PagingRes_03( cksn:B_3)                                                             |          |
| <b>PDU Type:</b>           | PG_RES_PDU                                                                          |          |
| <b>Derivation Path:</b>    |                                                                                     |          |
| <b>Comments:</b>           | To match a received PAGING RESPONSE message with default TMSI, CKSN and classmark2. |          |
| Field Name                 | Field Value                                                                         | Comments |
| ski                        | '0000'B                                                                             |          |
| rrpd                       | '0110'B                                                                             |          |
| mt                         | '00100111'B                                                                         |          |
| shoct                      | '0000'B                                                                             |          |
| cphksn                     | CphKeySN_01( cksn)                                                                  |          |
| msclm                      | ClassMark2                                                                          |          |
| mi                         | MiTmsi_01                                                                           |          |
| <b>Detailed Comments:</b>  |                                                                                     |          |

| PDU Constraint Declaration |                                                          |          |
|----------------------------|----------------------------------------------------------|----------|
| <b>Constraint Name:</b>    | PagingRes_r01                                            |          |
| <b>PDU Type:</b>           | PG_RES_PDU                                               |          |
| <b>Derivation Path:</b>    | PagingRes_01.                                            |          |
| <b>Comments:</b>           | To match any received PAGING RESPONSE message, RR tests. |          |
| Field Name                 | Field Value                                              | Comments |
| mi                         | MiTmsi_01                                                |          |
| <b>Detailed Comments:</b>  |                                                          |          |









| PDU Constraint Declaration |                                                                                                                                                                 |          |
|----------------------------|-----------------------------------------------------------------------------------------------------------------------------------------------------------------|----------|
| <b>Constraint Name:</b>    | PgReqTp1_r01                                                                                                                                                    |          |
| <b>PDU Type:</b>           | PG1_RQ_PDU                                                                                                                                                      |          |
| <b>Derivation Path:</b>    |                                                                                                                                                                 |          |
| <b>Comments:</b>           | An PAGING REQUEST TYPE1 message requesting any channel with normal paging mode, the first mobile identity is TMSI, the second is IMSI different from TSPX_IMSI. |          |
| Field Name                 | Field Value                                                                                                                                                     | Comments |
| l2_pl                      | '49'O                                                                                                                                                           |          |
| ski                        | '0000'B                                                                                                                                                         |          |
| rrpd                       | '0110'B                                                                                                                                                         |          |
| mt                         | '00100001'B                                                                                                                                                     |          |
| chn_m1_2                   | Chneed_01                                                                                                                                                       |          |
| pm                         | Pm( C_normal_paging)                                                                                                                                            |          |
| mi1                        | MiTmsi_01                                                                                                                                                       |          |
| mi2                        | Milmsi_r01iei                                                                                                                                                   |          |
| p1roct                     | '2B2B2B2B'O                                                                                                                                                     |          |
| <b>Detailed Comments:</b>  |                                                                                                                                                                 |          |

| PDU Constraint Declaration |                                                                                                                                                                       |          |
|----------------------------|-----------------------------------------------------------------------------------------------------------------------------------------------------------------------|----------|
| <b>Constraint Name:</b>    | PgReqTp1_r02                                                                                                                                                          |          |
| <b>PDU Type:</b>           | PG1_RQ_PDU                                                                                                                                                            |          |
| <b>Derivation Path:</b>    |                                                                                                                                                                       |          |
| <b>Comments:</b>           | An PAGING REQUEST TYPE1 message requesting any channel with normal paging mode, the first mobile identity is another TMSI, the second is IMSI of the IUT (TSPX_IMSI). |          |
| Field Name                 | Field Value                                                                                                                                                           | Comments |
| l2_pl                      | OC_IntToOct(((9 +<br>OC_LengthOf(Milmsi_01iei)) * 4) + 1, 1)                                                                                                          |          |
| ski                        | '0000'B                                                                                                                                                               |          |
| rrpd                       | '0110'B                                                                                                                                                               |          |
| mt                         | '00100001'B                                                                                                                                                           |          |
| chn_m1_2                   | Chneed_01                                                                                                                                                             |          |
| pm                         | Pm( C_normal_paging)                                                                                                                                                  |          |
| mi1                        | MiTmsi_r01                                                                                                                                                            |          |
| mi2                        | Milmsi_01iei                                                                                                                                                          |          |
| p1roct                     | OC_SubOctet('2B2B2B2B2B2B2B2B2B2B2B2B'O, 13 -<br>OC_LengthOf(Milmsi_01iei))                                                                                           |          |
| <b>Detailed Comments:</b>  |                                                                                                                                                                       |          |

| PDU Constraint Declaration |                                                                                                                                                                                                                             |          |
|----------------------------|-----------------------------------------------------------------------------------------------------------------------------------------------------------------------------------------------------------------------------|----------|
| <b>Constraint Name:</b>    | PgReqTp1_r03                                                                                                                                                                                                                |          |
| <b>PDU Type:</b>           | PG1_RQ_PDU                                                                                                                                                                                                                  |          |
| <b>Derivation Path:</b>    |                                                                                                                                                                                                                             |          |
| <b>Comments:</b>           | An PAGING REQUEST TYPE1 message requesting any channel with normal paging mode, the first mobile identity is an another TMSI differing from different from MiTmsi_01 and _02, the second one is TMSI of the IUT, MiTmsi_01. |          |
| Field Name                 | Field Value                                                                                                                                                                                                                 | Comments |
| l2_pl                      | '41'O                                                                                                                                                                                                                       |          |
| ski                        | '0000'B                                                                                                                                                                                                                     |          |
| rrpd                       | '0110'B                                                                                                                                                                                                                     |          |
| mt                         | '00100001'B                                                                                                                                                                                                                 |          |
| chn_m1_2                   | Chneed_01                                                                                                                                                                                                                   |          |
| pm                         | Pm( C_normal_paging)                                                                                                                                                                                                        |          |
| mi1                        | MiTmsi_r01                                                                                                                                                                                                                  |          |
| mi2                        | MiTmsi_01iei                                                                                                                                                                                                                |          |
| p1roct                     | '2B2B2B2B2B2B'O                                                                                                                                                                                                             |          |
| <b>Detailed Comments:</b>  |                                                                                                                                                                                                                             |          |

| PDU Constraint Declaration |                                                                                                                                                             |          |
|----------------------------|-------------------------------------------------------------------------------------------------------------------------------------------------------------|----------|
| <b>Constraint Name:</b>    | PgReqTp1_r04                                                                                                                                                |          |
| <b>PDU Type:</b>           | PG1_RQ_PDU                                                                                                                                                  |          |
| <b>Derivation Path:</b>    | PgReqTp1_01.                                                                                                                                                |          |
| <b>Comments:</b>           | An PAGING REQUEST TYPE1 message requesting any channel with normal paging mode, the mobile identity is TMSI, but the identity type is set to 'no identity'. |          |
| Field Name                 | Field Value                                                                                                                                                 | Comments |
| mi1                        | MiTmsi_r02                                                                                                                                                  |          |
| <b>Detailed Comments:</b>  |                                                                                                                                                             |          |

| PDU Constraint Declaration |                                                                                                                         |          |
|----------------------------|-------------------------------------------------------------------------------------------------------------------------|----------|
| <b>Constraint Name:</b>    | PgReqTp2_01                                                                                                             |          |
| <b>PDU Type:</b>           | PG2_RQ_PDU                                                                                                              |          |
| <b>Derivation Path:</b>    |                                                                                                                         |          |
| <b>Comments:</b>           | An PAGING REQUEST TYPE2 message requesting any channel with normal paging mode, the mobile identity is TMSI of the IUT. |          |
| Field Name                 | Field Value                                                                                                             | Comments |
| l2_pl                      | '2D'O                                                                                                                   |          |
| ski                        | '0000'B                                                                                                                 |          |
| rrpd                       | '0110'B                                                                                                                 |          |
| mt                         | '00100010'B                                                                                                             |          |
| chn_m1_2                   | Chneed_01                                                                                                               |          |
| pm                         | Pm( C_normal_paging)                                                                                                    |          |
| mi1                        | Tmsi_01                                                                                                                 |          |
| mi2                        | Tmsi_r01                                                                                                                |          |
| mi3                        | -                                                                                                                       |          |
| p2roct                     | '2B2B2B2B2B2B2B2B2B2B'O                                                                                                 |          |
| <b>Detailed Comments:</b>  |                                                                                                                         |          |

| PDU Constraint Declaration |                                                                                                                        |          |
|----------------------------|------------------------------------------------------------------------------------------------------------------------|----------|
| <b>Constraint Name:</b>    | PgReqTp2_02                                                                                                            |          |
| <b>PDU Type:</b>           | PG2_RQ_PDU                                                                                                             |          |
| <b>Derivation Path:</b>    |                                                                                                                        |          |
| <b>Comments:</b>           | An PAGING REQUEST TYPE2 message requesting any channel with extended paging mode and not addressing the MS under test. |          |
| Field Name                 | Field Value                                                                                                            | Comments |
| l2_pl                      | '2D'O                                                                                                                  |          |
| ski                        | '0000'B                                                                                                                |          |
| rrpd                       | '0110'B                                                                                                                |          |
| mt                         | '00100010'B                                                                                                            |          |
| chn_m1_2                   | Chneed_01                                                                                                              |          |
| pm                         | Pm( C_extended_paging)                                                                                                 |          |
| mi1                        | Tmsi_r01                                                                                                               |          |
| mi2                        | Tmsi_r03                                                                                                               |          |
| mi3                        | -                                                                                                                      |          |
| p2roct                     | '2B2B2B2B2B2B2B2B2B2B'O                                                                                                |          |
| <b>Detailed Comments:</b>  |                                                                                                                        |          |

| PDU Constraint Declaration |                                                                                                                                 |          |
|----------------------------|---------------------------------------------------------------------------------------------------------------------------------|----------|
| <b>Constraint Name:</b>    | PgReqTp2_03                                                                                                                     |          |
| <b>PDU Type:</b>           | PG2_RQ_PDU                                                                                                                      |          |
| <b>Derivation Path:</b>    |                                                                                                                                 |          |
| <b>Comments:</b>           | An PAGING REQUEST TYPE2 message requesting any channel with paging reorganisation mode, the mobile identity is TMSI of the IUT. |          |
| Field Name                 | Field Value                                                                                                                     | Comments |
| l2_pl                      | '2D'O                                                                                                                           |          |
| ski                        | '0000'B                                                                                                                         |          |
| rrpd                       | '0110'B                                                                                                                         |          |
| mt                         | '00100010'B                                                                                                                     |          |
| chn_m1_2                   | Chneed_01                                                                                                                       |          |
| pm                         | Pm( C_reorg_paging)                                                                                                             |          |
| mi1                        | Tmsi_01                                                                                                                         |          |
| mi2                        | Tmsi_r01                                                                                                                        |          |
| mi3                        | -                                                                                                                               |          |
| p2roct                     | '2B2B2B2B2B2B2B2B2B2B'O                                                                                                         |          |
| <b>Detailed Comments:</b>  |                                                                                                                                 |          |

| PDU Constraint Declaration |                                                                                                                                 |          |
|----------------------------|---------------------------------------------------------------------------------------------------------------------------------|----------|
| <b>Constraint Name:</b>    | PgReqTp2_04                                                                                                                     |          |
| <b>PDU Type:</b>           | PG2_RQ_PDU                                                                                                                      |          |
| <b>Derivation Path:</b>    |                                                                                                                                 |          |
| <b>Comments:</b>           | An PAGING REQUEST TYPE2 message requesting any channel with same as before paging mode, the mobile identity is TMSI of the IUT. |          |
| Field Name                 | Field Value                                                                                                                     | Comments |
| l2_pl                      | '2D'O                                                                                                                           |          |
| ski                        | '0000'B                                                                                                                         |          |
| rrpd                       | '0110'B                                                                                                                         |          |
| mt                         | '00100010'B                                                                                                                     |          |
| chn_m1_2                   | Chneed_01                                                                                                                       |          |
| pm                         | Pm( C_sab_paging)                                                                                                               |          |
| mi1                        | Tmsi_01                                                                                                                         |          |
| mi2                        | Tmsi_r01                                                                                                                        |          |
| mi3                        | -                                                                                                                               |          |
| p2roct                     | '2B2B2B2B2B2B2B2B2B2B'O                                                                                                         |          |
| <b>Detailed Comments:</b>  |                                                                                                                                 |          |

| PDU Constraint Declaration |                                                                                                                                                                  |          |
|----------------------------|------------------------------------------------------------------------------------------------------------------------------------------------------------------|----------|
| <b>Constraint Name:</b>    | PgReqTp2_r01                                                                                                                                                     |          |
| <b>PDU Type:</b>           | PG2_RQ_PDU                                                                                                                                                       |          |
| <b>Derivation Path:</b>    |                                                                                                                                                                  |          |
| <b>Comments:</b>           | An PAGING REQUEST TYPE2 message requesting any channel with normal paging mode, the 1st mobile identity is TMSI of the IUT. The 2nd one addresses an another MS. |          |
| Field Name                 | Field Value                                                                                                                                                      | Comments |
| l2_pl                      | '2D'O                                                                                                                                                            |          |
| ski                        | '0000'B                                                                                                                                                          |          |
| rrpd                       | '0110'B                                                                                                                                                          |          |
| mt                         | '00100010'B                                                                                                                                                      |          |
| chn_m1_2                   | Chneed_01                                                                                                                                                        |          |
| pm                         | Pm( C_normal_paging)                                                                                                                                             |          |
| mi1                        | Tmsi_01                                                                                                                                                          |          |
| mi2                        | Tmsi_r01                                                                                                                                                         |          |
| mi3                        | -                                                                                                                                                                |          |
| p2roct                     | '2B2B2B2B2B2B2B2B2B2B'O                                                                                                                                          |          |
| <b>Detailed Comments:</b>  |                                                                                                                                                                  |          |



| PDU Constraint Declaration |                                                                                                                                                                  |          |
|----------------------------|------------------------------------------------------------------------------------------------------------------------------------------------------------------|----------|
| <b>Constraint Name:</b>    | PgReqTp2_r02                                                                                                                                                     |          |
| <b>PDU Type:</b>           | PG2_RQ_PDU                                                                                                                                                       |          |
| <b>Derivation Path:</b>    |                                                                                                                                                                  |          |
| <b>Comments:</b>           | An PAGING REQUEST TYPE2 message requesting any channel with normal paging mode, the 2nd mobile identity is TMSI of the IUT. The 1st one addresses an another MS. |          |
| Field Name                 | Field Value                                                                                                                                                      | Comments |
| l2_pl                      | '2D'O                                                                                                                                                            |          |
| ski                        | '0000'B                                                                                                                                                          |          |
| rrpd                       | '0110'B                                                                                                                                                          |          |
| mt                         | '00100010'B                                                                                                                                                      |          |
| chn_m1_2                   | Chneed_01                                                                                                                                                        |          |
| pm                         | Pm( C_normal_paging)                                                                                                                                             |          |
| mi1                        | Tmsi_r01                                                                                                                                                         |          |
| mi2                        | Tmsi_01                                                                                                                                                          |          |
| mi3                        | -                                                                                                                                                                |          |
| p2roct                     | '2B2B2B2B2B2B2B2B2B2B'O                                                                                                                                          |          |
| <b>Detailed Comments:</b>  |                                                                                                                                                                  |          |

| PDU Constraint Declaration |                                                                                                                                                                      |          |
|----------------------------|----------------------------------------------------------------------------------------------------------------------------------------------------------------------|----------|
| <b>Constraint Name:</b>    | PgReqTp2_r03                                                                                                                                                         |          |
| <b>PDU Type:</b>           | PG2_RQ_PDU                                                                                                                                                           |          |
| <b>Derivation Path:</b>    |                                                                                                                                                                      |          |
| <b>Comments:</b>           | An PAGING REQUEST TYPE2 message requesting any channel with normal paging mode, the 3 mobile identity is TMSI of the IUT. The 1st and 2nd one address an another MS. |          |
| Field Name                 | Field Value                                                                                                                                                          | Comments |
| l2_pl                      | '49'O                                                                                                                                                                |          |
| ski                        | '0000'B                                                                                                                                                              |          |
| rrpd                       | '0110'B                                                                                                                                                              |          |
| mt                         | '00100010'B                                                                                                                                                          |          |
| chn_m1_2                   | Chneed_01                                                                                                                                                            |          |
| pm                         | Pm( C_normal_paging)                                                                                                                                                 |          |
| mi1                        | Tmsi_r03                                                                                                                                                             |          |
| mi2                        | Tmsi_r01                                                                                                                                                             |          |
| mi3                        | MiTmsi_01iei                                                                                                                                                         |          |
| p2roct                     | '2B2B2B2B'O                                                                                                                                                          |          |
| <b>Detailed Comments:</b>  |                                                                                                                                                                      |          |

| PDU Constraint Declaration |                                                                                                                                                                            |          |
|----------------------------|----------------------------------------------------------------------------------------------------------------------------------------------------------------------------|----------|
| <b>Constraint Name:</b>    | PgReqTp2_r04                                                                                                                                                               |          |
| <b>PDU Type:</b>           | PG2_RQ_PDU                                                                                                                                                                 |          |
| <b>Derivation Path:</b>    |                                                                                                                                                                            |          |
| <b>Comments:</b>           | An PAGING REQUEST TYPE2 message requesting any channel with normal paging mode, the 1st and 2nd mobile identity addresses an another MS. The 3rd one is IMSI of the IUT. . |          |
| Field Name                 | Field Value                                                                                                                                                                | Comments |
| l2_pl                      | OC_IntToOct(((11 +<br>OC_LengthOf(Milmsi_01iei)) * 4) + 1, 1)                                                                                                              |          |
| ski                        | '0000'B                                                                                                                                                                    |          |
| rrpd                       | '0110'B                                                                                                                                                                    |          |
| mt                         | '00100010'B                                                                                                                                                                |          |
| chn_m1_2                   | Chneed_01                                                                                                                                                                  |          |
| pm                         | Pm( C_normal_paging)                                                                                                                                                       |          |
| mi1                        | Tmsi_r03                                                                                                                                                                   |          |
| mi2                        | Tmsi_r01                                                                                                                                                                   |          |
| mi3                        | Milmsi_01iei                                                                                                                                                               |          |
| p2roct                     | OC_SubOctet('2B2B2B2B2B2B2B2B2B2B2B2B2B2B'O, 11 - OC_LengthOf(Milmsi_01iei))                                                                                               |          |
| <b>Detailed Comments:</b>  |                                                                                                                                                                            |          |

| PDU Constraint Declaration |                                                                                                                                                                                             |          |
|----------------------------|---------------------------------------------------------------------------------------------------------------------------------------------------------------------------------------------|----------|
| <b>Constraint Name:</b>    | PgReqTp2_r05                                                                                                                                                                                |          |
| <b>PDU Type:</b>           | PG2_RQ_PDU                                                                                                                                                                                  |          |
| <b>Derivation Path:</b>    |                                                                                                                                                                                             |          |
| <b>Comments:</b>           | An PAGING REQUEST TYPE2 message requesting any channel with normal paging mode, the 3 mobile identity is TMSI of the IUT with the type of no id. The 1st and 2nd one address an another MS. |          |
| Field Name                 | Field Value                                                                                                                                                                                 | Comments |
| l2_pl                      | '49'O                                                                                                                                                                                       |          |
| ski                        | '0000'B                                                                                                                                                                                     |          |
| rrpd                       | '0110'B                                                                                                                                                                                     |          |
| mt                         | '00100010'B                                                                                                                                                                                 |          |
| chn_m1_2                   | Chneed_01                                                                                                                                                                                   |          |
| pm                         | Pm( C_normal_paging)                                                                                                                                                                        |          |
| mi1                        | Tmsi_r03                                                                                                                                                                                    |          |
| mi2                        | Tmsi_r01                                                                                                                                                                                    |          |
| mi3                        | MiTmsi_r02iei                                                                                                                                                                               |          |
| p2roct                     | '2B2B2B2B'O                                                                                                                                                                                 |          |
| <b>Detailed Comments:</b>  |                                                                                                                                                                                             |          |

| PDU Constraint Declaration |                                                                                                                                                                            |          |
|----------------------------|----------------------------------------------------------------------------------------------------------------------------------------------------------------------------|----------|
| <b>Constraint Name:</b>    | PgReqTp2_r06                                                                                                                                                               |          |
| <b>PDU Type:</b>           | PG2_RQ_PDU                                                                                                                                                                 |          |
| <b>Derivation Path:</b>    |                                                                                                                                                                            |          |
| <b>Comments:</b>           | An PAGING REQUEST TYPE2 message requesting any channel with normal paging mode, the 1st and 2nd mobile identity addresses an another MS. The 3rd one is IMSI of the IUT. . |          |
| Field Name                 | Field Value                                                                                                                                                                | Comments |
| l2_pl                      | OC_IntToOct(((11 + OC_LengthOf(Milmsi_01iei)) * 4) + 1, 1)                                                                                                                 |          |
| ski                        | '0000'B                                                                                                                                                                    |          |
| rrpd                       | '0110'B                                                                                                                                                                    |          |
| mt                         | '00100010'B                                                                                                                                                                |          |
| chn_m1_2                   | Chneed_01                                                                                                                                                                  |          |
| pm                         | Pm( C_extended_paging)                                                                                                                                                     |          |
| mi1                        | Tmsi_r03                                                                                                                                                                   |          |
| mi2                        | Tmsi_r01                                                                                                                                                                   |          |
| mi3                        | Milmsi_01iei                                                                                                                                                               |          |
| p2roct                     | OC_SubOctet('2B2B2B2B2B2B2B2B2B2B'O, 11 - OC_LengthOf(Milmsi_01iei))                                                                                                       |          |
| <b>Detailed Comments:</b>  |                                                                                                                                                                            |          |

| PDU Constraint Declaration                                         |                                                                                                                        |          |
|--------------------------------------------------------------------|------------------------------------------------------------------------------------------------------------------------|----------|
| <b>Constraint Name:</b>                                            | PgReqTp3_01                                                                                                            |          |
| <b>PDU Type:</b>                                                   | PG3_RQ_PDU                                                                                                             |          |
| <b>Derivation Path:</b>                                            |                                                                                                                        |          |
| <b>Comments:</b>                                                   | An PAGING REQUEST TYPE3 message requesting any channel with extended paging mode and not addressing the MS under test. |          |
| Field Name                                                         | Field Value                                                                                                            | Comments |
| l2_pl                                                              | '4D'O                                                                                                                  |          |
| ski                                                                | '0000'B                                                                                                                |          |
| rrpd                                                               | '0110'B                                                                                                                |          |
| mt                                                                 | '00100100'B                                                                                                            |          |
| chn_m1_2                                                           | Chneed_01                                                                                                              |          |
| pm                                                                 | Pm( C_extended_paging)                                                                                                 |          |
| mi1                                                                | Tmsi_r05                                                                                                               |          |
| mi2                                                                | Tmsi_r01                                                                                                               |          |
| mi3                                                                | Tmsi_r03                                                                                                               |          |
| mi4                                                                | Tmsi_r04                                                                                                               |          |
| p3roct                                                             | '2B2B2B'O                                                                                                              |          |
| <b>Detailed Comments:</b> Only used in 26_6_2_2 within Pg_Req3_01. |                                                                                                                        |          |

| PDU Constraint Declaration |                                                                            |          |
|----------------------------|----------------------------------------------------------------------------|----------|
| <b>Constraint Name:</b>    | PgReqTp3_02                                                                |          |
| <b>PDU Type:</b>           | PG3_RQ_PDU                                                                 |          |
| <b>Derivation Path:</b>    |                                                                            |          |
| <b>Comments:</b>           | An PAGING REQUEST TYPE3 message containing paging mode = "same as before". |          |
| Field Name                 | Field Value                                                                | Comments |
| l2_pl                      | '4D'O                                                                      |          |
| ski                        | '0000'B                                                                    |          |
| rrpd                       | '0110'B                                                                    |          |
| mt                         | '00100100'B                                                                |          |
| chn_m1_2                   | Chneed_01                                                                  |          |
| pm                         | Pm( C_sab_paging)                                                          |          |
| mi1                        | Tmsi_r05                                                                   |          |
| mi2                        | Tmsi_r01                                                                   |          |
| mi3                        | Tmsi_r03                                                                   |          |
| mi4                        | Tmsi_r04                                                                   |          |
| p3roct                     | '2B2B2B'O                                                                  |          |
| <b>Detailed Comments:</b>  | Only used in TC_26_6_2_4 within Pg_Req3_02                                 |          |

| PDU Constraint Declaration |                                                                           |          |
|----------------------------|---------------------------------------------------------------------------|----------|
| <b>Constraint Name:</b>    | PgReqTp3_03                                                               |          |
| <b>PDU Type:</b>           | PG3_RQ_PDU                                                                |          |
| <b>Derivation Path:</b>    |                                                                           |          |
| <b>Comments:</b>           | An PAGING REQUEST TYPE3 message containing paging mode = "normal paging". |          |
| Field Name                 | Field Value                                                               | Comments |
| l2_pl                      | '4D'O                                                                     |          |
| ski                        | '0000'B                                                                   |          |
| rrpd                       | '0110'B                                                                   |          |
| mt                         | '00100100'B                                                               |          |
| chn_m1_2                   | Chneed_01                                                                 |          |
| pm                         | Pm( C_normal_paging)                                                      |          |
| mi1                        | Tmsi_r05                                                                  |          |
| mi2                        | Tmsi_r01                                                                  |          |
| mi3                        | Tmsi_r03                                                                  |          |
| mi4                        | Tmsi_r04                                                                  |          |
| p3roct                     | '2B2B2B'O                                                                 |          |
| <b>Detailed Comments:</b>  |                                                                           |          |

| PDU Constraint Declaration |                                                                                                                                                                           |          |
|----------------------------|---------------------------------------------------------------------------------------------------------------------------------------------------------------------------|----------|
| <b>Constraint Name:</b>    | PgReqTp3_r01                                                                                                                                                              |          |
| <b>PDU Type:</b>           | PG3_RQ_PDU                                                                                                                                                                |          |
| <b>Derivation Path:</b>    |                                                                                                                                                                           |          |
| <b>Comments:</b>           | An PAGING REQUEST TYPE3 message requesting any channel with normal paging mode, the 1st mobile identity is TMSI of the IUT. The 2nd, 3rd and 4th one address another MSs. |          |
| Field Name                 | Field Value                                                                                                                                                               | Comments |
| l2_pl                      | '4D'O                                                                                                                                                                     |          |
| ski                        | '0000'B                                                                                                                                                                   |          |
| rrpd                       | '0110'B                                                                                                                                                                   |          |
| mt                         | '00100100'B                                                                                                                                                               |          |
| chn_m1_2                   | Chneed_01                                                                                                                                                                 |          |
| pm                         | Pm( C_normal_paging)                                                                                                                                                      |          |
| mi1                        | Tmsi_01                                                                                                                                                                   |          |
| mi2                        | Tmsi_r01                                                                                                                                                                  |          |
| mi3                        | Tmsi_r03                                                                                                                                                                  |          |
| mi4                        | Tmsi_r04                                                                                                                                                                  |          |
| p3roct                     | '2B2B2B'O                                                                                                                                                                 |          |
| <b>Detailed Comments:</b>  |                                                                                                                                                                           |          |

| PDU Constraint Declaration |                                                                                                                                                                           |          |
|----------------------------|---------------------------------------------------------------------------------------------------------------------------------------------------------------------------|----------|
| <b>Constraint Name:</b>    | PgReqTp3_r02                                                                                                                                                              |          |
| <b>PDU Type:</b>           | PG3_RQ_PDU                                                                                                                                                                |          |
| <b>Derivation Path:</b>    | PgReqTp3_r01.                                                                                                                                                             |          |
| <b>Comments:</b>           | An PAGING REQUEST TYPE3 message requesting any channel with normal paging mode, the 2nd mobile identity is TMSI of the IUT. The 1st, 3rd and 4th one address another MSs. |          |
| Field Name                 | Field Value                                                                                                                                                               | Comments |
| mi1                        | Tmsi_r01                                                                                                                                                                  |          |
| mi2                        | Tmsi_01                                                                                                                                                                   |          |
| <b>Detailed Comments:</b>  |                                                                                                                                                                           |          |

| PDU Constraint Declaration |                                                                                                                                                                           |          |
|----------------------------|---------------------------------------------------------------------------------------------------------------------------------------------------------------------------|----------|
| <b>Constraint Name:</b>    | PgReqTp3_r03                                                                                                                                                              |          |
| <b>PDU Type:</b>           | PG3_RQ_PDU                                                                                                                                                                |          |
| <b>Derivation Path:</b>    | PgReqTp3_r01.                                                                                                                                                             |          |
| <b>Comments:</b>           | An PAGING REQUEST TYPE3 message requesting any channel with normal paging mode, the 3rd mobile identity is TMSI of the IUT. The 1st, 2nd and 4th one address another MSs. |          |
| Field Name                 | Field Value                                                                                                                                                               | Comments |
| mi1                        | Tmsi_r03                                                                                                                                                                  |          |
| mi3                        | Tmsi_01                                                                                                                                                                   |          |
| <b>Detailed Comments:</b>  |                                                                                                                                                                           |          |

| PDU Constraint Declaration |                                                                                                                                                                           |          |
|----------------------------|---------------------------------------------------------------------------------------------------------------------------------------------------------------------------|----------|
| <b>Constraint Name:</b>    | PgReqTp3_r04                                                                                                                                                              |          |
| <b>PDU Type:</b>           | PG3_RQ_PDU                                                                                                                                                                |          |
| <b>Derivation Path:</b>    | PgReqTp3_r01.                                                                                                                                                             |          |
| <b>Comments:</b>           | An PAGING REQUEST TYPE3 message requesting any channel with normal paging mode, the 4th mobile identity is TMSI of the IUT. The 1st, 2nd and 3rd one address another MSs. |          |
| Field Name                 | Field Value                                                                                                                                                               | Comments |
| mi1                        | Tmsi_r04                                                                                                                                                                  |          |
| mi4                        | Tmsi_01                                                                                                                                                                   |          |
| <b>Detailed Comments:</b>  |                                                                                                                                                                           |          |

| PDU Constraint Declaration |                                                                                                                                                                           |          |
|----------------------------|---------------------------------------------------------------------------------------------------------------------------------------------------------------------------|----------|
| <b>Constraint Name:</b>    | PgReqTp3_r05                                                                                                                                                              |          |
| <b>PDU Type:</b>           | PG3_RQ_PDU                                                                                                                                                                |          |
| <b>Derivation Path:</b>    |                                                                                                                                                                           |          |
| <b>Comments:</b>           | An PAGING REQUEST TYPE3 message requesting any channel with normal paging mode, the 1st mobile identity is TMSI of the IUT. The 2nd, 3rd and 4th one address another MSs. |          |
| Field Name                 | Field Value                                                                                                                                                               | Comments |
| l2_pl                      | '4D'O                                                                                                                                                                     |          |
| ski                        | '0000'B                                                                                                                                                                   |          |
| rrpd                       | '0110'B                                                                                                                                                                   |          |
| mt                         | '00100100'B                                                                                                                                                               |          |
| chn_m1_2                   | Chneed_01                                                                                                                                                                 |          |
| pm                         | Pm( C_extended_paging)                                                                                                                                                    |          |
| mi1                        | Tmsi_01                                                                                                                                                                   |          |
| mi2                        | Tmsi_r01                                                                                                                                                                  |          |
| mi3                        | Tmsi_r03                                                                                                                                                                  |          |
| mi4                        | Tmsi_r04                                                                                                                                                                  |          |
| p3roct                     | '2B2B2B'O                                                                                                                                                                 |          |
| <b>Detailed Comments:</b>  |                                                                                                                                                                           |          |

| PDU Constraint Declaration |                   |          |
|----------------------------|-------------------|----------|
| <b>Constraint Name:</b>    | Phyinfo_01(ta:TA) |          |
| <b>PDU Type:</b>           | PHYINFO_PDU       |          |
| <b>Derivation Path:</b>    |                   |          |
| <b>Comments:</b>           |                   |          |
| Field Name                 | Field Value       | Comments |
| ski                        | '0000'B           |          |
| rrpd                       | '0110'B           |          |
| mt                         | '00101101'B       |          |
| ta                         | ta                |          |
| <b>Detailed Comments:</b>  |                   |          |

| PDU Constraint Declaration |                    |          |
|----------------------------|--------------------|----------|
| <b>Constraint Name:</b>    | Progress_01(Ti:TI) |          |
| <b>PDU Type:</b>           | PROG_PDU           |          |
| <b>Derivation Path:</b>    |                    |          |
| <b>Comments:</b>           |                    |          |
| Field Name                 | Field Value        | Comments |
| ti                         | Ti                 |          |
| ccpd                       | '0011'B            |          |
| mt                         | '00000011'B        |          |
| pi                         | ProgInd_02         |          |
| uu                         | -                  |          |
| <b>Detailed Comments:</b>  |                    |          |

| PDU Constraint Declaration |                    |          |
|----------------------------|--------------------|----------|
| <b>Constraint Name:</b>    | Progress_02(Ti:TI) |          |
| <b>PDU Type:</b>           | PROG_PDU           |          |
| <b>Derivation Path:</b>    |                    |          |
| <b>Comments:</b>           |                    |          |
| Field Name                 | Field Value        | Comments |
| ti                         | Ti                 |          |
| ccpd                       | '0011'B            |          |
| mt                         | '00000011'B        |          |
| pi                         | ProgInd_03         |          |
| uu                         | -                  |          |
| <b>Detailed Comments:</b>  |                    |          |

| PDU Constraint Declaration |                                        |          |
|----------------------------|----------------------------------------|----------|
| <b>Constraint Name:</b>    | RegisterPdu_01                         |          |
| <b>PDU Type:</b>           | REGISTER_PDU                           |          |
| <b>Derivation Path:</b>    |                                        |          |
| <b>Comments:</b>           | To match any received REGISTER message |          |
| Field Name                 | Field Value                            | Comments |
| ti                         | ?                                      |          |
| sspd                       | ('1011'B, '0011'B)                     |          |
| mt                         | '0?111011'B                            |          |
| fie                        | ?                                      |          |
| ssvi                       | *                                      |          |
| <b>Detailed Comments:</b>  |                                        |          |

| PDU Constraint Declaration |                                                                                |          |
|----------------------------|--------------------------------------------------------------------------------|----------|
| <b>Constraint Name:</b>    | RegisterPdu_03( fie:FIE)                                                       |          |
| <b>PDU Type:</b>           | REGISTER_PDU                                                                   |          |
| <b>Derivation Path:</b>    |                                                                                |          |
| <b>Comments:</b>           | To match a received REGISTER message invoking registration of CFRNy for Speech |          |
| Field Name                 | Field Value                                                                    | Comments |
| ti                         | ?                                                                              |          |
| sspd                       | '1011'B                                                                        |          |
| mt                         | '0?111011'B                                                                    |          |
| fie                        | fie                                                                            |          |
| ssvi                       | *                                                                              |          |
| <b>Detailed Comments:</b>  |                                                                                |          |

| PDU Constraint Declaration |                                                                        |          |
|----------------------------|------------------------------------------------------------------------|----------|
| <b>Constraint Name:</b>    | RegisterPdu_34(Ti:TI; fie:FIE)                                         |          |
| <b>PDU Type:</b>           | REGISTER_PDU                                                           |          |
| <b>Derivation Path:</b>    |                                                                        |          |
| <b>Comments:</b>           | To send a REGISTER message containing Invoke for UnstructuredSS-Notify |          |
| Field Name                 | Field Value                                                            | Comments |
| ti                         | Ti                                                                     |          |
| sspd                       | '1011'B                                                                |          |
| mt                         | '00111011'B                                                            |          |
| fie                        | fie                                                                    |          |
| ssvi                       | -                                                                      |          |
| <b>Detailed Comments:</b>  |                                                                        |          |

| PDU Constraint Declaration |                                                                                       |          |
|----------------------------|---------------------------------------------------------------------------------------|----------|
| <b>Constraint Name:</b>    | Release_01( ti:TI)                                                                    |          |
| <b>PDU Type:</b>           | REL_PDU                                                                               |          |
| <b>Derivation Path:</b>    |                                                                                       |          |
| <b>Comments:</b>           | A CC RELEASE message containing cause #96, used to match received CC RELEASE message. |          |
| Field Name                 | Field Value                                                                           | Comments |
| ti                         | ti                                                                                    |          |
| ccpd                       | '0011'B                                                                               |          |
| mt                         | '0?101101'B                                                                           |          |
| cau                        | Cause_04iei                                                                           |          |
| cau2                       | *                                                                                     |          |
| fie                        | *                                                                                     |          |
| uu                         | *                                                                                     |          |
| ssvi                       | *                                                                                     |          |
| <b>Detailed Comments:</b>  |                                                                                       |          |

| PDU Constraint Declaration |                                                                |          |
|----------------------------|----------------------------------------------------------------|----------|
| <b>Constraint Name:</b>    | Release_02                                                     |          |
| <b>PDU Type:</b>           | REL_PDU                                                        |          |
| <b>Derivation Path:</b>    |                                                                |          |
| <b>Comments:</b>           | A CC RELEASE message to match any received CC RELEASE message. |          |
| Field Name                 | Field Value                                                    | Comments |
| ti                         | ?                                                              |          |
| ccpd                       | '0011'B                                                        |          |
| mt                         | '0?101101'B                                                    |          |
| cau                        | *                                                              |          |
| cau2                       | *                                                              |          |
| fie                        | *                                                              |          |
| uu                         | *                                                              |          |
| ssvi                       | *                                                              |          |
| <b>Detailed Comments:</b>  |                                                                |          |

| PDU Constraint Declaration |                                                                 |          |
|----------------------------|-----------------------------------------------------------------|----------|
| <b>Constraint Name:</b>    | Release_03(Ti:TI)                                               |          |
| <b>PDU Type:</b>           | REL_PDU                                                         |          |
| <b>Derivation Path:</b>    |                                                                 |          |
| <b>Comments:</b>           | A CC RELEASE message containing cause #31 to be sent to the MS. |          |
| Field Name                 | Field Value                                                     | Comments |
| ti                         | Ti                                                              |          |
| ccpd                       | '0011'B                                                         |          |
| mt                         | '00101101'B                                                     |          |
| cau                        | Cause_11                                                        |          |
| cau2                       | -                                                               |          |
| fie                        | -                                                               |          |
| uu                         | -                                                               |          |
| ssvi                       | -                                                               |          |
| <b>Detailed Comments:</b>  |                                                                 |          |

| PDU Constraint Declaration |                            |          |
|----------------------------|----------------------------|----------|
| <b>Constraint Name:</b>    | Release_05(Ti:TI; Cau:CAU) |          |
| <b>PDU Type:</b>           | REL_PDU                    |          |
| <b>Derivation Path:</b>    |                            |          |
| <b>Comments:</b>           | A CC RELEASE message.      |          |
| Field Name                 | Field Value                | Comments |
| ti                         | Ti                         |          |
| ccpd                       | '0011'B                    |          |
| mt                         | '0?101101'B                |          |
| cau                        | Cau                        |          |
| cau2                       | Cause_14 IF_PRESENT        |          |
| fie                        | *                          |          |
| uu                         | *                          |          |
| ssvi                       | *                          |          |
| <b>Detailed Comments:</b>  |                            |          |

| PDU Constraint Declaration |                                                                                       |          |
|----------------------------|---------------------------------------------------------------------------------------|----------|
| <b>Constraint Name:</b>    | Release_06(Ti:TI)                                                                     |          |
| <b>PDU Type:</b>           | REL_PDU                                                                               |          |
| <b>Derivation Path:</b>    |                                                                                       |          |
| <b>Comments:</b>           | A CC RELEASE message containing cause #16 and second cause #102 to be sent to the MS. |          |
| Field Name                 | Field Value                                                                           | Comments |
| ti                         | Ti                                                                                    |          |
| ccpd                       | '0011'B                                                                               |          |
| mt                         | '00101101'B                                                                           |          |
| cau                        | Cause_01iei                                                                           |          |
| cau2                       | Cause_23                                                                              |          |
| fie                        | -                                                                                     |          |
| uu                         | -                                                                                     |          |
| ssvi                       | -                                                                                     |          |
| <b>Detailed Comments:</b>  |                                                                                       |          |

| PDU Constraint Declaration |                                                                                    |          |
|----------------------------|------------------------------------------------------------------------------------|----------|
| <b>Constraint Name:</b>    | Release_08(Ti:TI)                                                                  |          |
| <b>PDU Type:</b>           | REL_PDU                                                                            |          |
| <b>Derivation Path:</b>    |                                                                                    |          |
| <b>Comments:</b>           | A CC RELEASE message with mandatory IE's only used in structured procedures test . |          |
| Field Name                 | Field Value                                                                        | Comments |
| ti                         | Ti                                                                                 |          |
| ccpd                       | '0011'B                                                                            |          |
| mt                         | '00101101'B                                                                        |          |
| cau                        | -                                                                                  |          |
| cau2                       | -                                                                                  |          |
| fie                        | -                                                                                  |          |
| uu                         | -                                                                                  |          |
| ssvi                       | -                                                                                  |          |
| <b>Detailed Comments:</b>  |                                                                                    |          |

| PDU Constraint Declaration |                                                                                            |          |
|----------------------------|--------------------------------------------------------------------------------------------|----------|
| <b>Constraint Name:</b>    | Release_10(Ti:TI)                                                                          |          |
| <b>PDU Type:</b>           | REL_PDU                                                                                    |          |
| <b>Derivation Path:</b>    |                                                                                            |          |
| <b>Comments:</b>           | A CC RELEASE message used to match any received CC RELEASE message with a controllable TI. |          |
| Field Name                 | Field Value                                                                                | Comments |
| ti                         | Ti                                                                                         |          |
| ccpd                       | '0011'B                                                                                    |          |
| mt                         | '0?101101'B                                                                                |          |
| cau                        | *                                                                                          |          |
| cau2                       | *                                                                                          |          |
| fie                        | *                                                                                          |          |
| uu                         | *                                                                                          |          |
| ssvi                       | *                                                                                          |          |
| <b>Detailed Comments:</b>  |                                                                                            |          |



| PDU Constraint Declaration |                                                                  |          |
|----------------------------|------------------------------------------------------------------|----------|
| <b>Constraint Name:</b>    | ReleaseCmpRcv(Ti :TI; cau:CAU)                                   |          |
| <b>PDU Type:</b>           | REL_COM_PDU                                                      |          |
| <b>Derivation Path:</b>    |                                                                  |          |
| <b>Comments:</b>           | A RELEASE COMPLETE message containing cause value = #81. ms -> n |          |
| Field Name                 | Field Value                                                      | Comments |
| ti                         | Ti                                                               |          |
| cc_sspd                    | '0011'B                                                          |          |
| mt                         | '0?101010'B                                                      |          |
| cau                        | cau                                                              |          |
| fie                        | *                                                                |          |
| uu                         | *                                                                |          |
| ssvi                       | *                                                                |          |
| <b>Detailed Comments:</b>  |                                                                  |          |

| PDU Constraint Declaration |                                                                |          |
|----------------------------|----------------------------------------------------------------|----------|
| <b>Constraint Name:</b>    | ReleaseCmp_02( ti:TI)                                          |          |
| <b>PDU Type:</b>           | REL_COM_PDU                                                    |          |
| <b>Derivation Path:</b>    |                                                                |          |
| <b>Comments:</b>           | A RELEASE COMPLETE message containing cause value #16. n -> ms |          |
| Field Name                 | Field Value                                                    | Comments |
| ti                         | ti                                                             |          |
| cc_sspd                    | '0011'B                                                        |          |
| mt                         | '00101010'B                                                    |          |
| cau                        | Cause_26                                                       |          |
| fie                        | -                                                              |          |
| uu                         | -                                                              |          |
| ssvi                       | -                                                              |          |
| <b>Detailed Comments:</b>  |                                                                |          |

| PDU Constraint Declaration |                                        |          |
|----------------------------|----------------------------------------|----------|
| <b>Constraint Name:</b>    | ReleaseCmp_03(Ti:TI)                   |          |
| <b>PDU Type:</b>           | REL_COM_PDU                            |          |
| <b>Derivation Path:</b>    |                                        |          |
| <b>Comments:</b>           | To match any received RELEASE message. |          |
| Field Name                 | Field Value                            | Comments |
| ti                         | Ti                                     |          |
| cc_sspd                    | '0011'B                                |          |
| mt                         | '0?101010'B                            |          |
| cau                        | *                                      |          |
| fie                        | *                                      |          |
| uu                         | *                                      |          |
| ssvi                       | *                                      |          |
| <b>Detailed Comments:</b>  |                                        |          |

| PDU Constraint Declaration |                                                               |          |
|----------------------------|---------------------------------------------------------------|----------|
| <b>Constraint Name:</b>    | ReleaseCmp_04(Ti:TI)                                          |          |
| <b>PDU Type:</b>           | REL_COM_PDU                                                   |          |
| <b>Derivation Path:</b>    |                                                               |          |
| <b>Comments:</b>           | A RELEASE COMPLETE message containing cause value #1. n -> ms |          |
| Field Name                 | Field Value                                                   | Comments |
| ti                         | Ti                                                            |          |
| cc_sspd                    | '0011'B                                                       |          |
| mt                         | '00101010'B                                                   |          |
| cau                        | Cause_10                                                      |          |
| fie                        | -                                                             |          |
| uu                         | -                                                             |          |
| ssvi                       | -                                                             |          |
| <b>Detailed Comments:</b>  |                                                               |          |

| PDU Constraint Declaration |                                                                  |          |
|----------------------------|------------------------------------------------------------------|----------|
| <b>Constraint Name:</b>    | ReleaseCmp_07(Ti:TI)                                             |          |
| <b>PDU Type:</b>           | REL_COM_PDU                                                      |          |
| <b>Derivation Path:</b>    |                                                                  |          |
| <b>Comments:</b>           | A RELEASE COMPLETE message containing cause value = #88. ms -> n |          |
| Field Name                 | Field Value                                                      | Comments |
| ti                         | Ti                                                               |          |
| cc_sspd                    | '0011'B                                                          |          |
| mt                         | '0?101010'B                                                      |          |
| cau                        | Cause_27                                                         |          |
| fie                        | *                                                                |          |
| uu                         | *                                                                |          |
| ssvi                       | *                                                                |          |
| <b>Detailed Comments:</b>  |                                                                  |          |

| PDU Constraint Declaration |                                                                   |          |
|----------------------------|-------------------------------------------------------------------|----------|
| <b>Constraint Name:</b>    | ReleaseCmp_08(Ti :TI)                                             |          |
| <b>PDU Type:</b>           | REL_COM_PDU                                                       |          |
| <b>Derivation Path:</b>    |                                                                   |          |
| <b>Comments:</b>           | A RELEASE COMPLETE message containing mandatory IEs only. n -> ms |          |
| Field Name                 | Field Value                                                       | Comments |
| ti                         | Ti                                                                |          |
| cc_sspd                    | '0011'B                                                           |          |
| mt                         | '00101010'B                                                       |          |
| cau                        | -                                                                 |          |
| fie                        | -                                                                 |          |
| uu                         | -                                                                 |          |
| ssvi                       | -                                                                 |          |
| <b>Detailed Comments:</b>  |                                                                   |          |

| PDU Constraint Declaration |                                                            |          |
|----------------------------|------------------------------------------------------------|----------|
| <b>Constraint Name:</b>    | ReleaseCmp_09(Ti:TI; fie:FIE)                              |          |
| <b>PDU Type:</b>           | REL_COM_PDU                                                |          |
| <b>Derivation Path:</b>    |                                                            |          |
| <b>Comments:</b>           | A RELEASE COMPLETE message containing facility IE. n -> ms |          |
| Field Name                 | Field Value                                                | Comments |
| ti                         | Ti                                                         |          |
| cc_sspd                    | '1011'B                                                    |          |
| mt                         | '00101010'B                                                |          |
| cau                        | -                                                          |          |
| fie                        | fie                                                        |          |
| uu                         | -                                                          |          |
| ssvi                       | -                                                          |          |
| <b>Detailed Comments:</b>  |                                                            |          |

| PDU Constraint Declaration |                                                                  |          |
|----------------------------|------------------------------------------------------------------|----------|
| <b>Constraint Name:</b>    | ReleaseCmp_10(Ti:TI)                                             |          |
| <b>PDU Type:</b>           | REL_COM_PDU                                                      |          |
| <b>Derivation Path:</b>    |                                                                  |          |
| <b>Comments:</b>           | A RELEASE COMPLETE message containing cause value = #17. ms -> n |          |
| Field Name                 | Field Value                                                      | Comments |
| ti                         | Ti                                                               |          |
| cc_sspd                    | '0011'B                                                          |          |
| mt                         | '0?101010'B                                                      |          |
| cau                        | Cause_17                                                         |          |
| fie                        | *                                                                |          |
| uu                         | *                                                                |          |
| ssvi                       | *                                                                |          |
| <b>Detailed Comments:</b>  |                                                                  |          |

| PDU Constraint Declaration |                                                                              |          |
|----------------------------|------------------------------------------------------------------------------|----------|
| <b>Constraint Name:</b>    | ReleaseCmp_25(Ti:TI)                                                         |          |
| <b>PDU Type:</b>           | REL_COM_PDU                                                                  |          |
| <b>Derivation Path:</b>    |                                                                              |          |
| <b>Comments:</b>           | To match a received RELEASE message which may or may not contain facility IE |          |
| Field Name                 | Field Value                                                                  | Comments |
| ti                         | Ti                                                                           |          |
| cc_sspd                    | '0011'B                                                                      |          |
| mt                         | '0?101010'B                                                                  |          |
| cau                        | *                                                                            |          |
| fie                        | facilityIErcviei( FwdChAdvRslt_01)<br>IF_PRESENT                             |          |
| uu                         | *                                                                            |          |
| ssvi                       | *                                                                            |          |
| <b>Detailed Comments:</b>  |                                                                              |          |

| PDU Constraint Declaration |                                                                                         |          |
|----------------------------|-----------------------------------------------------------------------------------------|----------|
| <b>Constraint Name:</b>    | ReleaseCmp_42(Ti:TI)                                                                    |          |
| <b>PDU Type:</b>           | REL_COM_PDU                                                                             |          |
| <b>Derivation Path:</b>    |                                                                                         |          |
| <b>Comments:</b>           | To send a RELEASE COMPLETE message containing cause 'facility rejected' and without FIE |          |
| Field Name                 | Field Value                                                                             | Comments |
| ti                         | Ti                                                                                      |          |
| cc_sspd                    | '1011'B                                                                                 |          |
| mt                         | '00101010'B                                                                             |          |
| cau                        | Cause_28                                                                                |          |
| fie                        | -                                                                                       |          |
| uu                         | -                                                                                       |          |
| ssvi                       | -                                                                                       |          |
| <b>Detailed Comments:</b>  |                                                                                         |          |

| PDU Constraint Declaration |                                                                  |          |
|----------------------------|------------------------------------------------------------------|----------|
| <b>Constraint Name:</b>    | ReleaseCmp_47(Ti:TI)                                             |          |
| <b>PDU Type:</b>           | REL_COM_PDU                                                      |          |
| <b>Derivation Path:</b>    |                                                                  |          |
| <b>Comments:</b>           | To send a RELEASE COMPLETE message without cause and without FIE |          |
| Field Name                 | Field Value                                                      | Comments |
| ti                         | Ti                                                               |          |
| cc_sspd                    | '1011'B                                                          |          |
| mt                         | '00101010'B                                                      |          |
| cau                        | -                                                                |          |
| fie                        | -                                                                |          |
| uu                         | -                                                                |          |
| ssvi                       | -                                                                |          |
| <b>Detailed Comments:</b>  |                                                                  |          |

| PDU Constraint Declaration |                                                                                                                       |          |
|----------------------------|-----------------------------------------------------------------------------------------------------------------------|----------|
| <b>Constraint Name:</b>    | ReleaseCmp_49(Ti:TI; Invkid:OCTETSTRING)                                                                              |          |
| <b>PDU Type:</b>           | REL_COM_PDU                                                                                                           |          |
| <b>Derivation Path:</b>    |                                                                                                                       |          |
| <b>Comments:</b>           | To receive a RELEASE COMPLETE message containing Return Error for UnstructuredSS-Notify with the error code USSD Busy |          |
| Field Name                 | Field Value                                                                                                           | Comments |
| ti                         | Ti                                                                                                                    |          |
| cc_sspd                    | '1011'B                                                                                                               |          |
| mt                         | '0?101010'B                                                                                                           |          |
| cau                        | *                                                                                                                     |          |
| fie                        | facility Ercviei( NotificationSS_09( Invkid))                                                                         |          |
| uu                         | -                                                                                                                     |          |
| ssvi                       | -                                                                                                                     |          |
| <b>Detailed Comments:</b>  |                                                                                                                       |          |

| PDU Constraint Declaration |                                                                                                                        |          |
|----------------------------|------------------------------------------------------------------------------------------------------------------------|----------|
| <b>Constraint Name:</b>    | ReleaseCmp_50(Ti:TI; Invkid:OCTETSTRING)                                                                               |          |
| <b>PDU Type:</b>           | REL_COM_PDU                                                                                                            |          |
| <b>Derivation Path:</b>    |                                                                                                                        |          |
| <b>Comments:</b>           | To receive a RELEASE COMPLETE message containing Return Error for UnstructuredSS-Request with the error code USSD Busy |          |
| Field Name                 | Field Value                                                                                                            | Comments |
| ti                         | Ti                                                                                                                     |          |
| cc_sspd                    | '1011'B                                                                                                                |          |
| mt                         | '0?101010'B                                                                                                            |          |
| cau                        | *                                                                                                                      |          |
| fie                        | facilityIErcviei( USSDReq_05( Invkid))                                                                                 |          |
| uu                         | -                                                                                                                      |          |
| ssvi                       | -                                                                                                                      |          |
| <b>Detailed Comments:</b>  |                                                                                                                        |          |

| PDU Constraint Declaration |                                                                                  |          |
|----------------------------|----------------------------------------------------------------------------------|----------|
| <b>Constraint Name:</b>    | ReleaseCmp_52( ti:TI)                                                            |          |
| <b>PDU Type:</b>           | REL_COM_PDU                                                                      |          |
| <b>Derivation Path:</b>    |                                                                                  |          |
| <b>Comments:</b>           | A RELEASE COMPLETE message containing cause value #81 and TI = '1110'B. ms -> n. |          |
| Field Name                 | Field Value                                                                      | Comments |
| ti                         | ti                                                                               |          |
| cc_sspd                    | '0011'B                                                                          |          |
| mt                         | '0?101010'B                                                                      |          |
| cau                        | Cause_22                                                                         |          |
| fie                        | -                                                                                |          |
| uu                         | -                                                                                |          |
| ssvi                       | -                                                                                |          |
| <b>Detailed Comments:</b>  |                                                                                  |          |

| PDU Constraint Declaration |                                                                     |          |
|----------------------------|---------------------------------------------------------------------|----------|
| <b>Constraint Name:</b>    | ReleaseCmp_inv_02( ti:TI)                                           |          |
| <b>PDU Type:</b>           | REL_COM_PDU                                                         |          |
| <b>Derivation Path:</b>    |                                                                     |          |
| <b>Comments:</b>           | An invalid RELEASE COMPLETE message containing unknown optional IEI |          |
| Field Name                 | Field Value                                                         | Comments |
| ti                         | ti                                                                  |          |
| cc_sspd                    | '0011'B                                                             |          |
| mt                         | '00101010'B                                                         |          |
| cau                        | Cause_08                                                            |          |
| fie                        | -                                                                   |          |
| uu                         | -                                                                   |          |
| ssvi                       | -                                                                   |          |
| <b>Detailed Comments:</b>  |                                                                     |          |

| PDU Constraint Declaration |                                                            |          |
|----------------------------|------------------------------------------------------------|----------|
| <b>Constraint Name:</b>    | ReleaseReq_inv_01(Ti:TI)                                   |          |
| <b>PDU Type:</b>           | REL_PDU                                                    |          |
| <b>Derivation Path:</b>    |                                                            |          |
| <b>Comments:</b>           | An invalid RELEASE message containing unknown optional IE. |          |
| Field Name                 | Field Value                                                | Comments |
| ti                         | Ti                                                         |          |
| ccpd                       | '0011'B                                                    |          |
| mt                         | '00101101'B                                                |          |
| cau                        | Cause_09                                                   |          |
| cau2                       | -                                                          |          |
| fie                        | -                                                          |          |
| uu                         | -                                                          |          |
| ssvi                       | -                                                          |          |
| <b>Detailed Comments:</b>  |                                                            |          |

| PDU Constraint Declaration |                                              |          |
|----------------------------|----------------------------------------------|----------|
| <b>Constraint Name:</b>    | RRStatus_01                                  |          |
| <b>PDU Type:</b>           | RRST_PDU                                     |          |
| <b>Derivation Path:</b>    |                                              |          |
| <b>Comments:</b>           | A RR STATUS message containing any RR cause. |          |
| Field Name                 | Field Value                                  | Comments |
| ski                        | '0000'B                                      |          |
| rrpd                       | '0110'B                                      |          |
| mt                         | '00010010'B                                  |          |
| rrcau                      | ?                                            |          |
| <b>Detailed Comments:</b>  |                                              |          |

| PDU Constraint Declaration |                                                                             |          |
|----------------------------|-----------------------------------------------------------------------------|----------|
| <b>Constraint Name:</b>    | RRStatus_02                                                                 |          |
| <b>PDU Type:</b>           | RRST_PDU                                                                    |          |
| <b>Derivation Path:</b>    | RRStatus_01.                                                                |          |
| <b>Comments:</b>           | RR STATUS message containing cause value #96--invalid mandatory information |          |
| Field Name                 | Field Value                                                                 | Comments |
| rrcau                      | '01100000'B                                                                 |          |
| <b>Detailed Comments:</b>  |                                                                             |          |

| PDU Constraint Declaration |                                                                                              |          |
|----------------------------|----------------------------------------------------------------------------------------------|----------|
| <b>Constraint Name:</b>    | RRStatus_03                                                                                  |          |
| <b>PDU Type:</b>           | RRST_PDU                                                                                     |          |
| <b>Derivation Path:</b>    | RRStatus_01.                                                                                 |          |
| <b>Comments:</b>           | A RR STATUS message containing cause value #97--message type non-existent or not implemented |          |
| Field Name                 | Field Value                                                                                  | Comments |
| rrcau                      | '01100001'B                                                                                  |          |
| <b>Detailed Comments:</b>  |                                                                                              |          |

| PDU Constraint Declaration |                                                               |          |
|----------------------------|---------------------------------------------------------------|----------|
| <b>Constraint Name:</b>    | Setup_01( ti:TI)                                              |          |
| <b>PDU Type:</b>           | SETUP_MT_PDU                                                  |          |
| <b>Derivation Path:</b>    |                                                               |          |
| <b>Comments:</b>           | A SETUP message containing speech bearer capability. n -> ms. |          |
| Field Name                 | Field Value                                                   | Comments |
| ti                         | ti                                                            |          |
| ccpd                       | '0011'B                                                       |          |
| mt                         | '00000101'B                                                   |          |
| bcri                       | -                                                             |          |
| bcap1                      | Bcap_Speech_MT                                                |          |
| bcap2                      | -                                                             |          |
| fie                        | -                                                             |          |
| pi                         | -                                                             |          |
| sig                        | -                                                             |          |
| cgpn                       | -                                                             |          |
| cgps                       | -                                                             |          |
| cdpn                       | -                                                             |          |
| cdps                       | -                                                             |          |
| llcri                      | -                                                             |          |
| llcmp1                     | -                                                             |          |
| llcmp2                     | -                                                             |          |
| hlcri                      | -                                                             |          |
| hlcmp1                     | -                                                             |          |
| hlcmp2                     | -                                                             |          |
| uu                         | -                                                             |          |
| <b>Detailed Comments:</b>  |                                                               |          |

| PDU Constraint Declaration |                                                              |          |
|----------------------------|--------------------------------------------------------------|----------|
| <b>Constraint Name:</b>    | Setup_02( bcap: BCAP)                                        |          |
| <b>PDU Type:</b>           | SETUP_MO_PDU                                                 |          |
| <b>Derivation Path:</b>    |                                                              |          |
| <b>Comments:</b>           | A SETUP message containing speech bearer capability. ms -> n |          |
| Field Name                 | Field Value                                                  | Comments |
| ti                         | ?                                                            |          |
| ccpd                       | '0011'B                                                      |          |
| mt                         | '0?000101'B                                                  |          |
| bcri                       | -                                                            |          |
| bcap1                      | bcap                                                         |          |
| bcap2                      | -                                                            |          |
| fie                        | *                                                            |          |
| cgps                       | *                                                            |          |
| cdpn                       | ?                                                            |          |
| cdps                       | *                                                            |          |
| llcri                      | *                                                            |          |
| llcmp1                     | *                                                            |          |
| llcmp2                     | *                                                            |          |
| hlcri                      | *                                                            |          |
| hlcmp1                     | *                                                            |          |
| hlcmp2                     | *                                                            |          |
| uu                         | *                                                            |          |
| ssvi                       | *                                                            |          |
| clirsup                    | *                                                            |          |
| clirinv                    | *                                                            |          |
| cccav                      | *                                                            |          |
| <b>Detailed Comments:</b>  |                                                              |          |

| PDU Constraint Declaration |                                                                             |          |
|----------------------------|-----------------------------------------------------------------------------|----------|
| <b>Constraint Name:</b>    | Setup_03( ti:TI)                                                            |          |
| <b>PDU Type:</b>           | SETUP_MT_PDU                                                                |          |
| <b>Derivation Path:</b>    |                                                                             |          |
| <b>Comments:</b>           | A SETUP message with mandatory IE's only. This is default for BIBO testing. |          |
| Field Name                 | Field Value                                                                 | Comments |
| ti                         | ti                                                                          |          |
| ccpd                       | '0011'B                                                                     |          |
| mt                         | '00000101'B                                                                 |          |
| bcri                       | -                                                                           |          |
| bcap1                      | -                                                                           |          |
| bcap2                      | -                                                                           |          |
| fie                        | -                                                                           |          |
| pi                         | -                                                                           |          |
| sig                        | -                                                                           |          |
| cgpn                       | -                                                                           |          |
| cgps                       | -                                                                           |          |
| cdpn                       | -                                                                           |          |
| cdps                       | -                                                                           |          |
| llcri                      | -                                                                           |          |
| llcmp1                     | -                                                                           |          |
| llcmp2                     | -                                                                           |          |
| hlcri                      | -                                                                           |          |
| hlcmp1                     | -                                                                           |          |
| hlcmp2                     | -                                                                           |          |
| uu                         | -                                                                           |          |
| <b>Detailed Comments:</b>  |                                                                             |          |

| PDU Constraint Declaration |                                                                                |          |
|----------------------------|--------------------------------------------------------------------------------|----------|
| <b>Constraint Name:</b>    | Setup_04( bcap: BCAP)                                                          |          |
| <b>PDU Type:</b>           | ESETUP_PDU                                                                     |          |
| <b>Derivation Path:</b>    |                                                                                |          |
| <b>Comments:</b>           | A Emergency call SETUP message with/without speech bearer capability. ms -> n. |          |
| Field Name                 | Field Value                                                                    | Comments |
| ti                         | ?                                                                              |          |
| ccpd                       | '0011'B                                                                        |          |
| mt                         | '0?001110'B                                                                    |          |
| bcap                       | bcap IF_PRESENT                                                                |          |
| <b>Detailed Comments:</b>  |                                                                                |          |



| PDU Constraint Declaration |                                                                                                                                                       |          |
|----------------------------|-------------------------------------------------------------------------------------------------------------------------------------------------------|----------|
| <b>Constraint Name:</b>    | Setup_10_UDI(bcap: BCAP; llc1:LLCMP; hlc1:HLCMP)                                                                                                      |          |
| <b>PDU Type:</b>           | SETUP_MO_PDU                                                                                                                                          |          |
| <b>Derivation Path:</b>    |                                                                                                                                                       |          |
| <b>Comments:</b>           | A SETUP message containing bearer capability supported by the mobile station, used for Unrestricted digital information transfer capability. ms -> n. |          |
| Field Name                 | Field Value                                                                                                                                           | Comments |
| ti                         | ?                                                                                                                                                     |          |
| ccpd                       | '0011'B                                                                                                                                               |          |
| mt                         | '00000101'B                                                                                                                                           |          |
| bcri                       | -                                                                                                                                                     |          |
| bcap1                      | bcap                                                                                                                                                  |          |
| bcap2                      | -                                                                                                                                                     |          |
| fie                        | *                                                                                                                                                     |          |
| cgps                       | *                                                                                                                                                     |          |
| cdpn                       | ?                                                                                                                                                     |          |
| cdps                       | *                                                                                                                                                     |          |
| llcri                      | -                                                                                                                                                     |          |
| llcmp1                     | llc1                                                                                                                                                  |          |
| llcmp2                     | -                                                                                                                                                     |          |
| hlcri                      | -                                                                                                                                                     |          |
| hlcmp1                     | hlc1 IF_PRESENT                                                                                                                                       |          |
| hlcmp2                     | -                                                                                                                                                     |          |
| uu                         | *                                                                                                                                                     |          |
| ssvi                       | *                                                                                                                                                     |          |
| clirsup                    | *                                                                                                                                                     |          |
| clirinv                    | *                                                                                                                                                     |          |
| cccacp                     | CallCntrlCap IF_PRESENT                                                                                                                               |          |
| <b>Detailed Comments:</b>  |                                                                                                                                                       |          |

| PDU Constraint Declaration |                                                                                                                                                |          |
|----------------------------|------------------------------------------------------------------------------------------------------------------------------------------------|----------|
| <b>Constraint Name:</b>    | Setup_10_3100(bcap: BCAP; llc1:LLCMP; hlc1:HLCMP)                                                                                              |          |
| <b>PDU Type:</b>           | SETUP_MO_PDU                                                                                                                                   |          |
| <b>Derivation Path:</b>    |                                                                                                                                                |          |
| <b>Comments:</b>           | A SETUP message containing bearer capability supported by the mobile station. used for 3.1 kHz audio information transfer capability. ms -> n. |          |
| Field Name                 | Field Value                                                                                                                                    | Comments |
| ti                         | ?                                                                                                                                              |          |
| ccpd                       | '0011'B                                                                                                                                        |          |
| mt                         | '00000101'B                                                                                                                                    |          |
| bcri                       | -                                                                                                                                              |          |
| bcap1                      | bcap                                                                                                                                           |          |
| bcap2                      | -                                                                                                                                              |          |
| fie                        | *                                                                                                                                              |          |
| cgps                       | *                                                                                                                                              |          |
| cdpn                       | ?                                                                                                                                              |          |
| cdps                       | *                                                                                                                                              |          |
| llcri                      | -                                                                                                                                              |          |
| llcmp1                     | llc1 IF_PRESENT                                                                                                                                |          |
| llcmp2                     | -                                                                                                                                              |          |
| hlcri                      | -                                                                                                                                              |          |
| hlcmp1                     | hlc1 IF_PRESENT                                                                                                                                |          |
| hlcmp2                     | -                                                                                                                                              |          |
| uu                         | *                                                                                                                                              |          |
| ssvi                       | *                                                                                                                                              |          |
| clirsup                    | *                                                                                                                                              |          |
| clirinv                    | *                                                                                                                                              |          |
| cccacp                     | CallCntrlCap IF_PRESENT                                                                                                                        |          |
| <b>Detailed Comments:</b>  |                                                                                                                                                |          |

| PDU Constraint Declaration |                                                                                                                                                      |          |
|----------------------------|------------------------------------------------------------------------------------------------------------------------------------------------------|----------|
| <b>Constraint Name:</b>    | Setup_11_3100(bcri1: RPI; bcap, bcap2nd: BCAP; llc1, llc2:LLCMP; llcri1, hlcri1:RPI; hlc1, hlc2:HLCMP)                                               |          |
| <b>PDU Type:</b>           | SETUP_MO_PDU                                                                                                                                         |          |
| <b>Derivation Path:</b>    |                                                                                                                                                      |          |
| <b>Comments:</b>           | A SETUP message containing two bearer capabilities supported by the mobile station, used for 3.1 kHz audio information transfer capability. ms -> n. |          |
| Field Name                 | Field Value                                                                                                                                          | Comments |
| ti                         | ?                                                                                                                                                    |          |
| ccpd                       | '0011'B                                                                                                                                              |          |
| mt                         | '00000101'B                                                                                                                                          |          |
| bcri                       | bcri1                                                                                                                                                |          |
| bcap1                      | bcap                                                                                                                                                 |          |
| bcap2                      | bcap2nd                                                                                                                                              |          |
| fie                        | *                                                                                                                                                    |          |
| cgps                       | *                                                                                                                                                    |          |
| cdpn                       | ?                                                                                                                                                    |          |
| cdps                       | *                                                                                                                                                    |          |
| llcri                      | llcri1 IF_PRESENT                                                                                                                                    |          |
| llcmp1                     | llc1 IF_PRESENT                                                                                                                                      |          |
| llcmp2                     | llc2 IF_PRESENT                                                                                                                                      |          |
| hlcri                      | hlcri1 IF_PRESENT                                                                                                                                    |          |
| hlcmp1                     | hlc1 IF_PRESENT                                                                                                                                      |          |
| hlcmp2                     | hlc2 IF_PRESENT                                                                                                                                      |          |
| uu                         | *                                                                                                                                                    |          |
| ssvi                       | *                                                                                                                                                    |          |
| clirsup                    | *                                                                                                                                                    |          |
| clirinv                    | *                                                                                                                                                    |          |
| cccacp                     | CallCntrlCap IF_PRESENT                                                                                                                              |          |
| <b>Detailed Comments:</b>  |                                                                                                                                                      |          |

| PDU Constraint Declaration |                                                                               |          |
|----------------------------|-------------------------------------------------------------------------------|----------|
| <b>Constraint Name:</b>    | Setup_20(par: BCAP; ti:TI)                                                    |          |
| <b>PDU Type:</b>           | SETUP_MT_PDU                                                                  |          |
| <b>Derivation Path:</b>    |                                                                               |          |
| <b>Comments:</b>           | A SETUP message containing bearer capability supported by the mobile station. |          |
| Field Name                 | Field Value                                                                   | Comments |
| ti                         | ti                                                                            |          |
| ccpd                       | '0011'B                                                                       |          |
| mt                         | '00000101'B                                                                   |          |
| bcri                       | -                                                                             |          |
| bcap1                      | par                                                                           |          |
| bcap2                      | -                                                                             |          |
| fie                        | -                                                                             |          |
| pi                         | -                                                                             |          |
| sig                        | -                                                                             |          |
| cgpn                       | -                                                                             |          |
| cgps                       | -                                                                             |          |
| cdpn                       | -                                                                             |          |
| cdps                       | -                                                                             |          |
| llcri                      | -                                                                             |          |
| llcmp1                     | -                                                                             |          |
| llcmp2                     | -                                                                             |          |
| hlcri                      | -                                                                             |          |
| hlcmp1                     | -                                                                             |          |
| hlcmp2                     | -                                                                             |          |
| uu                         | -                                                                             |          |
| <b>Detailed Comments:</b>  |                                                                               |          |

| PDU Constraint Declaration |                                                                                     |          |
|----------------------------|-------------------------------------------------------------------------------------|----------|
| <b>Constraint Name:</b>    | Setup_21(par1:RPI; par2, par3 :BCAP; ti:TI)                                         |          |
| <b>PDU Type:</b>           | SETUP_MT_PDU                                                                        |          |
| <b>Derivation Path:</b>    |                                                                                     |          |
| <b>Comments:</b>           | A SETUP message containing two bearer capabilities supported by the mobile station. |          |
| Field Name                 | Field Value                                                                         | Comments |
| ti                         | ti                                                                                  |          |
| ccpd                       | '0011'B                                                                             |          |
| mt                         | '00000101'B                                                                         |          |
| bcri                       | par1                                                                                |          |
| bcap1                      | par2                                                                                |          |
| bcap2                      | par3                                                                                |          |
| fie                        | -                                                                                   |          |
| pi                         | -                                                                                   |          |
| sig                        | -                                                                                   |          |
| cgpn                       | -                                                                                   |          |
| cgps                       | -                                                                                   |          |
| cdpn                       | -                                                                                   |          |
| cdps                       | -                                                                                   |          |
| llcri                      | -                                                                                   |          |
| llcmp1                     | -                                                                                   |          |
| llcmp2                     | -                                                                                   |          |
| hlcri                      | -                                                                                   |          |
| hlcmp1                     | -                                                                                   |          |
| hlcmp2                     | -                                                                                   |          |
| uu                         | -                                                                                   |          |
| <b>Detailed Comments:</b>  |                                                                                     |          |

| PDU Constraint Declaration |                                                            |          |
|----------------------------|------------------------------------------------------------|----------|
| <b>Constraint Name:</b>    | Setup_inv_01( ti:TI)                                       |          |
| <b>PDU Type:</b>           | SETUP_MT_PDU                                               |          |
| <b>Derivation Path:</b>    |                                                            |          |
| <b>Comments:</b>           | A SETUP message with ti_f value = 1 as an invalid message. |          |
| Field Name                 | Field Value                                                | Comments |
| ti                         | ti                                                         |          |
| ccpd                       | '0011'B                                                    |          |
| mt                         | '00000101'B                                                |          |
| bcri                       | -                                                          |          |
| bcap1                      | -                                                          |          |
| bcap2                      | -                                                          |          |
| fie                        | -                                                          |          |
| pi                         | -                                                          |          |
| sig                        | -                                                          |          |
| cgpn                       | -                                                          |          |
| cgps                       | -                                                          |          |
| cdpn                       | -                                                          |          |
| cdps                       | -                                                          |          |
| llcri                      | -                                                          |          |
| llcmp1                     | -                                                          |          |
| llcmp2                     | -                                                          |          |
| hlcri                      | -                                                          |          |
| hlcmp1                     | -                                                          |          |
| hlcmp2                     | -                                                          |          |
| uu                         | -                                                          |          |
| <b>Detailed Comments:</b>  |                                                            |          |

| PDU Constraint Declaration |                                                    |          |
|----------------------------|----------------------------------------------------|----------|
| <b>Constraint Name:</b>    | Setup_inv_02( ti:TI)                               |          |
| <b>PDU Type:</b>           | SETUP_MT_PDU                                       |          |
| <b>Derivation Path:</b>    |                                                    |          |
| <b>Comments:</b>           | An invalid SETUP message with arbitrary spare bits |          |
| Field Name                 | Field Value                                        | Comments |
| ti                         | ti                                                 |          |
| ccpd                       | '0011'B                                            |          |
| mt                         | '00000101'B                                        |          |
| bcric                      | -                                                  |          |
| bcap1                      | -                                                  |          |
| bcap2                      | -                                                  |          |
| fi                         | -                                                  |          |
| pi                         | -                                                  |          |
| sig                        | Signal_01                                          |          |
| cgpn                       | Cgpn_01                                            |          |
| cgps                       | Cgps_01                                            |          |
| cdpn                       | Cdpn_01                                            |          |
| cdps                       | Cdps_01                                            |          |
| llcri                      | -                                                  |          |
| llcmp1                     | -                                                  |          |
| llcmp2                     | -                                                  |          |
| hlcri                      | -                                                  |          |
| hlcmp1                     | -                                                  |          |
| hlcmp2                     | -                                                  |          |
| uu                         | -                                                  |          |
| <b>Detailed Comments:</b>  |                                                    |          |

| PDU Constraint Declaration |                                      |          |
|----------------------------|--------------------------------------|----------|
| <b>Constraint Name:</b>    | SMSCB_01(sernum: SERIAL_NUMBER)      |          |
| <b>PDU Type:</b>           | SMSCB_PDU                            |          |
| <b>Derivation Path:</b>    |                                      |          |
| <b>Comments:</b>           | To send a SMSCB message, first block |          |
| Field Name                 | Field Value                          | Comments |
| blocktype                  | Blocktype_01('0000'B, '0'B)          |          |
| serial_number              | sernum                               |          |
| message_id                 | '0000'O                              |          |
| dcs                        | Tpdcs_05                             |          |
| page_param                 | '00010001'B                          |          |
| message_contents           | OC_CodeSMSCBMessage(1, 16)           |          |
| <b>Detailed Comments:</b>  |                                      |          |

| PDU Constraint Declaration |                                                                                |          |
|----------------------------|--------------------------------------------------------------------------------|----------|
| <b>Constraint Name:</b>    | SMSCB_02(seqnum, lb: BITSTRING; firstoct: INTEGER; lastoct: INTEGER)           |          |
| <b>PDU Type:</b>           | SMSCB_PDU                                                                      |          |
| <b>Derivation Path:</b>    |                                                                                |          |
| <b>Comments:</b>           | To send a SMSCB message, second to fourth block (depending on sequence number) |          |
| Field Name                 | Field Value                                                                    | Comments |
| blocktype                  | Blocktype_01(seqnum, lb)                                                       |          |
| serial_number              | -                                                                              |          |
| message_id                 | -                                                                              |          |
| dcs                        | -                                                                              |          |
| page_param                 | -                                                                              |          |
| message_contents           | OC_CodeSMSCBMessage(firstoct, lastoct)                                         |          |
| <b>Detailed Comments:</b>  |                                                                                |          |

| PDU Constraint Declaration |                                     |          |
|----------------------------|-------------------------------------|----------|
| <b>Constraint Name:</b>    | SetupInd_01                         |          |
| <b>PDU Type:</b>           | SETUP_MO_PDU                        |          |
| <b>Derivation Path:</b>    |                                     |          |
| <b>Comments:</b>           | To match any received SETUP message |          |
| Field Name                 | Field Value                         | Comments |
| ti                         | Ti_09                               |          |
| ccpd                       | '0011'B                             |          |
| mt                         | '0?000101'B                         |          |
| bcri                       | *                                   |          |
| bcap1                      | ?                                   |          |
| bcap2                      | *                                   |          |
| fie                        | *                                   |          |
| cgps                       | *                                   |          |
| cdpn                       | ?                                   |          |
| cdps                       | *                                   |          |
| llcri                      | *                                   |          |
| llcmp1                     | *                                   |          |
| llcmp2                     | *                                   |          |
| hlcri                      | *                                   |          |
| hlcmp1                     | *                                   |          |
| hlcmp2                     | *                                   |          |
| uu                         | *                                   |          |
| ssvi                       | *                                   |          |
| clirsup                    | *                                   |          |
| clirinv                    | *                                   |          |
| cccap                      | CallCntrlCap IF_PRESENT             |          |
| <b>Detailed Comments:</b>  |                                     |          |

| PDU Constraint Declaration |                                          |          |
|----------------------------|------------------------------------------|----------|
| <b>Constraint Name:</b>    | StartDtmf_01(Ti:TI; character:IA5String) |          |
| <b>PDU Type:</b>           | START_DTMF_PDU                           |          |
| <b>Derivation Path:</b>    |                                          |          |
| <b>Comments:</b>           |                                          |          |
| Field Name                 | Field Value                              | Comments |
| ti                         | Ti                                       |          |
| ccpd                       | '0011'B                                  |          |
| mt                         | '0?110101'B                              |          |
| kpf                        | KeyPad_01(character)                     |          |
| <b>Detailed Comments:</b>  |                                          |          |

| PDU Constraint Declaration |                     |          |
|----------------------------|---------------------|----------|
| <b>Constraint Name:</b>    | StartDtmf_02(Ti:TI) |          |
| <b>PDU Type:</b>           | START_DTMF_PDU      |          |
| <b>Derivation Path:</b>    |                     |          |
| <b>Comments:</b>           |                     |          |
| Field Name                 | Field Value         | Comments |
| ti                         | Ti                  |          |
| ccpd                       | '0011'B             |          |
| mt                         | '0?110101'B         |          |
| kpf                        | KeyPad_02           |          |
| <b>Detailed Comments:</b>  |                     |          |

| PDU Constraint Declaration |                                             |          |
|----------------------------|---------------------------------------------|----------|
| <b>Constraint Name:</b>    | StartDtmfAck_01(Ti:TI; character:IA5String) |          |
| <b>PDU Type:</b>           | START_DTMF_ACK_PDU                          |          |
| <b>Derivation Path:</b>    |                                             |          |
| <b>Comments:</b>           |                                             |          |
| Field Name                 | Field Value                                 | Comments |
| ti                         | Ti                                          |          |
| ccpd                       | '0011'B                                     |          |
| mt                         | '00110110'B                                 |          |
| kpf                        | KeyPad_01(character)                        |          |
| <b>Detailed Comments:</b>  |                                             |          |

| PDU Constraint Declaration |                        |          |
|----------------------------|------------------------|----------|
| <b>Constraint Name:</b>    | StartDtmfRej_01(Ti:TI) |          |
| <b>PDU Type:</b>           | START_DTMF_REJ_PDU     |          |
| <b>Derivation Path:</b>    |                        |          |
| <b>Comments:</b>           |                        |          |
| Field Name                 | Field Value            | Comments |
| ti                         | Ti                     |          |
| ccpd                       | '0011'B                |          |
| mt                         | '00110111'B            |          |
| cau                        | Cause_15               |          |
| <b>Detailed Comments:</b>  |                        |          |

| PDU Constraint Declaration |                    |          |
|----------------------------|--------------------|----------|
| <b>Constraint Name:</b>    | StopDtmf_01(Ti:TI) |          |
| <b>PDU Type:</b>           | STOP_DTMF_PDU      |          |
| <b>Derivation Path:</b>    |                    |          |
| <b>Comments:</b>           |                    |          |
| Field Name                 | Field Value        | Comments |
| ti                         | Ti                 |          |
| ccpd                       | '0011'B            |          |
| mt                         | '0?110001'B        |          |
| <b>Detailed Comments:</b>  |                    |          |

| PDU Constraint Declaration |                       |          |
|----------------------------|-----------------------|----------|
| <b>Constraint Name:</b>    | StopDtmfAck_01(Ti:TI) |          |
| <b>PDU Type:</b>           | STOP_DTMF_ACK_PDU     |          |
| <b>Derivation Path:</b>    |                       |          |
| <b>Comments:</b>           |                       |          |
| Field Name                 | Field Value           | Comments |
| ti                         | Ti                    |          |
| ccpd                       | '0011'B               |          |
| mt                         | '00110010'B           |          |
| <b>Detailed Comments:</b>  |                       |          |

| PDU Constraint Declaration |                                                                                                                                                                                                                                                                                                                                                                                                                                                       |          |
|----------------------------|-------------------------------------------------------------------------------------------------------------------------------------------------------------------------------------------------------------------------------------------------------------------------------------------------------------------------------------------------------------------------------------------------------------------------------------------------------|----------|
| <b>Constraint Name:</b>    | Synclnfor( bcc:BCC; ncc:NCC)                                                                                                                                                                                                                                                                                                                                                                                                                          |          |
| <b>PDU Type:</b>           | SCHINFO_PDU                                                                                                                                                                                                                                                                                                                                                                                                                                           |          |
| <b>Derivation Path:</b>    |                                                                                                                                                                                                                                                                                                                                                                                                                                                       |          |
| <b>Comments:</b>           |                                                                                                                                                                                                                                                                                                                                                                                                                                                       |          |
| Field Name                 | Field Value                                                                                                                                                                                                                                                                                                                                                                                                                                           | Comments |
| ncc                        | ncc                                                                                                                                                                                                                                                                                                                                                                                                                                                   |          |
| bcc                        | bcc                                                                                                                                                                                                                                                                                                                                                                                                                                                   |          |
| t1                         | ?                                                                                                                                                                                                                                                                                                                                                                                                                                                     |          |
| t2                         | ?                                                                                                                                                                                                                                                                                                                                                                                                                                                     |          |
| t3_                        | ?                                                                                                                                                                                                                                                                                                                                                                                                                                                     |          |
| <b>Detailed Comments:</b>  | 1. The values of t1, t2 and t3_ shall be correctly set by the L2 simulation module when this message is sent to air on the synchronization channel. It is assumed that there is a set of timebase counters in the L2 module, these counters run continuously and keep the correct timeslot number SN and TDMA frame number FN as long as the test system is poweron , the T1, T2, T3' (values for t1, t2 and t3_) can be derived from these counters. |          |

| PDU Constraint Declaration |                                                        |          |
|----------------------------|--------------------------------------------------------|----------|
| <b>Constraint Name:</b>    | Syslnf1(cchd:CCHD; maxtx:B_2; txint:B_4; re:B_1)       |          |
| <b>PDU Type:</b>           | SYSINFO1_PDU                                           |          |
| <b>Derivation Path:</b>    |                                                        |          |
| <b>Comments:</b>           | Default parameters for cell A in RR testing of GSM 900 |          |
| Field Name                 | Field Value                                            | Comments |
| l2_pl                      | '55'O                                                  |          |
| ski                        | '0000'B                                                |          |
| rrpd                       | '0110'B                                                |          |
| mt                         | '00011001'B                                            |          |
| cchd                       | cchd                                                   |          |
| rachcp                     | RachCntrlPara(maxtx, txint, re)                        |          |
| si1roct                    | '2B'O                                                  |          |
| <b>Detailed Comments:</b>  |                                                        |          |

| PDU Constraint Declaration |                                                                         |          |
|----------------------------|-------------------------------------------------------------------------|----------|
| <b>Constraint Name:</b>    | Syslnf2(bcchfl: NCD; maxtx:B_2; txint:B_4; re:B_1; nccp:NCCP)           |          |
| <b>PDU Type:</b>           | SYSINFO2_PDU                                                            |          |
| <b>Derivation Path:</b>    |                                                                         |          |
| <b>Comments:</b>           | SYSTEM INFORMATION TYPE2 containing default neighbour cells description |          |
| Field Name                 | Field Value                                                             | Comments |
| l2_pl                      | '59'O                                                                   |          |
| ski                        | '0000'B                                                                 |          |
| rrpd                       | '0110'B                                                                 |          |
| mt                         | '00011010'B                                                             |          |
| bcchfl                     | bcchfl                                                                  |          |
| nccp                       | nccp                                                                    |          |
| rachcp                     | RachCntrlPara(maxtx, txint, re)                                         |          |
| <b>Detailed Comments:</b>  |                                                                         |          |

| PDU Constraint Declaration |                                                                                      |          |
|----------------------------|--------------------------------------------------------------------------------------|----------|
| <b>Constraint Name:</b>    | SysInf2bis                                                                           |          |
| <b>PDU Type:</b>           | SYSINFO2bis_PDU                                                                      |          |
| <b>Derivation Path:</b>    |                                                                                      |          |
| <b>Comments:</b>           | SYSTEM INFORMATION 2bis in cell A under EGSM with the ARFCN list = {988, 990, 1003}. |          |
| Field Name                 | Field Value                                                                          | Comments |
| l2_pl                      | '55'O                                                                                |          |
| ski                        | '0000'B                                                                              |          |
| rrpd                       | '0110'B                                                                              |          |
| mt                         | '00000010'B                                                                          |          |
| xbccchl                    | BcchFreqLst_47                                                                       |          |
| rachcp                     | RachCntrlPara_r01                                                                    |          |
| si2bisroct                 | '00'O                                                                                |          |
| <b>Detailed Comments:</b>  |                                                                                      |          |

| PDU Constraint Declaration |                                                                                                                      |          |
|----------------------------|----------------------------------------------------------------------------------------------------------------------|----------|
| <b>Constraint Name:</b>    | SysInf3(ci:CI; mcc, mnc, lac:OCTETSTRING; ccd:CCD; co:CO; crh, mtmc:INTEGER; neci:B_1; maxtx:B_2; txint:B_4; re:B_1) |          |
| <b>PDU Type:</b>           | SYSINFO3_PDU                                                                                                         |          |
| <b>Derivation Path:</b>    |                                                                                                                      |          |
| <b>Comments:</b>           | CCCH combined or not with SDCCH                                                                                      |          |
| Field Name                 | Field Value                                                                                                          | Comments |
| l2_pl                      | '49'O                                                                                                                |          |
| ski                        | '0000'B                                                                                                              |          |
| rrpd                       | '0110'B                                                                                                              |          |
| mt                         | '00011011'B                                                                                                          |          |
| ci                         | ci                                                                                                                   |          |
| lai                        | LocAreaId(mcc, mnc, lac)                                                                                             |          |
| ccd                        | ccd                                                                                                                  |          |
| co                         | co                                                                                                                   |          |
| csp                        | CellSelPara(crh, mtmc, neci)                                                                                         |          |
| rachcp                     | RachCntrlPara(maxtx, txint, re)                                                                                      |          |
| si3roct                    | SI3RestOctetDef                                                                                                      |          |
| <b>Detailed Comments:</b>  |                                                                                                                      |          |

| PDU Constraint Declaration |                                                                                             |          |
|----------------------------|---------------------------------------------------------------------------------------------|----------|
| <b>Constraint Name:</b>    | SysInf3_inv_01( mcc, mnc, lac:OCTETSTRING)                                                  |          |
| <b>PDU Type:</b>           | SYSINFO3_PDU                                                                                |          |
| <b>Derivation Path:</b>    |                                                                                             |          |
| <b>Comments:</b>           | An invalid SYSTEM INFORMATION TYPE 3 message containing rest octets which are not all '2B'O |          |
| Field Name                 | Field Value                                                                                 | Comments |
| l2_pl                      | '49'O                                                                                       |          |
| ski                        | '0000'B                                                                                     |          |
| rrpd                       | '0110'B                                                                                     |          |
| mt                         | '00011011'B                                                                                 |          |
| ci                         | C_ci_cellA                                                                                  |          |
| lai                        | LocAreaId( mcc, mnc, lac)                                                                   |          |
| ccd                        | CntrlChDscrp_inv                                                                            |          |
| co                         | CellOpt_04                                                                                  |          |
| csp                        | CellSelPara_01                                                                              |          |
| rachcp                     | RachCntrlPara_01                                                                            |          |
| si3roct                    | SI3RestOctet_inv                                                                            |          |
| <b>Detailed Comments:</b>  |                                                                                             |          |



| PDU Constraint Declaration |                                                                                               |          |
|----------------------------|-----------------------------------------------------------------------------------------------|----------|
| <b>Constraint Name:</b>    | SysInf4(mcc, mnc, lac:OCTETSTRING; crh, mtmc:INTEGER; neci:B_1; maxtx:B_2; txint:B_4; re:B_1) |          |
| <b>PDU Type:</b>           | SYSINFO4_PDU                                                                                  |          |
| <b>Derivation Path:</b>    |                                                                                               |          |
| <b>Comments:</b>           | A SYSTEM INFORMATION TYPE 4 message containing default values                                 |          |
| Field Name                 | Field Value                                                                                   | Comments |
| l2_pl                      | '31'O                                                                                         |          |
| ski                        | '0000'B                                                                                       |          |
| rrpd                       | '0110'B                                                                                       |          |
| mt                         | '00011100'B                                                                                   |          |
| lai                        | LocAreaId(mcc, mnc, lac)                                                                      |          |
| csp                        | CellSelPara(crh, mtmc, neci)                                                                  |          |
| rachcp                     | RachCntrlPara(maxtx, txint, re)                                                               |          |
| cbchd                      | -                                                                                             |          |
| cbchma                     | -                                                                                             |          |
| si4roct                    | SI4RestOctetDef                                                                               |          |
| <b>Detailed Comments:</b>  |                                                                                               |          |

| PDU Constraint Declaration |                                                                                                               |          |
|----------------------------|---------------------------------------------------------------------------------------------------------------|----------|
| <b>Constraint Name:</b>    | SysInf4_CBMS(mcc, mnc, lac:OCTETSTRING; crh, mtmc:INTEGER; neci:B_1; maxtx:B_2; txint:B_4; re:B_1; cbchd:CHD) |          |
| <b>PDU Type:</b>           | SYSINFO4_PDU                                                                                                  |          |
| <b>Derivation Path:</b>    |                                                                                                               |          |
| <b>Comments:</b>           | To send a SYSTEM INFORMATION TYPE 4 message for SMSCB with the values or GSM 11.10, 34.3                      |          |
| Field Name                 | Field Value                                                                                                   | Comments |
| l2_pl                      | '49'O                                                                                                         |          |
| ski                        | '0000'B                                                                                                       |          |
| rrpd                       | '0110'B                                                                                                       |          |
| mt                         | '00011100'B                                                                                                   |          |
| lai                        | LocAreaId(mcc, mnc, lac)                                                                                      |          |
| csp                        | CellSelPara(crh, mtmc, neci)                                                                                  |          |
| rachcp                     | RachCntrlPara(maxtx, txint, re)                                                                               |          |
| cbchd                      | cbchd                                                                                                         |          |
| cbchma                     | MobIAlc_01iei                                                                                                 |          |
| si4roct                    | SI4RestOctet_CBMS                                                                                             |          |
| <b>Detailed Comments:</b>  |                                                                                                               |          |

| PDU Constraint Declaration |                                                                                      |          |
|----------------------------|--------------------------------------------------------------------------------------|----------|
| <b>Constraint Name:</b>    | SysInf4_inv_01( mcc, mnc, lac:OCTETSTRING)                                           |          |
| <b>PDU Type:</b>           | SYSINFO4_PDU                                                                         |          |
| <b>Derivation Path:</b>    |                                                                                      |          |
| <b>Comments:</b>           | An invalid SYSTEM INFORMATION message containing rest octets which are not all '2B'O |          |
| Field Name                 | Field Value                                                                          | Comments |
| l2_pl                      | '31'O                                                                                |          |
| ski                        | '0000'B                                                                              |          |
| rrpd                       | '0110'B                                                                              |          |
| mt                         | '00011100'B                                                                          |          |
| lai                        | LocAreaId( mcc, mnc, lac)                                                            |          |
| csp                        | CellSelPara_01                                                                       |          |
| rachcp                     | RachCntrlPara_01                                                                     |          |
| cbchd                      | -                                                                                    |          |
| cbchma                     | -                                                                                    |          |
| si4roct                    | SI4RestOctet_inv                                                                     |          |
| <b>Detailed Comments:</b>  |                                                                                      |          |

| PDU Constraint Declaration |                                                                                     |          |
|----------------------------|-------------------------------------------------------------------------------------|----------|
| <b>Constraint Name:</b>    | SysInf5(bcchfl: NCD)                                                                |          |
| <b>PDU Type:</b>           | SYSINFO5_PDU                                                                        |          |
| <b>Derivation Path:</b>    |                                                                                     |          |
| <b>Comments:</b>           | SYSTEM INFORMATION TYPE 5 containing default neighbour cells description for GSM900 |          |
| Field Name                 | Field Value                                                                         | Comments |
| ski                        | '0000'B                                                                             |          |
| rrpd                       | '0110'B                                                                             |          |
| mt                         | '00011101'B                                                                         |          |
| bcchfl                     | bcchfl                                                                              |          |
| <b>Detailed Comments:</b>  |                                                                                     |          |

| PDU Constraint Declaration |                                                                                                           |          |
|----------------------------|-----------------------------------------------------------------------------------------------------------|----------|
| <b>Constraint Name:</b>    | SysInf5bis(bcchfl: NCD)                                                                                   |          |
| <b>PDU Type:</b>           | SYSINFO5bis_PDU                                                                                           |          |
| <b>Derivation Path:</b>    |                                                                                                           |          |
| <b>Comments:</b>           | SYSTEM INFORMATION TYPE 5bis containing partial neighbour cells description with 1 frequency for DCS1800. |          |
| Field Name                 | Field Value                                                                                               | Comments |
| ski                        | '0000'B                                                                                                   |          |
| rrpd                       | '0110'B                                                                                                   |          |
| mt                         | '00000101'B                                                                                               |          |
| xbcchfl                    | bcchfl                                                                                                    |          |
| <b>Detailed Comments:</b>  |                                                                                                           |          |

| PDU Constraint Declaration |                                                                                   |          |
|----------------------------|-----------------------------------------------------------------------------------|----------|
| <b>Constraint Name:</b>    | SysInf6(ci:CI; mcc, mnc, lac:OCTETSTRING; co:CO)                                  |          |
| <b>PDU Type:</b>           | SYSINFO6_PDU                                                                      |          |
| <b>Derivation Path:</b>    |                                                                                   |          |
| <b>Comments:</b>           | A SYSTEM INFORMATION TYPE 6 message containing default parameters for RR testing. |          |
| Field Name                 | Field Value                                                                       | Comments |
| ski                        | '0000'B                                                                           |          |
| rrpd                       | '0110'B                                                                           |          |
| mt                         | '00011110'B                                                                       |          |
| ci                         | ci                                                                                |          |
| lai                        | LocAreald(mcc, mnc, lac)                                                          |          |
| co                         | co                                                                                |          |
| nccp                       | '02'O                                                                             |          |
| <b>Detailed Comments:</b>  |                                                                                   |          |

| PDU Constraint Declaration |                                                    |          |
|----------------------------|----------------------------------------------------|----------|
| <b>Constraint Name:</b>    | TmsiReallocCmd(par:MI; mcc, mnc, lac: OCTETSTRING) |          |
| <b>PDU Type:</b>           | TMSIRE_CMD_PDU                                     |          |
| <b>Derivation Path:</b>    |                                                    |          |
| <b>Comments:</b>           | TMSI REALLOCATION COMMAND message.                 |          |
| Field Name                 | Field Value                                        | Comments |
| ski                        | '0000'B                                            |          |
| mmpd                       | '0101'B                                            |          |
| mt                         | '00011010'B                                        |          |
| lai                        | LocAreald(mcc, mnc, lac)                           |          |
| mi                         | par                                                |          |
| <b>Detailed Comments:</b>  |                                                    |          |

| PDU Constraint Declaration |                                     |          |
|----------------------------|-------------------------------------|----------|
| <b>Constraint Name:</b>    | TmsiReallocComp                     |          |
| <b>PDU Type:</b>           | TMSIRE_COM_PDU                      |          |
| <b>Derivation Path:</b>    |                                     |          |
| <b>Comments:</b>           | TMSI REALLOCATION COMPLETE message. |          |
| Field Name                 | Field Value                         | Comments |
| ski                        | '0000'B                             |          |
| mmpd                       | '0101'B                             |          |
| mt                         | '0?011011'B                         |          |
| <b>Detailed Comments:</b>  |                                     |          |

| PDU Constraint Declaration |                                 |          |
|----------------------------|---------------------------------|----------|
| <b>Constraint Name:</b>    | UndefCC_02(Ti:Ti)               |          |
| <b>PDU Type:</b>           | CONN_PDU                        |          |
| <b>Derivation Path:</b>    |                                 |          |
| <b>Comments:</b>           | This is an undefined CC message |          |
| Field Name                 | Field Value                     | Comments |
| ti                         | Ti                              |          |
| ccpd                       | '0011'B                         |          |
| mt                         | '00111111'B                     |          |
| fi                         | -                               |          |
| pi                         | -                               |          |
| cnn                        | -                               |          |
| cns                        | -                               |          |
| uu                         | -                               |          |
| ssvi                       | -                               |          |
| <b>Detailed Comments:</b>  |                                 |          |

| PDU Constraint Declaration |                                 |          |
|----------------------------|---------------------------------|----------|
| <b>Constraint Name:</b>    | UndefMM_01                      |          |
| <b>PDU Type:</b>           | ID_RES_PDU                      |          |
| <b>Derivation Path:</b>    |                                 |          |
| <b>Comments:</b>           | This is an undefined MM message |          |
| Field Name                 | Field Value                     | Comments |
| ski                        | '0000'B                         |          |
| mmpd                       | '0101'B                         |          |
| mt                         | '00100101'B                     |          |
| mi                         | Mi_05                           |          |
| <b>Detailed Comments:</b>  |                                 |          |

| PDU Constraint Declaration |                         |          |
|----------------------------|-------------------------|----------|
| <b>Constraint Name:</b>    | UndefRR_01              |          |
| <b>PDU Type:</b>           | PART_REL_PDU            |          |
| <b>Derivation Path:</b>    |                         |          |
| <b>Comments:</b>           | An undefined RR message |          |
| Field Name                 | Field Value             | Comments |
| ski                        | '0000'B                 |          |
| rrpd                       | '0110'B                 |          |
| mt                         | '00100101'B             |          |
| chd                        | '02E090'O               |          |
| <b>Detailed Comments:</b>  |                         |          |

| PDU Constraint Declaration |                                         |          |
|----------------------------|-----------------------------------------|----------|
| <b>Constraint Name:</b>    | UnknownMsg_01( ti:TI)                   |          |
| <b>PDU Type:</b>           | CCST_ENQ_PDU                            |          |
| <b>Derivation Path:</b>    |                                         |          |
| <b>Comments:</b>           | CC STATUS ENQUIRY alike unknown message |          |
| Field Name                 | Field Value                             | Comments |
| ti                         | ti                                      |          |
| ccpd                       | '0000'B                                 |          |
| mt                         | '00110100'B                             |          |
| <b>Detailed Comments:</b>  |                                         |          |

| PDU Constraint Declaration |                                                                        |          |
|----------------------------|------------------------------------------------------------------------|----------|
| <b>Constraint Name:</b>    | UnknownMsg_02( ti:TI)                                                  |          |
| <b>PDU Type:</b>           | CCST_ENQ_PDU                                                           |          |
| <b>Derivation Path:</b>    |                                                                        |          |
| <b>Comments:</b>           | CC STATUS ENQUIRY alike unknown message with arbitrary transaction ID. |          |
| Field Name                 | Field Value                                                            | Comments |
| ti                         | ti                                                                     |          |
| ccpd                       | '0000'B                                                                |          |
| mt                         | '00110100'B                                                            |          |
| <b>Detailed Comments:</b>  |                                                                        |          |

| PDU Constraint Declaration |                             |          |
|----------------------------|-----------------------------|----------|
| <b>Constraint Name:</b>    | CpDataAckPdu_01(ti:TI)      |          |
| <b>PDU Type:</b>           | CPDATA_ACK_PDU              |          |
| <b>Derivation Path:</b>    |                             |          |
| <b>Comments:</b>           | CP DATA ACKNOWLEDGE ms -> n |          |
| Field Name                 | Field Value                 | Comments |
| ti                         | ti                          |          |
| smspd                      | '1001'B                     |          |
| mt                         | '00000100'B                 |          |
| <b>Detailed Comments:</b>  |                             |          |

| PDU Constraint Declaration |                             |          |
|----------------------------|-----------------------------|----------|
| <b>Constraint Name:</b>    | CpDataAckPdu_02(ti :TI)     |          |
| <b>PDU Type:</b>           | CPDATA_ACK_PDU              |          |
| <b>Derivation Path:</b>    |                             |          |
| <b>Comments:</b>           | CP DATA ACKNOWLEDGE n -> ms |          |
| Field Name                 | Field Value                 | Comments |
| ti                         | ti                          |          |
| smspd                      | '1001'B                     |          |
| mt                         | '00000100'B                 |          |
| <b>Detailed Comments:</b>  |                             |          |

| PDU Constraint Declaration |                                     |          |
|----------------------------|-------------------------------------|----------|
| <b>Constraint Name:</b>    | CpDataAckPdu_03(ti:TI)              |          |
| <b>PDU Type:</b>           | CPDATA_ACK_PDU                      |          |
| <b>Derivation Path:</b>    |                                     |          |
| <b>Comments:</b>           | CP DATA ACKNOWLEDGE n -> ms, MO-SMS |          |
| Field Name                 | Field Value                         | Comments |
| ti                         | ti                                  |          |
| smspd                      | '1001'B                             |          |
| mt                         | '00000100'B                         |          |
| <b>Detailed Comments:</b>  |                                     |          |

| PDU Constraint Declaration |                               |          |
|----------------------------|-------------------------------|----------|
| <b>Constraint Name:</b>    | CpErrPdu_01(ti:TI)            |          |
| <b>PDU Type:</b>           | CPERR_PDU                     |          |
| <b>Derivation Path:</b>    |                               |          |
| <b>Comments:</b>           | CP ERROR n -> ms<br>GSM 04.11 |          |
| Field Name                 | Field Value                   | Comments |
| ti                         | ti                            |          |
| smspd                      | '1001'B                       |          |
| mt                         | '00010000'B                   |          |
| cp_cause                   | '11'O                         |          |
| <b>Detailed Comments:</b>  |                               |          |

| PDU Constraint Declaration |                                                        |          |
|----------------------------|--------------------------------------------------------|----------|
| <b>Constraint Name:</b>    | CpDataPdu_01( ti:TI; cpdat:CPDATA)                     |          |
| <b>PDU Type:</b>           | CP_DATA_PDU                                            |          |
| <b>Derivation Path:</b>    |                                                        |          |
| <b>Comments:</b>           | CP DATA n -> ms, RP DATA, TP-DCS set to 0<br>GSM 04.11 |          |
| Field Name                 | Field Value                                            | Comments |
| ti                         | ti                                                     |          |
| smspd                      | '1001'B                                                |          |
| mt                         | '00000001'B                                            |          |
| CPdata                     | cpdat                                                  |          |
| <b>Detailed Comments:</b>  |                                                        |          |

| PDU Constraint Declaration |                                              |          |
|----------------------------|----------------------------------------------|----------|
| <b>Constraint Name:</b>    | CpDataPdu_02( ti:TI; cpdat:CPDATA)           |          |
| <b>PDU Type:</b>           | CP_DATA_PDU                                  |          |
| <b>Derivation Path:</b>    |                                              |          |
| <b>Comments:</b>           | CP DATA ms -> n, RP Acknowledge<br>GSM 04.11 |          |
| Field Name                 | Field Value                                  | Comments |
| ti                         | ti                                           |          |
| smspd                      | '1001'B                                      |          |
| mt                         | '00000001'B                                  |          |
| CPdata                     | cpdat                                        |          |
| <b>Detailed Comments:</b>  |                                              |          |

| PDU Constraint Declaration |                                                                                    |          |
|----------------------------|------------------------------------------------------------------------------------|----------|
| <b>Constraint Name:</b>    | CpDataPdu_03( cpdat:CPDATA)                                                        |          |
| <b>PDU Type:</b>           | CP_DATA_PDU                                                                        |          |
| <b>Derivation Path:</b>    |                                                                                    |          |
| <b>Comments:</b>           | CP DATA ms -> n, RP data, TP-DCS set to 0, no status report requested<br>GSM 04.11 |          |
| Field Name                 | Field Value                                                                        | Comments |
| ti                         | TI_09                                                                              |          |
| smspd                      | '1001'B                                                                            |          |
| mt                         | '00000001'B                                                                        |          |
| CPdata                     | cpdat                                                                              |          |
| <b>Detailed Comments:</b>  |                                                                                    |          |

| PDU Constraint Declaration |                                              |          |
|----------------------------|----------------------------------------------|----------|
| <b>Constraint Name:</b>    | CpDataPdu_04                                 |          |
| <b>PDU Type:</b>           | CP_DATA_PDU                                  |          |
| <b>Derivation Path:</b>    |                                              |          |
| <b>Comments:</b>           | CP DATA n -> ms, RP Acknowledge<br>GSM 04.11 |          |
| Field Name                 | Field Value                                  | Comments |
| ti                         | TI_09                                        |          |
| smspd                      | '1001'B                                      |          |
| mt                         | '00000001'B                                  |          |
| CPdata                     | ?                                            |          |
| <b>Detailed Comments:</b>  |                                              |          |

| PDU Constraint Declaration |                              |          |
|----------------------------|------------------------------|----------|
| <b>Constraint Name:</b>    | CpDataPdu_any                |          |
| <b>PDU Type:</b>           | CP_DATA_PDU                  |          |
| <b>Derivation Path:</b>    |                              |          |
| <b>Comments:</b>           | CP DATA ms -> n<br>GSM 04.11 |          |
| Field Name                 | Field Value                  | Comments |
| ti                         | ?                            |          |
| smspd                      | '1001'B                      |          |
| mt                         | '00000001'B                  |          |
| CPdata                     | ?                            |          |
| <b>Detailed Comments:</b>  |                              |          |

| PDU Constraint Declaration |                                                                                                              |          |
|----------------------------|--------------------------------------------------------------------------------------------------------------|----------|
| <b>Constraint Name:</b>    | CpDataPdu_16(tpoa1: BCDN; rpoa_mt: BCDN; smtype: INTEGER; text: IA5String; ti:TI; rpmr: MR; timezone:TZONES) |          |
| <b>PDU Type:</b>           | CP_DATA_PDU                                                                                                  |          |
| <b>Derivation Path:</b>    |                                                                                                              |          |
| <b>Comments:</b>           | CP DATA n -> ms, RP DATA, TP-DCS set to 0<br>GSM 04.11                                                       |          |
| Field Name                 | Field Value                                                                                                  | Comments |
| ti                         | ti                                                                                                           |          |
| smspd                      | '1001'B                                                                                                      |          |
| mt                         | '00000001'B                                                                                                  |          |
| CPdata                     | CpData_15(tpoa1, rpoa_mt, smtype, text, rpmr, timezone)                                                      |          |
| <b>Detailed Comments:</b>  |                                                                                                              |          |

| PDU Constraint Declaration |                                                                                             |          |
|----------------------------|---------------------------------------------------------------------------------------------|----------|
| <b>Constraint Name:</b>    | CpDataPdu_17(tpoa1: BCDN; rpoa_mt: BCDN; text: IA5String; ti:TI; rpmr: MR; timezone:TZONES) |          |
| <b>PDU Type:</b>           | CP_DATA_PDU                                                                                 |          |
| <b>Derivation Path:</b>    |                                                                                             |          |
| <b>Comments:</b>           | CP DATA n -> ms, RP DATA, TP-DCS set to 0<br>GSM 04.11                                      |          |
| Field Name                 | Field Value                                                                                 | Comments |
| ti                         | ti                                                                                          |          |
| smspd                      | '1001'B                                                                                     |          |
| mt                         | '00000001'B                                                                                 |          |
| CPdata                     | CpData_16(tpoa1, rpoa_mt, text, rpmr, timezone)                                             |          |
| <b>Detailed Comments:</b>  |                                                                                             |          |

| PDU Constraint Declaration |                                                                                    |          |
|----------------------------|------------------------------------------------------------------------------------|----------|
| <b>Constraint Name:</b>    | CpDataPdu_18( tpda, rpda:BCDN; tpud:TPUD)                                          |          |
| <b>PDU Type:</b>           | CP_DATA_PDU                                                                        |          |
| <b>Derivation Path:</b>    |                                                                                    |          |
| <b>Comments:</b>           | CP DATA ms -> n, RP data, TP-DCS set to 0, no status report requested<br>GSM 04.11 |          |
| Field Name                 | Field Value                                                                        | Comments |
| ti                         | TI_09                                                                              |          |
| smspd                      | '1001'B                                                                            |          |
| mt                         | '00000001'B                                                                        |          |
| CPdata                     | CpData_17(tpda, rpda,tpud)                                                         |          |
| <b>Detailed Comments:</b>  |                                                                                    |          |

## Dynamic Part

### Test Cases

#### Test Group General

| Test Case Dynamic Behaviour |       |                                                                                                                                                                                                                                                                                                                                                                                                                                                                                                                                                                                                                                                                                                                                                 |      |   |          |
|-----------------------------|-------|-------------------------------------------------------------------------------------------------------------------------------------------------------------------------------------------------------------------------------------------------------------------------------------------------------------------------------------------------------------------------------------------------------------------------------------------------------------------------------------------------------------------------------------------------------------------------------------------------------------------------------------------------------------------------------------------------------------------------------------------------|------|---|----------|
| <b>Test Case Name:</b>      |       | TC_11_1_1                                                                                                                                                                                                                                                                                                                                                                                                                                                                                                                                                                                                                                                                                                                                       |      |   |          |
| <b>Group:</b>               |       | GSM_L3_MS_v4200/General/                                                                                                                                                                                                                                                                                                                                                                                                                                                                                                                                                                                                                                                                                                                        |      |   |          |
| <b>Purpose:</b>             |       | <p>1. To verify that the MS, for the case of the Multinumbering scheme or ISDN, accepts a SETUP message, where the Information Elements for Bearer Capability are compatible with the Bearer Services / Teleservices declared as supported by the MS, by sending a CALL CONFIRMED message.</p> <p>This is verified for all Mobile Terminated Bearer Services / Teleservices declared as supported by the MS.</p> <p>2. To verify that the MS in the "Null" state, U0, when receiving a SETUP message containing incompatible Information Elements for Bearer Capability will respond with a RELEASE COMPLETE message.</p> <p>This is verified for all Mobile Terminated Bearer Services / Teleservices not declared as supported by the MS.</p> |      |   |          |
| <b>Default:</b>             |       | OtherEventsFail                                                                                                                                                                                                                                                                                                                                                                                                                                                                                                                                                                                                                                                                                                                                 |      |   |          |
| Nr                          | Label | Behaviour Description                                                                                                                                                                                                                                                                                                                                                                                                                                                                                                                                                                                                                                                                                                                           | CRef | V | Comments |
| 1                           |       | START T_guard(1800)                                                                                                                                                                                                                                                                                                                                                                                                                                                                                                                                                                                                                                                                                                                             |      |   |          |
| 2                           |       | +IdleUpdated( C_E_default, C_CellA, C_SCH_A, C_BCCH_A_1, C_Immss, C_S0, C_SlotNU, C_SlotNU, C_SlotNU, C_BCC, C_TxInt_5, C_Max_1, C_NECI_0, C_ATT_0, TimingAdv( 0), C_BABR_0, C_cch_1Comb, C_BPM_3, C_T3212_0, C_ci_cellA, C_MCC_1, C_PLMN_1, C_LAC_1, CellOpt_01, CellChDes_Omit, CellChDes_Omit, C_CellReselectHys12, C_MaxPwrLvlG, C_MaxPwrLvlID, BcchFreqLst_45, BcchFreqLst_02, BcchFreqLst_03, BcchFreqLst_04, C_Restablishment, C_BCC, C_NCC, C_Start_Tmsi, TSPX_SDCCH4SubDef, TSPX_CKSNDDef, TSPX_RANDDef, C_arfcnA, C_arfcnAd, TSPX_IMSI, C_Test_nfh, C_NCCP_2)                                                                                                                                                                         |      |   |          |
| 3                           |       | (TCV_SpecialCase := C_Yes)                                                                                                                                                                                                                                                                                                                                                                                                                                                                                                                                                                                                                                                                                                                      |      |   |          |
| 4                           |       | +testTS11                                                                                                                                                                                                                                                                                                                                                                                                                                                                                                                                                                                                                                                                                                                                       |      |   |          |
| 5                           |       | +testBs2x                                                                                                                                                                                                                                                                                                                                                                                                                                                                                                                                                                                                                                                                                                                                       |      |   |          |
| 6                           |       | +testBS3x                                                                                                                                                                                                                                                                                                                                                                                                                                                                                                                                                                                                                                                                                                                                       |      |   |          |
| 7                           |       | +testBS61                                                                                                                                                                                                                                                                                                                                                                                                                                                                                                                                                                                                                                                                                                                                       |      |   |          |
| 8                           |       | +testBS81                                                                                                                                                                                                                                                                                                                                                                                                                                                                                                                                                                                                                                                                                                                                       |      |   |          |
| 9                           |       | +testTS62                                                                                                                                                                                                                                                                                                                                                                                                                                                                                                                                                                                                                                                                                                                                       |      |   |          |
| 10                          |       | [NOT TSPC_Serv_TS62 OR TSPC_Serv_TS61]                                                                                                                                                                                                                                                                                                                                                                                                                                                                                                                                                                                                                                                                                                          |      |   |          |
| 11                          |       | +testTS61                                                                                                                                                                                                                                                                                                                                                                                                                                                                                                                                                                                                                                                                                                                                       |      |   |          |
| 12                          |       | [TSPC_Serv_TS62 AND NOT TSPC_Serv_TS61]                                                                                                                                                                                                                                                                                                                                                                                                                                                                                                                                                                                                                                                                                                         |      |   |          |
|                             |       | <b>testTS11</b>                                                                                                                                                                                                                                                                                                                                                                                                                                                                                                                                                                                                                                                                                                                                 |      |   |          |
| 13                          |       | +test( C_Telephony, TSPC_Serv_TS11)                                                                                                                                                                                                                                                                                                                                                                                                                                                                                                                                                                                                                                                                                                             |      |   |          |
|                             |       | <b>testTS61</b>                                                                                                                                                                                                                                                                                                                                                                                                                                                                                                                                                                                                                                                                                                                                 |      |   |          |
| 14                          |       | +test( C_AltSpchFax, TSPC_Serv_TS61)                                                                                                                                                                                                                                                                                                                                                                                                                                                                                                                                                                                                                                                                                                            |      |   |          |
|                             |       | <b>testTS62</b>                                                                                                                                                                                                                                                                                                                                                                                                                                                                                                                                                                                                                                                                                                                                 |      |   |          |
| 15                          |       | +test( C_AutoFax, TSPC_Serv_TS62)                                                                                                                                                                                                                                                                                                                                                                                                                                                                                                                                                                                                                                                                                                               |      |   |          |
|                             |       | <b>testBs2x</b>                                                                                                                                                                                                                                                                                                                                                                                                                                                                                                                                                                                                                                                                                                                                 |      |   |          |
| 16                          |       | +test( C_Async300, TSPC_Serv_BS21)                                                                                                                                                                                                                                                                                                                                                                                                                                                                                                                                                                                                                                                                                                              |      |   |          |
| 17                          |       | +test( C_Async1200, TSPC_Serv_BS22)                                                                                                                                                                                                                                                                                                                                                                                                                                                                                                                                                                                                                                                                                                             |      |   |          |
| 18                          |       | +test( C_Async2400, TSPC_Serv_BS24)                                                                                                                                                                                                                                                                                                                                                                                                                                                                                                                                                                                                                                                                                                             |      |   |          |
| 19                          |       | +test( C_Async4800, TSPC_Serv_BS25)                                                                                                                                                                                                                                                                                                                                                                                                                                                                                                                                                                                                                                                                                                             |      |   |          |



|                           |            |                                                                                                                  |                                   |     |    |
|---------------------------|------------|------------------------------------------------------------------------------------------------------------------|-----------------------------------|-----|----|
| 20                        |            | +test( C_Async9600, TSPC_Serv_BS26)                                                                              |                                   |     |    |
|                           |            | <b>testBS3x</b>                                                                                                  |                                   |     |    |
| 21                        |            | +test( C_Sync1200, TSPC_Serv_BS31)                                                                               |                                   |     |    |
| 22                        |            | +test( C_Sync2400, TSPC_Serv_BS32)                                                                               |                                   |     |    |
| 23                        |            | +test( C_Sync4800, TSPC_Serv_BS33)                                                                               |                                   |     |    |
| 24                        |            | +test( C_Sync9600, TSPC_Serv_BS34)                                                                               |                                   |     |    |
|                           |            | <b>testBS61</b>                                                                                                  |                                   |     |    |
| 25                        |            | +test( C_AltSpchData, TSPC_Serv_BS61)                                                                            |                                   |     |    |
|                           |            | <b>testBS81</b>                                                                                                  |                                   |     |    |
| 26                        |            | +test( C_SpchData, TSPC_Serv_BS81)                                                                               |                                   |     |    |
|                           |            | <b>test( srv:SERVICES; supported:BOOLEAN)</b>                                                                    |                                   |     |    |
| 27                        |            | +BasicServiceMT( srv, C_Full)                                                                                    |                                   |     |    |
| 28                        |            | +SetupAndCheck(supported)                                                                                        |                                   |     |    |
| 29                        |            | [TCV_2ndtest AND supported]                                                                                      |                                   |     |    |
| 30                        |            | (TCV_Setup_mt := TCV_Setup_mt1)                                                                                  |                                   |     |    |
| 31                        |            | +local_IFsetup(srv)                                                                                              |                                   |     |    |
| 32                        |            | +SetupAndCheck( TRUE)                                                                                            |                                   |     |    |
| 33                        |            | [NOT TCV_2ndtest OR NOT supported]                                                                               |                                   |     |    |
|                           |            | <b>SetupAndCheck(supported:BOOLEAN)</b>                                                                          |                                   |     |    |
| 34                        |            | +PreEstRRConn( TCV_slot, TCV_tsc, TimingAdv( 0))                                                                 |                                   |     |    |
| 35                        |            | +Authentication( TCV_ch, TSPX_CKSNDf, TSPX_RANDDef)                                                              |                                   |     |    |
| 36                        |            | +Ciphering_on( TCV_ch)                                                                                           |                                   |     |    |
| 37                        |            | LIDL_DatRqSetup                                                                                                  | SetupSnd(TCV_ch, TCV_Setup_mt)    |     |    |
| 38                        |            | +check( supported)                                                                                               |                                   |     |    |
| 39                        |            | +PostMainLinkRel(TCV_ch)                                                                                         |                                   |     |    |
| 40                        |            | (TCV_Null := OM_CphMd(TCV_ch, CphMod_02, TCV_CphKey))                                                            |                                   |     | 3. |
|                           |            | <b>check( supported:BOOLEAN)</b>                                                                                 |                                   |     |    |
| 41                        |            | [supported]                                                                                                      |                                   |     | 1. |
| 42                        | L_000<br>1 | L?DL_DatInCallCo                                                                                                 | CallCfm( CallConfirm_01( TI_01))  | (P) |    |
| 43                        |            | [NOT supported]                                                                                                  |                                   |     | 2. |
| 44                        | L_000<br>2 | L?DL_DatInRelCmp                                                                                                 | RelComRcv( ReleaseCmp_07( TI_01)) | (P) |    |
|                           |            | <b>local_IFsetup(srv:SERVICES)</b>                                                                               |                                   |     |    |
| 45                        |            | [(srv = C_AltSpchFax) OR (srv = C_AutoFax)]                                                                      |                                   |     |    |
| 46                        |            | (TCV_Null := OO_IFsetup_TS6x_MT(srv, TCV_ur2))                                                                   |                                   |     |    |
| 47                        |            | [(srv = C_Async300) OR (srv = C_Async1200) OR (srv = C_Async2400) OR (srv = C_Async4800) OR (srv = C_Async9600)] |                                   |     |    |
| 48                        |            | (TCV_Null := OO_IFsetup_BS2x_MT(srv, TCV_itc2))                                                                  |                                   |     |    |
| 49                        |            | [(srv = C_Sync1200) OR (srv = C_Sync2400) OR (srv = C_Sync4800) OR (srv = C_Sync9600)]                           |                                   |     |    |
| 50                        |            | (TCV_Null := OO_IFsetup_BS3x_MT(srv, TCV_itc2, TCV_sacp2))                                                       |                                   |     |    |
| 51                        |            | [(srv = C_AltSpchData) OR (srv = C_SpchData)]                                                                    |                                   |     |    |
| 52                        |            | (TCV_Null := OO_IFsetup_BS61orBS81_MT(srv, TCV_ur2, TCV_sa2))                                                    |                                   |     |    |
| <b>Detailed Comments:</b> |            | 1. To test the supported basic service.                                                                          |                                   |     |    |
|                           |            | 2. To test the non-supported basic service.                                                                      |                                   |     |    |
|                           |            | 3. To set the channel back to non-ciphering mode for next test execution.                                        |                                   |     |    |

| Test Case Dynamic Behaviour                                                                                                                                                                 |       |                                                                                                                                                                                                                                                                                                                                                                                                                                                                                                                                                                          |      |   |          |
|---------------------------------------------------------------------------------------------------------------------------------------------------------------------------------------------|-------|--------------------------------------------------------------------------------------------------------------------------------------------------------------------------------------------------------------------------------------------------------------------------------------------------------------------------------------------------------------------------------------------------------------------------------------------------------------------------------------------------------------------------------------------------------------------------|------|---|----------|
| <b>Test Case Name:</b> TC_11_1_2                                                                                                                                                            |       |                                                                                                                                                                                                                                                                                                                                                                                                                                                                                                                                                                          |      |   |          |
| <b>Group:</b> GSM_L3_MS_v4200/General/                                                                                                                                                      |       |                                                                                                                                                                                                                                                                                                                                                                                                                                                                                                                                                                          |      |   |          |
| <b>Purpose:</b> 1. To verify that the MS generates a SETUP message which includes a single or multiple Bearer Capability and a single LLC, according to the actual configuration on the MS. |       |                                                                                                                                                                                                                                                                                                                                                                                                                                                                                                                                                                          |      |   |          |
| This is verified for all Mobile Originated Bearer Services / Teleservices described in GSM 07.01 and declared as supported by the MS.                                                       |       |                                                                                                                                                                                                                                                                                                                                                                                                                                                                                                                                                                          |      |   |          |
| 2. To verify that the MS includes a correctly encoded Repeat Indicator if it includes multiple Bearer Capabilities in the SETUP message.                                                    |       |                                                                                                                                                                                                                                                                                                                                                                                                                                                                                                                                                                          |      |   |          |
| <b>Default:</b> OtherEventsFail                                                                                                                                                             |       |                                                                                                                                                                                                                                                                                                                                                                                                                                                                                                                                                                          |      |   |          |
| Nr                                                                                                                                                                                          | Label | Behaviour Description                                                                                                                                                                                                                                                                                                                                                                                                                                                                                                                                                    | CRef | V | Comments |
| 1                                                                                                                                                                                           |       | START T_guard(6000)                                                                                                                                                                                                                                                                                                                                                                                                                                                                                                                                                      |      |   |          |
| 2                                                                                                                                                                                           |       | +IdleUpdated( C_E_default, C_CellA, C_SCH_A, C_BCCH_A_1, C_ImmMass, C_S0, C_SlotNU, C_SlotNU, C_SlotNU, C_BCC, C_TxInt_5, C_Max_1, C_NECI_0, C_ATT_0, TimingAdv( 0), C_BABR_0, C_cch_1Comb, C_BPM_3, C_T3212_0, C_ci_cellA, C_MCC_1, C_PLMN_1, C_LAC_1, CellOpt_01, CellChDes_Omit, CellChDes_Omit, C_CellReselectHys12, C_MaxPwrLvlG, C_MaxPwrLvlD, BcchFreqLst_45, BcchFreqLst_02, BcchFreqLst_03, BcchFreqLst_04, C_Restablishment, C_BCC, C_NCC, C_Start_Tmsi, TSPX_SDCCH4SubDef, TSPX_CKSNDDef, TSPX_RANDDef, C_arfcnA, C_arfcnAd, TSPX_IMSI, C_Test_nfh, C_NCCP_2) |      |   |          |
| 3                                                                                                                                                                                           |       | +testTS11                                                                                                                                                                                                                                                                                                                                                                                                                                                                                                                                                                |      |   |          |
| 4                                                                                                                                                                                           |       | +testTS12                                                                                                                                                                                                                                                                                                                                                                                                                                                                                                                                                                |      |   |          |
| 5                                                                                                                                                                                           |       | +testTS61                                                                                                                                                                                                                                                                                                                                                                                                                                                                                                                                                                |      |   |          |
| 6                                                                                                                                                                                           |       | +testTS62                                                                                                                                                                                                                                                                                                                                                                                                                                                                                                                                                                |      |   |          |
| 7                                                                                                                                                                                           |       | +testBS21                                                                                                                                                                                                                                                                                                                                                                                                                                                                                                                                                                |      |   |          |
| 8                                                                                                                                                                                           |       | +testBS22                                                                                                                                                                                                                                                                                                                                                                                                                                                                                                                                                                |      |   |          |
| 9                                                                                                                                                                                           |       | +testBS23                                                                                                                                                                                                                                                                                                                                                                                                                                                                                                                                                                |      |   |          |
| 10                                                                                                                                                                                          |       | +testBS24                                                                                                                                                                                                                                                                                                                                                                                                                                                                                                                                                                |      |   |          |
| 11                                                                                                                                                                                          |       | +testBS25                                                                                                                                                                                                                                                                                                                                                                                                                                                                                                                                                                |      |   |          |
| 12                                                                                                                                                                                          |       | +testBS26                                                                                                                                                                                                                                                                                                                                                                                                                                                                                                                                                                |      |   |          |
| 13                                                                                                                                                                                          |       | +continue                                                                                                                                                                                                                                                                                                                                                                                                                                                                                                                                                                |      |   |          |
|                                                                                                                                                                                             |       | <b>continue</b>                                                                                                                                                                                                                                                                                                                                                                                                                                                                                                                                                          |      |   |          |
| 14                                                                                                                                                                                          |       | +testBS31                                                                                                                                                                                                                                                                                                                                                                                                                                                                                                                                                                |      |   |          |
| 15                                                                                                                                                                                          |       | +testBS32                                                                                                                                                                                                                                                                                                                                                                                                                                                                                                                                                                |      |   |          |
| 16                                                                                                                                                                                          |       | +testBS33                                                                                                                                                                                                                                                                                                                                                                                                                                                                                                                                                                |      |   |          |
| 17                                                                                                                                                                                          |       | +testBS34                                                                                                                                                                                                                                                                                                                                                                                                                                                                                                                                                                |      |   |          |
| 18                                                                                                                                                                                          |       | +testBS41                                                                                                                                                                                                                                                                                                                                                                                                                                                                                                                                                                |      |   |          |
| 19                                                                                                                                                                                          |       | +testBS42                                                                                                                                                                                                                                                                                                                                                                                                                                                                                                                                                                |      |   |          |
| 20                                                                                                                                                                                          |       | +testBS43                                                                                                                                                                                                                                                                                                                                                                                                                                                                                                                                                                |      |   |          |
| 21                                                                                                                                                                                          |       | +testBS44                                                                                                                                                                                                                                                                                                                                                                                                                                                                                                                                                                |      |   |          |
| 22                                                                                                                                                                                          |       | +testBS45                                                                                                                                                                                                                                                                                                                                                                                                                                                                                                                                                                |      |   |          |
| 23                                                                                                                                                                                          |       | +testBS46                                                                                                                                                                                                                                                                                                                                                                                                                                                                                                                                                                |      |   |          |
| 24                                                                                                                                                                                          |       | +testBS51                                                                                                                                                                                                                                                                                                                                                                                                                                                                                                                                                                |      |   |          |
| 25                                                                                                                                                                                          |       | +testBS52                                                                                                                                                                                                                                                                                                                                                                                                                                                                                                                                                                |      |   |          |
| 26                                                                                                                                                                                          |       | +testBS53                                                                                                                                                                                                                                                                                                                                                                                                                                                                                                                                                                |      |   |          |
| 27                                                                                                                                                                                          |       | +testBS61                                                                                                                                                                                                                                                                                                                                                                                                                                                                                                                                                                |      |   |          |
| 28                                                                                                                                                                                          |       | +testBS81                                                                                                                                                                                                                                                                                                                                                                                                                                                                                                                                                                |      |   |          |
|                                                                                                                                                                                             |       | <b>testTS11</b>                                                                                                                                                                                                                                                                                                                                                                                                                                                                                                                                                          |      |   |          |
| 29                                                                                                                                                                                          |       | [TSPC_Serv_TS11]                                                                                                                                                                                                                                                                                                                                                                                                                                                                                                                                                         |      |   |          |
| 30                                                                                                                                                                                          |       | +check(C_Telephony)                                                                                                                                                                                                                                                                                                                                                                                                                                                                                                                                                      |      |   | TS11     |
| 31                                                                                                                                                                                          |       | [NOT TSPC_Serv_TS11]                                                                                                                                                                                                                                                                                                                                                                                                                                                                                                                                                     |      |   |          |
|                                                                                                                                                                                             |       | <b>testTS12</b>                                                                                                                                                                                                                                                                                                                                                                                                                                                                                                                                                          |      |   |          |
| 32                                                                                                                                                                                          |       | [TSPC_Serv_TS12]                                                                                                                                                                                                                                                                                                                                                                                                                                                                                                                                                         |      |   |          |
| 33                                                                                                                                                                                          |       | +check(C_EmgCall)                                                                                                                                                                                                                                                                                                                                                                                                                                                                                                                                                        |      |   | TS12     |
| 34                                                                                                                                                                                          |       | [NOT TSPC_Serv_TS12]                                                                                                                                                                                                                                                                                                                                                                                                                                                                                                                                                     |      |   |          |

|    |                       |      |  |
|----|-----------------------|------|--|
| 35 | <b>testTS61</b>       |      |  |
| 36 | [TSPC_Serv_TS61]      |      |  |
| 37 | +check(C_AltSpchFax)  | TS61 |  |
| 37 | [NOT TSPC_Serv_TS61]  |      |  |
|    | <b>testTS62</b>       |      |  |
| 38 | [TSPC_Serv_TS62]      |      |  |
| 39 | +check(C_AutoFax)     | TS62 |  |
| 40 | [NOT TSPC_Serv_TS62]  |      |  |
|    | <b>testBS21</b>       |      |  |
| 41 | [TSPC_Serv_BS21]      |      |  |
| 42 | +check(C_Async300)    | BS21 |  |
| 43 | [NOT TSPC_Serv_BS21]  |      |  |
|    | <b>testBS22</b>       |      |  |
| 44 | [TSPC_Serv_BS22]      |      |  |
| 45 | +check(C_Async1200)   | BS22 |  |
| 46 | [NOT TSPC_Serv_BS22]  |      |  |
|    | <b>testBS23</b>       |      |  |
| 47 | [TSPC_Serv_BS23]      |      |  |
| 48 | +check(C_Async120075) | BS23 |  |
| 49 | [NOT TSPC_Serv_BS23]  |      |  |
|    | <b>testBS24</b>       |      |  |
| 50 | [TSPC_Serv_BS24]      |      |  |
| 51 | +check(C_Async2400)   | BS24 |  |
| 52 | [NOT TSPC_Serv_BS24]  |      |  |
|    | <b>testBS25</b>       |      |  |
| 53 | [TSPC_Serv_BS25]      |      |  |
| 54 | +check(C_Async4800)   | BS25 |  |
| 55 | [NOT TSPC_Serv_BS25]  |      |  |
|    | <b>testBS26</b>       |      |  |
| 56 | [TSPC_Serv_BS26]      |      |  |
| 57 | +check(C_Async9600)   | BS26 |  |
| 58 | [NOT TSPC_Serv_BS26]  |      |  |
|    | <b>testBS31</b>       |      |  |
| 59 | [TSPC_Serv_BS31]      |      |  |
| 60 | +check(C_Sync1200)    | BS31 |  |
| 61 | [NOT TSPC_Serv_BS31]  |      |  |
|    | <b>testBS32</b>       |      |  |
| 62 | [TSPC_Serv_BS32]      |      |  |
| 63 | +check(C_Sync2400)    | BS32 |  |
| 64 | [NOT TSPC_Serv_BS32]  |      |  |
|    | <b>testBS33</b>       |      |  |
| 65 | [TSPC_Serv_BS33]      |      |  |
| 66 | +check(C_Sync4800)    | BS33 |  |
| 67 | [NOT TSPC_Serv_BS33]  |      |  |
|    | <b>testBS34</b>       |      |  |
| 68 | [TSPC_Serv_BS34]      |      |  |
| 69 | +check(C_Sync9600)    | BS34 |  |
| 70 | [NOT TSPC_Serv_BS34]  |      |  |
|    | <b>testBS41</b>       |      |  |
| 71 | [TSPC_Serv_BS41]      |      |  |
| 72 | +check(C_PAD300)      | BS41 |  |
| 73 | [NOT TSPC_Serv_BS41]  |      |  |

|     |                                                                                     |                                                                                                                                                 |                         |
|-----|-------------------------------------------------------------------------------------|-------------------------------------------------------------------------------------------------------------------------------------------------|-------------------------|
| 74  | <b>testBS42</b>                                                                     |                                                                                                                                                 |                         |
| 75  | [TSPC_Serv_BS42]                                                                    |                                                                                                                                                 |                         |
| 76  | +check(C_PAD1200)                                                                   | BS42                                                                                                                                            |                         |
| 77  | [NOT TSPC_Serv_BS42]                                                                |                                                                                                                                                 |                         |
| 78  | <b>testBS43</b>                                                                     |                                                                                                                                                 |                         |
| 79  | [TSPC_Serv_BS43]                                                                    |                                                                                                                                                 |                         |
| 80  | +check(C_PAD120075)                                                                 | BS43                                                                                                                                            |                         |
| 81  | [NOT TSPC_Serv_BS43]                                                                |                                                                                                                                                 |                         |
| 82  | <b>testBS44</b>                                                                     |                                                                                                                                                 |                         |
| 83  | [TSPC_Serv_BS44]                                                                    |                                                                                                                                                 |                         |
| 84  | +check(C_PAD2400)                                                                   | BS44                                                                                                                                            |                         |
| 85  | [NOT TSPC_Serv_BS44]                                                                |                                                                                                                                                 |                         |
| 86  | <b>testBS45</b>                                                                     |                                                                                                                                                 |                         |
| 87  | [TSPC_Serv_BS45]                                                                    |                                                                                                                                                 |                         |
| 88  | +check(C_PAD4800)                                                                   | BS45                                                                                                                                            |                         |
| 89  | [NOT TSPC_Serv_BS45]                                                                |                                                                                                                                                 |                         |
| 90  | <b>testBS46</b>                                                                     |                                                                                                                                                 |                         |
| 91  | [TSPC_Serv_BS46]                                                                    |                                                                                                                                                 |                         |
| 92  | +check(C_PAD9600)                                                                   | BS46                                                                                                                                            |                         |
| 93  | [NOT TSPC_Serv_BS46]                                                                |                                                                                                                                                 |                         |
| 94  | <b>testBS51</b>                                                                     |                                                                                                                                                 |                         |
| 95  | [TSPC_Serv_BS51]                                                                    |                                                                                                                                                 |                         |
| 96  | +check(C_Packet2400)                                                                | BS51                                                                                                                                            |                         |
| 97  | [NOT TSPC_Serv_BS51]                                                                |                                                                                                                                                 |                         |
| 98  | <b>testBS52</b>                                                                     |                                                                                                                                                 |                         |
| 99  | [TSPC_Serv_BS52]                                                                    |                                                                                                                                                 |                         |
| 100 | +check(C_Packet4800)                                                                | BS52                                                                                                                                            |                         |
| 101 | [NOT TSPC_Serv_BS52]                                                                |                                                                                                                                                 |                         |
| 102 | <b>testBS53</b>                                                                     |                                                                                                                                                 |                         |
| 103 | [TSPC_Serv_BS53]                                                                    |                                                                                                                                                 |                         |
| 104 | +check(C_Packet9600)                                                                | BS53                                                                                                                                            |                         |
| 105 | [NOT TSPC_Serv_BS53]                                                                |                                                                                                                                                 |                         |
| 106 | <b>testBS61</b>                                                                     |                                                                                                                                                 |                         |
| 107 | [TSPC_Serv_BS61]                                                                    |                                                                                                                                                 |                         |
| 108 | +check(C_AltSpchData)                                                               | BS61                                                                                                                                            |                         |
| 109 | [NOT TSPC_Serv_BS61]                                                                |                                                                                                                                                 |                         |
| 110 | <b>testBS81</b>                                                                     |                                                                                                                                                 |                         |
| 111 | [TSPC_Serv_BS81]                                                                    |                                                                                                                                                 |                         |
| 112 | +check(C_SpchData)                                                                  | BS81                                                                                                                                            |                         |
| 113 | [NOT TSPC_Serv_BS81]                                                                |                                                                                                                                                 |                         |
| 114 | <b>check(srv:SERVICES)</b>                                                          |                                                                                                                                                 |                         |
| 115 | +BasicServiceMO(srv, C_Full)                                                        |                                                                                                                                                 |                         |
| 116 | +InitCall(srv)                                                                      |                                                                                                                                                 |                         |
| 117 | L?DL_RacInChRq (TCV_Rr := DL_RacInChRq.<br>msg.ecau_rrf, TCV_Fn := DL_RacInChRq.fn) | ChReq(<br>ChRequest_15)                                                                                                                         |                         |
| 118 | ACTIVATE(OtherEventsFail_02)                                                        |                                                                                                                                                 | To match ChReq retrans. |
| 119 | LIDL_UdatRqImmass                                                                   | ImmAss( TCV_agch,<br>ImmAsgn_01Def(<br>TCV_Rr, TCV_Fn,<br>TSPX_SDCCH4SubD<br>ef, TCV_slot,<br>TCV_tsc,<br>TCV_chdescr_arfcn,<br>TimingAdv( 0))) |                         |
| 120 | L?DL_EstInCmsRq                                                                     | CMSerReq(                                                                                                                                       |                         |

|     |            |                                                                                                                                                          |                  |                                        |
|-----|------------|----------------------------------------------------------------------------------------------------------------------------------------------------------|------------------|----------------------------------------|
| 110 |            | ACTIVATE(OtherEventsFail)                                                                                                                                | CMSERVICEReq_01) | Restore Normal default                 |
| 111 |            | +Authentication(TCV_ch, TCV_cksn,<br>TSPX_RANDDef)                                                                                                       |                  |                                        |
| 112 |            | +Ciphering_on(TCV_ch)                                                                                                                                    |                  |                                        |
| 113 |            | +ltree_SetupChk(srv)                                                                                                                                     |                  |                                        |
| 114 |            | +PostMainLinkRel(TCV_ch)                                                                                                                                 |                  |                                        |
| 115 |            | (TCV_Null :=<br>OM_CphMd(TCV_ch,<br>CphMod_02, TCV_CphKey))                                                                                              |                  |                                        |
|     |            | <b>ltree_SetupChk(srv1:SERVICES)</b>                                                                                                                     |                  |                                        |
| 116 |            | +RcvSetupOrEsetup(TCV_Setup_mo, TCV_Esetup,<br>TCV_Ecall)                                                                                                |                  |                                        |
| 117 | L_000<br>3 | [(srv1 = C_Telephony) OR (srv1 = C_EmgCall)]                                                                                                             |                  | (P) no further check for TS11,<br>TS12 |
| 118 | L_000<br>4 | [(srv1 = C_Packet2400) OR (srv1 = C_Packet4800)<br>OR (srv1 = C_Packet9600)]                                                                             |                  | (P) no further check for BS5x          |
| 119 |            | [(srv1 = C_Async300) OR (srv1 = C_Async1200)<br>OR (srv1 = C_Async120075) OR (srv1 =<br>C_Async2400) OR (srv1 = C_Async4800) OR (srv1<br>= C_Async9600)] |                  |                                        |
| 120 |            | +local_BS2x_more_chk(srv1)                                                                                                                               |                  | further check for BS2x                 |
| 121 |            | [(srv1 = C_Sync1200) OR (srv1 = C_Sync2400) OR<br>(srv1 = C_Sync4800) OR (srv1 = C_Sync9600)]                                                            |                  |                                        |
| 122 |            | +local_BS3x_more_chk(srv1)                                                                                                                               |                  | further check for BS3x                 |
| 123 |            | [(srv1 = C_PAD300) OR (srv1 = C_PAD1200) OR<br>(srv1 = C_PAD120075) OR (srv1 = C_PAD2400)<br>OR (srv1 = C_PAD4800) OR (srv1 = C_PAD9600)]                |                  |                                        |
| 124 |            | +local_BS4x_more_chk(srv1)                                                                                                                               |                  | further check for BS4x                 |
| 125 |            | [srv1 = C_AltSpchData]                                                                                                                                   |                  |                                        |
| 126 |            | +local_BS61orBS81_more_chk(TSPX_BS_61_A_<br>ur1_T_NT)                                                                                                    |                  | further check for BS61                 |
| 127 |            | [srv1 = C_SpchData]                                                                                                                                      |                  |                                        |
| 128 |            | +local_BS61orBS81_more_chk(TSPX_BS_81_A_<br>ur1_T_NT)                                                                                                    |                  | further check for BS81                 |
| 129 | L_000<br>5 | [(srv1 = C_AltSpchFax) OR (srv1 = C_AutoFax)]                                                                                                            |                  | (P) no further check for TS61,<br>TS62 |
|     |            | <b>local_BS4x_more_chk(srv2:SERVICES)</b>                                                                                                                |                  |                                        |
| 130 |            | [srv2 = C_PAD300]                                                                                                                                        |                  |                                        |
| 131 |            | +local_ce_strc_ir_chk( TSPX_BS_41_ce,<br>TSPX_BS_41_T_NT)                                                                                                |                  |                                        |
| 132 |            | [srv2 = C_PAD1200]                                                                                                                                       |                  |                                        |
| 133 |            | +local_ce_strc_ir_chk( TSPX_BS_42_ce,<br>TSPX_BS_42_T_NT)                                                                                                |                  |                                        |
| 134 |            | [srv2 = C_PAD120075]                                                                                                                                     |                  |                                        |
| 135 |            | +local_ce_strc_ir_chk( TSPX_BS_43_ce,<br>TSPX_BS_43_T_NT)                                                                                                |                  |                                        |
| 136 |            | [srv2 = C_PAD2400]                                                                                                                                       |                  |                                        |
| 137 |            | +local_ce_strc_ir_chk( TSPX_BS_44_ce,<br>TSPX_BS_44_T_NT)                                                                                                |                  |                                        |
| 138 |            | [srv2 = C_PAD4800]                                                                                                                                       |                  |                                        |
| 139 |            | +local_ce_strc_ir_chk( TSPX_BS_45_ce,<br>TSPX_BS_45_T_NT)                                                                                                |                  |                                        |
| 140 |            | [srv2 = C_PAD9600]                                                                                                                                       |                  |                                        |
| 141 |            | +local_ce_strc_ir_chk( TSPX_BS_46_ce,<br>TSPX_BS_46_T_NT)                                                                                                |                  |                                        |
|     |            | <b>local_BS2x_more_chk(srv3:SERVICES)</b>                                                                                                                |                  |                                        |
| 142 |            | [srv3 = C_Async300]                                                                                                                                      |                  |                                        |
| 143 |            | +local_ce_strc_ir_chk( TSPX_BS_21_ce,<br>TSPX_BS_21_T_NT)                                                                                                |                  |                                        |
| 144 |            | [srv3 = C_Async1200]                                                                                                                                     |                  |                                        |
| 145 |            | +local_ce_strc_ir_chk( TSPX_BS_22_ce,<br>TSPX_BS_22_T_NT)                                                                                                |                  |                                        |
| 146 |            | [srv3 = C_Async120075]                                                                                                                                   |                  |                                        |
| 147 |            | +local_ce_strc_ir_chk( TSPX_BS_23_ce,<br>TSPX_BS_23_T_NT)                                                                                                |                  |                                        |

|     |            |                                                                                                                                             |     |                         |
|-----|------------|---------------------------------------------------------------------------------------------------------------------------------------------|-----|-------------------------|
| 148 |            | [srv3 = C_Async2400]                                                                                                                        |     |                         |
| 149 |            | +local_ce_strc_ir_chk( TSPX_BS_24_ce,<br>TSPX_BS_24_T_NT)                                                                                   |     |                         |
| 150 |            | [srv3 = C_Async4800]                                                                                                                        |     |                         |
| 151 |            | +local_ce_strc_ir_chk( TSPX_BS_25_ce,<br>TSPX_BS_25_T_NT)                                                                                   |     |                         |
| 152 |            | [srv3 = C_Async9600]                                                                                                                        |     |                         |
| 153 |            | +local_ce_strc_ir_chk( TSPX_BS_26_ce,<br>TSPX_BS_26_T_NT)                                                                                   |     |                         |
|     |            | <b>local_BS3x_more_chk(srv4:SERVICES)</b>                                                                                                   |     |                         |
| 154 | L_000<br>6 | [srv4 = C_Sync1200]                                                                                                                         | (P) | no further check        |
| 155 |            | [srv4 = C_Sync2400]                                                                                                                         |     |                         |
| 156 | L_000<br>7 | [( NOT TSPX_BS_32_X32_T_NT)<br>OR(TSPX_BS_32_itc1 <> C_3100Hz)<br>OR(TSPX_BS_32_sacp1 <> C_X32) OR(<br>TSPX_BS_32_X32_ce <> C_transparent)] | (P) | no further check        |
| 157 |            | [TSPX_BS_32_X32_T_NT AND (TSPX_BS_32_itc1<br>= C_3100Hz) AND (TSPX_BS_32_sacp1 = C_X32)<br>AND ( TSPX_BS_32_X32_ce = C_transparent)]        |     |                         |
| 158 |            | +local_ce_strc_ir_chk( TSPX_BS_32_X32_ce,<br>TSPX_BS_32_X32_T_NT)                                                                           |     |                         |
| 159 |            | [srv4 = C_Sync4800]                                                                                                                         |     |                         |
| 160 | L_000<br>8 | [( NOT TSPX_BS_33_X32_T_NT)<br>OR(TSPX_BS_33_itc1 <> C_3100Hz)<br>OR(TSPX_BS_33_sacp1 <> C_X32) OR(<br>TSPX_BS_33_X32_ce <> C_transparent)] | (P) | no further check        |
| 161 |            | [TSPX_BS_33_X32_T_NT AND (TSPX_BS_33_itc1<br>= C_3100Hz) AND (TSPX_BS_33_sacp1 = C_X32)<br>AND ( TSPX_BS_33_X32_ce = C_transparent)]        |     |                         |
| 162 |            | +local_ce_strc_ir_chk( TSPX_BS_33_X32_ce,<br>TSPX_BS_33_X32_T_NT)                                                                           |     |                         |
| 163 |            | [srv4 = C_Sync9600]                                                                                                                         |     |                         |
| 164 | L_000<br>9 | [( NOT TSPX_BS_34_X32_T_NT)<br>OR(TSPX_BS_34_itc1 <> C_3100Hz)<br>OR(TSPX_BS_34_sacp1 <> C_X32) OR(<br>TSPX_BS_34_X32_ce <> C_transparent)] | (P) | no further check        |
| 165 |            | [TSPX_BS_34_X32_T_NT AND (TSPX_BS_34_itc1<br>= C_3100Hz) AND (TSPX_BS_34_sacp1 = C_X32)<br>AND ( TSPX_BS_34_X32_ce = C_transparent)]        |     |                         |
| 166 |            | +local_ce_strc_ir_chk( TSPX_BS_34_X32_ce,<br>TSPX_BS_34_X32_T_NT)                                                                           |     |                         |
|     |            | <b>local_ce_strc_ir_chk(ce:B_2; both:BOOLEAN)</b>                                                                                           |     |                         |
| 167 | L_001<br>0 | [(NOT both) OR ( both AND( TCV_ce =<br>C_nottransparent))]                                                                                  | (P) | no further check needed |
| 168 |            | [both AND ( TCV_ce = C_transparent)]                                                                                                        |     |                         |
| 169 |            | (TCV_ce := TCV_Setup_mo1.bcap1.ce, TCV_ir :=<br>TCV_Setup_mo1.bcap1.ir, TCV_strc :=<br>TCV_Setup_mo1.bcap1.strc)                            |     |                         |
| 170 | L_001<br>1 | [TCV_ce = C_nottransparent]                                                                                                                 | (F) |                         |
| 171 |            | [TCV_ce = C_transparent]                                                                                                                    |     |                         |
| 172 | L_001<br>2 | [TCV_strc <> C_Unstructured]                                                                                                                | (F) |                         |
| 173 | L_001<br>3 | [TCV_strc = C_Unstructured]                                                                                                                 | (P) |                         |
| 174 |            | [(TCV_ce <> C_transparent) AND(TCV_ce <><br>C_nottransparent)]                                                                              |     |                         |
| 175 | L_001<br>4 | [(TCV_ir = C_ir_16kbs) AND (TCV_strc =<br>C_SDUintegrity)]                                                                                  | (P) |                         |
| 176 | L_001<br>5 | [(TCV_ir <> C_ir_16kbs) OR(TCV_strc <><br>C_SDUintegrity)]                                                                                  | (F) |                         |
|     |            | <b>local_BS61orBS81_more_chk(both1:BOOLEAN)</b>                                                                                             |     |                         |
| 177 | L_001<br>6 | [TCV_sa <> C_Asynchronous]                                                                                                                  | (P) | no further check needed |
| 178 |            | [TCV_sa =C_Asynchronous]                                                                                                                    |     |                         |
| 179 |            | +local_ce_strc_ir_chk( TCV_ce, both1)                                                                                                       |     |                         |

## Detailed Comments:

## Test Case Dynamic Behaviour

|                        |                                                                                                                                                                                                                                                                                                                                                                                                                                                                                                                                                                                                                                                                            |
|------------------------|----------------------------------------------------------------------------------------------------------------------------------------------------------------------------------------------------------------------------------------------------------------------------------------------------------------------------------------------------------------------------------------------------------------------------------------------------------------------------------------------------------------------------------------------------------------------------------------------------------------------------------------------------------------------------|
| <b>Test Case Name:</b> | TC_11_2                                                                                                                                                                                                                                                                                                                                                                                                                                                                                                                                                                                                                                                                    |
| <b>Group:</b>          | GSM_L3_MS_v4200/General/                                                                                                                                                                                                                                                                                                                                                                                                                                                                                                                                                                                                                                                   |
| <b>Purpose:</b>        | <p>1. To verify that the MS, for the case of the Single Numbering Scheme, accepts a SETUP message, where the Information Elements for Bearer Capability and Lower and Higher Layer Compatibility are not present by sending a CALL CONFIRMED message which includes the single or multiple Bearer Capabilities, according to the actual configuration on the MS.</p> <p>This is verified for one Mobile Terminated Bearer Services / Teleservices described in GSM 07.01 and declared as supported by the MS.</p> <p>2. To verify that the MS includes a correctly encoded Repeat Indicator if it includes multiple Bearer Capabilities in the CALL CONFIRMED message.</p> |
| <b>Default:</b>        | OtherEventsFail                                                                                                                                                                                                                                                                                                                                                                                                                                                                                                                                                                                                                                                            |

| Nr | Label | Behaviour Description                                                                                                                                                                                                                                                                                                                                                                                                                                                                                                                                                                                                | Cref                                   | V   | Comments |
|----|-------|----------------------------------------------------------------------------------------------------------------------------------------------------------------------------------------------------------------------------------------------------------------------------------------------------------------------------------------------------------------------------------------------------------------------------------------------------------------------------------------------------------------------------------------------------------------------------------------------------------------------|----------------------------------------|-----|----------|
| 1  |       | START T_guard(300)                                                                                                                                                                                                                                                                                                                                                                                                                                                                                                                                                                                                   |                                        |     |          |
| 2  |       | +CallCfmGen( TSPX_MTBscSvcD,<br>TSPX_MTChRateD)                                                                                                                                                                                                                                                                                                                                                                                                                                                                                                                                                                      |                                        |     | 1.       |
| 3  |       | +IdleUpdated( C_E_default, C_CellA, C_SCH_A,<br>C_BCCH_A_1, C_Immass, C_S0, C_SlotNU,<br>C_SlotNU, C_SlotNU, C_BCC, C_TxInt_5,<br>C_Max_1, C_NECI_0, C_ATT_0, TimingAdv( 0),<br>C_BABR_0, C_cch_1Comb, C_BPM_3,<br>C_T3212_0, C_ci_cellA, C_MCC_1, C_PLMN_1,<br>C_LAC_1, CellOpt_01, CellChDes_Omit,<br>CellChDes_Omit, C_CellReselectHys12,<br>C_MaxPwrLvlG, C_MaxPwrLvlD,<br>BcchFreqLst_45, BcchFreqLst_02,<br>BcchFreqLst_03, BcchFreqLst_04,<br>C_Restablishment, C_BCC, C_NCC,<br>C_Start_Tmsi, TSPX_SDCCH4SubDef,<br>TSPX_CKSNDDef, TSPX_RANDDef, C_arfcnA,<br>C_arfcnAd, TSPX_IMSI, C_Test_nfh,<br>C_NCCP_2) |                                        |     | 2.       |
| 4  |       | +RRmtcallprepare( TimingAdv( 0),<br>TSPX_RANDDef)                                                                                                                                                                                                                                                                                                                                                                                                                                                                                                                                                                    |                                        |     |          |
| 5  |       | !IDL_DatRqSetup                                                                                                                                                                                                                                                                                                                                                                                                                                                                                                                                                                                                      | SetupSnd( TCV_ch,<br>Setup_03( TI_02)) |     | 3.       |
| 6  | L_001 | L?DL_DatInCallCo                                                                                                                                                                                                                                                                                                                                                                                                                                                                                                                                                                                                     | CallCfm(<br>TCV_CallCfm)               | (P) | 4.       |
| 7  | 7     | +PostMainLinkRel(TCV_ch)                                                                                                                                                                                                                                                                                                                                                                                                                                                                                                                                                                                             |                                        |     |          |
| 8  |       | (TCV_Null := OM_CphMd( TCV_ch,<br>CphMod_02, TCV_CphKey))                                                                                                                                                                                                                                                                                                                                                                                                                                                                                                                                                            |                                        |     |          |

|                           |                                                                                                                                                                                                                                                                                                                                                                                                                                                                            |
|---------------------------|----------------------------------------------------------------------------------------------------------------------------------------------------------------------------------------------------------------------------------------------------------------------------------------------------------------------------------------------------------------------------------------------------------------------------------------------------------------------------|
| <b>Detailed Comments:</b> | <ol style="list-style-type: none"> <li>1. To generate a CALL COMKFIRMED based on the required basic service and IXIT parameters, and ask operator to configurate the MS for the required basic service.</li> <li>2. To setup physical channel for BCCH,CCCH and SDCCH4 channels.</li> <li>3. To send a SETUP_PDU without bearer capabilities and lower and higher layer compatibilities.</li> <li>4. To check whether the received CALL COMFIRM PDU is correct.</li> </ol> |
|---------------------------|----------------------------------------------------------------------------------------------------------------------------------------------------------------------------------------------------------------------------------------------------------------------------------------------------------------------------------------------------------------------------------------------------------------------------------------------------------------------------|

## Test Case Dynamic Behaviour

|                        |                                                                                                                                                                                                                                                                                                                                                                                                                                                                                                                                                                                                                                                                                                                                                                                                                                                                                                                                                                                                                                                                                     |
|------------------------|-------------------------------------------------------------------------------------------------------------------------------------------------------------------------------------------------------------------------------------------------------------------------------------------------------------------------------------------------------------------------------------------------------------------------------------------------------------------------------------------------------------------------------------------------------------------------------------------------------------------------------------------------------------------------------------------------------------------------------------------------------------------------------------------------------------------------------------------------------------------------------------------------------------------------------------------------------------------------------------------------------------------------------------------------------------------------------------|
| <b>Test Case Name:</b> | TC_11_3                                                                                                                                                                                                                                                                                                                                                                                                                                                                                                                                                                                                                                                                                                                                                                                                                                                                                                                                                                                                                                                                             |
| <b>Group:</b>          | GSM_L3_MS_v4200/General/                                                                                                                                                                                                                                                                                                                                                                                                                                                                                                                                                                                                                                                                                                                                                                                                                                                                                                                                                                                                                                                            |
| <b>Purpose:</b>        | <p>1. To verify that an MS claiming to not support AOCC and in the outgoing call / U4 call delivered state, on receipt of a CONNECT message containing AOCC information acknowledges the CONNECT message but ignores and does not acknowledge the AOCC information sent within the CONNECT.</p> <p>2. To verify that an MS claiming to not support AOCC and in the outgoing call / U4 call delivered state, on receipt of a FACILITY message containing AOCC information ignores and does not acknowledge the AOCC information contained within the FACILITY.</p> <p>3. To verify that an MS claiming to not support AOCC and in the incoming call / U9 call confirmed state, on receipt of a FACILITY message containing AOCC information ignores and does not acknowledge the AOCC information contained within the FACILITY.</p> <p>4. To verify that an MS claiming to not support AOCC and in the U10 call active state, on receipt of a FACILITY message containing AOCC information ignores and does not acknowledge the AOCC information contained within the FACILITY.</p> |
| <b>Default:</b>        | OtherEventsFail                                                                                                                                                                                                                                                                                                                                                                                                                                                                                                                                                                                                                                                                                                                                                                                                                                                                                                                                                                                                                                                                     |

| Nr | Label      | Behaviour Description                                                                                                                                                                                                                                                                                                                                                                                                                                                                                                                                                     | CRef                                                                     | V   | Comments |
|----|------------|---------------------------------------------------------------------------------------------------------------------------------------------------------------------------------------------------------------------------------------------------------------------------------------------------------------------------------------------------------------------------------------------------------------------------------------------------------------------------------------------------------------------------------------------------------------------------|--------------------------------------------------------------------------|-----|----------|
| 1  |            | START T_guard(600)                                                                                                                                                                                                                                                                                                                                                                                                                                                                                                                                                        |                                                                          |     |          |
| 2  |            | +BasicServiceMO(TSPX_MOBscSvcB, TSPX_MOChRateB)                                                                                                                                                                                                                                                                                                                                                                                                                                                                                                                           |                                                                          |     |          |
| 3  |            | +IdleUpdated( C_E_default, C_CellA, C_SCH_A, C_BCCH_A_1, C_Immass, C_S0, C_SlotNU, C_SlotNU, C_SlotNU, C_BCC, C_TxInt_5, C_Max_1, C_NECl_0, C_ATT_0, TimingAdv( 0), C_BABR_0, C_cch_1Comb, C_BPM_3, C_T3212_0, C_ci_cellA, C_MCC_1, C_PLMN_1, C_LAC_1, CellOpt_01, CellChDes_Omit, CellChDes_Omit, C_CellReselectHys12, C_MaxPwrLvIG, C_MaxPwrLvID, BcchFreqLst_45, BcchFreqLst_02, BcchFreqLst_03, BcchFreqLst_04, C_Restablishment, C_BCC, C_NCC, C_Start_Tmsi, TSPX_SDCCCH4SubDef, TSPX_CKSNDDef, TSPX_RANDDDef, C_arfcnA, C_arfcnAd, TSPX_IMSI, C_Test_nfh, C_NCCP_2) |                                                                          |     |          |
| 4  |            | +CCConfigTCH(TSPX_TCHHSubDef, C_Ass, TSPX_TmSlitDef, TSPX_TscDef, TimingAdv( 0), C_BABR_0, C_cch_1Comb, C_BPM_3, TCV_ChMod.mode, FreqTCH_omit, FreqTCH_omit, C_arfcn_tchA, C_arfcn_tchAd)                                                                                                                                                                                                                                                                                                                                                                                 |                                                                          |     | 1.       |
| 5  |            | +test1                                                                                                                                                                                                                                                                                                                                                                                                                                                                                                                                                                    |                                                                          |     | 2.       |
| 6  |            | +test2                                                                                                                                                                                                                                                                                                                                                                                                                                                                                                                                                                    |                                                                          |     | 3.       |
| 7  |            | +test3                                                                                                                                                                                                                                                                                                                                                                                                                                                                                                                                                                    |                                                                          |     | 4.       |
| 8  |            | +test4                                                                                                                                                                                                                                                                                                                                                                                                                                                                                                                                                                    |                                                                          |     | 5.       |
| 9  |            | <b>test1</b>                                                                                                                                                                                                                                                                                                                                                                                                                                                                                                                                                              |                                                                          |     |          |
| 10 |            | +ltree_estMOcall_U4<br>L?DL_DatRqConn START T_dly(15000)                                                                                                                                                                                                                                                                                                                                                                                                                                                                                                                  | ConnSnd(TCV_chTch, Connect_05(TCV_TI, facilityIEtsndiei(FwdChAdvSS_01))) |     |          |
| 11 |            | L?DL_DatInConnAck                                                                                                                                                                                                                                                                                                                                                                                                                                                                                                                                                         | ConnAckRcv(ConnectAck_02(TCV_TI0))                                       |     |          |
| 12 | L_001<br>8 | L?DL_DatInFac CANCEL T_dly                                                                                                                                                                                                                                                                                                                                                                                                                                                                                                                                                | FacilityRcv(FacilityPdu_05(TCV_TI0))                                     | (F) |          |
| 13 |            | +release( TCV_chTch)                                                                                                                                                                                                                                                                                                                                                                                                                                                                                                                                                      |                                                                          |     |          |
| 14 | L_001<br>9 | ?TIMEOUT T_dly                                                                                                                                                                                                                                                                                                                                                                                                                                                                                                                                                            |                                                                          | (P) |          |
| 15 |            | +release( TCV_chTch)                                                                                                                                                                                                                                                                                                                                                                                                                                                                                                                                                      |                                                                          |     |          |
| 16 | L_002<br>0 | L?DL_DatInFac CANCEL T_dly                                                                                                                                                                                                                                                                                                                                                                                                                                                                                                                                                | FacilityRcv(FacilityPdu_05(TCV_TI0))                                     | (F) |          |
| 17 |            | +release( TCV_chTch)                                                                                                                                                                                                                                                                                                                                                                                                                                                                                                                                                      |                                                                          |     |          |
| 18 | L_002      | ?TIMEOUT T_dly                                                                                                                                                                                                                                                                                                                                                                                                                                                                                                                                                            |                                                                          | (P) |          |



|    |            |                                                                                                                        |                                                                               |     |                         |
|----|------------|------------------------------------------------------------------------------------------------------------------------|-------------------------------------------------------------------------------|-----|-------------------------|
| 19 | 1          | +release( TCV_chTch)                                                                                                   |                                                                               |     |                         |
| 20 |            | <b>test2</b>                                                                                                           |                                                                               |     |                         |
| 21 |            | +ltree_estMOcall_U4                                                                                                    |                                                                               |     |                         |
| 22 | L_002<br>2 | LIDL_DatRqFac START T_dly(15000)                                                                                       | FacilitySnd(TCV_chTch, FacilityPdu_25(TCV_TI, facilityIEtsnd(FwdChAdvSS_01))) |     |                         |
| 23 |            | L?DL_DatInFac CANCEL T_dly                                                                                             | FacilityRcv(FacilityPdu_05(TCV_TIO))                                          | (F) |                         |
| 24 | L_002<br>3 | +release( TCV_chTch)                                                                                                   |                                                                               |     | (P)                     |
| 25 |            | ?TIMEOUT T_dly                                                                                                         |                                                                               |     |                         |
| 26 |            | +release( TCV_chTch)                                                                                                   |                                                                               |     |                         |
| 27 |            | <b>test3</b>                                                                                                           |                                                                               |     |                         |
| 28 |            | +BasicServiceMT( TSPX_MTBscSvcA, TSPX_MTChRateA)                                                                       |                                                                               |     |                         |
| 29 |            | +RRmtcallprepare( TimingAdv( 0), TSPX_RANDDef)                                                                         |                                                                               |     |                         |
| 30 |            | LIDL_DatRqSetup (TCV_TI.ti_f := '0'B, TCV_TI.ti_v := '000'B)                                                           | SetupSnd(TCV_ch, TCV_Setup_mt)                                                |     |                         |
| 31 | L_002<br>4 | L?DL_DatInCallCo                                                                                                       | CallCfm(CallConfirm_01(TI_01))                                                |     |                         |
| 32 |            | LIDL_DatRqFac START T_dly(15000)                                                                                       | FacilitySnd(TCV_ch, FacilityPdu_25(TI_02, facilityIEtsnd(FwdChAdvSS_01)))     |     |                         |
| 33 | L_002<br>5 | L?DL_DatInFac CANCEL T_dly                                                                                             | FacilityRcv(FacilityPdu_05(TI_01))                                            | (F) |                         |
| 34 |            | +release( TCV_ch)                                                                                                      |                                                                               |     | (P)                     |
| 35 |            | ?TIMEOUT T_dly                                                                                                         |                                                                               |     |                         |
| 36 |            | +release( TCV_ch)                                                                                                      |                                                                               |     |                         |
| 37 |            | <b>test4</b>                                                                                                           |                                                                               |     |                         |
| 38 |            | +BasicServiceMO( TSPX_MOBscSvcB, TSPX_MOChRateB)                                                                       |                                                                               |     |                         |
| 39 |            | +Est_MO_Call( TimingAdv( 0), TCV_ChRate, TSPX_RANDDef, TSPX_SDCCH4SubDef, TSPX_TmSltDef, TSPX_TscDef, TSPX_TCHHSubDef) |                                                                               |     |                         |
| 40 |            | LIDL_DatRqFac START T_dly(15000)                                                                                       | FacilitySnd(TCV_chTch, FacilityPdu_25(TCV_TI, facilityIEtsnd(FwdChAdvSS_01))) |     |                         |
| 41 | L_002<br>6 | L?DL_DatInFac CANCEL T_dly                                                                                             | FacilityRcv(FacilityPdu_05(TCV_TIO))                                          | (F) |                         |
| 42 |            | +PostMainLinkRel(TCV_chTch)                                                                                            |                                                                               |     |                         |
| 43 | L_002<br>7 | ?TIMEOUT T_dly                                                                                                         |                                                                               |     | (P)                     |
| 44 |            | +PostMainLinkRel(TCV_chTch)                                                                                            |                                                                               |     |                         |
| 45 |            | <b>release( ch: LOGICCH)</b>                                                                                           |                                                                               |     |                         |
| 46 |            | +PostMainLinkRel( ch)                                                                                                  |                                                                               |     |                         |
| 47 |            | (TCV_Null := OM_CphMd( TCV_ch, CphMod_02, TCV_CphKey))                                                                 |                                                                               |     |                         |
| 48 |            | <b>ltree_estMOcall_U4</b>                                                                                              |                                                                               |     |                         |
| 49 |            | +InitCall( TCV_Service)                                                                                                |                                                                               |     |                         |
| 50 |            | L?DL_RaInChRq ( TCV_Rr := DL_RaInChRq, msg.ecau_rfr, TCV_Fn := DL_RaInChRq.fn)                                         | ChReq(ChRequest_15)                                                           |     |                         |
| 51 |            | ACTIVATE( OtherEventsFail_02)                                                                                          |                                                                               |     |                         |
|    |            |                                                                                                                        |                                                                               |     | To match ChReq retrans. |

|    |                                                                                            |                                                                                                                                                 |                        |
|----|--------------------------------------------------------------------------------------------|-------------------------------------------------------------------------------------------------------------------------------------------------|------------------------|
| 47 | LIDL_UdatRqImm                                                                             | ImmAss( TCV_agch,<br>ImmAsgn_01Def(<br>TCV_Rr, TCV_Fn,<br>TSPX_SDCCH4SubD<br>ef, TCV_slot,<br>TCV_tsc,<br>TCV_chdescr_arfcn,<br>TimingAdv( 0))) |                        |
| 48 | L?DL_EstInCmsRq                                                                            | CMSerReq(<br>CMServiceReq_01)                                                                                                                   |                        |
| 49 | ACTIVATE( OtherEventsFail)                                                                 |                                                                                                                                                 | Restore Normal default |
| 50 | +Authentication( TCV_ch,<br>TSPX_CKSNDDef, TSPX_RANDDef)                                   |                                                                                                                                                 |                        |
| 51 | +Cipherring_on( TCV_ch)                                                                    |                                                                                                                                                 |                        |
| 52 | +RcvSetupOrEsetup(<br>TCV_Setup_mo, TCV_Esetup,<br>TCV_Ecall)                              |                                                                                                                                                 |                        |
| 53 | LIDL_DatRqCallProc                                                                         | CallProc( TCV_ch,<br>TCV_CallProc)                                                                                                              |                        |
| 54 | LIDL_DatRqAlert                                                                            | AlertSnd( TCV_ch,<br>Alerting_01( TCV_TI))                                                                                                      |                        |
| 55 | +AssCmdGen( TCV_cellid,<br>TCV_ChRate, TSPX_TmSlitDef,<br>TSPX_TscDef,<br>TSPX_TCHHSubDef) |                                                                                                                                                 |                        |
| 56 | +AssCh_complete( TCV_ch,<br>TCV_chTch, TCV_AssCmd)                                         |                                                                                                                                                 |                        |

**Detailed Comments:**

1. To setup physical channels for BCCH, CCCH, SDCCH4 and traffic channels.
2. To verify non-supported AOCC information carried by CONNECT message in the case of MO call state U4.
3. To verify non-supported AOCC information carried by FACILITY message in the case of MO call state U4.
4. To verify non-supported AOCC information carried by FACILITY message in the case of MT call state U9.
5. To verify non-supported AOCC information carried by FACILITY message in the case of MO call state U10.

| Test Case Dynamic Behaviour |            |                                                                                                                                                                                                                                                                                                                                                                                                                                                                                                                                                                       |                                |     |          |
|-----------------------------|------------|-----------------------------------------------------------------------------------------------------------------------------------------------------------------------------------------------------------------------------------------------------------------------------------------------------------------------------------------------------------------------------------------------------------------------------------------------------------------------------------------------------------------------------------------------------------------------|--------------------------------|-----|----------|
| <b>Test Case Name:</b>      |            | TC_11_4                                                                                                                                                                                                                                                                                                                                                                                                                                                                                                                                                               |                                |     |          |
| <b>Group:</b>               |            | GSM_L3_MS_v4200/General/                                                                                                                                                                                                                                                                                                                                                                                                                                                                                                                                              |                                |     |          |
| <b>Purpose:</b>             |            | To verify that an MS claiming to not support the Call Hold supplementary service and in the U10 call active state, reacts in the following manner when the appropriate call hold MMI command is entered: <ul style="list-style-type: none"> <li>- MS fails to put the first call on hold</li> <li>- MS fails to place the second call.</li> <li>- Optionally provides some indication to the user of an error.</li> </ul>                                                                                                                                             |                                |     |          |
| <b>Default:</b>             |            | OtherEvents_01                                                                                                                                                                                                                                                                                                                                                                                                                                                                                                                                                        |                                |     |          |
| <b>Comments:</b>            |            | other irrelevant messages will be discarded by the default tree.                                                                                                                                                                                                                                                                                                                                                                                                                                                                                                      |                                |     |          |
| Nr                          | Label      | Behaviour Description                                                                                                                                                                                                                                                                                                                                                                                                                                                                                                                                                 | CRef                           | V   | Comments |
| 1                           |            | START T_guard(300)                                                                                                                                                                                                                                                                                                                                                                                                                                                                                                                                                    |                                |     |          |
| 2                           |            | +BasicServiceMO( TSPX_MOBscSvcC, TSPX_MOChRateC)                                                                                                                                                                                                                                                                                                                                                                                                                                                                                                                      |                                |     |          |
| 3                           |            | +IdleUpdated( C_E_default, C_CellA, C_SCH_A, C_BCCH_A_1, C_Immass, C_S0, C_SlotNU, C_SlotNU, C_SlotNU, C_BCC, C_TxInt_5, C_Max_1, C_NECI_0, C_ATT_0, TimingAdv( 0), C_BABR_0, C_cch_1Comb, C_BPM_3, C_T3212_0, C_ci_cellA, C_MCC_1, C_PLMN_1, C_LAC_1, CellOpt_01, CellChDes_Omit, CellChDes_Omit, C_CellReselectHys12, C_MaxPwrLvIG, C_MaxPwrLvID, BcchFreqLst_45, BcchFreqLst_02, BcchFreqLst_03, BcchFreqLst_04, C_Restablishment, C_BCC, C_NCC, C_Start_Tmsi, TSPX_SDCCH4SubDef, TSPX_CKSNDf, TSPX_RANDDef, C_arfcnA, C_arfcnAd, TSPX_IMSI, C_Test_nfh, C_NCCP_2) |                                |     |          |
| 4                           |            | +CCConfigTCH( TSPX_TCHHSubDef, C_Ass, TSPX_TmSlitDef, TSPX_TscDef, TimingAdv( 0), C_BABR_0, C_cch_1Comb, C_BPM_3, TCV_ChMod.mode, FreqTCH_omit, FreqTCH_omit, C_arfcn_tchA, C_arfcn_tchAd)                                                                                                                                                                                                                                                                                                                                                                            |                                |     | 1.       |
| 5                           |            | +Est_MO_Call( TimingAdv( 0), TCV_ChRate, TSPX_RANDDef, TSPX_SDCCH4SubDef, TSPX_TmSlitDef, TSPX_TscDef, TSPX_TCHHSubDef)                                                                                                                                                                                                                                                                                                                                                                                                                                               |                                |     | 2.       |
| 6                           |            | +InitCall(TCV_Service)                                                                                                                                                                                                                                                                                                                                                                                                                                                                                                                                                |                                |     | 3.       |
| 7                           |            | START T_dly( 3000)                                                                                                                                                                                                                                                                                                                                                                                                                                                                                                                                                    |                                |     |          |
| 8                           | L_002<br>8 | L?DL_DatInHold CANCEL T_dly                                                                                                                                                                                                                                                                                                                                                                                                                                                                                                                                           | HoldRcv( Holdpdu_01( TCV_TIO)) | (F) | 4.       |
| 9                           |            | +PostMainLinkRel( TCV_chTch)                                                                                                                                                                                                                                                                                                                                                                                                                                                                                                                                          |                                |     |          |
| 10                          | L_002<br>9 | ?TIMEOUT T_dly                                                                                                                                                                                                                                                                                                                                                                                                                                                                                                                                                        |                                | (P) | 5.       |
| 11                          |            | +PostMainLinkRel( TCV_chTch)                                                                                                                                                                                                                                                                                                                                                                                                                                                                                                                                          |                                |     |          |
| <b>Detailed Comments:</b>   |            | <ol style="list-style-type: none"> <li>1. To setup physical channels for BCCH, CCCH, SDCCH4 and traffic channels.</li> <li>2. To bring the MS into U10 state of mobile originating call.</li> <li>3. To enter hold MMI command.</li> <li>4. The MS sends out HOLD message, fail.</li> <li>5. Within 3 seconds there is no HOLD message, pass.</li> </ol>                                                                                                                                                                                                              |                                |     |          |

| Test Case Dynamic Behaviour |       |                                                                                                                                                                                                                                                                                                                                                                                                                                                                                                                                                                                                                      |                                                         |   |          |
|-----------------------------|-------|----------------------------------------------------------------------------------------------------------------------------------------------------------------------------------------------------------------------------------------------------------------------------------------------------------------------------------------------------------------------------------------------------------------------------------------------------------------------------------------------------------------------------------------------------------------------------------------------------------------------|---------------------------------------------------------|---|----------|
| <b>Test Case Name:</b>      |       | TC_11_5                                                                                                                                                                                                                                                                                                                                                                                                                                                                                                                                                                                                              |                                                         |   |          |
| <b>Group:</b>               |       | GSM_L3_MS_v4200/General/                                                                                                                                                                                                                                                                                                                                                                                                                                                                                                                                                                                             |                                                         |   |          |
| <b>Purpose:</b>             |       | To verify that an MS claiming to not support the MultiParty supplementary service and in the U10 call active state with one call and another call on hold, reacts in the following manner when the appropriate MultiParty MMI command is entered:<br>- Fails to combine the three parties in a MultiParty call.<br>- Optionally provides some indication to the user of an error.                                                                                                                                                                                                                                    |                                                         |   |          |
| <b>Default:</b>             |       | OtherEvents_01                                                                                                                                                                                                                                                                                                                                                                                                                                                                                                                                                                                                       |                                                         |   |          |
| <b>Comments:</b>            |       | other irrelevant messages will be discarded by the default tree.                                                                                                                                                                                                                                                                                                                                                                                                                                                                                                                                                     |                                                         |   |          |
| Nr                          | Label | Behaviour Description                                                                                                                                                                                                                                                                                                                                                                                                                                                                                                                                                                                                | CRef                                                    | V | Comments |
| 1                           |       | START T_guard(300)                                                                                                                                                                                                                                                                                                                                                                                                                                                                                                                                                                                                   |                                                         |   |          |
| 2                           |       | +BasicServiceMO(TSPX_MOBscSvcD,<br>TSPX_MOChRateD)                                                                                                                                                                                                                                                                                                                                                                                                                                                                                                                                                                   |                                                         |   |          |
| 3                           |       | +IdleUpdated( C_E_default, C_CellA, C_SCH_A,<br>C_BCCH_A_1, C_Immass, C_S0, C_SlotNU,<br>C_SlotNU, C_SlotNU, C_BCC, C_TxInt_5,<br>C_Max_1, C_NECI_0, C_ATT_0, TimingAdv( 0),<br>C_BABR_0, C_cch_1Comb, C_BPM_3,<br>C_T3212_0, C_ci_cellA, C_MCC_1, C_PLMN_1,<br>C_LAC_1, CellOpt_01, CellChDes_Omit,<br>CellChDes_Omit, C_CellReselectHys12,<br>C_MaxPwrLvIG, C_MaxPwrLvID,<br>BcchFreqLst_45, BcchFreqLst_02,<br>BcchFreqLst_03, BcchFreqLst_04,<br>C_Restablishment, C_BCC, C_NCC,<br>C_Start_Tmsi, TSPX_SDCCH4SubDef,<br>TSPX_CKSNDDef, TSPX_RANDDef, C_arfcnA,<br>C_arfcnAd, TSPX_IMSI, C_Test_nfh,<br>C_NCCP_2) |                                                         |   |          |
| 4                           |       | +CCConfigTCH( TSPX_TCHHSubDef, C_Ass,<br>TSPX_TmSltDef, TSPX_TscDef, TimingAdv( 0),<br>C_BABR_0, C_cch_1Comb, C_BPM_3,<br>TCV_ChMod.mode, FreqTCH_omit,<br>FreqTCH_omit, C_arfcn_tchA, C_arfcn_tchAd)                                                                                                                                                                                                                                                                                                                                                                                                                |                                                         |   | 1.       |
| 5                           |       | +Est_MO_Call( TimingAdv( 0), TCV_ChRate,<br>TSPX_RANDDef, TSPX_SDCCH4SubDef,<br>TSPX_TmSltDef, TSPX_TscDef,<br>TSPX_TCHHSubDef)                                                                                                                                                                                                                                                                                                                                                                                                                                                                                      |                                                         |   | 2.       |
| 6                           |       | +InitCall(TCV_Service)                                                                                                                                                                                                                                                                                                                                                                                                                                                                                                                                                                                               |                                                         |   | 7.       |
| 7                           |       | L?DL_DatInHold                                                                                                                                                                                                                                                                                                                                                                                                                                                                                                                                                                                                       | HoldRcv(<br>Holdpdu_01(<br>TCV_TI0))                    |   |          |
| 8                           |       | LIDL_DatRqHoldAck                                                                                                                                                                                                                                                                                                                                                                                                                                                                                                                                                                                                    | HoldAckSnd(<br>TCV_chTch,<br>HoldAckpdu_01(<br>TCV_TI)) |   |          |
| 9                           |       | L?DL_DatInCmsRq                                                                                                                                                                                                                                                                                                                                                                                                                                                                                                                                                                                                      | CMSerDatReq(<br>CMServiceReq_01)                        |   |          |
| 10                          |       | LIDL_DatRqCmsAcp                                                                                                                                                                                                                                                                                                                                                                                                                                                                                                                                                                                                     | CMSerAcp(<br>TCV_chTch,<br>CMServiceAcp_01)             |   |          |
| 11                          |       | +SetupRcvMo2( SetupInd_01)                                                                                                                                                                                                                                                                                                                                                                                                                                                                                                                                                                                           |                                                         |   |          |
| 12                          |       | +continue                                                                                                                                                                                                                                                                                                                                                                                                                                                                                                                                                                                                            |                                                         |   |          |
| 13                          |       | <b>continue</b><br>LIDL_DatRqCallProc                                                                                                                                                                                                                                                                                                                                                                                                                                                                                                                                                                                | CallProc(TCV_chTch,<br>TCV_CallProc)                    |   |          |
| 14                          |       | LIDL_DatRqAlert                                                                                                                                                                                                                                                                                                                                                                                                                                                                                                                                                                                                      | AlertSnd(<br>TCV_chTch,<br>Alerting_01(<br>TCV_TI2))    |   |          |
| 15                          |       | LIDL_DatRqConn                                                                                                                                                                                                                                                                                                                                                                                                                                                                                                                                                                                                       | ConnSnd(<br>TCV_chTch,<br>Connect_02(<br>TCV_TI2))      |   |          |
| 16                          |       | L?DL_DatInConnAck                                                                                                                                                                                                                                                                                                                                                                                                                                                                                                                                                                                                    | ConnAckRcv(<br>ConnectAck_02(<br>TCV_TI1))              |   | 3.       |
| 17                          |       | (TCV_Null := OO_MptyCall())                                                                                                                                                                                                                                                                                                                                                                                                                                                                                                                                                                                          |                                                         |   | 4.       |
| 18                          |       | START T_dly(3000)                                                                                                                                                                                                                                                                                                                                                                                                                                                                                                                                                                                                    |                                                         |   |          |

|    |            |                             |                                                                                  |     |    |
|----|------------|-----------------------------|----------------------------------------------------------------------------------|-----|----|
| 19 | L_003<br>0 | L?DL_DatInFac CANCEL T_dly  | FacilityRcv(<br>FacilityPdu_26(<br>TCV_TI0,<br>facilityIercv(<br>BldMptySS_01))) | (F) | 5. |
| 20 |            | +PostMainLinkRel(TCV_chTch) |                                                                                  |     |    |
| 21 | L_003<br>1 | L?DL_DatInFac CANCEL T_dly  | FacilityRcv(<br>FacilityPdu_26(<br>TCV_TI1,<br>facilityIercv(<br>BldMptySS_01))) | (F) | 5. |
| 22 |            | +PostMainLinkRel(TCV_chTch) |                                                                                  |     |    |
| 23 | L_003<br>2 | ?TIMEOUT T_dly              |                                                                                  | (P) | 6. |
| 24 |            | +PostMainLinkRel(TCV_chTch) |                                                                                  |     |    |

**Detailed Comments:**

1. To setup physical channels for BCCH, CCCH, SDCCH4 and traffic channels.
2. To bring the MS into U10 state of mobile originating call.
3. The first call is on hold and second call is in active state.
4. To enter MultiParty MMI command.
5. The MS sends out FACILITY message, fail.
6. Within 3 seconds there is no FACILITY message, pass.
7. To initiate the second call.

| Test Case Dynamic Behaviour                                                                                                                                                                                                                                                                                                                                      |            |                                                                                                                                                                                                                                                                                                                                                                                                                                                                                                                                                                                                                      |                                              |     |          |
|------------------------------------------------------------------------------------------------------------------------------------------------------------------------------------------------------------------------------------------------------------------------------------------------------------------------------------------------------------------|------------|----------------------------------------------------------------------------------------------------------------------------------------------------------------------------------------------------------------------------------------------------------------------------------------------------------------------------------------------------------------------------------------------------------------------------------------------------------------------------------------------------------------------------------------------------------------------------------------------------------------------|----------------------------------------------|-----|----------|
| <b>Test Case Name:</b> TC_11_6                                                                                                                                                                                                                                                                                                                                   |            |                                                                                                                                                                                                                                                                                                                                                                                                                                                                                                                                                                                                                      |                                              |     |          |
| <b>Group:</b> GSM_L3_MS_v4200/General/                                                                                                                                                                                                                                                                                                                           |            |                                                                                                                                                                                                                                                                                                                                                                                                                                                                                                                                                                                                                      |                                              |     |          |
| <b>Purpose:</b><br>1. To verify that an MS claiming to not support FDN and that has a SIM with FDN allocated and activated inserted in it refuses an attempt to make an outgoing call made by the user.<br><br>2. To verify that an MS claiming to not support FDN and that has a SIM with FDN allocated and activated inserted in it does not answer to paging. |            |                                                                                                                                                                                                                                                                                                                                                                                                                                                                                                                                                                                                                      |                                              |     |          |
| <b>Default:</b> OtherEventsFail                                                                                                                                                                                                                                                                                                                                  |            |                                                                                                                                                                                                                                                                                                                                                                                                                                                                                                                                                                                                                      |                                              |     |          |
| Nr                                                                                                                                                                                                                                                                                                                                                               | Label      | Behaviour Description                                                                                                                                                                                                                                                                                                                                                                                                                                                                                                                                                                                                | CRef                                         | V   | Comments |
| 1                                                                                                                                                                                                                                                                                                                                                                |            | START T_guard(300)                                                                                                                                                                                                                                                                                                                                                                                                                                                                                                                                                                                                   |                                              |     |          |
| 2                                                                                                                                                                                                                                                                                                                                                                |            | +BasicServiceMO( TSPX_MOBScSvcE,<br>TSPX_MOChRateE)                                                                                                                                                                                                                                                                                                                                                                                                                                                                                                                                                                  |                                              |     |          |
| 3                                                                                                                                                                                                                                                                                                                                                                |            | +IdleUpdated( C_E_default, C_CellA, C_SCH_A,<br>C_BCCH_A_1, C_Immass, C_S0, C_SlotNU,<br>C_SlotNU, C_SlotNU, C_BCC, C_TxInt_5,<br>C_Max_1, C_NECI_0, C_ATT_0, TimingAdv( 0),<br>C_BABR_0, C_cch_1Comb, C_BPM_3,<br>C_T3212_0, C_ci_cellA, C_MCC_1, C_PLMN_1,<br>C_LAC_1, CellOpt_01, CellChDes_Omit,<br>CellChDes_Omit, C_CellReselectHys12,<br>C_MaxPwrLvlG, C_MaxPwrLvlD,<br>BcchFreqLst_45, BcchFreqLst_02,<br>BcchFreqLst_03, BcchFreqLst_04,<br>C_Restablishment, C_BCC, C_NCC,<br>C_Start_Tmsi, TSPX_SDCCH4SubDef,<br>TSPX_CKSNDDef, TSPX_RANDDef, C_arfcnA,<br>C_arfcnAd, TSPX_IMSI, C_Test_nfh,<br>C_NCCP_2) |                                              |     | 1.       |
| 4                                                                                                                                                                                                                                                                                                                                                                |            | (TCV_Null := OO_SIM3Ins())                                                                                                                                                                                                                                                                                                                                                                                                                                                                                                                                                                                           |                                              |     | 2.       |
| 5                                                                                                                                                                                                                                                                                                                                                                |            | +InitCall(TCV_Service)                                                                                                                                                                                                                                                                                                                                                                                                                                                                                                                                                                                               |                                              |     | 3.       |
| 6                                                                                                                                                                                                                                                                                                                                                                |            | START T_dly( 3000)                                                                                                                                                                                                                                                                                                                                                                                                                                                                                                                                                                                                   |                                              |     |          |
| 7                                                                                                                                                                                                                                                                                                                                                                | L_003<br>3 | L?DL_RaChRq CANCEL T_dly                                                                                                                                                                                                                                                                                                                                                                                                                                                                                                                                                                                             | ChReq(<br>ChRequest_02)                      | (F) |          |
| 8                                                                                                                                                                                                                                                                                                                                                                |            | START T_dly( C_T_Wait)                                                                                                                                                                                                                                                                                                                                                                                                                                                                                                                                                                                               |                                              |     | 4.       |
| 9                                                                                                                                                                                                                                                                                                                                                                |            | ?TIMEOUT T_dly                                                                                                                                                                                                                                                                                                                                                                                                                                                                                                                                                                                                       |                                              |     |          |
| 10                                                                                                                                                                                                                                                                                                                                                               |            | +continue                                                                                                                                                                                                                                                                                                                                                                                                                                                                                                                                                                                                            |                                              |     |          |
| 11                                                                                                                                                                                                                                                                                                                                                               | L_003<br>4 | ?TIMEOUT T_dly                                                                                                                                                                                                                                                                                                                                                                                                                                                                                                                                                                                                       |                                              | (P) |          |
| 12                                                                                                                                                                                                                                                                                                                                                               |            | +continue                                                                                                                                                                                                                                                                                                                                                                                                                                                                                                                                                                                                            |                                              |     |          |
| 13                                                                                                                                                                                                                                                                                                                                                               |            | <b>continue</b><br>L!DL_UdatRqPg1Rq (DL_UdatRqPg1Rq.pgg :=<br>TCV_Pgg)                                                                                                                                                                                                                                                                                                                                                                                                                                                                                                                                               | PgReq1(TCV_PgCh,<br>TCV_Pgg,<br>PgReqTp1_01) |     | 5.       |
| 14                                                                                                                                                                                                                                                                                                                                                               |            | START T_dly( 3000)                                                                                                                                                                                                                                                                                                                                                                                                                                                                                                                                                                                                   |                                              |     |          |
| 15                                                                                                                                                                                                                                                                                                                                                               | L_003<br>5 | L?DL_RaChRq CANCEL T_dly                                                                                                                                                                                                                                                                                                                                                                                                                                                                                                                                                                                             | ChReq(<br>ChRequest_02)                      | (F) |          |
| 16                                                                                                                                                                                                                                                                                                                                                               | L_003<br>6 | ?TIMEOUT T_dly                                                                                                                                                                                                                                                                                                                                                                                                                                                                                                                                                                                                       |                                              | (P) | 6.       |
| <b>Detailed Comments:</b>                                                                                                                                                                                                                                                                                                                                        |            |                                                                                                                                                                                                                                                                                                                                                                                                                                                                                                                                                                                                                      |                                              |     |          |
| 1. To setup a physical channel as BCCH, CCCH and SDCCH4.                                                                                                                                                                                                                                                                                                         |            |                                                                                                                                                                                                                                                                                                                                                                                                                                                                                                                                                                                                                      |                                              |     |          |
| 2. To insert the SIM with FDN allocated and activated, the power on the MS.                                                                                                                                                                                                                                                                                      |            |                                                                                                                                                                                                                                                                                                                                                                                                                                                                                                                                                                                                                      |                                              |     |          |
| 3. To attempt an outgoing CM connection.                                                                                                                                                                                                                                                                                                                         |            |                                                                                                                                                                                                                                                                                                                                                                                                                                                                                                                                                                                                                      |                                              |     |          |
| 4. To wait the MS back to idle.                                                                                                                                                                                                                                                                                                                                  |            |                                                                                                                                                                                                                                                                                                                                                                                                                                                                                                                                                                                                                      |                                              |     |          |
| 5. To page the MS.                                                                                                                                                                                                                                                                                                                                               |            |                                                                                                                                                                                                                                                                                                                                                                                                                                                                                                                                                                                                                      |                                              |     |          |
| 6. No CHANNEL REQUEST, pass                                                                                                                                                                                                                                                                                                                                      |            |                                                                                                                                                                                                                                                                                                                                                                                                                                                                                                                                                                                                                      |                                              |     |          |

## Test Group InitialTest

| Test Case Dynamic Behaviour |            |                                                                                                                                                                                                                                                                                                                                                                                                                                                                                                                                                                          |                                        |     |          |
|-----------------------------|------------|--------------------------------------------------------------------------------------------------------------------------------------------------------------------------------------------------------------------------------------------------------------------------------------------------------------------------------------------------------------------------------------------------------------------------------------------------------------------------------------------------------------------------------------------------------------------------|----------------------------------------|-----|----------|
| <b>Test Case Name:</b>      |            | TC_26_2_1_1                                                                                                                                                                                                                                                                                                                                                                                                                                                                                                                                                              |                                        |     |          |
| <b>Group:</b>               |            | GSM_L3_MS_v4200/InitialTest/                                                                                                                                                                                                                                                                                                                                                                                                                                                                                                                                             |                                        |     |          |
| <b>Purpose:</b>             |            | <p>1) To verify that the MS answers to a PAGING message by sending a CHANNEL REQUEST message within 0.7 seconds after reception of the PAGING message.</p> <p>2) To verify that the MS does not always use the same delay between reception of paging message and sending of the CHANNEL REQUEST message. If an MS uses a fixed delay, there is a high probability that different MSs of the same product series use the same delay. There would then be a high risk of collision.</p>                                                                                   |                                        |     |          |
| <b>Default:</b>             |            | OtherEventsFail_01                                                                                                                                                                                                                                                                                                                                                                                                                                                                                                                                                       |                                        |     |          |
| <b>Comments:</b>            |            | The default tree OtherEventsFail_01 throws away any possible retransmitted channel request messages.                                                                                                                                                                                                                                                                                                                                                                                                                                                                     |                                        |     |          |
| Nr                          | Label      | Behaviour Description                                                                                                                                                                                                                                                                                                                                                                                                                                                                                                                                                    | CRef                                   | V   | Comments |
| 1                           |            | START T_guard(1800)                                                                                                                                                                                                                                                                                                                                                                                                                                                                                                                                                      |                                        |     |          |
| 2                           |            | +IdleUpdated( C_E_default, C_CellA, C_SCH_A, C_BCCH_A_1, C_ImmAss, C_S0, C_SlotNU, C_SlotNU, C_SlotNU, C_BCC, C_TxInt_5, C_Max_1, C_NECI_0, C_ATT_0, TimingAdv( 0), C_BABR_0, TSPX_CcchConf1, C_BPM_3, C_T3212_0, C_ci_cellA, C_MCC_1, C_PLMN_1, C_LAC_1, CellOpt_01, CellChDes_Omit, CellChDes_Omit, C_CellReselectHys12, C_MaxPwrLvIG, C_MaxPwrLvID, BcchFreqLst_45, BcchFreqLst_02, BcchFreqLst_03, BcchFreqLst_04, C_Restablishment, C_BCC, C_NCC, C_Start_Tmsi, TSPX_SDCCH4SubDef, TSPX_CKSNDf, TSPX_RANDDef, C_arfcnA, C_arfcnAd, TSPX_IMSI, C_Test_nfh, C_NCCP_2) |                                        |     |          |
| 3                           |            | +localtree                                                                                                                                                                                                                                                                                                                                                                                                                                                                                                                                                               |                                        |     |          |
|                             |            | <b>localtree</b>                                                                                                                                                                                                                                                                                                                                                                                                                                                                                                                                                         |                                        |     |          |
| 4                           |            | (TCV_Cnt :=0)                                                                                                                                                                                                                                                                                                                                                                                                                                                                                                                                                            |                                        |     |          |
| 5                           | body       | REPEAT localtree1 UNTIL [TCV_Cnt = 200]                                                                                                                                                                                                                                                                                                                                                                                                                                                                                                                                  |                                        |     |          |
| 6                           |            | (TCV_Res := OC_SaveAndProc1( TCV_Fk, C_PROC, TCV_Cnt, TCV_Upd))                                                                                                                                                                                                                                                                                                                                                                                                                                                                                                          |                                        |     | 1.       |
| 7                           | L_003<br>7 | [NOT TCV_Res]                                                                                                                                                                                                                                                                                                                                                                                                                                                                                                                                                            |                                        | (F) | 2.       |
| 8                           | L_003<br>8 | [TCV_Res]                                                                                                                                                                                                                                                                                                                                                                                                                                                                                                                                                                |                                        | (P) |          |
|                             |            | <b>localtree1</b>                                                                                                                                                                                                                                                                                                                                                                                                                                                                                                                                                        |                                        |     |          |
| 9                           |            | L!DL_UdatRqPg1Rq                                                                                                                                                                                                                                                                                                                                                                                                                                                                                                                                                         | PgReq1(TCV_PgCh, TCV_Pgg, PgReqTp1_01) |     |          |
| 10                          |            | L?DL_RaInChRq( TCV_Rr := DL_RaInChRq.msg.ecau_rrf, TCV_Fn := DL_RaInChRq.fn)                                                                                                                                                                                                                                                                                                                                                                                                                                                                                             | ChReq( ChRequest_17)                   |     |          |
| 11                          |            | START T_dly( C_T_Wait)                                                                                                                                                                                                                                                                                                                                                                                                                                                                                                                                                   |                                        |     |          |
|                             |            | (TCV_Fn1 := OM_ReturnFn( TCV_PgCh), TCV_Fk := OC_RachSlots( TCV_Fn1, TCV_Fn, TCV_Upd, 0))                                                                                                                                                                                                                                                                                                                                                                                                                                                                                |                                        |     | 4.       |
| 12                          | L_003<br>9 | [TCV_Fk < -9990]                                                                                                                                                                                                                                                                                                                                                                                                                                                                                                                                                         |                                        | (F) | 7.       |
| 13                          |            | (TCV_Cnt := 200)                                                                                                                                                                                                                                                                                                                                                                                                                                                                                                                                                         |                                        |     |          |
| 14                          |            | CANCEL T_dly                                                                                                                                                                                                                                                                                                                                                                                                                                                                                                                                                             |                                        |     |          |
| 15                          |            | [TCV_Fk >= 0]                                                                                                                                                                                                                                                                                                                                                                                                                                                                                                                                                            |                                        |     |          |
| 16                          |            | (TCV_Res := OC_SaveAndProc1( TCV_Fk, C_SAVE, TCV_Cnt, TCV_Upd))                                                                                                                                                                                                                                                                                                                                                                                                                                                                                                          |                                        |     | 5.       |
| 17                          | L_004<br>0 | [NOT TCV_Res]                                                                                                                                                                                                                                                                                                                                                                                                                                                                                                                                                            |                                        | (F) | 6.       |
| 18                          |            | (TCV_Cnt := 200)                                                                                                                                                                                                                                                                                                                                                                                                                                                                                                                                                         |                                        |     |          |
| 19                          |            | CANCEL T_dly                                                                                                                                                                                                                                                                                                                                                                                                                                                                                                                                                             |                                        |     |          |
| 20                          | L_004<br>1 | [TCV_Res]                                                                                                                                                                                                                                                                                                                                                                                                                                                                                                                                                                |                                        | (P) |          |
| 21                          |            | L!DL_UdatRqImmAssRej( TCV_Cnt := TCV_Cnt+1)                                                                                                                                                                                                                                                                                                                                                                                                                                                                                                                              | ImmAssRej( TCV_agch,                   |     |          |

|                                                                                                                                                                                                                                                                                                                                                                                                                                                                                                               |  |                                    |  |
|---------------------------------------------------------------------------------------------------------------------------------------------------------------------------------------------------------------------------------------------------------------------------------------------------------------------------------------------------------------------------------------------------------------------------------------------------------------------------------------------------------------|--|------------------------------------|--|
| 22                                                                                                                                                                                                                                                                                                                                                                                                                                                                                                            |  | ImmAsgnRej_01(<br>TCV_Rr, TCV_Fn)) |  |
| <b>Detailed Comments:</b> <ul style="list-style-type: none"><li>1. To analyse the delay of channel request msg.</li><li>2. The channel request messages are not spread equally.</li><li>3. To get the frame number on which paging request was sent.</li><li>4. To calculate the rach slots between paging request and channel request.</li><li>5. To record the delay of channel request msg.</li><li>6. MS is too slow to answer a paging msg.</li><li>7. Rach TDMA frame mapping is not correct.</li></ul> |  |                                    |  |



| Test Case Dynamic Behaviour |       |                                                                                                                                                                                                                                                                                                                                                                                                                                                                                                                                                                                                                                                                                                                                                                                  |      |   |          |
|-----------------------------|-------|----------------------------------------------------------------------------------------------------------------------------------------------------------------------------------------------------------------------------------------------------------------------------------------------------------------------------------------------------------------------------------------------------------------------------------------------------------------------------------------------------------------------------------------------------------------------------------------------------------------------------------------------------------------------------------------------------------------------------------------------------------------------------------|------|---|----------|
| <b>Test Case Name:</b>      |       | TC_26_2_1_2                                                                                                                                                                                                                                                                                                                                                                                                                                                                                                                                                                                                                                                                                                                                                                      |      |   |          |
| <b>Group:</b>               |       | GSM_L3_MS_v4200/InitialTest/                                                                                                                                                                                                                                                                                                                                                                                                                                                                                                                                                                                                                                                                                                                                                     |      |   |          |
| <b>Purpose:</b>             |       | <p>1) To verify that the MS spreads retransmission of a CHANNEL REQUEST message with equal probability on Tx-Integer time slots and correctly applies the fixed delay when the following conditions apply:</p> <ul style="list-style-type: none"> <li>- the CCCH is combined or not combined with SDCCHs;</li> <li>- the maximum number of retransmissions is equal to one of the following values: 1, 2, 4, 7, according to the value of TSPX_MaxRetrans.</li> <li>- Tx-Integer is put to any of the allowed values among those which are greater or equal to 6, according to the value of TSPX_Txint.</li> </ul> <p>2) To verify that the MS retransmits exactly Max_Retrans times a CHANNEL REQUEST message if the network never responds to the CHANNEL REQUEST message.</p> |      |   |          |
| <b>Default:</b>             |       | OtherEventsFail                                                                                                                                                                                                                                                                                                                                                                                                                                                                                                                                                                                                                                                                                                                                                                  |      |   |          |
| Nr                          | Label | Behaviour Description                                                                                                                                                                                                                                                                                                                                                                                                                                                                                                                                                                                                                                                                                                                                                            | CRef | V | Comments |
| 1                           |       | (TCV_K := ((230 + TSPX_MaxRetrans-1) / TSPX_MaxRetrans), TCV_T := 10 + ((C_T_Wait/ 1000) + 1), TCV_T := (TCV_T * TCV_K) * 2)                                                                                                                                                                                                                                                                                                                                                                                                                                                                                                                                                                                                                                                     |      |   | 1.       |
| 2                           |       | START T_guard(TCV_T)                                                                                                                                                                                                                                                                                                                                                                                                                                                                                                                                                                                                                                                                                                                                                             |      |   |          |
| 3                           |       | (TCV_Cnt1 := 0)                                                                                                                                                                                                                                                                                                                                                                                                                                                                                                                                                                                                                                                                                                                                                                  |      |   |          |
| 4                           |       | REPEAT ltree_main UNTIL [TCV_Cnt1 = 2]                                                                                                                                                                                                                                                                                                                                                                                                                                                                                                                                                                                                                                                                                                                                           |      |   |          |
|                             |       | <b>ltree_main</b>                                                                                                                                                                                                                                                                                                                                                                                                                                                                                                                                                                                                                                                                                                                                                                |      |   |          |
| 5                           |       | [TCV_Cnt1 = 0]                                                                                                                                                                                                                                                                                                                                                                                                                                                                                                                                                                                                                                                                                                                                                                   |      |   |          |
| 6                           |       | +IdleUpdated( C_E_default, C_CellA, C_SCH_A, C_BCCH_A_1, C_Immass, C_S0, C_SlotNU, C_SlotNU, C_SlotNU, C_BCC, TSPX_Txint, TSPX_MaxRetrans, C_NECI_0, C_ATT_0, TimingAdv( 0), C_BABR_0, C_cch_1Comb, C_BPM_3, C_T3212_0, C_ci_cellA, C_MCC_1, C_PLMN_1, C_LAC_1, CellOpt_01, CellChDes_Omit, CellChDes_Omit, C_CellReselectHys12, C_MaxPwrLvlG, C_MaxPwrLvlD, BcchFreqLst_45, BcchFreqLst_02, BcchFreqLst_03, BcchFreqLst_04, C_Restablishment, C_BCC, C_NCC, C_Start_Tmsi, TSPX_SDCCH4SubDef, TSPX_CKSNDf, TSPX_RANDDef, C_arfcnA, C_arfcnAd, TSPX_IMSI, C_Test_nfh, C_NCCP_2)                                                                                                                                                                                                   |      |   |          |
| 7                           |       | (TCV_S := OC_LookupS( TSPX_Txint, TCV_Upd))                                                                                                                                                                                                                                                                                                                                                                                                                                                                                                                                                                                                                                                                                                                                      |      |   | 2.       |
| 8                           |       | +localtree( TCV_Upd)                                                                                                                                                                                                                                                                                                                                                                                                                                                                                                                                                                                                                                                                                                                                                             |      |   |          |
| 9                           |       | (TCV_Cnt1 := TCV_Cnt1 + 1)                                                                                                                                                                                                                                                                                                                                                                                                                                                                                                                                                                                                                                                                                                                                                       |      |   |          |
| 10                          |       | [TCV_Cnt1 = 1]                                                                                                                                                                                                                                                                                                                                                                                                                                                                                                                                                                                                                                                                                                                                                                   |      |   |          |
| 11                          |       | (TCV_slot := C_S0, TCV_tsc := C_BCC, TCV_Upd := C_NotCombined)                                                                                                                                                                                                                                                                                                                                                                                                                                                                                                                                                                                                                                                                                                                   |      |   |          |
| 12                          |       | +NonCombinedBCCH_A( C_E_default, C_MaxPwrLvlG, C_MaxPwrLvlD, C_arfcnA, C_arfcnAd, C_Immass, C_S0, C_BCC, TimingAdv( 0), C_BABR_0, C_cch_1nonComb, C_BPM_3)                                                                                                                                                                                                                                                                                                                                                                                                                                                                                                                                                                                                                       |      |   |          |
| 13                          |       | +SysInfoSending_nfh( C_SCH_A, C_BCCH_A_1, TSPX_Txint, TSPX_MaxRetrans, C_NECI_0, C_ATT_0, C_BABR_0, C_cch_1nonComb, C_BPM_3, C_T3212_0, C_ci_cellA, C_MCC_1, C_PLMN_1, C_LAC_1, CellOpt_01, C_CellReselectHys12, C_MaxPwrLvlG, C_MaxPwrLvlD, BcchFreqLst_45, BcchFreqLst_02, BcchFreqLst_03, BcchFreqLst_04, C_Restablishment, C_BCC, C_NCC, C_NCCP_2)                                                                                                                                                                                                                                                                                                                                                                                                                           |      |   |          |
| 14                          |       | (TCV_Ccd0A := TCV_Ccd0H, TCV_sysinfo5 := TCV_sysinfo5, TCV_sysinfo6 := TCV_sysinfo6)                                                                                                                                                                                                                                                                                                                                                                                                                                                                                                                                                                                                                                                                                             |      |   |          |
| 15                          |       | +Varinit_fix( C_CellA, C_LAC_1, TSPX_SDCCH4SubDef, TSPX_CKSNDf, TSPX_RANDDef, C_arfcnA, C_arfcnAd,                                                                                                                                                                                                                                                                                                                                                                                                                                                                                                                                                                                                                                                                               |      |   |          |

|    |       |                                             |                  |  |        |
|----|-------|---------------------------------------------|------------------|--|--------|
| 16 |       | TCV_Ccd0A, TSPX_IMSI)                       |                  |  |        |
| 17 |       | START T_dly( C_T_Wait)                      |                  |  |        |
| 18 |       | ?TIMEOUT T_dly                              |                  |  |        |
| 19 |       | (TCV_S := OC_LookupS(                       |                  |  | 2.     |
| 20 |       | TSPX_Txint, TCV_Upd))                       |                  |  |        |
|    |       | +localtree( TCV_Upd)                        |                  |  |        |
|    |       | (TCV_Cnt1 := TCV_Cnt1 + 1)                  |                  |  |        |
|    |       | <b>localtree(mode: BOOLEAN)</b>             |                  |  |        |
| 21 |       | (TCV_kcnt := 0, TCV_M :=0)                  |                  |  |        |
| 22 |       | REPEAT localtree1(mode) UNTIL [TCV_kcnt     |                  |  |        |
| 23 |       | =TCV_K]                                     |                  |  |        |
| 24 | L_004 | (TCV_Res :=OC_InRang( TSPX_Txint,           |                  |  | (P)    |
| 25 | 2     | TSPX_MaxRetrans, TCV_M))                    |                  |  |        |
|    | L_004 | [TCV_Res]                                   |                  |  | (F)    |
|    | 3     | [NOT TCV_Res]                               |                  |  |        |
|    |       | <b>localtree1(mode: BOOLEAN)</b>            |                  |  |        |
| 26 |       | L!DL_UdatRqPg1Rq                            | PgReq1(TCV_PgCh, |  | 3.     |
| 27 |       | L?DL_RaInChRq (TCV_Rr := DL_RaInChRq.       | TCV_Pgg,         |  |        |
| 28 |       | msg.ecau_rrf, TCV_Fn1 := DL_RaInChRq.fn)    | PgReqTp1_01)     |  |        |
| 29 |       | (TCV_Cnt :=0)                               | ChReq(           |  |        |
| 30 |       | REPEAT localtree2( mode) UNTIL [TCV_Cnt =   | ChRequest_17)    |  |        |
| 31 |       | TSPX_MaxRetrans]                            |                  |  |        |
| 32 |       | +localtree3                                 |                  |  |        |
|    |       | ?TIMEOUT T_dly                              |                  |  |        |
|    |       | (TCV_kcnt := TCV_kcnt +1)                   |                  |  |        |
|    |       | <b>localtree2(mode: BOOLEAN)</b>            |                  |  |        |
| 33 |       | CANCEL T_dly                                |                  |  |        |
| 34 |       | L?DL_RaInChRq (TCV_Rr := DL_RaInChRq.       | ChReq(           |  |        |
| 35 |       | msg.ecau_rrf, TCV_Fn := DL_RaInChRq.fn)     | ChRequest_17)    |  |        |
|    |       | START T_dly( C_T_Wait)                      |                  |  |        |
| 36 | L_004 | (TCV_Fk := OC_RachSlots( TCV_Fn1, TCV_Fn,   |                  |  | 4.     |
| 37 | 4     | mode, 1), TCV_Fn1 := TCV_Fn, TCV_Cnt :=     |                  |  |        |
| 38 |       | TCV_Cnt+1)                                  |                  |  | (P) 5. |
| 39 |       | [(TCV_Fk >= TCV_S) AND (TCV_Fk <=           |                  |  |        |
| 40 | L_004 | (TCV_S+TSPX_Txint- 1))]                     |                  |  | (F) 6. |
|    | 5     | [TCV_Fk >= ( TCV_S +( TSPX_Txint + 1) / 2)] |                  |  |        |
|    |       | (TCV_M := TCV_M + 1)                        |                  |  |        |
|    |       | [TCV_Fk <( TCV_S +( TSPX_Txint + 1) / 2)]   |                  |  |        |
|    |       | [(TCV_Fk < TCV_S) OR(TCV_Fk >(              |                  |  |        |
|    |       | TCV_S+TSPX_Txint - 1))]                     |                  |  |        |
|    |       | <b>localtree3</b>                           |                  |  |        |
| 41 | L_004 | [TCV_kcnt = TCV_K]                          |                  |  | (P)    |
| 42 | 6     | [TCV_kcnt < TCV_K]                          |                  |  |        |
| 43 |       | L!DL_UdatRqImmRej                           | ImmAssRej(       |  |        |
|    |       |                                             | TCV_agch,        |  |        |
|    |       |                                             | ImmAsgnRej_02(   |  |        |
|    |       |                                             | TCV_Rr, TCV_Fn)) |  |        |

**Detailed Comments:**

1. To setup the timeout value for guard timer, each excuton of one sequence= 10s.
2. To generate the required parameters.
3. To start the measuring.
4. To get the number of the CCCH RACH slots between the moment where the last CHANNEL REQUEST received and the reception of the new CHANNEL REQUEST.
5. The f(i, k) is in the set {S, S+1, ...S+T-1}.
6. The f(i, k) is not in the set {S, S+1, ...S+T-1}, fail.

| Test Case Dynamic Behaviour |            |                                                                                                                                                                                                                                                                                                                                                                                                                                                                                                                                                                          |                                        |   |          |
|-----------------------------|------------|--------------------------------------------------------------------------------------------------------------------------------------------------------------------------------------------------------------------------------------------------------------------------------------------------------------------------------------------------------------------------------------------------------------------------------------------------------------------------------------------------------------------------------------------------------------------------|----------------------------------------|---|----------|
| <b>Test Case Name:</b>      |            | TC_26_2_1_3                                                                                                                                                                                                                                                                                                                                                                                                                                                                                                                                                              |                                        |   |          |
| <b>Group:</b>               |            | GSM_L3_MS_v4200/InitialTest/                                                                                                                                                                                                                                                                                                                                                                                                                                                                                                                                             |                                        |   |          |
| <b>Purpose:</b>             |            | To verify that an MS produces different random references for a CHANNEL REQUEST. If a MS always produces the same random reference, it makes possible that different MSs of the same product series produce the same random reference.                                                                                                                                                                                                                                                                                                                                   |                                        |   |          |
| <b>Default:</b>             |            | OtherEventsFail                                                                                                                                                                                                                                                                                                                                                                                                                                                                                                                                                          |                                        |   |          |
| Nr                          | Label      | Behaviour Description                                                                                                                                                                                                                                                                                                                                                                                                                                                                                                                                                    | CRef                                   | V | Comments |
| 1                           |            | START T_guard(360)                                                                                                                                                                                                                                                                                                                                                                                                                                                                                                                                                       |                                        |   |          |
| 2                           |            | +IdleUpdated( C_E_default, C_CellA, C_SCH_A, C_BCCH_A_1, C_Immass, C_S0, C_SlotNU, C_SlotNU, C_SlotNU, C_BCC, C_TxInt_5, C_Max_1, C_NECI_0, C_ATT_0, TimingAdv( 0), C_BABR_0, C_cch_1nonComb, C_BPM_3, C_T3212_1, C_ci_cellA, C_MCC_1, C_PLMN_1, C_LAC_1, CellOpt_01, CellChDes_Omit, CellChDes_Omit, C_CellReselectHys12, C_MaxPwrLvIG, C_MaxPwrLvID, BcchFreqLst_45, BcchFreqLst_02, BcchFreqLst_03, BcchFreqLst_04, C_Restablishment, C_BCC, C_NCC, C_Start_Tmsi, TSPX_SDCCH4SubDef, TSPX_CKSNDf, TSPX_RANDDef, C_arfcnA, C_arfcnAd, TSPX_IMSI, C_Test_nfh, C_NCCP_2) |                                        |   |          |
| 3                           |            | +localtree                                                                                                                                                                                                                                                                                                                                                                                                                                                                                                                                                               |                                        |   |          |
|                             |            | <b>localtree</b>                                                                                                                                                                                                                                                                                                                                                                                                                                                                                                                                                         |                                        |   |          |
| 4                           |            | (TCV_Cnt := 0)                                                                                                                                                                                                                                                                                                                                                                                                                                                                                                                                                           |                                        |   |          |
| 5                           | body       | REPEAT localtree1 UNTIL [TCV_Cnt = 7]                                                                                                                                                                                                                                                                                                                                                                                                                                                                                                                                    |                                        |   |          |
| 6                           |            | (TCV_Res := OC_SaveAndProc3( TCV_Rr, C_PROC, TCV_Cnt))                                                                                                                                                                                                                                                                                                                                                                                                                                                                                                                   |                                        |   | 1.       |
| 7                           | L_004<br>7 | [TCV_Res]                                                                                                                                                                                                                                                                                                                                                                                                                                                                                                                                                                |                                        | P |          |
| 8                           | L_004<br>8 | [NOT TCV_Res]                                                                                                                                                                                                                                                                                                                                                                                                                                                                                                                                                            |                                        | F | 2.       |
|                             |            | <b>localtree1</b>                                                                                                                                                                                                                                                                                                                                                                                                                                                                                                                                                        |                                        |   |          |
| 9                           |            | L!DL_UdatRqPg1Rq                                                                                                                                                                                                                                                                                                                                                                                                                                                                                                                                                         | PgReq1(TCV_PgCh, TCV_Pgg, PgReqTp1_01) |   |          |
| 10                          |            | L?DL_RaInChRq (TCV_Rr := DL_RaInChRq.msg.ecau_rrf)                                                                                                                                                                                                                                                                                                                                                                                                                                                                                                                       | ChReq( ChRequest_17)                   |   |          |
| 11                          |            | (TCV_Null := OC_SaveAndProc3( TCV_Rr, C_SAVE, TCV_Cnt))                                                                                                                                                                                                                                                                                                                                                                                                                                                                                                                  |                                        |   | 3.       |
| 12                          |            | L?DL_RaInChRq                                                                                                                                                                                                                                                                                                                                                                                                                                                                                                                                                            | ChReq( ChRequest_17)                   |   | 4.       |
| 13                          |            | START T_dly( C_T_Wait)                                                                                                                                                                                                                                                                                                                                                                                                                                                                                                                                                   |                                        |   | 5.       |
| 14                          |            | (TCV_Cnt := TCV_Cnt+1)                                                                                                                                                                                                                                                                                                                                                                                                                                                                                                                                                   |                                        |   |          |
| 15                          |            | ?TIMEOUT T_dly                                                                                                                                                                                                                                                                                                                                                                                                                                                                                                                                                           |                                        |   |          |
| <b>Detailed Comments:</b>   |            | <ol style="list-style-type: none"> <li>1. To analyse the distribution of the random references.</li> <li>2. The random references are not randomly distributed.</li> <li>3. To record the random reference.</li> <li>4. The MS retransmits the channel request once more.</li> <li>5. To wait long enough to guarantee that the MS is in service.</li> </ol>                                                                                                                                                                                                             |                                        |   |          |

## Test Case Dynamic Behaviour

**Test Case Name:** TC\_26\_2\_2  
**Group:** GSM\_L3\_MS\_v4200/InitialTest/  
**Purpose:** 1) To verify that the MS correctly performs IMSI detach/attach procedures when it is required by the network and upon deactivation/activation or SIM removal/insertion and does not perform these procedures when not required.  
 2) To verify that the mobile station acknowledges a re-allocated TMSI during IMSI attach.

**Default:** OtherEventsFail

| Nr | Label | Behaviour Description                                                                                                                                                                                                                                                                                                                                                                                                                                                                                                                                                 | CRef | V | Comments |
|----|-------|-----------------------------------------------------------------------------------------------------------------------------------------------------------------------------------------------------------------------------------------------------------------------------------------------------------------------------------------------------------------------------------------------------------------------------------------------------------------------------------------------------------------------------------------------------------------------|------|---|----------|
| 1  |       | START T_guard(300)                                                                                                                                                                                                                                                                                                                                                                                                                                                                                                                                                    |      |   |          |
| 2  |       | +IdleUpdated( C_E_default, C_CellA, C_SCH_A, C_BCCH_A_1, C_Immass, C_S0, C_SlotNU, C_SlotNU, C_SlotNU, C_BCC, C_TxInt_5, C_Max_1, C_NECI_0, C_ATT_0, TimingAdv( 0), C_BABR_0, C_cch_1Comb, C_BPM_3, C_T3212_0, C_ci_cellA, C_MCC_1, C_PLMN_1, C_LAC_1, CellOpt_01, CellChDes_Omit, CellChDes_Omit, C_CellReselectHys12, C_MaxPwrLvlG, C_MaxPwrLvlD, BcchFreqLst_45, BcchFreqLst_02, BcchFreqLst_03, BcchFreqLst_04, C_Restablishment, C_BCC, C_NCC, C_Start_Tmsi, TSPX_SDCCH4SubDef, TSPX_CKSNDf, TSPX_RANDDef, C_arfcnA, C_arfcnAd, TSPX_IMSI, C_Test_nfh, C_NCCP_2) |      |   |          |
| 3  | body  | +procedure1                                                                                                                                                                                                                                                                                                                                                                                                                                                                                                                                                           |      |   |          |
| 4  |       | +procedure2                                                                                                                                                                                                                                                                                                                                                                                                                                                                                                                                                           |      |   |          |
| 5  |       | +SetATT( C_TxInt_5, C_Max_1, C_ATT_1, C_NECI_0, C_BABR_0, C_cch_1Comb, C_BPM_3, C_T3212_0, C_MCC_1, C_PLMN_1, C_LAC_1)                                                                                                                                                                                                                                                                                                                                                                                                                                                |      |   | 1.       |
| 6  |       | +procedures3                                                                                                                                                                                                                                                                                                                                                                                                                                                                                                                                                          |      |   |          |
| 7  |       | +procedures4                                                                                                                                                                                                                                                                                                                                                                                                                                                                                                                                                          |      |   |          |
| 8  |       | <b>procedure1</b><br>+ImsiDetachNoReaction( 5000, C_SIMIn)                                                                                                                                                                                                                                                                                                                                                                                                                                                                                                            |      |   | 2.       |
| 9  |       | +ImsiAttachNoReaction( 30000, C_SIMIn)                                                                                                                                                                                                                                                                                                                                                                                                                                                                                                                                |      |   | 4.       |
| 10 |       | <b>procedure2</b><br>[TSPC_SIMRmv]                                                                                                                                                                                                                                                                                                                                                                                                                                                                                                                                    |      |   |          |
| 11 |       | (TCV_Null :=OO_SIMRmv())                                                                                                                                                                                                                                                                                                                                                                                                                                                                                                                                              |      |   | 6.       |
| 12 |       | +NoReaction( 5000)                                                                                                                                                                                                                                                                                                                                                                                                                                                                                                                                                    |      |   | 3.       |
| 13 |       | (TCV_Null := OO_SIMIns())                                                                                                                                                                                                                                                                                                                                                                                                                                                                                                                                             |      |   | 7.       |
| 14 |       | +NoReaction( 30000)                                                                                                                                                                                                                                                                                                                                                                                                                                                                                                                                                   |      |   | 5.       |
| 15 |       | [NOT TSPC_SIMRmv]                                                                                                                                                                                                                                                                                                                                                                                                                                                                                                                                                     |      |   |          |
| 16 |       | <b>procedures3</b><br>+MM_PwrOrSimOff(C_SIMIn)                                                                                                                                                                                                                                                                                                                                                                                                                                                                                                                        |      |   |          |
| 17 |       | [(TSPC_DetachOnPwrDn)<br>OR(TSPC_SwitchOnOff)]                                                                                                                                                                                                                                                                                                                                                                                                                                                                                                                        |      |   |          |
| 18 |       | +imsidetach                                                                                                                                                                                                                                                                                                                                                                                                                                                                                                                                                           |      |   |          |
| 19 |       | +MM_PwrOrSimOn(C_SIMIn)                                                                                                                                                                                                                                                                                                                                                                                                                                                                                                                                               |      |   |          |
| 20 |       | +locup( MiTmsi_02iei)                                                                                                                                                                                                                                                                                                                                                                                                                                                                                                                                                 |      |   |          |
| 21 |       | [(NOT TSPC_DetachOnPwrDn) AND(NOT<br>TSPC_SwitchOnOff)]                                                                                                                                                                                                                                                                                                                                                                                                                                                                                                               |      |   |          |
| 22 |       | +MM_PwrOrSimOn(C_SIMIn)                                                                                                                                                                                                                                                                                                                                                                                                                                                                                                                                               |      |   |          |
| 23 |       | +locup( MiTmsi_02iei)                                                                                                                                                                                                                                                                                                                                                                                                                                                                                                                                                 |      |   |          |
| 24 |       | <b>procedures4</b><br>[(TSPC_SIMRmv) AND(TSPC_DetachOnSIMRmv)]                                                                                                                                                                                                                                                                                                                                                                                                                                                                                                        |      |   |          |
| 25 |       | (TCV_Null :=OO_SIMRmv())                                                                                                                                                                                                                                                                                                                                                                                                                                                                                                                                              |      |   |          |
| 26 |       | +imsidetach                                                                                                                                                                                                                                                                                                                                                                                                                                                                                                                                                           |      |   |          |
| 27 |       | (TCV_Null := OO_SIMIns())                                                                                                                                                                                                                                                                                                                                                                                                                                                                                                                                             |      |   |          |
| 28 |       | +locup( MiTmsi_01iei)                                                                                                                                                                                                                                                                                                                                                                                                                                                                                                                                                 |      |   |          |
| 29 |       | [(NOT TSPC_SIMRmv)<br>AND(TSPC_DetachOnPwrDn)]                                                                                                                                                                                                                                                                                                                                                                                                                                                                                                                        |      |   |          |

|    |            |                                                                                                                                                                          |                                                                                                                                                 |     |                         |
|----|------------|--------------------------------------------------------------------------------------------------------------------------------------------------------------------------|-------------------------------------------------------------------------------------------------------------------------------------------------|-----|-------------------------|
| 30 |            | +MM_PwrOrSimOff(C_SIMIn)                                                                                                                                                 |                                                                                                                                                 |     |                         |
| 31 |            | +imsidetach                                                                                                                                                              |                                                                                                                                                 |     |                         |
| 32 |            | +MM_PwrOrSimOn(C_SIMIn)                                                                                                                                                  |                                                                                                                                                 |     |                         |
| 33 |            | +locup( MiTmsi_01iei)                                                                                                                                                    |                                                                                                                                                 |     |                         |
| 34 |            | [[((NOT TSPC_SIMRmv) AND(NOT<br>TSPC_DetachOnPwrDn)) OR((NOT<br>TSPC_DetachOnSIMRmv) AND(TSPC_SIMRmv))<br>OR((NOT TSPC_DetachOnSIMRmv) AND(NOT<br>TSPC_DetachOnPwrDn))]] |                                                                                                                                                 |     |                         |
| 35 |            | +MM_PwrOrSimOff(C_SIMIn)                                                                                                                                                 |                                                                                                                                                 |     |                         |
| 36 |            | +MM_PwrOrSimOn(C_SIMIn)                                                                                                                                                  |                                                                                                                                                 |     |                         |
| 37 |            | +locup( MiTmsi_01iei)                                                                                                                                                    |                                                                                                                                                 |     |                         |
|    |            | <b>activitychk(t: INTEGER)</b>                                                                                                                                           |                                                                                                                                                 |     |                         |
| 38 |            | START T_dly(t)                                                                                                                                                           |                                                                                                                                                 |     |                         |
| 39 | L_004<br>9 | ?TIMEOUT T_dly                                                                                                                                                           |                                                                                                                                                 | (P) |                         |
|    |            | <b>locup( newmi:MI)</b>                                                                                                                                                  |                                                                                                                                                 |     |                         |
| 40 |            | +channelrequest                                                                                                                                                          |                                                                                                                                                 |     |                         |
| 41 |            | L?DL_EstInLupRq                                                                                                                                                          | LocUp( TCV_ch,<br>LocUpdtReq_01(<br>C_imsi_attach))                                                                                             |     | 9.                      |
| 42 |            | ACTIVATE(OtherEventsFail)                                                                                                                                                |                                                                                                                                                 |     | Restore Normal default  |
| 43 |            | LIDL_DatRqLupAcp                                                                                                                                                         | LocAcp( TCV_ch,<br>LocUpdtAcp_01(<br>newmi, C_MCC_1,<br>C_PLMN_1,<br>TCV_lac))                                                                  |     | 10.                     |
| 44 | L_005<br>0 | L?DL_DatInTmsireCom                                                                                                                                                      | TmsiReallocCmp(<br>TCV_ch)                                                                                                                      | (P) |                         |
| 45 |            | +channelrelease                                                                                                                                                          |                                                                                                                                                 |     |                         |
|    |            | <b>imsidetach</b>                                                                                                                                                        |                                                                                                                                                 |     |                         |
| 46 |            | +channelrequest                                                                                                                                                          |                                                                                                                                                 |     |                         |
| 47 | L_005<br>1 | L?DL_EstInImsidIn                                                                                                                                                        | ImsiDet(<br>ImsiDetach_01)                                                                                                                      | (P) | 8.                      |
| 48 |            | ACTIVATE(OtherEventsFail)                                                                                                                                                |                                                                                                                                                 |     | Restore Normal default  |
| 49 |            | +channelrelease                                                                                                                                                          |                                                                                                                                                 |     |                         |
|    |            | <b>channelrequest</b>                                                                                                                                                    |                                                                                                                                                 |     |                         |
| 50 |            | L?DL_RaInChRq (TCV_Rr := DL_RaInChRq.<br>msg.ecau_rrf, TCV_Fn := DL_RaInChRq.fn)                                                                                         | ChReq(<br>ChRequest_02)                                                                                                                         |     |                         |
| 51 |            | ACTIVATE(OtherEventsFail_02)                                                                                                                                             |                                                                                                                                                 |     | To match ChReq retrans. |
| 52 |            | LIDL_UdatRqImmss                                                                                                                                                         | ImmAss( TCV_agch,<br>ImmAsgn_01Def(<br>TCV_Rr, TCV_Fn,<br>TSPX_SDCCH4SubD<br>ef, TCV_slot,<br>TCV_tsc,<br>TCV_chdescr_arfcn,<br>TimingAdv( 0))) |     |                         |
|    |            | <b>channelrelease</b>                                                                                                                                                    |                                                                                                                                                 |     |                         |
| 53 |            | LIDL_DatRqChRel                                                                                                                                                          | ChRel( TCV_ch,<br>ChRelease_01)                                                                                                                 |     |                         |
| 54 |            | L?DL_RelIn                                                                                                                                                               | DLRelInd_01                                                                                                                                     |     |                         |

**Detailed Comments:**

1. To set ATT = 1 for procedures3 and procedures4.
2. To switch off or power down the MS.
3. The test system checks for 5 seconds that MS shall not initiate the IMSI detach procedure.
4. To switch on or power up the MS.
5. The test system checks for 30 seconds that MS shall not initiate the IMSI attach procedure.
6. If possible to remove the SIM.
7. To insert the SIM to the MS under test.
8. The MS initiate IMSI detach procedure.
9. The location updating type shall be IMSI attach
10. To allocate a new TMSI.

| Test Case Dynamic Behaviour |            |                                                                                                                                                                                                                                                                                                                                                                                                                                                                                                                                                                      |                                                                                                                           |     |                         |
|-----------------------------|------------|----------------------------------------------------------------------------------------------------------------------------------------------------------------------------------------------------------------------------------------------------------------------------------------------------------------------------------------------------------------------------------------------------------------------------------------------------------------------------------------------------------------------------------------------------------------------|---------------------------------------------------------------------------------------------------------------------------|-----|-------------------------|
| <b>Test Case Name:</b>      |            | TC_26_2_3                                                                                                                                                                                                                                                                                                                                                                                                                                                                                                                                                            |                                                                                                                           |     |                         |
| <b>Group:</b>               |            | GSM_L3_MS_v4200/InitialTest/                                                                                                                                                                                                                                                                                                                                                                                                                                                                                                                                         |                                                                                                                           |     |                         |
| <b>Purpose:</b>             |            | To verify that V(SD) is correctly set to 0 at the beginning of the establishment of the first RR connection and to verify that the MS handles correctly this variable in the special case of IDENTITY REQUEST messages, which are MM messages.                                                                                                                                                                                                                                                                                                                       |                                                                                                                           |     |                         |
| <b>Default:</b>             |            | OtherEventsFail                                                                                                                                                                                                                                                                                                                                                                                                                                                                                                                                                      |                                                                                                                           |     |                         |
| Nr                          | Label      | Behaviour Description                                                                                                                                                                                                                                                                                                                                                                                                                                                                                                                                                | CRef                                                                                                                      | V   | Comments                |
| 1                           |            | START T_guard(300)                                                                                                                                                                                                                                                                                                                                                                                                                                                                                                                                                   |                                                                                                                           |     |                         |
| 2                           |            | +IdleUpdated( C_E_default, C_CellA, C_SCH_A, C_BCCH_A_1, C_Imm, C_S0, C_SlotNU, C_SlotNU, C_SlotNU, C_BCC, C_TxInt_5, C_Max_1, C_NECI_0, C_ATT_0, TimingAdv( 0), C_BABR_0, C_cch_1Comb, C_BPM_3, C_T3212_0, C_ci_cellA, C_MCC_1, C_PLMN_1, C_LAC_1, CellOpt_01, CellChDes_Omit, CellChDes_Omit, C_CellReselectHys12, C_MaxPwrLvlG, C_MaxPwrLvlD, BcchFreqLst_45, BcchFreqLst_02, BcchFreqLst_03, BcchFreqLst_04, C_Restablishment, C_BCC, C_NCC, C_Start_Tmsi, TSPX_SDCCH4SubDef, TSPX_CKSNDDef, TSPX_RANDDef, C_arfcnA, C_arfcnAd, TSPX_IMSI, C_Test_nfh, C_NCCP_2) |                                                                                                                           |     |                         |
| 3                           | body       | LIDL_UdatRqPg1Rq                                                                                                                                                                                                                                                                                                                                                                                                                                                                                                                                                     | PgReq1(TCV_PgCh, TCV_Pgg, PgReqTp1_01)                                                                                    |     | TMSI paging ...         |
| 4                           |            | L?DL_RacInChRq (TCV_Rr := DL_RacInChRq.msg.ecau_rrf, TCV_Fn := DL_RacInChRq.fn)                                                                                                                                                                                                                                                                                                                                                                                                                                                                                      | ChReq(ChRequest_17)                                                                                                       |     |                         |
| 5                           |            | ACTIVATE(OtherEventsFail_02)                                                                                                                                                                                                                                                                                                                                                                                                                                                                                                                                         |                                                                                                                           |     | To match ChReq retrans. |
| 6                           |            | LIDL_UdatRqImm                                                                                                                                                                                                                                                                                                                                                                                                                                                                                                                                                       | ImmAss( TCV_agch, ImmAsgn_01Def( TCV_Rr, TCV_Fn, TSPX_SDCCH4SubDef, TCV_slot, TCV_tsc, TCV_chdescr_arfcn, TimingAdv( 0))) |     |                         |
| 7                           |            | L?DL_EstInPgRes                                                                                                                                                                                                                                                                                                                                                                                                                                                                                                                                                      | PagingRes(PagingRes_01)                                                                                                   |     |                         |
| 8                           |            | ACTIVATE(OtherEventsFail)                                                                                                                                                                                                                                                                                                                                                                                                                                                                                                                                            |                                                                                                                           |     | Restore Normal default  |
| 9                           |            | LIDL_DatRqIdRq                                                                                                                                                                                                                                                                                                                                                                                                                                                                                                                                                       | IDReq(TCV_ch, IDRequest_01('0001' B))                                                                                     |     |                         |
| 10                          |            | L?DL_DatInIdRes (TCV_Mt := DL_DatInIdRes.msg.mt)                                                                                                                                                                                                                                                                                                                                                                                                                                                                                                                     | IDRes(IDResponse_01)                                                                                                      |     |                         |
| 11                          |            | +check1                                                                                                                                                                                                                                                                                                                                                                                                                                                                                                                                                              |                                                                                                                           |     | 1.                      |
| 12                          |            | (TCV_Cnt := 0)                                                                                                                                                                                                                                                                                                                                                                                                                                                                                                                                                       |                                                                                                                           |     |                         |
| 13                          |            | REPEAT localtree UNTIL [TCV_Cnt = 5]                                                                                                                                                                                                                                                                                                                                                                                                                                                                                                                                 |                                                                                                                           |     |                         |
| 14                          |            | +PostLinkRelEnd( TCV_ch)                                                                                                                                                                                                                                                                                                                                                                                                                                                                                                                                             |                                                                                                                           |     | 3.                      |
|                             |            | <b>localtree</b>                                                                                                                                                                                                                                                                                                                                                                                                                                                                                                                                                     |                                                                                                                           |     |                         |
| 15                          |            | LIDL_DatRqIdRq                                                                                                                                                                                                                                                                                                                                                                                                                                                                                                                                                       | IDReq(TCV_ch, IDRequest_01('0001' B))                                                                                     |     |                         |
| 16                          |            | L?DL_DatInIdRes (TCV_Mt := DL_DatInIdRes.msg.mt)                                                                                                                                                                                                                                                                                                                                                                                                                                                                                                                     | IDRes(IDResponse_01)                                                                                                      |     |                         |
| 17                          |            | +check2                                                                                                                                                                                                                                                                                                                                                                                                                                                                                                                                                              |                                                                                                                           |     |                         |
| 18                          |            | LIDL_DatRqIdRq                                                                                                                                                                                                                                                                                                                                                                                                                                                                                                                                                       | IDReq(TCV_ch, IDRequest_01('0001' B))                                                                                     |     |                         |
| 19                          |            | L?DL_DatInIdRes (TCV_Mt := DL_DatInIdRes.msg.mt)                                                                                                                                                                                                                                                                                                                                                                                                                                                                                                                     | IDRes(IDResponse_01)                                                                                                      |     |                         |
| 20                          | L_005<br>2 | [OC_Bit7(TCV_Mt) = '0'B]                                                                                                                                                                                                                                                                                                                                                                                                                                                                                                                                             |                                                                                                                           | (P) | 1.                      |
| 21                          |            | (TCV_Cnt := TCV_Cnt+1)                                                                                                                                                                                                                                                                                                                                                                                                                                                                                                                                               |                                                                                                                           |     |                         |
| 22                          | L_005<br>3 | [OC_Bit7(TCV_Mt) = '1'B]                                                                                                                                                                                                                                                                                                                                                                                                                                                                                                                                             |                                                                                                                           | (F) |                         |
| 23                          |            | (TCV_Cnt := TCV_Cnt+1)                                                                                                                                                                                                                                                                                                                                                                                                                                                                                                                                               |                                                                                                                           |     |                         |

|                                                                                                                                                                                               |            |                                           |     |    |
|-----------------------------------------------------------------------------------------------------------------------------------------------------------------------------------------------|------------|-------------------------------------------|-----|----|
| 24                                                                                                                                                                                            | L_005<br>4 | <b>check1</b><br>[OC_Bit7(TCV_Mt) = '1'B] | (F) |    |
| 25                                                                                                                                                                                            | L_005<br>5 | [OC_Bit7(TCV_Mt) = '0'B]                  | (P) |    |
|                                                                                                                                                                                               |            | <b>check2</b>                             |     |    |
| 26                                                                                                                                                                                            | L_005<br>6 | [OC_Bit7(TCV_Mt) = '0'B]                  | (F) |    |
| 27                                                                                                                                                                                            | L_005<br>7 | [OC_Bit7(TCV_Mt) = '1'B]                  | (P) | 2. |
| <b>Detailed Comments:</b>                                                                                                                                                                     |            |                                           |     |    |
| <ol style="list-style-type: none"> <li>1. The N(SD) shall be 0.</li> <li>2. The N(SD) shall be 1.</li> <li>3. The test system waits the disconnection of the main signalling link.</li> </ol> |            |                                           |     |    |

| Test Case Dynamic Behaviour |            |                                                                                                                                                                                                                                                                                                                                                                                                                                                                                                                                                                                                                    |                                                               |     |          |
|-----------------------------|------------|--------------------------------------------------------------------------------------------------------------------------------------------------------------------------------------------------------------------------------------------------------------------------------------------------------------------------------------------------------------------------------------------------------------------------------------------------------------------------------------------------------------------------------------------------------------------------------------------------------------------|---------------------------------------------------------------|-----|----------|
| <b>Test Case Name:</b>      |            | TC_26_2_4_1                                                                                                                                                                                                                                                                                                                                                                                                                                                                                                                                                                                                        |                                                               |     |          |
| <b>Group:</b>               |            | GSM_L3_MS_v4200/InitialTest/                                                                                                                                                                                                                                                                                                                                                                                                                                                                                                                                                                                       |                                                               |     |          |
| <b>Purpose:</b>             |            | To verify that the establishment cause sent by the MS in the Max-Retrans+1 CHANNEL REQUEST messages is consistent with the requested service, with the capabilities of the MS and with the indications of the network in the following case:<br>If the MS supports a service on a traffic channel:<br>when the NECI bit is set to 0 and call re-establishment is attempted and the call was established on TCH/H if the MS supports a service on half rate channel or on TCH/F otherwise.                                                                                                                          |                                                               |     |          |
| <b>Default:</b>             |            | OtherEventsFail                                                                                                                                                                                                                                                                                                                                                                                                                                                                                                                                                                                                    |                                                               |     |          |
| Nr                          | Label      | Behaviour Description                                                                                                                                                                                                                                                                                                                                                                                                                                                                                                                                                                                              | CRef                                                          | V   | Comments |
| 1                           |            | START T_guard(300)                                                                                                                                                                                                                                                                                                                                                                                                                                                                                                                                                                                                 |                                                               |     |          |
| 2                           |            | +local_HalfRateSvcOtherwiseFullRate                                                                                                                                                                                                                                                                                                                                                                                                                                                                                                                                                                                |                                                               |     |          |
| 3                           |            | +BasicServiceMO( TCV_Service1,<br>TCV_ChRate1)                                                                                                                                                                                                                                                                                                                                                                                                                                                                                                                                                                     |                                                               |     |          |
| 4                           |            | +IdleUpdated( C_E_default, C_CellA,<br>C_SCH_A, C_BCCH_A_1, C_Immass, C_S0,<br>C_SlotNU, C_SlotNU, C_SlotNU, C_BCC,<br>C_TxInt_5, C_Max_7, C_NECI_0, C_ATT_0,<br>TimingAdv( 0), C_BABR_0, C_cch_1Comb,<br>C_BPM_3, C_T3212_0, C_ci_cellA,<br>C_MCC_1, C_PLMN_1, C_LAC_1, CellOpt_01,<br>CellChDes_Omit, CellChDes_Omit,<br>C_CellReselectHys12, C_MaxPwrLvlG,<br>C_MaxPwrLvlD, BcchFreqLst_45,<br>BcchFreqLst_02, BcchFreqLst_03,<br>BcchFreqLst_04, C_Restablishment, C_BCC,<br>C_NCC, C_Start_Tmsi,<br>TSPX_SDCCH4SubDef, TSPX_CKSNDf,<br>TSPX_RANDDef, C_arfcnA, C_arfcnAd,<br>TSPX_IMSI, C_Test_nfh, C_NCCP_2) |                                                               |     |          |
| 5                           |            | +CCConfigTCH(TSPX_TCHHSubDef, C_Ass,<br>TSPX_TmSlitDef, TSPX_TscDef, TimingAdv(<br>0), C_BABR_0, C_cch_1Comb, C_BPM_3,<br>TCV_ChMod.mode, FreqTCH_omit,<br>FreqTCH_omit, C_arfcn_tchA,<br>C_arfcn_tchAd)                                                                                                                                                                                                                                                                                                                                                                                                           |                                                               | 1.  |          |
| 6                           | body       | +Est_MO_Call( TimingAdv( 0),<br>TCV_ChRate, TSPX_RANDDef,<br>TSPX_SDCCH4SubDef, TSPX_TmSlitDef,<br>TSPX_TscDef, TSPX_TCHHSubDef)                                                                                                                                                                                                                                                                                                                                                                                                                                                                                   |                                                               |     |          |
| 7                           |            | (TCV_Null := OM_Deactivate(<br>TCV_chTch, TCV_sacchTch), TCV_Null<br>:= OM_CphMd( TCV_ch, CphMod_02,<br>TCV_CphKey))                                                                                                                                                                                                                                                                                                                                                                                                                                                                                               |                                                               | 2.  |          |
| 8                           |            | +localtree                                                                                                                                                                                                                                                                                                                                                                                                                                                                                                                                                                                                         |                                                               |     |          |
| 9                           |            | <b>localtree</b><br>(TCV_Cnt :=0)                                                                                                                                                                                                                                                                                                                                                                                                                                                                                                                                                                                  |                                                               |     |          |
| 10                          |            | REPEAT localtree1 UNTIL [TCV_Cnt=7]                                                                                                                                                                                                                                                                                                                                                                                                                                                                                                                                                                                |                                                               |     |          |
| 11                          | L_005<br>8 | L?DL_RaInChRq (TCV_Rr := DL_RaInChRq.<br>msg.ecau_rrf, TCV_Fn := DL_RaInChRq.fn)                                                                                                                                                                                                                                                                                                                                                                                                                                                                                                                                   | ChReq(<br>ChRequest_10)                                       | (P) | 3.       |
| 12                          |            | LIDL_UdatRqImmRej                                                                                                                                                                                                                                                                                                                                                                                                                                                                                                                                                                                                  | ImmAssRej(<br>TCV_agch,<br>ImmAsgnRej_01(<br>TCV_Rr, TCV_Fn)) |     |          |
| 13                          |            | <b>localtree1</b><br>L?DL_RaInChRq                                                                                                                                                                                                                                                                                                                                                                                                                                                                                                                                                                                 | ChReq(<br>ChRequest_10)                                       |     | 3.       |
| 14                          |            | (TCV_Cnt := TCV_Cnt +1)                                                                                                                                                                                                                                                                                                                                                                                                                                                                                                                                                                                            |                                                               |     |          |
| 15                          |            | <b>local_HalfRateSvcOtherwiseFullRate</b><br>(TCV_ChRate1 := C_Half)                                                                                                                                                                                                                                                                                                                                                                                                                                                                                                                                               |                                                               |     |          |
| 16                          |            | [TSPX_MOChRateA = C_Half]                                                                                                                                                                                                                                                                                                                                                                                                                                                                                                                                                                                          |                                                               |     |          |
| 17                          |            | (TCV_Service1 := TSPX_MOBscSvcA)                                                                                                                                                                                                                                                                                                                                                                                                                                                                                                                                                                                   |                                                               |     |          |
| 18                          |            | [TSPX_MOChRateB = C_Half]                                                                                                                                                                                                                                                                                                                                                                                                                                                                                                                                                                                          |                                                               |     |          |
| 19                          |            | (TCV_Service1 := TSPX_MOBscSvcB)                                                                                                                                                                                                                                                                                                                                                                                                                                                                                                                                                                                   |                                                               |     |          |
| 20                          |            | [TSPX_MOChRateC = C_Half]                                                                                                                                                                                                                                                                                                                                                                                                                                                                                                                                                                                          |                                                               |     |          |



|                                                                                                                   |                                                                    |  |  |           |
|-------------------------------------------------------------------------------------------------------------------|--------------------------------------------------------------------|--|--|-----------|
| 21                                                                                                                | (TCV_Service1 := TSPX_MOBscSvcC)                                   |  |  |           |
| 22                                                                                                                | [TSPX_MOChRateD = C_Half]                                          |  |  |           |
| 23                                                                                                                | (TCV_Service1 := TSPX_MOBscSvcD)                                   |  |  |           |
| 24                                                                                                                | [TSPX_MOChRateE = C_Half]                                          |  |  |           |
| 25                                                                                                                | (TCV_Service1 := TSPX_MOBscSvcE)                                   |  |  |           |
| 26                                                                                                                | [TSPX_MOChRateF = C_Half]                                          |  |  |           |
| 27                                                                                                                | (TCV_Service1 := TSPX_MOBscSvcF)                                   |  |  |           |
| 28                                                                                                                | [TSPX_MOChRateG = C_Half]                                          |  |  |           |
| 29                                                                                                                | (TCV_Service1 := TSPX_MOBscSvcG)                                   |  |  |           |
| 30                                                                                                                | [TSPX_MOChRateH = C_Half]                                          |  |  |           |
| 31                                                                                                                | (TCV_Service1 := TSPX_MOBscSvcH)                                   |  |  |           |
| 32                                                                                                                | [TSPX_MOChRateI = C_Half]                                          |  |  |           |
| 33                                                                                                                | (TCV_Service1 := TSPX_MOBscSvcI)                                   |  |  |           |
| 34                                                                                                                | [TSPX_MOChRateJ = C_Half]                                          |  |  |           |
| 35                                                                                                                | (TCV_Service1 := TSPX_MOBscSvcJ)                                   |  |  |           |
| 36                                                                                                                | [C_Yes]                                                            |  |  | otherwise |
| 37                                                                                                                | (TCV_Service1 := TSPX_MOBscSvcA,<br>TCV_ChRate1 := TSPX_MOChRateA) |  |  |           |
| <b>Detailed Comments:</b>                                                                                         |                                                                    |  |  |           |
| 1. To set up a call. The generic call setup procedure is used.                                                    |                                                                    |  |  |           |
| 2. To stop transmission on the channel SACCH.                                                                     |                                                                    |  |  |           |
| 3. The establishment cause shall be '110'B, otherwise the test case fails in the default tree<br>OtherEventsFail. |                                                                    |  |  |           |

### Test Case Dynamic Behaviour

**Test Case Name:** TC\_26\_2\_4\_2  
**Group:** GSM\_L3\_MS\_v4200/InitialTest/  
**Purpose:** To verify that the establishment cause sent by the MS in the Max-Retrans+1 CHANNEL REQUEST messages is consistent with the requested service, with the capabilities of the MS and with the indications of the network in the following case:  
     If the MS supports a service on half rate channel:  
         when the NECL bit is set to 1 and call re-establishment is attempted and the call was established on TCH/H.  
**Default:** OtherEventsFail

| Nr | Label      | Behaviour Description                                                                                                                                                                                                                                                                                                                                                                                                                                                                                                                                                   | CRef                                                          | V   | Comments |
|----|------------|-------------------------------------------------------------------------------------------------------------------------------------------------------------------------------------------------------------------------------------------------------------------------------------------------------------------------------------------------------------------------------------------------------------------------------------------------------------------------------------------------------------------------------------------------------------------------|---------------------------------------------------------------|-----|----------|
| 1  |            | START T_guard(300)                                                                                                                                                                                                                                                                                                                                                                                                                                                                                                                                                      |                                                               |     |          |
| 2  |            | +local_PickupHalfRateSvc                                                                                                                                                                                                                                                                                                                                                                                                                                                                                                                                                |                                                               |     |          |
| 3  |            | +BasicServiceMO( TCV_Service1, C_Half)                                                                                                                                                                                                                                                                                                                                                                                                                                                                                                                                  |                                                               |     |          |
| 4  |            | +IdleUpdated( C_E_default, C_CellA, C_SCH_A, C_BCCH_A_1, C_Immass, C_S0, C_SlotNU, C_SlotNU, C_SlotNU, C_BCC, C_TxInt_5, C_Max_7, C_NECL_1, C_ATT_0, TimingAdv( 0), C_BABR_0, C_cch_1Comb, C_BPM_3, C_T3212_0, C_ci_cellA, C_MCC_1, C_PLMN_1, C_LAC_1, CellOpt_01, CellChDes_Omit, CellChDes_Omit, C_CellReselectHys12, C_MaxPwrLvlG, C_MaxPwrLvlD, BcchFreqLst_45, BcchFreqLst_02, BcchFreqLst_03, BcchFreqLst_04, C_Restablishment, C_BCC, C_NCC, C_Start_Tmsi, TSPX_SDCCH4SubDef, TSPX_CKSNDDef, TSPX_RANDDef, C_arfcnA, C_arfcnAd, TSPX_IMSI, C_Test_nfh, C_NCCP_2) |                                                               |     | 1.       |
| 5  |            | +HalfRateCh_A_1( TSPX_TCHHSubDef, C_Ass, TSPX_TmSlitDef, TSPX_TscDef, ChMod_speech, FreqTCH_omit, FreqTCH_omit, C_arfcn_tchA, C_arfcn_tchAd, TimingAdv( 0), C_BABR_0, C_cch_1Comb, C_BPM_3)                                                                                                                                                                                                                                                                                                                                                                             |                                                               |     |          |
| 6  |            | +ltree_body                                                                                                                                                                                                                                                                                                                                                                                                                                                                                                                                                             |                                                               |     |          |
| 7  |            | <b>ltree_body</b><br>+Est_MO_Call( TimingAdv( 0), C_Half, TSPX_RANDDef, TSPX_SDCCH4SubDef, TSPX_TmSlitDef, TSPX_TscDef, TSPX_TCHHSubDef)                                                                                                                                                                                                                                                                                                                                                                                                                                |                                                               |     | 2.       |
| 8  |            | (TCV_Null := OM_Deactivate( TCV_chTch, TCV_sacchTch), TCV_Null := OM_CphMd( TCV_ch, CphMod_02, TCV_CphKey))                                                                                                                                                                                                                                                                                                                                                                                                                                                             |                                                               |     | 3.       |
| 9  |            | (TCV_Cnt :=0)                                                                                                                                                                                                                                                                                                                                                                                                                                                                                                                                                           |                                                               |     |          |
| 10 |            | REPEAT localtree UNTIL [TCV_Cnt=7]                                                                                                                                                                                                                                                                                                                                                                                                                                                                                                                                      |                                                               |     |          |
| 11 | L_005<br>9 | L?DL_RaInChRq (TCV_Rr := DL_RaInChRq, msg.ecau_rrf, TCV_Fn := DL_RaInChRq.fn)                                                                                                                                                                                                                                                                                                                                                                                                                                                                                           | ChReq(<br>ChRequest_11)                                       | (P) | 4.       |
| 12 |            | L!DL_UdatRqImmAssRej                                                                                                                                                                                                                                                                                                                                                                                                                                                                                                                                                    | ImmAssRej(<br>TCV_agch,<br>ImmAsgnRej_01(<br>TCV_Rr, TCV_Fn)) |     |          |
| 13 |            | <b>localtree</b><br>L?DL_RaInChRq                                                                                                                                                                                                                                                                                                                                                                                                                                                                                                                                       | ChReq(<br>ChRequest_11)                                       |     | 4.       |
| 14 |            | (TCV_Cnt := TCV_Cnt +1)                                                                                                                                                                                                                                                                                                                                                                                                                                                                                                                                                 |                                                               |     |          |
| 15 |            | <b>local_PickupHalfRateSvc</b><br>[TSPX_MOChRateA = C_Half]                                                                                                                                                                                                                                                                                                                                                                                                                                                                                                             |                                                               |     |          |
| 16 |            | (TCV_Service1 := TSPX_MOBscSvcA)                                                                                                                                                                                                                                                                                                                                                                                                                                                                                                                                        |                                                               |     |          |
| 17 |            | [TSPX_MOChRateB = C_Half]                                                                                                                                                                                                                                                                                                                                                                                                                                                                                                                                               |                                                               |     |          |
| 18 |            | (TCV_Service1 := TSPX_MOBscSvcB)                                                                                                                                                                                                                                                                                                                                                                                                                                                                                                                                        |                                                               |     |          |
| 19 |            | [TSPX_MOChRateC = C_Half]                                                                                                                                                                                                                                                                                                                                                                                                                                                                                                                                               |                                                               |     |          |
| 20 |            | (TCV_Service1 := TSPX_MOBscSvcC)                                                                                                                                                                                                                                                                                                                                                                                                                                                                                                                                        |                                                               |     |          |
| 21 |            | [TSPX_MOChRateD = C_Half]                                                                                                                                                                                                                                                                                                                                                                                                                                                                                                                                               |                                                               |     |          |

|                           |            |                                                                                                                                                                                                                                                                                                         |  |   |                      |
|---------------------------|------------|---------------------------------------------------------------------------------------------------------------------------------------------------------------------------------------------------------------------------------------------------------------------------------------------------------|--|---|----------------------|
| 22                        |            | (TCV_Service1 := TSPX_MOBscSvcD)                                                                                                                                                                                                                                                                        |  |   |                      |
| 23                        |            | [TSPX_MOChRateE = C_Half]                                                                                                                                                                                                                                                                               |  |   |                      |
| 24                        |            | (TCV_Service1 := TSPX_MOBscSvcE)                                                                                                                                                                                                                                                                        |  |   |                      |
| 25                        |            | [TSPX_MOChRateF = C_Half]                                                                                                                                                                                                                                                                               |  |   |                      |
| 26                        |            | (TCV_Service1 := TSPX_MOBscSvcF)                                                                                                                                                                                                                                                                        |  |   |                      |
| 27                        |            | [TSPX_MOChRateG = C_Half]                                                                                                                                                                                                                                                                               |  |   |                      |
| 28                        |            | (TCV_Service1 := TSPX_MOBscSvcG)                                                                                                                                                                                                                                                                        |  |   |                      |
| 29                        |            | [TSPX_MOChRateH = C_Half]                                                                                                                                                                                                                                                                               |  |   |                      |
| 30                        |            | (TCV_Service1 := TSPX_MOBscSvcH)                                                                                                                                                                                                                                                                        |  |   |                      |
| 31                        |            | [TSPX_MOChRateI = C_Half]                                                                                                                                                                                                                                                                               |  |   |                      |
| 32                        |            | (TCV_Service1 := TSPX_MOBscSvcI)                                                                                                                                                                                                                                                                        |  |   |                      |
| 33                        |            | [TSPX_MOChRateJ = C_Half]                                                                                                                                                                                                                                                                               |  |   |                      |
| 34                        |            | (TCV_Service1 := TSPX_MOBscSvcJ)                                                                                                                                                                                                                                                                        |  |   |                      |
| 35                        | L_006<br>0 | [C_Yes]                                                                                                                                                                                                                                                                                                 |  | I | no half rate service |
| <b>Detailed Comments:</b> |            | <ol style="list-style-type: none"> <li>1. The NECI = 1.</li> <li>2. To set up a call on the TCH/H by generic call setup procedure.</li> <li>3. To stop transmission on the SACCH.</li> <li>4. The establishment cause shall be '011010'B, otherwise the test case fails in the default tree.</li> </ol> |  |   |                      |

## Test Case Dynamic Behaviour

|                        |                                                                                                                                                                                                                                                                                                                                                                                                                    |
|------------------------|--------------------------------------------------------------------------------------------------------------------------------------------------------------------------------------------------------------------------------------------------------------------------------------------------------------------------------------------------------------------------------------------------------------------|
| <b>Test Case Name:</b> | TC_26_2_4_3                                                                                                                                                                                                                                                                                                                                                                                                        |
| <b>Group:</b>          | GSM_L3_MS_v4200/InitialTest/                                                                                                                                                                                                                                                                                                                                                                                       |
| <b>Purpose:</b>        | To verify that the establishment cause sent by the MS in the Max-Retrans+1 CHANNEL REQUEST messages is consistent with the requested service, with the capabilities of the MS and with the indications of the network in the following case:<br>If the MS supports speech:<br>1. when the NECI bit is set to 0 and a speech call is attempted.<br>2. when the NECI bit is set to 1 and a speech call is attempted. |
| <b>Default:</b>        | OtherEventsFail                                                                                                                                                                                                                                                                                                                                                                                                    |

| Nr | Label      | Behaviour Description                                                                                                                                                                                                                                                                                                                                                                                                                                                                                                                                                                                              | CRef                                                          | V   | Comments |
|----|------------|--------------------------------------------------------------------------------------------------------------------------------------------------------------------------------------------------------------------------------------------------------------------------------------------------------------------------------------------------------------------------------------------------------------------------------------------------------------------------------------------------------------------------------------------------------------------------------------------------------------------|---------------------------------------------------------------|-----|----------|
| 1  |            | START T_guard(300)                                                                                                                                                                                                                                                                                                                                                                                                                                                                                                                                                                                                 |                                                               |     |          |
| 2  |            | +BasicServiceMO( C_Telephony,<br>TSPX_Telephony_Rate)                                                                                                                                                                                                                                                                                                                                                                                                                                                                                                                                                              |                                                               |     |          |
| 3  |            | +IdleUpdated( C_E_default, C_CellA, C_SCH_A,<br>C_BCCH_A_1, C_Immass, C_S0, C_SlotNU,<br>C_SlotNU, C_SlotNU, C_BCC, C_TxInt_5,<br>C_Max_7, C_NECI_0, C_ATT_0, TimingAdv( 0),<br>C_BABR_0, C_cch_1Comb, C_BPM_3,<br>C_T3212_0, C_ci_cellA, C_MCC_1, C_PLMN_1,<br>C_LAC_1, CellOpt_01, CellChDes_Omit,<br>CellChDes_Omit, C_CellReselectHys12,<br>C_MaxPwrLvlG, C_MaxPwrLvlD,<br>BcchFreqLst_45, BcchFreqLst_02,<br>BcchFreqLst_03, BcchFreqLst_04,<br>C_Restablishment, C_BCC, C_NCC,<br>C_Start_Tmsi, TSPX_SDCCH4SubDef,<br>TSPX_CKSNDf, TSPX_RANDDef, C_arfcnA,<br>C_arfcnAd, TSPX_IMSI, C_Test_nfh,<br>C_NCCP_2) |                                                               |     | 1.       |
| 4  | body       | +neci0Behaviour                                                                                                                                                                                                                                                                                                                                                                                                                                                                                                                                                                                                    |                                                               |     |          |
| 5  |            | +SetNECI( C_ATT_0, C_BABR_0,<br>C_cch_1Comb, C_BPM_3, C_T3212_0,<br>C_MCC_1, C_PLMN_1, C_LAC_1)                                                                                                                                                                                                                                                                                                                                                                                                                                                                                                                    |                                                               |     | 2.       |
| 6  |            | +neci1Behaviour                                                                                                                                                                                                                                                                                                                                                                                                                                                                                                                                                                                                    |                                                               |     |          |
| 7  |            | <b>neci0Behaviour</b>                                                                                                                                                                                                                                                                                                                                                                                                                                                                                                                                                                                              |                                                               |     |          |
| 8  |            | +InitCall(TCV_Service)                                                                                                                                                                                                                                                                                                                                                                                                                                                                                                                                                                                             |                                                               |     | 3.       |
| 9  |            | (TCV_Cnt :=0)                                                                                                                                                                                                                                                                                                                                                                                                                                                                                                                                                                                                      |                                                               |     |          |
| 10 | L_006<br>1 | REPEAT localtree1 UNTIL [TCV_Cnt=7]<br>L?DL_RaInChRq (TCV_Rr :=<br>DL_RaInChRq.msg.ecau_rrf, TCV_Fn :=<br>DL_RaInChRq.fn)                                                                                                                                                                                                                                                                                                                                                                                                                                                                                          | ChReq(<br>ChRequest_04)                                       | (P) | 4.       |
| 11 |            | L!DL_UdatRqImmassRej                                                                                                                                                                                                                                                                                                                                                                                                                                                                                                                                                                                               | ImmAssRej(<br>TCV_agch,<br>ImmAsgnRej_01(<br>TCV_Rr, TCV_Fn)) |     |          |
| 12 |            | <b>neci1Behaviour</b>                                                                                                                                                                                                                                                                                                                                                                                                                                                                                                                                                                                              |                                                               |     |          |
| 13 |            | START T_dly(30000)                                                                                                                                                                                                                                                                                                                                                                                                                                                                                                                                                                                                 |                                                               |     | 5.       |
| 14 |            | ?TIMEOUT T_dly                                                                                                                                                                                                                                                                                                                                                                                                                                                                                                                                                                                                     |                                                               |     |          |
| 15 |            | +InitCall(TCV_Service)                                                                                                                                                                                                                                                                                                                                                                                                                                                                                                                                                                                             |                                                               |     | 3.       |
| 16 |            | (TCV_Cnt := 0)                                                                                                                                                                                                                                                                                                                                                                                                                                                                                                                                                                                                     |                                                               |     |          |
| 17 |            | REPEAT localtree2 UNTIL [TCV_Cnt=7]<br>[NOT TSPC_DualRate]                                                                                                                                                                                                                                                                                                                                                                                                                                                                                                                                                         |                                                               |     |          |
| 18 | L_006<br>2 | L?DL_RaInChRq (TCV_Rr :=<br>DL_RaInChRq.msg.ecau_rrf, TCV_Fn<br>:= DL_RaInChRq.fn)                                                                                                                                                                                                                                                                                                                                                                                                                                                                                                                                 | ChReq(<br>ChRequest_04)                                       | (P) | 6.       |
| 19 |            | L!DL_UdatRqImmassRej                                                                                                                                                                                                                                                                                                                                                                                                                                                                                                                                                                                               | ImmAssRej(<br>TCV_agch,<br>ImmAsgnRej_01(<br>TCV_Rr, TCV_Fn)) |     |          |
| 20 |            | [TSPC_DualRate]                                                                                                                                                                                                                                                                                                                                                                                                                                                                                                                                                                                                    |                                                               |     |          |
| 21 | L_006<br>3 | L?DL_RaInChRq (TCV_Rr :=<br>DL_RaInChRq.msg.ecau_rrf, TCV_Fn<br>:= DL_RaInChRq.fn)                                                                                                                                                                                                                                                                                                                                                                                                                                                                                                                                 | ChReq(<br>ChRequest_05)                                       | (P) | 7.       |
| 22 |            | L!DL_UdatRqImmassRej                                                                                                                                                                                                                                                                                                                                                                                                                                                                                                                                                                                               | ImmAssRej(<br>TCV_agch,<br>ImmAsgnRej_01(<br>TCV_Rr, TCV_Fn)) |     |          |

|                                                                                                                                                                                                                                                                                                                                                                                                                                                                                                                   |                                      |                         |    |
|-------------------------------------------------------------------------------------------------------------------------------------------------------------------------------------------------------------------------------------------------------------------------------------------------------------------------------------------------------------------------------------------------------------------------------------------------------------------------------------------------------------------|--------------------------------------|-------------------------|----|
| 23                                                                                                                                                                                                                                                                                                                                                                                                                                                                                                                | <b>localtree1</b><br>L?DL_RaInChRq   | ChReq(<br>ChRequest_04) | 4. |
| 24                                                                                                                                                                                                                                                                                                                                                                                                                                                                                                                | (TCV_Cnt := TCV_Cnt +1)              |                         |    |
| 25                                                                                                                                                                                                                                                                                                                                                                                                                                                                                                                | <b>localtree2</b><br>[TSPC_DualRate] |                         |    |
| 26                                                                                                                                                                                                                                                                                                                                                                                                                                                                                                                | L?DL_RaInChRq                        | ChReq(<br>ChRequest_05) | 7. |
| 27                                                                                                                                                                                                                                                                                                                                                                                                                                                                                                                | (TCV_Cnt := TCV_Cnt +1)              |                         |    |
| 28                                                                                                                                                                                                                                                                                                                                                                                                                                                                                                                | [NOT TSPC_DualRate]                  |                         |    |
| 29                                                                                                                                                                                                                                                                                                                                                                                                                                                                                                                | L?DL_RaInChRq                        | ChReq(<br>ChRequest_04) | 6. |
| 30                                                                                                                                                                                                                                                                                                                                                                                                                                                                                                                | (TCV_Cnt := TCV_Cnt +1)              |                         |    |
| <b>Detailed Comments:</b>                                                                                                                                                                                                                                                                                                                                                                                                                                                                                         |                                      |                         |    |
| <ol style="list-style-type: none"> <li>1. The Max_retrans = 7.</li> <li>2. To set NECI = 1.</li> <li>3. To attempt a speech call.</li> <li>4. The establishment cause shall be '111'B, otherwise the test case fails in the default tree OtherEventsFail.</li> <li>5. The test system waits for 30 seconds.</li> <li>6. The establishment cause shall be '111'B if the MS does not support half rate speech.</li> <li>7. The establishment cause shall be '0100'B if the MS supports half rate speech.</li> </ol> |                                      |                         |    |

## Test Case Dynamic Behaviour

|                        |                                                                                                                                                                                                                                                                                                                                                                                                                                                                                                                                                              |
|------------------------|--------------------------------------------------------------------------------------------------------------------------------------------------------------------------------------------------------------------------------------------------------------------------------------------------------------------------------------------------------------------------------------------------------------------------------------------------------------------------------------------------------------------------------------------------------------|
| <b>Test Case Name:</b> | TC_26_2_4_4                                                                                                                                                                                                                                                                                                                                                                                                                                                                                                                                                  |
| <b>Group:</b>          | GSM_L3_MS_v4200/InitialTest/                                                                                                                                                                                                                                                                                                                                                                                                                                                                                                                                 |
| <b>Purpose:</b>        | To verify that the establishment cause sent by the MS in the Max-Retrans+1 CHANNEL REQUEST messages is consistent with the requested service, with the capabilities of the MS and with the indications of the network in the following case:<br>If the MS supports a data service:<br>1. when the NECI bit is set to 0 and a data call is attempted.<br>2. when the NECI bit is set to 1 and a data call is attempted for a service supported on half rate channel (if the MS does not support any data call on half rate channel any data service is used). |
| <b>Default:</b>        | OtherEventsFail                                                                                                                                                                                                                                                                                                                                                                                                                                                                                                                                              |

| Nr | Label      | Behaviour Description                                                                                                                                                                                                                                                                                                                                                                                                                                                                                                                                                                                                | CRef                                                          | V   | Comments |
|----|------------|----------------------------------------------------------------------------------------------------------------------------------------------------------------------------------------------------------------------------------------------------------------------------------------------------------------------------------------------------------------------------------------------------------------------------------------------------------------------------------------------------------------------------------------------------------------------------------------------------------------------|---------------------------------------------------------------|-----|----------|
| 1  |            | START T_guard(300)                                                                                                                                                                                                                                                                                                                                                                                                                                                                                                                                                                                                   |                                                               |     |          |
| 2  |            | +local_PickupDataService                                                                                                                                                                                                                                                                                                                                                                                                                                                                                                                                                                                             |                                                               |     |          |
| 3  |            | +BasicServiceMO( TCV_Service1,<br>TCV_ChRate1)                                                                                                                                                                                                                                                                                                                                                                                                                                                                                                                                                                       |                                                               |     |          |
| 4  |            | +IdleUpdated( C_E_default, C_CellA,<br>C_SCH_A, C_BCCH_A_1, C_ImmAss, C_S0,<br>C_SlotNU, C_SlotNU, C_SlotNU, C_BCC,<br>C_TxInt_5, C_Max_7, C_NECI_0, C_ATT_0,<br>TimingAdv( 0), C_BABR_0, C_cch_1Comb,<br>C_BPM_3, C_T3212_0, C_ci_cellA,<br>C_MCC_1, C_PLMN_1, C_LAC_1, CellOpt_01,<br>CellChDes_Omit, CellChDes_Omit,<br>C_CellReselectHys12, C_MaxPwrLvIG,<br>C_MaxPwrLvID, BcchFreqLst_45,<br>BcchFreqLst_02, BcchFreqLst_03,<br>BcchFreqLst_04, C_Restablishment, C_BCC,<br>C_NCC, C_Start_Tmsi,<br>TSPX_SDCCH4SubDef, TSPX_CKSNDDef,<br>TSPX_RANDDef, C_arfcnA, C_arfcnAd,<br>TSPX_IMSI, C_Test_nfh, C_NCCP_2) |                                                               |     | 1.       |
| 5  | body       | +neci0Behaviour                                                                                                                                                                                                                                                                                                                                                                                                                                                                                                                                                                                                      |                                                               |     |          |
| 6  |            | +SetNECI( C_ATT_0, C_BABR_0,<br>C_cch_1Comb, C_BPM_3, C_T3212_0,<br>C_MCC_1, C_PLMN_1, C_LAC_1)                                                                                                                                                                                                                                                                                                                                                                                                                                                                                                                      |                                                               |     | 2.       |
| 7  |            | START T_dly( 30000)                                                                                                                                                                                                                                                                                                                                                                                                                                                                                                                                                                                                  |                                                               |     | 3.       |
| 8  |            | ?TIMEOUT T_dly                                                                                                                                                                                                                                                                                                                                                                                                                                                                                                                                                                                                       |                                                               |     |          |
| 9  |            | +neci1Behaviour                                                                                                                                                                                                                                                                                                                                                                                                                                                                                                                                                                                                      |                                                               |     |          |
|    |            | <b>neci0Behaviour</b>                                                                                                                                                                                                                                                                                                                                                                                                                                                                                                                                                                                                |                                                               |     |          |
| 10 |            | +InitCall(TCV_Service)                                                                                                                                                                                                                                                                                                                                                                                                                                                                                                                                                                                               |                                                               |     | 4.       |
| 11 |            | (TCV_Cnt :=0)                                                                                                                                                                                                                                                                                                                                                                                                                                                                                                                                                                                                        |                                                               |     |          |
| 12 |            | REPEAT localtree1 UNTIL [TCV_Cnt=7]                                                                                                                                                                                                                                                                                                                                                                                                                                                                                                                                                                                  |                                                               |     |          |
| 13 | L_006<br>4 | L?DL_RaInChRq (TCV_Rr := DL_RaInChRq.<br>msg.ecau_rrf, TCV_Fn := DL_RaInChRq.fn)                                                                                                                                                                                                                                                                                                                                                                                                                                                                                                                                     | ChReq(<br>ChRequest_04)                                       | (P) | 5.       |
| 14 |            | LIDL_UdatRqImmAssRej                                                                                                                                                                                                                                                                                                                                                                                                                                                                                                                                                                                                 | ImmAssRej(<br>TCV_agch,<br>ImmAsgnRej_01(<br>TCV_Rr, TCV_Fn)) |     |          |
|    |            | <b>neci1Behaviour</b>                                                                                                                                                                                                                                                                                                                                                                                                                                                                                                                                                                                                |                                                               |     |          |
| 15 |            | +InitCall( TCV_Service)                                                                                                                                                                                                                                                                                                                                                                                                                                                                                                                                                                                              |                                                               |     | 6.       |
| 16 |            | (TCV_Cnt := 0)                                                                                                                                                                                                                                                                                                                                                                                                                                                                                                                                                                                                       |                                                               |     |          |
| 17 |            | +local_rcv_ChRq                                                                                                                                                                                                                                                                                                                                                                                                                                                                                                                                                                                                      |                                                               |     |          |
| 18 |            | LIDL_UdatRqImmAssRej                                                                                                                                                                                                                                                                                                                                                                                                                                                                                                                                                                                                 | ImmAssRej(<br>TCV_agch,<br>ImmAsgnRej_01(<br>TCV_Rr, TCV_Fn)) |     |          |
|    |            | <b>local_rcv_ChRq</b>                                                                                                                                                                                                                                                                                                                                                                                                                                                                                                                                                                                                |                                                               |     |          |
| 19 |            | [TSPC_DualRate]                                                                                                                                                                                                                                                                                                                                                                                                                                                                                                                                                                                                      |                                                               |     |          |
| 20 |            | REPEAT localtree2 UNTIL [TCV_Cnt=7]                                                                                                                                                                                                                                                                                                                                                                                                                                                                                                                                                                                  |                                                               |     |          |
| 21 | L_006<br>5 | L?DL_RaInChRq (TCV_Rr := DL_RaInChRq.<br>msg.ecau_rrf, TCV_Fn := DL_RaInChRq.fn)                                                                                                                                                                                                                                                                                                                                                                                                                                                                                                                                     | ChReq(<br>ChRequest_06)                                       | (P) | 7.       |
| 22 |            | [NOT TSPC_DualRate]                                                                                                                                                                                                                                                                                                                                                                                                                                                                                                                                                                                                  |                                                               |     |          |
| 23 |            | REPEAT localtree1 UNTIL [TCV_Cnt=7]                                                                                                                                                                                                                                                                                                                                                                                                                                                                                                                                                                                  |                                                               |     |          |

|    |            |                                                                                                         |                         |     |                 |
|----|------------|---------------------------------------------------------------------------------------------------------|-------------------------|-----|-----------------|
| 24 | L_006<br>6 | L?DL_RaInChRq (TCV_Rr := DL_RaInChRq.<br>msg.ecau_rrf, TCV_Fn := DL_RaInChRq.fn)                        | ChReq(<br>ChRequest_04) | (P) | 5.              |
| 25 |            | <b>localtree1</b><br>L?DL_RaInChRq                                                                      | ChReq(<br>ChRequest_04) |     | 5.              |
| 26 |            | (TCV_Cnt := TCV_Cnt +1)                                                                                 |                         |     |                 |
| 27 |            | <b>localtree2</b><br>L?DL_RaInChRq                                                                      | ChReq(<br>ChRequest_06) |     | 7.              |
| 28 |            | (TCV_Cnt := TCV_Cnt +1)                                                                                 |                         |     |                 |
| 29 |            | <b>local_PickupDataService</b><br>[(TSPX_MOBscSvcA <> C_Telephony)<br>AND(TSPX_MOBscSvcA <> C_EmgCall)] |                         |     |                 |
| 30 |            | (TCV_Service1 := TSPX_MOBscSvcA,<br>TCV_ChRate1 := TSPX_MOChRateA)                                      |                         |     |                 |
| 31 |            | [(TSPX_MOBscSvcB <> C_Telephony)<br>AND(TSPX_MOBscSvcB <> C_EmgCall)]                                   |                         |     |                 |
| 32 |            | (TCV_Service1 := TSPX_MOBscSvcB,<br>TCV_ChRate1 := TSPX_MOChRateB)                                      |                         |     |                 |
| 33 |            | [(TSPX_MOBscSvcC <> C_Telephony)<br>AND(TSPX_MOBscSvcC <> C_EmgCall)]                                   |                         |     |                 |
| 34 |            | (TCV_Service1 := TSPX_MOBscSvcC,<br>TCV_ChRate1 := TSPX_MOChRateC)                                      |                         |     |                 |
| 35 |            | [(TSPX_MOBscSvcD <> C_Telephony)<br>AND(TSPX_MOBscSvcD <> C_EmgCall)]                                   |                         |     |                 |
| 36 |            | (TCV_Service1 := TSPX_MOBscSvcD,<br>TCV_ChRate1 := TSPX_MOChRateD)                                      |                         |     |                 |
| 37 |            | [(TSPX_MOBscSvcE <> C_Telephony)<br>AND(TSPX_MOBscSvcE <> C_EmgCall)]                                   |                         |     |                 |
| 38 |            | (TCV_Service1 := TSPX_MOBscSvcE,<br>TCV_ChRate1 := TSPX_MOChRateE)                                      |                         |     |                 |
| 39 |            | [(TSPX_MOBscSvcF <> C_Telephony)<br>AND(TSPX_MOBscSvcF <> C_EmgCall)]                                   |                         |     |                 |
| 40 |            | (TCV_Service1 := TSPX_MOBscSvcF,<br>TCV_ChRate1 := TSPX_MOChRateF)                                      |                         |     |                 |
| 41 |            | [(TSPX_MOBscSvcG <> C_Telephony)<br>AND(TSPX_MOBscSvcG <> C_EmgCall)]                                   |                         |     |                 |
| 42 |            | (TCV_Service1 := TSPX_MOBscSvcG,<br>TCV_ChRate1 := TSPX_MOChRateG)                                      |                         |     |                 |
| 43 |            | [(TSPX_MOBscSvcH <> C_Telephony)<br>AND(TSPX_MOBscSvcH <> C_EmgCall)]                                   |                         |     |                 |
| 44 |            | (TCV_Service1 := TSPX_MOBscSvcH,<br>TCV_ChRate1 := TSPX_MOChRateH)                                      |                         |     |                 |
| 45 |            | [(TSPX_MOBscSvcI <> C_Telephony)<br>AND(TSPX_MOBscSvcI <> C_EmgCall)]                                   |                         |     |                 |
| 46 |            | (TCV_Service1 := TSPX_MOBscSvcI,<br>TCV_ChRate1 := TSPX_MOChRateI)                                      |                         |     |                 |
| 47 |            | [(TSPX_MOBscSvcJ <> C_Telephony)<br>AND(TSPX_MOBscSvcJ <> C_EmgCall)]                                   |                         |     |                 |
| 48 |            | (TCV_Service1 := TSPX_MOBscSvcJ,<br>TCV_ChRate1 := TSPX_MOChRateJ)                                      |                         |     |                 |
| 49 | L_006<br>7 | [C_Yes]                                                                                                 |                         | I   | no data service |

**Detailed Comments:**

1. The Max\_retrans =7.
2. To set NECl = 1.
3. The test system waits for 30 seconds.
4. To attempt a data call.
5. The establishment cause shall be '111'B, otherwise the test case fails in the default tree OtherEventsFail.
6. To attempt a data call if the MS supports half rate data service.
7. The establishment cause shall be '0101'B, otherwise the test case fails in the default tree OtherEventsFail.
8. To attempt any data call if the MS does not support half rate data service.

**Test Case Dynamic Behaviour**

**Test Case Name:** TC\_26\_2\_4\_5  
**Group:** GSM\_L3\_MS\_v4200/InitialTest/  
**Purpose:** To verify that the establishment cause sent by the MS in the Max-Retrans+1 CHANNEL REQUEST messages is consistent with the requested service, with the capabilities of the MS and with the indications of the network in the following case:

1. when the NECI bit is set to 0 and the MS is paged with the paging indication set to "any channel".
2. when the NECI bit is set to 0 and the MS is paged with the paging indication set to "SDCCH".
3. when the NECI bit is set to 0 and the MS is paged with the paging indication set to "TCH/F".
4. when the NECI bit is set to 0 and the MS is paged with the paging indication set to "TCH/H or TCH/F".

**Default:** OtherEventsFail

| Nr | Label | Behaviour Description                                                                                                                                                                                                                                                                                                                                                                                                                                                                                                                                                   | CRef                                               | V   | Comments |
|----|-------|-------------------------------------------------------------------------------------------------------------------------------------------------------------------------------------------------------------------------------------------------------------------------------------------------------------------------------------------------------------------------------------------------------------------------------------------------------------------------------------------------------------------------------------------------------------------------|----------------------------------------------------|-----|----------|
| 1  |       | START T_guard(300)                                                                                                                                                                                                                                                                                                                                                                                                                                                                                                                                                      |                                                    |     |          |
| 2  |       | +IdleUpdated( C_E_default, C_CellA, C_SCH_A, C_BCCH_A_1, C_Immass, C_S0, C_SlotNU, C_SlotNU, C_SlotNU, C_BCC, C_TxInt_5, C_Max_7, C_NECI_0, C_ATT_0, TimingAdv( 0), C_BABR_0, C_cch_1Comb, C_BPM_3, C_T3212_0, C_ci_cellA, C_MCC_1, C_PLMN_1, C_LAC_1, CellOpt_01, CellChDes_Omit, CellChDes_Omit, C_CellReselectHys12, C_MaxPwrLvlG, C_MaxPwrLvlD, BcchFreqLst_45, BcchFreqLst_02, BcchFreqLst_03, BcchFreqLst_04, C_Restablishment, C_BCC, C_NCC, C_Start_Tmsi, TSPX_SDCCH4SubDef, TSPX_CKSNDDef, TSPX_RANDDef, C_arfcnA, C_arfcnAd, TSPX_IMSI, C_Test_nfh, C_NCCP_2) |                                                    |     |          |
| 3  | body  | +pagingAnyChannel                                                                                                                                                                                                                                                                                                                                                                                                                                                                                                                                                       |                                                    |     |          |
| 4  |       | +pagingSDCCH                                                                                                                                                                                                                                                                                                                                                                                                                                                                                                                                                            |                                                    |     |          |
| 5  |       | +pagingTCHF                                                                                                                                                                                                                                                                                                                                                                                                                                                                                                                                                             |                                                    |     |          |
| 6  |       | +pagingTCHHorTCHF                                                                                                                                                                                                                                                                                                                                                                                                                                                                                                                                                       |                                                    |     |          |
|    |       | <b>pagingAnyChannel</b>                                                                                                                                                                                                                                                                                                                                                                                                                                                                                                                                                 |                                                    |     |          |
| 7  |       | L!DL_UdatRqPg1Rq (TCV_Cnt := 0)                                                                                                                                                                                                                                                                                                                                                                                                                                                                                                                                         | PgReq1(TCV_PgCh, TCV_Pgg, PgReqTp1_01)             |     | 1.       |
| 8  |       | REPEAT localtree1 UNTIL [TCV_Cnt = 7]                                                                                                                                                                                                                                                                                                                                                                                                                                                                                                                                   |                                                    |     |          |
| 9  | L_006 | L?DL_RaInChRq (TCV_Rr := DL_RaInChRq.msg.ecau_rrf, TCV_Fn := DL_RaInChRq.fn)                                                                                                                                                                                                                                                                                                                                                                                                                                                                                            | ChReq(ChRequest_12)                                | (P) | 2.       |
| 10 | 8     | START T_dly( C_T_Wait)                                                                                                                                                                                                                                                                                                                                                                                                                                                                                                                                                  |                                                    |     |          |
|    |       | L!DL_UdatRqImmassRej                                                                                                                                                                                                                                                                                                                                                                                                                                                                                                                                                    | ImmAssRej(TCV_agch, ImmAsgnRej_01(TCV_Rr, TCV_Fn)) |     |          |
|    |       | <b>pagingSDCCH</b>                                                                                                                                                                                                                                                                                                                                                                                                                                                                                                                                                      |                                                    |     |          |
| 11 |       | ?TIMEOUT T_dly                                                                                                                                                                                                                                                                                                                                                                                                                                                                                                                                                          |                                                    |     |          |
| 12 |       | L!DL_UdatRqPg1Rq (TCV_Cnt := 0)                                                                                                                                                                                                                                                                                                                                                                                                                                                                                                                                         | PgReq1(TCV_PgCh, TCV_Pgg, PgReqTp1_02)             |     | 4.       |
| 13 |       | REPEAT localtree2 UNTIL [TCV_Cnt = 7]                                                                                                                                                                                                                                                                                                                                                                                                                                                                                                                                   |                                                    |     |          |
| 14 | L_006 | L?DL_RaInChRq (TCV_Rr := DL_RaInChRq.msg.ecau_rrf, TCV_Fn := DL_RaInChRq.fn)                                                                                                                                                                                                                                                                                                                                                                                                                                                                                            | ChReq(ChRequest_03)                                | (P) | 5.       |
| 15 | 9     | START T_dly( C_T_Wait)                                                                                                                                                                                                                                                                                                                                                                                                                                                                                                                                                  |                                                    |     |          |
|    |       | L!DL_UdatRqImmassRej                                                                                                                                                                                                                                                                                                                                                                                                                                                                                                                                                    | ImmAssRej(TCV_agch, ImmAsgnRej_01(TCV_Rr, TCV_Fn)) |     |          |
|    |       | <b>pagingTCHF</b>                                                                                                                                                                                                                                                                                                                                                                                                                                                                                                                                                       |                                                    |     |          |
| 16 |       | ?TIMEOUT T_dly                                                                                                                                                                                                                                                                                                                                                                                                                                                                                                                                                          |                                                    |     |          |
| 17 |       | L!DL_UdatRqPg1Rq (TCV_Cnt := 0)                                                                                                                                                                                                                                                                                                                                                                                                                                                                                                                                         | PgReq1(TCV_PgCh, TCV_Pgg, PgReqTp1_03)             |     | 6.       |
| 18 |       | REPEAT localtree3 UNTIL [TCV_Cnt = 7]                                                                                                                                                                                                                                                                                                                                                                                                                                                                                                                                   |                                                    |     |          |



|                         |            |                                                                                                            |                                                               |     |     |
|-------------------------|------------|------------------------------------------------------------------------------------------------------------|---------------------------------------------------------------|-----|-----|
| 19                      | L_007<br>0 | L?DL_RaInChRq (TCV_Rr := DL_RaInChRq.<br>msg.ecau_rrf, TCV_Fn := DL_RaInChRq.fn)<br>START T_dly( C_T_Wait) | ChReq(<br>ChRequest_13)                                       | (P) |     |
| 20                      |            | L!DL_UdatRqImmRej                                                                                          | ImmAssRej(<br>TCV_agch,<br>ImmAsgnRej_01(<br>TCV_Rr, TCV_Fn)) |     |     |
| <b>pagingTCHHorTCHF</b> |            |                                                                                                            |                                                               |     |     |
| 21                      |            | ?TIMEOUT T_dly                                                                                             |                                                               |     |     |
| 22                      |            | LIDL_UdatRqPg1Rq (TCV_Cnt := 0)                                                                            | PgReq1(TCV_PgCh,<br>TCV_Pgg,<br>PgReqTp1_04)                  |     | 10. |
| 23                      |            | REPEAT localtree4 UNTIL [TCV_Cnt = 7]                                                                      |                                                               |     |     |
| 24                      | L_007<br>1 | L?DL_RaInChRq (TCV_Rr := DL_RaInChRq.<br>msg.ecau_rrf, TCV_Fn := DL_RaInChRq.fn)                           | ChReq(<br>ChRequest_14)                                       | (P) |     |
| 25                      |            | L!DL_UdatRqImmRej                                                                                          | ImmAssRej(<br>TCV_agch,<br>ImmAsgnRej_01(<br>TCV_Rr, TCV_Fn)) |     |     |
| <b>localtree1</b>       |            |                                                                                                            |                                                               |     |     |
| 26                      | L_007<br>2 | L?DL_RaInChRq                                                                                              | ChReq(<br>ChRequest_12)                                       | (P) | 2.  |
| 27                      |            | (TCV_Cnt := TCV_Cnt + 1)                                                                                   |                                                               |     |     |
| <b>localtree2</b>       |            |                                                                                                            |                                                               |     |     |
| 28                      | L_007<br>3 | L?DL_RaInChRq                                                                                              | ChReq(<br>ChRequest_03)                                       | (P) | 5.  |
| 29                      |            | (TCV_Cnt := TCV_Cnt + 1)                                                                                   |                                                               |     |     |
| <b>localtree3</b>       |            |                                                                                                            |                                                               |     |     |
| 30                      |            | [TCV_CC AND( NOT TSPC_DualRate)]                                                                           |                                                               |     |     |
| 31                      | L_007<br>4 | L?DL_RaInChRq                                                                                              | ChReq(<br>ChRequest_12)                                       | (P) | 7.  |
| 32                      |            | (TCV_Cnt := TCV_Cnt + 1)                                                                                   |                                                               |     |     |
| 33                      |            | [TSPC_DualRate]                                                                                            |                                                               |     |     |
| 34                      | L_007<br>5 | L?DL_RaInChRq                                                                                              | ChReq(<br>ChRequest_07)                                       | (P) | 8.  |
| 35                      |            | (TCV_Cnt := TCV_Cnt + 1)                                                                                   |                                                               |     |     |
| 36                      |            | [TSPC_SDCCHOnly]                                                                                           |                                                               |     |     |
| 37                      | L_007<br>6 | L?DL_RaInChRq                                                                                              | ChReq(<br>ChRequest_03)                                       | (P) | 9.  |
| 38                      |            | (TCV_Cnt := TCV_Cnt + 1)                                                                                   |                                                               |     |     |
| <b>localtree4</b>       |            |                                                                                                            |                                                               |     |     |
| 39                      |            | [TCV_CC AND( NOT TSPC_DualRate)]                                                                           |                                                               |     |     |
| 40                      | L_007<br>7 | L?DL_RaInChRq                                                                                              | ChReq(<br>ChRequest_12)                                       | (P) | 11. |
| 41                      |            | (TCV_Cnt := TCV_Cnt + 1)                                                                                   |                                                               |     |     |
| 42                      |            | [TSPC_DualRate]                                                                                            |                                                               |     |     |
| 43                      | L_007<br>8 | L?DL_RaInChRq                                                                                              | ChReq(<br>ChRequest_08)                                       | (P) | 12. |
| 44                      |            | (TCV_Cnt := TCV_Cnt + 1)                                                                                   |                                                               |     |     |
| 45                      |            | [TSPC_SDCCHOnly]                                                                                           |                                                               |     |     |
| 46                      | L_007<br>9 | L?DL_RaInChRq                                                                                              | ChReq(<br>ChRequest_03)                                       | (P) | 13. |
| 47                      |            | (TCV_Cnt := TCV_Cnt + 1)                                                                                   |                                                               |     |     |

**Detailed Comments:**

1. To send a PAGING REQUEST TYPE1 message with paging indication = any channel.
2. The establishment cause shall be '100'B.
3. The test system waits for 5 seconds.
4. To send a PAGING REQUEST TYPE1 message with paging indication = SDCCH.
5. The establishment cause shall be '0001'B.
6. To send a PAGING REQUEST TYPE1 message with paging indication = TCH/F.
7. The establishment cause shall be '100'B, if the MS capability is full rate only.
8. The establishment cause shall be '0010'B, if the MS capability is dual rate.
9. The establishment cause shall be '0001'B, if the MS capability is SDCCH only.
10. To send a PAGING REQUEST TYPE1 message with paging indication = TCH/H or TCH/F

11. The establishment cause shall be '100'B, if the MS capability is full rate only.
12. The establishment cause shall be '0011'B, if the MS capability is dual rate.
13. The establishment cause shall be '0001'B, if the MS capability is SDCCH only.

| Test Case Dynamic Behaviour |       |                                                                                                                                                                                                                                                                                                                                                                                                                                                                                                                                                                                                                                                                                                                                                                                                                                                                                                                                               |      |   |          |
|-----------------------------|-------|-----------------------------------------------------------------------------------------------------------------------------------------------------------------------------------------------------------------------------------------------------------------------------------------------------------------------------------------------------------------------------------------------------------------------------------------------------------------------------------------------------------------------------------------------------------------------------------------------------------------------------------------------------------------------------------------------------------------------------------------------------------------------------------------------------------------------------------------------------------------------------------------------------------------------------------------------|------|---|----------|
| <b>Test Case Name:</b>      |       | TC_26_2_4_6                                                                                                                                                                                                                                                                                                                                                                                                                                                                                                                                                                                                                                                                                                                                                                                                                                                                                                                                   |      |   |          |
| <b>Group:</b>               |       | GSM_L3_MS_v4200/InitialTest/                                                                                                                                                                                                                                                                                                                                                                                                                                                                                                                                                                                                                                                                                                                                                                                                                                                                                                                  |      |   |          |
| <b>Purpose:</b>             |       | To verify that the establishment cause sent by the MS in the Max-Retrans+1 CHANNEL REQUEST messages is consistent with the requested service, with the capabilities of the MS and with the indications of the network in the following case: <ol style="list-style-type: none"> <li>1. when the NECI bit is set to 0 and IMSI attach is attempted.</li> <li>2. when the NECI bit is set to 0 and normal location updating is attempted.</li> <li>3. when the NECI bit is set to 0 and periodic location updating is attempted.</li> <li>4. when the NECI bit is set to 0 and IMSI detach is attempted.</li> <li>5. when the NECI bit is set to 1 and IMSI attach is attempted.</li> <li>6. when the NECI bit is set to 1 and normal location updating is attempted.</li> <li>7. when the NECI bit is set to 1 and periodic location updating is attempted.</li> <li>8. when the NECI bit is set to 1 and IMSI detach is attempted.</li> </ol> |      |   |          |
| <b>Default:</b>             |       | OtherEventsFail                                                                                                                                                                                                                                                                                                                                                                                                                                                                                                                                                                                                                                                                                                                                                                                                                                                                                                                               |      |   |          |
| Nr                          | Label | Behaviour Description                                                                                                                                                                                                                                                                                                                                                                                                                                                                                                                                                                                                                                                                                                                                                                                                                                                                                                                         | CRef | V | Comments |
| 1                           |       | START T_guard(1200)                                                                                                                                                                                                                                                                                                                                                                                                                                                                                                                                                                                                                                                                                                                                                                                                                                                                                                                           |      |   |          |
| 2                           |       | +IdleUpdated( C_E_default, C_CellA, C_SCH_A, C_BCCH_A_1, C_Immass, C_S0, C_SlotNU, C_SlotNU, C_SlotNU, C_BCC, C_TxInt_5, C_Max_7, C_NECI_0, C_ATT_0, TimingAdv( 0), C_BABR_0, C_cch_1Comb, C_BPM_3, C_T3212_0, C_ci_cellA, C_MCC_1, C_PLMN_1, C_LAC_1, CellOpt_01, CellChDes_Omit, CellChDes_Omit, C_CellReselectHys12, C_MaxPwrLvIG, C_MaxPwrLvID, BcchFreqLst_45, BcchFreqLst_02, BcchFreqLst_03, BcchFreqLst_04, C_Restablishment, C_BCC, C_NCC, C_Start_Tmsi, TSPX_SDCCH4SubDef, TSPX_CKSNDDef, TSPX_RANDDef, C_arfcnA, C_arfcnAd, TSPX_IMSI, C_Test_nfh, C_NCCP_2)                                                                                                                                                                                                                                                                                                                                                                       |      |   |          |
| 3                           |       | (TCV_Cnt1:=0, TCV_lac := C_LAC_1)                                                                                                                                                                                                                                                                                                                                                                                                                                                                                                                                                                                                                                                                                                                                                                                                                                                                                                             |      |   |          |
| 4                           |       | REPEAT ltree_main UNTIL [TCV_Cnt1 = 2]                                                                                                                                                                                                                                                                                                                                                                                                                                                                                                                                                                                                                                                                                                                                                                                                                                                                                                        |      |   |          |
|                             |       | <b>ltree_main</b>                                                                                                                                                                                                                                                                                                                                                                                                                                                                                                                                                                                                                                                                                                                                                                                                                                                                                                                             |      |   |          |
| 5                           |       | +SysInfoSending_nfh( C_SCH_A, C_BCCH_A_1, C_TxInt_5, C_Max_7, TCV_Cnt1, C_ATT_0, C_BABR_0, C_cch_1Comb, C_BPM_3, C_T3212_0, C_ci_cellA, C_MCC_1, C_PLMN_1, TCV_lac, CellOpt_01, C_CellReselectHys12, C_MaxPwrLvIG, C_MaxPwrLvID, BcchFreqLst_45, BcchFreqLst_02, BcchFreqLst_03, BcchFreqLst_04, C_Restablishment, C_BCC, C_NCC, C_NCCP_2)                                                                                                                                                                                                                                                                                                                                                                                                                                                                                                                                                                                                    |      |   | 1.       |
| 6                           |       | (TCV_Ccd0A := TCV_Ccd0H, TCV_sysinfo5 := TCV_sysinfo5, TCV_sysinfo6 := TCV_sysinfo6)                                                                                                                                                                                                                                                                                                                                                                                                                                                                                                                                                                                                                                                                                                                                                                                                                                                          |      |   |          |
| 7                           |       | +SysInfo_SacchSending( TCV_sacch, TCV_sysinfo5, TCV_sysinfo6)                                                                                                                                                                                                                                                                                                                                                                                                                                                                                                                                                                                                                                                                                                                                                                                                                                                                                 |      |   |          |
| 8                           | body  | +MM_PwrOrSimOff(C_SIMIn)                                                                                                                                                                                                                                                                                                                                                                                                                                                                                                                                                                                                                                                                                                                                                                                                                                                                                                                      |      |   |          |
| 9                           |       | +SysInfoSending_nfh( C_SCH_A, C_BCCH_A_1, C_TxInt_5, C_Max_7, TCV_Cnt1, C_ATT_1, C_BABR_0, C_cch_1Comb, C_BPM_3, C_T3212_0, C_ci_cellA, C_MCC_1, C_PLMN_1, TCV_lac, CellOpt_01, C_CellReselectHys12, C_MaxPwrLvIG, C_MaxPwrLvID, BcchFreqLst_45, BcchFreqLst_02, BcchFreqLst_03, BcchFreqLst_04, C_Restablishment, C_BCC, C_NCC, C_NCCP_2)                                                                                                                                                                                                                                                                                                                                                                                                                                                                                                                                                                                                    |      |   | ATT =1   |
| 10                          |       | (TCV_Ccd0A := TCV_Ccd0H, TCV_sysinfo5 := TCV_sysinfo5, TCV_sysinfo6 := TCV_sysinfo6)                                                                                                                                                                                                                                                                                                                                                                                                                                                                                                                                                                                                                                                                                                                                                                                                                                                          |      |   |          |
| 11                          |       | +SysInfo_SacchSending( TCV_sacch, TCV_sysinfo5, TCV_sysinfo6)                                                                                                                                                                                                                                                                                                                                                                                                                                                                                                                                                                                                                                                                                                                                                                                                                                                                                 |      |   |          |
| 12                          |       | +MM_PwrOrSimOn(C_SIMIn)                                                                                                                                                                                                                                                                                                                                                                                                                                                                                                                                                                                                                                                                                                                                                                                                                                                                                                                       |      |   | 2.       |
| 13                          |       | +imsiAttachCheck                                                                                                                                                                                                                                                                                                                                                                                                                                                                                                                                                                                                                                                                                                                                                                                                                                                                                                                              |      |   |          |
| 14                          |       | +ChgLac                                                                                                                                                                                                                                                                                                                                                                                                                                                                                                                                                                                                                                                                                                                                                                                                                                                                                                                                       |      |   |          |
| 15                          |       | +ltree_continue                                                                                                                                                                                                                                                                                                                                                                                                                                                                                                                                                                                                                                                                                                                                                                                                                                                                                                                               |      |   |          |

|    |            |                                                                                                                                                                                                                                                                                                                                                                                          |                                                                                                                                                 |     |     |            |
|----|------------|------------------------------------------------------------------------------------------------------------------------------------------------------------------------------------------------------------------------------------------------------------------------------------------------------------------------------------------------------------------------------------------|-------------------------------------------------------------------------------------------------------------------------------------------------|-----|-----|------------|
| 16 |            | <b>ltree_continue</b><br>+SysInfoSending_nfh( C_SCH_A, C_BCCH_A_1,<br>C_TxInt_5, C_Max_7, TCV_Cnt1, C_ATT_1,<br>C_BABR_0, C_cch_1Comb, C_BPM_3, C_T3212_1,<br>C_ci_cellA, C_MCC_1, C_PLMN_1, TCV_lac,<br>CellOpt_01, C_CellReselectHys12, C_MaxPwrLvlG,<br>C_MaxPwrLvlD, BcchFreqLst_45, BcchFreqLst_02,<br>BcchFreqLst_03, BcchFreqLst_04,<br>C_Restablishment, C_BCC, C_NCC, C_NCCP_2) |                                                                                                                                                 |     |     | 3.         |
| 17 |            | (TCV_Ccd0A := TCV_Ccd0H, TCV_sysinfo5 :=<br>TCV_sysinfo5, TCV_sysinfo6 := TCV_sysinfo6)                                                                                                                                                                                                                                                                                                  |                                                                                                                                                 |     |     |            |
| 18 |            | +SysInfo_SacchSending( TCV_sacch,<br>TCV_sysinfo5, TCV_sysinfo6)                                                                                                                                                                                                                                                                                                                         |                                                                                                                                                 |     |     |            |
| 19 |            | +UpdatingCheck( 33000, C_normal_updating)                                                                                                                                                                                                                                                                                                                                                |                                                                                                                                                 |     |     | 7.<br>9.   |
| 20 |            | +UpdatingCheck( 420000,<br>C_periodic_updating)                                                                                                                                                                                                                                                                                                                                          |                                                                                                                                                 |     |     | 10.<br>11. |
| 21 |            | [TSPC_SwitchOnOff]                                                                                                                                                                                                                                                                                                                                                                       |                                                                                                                                                 |     |     |            |
| 22 |            | +imsiDetachCheck                                                                                                                                                                                                                                                                                                                                                                         |                                                                                                                                                 |     |     |            |
| 23 |            | (TCV_Cnt1 := TCV_Cnt1 + 1)                                                                                                                                                                                                                                                                                                                                                               |                                                                                                                                                 |     |     |            |
| 24 |            | [NOT TSPC_SwitchOnOff]                                                                                                                                                                                                                                                                                                                                                                   |                                                                                                                                                 |     |     |            |
| 25 |            | (TCV_Cnt1 := TCV_Cnt1 + 1)                                                                                                                                                                                                                                                                                                                                                               |                                                                                                                                                 |     |     |            |
|    |            | <b>imsiAttachCheck</b>                                                                                                                                                                                                                                                                                                                                                                   |                                                                                                                                                 |     |     |            |
| 26 |            | (TCV_Cnt := 0)                                                                                                                                                                                                                                                                                                                                                                           |                                                                                                                                                 |     |     |            |
| 27 |            | REPEAT localtree1 UNTIL [TCV_Cnt = 8]                                                                                                                                                                                                                                                                                                                                                    |                                                                                                                                                 |     |     |            |
| 28 |            | LIDL_UdatRqImm                                                                                                                                                                                                                                                                                                                                                                           | ImmAss( TCV_agch,<br>ImmAsgn_01Def(<br>TCV_Rr, TCV_Fn,<br>TSPX_SDCCH4SubD<br>ef, TCV_slot,<br>TCV_tsc,<br>TCV_chdescr_arfcn,<br>TimingAdv( 0))) |     |     |            |
| 29 | L_008<br>0 | L?DL_EstInLupRq                                                                                                                                                                                                                                                                                                                                                                          | LocUp( TCV_ch,<br>LocUpdtReq_01(<br>C_imsi_attach))                                                                                             | (P) |     | 5.         |
| 30 |            | LIDL_DatRqLupAcp                                                                                                                                                                                                                                                                                                                                                                         | LocAcp( TCV_ch,<br>LocUpdtAcp_01(<br>MiMsi_omit,<br>C_MCC_1,<br>C_PLMN_1,<br>TCV_lac))                                                          |     |     | 6.         |
| 31 |            | +PostMainLinkRel(TCV_ch)                                                                                                                                                                                                                                                                                                                                                                 |                                                                                                                                                 |     |     |            |
|    |            | <b>UpdatingCheck( t:INTEGER; locup:B_2)</b>                                                                                                                                                                                                                                                                                                                                              |                                                                                                                                                 |     |     |            |
| 32 |            | (TCV_Cnt := 0)                                                                                                                                                                                                                                                                                                                                                                           |                                                                                                                                                 |     |     |            |
| 33 |            | START T_dly( t)                                                                                                                                                                                                                                                                                                                                                                          |                                                                                                                                                 |     |     |            |
| 34 | L_104<br>1 | ?TIMEOUT T_dly                                                                                                                                                                                                                                                                                                                                                                           |                                                                                                                                                 |     | (F) |            |
| 35 |            | REPEAT localtree1 UNTIL [TCV_Cnt = 8]                                                                                                                                                                                                                                                                                                                                                    |                                                                                                                                                 |     |     |            |
| 36 |            | LIDL_UdatRqImm                                                                                                                                                                                                                                                                                                                                                                           | ImmAss( TCV_agch,<br>ImmAsgn_01Def(<br>TCV_Rr, TCV_Fn,<br>TSPX_SDCCH4SubD<br>ef, TCV_slot,<br>TCV_tsc,<br>TCV_chdescr_arfcn,<br>TimingAdv( 0))) |     |     |            |
| 37 | L_008<br>1 | L?DL_EstInLupRq                                                                                                                                                                                                                                                                                                                                                                          | LocUp( TCV_ch,<br>LocUpdtReq_01(<br>locup))                                                                                                     | (P) |     |            |
| 38 |            | LIDL_DatRqLupAcp                                                                                                                                                                                                                                                                                                                                                                         | LocAcp( TCV_ch,<br>LocUpdtAcp_01(<br>MiMsi_omit,<br>C_MCC_1,<br>C_PLMN_1,<br>TCV_lac))                                                          |     |     | 6.         |
| 39 |            | +PostMainLinkRel(TCV_ch)                                                                                                                                                                                                                                                                                                                                                                 |                                                                                                                                                 |     |     |            |
|    |            | <b>imsiDetachCheck</b>                                                                                                                                                                                                                                                                                                                                                                   |                                                                                                                                                 |     |     |            |

|                           |            |                                                                                                                                                                                                                                                                                                                                                                                                                                                                                                                                                                                                                                                                                                                                                                                                                                                                                                                                                                                                                            |                                                               |     |     |
|---------------------------|------------|----------------------------------------------------------------------------------------------------------------------------------------------------------------------------------------------------------------------------------------------------------------------------------------------------------------------------------------------------------------------------------------------------------------------------------------------------------------------------------------------------------------------------------------------------------------------------------------------------------------------------------------------------------------------------------------------------------------------------------------------------------------------------------------------------------------------------------------------------------------------------------------------------------------------------------------------------------------------------------------------------------------------------|---------------------------------------------------------------|-----|-----|
| 40                        |            | +MM_PwrOrSimOff(C_SIMIn)                                                                                                                                                                                                                                                                                                                                                                                                                                                                                                                                                                                                                                                                                                                                                                                                                                                                                                                                                                                                   |                                                               |     | 12. |
| 41                        |            | (TCV_Cnt := 0)                                                                                                                                                                                                                                                                                                                                                                                                                                                                                                                                                                                                                                                                                                                                                                                                                                                                                                                                                                                                             |                                                               |     |     |
| 42                        |            | REPEAT localtree2 UNTIL [TCV_Cnt = 8]                                                                                                                                                                                                                                                                                                                                                                                                                                                                                                                                                                                                                                                                                                                                                                                                                                                                                                                                                                                      |                                                               |     |     |
| 43                        |            | LIDL_UdatRqImmRej                                                                                                                                                                                                                                                                                                                                                                                                                                                                                                                                                                                                                                                                                                                                                                                                                                                                                                                                                                                                          | ImmAssRej(<br>TCV_agch,<br>ImmAsgnRej_01(<br>TCV_Rr, TCV_Fn)) |     |     |
| 44                        |            | +MM_PwrOrSimOn(C_SIMIn)                                                                                                                                                                                                                                                                                                                                                                                                                                                                                                                                                                                                                                                                                                                                                                                                                                                                                                                                                                                                    |                                                               |     | 2.  |
|                           |            | <b>localtree1</b>                                                                                                                                                                                                                                                                                                                                                                                                                                                                                                                                                                                                                                                                                                                                                                                                                                                                                                                                                                                                          |                                                               |     |     |
| 45                        |            | [TCV_Cnt1=0]                                                                                                                                                                                                                                                                                                                                                                                                                                                                                                                                                                                                                                                                                                                                                                                                                                                                                                                                                                                                               |                                                               |     |     |
| 46                        | L_008<br>2 | L?DL_RaClnChRq (TCV_Rr := DL_RaClnChRq.<br>msg.ecau_rrf, TCV_Fn := DL_RaClnChRq.fn)                                                                                                                                                                                                                                                                                                                                                                                                                                                                                                                                                                                                                                                                                                                                                                                                                                                                                                                                        | ChReq(<br>ChRequest_09)                                       | (P) | 4.  |
| 47                        |            | CANCEL T_dly                                                                                                                                                                                                                                                                                                                                                                                                                                                                                                                                                                                                                                                                                                                                                                                                                                                                                                                                                                                                               |                                                               |     |     |
| 48                        |            | (TCV_Cnt := TCV_Cnt+1)                                                                                                                                                                                                                                                                                                                                                                                                                                                                                                                                                                                                                                                                                                                                                                                                                                                                                                                                                                                                     |                                                               |     |     |
| 49                        |            | [TCV_Cnt1=1]                                                                                                                                                                                                                                                                                                                                                                                                                                                                                                                                                                                                                                                                                                                                                                                                                                                                                                                                                                                                               |                                                               |     |     |
| 50                        | L_008<br>3 | L?DL_RaClnChRq (TCV_Rr := DL_RaClnChRq.<br>msg.ecau_rrf, TCV_Fn := DL_RaClnChRq.fn)                                                                                                                                                                                                                                                                                                                                                                                                                                                                                                                                                                                                                                                                                                                                                                                                                                                                                                                                        | ChReq(ChRequest_1<br>8)                                       | (P) | 8.  |
| 51                        |            | (TCV_Cnt := TCV_Cnt+1)                                                                                                                                                                                                                                                                                                                                                                                                                                                                                                                                                                                                                                                                                                                                                                                                                                                                                                                                                                                                     |                                                               |     |     |
|                           |            | <b>localtree2</b>                                                                                                                                                                                                                                                                                                                                                                                                                                                                                                                                                                                                                                                                                                                                                                                                                                                                                                                                                                                                          |                                                               |     |     |
| 52                        |            | [TCV_Cnt1=0]                                                                                                                                                                                                                                                                                                                                                                                                                                                                                                                                                                                                                                                                                                                                                                                                                                                                                                                                                                                                               |                                                               |     |     |
| 53                        | L_008<br>4 | L?DL_RaClnChRq (TCV_Fn := DL_RaClnChRq.fn,<br>TCV_Rr := DL_RaClnChRq.msg.ecau_rrf)                                                                                                                                                                                                                                                                                                                                                                                                                                                                                                                                                                                                                                                                                                                                                                                                                                                                                                                                         | ChReq(<br>ChRequest_04)                                       | (P) | 13. |
| 54                        |            | (TCV_Cnt := TCV_Cnt+1)                                                                                                                                                                                                                                                                                                                                                                                                                                                                                                                                                                                                                                                                                                                                                                                                                                                                                                                                                                                                     |                                                               |     |     |
| 55                        |            | [TCV_Cnt1=1]                                                                                                                                                                                                                                                                                                                                                                                                                                                                                                                                                                                                                                                                                                                                                                                                                                                                                                                                                                                                               |                                                               |     |     |
| 56                        | L_008<br>5 | L?DL_RaClnChRq (TCV_Fn := DL_RaClnChRq.fn,<br>TCV_Rr := DL_RaClnChRq.msg.ecau_rrf)                                                                                                                                                                                                                                                                                                                                                                                                                                                                                                                                                                                                                                                                                                                                                                                                                                                                                                                                         | ChReq(<br>ChRequest_03)                                       | (P) | 14. |
| 57                        |            | (TCV_Cnt := TCV_Cnt+1)                                                                                                                                                                                                                                                                                                                                                                                                                                                                                                                                                                                                                                                                                                                                                                                                                                                                                                                                                                                                     |                                                               |     |     |
|                           |            | <b>ChgLac</b>                                                                                                                                                                                                                                                                                                                                                                                                                                                                                                                                                                                                                                                                                                                                                                                                                                                                                                                                                                                                              |                                                               |     |     |
| 58                        |            | [TCV_Cnt1=0]                                                                                                                                                                                                                                                                                                                                                                                                                                                                                                                                                                                                                                                                                                                                                                                                                                                                                                                                                                                                               |                                                               |     |     |
| 59                        |            | (TCV_lac := C_LAC_2)                                                                                                                                                                                                                                                                                                                                                                                                                                                                                                                                                                                                                                                                                                                                                                                                                                                                                                                                                                                                       |                                                               |     |     |
| 60                        |            | [TCV_Cnt1=1]                                                                                                                                                                                                                                                                                                                                                                                                                                                                                                                                                                                                                                                                                                                                                                                                                                                                                                                                                                                                               |                                                               |     |     |
| 61                        |            | (TCV_lac := C_LAC_1)                                                                                                                                                                                                                                                                                                                                                                                                                                                                                                                                                                                                                                                                                                                                                                                                                                                                                                                                                                                                       |                                                               |     |     |
| <b>Detailed Comments:</b> |            | <ol style="list-style-type: none"> <li>1. To set ATT = 1, i.e. MS's in the cell shall apply IMSI attach and detach procedure. TCV_Cnt1 value stands for NECI bit value.</li> <li>2. To switch on or power on the MS.</li> <li>3. To change LAC and set T3212 = 6 minutes.</li> <li>4. The establishment cause shall be '000'B.</li> <li>5. The location updating type shall be IMSI attach.</li> <li>6. There is no mobile identity in this LOCATION UPDATING ACCEPT message.</li> <li>7. The test system waits upto 33 seconds to receive CHANNEL REQUEST messages.</li> <li>8. The establishment cause shall be '0000'B.</li> <li>9. The location updating type shall be normal location updating.</li> <li>10. The test system waits upto 7 minutes to receive CHANNEL REQUEST messages.</li> <li>11. The location updating type shall be periodic updating.</li> <li>12. To switch off the MS.</li> <li>13. The establishment cause shall be '111'B.</li> <li>14. The establishment cause shall be '0001'B.</li> </ol> |                                                               |     |     |

## Test Case Dynamic Behaviour

**Test Case Name:** TC\_26\_2\_4\_7  
**Group:** GSM\_L3\_MS\_v4200/InitialTest/  
**Purpose:** To verify that the establishment cause sent by the MS in the Max-Retrans+1 CHANNEL REQUEST messages is consistent with the requested service, with the capabilities of the MS and with the indications of the network in the following case:  
 If the MS supports a non call related supplementary service operation:  
 when the NECI bit is set to 0 and a supplementary service operation is attempted at the MS.  
 when the NECI bit is set to 1 and a supplementary service operation is attempted at the MS.  
**Default:** OtherEventsFail

| Nr | Label      | Behaviour Description                                                                                                                                                                                                                                                                                                                                                                                                                                                                                                                                                   | CRef                                                 | V   | Comments |
|----|------------|-------------------------------------------------------------------------------------------------------------------------------------------------------------------------------------------------------------------------------------------------------------------------------------------------------------------------------------------------------------------------------------------------------------------------------------------------------------------------------------------------------------------------------------------------------------------------|------------------------------------------------------|-----|----------|
| 1  |            | START T_guard(600)                                                                                                                                                                                                                                                                                                                                                                                                                                                                                                                                                      |                                                      |     |          |
| 2  |            | +IdleUpdated( C_E_default, C_CellA, C_SCH_A, C_BCCH_A_1, C_Immass, C_S0, C_SlotNU, C_SlotNU, C_SlotNU, C_BCC, C_TxInt_5, C_Max_7, C_NECI_0, C_ATT_0, TimingAdv( 0), C_BABR_0, C_cch_1Comb, C_BPM_3, C_T3212_0, C_ci_cellA, C_MCC_1, C_PLMN_1, C_LAC_1, CellOpt_01, CellChDes_Omit, CellChDes_Omit, C_CellReselectHys12, C_MaxPwrLvlG, C_MaxPwrLvlD, BcchFreqLst_45, BcchFreqLst_02, BcchFreqLst_03, BcchFreqLst_04, C_Restablishment, C_BCC, C_NCC, C_Start_Tmsi, TSPX_SDCCH4SubDef, TSPX_CKSNDDef, TSPX_RANDDef, C_arfcnA, C_arfcnAd, TSPX_IMSI, C_Test_nfh, C_NCCP_2) |                                                      |     |          |
| 3  |            | (TCV_Cnt1:=0)                                                                                                                                                                                                                                                                                                                                                                                                                                                                                                                                                           |                                                      |     |          |
| 4  |            | REPEAT ltree_main UNTIL [TCV_Cnt1 = 2]                                                                                                                                                                                                                                                                                                                                                                                                                                                                                                                                  |                                                      |     |          |
|    |            | <b>ltree_main</b>                                                                                                                                                                                                                                                                                                                                                                                                                                                                                                                                                       |                                                      |     |          |
| 5  |            | +SysInfoSending_nfh( C_SCH_A, C_BCCH_A_1, C_TxInt_5, C_Max_7, TCV_Cnt1, C_ATT_0, C_BABR_0, C_cch_1Comb, C_BPM_3, C_T3212_0, C_ci_cellA, C_MCC_1, C_PLMN_1, C_LAC_1, CellOpt_01, C_CellReselectHys12, C_MaxPwrLvlG, C_MaxPwrLvlD, BcchFreqLst_45, BcchFreqLst_02, BcchFreqLst_03, BcchFreqLst_04, C_Restablishment, C_BCC, C_NCC, C_NCCP_2)                                                                                                                                                                                                                              |                                                      |     | 1.       |
| 6  |            | (TCV_Ccd0A := TCV_Ccd0H, TCV_sysinfo5 := TCV_sysinfo5, TCV_sysinfo6 := TCV_sysinfo6)                                                                                                                                                                                                                                                                                                                                                                                                                                                                                    |                                                      |     |          |
| 7  |            | +SysInfo_SacchSending( TCV_sacch, TCV_sysinfo5, TCV_sysinfo6)                                                                                                                                                                                                                                                                                                                                                                                                                                                                                                           |                                                      |     |          |
| 8  | body       | +InitNonCallSupp                                                                                                                                                                                                                                                                                                                                                                                                                                                                                                                                                        |                                                      |     | 2.       |
| 9  |            | (TCV_Cnt :=0)                                                                                                                                                                                                                                                                                                                                                                                                                                                                                                                                                           |                                                      |     |          |
| 10 |            | REPEAT localtree UNTIL [TCV_Cnt=7]                                                                                                                                                                                                                                                                                                                                                                                                                                                                                                                                      |                                                      |     |          |
| 11 |            | [TCV_Cnt1=0]                                                                                                                                                                                                                                                                                                                                                                                                                                                                                                                                                            |                                                      |     |          |
| 12 | L_008<br>6 | L?DL_RaInChRq (TCV_Rr := DL_RaInChRq.msg.ecau_rrf, TCV_Fn := DL_RaInChRq.fn)                                                                                                                                                                                                                                                                                                                                                                                                                                                                                            | ChReq( ChRequest_04)                                 | (P) | 3.       |
| 13 |            | L!DL_UdatRqImmassRej                                                                                                                                                                                                                                                                                                                                                                                                                                                                                                                                                    | ImmAssRej( TCV_agch, ImmAsgnRej_01( TCV_Rr, TCV_Fn)) |     |          |
| 14 |            | (TCV_Cnt1 := TCV_Cnt1 +1)                                                                                                                                                                                                                                                                                                                                                                                                                                                                                                                                               |                                                      |     |          |
| 15 |            | [TCV_Cnt1=1]                                                                                                                                                                                                                                                                                                                                                                                                                                                                                                                                                            |                                                      |     |          |
| 16 | L_008<br>7 | L?DL_RaInChRq (TCV_Rr := DL_RaInChRq.msg.ecau_rrf, TCV_Fn := DL_RaInChRq.fn)                                                                                                                                                                                                                                                                                                                                                                                                                                                                                            | ChReq( ChRequest_03)                                 | (P) | 4.       |
| 17 |            | L!DL_UdatRqImmassRej                                                                                                                                                                                                                                                                                                                                                                                                                                                                                                                                                    | ImmAssRej( TCV_agch, ImmAsgnRej_01( TCV_Rr, TCV_Fn)) |     |          |
| 18 |            | (TCV_Cnt1 := TCV_Cnt1 +1)                                                                                                                                                                                                                                                                                                                                                                                                                                                                                                                                               |                                                      |     |          |
|    |            | <b>localtree</b>                                                                                                                                                                                                                                                                                                                                                                                                                                                                                                                                                        |                                                      |     |          |
| 19 |            | [TCV_Cnt1=0]                                                                                                                                                                                                                                                                                                                                                                                                                                                                                                                                                            |                                                      |     |          |
| 20 |            | L?DL_RaInChRq                                                                                                                                                                                                                                                                                                                                                                                                                                                                                                                                                           | ChReq( ChRequest_04)                                 |     | 3.       |
| 21 |            | (TCV_Cnt := TCV_Cnt +1)                                                                                                                                                                                                                                                                                                                                                                                                                                                                                                                                                 |                                                      |     |          |
| 22 |            | [TCV_Cnt1=1]                                                                                                                                                                                                                                                                                                                                                                                                                                                                                                                                                            |                                                      |     |          |

|                                                                                                                                                                                                                                                                                                                                                                |                         |                         |    |
|----------------------------------------------------------------------------------------------------------------------------------------------------------------------------------------------------------------------------------------------------------------------------------------------------------------------------------------------------------------|-------------------------|-------------------------|----|
| 23                                                                                                                                                                                                                                                                                                                                                             | L?DL_RacInChRq          | ChReq(<br>ChRequest_03) | 4. |
| 24                                                                                                                                                                                                                                                                                                                                                             | (TCV_Cnt := TCV_Cnt +1) |                         |    |
| <b>Detailed Comments:</b> <ol style="list-style-type: none"><li>1. The Max_retrans =7. TCV_Cnt1 value stands for NECI bit value.</li><li>2. To attempt a non call related supplementary service at the MS under test.</li><li>3. The establishment cause shall be '111'B (NECI = 0).</li><li>4. The establishment cause shall be '0001'B (NECI = 1).</li></ol> |                         |                         |    |

### Test Case Dynamic Behaviour

|                        |                                                                                                                                                                                                                                                                                                                                                                                                                                                                                                 |
|------------------------|-------------------------------------------------------------------------------------------------------------------------------------------------------------------------------------------------------------------------------------------------------------------------------------------------------------------------------------------------------------------------------------------------------------------------------------------------------------------------------------------------|
| <b>Test Case Name:</b> | TC_26_2_4_8                                                                                                                                                                                                                                                                                                                                                                                                                                                                                     |
| <b>Group:</b>          | GSM_L3_MS_v4200/InitialTest/                                                                                                                                                                                                                                                                                                                                                                                                                                                                    |
| <b>Purpose:</b>        | To verify that the establishment cause sent by the MS in the Max-Retrans+1 CHANNEL REQUEST messages is consistent with the requested service, with the capabilities of the MS and with the indications of the network in the following case:<br>If the MS supports SMS/PP MO:<br>when the NECI bit is set to 0 and a mobile originated short message service transaction is attempted.<br>when the NECI bit is set to 1 and a mobile originated short message service transaction is attempted. |
| <b>Default:</b>        | OtherEventsFail                                                                                                                                                                                                                                                                                                                                                                                                                                                                                 |

| Nr | Label      | Behaviour Description                                                                                                                                                                                                                                                                                                                                                                                                                                                                                                                                                    | CRef                                                          | V   | Comments |
|----|------------|--------------------------------------------------------------------------------------------------------------------------------------------------------------------------------------------------------------------------------------------------------------------------------------------------------------------------------------------------------------------------------------------------------------------------------------------------------------------------------------------------------------------------------------------------------------------------|---------------------------------------------------------------|-----|----------|
| 1  |            | START T_guard(600)                                                                                                                                                                                                                                                                                                                                                                                                                                                                                                                                                       |                                                               |     |          |
| 2  |            | +IdleUpdated( C_E_default, C_CellA, C_SCH_A, C_BCCH_A_1, C_ImmMass, C_S0, C_SlotNU, C_SlotNU, C_SlotNU, C_BCC, C_TxInt_5, C_Max_7, C_NECI_0, C_ATT_0, TimingAdv( 0), C_BABR_0, C_cch_1Comb, C_BPM_3, C_T3212_0, C_ci_cellA, C_MCC_1, C_PLMN_1, C_LAC_1, CellOpt_01, CellChDes_Omit, CellChDes_Omit, C_CellReselectHys12, C_MaxPwrLvlG, C_MaxPwrLvlD, BcchFreqLst_45, BcchFreqLst_02, BcchFreqLst_03, BcchFreqLst_04, C_Restablishment, C_BCC, C_NCC, C_Start_Tmsi, TSPX_SDCCH4SubDef, TSPX_CKSNDDef, TSPX_RANDDef, C_arfcnA, C_arfcnAd, TSPX_IMSI, C_Test_nfh, C_NCCP_2) |                                                               |     |          |
| 3  |            | (TCV_Cnt1:=0)                                                                                                                                                                                                                                                                                                                                                                                                                                                                                                                                                            |                                                               |     |          |
| 4  |            | REPEAT ltree_main UNTIL [TCV_Cnt1 = 2]                                                                                                                                                                                                                                                                                                                                                                                                                                                                                                                                   |                                                               |     |          |
|    |            | <b>ltree_main</b>                                                                                                                                                                                                                                                                                                                                                                                                                                                                                                                                                        |                                                               |     |          |
| 5  |            | +SysInfoSending_nfh( C_SCH_A, C_BCCH_A_1, C_TxInt_5, C_Max_7, TCV_Cnt1, C_ATT_0, C_BABR_0, C_cch_1Comb, C_BPM_3, C_T3212_0, C_ci_cellA, C_MCC_1, C_PLMN_1, C_LAC_1, CellOpt_01, C_CellReselectHys12, C_MaxPwrLvlG, C_MaxPwrLvlD, BcchFreqLst_45, BcchFreqLst_02, BcchFreqLst_03, BcchFreqLst_04, C_Restablishment, C_BCC, C_NCC, C_NCCP_2)                                                                                                                                                                                                                               |                                                               |     | 1.       |
| 6  |            | (TCV_Ccd0A := TCV_Ccd0H, TCV_sysinfo5 := TCV_sysinfo5, TCV_sysinfo6 := TCV_sysinfo6)                                                                                                                                                                                                                                                                                                                                                                                                                                                                                     |                                                               |     |          |
| 7  |            | +SysInfo_SacchSending( TCV_sacch, TCV_sysinfo5, TCV_sysinfo6)                                                                                                                                                                                                                                                                                                                                                                                                                                                                                                            |                                                               |     |          |
| 8  | body       | +AtmpShortMsg                                                                                                                                                                                                                                                                                                                                                                                                                                                                                                                                                            |                                                               |     | 2.       |
| 9  |            | (TCV_Cnt :=0)                                                                                                                                                                                                                                                                                                                                                                                                                                                                                                                                                            |                                                               |     |          |
| 10 |            | REPEAT localtree UNTIL [TCV_Cnt=7]                                                                                                                                                                                                                                                                                                                                                                                                                                                                                                                                       |                                                               |     |          |
| 11 |            | [TCV_Cnt1=0]                                                                                                                                                                                                                                                                                                                                                                                                                                                                                                                                                             |                                                               |     |          |
| 12 | L_008<br>8 | L?DL_RaInChRq (TCV_Rr := DL_RaInChRq.msg.ecau_rrf, TCV_Fn := DL_RaInChRq.fn)                                                                                                                                                                                                                                                                                                                                                                                                                                                                                             | ChReq(<br>ChRequest_04)                                       | (P) | 3.       |
| 13 |            | LIDL_UdatRqImmMassRej                                                                                                                                                                                                                                                                                                                                                                                                                                                                                                                                                    | ImmAssRej(<br>TCV_agch,<br>ImmAsgnRej_01(<br>TCV_Rr, TCV_Fn)) |     |          |
| 14 |            | (TCV_Cnt1 := TCV_Cnt1 +1)                                                                                                                                                                                                                                                                                                                                                                                                                                                                                                                                                |                                                               |     |          |
| 15 |            | [TCV_Cnt1=1]                                                                                                                                                                                                                                                                                                                                                                                                                                                                                                                                                             |                                                               |     |          |
| 16 | L_008<br>9 | L?DL_RaInChRq (TCV_Rr := DL_RaInChRq.msg.ecau_rrf, TCV_Fn := DL_RaInChRq.fn)                                                                                                                                                                                                                                                                                                                                                                                                                                                                                             | ChReq(<br>ChRequest_03)                                       | (P) | 4.       |
| 17 |            | LIDL_UdatRqImmMassRej                                                                                                                                                                                                                                                                                                                                                                                                                                                                                                                                                    | ImmAssRej(<br>TCV_agch,<br>ImmAsgnRej_01(<br>TCV_Rr, TCV_Fn)) |     |          |
| 18 |            | (TCV_Cnt1 := TCV_Cnt1 +1)                                                                                                                                                                                                                                                                                                                                                                                                                                                                                                                                                |                                                               |     |          |
|    |            | <b>localtree</b>                                                                                                                                                                                                                                                                                                                                                                                                                                                                                                                                                         |                                                               |     |          |
| 19 |            | [TCV_Cnt1=0]                                                                                                                                                                                                                                                                                                                                                                                                                                                                                                                                                             |                                                               |     |          |
| 20 |            | L?DL_RaInChRq                                                                                                                                                                                                                                                                                                                                                                                                                                                                                                                                                            | ChReq(<br>ChRequest_04)                                       |     | 3.       |



|    |                         |                         |  |    |
|----|-------------------------|-------------------------|--|----|
| 21 | (TCV_Cnt := TCV_Cnt +1) |                         |  |    |
| 22 | [TCV_Cnt1=1]            |                         |  |    |
| 23 | L?DL_RaclnChRq          | ChReq(<br>ChRequest_03) |  | 4. |
| 24 | (TCV_Cnt := TCV_Cnt +1) |                         |  |    |

**Detailed Comments:**

1. The Max\_retrans =7. TCV\_Cnt1 value stands for NECI bit value.
2. To attempt a mobile originated short message service transaction at the MS under test.
3. The establishment cause shall be '111'B (NECI = 0).
4. The establishment cause shall be '0001'B (NECI = 1).

### Test Group IdleMode

| Test Case Dynamic Behaviour |       |                                                                                                                                                                                                                                                                                                                                                                                                                                                                                                                                                                              |      |   |          |
|-----------------------------|-------|------------------------------------------------------------------------------------------------------------------------------------------------------------------------------------------------------------------------------------------------------------------------------------------------------------------------------------------------------------------------------------------------------------------------------------------------------------------------------------------------------------------------------------------------------------------------------|------|---|----------|
| <b>Test Case Name:</b>      |       | TC_26_3_2                                                                                                                                                                                                                                                                                                                                                                                                                                                                                                                                                                    |      |   |          |
| <b>Group:</b>               |       | GSM_L3_MS_v4200/IdleMode/                                                                                                                                                                                                                                                                                                                                                                                                                                                                                                                                                    |      |   |          |
| <b>Purpose:</b>             |       | To verify that a MS can present the available PLMNs to the user when asked to do so in manual mode according to the requirements of GSM 05.08 and 02.11.                                                                                                                                                                                                                                                                                                                                                                                                                     |      |   |          |
| <b>Default:</b>             |       | OtherEventsFail                                                                                                                                                                                                                                                                                                                                                                                                                                                                                                                                                              |      |   |          |
| <b>Comments:</b>            |       | For the test the SIM shall contain a PLMN-Selector that contains only the HPLMN and a empty forbidden PLMN list. Final verdict is assigned in the test step PLMNsCHK                                                                                                                                                                                                                                                                                                                                                                                                         |      |   |          |
| Nr                          | Label | Behaviour Description                                                                                                                                                                                                                                                                                                                                                                                                                                                                                                                                                        | CRef | V | Comments |
| 1                           |       | START T_guard(300)                                                                                                                                                                                                                                                                                                                                                                                                                                                                                                                                                           |      |   |          |
| 2                           |       | +IdleUpdated( 65, C_CellA, C_SCH_A, C_BCCH_A_1, C_Immass, C_S0, C_SlotNU, C_SlotNU, C_SlotNU, C_BCC, C_TxInt_10, C_Max_2, C_NECI_0, C_ATT_0, TimingAdv( 0), C_BABR_1, C_cch_1Comb, C_BPM_2, C_T3212_0, C_ci_cellA, C_MCC_2, C_PLMN_4, C_LAC_1, CellOpt_02, CellChDes_Omit, CellChDes_Omit, C_CellReselectHys4, TSPX_MSTxpwrMax, TSPX_MSTxpwrMax, BcchFreqLst_05, BcchFreqLst_05, BcchFreqLst_13, BcchFreqLst_13, C_noReestablishment, C_BCC, C_NCC_0, C_Start_Tmsi, TSPX_SDCCH4SubDef, TSPX_CKSNDDef, TSPX_RANDDef, C_arfcn_1, C_arfcnAd_1, TSPX_IMSI, C_Test_nfh, C_NCCP_2) |      |   |          |
| 3                           |       | +MM_PwrOrSimOff(C_SIMIn)                                                                                                                                                                                                                                                                                                                                                                                                                                                                                                                                                     |      |   |          |
| 4                           |       | +StartMultiCells_01(C_Immass, TCV_slot, TCV_tsc, TimingAdv( 0), C_ATT_0, C_BABR_1, C_cch_1Comb, C_BPM_2, C_T3212_0, C_MCC_3, C_PLMN_5, C_MCC_4, C_PLMN_6, C_MCC_5, C_PLMN_7, C_MCC_6, C_PLMN_8, C_MCC_7, C_PLMN_9, C_MCC_8, C_PLMN_10, C_MCC_1, C_PLMN_1, C_LAC_1)                                                                                                                                                                                                                                                                                                           |      |   |          |
| 5                           | body  | +MM_PwrOrSimOn(C_SIMIn)                                                                                                                                                                                                                                                                                                                                                                                                                                                                                                                                                      |      |   |          |
| 6                           |       | (TCV_Null := OO_PLMNselModeMan())                                                                                                                                                                                                                                                                                                                                                                                                                                                                                                                                            |      |   |          |
| 7                           |       | +PLMNsCHK                                                                                                                                                                                                                                                                                                                                                                                                                                                                                                                                                                    |      |   |          |
| 8                           |       | (TCV_Null := OO_PLMNselModeAuto())                                                                                                                                                                                                                                                                                                                                                                                                                                                                                                                                           |      |   | 1.       |

**Detailed Comments:**

1. Final verdict is assigned in the test step.

| Test Case Dynamic Behaviour |       |                                                                                                                                                                                                                                                                                                                                                                                                                                                                                                                                                                                                                       |      |   |          |
|-----------------------------|-------|-----------------------------------------------------------------------------------------------------------------------------------------------------------------------------------------------------------------------------------------------------------------------------------------------------------------------------------------------------------------------------------------------------------------------------------------------------------------------------------------------------------------------------------------------------------------------------------------------------------------------|------|---|----------|
| <b>Test Case Name:</b>      |       | TC_26_3_3                                                                                                                                                                                                                                                                                                                                                                                                                                                                                                                                                                                                             |      |   |          |
| <b>Group:</b>               |       | GSM_L3_MS_v4200/IdleMode/                                                                                                                                                                                                                                                                                                                                                                                                                                                                                                                                                                                             |      |   |          |
| <b>Purpose:</b>             |       | To verify that the MS will not produce any RF transmission if no BSS is received.                                                                                                                                                                                                                                                                                                                                                                                                                                                                                                                                     |      |   |          |
| <b>Default:</b>             |       | OtherEventsFail                                                                                                                                                                                                                                                                                                                                                                                                                                                                                                                                                                                                       |      |   |          |
| <b>Comments:</b>            |       | For the test the SIM shall contain a PLMN-Selector that contains only the HPLMN and a empty forbidden PLMN list. Final verdict is assigned in the test steps ServiceIndCHK and RFtransCHK                                                                                                                                                                                                                                                                                                                                                                                                                             |      |   |          |
| Nr                          | Label | Behaviour Description                                                                                                                                                                                                                                                                                                                                                                                                                                                                                                                                                                                                 | CRef | V | Comments |
| 1                           |       | START T_guard(300)                                                                                                                                                                                                                                                                                                                                                                                                                                                                                                                                                                                                    |      |   |          |
| 2                           |       | +BasicServiceMO( TSPX_MOBscSvcB,<br>TSPX_MOChRateB)                                                                                                                                                                                                                                                                                                                                                                                                                                                                                                                                                                   |      |   |          |
| 3                           |       | +IdleUpdated( 65, C_CellA, C_SCH_A,<br>C_BCCH_A_1, C_Immass, C_S0, C_SlotNU,<br>C_SlotNU, C_SlotNU, C_BCC, C_TxInt_10,<br>C_Max_2, C_NECI_0, C_ATT_0, TimingAdv( 0),<br>C_BABR_1, C_cch_1Comb, C_BPM_2,<br>C_T3212_0, C_ci_cellA, C_MCC_2, C_PLMN_4,<br>C_LAC_1, CellOpt_02, CellChDes_Omit,<br>CellChDes_Omit, C_CellReselectHys4,<br>TSPX_MSTxpwrMax, TSPX_MSTxpwrMax,<br>BcchFreqLst_05, BcchFreqLst_05,<br>BcchFreqLst_13, BcchFreqLst_13,<br>C_noRestablishment, C_BCC, C_NCC_0,<br>C_Start_Tmsi, TSPX_SDCCH4SubDef,<br>TSPX_CKSNDf, TSPX_RANDDf, C_arfcn_1,<br>C_arfcnAd_1, TSPX_IMSI, C_Test_rfh,<br>C_NCCP_2) |      |   |          |
| 4                           |       | +StartMultiCells_01(C_Immass, TCV_slot,<br>TCV_tsc, TimingAdv( 0), 0, '001'B, '001'B,<br>'010'B, '00'O, C_MCC_3, C_PLMN_5,<br>C_MCC_4, C_PLMN_6, C_MCC_5,<br>C_PLMN_7, C_MCC_6, C_PLMN_8,<br>C_MCC_7, C_PLMN_9, C_MCC_8,<br>C_PLMN_10, C_MCC_1, C_PLMN_1,<br>C_LAC_1)                                                                                                                                                                                                                                                                                                                                                 |      |   |          |
| 5                           | body  | +StopAllBCCH                                                                                                                                                                                                                                                                                                                                                                                                                                                                                                                                                                                                          |      |   |          |
| 6                           |       | START T_dly(20000)                                                                                                                                                                                                                                                                                                                                                                                                                                                                                                                                                                                                    |      |   |          |
| 7                           |       | ?TIMEOUT T_dly                                                                                                                                                                                                                                                                                                                                                                                                                                                                                                                                                                                                        |      |   |          |
| 8                           |       | +InitCall(TCV_Service)                                                                                                                                                                                                                                                                                                                                                                                                                                                                                                                                                                                                |      |   |          |
| 9                           |       | +RFtransCHK                                                                                                                                                                                                                                                                                                                                                                                                                                                                                                                                                                                                           |      |   | 1.       |
| 10                          |       | [TSPC_Serv_TS12]                                                                                                                                                                                                                                                                                                                                                                                                                                                                                                                                                                                                      |      |   |          |
| 11                          |       | +InitCall(C_EmgCall)                                                                                                                                                                                                                                                                                                                                                                                                                                                                                                                                                                                                  |      |   |          |
| 12                          |       | +RFtransCHK                                                                                                                                                                                                                                                                                                                                                                                                                                                                                                                                                                                                           |      |   | 1.       |
| 13                          |       | [NOT TSPC_Serv_TS12]                                                                                                                                                                                                                                                                                                                                                                                                                                                                                                                                                                                                  |      |   |          |
| <b>Detailed Comments:</b>   |       | 1. The verdict is assigned in these test steps.                                                                                                                                                                                                                                                                                                                                                                                                                                                                                                                                                                       |      |   |          |

| Test Case Dynamic Behaviour |        |                                                                                                                                                                                                                                                                                                                                                                                                                                                                                                                                                               |                                                                                                                           |     |                         |
|-----------------------------|--------|---------------------------------------------------------------------------------------------------------------------------------------------------------------------------------------------------------------------------------------------------------------------------------------------------------------------------------------------------------------------------------------------------------------------------------------------------------------------------------------------------------------------------------------------------------------|---------------------------------------------------------------------------------------------------------------------------|-----|-------------------------|
| <b>Test Case Name:</b>      |        | TC_26_3_4                                                                                                                                                                                                                                                                                                                                                                                                                                                                                                                                                     |                                                                                                                           |     |                         |
| <b>Group:</b>               |        | GSM_L3_MS_v4200/IdleMode/                                                                                                                                                                                                                                                                                                                                                                                                                                                                                                                                     |                                                                                                                           |     |                         |
| <b>Purpose:</b>             |        | To verify that in manual mode the MS is able to obtain normal service on a PLMN which is neither the better nor a preferred PLMN and that it tries to obtain service on VPLMN if and only if the user selects it manually.                                                                                                                                                                                                                                                                                                                                    |                                                                                                                           |     |                         |
| <b>Default:</b>             |        | OtherEventsFail                                                                                                                                                                                                                                                                                                                                                                                                                                                                                                                                               |                                                                                                                           |     |                         |
| <b>Comments:</b>            |        | For the test the preferred PLMN list of the SIM does not contain PLMN2('02'O) but contains PLMN3('03'O). The MS shall be set to manual mode before the test starts.                                                                                                                                                                                                                                                                                                                                                                                           |                                                                                                                           |     |                         |
| Nr                          | Label  | Behaviour Description                                                                                                                                                                                                                                                                                                                                                                                                                                                                                                                                         | CRef                                                                                                                      | V   | Comments                |
| 1                           |        | START T_guard(600)                                                                                                                                                                                                                                                                                                                                                                                                                                                                                                                                            |                                                                                                                           |     |                         |
| 2                           |        | +IdleUpdated( 38, C_CellA, C_SCH_A, C_BCCH_A_1, C_ImmAs, C_S0, C_SlotNU, C_SlotNU, C_SlotNU, C_BCC, C_TxInt_5, C_Max_1, C_NECI_0, C_ATT_0, TimingAdv( 0), C_BABR_0, C_cch_1Comb, C_BPM_3, C_T3212_0, C_ci_cellA, C_MCC_1, C_PLMN_1, C_LAC_1, CellOpt_01, CellChDes_Omit, CellChDes_Omit, C_CellReselectHys12, C_MaxPwrLvlG, C_MaxPwrLvlD, BcchFreqLst_45, BcchFreqLst_02, BcchFreqLst_03, BcchFreqLst_04, C_Restablishment, C_BCC, C_NCC_2, C_Start_Tmsi, TSPX_SDCCH4SubDef, TSPX_CKSNDf, TSPX_RANDDef, C_arfcnA, C_arfcnAd, TSPX_IMSI, C_Test_nfh, C_NCCP_2) |                                                                                                                           |     |                         |
| 3                           |        | +StartCellB_1( 33, C_ImmAs, TCV_slot, TCV_tsc, TimingAdv( 0), C_ATT_0, C_BABR_0, C_cch_1Comb, C_BPM_3, C_T3212_0, C_MCC_1, C_PLMN_2, C_LAC_2, C_noRestablishment, C_BCC, C_NCC)                                                                                                                                                                                                                                                                                                                                                                               |                                                                                                                           |     |                         |
| 4                           |        | (TCV_Null := OO_PLMNselModeMan())                                                                                                                                                                                                                                                                                                                                                                                                                                                                                                                             |                                                                                                                           |     |                         |
| 5                           |        | +ltree_body                                                                                                                                                                                                                                                                                                                                                                                                                                                                                                                                                   |                                                                                                                           |     |                         |
|                             |        | <b>ltree_body</b>                                                                                                                                                                                                                                                                                                                                                                                                                                                                                                                                             |                                                                                                                           |     |                         |
| 6                           |        | (TCV_Null := OM_StopCell( C_CellA))                                                                                                                                                                                                                                                                                                                                                                                                                                                                                                                           |                                                                                                                           |     |                         |
| 7                           |        | +NoReaction( 120000)                                                                                                                                                                                                                                                                                                                                                                                                                                                                                                                                          |                                                                                                                           |     | 1.                      |
| 8                           |        | +StartCellA_1( 48, C_ImmAs, TCV_slot, TCV_tsc, TimingAdv( 0), C_TxInt_5, C_Max_1, C_NECI_0, C_ATT_0, C_BABR_0, C_cch_1Comb, C_BPM_3, C_T3212_0, C_MCC_1, C_PLMN_3, C_LAC_1, BcchFreqLst_45, BcchFreqLst_02, BcchFreqLst_03, BcchFreqLst_04, C_Restablishment)                                                                                                                                                                                                                                                                                                 |                                                                                                                           |     |                         |
| 9                           |        | +NoReaction( 120000)                                                                                                                                                                                                                                                                                                                                                                                                                                                                                                                                          |                                                                                                                           |     | 1.                      |
| 10                          |        | (TCV_Null := OO_SelPLMN( C_PLMN_2))                                                                                                                                                                                                                                                                                                                                                                                                                                                                                                                           |                                                                                                                           |     |                         |
| 11                          |        | L?DL_RaInChRq (TCV_Rr := DL_RaInChRq.msg.ecau_rrf, TCV_Fn := DL_RaInChRq.fn)                                                                                                                                                                                                                                                                                                                                                                                                                                                                                  | ChReq( ChRequest_02)                                                                                                      |     |                         |
| 12                          |        | ACTIVATE( OtherEventsFail_02)                                                                                                                                                                                                                                                                                                                                                                                                                                                                                                                                 |                                                                                                                           |     | To match ChReq retrans. |
| 13                          |        | L!DL_UdatRqImmAs                                                                                                                                                                                                                                                                                                                                                                                                                                                                                                                                              | ImmAss( TCV_agch, ImmAsgn_01Def( TCV_Rr, TCV_Fn, TSPX_SDCCH4SubDef, TCV_slot, TCV_tsc, TCV_chdescr_arfcn, TimingAdv( 0))) |     |                         |
| 14                          | L_0090 | L?DL_EstInLupRq                                                                                                                                                                                                                                                                                                                                                                                                                                                                                                                                               | LocUp( TCV_ch, LocUpdtReq_05)                                                                                             | (P) | 2.                      |
| 15                          |        | ACTIVATE( OtherEventsFail)                                                                                                                                                                                                                                                                                                                                                                                                                                                                                                                                    |                                                                                                                           |     | Restore Normal default  |
| 16                          |        | L!DL_DatRqLupAcp                                                                                                                                                                                                                                                                                                                                                                                                                                                                                                                                              | LocAcp( TCV_ch, LocUpdtAcp_01( MiMsi_omit, C_MCC_1, C_PLMN_1, C_LAC_1))                                                   |     |                         |
| 17                          |        | +PostMainLinkRel( TCV_ch)                                                                                                                                                                                                                                                                                                                                                                                                                                                                                                                                     |                                                                                                                           |     |                         |
| 18                          |        | (TCV_Null := OM_StopCell( C_CellB))                                                                                                                                                                                                                                                                                                                                                                                                                                                                                                                           |                                                                                                                           |     |                         |
| 19                          |        | +NoReaction( 120000)                                                                                                                                                                                                                                                                                                                                                                                                                                                                                                                                          |                                                                                                                           |     | 1.                      |

|                           |  |                                                                                                                                                                                                     |  |  |
|---------------------------|--|-----------------------------------------------------------------------------------------------------------------------------------------------------------------------------------------------------|--|--|
| 20                        |  | (TCV_Null :=<br>OO_PLMNselModeAuto()<br>)                                                                                                                                                           |  |  |
| <b>Detailed Comments:</b> |  | 1. During 2 minutes the MS does not send any CHANNEL REQUEST, pass. If the MS does the test case fail in the default tree.<br>2. The expected LOCATION UPDATING REQUEST message received on Cell B. |  |  |

**Test Group BiBo**

| Test Case Dynamic Behaviour |            |                                                                                                                                                                                                                                                                                                                                                                                                                                                                                                                                                                          |                                          |     |          |
|-----------------------------|------------|--------------------------------------------------------------------------------------------------------------------------------------------------------------------------------------------------------------------------------------------------------------------------------------------------------------------------------------------------------------------------------------------------------------------------------------------------------------------------------------------------------------------------------------------------------------------------|------------------------------------------|-----|----------|
| <b>Test Case Name:</b>      |            | TC_26_5_1                                                                                                                                                                                                                                                                                                                                                                                                                                                                                                                                                                |                                          |     |          |
| <b>Group:</b>               |            | GSM_L3_MS_v4200/BiBo/                                                                                                                                                                                                                                                                                                                                                                                                                                                                                                                                                    |                                          |     |          |
| <b>Purpose:</b>             |            | To verify that a MS supporting TCH and the call control protocol ignores a message containing an undefined protocol discriminator in the special case of a message coded otherwise like a CC STATUS ENQUIRY message received by the MS having a mobile terminating call in CC-state U10, "active".                                                                                                                                                                                                                                                                       |                                          |     |          |
| <b>Default:</b>             |            | OtherEventsFail                                                                                                                                                                                                                                                                                                                                                                                                                                                                                                                                                          |                                          |     |          |
| Nr                          | Label      | Behaviour Description                                                                                                                                                                                                                                                                                                                                                                                                                                                                                                                                                    | CRef                                     | V   | Comments |
| 1                           |            | START T_guard(300)                                                                                                                                                                                                                                                                                                                                                                                                                                                                                                                                                       |                                          |     |          |
| 2                           |            | +IdleUpdated( C_E_default, C_CellA, C_SCH_A, C_BCCH_A_1, C_ImmMass, C_S0, C_SlotNU, C_SlotNU, C_SlotNU, C_BCC, C_TxInt_5, C_Max_1, C_NECI_0, C_ATT_0, TimingAdv( 0), C_BABR_0, C_cch_1Comb, C_BPM_3, C_T3212_0, C_ci_cellA, C_MCC_1, C_PLMN_1, C_LAC_1, CellOpt_01, CellChDes_Omit, CellChDes_Omit, C_CellReselectHys12, C_MaxPwrLvlG, C_MaxPwrLvlD, BcchFreqLst_45, BcchFreqLst_02, BcchFreqLst_03, BcchFreqLst_04, C_Restablishment, C_BCC, C_NCC, C_Start_Tmsi, TSPX_SDCCH4SubDef, TSPX_CKSNDDef, TSPX_RANDDef, C_arfcnA, C_arfcnAd, TSPX_IMSI, C_Test_nfh, C_NCCP_2) |                                          |     |          |
| 3                           | body       | [TCV_CC]                                                                                                                                                                                                                                                                                                                                                                                                                                                                                                                                                                 |                                          |     | 1.       |
| 4                           |            | +BasicServiceMT( TSPX_MTBscSvcA, TSPX_MTChRateA)                                                                                                                                                                                                                                                                                                                                                                                                                                                                                                                         |                                          |     |          |
| 5                           |            | +CCConfigTCH( TSPX_TCHHSubDef, C_Ass, TSPX_TmSlitDef, TSPX_TscDef, TimingAdv( 0), C_BABR_0, C_cch_1Comb, C_BPM_3, TCV_ChMod.mode, FreqTCH_omit, FreqTCH_omit, C_arfcn_tchA, C_arfcn_tchAd)                                                                                                                                                                                                                                                                                                                                                                               |                                          |     |          |
| 6                           |            | +PreEnterCCstateU10( TSPX_SDCCH4SubDef, TCV_Setup_mt, TSPX_TmSlitDef, TSPX_TscDef, TimingAdv( 0), TSPX_CKSNDDef, TSPX_RANDDef)                                                                                                                                                                                                                                                                                                                                                                                                                                           |                                          |     |          |
| 7                           |            | LIDL_DatRqUnknown                                                                                                                                                                                                                                                                                                                                                                                                                                                                                                                                                        | Unknown(TCV_chTch, UnknownMsg_01(TI_02)) |     | 2.       |
| 8                           |            | START T_dly(10000)                                                                                                                                                                                                                                                                                                                                                                                                                                                                                                                                                       |                                          |     |          |
| 9                           | L_009<br>1 | ?TIMEOUT T_dly                                                                                                                                                                                                                                                                                                                                                                                                                                                                                                                                                           |                                          | (P) |          |
| 10                          |            | +PostMainLinkRel( TCV_chTch)                                                                                                                                                                                                                                                                                                                                                                                                                                                                                                                                             |                                          |     |          |
| 11                          |            | [NOT TCV_CC]                                                                                                                                                                                                                                                                                                                                                                                                                                                                                                                                                             |                                          |     | 3.       |
| 12                          |            | +PreEstRRConn( TCV_slot, TCV_tsc, TimingAdv( 0))                                                                                                                                                                                                                                                                                                                                                                                                                                                                                                                         |                                          |     |          |
| 13                          |            | LIDL_DatRqUnknown                                                                                                                                                                                                                                                                                                                                                                                                                                                                                                                                                        | Unknown( TCV_ch, UnknownMsg_02(TI_04))   |     | 4.       |
| 14                          |            | START T_dly(10000)                                                                                                                                                                                                                                                                                                                                                                                                                                                                                                                                                       |                                          |     |          |
| 15                          | L_009<br>2 | ?TIMEOUT T_dly                                                                                                                                                                                                                                                                                                                                                                                                                                                                                                                                                           |                                          | (P) |          |
| 16                          |            | +PostMainLinkRel( TCV_ch)                                                                                                                                                                                                                                                                                                                                                                                                                                                                                                                                                |                                          |     |          |
| <b>Detailed Comments:</b>   |            | 1. If the MS supports any bearer capability the test case goes through this branch.<br>2. To send a CC STATUS ENQUIRY alike unknown message on channel FACCH.<br>3. If the MS does not support any bearer capability the test case goes through this branch.<br>4. To send a CC STATUS ENQUIRY alike unknown message on channel SDCCH4.                                                                                                                                                                                                                                  |                                          |     |          |

| Test Case Dynamic Behaviour |            |                                                                                                                                                                                                                                                                                                                                                                                                                                                                                                                                                                         |                                                     |     |          |
|-----------------------------|------------|-------------------------------------------------------------------------------------------------------------------------------------------------------------------------------------------------------------------------------------------------------------------------------------------------------------------------------------------------------------------------------------------------------------------------------------------------------------------------------------------------------------------------------------------------------------------------|-----------------------------------------------------|-----|----------|
| <b>Test Case Name:</b>      |            | TC_26_5_2_1_1                                                                                                                                                                                                                                                                                                                                                                                                                                                                                                                                                           |                                                     |     |          |
| <b>Group:</b>               |            | GSM_L3_MS_v4200/BiBo/                                                                                                                                                                                                                                                                                                                                                                                                                                                                                                                                                   |                                                     |     |          |
| <b>Purpose:</b>             |            | To verify that the MS ignores an RR message with skip indicator different from H'0 in the special case of a PAGING REQUEST TYPE 1 message received in the MM-state "idle, updated" and in RR-idle mode.                                                                                                                                                                                                                                                                                                                                                                 |                                                     |     |          |
| <b>Default:</b>             |            | OtherEventsFail                                                                                                                                                                                                                                                                                                                                                                                                                                                                                                                                                         |                                                     |     |          |
| Nr                          | Label      | Behaviour Description                                                                                                                                                                                                                                                                                                                                                                                                                                                                                                                                                   | CRef                                                | V   | Comments |
| 1                           |            | START T_guard(300)                                                                                                                                                                                                                                                                                                                                                                                                                                                                                                                                                      |                                                     |     |          |
| 2                           |            | +IdleUpdated( C_E_default, C_CellA, C_SCH_A, C_BCCH_A_1, C_Immass, C_S0, C_SlotNU, C_SlotNU, C_SlotNU, C_BCC, C_TxInt_5, C_Max_1, C_NECI_0, C_ATT_0, TimingAdv( 0), C_BABR_0, C_cch_1Comb, C_BPM_3, C_T3212_0, C_ci_cellA, C_MCC_1, C_PLMN_1, C_LAC_1, CellOpt_01, CellChDes_Omit, CellChDes_Omit, C_CellReselectHys12, C_MaxPwrLvIG, C_MaxPwrLvID, BcchFreqLst_45, BcchFreqLst_02, BcchFreqLst_03, BcchFreqLst_04, C_Restablishment, C_BCC, C_NCC, C_Start_Tmsi, TSPX_SDCCH4SubDef, TSPX_CKSNDDef, TSPX_RANDDef, C_arfcnA, C_arfcnAd, TSPX_IMSI, C_Test_nfh, C_NCCP_2) |                                                     |     |          |
| 3                           |            | (TCV_Cnt :=1)                                                                                                                                                                                                                                                                                                                                                                                                                                                                                                                                                           |                                                     |     |          |
| 4                           | body       | REPEAT localtree UNTIL [TCV_Cnt = 7]                                                                                                                                                                                                                                                                                                                                                                                                                                                                                                                                    |                                                     |     |          |
| 5                           |            | L!DL_UdatRqPg1Rq                                                                                                                                                                                                                                                                                                                                                                                                                                                                                                                                                        | PgReq1(TCV_PgCh, TCV_Pgg, PgReqTp1_inv_01(8))       |     | 1.       |
| 6                           |            | START T_dly(3000)                                                                                                                                                                                                                                                                                                                                                                                                                                                                                                                                                       |                                                     |     |          |
| 7                           | L_009<br>3 | ?TIMEOUT T_dly                                                                                                                                                                                                                                                                                                                                                                                                                                                                                                                                                          |                                                     | (P) |          |
| 8                           |            | <b>localtree</b><br>L!DL_UdatRqPg1Rq                                                                                                                                                                                                                                                                                                                                                                                                                                                                                                                                    | PgReq1(TCV_PgCh, TCV_Pgg, PgReqTp1_inv_01(TCV_Cnt)) |     | 1.       |
| 9                           |            | START T_dly( 3000)                                                                                                                                                                                                                                                                                                                                                                                                                                                                                                                                                      |                                                     |     |          |
| 10                          |            | ?TIMEOUT T_dly                                                                                                                                                                                                                                                                                                                                                                                                                                                                                                                                                          |                                                     |     |          |
| 11                          | L_009<br>4 | (TCV_Cnt := TCV_Cnt+1)                                                                                                                                                                                                                                                                                                                                                                                                                                                                                                                                                  |                                                     | (P) |          |
| <b>Detailed Comments:</b>   |            | 1. To send PAGING REQUEST TYPE 1 message with unknown skip indicator.                                                                                                                                                                                                                                                                                                                                                                                                                                                                                                   |                                                     |     |          |

| Test Case Dynamic Behaviour |       |                                                                                                                                                                                                                                                                                                                                                                                                                                                                                                                                                                       |                                                                                                                           |    |               |
|-----------------------------|-------|-----------------------------------------------------------------------------------------------------------------------------------------------------------------------------------------------------------------------------------------------------------------------------------------------------------------------------------------------------------------------------------------------------------------------------------------------------------------------------------------------------------------------------------------------------------------------|---------------------------------------------------------------------------------------------------------------------------|----|---------------|
| <b>Test Case Name:</b>      |       | TC_26_5_2_1_2                                                                                                                                                                                                                                                                                                                                                                                                                                                                                                                                                         |                                                                                                                           |    |               |
| <b>Group:</b>               |       | GSM_L3_MS_v4200/BiBo/                                                                                                                                                                                                                                                                                                                                                                                                                                                                                                                                                 |                                                                                                                           |    |               |
| <b>Purpose:</b>             |       | To verify that the MS ignores RR messages with skip indicator different from H'0 in the case of a message being received during the RR-connection establishment in the MM-state "idle, updated" / "wait for network command" and in RR-connected mode.                                                                                                                                                                                                                                                                                                                |                                                                                                                           |    |               |
| <b>Default:</b>             |       | RR-connected mode.<br>OtherEventsFail_01                                                                                                                                                                                                                                                                                                                                                                                                                                                                                                                              |                                                                                                                           |    |               |
| Nr                          | Label | Behaviour Description                                                                                                                                                                                                                                                                                                                                                                                                                                                                                                                                                 | CRef                                                                                                                      | V  | Comments      |
| 1                           |       | START T_guard(300)                                                                                                                                                                                                                                                                                                                                                                                                                                                                                                                                                    |                                                                                                                           |    |               |
| 2                           |       | +IdleUpdated( C_E_default, C_CellA, C_SCH_A, C_BCCH_A_1, C_Immash, C_S0, C_SlotNU, C_SlotNU, C_SlotNU, C_BCC, C_TxInt_5, C_Max_2, C_NECI_0, C_ATT_0, TimingAdv( 0), C_BABR_0, C_cch_1Comb, C_BPM_3, C_T3212_0, C_ci_cellA, C_MCC_1, C_PLMN_1, C_LAC_1, CellOpt_01, CellChDes_Omit, CellChDes_Omit, C_CellReselectHys12, C_MaxPwrLvlG, C_MaxPwrLvlD, BcchFreqLst_45, BcchFreqLst_02, BcchFreqLst_03, BcchFreqLst_04, C_Restablishment, C_BCC, C_NCC, C_Start_Tmsi, TSPX_SDCCH4SubDef, TSPX_CKSNDf, TSPX_RANDDef, C_arfcnA, C_arfcnAd, TSPX_IMSI, C_Test_nfh, C_NCCP_2) |                                                                                                                           |    |               |
| 3                           | body  | LIDL_UdatRqPg1Rq                                                                                                                                                                                                                                                                                                                                                                                                                                                                                                                                                      | PgReq1(TCV_PgCh, TCV_Pgg, PgReqTp1_01)                                                                                    |    |               |
| 4                           |       | L?DL_RaclnChRq (TCV_Rr := DL_RaclnChRq.msg.ecau_rrf, TCV_Fn := DL_RaclnChRq.fn)                                                                                                                                                                                                                                                                                                                                                                                                                                                                                       | ChReq( ChRequest_17)                                                                                                      |    |               |
| 5                           |       | LIDL_UdatRqImmash START T_dly1(1000)                                                                                                                                                                                                                                                                                                                                                                                                                                                                                                                                  | ImmAss( TCV_agch, ImmAsgn_inv_01( TCV_Rr, TCV_Fn, TCV_slot, TCV_tsc, TCV_chdescr_arfcn, TimingAdv( 0)))                   | 2. |               |
| 6                           |       | +chRq_check                                                                                                                                                                                                                                                                                                                                                                                                                                                                                                                                                           |                                                                                                                           |    |               |
| 7                           |       | LIDL_UdatRqImmashRej START T_dly1(1000)                                                                                                                                                                                                                                                                                                                                                                                                                                                                                                                               | ImmAssRej( TCV_agch, ImmAsgnRej_inv_01( TCV_Rr, TCV_Fn))                                                                  | 4. |               |
| 8                           |       | +chRq_check                                                                                                                                                                                                                                                                                                                                                                                                                                                                                                                                                           |                                                                                                                           |    |               |
| 9                           |       | +continue                                                                                                                                                                                                                                                                                                                                                                                                                                                                                                                                                             |                                                                                                                           |    |               |
| 10                          |       | <b>continue</b><br>LIDL_UdatRqImmash                                                                                                                                                                                                                                                                                                                                                                                                                                                                                                                                  | ImmAss( TCV_agch, ImmAsgn_01Def( TCV_Rr, TCV_Fn, TSPX_SDCCH4SubDef, TCV_slot, TCV_tsc, TCV_chdescr_arfcn, TimingAdv( 0))) |    | valid message |
| 11                          |       | L?DL_EstInPgRes                                                                                                                                                                                                                                                                                                                                                                                                                                                                                                                                                       | PagingRes( PagingRes_01)                                                                                                  |    |               |
| 12                          |       | LIDL_DatRqAuthRq                                                                                                                                                                                                                                                                                                                                                                                                                                                                                                                                                      | AuthReq(TCV_ch, AuthRequest( TSPX_CKSNDf, TSPX_RANDDef))                                                                  |    |               |
| 13                          |       | L?DL_DatInAuthRes                                                                                                                                                                                                                                                                                                                                                                                                                                                                                                                                                     | AuthRes( AuthResponse)                                                                                                    |    |               |
| 14                          |       | LIDL_DatRqCphmCmd                                                                                                                                                                                                                                                                                                                                                                                                                                                                                                                                                     | CphCmd( TCV_ch, CphModeCmd_inv_02)                                                                                        | 5. |               |
| 15                          |       | LIDL_DatRqIdRq                                                                                                                                                                                                                                                                                                                                                                                                                                                                                                                                                        | IDReq(TCV_ch, IDRequest_01('0001' B))                                                                                     |    |               |
| 16                          |       | L?DL_DatInIdRes                                                                                                                                                                                                                                                                                                                                                                                                                                                                                                                                                       | IDRes( IDResponse_01)                                                                                                     |    |               |
| 17                          |       | LIDL_DatRqAssCmd                                                                                                                                                                                                                                                                                                                                                                                                                                                                                                                                                      | AssCmd(TCV_ch, AsgnCmd_inv_01( TCV_slot, TCV_tsc))                                                                        | 6. |               |

|    |            |                                                                                                   |  |                                                                                                       |     |    |
|----|------------|---------------------------------------------------------------------------------------------------|--|-------------------------------------------------------------------------------------------------------|-----|----|
| 18 |            | +check2                                                                                           |  |                                                                                                       |     |    |
| 19 |            | L!DL_DatRqHoCmd                                                                                   |  | HndOvSnd( TCV_ch,<br>HandOverCmd_inv_0<br>1( TCV_slot,<br>TCV_tsc, C_NCC_1,<br>C_BCC_3,<br>C_arfcnA)) |     | 7. |
| 20 |            | +check3                                                                                           |  |                                                                                                       |     |    |
| 21 |            | L!DL_DatRqChRel                                                                                   |  | ChRel( TCV_ch,<br>ChRelease_inv_02)                                                                   |     | 9. |
| 22 |            | LIDL_DatRqIdRq                                                                                    |  | IDReq(TCV_ch,<br>IDRequest_01('0001'<br>B))                                                           |     |    |
| 23 | L_009<br>5 | L?DL_DatInIdRes                                                                                   |  | IDRes(<br>IDResponse_01)                                                                              | (P) |    |
| 24 |            | +PostLinkRelEnd(<br>TCV_ch)                                                                       |  |                                                                                                       |     |    |
|    |            | <b>check2</b>                                                                                     |  |                                                                                                       |     |    |
| 25 |            | START T_dly(3000)                                                                                 |  |                                                                                                       |     |    |
| 26 | L_009<br>6 | L?DL_EstIn                                                                                        |  | DLEstIn( TCV_ch)                                                                                      | (F) |    |
| 27 | L_009<br>7 | ?TIMEOUT T_dly                                                                                    |  |                                                                                                       | (P) |    |
|    |            | <b>check3</b>                                                                                     |  |                                                                                                       |     |    |
| 28 |            | START T_dly(3000)                                                                                 |  |                                                                                                       |     | 8. |
| 29 |            | L?DL_EstIn                                                                                        |  | DLEstIn( TCV_ch)                                                                                      |     |    |
| 30 | L_009<br>8 | L?DL_DatInHofl                                                                                    |  | HndOvFIRcv(<br>TCV_ch,<br>HandOvFail_01)                                                              | (F) |    |
| 31 | L_009<br>9 | L?DL_DatInRrst                                                                                    |  | RrStatusRcv(<br>TCV_ch,<br>RRStatus_01)                                                               | (F) |    |
| 32 | L_010<br>0 | ?TIMEOUT T_dly                                                                                    |  |                                                                                                       | (P) |    |
|    |            | <b>chRq_check</b>                                                                                 |  |                                                                                                       |     |    |
| 33 | L_010<br>1 | L?DL_RaInChRq (TCV_Rr := DL_RaInChRq.<br>msg.ecau_rrf, TCV_Fn := DL_RaInChRq.fn)<br>CANCEL T_dly1 |  | ChReq(<br>ChRequest_17)                                                                               | (P) | 3. |
| 34 | L_010<br>2 | ?TIMEOUT T_dly1                                                                                   |  |                                                                                                       | (F) |    |

**Detailed Comments:**

1. To set the Max\_Retrans = 2.
2. To send an invalid IMMEDIATE ASSIGNMENT message with skip indicator = 1.
3. Retransmission of Channel request within 1s indicates that mobile ignored the message with invalid skip indicator.
4. To send an invalid IMMEDIATE ASSIGNMENT REJECT message with skip indicator = 2.
5. To send an invalid CIPHERING MODE COMMAND message with skip indicator = 3.
6. To send an invalid ASSIGNMENT COMMAND message with skip indicator = 4.
7. To send an invalid HANDOVER COMMAND message with skip indicator = 5.
8. To check that there is no HANDOVER FAILURE or RR-STATUS message on old channel.
9. To send an invalid CHANNEL RELEASE message with skip indicator = 6.

| Test Case Dynamic Behaviour |            |                                                                                                                                                                                                                                                                                                                                                                                                                                                                                                                                                                    |                                                 |     |          |
|-----------------------------|------------|--------------------------------------------------------------------------------------------------------------------------------------------------------------------------------------------------------------------------------------------------------------------------------------------------------------------------------------------------------------------------------------------------------------------------------------------------------------------------------------------------------------------------------------------------------------------|-------------------------------------------------|-----|----------|
| <b>Test Case Name:</b>      |            | TC_26_5_2_2                                                                                                                                                                                                                                                                                                                                                                                                                                                                                                                                                        |                                                 |     |          |
| <b>Group:</b>               |            | GSM_L3_MS_v4200/BiBo/                                                                                                                                                                                                                                                                                                                                                                                                                                                                                                                                              |                                                 |     |          |
| <b>Purpose:</b>             |            | To verify that the MS ignores an MM message with skip indicator different from H'0 in the special case of an MS supporting the call control protocol and an IDENTITY REQUEST message received in the active state of a mobile terminating call.                                                                                                                                                                                                                                                                                                                    |                                                 |     |          |
| <b>Default:</b>             |            | OtherEventsFail_01                                                                                                                                                                                                                                                                                                                                                                                                                                                                                                                                                 |                                                 |     |          |
| Nr                          | Label      | Behaviour Description                                                                                                                                                                                                                                                                                                                                                                                                                                                                                                                                              | CRef                                            | V   | Comments |
| 1                           |            | START T_guard(300)                                                                                                                                                                                                                                                                                                                                                                                                                                                                                                                                                 |                                                 |     |          |
| 2                           |            | +IdleUpdated( C_E_default, C_CellA, C_SCH_A, C_BCCH_A_1, C_Imm, C_S0, C_SlotNU, C_SlotNU, C_SlotNU, C_BCC, C_TxInt_5, C_Max_1, C_NECI_0, C_ATT_0, TimingAdv( 0), C_BABR_0, C_cch_1Comb, C_BPM_3, C_T3212_0, C_ci_cellA, C_MCC_1, C_PLMN_1, C_LAC_1, CellOpt_01, CellChDes_Omit, CellChDes_Omit, C_CellReselectHys12, C_MaxPwrLvlG, C_MaxPwrLvlD, BcchFreqLst_45, BcchFreqLst_02, BcchFreqLst_03, BcchFreqLst_04, C_Restablishment, C_BCC, C_NCC, C_Start_Tmsi, TSPX_SDCCH4SubDef, TSPX_CKSNDf, TSPX_RANDDef, C_arfcnA, C_arfcnAd, TSPX_IMSI, C_Test_nfh, C_NCCP_2) |                                                 |     |          |
| 3                           | body       | [TCV_CC]                                                                                                                                                                                                                                                                                                                                                                                                                                                                                                                                                           |                                                 |     |          |
| 4                           |            | +BasicServiceMT( TSPX_MTBscSvcB, TSPX_MTChRateB)                                                                                                                                                                                                                                                                                                                                                                                                                                                                                                                   |                                                 |     |          |
| 5                           |            | +CCConfigTCH( TSPX_TCHHSubDef, C_Ass, TSPX_TmSltDef, TSPX_TscDef, TimingAdv( 0), C_BABR_0, C_cch_1Comb, C_BPM_3, TCV_ChMod.mode, FreqTCH_omit, FreqTCH_omit, C_arfcn_tchA, C_arfcn_tchAd)                                                                                                                                                                                                                                                                                                                                                                          |                                                 |     |          |
| 6                           |            | +PreEnterCCstateU10( TSPX_SDCCH4SubDef, TCV_Setup_mt, TSPX_TmSltDef, TSPX_TscDef, TimingAdv( 0), TSPX_CKSNDf, TSPX_RANDDef)                                                                                                                                                                                                                                                                                                                                                                                                                                        |                                                 |     | 1.       |
| 7                           |            | +maintest1                                                                                                                                                                                                                                                                                                                                                                                                                                                                                                                                                         |                                                 |     |          |
| 8                           |            | [NOT TCV_CC]                                                                                                                                                                                                                                                                                                                                                                                                                                                                                                                                                       |                                                 |     | 2.       |
| 9                           |            | +PreEstRRConn( TCV_slot, TCV_tsc, TimingAdv( 0))                                                                                                                                                                                                                                                                                                                                                                                                                                                                                                                   |                                                 |     |          |
| 10                          |            | +maintest2                                                                                                                                                                                                                                                                                                                                                                                                                                                                                                                                                         |                                                 |     |          |
| 11                          |            | <b>maintest1</b><br>(TCV_Cnt := 0)                                                                                                                                                                                                                                                                                                                                                                                                                                                                                                                                 |                                                 |     |          |
| 12                          |            | REPEAT subtree1 UNTIL [TCV_Cnt = 6]                                                                                                                                                                                                                                                                                                                                                                                                                                                                                                                                |                                                 |     |          |
| 13                          |            | LIDL_DatRqldRq                                                                                                                                                                                                                                                                                                                                                                                                                                                                                                                                                     | IDReq( TCV_chTch, IDRequest_inv_01( 8))         |     | 3.       |
| 14                          |            | START T_dly( 5000)                                                                                                                                                                                                                                                                                                                                                                                                                                                                                                                                                 |                                                 |     |          |
| 15                          | L_010<br>3 | ?TIMEOUT T_dly                                                                                                                                                                                                                                                                                                                                                                                                                                                                                                                                                     |                                                 | (P) |          |
| 16                          |            | +PostMainLinkRel(TCV_chTch)                                                                                                                                                                                                                                                                                                                                                                                                                                                                                                                                        |                                                 |     |          |
| 17                          |            | <b>maintest2</b><br>(TCV_Cnt := 0)                                                                                                                                                                                                                                                                                                                                                                                                                                                                                                                                 |                                                 |     |          |
| 18                          |            | REPEAT subtree2 UNTIL [TCV_Cnt = 6]                                                                                                                                                                                                                                                                                                                                                                                                                                                                                                                                |                                                 |     |          |
| 19                          |            | LIDL_DatRqldRq                                                                                                                                                                                                                                                                                                                                                                                                                                                                                                                                                     | IDReq( TCV_ch, IDRequest_inv_01( 8))            |     | 4.       |
| 20                          |            | START T_dly( 5000)                                                                                                                                                                                                                                                                                                                                                                                                                                                                                                                                                 |                                                 |     |          |
| 21                          | L_010<br>4 | ?TIMEOUT T_dly                                                                                                                                                                                                                                                                                                                                                                                                                                                                                                                                                     |                                                 | (P) |          |
| 22                          |            | +PostMainLinkRel(TCV_ch)                                                                                                                                                                                                                                                                                                                                                                                                                                                                                                                                           |                                                 |     |          |
| 23                          |            | <b>subtree1</b><br>LIDL_DatRqldRq                                                                                                                                                                                                                                                                                                                                                                                                                                                                                                                                  | IDReq( TCV_chTch, IDRequest_inv_01( TCV_Cnt+1)) |     | 3.       |



|                           |       |                                                                                                                                                                                                                                                                                                                                                                                                                                              |                                                    |     |    |
|---------------------------|-------|----------------------------------------------------------------------------------------------------------------------------------------------------------------------------------------------------------------------------------------------------------------------------------------------------------------------------------------------------------------------------------------------------------------------------------------------|----------------------------------------------------|-----|----|
| 24                        |       | START T_dly( 1000)                                                                                                                                                                                                                                                                                                                                                                                                                           |                                                    |     |    |
| 25                        | L_010 | ?TIMEOUT T_dly                                                                                                                                                                                                                                                                                                                                                                                                                               |                                                    | (P) |    |
|                           | 5     |                                                                                                                                                                                                                                                                                                                                                                                                                                              |                                                    |     |    |
| 26                        |       | (TCV_Cnt := TCV_Cnt + 1)                                                                                                                                                                                                                                                                                                                                                                                                                     |                                                    |     |    |
|                           |       | <b>subtree2</b>                                                                                                                                                                                                                                                                                                                                                                                                                              |                                                    |     |    |
| 27                        |       | L!DL_DatRqIdRq                                                                                                                                                                                                                                                                                                                                                                                                                               | IDReq( TCV_ch,<br>IDRequest_inv_01(<br>TCV_Cnt+1)) |     | 4. |
| 28                        |       | START T_dly( 1000)                                                                                                                                                                                                                                                                                                                                                                                                                           |                                                    |     |    |
| 29                        | L_010 | ?TIMEOUT T_dly                                                                                                                                                                                                                                                                                                                                                                                                                               |                                                    | (P) |    |
|                           | 6     |                                                                                                                                                                                                                                                                                                                                                                                                                                              |                                                    |     |    |
| 30                        |       | (TCV_Cnt := TCV_Cnt + 1)                                                                                                                                                                                                                                                                                                                                                                                                                     |                                                    |     |    |
| <b>Detailed Comments:</b> |       | <ol style="list-style-type: none"> <li>1. This subtree is for the MS supporting at least one bearer capability.</li> <li>2. This subtree is for the MS not supporting any bearer capability.</li> <li>3. To send an invalid IDENTITY REQUEST message containing incorrect skip indicator on channel<br/>FACCH.</li> <li>4. To send an invalid IDENTITY REQUEST message containing incorrect skip indicator on channel<br/>SDCCH4.</li> </ol> |                                                    |     |    |

### Test Case Dynamic Behaviour

|                        |                                                                                                                                                                                                                                                                                                                                                                                                                                                                                                                                                                                                                                                                                                                                                                                                                                                                                                                                                                                                                                                                                                                                                                                                                                                                                                                                     |
|------------------------|-------------------------------------------------------------------------------------------------------------------------------------------------------------------------------------------------------------------------------------------------------------------------------------------------------------------------------------------------------------------------------------------------------------------------------------------------------------------------------------------------------------------------------------------------------------------------------------------------------------------------------------------------------------------------------------------------------------------------------------------------------------------------------------------------------------------------------------------------------------------------------------------------------------------------------------------------------------------------------------------------------------------------------------------------------------------------------------------------------------------------------------------------------------------------------------------------------------------------------------------------------------------------------------------------------------------------------------|
| <b>Test Case Name:</b> | TC_26_5_2_3                                                                                                                                                                                                                                                                                                                                                                                                                                                                                                                                                                                                                                                                                                                                                                                                                                                                                                                                                                                                                                                                                                                                                                                                                                                                                                                         |
| <b>Group:</b>          | GSM_L3_MS_v4200/BiBo/                                                                                                                                                                                                                                                                                                                                                                                                                                                                                                                                                                                                                                                                                                                                                                                                                                                                                                                                                                                                                                                                                                                                                                                                                                                                                                               |
| <b>Purpose:</b>        | <p>a) To verify that the MS having a mobile terminating call in CC-state U10, "active", on receipt of a DISCONNECT message which includes a transaction identifier which is not recognised as relating to an active call or a call in progress, sends a RELEASE COMPLETE message with cause value #81 and referring to the latter TI without changing the state of the active call (this is verified by use of the status enquiry procedure).</p> <p>b) To verify that the MS having a mobile terminating call in CC-state U10, "active", on receipt of a</p> <p>b1) RELEASE COMPLETE message which includes a transaction identifier with a value different from 111, which is not recognised as relating to an active call or a call in progress, or a</p> <p>b2) SETUP message with TI flag referring to a transaction originated by the MS (in the special case where the TI value is equal to the TI value relating to the active call), or a</p> <p>b3) SETUP message with TI referring to the active call, ignores that message without changing the state of the active call (this is verified by use of the status enquiry procedure).</p> <p>c) To verify that the MS ignores a CC message with a TI value 111.</p> <p>The test is only applicable to an MS supporting the call control protocol for at least one BC.</p> |
| <b>Default:</b>        | OtherEventsFail                                                                                                                                                                                                                                                                                                                                                                                                                                                                                                                                                                                                                                                                                                                                                                                                                                                                                                                                                                                                                                                                                                                                                                                                                                                                                                                     |

| Nr | Label | Behaviour Description                                                                                                                                                                                                                                                                                                                                                                                                                                                                                                                                                   | CRef                                         | V | Comments |
|----|-------|-------------------------------------------------------------------------------------------------------------------------------------------------------------------------------------------------------------------------------------------------------------------------------------------------------------------------------------------------------------------------------------------------------------------------------------------------------------------------------------------------------------------------------------------------------------------------|----------------------------------------------|---|----------|
| 1  |       | START T_guard(300)                                                                                                                                                                                                                                                                                                                                                                                                                                                                                                                                                      |                                              |   |          |
| 2  |       | +BasicServiceMT( TSPX_MTBscSvcC, TSPX_MTChRateC)                                                                                                                                                                                                                                                                                                                                                                                                                                                                                                                        |                                              |   |          |
| 3  |       | +IdleUpdated( C_E_default, C_CellA, C_SCH_A, C_BCCH_A_1, C_Immass, C_S0, C_SlotNU, C_SlotNU, C_SlotNU, C_BCC, C_TxInt_5, C_Max_1, C_NECI_0, C_ATT_0, TimingAdv( 0), C_BABR_0, C_cch_1Comb, C_BPM_3, C_T3212_0, C_ci_cellA, C_MCC_1, C_PLMN_1, C_LAC_1, CellOpt_01, CellChDes_Omit, CellChDes_Omit, C_CellReselectHys12, C_MaxPwrLvlG, C_MaxPwrLvlD, BcchFreqLst_45, BcchFreqLst_02, BcchFreqLst_03, BcchFreqLst_04, C_Restablishment, C_BCC, C_NCC, C_Start_Tmsi, TSPX_SDCCH4SubDef, TSPX_CKSNDDef, TSPX_RANDDef, C_arfcnA, C_arfcnAd, TSPX_IMSI, C_Test_nfh, C_NCCP_2) |                                              |   |          |
| 4  |       | +CCConfigTCH( TSPX_TCHHSubDef, C_Ass, TSPX_TmSltDef, TSPX_TscDef, TimingAdv( 0), C_BABR_0, C_cch_1Comb, C_BPM_3, TCV_ChMod.mode, FreqTCH_omit, FreqTCH_omit, C_arfcn_tchA, C_arfcn_tchAd)                                                                                                                                                                                                                                                                                                                                                                               |                                              |   |          |
| 5  |       | +PreEnterCCstateU10( TSPX_SDCCH4SubDef, TCV_Setup_mt, TSPX_TmSltDef, TSPX_TscDef, TimingAdv( 0), TSPX_CKSNDDef, TSPX_RANDDef)                                                                                                                                                                                                                                                                                                                                                                                                                                           |                                              |   |          |
| 6  | body  | +test_a                                                                                                                                                                                                                                                                                                                                                                                                                                                                                                                                                                 |                                              |   |          |
| 7  |       | +test_b1                                                                                                                                                                                                                                                                                                                                                                                                                                                                                                                                                                |                                              |   |          |
| 8  |       | +test_b2                                                                                                                                                                                                                                                                                                                                                                                                                                                                                                                                                                |                                              |   |          |
| 9  |       | +test_b3                                                                                                                                                                                                                                                                                                                                                                                                                                                                                                                                                                |                                              |   |          |
| 10 |       | +test_c                                                                                                                                                                                                                                                                                                                                                                                                                                                                                                                                                                 |                                              |   |          |
| 11 |       | <b>test_a</b><br>L!DL_DatRqDisc                                                                                                                                                                                                                                                                                                                                                                                                                                                                                                                                         | Disc_inv( TCV_chTch, Disconn_inv_01( TI_03)) |   | 1.       |
| 12 |       | L?DL_DatInRelCmp                                                                                                                                                                                                                                                                                                                                                                                                                                                                                                                                                        | RelComRcv( ReleaseCmp_52( TI_05))            |   |          |
| 13 |       | +CCstatuschk_01( TCV_chTch, C_U10)                                                                                                                                                                                                                                                                                                                                                                                                                                                                                                                                      |                                              |   |          |

|                           |            |                                                                                                                                                                                                                                                                                                                                                                                                                                                                             |                                                       |     |
|---------------------------|------------|-----------------------------------------------------------------------------------------------------------------------------------------------------------------------------------------------------------------------------------------------------------------------------------------------------------------------------------------------------------------------------------------------------------------------------------------------------------------------------|-------------------------------------------------------|-----|
| 14                        |            | <b>test_b1</b><br>L!DL_DatRqRelCmp                                                                                                                                                                                                                                                                                                                                                                                                                                          | RelComSnd(<br>TCV_chTch,<br>ReleaseCmp_02(<br>TI_04)) | 2.  |
| 15                        |            | START T_dly( 5000)                                                                                                                                                                                                                                                                                                                                                                                                                                                          |                                                       |     |
| 16                        | L_010<br>7 | ?TIMEOUT T_dly                                                                                                                                                                                                                                                                                                                                                                                                                                                              |                                                       | (P) |
| 17                        |            | +CCstatuschk_01( TCV_chTch, C_U10)                                                                                                                                                                                                                                                                                                                                                                                                                                          |                                                       |     |
| 18                        |            | <b>test_b2</b><br>L!DL_DatRqSetup                                                                                                                                                                                                                                                                                                                                                                                                                                           | SetupSnd(<br>TCV_chTch,<br>Setup_inv_01(<br>TI_01))   | 3.  |
| 19                        |            | START T_dly( 5000)                                                                                                                                                                                                                                                                                                                                                                                                                                                          |                                                       |     |
| 20                        | L_010<br>8 | ?TIMEOUT T_dly                                                                                                                                                                                                                                                                                                                                                                                                                                                              |                                                       | (P) |
| 21                        |            | +CCstatuschk_01( TCV_chTch, C_U10)                                                                                                                                                                                                                                                                                                                                                                                                                                          |                                                       |     |
| 22                        |            | <b>test_b3</b><br>L!DL_DatRqSetup                                                                                                                                                                                                                                                                                                                                                                                                                                           | SetupSnd(<br>TCV_chTch,<br>Setup_03( TI_02))          | 4.  |
| 23                        |            | START T_dly( 5000)                                                                                                                                                                                                                                                                                                                                                                                                                                                          |                                                       |     |
| 24                        | L_010<br>9 | ?TIMEOUT T_dly                                                                                                                                                                                                                                                                                                                                                                                                                                                              |                                                       | (P) |
| 25                        |            | +CCstatuschk_01( TCV_chTch, C_U10)                                                                                                                                                                                                                                                                                                                                                                                                                                          |                                                       |     |
| 26                        |            | <b>test_c</b><br>L!DL_DatRqDisc                                                                                                                                                                                                                                                                                                                                                                                                                                             | Disc_inv(<br>TCV_chTch,<br>Disconn_inv_01(<br>TI_06)) | 5.  |
| 27                        |            | START T_dly( 5000)                                                                                                                                                                                                                                                                                                                                                                                                                                                          |                                                       |     |
| 28                        | L_011<br>0 | ?TIMEOUT T_dly                                                                                                                                                                                                                                                                                                                                                                                                                                                              |                                                       | (P) |
| 29                        |            | +CCstatuschk_01( TCV_chTch, C_U10)                                                                                                                                                                                                                                                                                                                                                                                                                                          |                                                       |     |
| 30                        |            | +PostMainLinkRel( TCV_chTch)                                                                                                                                                                                                                                                                                                                                                                                                                                                |                                                       |     |
| <b>Detailed Comments:</b> |            | <ol style="list-style-type: none"> <li>1. The TI value of the DISCONNECT message does not refer to the active call.</li> <li>2. The TI value of the RELEASE COMPLETE message does not refer to the active call ('0000'B).</li> <li>3. The TI flag of the SETUP message is set to 1 and TI value refers to the active call.</li> <li>4. This SETUP contains TI refers to the active call ('0000'B).</li> <li>5. The TI value of the DISCONNECT message is '111'B.</li> </ol> |                                                       |     |

| Test Case Dynamic Behaviour |            |                                                                                                                                                                                                                                                                                                                                                                                                                                                                                                                                                                       |                                          |     |          |
|-----------------------------|------------|-----------------------------------------------------------------------------------------------------------------------------------------------------------------------------------------------------------------------------------------------------------------------------------------------------------------------------------------------------------------------------------------------------------------------------------------------------------------------------------------------------------------------------------------------------------------------|------------------------------------------|-----|----------|
| <b>Test Case Name:</b>      |            | TC_26_5_3_1                                                                                                                                                                                                                                                                                                                                                                                                                                                                                                                                                           |                                          |     |          |
| <b>Group:</b>               |            | GSM_L3_MS_v4200/BiBo/                                                                                                                                                                                                                                                                                                                                                                                                                                                                                                                                                 |                                          |     |          |
| <b>Purpose:</b>             |            | To verify that a MS supporting the call control protocol for at least one BC, having a mobile terminating call in CC-state U10, "active", on receipt of a message with CC protocol discriminator and an arbitrary undefined message, returns a STATUS message with cause value #97 to the peer CC entity without changing the state of the active call (this is verified by use of the status enquiry procedure.)                                                                                                                                                     |                                          |     |          |
| <b>Default:</b>             |            | OtherEventsFail                                                                                                                                                                                                                                                                                                                                                                                                                                                                                                                                                       |                                          |     |          |
| Nr                          | Label      | Behaviour Description                                                                                                                                                                                                                                                                                                                                                                                                                                                                                                                                                 | CRef                                     | V   | Comments |
| 1                           |            | START T_guard(300)                                                                                                                                                                                                                                                                                                                                                                                                                                                                                                                                                    |                                          |     |          |
| 2                           |            | +BasicServiceMT( TSPX_MTBscSvcD, TSPX_MTChRateD)                                                                                                                                                                                                                                                                                                                                                                                                                                                                                                                      |                                          |     |          |
| 3                           |            | +IdleUpdated( C_E_default, C_CellA, C_SCH_A, C_BCCH_A_1, C_Immass, C_S0, C_SlotNU, C_SlotNU, C_SlotNU, C_BCC, C_TxInt_5, C_Max_1, C_NECI_0, C_ATT_0, TimingAdv( 0), C_BABR_0, C_cch_1Comb, C_BPM_3, C_T3212_0, C_ci_cellA, C_MCC_1, C_PLMN_1, C_LAC_1, CellOpt_01, CellChDes_Omit, CellChDes_Omit, C_CellReselectHys12, C_MaxPwrLvlG, C_MaxPwrLvlD, BcchFreqLst_45, BcchFreqLst_02, BcchFreqLst_03, BcchFreqLst_04, C_Restablishment, C_BCC, C_NCC, C_Start_Tmsi, TSPX_SDCCH4SubDef, TSPX_CKSNDf, TSPX_RANDDef, C_arfcnA, C_arfcnAd, TSPX_IMSI, C_Test_nfh, C_NCCP_2) |                                          |     |          |
| 4                           |            | +CCConfigTCH( TSPX_TCHHSubDef, C_Ass, TSPX_TmSlitDef, TSPX_TscDef, TimingAdv( 0), C_BABR_0, C_cch_1Comb, C_BPM_3, TCV_ChMod.mode, FreqTCH_omit, FreqTCH_omit, C_arfcn_tchA, C_arfcn_tchAd)                                                                                                                                                                                                                                                                                                                                                                            |                                          |     |          |
| 5                           |            | +PreEnterCCstateU10( TSPX_SDCCH4SubDef, TCV_Setup_mt, TSPX_TmSlitDef, TSPX_TscDef, TimingAdv( 0), TSPX_CKSNDf, TSPX_RANDDef)                                                                                                                                                                                                                                                                                                                                                                                                                                          |                                          |     |          |
| 6                           | body       | LIDL_DatRqUndefCC                                                                                                                                                                                                                                                                                                                                                                                                                                                                                                                                                     | UndefCC( TCV_chTch, UndefCC_02( TI_02))  |     | 1.       |
| 7                           | L_011<br>1 | L?DL_DatInCcst                                                                                                                                                                                                                                                                                                                                                                                                                                                                                                                                                        | CCStRcv( TCV_chTch, CCStatus_02( TI_01)) | (P) |          |
| 8                           |            | +CCstatuschk_01(TCV_chTch, C_U10)                                                                                                                                                                                                                                                                                                                                                                                                                                                                                                                                     |                                          |     |          |
| 9                           |            | +PostMainLinkRel(TCV_chTch)                                                                                                                                                                                                                                                                                                                                                                                                                                                                                                                                           |                                          |     |          |
| <b>Detailed Comments:</b>   |            | 1. This is an undefined CC message.                                                                                                                                                                                                                                                                                                                                                                                                                                                                                                                                   |                                          |     |          |

| Test Case Dynamic Behaviour |            |                                                                                                                                                                                                                                                                                                                                                                                                                                                                                                                                                                                                                                                         |                                       |     |          |
|-----------------------------|------------|---------------------------------------------------------------------------------------------------------------------------------------------------------------------------------------------------------------------------------------------------------------------------------------------------------------------------------------------------------------------------------------------------------------------------------------------------------------------------------------------------------------------------------------------------------------------------------------------------------------------------------------------------------|---------------------------------------|-----|----------|
| <b>Test Case Name:</b>      |            | TC_26_5_3_2                                                                                                                                                                                                                                                                                                                                                                                                                                                                                                                                                                                                                                             |                                       |     |          |
| <b>Group:</b>               |            | GSM_L3_MS_v4200/BiBo/                                                                                                                                                                                                                                                                                                                                                                                                                                                                                                                                                                                                                                   |                                       |     |          |
| <b>Purpose:</b>             |            | To verify that a MS supporting the call control protocol for at least one BC, having a mobile terminating call in CC-state U10, "active", on receipt of a message with MM protocol discriminator and message type undefined for the mobility management protocol, returns an MM-STATUS message with reject cause value #97 without changing the state of the active call (this is verified by use of the status enquiry procedure.) This is tested in the special case where the CC TI has value 0 (so that it has the same encoding as the skip indicator when sent from the SS) and where the message type has the same encoding as DISCONNECT in CC. |                                       |     |          |
| <b>Default:</b>             |            | OtherEventsFail                                                                                                                                                                                                                                                                                                                                                                                                                                                                                                                                                                                                                                         |                                       |     |          |
| Nr                          | Label      | Behaviour Description                                                                                                                                                                                                                                                                                                                                                                                                                                                                                                                                                                                                                                   | Cref                                  | V   | Comments |
| 1                           |            | START T_guard(300)                                                                                                                                                                                                                                                                                                                                                                                                                                                                                                                                                                                                                                      |                                       |     |          |
| 2                           |            | +BasicServiceMT( TSPX_MTBscSvcE,<br>TSPX_MTChRateE)                                                                                                                                                                                                                                                                                                                                                                                                                                                                                                                                                                                                     |                                       |     |          |
| 3                           |            | +IdleUpdated( C_E_default, C_CellA, C_SCH_A,<br>C_BCCH_A_1, C_Immass, C_S0, C_SlotNU,<br>C_SlotNU, C_SlotNU, C_BCC, C_TxInt_5,<br>C_Max_1, C_NECI_0, C_ATT_0, TimingAdv( 0),<br>C_BABR_0, C_cch_1Comb, C_BPM_3,<br>C_T3212_0, C_ci_cellA, C_MCC_1, C_PLMN_1,<br>C_LAC_1, CellOpt_01, CellChDes_Omit,<br>CellChDes_Omit, C_CellReselectHys12,<br>C_MaxPwrLvlG, C_MaxPwrLvlD,<br>BcchFreqLst_45, BcchFreqLst_02,<br>BcchFreqLst_03, BcchFreqLst_04,<br>C_Restablishment, C_BCC, C_NCC,<br>C_Start_Tmsi, TSPX_SDCCH4SubDef,<br>TSPX_CKSNDf, TSPX_RANDDef, C_arfcnA,<br>C_arfcnAd, TSPX_IMSI, C_Test_nfh,<br>C_NCCP_2)                                      |                                       |     |          |
| 4                           |            | +CCConfigTCH( TSPX_TCHHSubDef, C_Ass,<br>TSPX_TmSlitDef, TSPX_TscDef, TimingAdv( 0),<br>C_BABR_0, C_cch_1Comb, C_BPM_3,<br>TCV_ChMod.mode, FreqTCH_omit,<br>FreqTCH_omit, C_arfcn_tchA, C_arfcn_tchAd)                                                                                                                                                                                                                                                                                                                                                                                                                                                  |                                       |     |          |
| 5                           |            | +PreEnterCCstateU10(<br>TSPX_SDCCH4SubDef, TCV_Setup_mt,<br>TSPX_TmSlitDef, TSPX_TscDef, TimingAdv(<br>0), TSPX_CKSNDf, TSPX_RANDDef)                                                                                                                                                                                                                                                                                                                                                                                                                                                                                                                   |                                       |     |          |
| 6                           | body       | L!DL_DatRqUndefMM                                                                                                                                                                                                                                                                                                                                                                                                                                                                                                                                                                                                                                       | UndefMM(<br>TCV_chTch,<br>UndefMM_01) |     | 1.       |
| 7                           | L_011<br>2 | L?DL_DatInMmst                                                                                                                                                                                                                                                                                                                                                                                                                                                                                                                                                                                                                                          | MMSt( MMstatus_01)                    | (P) |          |
| 8                           |            | +CCstatuschk_01( TCV_chTch, C_U10)                                                                                                                                                                                                                                                                                                                                                                                                                                                                                                                                                                                                                      |                                       |     |          |
| 9                           |            | +PostMainLinkRel( TCV_chTch)                                                                                                                                                                                                                                                                                                                                                                                                                                                                                                                                                                                                                            |                                       |     |          |
| <b>Detailed Comments:</b>   |            | 1. This is an undefined MM message.                                                                                                                                                                                                                                                                                                                                                                                                                                                                                                                                                                                                                     |                                       |     |          |

| Test Case Dynamic Behaviour                                                                                                                                                                                                                                                                                                |            |                                                                                                                                                                                                                                                                                                                                                                                                                                                                                                                                                                                                                                  |                                         |     |                           |
|----------------------------------------------------------------------------------------------------------------------------------------------------------------------------------------------------------------------------------------------------------------------------------------------------------------------------|------------|----------------------------------------------------------------------------------------------------------------------------------------------------------------------------------------------------------------------------------------------------------------------------------------------------------------------------------------------------------------------------------------------------------------------------------------------------------------------------------------------------------------------------------------------------------------------------------------------------------------------------------|-----------------------------------------|-----|---------------------------|
| <b>Test Case Name:</b> TC_26_5_3_3                                                                                                                                                                                                                                                                                         |            |                                                                                                                                                                                                                                                                                                                                                                                                                                                                                                                                                                                                                                  |                                         |     |                           |
| <b>Group:</b> GSM_L3_MS_v4200/BiBo/                                                                                                                                                                                                                                                                                        |            |                                                                                                                                                                                                                                                                                                                                                                                                                                                                                                                                                                                                                                  |                                         |     |                           |
| <b>Purpose:</b> To verify that an MS in RR connected mode on receipt of a message with RR protocol discriminator and message type undefined for the RR protocol, returns an RR-STATUS message with reject cause value #97 without changing its state (this is checked by observing that the MS does not send L3 messages.) |            |                                                                                                                                                                                                                                                                                                                                                                                                                                                                                                                                                                                                                                  |                                         |     |                           |
| <b>Default:</b> OtherEventsFail                                                                                                                                                                                                                                                                                            |            |                                                                                                                                                                                                                                                                                                                                                                                                                                                                                                                                                                                                                                  |                                         |     |                           |
| Nr                                                                                                                                                                                                                                                                                                                         | Label      | Behaviour Description                                                                                                                                                                                                                                                                                                                                                                                                                                                                                                                                                                                                            | CRef                                    | V   | Comments                  |
| 1                                                                                                                                                                                                                                                                                                                          |            | START T_guard(300)                                                                                                                                                                                                                                                                                                                                                                                                                                                                                                                                                                                                               |                                         |     |                           |
| 2                                                                                                                                                                                                                                                                                                                          |            | [TSPC_MTsvc]                                                                                                                                                                                                                                                                                                                                                                                                                                                                                                                                                                                                                     |                                         |     |                           |
| 3                                                                                                                                                                                                                                                                                                                          |            | +BasicServiceMT( TSPX_MTBscSvcD,<br>TSPX_MTChRateD)                                                                                                                                                                                                                                                                                                                                                                                                                                                                                                                                                                              |                                         |     |                           |
| 4                                                                                                                                                                                                                                                                                                                          |            | +maintree                                                                                                                                                                                                                                                                                                                                                                                                                                                                                                                                                                                                                        |                                         |     |                           |
| 5                                                                                                                                                                                                                                                                                                                          |            | [NOT TSPC_MTsvc]                                                                                                                                                                                                                                                                                                                                                                                                                                                                                                                                                                                                                 |                                         |     |                           |
| 6                                                                                                                                                                                                                                                                                                                          |            | +maintree                                                                                                                                                                                                                                                                                                                                                                                                                                                                                                                                                                                                                        |                                         |     |                           |
| 7                                                                                                                                                                                                                                                                                                                          |            | <b>maintree</b><br>+IdleUpdated( C_E_default, C_CellA, C_SCH_A,<br>C_BCCH_A_1, C_Immss, C_S0, C_SlotNU,<br>C_SlotNU, C_SlotNU, C_BCC, C_TxInt_5, C_Max_1,<br>C_NECL_0, C_ATT_0, TimingAdv( 0), C_BABR_0,<br>C_cch_1Comb, C_BPM_3, C_T3212_0, C_ci_cellA,<br>C_MCC_1, C_PLMN_1, C_LAC_1, CellOpt_01,<br>CellChDes_Omit, CellChDes_Omit,<br>C_CellReselectHys12, C_MaxPwrLvIG,<br>C_MaxPwrLvID, BcchFreqLst_45, BcchFreqLst_02,<br>BcchFreqLst_03, BcchFreqLst_04,<br>C_Restablishment, C_BCC, C_NCC, C_Start_Tmsi,<br>TSPX_SDCCH4SubDef, TSPX_CKSNDDef,<br>TSPX_RANDDef, C_arfcnA, C_arfcnAd, TSPX_IMSI,<br>C_Test_nfh, C_NCCP_2) |                                         |     |                           |
| 8                                                                                                                                                                                                                                                                                                                          |            | +PreEstRRConn(TCV_slot, TCV_tsc, TimingAdv(0))                                                                                                                                                                                                                                                                                                                                                                                                                                                                                                                                                                                   |                                         |     |                           |
| 9                                                                                                                                                                                                                                                                                                                          | body       | LIDL_DatRqUndefRR                                                                                                                                                                                                                                                                                                                                                                                                                                                                                                                                                                                                                | UndefRR( TCV_ch,<br>UndefRR_01)         |     | 1.                        |
| 10                                                                                                                                                                                                                                                                                                                         |            | L?DL_DatInRrst                                                                                                                                                                                                                                                                                                                                                                                                                                                                                                                                                                                                                   | RrStatusRcv(<br>TCV_ch,<br>RRStatus_03) |     |                           |
| 11                                                                                                                                                                                                                                                                                                                         |            | START T_dly( 5000)                                                                                                                                                                                                                                                                                                                                                                                                                                                                                                                                                                                                               |                                         |     | Start L2 fill frame check |
| 12                                                                                                                                                                                                                                                                                                                         | L_011<br>3 | L?OTHERWISE                                                                                                                                                                                                                                                                                                                                                                                                                                                                                                                                                                                                                      |                                         | F   | L3 msg received           |
| 13                                                                                                                                                                                                                                                                                                                         | L_011<br>4 | ?TIMEOUT T_dly                                                                                                                                                                                                                                                                                                                                                                                                                                                                                                                                                                                                                   |                                         | (P) |                           |
| 14                                                                                                                                                                                                                                                                                                                         |            | [TSPC_MTsvc]                                                                                                                                                                                                                                                                                                                                                                                                                                                                                                                                                                                                                     |                                         |     | 2.                        |
| 15                                                                                                                                                                                                                                                                                                                         |            | +Authentication( TCV_ch,<br>TSPX_CKSNDDef, TSPX_RANDDef)                                                                                                                                                                                                                                                                                                                                                                                                                                                                                                                                                                         |                                         |     |                           |
| 16                                                                                                                                                                                                                                                                                                                         |            | +Ciphering_on( TCV_ch)                                                                                                                                                                                                                                                                                                                                                                                                                                                                                                                                                                                                           |                                         |     |                           |
| 17                                                                                                                                                                                                                                                                                                                         |            | LIDL_DatRqSetup                                                                                                                                                                                                                                                                                                                                                                                                                                                                                                                                                                                                                  | SetupSnd(TCV_ch,<br>TCV_Setup_mt)       |     |                           |
| 18                                                                                                                                                                                                                                                                                                                         | L_011<br>5 | L?DL_DatInCallCo                                                                                                                                                                                                                                                                                                                                                                                                                                                                                                                                                                                                                 | CallCfm(<br>CallConfirm_01(<br>TI_01))  | (P) |                           |
| 19                                                                                                                                                                                                                                                                                                                         |            | +PostMainLinkRel( TCV_ch)                                                                                                                                                                                                                                                                                                                                                                                                                                                                                                                                                                                                        |                                         |     |                           |
| 20                                                                                                                                                                                                                                                                                                                         |            | [NOT TSPC_MTsvc]                                                                                                                                                                                                                                                                                                                                                                                                                                                                                                                                                                                                                 |                                         |     | 3.                        |
| 21                                                                                                                                                                                                                                                                                                                         |            | LIDL_DatRqSetup                                                                                                                                                                                                                                                                                                                                                                                                                                                                                                                                                                                                                  | SetupSnd( TCV_ch,<br>Setup_01( TI_02))  |     |                           |
| 22                                                                                                                                                                                                                                                                                                                         | L_011<br>6 | L?DL_DatInRelCmp                                                                                                                                                                                                                                                                                                                                                                                                                                                                                                                                                                                                                 | RelComRcv(<br>ReleaseCmp_03(<br>TI_01)) | (P) |                           |
| 23                                                                                                                                                                                                                                                                                                                         |            | +PostMainLinkRel( TCV_ch)                                                                                                                                                                                                                                                                                                                                                                                                                                                                                                                                                                                                        |                                         |     |                           |
| <b>Detailed Comments:</b>                                                                                                                                                                                                                                                                                                  |            |                                                                                                                                                                                                                                                                                                                                                                                                                                                                                                                                                                                                                                  |                                         |     |                           |
| 1. To send an undefined RR message.                                                                                                                                                                                                                                                                                        |            |                                                                                                                                                                                                                                                                                                                                                                                                                                                                                                                                                                                                                                  |                                         |     |                           |
| 2. If the MS supports at least one bearer capability, the test case goes through this subtree.                                                                                                                                                                                                                             |            |                                                                                                                                                                                                                                                                                                                                                                                                                                                                                                                                                                                                                                  |                                         |     |                           |
| 3. If the MS does not support any bearer capability, the test case goes through this subtree.                                                                                                                                                                                                                              |            |                                                                                                                                                                                                                                                                                                                                                                                                                                                                                                                                                                                                                                  |                                         |     |                           |

| Test Case Dynamic Behaviour |            |                                                                                                                                                                                                                                                                                                                                                                                                                                                                                                                                                                       |                                             |     |          |
|-----------------------------|------------|-----------------------------------------------------------------------------------------------------------------------------------------------------------------------------------------------------------------------------------------------------------------------------------------------------------------------------------------------------------------------------------------------------------------------------------------------------------------------------------------------------------------------------------------------------------------------|---------------------------------------------|-----|----------|
| <b>Test Case Name:</b>      |            | TC_26_5_3_4                                                                                                                                                                                                                                                                                                                                                                                                                                                                                                                                                           |                                             |     |          |
| <b>Group:</b>               |            | GSM_L3_MS_v4200/BiBo/                                                                                                                                                                                                                                                                                                                                                                                                                                                                                                                                                 |                                             |     |          |
| <b>Purpose:</b>             |            | To verify that a MS supporting the call control protocol for at least one BC, having a call in CC-state U10, "active", on receipt of an inopportune CC message, returns a STATUS message with reject cause value #98 without changing the state of the active call (this is verified by use of the status enquiry procedure.) This is tested in the special case where the inopportune CC message is a CALL PROCEEDING message relating to the active call.                                                                                                           |                                             |     |          |
| <b>Default:</b>             |            | OtherEventsFail                                                                                                                                                                                                                                                                                                                                                                                                                                                                                                                                                       |                                             |     |          |
| Nr                          | Label      | Behaviour Description                                                                                                                                                                                                                                                                                                                                                                                                                                                                                                                                                 | CRef                                        | V   | Comments |
| 1                           |            | START T_guard(300)                                                                                                                                                                                                                                                                                                                                                                                                                                                                                                                                                    |                                             |     |          |
| 2                           |            | +BasicServiceMT( TSPX_MTBscSvcF, TSPX_MTChRateF)                                                                                                                                                                                                                                                                                                                                                                                                                                                                                                                      |                                             |     |          |
| 3                           |            | +IdleUpdated( C_E_default, C_CellA, C_SCH_A, C_BCCH_A_1, C_Immass, C_S0, C_SlotNU, C_SlotNU, C_SlotNU, C_BCC, C_TxInt_5, C_Max_1, C_NECI_0, C_ATT_0, TimingAdv( 0), C_BABR_0, C_cch_1Comb, C_BPM_3, C_T3212_0, C_ci_cellA, C_MCC_1, C_PLMN_1, C_LAC_1, CellOpt_01, CellChDes_Omit, CellChDes_Omit, C_CellReselectHys12, C_MaxPwrLvIG, C_MaxPwrLvID, BcchFreqLst_45, BcchFreqLst_02, BcchFreqLst_03, BcchFreqLst_04, C_Restablishment, C_BCC, C_NCC, C_Start_Tmsi, TSPX_SDCCH4SubDef, TSPX_CKSNDf, TSPX_RANDDef, C_arfcnA, C_arfcnAd, TSPX_IMSI, C_Test_nfh, C_NCCP_2) |                                             |     |          |
| 4                           |            | +CCConfigTCH( TSPX_TCHHSubDef, C_Ass, TSPX_TmSltDef, TSPX_TscDef, TimingAdv( 0), C_BABR_0, C_cch_1Comb, C_BPM_3, TCV_ChMod.mode, FreqTCH_omit, FreqTCH_omit, C_arfcn_tchA, C_arfcn_tchAd)                                                                                                                                                                                                                                                                                                                                                                             |                                             |     |          |
| 5                           |            | +PreEnterCCstateU10( TSPX_SDCCH4SubDef, TCV_Setup_mt, TSPX_TmSltDef, TSPX_TscDef, TimingAdv( 0), TSPX_CKSNDf, TSPX_RANDDef)                                                                                                                                                                                                                                                                                                                                                                                                                                           |                                             |     | 1.       |
| 6                           | body       | L!DL_DatRqCallProc                                                                                                                                                                                                                                                                                                                                                                                                                                                                                                                                                    | CallProc( TCV_chTch, CallProced_01( TI_02)) |     | 2.       |
| 7                           | L_011<br>7 | L?DL_DatInCcst                                                                                                                                                                                                                                                                                                                                                                                                                                                                                                                                                        | CCStRcv( TCV_chTch, CCStatus_03( TI_01))    | (P) |          |
| 8                           |            | +CCstatuschk_01( TCV_chTch, C_U10)                                                                                                                                                                                                                                                                                                                                                                                                                                                                                                                                    |                                             |     |          |
| 9                           |            | +PostMainLinkRel( TCV_chTch)                                                                                                                                                                                                                                                                                                                                                                                                                                                                                                                                          |                                             |     |          |
| <b>Detailed Comments:</b>   |            | 1. To enter CC state U10.<br>2. To send an inopportune CALL PROCEEDING message.                                                                                                                                                                                                                                                                                                                                                                                                                                                                                       |                                             |     |          |

| Test Case Dynamic Behaviour |       |                                                                                                                                                                                                                                                                                                                                                                                                                                                                                                                                                                          |                                                                                                                           |   |                         |
|-----------------------------|-------|--------------------------------------------------------------------------------------------------------------------------------------------------------------------------------------------------------------------------------------------------------------------------------------------------------------------------------------------------------------------------------------------------------------------------------------------------------------------------------------------------------------------------------------------------------------------------|---------------------------------------------------------------------------------------------------------------------------|---|-------------------------|
| <b>Test Case Name:</b>      |       | TC_26_5_4_1                                                                                                                                                                                                                                                                                                                                                                                                                                                                                                                                                              |                                                                                                                           |   |                         |
| <b>Group:</b>               |       | GSM_L3_MS_v4200/BiBo/                                                                                                                                                                                                                                                                                                                                                                                                                                                                                                                                                    |                                                                                                                           |   |                         |
| <b>Purpose:</b>             |       | To verify that the MS ignores an unforeseen second occurrence of an information element with format T, TV, or TLV in the special case of the mobile identity IE which has format TLV in the LOCATION UPDATING ACCEPT message.                                                                                                                                                                                                                                                                                                                                            |                                                                                                                           |   |                         |
| <b>Default:</b>             |       | OtherEventsFail                                                                                                                                                                                                                                                                                                                                                                                                                                                                                                                                                          |                                                                                                                           |   |                         |
| Nr                          | Label | Behaviour Description                                                                                                                                                                                                                                                                                                                                                                                                                                                                                                                                                    | CRef                                                                                                                      | V | Comments                |
| 1                           |       | START T_guard(300)                                                                                                                                                                                                                                                                                                                                                                                                                                                                                                                                                       |                                                                                                                           |   |                         |
| 2                           |       | +IdleUpdated( C_E_default, C_CellA, C_SCH_A, C_BCCH_A_1, C_ImmMass, C_S0, C_SlotNU, C_SlotNU, C_SlotNU, C_BCC, C_TxInt_5, C_Max_1, C_NECI_0, C_ATT_0, TimingAdv( 0), C_BABR_0, C_cch_1Comb, C_BPM_3, C_T3212_0, C_ci_cellA, C_MCC_1, C_PLMN_1, C_LAC_1, CellOpt_01, CellChDes_Omit, CellChDes_Omit, C_CellReselectHys12, C_MaxPwrLvlG, C_MaxPwrLvlD, BcchFreqLst_45, BcchFreqLst_02, BcchFreqLst_03, BcchFreqLst_04, C_Restablishment, C_BCC, C_NCC, C_Start_Tmsi, TSPX_SDCCH4SubDef, TSPX_CKSNDDef, TSPX_RANDDef, C_arfcnA, C_arfcnAd, TSPX_IMSI, C_Test_nfh, C_NCCP_2) |                                                                                                                           |   |                         |
| 3                           |       | +StartCellB_1( C_E_neighbourdefault, C_ImmMass, TCV_slot, TCV_tsc, TimingAdv( 0), C_ATT_0, C_BABR_0, C_cch_1Comb, C_BPM_3, C_T3212_0, C_MCC_1, C_PLMN_1, C_LAC_2, C_noRestablishment, C_BCC, C_NCC)                                                                                                                                                                                                                                                                                                                                                                      |                                                                                                                           |   |                         |
| 4                           | body  | +Switchcell( C_CellA, C_CellB, C_LAC_2, TSPX_SDCCH4SubDef, TSPX_CKSNDDef, TSPX_RANDDef, C_arfcnB, C_arfcnBd, TCV_Ccd0B, TSPX_IMSI)                                                                                                                                                                                                                                                                                                                                                                                                                                       |                                                                                                                           |   | 1.                      |
| 5                           |       | L?DL_RaInChRq (TCV_Rr := DL_RaInChRq.msg.ecau_rrf, TCV_Fn := DL_RaInChRq.fn)                                                                                                                                                                                                                                                                                                                                                                                                                                                                                             | ChReq_01( C_RACH_B_1, ChRequest_09)                                                                                       |   |                         |
| 6                           |       | ACTIVATE( OtherEventsFail_02)                                                                                                                                                                                                                                                                                                                                                                                                                                                                                                                                            |                                                                                                                           |   | To match ChReq retrans. |
| 7                           |       | L!DL_UdatRqImmMass                                                                                                                                                                                                                                                                                                                                                                                                                                                                                                                                                       | ImmAss( TCV_agch, ImmAsgn_01Def( TCV_Rr, TCV_Fn, TSPX_SDCCH4SubDef, TCV_slot, TCV_tsc, TCV_chdescr_arfcn, TimingAdv( 0))) |   | 2.                      |
| 8                           |       | L?DL_EstInLupRq                                                                                                                                                                                                                                                                                                                                                                                                                                                                                                                                                          | LocUp( TCV_ch, LocUpdtReq_04( C_normal_updating, MiTmsi_01))                                                              |   |                         |
| 9                           |       | ACTIVATE( OtherEventsFail)                                                                                                                                                                                                                                                                                                                                                                                                                                                                                                                                               |                                                                                                                           |   | Restore Normal default  |
| 10                          |       | L!DL_DatRqLupAcPErr                                                                                                                                                                                                                                                                                                                                                                                                                                                                                                                                                      | LocAcp_inv( TCV_ch, Milmsi_01iei, MiTmsi_01iei, C_MCC_1, C_PLMN_1, C_LAC_2)                                               |   | 3.                      |
| 11                          |       | L!DL_DatRqChRel                                                                                                                                                                                                                                                                                                                                                                                                                                                                                                                                                          | ChRel( TCV_ch, ChRelease_01)                                                                                              |   |                         |
| 12                          |       | L?DL_Relln                                                                                                                                                                                                                                                                                                                                                                                                                                                                                                                                                               | DLRelInd_01                                                                                                               |   |                         |
| 13                          |       | START T_dly( 5000)                                                                                                                                                                                                                                                                                                                                                                                                                                                                                                                                                       |                                                                                                                           |   |                         |
| 14                          |       | ?TIMEOUT T_dly                                                                                                                                                                                                                                                                                                                                                                                                                                                                                                                                                           |                                                                                                                           |   |                         |
| 15                          |       | +localtree                                                                                                                                                                                                                                                                                                                                                                                                                                                                                                                                                               |                                                                                                                           |   |                         |
| 16                          |       | <b>localtree</b><br>L!DL_UdatRqPg1Rq                                                                                                                                                                                                                                                                                                                                                                                                                                                                                                                                     | PgReq1( TCV_PgCh, TCV_Pgg, PgReqTp1_01)                                                                                   |   | 4.                      |
| 17                          |       | START T_dly( C_T_Wait)                                                                                                                                                                                                                                                                                                                                                                                                                                                                                                                                                   |                                                                                                                           |   |                         |
| 18                          |       | ?TIMEOUT T_dly                                                                                                                                                                                                                                                                                                                                                                                                                                                                                                                                                           |                                                                                                                           |   |                         |
| 19                          |       | L!DL_UdatRqPg1Rq                                                                                                                                                                                                                                                                                                                                                                                                                                                                                                                                                         | PgReq1( TCV_PgCh, TCV_Pgg,                                                                                                |   | 5.                      |



|                                                                                                                                                                                                                                                                                                                                                                                                                                                          |            |                                                                                    |                                                               |     |  |
|----------------------------------------------------------------------------------------------------------------------------------------------------------------------------------------------------------------------------------------------------------------------------------------------------------------------------------------------------------------------------------------------------------------------------------------------------------|------------|------------------------------------------------------------------------------------|---------------------------------------------------------------|-----|--|
| 20                                                                                                                                                                                                                                                                                                                                                                                                                                                       | L_011<br>8 | L?DL_RaInChRq (TCV_Rr :=<br>DL_RaInChRq.msg.ecau_rrf, TCV_Fn :=<br>DL_RaInChRq.fn) | PgReqTp1_05)<br>ChReq_01(<br>C_RACH_B_1,<br>ChRequest_01)     | (P) |  |
| 21                                                                                                                                                                                                                                                                                                                                                                                                                                                       |            | L!DL_UdatRqImmassRej                                                               | ImmAssRej(<br>TCV_agch,<br>ImmAsgnRej_01(<br>TCV_Rr, TCV_Fn)) |     |  |
| <b>Detailed Comments:</b> <ol style="list-style-type: none"> <li>1. MS reselects cell B.</li> <li>2. The cell B assigns C_SDCCH4_B_1 to the MS.</li> <li>3. To send an invalid LOCATION UPDATING ACCEPT message containing duplicated IE's.</li> <li>4. To send a PAGING REQUEST TYPE 1 message containing mobile identity = TMSI of the MS.</li> <li>5. To send a PAGING REQUEST TYPE 1 message containing mobile identity = IMSI of the MS.</li> </ol> |            |                                                                                    |                                                               |     |  |

| Test Case Dynamic Behaviour                                                                                                                                                                                                                                                                                    |            |                                                                                                                                                                                                                                                                                                                                                                                                                                                                                                                                                                                                                |                                     |   |          |
|----------------------------------------------------------------------------------------------------------------------------------------------------------------------------------------------------------------------------------------------------------------------------------------------------------------|------------|----------------------------------------------------------------------------------------------------------------------------------------------------------------------------------------------------------------------------------------------------------------------------------------------------------------------------------------------------------------------------------------------------------------------------------------------------------------------------------------------------------------------------------------------------------------------------------------------------------------|-------------------------------------|---|----------|
| <b>Test Case Name:</b> TC_26_5_5_1_1_1<br><b>Group:</b> GSM_L3_MS_v4200/BiBo/<br><b>Purpose:</b> To verify that the MS in RR connected mode releases the connection upon receipt of a CHANNEL RELEASE message with missing RR cause (which is "mandatory" in that message).<br><b>Default:</b> OtherEventsFail |            |                                                                                                                                                                                                                                                                                                                                                                                                                                                                                                                                                                                                                |                                     |   |          |
| Nr                                                                                                                                                                                                                                                                                                             | Label      | Behaviour Description                                                                                                                                                                                                                                                                                                                                                                                                                                                                                                                                                                                          | CRef                                | V | Comments |
| 1                                                                                                                                                                                                                                                                                                              |            | START T_guard(300)                                                                                                                                                                                                                                                                                                                                                                                                                                                                                                                                                                                             |                                     |   |          |
| 2                                                                                                                                                                                                                                                                                                              |            | +IdleUpdated( C_E_default, C_CellA, C_SCH_A,<br>C_BCCH_A_1, C_Immass, C_S0, C_SlotNU,<br>C_SlotNU, C_SlotNU, C_BCC, C_TxInt_5,<br>C_Max_1, C_NECI_0, C_ATT_0, TimingAdv( 0),<br>C_BABR_0, C_cch_1Comb, C_BPM_3,<br>C_T3212_0, C_ci_cellA, C_MCC_1, C_PLMN_1,<br>C_LAC_1, CellOpt_01, CellChDes_Omit,<br>CellChDes_Omit, C_CellReselectHys12,<br>C_MaxPwrLvIG, C_MaxPwrLvID, BcchFreqLst_45,<br>BcchFreqLst_02, BcchFreqLst_03,<br>BcchFreqLst_04, C_Restablishment, C_BCC,<br>C_NCC, C_Start_Tmsi, TSPX_SDCCH4SubDef,<br>TSPX_CKSNDDef, TSPX_RANDDef, C_arfcnA,<br>C_arfcnAd, TSPX_IMSI, C_Test_nfh, C_NCCP_2) |                                     |   |          |
| 3                                                                                                                                                                                                                                                                                                              |            | +PreEstRRConn(TCV_slot, TCV_tsc, TimingAdv(0))                                                                                                                                                                                                                                                                                                                                                                                                                                                                                                                                                                 |                                     |   |          |
| 4                                                                                                                                                                                                                                                                                                              | body       | LIDL_DatRqChRel                                                                                                                                                                                                                                                                                                                                                                                                                                                                                                                                                                                                | ChRel( TCV_ch,<br>ChRelease_inv_01) |   | 1.       |
| 5                                                                                                                                                                                                                                                                                                              | L_011<br>9 | L?DL_Relln                                                                                                                                                                                                                                                                                                                                                                                                                                                                                                                                                                                                     | DLRellnd_01                         | P |          |
| <b>Detailed Comments:</b> <ol style="list-style-type: none"> <li>1. To send an invalid CHANNEL RELEASE message missing mandatory RR cause IE.</li> </ol>                                                                                                                                                       |            |                                                                                                                                                                                                                                                                                                                                                                                                                                                                                                                                                                                                                |                                     |   |          |

### Test Case Dynamic Behaviour

**Test Case Name:** TC\_26\_5\_5\_1\_1\_2  
**Group:** GSM\_L3\_MS\_v4200/BiBo/  
**Purpose:** To verify that the MS in RR connected mode ignores a ciphering mode command message in which the ciphering mode setting IE and cipher response IE are missing except for the fact that it returns a RR-STATUS message.  
**Default:** OtherEventsFail

| Nr                        | Label      | Behaviour Description                                                                                                                                                                                                                                                                                                                                                                                                                                                                                                                                                    | CRef                                | V   | Comments |
|---------------------------|------------|--------------------------------------------------------------------------------------------------------------------------------------------------------------------------------------------------------------------------------------------------------------------------------------------------------------------------------------------------------------------------------------------------------------------------------------------------------------------------------------------------------------------------------------------------------------------------|-------------------------------------|-----|----------|
| 1                         |            | START T_guard(300)                                                                                                                                                                                                                                                                                                                                                                                                                                                                                                                                                       |                                     |     |          |
| 2                         |            | +IdleUpdated( C_E_default, C_CellA, C_SCH_A, C_BCCH_A_1, C_ImmMass, C_S0, C_SlotNU, C_SlotNU, C_SlotNU, C_BCC, C_TxInt_5, C_Max_1, C_NECI_0, C_ATT_0, TimingAdv( 0), C_BABR_0, C_cch_1Comb, C_BPM_3, C_T3212_0, C_ci_cellA, C_MCC_1, C_PLMN_1, C_LAC_1, CellOpt_01, CellChDes_Omit, CellChDes_Omit, C_CellReselectHys12, C_MaxPwrLvlG, C_MaxPwrLvlD, BcchFreqLst_45, BcchFreqLst_02, BcchFreqLst_03, BcchFreqLst_04, C_Restablishment, C_BCC, C_NCC, C_Start_Tmsi, TSPX_SDCCH4SubDef, TSPX_CKSNDDef, TSPX_RANDDef, C_arfcnA, C_arfcnAd, TSPX_IMSI, C_Test_nfh, C_NCCP_2) |                                     |     |          |
| 3                         |            | +PreEstRRConn(TCV_slot, TCV_tsc, TimingAdv( 0))                                                                                                                                                                                                                                                                                                                                                                                                                                                                                                                          |                                     |     |          |
| 4                         | body       | LIDL_DatRqCphmCmd                                                                                                                                                                                                                                                                                                                                                                                                                                                                                                                                                        | CphCmd( TCV_ch, CphModeCmd_inv_0 1) |     | 1.       |
| 5                         | L_012<br>0 | L?DL_DatInRrst                                                                                                                                                                                                                                                                                                                                                                                                                                                                                                                                                           | RrStatusRcv( TCV_ch, RRStatus_02)   | (P) |          |
| 6                         |            | +PostMainLinkRel(TCV_ch)                                                                                                                                                                                                                                                                                                                                                                                                                                                                                                                                                 |                                     |     |          |
| <b>Detailed Comments:</b> |            | 1. To send an invalid CIPHERING MODE COMMAND missing mandatory ciphering mode setting IE and cipher response IE.                                                                                                                                                                                                                                                                                                                                                                                                                                                         |                                     |     |          |

| Test Case Dynamic Behaviour |            |                                                                                                                                                                                                                                                                                                                                                                                                                                                                                                                                                                         |                                                                                                     |     |          |
|-----------------------------|------------|-------------------------------------------------------------------------------------------------------------------------------------------------------------------------------------------------------------------------------------------------------------------------------------------------------------------------------------------------------------------------------------------------------------------------------------------------------------------------------------------------------------------------------------------------------------------------|-----------------------------------------------------------------------------------------------------|-----|----------|
| <b>Test Case Name:</b>      |            | TC_26_5_5_1_2                                                                                                                                                                                                                                                                                                                                                                                                                                                                                                                                                           |                                                                                                     |     |          |
| <b>Group:</b>               |            | GSM_L3_MS_v4200/BiBo/                                                                                                                                                                                                                                                                                                                                                                                                                                                                                                                                                   |                                                                                                     |     |          |
| <b>Purpose:</b>             |            | To verify that the MS having an RR-connection established ignores a HANDOVER COMMAND message containing in the non-imperative part an IE encoded as comprehension required except for the fact that it returns a RR-STATUS message with cause # 96 "invalid mandatory information".                                                                                                                                                                                                                                                                                     |                                                                                                     |     |          |
| <b>Default:</b>             |            | OtherEventsFail                                                                                                                                                                                                                                                                                                                                                                                                                                                                                                                                                         |                                                                                                     |     |          |
| Nr                          | Label      | Behaviour Description                                                                                                                                                                                                                                                                                                                                                                                                                                                                                                                                                   | CRef                                                                                                | V   | Comments |
| 1                           |            | START T_guard(300)                                                                                                                                                                                                                                                                                                                                                                                                                                                                                                                                                      |                                                                                                     |     |          |
| 2                           |            | +IdleUpdated( C_E_default, C_CellA, C_SCH_A, C_BCCH_A_1, C_Immss, C_S0, C_SlotNU, C_SlotNU, C_SlotNU, C_BCC, C_TxInt_5, C_Max_1, C_NECI_0, C_ATT_0, TimingAdv( 0), C_BABR_0, C_cch_1Comb, C_BPM_3, C_T3212_0, C_ci_cellA, C_MCC_1, C_PLMN_1, C_LAC_1, CellOpt_01, CellChDes_Omit, CellChDes_Omit, C_CellReselectHys12, C_MaxPwrLvlG, C_MaxPwrLvlID, BcchFreqLst_45, BcchFreqLst_02, BcchFreqLst_03, BcchFreqLst_04, C_Restablishment, C_BCC, C_NCC, C_Start_Tmsi, TSPX_SDCCH4SubDef, TSPX_CKSNDDef, TSPX_RANDDef, C_arfcnA, C_arfcnAd, TSPX_IMSI, C_Test_nfh, C_NCCP_2) |                                                                                                     |     |          |
| 3                           | body       | [TCV_CC]                                                                                                                                                                                                                                                                                                                                                                                                                                                                                                                                                                |                                                                                                     |     | 1.       |
| 4                           |            | +BasicServiceMT( TSPX_MTBscSvcG, TSPX_MTChRateG)                                                                                                                                                                                                                                                                                                                                                                                                                                                                                                                        |                                                                                                     |     |          |
| 5                           |            | +CCConfigTCH( TSPX_TCHHSubDef, C_Ass, TSPX_TmSlitDef, TSPX_TscDef, TimingAdv( 0), C_BABR_0, C_cch_1Comb, C_BPM_3, TCV_ChMod.mode, FreqTCH_omit, FreqTCH_omit, C_arfcn_tchA, C_arfcn_tchAd)                                                                                                                                                                                                                                                                                                                                                                              |                                                                                                     |     |          |
| 6                           |            | +PreEnterCCstateU10( TSPX_SDCCH4SubDef, TCV_Setup_mt, TSPX_TmSlitDef, TSPX_TscDef, TimingAdv( 0), TSPX_CKSNDDef, TSPX_RANDDef)                                                                                                                                                                                                                                                                                                                                                                                                                                          |                                                                                                     |     |          |
| 7                           |            | L!DL_DatRqHoCmd                                                                                                                                                                                                                                                                                                                                                                                                                                                                                                                                                         | HndOvSnd( TCV_chTch, HandOverCmd_inv_0 2( TSPX_TmSlitDef, TSPX_TscDef, C_NCC_1, C_BCC_3, C_arfcnA)) |     | 2.       |
| 8                           | L_012<br>1 | L?DL_DatInRrst                                                                                                                                                                                                                                                                                                                                                                                                                                                                                                                                                          | RrStatusRcv( TCV_chTch, RRStatus_02)                                                                | (P) |          |
| 9                           |            | +PostMainLinkRel( TCV_chTch)                                                                                                                                                                                                                                                                                                                                                                                                                                                                                                                                            |                                                                                                     |     |          |
| 10                          |            | [NOT TCV_CC]                                                                                                                                                                                                                                                                                                                                                                                                                                                                                                                                                            |                                                                                                     |     | 3.       |
| 11                          |            | +PreEstRRConn( TCV_slot, TCV_tsc, TimingAdv( 0))                                                                                                                                                                                                                                                                                                                                                                                                                                                                                                                        |                                                                                                     |     |          |
| 12                          |            | L!DL_DatRqHoCmd                                                                                                                                                                                                                                                                                                                                                                                                                                                                                                                                                         | HndOvSnd( TCV_ch, HandOverCmd_inv_0 2( TSPX_TmSlitDef, TSPX_TscDef, C_NCC_1, C_BCC_3, C_arfcnA))    |     | 4.       |
| 13                          | L_012<br>2 | L?DL_DatInRrst                                                                                                                                                                                                                                                                                                                                                                                                                                                                                                                                                          | RrStatusRcv( TCV_ch, RRStatus_02)                                                                   | (P) |          |
| 14                          |            | +PostMainLinkRel( TCV_ch)                                                                                                                                                                                                                                                                                                                                                                                                                                                                                                                                               |                                                                                                     |     |          |
| <b>Detailed Comments:</b>   |            | <ol style="list-style-type: none"> <li>1. If the MS supports at least one bearer capability, the test case goes through this subtree.</li> <li>2. To send an invalid HANDOVER COMMAND message containing comprehension requires IE on the channel TCV_chTch.</li> <li>3. The test case goes through this subtree if the MS does not support any bearer capability.</li> <li>4. To send an invalid HANDOVER COMMAND message containing comprehension requires IE on the channel TCV_ch.</li> </ol>                                                                       |                                                                                                     |     |          |

| Test Case Dynamic Behaviour |            |                                                                                                                                                                                                                                                                                                                                                                                                                                                                                                                                                                                                                      |                                        |     |          |
|-----------------------------|------------|----------------------------------------------------------------------------------------------------------------------------------------------------------------------------------------------------------------------------------------------------------------------------------------------------------------------------------------------------------------------------------------------------------------------------------------------------------------------------------------------------------------------------------------------------------------------------------------------------------------------|----------------------------------------|-----|----------|
| <b>Test Case Name:</b>      |            | TC_26_5_5_2_1                                                                                                                                                                                                                                                                                                                                                                                                                                                                                                                                                                                                        |                                        |     |          |
| <b>Group:</b>               |            | GSM_L3_MS_v4200/BiBo/                                                                                                                                                                                                                                                                                                                                                                                                                                                                                                                                                                                                |                                        |     |          |
| <b>Purpose:</b>             |            | To verify that an MS supporting at least one BC, having a CC entity in state U10, "active", ignores an MM message with syntactically incorrect IE except for the fact that it sends an MM-STATUS message with reject cause #96. This is tested in the special case of an IDENTITY REQUEST message in which the (mandatory) identity type IE specifies a reserved value for the type of identity; that the MS otherwise ignores the message is checked by means of the status enquiry procedure.                                                                                                                      |                                        |     |          |
| <b>Default:</b>             |            | OtherEventsFail                                                                                                                                                                                                                                                                                                                                                                                                                                                                                                                                                                                                      |                                        |     |          |
| Nr                          | Label      | Behaviour Description                                                                                                                                                                                                                                                                                                                                                                                                                                                                                                                                                                                                | CRef                                   | V   | Comments |
| 1                           |            | START T_guard(300)                                                                                                                                                                                                                                                                                                                                                                                                                                                                                                                                                                                                   |                                        |     |          |
| 2                           |            | +BasicServiceMT( TSPX_MTBscSvcH,<br>TSPX_MTChRateH)                                                                                                                                                                                                                                                                                                                                                                                                                                                                                                                                                                  |                                        |     |          |
| 3                           |            | +IdleUpdated( C_E_default, C_CellA, C_SCH_A,<br>C_BCCH_A_1, C_Immass, C_S0, C_SlotNU,<br>C_SlotNU, C_SlotNU, C_BCC, C_TxInt_5,<br>C_Max_1, C_NECI_0, C_ATT_0, TimingAdv( 0),<br>C_BABR_0, C_cch_1Comb, C_BPM_3,<br>C_T3212_0, C_ci_cellA, C_MCC_1, C_PLMN_1,<br>C_LAC_1, CellOpt_01, CellChDes_Omit,<br>CellChDes_Omit, C_CellReselectHys12,<br>C_MaxPwrLvlG, C_MaxPwrLvlD,<br>BcchFreqLst_45, BcchFreqLst_02,<br>BcchFreqLst_03, BcchFreqLst_04,<br>C_Restablishment, C_BCC, C_NCC,<br>C_Start_Tmsi, TSPX_SDCCH4SubDef,<br>TSPX_CKSNDDef, TSPX_RANDDef, C_arfcnA,<br>C_arfcnAd, TSPX_IMSI, C_Test_nfh,<br>C_NCCP_2) |                                        |     |          |
| 4                           |            | +CCConfigTCH( TSPX_TCHHSubDef, C_Ass,<br>TSPX_TmSltDef, TSPX_TscDef, TimingAdv( 0),<br>C_BABR_0, C_cch_1Comb, C_BPM_3,<br>TCV_ChMod.mode, FreqTCH_omit,<br>FreqTCH_omit, C_arfcn_tchA, C_arfcn_tchAd)                                                                                                                                                                                                                                                                                                                                                                                                                |                                        |     |          |
| 5                           |            | +PreEnterCCstateU10(<br>TSPX_SDCCH4SubDef, TCV_Setup_mt,<br>TSPX_TmSltDef, TSPX_TscDef, TimingAdv(<br>0), TSPX_CKSNDDef, TSPX_RANDDef)                                                                                                                                                                                                                                                                                                                                                                                                                                                                               |                                        |     |          |
| 6                           | body       | L!DL_DatRqldRq                                                                                                                                                                                                                                                                                                                                                                                                                                                                                                                                                                                                       | IDReq( TCV_chTch,<br>IDRequest_inv_02) |     | 1.       |
| 7                           | L_012<br>3 | L?DL_DatInMmst                                                                                                                                                                                                                                                                                                                                                                                                                                                                                                                                                                                                       | MMSt( MMstatus_02)                     | (P) |          |
| 8                           |            | +CCstatuschk_02( TCV_chTch, C_U10,<br>TI_02, TI_01)                                                                                                                                                                                                                                                                                                                                                                                                                                                                                                                                                                  |                                        |     | 2.       |
| 9                           |            | +PostMainLinkRel( TCV_chTch)                                                                                                                                                                                                                                                                                                                                                                                                                                                                                                                                                                                         |                                        |     |          |
| <b>Detailed Comments:</b>   |            | 1. To send an invalid IDENTITY REQUEST message containing the identity type IE = reserved value.<br>2. To check whether the MS is still in the state U10. If not the test case fails in the test step.                                                                                                                                                                                                                                                                                                                                                                                                               |                                        |     |          |

| Test Case Dynamic Behaviour |            |                                                                                                                                                                                                                                                                                                                                                                                                                                                                                                                                                                                                                                  |                                         |     |          |
|-----------------------------|------------|----------------------------------------------------------------------------------------------------------------------------------------------------------------------------------------------------------------------------------------------------------------------------------------------------------------------------------------------------------------------------------------------------------------------------------------------------------------------------------------------------------------------------------------------------------------------------------------------------------------------------------|-----------------------------------------|-----|----------|
| <b>Test Case Name:</b>      |            | TC_26_5_5_2_2                                                                                                                                                                                                                                                                                                                                                                                                                                                                                                                                                                                                                    |                                         |     |          |
| <b>Group:</b>               |            | GSM_L3_MS_v4200/BiBo/                                                                                                                                                                                                                                                                                                                                                                                                                                                                                                                                                                                                            |                                         |     |          |
| <b>Purpose:</b>             |            | To verify that an MS having been paged and having an RR connection established ignores an MM message with syntactically incorrect IE except for the fact that it sends an MM-STATUS message with reject cause #96. This is tested in the special case of an IDENTITY REQUEST message in which the (mandatory) identity type IE specifies a reserved value for the type of identity; the fact that the MS otherwise ignores the message is checked by testing that it answers as usual to an incoming SETUP message.                                                                                                              |                                         |     |          |
| <b>Default:</b>             |            | OtherEventsFail                                                                                                                                                                                                                                                                                                                                                                                                                                                                                                                                                                                                                  |                                         |     |          |
| Nr                          | Label      | Behaviour Description                                                                                                                                                                                                                                                                                                                                                                                                                                                                                                                                                                                                            | CRef                                    | V   | Comments |
| 1                           |            | START T_guard(300)                                                                                                                                                                                                                                                                                                                                                                                                                                                                                                                                                                                                               |                                         |     |          |
| 2                           |            | [TSPC_MTsvc]                                                                                                                                                                                                                                                                                                                                                                                                                                                                                                                                                                                                                     |                                         |     |          |
| 3                           |            | +BasicServiceMT( TSPX_MTBscSvcF,<br>TSPX_MTChRateF)                                                                                                                                                                                                                                                                                                                                                                                                                                                                                                                                                                              |                                         |     |          |
| 4                           |            | +maintree                                                                                                                                                                                                                                                                                                                                                                                                                                                                                                                                                                                                                        |                                         |     |          |
| 5                           |            | [NOT TSPC_MTsvc]                                                                                                                                                                                                                                                                                                                                                                                                                                                                                                                                                                                                                 |                                         |     |          |
| 6                           |            | +maintree                                                                                                                                                                                                                                                                                                                                                                                                                                                                                                                                                                                                                        |                                         |     |          |
| 7                           |            | <b>maintree</b><br>+IdleUpdated( C_E_default, C_CellA, C_SCH_A,<br>C_BCCH_A_1, C_Immss, C_S0, C_SlotNU,<br>C_SlotNU, C_SlotNU, C_BCC, C_TxInt_5, C_Max_1,<br>C_NECl_0, C_ATT_0, TimingAdv( 0), C_BABR_0,<br>C_cch_1Comb, C_BPM_3, C_T3212_0, C_ci_cellA,<br>C_MCC_1, C_PLMN_1, C_LAC_1, CellOpt_01,<br>CellChDes_Omit, CellChDes_Omit,<br>C_CellReselectHys12, C_MaxPwrLvlG,<br>C_MaxPwrLvlD, BcchFreqLst_45, BcchFreqLst_02,<br>BcchFreqLst_03, BcchFreqLst_04,<br>C_Restablishment, C_BCC, C_NCC, C_Start_Tmsi,<br>TSPX_SDCCH4SubDef, TSPX_CKSNDDef,<br>TSPX_RANDDef, C_arfcnA, C_arfcnAd, TSPX_IMSI,<br>C_Test_nfh, C_NCCP_2) |                                         |     |          |
| 8                           |            | +PreEstRRConn( TCV_slot, TCV_tsc, TimingAdv( 0))                                                                                                                                                                                                                                                                                                                                                                                                                                                                                                                                                                                 |                                         |     |          |
| 9                           | body       | LIDL_DatRqldRq                                                                                                                                                                                                                                                                                                                                                                                                                                                                                                                                                                                                                   | IDReq( TCV_ch,<br>IDRequest_inv_02)     |     | 1.       |
| 10                          | L_012<br>4 | L?DL_DatInMmst                                                                                                                                                                                                                                                                                                                                                                                                                                                                                                                                                                                                                   | MMSt( MMstatus_02)                      | (P) |          |
| 11                          |            | [TSPC_MTsvc]                                                                                                                                                                                                                                                                                                                                                                                                                                                                                                                                                                                                                     |                                         |     | 2.       |
| 12                          |            | +Authentication(TCV_ch, TSPX_CKSNDDef,<br>TSPX_RANDDef)                                                                                                                                                                                                                                                                                                                                                                                                                                                                                                                                                                          |                                         |     |          |
| 13                          |            | +Cipherring_on(TCV_ch)                                                                                                                                                                                                                                                                                                                                                                                                                                                                                                                                                                                                           |                                         |     |          |
| 14                          |            | LIDL_DatRqSetup                                                                                                                                                                                                                                                                                                                                                                                                                                                                                                                                                                                                                  | SetupSnd( TCV_ch,<br>TCV_Setup_mt)      |     |          |
| 15                          | L_012<br>5 | L?DL_DatInCallCo                                                                                                                                                                                                                                                                                                                                                                                                                                                                                                                                                                                                                 | CallCfm(<br>CallConfirm_01(<br>TI_01))  | (P) |          |
| 16                          |            | +PostLinkRelEnd( TCV_ch)                                                                                                                                                                                                                                                                                                                                                                                                                                                                                                                                                                                                         |                                         |     |          |
| 17                          |            | [NOT TSPC_MTsvc]                                                                                                                                                                                                                                                                                                                                                                                                                                                                                                                                                                                                                 |                                         |     | 3.       |
| 18                          |            | LIDL_DatRqSetup                                                                                                                                                                                                                                                                                                                                                                                                                                                                                                                                                                                                                  | SetupSnd( TCV_ch,<br>Setup_01( TI_02))  |     |          |
| 19                          | L_012<br>6 | L?DL_DatInRelCmp                                                                                                                                                                                                                                                                                                                                                                                                                                                                                                                                                                                                                 | RelComRcv(<br>ReleaseCmp_03(<br>TI_01)) | (P) |          |
| 20                          |            | +PostLinkRelEnd( TCV_ch)                                                                                                                                                                                                                                                                                                                                                                                                                                                                                                                                                                                                         |                                         |     |          |
| <b>Detailed Comments:</b>   |            | <p>1. To send an invalid IDENTITY REQUEST message in which the identity type IE contains reserved value on the channel C_SDCCH4_A_1.</p> <p>2. This subtree is for the MS which supports at least one bearer capability.</p> <p>3. This subtree is for the MS which does not support any bearer capability.</p>                                                                                                                                                                                                                                                                                                                  |                                         |     |          |

| Test Case Dynamic Behaviour |       |                                                                                                                                                                                                                                                                                                                                                                                                                                                                                                                                                                         |                                                                                                                           |   |                         |
|-----------------------------|-------|-------------------------------------------------------------------------------------------------------------------------------------------------------------------------------------------------------------------------------------------------------------------------------------------------------------------------------------------------------------------------------------------------------------------------------------------------------------------------------------------------------------------------------------------------------------------------|---------------------------------------------------------------------------------------------------------------------------|---|-------------------------|
| <b>Test Case Name:</b>      |       | TC_26_5_5_2_3                                                                                                                                                                                                                                                                                                                                                                                                                                                                                                                                                           |                                                                                                                           |   |                         |
| <b>Group:</b>               |       | GSM_L3_MS_v4200/BiBo/                                                                                                                                                                                                                                                                                                                                                                                                                                                                                                                                                   |                                                                                                                           |   |                         |
| <b>Purpose:</b>             |       | To verify that the MS on receipt of an MM message containing an IE unknown in the message, but encoded as "comprehension required" ignores the message except for the fact that it returns an MM-STATUS message with cause value #96 "invalid mandatory information"; this in the special case of the MM message being a LOCATION UPDATING ACCEPT responding to a LOCATION UPDATING REQUEST from the MS.                                                                                                                                                                |                                                                                                                           |   |                         |
| <b>Default:</b>             |       | OtherEventsFail                                                                                                                                                                                                                                                                                                                                                                                                                                                                                                                                                         |                                                                                                                           |   |                         |
| Nr                          | Label | Behaviour Description                                                                                                                                                                                                                                                                                                                                                                                                                                                                                                                                                   | CRef                                                                                                                      | V | Comments                |
| 1                           |       | START T_guard(300)                                                                                                                                                                                                                                                                                                                                                                                                                                                                                                                                                      |                                                                                                                           |   |                         |
| 2                           |       | +IdleUpdated( C_E_default, C_CellA, C_SCH_A, C_BCCH_A_1, C_Immass, C_S0, C_SlotNU, C_SlotNU, C_SlotNU, C_BCC, C_TxInt_5, C_Max_1, C_NECI_0, C_ATT_0, TimingAdv( 0), C_BABR_0, C_cch_1Comb, C_BPM_3, C_T3212_0, C_ci_cellA, C_MCC_1, C_PLMN_1, C_LAC_1, CellOpt_01, CellChDes_Omit, CellChDes_Omit, C_CellReselectHys12, C_MaxPwrLvlG, C_MaxPwrLvlD, BcchFreqLst_45, BcchFreqLst_02, BcchFreqLst_03, BcchFreqLst_04, C_Restablishment, C_BCC, C_NCC, C_Start_Tmsi, TSPX_SDCCH4SubDef, TSPX_CKSNDDef, TSPX_RANDDef, C_arfcnA, C_arfcnAd, TSPX_IMSI, C_Test_nfh, C_NCCP_2) |                                                                                                                           |   |                         |
| 3                           |       | +StartCellB_1( C_E_neighbourdefault, C_Immass,TCV_slot, TCV_tsc, TimingAdv( 0), C_ATT_0, C_BABR_0, C_cch_1Comb, C_BPM_3, C_T3212_0, C_MCC_1, C_PLMN_1, C_LAC_2, C_noRestablishment, C_BCC, C_NCC)                                                                                                                                                                                                                                                                                                                                                                       |                                                                                                                           |   |                         |
| 4                           | body  | +localbody                                                                                                                                                                                                                                                                                                                                                                                                                                                                                                                                                              |                                                                                                                           |   |                         |
|                             |       | <b>localbody</b>                                                                                                                                                                                                                                                                                                                                                                                                                                                                                                                                                        |                                                                                                                           |   |                         |
| 5                           |       | +Switchcell( C_CellA, C_CellB, C_LAC_2, TSPX_SDCCH4SubDef, TSPX_CKSNDDef, TSPX_RANDDef, C_arfcnB, C_arfcnBd, TCV_Ccd0B, TSPX_IMSI)                                                                                                                                                                                                                                                                                                                                                                                                                                      |                                                                                                                           |   | 1.                      |
| 6                           |       | L?DL_RaInChRq (TCV_Rr := DL_RaInChRq.msg.ecau_rrf, TCV_Fn := DL_RaInChRq.fn)                                                                                                                                                                                                                                                                                                                                                                                                                                                                                            | ChReq_01( C_RACH_B_1, ChRequest_09)                                                                                       |   |                         |
| 7                           |       | ACTIVATE( OtherEventsFail_02)                                                                                                                                                                                                                                                                                                                                                                                                                                                                                                                                           |                                                                                                                           |   | To match ChReq retrans. |
| 8                           |       | LIDL_UdatRqImmass                                                                                                                                                                                                                                                                                                                                                                                                                                                                                                                                                       | ImmAss( TCV_agch, ImmAsgn_01Def( TCV_Rr, TCV_Fn, TSPX_SDCCH4SubDef, TCV_slot, TCV_tsc, TCV_chdescr_arfcn, TimingAdv( 0))) |   |                         |
| 9                           |       | L?DL_EstInLupRq                                                                                                                                                                                                                                                                                                                                                                                                                                                                                                                                                         | LocUp( TCV_ch, LocUpdtReq_04( C_normal_updating, MiTmsi_01))                                                              |   |                         |
| 10                          |       | ACTIVATE( OtherEventsFail)                                                                                                                                                                                                                                                                                                                                                                                                                                                                                                                                              |                                                                                                                           |   | Restore Normal default  |
| 11                          |       | L!DL_DatRqLupAcp                                                                                                                                                                                                                                                                                                                                                                                                                                                                                                                                                        | LocAcp( TCV_ch, LocUpdtAcp_01( Mi_01, C_MCC_1, C_PLMN_1, C_LAC_2))                                                        |   | 2.                      |
| 12                          |       | L?DL_DatInMmst                                                                                                                                                                                                                                                                                                                                                                                                                                                                                                                                                          | MMS( MMstatus_02)                                                                                                         |   |                         |
| 13                          |       | L?DL_Relln                                                                                                                                                                                                                                                                                                                                                                                                                                                                                                                                                              | DLRelInd_01                                                                                                               |   |                         |
| 14                          |       | +ltree_continue                                                                                                                                                                                                                                                                                                                                                                                                                                                                                                                                                         |                                                                                                                           |   |                         |
|                             |       | <b>ltree_continue</b>                                                                                                                                                                                                                                                                                                                                                                                                                                                                                                                                                   |                                                                                                                           |   |                         |
| 15                          |       | L?DL_RaInChRq( TCV_Rr := DL_RaInChRq.msg.ecau_rrf, TCV_Fn := DL_RaInChRq.fn)                                                                                                                                                                                                                                                                                                                                                                                                                                                                                            | ChReq( ChRequest_02)                                                                                                      |   |                         |
| 16                          |       | ACTIVATE( OtherEventsFail_02)                                                                                                                                                                                                                                                                                                                                                                                                                                                                                                                                           |                                                                                                                           |   | To match ChReq retrans. |
| 17                          |       | LIDL_UdatRqImmass                                                                                                                                                                                                                                                                                                                                                                                                                                                                                                                                                       | ImmAss( TCV_agch, ImmAsgn_01Def(                                                                                          |   |                         |

|    |            |                            |                                                                                                          |                        |
|----|------------|----------------------------|----------------------------------------------------------------------------------------------------------|------------------------|
| 18 |            | L?DL_EstInLupRq            | TCV_Rr, TCV_Fn,<br>TSPX_SDCCCH4SubD<br>ef, TCV_slot,<br>TCV_tsc,<br>TCV_chdescr_arfcn,<br>TimingAdv( 0)) |                        |
| 19 |            | ACTIVATE( OtherEventsFail) | LocUp( TCV_ch,<br>LocUpdtReq_04(<br>C_normal_updating,<br>Milmsi_01))                                    | Restore Normal default |
| 20 |            | L!DL_DatRqLupAcp           | LocAcp( TCV_ch,<br>LocUpdtAcp_01(<br>MiTmsi_01iei,<br>C_MCC_1,<br>C_PLMN_1,<br>C_LAC_2))                 | 3.                     |
| 21 |            | L?DL_DatInTmsireCom        | TmsiReallocCmp(<br>TCV_ch)                                                                               |                        |
| 22 | L_012<br>7 | LIDL_DatRqChRel            | ChRel( TCV_ch,<br>ChRelease_01)                                                                          | (P)                    |
| 23 |            | L?DL_Relln                 | DLRelInd_01                                                                                              |                        |

**Detailed Comments:**

1. To lower the RF level of cell A until the MS selects cell B.
2. To send a LOCATION UPDATING ACCEPT message containing comprehension required IE.
3. To send a LOCATION UPDATING ACCEPT message containing location area identification = cell B and mobile identity = TMSI.

| Test Case Dynamic Behaviour                                                                                                                                                                                                                        |            |                                                                                                                                                                                                                                                                                                                                                                                                                                                                                                                                                                                                                    |                                                       |     |          |
|----------------------------------------------------------------------------------------------------------------------------------------------------------------------------------------------------------------------------------------------------|------------|--------------------------------------------------------------------------------------------------------------------------------------------------------------------------------------------------------------------------------------------------------------------------------------------------------------------------------------------------------------------------------------------------------------------------------------------------------------------------------------------------------------------------------------------------------------------------------------------------------------------|-------------------------------------------------------|-----|----------|
| <b>Test Case Name:</b> TC_26_5_5_3_1_1                                                                                                                                                                                                             |            |                                                                                                                                                                                                                                                                                                                                                                                                                                                                                                                                                                                                                    |                                                       |     |          |
| <b>Group:</b> GSM_L3_MS_v4200/BiBo/                                                                                                                                                                                                                |            |                                                                                                                                                                                                                                                                                                                                                                                                                                                                                                                                                                                                                    |                                                       |     |          |
| <b>Purpose:</b> To verify that the MS having an MT call in state U10, "active", on receipt of a DISCONNECT message in which the mandatory cause IE is missing shall return a RELEASE message with cause value #96 "invalid mandatory information". |            |                                                                                                                                                                                                                                                                                                                                                                                                                                                                                                                                                                                                                    |                                                       |     |          |
| <b>Default:</b> OtherEventsFail                                                                                                                                                                                                                    |            |                                                                                                                                                                                                                                                                                                                                                                                                                                                                                                                                                                                                                    |                                                       |     |          |
| Nr                                                                                                                                                                                                                                                 | Label      | Behaviour Description                                                                                                                                                                                                                                                                                                                                                                                                                                                                                                                                                                                              | CRef                                                  | V   | Comments |
| 1                                                                                                                                                                                                                                                  |            | START T_guard(300)                                                                                                                                                                                                                                                                                                                                                                                                                                                                                                                                                                                                 |                                                       |     |          |
| 2                                                                                                                                                                                                                                                  |            | +BasicServiceMT( TSPX_MTBscSvcI,<br>TSPX_MTChRateI)                                                                                                                                                                                                                                                                                                                                                                                                                                                                                                                                                                |                                                       |     |          |
| 3                                                                                                                                                                                                                                                  |            | +IdleUpdated( C_E_default, C_CellA, C_SCH_A,<br>C_BCCH_A_1, C_Immass, C_S0, C_SlotNU,<br>C_SlotNU, C_SlotNU, C_BCC, C_TxInt_5,<br>C_Max_1, C_NECI_0, C_ATT_0, TimingAdv( 0),<br>C_BABR_0, C_cch_1Comb, C_BPM_3,<br>C_T3212_0, C_ci_cellA, C_MCC_1, C_PLMN_1,<br>C_LAC_1, CellOpt_01, CellChDes_Omit,<br>CellChDes_Omit, C_CellReselectHys12,<br>C_MaxPwrLvIG, C_MaxPwrLvID,<br>BcchFreqLst_45, BcchFreqLst_02,<br>BcchFreqLst_03, BcchFreqLst_04,<br>C_Restablishment, C_BCC, C_NCC,<br>C_Start_Tmsi, TSPX_SDCCH4SubDef,<br>TSPX_CKSNDf, TSPX_RANDDef, C_arfcnA,<br>C_arfcnAd, TSPX_IMSI, C_Test_nfh,<br>C_NCCP_2) |                                                       |     |          |
| 4                                                                                                                                                                                                                                                  |            | +CCConfigTCH( TSPX_TCHHSubDef, C_Ass,<br>TSPX_TmSltDef, TSPX_TscDef, TimingAdv( 0),<br>C_BABR_0, C_cch_1Comb, C_BPM_3,<br>TCV_ChMod.mode, FreqTCH_omit,<br>FreqTCH_omit, C_arfcn_tchA, C_arfcn_tchAd)                                                                                                                                                                                                                                                                                                                                                                                                              |                                                       |     |          |
| 5                                                                                                                                                                                                                                                  |            | +PreEnterCCstateU10(<br>TSPX_SDCCH4SubDef, TCV_Setup_mt,<br>TSPX_TmSltDef, TSPX_TscDef, TimingAdv(<br>0), TSPX_CKSNDf, TSPX_RANDDef)                                                                                                                                                                                                                                                                                                                                                                                                                                                                               |                                                       |     |          |
| 6                                                                                                                                                                                                                                                  | body       | L!DL_DatRqDisc                                                                                                                                                                                                                                                                                                                                                                                                                                                                                                                                                                                                     | Disc_inv(<br>TCV_chTch,<br>Disconn_inv_02(<br>TI_02)) |     | 1.       |
| 7                                                                                                                                                                                                                                                  | L_012<br>8 | L?DL_DatInRel                                                                                                                                                                                                                                                                                                                                                                                                                                                                                                                                                                                                      | ReleaseRcv(<br>Release_01( TI_01))                    | (P) |          |
| 8                                                                                                                                                                                                                                                  |            | L!DL_DatRqRelCmp                                                                                                                                                                                                                                                                                                                                                                                                                                                                                                                                                                                                   | RelComSnd(<br>TCV_chTch,<br>ReleaseCmp_02(<br>TI_02)) |     |          |
| 9                                                                                                                                                                                                                                                  |            | +PostMainLinkRel(TCV_chTch)                                                                                                                                                                                                                                                                                                                                                                                                                                                                                                                                                                                        |                                                       |     |          |
| <b>Detailed Comments:</b> 1. To send an invalid DISCONNECT message in which the mandatory cause IE is missing.                                                                                                                                     |            |                                                                                                                                                                                                                                                                                                                                                                                                                                                                                                                                                                                                                    |                                                       |     |          |



| Test Case Dynamic Behaviour |            |                                                                                                                                                                                                                                                                                                                                                                                                                                                                                                                                                                                                                    |                                                       |     |          |
|-----------------------------|------------|--------------------------------------------------------------------------------------------------------------------------------------------------------------------------------------------------------------------------------------------------------------------------------------------------------------------------------------------------------------------------------------------------------------------------------------------------------------------------------------------------------------------------------------------------------------------------------------------------------------------|-------------------------------------------------------|-----|----------|
| <b>Test Case Name:</b>      |            | TC_26_5_5_3_1_2                                                                                                                                                                                                                                                                                                                                                                                                                                                                                                                                                                                                    |                                                       |     |          |
| <b>Group:</b>               |            | GSM_L3_MS_v4200/BiBo/                                                                                                                                                                                                                                                                                                                                                                                                                                                                                                                                                                                              |                                                       |     |          |
| <b>Purpose:</b>             |            | To verify that the MS having an MT call in state U10, "active", on receipt of a STATUS message in which the mandatory cause IE and call state IE are missing shall ignore the message except for the fact that it return a STATUS message with cause value #96 "invalid mandatory information" (that the MS doesn't change state is checked by use of the status enquiry procedure).                                                                                                                                                                                                                               |                                                       |     |          |
| <b>Default:</b>             |            | OtherEventsFail                                                                                                                                                                                                                                                                                                                                                                                                                                                                                                                                                                                                    |                                                       |     |          |
| Nr                          | Label      | Behaviour Description                                                                                                                                                                                                                                                                                                                                                                                                                                                                                                                                                                                              | CRef                                                  | V   | Comments |
| 1                           |            | START T_guard(300)                                                                                                                                                                                                                                                                                                                                                                                                                                                                                                                                                                                                 |                                                       |     |          |
| 2                           |            | +BasicServiceMT( TSPX_MTBscSvcJ,<br>TSPX_MTChRateJ)                                                                                                                                                                                                                                                                                                                                                                                                                                                                                                                                                                |                                                       |     |          |
| 3                           |            | +IdleUpdated( C_E_default, C_CellA, C_SCH_A,<br>C_BCCCH_A_1, C_Immass, C_S0, C_SlotNU,<br>C_SlotNU, C_SlotNU, C_BCC, C_TxInt_5,<br>C_Max_1, C_NECL_0, C_ATT_0, TimingAdv( 0),<br>C_BABR_0, C_cch_1Comb, C_BPM_3,<br>C_T3212_0, C_ci_cellA, C_MCC_1, C_PLMN_1,<br>C_LAC_1, CellOpt_01, CellChDes_Omit,<br>CellChDes_Omit, C_CellReselectHys12,<br>C_MaxPwrLvIG, C_MaxPwrLvID,<br>BcchFreqLst_45, BcchFreqLst_02,<br>BcchFreqLst_03, BcchFreqLst_04,<br>C_Restablishment, C_BCC, C_NCC,<br>C_Start_Tmsi, TSPX_SDCCH4SubDef,<br>TSPX_CKSNDf, TSPX_RANDDf, C_arfcnA,<br>C_arfcnAd, TSPX_IMSI, C_Test_nfh,<br>C_NCCP_2) |                                                       |     |          |
| 4                           |            | +CCConfigTCH( TSPX_TCHHSubDef, C_Ass,<br>TSPX_TmSltDef, TSPX_TscDef, TimingAdv( 0),<br>C_BABR_0, C_cch_1Comb, C_BPM_3,<br>TCV_ChMod.mode, FreqTCH_omit,<br>FreqTCH_omit, C_arfcn_tchA, C_arfcn_tchAd)                                                                                                                                                                                                                                                                                                                                                                                                              |                                                       |     |          |
| 5                           |            | +PreEnterCCstateU10(<br>TSPX_SDCCH4SubDef, TCV_Setup_mt,<br>TSPX_TmSltDef, TSPX_TscDef, TimingAdv(<br>0), TSPX_CKSNDf, TSPX_RANDDf)                                                                                                                                                                                                                                                                                                                                                                                                                                                                                |                                                       |     |          |
| 6                           | body       | L!DL_DatRqCcst                                                                                                                                                                                                                                                                                                                                                                                                                                                                                                                                                                                                     | CCStSnd(<br>TCV_chTch,<br>CCStatus_inv_01(<br>TI_02)) |     | 1.       |
| 7                           | L_012<br>9 | L?DL_DatInCcst                                                                                                                                                                                                                                                                                                                                                                                                                                                                                                                                                                                                     | CCStRcv(<br>TCV_chTch,<br>CCStatus_04( TI_01))        | (P) |          |
| 8                           |            | +CCstatuschk_01( TCV_chTch, C_U10)                                                                                                                                                                                                                                                                                                                                                                                                                                                                                                                                                                                 |                                                       |     |          |
| 9                           |            | +PostMainLinkRel( TCV_chTch)                                                                                                                                                                                                                                                                                                                                                                                                                                                                                                                                                                                       |                                                       |     |          |
| <b>Detailed Comments:</b>   |            | 1. To send an invalid STATUS message in which the mandatory cause IE and call state IE are missing.                                                                                                                                                                                                                                                                                                                                                                                                                                                                                                                |                                                       |     |          |

| Test Case Dynamic Behaviour |            |                                                                                                                                                                                                                                                                                                                                                                                                                                                                                                                                                                                                                   |                                                        |     |          |
|-----------------------------|------------|-------------------------------------------------------------------------------------------------------------------------------------------------------------------------------------------------------------------------------------------------------------------------------------------------------------------------------------------------------------------------------------------------------------------------------------------------------------------------------------------------------------------------------------------------------------------------------------------------------------------|--------------------------------------------------------|-----|----------|
| <b>Test Case Name:</b>      |            | TC_26_5_5_3_2                                                                                                                                                                                                                                                                                                                                                                                                                                                                                                                                                                                                     |                                                        |     |          |
| <b>Group:</b>               |            | GSM_L3_MS_v4200/BiBo/                                                                                                                                                                                                                                                                                                                                                                                                                                                                                                                                                                                             |                                                        |     |          |
| <b>Purpose:</b>             |            | To verify that an MS supporting the call control protocol for at least one BC having a call control entity in state U3 ignores a CONNECT message containing in the non-imperative part an IE encoded as comprehension required except for the fact that it returns a STATUS message with cause value #96 "invalid mandatory information".                                                                                                                                                                                                                                                                         |                                                        |     |          |
| <b>Default:</b>             |            | OtherEventsFail                                                                                                                                                                                                                                                                                                                                                                                                                                                                                                                                                                                                   |                                                        |     |          |
| Nr                          | Label      | Behaviour Description                                                                                                                                                                                                                                                                                                                                                                                                                                                                                                                                                                                             | CRef                                                   | V   | Comments |
| 1                           |            | START T_guard(300)                                                                                                                                                                                                                                                                                                                                                                                                                                                                                                                                                                                                |                                                        |     |          |
| 2                           |            | +BasicServiceMO(TSPX_MOBscSvcG,<br>TSPX_MOChRateG)                                                                                                                                                                                                                                                                                                                                                                                                                                                                                                                                                                |                                                        |     |          |
| 3                           |            | +IdleUpdated( C_E_default, C_CellA, C_SCH_A,<br>C_BCCH_A_1, C_Immss, C_S0, C_SlotNU,<br>C_SlotNU, C_SlotNU, C_BCC, C_TxInt_5,<br>C_Max_1, C_NECI_0, C_ATT_0, TimingAdv( 0),<br>C_BABR_0, C_cch_1Comb, C_BPM_3,<br>C_T3212_0, C_ci_cellA, C_MCC_1, C_PLMN_1,<br>C_LAC_1, CellOpt_01, CellChDes_Omit,<br>CellChDes_Omit, C_CellReselectHys12,<br>C_MaxPwrLvIG, C_MaxPwrLvID,<br>BcchFreqLst_45, BcchFreqLst_02,<br>BcchFreqLst_03, BcchFreqLst_04,<br>C_Restablishment, C_BCC, C_NCC,<br>C_Start_Tmsi, TSPX_SDCCH4SubDef,<br>TSPX_CKSNDf, TSPX_RANDDef, C_arfcnA,<br>C_arfcnAd, TSPX_IMSI, C_Test_nfh,<br>C_NCCP_2) |                                                        |     |          |
| 4                           |            | +PreEnterCCstateU3( TimingAdv( 0),<br>TSPX_CKSNDf, TSPX_RANDDef)                                                                                                                                                                                                                                                                                                                                                                                                                                                                                                                                                  |                                                        |     |          |
| 5                           | body       | LIDL_DatRqConnErr                                                                                                                                                                                                                                                                                                                                                                                                                                                                                                                                                                                                 | Conn_invSnd(<br>TCV_ch,<br>Connect_inv_01(<br>TCV_TI)) |     | 1.       |
| 6                           | L_013<br>0 | L?DL_DatInCcst                                                                                                                                                                                                                                                                                                                                                                                                                                                                                                                                                                                                    | CCStRcv( TCV_ch,<br>CCStatus_04(<br>TCV_TI0))          | (P) | 2.       |
| 7                           |            | +CCstatuschk_03(C_U3, TCV_TI)                                                                                                                                                                                                                                                                                                                                                                                                                                                                                                                                                                                     |                                                        |     | 3.       |
| 8                           |            | LIDL_DatRqChRel                                                                                                                                                                                                                                                                                                                                                                                                                                                                                                                                                                                                   | ChRel( TCV_ch,<br>ChRelease_01)                        |     |          |
| 9                           |            | L?DL_Relln                                                                                                                                                                                                                                                                                                                                                                                                                                                                                                                                                                                                        | DLRelInd_01                                            |     |          |
| <b>Detailed Comments:</b>   |            | <ol style="list-style-type: none"> <li>1. To send an invalid CONNECT message containing comprehension required IE.</li> <li>2. The expected STATUS message received.</li> <li>3. To check whether the MS is still in the state U3.</li> </ol>                                                                                                                                                                                                                                                                                                                                                                     |                                                        |     |          |

| Test Case Dynamic Behaviour |       |                                                                                                                                                                                                                                                                                                                                                                                                                                                                                                                                                                                     |                                                                                                                           |     |                         |
|-----------------------------|-------|-------------------------------------------------------------------------------------------------------------------------------------------------------------------------------------------------------------------------------------------------------------------------------------------------------------------------------------------------------------------------------------------------------------------------------------------------------------------------------------------------------------------------------------------------------------------------------------|---------------------------------------------------------------------------------------------------------------------------|-----|-------------------------|
| <b>Test Case Name:</b>      |       | TC_26_5_6_1_1                                                                                                                                                                                                                                                                                                                                                                                                                                                                                                                                                                       |                                                                                                                           |     |                         |
| <b>Group:</b>               |       | GSM_L3_MS_v4200/BiBo/                                                                                                                                                                                                                                                                                                                                                                                                                                                                                                                                                               |                                                                                                                           |     |                         |
| <b>Purpose:</b>             |       | To verify that the MS on receipt of an MM message containing an IE unknown in the message and unknown in the MM protocol which is not encoded as "comprehension required" ignores that IE; this in the special case of the MM message being a LOCATION UPDATING ACCEPT responding to a LOCATION UPDATING REQUEST from the MS.                                                                                                                                                                                                                                                       |                                                                                                                           |     |                         |
| <b>Default:</b>             |       | OtherEventsFail                                                                                                                                                                                                                                                                                                                                                                                                                                                                                                                                                                     |                                                                                                                           |     |                         |
| Nr                          | Label | Behaviour Description                                                                                                                                                                                                                                                                                                                                                                                                                                                                                                                                                               | CRef                                                                                                                      | V   | Comments                |
| 1                           |       | START T_guard(300)                                                                                                                                                                                                                                                                                                                                                                                                                                                                                                                                                                  |                                                                                                                           |     |                         |
| 2                           |       | +IdleUpdated( C_E_neighbourdefault, C_CellB, C_SCH_B, C_BCCH_B_1, C_Immass, C_S0, C_SlotNU, C_SlotNU, C_SlotNU, C_BCC, C_TxInt_5, C_Max_1, C_NECI_0, C_ATT_0, TimingAdv( 0), C_BABR_0, C_cch_1Comb, C_BPM_3, C_T3212_0, C_ci_cellB, C_MCC_1, C_PLMN_1, C_LAC_2, CellOpt_01, CellChDes_Omit, CellChDes_Omit, C_CellReselectHys12, C_MaxPwrLvlG, C_MaxPwrLvlD, BcchFreqLst_01, BcchFreqLst_01, BcchFreqLst_48, BcchFreqLst_48, C_noRestablishment, C_BCC, C_NCC, C_Start_Tmsi, TSPX_SDCCH4SubDef, TSPX_CKSNDDef, TSPX_RANDDDef, C_arfcnB, C_arfcnBd, TSPX_IMSI, C_Test_nfh, C_NCCP_2) |                                                                                                                           |     | 1.                      |
| 3                           |       | +StartCellA( C_E_default, C_Immass, TCV_slot, TCV_tsc, TimingAdv( 0), C_TxInt_5, C_Max_1, C_NECI_0, C_ATT_0, C_BABR_0, C_cch_1Comb, C_BPM_3, C_T3212_0, C_MCC_1, C_PLMN_1, C_LAC_1, CellChDes_02, CellChDes_03, BcchFreqLst_45, BcchFreqLst_03, C_noRestablishment)                                                                                                                                                                                                                                                                                                                 |                                                                                                                           |     |                         |
| 4                           |       | +ltree_body                                                                                                                                                                                                                                                                                                                                                                                                                                                                                                                                                                         |                                                                                                                           |     |                         |
| 5                           |       | <b>ltree_body</b><br>+Switchcell( C_CellB, C_CellA, C_LAC_1, TSPX_SDCCH4SubDef, TSPX_CKSNDDef, TSPX_RANDDDef, C_arfcnA, C_arfcnAd, TCV_Ccd0A, TSPX_IMSI)                                                                                                                                                                                                                                                                                                                                                                                                                            |                                                                                                                           |     |                         |
| 6                           |       | L?DL_RacInChRq (TCV_Rr := DL_RacInChRq.msg.ecau_rrf, TCV_Fn := DL_RacInChRq.fn)                                                                                                                                                                                                                                                                                                                                                                                                                                                                                                     | ChReq( ChRequest_02)                                                                                                      |     |                         |
| 7                           |       | ACTIVATE( OtherEventsFail_02)                                                                                                                                                                                                                                                                                                                                                                                                                                                                                                                                                       |                                                                                                                           |     | To match ChReq retrans. |
| 8                           |       | L!DL_UdatRqImmass                                                                                                                                                                                                                                                                                                                                                                                                                                                                                                                                                                   | ImmAss( TCV_agch, ImmAsgn_01Def( TCV_Rr, TCV_Fn, TSPX_SDCCH4SubDef, TCV_slot, TCV_tsc, TCV_chdescr_arfcn, TimingAdv( 0))) |     |                         |
| 9                           |       | L?DL_EstInLupRq                                                                                                                                                                                                                                                                                                                                                                                                                                                                                                                                                                     | LocUp( TCV_ch, LocUpdtReq_04( C_normal_updating, MiTmsi_01))                                                              |     | 2.                      |
| 10                          |       | ACTIVATE( OtherEventsFail)                                                                                                                                                                                                                                                                                                                                                                                                                                                                                                                                                          |                                                                                                                           |     | Restore Normal default  |
| 11                          |       | L!DL_DatRqLupAcpErr                                                                                                                                                                                                                                                                                                                                                                                                                                                                                                                                                                 | LocAcp_inv( TCV_ch, Mi_02, MiTmsi_02iei, C_MCC_1, C_PLMN_1, C_LAC_1)                                                      |     | 3.                      |
| 12                          | L_013 | L?DL_DatInTmsireCom                                                                                                                                                                                                                                                                                                                                                                                                                                                                                                                                                                 | TmsiReallocCmp( TCV_ch)                                                                                                   | (P) |                         |
| 13                          | 1     | +local_postamble                                                                                                                                                                                                                                                                                                                                                                                                                                                                                                                                                                    |                                                                                                                           |     |                         |
| 14                          |       | +PostMainLinkRel(TCV_ch)                                                                                                                                                                                                                                                                                                                                                                                                                                                                                                                                                            |                                                                                                                           |     |                         |
| 15                          |       | <b>local_postamble</b><br>+TmsiReallocation( MiTmsi_01, C_MCC_1, C_PLMN_1, C_LAC_1)                                                                                                                                                                                                                                                                                                                                                                                                                                                                                                 |                                                                                                                           |     | 4.                      |
| <b>Detailed Comments:</b>   |       | 1. The MS listen to cell B.<br>2. The mobile identity is TMSI of the MS.                                                                                                                                                                                                                                                                                                                                                                                                                                                                                                            |                                                                                                                           |     |                         |

3. To send an invalid LOCATION UPDATING ACCEPT message containing unknown IEI and new

TMSI.

4. Local Postamble: to ensure that the test case terminates with the default TMSI.

| Test Case Dynamic Behaviour |            |                                                                                                                                                                                                                                                                                                                                                                                                                                                                                                                                                                                     |                                                                                                                           |     |                         |
|-----------------------------|------------|-------------------------------------------------------------------------------------------------------------------------------------------------------------------------------------------------------------------------------------------------------------------------------------------------------------------------------------------------------------------------------------------------------------------------------------------------------------------------------------------------------------------------------------------------------------------------------------|---------------------------------------------------------------------------------------------------------------------------|-----|-------------------------|
| <b>Test Case Name:</b>      |            | TC_26_5_6_1_2                                                                                                                                                                                                                                                                                                                                                                                                                                                                                                                                                                       |                                                                                                                           |     |                         |
| <b>Group:</b>               |            | GSM_L3_MS_v4200/BiBo/                                                                                                                                                                                                                                                                                                                                                                                                                                                                                                                                                               |                                                                                                                           |     |                         |
| <b>Purpose:</b>             |            | To verify that the MS on receipt of an MM message containing an IE unknown in the message, but known in the MM protocol, which is not encoded as "comprehension required" ignores that IE; this in the special case of the MM message being a LOCATION UPDATING ACCEPT responding to a LOCATION UPDATING REQUEST from the MS.                                                                                                                                                                                                                                                       |                                                                                                                           |     |                         |
| <b>Default:</b>             |            | OtherEventsFail                                                                                                                                                                                                                                                                                                                                                                                                                                                                                                                                                                     |                                                                                                                           |     |                         |
| Nr                          | Label      | Behaviour Description                                                                                                                                                                                                                                                                                                                                                                                                                                                                                                                                                               | CRef                                                                                                                      | V   | Comments                |
| 1                           |            | START T_guard(300)                                                                                                                                                                                                                                                                                                                                                                                                                                                                                                                                                                  |                                                                                                                           |     |                         |
| 2                           |            | +IdleUpdated( C_E_neighbourdefault, C_CellB, C_SCH_B, C_BCCH_B_1, C_Immass, C_S0, C_SlotNU, C_SlotNU, C_SlotNU, C_BCC, C_TxInt_5, C_Max_1, C_NECI_0, C_ATT_0, TimingAdv( 0), C_BABR_0, C_cch_1Comb, C_BPM_3, C_T3212_0, C_ci_cellB, C_MCC_1, C_PLMN_1, C_LAC_2, CellOpt_01, CellChDes_Omit, CellChDes_Omit, C_CellReselectHys12, C_MaxPwrLvlG, C_MaxPwrLvlD, BcchFreqLst_01, BcchFreqLst_01, BcchFreqLst_48, BcchFreqLst_48, C_noRestablishment, C_BCC, C_NCC, C_Start_Tmsi, TSPX_SDCCH4SubDef, TSPX_CKSNDDef, TSPX_RANDDDef, C_arfcnB, C_arfcnBd, TSPX_IMSI, C_Test_nfh, C_NCCP_2) |                                                                                                                           |     | 1.                      |
| 3                           |            | +StartCellA( C_E_default, C_Immass, TCV_slot, TCV_tsc, TimingAdv( 0), C_TxInt_5, C_Max_1, C_NECI_0, C_ATT_0, C_BABR_0, C_cch_1Comb, C_BPM_3, C_T3212_0, C_MCC_1, C_PLMN_1, C_LAC_1, CellChDes_02, CellChDes_03, BcchFreqLst_45, BcchFreqLst_03, C_noRestablishment)                                                                                                                                                                                                                                                                                                                 |                                                                                                                           |     |                         |
| 4                           |            | +ltree_body                                                                                                                                                                                                                                                                                                                                                                                                                                                                                                                                                                         |                                                                                                                           |     |                         |
| 5                           |            | <b>ltree_body</b><br>+Switchcell( C_CellB, C_CellA, C_LAC_1, TSPX_SDCCH4SubDef, TSPX_CKSNDDef, TSPX_RANDDDef, C_arfcnA, C_arfcnAd, TCV_Ccd0A, TSPX_IMSI)                                                                                                                                                                                                                                                                                                                                                                                                                            |                                                                                                                           |     |                         |
| 6                           |            | L?DL_RaInChRq (TCV_Rr := DL_RaInChRq.msg.ecau_rrf, TCV_Fn := DL_RaInChRq.fn)                                                                                                                                                                                                                                                                                                                                                                                                                                                                                                        | ChReq( ChRequest_02)                                                                                                      |     |                         |
| 7                           |            | ACTIVATE( OtherEventsFail_02)                                                                                                                                                                                                                                                                                                                                                                                                                                                                                                                                                       |                                                                                                                           |     | To match ChReq retrans. |
| 8                           |            | LIDL_UdatRqImmass                                                                                                                                                                                                                                                                                                                                                                                                                                                                                                                                                                   | ImmAss( TCV_agch, ImmAsgn_01Def( TCV_Rr, TCV_Fn, TSPX_SDCCH4SubDef, TCV_slot, TCV_tsc, TCV_chdescr_arfcn, TimingAdv( 0))) |     |                         |
| 9                           |            | L?DL_EstInLupRq                                                                                                                                                                                                                                                                                                                                                                                                                                                                                                                                                                     | LocUp( TCV_ch, LocUpdtReq_04( C_normal_updating, MiTmsi_01))                                                              |     | 2.                      |
| 10                          |            | ACTIVATE( OtherEventsFail)                                                                                                                                                                                                                                                                                                                                                                                                                                                                                                                                                          |                                                                                                                           |     | Restore Normal default  |
| 11                          |            | LIDL_DatRqLupAcpErr                                                                                                                                                                                                                                                                                                                                                                                                                                                                                                                                                                 | LocAcp_inv( TCV_ch, Mi_06, MiTmsi_02iei, C_MCC_1, C_PLMN_1, C_LAC_1)                                                      |     | 3.                      |
| 12                          | L_013<br>2 | L?DL_DatInTmsireCom                                                                                                                                                                                                                                                                                                                                                                                                                                                                                                                                                                 | TmsiReallocCmp( TCV_ch)                                                                                                   | (P) |                         |
| 13                          |            | +local_postamble                                                                                                                                                                                                                                                                                                                                                                                                                                                                                                                                                                    |                                                                                                                           |     |                         |
| 14                          |            | +PostMainLinkRel( TCV_ch)                                                                                                                                                                                                                                                                                                                                                                                                                                                                                                                                                           |                                                                                                                           |     |                         |
| 15                          |            | <b>local_postamble</b><br>+TmsiReallocation( MiTmsi_01, C_MCC_1, C_PLMN_1, C_LAC_1)                                                                                                                                                                                                                                                                                                                                                                                                                                                                                                 |                                                                                                                           |     | 4.                      |
| <b>Detailed Comments:</b>   |            | <p>1. The MS listen to cell B.</p> <p>2. The mobile identity is TMSI of the MS.</p> <p>3. To send a LOCATION UPDATING ACCEPT message containing unknown IE and new</p>                                                                                                                                                                                                                                                                                                                                                                                                              |                                                                                                                           |     |                         |

TMSI.

4. Local Postamble: to ensure that the test case terminates with the default TMSI.

### Test Case Dynamic Behaviour

**Test Case Name:** TC\_26\_5\_6\_2\_1  
**Group:** GSM\_L3\_MS\_v4200/BiBo/  
**Purpose:** To verify that an MS supporting the CC protocol for at least one BC receiving a CC message containing an IE unknown in the message which is not encoded as "comprehension required" ignores that IE; this in the special case of the CC message being a CALL PROCEEDING message received by the MS in state U1.  
**Default:** OtherEventsFail

| Nr | Label | Behaviour Description                                                                                                                                                                                                                                                                                                                                                                                                                                                                                                                                                                                                | CRef                                                | V | Comments |
|----|-------|----------------------------------------------------------------------------------------------------------------------------------------------------------------------------------------------------------------------------------------------------------------------------------------------------------------------------------------------------------------------------------------------------------------------------------------------------------------------------------------------------------------------------------------------------------------------------------------------------------------------|-----------------------------------------------------|---|----------|
| 1  |       | START T_guard(300)                                                                                                                                                                                                                                                                                                                                                                                                                                                                                                                                                                                                   |                                                     |   |          |
| 2  |       | +BasicServiceMO(TSPX_MOBscSvcF,<br>TSPX_MOChRateF)                                                                                                                                                                                                                                                                                                                                                                                                                                                                                                                                                                   |                                                     |   |          |
| 3  |       | +IdleUpdated( C_E_default, C_CellA, C_SCH_A,<br>C_BCCH_A_1, C_Immass, C_S0, C_SlotNU,<br>C_SlotNU, C_SlotNU, C_BCC, C_TxInt_5,<br>C_Max_1, C_NECI_0, C_ATT_0, TimingAdv( 0),<br>C_BABR_0, C_cch_1Comb, C_BPM_3,<br>C_T3212_0, C_ci_cellA, C_MCC_1, C_PLMN_1,<br>C_LAC_1, CellOpt_01, CellChDes_Omit,<br>CellChDes_Omit, C_CellReselectHys12,<br>C_MaxPwrLvIG, C_MaxPwrLvID,<br>BcchFreqLst_45, BcchFreqLst_02,<br>BcchFreqLst_03, BcchFreqLst_04,<br>C_Restablishment, C_BCC, C_NCC,<br>C_Start_Tmsi, TSPX_SDCCH4SubDef,<br>TSPX_CKSNDDef, TSPX_RANDDef, C_arfcnA,<br>C_arfcnAd, TSPX_IMSI, C_Test_nfh,<br>C_NCCP_2) |                                                     |   |          |
| 4  |       | +PreEnterCCstateU1( TimingAdv( 0),<br>TSPX_CKSNDDef, TSPX_RANDDef)                                                                                                                                                                                                                                                                                                                                                                                                                                                                                                                                                   |                                                     |   |          |
| 5  | body  | L!DL_DatRqCallProc                                                                                                                                                                                                                                                                                                                                                                                                                                                                                                                                                                                                   | CallProc( TCV_ch,<br>CallProced_inv_02(<br>TCV_TI)) |   | 1.       |
| 6  |       | +CCstatuschk_03(C_U3, TCV_TI)                                                                                                                                                                                                                                                                                                                                                                                                                                                                                                                                                                                        |                                                     |   | 2.       |
| 7  |       | L!DL_DatRqChRel                                                                                                                                                                                                                                                                                                                                                                                                                                                                                                                                                                                                      | ChRel( TCV_ch,<br>ChRelease_01)                     |   |          |
| 8  |       | L?DL_RelIn                                                                                                                                                                                                                                                                                                                                                                                                                                                                                                                                                                                                           | DLRelInd_01                                         |   |          |

**Detailed Comments:**

1. To send an invalid CALL PROCEEDING message containing optional unknown IE.
2. To check whether the MS enters the state U3, the verdict is assigned in the test step.

| Test Case Dynamic Behaviour |            |                                                                                                                                                                                                                                                                                                                                                                                                                                                                                                                                                                                                                      |                                                           |     |          |
|-----------------------------|------------|----------------------------------------------------------------------------------------------------------------------------------------------------------------------------------------------------------------------------------------------------------------------------------------------------------------------------------------------------------------------------------------------------------------------------------------------------------------------------------------------------------------------------------------------------------------------------------------------------------------------|-----------------------------------------------------------|-----|----------|
| <b>Test Case Name:</b>      |            | TC_26_5_6_2_2                                                                                                                                                                                                                                                                                                                                                                                                                                                                                                                                                                                                        |                                                           |     |          |
| <b>Group:</b>               |            | GSM_L3_MS_v4200/BiBo/                                                                                                                                                                                                                                                                                                                                                                                                                                                                                                                                                                                                |                                                           |     |          |
| <b>Purpose:</b>             |            | To verify that an MS supporting the CC protocol for at least one BC receiving a CC message containing an IE unknown in the message which is not encoded as "comprehension required" ignores that IE; this in the special case of a DISCONNECT message received by the MS in state U10.                                                                                                                                                                                                                                                                                                                               |                                                           |     |          |
| <b>Default:</b>             |            | OtherEventsFail                                                                                                                                                                                                                                                                                                                                                                                                                                                                                                                                                                                                      |                                                           |     |          |
| Nr                          | Label      | Behaviour Description                                                                                                                                                                                                                                                                                                                                                                                                                                                                                                                                                                                                | CRef                                                      | V   | Comments |
| 1                           |            | START T_guard(300)                                                                                                                                                                                                                                                                                                                                                                                                                                                                                                                                                                                                   |                                                           |     |          |
| 2                           |            | +BasicServiceMT( TSPX_MTBscSvcJ,<br>TSPX_MTChRateJ)                                                                                                                                                                                                                                                                                                                                                                                                                                                                                                                                                                  |                                                           |     |          |
| 3                           |            | +IdleUpdated( C_E_default, C_CellA, C_SCH_A,<br>C_BCCH_A_1, C_Immass, C_S0, C_SlotNU,<br>C_SlotNU, C_SlotNU, C_BCC, C_TxInt_5,<br>C_Max_1, C_NECI_0, C_ATT_0, TimingAdv( 0),<br>C_BABR_0, C_cch_1Comb, C_BPM_3,<br>C_T3212_0, C_ci_cellA, C_MCC_1, C_PLMN_1,<br>C_LAC_1, CellOpt_01, CellChDes_Omit,<br>CellChDes_Omit, C_CellReselectHys12,<br>C_MaxPwrLvIG, C_MaxPwrLvID,<br>BcchFreqLst_45, BcchFreqLst_02,<br>BcchFreqLst_03, BcchFreqLst_04,<br>C_Restablishment, C_BCC, C_NCC,<br>C_Start_Tmsi, TSPX_SDCCH4SubDef,<br>TSPX_CKSNDDef, TSPX_RANDDef, C_arfcnA,<br>C_arfcnAd, TSPX_IMSI, C_Test_nfh,<br>C_NCCP_2) |                                                           |     |          |
| 4                           |            | +CCConfigTCH( TSPX_TCHHSubDef, C_Ass,<br>TSPX_TmSltDef, TSPX_TscDef, TimingAdv( 0),<br>C_BABR_0, C_cch_1Comb, C_BPM_3,<br>TCV_ChMod.mode, FreqTCH_omit,<br>FreqTCH_omit, C_arfcn_tchA, C_arfcn_tchAd)                                                                                                                                                                                                                                                                                                                                                                                                                |                                                           |     |          |
| 5                           |            | +PreEnterCCstateU10(<br>TSPX_SDCCH4SubDef, TCV_Setup_mt,<br>TSPX_TmSltDef, TSPX_TscDef, TimingAdv(<br>0), TSPX_CKSNDDef, TSPX_RANDDef)                                                                                                                                                                                                                                                                                                                                                                                                                                                                               |                                                           |     | 1.       |
| 6                           | body       | L!DL_DatRqDiscErr                                                                                                                                                                                                                                                                                                                                                                                                                                                                                                                                                                                                    | Disc_inv_err(<br>TCV_chTch,<br>Disconn_inv_03(<br>TI_02)) |     | 2.       |
| 7                           | L_013<br>3 | L?DL_DatInRel                                                                                                                                                                                                                                                                                                                                                                                                                                                                                                                                                                                                        | ReleaseRcv(<br>Release_10( TI_01))                        | (P) |          |
| 8                           |            | +CCstatuschk_01( TCV_chTch, C_U19)                                                                                                                                                                                                                                                                                                                                                                                                                                                                                                                                                                                   |                                                           |     |          |
| 9                           |            | L!DL_DatRqChRel                                                                                                                                                                                                                                                                                                                                                                                                                                                                                                                                                                                                      | ChRel( TCV_chTch,<br>ChRelease_01)                        |     |          |
| 10                          |            | L?DL_Relln                                                                                                                                                                                                                                                                                                                                                                                                                                                                                                                                                                                                           | DLRellnd_01                                               |     |          |
| <b>Detailed Comments:</b>   |            | 1. To enter CC state U10.<br>2. To send an invalid DISCONNECT message containing optional unknown IE.                                                                                                                                                                                                                                                                                                                                                                                                                                                                                                                |                                                           |     |          |

| Test Case Dynamic Behaviour |            |                                                                                                                                                                                                                                                                                                                                                                                                                                                                                                                                                                                                                      |                                                            |     |          |
|-----------------------------|------------|----------------------------------------------------------------------------------------------------------------------------------------------------------------------------------------------------------------------------------------------------------------------------------------------------------------------------------------------------------------------------------------------------------------------------------------------------------------------------------------------------------------------------------------------------------------------------------------------------------------------|------------------------------------------------------------|-----|----------|
| <b>Test Case Name:</b>      |            | TC_26_5_6_2_3                                                                                                                                                                                                                                                                                                                                                                                                                                                                                                                                                                                                        |                                                            |     |          |
| <b>Group:</b>               |            | GSM_L3_MS_v4200/BiBo/                                                                                                                                                                                                                                                                                                                                                                                                                                                                                                                                                                                                |                                                            |     |          |
| <b>Purpose:</b>             |            | To verify that an MS supporting the CC protocol for at least one BC receiving a CC message containing an IE unknown in the message which is not encoded as "comprehension required" ignores that IE; this in the special case of a RELEASE message received by the MS having sent in state U10 a DISCONNECT message                                                                                                                                                                                                                                                                                                  |                                                            |     |          |
| <b>Default:</b>             |            | OtherEventsFail                                                                                                                                                                                                                                                                                                                                                                                                                                                                                                                                                                                                      |                                                            |     |          |
| Nr                          | Label      | Behaviour Description                                                                                                                                                                                                                                                                                                                                                                                                                                                                                                                                                                                                | CRef                                                       | V   | Comments |
| 1                           |            | START T_guard(300)                                                                                                                                                                                                                                                                                                                                                                                                                                                                                                                                                                                                   |                                                            |     |          |
| 2                           |            | +BasicServiceMT( TSPX_MTBscSvcA,<br>TSPX_MTChRateA)                                                                                                                                                                                                                                                                                                                                                                                                                                                                                                                                                                  |                                                            |     |          |
| 3                           |            | +IdleUpdated( C_E_default, C_CellA, C_SCH_A,<br>C_BCCH_A_1, C_Immass, C_S0, C_SlotNU,<br>C_SlotNU, C_SlotNU, C_BCC, C_TxInt_5,<br>C_Max_1, C_NECI_0, C_ATT_0, TimingAdv( 0),<br>C_BABR_0, C_cch_1Comb, C_BPM_3,<br>C_T3212_0, C_ci_cellA, C_MCC_1, C_PLMN_1,<br>C_LAC_1, CellOpt_01, CellChDes_Omit,<br>CellChDes_Omit, C_CellReselectHys12,<br>C_MaxPwrLvIG, C_MaxPwrLvID,<br>BcchFreqLst_45, BcchFreqLst_02,<br>BcchFreqLst_03, BcchFreqLst_04,<br>C_Restablishment, C_BCC, C_NCC,<br>C_Start_Tmsi, TSPX_SDCCH4SubDef,<br>TSPX_CKSNDDef, TSPX_RANDDef, C_arfcnA,<br>C_arfcnAd, TSPX_IMSI, C_Test_nfh,<br>C_NCCP_2) |                                                            |     |          |
| 4                           |            | +CCConfigTCH( TSPX_TCHHSubDef, C_Ass,<br>TSPX_TmSltDef, TSPX_TscDef, TimingAdv( 0),<br>C_BABR_0, C_cch_1Comb, C_BPM_3,<br>TCV_ChMod.mode, FreqTCH_omit,<br>FreqTCH_omit, C_arfcn_tchA, C_arfcn_tchAd)                                                                                                                                                                                                                                                                                                                                                                                                                |                                                            |     |          |
| 5                           |            | +PreEnterCCstateU10(<br>TSPX_SDCCH4SubDef, TCV_Setup_mt,<br>TSPX_TmSltDef, TSPX_TscDef, TimingAdv(<br>0), TSPX_CKSNDDef, TSPX_RANDDef)                                                                                                                                                                                                                                                                                                                                                                                                                                                                               |                                                            | 1.  |          |
| 6                           | body       | (TCV_Null := OO_TermCall())                                                                                                                                                                                                                                                                                                                                                                                                                                                                                                                                                                                          |                                                            |     |          |
| 7                           |            | L?DL_DatInDisc                                                                                                                                                                                                                                                                                                                                                                                                                                                                                                                                                                                                       | DiscRcv( TCV_chTch,<br>DisconnR( TI_01,<br>Cause_Def))     |     |          |
| 8                           |            | LIDL_DatRqRel                                                                                                                                                                                                                                                                                                                                                                                                                                                                                                                                                                                                        | ReleaseSnd(<br>TCV_chTch,<br>ReleaseReq_inv_01(<br>TI_02)) | 2.  |          |
| 9                           | L_013<br>4 | L?DL_DatInRelCmp                                                                                                                                                                                                                                                                                                                                                                                                                                                                                                                                                                                                     | RelComRcv(<br>ReleaseCmp_03(<br>TI_01))                    | (P) |          |
| 10                          |            | +PostMainLinkRel( TCV_chTch)                                                                                                                                                                                                                                                                                                                                                                                                                                                                                                                                                                                         |                                                            |     |          |
| <b>Detailed Comments:</b>   |            | 1. To enter CC state U10.<br>2. To send an invalid RELEASE REQUEST message containing unknown optional IE.                                                                                                                                                                                                                                                                                                                                                                                                                                                                                                           |                                                            |     |          |



| Test Case Dynamic Behaviour |            |                                                                                                                                                                                                                                                                                                                                                                                                                                                                                                                                                                                                                    |                                                                                           |     |          |
|-----------------------------|------------|--------------------------------------------------------------------------------------------------------------------------------------------------------------------------------------------------------------------------------------------------------------------------------------------------------------------------------------------------------------------------------------------------------------------------------------------------------------------------------------------------------------------------------------------------------------------------------------------------------------------|-------------------------------------------------------------------------------------------|-----|----------|
| <b>Test Case Name:</b>      |            | TC_26_5_6_2_4                                                                                                                                                                                                                                                                                                                                                                                                                                                                                                                                                                                                      |                                                                                           |     |          |
| <b>Group:</b>               |            | GSM_L3_MS_v4200/BiBo/                                                                                                                                                                                                                                                                                                                                                                                                                                                                                                                                                                                              |                                                                                           |     |          |
| <b>Purpose:</b>             |            | To verify that an MS supporting the CC protocol for at least one BC receiving a CC message containing an IE unknown in the message which is not encoded as "comprehension required" ignores that IE; this in the special case of a RELEASE COMPLETE message received by the MS in state U19.                                                                                                                                                                                                                                                                                                                       |                                                                                           |     |          |
| <b>Default:</b>             |            | OtherEventsFail                                                                                                                                                                                                                                                                                                                                                                                                                                                                                                                                                                                                    |                                                                                           |     |          |
| Nr                          | Label      | Behaviour Description                                                                                                                                                                                                                                                                                                                                                                                                                                                                                                                                                                                              | CRef                                                                                      | V   | Comments |
| 1                           |            | START T_guard(300)                                                                                                                                                                                                                                                                                                                                                                                                                                                                                                                                                                                                 |                                                                                           |     |          |
| 2                           |            | +BasicServiceMT( TSPX_MTBscSvcB,<br>TSPX_MTChRateB)                                                                                                                                                                                                                                                                                                                                                                                                                                                                                                                                                                |                                                                                           |     |          |
| 3                           |            | +IdleUpdated( C_E_default, C_CellA, C_SCH_A,<br>C_BCCH_A_1, C_Immass, C_S0, C_SlotNU,<br>C_SlotNU, C_SlotNU, C_BCC, C_TxInt_5,<br>C_Max_1, C_NECL_0, C_ATT_0, TimingAdv( 0),<br>C_BABR_0, C_cch_1Comb, C_BPM_3,<br>C_T3212_0, C_ci_cellA, C_MCC_1, C_PLMN_1,<br>C_LAC_1, CellOpt_01, CellChDes_Omit,<br>CellChDes_Omit, C_CellReselectHys12,<br>C_MaxPwrLvIG, C_MaxPwrLvID,<br>BcchFreqLst_45, BcchFreqLst_02,<br>BcchFreqLst_03, BcchFreqLst_04,<br>C_Restablishment, C_BCC, C_NCC,<br>C_Start_Tmsi, TSPX_SDCCH4SubDef,<br>TSPX_CKSNDf, TSPX_RANDDef, C_arfcnA,<br>C_arfcnAd, TSPX_IMSI, C_Test_nfh,<br>C_NCCP_2) |                                                                                           |     |          |
| 4                           |            | +CCConfigTCH( TSPX_TCHHSubDef, C_Ass,<br>TSPX_TmSlitDef, TSPX_TscDef, TimingAdv( 0),<br>C_BABR_0, C_cch_1Comb, C_BPM_3,<br>TCV_ChMod.mode, FreqTCH_omit,<br>FreqTCH_omit, C_arfcn_tchA, C_arfcn_tchAd)                                                                                                                                                                                                                                                                                                                                                                                                             |                                                                                           |     |          |
| 5                           |            | +PreEnterCCstateU10(<br>TSPX_SDCCH4SubDef, TCV_Setup_mt,<br>TSPX_TmSlitDef, TSPX_TscDef, TimingAdv(<br>0), TSPX_CKSNDf, TSPX_RANDDef)                                                                                                                                                                                                                                                                                                                                                                                                                                                                              |                                                                                           |     |          |
| 6                           | body       | LIDL_DatRqDisc                                                                                                                                                                                                                                                                                                                                                                                                                                                                                                                                                                                                     | DiscSnd(<br>TCV_chTch,<br>DisconnS( TI_02,<br>Cause_01,<br>ProgInd_omit,<br>UuInfo_omit)) |     |          |
| 7                           |            | L?DL_DatInRel                                                                                                                                                                                                                                                                                                                                                                                                                                                                                                                                                                                                      | ReleaseRcv(<br>Release_02)                                                                |     |          |
| 8                           |            | LIDL_DatRqRelCmp                                                                                                                                                                                                                                                                                                                                                                                                                                                                                                                                                                                                   | RelComSnd(<br>TCV_chTch,<br>ReleaseCmp_inv_02(<br>TI_02))                                 |     | 1.       |
| 9                           | L_013<br>5 | L?DL_RelIn                                                                                                                                                                                                                                                                                                                                                                                                                                                                                                                                                                                                         | DLRelInd_01                                                                               | (P) |          |
| <b>Detailed Comments:</b>   |            | 1. To send an invalid RELEASE COMPLETE message containing unknown optional IE.                                                                                                                                                                                                                                                                                                                                                                                                                                                                                                                                     |                                                                                           |     |          |

| Test Case Dynamic Behaviour |            |                                                                                                                                                                                                                                                                                                                                                                                                                                                                                                                                                                            |                                        |     |                                   |
|-----------------------------|------------|----------------------------------------------------------------------------------------------------------------------------------------------------------------------------------------------------------------------------------------------------------------------------------------------------------------------------------------------------------------------------------------------------------------------------------------------------------------------------------------------------------------------------------------------------------------------------|----------------------------------------|-----|-----------------------------------|
| <b>Test Case Name:</b>      |            | TC_26_5_6_3                                                                                                                                                                                                                                                                                                                                                                                                                                                                                                                                                                |                                        |     |                                   |
| <b>Group:</b>               |            | GSM_L3_MS_v4200/BiBo/                                                                                                                                                                                                                                                                                                                                                                                                                                                                                                                                                      |                                        |     |                                   |
| <b>Purpose:</b>             |            | To verify that the MS ignores an IE which is unknown in a message for Radio Resource Management in the special cases of CIPHERING MODE COMMAND, ASSIGNMENT COMMAND and CHANNEL RELEASE.                                                                                                                                                                                                                                                                                                                                                                                    |                                        |     |                                   |
| <b>Default:</b>             |            | OtherEventsFail                                                                                                                                                                                                                                                                                                                                                                                                                                                                                                                                                            |                                        |     |                                   |
| Nr                          | Label      | Behaviour Description                                                                                                                                                                                                                                                                                                                                                                                                                                                                                                                                                      | CRef                                   | V   | Comments                          |
| 1                           |            | START T_guard(300)                                                                                                                                                                                                                                                                                                                                                                                                                                                                                                                                                         |                                        |     |                                   |
| 2                           |            | (TCV_ChRate := C_Full)                                                                                                                                                                                                                                                                                                                                                                                                                                                                                                                                                     |                                        |     |                                   |
| 3                           |            | +IdleUpdated( C_E_default, C_CellA, C_SCH_A, C_BCCH_A_1, C_Immass, C_S0, C_SlotNU, C_SlotNU, C_SlotNU, C_BCC, C_TxInt_5, C_Max_1, C_NECI_0, C_ATT_0, TimingAdv( 0), C_BABR_0, C_cch_1Comb, C_BPM_3, C_T3212_0, C_ci_cellA, C_MCC_1, C_PLMN_1, C_LAC_1, CellOpt_01, CellChDes_12man, CellChDes_12dman, C_CellReselectHys12, C_MaxPwrLvIG, C_MaxPwrLvID, BcchFreqLst_45, BcchFreqLst_02, BcchFreqLst_03, BcchFreqLst_04, C_Restablishment, C_BCC, C_NCC, C_Start_Tmsi, TSPX_SDCCH4SubDef, TSPX_CKSNDDef, TSPX_RANDDDef, C_arfcnA, C_arfcnAd, TSPX_IMSI, C_Test_fh, C_NCCP_2) |                                        |     |                                   |
| 4                           |            | +CCConfigTCH( TSPX_TCHHSubDef, C_Ass, TSPX_TmSltNotZero1, TSPX_TscDef, TimingAdv( 0), C_BABR_0, C_cch_1Comb, C_BPM_3, C_ChMod_s, FreqTCHa_21g, FreqTCHa_21d, C_Noarfcn, C_Noarfcn)                                                                                                                                                                                                                                                                                                                                                                                         |                                        |     |                                   |
| 5                           |            | +PreEstRRConn( TCV_slot, TCV_tsc, TimingAdv( 0))                                                                                                                                                                                                                                                                                                                                                                                                                                                                                                                           |                                        |     |                                   |
| 6                           |            | (TCV_Null := OM_CphMdChg( TCV_ch, CphMod_01, TCV_CphKey))                                                                                                                                                                                                                                                                                                                                                                                                                                                                                                                  |                                        |     |                                   |
| 7                           | body       | L!DL_DatRqCphmCmdErr                                                                                                                                                                                                                                                                                                                                                                                                                                                                                                                                                       | CphCmd_inv( TCV_ch, CphModeCmd_inv_03) |     | 1.                                |
| 8                           | L_013<br>6 | L?DL_DatInCphmCom                                                                                                                                                                                                                                                                                                                                                                                                                                                                                                                                                          | CphCom( CphModeCmp_01)                 | (P) |                                   |
| 9                           |            | +AssCmdGen_fh( C_Full, TSPX_TmSltNotZero1, TSPX_TscDef, TSPX_TCHHSubDef, 7, 7, '000000'B, '000000'B, Frql_02, Frql_02, CellChDes_12, CellChDes_12d, ChMod_sign_iei, MobilAlc_02, MobilAlc_02, CphMod_omit)                                                                                                                                                                                                                                                                                                                                                                 |                                        |     | With power level 7, 1st unknow IE |
| 10                          |            | (TCV_AssCmd.ch2d_at := UnknownIE)                                                                                                                                                                                                                                                                                                                                                                                                                                                                                                                                          |                                        |     | 2nd unknow IE                     |
| 11                          |            | +AssCh_complete( TCV_ch, TCV_chTch, TCV_AssCmd)                                                                                                                                                                                                                                                                                                                                                                                                                                                                                                                            |                                        |     | 2.                                |
| 12                          |            | L!DL_DatRqChRelErr                                                                                                                                                                                                                                                                                                                                                                                                                                                                                                                                                         | ChRel_inv( TCV_chTch)                  |     | 3.                                |
| 13                          | L_013<br>7 | L?DL_RelIn                                                                                                                                                                                                                                                                                                                                                                                                                                                                                                                                                                 | DLRelInd_01                            | (P) |                                   |
| <b>Detailed Comments:</b>   |            | <ol style="list-style-type: none"> <li>1. To send a CIPHERING MODE COMMAND message containing an unknown IE.</li> <li>2. To send an ASSIGNMENT COMMAND message containing 2 unknown IEs.</li> <li>3. To send a CHANNEL RELEASE message containing an unknown IE.</li> </ol>                                                                                                                                                                                                                                                                                                |                                        |     |                                   |

| Test Case Dynamic Behaviour |       |                                                                                                                                                                                                                                                                                                                                                                                                                                                                                                                                                                         |                                                    |     |          |
|-----------------------------|-------|-------------------------------------------------------------------------------------------------------------------------------------------------------------------------------------------------------------------------------------------------------------------------------------------------------------------------------------------------------------------------------------------------------------------------------------------------------------------------------------------------------------------------------------------------------------------------|----------------------------------------------------|-----|----------|
| <b>Test Case Name:</b>      |       | TC_26_5_7_1_1                                                                                                                                                                                                                                                                                                                                                                                                                                                                                                                                                           |                                                    |     |          |
| <b>Group:</b>               |       | GSM_L3_MS_v4200/BiBo/                                                                                                                                                                                                                                                                                                                                                                                                                                                                                                                                                   |                                                    |     |          |
| <b>Purpose:</b>             |       | To verify that the MS ignores the value of spare bits in the special case of the spare bits occurring in the P1 Rest Octets IE of a PAGING REQUEST TYPE 1 message. That the spare bits are ignored is checked by addressing the MS in that PAGING REQUEST message and verifying that the MS responds to that paging.                                                                                                                                                                                                                                                    |                                                    |     |          |
| <b>Default:</b>             |       | OtherEventsFail                                                                                                                                                                                                                                                                                                                                                                                                                                                                                                                                                         |                                                    |     |          |
| Nr                          | Label | Behaviour Description                                                                                                                                                                                                                                                                                                                                                                                                                                                                                                                                                   | CRef                                               | V   | Comments |
| 1                           |       | START T_guard(300)                                                                                                                                                                                                                                                                                                                                                                                                                                                                                                                                                      |                                                    |     |          |
| 2                           |       | +IdleUpdated( C_E_default, C_CellA, C_SCH_A, C_BCCH_A_1, C_Immass, C_S0, C_SlotNU, C_SlotNU, C_SlotNU, C_BCC, C_TxInt_5, C_Max_1, C_NECI_0, C_ATT_0, TimingAdv( 0), C_BABR_0, C_cch_1Comb, C_BPM_3, C_T3212_0, C_ci_cellA, C_MCC_1, C_PLMN_1, C_LAC_1, CellOpt_01, CellChDes_Omit, CellChDes_Omit, C_CellReselectHys12, C_MaxPwrLvlG, C_MaxPwrLvlD, BcchFreqLst_45, BcchFreqLst_02, BcchFreqLst_03, BcchFreqLst_04, C_Restablishment, C_BCC, C_NCC, C_Start_Tmsi, TSPX_SDCCH4SubDef, TSPX_CKSNDDef, TSPX_RANDDef, C_arfcnA, C_arfcnAd, TSPX_IMSI, C_Test_nfh, C_NCCP_2) |                                                    |     |          |
| 3                           | body  | LIDL_UdatRqPg1Rq                                                                                                                                                                                                                                                                                                                                                                                                                                                                                                                                                        | PgReq1(TCV_PgCh, TCV_Pgg, PgReqTp1_inv_04)         |     | 1.       |
| 4                           | L_013 | L?DL_RacInChRq (TCV_Rr := DL_RacInChRq.msg.ecau_rrf, TCV_Fn := DL_RacInChRq.fn)                                                                                                                                                                                                                                                                                                                                                                                                                                                                                         | ChReq(ChRequest_17)                                | (P) |          |
| 5                           |       | LIDL_UdatRqImmassRej                                                                                                                                                                                                                                                                                                                                                                                                                                                                                                                                                    | ImmAssRej(TCV_agch, ImmAsgnRej_01(TCV_Rr, TCV_Fn)) |     |          |
| <b>Detailed Comments:</b>   |       | 1. To send a PAGING REQUEST TYPE1 message containing rest octets which are not all '2B'O.                                                                                                                                                                                                                                                                                                                                                                                                                                                                               |                                                    |     |          |

### Test Case Dynamic Behaviour

|                        |                                                                                                                                                                                                                                                                                                                                                                                                                             |
|------------------------|-----------------------------------------------------------------------------------------------------------------------------------------------------------------------------------------------------------------------------------------------------------------------------------------------------------------------------------------------------------------------------------------------------------------------------|
| <b>Test Case Name:</b> | TC_26_5_7_1_2                                                                                                                                                                                                                                                                                                                                                                                                               |
| <b>Group:</b>          | GSM_L3_MS_v4200/BiBo/                                                                                                                                                                                                                                                                                                                                                                                                       |
| <b>Purpose:</b>        | To verify that the MS in the MM-state "idle, updated" and in RR-idle mode ignores the value of spare bits in the special case where these spare bits are contained in S13 rest octets IE and S14 rest octets IE. That the MS ignores the value of the spare bits is checked by changing the LAI in those message and observing the MS initiating a location update though the spare bits do not all have the default value. |
| <b>Default:</b>        | OtherEventsFail                                                                                                                                                                                                                                                                                                                                                                                                             |

| Nr | Label      | Behaviour Description                                                                                                                                                                                                                                                                                                                                                                                                                                                                                                                                                   | CRef                                                          | V   | Comments |
|----|------------|-------------------------------------------------------------------------------------------------------------------------------------------------------------------------------------------------------------------------------------------------------------------------------------------------------------------------------------------------------------------------------------------------------------------------------------------------------------------------------------------------------------------------------------------------------------------------|---------------------------------------------------------------|-----|----------|
| 1  |            | START T_guard(300)                                                                                                                                                                                                                                                                                                                                                                                                                                                                                                                                                      |                                                               |     |          |
| 2  |            | +IdleUpdated( C_E_default, C_CellA, C_SCH_A, C_BCCH_A_1, C_Immass, C_S0, C_SlotNU, C_SlotNU, C_SlotNU, C_BCC, C_TxInt_5, C_Max_1, C_NECI_0, C_ATT_0, TimingAdv( 0), C_BABR_0, C_cch_1Comb, C_BPM_3, C_T3212_0, C_ci_cellA, C_MCC_1, C_PLMN_1, C_LAC_1, CellOpt_01, CellChDes_Omit, CellChDes_Omit, C_CellReselectHys12, C_MaxPwrLvlG, C_MaxPwrLvlD, BcchFreqLst_45, BcchFreqLst_02, BcchFreqLst_03, BcchFreqLst_04, C_Restablishment, C_BCC, C_NCC, C_Start_Tmsi, TSPX_SDCCH4SubDef, TSPX_CKSNDDef, TSPX_RANDDef, C_arfcnA, C_arfcnAd, TSPX_IMSI, C_Test_nfh, C_NCCP_2) |                                                               |     |          |
| 3  |            | +modifysysinfo                                                                                                                                                                                                                                                                                                                                                                                                                                                                                                                                                          |                                                               |     |          |
| 4  | body       | START T_dly(30000)                                                                                                                                                                                                                                                                                                                                                                                                                                                                                                                                                      |                                                               |     |          |
| 5  | L_013<br>9 | L?DL_RaInChRq (TCV_Rr := DL_RaInChRq.msg.ecau_rrf, TCV_Fn := DL_RaInChRq.fn) CANCEL T_dly                                                                                                                                                                                                                                                                                                                                                                                                                                                                               | ChReq(<br>ChRequest_09)                                       | (P) |          |
| 6  |            | L!DL_UdatRqImmassRej                                                                                                                                                                                                                                                                                                                                                                                                                                                                                                                                                    | ImmAssRej(<br>TCV_agch,<br>ImmAsgnRej_01(<br>TCV_Rr, TCV_Fn)) |     |          |
| 7  | L_014<br>0 | ?TIMEOUT T_dly                                                                                                                                                                                                                                                                                                                                                                                                                                                                                                                                                          |                                                               | F   |          |
| 8  |            | <b>modifysysinfo</b>                                                                                                                                                                                                                                                                                                                                                                                                                                                                                                                                                    |                                                               |     |          |
| 9  |            | [TSPC_PGSM OR TSPC_EGSM]<br>L!DL_UdatRqSysinfo3                                                                                                                                                                                                                                                                                                                                                                                                                                                                                                                         | SysInfo3_inv_01(C_M<br>CC_1, C_PLMN_1,<br>C_LAC_2)            |     | 1.       |
| 10 |            | L!DL_UdatRqSysinfo4                                                                                                                                                                                                                                                                                                                                                                                                                                                                                                                                                     | SysInfo4_inv_01(C_M<br>CC_1, C_PLMN_1,<br>C_LAC_2)            |     |          |
| 11 |            | [TSPC_DCS]                                                                                                                                                                                                                                                                                                                                                                                                                                                                                                                                                              |                                                               |     |          |
| 12 |            | L!DL_UdatRqSysinfo3<br>(DL_UdatRqSysinfo3.msg.csp := CellSelPara_04)                                                                                                                                                                                                                                                                                                                                                                                                                                                                                                    | SysInfo3_inv_01(C_M<br>CC_1, C_PLMN_1,<br>C_LAC_2)            |     | 1.       |
| 13 |            | L!DL_UdatRqSysinfo4<br>(DL_UdatRqSysinfo4.msg.csp := CellSelPara_04)                                                                                                                                                                                                                                                                                                                                                                                                                                                                                                    | SysInfo4_inv_01(C_M<br>CC_1, C_PLMN_1,<br>C_LAC_2)            |     |          |

**Detailed Comments:** 1. To send modified SYSTEM INFORMATION TYPE 3 and TYPE 4.

| Test Case Dynamic Behaviour |            |                                                                                                                                                                                                                                                                                                                                                                                                                                                                                                                                                                       |                                                                                                         |     |                            |
|-----------------------------|------------|-----------------------------------------------------------------------------------------------------------------------------------------------------------------------------------------------------------------------------------------------------------------------------------------------------------------------------------------------------------------------------------------------------------------------------------------------------------------------------------------------------------------------------------------------------------------------|---------------------------------------------------------------------------------------------------------|-----|----------------------------|
| <b>Test Case Name:</b>      |            | TC_26_5_7_1_3                                                                                                                                                                                                                                                                                                                                                                                                                                                                                                                                                         |                                                                                                         |     |                            |
| <b>Group:</b>               |            | GSM_L3_MS_v4200/BiBo/                                                                                                                                                                                                                                                                                                                                                                                                                                                                                                                                                 |                                                                                                         |     |                            |
| <b>Purpose:</b>             |            | To verify that the MS in the MM-state "idle, updated" and in RR-idle mode ignores the value of spare bits in the special case of the spare bits occurring in the Page Mode IE, the Spare Half Octet IE, the Channel Description IE, the Timing Advance IE, the IA Rest Octet IE, and in the IAR Rest Octet IE.                                                                                                                                                                                                                                                        |                                                                                                         |     |                            |
| <b>Default:</b>             |            | OtherEventsFail                                                                                                                                                                                                                                                                                                                                                                                                                                                                                                                                                       |                                                                                                         |     |                            |
| Nr                          | Label      | Behaviour Description                                                                                                                                                                                                                                                                                                                                                                                                                                                                                                                                                 | CRef                                                                                                    | V   | Comments                   |
| 1                           |            | START T_guard(300)                                                                                                                                                                                                                                                                                                                                                                                                                                                                                                                                                    |                                                                                                         |     |                            |
| 2                           |            | +IdleUpdated( C_E_default, C_CellA, C_SCH_A, C_BCCH_A_1, C_Immass, C_S0, C_SlotNU, C_SlotNU, C_SlotNU, C_BCC, C_TxInt_5, C_Max_1, C_NECI_0, C_ATT_0, TimingAdv( 0), C_BABR_0, C_cch_1Comb, C_BPM_3, C_T3212_0, C_ci_cellA, C_MCC_1, C_PLMN_1, C_LAC_1, CellOpt_01, CellChDes_Omit, CellChDes_Omit, C_CellReselectHys12, C_MaxPwrLvIG, C_MaxPwrLvID, BcchFreqLst_45, BcchFreqLst_02, BcchFreqLst_03, BcchFreqLst_04, C_Restablishment, C_BCC, C_NCC, C_Start_Tmsi, TSPX_SDCCH4SubDef, TSPX_CKSNDf, TSPX_RANDDef, C_arfcnA, C_arfcnAd, TSPX_IMSI, C_Test_nfh, C_NCCP_2) |                                                                                                         |     |                            |
| 3                           | body       | +localtree1                                                                                                                                                                                                                                                                                                                                                                                                                                                                                                                                                           |                                                                                                         |     |                            |
|                             |            | <b>localtree1</b>                                                                                                                                                                                                                                                                                                                                                                                                                                                                                                                                                     |                                                                                                         |     |                            |
| 4                           |            | L!DL_UdatRqPg1Rq                                                                                                                                                                                                                                                                                                                                                                                                                                                                                                                                                      | PgReq1(TCV_PgCh, TCV_Pgg, PgReqTp1_01)                                                                  |     |                            |
| 5                           |            | L?DL_RacInChRq (TCV_Rr := DL_RacInChRq.msg.ecau_rrf, TCV_Fn := DL_RacInChRq.fn)                                                                                                                                                                                                                                                                                                                                                                                                                                                                                       | ChReq(ChRequest_17)                                                                                     |     |                            |
| 6                           |            | ACTIVATE(OtherEventsFail_02)                                                                                                                                                                                                                                                                                                                                                                                                                                                                                                                                          |                                                                                                         |     |                            |
| 7                           |            | L! DL_UdatRqImmass                                                                                                                                                                                                                                                                                                                                                                                                                                                                                                                                                    | ImmAss( TCV_agch, ImmAsgn_inv_04( TCV_Rr, TCV_Fn, TCV_slot, TCV_tsc, TimingAdv_inv, TCV_chdescr_arfcn)) |     | To match ChReq retrans. 1. |
| 8                           | L_014<br>1 | L?DL_EstInPgRes                                                                                                                                                                                                                                                                                                                                                                                                                                                                                                                                                       | PagingRes(PagingRes_01)                                                                                 | (P) |                            |
| 9                           |            | ACTIVATE(OtherEventsFail)                                                                                                                                                                                                                                                                                                                                                                                                                                                                                                                                             |                                                                                                         |     | Restore Normal default     |
| 10                          |            | L!DL_DatRqChRel                                                                                                                                                                                                                                                                                                                                                                                                                                                                                                                                                       | ChRel( TCV_ch, ChRelease_01)                                                                            |     |                            |
| 11                          | L_014<br>2 | L?DL_RelIn                                                                                                                                                                                                                                                                                                                                                                                                                                                                                                                                                            | DLRelInd_01                                                                                             | (P) |                            |
| 12                          |            | START T_dly(10000)                                                                                                                                                                                                                                                                                                                                                                                                                                                                                                                                                    |                                                                                                         |     |                            |
| 13                          |            | ?TIMEOUT T_dly                                                                                                                                                                                                                                                                                                                                                                                                                                                                                                                                                        |                                                                                                         |     |                            |
| 14                          |            | +localtree2                                                                                                                                                                                                                                                                                                                                                                                                                                                                                                                                                           |                                                                                                         |     |                            |
|                             |            | <b>localtree2</b>                                                                                                                                                                                                                                                                                                                                                                                                                                                                                                                                                     |                                                                                                         |     |                            |
| 15                          |            | L!DL_UdatRqPg1Rq                                                                                                                                                                                                                                                                                                                                                                                                                                                                                                                                                      | PgReq1(TCV_PgCh, TCV_Pgg, PgReqTp1_01)                                                                  |     |                            |
| 16                          |            | L?DL_RacInChRq (TCV_Rr := DL_RacInChRq.msg.ecau_rrf, TCV_Fn := DL_RacInChRq.fn)                                                                                                                                                                                                                                                                                                                                                                                                                                                                                       | ChReq(ChRequest_17)                                                                                     |     |                            |
| 17                          |            | LIDL_UdatRqImmassRej                                                                                                                                                                                                                                                                                                                                                                                                                                                                                                                                                  | ImmAssRej( TCV_agch, ImmAsgnRej_inv_02( TCV_Rr,TCV_Fn))                                                 |     | 2.                         |
| 18                          |            | START T_dly(6000)                                                                                                                                                                                                                                                                                                                                                                                                                                                                                                                                                     |                                                                                                         |     |                            |
| 19                          |            | ?TIMEOUT T_dly                                                                                                                                                                                                                                                                                                                                                                                                                                                                                                                                                        |                                                                                                         |     |                            |
| 20                          |            | L!DL_UdatRqPg1Rq                                                                                                                                                                                                                                                                                                                                                                                                                                                                                                                                                      | PgReq1(TCV_PgCh, TCV_Pgg, PgReqTp1_01)                                                                  |     |                            |
| 21                          | L_014<br>3 | L?DL_RacInChRq                                                                                                                                                                                                                                                                                                                                                                                                                                                                                                                                                        | ChReq(ChRequest_17)                                                                                     | P   |                            |
| <b>Detailed Comments:</b>   |            | 1. To send an invalid IMMEDIATE ASSIGNMENT message containing arbitrary spare bits.<br>2. To send an invalid IMMEDIATE ASSIGNMENT REJECT message containing arbitrary spare bits.                                                                                                                                                                                                                                                                                                                                                                                     |                                                                                                         |     |                            |

| Test Case Dynamic Behaviour |       |                                                                                                                                                                                                                                                                                                                                                                                                                                                                                                                                                                                                                    |                                         |   |          |
|-----------------------------|-------|--------------------------------------------------------------------------------------------------------------------------------------------------------------------------------------------------------------------------------------------------------------------------------------------------------------------------------------------------------------------------------------------------------------------------------------------------------------------------------------------------------------------------------------------------------------------------------------------------------------------|-----------------------------------------|---|----------|
| <b>Test Case Name:</b>      |       | TC_26_5_7_1_4                                                                                                                                                                                                                                                                                                                                                                                                                                                                                                                                                                                                      |                                         |   |          |
| <b>Group:</b>               |       | GSM_L3_MS_v4200/BiBo/                                                                                                                                                                                                                                                                                                                                                                                                                                                                                                                                                                                              |                                         |   |          |
| <b>Purpose:</b>             |       | To verify that the MS in the MM-state "MM-Connection active" and in RR-Connected mode ignores the value of spare bits in the special case of the spare bits occurring in the Cell Channel Description IE and in the Power Command IE.                                                                                                                                                                                                                                                                                                                                                                              |                                         |   |          |
| <b>Default:</b>             |       | OtherEventsFail                                                                                                                                                                                                                                                                                                                                                                                                                                                                                                                                                                                                    |                                         |   |          |
| Nr                          | Label | Behaviour Description                                                                                                                                                                                                                                                                                                                                                                                                                                                                                                                                                                                              | CRef                                    | V | Comments |
| 1                           |       | START T_guard(300)                                                                                                                                                                                                                                                                                                                                                                                                                                                                                                                                                                                                 |                                         |   |          |
| 2                           |       | +BasicServiceMT( TSPX_MTBscSvcC,<br>TSPX_MTChRateC)                                                                                                                                                                                                                                                                                                                                                                                                                                                                                                                                                                |                                         |   |          |
| 3                           |       | +IdleUpdated( C_E_default, C_CellA, C_SCH_A,<br>C_BCCH_A_1, C_Immass, C_S0, C_SlotNU,<br>C_SlotNU, C_SlotNU, C_BCC, C_TxInt_5,<br>C_Max_1, C_NECI_0, C_ATT_0, TimingAdv( 0),<br>C_BABR_0, C_cch_1Comb, C_BPM_3,<br>C_T3212_0, C_ci_cellA, C_MCC_1, C_PLMN_1,<br>C_LAC_1, CellOpt_01, CellChDes_Omit,<br>CellChDes_Omit, C_CellReselectHys12,<br>C_MaxPwrLvlG, C_MaxPwrLvlD,<br>BcchFreqLst_45, BcchFreqLst_02,<br>BcchFreqLst_03, BcchFreqLst_04,<br>C_Restablishment, C_BCC, C_NCC,<br>C_Start_Tmsi, TSPX_SDCCH4SubDef,<br>TSPX_CKSNDf, TSPX_RANDDef, C_arfcnA,<br>C_arfcnAd, TSPX_IMSI, C_Test_nfh,<br>C_NCCP_2) |                                         |   |          |
| 4                           |       | +CCConfigTCH( TSPX_TCHHSubDef, C_Ass,<br>TSPX_TmSlitDef, TSPX_TscDef, TimingAdv( 0),<br>C_BABR_0, C_cch_1Comb, C_BPM_3,<br>TCV_ChMod.mode, FreqTCHa1, FreqTCHa2,<br>C_Noarfcn, C_Noarfcn)                                                                                                                                                                                                                                                                                                                                                                                                                          |                                         |   | 1.       |
| 5                           |       | +PreEstRRConn( TCV_slot, TCV_tsc,<br>TimingAdv( 0))                                                                                                                                                                                                                                                                                                                                                                                                                                                                                                                                                                |                                         |   |          |
| 6                           | body  | +Cipherng_on( TCV_ch)                                                                                                                                                                                                                                                                                                                                                                                                                                                                                                                                                                                              |                                         |   |          |
| 7                           |       | (TCV_Setup_mt.sig := Signal_01)                                                                                                                                                                                                                                                                                                                                                                                                                                                                                                                                                                                    |                                         |   |          |
| 8                           |       | L!DL_DatRqSetup                                                                                                                                                                                                                                                                                                                                                                                                                                                                                                                                                                                                    | SetupSnd( TCV_ch,<br>TCV_Setup_mt)      |   | 2.       |
| 9                           |       | L?DL_DatInCallCo                                                                                                                                                                                                                                                                                                                                                                                                                                                                                                                                                                                                   | CallCfm(<br>CallConfirm_01(<br>TI_01))  |   |          |
| 10                          |       | L?DL_DatInAlert                                                                                                                                                                                                                                                                                                                                                                                                                                                                                                                                                                                                    | AlertRcv(<br>AlertingInd_01(<br>TI_01)) |   |          |
| 11                          |       | (TCV_Null := OO_HookOff())                                                                                                                                                                                                                                                                                                                                                                                                                                                                                                                                                                                         |                                         |   |          |
| 12                          |       | +localtree1                                                                                                                                                                                                                                                                                                                                                                                                                                                                                                                                                                                                        |                                         |   |          |
| 13                          |       | L?DL_DatInConn                                                                                                                                                                                                                                                                                                                                                                                                                                                                                                                                                                                                     | ConnRcv(<br>Connect_01( TI_01))         |   |          |
| 14                          |       | +localtree1                                                                                                                                                                                                                                                                                                                                                                                                                                                                                                                                                                                                        |                                         |   |          |
| 15                          |       | <b>localtree1</b><br>+AssCmdGen_fh( TCV_ChRate, TSPX_TmSlitDef,<br>TSPX_TscDef, TSPX_TCHHSubDef, 7, 3, '000000'B,<br>'111111'B, Frql_omit, Frql_omit, CellChDes_01,<br>CellChDes_01d, TCV_ChMod, MobilAlc_r03,<br>MobilAlc_r03, CphMod_04iei( TSPX_CphAlGE))                                                                                                                                                                                                                                                                                                                                                       |                                         |   | 3.       |
| 16                          |       | +AssCh_complete( TCV_ch, TCV_chTch,<br>TCV_AssCmd)                                                                                                                                                                                                                                                                                                                                                                                                                                                                                                                                                                 |                                         |   |          |
| 17                          |       | +PostLinkRelEnd( TCV_chTch)                                                                                                                                                                                                                                                                                                                                                                                                                                                                                                                                                                                        |                                         |   | 4.       |
| <b>Detailed Comments:</b>   |       | <ol style="list-style-type: none"> <li>1. To setup a physical channel as hopping traffic channel.</li> <li>2. To send SETUP message indicating full rate channel and containing signal IE.</li> <li>3. To send a modified ASSIGNMENT COMMAND containing randomly chosen spare bits.</li> <li>4. The assignment procedure succeeds.</li> </ol>                                                                                                                                                                                                                                                                      |                                         |   |          |

| Test Case Dynamic Behaviour |            |                                                                                                                                                                                                                                                                                                                                                                                                                                                                                                                                                                         |                                      |     |          |
|-----------------------------|------------|-------------------------------------------------------------------------------------------------------------------------------------------------------------------------------------------------------------------------------------------------------------------------------------------------------------------------------------------------------------------------------------------------------------------------------------------------------------------------------------------------------------------------------------------------------------------------|--------------------------------------|-----|----------|
| <b>Test Case Name:</b>      |            | TC_26_5_7_2                                                                                                                                                                                                                                                                                                                                                                                                                                                                                                                                                             |                                      |     |          |
| <b>Group:</b>               |            | GSM_L3_MS_v4200/BiBo/                                                                                                                                                                                                                                                                                                                                                                                                                                                                                                                                                   |                                      |     |          |
| <b>Purpose:</b>             |            | To verify that the MS in the MM-state "wait net cmd" and in RR-Connected mode ignores the value of spare bits in the special case of the spare bits occurring in the Cipher Key Seq. Number IE or in the Identity Type IE.                                                                                                                                                                                                                                                                                                                                              |                                      |     |          |
| <b>Default:</b>             |            | OtherEventsFail                                                                                                                                                                                                                                                                                                                                                                                                                                                                                                                                                         |                                      |     |          |
| Nr                          | Label      | Behaviour Description                                                                                                                                                                                                                                                                                                                                                                                                                                                                                                                                                   | CRef                                 | V   | Comments |
| 1                           |            | START T_guard(300)                                                                                                                                                                                                                                                                                                                                                                                                                                                                                                                                                      |                                      |     |          |
| 2                           |            | +IdleUpdated( C_E_default, C_CellA, C_SCH_A, C_BCCH_A_1, C_Immass, C_S0, C_SlotNU, C_SlotNU, C_SlotNU, C_BCC, C_TxInt_5, C_Max_1, C_NECI_0, C_ATT_0, TimingAdv( 0), C_BABR_0, C_cch_1Comb, C_BPM_3, C_T3212_0, C_ci_cellA, C_MCC_1, C_PLMN_1, C_LAC_1, CellOpt_01, CellChDes_Omit, CellChDes_Omit, C_CellReselectHys12, C_MaxPwrLvIG, C_MaxPwrLvID, BcchFreqLst_45, BcchFreqLst_02, BcchFreqLst_03, BcchFreqLst_04, C_Restablishment, C_BCC, C_NCC, C_Start_Tmsi, TSPX_SDCCH4SubDef, TSPX_CKSNDDef, TSPX_RANDDef, C_arfcnA, C_arfcnAd, TSPX_IMSI, C_Test_nfh, C_NCCP_2) |                                      |     |          |
| 3                           |            | +PreEstRRConn( TCV_slot, TCV_tsc, TimingAdv( 0))                                                                                                                                                                                                                                                                                                                                                                                                                                                                                                                        |                                      |     |          |
| 4                           | body       | LIDL_DatRqAuthRq                                                                                                                                                                                                                                                                                                                                                                                                                                                                                                                                                        | AuthReq_inv_01(TCV_ch, TSPX_RANDDef) |     | 1.       |
| 5                           | L_014<br>4 | L?DL_DatInAuthRes                                                                                                                                                                                                                                                                                                                                                                                                                                                                                                                                                       | AuthRes( AuthResponse)               | (P) |          |
| 6                           |            | LIDL_DatRqIdRq                                                                                                                                                                                                                                                                                                                                                                                                                                                                                                                                                          | IDReq( TCV_ch, IDRequest_inv_03)     |     | 2.       |
| 7                           | L_014<br>5 | L?DL_DatInIdRes                                                                                                                                                                                                                                                                                                                                                                                                                                                                                                                                                         | IDRes( IDResponse_02)                | (P) |          |
| 8                           |            | +PostLinkRelEnd( TCV_ch)                                                                                                                                                                                                                                                                                                                                                                                                                                                                                                                                                |                                      |     |          |
| <b>Detailed Comments:</b>   |            | 1. To send a modified AUTHENTICATION REQUEST message containing arbitrary spare bits.<br>2. To send a modified IDENTITY REQUEST message containing arbitrary spare bits.                                                                                                                                                                                                                                                                                                                                                                                                |                                      |     |          |

| Test Case Dynamic Behaviour |            |                                                                                                                                                                                                                                                                                                                                                                                                                                                                                                                                                                      |                                                         |     |          |
|-----------------------------|------------|----------------------------------------------------------------------------------------------------------------------------------------------------------------------------------------------------------------------------------------------------------------------------------------------------------------------------------------------------------------------------------------------------------------------------------------------------------------------------------------------------------------------------------------------------------------------|---------------------------------------------------------|-----|----------|
| <b>Test Case Name:</b>      |            | TC_26_5_7_3                                                                                                                                                                                                                                                                                                                                                                                                                                                                                                                                                          |                                                         |     |          |
| <b>Group:</b>               |            | GSM_L3_MS_v4200/BiBo/                                                                                                                                                                                                                                                                                                                                                                                                                                                                                                                                                |                                                         |     |          |
| <b>Purpose:</b>             |            | To verify that the MS in the MM-state "connection established" and in RR-Connected mode ignores the value of spare bits in the special case of the spare bits occurring in the Calling party BCD Number IE, Calling Party Subaddress IE, Called Party Subaddress IE, Cause IE and Progress Indicator IE.                                                                                                                                                                                                                                                             |                                                         |     |          |
| <b>Default:</b>             |            | OtherEventsFail                                                                                                                                                                                                                                                                                                                                                                                                                                                                                                                                                      |                                                         |     |          |
| Nr                          | Label      | Behaviour Description                                                                                                                                                                                                                                                                                                                                                                                                                                                                                                                                                | CRef                                                    | V   | Comments |
| 1                           |            | START T_guard(300)                                                                                                                                                                                                                                                                                                                                                                                                                                                                                                                                                   |                                                         |     |          |
| 2                           |            | +BasicServiceMT( TSPX_MTBscSvcI, C_Full)                                                                                                                                                                                                                                                                                                                                                                                                                                                                                                                             |                                                         |     |          |
| 3                           |            | +IdleUpdated( C_E_default, C_CellA, C_SCH_A, C_BCCH_A_1, C_Immss, C_S0, C_SlotNU, C_SlotNU, C_SlotNU, C_BCC, C_TxInt_5, C_Max_1, C_NECI_0, C_ATT_0, TimingAdv( 0), C_BABR_0, C_cch_1Comb, C_BPM_3, C_T3212_0, C_ci_cellA, C_MCC_1, C_PLMN_1, C_LAC_1, CellOpt_01, CellChDes_Omit, CellChDes_Omit, C_CellReselectHys12, C_MaxPwrLvIG, C_MaxPwrLvID, BcchFreqLst_45, BcchFreqLst_02, BcchFreqLst_03, BcchFreqLst_04, C_Restablishment, C_BCC, C_NCC, C_Start_Tmsi, TSPX_SDCCH4SubDef, TSPX_CKSNDf, TSPX_RANDDef, C_arfcnA, C_arfcnAd, TSPX_IMSI, C_Test_nfh, C_NCCP_2) |                                                         |     |          |
| 4                           |            | +FullRateCh_A_1( C_Ass, TSPX_TmSlitDef, TSPX_TscDef, ChMod_speech, FreqTCH_omit, FreqTCH_omit, C_arfcn_tchA, C_arfcn_tchAd, TimingAdv( 0), C_BABR_0, C_cch_1Comb, C_BPM_3)                                                                                                                                                                                                                                                                                                                                                                                           |                                                         |     |          |
| 5                           |            | +PreEstRRConn( TCV_slot, TCV_tsc, TimingAdv( 0))                                                                                                                                                                                                                                                                                                                                                                                                                                                                                                                     |                                                         |     |          |
| 6                           | body       | L!DL_DatRqAuthRq                                                                                                                                                                                                                                                                                                                                                                                                                                                                                                                                                     | AuthReq(TCV_ch, AuthRequest(TSPX_CKSNDf, TSPX_RANDDef)) |     |          |
| 7                           |            | L?DL_DatInAuthRes                                                                                                                                                                                                                                                                                                                                                                                                                                                                                                                                                    | AuthRes(AuthResponse)                                   |     |          |
| 8                           |            | +CIPHERING_on( TCV_ch)                                                                                                                                                                                                                                                                                                                                                                                                                                                                                                                                               |                                                         |     |          |
| 9                           |            | +localtree                                                                                                                                                                                                                                                                                                                                                                                                                                                                                                                                                           |                                                         |     |          |
| 10                          |            | <b>localtree</b><br>(TCV_Setup_mt.sig :=Signal_01, TCV_Setup_mt.cgpn := Cgpn_01, TCV_Setup_mt.cgps := Cgps_01, TCV_Setup_mt.cdpr := Cdpr_01, TCV_Setup_mt.cdps := Cdps_01)                                                                                                                                                                                                                                                                                                                                                                                           |                                                         |     |          |
| 11                          |            | L!DL_DatRqSetup                                                                                                                                                                                                                                                                                                                                                                                                                                                                                                                                                      | SetupSnd( TCV_ch, Setup_inv_02(TI_02))                  | 1.  |          |
| 12                          | L_014<br>6 | L?DL_DatInCallCo                                                                                                                                                                                                                                                                                                                                                                                                                                                                                                                                                     | CallCfm(CallConfirm_03(TI_01))                          | (P) |          |
| 13                          |            | L?DL_DatInAlert                                                                                                                                                                                                                                                                                                                                                                                                                                                                                                                                                      | AlertRcv(AlertingInd_01(TI_01))                         |     |          |
| 14                          |            | (TCV_Null := OO_HookOff())                                                                                                                                                                                                                                                                                                                                                                                                                                                                                                                                           |                                                         |     |          |
| 15                          |            | L?DL_DatInConn                                                                                                                                                                                                                                                                                                                                                                                                                                                                                                                                                       | ConnRcv(Connect_01( TI_01))                             |     |          |
| 16                          |            | +localtree1                                                                                                                                                                                                                                                                                                                                                                                                                                                                                                                                                          |                                                         |     |          |
| 17                          |            | L?DL_DatInConn                                                                                                                                                                                                                                                                                                                                                                                                                                                                                                                                                       | ConnRcv(Connect_01( TI_01))                             |     |          |
| 18                          |            | +localtree1                                                                                                                                                                                                                                                                                                                                                                                                                                                                                                                                                          |                                                         |     |          |
| 19                          |            | <b>localtree1</b><br>+AssCmdGen( TCV_cellid, C_Full, TSPX_TmSlitDef, TSPX_TscDef, TSPX_TCHHSubDef)                                                                                                                                                                                                                                                                                                                                                                                                                                                                   |                                                         |     |          |
| 20                          |            | +AssCh_complete( TCV_ch, TCV_chTch, TCV_AssCmd)                                                                                                                                                                                                                                                                                                                                                                                                                                                                                                                      |                                                         |     |          |
| 21                          |            | L!DL_DatRqConnAck                                                                                                                                                                                                                                                                                                                                                                                                                                                                                                                                                    | ConnAckSnd(                                             |     |          |



|                           |                                    |                                                                                                                                                                                                                     |    |
|---------------------------|------------------------------------|---------------------------------------------------------------------------------------------------------------------------------------------------------------------------------------------------------------------|----|
| 22                        | L!DL_DatRqDisc                     | TCV_chTch,<br>ConnectAck_01(<br>TI_02))                                                                                                                                                                             |    |
| 23                        | +CCstatuschk_01( TCV_chTch, C_U12) | Disc_inv(<br>TCV_chTch,<br>Disconn_inv_04(<br>TI_02))                                                                                                                                                               | 2. |
| 24                        | L!DL_DatRqRel                      | ReleaseSnd(<br>TCV_chTch,<br>Release_03( TI_02))                                                                                                                                                                    |    |
| 25                        | L?DL_DatInRelCmp                   | RelComRcv(<br>ReleaseCmp_03(<br>TI_01))                                                                                                                                                                             |    |
| 26                        | +PostMainLinkRel( TCV_chTch)       |                                                                                                                                                                                                                     |    |
| <b>Detailed Comments:</b> |                                    | <ol style="list-style-type: none"> <li>1. To send a SETUP message containing arbitrary spare bits.</li> <li>2. To check whether the MS enters the state U12, if no the test case fails in the test step.</li> </ol> |    |

## Test Group RR

| Test Case Dynamic Behaviour |       |                                                                                                                                                                                                                                                                                                                                                                                                                                                                                                                                                                              |                                         |   |          |
|-----------------------------|-------|------------------------------------------------------------------------------------------------------------------------------------------------------------------------------------------------------------------------------------------------------------------------------------------------------------------------------------------------------------------------------------------------------------------------------------------------------------------------------------------------------------------------------------------------------------------------------|-----------------------------------------|---|----------|
| <b>Test Case Name:</b>      |       | TC_26_6_1_1                                                                                                                                                                                                                                                                                                                                                                                                                                                                                                                                                                  |                                         |   |          |
| <b>Group:</b>               |       | GSM_L3_MS_v4200/RR/                                                                                                                                                                                                                                                                                                                                                                                                                                                                                                                                                          |                                         |   |          |
| <b>Purpose:</b>             |       | To verify that the MS can correctly set up a dedicated SDCCH control channel and that the MS can correctly set up a dedicated TCH/FACCH control channel.                                                                                                                                                                                                                                                                                                                                                                                                                     |                                         |   |          |
| <b>Default:</b>             |       | OtherEventsFail_01                                                                                                                                                                                                                                                                                                                                                                                                                                                                                                                                                           |                                         |   |          |
| Nr                          | Label | Behaviour Description                                                                                                                                                                                                                                                                                                                                                                                                                                                                                                                                                        | CRef                                    | V | Comments |
| 1                           |       | START T_guard(300)                                                                                                                                                                                                                                                                                                                                                                                                                                                                                                                                                           |                                         |   |          |
| 2                           |       | +IdleUpdated( C_E_default, C_CellA, C_SCH_A, C_BCCH_A_1, C_Immass, C_S0, C_SlotNU, C_SlotNU, C_SlotNU, C_BCC, C_TxInt_5, C_Max_1, C_NECI_0, C_ATT_0, TimingAdv( 30), C_BABR_0, C_cch_1nonComb, C_BPM_3, C_T3212_1, C_ci_cellA, C_MCC_1, C_PLMN_1, C_LAC_1, CellOpt_01, CellChDes_02, CellChDes_03, C_CellReselectHys12, C_MaxPwrLvlG, C_MaxPwrLvlD, BcchFreqLst_01, BcchFreqLst_Omit, BcchFreqLst_48, BcchFreqLst_Omit, C_noRestablishment, C_BCC, C_NCC, C_Start_Tmsi, TSPX_SDCCH4SubDef, TSPX_CKSNDDef, TSPX_RANDDef, C_arfcnA, C_arfcnAd, TSPX_IMSI, C_Test_fh, C_NCCP_2) |                                         |   | 1.       |
| 3                           |       | +Varinit_tch( C_arfcn_tchA, C_arfcn_tchAd)                                                                                                                                                                                                                                                                                                                                                                                                                                                                                                                                   |                                         |   |          |
| 4                           | body  | +testSdcch8                                                                                                                                                                                                                                                                                                                                                                                                                                                                                                                                                                  |                                         |   |          |
| 5                           |       | [TCV_CC AND( NOT TSPC_DualRate)]                                                                                                                                                                                                                                                                                                                                                                                                                                                                                                                                             |                                         |   |          |
| 6                           |       | +testTchf                                                                                                                                                                                                                                                                                                                                                                                                                                                                                                                                                                    |                                         |   |          |
| 7                           |       | [TSPC_DualRate]                                                                                                                                                                                                                                                                                                                                                                                                                                                                                                                                                              |                                         |   |          |
| 8                           |       | +testTchh                                                                                                                                                                                                                                                                                                                                                                                                                                                                                                                                                                    |                                         |   |          |
| 9                           |       | +testTchf                                                                                                                                                                                                                                                                                                                                                                                                                                                                                                                                                                    |                                         |   |          |
| 10                          |       | [C_Yes]                                                                                                                                                                                                                                                                                                                                                                                                                                                                                                                                                                      |                                         |   |          |
|                             |       | <b>testSdcch8</b>                                                                                                                                                                                                                                                                                                                                                                                                                                                                                                                                                            |                                         |   |          |
| 11                          |       | +SDCCH8_A_1_nociph( TSPX_SDCCH8SubA, C_Immass, TSPX_TmSlitDef, TSPX_TscDef, ChMod_sign, FreqTCH(TCV_tch_arfcn), FreqTCH(TCV_tch_arfcn), TimingAdv( 30), C_BABR_0, C_cch_1nonComb, C_BPM_3)                                                                                                                                                                                                                                                                                                                                                                                   |                                         |   | 2.       |
| 12                          |       | (TCV_Tchtype := INT_TO_BIT(( 8 + BIT_TO_INT( TSPX_SDCCH8SubA)), 5))                                                                                                                                                                                                                                                                                                                                                                                                                                                                                                          |                                         |   |          |
| 13                          |       | +channelass( TCV_ch)                                                                                                                                                                                                                                                                                                                                                                                                                                                                                                                                                         |                                         |   | 3.       |
|                             |       | <b>testTchf</b>                                                                                                                                                                                                                                                                                                                                                                                                                                                                                                                                                              |                                         |   |          |
| 14                          |       | +FullRateCh_A_1_nociph( C_Immass, TSPX_TmSlitDef, TSPX_TscDef, ChMod_sign, FreqTCH(TCV_tch_arfcn), FreqTCH(TCV_tch_arfcn), TimingAdv( 30), C_BABR_0, C_cch_1nonComb, C_BPM_3)                                                                                                                                                                                                                                                                                                                                                                                                |                                         |   | 4.       |
| 15                          |       | ?TIMEOUT T_dly                                                                                                                                                                                                                                                                                                                                                                                                                                                                                                                                                               |                                         |   |          |
| 16                          |       | (TCV_Tchtype := '00001'B)                                                                                                                                                                                                                                                                                                                                                                                                                                                                                                                                                    |                                         |   |          |
| 17                          |       | +channelass( TCV_chTch)                                                                                                                                                                                                                                                                                                                                                                                                                                                                                                                                                      |                                         |   | 5.       |
|                             |       | <b>testTchh</b>                                                                                                                                                                                                                                                                                                                                                                                                                                                                                                                                                              |                                         |   |          |
| 18                          |       | +HalfRateCh_A_1_nociph( TSPX_TCHHSubA, C_Immass, TSPX_TmSlitDef, TSPX_TscDef, ChMod_sign, FreqTCH(TCV_tch_arfcn), FreqTCH(TCV_tch_arfcn), TimingAdv( 30), C_BABR_0, C_cch_1nonComb, C_BPM_3)                                                                                                                                                                                                                                                                                                                                                                                 |                                         |   | 6.       |
| 19                          |       | ?TIMEOUT T_dly                                                                                                                                                                                                                                                                                                                                                                                                                                                                                                                                                               |                                         |   |          |
| 20                          |       | (TCV_Tchtype := INT_TO_BIT(( 2 + BIT_TO_INT( TSPX_TCHHSubA)), 5))                                                                                                                                                                                                                                                                                                                                                                                                                                                                                                            |                                         |   |          |
| 21                          |       | +channelass( TCV_chTch)                                                                                                                                                                                                                                                                                                                                                                                                                                                                                                                                                      |                                         |   | 7.       |
|                             |       | <b>channelass( ch: LOGICCH)</b>                                                                                                                                                                                                                                                                                                                                                                                                                                                                                                                                              |                                         |   |          |
| 22                          |       | L!DL_UdatRqPg1Rq                                                                                                                                                                                                                                                                                                                                                                                                                                                                                                                                                             | PgReq1( TCV_PgCh, TCV_Pgg, PgReqTp1_01) |   |          |
| 23                          |       | L?DL_RaclnChRq( TCV_Rr := DL_RaclnChRq.                                                                                                                                                                                                                                                                                                                                                                                                                                                                                                                                      | ChReq(                                  |   |          |

|                           |            |                                                                                                                                                                                                                                                                                                                                                                                                                                                                                        |                                                                                                                                                                                                                 |     |  |
|---------------------------|------------|----------------------------------------------------------------------------------------------------------------------------------------------------------------------------------------------------------------------------------------------------------------------------------------------------------------------------------------------------------------------------------------------------------------------------------------------------------------------------------------|-----------------------------------------------------------------------------------------------------------------------------------------------------------------------------------------------------------------|-----|--|
| 24                        |            | msg.ecau_rrf, TCV_Fn := DL_RaInChRq.fn)<br>START T_dly( C_T_Wait)<br>LIDL_UdatRqImm                                                                                                                                                                                                                                                                                                                                                                                                    | ChRequest_17)<br><br>ImmAss( TCV_agch,<br>ImmAsgn_r(<br>ChDescrp_nfh(<br>TCV_Tchtype,<br>TSPX_TmSlDef,<br>TSPX_TscDef,<br>TCV_tch_arfcn),<br>TCV_Rr, TCV_Fn,<br>TimingAdv( 30)))<br>PgRes( ch,<br>PagingRes_01) |     |  |
| 25                        | L_014<br>7 | L?DL_EstInPgRes                                                                                                                                                                                                                                                                                                                                                                                                                                                                        |                                                                                                                                                                                                                 | (P) |  |
| 26                        |            | +PostMainLinkRel( ch)                                                                                                                                                                                                                                                                                                                                                                                                                                                                  |                                                                                                                                                                                                                 |     |  |
| <b>Detailed Comments:</b> |            | <ol style="list-style-type: none"> <li>1. To setup a physical channel as non-combined ccch/sdcch, 5 slots for Tx-int, 1 retransmission</li> <li>2. To setup a physical channel as SDCCH8.</li> <li>3. To assign a SDCCH8 channel.</li> <li>4. To setup a physical channel as full rate traffic channel.</li> <li>5. To assign a full rate channel channel.</li> <li>6. To setup a physical channel as half rate traffic channel.</li> <li>7. To assign a half rate channel.</li> </ol> |                                                                                                                                                                                                                 |     |  |

| Test Case Dynamic Behaviour |       |                                                                                                                                                                                                                                                                                                                                                                                                                                                                                                                                                                                                 |                                                                                                                  |   |          |
|-----------------------------|-------|-------------------------------------------------------------------------------------------------------------------------------------------------------------------------------------------------------------------------------------------------------------------------------------------------------------------------------------------------------------------------------------------------------------------------------------------------------------------------------------------------------------------------------------------------------------------------------------------------|------------------------------------------------------------------------------------------------------------------|---|----------|
| <b>Test Case Name:</b>      |       | TC_26_6_1_2                                                                                                                                                                                                                                                                                                                                                                                                                                                                                                                                                                                     |                                                                                                                  |   |          |
| <b>Group:</b>               |       | GSM_L3_MS_v4200/RR/                                                                                                                                                                                                                                                                                                                                                                                                                                                                                                                                                                             |                                                                                                                  |   |          |
| <b>Purpose:</b>             |       | To verify that the MS goes to the allocated SDCCH/4 and sends a PAGING RESPONSE message containing its identity and its classmark. To verify that the MS goes to the allocated SDCCH/8 and sends a PAGING RESPONSE message containing its identity and its classmark. To verify that the MS can correctly identify its own assignment in either the Request Reference 1 or the Request Reference 2 information element in an extended assignment message. To verify that the MS only reacts to an Immediate Assignment which references one of the last 3 CHANNEL REQUEST messages from the MS. |                                                                                                                  |   |          |
| <b>Default:</b>             |       | OtherEventsFail                                                                                                                                                                                                                                                                                                                                                                                                                                                                                                                                                                                 |                                                                                                                  |   |          |
| Nr                          | Label | Behaviour Description                                                                                                                                                                                                                                                                                                                                                                                                                                                                                                                                                                           | CRef                                                                                                             | V | Comments |
| 1                           |       | START T_guard(300)                                                                                                                                                                                                                                                                                                                                                                                                                                                                                                                                                                              |                                                                                                                  |   |          |
| 2                           |       | +IdleUpdated( C_E_default, C_CellA, C_SCH_A, C_BCCH_A_1, C_Immass, C_S0, C_SlotNU, C_SlotNU, C_SlotNU, C_BCC, C_TxInt_5, C_Max_7, C_NECI_0, C_ATT_0, TimingAdv(TSPX_TimadvB), C_BABR_0, C_cch_1Comb, C_BPM_3, C_T3212_0, C_ci_cellA, C_MCC_1, C_PLMN_1, C_LAC_1, CellOpt_01, CellChDes_02, CellChDes_03, C_CellReselectHys12, C_MaxPwrLvlG, C_MaxPwrLvlD, BcchFreqLst_01, BcchFreqLst_Omit, BcchFreqLst_48, BcchFreqLst_Omit, C_noRestablishment, C_BCC, C_NCC, C_Start_Tmsi, TSPX_SDCCH4SubA, TSPX_CKSNDf, TSPX_RANDDef, C_arfcnA, C_arfcnAd, TSPX_IMSI, C_Test_fh, C_NCCP_2)                  |                                                                                                                  |   | 1.       |
| 3                           | body  | +firstPart                                                                                                                                                                                                                                                                                                                                                                                                                                                                                                                                                                                      |                                                                                                                  |   |          |
| 4                           |       | +secondPart                                                                                                                                                                                                                                                                                                                                                                                                                                                                                                                                                                                     |                                                                                                                  |   |          |
| 5                           |       | +PreEnterIdleState_r02( C_Immass, TCV_slot, TCV_tsc, C_TxInt_5, C_Max_7, C_SlotNU, C_SlotNU, C_SlotNU, TimingAdv(TSPX_TimadvB), C_ATT_0, C_BABR_0, C_cch_1nonComb, C_BPM_3, C_T3212_1, C_MCC_1, C_PLMN_1, C_LAC_1)                                                                                                                                                                                                                                                                                                                                                                              |                                                                                                                  |   | 2.       |
| 6                           |       | +Varinit_tch( C_arfcn_tchA, C_arfcn_tchAd)                                                                                                                                                                                                                                                                                                                                                                                                                                                                                                                                                      |                                                                                                                  |   |          |
| 7                           |       | +SDCCH8_A_1_nociph( TSPX_SDCCH8SubC, C_Immass, TSPX_TmSlitDef, TSPX_TscDef, ChMod_sign, FreqTCH(TCV_tch_arfcn), FreqTCH(TCV_tch_arfcn), TimingAdv(TSPX_TimadvB), C_BABR_0, C_cch_1nonComb, C_BPM_3)                                                                                                                                                                                                                                                                                                                                                                                             |                                                                                                                  |   |          |
| 8                           |       | +CCCH_group_Paging_group( TCV_Ccd0A, TSPX_IMSI)                                                                                                                                                                                                                                                                                                                                                                                                                                                                                                                                                 |                                                                                                                  |   |          |
| 9                           |       | START T_dly(40000)                                                                                                                                                                                                                                                                                                                                                                                                                                                                                                                                                                              |                                                                                                                  |   |          |
| 10                          |       | ?TIMEOUT T_dly                                                                                                                                                                                                                                                                                                                                                                                                                                                                                                                                                                                  |                                                                                                                  |   |          |
| 11                          |       | +thirdPart                                                                                                                                                                                                                                                                                                                                                                                                                                                                                                                                                                                      |                                                                                                                  |   |          |
| 12                          |       | <b>firstPart</b><br>[(TSPX_nPara < 9) AND(TSPX_nPara > 0) AND(TSPX_i1Para > 0) AND (TSPX_i1Para <= TSPX_nPara)]                                                                                                                                                                                                                                                                                                                                                                                                                                                                                 |                                                                                                                  |   |          |
| 13                          |       | L!DL_UdatRqPg1Rq                                                                                                                                                                                                                                                                                                                                                                                                                                                                                                                                                                                | PgReq1(TCV_PgCh, TCV_Pgg, PgReqTp1_01)                                                                           |   |          |
| 14                          |       | (TCV_Cnt := 0)                                                                                                                                                                                                                                                                                                                                                                                                                                                                                                                                                                                  |                                                                                                                  |   |          |
| 15                          |       | REPEAT localTree UNTIL [TCV_Cnt = TSPX_nPara]                                                                                                                                                                                                                                                                                                                                                                                                                                                                                                                                                   |                                                                                                                  |   | 5.       |
| 16                          |       | (TCV_Rqr := OC_SaveAndRetrv( TCV_Rqr, C_RETRV, TSPX_i1Para, 0), TCV_Rqr9 := OC_SaveAndRetrv( TCV_Rqr, C_RETRV, 10, 1))                                                                                                                                                                                                                                                                                                                                                                                                                                                                          |                                                                                                                  |   | 6.       |
| 17                          |       | L!DL_UdatRqImmssx                                                                                                                                                                                                                                                                                                                                                                                                                                                                                                                                                                               | ImmAssX( TCV_agch, ImmAsgnX_r01( TCV_Rqr.ra, TCV_Rqr.fn, TCV_Rqr9.ra, TCV_Rqr9.fn, TCV_slot, TCV_tsc, TimingAdv( |   | 7.<br>3. |

|    |            |                                                                                                                                 |                                                                                                                                                                                   |     |           |
|----|------------|---------------------------------------------------------------------------------------------------------------------------------|-----------------------------------------------------------------------------------------------------------------------------------------------------------------------------------|-----|-----------|
| 18 | L_014<br>8 | L?DL_EstInPgRes                                                                                                                 | TSPX_TimadvB),<br>TCV_chdescr_arfcn))                                                                                                                                             | (P) |           |
| 19 |            | +PostMainLinkRel(TCV_ch)                                                                                                        | PgRes( TCV_ch,                                                                                                                                                                    |     |           |
| 20 |            | START T_dly(12000)                                                                                                              | PagingRes_01)                                                                                                                                                                     |     |           |
| 21 |            | ?TIMEOUT T_dly                                                                                                                  |                                                                                                                                                                                   |     |           |
| 22 | L_014<br>9 | [(TSPX_nPara > 8) OR(TSPX_nPara < 1)<br>OR(TSPX_i1Para <1) OR(TSPX_i1Para ><br>TSPX_nPara)]                                     |                                                                                                                                                                                   | (I) |           |
| 23 |            | <b>secondPart</b><br>[(TSPX_kPara < 9) AND(TSPX_kPara > 3)<br>AND(TSPX_i2Para >0) AND (TSPX_i2Para <=<br>TSPX_kPara)]           |                                                                                                                                                                                   |     |           |
| 24 |            | LIDL_UdatRqPg1Rq                                                                                                                | PgReq1(TCV_PgCh,<br>TCV_Pgg,<br>PgReqTp1_01)                                                                                                                                      |     |           |
| 25 |            | (TCV_Cnt := 0)                                                                                                                  |                                                                                                                                                                                   |     |           |
| 26 |            | REPEAT localTree UNTIL [TCV_Cnt =<br>TSPX_kPara]                                                                                |                                                                                                                                                                                   |     | 8.        |
| 27 |            | (TCV_Rqr := OC_SaveAndRetrv( TCV_Rqr,<br>C_RETRV, TSPX_i2Para, 0), TCV_Rqr9 :=<br>OC_SaveAndRetrv( TCV_Rqr, C_RETRV, 11,<br>1)) |                                                                                                                                                                                   |     | 9.        |
| 28 |            | LIDL_UdatRqImmssx                                                                                                               | ImmAssX(<br>TCV_agch,<br>ImmAsgnX_r01(<br>TCV_Rqr.ra,<br>TCV_Rqr.fn,<br>TCV_Rqr9.ra,<br>TCV_Rqr9.fn,<br>TCV_slot, TCV_tsc,<br>TimingAdv(<br>TSPX_TimadvB),<br>TCV_chdescr_arfcn)) |     | 10.<br>3. |
| 29 |            | (TCV_Cnt := 0)                                                                                                                  |                                                                                                                                                                                   |     |           |
| 30 |            | [TSPX_kPara < 8]                                                                                                                |                                                                                                                                                                                   |     |           |
| 31 |            | REPEAT localTree UNTIL [TCV_Cnt<br>= 8 - TSPX_kPara]                                                                            |                                                                                                                                                                                   |     | 11.       |
| 32 |            | +ltree_noL2                                                                                                                     |                                                                                                                                                                                   |     |           |
| 33 |            | [TSPX_kPara = 8]                                                                                                                |                                                                                                                                                                                   |     |           |
| 34 |            | +ltree_noL2                                                                                                                     |                                                                                                                                                                                   |     |           |
| 35 | L_015<br>0 | [(TSPX_kPara > 8) OR(TSPX_kPara < 4)<br>OR(TSPX_i2Para <1) OR(TSPX_i2Para ><br>TSPX_kPara)]                                     |                                                                                                                                                                                   | (I) |           |
| 36 |            | <b>ltree_noL2</b><br>START T_dly(3000)                                                                                          |                                                                                                                                                                                   |     |           |
| 37 | L_015<br>1 | L?OTHERWISE                                                                                                                     |                                                                                                                                                                                   | F   |           |
| 38 | L_015<br>2 | ?TIMEOUT T_dly                                                                                                                  |                                                                                                                                                                                   | (P) |           |
| 39 |            | START T_dly(7000)                                                                                                               |                                                                                                                                                                                   |     |           |
| 40 |            | ?TIMEOUT T_dly                                                                                                                  |                                                                                                                                                                                   |     |           |
| 41 |            | <b>thirdPart</b><br>[(TSPX_rPara < 9) AND(TSPX_rPara > 3)<br>AND(TSPX_i3Para >0) AND (TSPX_i3Para <=<br>TSPX_rPara)]            |                                                                                                                                                                                   |     |           |
| 42 |            | LIDL_UdatRqPg1Rq                                                                                                                | PgReq1(TCV_PgCh,<br>TCV_Pgg,<br>PgReqTp1_01)                                                                                                                                      |     |           |
| 43 |            | (TCV_Cnt := 0)                                                                                                                  |                                                                                                                                                                                   |     |           |
| 44 |            | REPEAT localTree UNTIL [TCV_Cnt =<br>TSPX_rPara]                                                                                |                                                                                                                                                                                   |     | 13.       |
| 45 |            | (TCV_Rqr := OC_SaveAndRetrv( TCV_Rqr,<br>C_RETRV, TSPX_i3Para, 0), TCV_Rqr9 :=<br>OC_SaveAndRetrv( TCV_Rqr, C_RETRV, 12,<br>1)) |                                                                                                                                                                                   |     | 14.       |

|    |            |                                                                                                              |                                                                                                                                                                                            |     |     |
|----|------------|--------------------------------------------------------------------------------------------------------------|--------------------------------------------------------------------------------------------------------------------------------------------------------------------------------------------|-----|-----|
| 46 |            | L!DL_UdatRqlmMassx                                                                                           | ImmAssX(<br>TCV_agch,<br>ImmAsgnX_r02(<br>TCV_Rqr9.ra,<br>TCV_Rqr9.fn,<br>TCV_Rqr.ra,<br>TCV_Rqr.fn,<br>TSPX_TmSlitDef,<br>TSPX_TscDef,<br>TimingAdv(<br>TSPX_TimadvB),<br>TCV_tch_arfcn)) |     | 4.  |
| 47 | L_015<br>3 | L?DL_EstInPgRes                                                                                              | PgRes( TCV_ch,<br>PagingRes_01)                                                                                                                                                            | (P) |     |
| 48 |            | +PostMainLinkRel(TCV_ch)                                                                                     |                                                                                                                                                                                            |     |     |
| 49 | L_015<br>4 | [(TSPX_rPara > 8) OR(TSPX_rPara < 4)<br>OR(TSPX_i3Para < 1) OR(TSPX_i3Para ><br>TSPX_rPara)]                 |                                                                                                                                                                                            | (I) |     |
| 50 |            | <b>localTree</b><br>L?DL_RaInChRq( TCV_Rqr.ra := DL_RaInChRq.<br>msg.ecau_rrf, TCV_Rqr.fn := DL_RaInChRq.fn) | ChReq(<br>ChRequest_17)                                                                                                                                                                    |     | 15. |
| 51 |            | (TCV_Cnt := TCV_Cnt + 1)                                                                                     |                                                                                                                                                                                            |     |     |
| 52 |            | (TCV_Rqr10 := OC_SaveAndRetrv( TCV_Rqr,<br>C_SAVE, TCV_Cnt, 0))                                              |                                                                                                                                                                                            |     |     |

**Detailed Comments:**

1. To broadcast sys\_info messages with default contents for RR tests with exception for Max\_Retrans that is set to 7 and also to set up a physical channel as combined CCCH/SDCCH.
2. Non combined CCCH/SDCCH, 5 slots for Tx-int, 7 retransmission.
3. To send immediate Assignment Extended message with Request reference (TCV\_Rqr) for MS1,  
and with request reference (TCV\_Rqr9) for MS2.
4. To send immediate Assignment Extended message with Request reference (TCV\_Rqr) for MS2,  
request reference (TCV\_Rqr9) for MS1.
5. Reception of the first TSPX\_nPara Channel Request messages.
6. To have a request reference pertaining to the TSPX\_i1Para\_i-th Channel Request where TSPX\_i1Para\_i-th is within {max(1, TSPX\_nPara - 2), TSPX\_nPara}
7. To have a request reference different from any request reference the MS has generated.
8. Reception of TSPX\_kPara Channel Request messages. TSPX\_kPara within the set{4...8}.
9. To have a request reference pertaining to the TSPX\_i2Para\_i-th Channel Request where TSPX\_i2Para\_i-th is within {max(1...TSPX\_kPara - 3)}
10. To have a request reference different from any request reference the MS has generated.
11. Channel Request 8 - TSPX\_kPara Channel Requests are sent.
12. Check that the MS does not transmit any layer 2 frames for at least 3 seconds.
13. Reception of TSPX\_rPara Channel Request messages.
14. To have a request reference pertaining to the TSPX\_i3Para\_i-th Channel Request where TSPX\_i3Para\_i-th is within {max(TSPX\_rPara - 2...TSPX\_rPara)}.
15. This local tree is used to collect and store the frame number and the request reference which are included in each ChReq( ChRequest\_17) primitive received.

| Test Case Dynamic Behaviour |       |                                                                                                                                                                                                                                                                                                                                                                                                                                                                                                                                                                            |                                                                                               |   |                                      |
|-----------------------------|-------|----------------------------------------------------------------------------------------------------------------------------------------------------------------------------------------------------------------------------------------------------------------------------------------------------------------------------------------------------------------------------------------------------------------------------------------------------------------------------------------------------------------------------------------------------------------------------|-----------------------------------------------------------------------------------------------|---|--------------------------------------|
| <b>Test Case Name:</b>      |       | TC_26_6_1_3                                                                                                                                                                                                                                                                                                                                                                                                                                                                                                                                                                |                                                                                               |   |                                      |
| <b>Group:</b>               |       | GSM_L3_MS_v4200/RR/                                                                                                                                                                                                                                                                                                                                                                                                                                                                                                                                                        |                                                                                               |   |                                      |
| <b>Purpose:</b>             |       | To verify that the MS can accept an IMMEDIATE ASSIGNMENT REJECT.<br>To verify that the MS can respond to paging after an IMMEDIATE ASSIGNMENT REJECT is received on a different cell.                                                                                                                                                                                                                                                                                                                                                                                      |                                                                                               |   |                                      |
| <b>Default:</b>             |       | OtherEventsFail_01                                                                                                                                                                                                                                                                                                                                                                                                                                                                                                                                                         |                                                                                               |   |                                      |
| Nr                          | Label | Behaviour Description                                                                                                                                                                                                                                                                                                                                                                                                                                                                                                                                                      | CRef                                                                                          | V | Comments                             |
| 1                           |       | START T_guard(300)                                                                                                                                                                                                                                                                                                                                                                                                                                                                                                                                                         |                                                                                               |   |                                      |
| 2                           |       | +IdleUpdated( C_E_default, C_CellA, C_SCH_A, C_BCCH_A_1, C_Immass, C_S0, C_SlotNU, C_SlotNU, C_SlotNU, C_BCC, C_TxInt_5, C_Max_7, C_NECI_0, C_ATT_0, TimingAdv( 30), C_BABR_0, C_cch_1Comb, C_BPM_3, C_T3212_0, C_ci_cellA, C_MCC_1, C_PLMN_1, C_LAC_1, CellOpt_01, CellChDes_02, CellChDes_03, C_CellReselectHys12, C_MaxPwrLvIG, C_MaxPwrLvID, BcchFreqLst_01, BcchFreqLst_Omit, BcchFreqLst_48, BcchFreqLst_Omit, C_noRestablishment, C_BCC, C_NCC, C_Start_Tmsi, TSPX_SDCCH4SubDef, TSPX_CKSNDDef, TSPX_RANDDDef, C_arfcnA, C_arfcnAd, TSPX_IMSI, C_Test_fh, C_NCCP_2) |                                                                                               |   |                                      |
| 3                           |       | +StartCellB( C_E_neighbourdefault, C_arfcnB, C_arfcnBd, C_Immass, TCV_slot, TCV_tsc, TimingAdv( 30), C_TxInt_5, C_Max_1, C_NECI_0, C_ATT_0, C_BABR_0, C_cch_1Comb, C_BPM_3, C_T3212_0, C_MCC_1, C_PLMN_1, C_LAC_1, CellChDes_04, CellChDes_03, BcchFreqLst_01, BcchFreqLst_48, C_noRestablishment, C_BCC, C_NCC)                                                                                                                                                                                                                                                           |                                                                                               |   | 2.<br>The LAI is the same as cell A. |
| 4                           | body  | +test1                                                                                                                                                                                                                                                                                                                                                                                                                                                                                                                                                                     |                                                                                               |   |                                      |
| 5                           |       | +ltree_switchcelltoB                                                                                                                                                                                                                                                                                                                                                                                                                                                                                                                                                       |                                                                                               |   |                                      |
| 6                           |       | +test2                                                                                                                                                                                                                                                                                                                                                                                                                                                                                                                                                                     |                                                                                               |   |                                      |
| 7                           |       | <b>test1</b><br>[(TSPX_n1Para < 9) AND(TSPX_n1Para > 0) AND(TSPX_i4Para > 0) AND (TSPX_i4Para <= TSPX_n1Para) AND(TSPX_xPara < 256) AND(TSPX_xPara > 4)]                                                                                                                                                                                                                                                                                                                                                                                                                   |                                                                                               |   |                                      |
| 8                           |       | LIDL_UdatRqPg1Rq                                                                                                                                                                                                                                                                                                                                                                                                                                                                                                                                                           | PgReq1( TCV_PgCh, TCV_Pgg, PgReqTp1_01)                                                       |   | Cell A                               |
| 9                           |       | (TCV_Cnt := 0)                                                                                                                                                                                                                                                                                                                                                                                                                                                                                                                                                             |                                                                                               |   |                                      |
| 10                          |       | REPEAT localTree UNTIL [TCV_Cnt = TSPX_n1Para]                                                                                                                                                                                                                                                                                                                                                                                                                                                                                                                             |                                                                                               |   |                                      |
| 11                          |       | (TCV_Rqr := OC_SaveAndRetrv( TCV_Rqr, C_RETRV, TSPX_i4Para, 0), TCV_Rqr9 := OC_SaveAndRetrv( TCV_Rqr, C_RETRV, 10, 1), TCV_Rqr10 := OC_SaveAndRetrv( TCV_Rqr, C_RETRV, 11, 1), TCV_Rqr11 := OC_SaveAndRetrv( TCV_Rqr, C_RETRV, 12, 1), TCV_Time := ((TSPX_xPara + 1) * 1000))                                                                                                                                                                                                                                                                                              |                                                                                               |   |                                      |
| 12                          |       | LIDL_UdatRqImmassRej                                                                                                                                                                                                                                                                                                                                                                                                                                                                                                                                                       | ImmAssRej( TCV_agch, ImmAsgnRej_r01( TCV_Rqr9, TCV_Rqr, TCV_Rqr10, TCV_Rqr11, TSPX_xPara, 0)) |   |                                      |
| 13                          |       | START T_dly( TCV_Time)                                                                                                                                                                                                                                                                                                                                                                                                                                                                                                                                                     |                                                                                               |   |                                      |
| 14                          |       | REPEAT continuePaging UNTIL [TCV_Time = 0]                                                                                                                                                                                                                                                                                                                                                                                                                                                                                                                                 |                                                                                               |   | 3.                                   |
| 15                          |       | (TCV_Rqr9 := OC_SaveAndRetrv( TCV_Rqr, C_RETRV, 10, 1), TCV_Rqr10 := OC_SaveAndRetrv( TCV_Rqr, C_RETRV, 11, 1), TCV_Rqr11 := OC_SaveAndRetrv( TCV_Rqr, C_RETRV, 12, 1))                                                                                                                                                                                                                                                                                                                                                                                                    |                                                                                               |   |                                      |
| 16                          |       | LIDL_UdatRqImmassRej                                                                                                                                                                                                                                                                                                                                                                                                                                                                                                                                                       | ImmAssRej( TCV_agch,                                                                          |   |                                      |

|    |            |                                                                                                                                                                                                                                                                           |                                                                                                                                                                                 |     |                                                          |
|----|------------|---------------------------------------------------------------------------------------------------------------------------------------------------------------------------------------------------------------------------------------------------------------------------|---------------------------------------------------------------------------------------------------------------------------------------------------------------------------------|-----|----------------------------------------------------------|
| 17 | L_015<br>5 | <p>[(TSPX_n1Para &gt; 8) OR (TSPX_n1Para &lt; 1)<br/>OR (TSPX_i4Para &lt; 1) OR (TSPX_i4Para &gt;<br/>TSPX_n1Para) AND (TSPX_xPara &gt; 255)<br/>AND (TSPX_xPara &lt; 5)]</p> <p><b>test2</b></p> <p>START T_dly(12000)</p> <p>?TIMEOUT T_dly</p> <p>LIDL_UdatRqPg1Rq</p> | <p>ImmAsgnRej_r01(<br/>TCV_Rqr9,<br/>TCV_Rqr10,<br/>TCV_Rqr,<br/>TCV_Rqr11, 0, 255))</p>                                                                                        | (I) |                                                          |
| 18 |            |                                                                                                                                                                                                                                                                           |                                                                                                                                                                                 |     |                                                          |
| 19 |            |                                                                                                                                                                                                                                                                           |                                                                                                                                                                                 |     |                                                          |
| 20 |            |                                                                                                                                                                                                                                                                           |                                                                                                                                                                                 |     | Cell B                                                   |
| 21 | L_015<br>6 | <p>L?DL_RaclnChRq (TCV_Rr := DL_RaclnChRq.<br/>msg.ecau_rrf, TCV_Fn := DL_RaclnChRq.fn)</p> <p>LIDL_UdatRqImmRej</p>                                                                                                                                                      | <p>PgReq1( TCV_PgCh,<br/>TCV_Pgg,<br/>PgReqTp1_01)<br/>ChReq_01(<br/>C_RACH_B_1,<br/>ChRequest_01)</p> <p>ImmAssRej(<br/>TCV_agch,<br/>ImmAsgnRej_r02(<br/>TCV_Rr, TCV_Fn))</p> | (P) | 5.                                                       |
| 22 |            |                                                                                                                                                                                                                                                                           |                                                                                                                                                                                 |     |                                                          |
| 23 |            | <p><b>continuePaging</b></p> <p>LIDL_UdatRqPg1Rq START T_dly1(1177)</p>                                                                                                                                                                                                   | <p>PgReq1( TCV_PgCh,<br/>TCV_Pgg,<br/>PgReqTp1_01)</p>                                                                                                                          |     | Every 5 multiframe                                       |
| 24 |            | <p>L?DL_RaclnChRq (TCV_Rqr.ra := DL_RaclnChRq.<br/>msg.ecau_rrf, TCV_Rqr.fn := DL_RaclnChRq.fn)<br/>READTIMER T_dly( TCV_Time), CANCEL T_dly1,<br/>CANCEL T_dly</p>                                                                                                       | <p>ChReq_01(<br/>C_RACH_A_1,<br/>ChRequest_01)</p>                                                                                                                              |     | Received at least one<br>channel request within<br>x+1s. |
| 25 |            | <p>(TCV_Rqr9 := OC_SaveAndRetrv(TCV_Rqr,<br/>C_SAVE,(TCV_Cnt + 1), 0))</p>                                                                                                                                                                                                |                                                                                                                                                                                 |     |                                                          |
| 26 |            | <p>[(TCV_Time &lt;= (TSPX_xPara * 1000))<br/>AND (TCV_Time &gt; 0)]</p>                                                                                                                                                                                                   |                                                                                                                                                                                 |     | received within x s.                                     |
| 27 | L_015<br>7 | <p>(TCV_Time := 0)</p>                                                                                                                                                                                                                                                    |                                                                                                                                                                                 | (F) | Fail return                                              |
| 28 |            | <p>[(TCV_Time &gt; (TSPX_xPara * 1000)) OR<br/>(TCV_Time = 0)]</p>                                                                                                                                                                                                        |                                                                                                                                                                                 |     | received btw x, x+1 s.                                   |
| 29 | L_015<br>8 | <p>(TCV_Time := 0)</p>                                                                                                                                                                                                                                                    |                                                                                                                                                                                 | (P) | Pass return                                              |
| 30 |            | <p>?TIMEOUT T_dly1 READTIMER T_dly( TCV_Time)</p>                                                                                                                                                                                                                         |                                                                                                                                                                                 |     |                                                          |
| 31 |            | <p>[TCV_Time = 0]</p>                                                                                                                                                                                                                                                     |                                                                                                                                                                                 |     | x+1 s                                                    |
| 32 |            | <p>LIDL_UdatRqPg1Rq</p>                                                                                                                                                                                                                                                   | <p>PgReq1( TCV_PgCh,<br/>TCV_Pgg,<br/>PgReqTp1_01)</p>                                                                                                                          |     |                                                          |
| 33 | L_015<br>9 | <p>L?DL_RaclnChRq (TCV_Rqr.ra :=<br/>DL_RaclnChRq.msg.ecau_rrf, TCV_Rqr.fn<br/>:= DL_RaclnChRq.fn)</p>                                                                                                                                                                    | <p>ChReq_01(<br/>C_RACH_A_1,<br/>ChRequest_01)</p>                                                                                                                              | (P) | 4.                                                       |
| 34 |            | <p>(TCV_Rqr9 :=<br/>OC_SaveAndRetrv(TCV_Rqr,<br/>C_SAVE,(TCV_Cnt + 1), 0))</p>                                                                                                                                                                                            |                                                                                                                                                                                 |     |                                                          |
| 35 |            | <p>[TCV_Time &lt;&gt; 0]</p>                                                                                                                                                                                                                                              |                                                                                                                                                                                 |     | Return                                                   |
| 36 | L_016<br>0 | <p><b>localTree</b></p> <p>L?DL_RaclnChRq (TCV_Rqr.ra := DL_RaclnChRq.<br/>msg.ecau_rrf, TCV_Rqr.fn := DL_RaclnChRq.fn)</p>                                                                                                                                               | <p>ChReq_01(<br/>C_RACH_A_1,<br/>ChRequest_01)</p>                                                                                                                              | (P) |                                                          |
| 37 |            | <p>(TCV_Cnt := TCV_Cnt + 1)</p>                                                                                                                                                                                                                                           |                                                                                                                                                                                 |     |                                                          |
| 38 |            | <p>(TCV_Rqr9 := OC_SaveAndRetrv(TCV_Rqr,<br/>C_SAVE, TCV_Cnt, 0))</p>                                                                                                                                                                                                     |                                                                                                                                                                                 |     |                                                          |
| 39 |            | <p><b>ltree_switchcelltoB</b></p> <p>+Varinit_fix( C_CellB, C_LAC_1,<br/>TSPX_SDCCH4SubDef, TSPX_CKSNDDef,<br/>TSPX_RANDDef, C_arfcnB, C_arfcnBd, TCV_Ccd0B,<br/>TSPX_IMSI)</p>                                                                                           |                                                                                                                                                                                 |     |                                                          |
| 40 |            | <p>(TCV_Null := OM_ChangeRFOf2Cells( C_CellA,<br/>C_E_notsuitable_fSel, C_CellB, C_E_suitable))</p>                                                                                                                                                                       |                                                                                                                                                                                 |     |                                                          |

**Detailed Comments:** 1. To setup a physical channel as combined CCCH/SDCCH, 5 for Tx-int, 7 retransmission used



as cell A.

2. To setup a physical channel as combind ccch/sdcch4 used as cell B.

3. To send PAGING REQUEST message every 5 multiframe of the mobile station's paging subgroup for  $x+1$  seconds.

4. The MS responds the paging after  $x+1$  s. expires, pass.

5. The MS responds the paging in cell B, pass.

| Test Case Dynamic Behaviour |            |                                                                                                                                                                                                                                                                                                                                                                                                                                                                                                                                                                            |                                                                                                                          |     |          |
|-----------------------------|------------|----------------------------------------------------------------------------------------------------------------------------------------------------------------------------------------------------------------------------------------------------------------------------------------------------------------------------------------------------------------------------------------------------------------------------------------------------------------------------------------------------------------------------------------------------------------------------|--------------------------------------------------------------------------------------------------------------------------|-----|----------|
| <b>Test Case Name:</b>      |            | TC_26_6_1_4                                                                                                                                                                                                                                                                                                                                                                                                                                                                                                                                                                |                                                                                                                          |     |          |
| <b>Group:</b>               |            | GSM_L3_MS_v4200/RR/                                                                                                                                                                                                                                                                                                                                                                                                                                                                                                                                                        |                                                                                                                          |     |          |
| <b>Purpose:</b>             |            | To verify that the MS ignores an assignment for another MS while it is waiting for an assignment of its own.                                                                                                                                                                                                                                                                                                                                                                                                                                                               |                                                                                                                          |     |          |
| <b>Default:</b>             |            | OtherEventsFail                                                                                                                                                                                                                                                                                                                                                                                                                                                                                                                                                            |                                                                                                                          |     |          |
| Nr                          | Label      | Behaviour Description                                                                                                                                                                                                                                                                                                                                                                                                                                                                                                                                                      | CRef                                                                                                                     | V   | Comments |
| 1                           |            | START T_guard(300)                                                                                                                                                                                                                                                                                                                                                                                                                                                                                                                                                         |                                                                                                                          |     |          |
| 2                           |            | +IdleUpdated( C_E_default, C_CellA, C_SCH_A, C_BCCH_A_1, C_ImmMass, C_S0, C_SlotNU, C_SlotNU, C_SlotNU, C_BCC, C_TxInt_5, C_Max_1, C_NECI_0, C_ATT_0, TimingAdv( 30), C_BABR_0, C_cch_1Comb, C_BPM_3, C_T3212_0, C_ci_cellA, C_MCC_1, C_PLMN_1, C_LAC_1, CellOpt_01, CellChDes_02, CellChDes_03, C_CellReselectHys12, C_MaxPwrLvlG, C_MaxPwrLvlD, BcchFreqLst_01, BcchFreqLst_Omit, BcchFreqLst_48, BcchFreqLst_Omit, C_noRestablishment, C_BCC, C_NCC, C_Start_Tmsi, TSPX_SDCCH4SubDef, TSPX_CKSNDDef, TSPX_RANDDef, C_arfcnA, C_arfcnAd, TSPX_IMSI, C_Test_fh, C_NCCP_2) |                                                                                                                          |     | 1.       |
| 3                           | body       | LIDL_UdatRqPg1Rq                                                                                                                                                                                                                                                                                                                                                                                                                                                                                                                                                           | PgReq1(TCV_PgCh, TCV_Pgg, PgReqTp1_01)                                                                                   |     |          |
| 4                           |            | L?DL_RaInChRq (TCV_Rr := DL_RaInChRq.msg.ecau_rrf, TCV_Fn := OC_Fnlnc(DL_RaInChRq.fn, 2))                                                                                                                                                                                                                                                                                                                                                                                                                                                                                  | ChReq( ChRequest_17)                                                                                                     |     | 2.       |
| 5                           |            | LIDL_UdatRqImmMass                                                                                                                                                                                                                                                                                                                                                                                                                                                                                                                                                         | ImmAss( TCV_agch, ImmAsgn_01Def( TCV_Rr, TCV_Fn, TSPX_SDCCH4SubB, TCV_slot, TCV_tsc, TCV_chdescr_arfcn, TimingAdv( 30))) |     |          |
| 6                           |            | START T_dly(2000)                                                                                                                                                                                                                                                                                                                                                                                                                                                                                                                                                          |                                                                                                                          |     |          |
| 7                           |            | ?TIMEOUT T_dly                                                                                                                                                                                                                                                                                                                                                                                                                                                                                                                                                             |                                                                                                                          |     |          |
| 8                           | L_016<br>1 | L?DL_RaInChRq (TCV_Rr := DL_RaInChRq.msg.ecau_rrf, TCV_Fn := DL_RaInChRq.fn)                                                                                                                                                                                                                                                                                                                                                                                                                                                                                               | ChReq( ChRequest_17)                                                                                                     | (P) |          |
| 9                           |            | LIDL_UdatRqImmMassRej                                                                                                                                                                                                                                                                                                                                                                                                                                                                                                                                                      | ImmAssRej( TCV_agch, ImmAsgnRej_r02( TCV_Rr, TCV_Fn))                                                                    |     |          |
| 10                          |            | +localtree1                                                                                                                                                                                                                                                                                                                                                                                                                                                                                                                                                                |                                                                                                                          |     |          |
| 11                          | L_016<br>2 | L?DL_RaInChRq (TCV_Rr := DL_RaInChRq.msg.ecau_rrf, TCV_Fn := DL_RaInChRq.fn)                                                                                                                                                                                                                                                                                                                                                                                                                                                                                               | ChReq( ChRequest_17)                                                                                                     | (P) |          |
| 12                          |            | LIDL_UdatRqImmMassRej                                                                                                                                                                                                                                                                                                                                                                                                                                                                                                                                                      | ImmAssRej( TCV_agch, ImmAsgnRej_r02( TCV_Rr, TCV_Fn))                                                                    |     |          |
| 13                          |            | ?TIMEOUT T_dly                                                                                                                                                                                                                                                                                                                                                                                                                                                                                                                                                             |                                                                                                                          |     |          |
| 14                          |            | +localtree1                                                                                                                                                                                                                                                                                                                                                                                                                                                                                                                                                                |                                                                                                                          |     |          |
| <b>localtree1</b>           |            |                                                                                                                                                                                                                                                                                                                                                                                                                                                                                                                                                                            |                                                                                                                          |     |          |
| 15                          |            | START T_dly(6000)                                                                                                                                                                                                                                                                                                                                                                                                                                                                                                                                                          |                                                                                                                          |     |          |
| 16                          |            | ?TIMEOUT T_dly                                                                                                                                                                                                                                                                                                                                                                                                                                                                                                                                                             |                                                                                                                          |     |          |
| 17                          |            | LIDL_UdatRqPg1Rq                                                                                                                                                                                                                                                                                                                                                                                                                                                                                                                                                           | PgReq1(TCV_PgCh, TCV_Pgg, PgReqTp1_01)                                                                                   |     |          |
| 18                          |            | L?DL_RaInChRq (TCV_Rr := OC_BinAdd(DL_RaInChRq.msg.ecau_rrf, '00000010'B), TCV_Fn := DL_RaInChRq.fn)                                                                                                                                                                                                                                                                                                                                                                                                                                                                       | ChReq( ChRequest_17)                                                                                                     |     | 3.       |
| 19                          |            | LIDL_UdatRqImmMass                                                                                                                                                                                                                                                                                                                                                                                                                                                                                                                                                         | ImmAss( TCV_agch, ImmAsgn_01Def( TCV_Rr, TCV_Fn, TSPX_SDCCH4SubB, TCV_slot, TCV_tsc, TCV_chdescr_arfcn, TimingAdv( 30))) |     |          |

|                           |            |                                                                                                                                                                                                                                         |                                                                |     |  |
|---------------------------|------------|-----------------------------------------------------------------------------------------------------------------------------------------------------------------------------------------------------------------------------------------|----------------------------------------------------------------|-----|--|
| 20                        |            | START T_dly(2000)                                                                                                                                                                                                                       |                                                                |     |  |
| 21                        |            | ?TIMEOUT T_dly                                                                                                                                                                                                                          |                                                                |     |  |
| 22                        |            | L?DL_RaInChRq (TCV_Rr :=<br>DL_RaInChRq.msg.ecau_rrf, TCV_Fn<br>:= DL_RaInChRq.fn)                                                                                                                                                      | ChReq(<br>ChRequest_17)                                        |     |  |
| 23                        | L_016<br>3 | LIDL_UdatRqImmRej                                                                                                                                                                                                                       | ImmAssRej(<br>TCV_agch,<br>ImmAsgnRej_r02(<br>TCV_Rr, TCV_Fn)) | P   |  |
| 24                        |            | L?DL_RaInChRq (TCV_Rr :=<br>DL_RaInChRq.msg.ecau_rrf, TCV_Fn<br>:= DL_RaInChRq.fn)                                                                                                                                                      | ChReq(<br>ChRequest_17)                                        |     |  |
| 25                        | L_016<br>4 | LIDL_UdatRqImmRej                                                                                                                                                                                                                       | ImmAssRej(<br>TCV_agch,<br>ImmAsgnRej_r02(<br>TCV_Rr, TCV_Fn)) | (P) |  |
| 26                        |            | ?TIMEOUT T_dly                                                                                                                                                                                                                          |                                                                |     |  |
| <b>Detailed Comments:</b> |            | <ol style="list-style-type: none"> <li>1. To setup a physical channel as combined bcch/sdcch, default parameters for cell A.</li> <li>2. making a frame number is of 2 higher.</li> <li>3. Making a wrong request reference.</li> </ol> |                                                                |     |  |

| Test Case Dynamic Behaviour |            |                                                                                                                                                                                                                                                                                                                                                                                                                                                                                                                                                                             |                                                                                                                                |     |                      |
|-----------------------------|------------|-----------------------------------------------------------------------------------------------------------------------------------------------------------------------------------------------------------------------------------------------------------------------------------------------------------------------------------------------------------------------------------------------------------------------------------------------------------------------------------------------------------------------------------------------------------------------------|--------------------------------------------------------------------------------------------------------------------------------|-----|----------------------|
| <b>Test Case Name:</b>      |            | TC_26_6_1_5                                                                                                                                                                                                                                                                                                                                                                                                                                                                                                                                                                 |                                                                                                                                |     |                      |
| <b>Group:</b>               |            | GSM_L3_MS_v4200/RR/                                                                                                                                                                                                                                                                                                                                                                                                                                                                                                                                                         |                                                                                                                                |     |                      |
| <b>Purpose:</b>             |            | To verify that the MS correctly responds to an IMMEDIATE ASSIGNMENT message sent after an IMMEDIATE ASSIGNMENT REJECT message.                                                                                                                                                                                                                                                                                                                                                                                                                                              |                                                                                                                                |     |                      |
| <b>Default:</b>             |            | OtherEventsFail_01                                                                                                                                                                                                                                                                                                                                                                                                                                                                                                                                                          |                                                                                                                                |     |                      |
| Nr                          | Label      | Behaviour Description                                                                                                                                                                                                                                                                                                                                                                                                                                                                                                                                                       | CRef                                                                                                                           | V   | Comments             |
| 1                           |            | START T_guard(300)                                                                                                                                                                                                                                                                                                                                                                                                                                                                                                                                                          |                                                                                                                                |     |                      |
| 2                           |            | +IdleUpdated( C_E_default, C_Cella, C_SCH_A, C_BCCH_A_1, C_Immass, C_S0, C_SlotNU, C_SlotNU, C_SlotNU, C_BCC, C_TxInt_7, C_Max_7, C_NECI_0, C_ATT_0, TimingAdv( 30), C_BABR_0, C_cch_1nonComb, C_BPM_3, C_T3212_1, C_ci_cellA, C_MCC_1, C_PLMN_1, C_LAC_1, CellOpt_01, CellChDes_02, CellChDes_03, C_CellReselectHys12, C_MaxPwrLvlG, C_MaxPwrLvlD, BcchFreqLst_01, BcchFreqLst_Omit, BcchFreqLst_48, BcchFreqLst_Omit, C_noReestablishment, C_BCC, C_NCC, C_Start_Tmsi, TSPX_SDCCH4SubDef, TSPX_CKSNDf, TSPX_RANDDef, C_arfcnA, C_arfcnAd, TSPX_IMSI, C_Test_fh, C_NCCP_2) |                                                                                                                                |     |                      |
| 3                           |            | +Varinit_tch( C_arfcn_tchA, C_arfcn_tchAd)                                                                                                                                                                                                                                                                                                                                                                                                                                                                                                                                  |                                                                                                                                |     |                      |
| 4                           |            | +SDCCH8_A_1_nociph( TSPX_SDCCH8SubDef, C_Immass, TSPX_TmSlitDef, TSPX_TscDef, ChMod_sign, FreqTCH(TCV_tch_arfcn), FreqTCH(TCV_tch_arfcn), TimingAdv( 30), C_BABR_0, C_cch_1nonComb, C_BPM_3)                                                                                                                                                                                                                                                                                                                                                                                |                                                                                                                                |     | 2.                   |
| 5                           | body       | LIDL_UdatRqPg1Rq                                                                                                                                                                                                                                                                                                                                                                                                                                                                                                                                                            | PgReq1(TCV_PgCh, TCV_Pgg, PgReqTp1_01)                                                                                         |     |                      |
| 6                           |            | L?DL_RaInChRq( TCV_Rr := DL_RaInChRq.msg.ecau_rrf, TCV_Fn := DL_RaInChRq.fn)                                                                                                                                                                                                                                                                                                                                                                                                                                                                                                | ChReq( ChRequest_17)                                                                                                           |     | 1st channel request  |
| 7                           |            | L?DL_RaInChRq( TCV_Rr1 := DL_RaInChRq.msg.ecau_rrf, TCV_Fn1 := DL_RaInChRq.fn)                                                                                                                                                                                                                                                                                                                                                                                                                                                                                              | ChReq( ChRequest_17)                                                                                                           |     | 2nd channel request  |
| 8                           |            | L?DL_RaInChRq                                                                                                                                                                                                                                                                                                                                                                                                                                                                                                                                                               | ChReq( ChRequest_17)                                                                                                           |     | 3rd ChReq            |
| 9                           |            | LIDL_UdatRqImmassRej                                                                                                                                                                                                                                                                                                                                                                                                                                                                                                                                                        | ImmAssRej( TCV_agch, ImmAsgnRej_04( TCV_Rr, TCV_Fn))                                                                           |     | Ref to 1st, wait 6s. |
| 10                          |            | START T_dly1( OC_Random( 750, 1250))                                                                                                                                                                                                                                                                                                                                                                                                                                                                                                                                        |                                                                                                                                |     |                      |
| 11                          |            | ?TIMEOUT T_dly1                                                                                                                                                                                                                                                                                                                                                                                                                                                                                                                                                             |                                                                                                                                |     |                      |
| 12                          |            | LIDL_UdatRqImmass                                                                                                                                                                                                                                                                                                                                                                                                                                                                                                                                                           | ImmAss( TCV_agch, ImmAsgn_r02( TCV_Rr1, TCV_Fn1, TSPX_SDCCH8SubD, TSPX_TmSlitDef, TSPX_TscDef, TimingAdv( 30), TCV_tch_arfcn)) |     | Ref. to 2nd          |
| 13                          | L_016<br>5 | L?DL_EstInPgRes                                                                                                                                                                                                                                                                                                                                                                                                                                                                                                                                                             | PgRes( TCV_ch, PagingRes_01)                                                                                                   | (P) | 3.                   |
| 14                          |            | +PostMainLinkRel( TCV_ch)                                                                                                                                                                                                                                                                                                                                                                                                                                                                                                                                                   |                                                                                                                                |     |                      |
| <b>Detailed Comments:</b>   |            | <ol style="list-style-type: none"> <li>1. To setup a physical channel as non-combined CCCH/SDCCH, Tx-int= 7 , retransmission = 7.</li> <li>2. To setup aphysical channel as SDCCH8.</li> <li>3. The expected PAGING RESPONSE received on the correct channel (TSPX_SDCCH8SubD)</li> </ol>                                                                                                                                                                                                                                                                                   |                                                                                                                                |     |                      |

| Test Case Dynamic Behaviour |            |                                                                                                                                                                                                                                                                                                                                                                                                                                                                                                                                                                                                            |                                         |     |          |
|-----------------------------|------------|------------------------------------------------------------------------------------------------------------------------------------------------------------------------------------------------------------------------------------------------------------------------------------------------------------------------------------------------------------------------------------------------------------------------------------------------------------------------------------------------------------------------------------------------------------------------------------------------------------|-----------------------------------------|-----|----------|
| <b>Test Case Name:</b>      |            | TC_26_6_2_1_1                                                                                                                                                                                                                                                                                                                                                                                                                                                                                                                                                                                              |                                         |     |          |
| <b>Group:</b>               |            | GSM_L3_MS_v4200/RR/                                                                                                                                                                                                                                                                                                                                                                                                                                                                                                                                                                                        |                                         |     |          |
| <b>Purpose:</b>             |            | To test that the MS is able to determine its CCCH group and paging group correctly and that the MS responds correctly to various PAGING REQUEST TYPE 1 messages when the page mode is set to normal paging. All valid ways of addressing the MS are tested. It is tested that the MS responds with the same type of identity that is used in the PAGING REQUEST TYPE 1 message. It is tested that the MS ignores fill paging.                                                                                                                                                                              |                                         |     |          |
| <b>Default:</b>             |            | OtherEventsFail_01                                                                                                                                                                                                                                                                                                                                                                                                                                                                                                                                                                                         |                                         |     |          |
| Nr                          | Label      | Behaviour Description                                                                                                                                                                                                                                                                                                                                                                                                                                                                                                                                                                                      | CRef                                    | V   | Comments |
| 1                           |            | START T_guard(300)                                                                                                                                                                                                                                                                                                                                                                                                                                                                                                                                                                                         |                                         |     |          |
| 2                           |            | +IdleUpdated( C_E_default, C_CellA, C_SCH_A, C_BCCH_A_1, C_Immass, C_S0, C_S2, C_S4, C_S6, C_BCC, C_TxInt_5, C_Max_2, C_NECI_0, C_ATT_0, TimingAdv( 30), INT_TO_BIT( TSPX_AGBLKS1, 3), TSPX_CcchConf1, INT_TO_BIT(( TSPX_PAMFRMS1-2), 3), C_T3212_0, C_ci_cellA, C_MCC_1, C_PLMN_1, C_LAC_1, CellOpt_01, CellChDes_02, CellChDes_03, C_CellReselectHys12, C_MaxPwrLvIG, C_MaxPwrLvID, BcchFreqLst_01, BcchFreqLst_Omit, BcchFreqLst_48, BcchFreqLst_Omit, C_noRestablishment, C_BCC, C_NCC, C_Start_Tmsi, TSPX_SDCCH4SubC, TSPX_CKSNDf, TSPX_RANDDef, C_arfcnA, C_arfcnAd, TSPX_IMSI, C_Test_fh, C_NCCP_2) |                                         |     |          |
| 3                           |            | +local_tree                                                                                                                                                                                                                                                                                                                                                                                                                                                                                                                                                                                                |                                         |     |          |
| 4                           | body       | +test1                                                                                                                                                                                                                                                                                                                                                                                                                                                                                                                                                                                                     |                                         |     |          |
| 5                           |            | +test2                                                                                                                                                                                                                                                                                                                                                                                                                                                                                                                                                                                                     |                                         |     |          |
| 6                           |            | +test3                                                                                                                                                                                                                                                                                                                                                                                                                                                                                                                                                                                                     |                                         |     |          |
| 7                           |            | +test4                                                                                                                                                                                                                                                                                                                                                                                                                                                                                                                                                                                                     |                                         |     |          |
| 8                           |            | +test5                                                                                                                                                                                                                                                                                                                                                                                                                                                                                                                                                                                                     |                                         |     |          |
|                             |            | <b>test1</b>                                                                                                                                                                                                                                                                                                                                                                                                                                                                                                                                                                                               |                                         |     |          |
| 9                           |            | LIDL_UdatRqPg1Rq                                                                                                                                                                                                                                                                                                                                                                                                                                                                                                                                                                                           | PgReq1(TCV_PgCh, TCV_Pgg, PgReqTp1_05)  |     | 1.       |
| 10                          |            | +local_immass                                                                                                                                                                                                                                                                                                                                                                                                                                                                                                                                                                                              |                                         |     |          |
| 11                          | L_016<br>6 | L?DL_EstInPgRes                                                                                                                                                                                                                                                                                                                                                                                                                                                                                                                                                                                            | PagingRes( PagingRes_r02)               | (P) |          |
| 12                          |            | +PostMainLinkRel(TCV_ch)                                                                                                                                                                                                                                                                                                                                                                                                                                                                                                                                                                                   |                                         |     |          |
|                             |            | <b>test2</b>                                                                                                                                                                                                                                                                                                                                                                                                                                                                                                                                                                                               |                                         |     |          |
| 13                          |            | ?TIMEOUT T_dly                                                                                                                                                                                                                                                                                                                                                                                                                                                                                                                                                                                             |                                         |     |          |
| 14                          |            | LIDL_UdatRqPg1Rq                                                                                                                                                                                                                                                                                                                                                                                                                                                                                                                                                                                           | PgReq1(TCV_PgCh, TCV_Pgg, PgReqTp1_r01) |     | 2.       |
| 15                          |            | +local_immass                                                                                                                                                                                                                                                                                                                                                                                                                                                                                                                                                                                              |                                         |     |          |
| 16                          | L_016<br>7 | L?DL_EstInPgRes                                                                                                                                                                                                                                                                                                                                                                                                                                                                                                                                                                                            | PagingRes( PagingRes_r01)               | (P) |          |
| 17                          |            | +PostMainLinkRel(TCV_ch)                                                                                                                                                                                                                                                                                                                                                                                                                                                                                                                                                                                   |                                         |     |          |
|                             |            | <b>test3</b>                                                                                                                                                                                                                                                                                                                                                                                                                                                                                                                                                                                               |                                         |     |          |
| 18                          |            | ?TIMEOUT T_dly                                                                                                                                                                                                                                                                                                                                                                                                                                                                                                                                                                                             |                                         |     |          |
| 19                          |            | LIDL_UdatRqPg1Rq                                                                                                                                                                                                                                                                                                                                                                                                                                                                                                                                                                                           | PgReq1(TCV_PgCh, TCV_Pgg, PgReqTp1_r02) |     | 3.       |
| 20                          |            | +local_immass                                                                                                                                                                                                                                                                                                                                                                                                                                                                                                                                                                                              |                                         |     |          |
| 21                          | L_016<br>8 | L?DL_EstInPgRes                                                                                                                                                                                                                                                                                                                                                                                                                                                                                                                                                                                            | PagingRes( PagingRes_r02)               | (P) |          |
| 22                          |            | +PostMainLinkRel(TCV_ch)                                                                                                                                                                                                                                                                                                                                                                                                                                                                                                                                                                                   |                                         |     |          |
|                             |            | <b>test4</b>                                                                                                                                                                                                                                                                                                                                                                                                                                                                                                                                                                                               |                                         |     |          |
| 23                          |            | ?TIMEOUT T_dly                                                                                                                                                                                                                                                                                                                                                                                                                                                                                                                                                                                             |                                         |     |          |
| 24                          |            | LIDL_UdatRqPg1Rq                                                                                                                                                                                                                                                                                                                                                                                                                                                                                                                                                                                           | PgReq1(TCV_PgCh, TCV_Pgg, PgReqTp1_r03) |     | 4.       |
| 25                          |            | +local_immass                                                                                                                                                                                                                                                                                                                                                                                                                                                                                                                                                                                              |                                         |     |          |

|    |            |                                                                                                                                                                                                                                                           |                                                                                                                                                    |      |
|----|------------|-----------------------------------------------------------------------------------------------------------------------------------------------------------------------------------------------------------------------------------------------------------|----------------------------------------------------------------------------------------------------------------------------------------------------|------|
| 26 | L_016<br>9 | L?DL_EstInPgRes                                                                                                                                                                                                                                           | PagingRes(<br>PagingRes_r01)                                                                                                                       | (P)  |
| 27 |            | +PostMainLinkRel(TCV_ch)                                                                                                                                                                                                                                  |                                                                                                                                                    |      |
| 28 |            | <b>test5</b>                                                                                                                                                                                                                                              |                                                                                                                                                    |      |
| 29 |            | ?TIMEOUT T_dly<br>LIDL_UdatRqPg1Rq                                                                                                                                                                                                                        | PgReq1(TCV_PgCh,<br>TCV_Pgg,<br>PgReqTp1_r04)                                                                                                      | 5.   |
| 30 |            | START T_dly(1000)                                                                                                                                                                                                                                         |                                                                                                                                                    |      |
| 31 | L_017<br>0 | ?TIMEOUT T_dly                                                                                                                                                                                                                                            |                                                                                                                                                    | P    |
| 32 | L_017<br>1 | L?OTHERWISE                                                                                                                                                                                                                                               |                                                                                                                                                    | F 6. |
| 33 |            | <b>local_immass</b><br>L?DL_RaInChRq                                                                                                                                                                                                                      | ChReq(<br>ChRequest_17)                                                                                                                            |      |
| 34 |            | L?DL_RaInChRq (TCV_Rr := DL_RaInChRq.<br>msg.ecau_rrf, TCV_Fn := DL_RaInChRq.fn)                                                                                                                                                                          | ChReq(<br>ChRequest_17)                                                                                                                            |      |
| 35 |            | [(TSPX_CcchConf1 = C_cch_1nonComb) OR<br>(TSPX_CcchConf1 = C_cch_2nonComb) OR<br>(TSPX_CcchConf1 = C_cch_3nonComb) OR<br>(TSPX_CcchConf1 = C_cch_4nonComb)]                                                                                               |                                                                                                                                                    |      |
| 36 |            | LIDL_UdatRqImmass START T_dly( 12000)                                                                                                                                                                                                                     | ImmAss( TCV_agch,<br>ImmAsgn_r02(<br>TCV_Rr, TCV_Fn,<br>TSPX_SDCCH8SubD<br>ef, TSPX_TmSlDef,<br>TSPX_TscDef,<br>TimingAdv( 30),<br>TCV_tch_arfcn)) |      |
| 37 |            | [TSPX_CcchConf1 = C_cch_1Comb]                                                                                                                                                                                                                            |                                                                                                                                                    |      |
| 38 |            | LIDL_UdatRqImmass START T_dly( 12000)                                                                                                                                                                                                                     | ImmAss( TCV_agch,<br>ImmAsgn_01Def(<br>TCV_Rr, TCV_Fn,<br>TSPX_SDCCH4SubC<br>, TCV_slot, TCV_tsc,<br>TCV_chdescr_arfcn,<br>TimingAdv( 30)))        |      |
| 39 | L_017<br>2 | [(TSPX_CcchConf1 = C_cch_2Comb) OR<br>(TSPX_CcchConf1 = C_cch_3Comb) OR<br>(TSPX_CcchConf1 = C_cch_4Comb)]                                                                                                                                                |                                                                                                                                                    | I    |
| 40 |            | <b>local_tree</b><br>[TSPX_CcchConf1 = C_cch_1Comb]                                                                                                                                                                                                       |                                                                                                                                                    |      |
| 41 |            | [TSPX_CcchConf1 <> C_cch_1Comb]                                                                                                                                                                                                                           |                                                                                                                                                    |      |
| 42 |            | +Varinit_tch( C_arfcn_tchA, C_arfcn_tchAd)                                                                                                                                                                                                                |                                                                                                                                                    |      |
| 43 |            | +SDCCH8_A_1_nociph( TSPX_SDCCH8SubDef,<br>C_Immass, TSPX_TmSlDef, TSPX_TscDef,<br>ChMod_sign, FreqTCH(TCV_tch_arfcn),<br>FreqTCH(TCV_tch_arfcn), TimingAdv( 30),<br>INT_TO_BIT( TSPX_AGBLKS1, 3),<br>TSPX_CcchConf1, INT_TO_BIT(<br>TSPX_PAMFRMS1-2), 3)) |                                                                                                                                                    |      |

**Detailed Comments:**

1. Within the paging request message, the 1st MI contains IMSI of the MS, the 2nd is absent.
2. Within the paging request message, the 1st MI contains TMSI of the MS, the 2nd has the IMSI of an another MS.
3. Within the paging request message, the 1st MI contains TMSI of an another MS, the 2nd has the IMSI of the MS.
4. Within the paging request message, the 1st MI contains TMSI of an another MS, the 2nd has the TMSI of the MS.
5. Within the paging request message, the 1st MI contains TMSI of the MS together with type of no identity, the 2nd is absent .
6. If received any L3 frame FAIL.

| Test Case Dynamic Behaviour |            |                                                                                                                                                                                                                                                                                                                                                                                                                                                                                                                                                                                                            |                                         |     |          |
|-----------------------------|------------|------------------------------------------------------------------------------------------------------------------------------------------------------------------------------------------------------------------------------------------------------------------------------------------------------------------------------------------------------------------------------------------------------------------------------------------------------------------------------------------------------------------------------------------------------------------------------------------------------------|-----------------------------------------|-----|----------|
| <b>Test Case Name:</b>      |            | TC_26_6_2_1_2                                                                                                                                                                                                                                                                                                                                                                                                                                                                                                                                                                                              |                                         |     |          |
| <b>Group:</b>               |            | GSM_L3_MS_v4200/RR/                                                                                                                                                                                                                                                                                                                                                                                                                                                                                                                                                                                        |                                         |     |          |
| <b>Purpose:</b>             |            | To test that the MS is able to determine its CCCH group and paging group correctly and that the MS responds correctly to various PAGING REQUEST TYPE 2 messages when the page mode is set to normal paging. All valid ways of addressing the MS are tested. It is tested that the MS responds with the same type of identity that is used in the PAGING REQUEST TYPE 2 message. It is tested that the MS ignores a PAGING REQUEST TYPE 2 message that does not address it.                                                                                                                                 |                                         |     |          |
| <b>Default:</b>             |            | OtherEventsFail_01                                                                                                                                                                                                                                                                                                                                                                                                                                                                                                                                                                                         |                                         |     |          |
| <b>Comments:</b>            |            | The configuration is Max-Retrans = 2, combined CCCH/BCCH, BS-AG-BLKS-RES = 2, and BS-PA-MFRMS = 3.                                                                                                                                                                                                                                                                                                                                                                                                                                                                                                         |                                         |     |          |
| Nr                          | Label      | Behaviour Description                                                                                                                                                                                                                                                                                                                                                                                                                                                                                                                                                                                      | CRef                                    | V   | Comments |
| 1                           |            | START T_guard(300)                                                                                                                                                                                                                                                                                                                                                                                                                                                                                                                                                                                         |                                         |     |          |
| 2                           |            | +IdleUpdated( C_E_default, C_CellA, C_SCH_A, C_BCCH_A_1, C_Immass, C_S0, C_S2, C_S4, C_S6, C_BCC, C_TxInt_5, C_Max_2, C_NECI_0, C_ATT_0, TimingAdv( 30), INT_TO_BIT( TSPX_AGBLKS2, 3), TSPX_CcchConf2, INT_TO_BIT(( TSPX_PAMFRMS2-2), 3), C_T3212_0, C_ci_cellA, C_MCC_1, C_PLMN_1, C_LAC_1, CellOpt_01, CellChDes_02, CellChDes_03, C_CellReselectHys12, C_MaxPwrLvIG, C_MaxPwrLvID, BcchFreqLst_01, BcchFreqLst_Omit, BcchFreqLst_48, BcchFreqLst_Omit, C_noRestablishment, C_BCC, C_NCC, C_Start_Tmsi, TSPX_SDCCH4SubB, TSPX_CKSNDf, TSPX_RANDDef, C_arfcnA, C_arfcnAd, TSPX_IMSI, C_Test_fh, C_NCCP_2) |                                         |     |          |
| 3                           |            | +local_tree                                                                                                                                                                                                                                                                                                                                                                                                                                                                                                                                                                                                |                                         |     |          |
| 4                           | body       | +test1                                                                                                                                                                                                                                                                                                                                                                                                                                                                                                                                                                                                     |                                         |     |          |
| 5                           |            | +test2                                                                                                                                                                                                                                                                                                                                                                                                                                                                                                                                                                                                     |                                         |     |          |
| 6                           |            | +test3                                                                                                                                                                                                                                                                                                                                                                                                                                                                                                                                                                                                     |                                         |     |          |
| 7                           |            | +test4                                                                                                                                                                                                                                                                                                                                                                                                                                                                                                                                                                                                     |                                         |     |          |
| 8                           |            | +test5                                                                                                                                                                                                                                                                                                                                                                                                                                                                                                                                                                                                     |                                         |     |          |
|                             |            | <b>test1</b>                                                                                                                                                                                                                                                                                                                                                                                                                                                                                                                                                                                               |                                         |     |          |
| 9                           |            | L!DL_UdatRqPg2Rq                                                                                                                                                                                                                                                                                                                                                                                                                                                                                                                                                                                           | PgReq2(TCV_PgCh, TCV_Pgg, PgReqTp2_r01) |     | 1.       |
| 10                          |            | +localtree                                                                                                                                                                                                                                                                                                                                                                                                                                                                                                                                                                                                 |                                         |     |          |
| 11                          | L_017<br>3 | L?DL_EstInPgRes                                                                                                                                                                                                                                                                                                                                                                                                                                                                                                                                                                                            | PagingRes( PagingRes_r01)               | (P) |          |
| 12                          |            | +PostMainLinkRel(TCV_ch)                                                                                                                                                                                                                                                                                                                                                                                                                                                                                                                                                                                   |                                         |     |          |
|                             |            | <b>test2</b>                                                                                                                                                                                                                                                                                                                                                                                                                                                                                                                                                                                               |                                         |     |          |
| 13                          |            | ?TIMEOUT T_dly                                                                                                                                                                                                                                                                                                                                                                                                                                                                                                                                                                                             |                                         |     |          |
| 14                          |            | L!DL_UdatRqPg2Rq                                                                                                                                                                                                                                                                                                                                                                                                                                                                                                                                                                                           | PgReq2(TCV_PgCh, TCV_Pgg, PgReqTp2_r02) |     | 2.       |
| 15                          |            | +localtree                                                                                                                                                                                                                                                                                                                                                                                                                                                                                                                                                                                                 |                                         |     |          |
| 16                          | L_017<br>4 | L?DL_EstInPgRes                                                                                                                                                                                                                                                                                                                                                                                                                                                                                                                                                                                            | PagingRes( PagingRes_r01)               | (P) |          |
| 17                          |            | +PostMainLinkRel(TCV_ch)                                                                                                                                                                                                                                                                                                                                                                                                                                                                                                                                                                                   |                                         |     |          |
|                             |            | <b>test3</b>                                                                                                                                                                                                                                                                                                                                                                                                                                                                                                                                                                                               |                                         |     |          |
| 18                          |            | ?TIMEOUT T_dly                                                                                                                                                                                                                                                                                                                                                                                                                                                                                                                                                                                             |                                         |     |          |
| 19                          |            | L!DL_UdatRqPg2Rq                                                                                                                                                                                                                                                                                                                                                                                                                                                                                                                                                                                           | PgReq2(TCV_PgCh, TCV_Pgg, PgReqTp2_r03) |     | 3.       |
| 20                          |            | +localtree                                                                                                                                                                                                                                                                                                                                                                                                                                                                                                                                                                                                 |                                         |     |          |
| 21                          | L_017<br>5 | L?DL_EstInPgRes                                                                                                                                                                                                                                                                                                                                                                                                                                                                                                                                                                                            | PagingRes( PagingRes_r01)               | (P) |          |
| 22                          |            | +PostMainLinkRel(TCV_ch)                                                                                                                                                                                                                                                                                                                                                                                                                                                                                                                                                                                   |                                         |     |          |
|                             |            | <b>test4</b>                                                                                                                                                                                                                                                                                                                                                                                                                                                                                                                                                                                               |                                         |     |          |
| 23                          |            | ?TIMEOUT T_dly                                                                                                                                                                                                                                                                                                                                                                                                                                                                                                                                                                                             |                                         |     |          |
| 24                          |            | L!DL_UdatRqPg2Rq                                                                                                                                                                                                                                                                                                                                                                                                                                                                                                                                                                                           | PgReq2(TCV_PgCh, TCV_Pgg,               |     | 4.       |

|    |            |                                                                                                                                                                                                                                                           |                                                                                                                                                    |     |    |
|----|------------|-----------------------------------------------------------------------------------------------------------------------------------------------------------------------------------------------------------------------------------------------------------|----------------------------------------------------------------------------------------------------------------------------------------------------|-----|----|
| 25 |            | +localtree                                                                                                                                                                                                                                                | PgReqTp2_r04)                                                                                                                                      |     |    |
| 26 | L_017<br>6 | L?DL_EstInPgRes                                                                                                                                                                                                                                           | PagingRes(<br>PagingRes_r02)                                                                                                                       | (P) |    |
| 27 |            | +PostMainLinkRel(TCV_ch)                                                                                                                                                                                                                                  |                                                                                                                                                    |     |    |
| 28 |            | <b>test5</b>                                                                                                                                                                                                                                              |                                                                                                                                                    |     |    |
| 29 |            | ?TIMEOUT T_dly<br>L!DL_UdatRqPg2Rq                                                                                                                                                                                                                        | PgReq2(TCV_PgCh,<br>TCV_Pgg,<br>PgReqTp2_r05)                                                                                                      |     | 5. |
| 30 |            | START T_dly(1000)                                                                                                                                                                                                                                         |                                                                                                                                                    |     |    |
| 31 | L_017<br>7 | ?TIMEOUT T_dly                                                                                                                                                                                                                                            |                                                                                                                                                    | P   |    |
| 32 | L_017<br>8 | L?OTHERWISE                                                                                                                                                                                                                                               |                                                                                                                                                    | F   | 6. |
| 33 |            | <b>localtree</b><br>L?DL_RaInChRq                                                                                                                                                                                                                         | ChReq(<br>ChRequest_17)                                                                                                                            |     |    |
| 34 |            | L?DL_RaInChRq (TCV_Rr :=<br>DL_RaInChRq.msg.ecau_rrf, TCV_Fn :=<br>DL_RaInChRq.fn)                                                                                                                                                                        | ChReq(<br>ChRequest_17)                                                                                                                            |     |    |
| 35 |            | [(TSPX_CcchConf2 = C_cch_1nonComb) OR<br>(TSPX_CcchConf2 = C_cch_2nonComb) OR<br>(TSPX_CcchConf2 = C_cch_3nonComb) OR<br>(TSPX_CcchConf2 = C_cch_4nonComb)]                                                                                               |                                                                                                                                                    |     |    |
| 36 |            | LIDL_UdatRqImmast START T_dly( C_T_Wait)                                                                                                                                                                                                                  | ImmAss( TCV_agch,<br>ImmAsgn_r02(<br>TCV_Rr, TCV_Fn,<br>TSPX_SDCCH8SubD<br>ef, TSPX_TmSlDef,<br>TSPX_TscDef,<br>TimingAdv( 30),<br>TCV_tch_arfcn)) |     |    |
| 37 |            | [TSPX_CcchConf2 = C_cch_1Comb]                                                                                                                                                                                                                            |                                                                                                                                                    |     |    |
| 38 |            | LIDL_UdatRqImmast START T_dly( C_T_Wait)                                                                                                                                                                                                                  | ImmAss( TCV_agch,<br>ImmAsgn_01Def(<br>TCV_Rr, TCV_Fn,<br>TSPX_SDCCH4SubB<br>, TCV_slot, TCV_tsc,<br>TCV_chdescr_arfcn,<br>TimingAdv( 30)))        |     |    |
| 39 | L_017<br>9 | [(TSPX_CcchConf2 = C_cch_2Comb) OR<br>(TSPX_CcchConf2 = C_cch_3Comb) OR<br>(TSPX_CcchConf2 = C_cch_4Comb)]                                                                                                                                                |                                                                                                                                                    | I   |    |
| 40 |            | <b>local_tree</b><br>[TSPX_CcchConf2 = C_cch_1Comb]                                                                                                                                                                                                       |                                                                                                                                                    |     |    |
| 41 |            | [TSPX_CcchConf2 <> C_cch_1Comb]                                                                                                                                                                                                                           |                                                                                                                                                    |     |    |
| 42 |            | +Varinit_tch( C_arfcn_tchA, C_arfcn_tchAd)                                                                                                                                                                                                                |                                                                                                                                                    |     |    |
| 43 |            | +SDCCH8_A_1_nociph( TSPX_SDCCH8SubDef,<br>C_Immast, TSPX_TmSlDef, TSPX_TscDef,<br>ChMod_sign, FreqTCH(TCV_tch_arfcn),<br>FreqTCH(TCV_tch_arfcn), TimingAdv( 30),<br>INT_TO_BIT( TSPX_AGBLKS2, 3),<br>TSPX_CcchConf2, INT_TO_BIT(<br>TSPX_PAMFRMS2-2), 3)) |                                                                                                                                                    |     |    |

**Detailed Comments:**

1. Within the paging request message, the 1st MI contains TMSI of the IUT, the 2nd has the TMSI of an another MS, the 3rd is absent.
2. Within the paging request message, the 1st MI contains TMSI of an another MS, the 2nd has the TMSI of the IUT, the 3rd is absent.
3. Within the paging request message, the 1st and 2nd MI contain TMSI of an another MS, the 3rd has the TMSI of the IUT.
4. Within the paging request message, the 1st and 2nd MI contain TMSI of an another MS, the 3rd has the IMSI of the IUT.
5. Within the paging request message, the 1st and 2nd MI contain TMSI of an another MS, the 3rd has the TMSI of the IUT but with the type of no identity.
6. If received any L3 frame FAIL.



| Test Case Dynamic Behaviour |            |                                                                                                                                                                                                                                                                                                                                                                                                                                                                                                                                                                                                               |                                         |     |          |
|-----------------------------|------------|---------------------------------------------------------------------------------------------------------------------------------------------------------------------------------------------------------------------------------------------------------------------------------------------------------------------------------------------------------------------------------------------------------------------------------------------------------------------------------------------------------------------------------------------------------------------------------------------------------------|-----------------------------------------|-----|----------|
| <b>Test Case Name:</b>      |            | TC_26_6_2_1_3                                                                                                                                                                                                                                                                                                                                                                                                                                                                                                                                                                                                 |                                         |     |          |
| <b>Group:</b>               |            | GSM_L3_MS_v4200/RR/                                                                                                                                                                                                                                                                                                                                                                                                                                                                                                                                                                                           |                                         |     |          |
| <b>Purpose:</b>             |            | To test that the MS is able to determine its CCCH group and paging group correctly and that the MS responds correctly to various PAGING REQUEST TYPE 3 messages when the page mode is set to normal paging. All valid ways of addressing the MS are tested.                                                                                                                                                                                                                                                                                                                                                   |                                         |     |          |
| <b>Default:</b>             |            | OtherEventsFail_01                                                                                                                                                                                                                                                                                                                                                                                                                                                                                                                                                                                            |                                         |     |          |
| <b>Comments:</b>            |            | The configuration is Max-Retrans = 2, 2 non-combined CCCH/BCCH, BS-AG-BLKS-RES = 5, and BS-PA-MFRMS = 6.                                                                                                                                                                                                                                                                                                                                                                                                                                                                                                      |                                         |     |          |
| Nr                          | Label      | Behaviour Description                                                                                                                                                                                                                                                                                                                                                                                                                                                                                                                                                                                         | CRef                                    | V   | Comments |
| 1                           |            | START T_guard(300)                                                                                                                                                                                                                                                                                                                                                                                                                                                                                                                                                                                            |                                         |     |          |
| 2                           |            | +IdleUpdated( C_E_default, C_CellA, C_SCH_A, C_BCCH_A_1, C_Immass, C_S0, C_S2, C_S4, C_S6, C_BCC, C_TxInt_5, C_Max_2, C_NECI_0, C_ATT_0, TimingAdv( 30), INT_TO_BIT( TSPX_AGBLKS3, 3), TSPX_CcchConf3, INT_TO_BIT(( TSPX_PAMFRMS3-2), 3), C_T3212_0, C_ci_cellA, C_MCC_1, C_PLMN_1, C_LAC_1, CellOpt_01, CellChDes_02, CellChDes_03, C_CellReselectHys12, C_MaxPwrLvIG, C_MaxPwrLvID, BcchFreqLst_01, BcchFreqLst_Omit, BcchFreqLst_48, BcchFreqLst_Omit, C_noReestablishment, C_BCC, C_NCC, C_Start_Tmsi, TSPX_SDCCH4SubB, TSPX_CKSNDDef, TSPX_RANDDef, C_arfcnA, C_arfcnAd, TSPX_IMSI, C_Test_fh, C_NCCP_2) |                                         |     | 1.       |
| 3                           |            | +local_tree                                                                                                                                                                                                                                                                                                                                                                                                                                                                                                                                                                                                   |                                         |     |          |
| 4                           | body       | +test1                                                                                                                                                                                                                                                                                                                                                                                                                                                                                                                                                                                                        |                                         |     |          |
| 5                           |            | +test2                                                                                                                                                                                                                                                                                                                                                                                                                                                                                                                                                                                                        |                                         |     |          |
| 6                           |            | +test3                                                                                                                                                                                                                                                                                                                                                                                                                                                                                                                                                                                                        |                                         |     |          |
| 7                           |            | +test4                                                                                                                                                                                                                                                                                                                                                                                                                                                                                                                                                                                                        |                                         |     |          |
| 8                           |            | <b>test1</b><br>LIDL_UdatRqPg3Rq                                                                                                                                                                                                                                                                                                                                                                                                                                                                                                                                                                              | PgReq3(TCV_PgCh, TCV_Pgg, PgReqTp3_r01) |     | 2.       |
| 9                           |            | +local_immass                                                                                                                                                                                                                                                                                                                                                                                                                                                                                                                                                                                                 |                                         |     |          |
| 10                          | L_018<br>0 | L?DL_EstInPgRes                                                                                                                                                                                                                                                                                                                                                                                                                                                                                                                                                                                               | PagingRes(PagingRes_r01)                | (P) |          |
| 11                          |            | +PostMainLinkRel(TCV_ch)                                                                                                                                                                                                                                                                                                                                                                                                                                                                                                                                                                                      |                                         |     |          |
| 12                          |            | <b>test2</b><br>?TIMEOUT T_dly                                                                                                                                                                                                                                                                                                                                                                                                                                                                                                                                                                                |                                         |     |          |
| 13                          |            | LIDL_UdatRqPg3Rq                                                                                                                                                                                                                                                                                                                                                                                                                                                                                                                                                                                              | PgReq3(TCV_PgCh, TCV_Pgg, PgReqTp3_r02) |     | 3.       |
| 14                          |            | +local_immass                                                                                                                                                                                                                                                                                                                                                                                                                                                                                                                                                                                                 |                                         |     |          |
| 15                          | L_018<br>1 | L?DL_EstInPgRes                                                                                                                                                                                                                                                                                                                                                                                                                                                                                                                                                                                               | PagingRes(PagingRes_r01)                | (P) |          |
| 16                          |            | +PostMainLinkRel(TCV_ch)                                                                                                                                                                                                                                                                                                                                                                                                                                                                                                                                                                                      |                                         |     |          |
| 17                          |            | <b>test3</b><br>?TIMEOUT T_dly                                                                                                                                                                                                                                                                                                                                                                                                                                                                                                                                                                                |                                         |     |          |
| 18                          |            | LIDL_UdatRqPg3Rq                                                                                                                                                                                                                                                                                                                                                                                                                                                                                                                                                                                              | PgReq3(TCV_PgCh, TCV_Pgg, PgReqTp3_r03) |     | 4.       |
| 19                          |            | +local_immass                                                                                                                                                                                                                                                                                                                                                                                                                                                                                                                                                                                                 |                                         |     |          |
| 20                          | L_018<br>2 | L?DL_EstInPgRes                                                                                                                                                                                                                                                                                                                                                                                                                                                                                                                                                                                               | PagingRes(PagingRes_r01)                | (P) |          |
| 21                          |            | +PostMainLinkRel(TCV_ch)                                                                                                                                                                                                                                                                                                                                                                                                                                                                                                                                                                                      |                                         |     |          |
| 22                          |            | <b>test4</b><br>?TIMEOUT T_dly                                                                                                                                                                                                                                                                                                                                                                                                                                                                                                                                                                                |                                         |     |          |
| 23                          |            | LIDL_UdatRqPg3Rq                                                                                                                                                                                                                                                                                                                                                                                                                                                                                                                                                                                              | PgReq3(TCV_PgCh, TCV_Pgg, PgReqTp3_r04) |     | 5.       |
| 24                          |            | +local_immass                                                                                                                                                                                                                                                                                                                                                                                                                                                                                                                                                                                                 |                                         |     |          |
| 25                          | L_018<br>3 | L?DL_EstInPgRes                                                                                                                                                                                                                                                                                                                                                                                                                                                                                                                                                                                               | PagingRes(PagingRes_r01)                | (P) |          |

|    |            |                                                                                                                                                                                                                                                           |                                                                                                                                                   |   |
|----|------------|-----------------------------------------------------------------------------------------------------------------------------------------------------------------------------------------------------------------------------------------------------------|---------------------------------------------------------------------------------------------------------------------------------------------------|---|
| 26 |            | +PostMainLinkRel(TCV_ch)                                                                                                                                                                                                                                  |                                                                                                                                                   |   |
|    |            | <b>local_immass</b>                                                                                                                                                                                                                                       |                                                                                                                                                   |   |
| 27 |            | L?DL_RaInChRq                                                                                                                                                                                                                                             | ChReq(<br>ChRequest_17)                                                                                                                           |   |
| 28 |            | L?DL_RaInChRq (TCV_Rr := DL_RaInChRq.<br>msg.ecau_rrf, TCV_Fn := DL_RaInChRq.fn)                                                                                                                                                                          | ChReq(<br>ChRequest_17)                                                                                                                           |   |
| 29 |            | [(TSPX_CcchConf3 = C_cch_1nonComb) OR<br>(TSPX_CcchConf3 = C_cch_2nonComb) OR<br>(TSPX_CcchConf3 = C_cch_3nonComb) OR<br>(TSPX_CcchConf3 = C_cch_4nonComb)]                                                                                               |                                                                                                                                                   |   |
| 30 |            | LIDL_UdatRqImmAsst START T_dly( C_T_Wait)                                                                                                                                                                                                                 | ImmAss( TCV_agch,<br>ImmAsgn_r02(<br>TCV_Rr, TCV_Fn,<br>TSPX_SDCCH8SubE<br>, TSPX_TmSltDef,<br>TSPX_TscDef,<br>TimingAdv( 30),<br>TCV_tch_arfcn)) |   |
| 31 |            | [TSPX_CcchConf3 = C_cch_1Comb]                                                                                                                                                                                                                            |                                                                                                                                                   |   |
| 32 |            | LIDL_UdatRqImmAsst START T_dly( C_T_Wait)                                                                                                                                                                                                                 | ImmAss( TCV_agch,<br>ImmAsgn_01Def(<br>TCV_Rr, TCV_Fn,<br>TSPX_SDCCH4SubB<br>, TCV_slot,<br>TCV_tsc,<br>TCV_chdescr_arfcn,<br>TimingAdv( 30)))    |   |
| 33 | L_018<br>4 | [(TSPX_CcchConf3 = C_cch_2Comb) OR<br>(TSPX_CcchConf3 = C_cch_3Comb) OR<br>(TSPX_CcchConf3 = C_cch_4Comb)]                                                                                                                                                |                                                                                                                                                   | I |
|    |            | <b>local_tree</b>                                                                                                                                                                                                                                         |                                                                                                                                                   |   |
| 34 |            | [TSPX_CcchConf3 = C_cch_1Comb]                                                                                                                                                                                                                            |                                                                                                                                                   |   |
| 35 |            | [TSPX_CcchConf3 <> C_cch_1Comb]                                                                                                                                                                                                                           |                                                                                                                                                   |   |
| 36 |            | +Varinit_tch( C_arfcn_tchA, C_arfcn_tchAd)                                                                                                                                                                                                                |                                                                                                                                                   |   |
| 37 |            | +SDCCH8_A_1_nociph( TSPX_SDCCH8SubE,<br>C_ImmAsst, TSPX_TmSltDef, TSPX_TscDef,<br>ChMod_sign, FreqTCH(TCV_tch_arfcn),<br>FreqTCH(TCV_tch_arfcn), TimingAdv( 30),<br>INT_TO_BIT( TSPX_AGBLKS3, 3),<br>TSPX_CcchConf3, INT_TO_BIT(<br>TSPX_PAMFRMS3-2), 3)) |                                                                                                                                                   |   |

**Detailed Comments:**

1. To setup three physical channels two as BCCH/CCCH's and one as SDCCH8 channel.
2. Within the paging request message, the 1st MI contains TMSI of the IUT, the 2nd, 3rd and 4th have the TMSIs of another MSs.
3. Within the paging request message, the 2nd MI contains TMSI of the IUT, the 1st, 3rd and 4th have the TMSIs of another MSs.
4. Within the paging request message, the 3rd MI contains TMSI of the IUT, the 1st, 2nd and 4th have the TMSIs of another MSs.
5. Within the paging request message, the 4th MI contains TMSI of the IUT, the 1st, 2nd and 3rd have the TMSIs of another MSs.

| Test Case Dynamic Behaviour |            |                                                                                                                                                                                                                                                                                                                                                                                                                                                                                                                                                                                                             |                                                              |     |          |
|-----------------------------|------------|-------------------------------------------------------------------------------------------------------------------------------------------------------------------------------------------------------------------------------------------------------------------------------------------------------------------------------------------------------------------------------------------------------------------------------------------------------------------------------------------------------------------------------------------------------------------------------------------------------------|--------------------------------------------------------------|-----|----------|
| <b>Test Case Name:</b>      |            | TC_26_6_2_2                                                                                                                                                                                                                                                                                                                                                                                                                                                                                                                                                                                                 |                                                              |     |          |
| <b>Group:</b>               |            | GSM_L3_MS_v4200/RR/                                                                                                                                                                                                                                                                                                                                                                                                                                                                                                                                                                                         |                                                              |     |          |
| <b>Purpose:</b>             |            | To test that the MS is operating in the extended page mode when this is ordered by the SS in either a PAGING REQUEST message or an IMMEDIATE ASSIGNMENT message.                                                                                                                                                                                                                                                                                                                                                                                                                                            |                                                              |     |          |
| <b>Default:</b>             |            | OtherEventsFail                                                                                                                                                                                                                                                                                                                                                                                                                                                                                                                                                                                             |                                                              |     |          |
| <b>Comments:</b>            |            | The configuration is Max-Retrans = 2, 1 non-combined CCCH/BCCH, BS-AG-BLKS-RES = 7, and BS-PA-MFRMS = 9.                                                                                                                                                                                                                                                                                                                                                                                                                                                                                                    |                                                              |     |          |
| Nr                          | Label      | Behaviour Description                                                                                                                                                                                                                                                                                                                                                                                                                                                                                                                                                                                       | Cref                                                         | V   | Comments |
| 1                           |            | START T_guard(300)                                                                                                                                                                                                                                                                                                                                                                                                                                                                                                                                                                                          |                                                              |     |          |
| 2                           |            | +IdleUpdated( C_E_default, C_CellA, C_SCH_A, C_BCCH_A_1, C_Immass, C_S0, C_S2, C_S4, C_S6, C_BCC, C_TxInt_5, C_Max_2, C_NECI_0, C_ATT_0, TimingAdv( 30), INT_TO_BIT( TSPX_AGBLKS3, 3), TSPX_CcchConf3, INT_TO_BIT(( TSPX_PAMFRMS3-2), 3), C_T3212_0, C_ci_cellA, C_MCC_1, C_PLMN_1, C_LAC_1, CellOpt_01, CellChDes_02, CellChDes_03, C_CellReselectHys12, C_MaxPwrLvlG, C_MaxPwrLvlD, BcchFreqLst_01, BcchFreqLst_Omit, BcchFreqLst_48, BcchFreqLst_Omit, C_noReestablishment, C_BCC, C_NCC, C_Start_Tmsi, TSPX_SDCCH4SubB, TSPX_CKSNDf, TSPX_RANDDef, C_arfcnA, C_arfcnAd, TSPX_IMSI, C_Test_fh, C_NCCP_2) |                                                              |     | 1.       |
| 3                           | body       | +test1                                                                                                                                                                                                                                                                                                                                                                                                                                                                                                                                                                                                      |                                                              |     |          |
| 4                           |            | +test2                                                                                                                                                                                                                                                                                                                                                                                                                                                                                                                                                                                                      |                                                              |     |          |
| 5                           |            | +test3                                                                                                                                                                                                                                                                                                                                                                                                                                                                                                                                                                                                      |                                                              |     |          |
| 6                           |            | +test4                                                                                                                                                                                                                                                                                                                                                                                                                                                                                                                                                                                                      |                                                              |     |          |
| 7                           |            | +test5                                                                                                                                                                                                                                                                                                                                                                                                                                                                                                                                                                                                      |                                                              |     |          |
| 8                           |            | <b>test1</b><br>(TCV_Null := OM_2Msgs( TCV_PgCh, TCV_Pgg, C_NxtButOne))                                                                                                                                                                                                                                                                                                                                                                                                                                                                                                                                     |                                                              |     |          |
| 9                           |            | LIDL_UdatRqPg1Rq                                                                                                                                                                                                                                                                                                                                                                                                                                                                                                                                                                                            | PgReq1( TCV_PgCh, TCV_Pgg, PgReqTp1_06)                      |     |          |
| 10                          |            | LIDL_UdatRqPg1Rq                                                                                                                                                                                                                                                                                                                                                                                                                                                                                                                                                                                            | PgReq1( TCV_PgCh, TCV_Pgg, PgReqTp1_01)                      |     | 2.       |
| 11                          |            | L?DL_RaInChRq (TCV_Rqr.ra := DL_RaInChRq. msg.ecau_rrf, TCV_Rqr.fn := DL_RaInChRq.fn, TCV_Rqr9 := OC_SaveAndRetrv( TCV_Rqr, C_SAVE, 1, 0))                                                                                                                                                                                                                                                                                                                                                                                                                                                                  | ChReq( ChRequest_02)                                         |     |          |
| 12                          | L_018<br>5 | L?DL_RaInChRq (TCV_Rqr.ra := DL_RaInChRq. msg.ecau_rrf, TCV_Rqr.fn := DL_RaInChRq.fn, TCV_Rqr9 := OC_SaveAndRetrv( TCV_Rqr, C_SAVE, 2, 0))                                                                                                                                                                                                                                                                                                                                                                                                                                                                  | ChReq( ChRequest_02)                                         | (P) |          |
| 13                          |            | LIDL_UdatRqImmassRej START T_dly( C_T_Wait)                                                                                                                                                                                                                                                                                                                                                                                                                                                                                                                                                                 | ImmAssRej( TCV_agch, ImmAsgnRej_03( TCV_Rqr.ra, TCV_Rqr.fn)) |     | 3.       |
| 14                          |            | <b>test2</b><br>?TIMEOUT T_dly                                                                                                                                                                                                                                                                                                                                                                                                                                                                                                                                                                              |                                                              |     |          |
| 15                          |            | (TCV_Null := OM_2Msgs( TCV_PgCh, TCV_Pgg, C_NxtButOne), TCV_Rqr9 := OC_SaveAndRetrv( TCV_Rqr, C_RETRV, 10, 1))                                                                                                                                                                                                                                                                                                                                                                                                                                                                                              |                                                              |     |          |
| 16                          |            | +gsmOrDcs                                                                                                                                                                                                                                                                                                                                                                                                                                                                                                                                                                                                   |                                                              |     | 4.       |
| 17                          |            | LIDL_UdatRqPg2Rq                                                                                                                                                                                                                                                                                                                                                                                                                                                                                                                                                                                            | PgReq2(TCV_PgCh, TCV_Pgg, PgReqTp2_04)                       |     | 5.       |
| 18                          |            | L?DL_RaInChRq( TCV_Rqr.ra := DL_RaInChRq. msg.ecau_rrf, TCV_Rqr.fn := DL_RaInChRq.fn, TCV_Rqr9 := OC_SaveAndRetrv( TCV_Rqr, C_SAVE, 3, 0))                                                                                                                                                                                                                                                                                                                                                                                                                                                                  | ChReq( ChRequest_02)                                         |     |          |
| 19                          | L_018<br>6 | L?DL_RaInChRq( TCV_Rqr.ra := DL_RaInChRq. msg.ecau_rrf, TCV_Rqr.fn :=                                                                                                                                                                                                                                                                                                                                                                                                                                                                                                                                       | ChReq( ChRequest_02)                                         | (P) |          |

|    |                                                                                                                                                                                 |                                                                                                                                            |     |
|----|---------------------------------------------------------------------------------------------------------------------------------------------------------------------------------|--------------------------------------------------------------------------------------------------------------------------------------------|-----|
| 20 | <pre> := DL_RaInChRq.fn, TCV_Rqr9 := OC_SaveAndRetrv( TCV_Rqr, C_SAVE, 4, 0)) L!DL_UdatRqImmRej START T_dly( C_T_Wait) </pre>                                                   | <pre> ImmAssRej( TCV_agch, ImmAsgnRej_03( TCV_Rqr.ra, TCV_Rqr.fn)) </pre>                                                                  | 3.  |
| 21 | <pre> <b>test3</b> ?TIMEOUT T_dly </pre>                                                                                                                                        |                                                                                                                                            |     |
| 22 | <pre> (TCV_Null := OM_2Msgs( TCV_PgCh, TCV_Pgg, C_NxtButOne), TCV_Rqr9 := OC_SaveAndRetrv( TCV_Rqr, C_RETRV, 11, 1)) </pre>                                                     |                                                                                                                                            |     |
| 23 | <pre> +gsmOrDcs1 </pre>                                                                                                                                                         |                                                                                                                                            | 6.  |
| 24 | <pre> LIDL_UdatRqPg3Rq </pre>                                                                                                                                                   | <pre> PgReq3(TCV_PgCh, TCV_Pgg, PgReqTp3_r05) </pre>                                                                                       | 7.  |
| 25 | <pre> +ltree_chreq </pre>                                                                                                                                                       |                                                                                                                                            |     |
| 26 | <pre> <b>test4</b> ?TIMEOUT T_dly </pre>                                                                                                                                        |                                                                                                                                            |     |
| 27 | <pre> (TCV_Null := OM_2Msgs(TCV_PgCh, TCV_Pgg, C_NxtButOne)) </pre>                                                                                                             |                                                                                                                                            |     |
| 28 | <pre> LIDL_UdatRqPg3Rq </pre>                                                                                                                                                   | <pre> PgReq3(TCV_PgCh, TCV_Pgg, PgReqTp3_01) </pre>                                                                                        | 8.  |
| 29 | <pre> LIDL_UdatRqPg2Rq </pre>                                                                                                                                                   | <pre> PgReq2(TCV_PgCh, TCV_Pgg, PgReqTp2_r06) </pre>                                                                                       | 9.  |
| 30 | <pre> +ltree_chreq </pre>                                                                                                                                                       |                                                                                                                                            |     |
| 31 | <pre> <b>test5</b> ?TIMEOUT T_dly </pre>                                                                                                                                        |                                                                                                                                            |     |
| 32 | <pre> (TCV_Null := OM_2Msgs(TCV_PgCh, TCV_Pgg, C_NxtButOne)) </pre>                                                                                                             |                                                                                                                                            |     |
| 33 | <pre> LIDL_UdatRqPg2Rq </pre>                                                                                                                                                   | <pre> PgReq2(TCV_PgCh, TCV_Pgg, PgReqTp2_02) </pre>                                                                                        | 8.  |
| 34 | <pre> LIDL_UdatRqPg1Rq </pre>                                                                                                                                                   | <pre> PgReq1(TCV_PgCh, TCV_Pgg, PgReqTp1_05) </pre>                                                                                        | 10. |
| 35 | <pre> +ltree_chreq </pre>                                                                                                                                                       |                                                                                                                                            |     |
| 36 | <pre> ?TIMEOUT T_dly </pre>                                                                                                                                                     |                                                                                                                                            |     |
| 37 | <pre> <b>ltree_chreq</b> L?DL_RaInChRq </pre>                                                                                                                                   | <pre> ChReq( ChRequest_02) </pre>                                                                                                          |     |
| 38 | <pre> L_018 L?DL_RaInChRq( TCV_Rqr.ra := DL_RaInChRq. 7 msg.ecau_rrf, TCV_Rqr.fn := DL_RaInChRq.fn) </pre>                                                                      | <pre> ChReq( ChRequest_02) </pre>                                                                                                          | (P) |
| 39 | <pre> LIDL_UdatRqImmRej START T_dly( C_T_Wait) </pre>                                                                                                                           | <pre> ImmAssRej( TCV_agch, ImmAsgnRej_03( TCV_Rqr.ra, TCV_Rqr.fn)) </pre>                                                                  |     |
| 40 | <pre> <b>gsmOrDcs</b> [(TSPX_CcchConf3 = C_cch_1nonComb) OR (TSPX_CcchConf3 = C_cch_2nonComb) OR (TSPX_CcchConf3 = C_cch_3nonComb) OR (TSPX_CcchConf3 = C_cch_4nonComb)] </pre> |                                                                                                                                            |     |
| 41 | <pre> L!DL_UdatRqImmRej_sp </pre>                                                                                                                                               | <pre> ImmAssSp( TCV_PgCh, TCV_Pgg, ImmAsgn_nfh( TCV_Rqr9.ra, TCV_Rqr9.fn, TCV_Tchtype, TSPX_TmSlitDef, TSPX_TscDef, TimingAdv( 30), </pre> | 4.  |

|    |            |                                                                                                                                                                                                                                                           |                                                                                                                                                                                                             |    |
|----|------------|-----------------------------------------------------------------------------------------------------------------------------------------------------------------------------------------------------------------------------------------------------------|-------------------------------------------------------------------------------------------------------------------------------------------------------------------------------------------------------------|----|
| 42 |            | [TSPX_CcchConf3 = C_cch_1Comb]                                                                                                                                                                                                                            | TCV_tch_arfcn,<br>C_extended_paging))                                                                                                                                                                       |    |
| 43 |            | LIDL_UdatRqImmss_sp                                                                                                                                                                                                                                       | ImmAssSp(<br>TCV_PgCh,<br>TCV_Pgg,<br>ImmAsgn_nfh(<br>TCV_Rqr9.ra,<br>TCV_Rqr9.fn,<br>TCV_Tchtype,<br>TCV_slot, TCV_tsc,<br>TimingAdv( 30),<br>TCV_chdescr_arfcn,<br>C_extended_paging))                    | 4. |
| 44 | L_018<br>8 | [(TSPX_CcchConf3 = C_cch_2Comb) OR<br>(TSPX_CcchConf3 = C_cch_3Comb) OR<br>(TSPX_CcchConf3 = C_cch_4Comb)]                                                                                                                                                |                                                                                                                                                                                                             | I  |
| 45 |            | <b>gsmOrDcs1</b><br>[(TSPX_CcchConf3 = C_cch_1nonComb) OR<br>(TSPX_CcchConf3 = C_cch_2nonComb) OR<br>(TSPX_CcchConf3 = C_cch_3nonComb) OR<br>(TSPX_CcchConf3 = C_cch_4nonComb)]                                                                           |                                                                                                                                                                                                             |    |
| 46 |            | LIDL_UdatRqImmssx_sp                                                                                                                                                                                                                                      | ImmAssXSp(<br>TCV_PgCh,<br>TCV_Pgg,<br>ImmAsgnX_01(<br>TCV_Rqr9.ra,<br>TCV_Rqr9.fn,<br>TSPX_SDCCH8SubD<br>ef,<br>TSPX_SDCCH8SubA<br>, TSPX_TmSlitDef,<br>TSPX_TscDef,<br>TimingAdv( 30),<br>TCV_tch_arfcn)) | 6. |
| 47 |            | [TSPX_CcchConf3 = C_cch_1Comb]                                                                                                                                                                                                                            |                                                                                                                                                                                                             |    |
| 48 |            | LIDL_UdatRqImmssx_sp                                                                                                                                                                                                                                      | ImmAssXSp(<br>TCV_PgCh,<br>TCV_Pgg,<br>ImmAsgnX_r03(<br>TCV_Rqr9.ra,<br>TCV_Rqr9.fn,<br>TSPX_SDCCH4SubB<br>,<br>TSPX_SDCCH4SubA<br>, TCV_slot, TCV_tsc,<br>TimingAdv( 30),<br>TCV_chdescr_arfcn))           | 6. |
| 49 | L_018<br>9 | [(TSPX_CcchConf3 = C_cch_2Comb) OR<br>(TSPX_CcchConf3 = C_cch_3Comb) OR<br>(TSPX_CcchConf3 = C_cch_4Comb)]                                                                                                                                                |                                                                                                                                                                                                             | I  |
| 50 |            | <b>ltree_sdcch</b><br>[(TSPX_CcchConf3 = C_cch_1nonComb) OR<br>(TSPX_CcchConf3 = C_cch_2nonComb) OR<br>(TSPX_CcchConf3 = C_cch_3nonComb) OR<br>(TSPX_CcchConf3 = C_cch_4nonComb)]                                                                         |                                                                                                                                                                                                             |    |
| 51 |            | +SDCCH8_A_1_nociph( TSPX_SDCCH8SubDef,<br>C_Immss, TSPX_TmSlitDef, TSPX_TscDef,<br>ChMod_sign, FreqTCH( C_arfcn_tchA), FreqTCH(<br>C_arfcn_tchAd), TimingAdv( 30), INT_TO_BIT(<br>TSPX_AGBLKS3, 3), TSPX_CcchConf3,<br>INT_TO_BIT(( TSPX_PAMFRMS3-2), 3)) |                                                                                                                                                                                                             |    |
| 52 |            | (TCV_Tchtype := INT_TO_BIT(( 8 + BIT_TO_INT(<br>TSPX_SDCCH8SubDef)), 5))                                                                                                                                                                                  |                                                                                                                                                                                                             |    |
| 53 |            | [TSPC_PGSM OR TSPC_EGSM]                                                                                                                                                                                                                                  |                                                                                                                                                                                                             |    |
| 54 |            | (TCV_tch_arfcn:= C_arfcn_tchA)                                                                                                                                                                                                                            |                                                                                                                                                                                                             |    |
| 55 |            | [TSPC_DCS]                                                                                                                                                                                                                                                |                                                                                                                                                                                                             |    |
| 56 |            | (TCV_tch_arfcn:= C_arfcn_tchAd)                                                                                                                                                                                                                           |                                                                                                                                                                                                             |    |
| 57 |            | [TSPX_CcchConf3 = C_cch_1Comb]                                                                                                                                                                                                                            |                                                                                                                                                                                                             |    |
| 58 |            | (TCV_Tchtype := INT_TO_BIT(( 4 + BIT_TO_INT(<br>TSPX_SDCCH4SubB)), 5))                                                                                                                                                                                    |                                                                                                                                                                                                             |    |
| 59 | L_019      | [(TSPX_CcchConf3 = C_cch_2Comb) OR                                                                                                                                                                                                                        |                                                                                                                                                                                                             | I  |

|                                                                                                                                                                                                                                                                                                                                                                                                                                                                                                                                                                                                                                                                                                                                                                                                                                                                                                                                                                                                                                                                    |                                                                     |  |  |  |
|--------------------------------------------------------------------------------------------------------------------------------------------------------------------------------------------------------------------------------------------------------------------------------------------------------------------------------------------------------------------------------------------------------------------------------------------------------------------------------------------------------------------------------------------------------------------------------------------------------------------------------------------------------------------------------------------------------------------------------------------------------------------------------------------------------------------------------------------------------------------------------------------------------------------------------------------------------------------------------------------------------------------------------------------------------------------|---------------------------------------------------------------------|--|--|--|
| 0                                                                                                                                                                                                                                                                                                                                                                                                                                                                                                                                                                                                                                                                                                                                                                                                                                                                                                                                                                                                                                                                  | (TSPX_CcchConf3 = C_cch_3Comb) OR<br>(TSPX_CcchConf3 = C_cch_4Comb) |  |  |  |
| <b>Detailed Comments:</b> <ol style="list-style-type: none"><li>1. Tx-integer = 5, Max-Retrans = 2.</li><li>2. To send PAGING REQUEST TYPE 1 message with normal page mode in the next but one paging subblock on the same CCCH as previous paging message.</li><li>3. The page mode = normal paging, wait time = 5 seconds.</li><li>4. The page mode = "extended paging", request reference is different from any one already sent by the MS.</li><li>5. The page mode = "same as before", address the MS by TMSI, in the next but one paging subblock on the same CCCH.</li><li>6. The page mode = "extended paging", request reference is different from any one already sent by the MS. The ImmAsgnX message is sent on the MS paging channel.</li><li>7. The page mode = "extended paging", address the MS by TMSI, in the next but one paging subblock on the same CCCH.</li><li>8. Extended paging, not address the MS.</li><li>9. The page mode = "same as before", address the MS with IMSI.</li><li>10. normal paging, address the MS by IMSI.</li></ol> |                                                                     |  |  |  |

| Test Case Dynamic Behaviour |            |                                                                                                                                                                                                                                                                                                                                                                                                                                                                                                                                                                                                                        |                                                                                                             |   |          |
|-----------------------------|------------|------------------------------------------------------------------------------------------------------------------------------------------------------------------------------------------------------------------------------------------------------------------------------------------------------------------------------------------------------------------------------------------------------------------------------------------------------------------------------------------------------------------------------------------------------------------------------------------------------------------------|-------------------------------------------------------------------------------------------------------------|---|----------|
| <b>Test Case Name:</b>      |            | TC_26_6_2_3_1                                                                                                                                                                                                                                                                                                                                                                                                                                                                                                                                                                                                          |                                                                                                             |   |          |
| <b>Group:</b>               |            | GSM_L3_MS_v4200/RR/                                                                                                                                                                                                                                                                                                                                                                                                                                                                                                                                                                                                    |                                                                                                             |   |          |
| <b>Purpose:</b>             |            | To test that the MS correctly determines its new paging subchannel when the CCCH structure is changed from non-combined to combined and when the number of CCCHs is changed.                                                                                                                                                                                                                                                                                                                                                                                                                                           |                                                                                                             |   |          |
| <b>Default:</b>             |            | OtherEventsFail                                                                                                                                                                                                                                                                                                                                                                                                                                                                                                                                                                                                        |                                                                                                             |   |          |
| <b>Comments:</b>            |            | The configuration is Max-Retrans = 2, 1 non-combined CCCH/BCCH, BS-AG-BLKS-RES and, BS-PA-MFRMS are controlled by PIXIT parameters.                                                                                                                                                                                                                                                                                                                                                                                                                                                                                    |                                                                                                             |   |          |
| Nr                          | Label      | Behaviour Description                                                                                                                                                                                                                                                                                                                                                                                                                                                                                                                                                                                                  | CRef                                                                                                        | V | Comments |
| 1                           |            | START T_guard(300)                                                                                                                                                                                                                                                                                                                                                                                                                                                                                                                                                                                                     |                                                                                                             |   |          |
| 2                           |            | [(TSPX_PAMFRMS1 < 7) AND (TSPX_PAMFRMS1 >= 0)]                                                                                                                                                                                                                                                                                                                                                                                                                                                                                                                                                                         |                                                                                                             |   | 6.       |
| 3                           |            | +IdleUpdated( C_E_default, C_CellA, C_SCH_A, C_BCCH_A_1, C_Immass, C_S0, C_S2, C_S4, C_S6, C_BCC, C_TxInt_5, C_Max_2, C_NEC1_0, C_ATT_0, TimingAdv( TSPX_TimadvB), INT_TO_BIT( TSPX_AGBLKS1, 3), C_cch_1nonComb, INT_TO_BIT(( TSPX_PAMFRMS1-2), 3), C_T3212_0, C_ci_cellA, C_MCC_1, C_PLMN_1, C_LAC_1, CellOpt_01, CellChDes_02, CellChDes_03, C_CellReselectHys12, C_MaxPwrLvIG, C_MaxPwrLvID, BcchFreqLst_01, BcchFreqLst_Omit, BcchFreqLst_48, BcchFreqLst_Omit, C_noRestablishment, C_BCC, C_NCC, C_Start_Tmsi, TSPX_SDCCH4SubDef, TSPX_CKSNDf, TSPX_RANDDef, C_arfcnA, C_arfcnAd, TSPX_IMSI, C_Test_fh, C_NCCP_2) |                                                                                                             |   |          |
| 4                           | body       | +test1                                                                                                                                                                                                                                                                                                                                                                                                                                                                                                                                                                                                                 |                                                                                                             |   |          |
| 5                           |            | +test2                                                                                                                                                                                                                                                                                                                                                                                                                                                                                                                                                                                                                 |                                                                                                             |   |          |
| 6                           |            | +test3( '001'B)                                                                                                                                                                                                                                                                                                                                                                                                                                                                                                                                                                                                        |                                                                                                             |   |          |
| 7                           |            | +secondexec                                                                                                                                                                                                                                                                                                                                                                                                                                                                                                                                                                                                            |                                                                                                             |   |          |
| 8                           | L_019<br>1 | [(TSPX_PAMFRMS1 > 6) OR(TSPX_PAMFRMS1 < 0)]                                                                                                                                                                                                                                                                                                                                                                                                                                                                                                                                                                            |                                                                                                             | I | 6.       |
| 9                           |            | <b>secondexec</b><br>+PreEnterIdleState_r02( C_Immass, TCV_slot, TCV_tsc, C_TxInt_5, C_Max_2, C_S2, C_S4, C_S6, TimingAdv( TSPX_TimadvB), C_ATT_0, INT_TO_BIT( TSPX_AGBLKS1, 3), C_cch_1nonComb, INT_TO_BIT(( TSPX_PAMFRMS1 - 2), 3), C_T3212_0, C_MCC_1, C_PLMN_1, C_LAC_1)                                                                                                                                                                                                                                                                                                                                           |                                                                                                             |   | 1.       |
| 10                          |            | +ltree_waitSelectPaging                                                                                                                                                                                                                                                                                                                                                                                                                                                                                                                                                                                                |                                                                                                             |   |          |
| 11                          |            | +test1                                                                                                                                                                                                                                                                                                                                                                                                                                                                                                                                                                                                                 |                                                                                                             |   |          |
| 12                          |            | +test2                                                                                                                                                                                                                                                                                                                                                                                                                                                                                                                                                                                                                 |                                                                                                             |   |          |
| 13                          |            | +test3( '010'B)                                                                                                                                                                                                                                                                                                                                                                                                                                                                                                                                                                                                        |                                                                                                             |   |          |
| 14                          |            | <b>test1</b><br>(TCV_Null := OM_2Msgs(TCV_PgCh, TCV_Pgg, C_BfReOcc))                                                                                                                                                                                                                                                                                                                                                                                                                                                                                                                                                   |                                                                                                             |   |          |
| 15                          |            | LIDL_UdatRqImmassx_sp                                                                                                                                                                                                                                                                                                                                                                                                                                                                                                                                                                                                  | ImmAssXSp( TCV_PgCh, TCV_Pgg, ImmAsgnX_03( TCV_slot, TCV_tsc, TimingAdv( TSPX_TimadvB), TCV_chdescr_arfcn)) |   |          |
| 16                          |            | LIDL_UdatRqPg2Rq                                                                                                                                                                                                                                                                                                                                                                                                                                                                                                                                                                                                       | PgReq2(TCV_PgCh, TCV_Pgg, PgReqTp2_01)                                                                      |   | 3.       |
| 17                          |            | +ltree_chreq                                                                                                                                                                                                                                                                                                                                                                                                                                                                                                                                                                                                           |                                                                                                             |   |          |
| 18                          |            | <b>test2</b><br>(TCV_Null := OM_PgFill(C_CellA, PgReqTp1Reorg))                                                                                                                                                                                                                                                                                                                                                                                                                                                                                                                                                        |                                                                                                             |   |          |
| 19                          |            | ?TIMEOUT T_dly                                                                                                                                                                                                                                                                                                                                                                                                                                                                                                                                                                                                         |                                                                                                             |   |          |
| 20                          |            | LIDL_UdatRqPg2Rq                                                                                                                                                                                                                                                                                                                                                                                                                                                                                                                                                                                                       | PgReq2(TCV_PgCh, INT_TO_BIT(                                                                                |   | 4.       |

|    |            |                                                                                                                                                                                                           |                                                                          |                                    |
|----|------------|-----------------------------------------------------------------------------------------------------------------------------------------------------------------------------------------------------------|--------------------------------------------------------------------------|------------------------------------|
| 21 |            | +ltree_chreq                                                                                                                                                                                              | TSPX_PgSubch, 8),<br>PgReqTp2_03)                                        |                                    |
| 22 |            | <b>test3( cch_con:B_3)</b><br>START T_dly( 1000)                                                                                                                                                          |                                                                          | Ensure having sent<br>ImmAssRej_01 |
| 23 |            | ?TIMEOUT T_dly                                                                                                                                                                                            |                                                                          |                                    |
| 24 |            | +PreEnterIdleState_r02( C_Imm, TCV_slot,<br>TCV_tsc, C_TxInt_5, C_Max_2, C_S2, C_S4,<br>C_S6, TimingAdv( TSPX_TimadvB), C_ATT_0,<br>C_BABR_2, cch_con, C_BPM_7, C_T3212_0,<br>C_MCC_1, C_PLMN_1, C_LAC_1) |                                                                          |                                    |
| 25 |            | +ltree_waitSelectPaging                                                                                                                                                                                   |                                                                          |                                    |
| 26 |            | LIDL_UdatRqPg1Rq                                                                                                                                                                                          | PgReq1( TCV_PgCh,<br>TCV_Pgg,<br>PgReqTp1_01)                            | 5.                                 |
| 27 |            | +ltree_chreq                                                                                                                                                                                              |                                                                          |                                    |
| 28 |            | ?TIMEOUT T_dly                                                                                                                                                                                            |                                                                          |                                    |
| 29 |            | LIDL_UdatRqPg2Rq                                                                                                                                                                                          | PgReq2( TCV_PgCh,<br>TCV_Pgg,<br>PgReqTp2_01)                            | 5.                                 |
| 30 |            | +ltree_chreq                                                                                                                                                                                              |                                                                          |                                    |
| 31 |            | ?TIMEOUT T_dly                                                                                                                                                                                            |                                                                          |                                    |
| 32 |            | <b>ltree_chreq</b><br>L?DL_RaInChRq                                                                                                                                                                       | ChReq(<br>ChRequest_02)                                                  |                                    |
| 33 | L_019<br>2 | L?DL_RaInChRq( TCV_Rqr.ra :=<br>DL_RaInChRq.msg.ecau_rrf, TCV_Rqr.fn :=<br>DL_RaInChRq.fn)                                                                                                                | ChReq(<br>ChRequest_02)                                                  | (P)                                |
| 34 |            | LIDL_UdatRqImmAssRej START T_dly(<br>C_T_Wait)                                                                                                                                                            | ImmAssRej(<br>TCV_agch,<br>ImmAsgnRej_01(<br>TCV_Rqr.ra,<br>TCV_Rqr.fn)) | 5s wait                            |
| 35 |            | <b>ltree_waitSelectPaging</b><br>(TCV_Null := OM_PgFill( C_CellA, PgReqTp1Reorg))                                                                                                                         |                                                                          |                                    |
| 36 |            | START T_dly( C_T_Wait)                                                                                                                                                                                    |                                                                          | 5s wait                            |
| 37 |            | +CCCH_group_Paging_group( TCV_Ccd0A,<br>TSPX_IMSI)                                                                                                                                                        |                                                                          |                                    |
| 38 |            | +SelectPagingCh( C_CellA)                                                                                                                                                                                 |                                                                          |                                    |
| 39 |            | ?TIMEOUT T_dly                                                                                                                                                                                            |                                                                          |                                    |
| 40 |            | (TCV_Null := OM_PgFill( C_CellA,<br>PgReqTp1Norm))                                                                                                                                                        |                                                                          |                                    |
| 41 |            | START T_dly( 3000)                                                                                                                                                                                        |                                                                          | 3s wait                            |
| 42 |            | ?TIMEOUT T_dly                                                                                                                                                                                            |                                                                          |                                    |

**Detailed Comments:**

1. Tx-integer = 5, Max-Retrans = 2 and CCCH-CONF = "1 basic physical channel used for CCCH not combined with SDCCHs", BS-AG-BLKS-RES and BS-PA-MFRMS are from PIXIT.
2. Page mode = "paging reorganisation", not address the MS.
3. Paging mode = "normal", address the MS by TMSI.
4. Page mode = "paging reorganisation", address the MS.
5. Paging mode = "normal", address the MS by TMSI.
6. BS-PA-MFRMS shall not be set to 9 for this test case.



| Test Case Dynamic Behaviour |            |                                                                                                                                                                                                                                                                                                                                                                                                                                                                                                                                                                                                                                                                                                                                                                                                                     |                                                                                                                   |   |          |
|-----------------------------|------------|---------------------------------------------------------------------------------------------------------------------------------------------------------------------------------------------------------------------------------------------------------------------------------------------------------------------------------------------------------------------------------------------------------------------------------------------------------------------------------------------------------------------------------------------------------------------------------------------------------------------------------------------------------------------------------------------------------------------------------------------------------------------------------------------------------------------|-------------------------------------------------------------------------------------------------------------------|---|----------|
| <b>Test Case Name:</b>      |            | TC_26_6_2_3_2                                                                                                                                                                                                                                                                                                                                                                                                                                                                                                                                                                                                                                                                                                                                                                                                       |                                                                                                                   |   |          |
| <b>Group:</b>               |            | GSM_L3_MS_v4200/RR/                                                                                                                                                                                                                                                                                                                                                                                                                                                                                                                                                                                                                                                                                                                                                                                                 |                                                                                                                   |   |          |
| <b>Purpose:</b>             |            | To test that the MS is operating in the "paging reorganisation" page mode when this is ordered by the SS and the MS is paged in its former access grant channel.                                                                                                                                                                                                                                                                                                                                                                                                                                                                                                                                                                                                                                                    |                                                                                                                   |   |          |
| <b>Default:</b>             |            | OtherEventsFail                                                                                                                                                                                                                                                                                                                                                                                                                                                                                                                                                                                                                                                                                                                                                                                                     |                                                                                                                   |   |          |
| <b>Comments:</b>            |            | The configuration is Max-Retrans = 1, CCCH-CONF, BS-AG-BLKS-RES and BS-PA-MFRMS are controlled by PIXIT parameters with the constraint that BS-AG-BLKS-RES > 0.                                                                                                                                                                                                                                                                                                                                                                                                                                                                                                                                                                                                                                                     |                                                                                                                   |   |          |
| Nr                          | Label      | Behaviour Description                                                                                                                                                                                                                                                                                                                                                                                                                                                                                                                                                                                                                                                                                                                                                                                               | CRef                                                                                                              | V | Comments |
| 1                           |            | START T_guard(300)                                                                                                                                                                                                                                                                                                                                                                                                                                                                                                                                                                                                                                                                                                                                                                                                  |                                                                                                                   |   |          |
| 2                           |            | <pre>           [((TSPX_CcchConf2 = C_cch_1nonComb) OR           (TSPX_CcchConf2 = C_cch_2nonComb) OR           (TSPX_CcchConf2 = C_cch_3nonComb) OR           (TSPX_CcchConf2 = C_cch_4nonComb))           AND(TSPX_AGBLKS2 &gt; 0) AND(TSPX_AGBLKS2           &lt; 8) OR (TSPX_CcchConf2 = C_cch_1Comb)           AND(TSPX_AGBLKS2 &gt; 0) AND(TSPX_AGBLKS2           &lt; 3)]         </pre>                                                                                                                                                                                                                                                                                                                                                                                                                     |                                                                                                                   |   | 4.       |
| 3                           |            | <pre>           +IdleUpdated( C_E_default, C_CellA, C_SCH_A,           C_BCCH_A_1, C_Immass, C_S0, C_S2, C_S4,           C_S6, C_BCC, C_TxInt_5, C_Max_1, C_NECI_0,           C_ATT_0, TimingAdv( TSPX_TimadvB),           INT_TO_BIT( TSPX_AGBLKS2, 3),           TSPX_CcchConf2, INT_TO_BIT((           TSPX_PAMFRMS2-2), 3), C_T3212_0,           C_ci_cellA, C_MCC_1, C_PLMN_1, C_LAC_1,           CellOpt_01, CellChDes_02, CellChDes_03,           C_CellReselectHys12, C_MaxPwrLvlG,           C_MaxPwrLvlD, BcchFreqLst_01,           BcchFreqLst_Omit, BcchFreqLst_48,           BcchFreqLst_Omit, C_noRestablishment,           C_BCC, C_NCC, C_Start_Tmsi,           TSPX_SDCCH4SubA, TSPX_CKSNDf,           TSPX_RANDDef, C_arfcnA, C_arfcnAd,           TSPX_IMSI, C_Test_fh, C_NCCP_2)         </pre> |                                                                                                                   |   |          |
| 4                           | body       | <pre>           (TCV_Null := OM_2Msgs( TCV_PgCh,           TCV_Pgg, C_FmrAGB))         </pre>                                                                                                                                                                                                                                                                                                                                                                                                                                                                                                                                                                                                                                                                                                                       |                                                                                                                   |   |          |
| 5                           |            | <pre>           [((TSPX_CcchConf2 = C_cch_1nonComb) OR           (TSPX_CcchConf2 = C_cch_2nonComb) OR           (TSPX_CcchConf2 = C_cch_3nonComb) OR           (TSPX_CcchConf2 = C_cch_4nonComb))]         </pre>                                                                                                                                                                                                                                                                                                                                                                                                                                                                                                                                                                                                   |                                                                                                                   |   |          |
| 6                           |            | L!DL_UdatRqImmassx_sp                                                                                                                                                                                                                                                                                                                                                                                                                                                                                                                                                                                                                                                                                                                                                                                               | ImmAssXSp(TCV_PgCh, TCV_Pgg, ImmAsgnX_04(TSPX_TmSltDef, TSPX_TscDef, TimingAdv(TSPX_TimadvB), TCV_chdescr_arfcn)) |   |          |
| 7                           |            | +localtree                                                                                                                                                                                                                                                                                                                                                                                                                                                                                                                                                                                                                                                                                                                                                                                                          |                                                                                                                   |   |          |
| 8                           |            | [TSPX_CcchConf2 = C_cch_1Comb]                                                                                                                                                                                                                                                                                                                                                                                                                                                                                                                                                                                                                                                                                                                                                                                      |                                                                                                                   |   |          |
| 9                           |            | L!DL_UdatRqImmassx_sp                                                                                                                                                                                                                                                                                                                                                                                                                                                                                                                                                                                                                                                                                                                                                                                               | ImmAssXSp(TCV_PgCh, TCV_Pgg, ImmAsgnX_02(TCV_slot, TCV_tsc, TimingAdv(TSPX_TimadvB), TCV_chdescr_arfcn))          |   |          |
| 10                          |            | +localtree                                                                                                                                                                                                                                                                                                                                                                                                                                                                                                                                                                                                                                                                                                                                                                                                          |                                                                                                                   |   |          |
| 11                          | L_019<br>3 | <pre>           [((TSPX_CcchConf2 = C_cch_2Comb) OR           (TSPX_CcchConf2 = C_cch_3Comb) OR           (TSPX_CcchConf2 = C_cch_4Comb))]         </pre>                                                                                                                                                                                                                                                                                                                                                                                                                                                                                                                                                                                                                                                           |                                                                                                                   | I | Reserved |
| 12                          | L_019<br>4 | <pre>           [(((TSPX_CcchConf2 = C_cch_1nonComb) OR           (TSPX_CcchConf2 = C_cch_2nonComb) OR           (TSPX_CcchConf2 = C_cch_3nonComb) OR           (TSPX_CcchConf2 = C_cch_4nonComb))           AND(TSPX_AGBLKS2 &gt; 7)) OR           ((TSPX_CcchConf2 = C_cch_1Comb)           AND(TSPX_AGBLKS2 &gt; 2)) OR(TSPX_AGBLKS2           &lt; 1)]         </pre>                                                                                                                                                                                                                                                                                                                                                                                                                                           |                                                                                                                   | I | 4.       |
|                             |            | localtree                                                                                                                                                                                                                                                                                                                                                                                                                                                                                                                                                                                                                                                                                                                                                                                                           |                                                                                                                   |   |          |

|                                                                                                                                                                                                                                                                                                                       |            |                                                                                               |                                                                          |     |
|-----------------------------------------------------------------------------------------------------------------------------------------------------------------------------------------------------------------------------------------------------------------------------------------------------------------------|------------|-----------------------------------------------------------------------------------------------|--------------------------------------------------------------------------|-----|
| 13                                                                                                                                                                                                                                                                                                                    |            | L!DL_UdatRqPg2Rq                                                                              | PgReq2(TCV_PgCh,<br>TCV_Pgg,<br>PgReqTp2_01)                             | 3.  |
| 14                                                                                                                                                                                                                                                                                                                    |            | L?DL_RacInChRq                                                                                | ChReq(<br>ChRequest_02)                                                  |     |
| 15                                                                                                                                                                                                                                                                                                                    | L_019<br>5 | L?DL_RacInChRq (TCV_Rqr.ra :=<br>DL_RacInChRq.msg.ecau_rrf, TCV_Rqr.fn :=<br>DL_RacInChRq.fn) | ChReq(<br>ChRequest_02)                                                  | (P) |
| 16                                                                                                                                                                                                                                                                                                                    |            | LIDL_UdatRqImmRej                                                                             | ImmAssRej(<br>TCV_agch,<br>ImmAsgnRej_01(<br>TCV_Rqr.ra,<br>TCV_Rqr.fn)) |     |
| <b>Detailed Comments:</b> <ol style="list-style-type: none"> <li>1. Tx-integer = 5, Max-Retrans = 1 and CCCH-CONF, BS-AG-BLKS-RES and BS-PA-MFRMS are controlled by PIXIT parameters.</li> <li>2. paging reorganisation.</li> <li>3. send in former access grant block.</li> <li>4. BS-AG-BLKS-RES &gt; 0.</li> </ol> |            |                                                                                               |                                                                          |     |

| Test Case Dynamic Behaviour |            |                                                                                                                                                                                                                                                                                                                                                                                                                                                                                                                                                                                                              |                                                              |     |          |
|-----------------------------|------------|--------------------------------------------------------------------------------------------------------------------------------------------------------------------------------------------------------------------------------------------------------------------------------------------------------------------------------------------------------------------------------------------------------------------------------------------------------------------------------------------------------------------------------------------------------------------------------------------------------------|--------------------------------------------------------------|-----|----------|
| <b>Test Case Name:</b>      |            | TC_26_6_2_4                                                                                                                                                                                                                                                                                                                                                                                                                                                                                                                                                                                                  |                                                              |     |          |
| <b>Group:</b>               |            | GSM_L3_MS_v4200/RR/                                                                                                                                                                                                                                                                                                                                                                                                                                                                                                                                                                                          |                                                              |     |          |
| <b>Purpose:</b>             |            | To test that the MS remembers the page mode from the previous paging request message.                                                                                                                                                                                                                                                                                                                                                                                                                                                                                                                        |                                                              |     |          |
| <b>Default:</b>             |            | OtherEventsFail                                                                                                                                                                                                                                                                                                                                                                                                                                                                                                                                                                                              |                                                              |     |          |
| <b>Comments:</b>            |            | The configuration is Tx-integer = 5, Max-Retrans = 2 and CCCH-CONF, BS-AG-BLKS-RES and BS-PA-MFRMS are from PIXIT parameters.                                                                                                                                                                                                                                                                                                                                                                                                                                                                                |                                                              |     |          |
| Nr                          | Label      | Behaviour Description                                                                                                                                                                                                                                                                                                                                                                                                                                                                                                                                                                                        | CRef                                                         | V   | Comments |
| 1                           |            | START T_guard(300)                                                                                                                                                                                                                                                                                                                                                                                                                                                                                                                                                                                           |                                                              |     |          |
| 2                           |            | +IdleUpdated( C_E_default, C_CellA, C_SCH_A, C_BCCH_A_1, C_Immass, C_S0, C_S2, C_S4, C_S6, C_BCC, C_TxInt_5, C_Max_2, C_NECI_0, C_ATT_0, TimingAdv( 30), INT_TO_BIT( TSPX_AGBLKS3, 3), TSPX_CcchConf3, INT_TO_BIT(( TSPX_PAMFRMS3-2), 3), C_T3212_0, C_ci_cellA, C_MCC_1, C_PLMN_1, C_LAC_1, CellOpt_01, CellChDes_02, CellChDes_03, C_CellReselectHys12, C_MaxPwrLvIG, C_MaxPwrLvID, BcchFreqLst_01, BcchFreqLst_Omit, BcchFreqLst_48, BcchFreqLst_Omit, C_noRestablishment, C_BCC, C_NCC, C_Start_Tmsi, TSPX_SDCCH4SubDef, TSPX_CKSNDf, TSPX_RANDDef, C_arfcnA, C_arfcnAd, TSPX_IMSI, C_Test_fh, C_NCCP_2) |                                                              |     |          |
| 3                           | body       | (TCV_Null := OM_2Msgs( TCV_PgCh, TCV_Pgg, C_NxtButOne))                                                                                                                                                                                                                                                                                                                                                                                                                                                                                                                                                      |                                                              |     |          |
| 4                           |            | LIDL_UdatRqImmassRej_sp                                                                                                                                                                                                                                                                                                                                                                                                                                                                                                                                                                                      | ImmAssRejSp( TCV_PgCh, TCV_Pgg, ImmAsgnRej_r04)              |     | 2.       |
| 5                           |            | LIDL_UdatRqPg3Rq                                                                                                                                                                                                                                                                                                                                                                                                                                                                                                                                                                                             | PgReq3(TCV_PgCh, TCV_Pgg, PgReqTp3_03)                       |     | 3.       |
| 6                           |            | (TCV_Null := OM_2Msgs( TCV_PgCh, TCV_Pgg, C_NxtButOne))                                                                                                                                                                                                                                                                                                                                                                                                                                                                                                                                                      |                                                              |     |          |
| 7                           |            | LIDL_UdatRqPg3Rq                                                                                                                                                                                                                                                                                                                                                                                                                                                                                                                                                                                             | PgReq3(TCV_PgCh, TCV_Pgg, PgReqTp3_02)                       |     | 4.       |
| 8                           |            | LIDL_UdatRqPg1Rq                                                                                                                                                                                                                                                                                                                                                                                                                                                                                                                                                                                             | PgReq1(TCV_PgCh, TCV_Pgg, PgReqTp1_07)                       |     | 5.       |
| 9                           |            | L?DL_RacInChRq                                                                                                                                                                                                                                                                                                                                                                                                                                                                                                                                                                                               | ChReq( ChRequest_17)                                         |     |          |
| 10                          | L_019<br>6 | L?DL_RacInChRq (TCV_Rqr.ra := DL_RacInChRq.msg.ecau_rrf, TCV_Rqr.fn := DL_RacInChRq.fn)                                                                                                                                                                                                                                                                                                                                                                                                                                                                                                                      | ChReq( ChRequest_17)                                         | (P) |          |
| 11                          |            | LIDL_UdatRqImmassRej                                                                                                                                                                                                                                                                                                                                                                                                                                                                                                                                                                                         | ImmAssRej( TCV_agch, ImmAsgnRej_01( TCV_Rqr.ra, TCV_Rqr.fn)) |     |          |
| <b>Detailed Comments:</b>   |            | <ol style="list-style-type: none"> <li>1. Tx-integer = 5, Max-Retrans = 2 and CCCH-CONF, BS-AG-BLKS-RES and BS-PA-MFRMS are from PIXIT parameters.</li> <li>2. extended paging mode.</li> <li>3. not address the MS.</li> <li>4. paging mode = "same as before", not address the MS, sent in the next paging subblock on the MS's specific paging subchannel.</li> <li>5. paging mode = "paging reorganisation", address the MS, sent in the next but one paging subblock.</li> </ol>                                                                                                                        |                                                              |     |          |

### Test Case Dynamic Behaviour

|                        |                                                                                                                                                                                                                                                                                                                                                                                                                                                                                                                                                                                                                                                                                                                                                                                                                             |
|------------------------|-----------------------------------------------------------------------------------------------------------------------------------------------------------------------------------------------------------------------------------------------------------------------------------------------------------------------------------------------------------------------------------------------------------------------------------------------------------------------------------------------------------------------------------------------------------------------------------------------------------------------------------------------------------------------------------------------------------------------------------------------------------------------------------------------------------------------------|
| <b>Test Case Name:</b> | TC_26_6_2_5                                                                                                                                                                                                                                                                                                                                                                                                                                                                                                                                                                                                                                                                                                                                                                                                                 |
| <b>Group:</b>          | GSM_L3_MS_v4200/RR/                                                                                                                                                                                                                                                                                                                                                                                                                                                                                                                                                                                                                                                                                                                                                                                                         |
| <b>Purpose:</b>        | <p>1) To test that the MS is able to determine its CCCH group and paging group correctly in the case of a CCCH configuration on more than one timeslot when it is paged on a timeslot other than 0. The MS is addressed with a PAGING REQUEST TYPE 1 message when the page mode is set to normal paging. The MS is paged with its IMSI in the 1st Mobile Identity field, the optional Mobile Identity field being not present, is the only way of addressing tested.</p> <p>2) To test that in such conditions the MS answers to the paging message on the timeslot on which the paging message was sent.</p>                                                                                                                                                                                                               |
| <b>Default:</b>        | OtherEventsFail                                                                                                                                                                                                                                                                                                                                                                                                                                                                                                                                                                                                                                                                                                                                                                                                             |
| <b>Comments:</b>       | <p>The configuration is Tx-integer = 5, Max-Retrans = 1 and CCCH-CONF, BS-AG-BLKS-RES and BS-PA-MFRMS are from PIXIT parameters.</p> <p>In the PIXITs CCCH-CONF is set to 3, BS-AG-BLKS-RES = 2 and BS-PA-MFRMS = 3.</p> <p>For this test to be useful, we need<br/> <math>((\text{IMSI mod } 10000) \text{ mod } (\text{cc} * (9 - \text{bsagres}) * \text{bspamfrms})) &gt; (9 - \text{bsagres}) * \text{bspamfrms}</math><br/>         ie. <math>((\text{IMSI mod } 1000) \text{ mod } 3*7*9) &gt; 7*9</math><br/>         thus if the last 3 digits of the IMSI are 065 then this test will work.</p> <p>When the CCCHs that are not on timeslot zero are set, the SYNC channel must not be started on them. The SYNC channel is used by mobiles to identify TS zero. (the FCCH is supposed to be excluded as well)</p> |

| Nr | Label      | Behaviour Description                                                                                                                                                                                                                                                                                                                                                                                                                                                                                                                                                                                           | CRef                                                                                                                         | V   | Comments                |
|----|------------|-----------------------------------------------------------------------------------------------------------------------------------------------------------------------------------------------------------------------------------------------------------------------------------------------------------------------------------------------------------------------------------------------------------------------------------------------------------------------------------------------------------------------------------------------------------------------------------------------------------------|------------------------------------------------------------------------------------------------------------------------------|-----|-------------------------|
| 1  |            | START T_guard(300)                                                                                                                                                                                                                                                                                                                                                                                                                                                                                                                                                                                              |                                                                                                                              |     |                         |
| 2  |            | +IdleUpdated( C_E_default, C_CellA, C_SCH_A, C_BCCH_A_1, C_Immass, C_S0, C_S2, C_S4, C_S6, C_BCC, C_TxInt_5, C_Max_1, C_NECl_0, C_ATT_0, TimingAdv( 30), INT_TO_BIT( TSPX_AGBLKS4, 3), TSPX_CcchConf4, INT_TO_BIT(( TSPX_PAMFRMS4-2), 3), C_T3212_0, C_ci_cellA, C_MCC_1, C_PLMN_1, C_LAC_1, CellOpt_01, CellChDes_02, CellChDes_03, C_CellReselectHys12, C_MaxPwrLvlG, C_MaxPwrLvlD, BcchFreqLst_01, BcchFreqLst_Omit, BcchFreqLst_48, BcchFreqLst_Omit, C_noRestablishment, C_BCC, C_NCC, C_Start_Tmsi, TSPX_SDCCH4SubDef, TSPX_CKSNDDef, TSPX_RANDDDef, C_arfcnA, C_arfcnAd, TSPX_IMSI, C_Test_fh, C_NCCP_2) |                                                                                                                              |     |                         |
| 3  |            | +local_tree                                                                                                                                                                                                                                                                                                                                                                                                                                                                                                                                                                                                     |                                                                                                                              |     |                         |
| 4  | body       | LIDL_UdatRqPg1Rq                                                                                                                                                                                                                                                                                                                                                                                                                                                                                                                                                                                                | PgReq1(TCV_PgCh, TCV_Pgg, PgReqTp1_05)                                                                                       |     | 2.                      |
| 5  |            | L?DL_RacInChRq (TCV_Rqr.ra := DL_RacInChRq.msg.ecau_rrf, TCV_Rqr.fn := DL_RacInChRq.fn)                                                                                                                                                                                                                                                                                                                                                                                                                                                                                                                         | ChReq_01( TCV_PgCh, ChRequest_12)                                                                                            |     | 3.                      |
| 6  |            | ACTIVATE( OtherEventsFail_02)                                                                                                                                                                                                                                                                                                                                                                                                                                                                                                                                                                                   |                                                                                                                              |     | To match ChReq retrans. |
| 7  |            | +local_immass                                                                                                                                                                                                                                                                                                                                                                                                                                                                                                                                                                                                   |                                                                                                                              |     |                         |
| 8  | L_019<br>7 | L?DL_EstInPgRes                                                                                                                                                                                                                                                                                                                                                                                                                                                                                                                                                                                                 | PgRes( C_FACCHF_A_1, PagingRes_r02)                                                                                          | (P) |                         |
| 9  |            | ACTIVATE( OtherEventsFail)                                                                                                                                                                                                                                                                                                                                                                                                                                                                                                                                                                                      |                                                                                                                              |     | Restore Normal default  |
| 10 |            | +PostMainLinkRel( TCV_ch)                                                                                                                                                                                                                                                                                                                                                                                                                                                                                                                                                                                       |                                                                                                                              |     |                         |
| 11 |            | <b>local_immass</b><br>[(TSPX_CcchConf4 = C_cch_1nonComb) OR<br>(TSPX_CcchConf4 = C_cch_2nonComb) OR<br>(TSPX_CcchConf4 = C_cch_3nonComb) OR<br>(TSPX_CcchConf4 = C_cch_4nonComb)]                                                                                                                                                                                                                                                                                                                                                                                                                              |                                                                                                                              |     |                         |
| 12 |            | L!DL_UdatRqImmass                                                                                                                                                                                                                                                                                                                                                                                                                                                                                                                                                                                               | ImmAss( TCV_agch, ImmAsgn_r02( TCV_Rr, TCV_Fn, TSPX_SDCCH8SubF, TSPX_TmSlitDef, TSPX_TscDef, TimingAdv( 30), TCV_tch_arfcn)) |     |                         |
| 13 |            | [TSPX_CcchConf4 = C_cch_1Comb]                                                                                                                                                                                                                                                                                                                                                                                                                                                                                                                                                                                  |                                                                                                                              |     |                         |
| 14 |            | L!DL_UdatRqImmass                                                                                                                                                                                                                                                                                                                                                                                                                                                                                                                                                                                               | ImmAss( TCV_agch, ImmAsgn_01Def( TCV_Rr, TCV_Fn,                                                                             |     |                         |

|    |            |                                                                                                                                                                                                                                                           |                                                                                   |   |          |
|----|------------|-----------------------------------------------------------------------------------------------------------------------------------------------------------------------------------------------------------------------------------------------------------|-----------------------------------------------------------------------------------|---|----------|
| 15 | L_019<br>8 | [(TSPX_CcchConf4 = C_cch_2Comb) OR<br>(TSPX_CcchConf4 = C_cch_3Comb) OR<br>(TSPX_CcchConf4 = C_cch_4Comb)]                                                                                                                                                | TSPX_SDCCH4SubDef, TCV_slot,<br>TCV_tsc,<br>TCV_chdescr_arfcn,<br>TimingAdv( 30)) | I | Reserved |
| 16 |            | <b>local_tree</b><br>[TSPX_CcchConf4 = C_cch_1Comb]                                                                                                                                                                                                       |                                                                                   |   |          |
| 17 |            | [(TSPX_CcchConf4 = C_cch_1nonComb) OR<br>(TSPX_CcchConf4 = C_cch_2nonComb) OR<br>(TSPX_CcchConf4 = C_cch_3nonComb) OR<br>(TSPX_CcchConf4 = C_cch_4nonComb)]                                                                                               |                                                                                   |   |          |
| 18 |            | +Varinit_tch( C_arfcn_tchA, C_arfcn_tchAd)                                                                                                                                                                                                                |                                                                                   |   |          |
| 19 |            | +SDCCH8_A_1_nociph( TSPX_SDCCH8SubF,<br>C_Immass, TSPX_TmSltDef, TSPX_TscDef,<br>ChMod_sign, FreqTCH(TCV_tch_arfcn),<br>FreqTCH(TCV_tch_arfcn), TimingAdv( 30),<br>INT_TO_BIT( TSPX_AGBLKS4, 3),<br>TSPX_CcchConf4, INT_TO_BIT((<br>TSPX_PAMFRMS4-2), 3)) |                                                                                   |   |          |

**Detailed Comments:**

1. Tx-integer = 5, Max-Retrans = 1 CCCH-CONF, BS-AG-BLKS-RES and BS-PA-MFRMS are from PIXIT parameters.
2. The first mobile identifier addresses the MS, the 2nd is omitted.
3. To assign TSPX\_SDCCH8SubF subchannel.

| Test Case Dynamic Behaviour |            |                                                                                                                                                                                                                                                                                                                                                                                                                                                                                                                                                                                                                                     |                           |     |          |
|-----------------------------|------------|-------------------------------------------------------------------------------------------------------------------------------------------------------------------------------------------------------------------------------------------------------------------------------------------------------------------------------------------------------------------------------------------------------------------------------------------------------------------------------------------------------------------------------------------------------------------------------------------------------------------------------------|---------------------------|-----|----------|
| <b>Test Case Name:</b>      |            | TC_26_6_3_1                                                                                                                                                                                                                                                                                                                                                                                                                                                                                                                                                                                                                         |                           |     |          |
| <b>Group:</b>               |            | GSM_L3_MS_v4200/RR/                                                                                                                                                                                                                                                                                                                                                                                                                                                                                                                                                                                                                 |                           |     |          |
| <b>Purpose:</b>             |            | To test that, when the SS gives absolutely no information about neighbouring cells, the MS does not report on neighbouring cells..                                                                                                                                                                                                                                                                                                                                                                                                                                                                                                  |                           |     |          |
| <b>Default:</b>             |            | OtherEventsFail_01                                                                                                                                                                                                                                                                                                                                                                                                                                                                                                                                                                                                                  |                           |     |          |
| Nr                          | Label      | Behaviour Description                                                                                                                                                                                                                                                                                                                                                                                                                                                                                                                                                                                                               | CRef                      | V   | Comments |
| 1                           |            | START T_guard(300)                                                                                                                                                                                                                                                                                                                                                                                                                                                                                                                                                                                                                  |                           |     |          |
| 2                           |            | +BasicServiceMT( TSPX_MTBscSvcA,<br>TSPX_MTChRateA)                                                                                                                                                                                                                                                                                                                                                                                                                                                                                                                                                                                 |                           |     |          |
| 3                           |            | +IdleUpdated( C_E_neighbourdefault, C_CellA,<br>C_SCH_A, C_BCCH_A_1, C_Immass, C_S0,<br>C_SlotNU, C_SlotNU, C_SlotNU, C_BCC,<br>C_TxInt_5, C_Max_1, C_NECI_0, C_ATT_0,<br>TimingAdv( 30), C_BABR_1, C_cch_1Comb,<br>C_BPM_3, C_T3212_0, C_ci_cellA, C_MCC_1,<br>C_PLMN_1, C_LAC_1, CellOpt_01,<br>CellChDes_02, CellChDes_03,<br>C_CellReselectHys12, C_MaxPwrLvlG,<br>C_MaxPwrLvlD, BcchFreqLst_20,<br>BcchFreqLst_Omit, BcchFreqLst_50,<br>BcchFreqLst_Omit, C_noReestablishment,<br>C_BCC_3, C_NCC, C_Start_Tmsi,<br>TSPX_SDCCH4SubA, TSPX_CKSNDDef,<br>TSPX_RANDDef, C_arfcn_2, C_arfcnAd_2,<br>TSPX_IMSI, C_Test_fh, C_NCCP_2) |                           |     |          |
| 4                           |            | +StartMultiCells_02( BcchFreqLst_20,<br>BcchFreqLst_50, C_Immass, TCV_slot,<br>TCV_tsc, TimingAdv( 30), C_ATT_0,<br>C_BABR_1, C_cch_1Comb, C_BPM_3,<br>C_T3212_0, C_MCC_1, C_PLMN_1, C_LAC_1,<br>C_LAC_1, C_LAC_1, C_LAC_1, C_LAC_1,<br>C_LAC_1, C_LAC_1)                                                                                                                                                                                                                                                                                                                                                                           |                           | 1.  |          |
| 5                           |            | +CCConfigTCH( TSPX_TCHHSubDef,<br>C_Ass, TSPX_TmSlitDef, TSPX_TscDef,<br>TimingAdv( 30), C_BABR_0, C_cch_1Comb,<br>C_BPM_3, TCV_ChMod.mode,<br>FreqTCH_omit, FreqTCH_omit,<br>C_arfcn_tchA, C_arfcn_tchAd)                                                                                                                                                                                                                                                                                                                                                                                                                          |                           |     |          |
| 6                           |            | +PreEnterCCstateU10_r01( TimingAdv(<br>30), TSPX_SDCCH4SubA, 0, 3,<br>TSPX_CKSNDDef, TSPX_RANDDef,<br>TSPX_TmSlitDef, TSPX_TscDef,<br>TSPX_TCHHSubDef, TCV_ChRate)                                                                                                                                                                                                                                                                                                                                                                                                                                                                  |                           |     |          |
| 7                           | body       | (TCV_Null := OM_StartMsrReport(<br>TCV_sacchTch))                                                                                                                                                                                                                                                                                                                                                                                                                                                                                                                                                                                   |                           |     |          |
| 8                           | L_019<br>9 | L?DL_UdatInMsrRpt                                                                                                                                                                                                                                                                                                                                                                                                                                                                                                                                                                                                                   | MsrRept(<br>MsrReport_01) | (P) |          |
| 9                           |            | START T_dly1( 960)                                                                                                                                                                                                                                                                                                                                                                                                                                                                                                                                                                                                                  |                           |     | 960 ms   |
| 10                          | L_020<br>0 | ?TIMEOUT T_dly1                                                                                                                                                                                                                                                                                                                                                                                                                                                                                                                                                                                                                     |                           | (F) | 2.       |
| 11                          |            | +PostMainLinkRel( TCV_chTch)                                                                                                                                                                                                                                                                                                                                                                                                                                                                                                                                                                                                        |                           |     |          |
| 12                          | L_020<br>1 | L?DL_UdatInMsrRpt                                                                                                                                                                                                                                                                                                                                                                                                                                                                                                                                                                                                                   | MsrRept(<br>MsrReport_01) | (P) |          |
| 13                          |            | (TCV_Null :=<br>OM_StopMsrReport(<br>TCV_sacchTch))                                                                                                                                                                                                                                                                                                                                                                                                                                                                                                                                                                                 |                           |     |          |
| 14                          |            | +PostMainLinkRel(<br>TCV_chTch)                                                                                                                                                                                                                                                                                                                                                                                                                                                                                                                                                                                                     |                           |     |          |
| 15                          |            | +local_execution2                                                                                                                                                                                                                                                                                                                                                                                                                                                                                                                                                                                                                   |                           |     |          |
| 16                          |            | <b>local_execution2</b>                                                                                                                                                                                                                                                                                                                                                                                                                                                                                                                                                                                                             |                           |     |          |
| 17                          |            | +local_SysInfo5and6Sending                                                                                                                                                                                                                                                                                                                                                                                                                                                                                                                                                                                                          |                           | 1.  |          |
| 18                          |            | +PreEnterCCstateU10_r01( TimingAdv( 30),<br>TSPX_SDCCH4SubA, 0, 3, TSPX_CKSNDDef,<br>TSPX_RANDDef, TSPX_TmSlitDef, TSPX_TscDef,<br>TSPX_TCHHSubDef, TCV_ChRate)                                                                                                                                                                                                                                                                                                                                                                                                                                                                     |                           |     |          |
| 19                          |            | (TCV_Null := OM_StartMsrReport(<br>TCV_sacchTch))                                                                                                                                                                                                                                                                                                                                                                                                                                                                                                                                                                                   |                           |     |          |
| 19                          |            | L?DL_UdatInMsrRpt                                                                                                                                                                                                                                                                                                                                                                                                                                                                                                                                                                                                                   | MsrRept(<br>MsrReport_01) |     |          |

|                           |            |                                                                                                                                                                                    |                                                                                                      |     |        |
|---------------------------|------------|------------------------------------------------------------------------------------------------------------------------------------------------------------------------------------|------------------------------------------------------------------------------------------------------|-----|--------|
| 20                        |            | START T_dly1( 960)                                                                                                                                                                 |                                                                                                      |     | 960 ms |
| 21                        | L_020<br>2 | ?TIMEOUT T_dly1                                                                                                                                                                    |                                                                                                      | (F) | 2.     |
| 22                        |            | +PostMainLinkRel( TCV_chTch)                                                                                                                                                       |                                                                                                      |     |        |
| 23                        | L_020<br>3 | L?DL_UdatInMsrRpt                                                                                                                                                                  | MsrRept(<br>MsrReport_01)                                                                            | (P) |        |
| 24                        |            | (TCV_Null := OM_StopMsrReport(<br>TCV_sacchTch))                                                                                                                                   |                                                                                                      |     |        |
| 25                        |            | +PostMainLinkRel( TCV_chTch)                                                                                                                                                       |                                                                                                      |     |        |
|                           |            | <b>local_SysInfo5and6Sending</b>                                                                                                                                                   |                                                                                                      |     |        |
| 26                        |            | +Wait(C_T_Wait1)                                                                                                                                                                   |                                                                                                      |     |        |
| 27                        |            | [TSPC_PGSM OR TSPC_EGSM]                                                                                                                                                           |                                                                                                      |     |        |
| 28                        |            | LIDL_UdatRqSysinfo5                                                                                                                                                                | SysInfo5(<br>TCV_sacch, SysInf5(<br>BcchFreqLst_24))                                                 |     |        |
| 29                        |            | LIDL_UdatRqSysinfo5bis                                                                                                                                                             | SysInfo5bis(<br>TCV_sacch,<br>SysInf5bis(<br>BcchFreqLst_26))                                        |     |        |
| 30                        |            | [TSPC_DCS]                                                                                                                                                                         |                                                                                                      |     |        |
| 31                        |            | LIDL_UdatRqSysinfo5                                                                                                                                                                | SysInfo5(<br>TCV_sacch, SysInf5(<br>BcchFreqLst_25))                                                 |     |        |
| 32                        |            | LIDL_UdatRqSysinfo5bis                                                                                                                                                             | SysInfo5bis(<br>TCV_sacch,<br>SysInf5bis(<br>BcchFreqLst_25))                                        |     |        |
| 33                        |            | LIDL_UdatRqSysinfo6<br>(DL_UdatRqSysinfo6.msg.co.pwrc := '1'B)                                                                                                                     | SysInfo6(<br>TCV_sacch, SysInf6(<br>C_ci_cellA,<br>C_MCC_1,<br>C_PLMN_1,<br>C_LAC_1,<br>CellOpt_01)) |     |        |
| <b>Detailed Comments:</b> |            | 1. No channels listed in the neighbour cells description.<br>2. The interval between 2 successive layer 2 frames containing MEASUREMENT REPORT exceeds<br>one layer 2 frame, fail. |                                                                                                      |     |        |

| Test Case Dynamic Behaviour |            |                                                                                                                                                                                                                                                                                                                                                                                                                                                                                                                                                                                                                                  |                                                            |     |          |
|-----------------------------|------------|----------------------------------------------------------------------------------------------------------------------------------------------------------------------------------------------------------------------------------------------------------------------------------------------------------------------------------------------------------------------------------------------------------------------------------------------------------------------------------------------------------------------------------------------------------------------------------------------------------------------------------|------------------------------------------------------------|-----|----------|
| <b>Test Case Name:</b>      |            | TC_26_6_3_2                                                                                                                                                                                                                                                                                                                                                                                                                                                                                                                                                                                                                      |                                                            |     |          |
| <b>Group:</b>               |            | GSM_L3_MS_v4200/RR/                                                                                                                                                                                                                                                                                                                                                                                                                                                                                                                                                                                                              |                                                            |     |          |
| <b>Purpose:</b>             |            | To test that, when the SS gives information about neighbouring cells, the MS reports appropriate results.                                                                                                                                                                                                                                                                                                                                                                                                                                                                                                                        |                                                            |     |          |
| <b>Default:</b>             |            | OtherEventsFail_01                                                                                                                                                                                                                                                                                                                                                                                                                                                                                                                                                                                                               |                                                            |     |          |
| Nr                          | Label      | Behaviour Description                                                                                                                                                                                                                                                                                                                                                                                                                                                                                                                                                                                                            | CRef                                                       | V   | Comments |
| 1                           |            | START T_guard(300)                                                                                                                                                                                                                                                                                                                                                                                                                                                                                                                                                                                                               |                                                            |     |          |
| 2                           |            | +BasicServiceMT( TSPX_MTBscSvcB,<br>TSPX_MTChRateB)                                                                                                                                                                                                                                                                                                                                                                                                                                                                                                                                                                              |                                                            |     |          |
| 3                           |            | +IdleUpdated( C_E_neighbourdefault, C_CellA,<br>C_SCH_A, C_BCCH_A_1, C_Immass, C_S0,<br>C_SlotNU, C_SlotNU, C_SlotNU, C_BCC,<br>C_TxInt_5, C_Max_1, C_NECI_0, C_ATT_0,<br>TimingAdv( 30), C_BABR_0, C_cch_1Comb,<br>C_BPM_3, C_T3212_0, C_ci_cellA, C_MCC_1,<br>C_PLMN_1, C_LAC_1, CellOpt_01,<br>CellChDes_02, CellChDes_03,<br>C_CellReselectHys12, C_MaxPwrLvlG,<br>C_MaxPwrLvlD, BcchFreqLst_21,<br>BcchFreqLst_Omit, BcchFreqLst_27,<br>BcchFreqLst_Omit, C_noRestablishment,<br>C_BCC_3, C_NCC, C_Start_Tmsi,<br>TSPX_SDCCH4SubA, TSPX_CKSNDf,<br>TSPX_RANDDef, C_arfcn_2, C_arfcnAd_2,<br>TSPX_IMSI, C_Test_fh, C_NCCP_2) |                                                            |     |          |
| 4                           |            | +StartMultiCells_02( BcchFreqLst_21,<br>BcchFreqLst_27, C_Immass, TCV_slot,<br>TCV_tsc, TimingAdv( 30), C_ATT_0,<br>C_BABR_0, C_cch_1Comb, C_BPM_3,<br>C_T3212_0, C_MCC_1, C_PLMN_1, C_LAC_1,<br>C_LAC_1, C_LAC_1, C_LAC_1, C_LAC_1,<br>C_LAC_1, C_LAC_1)                                                                                                                                                                                                                                                                                                                                                                        |                                                            |     |          |
| 5                           |            | +CCConfigTCH( TSPX_TCHHSubDef,<br>C_Ass, TSPX_TmSlitDef, TSPX_TscDef,<br>TimingAdv( 30), C_BABR_0, C_cch_1Comb,<br>C_BPM_3, TCV_ChMod.mode,<br>FreqTCH_omit, FreqTCH_omit,<br>C_arfcn_tchA, C_arfcn_tchAd)                                                                                                                                                                                                                                                                                                                                                                                                                       |                                                            |     |          |
| 6                           | body       | +local_execution(1, 2)                                                                                                                                                                                                                                                                                                                                                                                                                                                                                                                                                                                                           |                                                            |     |          |
| 7                           |            | +local_SendSyInfo5and6                                                                                                                                                                                                                                                                                                                                                                                                                                                                                                                                                                                                           |                                                            |     |          |
| 8                           |            | +local_execution(1, 3)                                                                                                                                                                                                                                                                                                                                                                                                                                                                                                                                                                                                           |                                                            |     |          |
| 9                           |            | <b>local_execution(indx1, indx2:INTEGER)</b><br>+PreEnterCCstateU10_r01( TimingAdv( 30),<br>TSPX_SDCCH4SubA, 0, 3, TSPX_CKSNDf,<br>TSPX_RANDDef, TSPX_TmSlitDef, TSPX_TscDef,<br>TSPX_TCHHSubDef, TCV_ChRate)                                                                                                                                                                                                                                                                                                                                                                                                                    |                                                            |     |          |
| 10                          |            | (TCV_Null := OM_StartMsrReport( TCV_sacchTch))                                                                                                                                                                                                                                                                                                                                                                                                                                                                                                                                                                                   |                                                            |     |          |
| 11                          |            | L?DL_UdatInMsrRpt (TCV_MsrRes :=<br>DL_UdatInMsrRpt.msg.msrr)                                                                                                                                                                                                                                                                                                                                                                                                                                                                                                                                                                    | MsrRept(<br>MsrReport_03)                                  |     |          |
| 12                          |            | +ChkMsrmntRpt(indx1, indx2)                                                                                                                                                                                                                                                                                                                                                                                                                                                                                                                                                                                                      |                                                            |     |          |
| 13                          |            | START T_dly1(960)                                                                                                                                                                                                                                                                                                                                                                                                                                                                                                                                                                                                                |                                                            |     | 960 ms   |
| 14                          | L_020<br>4 | ?TIMEOUT T_dly1                                                                                                                                                                                                                                                                                                                                                                                                                                                                                                                                                                                                                  |                                                            | (F) | 1.       |
| 15                          |            | +PostMainLinkRel(TCV_chTch)                                                                                                                                                                                                                                                                                                                                                                                                                                                                                                                                                                                                      |                                                            |     |          |
| 16                          |            | L?DL_UdatInMsrRpt (TCV_MsrRes :=<br>DL_UdatInMsrRpt.msg.msrr)                                                                                                                                                                                                                                                                                                                                                                                                                                                                                                                                                                    | MsrRept(<br>MsrReport_03)                                  |     |          |
| 17                          |            | +ChkMsrmntRpt(indx1, indx2)                                                                                                                                                                                                                                                                                                                                                                                                                                                                                                                                                                                                      |                                                            |     |          |
| 18                          |            | (TCV_Null := OM_StopMsrReport(<br>TCV_sacchTch))                                                                                                                                                                                                                                                                                                                                                                                                                                                                                                                                                                                 |                                                            |     |          |
| 19                          |            | +PostMainLinkRel(TCV_chTch)                                                                                                                                                                                                                                                                                                                                                                                                                                                                                                                                                                                                      |                                                            |     |          |
| 20                          |            | <b>local_SendSyInfo5and6</b><br>+Wait(C_T_Wait1)                                                                                                                                                                                                                                                                                                                                                                                                                                                                                                                                                                                 |                                                            |     |          |
| 21                          |            | [TSPC_PGSM OR TSPC_EGSM]                                                                                                                                                                                                                                                                                                                                                                                                                                                                                                                                                                                                         |                                                            |     |          |
| 22                          |            | LIDL_UdatRqSysinfo5                                                                                                                                                                                                                                                                                                                                                                                                                                                                                                                                                                                                              | SysInfo5(<br>TCV_sacch, SysInf5(<br>BcchFreqLst_28))       |     |          |
| 23                          |            | LIDL_UdatRqSysinfo5bis                                                                                                                                                                                                                                                                                                                                                                                                                                                                                                                                                                                                           | SysInfo5bis(<br>TCV_sacch, SysInf5bis(<br>BcchFreqLst_28)) |     |          |



|                                  |                                                                                                                                                    |                                                                                                                                                                                                                                                                                                                      |  |
|----------------------------------|----------------------------------------------------------------------------------------------------------------------------------------------------|----------------------------------------------------------------------------------------------------------------------------------------------------------------------------------------------------------------------------------------------------------------------------------------------------------------------|--|
| <p>24<br/>25<br/>26<br/>27</p>   | <p>[TSPC_DCS]<br/>LIDL_UdatRqSysinfo5<br/><br/>LIDL_UdatRqSysinfo5bis<br/><br/>LIDL_UdatRqSysinfo6<br/>(DL_UdatRqSysinfo6.msg.co.pwrc := '1'B)</p> | <p>TCV_sacch,<br/>SysInf5bis(<br/>BcchFreqLst_30))<br/><br/>SysInfo5(<br/>TCV_sacch, SysInf5(<br/>BcchFreqLst_29))<br/><br/>SysInfo5bis(<br/>TCV_sacch,<br/>SysInf5bis(<br/>BcchFreqLst_31))<br/><br/>SysInfo6(<br/>TCV_sacch, SysInf6(<br/>C_ci_cellA,<br/>C_MCC_1,<br/>C_PLMN_1,<br/>C_LAC_1,<br/>CellOpt_01))</p> |  |
| <p><b>Detailed Comments:</b></p> |                                                                                                                                                    | <p>1. The interval between 2 successive layer 2 frames containing MEASUREMENT REPORT exceeds one layer 2 frame, fail.</p>                                                                                                                                                                                            |  |

| Test Case Dynamic Behaviour |            |                                                                                                                                                                                                                                                                                                                                                                                                                                                                                                                                                                                                                                  |                           |     |          |
|-----------------------------|------------|----------------------------------------------------------------------------------------------------------------------------------------------------------------------------------------------------------------------------------------------------------------------------------------------------------------------------------------------------------------------------------------------------------------------------------------------------------------------------------------------------------------------------------------------------------------------------------------------------------------------------------|---------------------------|-----|----------|
| <b>Test Case Name:</b>      |            | TC_26_6_3_3                                                                                                                                                                                                                                                                                                                                                                                                                                                                                                                                                                                                                      |                           |     |          |
| <b>Group:</b>               |            | GSM_L3_MS_v4200/RR/                                                                                                                                                                                                                                                                                                                                                                                                                                                                                                                                                                                                              |                           |     |          |
| <b>Purpose:</b>             |            | To test that, when a combination of normal neighbours, barred cells and non-permitted NCCs is "on air", the MS reports only on normal neighbours.                                                                                                                                                                                                                                                                                                                                                                                                                                                                                |                           |     |          |
| <b>Default:</b>             |            | OtherEventsFail_01                                                                                                                                                                                                                                                                                                                                                                                                                                                                                                                                                                                                               |                           |     |          |
| Nr                          | Label      | Behaviour Description                                                                                                                                                                                                                                                                                                                                                                                                                                                                                                                                                                                                            | CRef                      | V   | Comments |
| 1                           |            | START T_guard(300)                                                                                                                                                                                                                                                                                                                                                                                                                                                                                                                                                                                                               |                           |     |          |
| 2                           |            | +BasicServiceMT( TSPX_MTBscSvcC,<br>TSPX_MTChRateC)                                                                                                                                                                                                                                                                                                                                                                                                                                                                                                                                                                              |                           |     |          |
| 3                           |            | +IdleUpdated( C_E_neighbourdefault, C_CellA,<br>C_SCH_A, C_BCCH_A_1, C_Immass, C_S0,<br>C_SlotNU, C_SlotNU, C_SlotNU, C_BCC,<br>C_TxInt_5, C_Max_1, C_NECI_0, C_ATT_0,<br>TimingAdv( 30), C_BABR_0, C_cch_1Comb,<br>C_BPM_3, C_T3212_0, C_ci_cellA, C_MCC_1,<br>C_PLMN_1, C_LAC_1, CellOpt_01,<br>CellChDes_02, CellChDes_03,<br>C_CellReselectHys12, C_MaxPwrLvlG,<br>C_MaxPwrLvlD, BcchFreqLst_22,<br>BcchFreqLst_Omit, BcchFreqLst_32,<br>BcchFreqLst_Omit, C_noRestablishment,<br>C_BCC_3, C_NCC, C_Start_Tmsi,<br>TSPX_SDCCH4SubA, TSPX_CKSNDf,<br>TSPX_RANDDef, C_arfcn_2, C_arfcnAd_2,<br>TSPX_IMSI, C_Test_fh, C_NCCP_2) |                           |     |          |
| 4                           |            | +StartMultiCells_02( BcchFreqLst_22,<br>BcchFreqLst_32, C_Immass, TCV_slot,<br>TCV_tsc, TimingAdv( 30), C_ATT_0,<br>C_BABR_0, C_cch_1Comb, C_BPM_3,<br>C_T3212_0, C_MCC_1, C_PLMN_1, C_LAC_1,<br>C_LAC_1, C_LAC_1, C_LAC_1, C_LAC_1,<br>C_LAC_1, C_LAC_1)                                                                                                                                                                                                                                                                                                                                                                        |                           |     |          |
| 5                           |            | +CCConfigTCH( TSPX_TCHHSubDef,<br>C_Ass, TSPX_TmSlitDef, TSPX_TscDef,<br>TimingAdv( 30), C_BABR_0, C_cch_1Comb,<br>C_BPM_3, TCV_ChMod.mode,<br>FreqTCH_omit, FreqTCH_omit,<br>C_arfcn_tchA, C_arfcn_tchAd)                                                                                                                                                                                                                                                                                                                                                                                                                       |                           |     |          |
| 6                           |            | +PreEnterCCstateU10_r01( TimingAdv(<br>30), TSPX_SDCCH4SubA, 0, 3,<br>TSPX_CKSNDf, TSPX_RANDDef,<br>TSPX_TmSlitDef, TSPX_TscDef,<br>TSPX_TCHHSubDef, TCV_ChRate)                                                                                                                                                                                                                                                                                                                                                                                                                                                                 |                           |     |          |
| 7                           |            | (TCV_Null := OM_StartMsrReport(<br>TCV_sacchTch))                                                                                                                                                                                                                                                                                                                                                                                                                                                                                                                                                                                |                           |     |          |
| 8                           |            | L?DL_UdatInMsrRpt (TCV_MsrRes :=<br>DL_UdatInMsrRpt.msg.msrr)                                                                                                                                                                                                                                                                                                                                                                                                                                                                                                                                                                    | MsrRept(<br>MsrReport_04) |     |          |
| 9                           |            | +ChkMsrmntRpt(4, 5)                                                                                                                                                                                                                                                                                                                                                                                                                                                                                                                                                                                                              |                           |     |          |
| 10                          |            | START T_dly1(960)                                                                                                                                                                                                                                                                                                                                                                                                                                                                                                                                                                                                                |                           |     | 960 ms   |
| 11                          | L_020<br>5 | ?TIMEOUT T_dly1                                                                                                                                                                                                                                                                                                                                                                                                                                                                                                                                                                                                                  |                           | (F) | 1.       |
| 12                          |            | +PostMainLinkRel(<br>TCV_chTch)                                                                                                                                                                                                                                                                                                                                                                                                                                                                                                                                                                                                  |                           |     |          |
| 13                          |            | L?DL_UdatInMsrRpt<br>(TCV_MsrRes :=<br>DL_UdatInMsrRpt.msg.msrr)                                                                                                                                                                                                                                                                                                                                                                                                                                                                                                                                                                 | MsrRept(<br>MsrReport_04) |     |          |
| 14                          |            | +ChkMsrmntRpt(4, 5)                                                                                                                                                                                                                                                                                                                                                                                                                                                                                                                                                                                                              |                           |     |          |
| 15                          |            | (TCV_Null :=<br>OM_StopMsrReport(<br>TCV_sacchTch))                                                                                                                                                                                                                                                                                                                                                                                                                                                                                                                                                                              |                           |     |          |
| 16                          |            | +PostMainLinkRel(TCV_ch<br>Tch)                                                                                                                                                                                                                                                                                                                                                                                                                                                                                                                                                                                                  |                           |     |          |
| 17                          |            | +local_execution2                                                                                                                                                                                                                                                                                                                                                                                                                                                                                                                                                                                                                |                           |     |          |
| 18                          |            | <b>local_execution2</b>                                                                                                                                                                                                                                                                                                                                                                                                                                                                                                                                                                                                          |                           |     |          |
| 18                          |            | +local_SendSysinfo5and6                                                                                                                                                                                                                                                                                                                                                                                                                                                                                                                                                                                                          |                           |     |          |
| 19                          |            | +PreEnterCCstateU10_r01(TimingAdv( 30),<br>TSPX_SDCCH4SubA, 0, 3, TSPX_CKSNDf,<br>TSPX_RANDDef, TSPX_TmSlitDef, TSPX_TscDef,<br>TSPX_TCHHSubDef, TCV_ChRate)                                                                                                                                                                                                                                                                                                                                                                                                                                                                     |                           |     |          |

|                           |            |                                                                                                                    |                                                                                                      |     |        |
|---------------------------|------------|--------------------------------------------------------------------------------------------------------------------|------------------------------------------------------------------------------------------------------|-----|--------|
| 20                        |            | (TCV_Null := OM_StartMsrReport(<br>TCV_sacchTch))                                                                  |                                                                                                      |     |        |
| 21                        |            | L?DL_UdatInMsrRpt (TCV_MsrRes :=<br>DL_UdatInMsrRpt.msg.msrr)                                                      | MsrRept(<br>MsrReport_04)                                                                            |     |        |
| 22                        |            | +ChkMsrmntRpt( 4, 5)                                                                                               |                                                                                                      |     |        |
| 23                        |            | START T_dly1( 960)                                                                                                 |                                                                                                      |     | 960 ms |
| 24                        | L_020<br>6 | ?TIMEOUT T_dly1                                                                                                    |                                                                                                      | (F) | 1.     |
| 25                        |            | +PostMainLinkRel( TCV_chTch)                                                                                       |                                                                                                      |     |        |
| 26                        |            | L?DL_UdatInMsrRpt( TCV_MsrRes :=<br>DL_UdatInMsrRpt.msg.msrr)                                                      | MsrRept(<br>MsrReport_04)                                                                            |     |        |
| 27                        |            | +ChkMsrmntRpt( 4, 5)                                                                                               |                                                                                                      |     |        |
| 28                        |            | (TCV_Null := OM_StopMsrReport(<br>TCV_sacchTch))                                                                   |                                                                                                      |     |        |
| 29                        |            | +PostMainLinkRel( TCV_chTch)                                                                                       |                                                                                                      |     |        |
|                           |            | <b>local_SendSysinfo5and6</b>                                                                                      |                                                                                                      |     |        |
| 30                        |            | +Wait(C_T_Wait1)                                                                                                   |                                                                                                      |     |        |
| 31                        |            | [TSPC_PGSM OR TSPC_EGSM]                                                                                           |                                                                                                      |     |        |
| 32                        |            | LIDL_UdatRqSysinfo5                                                                                                | SysInfo5(<br>TCV_sacch, SysInf5(<br>BcchFreqLst_33))                                                 |     |        |
| 33                        |            | LIDL_UdatRqSysinfo5bis                                                                                             | SysInfo5bis(<br>TCV_sacch,<br>SysInf5bis(<br>BcchFreqLst_30))                                        |     |        |
| 34                        |            | [TSPC_DCS]                                                                                                         |                                                                                                      |     |        |
| 35                        |            | LIDL_UdatRqSysinfo5                                                                                                | SysInfo5(<br>TCV_sacch, SysInf5(<br>BcchFreqLst_34))                                                 |     |        |
| 36                        |            | LIDL_UdatRqSysinfo5bis                                                                                             | SysInfo5bis(<br>TCV_sacch,<br>SysInf5bis(<br>BcchFreqLst_34d))                                       |     |        |
| 37                        |            | LIDL_UdatRqSysinfo6<br>(DL_UdatRqSysinfo6.msg.co.pwrc := '1'B)                                                     | SysInfo6(<br>TCV_sacch, SysInf6(<br>C_ci_cellA,<br>C_MCC_1,<br>C_PLMN_1,<br>C_LAC_1,<br>CellOpt_01)) |     |        |
| <b>Detailed Comments:</b> |            | 1. The interval between 2 successive layer 2 frames containing MEASUREMENT REPORT exceeds one layer 2 frame, fail. |                                                                                                      |     |        |

| Test Case Dynamic Behaviour |       |                                                                                                                                                                                                                                                                                                                                                                                                                                                                                                                                                                                                                |                                                |   |                       |
|-----------------------------|-------|----------------------------------------------------------------------------------------------------------------------------------------------------------------------------------------------------------------------------------------------------------------------------------------------------------------------------------------------------------------------------------------------------------------------------------------------------------------------------------------------------------------------------------------------------------------------------------------------------------------|------------------------------------------------|---|-----------------------|
| <b>Test Case Name:</b>      |       | TC_26_6_3_4                                                                                                                                                                                                                                                                                                                                                                                                                                                                                                                                                                                                    |                                                |   |                       |
| <b>Group:</b>               |       | GSM_L3_MS_v4200/RR/                                                                                                                                                                                                                                                                                                                                                                                                                                                                                                                                                                                            |                                                |   |                       |
| <b>Purpose:</b>             |       | To test that, in the case of the MS using DTX and the SS indicating that power control is in use, the MS reports appropriate results                                                                                                                                                                                                                                                                                                                                                                                                                                                                           |                                                |   |                       |
| <b>Default:</b>             |       | OtherEventsFail_01                                                                                                                                                                                                                                                                                                                                                                                                                                                                                                                                                                                             |                                                |   |                       |
| Nr                          | Label | Behaviour Description                                                                                                                                                                                                                                                                                                                                                                                                                                                                                                                                                                                          | CRef                                           | V | Comments              |
| 1                           |       | START T_guard(300)                                                                                                                                                                                                                                                                                                                                                                                                                                                                                                                                                                                             |                                                |   |                       |
| 2                           |       | +BasicServiceMT( TSPX_MTBscSvcJ,<br>TSPX_MTChRateJ)                                                                                                                                                                                                                                                                                                                                                                                                                                                                                                                                                            |                                                |   |                       |
| 3                           |       | (TCV_Pwrlvl_ho:= INT_TO_BIT( TSPX_PwrlvlA,<br>5))                                                                                                                                                                                                                                                                                                                                                                                                                                                                                                                                                              |                                                |   |                       |
| 4                           |       | +IdleUpdated( 73, C_CellB, C_SCH_B,<br>C_BCCH_B_1, C_Immasc, C_S0, C_SlotNU,<br>C_SlotNU, C_SlotNU, C_BCC, C_TxInt_5,<br>C_Max_1, C_NECl_0, C_ATT_0, TimingAdv(<br>30), C_BABR_0, C_cch_1Comb, C_BPM_3,<br>C_T3212_0, C_ci_cellH, C_MCC_1,<br>C_PLMN_1, C_LAC_1, CellOpt_01,<br>CellChDes_11, CellChDes_11d,<br>C_CellReselectHys12, C_MaxPwrlvlG,<br>C_MaxPwrlvlD, BcchFreqLst_01,<br>BcchFreqLst_Omit, BcchFreqLst_48,<br>BcchFreqLst_Omit, C_noRestablishment,<br>C_BCC_1, C_NCC, C_Start_Tmsi,<br>TSPX_SDCCH4SubDef, TSPX_CKSNDf,<br>TSPX_RANDDef, C_arfcnH, C_arfcnHd,<br>TSPX_IMSI, C_Test_fh, C_NCCP_2) |                                                |   | Cell N7               |
| 5                           |       | +StartMultiCells_03( BcchFreqLst_01,<br>BcchFreqLst_48, C_Immasc, TCV_slot,<br>TCV_tsc, TimingAdv( 30), C_ATT_0,<br>C_BABR_0, C_cch_1Comb, C_BPM_3,<br>C_T3212_0, C_MCC_1, C_PLMN_1,<br>C_LAC_1, C_LAC_1, C_LAC_1, C_LAC_1,<br>C_LAC_1, C_LAC_1, C_LAC_1)                                                                                                                                                                                                                                                                                                                                                      |                                                |   |                       |
| 6                           |       | (TCV_chTch1 := C_FACCHF_A_1,<br>TCV_sysinfo6.co.sprb := '1'B,<br>TCV_sysinfo6.B.co.sprb := '1'B)                                                                                                                                                                                                                                                                                                                                                                                                                                                                                                               |                                                |   | DTXindicator = '101'B |
| 7                           |       | +FullRateCh_A_1( C_Synho,<br>TSPX_TmSltDef, TSPX_TscDef,<br>TCV_ChMod, FreqTCH_omit,<br>FreqTCH_omit, C_arfcn_tchA,<br>C_arfcn_tchAd, TimingAdv( 30),<br>C_BABR_0, C_cch_1Comb, C_BPM_3)                                                                                                                                                                                                                                                                                                                                                                                                                       |                                                |   |                       |
| 8                           |       | +CCConfigTCH_B(<br>TSPX_TCHHSubDef, C_Ass,<br>TSPX_TmSltC, TSPX_TscC,<br>TimingAdv( 30), C_BABR_0,<br>C_cch_1Comb, C_BPM_3,<br>TCV_ChMod.mode, FreqTCH(<br>TSPX_TCHcarrierB), FreqTCH(<br>TSPX_TCHcarrierBd), C_Noarfcn,<br>C_Noarfcn)                                                                                                                                                                                                                                                                                                                                                                         |                                                |   |                       |
| 9                           |       | +PreEnterCCstateU10_r01(<br>TimingAdv( 30),<br>TSPX_SDCCH4SubDef, 0, 3,<br>TSPX_CKSNDf, TSPX_RANDDef,<br>TSPX_TmSltC, TSPX_TscC,<br>TSPX_TCHHSubDef, TCV_ChRate)                                                                                                                                                                                                                                                                                                                                                                                                                                               |                                                |   |                       |
| 10                          |       | +local_HndovCmd                                                                                                                                                                                                                                                                                                                                                                                                                                                                                                                                                                                                |                                                |   |                       |
| 11                          |       | +local_RcvHndovAcc                                                                                                                                                                                                                                                                                                                                                                                                                                                                                                                                                                                             |                                                |   |                       |
| 12                          |       | L?DL_EstIn                                                                                                                                                                                                                                                                                                                                                                                                                                                                                                                                                                                                     | DLEstInd(<br>TCV_chTch1)                       |   |                       |
| 13                          |       | L?DL_DatInHoCom                                                                                                                                                                                                                                                                                                                                                                                                                                                                                                                                                                                                | HndOvCmpRcv(<br>TCV_chTch1,<br>HandOverCmp_01) |   |                       |
| 14                          |       | +local_continue1                                                                                                                                                                                                                                                                                                                                                                                                                                                                                                                                                                                               |                                                |   |                       |
|                             |       | <b>local_continue1</b>                                                                                                                                                                                                                                                                                                                                                                                                                                                                                                                                                                                         |                                                |   |                       |
| 15                          |       | (TCV_Null := OM_StartMsrReport( TCV_sacchTch))                                                                                                                                                                                                                                                                                                                                                                                                                                                                                                                                                                 |                                                |   |                       |
| 16                          |       | [NOT TSPC_TranspDataOnly]                                                                                                                                                                                                                                                                                                                                                                                                                                                                                                                                                                                      |                                                |   |                       |
| 17                          | body  | L?DL_UdatInMsrRpt( TCV_MsrRes :=                                                                                                                                                                                                                                                                                                                                                                                                                                                                                                                                                                               | MsrRept(                                       |   |                       |

|    |       |                                               |                 |     |        |
|----|-------|-----------------------------------------------|-----------------|-----|--------|
| 18 |       | DL_UdatInMsrrpt.msg.msrr                      | MsrReport_05)   |     |        |
| 19 |       | +ChkMsrmntRpt(6, 7)                           |                 |     |        |
| 20 | L_020 | START T_dly1(960)                             |                 | (F) | 960 ms |
| 21 | 7     | ?TIMEOUT T_dly1                               |                 |     | 1.     |
| 22 |       | +PostMainLinkRel( TCV_chTch)                  |                 |     |        |
| 23 |       | L?DL_UdatInMsrrpt (TCV_MsrRes :=              | MsrRept(        |     |        |
| 24 |       | DL_UdatInMsrrpt.msg.msrr)                     | MsrReport_05)   |     |        |
| 25 |       | +ChkMsrmntRpt(6, 7)                           |                 |     |        |
| 26 |       | (TCV_Null := OM_StopMsrReport(                |                 |     |        |
| 27 |       | TCV_sacchTch))                                |                 |     |        |
| 28 |       | +PostMainLinkRel( TCV_chTch)                  |                 |     |        |
| 29 |       | +local_execution2                             |                 |     |        |
| 30 |       | [TSPC_TranspDataOnly]                         |                 |     |        |
| 31 | L_020 | L?DL_UdatInMsrrpt (TCV_MsrRes :=              | MsrRept(        |     |        |
| 32 | 8     | DL_UdatInMsrrpt.msg.msrr)                     | MsrReport_06)   | (F) | 960 ms |
| 33 |       | +ChkMsrmntRpt(6, 7)                           |                 |     | 1.     |
| 34 |       | START T_dly1(960)                             |                 |     |        |
| 35 |       | ?TIMEOUT T_dly1                               |                 |     |        |
| 36 |       | +PostMainLinkRel(TCV_chTch)                   |                 |     |        |
| 37 |       | L?DL_UdatInMsrrpt (TCV_MsrRes :=              | MsrRept(        |     |        |
| 38 |       | DL_UdatInMsrrpt.msg.msrr)                     | MsrReport_06)   |     |        |
| 39 |       | +ChkMsrmntRpt(6, 7)                           |                 |     |        |
| 40 |       | (TCV_Null := OM_StopMsrReport(                |                 |     |        |
| 41 |       | TCV_sacchTch))                                |                 |     |        |
| 42 |       | +PostMainLinkRel( TCV_chTch)                  |                 |     |        |
| 43 |       | +local_execution2                             |                 |     |        |
| 44 |       | <b>local_execution2</b>                       |                 |     |        |
| 45 |       | +local_SendSysInfo5and6                       |                 |     |        |
| 46 |       | START T_dly(20000)                            |                 |     | 2.     |
| 47 |       | ?TIMEOUT T_dly                                |                 |     |        |
| 48 |       | +PreEnterCCstateU10_r01( TimingAdv( 30),      |                 |     |        |
| 49 |       | TSPX_SDCCH4SubA, 0, 3, TSPX_CKSNDf,           |                 |     |        |
| 50 |       | TSPX_RANDDef, TSPX_TmSlfDef,                  |                 |     |        |
| 51 |       | TSPX_TscDef, TSPX_TCHHSubDef,                 |                 |     |        |
| 52 |       | TCV_ChRate)                                   |                 |     |        |
| 53 |       | +local_HndovCmd                               |                 |     |        |
| 54 |       | +local_RcvHndovAcc                            |                 |     |        |
| 55 |       | L?DL_EstIn                                    | DLEstInd(       |     |        |
| 56 |       |                                               | TCV_chTch1)     |     |        |
| 57 |       | L?DL_DatInHoCom                               | HndOvCmpRcv(    |     |        |
| 58 |       |                                               | TCV_chTch1,     |     |        |
| 59 |       |                                               | HandOverCmp_01) |     |        |
| 60 |       | +local_continue2                              |                 |     |        |
| 61 |       | <b>local_continue2</b>                        |                 |     |        |
| 62 |       | (TCV_Null := OM_StartMsrReport(TCV_sacchTch)) |                 |     |        |
| 63 |       | [NOT TSPC_TranspDataOnly]                     |                 |     |        |
| 64 |       | L?DL_UdatInMsrrpt (TCV_MsrRes :=              | MsrRept(        |     |        |
| 65 |       | DL_UdatInMsrrpt.msg.msrr)                     | MsrReport_05)   |     |        |
| 66 |       | +ChkMsrmntRpt(6, 7)                           |                 |     |        |
| 67 | L_020 | START T_dly1(960)                             |                 | (F) | 960 ms |
| 68 | 9     | ?TIMEOUT T_dly1                               |                 |     | 1.     |
| 69 |       | +PostMainLinkRel( TCV_chTch)                  |                 |     |        |
| 70 |       | L?DL_UdatInMsrrpt (TCV_MsrRes :=              | MsrRept(        |     |        |
| 71 |       | DL_UdatInMsrrpt.msg.msrr)                     | MsrReport_05)   |     |        |
| 72 |       | +ChkMsrmntRpt(6, 7)                           |                 |     |        |
| 73 |       | (TCV_Null := OM_StopMsrReport(                |                 |     |        |
| 74 |       | TCV_sacchTch))                                |                 |     |        |
| 75 |       | +PostMainLinkRel( TCV_chTch)                  |                 |     |        |
| 76 |       | +local_execution2                             |                 |     |        |
| 77 |       | [TSPC_TranspDataOnly]                         |                 |     |        |
| 78 |       | L?DL_UdatInMsrrpt (TCV_MsrRes :=              | MsrRept(        |     |        |
| 79 |       | DL_UdatInMsrrpt.msg.msrr)                     | MsrReport_06)   |     |        |
| 80 |       | +ChkMsrmntRpt(6, 7)                           |                 |     |        |

|                               |            |                                                               |                                                                                                                                                                                                                                                                                                    |                                    |
|-------------------------------|------------|---------------------------------------------------------------|----------------------------------------------------------------------------------------------------------------------------------------------------------------------------------------------------------------------------------------------------------------------------------------------------|------------------------------------|
| 62                            |            | START T_dly1(960)                                             |                                                                                                                                                                                                                                                                                                    | 960 ms                             |
| 63                            | L_021<br>0 | ?TIMEOUT T_dly1                                               | (F)                                                                                                                                                                                                                                                                                                | 1.                                 |
| 64                            |            | +PostMainLinkRel(TCV_chTch)                                   |                                                                                                                                                                                                                                                                                                    |                                    |
| 65                            |            | L?DL_UdatInMsrRpt (TCV_MsrRes :=<br>DL_UdatInMsrRpt.msg.msrr) | MsrRept(<br>MsrReport_06)                                                                                                                                                                                                                                                                          |                                    |
| 66                            |            | +ChkMsrmtRpt(6, 7)                                            |                                                                                                                                                                                                                                                                                                    |                                    |
| 67                            |            | (TCV_Null := OM_StopMsrReport(<br>TCV_sacchTch))              |                                                                                                                                                                                                                                                                                                    |                                    |
| 68                            |            | +PostMainLinkRel( TCV_chTch)                                  |                                                                                                                                                                                                                                                                                                    |                                    |
| <b>local_RcvHndovAcc</b>      |            |                                                               |                                                                                                                                                                                                                                                                                                    |                                    |
| 69                            |            | L?DL_RacInHoacc                                               | HndOvAccRcv(<br>TCV_chTch,<br>HandOverAcc_01)                                                                                                                                                                                                                                                      |                                    |
| 70                            |            | L?DL_RacInHoacc                                               | HndOvAccRcv(<br>TCV_chTch,<br>HandOverAcc_01)                                                                                                                                                                                                                                                      |                                    |
| 71                            |            | L?DL_RacInHoacc                                               | HndOvAccRcv(<br>TCV_chTch,<br>HandOverAcc_01)                                                                                                                                                                                                                                                      |                                    |
| 72                            |            | L?DL_RacInHoacc                                               | HndOvAccRcv(<br>TCV_chTch,<br>HandOverAcc_01)                                                                                                                                                                                                                                                      |                                    |
| <b>local_HndovCmd</b>         |            |                                                               |                                                                                                                                                                                                                                                                                                    |                                    |
| 73                            |            | (TCV_Tchtype := '00001'B)                                     |                                                                                                                                                                                                                                                                                                    |                                    |
| 74                            |            | [TSPC_PGSM OR TSPC_EGSM]                                      |                                                                                                                                                                                                                                                                                                    |                                    |
| 75                            |            | LIDL_DatRqHoCmd                                               | HndOvSnd(<br>TCV_chTch,<br>HandOverCmd_nfh(<br>TCV_Tchtype,<br>TCV_slot, TCV_tsc,<br>C_NCC, C_BCC_3,<br>C_arfcn_2,<br>C_arfcn_tchA,<br>TSPX_HoRefA,<br>TCV_Pwrlvl_ho,<br>Synchi(<br>C_not_report_otd,<br>C_synchronised),<br>ChMod_omit,<br>RelTmdDif_omit,<br>TimingAdv_omit,<br>CphMod_omit))    |                                    |
| 76                            |            | [TSPC_DCS]                                                    |                                                                                                                                                                                                                                                                                                    |                                    |
| 77                            |            | LIDL_DatRqHoCmd                                               | HndOvSnd(<br>TCV_chTch,<br>HandOverCmd_nfh(<br>TCV_Tchtype,<br>TCV_slot, TCV_tsc,<br>C_NCC, C_BCC_3,<br>C_arfcnAd_2,<br>C_arfcn_tchAd,<br>TSPX_HoRefA,<br>TCV_Pwrlvl_ho,<br>Synchi(<br>C_not_report_otd,<br>C_synchronised),<br>ChMod_omit,<br>RelTmdDif_omit,<br>TimingAdv_omit,<br>CphMod_omit)) |                                    |
| <b>local_SendSysInfo5and6</b> |            |                                                               |                                                                                                                                                                                                                                                                                                    |                                    |
| 78                            |            | [TSPC_PGSM OR TSPC_EGSM]                                      |                                                                                                                                                                                                                                                                                                    |                                    |
| 79                            |            | L!DL_UdatRqSysinfo5                                           | SysInfo5(<br>TCV_sacch, SysInf5(<br>BcchFreqLst_36))                                                                                                                                                                                                                                               | SysInfo 1, 2, 3, 4, 6 as<br>before |
| 80                            |            | LIDL_UdatRqSysinfo5bis                                        | SysInfo5bis(<br>TCV_sacch,<br>SysInf5bis(<br>BcchFreqLst_26))                                                                                                                                                                                                                                      |                                    |

|                                                                                                                                                                                                                            |                        |                                                               |                                    |
|----------------------------------------------------------------------------------------------------------------------------------------------------------------------------------------------------------------------------|------------------------|---------------------------------------------------------------|------------------------------------|
| 81                                                                                                                                                                                                                         | [TSPC_DCS]             |                                                               |                                    |
| 82                                                                                                                                                                                                                         | L!DL_UdatRqSysinfo5    | SysInfo5(<br>TCV_sacch, SysInf5(<br>BcchFreqLst_29))          | SysInfo 1, 2, 3, 4, 6 as<br>before |
| 83                                                                                                                                                                                                                         | L!DL_UdatRqSysinfo5bis | SysInfo5bis(<br>TCV_sacch,<br>SysInf5bis(<br>BcchFreqLst_51)) |                                    |
| <b>Detailed Comments:</b>                                                                                                                                                                                                  |                        |                                                               |                                    |
| <ol style="list-style-type: none"> <li>1. The interval between 2 successive layer 2 frames containing MEASUREMENT REPORT exceeds<br/>one layer 2 frame, fail.</li> <li>2. To allow the MS camp in cell H again.</li> </ol> |                        |                                                               |                                    |

| Test Case Dynamic Behaviour |            |                                                                                                                                                                                                                                                                                                                                                                                                                                                                                                                                                                                                                                 |                           |     |          |
|-----------------------------|------------|---------------------------------------------------------------------------------------------------------------------------------------------------------------------------------------------------------------------------------------------------------------------------------------------------------------------------------------------------------------------------------------------------------------------------------------------------------------------------------------------------------------------------------------------------------------------------------------------------------------------------------|---------------------------|-----|----------|
| <b>Test Case Name:</b>      |            | TC_26_6_3_5                                                                                                                                                                                                                                                                                                                                                                                                                                                                                                                                                                                                                     |                           |     |          |
| <b>Group:</b>               |            | GSM_L3_MS_v4200/RR/                                                                                                                                                                                                                                                                                                                                                                                                                                                                                                                                                                                                             |                           |     |          |
| <b>Purpose:</b>             |            | To test that when the SS gives information about neighbouring cells the MS reports appropriate results.                                                                                                                                                                                                                                                                                                                                                                                                                                                                                                                         |                           |     |          |
| <b>Default:</b>             |            | OtherEventsFail_01                                                                                                                                                                                                                                                                                                                                                                                                                                                                                                                                                                                                              |                           |     |          |
| Nr                          | Label      | Behaviour Description                                                                                                                                                                                                                                                                                                                                                                                                                                                                                                                                                                                                           | CRef                      | V   | Comments |
| 1                           |            | START T_guard(300)                                                                                                                                                                                                                                                                                                                                                                                                                                                                                                                                                                                                              |                           |     |          |
| 2                           |            | +BasicServiceMT( TSPX_MTBscSvcH,<br>TSPX_MTChRateH)                                                                                                                                                                                                                                                                                                                                                                                                                                                                                                                                                                             |                           |     |          |
| 3                           |            | +IdleUpdated( C_E_neighbourdefault, C_CellA,<br>C_SCH_A, C_BCCH_A_1, C_Imm, C_S0,<br>C_SlotNU, C_SlotNU, C_SlotNU, C_BCC,<br>C_TxInt_5, C_Max_1, C_NECI_0, C_ATT_0,<br>TimingAdv( 30), C_BABR_0, C_cch_1Comb,<br>C_BPM_3, C_T3212_0, C_ci_cellA, C_MCC_1,<br>C_PLMN_1, C_LAC_1, CellOpt_01,<br>CellChDes_02, CellChDes_03,<br>C_CellReselectHys12, C_MaxPwrLvlG,<br>C_MaxPwrLvlD, BcchFreqLst_37,<br>BcchFreqLst_Omit, BcchFreqLst_38,<br>BcchFreqLst_Omit, C_noRestablishment,<br>C_BCC_3, C_NCC, C_Start_Tmsi,<br>TSPX_SDCCH4SubA, TSPX_CKSNDDef,<br>TSPX_RANDDef, C_arfcn_2, C_arfcnAd_3,<br>TSPX_IMSI, C_Test_fh, C_NCCP_2) |                           |     |          |
| 4                           |            | +StartCellB( 28, 8, 815, C_Imm, TCV_slot,<br>TCV_tsc, TimingAdv( 30), C_TxInt_5,<br>C_Max_1, C_NECI_0, C_ATT_0, C_BABR_0,<br>C_cch_1Comb, C_BPM_3, C_T3212_0,<br>C_MCC_1, C_PLMN_1, C_LAC_1,<br>CellChDes_05, CellChDes_05d,<br>BcchFreqLst_01, BcchFreqLst_48,<br>C_noRestablishment, C_BCC_5, C_NCC)                                                                                                                                                                                                                                                                                                                          |                           |     |          |
| 5                           |            | +CCConfigTCH( TSPX_TCHHSubDef,<br>C_Ass, TSPX_TmSlitDef, TSPX_TscDef,<br>TimingAdv( 30), C_BABR_0, C_cch_1Comb,<br>C_BPM_3, TCV_ChMod.mode,<br>FreqTCH_omit, FreqTCH_omit,<br>C_arfcn_tchA, C_arfcn_tchAd)                                                                                                                                                                                                                                                                                                                                                                                                                      |                           |     |          |
| 6                           |            | +local_SysInfo5bisSending                                                                                                                                                                                                                                                                                                                                                                                                                                                                                                                                                                                                       |                           |     |          |
| 7                           | body       | +PreEnterCCstateU10_r01( TimingAdv(<br>30), TSPX_SDCCH4SubA, 0, 3,<br>TSPX_CKSNDDef, TSPX_RANDDef,<br>TSPX_TmSlitDef, TSPX_TscDef,<br>TSPX_TCHHSubDef, TCV_ChRate)                                                                                                                                                                                                                                                                                                                                                                                                                                                              |                           |     |          |
| 8                           |            | (TCV_Null := OM_StartMsrReport(<br>TCV_sacchTch))                                                                                                                                                                                                                                                                                                                                                                                                                                                                                                                                                                               |                           |     |          |
| 9                           |            | L?DL_UdatInMsrRpt (TCV_MsrRes :=<br>DL_UdatInMsrRpt.msg.msrr)                                                                                                                                                                                                                                                                                                                                                                                                                                                                                                                                                                   | MsrRept(<br>MsrReport_07) |     |          |
| 10                          |            | +ChkMsrmntRpt(8, 9)                                                                                                                                                                                                                                                                                                                                                                                                                                                                                                                                                                                                             |                           |     |          |
| 11                          |            | +local_continue                                                                                                                                                                                                                                                                                                                                                                                                                                                                                                                                                                                                                 |                           |     |          |
| 12                          |            | <b>local_continue</b>                                                                                                                                                                                                                                                                                                                                                                                                                                                                                                                                                                                                           |                           |     |          |
| 12                          |            | START T_dly1(960)                                                                                                                                                                                                                                                                                                                                                                                                                                                                                                                                                                                                               |                           |     | 960 ms   |
| 13                          | L_021<br>1 | ?TIMEOUT T_dly1                                                                                                                                                                                                                                                                                                                                                                                                                                                                                                                                                                                                                 |                           | (F) | 1.       |
| 14                          |            | +PostMainLinkRel( TCV_chTch)                                                                                                                                                                                                                                                                                                                                                                                                                                                                                                                                                                                                    |                           |     |          |
| 15                          |            | L?DL_UdatInMsrRpt (TCV_MsrRes :=<br>DL_UdatInMsrRpt.msg.msrr)                                                                                                                                                                                                                                                                                                                                                                                                                                                                                                                                                                   | MsrRept(<br>MsrReport_07) |     |          |
| 16                          |            | +ChkMsrmntRpt(8, 9)                                                                                                                                                                                                                                                                                                                                                                                                                                                                                                                                                                                                             |                           |     |          |
| 17                          |            | (TCV_Null := OM_StopMsrReport(<br>TCV_sacchTch))                                                                                                                                                                                                                                                                                                                                                                                                                                                                                                                                                                                |                           |     |          |
| 18                          |            | +PostMainLinkRel(TCV_chTch)                                                                                                                                                                                                                                                                                                                                                                                                                                                                                                                                                                                                     |                           |     |          |
| 19                          |            | +local_execution2                                                                                                                                                                                                                                                                                                                                                                                                                                                                                                                                                                                                               |                           |     |          |
| 20                          |            | <b>local_execution2</b>                                                                                                                                                                                                                                                                                                                                                                                                                                                                                                                                                                                                         |                           |     |          |
| 20                          |            | +local_SysInfo5and6Sending( BcchFreqLst_41,<br>BcchFreqLst_39, BcchFreqLst_42)                                                                                                                                                                                                                                                                                                                                                                                                                                                                                                                                                  |                           |     | 1.       |
| 21                          |            | +PreEnterCCstateU10_r01( TimingAdv( 30),<br>TSPX_SDCCH4SubA, 0, 3, TSPX_CKSNDDef,                                                                                                                                                                                                                                                                                                                                                                                                                                                                                                                                               |                           |     |          |



|    |                                                                                                                                                              |                                                                                                      |     |        |
|----|--------------------------------------------------------------------------------------------------------------------------------------------------------------|------------------------------------------------------------------------------------------------------|-----|--------|
| 22 | TSPX_RANDDef, TSPX_TmSlTDef, TSPX_TscDef,<br>TSPX_TCHHSubDef, TCV_ChRate)                                                                                    |                                                                                                      |     |        |
| 23 | (TCV_Null :=<br>OM_StartMsrReport(TCV_sacchTch))                                                                                                             |                                                                                                      |     |        |
| 24 | L?DL_UdatInMsrRpt (TCV_MsrRes :=<br>DL_UdatInMsrRpt.msg.msrr)                                                                                                | MsrRept(<br>MsrReport_07)                                                                            |     |        |
| 25 | +ChkMsrmntRpt(8, 9)                                                                                                                                          |                                                                                                      |     |        |
| 26 | START T_dly1(960)                                                                                                                                            |                                                                                                      | (F) | 960 ms |
| 27 | ?TIMEOUT T_dly1                                                                                                                                              |                                                                                                      |     | 1.     |
| 28 | +PostMainLinkRel( TCV_chTch)                                                                                                                                 |                                                                                                      |     |        |
| 29 | L?DL_UdatInMsrRpt (TCV_MsrRes :=<br>DL_UdatInMsrRpt.msg.msrr)                                                                                                | MsrRept(<br>MsrReport_07)                                                                            |     |        |
| 30 | +ChkMsrmntRpt(8, 9)                                                                                                                                          |                                                                                                      |     |        |
| 31 | (TCV_Null := OM_StopMsrReport(<br>TCV_sacchTch))                                                                                                             |                                                                                                      |     |        |
| 32 | +PostMainLinkRel( TCV_chTch)<br>+local_execution3                                                                                                            |                                                                                                      |     |        |
| 33 | <b>local_execution3</b><br>+local_SysInfo5and6Sending( BcchFreqLst_43,<br>BcchFreqLst_40, BcchFreqLst_44)                                                    |                                                                                                      |     | 1.     |
| 34 | +PreEnterCCstateU10_r01( TimingAdv( 30),<br>TSPX_SDCCH4SubA, 0, 3, TSPX_CKSNDf,<br>TSPX_RANDDef, TSPX_TmSlTDef, TSPX_TscDef,<br>TSPX_TCHHSubDef, TCV_ChRate) |                                                                                                      |     |        |
| 35 | (TCV_Null :=<br>OM_StartMsrReport(TCV_sacchTch))                                                                                                             |                                                                                                      |     |        |
| 36 | L?DL_UdatInMsrRpt (TCV_MsrRes :=<br>DL_UdatInMsrRpt.msg.msrr)                                                                                                | MsrRept(<br>MsrReport_07)                                                                            |     |        |
| 37 | +ChkMsrmntRpt(8, 10)                                                                                                                                         |                                                                                                      |     |        |
| 38 | START T_dly1(960)                                                                                                                                            |                                                                                                      | (F) | 960 ms |
| 39 | ?TIMEOUT T_dly1                                                                                                                                              |                                                                                                      |     | 1.     |
| 40 | +PostMainLinkRel( TCV_chTch)                                                                                                                                 |                                                                                                      |     |        |
| 41 | L?DL_UdatInMsrRpt (TCV_MsrRes :=<br>DL_UdatInMsrRpt.msg.msrr)                                                                                                | MsrRept(<br>MsrReport_07)                                                                            |     |        |
| 42 | +ChkMsrmntRpt(8, 10)                                                                                                                                         |                                                                                                      |     |        |
| 43 | (TCV_Null := OM_StopMsrReport(<br>TCV_sacchTch))                                                                                                             |                                                                                                      |     |        |
| 44 | +PostMainLinkRel( TCV_chTch)                                                                                                                                 |                                                                                                      |     |        |
| 45 | <b>local_SysInfo5and6Sending( ba1, ba2, ba3 :NCD)</b><br>+Wait(C_T_Wait1)                                                                                    |                                                                                                      |     |        |
| 46 | [TSPC_PGSM OR TSPC_EGSM]                                                                                                                                     |                                                                                                      |     |        |
| 47 | LIDL_UdatRqSysinfo5bis                                                                                                                                       | SysInfo5bis(<br>TCV_sacch,<br>SysInf5bis( ba1))                                                      |     |        |
| 48 | [TSPC_DCS]                                                                                                                                                   |                                                                                                      |     |        |
| 49 | LIDL_UdatRqSysinfo5                                                                                                                                          | SysInfo5(<br>TCV_sacch, SysInf5(<br>ba2))                                                            |     |        |
| 50 | LIDL_UdatRqSysinfo5bis                                                                                                                                       | SysInfo5bis(<br>TCV_sacch,<br>SysInf5bis( ba3))                                                      |     |        |
| 51 | LIDL_UdatRqSysinfo6                                                                                                                                          | SysInfo6(<br>TCV_sacch, SysInf6(<br>C_ci_cellA,<br>C_MCC_1,<br>C_PLMN_1,<br>C_LAC_1,<br>CellOpt_06)) |     |        |
| 52 | <b>local_SysInfo5bisSending</b><br>[TSPC_PGSM OR TSPC_EGSM]                                                                                                  |                                                                                                      |     |        |
| 53 | LIDL_UdatRqSysinfo5bis                                                                                                                                       | SysInfo5bis(<br>TCV_sacch,<br>SysInf5bis(<br>BcchFreqLst_38))                                        |     |        |
| 54 | [TSPC_DCS]                                                                                                                                                   |                                                                                                      |     |        |

|                           |  |                        |                                                               |  |  |
|---------------------------|--|------------------------|---------------------------------------------------------------|--|--|
| 55                        |  | L!DL_UdatRqSysinfo5bis | SysInfo5bis(<br>TCV_sacch,<br>SysInf5bis(<br>BcchFreqLst_37)) |  |  |
| <b>Detailed Comments:</b> |  |                        |                                                               |  |  |

### Test Case Dynamic Behaviour

|                        |                                                                                                                                                                                                                                                                                                                                                                                                                                                                                                                                                                                                                                                                                                                                                                                                                                                                                                                                                                                                                                                                                                                                                                                                                                                                                                                                                                                                                                                                                                                                                                                                                                                                                                                                                                                                                                                                                                                                                                                                                                                                      |
|------------------------|----------------------------------------------------------------------------------------------------------------------------------------------------------------------------------------------------------------------------------------------------------------------------------------------------------------------------------------------------------------------------------------------------------------------------------------------------------------------------------------------------------------------------------------------------------------------------------------------------------------------------------------------------------------------------------------------------------------------------------------------------------------------------------------------------------------------------------------------------------------------------------------------------------------------------------------------------------------------------------------------------------------------------------------------------------------------------------------------------------------------------------------------------------------------------------------------------------------------------------------------------------------------------------------------------------------------------------------------------------------------------------------------------------------------------------------------------------------------------------------------------------------------------------------------------------------------------------------------------------------------------------------------------------------------------------------------------------------------------------------------------------------------------------------------------------------------------------------------------------------------------------------------------------------------------------------------------------------------------------------------------------------------------------------------------------------------|
| <b>Test Case Name:</b> | TC_26_6_4_1                                                                                                                                                                                                                                                                                                                                                                                                                                                                                                                                                                                                                                                                                                                                                                                                                                                                                                                                                                                                                                                                                                                                                                                                                                                                                                                                                                                                                                                                                                                                                                                                                                                                                                                                                                                                                                                                                                                                                                                                                                                          |
| <b>Group:</b>          | GSM_L3_MS_v4200/RR/                                                                                                                                                                                                                                                                                                                                                                                                                                                                                                                                                                                                                                                                                                                                                                                                                                                                                                                                                                                                                                                                                                                                                                                                                                                                                                                                                                                                                                                                                                                                                                                                                                                                                                                                                                                                                                                                                                                                                                                                                                                  |
| <b>Purpose:</b>        | <p>1. To verify that upon receipt of an ASSIGNMENT COMMAND, the MS switches to the channel defined in the ASSIGNMENT COMMAND, establishes the link and sends an ASSIGNMENT COMPLETE message. This is tested for an MS supporting TCH in the special cases of a transition</p> <p>1.1 from non-hopping SDCCH to hopping TCH/F using a different timeslot</p> <p>1.2 from hopping TCH/F to non-hopping TCH/F using a different timeslot</p> <p>1.3 from non-hopping TCH/F to non-hopping TCH/F using a different timeslot</p> <p>1.4 from non-hopping TCH/F to hopping TCH/H using a different timeslot; this test purpose is only applicable if the MS supports TCH/H</p> <p>1.5 from hopping TCH/H to non-hopping TCH/H using a different timeslot; this test purpose is only applicable if the MS supports TCH/H</p> <p>1.6 from non-hopping TCH/H to hopping TCH/F using a different timeslot; this test purpose is only applicable if the MS supports TCH/H.</p> <p>2. To verify that an MS supporting TCH, having sent an MM- or CM message which was not acknowledged on L2 before the channel assignment procedure was initiated and before the MS has left the old channel, repeats that message after completion of the assignment procedure without incrementing N(SD). This is tested in the special case of MM message AUTHENTICATION RESPONSE.</p> <p>3. To verify that, if an MS supporting TCH has received an ASSIGNMENT COMMAND message which contains only the description of a channel to be used after the starting time, and if the starting time has not already elapsed, the mobile station shall wait up to the starting time before accessing the channel.</p> <p>4. To verify that an MS supporting TCH, having received an ASSIGNMENT COMMAND, having sent an SABM frame to establish the main signalling link on the assigned channel, reports the power level specified in the ASSIGNMENT COMMAND message, in the uplink SACCH L1 header of the SACCH message sent in the SACCH period following the transmission of the SABM frame.</p> |
| <b>Default:</b>        | OtherEventsFail_01                                                                                                                                                                                                                                                                                                                                                                                                                                                                                                                                                                                                                                                                                                                                                                                                                                                                                                                                                                                                                                                                                                                                                                                                                                                                                                                                                                                                                                                                                                                                                                                                                                                                                                                                                                                                                                                                                                                                                                                                                                                   |

| Nr | Label | Behaviour Description                                                                                                                                                                                                                                                                                                                                                                                                                                                                                                                                                  | CRef                                   | V | Comments |
|----|-------|------------------------------------------------------------------------------------------------------------------------------------------------------------------------------------------------------------------------------------------------------------------------------------------------------------------------------------------------------------------------------------------------------------------------------------------------------------------------------------------------------------------------------------------------------------------------|----------------------------------------|---|----------|
| 1  |       | START T_guard(300)                                                                                                                                                                                                                                                                                                                                                                                                                                                                                                                                                     |                                        |   |          |
| 2  |       | +IdleUpdated( C_E_default, C_CellA, C_SCH_A, C_BCCH_A_1, C_ImmAss, C_S0, C_SlotNU, C_SlotNU, C_SlotNU, C_BCC, C_TxInt_5, C_Max_1, C_NECI_0, C_ATT_0, TimingAdv( 30), C_BABR_0, C_cch_1Comb, C_BPM_3, C_T3212_0, C_ci_cellA, C_MCC_1, C_PLMN_1, C_LAC_1, CellOpt_05, CellChDes_15, CellChDes_15d, C_CellReselectHys12, C_MaxPwrLvlG, C_MaxPwrLvlD, BcchFreqLst_02, BcchFreqLst_01, BcchFreqLst_04, BcchFreqLst_48, C_Restablishment, C_BCC, C_NCC, C_Start_Tmsi, TSPX_SDCCH4SubDef, TSPX_CKSNDDef, TSPX_RANDDef, C_arfcnA, C_arfcnAd_4, TSPX_IMSI, C_Test_fh, C_NCCP_2) |                                        |   |          |
| 3  |       | +SDCCH8_A_1_nociph( TSPX_SDCCH8SubDef, C_Ass, TSPX_TmSltDef, TSPX_TscDef, ChMod_sign, FreqBCCH( C_arfcnA), FreqBCCH( C_arfcnAd_4), TimingAdv( 30), C_BABR_0, C_cch_1nonComb, C_BPM_3)                                                                                                                                                                                                                                                                                                                                                                                  |                                        |   | 2.       |
| 4  |       | LIDL_UdatRqPg1Rq                                                                                                                                                                                                                                                                                                                                                                                                                                                                                                                                                       | PgReq1(TCV_PgCh, TCV_Pgg, PgReqTp1_01) |   |          |
| 5  |       | L?DL_RaInChRq (TCV_Rr := DL_RaInChRq.msg.ecau_rrf, TCV_Fn := DL_RaInChRq.fn)                                                                                                                                                                                                                                                                                                                                                                                                                                                                                           | ChReq( ChRequest_17)                   |   |          |
| 6  |       | +ltree_ImmAss                                                                                                                                                                                                                                                                                                                                                                                                                                                                                                                                                          |                                        |   |          |
| 7  |       | L?DL_EstInPgRes                                                                                                                                                                                                                                                                                                                                                                                                                                                                                                                                                        | PagingRes( PagingRes_01)               |   |          |
| 8  |       | +localtree1                                                                                                                                                                                                                                                                                                                                                                                                                                                                                                                                                            |                                        |   |          |
| 9  |       | +localtree2                                                                                                                                                                                                                                                                                                                                                                                                                                                                                                                                                            |                                        |   |          |
|    |       | <b>localtree1</b>                                                                                                                                                                                                                                                                                                                                                                                                                                                                                                                                                      |                                        |   |          |
| 10 |       | +ltree_Asgn1                                                                                                                                                                                                                                                                                                                                                                                                                                                                                                                                                           |                                        |   |          |
| 11 |       | +ltree_AssCh_complete( TCV_ch, TCV_chTch, TCV_AssCmd)                                                                                                                                                                                                                                                                                                                                                                                                                                                                                                                  |                                        |   |          |

|    |            |                                                                             |                                                                   |     |
|----|------------|-----------------------------------------------------------------------------|-------------------------------------------------------------------|-----|
| 12 |            | (TCV_L1Head := OM_GetL1Hd(TCV_chTch),<br>TCV_Pwrlvl := TCV_L1Head.mspwrlvl) |                                                                   |     |
| 13 | L_021<br>4 | [TCV_Pwrlvl <> '0000111'B]                                                  |                                                                   | (F) |
| 14 | L_021<br>5 | [TCV_Pwrlvl = '0000111'B]                                                   |                                                                   | (P) |
| 15 |            | +ltree_Asgn2                                                                |                                                                   |     |
| 16 |            | +ltree_AssCh_complete( TCV_chTch,<br>TCV_chTch1, TCV_AssCmd)                |                                                                   |     |
|    |            | <b>localtree2</b>                                                           |                                                                   |     |
| 17 |            | (TCV_Null :=OM_NoL2Ack( 1, TCV_chTch1))                                     |                                                                   |     |
| 18 |            | L!DL_DatRqAuthRq                                                            | AuthReq(TCV_ch,<br>AuthRequest(<br>TSPX_CKSNDf,<br>TSPX_RANDDef)) |     |
| 19 |            | L?DL_DatInAuthRes (TCV_Mt :=<br>DL_DatInAuthRes.msg.mt)                     | AuthRes(<br>AuthResponse)                                         |     |
| 20 |            | +ltree_Asgn3                                                                |                                                                   |     |
| 21 |            | +ltree_AssCh_complete( TCV_chTch1,<br>TCV_chTch, TCV_AssCmd)                |                                                                   |     |
| 22 |            | L?DL_DatInAuthRes (TCV_Mt1 :=<br>DL_DatInAuthRes.msg.mt)                    | AuthRes(<br>AuthResponse)                                         |     |
| 23 |            | [TCV_Mt <> TCV_Mt1]                                                         |                                                                   | (F) |
| 24 |            | [TCV_Mt = TCV_Mt1]                                                          |                                                                   | (P) |
| 25 |            | +continue1                                                                  |                                                                   |     |
|    |            | <b>continue1</b>                                                            |                                                                   |     |
| 26 |            | +ltree_Asgn4                                                                |                                                                   |     |
| 27 |            | +ltree_AssCh_complete( TCV_chTch,<br>TCV_chTch1, TCV_AssCmd)                |                                                                   |     |
| 28 |            | [TCV_K >17]                                                                 |                                                                   | (F) |
| 29 |            | [(TCV_K >= 0) AND (TCV_K <=17)]                                             |                                                                   | (P) |
| 30 |            | [TCV_CC AND( NOT TSPC_DualRate)]                                            |                                                                   |     |
| 31 |            | +PostMainLinkRel(TCV_chTch1)                                                |                                                                   |     |
| 32 |            | [TSPC_DualRate]                                                             |                                                                   |     |
| 33 |            | +gofurther                                                                  |                                                                   |     |
|    |            | <b>gofurther</b>                                                            |                                                                   |     |
| 34 |            | +ltree_Asgn5                                                                |                                                                   |     |
| 35 |            | +ltree_AssCh_complete( TCV_chTch1,<br>TCV_chTch, TCV_AssCmd)                |                                                                   |     |
| 36 |            | L!DL_DatRqIdRq                                                              | IDReq(TCV_chTch,<br>IDRequest_01('0010'<br>B))                    |     |
| 37 |            | L?DL_DatInIdRes                                                             | IDRes(IDResponse_0<br>1)                                          |     |
| 38 |            | +ltree_Asgn6                                                                |                                                                   |     |
| 39 |            | +ltree_AssCh_complete( TCV_chTch,<br>TCV_chTch1, TCV_AssCmd)                |                                                                   |     |
| 40 |            | +ltree_Asgn7                                                                |                                                                   |     |
| 41 |            | +ltree_AssCh_complete( TCV_chTch1,<br>TCV_chTch, TCV_AssCmd)                |                                                                   |     |
| 42 |            | +PostMainLinkRel(TCV_chTch)                                                 |                                                                   |     |
|    |            | <b>ltree_AssCh_complete(oldch,newch:LOGICCH;<br/>pdu_ass: ASS_CMD_PDU)</b>  |                                                                   |     |
| 43 |            | L!DL_DatRqAssCmd START T_dlyAss                                             | AssCmd(oldch,pdu_a<br>ss)                                         |     |
| 44 |            | ?TIMEOUT T_dlyAss                                                           |                                                                   | (F) |
| 45 |            | +PostLinkRelEnd(oldch)                                                      |                                                                   |     |
| 46 |            | L?DL_EstIn (TCV_Fn1 := DL_EstIn.fn) CANCEL<br>T_dlyAss                      | DLEstIn(newch)                                                    |     |
| 47 |            | (TCV_Fn := OM_ReturnFn( oldch))                                             |                                                                   |     |
| 48 |            | L?DL_DatInAssCom                                                            | AssCmp( newch,<br>AsgnCmp_02)                                     |     |
| 49 |            | L!MDL_RelRq                                                                 | MDLRelReq(oldch)                                                  |     |
| 50 |            | +Check_Time(C_T_AssCmd)                                                     |                                                                   |     |

|    |                                                         |                                                                                                                                  |  |
|----|---------------------------------------------------------|----------------------------------------------------------------------------------------------------------------------------------|--|
|    | <p><b>ltree_ImmAss</b><br/>[TSPC_PGSM OR TSPC_EGSM]</p> |                                                                                                                                  |  |
| 51 | LIDL_UdatRqImmAss                                       | ImmAss( TCV_agch,                                                                                                                |  |
| 52 |                                                         | ImmAsgn_sdcch8(<br>TCV_Rr, TCV_Fn,<br>TSPX_TmSlitDef,<br>TSPX_TscDef,<br>TSPX_SDCCH8SubD<br>ef, C_arfcnA,<br>TimingAdv( 30)))    |  |
| 53 | [TSPC_DCS]                                              |                                                                                                                                  |  |
| 54 | LIDL_UdatRqImmAss                                       | ImmAss( TCV_agch,                                                                                                                |  |
|    |                                                         | ImmAsgn_sdcch8(<br>TCV_Rr, TCV_Fn,<br>TSPX_TmSlitDef,<br>TSPX_TscDef,<br>TSPX_SDCCH8SubD<br>ef, C_arfcnAd_4,<br>TimingAdv( 30))) |  |
|    |                                                         |                                                                                                                                  |  |
|    |                                                         |                                                                                                                                  |  |
|    |                                                         |                                                                                                                                  |  |
|    |                                                         |                                                                                                                                  |  |
|    |                                                         |                                                                                                                                  |  |
|    |                                                         |                                                                                                                                  |  |
|    |                                                         |                                                                                                                                  |  |
|    |                                                         |                                                                                                                                  |  |
|    |                                                         |                                                                                                                                  |  |
|    |                                                         |                                                                                                                                  |  |
|    |                                                         |                                                                                                                                  |  |
|    |                                                         |                                                                                                                                  |  |
|    |                                                         |                                                                                                                                  |  |
|    |                                                         |                                                                                                                                  |  |
|    |                                                         |                                                                                                                                  |  |
|    |                                                         |                                                                                                                                  |  |
|    |                                                         |                                                                                                                                  |  |
|    |                                                         |                                                                                                                                  |  |
|    |                                                         |                                                                                                                                  |  |
|    |                                                         |                                                                                                                                  |  |
|    |                                                         |                                                                                                                                  |  |
|    |                                                         |                                                                                                                                  |  |
|    |                                                         |                                                                                                                                  |  |
|    |                                                         |                                                                                                                                  |  |
|    |                                                         |                                                                                                                                  |  |
|    |                                                         |                                                                                                                                  |  |
|    |                                                         |                                                                                                                                  |  |
|    |                                                         |                                                                                                                                  |  |
|    |                                                         |                                                                                                                                  |  |
|    |                                                         |                                                                                                                                  |  |
|    |                                                         |                                                                                                                                  |  |
|    |                                                         |                                                                                                                                  |  |
|    |                                                         |                                                                                                                                  |  |
|    |                                                         |                                                                                                                                  |  |
|    |                                                         |                                                                                                                                  |  |
|    |                                                         |                                                                                                                                  |  |
|    |                                                         |                                                                                                                                  |  |
|    |                                                         |                                                                                                                                  |  |
|    |                                                         |                                                                                                                                  |  |
|    |                                                         |                                                                                                                                  |  |
|    |                                                         |                                                                                                                                  |  |
|    |                                                         |                                                                                                                                  |  |
|    |                                                         |                                                                                                                                  |  |
|    |                                                         |                                                                                                                                  |  |
|    |                                                         |                                                                                                                                  |  |
|    |                                                         |                                                                                                                                  |  |
|    |                                                         |                                                                                                                                  |  |
|    |                                                         |                                                                                                                                  |  |
|    |                                                         |                                                                                                                                  |  |
|    |                                                         |                                                                                                                                  |  |
|    |                                                         |                                                                                                                                  |  |
|    |                                                         |                                                                                                                                  |  |
|    |                                                         |                                                                                                                                  |  |
|    |                                                         |                                                                                                                                  |  |
|    |                                                         |                                                                                                                                  |  |

|    |                                                                                                                                                                                                                                                                                             |
|----|---------------------------------------------------------------------------------------------------------------------------------------------------------------------------------------------------------------------------------------------------------------------------------------------|
| 72 | TCV_sysinfo5, TCV_sysinfo6)<br>(TCV_AssCmd := AsgnCmd_nfh( '00001'B,<br>TCV_slt2, TSPX_TscDef, 12, C_arfcnAd_4,<br>CellChDes_r01, ChMod(TSPX_modF),<br>StartingTm_omit, CphMod_omit))                                                                                                       |
| 73 | <b>ltree_Asgn3</b><br>(TCV_chTch := C_FACCHF_A_1, TCV_sacchTch :=<br>C_SACCHF_A_1, TCV_slt2 := INT_TO_BIT(((<br>BIT_TO_INT( TSPX_TmSltDef) + 4) MOD 8), 3))                                                                                                                                 |
| 74 | [TSPC_PGSM OR TSPC_EGSM]                                                                                                                                                                                                                                                                    |
| 75 | +Config_FACCHF_A_1(C_E_default, 9,<br>ChMod(TSPX_modF), C_Ass, TCV_slt2,<br>TSPX_TscDef, FreqTCHa7, C_TCHF_ACCHF_1,<br>TimingAdv( 30), C_BABR_0, C_cch_1Comb,<br>C_BPM_3)                                                                                                                   |
| 76 | +SysInfo_SacchSending( TCV_sacchTch,<br>TCV_sysinfo5, TCV_sysinfo6)                                                                                                                                                                                                                         |
| 77 | (TCV_AssCmd := AsgnCmd_tchf_fh(<br>TCV_slt2, TSPX_TscDef, 9, '000011'B,<br>'001000'B, FrqI_omit, CellChDes_Omit,<br>ChMod_omit, MobilAllc_r02, CphMod_omit))                                                                                                                                |
| 78 | [TSPC_DCS]                                                                                                                                                                                                                                                                                  |
| 79 | +Config_FACCHF_A_1(C_E_default, 9,<br>ChMod_speech, C_Ass, TCV_slt2,<br>TSPX_TscDef, FreqTCHa6, C_TCHF_ACCHF_1,<br>TimingAdv( 30), C_BABR_0, C_cch_1Comb,<br>C_BPM_3)                                                                                                                       |
| 80 | +SysInfo_SacchSending( TCV_sacchTch,<br>TCV_sysinfo5, TCV_sysinfo6)                                                                                                                                                                                                                         |
| 81 | (TCV_AssCmd := AsgnCmd_tchf_fh(<br>TCV_slt2, TSPX_TscDef, 9, '000011'B,<br>'001000'B, FrqI_omit, CellChDes_Omit,<br>ChMod_omit, MobilAllc_r04, CphMod_omit))                                                                                                                                |
| 82 | <b>ltree_Asgn4</b><br>(TCV_chTch1 := C_FACCHF_A_2, TCV_sacchTch1<br>:= C_SACCHF_A_2, TCV_slt2 := INT_TO_BIT(((<br>BIT_TO_INT( TSPX_TmSltDef) + 5) MOD 8), 3),<br>TCV_Fn := OM_ComingFn( TCV_chTch), TCV_Fn1<br>:= OC_FnInc( TCV_Fn, 100), TCV_Null :=<br>OM_SendNextOn( TCV_chTch, TCV_Fn)) |
| 83 | [TSPC_PGSM OR TSPC_EGSM]                                                                                                                                                                                                                                                                    |
| 84 | +Config_FACCHF_A_2(C_E_default, 14,<br>ChMod_sign, C_Ass, TCV_slt2, TSPX_TscDef,<br>FreqTCH( C_arfcn_10), C_TCHF_ACCHF_2,<br>TimingAdv( 30), C_BABR_0, C_cch_1Comb,<br>C_BPM_3)                                                                                                             |
| 85 | +SysInfo_SacchSending( TCV_sacchTch1,<br>TCV_sysinfo5, TCV_sysinfo6)                                                                                                                                                                                                                        |
| 86 | (TCV_AssCmd := AsgnCmd_nfh( '00001'B,<br>TCV_slt2, TSPX_TscDef, 14, C_arfcn_10,<br>CellChDes_Omit, ChMod_sign_iei,<br>StartingTm_01(TCV_Fn1), CphMod_omit))                                                                                                                                 |
| 87 | [TSPC_DCS]                                                                                                                                                                                                                                                                                  |
| 88 | +Config_FACCHF_A_2(C_E_default, 14,<br>ChMod_sign, C_Ass, TCV_slt2, TSPX_TscDef,<br>FreqTCH( C_arfcnAd_5), C_TCHF_ACCHF_2,<br>TimingAdv( 30), C_BABR_0, C_cch_1Comb,<br>C_BPM_3)                                                                                                            |
| 89 | +SysInfo_SacchSending( TCV_sacchTch1,<br>TCV_sysinfo5, TCV_sysinfo6)                                                                                                                                                                                                                        |
| 90 | (TCV_AssCmd := AsgnCmd_nfh( '00001'B,<br>TCV_slt2, TSPX_TscDef, 14, C_arfcnAd_5,<br>CellChDes_Omit, ChMod_sign_iei,<br>StartingTm_01(TCV_Fn1), CphMod_omit))                                                                                                                                |
| 91 | <b>ltree_Asgn5</b><br>(TCV_chTch := OC_SubchOfFacchh(<br>TSPX_TCHHSubDef, C_CellA, 1), TCV_sacchTch :=<br>OC_SubchOfSacchh( TSPX_TCHHSubDef, C_CellA,<br>1), TCV_slt2 := INT_TO_BIT((( BIT_TO_INT(<br>TSPX_TmSltDef) +6) MOD 8), 3))                                                        |

```

92 [TSPC_PGSM OR TSPC_EGSM]
93 +Config_FACCHH_A_1(C_E_default, 8,
 ChMod(TSPX_modH), C_Ass, TCV_sl2,
 TSPX_TscDef, FreqTCHa9, C_TCHH_ACCHH_1,
 TimingAdv(30), C_BABR_0, C_cch_1Comb,
 C_BPM_3)
94 +SysInfo_SacchSending(TCV_sacchTch,
 TCV_sysinfo5, TCV_sysinfo6)
95 (TCV_AssCmd := AsgnCmd_tch_fh(
 TSPX_TCHHSubDef, TCV_sl2,
 TSPX_TscDef, 8, '000101'B, '000000'B,
 Frql_08, CellChDes_Omit,
 ChMod(TSPX_modH), MblAllc_omit,
 CphMod_omit))
96 [TSPC_DCS]
97 +Config_FACCHH_A_1(C_E_default, 3,
 ChMod(TSPX_modH), C_Ass, TCV_sl2,
 TSPX_TscDef, FreqTCHa5, C_TCHH_ACCHH_1,
 TimingAdv(30), C_BABR_0, C_cch_1Comb,
 C_BPM_3)
98 +SysInfo_SacchSending(TCV_sacchTch,
 TCV_sysinfo5, TCV_sysinfo6)
99 (TCV_AssCmd := AsgnCmd_tch_fh(
 TSPX_TCHHSubDef, TCV_sl2,
 TSPX_TscDef, 3, '000101'B,
 '000000'B, Frql_09, CellChDes_Omit,
 ChMod(TSPX_modH), MblAllc_omit,
 CphMod_omit))

Itree_Asgn6
100 (TCV_chTch1 := OC_SubchOfFacchh(
 TSPX_TCHHSubA, C_CellA, 2), TCV_sacchTch1 :=
 OC_SubchOfSacchh(TSPX_TCHHSubDef, C_CellA,
 2), TCV_sl2 := INT_TO_BIT(((BIT_TO_INT(
 TSPX_TmSl2Def) +7) MOD 8), 3))
101 [TSPC_PGSM OR TSPC_EGSM]
102 +Config_FACCHH_A_2(C_E_default, 12,
 ChMod(TSPX_modH), C_Ass, TCV_sl2,
 TSPX_TscDef, FreqTCH(C_arfcn_34),
 C_TCHH_ACCHH_2, TimingAdv(30),
 C_BABR_0, C_cch_1Comb, C_BPM_3)
103 +SysInfo_SacchSending(TCV_sacchTch1,
 TCV_sysinfo5, TCV_sysinfo6)
104 (TCV_AssCmd := AsgnCmd_tch_nfh(
 TSPX_TCHHSubA, TCV_sl2, TSPX_TscDef,
 12, C_arfcn_34, CellChDes_Omit,
 ChMod_omit, StartingTm_omit))
105 [TSPC_DCS]
106 +Config_FACCHH_A_2(C_E_default, 9,
 ChMod(TSPX_modH), C_Ass, TCV_sl2,
 TSPX_TscDef, FreqTCH(C_arfcnAd_6),
 C_TCHH_ACCHH_2, TimingAdv(30),
 C_BABR_0, C_cch_1Comb, C_BPM_3)
107 +SysInfo_SacchSending(TCV_sacchTch1,
 TCV_sysinfo5, TCV_sysinfo6)
108 (TCV_AssCmd := AsgnCmd_tch_nfh(
 TSPX_TCHHSubA, TCV_sl2, TSPX_TscDef,
 9, C_arfcnAd_6, CellChDes_Omit,
 ChMod_omit, StartingTm_omit))

Itree_Asgn7
109 (TCV_sl2 := INT_TO_BIT(((BIT_TO_INT(
 TSPX_TmSl2Def) + 1) MOD 8), 3))
110 +FullRateCh_A_1_nociph(C_Ass, TCV_sl2,
 TSPX_TscDef, ChMod(TSPX_modH),
 FreqTCHa10, FreqTCHa4, TimingAdv(30),
 C_BABR_0, C_cch_1Comb, C_BPM_3)
111 [TSPC_PGSM OR TSPC_EGSM]
112 (TCV_AssCmd := AsgnCmd_tch_fh(TCV_sl2,
 TSPX_TscDef, 19, '000000'B, '101000'B,
 Frql_omit, CellChDes_r04, ChMod_omit,
 MblAllc_r03, CphMod_omit))
113 [TSPC_DCS]

```

|                                                                                                                                    |  |                                                                                                                                                            |  |  |  |
|------------------------------------------------------------------------------------------------------------------------------------|--|------------------------------------------------------------------------------------------------------------------------------------------------------------|--|--|--|
| 114                                                                                                                                |  | (TCV_AssCmd := AsgnCmd_tchf_fh( TCV_sl2,<br>TSPX_TscDef, 15, '000000'B, '101000'B,<br>FrqI_omit, CellChDes_r02, ChMod_omit,<br>MoblAllc_r03, CphMod_omit)) |  |  |  |
| <b>Detailed Comments:</b><br>1. Default parameters except CA.<br>2. The time slot is TSPX_TmSl2Def, the ARFCN is the BCCH carrier. |  |                                                                                                                                                            |  |  |  |



| Test Case Dynamic Behaviour                                                                                                                                                                                                                                                                                                                                                                                       |       |                                                                                                                                                                                                                                                                                                                                                                                                                                                                                                                                                                              |      |   |          |
|-------------------------------------------------------------------------------------------------------------------------------------------------------------------------------------------------------------------------------------------------------------------------------------------------------------------------------------------------------------------------------------------------------------------|-------|------------------------------------------------------------------------------------------------------------------------------------------------------------------------------------------------------------------------------------------------------------------------------------------------------------------------------------------------------------------------------------------------------------------------------------------------------------------------------------------------------------------------------------------------------------------------------|------|---|----------|
| <b>Test Case Name:</b> TC_26_6_4_2_1                                                                                                                                                                                                                                                                                                                                                                              |       |                                                                                                                                                                                                                                                                                                                                                                                                                                                                                                                                                                              |      |   |          |
| <b>Group:</b> GSM_L3_MS_v4200/RR/                                                                                                                                                                                                                                                                                                                                                                                 |       |                                                                                                                                                                                                                                                                                                                                                                                                                                                                                                                                                                              |      |   |          |
| <b>Purpose:</b> To test that, when the MS fails to seize the new channel, the MS reactivates the old channel, reporting use of the last power level used on the old channel. This is tested in the special cases of a transition:<br>- from TCH/F to hopping TCH/F in state U10 if the MS supports TCH/F and call control<br>- from TCH/H to hopping TCH/H in state U10 if the MS supports TCH/H and call control |       |                                                                                                                                                                                                                                                                                                                                                                                                                                                                                                                                                                              |      |   |          |
| <b>Default:</b> OtherEventsFail_01                                                                                                                                                                                                                                                                                                                                                                                |       |                                                                                                                                                                                                                                                                                                                                                                                                                                                                                                                                                                              |      |   |          |
| Nr                                                                                                                                                                                                                                                                                                                                                                                                                | Label | Behaviour Description                                                                                                                                                                                                                                                                                                                                                                                                                                                                                                                                                        | Cref | V | Comments |
| 1                                                                                                                                                                                                                                                                                                                                                                                                                 |       | START T_guard(300)                                                                                                                                                                                                                                                                                                                                                                                                                                                                                                                                                           |      |   |          |
| 2                                                                                                                                                                                                                                                                                                                                                                                                                 |       | +BasicServiceMT( TSPX_MTBscSvcB, C_Full)                                                                                                                                                                                                                                                                                                                                                                                                                                                                                                                                     |      |   |          |
| 3                                                                                                                                                                                                                                                                                                                                                                                                                 |       | +IdleUpdated( C_E_default, C_CellA, C_SCH_A, C_BCCH_A_1, C_Immass, C_S0, C_SlotNU, C_SlotNU, C_SlotNU, C_BCC, C_TxInt_5, C_Max_1, C_NECI_0, C_ATT_0, TimingAdv( 30), C_BABR_0, C_cch_1Comb, C_BPM_3, C_T3212_0, C_ci_cellA, C_MCC_1, C_PLMN_1, C_LAC_1, CellOpt_01, CellChDes_02, CellChDes_03, C_CellReselectHys12, TSPX_MSTxpwrMax, TSPX_MSTxpwrMax, BcchFreqLst_01, BcchFreqLst_Omit, BcchFreqLst_48, BcchFreqLst_Omit, C_noReestablishment, C_BCC, C_NCC, C_Start_Tmsi, TSPX_SDCCH4SubA, TSPX_CKSNDf, TSPX_RANDDef, C_arfcnA, C_arfcnAd, TSPX_IMSI, C_Test_fh, C_NCCP_2) |      |   |          |
| 4                                                                                                                                                                                                                                                                                                                                                                                                                 |       | +FullRateCh_A_1( C_Ass, TSPX_TmSlitDef, TSPX_TscDef, ChMod_speech, FreqTCH_omit, FreqTCH_omit, C_arfcn_tchA, C_arfcn_tchAd, TimingAdv( 30), C_BABR_0, C_cch_1Comb, C_BPM_3)                                                                                                                                                                                                                                                                                                                                                                                                  |      |   |          |
| 5                                                                                                                                                                                                                                                                                                                                                                                                                 |       | +PreEnterCCstateU10_r01( TimingAdv( 30), TSPX_SDCCH4SubA, TSPX_MSTxpwrMax, TSPX_MSTxpwrMax, TSPX_CKSNDf, TSPX_RANDDef, TSPX_TmSlitDef, TSPX_TscDef, TSPX_TCHHSubA, C_Full)                                                                                                                                                                                                                                                                                                                                                                                                   |      |   | 1.       |
| 6                                                                                                                                                                                                                                                                                                                                                                                                                 | body  | +localtree                                                                                                                                                                                                                                                                                                                                                                                                                                                                                                                                                                   |      |   |          |
|                                                                                                                                                                                                                                                                                                                                                                                                                   |       | <b>localtree</b>                                                                                                                                                                                                                                                                                                                                                                                                                                                                                                                                                             |      |   |          |
| 7                                                                                                                                                                                                                                                                                                                                                                                                                 |       | +AssCmdGen( TCV_cellid, C_Full, TSPX_TmSlitDef, TSPX_TscDef, TSPX_TCHHSubDef)                                                                                                                                                                                                                                                                                                                                                                                                                                                                                                |      |   |          |
| 8                                                                                                                                                                                                                                                                                                                                                                                                                 |       | +AssCh_failure( TCV_chTch, TCV_AssCmd, FALSE)                                                                                                                                                                                                                                                                                                                                                                                                                                                                                                                                |      |   |          |
| 9                                                                                                                                                                                                                                                                                                                                                                                                                 |       | +localtree3                                                                                                                                                                                                                                                                                                                                                                                                                                                                                                                                                                  |      |   |          |
| 10                                                                                                                                                                                                                                                                                                                                                                                                                |       | +localtree1                                                                                                                                                                                                                                                                                                                                                                                                                                                                                                                                                                  |      |   |          |
|                                                                                                                                                                                                                                                                                                                                                                                                                   |       | <b>localtree1</b>                                                                                                                                                                                                                                                                                                                                                                                                                                                                                                                                                            |      |   |          |
| 11                                                                                                                                                                                                                                                                                                                                                                                                                |       | [TSPC_DualRate]                                                                                                                                                                                                                                                                                                                                                                                                                                                                                                                                                              |      |   |          |
| 12                                                                                                                                                                                                                                                                                                                                                                                                                |       | +Wait(C_T_Wait1)                                                                                                                                                                                                                                                                                                                                                                                                                                                                                                                                                             |      |   |          |
| 13                                                                                                                                                                                                                                                                                                                                                                                                                |       | (TCV_CphKey := OC_CphKeyGen(TSPX_Ki, TSPX_RANDDef))                                                                                                                                                                                                                                                                                                                                                                                                                                                                                                                          |      |   |          |
| 14                                                                                                                                                                                                                                                                                                                                                                                                                |       | +HalfRateCh_A_1( TSPX_TCHHSubA, C_Ass, TSPX_TmSlitDef, TSPX_TscDef, ChMod_speech, FreqTCH_omit, FreqTCH_omit, C_arfcn_tchA, C_arfcn_tchAd, TimingAdv( 30), C_BABR_0, C_cch_1Comb, C_BPM_3)                                                                                                                                                                                                                                                                                                                                                                                   |      |   |          |
| 15                                                                                                                                                                                                                                                                                                                                                                                                                |       | +PreEnterCCstateU10_r01( TimingAdv( 30), TSPX_SDCCH4SubA, TSPX_MSTxpwrMax, TSPX_MSTxpwrMax, TSPX_CKSNDf, TSPX_RANDDef, TSPX_TmSlitDef, TSPX_TscDef, TSPX_TCHHSubA, C_Half)                                                                                                                                                                                                                                                                                                                                                                                                   |      |   | 3.       |
| 16                                                                                                                                                                                                                                                                                                                                                                                                                |       | +localtree2                                                                                                                                                                                                                                                                                                                                                                                                                                                                                                                                                                  |      |   |          |
| 17                                                                                                                                                                                                                                                                                                                                                                                                                |       | [TCV_CC AND( NOT TSPC_DualRate)]                                                                                                                                                                                                                                                                                                                                                                                                                                                                                                                                             |      |   |          |
|                                                                                                                                                                                                                                                                                                                                                                                                                   |       | <b>localtree2</b>                                                                                                                                                                                                                                                                                                                                                                                                                                                                                                                                                            |      |   |          |
| 18                                                                                                                                                                                                                                                                                                                                                                                                                |       | +AssCmdGen( TCV_cellid, C_Half, TSPX_TmSlitDef, TSPX_TscDef, TSPX_TCHHSubDef)                                                                                                                                                                                                                                                                                                                                                                                                                                                                                                |      |   |          |
| 19                                                                                                                                                                                                                                                                                                                                                                                                                |       | +AssCh_failure( TCV_chTch, TCV_AssCmd, FALSE)                                                                                                                                                                                                                                                                                                                                                                                                                                                                                                                                |      |   |          |

|    |            |                                          |     |    |
|----|------------|------------------------------------------|-----|----|
| 20 |            | +localtree3                              |     |    |
|    |            | <b>localtree3</b>                        |     |    |
| 21 |            | (TCV_L1Head := OM_GetL1Hd(C_SACCHF_A_1)) |     |    |
| 22 |            | [TSPC_PGSM OR TSPC_EGSM]                 |     |    |
| 23 | L_022<br>1 | [TCV_L1Head.mspwrlvl <> '00111'B]        | (F) | 6. |
| 24 |            | +PostMainLinkRel(TCV_chTch)              |     |    |
| 25 | L_022<br>2 | [TCV_L1Head.mspwrlvl = '00111'B]         | (P) |    |
| 26 |            | +PostMainLinkRel(TCV_chTch)              |     |    |
| 27 |            | [TSPC_DCS]                               |     |    |
| 28 | L_022<br>3 | [TCV_L1Head.mspwrlvl <> '00011'B]        | (F) | 6. |
| 29 |            | +PostMainLinkRel(TCV_chTch)              |     |    |
| 30 | L_022<br>4 | [TCV_L1Head.mspwrlvl = '00011'B]         | (P) |    |
| 31 |            | +PostMainLinkRel(TCV_chTch)              |     |    |

**Detailed Comments:**

1. To set up a full rate non hopping call and power level = 7.
2. To assign a full rate hopping channel with power level = 9, but the channel is not activated.
3. To set up a half rate non hopping call and power level = 7.
4. To assign a half rate channel with power level = 9, but the channel is not activated.
5. The expected ASSIGNMENT FAILURE with " protocol error unspecified" received on the old channel.
6. The power level is not the old power level, fail.

| Test Case Dynamic Behaviour |       |                                                                                                                                                                                                                                                                                                                                                                                                                                                                                                                                                                        |                                                                                                                          |   |          |
|-----------------------------|-------|------------------------------------------------------------------------------------------------------------------------------------------------------------------------------------------------------------------------------------------------------------------------------------------------------------------------------------------------------------------------------------------------------------------------------------------------------------------------------------------------------------------------------------------------------------------------|--------------------------------------------------------------------------------------------------------------------------|---|----------|
| <b>Test Case Name:</b>      |       | TC_26_6_4_2_2                                                                                                                                                                                                                                                                                                                                                                                                                                                                                                                                                          |                                                                                                                          |   |          |
| <b>Group:</b>               |       | GSM_L3_MS_v4200/RR/                                                                                                                                                                                                                                                                                                                                                                                                                                                                                                                                                    |                                                                                                                          |   |          |
| <b>Purpose:</b>             |       | To test that, when the MS fails to seize the new channel, the MS reactivates the old channel. This is tested in the special cases of a transition: <ul style="list-style-type: none"> <li>- from SDCCH to hopping TCH/F; this test part is only applicable if the MS supports TCH/F.</li> <li>- from non-hopping SDCCH to hopping TCH/H; this test part is only applicable if the MS supports TCH/H.</li> <li>- from hopping TCH/F to hopping TCH/H; this test part is only applicable if the MS supports TCH/H.</li> </ul>                                            |                                                                                                                          |   |          |
| <b>Default:</b>             |       | OtherEventsFail_01                                                                                                                                                                                                                                                                                                                                                                                                                                                                                                                                                     |                                                                                                                          |   |          |
| Nr                          | Label | Behaviour Description                                                                                                                                                                                                                                                                                                                                                                                                                                                                                                                                                  | CRef                                                                                                                     | V | Comments |
| 1                           |       | START T_guard(300)                                                                                                                                                                                                                                                                                                                                                                                                                                                                                                                                                     |                                                                                                                          |   |          |
| 2                           |       | +IdleUpdated( C_E_default, C_CellA, C_SCH_A, C_BCCH_A_1, C_Immass, C_S0, C_SlotNU, C_SlotNU, C_SlotNU, C_BCC, C_TxInt_5, C_Max_1, C_NECI_0, C_ATT_0, TimingAdv( 30), C_BABR_0, C_cch_1Comb, C_BPM_3, C_T3212_0, C_ci_cellA, C_MCC_1, C_PLMN_1, C_LAC_1, CellOpt_01, CellChDes_02, CellChDes_03, C_CellReselectHys12, C_MaxPwrLvlG, C_MaxPwrLvlD, BcchFreqLst_01, BcchFreqLst_Omit, BcchFreqLst_48, BcchFreqLst_Omit, C_noReestablishment, C_BCC, C_NCC, C_Start_Tmsi, TSPX_SDCCH4SubB, TSPX_CKSNDf, TSPX_RANDDef, C_arfcnA, C_arfcnAd, TSPX_IMSI, C_Test_fh, C_NCCP_2) |                                                                                                                          |   |          |
| 3                           | body  | LIDL_UdatRqPg1Rq                                                                                                                                                                                                                                                                                                                                                                                                                                                                                                                                                       | PgReq1(TCV_PgCh, TCV_Pgg, PgReqTp1_01)                                                                                   |   |          |
| 4                           |       | L?DL_RacInChRq (TCV_Rqr.ra := DL_RacInChRq.msg.ecau_rrf, TCV_Rqr.fn := DL_RacInChRq.fn)                                                                                                                                                                                                                                                                                                                                                                                                                                                                                | ChReq(ChRequest_17)                                                                                                      |   |          |
| 5                           |       | LIDL_UdatRqImm                                                                                                                                                                                                                                                                                                                                                                                                                                                                                                                                                         | ImmAss( TCV_agch, ImmAsgn_01Def( TCV_Rr, TCV_Fn, TSPX_SDCCH4SubB, TCV_slot, TCV_tsc, TCV_chdescr_arfcn, TimingAdv( 30))) |   |          |
| 6                           |       | L?DL_EstInPgRes                                                                                                                                                                                                                                                                                                                                                                                                                                                                                                                                                        | PagingRes(PagingRes_01)                                                                                                  |   |          |
| 7                           |       | +localtree                                                                                                                                                                                                                                                                                                                                                                                                                                                                                                                                                             |                                                                                                                          |   |          |
| 8                           |       | <b>localtree</b><br>(TCV_AssCmd := AsgnCmd_tchf_fh( C_S3, C_BCC, 7, '000000'B, '000100'B, Frql_omit, CellChDes_Omit, ChMod_omit, MoblAllc_04, CphMod_omit))                                                                                                                                                                                                                                                                                                                                                                                                            |                                                                                                                          |   |          |
| 9                           |       | +Adjust_gsmmanddcs_powerlvl( 0, 3, TCV_AssCmd)                                                                                                                                                                                                                                                                                                                                                                                                                                                                                                                         |                                                                                                                          |   |          |
| 10                          |       | +AssCh_failure( TCV_ch, TCV_AssCmd, FALSE)                                                                                                                                                                                                                                                                                                                                                                                                                                                                                                                             |                                                                                                                          |   |          |
| 11                          |       | [TCV_CC AND( NOT TSPC_DualRate)]                                                                                                                                                                                                                                                                                                                                                                                                                                                                                                                                       |                                                                                                                          |   |          |
| 12                          |       | +PostMainLinkRel(TCV_ch)                                                                                                                                                                                                                                                                                                                                                                                                                                                                                                                                               |                                                                                                                          |   |          |
| 13                          |       | [TSPC_DualRate]                                                                                                                                                                                                                                                                                                                                                                                                                                                                                                                                                        |                                                                                                                          |   |          |
| 14                          |       | +localtree1                                                                                                                                                                                                                                                                                                                                                                                                                                                                                                                                                            |                                                                                                                          |   |          |
| 15                          |       | [C_Yes]                                                                                                                                                                                                                                                                                                                                                                                                                                                                                                                                                                |                                                                                                                          |   |          |
| 16                          |       | <b>localtree1</b><br>(TCV_AssCmd := AsgnCmd_tchh_fh( '0'B, '001'B, TSPX_TscDef, 7, '000001'B, '000110'B, Frql_omit, CellChDes_Omit, ChMod_omit, MoblAllc_04, CphMod_omit))                                                                                                                                                                                                                                                                                                                                                                                             |                                                                                                                          |   |          |
| 17                          |       | +Adjust_gsmmanddcs_powerlvl( 0, 3, TCV_AssCmd)                                                                                                                                                                                                                                                                                                                                                                                                                                                                                                                         |                                                                                                                          |   |          |
| 18                          |       | +AssCh_failure( TCV_ch, TCV_AssCmd, FALSE)                                                                                                                                                                                                                                                                                                                                                                                                                                                                                                                             |                                                                                                                          |   |          |
| 19                          |       | +FullRateCh_A_1_nociph( C_Ass, C_S3, C_BCC, ChMod_sign, Freq_rg8, Freq_rd8, TimingAdv( 30), C_BABR_0, C_cch_1Comb, C_BPM_3)                                                                                                                                                                                                                                                                                                                                                                                                                                            |                                                                                                                          |   | 4.       |
| 20                          |       | (TCV_AssCmd := AsgnCmd_tchf_fh( C_S3, C_BCC, 7, '000000'B, '000100'B, Frql_omit, CellChDes_Omit, ChMod_omit, MoblAllc_04,                                                                                                                                                                                                                                                                                                                                                                                                                                              |                                                                                                                          |   |          |

|                           |                                                                                                                                                                   |                                                                                                                                                                                                                                                                                                                                                                                                                            |  |
|---------------------------|-------------------------------------------------------------------------------------------------------------------------------------------------------------------|----------------------------------------------------------------------------------------------------------------------------------------------------------------------------------------------------------------------------------------------------------------------------------------------------------------------------------------------------------------------------------------------------------------------------|--|
| 21                        | CphMod_omit))<br>+Adjust_gsmanddcs_powerlvl( 0, 3,<br>TCV_AssCmd)                                                                                                 |                                                                                                                                                                                                                                                                                                                                                                                                                            |  |
| 22                        | +AssCh_complete( TCV_ch, TCV_chTch,<br>TCV_AssCmd)                                                                                                                |                                                                                                                                                                                                                                                                                                                                                                                                                            |  |
| 23                        | (TCV_AssCmd := AsgnCmd_tchh_fh(<br>'0'B, '001'B, TSPX_TscDef, 7,<br>'000001'B, '000110'B, Frql_omit,<br>CellChDes_Omit, ChMod_omit,<br>MoblAllc_04, CphMod_omit)) |                                                                                                                                                                                                                                                                                                                                                                                                                            |  |
| 24                        | +Adjust_gsmanddcs_powerlvl( 0, 3,<br>TCV_AssCmd)                                                                                                                  |                                                                                                                                                                                                                                                                                                                                                                                                                            |  |
| 25                        | +AssCh_failure( TCV_chTch,<br>TCV_AssCmd, FALSE)                                                                                                                  |                                                                                                                                                                                                                                                                                                                                                                                                                            |  |
| 26                        | +PostMainLinkRel( TCV_chTch)                                                                                                                                      |                                                                                                                                                                                                                                                                                                                                                                                                                            |  |
| <b>Detailed Comments:</b> |                                                                                                                                                                   | <ol style="list-style-type: none"> <li>1. Default parameters: CCCH combined with SDCCH4, Tx-integer = 5, Max-retrans = 1.</li> <li>2. To assign a TCH/F hopping channel which is not activated.</li> <li>3. To assign a TCH/H hopping channel which is not activated.</li> <li>4. To setup a physical channel as TCH/F hopping channel.</li> <li>5. To assign the TCH/F hopping channel which is now activated.</li> </ol> |  |

| Test Case Dynamic Behaviour |       |                                                                                                                                                                                                                                                                                                                                                                                                                                                                                                                                                                                                                                  |                                         |   |                                                                           |
|-----------------------------|-------|----------------------------------------------------------------------------------------------------------------------------------------------------------------------------------------------------------------------------------------------------------------------------------------------------------------------------------------------------------------------------------------------------------------------------------------------------------------------------------------------------------------------------------------------------------------------------------------------------------------------------------|-----------------------------------------|---|---------------------------------------------------------------------------|
| <b>Test Case Name:</b>      |       | TC_26_6_5_1                                                                                                                                                                                                                                                                                                                                                                                                                                                                                                                                                                                                                      |                                         |   |                                                                           |
| <b>Group:</b>               |       | GSM_L3_MS_v4200/RR/                                                                                                                                                                                                                                                                                                                                                                                                                                                                                                                                                                                                              |                                         |   |                                                                           |
| <b>Purpose:</b>             |       | To test that when the MS is ordered to make a non-synchronised handover it continuously sends access bursts on the main DCCH until it receives a PHYSICAL INFORMATION message from the SS. To test that the MS correctly handles the values of any Starting Time IE in the HANDOVER COMMAND message and the Timing Advance IE in the PHYSICAL INFORMATION message. To test that the MS activates the new channel correctly.                                                                                                                                                                                                      |                                         |   |                                                                           |
| <b>Default:</b>             |       | OtherEventsFail_01                                                                                                                                                                                                                                                                                                                                                                                                                                                                                                                                                                                                               |                                         |   |                                                                           |
| Nr                          | Label | Behaviour Description                                                                                                                                                                                                                                                                                                                                                                                                                                                                                                                                                                                                            | CRef                                    | V | Comments                                                                  |
| 1                           |       | START T_guard(300)                                                                                                                                                                                                                                                                                                                                                                                                                                                                                                                                                                                                               |                                         |   |                                                                           |
| 2                           |       | (TCV_asscmd_ts := TSPX_TmSlitA,<br>TCV_Pwrlvl_ho:= INT_TO_BIT( TSPX_PwrlvlA, 5))                                                                                                                                                                                                                                                                                                                                                                                                                                                                                                                                                 |                                         |   |                                                                           |
| 3                           |       | +BasicServiceMT( TSPX_MTBscSvcI,<br>TSPX_MTChRateI)                                                                                                                                                                                                                                                                                                                                                                                                                                                                                                                                                                              |                                         |   |                                                                           |
| 4                           |       | +IdleUpdated( C_E_default, C_CellA,<br>C_SCH_A, C_BCCH_A_1, C_Immass, C_S0,<br>C_SlotNU, C_SlotNU, C_SlotNU, C_BCC,<br>C_TxInt_5, C_Max_7, C_NECI_0, C_ATT_0,<br>TimingAdv( 20), C_BABR_0, C_cch_1Comb,<br>C_BPM_3, C_T3212_0, C_ci_cellA,<br>C_MCC_1, C_PLMN_1, C_LAC_1, CellOpt_01,<br>CellChDes_20_Aman, CellChDes_201_Ad,<br>C_CellReselectHys12, C_MaxPwrLvIG,<br>C_MaxPwrLvID, BcchFreqLst_01,<br>BcchFreqLst_Omit, BcchFreqLst_48,<br>BcchFreqLst_Omit, C_noReestablishment,<br>C_BCC, C_NCC, C_Start_Tmsi,<br>TSPX_SDCCH4SubDef, TSPX_CKSNDf,<br>TSPX_RANDDef, C_arfcnA, C_arfcnAd_4,<br>TSPX_IMSI, C_Test_fh, C_NCCP_2) |                                         |   |                                                                           |
| 5                           |       | +StartCellB_ho( C_E_neighbourdefault,<br>C_BCCHcarrierB_ho, C_BCCHcarrierB_hod,<br>C_Immass, TCV_slot, TCV_tsc, TimingAdv(<br>20), C_TxInt_5, C_Max_7, C_NECI_0,<br>C_ATT_0, C_BABR_0, C_cch_1Comb,<br>C_BPM_3, C_T3212_0, C_MCC_1,<br>C_PLMN_1, C_LAC_2, CellChDes_20_Bman,<br>CellChDes_201_Bd, BcchFreqLst_01,<br>BcchFreqLst_48, C_noReestablishment,<br>C_BCC, C_NCC, TSPX_k, 100)                                                                                                                                                                                                                                          |                                         |   | frame number in cell B is<br>100 in advance of frame<br>number in cell A. |
| 6                           |       | +FullRateCh_A_1( C_Ass,<br>TCV_asscmd_ts, TCV_tsc, TCV_ChMod,<br>FreqTCH_omit, FreqTCH_omit,<br>TSPX_TCHcarrierA_ho,<br>TSPX_TCHcarrierA_hod, TimingAdv( 20),<br>C_BABR_0, C_cch_1Comb, C_BPM_3)                                                                                                                                                                                                                                                                                                                                                                                                                                 |                                         |   |                                                                           |
| 7                           |       | +Est_MT_CallNonFH( TimingAdv( 20),<br>C_Full, TSPX_TCHHSubDef,<br>TSPX_RANDDef)                                                                                                                                                                                                                                                                                                                                                                                                                                                                                                                                                  |                                         |   | 0.                                                                        |
| 8                           |       | (TCV_M := 1, TCV_ch := TCV_chTch)                                                                                                                                                                                                                                                                                                                                                                                                                                                                                                                                                                                                |                                         |   |                                                                           |
| 9                           | body  | REPEAT local_handover UNTIL<br>[TCV_M = 9]                                                                                                                                                                                                                                                                                                                                                                                                                                                                                                                                                                                       |                                         |   |                                                                           |
| 10                          |       | +ChanRel_end( TCV_ch)                                                                                                                                                                                                                                                                                                                                                                                                                                                                                                                                                                                                            |                                         |   |                                                                           |
|                             |       | <b>local_handover</b>                                                                                                                                                                                                                                                                                                                                                                                                                                                                                                                                                                                                            |                                         |   |                                                                           |
| 11                          |       | (TCV_chTch1 := TCV_ch)                                                                                                                                                                                                                                                                                                                                                                                                                                                                                                                                                                                                           |                                         |   |                                                                           |
| 12                          |       | +local_channel_config                                                                                                                                                                                                                                                                                                                                                                                                                                                                                                                                                                                                            |                                         |   |                                                                           |
| 13                          |       | (TCV_Null := OM_SendNextOnHO(TCV_ch,<br>TCV_Cntref))                                                                                                                                                                                                                                                                                                                                                                                                                                                                                                                                                                             |                                         |   |                                                                           |
| 14                          |       | +local_send_hoCMD                                                                                                                                                                                                                                                                                                                                                                                                                                                                                                                                                                                                                |                                         |   |                                                                           |
| 15                          |       | LIDL_DatRqPhyinfo                                                                                                                                                                                                                                                                                                                                                                                                                                                                                                                                                                                                                | PhyInfo_01(TCV_ch,<br>TimingAdv(TCV_T)) |   | 1.                                                                        |
| 16                          |       | +RR_hocomp1( TCV_n, TimingAdv(<br>TCV_T))                                                                                                                                                                                                                                                                                                                                                                                                                                                                                                                                                                                        |                                         |   |                                                                           |
| 17                          |       | +local_firstburst_ontime_CHK                                                                                                                                                                                                                                                                                                                                                                                                                                                                                                                                                                                                     |                                         |   |                                                                           |
| 18                          |       | [(TCV_M = 3) AND( NOT<br>TSPC_DualRate)]                                                                                                                                                                                                                                                                                                                                                                                                                                                                                                                                                                                         |                                         |   |                                                                           |
| 19                          |       | (TCV_M := 9)                                                                                                                                                                                                                                                                                                                                                                                                                                                                                                                                                                                                                     |                                         |   |                                                                           |
| 20                          |       | [C_Yes]                                                                                                                                                                                                                                                                                                                                                                                                                                                                                                                                                                                                                          |                                         |   |                                                                           |
| 21                          |       | (TCV_M := TCV_M + 1)                                                                                                                                                                                                                                                                                                                                                                                                                                                                                                                                                                                                             |                                         |   |                                                                           |

|                |                                                                                                                                                                                                                                                                                                                                                                 |                                        |                                                   |
|----------------|-----------------------------------------------------------------------------------------------------------------------------------------------------------------------------------------------------------------------------------------------------------------------------------------------------------------------------------------------------------------|----------------------------------------|---------------------------------------------------|
| 22<br>23       | <b>local_send_hoCMD</b><br>[(TCV_M = 3) OR (TCV_M = 5)]<br>(TCV_Fn := OM_ComingFn( TCV_chTch1),<br>TCV_Null:= OM_SendNextOn( TCV_chTch1,<br>TCV_Fn), TCV_Strt := OC_StartTime(<br>TCV_Fn,(C_StartingTimeHO + 100), 1))                                                                                                                                          | HndOvSnd(<br>TCV_chTch1,<br>TCV_HoCMD) | starting time is set to 1.1<br>s pluse 100 frames |
| 24<br>25<br>26 | LIDL_DatRqHoCmd(<br>DL_DatRqHoCmd.msg.strt:= TCV_Strt)<br><br>[C_Yes]<br>LIDL_DatRqHoCmd                                                                                                                                                                                                                                                                        | HndOvSnd(<br>TCV_chTch1,<br>TCV_HoCMD) |                                                   |
| 27<br>28       | <b>local_channel_config</b><br>+local_ch_config<br>(TCV_ch := TCV_chTch)                                                                                                                                                                                                                                                                                        |                                        |                                                   |
| 29             | <b>local_ch_config</b><br>[TCV_M = 1]                                                                                                                                                                                                                                                                                                                           |                                        | 2.                                                |
| 30<br>31       | (TCV_n := 500, TCV_Cntref :=<br>TSPX_NoOfHoAccA, TCV_T := 20, TCV_Horf:=<br>TSPX_HoRefA, TCV_ts := TSPX_TmSlitB,<br>TCV_tsc := TSPX_TscB, TCV_chtype := '00001'B)<br>+FullRateCh_B_1( C_Asynho, TCV_ts, TCV_tsc,<br>TCV_ChMod, FreqTCH( TSPX_TCHcarrierB_ho),<br>FreqTCH( TSPX_TCHcarrierB_hod), TimingAdv(<br>TCV_T), C_BABR_0, C_cch_1Comb, C_BPM_3)          |                                        |                                                   |
| 32<br>33       | +local_set_arfcn_B<br>(TCV_HoCMD := HandOverCmd_nfh(<br>TCV_chtype, TCV_ts, TCV_tsc, C_NCC,<br>C_BCC, TCV_chdescr_arfcn, TCV_tch_arfcn,<br>TCV_Horf, TCV_Pwrlvl_ho, Synchi(<br>C_not_report_otd, C_non_synchronised),<br>ChMod_omit, RelTmdDif_omit,<br>TimingAdv_omit, CphMod_omit))                                                                           |                                        |                                                   |
| 34             | [TCV_M = 2]                                                                                                                                                                                                                                                                                                                                                     |                                        | 3.                                                |
| 35<br>36       | (TCV_n := 500, TCV_Cntref :=<br>TSPX_NoOfHoAccB, TCV_T := TSPX_TimadvA,<br>TCV_ts := TSPX_TmSlitNotZero, TCV_Horf:=<br>TSPX_HoRefB, TCV_tsc := TSPX_TscC,<br>TCV_chtype := '00001'B)<br>+FullRateCh_A_1( C_Asynho, TCV_ts, TCV_tsc,<br>TCV_ChMod, FreqTCHa_hof1, FreqTCHa_hof1d,<br>C_Noarfcn, C_Noarfcn, TimingAdv( TCV_T),<br>C_BABR_0, C_cch_1Comb, C_BPM_3) |                                        |                                                   |
| 37             | +local_handover2                                                                                                                                                                                                                                                                                                                                                |                                        |                                                   |
| 38             | [TCV_M = 3]                                                                                                                                                                                                                                                                                                                                                     |                                        | 4.                                                |
| 39<br>40       | (TCV_n := 500, TCV_Cntref :=<br>TSPX_NoOfHoAccC, TCV_T := 20, TCV_ts :=<br>TSPX_TmSlitC, TCV_Horf:= TSPX_HoRefC,<br>TCV_tsc := TSPX_TscC, TCV_chtype := '00001'B)<br>+FullRateCh_B_1( C_Asynho, TCV_ts, TCV_tsc,<br>TCV_ChMod, FreqTCH( TSPX_TCHcarrierB_ho),<br>FreqTCH( TSPX_TCHcarrierB_hod), TimingAdv(<br>TCV_T), C_BABR_0, C_cch_1Comb, C_BPM_3)          |                                        |                                                   |
| 41<br>42       | +local_set_arfcn_B<br>(TCV_HoCMD := HandOverCmd_nfh(<br>TCV_chtype, TCV_ts, TCV_tsc, C_NCC,<br>C_BCC, TCV_chdescr_arfcn, TCV_tch_arfcn,<br>TCV_Horf, TCV_Pwrlvl_ho, Synchi(<br>C_not_report_otd, C_non_synchronised),<br>TCV_ChMod, RelTmdDif_omit,<br>TimingAdv_omit, CphMod_omit))                                                                            |                                        |                                                   |
| 43             | [TCV_M = 4]                                                                                                                                                                                                                                                                                                                                                     |                                        | 5.                                                |
| 44             | (TCV_n := 750, TCV_Cntref :=<br>TSPX_NoOfHoAccD, TCV_T := TSPX_TimadvB,<br>TCV_ts := C_S0, TCV_Horf:= TSPX_HoRefD,<br>TCV_tsc := TSPX_TscD, TCV_chtype :=<br>INT_TO_BIT((2 + BIT_TO_INT(<br>TSPX_TCHHSubA)), 5))                                                                                                                                                |                                        |                                                   |

|    |                                                                                                                                                                                                                                |    |
|----|--------------------------------------------------------------------------------------------------------------------------------------------------------------------------------------------------------------------------------|----|
| 45 | +HalfRateCh_A_1( TSPX_TCHHSubA,<br>C_Asynho, TCV_ts, TCV_tsc, TCV_ChMod,<br>FreqTCHa_hof4, FreqTCHa_hof4d, C_Noarfcn,<br>C_Noarfcn, TimingAdv( TCV_T), C_BABR_0,<br>C_cch_1Comb, C_BPM_3)                                      |    |
| 46 | +local_handover4                                                                                                                                                                                                               |    |
| 47 | [TCV_M = 5]                                                                                                                                                                                                                    | 6. |
| 48 | (TCV_n := 750, TCV_Cntref :=<br>TSPX_NoOfHoAccE, TCV_T := 20, TCV_ts :=<br>TSPX_TmSltNotZero1, TCV_Horf:= TSPX_HoRefE,<br>TCV_tsc := TSPX_TscE, TCV_chtype :=<br>INT_TO_BIT(( 2 + BIT_TO_INT(<br>TSPX_TCHHSubDef)), 5))        |    |
| 49 | +HalfRateCh_B_1( TSPX_TCHHSubDef,<br>C_Asynho, TCV_ts, TCV_tsc, TCV_ChMod,<br>FreqTCHb_hof1, FreqTCHb_hof1d, TimingAdv(<br>TCV_T), C_BABR_0, C_cch_1Comb, C_BPM_3)                                                             |    |
| 50 | +local_handover5                                                                                                                                                                                                               |    |
| 51 | [TCV_M = 6]                                                                                                                                                                                                                    | 7. |
| 52 | (TCV_n := 750, TCV_Cntref :=<br>TSPX_NoOfHoAccF, TCV_T := 20, TCV_ts :=<br>TSPX_TmSltNotZero, TCV_Horf:= TSPX_HoRefF,<br>TCV_tsc := TSPX_TscF, TCV_chtype :=<br>INT_TO_BIT(( 2 + BIT_TO_INT(<br>TSPX_TCHHSubDef)), 5))         |    |
| 53 | +HalfRateCh_A_1( TSPX_TCHHSubDef,<br>C_Asynho, TCV_ts, TCV_tsc, TCV_ChMod,<br>FreqTCH_omit, FreqTCH_omit,<br>TSPX_TCHcarrierA_ho, TSPX_TCHcarrierA_hod,<br>TimingAdv( TSPX_TimadvB), C_BABR_0,<br>C_cch_1Comb, C_BPM_3)        |    |
| 54 | +local_set_arfcn_A                                                                                                                                                                                                             |    |
| 55 | +local_HoCMD_nofh                                                                                                                                                                                                              |    |
| 56 | [TCV_M = 7]                                                                                                                                                                                                                    | 8. |
| 57 | (TCV_n := 750, TCV_Cntref :=<br>TSPX_NoOfHoAccD, TCV_T := TSPX_TimadvA,<br>TCV_ts := TSPX_TmSltNotZero, TCV_Horf:=<br>TSPX_HoRefG, TCV_tsc := TSPX_TscG,<br>TCV_chtype := INT_TO_BIT(( 2 + BIT_TO_INT(<br>TSPX_TCHHSubA)), 5)) |    |
| 58 | +HalfRateCh_B_1( TSPX_TCHHSubA,<br>C_Asynho, TCV_ts, TCV_tsc, TCV_ChMod,<br>FreqTCHb_hof2, FreqTCHb_hof2d, TimingAdv(<br>TSPX_TimadvA), C_BABR_0, C_cch_1Comb,<br>C_BPM_3)                                                     |    |
| 59 | +local_handover7                                                                                                                                                                                                               |    |
| 60 | [TCV_M = 8]                                                                                                                                                                                                                    | 9. |
| 61 | (TCV_n := 500, TCV_Cntref :=<br>TSPX_NoOfHoAccA, TCV_T := TSPX_TimadvB,<br>TCV_ts := TSPX_TmSltNotZero1, TCV_Horf:=<br>TSPX_HoRefB, TCV_tsc := TSPX_TscB,<br>TCV_chtype := '00001'B)                                           |    |
| 62 | +FullRateCh_A_1( C_Asynho, TCV_ts, TCV_tsc,<br>TCV_ChMod, FreqTCH_omit, FreqTCH_omit,<br>C_arfcnA, C_arfcnAd_4, TimingAdv( TCV_T),<br>C_BABR_0, C_cch_1Comb, C_BPM_3)                                                          |    |
| 63 | +local_set_arfcn_A1                                                                                                                                                                                                            |    |
| 64 | +local_HoCMD_nofh                                                                                                                                                                                                              |    |
|    | <b>local_set_arfcn_A</b>                                                                                                                                                                                                       |    |
| 65 | [TSPC_PGSM OR TSPC_EGSM]                                                                                                                                                                                                       |    |
| 66 | (TCV_chdescr_arfcn := C_arfcnA, TCV_tch_arfcn<br>:= TSPX_TCHcarrierA_ho)                                                                                                                                                       |    |
| 67 | [TSPC_DCS]                                                                                                                                                                                                                     |    |
| 68 | (TCV_chdescr_arfcn := C_arfcnAd_4,<br>TCV_tch_arfcn := TSPX_TCHcarrierA_hod)                                                                                                                                                   |    |
|    | <b>local_set_arfcn_A1</b>                                                                                                                                                                                                      |    |
| 69 | [TSPC_PGSM OR TSPC_EGSM]                                                                                                                                                                                                       |    |
| 70 | (TCV_chdescr_arfcn := C_arfcnA, TCV_tch_arfcn<br>:= C_arfcnA)                                                                                                                                                                  |    |
| 71 | [TSPC_DCS]                                                                                                                                                                                                                     |    |

|    |                                                                                                                                                                                                                                                                                                                       |     |     |
|----|-----------------------------------------------------------------------------------------------------------------------------------------------------------------------------------------------------------------------------------------------------------------------------------------------------------------------|-----|-----|
| 72 | (TCV_chdescr_arfcn := C_arfcnAd_4,<br>TCV_tch_arfcn := C_arfcnAd_4)                                                                                                                                                                                                                                                   |     |     |
|    | <b>local_set_arfcn_B</b>                                                                                                                                                                                                                                                                                              |     |     |
| 73 | [TSPC_PGSM OR TSPC_EGSM]                                                                                                                                                                                                                                                                                              |     |     |
| 74 | (TCV_chdescr_arfcn := C_BCCHcarrierB_ho,<br>TCV_tch_arfcn := TSPX_TCHcarrierB_ho)                                                                                                                                                                                                                                     |     |     |
| 75 | [TSPC_DCS]                                                                                                                                                                                                                                                                                                            |     |     |
| 76 | (TCV_chdescr_arfcn := C_BCCHcarrierB_hod,<br>TCV_tch_arfcn := TSPX_TCHcarrierB_hod)                                                                                                                                                                                                                                   |     |     |
|    | <b>local_firstburst_ontime_CHK</b>                                                                                                                                                                                                                                                                                    |     |     |
| 77 | [(TCV_M = 3) OR (TCV_M = 5)]                                                                                                                                                                                                                                                                                          |     |     |
| 78 | +FnArith( TCV_FnBurst, TCV_Strt.fn)                                                                                                                                                                                                                                                                                   |     |     |
| 79 | [TCV_M = 3]                                                                                                                                                                                                                                                                                                           |     |     |
| 80 | L_022_5 [(TCV_Time > 5) OR(TCV_Time < 0)]                                                                                                                                                                                                                                                                             | (F) | 10. |
| 81 | L_022_6 [(TCV_Time >= 0) AND(TCV_Time < 5)]                                                                                                                                                                                                                                                                           | (P) |     |
| 82 | [TCV_M = 5]                                                                                                                                                                                                                                                                                                           |     |     |
| 83 | L_022_7 [(TCV_Time > 10) OR(TCV_Time < 0)]                                                                                                                                                                                                                                                                            | (F) | 10. |
| 84 | L_022_8 [(TCV_Time >= 0) AND(TCV_Time < 10)]                                                                                                                                                                                                                                                                          | (P) |     |
| 85 | [C_Yes]                                                                                                                                                                                                                                                                                                               |     |     |
|    | <b>local_handover2</b>                                                                                                                                                                                                                                                                                                |     |     |
| 86 | [TSPC_PGSM OR TSPC_EGSM]                                                                                                                                                                                                                                                                                              |     |     |
| 87 | (TCV_HoCMD := HandOverCmd_fh( TCV_chtype,<br>TCV_ts, TCV_tsc, C_NCC, C_BCC, C_arfcnA, 12,<br>TSPX_HSN, TCV_Horf, TCV_Pwrlvl_ho,<br>Synchi_omit, Frql_omit, Frql_omit,<br>CellChDes_Omit, ChMod_omit, Freqchseq_22,<br>MobiAllc_omit, RelTmdDif_omit, TimingAdv_omit,<br>CphMod_omit))                                 |     |     |
| 88 | [TSPC_DCS]                                                                                                                                                                                                                                                                                                            |     |     |
| 89 | (TCV_HoCMD := HandOverCmd_fh( TCV_chtype,<br>TCV_ts, TCV_tsc, C_NCC, C_BCC, C_arfcnAd_4,<br>9, TSPX_HSN, TCV_Horf, TCV_Pwrlvl_ho,<br>Synchi_omit, Frql_20_Ad, Frql_omit,<br>CellChDes_Omit, ChMod_omit, Freqchseq_omit,<br>MobiAllc_omit, RelTmdDif_omit, TimingAdv_omit,<br>CphMod_omit))                            |     |     |
|    | <b>local_handover4</b>                                                                                                                                                                                                                                                                                                |     |     |
| 90 | [TSPC_PGSM OR TSPC_EGSM]                                                                                                                                                                                                                                                                                              |     |     |
| 91 | (TCV_HoCMD := HandOverCmd_fh( TCV_chtype,<br>TCV_ts, TCV_tsc, C_NCC, C_BCC, C_arfcnA, 16,<br>C_HSN_0, TCV_Horf, TCV_Pwrlvl_ho,<br>Synchi_omit, Frql_20_Ad, Frql_omit,<br>CellChDes_20_A, ChMod_omit, Freqchseq_22,<br>MobiAllc_20_A1, RelTmdDif_omit, TimingAdv_omit,<br>CphMod_omit))                                |     |     |
| 92 | [TSPC_DCS]                                                                                                                                                                                                                                                                                                            |     |     |
| 93 | (TCV_HoCMD := HandOverCmd_fh( TCV_chtype,<br>TCV_ts, TCV_tsc, C_NCC, C_BCC, C_arfcnA, 16,<br>C_HSN_0, TCV_Horf, TCV_Pwrlvl_ho,<br>Synchi_omit, Frql_20_Ad, Frql_omit,<br>CellChDes_202_Ad, ChMod_omit, Freqchseq_22,<br>MobiAllc_20_A1, RelTmdDif_omit, TimingAdv_omit,<br>CphMod_omit))                              |     |     |
|    | <b>local_handover5</b>                                                                                                                                                                                                                                                                                                |     |     |
| 94 | [TSPC_PGSM OR TSPC_EGSM]                                                                                                                                                                                                                                                                                              |     |     |
| 95 | (TCV_HoCMD := HandOverCmd_fh( TCV_chtype,<br>TCV_ts, TCV_tsc, C_NCC, C_BCC,<br>C_BCCHcarrierB_ho, 12, TSPX_HSN, TCV_Horf,<br>TCV_Pwrlvl_ho, Synchi( C_not_report_otd,<br>C_non_synchronised), Frql_omit, Frql_20_B3,<br>CellChDes_Omit, ChMod_omit, Freqchseq_omit,<br>MobiAllc_omit, RelTmdDif_omit, TimingAdv_omit, |     |     |



|                           |                                                                                                                                                                                                                                                                                                                                                             |                                                                                                                                                                                                                                                                                                                                                                                                                                                                                                                                                                                                                                                                                                                                                                                                                                                                                                                                            |  |  |
|---------------------------|-------------------------------------------------------------------------------------------------------------------------------------------------------------------------------------------------------------------------------------------------------------------------------------------------------------------------------------------------------------|--------------------------------------------------------------------------------------------------------------------------------------------------------------------------------------------------------------------------------------------------------------------------------------------------------------------------------------------------------------------------------------------------------------------------------------------------------------------------------------------------------------------------------------------------------------------------------------------------------------------------------------------------------------------------------------------------------------------------------------------------------------------------------------------------------------------------------------------------------------------------------------------------------------------------------------------|--|--|
| 96                        | CphMod_omit)                                                                                                                                                                                                                                                                                                                                                |                                                                                                                                                                                                                                                                                                                                                                                                                                                                                                                                                                                                                                                                                                                                                                                                                                                                                                                                            |  |  |
| 97                        | [TSPC_DCS]<br>(TCV_HoCMD := HandOverCmd_fh( TCV_ctype,<br>TCV_ts, TCV_tsc, C_NCC, C_BCC,<br>C_BCCHcarrierB_hod, 12, TSPX_HSN, TCV_Horf,<br>TCV_Pwrlvl_ho, Synchi( C_not_report_otd,<br>C_non_synchronised), Frql_omit, Frql_20_B3d,<br>CellChDes_Omit, ChMod_omit, Freqchseq_omit,<br>MoblAlc_omit, RelTmdDif_omit, TimingAdv_omit,<br>CphMod_omit))        |                                                                                                                                                                                                                                                                                                                                                                                                                                                                                                                                                                                                                                                                                                                                                                                                                                                                                                                                            |  |  |
| 98                        | <b>local_handover7</b>                                                                                                                                                                                                                                                                                                                                      |                                                                                                                                                                                                                                                                                                                                                                                                                                                                                                                                                                                                                                                                                                                                                                                                                                                                                                                                            |  |  |
| 99                        | [TSPC_PGSM OR TSPC_EGSM]<br>(TCV_HoCMD := HandOverCmd_fh( TCV_ctype,<br>TCV_ts, TCV_tsc, C_NCC, C_BCC,<br>C_BCCHcarrierB_ho, 8, TSPX_HSN, TCV_Horf,<br>TCV_Pwrlvl_ho, Synchi( C_not_report_otd,<br>C_non_synchronised), Frql_omit, Frql_omit,<br>CellChDes_Omit, TCV_ChMod, Freqchseq_01,<br>MoblAlc_omit, RelTmdDif_omit, TimingAdv_omit,<br>CphMod_omit)) |                                                                                                                                                                                                                                                                                                                                                                                                                                                                                                                                                                                                                                                                                                                                                                                                                                                                                                                                            |  |  |
| 100                       | [TSPC_DCS]                                                                                                                                                                                                                                                                                                                                                  |                                                                                                                                                                                                                                                                                                                                                                                                                                                                                                                                                                                                                                                                                                                                                                                                                                                                                                                                            |  |  |
| 101                       | (TCV_HoCMD := HandOverCmd_fh( TCV_ctype,<br>TCV_ts, TCV_tsc, C_NCC, C_BCC,<br>C_BCCHcarrierB_hod, 8, TSPX_HSN, TCV_Horf,<br>TCV_Pwrlvl_ho, Synchi( C_not_report_otd,<br>C_non_synchronised), Frql_omit, Frql_20_B4d,<br>CellChDes_Omit, TCV_ChMod, Freqchseq_omit,<br>MoblAlc_omit, RelTmdDif_omit, TimingAdv_omit,<br>CphMod_omit))                        |                                                                                                                                                                                                                                                                                                                                                                                                                                                                                                                                                                                                                                                                                                                                                                                                                                                                                                                                            |  |  |
| 102                       | <b>local_HoCMD_nofh</b><br>(TCV_HoCMD := HandOverCmd_nfh( TCV_ctype,<br>TCV_ts, TCV_tsc, C_NCC, C_BCC,<br>TCV_chdescr_arfcn, TCV_tch_arfcn, TCV_Horf,<br>TCV_Pwrlvl_ho, Synchi_omit, ChMod_omit,<br>RelTmdDif_omit, TimingAdv_omit, CphMod_omit))                                                                                                           |                                                                                                                                                                                                                                                                                                                                                                                                                                                                                                                                                                                                                                                                                                                                                                                                                                                                                                                                            |  |  |
| <b>Detailed Comments:</b> |                                                                                                                                                                                                                                                                                                                                                             | <p>0. IUT enters state U10 with TCH/F_nonFH in cell A</p> <p>1. PhyInfo is dequeued from the sending buffer, but held through OM_SendNextOnHO at the lower layers of the tester for sending till having received TCV_Cntref access bursts.</p> <p>2. HO from TCH/F_nonFH of cell A to TCH/F_nonFH in CELL B</p> <p>3. HO from TCH/F_FH of cell A to TCH/F_FH in CELL B</p> <p>4. HO from TCH/F_FH of cell A to TCH/F_nonFH in CELL B</p> <p>5. HO from TCH/F_nonFH of cell A to TCH/H_FH in CELL B</p> <p>6. HO from TCH/H_FH of cell A to TCH/H_FH in CELL B</p> <p>7. HO from TCH/H_FH of cell A to TCH/H_nonFH in CELL B</p> <p>8. HO from TCH/H_nonFH of cell A to TCH/H_FH in CELL B</p> <p>9. HO from TCH/H_FH of cell A to TCH/F_nonFH in CELL B</p> <p>10. The first handover access burst starts too late or too early. ( 10ms means 2 frames tolerance for<br/>TCH/H channel, 5ms means 1 frame tolerance for TCH/F channel)</p> |  |  |

| Test Case Dynamic Behaviour |       |                                                                                                                                                                                                                                                                                                                                                                                                                                                                                                                                                                                                                                     |                                                                                                                                     |   |                                                                                   |
|-----------------------------|-------|-------------------------------------------------------------------------------------------------------------------------------------------------------------------------------------------------------------------------------------------------------------------------------------------------------------------------------------------------------------------------------------------------------------------------------------------------------------------------------------------------------------------------------------------------------------------------------------------------------------------------------------|-------------------------------------------------------------------------------------------------------------------------------------|---|-----------------------------------------------------------------------------------|
| <b>Test Case Name:</b>      |       | TC_26_6_5_2_1                                                                                                                                                                                                                                                                                                                                                                                                                                                                                                                                                                                                                       |                                                                                                                                     |   |                                                                                   |
| <b>Group:</b>               |       | GSM_L3_MS_v4200/RR/                                                                                                                                                                                                                                                                                                                                                                                                                                                                                                                                                                                                                 |                                                                                                                                     |   |                                                                                   |
| <b>Purpose:</b>             |       | To test that when the MS is ordered to make a Non-synchronised handover, it continuously sends access bursts on the main DCCH until it receives a PHYSICAL INFORMATION from the SS. To test that the MS correctly takes the values of the Timing Advance and Starting Time information elements into account. To test that the MS activates the new channel correctly. To test that the MS correctly retransmits Layer 3 MM or CC messages, that were not acknowledged by Layer 2 before the Handover, after completion of the Handover.                                                                                            |                                                                                                                                     |   |                                                                                   |
| <b>Default:</b>             |       | OtherEventsFail_01                                                                                                                                                                                                                                                                                                                                                                                                                                                                                                                                                                                                                  |                                                                                                                                     |   |                                                                                   |
| Nr                          | Label | Behaviour Description                                                                                                                                                                                                                                                                                                                                                                                                                                                                                                                                                                                                               | CRef                                                                                                                                | V | Comments                                                                          |
| 1                           |       | START T_guard(300)                                                                                                                                                                                                                                                                                                                                                                                                                                                                                                                                                                                                                  |                                                                                                                                     |   |                                                                                   |
| 2                           |       | +BasicServiceMO(TSPX_MOBscSvcA,<br>TSPX_MOChRateA)                                                                                                                                                                                                                                                                                                                                                                                                                                                                                                                                                                                  |                                                                                                                                     |   |                                                                                   |
| 3                           |       | (TCV_ia_ts:= '000'B, TCV_ts:= '000'B,<br>TCV_Cntref:= TSPX_NoOfHoAccA, TCV_Horf:=<br>TSPX_HoRefA, TCV_Pwrlvl_ho:= INT_TO_BIT(<br>TSPX_PwrlvlA, 5))                                                                                                                                                                                                                                                                                                                                                                                                                                                                                  |                                                                                                                                     |   |                                                                                   |
| 4                           |       | +IdleUpdated( C_E_default, C_CellA,<br>C_SCH_A, C_BCCH_A_1, C_Immass, C_SO,<br>C_SlotNU, C_SlotNU, C_SlotNU, C_BCC,<br>C_TxInt_5, C_Max_7, C_NECL_0, C_ATT_0,<br>TimingAdv( 30), C_BABR_0, C_cch_1Comb,<br>C_BPM_3, C_T3212_0, C_ci_cellA,<br>C_MCC_1, C_PLMN_1, C_LAC_1, CellOpt_01,<br>CellChDes_20_Aman, CellChDes_202_Adman,<br>C_CellReselectHys12, C_MaxPwrLvlG,<br>C_MaxPwrLvlD, BcchFreqLst_01,<br>BcchFreqLst_Omit, BcchFreqLst_48,<br>BcchFreqLst_Omit, C_noRestablishment,<br>C_BCC, C_NCC, C_Start_Tmsi,<br>TSPX_SDCCH4SubDef, TSPX_CKSNDf,<br>TSPX_RANDDef, C_arfcnA, C_arfcnAd_4,<br>TSPX_IMSI, C_Test_fh, C_NCCP_10) |                                                                                                                                     |   |                                                                                   |
| 5                           |       | +StartCellB_ho( C_E_neighbourdefault,<br>C_BCCHcarrierB_ho, C_BCCHcarrierB_hod,<br>C_Immass, TCV_slot, TCV_tsc, TimingAdv(<br>20), C_TxInt_5, C_Max_7, C_NECL_0,<br>C_ATT_0, C_BABR_0, C_cch_1Comb,<br>C_BPM_3, C_T3212_0, C_MCC_1,<br>C_PLMN_1, C_LAC_2, CellChDes_20_Bman,<br>CellChDes_201_Bd, BcchFreqLst_01,<br>BcchFreqLst_48, C_noRestablishment,<br>C_BCC_0, C_NCC_3, TSPX_k, 0)                                                                                                                                                                                                                                            |                                                                                                                                     |   | The timeslots of Cells A<br>and B are not coincident<br>at the antenna connector. |
| 6                           |       | +FullRateCh_B_1( C_Asynho, TCV_ts,<br>TSPX_TscA, TCV_ChMod,<br>FreqTCHb_hof3, FreqTCHb_hof3d,<br>TimingAdv( 20), C_BABR_0,<br>C_cch_1Comb, C_BPM_3)                                                                                                                                                                                                                                                                                                                                                                                                                                                                                 |                                                                                                                                     |   |                                                                                   |
| 7                           |       | +localtree_setArfcn                                                                                                                                                                                                                                                                                                                                                                                                                                                                                                                                                                                                                 |                                                                                                                                     |   |                                                                                   |
| 8                           |       | +Est_MO_Call_init(<br>C_CHSDCCH4_NonFH, MobilAllc_omit,<br>MobilAllc_omit, TimingAdv( 30), C_BCC,<br>C_one, C_one)                                                                                                                                                                                                                                                                                                                                                                                                                                                                                                                  |                                                                                                                                     |   | 1.                                                                                |
| 9                           | body  | +ltree_sendHoCMD                                                                                                                                                                                                                                                                                                                                                                                                                                                                                                                                                                                                                    |                                                                                                                                     |   |                                                                                   |
| 10                          |       | (TCV_ch:= C_FACCHF_B_1)                                                                                                                                                                                                                                                                                                                                                                                                                                                                                                                                                                                                             |                                                                                                                                     |   |                                                                                   |
| 11                          |       | +RR_hocomp1( 500, TimingAdv(<br>20))                                                                                                                                                                                                                                                                                                                                                                                                                                                                                                                                                                                                |                                                                                                                                     |   |                                                                                   |
| 12                          |       | L?DL_DatInSetup (TCV_Mt1 :=<br>DL_DatInSetup.msg.mt)                                                                                                                                                                                                                                                                                                                                                                                                                                                                                                                                                                                | SetupRcv(<br>SetupInd_01)                                                                                                           |   | 3.                                                                                |
| 13                          |       | +SendSeqNo_chk                                                                                                                                                                                                                                                                                                                                                                                                                                                                                                                                                                                                                      |                                                                                                                                     |   | 4.                                                                                |
| 14                          | post  | +ChanRel_end( TCV_ch)                                                                                                                                                                                                                                                                                                                                                                                                                                                                                                                                                                                                               |                                                                                                                                     |   |                                                                                   |
| 15                          |       | <b>ltree_sendHoCMD</b>                                                                                                                                                                                                                                                                                                                                                                                                                                                                                                                                                                                                              |                                                                                                                                     |   |                                                                                   |
| 16                          |       | [TSPC_PGSM OR TSPC_EGSM]<br>L!DL_DatRqHoCmd                                                                                                                                                                                                                                                                                                                                                                                                                                                                                                                                                                                         | HndOvSnd( TCV_ch,<br>HandOverCmd_fh(<br>'00001'B, TCV_ts,<br>TSPX_TscA,<br>C_NCC_3, C_BCC_0,<br>C_BCCHcarrierB_ho,<br>11, TSPX_HSN, |   | 2.                                                                                |

|                                                                                                                                                                                                                                                                                                                                         |                                                       |                                                                                                                                                                                                                                                                                                                                                |    |
|-----------------------------------------------------------------------------------------------------------------------------------------------------------------------------------------------------------------------------------------------------------------------------------------------------------------------------------------|-------------------------------------------------------|------------------------------------------------------------------------------------------------------------------------------------------------------------------------------------------------------------------------------------------------------------------------------------------------------------------------------------------------|----|
| 17                                                                                                                                                                                                                                                                                                                                      | [TSPC_DCS]                                            | TCV_Horf,<br>TCV_Pwrlvl_ho,<br>Synchi_omit,<br>Frql_omit, Frql_omit,<br>CellChDes_Omit,<br>TCV_ChMod,<br>Freqchseq_06,<br>MoblAllc_omit,<br>RelTmdDif_omit,<br>TimingAdv_omit,<br>CphMod_omit)                                                                                                                                                 |    |
| 18                                                                                                                                                                                                                                                                                                                                      | LIDL_DatRqHoCmd                                       | HndOvSnd( TCV_ch,<br>HandOverCmd_fh(<br>'00001'B, TCV_ts,<br>TSPX_TscA,<br>C_NCC_3, C_BCC_0,<br>C_BCCHcarrierB_hod<br>, 15, TSPX_HSN,<br>TCV_Horf,<br>TCV_Pwrlvl_ho,<br>Synchi_omit,<br>Frql_20_B5d,<br>Frql_omit,<br>CellChDes_Omit,<br>TCV_ChMod,<br>Freqchseq_omit,<br>MoblAllc_omit,<br>RelTmdDif_omit,<br>TimingAdv_omit,<br>CphMod_omit) | 2. |
| 19                                                                                                                                                                                                                                                                                                                                      | <b>localtree_setArfcn</b><br>[TSPC_PGSM OR TSPC_EGSM] |                                                                                                                                                                                                                                                                                                                                                |    |
| 20                                                                                                                                                                                                                                                                                                                                      | (TCV_chdescr_arfcn:= C_arfcnA)                        |                                                                                                                                                                                                                                                                                                                                                |    |
| 21                                                                                                                                                                                                                                                                                                                                      | [TSPC_DCS]                                            |                                                                                                                                                                                                                                                                                                                                                |    |
| 22                                                                                                                                                                                                                                                                                                                                      | (TCV_chdescr_arfcn:= C_arfcnAd_4)                     |                                                                                                                                                                                                                                                                                                                                                |    |
| <b>Detailed Comments:</b>                                                                                                                                                                                                                                                                                                               |                                                       |                                                                                                                                                                                                                                                                                                                                                |    |
| <ol style="list-style-type: none"> <li>1. Initiate a call and L2_frame with the Setup will not be acknowledged by the SS_L2.</li> <li>2. HO from SDCCH/4_nonFH to TCH/F_FH.</li> <li>3. Last L3-msg shall be retransmitted by the MS with the same sequence number of last L3-msg.</li> <li>4. Check of the sequence number.</li> </ol> |                                                       |                                                                                                                                                                                                                                                                                                                                                |    |

| Test Case Dynamic Behaviour |       |                                                                                                                                                                                                                                                                                                                                                                                                                                                                                                                                                                                                                                     |                                                      |   |                                                                                   |
|-----------------------------|-------|-------------------------------------------------------------------------------------------------------------------------------------------------------------------------------------------------------------------------------------------------------------------------------------------------------------------------------------------------------------------------------------------------------------------------------------------------------------------------------------------------------------------------------------------------------------------------------------------------------------------------------------|------------------------------------------------------|---|-----------------------------------------------------------------------------------|
| <b>Test Case Name:</b>      |       | TC_26_6_5_2_2                                                                                                                                                                                                                                                                                                                                                                                                                                                                                                                                                                                                                       |                                                      |   |                                                                                   |
| <b>Group:</b>               |       | GSM_L3_MS_v4200/RR/                                                                                                                                                                                                                                                                                                                                                                                                                                                                                                                                                                                                                 |                                                      |   |                                                                                   |
| <b>Purpose:</b>             |       | To test that when the MS is ordered to make a non-synchronised handover, it continuously sends access bursts on the main DCCH until it receives a PHYSICAL INFORMATION from the SS. To test that the MS correctly takes the values of the Timing Advance and Starting Time information elements into account. To test that the MS activates the new channel correctly. To test that the MS correctly retransmits Layer 3 MM or CC messages, that were not acknowledged by Layer 2 before the Handover, after completion of the Handover.                                                                                            |                                                      |   |                                                                                   |
| <b>Default:</b>             |       | OtherEventsFail_01                                                                                                                                                                                                                                                                                                                                                                                                                                                                                                                                                                                                                  |                                                      |   |                                                                                   |
| Nr                          | Label | Behaviour Description                                                                                                                                                                                                                                                                                                                                                                                                                                                                                                                                                                                                               | CRef                                                 | V | Comments                                                                          |
| 1                           |       | START T_guard(300)                                                                                                                                                                                                                                                                                                                                                                                                                                                                                                                                                                                                                  |                                                      |   |                                                                                   |
| 2                           |       | +BasicServiceMO(TSPX_MOBscSvcE,<br>TSPX_MOChRateE)                                                                                                                                                                                                                                                                                                                                                                                                                                                                                                                                                                                  |                                                      |   |                                                                                   |
| 3                           |       | (TCV_ia_ts:= '000'B, TCV_ts:=<br>TSPX_TmSltNotZero, TCV_Cntref:=<br>TSPX_NoOfHoAccD, TCV_Horf:= TSPX_HoRefB,<br>TCV_Pwrlvl_ho:= INT_TO_BIT( TSPX_PwrlvlA,<br>5))                                                                                                                                                                                                                                                                                                                                                                                                                                                                    |                                                      |   |                                                                                   |
| 4                           |       | +IdleUpdated( C_E_default, C_CellA,<br>C_SCH_A, C_BCCH_A_1, C_Immass, C_S0,<br>C_SlotNU, C_SlotNU, C_SlotNU, C_BCC,<br>C_TxInt_5, C_Max_7, C_NECI_0, C_ATT_0,<br>TimingAdv( 30), C_BABR_0, C_cch_1Comb,<br>C_BPM_3, C_T3212_0, C_ci_cellA,<br>C_MCC_1, C_PLMN_1, C_LAC_1, CellOpt_01,<br>CellChDes_20_Aman, CellChDes_202_Adman,<br>C_CellReselectHys12, C_MaxPwrLvlG,<br>C_MaxPwrLvlD, BcchFreqLst_01,<br>BcchFreqLst_Omit, BcchFreqLst_48,<br>BcchFreqLst_Omit, C_noRestablishment,<br>C_BCC, C_NCC, C_Start_Tmsi,<br>TSPX_SDCCH4SubDef, TSPX_CKSNDf,<br>TSPX_RANDDef, C_arfcnA, C_arfcnAd_4,<br>TSPX_IMSI, C_Test_fh, C_NCCP_10) |                                                      |   |                                                                                   |
| 5                           |       | +StartCellB_ho( C_E_neighbourdefault,<br>C_BCCHcarrierB_ho, C_BCCHcarrierB_hod,<br>C_Immass, TCV_slot, TCV_tsc, TimingAdv(<br>20), C_TxInt_5, C_Max_7, C_NECI_0,<br>C_ATT_0, C_BABR_0, C_cch_1Comb,<br>C_BPM_3, C_T3212_0, C_MCC_1,<br>C_PLMN_1, C_LAC_2, CellChDes_20_Bman,<br>CellChDes_201_Bd, BcchFreqLst_01,<br>BcchFreqLst_48, C_noRestablishment,<br>C_BCC_0, C_NCC_3, TSPX_k, 0)                                                                                                                                                                                                                                            |                                                      |   | The timeslots of Cells A<br>and B are not coincident<br>at the antenna connector. |
| 6                           |       | +HalfRateCh_B_1( TSPX_TCHHSubDef,<br>C_Asynho, TCV_ts, TSPX_TscB,<br>TCV_ChMod, FreqTCHb_hof4,<br>FreqTCHb_hof4d, TimingAdv( 20),<br>C_BABR_0, C_cch_1Comb, C_BPM_3)                                                                                                                                                                                                                                                                                                                                                                                                                                                                |                                                      |   |                                                                                   |
| 7                           |       | +local_setArfcn                                                                                                                                                                                                                                                                                                                                                                                                                                                                                                                                                                                                                     |                                                      |   |                                                                                   |
| 8                           |       | +Est_MO_Call_init(<br>C_CHSDCCH4_NonFH, MobilAllc_omit,<br>MobilAllc_omit, TimingAdv( 30), C_BCC,<br>C_one, C_one)                                                                                                                                                                                                                                                                                                                                                                                                                                                                                                                  |                                                      |   | 1.                                                                                |
| 9                           | body  | +local_sendHoCMD                                                                                                                                                                                                                                                                                                                                                                                                                                                                                                                                                                                                                    |                                                      |   |                                                                                   |
| 10                          |       | (TCV_ch:= OC_SubchOfFacch(<br>TSPX_TCHHSubDef, C_CellB, 1))                                                                                                                                                                                                                                                                                                                                                                                                                                                                                                                                                                         |                                                      |   |                                                                                   |
| 11                          |       | +RR_hocomp1( 750, TimingAdv(<br>20))                                                                                                                                                                                                                                                                                                                                                                                                                                                                                                                                                                                                |                                                      |   |                                                                                   |
| 12                          |       | L?DL_DatInSetup (TCV_Mt1 :=<br>DL_DatInSetup.msg.mt)                                                                                                                                                                                                                                                                                                                                                                                                                                                                                                                                                                                | SetupRcv(<br>SetupInd_01)                            |   | 3.                                                                                |
| 13                          |       | +SendSeqNo_chk                                                                                                                                                                                                                                                                                                                                                                                                                                                                                                                                                                                                                      |                                                      |   | 4.                                                                                |
| 14                          | post  | +ChanRel_end( TCV_ch)                                                                                                                                                                                                                                                                                                                                                                                                                                                                                                                                                                                                               |                                                      |   |                                                                                   |
| 15                          |       | <b>local_sendHoCMD</b><br>(TCV_Tchtype := INT_TO_BIT(( 2 + BIT_TO_INT(<br>TSPX_TCHHSubDef)), 5))                                                                                                                                                                                                                                                                                                                                                                                                                                                                                                                                    |                                                      |   |                                                                                   |
| 16                          |       | [TSPC_PGSM OR TSPC_EGSM]                                                                                                                                                                                                                                                                                                                                                                                                                                                                                                                                                                                                            |                                                      |   |                                                                                   |
| 17                          |       | LIDL_DatRqHoCmd                                                                                                                                                                                                                                                                                                                                                                                                                                                                                                                                                                                                                     | HndOvSnd( TCV_ch,<br>HandOverCmd_fh(<br>TCV_Tchtype, |   | 2.                                                                                |

|    |  |                                   |                                                                                                                                                                                                                                                                                                                                                                                       |    |
|----|--|-----------------------------------|---------------------------------------------------------------------------------------------------------------------------------------------------------------------------------------------------------------------------------------------------------------------------------------------------------------------------------------------------------------------------------------|----|
|    |  |                                   | TCV_ts, TSPX_TscB,<br>C_NCC_3, C_BCC_0,<br>C_BCCcarrierB_ho,<br>3, TSPX_HSN,<br>TCV_Horf,<br>TCV_Pwrlvl_ho,<br>Synchi_omit,<br>Frql_omit, Frql_omit,<br>CellChDes_21_B,<br>TCV_ChMod,<br>Freqchseq_omit,<br>MobilAllc_252,<br>RelTmdDif_omit,<br>TimingAdv_omit,<br>CphMod_omit)                                                                                                      |    |
| 18 |  | [TSPC_DCS]                        |                                                                                                                                                                                                                                                                                                                                                                                       |    |
| 19 |  | LIDL_DatRqHoCmd                   | HndOvSnd( TCV_ch,<br>HandOverCmd_fh(<br>TCV_Tchtype,<br>TCV_ts, TSPX_TscB,<br>C_NCC_3, C_BCC_0,<br>C_BCCcarrierB_hod<br>, 3, TSPX_HSN,<br>TCV_Horf,<br>TCV_Pwrlvl_ho,<br>Synchi(<br>C_not_report_otd,<br>C_non_synchronised)<br>, Frql_omit, Frql_omit,<br>CellChDes_21_Bd,<br>TCV_ChMod,<br>Freqchseq_omit,<br>MobilAllc_252d,<br>RelTmdDif_omit,<br>TimingAdv_omit,<br>CphMod_omit) | 2. |
|    |  | <b>local_setArfcn</b>             |                                                                                                                                                                                                                                                                                                                                                                                       |    |
| 20 |  | [TSPC_PGSM OR TSPC_EGSM]          |                                                                                                                                                                                                                                                                                                                                                                                       |    |
| 21 |  | (TCV_chdescr_arfcn:= C_arfcnA)    |                                                                                                                                                                                                                                                                                                                                                                                       |    |
| 22 |  | [TSPC_DCS]                        |                                                                                                                                                                                                                                                                                                                                                                                       |    |
| 23 |  | (TCV_chdescr_arfcn:= C_arfcnAd_4) |                                                                                                                                                                                                                                                                                                                                                                                       |    |

**Detailed Comments:**

1. Initiate a call and L2\_frame with the Setup will not be acknowledged by the SS\_L2.
2. HO from SDCCH/4\_nonFH to TCH/H\_FH.
3. Last L3-msg shall be retransmitted by the MS with the same sequence number of last L3-msg.
4. Check the sending sequence number and assign verdict.

| Test Case Dynamic Behaviour |       |                                                                                                                                                                                                                                                                                                                                                                                                                                                                                                                                                                                       |                                                                                                        |   |                                                                             |
|-----------------------------|-------|---------------------------------------------------------------------------------------------------------------------------------------------------------------------------------------------------------------------------------------------------------------------------------------------------------------------------------------------------------------------------------------------------------------------------------------------------------------------------------------------------------------------------------------------------------------------------------------|--------------------------------------------------------------------------------------------------------|---|-----------------------------------------------------------------------------|
| <b>Test Case Name:</b>      |       | TC_26_6_5_2_3                                                                                                                                                                                                                                                                                                                                                                                                                                                                                                                                                                         |                                                                                                        |   |                                                                             |
| <b>Group:</b>               |       | GSM_L3_MS_v4200/RR/                                                                                                                                                                                                                                                                                                                                                                                                                                                                                                                                                                   |                                                                                                        |   |                                                                             |
| <b>Purpose:</b>             |       | To test that when the MS is ordered to make a non-synchronised handover, it continuously sends access bursts on the main DCCH until it receives a PHYSICAL INFORMATION from the SS. To test that the MS correctly takes the values of the Timing Advance and Starting Time information elements into account. To test that the MS activates the new channel correctly. To test that the MS correctly retransmits Layer 3 MM or CC messages, that were not acknowledged by Layer 2 before the Handover, after completion of the Handover.                                              |                                                                                                        |   |                                                                             |
| <b>Default:</b>             |       | OtherEventsFail_01                                                                                                                                                                                                                                                                                                                                                                                                                                                                                                                                                                    |                                                                                                        |   |                                                                             |
| Nr                          | Label | Behaviour Description                                                                                                                                                                                                                                                                                                                                                                                                                                                                                                                                                                 | CRef                                                                                                   | V | Comments                                                                    |
| 1                           |       | START T_guard(300)                                                                                                                                                                                                                                                                                                                                                                                                                                                                                                                                                                    |                                                                                                        |   |                                                                             |
| 2                           |       | +BasicServiceMO(TSPX_MOBscSvcF, TSPX_MOChRateF)                                                                                                                                                                                                                                                                                                                                                                                                                                                                                                                                       |                                                                                                        |   |                                                                             |
| 3                           |       | (TCV_ia_ts:= '000'B, TCV_ts:= '000'B, TCV_Cntref:= TSPX_NoOfHoAccG, TCV_Horf:= TSPX_HoRefC, TCV_Pwrlvl_ho:= INT_TO_BIT(TSPX_PwrlvlB, 5))                                                                                                                                                                                                                                                                                                                                                                                                                                              |                                                                                                        |   |                                                                             |
| 4                           |       | +IdleUpdated( C_E_default, C_CellA, C_SCH_A, C_BCCH_A_1, C_Immass, C_SO, C_SlotNU, C_SlotNU, C_SlotNU, C_BCC, C_TxInt_5, C_Max_7, C_NECI_0, C_ATT_0, TimingAdv( 30), C_BABR_0, C_cch_1Comb, C_BPM_3, C_T3212_0, C_ci_cellA, C_MCC_1, C_PLMN_1, C_LAC_1, CellOpt_01, CellChDes_20_Aman, CellChDes_202_Adman, C_CellReselectHys12, C_MaxPwrLvlG, C_MaxPwrLvlD, BcchFreqLst_01, BcchFreqLst_Omit, BcchFreqLst_48, BcchFreqLst_Omit, C_noRestablishment, C_BCC, C_NCC, C_Start_Tmsi, TSPX_SDCCH4SubDef, TSPX_CKSNDf, TSPX_RANDDf, C_arfcnA, C_arfcnAd_4, TSPX_IMSI, C_Test_fh, C_NCCP_10) |                                                                                                        |   |                                                                             |
| 5                           |       | +StartCellB_ho( C_E_neighbourdefault, C_BCCHcarrierB_ho, C_BCCHcarrierB_hod, C_Immass, TCV_slot, TCV_tsc, TimingAdv( 20), C_TxInt_5, C_Max_7, C_NECI_0, C_ATT_0, C_BABR_0, C_cch_1Comb, C_BPM_3, C_T3212_0, C_MCC_1, C_PLMN_1, C_LAC_2, CellChDes_20_Bman, CellChDes_201_Bd, BcchFreqLst_01, BcchFreqLst_48, C_noRestablishment, C_BCC_0, C_NCC_3, TSPX_k, 0)                                                                                                                                                                                                                         |                                                                                                        |   | The timeslots of Cells A and B are not coincident at the antenna connector. |
| 6                           |       | +SDCCH8_B_1( TSPX_SDCCH8SubA, C_Asynho, TCV_ts, TSPX_TscC, ChMod_sign, FreqSDCCH8b_hof1, FreqSDCCH8b_hof1d, TimingAdv( 20), C_BABR_0, C_cch_1nonComb, C_BPM_3)                                                                                                                                                                                                                                                                                                                                                                                                                        |                                                                                                        |   |                                                                             |
| 7                           |       | +localtree_setArfcn                                                                                                                                                                                                                                                                                                                                                                                                                                                                                                                                                                   |                                                                                                        |   |                                                                             |
| 8                           |       | +Est_MO_Call_init( C_CHSDCCH4_NonFH, MobilAllc_omit, MobilAllc_omit, TimingAdv( 30), C_BCC, C_one, C_one)                                                                                                                                                                                                                                                                                                                                                                                                                                                                             |                                                                                                        |   | 1.                                                                          |
| 9                           | body  | +ltree_sendHoCMD                                                                                                                                                                                                                                                                                                                                                                                                                                                                                                                                                                      |                                                                                                        |   |                                                                             |
| 10                          |       | (TCV_ch:= OC_SubchOfSdcch8( TSPX_SDCCH8SubA, C_CellB, 1))                                                                                                                                                                                                                                                                                                                                                                                                                                                                                                                             |                                                                                                        |   |                                                                             |
| 11                          |       | +RR_hocomp1(1500, TimingAdv( 20))                                                                                                                                                                                                                                                                                                                                                                                                                                                                                                                                                     |                                                                                                        |   |                                                                             |
| 12                          |       | L?DL_DatInSetup( TCV_Mt1 := DL_DatInSetup.msg.mt)                                                                                                                                                                                                                                                                                                                                                                                                                                                                                                                                     | SetupRcv( SetupInd_01)                                                                                 |   | 3.                                                                          |
| 13                          |       | +SendSeqNo_chk                                                                                                                                                                                                                                                                                                                                                                                                                                                                                                                                                                        |                                                                                                        |   | 4.                                                                          |
| 14                          | post  | +ChanRel_end( TCV_ch)                                                                                                                                                                                                                                                                                                                                                                                                                                                                                                                                                                 |                                                                                                        |   |                                                                             |
| 15                          |       | <b>ltree_sendHoCMD</b>                                                                                                                                                                                                                                                                                                                                                                                                                                                                                                                                                                |                                                                                                        |   |                                                                             |
| 16                          |       | [TSPC_PGSM OR TSPC_EGSM]<br>L!DL_DatRqHoCmd                                                                                                                                                                                                                                                                                                                                                                                                                                                                                                                                           | HndOvSnd( TCV_ch, HandOverCmd_fh( TCV_Tchtype, TCV_ts, TSPX_TscC, C_NCC_3, C_BCC_0, C_BCCHcarrierB_ho, |   | 2.                                                                          |

|                           |                                                                                                     |                                                                                                                                                                                                                                                                                                                                                       |    |
|---------------------------|-----------------------------------------------------------------------------------------------------|-------------------------------------------------------------------------------------------------------------------------------------------------------------------------------------------------------------------------------------------------------------------------------------------------------------------------------------------------------|----|
| 17                        | [TSPC_DCS]                                                                                          | 15, TSPX_HSN,<br>TCV_Horf,<br>TCV_Pwrlvl_ho,<br>Synchi_omit,<br>Frql_omit,<br>Frql_20_B7,<br>CellChDes_Omit,<br>ChMod_sign_iei,<br>Freqchseq_omit,<br>MoblAllc_omit,<br>RelTmdDif_omit,<br>TimingAdv_omit,<br>CphMod_omit)                                                                                                                            |    |
| 18                        | LIDL_DatRqHoCmd                                                                                     | HndOvSnd( TCV_ch,<br>HandOverCmd_fh(<br>TCV_Tchtype,<br>TCV_ts, TSPX_TscC,<br>C_NCC_3, C_BCC_0,<br>C_BCCHcarrierB_hod<br>, 2, C_HSN_0,<br>TCV_Horf,<br>TCV_Pwrlvl_ho,<br>Synchi_omit,<br>Frql_omit,<br>Frql_20_B7d,<br>CellChDes_Omit,<br>ChMod_sign_iei,<br>Freqchseq_omit,<br>MoblAllc_omit,<br>RelTmdDif_omit,<br>TimingAdv_omit,<br>CphMod_omit)) | 2. |
| 19                        | <b>localtree_setArfcn</b><br>(TCV_Tchtype := INT_TO_BIT(( 8 + BIT_TO_INT(<br>TSPX_SDCCH8SubA)), 5)) |                                                                                                                                                                                                                                                                                                                                                       |    |
| 20                        | [TSPC_PGSM OR TSPC_EGSM]                                                                            |                                                                                                                                                                                                                                                                                                                                                       |    |
| 21                        | (TCV_chdescr_arfcn:= C_arfcnA)                                                                      |                                                                                                                                                                                                                                                                                                                                                       |    |
| 22                        | [TSPC_DCS]                                                                                          |                                                                                                                                                                                                                                                                                                                                                       |    |
| 23                        | (TCV_chdescr_arfcn:= C_arfcnAd_4)                                                                   |                                                                                                                                                                                                                                                                                                                                                       |    |
| <b>Detailed Comments:</b> |                                                                                                     | <ol style="list-style-type: none"> <li>1. Initiate a call and L2_frame with the Setup will not be acknowledged by the SS_L2.</li> <li>2. HO from SDCCH/4_nonFH to SDCCH8_FH.</li> <li>3. Last L3-msg shall be retransmitted by the MS with the same sequence number of last L3-msg.</li> <li>4. To check the sending sequence number.</li> </ol>      |    |

| Test Case Dynamic Behaviour                                                                                                                                                                                                                                                                                                                                                                                                                                                                                                                              |       |                                                                                                                                                                                                                                                                                                                                                                                                                                                                                                                                                                                           |                        |   |                                                                             |
|----------------------------------------------------------------------------------------------------------------------------------------------------------------------------------------------------------------------------------------------------------------------------------------------------------------------------------------------------------------------------------------------------------------------------------------------------------------------------------------------------------------------------------------------------------|-------|-------------------------------------------------------------------------------------------------------------------------------------------------------------------------------------------------------------------------------------------------------------------------------------------------------------------------------------------------------------------------------------------------------------------------------------------------------------------------------------------------------------------------------------------------------------------------------------------|------------------------|---|-----------------------------------------------------------------------------|
| <b>Test Case Name:</b> TC_26_6_5_2_4                                                                                                                                                                                                                                                                                                                                                                                                                                                                                                                     |       |                                                                                                                                                                                                                                                                                                                                                                                                                                                                                                                                                                                           |                        |   |                                                                             |
| <b>Group:</b> GSM_L3_MS_v4200/RR/                                                                                                                                                                                                                                                                                                                                                                                                                                                                                                                        |       |                                                                                                                                                                                                                                                                                                                                                                                                                                                                                                                                                                                           |                        |   |                                                                             |
| <b>Purpose:</b> To test that when the MS is ordered to make a non-synchronised handover, it continuously sends access bursts on the main DCCH until it receives a PHYSICAL INFORMATION from the SS. To test that the MS correctly takes the values of the Timing Advance and Starting Time information elements into account. To test that the MS activates the new channel correctly. To test that the MS correctly retransmits Layer 3 MM or CC messages, that were not acknowledged by Layer 2 before the Handover, after completion of the Handover. |       |                                                                                                                                                                                                                                                                                                                                                                                                                                                                                                                                                                                           |                        |   |                                                                             |
| <b>Default:</b> OtherEventsFail_01                                                                                                                                                                                                                                                                                                                                                                                                                                                                                                                       |       |                                                                                                                                                                                                                                                                                                                                                                                                                                                                                                                                                                                           |                        |   |                                                                             |
| Nr                                                                                                                                                                                                                                                                                                                                                                                                                                                                                                                                                       | Label | Behaviour Description                                                                                                                                                                                                                                                                                                                                                                                                                                                                                                                                                                     | CRef                   | V | Comments                                                                    |
| 1                                                                                                                                                                                                                                                                                                                                                                                                                                                                                                                                                        |       | START T_guard(300)                                                                                                                                                                                                                                                                                                                                                                                                                                                                                                                                                                        |                        |   |                                                                             |
| 2                                                                                                                                                                                                                                                                                                                                                                                                                                                                                                                                                        |       | +BasicServiceMO(TSPX_MOBscSvcG, TSPX_MOChRateG)                                                                                                                                                                                                                                                                                                                                                                                                                                                                                                                                           |                        |   |                                                                             |
| 3                                                                                                                                                                                                                                                                                                                                                                                                                                                                                                                                                        |       | (TCV_ia_ts:= TSPX_TmSltNotZero, TCV_ts:= TSPX_TmSltNotZero, TCV_Cntref:= TSPX_NoOfHoAcch, TCV_Horf:= TSPX_HoRefD, TCV_Pwrlvl_ho:= INT_TO_BIT(TSPX_PwrlvlB, 5))                                                                                                                                                                                                                                                                                                                                                                                                                            |                        |   |                                                                             |
| 4                                                                                                                                                                                                                                                                                                                                                                                                                                                                                                                                                        |       | +IdleUpdated( C_E_default, C_CellA, C_SCH_A, C_BCCH_A_1, C_Immass, C_SO, C_SlotNU, C_SlotNU, C_SlotNU, C_BCC, C_TxInt_5, C_Max_7, C_NECI_0, C_ATT_0, TimingAdv( 30), C_BABR_0, C_cch_1nonComb, C_BPM_3, C_T3212_0, C_ci_cellA, C_MCC_1, C_PLMN_1, C_LAC_1, CellOpt_01, CellChDes_20_Aman, CellChDes_202_Adman, C_CellReselectHys12, C_MaxPwrlvlG, C_MaxPwrlvlD, BcchFreqLst_01, BcchFreqLst_Omit, BcchFreqLst_48, BcchFreqLst_Omit, C_noRestablishment, C_BCC, C_NCC, C_Start_Tmsi, TSPX_SDCCH4SubDef, TSPX_CKSNDf, TSPX_RANDDef, C_arfcnA, C_arfcnAd_4, TSPX_IMSI, C_Test_fh, C_NCCP_10) |                        |   |                                                                             |
| 5                                                                                                                                                                                                                                                                                                                                                                                                                                                                                                                                                        |       | +StartCellB_ho( C_E_neighbourdefault, C_BCCHcarrierB_ho, C_BCCHcarrierB_hod, C_Immass, TCV_slot, TCV_tsc, TimingAdv( TSPX_TimadvA), C_TxInt_5, C_Max_7, C_NECI_0, C_ATT_0, C_BABR_0, C_cch_1nonComb, C_BPM_3, C_T3212_0, C_MCC_1, C_PLMN_1, C_LAC_2, CellChDes_20_Bman, CellChDes_201_Bd, BcchFreqLst_01, BcchFreqLst_48, C_noRestablishment, C_BCC_0, C_NCC_3, TSPX_k, 0)                                                                                                                                                                                                                |                        |   | The timeslots of Cells A and B are not coincident at the antenna connector. |
| 6                                                                                                                                                                                                                                                                                                                                                                                                                                                                                                                                                        |       | +SDCCH8_A_1_nociph( TSPX_SDCCH8SubDef, C_Immass, TCV_ia_ts, TSPX_TscA, ChMod_sign, FreqTCH( C_arfcnA), FreqTCH( C_arfcnAd_4), TimingAdv( 30), C_BABR_0, C_cch_1nonComb, C_BPM_3)                                                                                                                                                                                                                                                                                                                                                                                                          |                        |   |                                                                             |
| 7                                                                                                                                                                                                                                                                                                                                                                                                                                                                                                                                                        |       | +SDCCH8_B_1( TSPX_SDCCH8SubA, C_Asynho, TCV_ts, TSPX_TscB, ChMod_sign, FreqSDCCH8b_hof2, FreqSDCCH8b_hof2d, TimingAdv( TSPX_TimadvA), C_BABR_0, C_cch_1nonComb, C_BPM_3)                                                                                                                                                                                                                                                                                                                                                                                                                  |                        |   |                                                                             |
| 8                                                                                                                                                                                                                                                                                                                                                                                                                                                                                                                                                        |       | +localtree_setTchArfcn                                                                                                                                                                                                                                                                                                                                                                                                                                                                                                                                                                    |                        |   |                                                                             |
| 9                                                                                                                                                                                                                                                                                                                                                                                                                                                                                                                                                        |       | +Est_MO_Call_init( C_CHSDCCH8_NonFH, MobilAllc_omit, MobilAllc_omit, TimingAdv( 30), TSPX_TscA, C_one, C_one)                                                                                                                                                                                                                                                                                                                                                                                                                                                                             |                        |   | 1.                                                                          |
| 10                                                                                                                                                                                                                                                                                                                                                                                                                                                                                                                                                       | body  | +ltree_sendHoCMD                                                                                                                                                                                                                                                                                                                                                                                                                                                                                                                                                                          |                        |   |                                                                             |
| 11                                                                                                                                                                                                                                                                                                                                                                                                                                                                                                                                                       |       | (TCV_ch := OC_SubchOfSdcch8( TSPX_SDCCH8SubA, C_CellB, 1))                                                                                                                                                                                                                                                                                                                                                                                                                                                                                                                                |                        |   |                                                                             |
| 12                                                                                                                                                                                                                                                                                                                                                                                                                                                                                                                                                       |       | +RR_hocomp1( 1500, TimingAdv( TSPX_TimadvA))                                                                                                                                                                                                                                                                                                                                                                                                                                                                                                                                              |                        |   |                                                                             |
| 13                                                                                                                                                                                                                                                                                                                                                                                                                                                                                                                                                       |       | L?DL_DatInSetup( TCV_Mt1 := DL_DatInSetup.msg.mt)                                                                                                                                                                                                                                                                                                                                                                                                                                                                                                                                         | SetupRcv( SetupInd_01) |   | 3.                                                                          |



|                           |      |                                                                                                                                                                                                                                                                                                                                                             |                                                                                                                                                                                                                                                                                                                                                                                          |  |    |
|---------------------------|------|-------------------------------------------------------------------------------------------------------------------------------------------------------------------------------------------------------------------------------------------------------------------------------------------------------------------------------------------------------------|------------------------------------------------------------------------------------------------------------------------------------------------------------------------------------------------------------------------------------------------------------------------------------------------------------------------------------------------------------------------------------------|--|----|
| 14                        |      | +SendSeqNo_chk                                                                                                                                                                                                                                                                                                                                              |                                                                                                                                                                                                                                                                                                                                                                                          |  | 4. |
| 15                        | post | +ChanRel_end( TCV_ch)                                                                                                                                                                                                                                                                                                                                       |                                                                                                                                                                                                                                                                                                                                                                                          |  |    |
| 16                        |      | <b>ltree_sendHoCMD</b>                                                                                                                                                                                                                                                                                                                                      |                                                                                                                                                                                                                                                                                                                                                                                          |  |    |
| 17                        |      | [TSPC_PGSM OR TSPC_EGSM]<br>LIDL_DatRqHoCmd                                                                                                                                                                                                                                                                                                                 | HndOvSnd( TCV_ch,<br>HandOverCmd_fh(<br>TCV_Tctype,<br>TCV_ts, TSPX_TscB,<br>C_NCC_3, C_BCC_0,<br>C_BCCHcarrierB_ho,<br>14, TSPX_HSN,<br>TCV_Horf,<br>TCV_Pwrlvl_ho,<br>Synchi(<br>C_not_report_otd,<br>C_non_synchronised)<br>, Frql_omit, Frql_omit,<br>CellChDes_Omit,<br>ChMod_omit,<br>Freqchseq_02,<br>MoblAllc_omit,<br>RelTmdDif_omit,<br>TimingAdv_omit,<br>CphMod_omit))       |  | 2. |
| 18                        |      | [TSPC_DCS]                                                                                                                                                                                                                                                                                                                                                  |                                                                                                                                                                                                                                                                                                                                                                                          |  |    |
| 19                        |      | LIDL_DatRqHoCmd                                                                                                                                                                                                                                                                                                                                             | HndOvSnd( TCV_ch,<br>HandOverCmd_fh(<br>TCV_Tctype,<br>TCV_ts, TSPX_TscB,<br>C_NCC_3, C_BCC_0,<br>C_BCCHcarrierB_hod<br>, 16, C_HSN_0,<br>TCV_Horf,<br>TCV_Pwrlvl_ho,<br>Synchi(<br>C_not_report_otd,<br>C_non_synchronised)<br>, Frql_20_B8d,<br>Frql_omit,<br>CellChDes_Omit,<br>ChMod_omit,<br>Freqchseq_02,<br>MoblAllc_omit,<br>RelTmdDif_omit,<br>TimingAdv_omit,<br>CphMod_omit)) |  | 2. |
| 20                        |      | <b>localtree_setTchArfcn</b><br>(TCV_Tctype := INT_TO_BIT(( 8 + BIT_TO_INT(<br>TSPX_SDCCH8SubA)), 5))                                                                                                                                                                                                                                                       |                                                                                                                                                                                                                                                                                                                                                                                          |  |    |
| 21                        |      | [TSPC_PGSM OR TSPC_EGSM]                                                                                                                                                                                                                                                                                                                                    |                                                                                                                                                                                                                                                                                                                                                                                          |  |    |
| 22                        |      | (TCV_tch_arfcn:= C_arfcnA)                                                                                                                                                                                                                                                                                                                                  |                                                                                                                                                                                                                                                                                                                                                                                          |  |    |
| 23                        |      | [TSPC_DCS]                                                                                                                                                                                                                                                                                                                                                  |                                                                                                                                                                                                                                                                                                                                                                                          |  |    |
| 24                        |      | (TCV_tch_arfcn:= C_arfcnAd_4)                                                                                                                                                                                                                                                                                                                               |                                                                                                                                                                                                                                                                                                                                                                                          |  |    |
| <b>Detailed Comments:</b> |      | <ol style="list-style-type: none"> <li>1. Initiate a call and the last L2_frame with the Setup will not be acknowledged by the SS_L2.</li> <li>2. HO from SDCCH8_NonFH to SDCCH8_FH.</li> <li>3. Last L3-msg shall be retransmitted by the MS with the same sequence number of last L3-msg.</li> <li>4. Checking of the sending sequence number.</li> </ol> |                                                                                                                                                                                                                                                                                                                                                                                          |  |    |

| Test Case Dynamic Behaviour                                                                                                                                                                                                                                                                                                                                                                                                                                                                                                                              |       |                                                                                                                                                                                                                                                                                                                                                                                                                                                                                                                                                                                         |                                                                                                                                 |   |                                                                             |
|----------------------------------------------------------------------------------------------------------------------------------------------------------------------------------------------------------------------------------------------------------------------------------------------------------------------------------------------------------------------------------------------------------------------------------------------------------------------------------------------------------------------------------------------------------|-------|-----------------------------------------------------------------------------------------------------------------------------------------------------------------------------------------------------------------------------------------------------------------------------------------------------------------------------------------------------------------------------------------------------------------------------------------------------------------------------------------------------------------------------------------------------------------------------------------|---------------------------------------------------------------------------------------------------------------------------------|---|-----------------------------------------------------------------------------|
| <b>Test Case Name:</b> TC_26_6_5_2_5                                                                                                                                                                                                                                                                                                                                                                                                                                                                                                                     |       |                                                                                                                                                                                                                                                                                                                                                                                                                                                                                                                                                                                         |                                                                                                                                 |   |                                                                             |
| <b>Group:</b> GSM_L3_MS_v4200/RR/                                                                                                                                                                                                                                                                                                                                                                                                                                                                                                                        |       |                                                                                                                                                                                                                                                                                                                                                                                                                                                                                                                                                                                         |                                                                                                                                 |   |                                                                             |
| <b>Purpose:</b> To test that when the MS is ordered to make a non-synchronised handover, it continuously sends access bursts on the main DCCH until it receives a PHYSICAL INFORMATION from the SS. To test that the MS correctly takes the values of the Timing Advance and Starting Time information elements into account. To test that the MS activates the new channel correctly. To test that the MS correctly retransmits Layer 3 MM or CC messages, that were not acknowledged by Layer 2 before the Handover, after completion of the Handover. |       |                                                                                                                                                                                                                                                                                                                                                                                                                                                                                                                                                                                         |                                                                                                                                 |   |                                                                             |
| <b>Default:</b> OtherEventsFail_01                                                                                                                                                                                                                                                                                                                                                                                                                                                                                                                       |       |                                                                                                                                                                                                                                                                                                                                                                                                                                                                                                                                                                                         |                                                                                                                                 |   |                                                                             |
| Nr                                                                                                                                                                                                                                                                                                                                                                                                                                                                                                                                                       | Label | Behaviour Description                                                                                                                                                                                                                                                                                                                                                                                                                                                                                                                                                                   | CRef                                                                                                                            | V | Comments                                                                    |
| 1                                                                                                                                                                                                                                                                                                                                                                                                                                                                                                                                                        |       | START T_guard(300)                                                                                                                                                                                                                                                                                                                                                                                                                                                                                                                                                                      |                                                                                                                                 |   |                                                                             |
| 2                                                                                                                                                                                                                                                                                                                                                                                                                                                                                                                                                        |       | +BasicServiceMO(TSPX_MOBscSvcH, TSPX_MOChRateH)                                                                                                                                                                                                                                                                                                                                                                                                                                                                                                                                         |                                                                                                                                 |   |                                                                             |
| 3                                                                                                                                                                                                                                                                                                                                                                                                                                                                                                                                                        |       | (TCV_ia_ts:= TSPX_TmSltNotZero, TCV_ts:= TSPX_TmSltNotZero, TCV_Cntref:= TSPX_NoOfHoAccE, TCV_Horf:= TSPX_HoRefE, TCV_Pwrlvl_ho:= INT_TO_BIT( TSPX_PwrlvlB, 5))                                                                                                                                                                                                                                                                                                                                                                                                                         |                                                                                                                                 |   |                                                                             |
| 4                                                                                                                                                                                                                                                                                                                                                                                                                                                                                                                                                        |       | +IdleUpdated( C_E_default, C_CellA, C_SCH_A, C_BCCH_A_1, C_Immass, C_S0, C_SlotNU, C_SlotNU, C_SlotNU, C_BCC, C_TxInt_5, C_Max_7, C_NECI_0, C_ATT_0, TimingAdv( 30), C_BABR_0, C_cch_1nonComb, C_BPM_3, C_T3212_0, C_ci_cellA, C_MCC_1, C_PLMN_1, C_LAC_1, CellOpt_01, CellChDes_20_Aman, CellChDes_202_Adman, C_CellReselectHys12, C_MaxPwrLvlG, C_MaxPwrLvlD, BcchFreqLst_01, BcchFreqLst_Omit, BcchFreqLst_48, BcchFreqLst_Omit, C_noRestablishment, C_BCC, C_NCC, C_Start_Tmsi, TSPX_SDCCH4SubA, TSPX_CKSNDf, TSPX_RANDDef, C_arfcnA, C_arfcnAd_4, TSPX_IMSI, C_Test_fh, C_NCCP_10) |                                                                                                                                 |   |                                                                             |
| 5                                                                                                                                                                                                                                                                                                                                                                                                                                                                                                                                                        |       | +StartCellB_ho( C_E_neighbourdefault, C_BCCHcarrierB_ho, C_BCCHcarrierB_hod, C_Immass, TCV_slot, TCV_tsc, TimingAdv( 20), C_TxInt_5, C_Max_7, C_NECI_0, C_ATT_0, C_BABR_0, C_cch_1Comb, C_BPM_3, C_T3212_0, C_MCC_1, C_PLMN_1, C_LAC_2, CellChDes_20_Bman, CellChDes_201_Bd, BcchFreqLst_01, BcchFreqLst_48, C_noRestablishment, C_BCC_0, C_NCC_3, TSPX_k, 0)                                                                                                                                                                                                                           |                                                                                                                                 |   | The timeslots of Cells A and B are not coincident at the antenna connector. |
| 6                                                                                                                                                                                                                                                                                                                                                                                                                                                                                                                                                        |       | +FullRateCh_A_1_nociph(C_Immass, TCV_ia_ts, TSPX_TscA, ChMod_sign, FreqTCH(TSPX_TCHcarrierA_ho), FreqTCH(TSPX_TCHcarrierA_hod), TimingAdv( 30), C_BABR_0, C_cch_1nonComb, C_BPM_3)                                                                                                                                                                                                                                                                                                                                                                                                      |                                                                                                                                 |   |                                                                             |
| 7                                                                                                                                                                                                                                                                                                                                                                                                                                                                                                                                                        |       | +local_set_arfcn                                                                                                                                                                                                                                                                                                                                                                                                                                                                                                                                                                        |                                                                                                                                 |   |                                                                             |
| 8                                                                                                                                                                                                                                                                                                                                                                                                                                                                                                                                                        |       | +HalfRateCh_B_1( TSPX_TCHHSubDef, C_Asynho, TCV_ts, TSPX_TscB, ChMod_sign, FreqTCH( TSPX_TCHcarrierB_ho), FreqTCH( TSPX_TCHcarrierB_hod), TimingAdv( 20), C_BABR_0, C_cch_1nonComb, C_BPM_3)                                                                                                                                                                                                                                                                                                                                                                                            |                                                                                                                                 |   |                                                                             |
| 9                                                                                                                                                                                                                                                                                                                                                                                                                                                                                                                                                        |       | +Est_MO_Call_init( C_CHTCHF_NonFH, MobilAllc_omit, MobilAllc_omit, TimingAdv( 30), TSPX_TscA, C_one, C_one)                                                                                                                                                                                                                                                                                                                                                                                                                                                                             |                                                                                                                                 |   | 1.                                                                          |
| 10                                                                                                                                                                                                                                                                                                                                                                                                                                                                                                                                                       |       | +localtree_varinit                                                                                                                                                                                                                                                                                                                                                                                                                                                                                                                                                                      |                                                                                                                                 |   |                                                                             |
| 11                                                                                                                                                                                                                                                                                                                                                                                                                                                                                                                                                       | body  | L!DL_DatRqHoCmd                                                                                                                                                                                                                                                                                                                                                                                                                                                                                                                                                                         | HndOvSnd( TCV_ch, HandOverCmd_nfh( TCV_Tctype, TCV_ts, TSPX_TscB, C_NCC_3, C_BCC_0, TCV_chdescr_arfcn, TCV_tch_arfcn, TCV_Horf, |   | 2.                                                                          |

|                           |      |                                                                                                                                                                                                                                                                                                                                                      |                                                                                                                                                   |  |    |
|---------------------------|------|------------------------------------------------------------------------------------------------------------------------------------------------------------------------------------------------------------------------------------------------------------------------------------------------------------------------------------------------------|---------------------------------------------------------------------------------------------------------------------------------------------------|--|----|
|                           |      |                                                                                                                                                                                                                                                                                                                                                      | TCV_Pwrlvl_ho,<br>Synchi(<br>C_not_report_otd,<br>C_non_synchronised)<br>, ChMod_sign_iei,<br>RelTmdDif_omit,<br>TimingAdv_omit,<br>CphMod_omit)) |  |    |
| 12                        |      | (TCV_ch:= TCV_chTch)                                                                                                                                                                                                                                                                                                                                 |                                                                                                                                                   |  |    |
| 13                        |      | +RR_hocomp1( 750,<br>TimingAdv( 20))                                                                                                                                                                                                                                                                                                                 |                                                                                                                                                   |  |    |
| 14                        |      | L?DL_DatInSetup<br>(TCV_Mt1 :=<br>DL_DatInSetup.msg.mt)                                                                                                                                                                                                                                                                                              | SetupRcv(<br>SetupInd_01)                                                                                                                         |  | 3. |
| 15                        |      | +SendSeqNo_chk                                                                                                                                                                                                                                                                                                                                       |                                                                                                                                                   |  | 4. |
| 16                        | post | +ChanRel_end(<br>TCV_ch)                                                                                                                                                                                                                                                                                                                             |                                                                                                                                                   |  |    |
|                           |      | <b>localtree_varinit</b>                                                                                                                                                                                                                                                                                                                             |                                                                                                                                                   |  |    |
| 17                        |      | (TCV_Tchtype := INT_TO_BIT(( 2 + BIT_TO_INT(<br>TSPX_TCHHSubDef)), 5))                                                                                                                                                                                                                                                                               |                                                                                                                                                   |  |    |
| 18                        |      | [TSPC_PGSM OR TSPC_EGSM]                                                                                                                                                                                                                                                                                                                             |                                                                                                                                                   |  |    |
| 19                        |      | (TCV_tch_arfcn := TSPX_TCHcarrierB_ho,<br>TCV_chdescr_arfcn := C_BCCHcarrierB_ho)                                                                                                                                                                                                                                                                    |                                                                                                                                                   |  |    |
| 20                        |      | [TSPC_DCS]                                                                                                                                                                                                                                                                                                                                           |                                                                                                                                                   |  |    |
| 21                        |      | (TCV_tch_arfcn :=TSPX_TCHcarrierB_hod,<br>TCV_chdescr_arfcn := C_BCCHcarrierB_hod)                                                                                                                                                                                                                                                                   |                                                                                                                                                   |  |    |
|                           |      | <b>local_set_arfcn</b>                                                                                                                                                                                                                                                                                                                               |                                                                                                                                                   |  |    |
| 22                        |      | [TSPC_PGSM OR TSPC_EGSM]                                                                                                                                                                                                                                                                                                                             |                                                                                                                                                   |  |    |
| 23                        |      | (TCV_tch_arfcn := TSPX_TCHcarrierA_ho, TCV_ch<br>:= TCV_chTch)                                                                                                                                                                                                                                                                                       |                                                                                                                                                   |  |    |
| 24                        |      | [TSPC_DCS]                                                                                                                                                                                                                                                                                                                                           |                                                                                                                                                   |  |    |
| 25                        |      | (TCV_tch_arfcn :=TSPX_TCHcarrierA_hod,<br>TCV_ch := TCV_chTch)                                                                                                                                                                                                                                                                                       |                                                                                                                                                   |  |    |
| <b>Detailed Comments:</b> |      | <ol style="list-style-type: none"> <li>1. Initiate a call and last L2_frame with the Setup will not be acknowledged by the SS_L2.</li> <li>2. HO from TCH/F_NonFH to TCH/H_NonFH</li> <li>3. Last L3-msg shall be retransmitted by the MS with the same sequence number of last L3-msg.</li> <li>4. To check the sending sequence number.</li> </ol> |                                                                                                                                                   |  |    |

| Test Case Dynamic Behaviour |       |                                                                                                                                                                                                                                                                                                                                                                                                                                                                                                                                                                                                                                         |                           |   |                                                                                   |
|-----------------------------|-------|-----------------------------------------------------------------------------------------------------------------------------------------------------------------------------------------------------------------------------------------------------------------------------------------------------------------------------------------------------------------------------------------------------------------------------------------------------------------------------------------------------------------------------------------------------------------------------------------------------------------------------------------|---------------------------|---|-----------------------------------------------------------------------------------|
| <b>Test Case Name:</b>      |       | TC_26_6_5_2_6                                                                                                                                                                                                                                                                                                                                                                                                                                                                                                                                                                                                                           |                           |   |                                                                                   |
| <b>Group:</b>               |       | GSM_L3_MS_v4200/RR/                                                                                                                                                                                                                                                                                                                                                                                                                                                                                                                                                                                                                     |                           |   |                                                                                   |
| <b>Purpose:</b>             |       | To test that when the MS is ordered to make a non-synchronised handover, it continuously sends access bursts on the main DCCH until it receives a PHYSICAL INFORMATION from the SS. To test that the MS correctly takes the values of the Timing Advance and Starting Time information elements into account. To test that the MS activates the new channel correctly. To test that the MS correctly retransmits Layer 3 MM or CC messages, that were not acknowledged by Layer 2 before the Handover, after completion of the Handover.                                                                                                |                           |   |                                                                                   |
| <b>Default:</b>             |       | OtherEventsFail_01                                                                                                                                                                                                                                                                                                                                                                                                                                                                                                                                                                                                                      |                           |   |                                                                                   |
| Nr                          | Label | Behaviour Description                                                                                                                                                                                                                                                                                                                                                                                                                                                                                                                                                                                                                   | CRef                      | V | Comments                                                                          |
| 1                           |       | START T_guard(300)                                                                                                                                                                                                                                                                                                                                                                                                                                                                                                                                                                                                                      |                           |   |                                                                                   |
| 2                           |       | +BasicServiceMO(TSPX_MOBscSvcl,<br>TSPX_MOChRateI)                                                                                                                                                                                                                                                                                                                                                                                                                                                                                                                                                                                      |                           |   |                                                                                   |
| 3                           |       | (TCV_ia_ts:= TSPX_TmSltNotZero, TCV_ts:=<br>TSPX_TmSltNotZero, TCV_Cntref:=<br>TSPX_NoOfHoAccB, TCV_Horf:= TSPX_HoReff,<br>TCV_Pwrlvl_ho:= INT_TO_BIT( TSPX_PwrlvlC,<br>5))                                                                                                                                                                                                                                                                                                                                                                                                                                                             |                           |   |                                                                                   |
| 4                           |       | +IdleUpdated( C_E_default, C_CellA,<br>C_SCH_A, C_BCCH_A_1, C_Immass, C_S0,<br>C_SlotNU, C_SlotNU, C_SlotNU, C_BCC,<br>C_TxInt_5, C_Max_7, C_NECI_0, C_ATT_0,<br>TimingAdv( 30), C_BABR_0,<br>C_cch_1nonComb, C_BPM_3, C_T3212_0,<br>C_ci_cellA, C_MCC_1, C_PLMN_1, C_LAC_1,<br>CellOpt_01, CellChDes_20_Aman,<br>CellChDes_202_Adman, C_CellReselectHys12,<br>C_MaxPwrLvlG, C_MaxPwrLvlD,<br>BcchFreqLst_01, BcchFreqLst_Omit,<br>BcchFreqLst_48, BcchFreqLst_Omit,<br>C_noRestablishment, C_BCC, C_NCC,<br>C_Start_Tmsi, TSPX_SDCCH4SubA,<br>TSPX_CKSNDf, TSPX_RANDDef, C_arfcnA,<br>C_arfcnAd_4, TSPX_IMSI, C_Test_fh,<br>C_NCCP_10) |                           |   |                                                                                   |
| 5                           |       | +StartCellB_ho( C_E_neighbourdefault,<br>C_BCCHcarrierB_ho, C_BCCHcarrierB_hod,<br>C_Immass, TCV_slot, TCV_tsc, TimingAdv(<br>20), C_TxInt_5, C_Max_7, C_NECI_0,<br>C_ATT_0, C_BABR_0, C_cch_1Comb,<br>C_BPM_3, C_T3212_0, C_MCC_1,<br>C_PLMN_1, C_LAC_2, CellChDes_20_Bman,<br>CellChDes_201_Bd, BcchFreqLst_01,<br>BcchFreqLst_48, C_noRestablishment,<br>C_BCC_0, C_NCC_3, TSPX_k, 0)                                                                                                                                                                                                                                                |                           |   | The timeslots of Cells A<br>and B are not coincident<br>at the antenna connector. |
| 6                           |       | +HalfRateCh_A_1_nociph(<br>TSPX_TCHHSubDef, C_Immass,<br>TCV_ia_ts, TSPX_TscG, ChMod_sign,<br>FreqTCHa_hof3, FreqTCHa_hof3d,<br>TimingAdv( 30), C_BABR_0,<br>C_cch_1Comb, C_BPM_3)                                                                                                                                                                                                                                                                                                                                                                                                                                                      |                           |   |                                                                                   |
| 7                           |       | (TCV_ch := TCV_chTch)                                                                                                                                                                                                                                                                                                                                                                                                                                                                                                                                                                                                                   |                           |   |                                                                                   |
| 8                           |       | +FullRateCh_B_1( C_Asynho, TCV_ts,<br>TSPX_TscF, ChMod_sign,<br>FreqTCHb_hof5, FreqTCHb_hof5d,<br>TimingAdv( 20), C_BABR_0,<br>C_cch_1Comb, C_BPM_3)                                                                                                                                                                                                                                                                                                                                                                                                                                                                                    |                           |   |                                                                                   |
| 9                           |       | +Est_MO_Call_init( C_CHTCHH_FH,<br>MoblAllc_20_A0, MoblAllc_20_A0,<br>TimingAdv( 30), TSPX_TscG, 17, 17)                                                                                                                                                                                                                                                                                                                                                                                                                                                                                                                                |                           |   | 1.                                                                                |
| 10                          | body  | +local_HoCMD                                                                                                                                                                                                                                                                                                                                                                                                                                                                                                                                                                                                                            |                           |   |                                                                                   |
| 11                          |       | (TCV_ch := TCV_chTch)                                                                                                                                                                                                                                                                                                                                                                                                                                                                                                                                                                                                                   |                           |   |                                                                                   |
| 12                          |       | +RR_hocomp1( 500,<br>TimingAdv( 20))                                                                                                                                                                                                                                                                                                                                                                                                                                                                                                                                                                                                    |                           |   |                                                                                   |
| 13                          |       | L?DL_DatInSetup (TCV_Mt1<br>:= DL_DatInSetup.msg.mt)                                                                                                                                                                                                                                                                                                                                                                                                                                                                                                                                                                                    | SetupRcv(<br>SetupInd_01) |   | 3.                                                                                |
| 14                          |       | +SendSeqNo_chk                                                                                                                                                                                                                                                                                                                                                                                                                                                                                                                                                                                                                          |                           |   | 4.                                                                                |
| 15                          | post  | +ChanRel_end( TCV_ch)                                                                                                                                                                                                                                                                                                                                                                                                                                                                                                                                                                                                                   |                           |   |                                                                                   |
| 16                          |       | <b>local_HoCMD</b><br>[TSPC_PGSM OR TSPC_EGSM]                                                                                                                                                                                                                                                                                                                                                                                                                                                                                                                                                                                          |                           |   |                                                                                   |

|                                                                                                                                                                                                                                                                                                                                                                                       |  |                 |                                                                                                                                                                                                                                                                                                                                                     |    |
|---------------------------------------------------------------------------------------------------------------------------------------------------------------------------------------------------------------------------------------------------------------------------------------------------------------------------------------------------------------------------------------|--|-----------------|-----------------------------------------------------------------------------------------------------------------------------------------------------------------------------------------------------------------------------------------------------------------------------------------------------------------------------------------------------|----|
| 17                                                                                                                                                                                                                                                                                                                                                                                    |  | L!DL_DatRqHoCmd | HndOvSnd( TCV_ch,<br>HandOverCmd_fh(<br>'00001'B, TCV_ts,<br>TSPX_TscF,<br>C_NCC_3, C_BCC_0,<br>C_BCCHcarrierB_ho,<br>5, TSPX_HSN,<br>TCV_Horf,<br>TCV_Pwrlvl_ho,<br>Synchi_omit,<br>Frql_omit, Frql_omit,<br>CellChDes_20_B,<br>ChMod_sign_iei,<br>Freqchseq_omit,<br>MoblAllc_20_B1iei,<br>RelTmdDif_omit,<br>TimingAdv_omit,<br>CphMod_omit))    | 2. |
| 18                                                                                                                                                                                                                                                                                                                                                                                    |  | [TSPC_DCS]      |                                                                                                                                                                                                                                                                                                                                                     |    |
| 19                                                                                                                                                                                                                                                                                                                                                                                    |  | L!DL_DatRqHoCmd | HndOvSnd( TCV_ch,<br>HandOverCmd_fh(<br>'00001'B, TCV_ts,<br>TSPX_TscF,<br>C_NCC_3, C_BCC_0,<br>C_BCCHcarrierB_hod<br>, 9, TSPX_HSN,<br>TCV_Horf,<br>TCV_Pwrlvl_ho,<br>Synchi_omit,<br>Frql_omit,<br>Frql_20_B9d,<br>CellChDes_Omit,<br>ChMod_sign_iei,<br>Freqchseq_omit,<br>MoblAllc_omit,<br>RelTmdDif_omit,<br>TimingAdv_omit,<br>CphMod_omit)) | 2. |
| <p><b>Detailed Comments:</b></p> <ol style="list-style-type: none"> <li>1. To initiate a call and the last L2_frame with the Setup will not be acknowledged by the SS_L2.</li> <li>2. HO from TCHH_FH to TCH/F_FH</li> <li>3. Last L3-msg shall be retransmitted by the MS with the same sequence number of last L3-msg.</li> <li>4. To check the sending sequence number.</li> </ol> |  |                 |                                                                                                                                                                                                                                                                                                                                                     |    |

| Test Case Dynamic Behaviour                                                                                                                                                                                                                                                                                                                                                                                                                                                                                                                              |       |                                                                                                                                                                                                                                                                                                                                                                                                                                                                                                                                                                                                                                         |                           |   |                                                                             |
|----------------------------------------------------------------------------------------------------------------------------------------------------------------------------------------------------------------------------------------------------------------------------------------------------------------------------------------------------------------------------------------------------------------------------------------------------------------------------------------------------------------------------------------------------------|-------|-----------------------------------------------------------------------------------------------------------------------------------------------------------------------------------------------------------------------------------------------------------------------------------------------------------------------------------------------------------------------------------------------------------------------------------------------------------------------------------------------------------------------------------------------------------------------------------------------------------------------------------------|---------------------------|---|-----------------------------------------------------------------------------|
| <b>Test Case Name:</b> TC_26_6_5_2_7                                                                                                                                                                                                                                                                                                                                                                                                                                                                                                                     |       |                                                                                                                                                                                                                                                                                                                                                                                                                                                                                                                                                                                                                                         |                           |   |                                                                             |
| <b>Group:</b> GSM_L3_MS_v4200/RR/                                                                                                                                                                                                                                                                                                                                                                                                                                                                                                                        |       |                                                                                                                                                                                                                                                                                                                                                                                                                                                                                                                                                                                                                                         |                           |   |                                                                             |
| <b>Purpose:</b> To test that when the MS is ordered to make a non-synchronised handover, it continuously sends access bursts on the main DCCH until it receives a PHYSICAL INFORMATION from the SS. To test that the MS correctly takes the values of the Timing Advance and Starting Time information elements into account. To test that the MS activates the new channel correctly. To test that the MS correctly retransmits Layer 3 MM or CC messages, that were not acknowledged by Layer 2 before the Handover, after completion of the Handover. |       |                                                                                                                                                                                                                                                                                                                                                                                                                                                                                                                                                                                                                                         |                           |   |                                                                             |
| <b>Default:</b> OtherEventsFail_01                                                                                                                                                                                                                                                                                                                                                                                                                                                                                                                       |       |                                                                                                                                                                                                                                                                                                                                                                                                                                                                                                                                                                                                                                         |                           |   |                                                                             |
| Nr                                                                                                                                                                                                                                                                                                                                                                                                                                                                                                                                                       | Label | Behaviour Description                                                                                                                                                                                                                                                                                                                                                                                                                                                                                                                                                                                                                   | CRef                      | V | Comments                                                                    |
| 1                                                                                                                                                                                                                                                                                                                                                                                                                                                                                                                                                        |       | START T_guard(300)                                                                                                                                                                                                                                                                                                                                                                                                                                                                                                                                                                                                                      |                           |   |                                                                             |
| 2                                                                                                                                                                                                                                                                                                                                                                                                                                                                                                                                                        |       | +BasicServiceMO(TSPX_MOBscSvcJ,<br>TSPX_MOChRateJ)                                                                                                                                                                                                                                                                                                                                                                                                                                                                                                                                                                                      |                           |   |                                                                             |
| 3                                                                                                                                                                                                                                                                                                                                                                                                                                                                                                                                                        |       | (TCV_ia_ts:= C_S0, TCV_ts:=<br>TSPX_TmSltNotZero, TCV_Cntref:=<br>TSPX_NoOfHoAccC, TCV_Horf:=<br>TSPX_HoRefG, TCV_Pwrlvl_ho:= INT_TO_BIT(<br>TSPX_PwrlvlC, 5))                                                                                                                                                                                                                                                                                                                                                                                                                                                                          |                           |   |                                                                             |
| 4                                                                                                                                                                                                                                                                                                                                                                                                                                                                                                                                                        |       | +IdleUpdated( C_E_default, C_CellA,<br>C_SCH_A, C_BCCH_A_1, C_Immass, C_S0,<br>C_SlotNU, C_SlotNU, C_SlotNU, C_BCC,<br>C_TxInt_5, C_Max_7, C_NECI_0, C_ATT_0,<br>TimingAdv( 30), C_BABR_0,<br>C_cch_1nonComb, C_BPM_3, C_T3212_0,<br>C_ci_cellA, C_MCC_1, C_PLMN_1, C_LAC_1,<br>CellOpt_01, CellChDes_20_Aman,<br>CellChDes_202_Adman, C_CellReselectHys12,<br>C_MaxPwrlvlG, C_MaxPwrlvlD,<br>BcchFreqLst_01, BcchFreqLst_Omit,<br>BcchFreqLst_48, BcchFreqLst_Omit,<br>C_noRestablishment, C_BCC, C_NCC,<br>C_Start_Tmsi, TSPX_SDCCH4SubA,<br>TSPX_CKSNDf, TSPX_RANDDef, C_arfcnA,<br>C_arfcnAd_4, TSPX_IMSI, C_Test_fh,<br>C_NCCP_10) |                           |   |                                                                             |
| 5                                                                                                                                                                                                                                                                                                                                                                                                                                                                                                                                                        |       | +StartCellB_ho( C_E_neighbourdefault,<br>C_BCCHcarrierB_ho, C_BCCHcarrierB_hod,<br>C_Immass, TCV_slot, TCV_tsc, TimingAdv(<br>TSPX_TimadvC), C_TxInt_5, C_Max_7,<br>C_NECI_0, C_ATT_0, C_BABR_0,<br>C_cch_1Comb, C_BPM_3, C_T3212_0,<br>C_MCC_1, C_PLMN_1, C_LAC_2,<br>CellChDes_20_Bman, CellChDes_201_Bd,<br>BcchFreqLst_01, BcchFreqLst_48,<br>C_noRestablishment, C_BCC_0, C_NCC_3,<br>TSPX_k, 0)                                                                                                                                                                                                                                   |                           |   | The timeslots of Cells A and B are not coincident at the antenna connector. |
| 6                                                                                                                                                                                                                                                                                                                                                                                                                                                                                                                                                        |       | +FullRateCh_A_1_nociph( C_Immass,<br>TCV_ia_ts, TSPX_TscE, TCV_ChMod,<br>FreqTCHa_hof2, FreqTCHa_hof2d,<br>TimingAdv( 30), C_BABR_0,<br>C_cch_1Comb, C_BPM_3)                                                                                                                                                                                                                                                                                                                                                                                                                                                                           |                           |   |                                                                             |
| 7                                                                                                                                                                                                                                                                                                                                                                                                                                                                                                                                                        |       | (TCV_ch := TCV_chTch)                                                                                                                                                                                                                                                                                                                                                                                                                                                                                                                                                                                                                   |                           |   |                                                                             |
| 8                                                                                                                                                                                                                                                                                                                                                                                                                                                                                                                                                        |       | +FullRateCh_B_1( C_Asynho, TCV_ts,<br>TSPX_TscB, TCV_ChMod,<br>FreqTCHb_hof9, FreqTCHb_hof9d,<br>TimingAdv( TSPX_TimadvC),<br>C_BABR_0, C_cch_1Comb, C_BPM_3)                                                                                                                                                                                                                                                                                                                                                                                                                                                                           |                           |   |                                                                             |
| 9                                                                                                                                                                                                                                                                                                                                                                                                                                                                                                                                                        |       | +Est_MO_Call_init( C_CHTCHF_FH,<br>MoblAllc_20_A2, MoblAllc_20_A2,<br>TimingAdv( 30), TSPX_TscE, 1, 1)                                                                                                                                                                                                                                                                                                                                                                                                                                                                                                                                  |                           |   | 1.                                                                          |
| 10                                                                                                                                                                                                                                                                                                                                                                                                                                                                                                                                                       | body  | +Itree_hoCMD                                                                                                                                                                                                                                                                                                                                                                                                                                                                                                                                                                                                                            |                           |   |                                                                             |
| 11                                                                                                                                                                                                                                                                                                                                                                                                                                                                                                                                                       |       | (TCV_ch := TCV_chTch)                                                                                                                                                                                                                                                                                                                                                                                                                                                                                                                                                                                                                   |                           |   |                                                                             |
| 12                                                                                                                                                                                                                                                                                                                                                                                                                                                                                                                                                       |       | +RR_hocomp1( 500,<br>TimingAdv( TSPX_TimadvC))                                                                                                                                                                                                                                                                                                                                                                                                                                                                                                                                                                                          |                           |   |                                                                             |
| 13                                                                                                                                                                                                                                                                                                                                                                                                                                                                                                                                                       |       | L?DL_DatInSetup( TCV_Mt1<br>:= DL_DatInSetup.msg.mt)                                                                                                                                                                                                                                                                                                                                                                                                                                                                                                                                                                                    | SetupRcv(<br>SetupInd_01) |   | 3.                                                                          |
| 14                                                                                                                                                                                                                                                                                                                                                                                                                                                                                                                                                       |       | +SendSeqNo_chk                                                                                                                                                                                                                                                                                                                                                                                                                                                                                                                                                                                                                          |                           |   | 4.                                                                          |
| 15                                                                                                                                                                                                                                                                                                                                                                                                                                                                                                                                                       | post  | +ChanRel_end( TCV_ch)                                                                                                                                                                                                                                                                                                                                                                                                                                                                                                                                                                                                                   |                           |   |                                                                             |
| 16                                                                                                                                                                                                                                                                                                                                                                                                                                                                                                                                                       |       | <b>Itree_hoCMD</b><br>[TSPC_PGSM OR TSPC_EGSM]                                                                                                                                                                                                                                                                                                                                                                                                                                                                                                                                                                                          |                           |   |                                                                             |

|                                                                                                                                                                                                                                                                                                                                                                                          |  |                               |                                                                                                                                                                                                                                                                                       |    |
|------------------------------------------------------------------------------------------------------------------------------------------------------------------------------------------------------------------------------------------------------------------------------------------------------------------------------------------------------------------------------------------|--|-------------------------------|---------------------------------------------------------------------------------------------------------------------------------------------------------------------------------------------------------------------------------------------------------------------------------------|----|
| 17                                                                                                                                                                                                                                                                                                                                                                                       |  | LIDL_DatRqHoCmd               | HndOvSnd( TCV_ch, HandOverCmd_fh('00001'B, TCV_ts, TSPX_TscB, C_NCC_3, C_BCC_0, C_BCCHcarrierB_ho, 16, TSPX_HSN, TCV_Horf, TCV_Pwrlvl_ho, Synchi_omit, Frql_omit, Frql_20_B2, CellChDes_Omit, TCV_ChMod, Freqchseq_omit, MoblAllc_omit, RelTmdDif_omit, TimingAdv_omit, CphMod_omit)) | 2. |
| 18<br>19                                                                                                                                                                                                                                                                                                                                                                                 |  | [TSPC_DCS]<br>LIDL_DatRqHoCmd | HndOvSnd( TCV_ch, HandOverCmd_fh('00001'B, TCV_ts, TSPX_TscB, C_NCC_3, C_BCC_0, C_BCCHcarrierB_hod, 13, TSPX_HSN, TCV_Horf, TCV_Pwrlvl_ho, Synchi_omit, Frql_omit, Frql_omit, CellChDes_20_B0d, TCV_ChMod, Freqchseq_omit, MoblAllc_22, RelTmdDif_omit, TimingAdv_omit, CphMod_omit)) | 2. |
| <p><b>Detailed Comments:</b></p> <ol style="list-style-type: none"> <li>1. To initiate a call and the last L2_frame with the Setup will not be acknowledged by the SS_L2.</li> <li>2. HO from TCHH_FH to TCH/F_FH</li> <li>3. Last L3-msg shall be retransmitted by the MS with the same sequence number of last L3-msg.</li> <li>4. Checking of the sending sequence number.</li> </ol> |  |                               |                                                                                                                                                                                                                                                                                       |    |

| Test Case Dynamic Behaviour                                                                                                                                                                                                                                                                                                                                                                                                                                                                                                                              |       |                                                                                                                                                                                                                                                                                                                                                                                                                                                                                                                                                                                                                                           |                                                                                                                                                                                                                        |   |                                                                                   |
|----------------------------------------------------------------------------------------------------------------------------------------------------------------------------------------------------------------------------------------------------------------------------------------------------------------------------------------------------------------------------------------------------------------------------------------------------------------------------------------------------------------------------------------------------------|-------|-------------------------------------------------------------------------------------------------------------------------------------------------------------------------------------------------------------------------------------------------------------------------------------------------------------------------------------------------------------------------------------------------------------------------------------------------------------------------------------------------------------------------------------------------------------------------------------------------------------------------------------------|------------------------------------------------------------------------------------------------------------------------------------------------------------------------------------------------------------------------|---|-----------------------------------------------------------------------------------|
| <b>Test Case Name:</b> TC_26_6_5_2_8                                                                                                                                                                                                                                                                                                                                                                                                                                                                                                                     |       |                                                                                                                                                                                                                                                                                                                                                                                                                                                                                                                                                                                                                                           |                                                                                                                                                                                                                        |   |                                                                                   |
| <b>Group:</b> GSM_L3_MS_v4200/RR/                                                                                                                                                                                                                                                                                                                                                                                                                                                                                                                        |       |                                                                                                                                                                                                                                                                                                                                                                                                                                                                                                                                                                                                                                           |                                                                                                                                                                                                                        |   |                                                                                   |
| <b>Purpose:</b> To test that when the MS is ordered to make a non-synchronised handover, it continuously sends access bursts on the main DCCH until it receives a PHYSICAL INFORMATION from the SS. To test that the MS correctly takes the values of the Timing Advance and Starting Time information elements into account. To test that the MS activates the new channel correctly. To test that the MS correctly retransmits Layer 3 MM or CC messages, that were not acknowledged by Layer 2 before the Handover, after completion of the Handover. |       |                                                                                                                                                                                                                                                                                                                                                                                                                                                                                                                                                                                                                                           |                                                                                                                                                                                                                        |   |                                                                                   |
| <b>Default:</b> OtherEventsFail_01                                                                                                                                                                                                                                                                                                                                                                                                                                                                                                                       |       |                                                                                                                                                                                                                                                                                                                                                                                                                                                                                                                                                                                                                                           |                                                                                                                                                                                                                        |   |                                                                                   |
| Nr                                                                                                                                                                                                                                                                                                                                                                                                                                                                                                                                                       | Label | Behaviour Description                                                                                                                                                                                                                                                                                                                                                                                                                                                                                                                                                                                                                     | CRef                                                                                                                                                                                                                   | V | Comments                                                                          |
| 1                                                                                                                                                                                                                                                                                                                                                                                                                                                                                                                                                        |       | START T_guard(300)                                                                                                                                                                                                                                                                                                                                                                                                                                                                                                                                                                                                                        |                                                                                                                                                                                                                        |   |                                                                                   |
| 2                                                                                                                                                                                                                                                                                                                                                                                                                                                                                                                                                        |       | +BasicServiceMO(TSPX_MOBscSvcB,<br>TSPX_MOChRateB)                                                                                                                                                                                                                                                                                                                                                                                                                                                                                                                                                                                        |                                                                                                                                                                                                                        |   |                                                                                   |
| 3                                                                                                                                                                                                                                                                                                                                                                                                                                                                                                                                                        |       | (TCV_ia_ts:= TSPX_TmSltNotZero, TCV_ts:=<br>C_S0, TCV_Cntref:= TSPX_NoOfHoAccA,<br>TCV_Horf:= TSPX_HoRefH, TCV_Pwrlvl_ho:=<br>INT_TO_BIT( TSPX_PwrlvlID, 5))                                                                                                                                                                                                                                                                                                                                                                                                                                                                              |                                                                                                                                                                                                                        |   |                                                                                   |
| 4                                                                                                                                                                                                                                                                                                                                                                                                                                                                                                                                                        |       | +IdleUpdated( C_E_default, C_CellA,<br>C_SCH_A, C_BCCH_A_1, C_Immass, C_S0,<br>C_SlotNU, C_SlotNU, C_SlotNU, C_BCC,<br>C_TxInt_5, C_Max_7, C_NECI_0, C_ATT_0,<br>TimingAdv( 30), C_BABR_0,<br>C_cch_1nonComb, C_BPM_3, C_T3212_0,<br>C_ci_cellA, C_MCC_1, C_PLMN_1, C_LAC_1,<br>CellOpt_01, CellChDes_20_Aman,<br>CellChDes_202_Adman, C_CellReselectHys12,<br>C_MaxPwrLvlG, C_MaxPwrLvlID,<br>BcchFreqLst_01, BcchFreqLst_Omit,<br>BcchFreqLst_48, BcchFreqLst_Omit,<br>C_noRestablishment, C_BCC, C_NCC,<br>C_Start_Tmsi, TSPX_SDCCH4SubA,<br>TSPX_CKSNDef, TSPX_RANDDef, C_arfcnA,<br>C_arfcnAd_4, TSPX_IMSI, C_Test_fh,<br>C_NCCP_10) |                                                                                                                                                                                                                        |   |                                                                                   |
| 5                                                                                                                                                                                                                                                                                                                                                                                                                                                                                                                                                        |       | +StartCellB_ho( C_E_neighbourdefault,<br>C_BCCHcarrierB_ho, C_BCCHcarrierB_hod,<br>C_Immass, TCV_slot, TCV_tsc, TimingAdv(<br>20), C_TxInt_5, C_Max_7, C_NECI_0,<br>C_ATT_0, C_BABR_0, C_cch_1Comb,<br>C_BPM_3, C_T3212_0, C_MCC_1,<br>C_PLMN_1, C_LAC_2, CellChDes_20_Bman,<br>CellChDes_201_Bd, BcchFreqLst_01,<br>BcchFreqLst_48, C_noRestablishment,<br>C_BCC_0, C_NCC_3, TSPX_k, 0)                                                                                                                                                                                                                                                  |                                                                                                                                                                                                                        |   | The timeslots of Cells A<br>and B are not coincident<br>at the antenna connector. |
| 6                                                                                                                                                                                                                                                                                                                                                                                                                                                                                                                                                        |       | +SDCCH8_A_1_nociph(<br>TSPX_SDCCH8SubDef, C_Immass,<br>TCV_ia_ts, TSPX_TscA, ChMod_sign,<br>FreqSDCCHa_hof1, FreqSDCCHa_hof1d,<br>TimingAdv( 30), C_BABR_0,<br>C_cch_1nonComb, C_BPM_3)                                                                                                                                                                                                                                                                                                                                                                                                                                                   |                                                                                                                                                                                                                        |   |                                                                                   |
| 7                                                                                                                                                                                                                                                                                                                                                                                                                                                                                                                                                        |       | +FullRateCh_B_1( C_Asynho, TCV_ts,<br>TSPX_TscC, TCV_ChMod, FreqTCH(<br>TSPX_TCHcarrierB_ho), FreqTCH(<br>TSPX_TCHcarrierB_hod), TimingAdv(<br>20), C_BABR_0, C_cch_1Comb,<br>C_BPM_3)                                                                                                                                                                                                                                                                                                                                                                                                                                                    |                                                                                                                                                                                                                        |   |                                                                                   |
| 8                                                                                                                                                                                                                                                                                                                                                                                                                                                                                                                                                        |       | +Est_MO_Call_init(<br>C_CHSDCCH8_FH, MoblAllc_281,<br>MoblAllc_281d, TimingAdv( 30),<br>TSPX_TscA, 1, 1)                                                                                                                                                                                                                                                                                                                                                                                                                                                                                                                                  |                                                                                                                                                                                                                        |   | 1.                                                                                |
| 9                                                                                                                                                                                                                                                                                                                                                                                                                                                                                                                                                        |       | +local_varinit                                                                                                                                                                                                                                                                                                                                                                                                                                                                                                                                                                                                                            |                                                                                                                                                                                                                        |   |                                                                                   |
| 10                                                                                                                                                                                                                                                                                                                                                                                                                                                                                                                                                       | body  | LIDL_DatRqHoCmd                                                                                                                                                                                                                                                                                                                                                                                                                                                                                                                                                                                                                           | HndOvSnd( TCV_ch,<br>HandOverCmd_nfh(<br>'00001'B, TCV_ts,<br>TSPX_TscC,<br>C_NCC_3, C_BCC_0,<br>TCV_chdescr_arfcn,<br>TCV_tch_arfcn,<br>TCV_Horf,<br>TCV_Pwrlvl_ho,<br>Synchi_omit,<br>ChMod_omit,<br>RelTmdDif_omit, |   | 2.                                                                                |



|                           |      |                                                                                                                                                                                                                                                                                                                                                                                                          |                                 |  |    |
|---------------------------|------|----------------------------------------------------------------------------------------------------------------------------------------------------------------------------------------------------------------------------------------------------------------------------------------------------------------------------------------------------------------------------------------------------------|---------------------------------|--|----|
| 11                        |      |                                                                                                                                                                                                                                                                                                                                                                                                          | TimingAdv_omit,<br>CphMod_omit) |  |    |
| 12                        |      | (TCV_ch := TCV_chTch)                                                                                                                                                                                                                                                                                                                                                                                    |                                 |  |    |
| 13                        |      | +RR_hocomp1(500,<br>TimingAdv( 20))                                                                                                                                                                                                                                                                                                                                                                      |                                 |  |    |
| 14                        |      | L?DL_DatInSetup (TCV_Mt1<br>:= DL_DatInSetup.msg.mt)                                                                                                                                                                                                                                                                                                                                                     | SetupRcv(<br>SetupInd_01)       |  | 3. |
| 15                        | post | +SendSeqNo_chk<br>+ChanRel_end( TCV_ch)                                                                                                                                                                                                                                                                                                                                                                  |                                 |  | 4. |
| 16                        |      | <b>local_varinit</b><br>[TSPC_PGSM OR TSPC_EGSM]                                                                                                                                                                                                                                                                                                                                                         |                                 |  |    |
| 17                        |      | (TCV_chdescr_arfcn := C_BCCHcarrierB_ho,<br>TCV_tch_arfcn:= TSPX_TCHcarrierB_ho)                                                                                                                                                                                                                                                                                                                         |                                 |  |    |
| 18                        |      | [TSPC_DCS]                                                                                                                                                                                                                                                                                                                                                                                               |                                 |  |    |
| 19                        |      | (TCV_chdescr_arfcn := C_BCCHcarrierB_hod,<br>TCV_tch_arfcn:= TSPX_TCHcarrierB_hod)                                                                                                                                                                                                                                                                                                                       |                                 |  |    |
| <b>Detailed Comments:</b> |      | <ol style="list-style-type: none"> <li>1. To initiate a call and the last L2_frame with the Setup will not be acknowledged by the SS_L2.</li> <li>2. HO from TCHH_FH to TCH/F_FH</li> <li>3. Last L3-msg shall be retransmitted by the MS with the same sequence number of last L3-msg.</li> <li>4. To check whether the sending sequence number is matched with the last unacknowledged one.</li> </ol> |                                 |  |    |

| Test Case Dynamic Behaviour                                                                                                                                                                                                                                                                                                                                                                                                                                                                                                                              |       |                                                                                                                                                                                                                                                                                                                                                                                                                                                                                                                                                                                          |                        |   |                                                                             |
|----------------------------------------------------------------------------------------------------------------------------------------------------------------------------------------------------------------------------------------------------------------------------------------------------------------------------------------------------------------------------------------------------------------------------------------------------------------------------------------------------------------------------------------------------------|-------|------------------------------------------------------------------------------------------------------------------------------------------------------------------------------------------------------------------------------------------------------------------------------------------------------------------------------------------------------------------------------------------------------------------------------------------------------------------------------------------------------------------------------------------------------------------------------------------|------------------------|---|-----------------------------------------------------------------------------|
| <b>Test Case Name:</b> TC_26_6_5_2_9                                                                                                                                                                                                                                                                                                                                                                                                                                                                                                                     |       |                                                                                                                                                                                                                                                                                                                                                                                                                                                                                                                                                                                          |                        |   |                                                                             |
| <b>Group:</b> GSM_L3_MS_v4200/RR/                                                                                                                                                                                                                                                                                                                                                                                                                                                                                                                        |       |                                                                                                                                                                                                                                                                                                                                                                                                                                                                                                                                                                                          |                        |   |                                                                             |
| <b>Purpose:</b> To test that when the MS is ordered to make a non-synchronised handover, it continuously sends access bursts on the main DCCH until it receives a PHYSICAL INFORMATION from the SS. To test that the MS correctly takes the values of the Timing Advance and Starting Time information elements into account. To test that the MS activates the new channel correctly. To test that the MS correctly retransmits Layer 3 MM or CC messages, that were not acknowledged by Layer 2 before the Handover, after completion of the Handover. |       |                                                                                                                                                                                                                                                                                                                                                                                                                                                                                                                                                                                          |                        |   |                                                                             |
| <b>Default:</b> OtherEventsFail_01                                                                                                                                                                                                                                                                                                                                                                                                                                                                                                                       |       |                                                                                                                                                                                                                                                                                                                                                                                                                                                                                                                                                                                          |                        |   |                                                                             |
| Nr                                                                                                                                                                                                                                                                                                                                                                                                                                                                                                                                                       | Label | Behaviour Description                                                                                                                                                                                                                                                                                                                                                                                                                                                                                                                                                                    | CRef                   | V | Comments                                                                    |
| 1                                                                                                                                                                                                                                                                                                                                                                                                                                                                                                                                                        |       | START T_guard(300)                                                                                                                                                                                                                                                                                                                                                                                                                                                                                                                                                                       |                        |   |                                                                             |
| 2                                                                                                                                                                                                                                                                                                                                                                                                                                                                                                                                                        |       | +BasicServiceMO(TSPX_MOBscSvcA, TSPX_MOChRateA)                                                                                                                                                                                                                                                                                                                                                                                                                                                                                                                                          |                        |   |                                                                             |
| 3                                                                                                                                                                                                                                                                                                                                                                                                                                                                                                                                                        |       | (TCV_ia_ts:= TSPX_TmSlitF, TCV_ts:= TSPX_TmSlitB, TCV_Cntref:= TSPX_NoOfHoAccB, TCV_Horf:= TSPX_HoRefl, TCV_Pwrlvl_ho:= INT_TO_BIT( TSPX_PwrlvlID, 5))                                                                                                                                                                                                                                                                                                                                                                                                                                   |                        |   |                                                                             |
| 4                                                                                                                                                                                                                                                                                                                                                                                                                                                                                                                                                        |       | +IdleUpdated( C_E_default, C_CellA, C_SCH_A, C_BCCH_A_1, C_Immass, C_S0, C_SlotNU, C_SlotNU, C_SlotNU, C_BCC, C_TxInt_5, C_Max_7, C_NECI_0, C_ATT_0, TimingAdv( 30), C_BABR_0, C_cch_1nonComb, C_BPM_3, C_T3212_0, C_ci_cellA, C_MCC_1, C_PLMN_1, C_LAC_1, CellOpt_01, CellChDes_20_Aman, CellChDes_202_Adman, C_CellReselectHys12, C_MaxPwrLvlG, C_MaxPwrLvlID, BcchFreqLst_01, BcchFreqLst_Omit, BcchFreqLst_48, BcchFreqLst_Omit, C_noRestablishment, C_BCC, C_NCC, C_Start_Tmsi, TSPX_SDCCH4SubA, TSPX_CKSNDf, TSPX_RANDDef, C_arfcnA, C_arfcnAd_4, TSPX_IMSI, C_Test_fh, C_NCCP_10) |                        |   |                                                                             |
| 5                                                                                                                                                                                                                                                                                                                                                                                                                                                                                                                                                        |       | +StartCellB_ho( C_E_neighbourdefault, C_BCCHcarrierB_ho, C_BCCHcarrierB_hod, C_Immass, TCV_slot, TCV_tsc, TimingAdv( 20), C_TxInt_5, C_Max_7, C_NECI_0, C_ATT_0, C_BABR_0, C_cch_1Comb, C_BPM_3, C_T3212_0, C_MCC_1, C_PLMN_1, C_LAC_2, CellChDes_20_Bman, CellChDes_201_Bd, BcchFreqLst_01, BcchFreqLst_48, C_noRestablishment, C_BCC_0, C_NCC_3, TSPX_k, 0)                                                                                                                                                                                                                            |                        |   | The timeslots of Cells A and B are not coincident at the antenna connector. |
| 6                                                                                                                                                                                                                                                                                                                                                                                                                                                                                                                                                        |       | +SDCCH8_A_1_nociph( TSPX_SDCCH8SubDef, C_Immass, TCV_ia_ts, TSPX_TscA, ChMod_sign, FreqTCH( C_arfcnC), FreqTCH( C_arfcn_tchAd), TimingAdv( 30), C_BABR_0, C_cch_1nonComb, C_BPM_3)                                                                                                                                                                                                                                                                                                                                                                                                       |                        |   |                                                                             |
| 7                                                                                                                                                                                                                                                                                                                                                                                                                                                                                                                                                        |       | +local_setTimSlit                                                                                                                                                                                                                                                                                                                                                                                                                                                                                                                                                                        |                        |   |                                                                             |
| 8                                                                                                                                                                                                                                                                                                                                                                                                                                                                                                                                                        |       | +FullRateCh_B_1( C_Asynho, TCV_ts, TSPX_TscB, TCV_ChMod, FreqTCHb_hof6, FreqTCHb_hof6d, TimingAdv( 20), C_BABR_0, C_cch_1nonComb, C_BPM_3)                                                                                                                                                                                                                                                                                                                                                                                                                                               |                        |   |                                                                             |
| 9                                                                                                                                                                                                                                                                                                                                                                                                                                                                                                                                                        |       | +local_setTchArfcn                                                                                                                                                                                                                                                                                                                                                                                                                                                                                                                                                                       |                        |   |                                                                             |
| 10                                                                                                                                                                                                                                                                                                                                                                                                                                                                                                                                                       |       | +Est_MO_Call_init( C_CHSDCCH8_NonFH, MobilAllc_omit, MobilAllc_omit, TimingAdv( 30), TSPX_TscA, C_one, C_one)                                                                                                                                                                                                                                                                                                                                                                                                                                                                            |                        |   | 1.                                                                          |
| 11                                                                                                                                                                                                                                                                                                                                                                                                                                                                                                                                                       | body  | +ltree_HoCMD                                                                                                                                                                                                                                                                                                                                                                                                                                                                                                                                                                             |                        |   |                                                                             |
| 12                                                                                                                                                                                                                                                                                                                                                                                                                                                                                                                                                       |       | (TCV_ch:= C_FACCHF_B_1)                                                                                                                                                                                                                                                                                                                                                                                                                                                                                                                                                                  |                        |   |                                                                             |
| 13                                                                                                                                                                                                                                                                                                                                                                                                                                                                                                                                                       |       | +RR_hocomp1( 500, TimingAdv( 20))                                                                                                                                                                                                                                                                                                                                                                                                                                                                                                                                                        |                        |   |                                                                             |
| 14                                                                                                                                                                                                                                                                                                                                                                                                                                                                                                                                                       |       | L?DL_DatInSetup (TCV_Mt1 := DL_DatInSetup.msg.mt)                                                                                                                                                                                                                                                                                                                                                                                                                                                                                                                                        | SetupRcv( SetupLnd_01) |   | 3.                                                                          |
| 15                                                                                                                                                                                                                                                                                                                                                                                                                                                                                                                                                       |       | +SendSeqNo_chk                                                                                                                                                                                                                                                                                                                                                                                                                                                                                                                                                                           |                        |   | 4.                                                                          |

|                           |      |                                                                                                                                                                                                                                                                                                                                             |                                                                                                                                                                                                                                                                                                                                                                                     |    |
|---------------------------|------|---------------------------------------------------------------------------------------------------------------------------------------------------------------------------------------------------------------------------------------------------------------------------------------------------------------------------------------------|-------------------------------------------------------------------------------------------------------------------------------------------------------------------------------------------------------------------------------------------------------------------------------------------------------------------------------------------------------------------------------------|----|
| 16                        | post | +ChanRel( TCV_ch)                                                                                                                                                                                                                                                                                                                           |                                                                                                                                                                                                                                                                                                                                                                                     |    |
|                           |      | <b>ltree_HoCMD</b>                                                                                                                                                                                                                                                                                                                          |                                                                                                                                                                                                                                                                                                                                                                                     |    |
| 17                        |      | [TSPC_PGSM OR TSPC_EGSM]                                                                                                                                                                                                                                                                                                                    |                                                                                                                                                                                                                                                                                                                                                                                     |    |
| 18                        |      | LIDL_DatRqHoCmd                                                                                                                                                                                                                                                                                                                             | HndOvSnd( TCV_ch,<br>HandOverCmd_fh(<br>'00001'B, TCV_ts,<br>TSPX_TscB,<br>C_NCC_3, C_BCC_0,<br>C_BCCHcarrierB_ho,<br>2, TSPX_HSN,<br>TCV_Horf,<br>TCV_Pwrlvl_ho,<br>Synchi_omit,<br>Frql_omit, Frql_omit,<br>CellChDes_Omit,<br>TCV_ChMod,<br>Freqchseq_03,<br>MoblAllc_omit,<br>RelTmdDif_omit,<br>TimingAdv_omit,<br>CphMod_omit))                                               | 2. |
| 19                        |      | [TSPC_DCS]                                                                                                                                                                                                                                                                                                                                  |                                                                                                                                                                                                                                                                                                                                                                                     |    |
| 20                        |      | LIDL_DatRqHoCmd                                                                                                                                                                                                                                                                                                                             | HndOvSnd( TCV_ch,<br>HandOverCmd_fh(<br>'00001'B, TCV_ts,<br>TSPX_TscB,<br>C_NCC_3, C_BCC_0,<br>C_BCCHcarrierB_ho,<br>3, C_HSN_0,<br>TCV_Horf,<br>TCV_Pwrlvl_ho,<br>Synchi(<br>C_not_report_otd,<br>C_non_synchronised)<br>, Frql_20_B10d,<br>Frql_omit,<br>CellChDes_Omit,<br>TCV_ChMod,<br>Freqchseq_03,<br>MoblAllc_omit,<br>RelTmdDif_omit,<br>TimingAdv_omit,<br>CphMod_omit)) | 2. |
|                           |      | <b>local_setTchArfcn</b>                                                                                                                                                                                                                                                                                                                    |                                                                                                                                                                                                                                                                                                                                                                                     |    |
| 21                        |      | [TSPC_PGSM OR TSPC_EGSM]                                                                                                                                                                                                                                                                                                                    |                                                                                                                                                                                                                                                                                                                                                                                     |    |
| 22                        |      | (TCV_tch_arfcn:= C_arfcnC)                                                                                                                                                                                                                                                                                                                  |                                                                                                                                                                                                                                                                                                                                                                                     |    |
| 23                        |      | [TSPC_DCS]                                                                                                                                                                                                                                                                                                                                  |                                                                                                                                                                                                                                                                                                                                                                                     |    |
| 24                        |      | (TCV_tch_arfcn:= C_arfcn_tchAd)                                                                                                                                                                                                                                                                                                             |                                                                                                                                                                                                                                                                                                                                                                                     |    |
|                           |      | <b>local_setTimSlt</b>                                                                                                                                                                                                                                                                                                                      |                                                                                                                                                                                                                                                                                                                                                                                     |    |
| 25                        |      | [TSPC_PGSM OR TSPC_EGSM]                                                                                                                                                                                                                                                                                                                    |                                                                                                                                                                                                                                                                                                                                                                                     |    |
| 26                        |      | (TCV_ts:= C_S0)                                                                                                                                                                                                                                                                                                                             |                                                                                                                                                                                                                                                                                                                                                                                     |    |
| 27                        |      | [TSPC_DCS]                                                                                                                                                                                                                                                                                                                                  |                                                                                                                                                                                                                                                                                                                                                                                     |    |
| 28                        |      | (TCV_ts := TSPX_TmSltNotZero)                                                                                                                                                                                                                                                                                                               |                                                                                                                                                                                                                                                                                                                                                                                     |    |
| <b>Detailed Comments:</b> |      | <ol style="list-style-type: none"> <li>1. Initiate a call and L2_frame with the Setup will not be acknowledged by the SS_L2.</li> <li>2. HO from TCHH_FH to TCH/F_FH</li> <li>3. Last L3-msg shall be retransmitted by the MS with the same sequence number of last L3-msg.</li> <li>4. Checking of the sending sequence number.</li> </ol> |                                                                                                                                                                                                                                                                                                                                                                                     |    |

| Test Case Dynamic Behaviour                                                                                                                                                                                                                                                                                                                                                                                                                                                                                                                              |       |                                                                                                                                                                                                                                                                                                                                                                                                                                                                                                                                                                                          |                        |   |                                                                             |
|----------------------------------------------------------------------------------------------------------------------------------------------------------------------------------------------------------------------------------------------------------------------------------------------------------------------------------------------------------------------------------------------------------------------------------------------------------------------------------------------------------------------------------------------------------|-------|------------------------------------------------------------------------------------------------------------------------------------------------------------------------------------------------------------------------------------------------------------------------------------------------------------------------------------------------------------------------------------------------------------------------------------------------------------------------------------------------------------------------------------------------------------------------------------------|------------------------|---|-----------------------------------------------------------------------------|
| <b>Test Case Name:</b> TC_26_6_5_2_10                                                                                                                                                                                                                                                                                                                                                                                                                                                                                                                    |       |                                                                                                                                                                                                                                                                                                                                                                                                                                                                                                                                                                                          |                        |   |                                                                             |
| <b>Group:</b> GSM_L3_MS_v4200/RR/                                                                                                                                                                                                                                                                                                                                                                                                                                                                                                                        |       |                                                                                                                                                                                                                                                                                                                                                                                                                                                                                                                                                                                          |                        |   |                                                                             |
| <b>Purpose:</b> To test that when the MS is ordered to make a non-synchronised handover, it continuously sends access bursts on the main DCCH until it receives a PHYSICAL INFORMATION from the SS. To test that the MS correctly takes the values of the Timing Advance and Starting Time information elements into account. To test that the MS activates the new channel correctly. To test that the MS correctly retransmits Layer 3 MM or CC messages, that were not acknowledged by Layer 2 before the Handover, after completion of the Handover. |       |                                                                                                                                                                                                                                                                                                                                                                                                                                                                                                                                                                                          |                        |   |                                                                             |
| <b>Default:</b> OtherEventsFail_01                                                                                                                                                                                                                                                                                                                                                                                                                                                                                                                       |       |                                                                                                                                                                                                                                                                                                                                                                                                                                                                                                                                                                                          |                        |   |                                                                             |
| Nr                                                                                                                                                                                                                                                                                                                                                                                                                                                                                                                                                       | Label | Behaviour Description                                                                                                                                                                                                                                                                                                                                                                                                                                                                                                                                                                    | CRef                   | V | Comments                                                                    |
| 1                                                                                                                                                                                                                                                                                                                                                                                                                                                                                                                                                        |       | START T_guard(300)                                                                                                                                                                                                                                                                                                                                                                                                                                                                                                                                                                       |                        |   |                                                                             |
| 2                                                                                                                                                                                                                                                                                                                                                                                                                                                                                                                                                        |       | +BasicServiceMO(TSPX_MOBscSvcC, TSPX_MOChRateC)                                                                                                                                                                                                                                                                                                                                                                                                                                                                                                                                          |                        |   |                                                                             |
| 3                                                                                                                                                                                                                                                                                                                                                                                                                                                                                                                                                        |       | (TCV_ia_ts:= TSPX_TmSltG, TCV_ts:= TSPX_TmSltNotZero, TCV_Cntref:= TSPX_NoOfHoAccF, TCV_Horf:= TSPX_HoRefJ, TCV_Pwrlvl_ho:= INT_TO_BIT( TSPX_PwrlvlID, 5))                                                                                                                                                                                                                                                                                                                                                                                                                               |                        |   |                                                                             |
| 4                                                                                                                                                                                                                                                                                                                                                                                                                                                                                                                                                        |       | +IdleUpdated( C_E_default, C_CellA, C_SCH_A, C_BCCH_A_1, C_Immass, C_S0, C_SlotNU, C_SlotNU, C_SlotNU, C_BCC, C_TxInt_5, C_Max_7, C_NECI_0, C_ATT_0, TimingAdv( 30), C_BABR_0, C_cch_1nonComb, C_BPM_3, C_T3212_0, C_ci_cellA, C_MCC_1, C_PLMN_1, C_LAC_1, CellOpt_01, CellChDes_20_Aman, CellChDes_202_Adman, C_CellReselectHys12, C_MaxPwrLvlG, C_MaxPwrLvlID, BcchFreqLst_01, BcchFreqLst_Omit, BcchFreqLst_48, BcchFreqLst_Omit, C_noRestablishment, C_BCC, C_NCC, C_Start_Tmsi, TSPX_SDCCH4SubA, TSPX_CKSNDf, TSPX_RANDDef, C_arfcnA, C_arfcnAd_4, TSPX_IMSI, C_Test_fh, C_NCCP_10) |                        |   |                                                                             |
| 5                                                                                                                                                                                                                                                                                                                                                                                                                                                                                                                                                        |       | +StartCellB_ho( C_E_neighbourdefault, C_BCCHcarrierB_ho, C_BCCHcarrierB_hod, C_Immass, TCV_slot, TCV_tsc, TimingAdv( TSPX_TimadvB), C_TxInt_5, C_Max_7, C_NECI_0, C_ATT_0, C_BABR_0, C_cch_1Comb, C_BPM_3, C_T3212_0, C_MCC_1, C_PLMN_1, C_LAC_2, CellChDes_20_Bman, CellChDes_201_Bd, BcchFreqLst_01, BcchFreqLst_48, C_noRestablishment, C_BCC_0, C_NCC_3, TSPX_k, 0)                                                                                                                                                                                                                  |                        |   | The timeslots of Cells A and B are not coincident at the antenna connector. |
| 6                                                                                                                                                                                                                                                                                                                                                                                                                                                                                                                                                        |       | +SDCCH8_A_1_nociph( TSPX_SDCCH8SubDef, C_Immass, TCV_ia_ts, TSPX_TscB, ChMod_sign, FreqTCH( C_arfcnC), FreqTCH( C_arfcn_tchAd), TimingAdv( 30), C_BABR_0, C_cch_1nonComb, C_BPM_3)                                                                                                                                                                                                                                                                                                                                                                                                       |                        |   |                                                                             |
| 7                                                                                                                                                                                                                                                                                                                                                                                                                                                                                                                                                        |       | +HalfRateCh_B_1( TSPX_TCHHSubDef, C_Asynho, TCV_ts, TSPX_TscC, TCV_ChMod, FreqTCHb_hof7, FreqTCHb_hof7d, TimingAdv( TSPX_TimadvB), C_BABR_0, C_cch_1nonComb, C_BPM_3)                                                                                                                                                                                                                                                                                                                                                                                                                    |                        |   |                                                                             |
| 8                                                                                                                                                                                                                                                                                                                                                                                                                                                                                                                                                        |       | +localtree_TchArfcn                                                                                                                                                                                                                                                                                                                                                                                                                                                                                                                                                                      |                        |   |                                                                             |
| 9                                                                                                                                                                                                                                                                                                                                                                                                                                                                                                                                                        |       | +Est_MO_Call_init( C_CHSDCCH8_NonFH, MobilAllc_omit, MobilAllc_omit, TimingAdv( 30), TSPX_TscB, C_one, C_one)                                                                                                                                                                                                                                                                                                                                                                                                                                                                            |                        |   | 1.                                                                          |
| 10                                                                                                                                                                                                                                                                                                                                                                                                                                                                                                                                                       | body  | +ltree_sendHoCMD                                                                                                                                                                                                                                                                                                                                                                                                                                                                                                                                                                         |                        |   |                                                                             |
| 11                                                                                                                                                                                                                                                                                                                                                                                                                                                                                                                                                       |       | (TCV_ch:= OC_SubchOfFacchh( TSPX_TCHHSubDef, C_CellB, 1))                                                                                                                                                                                                                                                                                                                                                                                                                                                                                                                                |                        |   |                                                                             |
| 12                                                                                                                                                                                                                                                                                                                                                                                                                                                                                                                                                       |       | +RR_hocomp1( 750, TimingAdv( TSPX_TimadvB))                                                                                                                                                                                                                                                                                                                                                                                                                                                                                                                                              |                        |   |                                                                             |
| 13                                                                                                                                                                                                                                                                                                                                                                                                                                                                                                                                                       |       | L?DL_DatInSetup( TCV_Mt1 := DL_DatInSetup.msg.mt)                                                                                                                                                                                                                                                                                                                                                                                                                                                                                                                                        | SetupRcv( SetupInd_01) |   | 3.                                                                          |

|                                                                                               |      |                                                                                                  |                                                                                                                                                                                                                                                                                                                                                   |  |    |
|-----------------------------------------------------------------------------------------------|------|--------------------------------------------------------------------------------------------------|---------------------------------------------------------------------------------------------------------------------------------------------------------------------------------------------------------------------------------------------------------------------------------------------------------------------------------------------------|--|----|
| 14                                                                                            |      | +SendSeqNo_chk                                                                                   |                                                                                                                                                                                                                                                                                                                                                   |  | 4. |
| 15                                                                                            | post | +ChanRel( TCV_ch)                                                                                |                                                                                                                                                                                                                                                                                                                                                   |  |    |
| 16                                                                                            |      | <b>ltree_sendHoCMD</b><br>(TCV_Tchtype := INT_TO_BIT(( 2 + BIT_TO_INT(<br>TSPX_TCHHSubDef)), 5)) |                                                                                                                                                                                                                                                                                                                                                   |  |    |
| 17                                                                                            |      | [TSPC_PGSM OR TSPC_EGSM]                                                                         |                                                                                                                                                                                                                                                                                                                                                   |  |    |
| 18                                                                                            |      | LIDL_DatRqHoCmd                                                                                  | HndOvSnd( TCV_ch,<br>HandOverCmd_fh(<br>TCV_Tchtype,<br>TCV_ts, TSPX_TscC,<br>C_NCC_3, C_BCC_0,<br>C_BCCHcarrierB_ho,<br>2, TSPX_HSN,<br>TCV_Horf,<br>TCV_Pwrlvl_ho,<br>Synchi_omit,<br>Frql_omit, Frql_omit,<br>CellChDes_Omit,<br>TCV_ChMod,<br>Freqchseq_04,<br>MoblAllc_omit,<br>RelTmdDif_omit,<br>TimingAdv_omit,<br>CphMod_omit))          |  | 2. |
| 19                                                                                            |      | [TSPC_DCS]                                                                                       |                                                                                                                                                                                                                                                                                                                                                   |  |    |
| 20                                                                                            |      | LIDL_DatRqHoCmd                                                                                  | HndOvSnd( TCV_ch,<br>HandOverCmd_fh(<br>TCV_Tchtype,<br>TCV_ts, TSPX_TscC,<br>C_NCC_3, C_BCC_0,<br>C_BCCHcarrierB_hod<br>, 15, C_HSN_0,<br>TCV_Horf,<br>TCV_Pwrlvl_ho,<br>Synchi_omit,<br>Frql_omit,<br>Frql_20_11d,<br>CellChDes_Omit,<br>TCV_ChMod,<br>Freqchseq_omit,<br>MoblAllc_omit,<br>RelTmdDif_omit,<br>TimingAdv_omit,<br>CphMod_omit)) |  | 2. |
| 21                                                                                            |      | <b>localtree_TchArfcn</b><br>[TSPC_PGSM OR TSPC_EGSM]                                            |                                                                                                                                                                                                                                                                                                                                                   |  |    |
| 22                                                                                            |      | (TCV_tch_arfcn:= C_arfcnC)                                                                       |                                                                                                                                                                                                                                                                                                                                                   |  |    |
| 23                                                                                            |      | [TSPC_DCS]                                                                                       |                                                                                                                                                                                                                                                                                                                                                   |  |    |
| 24                                                                                            |      | (TCV_tch_arfcn:= C_arfcn_tchAd)                                                                  |                                                                                                                                                                                                                                                                                                                                                   |  |    |
| <b>Detailed Comments:</b>                                                                     |      |                                                                                                  |                                                                                                                                                                                                                                                                                                                                                   |  |    |
| 1. Initiate a call and L2_frame with the Setup will not be acknowledged by the SS_L2.         |      |                                                                                                  |                                                                                                                                                                                                                                                                                                                                                   |  |    |
| 2. HO from TCHH_FH to TCH/F_FH                                                                |      |                                                                                                  |                                                                                                                                                                                                                                                                                                                                                   |  |    |
| 3. Last L3-msg shall be retransmitted by the MS with the same sequence number of last L3-msg. |      |                                                                                                  |                                                                                                                                                                                                                                                                                                                                                   |  |    |
| 4. Checking of the sending sequence number.                                                   |      |                                                                                                  |                                                                                                                                                                                                                                                                                                                                                   |  |    |

| Test Case Dynamic Behaviour |       |                                                                                                                                                                                                                                                                                                                                                                                                                                                                                                                                                                                                                                        |                                                                                                 |    |                                                      |
|-----------------------------|-------|----------------------------------------------------------------------------------------------------------------------------------------------------------------------------------------------------------------------------------------------------------------------------------------------------------------------------------------------------------------------------------------------------------------------------------------------------------------------------------------------------------------------------------------------------------------------------------------------------------------------------------------|-------------------------------------------------------------------------------------------------|----|------------------------------------------------------|
| <b>Test Case Name:</b>      |       | TC_26_6_5_3_1                                                                                                                                                                                                                                                                                                                                                                                                                                                                                                                                                                                                                          |                                                                                                 |    |                                                      |
| <b>Group:</b>               |       | GSM_L3_MS_v4200/RR/                                                                                                                                                                                                                                                                                                                                                                                                                                                                                                                                                                                                                    |                                                                                                 |    |                                                      |
| <b>Purpose:</b>             |       | To test that when the MS is ordered to make a finely synchronised handover to a synchronised cell, it sends 4 access bursts on the main DCCH and then activates the channel correctly, taking into account the value of any Starting Time information element and correctly calculating the timing advance to use.                                                                                                                                                                                                                                                                                                                     |                                                                                                 |    |                                                      |
| <b>Default:</b>             |       | OtherEventsFail_01                                                                                                                                                                                                                                                                                                                                                                                                                                                                                                                                                                                                                     |                                                                                                 |    |                                                      |
| Nr                          | Label | Behaviour Description                                                                                                                                                                                                                                                                                                                                                                                                                                                                                                                                                                                                                  | CRef                                                                                            | V  | Comments                                             |
| 1                           |       | START T_guard(300)                                                                                                                                                                                                                                                                                                                                                                                                                                                                                                                                                                                                                     |                                                                                                 |    |                                                      |
| 2                           |       | (TCV_asscmd_ts := TSPX_TmSlitNotZero1,<br>TCV_ts := TSPX_TmSlitNotZero, TCV_Horf :=<br>TSPX_HoRefA, TCV_Pwrlvl_ho := INT_TO_BIT(<br>TSPX_PwrlvlID, 5))                                                                                                                                                                                                                                                                                                                                                                                                                                                                                 |                                                                                                 |    |                                                      |
| 3                           |       | +BasicServiceMT( TSPX_MTBscSvcl, C_Full)                                                                                                                                                                                                                                                                                                                                                                                                                                                                                                                                                                                               |                                                                                                 |    |                                                      |
| 4                           |       | +IdleUpdated( C_E_default, C_CellA,<br>C_SCH_A, C_BCCH_A_1, C_Immass, C_S0,<br>C_SlotNU, C_SlotNU, C_SlotNU, C_BCC,<br>C_TxInt_5, C_Max_7, C_NECI_0, C_ATT_0,<br>TimingAdv( TSPX_y), C_BABR_0,<br>C_cch_1Comb, C_BPM_3, C_T3212_0,<br>C_ci_cellA, C_MCC_1, C_PLMN_1, C_LAC_1,<br>CellOpt_01, CellChDes_20_Aman,<br>CellChDes_202_Adman, C_CellReselectHys12,<br>C_MaxPwrLvlG, C_MaxPwrLvlD,<br>BcchFreqLst_01, BcchFreqLst_Omit,<br>BcchFreqLst_48, BcchFreqLst_Omit,<br>C_noReestablishment, C_BCC, C_NCC,<br>C_Start_Tmsi, TSPX_SDCCH4SubB,<br>TSPX_CKSNDf, TSPX_RANDDef, C_arfcnA,<br>C_arfcnAd, TSPX_IMSI, C_Test_fh,<br>C_NCCP_2) |                                                                                                 |    |                                                      |
| 5                           |       | +StartCellB_ho( C_E_neighbourdefault,<br>C_BCCHcarrierB_ho, C_BCCHcarrierB_hod,<br>C_Immass, TCV_slot, TCV_tsc, TimingAdv(<br>TSPX_k*2 + TSPX_y), C_TxInt_5, C_Max_7,<br>C_NECI_0, C_ATT_0, C_BABR_0,<br>C_cch_1Comb, C_BPM_3, C_T3212_0,<br>C_MCC_1, C_PLMN_1, C_LAC_2,<br>CellChDes_20_Bman, CellChDes_201_Bd,<br>BcchFreqLst_01, BcchFreqLst_48,<br>C_noReestablishment, C_BCC, C_NCC,<br>TSPX_k, 0)                                                                                                                                                                                                                                |                                                                                                 |    | BCCH of cell B is TSPX_k<br>bit periods after cell A |
| 6                           |       | +FullRateCh_B_1( C_Synho, TCV_ts,<br>TSPX_TscB, TCV_ChMod, FreqTCH(<br>C_BCCHcarrierB_ho), FreqTCH(<br>C_BCCHcarrierB_hod), TimingAdv(<br>TSPX_k*2 + TSPX_y), C_BABR_0,<br>C_cch_1Comb, C_BPM_3)                                                                                                                                                                                                                                                                                                                                                                                                                                       |                                                                                                 |    |                                                      |
| 7                           |       | +FullRateCh_A_1( C_Ass,<br>TCV_asscmd_ts, TSPX_TscDef,<br>TCV_ChMod, FreqTCHa_hof1,<br>FreqTCHa_hof1d, C_Noarfcn, C_Noarfcn,<br>TimingAdv( TSPX_y), C_BABR_0,<br>C_cch_1Comb, C_BPM_3)                                                                                                                                                                                                                                                                                                                                                                                                                                                 |                                                                                                 |    |                                                      |
| 8                           |       | +local_varinit1                                                                                                                                                                                                                                                                                                                                                                                                                                                                                                                                                                                                                        |                                                                                                 |    |                                                      |
| 9                           |       | +Est_MT_Call_FH( TimingAdv(<br>TSPX_y), C_Full, TCV_maio,<br>TSPX_HSN, TSPX_RANDDef,<br>TCV_asscmd_ts, TSPX_TscDef,<br>TSPX_TCHHSubDef)                                                                                                                                                                                                                                                                                                                                                                                                                                                                                                |                                                                                                 | 1. |                                                      |
| 10                          |       | +local_varinit2                                                                                                                                                                                                                                                                                                                                                                                                                                                                                                                                                                                                                        |                                                                                                 |    |                                                      |
| 11                          |       | (TCV_Fn1 :=<br>OM_ComingFn(TCV_chTch),<br>TCV_Null :=<br>OM_SendNextOn(TCV_chTch,<br>TCV_Fn1))                                                                                                                                                                                                                                                                                                                                                                                                                                                                                                                                         |                                                                                                 |    |                                                      |
| 12                          | body  | L!DL_DatRqHoCmd                                                                                                                                                                                                                                                                                                                                                                                                                                                                                                                                                                                                                        | HndOvSnd(<br>TCV_chTch,<br>HandOverCmd_nfh(<br>'00001'B, TCV_ts,<br>TSPX_TscB, C_NCC,<br>C_BCC, | 2. |                                                      |

|                           |      |                                                                                  |                                                                                                                                                                                                                                            |    |
|---------------------------|------|----------------------------------------------------------------------------------|--------------------------------------------------------------------------------------------------------------------------------------------------------------------------------------------------------------------------------------------|----|
|                           |      |                                                                                  | TCV_chdescr_arfcn,<br>TCV_chdescr_arfcn,<br>TCV_Horf,<br>TCV_Pwrlvl_ho,<br>Synchi(<br>C_not_report_otd,<br>C_synchronised),<br>TCV_ChMod,<br>RelTmdDif_omit,<br>TimingAdv_omit,<br>CphMod_omit)                                            |    |
| 13                        |      | (TCV_ch := C_FACCHF_B_1,<br>TCV_sacch :=<br>C_SACCHF_B_1)                        |                                                                                                                                                                                                                                            |    |
| 14                        |      | +RR_hocomp3( 650)                                                                |                                                                                                                                                                                                                                            |    |
| 15                        |      | +Timadv_Pwrlvl_chk(<br>TSPX_k, TSPX_y,<br>TCV_Pwrlvl_ho)                         |                                                                                                                                                                                                                                            | 3. |
| 16                        | post | +ChanRel_end(<br>TCV_ch)                                                         |                                                                                                                                                                                                                                            |    |
|                           |      | <b>local_varinit1</b>                                                            |                                                                                                                                                                                                                                            |    |
| 17                        |      | [TSPC_PGSM OR TSPC_EGSM]                                                         |                                                                                                                                                                                                                                            |    |
| 18                        |      | (TCV_chdescr_arfcn:= C_arfcnA, TCV_maio :=<br>INT_TO_BIT((TSPX_MAIO MOD 12), 6)) |                                                                                                                                                                                                                                            |    |
| 19                        |      | [TSPC_DCS]                                                                       |                                                                                                                                                                                                                                            |    |
| 20                        |      | (TCV_chdescr_arfcn:= C_arfcnAd, TCV_maio :=<br>INT_TO_BIT((TSPX_MAIO MOD 9), 6)) |                                                                                                                                                                                                                                            |    |
|                           |      | <b>local_varinit2</b>                                                            |                                                                                                                                                                                                                                            |    |
| 21                        |      | [TSPC_PGSM OR TSPC_EGSM]                                                         |                                                                                                                                                                                                                                            |    |
| 22                        |      | (TCV_chdescr_arfcn := C_BCCHcarrierB_ho)                                         |                                                                                                                                                                                                                                            |    |
| 23                        |      | [TSPC_DCS]                                                                       |                                                                                                                                                                                                                                            |    |
| 24                        |      | (TCV_chdescr_arfcn := C_BCCHcarrierB_hod)                                        |                                                                                                                                                                                                                                            |    |
| <b>Detailed Comments:</b> |      |                                                                                  | <ol style="list-style-type: none"> <li>1. IUT enters state U10 with TCH/F_FH in cell A</li> <li>2. HO from TCH/F_FH of cell A to TCH/F_nonFH in CELL B.</li> <li>3. To check the power level and timing advance in the L1 head.</li> </ol> |    |

| Test Case Dynamic Behaviour |       |                                                                                                                                                                                                                                                                                                                                                                                                                                                                                                                                                                                                                                        |                                                                                                    |    |                                                      |
|-----------------------------|-------|----------------------------------------------------------------------------------------------------------------------------------------------------------------------------------------------------------------------------------------------------------------------------------------------------------------------------------------------------------------------------------------------------------------------------------------------------------------------------------------------------------------------------------------------------------------------------------------------------------------------------------------|----------------------------------------------------------------------------------------------------|----|------------------------------------------------------|
| <b>Test Case Name:</b>      |       | TC_26_6_5_3_2                                                                                                                                                                                                                                                                                                                                                                                                                                                                                                                                                                                                                          |                                                                                                    |    |                                                      |
| <b>Group:</b>               |       | GSM_L3_MS_v4200/RR/                                                                                                                                                                                                                                                                                                                                                                                                                                                                                                                                                                                                                    |                                                                                                    |    |                                                      |
| <b>Purpose:</b>             |       | To test that when the MS is ordered to make a finely synchronised handover to a synchronised cell, it sends 4 access bursts on the main DCCH and then activates the channel correctly, taking into account the value of any Starting Time information element and correctly calculating the timing advance to use.                                                                                                                                                                                                                                                                                                                     |                                                                                                    |    |                                                      |
| <b>Default:</b>             |       | OtherEventsFail_01                                                                                                                                                                                                                                                                                                                                                                                                                                                                                                                                                                                                                     |                                                                                                    |    |                                                      |
| Nr                          | Label | Behaviour Description                                                                                                                                                                                                                                                                                                                                                                                                                                                                                                                                                                                                                  | CRef                                                                                               | V  | Comments                                             |
| 1                           |       | START T_guard(300)                                                                                                                                                                                                                                                                                                                                                                                                                                                                                                                                                                                                                     |                                                                                                    |    |                                                      |
| 2                           |       | (TCV_asscmd_ts := TSPX_TmSlitNotZero1,<br>TCV_ts := TSPX_TmSlitNotZero, TCV_Horf :=<br>TSPX_HoRefB, TCV_Pwrlvl_ho := INT_TO_BIT(<br>TSPX_PwrlvlC, 5))                                                                                                                                                                                                                                                                                                                                                                                                                                                                                  |                                                                                                    |    |                                                      |
| 3                           |       | +BasicServiceMT( TSPX_MTBscSvcl, C_Half)                                                                                                                                                                                                                                                                                                                                                                                                                                                                                                                                                                                               |                                                                                                    |    |                                                      |
| 4                           |       | +IdleUpdated( C_E_default, C_CellA,<br>C_SCH_A, C_BCCH_A_1, C_Immass, C_S0,<br>C_SlotNU, C_SlotNU, C_SlotNU, C_BCC,<br>C_TxInt_5, C_Max_7, C_NECI_0, C_ATT_0,<br>TimingAdv( TSPX_y), C_BABR_0,<br>C_cch_1Comb, C_BPM_3, C_T3212_0,<br>C_ci_cellA, C_MCC_1, C_PLMN_1, C_LAC_1,<br>CellOpt_01, CellChDes_20_Aman,<br>CellChDes_202_Adman, C_CellReselectHys12,<br>C_MaxPwrLvlG, C_MaxPwrLvlD,<br>BcchFreqLst_01, BcchFreqLst_Omit,<br>BcchFreqLst_48, BcchFreqLst_Omit,<br>C_noReestablishment, C_BCC, C_NCC,<br>C_Start_Tmsi, TSPX_SDCCH4SubB,<br>TSPX_CKSNDf, TSPX_RANDDef, C_arfcnA,<br>C_arfcnAd, TSPX_IMSI, C_Test_fh,<br>C_NCCP_2) |                                                                                                    |    |                                                      |
| 5                           |       | +StartCellB_ho( C_E_neighbourdefault,<br>C_BCCHcarrierB_ho, C_BCCHcarrierB_hod,<br>C_Immass, TCV_slot, TCV_tsc, TimingAdv(<br>TSPX_k*2 + TSPX_y), C_TxInt_5, C_Max_7,<br>C_NECI_0, C_ATT_0, C_BABR_0,<br>C_cch_1Comb, C_BPM_3, C_T3212_0,<br>C_MCC_1, C_PLMN_1, C_LAC_2,<br>CellChDes_20_Bman, CellChDes_201_Bd,<br>BcchFreqLst_01, BcchFreqLst_48,<br>C_noReestablishment, C_BCC, C_NCC,<br>TSPX_k, 0)                                                                                                                                                                                                                                |                                                                                                    |    | BCCH of cell B is TSPX_k<br>bit periods after cell A |
| 6                           |       | +HalfRateCh_B_1( TSPX_TCHHSubDef,<br>C_Synho, TCV_ts, TSPX_TscC,<br>TCV_ChMod, FreqTCH(<br>C_BCCHcarrierB_ho), FreqTCH(<br>C_BCCHcarrierB_hod), TimingAdv(<br>TSPX_k*2 + TSPX_y), C_BABR_0,<br>C_cch_1Comb, C_BPM_3)                                                                                                                                                                                                                                                                                                                                                                                                                   |                                                                                                    |    |                                                      |
| 7                           |       | +HalfRateCh_A_1( TSPX_TCHHSubDef,<br>C_Ass, TCV_asscmd_ts, TSPX_TscDef,<br>TCV_ChMod, FreqTCHa_hof1,<br>FreqTCHa_hof1d, C_Noarfcn, C_Noarfcn,<br>TimingAdv( TSPX_y), C_BABR_0,<br>C_cch_1Comb, C_BPM_3)                                                                                                                                                                                                                                                                                                                                                                                                                                |                                                                                                    |    |                                                      |
| 8                           |       | +localtree_varinit1                                                                                                                                                                                                                                                                                                                                                                                                                                                                                                                                                                                                                    |                                                                                                    |    |                                                      |
| 9                           |       | +Est_MT_Call_FH( TimingAdv(<br>TSPX_y), C_Half, TCV_maio,<br>TSPX_HSN, TSPX_RANDDef,<br>TCV_asscmd_ts, TSPX_TscDef,<br>TSPX_TCHHSubDef)                                                                                                                                                                                                                                                                                                                                                                                                                                                                                                |                                                                                                    | 1. |                                                      |
| 10                          |       | +localtree_varinit2                                                                                                                                                                                                                                                                                                                                                                                                                                                                                                                                                                                                                    |                                                                                                    |    |                                                      |
| 11                          |       | (TCV_Fn1 := OM_ComingFn(<br>TCV_chTch), TCV_Null :=<br>OM_SendNextOn( TCV_chTch,<br>TCV_Fn1))                                                                                                                                                                                                                                                                                                                                                                                                                                                                                                                                          |                                                                                                    |    |                                                      |
| 12                          | body  | L!DL_DatRqHoCmd                                                                                                                                                                                                                                                                                                                                                                                                                                                                                                                                                                                                                        | HndOvSnd(<br>TCV_chTch,<br>HandOverCmd_nfh(<br>TCV_Tchtype,<br>TCV_ts, TSPX_TscC,<br>C_NCC, C_BCC, | 2. |                                                      |



|                                                                            |      |                                                                                                                                                                                                                                                                                                                                                                                                                                                                                                                                                                                                                                                                                 |                                                                                                                                                                                                 |  |    |
|----------------------------------------------------------------------------|------|---------------------------------------------------------------------------------------------------------------------------------------------------------------------------------------------------------------------------------------------------------------------------------------------------------------------------------------------------------------------------------------------------------------------------------------------------------------------------------------------------------------------------------------------------------------------------------------------------------------------------------------------------------------------------------|-------------------------------------------------------------------------------------------------------------------------------------------------------------------------------------------------|--|----|
| 13<br>14<br>15<br>16<br>17<br>18<br>19<br>20<br>21<br>22<br>23<br>24<br>25 | post | <pre> (TCV_ch:= OC_SubchOfFacchh( TSPX_TCHHSubDef, C_CellB, 1), TCV_sacch := OC_SubchOfSacchh(TSPX_T CHHSubDef, C_CellB, 1)) +RR_hocomp3( 500) +Timadv_Pwrlvl_chk( TSPX_k, TSPX_y, TCV_Pwrlvl_ho) +ChanRel_end( TCV_ch)  <b>localtree_varinit1</b> [TSPC_PGSM OR TSPC_EGSM] (TCV_chdescr_arfcn:= C_arfcnA, TCV_maio := INT_TO_BIT((TSPX_MAIO MOD 12), 6)) [TSPC_DCS] (TCV_chdescr_arfcn:= C_arfcnAd, TCV_maio := INT_TO_BIT((TSPX_MAIO MOD 9), 6))  <b>localtree_varinit2</b> (TCV_Tchtype := INT_TO_BIT(( 2 + BIT_TO_INT( TSPX_TCHHSubDef)), 5)) [TSPC_PGSM OR TSPC_EGSM] (TCV_chdescr_arfcn := C_BCCHcarrierB_ho) [TSPC_DCS] (TCV_chdescr_arfcn := C_BCCHcarrierB_hod) </pre> | TCV_chdescr_arfcn,<br>TCV_chdescr_arfcn,<br>TCV_Horf,<br>TCV_Pwrlvl_ho,<br>Synchi(<br>C_not_report_otd,<br>C_synchronised),<br>TCV_ChMod,<br>RelTmdDif_omit,<br>TimingAdv_omit,<br>CphMod_omit) |  | 3. |
| <b>Detailed Comments:</b>                                                  |      | <ol style="list-style-type: none"> <li>1. IUT enters state U10 with TCH/H_FH in cell A</li> <li>2. HO from TCH/H_FH of cell A to TCH/H_nonFH in CELL B.</li> <li>3. To check the power level and timing advance in the L1 head.</li> </ol>                                                                                                                                                                                                                                                                                                                                                                                                                                      |                                                                                                                                                                                                 |  |    |

| Test Case Dynamic Behaviour                                                                                                                                                                                                                                                                                                                                                                                                                                                                         |       |                                                                                                                                                                                                                                                                                                                                                                                                                                                                                                                                                                                                                                                 |      |   |                                                                                                                                                                              |
|-----------------------------------------------------------------------------------------------------------------------------------------------------------------------------------------------------------------------------------------------------------------------------------------------------------------------------------------------------------------------------------------------------------------------------------------------------------------------------------------------------|-------|-------------------------------------------------------------------------------------------------------------------------------------------------------------------------------------------------------------------------------------------------------------------------------------------------------------------------------------------------------------------------------------------------------------------------------------------------------------------------------------------------------------------------------------------------------------------------------------------------------------------------------------------------|------|---|------------------------------------------------------------------------------------------------------------------------------------------------------------------------------|
| <b>Test Case Name:</b> TC_26_6_5_4_1                                                                                                                                                                                                                                                                                                                                                                                                                                                                |       |                                                                                                                                                                                                                                                                                                                                                                                                                                                                                                                                                                                                                                                 |      |   |                                                                                                                                                                              |
| <b>Group:</b> GSM_L3_MS_v4200/RR/                                                                                                                                                                                                                                                                                                                                                                                                                                                                   |       |                                                                                                                                                                                                                                                                                                                                                                                                                                                                                                                                                                                                                                                 |      |   |                                                                                                                                                                              |
| <b>Purpose:</b> To test that when the MS is ordered to make a finely synchronised handover to a synchronised cell, it sends 4 access bursts on the main DCCH and then activates the channel correctly, taking into account the value of any Starting Time information element and correctly calculating the timing advance to use. To test that the MS correctly retransmits Layer 3 MM or CC messages that were not acknowledged by Layer 2 before the Handover, after completion of the Handover. |       |                                                                                                                                                                                                                                                                                                                                                                                                                                                                                                                                                                                                                                                 |      |   |                                                                                                                                                                              |
| <b>Default:</b> OtherEventsFail_01                                                                                                                                                                                                                                                                                                                                                                                                                                                                  |       |                                                                                                                                                                                                                                                                                                                                                                                                                                                                                                                                                                                                                                                 |      |   |                                                                                                                                                                              |
| Nr                                                                                                                                                                                                                                                                                                                                                                                                                                                                                                  | Label | Behaviour Description                                                                                                                                                                                                                                                                                                                                                                                                                                                                                                                                                                                                                           | CRef | V | Comments                                                                                                                                                                     |
| 1                                                                                                                                                                                                                                                                                                                                                                                                                                                                                                   |       | START T_guard(300)                                                                                                                                                                                                                                                                                                                                                                                                                                                                                                                                                                                                                              |      |   |                                                                                                                                                                              |
| 2                                                                                                                                                                                                                                                                                                                                                                                                                                                                                                   |       | +BasicServiceMO(TSPX_MOBscSvcD,<br>TSPX_MOChRateD)                                                                                                                                                                                                                                                                                                                                                                                                                                                                                                                                                                                              |      |   |                                                                                                                                                                              |
| 3                                                                                                                                                                                                                                                                                                                                                                                                                                                                                                   |       | (TCV_ts:= TSPX_TmSlitNotZero, TCV_Cntref:=<br>TSPX_NoOfHoAccA, TCV_Horf:= TSPX_HoRefA,<br>TCV_Pwrlvl_ho:= INT_TO_BIT( TSPX_PwrlvlA,<br>5))                                                                                                                                                                                                                                                                                                                                                                                                                                                                                                      |      |   |                                                                                                                                                                              |
| 4                                                                                                                                                                                                                                                                                                                                                                                                                                                                                                   |       | +IdleUpdated( C_E_default, C_CellA,<br>C_SCH_A, C_BCCH_A_1, C_Immass, C_S0,<br>C_SlotNU, C_SlotNU, C_SlotNU, C_BCC,<br>C_TxInt_5, C_Max_7, C_NECl_0, C_ATT_0,<br>TimingAdv(TSPX_y), C_BABR_0,<br>C_cch_1nonComb, C_BPM_3, C_T3212_1,<br>C_ci_cellA, C_MCC_1, C_PLMN_1, C_LAC_1,<br>CellChDes_01, CellChDes_20_Aman,<br>CellChDes_202_Adman, C_CellReselectHys12,<br>C_MaxPwrLvlG, C_MaxPwrLvlD,<br>BcchFreqLst_01, BcchFreqLst_Omit,<br>BcchFreqLst_48, BcchFreqLst_Omit,<br>C_noRestablishment, C_BCC, C_NCC,<br>C_Start_Tmsi, TSPX_SDCCH4SubDef,<br>TSPX_CKSNDDef, TSPX_RANDDef, C_arfcnA,<br>C_arfcnAd_4, TSPX_IMSI, C_Test_fh,<br>C_NCCP_2) |      |   |                                                                                                                                                                              |
| 5                                                                                                                                                                                                                                                                                                                                                                                                                                                                                                   |       | +StartCellB_ho( C_E_neighbourdefault,<br>C_BCCHcarrierB_ho, C_BCCHcarrierB_hod,<br>C_Immass, TCV_slot, TCV_tsc, TimingAdv(<br>TSPX_k*2 + TSPX_y), C_TxInt_5, C_Max_7,<br>C_NECl_0, C_ATT_0, C_BABR_0,<br>C_cch_1nonComb, C_BPM_3, C_T3212_1,<br>C_MCC_1, C_PLMN_1, C_LAC_2,<br>CellChDes_20_Bman, CellChDes_201_Bd,<br>BcchFreqLst_01, BcchFreqLst_48,<br>C_noRestablishment, C_BCC, C_NCC,<br>TSPX_k, 100)                                                                                                                                                                                                                                     |      |   | The BCCH of cell B is k bit periods after BCCH of cell A to simulate the two cells have different propagation delay. The frame numbers of the two cells is different by 100. |
| 6                                                                                                                                                                                                                                                                                                                                                                                                                                                                                                   |       | (TCV_ia_ts:= TSPX_TmSlitNotZero)                                                                                                                                                                                                                                                                                                                                                                                                                                                                                                                                                                                                                |      |   |                                                                                                                                                                              |
| 7                                                                                                                                                                                                                                                                                                                                                                                                                                                                                                   |       | +SDCCH8_A_1_nociph(<br>TSPX_SDCCH8SubDef, C_Immass,<br>TCV_ia_ts, TSPX_TscC, ChMod_sign,<br>FreqSDCCHa_hof2, FreqSDCCHa_hof2d,<br>TimingAdv( TSPX_y), C_BABR_0,<br>C_cch_1nonComb, C_BPM_3)                                                                                                                                                                                                                                                                                                                                                                                                                                                     |      |   |                                                                                                                                                                              |
| 8                                                                                                                                                                                                                                                                                                                                                                                                                                                                                                   |       | (TCV_temp := (( TSPX_k*2 + TSPX_y)<br>MOD 256))                                                                                                                                                                                                                                                                                                                                                                                                                                                                                                                                                                                                 |      |   |                                                                                                                                                                              |
| 9                                                                                                                                                                                                                                                                                                                                                                                                                                                                                                   |       | +SDCCH8_B_1(<br>TSPX_SDCCH8SubDef, C_Synho,<br>TCV_ts, TSPX_TscA, ChMod_sign,<br>FreqSDCCH8b_hof3,<br>FreqSDCCH8b_hof2d,<br>TimingAdv(TCV_temp), C_BABR_0,<br>C_cch_1nonComb, C_BPM_3)                                                                                                                                                                                                                                                                                                                                                                                                                                                          |      |   |                                                                                                                                                                              |
| 10                                                                                                                                                                                                                                                                                                                                                                                                                                                                                                  |       | +Est_MO_Call_init(<br>C_CHSDCCH8_FH, MobilAllc_282,<br>MobilAllc_20_B1, TimingAdv(<br>TSPX_y), TSPX_TscC, 16, 16)                                                                                                                                                                                                                                                                                                                                                                                                                                                                                                                               |      |   | 1.                                                                                                                                                                           |
| 11                                                                                                                                                                                                                                                                                                                                                                                                                                                                                                  |       | (TCV_Fn1:=<br>OM_ComingFn(TCV_ch),<br>TCV_Null :=<br>OM_SendNextOn(TCV_ch,<br>TCV_Fn1), TCV_Fn1 :=<br>OC_FnInc(TCV_Fn1, 100))                                                                                                                                                                                                                                                                                                                                                                                                                                                                                                                   |      |   |                                                                                                                                                                              |
| 12                                                                                                                                                                                                                                                                                                                                                                                                                                                                                                  | body  | +ltree_hoCMD                                                                                                                                                                                                                                                                                                                                                                                                                                                                                                                                                                                                                                    |      |   |                                                                                                                                                                              |
| 13                                                                                                                                                                                                                                                                                                                                                                                                                                                                                                  |       | (TCV_ch := TCV_chTch,                                                                                                                                                                                                                                                                                                                                                                                                                                                                                                                                                                                                                           |      |   |                                                                                                                                                                              |

|                           |      |                                                                                                                                                                                                                                                                                                                                                                                                                                             |                                                                                                                                                                                                                                                                                                                                                                                       |    |
|---------------------------|------|---------------------------------------------------------------------------------------------------------------------------------------------------------------------------------------------------------------------------------------------------------------------------------------------------------------------------------------------------------------------------------------------------------------------------------------------|---------------------------------------------------------------------------------------------------------------------------------------------------------------------------------------------------------------------------------------------------------------------------------------------------------------------------------------------------------------------------------------|----|
| 14                        |      | TCV_sacch :=<br>TCV_sacchTch)                                                                                                                                                                                                                                                                                                                                                                                                               |                                                                                                                                                                                                                                                                                                                                                                                       |    |
| 15                        |      | +RR_hocomp3( 1500)<br>+Timadv_Pwrlvl_chk(<br>TSPX_k, TSPX_y,<br>TCV_Pwrlvl_ho)                                                                                                                                                                                                                                                                                                                                                              |                                                                                                                                                                                                                                                                                                                                                                                       | 3. |
| 16                        |      | L?DL_DatInSetup<br>(TCV_Mt1<br>:=DL_DatInSetup.msg.mt)                                                                                                                                                                                                                                                                                                                                                                                      | SetupRcv(<br>SetupInd_01)                                                                                                                                                                                                                                                                                                                                                             | 4. |
| 17                        |      | +SendSeqNo_chk                                                                                                                                                                                                                                                                                                                                                                                                                              |                                                                                                                                                                                                                                                                                                                                                                                       | 5. |
| 18                        | post | +ChanRel_end(<br>TCV_ch)                                                                                                                                                                                                                                                                                                                                                                                                                    |                                                                                                                                                                                                                                                                                                                                                                                       |    |
| 19                        |      | <b>Itree_hoCMD</b><br>(TCV_Tchtype := INT_TO_BIT(( 8 + BIT_TO_INT(<br>TSPX_SDCCH8SubDef)), 5))                                                                                                                                                                                                                                                                                                                                              |                                                                                                                                                                                                                                                                                                                                                                                       |    |
| 20                        |      | [TSPC_PGSM OR TSPC_EGSM]                                                                                                                                                                                                                                                                                                                                                                                                                    |                                                                                                                                                                                                                                                                                                                                                                                       |    |
| 21                        |      | LIDL_DatRqHoCmd                                                                                                                                                                                                                                                                                                                                                                                                                             | HndOvSnd( TCV_ch,<br>HandOverCmd_fh(<br>TCV_Tchtype,<br>TCV_ts, TSPX_TscA,<br>C_NCC, C_BCC,<br>C_BCCcarrierB_ho,<br>16, C_HSN_0,<br>TCV_Horf,<br>TCV_Pwrlvl_ho,<br>Synchi(<br>C_not_report_otd,<br>C_synchronised),<br>FrqI_omit,<br>FrqI_20_B0,<br>CellChDes_Omit,<br>ChMod_sign_iei,<br>Freqchseq_omit,<br>MoblAllc_omit,<br>RelTmdDif_omit,<br>TimingAdv_omit,<br>CphMod_omit))    | 2. |
| 22                        |      | [TSPC_DCS]                                                                                                                                                                                                                                                                                                                                                                                                                                  |                                                                                                                                                                                                                                                                                                                                                                                       |    |
| 23                        |      | LIDL_DatRqHoCmd                                                                                                                                                                                                                                                                                                                                                                                                                             | HndOvSnd( TCV_ch,<br>HandOverCmd_fh(<br>TCV_Tchtype,<br>TCV_ts, TSPX_TscA,<br>C_NCC, C_BCC,<br>C_BCCcarrierB_hod<br>, 16, C_HSN_0,<br>TCV_Horf,<br>TCV_Pwrlvl_ho,<br>Synchi(<br>C_not_report_otd,<br>C_synchronised),<br>FrqI_omit,<br>FrqI_20_B0d,<br>CellChDes_Omit,<br>ChMod_sign_iei,<br>Freqchseq_omit,<br>MoblAllc_omit,<br>RelTmdDif_omit,<br>TimingAdv_omit,<br>CphMod_omit)) | 2. |
| <b>Detailed Comments:</b> |      | <ol style="list-style-type: none"> <li>1. To initiate a call and the last L2_frame with the Setup will not be acknowledged by the SS_L2.</li> <li>2. HO from SDCCH/8_FH to SDCCH/8_FH</li> <li>3. To check Timing Advance and Power Level in the next uplink SACCH head</li> <li>4. Last L3-msg shall be retransmitted by the MS with the same sequence number of last L3-msg.</li> <li>5. to check the sending sequence number.</li> </ol> |                                                                                                                                                                                                                                                                                                                                                                                       |    |

| Test Case Dynamic Behaviour                                                                                                                                                                                                                                                                                                                                                                                                                                                                         |       |                                                                                                                                                                                                                                                                                                                                                                                                                                                                                                                                                                                                                                            |                                                                                        |   |                                                                                                                                                                              |
|-----------------------------------------------------------------------------------------------------------------------------------------------------------------------------------------------------------------------------------------------------------------------------------------------------------------------------------------------------------------------------------------------------------------------------------------------------------------------------------------------------|-------|--------------------------------------------------------------------------------------------------------------------------------------------------------------------------------------------------------------------------------------------------------------------------------------------------------------------------------------------------------------------------------------------------------------------------------------------------------------------------------------------------------------------------------------------------------------------------------------------------------------------------------------------|----------------------------------------------------------------------------------------|---|------------------------------------------------------------------------------------------------------------------------------------------------------------------------------|
| <b>Test Case Name:</b> TC_26_6_5_4_2                                                                                                                                                                                                                                                                                                                                                                                                                                                                |       |                                                                                                                                                                                                                                                                                                                                                                                                                                                                                                                                                                                                                                            |                                                                                        |   |                                                                                                                                                                              |
| <b>Group:</b> GSM_L3_MS_v4200/RR/                                                                                                                                                                                                                                                                                                                                                                                                                                                                   |       |                                                                                                                                                                                                                                                                                                                                                                                                                                                                                                                                                                                                                                            |                                                                                        |   |                                                                                                                                                                              |
| <b>Purpose:</b> To test that when the MS is ordered to make a finely synchronised handover to a synchronised cell, it sends 4 access bursts on the main DCCH and then activates the channel correctly, taking into account the value of any Starting Time information element and correctly calculating the timing advance to use. To test that the MS correctly retransmits Layer 3 MM or CC messages that were not acknowledged by Layer 2 before the Handover, after completion of the Handover. |       |                                                                                                                                                                                                                                                                                                                                                                                                                                                                                                                                                                                                                                            |                                                                                        |   |                                                                                                                                                                              |
| <b>Default:</b> OtherEventsFail_01                                                                                                                                                                                                                                                                                                                                                                                                                                                                  |       |                                                                                                                                                                                                                                                                                                                                                                                                                                                                                                                                                                                                                                            |                                                                                        |   |                                                                                                                                                                              |
| Nr                                                                                                                                                                                                                                                                                                                                                                                                                                                                                                  | Label | Behaviour Description                                                                                                                                                                                                                                                                                                                                                                                                                                                                                                                                                                                                                      | CRef                                                                                   | V | Comments                                                                                                                                                                     |
| 1                                                                                                                                                                                                                                                                                                                                                                                                                                                                                                   |       | START T_guard(300)                                                                                                                                                                                                                                                                                                                                                                                                                                                                                                                                                                                                                         |                                                                                        |   |                                                                                                                                                                              |
| 2                                                                                                                                                                                                                                                                                                                                                                                                                                                                                                   |       | +BasicServiceMO(TSPX_MOBscSvcE,<br>TSPX_MOChRateE)                                                                                                                                                                                                                                                                                                                                                                                                                                                                                                                                                                                         |                                                                                        |   |                                                                                                                                                                              |
| 3                                                                                                                                                                                                                                                                                                                                                                                                                                                                                                   |       | (TCV_ts:= C_S0, TCV_Pwrlvl_ho:= INT_TO_BIT(<br>TSPX_PwrlvlB, 5))                                                                                                                                                                                                                                                                                                                                                                                                                                                                                                                                                                           |                                                                                        |   |                                                                                                                                                                              |
| 4                                                                                                                                                                                                                                                                                                                                                                                                                                                                                                   |       | +IdleUpdated( C_E_default, C_CellA,<br>C_SCH_A, C_BCCH_A_1, C_Immass, C_S0,<br>C_SlotNU, C_SlotNU, C_SlotNU, C_BCC,<br>C_TxInt_5, C_Max_7, C_NECI_0, C_ATT_0,<br>TimingAdv( TSPX_y), C_BABR_0,<br>C_cch_1Comb, C_BPM_3, C_T3212_0,<br>C_ci_cellA, C_MCC_1, C_PLMN_1, C_LAC_1,<br>CellOpt_01, CellChDes_20_Aman,<br>CellChDes_202_Adman, C_CellReselectHys12,<br>C_MaxPwrLvlG, C_MaxPwrLvlD,<br>BcchFreqLst_01, BcchFreqLst_Omit,<br>BcchFreqLst_48, BcchFreqLst_Omit,<br>C_noRestablishment, C_BCC, C_NCC,<br>C_Start_Tmsi, TSPX_SDCCH4SubDef,<br>TSPX_CKSNDef, TSPX_RANDDef, C_arfcnA,<br>C_arfcnAd_4, TSPX_IMSI, C_Test_fh,<br>C_NCCP_2) |                                                                                        |   |                                                                                                                                                                              |
| 5                                                                                                                                                                                                                                                                                                                                                                                                                                                                                                   |       | +StartCellB_ho( C_E_neighbourdefault,<br>C_BCCHcarrierB_ho, C_BCCHcarrierB_hod,<br>C_Synho, TCV_slot, TCV_tsc, TimingAdv(<br>TSPX_k*2 + TSPX_y), C_TxInt_5, C_Max_7,<br>C_NECI_0, C_ATT_0, C_BABR_0,<br>C_cch_1Comb, C_BPM_3, C_T3212_1,<br>C_MCC_1, C_PLMN_1, C_LAC_2,<br>CellChDes_20_Bman, CellChDes_201_Bd,<br>BcchFreqLst_01, BcchFreqLst_48,<br>C_noRestablishment, C_BCC, C_NCC,<br>TSPX_k, 100)                                                                                                                                                                                                                                    |                                                                                        |   | The BCCH of cell B is k bit periods after BCCH of cell A to simulate the two cells have different propagation delay. The frame numbers of the two cells is different by 100. |
| 6                                                                                                                                                                                                                                                                                                                                                                                                                                                                                                   |       | (TCV_ch1 := OC_SubchOfSdcch4(<br>TSPX_SDCCH4SubDef, C_CellB),<br>TCV_Null := OM_CphMd( TCV_ch1,<br>CphMod_01, TCV_CphKey))                                                                                                                                                                                                                                                                                                                                                                                                                                                                                                                 |                                                                                        |   | put the handover target channel in ciphering mode                                                                                                                            |
| 7                                                                                                                                                                                                                                                                                                                                                                                                                                                                                                   |       | (TCV_ia_ts:= TSPX_TmSlitNotZero)                                                                                                                                                                                                                                                                                                                                                                                                                                                                                                                                                                                                           |                                                                                        |   |                                                                                                                                                                              |
| 8                                                                                                                                                                                                                                                                                                                                                                                                                                                                                                   |       | +local_set_DCS_Slot                                                                                                                                                                                                                                                                                                                                                                                                                                                                                                                                                                                                                        |                                                                                        |   |                                                                                                                                                                              |
| 9                                                                                                                                                                                                                                                                                                                                                                                                                                                                                                   |       | +SDCCH8_A_1_nociph(<br>TSPX_SDCCH8SubDef, C_Immass,<br>TCV_ia_ts, TSPX_TscF,<br>ChMod_sign, FreqSDCCHa_hof3,<br>FreqSDCCHa_hof3d, TimingAdv(<br>TSPX_y), C_BABR_0,<br>C_cch_1nonComb, C_BPM_3)                                                                                                                                                                                                                                                                                                                                                                                                                                             |                                                                                        |   |                                                                                                                                                                              |
| 10                                                                                                                                                                                                                                                                                                                                                                                                                                                                                                  |       | +Est_MO_Call_init(<br>C_CHSDCCH8_FH,<br>MobiAllc_20_A3, MobiAllc_20_A3d,<br>TimingAdv(TSPX_y), TSPX_TscF,<br>15, 15)                                                                                                                                                                                                                                                                                                                                                                                                                                                                                                                       |                                                                                        |   | 1.                                                                                                                                                                           |
| 11                                                                                                                                                                                                                                                                                                                                                                                                                                                                                                  |       | (TCV_Fn := OM_ComingFn(<br>TCV_ch), TCV_Null:=<br>OM_SendNextOn( TCV_ch,<br>TCV_Fn), TCV_Fn1 := TCV_Fn,<br>TCV_Fn1 := OC_FnInc(TCV_Fn1,<br>100))                                                                                                                                                                                                                                                                                                                                                                                                                                                                                           |                                                                                        |   |                                                                                                                                                                              |
| 12                                                                                                                                                                                                                                                                                                                                                                                                                                                                                                  | body  | +local_set_arfcn                                                                                                                                                                                                                                                                                                                                                                                                                                                                                                                                                                                                                           |                                                                                        |   |                                                                                                                                                                              |
| 13                                                                                                                                                                                                                                                                                                                                                                                                                                                                                                  |       | !IDL_DatRqHoCmd (<br>DL_DatRqHoCmd.msg.strt :=<br>OC_StartTime( TCV_Fn,<br>C_StartingTimeHO, 1))                                                                                                                                                                                                                                                                                                                                                                                                                                                                                                                                           | HndOvSnd( TCV_ch,<br>HandOverCmd_nfh(<br>TCV_Tchtype, C_S0,<br>C_BCC, C_NCC,<br>C_BCC, |   | 2.                                                                                                                                                                           |

|                           |      |                                                                                                                                                                                                                                                                                                                                                                                                                                                        |                                                                                                                                                                                                  |    |
|---------------------------|------|--------------------------------------------------------------------------------------------------------------------------------------------------------------------------------------------------------------------------------------------------------------------------------------------------------------------------------------------------------------------------------------------------------------------------------------------------------|--------------------------------------------------------------------------------------------------------------------------------------------------------------------------------------------------|----|
|                           |      |                                                                                                                                                                                                                                                                                                                                                                                                                                                        | TCV_chdescr_arfcn,<br>TCV_tch_arfcn,<br>TSPX_HoRefB,<br>TCV_Pwrlvl_ho,<br>Synchi(<br>C_not_report_otd,<br>C_synchronised),<br>ChMod_omit,<br>RelTmdDif_omit,<br>TimingAdv_omit,<br>CphMod_omit)) |    |
| 14                        |      | (TCV_ch := TCV_ch1,<br>TCV_sacch :=<br>TCV_sacch_B)                                                                                                                                                                                                                                                                                                                                                                                                    |                                                                                                                                                                                                  |    |
| 15                        |      | +RR_hocomp3( 2600)                                                                                                                                                                                                                                                                                                                                                                                                                                     |                                                                                                                                                                                                  |    |
| 16                        |      | +Timadv_Pwrlvl_chk(<br>TSPX_k, TSPX_y,<br>TCV_Pwrlvl_ho)                                                                                                                                                                                                                                                                                                                                                                                               |                                                                                                                                                                                                  | 3. |
| 17                        |      | L?DL_DatInSetup<br>(TCV_Mt1 :=<br>DL_DatInSetup.msg.mt)                                                                                                                                                                                                                                                                                                                                                                                                | SetupRcv(<br>SetupInd_01)                                                                                                                                                                        | 4. |
| 18                        |      | +SendSeqNo_chk                                                                                                                                                                                                                                                                                                                                                                                                                                         |                                                                                                                                                                                                  | 5. |
| 19                        | post | +ChanRel_end(<br>TCV_ch)                                                                                                                                                                                                                                                                                                                                                                                                                               |                                                                                                                                                                                                  |    |
|                           |      | <b>local_set_DCS_Slot</b>                                                                                                                                                                                                                                                                                                                                                                                                                              |                                                                                                                                                                                                  |    |
| 20                        |      | [TSPC_PGSM OR TSPC_EGSM]                                                                                                                                                                                                                                                                                                                                                                                                                               |                                                                                                                                                                                                  |    |
| 21                        |      | [TSPC_DCS]                                                                                                                                                                                                                                                                                                                                                                                                                                             |                                                                                                                                                                                                  |    |
| 22                        |      | (TCV_ia_ts := C_S0)                                                                                                                                                                                                                                                                                                                                                                                                                                    |                                                                                                                                                                                                  |    |
|                           |      | <b>local_set_arfcn</b>                                                                                                                                                                                                                                                                                                                                                                                                                                 |                                                                                                                                                                                                  |    |
| 23                        |      | (TCV_Tchtype := INT_TO_BIT(( 4 + BIT_TO_INT(<br>TSPX_SDCCH4SubDef)), 5))                                                                                                                                                                                                                                                                                                                                                                               |                                                                                                                                                                                                  |    |
| 24                        |      | [TSPC_PGSM OR TSPC_EGSM]                                                                                                                                                                                                                                                                                                                                                                                                                               |                                                                                                                                                                                                  |    |
| 25                        |      | (TCV_tch_arfcn := C_BCCHcarrierB_ho,<br>TCV_chdescr_arfcn := C_BCCHcarrierB_ho)                                                                                                                                                                                                                                                                                                                                                                        |                                                                                                                                                                                                  |    |
| 26                        |      | [TSPC_DCS]                                                                                                                                                                                                                                                                                                                                                                                                                                             |                                                                                                                                                                                                  |    |
| 27                        |      | (TCV_tch_arfcn := C_BCCHcarrierB_hod,<br>TCV_chdescr_arfcn := C_BCCHcarrierB_hod)                                                                                                                                                                                                                                                                                                                                                                      |                                                                                                                                                                                                  |    |
| <b>Detailed Comments:</b> |      | <ol style="list-style-type: none"> <li>1. To initiate a call and the last L2_frame with the Setup will not be acknowledged by the SS_L2.</li> <li>2. HO from SDCCH/8_FH to SDCCH/4_NoFH</li> <li>3. To check whether the power level and timing advance in the L1 head is correct.</li> <li>4. Last L3-msg shall be retransmitted by the MS with the same sequence number of last L3-msg.</li> <li>5. To check the sending sequence number.</li> </ol> |                                                                                                                                                                                                  |    |

| Test Case Dynamic Behaviour                                                                                                                                                                                                                                                                                                                                                                                                                                                                         |       |                                                                                                                                                                                                                                                                                                                                                                                                                                                                                                                                                                                          |      |   |                                                                                                                                                                              |
|-----------------------------------------------------------------------------------------------------------------------------------------------------------------------------------------------------------------------------------------------------------------------------------------------------------------------------------------------------------------------------------------------------------------------------------------------------------------------------------------------------|-------|------------------------------------------------------------------------------------------------------------------------------------------------------------------------------------------------------------------------------------------------------------------------------------------------------------------------------------------------------------------------------------------------------------------------------------------------------------------------------------------------------------------------------------------------------------------------------------------|------|---|------------------------------------------------------------------------------------------------------------------------------------------------------------------------------|
| <b>Test Case Name:</b> TC_26_6_5_4_3                                                                                                                                                                                                                                                                                                                                                                                                                                                                |       |                                                                                                                                                                                                                                                                                                                                                                                                                                                                                                                                                                                          |      |   |                                                                                                                                                                              |
| <b>Group:</b> GSM_L3_MS_v4200/RR/                                                                                                                                                                                                                                                                                                                                                                                                                                                                   |       |                                                                                                                                                                                                                                                                                                                                                                                                                                                                                                                                                                                          |      |   |                                                                                                                                                                              |
| <b>Purpose:</b> To test that when the MS is ordered to make a finely synchronised handover to a synchronised cell, it sends 4 access bursts on the main DCCH and then activates the channel correctly, taking into account the value of any Starting Time information element and correctly calculating the timing advance to use. To test that the MS correctly retransmits Layer 3 MM or CC messages that were not acknowledged by Layer 2 before the Handover, after completion of the Handover. |       |                                                                                                                                                                                                                                                                                                                                                                                                                                                                                                                                                                                          |      |   |                                                                                                                                                                              |
| <b>Default:</b> OtherEventsFail_01                                                                                                                                                                                                                                                                                                                                                                                                                                                                  |       |                                                                                                                                                                                                                                                                                                                                                                                                                                                                                                                                                                                          |      |   |                                                                                                                                                                              |
| Nr                                                                                                                                                                                                                                                                                                                                                                                                                                                                                                  | Label | Behaviour Description                                                                                                                                                                                                                                                                                                                                                                                                                                                                                                                                                                    | CRef | V | Comments                                                                                                                                                                     |
| 1                                                                                                                                                                                                                                                                                                                                                                                                                                                                                                   |       | START T_guard(300)                                                                                                                                                                                                                                                                                                                                                                                                                                                                                                                                                                       |      |   |                                                                                                                                                                              |
| 2                                                                                                                                                                                                                                                                                                                                                                                                                                                                                                   |       | +BasicServiceMO(TSPX_MOBscSvcF, C_Full)                                                                                                                                                                                                                                                                                                                                                                                                                                                                                                                                                  |      |   |                                                                                                                                                                              |
| 3                                                                                                                                                                                                                                                                                                                                                                                                                                                                                                   |       | (TCV_ts:= C_S0, TCV_Horf:= TSPX_HoRefA, TCV_Pwrlvl_ho:= INT_TO_BIT( TSPX_PwrlvlA, 5))                                                                                                                                                                                                                                                                                                                                                                                                                                                                                                    |      |   |                                                                                                                                                                              |
| 4                                                                                                                                                                                                                                                                                                                                                                                                                                                                                                   |       | +IdleUpdated( C_E_default, C_CellA, C_SCH_A, C_BCCH_A_1, C_Immass, C_S0, C_SlotNU, C_SlotNU, C_SlotNU, C_BCC, C_TxInt_5, C_Max_7, C_NECI_0, C_ATT_0, TimingAdv( TSPX_y), C_BABR_0, C_cch_1Comb, C_BPM_3, C_T3212_0, C_ci_cellA, C_MCC_1, C_PLMN_1, C_LAC_1, CellOpt_01, CellChDes_20_Aman, CellChDes_202_Adman, C_CellReselectHys12, C_MaxPwrLvlG, C_MaxPwrLvlD, BcchFreqLst_01, BcchFreqLst_Omit, BcchFreqLst_48, BcchFreqLst_Omit, C_noRestablishment, C_BCC, C_NCC, C_Start_Tmsi, TSPX_SDCCH4SubA, TSPX_CKSNDef, TSPX_RANDDef, C_arfcnA, C_arfcnAd_4, TSPX_IMSI, C_Test_fh, C_NCCP_2) |      |   |                                                                                                                                                                              |
| 5                                                                                                                                                                                                                                                                                                                                                                                                                                                                                                   |       | +StartCellB_ho( C_E_neighbourdefault, C_BCCHcarrierB_ho, C_BCCHcarrierB_hod, C_Immass, TCV_slot, TCV_tsc, TimingAdv( TSPX_k*2 + TSPX_y), C_TxInt_5, C_Max_7, C_NECI_0, C_ATT_0, C_BABR_0, C_cch_1Comb, C_BPM_3, C_T3212_0, C_MCC_1, C_PLMN_1, C_LAC_2, CellChDes_20_Bman, CellChDes_201_Bd, BcchFreqLst_01, BcchFreqLst_48, C_noRestablishment, C_BCC, C_NCC, TSPX_k, 100)                                                                                                                                                                                                               |      |   | The BCCH of cell B is k bit periods after BCCH of cell A to simulate the two cells have different propagation delay. The frame numbers of the two cells is different by 100. |
| 6                                                                                                                                                                                                                                                                                                                                                                                                                                                                                                   |       | (TCV_ia_ts:= TSPX_TmSlitNotZero)                                                                                                                                                                                                                                                                                                                                                                                                                                                                                                                                                         |      |   |                                                                                                                                                                              |
| 7                                                                                                                                                                                                                                                                                                                                                                                                                                                                                                   |       | +FullRateCh_A_1_nociph( C_Immass, TCV_ia_ts, TSPX_TscD, TCV_ChMod, FreqTCH(C_arfcnA), FreqTCH(C_arfcnAd_4), TimingAdv( TSPX_y), C_BABR_0, C_cch_1Comb, C_BPM_3)                                                                                                                                                                                                                                                                                                                                                                                                                          |      |   |                                                                                                                                                                              |
| 8                                                                                                                                                                                                                                                                                                                                                                                                                                                                                                   |       | (TCV_ch := TCV_chTch)                                                                                                                                                                                                                                                                                                                                                                                                                                                                                                                                                                    |      |   |                                                                                                                                                                              |
| 9                                                                                                                                                                                                                                                                                                                                                                                                                                                                                                   |       | +FullRateCh_B_1( C_Synho, TCV_ts, TSPX_TscB, TCV_ChMod, FreqTCHb_hof8, FreqTCHb_hof8d, TimingAdv( TSPX_k*2 + TSPX_y), C_BABR_0, C_cch_1Comb, C_BPM_3)                                                                                                                                                                                                                                                                                                                                                                                                                                    |      |   |                                                                                                                                                                              |
| 10                                                                                                                                                                                                                                                                                                                                                                                                                                                                                                  |       | +local_set_arfcn                                                                                                                                                                                                                                                                                                                                                                                                                                                                                                                                                                         |      |   |                                                                                                                                                                              |
| 11                                                                                                                                                                                                                                                                                                                                                                                                                                                                                                  |       | +local_continue                                                                                                                                                                                                                                                                                                                                                                                                                                                                                                                                                                          |      |   |                                                                                                                                                                              |
| 12                                                                                                                                                                                                                                                                                                                                                                                                                                                                                                  |       | <b>local_continue</b><br>+Est_MO_Call_init( C_CHTCHF_NonFH, MobilAllc_omit, MobilAllc_omit, TimingAdv( TSPX_y), TSPX_TscD, C_one, C_one)                                                                                                                                                                                                                                                                                                                                                                                                                                                 |      |   | 1.                                                                                                                                                                           |
| 13                                                                                                                                                                                                                                                                                                                                                                                                                                                                                                  |       | (TCV_Fn1:= OM_ComingFn(TCV_ch), TCV_Null := OM_SendNextOn(TCV_ch, TCV_Fn1), TCV_Fn1 := OC_FnInc(TCV_Fn1, 100))                                                                                                                                                                                                                                                                                                                                                                                                                                                                           |      |   |                                                                                                                                                                              |
| 14                                                                                                                                                                                                                                                                                                                                                                                                                                                                                                  | body  | +ltree_hoCMD                                                                                                                                                                                                                                                                                                                                                                                                                                                                                                                                                                             |      |   | 2.                                                                                                                                                                           |
| 15                                                                                                                                                                                                                                                                                                                                                                                                                                                                                                  |       | (TCV_ch := TCV_chTch, TCV_sacch := TCV_sacchTch)                                                                                                                                                                                                                                                                                                                                                                                                                                                                                                                                         |      |   |                                                                                                                                                                              |
| 16                                                                                                                                                                                                                                                                                                                                                                                                                                                                                                  |       | +RR_hocomp3( 650)                                                                                                                                                                                                                                                                                                                                                                                                                                                                                                                                                                        |      |   |                                                                                                                                                                              |

|                           |      |                                                                                                                                                                                                                                                                                                                                                                                                                               |                                                                                                                                                                                                                                                                                                                                                                              |    |
|---------------------------|------|-------------------------------------------------------------------------------------------------------------------------------------------------------------------------------------------------------------------------------------------------------------------------------------------------------------------------------------------------------------------------------------------------------------------------------|------------------------------------------------------------------------------------------------------------------------------------------------------------------------------------------------------------------------------------------------------------------------------------------------------------------------------------------------------------------------------|----|
| 17                        |      | +Timadv_Pwrlvl_chk( TSPX_k, TSPX_y,<br>TCV_Pwrlvl_ho)                                                                                                                                                                                                                                                                                                                                                                         |                                                                                                                                                                                                                                                                                                                                                                              | 3. |
| 18                        |      | L?DL_DatInSetup (TCV_Mt1 :=<br>DL_DatInSetup.msg.mt)                                                                                                                                                                                                                                                                                                                                                                          | SetupRcv(<br>SetupInd_01)                                                                                                                                                                                                                                                                                                                                                    | 4. |
| 19                        |      | +SendSeqNo_chk                                                                                                                                                                                                                                                                                                                                                                                                                |                                                                                                                                                                                                                                                                                                                                                                              | 5. |
| 20                        | post | +ChanRel_end( TCV_ch)                                                                                                                                                                                                                                                                                                                                                                                                         |                                                                                                                                                                                                                                                                                                                                                                              |    |
|                           |      | <b>ltree_hoCMD</b>                                                                                                                                                                                                                                                                                                                                                                                                            |                                                                                                                                                                                                                                                                                                                                                                              |    |
| 21                        |      | [TSPC_PGSM OR TSPC_EGSM]                                                                                                                                                                                                                                                                                                                                                                                                      |                                                                                                                                                                                                                                                                                                                                                                              |    |
| 22                        |      | LIDL_DatRqHoCmd                                                                                                                                                                                                                                                                                                                                                                                                               | HndOvSnd( TCV_ch,<br>HandOverCmd_fh(<br>'00001'B, TCV_ts,<br>TSPX_TscB, C_NCC,<br>C_BCC,<br>C_BCCcarrierB_ho,<br>4, TSPX_HSN,<br>TCV_Horf,<br>TCV_Pwrlvl_ho,<br>Synchi(<br>C_not_report_otd,<br>C_synchronised),<br>Frql_omit, Frql_omit,<br>CellChDes_Omit,<br>TCV_ChMod,<br>Freqchseq_05,<br>MoblAllc_omit,<br>RelTmdDif_omit,<br>TimingAdv_omit,<br>CphMod_omit))         |    |
| 23                        |      | [TSPC_DCS]                                                                                                                                                                                                                                                                                                                                                                                                                    |                                                                                                                                                                                                                                                                                                                                                                              |    |
| 24                        |      | LIDL_DatRqHoCmd                                                                                                                                                                                                                                                                                                                                                                                                               | HndOvSnd( TCV_ch,<br>HandOverCmd_fh(<br>'00001'B, TCV_ts,<br>TSPX_TscB, C_NCC,<br>C_BCC,<br>C_BCCcarrierB_hod<br>, 3, TSPX_HSN,<br>TCV_Horf,<br>TCV_Pwrlvl_ho,<br>Synchi(<br>C_not_report_otd,<br>C_synchronised),<br>Frql_20_B12d,<br>Frql_omit,<br>CellChDes_Omit,<br>TCV_ChMod,<br>Freqchseq_06,<br>MoblAllc_omit,<br>RelTmdDif_omit,<br>TimingAdv_omit,<br>CphMod_omit)) |    |
|                           |      | <b>local_set_arfcn</b>                                                                                                                                                                                                                                                                                                                                                                                                        |                                                                                                                                                                                                                                                                                                                                                                              |    |
| 25                        |      | [TSPC_PGSM OR TSPC_EGSM]                                                                                                                                                                                                                                                                                                                                                                                                      |                                                                                                                                                                                                                                                                                                                                                                              |    |
| 26                        |      | (TCV_tch_arfcn := C_arfcnA)                                                                                                                                                                                                                                                                                                                                                                                                   |                                                                                                                                                                                                                                                                                                                                                                              |    |
| 27                        |      | [TSPC_DCS]                                                                                                                                                                                                                                                                                                                                                                                                                    |                                                                                                                                                                                                                                                                                                                                                                              |    |
| 28                        |      | (TCV_tch_arfcn := C_arfcnAd_4)                                                                                                                                                                                                                                                                                                                                                                                                |                                                                                                                                                                                                                                                                                                                                                                              |    |
| <b>Detailed Comments:</b> |      | <ol style="list-style-type: none"> <li>1. To initiate a call and the last L2_frame with the Setup will not be acknowledged by the SS_L2.</li> <li>2. HO from TCH/F_NoFH to TCH/F_FH</li> <li>3. To check the power level and timing advance in L1 head</li> <li>4. Last L3-msg shall be retransmitted by the MS with the same sequence number of last L3-msg.</li> <li>5. Checking of the sending sequence number.</li> </ol> |                                                                                                                                                                                                                                                                                                                                                                              |    |

| Test Case Dynamic Behaviour                                                                                                                                                                                                                                                                                                                                                                                                                                                                         |       |                                                                                                                                                                                                                                                                                                                                                                                                                                                                                                                                                                                                                                             |                                       |   |                                                                                                                                                                                                |
|-----------------------------------------------------------------------------------------------------------------------------------------------------------------------------------------------------------------------------------------------------------------------------------------------------------------------------------------------------------------------------------------------------------------------------------------------------------------------------------------------------|-------|---------------------------------------------------------------------------------------------------------------------------------------------------------------------------------------------------------------------------------------------------------------------------------------------------------------------------------------------------------------------------------------------------------------------------------------------------------------------------------------------------------------------------------------------------------------------------------------------------------------------------------------------|---------------------------------------|---|------------------------------------------------------------------------------------------------------------------------------------------------------------------------------------------------|
| <b>Test Case Name:</b> TC_26_6_5_4_4                                                                                                                                                                                                                                                                                                                                                                                                                                                                |       |                                                                                                                                                                                                                                                                                                                                                                                                                                                                                                                                                                                                                                             |                                       |   |                                                                                                                                                                                                |
| <b>Group:</b> GSM_L3_MS_v4200/RR/                                                                                                                                                                                                                                                                                                                                                                                                                                                                   |       |                                                                                                                                                                                                                                                                                                                                                                                                                                                                                                                                                                                                                                             |                                       |   |                                                                                                                                                                                                |
| <b>Purpose:</b> To test that when the MS is ordered to make a finely synchronised handover to a synchronised cell, it sends 4 access bursts on the main DCCH and then activates the channel correctly, taking into account the value of any Starting Time information element and correctly calculating the timing advance to use. To test that the MS correctly retransmits Layer 3 MM or CC messages that were not acknowledged by Layer 2 before the Handover, after completion of the Handover. |       |                                                                                                                                                                                                                                                                                                                                                                                                                                                                                                                                                                                                                                             |                                       |   |                                                                                                                                                                                                |
| <b>Default:</b> OtherEventsFail_01                                                                                                                                                                                                                                                                                                                                                                                                                                                                  |       |                                                                                                                                                                                                                                                                                                                                                                                                                                                                                                                                                                                                                                             |                                       |   |                                                                                                                                                                                                |
| Nr                                                                                                                                                                                                                                                                                                                                                                                                                                                                                                  | Label | Behaviour Description                                                                                                                                                                                                                                                                                                                                                                                                                                                                                                                                                                                                                       | CRef                                  | V | Comments                                                                                                                                                                                       |
| 1                                                                                                                                                                                                                                                                                                                                                                                                                                                                                                   |       | START T_guard(300)                                                                                                                                                                                                                                                                                                                                                                                                                                                                                                                                                                                                                          |                                       |   |                                                                                                                                                                                                |
| 2                                                                                                                                                                                                                                                                                                                                                                                                                                                                                                   |       | +BasicServiceMO(TSPX_MOBscSvcG,<br>TSPX_MOChRateG)                                                                                                                                                                                                                                                                                                                                                                                                                                                                                                                                                                                          |                                       |   |                                                                                                                                                                                                |
| 3                                                                                                                                                                                                                                                                                                                                                                                                                                                                                                   |       | (TCV_ts:= TSPX_TmSlTNotZero, TCV_Horf:=<br>TSPX_HoRefD, TCV_Pwrlvl_ho:= INT_TO_BIT(<br>TSPX_PwrlvlD, 5))                                                                                                                                                                                                                                                                                                                                                                                                                                                                                                                                    |                                       |   |                                                                                                                                                                                                |
| 4                                                                                                                                                                                                                                                                                                                                                                                                                                                                                                   |       | +IdleUpdated( C_E_default, C_CellA,<br>C_SCH_A, C_BCCH_A_1, C_Immass, C_S0,<br>C_SlotNU, C_SlotNU, C_SlotNU, C_BCC,<br>C_TxInt_5, C_Max_7, C_NECI_0, C_ATT_0,<br>TimingAdv( TSPX_y), C_BABR_0,<br>C_cch_1nonComb, C_BPM_3, C_T3212_1,<br>C_ci_cellA, C_MCC_1, C_PLMN_1, C_LAC_1,<br>CellOpt_01, CellChDes_20_Aman,<br>CellChDes_202_Adman, C_CellReselectHys12,<br>C_MaxPwrlvlG, C_MaxPwrlvlD,<br>BcchFreqLst_01, BcchFreqLst_Omit,<br>BcchFreqLst_48, BcchFreqLst_Omit,<br>C_noReestablishment, C_BCC, C_NCC,<br>C_Start_Tmsi, TSPX_SDCCH4SubA,<br>TSPX_CKSNDf, TSPX_RANDDef, C_arfcnA,<br>C_arfcnAd_4, TSPX_IMSI, C_Test_fh,<br>C_NCCP_2) |                                       |   |                                                                                                                                                                                                |
| 5                                                                                                                                                                                                                                                                                                                                                                                                                                                                                                   |       | +StartCellB_ho( C_E_neighbourdefault,<br>C_BCCHcarrierB_ho, C_BCCHcarrierB_hod,<br>C_Immass, TCV_slot, TCV_tsc, TimingAdv(<br>TSPX_k*2 + TSPX_y), C_TxInt_5, C_Max_7,<br>C_NECI_0, C_ATT_0, C_BABR_0,<br>C_cch_1nonComb, C_BPM_3, C_T3212_1,<br>C_MCC_1, C_PLMN_1, C_LAC_2,<br>CellChDes_20_Bman, CellChDes_201_Bd,<br>BcchFreqLst_01, BcchFreqLst_48,<br>C_noReestablishment, C_BCC, C_NCC,<br>TSPX_k, 100)                                                                                                                                                                                                                                |                                       |   | The BCCH of cell B is k<br>bit periods after BCCH of<br>cell A to simulate the two<br>cells have different<br>propagation delay. The<br>frame numbers of the two<br>cells is different by 100. |
| 6                                                                                                                                                                                                                                                                                                                                                                                                                                                                                                   |       | (TCV_ia_ts:= TSPX_TmSlTE)                                                                                                                                                                                                                                                                                                                                                                                                                                                                                                                                                                                                                   |                                       |   |                                                                                                                                                                                                |
| 7                                                                                                                                                                                                                                                                                                                                                                                                                                                                                                   |       | +SDCCH8_A_1_nociph(<br>TSPX_SDCCH8SubDef, C_Immass,<br>TCV_ia_ts, TSPX_TscDef, ChMod_sign,<br>FreqTCH( TSPX_TCHcarrierA_ho),<br>FreqTCH( TSPX_TCHcarrierA_hod),<br>TimingAdv( TSPX_y), C_BABR_0,<br>C_cch_1nonComb, C_BPM_3)                                                                                                                                                                                                                                                                                                                                                                                                                |                                       |   |                                                                                                                                                                                                |
| 8                                                                                                                                                                                                                                                                                                                                                                                                                                                                                                   |       | +FullRateCh_B_1( C_Synho, TCV_ts,<br>TSPX_TscA, TCV_ChMod, FreqTCH(<br>TSPX_TCHcarrierB_ho), FreqTCH(<br>TSPX_TCHcarrierB_hod), TimingAdv(<br>TSPX_k*2 + TSPX_y), C_BABR_0,<br>C_cch_1nonComb, C_BPM_3)                                                                                                                                                                                                                                                                                                                                                                                                                                     |                                       |   |                                                                                                                                                                                                |
| 9                                                                                                                                                                                                                                                                                                                                                                                                                                                                                                   |       | +local_set_arfcn1                                                                                                                                                                                                                                                                                                                                                                                                                                                                                                                                                                                                                           |                                       |   |                                                                                                                                                                                                |
| 10                                                                                                                                                                                                                                                                                                                                                                                                                                                                                                  |       | +Est_MO_Call_init(<br>C_CHSDCCH8_NonFH,<br>MoblAllc_omit, MoblAllc_omit,<br>TimingAdv( TSPX_y),<br>TSPX_TscDef, C_one, C_one)                                                                                                                                                                                                                                                                                                                                                                                                                                                                                                               |                                       |   | 1.                                                                                                                                                                                             |
| 11                                                                                                                                                                                                                                                                                                                                                                                                                                                                                                  |       | +local_set_arfcn2                                                                                                                                                                                                                                                                                                                                                                                                                                                                                                                                                                                                                           |                                       |   |                                                                                                                                                                                                |
| 12                                                                                                                                                                                                                                                                                                                                                                                                                                                                                                  |       | (TCV_Fn1:=<br>OM_ComingFn(TCV_ch),<br>TCV_Null :=<br>OM_SendNextOn(TCV_ch,<br>TCV_Fn1), TCV_Fn1 :=<br>OC_FnInc(TCV_Fn1, 100))                                                                                                                                                                                                                                                                                                                                                                                                                                                                                                               |                                       |   |                                                                                                                                                                                                |
| 13                                                                                                                                                                                                                                                                                                                                                                                                                                                                                                  | body  | LIDL_DatRqHoCmd                                                                                                                                                                                                                                                                                                                                                                                                                                                                                                                                                                                                                             | HndOvSnd( TCV_ch,<br>HandOverCmd_nfh( |   | 2.                                                                                                                                                                                             |



|                           |      |                                                                                                                                                                                                                                                                                                                       |                                                                                                                                                                                                                                                  |    |  |
|---------------------------|------|-----------------------------------------------------------------------------------------------------------------------------------------------------------------------------------------------------------------------------------------------------------------------------------------------------------------------|--------------------------------------------------------------------------------------------------------------------------------------------------------------------------------------------------------------------------------------------------|----|--|
|                           |      |                                                                                                                                                                                                                                                                                                                       | '00001'B, TCV_ts,<br>TSPX_TscA, C_NCC,<br>C_BCC,<br>TCV_chdescr_arfcn,<br>TCV_tch_arfcn,<br>TCV_Horf,<br>TCV_Pwrlvl_ho,<br>Synchi(<br>C_not_report_otd,<br>C_synchronised),<br>ChMod_omit,<br>RelTmdDif_omit,<br>TimingAdv_omit,<br>CphMod_omit) |    |  |
| 14                        |      | +local_continue                                                                                                                                                                                                                                                                                                       |                                                                                                                                                                                                                                                  |    |  |
|                           |      | <b>local_continue</b>                                                                                                                                                                                                                                                                                                 |                                                                                                                                                                                                                                                  |    |  |
| 15                        |      | (TCV_ch := TCV_chTch, TCV_sacch :=<br>TCV_sacchTch)                                                                                                                                                                                                                                                                   |                                                                                                                                                                                                                                                  |    |  |
| 16                        |      | +RR_hocomp3( 650)                                                                                                                                                                                                                                                                                                     |                                                                                                                                                                                                                                                  |    |  |
| 17                        |      | +Timadv_Pwrlvl_chk( TSPX_k, TSPX_y,<br>TCV_Pwrlvl_ho)                                                                                                                                                                                                                                                                 |                                                                                                                                                                                                                                                  | 3. |  |
| 18                        |      | L?DL_DatInSetup (TCV_Mt1<br>:=DL_DatInSetup.msg.mt)                                                                                                                                                                                                                                                                   | SetupRcv(<br>SetupInd_01)                                                                                                                                                                                                                        |    |  |
| 19                        |      | +SendSeqNo_chk                                                                                                                                                                                                                                                                                                        |                                                                                                                                                                                                                                                  | 4. |  |
| 20                        | post | +ChanRel_end( TCV_ch)                                                                                                                                                                                                                                                                                                 |                                                                                                                                                                                                                                                  |    |  |
|                           |      | <b>local_set_arfcn2</b>                                                                                                                                                                                                                                                                                               |                                                                                                                                                                                                                                                  |    |  |
| 21                        |      | [TSPC_PGSM OR TSPC_EGSM]                                                                                                                                                                                                                                                                                              |                                                                                                                                                                                                                                                  |    |  |
| 22                        |      | (TCV_chdescr_arfcn := C_BCCHcarrierB_ho,<br>TCV_tch_arfcn := TSPX_TCHcarrierB_ho)                                                                                                                                                                                                                                     |                                                                                                                                                                                                                                                  |    |  |
| 23                        |      | [TSPC_DCS]                                                                                                                                                                                                                                                                                                            |                                                                                                                                                                                                                                                  |    |  |
| 24                        |      | (TCV_chdescr_arfcn := C_BCCHcarrierB_hod,<br>TCV_tch_arfcn := TSPX_TCHcarrierB_hod)                                                                                                                                                                                                                                   |                                                                                                                                                                                                                                                  |    |  |
|                           |      | <b>local_set_arfcn1</b>                                                                                                                                                                                                                                                                                               |                                                                                                                                                                                                                                                  |    |  |
| 25                        |      | [TSPC_PGSM OR TSPC_EGSM]                                                                                                                                                                                                                                                                                              |                                                                                                                                                                                                                                                  |    |  |
| 26                        |      | (TCV_tch_arfcn := TSPX_TCHcarrierA_ho)                                                                                                                                                                                                                                                                                |                                                                                                                                                                                                                                                  |    |  |
| 27                        |      | [TSPC_DCS]                                                                                                                                                                                                                                                                                                            |                                                                                                                                                                                                                                                  |    |  |
| 28                        |      | (TCV_tch_arfcn := TSPX_TCHcarrierA_hod)                                                                                                                                                                                                                                                                               |                                                                                                                                                                                                                                                  |    |  |
| <b>Detailed Comments:</b> |      | <ol style="list-style-type: none"> <li>1. To initiate a call and the last L2_frame with the Setup will not be acknowledged by the SS_L2.</li> <li>2. HO from SDCCH/8_FH to TCH/F_NoFH</li> <li>3. To check power level and timing advance in the L1 head</li> <li>4. To check the sending sequence number.</li> </ol> |                                                                                                                                                                                                                                                  |    |  |

| Test Case Dynamic Behaviour |       |                                                                                                                                                                                                                                                                                                                                                                                                                                                                                                                                                                       |          |   |          |
|-----------------------------|-------|-----------------------------------------------------------------------------------------------------------------------------------------------------------------------------------------------------------------------------------------------------------------------------------------------------------------------------------------------------------------------------------------------------------------------------------------------------------------------------------------------------------------------------------------------------------------------|----------|---|----------|
| <b>Test Case Name:</b>      |       | TC_26_6_5_5_1                                                                                                                                                                                                                                                                                                                                                                                                                                                                                                                                                         |          |   |          |
| <b>Group:</b>               |       | GSM_L3_MS_v4200/RR/                                                                                                                                                                                                                                                                                                                                                                                                                                                                                                                                                   |          |   |          |
| <b>Purpose:</b>             |       | To verify that when the MS is ordered to make a pre-synchronised handover to another cell, it sends 4 access bursts on the main DCCH and then activates the channel correctly and correctly calculates the time to transmit.                                                                                                                                                                                                                                                                                                                                          |          |   |          |
| <b>Default:</b>             |       | OtherEventsFail_01                                                                                                                                                                                                                                                                                                                                                                                                                                                                                                                                                    |          |   |          |
| Nr                          | Label | Behaviour Description                                                                                                                                                                                                                                                                                                                                                                                                                                                                                                                                                 | CRef     | V | Comments |
| 1                           |       | START T_guard(300)                                                                                                                                                                                                                                                                                                                                                                                                                                                                                                                                                    |          |   |          |
| 2                           |       | +BasicServiceMT( TSPX_MTBscSvcA, C_Full)                                                                                                                                                                                                                                                                                                                                                                                                                                                                                                                              |          |   |          |
| 3                           |       | (TCV_Pwrlvl_ho:= INT_TO_BIT( TSPX_PwrlvlA, 5))                                                                                                                                                                                                                                                                                                                                                                                                                                                                                                                        |          |   |          |
| 4                           |       | +IdleUpdated( C_E_default, C_CellA, C_SCH_A, C_BCCH_A_1, C_Immass, C_S0, C_SlotNU, C_SlotNU, C_SlotNU, C_BCC, C_TxInt_5, C_Max_7, C_NECl_0, C_ATT_0, TimingAdv( 30), C_BABR_0, C_cch_1Comb, C_BPM_3, C_T3212_0, C_ci_cellA, C_MCC_1, C_PLMN_1, C_LAC_1, CellOpt_01, CellChDes_02, CellChDes_03, C_CellReselectHys12, C_MaxPwrLvlG, C_MaxPwrLvlD, BcchFreqLst_01, BcchFreqLst_Omit, BcchFreqLst_48, BcchFreqLst_Omit, C_noRestablishment, C_BCC, C_NCC, C_Start_Tmsi, TSPX_SDCCH4SubC, TSPX_CKSNDf, TSPX_RANDDef, C_arfcnA, C_arfcnAd, TSPX_IMSI, C_Test_fh, C_NCCP_2) |          |   | 1.       |
| 5                           |       | +CCConfigTCH( TSPX_TCHHSubDef, C_Ass, TSPX_TmSlitDef, TSPX_TscDef, TimingAdv( 30), C_BABR_0, C_cch_1Comb, C_BPM_3, TCV_ChMod.mode, FreqTCH_omit, FreqTCH_omit, C_arfcn_tchA, C_arfcn_tchAd)                                                                                                                                                                                                                                                                                                                                                                           |          |   |          |
| 6                           |       | +StartCellB_ho( C_E_neighbourdefault, C_arfcnB, C_arfcnBd, C_Immass, TCV_slot, TCV_tsc, TimingAdv( 1), 5, 1, 0, 0, C_BABR_0, C_cch_1Comb, C_BPM_3, C_T3212_0, C_MCC_1, C_PLMN_1, C_LAC_1, CellChDes_04, CellChDes_03, BcchFreqLst_01, BcchFreqLst_48, C_noRestablishment, C_BCC, C_NCC, TSPX_k1, 0)                                                                                                                                                                                                                                                                   |          |   | 2.       |
| 7                           |       | +FullRateCh_B_1( C_Synho, TSPX_TmSlitC, TSPX_TscC, TCV_ChMod, FreqTCH( TSPX_TCHcarrierB), FreqTCH( TSPX_TCHcarrierBd), TimingAdv( 1), C_BABR_0, C_cch_1Comb, C_BPM_3)                                                                                                                                                                                                                                                                                                                                                                                                 |          |   |          |
| 8                           |       | (TCV_chTch := C_FACCHF_A_1, TCV_chTch1 := C_SACCHF_B_1)                                                                                                                                                                                                                                                                                                                                                                                                                                                                                                               |          |   |          |
| 9                           |       | +PreEnterCCstateU10_r01( TimingAdv( 30), TSPX_SDCCH4SubC, C_MaxPwrLvlG, C_MaxPwrLvlD, TSPX_CKSNDf, TSPX_RANDDef, TSPX_TmSlitDef, TSPX_TscDef, TSPX_TCHHSubDef, TCV_ChRate)                                                                                                                                                                                                                                                                                                                                                                                            |          |   | 3.       |
| 10                          |       | (TCV_Fn1 := OM_ComingFn(TCV_chTch), TCV_Null := OM_SendNextOn(TCV_chTch, TCV_Fn1))                                                                                                                                                                                                                                                                                                                                                                                                                                                                                    |          |   |          |
| 11                          | body  | +local_HoCMD                                                                                                                                                                                                                                                                                                                                                                                                                                                                                                                                                          |          |   | 4.       |
| 12                          |       | +local_continue                                                                                                                                                                                                                                                                                                                                                                                                                                                                                                                                                       |          |   |          |
| 13                          |       | <b>local_continue</b>                                                                                                                                                                                                                                                                                                                                                                                                                                                                                                                                                 |          |   |          |
| 14                          |       | (TCV_Cnt := 0)                                                                                                                                                                                                                                                                                                                                                                                                                                                                                                                                                        |          |   |          |
| 15                          |       | REPEAT local_hoacc(TCV_chTch1) UNTIL [TCV_Cnt = 4]                                                                                                                                                                                                                                                                                                                                                                                                                                                                                                                    |          |   |          |
| 16                          |       | (TCV_L1Head := OM_GetL1Hd( TCV_chTch1))                                                                                                                                                                                                                                                                                                                                                                                                                                                                                                                               |          |   |          |
| 16                          |       | L?DL_EstIn CANCEL T_dly1                                                                                                                                                                                                                                                                                                                                                                                                                                                                                                                                              | DLEstInD |   |          |

|    |            |                                                      |                                                                                                                                                                                                                                                                                                              |     |    |
|----|------------|------------------------------------------------------|--------------------------------------------------------------------------------------------------------------------------------------------------------------------------------------------------------------------------------------------------------------------------------------------------------------|-----|----|
| 17 |            | L?DL_DatInHoCom( TCV_Fn :=<br>DL_DatInHoCom.fn)      | TCV_chTch1)<br>HndOvCmpRcv(<br>TCV_chTch1,<br>HandOverCmp_01)                                                                                                                                                                                                                                                |     |    |
| 18 | L_022<br>9 | [TCV_L1Head.ta = '000001'B]                          |                                                                                                                                                                                                                                                                                                              | (P) | 5. |
| 19 |            | +localtree_hotime(650)                               |                                                                                                                                                                                                                                                                                                              |     |    |
| 20 |            | +PostMainLinkRel( TCV_chTch1)                        |                                                                                                                                                                                                                                                                                                              |     |    |
| 21 | L_023<br>0 | [TCV_L1Head.ta <> '000001'B]                         |                                                                                                                                                                                                                                                                                                              | (F) |    |
| 22 |            | +PostMainLinkRel( TCV_chTch1)                        |                                                                                                                                                                                                                                                                                                              |     |    |
|    |            | <b>local_hoacc(ch:LOGICCH)</b>                       |                                                                                                                                                                                                                                                                                                              |     |    |
| 23 |            | (TCV_HoaccPara := OM_GetHoaccPara(ch))               |                                                                                                                                                                                                                                                                                                              |     |    |
| 24 |            | L?DL_RaInHoacc( TCV_Hrf :=<br>DL_RaInHoacc.msg.horf) | HndOvAccRcv( ch,<br>HandOverAcc_01)                                                                                                                                                                                                                                                                          |     |    |
| 25 | L_023<br>1 | [TCV_Hrf <> TSPX_HoRefD]                             |                                                                                                                                                                                                                                                                                                              | (F) |    |
| 26 | L_023<br>2 | [TCV_Hrf = TSPX_HoRefD]                              |                                                                                                                                                                                                                                                                                                              | (P) | 6. |
| 27 | L_023<br>3 | [TCV_L1Head.ta = '000000'B]                          |                                                                                                                                                                                                                                                                                                              | (P) |    |
| 28 | L_023<br>4 | [TCV_L1Head.mspwrlvl = '01000'B]                     |                                                                                                                                                                                                                                                                                                              | (P) | 7. |
| 29 |            | (TCV_Cnt := TCV_Cnt + 1)                             |                                                                                                                                                                                                                                                                                                              |     |    |
| 30 | L_023<br>5 | [TCV_L1Head.mspwrlvl <> '01000'B]                    |                                                                                                                                                                                                                                                                                                              | (F) |    |
| 31 | L_023<br>6 | [TCV_L1Head.ta <> '000000'B]                         |                                                                                                                                                                                                                                                                                                              | (F) |    |
|    |            | <b>local_HoCMD</b>                                   |                                                                                                                                                                                                                                                                                                              |     |    |
| 32 |            | (TCV_Tchtype := '00001'B)                            |                                                                                                                                                                                                                                                                                                              |     |    |
| 33 |            | [TSPC_PGSM OR TSPC_EGSM]                             |                                                                                                                                                                                                                                                                                                              |     |    |
| 34 |            | LIDL_DatRqHoCmd                                      | HndOvSnd(<br>TCV_chTch,<br>HandOverCmd_nfh(<br>TCV_Tchtype,<br>TSPX_TmSlTc,<br>TSPX_TscC, C_NCC,<br>C_BCC, C_arfcnB,<br>TSPX_TCHcarrierB,<br>TSPX_HoRefD,<br>TCV_Pwrlvl_ho,<br>Synchi(<br>C_not_report_otd,<br>C_pre_synchronised),<br>ChMod_omit,<br>RelTmdDif_omit,<br>TimingAdv_omit,<br>CphMod_02iei))   |     |    |
| 35 |            | [TSPC_DCS]                                           |                                                                                                                                                                                                                                                                                                              |     |    |
| 36 |            | LIDL_DatRqHoCmd                                      | HndOvSnd(<br>TCV_chTch,<br>HandOverCmd_nfh(<br>TCV_Tchtype,<br>TSPX_TmSlTc,<br>TSPX_TscC, C_NCC,<br>C_BCC, C_arfcnBd,<br>TSPX_TCHcarrierBd,<br>TSPX_HoRefD,<br>TCV_Pwrlvl_ho,<br>Synchi(<br>C_not_report_otd,<br>C_pre_synchronised),<br>ChMod_omit,<br>RelTmdDif_omit,<br>TimingAdv_omit,<br>CphMod_02iei)) |     |    |
|    |            | <b>localtree_hotime(time:INTEGER)</b>                |                                                                                                                                                                                                                                                                                                              |     |    |
| 37 |            | +FnArith( TCV_Fn1, TCV_Fn)                           |                                                                                                                                                                                                                                                                                                              |     |    |
| 38 | L_023      | [TCV_Time > time]                                    |                                                                                                                                                                                                                                                                                                              | (F) |    |

|                           |            |                                                                                                                                                                                                                                                                                                                                                                                                                                                                       |  |     |
|---------------------------|------------|-----------------------------------------------------------------------------------------------------------------------------------------------------------------------------------------------------------------------------------------------------------------------------------------------------------------------------------------------------------------------------------------------------------------------------------------------------------------------|--|-----|
| 39                        | 7          |                                                                                                                                                                                                                                                                                                                                                                                                                                                                       |  |     |
| 40                        | L_023<br>8 | +ChanRel(TCV_chTch1)<br>[TCV_Time <= time]                                                                                                                                                                                                                                                                                                                                                                                                                            |  | (P) |
| <b>Detailed Comments:</b> |            | <ol style="list-style-type: none"><li>1. To setup BCCH, CCCH, SDCCH4 and a full rate traffic channel for cell A.</li><li>2. To setup BCCH, CCCH, SDCCH4 and a full rate traffic channel for cell B.</li><li>3. To bring the MS into the U10 state.</li><li>4. Pre-synch handover without TA IE.</li><li>5. The received timing advance is 1 bit period, pass.</li><li>6. The received handover reference is correct.</li><li>7. The power level is correct.</li></ol> |  |     |

| Test Case Dynamic Behaviour |       |                                                                                                                                                                                                                                                                                                                                                                                                                                                                                                                                                                             |                                                                                                                              |   |          |
|-----------------------------|-------|-----------------------------------------------------------------------------------------------------------------------------------------------------------------------------------------------------------------------------------------------------------------------------------------------------------------------------------------------------------------------------------------------------------------------------------------------------------------------------------------------------------------------------------------------------------------------------|------------------------------------------------------------------------------------------------------------------------------|---|----------|
| <b>Test Case Name:</b>      |       | TC_26_6_5_5_2                                                                                                                                                                                                                                                                                                                                                                                                                                                                                                                                                               |                                                                                                                              |   |          |
| <b>Group:</b>               |       | GSM_L3_MS_v4200/RR/                                                                                                                                                                                                                                                                                                                                                                                                                                                                                                                                                         |                                                                                                                              |   |          |
| <b>Purpose:</b>             |       | To test that when the MS is ordered to make a pre-synchronised handover to another cell, it sends 4 access bursts on the main DCCH and then activates the channel correctly and correctly calculates the time to transmit. To test that the MS correctly retransmits Layer 3 MM or CC messages that were not acknowledged by Layer 2 before the Handover, after completion of the Handover. To test that the MS correctly reports on the time difference between the cells.                                                                                                 |                                                                                                                              |   |          |
| <b>Default:</b>             |       | OtherEventsFail_01                                                                                                                                                                                                                                                                                                                                                                                                                                                                                                                                                          |                                                                                                                              |   |          |
| Nr                          | Label | Behaviour Description                                                                                                                                                                                                                                                                                                                                                                                                                                                                                                                                                       | Cref                                                                                                                         | V | Comments |
| 1                           |       | START T_guard(300)                                                                                                                                                                                                                                                                                                                                                                                                                                                                                                                                                          |                                                                                                                              |   |          |
| 2                           |       | +BasicServiceMO( TSPX_MOBscSvcJ, C_Full)                                                                                                                                                                                                                                                                                                                                                                                                                                                                                                                                    |                                                                                                                              |   |          |
| 3                           |       | (TCV_Pwrlvl_ho:= INT_TO_BIT( TSPX_PwrlvlA, 5))                                                                                                                                                                                                                                                                                                                                                                                                                                                                                                                              |                                                                                                                              |   |          |
| 4                           |       | +IdleUpdated( C_E_default, C_CellA, C_SCH_A, C_BCCH_A_1, C_ImmAss, C_S0, C_SlotNU, C_SlotNU, C_SlotNU, C_BCC, C_TxInt_5, C_Max_7, C_NECl_0, C_ATT_0, TimingAdv( TSPX_y), C_BABR_0, C_cch_1Comb, C_BPM_3, C_T3212_0, C_ci_cellA, C_MCC_1, C_PLMN_1, C_LAC_1, CellOpt_01, CellChDes_02, CellChDes_03, C_CellReselectHys12, C_MaxPwrLvlG, C_MaxPwrLvlD, BcchFreqLst_01, BcchFreqLst_Omit, BcchFreqLst_48, BcchFreqLst_Omit, C_noRestablishment, C_BCC, C_NCC, C_Start_Tmsi, TSPX_SDCCH4SubB, TSPX_CKSNDDef, TSPX_RANDDef, C_arfcnA, C_arfcnAd, TSPX_IMSI, C_Test_fh, C_NCCP_2) |                                                                                                                              |   | 1.       |
| 5                           |       | +CCConfigTCH( TSPX_TCHHSubDef, C_Ass, TSPX_TmSlitDef, TSPX_TscDef, TimingAdv( TSPX_y), C_BABR_0, C_cch_1Comb, C_BPM_3, TCV_ChMod.mode, FreqTCH_omit, FreqTCH_omit, C_arfcn_tchA, C_arfcn_tchAd)                                                                                                                                                                                                                                                                                                                                                                             |                                                                                                                              |   |          |
| 6                           |       | +StartCellB_ho( C_E_neighbourdefault, C_arfcnB, C_arfcnBd, C_ImmAss, TCV_slot, TCV_tsc, TimingAdv( 9), C_TxInt_5, C_Max_1, C_NECl_0, C_ATT_0, C_BABR_0, C_cch_1Comb, C_BPM_3, C_T3212_0, C_MCC_1, C_PLMN_1, C_LAC_1, CellChDes_04, CellChDes_03, BcchFreqLst_01, BcchFreqLst_48, C_noRestablishment, C_BCC, C_NCC, TSPX_k1, 0)                                                                                                                                                                                                                                              |                                                                                                                              |   | 2.       |
| 7                           |       | +FullRateCh_B_1( C_Synho, TSPX_TmSlitC, TSPX_TscC, TCV_ChMod, FreqTCH( TSPX_TCHcarrierB), FreqTCH( TSPX_TCHcarrierBd), TimingAdv( 9), C_BABR_0, C_cch_1Comb, C_BPM_3)                                                                                                                                                                                                                                                                                                                                                                                                       |                                                                                                                              |   |          |
| 8                           |       | (TCV_chTch := C_FACCHF_A_1, TCV_chTch1 := C_SACCHF_B_1)                                                                                                                                                                                                                                                                                                                                                                                                                                                                                                                     |                                                                                                                              |   |          |
| 9                           | body  | +InitCall(TCV_Service)                                                                                                                                                                                                                                                                                                                                                                                                                                                                                                                                                      |                                                                                                                              |   |          |
| 10                          |       | L?DL_RaInChRq (TCV_Rr := DL_RaInChRq.msg.ecau_rrf, TCV_Fn := DL_RaInChRq.fn)                                                                                                                                                                                                                                                                                                                                                                                                                                                                                                | ChReq( ChRequest_02)                                                                                                         |   |          |
| 11                          |       | !DL_UdatRqImmAss                                                                                                                                                                                                                                                                                                                                                                                                                                                                                                                                                            | ImmAss( TCV_agch, ImmAsgn_01Def( TCV_Rr, TCV_Fn, TSPX_SDCCH4SubB, TCV_slot, TCV_tsc, TCV_chdescr_arfcn, TimingAdv( TSPX_y))) |   | 3.       |
| 12                          |       | L?DL_EstInCmsRq                                                                                                                                                                                                                                                                                                                                                                                                                                                                                                                                                             | CMSerReq( CMSerReq_01)                                                                                                       |   |          |
| 13                          |       | (TCV_Null := OM_NoL2Ack(2, TCV_ch))                                                                                                                                                                                                                                                                                                                                                                                                                                                                                                                                         |                                                                                                                              |   |          |
| 14                          |       | +Ciphering_on( TCV_ch)                                                                                                                                                                                                                                                                                                                                                                                                                                                                                                                                                      |                                                                                                                              |   |          |

|    |            |                                                                                                                                   |                                                                                                                                                                                                                                                                                                  |     |
|----|------------|-----------------------------------------------------------------------------------------------------------------------------------|--------------------------------------------------------------------------------------------------------------------------------------------------------------------------------------------------------------------------------------------------------------------------------------------------|-----|
| 15 |            | +localtree1                                                                                                                       |                                                                                                                                                                                                                                                                                                  |     |
|    |            | <b>localtree1</b>                                                                                                                 |                                                                                                                                                                                                                                                                                                  |     |
| 16 |            | L?DL_DatInSetup (TCV_Mt<br>:=DL_DatInSetup.msg.mt)                                                                                | SetupRcv(<br>SetupInd_01)                                                                                                                                                                                                                                                                        |     |
| 17 |            | (TCV_Fn1 := OM_ComingFn(TCV_ch), TCV_Null :=<br>OM_SendNextOn( TCV_ch, TCV_Fn1))                                                  |                                                                                                                                                                                                                                                                                                  |     |
| 18 |            | +local_hoCMD                                                                                                                      |                                                                                                                                                                                                                                                                                                  |     |
| 19 |            | +Varinit_fix( C_CellB, C_LAC_1,<br>TSPX_SDCCH4SubDef, TSPX_CKSNDf,<br>TSPX_RANDDef, C_arfcnB, C_arfcnBd,<br>TCV_Ccd0B, TSPX_IMSI) |                                                                                                                                                                                                                                                                                                  |     |
| 20 |            | +localtree2( TCV_ch)                                                                                                              |                                                                                                                                                                                                                                                                                                  |     |
| 21 |            | L?DL_EstIn                                                                                                                        | DLEstInd(<br>TCV_chTch1)                                                                                                                                                                                                                                                                         |     |
| 22 |            | (TCV_L1Head := OM_GetL1Hd(<br>TCV_chTch1))                                                                                        |                                                                                                                                                                                                                                                                                                  |     |
| 23 | L_023<br>9 | L?DL_DatInHoCom( TCV_Fn :=<br>DL_DatInHoCom.fn)                                                                                   | HndOvCmpRcv(<br>TCV_ch,<br>HandOverCmp_03(T<br>SPX_y, TSPX_k1))                                                                                                                                                                                                                                  | (P) |
| 24 | L_024<br>0 | [TCV_L1Head.ta <>'0001001'B]                                                                                                      |                                                                                                                                                                                                                                                                                                  | (F) |
| 25 |            | +PostMainLinkRel( TCV_ch)                                                                                                         |                                                                                                                                                                                                                                                                                                  |     |
| 26 | L_024<br>1 | [TCV_L1Head.ta = '0001001'B]                                                                                                      |                                                                                                                                                                                                                                                                                                  | (P) |
| 27 |            | +localtree_hotime(650)                                                                                                            |                                                                                                                                                                                                                                                                                                  |     |
| 28 |            | L?DL_DatInSetup (TCV_Mt1 :=<br>DL_DatInSetup.msg.mt)                                                                              | SetupRcv(<br>SetupInd_01)                                                                                                                                                                                                                                                                        |     |
| 29 | L_024<br>2 | [TCV_Mt1 <> TCV_Mt]                                                                                                               |                                                                                                                                                                                                                                                                                                  | (F) |
| 30 |            | +PostMainLinkRel(<br>TCV_chTch1)                                                                                                  |                                                                                                                                                                                                                                                                                                  |     |
| 31 | L_024<br>3 | [TCV_Mt1 = TCV_Mt]                                                                                                                |                                                                                                                                                                                                                                                                                                  | (P) |
| 32 |            | +PostMainLinkRel( TCV_ch)                                                                                                         |                                                                                                                                                                                                                                                                                                  |     |
|    |            | <b>localtree2(ch:LOGICCH)</b>                                                                                                     |                                                                                                                                                                                                                                                                                                  |     |
| 33 |            | (TCV_Cnt := 0)                                                                                                                    |                                                                                                                                                                                                                                                                                                  |     |
| 34 |            | REPEAT localtree3(ch) UNTIL [TCV_Cnt = 4]                                                                                         |                                                                                                                                                                                                                                                                                                  |     |
|    |            | <b>localtree3(ch:LOGICCH)</b>                                                                                                     |                                                                                                                                                                                                                                                                                                  |     |
| 35 |            | (TCV_HoaccPara := OM_GetHoaccPara(ch))                                                                                            |                                                                                                                                                                                                                                                                                                  |     |
| 36 |            | L?DL_RaInHoacc (TCV_Hrf :=<br>DL_RaInHoacc.msg.horf)                                                                              | HndOvAccRcv( ch,<br>HandOverAcc_01)                                                                                                                                                                                                                                                              |     |
| 37 | L_024<br>4 | [TCV_Hrf <> TSPX_HoRefF]                                                                                                          |                                                                                                                                                                                                                                                                                                  | F   |
| 38 | L_024<br>5 | [TCV_Hrf = TSPX_HoRefF]                                                                                                           |                                                                                                                                                                                                                                                                                                  | (P) |
| 39 |            | (TCV_Cnt := TCV_Cnt + 1)                                                                                                          |                                                                                                                                                                                                                                                                                                  |     |
|    |            | <b>local_hoCMD</b>                                                                                                                |                                                                                                                                                                                                                                                                                                  |     |
| 40 |            | (TCV_Tchtype := '00001'B)                                                                                                         |                                                                                                                                                                                                                                                                                                  |     |
| 41 |            | [TSPC_PGSM OR TSPC_EGSM]                                                                                                          |                                                                                                                                                                                                                                                                                                  |     |
| 42 |            | L!DL_DatRqHoCmd                                                                                                                   | HndOvSnd( TCV_ch,<br>HandOverCmd_nfh(<br>TCV_Tchtype,<br>TSPX_TmSlitC,<br>TSPX_TscC, C_NCC,<br>C_BCC, C_arfcnB,<br>TSPX_TCHcarrierB,<br>TSPX_HoRefF,<br>TCV_PwrIvl_ho,<br>Synchi( C_report_otd,<br>C_pre_synchronised),<br>ChMod_omit,<br>RelTmdDif_omit,<br>TimingAdv_iei( 9),<br>CphMod_omit)) |     |
| 43 |            | [TSPC_DCS]                                                                                                                        |                                                                                                                                                                                                                                                                                                  |     |

|                           |            |                                                                                                                                                                                                                                                 |                                                                                                                                                                                                                                                                                                    |     |
|---------------------------|------------|-------------------------------------------------------------------------------------------------------------------------------------------------------------------------------------------------------------------------------------------------|----------------------------------------------------------------------------------------------------------------------------------------------------------------------------------------------------------------------------------------------------------------------------------------------------|-----|
| 44                        |            | L!DL_DatRqHoCmd                                                                                                                                                                                                                                 | HndOvSnd( TCV_ch,<br>HandOverCmd_nfh(<br>TCV_Tchtype,<br>TSPX_TmSlitC,<br>TSPX_TscC, C_NCC,<br>C_BCC, C_arfcnBd,<br>TSPX_TCHcarrierBd,<br>TSPX_HoRefF,<br>TCV_Pwrlvl_ho,<br>Synchi( C_report_otd,<br>C_pre_synchronised),<br>ChMod_omit,<br>RelTmdDif_omit,<br>TimingAdv_iei( 9),<br>CphMod_omit)) |     |
| 45                        |            | <b>localtree_hotime(time:INTEGER)</b><br>+FnArith( TCV_Fn1, TCV_Fn)                                                                                                                                                                             |                                                                                                                                                                                                                                                                                                    |     |
| 46                        | L_024<br>6 | [TCV_Time > time]                                                                                                                                                                                                                               |                                                                                                                                                                                                                                                                                                    | (F) |
| 47                        |            | +ChanRel(TCV_ch)                                                                                                                                                                                                                                |                                                                                                                                                                                                                                                                                                    |     |
| 48                        | L_024<br>7 | [TCV_Time <= time]                                                                                                                                                                                                                              |                                                                                                                                                                                                                                                                                                    | (P) |
| <b>Detailed Comments:</b> |            | <ol style="list-style-type: none"> <li>1. Cell A with BCCH, CCCH, SDCCH4 and a traffic channel.</li> <li>2. Cell B with BCCH, CCCH, SDCCH4 and a traffic channel. The BCCH of cell B is TSPX_k bit periods after the BCCH of cell A.</li> </ol> |                                                                                                                                                                                                                                                                                                    |     |

## Test Case Dynamic Behaviour

|                        |                                                                                                                                                                                                                                                                                                            |
|------------------------|------------------------------------------------------------------------------------------------------------------------------------------------------------------------------------------------------------------------------------------------------------------------------------------------------------|
| <b>Test Case Name:</b> | TC_26_6_5_6                                                                                                                                                                                                                                                                                                |
| <b>Group:</b>          | GSM_L3_MS_v4200/RR/                                                                                                                                                                                                                                                                                        |
| <b>Purpose:</b>        | To test that when the MS is ordered to make a pseudo synchronised handover to another cell, it sends 4 access bursts on the main DCCH and then activates the channel correctly and correctly calculates the time to transmit. To test that the MS correctly reports the time difference between the cells. |
| <b>Default:</b>        | OtherEventsFail_01                                                                                                                                                                                                                                                                                         |

| Nr | Label | Behaviour Description                                                                                                                                                                                                                                                                                                                                                                                                                                                                                                                                                        | CRef                 | V | Comments |
|----|-------|------------------------------------------------------------------------------------------------------------------------------------------------------------------------------------------------------------------------------------------------------------------------------------------------------------------------------------------------------------------------------------------------------------------------------------------------------------------------------------------------------------------------------------------------------------------------------|----------------------|---|----------|
| 1  |       | START T_guard(300)                                                                                                                                                                                                                                                                                                                                                                                                                                                                                                                                                           |                      |   |          |
| 2  |       | +BasicServiceMT( TSPX_MTBscSvcC, C_Full)                                                                                                                                                                                                                                                                                                                                                                                                                                                                                                                                     |                      |   |          |
| 3  |       | (TCV_Pwrlvl_ho:= INT_TO_BIT( TSPX_PwrlvlA, 5))                                                                                                                                                                                                                                                                                                                                                                                                                                                                                                                               |                      |   |          |
| 4  |       | +IdleUpdated( C_E_default, C_CellA, C_SCH_A, C_BCCH_A_1, C_Immass, C_S0, C_SlotNU, C_SlotNU, C_SlotNU, C_BCC, C_TxInt_5, C_Max_7, C_NECI_0, C_ATT_0, TimingAdv( TSPX_y2), C_BABR_0, C_cch_1Comb, C_BPM_3, C_T3212_0, C_ci_cellA, C_MCC_1, C_PLMN_1, C_LAC_1, CellOpt_01, CellChDes_02, CellChDes_03, C_CellReselectHys12, C_MaxPwrLvlG, C_MaxPwrLvlD, BcchFreqLst_01, BcchFreqLst_Omit, BcchFreqLst_48, BcchFreqLst_Omit, C_noRestablishment, C_BCC, C_NCC, C_Start_Tmsi, TSPX_SDCCH4SubDef, TSPX_CKSNDf, TSPX_RANDDef, C_arfcnA, C_arfcnAd, TSPX_IMSI, C_Test_fh, C_NCCP_2) |                      |   | 1.       |
| 5  |       | +CCConfigTCH( TSPX_TCHHSubDef, C_Ass, TSPX_TmSlitDef, TSPX_TscDef, TimingAdv( TSPX_y2), C_BABR_0, C_cch_1Comb, C_BPM_3, TCV_ChMod.mode, FreqTCH_omit, FreqTCH_omit, C_arfcn_tchA, C_arfcn_tchAd)                                                                                                                                                                                                                                                                                                                                                                             |                      |   |          |
| 6  |       | (TCV_temp := TSPX_y2 - 10)                                                                                                                                                                                                                                                                                                                                                                                                                                                                                                                                                   |                      |   |          |
| 7  |       | +StartCellB_ho( C_E_neighbourdefault, C_arfcnB, C_arfcnBd, C_Immass, TCV_slot, TCV_tsc, TimingAdv( TCV_temp), C_TxInt_5, C_Max_1, C_NECI_0, C_ATT_0, C_BABR_0, C_cch_1Comb, C_BPM_3, C_T3212_0, C_MCC_1, C_PLMN_1, C_LAC_1, CellChDes_04, CellChDes_03, BcchFreqLst_01, BcchFreqLst_48, C_noRestablishment, C_BCC, C_NCC, TSPX_k2, 0)                                                                                                                                                                                                                                        |                      |   | 2.       |
| 8  |       | +FullRateCh_B_1( C_Ass, TSPX_TmSlitC, TSPX_TscC, TCV_ChMod, FreqTCH( TSPX_TCHcarrierB), FreqTCH( TSPX_TCHcarrierBd), TimingAdv( TCV_temp), C_BABR_0, C_cch_1Comb, C_BPM_3)                                                                                                                                                                                                                                                                                                                                                                                                   |                      |   |          |
| 9  |       | (TCV_chTch := C_FACCHF_A_1, TCV_chTch1 := C_SACCHF_B_1)                                                                                                                                                                                                                                                                                                                                                                                                                                                                                                                      |                      |   |          |
| 10 |       | +PreEnterCCstateU10_r01( TimingAdv( TSPX_y2), TSPX_SDCCH4SubDef, 0, 3, TSPX_CKSNDf, TSPX_RANDDef, TSPX_TmSlitDef, TSPX_TscDef, TSPX_TCHHSubDef, TCV_ChRate)                                                                                                                                                                                                                                                                                                                                                                                                                  |                      |   | 3.       |
| 11 |       | +local_HoCMD                                                                                                                                                                                                                                                                                                                                                                                                                                                                                                                                                                 |                      |   | 4.       |
| 12 |       | +localtree(TCV_chTch1)                                                                                                                                                                                                                                                                                                                                                                                                                                                                                                                                                       |                      |   |          |
| 13 |       | +localtree1                                                                                                                                                                                                                                                                                                                                                                                                                                                                                                                                                                  |                      |   |          |
|    |       | <b>localtree1</b>                                                                                                                                                                                                                                                                                                                                                                                                                                                                                                                                                            |                      |   |          |
| 14 |       | (TCV_L1Head := OM_GetL1Hd(TCV_chTch1))                                                                                                                                                                                                                                                                                                                                                                                                                                                                                                                                       |                      |   |          |
| 15 |       | L?DL_EstIn CANCEL T_dly1                                                                                                                                                                                                                                                                                                                                                                                                                                                                                                                                                     | DLEstIn( TCV_chTch1) |   |          |



|                               |            |                                                            |                                                                                                                                                                                                                                                                 |        |
|-------------------------------|------------|------------------------------------------------------------|-----------------------------------------------------------------------------------------------------------------------------------------------------------------------------------------------------------------------------------------------------------------|--------|
| 16                            |            | L?DL_DatInHoCom (TCV_Td := DL_DatInHoCom.msg.motdif.value) | HndOvCmpRcv(TCV_chTch1, HandOverCmp_03(TSPX_y2, TSPX_k2))                                                                                                                                                                                                       | 5.     |
| 17                            | L_024<br>8 | [TCV_L1Head.ta = INT_TO_BIT((TSPX_y2 - 10), 6)]            |                                                                                                                                                                                                                                                                 | (P) 6. |
| 18                            |            | +PostMainLinkRel(TCV_chTch1)                               |                                                                                                                                                                                                                                                                 |        |
| 19                            | L_024<br>9 | [TCV_L1Head.ta <> INT_TO_BIT((TSPX_y2 - 10), 6)]           |                                                                                                                                                                                                                                                                 | (F)    |
| 20                            |            | +PostMainLinkRel(TCV_chTch1)                               |                                                                                                                                                                                                                                                                 |        |
| 21                            | L_025<br>0 | ?TIMEOUT T_dly1                                            |                                                                                                                                                                                                                                                                 | F      |
| <b>localtree(ch:LOGICCH)</b>  |            |                                                            |                                                                                                                                                                                                                                                                 |        |
| 22                            |            | (TCV_Cnt := 0)                                             |                                                                                                                                                                                                                                                                 |        |
| 23                            |            | REPEAT localtree2(ch) UNTIL [TCV_Cnt = 4]                  |                                                                                                                                                                                                                                                                 |        |
| <b>localtree2(ch:LOGICCH)</b> |            |                                                            |                                                                                                                                                                                                                                                                 |        |
| 24                            |            | (TCV_HoaccPara := OM_GetHoaccPara(ch))                     |                                                                                                                                                                                                                                                                 |        |
| 25                            |            | L?DL_RaInHoacc (TCV_Hrf := DL_RaInHoacc.msg.horf)          | HndOvAccRcv( ch, HandOverAcc_01)                                                                                                                                                                                                                                |        |
| 26                            | L_025<br>1 | [TCV_Hrf <> TSPX_HoRefH]                                   |                                                                                                                                                                                                                                                                 | F      |
| 27                            | L_025<br>2 | [TCV_Hrf = TSPX_HoRefH]                                    |                                                                                                                                                                                                                                                                 | (P)    |
| 28                            | L_025<br>3 | [TCV_L1Head.ta = '000000'B]                                |                                                                                                                                                                                                                                                                 | (P)    |
| 29                            | L_025<br>4 | [TCV_L1Head.mspwrlvl = '01010'B]                           |                                                                                                                                                                                                                                                                 | (P)    |
| 30                            |            | (TCV_Cnt := TCV_Cnt + 1)                                   |                                                                                                                                                                                                                                                                 |        |
| 31                            | L_025<br>5 | [TCV_L1Head.mspwrlvl <> '01010'B]                          |                                                                                                                                                                                                                                                                 | F      |
| 32                            | L_025<br>6 | [TCV_L1Head.ta <> '000000'B]                               |                                                                                                                                                                                                                                                                 | F      |
| <b>local_HoCMD</b>            |            |                                                            |                                                                                                                                                                                                                                                                 |        |
| 33                            |            | (TCV_Tchtype := '00001'B)                                  |                                                                                                                                                                                                                                                                 |        |
| 34                            |            | [TSPC_PGSM OR TSPC_EGSM]                                   |                                                                                                                                                                                                                                                                 |        |
| 35                            |            | LIDL_DatRqHoCmd START T_dly1(650)                          | HndOvSnd(TCV_chTch, HandOverCmd_nfh(TCV_Tchtype, TSPX_TmSlTc, TSPX_TscC, C_NCC, C_BCC, C_arfcnB, TSPX_TCHcarrierB, TSPX_HoRefH, TCV_Pwrlvl_ho, Synchi(C_report_otd, C_pseudo_synchronised), ChMod_omit, RelTmdDif_01(TSPX_k2), TimingAdv_omit, CphMod_02iei))   |        |
| 36                            |            | [TSPC_DCS]                                                 |                                                                                                                                                                                                                                                                 |        |
| 37                            |            | LIDL_DatRqHoCmd START T_dly1(650)                          | HndOvSnd(TCV_chTch, HandOverCmd_nfh(TCV_Tchtype, TSPX_TmSlTc, TSPX_TscC, C_NCC, C_BCC, C_arfcnBd, TSPX_TCHcarrierBd, TSPX_HoRefH, TCV_Pwrlvl_ho, Synchi(C_report_otd, C_pseudo_synchronised), ChMod_omit, RelTmdDif_01(TSPX_k2), TimingAdv_omit, CphMod_02iei)) |        |

Detailed Comments:

1. Cell A with BCCH, CCCH, SDCCH4 and a traffic channel.

2. Cell B with BCCH, CCCH, SDCCH4 and a traffic channel.
3. In cell A the timing advance =  $TSPX\_y2$ .
4. pseudo-synch,  $rot = 1$ ,  $nc1 = 0$ , real time difference =  $2 * TSPX\_k2 + 10$ ., handover reference =  $TSPX\_HoRefH$ .
5. The Mobile Time Difference =  $(2 * TSPX\_k2 + TSPX\_y2) \bmod 2\ 097\ 152$  with tolerance of 2.
6. The time advance is correct.

| Test Case Dynamic Behaviour |       |                                                                                                                                                                                                                                                                                                                                                                                                                                                                                                                                                                              |                                                            |   |          |
|-----------------------------|-------|------------------------------------------------------------------------------------------------------------------------------------------------------------------------------------------------------------------------------------------------------------------------------------------------------------------------------------------------------------------------------------------------------------------------------------------------------------------------------------------------------------------------------------------------------------------------------|------------------------------------------------------------|---|----------|
| <b>Test Case Name:</b>      |       | TC_26_6_5_7                                                                                                                                                                                                                                                                                                                                                                                                                                                                                                                                                                  |                                                            |   |          |
| <b>Group:</b>               |       | GSM_L3_MS_v4200/RR/                                                                                                                                                                                                                                                                                                                                                                                                                                                                                                                                                          |                                                            |   |          |
| <b>Purpose:</b>             |       | To verify that when the MS is ordered to make a non-synchronised handover to another cell and is ordered to report on the time difference between the cells, that it does so correctly.                                                                                                                                                                                                                                                                                                                                                                                      |                                                            |   |          |
| <b>Default:</b>             |       | OtherEventsFail_01                                                                                                                                                                                                                                                                                                                                                                                                                                                                                                                                                           |                                                            |   |          |
| Nr                          | Label | Behaviour Description                                                                                                                                                                                                                                                                                                                                                                                                                                                                                                                                                        | CRef                                                       | V | Comments |
| 1                           |       | START T_guard(300)                                                                                                                                                                                                                                                                                                                                                                                                                                                                                                                                                           |                                                            |   |          |
| 2                           |       | +BasicServiceMT( TSPX_MTBscSvcD, C_Full)                                                                                                                                                                                                                                                                                                                                                                                                                                                                                                                                     |                                                            |   |          |
| 3                           |       | (TCV_Pwrlvl_ho:= INT_TO_BIT( TSPX_PwrlvlA, 5))                                                                                                                                                                                                                                                                                                                                                                                                                                                                                                                               |                                                            |   |          |
| 4                           |       | +IdleUpdated( C_E_default, C_CellA, C_SCH_A, C_BCCH_A_1, C_Immass, C_S0, C_SlotNU, C_SlotNU, C_SlotNU, C_BCC, C_TxInt_5, C_Max_7, C_NECL_0, C_ATT_0, TimingAdv( TSPX_y3), C_BABR_0, C_cch_1Comb, C_BPM_3, C_T3212_0, C_ci_cellA, C_MCC_1, C_PLMN_1, C_LAC_1, CellOpt_01, CellChDes_02, CellChDes_03, C_CellReselectHys12, C_MaxPwrLvlG, C_MaxPwrLvlD, BcchFreqLst_01, BcchFreqLst_Omit, BcchFreqLst_48, BcchFreqLst_Omit, C_noRestablishment, C_BCC, C_NCC, C_Start_Tmsi, TSPX_SDCCH4SubDef, TSPX_CKSNDf, TSPX_RANDDef, C_arfcnA, C_arfcnAd, TSPX_IMSI, C_Test_fh, C_NCCP_2) |                                                            |   | 1.       |
| 5                           |       | +CCConfigTCH( TSPX_TCHHSubDef, C_Ass, TSPX_TmSlitDef, TSPX_TscDef, TimingAdv( TSPX_y3), C_BABR_0, C_cch_1Comb, C_BPM_3, TCV_ChMod.mode, FreqTCH_omit, FreqTCH_omit, C_arfcn_tchA, C_arfcn_tchAd)                                                                                                                                                                                                                                                                                                                                                                             |                                                            |   |          |
| 6                           |       | +StartCellB_ho( C_E_neighbourdefault, C_arfcnB, C_arfcnBd, C_Immass, TCV_slot, TCV_tsc, TimingAdv( 20), C_TxInt_5, C_Max_1, C_NECL_0, C_ATT_0, C_BABR_0, C_cch_1Comb, C_BPM_3, C_T3212_0, C_MCC_9, C_PLMN_2, C_LAC_spe, CellChDes_04, CellChDes_03, BcchFreqLst_01, BcchFreqLst_48, C_noRestablishment, C_BCC, C_NCC, TSPX_k3, 0)                                                                                                                                                                                                                                            |                                                            |   | 2.       |
| 7                           |       | +FullRateCh_B_1( C_Ass, TSPX_TmSlitC, TSPX_TscC, TCV_ChMod, FreqTCH( TSPX_TCHcarrierB), FreqTCH( TSPX_TCHcarrierBd), TimingAdv( 20), C_BABR_0, C_cch_1Comb, C_BPM_3)                                                                                                                                                                                                                                                                                                                                                                                                         |                                                            |   |          |
| 8                           |       | (TCV_chTch := C_FACCHF_A_1, TCV_chTch1 := C_SACCHF_B_1)                                                                                                                                                                                                                                                                                                                                                                                                                                                                                                                      |                                                            |   |          |
| 9                           |       | +PreEnterCCstateU10_r01( TimingAdv( TSPX_y3), TSPX_SDCCH4SubDef, 0, 3, TSPX_CKSNDf, TSPX_RANDDef, TSPX_TmSlitDef, TSPX_TscDef, TSPX_TCHHSubDef, TCV_ChRate)                                                                                                                                                                                                                                                                                                                                                                                                                  |                                                            |   | 3.       |
| 10                          | body  | +local_handoverCMD                                                                                                                                                                                                                                                                                                                                                                                                                                                                                                                                                           |                                                            |   | 4.       |
| 11                          |       | +localtree( TCV_chTch1)                                                                                                                                                                                                                                                                                                                                                                                                                                                                                                                                                      |                                                            |   |          |
| 12                          |       | +localtree1                                                                                                                                                                                                                                                                                                                                                                                                                                                                                                                                                                  |                                                            |   |          |
| 13                          |       | <b>localtree1</b><br>L!DL_DatRqPhyinfo                                                                                                                                                                                                                                                                                                                                                                                                                                                                                                                                       | PhyInfo_01(TCV_chTch1, TimingAdv( 20))                     |   |          |
| 14                          |       | (TCV_L1Head := OM_GetL1Hd(TCV_chTch1))                                                                                                                                                                                                                                                                                                                                                                                                                                                                                                                                       |                                                            |   |          |
| 15                          |       | L?DL_Estln                                                                                                                                                                                                                                                                                                                                                                                                                                                                                                                                                                   | DLEstln( TCV_chTch1)                                       |   |          |
| 16                          |       | L?DL_DatlnHoCom (TCV_Td := DL_DatlnHoCom.msg.motdif.value)                                                                                                                                                                                                                                                                                                                                                                                                                                                                                                                   | HndOvCmpRcv( TCV_chTch1, HandOverCmp_03(TSPX_y3, TSPX_k3)) |   |          |

|                              |            |                                                      |                                                                                                                                                                                                                                                                                                         |     |
|------------------------------|------------|------------------------------------------------------|---------------------------------------------------------------------------------------------------------------------------------------------------------------------------------------------------------------------------------------------------------------------------------------------------------|-----|
| 17                           |            | [TCV_L1Head.ta = '010100'B]                          |                                                                                                                                                                                                                                                                                                         |     |
| 18                           |            | +PostMainLinkRel(TCV_chTch1)                         |                                                                                                                                                                                                                                                                                                         |     |
| 19                           | L_025<br>7 | [TCV_L1Head.ta <> '010100'B]                         |                                                                                                                                                                                                                                                                                                         | (F) |
| 20                           |            | +PostMainLinkRel(TCV_chTch1)                         |                                                                                                                                                                                                                                                                                                         |     |
| <b>localtree(ch:LOGICCH)</b> |            |                                                      |                                                                                                                                                                                                                                                                                                         |     |
| 21                           |            | L?DL_RaInHoacc (TCV_Hrf :=<br>DL_RaInHoacc.msg.horf) | HndOvAccRcv( ch,<br>HandOverAcc_01)                                                                                                                                                                                                                                                                     |     |
| 22                           | L_025<br>8 | [TCV_Hrf <> TSPX_HoRefB]                             |                                                                                                                                                                                                                                                                                                         | F   |
| 23                           |            | [TCV_Hrf = TSPX_HoRefB]                              |                                                                                                                                                                                                                                                                                                         |     |
| 24                           |            | L?DL_RaInHoacc (TCV_Hrf :=<br>DL_RaInHoacc.msg.horf) | HndOvAccRcv( ch,<br>HandOverAcc_01)                                                                                                                                                                                                                                                                     |     |
| 25                           | L_025<br>9 | [TCV_Hrf <> TSPX_HoRefB]                             |                                                                                                                                                                                                                                                                                                         | F   |
| 26                           |            | [TCV_Hrf = TSPX_HoRefB]                              |                                                                                                                                                                                                                                                                                                         |     |
| <b>local_handoverCMD</b>     |            |                                                      |                                                                                                                                                                                                                                                                                                         |     |
| 27                           |            | (TCV_Tchtype := '00001'B)                            |                                                                                                                                                                                                                                                                                                         |     |
| 28                           |            | [TSPC_PGSM OR TSPC_EGSM]                             |                                                                                                                                                                                                                                                                                                         |     |
| 29                           |            | LIDL_DatRqHoCmd START T_dly1(650)                    | HndOvSnd(<br>TCV_chTch,<br>HandOverCmd_nfh(<br>TCV_Tchtype,<br>TSPX_TmSlitC,<br>TSPX_TscB, C_NCC,<br>C_BCC, C_arfcnB,<br>TSPX_TCHcarrierB,<br>TSPX_HoRefB,<br>TCV_Pwrlvl_ho,<br>Synchi( C_report_otd,<br>C_non_synchronised)<br>, ChMod_omit,<br>RelTmdDif_omit,<br>TimingAdv_omit,<br>CphMod_02iei))   |     |
| 30                           |            | [TSPC_DCS]                                           |                                                                                                                                                                                                                                                                                                         |     |
| 31                           |            | LIDL_DatRqHoCmd START T_dly1(650)                    | HndOvSnd(<br>TCV_chTch,<br>HandOverCmd_nfh(<br>TCV_Tchtype,<br>TSPX_TmSlitC,<br>TSPX_TscB, C_NCC,<br>C_BCC, C_arfcnBd,<br>TSPX_TCHcarrierBd,<br>TSPX_HoRefB,<br>TCV_Pwrlvl_ho,<br>Synchi( C_report_otd,<br>C_non_synchronised)<br>, ChMod_omit,<br>RelTmdDif_omit,<br>TimingAdv_omit,<br>CphMod_02iei)) |     |

**Detailed Comments:**

1. Cell A with BCCH, CCCH, SDCCH4 and a traffic channel.
2. Cell B with BCCH, CCCH, SDCCH4 and a traffic channel.
3. In cell A the timing advance = TSPX\_y3.
4. non-synch, rot = 1, nci = 0, handover reference = TSPX\_HoRefB.

| Test Case Dynamic Behaviour |            |                                                                                                                                                                                                                                                                                                                                                                                                                                                                                                                                                                                                                           |                                             |     |          |
|-----------------------------|------------|---------------------------------------------------------------------------------------------------------------------------------------------------------------------------------------------------------------------------------------------------------------------------------------------------------------------------------------------------------------------------------------------------------------------------------------------------------------------------------------------------------------------------------------------------------------------------------------------------------------------------|---------------------------------------------|-----|----------|
| <b>Test Case Name:</b>      |            | TC_26_6_5_8                                                                                                                                                                                                                                                                                                                                                                                                                                                                                                                                                                                                               |                                             |     |          |
| <b>Group:</b>               |            | GSM_L3_MS_v4200/RR/                                                                                                                                                                                                                                                                                                                                                                                                                                                                                                                                                                                                       |                                             |     |          |
| <b>Purpose:</b>             |            | To verify the function of timer T3124 and the contents in the message HANDOVER FAILURE                                                                                                                                                                                                                                                                                                                                                                                                                                                                                                                                    |                                             |     |          |
| <b>Default:</b>             |            | OtherEventsFail_01, RcvHdOvAcc                                                                                                                                                                                                                                                                                                                                                                                                                                                                                                                                                                                            |                                             |     |          |
| Nr                          | Label      | Behaviour Description                                                                                                                                                                                                                                                                                                                                                                                                                                                                                                                                                                                                     | CRef                                        | V   | Comments |
| 1                           |            | START T_guard(300)                                                                                                                                                                                                                                                                                                                                                                                                                                                                                                                                                                                                        |                                             |     |          |
| 2                           |            | +BasicServiceMT( TSPX_MTBscSvcE,<br>TSPX_MTChRateE)                                                                                                                                                                                                                                                                                                                                                                                                                                                                                                                                                                       |                                             |     |          |
| 3                           |            | (TCV_Pwrlvl_ho:= INT_TO_BIT( TSPX_PwrlvlA,<br>5))                                                                                                                                                                                                                                                                                                                                                                                                                                                                                                                                                                         |                                             |     |          |
| 4                           |            | +IdleUpdated( C_E_default, C_CellA,<br>C_SCH_A, C_BCCH_A_1, C_Immass, C_S0,<br>C_SlotNU, C_SlotNU, C_SlotNU, C_BCC,<br>C_TxInt_5, C_Max_7, C_NECI_0, C_ATT_0,<br>TimingAdv( 30), C_BABR_0, C_cch_1Comb,<br>C_BPM_3, C_T3212_0, C_ci_cellA,<br>C_MCC_1, C_PLMN_1, C_LAC_1, CellOpt_01,<br>CellChDes_02, CellChDes_03,<br>C_CellReselectHys12, TSPX_MSTxpwrMax,<br>TSPX_MSTxpwrMax, BcchFreqLst_01,<br>BcchFreqLst_Omit, BcchFreqLst_48,<br>BcchFreqLst_Omit, C_noReestablishment,<br>C_BCC, C_NCC, C_Start_Tmsi,<br>TSPX_SDCCH4SubC, TSPX_CKSNDf,<br>TSPX_RANDDef, C_arfcnA, C_arfcnAd,<br>TSPX_IMSI, C_Test_fh, C_NCCP_2) |                                             |     |          |
| 5                           |            | +CCConfigTCH( TSPX_TCHHSubDef,<br>C_Ass, TSPX_TmSlitDef, TSPX_TscDef,<br>TimingAdv( 30), C_BABR_0, C_cch_1Comb,<br>C_BPM_3, TCV_ChMod.mode,<br>FreqTCH_omit, FreqTCH_omit,<br>C_arfcn_tchA, C_arfcn_tchAd)                                                                                                                                                                                                                                                                                                                                                                                                                |                                             |     |          |
| 6                           |            | +StartCellB( C_E_neighbourdefault,<br>C_arfcnB, C_arfcnBd, C_Immass,<br>TCV_slot, TCV_tsc, TimingAdv( 30), 5, 1, 0,<br>0, C_BABR_0, C_cch_1Comb, C_BPM_3,<br>C_T3212_0, C_MCC_1, C_PLMN_1,<br>C_LAC_1, CellChDes_04, CellChDes_03,<br>BcchFreqLst_01, BcchFreqLst_48,<br>C_noReestablishment, C_BCC, C_NCC)                                                                                                                                                                                                                                                                                                               |                                             |     | 2.       |
| 7                           |            | +FullRateCh_B_1( C_Ass,<br>TSPX_TmSlitC, TSPX_TscB,<br>ChMod_speech, FreqTCH(<br>TSPX_TCHcarrierB), FreqTCH(<br>TSPX_TCHcarrierBd), TimingAdv( 30),<br>C_BABR_0, C_cch_1Comb, C_BPM_3)                                                                                                                                                                                                                                                                                                                                                                                                                                    |                                             |     |          |
| 8                           |            | (TCV_chTch := C_FACCHF_A_1,<br>TCV_chTch1 := C_SACCHF_B_1)                                                                                                                                                                                                                                                                                                                                                                                                                                                                                                                                                                |                                             |     |          |
| 9                           |            | +PreEnterCCstateU10_r01(<br>TimingAdv( 30),<br>TSPX_SDCCH4SubC,<br>TSPX_MSTxpwrMax,<br>TSPX_MSTxpwrMax,<br>TSPX_CKSNDf, TSPX_RANDDef,<br>TSPX_TmSlitDef, TSPX_TscDef,<br>TSPX_TCHHSubDef, TCV_ChRate)                                                                                                                                                                                                                                                                                                                                                                                                                     |                                             |     | 3.       |
| 10                          |            | (TCV_L1Head0 :=<br>OM_GetL1Hd(TCV_chTch))                                                                                                                                                                                                                                                                                                                                                                                                                                                                                                                                                                                 |                                             |     |          |
| 11                          | body       | +gsmOrDcs                                                                                                                                                                                                                                                                                                                                                                                                                                                                                                                                                                                                                 |                                             |     | 4.       |
| 12                          |            | +localtree( TCV_chTch1)                                                                                                                                                                                                                                                                                                                                                                                                                                                                                                                                                                                                   |                                             |     |          |
| 13                          |            | L?DL_EstIn CANCEL T_dly                                                                                                                                                                                                                                                                                                                                                                                                                                                                                                                                                                                                   | DLEstInd(<br>TCV_chTch)                     |     |          |
| 14                          |            | (TCV_L1Head :=<br>OM_GetL1Hd(<br>TCV_chTch))                                                                                                                                                                                                                                                                                                                                                                                                                                                                                                                                                                              |                                             |     |          |
| 15                          |            | L?DL_DatInHofl                                                                                                                                                                                                                                                                                                                                                                                                                                                                                                                                                                                                            | HndOvFIRcv(<br>TCV_chTch,<br>HandOvFail_02) |     | 5.       |
| 16                          | L_026<br>0 | [TCV_L1Head.mspwrlvl<br>=<br>TCV_L1Head0.mspwrlvl<br>]                                                                                                                                                                                                                                                                                                                                                                                                                                                                                                                                                                    |                                             | (P) | 6.       |

|    |            |                                                                         |                                                                                                                                                                                                                                                                                                        |     |            |
|----|------------|-------------------------------------------------------------------------|--------------------------------------------------------------------------------------------------------------------------------------------------------------------------------------------------------------------------------------------------------------------------------------------------------|-----|------------|
| 17 |            | +PostMainLinkRel(<br>TCV_chTch)                                         |                                                                                                                                                                                                                                                                                                        |     |            |
| 18 | L_026<br>1 | [TCV_L1Head.mspwrlvl<br><><br>TCV_L1Head0.mspwrlvl<br>]                 |                                                                                                                                                                                                                                                                                                        | (F) |            |
| 19 |            | +PostMainLinkRel(<br>TCV_chTch)                                         |                                                                                                                                                                                                                                                                                                        |     |            |
| 20 | L_026<br>2 | ?TIMEOUT T_dly                                                          |                                                                                                                                                                                                                                                                                                        | F   |            |
| 21 |            | <b>localtree(ch:LOGICCH)</b><br>(TCV_Cnt := 0)                          |                                                                                                                                                                                                                                                                                                        |     |            |
| 22 |            | REPEAT localtree1(ch) UNTIL [TCV_Cnt = 3]                               |                                                                                                                                                                                                                                                                                                        |     |            |
| 23 |            | <b>localtree1(ch:LOGICCH)</b><br>(TCV_HoaccPara := OM_GetHoaccPara(ch)) |                                                                                                                                                                                                                                                                                                        |     |            |
| 24 |            | L?DL_RaInHoacc (TCV_Hrf :=<br>DL_RaInHoacc.msg.horf)                    | HndOvAccRcv( ch,<br>HandOverAcc_01)                                                                                                                                                                                                                                                                    |     |            |
| 25 | L_026<br>3 | [TCV_Hrf <> TSPX_HoRefC]                                                |                                                                                                                                                                                                                                                                                                        | F   |            |
| 26 | L_026<br>4 | [TCV_Hrf = TSPX_HoRefC]                                                 |                                                                                                                                                                                                                                                                                                        | (P) |            |
| 27 | L_026<br>5 | [TCV_L1Head.mspwrlvl = '01000'B]                                        |                                                                                                                                                                                                                                                                                                        | (P) | pwrlvl = 8 |
| 28 |            | (TCV_Cnt := TCV_Cnt + 1)                                                |                                                                                                                                                                                                                                                                                                        |     |            |
| 29 | L_026<br>6 | [TCV_L1Head.mspwrlvl <> '01000'B]                                       |                                                                                                                                                                                                                                                                                                        | F   |            |
| 30 |            | <b>gsmOrDcs</b><br>(TCV_Tchtype := '00001'B)                            |                                                                                                                                                                                                                                                                                                        |     |            |
| 31 |            | [TSPC_PGSM OR TSPC_EGSM]                                                |                                                                                                                                                                                                                                                                                                        |     |            |
| 32 |            | LIDL_DatRqHoCmd START T_dly(3000)                                       | HndOvSnd(<br>TCV_chTch,<br>HandOverCmd_nfh(<br>TCV_Tchtype,<br>TSPX_TmSlcC,<br>TSPX_TscB, C_NCC,<br>C_BCC, C_arfcnB,<br>TSPX_TCHcarrierB,<br>TSPX_HoRefC,<br>TCV_Pwrlvl_ho,<br>Synchi( C_report_otd,<br>C_non_synchronised)<br>, ChMod_omit,<br>RelTmdDif_omit,<br>TimingAdv_omit,<br>CphMod_02iei))   |     |            |
| 33 |            | [TSPC_DCS]                                                              |                                                                                                                                                                                                                                                                                                        |     |            |
| 34 |            | LIDL_DatRqHoCmd START T_dly(3000)                                       | HndOvSnd(<br>TCV_chTch,<br>HandOverCmd_nfh(<br>TCV_Tchtype,<br>TSPX_TmSlcC,<br>TSPX_TscB, C_NCC,<br>C_BCC, C_arfcnBd,<br>TSPX_TCHcarrierBd,<br>TSPX_HoRefC,<br>TCV_Pwrlvl_ho,<br>Synchi( C_report_otd,<br>C_non_synchronised)<br>, ChMod_omit,<br>RelTmdDif_omit,<br>TimingAdv_omit,<br>CphMod_02iei)) |     |            |

**Detailed Comments:**

1. To setup BCCH, CCCH, SDCCH4 and a full rate traffic channel for cell A.
2. To setup BCCH, CCCH, SDCCH4 and a full rate traffic channel for cell B.
3. To bring the MS into the U10 state.
4. Non-synchronised handover, power level = 8.
5. On old channel.
6. Power level is the old one (TSPX\_MSTxpwrMax)

| Test Case Dynamic Behaviour |            |                                                                                                                                                                                                                                                                                                                                                                                                                                                                                                                                                                                                                            |                                             |     |          |
|-----------------------------|------------|----------------------------------------------------------------------------------------------------------------------------------------------------------------------------------------------------------------------------------------------------------------------------------------------------------------------------------------------------------------------------------------------------------------------------------------------------------------------------------------------------------------------------------------------------------------------------------------------------------------------------|---------------------------------------------|-----|----------|
| <b>Test Case Name:</b>      |            | TC_26_6_5_9                                                                                                                                                                                                                                                                                                                                                                                                                                                                                                                                                                                                                |                                             |     |          |
| <b>Group:</b>               |            | GSM_L3_MS_v4200/RR/                                                                                                                                                                                                                                                                                                                                                                                                                                                                                                                                                                                                        |                                             |     |          |
| <b>Purpose:</b>             |            | To verify the function of timer T3124 and the contents in the message HANDOVER FAILURE                                                                                                                                                                                                                                                                                                                                                                                                                                                                                                                                     |                                             |     |          |
| <b>Default:</b>             |            | OtherEventsFail_01, RcvHdOvAcc                                                                                                                                                                                                                                                                                                                                                                                                                                                                                                                                                                                             |                                             |     |          |
| Nr                          | Label      | Behaviour Description                                                                                                                                                                                                                                                                                                                                                                                                                                                                                                                                                                                                      | CRef                                        | V   | Comments |
| 1                           |            | START T_guard(300)                                                                                                                                                                                                                                                                                                                                                                                                                                                                                                                                                                                                         |                                             |     |          |
| 2                           |            | +BasicServiceMT( TSPX_MTBscSvcF,<br>TSPX_MTChRateF)                                                                                                                                                                                                                                                                                                                                                                                                                                                                                                                                                                        |                                             |     |          |
| 3                           |            | (TCV_Pwrlvl_ho:= INT_TO_BIT( TSPX_PwrlvlA,<br>5))                                                                                                                                                                                                                                                                                                                                                                                                                                                                                                                                                                          |                                             |     |          |
| 4                           |            | +IdleUpdated( C_E_default, C_CellA,<br>C_SCH_A, C_BCCH_A_1, C_Immass, C_S0,<br>C_SlotNU, C_SlotNU, C_SlotNU, C_BCC,<br>C_TxInt_5, C_Max_7, C_NECI_0, C_ATT_0,<br>TimingAdv( 30), C_BABR_0, C_cch_1Comb,<br>C_BPM_3, C_T3212_0, C_ci_cellA,<br>C_MCC_1, C_PLMN_1, C_LAC_1, CellOpt_01,<br>CellChDes_02, CellChDes_03,<br>C_CellReselectHys12, TSPX_MSTxpwrMax,<br>TSPX_MSTxpwrMax, BcchFreqLst_01,<br>BcchFreqLst_Omit, BcchFreqLst_48,<br>BcchFreqLst_Omit, C_noRestablishment,<br>C_BCC, C_NCC, C_Start_Tmsi,<br>TSPX_SDCCH4SubDef, TSPX_CKSNDf,<br>TSPX_RANDDef, C_arfcnA, C_arfcnAd,<br>TSPX_IMSI, C_Test_fh, C_NCCP_2) |                                             |     |          |
| 5                           |            | +CCConfigTCH( TSPX_TCHHSubDef,<br>C_Ass, TSPX_TmSltDef, TSPX_TscDef,<br>TimingAdv( 30), C_BABR_0, C_cch_1Comb,<br>C_BPM_3, TCV_ChMod.mode,<br>FreqTCH_omit, FreqTCH_omit,<br>C_arfcn_tchA, C_arfcn_tchAd)                                                                                                                                                                                                                                                                                                                                                                                                                  |                                             |     |          |
| 6                           |            | +StartCellB( C_E_neighbourdefault,<br>C_arfcnB, C_arfcnBd, C_Immass,<br>TCV_slot, TCV_tsc, TimingAdv( 30),<br>C_TxInt_5, C_Max_1, C_NECI_0,<br>C_ATT_0, C_BABR_0, C_cch_1Comb,<br>C_BPM_3, C_T3212_0, C_MCC_1,<br>C_PLMN_1, C_LAC_1, CellChDes_04,<br>CellChDes_03, BcchFreqLst_01,<br>BcchFreqLst_48, C_noRestablishment,<br>C_BCC, C_NCC)                                                                                                                                                                                                                                                                                |                                             |     |          |
| 7                           |            | +FullRateCh_B_1( C_Ass,<br>TSPX_TmSltC, TSPX_TscC,<br>ChMod_speech, FreqTCH(<br>TSPX_TCHcarrierB), FreqTCH(<br>TSPX_TCHcarrierBd), TimingAdv( 30),<br>C_BABR_0, C_cch_1Comb, C_BPM_3)                                                                                                                                                                                                                                                                                                                                                                                                                                      |                                             |     |          |
| 8                           |            | (TCV_chTch := C_FACCHF_A_1,<br>TCV_chTch1 := C_SACCHF_B_1)                                                                                                                                                                                                                                                                                                                                                                                                                                                                                                                                                                 |                                             |     |          |
| 9                           |            | +PreEnterCCstateU10_r01(<br>TimingAdv( 30),<br>TSPX_SDCCH4SubDef,<br>TSPX_MSTxpwrMax,<br>TSPX_MSTxpwrMax,<br>TSPX_CKSNDf, TSPX_RANDDef,<br>TSPX_TmSltDef, TSPX_TscDef,<br>TSPX_TCHHSubDef, TCV_ChRate)                                                                                                                                                                                                                                                                                                                                                                                                                     |                                             |     | 3.       |
| 10                          |            | (TCV_L1Head0 := OM_GetL1Hd(<br>TCV_chTch))                                                                                                                                                                                                                                                                                                                                                                                                                                                                                                                                                                                 |                                             |     |          |
| 11                          | body       | +gsmOrDcs                                                                                                                                                                                                                                                                                                                                                                                                                                                                                                                                                                                                                  |                                             |     | 4.       |
| 12                          |            | +localtree( TCV_chTch1)                                                                                                                                                                                                                                                                                                                                                                                                                                                                                                                                                                                                    |                                             |     |          |
| 13                          |            | L?DL_EstIn CANCEL T_dly                                                                                                                                                                                                                                                                                                                                                                                                                                                                                                                                                                                                    | DLEstIn(<br>TCV_chTch)                      |     |          |
| 14                          |            | (TCV_L1Head :=<br>OM_GetL1Hd(<br>TCV_chTch))                                                                                                                                                                                                                                                                                                                                                                                                                                                                                                                                                                               |                                             |     |          |
| 15                          |            | L?DL_DatInHofl                                                                                                                                                                                                                                                                                                                                                                                                                                                                                                                                                                                                             | HndOvFIRcv(<br>TCV_chTch,<br>HandOvFail_02) |     | 5.       |
| 16                          | L_026<br>7 | [TCV_L1Head.mspwrlvl<br>=                                                                                                                                                                                                                                                                                                                                                                                                                                                                                                                                                                                                  |                                             | (P) | 6.       |

|    |            |                                                                                            |                                                                                                                                                                                                                                                                                                        |     |            |
|----|------------|--------------------------------------------------------------------------------------------|--------------------------------------------------------------------------------------------------------------------------------------------------------------------------------------------------------------------------------------------------------------------------------------------------------|-----|------------|
| 17 |            | TCV_L1Head0.mspwrlvl<br>]                                                                  |                                                                                                                                                                                                                                                                                                        |     |            |
| 18 | L_026<br>8 | +PostMainLinkRel(<br>TCV_chTch)<br>[TCV_L1Head.mspwrlvl<br><><br>TCV_L1Head0.mspwrlvl<br>] |                                                                                                                                                                                                                                                                                                        | (F) |            |
| 19 |            | +PostMainLinkRel(<br>TCV_chTch)                                                            |                                                                                                                                                                                                                                                                                                        |     |            |
| 20 | L_026<br>9 | ?TIMEOUT T_dly                                                                             |                                                                                                                                                                                                                                                                                                        | F   |            |
| 21 |            | <b>localtree(ch:LOGICCH)</b><br>(TCV_Cnt := 0)                                             |                                                                                                                                                                                                                                                                                                        |     |            |
| 22 |            | REPEAT localtree1(ch) UNTIL [TCV_Cnt = 2]                                                  |                                                                                                                                                                                                                                                                                                        |     |            |
| 23 |            | <b>localtree1(ch:LOGICCH)</b><br>(TCV_HoaccPara := OM_GetHoaccPara(ch))                    |                                                                                                                                                                                                                                                                                                        |     |            |
| 24 |            | L?DL_RaInHoacc (TCV_Hrf :=<br>DL_RaInHoacc.msg.horf)                                       | HndOvAccRcv( ch,<br>HandOverAcc_01)                                                                                                                                                                                                                                                                    |     |            |
| 25 | L_027<br>0 | [TCV_Hrf <> TSPX_HoRefC]                                                                   |                                                                                                                                                                                                                                                                                                        | F   |            |
| 26 | L_027<br>1 | [TCV_Hrf = TSPX_HoRefC]                                                                    |                                                                                                                                                                                                                                                                                                        | (P) |            |
| 27 | L_027<br>2 | [TCV_L1Head.mspwrlvl = '01000'B]                                                           |                                                                                                                                                                                                                                                                                                        | (P) | pwrlvl = 8 |
| 28 |            | (TCV_Cnt := TCV_Cnt + 1)                                                                   |                                                                                                                                                                                                                                                                                                        |     |            |
| 29 | L_027<br>3 | [TCV_L1Head.mspwrlvl <> '01000'B]                                                          |                                                                                                                                                                                                                                                                                                        | F   |            |
| 30 |            | <b>gsmOrDcs</b><br>(TCV_Tchtype := '00001'B)                                               |                                                                                                                                                                                                                                                                                                        |     |            |
| 31 |            | [TSPC_PGSM OR TSPC_EGSM]                                                                   |                                                                                                                                                                                                                                                                                                        |     |            |
| 32 |            | LIDL_DatRqHoCmd START T_dly(3000)                                                          | HndOvSnd(<br>TCV_chTch,<br>HandOverCmd_nfh(<br>TCV_Tchtype,<br>TSPX_TmSlcC,<br>TSPX_TscB, C_NCC,<br>C_BCC, C_arfcnB,<br>TSPX_TCHcarrierB,<br>TSPX_HoRefC,<br>TCV_Pwrlvl_ho,<br>Synchi( C_report_otd,<br>C_non_synchronised)<br>, ChMod_omit,<br>RelTmdDif_omit,<br>TimingAdv_omit,<br>CphMod_02iei))   |     |            |
| 33 |            | [TSPC_DCS]                                                                                 |                                                                                                                                                                                                                                                                                                        |     |            |
| 34 |            | LIDL_DatRqHoCmd START T_dly(3000)                                                          | HndOvSnd(<br>TCV_chTch,<br>HandOverCmd_nfh(<br>TCV_Tchtype,<br>TSPX_TmSlcC,<br>TSPX_TscB, C_NCC,<br>C_BCC, C_arfcnBd,<br>TSPX_TCHcarrierBd,<br>TSPX_HoRefC,<br>TCV_Pwrlvl_ho,<br>Synchi( C_report_otd,<br>C_non_synchronised)<br>, ChMod_omit,<br>RelTmdDif_omit,<br>TimingAdv_omit,<br>CphMod_02iei)) |     |            |

**Detailed Comments:**

1. To setup BCCH, CCCH, SDCCH4 and a full rate traffic channel for cell A.
2. To setup BCCH, CCCH, SDCCH4 and a receiving only full rate traffic channel for cell B.
3. To bring the MS into the U10 state.
4. Non-synchronised handover, power level = 8.
5. On old channel.



6. Power level is the old one (TSPX\_MSTxpwrMax)

| Test Case Dynamic Behaviour |       |                                                                                                                                                                                                                        |      |   |                |
|-----------------------------|-------|------------------------------------------------------------------------------------------------------------------------------------------------------------------------------------------------------------------------|------|---|----------------|
| <b>Test Case Name:</b>      |       | TC_26_6_6_1                                                                                                                                                                                                            |      |   |                |
| <b>Group:</b>               |       | GSM_L3_MS_v4200/RR/                                                                                                                                                                                                    |      |   |                |
| <b>Purpose:</b>             |       | To verify that the MS, after receiving a Frequency Redefinition message, starts using the new frequencies and hopping sequence at the time indicated in the message.                                                   |      |   |                |
| <b>Default:</b>             |       | OtherEventsFail                                                                                                                                                                                                        |      |   |                |
| Nr                          | Label | Behaviour Description                                                                                                                                                                                                  | CRef | V | Comments       |
| 1                           |       | START T_guard( 700)                                                                                                                                                                                                    |      |   |                |
| 2                           |       | +test1                                                                                                                                                                                                                 |      |   |                |
| 3                           |       | +test2                                                                                                                                                                                                                 |      |   |                |
| 4                           |       | +test3                                                                                                                                                                                                                 |      |   |                |
| 5                           |       | +test4                                                                                                                                                                                                                 |      |   |                |
| 6                           |       | +test5                                                                                                                                                                                                                 |      |   |                |
| 7                           |       | +test6                                                                                                                                                                                                                 |      |   |                |
| 8                           |       | [TSPC_DualRate]                                                                                                                                                                                                        |      |   |                |
| 9                           |       | +test7                                                                                                                                                                                                                 |      |   |                |
| 10                          |       | +test8                                                                                                                                                                                                                 |      |   |                |
| 11                          |       | +test9                                                                                                                                                                                                                 |      |   |                |
| 12                          |       | [NOT TSPC_DualRate]                                                                                                                                                                                                    |      |   |                |
|                             |       | <b>test1</b>                                                                                                                                                                                                           |      |   |                |
| 13                          |       | +sdcch8( Freq_rg18, Freq_rd18, TSPX_TmSltA, TSPX_TscA, Ca2_g01, Ca3_g01, Ca2_d01, Ca3_d01, Ma1_g01, Ma2_g01, Ma3_g01, 6, 7, 91, ChDescrp_sdcch8_fh( TSPX_TmSltA, TSPX_TscA, TSPX_SDCCH8SubA, '001001'B, '000000'B))    |      |   | 1.<br>R=1, K=1 |
|                             |       | <b>test2</b>                                                                                                                                                                                                           |      |   |                |
| 14                          |       | +sdcch8( Freq_rg19, Freq_rd19, TSPX_TmSltB, TSPX_TscB, Ca2_g02, Ca3_g02, Ca2_d02, Ca3_d02, Ma1_g02, Ma2_g02, Ma3_g02, 2, 1, 42000, ChDescrp_sdcch8_fh( TSPX_TmSltB, TSPX_TscB, TSPX_SDCCH8SubB, '000100'B, '000000'B)) |      |   | R=1, K=2       |
|                             |       | <b>test3</b>                                                                                                                                                                                                           |      |   |                |
| 15                          |       | +sdcch8( Freq_rg20, Freq_rd20, TSPX_TmSltC, TSPX_TscC, Ca2_g03, Ca3_g03, Ca2_d03, Ca3_d03, Ma1_g03, Ma2_g03, Ma3_g03, 1, 3, 1000, ChDescrp_sdcch8_fh( TSPX_TmSltC, TSPX_TscC, TSPX_SDCCH8SubC, '000010'B, '000000'B))  |      |   | R=1, K=3       |
|                             |       | <b>test4</b>                                                                                                                                                                                                           |      |   |                |
| 16                          |       | +tchf( Freq_rg21, Freq_rd21, TSPX_TmSltD, TSPX_TscD, Ca2_g04, Ca3_g04, Ca2_d04, Ca3_d04, Ma1_g04, Ma2_g04, Ma3_g04, 2, 3, 91, ChDescrp_tchf_fh( TSPX_TmSltD, TSPX_TscD, '000110'B, '000000'B))                         |      |   | 2.<br>R=2, K=1 |
|                             |       | <b>test5</b>                                                                                                                                                                                                           |      |   |                |
| 17                          |       | +tchf( Freq_rg22, Freq_rd22, TSPX_TmSltE, TSPX_TscE, Ca2_g05, Ca3_g05, Ca2_d05, Ca3_d05, Ma1_g05, Ma2_g05, Ma3_g05, 4, 2, 42000, ChDescrp_tchf_fh( TSPX_TmSltE, TSPX_TscE, '000101'B, '000000'B))                      |      |   | R=2, K=2       |
|                             |       | <b>test6</b>                                                                                                                                                                                                           |      |   |                |
| 18                          |       | +tchf( Freq_rg23, Freq_rd23, TSPX_TmSltF, TSPX_TscF, Ca2_g06, Ca3_g06, Ca2_d06, Ca3_d06, Ma1_g06, Ma2_g06, Ma3_g06, 6, 4, 15000, ChDescrp_tchf_fh( TSPX_TmSltF, TSPX_TscF, '001000'B, '000000'B))                      |      |   | R=2, K=3       |
|                             |       | <b>test7</b>                                                                                                                                                                                                           |      |   |                |
| 19                          |       | +tchh( Freq_rg24, Freq_rd24, TSPX_TmSltG, TSPX_TscG, Ca2_g07, Ca3_g07, Ca2_d07, Ca3_d07, Ma1_g07, Ma2_g07, Ma3_g07, 7, 4, 91, ChDescrp_tchh_fh( TSPX_TmSltG, TSPX_TscG, TSPX_TCHHSubA, '000011'B, '000000'B))          |      |   | 3.<br>R=3, K=1 |

|    |            |                                                                                                                                                                                                                                                                                                                                                           |                                                                                 |          |
|----|------------|-----------------------------------------------------------------------------------------------------------------------------------------------------------------------------------------------------------------------------------------------------------------------------------------------------------------------------------------------------------|---------------------------------------------------------------------------------|----------|
| 20 |            | <b>test8</b><br>+tchh( Freq_rg25, Freq_rd25, TSPX_TmSlitA,<br>TSPX_TscA, Ca2_g08, Ca3_g08, Ca2_d08,<br>Ca3_d08, Ma1_g08, Ma2_g08, Ma3_g08, 2, 5, 42000,<br>ChDescrp_tchh_fh( TSPX_TmSlitA, TSPX_TscA,<br>TSPX_TCHHSubA, '000111'B, '000000'B))                                                                                                            |                                                                                 | R=3, K=2 |
| 21 |            | <b>test9</b><br>+tchh( Freq_rg26, Freq_rd26, TSPX_TmSlitDef,<br>TSPX_TscDef, Ca2_g09, Ca3_g09, Ca2_d09,<br>Ca3_d09, Ma1_g09, Ma2_g09, Ma3_g09, 5, 3, 4000,<br>ChDescrp_tchh_fh( TSPX_TmSlitDef, TSPX_TscDef,<br>TSPX_TCHHSubDef, '000001'B, '000000'B))                                                                                                   |                                                                                 | R=3, K=3 |
| 22 |            | <b>test( Ca2, Ca3:CCHD; Ma1, Ma2, Ma3: MA; Maio2,<br/> Maio3, tm:INTEGER; Chd: CHD)</b><br>+ltree_immass( Ma1, Chd)                                                                                                                                                                                                                                       |                                                                                 |          |
| 23 |            | +ltree_freqRedef( Ca2, Ma2, Maio2, tm, Chd)                                                                                                                                                                                                                                                                                                               |                                                                                 |          |
| 24 |            | +ltree_freqRedef( Ca3, Ma3, Maio3, tm, Chd)                                                                                                                                                                                                                                                                                                               |                                                                                 |          |
| 25 |            | +ltree_chkAndrelease( Ca3, Ma3, tm, Chd)                                                                                                                                                                                                                                                                                                                  |                                                                                 |          |
| 26 |            | <b>ltree_freqRedef( ca: CCHD; ma: MA; maio,<br/> tm:INTEGER; chd: CHD)</b><br>+Check( ca, ma, tm, chd)                                                                                                                                                                                                                                                    |                                                                                 |          |
| 27 |            | [NOT TCV_Res]                                                                                                                                                                                                                                                                                                                                             |                                                                                 |          |
| 28 |            | [TCV_Res]                                                                                                                                                                                                                                                                                                                                                 |                                                                                 |          |
| 29 |            | +ltree_fredef( ca, ma, maio, tm, chd)                                                                                                                                                                                                                                                                                                                     |                                                                                 |          |
| 30 |            | <b>ltree_chkAndrelease( ca: CCHD; ma: MA;<br/> tm:INTEGER; chd: CHD)</b><br>+Check( ca, ma, tm, chd)                                                                                                                                                                                                                                                      |                                                                                 |          |
| 31 |            | [NOT TCV_Res]                                                                                                                                                                                                                                                                                                                                             |                                                                                 |          |
| 32 |            | (TCV_Null := OM_StopCell( C_CellA))                                                                                                                                                                                                                                                                                                                       |                                                                                 |          |
| 33 |            | [TCV_Res]                                                                                                                                                                                                                                                                                                                                                 |                                                                                 |          |
| 34 |            | +PostMainLinkRel(TCV_chTch)                                                                                                                                                                                                                                                                                                                               |                                                                                 |          |
| 35 |            | (TCV_Null := OM_StopCell( C_CellA))                                                                                                                                                                                                                                                                                                                       |                                                                                 |          |
| 36 |            | <b>Check( ca: CCHD; ma: MA; tm:INTEGER; chd:<br/> CHD)</b><br>(TCV_Res := OM_FHCHK( TCV_sacchTch, ca, ma,<br>chd, tm, TCV_Fn))                                                                                                                                                                                                                            |                                                                                 |          |
| 37 | L_027<br>4 | [NOT TCV_Res]                                                                                                                                                                                                                                                                                                                                             |                                                                                 | (F)      |
| 38 |            | +PostMainLinkRel( TCV_chTch)                                                                                                                                                                                                                                                                                                                              |                                                                                 |          |
| 39 | L_027<br>5 | [TCV_Res]                                                                                                                                                                                                                                                                                                                                                 |                                                                                 | (P)      |
| 40 |            | <b>ltree_fredef( cchd: CCHD; ma:MA; maio,<br/> tm:INTEGER; chd: CHD)</b><br>(TCV_Fn := OM_ComingFn( TCV_chTch), TCV_chd1<br>:= chd, TCV_chd1.maio := INT_TO_BIT( maio, 6),<br>TCV_Strt := OC_StartTime( TCV_Fn, tm, 0),<br>TCV_Null := OM_SendNextOn( TCV_chTch,<br>TCV_Fn), TCV_Null := OM_FreqDef( TCV_Strt, ma,<br>TCV_chTch, TCV_chd1, cchd, TCV_Fn)) |                                                                                 |          |
| 41 |            | LIDL_DatRqFrqre                                                                                                                                                                                                                                                                                                                                           | FrqRedfSnd(<br>TCV_chTch,<br>FreqRedef_01(<br>TCV_chd1, ma,<br>TCV_Strt, cchd)) |          |
| 42 |            | <b>sdccch8(FqParag, FqParad:FRQPARA; Tmslt:SN;<br/> Tsc:TSC; Cag2, Cag3, Cad2, Cad3:CCHD; Ma1,<br/> Ma2, Ma3: MA; Maio2, Maio3, tm:INTEGER; Chd:<br/> CHD)</b><br>+ltree_idleupdated( FqParag, FqParad, Cag2, Cag3,<br>Cad2, Cad3)                                                                                                                        |                                                                                 |          |
| 43 |            | +SDCCH8_A_1_nociph( TSPX_SDCCH8SubA,<br>C_Immash, Tmslt, Tsc, ChMod_sign, FqParag,<br>FqParad, TimingAdv( 30), C_BABR_0,                                                                                                                                                                                                                                  |                                                                                 |          |

|                           |                                                                                                                                                                                                                                                                                                                                                                                                                                                                                                                                                                                                             |                                                                                      |                         |
|---------------------------|-------------------------------------------------------------------------------------------------------------------------------------------------------------------------------------------------------------------------------------------------------------------------------------------------------------------------------------------------------------------------------------------------------------------------------------------------------------------------------------------------------------------------------------------------------------------------------------------------------------|--------------------------------------------------------------------------------------|-------------------------|
| 44                        | C_cch_1nonComb, C_BPM_3)<br>(TCV_chTch := TCV_ch)                                                                                                                                                                                                                                                                                                                                                                                                                                                                                                                                                           |                                                                                      |                         |
| 45                        | +test( TCV_CAgsm, TCV_CAAdcs, Ma1, Ma2,<br>Ma3, Maio2, Maio3, tm, Chd)                                                                                                                                                                                                                                                                                                                                                                                                                                                                                                                                      |                                                                                      |                         |
|                           | <b>tchf( FqParag, FqParad:FRQPARA; Tmslt:SN;<br/>Tsc:TSC; Cag2, Cag3, Cad2, Cad3:CCHD; Ma1,<br/>Ma2, Ma3: MA; Maio2, Maio3, tm:INTEGER; Chd:<br/>CHD)</b>                                                                                                                                                                                                                                                                                                                                                                                                                                                   |                                                                                      |                         |
| 46                        | +ltree_idleupdated( FqParag, FqParad, Cag2, Cag3,<br>Cad2, Cad3)                                                                                                                                                                                                                                                                                                                                                                                                                                                                                                                                            |                                                                                      |                         |
| 47                        | +FullRateCh_A_1_nociph( C_Immass, Tmslt, Tsc,<br>ChMod_sign, FqParag, FqParad, TimingAdv( 30),<br>C_BABR_0, C_cch_1Comb, C_BPM_3)                                                                                                                                                                                                                                                                                                                                                                                                                                                                           |                                                                                      |                         |
| 48                        | +test( TCV_CAgsm, TCV_CAAdcs, Ma1, Ma2,<br>Ma3, Maio2, Maio3, tm, Chd)                                                                                                                                                                                                                                                                                                                                                                                                                                                                                                                                      |                                                                                      |                         |
|                           | <b>tchh( FqParag, FqParad:FRQPARA; Tmslt:SN;<br/>Tsc:TSC; Cag2, Cag3, Cad2, Cad3:CCHD; Ma1,<br/>Ma2, Ma3: MA; Maio2, Maio3, tm:INTEGER; Chd:<br/>CHD)</b>                                                                                                                                                                                                                                                                                                                                                                                                                                                   |                                                                                      |                         |
| 49                        | +ltree_idleupdated( FqParag, FqParad, Cag2, Cag3,<br>Cad2, Cad3)                                                                                                                                                                                                                                                                                                                                                                                                                                                                                                                                            |                                                                                      |                         |
| 50                        | +HalfRateCh_A_1_nociph( TSPX_TCHHSubDef,<br>C_Immass, Tmslt, Tsc, ChMod_sign, FqParag,<br>FqParad, TimingAdv( 30), C_BABR_0,<br>C_cch_1Comb, C_BPM_3)                                                                                                                                                                                                                                                                                                                                                                                                                                                       |                                                                                      |                         |
| 51                        | +test(TCV_CAgsm, TCV_CAAdcs, Ma1, Ma2, Ma3,<br>Maio2, Maio3, tm, Chd)                                                                                                                                                                                                                                                                                                                                                                                                                                                                                                                                       |                                                                                      |                         |
|                           | <b>ltree_immass( ma1:MA; chd:CHD)</b>                                                                                                                                                                                                                                                                                                                                                                                                                                                                                                                                                                       |                                                                                      |                         |
| 52                        | L!DL_UdatRqPg1Rq                                                                                                                                                                                                                                                                                                                                                                                                                                                                                                                                                                                            | PgReq1(TCV_PgCh,<br>TCV_Pgg,<br>PgReqTp1_01)                                         |                         |
| 53                        | L?DL_RaInChRq (TCV_Rr := DL_RaInChRq.<br>msg.ecau_rrf, TCV_Fn := DL_RaInChRq.fn)                                                                                                                                                                                                                                                                                                                                                                                                                                                                                                                            | ChReq(<br>ChRequest_17)                                                              |                         |
| 54                        | ACTIVATE(OtherEventsFail_02)                                                                                                                                                                                                                                                                                                                                                                                                                                                                                                                                                                                |                                                                                      | To match ChReq retrans. |
| 55                        | L!DL_UdatRqImmass                                                                                                                                                                                                                                                                                                                                                                                                                                                                                                                                                                                           | ImmAss( TCV_agch,<br>ImmAsgn_02(<br>TCV_Rr, TCV_Fn,<br>TimingAdv( 30), chd,<br>ma1)) |                         |
| 56                        | L?DL_EstInPgRes( TCV_Fn :=<br>DL_EstInPgRes.fn)                                                                                                                                                                                                                                                                                                                                                                                                                                                                                                                                                             | PagingRes(<br>PagingRes_01)                                                          |                         |
| 57                        | ACTIVATE(OtherEventsFail)                                                                                                                                                                                                                                                                                                                                                                                                                                                                                                                                                                                   |                                                                                      | Restore Normal default  |
|                           | <b>ltree_idleupdated( FqPg, FqPd:FRQPARA; Cag2,<br/>Cag3, Cad2, Cad3:CCHD)</b>                                                                                                                                                                                                                                                                                                                                                                                                                                                                                                                              |                                                                                      |                         |
| 58                        | (TCV_CAgsm := Ca1_g01, TCV_freq := FqPg,<br>TCV_CAgsm.rfl := TCV_freq.flst.fl, TCV_CAAdcs :=<br>Ca1_g01, TCV_freq := FqPd, TCV_CAAdcs.rfl :=<br>TCV_freq.flst.fl)                                                                                                                                                                                                                                                                                                                                                                                                                                           |                                                                                      |                         |
| 59                        | +IdleUpdated( C_E_default, C_CellA, C_SCH_A,<br>C_BCCH_A_1, C_Immass, C_S0, C_SlotNU,<br>C_SlotNU, C_SlotNU, C_BCC, C_TxInt_5,<br>C_Max_1, C_NECI_0, C_ATT_0, TimingAdv( 0),<br>C_BABR_0, C_cch_1nonComb, C_BPM_3,<br>C_T3212_0, C_ci_cellA, C_MCC_1, C_PLMN_1,<br>C_LAC_1, CellOpt_01, TCV_CAgsm, TCV_CAAdcs,<br>C_CellReselectHys12, C_MaxPwrLvlG,<br>C_MaxPwrLvlD, BcchFreqLst_01,<br>BcchFreqLst_Omit, BcchFreqLst_48,<br>BcchFreqLst_Omit, C_noRestablishment, C_BCC,<br>C_NCC, C_Start_Tmsi, TSPX_SDCCH4SubDef,<br>TSPX_CKSNDf, TSPX_RANDDef, C_arfcnA,<br>C_arfcnAd, TSPX_IMSI, C_Test_fh, C_NCCP_2) |                                                                                      |                         |
| 60                        | [TSPC_PGSM OR TSPC_EGSM]                                                                                                                                                                                                                                                                                                                                                                                                                                                                                                                                                                                    |                                                                                      |                         |
| 61                        | (TCV_CAgsm := Cag2, TCV_CAAdcs := Cag3)                                                                                                                                                                                                                                                                                                                                                                                                                                                                                                                                                                     |                                                                                      | 4.                      |
| 62                        | [TSPC_DCS]                                                                                                                                                                                                                                                                                                                                                                                                                                                                                                                                                                                                  |                                                                                      |                         |
| 63                        | (TCV_CAgsm := Cad2, TCV_CAAdcs := Cad3)                                                                                                                                                                                                                                                                                                                                                                                                                                                                                                                                                                     |                                                                                      | 5.                      |
| <b>Detailed Comments:</b> |                                                                                                                                                                                                                                                                                                                                                                                                                                                                                                                                                                                                             | 1. To perform test on SDCCH channel.                                                 |                         |

2. To perform test on TCH/F channel.
3. To perform test on TCH/H channel.
4. TCV\_CAgsm, TCV\_CAdcs contain two cell allocation values for GSM.
5. TCV\_CAgsm, TCV\_CAdcs contain two cell allocation values for DCS.

| Test Case Dynamic Behaviour |            |                                                                                                                                                                                                                                                                                                                                                                                                                                                                                                                                                                                                       |                                                                           |     |                         |
|-----------------------------|------------|-------------------------------------------------------------------------------------------------------------------------------------------------------------------------------------------------------------------------------------------------------------------------------------------------------------------------------------------------------------------------------------------------------------------------------------------------------------------------------------------------------------------------------------------------------------------------------------------------------|---------------------------------------------------------------------------|-----|-------------------------|
| <b>Test Case Name:</b>      |            | TC_26_6_7_1                                                                                                                                                                                                                                                                                                                                                                                                                                                                                                                                                                                           |                                                                           |     |                         |
| <b>Group:</b>               |            | GSM_L3_MS_v4200/RR/                                                                                                                                                                                                                                                                                                                                                                                                                                                                                                                                                                                   |                                                                           |     |                         |
| <b>Purpose:</b>             |            | To verify that the MS, in an RR connected state, acknowledging a CHANNEL MODE MODIFY message by sending a CHANNEL MODE MODIFY ACKNOWLEDGEMENT message specifying and switching to the correct mode. <ul style="list-style-type: none"> <li>- the new mode if that mode is supported</li> <li>- the old mode if the new mode is not supported.</li> </ul> This shall be verified for the channel modes <ul style="list-style-type: none"> <li>- signalling only</li> <li>- speech full rate</li> <li>- data 9.6 Kb/s</li> <li>- data 4.8 Kb/s full rate</li> <li>- data 2.4 Kb/s full rate.</li> </ul> |                                                                           |     |                         |
| <b>Default:</b>             |            | OtherEventsFail                                                                                                                                                                                                                                                                                                                                                                                                                                                                                                                                                                                       |                                                                           |     |                         |
| <b>Comments:</b>            |            | apply only to the MS supporting TCH/F.                                                                                                                                                                                                                                                                                                                                                                                                                                                                                                                                                                |                                                                           |     |                         |
| Nr                          | Label      | Behaviour Description                                                                                                                                                                                                                                                                                                                                                                                                                                                                                                                                                                                 | CRef                                                                      | V   | Comments                |
| 1                           |            | START T_guard(300)                                                                                                                                                                                                                                                                                                                                                                                                                                                                                                                                                                                    |                                                                           |     |                         |
| 2                           |            | +IdleUpdated( C_E_default, C_CellA, C_SCH_A, C_BCCH_A_1, C_ImmAss, C_S0, C_SlotNU, C_SlotNU, C_SlotNU, C_BCC, C_TxInt_5, C_Max_1, C_NECI_0, C_ATT_0, TimingAdv( 30), C_BABR_0, C_cch_1Comb, C_BPM_3, C_T3212_0, C_ci_cellA, C_MCC_1, C_PLMN_1, C_LAC_1, CellOpt_01, CellChDes_02, CellChDes_03, C_CellReselectHys12, C_MaxPwrLvlG, C_MaxPwrLvlD, BcchFreqLst_01, BcchFreqLst_Omit, BcchFreqLst_48, BcchFreqLst_Omit, C_noRestablishment, C_BCC, C_NCC, C_Start_Tmsi, TSPX_SDCCH4SubDef, TSPX_CKSNDDef, TSPX_RANDDef, C_arfcnA, C_arfcnAd, TSPX_IMSI, C_Test_fh, C_NCCP_2)                             |                                                                           |     | 1.                      |
| 3                           |            | +gsmOrDcs                                                                                                                                                                                                                                                                                                                                                                                                                                                                                                                                                                                             |                                                                           |     |                         |
| 4                           |            | +FullRateCh_A_1_nociph( C_Ass, TSPX_TmSlitDef, TSPX_TscDef, ChMod_speech, FreqTCH( C_arfcn_tchA), FreqTCH( C_arfcn_tchAd), TimingAdv( 30), C_BABR_0, C_cch_1Comb, C_BPM_3)                                                                                                                                                                                                                                                                                                                                                                                                                            |                                                                           |     |                         |
| 5                           |            | LIDL_UdatRqPg1Rq                                                                                                                                                                                                                                                                                                                                                                                                                                                                                                                                                                                      | PgReq1(TCV_PgCh, TCV_Pgg, PgReqTp1_05)                                    |     |                         |
| 6                           |            | L?DL_RaInChRq (TCV_Rr := DL_RaInChRq.msg.ecau_rrf, TCV_Fn := DL_RaInChRq.fn)                                                                                                                                                                                                                                                                                                                                                                                                                                                                                                                          | ChReq( ChRequest_17)                                                      |     |                         |
| 7                           |            | ACTIVATE( OtherEventsFail_02)                                                                                                                                                                                                                                                                                                                                                                                                                                                                                                                                                                         |                                                                           |     | To match ChReq retrans. |
| 8                           |            | LIDL_UdatRqImmAss                                                                                                                                                                                                                                                                                                                                                                                                                                                                                                                                                                                     | ImmAss( TCV_agch, ImmAsgn_r13( TCV_Rr, TCV_Fn, TCV_chd1, TimingAdv( 30))) |     | 2.                      |
| 9                           |            | L?DL_EstInPgRes                                                                                                                                                                                                                                                                                                                                                                                                                                                                                                                                                                                       | PagingRes( PagingRes_r02)                                                 |     |                         |
| 10                          |            | ACTIVATE( OtherEventsFail)                                                                                                                                                                                                                                                                                                                                                                                                                                                                                                                                                                            |                                                                           |     | Restore Normal default  |
| 11                          | body       | LIDL_DatRqChmMo                                                                                                                                                                                                                                                                                                                                                                                                                                                                                                                                                                                       | ChmMoReqSnd( TCV_chTch, ChmMoReq_01( ChMod_speech, TCV_chd1))             |     |                         |
| 12                          |            | [TSPC_Serv_TS11 OR TSPC_Serv_TS12]                                                                                                                                                                                                                                                                                                                                                                                                                                                                                                                                                                    |                                                                           |     |                         |
| 13                          | L_027<br>6 | L?DL_DatInChmMoAck                                                                                                                                                                                                                                                                                                                                                                                                                                                                                                                                                                                    | ChmMoAckRcv( TCV_chTch, ChmMoAck_01( ChMod_speech, TCV_chd1))             | (P) |                         |
| 14                          |            | +localtree( ChMod_speech)                                                                                                                                                                                                                                                                                                                                                                                                                                                                                                                                                                             |                                                                           |     |                         |
| 15                          |            | [(NOT TSPC_Serv_TS11) AND( NOT TSPC_Serv_TS12)]                                                                                                                                                                                                                                                                                                                                                                                                                                                                                                                                                       |                                                                           |     |                         |
| 16                          | L_027<br>7 | L?DL_DatInChmMoAck                                                                                                                                                                                                                                                                                                                                                                                                                                                                                                                                                                                    | ChmMoAckRcv( TCV_chTch,                                                   | (P) |                         |

|    |            |                                                |                                                                         |     |
|----|------------|------------------------------------------------|-------------------------------------------------------------------------|-----|
| 17 |            | +localtree( ChMod_sign)                        | ChmomoAck_01(<br>ChMod_sign,<br>TCV_chd1))                              |     |
| 18 |            | <b>localtree(chm:CHMOD)</b><br>L!DL_DatRqChmmo | ChmmoReqSnd(<br>TCV_chTch,<br>ChmomoReq_01(<br>ChMod_12k,<br>TCV_chd1)) |     |
| 19 |            | [TSPC_96Data]                                  |                                                                         |     |
| 20 | L_027<br>8 | L?DL_DatInChmmoAck                             | ChmmoAckRcv(<br>TCV_chTch,<br>ChmomoAck_01(<br>ChMod_12k,<br>TCV_chd1)) | (P) |
| 21 |            | L!DL_DatRqChmmo                                | ChmmoReqSnd(<br>TCV_chTch,<br>ChmomoReq_01(<br>ChMod_6k,<br>TCV_chd1))  |     |
| 22 |            | [TSPC_48DataF]                                 |                                                                         |     |
| 23 |            | +localtree2                                    |                                                                         |     |
| 24 |            | [NOT TSPC_48DataF]                             |                                                                         |     |
| 25 | L_027<br>9 | L?DL_DatInChmmoAck                             | ChmmoAckRcv(<br>TCV_chTch,<br>ChmomoAck_01(<br>ChMod_12k,<br>TCV_chd1)) | (P) |
| 26 |            | L!DL_DatRqChmmo                                | ChmmoReqSnd(<br>TCV_chTch,<br>ChmomoReq_01(<br>ChMod_3k,<br>TCV_chd1))  |     |
| 27 |            | [TSPC_24DataF]                                 |                                                                         |     |
| 28 | L_028<br>0 | L?DL_DatInChmmoAck                             | ChmmoAckRcv(<br>TCV_chTch,<br>ChmomoAck_01(<br>ChMod_3k,<br>TCV_chd1))  | (P) |
| 29 |            | +localtree1                                    |                                                                         |     |
| 30 |            | [NOT TSPC_24DataF]                             |                                                                         |     |
| 31 | L_028<br>1 | L?DL_DatInChmmoAck                             | ChmmoAckRcv(<br>TCV_chTch,<br>ChmomoAck_01(<br>ChMod_12k,<br>TCV_chd1)) | (P) |
| 32 |            | +localtree1                                    |                                                                         |     |
| 33 |            | [NOT TSPC_96Data]                              |                                                                         |     |
| 34 | L_028<br>2 | L?DL_DatInChmmoAck                             | ChmmoAckRcv(<br>TCV_chTch,<br>ChmomoAck_01(<br>chm, TCV_chd1))          | (P) |
| 35 |            | L!DL_DatRqChmmo                                | ChmmoReqSnd(<br>TCV_chTch,<br>ChmomoReq_01(<br>ChMod_6k,<br>TCV_chd1))  |     |
| 36 |            | [TSPC_48DataF]                                 |                                                                         |     |
| 37 |            | +localtree2                                    |                                                                         |     |
| 38 |            | [NOT TSPC_48DataF]                             |                                                                         |     |
| 39 | L_028<br>3 | L?DL_DatInChmmoAck                             | ChmmoAckRcv(<br>TCV_chTch,<br>ChmomoAck_01(<br>chm, TCV_chd1))          | (P) |
| 40 |            | L!DL_DatRqChmmo                                | ChmmoReqSnd(<br>TCV_chTch,<br>ChmomoReq_01(<br>ChMod_3k,<br>TCV_chd1))  |     |
| 41 |            | [TSPC_24DataF]                                 |                                                                         |     |

|    |            |                                                                                     |                                                                          |     |
|----|------------|-------------------------------------------------------------------------------------|--------------------------------------------------------------------------|-----|
| 42 | L_028<br>4 | L?DL_DatInChmmoAck                                                                  | ChmmoAckRcv(<br>TCV_chTch,<br>ChmomoAck_01(<br>ChMod_3k,<br>TCV_chd1))   | (P) |
| 43 |            | +localtree1                                                                         |                                                                          |     |
| 44 |            | [NOT TSPC_24DataF]                                                                  |                                                                          |     |
| 45 | L_028<br>5 | L?DL_DatInChmmoAck                                                                  | ChmmoAckRcv(<br>TCV_chTch,<br>ChmomoAck_01(<br>chm, TCV_chd1))           | (P) |
| 46 |            | +localtree1                                                                         |                                                                          |     |
| 47 |            | <b>localtree1</b><br>L!DL_DatRqChmmo                                                | ChmmoReqSnd(<br>TCV_chTch,<br>ChmomoReq_01(<br>ChMod_sign,<br>TCV_chd1)) |     |
| 48 | L_028<br>6 | L?DL_DatInChmmoAck                                                                  | ChmmoAckRcv(<br>TCV_chTch,<br>ChmomoAck_01(<br>ChMod_sign,<br>TCV_chd1)) | (P) |
| 49 |            | +PostMainLinkRel(TCV_chTch)                                                         |                                                                          |     |
| 50 | L_028<br>7 | <b>localtree2</b><br>L?DL_DatInChmmoAck                                             | ChmmoAckRcv(<br>TCV_chTch,<br>ChmomoAck_01(<br>ChMod_6k,<br>TCV_chd1))   | (P) |
| 51 |            | L!DL_DatRqChmmo                                                                     | ChmmoReqSnd(<br>TCV_chTch,<br>ChmomoReq_01(<br>ChMod_3k,<br>TCV_chd1))   |     |
| 52 |            | [TSPC_24DataF]                                                                      |                                                                          |     |
| 53 | L_028<br>8 | L?DL_DatInChmmoAck                                                                  | ChmmoAckRcv(<br>TCV_chTch,<br>ChmomoAck_01(<br>ChMod_3k,<br>TCV_chd1))   | (P) |
| 54 |            | +localtree1                                                                         |                                                                          |     |
| 55 |            | [NOT TSPC_24DataF]                                                                  |                                                                          |     |
| 56 | L_028<br>9 | L?DL_DatInChmmoAck                                                                  | ChmmoAckRcv(<br>TCV_chTch,<br>ChmomoAck_01(<br>ChMod_6k,<br>TCV_chd1))   | (P) |
| 57 |            | +localtree1                                                                         |                                                                          |     |
| 58 |            | <b>gsmOrDcs</b><br>[TSPC_PGSM OR TSPC_EGSM]                                         |                                                                          |     |
| 59 |            | (TCV_chd1 := ChDescrp_nfh( '00001'B,<br>TSPX_TmSltDef, TSPX_TscDef, C_arfcn_tchA))  |                                                                          |     |
| 60 |            | [TSPC_DCS]                                                                          |                                                                          |     |
| 61 |            | (TCV_chd1 := ChDescrp_nfh( '00001'B,<br>TSPX_TmSltDef, TSPX_TscDef, C_arfcn_tchAd)) |                                                                          |     |

**Detailed Comments:** 1. Default system infirmations for RR testing.  
2. TCH/F channel.



| Test Case Dynamic Behaviour |            |                                                                                                                                                                                                                                                                                                                                                                                                                                                                                                                                                                                        |                                                                           |     |                         |
|-----------------------------|------------|----------------------------------------------------------------------------------------------------------------------------------------------------------------------------------------------------------------------------------------------------------------------------------------------------------------------------------------------------------------------------------------------------------------------------------------------------------------------------------------------------------------------------------------------------------------------------------------|---------------------------------------------------------------------------|-----|-------------------------|
| <b>Test Case Name:</b>      |            | TC_26_6_7_2                                                                                                                                                                                                                                                                                                                                                                                                                                                                                                                                                                            |                                                                           |     |                         |
| <b>Group:</b>               |            | GSM_L3_MS_v4200/RR/                                                                                                                                                                                                                                                                                                                                                                                                                                                                                                                                                                    |                                                                           |     |                         |
| <b>Purpose:</b>             |            | <p>To verify that the MS, in an RR connected state, acknowledges a CHANNEL MODE MODIFY message by sending a CHANNEL MODE MODIFY ACKNOWLEDGEMENT message specifying and switches to the correct mode</p> <ul style="list-style-type: none"> <li>- the new mode if that mode is supported</li> <li>- the old mode if the new mode is not supported.</li> </ul> <p>This shall be verified for the channel modes</p> <ul style="list-style-type: none"> <li>- signalling only</li> <li>- speech half rate</li> <li>- data 4.8 Kb/s half rate</li> <li>- data 2.4 Kb/s half rate</li> </ul> |                                                                           |     |                         |
| <b>Default:</b>             |            | OtherEventsFail                                                                                                                                                                                                                                                                                                                                                                                                                                                                                                                                                                        |                                                                           |     |                         |
| <b>Comments:</b>            |            | apply only to the MS supporting TCH/H.                                                                                                                                                                                                                                                                                                                                                                                                                                                                                                                                                 |                                                                           |     |                         |
| Nr                          | Label      | Behaviour Description                                                                                                                                                                                                                                                                                                                                                                                                                                                                                                                                                                  | CRef                                                                      | V   | Comments                |
| 1                           |            | START T_guard(300)                                                                                                                                                                                                                                                                                                                                                                                                                                                                                                                                                                     |                                                                           |     |                         |
| 2                           |            | +IdleUpdated( C_E_default, C_CellA, C_SCH_A, C_BCCH_A_1, C_Immass, C_S0, C_SlotNU, C_SlotNU, C_SlotNU, C_BCC, C_TxInt_5, C_Max_1, C_NECI_0, C_ATT_0, TimingAdv( 30), C_BABR_0, C_cch_1Comb, C_BPM_3, C_T3212_0, C_ci_cellA, C_MCC_1, C_PLMN_1, C_LAC_1, CellOpt_01, CellChDes_02, CellChDes_03, C_CellReselectHys12, C_MaxPwrLvIG, C_MaxPwrLvID, BcchFreqLst_01, BcchFreqLst_Omit, BcchFreqLst_48, BcchFreqLst_Omit, C_noReestablishment, C_BCC, C_NCC, C_Start_Tmsi, TSPX_SDCCH4SubDef, TSPX_CKSNDf, TSPX_RANDDef, C_arfcnA, C_arfcnAd, TSPX_IMSI, C_Test_fh, C_NCCP_2)               |                                                                           |     |                         |
| 3                           |            | +gsmOrDcs                                                                                                                                                                                                                                                                                                                                                                                                                                                                                                                                                                              |                                                                           |     |                         |
| 4                           |            | +HalfRateCh_A_1_nociph( TSPX_TCHHSubA, C_Immass, TSPX_TmSitDef, TSPX_TscDef, ChMod_sign, FreqTCH( C_arfcn_tchA), FreqTCH( C_arfcn_tchAd), TimingAdv( 30), C_BABR_0, C_cch_1Comb, C_BPM_3)                                                                                                                                                                                                                                                                                                                                                                                              |                                                                           |     |                         |
| 5                           |            | L!DL_UdatRqPg1Rq                                                                                                                                                                                                                                                                                                                                                                                                                                                                                                                                                                       | PgReq1(TCV_PgCh, TCV_Pgg, PgReqTp1_05)                                    |     |                         |
| 6                           |            | L?DL_RaclnChRq (TCV_Rr := DL_RaclnChRq.msg.ecau_rrf, TCV_Fn := DL_RaclnChRq.fn)                                                                                                                                                                                                                                                                                                                                                                                                                                                                                                        | ChReq( ChRequest_17)                                                      |     |                         |
| 7                           |            | ACTIVATE( OtherEventsFail_02)                                                                                                                                                                                                                                                                                                                                                                                                                                                                                                                                                          |                                                                           |     | To match ChReq retrans. |
| 8                           |            | L!DL_UdatRqImmass                                                                                                                                                                                                                                                                                                                                                                                                                                                                                                                                                                      | ImmAss( TCV_agch, ImmAsgn_r14( TCV_Rr, TCV_Fn, TCV_chd1, TimingAdv( 30))) |     | 2.                      |
| 9                           |            | L?DL_EstInPgRes                                                                                                                                                                                                                                                                                                                                                                                                                                                                                                                                                                        | PagingRes( PagingRes_r02)                                                 |     |                         |
| 10                          |            | ACTIVATE( OtherEventsFail)                                                                                                                                                                                                                                                                                                                                                                                                                                                                                                                                                             |                                                                           |     | Restore Normal default  |
| 11                          |            | L!DL_DatRqChmmo                                                                                                                                                                                                                                                                                                                                                                                                                                                                                                                                                                        | ChmmoReqSnd( TCV_chTch, ChmomoReq_02( ChMod_speech, TCV_chd1))            |     |                         |
| 12                          | L_029<br>0 | L?DL_DatInChmmoAck                                                                                                                                                                                                                                                                                                                                                                                                                                                                                                                                                                     | ChmmoAckRcv( TCV_chTch, ChmomoAck_02( ChMod_speech, TCV_chd1))            | (P) |                         |
| 13                          |            | [TSPC_HalfRateSpeech]                                                                                                                                                                                                                                                                                                                                                                                                                                                                                                                                                                  |                                                                           |     |                         |
| 14                          | L_029<br>1 | L?DL_DatInChmmoAck                                                                                                                                                                                                                                                                                                                                                                                                                                                                                                                                                                     | ChmmoAckRcv( TCV_chTch, ChmomoAck_02( ChMod_speech, TCV_chd1))            | (P) |                         |
| 15                          |            | +localtree( ChMod_speech)                                                                                                                                                                                                                                                                                                                                                                                                                                                                                                                                                              |                                                                           |     |                         |

|    |            |                                                |                                                                          |     |
|----|------------|------------------------------------------------|--------------------------------------------------------------------------|-----|
| 16 |            | [NOT<br>TSPC_HalfRateSpeech]                   |                                                                          |     |
| 17 | L_029<br>2 | L?DL_DatInChmmoAck                             | ChmmoAckRcv(<br>TCV_chTch,<br>ChmomoAck_02(<br>ChMod_sign,<br>TCV_chd1)) | (P) |
| 18 |            | +localtree( ChMod_sign)                        |                                                                          |     |
| 19 |            | <b>localtree(chm:CHMOD)</b><br>L!DL_DatRqChmmo | ChmmoReqSnd(<br>TCV_chTch,<br>ChmomoReq_02(<br>ChMod_6k,<br>TCV_chd1))   |     |
| 20 |            | [TSPC_48DataH]                                 |                                                                          |     |
| 21 |            | +localtree2                                    |                                                                          |     |
| 22 |            | [NOT TSPC_48DataH]                             |                                                                          |     |
| 23 | L_029<br>3 | L?DL_DatInChmmoAck                             | ChmmoAckRcv(<br>TCV_chTch,<br>ChmomoAck_02(<br>chm, TCV_chd1))           | (P) |
| 24 |            | LIDL_DatRqChmmo                                | ChmmoReqSnd(<br>TCV_chTch,<br>ChmomoReq_02(<br>ChMod_3k,<br>TCV_chd1))   |     |
| 25 |            | [TSPC_24DataH]                                 |                                                                          |     |
| 26 | L_029<br>4 | L?DL_DatInChmmoAck                             | ChmmoAckRcv(<br>TCV_chTch,<br>ChmomoAck_02(<br>ChMod_3k,<br>TCV_chd1))   | (P) |
| 27 |            | +localtree1                                    |                                                                          |     |
| 28 |            | [NOT TSPC_24DataH]                             |                                                                          |     |
| 29 | L_029<br>5 | L?DL_DatInChmmoAck                             | ChmmoAckRcv(<br>TCV_chTch,<br>ChmomoAck_02(<br>chm, TCV_chd1))           | (P) |
| 30 |            | +localtree1                                    |                                                                          |     |
| 31 |            | <b>localtree1</b><br>L!DL_DatRqChmmo           | ChmmoReqSnd(<br>TCV_chTch,<br>ChmomoReq_02(<br>ChMod_sign,<br>TCV_chd1)) |     |
| 32 | L_029<br>6 | L?DL_DatInChmmoAck                             | ChmmoAckRcv(<br>TCV_chTch,<br>ChmomoAck_02(<br>ChMod_sign,<br>TCV_chd1)) | (P) |
| 33 |            | +PostMainLinkRel(TCV_chTch)                    |                                                                          |     |
| 34 | L_029<br>7 | L?DL_DatInChmmoAck                             | ChmmoAckRcv(<br>TCV_chTch,<br>ChmomoAck_02(<br>ChMod_6k,<br>TCV_chd1))   | (P) |
| 35 |            | L!DL_DatRqChmmo                                | ChmmoReqSnd(<br>TCV_chTch,<br>ChmomoReq_02(<br>ChMod_3k,<br>TCV_chd1))   |     |
| 36 |            | [TSPC_24DataH]                                 |                                                                          |     |
| 37 | L_029<br>8 | L?DL_DatInChmmoAck                             | ChmmoAckRcv(<br>TCV_chTch,<br>ChmomoAck_02(<br>ChMod_3k,<br>TCV_chd1))   | (P) |
| 38 |            | +localtree1                                    |                                                                          |     |

|                           |            |                                                                                                  |                                                                        |     |
|---------------------------|------------|--------------------------------------------------------------------------------------------------|------------------------------------------------------------------------|-----|
| 39                        |            | [NOT TSPC_24DataH]                                                                               |                                                                        |     |
| 40                        | L_029<br>9 | L?DL_DatInChmmoAck                                                                               | ChmmoAckRcv(<br>TCV_chTch,<br>ChmomoAck_02(<br>ChMod_6k,<br>TCV_chd1)) | (P) |
| 41                        |            | +localtree1                                                                                      |                                                                        |     |
|                           |            | <b>gsmOrDcs</b>                                                                                  |                                                                        |     |
| 42                        |            | [TSPC_PGSM OR TSPC_EGSM]                                                                         |                                                                        |     |
| 43                        |            | (TCV_chd1 := ChDescrp_tchh_nfh(<br>TSPX_TmSltDef, TSPX_TscDef,<br>TSPX_TCHHSubA, C_arfcn_tchA))  |                                                                        |     |
| 44                        |            | [TSPC_DCS]                                                                                       |                                                                        |     |
| 45                        |            | (TCV_chd1 := ChDescrp_tchh_nfh(<br>TSPX_TmSltDef, TSPX_TscDef,<br>TSPX_TCHHSubA, C_arfcn_tchAd)) |                                                                        |     |
| <b>Detailed Comments:</b> |            | 1. Default system infirmations for RR testing.<br>2. TCH/H channel                               |                                                                        |     |

| Test Case Dynamic Behaviour |       |                                                                                                                                                                                                                                                                                                                                                                                                                                                                                                                                                                                                                   |                                                                                                                                                  |   |                         |
|-----------------------------|-------|-------------------------------------------------------------------------------------------------------------------------------------------------------------------------------------------------------------------------------------------------------------------------------------------------------------------------------------------------------------------------------------------------------------------------------------------------------------------------------------------------------------------------------------------------------------------------------------------------------------------|--------------------------------------------------------------------------------------------------------------------------------------------------|---|-------------------------|
| <b>Test Case Name:</b>      |       | TC_26_6_8_1                                                                                                                                                                                                                                                                                                                                                                                                                                                                                                                                                                                                       |                                                                                                                                                  |   |                         |
| <b>Group:</b>               |       | GSM_L3_MS_v4200/RR/                                                                                                                                                                                                                                                                                                                                                                                                                                                                                                                                                                                               |                                                                                                                                                  |   |                         |
| <b>Purpose:</b>             |       | To verify that the MS starts ciphering when it receives a CIPHERING MODE COMMAND message with Cipher Mode Setting = "Start Ciphering". To verify that it continues to use the old cipher key after it receives an AUTHENTICATION REQUEST whilst in ciphered mode.                                                                                                                                                                                                                                                                                                                                                 |                                                                                                                                                  |   |                         |
| <b>Default:</b>             |       | OtherEventsFail                                                                                                                                                                                                                                                                                                                                                                                                                                                                                                                                                                                                   |                                                                                                                                                  |   |                         |
| Nr                          | Label | Behaviour Description                                                                                                                                                                                                                                                                                                                                                                                                                                                                                                                                                                                             | CRef                                                                                                                                             | V | Comments                |
| 1                           |       | START T_guard(300)                                                                                                                                                                                                                                                                                                                                                                                                                                                                                                                                                                                                |                                                                                                                                                  |   |                         |
| 2                           |       | +BasicServiceMO( TSPX_MOBscSvcH,<br>TSPX_MOChRateH)                                                                                                                                                                                                                                                                                                                                                                                                                                                                                                                                                               |                                                                                                                                                  |   |                         |
| 3                           |       | +IdleUpdated( C_E_default, C_CellA, C_SCH_A,<br>C_BCCH_A_1, C_ImmMass, C_S0, C_SlotNU,<br>C_SlotNU, C_SlotNU, C_BCC, C_TxInt_5,<br>C_Max_1, C_NECI_0, C_ATT_0, TimingAdv( 30),<br>C_BABR_0, C_cch_1Comb, C_BPM_3,<br>C_T3212_0, C_ci_cellA, C_MCC_1, C_PLMN_1,<br>C_LAC_1, CellOpt_05, CellChDes_Omit,<br>CellChDes_Omit, C_CellReselectHys12,<br>C_MaxPwrLvIG, C_MaxPwrLvID,<br>BcchFreqLst_02, BcchFreqLst_01,<br>BcchFreqLst_04, BcchFreqLst_48,<br>C_Restablishment, C_BCC, C_NCC,<br>C_Start_Tmsi, TSPX_SDCCH4SubDef,<br>TSPX_CKSNA, TSPX_RANDA, C_arfcnA,<br>C_arfcnAd, TSPX_IMSI, C_Test_nfh,<br>C_NCCP_2) |                                                                                                                                                  |   |                         |
| 4                           | body  | [TSPC_Feat_A51]                                                                                                                                                                                                                                                                                                                                                                                                                                                                                                                                                                                                   |                                                                                                                                                  |   |                         |
| 5                           |       | (TCV_CphAlg := '000'B)                                                                                                                                                                                                                                                                                                                                                                                                                                                                                                                                                                                            |                                                                                                                                                  |   |                         |
| 6                           |       | +InitCall(TCV_Service)                                                                                                                                                                                                                                                                                                                                                                                                                                                                                                                                                                                            |                                                                                                                                                  |   |                         |
| 7                           |       | +localtree                                                                                                                                                                                                                                                                                                                                                                                                                                                                                                                                                                                                        |                                                                                                                                                  |   | 2.                      |
| 8                           |       | [TSPC_Feat_A52]                                                                                                                                                                                                                                                                                                                                                                                                                                                                                                                                                                                                   |                                                                                                                                                  |   |                         |
| 9                           |       | (TCV_CphAlg := '001'B)                                                                                                                                                                                                                                                                                                                                                                                                                                                                                                                                                                                            |                                                                                                                                                  |   |                         |
| 10                          |       | +InitCall(TCV_Service)                                                                                                                                                                                                                                                                                                                                                                                                                                                                                                                                                                                            |                                                                                                                                                  |   |                         |
| 11                          |       | +localtree                                                                                                                                                                                                                                                                                                                                                                                                                                                                                                                                                                                                        |                                                                                                                                                  |   | 3.                      |
| 12                          |       | [NOT TSPC_Feat_A52]                                                                                                                                                                                                                                                                                                                                                                                                                                                                                                                                                                                               |                                                                                                                                                  |   |                         |
| 13                          |       | [NOT TSPC_Feat_A51]                                                                                                                                                                                                                                                                                                                                                                                                                                                                                                                                                                                               |                                                                                                                                                  |   |                         |
| 14                          |       | [TSPC_Feat_A52]                                                                                                                                                                                                                                                                                                                                                                                                                                                                                                                                                                                                   |                                                                                                                                                  |   |                         |
| 15                          |       | (TCV_CphAlg := '001'B)                                                                                                                                                                                                                                                                                                                                                                                                                                                                                                                                                                                            |                                                                                                                                                  |   |                         |
| 16                          |       | +InitCall(TCV_Service)                                                                                                                                                                                                                                                                                                                                                                                                                                                                                                                                                                                            |                                                                                                                                                  |   |                         |
| 17                          |       | +localtree                                                                                                                                                                                                                                                                                                                                                                                                                                                                                                                                                                                                        |                                                                                                                                                  |   | 3.                      |
| 18                          |       | [NOT TSPC_Feat_A52]                                                                                                                                                                                                                                                                                                                                                                                                                                                                                                                                                                                               |                                                                                                                                                  |   |                         |
| 19                          |       | <b>localtree</b><br>L?DL_RaInChRq (TCV_Rr := DL_RaInChRq.<br>msg.ecau_rrf, TCV_Fn := DL_RaInChRq.fn)                                                                                                                                                                                                                                                                                                                                                                                                                                                                                                              | ChReq(<br>ChRequest_04)                                                                                                                          |   |                         |
| 20                          |       | ACTIVATE(OtherEventsFail_02)                                                                                                                                                                                                                                                                                                                                                                                                                                                                                                                                                                                      |                                                                                                                                                  |   | To match ChReq retrans. |
| 21                          |       | L!DL_UdatRqImmMass                                                                                                                                                                                                                                                                                                                                                                                                                                                                                                                                                                                                | ImmAss( TCV_agch,<br>ImmAsgn_01Def(<br>TCV_Rr, TCV_Fn,<br>TSPX_SDCCH4SubD<br>ef, TCV_slot,<br>TCV_tsc,<br>TCV_chdescr_arfcn,<br>TimingAdv( 30))) |   |                         |
| 22                          |       | L?DL_EstInCmsRq                                                                                                                                                                                                                                                                                                                                                                                                                                                                                                                                                                                                   | CMSerReq(<br>CMSerReq_01)                                                                                                                        |   |                         |
| 23                          |       | ACTIVATE(OtherEventsFail)                                                                                                                                                                                                                                                                                                                                                                                                                                                                                                                                                                                         |                                                                                                                                                  |   | Restore Normal default  |
| 24                          |       | L!DL_DatRqAuthRq                                                                                                                                                                                                                                                                                                                                                                                                                                                                                                                                                                                                  | AuthReq(TCV_ch,<br>AuthRequest(<br>TSPX_CKSNA,<br>TSPX_RANDA))                                                                                   |   |                         |
| 25                          |       | L?DL_DatInAuthRes                                                                                                                                                                                                                                                                                                                                                                                                                                                                                                                                                                                                 | AuthRes(<br>AuthResponse)                                                                                                                        |   |                         |
| 26                          |       | (TCV_CphMd.algid := TCV_CphAlg,<br>TCV_Null := OM_CphMdChg( TCV_ch,<br>TCV_CphMd, TCV_CphKey))                                                                                                                                                                                                                                                                                                                                                                                                                                                                                                                    |                                                                                                                                                  |   |                         |
| 27                          |       | L!DL_DatRqCphmCmd<br>(DL_DatRqCphmCmd.msg.cphms.alg<br>id := TCV_CphAlg)                                                                                                                                                                                                                                                                                                                                                                                                                                                                                                                                          | CphCmd( TCV_ch,<br>CphModeCmd_01)                                                                                                                |   | 4.                      |

|                           |            |                                                                                                                                                                                                                                                       |                                                                |     |
|---------------------------|------------|-------------------------------------------------------------------------------------------------------------------------------------------------------------------------------------------------------------------------------------------------------|----------------------------------------------------------------|-----|
| 28                        | L_030<br>0 | L?DL_DatInCphmCom                                                                                                                                                                                                                                     | CphCom(<br>CphModeCmp_01)                                      | (P) |
| 29                        |            | L?DL_DatInSetup                                                                                                                                                                                                                                       | SetupRcv(<br>SetupInd_01)                                      |     |
| 30                        |            | L!DL_DatRqAuthRq                                                                                                                                                                                                                                      | AuthReq(TCV_ch,<br>AuthRequest(<br>TSPX_CKSNA,<br>TSPX_RANDA)) |     |
| 31                        | L_030<br>1 | L?DL_DatInAuthRes                                                                                                                                                                                                                                     | AuthRes(<br>AuthResponse)                                      | (P) |
| 32                        |            | +PostMainLinkRel(<br>TCV_ch)                                                                                                                                                                                                                          |                                                                |     |
| <b>Detailed Comments:</b> |            | <ol style="list-style-type: none"> <li>1. 1 cell with default parameters except Radio-Link-Timeout = 64.</li> <li>2. Test the A5/1 algorithm.</li> <li>3. Test the A5/2 algorithm.</li> <li>4. Ciphering mode setting = "Start ciphering".</li> </ol> |                                                                |     |

| Test Case Dynamic Behaviour |            |                                                                                                                                                                                                                                                                                                                                                                                                                                                                                                                                                                      |                                                                                                                          |     |                         |
|-----------------------------|------------|----------------------------------------------------------------------------------------------------------------------------------------------------------------------------------------------------------------------------------------------------------------------------------------------------------------------------------------------------------------------------------------------------------------------------------------------------------------------------------------------------------------------------------------------------------------------|--------------------------------------------------------------------------------------------------------------------------|-----|-------------------------|
| <b>Test Case Name:</b>      |            | TC_26_6_8_2                                                                                                                                                                                                                                                                                                                                                                                                                                                                                                                                                          |                                                                                                                          |     |                         |
| <b>Group:</b>               |            | GSM_L3_MS_v4200/RR/                                                                                                                                                                                                                                                                                                                                                                                                                                                                                                                                                  |                                                                                                                          |     |                         |
| <b>Purpose:</b>             |            | To verify that the MS does not start ciphering when it receives a CIPHERING MODE COMMAND message with Cipher Mode Setting = "No Ciphering".                                                                                                                                                                                                                                                                                                                                                                                                                          |                                                                                                                          |     |                         |
| <b>Default:</b>             |            | OtherEventsFail                                                                                                                                                                                                                                                                                                                                                                                                                                                                                                                                                      |                                                                                                                          |     |                         |
| Nr                          | Label      | Behaviour Description                                                                                                                                                                                                                                                                                                                                                                                                                                                                                                                                                | CRef                                                                                                                     | V   | Comments                |
| 1                           |            | START T_guard(300)                                                                                                                                                                                                                                                                                                                                                                                                                                                                                                                                                   |                                                                                                                          |     |                         |
| 2                           |            | +BasicServiceMO( TSPX_MOBscSvcC, TSPX_MOChRateC)                                                                                                                                                                                                                                                                                                                                                                                                                                                                                                                     |                                                                                                                          |     |                         |
| 3                           |            | +IdleUpdated( C_E_default, C_CellA, C_SCH_A, C_BCCH_A_1, C_Immass, C_S0, C_SlotNU, C_SlotNU, C_SlotNU, C_BCC, C_TxInt_5, C_Max_1, C_NECI_0, C_ATT_0, TimingAdv( 30), C_BABR_0, C_cch_1Comb, C_BPM_3, C_T3212_0, C_ci_cellA, C_MCC_1, C_PLMN_1, C_LAC_1, CellOpt_05, CellChDes_Omit, CellChDes_Omit, C_CellReselectHys12, C_MaxPwrLvIG, C_MaxPwrLvID, BcchFreqLst_02, BcchFreqLst_01, BcchFreqLst_04, BcchFreqLst_48, C_Restablishment, C_BCC, C_NCC, C_Start_Tmsi, TSPX_SDCCH4SubA, TSPX_CKSNDf, TSPX_RANDDef, C_arfcnA, C_arfcnAd, TSPX_IMSI, C_Test_nfh, C_NCCP_2) |                                                                                                                          |     |                         |
| 4                           | body       | +InitCall(TCV_Service)                                                                                                                                                                                                                                                                                                                                                                                                                                                                                                                                               |                                                                                                                          |     |                         |
| 5                           |            | L?DL_RaInChRq (TCV_Rr := DL_RaInChRq.msg.ecau_rrf, TCV_Fn := DL_RaInChRq.fn)                                                                                                                                                                                                                                                                                                                                                                                                                                                                                         | ChReq(ChRequest_04)                                                                                                      |     |                         |
| 6                           |            | ACTIVATE( OtherEventsFail_02)                                                                                                                                                                                                                                                                                                                                                                                                                                                                                                                                        |                                                                                                                          |     | To match ChReq retrans. |
| 7                           |            | L!DL_UdatRqImmass                                                                                                                                                                                                                                                                                                                                                                                                                                                                                                                                                    | ImmAss( TCV_agch, ImmAsgn_01Def( TCV_Rr, TCV_Fn, TSPX_SDCCH4SubA, TCV_slot, TCV_tsc, TCV_chdescr_arfcn, TimingAdv( 30))) |     |                         |
| 8                           |            | L?DL_EstInCmsRq                                                                                                                                                                                                                                                                                                                                                                                                                                                                                                                                                      | CMSerReq(CMServiceReq_01)                                                                                                |     |                         |
| 9                           |            | ACTIVATE( OtherEventsFail)                                                                                                                                                                                                                                                                                                                                                                                                                                                                                                                                           |                                                                                                                          |     | Restore Normal default  |
| 10                          |            | LIDL_DatRqAuthRq                                                                                                                                                                                                                                                                                                                                                                                                                                                                                                                                                     | AuthReq(TCV_ch, AuthRequest( TSPX_CKSNDf, TSPX_RANDDef))                                                                 |     |                         |
| 11                          |            | L?DL_DatInAuthRes                                                                                                                                                                                                                                                                                                                                                                                                                                                                                                                                                    | AuthRes( AuthResponse)                                                                                                   |     |                         |
| 12                          |            | L!DL_DatRqCphmCmd                                                                                                                                                                                                                                                                                                                                                                                                                                                                                                                                                    | CphCmd( TCV_ch, CphModeCmd_02)                                                                                           |     | 2.                      |
| 13                          |            | L?DL_DatInCphmCom                                                                                                                                                                                                                                                                                                                                                                                                                                                                                                                                                    | CphCom( CphModeCmp_01)                                                                                                   |     |                         |
| 14                          | L_030<br>2 | L?DL_DatInSetup                                                                                                                                                                                                                                                                                                                                                                                                                                                                                                                                                      | SetupRcv( SetupInd_01)                                                                                                   | (P) |                         |
| 15                          |            | +PostMainLinkRel( TCV_ch)                                                                                                                                                                                                                                                                                                                                                                                                                                                                                                                                            |                                                                                                                          |     |                         |
| <b>Detailed Comments:</b>   |            | 1. 1 cell with default parameters except Radio-Link-Timeout = 64.<br>2. Ciphering mode setting = "no ciphering".                                                                                                                                                                                                                                                                                                                                                                                                                                                     |                                                                                                                          |     |                         |

| Test Case Dynamic Behaviour |            |                                                                                                                                                                                                                                                                                                                                                                                                                                                                                                                                                                                                                   |                                                                                                                                             |     |                         |
|-----------------------------|------------|-------------------------------------------------------------------------------------------------------------------------------------------------------------------------------------------------------------------------------------------------------------------------------------------------------------------------------------------------------------------------------------------------------------------------------------------------------------------------------------------------------------------------------------------------------------------------------------------------------------------|---------------------------------------------------------------------------------------------------------------------------------------------|-----|-------------------------|
| <b>Test Case Name:</b>      |            | TC_26_6_8_3                                                                                                                                                                                                                                                                                                                                                                                                                                                                                                                                                                                                       |                                                                                                                                             |     |                         |
| <b>Group:</b>               |            | GSM_L3_MS_v4200/RR/                                                                                                                                                                                                                                                                                                                                                                                                                                                                                                                                                                                               |                                                                                                                                             |     |                         |
| <b>Purpose:</b>             |            | To verify that the MS uses the stored cipher key when it receives a CIPHERING MODE COMMAND without a preceding authentication procedure.                                                                                                                                                                                                                                                                                                                                                                                                                                                                          |                                                                                                                                             |     |                         |
| <b>Default:</b>             |            | OtherEventsFail                                                                                                                                                                                                                                                                                                                                                                                                                                                                                                                                                                                                   |                                                                                                                                             |     |                         |
| Nr                          | Label      | Behaviour Description                                                                                                                                                                                                                                                                                                                                                                                                                                                                                                                                                                                             | CRef                                                                                                                                        | V   | Comments                |
| 1                           |            | START T_guard(300)                                                                                                                                                                                                                                                                                                                                                                                                                                                                                                                                                                                                |                                                                                                                                             |     |                         |
| 2                           |            | +BasicServiceMO( TSPX_MOBscSvcB,<br>TSPX_MOChRateB)                                                                                                                                                                                                                                                                                                                                                                                                                                                                                                                                                               |                                                                                                                                             |     |                         |
| 3                           |            | +IdleUpdated( C_E_default, C_CellA, C_SCH_A,<br>C_BCCH_A_1, C_Immass, C_S0, C_SlotNU,<br>C_SlotNU, C_SlotNU, C_BCC, C_TxInt_5,<br>C_Max_1, C_NECI_0, C_ATT_0, TimingAdv( 30),<br>C_BABR_0, C_cch_1Comb, C_BPM_3,<br>C_T3212_0, C_ci_cellA, C_MCC_1, C_PLMN_1,<br>C_LAC_1, CellOpt_05, CellChDes_Omit,<br>CellChDes_Omit, C_CellReselectHys12,<br>C_MaxPwrLvIG, C_MaxPwrLvID,<br>BcchFreqLst_02, BcchFreqLst_01,<br>BcchFreqLst_04, BcchFreqLst_48,<br>C_Restablishment, C_BCC, C_NCC,<br>C_Start_Tmsi, TSPX_SDCCH4SubB,<br>TSPX_CKSNDf, TSPX_RANDDef, C_arfcnA,<br>C_arfcnAd, TSPX_IMSI, C_Test_nfh,<br>C_NCCP_2) |                                                                                                                                             |     |                         |
| 4                           | body       | +InitCall(TCV_Service)                                                                                                                                                                                                                                                                                                                                                                                                                                                                                                                                                                                            |                                                                                                                                             |     |                         |
| 5                           |            | L?DL_RaInChRq (TCV_Rr :=<br>DL_RaInChRq.msg.ecau_rrf, TCV_Fn :=<br>DL_RaInChRq.fn)                                                                                                                                                                                                                                                                                                                                                                                                                                                                                                                                | ChReq(<br>ChRequest_04)                                                                                                                     |     |                         |
| 6                           |            | ACTIVATE(OtherEventsFail_02)                                                                                                                                                                                                                                                                                                                                                                                                                                                                                                                                                                                      |                                                                                                                                             |     | To match ChReq retrans. |
| 7                           |            | L!DL_UdatRqImmass                                                                                                                                                                                                                                                                                                                                                                                                                                                                                                                                                                                                 | ImmAss( TCV_agch,<br>ImmAsgn_01Def(<br>TCV_Rr, TCV_Fn,<br>TSPX_SDCCH4SubB<br>, TCV_slot, TCV_tsc,<br>TCV_chdescr_arfcn,<br>TimingAdv( 30))) |     |                         |
| 8                           |            | L?DL_EstInCmsRq                                                                                                                                                                                                                                                                                                                                                                                                                                                                                                                                                                                                   | CMSerReq(<br>CMSerReq_01)                                                                                                                   |     |                         |
| 9                           |            | ACTIVATE(OtherEventsFail)                                                                                                                                                                                                                                                                                                                                                                                                                                                                                                                                                                                         |                                                                                                                                             |     | Restore Normal default  |
| 10                          |            | (TCV_CphMd.algid :=<br>TSPX_CphAlgA)                                                                                                                                                                                                                                                                                                                                                                                                                                                                                                                                                                              |                                                                                                                                             |     | 2.                      |
| 11                          |            | (TCV_Null := OM_CphMdChg(<br>TCV_ch, TCV_CphMd,<br>TCV_CphKey))                                                                                                                                                                                                                                                                                                                                                                                                                                                                                                                                                   |                                                                                                                                             |     |                         |
| 12                          |            | L!DL_DatRqCphmCmd<br>(DL_DatRqCphmCmd.msg.cph<br>ms.algid := TSPX_CphAlgA)                                                                                                                                                                                                                                                                                                                                                                                                                                                                                                                                        | CphCmd( TCV_ch,<br>CphModeCmd_01)                                                                                                           |     | 3.                      |
| 13                          | L_030<br>3 | L?DL_DatInCphmCom                                                                                                                                                                                                                                                                                                                                                                                                                                                                                                                                                                                                 | CphCom(<br>CphModeCmp_01)                                                                                                                   | (P) |                         |
| 14                          | L_030<br>4 | L?DL_DatInSetup                                                                                                                                                                                                                                                                                                                                                                                                                                                                                                                                                                                                   | SetupRcv(<br>SetupInd_01)                                                                                                                   | (P) |                         |
| 15                          |            | +PostMainLinkRel(TCV_c<br>h)                                                                                                                                                                                                                                                                                                                                                                                                                                                                                                                                                                                      |                                                                                                                                             |     |                         |
| <b>Detailed Comments:</b>   |            | <ol style="list-style-type: none"> <li>1 cell with default parameters except Radio-Link-Timeout = 64.</li> <li>2. The cphering algorithm is chosen arbitrarily but controllable (TSPX_CphAlgA).</li> <li>3. Ciphering mode setting = "Start ciphering", old stored Kc. (generated by TSPX_Ki and TPSX_RANDDef)</li> </ol>                                                                                                                                                                                                                                                                                         |                                                                                                                                             |     |                         |

**Test Case Dynamic Behaviour**

**Test Case Name:** TC\_26\_6\_8\_4  
**Group:** GSM\_L3\_MS\_v4200/RR/  
**Purpose:**

- 1 To verify that when the MS is in the "not ciphered" mode and receives the CIPHERING MODE COMMAND message with Ciphering Mode Setting information element set to "start ciphering", the MS uses the cipher key stored in the SIM to start ciphering and deciphering with the algorithm indicated by the "algorithm identifier" field and that the MS responds with a CIPHERING MODE COMPLETE message.
- 2 To verify that the MS is ready to transmit the CIPHERING MODE COMPLETE message before 500ms after the end of the CIPHERING MODE COMMAND message.
- 3 To verify that when the MS receives an ASSIGNMENT COMMAND message containing a Cipher Mode Setting IE after receipt of a CIPHERING MODE COMMAND message, the MS shall perform the assignment, use the commanded mode and/or algorithm on the new channel, and not change the ciphering key.
- 4 To verify that when the MS receives a HANDOVER COMMAND message containing a Cipher Mode Setting IE after receipt of a CIPHERING MODE COMMAND message, the MS shall perform the handover, use the commanded mode and/or algorithm on the new channel, and not change the ciphering key
- 5 To verify that when the MS is in the "ciphered" mode and receives the CIPHERING MODE COMMAND message with Cipher Mode Setting IE set to "no ciphering", the MS loads the cipher key stored in the SIM into the ME, stops ciphering and deciphering and, responds with a CIPHERING MODE COMPLETE message.
- 6 To verify that the MS responds to an AUTHENTICATION REQUEST message with an AUTHENTICATION RESPONSE message and continues to use the cipher key obtained from the previous authentication procedure.
- 7 To verify that when the MS is in the "not ciphered" mode and receives the CIPHERING MODE COMMAND message with Ciphering Mode Setting information element set to "no ciphering", the does not start ciphering or deciphering, but does respond with a CIPHERING MODE COMPLETE message.
- 8 To verify that when the MS receives a HANDOVER COMMAND message and the handover fails, the MS sends a HANDOVER FAILURE message on the old channel using the old ciphering mode and (if ciphered) the old algorithm and old key.
- 9 To verify that when the MS receives an ASSIGNMENT COMMAND message and the assignment fails, the MS sends an ASSIGNMENT FAILURE message on the old channel using the old ciphering mode and (if ciphered) the old algorithm and old key.

**Default:** OtherEventsFail

| Nr | Label | Behaviour Description                                                                                                                                                                                                                                                                                                                                                                                                                                                                                                                                              | CRef                                   | V | Comments |
|----|-------|--------------------------------------------------------------------------------------------------------------------------------------------------------------------------------------------------------------------------------------------------------------------------------------------------------------------------------------------------------------------------------------------------------------------------------------------------------------------------------------------------------------------------------------------------------------------|----------------------------------------|---|----------|
| 1  |       | START T_guard(300)                                                                                                                                                                                                                                                                                                                                                                                                                                                                                                                                                 |                                        |   |          |
| 2  |       | +IdleUpdated( C_E_default, C_CellA, C_SCH_A, C_BCCH_A_1, C_Immass, C_S0, C_SlotNU, C_SlotNU, C_SlotNU, C_BCC, C_TxInt_5, C_Max_7, C_NECI_0, C_ATT_0, TimingAdv( 30), C_BABR_0, C_cch_1Comb, C_BPM_3, C_T3212_0, C_ci_cellA, C_MCC_1, C_PLMN_1, C_LAC_1, CellOpt_01, CellChDes_02, CellChDes_03, C_CellReselectHys12, C_MaxPwrLvlG, C_MaxPwrLvlD, BcchFreqLst_01, BcchFreqLst_Omit, BcchFreqLst_48, BcchFreqLst_Omit, C_noRestablishment, C_BCC, C_NCC, C_Start_Tmsi, TSPX_SDCCH4SubA, TSPX_CKSNB, TSPX_RANDB, C_arfcnA, C_arfcnAd, TSPX_IMSI, C_Test_fh, C_NCCP_2) |                                        |   |          |
| 3  |       | (TCV_ch1 := OC_SubchOfSdcch4( TSPX_SDCCH4SubB, C_CellA), TCV_Pwrlvl_ho:= INT_TO_BIT( TSPX_PwrlvlA, 5))                                                                                                                                                                                                                                                                                                                                                                                                                                                             |                                        |   |          |
| 4  |       | +ltree_body                                                                                                                                                                                                                                                                                                                                                                                                                                                                                                                                                        |                                        |   |          |
| 5  |       | <b>ltree_body</b><br>L!DL_UdatRqPg1Rq                                                                                                                                                                                                                                                                                                                                                                                                                                                                                                                              | PgReq1(TCV_PgCh, TCV_Pgg, PgReqTp1_01) |   |          |



|    |                                                                                                                                                                                                   |                                                                |                         |
|----|---------------------------------------------------------------------------------------------------------------------------------------------------------------------------------------------------|----------------------------------------------------------------|-------------------------|
| 6  | L?DL_RacInChRq ( TCV_Rr := DL_RacInChRq.<br>msg.ecau_rrf, TCV_Fn := DL_RacInChRq.fn)                                                                                                              | ChReq(<br>ChRequest_17)                                        |                         |
| 7  | ACTIVATE(OtherEventsFail_02)                                                                                                                                                                      |                                                                | To match ChReq retrans. |
| 8  | +ltree_ImmAss                                                                                                                                                                                     |                                                                |                         |
| 9  | L?DL_EstInPgRes                                                                                                                                                                                   | PagingRes(<br>PagingRes_01)                                    |                         |
| 10 | ACTIVATE(OtherEventsFail)                                                                                                                                                                         |                                                                | Restore Normal default  |
| 11 | +localtree1                                                                                                                                                                                       |                                                                |                         |
| 12 | +localtree2                                                                                                                                                                                       |                                                                |                         |
| 13 | +localtree3                                                                                                                                                                                       |                                                                |                         |
| 14 | [(TSPC_Feat_A51 AND(NOT<br>TSPC_Feat_A52)) OR((NOT<br>TSPC_Feat_A51) AND<br>TSPC_Feat_A52)]                                                                                                       |                                                                |                         |
| 15 | +PostMainLinkRel(TCV_ch)                                                                                                                                                                          |                                                                |                         |
| 16 | [TSPC_Feat_A51 AND<br>TSPC_Feat_A52]                                                                                                                                                              |                                                                |                         |
| 17 | +localtree4                                                                                                                                                                                       |                                                                |                         |
|    | <b>localtree1</b>                                                                                                                                                                                 |                                                                |                         |
| 18 | (TCV_Null := OM_CphMdChg(TCV_ch,<br>CphMod_04(TSPX_CphAlgA), TCV_CphKey))                                                                                                                         |                                                                |                         |
| 19 | LIDL_DatRqCphmCmd<br>(DL_DatRqCphmCmd.msg.cphms.algid :=<br>TSPX_CphAlgA)                                                                                                                         | CphCmd( TCV_ch,<br>CphModeCmd_01)                              |                         |
| 20 | START T_dly1(500)                                                                                                                                                                                 |                                                                |                         |
| 21 | L_030 ?TIMEOUT T_dly1<br>5                                                                                                                                                                        |                                                                | (F)                     |
| 22 | +PostMainLinkRel(TCV_ch)                                                                                                                                                                          |                                                                |                         |
| 23 | L?DL_DatInCphmCom CANCEL T_dly1                                                                                                                                                                   | CphCom(<br>CphModeCmp_01)                                      |                         |
| 24 | LIDL_DatRqAuthRq                                                                                                                                                                                  | AuthReq(TCV_ch,<br>AuthRequest(<br>TSPX_CKSNB,<br>TSPX_RANDB)) | 2.                      |
| 25 | L?DL_DatInAuthRes                                                                                                                                                                                 | AuthRes(<br>AuthResponse)                                      |                         |
| 26 | +ltree_HndOv0                                                                                                                                                                                     |                                                                |                         |
| 27 | +handoverAcc(TCV_ch1)                                                                                                                                                                             |                                                                |                         |
| 28 | L?DL_EstIn                                                                                                                                                                                        | DLEstInd( TCV_ch1)                                             |                         |
| 29 | L_030 L?DL_DatInHoCom<br>6                                                                                                                                                                        | HndOvCmpRcv(<br>TCV_ch1,<br>HandOverCmp_01)                    | (P)                     |
|    | <b>localtree2</b>                                                                                                                                                                                 |                                                                |                         |
| 30 | (TCV_ch := OC_SubchOfSdcch4(<br>TSPX_SDCCH4SubC, C_CellA), TCV_Null :=<br>OM_CphMd( TCV_ch, CphMod_04( TSPX_CphAlgB),<br>TCV_CphKey))                                                             |                                                                |                         |
| 31 | +ltree_Asgn1                                                                                                                                                                                      |                                                                |                         |
| 32 | +AssCh_complete(TCV_ch1,TCV_ch,TCV_AssC<br>md)                                                                                                                                                    |                                                                | 3.                      |
| 33 | LIDL_DatRqCphmCmd START T_dly1(500)                                                                                                                                                               | CphCmd( TCV_ch,<br>CphModeCmd_02)                              | 4.                      |
| 34 | L_030 ?TIMEOUT T_dly1<br>7                                                                                                                                                                        |                                                                | (F)                     |
| 35 | +PostMainLinkRel(TCV_ch)                                                                                                                                                                          |                                                                |                         |
| 36 | L?DL_DatInCphmCom CANCEL T_dly1                                                                                                                                                                   | CphCom(<br>CphModeCmp_01)                                      |                         |
| 37 | (TCV_ch1 := OC_SubchOfSdcch4(<br>TSPX_SDCCH4SubDef, C_CellA),<br>TCV_CphKey := OC_CphKeyGen(<br>TSPX_Ki, TSPX_RANDB), TCV_Null :=<br>OM_CphMd( TCV_ch1, CphMod_04(<br>TSPX_CphAlgB), TCV_CphKey)) |                                                                |                         |
| 38 | +ltree_HndOv1                                                                                                                                                                                     |                                                                | 5.                      |
| 39 | +handoverAcc(TCV_ch1)                                                                                                                                                                             |                                                                |                         |
| 40 | L?DL_EstIn                                                                                                                                                                                        | DLEstInd( TCV_ch1)                                             |                         |
| 41 | L_030 L?DL_DatInHoCom<br>8                                                                                                                                                                        | HndOvCmpRcv(<br>TCV_ch1,                                       | (P)                     |

|    |            |                                                                                                                                                   |                                                                 |     |
|----|------------|---------------------------------------------------------------------------------------------------------------------------------------------------|-----------------------------------------------------------------|-----|
| 42 |            | L!DL_DatRqIdRq                                                                                                                                    | HandOverCmp_01<br>IDReq(TCV_ch1,<br>IDRequest_01('0010'<br>B))  |     |
| 43 |            | L?DL_DatInIdRes                                                                                                                                   | IDRes(IDResponse_0<br>1)                                        |     |
| 44 |            | (TCV_ch :=<br>OC_SubchOfSdcch4(<br>TSPX_SDCCH4SubA,<br>C_CellA), TCV_Null :=<br>OM_CphMd( TCV_ch,<br>CphMod_04(<br>TSPX_CphAlgB),<br>TCV_CphKey)) |                                                                 |     |
| 45 |            | +ltree_HndOv2                                                                                                                                     |                                                                 | 6.  |
| 46 |            | +handoverAcc(TCV_ch)                                                                                                                              |                                                                 |     |
| 47 |            | L?DL_EstIn                                                                                                                                        | DLEstIn( TCV_ch)                                                |     |
| 48 |            | L?DL_DatInHoCom                                                                                                                                   | HndOvCmpRcv(<br>TCV_ch,<br>HandOverCmp_01)                      |     |
| 49 |            | <b>localtree3</b><br>(TCV_ch1 := OC_SubchOfSdcch4(<br>TSPX_SDCCH4SubB, C_CellA), TCV_Null :=<br>OM_CphMd( TCV_ch1, CphMod_02, TCV_CphKey))        |                                                                 |     |
| 50 |            | +ltree_Asgn2                                                                                                                                      |                                                                 |     |
| 51 |            | +AssCh_complete(TCV_ch,TCV_ch1,TCV_AssC<br>md)                                                                                                    |                                                                 |     |
| 52 |            | L!DL_DatRqCphmCmd START T_dly1(500)                                                                                                               | CphCmd( TCV_ch1,<br>CphModeCmd_02)                              |     |
| 53 | L_030<br>9 | ?TIMEOUT T_dly1                                                                                                                                   |                                                                 | (F) |
| 54 |            | +PostMainLinkRel(TCV_ch1)                                                                                                                         |                                                                 |     |
| 55 |            | L?DL_DatInCphmCom CANCEL T_dly1                                                                                                                   | CphCom(<br>CphModeCmp_01)                                       |     |
| 56 |            | L!DL_DatRqAuthRq                                                                                                                                  | AuthReq(TCV_ch1,<br>AuthRequest(<br>TSPX_CKSNC,<br>TSPX_RANDC)) | 8.  |
| 57 |            | L?DL_DatInAuthRes                                                                                                                                 | AuthRes(<br>AuthResponse)                                       |     |
| 58 |            | (TCV_ch := OC_SubchOfSdcch4(<br>TSPX_SDCCH4SubC, C_CellA),<br>TCV_Null := OM_CphMd( TCV_ch,<br>CphMod_04( TSPX_CphAlgD),<br>TCV_CphKey))          |                                                                 |     |
| 59 |            | +ltree_HndOv3                                                                                                                                     |                                                                 | 9.  |
| 60 |            | +handoverAcc(TCV_ch)                                                                                                                              |                                                                 |     |
| 61 |            | L?DL_EstIn                                                                                                                                        | DLEstIn( TCV_ch)                                                |     |
| 62 | L_031<br>0 | L?DL_DatInHoCom                                                                                                                                   | HndOvCmpRcv(TCV_<br>ch,<br>HandOverCmp_01)                      | (P) |
| 63 |            | (TCV_ch1 :=<br>OC_SubchOfSdcch4(<br>TSPX_SDCCH4SubB,<br>C_CellA))                                                                                 |                                                                 |     |
| 64 |            | +ltree_HndOv0                                                                                                                                     |                                                                 | 10. |
| 65 |            | L?DL_EstIn                                                                                                                                        | DLEstIn( TCV_ch)                                                |     |
| 66 | L_031<br>1 | L?DL_DatInHofl                                                                                                                                    | HndOvFIRcv(<br>TCV_ch,<br>HandOvFail_01)                        | (P) |
| 67 |            | L!DL_DatRqIdRq                                                                                                                                    | IDReq(TCV_ch,<br>IDRequest_01('0010'<br>B))                     |     |
| 68 |            | L?DL_DatInIdRes                                                                                                                                   | IDRes(IDResponse_0<br>1)                                        |     |
| 69 |            | +ltree_Asgn2                                                                                                                                      |                                                                 |     |
| 70 |            | +AssCh_failure(<br>TCV_ch,TCV_A<br>ssCmd,TRUE)                                                                                                    |                                                                 |     |

|            |                                                                                                                                                             |                                                                                                                          |     |
|------------|-------------------------------------------------------------------------------------------------------------------------------------------------------------|--------------------------------------------------------------------------------------------------------------------------|-----|
|            | <b>localtree4</b>                                                                                                                                           |                                                                                                                          |     |
| 71         | (TCV_Null := OM_CphMd( TCV_ch1, CphMod_04( TSPX_CphAlgE), TCV_CphKey))                                                                                      |                                                                                                                          |     |
| 72         | +ltree_Asgn3                                                                                                                                                |                                                                                                                          |     |
| 73         | +AssCh_complete(TCV_ch,TCV_ch1,TCV_AssCmd)                                                                                                                  |                                                                                                                          |     |
| 74         | (TCV_ch := OC_SubchOfSdcch4( TSPX_SDCCH4SubA, C_CellA), TCV_Null := OM_CphMd(TCV_ch, CphMod_04( TSPX_CphAlgE), TCV_CphKey))                                 |                                                                                                                          |     |
| 75         | +ltree_HndOv4                                                                                                                                               |                                                                                                                          |     |
| 76         | +handoverAcc(TCV_ch)                                                                                                                                        |                                                                                                                          |     |
| 77         | L?DL_EstIn                                                                                                                                                  | DLEstIn( TCV_ch)                                                                                                         |     |
| 78         | L?DL_DatInHoCom                                                                                                                                             | HndOvCmpRcv( TCV_ch, HandOverCmp_01)                                                                                     | (P) |
| L_031<br>2 |                                                                                                                                                             |                                                                                                                          |     |
| 79         | +PostMainLinkRel(TCV_ch)                                                                                                                                    |                                                                                                                          |     |
|            | <b>handoverAcc(ch:LOGICCH)</b>                                                                                                                              |                                                                                                                          |     |
| 80         | L?DL_RacInHoacc                                                                                                                                             | HndOvAccRcv( ch, HandOverAcc_01)                                                                                         |     |
| 81         | L?DL_RacInHoacc                                                                                                                                             | HndOvAccRcv( ch, HandOverAcc_01)                                                                                         |     |
| 82         | L?DL_RacInHoacc                                                                                                                                             | HndOvAccRcv( ch, HandOverAcc_01)                                                                                         |     |
| 83         | L?DL_RacInHoacc                                                                                                                                             | HndOvAccRcv( ch, HandOverAcc_01)                                                                                         |     |
|            | <b>ltree_ImmAss</b>                                                                                                                                         |                                                                                                                          |     |
| 84         | L!DL_UdatRqImmAss                                                                                                                                           | ImmAss( TCV_agch, ImmAsgn_01Def( TCV_Rr, TCV_Fn, TSPX_SDCCH4SubA, TCV_slot, TCV_tsc, TCV_chdescr_arfcn, TimingAdv( 30))) |     |
|            | <b>ltree_Asgn1</b>                                                                                                                                          |                                                                                                                          |     |
| 85         | (TCV_Tchtype := INT_TO_BIT(( 4 + BIT_TO_INT( TSPX_SDCCH4SubC)), 5))                                                                                         |                                                                                                                          |     |
| 86         | (TCV_AssCmd := AsgnCmd_nfh( TCV_Tchtype, TCV_slot, TCV_tsc, 9, TCV_chdescr_arfcn, CellChDes_Omit, ChMod_omit, StartingTm_omit, CphMod_04iei(TSPX_CphAlgB))) |                                                                                                                          |     |
|            | <b>ltree_Asgn2</b>                                                                                                                                          |                                                                                                                          |     |
| 87         | (TCV_Tchtype := INT_TO_BIT(( 4 + BIT_TO_INT( TSPX_SDCCH4SubB)), 5))                                                                                         |                                                                                                                          |     |
| 88         | (TCV_AssCmd := AsgnCmd_nfh( TCV_Tchtype, TCV_slot, TCV_tsc, 9, TCV_chdescr_arfcn, CellChDes_Omit, ChMod_omit, StartingTm_omit, CphMod_02iei))               |                                                                                                                          |     |
|            | <b>ltree_Asgn3</b>                                                                                                                                          |                                                                                                                          |     |
| 89         | (TCV_Tchtype := INT_TO_BIT(( 4 + BIT_TO_INT( TSPX_SDCCH4SubB)), 5))                                                                                         |                                                                                                                          |     |
| 90         | (TCV_AssCmd := AsgnCmd_nfh( TCV_Tchtype, TCV_slot, TCV_tsc, 9, TCV_chdescr_arfcn, CellChDes_Omit, ChMod_omit, StartingTm_omit, CphMod_04iei(TSPX_CphAlgE))) |                                                                                                                          |     |
|            | <b>ltree_HndOv0</b>                                                                                                                                         |                                                                                                                          |     |
| 91         | (TCV_Tchtype := INT_TO_BIT(( 4 + BIT_TO_INT( TSPX_SDCCH4SubB)), 5))                                                                                         |                                                                                                                          |     |
| 92         | [TSPC_PGSM OR TSPC_EGSM]                                                                                                                                    |                                                                                                                          |     |
| 93         | LIDL_DatRqHoCmd                                                                                                                                             | HndOvSnd( TCV_ch, HandOverCmd_nfh( TCV_Tchtype, TCV_slot, TCV_tsc, C_NCC, C_BCC, C_arfcnA, C_arfcnA,                     |     |

|     |  |                                                                                                          |                                                                                                                                                                                                                                                                                                                                     |  |  |
|-----|--|----------------------------------------------------------------------------------------------------------|-------------------------------------------------------------------------------------------------------------------------------------------------------------------------------------------------------------------------------------------------------------------------------------------------------------------------------------|--|--|
|     |  |                                                                                                          | <p>TSPX_HoRefA,<br/>TCV_Pwrlvl_ho,<br/>Synchi(<br/>C_not_report_otd,<br/>C_synchronised),<br/>ChMod_omit,<br/>RelTmdDif_omit,<br/>TimingAdv_omit,<br/>CphMod_02iei))</p>                                                                                                                                                            |  |  |
| 94  |  | [TSPC_DCS]                                                                                               |                                                                                                                                                                                                                                                                                                                                     |  |  |
| 95  |  | LIDL_DatRqHoCmd                                                                                          | <p>HndOvSnd( TCV_ch,<br/>HandOverCmd_nfh(<br/>TCV_Tchtype,<br/>TCV_slot, TCV_tsc,<br/>C_NCC, C_BCC,<br/>C_arfcnAd,<br/>C_arfcnAd,<br/>TSPX_HoRefA,<br/>TCV_Pwrlvl_ho,<br/>Synchi(<br/>C_not_report_otd,<br/>C_synchronised),<br/>ChMod_omit,<br/>RelTmdDif_omit,<br/>TimingAdv_omit,<br/>CphMod_02iei))</p>                         |  |  |
| 96  |  | <p><b>Itree_HndOv1</b><br/>(TCV_Tchtype := INT_TO_BIT(( 4 + BIT_TO_INT(<br/>TSPX_SDCCH4SubDef)), 5))</p> |                                                                                                                                                                                                                                                                                                                                     |  |  |
| 97  |  | [TSPC_PGSM OR TSPC_EGSM]                                                                                 |                                                                                                                                                                                                                                                                                                                                     |  |  |
| 98  |  | LIDL_DatRqHoCmd                                                                                          | <p>HndOvSnd(<br/>TCV_ch1,<br/>HandOverCmd_nfh(<br/>TCV_Tchtype,<br/>TCV_slot, TCV_tsc,<br/>C_NCC, C_BCC,<br/>C_arfcnA, C_arfcnA,<br/>TSPX_HoRefA,<br/>TCV_Pwrlvl_ho,<br/>Synchi(<br/>C_not_report_otd,<br/>C_synchronised),<br/>ChMod_omit,<br/>RelTmdDif_omit,<br/>TimingAdv_omit,<br/>CphMod_04iei(<br/>TSPX_CphAlgC)))</p>       |  |  |
| 99  |  | [TSPC_DCS]                                                                                               |                                                                                                                                                                                                                                                                                                                                     |  |  |
| 100 |  | LIDL_DatRqHoCmd                                                                                          | <p>HndOvSnd(<br/>TCV_ch1,<br/>HandOverCmd_nfh(<br/>TCV_Tchtype,<br/>TCV_slot, TCV_tsc,<br/>C_NCC, C_BCC,<br/>C_arfcnAd,<br/>C_arfcnAd,<br/>TSPX_HoRefA,<br/>TCV_Pwrlvl_ho,<br/>Synchi(<br/>C_not_report_otd,<br/>C_synchronised),<br/>ChMod_omit,<br/>RelTmdDif_omit,<br/>TimingAdv_omit,<br/>CphMod_04iei(<br/>TSPX_CphAlgC)))</p> |  |  |
| 101 |  | <p><b>Itree_HndOv2</b><br/>(TCV_Tchtype := INT_TO_BIT(( 4 + BIT_TO_INT(<br/>TSPX_SDCCH4SubA)), 5))</p>   |                                                                                                                                                                                                                                                                                                                                     |  |  |
| 102 |  | [TSPC_PGSM OR TSPC_EGSM]                                                                                 |                                                                                                                                                                                                                                                                                                                                     |  |  |
| 103 |  | LIDL_DatRqHoCmd                                                                                          | <p>HndOvSnd(<br/>TCV_ch1,<br/>HandOverCmd_nfh(<br/>TCV_Tchtype,<br/>TCV_slot, TCV_tsc,<br/>C_NCC, C_BCC,<br/>C_arfcnAd,<br/>C_arfcnAd,<br/>TSPX_HoRefA,<br/>TCV_Pwrlvl_ho,<br/>Synchi(<br/>C_not_report_otd,<br/>C_synchronised),<br/>ChMod_omit,<br/>RelTmdDif_omit,<br/>TimingAdv_omit,<br/>CphMod_04iei(<br/>TSPX_CphAlgC)))</p> |  |  |

|            |  |                                                                                               |                                                                                                                                                                                                                                                                                                             |  |
|------------|--|-----------------------------------------------------------------------------------------------|-------------------------------------------------------------------------------------------------------------------------------------------------------------------------------------------------------------------------------------------------------------------------------------------------------------|--|
|            |  |                                                                                               | TCV_Tchtype,<br>TCV_slot, TCV_tsc,<br>C_NCC, C_BCC,<br>C_arfcnA, C_arfcnA,<br>TSPX_HoRefA,<br>TCV_Pwrlvl_ho,<br>Synchi(<br>C_not_report_otd,<br>C_synchronised),<br>ChMod_omit,<br>RelTmdDif_omit,<br>TimingAdv_omit,<br>CphMod_04iei(<br>TSPX_CphAlgC)))                                                   |  |
| 104<br>105 |  | [TSPC_DCS]<br>LIDL_DatRqHoCmd                                                                 | HndOvSnd(<br>TCV_ch1,<br>HandOverCmd_nfh(<br>TCV_Tchtype,<br>TCV_slot, TCV_tsc,<br>C_NCC, C_BCC,<br>C_arfcnAd,<br>C_arfcnAd,<br>TSPX_HoRefA,<br>TCV_Pwrlvl_ho,<br>Synchi(<br>C_not_report_otd,<br>C_synchronised),<br>ChMod_omit,<br>RelTmdDif_omit,<br>TimingAdv_omit,<br>CphMod_04iei(<br>TSPX_CphAlgC))) |  |
|            |  | <b>Itree_HndOv3</b><br>(TCV_Tchtype := INT_TO_BIT(( 4 + BIT_TO_INT(<br>TSPX_SDCCH4SubC)), 5)) |                                                                                                                                                                                                                                                                                                             |  |
| 106<br>107 |  | [TSPC_PGSM OR TSPC_EGSM]                                                                      |                                                                                                                                                                                                                                                                                                             |  |
| 108        |  | LIDL_DatRqHoCmd                                                                               | HndOvSnd(<br>TCV_ch1,<br>HandOverCmd_nfh(<br>TCV_Tchtype,<br>TCV_slot, TCV_tsc,<br>C_NCC, C_BCC,<br>C_arfcnA, C_arfcnA,<br>TSPX_HoRefA,<br>TCV_Pwrlvl_ho,<br>Synchi(<br>C_not_report_otd,<br>C_synchronised),<br>ChMod_omit,<br>RelTmdDif_omit,<br>TimingAdv_omit,<br>CphMod_04iei(<br>TSPX_CphAlgD)))      |  |
|            |  | [TSPC_DCS]<br>LIDL_DatRqHoCmd                                                                 |                                                                                                                                                                                                                                                                                                             |  |
| 109<br>110 |  | [TSPC_DCS]<br>LIDL_DatRqHoCmd                                                                 | HndOvSnd(<br>TCV_ch1,<br>HandOverCmd_nfh(<br>TCV_Tchtype,<br>TCV_slot, TCV_tsc,<br>C_NCC, C_BCC,<br>C_arfcnAd,<br>C_arfcnAd,<br>TSPX_HoRefA,<br>TCV_Pwrlvl_ho,<br>Synchi(<br>C_not_report_otd,<br>C_synchronised),<br>ChMod_omit,<br>RelTmdDif_omit,<br>TimingAdv_omit,<br>CphMod_04iei(<br>TSPX_CphAlgD))) |  |
|            |  | <b>Itree_HndOv4</b>                                                                           |                                                                                                                                                                                                                                                                                                             |  |

|     |                                                                    |                                                                                                                                                                                                                                                      |  |
|-----|--------------------------------------------------------------------|------------------------------------------------------------------------------------------------------------------------------------------------------------------------------------------------------------------------------------------------------|--|
| 111 | (TCV_Tchtype := INT_TO_BIT(( 4 + BIT_TO_INT(TSPX_SDCCH4SubA)), 5)) |                                                                                                                                                                                                                                                      |  |
| 112 | [TSPC_PGSM OR TSPC_EGSM]                                           |                                                                                                                                                                                                                                                      |  |
| 113 | LIDL_DatRqHoCmd                                                    | HndOvSnd(TCV_ch1, HandOverCmd_nfh(TCV_Tchtype, TCV_slot, TCV_tsc, C_NCC, C_BCC, C_arfcnA, C_arfcnA, TSPX_HoRefA, TCV_Pwrlvl_ho, Synchi(C_not_report_otd, C_synchronised), ChMod_omit, RelTmdDif_omit, TimingAdv_omit, CphMod_04iei(TSPX_CphAlgE)))   |  |
| 114 | [TSPC_DCS]                                                         |                                                                                                                                                                                                                                                      |  |
| 115 | LIDL_DatRqHoCmd                                                    | HndOvSnd(TCV_ch1, HandOverCmd_nfh(TCV_Tchtype, TCV_slot, TCV_tsc, C_NCC, C_BCC, C_arfcnAd, C_arfcnAd, TSPX_HoRefA, TCV_Pwrlvl_ho, Synchi(C_not_report_otd, C_synchronised), ChMod_omit, RelTmdDif_omit, TimingAdv_omit, CphMod_04iei(TSPX_CphAlgE))) |  |

**Detailed Comments:**

1. 1 cell, default parameters.
2. New ciphering key sequence number and new ciphering key L.
3. New SDCCH4 subchannel different from the one in use, start ciphering.
4. Load new key L, no ciphering.
5. New SDCCH4 subchannel different from the one in use, start ciphering.
6. New SDCCH4 subchannel different from the one in use, start ciphering.
7. New SDCCH4 subchannel different from the one in use, no ciphering.
8. To generate new ciphering key M.
9. New SDCCH4 subchannel different from the one in use, start ciphering.
10. New SDCCH4 subchannel different from the one in use, no ciphering, new channel not activated.
11. New SDCCH4 subchannel different from the one in use, no ciphering, new channel not activated.

| Test Case Dynamic Behaviour |            |                                                                                                                                                                                                                                                                                                                                                                                                                                                                                                                                                                       |                                                                                                                          |     |                            |
|-----------------------------|------------|-----------------------------------------------------------------------------------------------------------------------------------------------------------------------------------------------------------------------------------------------------------------------------------------------------------------------------------------------------------------------------------------------------------------------------------------------------------------------------------------------------------------------------------------------------------------------|--------------------------------------------------------------------------------------------------------------------------|-----|----------------------------|
| <b>Test Case Name:</b>      |            | TC_26_6_8_5                                                                                                                                                                                                                                                                                                                                                                                                                                                                                                                                                           |                                                                                                                          |     |                            |
| <b>Group:</b>               |            | GSM_L3_MS_v4200/RR/                                                                                                                                                                                                                                                                                                                                                                                                                                                                                                                                                   |                                                                                                                          |     |                            |
| <b>Purpose:</b>             |            | To verify that the MS supplies its IMEISV in the CIPHERING MODE COMPLETE message when it receives a CIPHERING MODE COMMAND message with a Cipher Response bit set to 'IMEISV shall be included'. To verify that the MS does not supply any Mobile Identity IE in the CIPHERING MODE COMPLETE message when it receives a CIPHERING MODE COMMAND message with a Cipher Response bit set to 'IMEISV shall not be included'.                                                                                                                                              |                                                                                                                          |     |                            |
| <b>Default:</b>             |            | OtherEventsFail                                                                                                                                                                                                                                                                                                                                                                                                                                                                                                                                                       |                                                                                                                          |     |                            |
| Nr                          | Label      | Behaviour Description                                                                                                                                                                                                                                                                                                                                                                                                                                                                                                                                                 | CRef                                                                                                                     | V   | Comments                   |
| 1                           |            | START T_guard(300)                                                                                                                                                                                                                                                                                                                                                                                                                                                                                                                                                    |                                                                                                                          |     |                            |
| 2                           |            | +IdleUpdated( C_E_default, C_CellA, C_SCH_A, C_BCCH_A_1, C_Immass, C_S0, C_SlotNU, C_SlotNU, C_SlotNU, C_BCC, C_TxInt_5, C_Max_7, C_NECl_0, C_ATT_0, TimingAdv( 30), C_BABR_0, C_cch_1Comb, C_BPM_3, C_T3212_0, C_ci_cellA, C_MCC_1, C_PLMN_1, C_LAC_1, CellOpt_01, CellChDes_02, CellChDes_03, C_CellReselectHys12, C_MaxPwrLvIG, C_MaxPwrLvID, BcchFreqLst_01, BcchFreqLst_Omit, BcchFreqLst_48, BcchFreqLst_Omit, C_noRestablishment, C_BCC, C_NCC, C_Start_Tmsi, TSPX_SDCCH4SubB, TSPX_CKSNDf, TSPX_RANDDef, C_arfcnA, C_arfcnAd, TSPX_IMSI, C_Test_fh, C_NCCP_2) |                                                                                                                          |     |                            |
| 3                           |            | LIDL_UdatRqPg1Rq                                                                                                                                                                                                                                                                                                                                                                                                                                                                                                                                                      | PgReq1(TCV_PgCh, TCV_Pgg, PgReqTp1_01)                                                                                   |     |                            |
| 4                           |            | L?DL_RacInChRq (TCV_Rr := DL_RacInChRq.msg.ecau_rrf, TCV_Fn := DL_RacInChRq.fn)                                                                                                                                                                                                                                                                                                                                                                                                                                                                                       | ChReq(ChRequest_17)                                                                                                      |     |                            |
| 5                           |            | ACTIVATE(OtherEventsFail_02)                                                                                                                                                                                                                                                                                                                                                                                                                                                                                                                                          |                                                                                                                          |     |                            |
| 6                           |            | LIDL_UdatRqImmass                                                                                                                                                                                                                                                                                                                                                                                                                                                                                                                                                     | ImmAss( TCV_agch, ImmAsgn_01Def( TCV_Rr, TCV_Fn, TSPX_SDCCH4SubB, TCV_slot, TCV_tsc, TCV_chdescr_arfcn, TimingAdv( 30))) |     | To match ChReq retrans. 2. |
| 7                           |            | L?DL_EstInPgRes                                                                                                                                                                                                                                                                                                                                                                                                                                                                                                                                                       | PagingRes( PagingRes_01)                                                                                                 |     |                            |
| 8                           |            | ACTIVATE(OtherEventsFail)                                                                                                                                                                                                                                                                                                                                                                                                                                                                                                                                             |                                                                                                                          |     |                            |
| 9                           | body       | LIDL_DatRqCphmCmd                                                                                                                                                                                                                                                                                                                                                                                                                                                                                                                                                     | CphCmd( TCV_ch, CphModeCmd_02)                                                                                           |     |                            |
| 10                          | L_031<br>3 | L?DL_DatInCphmCom                                                                                                                                                                                                                                                                                                                                                                                                                                                                                                                                                     | CphCom( CphModeCmp_02)                                                                                                   | (P) |                            |
| 11                          |            | LIDL_DatRqCphmCmd                                                                                                                                                                                                                                                                                                                                                                                                                                                                                                                                                     | CphCmd( TCV_ch, CphModeCmd_03)                                                                                           |     |                            |
| 12                          | L_031<br>4 | L?DL_DatInCphmCom                                                                                                                                                                                                                                                                                                                                                                                                                                                                                                                                                     | CphCom( CphModeCmp_03)                                                                                                   | (P) |                            |
| 13                          |            | +PostMainLinkRel( TCV_ch)                                                                                                                                                                                                                                                                                                                                                                                                                                                                                                                                             |                                                                                                                          |     |                            |
| <b>Detailed Comments:</b>   |            |                                                                                                                                                                                                                                                                                                                                                                                                                                                                                                                                                                       |                                                                                                                          |     |                            |

| Test Case Dynamic Behaviour |            |                                                                                                                                                                                                                                                                                                                                                                                                                                                                                                                                                                                                                    |                                                                                                                                             |     |                         |
|-----------------------------|------------|--------------------------------------------------------------------------------------------------------------------------------------------------------------------------------------------------------------------------------------------------------------------------------------------------------------------------------------------------------------------------------------------------------------------------------------------------------------------------------------------------------------------------------------------------------------------------------------------------------------------|---------------------------------------------------------------------------------------------------------------------------------------------|-----|-------------------------|
| <b>Test Case Name:</b>      |            | TC_26_6_11_1                                                                                                                                                                                                                                                                                                                                                                                                                                                                                                                                                                                                       |                                                                                                                                             |     |                         |
| <b>Group:</b>               |            | GSM_L3_MS_v4200/RR/                                                                                                                                                                                                                                                                                                                                                                                                                                                                                                                                                                                                |                                                                                                                                             |     |                         |
| <b>Purpose:</b>             |            | To verify that if the RF power capability or any other capability indicated in a Classmark IE of the MS is changed during a call, the change is communicated on the DCCH to the network. To verify that if the RF power capability or any other capability indicated in a Classmark IE of the MS is changed in idle mode, the out of date capabilities are not communicated to the network during RR connection establishment.                                                                                                                                                                                     |                                                                                                                                             |     |                         |
| <b>Default:</b>             |            | OtherEventsFail                                                                                                                                                                                                                                                                                                                                                                                                                                                                                                                                                                                                    |                                                                                                                                             |     |                         |
| Nr                          | Label      | Behaviour Description                                                                                                                                                                                                                                                                                                                                                                                                                                                                                                                                                                                              | CRef                                                                                                                                        | V   | Comments                |
| 1                           |            | START T_guard(300)                                                                                                                                                                                                                                                                                                                                                                                                                                                                                                                                                                                                 |                                                                                                                                             |     |                         |
| 2                           |            | +BasicServiceMO( TSPX_MOBscSvcB,<br>TSPX_MOChRateB)                                                                                                                                                                                                                                                                                                                                                                                                                                                                                                                                                                |                                                                                                                                             |     |                         |
| 3                           |            | +IdleUpdated( C_E_default, C_CellA, C_SCH_A,<br>C_BCCH_A_1, C_Immass, C_S0, C_SlotNU,<br>C_SlotNU, C_SlotNU, C_BCC, C_TxInt_5,<br>C_Max_1, C_NECI_0, C_ATT_0, TimingAdv( 30),<br>C_BABR_0, C_cch_1Comb, C_BPM_3,<br>C_T3212_0, C_ci_cellA, C_MCC_1, C_PLMN_1,<br>C_LAC_1, CellOpt_01, CellChDes_02,<br>CellChDes_03, C_CellReselectHys12,<br>C_MaxPwrLvlG, C_MaxPwrLvlD,<br>BcchFreqLst_01, BcchFreqLst_Omit,<br>BcchFreqLst_48, BcchFreqLst_Omit,<br>C_noReestablishment, C_BCC, C_NCC,<br>C_Start_Tmsi, TSPX_SDCCH4SubC,<br>TSPX_CKSNDDef, TSPX_RANDDef, C_arfcnA,<br>C_arfcnAd, TSPX_IMSI, C_Test_fh, C_NCCP_2) |                                                                                                                                             |     | 1.                      |
| 4                           |            | +CCConfigTCH_nociph( TSPX_TCHHSubDef,<br>C_Ass, TSPX_TmSltDef, TSPX_TscDef,<br>TimingAdv( 0), C_BABR_0, C_cch_1Comb,<br>C_BPM_3, TCV_ChMod.mode, FreqTCH_omit,<br>FreqTCH_omit, C_arfcn_tchA, C_arfcn_tchAd)                                                                                                                                                                                                                                                                                                                                                                                                       |                                                                                                                                             |     |                         |
| 5                           | body       | (TCV_Null := OO_AddPwrAmp())                                                                                                                                                                                                                                                                                                                                                                                                                                                                                                                                                                                       |                                                                                                                                             |     |                         |
| 6                           |            | +InitCall(TCV_Service)                                                                                                                                                                                                                                                                                                                                                                                                                                                                                                                                                                                             |                                                                                                                                             |     |                         |
| 7                           |            | +subtree1                                                                                                                                                                                                                                                                                                                                                                                                                                                                                                                                                                                                          |                                                                                                                                             |     |                         |
| 8                           |            | (TCV_Null := OO_RemvPwrAmp())                                                                                                                                                                                                                                                                                                                                                                                                                                                                                                                                                                                      |                                                                                                                                             |     |                         |
| 9                           |            | +subtree2                                                                                                                                                                                                                                                                                                                                                                                                                                                                                                                                                                                                          |                                                                                                                                             |     |                         |
|                             |            | <b>subtree1</b>                                                                                                                                                                                                                                                                                                                                                                                                                                                                                                                                                                                                    |                                                                                                                                             |     |                         |
| 10                          |            | L?DL_RaInChRq (TCV_Rr := DL_RaInChRq.<br>msg.ecau_rrf, TCV_Fn := DL_RaInChRq.fn)                                                                                                                                                                                                                                                                                                                                                                                                                                                                                                                                   | ChReq(<br>ChRequest_04)                                                                                                                     |     |                         |
| 11                          |            | ACTIVATE(OtherEventsFail_02)                                                                                                                                                                                                                                                                                                                                                                                                                                                                                                                                                                                       |                                                                                                                                             |     | To match ChReq retrans. |
| 12                          |            | LIDL_UdatRqImmass                                                                                                                                                                                                                                                                                                                                                                                                                                                                                                                                                                                                  | ImmAss( TCV_agch,<br>ImmAsgn_01Def(<br>TCV_Rr, TCV_Fn,<br>TSPX_SDCCH4SubC<br>, TCV_slot, TCV_tsc,<br>TCV_chdescr_arfcn,<br>TimingAdv( 30))) |     |                         |
| 13                          | L_031<br>5 | L?DL_EstInCmsRq                                                                                                                                                                                                                                                                                                                                                                                                                                                                                                                                                                                                    | CMSerReq(<br>CMSerReq_02)                                                                                                                   | (P) | 2.                      |
| 14                          |            | ACTIVATE(OtherEventsFail)                                                                                                                                                                                                                                                                                                                                                                                                                                                                                                                                                                                          |                                                                                                                                             |     | Restore Normal default  |
| 15                          |            | LIDL_DatRqCmsAcp                                                                                                                                                                                                                                                                                                                                                                                                                                                                                                                                                                                                   | CMSerAcp( TCV_ch,<br>CMSerAcp_01)                                                                                                           |     |                         |
| 16                          |            | +RcvSetupOrEsetup( TCV_Setup_mo,<br>TCV_Esetup, TCV_Ecall)                                                                                                                                                                                                                                                                                                                                                                                                                                                                                                                                                         |                                                                                                                                             |     |                         |
| 17                          |            | LIDL_DatRqCallProc                                                                                                                                                                                                                                                                                                                                                                                                                                                                                                                                                                                                 | CallProc(TCV_ch,<br>TCV_CallProc)                                                                                                           |     |                         |
| 18                          |            | LIDL_DatRqAlert                                                                                                                                                                                                                                                                                                                                                                                                                                                                                                                                                                                                    | AlertSnd( TCV_ch,<br>Alerting_01( TCV_TI))                                                                                                  |     |                         |
| 19                          |            | +continue                                                                                                                                                                                                                                                                                                                                                                                                                                                                                                                                                                                                          |                                                                                                                                             |     |                         |
|                             |            | <b>continue</b>                                                                                                                                                                                                                                                                                                                                                                                                                                                                                                                                                                                                    |                                                                                                                                             |     |                         |
| 20                          |            | +AssCmdGen( TCV_cellid, TCV_ChRate,<br>TSPX_TmSltDef, TSPX_TscDef,<br>TSPX_TCHHSubDef)                                                                                                                                                                                                                                                                                                                                                                                                                                                                                                                             |                                                                                                                                             |     |                         |
| 21                          |            | +AssCh_complete( TCV_ch, TCV_chTch,<br>TCV_AssCmd)                                                                                                                                                                                                                                                                                                                                                                                                                                                                                                                                                                 |                                                                                                                                             |     |                         |
| 22                          |            | LIDL_DatRqConn                                                                                                                                                                                                                                                                                                                                                                                                                                                                                                                                                                                                     | ConnSnd(<br>TCV_chTch,                                                                                                                      |     |                         |



|                           |            |                                                                                                                                                                                                                                                                                                                                                                                                                                                                                                                                                                                                                            |                                                                                                                                             |     |                         |
|---------------------------|------------|----------------------------------------------------------------------------------------------------------------------------------------------------------------------------------------------------------------------------------------------------------------------------------------------------------------------------------------------------------------------------------------------------------------------------------------------------------------------------------------------------------------------------------------------------------------------------------------------------------------------------|---------------------------------------------------------------------------------------------------------------------------------------------|-----|-------------------------|
| 23                        |            | L?DL_DatInConnAck                                                                                                                                                                                                                                                                                                                                                                                                                                                                                                                                                                                                          | Connect_02(<br>TCV_TI))<br>ConnAckRcv(<br>ConnectAck_02(<br>TCV_TIO))                                                                       |     |                         |
|                           |            | <b>subtree2</b>                                                                                                                                                                                                                                                                                                                                                                                                                                                                                                                                                                                                            |                                                                                                                                             |     |                         |
| 24                        | L_031<br>6 | L?DL_UdatInCImChn<br><br>(TCV_Null := OO_AddPwrAmp())                                                                                                                                                                                                                                                                                                                                                                                                                                                                                                                                                                      | ClassChgURcv(<br>ClassChange_01)                                                                                                            | (P) | 5.                      |
| 25                        |            |                                                                                                                                                                                                                                                                                                                                                                                                                                                                                                                                                                                                                            |                                                                                                                                             |     |                         |
| 26                        | L_031<br>7 | L?DL_UdatInCImChn<br><br>+PostMainLinkRel( TCV_chTch)<br>+localtree3                                                                                                                                                                                                                                                                                                                                                                                                                                                                                                                                                       | ClassChgURcv(<br>ClassChange_02)                                                                                                            | (P) | 6.                      |
| 27                        |            |                                                                                                                                                                                                                                                                                                                                                                                                                                                                                                                                                                                                                            |                                                                                                                                             |     |                         |
| 28                        |            |                                                                                                                                                                                                                                                                                                                                                                                                                                                                                                                                                                                                                            |                                                                                                                                             |     |                         |
|                           |            | <b>localtree3</b>                                                                                                                                                                                                                                                                                                                                                                                                                                                                                                                                                                                                          |                                                                                                                                             |     |                         |
| 29                        |            | (TCV_Null := OO_RemvPwrAmp())                                                                                                                                                                                                                                                                                                                                                                                                                                                                                                                                                                                              |                                                                                                                                             |     |                         |
| 30                        |            | START T_dly(12000)                                                                                                                                                                                                                                                                                                                                                                                                                                                                                                                                                                                                         |                                                                                                                                             |     |                         |
| 31                        |            | ?TIMEOUT T_dly                                                                                                                                                                                                                                                                                                                                                                                                                                                                                                                                                                                                             |                                                                                                                                             |     |                         |
| 32                        |            | L!DL_UdatRqPg1Rq                                                                                                                                                                                                                                                                                                                                                                                                                                                                                                                                                                                                           | PgReq1(TCV_PgCh,<br>TCV_Pgg,<br>PgReqTp1_01)                                                                                                |     |                         |
| 33                        |            | L?DL_RaInChRq (TCV_Rr :=<br>DL_RaInChRq. msg.ecau_rrf, TCV_Fn :=<br>DL_RaInChRq.fn)                                                                                                                                                                                                                                                                                                                                                                                                                                                                                                                                        | ChReq(<br>ChRequest_17)                                                                                                                     |     |                         |
| 34                        |            | ACTIVATE( OtherEventsFail_02)                                                                                                                                                                                                                                                                                                                                                                                                                                                                                                                                                                                              |                                                                                                                                             |     | To match ChReq retrans. |
| 35                        |            | L!DL_UdatRqImmss                                                                                                                                                                                                                                                                                                                                                                                                                                                                                                                                                                                                           | ImmAss( TCV_agch,<br>ImmAsgn_01Def(<br>TCV_Rr, TCV_Fn,<br>TSPX_SDCCH4SubC<br>, TCV_slot, TCV_tsc,<br>TCV_chdescr_arfcn,<br>TimingAdv( 30))) |     |                         |
| 36                        | L_031<br>8 | L?DL_EstInPgRes                                                                                                                                                                                                                                                                                                                                                                                                                                                                                                                                                                                                            | PagingRes(<br>PagingRes_03(<br>TSPX_CKSNDf))                                                                                                | (P) | 7.                      |
| 37                        |            | ACTIVATE( OtherEventsFail)                                                                                                                                                                                                                                                                                                                                                                                                                                                                                                                                                                                                 |                                                                                                                                             |     | Restore Normal default  |
| 38                        |            | +PostMainLinkRel( TCV_ch)                                                                                                                                                                                                                                                                                                                                                                                                                                                                                                                                                                                                  |                                                                                                                                             |     |                         |
| <b>Detailed Comments:</b> |            | <ol style="list-style-type: none"> <li>1. To setup a physical channel as BCCH, CCCH and SDCCH4.</li> <li>2. The power capability is the one with RF amplification.</li> <li>3. To setup a physical channel as full rate traffic channel for full rate bearer capability.</li> <li>4. To setup a physical channel as half rate traffic channel for half rate bearer capability.</li> <li>5. The power capability is the original one without RF amplification.</li> <li>6. The power capability is the one with RF amplification.</li> <li>7. The power capability is the original one without RF amplification.</li> </ol> |                                                                                                                                             |     |                         |

| Test Case Dynamic Behaviour |            |                                                                                                                                                                                                                                                                                                                                                                                                                                                                                                                                                                          |                                                                                                                                             |     |                         |
|-----------------------------|------------|--------------------------------------------------------------------------------------------------------------------------------------------------------------------------------------------------------------------------------------------------------------------------------------------------------------------------------------------------------------------------------------------------------------------------------------------------------------------------------------------------------------------------------------------------------------------------|---------------------------------------------------------------------------------------------------------------------------------------------|-----|-------------------------|
| <b>Test Case Name:</b>      |            | TC_26_6_11_2                                                                                                                                                                                                                                                                                                                                                                                                                                                                                                                                                             |                                                                                                                                             |     |                         |
| <b>Group:</b>               |            | GSM_L3_MS_v4200/RR/                                                                                                                                                                                                                                                                                                                                                                                                                                                                                                                                                      |                                                                                                                                             |     |                         |
| <b>Purpose:</b>             |            | To verify that if the network requests the MS to supply all its classmark information then this information is communicated on the DCCH to the network.                                                                                                                                                                                                                                                                                                                                                                                                                  |                                                                                                                                             |     |                         |
| <b>Default:</b>             |            | OtherEventsFail                                                                                                                                                                                                                                                                                                                                                                                                                                                                                                                                                          |                                                                                                                                             |     |                         |
| Nr                          | Label      | Behaviour Description                                                                                                                                                                                                                                                                                                                                                                                                                                                                                                                                                    | CRef                                                                                                                                        | V   | Comments                |
| 1                           |            | START T_guard(300)                                                                                                                                                                                                                                                                                                                                                                                                                                                                                                                                                       |                                                                                                                                             |     |                         |
| 2                           |            | +IdleUpdated( C_E_default, C_Cella, C_SCH_A, C_BCCH_A_1, C_ImmAs, C_S0, C_SlotNU, C_SlotNU, C_SlotNU, C_BCC, C_TxInt_5, C_Max_1, C_NECI_0, C_ATT_1, TimingAdv( 30), C_BABR_0, C_cch_1Comb, C_BPM_3, C_T3212_0, C_ci_cellA, C_MCC_1, C_PLMN_1, C_LAC_1, CellOpt_01, CellChDes_02, CellChDes_03, C_CellReselectHys12, C_MaxPwrLvlG, C_MaxPwrLvlD, BcchFreqLst_01, BcchFreqLst_Omit, BcchFreqLst_48, BcchFreqLst_Omit, C_noReestablishment, C_BCC, C_NCC, C_Start_TmsiOff, TSPX_SDCCH4SubA, TSPX_CKSNDf, TSPX_RANDDef, C_arfcnA, C_arfcnAd, TSPX_IMSI, C_Test_fh, C_NCCP_2) |                                                                                                                                             |     |                         |
| 3                           | body       | +MM_PwrOrSimOn(C_SIMneedRmv)                                                                                                                                                                                                                                                                                                                                                                                                                                                                                                                                             |                                                                                                                                             |     |                         |
| 4                           |            | L?DL_RaInChRq (TCV_Rr := DL_RaInChRq.<br>msg.ecau_rrf, TCV_Fn := DL_RaInChRq.fn)                                                                                                                                                                                                                                                                                                                                                                                                                                                                                         | ChReq(<br>ChRequest_02)                                                                                                                     |     |                         |
| 5                           |            | ACTIVATE( OtherEventsFail_02)                                                                                                                                                                                                                                                                                                                                                                                                                                                                                                                                            |                                                                                                                                             |     | To match ChReq retrans. |
| 6                           |            | L!DL_UdatRqImmAs                                                                                                                                                                                                                                                                                                                                                                                                                                                                                                                                                         | ImmAss( TCV_agch,<br>ImmAsgn_01Def(<br>TCV_Rr, TCV_Fn,<br>TSPX_SDCCH4SubA<br>, TCV_slot, TCV_tsc,<br>TCV_chdescr_arfcn,<br>TimingAdv( 30))) |     |                         |
| 7                           |            | L?DL_EstInLupRq                                                                                                                                                                                                                                                                                                                                                                                                                                                                                                                                                          | LocUp( TCV_ch,<br>LocUpdtReq_05)                                                                                                            |     |                         |
| 8                           |            | ACTIVATE( OtherEventsFail)                                                                                                                                                                                                                                                                                                                                                                                                                                                                                                                                               |                                                                                                                                             |     | Restore Normal default  |
| 9                           |            | L!DL_DatRqCImEnq START T_dly1(<br>300)                                                                                                                                                                                                                                                                                                                                                                                                                                                                                                                                   | ClassMkEnq_01(<br>TCV_ch)                                                                                                                   |     |                         |
| 10                          | L_031<br>9 | L?DL_DatInCImChn CANCEL<br>T_dly1                                                                                                                                                                                                                                                                                                                                                                                                                                                                                                                                        | ClassChgDRcv(<br>ClassChange_03)                                                                                                            | (P) | 2.                      |
| 11                          |            | L!DL_DatRqLupAcp                                                                                                                                                                                                                                                                                                                                                                                                                                                                                                                                                         | LocAcp( TCV_ch,<br>LocUpdtAcp_01(<br>MiMsi_omit,<br>C_MCC_1,<br>C_PLMN_1,<br>C_LAC_1))                                                      |     |                         |
| 12                          |            | +PostMainLinkRel( TCV_ch)                                                                                                                                                                                                                                                                                                                                                                                                                                                                                                                                                |                                                                                                                                             |     |                         |
| 13                          | L_032<br>0 | ?TIMEOUT T_dly1                                                                                                                                                                                                                                                                                                                                                                                                                                                                                                                                                          |                                                                                                                                             | (F) | 3.                      |
| 14                          |            | +PostMainLinkRel( TCV_ch)                                                                                                                                                                                                                                                                                                                                                                                                                                                                                                                                                |                                                                                                                                             |     |                         |
| <b>Detailed Comments:</b>   |            | <ol style="list-style-type: none"> <li>1. To change the IMSI attach/detach flag to 1.</li> <li>2. The expected CLASSMARK CHANGE message received before 300 ms after the CLASSMARK ENQUIRY, pass.</li> <li>3. The expected message not received with 300 ms, fail.</li> </ol>                                                                                                                                                                                                                                                                                            |                                                                                                                                             |     |                         |

| Test Case Dynamic Behaviour |            |                                                                                                                                                                                                                                                                                                                                                                                                                                                                                                                                                                             |                                        |     |                         |
|-----------------------------|------------|-----------------------------------------------------------------------------------------------------------------------------------------------------------------------------------------------------------------------------------------------------------------------------------------------------------------------------------------------------------------------------------------------------------------------------------------------------------------------------------------------------------------------------------------------------------------------------|----------------------------------------|-----|-------------------------|
| <b>Test Case Name:</b>      |            | TC_26_6_12_1                                                                                                                                                                                                                                                                                                                                                                                                                                                                                                                                                                |                                        |     |                         |
| <b>Group:</b>               |            | GSM_L3_MS_v4200/RR/                                                                                                                                                                                                                                                                                                                                                                                                                                                                                                                                                         |                                        |     |                         |
| <b>Purpose:</b>             |            | To verify that the MS is able to correctly release an SDCCH after having received a CHANNEL RELEASE message.                                                                                                                                                                                                                                                                                                                                                                                                                                                                |                                        |     |                         |
| <b>Default:</b>             |            | OtherEventsFail                                                                                                                                                                                                                                                                                                                                                                                                                                                                                                                                                             |                                        |     |                         |
| Nr                          | Label      | Behaviour Description                                                                                                                                                                                                                                                                                                                                                                                                                                                                                                                                                       | CRef                                   | V   | Comments                |
| 1                           |            | START T_guard(300)                                                                                                                                                                                                                                                                                                                                                                                                                                                                                                                                                          |                                        |     |                         |
| 2                           |            | +IdleUpdated( C_E_default, C_CellA, C_SCH_A, C_BCCH_A_1, C_ImmMass, C_S0, C_SlotNU, C_SlotNU, C_SlotNU, C_BCC, C_TxInt_5, C_Max_1, C_NECI_0, C_ATT_0, TimingAdv( 30), C_BABR_0, C_cch_1Comb, C_BPM_3, C_T3212_0, C_ci_cellA, C_MCC_1, C_PLMN_1, C_LAC_1, CellOpt_01, CellChDes_02, CellChDes_03, C_CellReselectHys12, C_MaxPwrLvlG, C_MaxPwrLvlD, BcchFreqLst_01, BcchFreqLst_Omit, BcchFreqLst_48, BcchFreqLst_Omit, C_noReestablishment, C_BCC, C_NCC, C_Start_Tmsi, TSPX_SDCCH4SubDef, TSPX_CKSNDDef, TSPX_RANDDef, C_arfcnA, C_arfcnAd, TSPX_IMSI, C_Test_fh, C_NCCP_2) |                                        |     |                         |
| 3                           |            | +Varinit_tch( C_arfcn_tchA, C_arfcn_tchAd)                                                                                                                                                                                                                                                                                                                                                                                                                                                                                                                                  |                                        |     |                         |
| 4                           |            | +SDCCH8_A_1_nociph( TSPX_SDCCH8SubB, C_ImmMass, TSPX_TmSitDef, TSPX_TscDef, ChMod_sign, FreqTCH(TCV_tch_arfcn), FreqTCH(TCV_tch_arfcn), TimingAdv( 30), C_BABR_0, C_cch_1nonComb, C_BPM_3)                                                                                                                                                                                                                                                                                                                                                                                  |                                        |     |                         |
| 5                           | body       | +subtree1                                                                                                                                                                                                                                                                                                                                                                                                                                                                                                                                                                   |                                        |     |                         |
| 6                           |            | +subtree2                                                                                                                                                                                                                                                                                                                                                                                                                                                                                                                                                                   |                                        |     |                         |
|                             |            | <b>subtree1</b>                                                                                                                                                                                                                                                                                                                                                                                                                                                                                                                                                             |                                        |     |                         |
| 7                           |            | L!DL_UdatRqPg1Rq                                                                                                                                                                                                                                                                                                                                                                                                                                                                                                                                                            | PgReq1(TCV_PgCh, TCV_Pgg, PgReqTp1_01) |     |                         |
| 8                           |            | L?DL_RaInChRq (TCV_Rr := DL_RaInChRq.msg.ecau_rrf, TCV_Fn := DL_RaInChRq.fn)                                                                                                                                                                                                                                                                                                                                                                                                                                                                                                | ChReq( ChRequest_17)                   |     |                         |
| 9                           |            | ACTIVATE(OtherEventsFail_02)                                                                                                                                                                                                                                                                                                                                                                                                                                                                                                                                                |                                        |     | To match ChReq retrans. |
| 10                          |            | +local_ImmMass                                                                                                                                                                                                                                                                                                                                                                                                                                                                                                                                                              |                                        |     |                         |
| 11                          |            | L?DL_EstInPgRes                                                                                                                                                                                                                                                                                                                                                                                                                                                                                                                                                             | PagingRes( PagingRes_01)               |     |                         |
| 12                          |            | ACTIVATE(OtherEventsFail)                                                                                                                                                                                                                                                                                                                                                                                                                                                                                                                                                   |                                        |     | Restore Normal default  |
| 13                          |            | L!DL_DatRqChRel                                                                                                                                                                                                                                                                                                                                                                                                                                                                                                                                                             | ChRel( TCV_ch, ChRelease_01)           |     |                         |
| 14                          |            | L?DL_Relln                                                                                                                                                                                                                                                                                                                                                                                                                                                                                                                                                                  | DLRelInd_01                            |     |                         |
| 15                          |            | START T_dly(3000)                                                                                                                                                                                                                                                                                                                                                                                                                                                                                                                                                           |                                        |     |                         |
| 16                          | L_032<br>1 | L?OTHERWISE                                                                                                                                                                                                                                                                                                                                                                                                                                                                                                                                                                 |                                        | (F) |                         |
| 17                          | L_032<br>2 | ?TIMEOUT T_dly                                                                                                                                                                                                                                                                                                                                                                                                                                                                                                                                                              |                                        | (P) |                         |
|                             |            | <b>subtree2</b>                                                                                                                                                                                                                                                                                                                                                                                                                                                                                                                                                             |                                        |     |                         |
| 18                          |            | START T_dly(12000)                                                                                                                                                                                                                                                                                                                                                                                                                                                                                                                                                          |                                        |     |                         |
| 19                          |            | ?TIMEOUT T_dly                                                                                                                                                                                                                                                                                                                                                                                                                                                                                                                                                              |                                        |     |                         |
| 20                          |            | L!DL_UdatRqPg1Rq                                                                                                                                                                                                                                                                                                                                                                                                                                                                                                                                                            | PgReq1(TCV_PgCh, TCV_Pgg, PgReqTp1_01) |     |                         |
| 21                          |            | L?DL_RaInChRq (TCV_Rr := DL_RaInChRq.msg.ecau_rrf, TCV_Fn := DL_RaInChRq.fn)                                                                                                                                                                                                                                                                                                                                                                                                                                                                                                | ChReq( ChRequest_17)                   |     |                         |
| 22                          |            | ACTIVATE(OtherEventsFail_02)                                                                                                                                                                                                                                                                                                                                                                                                                                                                                                                                                |                                        |     | To match ChReq retrans. |
| 23                          |            | +local_ImmMass                                                                                                                                                                                                                                                                                                                                                                                                                                                                                                                                                              |                                        |     |                         |
| 24                          | L_032<br>3 | L?DL_EstInPgRes                                                                                                                                                                                                                                                                                                                                                                                                                                                                                                                                                             | PagingRes( PagingRes_01)               | (P) |                         |
| 25                          |            | ACTIVATE(OtherEventsFail)                                                                                                                                                                                                                                                                                                                                                                                                                                                                                                                                                   |                                        |     | Restore Normal default  |
| 26                          |            | +PostMainLinkRel(TCV_ch)                                                                                                                                                                                                                                                                                                                                                                                                                                                                                                                                                    |                                        |     |                         |
|                             |            | <b>local_ImmMass</b>                                                                                                                                                                                                                                                                                                                                                                                                                                                                                                                                                        |                                        |     |                         |
| 27                          |            | L!DL_UdatRqImmMass                                                                                                                                                                                                                                                                                                                                                                                                                                                                                                                                                          | ImmAss( TCV_agch, ImmAsgn_r02(         |     |                         |

|                           |  |                         |                                                                                                             |  |
|---------------------------|--|-------------------------|-------------------------------------------------------------------------------------------------------------|--|
|                           |  |                         | TCV_Rr, TCV_Fn,<br>TSPX_SDCCH8SubB<br>, TSPX_TmSlitDef,<br>TSPX_TscDef,<br>TimingAdv( 30),<br>C_arfcn_tchA) |  |
| <b>Detailed Comments:</b> |  | 1. No any L 2 messages. |                                                                                                             |  |

| Test Case Dynamic Behaviour |            |                                                                                                                                                                                                                                                                                                                                                                                                                                                                                                                                                                            |                                        |     |                   |
|-----------------------------|------------|----------------------------------------------------------------------------------------------------------------------------------------------------------------------------------------------------------------------------------------------------------------------------------------------------------------------------------------------------------------------------------------------------------------------------------------------------------------------------------------------------------------------------------------------------------------------------|----------------------------------------|-----|-------------------|
| <b>Test Case Name:</b>      |            | TC_26_6_12_2                                                                                                                                                                                                                                                                                                                                                                                                                                                                                                                                                               |                                        |     |                   |
| <b>Group:</b>               |            | GSM_L3_MS_v4200/RR/                                                                                                                                                                                                                                                                                                                                                                                                                                                                                                                                                        |                                        |     |                   |
| <b>Purpose:</b>             |            | To verify that the MS is able to correctly release a SDCCH after having received a CHANNEL RELEASE message, even if the SS does not L2 acknowledge the L2 DISC frame.                                                                                                                                                                                                                                                                                                                                                                                                      |                                        |     |                   |
| <b>Default:</b>             |            | OtherEventsFail_01                                                                                                                                                                                                                                                                                                                                                                                                                                                                                                                                                         |                                        |     |                   |
| Nr                          | Label      | Behaviour Description                                                                                                                                                                                                                                                                                                                                                                                                                                                                                                                                                      | CRef                                   | V   | Comments          |
| 1                           |            | START T_guard(300)                                                                                                                                                                                                                                                                                                                                                                                                                                                                                                                                                         |                                        |     |                   |
| 2                           |            | +IdleUpdated( C_E_default, C_CellA, C_SCH_A, C_BCCH_A_1, C_Immass, C_S0, C_SlotNU, C_SlotNU, C_SlotNU, C_BCC, C_TxInt_5, C_Max_1, C_NECI_0, C_ATT_0, TimingAdv( 30), C_BABR_0, C_cch_1Comb, C_BPM_3, C_T3212_0, C_ci_cellA, C_MCC_1, C_PLMN_1, C_LAC_1, CellOpt_01, CellChDes_02, CellChDes_03, C_CellReselectHys12, C_MaxPwrLvlG, C_MaxPwrLvlD, BcchFreqLst_01, BcchFreqLst_Omit, BcchFreqLst_48, BcchFreqLst_Omit, C_noReestablishment, C_BCC, C_NCC, C_Start_Tmsi, TSPX_SDCCH4SubDef, TSPX_CKSNDDef, TSPX_RANDDef, C_arfcnA, C_arfcnAd, TSPX_IMSI, C_Test_fh, C_NCCP_2) |                                        |     |                   |
| 3                           |            | +Varinit_tch( C_arfcn_tchA, C_arfcn_tchAd)                                                                                                                                                                                                                                                                                                                                                                                                                                                                                                                                 |                                        |     |                   |
| 4                           |            | +SDCCH8_A_1_nociph( TSPX_SDCCH8SubG, C_Immass, TSPX_TmSitDef, TSPX_TscDef, ChMod_sign, FreqTCH(TCV_tch_arfcn), FreqTCH(TCV_tch_arfcn), TimingAdv( 30), C_BABR_0, C_cch_1nonComb, C_BPM_3)                                                                                                                                                                                                                                                                                                                                                                                  |                                        |     |                   |
| 5                           | body       | +subtree1                                                                                                                                                                                                                                                                                                                                                                                                                                                                                                                                                                  |                                        |     |                   |
| 6                           |            | +subtree2                                                                                                                                                                                                                                                                                                                                                                                                                                                                                                                                                                  |                                        |     |                   |
|                             |            | <b>subtree1</b>                                                                                                                                                                                                                                                                                                                                                                                                                                                                                                                                                            |                                        |     |                   |
| 7                           |            | L!DL_UdatRqPg1Rq                                                                                                                                                                                                                                                                                                                                                                                                                                                                                                                                                           | PgReq1(TCV_PgCh, TCV_Pgg, PgReqTp1_01) |     |                   |
| 8                           |            | L?DL_RacInChRq (TCV_Rr := DL_RacInChRq.msg.ecau_rrf, TCV_Fn := DL_RacInChRq.fn)                                                                                                                                                                                                                                                                                                                                                                                                                                                                                            | ChReq( ChRequest_17)                   |     |                   |
| 9                           |            | +local_immass                                                                                                                                                                                                                                                                                                                                                                                                                                                                                                                                                              |                                        |     |                   |
| 10                          |            | L?DL_EstInPgRes                                                                                                                                                                                                                                                                                                                                                                                                                                                                                                                                                            | PagingRes( PagingRes_01)               |     |                   |
| 11                          |            | (TCV_Res := OM_NoUAforDISC( TCV_ch))                                                                                                                                                                                                                                                                                                                                                                                                                                                                                                                                       |                                        |     |                   |
| 12                          |            | L!DL_DatRqChRel                                                                                                                                                                                                                                                                                                                                                                                                                                                                                                                                                            | ChRel( TCV_ch, ChRelease_01)           |     |                   |
| 13                          |            | L?DL_RelIn                                                                                                                                                                                                                                                                                                                                                                                                                                                                                                                                                                 | DLRelInd_01                            |     |                   |
| 14                          |            | L?DL_RelIn                                                                                                                                                                                                                                                                                                                                                                                                                                                                                                                                                                 | DLRelInd_01                            |     |                   |
| 15                          |            | START T_dly(2000)                                                                                                                                                                                                                                                                                                                                                                                                                                                                                                                                                          |                                        |     |                   |
| 16                          |            | ?TIMEOUT T_dly                                                                                                                                                                                                                                                                                                                                                                                                                                                                                                                                                             |                                        |     |                   |
| 17                          |            | (TCV_Res := OM_ResumUAforDISC( TCV_ch))                                                                                                                                                                                                                                                                                                                                                                                                                                                                                                                                    |                                        |     |                   |
| 18                          |            | START T_dly(3000)                                                                                                                                                                                                                                                                                                                                                                                                                                                                                                                                                          |                                        |     |                   |
| 19                          | L_032<br>4 | L?OTHERWISE                                                                                                                                                                                                                                                                                                                                                                                                                                                                                                                                                                |                                        | (F) |                   |
| 20                          | L_032<br>5 | ?TIMEOUT T_dly                                                                                                                                                                                                                                                                                                                                                                                                                                                                                                                                                             |                                        | (P) |                   |
| 21                          |            | L!MDL_RelRq                                                                                                                                                                                                                                                                                                                                                                                                                                                                                                                                                                | MDLRelReq(TCV_ch)                      |     | Local end release |
|                             |            | <b>subtree2</b>                                                                                                                                                                                                                                                                                                                                                                                                                                                                                                                                                            |                                        |     |                   |
| 22                          |            | START T_dly(12000)                                                                                                                                                                                                                                                                                                                                                                                                                                                                                                                                                         |                                        |     |                   |
| 23                          |            | ?TIMEOUT T_dly                                                                                                                                                                                                                                                                                                                                                                                                                                                                                                                                                             |                                        |     |                   |
| 24                          |            | L!DL_UdatRqPg1Rq                                                                                                                                                                                                                                                                                                                                                                                                                                                                                                                                                           | PgReq1(TCV_PgCh, TCV_Pgg, PgReqTp1_01) |     |                   |
| 25                          |            | L?DL_RacInChRq (TCV_Rr := DL_RacInChRq.msg.ecau_rrf, TCV_Fn := DL_RacInChRq.fn)                                                                                                                                                                                                                                                                                                                                                                                                                                                                                            | ChReq( ChRequest_17)                   |     |                   |
| 26                          |            | +local_immass                                                                                                                                                                                                                                                                                                                                                                                                                                                                                                                                                              |                                        |     |                   |
| 27                          | L_032<br>6 | L?DL_EstInPgRes                                                                                                                                                                                                                                                                                                                                                                                                                                                                                                                                                            | PagingRes( PagingRes_01)               | (P) |                   |
| 28                          |            | +PostMainLinkRel(TCV_ch)                                                                                                                                                                                                                                                                                                                                                                                                                                                                                                                                                   |                                        |     |                   |

|                                                   |  |                                       |                                                                                                                                                    |  |  |
|---------------------------------------------------|--|---------------------------------------|----------------------------------------------------------------------------------------------------------------------------------------------------|--|--|
| 29                                                |  | <b>local_immass</b><br>L!DL_UdatRqImm | ImmAss( TCV_agch,<br>ImmAsgn_r02(<br>TCV_Rr, TCV_Fn,<br>TSPX_SDCCH8SubG<br>, TSPX_TmSlitDef,<br>TSPX_TscDef,<br>TimingAdv( 30),<br>TCV_tch_arfcn)) |  |  |
| <b>Detailed Comments:</b> 1. Use TSPX_SDCCH8SubG. |  |                                       |                                                                                                                                                    |  |  |

| Test Case Dynamic Behaviour |            |                                                                                                                                                                                                                                                                                                                                                                                                                                                                                                                                                                             |                                                                           |     |                         |
|-----------------------------|------------|-----------------------------------------------------------------------------------------------------------------------------------------------------------------------------------------------------------------------------------------------------------------------------------------------------------------------------------------------------------------------------------------------------------------------------------------------------------------------------------------------------------------------------------------------------------------------------|---------------------------------------------------------------------------|-----|-------------------------|
| <b>Test Case Name:</b>      |            | TC_26_6_12_3                                                                                                                                                                                                                                                                                                                                                                                                                                                                                                                                                                |                                                                           |     |                         |
| <b>Group:</b>               |            | GSM_L3_MS_v4200/RR/                                                                                                                                                                                                                                                                                                                                                                                                                                                                                                                                                         |                                                                           |     |                         |
| <b>Purpose:</b>             |            | To verify that the MS is able to correctly release a full-rate TCH after having received a CHANNEL RELEASE message.                                                                                                                                                                                                                                                                                                                                                                                                                                                         |                                                                           |     |                         |
| <b>Default:</b>             |            | OtherEventsFail                                                                                                                                                                                                                                                                                                                                                                                                                                                                                                                                                             |                                                                           |     |                         |
| Nr                          | Label      | Behaviour Description                                                                                                                                                                                                                                                                                                                                                                                                                                                                                                                                                       | CRef                                                                      | V   | Comments                |
| 1                           |            | START T_guard(300)                                                                                                                                                                                                                                                                                                                                                                                                                                                                                                                                                          |                                                                           |     |                         |
| 2                           |            | +IdleUpdated( C_E_default, C_CellA, C_SCH_A, C_BCCH_A_1, C_ImmMass, C_S0, C_SlotNU, C_SlotNU, C_SlotNU, C_BCC, C_TxInt_5, C_Max_1, C_NECI_0, C_ATT_0, TimingAdv( 30), C_BABR_0, C_cch_1Comb, C_BPM_3, C_T3212_0, C_ci_cellA, C_MCC_1, C_PLMN_1, C_LAC_1, CellOpt_01, CellChDes_02, CellChDes_03, C_CellReselectHys12, C_MaxPwrLvlG, C_MaxPwrLvlD, BcchFreqLst_01, BcchFreqLst_Omit, BcchFreqLst_48, BcchFreqLst_Omit, C_noReestablishment, C_BCC, C_NCC, C_Start_Tmsi, TSPX_SDCCH4SubDef, TSPX_CKSNDDef, TSPX_RANDDef, C_arfcnA, C_arfcnAd, TSPX_IMSI, C_Test_fh, C_NCCP_2) |                                                                           |     |                         |
| 3                           |            | +gsmOrDcs                                                                                                                                                                                                                                                                                                                                                                                                                                                                                                                                                                   |                                                                           |     |                         |
| 4                           |            | +FullRateCh_A_1_nociph( C_Ass, TSPX_TmSlitDef, TSPX_TscDef, ChMod_speech, FreqTCH( C_arfcn_tchA), FreqTCH( C_arfcn_tchAd), TimingAdv( 30), C_BABR_0, C_cch_1Comb, C_BPM_3)                                                                                                                                                                                                                                                                                                                                                                                                  |                                                                           |     |                         |
| 5                           | body       | +subtree1                                                                                                                                                                                                                                                                                                                                                                                                                                                                                                                                                                   |                                                                           |     |                         |
| 6                           |            | +subtree2                                                                                                                                                                                                                                                                                                                                                                                                                                                                                                                                                                   |                                                                           |     |                         |
|                             |            | <b>subtree1</b>                                                                                                                                                                                                                                                                                                                                                                                                                                                                                                                                                             |                                                                           |     |                         |
| 7                           |            | L!DL_UdatRqPg1Rq                                                                                                                                                                                                                                                                                                                                                                                                                                                                                                                                                            | PgReq1(TCV_PgCh, TCV_Pgg, PgReqTp1_01)                                    |     |                         |
| 8                           |            | L?DL_RaInChRq (TCV_Rr := DL_RaInChRq.msg.ecau_rrf, TCV_Fn := DL_RaInChRq.fn)                                                                                                                                                                                                                                                                                                                                                                                                                                                                                                | ChReq( ChRequest_17)                                                      |     |                         |
| 9                           |            | ACTIVATE(OtherEventsFail_02)                                                                                                                                                                                                                                                                                                                                                                                                                                                                                                                                                |                                                                           |     | To match ChReq retrans. |
| 10                          |            | L!DL_UdatRqImmMass                                                                                                                                                                                                                                                                                                                                                                                                                                                                                                                                                          | ImmAss( TCV_agch, ImmAsgn_r13( TCV_Rr, TCV_Fn, TCV_chd1, TimingAdv( 30))) |     |                         |
| 11                          |            | L?DL_EstInPgRes                                                                                                                                                                                                                                                                                                                                                                                                                                                                                                                                                             | PagingRes( PagingRes_01)                                                  |     |                         |
| 12                          |            | ACTIVATE(OtherEventsFail)                                                                                                                                                                                                                                                                                                                                                                                                                                                                                                                                                   |                                                                           |     | Restore Normal default  |
| 13                          |            | L!DL_DatRqChRel                                                                                                                                                                                                                                                                                                                                                                                                                                                                                                                                                             | ChRel( TCV_chTch, ChRelease_01)                                           |     |                         |
| 14                          |            | L?DL_RelIn                                                                                                                                                                                                                                                                                                                                                                                                                                                                                                                                                                  | DLRelInd_01                                                               |     |                         |
| 15                          |            | START T_dly(3000)                                                                                                                                                                                                                                                                                                                                                                                                                                                                                                                                                           |                                                                           |     |                         |
| 16                          | L_032<br>7 | L?OTHERWISE                                                                                                                                                                                                                                                                                                                                                                                                                                                                                                                                                                 |                                                                           | (F) |                         |
| 17                          | L_032<br>8 | ?TIMEOUT T_dly                                                                                                                                                                                                                                                                                                                                                                                                                                                                                                                                                              |                                                                           | (P) |                         |
|                             |            | <b>subtree2</b>                                                                                                                                                                                                                                                                                                                                                                                                                                                                                                                                                             |                                                                           |     |                         |
| 18                          |            | START T_dly(12000)                                                                                                                                                                                                                                                                                                                                                                                                                                                                                                                                                          |                                                                           |     |                         |
| 19                          |            | ?TIMEOUT T_dly                                                                                                                                                                                                                                                                                                                                                                                                                                                                                                                                                              |                                                                           |     |                         |
| 20                          |            | L!DL_UdatRqPg1Rq                                                                                                                                                                                                                                                                                                                                                                                                                                                                                                                                                            | PgReq1(TCV_PgCh, TCV_Pgg, PgReqTp1_01)                                    |     |                         |
| 21                          |            | L?DL_RaInChRq (TCV_Rr := DL_RaInChRq.msg.ecau_rrf, TCV_Fn := DL_RaInChRq.fn)                                                                                                                                                                                                                                                                                                                                                                                                                                                                                                | ChReq( ChRequest_17)                                                      |     |                         |
| 22                          |            | ACTIVATE(OtherEventsFail_02)                                                                                                                                                                                                                                                                                                                                                                                                                                                                                                                                                |                                                                           |     | To match ChReq retrans. |
| 23                          |            | L!DL_UdatRqImmMass                                                                                                                                                                                                                                                                                                                                                                                                                                                                                                                                                          | ImmAss( TCV_agch, ImmAsgn_r13( TCV_Rr, TCV_Fn, TCV_chd1, TimingAdv( 30))) |     |                         |
| 24                          | L_032      | L?DL_EstInPgRes                                                                                                                                                                                                                                                                                                                                                                                                                                                                                                                                                             | PagingRes(                                                                | (P) |                         |

|                                                   |          |                                                                                                                                                                                                                                                                                                                           |                      |                               |
|---------------------------------------------------|----------|---------------------------------------------------------------------------------------------------------------------------------------------------------------------------------------------------------------------------------------------------------------------------------------------------------------------------|----------------------|-------------------------------|
| <p>25<br/>26<br/><br/>27<br/>28<br/>29<br/>30</p> | <p>9</p> | <p>ACTIVATE(OtherEventsFail)<br/>+PostMainLinkRel(TCV_chTch)</p> <p><b>gsmOrDcs</b><br/>[TSPC_PGSM OR TSPC_EGSM]<br/>(TCV_chd1 := ChDescrp_nfh( '00001'B,<br/>TSPX_TmSlitDef, TSPX_TscDef, C_arfcn_tchA))</p> <p>[TSPC_DCS]<br/>(TCV_chd1 := ChDescrp_nfh( '00001'B,<br/>TSPX_TmSlitDef, TSPX_TscDef, C_arfcn_tchAd))</p> | <p>PagingRes_01)</p> | <p>Restore Normal default</p> |
| <p><b>Detailed Comments:</b></p>                  |          |                                                                                                                                                                                                                                                                                                                           |                      |                               |



| Test Case Dynamic Behaviour |            |                                                                                                                                                                                                                                                                                                                                                                                                                                                                                                                                                                            |                                                                           |     |                   |
|-----------------------------|------------|----------------------------------------------------------------------------------------------------------------------------------------------------------------------------------------------------------------------------------------------------------------------------------------------------------------------------------------------------------------------------------------------------------------------------------------------------------------------------------------------------------------------------------------------------------------------------|---------------------------------------------------------------------------|-----|-------------------|
| <b>Test Case Name:</b>      |            | TC_26_6_12_4                                                                                                                                                                                                                                                                                                                                                                                                                                                                                                                                                               |                                                                           |     |                   |
| <b>Group:</b>               |            | GSM_L3_MS_v4200/RR/                                                                                                                                                                                                                                                                                                                                                                                                                                                                                                                                                        |                                                                           |     |                   |
| <b>Purpose:</b>             |            | To verify that the MS is able to correctly release a TCH/F after having received a CHANNEL RELEASE message, even if the SS does not L2 acknowledge the L2 DISC frame.                                                                                                                                                                                                                                                                                                                                                                                                      |                                                                           |     |                   |
| <b>Default:</b>             |            | OtherEventsFail_01                                                                                                                                                                                                                                                                                                                                                                                                                                                                                                                                                         |                                                                           |     |                   |
| Nr                          | Label      | Behaviour Description                                                                                                                                                                                                                                                                                                                                                                                                                                                                                                                                                      | CRef                                                                      | V   | Comments          |
| 1                           |            | START T_guard(300)                                                                                                                                                                                                                                                                                                                                                                                                                                                                                                                                                         |                                                                           |     |                   |
| 2                           |            | +IdleUpdated( C_E_default, C_CellA, C_SCH_A, C_BCCH_A_1, C_Immass, C_S0, C_SlotNU, C_SlotNU, C_SlotNU, C_BCC, C_TxInt_5, C_Max_1, C_NECI_0, C_ATT_0, TimingAdv( 30), C_BABR_0, C_cch_1Comb, C_BPM_3, C_T3212_0, C_ci_cellA, C_MCC_1, C_PLMN_1, C_LAC_1, CellOpt_01, CellChDes_02, CellChDes_03, C_CellReselectHys12, C_MaxPwrLvlG, C_MaxPwrLvlD, BcchFreqLst_01, BcchFreqLst_Omit, BcchFreqLst_48, BcchFreqLst_Omit, C_noReestablishment, C_BCC, C_NCC, C_Start_Tmsi, TSPX_SDCCH4SubDef, TSPX_CKSNDDef, TSPX_RANDDef, C_arfcnA, C_arfcnAd, TSPX_IMSI, C_Test_fh, C_NCCP_2) |                                                                           |     |                   |
| 3                           |            | +local_set_channel_descr                                                                                                                                                                                                                                                                                                                                                                                                                                                                                                                                                   |                                                                           |     |                   |
| 4                           |            | +FullRateCh_A_1_nociph( C_Ass, TSPX_TmSltC, TSPX_TscC, ChMod_speech, FreqTCH( C_arfcn_tchA), FreqTCH( C_arfcn_tchAd), TimingAdv( 30), C_BABR_0, C_cch_1Comb, C_BPM_3)                                                                                                                                                                                                                                                                                                                                                                                                      |                                                                           |     |                   |
| 5                           | body       | +subtree1                                                                                                                                                                                                                                                                                                                                                                                                                                                                                                                                                                  |                                                                           |     |                   |
| 6                           |            | +Varinit_tch( C_arfcn_tchA, C_arfcn_tchAd)                                                                                                                                                                                                                                                                                                                                                                                                                                                                                                                                 |                                                                           |     |                   |
| 7                           |            | +SDCCH8_A_1_nociph( TSPX_SDCCH8SubDef, C_Immass, TSPX_TmSltDef, TSPX_TscDef, ChMod_sign, FreqTCH(TCV_tch_arfcn), FreqTCH(TCV_tch_arfcn), TimingAdv( 30), C_BABR_0, C_cch_1nonComb, C_BPM_3)                                                                                                                                                                                                                                                                                                                                                                                |                                                                           |     |                   |
| 8                           |            | +subtree2                                                                                                                                                                                                                                                                                                                                                                                                                                                                                                                                                                  |                                                                           |     |                   |
|                             |            | <b>subtree1</b>                                                                                                                                                                                                                                                                                                                                                                                                                                                                                                                                                            |                                                                           |     |                   |
| 9                           |            | L!DL_UdatRqPg1Rq                                                                                                                                                                                                                                                                                                                                                                                                                                                                                                                                                           | PgReq1(TCV_PgCh, TCV_Pgg, PgReqTp1_01)                                    |     |                   |
| 10                          |            | L?DL_RacInChRq (TCV_Rr := DL_RacInChRq.msg.ecau_rrf, TCV_Fn := DL_RacInChRq.fn)                                                                                                                                                                                                                                                                                                                                                                                                                                                                                            | ChReq( ChRequest_17)                                                      |     |                   |
| 11                          |            | L!DL_UdatRqImmass                                                                                                                                                                                                                                                                                                                                                                                                                                                                                                                                                          | ImmAss( TCV_agch, ImmAsgn_r13( TCV_Rr, TCV_Fn, TCV_chd1, TimingAdv( 30))) |     |                   |
| 12                          |            | L?DL_EstInPgRes                                                                                                                                                                                                                                                                                                                                                                                                                                                                                                                                                            | PagingRes( PagingRes_01)                                                  |     |                   |
| 13                          |            | (TCV_Res := OM_NoUAforDISC(TCV_chTch))                                                                                                                                                                                                                                                                                                                                                                                                                                                                                                                                     |                                                                           |     |                   |
| 14                          |            | L!DL_DatRqChRel                                                                                                                                                                                                                                                                                                                                                                                                                                                                                                                                                            | ChRel( TCV_chTch, ChRelease_01)                                           |     |                   |
| 15                          |            | L?DL_RelIn                                                                                                                                                                                                                                                                                                                                                                                                                                                                                                                                                                 | DLRelInd_01                                                               |     |                   |
| 16                          |            | L?DL_RelIn                                                                                                                                                                                                                                                                                                                                                                                                                                                                                                                                                                 | DLRelInd_01                                                               |     |                   |
| 17                          |            | START T_dly(2000)                                                                                                                                                                                                                                                                                                                                                                                                                                                                                                                                                          |                                                                           |     |                   |
| 18                          |            | ?TIMEOUT T_dly                                                                                                                                                                                                                                                                                                                                                                                                                                                                                                                                                             |                                                                           |     |                   |
| 19                          |            | (TCV_Res := OM_ResumUAforDISC( TCV_chTch))                                                                                                                                                                                                                                                                                                                                                                                                                                                                                                                                 |                                                                           |     |                   |
| 20                          |            | START T_dly(3000)                                                                                                                                                                                                                                                                                                                                                                                                                                                                                                                                                          |                                                                           |     |                   |
| 21                          | L_033<br>0 | L?OTHERWISE                                                                                                                                                                                                                                                                                                                                                                                                                                                                                                                                                                |                                                                           | (F) |                   |
| 22                          | L_033<br>1 | ?TIMEOUT T_dly                                                                                                                                                                                                                                                                                                                                                                                                                                                                                                                                                             |                                                                           | (P) |                   |
| 23                          |            | L!MDL_RelRq                                                                                                                                                                                                                                                                                                                                                                                                                                                                                                                                                                | MDLRelReq(TCV_ch)                                                         |     | local end release |

|                           |            |                                                                                      |                                                                                                                                                      |     |
|---------------------------|------------|--------------------------------------------------------------------------------------|------------------------------------------------------------------------------------------------------------------------------------------------------|-----|
|                           |            | <b>subtree2</b>                                                                      |                                                                                                                                                      |     |
| 24                        |            | START T_dly(12000)                                                                   |                                                                                                                                                      |     |
| 25                        |            | ?TIMEOUT T_dly                                                                       |                                                                                                                                                      |     |
| 26                        |            | LIDL_UdatRqPg1Rq                                                                     | PgReq1(TCV_PgCh,<br>TCV_Pgg,<br>PgReqTp1_01)                                                                                                         |     |
| 27                        |            | L?DL_RaclnChRq (TCV_Rr := DL_RaclnChRq.<br>msg.ecau_rrf, TCV_Fn := DL_RaclnChRq.fn)  | ChReq(<br>ChRequest_17)                                                                                                                              |     |
| 28                        |            | +local_immass                                                                        |                                                                                                                                                      |     |
| 29                        | L_033<br>2 | L?DL_EstlnPgRes                                                                      | PagingRes(<br>PagingRes_01)                                                                                                                          | (P) |
| 30                        |            | +PostMainLinkRel(TCV_ch)                                                             |                                                                                                                                                      |     |
|                           |            | <b>local_set_channel_descr</b>                                                       |                                                                                                                                                      |     |
| 31                        |            | [TSPC_PGSM OR TSPC_EGSM]                                                             |                                                                                                                                                      |     |
| 32                        |            | (TCV_chd1 := ChDescrp_nfh( '00001'B,<br>TSPX_TmSlitDef, TSPX_TscDef, C_arfcn_tchA))  |                                                                                                                                                      |     |
| 33                        |            | [TSPC_DCS]                                                                           |                                                                                                                                                      |     |
| 34                        |            | (TCV_chd1 := ChDescrp_nfh( '00001'B,<br>TSPX_TmSlitDef, TSPX_TscDef, C_arfcn_tchAd)) |                                                                                                                                                      |     |
|                           |            | <b>local_immass</b>                                                                  |                                                                                                                                                      |     |
| 35                        |            | LIDL_UdatRqImm                                                                       | ImmAss( TCV_agch,<br>ImmAsgn_r02(<br>TCV_Rr, TCV_Fn,<br>TSPX_SDCCH8SubD<br>ef, TSPX_TmSlitDef,<br>TSPX_TscDef,<br>TimingAdv( 30),<br>TCV_tch_arfcn)) |     |
| <b>Detailed Comments:</b> |            |                                                                                      |                                                                                                                                                      |     |

| Test Case Dynamic Behaviour |       |                                                                                                                                                                                                                                                                                                                                                                                                                                                                                                                                                                                          |                                                                                         |   |                         |
|-----------------------------|-------|------------------------------------------------------------------------------------------------------------------------------------------------------------------------------------------------------------------------------------------------------------------------------------------------------------------------------------------------------------------------------------------------------------------------------------------------------------------------------------------------------------------------------------------------------------------------------------------|-----------------------------------------------------------------------------------------|---|-------------------------|
| <b>Test Case Name:</b>      |       | TC_26_6_13_1                                                                                                                                                                                                                                                                                                                                                                                                                                                                                                                                                                             |                                                                                         |   |                         |
| <b>Group:</b>               |       | GSM_L3_MS_v4200/RR/                                                                                                                                                                                                                                                                                                                                                                                                                                                                                                                                                                      |                                                                                         |   |                         |
| <b>Purpose:</b>             |       | To verify that the MS, after receiving an ASSIGNMENT COMMAND message with a starting time and channel descriptions both for before and after the starting time, and ready to access before the indicated time, performs correctly the assignment using the description for before the time, and eventually starts using the frequency parameters for after the time at the time indicated in the message.                                                                                                                                                                                |                                                                                         |   |                         |
| <b>Default:</b>             |       | OtherEventsFail                                                                                                                                                                                                                                                                                                                                                                                                                                                                                                                                                                          |                                                                                         |   |                         |
| Nr                          | Label | Behaviour Description                                                                                                                                                                                                                                                                                                                                                                                                                                                                                                                                                                    | CRef                                                                                    | V | Comments                |
| 1                           |       | START T_guard(300)                                                                                                                                                                                                                                                                                                                                                                                                                                                                                                                                                                       |                                                                                         |   |                         |
| 2                           |       | +IdleUpdated( C_E_default, C_CellA, C_SCH_A, C_BCCH_A_1, C_ImmAss, C_S0, C_SlotNU, C_SlotNU, C_SlotNU, C_BCC, C_TxInt_5, C_Max_1, C_NECI_0, C_ATT_0, TimingAdv( 30), C_BABR_0, C_cch_1nonComb, C_BPM_3, C_T3212_1, C_ci_cellA, C_MCC_1, C_PLMN_1, C_LAC_1, CellOpt_01, CellChDes_20_Aman, CellChDes_203_Ad, C_CellReselectHys12, C_MaxPwrLvlG, C_MaxPwrLvlD, BcchFreqLst_01, BcchFreqLst_Omit, BcchFreqLst_48, BcchFreqLst_Omit, C_noReestablishment, C_BCC, C_NCC, C_Start_Tmsi, TSPX_SDCCH4SubDef, TSPX_CKSNDDef, TSPX_RANDDef, C_arfcnA, C_arfcnAd_4, TSPX_IMSI, C_Test_fh, C_NCCP_2) |                                                                                         |   | 1.                      |
| 3                           |       | +SDCCH8_A_1_nociph( TSPX_SDCCH8SubA, C_ImmAss, TSPX_TmSltA, TSPX_TscA, ChMod_sign, FreqSDCCH8_rg1, FreqSDCCH8_rd1, TimingAdv( 30), C_BABR_0, C_cch_1nonComb, C_BPM_3)                                                                                                                                                                                                                                                                                                                                                                                                                    |                                                                                         |   | 2.                      |
| 4                           |       | +local_set_channel_for_ass                                                                                                                                                                                                                                                                                                                                                                                                                                                                                                                                                               |                                                                                         |   | 3.                      |
| 5                           | body  | +ltree_body                                                                                                                                                                                                                                                                                                                                                                                                                                                                                                                                                                              |                                                                                         |   |                         |
| 6                           |       | <b>ltree_body</b><br>L!DL_UdatRqPg1Rq                                                                                                                                                                                                                                                                                                                                                                                                                                                                                                                                                    | PgReq1(TCV_PgCh, TCV_Pgg, PgReqTp1_01)                                                  |   |                         |
| 7                           |       | L?DL_RacInChRq (TCV_Rr := DL_RacInChRq.msg.ecau_rrf, TCV_Fn := DL_RacInChRq.fn)                                                                                                                                                                                                                                                                                                                                                                                                                                                                                                          | ChReq( ChRequest_17)                                                                    |   |                         |
| 8                           |       | ACTIVATE( OtherEventsFail_02)                                                                                                                                                                                                                                                                                                                                                                                                                                                                                                                                                            |                                                                                         |   | To match ChReq retrans. |
| 9                           |       | LIDL_UdatRqImmAss                                                                                                                                                                                                                                                                                                                                                                                                                                                                                                                                                                        | ImmAss( TCV_agch, ImmAsgn_r27( TCV_Rr, TCV_Fn, TSPX_TmSltA, TSPX_TscA, TimingAdv( 30))) |   | 4.                      |
| 10                          |       | L?DL_EstInPgRes                                                                                                                                                                                                                                                                                                                                                                                                                                                                                                                                                                          | PagingRes( PagingRes_01)                                                                |   |                         |
| 11                          |       | ACTIVATE( OtherEventsFail)                                                                                                                                                                                                                                                                                                                                                                                                                                                                                                                                                               |                                                                                         |   | Restore Normal default  |
| 12                          |       | (TCV_Fn := OM_ComingFn( TCV_ch), TCV_Null := OM_SendNextOn( TCV_ch, TCV_Fn), TCV_Strt := OC_StartTime( TCV_Fn, C_StrT_1000, 1))                                                                                                                                                                                                                                                                                                                                                                                                                                                          |                                                                                         |   | 5.                      |
| 13                          |       | (TCV_AssCmd := AsgnCmd_r14(TSPX_TmSltB, TSPX_TscB, TCV_Strt), TCV_Null := OM_FreqDef( TCV_Strt, MobilAllc_r06, TCV_WorkingCh, ChDescrp_fh( TSPX_Chtp1, TSPX_TmSltB, TSPX_TscB, INT_TO_BIT(TSPX_Maio2, 6), INT_TO_BIT(TSPX_Hsn2, 6)), TCV_cchd1, TCV_Fn))                                                                                                                                                                                                                                                                                                                                 |                                                                                         |   |                         |
| 14                          |       | +AssCh_complete( TCV_ch, TCV_chTch, TCV_AssCmd)                                                                                                                                                                                                                                                                                                                                                                                                                                                                                                                                          |                                                                                         |   |                         |
| 15                          |       | +local_hoppingCHK                                                                                                                                                                                                                                                                                                                                                                                                                                                                                                                                                                        |                                                                                         |   | 6.                      |
| 16                          |       | +PostMainLinkRel( TCV_WorkingCh)                                                                                                                                                                                                                                                                                                                                                                                                                                                                                                                                                         |                                                                                         |   |                         |
| 17                          |       | <b>local_hoppingCHK</b><br>(TCV_Res := OM_FHCHK( TCV_WorkingCh, TCV_cchd1, MobilAllc_r06, ChDescrp_fh(                                                                                                                                                                                                                                                                                                                                                                                                                                                                                   |                                                                                         |   |                         |

|    |            |                                                                                                                                                                                     |  |     |
|----|------------|-------------------------------------------------------------------------------------------------------------------------------------------------------------------------------------|--|-----|
|    |            | TSPX_Chtp1, TSPX_TmSltB, TSPX_TscB,<br>INT_TO_BIT(TSPX_Maio2, 6),<br>INT_TO_BIT(TSPX_Hsn2, 6)), C_StrT_1000,<br>TCV_Fn))                                                            |  |     |
| 18 | L_033<br>3 | [TCV_Res]                                                                                                                                                                           |  | (P) |
| 19 | L_033<br>4 | [NOT TCV_Res]                                                                                                                                                                       |  | (F) |
|    |            | <b>local_set_channel_for_ass</b>                                                                                                                                                    |  |     |
| 20 |            | (TCV_n := BIT_TO_INT(TSPX_Chtp1))                                                                                                                                                   |  |     |
| 21 |            | [TCV_n = 1]                                                                                                                                                                         |  |     |
| 22 |            | +FullRateCh_A_1_nociph(C_Ass, TSPX_TmSltB,<br>TSPX_TscB, ChMod_sign, Freq_rg2,<br>Freq_rd2, TimingAdv( 30), C_BABR_0,<br>C_cch_1nonComb, C_BPM_3)                                   |  | 7.  |
| 23 |            | (TCV_WorkingCh := TCV_chTch)                                                                                                                                                        |  |     |
| 24 |            | +Set_CellChDescr(C_CellA)                                                                                                                                                           |  |     |
| 25 |            | [(TCV_n = 2) OR (TCV_n = 3)]                                                                                                                                                        |  |     |
| 26 |            | +HalfRateCh_A_1_nociph( OC_LeastBits(<br>TSPX_Chtp1, 1), C_Ass, TSPX_TmSltB,<br>TSPX_TscB, ChMod_sign, Freq_rg2, Freq_rd2,<br>TimingAdv( 30), C_BABR_0, C_cch_1nonComb,<br>C_BPM_3) |  | 8.  |
| 27 |            | (TCV_WorkingCh := TCV_chTch)                                                                                                                                                        |  |     |
| 28 |            | +Set_CellChDescr(C_CellA)                                                                                                                                                           |  |     |
| 29 |            | [(TCV_n >= 8) AND ( TCV_n <= 15)]                                                                                                                                                   |  |     |
| 30 |            | +SDCCH8_A_2_nociph( OC_LeastBits(<br>TSPX_Chtp1, 3), C_Ass, TSPX_TmSltB,<br>TSPX_TscB, ChMod_r01, Freq_rg2, Freq_rd2,<br>TimingAdv( 30), C_BABR_0, C_cch_1nonComb,<br>C_BPM_3)      |  | 9.  |
| 31 |            | (TCV_WorkingCh := TCV_ch)                                                                                                                                                           |  |     |
| 32 |            | +Set_CellChDescr(C_CellA)                                                                                                                                                           |  |     |

**Detailed Comments:**

1. To setup a physical channel as BCCH, CCCH.
2. To set a physical channel as hopping SDCCH8 channel, hopping parameters defined by PIXIT.
3. To setup the before time and after time channels for ASSIGNMENT COMMAND.
4. To assign the hopping SDCCH8 channel.
5. To calculate the STARTING TIME.
6. To check whether the after time frequency hopping is correct at the RF burst level.
7. If the selected channel type is TCH/F, setup a physical channel as full rate channel for before time.
8. If the selected channel type is TCH/H, setup a physical channel as half rate channel for before time.
9. If the selected channel type is SDCCH8, setup a physical channel as SDCCH8 channel for before time.

| Test Case Dynamic Behaviour |            |                                                                                                                                                                                                                                                                                                                                                                                                                                                                                                                                                                                         |                                                                                         |     |                         |
|-----------------------------|------------|-----------------------------------------------------------------------------------------------------------------------------------------------------------------------------------------------------------------------------------------------------------------------------------------------------------------------------------------------------------------------------------------------------------------------------------------------------------------------------------------------------------------------------------------------------------------------------------------|-----------------------------------------------------------------------------------------|-----|-------------------------|
| <b>Test Case Name:</b>      |            | TC_26_6_13_2                                                                                                                                                                                                                                                                                                                                                                                                                                                                                                                                                                            |                                                                                         |     |                         |
| <b>Group:</b>               |            | GSM_L3_MS_v4200/RR/                                                                                                                                                                                                                                                                                                                                                                                                                                                                                                                                                                     |                                                                                         |     |                         |
| <b>Purpose:</b>             |            | To verify that the MS, after receiving an ASSIGNMENT COMMAND message with a starting time and channel descriptions both for before and after the starting time, performs correctly the assignment using the description for after the time if the indicated time has already elapsed when the Mobile Station is ready to transmit.                                                                                                                                                                                                                                                      |                                                                                         |     |                         |
| <b>Default:</b>             |            | OtherEventsFail                                                                                                                                                                                                                                                                                                                                                                                                                                                                                                                                                                         |                                                                                         |     |                         |
| Nr                          | Label      | Behaviour Description                                                                                                                                                                                                                                                                                                                                                                                                                                                                                                                                                                   | CRef                                                                                    | V   | Comments                |
| 1                           |            | START T_guard(300)                                                                                                                                                                                                                                                                                                                                                                                                                                                                                                                                                                      |                                                                                         |     |                         |
| 2                           |            | +IdleUpdated( C_E_default, C_CellA, C_SCH_A, C_BCCH_A_1, C_Immss, C_S0, C_SlotNU, C_SlotNU, C_SlotNU, C_BCC, C_TxInt_5, C_Max_1, C_NECI_0, C_ATT_0, TimingAdv( 30), C_BABR_0, C_cch_1nonComb, C_BPM_3, C_T3212_1, C_ci_cellA, C_MCC_1, C_PLMN_1, C_LAC_1, CellOpt_01, CellChDes_20_Aman, CellChDes_203_Ad, C_CellReselectHys12, C_MaxPwrLvlG, C_MaxPwrLvlD, BcchFreqLst_01, BcchFreqLst_Omit, BcchFreqLst_48, BcchFreqLst_Omit, C_noReestablishment, C_BCC, C_NCC, C_Start_Tmsi, TSPX_SDCCH4SubDef, TSPX_CKSNDDef, TSPX_RANDDef, C_arfcnA, C_arfcnAd_4, TSPX_IMSI, C_Test_fh, C_NCCP_2) |                                                                                         |     | 1.                      |
| 3                           |            | +SDCCH8_A_1_nociph( TSPX_SDCCH8SubB, C_Immss, TSPX_TmSltB, TSPX_TscB, ChMod_sign, FreqSDCCH8_rg2, FreqSDCCH8_rd2, TimingAdv( 30), C_BABR_0, C_cch_1nonComb, C_BPM_3)                                                                                                                                                                                                                                                                                                                                                                                                                    |                                                                                         |     | 2.                      |
| 4                           |            | +local_set_channelForAss                                                                                                                                                                                                                                                                                                                                                                                                                                                                                                                                                                |                                                                                         |     | 3.                      |
| 5                           | body       | LIDL_UdatRqPg1Rq                                                                                                                                                                                                                                                                                                                                                                                                                                                                                                                                                                        | PgReq1(TCV_PgCh, TCV_Pgg, PgReqTp1_01)                                                  |     |                         |
| 6                           |            | L?DL_RaInChRq (TCV_Rr := DL_RaInChRq.msg.ecau_rrf, TCV_Fn := DL_RaInChRq.fn)                                                                                                                                                                                                                                                                                                                                                                                                                                                                                                            | ChReq( ChRequest_17)                                                                    |     |                         |
| 7                           |            | ACTIVATE(OtherEventsFail_02)                                                                                                                                                                                                                                                                                                                                                                                                                                                                                                                                                            |                                                                                         |     | To match ChReq retrans. |
| 8                           |            | LIDL_UdatRqImmss                                                                                                                                                                                                                                                                                                                                                                                                                                                                                                                                                                        | ImmAss( TCV_agch, ImmAsgn_r28( TCV_Rr, TCV_Fn, TSPX_TmSltB, TSPX_TscB, TimingAdv( 30))) |     | 4.                      |
| 9                           |            | L?DL_EstInPgRes                                                                                                                                                                                                                                                                                                                                                                                                                                                                                                                                                                         | PagingRes( PagingRes_01)                                                                |     |                         |
| 10                          |            | ACTIVATE(OtherEventsFail)                                                                                                                                                                                                                                                                                                                                                                                                                                                                                                                                                               |                                                                                         |     | Restore Normal default  |
| 11                          |            | (TCV_Fn := OM_ComingFn( TCV_ch), TCV_Null := OM_SendNextOn( TCV_ch, TCV_Fn))                                                                                                                                                                                                                                                                                                                                                                                                                                                                                                            |                                                                                         |     | 5.                      |
| 12                          |            | (TCV_AssCmd := AsgnCmd_r15( TSPX_TmSltC, TSPX_TscC, TSPX_TmSltC, TSPX_TscC, OC_StartTime( TCV_Fn, 5, 1)))                                                                                                                                                                                                                                                                                                                                                                                                                                                                               |                                                                                         |     |                         |
| 13                          |            | +AssCh_complete( TCV_ch, TCV_chTch, TCV_AssCmd)                                                                                                                                                                                                                                                                                                                                                                                                                                                                                                                                         |                                                                                         |     |                         |
| 14                          |            | +local_continue                                                                                                                                                                                                                                                                                                                                                                                                                                                                                                                                                                         |                                                                                         |     | 6.                      |
| 15                          |            | +PostMainLinkRel(TCV_chTch)                                                                                                                                                                                                                                                                                                                                                                                                                                                                                                                                                             |                                                                                         |     |                         |
| 16                          |            | <b>local_continue</b><br>(TCV_Res := OM_FHCHK( TCV_chTch, TCV_cchd1, MobilAllc_r09, ChDescr_fh( TSPX_Chtp2, TSPX_TmSltC, TSPX_TscC, INT_TO_BIT(TSPX_Maio5, 6), INT_TO_BIT(TSPX_Hsn5, 6)), 5, TCV_Fn))                                                                                                                                                                                                                                                                                                                                                                                   |                                                                                         |     |                         |
| 17                          | L_033<br>5 | [TCV_Res]                                                                                                                                                                                                                                                                                                                                                                                                                                                                                                                                                                               |                                                                                         | (P) |                         |
| 18                          | L_033<br>6 | [NOT TCV_Res]                                                                                                                                                                                                                                                                                                                                                                                                                                                                                                                                                                           |                                                                                         | (F) |                         |

|    |                                                                                                                                                                         |    |  |
|----|-------------------------------------------------------------------------------------------------------------------------------------------------------------------------|----|--|
|    | <b>local_set_channelForAss</b>                                                                                                                                          |    |  |
| 19 | (TCV_n := BIT_TO_INT(TSPX_Chtp2))                                                                                                                                       |    |  |
| 20 | [TCV_n = 1]                                                                                                                                                             |    |  |
| 21 | +FullRateCh_A_1_nociph(C_Ass, TSPX_TmSlitC, TSPX_TscC, ChMod_r02, Freq_rg4, Freq_rd4, TimingAdv( 30), C_BABR_0, C_cch_1nonComb, C_BPM_3)                                | 7. |  |
| 22 | +Set_CellChDescr(C_CellA)                                                                                                                                               |    |  |
| 23 | [(TCV_n = 2) OR (TCV_n = 3)]                                                                                                                                            |    |  |
| 24 | +HalfRateCh_A_1_nociph( OC_LeastBits( TSPX_Chtp2, 1), C_Ass, TSPX_TmSlitC, TSPX_TscC, ChMod_r02, Freq_rg4, Freq_rd4, TimingAdv( 30), C_BABR_0, C_cch_1nonComb, C_BPM_3) | 8. |  |
| 25 | +Set_CellChDescr(C_CellA)                                                                                                                                               |    |  |
| 26 | [(TCV_n >= 8) AND (TCV_n <= 15)]                                                                                                                                        |    |  |
| 27 | +SDCCH8_A_2_nociph( OC_LeastBits( TSPX_Chtp2, 3), C_Ass, TSPX_TmSlitC, TSPX_TscC, ChMod_r02, Freq_rg4, Freq_rd4, TimingAdv( 30), C_BABR_0, C_cch_1nonComb, C_BPM_3)     | 9. |  |
| 28 | +Set_CellChDescr(C_CellA)                                                                                                                                               |    |  |

**Detailed Comments:**

1. To setup a physical channel as BCCH, CCCH.
2. To set a physical channel as hopping SDCCH8 channel, hopping parameters defined by PIXIT.
3. To setup the after time channels for ASSIGNMENT COMMAND.
4. To assign the hopping SDCCH8 channel.
5. To calculate the STARTING TIME.
6. To check whether the after time frequency hopping is correct at the RF burst level.
7. If the selected channel type is TCH/F, setup a physical channel as full rate channel for after time.
8. If the selected channel type is TCH/H, setup a physical channel as half rate channel for after time.
9. If the selected channel type is SDCCH8, setup a physical channel as SDCCH8 channel for after time.

| Test Case Dynamic Behaviour |       |                                                                                                                                                                                                                                                                                                                                                                                                                                                                                                                                                                                        |                                                                                             |   |                         |
|-----------------------------|-------|----------------------------------------------------------------------------------------------------------------------------------------------------------------------------------------------------------------------------------------------------------------------------------------------------------------------------------------------------------------------------------------------------------------------------------------------------------------------------------------------------------------------------------------------------------------------------------------|---------------------------------------------------------------------------------------------|---|-------------------------|
| <b>Test Case Name:</b>      |       | TC_26_6_13_3                                                                                                                                                                                                                                                                                                                                                                                                                                                                                                                                                                           |                                                                                             |   |                         |
| <b>Group:</b>               |       | GSM_L3_MS_v4200/RR/                                                                                                                                                                                                                                                                                                                                                                                                                                                                                                                                                                    |                                                                                             |   |                         |
| <b>Purpose:</b>             |       | To verify that the MS, after receiving a FREQUENCY REDEFINITION message and then an ASSIGNMENT COMMAND message with a starting time and channel descriptions both for before and after the starting time, failing the assignment and returning on the old channel, and ready to access before the time indicated in the FREQUENCY REDEFINITION, resumes transmission on the channels used at the time of the reception of the FREQUENCY REDEFINITION message and eventually starts using the frequency parameters at the time indicated in the FREQUENCY REDEFINITION message.         |                                                                                             |   |                         |
| <b>Default:</b>             |       | OtherEventsFail                                                                                                                                                                                                                                                                                                                                                                                                                                                                                                                                                                        |                                                                                             |   |                         |
| Nr                          | Label | Behaviour Description                                                                                                                                                                                                                                                                                                                                                                                                                                                                                                                                                                  | CRef                                                                                        | V | Comments                |
| 1                           |       | START T_guard(300)                                                                                                                                                                                                                                                                                                                                                                                                                                                                                                                                                                     |                                                                                             |   |                         |
| 2                           |       | +IdleUpdated( C_E_default, C_CellA, C_SCH_A, C_BCCH_A_1, C_Immass, C_S0, C_SlotNU, C_SlotNU, C_SlotNU, C_BCC, C_TxInt_5, C_Max_1, C_NECI_0, C_ATT_0, TimingAdv( 30), C_BABR_0, C_cch_1nonComb, C_BPM_3, C_T3212_1, C_ci_cellA, C_MCC_1, C_PLMN_1, C_LAC_1, CellOpt_01, CellChDes_20_Aman, CellChDes_203_Ad, C_CellReselectHys12, C_MaxPwrLvIG, C_MaxPwrLvID, BcchFreqLst_01, BcchFreqLst_Omit, BcchFreqLst_48, BcchFreqLst_Omit, C_noRestablishment, C_BCC, C_NCC, C_Start_Tmsi, TSPX_SDCCH4SubDef, TSPX_CKSNDef, TSPX_RANDDef, C_arfcnA, C_arfcnAd_4, TSPX_IMSI, C_Test_fh, C_NCCP_2) |                                                                                             |   | 1.                      |
| 3                           |       | +local_channel_setup                                                                                                                                                                                                                                                                                                                                                                                                                                                                                                                                                                   |                                                                                             |   | 2.                      |
| 4                           | body  | LIDL_UdatRqPg1Rq                                                                                                                                                                                                                                                                                                                                                                                                                                                                                                                                                                       | PgReq1(TCV_PgCh, TCV_Pgg, PgReqTp1_01)                                                      |   |                         |
| 5                           |       | L?DL_RaInChRq( TCV_Rr := DL_RaInChRq. msg.ecau_rrf, TCV_Fn := DL_RaInChRq.fn)                                                                                                                                                                                                                                                                                                                                                                                                                                                                                                          | ChReq( ChRequest_17)                                                                        |   |                         |
| 6                           |       | ACTIVATE( OtherEventsFail_02)                                                                                                                                                                                                                                                                                                                                                                                                                                                                                                                                                          |                                                                                             |   | To match ChReq retrans. |
| 7                           |       | LIDL_UdatRqImm                                                                                                                                                                                                                                                                                                                                                                                                                                                                                                                                                                         | ImmAss( TCV_agch, ImmAsgn_r29( TCV_Rr, TCV_Fn, TSPX_TmSltd, TSPX_TscD, TimingAdv( 30)))     |   |                         |
| 8                           |       | L?DL_EstInPgRes                                                                                                                                                                                                                                                                                                                                                                                                                                                                                                                                                                        | PagingRes( PagingRes_01)                                                                    |   |                         |
| 9                           |       | ACTIVATE( OtherEventsFail)                                                                                                                                                                                                                                                                                                                                                                                                                                                                                                                                                             |                                                                                             |   | Restore Normal default  |
| 10                          |       | +localtree                                                                                                                                                                                                                                                                                                                                                                                                                                                                                                                                                                             |                                                                                             |   |                         |
| 11                          |       | <b>localtree</b><br>(TCV_Fn := OM_ComingFn( TCV_WorkingCh), TCV_Strt := OC_StartTime( TCV_Fn, 5000, 0), TCV_chd1 := ChDescrp_fh( TSPX_Chtp3, TSPX_TmSltd, TSPX_TscD, INT_TO_BIT(TSPX_Maio7, 6), INT_TO_BIT(TSPX_Hsn6, 6)), TCV_Null := OM_FreqDef( TCV_Strt, MobilAllc_r11, TCV_WorkingCh, TCV_chd1, TCV_cchd1, TCV_Fn), TCV_Null := OM_SendNextOn( TCV_WorkingCh, TCV_Fn))                                                                                                                                                                                                            |                                                                                             |   | 3.                      |
| 12                          |       | LIDL_DatRqFrqre                                                                                                                                                                                                                                                                                                                                                                                                                                                                                                                                                                        | FrqRedfSnd( TCV_WorkingCh, FrqRedef_01( TCV_chd1, MobilAllc_r11, TCV_Strt, CellChDes_Omit)) |   | 4.                      |
| 13                          |       | (TCV_AssCmd := AsgnCmd_r16( TSPX_TmSltdE, TSPX_TscE, OC_StartTime( TCV_Fn, 4000, 1)))                                                                                                                                                                                                                                                                                                                                                                                                                                                                                                  |                                                                                             |   |                         |
| 14                          |       | +AssCh_failure( TCV_WorkingCh, TCV_AssCmd, TRUE)                                                                                                                                                                                                                                                                                                                                                                                                                                                                                                                                       |                                                                                             |   |                         |
| 15                          |       | +ltree_check                                                                                                                                                                                                                                                                                                                                                                                                                                                                                                                                                                           |                                                                                             |   | 6.                      |
| 16                          |       | +PostMainLinkRel( TCV_WorkingCh)                                                                                                                                                                                                                                                                                                                                                                                                                                                                                                                                                       |                                                                                             |   |                         |
|                             |       | <b>ltree_check</b>                                                                                                                                                                                                                                                                                                                                                                                                                                                                                                                                                                     |                                                                                             |   |                         |

|                                                                                                                                                                      |            |                                                                                                                                                                                                   |  |     |
|----------------------------------------------------------------------------------------------------------------------------------------------------------------------|------------|---------------------------------------------------------------------------------------------------------------------------------------------------------------------------------------------------|--|-----|
| 17                                                                                                                                                                   |            | [TCV_WorkingCh = TCV_ch]                                                                                                                                                                          |  |     |
| 18                                                                                                                                                                   |            | (TCV_Res := OM_FHCHK( TCV_WorkingCh,<br>TCV_cchd1, MobilAlc_r11, ChDescrp_fh(<br>TSPX_Chtp4, TSPX_TmSltd, TSPX_TscD,<br>INT_TO_BIT( TSPX_Maio7, 6), INT_TO_BIT(<br>TSPX_Hsn6, 6)), 5000, TCV_Fn)) |  |     |
| 19                                                                                                                                                                   | L_033<br>7 | [TCV_Res]                                                                                                                                                                                         |  | (P) |
| 20                                                                                                                                                                   | L_033<br>8 | [NOT TCV_Res]                                                                                                                                                                                     |  | (F) |
| <b>local_channel_setup</b>                                                                                                                                           |            |                                                                                                                                                                                                   |  |     |
| 21                                                                                                                                                                   |            | (TCV_n := BIT_TO_INT( TSPX_Chtp3))                                                                                                                                                                |  |     |
| 22                                                                                                                                                                   |            | [TCV_n = 1]                                                                                                                                                                                       |  |     |
| 23                                                                                                                                                                   |            | +FullRateCh_A_1_nociph( C_Immass,<br>TSPX_TmSltd, TSPX_TscD, ChMod_sign,<br>Freq_rg5, Freq_rd5, TimingAdv( 30), C_BABR_0,<br>C_cch_1nonComb, C_BPM_3)                                             |  | 7.  |
| 24                                                                                                                                                                   |            | (TCV_WorkingCh := TCV_chTch)                                                                                                                                                                      |  |     |
| 25                                                                                                                                                                   |            | +Set_CellChDescr( C_CellA)                                                                                                                                                                        |  |     |
| 26                                                                                                                                                                   |            | [(TCV_n = 2) OR (TCV_n = 3)]                                                                                                                                                                      |  |     |
| 27                                                                                                                                                                   |            | +HalfRateCh_A_1_nociph( OC_LeastBits(<br>TSPX_Chtp3, 1), C_Immass, TSPX_TmSltd,<br>TSPX_TscD, ChMod_sign, Freq_rg5, Freq_rd5,<br>TimingAdv( 30), C_BABR_0, C_cch_1nonComb,<br>C_BPM_3)            |  | 8.  |
| 28                                                                                                                                                                   |            | (TCV_WorkingCh := TCV_chTch)                                                                                                                                                                      |  |     |
| 29                                                                                                                                                                   |            | +Set_CellChDescr( C_CellA)                                                                                                                                                                        |  |     |
| 30                                                                                                                                                                   |            | [(TCV_n >= 8) AND ( TCV_n <= 15)]                                                                                                                                                                 |  |     |
| 31                                                                                                                                                                   |            | +SDCCH8_A_1_nociph( OC_LeastBits(<br>TSPX_Chtp3, 3), C_Immass, TSPX_TmSltd,<br>TSPX_TscD, ChMod_sign, Freq_rg5, Freq_rd5,<br>TimingAdv( 30), C_BABR_0, C_cch_1nonComb,<br>C_BPM_3)                |  | 9.  |
| 32                                                                                                                                                                   |            | (TCV_WorkingCh := TCV_ch)                                                                                                                                                                         |  |     |
| 33                                                                                                                                                                   |            | +Set_CellChDescr( C_CellA)                                                                                                                                                                        |  |     |
| <b>Detailed Comments:</b>                                                                                                                                            |            |                                                                                                                                                                                                   |  |     |
| 1. To setup a physical channel as BCCH, CCCH.                                                                                                                        |            |                                                                                                                                                                                                   |  |     |
| 2. To set two physical channels, one as hopping channel for immediate assignment another one as hopping channel for after time channel, parameters defined by PIXIT. |            |                                                                                                                                                                                                   |  |     |
| 3. To calculate the starting time for frequency redefinition.                                                                                                        |            |                                                                                                                                                                                                   |  |     |
| 4. To send FREQUENCY REDIFINITION message.                                                                                                                           |            |                                                                                                                                                                                                   |  |     |
| 5. To calculate the starting time and send the ASSIGNMENT COMMAND on special frame TCV_Fn. The assigned channel not activated in the tester.                         |            |                                                                                                                                                                                                   |  |     |
| 6. To check whether the after time frequency hopping is correct at the RF burst level.                                                                               |            |                                                                                                                                                                                                   |  |     |
| 7. If the selected channel type is TCH/F, setup a physical channel as full rate channel for immediate assignment.                                                    |            |                                                                                                                                                                                                   |  |     |
| 8. If the selected channel type is TCH/H, setup a physical channel as half rate channel for immediate assignment.                                                    |            |                                                                                                                                                                                                   |  |     |
| 9. If the selected channel type is SDCCH8, setup a physical channel as SDCCH8 channel for immediate assignment.                                                      |            |                                                                                                                                                                                                   |  |     |



| Test Case Dynamic Behaviour |       |                                                                                                                                                                                                                                                                                                                                                                                                                                                                                                                                                                                       |                                                                                              |   |                         |
|-----------------------------|-------|---------------------------------------------------------------------------------------------------------------------------------------------------------------------------------------------------------------------------------------------------------------------------------------------------------------------------------------------------------------------------------------------------------------------------------------------------------------------------------------------------------------------------------------------------------------------------------------|----------------------------------------------------------------------------------------------|---|-------------------------|
| <b>Test Case Name:</b>      |       | TC_26_6_13_4                                                                                                                                                                                                                                                                                                                                                                                                                                                                                                                                                                          |                                                                                              |   |                         |
| <b>Group:</b>               |       | GSM_L3_MS_v4200/RR/                                                                                                                                                                                                                                                                                                                                                                                                                                                                                                                                                                   |                                                                                              |   |                         |
| <b>Purpose:</b>             |       | To verify that the MS, after receiving a FREQUENCY REDEFINITION message and then an ASSIGNMENT COMMAND message with a starting time and channel descriptions both for before and after the starting time, failing the assignment and returning on the old channel, and ready to access after the time indicated in the FREQUENCY REDEFINITION, resumes transmission using the frequency parameters indicated in the FREQUENCY REDEFINITION message.                                                                                                                                   |                                                                                              |   |                         |
| <b>Default:</b>             |       | OtherEventsFail                                                                                                                                                                                                                                                                                                                                                                                                                                                                                                                                                                       |                                                                                              |   |                         |
| Nr                          | Label | Behaviour Description                                                                                                                                                                                                                                                                                                                                                                                                                                                                                                                                                                 | CRef                                                                                         | V | Comments                |
| 1                           |       | START T_guard(300)                                                                                                                                                                                                                                                                                                                                                                                                                                                                                                                                                                    |                                                                                              |   |                         |
| 2                           |       | +IdleUpdated( C_E_default, C_CellA, C_SCH_A, C_BCCH_A_1, C_Immass, C_S0, C_SlotNU, C_SlotNU, C_SlotNU, C_BCC, C_TxInt_5, C_Max_1, C_NECI_0, C_ATT_0, TimingAdv( 30), C_BABR_0, C_cch_1nonComb, C_BPM_3, C_T3212_1, C_ci_cellA, C_MCC_1, C_PLMN_1, C_LAC_1, CellOpt_01, CellChDes_20_Aman, CellChDes_203_Ad, C_CellReselectHys12, C_MaxPwrLvlG, C_MaxPwrLvlD, BcchFreqLst_01, BcchFreqLst_Omit, BcchFreqLst_48, BcchFreqLst_Omit, C_noRestablishment, C_BCC, C_NCC, C_Start_Tmsi, TSPX_SDCCH4SubDef, TSPX_CKSNDf, TSPX_RANDDef, C_arfcnA, C_arfcnAd_4, TSPX_IMSI, C_Test_fh, C_NCCP_2) |                                                                                              |   | 1.                      |
| 3                           |       | +local_channel_setup                                                                                                                                                                                                                                                                                                                                                                                                                                                                                                                                                                  |                                                                                              |   | 2.                      |
| 4                           | body  | LIDL_UdatRqPg1Rq                                                                                                                                                                                                                                                                                                                                                                                                                                                                                                                                                                      | PgReq1(TCV_PgCh, TCV_Pgg, PgReqTp1_01)                                                       |   |                         |
| 5                           |       | L?DL_RaclnChRq (TCV_Rr := DL_RaclnChRq.msg.ecau_rrf, TCV_Fn := DL_RaclnChRq.fn)                                                                                                                                                                                                                                                                                                                                                                                                                                                                                                       | ChReq( ChRequest_17)                                                                         |   |                         |
| 6                           |       | ACTIVATE( OtherEventsFail_02)                                                                                                                                                                                                                                                                                                                                                                                                                                                                                                                                                         |                                                                                              |   | To match ChReq retrans. |
| 7                           |       | LIDL_UdatRqImmass                                                                                                                                                                                                                                                                                                                                                                                                                                                                                                                                                                     | ImmAss( TCV_agch, ImmAsgn_r30( TCV_Rr, TCV_Fn, TSPX_TmSlfF, TSPX_TscF, TimingAdv( 30)))      |   |                         |
| 8                           |       | L?DL_EstInPgRes                                                                                                                                                                                                                                                                                                                                                                                                                                                                                                                                                                       | PagingRes( PagingRes_01)                                                                     |   |                         |
| 9                           |       | ACTIVATE( OtherEventsFail)                                                                                                                                                                                                                                                                                                                                                                                                                                                                                                                                                            |                                                                                              |   | Restore Normal default  |
| 10                          |       | +local_continue                                                                                                                                                                                                                                                                                                                                                                                                                                                                                                                                                                       |                                                                                              |   |                         |
| 11                          |       | <b>local_continue</b><br>(TCV_Fn := OM_ComingFn( TCV_WorkingCh), TCV_Strt := OC_StartTime( TCV_Fn, 214, 0), TCV_chd1 := ChDescrp_fh( TSPX_Chtp5, TSPX_TmSlfF, TSPX_TscF, INT_TO_BIT(TSPX_Maio11, 6), INT_TO_BIT(TSPX_Hsn10, 6)), TCV_Null := OM_FreqDef( TCV_Strt, MobilAllc_r15, TCV_WorkingCh, TCV_chd1, TCV_cchd1, TCV_Fn), TCV_Null := OM_SendNextOn( TCV_WorkingCh, TCV_Fn))                                                                                                                                                                                                     |                                                                                              |   |                         |
| 12                          |       | LIDL_DatRqFrqre                                                                                                                                                                                                                                                                                                                                                                                                                                                                                                                                                                       | FrqRedfSnd( TCV_WorkingCh, FreqRedef_01( TCV_chd1, MobilAllc_r15, TCV_Strt, CellChDes_Omit)) |   | 4.                      |
| 13                          |       | (TCV_AssCmd := AsgnCmd_r17( TSPX_TmSlfF, TSPX_TscF, OC_StartTime(TCV_Fn, 5000, 1)))                                                                                                                                                                                                                                                                                                                                                                                                                                                                                                   |                                                                                              |   |                         |
| 14                          |       | +AssCh_failure( TCV_WorkingCh, TCV_AssCmd, TRUE)                                                                                                                                                                                                                                                                                                                                                                                                                                                                                                                                      |                                                                                              |   | 5.                      |
| 15                          |       | +PostMainLinkRel( TCV_WorkingCh)                                                                                                                                                                                                                                                                                                                                                                                                                                                                                                                                                      |                                                                                              |   |                         |
| 16                          |       | <b>local_channel_setup</b><br>(TCV_n := BIT_TO_INT( TSPX_Chtp5))                                                                                                                                                                                                                                                                                                                                                                                                                                                                                                                      |                                                                                              |   |                         |
| 17                          |       | [TCV_n = 1]                                                                                                                                                                                                                                                                                                                                                                                                                                                                                                                                                                           |                                                                                              |   |                         |

|    |                                                                                                                                                                                        |  |    |
|----|----------------------------------------------------------------------------------------------------------------------------------------------------------------------------------------|--|----|
| 18 | +FullRateCh_A_1_nociph( C_Immass,<br>TSPX_TmSlfF, TSPX_TscF, ChMod_sign,<br>Freq_rg7, Freq_rd7, TimingAdv( 30), C_BABR_0,<br>C_cch_1nonComb, C_BPM_3)                                  |  | 7. |
| 19 | (TCV_WorkingCh := TCV_chTch)                                                                                                                                                           |  |    |
| 20 | +Set_CellChDescr(C_CellA)                                                                                                                                                              |  |    |
| 21 | [(TCV_n = 2) OR (TCV_n = 3)]                                                                                                                                                           |  |    |
| 22 | +HalfRateCh_A_1_nociph( OC_LeastBits(<br>TSPX_Chtp5, 1), C_Immass, TSPX_TmSlfF,<br>TSPX_TscF, ChMod_sign, Freq_rg7, Freq_rd7,<br>TimingAdv( 30), C_BABR_0, C_cch_1nonComb,<br>C_BPM_3) |  | 8. |
| 23 | (TCV_WorkingCh := TCV_chTch)                                                                                                                                                           |  |    |
| 24 | +Set_CellChDescr(C_CellA)                                                                                                                                                              |  |    |
| 25 | [(TCV_n >= 8) AND ( TCV_n <= 15)]                                                                                                                                                      |  |    |
| 26 | +SDCCH8_A_1_nociph( OC_LeastBits(<br>TSPX_Chtp5, 3), C_Immass, TSPX_TmSlfF,<br>TSPX_TscF, ChMod_sign, Freq_rg7, Freq_rd7,<br>TimingAdv( 30), C_BABR_0, C_cch_1nonComb,<br>C_BPM_3)     |  | 9. |
| 27 | (TCV_WorkingCh := TCV_ch)                                                                                                                                                              |  |    |
| 28 | +Set_CellChDescr(C_CellA)                                                                                                                                                              |  |    |

**Detailed Comments:**

1. To setup a physical channel as BCCH, CCCH.
2. To set two physical channels, one as hopping channel for immediate assignment another one as hopping channel for after time channel, parameters defined by PIXIT. Note: Although the test case is designed for TCH/F, TCH/H & SDCCH8 the TSPX\_Chtp5 should be assigned to an SDCCH8 subchannel because calculations of starting time T1 for TCH/F & TCH/H have not yet been carried out. No simple values can be defined.
3. To calculate the starting time for frequency redefinition.
4. To send FREQUENCY REDIFINITION message.
5. To calculate the starting time and send the ASSIGNMENT COMMAND on special frame TCV\_Fn. The assigned channel not activated in the tester.
6. The expected ASSIGNMENT FAILURE message received on the channel defined by frequency redefinition.
7. If the selected channel type is TCH/F, setup a physical channel as full rate channel for immediate assignment.
8. If the selected channel type is TCH/H, setup a physical channel as half rate channel for immediate assignment.
9. If the selected channel type is SDCCH8, setup a physical channel as SDCCH8 channel for immediate assignment.

| Test Case Dynamic Behaviour |       |                                                                                                                                                                                                                                                                                                                                                                                                                                                                                                                                                                                       |                                                                                         |   |                         |
|-----------------------------|-------|---------------------------------------------------------------------------------------------------------------------------------------------------------------------------------------------------------------------------------------------------------------------------------------------------------------------------------------------------------------------------------------------------------------------------------------------------------------------------------------------------------------------------------------------------------------------------------------|-----------------------------------------------------------------------------------------|---|-------------------------|
| <b>Test Case Name:</b>      |       | TC_26_6_13_5                                                                                                                                                                                                                                                                                                                                                                                                                                                                                                                                                                          |                                                                                         |   |                         |
| <b>Group:</b>               |       | GSM_L3_MS_v4200/RR/                                                                                                                                                                                                                                                                                                                                                                                                                                                                                                                                                                   |                                                                                         |   |                         |
| <b>Purpose:</b>             |       | To verify that the MS, after receiving a HANDOVER COMMAND message with a starting time and channel descriptions both for before and after the starting time, and ready to access before the time performs correctly the handover using the description for before the time, and then starts using the frequency parameters for after the time at the the time indicated in the message.                                                                                                                                                                                               |                                                                                         |   |                         |
| <b>Default:</b>             |       | OtherEventsFail, RcvHdOvAcc                                                                                                                                                                                                                                                                                                                                                                                                                                                                                                                                                           |                                                                                         |   |                         |
| Nr                          | Label | Behaviour Description                                                                                                                                                                                                                                                                                                                                                                                                                                                                                                                                                                 | CRef                                                                                    | V | Comments                |
| 1                           |       | START T_guard( 300)                                                                                                                                                                                                                                                                                                                                                                                                                                                                                                                                                                   |                                                                                         |   |                         |
| 2                           |       | +IdleUpdated( C_E_default, C_CellA, C_SCH_A, C_BCCH_A_1, C_Immass, C_S0, C_SlotNU, C_SlotNU, C_SlotNU, C_BCC, C_TxInt_5, C_Max_1, C_NECI_0, C_ATT_0, TimingAdv( 30), C_BABR_0, C_cch_1nonComb, C_BPM_3, C_T3212_1, C_ci_cellA, C_MCC_1, C_PLMN_1, C_LAC_1, CellOpt_01, CellChDes_20_Aman, CellChDes_203_Ad, C_CellReselectHys12, C_MaxPwrLvlG, C_MaxPwrLvlD, BcchFreqLst_01, BcchFreqLst_Omit, BcchFreqLst_48, BcchFreqLst_Omit, C_noRestablishment, C_BCC, C_NCC, C_Start_Tmsi, TSPX_SDCCH4SubDef, TSPX_CKSNDf, TSPX_RANDDef, C_arfcnA, C_arfcnAd_4, TSPX_IMSI, C_Test_fh, C_NCCP_2) |                                                                                         |   | 1.                      |
| 3                           |       | +StartCellB( C_E_neighbourdefault, C_BCCHcarrierB_ho, C_BCCHcarrierB_hod, C_Immass, TSPX_TmSltDef, TSPX_TscDef, TimingAdv( 30), C_TxInt_5, C_Max_1, C_NECI_0, C_ATT_0, C_BABR_0, C_cch_1nonComb, C_BPM_3, C_T3212_1, C_MCC_1, C_PLMN_1, C_LAC_1, CellChDes_20_Bman, CellChDes_201_Bd, BcchFreqLst_01, BcchFreqLst_48, C_noRestablishment, C_BCC_1, C_NCC)                                                                                                                                                                                                                             |                                                                                         |   | 2.                      |
| 4                           |       | +local_channel_setup                                                                                                                                                                                                                                                                                                                                                                                                                                                                                                                                                                  |                                                                                         |   | 3.                      |
| 5                           | body  | L!DL_UdatRqPg1Rq                                                                                                                                                                                                                                                                                                                                                                                                                                                                                                                                                                      | PgReq1(TCV_PgCh, TCV_Pgg, PgReqTp1_01)                                                  |   |                         |
| 6                           |       | L?DL_RaclnChRq (TCV_Rr := DL_RaclnChRq.msg.ecau_rrf, TCV_Fn := DL_RaclnChRq.fn)                                                                                                                                                                                                                                                                                                                                                                                                                                                                                                       | ChReq( ChRequest_17)                                                                    |   |                         |
| 7                           |       | ACTIVATE(OtherEventsFail_02)                                                                                                                                                                                                                                                                                                                                                                                                                                                                                                                                                          |                                                                                         |   | To match ChReq retrans. |
| 8                           |       | L!DL_UdatRqImmass                                                                                                                                                                                                                                                                                                                                                                                                                                                                                                                                                                     | ImmAss( TCV_agch, ImmAsgn_r31( TCV_Rr, TCV_Fn, TSPX_TmSltG, TSPX_TscG, TimingAdv( 30))) |   |                         |
| 9                           |       | L?DL_EstInPgRes                                                                                                                                                                                                                                                                                                                                                                                                                                                                                                                                                                       | PagingRes( PagingRes_01)                                                                |   |                         |
| 10                          |       | ACTIVATE(OtherEventsFail)                                                                                                                                                                                                                                                                                                                                                                                                                                                                                                                                                             |                                                                                         |   | Restore Normal default  |
| 11                          |       | +localcontinue                                                                                                                                                                                                                                                                                                                                                                                                                                                                                                                                                                        |                                                                                         |   |                         |
| 12                          |       | <b>localcontinue</b><br>(TCV_Null := OM_StartMsrReport( TCV_sacch8))                                                                                                                                                                                                                                                                                                                                                                                                                                                                                                                  |                                                                                         |   |                         |
| 13                          |       | L?DL_UdatInMsrRpt (TCV_MsrRes := DL_UdatInMsrRpt.msg.msrr)                                                                                                                                                                                                                                                                                                                                                                                                                                                                                                                            | MsrRept( MsrReport_02)                                                                  |   |                         |
| 14                          |       | (TCV_Null := OM_StopMsrReport( TCV_sacch8), TCV_Fn := OM_ComingFn( TCV_ch), TCV_Strt := OC_StartTime( TCV_Fn, C_StrT_1000, 1), TCV_Null := OM_SendNextOn( TCV_ch, TCV_Fn), TCV_chd1 := ChDescrp_fh( TSPX_Chtp7, TSPX_TmSltDef, TSPX_TscDef, INT_TO_BIT( TSPX_Maio15, 6), INT_TO_BIT( TSPX_Hsn15, 6)), TCV_Null := OM_FreqDef( TCV_Strt, Mobilc_r18, TCV_chTch, TCV_chd1, TCV_cchd1, TCV_Fn))                                                                                                                                                                                          |                                                                                         |   | 4.                      |
| 15                          |       | +local_sendHoCMD                                                                                                                                                                                                                                                                                                                                                                                                                                                                                                                                                                      |                                                                                         |   |                         |
| 16                          |       | L?DL_RaclnHoacc                                                                                                                                                                                                                                                                                                                                                                                                                                                                                                                                                                       | HndOvAccRcv( TCV_chTch, HandOverAcc_01)                                                 |   |                         |
| 17                          |       | L!DL_DatRqPhyinfo                                                                                                                                                                                                                                                                                                                                                                                                                                                                                                                                                                     | PhyInfo_01(                                                                             |   |                         |

|    |                                                                                                                                                                     |                                                                                                                                                                                                                                                                                                                                                                                     |     |
|----|---------------------------------------------------------------------------------------------------------------------------------------------------------------------|-------------------------------------------------------------------------------------------------------------------------------------------------------------------------------------------------------------------------------------------------------------------------------------------------------------------------------------------------------------------------------------|-----|
| 18 | L?DL_EstIn                                                                                                                                                          | TCV_chTch,<br>TimingAdv( 30))                                                                                                                                                                                                                                                                                                                                                       |     |
| 19 | L?DL_DatInHoCom                                                                                                                                                     | DLEstIn(<br>TCV_chTch)                                                                                                                                                                                                                                                                                                                                                              |     |
| 20 | +ltree_Hoppingcheck                                                                                                                                                 | HndOvCmpRcv(<br>TCV_chTch,<br>HandOverCmp_01)                                                                                                                                                                                                                                                                                                                                       |     |
| 21 | +PostMainLinkRel( TCV_chTch)                                                                                                                                        |                                                                                                                                                                                                                                                                                                                                                                                     |     |
|    | <b>ltree_Hoppingcheck</b>                                                                                                                                           |                                                                                                                                                                                                                                                                                                                                                                                     |     |
| 22 | (TCV_Res := OM_FHCHK( TCV_chTch, TCV_cchd1,<br>MobiAllc_r18, TCV_chd1, C_StrT_1000, TCV_Fn))                                                                        |                                                                                                                                                                                                                                                                                                                                                                                     |     |
| 23 | L_033<br>9 [TCV_Res]                                                                                                                                                |                                                                                                                                                                                                                                                                                                                                                                                     | (P) |
| 24 | L_034<br>0 [NOT TCV_Res]                                                                                                                                            |                                                                                                                                                                                                                                                                                                                                                                                     | (F) |
|    | <b>local_sendHoCMD</b>                                                                                                                                              |                                                                                                                                                                                                                                                                                                                                                                                     |     |
| 25 | [TSPC_PGSM OR TSPC_EGSM]                                                                                                                                            |                                                                                                                                                                                                                                                                                                                                                                                     |     |
| 26 | L!DL_DatRqHoCmd                                                                                                                                                     | HndOvSnd( TCV_ch,<br>HandOverCmd(<br>C_NCC, C_BCC_1,<br>TSPX_TmSlitDef,<br>TSPX_TscDef,<br>TCV_cchd1,<br>TCV_Strt,<br>C_BCCHcarrierB_ho,<br>TSPX_Chtp7,<br>TSPX_Maio15,<br>TSPX_Maio16,<br>TSPX_Hsn15,<br>TSPX_Hsn16,<br>TSPX_HoRefA,<br>TSPX_PwrlvIA,<br>Synchi(<br>C_not_report_otd,<br>C_non_synchronised)<br>, ChMod_r03,<br>MobiAllc_r18,<br>MobiAllc_r20,<br>CphMod_02iei))   |     |
| 27 | [TSPC_DCS]                                                                                                                                                          |                                                                                                                                                                                                                                                                                                                                                                                     |     |
| 28 | L!DL_DatRqHoCmd                                                                                                                                                     | HndOvSnd( TCV_ch,<br>HandOverCmd(<br>C_NCC, C_BCC_1,<br>TSPX_TmSlitDef,<br>TSPX_TscDef,<br>TCV_cchd1,<br>TCV_Strt,<br>C_BCCHcarrierB_hod<br>, TSPX_Chtp7,<br>TSPX_Maio15,<br>TSPX_Maio16,<br>TSPX_Hsn15,<br>TSPX_Hsn16,<br>TSPX_HoRefA,<br>TSPX_PwrlvIA,<br>Synchi(<br>C_not_report_otd,<br>C_non_synchronised)<br>, ChMod_r03,<br>MobiAllc_r18,<br>MobiAllc_r20,<br>CphMod_02iei)) |     |
|    | <b>local_channel_setup</b>                                                                                                                                          |                                                                                                                                                                                                                                                                                                                                                                                     |     |
| 29 | (TCV_n := BIT_TO_INT( TSPX_Chtp7))                                                                                                                                  |                                                                                                                                                                                                                                                                                                                                                                                     |     |
| 30 | +SDCCH8_A_1_nociph( TSPX_SDCCH8SubB,<br>C_Immash, TSPX_TmSlitG, TSPX_TscG,<br>ChMod_sign, Freq_rg9, Freq_rd9, TimingAdv( 30),<br>C_BABR_0, C_cch_1nonComb, C_BPM_3) |                                                                                                                                                                                                                                                                                                                                                                                     |     |
| 31 | [TCV_n = 1]                                                                                                                                                         |                                                                                                                                                                                                                                                                                                                                                                                     |     |
| 32 | +FullRateCh_B_1_nociph( C_Asynho,                                                                                                                                   |                                                                                                                                                                                                                                                                                                                                                                                     | 5.  |

|                           |                                                                                                                                                                                                                             |                                                                                                                                                                                                                                                                                                                                                                                                                                                                                                                                                                                                                                                                                                                                       |  |    |
|---------------------------|-----------------------------------------------------------------------------------------------------------------------------------------------------------------------------------------------------------------------------|---------------------------------------------------------------------------------------------------------------------------------------------------------------------------------------------------------------------------------------------------------------------------------------------------------------------------------------------------------------------------------------------------------------------------------------------------------------------------------------------------------------------------------------------------------------------------------------------------------------------------------------------------------------------------------------------------------------------------------------|--|----|
| 33                        | TSPX_TmSltDef, TSPX_TscDef, ChMod_r03,<br>Freq_rg11, Freq_rd11, TimingAdv( 30),<br>C_BABR_0, C_cch_1nonComb, C_BPM_3)                                                                                                       |                                                                                                                                                                                                                                                                                                                                                                                                                                                                                                                                                                                                                                                                                                                                       |  |    |
| 34                        | +Set_CellChDescr( C_CellB)                                                                                                                                                                                                  |                                                                                                                                                                                                                                                                                                                                                                                                                                                                                                                                                                                                                                                                                                                                       |  |    |
| 35                        | [(TCV_n = 2) OR (TCV_n = 3)]<br>+HalfRateCh_B_1_nociph( OC_LeastBits(<br>TSPX_Chtp7, 1), C_Asynho, TSPX_TmSltDef,<br>TSPX_TscDef, ChMod_r03, Freq_rg11,<br>Freq_rd11, TimingAdv( 30), C_BABR_0,<br>C_cch_1nonComb, C_BPM_3) |                                                                                                                                                                                                                                                                                                                                                                                                                                                                                                                                                                                                                                                                                                                                       |  | 6. |
| 36                        | +Set_CellChDescr( C_CellB)                                                                                                                                                                                                  |                                                                                                                                                                                                                                                                                                                                                                                                                                                                                                                                                                                                                                                                                                                                       |  |    |
| 37                        | [(TCV_n >= 8) AND ( TCV_n <= 15)]                                                                                                                                                                                           |                                                                                                                                                                                                                                                                                                                                                                                                                                                                                                                                                                                                                                                                                                                                       |  |    |
| 38                        | +SDCCH8_B_1_nociph( OC_LeastBits(<br>TSPX_Chtp7, 3), C_Asynho, TSPX_TmSltDef,<br>TSPX_TscDef, ChMod_sign, Freq_rg11,<br>Freq_rd11, TimingAdv( 30), C_BABR_0,<br>C_cch_1nonComb, C_BPM_3)                                    |                                                                                                                                                                                                                                                                                                                                                                                                                                                                                                                                                                                                                                                                                                                                       |  | 7. |
| 39                        | +Set_CellChDescr( C_CellB)                                                                                                                                                                                                  |                                                                                                                                                                                                                                                                                                                                                                                                                                                                                                                                                                                                                                                                                                                                       |  |    |
| <b>Detailed Comments:</b> |                                                                                                                                                                                                                             | <ol style="list-style-type: none"> <li>1. To setup a physical channel as BCCH, CCCH for cell A.</li> <li>2. To setup a physical channel as BCCH, CCCH for cell B.</li> <li>3. To setup a physical channel as SDCCH8 in cell A and setup 2 physical channels as hopping channels in cell B.</li> <li>4. To get the future frame number for sending HANDOVER COMMAND and calculate starting time.</li> <li>5. If the required channel is full rate channel, setup the before time full rate hopping channel.</li> <li>6. If the required channel is half rate channel, setup the before time half rate hopping channel.</li> <li>7. If the required channel is SDCCH8 channel, setup the before time SDCCH8 hopping channel.</li> </ol> |  |    |

| Test Case Dynamic Behaviour |       |                                                                                                                                                                                                                                                                                                                                                                                                                                                                                                                                                                                     |                                                                                             |   |                         |
|-----------------------------|-------|-------------------------------------------------------------------------------------------------------------------------------------------------------------------------------------------------------------------------------------------------------------------------------------------------------------------------------------------------------------------------------------------------------------------------------------------------------------------------------------------------------------------------------------------------------------------------------------|---------------------------------------------------------------------------------------------|---|-------------------------|
| <b>Test Case Name:</b>      |       | TC_26_6_13_6                                                                                                                                                                                                                                                                                                                                                                                                                                                                                                                                                                        |                                                                                             |   |                         |
| <b>Group:</b>               |       | GSM_L3_MS_v4200/RR/                                                                                                                                                                                                                                                                                                                                                                                                                                                                                                                                                                 |                                                                                             |   |                         |
| <b>Purpose:</b>             |       | To verify that the MS, after receiving a HANDOVER COMMAND message with a starting time and channel descriptions both for before and after the starting time, and ready to transmit after the indicated time, performs correctly the handover using the description for after the time.                                                                                                                                                                                                                                                                                              |                                                                                             |   |                         |
| <b>Default:</b>             |       | OtherEventsFail, RcvHdOvAcc                                                                                                                                                                                                                                                                                                                                                                                                                                                                                                                                                         |                                                                                             |   |                         |
| Nr                          | Label | Behaviour Description                                                                                                                                                                                                                                                                                                                                                                                                                                                                                                                                                               | CRef                                                                                        | V | Comments                |
| 1                           |       | START T_guard(300)                                                                                                                                                                                                                                                                                                                                                                                                                                                                                                                                                                  |                                                                                             |   |                         |
| 2                           |       | +IdleUpdated( C_E_default, C_CellA, C_SCH_A, C_BCCH_A_1, C_Imm, C_S0, C_SlotNU, C_SlotNU, C_SlotNU, C_BCC, C_TxInt_5, C_Max_1, C_NECI_0, C_ATT_0, TimingAdv( 30), C_BABR_0, C_cch_1nonComb, C_BPM_3, C_T3212_1, C_ci_cellA, C_MCC_1, C_PLMN_1, C_LAC_1, CellOpt_01, CellChDes_20_Aman, CellChDes_203_Ad, C_CellReselectHys12, C_MaxPwrLvlG, C_MaxPwrLvlD, BcchFreqLst_01, BcchFreqLst_Omit, BcchFreqLst_48, BcchFreqLst_Omit, C_noReestablishment, C_BCC, C_NCC, C_Start_Tmsi, TSPX_SDCCH4SubDef, TSPX_CKSNDf, TSPX_RANDDef, C_arfcnA, C_arfcnAd_4, TSPX_IMSI, C_Test_fh, C_NCCP_2) |                                                                                             |   | 1.                      |
| 3                           |       | +StartCellB( C_E_neighbourdefault, C_BCCHcarrierB_ho, C_BCCHcarrierB_hod, C_Imm, TSPX_TmSltB, TSPX_TscB, TimingAdv( 30), C_TxInt_5, C_Max_1, C_NECI_0, C_ATT_0, C_BABR_0, C_cch_1nonComb, C_BPM_3, C_T3212_1, C_MCC_1, C_PLMN_1, C_LAC_1, CellChDes_20_Bman, CellChDes_201_Bd, BcchFreqLst_01, BcchFreqLst_48, C_noReestablishment, C_BCC_1, C_NCC)                                                                                                                                                                                                                                 |                                                                                             |   | 2.                      |
| 4                           |       | +local_config_channel                                                                                                                                                                                                                                                                                                                                                                                                                                                                                                                                                               |                                                                                             |   | 3.                      |
| 5                           | body  | LIDL_UdatRqPg1Rq                                                                                                                                                                                                                                                                                                                                                                                                                                                                                                                                                                    | PgReq1(TCV_PgCh, TCV_Pgg, PgReqTp1_01)                                                      |   |                         |
| 6                           |       | L?DL_RaInChRq (TCV_Rr := DL_RaInChRq.msg.ecau_rrf, TCV_Fn := DL_RaInChRq.fn)                                                                                                                                                                                                                                                                                                                                                                                                                                                                                                        | ChReq( ChRequest_17)                                                                        |   |                         |
| 7                           |       | ACTIVATE(OtherEventsFail_02)                                                                                                                                                                                                                                                                                                                                                                                                                                                                                                                                                        |                                                                                             |   | To match ChReq retrans. |
| 8                           |       | LIDL_UdatRqImm                                                                                                                                                                                                                                                                                                                                                                                                                                                                                                                                                                      | ImmAss( TCV_agch, ImmAsgn_r32( TCV_Rr, TCV_Fn, TSPX_TmSltDef, TSPX_TscDef, TimingAdv( 30))) |   |                         |
| 9                           |       | +local_continue                                                                                                                                                                                                                                                                                                                                                                                                                                                                                                                                                                     |                                                                                             |   |                         |
| 10                          |       | <b>local_continue</b><br>L?DL_EstInPgRes                                                                                                                                                                                                                                                                                                                                                                                                                                                                                                                                            | PagingRes( PagingRes_01)                                                                    |   |                         |
| 11                          |       | ACTIVATE(OtherEventsFail)                                                                                                                                                                                                                                                                                                                                                                                                                                                                                                                                                           |                                                                                             |   | Restore Normal default  |
| 12                          |       | (TCV_Fn := OM_ComingFn( TCV_ch), TCV_Strt := OC_StartTime( TCV_Fn, 5, 1), TCV_Null := OM_SendNextOn( TCV_ch, TCV_Fn))                                                                                                                                                                                                                                                                                                                                                                                                                                                               |                                                                                             |   | 4.                      |
| 13                          |       | +local_sendHoCMD                                                                                                                                                                                                                                                                                                                                                                                                                                                                                                                                                                    |                                                                                             |   |                         |
| 14                          |       | L?DL_RaInHoacc                                                                                                                                                                                                                                                                                                                                                                                                                                                                                                                                                                      | HndOvAccRcv( TCV_chTch, HandOverAcc_01)                                                     |   |                         |
| 15                          |       | LIDL_DatRqPhyinfo                                                                                                                                                                                                                                                                                                                                                                                                                                                                                                                                                                   | PhyInfo_01(TCV_chTch, TimingAdv( 30))                                                       |   |                         |
| 16                          |       | L?DL_EstIn                                                                                                                                                                                                                                                                                                                                                                                                                                                                                                                                                                          | DLEstIn( TCV_chTch)                                                                         |   |                         |
| 17                          |       | L?DL_DatInHoCom                                                                                                                                                                                                                                                                                                                                                                                                                                                                                                                                                                     | HndOvCmpRcv( TCV_chTch, HandOverCmp_01)                                                     |   |                         |
| 18                          |       | +PostMainLinkRel( TCV_chTch)                                                                                                                                                                                                                                                                                                                                                                                                                                                                                                                                                        |                                                                                             |   |                         |
| 19                          |       | <b>local_sendHoCMD</b><br>[TSPC_PGSM OR TSPC_EGSM]                                                                                                                                                                                                                                                                                                                                                                                                                                                                                                                                  |                                                                                             |   |                         |

|                           |                                                                                                                                                                                          |                                                                                                                                                                                                                                                                                                                                                                                |    |
|---------------------------|------------------------------------------------------------------------------------------------------------------------------------------------------------------------------------------|--------------------------------------------------------------------------------------------------------------------------------------------------------------------------------------------------------------------------------------------------------------------------------------------------------------------------------------------------------------------------------|----|
| 20                        | LIDL_DatRqHoCmd                                                                                                                                                                          | HndOvSnd( TCV_ch,<br>HandOverCmd(<br>C_NCC, C_BCC_1,<br>TSPX_TmSlitB,<br>TSPX_TscB,<br>TCV_cchd1,<br>TCV_Strt,<br>C_BCCHcarrierB_ho,<br>TSPX_Chtp8,<br>TSPX_Maio18,<br>TSPX_Maio19,<br>TSPX_Hsn18,<br>TSPX_Hsn19,<br>TSPX_HoRefA,<br>TSPX_PwrlvlB,<br>Synchi(<br>C_not_report_otd,<br>C_non_synchronised)<br>, ChMod_r04,<br>MoblAllc_r22,<br>MoblAllc_r23,<br>CphMod_omit))   |    |
| 21                        | [TSPC_DCS]                                                                                                                                                                               |                                                                                                                                                                                                                                                                                                                                                                                |    |
| 22                        | LIDL_DatRqHoCmd                                                                                                                                                                          | HndOvSnd( TCV_ch,<br>HandOverCmd(<br>C_NCC, C_BCC_1,<br>TSPX_TmSlitB,<br>TSPX_TscB,<br>TCV_cchd1,<br>TCV_Strt,<br>C_BCCHcarrierB_hod<br>, TSPX_Chtp8,<br>TSPX_Maio18,<br>TSPX_Maio19,<br>TSPX_Hsn18,<br>TSPX_Hsn19,<br>TSPX_HoRefA,<br>TSPX_PwrlvlB,<br>Synchi(<br>C_not_report_otd,<br>C_non_synchronised)<br>, ChMod_r04,<br>MoblAllc_r22,<br>MoblAllc_r23,<br>CphMod_omit)) |    |
| 23                        | <b>local_config_channel</b>                                                                                                                                                              |                                                                                                                                                                                                                                                                                                                                                                                |    |
| 24                        | (TCV_n := BIT_TO_INT( TSPX_Chtp8))                                                                                                                                                       |                                                                                                                                                                                                                                                                                                                                                                                |    |
| 25                        | +SDCCH8_A_1_nociph( TSPX_SDCCH8SubC,<br>C_Immass, TSPX_TmSlitDef, TSPX_TscDef,<br>ChMod_sign, Freq_rg12, Freq_rd12, TimingAdv(<br>30), C_BABR_0, C_cch_1nonComb, C_BPM_3)                |                                                                                                                                                                                                                                                                                                                                                                                |    |
| 26                        | [TCV_n = 1]<br>+FullRateCh_B_1_nociph(C_Asynho,<br>TSPX_TmSlitB, TSPX_TscB, ChMod_r04,<br>Freq_rg13, Freq_rd13, TimingAdv( 30),<br>C_BABR_0, C_cch_1nonComb, C_BPM_3)                    |                                                                                                                                                                                                                                                                                                                                                                                | 5. |
| 27                        | +Set_CellChDescr( C_CellB)                                                                                                                                                               |                                                                                                                                                                                                                                                                                                                                                                                |    |
| 28                        | [(TCV_n = 2) OR (TCV_n = 3)]                                                                                                                                                             |                                                                                                                                                                                                                                                                                                                                                                                |    |
| 29                        | +HalfRateCh_B_1_nociph( OC_LeastBits(<br>TSPX_Chtp8, 1), C_Asynho, TSPX_TmSlitB,<br>TSPX_TscB, ChMod_r04, Freq_rg13,<br>Freq_rd13, TimingAdv( 30), C_BABR_0,<br>C_cch_1nonComb, C_BPM_3) |                                                                                                                                                                                                                                                                                                                                                                                | 6. |
| 30                        | +Set_CellChDescr( C_CellB)                                                                                                                                                               |                                                                                                                                                                                                                                                                                                                                                                                |    |
| 31                        | [(TCV_n >= 8) AND ( TCV_n <= 15)]                                                                                                                                                        |                                                                                                                                                                                                                                                                                                                                                                                |    |
| 32                        | +SDCCH8_B_1_nociph( OC_LeastBits(<br>TSPX_Chtp8, 3), C_Asynho, TSPX_TmSlitB,<br>TSPX_TscB, ChMod_sign, Freq_rg13,<br>Freq_rd13, TimingAdv( 30), C_BABR_0,<br>C_cch_1nonComb, C_BPM_3)    |                                                                                                                                                                                                                                                                                                                                                                                | 7. |
| 33                        | +Set_CellChDescr( C_CellB)                                                                                                                                                               |                                                                                                                                                                                                                                                                                                                                                                                |    |
| <b>Detailed Comments:</b> |                                                                                                                                                                                          | 1. To setup a physical channel as BCCH, CCCH for cell A.<br>2. To setup a physical channel as BCCH, CCCH for cell B.                                                                                                                                                                                                                                                           |    |

3. To setup a physical channel as SDCCH8 in cell A and setup a physical channel as hopping channels in cell B.
4. To get the future frame number for sending HANDOVER COMMAND and calculate starting time.
5. If the required channel is full rate channel, setup the after time full rate hopping channel.
6. If the required channel is half rate channel, setup the after time half rate hopping channel.
7. If the required channel is SDCCH8 channel, setup the after time SDCCH8 hopping channel.



| Test Case Dynamic Behaviour |       |                                                                                                                                                                                                                                                                                                                                                                                                                                                                                                                                                                                       |                                                                                             |   |                         |
|-----------------------------|-------|---------------------------------------------------------------------------------------------------------------------------------------------------------------------------------------------------------------------------------------------------------------------------------------------------------------------------------------------------------------------------------------------------------------------------------------------------------------------------------------------------------------------------------------------------------------------------------------|---------------------------------------------------------------------------------------------|---|-------------------------|
| <b>Test Case Name:</b>      |       | TC_26_6_13_7                                                                                                                                                                                                                                                                                                                                                                                                                                                                                                                                                                          |                                                                                             |   |                         |
| <b>Group:</b>               |       | GSM_L3_MS_v4200/RR/                                                                                                                                                                                                                                                                                                                                                                                                                                                                                                                                                                   |                                                                                             |   |                         |
| <b>Purpose:</b>             |       | To verify that the MS, after receiving a FREQUENCY REDEFINITION message and then an HANDOVER COMMAND message with a starting time and channel descriptions both for before and after the starting time, failing the handover, and ready to access the old channel before the time indicated in the FREQUENCY REDEFINITION, resumes transmission on the channels used at the time of the reception of the FREQUENCY REDEFINITION message and eventually starts using the new frequency parameters at the time indicated in the FREQUENCY REDEFINITION message.                         |                                                                                             |   |                         |
| <b>Default:</b>             |       | OtherEventsFail                                                                                                                                                                                                                                                                                                                                                                                                                                                                                                                                                                       |                                                                                             |   |                         |
| Nr                          | Label | Behaviour Description                                                                                                                                                                                                                                                                                                                                                                                                                                                                                                                                                                 | CRef                                                                                        | V | Comments                |
| 1                           |       | START T_guard(300)                                                                                                                                                                                                                                                                                                                                                                                                                                                                                                                                                                    |                                                                                             |   |                         |
| 2                           |       | +IdleUpdated( C_E_default, C_CellA, C_SCH_A, C_BCCH_A_1, C_ImmAss, C_S0, C_SlotNU, C_SlotNU, C_SlotNU, C_BCC, C_TxInt_5, C_Max_1, C_NECI_0, C_ATT_0, TimingAdv( 30), C_BABR_0, C_cch_1nonComb, C_BPM_3, C_T3212_1, C_ci_cellA, C_MCC_1, C_PLMN_1, C_LAC_1, CellOpt_01, CellChDes_20_Aman, CellChDes_203_Ad, C_CellReselectHys12, C_MaxPwrLvlG, C_MaxPwrLvlD, BcchFreqLst_01, BcchFreqLst_Omit, BcchFreqLst_48, BcchFreqLst_Omit, C_noRestablishment, C_BCC, C_NCC, C_Start_Tmsi, TSPX_SDCCH4SubDef, TSPX_CKSNDf, TSPX_RANDDef, C_arfcnA, C_arfcnAd_4, TSPX_IMSI, C_Test_fh, C_NCCP_2) |                                                                                             |   | 1.                      |
| 3                           |       | +local_channel_setup                                                                                                                                                                                                                                                                                                                                                                                                                                                                                                                                                                  |                                                                                             |   | 3.                      |
| 4                           |       | +StartCellB( C_E_neighbourdefault, C_BCCHcarrierB_ho, C_BCCHcarrierB_hod, C_ImmAss, TSPX_TmSlitD, TSPX_TscD, TimingAdv( 30), C_TxInt_5, C_Max_1, C_NECI_0, C_ATT_0, C_BABR_0, C_cch_1nonComb, C_BPM_3, C_T3212_1, C_MCC_1, C_PLMN_1, C_LAC_1, CellChDes_20_Bman, CellChDes_201_Bd, BcchFreqLst_01, BcchFreqLst_48, C_noRestablishment, C_BCC_1, C_NCC)                                                                                                                                                                                                                                |                                                                                             |   | 2.                      |
| 5                           | body  | LIDL_UdatRqPg1Rq                                                                                                                                                                                                                                                                                                                                                                                                                                                                                                                                                                      | PgReq1(TCV_PgCh, TCV_Pgg, PgReqTp1_01)                                                      |   |                         |
| 6                           |       | L?DL_RaInChRq (TCV_Rr := DL_RaInChRq.msg.ecau_rrf, TCV_Fn := DL_RaInChRq.fn)                                                                                                                                                                                                                                                                                                                                                                                                                                                                                                          | ChReq( ChRequest_17)                                                                        |   |                         |
| 7                           |       | ACTIVATE( OtherEventsFail_02)                                                                                                                                                                                                                                                                                                                                                                                                                                                                                                                                                         |                                                                                             |   | To match ChReq retrans. |
| 8                           |       | LIDL_UdatRqImmAss                                                                                                                                                                                                                                                                                                                                                                                                                                                                                                                                                                     | ImmAss( TCV_agch, ImmAsgn_r33( TCV_Rr, TCV_Fn, TSPX_TmSlitC, TSPX_TscC, TimingAdv( 30)))    |   |                         |
| 9                           |       | L?DL_EstInPgRes                                                                                                                                                                                                                                                                                                                                                                                                                                                                                                                                                                       | PagingRes( PagingRes_01)                                                                    |   |                         |
| 10                          |       | ACTIVATE( OtherEventsFail)                                                                                                                                                                                                                                                                                                                                                                                                                                                                                                                                                            |                                                                                             |   | Restore Normal default  |
| 11                          |       | +localtree                                                                                                                                                                                                                                                                                                                                                                                                                                                                                                                                                                            |                                                                                             |   |                         |
| 12                          |       | <b>localtree</b><br>(TCV_Fn := OM_ComingFn( TCV_WorkingCh), TCV_Strt := OC_StartTime(TCV_Fn, 5000, 0), TCV_chd1 := ChDescrp_fh( TSPX_Chtp9, TSPX_TmSlitC, TSPX_TscC, INT_TO_BIT(TSPX_Maio21, 6), INT_TO_BIT(TSPX_Hsn20, 6)), TCV_Null := OM_FreqDef( TCV_Strt, MobilAllc_r25, TCV_WorkingCh, TCV_chd1, TCV_cchd1, TCV_Fn), TCV_Null := OM_SendNextOn( TCV_WorkingCh, TCV_Fn))                                                                                                                                                                                                         |                                                                                             |   | 4.                      |
| 13                          |       | LIDL_DatRqFrqre                                                                                                                                                                                                                                                                                                                                                                                                                                                                                                                                                                       | FrqRedfSnd( TCV_WorkingCh, FrqRedef_01( TCV_chd1, MobilAllc_r25, TCV_Strt, CellChDes_Omit)) |   | 5.                      |

|    |                                                                                               |                                                                                                                                                                                                                                                                                                                                                                                                   |     |    |
|----|-----------------------------------------------------------------------------------------------|---------------------------------------------------------------------------------------------------------------------------------------------------------------------------------------------------------------------------------------------------------------------------------------------------------------------------------------------------------------------------------------------------|-----|----|
| 14 | (TCV_Strt := OC_StartTime( TCV_Fn, 4000, 1))                                                  |                                                                                                                                                                                                                                                                                                                                                                                                   |     | 6. |
| 15 | +local_handoverCMD                                                                            |                                                                                                                                                                                                                                                                                                                                                                                                   |     |    |
| 16 | L?DL_EstIn                                                                                    | DLEstIn(<br>TCV_WorkingCh)                                                                                                                                                                                                                                                                                                                                                                        |     |    |
| 17 | L?DL_DatInHofl                                                                                | HndOvFIRcv(<br>TCV_WorkingCh,<br>HandOvFail_02)                                                                                                                                                                                                                                                                                                                                                   |     |    |
| 18 | +local_HoppingCHK                                                                             |                                                                                                                                                                                                                                                                                                                                                                                                   |     | 7. |
| 19 | +PostMainLinkRel( TCV_WorkingCh)                                                              |                                                                                                                                                                                                                                                                                                                                                                                                   |     |    |
|    | <b>local_HoppingCHK</b>                                                                       |                                                                                                                                                                                                                                                                                                                                                                                                   |     |    |
| 20 | (TCV_Res := OM_FHCHK( TCV_WorkingCh,<br>TCV_cchd1, MobilAllc_r25, TCV_chd1, 5000,<br>TCV_Fn)) |                                                                                                                                                                                                                                                                                                                                                                                                   |     |    |
| 21 | L_034 [TCV_Res]                                                                               |                                                                                                                                                                                                                                                                                                                                                                                                   | (P) |    |
|    | 1                                                                                             |                                                                                                                                                                                                                                                                                                                                                                                                   |     |    |
| 22 | L_034 [NOT TCV_Res]                                                                           |                                                                                                                                                                                                                                                                                                                                                                                                   | (F) |    |
|    | 2                                                                                             |                                                                                                                                                                                                                                                                                                                                                                                                   |     |    |
|    | <b>local_handoverCMD</b>                                                                      |                                                                                                                                                                                                                                                                                                                                                                                                   |     |    |
| 23 | [TSPC_PGSM OR TSPC_EGSM]                                                                      |                                                                                                                                                                                                                                                                                                                                                                                                   |     |    |
| 24 | L!DL_DatRqHoCmd                                                                               | HndOvSnd(<br>TCV_WorkingCh,<br>HandOverCmd(<br>C_NCC, C_BCC_1,<br>TSPX_TmSltd,<br>TSPX_TscD,<br>CellChDes_20_Bman,<br>TCV_Strt,<br>C_BCCHcarrierB_ho,<br>TSPX_Chtp10,<br>TSPX_Maio22,<br>TSPX_Maio23,<br>TSPX_Hsn22,<br>TSPX_Hsn23,<br>TSPX_HoRefA,<br>TSPX_PwrlvIC,<br>Synchi(<br>C_not_report_otd,<br>C_non_synchronised)<br>, ChMod_r05,<br>MobilAllc_r26,<br>MobilAllc_r27,<br>CphMod_omit))  |     |    |
| 25 | [TSPC_DCS]                                                                                    |                                                                                                                                                                                                                                                                                                                                                                                                   |     |    |
| 26 | L!DL_DatRqHoCmd                                                                               | HndOvSnd(<br>TCV_WorkingCh,<br>HandOverCmd(<br>C_NCC, C_BCC_1,<br>TSPX_TmSltd,<br>TSPX_TscD,<br>CellChDes_201_Bd,<br>TCV_Strt,<br>C_BCCHcarrierB_hod<br>, TSPX_Chtp10,<br>TSPX_Maio22,<br>TSPX_Maio23,<br>TSPX_Hsn22,<br>TSPX_Hsn23,<br>TSPX_HoRefA,<br>TSPX_PwrlvIC,<br>Synchi(<br>C_not_report_otd,<br>C_non_synchronised)<br>, ChMod_r05,<br>MobilAllc_r26,<br>MobilAllc_r27,<br>CphMod_omit)) |     |    |
|    | <b>local_channel_setup</b>                                                                    |                                                                                                                                                                                                                                                                                                                                                                                                   |     |    |
| 27 | (TCV_n := BIT_TO_INT( TSPX_Chtp9))                                                            |                                                                                                                                                                                                                                                                                                                                                                                                   |     |    |
| 28 | [TCV_n = 1]                                                                                   |                                                                                                                                                                                                                                                                                                                                                                                                   |     |    |
| 29 | +FullRateCh_A_1_nociph( C_Immass,<br>TSPX_TmSltd, TSPX_TscC, ChMod_sign,                      |                                                                                                                                                                                                                                                                                                                                                                                                   |     | 7. |

|                                                                                                                                                                                                                                                                                                                                                                                                                                                                                                                                                                                                                                                                                                                                                                                                                                                                                                                                                                                                      |                                                                                                                                                                                          |  |    |
|------------------------------------------------------------------------------------------------------------------------------------------------------------------------------------------------------------------------------------------------------------------------------------------------------------------------------------------------------------------------------------------------------------------------------------------------------------------------------------------------------------------------------------------------------------------------------------------------------------------------------------------------------------------------------------------------------------------------------------------------------------------------------------------------------------------------------------------------------------------------------------------------------------------------------------------------------------------------------------------------------|------------------------------------------------------------------------------------------------------------------------------------------------------------------------------------------|--|----|
| 30                                                                                                                                                                                                                                                                                                                                                                                                                                                                                                                                                                                                                                                                                                                                                                                                                                                                                                                                                                                                   | Freq_rg14, Freq_rd14, TimingAdv( 30),<br>C_BABR_0, C_cch_1nonComb, C_BPM_3)                                                                                                              |  |    |
| 31                                                                                                                                                                                                                                                                                                                                                                                                                                                                                                                                                                                                                                                                                                                                                                                                                                                                                                                                                                                                   | (TCV_WorkingCh := TCV_chTch)                                                                                                                                                             |  |    |
| 32                                                                                                                                                                                                                                                                                                                                                                                                                                                                                                                                                                                                                                                                                                                                                                                                                                                                                                                                                                                                   | +Set_CellChDescr( C_CellA)                                                                                                                                                               |  |    |
| 33                                                                                                                                                                                                                                                                                                                                                                                                                                                                                                                                                                                                                                                                                                                                                                                                                                                                                                                                                                                                   | [(TCV_n = 2) OR (TCV_n = 3)]                                                                                                                                                             |  | 8. |
| 34                                                                                                                                                                                                                                                                                                                                                                                                                                                                                                                                                                                                                                                                                                                                                                                                                                                                                                                                                                                                   | +HalfRateCh_A_1_nociph( OC_LeastBits(<br>TSPX_Chtp9, 1), C_Immass, TSPX_TmSltC,<br>TSPX_TscC, ChMod_sign, Freq_rg14, Freq_rd14,<br>TimingAdv( 30), C_BABR_0, C_cch_1nonComb,<br>C_BPM_3) |  |    |
| 35                                                                                                                                                                                                                                                                                                                                                                                                                                                                                                                                                                                                                                                                                                                                                                                                                                                                                                                                                                                                   | (TCV_WorkingCh := TCV_chTch)                                                                                                                                                             |  |    |
| 36                                                                                                                                                                                                                                                                                                                                                                                                                                                                                                                                                                                                                                                                                                                                                                                                                                                                                                                                                                                                   | +Set_CellChDescr( C_CellA)                                                                                                                                                               |  |    |
| 37                                                                                                                                                                                                                                                                                                                                                                                                                                                                                                                                                                                                                                                                                                                                                                                                                                                                                                                                                                                                   | [(TCV_n >= 8) AND ( TCV_n <= 15)]                                                                                                                                                        |  | 9. |
| 38                                                                                                                                                                                                                                                                                                                                                                                                                                                                                                                                                                                                                                                                                                                                                                                                                                                                                                                                                                                                   | +SDCCH8_A_1_nociph( OC_LeastBits(<br>TSPX_Chtp9, 3), C_Immass, TSPX_TmSltC,<br>TSPX_TscC, ChMod_sign, Freq_rg14, Freq_rd14,<br>TimingAdv( 30), C_BABR_0, C_cch_1nonComb,<br>C_BPM_3)     |  |    |
| 39                                                                                                                                                                                                                                                                                                                                                                                                                                                                                                                                                                                                                                                                                                                                                                                                                                                                                                                                                                                                   | (TCV_WorkingCh := TCV_ch)<br>+Set_CellChDescr( C_CellA)                                                                                                                                  |  |    |
| <b>Detailed Comments:</b>                                                                                                                                                                                                                                                                                                                                                                                                                                                                                                                                                                                                                                                                                                                                                                                                                                                                                                                                                                            |                                                                                                                                                                                          |  |    |
| <ol style="list-style-type: none"> <li>1. To setup a physical channel as BCCH, CCCH.</li> <li>2. To set a physical channel as BCCH, CCCH for Cell B.</li> <li>3. To setup a physical channel for immediate assignment.</li> <li>4. To calculate the starting time for frequency redefinition.</li> <li>5. To send FREQUENCY REDIFINITION message.</li> <li>6. To calculate the starting time and send the HANDOVER COMMAND on special frame TCV_Fn.<br/>The assigned channel not activated in the tester.</li> <li>7. To check whether the after time frequency hopping is correct at the RF burst level.</li> <li>8. If the selected channel type is TCH/F, setup a physical channel as full rate channel for immediate assignment.</li> <li>9. If the selected channel type is TCH/H, setup a physical channel as half rate channel for immediate assignment.</li> <li>10. If the selected channel type is SDCCH8, setup a physical channel as SDCCH8 channel for immediate assignment.</li> </ol> |                                                                                                                                                                                          |  |    |

| Test Case Dynamic Behaviour |       |                                                                                                                                                                                                                                                                                                                                                                                                                                                                                                                                                                                    |                                                                                             |   |                         |
|-----------------------------|-------|------------------------------------------------------------------------------------------------------------------------------------------------------------------------------------------------------------------------------------------------------------------------------------------------------------------------------------------------------------------------------------------------------------------------------------------------------------------------------------------------------------------------------------------------------------------------------------|---------------------------------------------------------------------------------------------|---|-------------------------|
| <b>Test Case Name:</b>      |       | TC_26_6_13_8                                                                                                                                                                                                                                                                                                                                                                                                                                                                                                                                                                       |                                                                                             |   |                         |
| <b>Group:</b>               |       | GSM_L3_MS_v4200/RR/                                                                                                                                                                                                                                                                                                                                                                                                                                                                                                                                                                |                                                                                             |   |                         |
| <b>Purpose:</b>             |       | To verify that the MS, after receiving a FREQUENCY REDEFINITION message and then an HANDOVER COMMAND message with a starting time and channel descriptions both for before and after the starting time, failing the handover, and returning on the old channel, and ready to access after the time indicated in the FREQUENCY REDEFINITION, resumes transmission using the new frequency parameters indicated in the FREQUENCY REDEFINITION message.                                                                                                                               |                                                                                             |   |                         |
| <b>Default:</b>             |       | OtherEventsFail                                                                                                                                                                                                                                                                                                                                                                                                                                                                                                                                                                    |                                                                                             |   |                         |
| Nr                          | Label | Behaviour Description                                                                                                                                                                                                                                                                                                                                                                                                                                                                                                                                                              | CRef                                                                                        | V | Comments                |
| 1                           |       | START T_guard(300)                                                                                                                                                                                                                                                                                                                                                                                                                                                                                                                                                                 |                                                                                             |   |                         |
| 2                           |       | +IdleUpdated( C_E_default, C_Cella, C_SCH_A, C_BCCH_A_1, C_Imm, C_S0, C_SlotNU, C_SlotNU, C_SlotNU, C_BCC, C_TxInt_5, C_Max_1, C_NECI_0, C_ATT_0, TimingAdv( 30), C_BABR_0, C_cch_1nonComb, C_BPM_3, C_T3212_1, C_ci_cellA, C_MCC_1, C_PLMN_1, C_LAC_1, CellOpt_01, CellChDes_20_Aman, CellChDes_203_Ad, C_CellReselectHys12, C_MaxPwrLvlG, C_MaxPwrLvlD, BcchFreqLst_01, BcchFreqLst_Omit, BcchFreqLst_48, BcchFreqLst_Omit, C_noReestablishment, C_BCC, C_NCC, C_Start_Tmsi, TSPX_SDCCH4SubDef, TSPX_CKSND, TSPX_RANDDef, C_arfcnA, C_arfcnAd_4, TSPX_IMSI, C_Test_fh, C_NCCP_2) |                                                                                             |   | 1.                      |
| 3                           |       | +local_channel_setup                                                                                                                                                                                                                                                                                                                                                                                                                                                                                                                                                               |                                                                                             |   | 3.                      |
| 4                           |       | +StartCellB( C_E_neighbourdefault, C_BCCHcarrierB_ho, C_BCCHcarrierB_hod, C_Imm, TSPX_TmSlitE, TSPX_TscE, TimingAdv( 30), C_TxInt_5, C_Max_1, C_NECI_0, C_ATT_0, C_BABR_0, C_cch_1nonComb, C_BPM_3, C_T3212_1, C_MCC_1, C_PLMN_1, C_LAC_1, CellChDes_20_Bman, CellChDes_201_Bd, BcchFreqLst_01, BcchFreqLst_48, C_noReestablishment, C_BCC_1, C_NCC)                                                                                                                                                                                                                               |                                                                                             |   | 2.                      |
| 5                           | body  | LIDL_UdatRqPg1Rq                                                                                                                                                                                                                                                                                                                                                                                                                                                                                                                                                                   | PgReq1(TCV_PgCh, TCV_Pgg, PgReqTp1_01)                                                      |   |                         |
| 6                           |       | L?DL_RaInChRq (TCV_Rr := DL_RaInChRq.msg.ecau_rrf, TCV_Fn := DL_RaInChRq.fn)                                                                                                                                                                                                                                                                                                                                                                                                                                                                                                       | ChReq( ChRequest_17)                                                                        |   |                         |
| 7                           |       | ACTIVATE( OtherEventsFail_02)                                                                                                                                                                                                                                                                                                                                                                                                                                                                                                                                                      |                                                                                             |   | To match ChReq retrans. |
| 8                           |       | LIDL_UdatRqImm                                                                                                                                                                                                                                                                                                                                                                                                                                                                                                                                                                     | ImmAss( TCV_agch, ImmAsgn_r34( TCV_Rr, TCV_Fn, TSPX_TmSlitD, TSPX_TscD, TimingAdv( 30)))    |   |                         |
| 9                           |       | L?DL_EstInPgRes                                                                                                                                                                                                                                                                                                                                                                                                                                                                                                                                                                    | PagingRes( PagingRes_01)                                                                    |   |                         |
| 10                          |       | ACTIVATE(OtherEventsFail)                                                                                                                                                                                                                                                                                                                                                                                                                                                                                                                                                          |                                                                                             |   | Restore Normal default  |
| 11                          |       | +local_continue                                                                                                                                                                                                                                                                                                                                                                                                                                                                                                                                                                    |                                                                                             |   |                         |
| 12                          |       | <b>local_continue</b><br>(TCV_Fn := OM_ComingFn( TCV_WorkingCh), TCV_Strt := OC_StartTime( TCV_Fn, 265, 0), TCV_chd1 := ChDescr_fh( TSPX_Chtp11, TSPX_TmSlitD, TSPX_TscD, INT_TO_BIT(TSPX_Maio25, 6), INT_TO_BIT(TSPX_Hsn24, 6)), TCV_Null := OM_FreqDef( TCV_Strt, MobilAllc_r29, TCV_WorkingCh, TCV_chd1, TCV_cchd1, TCV_Fn), TCV_Null := OM_SendNextOn( TCV_WorkingCh, TCV_Fn))                                                                                                                                                                                                 |                                                                                             |   | 4.                      |
| 13                          |       | LIDL_DatRqFrqre                                                                                                                                                                                                                                                                                                                                                                                                                                                                                                                                                                    | FrqRedfSnd( TCV_WorkingCh, FrqRedef_01( TCV_chd1, MobilAllc_r29, TCV_Strt, CellChDes_Omit)) |   | 5.                      |
| 14                          |       | (TCV_Strt := OC_StartTime( TCV_Fn, 5000, 1))                                                                                                                                                                                                                                                                                                                                                                                                                                                                                                                                       |                                                                                             |   | 6.                      |

|    |                                                                                                                                                                                            |                                                                                                                                                                                                                                                                                                                                                                                                  |    |
|----|--------------------------------------------------------------------------------------------------------------------------------------------------------------------------------------------|--------------------------------------------------------------------------------------------------------------------------------------------------------------------------------------------------------------------------------------------------------------------------------------------------------------------------------------------------------------------------------------------------|----|
| 15 | +local_sendHoCMD                                                                                                                                                                           |                                                                                                                                                                                                                                                                                                                                                                                                  |    |
| 16 | L?DL_EstIn                                                                                                                                                                                 | DLEstIn(<br>TCV_WorkingCh)                                                                                                                                                                                                                                                                                                                                                                       |    |
| 17 | L?DL_DatInHofl                                                                                                                                                                             | HndOvFIRcv(<br>TCV_WorkingCh,<br>HandOvFail_02)                                                                                                                                                                                                                                                                                                                                                  | 7. |
| 18 | +PostMainLinkRel( TCV_WorkingCh)                                                                                                                                                           |                                                                                                                                                                                                                                                                                                                                                                                                  |    |
|    | <b>local_sendHoCMD</b>                                                                                                                                                                     |                                                                                                                                                                                                                                                                                                                                                                                                  |    |
| 19 | [TSPC_PGSM OR TSPC_EGSM]                                                                                                                                                                   |                                                                                                                                                                                                                                                                                                                                                                                                  |    |
| 20 | LIDL_DatRqHoCmd                                                                                                                                                                            | HndOvSnd(<br>TCV_WorkingCh,<br>HandOverCmd(<br>C_NCC, C_BCC_1,<br>TSPX_TmSlTtE,<br>TSPX_TscE,<br>CellChDes_20_Bman,<br>TCV_Strt,<br>C_BCCHcarrierB_ho,<br>TSPX_Chtp12,<br>TSPX_Maio26,<br>TSPX_Maio27,<br>TSPX_Hsn26,<br>TSPX_Hsn27,<br>TSPX_HoRefA,<br>TSPX_PwrlvID,<br>Synchi(<br>C_not_report_otd,<br>C_non_synchronised)<br>, ChMod_r06,<br>MoblAllc_r30,<br>MoblAllc_r31,<br>CphMod_omit))  |    |
| 21 | [TSPC_DCS]                                                                                                                                                                                 |                                                                                                                                                                                                                                                                                                                                                                                                  |    |
| 22 | LIDL_DatRqHoCmd                                                                                                                                                                            | HndOvSnd(<br>TCV_WorkingCh,<br>HandOverCmd(<br>C_NCC, C_BCC_1,<br>TSPX_TmSlTtE,<br>TSPX_TscE,<br>CellChDes_201_Bd,<br>TCV_Strt,<br>C_BCCHcarrierB_hod<br>, TSPX_Chtp12,<br>TSPX_Maio26,<br>TSPX_Maio27,<br>TSPX_Hsn26,<br>TSPX_Hsn27,<br>TSPX_HoRefA,<br>TSPX_PwrlvID,<br>Synchi(<br>C_not_report_otd,<br>C_non_synchronised)<br>, ChMod_r06,<br>MoblAllc_r30,<br>MoblAllc_r31,<br>CphMod_omit)) |    |
|    | <b>local_channel_setup</b>                                                                                                                                                                 |                                                                                                                                                                                                                                                                                                                                                                                                  |    |
| 23 | (TCV_n := BIT_TO_INT( TSPX_Chtp11))                                                                                                                                                        |                                                                                                                                                                                                                                                                                                                                                                                                  |    |
| 24 | [TCV_n = 1]                                                                                                                                                                                |                                                                                                                                                                                                                                                                                                                                                                                                  |    |
| 25 | +FullRateCh_A_1_nociph( C_Immass,<br>TSPX_TmSlTtD, TSPX_TscD, ChMod_sign,<br>Freq_rg15, Freq_rd15, TimingAdv( 30),<br>C_BABR_0, C_cch_1nonComb, C_BPM_3)                                   |                                                                                                                                                                                                                                                                                                                                                                                                  | 7. |
| 26 | (TCV_WorkingCh := TCV_chTch)                                                                                                                                                               |                                                                                                                                                                                                                                                                                                                                                                                                  |    |
| 27 | +Set_CellChDescr( C_CellA)                                                                                                                                                                 |                                                                                                                                                                                                                                                                                                                                                                                                  |    |
| 28 | [(TCV_n = 2) OR (TCV_n = 3)]                                                                                                                                                               |                                                                                                                                                                                                                                                                                                                                                                                                  |    |
| 29 | +HalfRateCh_A_1_nociph( OC_LeastBits(<br>TSPX_Chtp11, 1), C_Immass, TSPX_TmSlTtD,<br>TSPX_TscD, ChMod_sign, Freq_rg15, Freq_rd15,<br>TimingAdv( 30), C_BABR_0, C_cch_1nonComb,<br>C_BPM_3) |                                                                                                                                                                                                                                                                                                                                                                                                  | 8. |
| 30 | (TCV_WorkingCh := TCV_chTch)                                                                                                                                                               |                                                                                                                                                                                                                                                                                                                                                                                                  |    |

|                           |  |                                                                                                                                                                                                                                                                                                                                                                                                                                                                                                                                                                                                                                                                                                                                                                                                                                                                                                                                                                                                                                                                                                                                                                                                                                                                                                                        |  |    |
|---------------------------|--|------------------------------------------------------------------------------------------------------------------------------------------------------------------------------------------------------------------------------------------------------------------------------------------------------------------------------------------------------------------------------------------------------------------------------------------------------------------------------------------------------------------------------------------------------------------------------------------------------------------------------------------------------------------------------------------------------------------------------------------------------------------------------------------------------------------------------------------------------------------------------------------------------------------------------------------------------------------------------------------------------------------------------------------------------------------------------------------------------------------------------------------------------------------------------------------------------------------------------------------------------------------------------------------------------------------------|--|----|
| 31                        |  | +Set_CellChDescr( C_CellA)                                                                                                                                                                                                                                                                                                                                                                                                                                                                                                                                                                                                                                                                                                                                                                                                                                                                                                                                                                                                                                                                                                                                                                                                                                                                                             |  |    |
| 32                        |  | [(TCV_n >= 8) AND ( TCV_n <= 15)]                                                                                                                                                                                                                                                                                                                                                                                                                                                                                                                                                                                                                                                                                                                                                                                                                                                                                                                                                                                                                                                                                                                                                                                                                                                                                      |  |    |
| 33                        |  | +SDCCH8_A_1_nociph( OC_LeastBits(<br>TSPX_Chtp11, 1), C_Immass, TSPX_TmSltd,<br>TSPX_TscD, ChMod_sign, Freq_rg15, Freq_rd15,<br>TimingAdv( 30), C_BABR_0, C_cch_1nonComb,<br>C_BPM_3)                                                                                                                                                                                                                                                                                                                                                                                                                                                                                                                                                                                                                                                                                                                                                                                                                                                                                                                                                                                                                                                                                                                                  |  | 9. |
| 34                        |  | (TCV_WorkingCh := TCV_ch)                                                                                                                                                                                                                                                                                                                                                                                                                                                                                                                                                                                                                                                                                                                                                                                                                                                                                                                                                                                                                                                                                                                                                                                                                                                                                              |  |    |
| 35                        |  | +Set_CellChDescr( C_CellA)                                                                                                                                                                                                                                                                                                                                                                                                                                                                                                                                                                                                                                                                                                                                                                                                                                                                                                                                                                                                                                                                                                                                                                                                                                                                                             |  |    |
| <b>Detailed Comments:</b> |  | <ol style="list-style-type: none"> <li>1. To setup a physical channel as BCCH, CCCH.</li> <li>2. To set a physical channel as BCCH, CCCH for Cell B.</li> <li>3. To setup a physical channel for immediate assignmemnt. Note: Although the test case is designed for TCH/F, TCH/H &amp; SDCCH8 the TSPX_Chtp11 should be assigned to an SDCCH8 subchannel because calculations of starting time T1 for TCH/F &amp; TCH/H have not yet been carried out. No simple values can be defined.</li> <li>4. To calculate the starting time for frequency redefinition.</li> <li>5. To send FREQUENCY REDIFINITION message.</li> <li>6. To calculate the starting time and send the HANDOVER COMMAND on special frame TCV_Fn.<br/>The assigned channel not activated in the tester.</li> <li>7. The HANDOVER FAILURE message received on the channel using the after time hopping parameters of the frequency redifinition message.</li> <li>8. If the selected channel type is TCH/F, setup a physical channel as full rate channel for immediate assignment.</li> <li>9. If the selected channel type is TCH/H, setup a physical channel as half rate channel for immediate assignment.</li> <li>10. If the selected channel type is SDCCH8, setup a physical channel as SDCCH8 channel for immediate assignment.</li> </ol> |  |    |

| Test Case Dynamic Behaviour |            |                                                                                                                                                                                                                                                                                                                                                                                                                                                                                                                                                                                       |                                                                                                   |     |                         |
|-----------------------------|------------|---------------------------------------------------------------------------------------------------------------------------------------------------------------------------------------------------------------------------------------------------------------------------------------------------------------------------------------------------------------------------------------------------------------------------------------------------------------------------------------------------------------------------------------------------------------------------------------|---------------------------------------------------------------------------------------------------|-----|-------------------------|
| <b>Test Case Name:</b>      |            | TC_26_6_13_9                                                                                                                                                                                                                                                                                                                                                                                                                                                                                                                                                                          |                                                                                                   |     |                         |
| <b>Group:</b>               |            | GSM_L3_MS_v4200/RR/                                                                                                                                                                                                                                                                                                                                                                                                                                                                                                                                                                   |                                                                                                   |     |                         |
| <b>Purpose:</b>             |            | To verify that the MS, after receiving an IMMEDIATE ASSIGNMENT message with a starting time and channel descriptions both for before and after the starting time, and ready to access before the indicated time, performs correctly the assignment using the description for before the time, and then starts using the frequency parameters for after the time indicated in the message.                                                                                                                                                                                             |                                                                                                   |     |                         |
| <b>Default:</b>             |            | OtherEventsFail                                                                                                                                                                                                                                                                                                                                                                                                                                                                                                                                                                       |                                                                                                   |     |                         |
| Nr                          | Label      | Behaviour Description                                                                                                                                                                                                                                                                                                                                                                                                                                                                                                                                                                 | CRef                                                                                              | V   | Comments                |
| 1                           |            | START T_guard(300)                                                                                                                                                                                                                                                                                                                                                                                                                                                                                                                                                                    |                                                                                                   |     |                         |
| 2                           |            | +IdleUpdated( C_E_default, C_CellA, C_SCH_A, C_BCCH_A_1, C_Immass, C_S0, C_SlotNU, C_SlotNU, C_SlotNU, C_BCC, C_TxInt_5, C_Max_1, C_NECI_0, C_ATT_0, TimingAdv( 30), C_BABR_0, C_cch_1nonComb, C_BPM_3, C_T3212_1, C_ci_cellA, C_MCC_1, C_PLMN_1, C_LAC_1, CellOpt_01, CellChDes_20_Aman, CellChDes_203_Ad, C_CellReselectHys12, C_MaxPwrLvlG, C_MaxPwrLvlD, BcchFreqLst_01, BcchFreqLst_Omit, BcchFreqLst_48, BcchFreqLst_Omit, C_noRestablishment, C_BCC, C_NCC, C_Start_Tmsi, TSPX_SDCCH4SubDef, TSPX_CKSNDf, TSPX_RANDDef, C_arfcnA, C_arfcnAd_4, TSPX_IMSI, C_Test_fh, C_NCCP_2) |                                                                                                   |     | 1.                      |
| 3                           |            | +local_channel_setup                                                                                                                                                                                                                                                                                                                                                                                                                                                                                                                                                                  |                                                                                                   |     | 2.                      |
| 4                           | body       | LIDL_UdatRqPg1Rq                                                                                                                                                                                                                                                                                                                                                                                                                                                                                                                                                                      | PgReq1( TCV_PgCh, TCV_Pgg, PgReqTp1_01)                                                           |     |                         |
| 5                           |            | L?DL_RacInChRq( TCV_Rr := DL_RacInChRq. msg.ecau_rrf, TCV_Fn := DL_RacInChRq.fn)                                                                                                                                                                                                                                                                                                                                                                                                                                                                                                      | ChReq( ChRequest_17)                                                                              |     |                         |
| 6                           |            | ACTIVATE( OtherEventsFail_02)                                                                                                                                                                                                                                                                                                                                                                                                                                                                                                                                                         |                                                                                                   |     | To match ChReq retrans. |
| 7                           |            | +local_continue                                                                                                                                                                                                                                                                                                                                                                                                                                                                                                                                                                       |                                                                                                   |     |                         |
| 8                           |            | <b>local_continue</b><br>(TCV_Fn := OM_ComingFn( TCV_agch), TCV_Strt := OC_StartTime( TCV_Fn, TSPX_Tm3, 1), TCV_chd1 := ChDescrp_fh( TSPX_Chtp13, TSPX_TmSlfF, TSPX_TscF, INT_TO_BIT(TSPX_Maio28, 6), INT_TO_BIT(TSPX_Hsn28, 6)), TCV_Null := OM_FreqDef( TCV_Strt, MobilAllc_r32, TCV_WorkingCh, ChDescrp_fh( TSPX_Chtp13, TSPX_TmSlfF, TSPX_TscF, INT_TO_BIT(TSPX_Maio28, 6), INT_TO_BIT(TSPX_Hsn28, 6)), TCV_cchd1, TCV_Fn), TCV_Null := OM_SendNextOn( TCV_agch, TCV_Fn))                                                                                                         |                                                                                                   |     | 3. 4.                   |
| 9                           |            | LIDL_UdatRqImm                                                                                                                                                                                                                                                                                                                                                                                                                                                                                                                                                                        | ImmAss( TCV_agch, ImmAsgn_r35( TCV_Rr, TCV_Fn, TSPX_TmSlfF, TSPX_TscF, TimingAdv( 30), TCV_Strt)) |     |                         |
| 10                          |            | L?DL_EstInPgRes                                                                                                                                                                                                                                                                                                                                                                                                                                                                                                                                                                       | PgRes( TCV_WorkingCh, PagingRes_01)                                                               |     |                         |
| 11                          |            | ACTIVATE( OtherEventsFail)                                                                                                                                                                                                                                                                                                                                                                                                                                                                                                                                                            |                                                                                                   |     | Restore Normal default  |
| 12                          |            | +ltree_aftertime_hopping_check                                                                                                                                                                                                                                                                                                                                                                                                                                                                                                                                                        |                                                                                                   |     | 5.                      |
| 13                          |            | +PostMainLinkRel( TCV_WorkingCh)                                                                                                                                                                                                                                                                                                                                                                                                                                                                                                                                                      |                                                                                                   |     |                         |
| 14                          |            | <b>ltree_aftertime_hopping_check</b><br>(TCV_Res := OM_FHCHK( TCV_WorkingCh, TCV_cchd1, MobilAllc_r32, ChDescrp_fh( TSPX_Chtp13, TSPX_TmSlfF, TSPX_TscF, INT_TO_BIT(TSPX_Maio28, 6), INT_TO_BIT(TSPX_Hsn28, 6)), 5000, TCV_Fn))                                                                                                                                                                                                                                                                                                                                                       |                                                                                                   |     |                         |
| 15                          | L_034<br>3 | [TCV_Res]                                                                                                                                                                                                                                                                                                                                                                                                                                                                                                                                                                             |                                                                                                   | (P) |                         |
| 16                          | L_034<br>4 | [NOT TCV_Res]                                                                                                                                                                                                                                                                                                                                                                                                                                                                                                                                                                         |                                                                                                   | (F) |                         |

|    |                                                                                                                                                                                            |    |  |
|----|--------------------------------------------------------------------------------------------------------------------------------------------------------------------------------------------|----|--|
|    | <b>local_channel_setup</b>                                                                                                                                                                 |    |  |
| 17 | (TCV_n := BIT_TO_INT( TSPX_Chtp13))                                                                                                                                                        |    |  |
| 18 | [TCV_n = 1]                                                                                                                                                                                |    |  |
| 19 | +FullRateCh_A_1_nociph( C_Immass,<br>TSPX_TmSlitF, TSPX_TscF, ChMod_sign,<br>Freq_rg16, Freq_rd16, TimingAdv( 30),<br>C_BABR_0, C_cch_1nonComb, C_BPM_3)                                   | 7. |  |
| 20 | (TCV_WorkingCh := TCV_chTch)                                                                                                                                                               |    |  |
| 21 | +Set_CellChDescr(C_CellA)                                                                                                                                                                  |    |  |
| 22 | [(TCV_n = 2) OR (TCV_n = 3)]                                                                                                                                                               |    |  |
| 23 | +HalfRateCh_A_1_nociph( OC_LeastBits(<br>TSPX_Chtp13, 1), C_Immass, TSPX_TmSlitF,<br>TSPX_TscF, ChMod_sign, Freq_rg16, Freq_rd16,<br>TimingAdv( 30), C_BABR_0, C_cch_1nonComb,<br>C_BPM_3) | 8. |  |
| 24 | (TCV_WorkingCh := TCV_chTch)                                                                                                                                                               |    |  |
| 25 | +Set_CellChDescr(C_CellA)                                                                                                                                                                  |    |  |
| 26 | [(TCV_n >= 8) AND ( TCV_n <= 15)]                                                                                                                                                          |    |  |
| 27 | +SDCCH8_A_1_nociph( OC_LeastBits(<br>TSPX_Chtp13, 1), C_Immass, TSPX_TmSlitF,<br>TSPX_TscF, ChMod_sign, Freq_rg16, Freq_rd16,<br>TimingAdv( 30), C_BABR_0, C_cch_1nonComb,<br>C_BPM_3)     | 9. |  |
| 28 | (TCV_WorkingCh := TCV_ch)                                                                                                                                                                  |    |  |
| 29 | +Set_CellChDescr(C_CellA)                                                                                                                                                                  |    |  |

**Detailed Comments:**

1. To setup a physical channel as BCCH, CCCH.
2. To setup a physical channel for immediate assignmemnt.
3. To calculate the starting time for frequency parameters change.
4. To inform the test system to change frequency parameters after starting time.
5. To check whether the MS transmitting on the after time frequency parameters.
6. If the selected channel type is TCH/F, setup a physical channel as full rate channel for immediate assignment before time.
7. If the selected channel type is TCH/H, setup a physical channel as half rate channel for immediate assignment before time.
8. If the selected channel type is SDCCH8, setup a physical channel as SDCCH8 channel for immediate assignment before time.



| Test Case Dynamic Behaviour |            |                                                                                                                                                                                                                                                                                                                                                                                                                                                                                                                                                                                       |                                                                                                   |     |                         |
|-----------------------------|------------|---------------------------------------------------------------------------------------------------------------------------------------------------------------------------------------------------------------------------------------------------------------------------------------------------------------------------------------------------------------------------------------------------------------------------------------------------------------------------------------------------------------------------------------------------------------------------------------|---------------------------------------------------------------------------------------------------|-----|-------------------------|
| <b>Test Case Name:</b>      |            | TC_26_6_13_10                                                                                                                                                                                                                                                                                                                                                                                                                                                                                                                                                                         |                                                                                                   |     |                         |
| <b>Group:</b>               |            | GSM_L3_MS_v4200/RR/                                                                                                                                                                                                                                                                                                                                                                                                                                                                                                                                                                   |                                                                                                   |     |                         |
| <b>Purpose:</b>             |            | To verify that the MS, after receiving an IMMEDIATE ASSIGNMENT message with a starting time and channel descriptions both for before and after the starting time, performs correctly the assignment using the frequencies and hopping sequence for after the time if the indicated time has already elapsed when the MOBILE Station is ready to transmit.                                                                                                                                                                                                                             |                                                                                                   |     |                         |
| <b>Default:</b>             |            | OtherEventsFail                                                                                                                                                                                                                                                                                                                                                                                                                                                                                                                                                                       |                                                                                                   |     |                         |
| Nr                          | Label      | Behaviour Description                                                                                                                                                                                                                                                                                                                                                                                                                                                                                                                                                                 | CRef                                                                                              | V   | Comments                |
| 1                           |            | START T_guard(300)                                                                                                                                                                                                                                                                                                                                                                                                                                                                                                                                                                    |                                                                                                   |     |                         |
| 2                           |            | +IdleUpdated( C_E_default, C_CellA, C_SCH_A, C_BCCH_A_1, C_Immass, C_S0, C_SlotNU, C_SlotNU, C_SlotNU, C_BCC, C_TxInt_5, C_Max_1, C_NECI_0, C_ATT_0, TimingAdv( 30), C_BABR_0, C_cch_1nonComb, C_BPM_3, C_T3212_1, C_ci_cellA, C_MCC_1, C_PLMN_1, C_LAC_1, CellOpt_01, CellChDes_20_Aman, CellChDes_203_Ad, C_CellReselectHys12, C_MaxPwrLvlG, C_MaxPwrLvlD, BcchFreqLst_01, BcchFreqLst_Omit, BcchFreqLst_48, BcchFreqLst_Omit, C_noRestablishment, C_BCC, C_NCC, C_Start_Tmsi, TSPX_SDCCH4SubDef, TSPX_CKSNDf, TSPX_RANDDef, C_arfcnA, C_arfcnAd_4, TSPX_IMSI, C_Test_fh, C_NCCP_2) |                                                                                                   |     | 1.                      |
| 3                           |            | +local_channel_setup                                                                                                                                                                                                                                                                                                                                                                                                                                                                                                                                                                  |                                                                                                   |     | 2.                      |
| 4                           | body       | LIDL_UdatRqPg1Rq                                                                                                                                                                                                                                                                                                                                                                                                                                                                                                                                                                      | PgReq1(TCV_PgCh, TCV_Pgg, PgReqTp1_01)                                                            |     |                         |
| 5                           |            | L?DL_RacInChRq( TCV_Rr := DL_RacInChRq. msg.ecau_rrf, TCV_Fn := DL_RacInChRq.fn)                                                                                                                                                                                                                                                                                                                                                                                                                                                                                                      | ChReq( ChRequest_17)                                                                              |     |                         |
| 6                           |            | ACTIVATE( OtherEventsFail_02)                                                                                                                                                                                                                                                                                                                                                                                                                                                                                                                                                         |                                                                                                   |     | To match ChReq retrans. |
| 7                           |            | +local_continue                                                                                                                                                                                                                                                                                                                                                                                                                                                                                                                                                                       |                                                                                                   |     |                         |
| 8                           |            | <b>local_continue</b><br>(TCV_Fn := OM_ComingFn( TCV_agch), TCV_Strt := OC_StartTime( TCV_Fn, 5, 1), TCV_chd1 := ChDescrip_fh( TSPX_Chtp14, TSPX_TmSltG, TSPX_TscG, INT_TO_BIT(TSPX_Maio30, 6), INT_TO_BIT(TSPX_Hsn30, 6)), TCV_Null := OM_SendNextOn( TCV_agch, TCV_Fn))                                                                                                                                                                                                                                                                                                             |                                                                                                   |     | 3.                      |
| 9                           |            | LIDL_UdatRqImm                                                                                                                                                                                                                                                                                                                                                                                                                                                                                                                                                                        | ImmAss( TCV_agch, ImmAsgn_r36( TCV_Rr, TCV_Fn, TSPX_TmSltG, TSPX_TscG, TimingAdv( 30), TCV_Strt)) |     |                         |
| 10                          |            | L?DL_EstInPgRes                                                                                                                                                                                                                                                                                                                                                                                                                                                                                                                                                                       | PgRes( TCV_WorkingCh, PagingRes_01)                                                               |     | 4.                      |
| 11                          |            | ACTIVATE( OtherEventsFail)                                                                                                                                                                                                                                                                                                                                                                                                                                                                                                                                                            |                                                                                                   |     | Restore Normal default  |
| 12                          |            | +ltree_hopping_check                                                                                                                                                                                                                                                                                                                                                                                                                                                                                                                                                                  |                                                                                                   |     |                         |
| 13                          |            | +PostMainLinkRel( TCV_WorkingCh)                                                                                                                                                                                                                                                                                                                                                                                                                                                                                                                                                      |                                                                                                   |     |                         |
| 14                          |            | <b>ltree_hopping_check</b><br>(TCV_Res := OM_FHCHK( TCV_WorkingCh, TCV_cchd1, MobilAllc_r33, ChDescrip_fh( TSPX_Chtp14, TSPX_TmSltG, TSPX_TscG, INT_TO_BIT(TSPX_Maio30, 6), INT_TO_BIT(TSPX_Hsn30, 6)), 5000, TCV_Fn))                                                                                                                                                                                                                                                                                                                                                                |                                                                                                   |     |                         |
| 15                          | L_034<br>5 | [TCV_Res]                                                                                                                                                                                                                                                                                                                                                                                                                                                                                                                                                                             |                                                                                                   | (P) |                         |
| 16                          | L_034<br>6 | [NOT TCV_Res]                                                                                                                                                                                                                                                                                                                                                                                                                                                                                                                                                                         |                                                                                                   | (F) |                         |
| 17                          |            | <b>local_channel_setup</b><br>(TCV_n := BIT_TO_INT( TSPX_Chtp14))                                                                                                                                                                                                                                                                                                                                                                                                                                                                                                                     |                                                                                                   |     |                         |
| 18                          |            | [TCV_n = 1]                                                                                                                                                                                                                                                                                                                                                                                                                                                                                                                                                                           |                                                                                                   |     |                         |
| 19                          |            | +FullRateCh_A_1_nociph( C_Immass, TSPX_TmSltG, TSPX_TscG, ChMod_sign,                                                                                                                                                                                                                                                                                                                                                                                                                                                                                                                 |                                                                                                   |     | 5.                      |

|    |                                                                                                                                                                                       |  |    |
|----|---------------------------------------------------------------------------------------------------------------------------------------------------------------------------------------|--|----|
| 20 | Freq_rg17, Freq_rd17, TimingAdv( 30),<br>C_BABR_0, C_cch_1nonComb, C_BPM_3)                                                                                                           |  |    |
| 21 | (TCV_WorkingCh := TCV_chTch)                                                                                                                                                          |  |    |
| 22 | +Set_CellChDescr(C_CellA)                                                                                                                                                             |  |    |
| 23 | [(TCV_n = 2) OR (TCV_n = 3)]                                                                                                                                                          |  |    |
| 24 | +HalfRateCh_A_1_nociph( OC_LeastBits(<br>TSPX_Chtp14, 1), C_Imm, TSPX_TmSlG,<br>TSPX_TscG, ChMod_sign, Freq_rg17,<br>Freq_rd17, TimingAdv( 30), C_BABR_0,<br>C_cch_1nonComb, C_BPM_3) |  | 6. |
| 25 | (TCV_WorkingCh := TCV_chTch)                                                                                                                                                          |  |    |
| 26 | +Set_CellChDescr(C_CellA)                                                                                                                                                             |  |    |
| 27 | [(TCV_n >= 8) AND (TCV_n <= 15)]                                                                                                                                                      |  |    |
| 28 | +SDCCH8_A_1_nociph( OC_LeastBits(<br>TSPX_Chtp14, 1), C_Imm, TSPX_TmSlG,<br>TSPX_TscG, ChMod_sign, Freq_rg17,<br>Freq_rd17, TimingAdv( 30), C_BABR_0,<br>C_cch_1nonComb, C_BPM_3)     |  | 7. |
| 29 | (TCV_WorkingCh := TCV_ch)                                                                                                                                                             |  |    |
|    | +Set_CellChDescr(C_CellA)                                                                                                                                                             |  |    |

**Detailed Comments:**

1. To setup a physical channel as BCCH, CCCH.
2. To setup a physical channel for immediate assignment.
3. To calculate the starting time for immediate assignment.
4. To paging response message received on the channel with after time frequency parameters.
5. If the selected channel type is TCH/F, setup a physical channel as full rate channel for immediate assignment after time.
6. If the selected channel type is TCH/H, setup a physical channel as half rate channel for immediate assignment after time.
7. If the selected channel type is SDCCH8, setup a physical channel as SDCCH8 channel for immediate assignment after time.

## Test Group MM

| Test Case Dynamic Behaviour |       |                                                                                                                                                                                                                                                                                                                                                                                                                                                                                                                                                                          |      |   |               |
|-----------------------------|-------|--------------------------------------------------------------------------------------------------------------------------------------------------------------------------------------------------------------------------------------------------------------------------------------------------------------------------------------------------------------------------------------------------------------------------------------------------------------------------------------------------------------------------------------------------------------------------|------|---|---------------|
| <b>Test Case Name:</b>      |       | TC_26_7_1                                                                                                                                                                                                                                                                                                                                                                                                                                                                                                                                                                |      |   |               |
| <b>Group:</b>               |       | GSM_L3_MS_v4200/MM/                                                                                                                                                                                                                                                                                                                                                                                                                                                                                                                                                      |      |   |               |
| <b>Purpose:</b>             |       | To verify that the MS is able to receive and acknowledge a new TMSI by means of an explicit TMSI reallocation procedure. To verify that the MS has stored the TMSI in a non-volatile memory. The implicit reallocation procedure is tested in section 26.7.4.1.                                                                                                                                                                                                                                                                                                          |      |   |               |
| <b>Default:</b>             |       | OtherEventsFail                                                                                                                                                                                                                                                                                                                                                                                                                                                                                                                                                          |      |   |               |
| <b>Comments:</b>            |       | Initial Conditions of MS:<br>The MS has valid TMSI(TMSI_01), CKSN and Kc.It is "idle updated" on cell B.<br>The initial conditions will be arrived in procedures of PREAMBLE.<br>Required SIM card: default<br>Foreseen final state of the MS:<br>The MS has valid TMSI(TMSI_01), CKSN and Kc.It is "idle updated" on cell A.                                                                                                                                                                                                                                            |      |   |               |
| Nr                          | Label | Behaviour Description                                                                                                                                                                                                                                                                                                                                                                                                                                                                                                                                                    | CRef | V | Comments      |
| 1                           |       | START T_guard(300)                                                                                                                                                                                                                                                                                                                                                                                                                                                                                                                                                       |      |   |               |
| 2                           |       | +IdleUpdated( C_E_default, C_CellB, C_SCH_B, C_BCCH_B_1, C_Immass, C_S0, C_SlotNU, C_SlotNU, C_SlotNU, C_BCC, C_TxInt_5, C_Max_1, C_NECI_0, C_ATT_0, TimingAdv( 30), C_BABR_0, C_cch_1Comb, C_BPM_3, C_T3212_0, C_ci_cellB, C_MCC_1, C_PLMN_1, C_LAC_2, CellOpt_01, CellChDes_04, CellChDes_03, C_CellReselectHys12, C_MaxPwrLvlG, C_MaxPwrLvlD, BcchFreqLst_01, BcchFreqLst_Omit, BcchFreqLst_48, BcchFreqLst_Omit, C_noRestablishment, C_BCC, C_NCC, C_Start_Tmsi, TSPX_SDCCH4SubDef, TSPX_CKSNDef, TSPX_RANDDef, C_arfcnB, C_arfcnBd, TSPX_IMSI, C_Test_fh, C_NCCP_2) |      |   |               |
| 3                           |       | +StartCellA( C_E_neighbourdefault, C_Immass, TCV_slot, TCV_tsc, TimingAdv( 30), C_TxInt_5, C_Max_1, C_NECI_0, C_ATT_0, C_BABR_0, C_cch_1Comb, C_BPM_3, C_T3212_0, C_MCC_1, C_PLMN_1, C_LAC_1, CellChDes_02, CellChDes_03, BcchFreqLst_01, BcchFreqLst_48, C_noRestablishment)                                                                                                                                                                                                                                                                                            |      |   |               |
| 4                           |       | +PreEstRRC_MM( MiTmsi_01, TCV_cksn, TimingAdv( 30))                                                                                                                                                                                                                                                                                                                                                                                                                                                                                                                      |      |   |               |
| 5                           |       | +Cipherring_on(TCV_ch)                                                                                                                                                                                                                                                                                                                                                                                                                                                                                                                                                   |      |   |               |
| 6                           | body  | +ltree_body                                                                                                                                                                                                                                                                                                                                                                                                                                                                                                                                                              |      |   |               |
|                             |       | <b>ltree_body</b>                                                                                                                                                                                                                                                                                                                                                                                                                                                                                                                                                        |      |   |               |
| 7                           |       | +TmsiReallocation( MiTmsi_02, C_MCC_1, C_PLMN_1, C_LAC_2)                                                                                                                                                                                                                                                                                                                                                                                                                                                                                                                |      |   | 1)            |
| 8                           |       | +ChanRel( TCV_ch)                                                                                                                                                                                                                                                                                                                                                                                                                                                                                                                                                        |      |   |               |
| 9                           |       | (TCV_Null := OM_CphMd( TCV_ch, CphMod_02, TCV_CphKey))                                                                                                                                                                                                                                                                                                                                                                                                                                                                                                                   |      |   | no cipherring |
| 10                          |       | +MM_PwrOrSimOff(C_SIMIn)                                                                                                                                                                                                                                                                                                                                                                                                                                                                                                                                                 |      |   |               |
| 11                          |       | START T_dly(10000)                                                                                                                                                                                                                                                                                                                                                                                                                                                                                                                                                       |      |   |               |
| 12                          |       | ?TIMEOUT T_dly                                                                                                                                                                                                                                                                                                                                                                                                                                                                                                                                                           |      |   |               |
| 13                          |       | +MM_PwrOrSimOn(C_SIMIn)                                                                                                                                                                                                                                                                                                                                                                                                                                                                                                                                                  |      |   |               |
| 14                          |       | +WaitForInService                                                                                                                                                                                                                                                                                                                                                                                                                                                                                                                                                        |      |   |               |
| 15                          |       | +CCCH_group_Paging_group( TCV_Ccd0B, TSPX_IMSI)                                                                                                                                                                                                                                                                                                                                                                                                                                                                                                                          |      |   |               |
| 16                          |       | +SelectPagingCh( C_CellB)                                                                                                                                                                                                                                                                                                                                                                                                                                                                                                                                                |      |   |               |
| 17                          |       | +PreEstRRC_MM( MiTmsi_02, TCV_cksn, TimingAdv( 30))                                                                                                                                                                                                                                                                                                                                                                                                                                                                                                                      |      |   | 2)            |
| 18                          |       | +ChanRel( TCV_ch)                                                                                                                                                                                                                                                                                                                                                                                                                                                                                                                                                        |      |   |               |
| 19                          |       | +ltree_switchcell                                                                                                                                                                                                                                                                                                                                                                                                                                                                                                                                                        |      |   |               |
|                             |       | <b>ltree_switchcell</b>                                                                                                                                                                                                                                                                                                                                                                                                                                                                                                                                                  |      |   |               |
| 20                          |       | +Switchcell( C_CellB, C_CellA, C_LAC_1, TSPX_SDCCH4SubDef, TSPX_CKSNDef, TSPX_RANDDef, C_arfcnA, C_arfcnAd, TCV_Ccd0A, TSPX_IMSI)                                                                                                                                                                                                                                                                                                                                                                                                                                        |      |   | 4)            |
| 21                          |       | +MM_LUP_tmsirealloc( MiTmsi_01, MiTmsi_02, C_MCC_1, C_PLMN_1, C_LAC_2, TCV_lac,                                                                                                                                                                                                                                                                                                                                                                                                                                                                                          |      |   | 5)            |

|                                                                                                                                                                                                                                                                                                                                |                                                     |  |    |
|--------------------------------------------------------------------------------------------------------------------------------------------------------------------------------------------------------------------------------------------------------------------------------------------------------------------------------|-----------------------------------------------------|--|----|
| 22                                                                                                                                                                                                                                                                                                                             | TCV_cksn, C_normal_updating, TimingAdv( 30))        |  |    |
| 23                                                                                                                                                                                                                                                                                                                             | +ChanRel( TCV_ch)                                   |  |    |
| 24                                                                                                                                                                                                                                                                                                                             | +CCCH_group_Paging_group( TCV_Ccd0A, TSPX_IMSI)     |  |    |
| 25                                                                                                                                                                                                                                                                                                                             | +SelectPagingCh( C_CellA)                           |  |    |
| 26                                                                                                                                                                                                                                                                                                                             | +Wait(C_T_Wait1)                                    |  | 6) |
| 27                                                                                                                                                                                                                                                                                                                             | +PreEstRRC_MM( MiTmsi_01, TCV_cksn, TimingAdv( 30)) |  |    |
|                                                                                                                                                                                                                                                                                                                                | +ChanRel_end( TCV_ch)                               |  |    |
| <b>Detailed Comments:</b>                                                                                                                                                                                                                                                                                                      |                                                     |  |    |
| 1) new TMSI from PIXIT, test body starts from here.<br>2) RR connection with the new tmsi 2.<br>3) Initialisation of variables for cell A.<br>4) The RF level of cell B is lowered until the MS selects cell A and starts the Location Update.<br>5) Location Update from cell B to A.<br>6) RR connection with the new tmsi 1 |                                                     |  |    |

| Test Case Dynamic Behaviour                                                                                                                                                                                                                                                                                                                                                                                                                                     |       |                                                                                                                                                                                                                                                                                                                                                                                                                                                                                                                                                                         |      |   |          |
|-----------------------------------------------------------------------------------------------------------------------------------------------------------------------------------------------------------------------------------------------------------------------------------------------------------------------------------------------------------------------------------------------------------------------------------------------------------------|-------|-------------------------------------------------------------------------------------------------------------------------------------------------------------------------------------------------------------------------------------------------------------------------------------------------------------------------------------------------------------------------------------------------------------------------------------------------------------------------------------------------------------------------------------------------------------------------|------|---|----------|
| <b>Test Case Name:</b> TC_26_7_2_1                                                                                                                                                                                                                                                                                                                                                                                                                              |       |                                                                                                                                                                                                                                                                                                                                                                                                                                                                                                                                                                         |      |   |          |
| <b>Group:</b> GSM_L3_MS_v4200/MM/                                                                                                                                                                                                                                                                                                                                                                                                                               |       |                                                                                                                                                                                                                                                                                                                                                                                                                                                                                                                                                                         |      |   |          |
| <b>Purpose:</b>                                                                                                                                                                                                                                                                                                                                                                                                                                                 |       |                                                                                                                                                                                                                                                                                                                                                                                                                                                                                                                                                                         |      |   |          |
| 1) To check that a Mobile Station correctly responds to an Authentication(TCV_ch) Request message by sending an Authentication(TCV_ch) Response message with the SRES information field set to the same value as the one produced by the authentication algorithm in the network.<br>2) To check that a Mobile Station indicates in a Paging Response message the ciphering key sequence number which was allocated to it through the authentication procedure. |       |                                                                                                                                                                                                                                                                                                                                                                                                                                                                                                                                                                         |      |   |          |
| <b>Default:</b> OtherEventsFail                                                                                                                                                                                                                                                                                                                                                                                                                                 |       |                                                                                                                                                                                                                                                                                                                                                                                                                                                                                                                                                                         |      |   |          |
| <b>Comments:</b>                                                                                                                                                                                                                                                                                                                                                                                                                                                |       |                                                                                                                                                                                                                                                                                                                                                                                                                                                                                                                                                                         |      |   |          |
| Initial Conditions of MS:<br>The MS has valid TMSI, CKSN(CKSN1) and Kc.It is "idle updated" on the cell.                                                                                                                                                                                                                                                                                                                                                        |       |                                                                                                                                                                                                                                                                                                                                                                                                                                                                                                                                                                         |      |   |          |
| Foreseen final state of the MS:<br>The MS has valid TMSI(TMSI1), CKSN and Kc.It is "idle updated" on cell A.                                                                                                                                                                                                                                                                                                                                                    |       |                                                                                                                                                                                                                                                                                                                                                                                                                                                                                                                                                                         |      |   |          |
| Nr                                                                                                                                                                                                                                                                                                                                                                                                                                                              | Label | Behaviour Description                                                                                                                                                                                                                                                                                                                                                                                                                                                                                                                                                   | CRef | V | Comments |
| 1                                                                                                                                                                                                                                                                                                                                                                                                                                                               |       | START T_guard(300)                                                                                                                                                                                                                                                                                                                                                                                                                                                                                                                                                      |      |   |          |
| 2                                                                                                                                                                                                                                                                                                                                                                                                                                                               |       | +IdleUpdated( C_E_default, C_CellA, C_SCH_A, C_BCCH_A_1, C_Immss, C_S0, C_SlotNU, C_SlotNU, C_SlotNU, C_BCC, C_TxInt_5, C_Max_1, C_NECI_0, C_ATT_1, TimingAdv( 30), C_BABR_0, C_cch_1Comb, C_BPM_3, C_T3212_0, C_ci_cellA, C_MCC_1, C_PLMN_1, C_LAC_1, CellOpt_01, CellChDes_02, CellChDes_03, C_CellReselectHys12, C_MaxPwrLvlG, C_MaxPwrLvlD, BcchFreqLst_01, BcchFreqLst_Omit, BcchFreqLst_48, BcchFreqLst_Omit, C_noReestablishment, C_BCC, C_NCC, C_Start_Tmsi, TSPX_SDCCH4SubDef, TSPX_CKSNDf, TSPX_RANDDef, C_arfcnA, C_arfcnAd, TSPX_IMSI, C_Test_fh, C_NCCP_2) |      |   |          |
| 3                                                                                                                                                                                                                                                                                                                                                                                                                                                               |       | +PreEstRRC_MM( MiTmsi_01, TCV_cksn, TimingAdv( 30))                                                                                                                                                                                                                                                                                                                                                                                                                                                                                                                     |      |   |          |
| 4                                                                                                                                                                                                                                                                                                                                                                                                                                                               |       | (TCV_cksn:= TSPX_CKSNB)                                                                                                                                                                                                                                                                                                                                                                                                                                                                                                                                                 |      |   |          |
| 5                                                                                                                                                                                                                                                                                                                                                                                                                                                               | body  | +Authentication( TCV_ch, TCV_cksn, TSPX_RANDDef)                                                                                                                                                                                                                                                                                                                                                                                                                                                                                                                        |      |   |          |
| 6                                                                                                                                                                                                                                                                                                                                                                                                                                                               |       | +ChanRel( TCV_ch)                                                                                                                                                                                                                                                                                                                                                                                                                                                                                                                                                       |      |   |          |
| 7                                                                                                                                                                                                                                                                                                                                                                                                                                                               |       | +Wait(C_T_Wait1)                                                                                                                                                                                                                                                                                                                                                                                                                                                                                                                                                        |      |   |          |
| 8                                                                                                                                                                                                                                                                                                                                                                                                                                                               |       | +PreEstRRC_MM( MiTmsi_01, TCV_cksn, TimingAdv( 30))                                                                                                                                                                                                                                                                                                                                                                                                                                                                                                                     |      |   | 1)       |
| 9                                                                                                                                                                                                                                                                                                                                                                                                                                                               | post  | +ChanRel_end( TCV_ch)                                                                                                                                                                                                                                                                                                                                                                                                                                                                                                                                                   |      |   |          |
| <b>Detailed Comments:</b>                                                                                                                                                                                                                                                                                                                                                                                                                                       |       |                                                                                                                                                                                                                                                                                                                                                                                                                                                                                                                                                                         |      |   |          |
| 1) RR-Establishment with a new CKSN                                                                                                                                                                                                                                                                                                                                                                                                                             |       |                                                                                                                                                                                                                                                                                                                                                                                                                                                                                                                                                                         |      |   |          |

| Test Case Dynamic Behaviour                                                                                                                                                                                                                                                                                                                                                                                                                                                                                                                                                                                                                                                                                                                                                                                                                                                                                                                                                                                                                                                                                                                                                                             |       |                                                                                                                                                                                                                                                                                                                                                                                                                                                                                                                                                                          |                                    |   |          |
|---------------------------------------------------------------------------------------------------------------------------------------------------------------------------------------------------------------------------------------------------------------------------------------------------------------------------------------------------------------------------------------------------------------------------------------------------------------------------------------------------------------------------------------------------------------------------------------------------------------------------------------------------------------------------------------------------------------------------------------------------------------------------------------------------------------------------------------------------------------------------------------------------------------------------------------------------------------------------------------------------------------------------------------------------------------------------------------------------------------------------------------------------------------------------------------------------------|-------|--------------------------------------------------------------------------------------------------------------------------------------------------------------------------------------------------------------------------------------------------------------------------------------------------------------------------------------------------------------------------------------------------------------------------------------------------------------------------------------------------------------------------------------------------------------------------|------------------------------------|---|----------|
| <b>Test Case Name:</b> TC_26_7_2_2<br><b>Group:</b> GSM_L3_MS_v4200/MM/<br><b>Purpose:</b> <ol style="list-style-type: none"> <li>1) To check that ,after reception of an Authentication Reject message, the Mobile Station:               <ol style="list-style-type: none"> <li>1.1 does not perform normal location updating</li> <li>1.2 does not perform periodic location updating</li> <li>1.3 does not respond to paging with TMSI</li> <li>1.4 rejects any request from CM entity for MM connection except for emergency call</li> <li>1.5 does not perform IMSI detach if deactivated</li> </ol> </li> <li>2) To check that, after reception of an Authentication Reject message the Mobile Station, if it supports speech, accepts a request for an emergency call by sending a CHANNEL REQUEST message with the establishment cause set to "emergency call" and includes an IMEI as mobile identity in the CM SERVICE REQUEST message.</li> <li>3) To check that, after reception of an Authentication Reject message and after having been deactivated and reactivated, the MS performs location updating using its IMSI as mobile identity and indicates deleted LAI and CKSN.</li> </ol> |       |                                                                                                                                                                                                                                                                                                                                                                                                                                                                                                                                                                          |                                    |   |          |
| <b>Default:</b> OtherEventsFail<br><b>Comments:</b> Initial Conditions of MS:<br>The MS has valid TMSI, CKSN2 and Kc.It is "idle updated" on cell B.<br><br>Foreseen final state of the MS:<br>The MS has valid TMSI, CKSN1 and Kc.It is "idle updated" on cell A.                                                                                                                                                                                                                                                                                                                                                                                                                                                                                                                                                                                                                                                                                                                                                                                                                                                                                                                                      |       |                                                                                                                                                                                                                                                                                                                                                                                                                                                                                                                                                                          |                                    |   |          |
| Nr                                                                                                                                                                                                                                                                                                                                                                                                                                                                                                                                                                                                                                                                                                                                                                                                                                                                                                                                                                                                                                                                                                                                                                                                      | Label | Behaviour Description                                                                                                                                                                                                                                                                                                                                                                                                                                                                                                                                                    | CRef                               | V | Comments |
| 1                                                                                                                                                                                                                                                                                                                                                                                                                                                                                                                                                                                                                                                                                                                                                                                                                                                                                                                                                                                                                                                                                                                                                                                                       |       | START T_guard(700)                                                                                                                                                                                                                                                                                                                                                                                                                                                                                                                                                       |                                    |   |          |
| 2                                                                                                                                                                                                                                                                                                                                                                                                                                                                                                                                                                                                                                                                                                                                                                                                                                                                                                                                                                                                                                                                                                                                                                                                       |       | +BasicServiceMO(TSPX_MOBscSvcG, TSPX_MOChRateG)                                                                                                                                                                                                                                                                                                                                                                                                                                                                                                                          |                                    |   |          |
| 3                                                                                                                                                                                                                                                                                                                                                                                                                                                                                                                                                                                                                                                                                                                                                                                                                                                                                                                                                                                                                                                                                                                                                                                                       |       | +IdleUpdated( C_E_default, C_CellB, C_SCH_B, C_BCCH_B_1, C_Immass, C_S0, C_SlotNU, C_SlotNU, C_SlotNU, C_BCC, C_TxInt_5, C_Max_1, C_NECL_0, C_ATT_1, TimingAdv( 30), C_BABR_0, C_cch_1Comb, C_BPM_3, C_T3212_1, C_ci_cellB, C_MCC_1, C_PLMN_1, C_LAC_2, CellOpt_01, CellChDes_04, CellChDes_03, C_CellReselectHys12, C_MaxPwrLvIG, C_MaxPwrLvID, BcchFreqLst_01, BcchFreqLst_Omit, BcchFreqLst_48, BcchFreqLst_Omit, C_noRestablishment, C_BCC, C_NCC, C_Start_Tmsi, TSPX_SDCCH4SubDef, TSPX_CKSNDef, TSPX_RANDDef, C_arfcnB, C_arfcnBd, TSPX_IMSI, C_Test_fh, C_NCCP_2) |                                    |   |          |
| 4                                                                                                                                                                                                                                                                                                                                                                                                                                                                                                                                                                                                                                                                                                                                                                                                                                                                                                                                                                                                                                                                                                                                                                                                       |       | +StartCellA(C_E_neighbourdefault, C_Immass, TCV_slot, TCV_tsc, TimingAdv( 30), C_TxInt_5, C_Max_1, C_NECL_0, C_ATT_1, C_BABR_0, C_cch_1Comb, C_BPM_3, C_T3212_1, C_MCC_1, C_PLMN_1, C_LAC_1, CellChDes_02, CellChDes_03, BcchFreqLst_01, BcchFreqLst_48, C_noRestablishment)                                                                                                                                                                                                                                                                                             |                                    |   |          |
| 5                                                                                                                                                                                                                                                                                                                                                                                                                                                                                                                                                                                                                                                                                                                                                                                                                                                                                                                                                                                                                                                                                                                                                                                                       | body  | +PreEstRRC_MM( MiTmsi_01, TCV_cks, TimingAdv( 30))                                                                                                                                                                                                                                                                                                                                                                                                                                                                                                                       |                                    |   |          |
| 6                                                                                                                                                                                                                                                                                                                                                                                                                                                                                                                                                                                                                                                                                                                                                                                                                                                                                                                                                                                                                                                                                                                                                                                                       |       | +Authentication( TCV_ch, TCV_cks, TSPX_RANDDef)                                                                                                                                                                                                                                                                                                                                                                                                                                                                                                                          |                                    |   |          |
| 7                                                                                                                                                                                                                                                                                                                                                                                                                                                                                                                                                                                                                                                                                                                                                                                                                                                                                                                                                                                                                                                                                                                                                                                                       |       | LIDL_DatRqAuthRej                                                                                                                                                                                                                                                                                                                                                                                                                                                                                                                                                        | AuthRejSnd( TCV_ch, AuthReject_01) |   |          |
| 8                                                                                                                                                                                                                                                                                                                                                                                                                                                                                                                                                                                                                                                                                                                                                                                                                                                                                                                                                                                                                                                                                                                                                                                                       |       | +ChanRel( TCV_ch)                                                                                                                                                                                                                                                                                                                                                                                                                                                                                                                                                        |                                    |   |          |
| 9                                                                                                                                                                                                                                                                                                                                                                                                                                                                                                                                                                                                                                                                                                                                                                                                                                                                                                                                                                                                                                                                                                                                                                                                       |       | +MM_no_paging( MiTmsi_01, 3000, TCV_Ccd0B, C_CellB)                                                                                                                                                                                                                                                                                                                                                                                                                                                                                                                      |                                    |   | 2)       |
| 10                                                                                                                                                                                                                                                                                                                                                                                                                                                                                                                                                                                                                                                                                                                                                                                                                                                                                                                                                                                                                                                                                                                                                                                                      |       | START T_dly( 15000)                                                                                                                                                                                                                                                                                                                                                                                                                                                                                                                                                      |                                    |   |          |
| 11                                                                                                                                                                                                                                                                                                                                                                                                                                                                                                                                                                                                                                                                                                                                                                                                                                                                                                                                                                                                                                                                                                                                                                                                      |       | ?TIMEOUT T_dly                                                                                                                                                                                                                                                                                                                                                                                                                                                                                                                                                           |                                    |   |          |
| 12                                                                                                                                                                                                                                                                                                                                                                                                                                                                                                                                                                                                                                                                                                                                                                                                                                                                                                                                                                                                                                                                                                                                                                                                      |       | +local_continue                                                                                                                                                                                                                                                                                                                                                                                                                                                                                                                                                          |                                    |   |          |
|                                                                                                                                                                                                                                                                                                                                                                                                                                                                                                                                                                                                                                                                                                                                                                                                                                                                                                                                                                                                                                                                                                                                                                                                         |       | <b>local_continue</b>                                                                                                                                                                                                                                                                                                                                                                                                                                                                                                                                                    |                                    |   |          |
| 13                                                                                                                                                                                                                                                                                                                                                                                                                                                                                                                                                                                                                                                                                                                                                                                                                                                                                                                                                                                                                                                                                                                                                                                                      |       | +MM_no_cmservices( 3000)                                                                                                                                                                                                                                                                                                                                                                                                                                                                                                                                                 |                                    |   | 3)       |
| 14                                                                                                                                                                                                                                                                                                                                                                                                                                                                                                                                                                                                                                                                                                                                                                                                                                                                                                                                                                                                                                                                                                                                                                                                      |       | +MM_check_ecall1( TimingAdv( 30), Milmei_01)                                                                                                                                                                                                                                                                                                                                                                                                                                                                                                                             |                                    |   |          |
| 15                                                                                                                                                                                                                                                                                                                                                                                                                                                                                                                                                                                                                                                                                                                                                                                                                                                                                                                                                                                                                                                                                                                                                                                                      |       | +Itree_switchcelltoA                                                                                                                                                                                                                                                                                                                                                                                                                                                                                                                                                     |                                    |   |          |
| 16                                                                                                                                                                                                                                                                                                                                                                                                                                                                                                                                                                                                                                                                                                                                                                                                                                                                                                                                                                                                                                                                                                                                                                                                      |       | +NoReaction( 30000)                                                                                                                                                                                                                                                                                                                                                                                                                                                                                                                                                      |                                    |   | 5)       |

|    |      |                                                                                                                                                                 |    |
|----|------|-----------------------------------------------------------------------------------------------------------------------------------------------------------------|----|
| 17 |      | +ltree_continue1                                                                                                                                                |    |
|    |      | <b>ltree_continue1</b>                                                                                                                                          |    |
| 18 |      | +NoReaction( 420000)                                                                                                                                            | 6) |
| 19 |      | +ImsiDetachNoReaction( 3000, C_SIMneedRmv)                                                                                                                      | 7) |
| 20 |      | +MM_PwrOrSimOn(C_SIMneedRmv)                                                                                                                                    |    |
| 21 |      | +MM_LUPauth2( MiTmsi_01iei, Milmsi_01,<br>C_MCC_1, C_PLMN_1, C_lacdeleted,<br>TCV_lac, C_normal_updating, C_cksnokey,<br>TCV_cksno, TSPX_RANDA, TimingAdv( 30)) | 8) |
| 22 | post | +ChanRel_end(TCV_ch)                                                                                                                                            |    |
|    |      | <b>ltree_switchcelltoA</b>                                                                                                                                      |    |
| 23 |      | +Switchcell( C_CellB, C_CellA, C_LAC_1,<br>TSPX_SDCCH4SubDef, TSPX_CKSNA,<br>TSPX_RANDA, C_arfcnA, C_arfcnAd, TCV_Ccd0A,<br>TSPX_IMSI)                          | 9) |

**Detailed Comments:**

- 1) Initial condition: CKSN2, which has the default value.
- 2) Check of purpose 1.3
- 3) Check of purpose 1.4
- 4) Check of purpose 1.4, emergency call
- 5) Check of purpose 1.1
- 6) Check of purpose 1.2
- 7) Check of purpose 1.5
- 8) Check normal location update after SimOutIn or SwitchOnOff or PowerOnOff.
- 9) CKSN1 takes the value different from the default value.

| Test Case Dynamic Behaviour                                                                                                                                                                  |       |                                                                                                                                                                                                                                                                                                                                                                                                                                                                                                                                                                           |      |   |          |
|----------------------------------------------------------------------------------------------------------------------------------------------------------------------------------------------|-------|---------------------------------------------------------------------------------------------------------------------------------------------------------------------------------------------------------------------------------------------------------------------------------------------------------------------------------------------------------------------------------------------------------------------------------------------------------------------------------------------------------------------------------------------------------------------------|------|---|----------|
| <b>Test Case Name:</b> TC_26_7_3_1                                                                                                                                                           |       |                                                                                                                                                                                                                                                                                                                                                                                                                                                                                                                                                                           |      |   |          |
| <b>Group:</b> GSM_L3_MS_v4200/MM/                                                                                                                                                            |       |                                                                                                                                                                                                                                                                                                                                                                                                                                                                                                                                                                           |      |   |          |
| <b>Purpose:</b>                                                                                                                                                                              |       |                                                                                                                                                                                                                                                                                                                                                                                                                                                                                                                                                                           |      |   |          |
| 1) To verify that the MS sends identity information as requested by the system in the following cases: IMSI and TMSI are requested in non-ciphered mode, IMEI is requested in ciphered mode. |       |                                                                                                                                                                                                                                                                                                                                                                                                                                                                                                                                                                           |      |   |          |
| 2) To verify that the MS sends its IMEI, when requested to do so, in non-ciphered mode.                                                                                                      |       |                                                                                                                                                                                                                                                                                                                                                                                                                                                                                                                                                                           |      |   |          |
| 3) To verify that the MS sends its IMEISV, when requested to do so, in non-ciphered mode.                                                                                                    |       |                                                                                                                                                                                                                                                                                                                                                                                                                                                                                                                                                                           |      |   |          |
| <b>Default:</b> OtherEventsFail                                                                                                                                                              |       |                                                                                                                                                                                                                                                                                                                                                                                                                                                                                                                                                                           |      |   |          |
| <b>Comments:</b>                                                                                                                                                                             |       |                                                                                                                                                                                                                                                                                                                                                                                                                                                                                                                                                                           |      |   |          |
| Initial Conditions of MS:<br>The MS has valid TMSI. It is "idle updated" on the cell.                                                                                                        |       |                                                                                                                                                                                                                                                                                                                                                                                                                                                                                                                                                                           |      |   |          |
| Foreseen final state of the MS:<br>The MS has valid TMSI. It is "idle updated" on the cell.<br>In the 11.10 there are two test sequences. In TTCN they are combined to only one.             |       |                                                                                                                                                                                                                                                                                                                                                                                                                                                                                                                                                                           |      |   |          |
| Nr                                                                                                                                                                                           | Label | Behaviour Description                                                                                                                                                                                                                                                                                                                                                                                                                                                                                                                                                     | CRef | V | Comments |
| 1                                                                                                                                                                                            |       | START T_guard(300)                                                                                                                                                                                                                                                                                                                                                                                                                                                                                                                                                        |      |   |          |
| 2                                                                                                                                                                                            |       | +IdleUpdated( C_E_default, C_CellA, C_SCH_A, C_BCCH_A_1, C_Immass, C_S0, C_SlotNU, C_SlotNU, C_SlotNU, C_BCC, C_TxInt_5, C_Max_1, C_NECI_0, C_ATT_1, TimingAdv( 30), C_BABR_0, C_cch_1Comb, C_BPM_3, C_T3212_0, C_ci_cellA, C_MCC_1, C_PLMN_1, C_LAC_1, CellOpt_01, CellChDes_02, CellChDes_03, C_CellReselectHys12, C_MaxPwrLvlG, C_MaxPwrLvlD, BcchFreqLst_01, BcchFreqLst_Omit, BcchFreqLst_48, BcchFreqLst_Omit, C_noRestablishment, C_BCC, C_NCC, C_Start_Tmsi, TSPX_SDCCH4SubDef, TSPX_CKSNDDef, TSPX_RANDDef, C_arfcnA, C_arfcnAd, TSPX_IMSI, C_Test_fh, C_NCCP_2) |      |   |          |
| 3                                                                                                                                                                                            | body  | +PreEstRRC_MM( MiTmsi_01, TCV_cksn, TimingAdv( 30))                                                                                                                                                                                                                                                                                                                                                                                                                                                                                                                       |      |   |          |
| 4                                                                                                                                                                                            |       | +IdentityRequest( C_IMSI, Milmsi_01)                                                                                                                                                                                                                                                                                                                                                                                                                                                                                                                                      |      |   |          |
| 5                                                                                                                                                                                            |       | +IdentityRequest( C_TMSI, MiTmsi_01)                                                                                                                                                                                                                                                                                                                                                                                                                                                                                                                                      |      |   |          |
| 6                                                                                                                                                                                            |       | +Ciphering_on( TCV_ch)                                                                                                                                                                                                                                                                                                                                                                                                                                                                                                                                                    |      |   |          |
| 7                                                                                                                                                                                            |       | +IdentityRequest(C_IMEI, Milmei_01)                                                                                                                                                                                                                                                                                                                                                                                                                                                                                                                                       |      |   |          |
| 8                                                                                                                                                                                            |       | +Ciphering_off( TCV_ch)                                                                                                                                                                                                                                                                                                                                                                                                                                                                                                                                                   |      |   |          |
| 9                                                                                                                                                                                            |       | +IdentityRequest(C_IMEI, Milmei_01)                                                                                                                                                                                                                                                                                                                                                                                                                                                                                                                                       |      |   |          |
| 10                                                                                                                                                                                           |       | +IdentityRequest( C_IMEISV, Milmeisv_01)                                                                                                                                                                                                                                                                                                                                                                                                                                                                                                                                  |      |   |          |
| 11                                                                                                                                                                                           | post  | +ChanRel_end( TCV_ch)                                                                                                                                                                                                                                                                                                                                                                                                                                                                                                                                                     |      |   |          |
| <b>Detailed Comments:</b>                                                                                                                                                                    |       |                                                                                                                                                                                                                                                                                                                                                                                                                                                                                                                                                                           |      |   |          |

### Test Case Dynamic Behaviour

|                        |                                                                                                                                                                                                                                                                                                                                                                                                                                                                                                                                                                                                                                                 |
|------------------------|-------------------------------------------------------------------------------------------------------------------------------------------------------------------------------------------------------------------------------------------------------------------------------------------------------------------------------------------------------------------------------------------------------------------------------------------------------------------------------------------------------------------------------------------------------------------------------------------------------------------------------------------------|
| <b>Test Case Name:</b> | TC_26_7_3_2                                                                                                                                                                                                                                                                                                                                                                                                                                                                                                                                                                                                                                     |
| <b>Group:</b>          | GSM_L3_MS_v4200/MM/                                                                                                                                                                                                                                                                                                                                                                                                                                                                                                                                                                                                                             |
| <b>Purpose:</b>        | To check that the MS behaves correctly when activated with an IMSI of length less than the maximum length. In this condition, the MS shall: <ol style="list-style-type: none"> <li>1. perform location updating</li> <li>2. answer to paging with IMSI</li> <li>3. give the correct IMSI when asked by an IDENTITY REQUEST</li> <li>4. attempt CM connection establishment when requested to</li> <li>5. attempt call re-establishment when needed</li> <li>6. attempt IMSI detach when needed</li> <li>7. erase its TMSI when the IMSI is sent by the network in a LOCATION UPDATING ACCEPT or a TMSI REALLOCATION COMMAND message.</li> </ol> |
| <b>Default:</b>        | OtherEventsFail                                                                                                                                                                                                                                                                                                                                                                                                                                                                                                                                                                                                                                 |
| <b>Comments:</b>       | Initial Conditions of MS:<br>The MS has no valid TMSI. It is "idle updated" on the cell. The IMSI has the value '001011234'.<br>This test case shall use the SIM Card 2 with 'IMSI=001011234' and HPLMN_search_period=6min.<br>Foreseen final state of the MS:<br>The MS has no valid TMSI. It is "idle updated" on the cell.                                                                                                                                                                                                                                                                                                                   |

| Nr | Label | Behaviour Description                                                                                                                                                                                                                                                                                                                                                                                                                                                                                                                                                                                                | CRef | V | Comments |
|----|-------|----------------------------------------------------------------------------------------------------------------------------------------------------------------------------------------------------------------------------------------------------------------------------------------------------------------------------------------------------------------------------------------------------------------------------------------------------------------------------------------------------------------------------------------------------------------------------------------------------------------------|------|---|----------|
| 1  |       | START T_guard(300)                                                                                                                                                                                                                                                                                                                                                                                                                                                                                                                                                                                                   |      |   |          |
| 2  |       | +BasicServiceMT( TSPX_MTBscSvcB,<br>TSPX_MTChRateB)                                                                                                                                                                                                                                                                                                                                                                                                                                                                                                                                                                  |      |   |          |
| 3  |       | (TCV_Null := OO_SIM2Ins())                                                                                                                                                                                                                                                                                                                                                                                                                                                                                                                                                                                           |      |   |          |
| 4  |       | +IdleUpdated( C_E_default, C_CellA,<br>C_SCH_A, C_BCCH_A_1, C_Immass, C_S0,<br>C_SlotNU, C_SlotNU, C_SlotNU, C_BCC,<br>C_TxInt_5, C_Max_1, C_NECL_0, C_ATT_1,<br>TimingAdv( 30), C_BABR_0, C_cch_1Comb,<br>C_BPM_3, C_T3212_0, C_ci_cellA,<br>C_MCC_1, C_PLMN_1, C_LAC_1, CellOpt_01,<br>CellChDes_02, CellChDes_03,<br>C_CellReselectHys12, C_MaxPwrLvlG,<br>C_MaxPwrLvlD, BcchFreqLst_01,<br>BcchFreqLst_Omit, BcchFreqLst_48,<br>BcchFreqLst_Omit, C_Restablishment, C_BCC,<br>C_NCC, C_Start_imsi, TSPX_SDCCH4SubDef,<br>TSPX_CKSNDf, TSPX_RANDDef, C_arfcnA,<br>C_arfcnAd, C_shortIMSI, C_Test_fh,<br>C_NCCP_2) |      |   | 0.       |
| 5  |       | +CCConfigTCH( TSPX_TCHHSubDef,<br>C_Ass, TSPX_TmSlTDef, TSPX_TscDef,<br>TimingAdv( 30), C_BABR_0, C_cch_1Comb,<br>C_BPM_3, TCV_ChMod.mode,<br>FreqTCH_omit, FreqTCH_omit,<br>C_arfcn_tchA, C_arfcn_tchAd)                                                                                                                                                                                                                                                                                                                                                                                                            |      |   |          |
| 6  | body  | +ltree_body                                                                                                                                                                                                                                                                                                                                                                                                                                                                                                                                                                                                          |      |   |          |
| 7  |       | <b>ltree_body</b>                                                                                                                                                                                                                                                                                                                                                                                                                                                                                                                                                                                                    |      |   |          |
| 8  |       | +ltree_check_idreqimsi                                                                                                                                                                                                                                                                                                                                                                                                                                                                                                                                                                                               |      |   | 1.       |
| 9  |       | +ltree_EnterCCstateU10<br>(TCV_Null := OM_Deactivate( TCV_chTch,<br>TCV_sacchTch), TCV_Null := OM_CphMd(<br>TCV_ch, CphMod_02, TCV_CphKey))                                                                                                                                                                                                                                                                                                                                                                                                                                                                          |      |   |          |
| 10 |       | +ltree_check_reestablish_imsi                                                                                                                                                                                                                                                                                                                                                                                                                                                                                                                                                                                        |      |   | 2.       |
| 11 |       | +ltree_check_tmsi_imsi                                                                                                                                                                                                                                                                                                                                                                                                                                                                                                                                                                                               |      |   | 3.       |
| 12 |       | +ImsiDetach(Milmsi_31, TimingAdv( 30),<br>C_SIMIn)                                                                                                                                                                                                                                                                                                                                                                                                                                                                                                                                                                   |      |   | 4.       |
| 13 |       | +ltree_check_luppoweron                                                                                                                                                                                                                                                                                                                                                                                                                                                                                                                                                                                              |      |   | 5.       |
| 14 |       | +ltree_check_luplacchange                                                                                                                                                                                                                                                                                                                                                                                                                                                                                                                                                                                            |      |   | 6.       |
| 15 |       | +ltree_check_cmservreqimsi                                                                                                                                                                                                                                                                                                                                                                                                                                                                                                                                                                                           |      |   | 7.       |
| 16 |       | +ChanRel_end(TCV_ch)                                                                                                                                                                                                                                                                                                                                                                                                                                                                                                                                                                                                 |      |   |          |
| 17 |       | <b>ltree_check_idreqimsi</b><br>+PreEstRRC_MM(Milmsi_31, TCV_cksn, TimingAdv(<br>30))                                                                                                                                                                                                                                                                                                                                                                                                                                                                                                                                |      |   |          |
| 18 |       | +IdentityRequest(C_IMSI, Milmsi_31)                                                                                                                                                                                                                                                                                                                                                                                                                                                                                                                                                                                  |      |   |          |



|    |            |                                                                                                                                                                                                                                                                |                                                                                                                                                  |                         |
|----|------------|----------------------------------------------------------------------------------------------------------------------------------------------------------------------------------------------------------------------------------------------------------------|--------------------------------------------------------------------------------------------------------------------------------------------------|-------------------------|
| 19 |            | <b>ltree_check_reestablish_imsi</b><br>L?DL_RaInChRq ( TCV_Rr := DL_RaInChRq.<br>msg.ecau_rrf, TCV_Fn := DL_RaInChRq.fn)                                                                                                                                       | ChReq(<br>ChRequest_10)                                                                                                                          |                         |
| 20 |            | ACTIVATE(OtherEventsFail_02)                                                                                                                                                                                                                                   |                                                                                                                                                  | To match ChReq retrans. |
| 21 |            | L!DL_UdatRqImm                                                                                                                                                                                                                                                 | ImmAss( TCV_agch,<br>ImmAsgn_01Def(<br>TCV_Rr, TCV_Fn,<br>TSPX_SDCCH4SubD<br>ef, TCV_slot,<br>TCV_tsc,<br>TCV_chdescr_arfcn,<br>TimingAdv( 30))) |                         |
| 22 | L_034<br>7 | L?DL_EstInCmreRq                                                                                                                                                                                                                                               | CmreReq_02(<br>Milmsi_31,<br>LocAreaId_anyomit,<br>TSPX_CKSNDf)                                                                                  | (P)                     |
| 23 |            | ACTIVATE(OtherEventsFail)                                                                                                                                                                                                                                      |                                                                                                                                                  | Restore Normal default  |
| 24 |            | +TmsiReallocation(MiTmsi_01, C_MCC_1,<br>C_PLMN_1, C_LAC_1)                                                                                                                                                                                                    |                                                                                                                                                  |                         |
| 25 |            | +ChanRel(TCV_ch)                                                                                                                                                                                                                                               |                                                                                                                                                  |                         |
| 26 |            | <b>ltree_check_tmsi_imsi</b><br>+Wait(C_T_Wait1)                                                                                                                                                                                                               |                                                                                                                                                  |                         |
| 27 |            | +PreEstRRC_MM( MiTmsi_01, TCV_cks,<br>TimingAdv( 30))                                                                                                                                                                                                          |                                                                                                                                                  |                         |
| 28 |            | +Authentication( TCV_ch, TCV_cks,<br>TSPX_RANDDf)                                                                                                                                                                                                              |                                                                                                                                                  |                         |
| 29 |            | +TmsiReallocation( Milmsi_31, C_MCC_1,<br>C_PLMN_1, C_LAC_1)                                                                                                                                                                                                   |                                                                                                                                                  |                         |
| 30 |            | +ChanRel(TCV_ch)                                                                                                                                                                                                                                               |                                                                                                                                                  |                         |
| 31 |            | (TCV_Null := OM_CphMd( TCV_ch,<br>CphMod_02, TCV_CphKey))                                                                                                                                                                                                      |                                                                                                                                                  |                         |
| 32 |            | <b>ltree_check_luppoweron</b><br>+MM_PwrOrSimOn(C_SIMIn)                                                                                                                                                                                                       |                                                                                                                                                  |                         |
| 33 |            | +MM_LUP2( MiTmsi_01iei, Milmsi_31, C_MCC_1,<br>C_PLMN_1, TCV_lac, TCV_lac, C_imsi_attach,<br>TCV_cks, TimingAdv( 30))                                                                                                                                          |                                                                                                                                                  |                         |
| 34 |            | <b>ltree_check_luplacchange</b><br>(TCV_lac:= C_LAC_2)                                                                                                                                                                                                         |                                                                                                                                                  |                         |
| 35 |            | (TCV_slot := C_S0, TCV_tsc := C_BCC)                                                                                                                                                                                                                           |                                                                                                                                                  |                         |
| 36 |            | +StartCellA_1( C_E_default, C_Imm,<br>TCV_slot, TCV_tsc, TimingAdv( 30), 5, 1, 0, 1,<br>C_BABR_0, C_cch_1Comb, C_BPM_3,<br>C_T3212_0, C_MCC_1, C_PLMN_1, TCV_lac,<br>BcchFreqLst_01, BcchFreqLst_01,<br>BcchFreqLst_48, BcchFreqLst_48,<br>C_noRestablishment) |                                                                                                                                                  |                         |
| 37 |            | +WaitForInService                                                                                                                                                                                                                                              |                                                                                                                                                  |                         |
| 38 |            | +MM_LUP_imsi( C_T_Wait1stChReq,<br>Milmsi_31iei, MiTmsi_01, C_MCC_1,<br>C_PLMN_1, C_LAC_1, TCV_lac,<br>C_normal_updating, TimingAdv( 30))                                                                                                                      |                                                                                                                                                  |                         |
| 39 |            | <b>ltree_check_cmserveqimsi</b><br>+BasicServiceMO( TSPX_MOBscSvcF,<br>TSPX_MOChRateF)                                                                                                                                                                         |                                                                                                                                                  |                         |
| 40 |            | +InitCall(TCV_Service)                                                                                                                                                                                                                                         |                                                                                                                                                  |                         |
| 41 |            | L?DL_RaInChRq (TCV_Rr := DL_RaInChRq.<br>msg.ecau_rrf, TCV_Fn := DL_RaInChRq.fn)                                                                                                                                                                               | ChReq(<br>ChRequest_15)                                                                                                                          |                         |
| 42 |            | ACTIVATE(OtherEventsFail_02)                                                                                                                                                                                                                                   |                                                                                                                                                  | To match ChReq retrans. |
| 43 |            | L!DL_UdatRqImm                                                                                                                                                                                                                                                 | ImmAss( TCV_agch,<br>ImmAsgn_01Def(<br>TCV_Rr, TCV_Fn,<br>TSPX_SDCCH4SubD<br>ef, TCV_slot,<br>TCV_tsc,<br>TCV_chdescr_arfcn,<br>TimingAdv( 30))) |                         |
| 44 | L_034      | L?DL_EstInCmsRq                                                                                                                                                                                                                                                | CMSerReq(<br>)                                                                                                                                   | (P)                     |

|    |            |                                                                                           |                                                              |                        |
|----|------------|-------------------------------------------------------------------------------------------|--------------------------------------------------------------|------------------------|
| 45 | 8          | ACTIVATE(OtherEventsFail)                                                                 | CMSERVICEReq_30(Milmsi_31))                                  | Restore Normal default |
| 46 |            | <b>ltree_EnterCCstateU10</b><br>L!DL_DatRqAuthRq                                          | AuthReq( TCV_ch, AuthRequest( TSPX_CKSNDDef, TSPX_RANDDDef)) |                        |
| 47 |            | L?DL_DatInAuthRes( TCV_Sres := DL_DatInAuthRes.msg.sres)                                  | AuthRes( AuthResponse)                                       |                        |
| 48 |            | (TCV_Res := OC_ChkSRES( TCV_Sres, TSPX_Ki, TSPX_RANDDDef), TCV_Setup_mt.sig := Signal_01) |                                                              |                        |
| 49 | L_034<br>9 | [NOT TCV_Res]                                                                             |                                                              | (l)                    |
| 50 |            | +PostMainLinkRel( TCV_ch)                                                                 |                                                              |                        |
| 51 |            | [TCV_Res]                                                                                 |                                                              |                        |
| 52 |            | +Cipherring_on( TCV_ch)                                                                   |                                                              |                        |
| 53 |            | L!DL_DatRqSetup                                                                           | SetupSnd( TCV_ch, TCV_Setup_mt)                              |                        |
| 54 |            | L?DL_DatInCallCo( TCV_CallCfm := DL_DatInCallCo.msg)                                      | CallCfm( CallConfirm_01( TI_01))                             |                        |
| 55 |            | L?DL_DatInConn                                                                            | ConnRcv( Connect_01( TI_01))                                 |                        |
| 56 |            | +ltree_assignTch                                                                          |                                                              |                        |
| 57 |            | L?DL_DatInAlert                                                                           | AlertRcv( AlertingInd_02( TI_01))                            |                        |
| 58 |            | (TCV_Null := OO_HookOff())                                                                |                                                              |                        |
| 59 |            | L?DL_DatInConn                                                                            | ConnRcv( Connect_01( TI_01))                                 |                        |
| 60 |            | +ltree_assignTch                                                                          |                                                              |                        |
| 61 |            | <b>ltree_assignTch</b><br>+CCAssignTCH( TSPX_TmSlTDef, TSPX_TscDef)                       |                                                              |                        |
| 62 |            | L!DL_DatRqConnAck                                                                         | ConnAckSnd( TCV_chTch, ConnectAck_01( TI_02))                |                        |
| 63 |            | +CCstatuschk_02( TCV_chTch, C_U10, TI_02, TI_01)                                          |                                                              |                        |

**Detailed Comments:**

0. Initial condition: no valid TMSI.
1. check of purpose 2. and 3.
2. check of purpose 5.
3. check of purpose 7.
4. check of purpose 6.
5. check of purpose 1.
6. check of purpose 1. and 7.
7. check of purpose 4.

| Test Case Dynamic Behaviour                                                                                                                                                                                                                                                                                  |       |                                                                                                                                                                                                                                                                                                                                                                                                                                                                                                                                                                         |                                                  |   |                         |
|--------------------------------------------------------------------------------------------------------------------------------------------------------------------------------------------------------------------------------------------------------------------------------------------------------------|-------|-------------------------------------------------------------------------------------------------------------------------------------------------------------------------------------------------------------------------------------------------------------------------------------------------------------------------------------------------------------------------------------------------------------------------------------------------------------------------------------------------------------------------------------------------------------------------|--------------------------------------------------|---|-------------------------|
| <b>Test Case Name:</b> TC_26_7_4_1                                                                                                                                                                                                                                                                           |       |                                                                                                                                                                                                                                                                                                                                                                                                                                                                                                                                                                         |                                                  |   |                         |
| <b>Group:</b> GSM_L3_MS_v4200/MM/                                                                                                                                                                                                                                                                            |       |                                                                                                                                                                                                                                                                                                                                                                                                                                                                                                                                                                         |                                                  |   |                         |
| <b>Purpose:</b> To test the behaviour of the MS if the network accepts the location updating of the MS. For the network response three different cases are identified:<br>1) TMSI is allocated,<br>2) Location updating accept contains neither TMSI nor IMSI,<br>3) Location updating accept contains IMSI. |       |                                                                                                                                                                                                                                                                                                                                                                                                                                                                                                                                                                         |                                                  |   |                         |
| <b>Default:</b> OtherEventsFail                                                                                                                                                                                                                                                                              |       |                                                                                                                                                                                                                                                                                                                                                                                                                                                                                                                                                                         |                                                  |   |                         |
| <b>Comments:</b> Initial Conditions of MS:<br>The MS has valid TMSI(TMSI1), CKSN(CKSN1) and Kc.It is "idle updated" on cell A.<br><br>Foreseen final state of the MS:<br>The MS has no valid TMSI and no CKSN. It is "idle updated" on cell B.                                                               |       |                                                                                                                                                                                                                                                                                                                                                                                                                                                                                                                                                                         |                                                  |   |                         |
| Nr                                                                                                                                                                                                                                                                                                           | Label | Behaviour Description                                                                                                                                                                                                                                                                                                                                                                                                                                                                                                                                                   | CRef                                             | V | Comments                |
| 1                                                                                                                                                                                                                                                                                                            |       | START T_guard(300)                                                                                                                                                                                                                                                                                                                                                                                                                                                                                                                                                      |                                                  |   |                         |
| 2                                                                                                                                                                                                                                                                                                            |       | +IdleUpdated( C_E_default, C_CellA, C_SCH_A, C_BCCH_A_1, C_Immass, C_S0, C_SlotNU, C_SlotNU, C_SlotNU, C_BCC, C_TxInt_5, C_Max_1, C_NECI_0, C_ATT_1, TimingAdv( 30), C_BABR_0, C_cch_1Comb, C_BPM_3, C_T3212_1, C_ci_cellA, C_MCC_1, C_PLMN_1, C_LAC_1, CellOpt_01, CellChDes_02, CellChDes_03, C_CellReselectHys12, C_MaxPwrLvlG, C_MaxPwrLvlD, BcchFreqLst_01, BcchFreqLst_Omit, BcchFreqLst_48, BcchFreqLst_Omit, C_noRestablishment, C_BCC, C_NCC, C_Start_Tmsi, TSPX_SDCCH4SubDef, TSPX_CKSNDf, TSPX_RANDDef, C_arfcnA, C_arfcnAd, TSPX_IMSI, C_Test_fh, C_NCCP_2) |                                                  |   |                         |
| 3                                                                                                                                                                                                                                                                                                            |       | +StartCellB( C_E_neighbourdefault, C_arfcnB, C_arfcnBd, C_Immass, TCV_slot, TCV_tsc, TimingAdv( 30), C_TxInt_5, C_Max_1, C_NECI_0, C_ATT_1, C_BABR_0, C_cch_1Comb, C_BPM_3, C_T3212_1, C_MCC_1, C_PLMN_1, C_LAC_2, CellChDes_04, CellChDes_03, BcchFreqLst_01, BcchFreqLst_48, C_noRestablishment, C_BCC, C_NCC)                                                                                                                                                                                                                                                        |                                                  |   |                         |
| 4                                                                                                                                                                                                                                                                                                            | body  | +ltree_switchcelltoB_LupPag1                                                                                                                                                                                                                                                                                                                                                                                                                                                                                                                                            |                                                  |   |                         |
| 5                                                                                                                                                                                                                                                                                                            |       | +ltree_switchcelltoA_LupPag                                                                                                                                                                                                                                                                                                                                                                                                                                                                                                                                             |                                                  |   |                         |
| 6                                                                                                                                                                                                                                                                                                            |       | +ltree_switchcelltoB_LupPag2                                                                                                                                                                                                                                                                                                                                                                                                                                                                                                                                            |                                                  |   |                         |
|                                                                                                                                                                                                                                                                                                              |       | <b>ltree_switchcelltoB_LupPag1</b>                                                                                                                                                                                                                                                                                                                                                                                                                                                                                                                                      |                                                  |   |                         |
| 7                                                                                                                                                                                                                                                                                                            |       | +Switchcell( C_CellA, C_CellB, C_LAC_2, TSPX_SDCCH4SubDef, TSPX_CKSNDf, TSPX_RANDDef, C_arfcnB, C_arfcnBd, TCV_Ccd0B, TSPX_IMSI)                                                                                                                                                                                                                                                                                                                                                                                                                                        |                                                  |   |                         |
| 8                                                                                                                                                                                                                                                                                                            |       | +MM_LUP2( MiTmsi_02iei, MiTmsi_01, C_MCC_1, C_PLMN_1, C_LAC_1, C_LAC_2, C_normal_updating, TCV_cks, TimingAdv( 30))                                                                                                                                                                                                                                                                                                                                                                                                                                                     |                                                  |   |                         |
| 9                                                                                                                                                                                                                                                                                                            |       | +WaitForInService                                                                                                                                                                                                                                                                                                                                                                                                                                                                                                                                                       |                                                  |   |                         |
| 10                                                                                                                                                                                                                                                                                                           |       | +CCCH_group_Paging_group( TCV_Ccd0B, TSPX_IMSI)                                                                                                                                                                                                                                                                                                                                                                                                                                                                                                                         |                                                  |   |                         |
| 11                                                                                                                                                                                                                                                                                                           |       | +SelectPagingCh( C_CellB)                                                                                                                                                                                                                                                                                                                                                                                                                                                                                                                                               |                                                  |   |                         |
| 12                                                                                                                                                                                                                                                                                                           |       | +PreEstRRC_MM( MiTmsi_02, TCV_cks, TimingAdv( 30))                                                                                                                                                                                                                                                                                                                                                                                                                                                                                                                      |                                                  |   |                         |
| 13                                                                                                                                                                                                                                                                                                           |       | +ChanRel( TCV_ch)                                                                                                                                                                                                                                                                                                                                                                                                                                                                                                                                                       |                                                  |   |                         |
|                                                                                                                                                                                                                                                                                                              |       | <b>ltree_switchcelltoA_LupPag</b>                                                                                                                                                                                                                                                                                                                                                                                                                                                                                                                                       |                                                  |   |                         |
| 14                                                                                                                                                                                                                                                                                                           |       | +Switchcell( C_CellB, C_CellA, C_LAC_1, TSPX_SDCCH4SubDef, TSPX_CKSNDf, TSPX_RANDDef, C_arfcnA, C_arfcnAd, TCV_Ccd0A, TSPX_IMSI)                                                                                                                                                                                                                                                                                                                                                                                                                                        |                                                  |   |                         |
| 15                                                                                                                                                                                                                                                                                                           |       | L?DL_RaInChRq( TCV_Rr := DL_RaInChRq.msg.ecau_rrf, TCV_Fn := DL_RaInChRq.fn)                                                                                                                                                                                                                                                                                                                                                                                                                                                                                            | ChReq( ChRequest_09)                             |   |                         |
| 16                                                                                                                                                                                                                                                                                                           |       | ACTIVATE( OtherEventsFail_02)                                                                                                                                                                                                                                                                                                                                                                                                                                                                                                                                           |                                                  |   | To match ChReq retrans. |
| 17                                                                                                                                                                                                                                                                                                           |       | LIDL_UdatRqlmass                                                                                                                                                                                                                                                                                                                                                                                                                                                                                                                                                        | ImmAss( TCV_agch, ImmAsgn_01Def( TCV_Rr, TCV_Fn, |   |                         |

|    |            |                                                                                                                                                                        |                                                                                                                                                                                 |                         |
|----|------------|------------------------------------------------------------------------------------------------------------------------------------------------------------------------|---------------------------------------------------------------------------------------------------------------------------------------------------------------------------------|-------------------------|
| 18 |            | L?DL_EstInLupRq                                                                                                                                                        | TSPX_SDCCH4SubDef, TCV_slot, TCV_tsc, TCV_chdescr_arfcn, TimingAdv( 30)))<br>LocUp( TCV_ch, LocUpdtReq_31( MiTmsi_02, C_MCC_1, C_PLMN_1, C_LAC_2, C_normal_updating, TCV_cksn)) |                         |
| 19 |            | ACTIVATE( OtherEventsFail)                                                                                                                                             |                                                                                                                                                                                 | Restore Normal default  |
| 20 | L_035<br>0 | L!DL_DatRqLupAcp                                                                                                                                                       | LocAcp( TCV_ch, LocUpdtAcp_01( MiMsi_omit, C_MCC_1, C_PLMN_1, C_LAC_1))                                                                                                         | (P)                     |
| 21 |            | +ChanRel( TCV_ch)                                                                                                                                                      |                                                                                                                                                                                 |                         |
| 22 |            | +WaitForInService                                                                                                                                                      |                                                                                                                                                                                 |                         |
| 23 |            | +CCCH_group_Paging_group( TCV_Ccd0A, TSPX_IMSI)                                                                                                                        |                                                                                                                                                                                 |                         |
| 24 |            | +SelectPagingCh( C_CellA)                                                                                                                                              |                                                                                                                                                                                 |                         |
| 25 |            | +PreEstRRC_MM( MiTmsi_02, TCV_cksn, TimingAdv( 30))                                                                                                                    |                                                                                                                                                                                 |                         |
| 26 |            | +ChanRel( TCV_ch)                                                                                                                                                      |                                                                                                                                                                                 |                         |
| 27 |            | <b>Itree_switchcelltoB_LupPag2</b><br>+Switchcell( C_CellA, C_CellB, C_LAC_2, TSPX_SDCCH4SubDef, TSPX_CKSNDf, TSPX_RANDDef, C_arfcnB, C_arfcnBd, TCV_Ccd0B, TSPX_IMSI) |                                                                                                                                                                                 |                         |
| 28 |            | L?DL_RaInChRq( TCV_Rr := DL_RaInChRq.msg.ecau_rrf, TCV_Fn := DL_RaInChRq.fn)                                                                                           | ChReq( ChRequest_09)                                                                                                                                                            |                         |
| 29 |            | ACTIVATE( OtherEventsFail_02)                                                                                                                                          |                                                                                                                                                                                 | To match ChReq retrans. |
| 30 |            | LIDL_UdatRqImmAss                                                                                                                                                      | ImmAss( TCV_agch, ImmAsgn_01Def( TCV_Rr, TCV_Fn, TSPX_SDCCH4SubDef, TCV_slot, TCV_tsc, TCV_chdescr_arfcn, TimingAdv( 30)))                                                      |                         |
| 31 |            | L?DL_EstInLupRq                                                                                                                                                        | LocUp( TCV_ch, LocUpdtReq_31( MiTmsi_02, C_MCC_1, C_PLMN_1, C_LAC_1, C_normal_updating, TCV_cksn))                                                                              |                         |
| 32 |            | ACTIVATE( OtherEventsFail)                                                                                                                                             |                                                                                                                                                                                 | Restore Normal default  |
| 33 | L_035<br>1 | L!DL_DatRqLupAcp                                                                                                                                                       | LocAcp( TCV_ch, LocUpdtAcp_01( MiMsi_01iei, C_MCC_1, C_PLMN_1, C_LAC_2))                                                                                                        | (P)                     |
| 34 |            | +ChanRel( TCV_ch)                                                                                                                                                      |                                                                                                                                                                                 |                         |
| 35 |            | +WaitForInService                                                                                                                                                      |                                                                                                                                                                                 |                         |
| 36 |            | +MM_no_paging( MiTmsi_02, 5000, TCV_Ccd0B, C_CellB)                                                                                                                    |                                                                                                                                                                                 |                         |
| 37 |            | +PreEstRRC_MM( MiMsi_01, TCV_cksn, TimingAdv( 30))                                                                                                                     |                                                                                                                                                                                 |                         |
| 38 |            | +ChanRel_end(TCV_ch)                                                                                                                                                   |                                                                                                                                                                                 |                         |

Detailed Comments:

| Test Case Dynamic Behaviour                                                                                                                                                                                                  |       |                                                                                                                                                                                                                                                                                                                                                                                                                                                                                                                                                                         |      |   |          |
|------------------------------------------------------------------------------------------------------------------------------------------------------------------------------------------------------------------------------|-------|-------------------------------------------------------------------------------------------------------------------------------------------------------------------------------------------------------------------------------------------------------------------------------------------------------------------------------------------------------------------------------------------------------------------------------------------------------------------------------------------------------------------------------------------------------------------------|------|---|----------|
| <b>Test Case Name:</b> TC_26_7_4_2_1                                                                                                                                                                                         |       |                                                                                                                                                                                                                                                                                                                                                                                                                                                                                                                                                                         |      |   |          |
| <b>Group:</b> GSM_L3_MS_v4200/MM/                                                                                                                                                                                            |       |                                                                                                                                                                                                                                                                                                                                                                                                                                                                                                                                                                         |      |   |          |
| <b>Purpose:</b> To test the behaviour of the MS if the network rejects the location updating of the MS with the cause "IMSI unknown in HLR", "illegal MS" or "Illegal ME".                                                   |       |                                                                                                                                                                                                                                                                                                                                                                                                                                                                                                                                                                         |      |   |          |
| <b>Default:</b> OtherEventsFail                                                                                                                                                                                              |       |                                                                                                                                                                                                                                                                                                                                                                                                                                                                                                                                                                         |      |   |          |
| <b>Comments:</b> Initial Conditions of MS:<br>The MS has no valid TMSI and no CKSN. It is "idle updated" on cell A.<br>Foreseen final state of the MS:<br>The MS has valid TMSI and no CKSN. It is "idle updated" on cell A. |       |                                                                                                                                                                                                                                                                                                                                                                                                                                                                                                                                                                         |      |   |          |
| Nr                                                                                                                                                                                                                           | Label | Behaviour Description                                                                                                                                                                                                                                                                                                                                                                                                                                                                                                                                                   | CRef | V | Comments |
| 1                                                                                                                                                                                                                            |       | START T_guard(2100)                                                                                                                                                                                                                                                                                                                                                                                                                                                                                                                                                     |      |   |          |
| 2                                                                                                                                                                                                                            |       | +IdleUpdated( C_E_default, C_CellA, C_SCH_A, C_BCCH_A_1, C_Immass, C_S0, C_SlotNU, C_SlotNU, C_SlotNU, C_BCC, C_TxInt_5, C_Max_1, C_NECI_0, C_ATT_1, TimingAdv( 30), C_BABR_0, C_cch_1Comb, C_BPM_3, C_T3212_1, C_ci_cellA, C_MCC_1, C_PLMN_1, C_LAC_1, CellOpt_01, CellChDes_02, CellChDes_03, C_CellReselectHys12, C_MaxPwrLvlG, C_MaxPwrLvlD, BcchFreqLst_01, BcchFreqLst_Omit, BcchFreqLst_48, BcchFreqLst_Omit, C_noRestablishment, C_BCC, C_NCC, C_Start_Tmsi, TSPX_SDCCH4SubDef, TSPX_CKSNDf, TSPX_RANDDef, C_arfcnA, C_arfcnAd, TSPX_IMSI, C_Test_fh, C_NCCP_2) |      |   |          |
| 3                                                                                                                                                                                                                            |       | +StartCellB( C_E_neighbourdefault, C_arfcnB, C_arfcnBd, C_Immass, TCV_slot, TCV_tsc, TimingAdv( 30), C_TxInt_5, C_Max_1, C_NECI_0, C_ATT_1, C_BABR_0, C_cch_1Comb, C_BPM_3, C_T3212_1, C_MCC_1, C_PLMN_1, C_LAC_2, CellChDes_04, CellChDes_03, BcchFreqLst_01, BcchFreqLst_48, C_noRestablishment, C_BCC, C_NCC)                                                                                                                                                                                                                                                        |      |   |          |
| 4                                                                                                                                                                                                                            | body  | +execution1                                                                                                                                                                                                                                                                                                                                                                                                                                                                                                                                                             |      |   |          |
| 5                                                                                                                                                                                                                            |       | +execution2                                                                                                                                                                                                                                                                                                                                                                                                                                                                                                                                                             |      |   |          |
| 6                                                                                                                                                                                                                            |       | +execution3                                                                                                                                                                                                                                                                                                                                                                                                                                                                                                                                                             |      |   |          |
|                                                                                                                                                                                                                              |       | <b>execution1</b>                                                                                                                                                                                                                                                                                                                                                                                                                                                                                                                                                       |      |   |          |
| 7                                                                                                                                                                                                                            |       | +Switchcell( C_CellA, C_CellB, C_LAC_2, TSPX_SDCCH4SubDef, TSPX_CKSNDf, TSPX_RANDDef, C_arfcnB, C_arfcnBd, TCV_Ccd0B, TSPX_IMSI)                                                                                                                                                                                                                                                                                                                                                                                                                                        |      |   |          |
| 8                                                                                                                                                                                                                            |       | +MM_LupRej( C_rc_imsiunknownhrl, C_normal_updating, TimingAdv( 30))                                                                                                                                                                                                                                                                                                                                                                                                                                                                                                     |      |   |          |
| 9                                                                                                                                                                                                                            |       | +ltree_main                                                                                                                                                                                                                                                                                                                                                                                                                                                                                                                                                             |      |   |          |
| 10                                                                                                                                                                                                                           |       | +ChanRel(TCV_ch)                                                                                                                                                                                                                                                                                                                                                                                                                                                                                                                                                        |      |   |          |
|                                                                                                                                                                                                                              |       | <b>execution2</b>                                                                                                                                                                                                                                                                                                                                                                                                                                                                                                                                                       |      |   |          |
| 11                                                                                                                                                                                                                           |       | +Switchcell( C_CellA, C_CellB, C_LAC_2, TSPX_SDCCH4SubDef, TSPX_CKSNDf, TSPX_RANDDef, C_arfcnB, C_arfcnBd, TCV_Ccd0B, TSPX_IMSI)                                                                                                                                                                                                                                                                                                                                                                                                                                        |      |   |          |
| 12                                                                                                                                                                                                                           |       | +MM_LupRej( C_rc_illegal_ms, C_normal_updating, TimingAdv( 30))                                                                                                                                                                                                                                                                                                                                                                                                                                                                                                         |      |   |          |
| 13                                                                                                                                                                                                                           |       | +ltree_main                                                                                                                                                                                                                                                                                                                                                                                                                                                                                                                                                             |      |   |          |
| 14                                                                                                                                                                                                                           |       | +ChanRel(TCV_ch)                                                                                                                                                                                                                                                                                                                                                                                                                                                                                                                                                        |      |   |          |
|                                                                                                                                                                                                                              |       | <b>execution3</b>                                                                                                                                                                                                                                                                                                                                                                                                                                                                                                                                                       |      |   |          |
| 15                                                                                                                                                                                                                           |       | +Switchcell( C_CellA, C_CellB, C_LAC_2, TSPX_SDCCH4SubDef, TSPX_CKSNDf, TSPX_RANDDef, C_arfcnB, C_arfcnBd, TCV_Ccd0B, TSPX_IMSI)                                                                                                                                                                                                                                                                                                                                                                                                                                        |      |   |          |
| 16                                                                                                                                                                                                                           |       | +MM_LupRej( C_rc_illegal_me, C_normal_updating, TimingAdv( 30))                                                                                                                                                                                                                                                                                                                                                                                                                                                                                                         |      |   |          |
| 17                                                                                                                                                                                                                           |       | +ltree_main                                                                                                                                                                                                                                                                                                                                                                                                                                                                                                                                                             |      |   |          |
| 18                                                                                                                                                                                                                           | post  | +ChanRel_end(TCV_ch)                                                                                                                                                                                                                                                                                                                                                                                                                                                                                                                                                    |      |   |          |
|                                                                                                                                                                                                                              |       | <b>ltree_main</b>                                                                                                                                                                                                                                                                                                                                                                                                                                                                                                                                                       |      |   |          |

|                           |                                                                                                                                                                            |  |  |  |
|---------------------------|----------------------------------------------------------------------------------------------------------------------------------------------------------------------------|--|--|--|
| 19                        | +BasicServiceMO(TSPX_MOBscSvcD,<br>TSPX_MOChRateD)                                                                                                                         |  |  |  |
| 20                        | +Switchcell( C_CellB, C_CellA, C_LAC_1,<br>TSPX_SDCCH4SubDef, TSPX_CKSNDDef,<br>TSPX_RANDDef, C_arfcnA, C_arfcnAd,<br>TCV_Ccd0A, TSPX_IMSI)                                |  |  |  |
| 21                        | +NoReaction( 30000)                                                                                                                                                        |  |  |  |
| 22                        | +NoReaction( 420000)                                                                                                                                                       |  |  |  |
| 23                        | +MM_no_paging( Milmsi_01, 3000,<br>TCV_Ccd0A, C_CellA)                                                                                                                     |  |  |  |
| 24                        | +MM_no_paging( MiTmsi_01, 3000,<br>TCV_Ccd0A, C_CellA)                                                                                                                     |  |  |  |
| 25                        | +MM_no_cmsservices( 3000)                                                                                                                                                  |  |  |  |
| 26                        | +MM_check_ecall1(TimingAdv( 30),<br>Milmei_01)                                                                                                                             |  |  |  |
| 27                        | +ImsiDetachNoReaction( 3000,<br>C_SIMneedRmv)                                                                                                                              |  |  |  |
| 28                        | +MM_PwrOrSimOn(C_SIMneedRm<br>v)                                                                                                                                           |  |  |  |
| 29                        | +MM_LUPauth2( MiTmsi_01iei,<br>Milmsi_01, C_MCC_1,<br>C_PLMN_1, C_lacdeleted,<br>TCV_lac, C_normal_updating,<br>C_cksnokey, TCV_cksno,<br>TSPX_RANDDef, TimingAdv(<br>30)) |  |  |  |
| <b>Detailed Comments:</b> |                                                                                                                                                                            |  |  |  |

| Test Case Dynamic Behaviour                                                                                                                                                 |       |                                                                                                                                                                                                                                                                                                                                                                                                                                                                                                                                                                                                                        |      |   |          |
|-----------------------------------------------------------------------------------------------------------------------------------------------------------------------------|-------|------------------------------------------------------------------------------------------------------------------------------------------------------------------------------------------------------------------------------------------------------------------------------------------------------------------------------------------------------------------------------------------------------------------------------------------------------------------------------------------------------------------------------------------------------------------------------------------------------------------------|------|---|----------|
| <b>Test Case Name:</b> TC_26_7_4_2_2_1                                                                                                                                      |       |                                                                                                                                                                                                                                                                                                                                                                                                                                                                                                                                                                                                                        |      |   |          |
| <b>Group:</b> GSM_L3_MS_v4200/MM/                                                                                                                                           |       |                                                                                                                                                                                                                                                                                                                                                                                                                                                                                                                                                                                                                        |      |   |          |
| <b>Purpose:</b> To test the behaviour of the MS if the network rejects the location updating of the MS with the cause "PLMN not allowed".                                   |       |                                                                                                                                                                                                                                                                                                                                                                                                                                                                                                                                                                                                                        |      |   |          |
| <b>Default:</b> OtherEventsFail                                                                                                                                             |       |                                                                                                                                                                                                                                                                                                                                                                                                                                                                                                                                                                                                                        |      |   |          |
| <b>Comments:</b> Initial conditions for the Mobile Station:<br>- The MS has a valid TMSI. It is "idle updated" on cell C.<br>- The MS is in manual mode for PLMN selection. |       |                                                                                                                                                                                                                                                                                                                                                                                                                                                                                                                                                                                                                        |      |   |          |
| Final state of the Mobile Station:<br>Idle Updated with TMSI on cell C. The MS is in automatic mode for PLMN selection.                                                     |       |                                                                                                                                                                                                                                                                                                                                                                                                                                                                                                                                                                                                                        |      |   |          |
| Nr                                                                                                                                                                          | Label | Behaviour Description                                                                                                                                                                                                                                                                                                                                                                                                                                                                                                                                                                                                  | CRef | V | Comments |
| 1                                                                                                                                                                           |       | START T_guard(720)                                                                                                                                                                                                                                                                                                                                                                                                                                                                                                                                                                                                     |      |   |          |
| 2                                                                                                                                                                           |       | +BasicServiceMO(TSPX_MOBscSvcA,<br>TSPX_MOChRateA)                                                                                                                                                                                                                                                                                                                                                                                                                                                                                                                                                                     |      |   |          |
| 3                                                                                                                                                                           |       | +IdleUpdated( C_E_default, C_CellC, C_SCH_C,<br>C_BCCH_C_1, C_Immass, C_S0, C_SlotNU,<br>C_SlotNU, C_SlotNU, C_BCC, C_TxInt_5,<br>C_Max_1, C_NECl_0, C_ATT_0, TimingAdv( 30),<br>C_BABR_0, C_cch_1Comb, C_BPM_3,<br>C_T3212_0, C_ci_cellC, C_MCC_1, C_PLMN_1,<br>C_LAC_3, CellOpt_01, CellChDes_Omit,<br>CellChDes_Omit, C_CellReselectHys12,<br>C_MaxPwrLvIG, C_MaxPwrLvID,<br>BcchFreqLst_07, BcchFreqLst_07,<br>BcchFreqLst_15, BcchFreqLst_15,<br>C_noReestablishment, C_BCC, C_NCC,<br>C_Start_Tmsi, TSPX_SDCCH4SubDef,<br>TSPX_CKSNDf, TSPX_RANDDef, C_arfcnC,<br>C_arfcnCd, TSPX_IMSI, C_Test_nfh,<br>C_NCCP_2) |      |   |          |
| 4                                                                                                                                                                           | body  | +MM_PwrOrSimOff( C_SIMIn)                                                                                                                                                                                                                                                                                                                                                                                                                                                                                                                                                                                              |      |   |          |
| 5                                                                                                                                                                           |       | (TCV_Null := OM_StopCell( C_CellC))                                                                                                                                                                                                                                                                                                                                                                                                                                                                                                                                                                                    |      |   |          |
| 6                                                                                                                                                                           |       | +Start_2cells( C_Immass, TCV_slot,<br>TCV_tsc, TimingAdv( 30), C_ATT_1,<br>C_BABR_0, C_cch_1Comb, C_BPM_3,<br>C_T3212_1, C_MCC_1, C_PLMN_2,<br>C_LAC_1, C_LAC_2)                                                                                                                                                                                                                                                                                                                                                                                                                                                       |      |   |          |
| 7                                                                                                                                                                           |       | +Varinit_fix( C_CellB, C_LAC_2,<br>TSPX_SDCCH4SubDef,<br>TSPX_CKSNDf, TSPX_RANDDef,<br>C_arfcnB, C_arfcnBd, TCV_Ccd0B,<br>TSPX_IMSI)                                                                                                                                                                                                                                                                                                                                                                                                                                                                                   |      |   |          |
| 8                                                                                                                                                                           |       | +MM_PwrOrSimOn( C_SIMIn)                                                                                                                                                                                                                                                                                                                                                                                                                                                                                                                                                                                               |      |   |          |
| 9                                                                                                                                                                           |       | +ltree_continue                                                                                                                                                                                                                                                                                                                                                                                                                                                                                                                                                                                                        |      |   |          |
| 10                                                                                                                                                                          |       | +RmvForbiddenPlmn1( C_CellB,<br>C_LAC_2, TSPX_SDCCH4SubDef,<br>TSPX_CKSNDf, TSPX_RANDDef,<br>C_arfcnB, C_arfcnBd, TCV_Ccd0B,<br>TSPX_IMSI)                                                                                                                                                                                                                                                                                                                                                                                                                                                                             |      |   | 8)       |
| 11                                                                                                                                                                          |       | <b>ltree_continue</b><br>(TCV_Null := OO_PLMNselModeMan())                                                                                                                                                                                                                                                                                                                                                                                                                                                                                                                                                             |      |   |          |
| 12                                                                                                                                                                          |       | (TCV_Null := OO_SelPLMN( C_PLMN_2))                                                                                                                                                                                                                                                                                                                                                                                                                                                                                                                                                                                    |      |   |          |
| 13                                                                                                                                                                          |       | +MM_LupRej( C_rc_plmn_not,<br>C_normal_updating, TimingAdv( 30))                                                                                                                                                                                                                                                                                                                                                                                                                                                                                                                                                       |      |   | 1)       |
| 14                                                                                                                                                                          |       | +NoReaction( 420000)                                                                                                                                                                                                                                                                                                                                                                                                                                                                                                                                                                                                   |      |   | 2)       |
| 15                                                                                                                                                                          |       | +ImsiDetachNoReaction( 3000,<br>C_SIMneedRmv)                                                                                                                                                                                                                                                                                                                                                                                                                                                                                                                                                                          |      |   | 3)       |
| 16                                                                                                                                                                          |       | +MM_PwrOrSimOn( C_SIMneedRmv)                                                                                                                                                                                                                                                                                                                                                                                                                                                                                                                                                                                          |      |   |          |
| 17                                                                                                                                                                          |       | +Switchcell( C_CellB, C_CellA, C_LAC_1,<br>TSPX_SDCCH4SubDef,<br>TSPX_CKSNDf, TSPX_RANDDef,<br>C_arfcnA, C_arfcnAd, TCV_Ccd0A,<br>TSPX_IMSI)                                                                                                                                                                                                                                                                                                                                                                                                                                                                           |      |   |          |
| 18                                                                                                                                                                          |       | +ltree_continue1                                                                                                                                                                                                                                                                                                                                                                                                                                                                                                                                                                                                       |      |   |          |
| 19                                                                                                                                                                          |       | <b>ltree_continue1</b><br>+NoReaction( 60000)                                                                                                                                                                                                                                                                                                                                                                                                                                                                                                                                                                          |      |   | 4)       |

|    |                                                                                                                                                                                                |    |
|----|------------------------------------------------------------------------------------------------------------------------------------------------------------------------------------------------|----|
| 20 | +MM_check_ecall1( TimingAdv( 30), Milmsi_01)                                                                                                                                                   | 5) |
| 21 | (TCV_Service := TSPX_MOBscSvcA)                                                                                                                                                                |    |
| 22 | +MM_no_cmsservices( 3000)                                                                                                                                                                      | 5) |
| 23 | +MM_PwrOrSimOff( C_SIMIn)                                                                                                                                                                      |    |
| 24 | (TCV_Null := OM_StopCell( C_CellA),<br>TCV_Null := OM_StopCell( C_CellB))                                                                                                                      |    |
| 25 | +ltree_continue2                                                                                                                                                                               |    |
|    | <b>ltree_continue2</b>                                                                                                                                                                         |    |
| 26 | +StartCellC( C_E_default, C_Immass, TCV_slot,<br>TCV_tsc, TimingAdv( 30), 0, C_BABR_0,<br>C_cch_1Comb, C_BPM_3, C_T3212_0, C_MCC_1,<br>C_PLMN_1, C_LAC_3, C_noRestablishment,<br>C_BCC, C_NCC) | 6) |
| 27 | +Varinit_fix( C_CellC, C_LAC_3,<br>TSPX_SDCCH4SubDef, TSPX_CKSNDDef,<br>TSPX_RANDDef, C_arfcnC, C_arfcnCd,<br>TCV_Ccd0C, TSPX_IMSI)                                                            |    |
| 28 | +MM_PwrOrSimOn( C_SIMIn)                                                                                                                                                                       |    |
| 29 | (TCV_Null := OO_PLMNselModeAuto())                                                                                                                                                             |    |
| 30 | +MM_LUP2( MiTmsi_01iei, Milmsi_01,<br>C_MCC_1, C_PLMN_1, C_lacdeleted,<br>TCV_lac, C_normal_updating,<br>C_cksn_nokey, TimingAdv( 30))                                                         | 7) |

**Detailed Comments:** 1) Location updating rejected with cause = PLMN not allowed.

MS shall

- 2) not perform periodic updating
- 3) not perform IMSI detach when switched off.
- 4) not perform normal location updating after switching to a new LAC in the same PLMN and when that PLMN is not selected manually.
- 5) reject any request from CM entity for MM connection other than for emergency call.
- 6) switch to a new cell with a new PLMN.
- 7) perform normal location updating after entering in a new PLMN.
8. The PLMN of cell B is suppressed on the SIM's forbidden PLMN list.



| Test Case Dynamic Behaviour                                                                                                                                                 |       |                                                                                                                                                                                                                                                                                                                                                                                                                                                                                                                                                                            |      |   |          |
|-----------------------------------------------------------------------------------------------------------------------------------------------------------------------------|-------|----------------------------------------------------------------------------------------------------------------------------------------------------------------------------------------------------------------------------------------------------------------------------------------------------------------------------------------------------------------------------------------------------------------------------------------------------------------------------------------------------------------------------------------------------------------------------|------|---|----------|
| <b>Test Case Name:</b> TC_26_7_4_2_2_2                                                                                                                                      |       |                                                                                                                                                                                                                                                                                                                                                                                                                                                                                                                                                                            |      |   |          |
| <b>Group:</b> GSM_L3_MS_v4200/MM/                                                                                                                                           |       |                                                                                                                                                                                                                                                                                                                                                                                                                                                                                                                                                                            |      |   |          |
| <b>Purpose:</b> To test the behaviour of the MS if the network rejects the location updating of the MS with the cause "PLMN not allowed".                                   |       |                                                                                                                                                                                                                                                                                                                                                                                                                                                                                                                                                                            |      |   |          |
| <b>Default:</b> OtherEventsFail                                                                                                                                             |       |                                                                                                                                                                                                                                                                                                                                                                                                                                                                                                                                                                            |      |   |          |
| <b>Comments:</b> Initial conditions for the Mobile Station:<br>- The MS has a valid TMSI. It is "idle updated" on cell C.<br>- The MS is in manual mode for PLMN selection. |       |                                                                                                                                                                                                                                                                                                                                                                                                                                                                                                                                                                            |      |   |          |
| Final state of the Mobile Station:<br>Idle Updated with TMSI on cell C. The MS is in automatic mode for PLMN selection.                                                     |       |                                                                                                                                                                                                                                                                                                                                                                                                                                                                                                                                                                            |      |   |          |
| Nr                                                                                                                                                                          | Label | Behaviour Description                                                                                                                                                                                                                                                                                                                                                                                                                                                                                                                                                      | CRef | V | Comments |
| 1                                                                                                                                                                           |       | START T_guard(720)                                                                                                                                                                                                                                                                                                                                                                                                                                                                                                                                                         |      |   |          |
| 2                                                                                                                                                                           |       | +IdleUpdated( C_E_default, C_CellC, C_SCH_C, C_BCCH_C_1, C_Immass, C_S0, C_SlotNU, C_SlotNU, C_SlotNU, C_BCC, C_TxInt_5, C_Max_1, C_NECI_0, C_ATT_0, TimingAdv( 30), C_BABR_0, C_cch_1Comb, C_BPM_3, C_T3212_0, C_ci_cellC, C_MCC_1, C_PLMN_1, C_LAC_3, CellOpt_01, CellChDes_Omit, CellChDes_Omit, C_CellReselectHys12, C_MaxPwrLvlG, C_MaxPwrLvlD, BcchFreqLst_07, BcchFreqLst_07, BcchFreqLst_15, BcchFreqLst_15, C_noRestablishment, C_BCC, C_NCC, C_Start_Tmsi, TSPX_SDCCH4SubDef, TSPX_CKSNDDef, TSPX_RANDDef, C_arfcnC, C_arfcnCd, TSPX_IMSI, C_Test_nfh, C_NCCP_2) |      |   |          |
| 3                                                                                                                                                                           | body  | +MM_PwrOrSimOff(C_SIMIn)                                                                                                                                                                                                                                                                                                                                                                                                                                                                                                                                                   |      |   |          |
| 4                                                                                                                                                                           |       | (TCV_Null := OM_StopCell( C_CellC))                                                                                                                                                                                                                                                                                                                                                                                                                                                                                                                                        |      |   |          |
| 5                                                                                                                                                                           |       | +Start_2cells( C_Immass, TCV_slot, TCV_tsc, TimingAdv( 30), C_ATT_1, C_BABR_0, C_cch_1Comb, C_BPM_3, C_T3212_1, C_MCC_1, C_PLMN_2, C_LAC_1, C_LAC_2)                                                                                                                                                                                                                                                                                                                                                                                                                       |      |   |          |
| 6                                                                                                                                                                           |       | +Varinit_fix( C_CellB, C_LAC_2, TSPX_SDCCH4SubDef, TSPX_CKSNDDef, TSPX_RANDDef, C_arfcnB, C_arfcnBd, TCV_Ccd0B, TSPX_IMSI)                                                                                                                                                                                                                                                                                                                                                                                                                                                 |      |   |          |
| 7                                                                                                                                                                           |       | +MM_PwrOrSimOn(C_SIMIn)                                                                                                                                                                                                                                                                                                                                                                                                                                                                                                                                                    |      |   |          |
| 8                                                                                                                                                                           |       | +ltree_continue                                                                                                                                                                                                                                                                                                                                                                                                                                                                                                                                                            |      |   |          |
| 9                                                                                                                                                                           |       | +RmvForbiddenPlmn1( C_CellB, C_LAC_2, TSPX_SDCCH4SubDef, TSPX_CKSNDDef, TSPX_RANDDef, C_arfcnB, C_arfcnBd, TCV_Ccd0B, TSPX_IMSI)                                                                                                                                                                                                                                                                                                                                                                                                                                           |      |   | 3)       |
|                                                                                                                                                                             |       | <b>ltree_continue</b>                                                                                                                                                                                                                                                                                                                                                                                                                                                                                                                                                      |      |   |          |
| 10                                                                                                                                                                          |       | (TCV_Null := OO_PLMNselModeMan())                                                                                                                                                                                                                                                                                                                                                                                                                                                                                                                                          |      |   |          |
| 11                                                                                                                                                                          |       | (TCV_Null := OO_SelPLMN( C_PLMN_2))                                                                                                                                                                                                                                                                                                                                                                                                                                                                                                                                        |      |   |          |
| 12                                                                                                                                                                          |       | +MM_LupRej( C_rc_plmn_not, C_normal_updating, TimingAdv( 30))                                                                                                                                                                                                                                                                                                                                                                                                                                                                                                              |      |   | 1)       |
| 13                                                                                                                                                                          |       | (TCV_Null := OO_SelPLMN( C_PLMN_2))                                                                                                                                                                                                                                                                                                                                                                                                                                                                                                                                        |      |   | 2)       |
| 14                                                                                                                                                                          |       | +MM_LupInit( Milmsi_01, C_MCC_1, C_PLMN_1, C_lacdeleted, C_normal_updating, C_cksnokey, TimingAdv( 30))                                                                                                                                                                                                                                                                                                                                                                                                                                                                    |      |   |          |
| 15                                                                                                                                                                          |       | +ChanRel(TCV_ch)                                                                                                                                                                                                                                                                                                                                                                                                                                                                                                                                                           |      |   |          |
| 16                                                                                                                                                                          |       | +MM_PwrOrSimOff(C_SIMIn)                                                                                                                                                                                                                                                                                                                                                                                                                                                                                                                                                   |      |   |          |
| 17                                                                                                                                                                          |       | (TCV_Null := OM_StopCell( C_CellA), TCV_Null := OM_StopCell( C_CellB))                                                                                                                                                                                                                                                                                                                                                                                                                                                                                                     |      |   |          |
| 18                                                                                                                                                                          |       | +ltree_continue2                                                                                                                                                                                                                                                                                                                                                                                                                                                                                                                                                           |      |   |          |
|                                                                                                                                                                             |       | <b>ltree_continue2</b>                                                                                                                                                                                                                                                                                                                                                                                                                                                                                                                                                     |      |   |          |
| 19                                                                                                                                                                          |       | +StartCellC( C_E_default, C_Immass, TCV_slot, TCV_tsc, TimingAdv( 30), 0, C_BABR_0, C_cch_1Comb, C_BPM_3, C_T3212_0, C_MCC_1, C_PLMN_1, C_LAC_3, C_noRestablishment, C_BCC, C_NCC)                                                                                                                                                                                                                                                                                                                                                                                         |      |   |          |
| 20                                                                                                                                                                          |       | +Varinit_fix( C_CellC, C_LAC_3,                                                                                                                                                                                                                                                                                                                                                                                                                                                                                                                                            |      |   |          |

|                           |  |                                                                                                                                                                                                                                                                                                              |  |  |  |
|---------------------------|--|--------------------------------------------------------------------------------------------------------------------------------------------------------------------------------------------------------------------------------------------------------------------------------------------------------------|--|--|--|
| 21<br>22<br>23            |  | TSPX_SDCCH4SubDef, TSPX_CKSNDDef,<br>TSPX_RANDDDef, C_arfcnC, C_arfcnCd,<br>TCV_Ccd0C, TSPX_IMSI)<br>+MM_PwrOrSimOn(C_SIMIn)<br>(TCV_Null := OO_PLMNselModeAuto())<br>+MM_LUP2( MiTmsi_01iei, Milmsi_01,<br>C_MCC_1, C_PLMN_1, C_lacdeleted,<br>TCV_lac, C_normal_updating,<br>C_cksn_nokey, TimingAdv( 30)) |  |  |  |
| <b>Detailed Comments:</b> |  | 1) Location updating rejected with cause = PLMN not allowed.<br>2) MS shall perform normal location updating after switching to a new LAC in the same PLMN and when that PLMN is selected manually.<br>3) The PLMN of cell B is suppressed on the SIM's forbidden PLMN list.                                 |  |  |  |

| Test Case Dynamic Behaviour                                                                                                                                                                                                                       |       |                                                                                                                                                                                                                                                                                                                                                                                                                                                                                                                                                                                                                   |      |   |          |
|---------------------------------------------------------------------------------------------------------------------------------------------------------------------------------------------------------------------------------------------------|-------|-------------------------------------------------------------------------------------------------------------------------------------------------------------------------------------------------------------------------------------------------------------------------------------------------------------------------------------------------------------------------------------------------------------------------------------------------------------------------------------------------------------------------------------------------------------------------------------------------------------------|------|---|----------|
| <b>Test Case Name:</b> TC_26_7_4_2_3                                                                                                                                                                                                              |       |                                                                                                                                                                                                                                                                                                                                                                                                                                                                                                                                                                                                                   |      |   |          |
| <b>Group:</b> GSM_L3_MS_v4200/MM/                                                                                                                                                                                                                 |       |                                                                                                                                                                                                                                                                                                                                                                                                                                                                                                                                                                                                                   |      |   |          |
| <b>Purpose:</b> To test the behaviour of the MS if the network rejects the location updating of the MS with the cause "Location Area not allowed".<br>To test that the MS deletes the list of forbidden location areas after switching of the MS. |       |                                                                                                                                                                                                                                                                                                                                                                                                                                                                                                                                                                                                                   |      |   |          |
| <b>Default:</b> OtherEventsFail                                                                                                                                                                                                                   |       |                                                                                                                                                                                                                                                                                                                                                                                                                                                                                                                                                                                                                   |      |   |          |
| <b>Comments:</b> Initial conditions for the Mobile Station:<br>- The MS has a valid TMSI. It is "idle updated" on cell A.<br><br>Initial conditions for the Mobile Station:<br>- The MS has a valid TMSI. It is "idle updated" on cell A.         |       |                                                                                                                                                                                                                                                                                                                                                                                                                                                                                                                                                                                                                   |      |   |          |
| Nr                                                                                                                                                                                                                                                | Label | Behaviour Description                                                                                                                                                                                                                                                                                                                                                                                                                                                                                                                                                                                             | CRef | V | Comments |
| 1                                                                                                                                                                                                                                                 |       | START T_guard(720)                                                                                                                                                                                                                                                                                                                                                                                                                                                                                                                                                                                                |      |   |          |
| 2                                                                                                                                                                                                                                                 |       | +BasicServiceMO(TSPX_MOBscSvcE,<br>TSPX_MOChRateE)                                                                                                                                                                                                                                                                                                                                                                                                                                                                                                                                                                |      |   |          |
| 3                                                                                                                                                                                                                                                 |       | +IdleUpdated( C_E_default, C_CellA, C_SCH_A,<br>C_BCCH_A_1, C_Immss, C_S0, C_SlotNU,<br>C_SlotNU, C_SlotNU, C_BCC, C_TxInt_5,<br>C_Max_1, C_NECI_0, C_ATT_1, TimingAdv( 30),<br>C_BABR_0, C_cch_1Comb, C_BPM_3,<br>C_T3212_1, C_ci_cellA, C_MCC_1, C_PLMN_1,<br>C_LAC_1, CellOpt_01, CellChDes_02,<br>CellChDes_03, C_CellReselectHys12,<br>C_MaxPwrLvIG, C_MaxPwrLvID,<br>BcchFreqLst_01, BcchFreqLst_Omit,<br>BcchFreqLst_48, BcchFreqLst_Omit,<br>C_noReestablishment, C_BCC, C_NCC,<br>C_Start_Tmsi, TSPX_SDCCH4SubDef,<br>TSPX_CKSNDf, TSPX_RANDDef, C_arfcnA,<br>C_arfcnAd, TSPX_IMSI, C_Test_fh, C_NCCP_2) |      |   |          |
| 4                                                                                                                                                                                                                                                 |       | +StartCellB( C_E_neighbourdefault, C_arfcnB,<br>C_arfcnBd, C_Immss, TCV_slot, TCV_tsc,<br>TimingAdv( 30), C_TxInt_5, C_Max_1,<br>C_NECI_0, C_ATT_1, C_BABR_0,<br>C_cch_1Comb, C_BPM_3, C_T3212_1,<br>C_MCC_1, C_PLMN_1, C_LAC_2,<br>CellChDes_04, CellChDes_03,<br>BcchFreqLst_01, BcchFreqLst_48,<br>C_noReestablishment, C_BCC, C_NCC)                                                                                                                                                                                                                                                                          |      |   |          |
| 5                                                                                                                                                                                                                                                 |       | +ltree_body                                                                                                                                                                                                                                                                                                                                                                                                                                                                                                                                                                                                       |      |   |          |
|                                                                                                                                                                                                                                                   |       | <b>ltree_body</b>                                                                                                                                                                                                                                                                                                                                                                                                                                                                                                                                                                                                 |      |   |          |
| 6                                                                                                                                                                                                                                                 |       | +Switchcell( C_CellA, C_CellB, C_LAC_2,<br>TSPX_SDCCH4SubDef, TSPX_CKSNDf,<br>TSPX_RANDDef, C_arfcnB, C_arfcnBd, TCV_Ccd0B,<br>TSPX_IMSI)                                                                                                                                                                                                                                                                                                                                                                                                                                                                         |      |   |          |
| 7                                                                                                                                                                                                                                                 |       | +MM_LupRej( C_rc_LAnotallowed,<br>C_normal_updating, TimingAdv( 30))                                                                                                                                                                                                                                                                                                                                                                                                                                                                                                                                              |      |   | 1)       |
| 8                                                                                                                                                                                                                                                 |       | +NoReaction( 420000)                                                                                                                                                                                                                                                                                                                                                                                                                                                                                                                                                                                              |      |   | 2)       |
| 9                                                                                                                                                                                                                                                 |       | +MM_no_paging( MiTmsi_01, 3000,<br>TCV_Ccd0B, C_CellB)                                                                                                                                                                                                                                                                                                                                                                                                                                                                                                                                                            |      |   | 3)       |
| 10                                                                                                                                                                                                                                                |       | +MM_no_cmsservices( 3000)                                                                                                                                                                                                                                                                                                                                                                                                                                                                                                                                                                                         |      |   | 4)       |
| 11                                                                                                                                                                                                                                                |       | +MM_check_ecall1( TimingAdv( 30),<br>Milmsi_01)                                                                                                                                                                                                                                                                                                                                                                                                                                                                                                                                                                   |      |   | 4)       |
| 12                                                                                                                                                                                                                                                |       | +ImsiDetachNoReaction( 3000, C_SIMIn)                                                                                                                                                                                                                                                                                                                                                                                                                                                                                                                                                                             |      |   | 5)       |
| 13                                                                                                                                                                                                                                                |       | +MM_PwrOrSimOn( C_SIMIn)                                                                                                                                                                                                                                                                                                                                                                                                                                                                                                                                                                                          |      |   |          |
| 14                                                                                                                                                                                                                                                |       | +MM_LupRej2( C_rc_LAnotallowed,<br>Milmsi_01, C_MCC_1, C_PLMN_1,<br>C_lacdeleted, C_normal_updating,<br>C_cksnokey, TimingAdv( 30))                                                                                                                                                                                                                                                                                                                                                                                                                                                                               |      |   | 6)       |
| 15                                                                                                                                                                                                                                                |       | +Switchcell( C_CellB, C_CellA,<br>C_LAC_1, TSPX_SDCCH4SubDef,<br>TSPX_CKSNDf, TSPX_RANDDef,<br>C_arfcnA, C_arfcnAd, TCV_Ccd0A,<br>TSPX_IMSI)                                                                                                                                                                                                                                                                                                                                                                                                                                                                      |      |   |          |
| 16                                                                                                                                                                                                                                                |       | +MM_LUPauth1( MiTmsi_01iei,<br>C_MCC_1, C_PLMN_1, TCV_lac,<br>C_normal_updating, TCV_cksno,<br>TSPX_RANDDef, TimingAdv( 30))                                                                                                                                                                                                                                                                                                                                                                                                                                                                                      |      |   | 7)       |

|                           |                                                                                                                                                                                                                                                                                                                                                                                                                                                                                                                                                                  |
|---------------------------|------------------------------------------------------------------------------------------------------------------------------------------------------------------------------------------------------------------------------------------------------------------------------------------------------------------------------------------------------------------------------------------------------------------------------------------------------------------------------------------------------------------------------------------------------------------|
| 17                        | +ChanRel_end( TCV_ch)                                                                                                                                                                                                                                                                                                                                                                                                                                                                                                                                            |
| <b>Detailed Comments:</b> | <p>1) Reject of Location Updating with the cause Location Area is not allowed.</p> <p>MS shall</p> <ol style="list-style-type: none"><li>2) not perform periodic updating</li><li>3) not perform paging with TMSI</li><li>4) reject any request from CM entity for MM connection other than for emergency call.</li><li>5) not perform IMSI detach when switched off.</li><li>6) delete list of forbidden LAs after switch off and perform normal location updating</li><li>7) perform normal location updating after entering in a new Location Area.</li></ol> |

| Test Case Dynamic Behaviour |            |                                                                                                                                                                                                                                                                                                                                                                                                                                                                                                                                                                         |                                                                         |     |          |
|-----------------------------|------------|-------------------------------------------------------------------------------------------------------------------------------------------------------------------------------------------------------------------------------------------------------------------------------------------------------------------------------------------------------------------------------------------------------------------------------------------------------------------------------------------------------------------------------------------------------------------------|-------------------------------------------------------------------------|-----|----------|
| <b>Test Case Name:</b>      |            | TC_26_7_4_2_4_1                                                                                                                                                                                                                                                                                                                                                                                                                                                                                                                                                         |                                                                         |     |          |
| <b>Group:</b>               |            | GSM_L3_MS_v4200/MM/                                                                                                                                                                                                                                                                                                                                                                                                                                                                                                                                                     |                                                                         |     |          |
| <b>Purpose:</b>             |            | Test purpose 1                                                                                                                                                                                                                                                                                                                                                                                                                                                                                                                                                          |                                                                         |     |          |
| <b>Default:</b>             |            | OtherEventsFail                                                                                                                                                                                                                                                                                                                                                                                                                                                                                                                                                         |                                                                         |     |          |
| <b>Comments:</b>            |            | <p>This testcase includes only the procedure of part 1 of GSM 11.10-1, section 26.7.4.2.4.</p> <p>Initial Conditions of MS:<br/>The MS has valid TMSI, CKSN and Kc.It is "idle updated" on cell B.</p> <p>Foreseen final state of the MS:<br/>The MS has no valid TMSI and no CKSN. It is "idle updated" on cell A.</p>                                                                                                                                                                                                                                                 |                                                                         |     |          |
| Nr                          | Label      | Behaviour Description                                                                                                                                                                                                                                                                                                                                                                                                                                                                                                                                                   | CRef                                                                    | V   | Comments |
| 1                           |            | START T_guard(720)                                                                                                                                                                                                                                                                                                                                                                                                                                                                                                                                                      |                                                                         |     |          |
| 2                           |            | +IdleUpdated( C_E_default, C_CellB, C_SCH_B, C_BCCH_B_1, C_Immass, C_S0, C_SlotNU, C_SlotNU, C_SlotNU, C_BCC, C_TxInt_5, C_Max_1, C_NECI_0, C_ATT_1, TimingAdv( 30), C_BABR_0, C_cch_1Comb, C_BPM_3, C_T3212_1, C_ci_cellB, C_MCC_1, C_PLMN_2, C_LAC_2, CellOpt_01, CellChDes_04, CellChDes_03, C_CellReselectHys12, C_MaxPwrLvIG, C_MaxPwrLvID, BcchFreqLst_01, BcchFreqLst_Omit, BcchFreqLst_48, BcchFreqLst_Omit, C_noRestablishment, C_BCC, C_NCC, C_Start_Tmsi, TSPX_SDCCH4SubDef, TSPX_CKSNDf, TSPX_RANDDef, C_arfcnB, C_arfcnBd, TSPX_IMSI, C_Test_fh, C_NCCP_2) |                                                                         |     |          |
| 3                           |            | +StartCellA( C_E_neighbourdefault, C_Immass, TCV_slot, TCV_tsc, TimingAdv( 30), C_TxInt_5, C_Max_1, C_NECI_0, C_ATT_1, C_BABR_0, C_cch_1Comb, C_BPM_3, C_T3212_1, C_MCC_1, C_PLMN_2, C_LAC_1, CellChDes_04, CellChDes_03, BcchFreqLst_01, BcchFreqLst_48, C_noRestablishment)                                                                                                                                                                                                                                                                                           |                                                                         |     |          |
| 4                           | body       | +Switchcell( C_CellB, C_CellA, C_LAC_1, TSPX_SDCCH4SubDef, TSPX_CKSNDf, TSPX_RANDDef, C_arfcnA, C_arfcnAd, TCV_Ccd0A, TSPX_IMSI)                                                                                                                                                                                                                                                                                                                                                                                                                                        |                                                                         |     |          |
| 5                           |            | +MM_LupRej( C_rc_roamingnot, C_normal_updating, TimingAdv( 30))                                                                                                                                                                                                                                                                                                                                                                                                                                                                                                         |                                                                         |     | 1)       |
| 6                           |            | +NoReaction( 420000)                                                                                                                                                                                                                                                                                                                                                                                                                                                                                                                                                    |                                                                         |     | 2)       |
| 7                           |            | +MM_PwrOrSimOff( C_SIMIn)                                                                                                                                                                                                                                                                                                                                                                                                                                                                                                                                               |                                                                         |     | 3)       |
| 8                           |            | +MM_PwrOrSimOn( C_SIMIn)                                                                                                                                                                                                                                                                                                                                                                                                                                                                                                                                                |                                                                         |     | 3)       |
| 9                           |            | (TCV_Null := OO_PLMNselModeAuto())                                                                                                                                                                                                                                                                                                                                                                                                                                                                                                                                      |                                                                         |     |          |
| 10                          |            | +MM_LupInit2( C_normal_updating, TimingAdv( 30))                                                                                                                                                                                                                                                                                                                                                                                                                                                                                                                        |                                                                         |     | 3)       |
| 11                          | L_035<br>2 | L!DL_DatRqLupAcp                                                                                                                                                                                                                                                                                                                                                                                                                                                                                                                                                        | LocAcp( TCV_ch, LocUpdtAcp_01( MiMsi_omit, C_MCC_1, C_PLMN_2, TCV_lac)) | (P) | 4)       |
| 12                          |            | +ChanRel_end( TCV_ch)                                                                                                                                                                                                                                                                                                                                                                                                                                                                                                                                                   |                                                                         |     |          |
| <b>Detailed Comments:</b>   |            | <p>1) Reject of Location Updating with the cause Roaming is not allowed.</p> <p>MS shall</p> <p>2) not perform periodic updating</p> <p>3) reset the list of "forbidden location areas for national roaming" when powered down.</p> <p>4) Location Updating Accept with LAI belonging to PLMN2 and without Mobile Identity.</p>                                                                                                                                                                                                                                         |                                                                         |     |          |

### Test Case Dynamic Behaviour

|                        |                                                                                                                                                                                                                                                                                                                                |
|------------------------|--------------------------------------------------------------------------------------------------------------------------------------------------------------------------------------------------------------------------------------------------------------------------------------------------------------------------------|
| <b>Test Case Name:</b> | TC_26_7_4_2_4_2                                                                                                                                                                                                                                                                                                                |
| <b>Group:</b>          | GSM_L3_MS_v4200/MM/                                                                                                                                                                                                                                                                                                            |
| <b>Purpose:</b>        | Test purpose 2<br>To test that if no cell is available, the MS does not answer to paging with TMSI, rejects a request from CM entity except other than emergency calls.                                                                                                                                                        |
| <b>Default:</b>        | OtherEventsFail                                                                                                                                                                                                                                                                                                                |
| <b>Comments:</b>       | This testcase includes only the procedure of part 2 of GSM 11.10-1, section 26.7.4.2.4.<br><br>Initial Conditions of MS:<br>The MS has valid TMSI, CKSN and Kc.It is "idle updated" on cell B.<br><br>Foreseen final state of the MS:<br>The MS has no valid TMSI and no CKSN. It is in the "limited service" state on cell A. |

| Nr | Label | Behaviour Description                                                                                                                                                                                                                                                                                                                                                                                                                                                                                                                                                  | CRef | V | Comments |
|----|-------|------------------------------------------------------------------------------------------------------------------------------------------------------------------------------------------------------------------------------------------------------------------------------------------------------------------------------------------------------------------------------------------------------------------------------------------------------------------------------------------------------------------------------------------------------------------------|------|---|----------|
| 1  |       | START T_guard(360)                                                                                                                                                                                                                                                                                                                                                                                                                                                                                                                                                     |      |   |          |
| 2  |       | +BasicServiceMO(TSPX_MOBscSvcH, TSPX_MOChRateH)                                                                                                                                                                                                                                                                                                                                                                                                                                                                                                                        |      |   |          |
| 3  |       | +IdleUpdated( C_E_default, C_CellB, C_SCH_B, C_BCCH_B_1, C_Immass, C_S0, C_SlotNU, C_SlotNU, C_SlotNU, C_BCC, C_TxInt_5, C_Max_1, C_NECI_0, C_ATT_1, TimingAdv( 30), C_BABR_0, C_cch_1Comb, C_BPM_3, C_T3212_1, C_ci_cellB, C_MCC_1, C_PLMN_2, C_LAC_2, CellOpt_01, CellChDes_04, CellChDes_03, C_CellReselectHys12, C_MaxPwrLvIG, C_MaxPwrLvID, BcchFreqLst_01, BcchFreqLst_Omit, BcchFreqLst_48, BcchFreqLst_Omit, C_noRestablishment, C_BCC, C_NCC, C_Start_Tmsi, TSPX_SDCCH4SubDef, TSPX_CKSNDf, TSPX_RANDDf, C_arfcnB, C_arfcnBd, TSPX_IMSI, C_Test_fh, C_NCCP_2) |      |   |          |
| 4  |       | +StartCellA( C_E_neighbourdefault, C_Immass, TCV_slot, TCV_tsc, TimingAdv( 30), C_TxInt_5, C_Max_1, C_NECI_0, C_ATT_1, C_BABR_0, C_cch_1Comb, C_BPM_3, C_T3212_1, C_MCC_1, C_PLMN_2, C_LAC_1, CellChDes_04, CellChDes_03, BcchFreqLst_01, BcchFreqLst_48, C_noRestablishment)                                                                                                                                                                                                                                                                                          |      |   |          |
| 5  |       | +ltree_body                                                                                                                                                                                                                                                                                                                                                                                                                                                                                                                                                            |      |   |          |
|    |       | <b>ltree_body</b>                                                                                                                                                                                                                                                                                                                                                                                                                                                                                                                                                      |      |   |          |
| 6  |       | +Switchcell( C_CellB, C_CellA, C_LAC_1, TSPX_SDCCH4SubDef, TSPX_CKSNDf, TSPX_RANDDf, C_arfcnA, C_arfcnAd, TCV_Ccd0A, TSPX_IMSI)                                                                                                                                                                                                                                                                                                                                                                                                                                        |      |   |          |
| 7  |       | +MM_LupRej( C_rc_roamingnot, C_normal_updating, TimingAdv( 30))                                                                                                                                                                                                                                                                                                                                                                                                                                                                                                        |      |   | 1)       |
| 8  |       | +Varinit_fix( C_CellB, C_LAC_2, TSPX_SDCCH4SubDef, TSPX_CKSNDf, TSPX_RANDDf, C_arfcnB, C_arfcnBd, TCV_Ccd0B, TSPX_IMSI)                                                                                                                                                                                                                                                                                                                                                                                                                                                |      |   |          |
| 9  |       | +MM_LupRej( C_rc_roamingnot, C_normal_updating, TimingAdv( 30))                                                                                                                                                                                                                                                                                                                                                                                                                                                                                                        |      |   | 2)       |
| 10 |       | +NoReaction( 12000)                                                                                                                                                                                                                                                                                                                                                                                                                                                                                                                                                    |      |   | 4)       |
| 11 |       | +MM_no_paging( Milmsi_01, 3000, TCV_Ccd0B, C_CellB)                                                                                                                                                                                                                                                                                                                                                                                                                                                                                                                    |      |   | 3b)      |
| 12 |       | +Varinit_fix( C_CellA, C_LAC_1, TSPX_SDCCH4SubDef, TSPX_CKSNDf, TSPX_RANDDf, C_arfcnA, C_arfcnAd, TCV_Ccd0A, TSPX_IMSI)                                                                                                                                                                                                                                                                                                                                                                                                                                                |      |   |          |
| 13 |       | +MM_no_paging( Milmsi_01, 3000, TCV_Ccd0A, C_CellA)                                                                                                                                                                                                                                                                                                                                                                                                                                                                                                                    |      |   | 3a)      |
| 14 |       | +MM_no_cmsservices( 3000)                                                                                                                                                                                                                                                                                                                                                                                                                                                                                                                                              |      |   | 4)       |
| 15 |       | +MM_check_ecall1( TimingAdv( 30), Milmsi_01)                                                                                                                                                                                                                                                                                                                                                                                                                                                                                                                           |      |   | 4)       |
| 16 |       | +ChanRel_end( TCV_ch)                                                                                                                                                                                                                                                                                                                                                                                                                                                                                                                                                  |      |   |          |

**Detailed Comments:**

1) Reject of Location Updating with the cause Roaming is not allowed.

MS shall

2) perform normal updating when a new location area is entered.

3a) not respond to paging with TMSI in cell a.

3b) not respond to paging with TMSI in cell b.

4) reject any request from CM entity for MM connection other than for emergency call.

### Test Case Dynamic Behaviour

**Test Case Name:** TC\_26\_7\_4\_2\_4\_3  
**Group:** GSM\_L3\_MS\_v4200/MM/  
**Purpose:** Test purpose 3  
 To test that at least 6 entries can be held in the list of "forbidden location areas for roaming" (the requirement in TS GSM 04.08 is to store at least 10 entries. This is not fully tested by this procedure).  
**Default:** OtherEventsFail  
**Comments:** This testcase includes only the procedure of part 3 of GSM 11.10-1, section 26.7.4.2.4.

Initial Conditions of MS:

The MS has valid TMSI, CKSN and Kc.It is "idle updated" on cell B.

Foreseen final state of the MS:

The MS has no valid TMSI and no CKSN. It is "idle updated" on cell A.

| Nr | Label | Behaviour Description                                                                                                                                                                                                                                                                                                                                                                                                                                                                                                                                                  | CRef | V | Comments |
|----|-------|------------------------------------------------------------------------------------------------------------------------------------------------------------------------------------------------------------------------------------------------------------------------------------------------------------------------------------------------------------------------------------------------------------------------------------------------------------------------------------------------------------------------------------------------------------------------|------|---|----------|
| 1  |       | START T_guard(1020)                                                                                                                                                                                                                                                                                                                                                                                                                                                                                                                                                    |      |   |          |
| 2  |       | +IdleUpdated( C_E_default, C_CellB, C_SCH_B, C_BCCH_B_1, C_Immss, C_S0, C_SlotNU, C_SlotNU, C_SlotNU, C_BCC, C_TxInt_5, C_Max_1, C_NECI_0, C_ATT_1, TimingAdv( 30), C_BABR_0, C_cch_1Comb, C_BPM_3, C_T3212_1, C_ci_cellB, C_MCC_1, C_PLMN_2, C_LAC_2, CellOpt_01, CellChDes_04, CellChDes_03, C_CellReselectHys12, C_MaxPwrLvlG, C_MaxPwrLvlD, BcchFreqLst_01, BcchFreqLst_Omit, BcchFreqLst_48, BcchFreqLst_Omit, C_noRestablishment, C_BCC, C_NCC, C_Start_Tmsi, TSPX_SDCCH4SubDef, TSPX_CKSNDf, TSPX_RANDDef, C_arfcnB, C_arfcnBd, TSPX_IMSI, C_Test_fh, C_NCCP_2) |      |   |          |
| 3  |       | +StartCellA( C_E_neighbourdefault, C_Immss, TCv_slot, TCv_tsc, TimingAdv( 30), C_TxInt_5, C_Max_1, C_NECI_0, C_ATT_1, C_BABR_0, C_cch_1Comb, C_BPM_3, C_T3212_1, C_MCC_1, C_PLMN_2, C_LAC_1, CellChDes_04, CellChDes_03, BcchFreqLst_01, BcchFreqLst_48, C_noRestablishment)                                                                                                                                                                                                                                                                                           |      |   |          |
| 4  | body  | +Switchcell( C_CellB, C_CellA, C_LAC_1, TSPX_SDCCH4SubDef, TSPX_CKSNDf, TSPX_RANDDef, C_arfcnA, C_arfcnAd, TCv_Ccd0A, TSPX_IMSI)                                                                                                                                                                                                                                                                                                                                                                                                                                       |      |   |          |
| 5  |       | +MM_LupRej( C_rc_roamingnot, C_normal_updating, TimingAdv( 30))                                                                                                                                                                                                                                                                                                                                                                                                                                                                                                        |      |   | 1)       |
| 6  |       | +Varinit_fix( C_CellB, C_LAC_2, TSPX_SDCCH4SubDef, TSPX_CKSNDf, TSPX_RANDDef, C_arfcnB, C_arfcnBd, TCv_Ccd0B, TSPX_IMSI)                                                                                                                                                                                                                                                                                                                                                                                                                                               |      |   |          |
| 7  |       | +MM_LupRej( C_rc_roamingnot, C_normal_updating, TimingAdv( 30))                                                                                                                                                                                                                                                                                                                                                                                                                                                                                                        |      |   | 2)       |
| 8  |       | +Varinit_fix( C_CellA, C_LAC_1, TSPX_SDCCH4SubDef, TSPX_CKSNDf, TSPX_RANDDef, C_arfcnA, C_arfcnAd, TCv_Ccd0A, TSPX_IMSI)                                                                                                                                                                                                                                                                                                                                                                                                                                               |      |   |          |
| 9  |       | +ChgLAC_A( C_TxInt_5, C_Max_1, C_NECI_0, C_ATT_1, C_BABR_0, C_cch_1Comb, C_BPM_3, C_T3212_1, C_MCC_1, C_PLMN_2, C_LAC_3)                                                                                                                                                                                                                                                                                                                                                                                                                                               |      |   |          |
| 10 |       | +MM_LupRej( C_rc_roamingnot, C_normal_updating, TimingAdv( 30))                                                                                                                                                                                                                                                                                                                                                                                                                                                                                                        |      |   | 2)       |
| 11 |       | +ltree_continue                                                                                                                                                                                                                                                                                                                                                                                                                                                                                                                                                        |      |   |          |
| 12 |       | <b>ltree_continue</b><br>+Varinit_fix( C_CellB, C_LAC_2, TSPX_SDCCH4SubDef, TSPX_CKSNDf, TSPX_RANDDef, C_arfcnB, C_arfcnBd, TCv_Ccd0B, TSPX_IMSI)                                                                                                                                                                                                                                                                                                                                                                                                                      |      |   |          |
| 13 |       | +ChgLAC_B( C_TxInt_5, C_Max_1, C_NECI_0,                                                                                                                                                                                                                                                                                                                                                                                                                                                                                                                               |      |   |          |



|                                                                       |            |                                                                                                                                                                                                         |  |   |    |
|-----------------------------------------------------------------------|------------|---------------------------------------------------------------------------------------------------------------------------------------------------------------------------------------------------------|--|---|----|
| 14                                                                    |            | C_ATT_1, C_BABR_0, C_cch_1Comb, C_BPM_3,<br>C_T3212_1, C_MCC_1, C_PLMN_2, C_LAC_4)                                                                                                                      |  |   | 2) |
| 15                                                                    |            | +MM_LupRej( C_rc_roamingnot,<br>C_normal_updating, TimingAdv( 30))<br>+ChgLAC_A( C_TxInt_5, C_Max_1, C_NECl_0,<br>C_ATT_1, C_BABR_0, C_cch_1Comb,<br>C_BPM_3, C_T3212_1, C_MCC_1,<br>C_PLMN_2, C_LAC_5) |  |   |    |
| 16                                                                    |            | +MM_LupRej( C_rc_roamingnot,<br>C_normal_updating, TimingAdv( 30))                                                                                                                                      |  |   | 2) |
| 17                                                                    |            | +Varinit_fix( C_CellB, C_LAC_2,<br>TSPX_SDCCH4SubDef, TSPX_CKSNDDef,<br>TSPX_RANDDef, C_arfcnB, C_arfcnBd,<br>TCV_Ccd0B, TSPX_IMSI)                                                                     |  |   |    |
| 18                                                                    |            | +ChgLAC_B( C_TxInt_5, C_Max_1,<br>C_NECl_0, C_ATT_1, C_BABR_0,<br>C_cch_1Comb, C_BPM_3, C_T3212_1,<br>C_MCC_1, C_PLMN_2, C_LAC_6)                                                                       |  |   |    |
| 19                                                                    |            | +MM_LupRej( C_rc_roamingnot,<br>C_normal_updating, TimingAdv( 30))                                                                                                                                      |  |   | 2) |
| 20                                                                    |            | START T_dly( 420000)                                                                                                                                                                                    |  |   | 3) |
| 21                                                                    | L_035<br>3 | ?TIMEOUT T_dly                                                                                                                                                                                          |  | P |    |
| <b>Detailed Comments:</b>                                             |            |                                                                                                                                                                                                         |  |   |    |
| 1) Reject of Location Updating with the cause Roaming is not allowed. |            |                                                                                                                                                                                                         |  |   |    |
| MS shall                                                              |            |                                                                                                                                                                                                         |  |   |    |
| 2) perform normal updating when a new location area is entered.       |            |                                                                                                                                                                                                         |  |   |    |
| 3) not perform periodic updating                                      |            |                                                                                                                                                                                                         |  |   |    |

### Test Case Dynamic Behaviour

|                        |                                                                                                                                                                                                                                                                                                                |
|------------------------|----------------------------------------------------------------------------------------------------------------------------------------------------------------------------------------------------------------------------------------------------------------------------------------------------------------|
| <b>Test Case Name:</b> | TC_26_7_4_2_4_4                                                                                                                                                                                                                                                                                                |
| <b>Group:</b>          | GSM_L3_MS_v4200/MM/                                                                                                                                                                                                                                                                                            |
| <b>Purpose:</b>        | Test purpose 4<br>To test that if a cell of the Home PLMN is available then the MS returns to it in preference to any other available cell.                                                                                                                                                                    |
| <b>Default:</b>        | OtherEventsFail                                                                                                                                                                                                                                                                                                |
| <b>Comments:</b>       | This testcase includes only the procedure of part 4 of GSM 11.10-1, section 26.7.4.2.4.<br><br>Initial Conditions of MS:<br>The MS has valid TMSI, CKSN and Kc.It is "idle updated" on cell A.<br><br>Foreseen final state of the MS:<br>The MS has no valid TMSI and no CKSN. It is "idle updated" on cell C. |

| Nr | Label | Behaviour Description                                                                                                                                                                                                                                                                                                                                                                                                                                                                                                                                             | CRef | V | Comments |
|----|-------|-------------------------------------------------------------------------------------------------------------------------------------------------------------------------------------------------------------------------------------------------------------------------------------------------------------------------------------------------------------------------------------------------------------------------------------------------------------------------------------------------------------------------------------------------------------------|------|---|----------|
| 1  |       | START T_guard(960)                                                                                                                                                                                                                                                                                                                                                                                                                                                                                                                                                |      |   |          |
| 2  |       | +IdleUpdated( 73, C_CellA, C_SCH_A, C_BCCH_A_1, C_Immass, C_S0, C_SlotNU, C_SlotNU, C_SlotNU, C_BCC, C_TxInt_5, C_Max_1, C_NECI_0, C_ATT_1, TimingAdv( 30), C_BABR_0, C_cch_1Comb, C_BPM_3, C_T3212_1, C_ci_cellA, C_MCC_1, C_PLMN_2, C_LAC_1, CellOpt_01, CellChDes_Omit, CellChDes_Omit, C_CellReselectHys12, C_MaxPwrLvlG, C_MaxPwrLvlD, BcchFreqLst_01, BcchFreqLst_01, BcchFreqLst_48, BcchFreqLst_48, C_noRestablishment, C_BCC, C_NCC, C_Start_Tmsi, TSPX_SDCCH4SubDef, TSPX_CKSNDDef, TSPX_RANDDef, C_arfcnA, C_arfcnAd, TSPX_IMSI, C_Test_nfh, C_NCCP_2) |      |   |          |
| 3  |       | +StartCellB_1( C_E_default, C_Immass, TCv_slot, TCv_tsc, TimingAdv( 30), C_ATT_1, C_BABR_0, C_cch_1Comb, C_BPM_3, C_T3212_1, C_MCC_1, C_PLMN_2, C_LAC_2, C_noRestablishment, C_BCC, C_NCC)                                                                                                                                                                                                                                                                                                                                                                        |      |   |          |
| 4  |       | +StartCellC( C_E_neighbourdefault, C_Immass, TCv_slot, TCv_tsc, TimingAdv( 30), C_ATT_1, C_BABR_0, C_cch_1Comb, C_BPM_3, C_T3212_1, C_MCC_1, C_PLMN_2, C_LAC_3, C_noRestablishment, C_BCC, C_NCC)                                                                                                                                                                                                                                                                                                                                                                 |      |   |          |
| 5  |       | +MM_LUPper( C_MCC_1, C_PLMN_2, TCv_lac, C_periodic_updating, TimingAdv( 30))                                                                                                                                                                                                                                                                                                                                                                                                                                                                                      |      |   | 1)       |
| 6  |       | +ChgLAI_C( 1, C_BABR_0, C_cch_1Comb, C_BPM_3, C_T3212_1, C_MCC_1, C_PLMN_Home, C_LAC_3)                                                                                                                                                                                                                                                                                                                                                                                                                                                                           |      |   | 2)       |
| 7  |       | +MM_LUPperrej( C_rc_roamingnot, C_periodic_updating, TimingAdv( 30))                                                                                                                                                                                                                                                                                                                                                                                                                                                                                              |      |   | 3)       |
| 8  |       | +Varinit_fix( C_CellC, C_LAC_3, TSPX_SDCCH4SubDef, TSPX_CKSNDDef, TSPX_RANDDef, C_arfcnC, C_arfcnCd, TCv_Ccd0C, TSPX_IMSI)                                                                                                                                                                                                                                                                                                                                                                                                                                        |      |   |          |
| 9  |       | +MM_LUP3( C_MCC_1, C_PLMN_Home, TCv_lac, C_normal_updating, TimingAdv( 30))                                                                                                                                                                                                                                                                                                                                                                                                                                                                                       |      |   | 4)       |

|                           |                                                                                                                                                                                                        |
|---------------------------|--------------------------------------------------------------------------------------------------------------------------------------------------------------------------------------------------------|
| <b>Detailed Comments:</b> | 1) Periodic Updating in cell A.<br>2) LAI change to HPLMN<br>3) Reject of Periodic Location Updating with the cause Roaming is not allowed in cell A.<br>4) MS shall periodically search to Home PLMN. |
|---------------------------|--------------------------------------------------------------------------------------------------------------------------------------------------------------------------------------------------------|

| Test Case Dynamic Behaviour                                                                                                         |            |                                                                                                                                                                                                                                                                                                                                                                                                                                                                                                                                                                         |                                                                         |     |          |
|-------------------------------------------------------------------------------------------------------------------------------------|------------|-------------------------------------------------------------------------------------------------------------------------------------------------------------------------------------------------------------------------------------------------------------------------------------------------------------------------------------------------------------------------------------------------------------------------------------------------------------------------------------------------------------------------------------------------------------------------|-------------------------------------------------------------------------|-----|----------|
| <b>Test Case Name:</b> TC_26_7_4_2_4_5                                                                                              |            |                                                                                                                                                                                                                                                                                                                                                                                                                                                                                                                                                                         |                                                                         |     |          |
| <b>Group:</b> GSM_L3_MS_v4200/MM/                                                                                                   |            |                                                                                                                                                                                                                                                                                                                                                                                                                                                                                                                                                                         |                                                                         |     |          |
| <b>Purpose:</b> Test purpose 5<br>To test that if the SIM is removed the list of "forbidden location areas for roaming" is cleared. |            |                                                                                                                                                                                                                                                                                                                                                                                                                                                                                                                                                                         |                                                                         |     |          |
| <b>Default:</b> OtherEventsFail                                                                                                     |            |                                                                                                                                                                                                                                                                                                                                                                                                                                                                                                                                                                         |                                                                         |     |          |
| <b>Comments:</b> This testcase includes only the procedure of part 5 of GSM 11.10-1, section 26.7.4.2.4.                            |            |                                                                                                                                                                                                                                                                                                                                                                                                                                                                                                                                                                         |                                                                         |     |          |
| Initial Conditions of MS:<br>The MS has valid TMSI, CKSN and Kc.It is "idle updated" on cell B.                                     |            |                                                                                                                                                                                                                                                                                                                                                                                                                                                                                                                                                                         |                                                                         |     |          |
| Foreseen final state of the MS:<br>The MS has no valid TMSI and no CKSN. It is "idle updated" on cell A.                            |            |                                                                                                                                                                                                                                                                                                                                                                                                                                                                                                                                                                         |                                                                         |     |          |
| Nr                                                                                                                                  | Label      | Behaviour Description                                                                                                                                                                                                                                                                                                                                                                                                                                                                                                                                                   | CRef                                                                    | V   | Comments |
| 1                                                                                                                                   |            | [TSPC_SIMRmv]                                                                                                                                                                                                                                                                                                                                                                                                                                                                                                                                                           |                                                                         |     |          |
| 2                                                                                                                                   |            | START T_guard(720)                                                                                                                                                                                                                                                                                                                                                                                                                                                                                                                                                      |                                                                         |     |          |
| 3                                                                                                                                   |            | +IdleUpdated( C_E_default, C_CellB, C_SCH_B, C_BCCH_B_1, C_Immass, C_S0, C_SlotNU, C_SlotNU, C_SlotNU, C_BCC, C_TxInt_5, C_Max_1, C_NECl_0, C_ATT_1, TimingAdv( 30), C_BABR_0, C_cch_1Comb, C_BPM_3, C_T3212_1, C_ci_cellB, C_MCC_1, C_PLMN_2, C_LAC_2, CellOpt_01, CellChDes_04, CellChDes_03, C_CellReselectHys12, C_MaxPwrLvIG, C_MaxPwrLvID, BcchFreqLst_01, BcchFreqLst_Omit, BcchFreqLst_48, BcchFreqLst_Omit, C_noRestablishment, C_BCC, C_NCC, C_Start_Tmsi, TSPX_SDCCH4SubDef, TSPX_CKSNDf, TSPX_RANDDef, C_arfcnB, C_arfcnBd, TSPX_IMSI, C_Test_fh, C_NCCP_2) |                                                                         |     |          |
| 4                                                                                                                                   |            | +StartCellA( C_E_neighbourdefault, C_Immass, TCV_slot, TCV_tsc, TimingAdv( 30), C_TxInt_5, C_Max_1, C_NECl_0, C_ATT_1, C_BABR_0, C_cch_1Comb, C_BPM_3, C_T3212_1, C_MCC_1, C_PLMN_2, C_LAC_1, CellChDes_04, CellChDes_03, BcchFreqLst_01, BcchFreqLst_48, C_noRestablishment)                                                                                                                                                                                                                                                                                           |                                                                         |     |          |
| 5                                                                                                                                   | body       | +Switchcell( C_CellB, C_CellA, C_LAC_1, TSPX_SDCCH4SubDef, TSPX_CKSNDf, TSPX_RANDDef, C_arfcnA, C_arfcnAd, TCV_Ccd0A, TSPX_IMSI)                                                                                                                                                                                                                                                                                                                                                                                                                                        |                                                                         |     |          |
| 6                                                                                                                                   |            | +MM_LupRej( C_rc_roamingnot, C_normal_updating, TimingAdv( 30))                                                                                                                                                                                                                                                                                                                                                                                                                                                                                                         |                                                                         |     | 1)       |
| 7                                                                                                                                   |            | +NoReaction( 420000)                                                                                                                                                                                                                                                                                                                                                                                                                                                                                                                                                    |                                                                         |     |          |
| 8                                                                                                                                   |            | +ImsiDetachNoReaction( 3000, C_SIMneedRmv)                                                                                                                                                                                                                                                                                                                                                                                                                                                                                                                              |                                                                         |     | 2)       |
| 9                                                                                                                                   |            | +MM_PwrOrSimOn( C_SIMneedRmv)                                                                                                                                                                                                                                                                                                                                                                                                                                                                                                                                           |                                                                         |     | 3)       |
| 10                                                                                                                                  |            | +MM_LupInit2( C_normal_updating, TimingAdv( 30))                                                                                                                                                                                                                                                                                                                                                                                                                                                                                                                        |                                                                         |     | 4)       |
| 11                                                                                                                                  | L_035<br>4 | L!DL_DatRqLupAcp                                                                                                                                                                                                                                                                                                                                                                                                                                                                                                                                                        | LocAcp( TCV_ch, LocUpdtAcp_01( MiMsi_omit, C_MCC_1, C_PLMN_1, TCV_lac)) | (P) | no MI    |
| 12                                                                                                                                  |            | +ChanRel_end( TCV_ch)                                                                                                                                                                                                                                                                                                                                                                                                                                                                                                                                                   |                                                                         |     |          |
| 13                                                                                                                                  | L_035<br>5 | [NOT TSPC_SIMRmv]                                                                                                                                                                                                                                                                                                                                                                                                                                                                                                                                                       |                                                                         | I   |          |
| <b>Detailed Comments:</b>                                                                                                           |            |                                                                                                                                                                                                                                                                                                                                                                                                                                                                                                                                                                         |                                                                         |     |          |
| 1) Reject of Location Updating in cell B.                                                                                           |            |                                                                                                                                                                                                                                                                                                                                                                                                                                                                                                                                                                         |                                                                         |     |          |
| 2) The SIM is removed.                                                                                                              |            |                                                                                                                                                                                                                                                                                                                                                                                                                                                                                                                                                                         |                                                                         |     |          |
| 3) The SIM is inserted                                                                                                              |            |                                                                                                                                                                                                                                                                                                                                                                                                                                                                                                                                                                         |                                                                         |     |          |
| 4) The MS shall reset the list of "forbidden location areas for roaming" when SIM is removed.                                       |            |                                                                                                                                                                                                                                                                                                                                                                                                                                                                                                                                                                         |                                                                         |     |          |

| Test Case Dynamic Behaviour                                                                                                                                                                                                                                                                                             |            |                                                                                                                                                                                                                                                                                                                                                                                                                                                                                                                                                                           |                      |     |                     |
|-------------------------------------------------------------------------------------------------------------------------------------------------------------------------------------------------------------------------------------------------------------------------------------------------------------------------|------------|---------------------------------------------------------------------------------------------------------------------------------------------------------------------------------------------------------------------------------------------------------------------------------------------------------------------------------------------------------------------------------------------------------------------------------------------------------------------------------------------------------------------------------------------------------------------------|----------------------|-----|---------------------|
| <b>Test Case Name:</b> TC_26_7_4_3_1                                                                                                                                                                                                                                                                                    |            |                                                                                                                                                                                                                                                                                                                                                                                                                                                                                                                                                                           |                      |     |                     |
| <b>Group:</b> GSM_L3_MS_v4200/MM/                                                                                                                                                                                                                                                                                       |            |                                                                                                                                                                                                                                                                                                                                                                                                                                                                                                                                                                           |                      |     |                     |
| <b>Purpose:</b> To verify that when during the RR connection establishment phase of a location updating procedure, channel requests are not answered by the network, after expiry of T3213 (= 4s in Phase 2) and when the cell reselection procedure is finished the complete procedure is repeated if still necessary. |            |                                                                                                                                                                                                                                                                                                                                                                                                                                                                                                                                                                           |                      |     |                     |
| <b>Default:</b> OtherEventsFail                                                                                                                                                                                                                                                                                         |            |                                                                                                                                                                                                                                                                                                                                                                                                                                                                                                                                                                           |                      |     |                     |
| <b>Comments:</b> Initial Conditions of MS:<br>The MS has valid TMSI, CKSN and Kc.It is "idle updated" on cell B.<br><br>Foreseen final state of the MS:<br>The MS has no valid TMSI and no CKSN. It is "idle updated" on cell A.                                                                                        |            |                                                                                                                                                                                                                                                                                                                                                                                                                                                                                                                                                                           |                      |     |                     |
| Nr                                                                                                                                                                                                                                                                                                                      | Label      | Behaviour Description                                                                                                                                                                                                                                                                                                                                                                                                                                                                                                                                                     | CRef                 | V   | Comments            |
| 1                                                                                                                                                                                                                                                                                                                       |            | START T_guard(300)                                                                                                                                                                                                                                                                                                                                                                                                                                                                                                                                                        |                      |     |                     |
| 2                                                                                                                                                                                                                                                                                                                       |            | +IdleUpdated( C_E_default, C_CellB, C_SCH_B, C_BCCH_B_1, C_Immass, C_S0, C_SlotNU, C_SlotNU, C_SlotNU, C_BCC, C_TxInt_5, C_Max_1, C_NECI_0, C_ATT_0, TimingAdv( 30), C_BABR_0, C_cch_1Comb, C_BPM_3, C_T3212_0, C_ci_cellB, C_MCC_1, C_PLMN_1, C_LAC_2, CellOpt_01, CellChDes_04, CellChDes_03, C_CellReselectHys12, C_MaxPwrLvlG, C_MaxPwrLvlD, BcchFreqLst_01, BcchFreqLst_Omit, BcchFreqLst_48, BcchFreqLst_Omit, C_noRestablishment, C_BCC, C_NCC, C_Start_Tmsi, TSPX_SDCCH4SubDef, TSPX_CKSNDDef, TSPX_RANDDef, C_arfcnB, C_arfcnBd, TSPX_IMSI, C_Test_fh, C_NCCP_2) |                      |     |                     |
| 3                                                                                                                                                                                                                                                                                                                       |            | +StartCellA( C_E_neighbourdefault, C_Immass, TCV_slot, TCV_tsc, TimingAdv( 30), C_TxInt_5, C_Max_1, C_NECI_0, C_ATT_0, C_BABR_0, C_cch_1Comb, C_BPM_3, C_T3212_0, C_MCC_1, C_PLMN_1, C_LAC_1, CellChDes_02, CellChDes_03, BcchFreqLst_01, BcchFreqLst_48, C_noRestablishment)                                                                                                                                                                                                                                                                                             |                      |     |                     |
| 4                                                                                                                                                                                                                                                                                                                       | body       | +Switchcell( C_CellB, C_CellA, C_LAC_1, TSPX_SDCCH4SubDef, TSPX_CKSNDDef, TSPX_RANDDef, C_arfcnA, C_arfcnAd, TCV_Ccd0A, TSPX_IMSI)                                                                                                                                                                                                                                                                                                                                                                                                                                        |                      |     | 1)                  |
| 5                                                                                                                                                                                                                                                                                                                       |            | (TCV_Cnt:=0)                                                                                                                                                                                                                                                                                                                                                                                                                                                                                                                                                              |                      |     |                     |
| 6                                                                                                                                                                                                                                                                                                                       |            | REPEAT ltree_ra UNTIL [TCV_Cnt = (TSPX_MaxRetrans+1)]                                                                                                                                                                                                                                                                                                                                                                                                                                                                                                                     |                      |     | 2)                  |
| 7                                                                                                                                                                                                                                                                                                                       |            | START T_dly( 4000)                                                                                                                                                                                                                                                                                                                                                                                                                                                                                                                                                        |                      |     |                     |
| 8                                                                                                                                                                                                                                                                                                                       | L_035<br>6 | ?TIMEOUT T_dly                                                                                                                                                                                                                                                                                                                                                                                                                                                                                                                                                            |                      | (P) | 3)                  |
| 9                                                                                                                                                                                                                                                                                                                       |            | +MM_LUP_imsi( 5000, MiMsi_omit, MiTmsi_01, C_MCC_1, C_PLMN_1, C_LAC_2, TCV_lac, C_normal_updating, TimingAdv( 30))                                                                                                                                                                                                                                                                                                                                                                                                                                                        |                      |     | 4)<br>4+0s to 4+5 s |
| 10                                                                                                                                                                                                                                                                                                                      |            | +Switchcell( C_CellA, C_CellB, C_LAC_2, TSPX_SDCCH4SubDef, TSPX_CKSNDDef, TSPX_RANDDef, C_arfcnB, C_arfcnBd, TCV_Ccd0B, TSPX_IMSI)                                                                                                                                                                                                                                                                                                                                                                                                                                        |                      |     | 5)                  |
| 11                                                                                                                                                                                                                                                                                                                      |            | (TCV_Cnt := 0)                                                                                                                                                                                                                                                                                                                                                                                                                                                                                                                                                            |                      |     |                     |
| 12                                                                                                                                                                                                                                                                                                                      |            | REPEAT ltree_ra UNTIL [TCV_Cnt = (TSPX_MaxRetrans+1)]                                                                                                                                                                                                                                                                                                                                                                                                                                                                                                                     |                      |     | 6)                  |
| 13                                                                                                                                                                                                                                                                                                                      |            | +Switchcell( C_CellB, C_CellA, C_LAC_1, TSPX_SDCCH4SubDef, TSPX_CKSNDDef, TSPX_RANDDef, C_arfcnA, C_arfcnAd, TCV_Ccd0A, TSPX_IMSI)                                                                                                                                                                                                                                                                                                                                                                                                                                        |                      |     | 7)                  |
| 14                                                                                                                                                                                                                                                                                                                      |            | +NoReaction( 6000)                                                                                                                                                                                                                                                                                                                                                                                                                                                                                                                                                        |                      |     | 8)                  |
| 15                                                                                                                                                                                                                                                                                                                      |            | <b>ltree_ra</b><br>L?DL_RaInChRq (TCV_Rr := DL_RaInChRq, msg.ecau_rrf, TCV_Fn := DL_RaInChRq.fn, TCV_Cnt := TCV_Cnt + 1)                                                                                                                                                                                                                                                                                                                                                                                                                                                  | ChReq( ChRequest_09) |     |                     |

**Detailed Comments:**

- 1) MS shall select cell A, cell B is not available.
- 2) To send Max-Retrans+1 times Channel Requests in cell A
- 3) MS shall not try to establish a connection during a period of a cell reselection (4 seconds).
- 4) MS shall perform a normal location updating procedure as it is necessary. The time difference between the channel request in the test step and the last channel request in the ltree\_ra shall be in the range of 4-9 seconds.
- 5) Cell A is not available and MS shall switch to cell B
- 6) To send Max-Retrans+1 times Channel Requests in cell B
- 7) Cell A is available again.
- 8) MS shall not repeat the complete procedure if the original cause of the normal location updating procedure has disappeared.

| <b>Test Case Dynamic Behaviour</b> |                                                                                                                                                                                                                                                                                                                                                                                                                                                                                                                                                                             |
|------------------------------------|-----------------------------------------------------------------------------------------------------------------------------------------------------------------------------------------------------------------------------------------------------------------------------------------------------------------------------------------------------------------------------------------------------------------------------------------------------------------------------------------------------------------------------------------------------------------------------|
| <b>Test Case Name:</b>             | TC_26_7_4_3_2                                                                                                                                                                                                                                                                                                                                                                                                                                                                                                                                                               |
| <b>Group:</b>                      | GSM_L3_MS_v4200/MM/                                                                                                                                                                                                                                                                                                                                                                                                                                                                                                                                                         |
| <b>Purpose:</b>                    | To verify that the MS performs normal location updating procedures when its attempt counter is smaller than 4. To check that the MS does not perform the IMSI detach procedure when "idle not updated". To verify that when "idle not updated" the MS can perform an emergency call. To verify that when "idle not updated" the MS uses requests from CM layer other than emergency call as triggering of a normal location updating procedure. To verify that the MS performs a normal location updating procedure if it enters a new cell while being "idle not updated". |
| <b>Default:</b>                    | OtherEventsFail                                                                                                                                                                                                                                                                                                                                                                                                                                                                                                                                                             |
| <b>Comments:</b>                   | Initial Conditions of MS:<br>The MS has valid TMSI and CKSN. It is "idle updated" on cell A.<br><br>Foreseen final state of the MS:<br>The MS has valid TMSI and CKSN. It is "idle updated" on cell A.                                                                                                                                                                                                                                                                                                                                                                      |

| Nr | Label | Behaviour Description                                                                                                                                                                                                                                                                                                                                                                                                                                                                                                                                                      | CRef | V | Comments  |
|----|-------|----------------------------------------------------------------------------------------------------------------------------------------------------------------------------------------------------------------------------------------------------------------------------------------------------------------------------------------------------------------------------------------------------------------------------------------------------------------------------------------------------------------------------------------------------------------------------|------|---|-----------|
| 1  |       | START T_guard( 540)                                                                                                                                                                                                                                                                                                                                                                                                                                                                                                                                                        |      |   |           |
| 2  |       | +IdleUpdated( C_E_default, C_CellA, C_SCH_A, C_BCCH_A_1, C_ImmMass, C_S0, C_SlotNU, C_SlotNU, C_SlotNU, C_BCC, C_TxInt_5, C_Max_1, C_NECI_0, C_ATT_1, TimingAdv( 30), C_BABR_0, C_cch_1Comb, C_BPM_3, C_T3212_0, C_ci_cellA, C_MCC_1, C_PLMN_1, C_LAC_1, CellOpt_01, CellChDes_02, CellChDes_03, C_CellReselectHys12, C_MaxPwrLvlG, C_MaxPwrLvlD, BcchFreqLst_01, BcchFreqLst_Omit, BcchFreqLst_48, BcchFreqLst_Omit, C_noReestablishment, C_BCC, C_NCC, C_Start_Tmsi, TSPX_SDCCH4SubDef, TSPX_CKSNDef, TSPX_RANDDef, C_arfcnA, C_arfcnAd, TSPX_IMSI, C_Test_fh, C_NCCP_2) |      |   |           |
| 3  |       | +StartCellB( C_E_neighbourdefault, C_arfcnB, C_arfcnBd, C_ImmMass, TCV_slot, TCV_tsc, TimingAdv( 30), C_TxInt_5, C_Max_1, C_NECI_0, C_ATT_1, C_BABR_0, C_cch_1Comb, C_BPM_3, C_T3212_0, C_MCC_1, C_PLMN_1, C_LAC_2, CellChDes_04, CellChDes_03, BcchFreqLst_01, BcchFreqLst_48, C_noReestablishment, C_BCC, C_NCC)                                                                                                                                                                                                                                                         |      |   |           |
| 4  | body  | +ltree_confreq1                                                                                                                                                                                                                                                                                                                                                                                                                                                                                                                                                            |      |   | 1.        |
| 5  |       | +ltree_confreq2                                                                                                                                                                                                                                                                                                                                                                                                                                                                                                                                                            |      |   | 2.        |
| 6  |       | +ltree_confreq3                                                                                                                                                                                                                                                                                                                                                                                                                                                                                                                                                            |      |   | 3.        |
| 7  |       | +ltree_confreq4                                                                                                                                                                                                                                                                                                                                                                                                                                                                                                                                                            |      |   | 4.        |
| 8  |       | +ltree_confreq6                                                                                                                                                                                                                                                                                                                                                                                                                                                                                                                                                            |      |   | 6.        |
| 9  |       | <b>ltree_confreq1</b><br>+Switchcell( C_CellA, C_CellB, C_LAC_2, TSPX_SDCCH4SubDef, TSPX_CKSNDef, TSPX_RANDDef, C_arfcnB, C_arfcnBd, TCV_Ccd0B, TSPX_IMSI)                                                                                                                                                                                                                                                                                                                                                                                                                 |      |   |           |
| 10 |       | +MM_LupRej2( C_rc_protocolerror, MiTmsi_01, C_MCC_1, C_PLMN_1, C_LAC_1, C_normal_updating, TCV_cks, TimingAdv( 30))                                                                                                                                                                                                                                                                                                                                                                                                                                                        |      |   | 1.1.      |
| 11 |       | +NoReaction( C_T_T3211min)                                                                                                                                                                                                                                                                                                                                                                                                                                                                                                                                                 |      |   | 1.2.      |
| 12 |       | +MM_LupAndStop( Milmsi_01, C_MCC_1, C_PLMN_1, C_lacdeleted, C_normal_updating, C_cks_nokey, TimingAdv( 30), TCV_sacch_B, C_T_T3211min)                                                                                                                                                                                                                                                                                                                                                                                                                                     |      |   | In cell B |
| 13 |       | +MM_LupInit( Milmsi_01, C_MCC_1, C_PLMN_1, C_lacdeleted, C_normal_updating, C_cks_nokey, TimingAdv( 30))                                                                                                                                                                                                                                                                                                                                                                                                                                                                   |      |   | 1.2.      |
| 14 |       | +ChanRel(TCV_ch)                                                                                                                                                                                                                                                                                                                                                                                                                                                                                                                                                           |      |   |           |
| 15 |       | +NoReaction( C_T_T3211min)                                                                                                                                                                                                                                                                                                                                                                                                                                                                                                                                                 |      |   |           |
| 16 |       | +MM_LUPAuth2( MiTmsi_01iei, Milmsi_01, C_MCC_1, C_PLMN_1, C_lacdeleted, TCV_lac, C_normal_updating, C_cks_nokey, TCV_cks, TSPX_RANDDef, TimingAdv( 30))                                                                                                                                                                                                                                                                                                                                                                                                                    |      |   | 1.2.      |

|    |                                                                                                                                                                          |     |           |
|----|--------------------------------------------------------------------------------------------------------------------------------------------------------------------------|-----|-----------|
| 17 | +ChanRel(TCV_ch)                                                                                                                                                         |     |           |
| 18 | <b>ltree_confreq2</b><br>+Switchcell( C_CellB, C_CellA, C_LAC_1,<br>TSPX_SDCCH4SubDef, TSPX_CKSNDDef,<br>TSPX_RANDDef, C_arfcnA, C_arfcnAd, TCV_Ccd0A,<br>TSPX_IMSI)     |     |           |
| 19 | +MM_LupRej2( C_rc_conditIError, MiTmsi_01,<br>C_MCC_1, C_PLMN_1, C_LAC_2,<br>C_normal_updating, TCV_cksn, TimingAdv( 30))                                                |     | 1.2.      |
| 20 | (TCV_Null:=OM_PgFill( C_CellA, PgReqTp1_30(<br>MiTmsi_01)))                                                                                                              |     |           |
| 21 | START T_dly( 8000)                                                                                                                                                       |     |           |
| 22 | (TCV_Null := FALSE)                                                                                                                                                      |     |           |
| 23 | REPEAT ltree_wait_or_Rej UNTIL<br>[TCV_Null]                                                                                                                             |     |           |
| 24 | +ltree2_send                                                                                                                                                             |     |           |
| 25 | <b>ltree2_send</b><br>(TCV_Null:=OM_PgFill( C_CellA, PgReqTp1Norm))                                                                                                      |     |           |
| 26 | START T_dly( 12000)                                                                                                                                                      |     |           |
| 27 | (TCV_Null := FALSE)                                                                                                                                                      |     |           |
| 28 | REPEAT ltree_wait_or_Rej UNTIL [TCV_Null]                                                                                                                                |     |           |
| 29 | +lmsiDetachNoReaction( 30000,<br>C_SIMneedRmv)                                                                                                                           |     |           |
| 30 | +MM_PwrOrSimOn(C_SIMneedRmv)                                                                                                                                             |     |           |
| 31 | +MM_LUPauth2( MiTmsi_01iei,<br>Milmsi_01, C_MCC_1, C_PLMN_1,<br>C_lacdeleted, TCV_lac,<br>C_normal_updating, C_cksn_nokey,<br>TCV_cksn, TSPX_RANDDef, TimingAdv(<br>30)) |     |           |
| 32 | +ChanRel(TCV_ch)                                                                                                                                                         |     |           |
| 33 | <b>ltree_wait_or_Rej</b><br>L_035 ?TIMEOUT T_dly<br>7                                                                                                                    | (P) |           |
| 34 | (TCV_Null := TRUE)                                                                                                                                                       |     |           |
| 35 | +MM_LupRej( C_rc_conditIError,<br>C_normal_updating, TimingAdv( 30))                                                                                                     |     | 2.3.      |
| 36 | <b>ltree_confreq3</b><br>+Switchcell( C_CellA, C_CellB, C_LAC_2,<br>TSPX_SDCCH4SubDef, TSPX_CKSNDDef,<br>TSPX_RANDDef, C_arfcnB, C_arfcnBd, TCV_Ccd0B,<br>TSPX_IMSI)     |     |           |
| 37 | +MM_LupAuthRpt( MiTmsi_01, C_MCC_1,<br>C_PLMN_1, C_LAC_1, C_normal_updating,<br>TCV_cksn, TSPX_RANDDef, TimingAdv( 30))                                                  |     |           |
| 38 | +NoReaction( 3000)                                                                                                                                                       |     |           |
| 39 | +MM_check_ecall2( Milmsi_01, C_cksn_nokey,<br>TimingAdv( 30))                                                                                                            |     | 3.2.      |
| 40 | START T_dly( 15000)                                                                                                                                                      |     |           |
| 41 | L_035 ?TIMEOUT T_dly<br>8                                                                                                                                                | (F) | 3.3.      |
| 42 | +ChanRel(TCV_ch)                                                                                                                                                         |     |           |
| 43 | +MM_LUPauth2( MiTmsi_01iei, Milmsi_01,<br>C_MCC_1, C_PLMN_1, C_lacdeleted,<br>TCV_lac, C_normal_updating,<br>C_cksn_nokey, TCV_cksn,<br>TSPX_RANDDef, TimingAdv( 30))    |     |           |
| 44 | +ChanRel(TCV_ch)                                                                                                                                                         |     |           |
| 45 | <b>ltree_confreq4</b><br>+Switchcell( C_CellB, C_CellA, C_LAC_1,<br>TSPX_SDCCH4SubDef, TSPX_CKSNDDef,<br>TSPX_RANDDef, C_arfcnA, C_arfcnAd, TCV_Ccd0A,<br>TSPX_IMSI)     |     |           |
| 46 | +MM_LupAndStop( MiTmsi_01, C_MCC_1,<br>C_PLMN_1, C_LAC_2, C_normal_updating,                                                                                             |     | In cell A |

|    |            |                                                                                                                                                                       |                                                                                                                                                  |                         |
|----|------------|-----------------------------------------------------------------------------------------------------------------------------------------------------------------------|--------------------------------------------------------------------------------------------------------------------------------------------------|-------------------------|
| 47 |            | TCV_cksn, TimingAdv( 30), TCV_sacch, 0)<br>+BasicServiceMO( TSPX_MOBscSvcD,<br>TSPX_MOChRateD)                                                                        |                                                                                                                                                  |                         |
| 48 |            | +InitCall(TCV_Service)                                                                                                                                                |                                                                                                                                                  |                         |
| 49 |            | +MM_LUP2( MiTmsi_01iei, Milmsi_01,<br>C_MCC_1, C_PLMN_1, C_lacdeleted,<br>TCV_lac, C_normal_updating,<br>C_cksn_nokey, TimingAdv( 30))                                |                                                                                                                                                  | 4.2.                    |
| 50 |            | START T_dly( 10000)                                                                                                                                                   |                                                                                                                                                  | 4.3.                    |
| 51 | L_035<br>9 | ?TIMEOUT T_dly                                                                                                                                                        | (P)                                                                                                                                              |                         |
| 52 |            | L?DL_RaInChRq (TCV_Rr :=<br>DL_RaInChRq.msg.ecau_rrf, TCV_Fn<br>:= DL_RaInChRq.fn)                                                                                    | ChReq(<br>ChRequest_02)                                                                                                                          | 4.3.                    |
| 53 |            | ACTIVATE( OtherEventsFail_02)                                                                                                                                         |                                                                                                                                                  | To match ChReq retrans. |
| 54 |            | CANCEL T_dly                                                                                                                                                          |                                                                                                                                                  |                         |
| 55 |            | L!DL_UdatRqImmss                                                                                                                                                      | ImmAss( TCV_agch,<br>ImmAsgn_01Def(<br>TCV_Rr, TCV_Fn,<br>TSPX_SDCCH4SubD<br>ef, TCV_slot,<br>TCV_tsc,<br>TCV_chdescr_arfcn,<br>TimingAdv( 30))) |                         |
| 56 | L_036<br>0 | L?DL_EstInCmsRq                                                                                                                                                       | CMSerReq(<br>CMServiceReq_32(<br>MiTmsi_01,<br>C_cksn_nokey))                                                                                    | (P)                     |
| 57 |            | ACTIVATE( OtherEventsFail)                                                                                                                                            |                                                                                                                                                  | Restore Normal default  |
| 58 |            | +ChanRel( TCV_ch)                                                                                                                                                     |                                                                                                                                                  |                         |
| 59 |            | <b>ltree_confreq6</b><br>+Switchcell( C_CellA, C_CellB, C_LAC_2,<br>TSPX_SDCCH4SubDef, TSPX_CKSNDf,<br>TSPX_RANDDef, C_arfcnB, C_arfcnBd, TCV_Ccd0B,<br>TSPX_IMSI)    |                                                                                                                                                  |                         |
| 60 |            | +MM_Luplnit( MiTmsi_01, C_MCC_1, C_PLMN_1,<br>C_LAC_1, C_normal_updating, C_cksn_nokey,<br>TimingAdv( 30))                                                            |                                                                                                                                                  |                         |
| 61 |            | L!DL_DatRqChRel START T_dly(<br>C_T_T3211plus)                                                                                                                        | ChRel( TCV_ch,<br>ChRelease_01)                                                                                                                  |                         |
| 62 | L_036<br>1 | L?DL_RelIn                                                                                                                                                            | DLRelInd_01                                                                                                                                      | (P)                     |
| 63 |            | +Switchcell( C_CellB, C_CellA, C_LAC_1,<br>TSPX_SDCCH4SubDef, TSPX_CKSNDf,<br>TSPX_RANDDef, C_arfcnA, C_arfcnAd,<br>TCV_Ccd0A, TSPX_IMSI)                             |                                                                                                                                                  |                         |
| 64 |            | +MM_LUPauth2( MiTmsi_01iei, Milmsi_01,<br>C_MCC_1, C_PLMN_1, C_lacdeleted,<br>TCV_lac, C_normal_updating,<br>C_cksn_nokey, TCV_cksn,<br>TSPX_RANDDef, TimingAdv( 30)) |                                                                                                                                                  | 6.2.                    |
| 65 |            | +ChanRel_end(TCV_ch)                                                                                                                                                  |                                                                                                                                                  |                         |
| 66 | L_036<br>2 | ?TIMEOUT T_dly                                                                                                                                                        |                                                                                                                                                  | (F) 6.1.                |

**Detailed Comments:**

1. Test of Conformance Requirement 1
  - 1.1. Reject of Location Updating in cell B
  - 1.2. MS shall wait the period of T3211 and restart the normal location updating procedure when the attempt counter is smaller than 4.
  - 1.3. Radio Link Failure extends the period of delay for next location updating.
2. Test of Conformance Requirement 2
  - 2.1. Reject of Location Updating in cell A
  - 2.2. MS shall not answer to paging
  - 2.3. All of location updating requests shall be rejected.
  - 2.4. MS shall not perform the IMSI detach procedure.
3. Test of Conformance Requirement 3
  - 3.1. Failure during Location Updating in cell A
  - 3.2. MS shall support emergency call.



3.3. MS shall wait at most 15 sec. for location updating

4. Test of Conformance Requirement 4

4.1. Failure during Location Updating Procedure

4.2. MS shall use a request from Cm entity other than emergency call as a trigger for a normal location updating procedure.

4.3. After the Location Updating Procedure MS can (optional) start automatically the Cm entity service again. It is optional and shall be observed only 15 sec.

6. Test of Conformance Requirement 6

6.1. Failure during Location Updating Procedure

6.2. MS shall start the location Updating Procedure as soon as it enters a new cell.

### Test Case Dynamic Behaviour

|                        |                                                                                                                                                                                                                                                                                                                                                                                                                              |
|------------------------|------------------------------------------------------------------------------------------------------------------------------------------------------------------------------------------------------------------------------------------------------------------------------------------------------------------------------------------------------------------------------------------------------------------------------|
| <b>Test Case Name:</b> | TC_26_7_4_3_3                                                                                                                                                                                                                                                                                                                                                                                                                |
| <b>Group:</b>          | GSM_L3_MS_v4200/MM/                                                                                                                                                                                                                                                                                                                                                                                                          |
| <b>Purpose:</b>        | To verify that the MS performs normal location updating after T3212 expiry when its attempt counter has reached value 4 and that the MS reset its attempt counter after a timer T3212 expiry.<br>To verify that the MS still follows the MM-IDLE ATTEMPTING TO UPDATE state requirements after its attempt counter has reached value 4.<br>To verify that the attempt counter is reset in the cases where it has to be done. |
| <b>Default:</b>        | OtherEventsFail                                                                                                                                                                                                                                                                                                                                                                                                              |
| <b>Comments:</b>       | Initial Conditions of MS:<br>The MS has valid TMSI and CKSN. It is "idle updated" on cell B.<br><br>Foreseen final state of the MS:<br>The MS has valid TMSI and CKSN. It is "idle updated" on cell A.                                                                                                                                                                                                                       |

| Nr | Label | Behaviour Description                                                                                                                                                                                                                                                                                                                                                                                                                                                                                                                                                     | CRef | V | Comments |
|----|-------|---------------------------------------------------------------------------------------------------------------------------------------------------------------------------------------------------------------------------------------------------------------------------------------------------------------------------------------------------------------------------------------------------------------------------------------------------------------------------------------------------------------------------------------------------------------------------|------|---|----------|
| 1  |       | START T_guard( 1800)                                                                                                                                                                                                                                                                                                                                                                                                                                                                                                                                                      |      |   |          |
| 2  |       | +IdleUpdated( C_E_default, C_CellB, C_SCH_B, C_BCCH_B_1, C_Immass, C_S0, C_SlotNU, C_SlotNU, C_SlotNU, C_BCC, C_TxInt_5, C_Max_1, C_NECI_0, C_ATT_1, TimingAdv( 30), C_BABR_0, C_cch_1Comb, C_BPM_3, C_T3212_1, C_ci_cellB, C_MCC_1, C_PLMN_1, C_LAC_2, CellOpt_01, CellChDes_04, CellChDes_03, C_CellReselectHys12, C_MaxPwrLvlG, C_MaxPwrLvlD, BcchFreqLst_01, BcchFreqLst_Omit, BcchFreqLst_48, BcchFreqLst_Omit, C_noRestablishment, C_BCC, C_NCC, C_Start_Tmsi, TSPX_SDCCH4SubDef, TSPX_CKSNDDef, TSPX_RANDDef, C_arfcnB, C_arfcnBd, TSPX_IMSI, C_Test_fh, C_NCCP_2) |      |   |          |
| 3  |       | +StartCellA( C_E_neighbourdefault, C_Immass, TCV_slot, TCV_tsc, TimingAdv( 30), C_TxInt_5, C_Max_1, C_NECI_0, C_ATT_1, C_BABR_0, C_cch_1Comb, C_BPM_3, C_T3212_1, C_MCC_1, C_PLMN_1, C_LAC_1, CellChDes_02, CellChDes_03, BcchFreqLst_01, BcchFreqLst_48, C_noRestablishment)                                                                                                                                                                                                                                                                                             |      |   |          |
| 4  | body  | +ltree_part1                                                                                                                                                                                                                                                                                                                                                                                                                                                                                                                                                              |      |   | 1.       |
| 5  |       | +ltree_part2                                                                                                                                                                                                                                                                                                                                                                                                                                                                                                                                                              |      |   | 2.       |
| 6  |       | +ltree_part3                                                                                                                                                                                                                                                                                                                                                                                                                                                                                                                                                              |      |   | 3.       |
|    |       | <b>ltree_part1</b>                                                                                                                                                                                                                                                                                                                                                                                                                                                                                                                                                        |      |   |          |
| 7  |       | +Switchcell( C_CellB, C_CellA, C_LAC_1, TSPX_SDCCH4SubDef, TSPX_CKSNDDef, TSPX_RANDDef, C_arfcnA, C_arfcnAd, TCV_Ccd0A, TSPX_IMSI)                                                                                                                                                                                                                                                                                                                                                                                                                                        |      |   |          |
| 8  |       | +MM_LupRej2( C_rc_congestion, MiTmsi_01, C_MCC_1, C_PLMN_1, C_LAC_2, C_normal_updating, TCV_cksn, TimingAdv( 30))                                                                                                                                                                                                                                                                                                                                                                                                                                                         |      |   |          |
| 9  |       | +NoReaction( C_T_T3211min)                                                                                                                                                                                                                                                                                                                                                                                                                                                                                                                                                |      |   |          |
| 10 |       | +MM_LupAndStop( Milmsi_01, C_MCC_1, C_PLMN_1, C_lacdeleted, C_normal_updating, C_cksn_nokey, TimingAdv( 30), TCV_sacch, C_T_T3211min)                                                                                                                                                                                                                                                                                                                                                                                                                                     |      |   |          |
| 11 |       | +MM_LupAuthRpt( Milmsi_01, C_MCC_1, C_PLMN_1, C_lacdeleted, C_normal_updating, C_cksn_nokey, TSPX_RANDDef, TimingAdv( 30))                                                                                                                                                                                                                                                                                                                                                                                                                                                |      |   |          |
| 12 |       | +ltree_part1_2                                                                                                                                                                                                                                                                                                                                                                                                                                                                                                                                                            |      |   |          |
|    |       | <b>ltree_part1_2</b>                                                                                                                                                                                                                                                                                                                                                                                                                                                                                                                                                      |      |   |          |
| 13 |       | +NoReaction( C_T_T3211min)                                                                                                                                                                                                                                                                                                                                                                                                                                                                                                                                                |      |   |          |
| 14 |       | +MM_LupInit( Milmsi_01, C_MCC_1, C_PLMN_1, C_lacdeleted, C_normal_updating, C_cksn_nokey, TimingAdv( 30))                                                                                                                                                                                                                                                                                                                                                                                                                                                                 |      |   |          |
| 15 |       | +ChanRel(TCV_ch)                                                                                                                                                                                                                                                                                                                                                                                                                                                                                                                                                          |      |   | 1.1.     |
| 16 |       | +NoReaction( C_T_T3212min)                                                                                                                                                                                                                                                                                                                                                                                                                                                                                                                                                |      |   |          |
| 17 |       | +MM_LupRej2( C_rc_networkfailure, Milmsi_01, C_MCC_1, C_PLMN_1, C_lacdeleted, C_normal_updating,                                                                                                                                                                                                                                                                                                                                                                                                                                                                          |      |   | 1.2.     |

|    |                                                                                                                                                                          |                         |                         |
|----|--------------------------------------------------------------------------------------------------------------------------------------------------------------------------|-------------------------|-------------------------|
| 18 | C_cksn_nokey, TimingAdv( 30))                                                                                                                                            |                         |                         |
| 19 | +NoReaction( C_T_T3211min)                                                                                                                                               |                         |                         |
| 20 | +MM_LUPauth2( MiTmsi_01iei,<br>Milmsi_01, C_MCC_1, C_PLMN_1,<br>C_lacdeleted, TCV_lac,<br>C_normal_updating, C_cksn_nokey,<br>TCV_cksn, TSPX_RANDDef, TimingAdv(<br>30)) | 1.3.                    |                         |
| 21 | +ChanRel( TCV_ch)                                                                                                                                                        |                         |                         |
| 22 | <b>ltree_part2</b>                                                                                                                                                       |                         |                         |
| 23 | +Switchcell( C_CellA, C_CellB, C_LAC_2,<br>TSPX_SDCCH4SubDef, TSPX_CKSNDf,<br>TSPX_RANDDef, C_arfcnB, C_arfcnBd, TCV_Ccd0B,<br>TSPX_IMSI)                                |                         |                         |
| 24 | +ltree_increaseATcounter( C_LAC_1,<br>TCV_sacch_B)                                                                                                                       |                         |                         |
| 25 | +MM_LupRej2( C_rc_notidentified, Milmsi_01,<br>C_MCC_1, C_PLMN_1, C_lacdeleted,<br>C_normal_updating, C_cksn_nokey, TimingAdv(<br>30))                                   | 2.1.                    |                         |
| 26 | +MM_check_ecall2( Milmsi_01, C_cksn_nokey,<br>TimingAdv( 30))                                                                                                            | 2.2.                    |                         |
| 27 | +ImsiDetachNoReaction( 3000, C_SIMIn)                                                                                                                                    | 7.                      |                         |
| 28 | +MM_PwrOrSimOn( C_SIMneedRmv)                                                                                                                                            |                         |                         |
| 29 | +MM_LUPauth2(MiTmsi_01iei,<br>Milmsi_01, C_MCC_1, C_PLMN_1,<br>C_lacdeleted, TCV_lac,<br>C_normal_updating, C_cksn_nokey,<br>TCV_cksn, TSPX_RANDDef, TimingAdv(<br>30))  |                         |                         |
| 30 | +ChanRel(TCV_ch)                                                                                                                                                         |                         |                         |
| 31 | <b>ltree_part3</b>                                                                                                                                                       |                         |                         |
| 32 | +Switchcell( C_CellB, C_CellA, C_LAC_1,<br>TSPX_SDCCH4SubDef, TSPX_CKSNDf,<br>TSPX_RANDDef, C_arfcnA, C_arfcnAd, TCV_Ccd0A,<br>TSPX_IMSI)                                |                         |                         |
| 33 | +ltree_increaseATcounter( C_LAC_2, TCV_sacch)                                                                                                                            |                         |                         |
| 34 | +MM_LupAndStop( Milmsi_01, C_MCC_1,<br>C_PLMN_1, C_lacdeleted, C_normal_updating,<br>C_cksn_nokey, TimingAdv( 30), TCV_sacch, 0)                                         | 3.1.                    |                         |
| 35 | +BasicServiceMO( TSPX_MOBscSvcF,<br>TSPX_MOChRateF)                                                                                                                      |                         |                         |
| 36 | +InitCall(TCV_Service)                                                                                                                                                   |                         |                         |
| 37 | +MM_LupInIt( Milmsi_01, C_MCC_1,<br>C_PLMN_1, C_lacdeleted,<br>C_normal_updating, C_cksn_nokey,<br>TimingAdv( 30))                                                       | 3.2.                    |                         |
| 38 | +ChanRel(TCV_ch)                                                                                                                                                         |                         |                         |
| 39 | +ltree_part3_2                                                                                                                                                           |                         |                         |
| 40 | <b>ltree_part3_2</b>                                                                                                                                                     |                         |                         |
| 41 | +NoReaction( C_T_T3211min)                                                                                                                                               |                         |                         |
| 42 | +MM_LUPauth2( MiTmsi_01iei, Milmsi_01,<br>C_MCC_1, C_PLMN_1, C_lacdeleted, TCV_lac,<br>C_normal_updating, C_cksn_nokey, TCV_cksn,<br>TSPX_RANDDef, TimingAdv( 30))       | 3.3.                    |                         |
| 43 | +ChanRel(TCV_ch)                                                                                                                                                         |                         |                         |
| 44 | START T_dly( 10000)                                                                                                                                                      |                         |                         |
| 45 | +ltree_part3_3                                                                                                                                                           |                         |                         |
| 46 | +ltree_part3_4                                                                                                                                                           |                         |                         |
| 47 | <b>ltree_part3_3</b>                                                                                                                                                     |                         |                         |
| 48 | ?TIMEOUT T_dly                                                                                                                                                           |                         |                         |
| 49 | L?DL_RaInChRq (TCV_Rr := DL_RaInChRq.<br>msg.ecau_rrf, TCV_Fn := DL_RaInChRq.fn)                                                                                         | ChReq(<br>ChRequest_02) |                         |
| 50 | CANCEL T_dly                                                                                                                                                             |                         |                         |
| 51 | ACTIVATE(OtherEventsFail_02)                                                                                                                                             |                         | To match ChReq retrans. |
| 52 | L!DL_UdatRqImm                                                                                                                                                           | ImmAss( TCV_agch,       |                         |

|    |            |                                                                                                                                                                                    |                                                                                                                                                              |                        |
|----|------------|------------------------------------------------------------------------------------------------------------------------------------------------------------------------------------|--------------------------------------------------------------------------------------------------------------------------------------------------------------|------------------------|
| 47 | L_036<br>3 | L?DL_EstInCmsRq                                                                                                                                                                    | ImmAsgn_01Def( TCV_Rr, TCV_Fn, TSPX_SDCCH4SubDef, TCV_slot, TCV_tsc, TCV_chdescr_arfcn, TimingAdv( 30)))<br>CMSerReq( CMServiceReq_32( MiTmsi_01,TCV_cksn )) | (P)                    |
| 48 |            | ACTIVATE(OtherEventsFail)                                                                                                                                                          |                                                                                                                                                              | Restore Normal default |
| 49 |            | L!DL_DatRqCmsRej                                                                                                                                                                   | CMSerRej( TCV_ch, CMServiceRej_30( C_rc_networkfailure))                                                                                                     |                        |
| 50 |            | +ChanRel(TCV_ch)                                                                                                                                                                   |                                                                                                                                                              |                        |
| 51 |            | <b>Itree_part3_4</b><br>+Switchcell( C_CellA, C_CellB, C_LAC_2, TSPX_SDCCH4SubDef, TSPX_CKSNDf, TSPX_RANDDef, C_arfcnB, C_arfcnBd, TCV_Ccd0B, TSPX_IMSI)                           |                                                                                                                                                              |                        |
| 52 |            | +Itree_increaseATcounter( C_LAC_1, TCV_sacch_B)                                                                                                                                    |                                                                                                                                                              |                        |
| 53 |            | +MM_LupRej2( C_rc_invalidmaninfo, Milmsi_01, C_MCC_1, C_PLMN_1, C_lacdeleted, C_normal_updating, C_cksnokey, TimingAdv( 30))                                                       |                                                                                                                                                              | 3.4.                   |
| 54 |            | +Switchcell( C_CellB, C_CellA, C_LAC_1, TSPX_SDCCH4SubDef, TSPX_CKSNDf, TSPX_RANDDef, C_arfcnA, C_arfcnAd, TCV_Ccd0A, TSPX_IMSI)                                                   |                                                                                                                                                              | 3.5.                   |
| 55 |            | +MM_LupAndStop( Milmsi_01, C_MCC_1, C_PLMN_1, C_lacdeleted, C_normal_updating, C_cksnokey, TimingAdv( 30), TCV_sacch, C_T_T3211min)                                                |                                                                                                                                                              |                        |
| 56 |            | +MM_LUPauth2( MiTmsi_01iei, Milmsi_01, C_MCC_1, C_PLMN_1, C_lacdeleted, TCV_lac, C_normal_updating, C_cksnokey, TCV_cksno, TSPX_RANDDef, TimingAdv( 30))                           |                                                                                                                                                              | 3.6.                   |
| 57 | post       | +ChanRel_end(TCV_ch)                                                                                                                                                               |                                                                                                                                                              |                        |
| 58 |            | <b>Itree_increaseATcounter( lac:OCTETSTRING; par: LOGICCH)</b><br>+MM_LupRej2(C_rc_notidentified, MiTmsi_01, C_MCC_1, C_PLMN_1, lac, C_normal_updating, TCV_cksno, TimingAdv( 30)) |                                                                                                                                                              |                        |
| 59 |            | +NoReaction( C_T_T3211min)                                                                                                                                                         |                                                                                                                                                              |                        |
| 60 |            | +MM_LupAndStop( Milmsi_01, C_MCC_1, C_PLMN_1, C_lacdeleted, C_normal_updating, C_cksnokey, TimingAdv( 30), par, C_T_T3211min)                                                      |                                                                                                                                                              |                        |
| 61 |            | +MM_LupInIt( Milmsi_01, C_MCC_1, C_PLMN_1, C_lacdeleted, C_normal_updating, C_cksnokey, TimingAdv( 30))                                                                            |                                                                                                                                                              |                        |
| 62 |            | +ChanRel(TCV_ch)                                                                                                                                                                   |                                                                                                                                                              |                        |
| 63 |            | +NoReaction( C_T_T3211min)                                                                                                                                                         |                                                                                                                                                              |                        |

**Detailed Comments:**

1. To test conformance requirement 1
  - 1.1. Attempt counter is now equal to 4
  - 1.2. MS shall perform location updating after T3212
  - 1.3. MS shall initiate location updating procedure, if the updating was unsuccessful.
- 2.) To test conformance requirement 2
  - 2.1. Attempt counter is now equal to 4
  - 2.2. MS shall perform request for emergency call
  - 2.3. MS shall not perform an IMSI detach procedure
- 3.) To test conformance requirement 3 and 4
  - 3.1. Attempt counter is now equal to 4
  - 3.2. MS shall use a request from CM entity for MM connection for a service other than emergency

call as a trigger for a normal location updating procedure.

3.3. MS shall reset the attempt counter after successful location updating procedure.

3.4. Attempt counter is now equal to 4

3.5. MS shall perform the normal location updating procedure after entering a new cell.

3.6. If the location updating procedure unsuccessful, the MS shall trigger the location updating after T3211 again.

### Test Case Dynamic Behaviour

|                        |                                                                                                                                                                                                                                                                                                                                                                                                                    |
|------------------------|--------------------------------------------------------------------------------------------------------------------------------------------------------------------------------------------------------------------------------------------------------------------------------------------------------------------------------------------------------------------------------------------------------------------|
| <b>Test Case Name:</b> | TC_26_7_4_3_4                                                                                                                                                                                                                                                                                                                                                                                                      |
| <b>Group:</b>          | GSM_L3_MS_v4200/MM/                                                                                                                                                                                                                                                                                                                                                                                                |
| <b>Purpose:</b>        | To verify that in the case when the attempt counter is smaller than 4 and the broadcast LAI is equal to the stored LAI, the MS is in the MM-IDLE state and NORMAL SERVICE substate. To verify that timer T3211 is stopped after a MM connection establishment. To verify that the MS uses the T3211 timer. and that it enters the MM-IDLE state and NORMAL SERVICE substate when its attempt counter reaches value |
| <b>Default:</b>        | OtherEventsFail                                                                                                                                                                                                                                                                                                                                                                                                    |
| <b>Comments:</b>       | Initial Conditions of MS:<br>The MS has valid TMSI and CKSN. It is "idle updated" on cell B.<br><br>Foreseen final state of the MS:<br>The MS has valid TMSI and CKSN. It is "idle updated" on cell B.                                                                                                                                                                                                             |

| Nr | Label | Behaviour Description                                                                                                                                                                                                                                                                                                                                                                                                                                                                                                                                                               | CRef                                                | V | Comments |
|----|-------|-------------------------------------------------------------------------------------------------------------------------------------------------------------------------------------------------------------------------------------------------------------------------------------------------------------------------------------------------------------------------------------------------------------------------------------------------------------------------------------------------------------------------------------------------------------------------------------|-----------------------------------------------------|---|----------|
| 1  |       | START T_guard(2700)                                                                                                                                                                                                                                                                                                                                                                                                                                                                                                                                                                 |                                                     |   |          |
| 2  |       | +IdleUpdated( C_E_neighbourdefault, C_CellB, C_SCH_B, C_BCCH_B_1, C_Immass, C_S0, C_SlotNU, C_SlotNU, C_SlotNU, C_BCC, C_TxInt_5, C_Max_1, C_NECI_0, C_ATT_1, TimingAdv( 30), C_BABR_0, C_cch_1Comb, C_BPM_3, C_T3212_1, C_ci_cellB, C_MCC_1, C_PLMN_1, C_LAC_2, CellOpt_01, CellChDes_Omit, CellChDes_Omit, C_CellReselectHys12, C_MaxPwrLvlG, C_MaxPwrLvlD, BcchFreqLst_01, BcchFreqLst_01, BcchFreqLst_48, BcchFreqLst_48, C_noReestablishment, C_BCC, C_NCC, C_Start_Tmsi, TSPX_SDCCH4SubDef, TSPX_CKSNDef, TSPX_RANDDef, C_arfcnB, C_arfcnBd, TSPX_IMSI, C_Test_nfh, C_NCCP_2) |                                                     |   |          |
| 3  |       | +ltree_confreq1                                                                                                                                                                                                                                                                                                                                                                                                                                                                                                                                                                     |                                                     |   | 1.       |
| 4  |       | +ltree_confreq2                                                                                                                                                                                                                                                                                                                                                                                                                                                                                                                                                                     |                                                     |   | 2.       |
| 5  |       | +ltree_confreq3                                                                                                                                                                                                                                                                                                                                                                                                                                                                                                                                                                     |                                                     |   | 3.       |
| 6  |       | +ltree_confreq4                                                                                                                                                                                                                                                                                                                                                                                                                                                                                                                                                                     |                                                     |   | 4.       |
| 7  |       | +ltree_confreq5                                                                                                                                                                                                                                                                                                                                                                                                                                                                                                                                                                     |                                                     |   | 5.       |
| 8  |       | +ltree_confreq6                                                                                                                                                                                                                                                                                                                                                                                                                                                                                                                                                                     |                                                     |   | 6.       |
| 9  |       | <b>ltree_confreq1</b><br>(TCV_tmp := (C_T_T3212 + 45000))                                                                                                                                                                                                                                                                                                                                                                                                                                                                                                                           |                                                     |   |          |
| 10 |       | +MM_LUPperrej2( C_rc_networkfailure, MiTmsi_01, TCV_tmp, C_MCC_1, C_PLMN_1, TCV_lac, C_periodic_updating, TCV_cksn, TimingAdv( 30))                                                                                                                                                                                                                                                                                                                                                                                                                                                 |                                                     |   | 1.1.     |
| 11 |       | +BasicServiceMO( TSPX_MOBscSvcA, TSPX_MOChRateA)                                                                                                                                                                                                                                                                                                                                                                                                                                                                                                                                    |                                                     |   |          |
| 12 |       | +InitCall(TCV_Service)                                                                                                                                                                                                                                                                                                                                                                                                                                                                                                                                                              |                                                     |   |          |
| 13 |       | +ltree_cmservinit( MiTmsi_01, TCV_cksn)                                                                                                                                                                                                                                                                                                                                                                                                                                                                                                                                             |                                                     |   | 1.2.     |
| 14 |       | L!DL_DatRqCmsAcp                                                                                                                                                                                                                                                                                                                                                                                                                                                                                                                                                                    | CMSerAcp( TCV_ch, CMSerAcp_01)                      |   |          |
| 15 |       | +ltree_CMmsg                                                                                                                                                                                                                                                                                                                                                                                                                                                                                                                                                                        |                                                     |   |          |
| 16 |       | +ChanRel(TCV_ch)                                                                                                                                                                                                                                                                                                                                                                                                                                                                                                                                                                    |                                                     |   |          |
| 17 |       | (TCV_n := 2 * C_T_T3211min)                                                                                                                                                                                                                                                                                                                                                                                                                                                                                                                                                         |                                                     |   |          |
| 18 |       | +NoReaction( TCV_n)                                                                                                                                                                                                                                                                                                                                                                                                                                                                                                                                                                 |                                                     |   | 1.3.     |
| 19 |       | +ImsiDetach( MiTmsi_01, TimingAdv( 30), C_SIMneedRmv)                                                                                                                                                                                                                                                                                                                                                                                                                                                                                                                               |                                                     |   |          |
| 20 |       | <b>ltree_confreq2</b><br>+ltree_MOCall                                                                                                                                                                                                                                                                                                                                                                                                                                                                                                                                              |                                                     |   |          |
| 21 |       | +NoReaction( TCV_n)                                                                                                                                                                                                                                                                                                                                                                                                                                                                                                                                                                 |                                                     |   | 2.3.     |
| 22 |       | +ImsiDetach( MiTmsi_01, TimingAdv( 30), C_SIMneedRmv)                                                                                                                                                                                                                                                                                                                                                                                                                                                                                                                               |                                                     |   |          |
| 23 |       | +MM_PwrOrSimOn(C_SIMneedRmv)                                                                                                                                                                                                                                                                                                                                                                                                                                                                                                                                                        |                                                     |   |          |
| 24 |       | +MM_Luplnit( MiTmsi_01, C_MCC_1, C_PLMN_1, TCV_lac, C_imsi_attach, TCV_cksn, TimingAdv(30))                                                                                                                                                                                                                                                                                                                                                                                                                                                                                         |                                                     |   |          |
| 25 |       | L!DL_DatRqLupAcp                                                                                                                                                                                                                                                                                                                                                                                                                                                                                                                                                                    | LocAcp( TCV_ch, LocUpdtAcp_01( MiMsi_omit, C_MCC_1, |   |          |

|    |                                                                                                                                                                |                                                                                                                                                  |                         |
|----|----------------------------------------------------------------------------------------------------------------------------------------------------------------|--------------------------------------------------------------------------------------------------------------------------------------------------|-------------------------|
| 26 | +ChanRel(TCV_ch)                                                                                                                                               | C_PLMN_1,<br>TCV_lac)                                                                                                                            |                         |
| 27 | <b>ltree_confreq3</b><br>(TCV_tmp := (C_T_T3212 + 15000))                                                                                                      |                                                                                                                                                  |                         |
| 28 | +MM_LUPperrej3( MiTmsi_01, TCV_tmp,<br>C_MCC_1, C_PLMN_1, TCV_lac,<br>C_periodic_updating, TCV_cks, TimingAdv( 30))                                            |                                                                                                                                                  | 3.1.                    |
| 29 | +NoReaction(C_T_T3211min)                                                                                                                                      |                                                                                                                                                  |                         |
| 30 | +MM_LupRej2( C_rc_networkfailure,<br>MiTmsi_01, C_MCC_1, C_PLMN_1, TCV_lac,<br>C_periodic_updating, TCV_cks, TimingAdv( 30))                                   |                                                                                                                                                  | 3.1.                    |
| 31 | +NoReaction( C_T_T3211min)                                                                                                                                     |                                                                                                                                                  |                         |
| 32 | +MM_LupAndStop( MiTmsi_01, C_MCC_1,<br>C_PLMN_1, TCV_lac, C_periodic_updating,<br>TCV_cks, TimingAdv( 30), TCV_sacch_B,<br>C_T_T3211min)                       |                                                                                                                                                  | 3.1.                    |
| 33 | +ltree_luprej3( MiTmsi_01, C_MCC_1,<br>C_PLMN_1, TCV_lac,<br>C_periodic_updating, TCV_cks,<br>TimingAdv( 30))                                                  |                                                                                                                                                  | 3.1.                    |
| 34 | +MM_LUPperauth( Milmsi_01,<br>MiTmsi_01iei, C_MCC_1, C_PLMN_1,<br>C_lacdeleted, TCV_lac,<br>C_normalOrperiodic, C_cks_nokey,<br>TSPX_RANDDef, TimingAdv( 30))  |                                                                                                                                                  | 3.2.                    |
| 35 | +ChanRel(TCV_ch)                                                                                                                                               |                                                                                                                                                  |                         |
| 36 | <b>ltree_confreq4</b><br>+NoReaction( C_T_T3212min)                                                                                                            |                                                                                                                                                  |                         |
| 37 | +MM_LupRej2( C_rc_networkfailure, MiTmsi_01,<br>C_MCC_1, C_PLMN_1, TCV_lac,<br>C_periodic_updating, TCV_cks, TimingAdv( 30))                                   |                                                                                                                                                  |                         |
| 38 | +NoReaction(C_T_T3211min)                                                                                                                                      |                                                                                                                                                  |                         |
| 39 | +MM_LupAndStop( MiTmsi_01, C_MCC_1,<br>C_PLMN_1, TCV_lac, C_periodic_updating,<br>TCV_cks, TimingAdv( 30), TCV_sacch_B,<br>C_T_T3211min)                       |                                                                                                                                                  |                         |
| 40 | +ltree_luprej3( MiTmsi_01, C_MCC_1,<br>C_PLMN_1, TCV_lac, C_periodic_updating,<br>TCV_cks, TimingAdv( 30))                                                     |                                                                                                                                                  |                         |
| 41 | +NoReaction( C_T_T3211min)                                                                                                                                     |                                                                                                                                                  |                         |
| 42 | +ltree_confreq4_continue                                                                                                                                       |                                                                                                                                                  |                         |
| 43 | <b>ltree_confreq4_continue</b><br>+MM_LupRej2( C_rc_networkfailure, MiTmsi_01,<br>C_MCC_1, C_PLMN_1, TCV_lac,<br>C_periodic_updating, TCV_cks, TimingAdv( 30)) |                                                                                                                                                  | 4.1.                    |
| 44 | +BasicServiceMO( TSPX_MOBScSvcB,<br>TSPX_MOChRateB)                                                                                                            |                                                                                                                                                  |                         |
| 45 | +InitCall(TCV_Service)                                                                                                                                         |                                                                                                                                                  |                         |
| 46 | +MM_LUP2( MiTmsi_01iei, Milmsi_01,<br>C_MCC_1, C_PLMN_1, C_lacdeleted,<br>TCV_lac, C_normal_updating, C_cks_nokey,<br>TimingAdv( 30))                          |                                                                                                                                                  | 4.2.                    |
| 47 | START T_dly(10000)                                                                                                                                             |                                                                                                                                                  |                         |
| 48 | L?DL_RaInChRq (TCV_Rr :=<br>DL_RaInChRq.msg.ecau_rrf, TCV_Fn :=<br>DL_RaInChRq.fn) CANCEL T_dly                                                                | ChReq(<br>ChRequest_02)                                                                                                                          | 4.3.                    |
| 49 | ACTIVATE(OtherEventsFail_02)                                                                                                                                   |                                                                                                                                                  | To match ChReq retrans. |
| 50 | L!DL_UdatRqImm                                                                                                                                                 | ImmAss( TCV_agch,<br>ImmAsgn_01Def(<br>TCV_Rr, TCV_Fn,<br>TSPX_SDCCH4SubD<br>ef, TCV_slot,<br>TCV_tsc,<br>TCV_chdescr_arfcn,<br>TimingAdv( 30))) |                         |
| 51 | L_036 L?DL_EstInCmsRq                                                                                                                                          | CMSerReq(<br>CMServiceReq_32(                                                                                                                    | (P)                     |

|    |            |                                                                                                                                                                             |                              |     |                        |
|----|------------|-----------------------------------------------------------------------------------------------------------------------------------------------------------------------------|------------------------------|-----|------------------------|
| 4  |            |                                                                                                                                                                             | MiTmsi_01,<br>C_cksn_nokey)) |     |                        |
| 52 |            | ACTIVATE(OtherEventsFail)                                                                                                                                                   |                              |     | Restore Normal default |
| 53 |            | !DL_DatRqCmsRej                                                                                                                                                             |                              |     |                        |
| 54 |            | +ChanRel(TCV_ch)                                                                                                                                                            |                              |     |                        |
| 55 | L_036<br>5 | ?TIMEOUT T_dly                                                                                                                                                              |                              | (P) | 4.3)                   |
|    |            | <b>ltree_confreq5</b>                                                                                                                                                       |                              |     |                        |
| 56 |            | +ImsiDetach( MiTmsi_01, TimingAdv( 30),<br>C_SIMneedRmv)                                                                                                                    |                              |     |                        |
| 57 |            | +MM_PwrOrSimOn(C_SIMneedRmv)                                                                                                                                                |                              |     |                        |
| 58 |            | +MM_LupAndStop( MiTmsi_01, C_MCC_1,<br>C_PLMN_1, TCV_lac, C_imsi_attach,<br>C_cksn_nokey, TimingAdv( 30), TCV_sacch_B,<br>C_T_T3211min)                                     |                              |     | 5.1.                   |
| 59 |            | +ltree_luprej3( MiTmsi_01, C_MCC_1,<br>C_PLMN_1, TCV_lac, C_imsi_attach,<br>C_cksn_nokey, TimingAdv( 30))                                                                   |                              |     | 5.1.                   |
| 60 |            | +NoReaction( C_T_T3211min)                                                                                                                                                  |                              |     |                        |
| 61 |            | +MM_LupRej2( C_rc_networkfailure,<br>MiTmsi_01, C_MCC_1, C_PLMN_1,<br>TCV_lac, C_imsi_attach, C_cksn_nokey,<br>TimingAdv( 30))                                              |                              |     | 5.1.                   |
| 62 |            | +NoReaction( C_T_T3211min)                                                                                                                                                  |                              |     |                        |
| 63 |            | +MM_LupAndStop( MiTmsi_01,<br>C_MCC_1, C_PLMN_1, TCV_lac,<br>C_imsi_attach, C_cksn_nokey,<br>TimingAdv( 30), TCV_sacch_B, 0)                                                |                              |     | 5.2.                   |
| 64 |            | +MM_LUPperauth( Milmsi_01,<br>MiTmsi_01iei, C_MCC_1,<br>C_PLMN_1, C_lacdeleted, TCV_lac,<br>C_norm_period_attach,<br>C_cksn_nokey, TSPX_RANDDef,<br>TimingAdv( 30))         |                              |     | 5.3.                   |
| 65 |            | +ChanRel(TCV_ch)                                                                                                                                                            |                              |     |                        |
|    |            | <b>ltree_confreq6</b>                                                                                                                                                       |                              |     |                        |
| 66 |            | +ImsiDetach(MiTmsi_01, TimingAdv( 30),<br>C_SIMneedRmv)                                                                                                                     |                              |     |                        |
| 67 |            | +MM_PwrOrSimOn(C_SIMneedRmv)                                                                                                                                                |                              |     |                        |
| 68 |            | +ltree_luprej3( MiTmsi_01, C_MCC_1,<br>C_PLMN_1, TCV_lac, C_imsi_attach, TCV_cksn,<br>TimingAdv( 30))                                                                       |                              |     |                        |
| 69 |            | +NoReaction(C_T_T3211min)                                                                                                                                                   |                              |     |                        |
| 70 |            | +MM_LupRej2( C_rc_networkfailure,<br>MiTmsi_01, C_MCC_1, C_PLMN_1,<br>TCV_lac, C_imsi_attach, TCV_cksn,<br>TimingAdv( 30))                                                  |                              |     |                        |
| 71 |            | +NoReaction(C_T_T3211min)                                                                                                                                                   |                              |     |                        |
| 72 |            | +MM_LupAndStop( MiTmsi_01,<br>C_MCC_1, C_PLMN_1, TCV_lac,<br>C_imsi_attach, TCV_cksn, TimingAdv(<br>30), TCV_sacch_B, C_T_T3211min)                                         |                              |     |                        |
| 73 |            | +ltree_luprej3( MiTmsi_01, C_MCC_1,<br>C_PLMN_1, TCV_lac, C_imsi_attach,<br>TCV_cksn, TimingAdv( 30))                                                                       |                              |     | 6.1.                   |
| 74 |            | +BasicServiceMO(<br>TSPX_MOBscSvcC,<br>TSPX_MOChRateC)                                                                                                                      |                              |     |                        |
| 75 |            | +InitCall(TCV_Service)                                                                                                                                                      |                              |     |                        |
| 76 |            | +MM_LUPauth2( MiTmsi_01iei,<br>Milmsi_01, C_MCC_1,<br>C_PLMN_1, C_lacdeleted,<br>TCV_lac, C_normal_updating,<br>C_cksn_nokey, TCV_cksn,<br>TSPX_RANDDef, TimingAdv(<br>30)) |                              |     | 6.2.                   |
| 77 |            | +ChanRel(TCV_ch)                                                                                                                                                            |                              |     |                        |
| 78 |            | +ltree_cmsservinit( MiTmsi_01,<br>TCV_cksn)                                                                                                                                 |                              |     |                        |



|     |            |                                                                                                                                                               |                                                                                                                                                  |     |                         |
|-----|------------|---------------------------------------------------------------------------------------------------------------------------------------------------------------|--------------------------------------------------------------------------------------------------------------------------------------------------|-----|-------------------------|
| 79  |            | L!DL_DatRqCmsRej                                                                                                                                              | CMSerRej(TCV_ch,<br>CMServiceRej_04)                                                                                                             |     |                         |
| 80  |            | +ChanRel( TCV_ch)                                                                                                                                             |                                                                                                                                                  |     |                         |
| 81  |            | <b>Itree_cmservinit(par1: MI; par2: BITSTRING)</b><br>START T_dly(15000)                                                                                      |                                                                                                                                                  |     |                         |
| 82  |            | L?DL_RaInChRq (TCV_Rr := DL_RaInChRq.<br>msg.ecau_rrf, TCV_Fn := DL_RaInChRq.fn)<br>CANCEL T_dly                                                              | ChReq(<br>ChRequest_02)                                                                                                                          |     |                         |
| 83  |            | ACTIVATE(OtherEventsFail_02)                                                                                                                                  |                                                                                                                                                  |     | To match ChReq retrans. |
| 84  |            | L!DL_UdatRqlmmsg                                                                                                                                              | ImmAss( TCV_agch,<br>ImmAsgn_01Def(<br>TCV_Rr, TCV_Fn,<br>TSPX_SDCCH4SubD<br>ef, TCV_slot,<br>TCV_tsc,<br>TCV_chdescr_arfcn,<br>TimingAdv( 30))) |     |                         |
| 85  | L_036<br>6 | L?DL_EstInCmsRq                                                                                                                                               | CMSerReq(<br>CMServiceReq_32(<br>par1, par2))                                                                                                    | (P) |                         |
| 86  |            | ACTIVATE(OtherEventsFail)                                                                                                                                     |                                                                                                                                                  |     | Restore Normal default  |
| 87  | L_036<br>7 | ?TIMEOUT T_dly                                                                                                                                                |                                                                                                                                                  | (F) |                         |
| 88  | L_036<br>8 | <b>Itree_CMmsg</b><br>L?DL_DatInSetup (TCV_Mt :=<br>DL_DatInSetup.msg.mt)                                                                                     | SetupRcv(<br>SetupInd_01)                                                                                                                        | (P) | 1.2.                    |
| 89  | L_036<br>9 | L?DL_DatInRegister                                                                                                                                            | Register_03(<br>RegisterPdu_01)                                                                                                                  | (P) | 1.2.                    |
| 90  | L_037<br>0 | L?DL_DatInCpData                                                                                                                                              | DatInCpData(<br>TCV_ch,<br>CpDataPdu_any)                                                                                                        | (P) | 1.2.                    |
| 91  |            | <b>Itree_luprej3( par_mi:MI; mcc, mnc,<br/>lac:OCTETSTRING; locup:B_2; cksn:BITSTRING;<br/>ta:TA)</b><br>+MM_LupInIt( par_mi, mcc, mnc, lac, locup, cksn, ta) |                                                                                                                                                  |     |                         |
| 92  |            | +ChanRel(TCV_ch)                                                                                                                                              |                                                                                                                                                  |     |                         |
| 93  |            | <b>Itree_MOCall</b><br>+MM_PwrOrSimOn(C_SIMneedRmv)                                                                                                           |                                                                                                                                                  |     |                         |
| 94  |            | +MM_LupAndStop( MiTmsi_01, C_MCC_1,<br>C_PLMN_1, TCV_lac, C_imsi_attach, TCV_cksn,<br>TimingAdv( 30), TCV_sacch_B, 0)                                         |                                                                                                                                                  |     | 2.1)                    |
| 95  |            | +BasicServiceMO( TSPX_MOBscSvcD,<br>TSPX_MOChRateD)                                                                                                           |                                                                                                                                                  |     |                         |
| 96  |            | +InitCall(TCV_Service)                                                                                                                                        |                                                                                                                                                  |     |                         |
| 97  |            | +Itree_cmservinit( MiTmsi_01, TCV_cksn)                                                                                                                       |                                                                                                                                                  |     | 2.2)                    |
| 98  |            | +Cipherring_on(TCV_ch)                                                                                                                                        |                                                                                                                                                  |     |                         |
| 99  |            | +Itree_CMmsg                                                                                                                                                  |                                                                                                                                                  |     |                         |
| 100 |            | +ChanRel(TCV_ch)                                                                                                                                              |                                                                                                                                                  |     |                         |
| 101 |            | (TCV_Null := OM_CphMd( TCV_ch,<br>CphMod_02, TCV_CphKey))                                                                                                     |                                                                                                                                                  |     |                         |

**Detailed Comments:**

## 1. Test of Conformance Requirement 1

- 1.1. failure during a periodic location updating procedure
- 1.2. - then the MS shall be able to attempt an CM connection
- 1.3. - then the MS shall not attempt a location updating procedure

## 2. Test of Conformance Requirement 2

- 2.1. failure during imsi attach procedure
- 2.2. - then the MS shall be able to establish an MM connection
- 2.3. - then the MS shall not attempt a location updating procedure

## 3. Test of Conformance Requirement 3

- 3.1. When a failure during a periodic location updating procedure and the attempt counter is smaller than 4 then the MS shall execute a periodic location updating procedure after T3211 expiry.
- 3.2. When the attempt counter reaches 4 after T3212 expiry the MS shall make a LUP any type.

4. Test of Conformance Requirement 4

4.1. The attempt counter reaches the value 4

4.2. then the MS shall use a request from CM layer for an emergency call as a trigger for a LUP.

4.3. this part is optional

5. Test of Conformance Requirement 5

5.1. When a failure during an imsi attach procedure and the attempt counter is smaller than 4 then

the MS shall execute a location updating procedure(imsi attach) after T3211 expiry.

5.2. Attempt Counter reaches the value 4

5.3. When the attempt counter reaches 4 after T3212 expiry the MS shall make a normal LUP.

6. Test of Conformance Requirement 6

6.1. Failure during an imsi attach procedure and the attempt counter reaches the value 4.

6.2. then the MS shall use a request from CM layer for an emergency call as a trigger for a LUP.

| Test Case Dynamic Behaviour                                                                                                                                                                                                                                                                                                                                                                                                           |            |                                                                                                                                                                                                                                                                                                                                                                                                                                                                                                                                                                         |                                                                                                                            |   |                         |
|---------------------------------------------------------------------------------------------------------------------------------------------------------------------------------------------------------------------------------------------------------------------------------------------------------------------------------------------------------------------------------------------------------------------------------------|------------|-------------------------------------------------------------------------------------------------------------------------------------------------------------------------------------------------------------------------------------------------------------------------------------------------------------------------------------------------------------------------------------------------------------------------------------------------------------------------------------------------------------------------------------------------------------------------|----------------------------------------------------------------------------------------------------------------------------|---|-------------------------|
| <b>Test Case Name:</b> TC_26_7_4_4<br><b>Group:</b> GSM_L3_MS_v4200/MM/<br><b>Purpose:</b> To verify that the MS aborts the RR-connection at the expiry of timer T3240.<br><b>Default:</b> OtherEventsFail<br><b>Comments:</b> Initial Conditions of MS:<br>The MS has valid TMSI and CKSN. It is "idle updated" on cell A.<br><br>Foreseen final state of the MS:<br>The MS has valid TMSI and CKSN. It is "idle updated" on cell B. |            |                                                                                                                                                                                                                                                                                                                                                                                                                                                                                                                                                                         |                                                                                                                            |   |                         |
| Nr                                                                                                                                                                                                                                                                                                                                                                                                                                    | Label      | Behaviour Description                                                                                                                                                                                                                                                                                                                                                                                                                                                                                                                                                   | CRef                                                                                                                       | V | Comments                |
| 1                                                                                                                                                                                                                                                                                                                                                                                                                                     |            | START T_guard(300)                                                                                                                                                                                                                                                                                                                                                                                                                                                                                                                                                      |                                                                                                                            |   |                         |
| 2                                                                                                                                                                                                                                                                                                                                                                                                                                     |            | +IdleUpdated( C_E_default, C_CellA, C_SCH_A, C_BCCH_A_1, C_Immass, C_S0, C_SlotNU, C_SlotNU, C_SlotNU, C_BCC, C_TxInt_5, C_Max_1, C_NECI_0, C_ATT_0, TimingAdv( 30), C_BABR_0, C_cch_1Comb, C_BPM_3, C_T3212_0, C_ci_cellA, C_MCC_1, C_PLMN_1, C_LAC_1, CellOpt_01, CellChDes_02, CellChDes_03, C_CellReselectHys12, C_MaxPwrLvIG, C_MaxPwrLvID, BcchFreqLst_01, BcchFreqLst_Omit, BcchFreqLst_48, BcchFreqLst_Omit, C_noRestablishment, C_BCC, C_NCC, C_Start_Tmsi, TSPX_SDCCH4SubDef, TSPX_CKSNDf, TSPX_RANDDef, C_arfcnA, C_arfcnAd, TSPX_IMSI, C_Test_fh, C_NCCP_2) |                                                                                                                            |   |                         |
| 3                                                                                                                                                                                                                                                                                                                                                                                                                                     |            | +StartCellB( C_E_neighbourdefault, C_arfcnB, C_arfcnBd, C_Immass, TCV_slot, TCV_tsc, TimingAdv( 30), C_TxInt_5, C_Max_1, C_NECI_0, C_ATT_0, C_BABR_0, C_cch_1Comb, C_BPM_3, C_T3212_0, C_MCC_1, C_PLMN_1, C_LAC_2, CellChDes_04, CellChDes_03, BcchFreqLst_01, BcchFreqLst_48, C_noRestablishment, C_BCC, C_NCC)                                                                                                                                                                                                                                                        |                                                                                                                            |   |                         |
| 4                                                                                                                                                                                                                                                                                                                                                                                                                                     | body       | +Switchcell( C_CellA, C_CellB, C_LAC_2, TSPX_SDCCH4SubDef, TSPX_CKSNDf, TSPX_RANDDef, C_arfcnB, C_arfcnBd, TCV_Ccd0B, TSPX_IMSI)                                                                                                                                                                                                                                                                                                                                                                                                                                        |                                                                                                                            |   |                         |
| 5                                                                                                                                                                                                                                                                                                                                                                                                                                     |            | L?DL_RacInChRq (TCV_Rr := DL_RacInChRq. msg.ecau_rrf, TCV_Fn := DL_RacInChRq.fn)                                                                                                                                                                                                                                                                                                                                                                                                                                                                                        | ChReq( ChRequest_09)                                                                                                       |   |                         |
| 6                                                                                                                                                                                                                                                                                                                                                                                                                                     |            | ACTIVATE( OtherEventsFail_02)                                                                                                                                                                                                                                                                                                                                                                                                                                                                                                                                           |                                                                                                                            |   | To match ChReq retrans. |
| 7                                                                                                                                                                                                                                                                                                                                                                                                                                     |            | LIDL_UdatRqImmass                                                                                                                                                                                                                                                                                                                                                                                                                                                                                                                                                       | ImmAss( TCV_agch, ImmAsgn_01Def( TCV_Rr, TCV_Fn, TSPX_SDCCH4SubDef, TCV_slot, TCV_tsc, TCV_chdescr_arfcn, TimingAdv( 30))) |   |                         |
| 8                                                                                                                                                                                                                                                                                                                                                                                                                                     |            | L?DL_EstInLupRq                                                                                                                                                                                                                                                                                                                                                                                                                                                                                                                                                         | LocUp( TCV_ch, LocUpdtReq_04( C_normal_updating, MiTmsi_01))                                                               |   |                         |
| 9                                                                                                                                                                                                                                                                                                                                                                                                                                     |            | ACTIVATE( OtherEventsFail)                                                                                                                                                                                                                                                                                                                                                                                                                                                                                                                                              |                                                                                                                            |   | Restore Normal default  |
| 10                                                                                                                                                                                                                                                                                                                                                                                                                                    |            | +NoReaction( C_T_T3240min)                                                                                                                                                                                                                                                                                                                                                                                                                                                                                                                                              |                                                                                                                            |   |                         |
| 11                                                                                                                                                                                                                                                                                                                                                                                                                                    |            | START T_dly( C_T_T3240tol)                                                                                                                                                                                                                                                                                                                                                                                                                                                                                                                                              |                                                                                                                            |   |                         |
| 12                                                                                                                                                                                                                                                                                                                                                                                                                                    | L_037<br>1 | L?DL_Relln CANCEL T_dly                                                                                                                                                                                                                                                                                                                                                                                                                                                                                                                                                 | DLRelInd_01                                                                                                                | P | 1)                      |
| 13                                                                                                                                                                                                                                                                                                                                                                                                                                    | L_037<br>2 | ?TIMEOUT T_dly                                                                                                                                                                                                                                                                                                                                                                                                                                                                                                                                                          |                                                                                                                            | F |                         |
| <b>Detailed Comments:</b> 1) MS shall release the L2-Connection after expiring of T3240.                                                                                                                                                                                                                                                                                                                                              |            |                                                                                                                                                                                                                                                                                                                                                                                                                                                                                                                                                                         |                                                                                                                            |   |                         |

## Test Case Dynamic Behaviour

|                        |                                                                                                                                                                                                                                                                                                                                                                                                                       |
|------------------------|-----------------------------------------------------------------------------------------------------------------------------------------------------------------------------------------------------------------------------------------------------------------------------------------------------------------------------------------------------------------------------------------------------------------------|
| <b>Test Case Name:</b> | TC_26_7_4_5_1                                                                                                                                                                                                                                                                                                                                                                                                         |
| <b>Group:</b>          | GSM_L3_MS_v4200/MM/                                                                                                                                                                                                                                                                                                                                                                                                   |
| <b>Purpose:</b>        | 1) To check that when the location updating timer is reduced, the timer running in the MS is started with a value depending on the current timer value and the new broadcasted T3212 value.<br>2) To verify that when the MS is reactivated in the same cell (as the one in which it was deactivated), IMSI attach being forbidden, the MS starts the timer T3212 with a value between zero and the broadcasted value |
| <b>Default:</b>        | OtherEventsFail                                                                                                                                                                                                                                                                                                                                                                                                       |
| <b>Comments:</b>       | Initial Conditions of MS:<br>The MS is deactivated. The stored MCC, MNC and LAC correspond to the broadcasted values. The stored update status is "updated".<br><br>Foreseen final state of the MS:<br>The MS has valid TMSI and CKSN. It is "idle updated" on cell A.                                                                                                                                                |

| Nr | Label | Behaviour Description                                                                                                                                                                                                                                                                                                                                                                                                                                                                                                                                                      | CRef | V | Comments                      |
|----|-------|----------------------------------------------------------------------------------------------------------------------------------------------------------------------------------------------------------------------------------------------------------------------------------------------------------------------------------------------------------------------------------------------------------------------------------------------------------------------------------------------------------------------------------------------------------------------------|------|---|-------------------------------|
| 1  |       | START T_guard(1200)                                                                                                                                                                                                                                                                                                                                                                                                                                                                                                                                                        |      |   |                               |
| 2  |       | +IdleUpdated( C_E_default, C_CellA, C_SCH_A, C_BCCH_A_1, C_Immass, C_S0, C_SlotNU, C_SlotNU, C_SlotNU, C_BCC, C_TxInt_5, C_Max_1, C_NECI_0, C_ATT_1, TimingAdv( 30), C_BABR_0, C_cch_1Comb, C_BPM_3, C_T3212_5, C_ci_cellA, C_MCC_1, C_PLMN_1, C_LAC_1, CellOpt_01, CellChDes_02, CellChDes_03, C_CellReselectHys12, C_MaxPwrLvlG, C_MaxPwrLvlD, BcchFreqLst_01, BcchFreqLst_Omit, BcchFreqLst_48, BcchFreqLst_Omit, C_noRestablishment, C_BCC, C_NCC, C_Start_TmsiOff, TSPX_SDCCH4SubDef, TSPX_CKSNDf, TSPX_RANDDef, C_arfcnA, C_arfcnAd, TSPX_IMSI, C_Test_fh, C_NCCP_2) |      |   | ATT = 1 - IMSI attach allowed |
| 3  | body  | +ImsiAttach( MiTmsi_01, TimingAdv( 30), C_MCC_1, C_PLMN_1, C_SIMneedRmv)                                                                                                                                                                                                                                                                                                                                                                                                                                                                                                   |      |   |                               |
| 4  |       | +step1                                                                                                                                                                                                                                                                                                                                                                                                                                                                                                                                                                     |      |   |                               |
| 5  |       | +step2                                                                                                                                                                                                                                                                                                                                                                                                                                                                                                                                                                     |      |   |                               |
|    |       | <b>step1</b>                                                                                                                                                                                                                                                                                                                                                                                                                                                                                                                                                               |      |   |                               |
| 6  |       | START T_dly( 180000)                                                                                                                                                                                                                                                                                                                                                                                                                                                                                                                                                       |      |   |                               |
| 7  |       | START T_dly2( C_T_T3212min)                                                                                                                                                                                                                                                                                                                                                                                                                                                                                                                                                |      |   | 5min.45s.                     |
| 8  |       | ?TIMEOUT T_dly                                                                                                                                                                                                                                                                                                                                                                                                                                                                                                                                                             |      |   |                               |
| 9  |       | +StartCellA( C_E_default, C_Immass, TCV_slot, TCV_tsc, TimingAdv( 30), C_TxInt_5, C_Max_1, C_NECI_0, C_ATT_1, C_BABR_0, C_cch_1Comb, C_BPM_3, C_T3212_1, C_MCC_1, C_PLMN_1, C_LAC_1, CellChDes_02, CellChDes_03, BcchFreqLst_01, BcchFreqLst_48, C_noRestablishment)                                                                                                                                                                                                                                                                                                       |      |   | 1)                            |
| 10 |       | ?TIMEOUT T_dly2                                                                                                                                                                                                                                                                                                                                                                                                                                                                                                                                                            |      |   | 2)                            |
| 11 |       | +MM_LUPper2(30000, C_periodic_updating, C_MCC_1, C_PLMN_1, TCV_lac, TimingAdv( 30))                                                                                                                                                                                                                                                                                                                                                                                                                                                                                        |      |   | 6min.15.                      |
| 12 |       | +ChanRel(TCV_ch)                                                                                                                                                                                                                                                                                                                                                                                                                                                                                                                                                           |      |   |                               |
|    |       | <b>step2</b>                                                                                                                                                                                                                                                                                                                                                                                                                                                                                                                                                               |      |   |                               |
| 13 |       | +StartCellA( C_E_default, C_Immass, TCV_slot, TCV_tsc, TimingAdv( 30), C_TxInt_5, C_Max_1, C_NECI_0, C_ATT_0, C_BABR_0, C_cch_1Comb, C_BPM_3, C_T3212_1, C_MCC_1, C_PLMN_1, C_LAC_1, CellChDes_02, CellChDes_03, BcchFreqLst_01, BcchFreqLst_48, C_noRestablishment)                                                                                                                                                                                                                                                                                                       |      |   | ATT = 0                       |
| 14 |       | START T_dly( 5000)                                                                                                                                                                                                                                                                                                                                                                                                                                                                                                                                                         |      |   |                               |
| 15 |       | ?TIMEOUT T_dly                                                                                                                                                                                                                                                                                                                                                                                                                                                                                                                                                             |      |   |                               |
| 16 |       | +MM_PwrOrSimOff(C_SIMneedRmv)                                                                                                                                                                                                                                                                                                                                                                                                                                                                                                                                              |      |   |                               |
| 17 |       | +MM_PwrOrSimOn(C_SIMneedRmv)                                                                                                                                                                                                                                                                                                                                                                                                                                                                                                                                               |      |   |                               |
| 18 |       | +MM_LUPper2( 420000, C_periodic_updating, C_MCC_1,                                                                                                                                                                                                                                                                                                                                                                                                                                                                                                                         |      |   | 3)                            |

|                                                                                                                                                                                                                                    |  |                                                            |  |  |  |
|------------------------------------------------------------------------------------------------------------------------------------------------------------------------------------------------------------------------------------|--|------------------------------------------------------------|--|--|--|
| 19                                                                                                                                                                                                                                 |  | C_PLMN_1, TCV_lac, TimingAdv( 30))<br>+ChanRel_end(TCV_ch) |  |  |  |
| <b>Detailed Comments:</b><br>1) Reducing of the timer T3212<br>2) MS shall use the new value of T3212 for periodic updating.<br>3) MS shall start the periodic location updating between 0 sec. and 6min after switching on of MS. |  |                                                            |  |  |  |

### Test Case Dynamic Behaviour

|                        |                                                                                                                                                                                                                                                                                                                                                                                          |
|------------------------|------------------------------------------------------------------------------------------------------------------------------------------------------------------------------------------------------------------------------------------------------------------------------------------------------------------------------------------------------------------------------------------|
| <b>Test Case Name:</b> | TC_26_7_4_5_2                                                                                                                                                                                                                                                                                                                                                                            |
| <b>Group:</b>          | GSM_L3_MS_v4200/MM/                                                                                                                                                                                                                                                                                                                                                                      |
| <b>Purpose:</b>        | To verify that the MS stops and resets the timer T3212 of the periodic location updating procedure when: <ul style="list-style-type: none"> <li>- the first MM-message is received in the case of MM-connection establishment, ciphering mode being not set,</li> <li>- the MS has responded to paging and the first correct L3 message is received that is not an RR message</li> </ul> |
| <b>Default:</b>        | OtherEventsFail                                                                                                                                                                                                                                                                                                                                                                          |
| <b>Comments:</b>       | Initial Conditions of MS:<br>The MS has valid TMSI and CKSN. It is "idle updated" on cell A.<br><br>Foreseen final state of the MS:<br>The MS has valid TMSI and CKSN. It is "idle updated" on cell A.                                                                                                                                                                                   |

| Nr | Label      | Behaviour Description                                                                                                                                                                                                                                                                                                                                                                                                                                                                                                                                                   | CRef                                                                                                                       | V   | Comments                |
|----|------------|-------------------------------------------------------------------------------------------------------------------------------------------------------------------------------------------------------------------------------------------------------------------------------------------------------------------------------------------------------------------------------------------------------------------------------------------------------------------------------------------------------------------------------------------------------------------------|----------------------------------------------------------------------------------------------------------------------------|-----|-------------------------|
| 1  |            | START T_guard(1800)                                                                                                                                                                                                                                                                                                                                                                                                                                                                                                                                                     |                                                                                                                            |     |                         |
| 2  |            | +BasicServiceMO( TSPX_MOBscSvcF, TSPX_MOChRateF)                                                                                                                                                                                                                                                                                                                                                                                                                                                                                                                        |                                                                                                                            |     |                         |
| 3  |            | +IdleUpdated( C_E_default, C_CellA, C_SCH_A, C_BCCH_A_1, C_ImmAss, C_S0, C_SlotNU, C_SlotNU, C_SlotNU, C_BCC, C_TxInt_5, C_Max_1, C_NECI_0, C_ATT_0, TimingAdv( 30), C_BABR_0, C_cch_1Comb, C_BPM_3, C_T3212_2, C_ci_cellA, C_MCC_1, C_PLMN_1, C_LAC_1, CellOpt_01, CellChDes_02, CellChDes_03, C_CellReselectHys12, C_MaxPwrLvIG, C_MaxPwrLvID, BcchFreqLst_01, BcchFreqLst_Omit, BcchFreqLst_48, BcchFreqLst_Omit, C_noRestablishment, C_BCC, C_NCC, C_Start_Tmsi, TSPX_SDCCH4SubDef, TSPX_CKSNDf, TSPX_RANDDef, C_arfcnA, C_arfcnAd, TSPX_IMSI, C_Test_fh, C_NCCP_2) |                                                                                                                            |     |                         |
| 4  | body       | +InitCall(TCV_Service)                                                                                                                                                                                                                                                                                                                                                                                                                                                                                                                                                  |                                                                                                                            |     |                         |
| 5  |            | START T_dly( 705000)                                                                                                                                                                                                                                                                                                                                                                                                                                                                                                                                                    |                                                                                                                            |     |                         |
| 6  |            | L?DL_RaInChRq (TCV_Rr := DL_RaInChRq.msg.ecau_rrf, TCV_Fn := DL_RaInChRq.fn)                                                                                                                                                                                                                                                                                                                                                                                                                                                                                            | ChReq( ChRequest_02)                                                                                                       |     |                         |
| 7  |            | ACTIVATE(OtherEventsFail_02)                                                                                                                                                                                                                                                                                                                                                                                                                                                                                                                                            |                                                                                                                            |     | To match ChReq retrans. |
| 8  |            | LIDL_UdatRqImmAss                                                                                                                                                                                                                                                                                                                                                                                                                                                                                                                                                       | ImmAss( TCV_agch, ImmAsgn_01Def( TCV_Rr, TCV_Fn, TSPX_SDCCH4SubDef, TCV_slot, TCV_tsc, TCV_chdescr_arfcn, TimingAdv( 30))) |     |                         |
| 9  | L_037<br>3 | L?DL_EstInCmsRq                                                                                                                                                                                                                                                                                                                                                                                                                                                                                                                                                         | CMSerReq( CMSerReq_01)                                                                                                     | (P) |                         |
| 10 |            | ACTIVATE(OtherEventsFail)                                                                                                                                                                                                                                                                                                                                                                                                                                                                                                                                               |                                                                                                                            |     | Restore Normal default  |
| 11 |            | LIDL_DatRqCmsRej                                                                                                                                                                                                                                                                                                                                                                                                                                                                                                                                                        | CMSerRej( TCV_ch, CMSerReq_30( C_rc_networkfailure))                                                                       |     |                         |
| 12 |            | +ChanRel(TCV_ch)                                                                                                                                                                                                                                                                                                                                                                                                                                                                                                                                                        |                                                                                                                            |     |                         |
| 13 |            | ?TIMEOUT T_dly                                                                                                                                                                                                                                                                                                                                                                                                                                                                                                                                                          |                                                                                                                            |     |                         |
| 14 |            | +local_continue                                                                                                                                                                                                                                                                                                                                                                                                                                                                                                                                                         |                                                                                                                            |     |                         |
| 15 |            | <b>local_continue</b><br>+MM_LUPper2( 30000, C_periodic_updating, C_MCC_1, C_PLMN_1, TCV_lac, TimingAdv( 30))                                                                                                                                                                                                                                                                                                                                                                                                                                                           |                                                                                                                            |     |                         |
| 16 |            | +ChanRel( TCV_ch)                                                                                                                                                                                                                                                                                                                                                                                                                                                                                                                                                       |                                                                                                                            |     |                         |
| 17 |            | START T_dly( 60000)                                                                                                                                                                                                                                                                                                                                                                                                                                                                                                                                                     |                                                                                                                            |     |                         |
| 18 |            | ?TIMEOUT T_dly                                                                                                                                                                                                                                                                                                                                                                                                                                                                                                                                                          |                                                                                                                            |     |                         |
| 19 |            | +ltree_continue1                                                                                                                                                                                                                                                                                                                                                                                                                                                                                                                                                        |                                                                                                                            |     |                         |
| 20 |            | <b>ltree_continue1</b><br>LIDL_UdatRqPg1Rq                                                                                                                                                                                                                                                                                                                                                                                                                                                                                                                              | PgReq1(TCV_PgCh, TCV_Pgg,                                                                                                  |     |                         |

|                                                                          |                                                                                               |                                                                                                                                                  |                         |
|--------------------------------------------------------------------------|-----------------------------------------------------------------------------------------------|--------------------------------------------------------------------------------------------------------------------------------------------------|-------------------------|
| 21                                                                       | L?DL_RaInChRq ( TCV_Rr := DL_RaInChRq.<br>msg.ecau_rrf, TCV_Fn := DL_RaInChRq.fn)             | PgReqTp1_30(Milmsi_01))<br>ChReq(<br>ChRequest_17)                                                                                               |                         |
| 22                                                                       | ACTIVATE(OtherEventsFail_02)                                                                  |                                                                                                                                                  | To match ChReq retrans. |
| 23                                                                       | L!DL_UdatRqImmass                                                                             | ImmAss( TCV_agch,<br>ImmAsgn_01Def(<br>TCV_Rr, TCV_Fn,<br>TSPX_SDCCH4SubD<br>ef, TCV_slot,<br>TCV_tsc,<br>TCV_chdescr_arfcn,<br>TimingAdv( 30))) |                         |
| 24                                                                       | L?DL_EstInPgRes                                                                               | PagingRes(<br>PagingRes_01)                                                                                                                      |                         |
| 25                                                                       | ACTIVATE(OtherEventsFail)                                                                     |                                                                                                                                                  | Restore Normal default  |
| 26                                                                       | +Authentication(TCV_ch, TCV_cksn,<br>TSPX_RANDDef)                                            |                                                                                                                                                  | 1.                      |
| 27                                                                       | +ChanRel(TCV_ch)                                                                              |                                                                                                                                                  | 2.                      |
| 28                                                                       | START T_dly( 705000)                                                                          |                                                                                                                                                  |                         |
| 29                                                                       | ?TIMEOUT T_dly                                                                                |                                                                                                                                                  |                         |
| 30                                                                       | +MM_LUPper2( 30000,<br>C_periodic_updating, C_MCC_1,<br>C_PLMN_1, TCV_lac, TimingAdv(<br>30)) |                                                                                                                                                  |                         |
| 31                                                                       | +ChanRel_end( TCV_ch)                                                                         |                                                                                                                                                  |                         |
| <b>Detailed Comments:</b>                                                |                                                                                               |                                                                                                                                                  |                         |
| 1. MS shall stop the timer T3212 after receiving of the first L3-message |                                                                                               |                                                                                                                                                  |                         |
| 2. MS shall reset and restart the timer T3212                            |                                                                                               |                                                                                                                                                  |                         |

| Test Case Dynamic Behaviour                                                                                                                                                                                             |       |                                                                                                                                                                                                                                                                                                                                                                                                                                                                                                                                                                          |      |    |          |
|-------------------------------------------------------------------------------------------------------------------------------------------------------------------------------------------------------------------------|-------|--------------------------------------------------------------------------------------------------------------------------------------------------------------------------------------------------------------------------------------------------------------------------------------------------------------------------------------------------------------------------------------------------------------------------------------------------------------------------------------------------------------------------------------------------------------------------|------|----|----------|
| <b>Test Case Name:</b> TC_26_7_4_5_3                                                                                                                                                                                    |       |                                                                                                                                                                                                                                                                                                                                                                                                                                                                                                                                                                          |      |    |          |
| <b>Group:</b> GSM_L3_MS_v4200/MM/                                                                                                                                                                                       |       |                                                                                                                                                                                                                                                                                                                                                                                                                                                                                                                                                                          |      |    |          |
| <b>Purpose:</b> To verify that the MS stops and resets the timer T3212 of the periodic location updating procedure when a Location Updating Accept or a Location Updating Reject message is received.                   |       |                                                                                                                                                                                                                                                                                                                                                                                                                                                                                                                                                                          |      |    |          |
| <b>Default:</b> OtherEventsFail                                                                                                                                                                                         |       |                                                                                                                                                                                                                                                                                                                                                                                                                                                                                                                                                                          |      |    |          |
| <b>Comments:</b> Initial Conditions of MS:<br>The MS has valid TMSI and CKSN. It is "idle updated" on cell A.<br><br>Foreseen final state of the MS:<br>The MS has valid TMSI and CKSN. It is "idle updated" on cell B. |       |                                                                                                                                                                                                                                                                                                                                                                                                                                                                                                                                                                          |      |    |          |
| Nr                                                                                                                                                                                                                      | Label | Behaviour Description                                                                                                                                                                                                                                                                                                                                                                                                                                                                                                                                                    | CRef | V  | Comments |
| 1                                                                                                                                                                                                                       |       | START T_guard(1200)                                                                                                                                                                                                                                                                                                                                                                                                                                                                                                                                                      |      |    |          |
| 2                                                                                                                                                                                                                       |       | +IdleUpdated( C_E_default, C_CellA, C_SCH_A, C_BCCH_A_1, C_Immss, C_S0, C_SlotNU, C_SlotNU, C_SlotNU, C_BCC, C_TxInt_5, C_Max_1, C_NECI_0, C_ATT_1, TimingAdv( 30), C_BABR_0, C_cch_1Comb, C_BPM_3, C_T3212_1, C_ci_cellA, C_MCC_1, C_PLMN_2, C_LAC_1, CellOpt_01, CellChDes_02, CellChDes_03, C_CellReselectHys12, C_MaxPwrLvlG, C_MaxPwrLvlD, BcchFreqLst_01, BcchFreqLst_Omit, BcchFreqLst_48, BcchFreqLst_Omit, C_noRestablishment, C_BCC, C_NCC, C_Start_Tmsi, TSPX_SDCCH4SubDef, TSPX_CKSNDDef, TSPX_RANDDef, C_arfcnA, C_arfcnAd, TSPX_IMSI, C_Test_fh, C_NCCP_2) |      |    |          |
| 3                                                                                                                                                                                                                       |       | +StartCellB( C_E_neighbourdefault, C_arfcnB, C_arfcnBd, C_Immss, TCV_slot, TCV_tsc, TimingAdv( 30), C_TxInt_5, C_Max_1, C_NECI_0, C_ATT_1, C_BABR_0, C_cch_1Comb, C_BPM_3, C_T3212_1, C_MCC_1, C_PLMN_2, C_LAC_2, CellChDes_04, CellChDes_03, BcchFreqLst_01, BcchFreqLst_48, C_noRestablishment, C_BCC, C_NCC)                                                                                                                                                                                                                                                          |      |    |          |
| 4                                                                                                                                                                                                                       | body  | +Switchcell( C_CellA, C_CellB, C_LAC_2, TSPX_SDCCH4SubDef, TSPX_CKSNDDef, TSPX_RANDDef, C_arfcnB, C_arfcnBd, TCV_Ccd0B, TSPX_IMSI)                                                                                                                                                                                                                                                                                                                                                                                                                                       |      |    |          |
| 5                                                                                                                                                                                                                       |       | +MM_LUP3( C_MCC_1, C_PLMN_2, TCV_lac, C_normal_updating, TimingAdv( 30))                                                                                                                                                                                                                                                                                                                                                                                                                                                                                                 |      | 1) |          |
| 6                                                                                                                                                                                                                       |       | +NoReaction( 345000)                                                                                                                                                                                                                                                                                                                                                                                                                                                                                                                                                     |      |    |          |
| 7                                                                                                                                                                                                                       |       | +MM_LUPper2( 30000, C_periodic_updating, C_MCC_1, C_PLMN_2, TCV_lac, TimingAdv( 30))                                                                                                                                                                                                                                                                                                                                                                                                                                                                                     |      |    |          |
| 8                                                                                                                                                                                                                       |       | +ChanRel(TCV_ch)                                                                                                                                                                                                                                                                                                                                                                                                                                                                                                                                                         |      |    |          |
| 9                                                                                                                                                                                                                       |       | +ImsiDetach( MiTmsi_01, TimingAdv( 30), C_SIMneedRmv)                                                                                                                                                                                                                                                                                                                                                                                                                                                                                                                    |      |    | 2)       |
| 10                                                                                                                                                                                                                      |       | +ImsiAttach( MiTmsi_01, TimingAdv( 30), C_MCC_1, C_PLMN_2, C_SIMneedRmv)                                                                                                                                                                                                                                                                                                                                                                                                                                                                                                 |      |    |          |
| 11                                                                                                                                                                                                                      |       | +NoReaction( 345000)                                                                                                                                                                                                                                                                                                                                                                                                                                                                                                                                                     |      |    |          |
| 12                                                                                                                                                                                                                      |       | +MM_LUPper2( 30000, C_periodic_updating, C_MCC_1, C_PLMN_2, TCV_lac, TimingAdv( 30))                                                                                                                                                                                                                                                                                                                                                                                                                                                                                     |      |    |          |
| 13                                                                                                                                                                                                                      |       | +ChanRel_end( TCV_ch)                                                                                                                                                                                                                                                                                                                                                                                                                                                                                                                                                    |      |    |          |
| <b>Detailed Comments:</b>                                                                                                                                                                                               |       | 1) MS shall reset the timer T3212 after normal location updating                                                                                                                                                                                                                                                                                                                                                                                                                                                                                                         |      |    |          |
|                                                                                                                                                                                                                         |       | 2) MS shall reset the timer T3212 after IMSI attach procedure.                                                                                                                                                                                                                                                                                                                                                                                                                                                                                                           |      |    |          |



| Test Case Dynamic Behaviour |            |                                                                                                                                                                                                                                                                                                                                                                                                                                                                                                                                                                                  |                                                                         |     |          |
|-----------------------------|------------|----------------------------------------------------------------------------------------------------------------------------------------------------------------------------------------------------------------------------------------------------------------------------------------------------------------------------------------------------------------------------------------------------------------------------------------------------------------------------------------------------------------------------------------------------------------------------------|-------------------------------------------------------------------------|-----|----------|
| <b>Test Case Name:</b>      |            | TC_26_7_4_5_4_1                                                                                                                                                                                                                                                                                                                                                                                                                                                                                                                                                                  |                                                                         |     |          |
| <b>Group:</b>               |            | GSM_L3_MS_v4200/MM/                                                                                                                                                                                                                                                                                                                                                                                                                                                                                                                                                              |                                                                         |     |          |
| <b>Purpose:</b>             |            | To verify that when a cell of the HPLMN becomes available, following the successful location request on the VPLMN of the home country and after the first search the mobile has failed to find its HPLMN, that the MS shall perform a location update request on the HPLMN after time T. Where T is the HPLMN Search Period stored in the SIM.                                                                                                                                                                                                                                   |                                                                         |     |          |
| <b>Default:</b>             |            | OtherEventsFail                                                                                                                                                                                                                                                                                                                                                                                                                                                                                                                                                                  |                                                                         |     |          |
| <b>Comments:</b>            |            | Initial Conditions of MS:<br>The MS is switched off. The HPLMN Search Period on the SIM shall be set to 6 minutes.<br>The Location Area Information on the SIM is deleted.<br><br>Foreseen final state of the MS:<br>The MS has valid TMSI and CKSN. It is "idle updated" on cell A.                                                                                                                                                                                                                                                                                             |                                                                         |     |          |
| Nr                          | Label      | Behaviour Description                                                                                                                                                                                                                                                                                                                                                                                                                                                                                                                                                            | CRef                                                                    | V   | Comments |
| 1                           |            | START T_guard(1020)                                                                                                                                                                                                                                                                                                                                                                                                                                                                                                                                                              |                                                                         |     |          |
| 2                           |            | (TCV_Null := OO_SIM2Ins())                                                                                                                                                                                                                                                                                                                                                                                                                                                                                                                                                       |                                                                         |     |          |
| 3                           |            | +IdleUpdated( C_E_neighbourdefault, C_CellB, C_SCH_B, C_BCCH_B_1, C_Immass, C_S0, C_SlotNU, C_SlotNU, C_SlotNU, C_BCC, C_TxInt_5, C_Max_1, C_NECI_0, C_ATT_0, TimingAdv( 30), C_BABR_0, C_cch_1Comb, C_BPM_3, C_T3212_0, C_ci_cellB, C_MCC_1, C_PLMN_2, C_LAC_2, CellOpt_01, CellChDes_Omit, CellChDes_Omit, C_CellReselectHys12, C_MaxPwrLvlG, C_MaxPwrLvlD, BcchFreqLst_01, BcchFreqLst_01, BcchFreqLst_48, BcchFreqLst_48, C_noRestablishment, C_BCC, C_NCC, C_Start_Rej, TSPX_SDCCH4SubDef, TSPX_CKSNDf, TSPX_RANDDef, C_arfcnB, C_arfcnBd, TSPX_IMSI, C_Test_nfh, C_NCCP_2) |                                                                         |     | 1)       |
| 4                           | body       | +MM_PwrOrSimOn( C_SIMneedRmv)                                                                                                                                                                                                                                                                                                                                                                                                                                                                                                                                                    |                                                                         |     |          |
| 5                           |            | +MM_LupInit5( C_normal_updating, TimingAdv( 30))                                                                                                                                                                                                                                                                                                                                                                                                                                                                                                                                 |                                                                         |     |          |
| 6                           |            | L!DL_DatRqLupAcp                                                                                                                                                                                                                                                                                                                                                                                                                                                                                                                                                                 | LocAcp( TCV_ch, LocUpdtAcp_01( MiMsi_omit, C_MCC_1, C_PLMN_2, TCV_lac)) |     | PLMN2    |
| 7                           |            | +ChanRel(TCV_ch)                                                                                                                                                                                                                                                                                                                                                                                                                                                                                                                                                                 |                                                                         |     |          |
| 8                           |            | +NoReaction( 480000)                                                                                                                                                                                                                                                                                                                                                                                                                                                                                                                                                             |                                                                         |     |          |
| 9                           |            | +ltree_continue                                                                                                                                                                                                                                                                                                                                                                                                                                                                                                                                                                  |                                                                         |     |          |
| 10                          |            | <b>ltree_continue</b><br>+StartCellA( C_E_default, C_Immass,TCV_slot, TCV_tsc, TimingAdv( 30), C_TxInt_5, C_Max_1, C_NECI_0, C_ATT_0, C_BABR_0, C_cch_1Comb, C_BPM_3, C_T3212_0, C_MCC_1, C_PLMN_1, C_LAC_1, CellChDes_02, CellChDes_03, BcchFreqLst_01, BcchFreqLst_48, C_noRestablishment)                                                                                                                                                                                                                                                                                     |                                                                         |     |          |
| 11                          |            | +Varinit_fix( C_CellA, C_LAC_1, TSPX_SDCCH4SubDef, TSPX_CKSNDf, TSPX_RANDDef, C_arfcnA, C_arfcnAd, TCV_Ccd0A, TSPX_IMSI)                                                                                                                                                                                                                                                                                                                                                                                                                                                         |                                                                         |     |          |
| 12                          |            | START T_dly( 480000)                                                                                                                                                                                                                                                                                                                                                                                                                                                                                                                                                             |                                                                         |     |          |
| 13                          | L_037<br>4 | ?TIMEOUT T_dly                                                                                                                                                                                                                                                                                                                                                                                                                                                                                                                                                                   |                                                                         | (F) |          |
| 14                          |            | +MM_LupInit4( C_normal_updating, TimingAdv( 30))                                                                                                                                                                                                                                                                                                                                                                                                                                                                                                                                 |                                                                         |     |          |
| 15                          | L_037<br>5 | L!DL_DatRqLupAcp                                                                                                                                                                                                                                                                                                                                                                                                                                                                                                                                                                 | LocAcp( TCV_ch, LocUpdtAcp_01( MiMsi_omit, C_MCC_1, C_PLMN_1, TCV_lac)) | (P) | PLMN1    |
| 16                          |            | +ChanRel_end( TCV_ch)                                                                                                                                                                                                                                                                                                                                                                                                                                                                                                                                                            |                                                                         |     |          |
| <b>Detailed Comments:</b>   |            | 1) Initial condition: LAI deleted, HPLMNsearchperiod=6min                                                                                                                                                                                                                                                                                                                                                                                                                                                                                                                        |                                                                         |     |          |

### Test Case Dynamic Behaviour

**Test Case Name:** TC\_26\_7\_4\_5\_4\_2  
**Group:** GSM\_L3\_MS\_v4200/MM/  
**Purpose:** To verify that no HPLMN Search is performed when the MS is not in automatic mode  
**Default:** OtherEventsFail  
**Comments:** Initial Conditions of MS:  
 The MS is switched off. The HPLMN Search Period on the SIM shall be set to 6 minutes.  
 The Location Area Information on the SIM is deleted.  
  
 Foreseen final state of the MS:  
 The MS has valid TMSI and CKSN. It is "idle updated" on cell B.

| Nr | Label | Behaviour Description                                                                                                                                                                                                                                                                                                                                                                                                                                                                                                                                                             | CRef                                                                    | V | Comments |
|----|-------|-----------------------------------------------------------------------------------------------------------------------------------------------------------------------------------------------------------------------------------------------------------------------------------------------------------------------------------------------------------------------------------------------------------------------------------------------------------------------------------------------------------------------------------------------------------------------------------|-------------------------------------------------------------------------|---|----------|
| 1  |       | START T_guard(420)                                                                                                                                                                                                                                                                                                                                                                                                                                                                                                                                                                |                                                                         |   |          |
| 2  |       | (TCV_Null := OO_SIM2Ins())                                                                                                                                                                                                                                                                                                                                                                                                                                                                                                                                                        |                                                                         |   |          |
| 3  |       | +IdleUpdated( C_E_neighbourdefault, C_CellB, C_SCH_B, C_BCCH_B_1, C_Immass, C_S0, C_SlotNU, C_SlotNU, C_SlotNU, C_BCC, C_TxInt_5, C_Max_1, C_NECI_0, C_ATT_0, TimingAdv( 30), C_BABR_0, C_cch_1Comb, C_BPM_3, C_T3212_0, C_ci_cellB, C_MCC_1, C_PLMN_2, C_LAC_2, CellOpt_01, CellChDes_Omit, CellChDes_Omit, C_CellReselectHys12, C_MaxPwrLvlG, C_MaxPwrLvlD, BcchFreqLst_01, BcchFreqLst_01, BcchFreqLst_48, BcchFreqLst_48, C_noRestablishment, C_BCC, C_NCC, C_Start_Rej, TSPX_SDCCH4SubDef, TSPX_CKSNDef, TSPX_RANDDef, C_arfcnB, C_arfcnBd, TSPX_IMSI, C_Test_nfh, C_NCCP_2) |                                                                         |   | 1)       |
| 4  | body  | +MM_PwrOrSimOn( C_SIMneedRmv)                                                                                                                                                                                                                                                                                                                                                                                                                                                                                                                                                     |                                                                         |   |          |
| 5  |       | +MM_LupInit5( C_normal_updating, TimingAdv( 30))                                                                                                                                                                                                                                                                                                                                                                                                                                                                                                                                  |                                                                         |   |          |
| 6  |       | !DL_DatRqLupAcp                                                                                                                                                                                                                                                                                                                                                                                                                                                                                                                                                                   | LocAcp( TCV_ch, LocUpdtAcp_01( MiMsi_omit, C_MCC_1, C_PLMN_2, TCV_lac)) |   | PLMN2    |
| 7  |       | +ChanRel(TCV_ch)                                                                                                                                                                                                                                                                                                                                                                                                                                                                                                                                                                  |                                                                         |   |          |
| 8  |       | +ltree_continue                                                                                                                                                                                                                                                                                                                                                                                                                                                                                                                                                                   |                                                                         |   |          |
|    |       | <b>ltree_continue</b>                                                                                                                                                                                                                                                                                                                                                                                                                                                                                                                                                             |                                                                         |   |          |
| 9  |       | (TCV_Null := OO_PLMNselModeMan())                                                                                                                                                                                                                                                                                                                                                                                                                                                                                                                                                 |                                                                         |   | 2)       |
| 10 |       | +StartCellA( C_E_default, C_Immass, TCV_slot, TCV_tsc, TimingAdv( 30), C_TxInt_5, C_Max_1, C_NECI_0, C_ATT_0, C_BABR_0, C_cch_1Comb, C_BPM_3, C_T3212_0, C_MCC_1, C_PLMN_1, C_LAC_1, CellChDes_02, CellChDes_03, BcchFreqLst_01, BcchFreqLst_48, C_noRestablishment)                                                                                                                                                                                                                                                                                                              |                                                                         |   | 3)       |
| 11 |       | +Varinit_fix( C_CellA, C_LAC_1, TSPX_SDCCH4SubDef, TSPX_CKSNDef, TSPX_RANDDef, C_arfcnA, C_arfcnAd, TCV_Ccd0A, TSPX_IMSI)                                                                                                                                                                                                                                                                                                                                                                                                                                                         |                                                                         |   |          |
| 12 |       | +NoReaction( 420000)                                                                                                                                                                                                                                                                                                                                                                                                                                                                                                                                                              |                                                                         |   |          |

**Detailed Comments:**  
 1) Initial condition: LAI deleted, HPLMN searchperiod = 6min  
 2) MS in manual mode.  
 3) made cell A available.

| Test Case Dynamic Behaviour |            |                                                                                                                                                                                                                                                                                                                                                                                                                                                                                                                                                                                  |                                                                         |     |          |
|-----------------------------|------------|----------------------------------------------------------------------------------------------------------------------------------------------------------------------------------------------------------------------------------------------------------------------------------------------------------------------------------------------------------------------------------------------------------------------------------------------------------------------------------------------------------------------------------------------------------------------------------|-------------------------------------------------------------------------|-----|----------|
| <b>Test Case Name:</b>      |            | TC_26_7_4_5_4_3                                                                                                                                                                                                                                                                                                                                                                                                                                                                                                                                                                  |                                                                         |     |          |
| <b>Group:</b>               |            | GSM_L3_MS_v4200/MM/                                                                                                                                                                                                                                                                                                                                                                                                                                                                                                                                                              |                                                                         |     |          |
| <b>Purpose:</b>             |            | To verify that the MS waits at least 2 minutes and at most T minutes before attempting its first HPLMN Search.                                                                                                                                                                                                                                                                                                                                                                                                                                                                   |                                                                         |     |          |
| <b>Default:</b>             |            | OtherEventsFail                                                                                                                                                                                                                                                                                                                                                                                                                                                                                                                                                                  |                                                                         |     |          |
| <b>Comments:</b>            |            | Initial Conditions of MS:<br>The MS is switched off. The HPLMN Search Period on the SIM shall be set to 6 minutes.<br>The Location Area Information on the SIM is deleted.<br><br>Foreseen final state of the MS:<br>The MS has valid TMSI and CKSN. It is "idle updated" on cell A.                                                                                                                                                                                                                                                                                             |                                                                         |     |          |
| Nr                          | Label      | Behaviour Description                                                                                                                                                                                                                                                                                                                                                                                                                                                                                                                                                            | CRef                                                                    | V   | Comments |
| 1                           |            | START T_guard(480)                                                                                                                                                                                                                                                                                                                                                                                                                                                                                                                                                               |                                                                         |     |          |
| 2                           |            | (TCV_Null := OO_SIM2Ins())                                                                                                                                                                                                                                                                                                                                                                                                                                                                                                                                                       |                                                                         |     |          |
| 3                           |            | +IdleUpdated( C_E_neighbourdefault, C_CellB, C_SCH_B, C_BCCH_B_1, C_Immass, C_S0, C_SlotNU, C_SlotNU, C_SlotNU, C_BCC, C_TxInt_5, C_Max_1, C_NECI_0, C_ATT_0, TimingAdv( 30), C_BABR_0, C_cch_1Comb, C_BPM_3, C_T3212_0, C_ci_cellB, C_MCC_1, C_PLMN_2, C_LAC_2, CellOpt_01, CellChDes_Omit, CellChDes_Omit, C_CellReselectHys12, C_MaxPwrLvlG, C_MaxPwrLvlD, BcchFreqLst_01, BcchFreqLst_01, BcchFreqLst_48, BcchFreqLst_48, C_noRestablishment, C_BCC, C_NCC, C_Start_Rej, TSPX_SDCCH4SubDef, TSPX_CKSNDf, TSPX_RANDDef, C_arfcnB, C_arfcnBd, TSPX_IMSI, C_Test_nfh, C_NCCP_2) |                                                                         |     | 1)       |
| 4                           | body       | +MM_PwrOrSimOn( C_SIMneedRmv)                                                                                                                                                                                                                                                                                                                                                                                                                                                                                                                                                    |                                                                         |     |          |
| 5                           |            | +MM_LupInit5( C_normal_updating, TimingAdv( 30))                                                                                                                                                                                                                                                                                                                                                                                                                                                                                                                                 |                                                                         |     |          |
| 6                           |            | !DL_DatRqLupAcp                                                                                                                                                                                                                                                                                                                                                                                                                                                                                                                                                                  | LocAcp( TCV_ch, LocUpdtAcp_01( MiMsi_omit, C_MCC_1, C_PLMN_2, TCV_lac)) |     | PLMN2    |
| 7                           |            | +ChanRel(TCV_ch)                                                                                                                                                                                                                                                                                                                                                                                                                                                                                                                                                                 |                                                                         |     |          |
| 8                           |            | +ltree_continue                                                                                                                                                                                                                                                                                                                                                                                                                                                                                                                                                                  |                                                                         |     |          |
|                             |            | <b>ltree_continue</b>                                                                                                                                                                                                                                                                                                                                                                                                                                                                                                                                                            |                                                                         |     |          |
| 9                           |            | +StartCellA( C_E_default, C_Immass, TCV_slot, TCV_tsc, TimingAdv( 30), C_TxInt_5, C_Max_1, C_NECI_0, C_ATT_0, C_BABR_0, C_cch_1Comb, C_BPM_3, C_T3212_0, C_MCC_1, C_PLMN_1, C_LAC_1, CellChDes_02, CellChDes_03, BcchFreqLst_01, BcchFreqLst_48, C_noRestablishment)                                                                                                                                                                                                                                                                                                             |                                                                         |     | 2)       |
| 10                          |            | +Varinit_fix( C_CellA, C_LAC_1, TSPX_SDCCH4SubDef, TSPX_CKSNDf, TSPX_RANDDef, C_arfcnA, C_arfcnAd, TCV_Ccd0A, TSPX_IMSI)                                                                                                                                                                                                                                                                                                                                                                                                                                                         |                                                                         |     |          |
| 11                          |            | +NoReaction( 120000)                                                                                                                                                                                                                                                                                                                                                                                                                                                                                                                                                             |                                                                         |     |          |
| 12                          |            | START T_dly(360000)                                                                                                                                                                                                                                                                                                                                                                                                                                                                                                                                                              |                                                                         |     | 3)       |
| 13                          | L_037<br>6 | ?TIMEOUT T_dly                                                                                                                                                                                                                                                                                                                                                                                                                                                                                                                                                                   |                                                                         | (F) |          |
| 14                          |            | +MM_LupInit6( C_normal_updating, TimingAdv( 30))                                                                                                                                                                                                                                                                                                                                                                                                                                                                                                                                 |                                                                         |     |          |
| 15                          |            | !DL_DatRqLupAcp                                                                                                                                                                                                                                                                                                                                                                                                                                                                                                                                                                  | LocAcp( TCV_ch, LocUpdtAcp_01( MiMsi_omit, C_MCC_1, C_PLMN_1, TCV_lac)) |     | PLMN1    |
| 16                          |            | +ChanRel_end( TCV_ch)                                                                                                                                                                                                                                                                                                                                                                                                                                                                                                                                                            |                                                                         |     |          |
| <b>Detailed Comments:</b>   |            | 1) Initial condition: LAI deleted, HPLMNsearchperiod=6min<br>2) made cell A available.                                                                                                                                                                                                                                                                                                                                                                                                                                                                                           |                                                                         |     |          |

3) MS shall send the messages on cell A within T minutes. T means HPLMN search period.

| Test Case Dynamic Behaviour                                                                                                                                                                                                                                                                                                                                                                                                               |            |                                                                                                                                                                                                                                                                                                                                                                                                                                                                                                                                                                                     |      |     |          |
|-------------------------------------------------------------------------------------------------------------------------------------------------------------------------------------------------------------------------------------------------------------------------------------------------------------------------------------------------------------------------------------------------------------------------------------------|------------|-------------------------------------------------------------------------------------------------------------------------------------------------------------------------------------------------------------------------------------------------------------------------------------------------------------------------------------------------------------------------------------------------------------------------------------------------------------------------------------------------------------------------------------------------------------------------------------|------|-----|----------|
| <b>Test Case Name:</b> TC_26_7_4_6                                                                                                                                                                                                                                                                                                                                                                                                        |            |                                                                                                                                                                                                                                                                                                                                                                                                                                                                                                                                                                                     |      |     |          |
| <b>Group:</b> GSM_L3_MS_v4200/MM/                                                                                                                                                                                                                                                                                                                                                                                                         |            |                                                                                                                                                                                                                                                                                                                                                                                                                                                                                                                                                                                     |      |     |          |
| <b>Purpose:</b><br>1) To check that if the PLU timer expires while the MS is out of coverage, the MS informs the network of its return to coverage.<br>2) To check that the PLU timer is not disturbed by cells of forbidden PLMNs.<br>3) To check that if the PLU timer does not expire while out of coverage and if the mobile returns to the LA where it is updated, the mobile does not inform the network of its return to coverage. |            |                                                                                                                                                                                                                                                                                                                                                                                                                                                                                                                                                                                     |      |     |          |
| <b>Default:</b> OtherEventsFail                                                                                                                                                                                                                                                                                                                                                                                                           |            |                                                                                                                                                                                                                                                                                                                                                                                                                                                                                                                                                                                     |      |     |          |
| <b>Comments:</b><br>Initial Conditions of MS:<br>The MS is deactivated. The PLMN of cell B is entered in the SIM's forbidden PLMN list.<br><br>Foreseen final state of the MS:<br>The MS is "idle updated". The PLMN of cell B is entered in the SIM's forbidden PLMN list.                                                                                                                                                               |            |                                                                                                                                                                                                                                                                                                                                                                                                                                                                                                                                                                                     |      |     |          |
| Nr                                                                                                                                                                                                                                                                                                                                                                                                                                        | Label      | Behaviour Description                                                                                                                                                                                                                                                                                                                                                                                                                                                                                                                                                               | CRef | V   | Comments |
| 1                                                                                                                                                                                                                                                                                                                                                                                                                                         |            | START T_guard(2100)                                                                                                                                                                                                                                                                                                                                                                                                                                                                                                                                                                 |      |     |          |
| 2                                                                                                                                                                                                                                                                                                                                                                                                                                         |            | +IdleUpdated( C_E_neighbourdefault, C_CellB, C_SCH_B, C_BCCH_B_1, C_Immass, C_S0, C_SlotNU, C_SlotNU, C_SlotNU, C_BCC, C_TxInt_5, C_Max_1, C_NECI_0, C_ATT_0, TimingAdv( 30), C_BABR_0, C_cch_1Comb, C_BPM_3, C_T3212_0, C_ci_cellB, C_MCC_1, C_PLMN_2, C_LAC_2, CellOpt_01, CellChDes_04, CellChDes_03, C_CellReselectHys12, C_MaxPwrLvlG, C_MaxPwrLvlD, BcchFreqLst_01, BcchFreqLst_Omit, BcchFreqLst_48, BcchFreqLst_Omit, C_noRestablishment, C_BCC, C_NCC, C_Start_PLMNnot, TSPX_SDCCH4SubDef, TSPX_CKSNDf, TSPX_RANDDef, C_arfcnB, C_arfcnBd, TSPX_IMSI, C_Test_fh, C_NCCP_2) |      |     | PR 1)    |
| 3                                                                                                                                                                                                                                                                                                                                                                                                                                         |            | +StartCellA( C_E_default, C_Immass, TCV_slot, TCV_tsc, TimingAdv( 30), C_TxInt_5, C_Max_1, C_NECI_0, C_ATT_0, C_BABR_0, C_cch_1Comb, C_BPM_3, C_T3212_0, C_MCC_1, C_PLMN_1, C_LAC_1, CellChDes_02, CellChDes_03, BcchFreqLst_01, BcchFreqLst_48, C_noRestablishment)                                                                                                                                                                                                                                                                                                                |      |     |          |
| 4                                                                                                                                                                                                                                                                                                                                                                                                                                         |            | +Varinit_fix( C_CellA, C_LAC_1, TSPX_SDCCH4SubDef, TSPX_CKSNDf, TSPX_RANDDef, C_arfcnA, C_arfcnAd, TCV_Ccd0A, TSPX_IMSI)                                                                                                                                                                                                                                                                                                                                                                                                                                                            |      |     |          |
| 5                                                                                                                                                                                                                                                                                                                                                                                                                                         |            | +MM_LUP( MiTmsi_01iei, C_MCC_1, C_PLMN_1, C_LAC_1, C_normal_updating, TimingAdv( 30))                                                                                                                                                                                                                                                                                                                                                                                                                                                                                               |      |     | PR 2)    |
| 6                                                                                                                                                                                                                                                                                                                                                                                                                                         |            | +MM_PwrOrSimOff( C_SIMneedRmv)                                                                                                                                                                                                                                                                                                                                                                                                                                                                                                                                                      |      |     |          |
| 7                                                                                                                                                                                                                                                                                                                                                                                                                                         |            | +ltree_StartCellAandB                                                                                                                                                                                                                                                                                                                                                                                                                                                                                                                                                               |      |     |          |
| 8                                                                                                                                                                                                                                                                                                                                                                                                                                         | body       | +ltree_body1                                                                                                                                                                                                                                                                                                                                                                                                                                                                                                                                                                        |      |     |          |
| 9                                                                                                                                                                                                                                                                                                                                                                                                                                         |            | +ltree_body2                                                                                                                                                                                                                                                                                                                                                                                                                                                                                                                                                                        |      |     |          |
| 10                                                                                                                                                                                                                                                                                                                                                                                                                                        |            | +ltree_body3                                                                                                                                                                                                                                                                                                                                                                                                                                                                                                                                                                        |      |     |          |
| 11                                                                                                                                                                                                                                                                                                                                                                                                                                        |            | +RmvForbiddenPlmn( C_CellB, C_LAC_2, TSPX_SDCCH4SubDef, TSPX_CKSNDf, TSPX_RANDDef, C_arfcnB, C_arfcnBd, TCV_Ccd0B, TSPX_IMSI)                                                                                                                                                                                                                                                                                                                                                                                                                                                       |      |     |          |
|                                                                                                                                                                                                                                                                                                                                                                                                                                           |            | <b>ltree_body1</b>                                                                                                                                                                                                                                                                                                                                                                                                                                                                                                                                                                  |      |     |          |
| 12                                                                                                                                                                                                                                                                                                                                                                                                                                        |            | +MM_PwrOrSimOn( C_SIMneedRmv)                                                                                                                                                                                                                                                                                                                                                                                                                                                                                                                                                       |      |     | 1)       |
| 13                                                                                                                                                                                                                                                                                                                                                                                                                                        |            | START T_dly1( C_T_Wait1stChReq)                                                                                                                                                                                                                                                                                                                                                                                                                                                                                                                                                     |      |     |          |
| 14                                                                                                                                                                                                                                                                                                                                                                                                                                        |            | +ltree_perluprest( C_imsi_attach)                                                                                                                                                                                                                                                                                                                                                                                                                                                                                                                                                   |      |     | 2)       |
| 15                                                                                                                                                                                                                                                                                                                                                                                                                                        |            | START T_dly1( 705000)                                                                                                                                                                                                                                                                                                                                                                                                                                                                                                                                                               |      |     | 3)       |
| 16                                                                                                                                                                                                                                                                                                                                                                                                                                        |            | +NoReaction( 60000)                                                                                                                                                                                                                                                                                                                                                                                                                                                                                                                                                                 |      |     |          |
| 17                                                                                                                                                                                                                                                                                                                                                                                                                                        |            | (TCV_Null := OM_StopCell( C_CellA))                                                                                                                                                                                                                                                                                                                                                                                                                                                                                                                                                 |      |     |          |
| 18                                                                                                                                                                                                                                                                                                                                                                                                                                        |            | +NoReaction( 420000)                                                                                                                                                                                                                                                                                                                                                                                                                                                                                                                                                                |      |     |          |
| 19                                                                                                                                                                                                                                                                                                                                                                                                                                        |            | +ltree_StartCellAandB                                                                                                                                                                                                                                                                                                                                                                                                                                                                                                                                                               |      |     |          |
| 20                                                                                                                                                                                                                                                                                                                                                                                                                                        | L_037<br>7 | ?TIMEOUT T_dly1                                                                                                                                                                                                                                                                                                                                                                                                                                                                                                                                                                     |      | (P) | 3)       |

|    |            |                                                                                                                                                                                                                                                                                                                                      |                                                                                                                                                  |     |                         |
|----|------------|--------------------------------------------------------------------------------------------------------------------------------------------------------------------------------------------------------------------------------------------------------------------------------------------------------------------------------------|--------------------------------------------------------------------------------------------------------------------------------------------------|-----|-------------------------|
| 21 |            | <b>ltree_body2</b>                                                                                                                                                                                                                                                                                                                   |                                                                                                                                                  |     |                         |
| 22 |            | START T_dly1( 30000)                                                                                                                                                                                                                                                                                                                 |                                                                                                                                                  |     |                         |
| 23 |            | +ltree_perluprest( C_periodic_updating)                                                                                                                                                                                                                                                                                              |                                                                                                                                                  |     | 4)                      |
| 24 |            | +NoReaction( 180000)<br>(TCV_Null := OM_StopCell( C_CellA))                                                                                                                                                                                                                                                                          |                                                                                                                                                  |     |                         |
| 25 |            | <b>ltree_body3</b>                                                                                                                                                                                                                                                                                                                   |                                                                                                                                                  |     |                         |
| 26 |            | +NoReaction( 660000)                                                                                                                                                                                                                                                                                                                 |                                                                                                                                                  |     | 5)                      |
| 27 |            | +ltree_StartCellAandB<br>(TCV_Null := OM_StopCell( C_CellB))                                                                                                                                                                                                                                                                         |                                                                                                                                                  |     |                         |
| 28 |            | START T_dly1( 180000)                                                                                                                                                                                                                                                                                                                |                                                                                                                                                  |     |                         |
| 29 |            | +ltree_perluprest( C_periodic_updating)                                                                                                                                                                                                                                                                                              |                                                                                                                                                  |     | 6)                      |
| 30 | L_037<br>8 | <b>ltree_perluprest( locup:B_2)</b><br>L?DL_RaInChRq (TCV_Rr := DL_RaInChRq.<br>msg.ecau_rrf, TCV_Fn := DL_RaInChRq.fn)<br>CANCEL T_dly1                                                                                                                                                                                             | ChReq(<br>ChRequest_02)                                                                                                                          | (P) |                         |
| 31 |            | ACTIVATE( OtherEventsFail_02)                                                                                                                                                                                                                                                                                                        |                                                                                                                                                  |     | To match ChReq retrans. |
| 32 |            | LIDL_UdatRqImmss                                                                                                                                                                                                                                                                                                                     | ImmAss( TCV_agch,<br>ImmAsgn_01Def(<br>TCV_Rr, TCV_Fn,<br>TSPX_SDCCH4SubD<br>ef, TCV_slot,<br>TCV_tsc,<br>TCV_chdescr_arfcn,<br>TimingAdv( 30))) |     |                         |
| 33 | L_037<br>9 | L?DL_EstInLupRq                                                                                                                                                                                                                                                                                                                      | LocUp( TCV_ch,<br>LocUpdtReq_01(<br>locup))                                                                                                      | (P) |                         |
| 34 |            | ACTIVATE( OtherEventsFail)                                                                                                                                                                                                                                                                                                           |                                                                                                                                                  |     | Restore Normal default  |
| 35 |            | LIDL_DatRqLupAcp                                                                                                                                                                                                                                                                                                                     | LocAcp( TCV_ch,<br>LocUpdtAcp_01(<br>MiMsi_omit,<br>C_MCC_1,<br>C_PLMN_1,<br>TCV_lac))                                                           |     |                         |
| 36 |            | +ChanRel(TCV_ch)                                                                                                                                                                                                                                                                                                                     |                                                                                                                                                  |     |                         |
| 37 | L_038<br>0 | ?TIMEOUT T_dly1                                                                                                                                                                                                                                                                                                                      |                                                                                                                                                  | (F) |                         |
| 38 |            | <b>ltree_StartCellAandB</b><br>+StartCellA( C_E_default, C_Immss, TCV_slot,<br>TCV_tsc, TimingAdv( 30), C_TxInt_5, C_Max_1,<br>C_NECl_0, C_ATT_1, C_BABR_0, C_cch_1Comb,<br>C_BPM_3, C_T3212_2, C_MCC_1, C_PLMN_1,<br>C_LAC_1, CellChDes_01, CellChDes_03,<br>BcchFreqLst_01, BcchFreqLst_48,<br>C_noRestablishment)                 |                                                                                                                                                  |     |                         |
| 39 |            | +StartCellB( C_E_neighbourdefault, C_arfcnB,<br>C_arfcnBd, C_Immss, TCV_slot, TCV_tsc,<br>TimingAdv( 30), C_TxInt_5, C_Max_1, C_NECl_0,<br>C_ATT_1, C_BABR_0, C_cch_1Comb, C_BPM_3,<br>C_T3212_1, C_MCC_1, C_PLMN_2, C_LAC_2,<br>CellChDes_04, CellChDes_03, BcchFreqLst_01,<br>BcchFreqLst_48, C_noRestablishment, C_BCC,<br>C_NCC) |                                                                                                                                                  |     |                         |

**Detailed Comments:**

PR1) Initial condition: The PLMN of cell B is entered in the SIM's forbidden PLMN list.  
 PR2) Initial condition: Idle updated in cell A.

- 1) MS is in automatic network selection mode.
- 2) IMSI attach procedure
- 3) Conformance Requirement 1  
 Delay for 11 min and 40 seconds. In this time MS may not location update in cell A.
- 4) The MS shall execute the periodic location updating after 12 min.
- 5) Conformance Requirement 5  
 No Reaction in 7 min. In this time MS may not location update in cell B.
- 6) The MS shall execute the periodic location updating before 17 min after last periodic LUP.

PS1) Final postamble: The PLMN of cell B is suppressed on the SIM's forbidden PLMN list.

| Test Case Dynamic Behaviour                                                                                                                                            |            |                                                                                                                                                                                                                                                                                                                                                                                                                                                                                                                                                                                                                    |                                                                                                                                                  |     |                         |
|------------------------------------------------------------------------------------------------------------------------------------------------------------------------|------------|--------------------------------------------------------------------------------------------------------------------------------------------------------------------------------------------------------------------------------------------------------------------------------------------------------------------------------------------------------------------------------------------------------------------------------------------------------------------------------------------------------------------------------------------------------------------------------------------------------------------|--------------------------------------------------------------------------------------------------------------------------------------------------|-----|-------------------------|
| <b>Test Case Name:</b> TC_26_7_5_2                                                                                                                                     |            |                                                                                                                                                                                                                                                                                                                                                                                                                                                                                                                                                                                                                    |                                                                                                                                                  |     |                         |
| <b>Group:</b> GSM_L3_MS_v4200/MM/                                                                                                                                      |            |                                                                                                                                                                                                                                                                                                                                                                                                                                                                                                                                                                                                                    |                                                                                                                                                  |     |                         |
| <b>Purpose:</b> To verify that the MS can correctly set up an MM connection in an originating CM connection establishment when ciphering mode setting is not required. |            |                                                                                                                                                                                                                                                                                                                                                                                                                                                                                                                                                                                                                    |                                                                                                                                                  |     |                         |
| <b>Default:</b> OtherEventsFail                                                                                                                                        |            |                                                                                                                                                                                                                                                                                                                                                                                                                                                                                                                                                                                                                    |                                                                                                                                                  |     |                         |
| <b>Comments:</b> Initial Conditions of MS:<br>The MS has valid TMSI. It is "idle updated".<br>Expected values in the SIM card: TMSI: MiTmsi_01, CKSN: TSPX_CKSNDf      |            |                                                                                                                                                                                                                                                                                                                                                                                                                                                                                                                                                                                                                    |                                                                                                                                                  |     |                         |
| Foreseen final state of the MS:<br>The MS has valid TMSI and CKSN.It is "idle updated".                                                                                |            |                                                                                                                                                                                                                                                                                                                                                                                                                                                                                                                                                                                                                    |                                                                                                                                                  |     |                         |
| Nr                                                                                                                                                                     | Label      | Behaviour Description                                                                                                                                                                                                                                                                                                                                                                                                                                                                                                                                                                                              | CRef                                                                                                                                             | V   | Comments                |
| 1                                                                                                                                                                      |            | START T_guard(300)                                                                                                                                                                                                                                                                                                                                                                                                                                                                                                                                                                                                 |                                                                                                                                                  |     |                         |
| 2                                                                                                                                                                      |            | +BasicServiceMO( TSPX_MOBScSvcH,<br>TSPX_MOChRateH)                                                                                                                                                                                                                                                                                                                                                                                                                                                                                                                                                                |                                                                                                                                                  |     |                         |
| 3                                                                                                                                                                      |            | +IdleUpdated( C_E_default, C_CellA, C_SCH_A,<br>C_BCCH_A_1, C_Immass, C_S0, C_SlotNU,<br>C_SlotNU, C_SlotNU, C_BCC, C_TxInt_5,<br>C_Max_1, C_NECI_0, C_ATT_0, TimingAdv( 30),<br>C_BABR_0, C_cch_1Comb, C_BPM_3,<br>C_T3212_0, C_ci_cellA, C_MCC_1, C_PLMN_1,<br>C_LAC_1, CellOpt_01, CellChDes_02,<br>CellChDes_03, C_CellReselectHys12,<br>C_MaxPwrLvIG, C_MaxPwrLvID,<br>BcchFreqLst_01, BcchFreqLst_Omit,<br>BcchFreqLst_48, BcchFreqLst_Omit,<br>C_noReestablishment, C_BCC, C_NCC,<br>C_Start_Tmsi, TSPX_SDCCH4SubDef,<br>TSPX_CKSNDf, TSPX_RANDDef, C_arfcnA,<br>C_arfcnAd, TSPX_IMSI, C_Test_fh, C_NCCP_2) |                                                                                                                                                  |     |                         |
| 4                                                                                                                                                                      |            | +InitCall(TCV_Service)                                                                                                                                                                                                                                                                                                                                                                                                                                                                                                                                                                                             |                                                                                                                                                  |     |                         |
| 5                                                                                                                                                                      |            | L?DL_RaInChRq (TCV_Rr :=<br>DL_RaInChRq.msg.ecau_rrf, TCV_Fn :=<br>DL_RaInChRq.fn)                                                                                                                                                                                                                                                                                                                                                                                                                                                                                                                                 | ChReq(<br>ChRequest_02)                                                                                                                          |     |                         |
| 6                                                                                                                                                                      |            | ACTIVATE(OtherEventsFail_02)                                                                                                                                                                                                                                                                                                                                                                                                                                                                                                                                                                                       |                                                                                                                                                  |     |                         |
| 7                                                                                                                                                                      |            | LIDL_UdatRqImmass                                                                                                                                                                                                                                                                                                                                                                                                                                                                                                                                                                                                  | ImmAss( TCV_agch,<br>ImmAsgn_01Def(<br>TCV_Rr, TCV_Fn,<br>TSPX_SDCCH4SubD<br>ef, TCV_slot,<br>TCV_tsc,<br>TCV_chdescr_arfcn,<br>TimingAdv( 30))) |     | To match ChReq retrans. |
| 8                                                                                                                                                                      | L_038<br>1 | L?DL_EstInCmsRq                                                                                                                                                                                                                                                                                                                                                                                                                                                                                                                                                                                                    | CMSerReq(<br>CMSerReq_32(<br>MiTmsi_01,<br>TSPX_CKSNDf))                                                                                         | (P) |                         |
| 9                                                                                                                                                                      |            | ACTIVATE( OtherEventsFail)                                                                                                                                                                                                                                                                                                                                                                                                                                                                                                                                                                                         |                                                                                                                                                  |     |                         |
| 10                                                                                                                                                                     |            | +Authentication( TCV_ch,<br>TCV_cks, TSPX_RANDDef)                                                                                                                                                                                                                                                                                                                                                                                                                                                                                                                                                                 |                                                                                                                                                  |     |                         |
| 11                                                                                                                                                                     |            | +Ciphering_on(TCV_ch)                                                                                                                                                                                                                                                                                                                                                                                                                                                                                                                                                                                              |                                                                                                                                                  |     |                         |
| 12                                                                                                                                                                     |            | +ltree_CMmsgs                                                                                                                                                                                                                                                                                                                                                                                                                                                                                                                                                                                                      |                                                                                                                                                  |     |                         |
| 13                                                                                                                                                                     |            | +ChanRel_end( TCV_ch)                                                                                                                                                                                                                                                                                                                                                                                                                                                                                                                                                                                              |                                                                                                                                                  |     |                         |
| 14                                                                                                                                                                     |            | <b>ltree_CMmsgs</b><br>+RcvSetupOrEsetup(TCV_Setup_mo, TCV_Esetup,<br>TCV_Ecall)                                                                                                                                                                                                                                                                                                                                                                                                                                                                                                                                   |                                                                                                                                                  |     |                         |
| 15                                                                                                                                                                     | L_038<br>2 | LIDL_DatRqRelCmp                                                                                                                                                                                                                                                                                                                                                                                                                                                                                                                                                                                                   | RelComSnd(<br>TCV_ch,<br>ReleaseCmp_04(<br>TCV_TI))                                                                                              | (P) |                         |
| 16                                                                                                                                                                     |            | L?DL_DatInRegister (TCV_TI :=<br>DL_DatInRegister.msg.ti, TCV_TI.ti_f := '1'B)                                                                                                                                                                                                                                                                                                                                                                                                                                                                                                                                     | Register_01(TCV_ch,<br>RegisterPdu_01)                                                                                                           |     |                         |
| 17                                                                                                                                                                     |            | LIDL_DatRqRelCmp                                                                                                                                                                                                                                                                                                                                                                                                                                                                                                                                                                                                   | RelComSnd(<br>TCV_ch,<br>ReleaseCmp_08(<br>TCV_TI))                                                                                              |     |                         |
| 18                                                                                                                                                                     |            | L?DL_DatInCpData (TCV_Rpmr :=<br>DL_DatInCpData.msg.CPdata.rpdata.rpmr, TCV_TI0<br>:= DL_DatInCpData.msg.ti, TCV_TI.ti_v :=                                                                                                                                                                                                                                                                                                                                                                                                                                                                                        | DatInCpData(TCV_ch<br>, CpDataPdu_04)                                                                                                            |     |                         |

|                           |            |                                                           |                                                                                               |     |  |
|---------------------------|------------|-----------------------------------------------------------|-----------------------------------------------------------------------------------------------|-----|--|
| 19                        |            | TCV_TI0.ti_v, TCV_TI.ti_f := '1'B)<br>L!DL_DatRqCpDataAck | DatRqCpDataAck(<br>CpDataAckPdu_03(<br>TCV_TI), TCV_ch)                                       |     |  |
| 20                        |            | L!DL_DatRqCpData                                          | DatRqCpData(<br>CpDataPdu_02(<br>TI_08( TCV_TI.ti_v),<br>CpData_04(<br>TCV_Rpmr)),<br>TCV_ch) |     |  |
| 21                        | L_038<br>3 | L?DL_DatInCpDataAck                                       | DatInCpDataAck(<br>CpDataAckPdu_02(<br>TI_07(<br>TCV_TI0.ti_v)))                              | (P) |  |
| <b>Detailed Comments:</b> |            |                                                           |                                                                                               |     |  |



| Test Case Dynamic Behaviour                                                                                                                                                       |            |                                                                                                                                                                                                                                                                                                                                                                                                                                                                                                                                                                                                                  |                                                                                                                                                 |     |                         |
|-----------------------------------------------------------------------------------------------------------------------------------------------------------------------------------|------------|------------------------------------------------------------------------------------------------------------------------------------------------------------------------------------------------------------------------------------------------------------------------------------------------------------------------------------------------------------------------------------------------------------------------------------------------------------------------------------------------------------------------------------------------------------------------------------------------------------------|-------------------------------------------------------------------------------------------------------------------------------------------------|-----|-------------------------|
| <b>Test Case Name:</b> TC_26_7_5_3                                                                                                                                                |            |                                                                                                                                                                                                                                                                                                                                                                                                                                                                                                                                                                                                                  |                                                                                                                                                 |     |                         |
| <b>Group:</b> GSM_L3_MS_v4200/MM/                                                                                                                                                 |            |                                                                                                                                                                                                                                                                                                                                                                                                                                                                                                                                                                                                                  |                                                                                                                                                 |     |                         |
| <b>Purpose:</b> To verify that the MS can correctly set up an MM connection in an originating CM connection establishment when ciphering mode setting is not required.            |            |                                                                                                                                                                                                                                                                                                                                                                                                                                                                                                                                                                                                                  |                                                                                                                                                 |     |                         |
| <b>Default:</b> OtherEventsFail                                                                                                                                                   |            |                                                                                                                                                                                                                                                                                                                                                                                                                                                                                                                                                                                                                  |                                                                                                                                                 |     |                         |
| <b>Comments:</b> Initial Conditions of MS:<br>The MS has valid TMSI. It is "idle updated".<br><br>Foreseen final state of the MS:<br>The MS has valid TMSI. It is "idle updated". |            |                                                                                                                                                                                                                                                                                                                                                                                                                                                                                                                                                                                                                  |                                                                                                                                                 |     |                         |
| Nr                                                                                                                                                                                | Label      | Behaviour Description                                                                                                                                                                                                                                                                                                                                                                                                                                                                                                                                                                                            | CRef                                                                                                                                            | V   | Comments                |
| 1                                                                                                                                                                                 |            | START T_guard(300)                                                                                                                                                                                                                                                                                                                                                                                                                                                                                                                                                                                               |                                                                                                                                                 |     |                         |
| 2                                                                                                                                                                                 |            | +BasicServiceMO( TSPX_MOBscSvcG,<br>TSPX_MOChRateG)                                                                                                                                                                                                                                                                                                                                                                                                                                                                                                                                                              |                                                                                                                                                 |     |                         |
| 3                                                                                                                                                                                 |            | +IdleUpdated( C_E_default, C_CellA, C_SCH_A,<br>C_BCCH_A_1, C_ImmAss, C_S0, C_SlotNU,<br>C_SlotNU, C_SlotNU, C_BCC, C_TxInt_5,<br>C_Max_1, C_NECI_0, C_ATT_0, TimingAdv( 30),<br>C_BABR_0, C_cch_1Comb, C_BPM_3,<br>C_T3212_0, C_ci_cellA, C_MCC_1, C_PLMN_1,<br>C_LAC_1, CellOpt_01, CellChDes_02,<br>CellChDes_03, C_CellReselectHys12,<br>C_MaxPwrLvlG, C_MaxPwrLvlD,<br>BcchFreqLst_01, BcchFreqLst_Omit,<br>BcchFreqLst_48, BcchFreqLst_Omit,<br>C_noRestablishment, C_BCC, C_NCC,<br>C_Start_Tmsi, TSPX_SDCC4SubDef,<br>TSPX_CKSNDf, TSPX_RANDDef, C_arfcnA,<br>C_arfcnAd, TSPX_IMSI, C_Test_fh, C_NCCP_2) |                                                                                                                                                 |     |                         |
| 4                                                                                                                                                                                 |            | +InitCall(TCV_Service)                                                                                                                                                                                                                                                                                                                                                                                                                                                                                                                                                                                           |                                                                                                                                                 |     |                         |
| 5                                                                                                                                                                                 |            | L?DL_RaInChRq (TCV_Rr :=<br>DL_RaInChRq.msg.ecau_rrf, TCV_Fn :=<br>DL_RaInChRq.fn)                                                                                                                                                                                                                                                                                                                                                                                                                                                                                                                               | ChReq(<br>ChRequest_02)                                                                                                                         |     |                         |
| 6                                                                                                                                                                                 |            | ACTIVATE(OtherEventsFail_02)                                                                                                                                                                                                                                                                                                                                                                                                                                                                                                                                                                                     |                                                                                                                                                 |     |                         |
| 7                                                                                                                                                                                 |            | LIDL_UdatRqImmAss                                                                                                                                                                                                                                                                                                                                                                                                                                                                                                                                                                                                | ImmAss( TCV_agch,<br>ImmAsgn_01Def(<br>TCV_Rr, TCV_Fn,<br>TSPX_SDCC4SubD<br>ef, TCV_slot,<br>TCV_tsc,<br>TCV_chdescr_arfcn,<br>TimingAdv( 30))) |     | To match ChReq retrans. |
| 8                                                                                                                                                                                 | L_038<br>4 | L?DL_EstInCmsRq                                                                                                                                                                                                                                                                                                                                                                                                                                                                                                                                                                                                  | CMSerReq(<br>CMServiceReq_01)                                                                                                                   | (P) |                         |
| 9                                                                                                                                                                                 |            | ACTIVATE(OtherEventsFail)                                                                                                                                                                                                                                                                                                                                                                                                                                                                                                                                                                                        |                                                                                                                                                 |     | Restore Normal default  |
| 10                                                                                                                                                                                |            | LIDL_DatRqCmsAcp                                                                                                                                                                                                                                                                                                                                                                                                                                                                                                                                                                                                 | CMSerAcp( TCV_ch,<br>CMServiceAcp_01)                                                                                                           |     |                         |
| 11                                                                                                                                                                                |            | +ltree_msgs                                                                                                                                                                                                                                                                                                                                                                                                                                                                                                                                                                                                      |                                                                                                                                                 |     |                         |
| 12                                                                                                                                                                                |            | +ChanRel_end( TCV_ch)                                                                                                                                                                                                                                                                                                                                                                                                                                                                                                                                                                                            |                                                                                                                                                 |     |                         |
|                                                                                                                                                                                   |            | <b>ltree_msgs</b>                                                                                                                                                                                                                                                                                                                                                                                                                                                                                                                                                                                                |                                                                                                                                                 |     |                         |
| 13                                                                                                                                                                                | L_104<br>2 | L?DL_DatInSetup (TCV_Mt :=<br>DL_DatInSetup.msg.mt)                                                                                                                                                                                                                                                                                                                                                                                                                                                                                                                                                              | SetupRcv(SetupInd_0<br>1)                                                                                                                       | (P) |                         |
| 14                                                                                                                                                                                | L_038<br>5 | L?DL_DatInRegister                                                                                                                                                                                                                                                                                                                                                                                                                                                                                                                                                                                               | Register_01(TCV_ch,<br>RegisterPdu_01)                                                                                                          | (P) |                         |
| 15                                                                                                                                                                                |            | L?DL_EstIn                                                                                                                                                                                                                                                                                                                                                                                                                                                                                                                                                                                                       | DLEstInd_2( TCV_ch)                                                                                                                             |     |                         |
| 16                                                                                                                                                                                |            | L?DL_DatInCpData (TCV_Rpmr :=<br>DL_DatInCpData.msg.CPdata.rpmr,<br>TCV_TI0 := DL_DatInCpData.msg.ti, TCV_TI :=<br>TCV_TI0, TCV_TI.ti.f := '1'B)                                                                                                                                                                                                                                                                                                                                                                                                                                                                 | DatInCpData(<br>TCV_ch,<br>CpDataPdu_04)                                                                                                        |     |                         |
| 17                                                                                                                                                                                |            | LIDL_DatRqCpDataAck                                                                                                                                                                                                                                                                                                                                                                                                                                                                                                                                                                                              | DatRqCpDataAck(<br>CpDataAckPdu_03(<br>TCV_TI), TCV_ch)                                                                                         |     |                         |
| 18                                                                                                                                                                                |            | LIDL_DatRqCpData                                                                                                                                                                                                                                                                                                                                                                                                                                                                                                                                                                                                 | DatRqCpData(<br>CpDataPdu_02(<br>TI_08( TCV_TI.ti_v),<br>CpData_04(<br>TCV_Rpmr)),<br>TCV_ch)                                                   |     |                         |
| 19                                                                                                                                                                                | L_038      | L?DL_DatInCpDataAck                                                                                                                                                                                                                                                                                                                                                                                                                                                                                                                                                                                              | DatInCpDataAck(<br>CpDataAckPdu_03(<br>TCV_TI), TCV_ch)                                                                                         | (P) |                         |

|                           |  |                                       |
|---------------------------|--|---------------------------------------|
| 6                         |  | CpDataAckPdu_02(TI_07(TCV_TI0.ti_v))) |
| <b>Detailed Comments:</b> |  |                                       |

| <b>Test Case Dynamic Behaviour</b>                                                                                                                                                |       |                                                                                                                                                                                                                                                                                                                                                                                                                                                                                                                                                                           |                                                                                                                            |     |                         |
|-----------------------------------------------------------------------------------------------------------------------------------------------------------------------------------|-------|---------------------------------------------------------------------------------------------------------------------------------------------------------------------------------------------------------------------------------------------------------------------------------------------------------------------------------------------------------------------------------------------------------------------------------------------------------------------------------------------------------------------------------------------------------------------------|----------------------------------------------------------------------------------------------------------------------------|-----|-------------------------|
| <b>Test Case Name:</b> TC_26_7_5_4                                                                                                                                                |       |                                                                                                                                                                                                                                                                                                                                                                                                                                                                                                                                                                           |                                                                                                                            |     |                         |
| <b>Group:</b> GSM_L3_MS_v4200/MM/                                                                                                                                                 |       |                                                                                                                                                                                                                                                                                                                                                                                                                                                                                                                                                                           |                                                                                                                            |     |                         |
| <b>Purpose:</b> To verify that the MS does not send a layer 3 message when the service request is rejected by the SS.                                                             |       |                                                                                                                                                                                                                                                                                                                                                                                                                                                                                                                                                                           |                                                                                                                            |     |                         |
| <b>Default:</b> OtherEventsFail                                                                                                                                                   |       |                                                                                                                                                                                                                                                                                                                                                                                                                                                                                                                                                                           |                                                                                                                            |     |                         |
| <b>Comments:</b> Initial Conditions of MS:<br>The MS has valid TMSI. It is "idle updated".<br><br>Foreseen final state of the MS:<br>The MS has valid TMSI. It is "idle updated". |       |                                                                                                                                                                                                                                                                                                                                                                                                                                                                                                                                                                           |                                                                                                                            |     |                         |
| Nr                                                                                                                                                                                | Label | Behaviour Description                                                                                                                                                                                                                                                                                                                                                                                                                                                                                                                                                     | CRef                                                                                                                       | V   | Comments                |
| 1                                                                                                                                                                                 |       | START T_guard(420)                                                                                                                                                                                                                                                                                                                                                                                                                                                                                                                                                        |                                                                                                                            |     |                         |
| 2                                                                                                                                                                                 |       | +BasicServiceMO( TSPX_MOBscSvcB, TSPX_MOChRateB)                                                                                                                                                                                                                                                                                                                                                                                                                                                                                                                          |                                                                                                                            |     |                         |
| 3                                                                                                                                                                                 |       | +IdleUpdated( C_E_default, C_CellA, C_SCH_A, C_BCCH_A_1, C_ImmAs, C_S0, C_SlotNU, C_SlotNU, C_SlotNU, C_BCC, C_TxInt_5, C_Max_1, C_NECI_0, C_ATT_0, TimingAdv( 30), C_BABR_0, C_cch_1Comb, C_BPM_3, C_T3212_0, C_ci_cellA, C_MCC_1, C_PLMN_1, C_LAC_1, CellOpt_01, CellChDes_02, CellChDes_03, C_CellReselectHys12, C_MaxPwrLvIG, C_MaxPwrLvID, BcchFreqLst_01, BcchFreqLst_Omit, BcchFreqLst_48, BcchFreqLst_Omit, C_noReestablishment, C_BCC, C_NCC, C_Start_Tmsi, TSPX_SDCCH4SubDef, TSPX_CKSNDDef, TSPX_RANDDef, C_arfcnA, C_arfcnAd, TSPX_IMSI, C_Test_fh, C_NCCP_2) |                                                                                                                            |     |                         |
| 4                                                                                                                                                                                 |       | +InitCall(TCV_Service)                                                                                                                                                                                                                                                                                                                                                                                                                                                                                                                                                    |                                                                                                                            |     |                         |
| 5                                                                                                                                                                                 |       | L?DL_RacInChRq (TCV_Rr := DL_RacInChRq, msg.ecau_rrf, TCV_Fn := DL_RacInChRq.fn)                                                                                                                                                                                                                                                                                                                                                                                                                                                                                          | ChReq(ChRequest_02)                                                                                                        |     |                         |
| 6                                                                                                                                                                                 |       | ACTIVATE(OtherEventsFail_02)                                                                                                                                                                                                                                                                                                                                                                                                                                                                                                                                              |                                                                                                                            |     | To match ChReq retrans. |
| 7                                                                                                                                                                                 |       | L!DL_UdatRqImmAs                                                                                                                                                                                                                                                                                                                                                                                                                                                                                                                                                          | ImmAss( TCV_agch, ImmAsgn_01Def( TCV_Rr, TCV_Fn, TSPX_SDCCH4SubDef, TCV_slot, TCV_tsc, TCV_chdescr_arfcn, TimingAdv( 30))) |     |                         |
| 8                                                                                                                                                                                 | L_038 | L?DL_EstInCmsRq                                                                                                                                                                                                                                                                                                                                                                                                                                                                                                                                                           | CMSerReq(CMServiceReq_01)                                                                                                  | (P) |                         |
| 9                                                                                                                                                                                 | 7     | ACTIVATE( OtherEventsFail)                                                                                                                                                                                                                                                                                                                                                                                                                                                                                                                                                |                                                                                                                            |     | Restore Normal default  |
| 10                                                                                                                                                                                |       | L!DL_DatRqCmsRej                                                                                                                                                                                                                                                                                                                                                                                                                                                                                                                                                          | CMSerRej( TCV_ch, CMServiceRej_30( C_rc_reqservoptnotsb))                                                                  |     |                         |
| 11                                                                                                                                                                                |       | +NoReaction( 5000)                                                                                                                                                                                                                                                                                                                                                                                                                                                                                                                                                        |                                                                                                                            |     |                         |
| 12                                                                                                                                                                                |       | +ChanRel_end( TCV_ch)                                                                                                                                                                                                                                                                                                                                                                                                                                                                                                                                                     |                                                                                                                            |     |                         |
| <b>Detailed Comments:</b>                                                                                                                                                         |       |                                                                                                                                                                                                                                                                                                                                                                                                                                                                                                                                                                           |                                                                                                                            |     |                         |

| Test Case Dynamic Behaviour                                                                                                                                       |            |                                                                                                                                                                                                                                                                                                                                                                                                                                                                                                                                                                                                                   |                                                                                                                                                  |     |                         |
|-------------------------------------------------------------------------------------------------------------------------------------------------------------------|------------|-------------------------------------------------------------------------------------------------------------------------------------------------------------------------------------------------------------------------------------------------------------------------------------------------------------------------------------------------------------------------------------------------------------------------------------------------------------------------------------------------------------------------------------------------------------------------------------------------------------------|--------------------------------------------------------------------------------------------------------------------------------------------------|-----|-------------------------|
| <b>Test Case Name:</b> TC_26_7_5_5                                                                                                                                |            |                                                                                                                                                                                                                                                                                                                                                                                                                                                                                                                                                                                                                   |                                                                                                                                                  |     |                         |
| <b>Group:</b> GSM_L3_MS_v4200/MM/                                                                                                                                 |            |                                                                                                                                                                                                                                                                                                                                                                                                                                                                                                                                                                                                                   |                                                                                                                                                  |     |                         |
| <b>Purpose:</b> To verify that the MS can correctly accept a CM SERVICE REJECT message with reject cause "IMSI unknown in VLR".                                   |            |                                                                                                                                                                                                                                                                                                                                                                                                                                                                                                                                                                                                                   |                                                                                                                                                  |     |                         |
| <b>Default:</b> OtherEventsFail                                                                                                                                   |            |                                                                                                                                                                                                                                                                                                                                                                                                                                                                                                                                                                                                                   |                                                                                                                                                  |     |                         |
| <b>Comments:</b> Initial Conditions of MS:<br>The MS has valid TMSI. It is "idle updated".<br>Expected values in the SIM card: TMSI: MiTmsi_01, CKSN: TSPX_CKSNDf |            |                                                                                                                                                                                                                                                                                                                                                                                                                                                                                                                                                                                                                   |                                                                                                                                                  |     |                         |
| Foreseen final state of the MS:<br>The MS has valid TMSI and CKSN. It is "idle updated".                                                                          |            |                                                                                                                                                                                                                                                                                                                                                                                                                                                                                                                                                                                                                   |                                                                                                                                                  |     |                         |
| Nr                                                                                                                                                                | Label      | Behaviour Description                                                                                                                                                                                                                                                                                                                                                                                                                                                                                                                                                                                             | CRef                                                                                                                                             | V   | Comments                |
| 1                                                                                                                                                                 |            | START T_guard(300)                                                                                                                                                                                                                                                                                                                                                                                                                                                                                                                                                                                                |                                                                                                                                                  |     |                         |
| 2                                                                                                                                                                 |            | +BasicServiceMO( TSPX_MOBScSvcE,<br>TSPX_MOChRateE)                                                                                                                                                                                                                                                                                                                                                                                                                                                                                                                                                               |                                                                                                                                                  |     |                         |
| 3                                                                                                                                                                 |            | +IdleUpdated( C_E_default, C_CellA, C_SCH_A,<br>C_BCCH_A_1, C_ImmAss, C_S0, C_SlotNU,<br>C_SlotNU, C_SlotNU, C_BCC, C_TxInt_5,<br>C_Max_1, C_NECl_0, C_ATT_0, TimingAdv( 30),<br>C_BABR_0, C_cch_1Comb, C_BPM_3,<br>C_T3212_0, C_ci_cellA, C_MCC_1, C_PLMN_1,<br>C_LAC_1, CellOpt_01, CellChDes_02,<br>CellChDes_03, C_CellReselectHys12,<br>C_MaxPwrLvIG, C_MaxPwrLvID,<br>BcchFreqLst_01, BcchFreqLst_Omit,<br>BcchFreqLst_48, BcchFreqLst_Omit,<br>C_noRestablishment, C_BCC, C_NCC,<br>C_Start_Tmsi, TSPX_SDCCH4SubDef,<br>TSPX_CKSNDf, TSPX_RANDDef, C_arfcnA,<br>C_arfcnAd, TSPX_IMSI, C_Test_fh, C_NCCP_2) |                                                                                                                                                  |     |                         |
| 4                                                                                                                                                                 |            | +InitCall( TCV_Service)                                                                                                                                                                                                                                                                                                                                                                                                                                                                                                                                                                                           |                                                                                                                                                  |     |                         |
| 5                                                                                                                                                                 |            | L?DL_RaInChRq (TCV_Rr :=<br>DL_RaInChRq.msg.ecau_rrf, TCV_Fn :=<br>DL_RaInChRq.fn)                                                                                                                                                                                                                                                                                                                                                                                                                                                                                                                                | ChReq(<br>ChRequest_02)                                                                                                                          |     |                         |
| 6                                                                                                                                                                 |            | ACTIVATE( OtherEventsFail_02)                                                                                                                                                                                                                                                                                                                                                                                                                                                                                                                                                                                     |                                                                                                                                                  |     | To match ChReq retrans. |
| 7                                                                                                                                                                 |            | LIDL_UdatRqImmAss                                                                                                                                                                                                                                                                                                                                                                                                                                                                                                                                                                                                 | ImmAss( TCV_agch,<br>ImmAsgn_01Def(<br>TCV_Rr, TCV_Fn,<br>TSPX_SDCCH4SubD<br>ef, TCV_slot,<br>TCV_tsc,<br>TCV_chdescr_arfcn,<br>TimingAdv( 30))) |     |                         |
| 8                                                                                                                                                                 | L_038<br>8 | L?DL_EstInCmsRq                                                                                                                                                                                                                                                                                                                                                                                                                                                                                                                                                                                                   | CMSerReq(<br>CMServiceReq_32(<br>MiTmsi_01,<br>TSPX_CKSNDf))                                                                                     | (P) | 1.                      |
| 9                                                                                                                                                                 |            | ACTIVATE( OtherEventsFail)                                                                                                                                                                                                                                                                                                                                                                                                                                                                                                                                                                                        |                                                                                                                                                  |     | Restore Normal default  |
| 10                                                                                                                                                                |            | LIDL_DatRqCmsRej                                                                                                                                                                                                                                                                                                                                                                                                                                                                                                                                                                                                  | CMSerRej( TCV_ch,<br>CMServiceRej_30(<br>C_rc_imsiunknownvlr<br>)                                                                                |     |                         |
| 11                                                                                                                                                                |            | +ChanRel(TCV_ch)                                                                                                                                                                                                                                                                                                                                                                                                                                                                                                                                                                                                  |                                                                                                                                                  |     | 2.                      |
| 12                                                                                                                                                                |            | +MM_LUPAuth2(<br>MiTmsi_01iei, MiTmsi_01,<br>C_MCC_1, C_PLMN_1,<br>C_lacdeleted, TCV_lac,<br>C_normal_updating,<br>C_cksnokey, TCV_cksn,<br>TSPX_RANDDef, TimingAdv(<br>30))                                                                                                                                                                                                                                                                                                                                                                                                                                      |                                                                                                                                                  |     | 3.                      |
| 13                                                                                                                                                                |            | +ChanRel_end( TCV_ch)                                                                                                                                                                                                                                                                                                                                                                                                                                                                                                                                                                                             |                                                                                                                                                  |     |                         |
| <b>Detailed Comments:</b>                                                                                                                                         |            |                                                                                                                                                                                                                                                                                                                                                                                                                                                                                                                                                                                                                   |                                                                                                                                                  |     |                         |
| 1. Conformance Requirement<br>The MS shall be able to correctly set up an MM connection in a Mobile Originating CM connection attempt.                            |            |                                                                                                                                                                                                                                                                                                                                                                                                                                                                                                                                                                                                                   |                                                                                                                                                  |     |                         |
| 2. Conformance Requirement<br>The MS shall wait for the network to release the RR connection                                                                      |            |                                                                                                                                                                                                                                                                                                                                                                                                                                                                                                                                                                                                                   |                                                                                                                                                  |     |                         |
| 3. Conformance Requirement<br>The MS shall be able to perform a location updating procedure.                                                                      |            |                                                                                                                                                                                                                                                                                                                                                                                                                                                                                                                                                                                                                   |                                                                                                                                                  |     |                         |

| Test Case Dynamic Behaviour                                                                                                                                                       |            |                                                                                                                                                                                                                                                                                                                                                                                                                                                                                                                                                                                                                       |                                                                                                                                                  |     |                         |
|-----------------------------------------------------------------------------------------------------------------------------------------------------------------------------------|------------|-----------------------------------------------------------------------------------------------------------------------------------------------------------------------------------------------------------------------------------------------------------------------------------------------------------------------------------------------------------------------------------------------------------------------------------------------------------------------------------------------------------------------------------------------------------------------------------------------------------------------|--------------------------------------------------------------------------------------------------------------------------------------------------|-----|-------------------------|
| <b>Test Case Name:</b> TC_26_7_5_6                                                                                                                                                |            |                                                                                                                                                                                                                                                                                                                                                                                                                                                                                                                                                                                                                       |                                                                                                                                                  |     |                         |
| <b>Group:</b> GSM_L3_MS_v4200/MM/                                                                                                                                                 |            |                                                                                                                                                                                                                                                                                                                                                                                                                                                                                                                                                                                                                       |                                                                                                                                                  |     |                         |
| <b>Purpose:</b> To verify that at T3230 expiry, the MS aborts the MM-connection establishment.                                                                                    |            |                                                                                                                                                                                                                                                                                                                                                                                                                                                                                                                                                                                                                       |                                                                                                                                                  |     |                         |
| <b>Default:</b> OtherEventsFail                                                                                                                                                   |            |                                                                                                                                                                                                                                                                                                                                                                                                                                                                                                                                                                                                                       |                                                                                                                                                  |     |                         |
| <b>Comments:</b> Initial Conditions of MS:<br>The MS has valid TMSI. It is "idle updated".<br><br>Foreseen final state of the MS:<br>The MS has valid TMSI. It is "idle updated". |            |                                                                                                                                                                                                                                                                                                                                                                                                                                                                                                                                                                                                                       |                                                                                                                                                  |     |                         |
| Nr                                                                                                                                                                                | Label      | Behaviour Description                                                                                                                                                                                                                                                                                                                                                                                                                                                                                                                                                                                                 | CRef                                                                                                                                             | V   | Comments                |
| 1                                                                                                                                                                                 |            | START T_guard(300)                                                                                                                                                                                                                                                                                                                                                                                                                                                                                                                                                                                                    |                                                                                                                                                  |     |                         |
| 2                                                                                                                                                                                 |            | +BasicServiceMO( TSPX_MOBscSvcJ,<br>TSPX_MOChRateJ)                                                                                                                                                                                                                                                                                                                                                                                                                                                                                                                                                                   |                                                                                                                                                  |     |                         |
| 3                                                                                                                                                                                 |            | +IdleUpdated( C_E_default, C_CellA, C_SCH_A,<br>C_BCCH_A_1, C_Immass, C_S0, C_SlotNU,<br>C_SlotNU, C_SlotNU, C_BCC, C_TxInt_5,<br>C_Max_1, C_NECI_0, C_ATT_0, TimingAdv( 30),<br>C_BABR_0, C_cch_1Comb, C_BPM_3,<br>C_T3212_0, C_ci_cellA, C_MCC_1, C_PLMN_1,<br>C_LAC_1, CellOpt_01, CellChDes_02,<br>CellChDes_03, C_CellReselectHys12,<br>C_MaxPwrLvlG, C_MaxPwrLvlD,<br>BcchFreqLst_01, BcchFreqLst_Omit,<br>BcchFreqLst_48, BcchFreqLst_Omit,<br>C_noReestablishment, C_BCC, C_NCC,<br>C_Start_Tmsi, TSPX_SDCCH4SubDef,<br>TSPX_CKSNDDef, TSPX_RANDDDef, C_arfcnA,<br>C_arfcnAd, TSPX_IMSI, C_Test_fh, C_NCCP_2) |                                                                                                                                                  |     |                         |
| 4                                                                                                                                                                                 |            | +InitCall(TCV_Service)                                                                                                                                                                                                                                                                                                                                                                                                                                                                                                                                                                                                |                                                                                                                                                  |     |                         |
| 5                                                                                                                                                                                 |            | L?DL_RaInChRq (TCV_Rr :=<br>DL_RaInChRq. msg.ecau_rrf, TCV_Fn :=<br>DL_RaInChRq.fn)                                                                                                                                                                                                                                                                                                                                                                                                                                                                                                                                   | ChReq(<br>ChRequest_02)                                                                                                                          |     |                         |
| 6                                                                                                                                                                                 |            | ACTIVATE(OtherEventsFail_02)                                                                                                                                                                                                                                                                                                                                                                                                                                                                                                                                                                                          |                                                                                                                                                  |     | To match ChReq retrans. |
| 7                                                                                                                                                                                 |            | L!DL_UdatRqImmass                                                                                                                                                                                                                                                                                                                                                                                                                                                                                                                                                                                                     | ImmAss( TCV_agch,<br>ImmAsgn_01Def(<br>TCV_Rr, TCV_Fn,<br>TSPX_SDCCH4SubD<br>ef, TCV_slot,<br>TCV_tsc,<br>TCV_chdescr_arfcn,<br>TimingAdv( 30))) |     |                         |
| 8                                                                                                                                                                                 | L_038<br>9 | L?DL_EstInCmsRq                                                                                                                                                                                                                                                                                                                                                                                                                                                                                                                                                                                                       | CMSerReq(<br>CMServiceReq_01)                                                                                                                    | (P) |                         |
| 9                                                                                                                                                                                 |            | ACTIVATE( OtherEventsFail)                                                                                                                                                                                                                                                                                                                                                                                                                                                                                                                                                                                            |                                                                                                                                                  |     | Restore Normal default  |
| 10                                                                                                                                                                                |            | +NoReaction( C_T_T3230min)                                                                                                                                                                                                                                                                                                                                                                                                                                                                                                                                                                                            |                                                                                                                                                  |     |                         |
| 11                                                                                                                                                                                | L_039<br>0 | L?DL_DatInMmst                                                                                                                                                                                                                                                                                                                                                                                                                                                                                                                                                                                                        | MMSt( MMstatus_03)                                                                                                                               | (P) | 1.                      |
| 12                                                                                                                                                                                |            | +ChanRel_end( TCV_ch)                                                                                                                                                                                                                                                                                                                                                                                                                                                                                                                                                                                                 |                                                                                                                                                  |     |                         |
| <b>Detailed Comments:</b> 1. The MS shall abort the MM connection after T3230 expiry.                                                                                             |            |                                                                                                                                                                                                                                                                                                                                                                                                                                                                                                                                                                                                                       |                                                                                                                                                  |     |                         |

| Test Case Dynamic Behaviour                                                                                                                                                                                                                                                                                                                                                                                                                                                                                                                                     |            |                                                                                                                                                                                                                                                                                                                                                                                                                                                                                                                                                                                                                    |                                                                                                                                                  |     |                         |
|-----------------------------------------------------------------------------------------------------------------------------------------------------------------------------------------------------------------------------------------------------------------------------------------------------------------------------------------------------------------------------------------------------------------------------------------------------------------------------------------------------------------------------------------------------------------|------------|--------------------------------------------------------------------------------------------------------------------------------------------------------------------------------------------------------------------------------------------------------------------------------------------------------------------------------------------------------------------------------------------------------------------------------------------------------------------------------------------------------------------------------------------------------------------------------------------------------------------|--------------------------------------------------------------------------------------------------------------------------------------------------|-----|-------------------------|
| <b>Test Case Name:</b> TC_26_7_5_7_1                                                                                                                                                                                                                                                                                                                                                                                                                                                                                                                            |            |                                                                                                                                                                                                                                                                                                                                                                                                                                                                                                                                                                                                                    |                                                                                                                                                  |     |                         |
| <b>Group:</b> GSM_L3_MS_v4200/MM/                                                                                                                                                                                                                                                                                                                                                                                                                                                                                                                               |            |                                                                                                                                                                                                                                                                                                                                                                                                                                                                                                                                                                                                                    |                                                                                                                                                  |     |                         |
| <b>Purpose:</b> To check that upon reception of an ABORT message with cause #6 during call establishment:                                                                                                                                                                                                                                                                                                                                                                                                                                                       |            |                                                                                                                                                                                                                                                                                                                                                                                                                                                                                                                                                                                                                    |                                                                                                                                                  |     |                         |
| <ul style="list-style-type: none"> <li>- the MS does not send any layer 3 message.</li> <li>- after reception of an ABORT message and after having been deactivated and reactivated, the MS performs location updating using its IMSI as mobile identity and indicates deleted LAI and CKSN.</li> <li>- the MS does not perform location updating, does not answer to paging with TMSI, rejects any request for mobile originating call except emergency call, does not perform IMSI detach.</li> <li>- the MS accepts a request for emergency call.</li> </ul> |            |                                                                                                                                                                                                                                                                                                                                                                                                                                                                                                                                                                                                                    |                                                                                                                                                  |     |                         |
| <b>Default:</b> OtherEventsFail                                                                                                                                                                                                                                                                                                                                                                                                                                                                                                                                 |            |                                                                                                                                                                                                                                                                                                                                                                                                                                                                                                                                                                                                                    |                                                                                                                                                  |     |                         |
| <b>Comments:</b> Initial Conditions of MS:<br>The MS has valid TMSI, CKSN and Kc.It is "idle updated on cell B".                                                                                                                                                                                                                                                                                                                                                                                                                                                |            |                                                                                                                                                                                                                                                                                                                                                                                                                                                                                                                                                                                                                    |                                                                                                                                                  |     |                         |
| Foreseen final state of the MS:<br>The MS has valid TMSI. It is "idle updated" on cell A.                                                                                                                                                                                                                                                                                                                                                                                                                                                                       |            |                                                                                                                                                                                                                                                                                                                                                                                                                                                                                                                                                                                                                    |                                                                                                                                                  |     |                         |
| Nr                                                                                                                                                                                                                                                                                                                                                                                                                                                                                                                                                              | Label      | Behaviour Description                                                                                                                                                                                                                                                                                                                                                                                                                                                                                                                                                                                              | CRef                                                                                                                                             | V   | Comments                |
| 1                                                                                                                                                                                                                                                                                                                                                                                                                                                                                                                                                               |            | START T_guard(600)                                                                                                                                                                                                                                                                                                                                                                                                                                                                                                                                                                                                 |                                                                                                                                                  |     |                         |
| 2                                                                                                                                                                                                                                                                                                                                                                                                                                                                                                                                                               |            | +BasicServiceMO( TSPX_MOBscSvcA,<br>TSPX_MOChRateA)                                                                                                                                                                                                                                                                                                                                                                                                                                                                                                                                                                |                                                                                                                                                  |     |                         |
| 3                                                                                                                                                                                                                                                                                                                                                                                                                                                                                                                                                               |            | +IdleUpdated( C_E_default, C_CellB, C_SCH_B,<br>C_BCCH_B_1, C_Immass, C_S0, C_SlotNU,<br>C_SlotNU, C_SlotNU, C_BCC, C_TxInt_5,<br>C_Max_1, C_NECI_0, C_ATT_0, TimingAdv( 30),<br>C_BABR_0, C_cch_1Comb, C_BPM_3,<br>C_T3212_0, C_ci_cellB, C_MCC_1, C_PLMN_1,<br>C_LAC_2, CellOpt_01, CellChDes_04,<br>CellChDes_03, C_CellReselectHys12,<br>C_MaxPwrLvIG, C_MaxPwrLvID,<br>BcchFreqLst_01, BcchFreqLst_Omit,<br>BcchFreqLst_48, BcchFreqLst_Omit,<br>C_noRestablishment, C_BCC, C_NCC,<br>C_Start_Tmsi, TSPX_SDCCH4SubDef,<br>TSPX_CKSNDef, TSPX_RANDDef, C_arfcnB,<br>C_arfcnBd, TSPX_IMSI, C_Test_fh, C_NCCP_2) |                                                                                                                                                  |     |                         |
| 4                                                                                                                                                                                                                                                                                                                                                                                                                                                                                                                                                               |            | +StartCellA( C_E_neighbourdefault, C_Immass,<br>TCV_slot, TCV_tsc, TimingAdv( 30), C_TxInt_5,<br>C_Max_1, C_NECI_0, C_ATT_0, C_BABR_0,<br>C_cch_1Comb, C_BPM_3, C_T3212_0,<br>C_MCC_1, C_PLMN_1, C_LAC_1,<br>CellChDes_02, CellChDes_03,<br>BcchFreqLst_01, BcchFreqLst_48,<br>C_noRestablishment)                                                                                                                                                                                                                                                                                                                 |                                                                                                                                                  |     |                         |
| 5                                                                                                                                                                                                                                                                                                                                                                                                                                                                                                                                                               |            | +InitCall( TCV_Service)                                                                                                                                                                                                                                                                                                                                                                                                                                                                                                                                                                                            |                                                                                                                                                  |     |                         |
| 6                                                                                                                                                                                                                                                                                                                                                                                                                                                                                                                                                               |            | L?DL_RaInChRq( TCV_Rr :=<br>DL_RaInChRq. msg.ecau_rrf, TCV_Fn :=<br>DL_RaInChRq.fn)                                                                                                                                                                                                                                                                                                                                                                                                                                                                                                                                | ChReq(<br>ChRequest_02)                                                                                                                          |     |                         |
| 7                                                                                                                                                                                                                                                                                                                                                                                                                                                                                                                                                               |            | ACTIVATE( OtherEventsFail_02)                                                                                                                                                                                                                                                                                                                                                                                                                                                                                                                                                                                      |                                                                                                                                                  |     | To match ChReq retrans. |
| 8                                                                                                                                                                                                                                                                                                                                                                                                                                                                                                                                                               |            | L!DL_UdatRqImmass                                                                                                                                                                                                                                                                                                                                                                                                                                                                                                                                                                                                  | ImmAss( TCV_agch,<br>ImmAsgn_01Def(<br>TCV_Rr, TCV_Fn,<br>TSPX_SDCCH4SubD<br>ef, TCV_slot,<br>TCV_tsc,<br>TCV_chdescr_arfcn,<br>TimingAdv( 30))) |     |                         |
| 9                                                                                                                                                                                                                                                                                                                                                                                                                                                                                                                                                               | L_039<br>1 | L?DL_EstInCmsRq                                                                                                                                                                                                                                                                                                                                                                                                                                                                                                                                                                                                    | CMSerReq(<br>CMSerReq_01)                                                                                                                        | (P) |                         |
| 10                                                                                                                                                                                                                                                                                                                                                                                                                                                                                                                                                              |            | ACTIVATE( OtherEventsFail)                                                                                                                                                                                                                                                                                                                                                                                                                                                                                                                                                                                         |                                                                                                                                                  |     | Restore Normal default  |
| 11                                                                                                                                                                                                                                                                                                                                                                                                                                                                                                                                                              |            | +Authentication( TCV_ch,<br>TCV_cksn, TSPX_RANDDef)                                                                                                                                                                                                                                                                                                                                                                                                                                                                                                                                                                |                                                                                                                                                  |     |                         |
| 12                                                                                                                                                                                                                                                                                                                                                                                                                                                                                                                                                              |            | L!DL_DatRqAbrt                                                                                                                                                                                                                                                                                                                                                                                                                                                                                                                                                                                                     | Abort( TCV_ch,<br>Abortmsg_01(<br>C_rc_illegal_me))                                                                                              |     |                         |
| 13                                                                                                                                                                                                                                                                                                                                                                                                                                                                                                                                                              |            | +ltree_continue                                                                                                                                                                                                                                                                                                                                                                                                                                                                                                                                                                                                    |                                                                                                                                                  |     |                         |
|                                                                                                                                                                                                                                                                                                                                                                                                                                                                                                                                                                 |            | <b>ltree_continue</b>                                                                                                                                                                                                                                                                                                                                                                                                                                                                                                                                                                                              |                                                                                                                                                  |     |                         |
| 14                                                                                                                                                                                                                                                                                                                                                                                                                                                                                                                                                              |            | +NoReaction( 5000)                                                                                                                                                                                                                                                                                                                                                                                                                                                                                                                                                                                                 |                                                                                                                                                  |     | 1.                      |
| 15                                                                                                                                                                                                                                                                                                                                                                                                                                                                                                                                                              |            | +ChanRel( TCV_ch)                                                                                                                                                                                                                                                                                                                                                                                                                                                                                                                                                                                                  |                                                                                                                                                  |     |                         |

|                                                                                |                                                                                                                                                                      |  |                       |
|--------------------------------------------------------------------------------|----------------------------------------------------------------------------------------------------------------------------------------------------------------------|--|-----------------------|
| 16                                                                             | +Switchcell( C_CellB, C_CellA, C_LAC_1,<br>TSPX_SDCCH4SubDef, TSPX_CKSNDf,<br>TSPX_RANDDef, C_arfcnA, C_arfcnAd,<br>TCV_Ccd0A, TSPX_IMSI)                            |  |                       |
| 17                                                                             | +NoReaction( 5000)                                                                                                                                                   |  | 2.1.                  |
| 18                                                                             | +NoReaction( 420000)                                                                                                                                                 |  | 2.2.                  |
| 19                                                                             | +MM_no_paging( MiTmsi_01, 3000,<br>TCV_Ccd0B, C_CellB)                                                                                                               |  | 2.3.                  |
| 20                                                                             | +tree_continue1                                                                                                                                                      |  |                       |
|                                                                                | <b>tree_continue1</b>                                                                                                                                                |  |                       |
| 21                                                                             | +SelectPagingCh(C_CellA)                                                                                                                                             |  | re-select active cell |
| 22                                                                             | +MM_no_cmservices( 3000)                                                                                                                                             |  | 2.4.                  |
| 23                                                                             | +MM_check_ecall1( TimingAdv( 30), Milmei_01)                                                                                                                         |  | 3.                    |
| 24                                                                             | +ImsiDetachNoReaction( 3000,<br>C_SIMneedRmv)                                                                                                                        |  | 7.                    |
| 25                                                                             | +MM_PwrOrSimOn(C_SIMneedRmv)                                                                                                                                         |  |                       |
| 26                                                                             | +MM_LUPauth2( MiTmsi_01iei, Milmsi_01,<br>C_MCC_1, C_PLMN_1, C_lacdeleted,<br>TCV_lac, C_normal_updating,<br>C_cksnokey, TCV_cksno,<br>TSPX_RANDDef, TimingAdv( 30)) |  | 4.                    |
| 27                                                                             | +ChanRel(TCV_ch)                                                                                                                                                     |  |                       |
| <b>Detailed Comments:</b>                                                      |                                                                                                                                                                      |  |                       |
| After ABORT with the cause_value 'illegal_me' the MS shall                     |                                                                                                                                                                      |  |                       |
| 1. Conformance requirement 1:<br>MS shall wait for network command.            |                                                                                                                                                                      |  |                       |
| 2. Conformance requirement 2:                                                  |                                                                                                                                                                      |  |                       |
| 2.1. not perform location updating                                             |                                                                                                                                                                      |  |                       |
| 2.2. not perform periodic location updating                                    |                                                                                                                                                                      |  |                       |
| 2.3. not respond to paging with TMSI                                           |                                                                                                                                                                      |  |                       |
| 2.4. reject any request for MOC establishment with except emergency call.      |                                                                                                                                                                      |  |                       |
| 2.5. not perform IMSI detach.                                                  |                                                                                                                                                                      |  |                       |
| 3. Conformance requirement 3:<br>if it support speech, perform emergency call. |                                                                                                                                                                      |  |                       |
| 4. Conformance requirement 4:<br>delete stored LAI, CKSN and TMSI              |                                                                                                                                                                      |  |                       |

| Test Case Dynamic Behaviour |       |                                                                                                                                                                                                                                                                                                                                                                                                                                                                                                                                                                                                                   |                                                                                           |     |          |
|-----------------------------|-------|-------------------------------------------------------------------------------------------------------------------------------------------------------------------------------------------------------------------------------------------------------------------------------------------------------------------------------------------------------------------------------------------------------------------------------------------------------------------------------------------------------------------------------------------------------------------------------------------------------------------|-------------------------------------------------------------------------------------------|-----|----------|
| <b>Test Case Name:</b>      |       | TC_26_7_5_7_2                                                                                                                                                                                                                                                                                                                                                                                                                                                                                                                                                                                                     |                                                                                           |     |          |
| <b>Group:</b>               |       | GSM_L3_MS_v4200/MM/                                                                                                                                                                                                                                                                                                                                                                                                                                                                                                                                                                                               |                                                                                           |     |          |
| <b>Purpose:</b>             |       | To check that when multiple MM connections are established, the MS releases all MM connections upon reception of an ABORT message, in the case when the two MM connections are established for a mobile terminating call and a non call related supplementary service operation.                                                                                                                                                                                                                                                                                                                                  |                                                                                           |     |          |
| <b>Default:</b>             |       | OtherEventsFail                                                                                                                                                                                                                                                                                                                                                                                                                                                                                                                                                                                                   |                                                                                           |     |          |
| <b>Comments:</b>            |       | Initial Conditions of MS:<br>The MS is in state U10 of a mobile terminating call.<br><br>Foreseen final state of the MS:<br>The MS has valid TMSI. It is "idle updated" on cell A.                                                                                                                                                                                                                                                                                                                                                                                                                                |                                                                                           |     |          |
| Nr                          | Label | Behaviour Description                                                                                                                                                                                                                                                                                                                                                                                                                                                                                                                                                                                             | CRef                                                                                      | V   | Comments |
| 1                           |       | START T_guard(300)                                                                                                                                                                                                                                                                                                                                                                                                                                                                                                                                                                                                |                                                                                           |     |          |
| 2                           |       | +BasicServiceMT( TSPX_MTBscSvcC,<br>TSPX_MTChRateC)                                                                                                                                                                                                                                                                                                                                                                                                                                                                                                                                                               |                                                                                           |     |          |
| 3                           |       | +IdleUpdated( C_E_default, C_CellA, C_SCH_A,<br>C_BCCH_A_1, C_Immass, C_S0, C_SlotNU,<br>C_SlotNU, C_SlotNU, C_BCC, C_TxInt_5,<br>C_Max_1, C_NECI_0, C_ATT_0, TimingAdv( 30),<br>C_BABR_0, C_cch_1Comb, C_BPM_3,<br>C_T3212_0, C_ci_cellA, C_MCC_1, C_PLMN_1,<br>C_LAC_1, CellOpt_01, CellChDes_02,<br>CellChDes_03, C_CellReselectHys12,<br>C_MaxPwrLvIG, C_MaxPwrLvID,<br>BcchFreqLst_01, BcchFreqLst_Omit,<br>BcchFreqLst_48, BcchFreqLst_Omit,<br>C_noRestablishment, C_BCC, C_NCC,<br>C_Start_Tmsi, TSPX_SDCCH4SubDef,<br>TSPX_CKSNDf, TSPX_RANDDef, C_arfcnA,<br>C_arfcnAd, TSPX_IMSI, C_Test_fh, C_NCCP_2) |                                                                                           |     |          |
| 4                           |       | +CCConfigTCH( TSPX_TCHHSubDef, C_Ass,<br>TSPX_TmSlitDef, TSPX_TscDef, TimingAdv(<br>30), C_BABR_0, C_cch_1Comb, C_BPM_3,<br>TCV_ChMod.mode, FreqTCH_omit,<br>FreqTCH_omit, C_arfcn_tchA, C_arfcn_tchAd)                                                                                                                                                                                                                                                                                                                                                                                                           |                                                                                           |     |          |
| 5                           |       | +PreEnterCCstateU10_late(<br>TSPX_SDCCH4SubDef, TCV_Setup_mt,<br>TSPX_TmSlitDef, TSPX_TscDef, TimingAdv(<br>30), TSPX_CKSNDf, TSPX_RANDDef)                                                                                                                                                                                                                                                                                                                                                                                                                                                                       |                                                                                           |     |          |
| 6                           | body  | +InitNonCallSupp                                                                                                                                                                                                                                                                                                                                                                                                                                                                                                                                                                                                  |                                                                                           |     | 1.       |
| 7                           | L_039 | L?DL_DatInCmsRq                                                                                                                                                                                                                                                                                                                                                                                                                                                                                                                                                                                                   | CMSerDatReq(<br>CMServiceReq_08)                                                          | (P) |          |
| 8                           | 2     | LIDL_DatRqCmsAcp                                                                                                                                                                                                                                                                                                                                                                                                                                                                                                                                                                                                  | CMSerAcp(<br>TCV_chTch,<br>CMServiceAcp_01)                                               |     |          |
| 9                           |       | L?DL_DatInRegister                                                                                                                                                                                                                                                                                                                                                                                                                                                                                                                                                                                                | Register_01(<br>TCV_chTch,<br>RegisterPdu_01)                                             |     |          |
| 10                          |       | LIDL_DatRqAbrt                                                                                                                                                                                                                                                                                                                                                                                                                                                                                                                                                                                                    | Abort( TCV_chTch,<br>Abortmsg_01(<br>C_rc_networkfailure))                                |     | 2.       |
| 11                          |       | LIDL_DatRqDisc                                                                                                                                                                                                                                                                                                                                                                                                                                                                                                                                                                                                    | DiscSnd(<br>TCV_chTch,<br>DisconnS( TI_02,<br>Cause_01,<br>ProgInd_omit,<br>UuInfo_omit)) |     |          |
| 12                          | L_039 | L?DL_DatInRelCmp                                                                                                                                                                                                                                                                                                                                                                                                                                                                                                                                                                                                  | RelComRcv(<br>ReleaseCmpRcv(<br>TI_01, Cause_07))                                         | (P) |          |
| 13                          | 3     | +ChanRel_end( TCV_chTch)                                                                                                                                                                                                                                                                                                                                                                                                                                                                                                                                                                                          |                                                                                           |     |          |
| <b>Detailed Comments:</b>   |       | 1. Initiate a non call related supplementary service.<br>2. Upon reception of an ABORT-message the MS shall release any ongoing MM connection.                                                                                                                                                                                                                                                                                                                                                                                                                                                                    |                                                                                           |     |          |

| Test Case Dynamic Behaviour                                                                                                                                                                                                                             |       |                                                                                                                                                                                                                                                                                                                                                                                                                                                                                                                                                                             |                                                          |   |          |
|---------------------------------------------------------------------------------------------------------------------------------------------------------------------------------------------------------------------------------------------------------|-------|-----------------------------------------------------------------------------------------------------------------------------------------------------------------------------------------------------------------------------------------------------------------------------------------------------------------------------------------------------------------------------------------------------------------------------------------------------------------------------------------------------------------------------------------------------------------------------|----------------------------------------------------------|---|----------|
| <b>Test Case Name:</b> TC_26_7_5_8_1                                                                                                                                                                                                                    |       |                                                                                                                                                                                                                                                                                                                                                                                                                                                                                                                                                                             |                                                          |   |          |
| <b>Group:</b> GSM_L3_MS_v4200/MM/                                                                                                                                                                                                                       |       |                                                                                                                                                                                                                                                                                                                                                                                                                                                                                                                                                                             |                                                          |   |          |
| <b>Purpose:</b> To check that when the network does not include the follow on proceed IE in a LOCATION UPDATING ACCEPT message, a MS that has a CM application request pending does not attempt to establish a new MM connection on that RR connection. |       |                                                                                                                                                                                                                                                                                                                                                                                                                                                                                                                                                                             |                                                          |   |          |
| <b>Default:</b> OtherEventsFail                                                                                                                                                                                                                         |       |                                                                                                                                                                                                                                                                                                                                                                                                                                                                                                                                                                             |                                                          |   |          |
| <b>Comments:</b> Initial Conditions of MS:<br>The MS has valid TMSI and is deactivated.                                                                                                                                                                 |       |                                                                                                                                                                                                                                                                                                                                                                                                                                                                                                                                                                             |                                                          |   |          |
| Foreseen final state of the MS:<br>The MS has valid TMSI. It is "idle updated" on cell A.                                                                                                                                                               |       |                                                                                                                                                                                                                                                                                                                                                                                                                                                                                                                                                                             |                                                          |   |          |
| Nr                                                                                                                                                                                                                                                      | Label | Behaviour Description                                                                                                                                                                                                                                                                                                                                                                                                                                                                                                                                                       | CRef                                                     | V | Comments |
| 1                                                                                                                                                                                                                                                       |       | START T_guard(300)                                                                                                                                                                                                                                                                                                                                                                                                                                                                                                                                                          |                                                          |   |          |
| 2                                                                                                                                                                                                                                                       |       | +IdleUpdated( C_E_default, C_CellA, C_SCH_A, C_BCCH_A_1, C_Immss, C_S0, C_SlotNU, C_SlotNU, C_SlotNU, C_BCC, C_TxInt_5, C_Max_1, C_NECI_0, C_ATT_1, TimingAdv( 30), C_BABR_0, C_cch_1Comb, C_BPM_3, C_T3212_0, C_ci_cellA, C_MCC_1, C_PLMN_1, C_LAC_1, CellOpt_01, CellChDes_02, CellChDes_03, C_CellReselectHys12, C_MaxPwrLvlG, C_MaxPwrLvlD, BcchFreqLst_01, BcchFreqLst_Omit, BcchFreqLst_48, BcchFreqLst_Omit, C_noRestablishment, C_BCC, C_NCC, C_Start_TmsiOff, TSPX_SDCCH4SubDef, TSPX_CKSNDDef, TSPX_RANDDef, C_arfcnA, C_arfcnAd, TSPX_IMSI, C_Test_fh, C_NCCP_2) |                                                          |   | att=1    |
| 3                                                                                                                                                                                                                                                       | body  | +ImsiAttachIni(MiTmsi_01, TimingAdv( 30), C_MCC_1, C_PLMN_1, C_SIMneedRmv)                                                                                                                                                                                                                                                                                                                                                                                                                                                                                                  |                                                          |   |          |
| 4                                                                                                                                                                                                                                                       |       | +BasicServiceMO( TSPX_MOBscSvcF, TSPX_MOChRateF)                                                                                                                                                                                                                                                                                                                                                                                                                                                                                                                            |                                                          |   |          |
| 5                                                                                                                                                                                                                                                       |       | +InitCall(TCV_Service)                                                                                                                                                                                                                                                                                                                                                                                                                                                                                                                                                      |                                                          |   |          |
| 6                                                                                                                                                                                                                                                       |       | ?TIMEOUT T_dly                                                                                                                                                                                                                                                                                                                                                                                                                                                                                                                                                              |                                                          |   |          |
| 7                                                                                                                                                                                                                                                       |       | LIDL_DatRqLupAcp                                                                                                                                                                                                                                                                                                                                                                                                                                                                                                                                                            | LocAcp( TCV_ch, LocUpdtAcp( C_MCC_1, C_PLMN_1, TCV_lac)) |   | 1.       |
| 8                                                                                                                                                                                                                                                       |       | +NoReaction( 8000)                                                                                                                                                                                                                                                                                                                                                                                                                                                                                                                                                          |                                                          |   | 2.       |
| 9                                                                                                                                                                                                                                                       | post  | +ChanRel_end( TCV_ch)                                                                                                                                                                                                                                                                                                                                                                                                                                                                                                                                                       |                                                          |   |          |
| <b>Detailed Comments:</b>                                                                                                                                                                                                                               |       |                                                                                                                                                                                                                                                                                                                                                                                                                                                                                                                                                                             |                                                          |   |          |
| 1. Follow on proceed IE not included.                                                                                                                                                                                                                   |       |                                                                                                                                                                                                                                                                                                                                                                                                                                                                                                                                                                             |                                                          |   |          |
| 2. MS shall not send any layer 3 message for 8 seconds after reception of Location Updating Acc.                                                                                                                                                        |       |                                                                                                                                                                                                                                                                                                                                                                                                                                                                                                                                                                             |                                                          |   |          |



| Test Case Dynamic Behaviour |       |                                                                                                                                                                                                                                                                                                                                                                                                                                                                                                                                                                            |                                                             |   |          |
|-----------------------------|-------|----------------------------------------------------------------------------------------------------------------------------------------------------------------------------------------------------------------------------------------------------------------------------------------------------------------------------------------------------------------------------------------------------------------------------------------------------------------------------------------------------------------------------------------------------------------------------|-------------------------------------------------------------|---|----------|
| <b>Test Case Name:</b>      |       | TC_26_7_5_8_2                                                                                                                                                                                                                                                                                                                                                                                                                                                                                                                                                              |                                                             |   |          |
| <b>Group:</b>               |       | GSM_L3_MS_v4200/MM/                                                                                                                                                                                                                                                                                                                                                                                                                                                                                                                                                        |                                                             |   |          |
| <b>Purpose:</b>             |       | To check that when the network includes the follow on proceed IE in a LOCATION UPDATING ACCEPT message, a MS that supports the follow on request procedure and that has a CM application request pending establishes successfully a new MM connection on that RR connection.                                                                                                                                                                                                                                                                                               |                                                             |   |          |
| <b>Default:</b>             |       | OtherEventsFail                                                                                                                                                                                                                                                                                                                                                                                                                                                                                                                                                            |                                                             |   |          |
| <b>Comments:</b>            |       | Initial Conditions of MS:<br>The MS has valid TMSI and is deactivated.<br><br>Foreseen final state of the MS:<br>The MS has valid TMSI. It is "idle updated" on cell A.                                                                                                                                                                                                                                                                                                                                                                                                    |                                                             |   |          |
| Nr                          | Label | Behaviour Description                                                                                                                                                                                                                                                                                                                                                                                                                                                                                                                                                      | CRef                                                        | V | Comments |
| 1                           |       | START T_guard(300)                                                                                                                                                                                                                                                                                                                                                                                                                                                                                                                                                         |                                                             |   |          |
| 2                           |       | +IdleUpdated( C_E_default, C_CellA, C_SCH_A, C_BCCH_A_1, C_Immass, C_S0, C_SlotNU, C_SlotNU, C_SlotNU, C_BCC, C_TxInt_5, C_Max_1, C_NECl_0, C_ATT_1, TimingAdv( 30), C_BABR_0, C_cch_1Comb, C_BPM_3, C_T3212_0, C_ci_cellA, C_MCC_1, C_PLMN_1, C_LAC_1, CellOpt_01, CellChDes_02, CellChDes_03, C_CellReselectHys12, C_MaxPwrLvlG, C_MaxPwrLvlD, BcchFreqLst_01, BcchFreqLst_Omit, BcchFreqLst_48, BcchFreqLst_Omit, C_noRestablishment, C_BCC, C_NCC, C_Start_TmsiOff, TSPX_SDCCH4SubDef, TSPX_CKSNDf, TSPX_RANDDef, C_arfcnA, C_arfcnAd, TSPX_IMSI, C_Test_fh, C_NCCP_2) |                                                             |   | att=1    |
| 3                           | body  | +ImsiAttachIni(MiTmsi_01, TimingAdv( 30), C_MCC_1, C_PLMN_1, C_SIMneedRmv)                                                                                                                                                                                                                                                                                                                                                                                                                                                                                                 |                                                             |   |          |
| 4                           |       | +BasicServiceMO( TSPX_MOBscSvcl, TSPX_MOChRatel)                                                                                                                                                                                                                                                                                                                                                                                                                                                                                                                           |                                                             |   |          |
| 5                           |       | +InitCall( TCV_Service)                                                                                                                                                                                                                                                                                                                                                                                                                                                                                                                                                    |                                                             |   |          |
| 6                           |       | ?TIMEOUT T_dly                                                                                                                                                                                                                                                                                                                                                                                                                                                                                                                                                             |                                                             |   |          |
| 7                           |       | LIDL_DatRqLupAcp                                                                                                                                                                                                                                                                                                                                                                                                                                                                                                                                                           | LocAcp( TCV_ch, LocUpdtAcp_02( C_MCC_1, C_PLMN_1, TCV_lac)) |   | 1.       |
| 8                           |       | [NOT TSPC_followOnReq]                                                                                                                                                                                                                                                                                                                                                                                                                                                                                                                                                     |                                                             |   |          |
| 9                           |       | +NoReaction( 8000)                                                                                                                                                                                                                                                                                                                                                                                                                                                                                                                                                         |                                                             |   |          |
| 10                          |       | +ChanRel_end(TCV_ch)                                                                                                                                                                                                                                                                                                                                                                                                                                                                                                                                                       |                                                             |   |          |
| 11                          |       | [TSPC_followOnReq]                                                                                                                                                                                                                                                                                                                                                                                                                                                                                                                                                         |                                                             |   |          |
| 12                          |       | +CMSrvcRq                                                                                                                                                                                                                                                                                                                                                                                                                                                                                                                                                                  |                                                             |   |          |
| 13                          | post  | +ChanRel_end(TCV_ch)                                                                                                                                                                                                                                                                                                                                                                                                                                                                                                                                                       |                                                             |   |          |
| <b>Detailed Comments:</b>   |       | 1. Follow on proceed IE included.                                                                                                                                                                                                                                                                                                                                                                                                                                                                                                                                          |                                                             |   |          |

### Test Case Dynamic Behaviour

**Test Case Name:** TC\_26\_7\_5\_8\_3  
**Group:** GSM\_L3\_MS\_v4200/MM/  
**Purpose:**

- 1) To check that a MS that has no CM application request pending sets the Follow-On-Request bit to No follow-on request pending in a LOCATION UPDATING REQUEST message.
- 2) To check that when the network includes the follow on proceed IE in a LOCATION UPDATING ACCEPT message, a MS that has no CM application request pending does not attempt to establish a new MM connection on that RR connection.
- 3) To check that the MS accepts establishment by the network of a new MM connection on the existing RR connection.

**Default:** OtherEventsFail  
**Comments:** Initial Conditions of MS: The MS has valid TMSI and is deactivated.

| Nr | Label      | Behaviour Description                                                                                                                                                                                                                                                                                                                                                                                                                                                                                                                                                          | CRef                                                        | V   | Comments |
|----|------------|--------------------------------------------------------------------------------------------------------------------------------------------------------------------------------------------------------------------------------------------------------------------------------------------------------------------------------------------------------------------------------------------------------------------------------------------------------------------------------------------------------------------------------------------------------------------------------|-------------------------------------------------------------|-----|----------|
| 1  |            | START T_guard(300)                                                                                                                                                                                                                                                                                                                                                                                                                                                                                                                                                             |                                                             |     |          |
| 2  |            | +BasicServiceMT( TSPX_MTBscSvcC, TSPX_MTChRateC)                                                                                                                                                                                                                                                                                                                                                                                                                                                                                                                               |                                                             |     |          |
| 3  |            | +IdleUpdated( C_E_default, C_CellA, C_SCH_A, C_BCCH_A_1, C_Immass, C_S0, C_SlotNU, C_SlotNU, C_SlotNU, C_BCC, C_TxInt_5, C_Max_1, C_NECI_0, C_ATT_1, TimingAdv( 30), C_BABR_0, C_cch_1Comb, C_BPM_3, C_T3212_0, C_ci_cellA, C_MCC_1, C_PLMN_1, C_LAC_1, CellOpt_01, CellChDes_02, CellChDes_03, C_CellReselectHys12, C_MaxPwrLvlG, C_MaxPwrLvlD, BcchFreqLst_01, BcchFreqLst_Omit, BcchFreqLst_48, BcchFreqLst_Omit, C_noReestablishment, C_BCC, C_NCC, C_Start_TmsiOff, TSPX_SDCCH4SubDef, TSPX_CKSNDDef, TSPX_RANDDDef, C_arfcnA, C_arfcnAd, TSPX_IMSI, C_Test_fh, C_NCCP_2) |                                                             |     | att=1    |
| 4  | body       | +ImsiAttachIni(MiTmsi_01, TimingAdv( 30), C_MCC_1, C_PLMN_1, C_SIMneedRmv)                                                                                                                                                                                                                                                                                                                                                                                                                                                                                                     |                                                             |     |          |
| 5  |            | L!DL_DatRqLupAcp CANCEL T_dly                                                                                                                                                                                                                                                                                                                                                                                                                                                                                                                                                  | LocAcp( TCV_ch, LocUpdtAcp_02( C_MCC_1, C_PLMN_1, TCV_lac)) |     | 1.       |
| 6  |            | +NoReaction( 5000)                                                                                                                                                                                                                                                                                                                                                                                                                                                                                                                                                             |                                                             |     | 2.       |
| 7  |            | L!DL_DatRqSetup                                                                                                                                                                                                                                                                                                                                                                                                                                                                                                                                                                | SetupSnd(TCV_ch, TCV_Setup_mt)                              |     |          |
| 8  | L_039<br>4 | L?DL_DatInCallCo                                                                                                                                                                                                                                                                                                                                                                                                                                                                                                                                                               | CallCfm( CallConfirm_01( TI_01))                            | (P) |          |
| 9  |            | +ChanRel_end( TCV_ch)                                                                                                                                                                                                                                                                                                                                                                                                                                                                                                                                                          |                                                             |     |          |
| 10 | L_039<br>5 | L?DL_DatInRelCmp                                                                                                                                                                                                                                                                                                                                                                                                                                                                                                                                                               | RelComRcv( ReleaseCmp_03( TI_01))                           | (P) |          |
| 11 |            | +ChanRel_end( TCV_ch)                                                                                                                                                                                                                                                                                                                                                                                                                                                                                                                                                          |                                                             |     |          |

**Detailed Comments:**

1. Follow on proceed IE included.
2. MS shall not send any layer 3 message for 5 seconds after reception of Location Updating Acc.

## Test Group CC

| Test Case Dynamic Behaviour |       |                                                                                                                                                                                                                                                                                                                                                                                                                                                                                                                                                                                                                    |                                                                                                                                                                     |   |                               |
|-----------------------------|-------|--------------------------------------------------------------------------------------------------------------------------------------------------------------------------------------------------------------------------------------------------------------------------------------------------------------------------------------------------------------------------------------------------------------------------------------------------------------------------------------------------------------------------------------------------------------------------------------------------------------------|---------------------------------------------------------------------------------------------------------------------------------------------------------------------|---|-------------------------------|
| <b>Test Case Name:</b>      |       | TC_26_8_1_2_1_1                                                                                                                                                                                                                                                                                                                                                                                                                                                                                                                                                                                                    |                                                                                                                                                                     |   |                               |
| <b>Group:</b>               |       | GSM_L3_MS_v4200/CC/                                                                                                                                                                                                                                                                                                                                                                                                                                                                                                                                                                                                |                                                                                                                                                                     |   |                               |
| <b>Purpose:</b>             |       | To verify that upon initiation of an outgoing basic call by user the MS initiates establishment of an MM connection, using as first MM message a CM-SERVICE REQUEST message with CM service type "Mobile originating call establishment or packet mode connection establishment".                                                                                                                                                                                                                                                                                                                                  |                                                                                                                                                                     |   |                               |
| <b>Default:</b>             |       | OtherEventsFail                                                                                                                                                                                                                                                                                                                                                                                                                                                                                                                                                                                                    |                                                                                                                                                                     |   |                               |
| Nr                          | Label | Behaviour Description                                                                                                                                                                                                                                                                                                                                                                                                                                                                                                                                                                                              | CRef                                                                                                                                                                | V | Comments                      |
| 1                           |       | START T_guard(300)                                                                                                                                                                                                                                                                                                                                                                                                                                                                                                                                                                                                 |                                                                                                                                                                     |   |                               |
| 2                           |       | +BasicServiceMOorTelephony(<br>TSPX_MOBscSvcC, TSPX_MOChRateC)                                                                                                                                                                                                                                                                                                                                                                                                                                                                                                                                                     |                                                                                                                                                                     |   |                               |
| 3                           |       | +IdleUpdated( C_E_default, C_CellA, C_SCH_A,<br>C_BCCH_A_1, C_ImmAss, C_S0, C_SlotNU,<br>C_SlotNU, C_SlotNU, C_BCC, C_TxInt_5,<br>C_Max_1, C_NECl_0, C_ATT_0, TimingAdv( 0),<br>C_BABR_0, C_cch_1Comb, C_BPM_3,<br>C_T3212_0, C_ci_cellA, C_MCC_1, C_PLMN_1,<br>C_LAC_1, CellOpt_01, CellChDes_Omit,<br>CellChDes_Omit, C_CellReselectHys12,<br>C_MaxPwrLvlG, C_MaxPwrLvlD,<br>BcchFreqLst_45, BcchFreqLst_02,<br>BcchFreqLst_03, BcchFreqLst_04,<br>C_Restablishment, C_BCC, C_NCC,<br>C_Start_Tmsi, TSPX_SDCCH4SubDef,<br>TSPX_CKSNDf, TSPX_RANDDef, C_arfcnA,<br>C_arfcnAd, TSPX_IMSI, C_Test_nfh,<br>C_NCCP_2) |                                                                                                                                                                     |   |                               |
| 4                           |       | +CCConfigTCH_nociph( TSPX_TCHHSubDef,<br>C_ImmAss, TSPX_TmSlTDef, TSPX_TscDef,<br>TimingAdv( 0), C_BABR_0, C_cch_1Comb,<br>C_BPM_3, TCV_ChMod.mode, FreqTCH_omit,<br>FreqTCH_omit, C_arfcn_tchA, C_arfcn_tchAd)                                                                                                                                                                                                                                                                                                                                                                                                    |                                                                                                                                                                     |   |                               |
| 5                           | body  | +InitCall( TCV_Service)                                                                                                                                                                                                                                                                                                                                                                                                                                                                                                                                                                                            |                                                                                                                                                                     |   |                               |
| 6                           |       | L?DL_RaInChRq (TCV_Rr :=<br>DL_RaInChRq.msg.ecau_rrf, TCV_Fn :=<br>DL_RaInChRq.fn)                                                                                                                                                                                                                                                                                                                                                                                                                                                                                                                                 | ChReq(<br>ChRequest_19)                                                                                                                                             |   |                               |
| 7                           |       | ACTIVATE( OtherEventsFail_02)                                                                                                                                                                                                                                                                                                                                                                                                                                                                                                                                                                                      |                                                                                                                                                                     |   |                               |
| 8                           |       | LIDL_UdatRqImmAss                                                                                                                                                                                                                                                                                                                                                                                                                                                                                                                                                                                                  | ImmAss(<br>C_AGCH_A_1,<br>ImmAsgn_nfh(<br>TCV_Rr, TCV_Fn,<br>TCV_chtype,<br>TSPX_TmSlTDef,<br>TSPX_TscDef,<br>TimingAdv( 0),<br>TCV_tch_arfcn,<br>C_normal_paging)) |   | To match ChReq retrans.<br>1. |
| 9                           |       | L?DL_EstInCmsRq                                                                                                                                                                                                                                                                                                                                                                                                                                                                                                                                                                                                    | CMSerReq(<br>CMSerReq_04)                                                                                                                                           |   |                               |
| 10                          |       | ACTIVATE( OtherEventsFail)                                                                                                                                                                                                                                                                                                                                                                                                                                                                                                                                                                                         |                                                                                                                                                                     |   |                               |
| 11                          |       | +PostMainLinkRel( TCV_chTch)                                                                                                                                                                                                                                                                                                                                                                                                                                                                                                                                                                                       |                                                                                                                                                                     |   | Restore Normal default        |
| <b>Detailed Comments:</b>   |       | 1. To assign TCH channel.                                                                                                                                                                                                                                                                                                                                                                                                                                                                                                                                                                                          |                                                                                                                                                                     |   |                               |

| Test Case Dynamic Behaviour |       |                                                                                                                                                                                                                                                                                                                                                                                                                                                                                                                                                                                                                    |                                       |   |          |
|-----------------------------|-------|--------------------------------------------------------------------------------------------------------------------------------------------------------------------------------------------------------------------------------------------------------------------------------------------------------------------------------------------------------------------------------------------------------------------------------------------------------------------------------------------------------------------------------------------------------------------------------------------------------------------|---------------------------------------|---|----------|
| <b>Test Case Name:</b>      |       | TC_26_8_1_2_2_1                                                                                                                                                                                                                                                                                                                                                                                                                                                                                                                                                                                                    |                                       |   |          |
| <b>Group:</b>               |       | GSM_L3_MS_v4200/CC/                                                                                                                                                                                                                                                                                                                                                                                                                                                                                                                                                                                                |                                       |   |          |
| <b>Purpose:</b>             |       | To verify that a CC entity of the MS in CC-state U0.1, "MM-connection pending", upon the MS receiving a CM SERVICE REJECT message, returns to CC state U0, "Null".                                                                                                                                                                                                                                                                                                                                                                                                                                                 |                                       |   |          |
| <b>Default:</b>             |       | OtherEventsFail                                                                                                                                                                                                                                                                                                                                                                                                                                                                                                                                                                                                    |                                       |   |          |
| Nr                          | Label | Behaviour Description                                                                                                                                                                                                                                                                                                                                                                                                                                                                                                                                                                                              | CRef                                  | V | Comments |
| 1                           |       | START T_guard(300)                                                                                                                                                                                                                                                                                                                                                                                                                                                                                                                                                                                                 |                                       |   |          |
| 2                           |       | +BasicServiceMOorTelephony(<br>TSPX_MOBscSvcA, TSPX_MOChRateA)                                                                                                                                                                                                                                                                                                                                                                                                                                                                                                                                                     |                                       |   | 1.       |
| 3                           |       | +IdleUpdated( C_E_default, C_CellA, C_SCH_A,<br>C_BCCH_A_1, C_Immass, C_S0, C_SlotNU,<br>C_SlotNU, C_SlotNU, C_BCC, C_TxInt_5,<br>C_Max_1, C_NECI_0, C_ATT_0, TimingAdv( 0),<br>C_BABR_0, C_cch_1Comb, C_BPM_3,<br>C_T3212_0, C_ci_cellA, C_MCC_1, C_PLMN_1,<br>C_LAC_1, CellOpt_01, CellChDes_Omit,<br>CellChDes_Omit, C_CellReselectHys12,<br>C_MaxPwrLvIG, C_MaxPwrLvID,<br>BcchFreqLst_45, BcchFreqLst_02,<br>BcchFreqLst_03, BcchFreqLst_04,<br>C_Restablishment, C_BCC, C_NCC,<br>C_Start_Tmsi, TSPX_SDCCH4SubDef,<br>TSPX_CKSNDf, TSPX_RANDDef, C_arfcnA,<br>C_arfcnAd, TSPX_IMSI, C_Test_nfh,<br>C_NCCP_2) |                                       |   |          |
| 4                           |       | +InitCall( TCV_Service)                                                                                                                                                                                                                                                                                                                                                                                                                                                                                                                                                                                            |                                       |   |          |
| 5                           |       | +PreEnterCCstateU01_21(<br>TSPX_SDCCH4SubDef, TimingAdv( 0))                                                                                                                                                                                                                                                                                                                                                                                                                                                                                                                                                       |                                       |   |          |
| 6                           | body  | !IDL_DatRqCmsRej                                                                                                                                                                                                                                                                                                                                                                                                                                                                                                                                                                                                   | CMSerRej( TCV_ch,<br>CMServiceRej_01) |   | 2.       |
| 7                           |       | +CheckTlInStateU0( TRUE, TCV_ch)                                                                                                                                                                                                                                                                                                                                                                                                                                                                                                                                                                                   |                                       |   |          |
| 8                           |       | +PostMainLinkRel( TCV_ch)                                                                                                                                                                                                                                                                                                                                                                                                                                                                                                                                                                                          |                                       |   |          |
| <b>Detailed Comments:</b>   |       | 1. To select a basic service and channel rate, if the MS supports telephony the selected basic service is telephony.<br>2. To reject the CM-SERVICE REQUEST.                                                                                                                                                                                                                                                                                                                                                                                                                                                       |                                       |   |          |

| Test Case Dynamic Behaviour |            |                                                                                                                                                                                                                                                                                                                                                                                                                                                                                                                                                                                                                    |                                      |     |          |
|-----------------------------|------------|--------------------------------------------------------------------------------------------------------------------------------------------------------------------------------------------------------------------------------------------------------------------------------------------------------------------------------------------------------------------------------------------------------------------------------------------------------------------------------------------------------------------------------------------------------------------------------------------------------------------|--------------------------------------|-----|----------|
| <b>Test Case Name:</b>      |            | TC_26_8_1_2_2_2                                                                                                                                                                                                                                                                                                                                                                                                                                                                                                                                                                                                    |                                      |     |          |
| <b>Group:</b>               |            | GSM_L3_MS_v4200/CC/                                                                                                                                                                                                                                                                                                                                                                                                                                                                                                                                                                                                |                                      |     |          |
| <b>Purpose:</b>             |            | To verify that a CC entity of the MS in CC-state U0.1, "MM-connection pending", upon the MS receiving a CM SERVICE ACCEPT message, sends a SETUP message specifying the Called party BCD number that was entered into the MS and then enters CC state U1, "Call initiated".                                                                                                                                                                                                                                                                                                                                        |                                      |     |          |
| <b>Default:</b>             |            | OtherEventsFail                                                                                                                                                                                                                                                                                                                                                                                                                                                                                                                                                                                                    |                                      |     |          |
| Nr                          | Label      | Behaviour Description                                                                                                                                                                                                                                                                                                                                                                                                                                                                                                                                                                                              | CRef                                 | V   | Comments |
| 1                           |            | START T_guard(300)                                                                                                                                                                                                                                                                                                                                                                                                                                                                                                                                                                                                 |                                      |     |          |
| 2                           |            | +BasicServiceMOorTelephony(<br>TSPX_MOBscSvcB, TSPX_MOChRateB)                                                                                                                                                                                                                                                                                                                                                                                                                                                                                                                                                     |                                      |     | 1.       |
| 3                           |            | +IdleUpdated( C_E_default, C_CellA, C_SCH_A,<br>C_BCCH_A_1, C_Immass, C_S0, C_SlotNU,<br>C_SlotNU, C_SlotNU, C_BCC, C_TxInt_5,<br>C_Max_7, C_NECl_0, C_ATT_0, TimingAdv( 0),<br>C_BABR_0, C_cch_1Comb, C_BPM_3,<br>C_T3212_0, C_ci_cellA, C_MCC_1, C_PLMN_1,<br>C_LAC_1, CellOpt_01, CellChDes_Omit,<br>CellChDes_Omit, C_CellReselectHys12,<br>C_MaxPwrLvIG, C_MaxPwrLvID,<br>BcchFreqLst_45, BcchFreqLst_02,<br>BcchFreqLst_03, BcchFreqLst_04,<br>C_Restablishment, C_BCC, C_NCC,<br>C_Start_Tmsi, TSPX_SDCCH4SubDef,<br>TSPX_CKSNDf, TSPX_RANDDef, C_arfcnA,<br>C_arfcnAd, TSPX_IMSI, C_Test_nfh,<br>C_NCCP_2) |                                      |     |          |
| 4                           |            | +InitCall( TCV_Service)                                                                                                                                                                                                                                                                                                                                                                                                                                                                                                                                                                                            |                                      |     |          |
| 5                           |            | +PreEnterCCstateU01_21(<br>TSPX_SDCCH4SubDef, TimingAdv( 0))                                                                                                                                                                                                                                                                                                                                                                                                                                                                                                                                                       |                                      |     |          |
| 6                           | body       | L!DL_DatRqCmsAcp                                                                                                                                                                                                                                                                                                                                                                                                                                                                                                                                                                                                   | CMSerAcp(TCV_ch,<br>CMServiceAcp_01) |     |          |
| 7                           |            | +RcvSetupOrEsetup(TCV_Setup_mo,<br>TCV_Esetup, TCV_Ecall)                                                                                                                                                                                                                                                                                                                                                                                                                                                                                                                                                          |                                      |     | 2.       |
| 8                           |            | (TCV_CalledNum :=<br>TCV_Setup_mo1.cdpn, TCV_Res :=<br>OO_CalledPtyNumCHK(TCV_CalledNu<br>m))                                                                                                                                                                                                                                                                                                                                                                                                                                                                                                                      |                                      |     |          |
| 9                           | L_039<br>6 | [NOT TCV_Res]                                                                                                                                                                                                                                                                                                                                                                                                                                                                                                                                                                                                      |                                      | (F) | 3.       |
| 10                          |            | +PostMainLinkRel(TCV_ch)                                                                                                                                                                                                                                                                                                                                                                                                                                                                                                                                                                                           |                                      |     |          |
| 11                          | L_039<br>7 | [TCV_Res]                                                                                                                                                                                                                                                                                                                                                                                                                                                                                                                                                                                                          |                                      | (P) |          |
| 12                          |            | +CCstatuschk_05(C_U1,<br>TCV_TI,TCV_ch)                                                                                                                                                                                                                                                                                                                                                                                                                                                                                                                                                                            |                                      |     | 4.       |
| 13                          |            | +PostMainLinkRel(TCV_ch)                                                                                                                                                                                                                                                                                                                                                                                                                                                                                                                                                                                           |                                      |     |          |
| <b>Detailed Comments:</b>   |            | <ol style="list-style-type: none"> <li>1. To select a basic service and channel rate, if the MS supports telephony the selected basic service is telephony.</li> <li>2. To receive the SETUP message with called party BCD number.</li> <li>3. The called party number contained in the SETUP message is not the one entered.</li> <li>4. To check whether the MS is in state U1.</li> </ol>                                                                                                                                                                                                                       |                                      |     |          |

| Test Case Dynamic Behaviour |       |                                                                                                                                                                                                                                                                                                                                                                                                                                                                                                                                                                                                                      |      |   |          |
|-----------------------------|-------|----------------------------------------------------------------------------------------------------------------------------------------------------------------------------------------------------------------------------------------------------------------------------------------------------------------------------------------------------------------------------------------------------------------------------------------------------------------------------------------------------------------------------------------------------------------------------------------------------------------------|------|---|----------|
| <b>Test Case Name:</b>      |       | TC_26_8_1_2_2_3                                                                                                                                                                                                                                                                                                                                                                                                                                                                                                                                                                                                      |      |   |          |
| <b>Group:</b>               |       | GSM_L3_MS_v4200/CC/                                                                                                                                                                                                                                                                                                                                                                                                                                                                                                                                                                                                  |      |   |          |
| <b>Purpose:</b>             |       | To verify that after the MS with a CC entity in state U0.1, "MM-connection pending", has detected a lower layer failure and has returned to idle mode, the CC entities relating to the seven mobile originating transaction identifiers are in state U0, "Null".                                                                                                                                                                                                                                                                                                                                                     |      |   |          |
| <b>Default:</b>             |       | OtherEventsFail                                                                                                                                                                                                                                                                                                                                                                                                                                                                                                                                                                                                      |      |   |          |
| Nr                          | Label | Behaviour Description                                                                                                                                                                                                                                                                                                                                                                                                                                                                                                                                                                                                | CRef | V | Comments |
| 1                           |       | START T_guard(300)                                                                                                                                                                                                                                                                                                                                                                                                                                                                                                                                                                                                   |      |   |          |
| 2                           |       | +BasicServiceMOorTelephony(<br>TSPX_MOBscSvcC, TSPX_MOChRateC)                                                                                                                                                                                                                                                                                                                                                                                                                                                                                                                                                       |      |   | 1.       |
| 3                           |       | +IdleUpdated( C_E_default, C_CellA, C_SCH_A,<br>C_BCCH_A_1, C_Immass, C_S0, C_SlotNU,<br>C_SlotNU, C_SlotNU, C_BCC, C_TxInt_5,<br>C_Max_1, C_NECI_0, C_ATT_0, TimingAdv( 0),<br>C_BABR_0, C_cch_1Comb, C_BPM_3,<br>C_T3212_0, C_ci_cellA, C_MCC_1, C_PLMN_1,<br>C_LAC_1, CellOpt_01, CellChDes_Omit,<br>CellChDes_Omit, C_CellReselectHys12,<br>C_MaxPwrLvIG, C_MaxPwrLvID,<br>BcchFreqLst_45, BcchFreqLst_02,<br>BcchFreqLst_03, BcchFreqLst_04,<br>C_Restablishment, C_BCC, C_NCC,<br>C_Start_Tmsi, TSPX_SDCCH4SubDef,<br>TSPX_CKSNDDef, TSPX_RANDDef, C_arfcnA,<br>C_arfcnAd, TSPX_IMSI, C_Test_nfh,<br>C_NCCP_2) |      |   |          |
| 4                           |       | +InitCall( TCV_Service)                                                                                                                                                                                                                                                                                                                                                                                                                                                                                                                                                                                              |      |   |          |
| 5                           |       | +PreEnterCCstateU01_21(<br>TSPX_SDCCH4SubDef, TimingAdv( 0))                                                                                                                                                                                                                                                                                                                                                                                                                                                                                                                                                         |      |   |          |
| 6                           | body  | (TCV_Null := OM_LowerLayerFail(<br>TCV_ch))                                                                                                                                                                                                                                                                                                                                                                                                                                                                                                                                                                          |      |   |          |
| 7                           |       | START T_dly( 20000)                                                                                                                                                                                                                                                                                                                                                                                                                                                                                                                                                                                                  |      |   |          |
| 8                           |       | ?TIMEOUT T_dly                                                                                                                                                                                                                                                                                                                                                                                                                                                                                                                                                                                                       |      |   |          |
| 9                           |       | +CCEstablishMT_SDCCH4(<br>TimingAdv( 0),<br>TSPX_SDCCH4SubDef,<br>TSPX_CKSNDDef)                                                                                                                                                                                                                                                                                                                                                                                                                                                                                                                                     |      |   |          |
| 10                          |       | +CheckTIsInStateU0( TRUE,<br>TCV_ch)                                                                                                                                                                                                                                                                                                                                                                                                                                                                                                                                                                                 |      |   |          |
| 11                          |       | +PostMainLinkRel( TCV_ch)                                                                                                                                                                                                                                                                                                                                                                                                                                                                                                                                                                                            |      |   |          |
| <b>Detailed Comments:</b>   |       | 1. To select a basic service and channel rate, if the MS supports telephony the selected basic service is telephony.                                                                                                                                                                                                                                                                                                                                                                                                                                                                                                 |      |   |          |

| Test Case Dynamic Behaviour |       |                                                                                                                                                                                                                                                                                                                                                                                                                                                                                                                                                                         |                                   |   |          |
|-----------------------------|-------|-------------------------------------------------------------------------------------------------------------------------------------------------------------------------------------------------------------------------------------------------------------------------------------------------------------------------------------------------------------------------------------------------------------------------------------------------------------------------------------------------------------------------------------------------------------------------|-----------------------------------|---|----------|
| <b>Test Case Name:</b>      |       | TC_26_8_1_2_3_1                                                                                                                                                                                                                                                                                                                                                                                                                                                                                                                                                         |                                   |   |          |
| <b>Group:</b>               |       | GSM_L3_MS_v4200/CC/                                                                                                                                                                                                                                                                                                                                                                                                                                                                                                                                                     |                                   |   |          |
| <b>Purpose:</b>             |       | To verify that a CC entity of the MS in CC-state U1, "Call initiated", upon receipt of a CALL PROCEEDING message, enters CC state U3, "Mobile originating call proceeding".                                                                                                                                                                                                                                                                                                                                                                                             |                                   |   |          |
| <b>Default:</b>             |       | OtherEventsFail                                                                                                                                                                                                                                                                                                                                                                                                                                                                                                                                                         |                                   |   |          |
| Nr                          | Label | Behaviour Description                                                                                                                                                                                                                                                                                                                                                                                                                                                                                                                                                   | CRef                              | V | Comments |
| 1                           |       | START T_guard(300)                                                                                                                                                                                                                                                                                                                                                                                                                                                                                                                                                      |                                   |   |          |
| 2                           |       | +BasicServiceMOorTelephony(TSPX_MOBscSvcD, TSPX_MOChRateD)                                                                                                                                                                                                                                                                                                                                                                                                                                                                                                              |                                   |   | 1.       |
| 3                           |       | +IdleUpdated( C_E_default, C_CellA, C_SCH_A, C_BCCH_A_1, C_Immass, C_S0, C_SlotNU, C_SlotNU, C_SlotNU, C_BCC, C_TxInt_5, C_Max_7, C_NECI_0, C_ATT_0, TimingAdv( 0), C_BABR_0, C_cch_1Comb, C_BPM_3, C_T3212_0, C_ci_cellA, C_MCC_1, C_PLMN_1, C_LAC_1, CellOpt_01, CellChDes_Omit, CellChDes_Omit, C_CellReselectHys12, C_MaxPwrLvIG, C_MaxPwrLvID, BcchFreqLst_45, BcchFreqLst_02, BcchFreqLst_03, BcchFreqLst_04, C_Restablishment, C_BCC, C_NCC, C_Start_Tmsi, TSPX_SDCCH4SubDef, TSPX_CKSNDDef, TSPX_RANDDef, C_arfcnA, C_arfcnAd, TSPX_IMSI, C_Test_nfh, C_NCCP_2) |                                   |   |          |
| 4                           |       | +CCConfigTCH_nociph( TSPX_TCHHSubDef, C_Immass, TSPX_TmSlitDef, TSPX_TscDef, TimingAdv( 0), C_BABR_0, C_cch_1Comb, C_BPM_3, TCV_ChMod.mode, FreqTCH_omit, FreqTCH_omit, C_arfcn_tchA, C_arfcn_tchAd)                                                                                                                                                                                                                                                                                                                                                                    |                                   |   |          |
| 5                           |       | +InitCall( TCV_Service)                                                                                                                                                                                                                                                                                                                                                                                                                                                                                                                                                 |                                   |   |          |
| 6                           |       | +PreEnterCCstateU1_22(TSPX_TmSlitDef, TSPX_TscDef, TimingAdv( 0))                                                                                                                                                                                                                                                                                                                                                                                                                                                                                                       |                                   |   |          |
| 7                           | body  | LIDL_DatRqCallProc                                                                                                                                                                                                                                                                                                                                                                                                                                                                                                                                                      | CallProc(TCV_chTch, TCV_CallProc) |   |          |
| 8                           |       | +CCstatuschk_05( C_U3, TCV_TI, TCV_chTch)                                                                                                                                                                                                                                                                                                                                                                                                                                                                                                                               |                                   |   | 2.       |
| 9                           |       | +PostMainLinkRel( TCV_chTch)                                                                                                                                                                                                                                                                                                                                                                                                                                                                                                                                            |                                   |   |          |
| <b>Detailed Comments:</b>   |       | <p>1. To select a basic service and channel rate, if the MS supports telephony the selected basic service is telephony.</p> <p>2. Check that CC state is U3.</p>                                                                                                                                                                                                                                                                                                                                                                                                        |                                   |   |          |

| Test Case Dynamic Behaviour |       |                                                                                                                                                                                                                                                                                                                                                                                                                                                                                                                                                                        |                                             |   |          |
|-----------------------------|-------|------------------------------------------------------------------------------------------------------------------------------------------------------------------------------------------------------------------------------------------------------------------------------------------------------------------------------------------------------------------------------------------------------------------------------------------------------------------------------------------------------------------------------------------------------------------------|---------------------------------------------|---|----------|
| <b>Test Case Name:</b>      |       | TC_26_8_1_2_3_2                                                                                                                                                                                                                                                                                                                                                                                                                                                                                                                                                        |                                             |   |          |
| <b>Group:</b>               |       | GSM_L3_MS_v4200/CC/                                                                                                                                                                                                                                                                                                                                                                                                                                                                                                                                                    |                                             |   |          |
| <b>Purpose:</b>             |       | 1) To verify that a CC entity of the MS in CC-state U1, "Call initiated", upon receipt of a RELEASE COMPLETE message with valid cause value, enters CC state U0, "Null".<br>2) To verify that in returning to idle mode, the CC entities relating to the seven mobile originating transaction identifiers are in state U0, "Null".<br>3) To verify that in releasing the MM-connection, the MS shall wait for MM layer release initiated by SS.                                                                                                                        |                                             |   |          |
| <b>Default:</b>             |       | OtherEventsFail                                                                                                                                                                                                                                                                                                                                                                                                                                                                                                                                                        |                                             |   |          |
| Nr                          | Label | Behaviour Description                                                                                                                                                                                                                                                                                                                                                                                                                                                                                                                                                  | CRef                                        | V | Comments |
| 1                           |       | START T_guard(300)                                                                                                                                                                                                                                                                                                                                                                                                                                                                                                                                                     |                                             |   |          |
| 2                           |       | +BasicServiceMOorTelephony(TSPX_MOBscSvcE, TSPX_MOChRateE)                                                                                                                                                                                                                                                                                                                                                                                                                                                                                                             |                                             |   | 1.       |
| 3                           |       | +IdleUpdated( C_E_default, C_CellA, C_SCH_A, C_BCCH_A_1, C_Immss, C_S0, C_SlotNU, C_SlotNU, C_SlotNU, C_BCC, C_TxInt_5, C_Max_7, C_NECI_0, C_ATT_0, TimingAdv( 0), C_BABR_0, C_cch_1Comb, C_BPM_3, C_T3212_0, C_ci_cellA, C_MCC_1, C_PLMN_1, C_LAC_1, CellOpt_01, CellChDes_Omit, CellChDes_Omit, C_CellReselectHys12, C_MaxPwrLvlG, C_MaxPwrLvlD, BcchFreqLst_45, BcchFreqLst_02, BcchFreqLst_03, BcchFreqLst_04, C_Restablishment, C_BCC, C_NCC, C_Start_Tmsi, TSPX_SDCCH4SubDef, TSPX_CKSNDDef, TSPX_RANDDef, C_arfcnA, C_arfcnAd, TSPX_IMSI, C_Test_nfh, C_NCCP_2) |                                             |   |          |
| 4                           |       | +CCConfigTCH_nociph( TSPX_TCHHSubDef, C_Immss, TSPX_TmSlitDef, TSPX_TscDef, TimingAdv( 0), C_BABR_0, C_cch_1Comb, C_BPM_3, TCV_ChMod.mode, FreqTCH_omit, FreqTCH_omit, C_arfcn_tchA, C_arfcn_tchAd)                                                                                                                                                                                                                                                                                                                                                                    |                                             |   |          |
| 5                           |       | +InitCall( TCV_Service)                                                                                                                                                                                                                                                                                                                                                                                                                                                                                                                                                |                                             |   |          |
| 6                           |       | +PreEnterCCstateU1_22( TSPX_TmSlitDef, TSPX_TscDef, TimingAdv( 0))                                                                                                                                                                                                                                                                                                                                                                                                                                                                                                     |                                             |   |          |
| 7                           | body  | L!DL_DatRqRelCmp                                                                                                                                                                                                                                                                                                                                                                                                                                                                                                                                                       | RelComSnd(TCV_chTch, ReleaseCmp_04(TCV_TI)) |   |          |
| 8                           |       | +CheckTIsInStateU0( TRUE, TCV_chTch)                                                                                                                                                                                                                                                                                                                                                                                                                                                                                                                                   |                                             |   |          |
| 9                           |       | +PostMainLinkRel( TCV_chTch)                                                                                                                                                                                                                                                                                                                                                                                                                                                                                                                                           |                                             |   |          |
| <b>Detailed Comments:</b>   |       | 1. To select a basic service and channel rate, if the MS supports telephony the selected basic service is telephony.                                                                                                                                                                                                                                                                                                                                                                                                                                                   |                                             |   |          |



| Test Case Dynamic Behaviour |        |                                                                                                                                                                                                                                                                                                                                                                                                                                                                                                                                                                       |                                                    |     |          |
|-----------------------------|--------|-----------------------------------------------------------------------------------------------------------------------------------------------------------------------------------------------------------------------------------------------------------------------------------------------------------------------------------------------------------------------------------------------------------------------------------------------------------------------------------------------------------------------------------------------------------------------|----------------------------------------------------|-----|----------|
| <b>Test Case Name:</b>      |        | TC_26_8_1_2_3_3                                                                                                                                                                                                                                                                                                                                                                                                                                                                                                                                                       |                                                    |     |          |
| <b>Group:</b>               |        | GSM_L3_MS_v4200/CC/                                                                                                                                                                                                                                                                                                                                                                                                                                                                                                                                                   |                                                    |     |          |
| <b>Purpose:</b>             |        | To verify that a CC entity of the MS in CC-state U1, "Call initiated", upon expiry of T303 (accuracy +/- 20% between reception of CM-SERVICE REQUEST and DISCONNECT by SS) sends a DISCONNECT message to its peer entity and enters state U11, "Disconnect request".                                                                                                                                                                                                                                                                                                  |                                                    |     |          |
| <b>Default:</b>             |        | OtherEventsFail                                                                                                                                                                                                                                                                                                                                                                                                                                                                                                                                                       |                                                    |     |          |
| Nr                          | Label  | Behaviour Description                                                                                                                                                                                                                                                                                                                                                                                                                                                                                                                                                 | CRef                                               | V   | Comments |
| 1                           |        | START T_guard(300)                                                                                                                                                                                                                                                                                                                                                                                                                                                                                                                                                    |                                                    |     |          |
| 2                           |        | +BasicServiceMOorTelephony( TSPX_MOBscSvcF, TSPX_MOChRateF)                                                                                                                                                                                                                                                                                                                                                                                                                                                                                                           |                                                    |     | 1.       |
| 3                           |        | +IdleUpdated( C_E_default, C_CellA, C_SCH_A, C_BCCH_A_1, C_Immass, C_S0, C_SlotNU, C_SlotNU, C_SlotNU, C_BCC, C_TxInt_5, C_Max_7, C_NECl_0, C_ATT_0, TimingAdv( 0), C_BABR_0, C_cch_1Comb, C_BPM_3, C_T3212_0, C_ci_cellA, C_MCC_1, C_PLMN_1, C_LAC_1, CellOpt_01, CellChDes_Omit, CellChDes_Omit, C_CellReselectHys12, C_MaxPwrLvlG, C_MaxPwrLvlD, BcchFreqLst_45, BcchFreqLst_02, BcchFreqLst_03, BcchFreqLst_04, C_Restablishment, C_BCC, C_NCC, C_Start_Tmsi, TSPX_SDCCH4SubDef, TSPX_CKSNDf, TSPX_RANDDef, C_arfcnA, C_arfcnAd, TSPX_IMSI, C_Test_nfh, C_NCCP_2) |                                                    |     |          |
| 4                           |        | +CCConfigTCH_nociph( TSPX_TCHHSubDef, C_Immass, TSPX_TmSlTDef, TSPX_TscDef, TimingAdv( 0), C_BABR_0, C_cch_1Comb, C_BPM_3, TCV_ChMod.mode, FreqTCH_omit, FreqTCH_omit, C_arfcn_tchA, C_arfcn_tchAd)                                                                                                                                                                                                                                                                                                                                                                   |                                                    |     |          |
| 5                           |        | +InitCall( TCV_Service)                                                                                                                                                                                                                                                                                                                                                                                                                                                                                                                                               |                                                    |     |          |
| 6                           |        | +PreEnterCCstateU1_22Timer(TSPX_TmSlTDef, TSPX_TscDef, TimingAdv( 0))                                                                                                                                                                                                                                                                                                                                                                                                                                                                                                 |                                                    |     |          |
| 7                           | body   | L?DL_DatInDisc (TCV_Fn1 := DL_DatInDisc.fn) READTIMER<br>T_dly(TCV_Time), CANCEL T_dly                                                                                                                                                                                                                                                                                                                                                                                                                                                                                | DiscRcv( TCV_chTch, DisconnR( TCV_TI0, Cause_Def)) | (P) |          |
| 8                           | L_0398 | [(TCV_Time < 24000) OR (TCV_Time >= 36000)]                                                                                                                                                                                                                                                                                                                                                                                                                                                                                                                           |                                                    | (F) |          |
| 9                           |        | +PostMainLinkRel( TCV_chTch)                                                                                                                                                                                                                                                                                                                                                                                                                                                                                                                                          |                                                    |     |          |
| 10                          | L_0399 | [(TCV_Time >= 24000) AND(TCV_Time < 36000)]                                                                                                                                                                                                                                                                                                                                                                                                                                                                                                                           |                                                    | (P) |          |
| 11                          |        | +CCstatuschk_05( C_U11, TCV_TI, TCV_chTch)                                                                                                                                                                                                                                                                                                                                                                                                                                                                                                                            |                                                    |     |          |
| 12                          |        | +PostMainLinkRel( TCV_chTch)                                                                                                                                                                                                                                                                                                                                                                                                                                                                                                                                          |                                                    |     |          |
| <b>Detailed Comments:</b>   |        | 1. To select a basic service and channel rate, if the MS supports telephony the selected basic service is telephony.                                                                                                                                                                                                                                                                                                                                                                                                                                                  |                                                    |     |          |

| Test Case Dynamic Behaviour |       |                                                                                                                                                                                                                                                                                                                                                                                                                                                                                                                                                                                                                    |      |   |          |
|-----------------------------|-------|--------------------------------------------------------------------------------------------------------------------------------------------------------------------------------------------------------------------------------------------------------------------------------------------------------------------------------------------------------------------------------------------------------------------------------------------------------------------------------------------------------------------------------------------------------------------------------------------------------------------|------|---|----------|
| <b>Test Case Name:</b>      |       | TC_26_8_1_2_3_4                                                                                                                                                                                                                                                                                                                                                                                                                                                                                                                                                                                                    |      |   |          |
| <b>Group:</b>               |       | GSM_L3_MS_v4200/CC/                                                                                                                                                                                                                                                                                                                                                                                                                                                                                                                                                                                                |      |   |          |
| <b>Purpose:</b>             |       | To verify that after the MS with a CC entity in state U1 "Call initiated", has detected a lower layer failure and has returned to idle mode, the CC entities relating to the seven mobile originating transaction identifiers are in state U0, "Null".                                                                                                                                                                                                                                                                                                                                                             |      |   |          |
| <b>Default:</b>             |       | OtherEventsFail                                                                                                                                                                                                                                                                                                                                                                                                                                                                                                                                                                                                    |      |   |          |
| Nr                          | Label | Behaviour Description                                                                                                                                                                                                                                                                                                                                                                                                                                                                                                                                                                                              | CRef | V | Comments |
| 1                           |       | START T_guard(300)                                                                                                                                                                                                                                                                                                                                                                                                                                                                                                                                                                                                 |      |   |          |
| 2                           |       | +BasicServiceMOorTelephony(<br>TSPX_MOBscSvcG, TSPX_MOChRateG)                                                                                                                                                                                                                                                                                                                                                                                                                                                                                                                                                     |      |   | 1.       |
| 3                           |       | +IdleUpdated( C_E_default, C_CellA, C_SCH_A,<br>C_BCCH_A_1, C_Immasc, C_S0, C_SlotNU,<br>C_SlotNU, C_SlotNU, C_BCC, C_TxInt_5,<br>C_Max_7, C_NECI_0, C_ATT_0, TimingAdv( 0),<br>C_BABR_0, C_cch_1Comb, C_BPM_3,<br>C_T3212_0, C_ci_cellA, C_MCC_1, C_PLMN_1,<br>C_LAC_1, CellOpt_01, CellChDes_Omit,<br>CellChDes_Omit, C_CellReselectHys12,<br>C_MaxPwrLvlG, C_MaxPwrLvlD,<br>BcchFreqLst_45, BcchFreqLst_02,<br>BcchFreqLst_03, BcchFreqLst_04,<br>C_Restablishment, C_BCC, C_NCC,<br>C_Start_Tmsi, TSPX_SDCCH4SubDef,<br>TSPX_CKSNDf, TSPX_RANDDef, C_arfcnA,<br>C_arfcnAd, TSPX_IMSI, C_Test_nfh,<br>C_NCCP_2) |      |   |          |
| 4                           |       | +CCConfigTCH_nociph( TSPX_TCHHSubDef,<br>C_Immasc, TSPX_TmSlitDef, TSPX_TscDef,<br>TimingAdv( 0), C_BABR_0, C_cch_1Comb,<br>C_BPM_3, TCV_ChMod.mode, FreqTCH_omit,<br>FreqTCH_omit, C_arfcn_tchA, C_arfcn_tchAd)                                                                                                                                                                                                                                                                                                                                                                                                   |      |   |          |
| 5                           |       | +InitCall( TCV_Service)                                                                                                                                                                                                                                                                                                                                                                                                                                                                                                                                                                                            |      |   |          |
| 6                           |       | +PreEnterCCstateU1_24(TSPX_TmSlitDef,<br>TSPX_TscDef, TimingAdv( 0))                                                                                                                                                                                                                                                                                                                                                                                                                                                                                                                                               |      |   | 2.       |
| 7                           | body  | (TCV_Null := OM_LowerLayerFail(<br>TCV_chTch))                                                                                                                                                                                                                                                                                                                                                                                                                                                                                                                                                                     |      |   | 3.       |
| 8                           |       | START T_dly(20000)                                                                                                                                                                                                                                                                                                                                                                                                                                                                                                                                                                                                 |      |   |          |
| 9                           |       | ?TIMEOUT T_dly                                                                                                                                                                                                                                                                                                                                                                                                                                                                                                                                                                                                     |      |   | 4.       |
| 10                          |       | +CCEstablishMT_SDCCH4(<br>TimingAdv( 0),<br>TSPX_SDCCH4SubDef,<br>TSPX_CKSNDf)                                                                                                                                                                                                                                                                                                                                                                                                                                                                                                                                     |      |   |          |
| 11                          |       | +CheckTIsInStateU0( TRUE,<br>TCV_ch)                                                                                                                                                                                                                                                                                                                                                                                                                                                                                                                                                                               |      |   | 5.       |
| 12                          |       | +PostMainLinkRel( TCV_ch)                                                                                                                                                                                                                                                                                                                                                                                                                                                                                                                                                                                          |      |   |          |
| <b>Detailed Comments:</b>   |       | <ol style="list-style-type: none"> <li>1. To select a basic service and channel rate, if the MS supports telephony the selected basic service is telephony.</li> <li>2. To bring the MS into U1 state.</li> <li>3. A layer failure generated in the test system.</li> <li>4. Waiting for the MS return to idle state.</li> <li>5. To check that CC entities related to all transaction identifiers are return to idle.</li> </ol>                                                                                                                                                                                  |      |   |          |

| Test Case Dynamic Behaviour |       |                                                                                                                                                                                                                                                                                                                                                                                                                                                                                                                                                                                                                      |                                                  |   |          |
|-----------------------------|-------|----------------------------------------------------------------------------------------------------------------------------------------------------------------------------------------------------------------------------------------------------------------------------------------------------------------------------------------------------------------------------------------------------------------------------------------------------------------------------------------------------------------------------------------------------------------------------------------------------------------------|--------------------------------------------------|---|----------|
| <b>Test Case Name:</b>      |       | TC_26_8_1_2_3_5                                                                                                                                                                                                                                                                                                                                                                                                                                                                                                                                                                                                      |                                                  |   |          |
| <b>Group:</b>               |       | GSM_L3_MS_v4200/CC/                                                                                                                                                                                                                                                                                                                                                                                                                                                                                                                                                                                                  |                                                  |   |          |
| <b>Purpose:</b>             |       | To verify that a CC entity of the MS in CC-state U1, "Call initiated", upon receipt of an ALERTING message, enters CC state U4, "Call delivered".                                                                                                                                                                                                                                                                                                                                                                                                                                                                    |                                                  |   |          |
| <b>Default:</b>             |       | OtherEventsFail                                                                                                                                                                                                                                                                                                                                                                                                                                                                                                                                                                                                      |                                                  |   |          |
| Nr                          | Label | Behaviour Description                                                                                                                                                                                                                                                                                                                                                                                                                                                                                                                                                                                                | CRef                                             | V | Comments |
| 1                           |       | START T_guard(300)                                                                                                                                                                                                                                                                                                                                                                                                                                                                                                                                                                                                   |                                                  |   |          |
| 2                           |       | +BasicServiceMOorTelephony(<br>TSPX_MOBscSvcH, TSPX_MOChRateH)                                                                                                                                                                                                                                                                                                                                                                                                                                                                                                                                                       |                                                  |   | 1.       |
| 3                           |       | +IdleUpdated( C_E_default, C_CellA, C_SCH_A,<br>C_BCCH_A_1, C_Immass, C_S0, C_SlotNU,<br>C_SlotNU, C_SlotNU, C_BCC, C_TxInt_5,<br>C_Max_7, C_NECI_0, C_ATT_0, TimingAdv( 0),<br>C_BABR_0, C_cch_1Comb, C_BPM_3,<br>C_T3212_0, C_ci_cellA, C_MCC_1, C_PLMN_1,<br>C_LAC_1, CellOpt_01, CellChDes_Omit,<br>CellChDes_Omit, C_CellReselectHys12,<br>C_MaxPwrLvIG, C_MaxPwrLvID,<br>BcchFreqLst_45, BcchFreqLst_02,<br>BcchFreqLst_03, BcchFreqLst_04,<br>C_Restablishment, C_BCC, C_NCC,<br>C_Start_Tmsi, TSPX_SDCCH4SubDef,<br>TSPX_CKSNDDef, TSPX_RANDDef, C_arfcnA,<br>C_arfcnAd, TSPX_IMSI, C_Test_nfh,<br>C_NCCP_2) |                                                  |   |          |
| 4                           |       | +CCConfigTCH_nociph( TSPX_TCHHSubDef,<br>C_Immass, TSPX_TmSlitDef, TSPX_TscDef,<br>TimingAdv( 0), C_BABR_0, C_cch_1Comb,<br>C_BPM_3, TCV_ChMod.mode, FreqTCH_omit,<br>FreqTCH_omit, C_arfcn_tchA, C_arfcn_tchAd)                                                                                                                                                                                                                                                                                                                                                                                                     |                                                  |   |          |
| 5                           |       | +InitCall( TCV_Service)                                                                                                                                                                                                                                                                                                                                                                                                                                                                                                                                                                                              |                                                  |   |          |
| 6                           |       | +PreEnterCCstateU1_24(TSPX_TmSlitDef,<br>TSPX_TscDef, TimingAdv( 0))                                                                                                                                                                                                                                                                                                                                                                                                                                                                                                                                                 |                                                  |   |          |
| 7                           | body  | LIDL_DatRqAlert                                                                                                                                                                                                                                                                                                                                                                                                                                                                                                                                                                                                      | AlertSnd(<br>TCV_chTch,<br>Alerting_01( TCV_TI)) |   |          |
| 8                           |       | +CCstatuschk_05( C_U4, TCV_TI,<br>TCV_chTch)                                                                                                                                                                                                                                                                                                                                                                                                                                                                                                                                                                         |                                                  |   |          |
| 9                           |       | +PostMainLinkRel( TCV_chTch)                                                                                                                                                                                                                                                                                                                                                                                                                                                                                                                                                                                         |                                                  |   |          |
| <b>Detailed Comments:</b>   |       | 1. To select a basic service and channel rate, if the MS supports telephony the selected basic service is telephony.                                                                                                                                                                                                                                                                                                                                                                                                                                                                                                 |                                                  |   |          |

| Test Case Dynamic Behaviour |       |                                                                                                                                                                                                                                                                                                                                                                                                                                                                                                                                                                         |                                          |   |          |
|-----------------------------|-------|-------------------------------------------------------------------------------------------------------------------------------------------------------------------------------------------------------------------------------------------------------------------------------------------------------------------------------------------------------------------------------------------------------------------------------------------------------------------------------------------------------------------------------------------------------------------------|------------------------------------------|---|----------|
| <b>Test Case Name:</b>      |       | TC_26_8_1_2_3_6                                                                                                                                                                                                                                                                                                                                                                                                                                                                                                                                                         |                                          |   |          |
| <b>Group:</b>               |       | GSM_L3_MS_v4200/CC/                                                                                                                                                                                                                                                                                                                                                                                                                                                                                                                                                     |                                          |   |          |
| <b>Purpose:</b>             |       | To verify that a CC entity of the MS in CC-state U1, "Call initiated", upon receipt of a CONNECT message, sends a CONNECT ACKNOWLEDGE message to its peer entity and enters CC state U10, "Active".                                                                                                                                                                                                                                                                                                                                                                     |                                          |   |          |
| <b>Default:</b>             |       | OtherEventsFail                                                                                                                                                                                                                                                                                                                                                                                                                                                                                                                                                         |                                          |   |          |
| Nr                          | Label | Behaviour Description                                                                                                                                                                                                                                                                                                                                                                                                                                                                                                                                                   | CRef                                     | V | Comments |
| 1                           |       | START T_guard(300)                                                                                                                                                                                                                                                                                                                                                                                                                                                                                                                                                      |                                          |   |          |
| 2                           |       | +BasicServiceMOorTelephony( TSPX_MOBscSvcI, TSPX_MOChRatel)                                                                                                                                                                                                                                                                                                                                                                                                                                                                                                             |                                          |   | 1.       |
| 3                           |       | +IdleUpdated( C_E_default, C_CellA, C_SCH_A, C_BCCH_A_1, C_Immass, C_S0, C_SlotNU, C_SlotNU, C_SlotNU, C_BCC, C_TxInt_5, C_Max_7, C_NECI_0, C_ATT_0, TimingAdv( 0), C_BABR_0, C_cch_1Comb, C_BPM_3, C_T3212_0, C_ci_cellA, C_MCC_1, C_PLMN_1, C_LAC_1, CellOpt_01, CellChDes_Omit, CellChDes_Omit, C_CellReselectHys12, C_MaxPwrLvIG, C_MaxPwrLvID, BcchFreqLst_45, BcchFreqLst_02, BcchFreqLst_03, BcchFreqLst_04, C_Restablishment, C_BCC, C_NCC, C_Start_Tmsi, TSPX_SDCCH4SubDef, TSPX_CKSNDDef, TSPX_RANDDef, C_arfcnA, C_arfcnAd, TSPX_IMSI, C_Test_nfh, C_NCCP_2) |                                          |   |          |
| 4                           |       | +CCConfigTCH_nociph( TSPX_TCHHSubDef, C_Immass, TSPX_TmSlitDef, TSPX_TscDef, TimingAdv( 0), C_BABR_0, C_cch_1Comb, C_BPM_3, TCV_ChMod.mode, FreqTCH_omit, FreqTCH_omit, C_arfcn_tchA, C_arfcn_tchAd)                                                                                                                                                                                                                                                                                                                                                                    |                                          |   |          |
| 5                           |       | +InitCall( TCV_Service)                                                                                                                                                                                                                                                                                                                                                                                                                                                                                                                                                 |                                          |   |          |
| 6                           |       | +PreEnterCCstateU1_24( TSPX_TmSlitDef, TSPX_TscDef, TimingAdv( 0))                                                                                                                                                                                                                                                                                                                                                                                                                                                                                                      |                                          |   |          |
| 7                           | body  | L!DL_DatRqConn                                                                                                                                                                                                                                                                                                                                                                                                                                                                                                                                                          | ConnSnd( TCV_chTch, Connect_02( TCV_TI)) |   |          |
| 8                           |       | L?DL_DatInConnAck                                                                                                                                                                                                                                                                                                                                                                                                                                                                                                                                                       | ConnAckRcv( ConnectAck_02( TCV_TI0))     |   |          |
| 9                           |       | +CCstatuschk_05( C_U10, TCV_TI, TCV_chTch)                                                                                                                                                                                                                                                                                                                                                                                                                                                                                                                              |                                          |   |          |
| 10                          |       | +PostMainLinkRel( TCV_chTch)                                                                                                                                                                                                                                                                                                                                                                                                                                                                                                                                            |                                          |   |          |
| <b>Detailed Comments:</b>   |       | 1. To select a basic service and channel rate, if the MS supports telephony the selected basic service is telephony.                                                                                                                                                                                                                                                                                                                                                                                                                                                    |                                          |   |          |

| Test Case Dynamic Behaviour |            |                                                                                                                                                                                                                                                                                                                                                                                                                                                                                                                                                                        |                                               |     |          |
|-----------------------------|------------|------------------------------------------------------------------------------------------------------------------------------------------------------------------------------------------------------------------------------------------------------------------------------------------------------------------------------------------------------------------------------------------------------------------------------------------------------------------------------------------------------------------------------------------------------------------------|-----------------------------------------------|-----|----------|
| <b>Test Case Name:</b>      |            | TC_26_8_1_2_3_7                                                                                                                                                                                                                                                                                                                                                                                                                                                                                                                                                        |                                               |     |          |
| <b>Group:</b>               |            | GSM_L3_MS_v4200/CC/                                                                                                                                                                                                                                                                                                                                                                                                                                                                                                                                                    |                                               |     |          |
| <b>Purpose:</b>             |            | To verify that a CC entity of the MS in CC-state U1, "Call initiated", upon receipt of a message with message type not defined for the protocol discriminator unknown message from its peer entity returns a STATUS message.                                                                                                                                                                                                                                                                                                                                           |                                               |     |          |
| <b>Default:</b>             |            | OtherEventsFail                                                                                                                                                                                                                                                                                                                                                                                                                                                                                                                                                        |                                               |     |          |
| Nr                          | Label      | Behaviour Description                                                                                                                                                                                                                                                                                                                                                                                                                                                                                                                                                  | CRef                                          | V   | Comments |
| 1                           |            | START T_guard(300)                                                                                                                                                                                                                                                                                                                                                                                                                                                                                                                                                     |                                               |     |          |
| 2                           |            | +BasicServiceMOorTelephony( TSPX_MOBscSvcJ, TSPX_MOChRateJ)                                                                                                                                                                                                                                                                                                                                                                                                                                                                                                            |                                               |     | 1.       |
| 3                           |            | +IdleUpdated( C_E_default, C_CellA, C_SCH_A, C_BCCH_A_1, C_Immass, C_S0, C_SlotNU, C_SlotNU, C_SlotNU, C_BCC, C_TxInt_5, C_Max_7, C_NECl_0, C_ATT_0, TimingAdv( 0), C_BABR_0, C_cch_1Comb, C_BPM_3, C_T3212_0, C_ci_cellA, C_MCC_1, C_PLMN_1, C_LAC_1, CellOpt_01, CellChDes_Omit, CellChDes_Omit, C_CellReselectHys12, C_MaxPwrLvIG, C_MaxPwrLvID, BcchFreqLst_45, BcchFreqLst_02, BcchFreqLst_03, BcchFreqLst_04, C_Restablishment, C_BCC, C_NCC, C_Start_Tmsi, TSPX_SDCCH4SubDef, TSPX_CKSNDef, TSPX_RANDDef, C_arfcnA, C_arfcnAd, TSPX_IMSI, C_Test_nfh, C_NCCP_2) |                                               |     |          |
| 4                           |            | +InitCall( TCV_Service)                                                                                                                                                                                                                                                                                                                                                                                                                                                                                                                                                |                                               |     |          |
| 5                           |            | +PreEnterCCstateU1_21( TSPX_SDCCH4SubDef, TimingAdv( 0))                                                                                                                                                                                                                                                                                                                                                                                                                                                                                                               |                                               |     |          |
| 6                           | body       | L!DL_DatRqUndefCC                                                                                                                                                                                                                                                                                                                                                                                                                                                                                                                                                      | UndefCC( TCV_ch, UndefCC_02( TCV_TI))         |     | 2.       |
| 7                           | L_040<br>0 | L?DL_DatInCcst                                                                                                                                                                                                                                                                                                                                                                                                                                                                                                                                                         | CCStRcv( TCV_ch, CCStatus_08( TCV_TI0, C_U1)) | (P) | 3.       |
| 8                           |            | +CCstatuschk_05( C_U1, TCV_TI, TCV_ch)                                                                                                                                                                                                                                                                                                                                                                                                                                                                                                                                 |                                               |     | 4.       |
| 9                           |            | +PostMainLinkRel( TCV_ch)                                                                                                                                                                                                                                                                                                                                                                                                                                                                                                                                              |                                               |     |          |
| <b>Detailed Comments:</b>   |            | <ol style="list-style-type: none"> <li>1. To select a basic service and channel rate, if the MS supports telephony the selected basic service is telephony.</li> <li>2. Message type not defined for CC.</li> <li>3. The expected STATUS message received.</li> <li>4. To check whether the MS is still in CC state U1.</li> </ol>                                                                                                                                                                                                                                     |                                               |     |          |

| Test Case Dynamic Behaviour |       |                                                                                                                                                                                                                                                                                                                                                                                                                                                                                                                                                                                                                      |                                                  |   |          |
|-----------------------------|-------|----------------------------------------------------------------------------------------------------------------------------------------------------------------------------------------------------------------------------------------------------------------------------------------------------------------------------------------------------------------------------------------------------------------------------------------------------------------------------------------------------------------------------------------------------------------------------------------------------------------------|--------------------------------------------------|---|----------|
| <b>Test Case Name:</b>      |       | TC_26_8_1_2_4_1                                                                                                                                                                                                                                                                                                                                                                                                                                                                                                                                                                                                      |                                                  |   |          |
| <b>Group:</b>               |       | GSM_L3_MS_v4200/CC/                                                                                                                                                                                                                                                                                                                                                                                                                                                                                                                                                                                                  |                                                  |   |          |
| <b>Purpose:</b>             |       | To verify that a CC-entity of the MS in CC-state U3, "Mobile Originating Call Proceeding", upon receipt of a ALERTING message enters CC-state U4, "Call Delivered".                                                                                                                                                                                                                                                                                                                                                                                                                                                  |                                                  |   |          |
| <b>Default:</b>             |       | OtherEventsFail                                                                                                                                                                                                                                                                                                                                                                                                                                                                                                                                                                                                      |                                                  |   |          |
| Nr                          | Label | Behaviour Description                                                                                                                                                                                                                                                                                                                                                                                                                                                                                                                                                                                                | CRef                                             | V | Comments |
| 1                           |       | START T_guard(300)                                                                                                                                                                                                                                                                                                                                                                                                                                                                                                                                                                                                   |                                                  |   |          |
| 2                           |       | +BasicServiceMOOrTelephony(<br>TSPX_MOBscSvcA, TSPX_MOChRateA)                                                                                                                                                                                                                                                                                                                                                                                                                                                                                                                                                       |                                                  |   | 1.       |
| 3                           |       | +IdleUpdated( C_E_default, C_CellA, C_SCH_A,<br>C_BCCH_A_1, C_Immass, C_S0, C_SlotNU,<br>C_SlotNU, C_SlotNU, C_BCC, C_TxInt_5,<br>C_Max_7, C_NECI_0, C_ATT_0, TimingAdv( 0),<br>C_BABR_0, C_cch_1Comb, C_BPM_3,<br>C_T3212_0, C_ci_cellA, C_MCC_1, C_PLMN_1,<br>C_LAC_1, CellOpt_01, CellChDes_Omit,<br>CellChDes_Omit, C_CellReselectHys12,<br>C_MaxPwrLvIG, C_MaxPwrLvID,<br>BcchFreqLst_45, BcchFreqLst_02,<br>BcchFreqLst_03, BcchFreqLst_04,<br>C_Restablishment, C_BCC, C_NCC,<br>C_Start_Tmsi, TSPX_SDCCH4SubDef,<br>TSPX_CKSNDDef, TSPX_RANDDef, C_arfcnA,<br>C_arfcnAd, TSPX_IMSI, C_Test_nfh,<br>C_NCCP_2) |                                                  |   |          |
| 4                           |       | +CCConfigTCH_nociph( TSPX_TCHHSubDef,<br>C_Immass, TSPX_TmSltDef, TSPX_TscDef,<br>TimingAdv( 0), C_BABR_0, C_cch_1Comb,<br>C_BPM_3, TCV_ChMod.mode, FreqTCH_omit,<br>FreqTCH_omit, C_arfcn_tchA, C_arfcn_tchAd)                                                                                                                                                                                                                                                                                                                                                                                                      |                                                  |   |          |
| 5                           |       | +InitCall( TCV_Service)                                                                                                                                                                                                                                                                                                                                                                                                                                                                                                                                                                                              |                                                  |   |          |
| 6                           |       | +PreEnterCCstateU3_22(TSPX_TmSltDef,<br>TSPX_TscDef, TimingAdv( 0))                                                                                                                                                                                                                                                                                                                                                                                                                                                                                                                                                  |                                                  |   |          |
| 7                           | body  | L!DL_DatRqAlert                                                                                                                                                                                                                                                                                                                                                                                                                                                                                                                                                                                                      | AlertSnd(<br>TCV_chTch,<br>Alerting_01( TCV_TI)) |   |          |
| 8                           |       | +CCstatuschk_05( C_U4, TCV_TI,<br>TCV_chTch)                                                                                                                                                                                                                                                                                                                                                                                                                                                                                                                                                                         |                                                  |   |          |
| 9                           |       | +PostMainLinkRel( TCV_chTch)                                                                                                                                                                                                                                                                                                                                                                                                                                                                                                                                                                                         |                                                  |   |          |
| <b>Detailed Comments:</b>   |       | 1. To select a circuit switched basic service for testing.                                                                                                                                                                                                                                                                                                                                                                                                                                                                                                                                                           |                                                  |   |          |

| Test Case Dynamic Behaviour |            |                                                                                                                                                                                                                                                                                                                                                                                                                                                                                                                                                                       |                                        |     |          |
|-----------------------------|------------|-----------------------------------------------------------------------------------------------------------------------------------------------------------------------------------------------------------------------------------------------------------------------------------------------------------------------------------------------------------------------------------------------------------------------------------------------------------------------------------------------------------------------------------------------------------------------|----------------------------------------|-----|----------|
| <b>Test Case Name:</b>      |            | TC_26_8_1_2_4_2                                                                                                                                                                                                                                                                                                                                                                                                                                                                                                                                                       |                                        |     |          |
| <b>Group:</b>               |            | GSM_L3_MS_v4200/CC/                                                                                                                                                                                                                                                                                                                                                                                                                                                                                                                                                   |                                        |     |          |
| <b>Purpose:</b>             |            | 1) To verify that a CC-entity of the MS in CC-state U3, "Mobile Originating Call Proceeding", upon receipt of a CONNECT message returns a "CONNECT ACKNOWLEDGE" message to its peer entity and enters the CC state U10, "Active".<br>2) To verify that the MS stops locally generated indication, if any.                                                                                                                                                                                                                                                             |                                        |     |          |
| <b>Default:</b>             |            | OtherEventsFail                                                                                                                                                                                                                                                                                                                                                                                                                                                                                                                                                       |                                        |     |          |
| Nr                          | Label      | Behaviour Description                                                                                                                                                                                                                                                                                                                                                                                                                                                                                                                                                 | CRef                                   | V   | Comments |
| 1                           |            | START T_guard(300)                                                                                                                                                                                                                                                                                                                                                                                                                                                                                                                                                    |                                        |     |          |
| 2                           |            | +BasicServiceMOorTelephony(TSPX_MOBscSvcB, TSPX_MOChRateB)                                                                                                                                                                                                                                                                                                                                                                                                                                                                                                            |                                        |     | 1.       |
| 3                           |            | +IdleUpdated( C_E_default, C_CellA, C_SCH_A, C_BCCH_A_1, C_Immass, C_S0, C_SlotNU, C_SlotNU, C_SlotNU, C_BCC, C_TxInt_5, C_Max_7, C_NECL_0, C_ATT_0, TimingAdv( 0), C_BABR_0, C_cch_1Comb, C_BPM_3, C_T3212_0, C_ci_cellA, C_MCC_1, C_PLMN_1, C_LAC_1, CellOpt_01, CellChDes_Omit, CellChDes_Omit, C_CellReselectHys12, C_MaxPwrLvIG, C_MaxPwrLvID, BcchFreqLst_45, BcchFreqLst_02, BcchFreqLst_03, BcchFreqLst_04, C_Restablishment, C_BCC, C_NCC, C_Start_Tmsi, TSPX_SDCCH4SubDef, TSPX_CKSNDf, TSPX_RANDDef, C_arfcnA, C_arfcnAd, TSPX_IMSI, C_Test_nfh, C_NCCP_2) |                                        |     |          |
| 4                           |            | +CCConfigTCH_nociph( TSPX_TCHHSubDef, C_Immass, TSPX_TmSlTDef, TSPX_TscDef, TimingAdv( 0), C_BABR_0, C_cch_1Comb, C_BPM_3, TCV_ChMod.mode, FreqTCH_omit, FreqTCH_omit, C_arfcn_tchA, C_arfcn_tchAd)                                                                                                                                                                                                                                                                                                                                                                   |                                        |     |          |
| 5                           |            | +InitCall( TCV_Service)                                                                                                                                                                                                                                                                                                                                                                                                                                                                                                                                               |                                        |     |          |
| 6                           |            | +PreEnterCCstateU3_22( TSPX_TmSlTDef, TSPX_TscDef, TimingAdv( 0))                                                                                                                                                                                                                                                                                                                                                                                                                                                                                                     |                                        |     |          |
| 7                           | body       | LIDL_DatRqConn                                                                                                                                                                                                                                                                                                                                                                                                                                                                                                                                                        | ConnSnd(TCV_chTch, Connect_02(TCV_TI)) |     |          |
| 8                           |            | (TCV_Res := OO_ToneStopCHK())                                                                                                                                                                                                                                                                                                                                                                                                                                                                                                                                         |                                        |     |          |
| 9                           |            | L?DL_DatInConnAck                                                                                                                                                                                                                                                                                                                                                                                                                                                                                                                                                     | ConnAckRcv(ConnectAck_02(TCV_TI0))     |     |          |
| 10                          | L_040<br>1 | [TCV_Res]                                                                                                                                                                                                                                                                                                                                                                                                                                                                                                                                                             |                                        | (P) |          |
| 11                          |            | +CCstatuschk_05( C_U10, TCV_TI, TCV_chTch)                                                                                                                                                                                                                                                                                                                                                                                                                                                                                                                            |                                        |     |          |
| 12                          |            | +PostMainLinkRel(TCV_chTch)                                                                                                                                                                                                                                                                                                                                                                                                                                                                                                                                           |                                        |     |          |
| 13                          | L_040<br>2 | [NOT TCV_Res]                                                                                                                                                                                                                                                                                                                                                                                                                                                                                                                                                         |                                        | (F) |          |
| 14                          |            | +PostMainLinkRel( TCV_chTch)                                                                                                                                                                                                                                                                                                                                                                                                                                                                                                                                          |                                        |     |          |
| <b>Detailed Comments:</b>   |            | 1. To select a circuit switched basic service for testing.                                                                                                                                                                                                                                                                                                                                                                                                                                                                                                            |                                        |     |          |

| Test Case Dynamic Behaviour                                                                                                                                                                                                                                                      |        |                                                                                                                                                                                                                                                                                                                                                                                                                                                                                                                                                                        |                                                    |     |          |
|----------------------------------------------------------------------------------------------------------------------------------------------------------------------------------------------------------------------------------------------------------------------------------|--------|------------------------------------------------------------------------------------------------------------------------------------------------------------------------------------------------------------------------------------------------------------------------------------------------------------------------------------------------------------------------------------------------------------------------------------------------------------------------------------------------------------------------------------------------------------------------|----------------------------------------------------|-----|----------|
| <b>Test Case Name:</b> TC_26_8_1_2_4_3                                                                                                                                                                                                                                           |        |                                                                                                                                                                                                                                                                                                                                                                                                                                                                                                                                                                        |                                                    |     |          |
| <b>Group:</b> GSM_L3_MS_v4200/CC/                                                                                                                                                                                                                                                |        |                                                                                                                                                                                                                                                                                                                                                                                                                                                                                                                                                                        |                                                    |     |          |
| <b>Purpose:</b> 1) To verify that a CC-entity of the MS in CC-state U3, "Mobile Originating Call Proceeding", upon receipt of a PROGRESS message with valid cause values stays in CC-state U3.<br>2) To verify that after receipt of the PROGRESS message timer T310 is stopped. |        |                                                                                                                                                                                                                                                                                                                                                                                                                                                                                                                                                                        |                                                    |     |          |
| <b>Default:</b> OtherEventsFail                                                                                                                                                                                                                                                  |        |                                                                                                                                                                                                                                                                                                                                                                                                                                                                                                                                                                        |                                                    |     |          |
| Nr                                                                                                                                                                                                                                                                               | Label  | Behaviour Description                                                                                                                                                                                                                                                                                                                                                                                                                                                                                                                                                  | CRef                                               | V   | Comments |
| 1                                                                                                                                                                                                                                                                                |        | START T_guard(300)                                                                                                                                                                                                                                                                                                                                                                                                                                                                                                                                                     |                                                    |     |          |
| 2                                                                                                                                                                                                                                                                                |        | +BasicServiceMOorTelephony(TSPX_MOBscSvcC, TSPX_MOChRateC)                                                                                                                                                                                                                                                                                                                                                                                                                                                                                                             |                                                    |     | 1.       |
| 3                                                                                                                                                                                                                                                                                |        | +IdleUpdated( C_E_default, C_CellA, C_SCH_A, C_BCCH_A_1, C_Immass, C_S0, C_SlotNU, C_SlotNU, C_SlotNU, C_BCC, C_TxInt_5, C_Max_7, C_NECI_0, C_ATT_0, TimingAdv( 0), C_BABR_0, C_cch_1Comb, C_BPM_3, C_T3212_0, C_ci_cellA, C_MCC_1, C_PLMN_1, C_LAC_1, CellOpt_01, CellChDes_Omit, CellChDes_Omit, C_CellReselectHys12, C_MaxPwrLvIG, C_MaxPwrLvID, BcchFreqLst_45, BcchFreqLst_02, BcchFreqLst_03, BcchFreqLst_04, C_Restablishment, C_BCC, C_NCC, C_Start_Tmsi, TSPX_SDCCH4SubDef, TSPX_CKSNDef, TSPX_RANDDef, C_arfcnA, C_arfcnAd, TSPX_IMSI, C_Test_nfh, C_NCCP_2) |                                                    |     |          |
| 4                                                                                                                                                                                                                                                                                |        | +CCConfigTCH_nociph( TSPX_TCHHSubDef, C_Immass, TSPX_TmSlitDef, TSPX_TscDef, TimingAdv( 0), C_BABR_0, C_cch_1Comb, C_BPM_3, TCV_ChMod.mode, FreqTCH_omit, FreqTCH_omit, C_arfcn_tchA, C_arfcn_tchAd)                                                                                                                                                                                                                                                                                                                                                                   |                                                    |     |          |
| 5                                                                                                                                                                                                                                                                                |        | +InitCall( TCV_Service)                                                                                                                                                                                                                                                                                                                                                                                                                                                                                                                                                |                                                    |     |          |
| 6                                                                                                                                                                                                                                                                                |        | +PreEnterCCstateU3_22( TSPX_TmSlitDef, TSPX_TscDef, TimingAdv( 0))                                                                                                                                                                                                                                                                                                                                                                                                                                                                                                     |                                                    |     |          |
| 7                                                                                                                                                                                                                                                                                | body   | L!DL_DatRqProg                                                                                                                                                                                                                                                                                                                                                                                                                                                                                                                                                         | Progress(TCV_chTch, Progress_01(TCV_TI))           |     |          |
| 8                                                                                                                                                                                                                                                                                |        | +CCstatuschk_05( C_U3, TCV_TI, TCV_chTch)                                                                                                                                                                                                                                                                                                                                                                                                                                                                                                                              |                                                    |     | 2.       |
| 9                                                                                                                                                                                                                                                                                |        | START T_dly( 45000)                                                                                                                                                                                                                                                                                                                                                                                                                                                                                                                                                    |                                                    |     | 3.       |
| 10                                                                                                                                                                                                                                                                               | L_0403 | L?DL_DatInDisc CANCEL T_dly                                                                                                                                                                                                                                                                                                                                                                                                                                                                                                                                            | DiscRcv( TCV_chTch, DisconnR( TCV_TI0, Cause_Def)) | (F) |          |
| 11                                                                                                                                                                                                                                                                               |        | +PostMainLinkRel( TCV_chTch)                                                                                                                                                                                                                                                                                                                                                                                                                                                                                                                                           |                                                    |     |          |
| 12                                                                                                                                                                                                                                                                               |        | ?TIMEOUT T_dly                                                                                                                                                                                                                                                                                                                                                                                                                                                                                                                                                         |                                                    |     |          |
| 13                                                                                                                                                                                                                                                                               |        | +CCstatuschk_05( C_U3, TCV_TI, TCV_chTch)                                                                                                                                                                                                                                                                                                                                                                                                                                                                                                                              |                                                    |     | 4.       |
| 14                                                                                                                                                                                                                                                                               |        | +PostMainLinkRel( TCV_chTch)                                                                                                                                                                                                                                                                                                                                                                                                                                                                                                                                           |                                                    |     |          |
| <b>Detailed Comments:</b> 1. To select2 a circuit switched basic service for testing.<br>2. To check that CC state is U3<br>3. To check that the MS has stopped T310.<br>4. To check that CC state is still U3                                                                   |        |                                                                                                                                                                                                                                                                                                                                                                                                                                                                                                                                                                        |                                                    |     |          |



| Test Case Dynamic Behaviour |            |                                                                                                                                                                                                                                                                                                                                                                                                                                                                                                                                                                                                                    |                                                          |     |          |
|-----------------------------|------------|--------------------------------------------------------------------------------------------------------------------------------------------------------------------------------------------------------------------------------------------------------------------------------------------------------------------------------------------------------------------------------------------------------------------------------------------------------------------------------------------------------------------------------------------------------------------------------------------------------------------|----------------------------------------------------------|-----|----------|
| <b>Test Case Name:</b>      |            | TC_26_8_1_2_4_4                                                                                                                                                                                                                                                                                                                                                                                                                                                                                                                                                                                                    |                                                          |     |          |
| <b>Group:</b>               |            | GSM_L3_MS_v4200/CC/                                                                                                                                                                                                                                                                                                                                                                                                                                                                                                                                                                                                |                                                          |     |          |
| <b>Purpose:</b>             |            | To verify that a CC-entity of the MS in CC-state U3, "Mobile Originating Call Proceeding", upon receipt of a PROGRESS message indicating in-band announcement through-connects the traffic channel for speech, if TCH is in speech mode. If TCH is not in a speech mode, the MS does not through-connect the TCH.                                                                                                                                                                                                                                                                                                  |                                                          |     |          |
| <b>Default:</b>             |            | OtherEventsFail                                                                                                                                                                                                                                                                                                                                                                                                                                                                                                                                                                                                    |                                                          |     |          |
| Nr                          | Label      | Behaviour Description                                                                                                                                                                                                                                                                                                                                                                                                                                                                                                                                                                                              | CRef                                                     | V   | Comments |
| 1                           |            | START T_guard(300)                                                                                                                                                                                                                                                                                                                                                                                                                                                                                                                                                                                                 |                                                          |     |          |
| 2                           |            | +BasicServiceMOorTelephony(<br>TSPX_MOBscSvcD, TSPX_MOChRateD)                                                                                                                                                                                                                                                                                                                                                                                                                                                                                                                                                     |                                                          |     | 1.       |
| 3                           |            | +IdleUpdated( C_E_default, C_CellA, C_SCH_A,<br>C_BCCH_A_1, C_Immass, C_S0, C_SlotNU,<br>C_SlotNU, C_SlotNU, C_BCC, C_TxInt_5,<br>C_Max_7, C_NECI_0, C_ATT_0, TimingAdv( 0),<br>C_BABR_0, C_cch_1Comb, C_BPM_3,<br>C_T3212_0, C_ci_cellA, C_MCC_1, C_PLMN_1,<br>C_LAC_1, CellOpt_01, CellChDes_Omit,<br>CellChDes_Omit, C_CellReselectHys12,<br>C_MaxPwrLvIG, C_MaxPwrLvID,<br>BcchFreqLst_45, BcchFreqLst_02,<br>BcchFreqLst_03, BcchFreqLst_04,<br>C_Restablishment, C_BCC, C_NCC,<br>C_Start_Tmsi, TSPX_SDCCH4SubDef,<br>TSPX_CKSNDf, TSPX_RANDDef, C_arfcnA,<br>C_arfcnAd, TSPX_IMSI, C_Test_nfh,<br>C_NCCP_2) |                                                          |     |          |
| 4                           |            | +CCConfigTCH_nociph( TSPX_TCHHSubDef,<br>C_Immass, TSPX_TmSlitDef, TSPX_TscDef,<br>TimingAdv( 0), C_BABR_0, C_cch_1Comb,<br>C_BPM_3, TCV_ChMod.mode, FreqTCH_omit,<br>FreqTCH_omit, C_arfcn_tchA, C_arfcn_tchAd)                                                                                                                                                                                                                                                                                                                                                                                                   |                                                          |     |          |
| 5                           |            | +InitCall( TCV_Service)                                                                                                                                                                                                                                                                                                                                                                                                                                                                                                                                                                                            |                                                          |     |          |
| 6                           |            | +PreEnterCCstateU3_22( TSPX_TmSlitDef,<br>TSPX_TscDef, TimingAdv( 0))                                                                                                                                                                                                                                                                                                                                                                                                                                                                                                                                              |                                                          |     |          |
| 7                           | body       | !IDL_DatRqProg                                                                                                                                                                                                                                                                                                                                                                                                                                                                                                                                                                                                     | Progress(<br>TCV_chTch,<br>Progress_02(<br>TCV_TI))      |     |          |
| 8                           |            | (TCV_Res := OO_TCHThroConnCHK())                                                                                                                                                                                                                                                                                                                                                                                                                                                                                                                                                                                   |                                                          |     |          |
| 9                           |            | [TCV_ChMod.mode = C_ChMod_r]                                                                                                                                                                                                                                                                                                                                                                                                                                                                                                                                                                                       |                                                          |     | 2.       |
| 10                          | L_040<br>4 | [TCV_Res]                                                                                                                                                                                                                                                                                                                                                                                                                                                                                                                                                                                                          |                                                          | (P) |          |
| 11                          |            | +localtree                                                                                                                                                                                                                                                                                                                                                                                                                                                                                                                                                                                                         |                                                          |     |          |
| 12                          | L_040<br>5 | [NOT TCV_Res]                                                                                                                                                                                                                                                                                                                                                                                                                                                                                                                                                                                                      |                                                          | (F) |          |
| 13                          |            | +PostMainLinkRel( TCV_chTch)                                                                                                                                                                                                                                                                                                                                                                                                                                                                                                                                                                                       |                                                          |     |          |
| 14                          |            | [TCV_ChMod.mode<=> C_ChMod_r]                                                                                                                                                                                                                                                                                                                                                                                                                                                                                                                                                                                      |                                                          |     | 3.       |
| 15                          | L_040<br>6 | [NOT TCV_Res]                                                                                                                                                                                                                                                                                                                                                                                                                                                                                                                                                                                                      |                                                          | (P) |          |
| 16                          |            | +localtree                                                                                                                                                                                                                                                                                                                                                                                                                                                                                                                                                                                                         |                                                          |     |          |
| 17                          | L_040<br>7 | [TCV_Res]                                                                                                                                                                                                                                                                                                                                                                                                                                                                                                                                                                                                          |                                                          | (F) |          |
| 18                          |            | +PostMainLinkRel(TCV_chTch)                                                                                                                                                                                                                                                                                                                                                                                                                                                                                                                                                                                        |                                                          |     |          |
| 19                          |            | <b>localtree</b><br>+CCstatuschk_05( C_U3, TCV_TI, TCV_chTch)                                                                                                                                                                                                                                                                                                                                                                                                                                                                                                                                                      |                                                          |     | 4.       |
| 20                          |            | START T_dly( 45000)                                                                                                                                                                                                                                                                                                                                                                                                                                                                                                                                                                                                |                                                          |     | 5.       |
| 21                          | L_040<br>8 | L?DL_DatInDisc CANCEL T_dly                                                                                                                                                                                                                                                                                                                                                                                                                                                                                                                                                                                        | DiscRcv( TCV_chTch,<br>DisconnR( TCV_TI0,<br>Cause_Def)) | (F) |          |
| 22                          |            | +PostMainLinkRel( TCV_chTch)                                                                                                                                                                                                                                                                                                                                                                                                                                                                                                                                                                                       |                                                          |     |          |
| 23                          |            | ?TIMEOUT T_dly                                                                                                                                                                                                                                                                                                                                                                                                                                                                                                                                                                                                     |                                                          |     |          |
| 24                          |            | +CCstatuschk_05( C_U3, TCV_TI, TCV_chTch)                                                                                                                                                                                                                                                                                                                                                                                                                                                                                                                                                                          |                                                          |     | 6.       |
| 25                          |            | (TCV_Res := OO_TCHThroConnCHK())                                                                                                                                                                                                                                                                                                                                                                                                                                                                                                                                                                                   |                                                          |     |          |
| 26                          |            | [TCV_ChMod.mode = C_ChMod_r]                                                                                                                                                                                                                                                                                                                                                                                                                                                                                                                                                                                       |                                                          |     | 7.       |
| 27                          | L_040<br>9 | [TCV_Res]                                                                                                                                                                                                                                                                                                                                                                                                                                                                                                                                                                                                          |                                                          | (P) |          |
| 28                          |            | +PostMainLinkRel( TCV_chTch)                                                                                                                                                                                                                                                                                                                                                                                                                                                                                                                                                                                       |                                                          |     |          |

|    |            |                               |  |     |
|----|------------|-------------------------------|--|-----|
| 29 | L_041<br>0 | [NOT TCV_Res]                 |  | (F) |
| 30 |            | +PostMainLinkRel( TCV_chTch)  |  |     |
| 31 | L_041<br>1 | [TCV_ChMod.mode<=> C_ChMod_r] |  | (P) |
| 32 |            | +PostMainLinkRel( TCV_chTch)  |  |     |

**Detailed Comments:**

1. To select a circuit switched basic service for testing.
2. To check if the TCH is connected through if the channel mode is speech, so that the inband information may be heard.
3. To check if the TCH is not connected through if the channel mode is not speech.
4. To check that CC is in state U3.
5. To check that the MS has stopped T310
6. To check that CC is still in state U3.
7. To check if the TCH is connected through if the channel mode is speech.

| Test Case Dynamic Behaviour |            |                                                                                                                                                                                                                                                                                                                                                                                                                                                                                                                                                                                                                    |                                                                                            |     |          |
|-----------------------------|------------|--------------------------------------------------------------------------------------------------------------------------------------------------------------------------------------------------------------------------------------------------------------------------------------------------------------------------------------------------------------------------------------------------------------------------------------------------------------------------------------------------------------------------------------------------------------------------------------------------------------------|--------------------------------------------------------------------------------------------|-----|----------|
| <b>Test Case Name:</b>      |            | TC_26_8_1_2_4_5                                                                                                                                                                                                                                                                                                                                                                                                                                                                                                                                                                                                    |                                                                                            |     |          |
| <b>Group:</b>               |            | GSM_L3_MS_v4200/CC/                                                                                                                                                                                                                                                                                                                                                                                                                                                                                                                                                                                                |                                                                                            |     |          |
| <b>Purpose:</b>             |            | To verify that a CC-entity of the MS in CC-state U3, "Mobile Originating Call Proceeding", upon receipt of a DISCONNECT with progress indicator #8 through-connects the speech channel to make in-band announcements available, if traffic channel is in speech mode. If TCH is not in speech mode, the MS sends a RELEASE message.                                                                                                                                                                                                                                                                                |                                                                                            |     |          |
| <b>Default:</b>             |            | OtherEventsFail                                                                                                                                                                                                                                                                                                                                                                                                                                                                                                                                                                                                    |                                                                                            |     |          |
| Nr                          | Label      | Behaviour Description                                                                                                                                                                                                                                                                                                                                                                                                                                                                                                                                                                                              | CRef                                                                                       | V   | Comments |
| 1                           |            | START T_guard(300)                                                                                                                                                                                                                                                                                                                                                                                                                                                                                                                                                                                                 |                                                                                            |     |          |
| 2                           |            | +BasicServiceMOorTelephony(<br>TSPX_MOBscSvcE, TSPX_MOChRateE)                                                                                                                                                                                                                                                                                                                                                                                                                                                                                                                                                     |                                                                                            |     | 1.       |
| 3                           |            | +IdleUpdated( C_E_default, C_CellA, C_SCH_A,<br>C_BCCH_A_1, C_Immass, C_S0, C_SlotNU,<br>C_SlotNU, C_SlotNU, C_BCC, C_TxInt_5,<br>C_Max_7, C_NECl_0, C_ATT_0, TimingAdv( 0),<br>C_BABR_0, C_cch_1Comb, C_BPM_3,<br>C_T3212_0, C_ci_cellA, C_MCC_1, C_PLMN_1,<br>C_LAC_1, CellOpt_01, CellChDes_Omit,<br>CellChDes_Omit, C_CellReselectHys12,<br>C_MaxPwrLvlG, C_MaxPwrLvlD,<br>BcchFreqLst_45, BcchFreqLst_02,<br>BcchFreqLst_03, BcchFreqLst_04,<br>C_Restablishment, C_BCC, C_NCC,<br>C_Start_Tmsi, TSPX_SDCCH4SubDef,<br>TSPX_CKSNDf, TSPX_RANDDef, C_arfcnA,<br>C_arfcnAd, TSPX_IMSI, C_Test_nfh,<br>C_NCCP_2) |                                                                                            |     |          |
| 4                           |            | +CCConfigTCH_nociph( TSPX_TCHHSubDef,<br>C_Immass, TSPX_TmSlTDef, TSPX_TscDef,<br>TimingAdv( 0), C_BABR_0, C_cch_1Comb,<br>C_BPM_3, TCV_ChMod.mode, FreqTCH_omit,<br>FreqTCH_omit, C_arfcn_tchA, C_arfcn_tchAd)                                                                                                                                                                                                                                                                                                                                                                                                    |                                                                                            |     |          |
| 5                           |            | +InitCall( TCV_Service)                                                                                                                                                                                                                                                                                                                                                                                                                                                                                                                                                                                            |                                                                                            |     |          |
| 6                           |            | +PreEnterCCstateU3_22( TSPX_TmSlTDef,<br>TSPX_TscDef, TimingAdv( 0))                                                                                                                                                                                                                                                                                                                                                                                                                                                                                                                                               |                                                                                            |     |          |
| 7                           | body       | LIDL_DatRqDisc                                                                                                                                                                                                                                                                                                                                                                                                                                                                                                                                                                                                     | DiscSnd(<br>TCV_chTch,<br>DisconnS(TCV_TI,<br>Cause_01,<br>ProgInd_03iei,<br>UuInfo_omit)) |     |          |
| 8                           |            | [TCV_ChMod.mode = C_ChMod_r]                                                                                                                                                                                                                                                                                                                                                                                                                                                                                                                                                                                       |                                                                                            |     |          |
| 9                           |            | (TCV_Res :=<br>OO_TCHThroConnCHK())                                                                                                                                                                                                                                                                                                                                                                                                                                                                                                                                                                                |                                                                                            |     |          |
| 10                          | L_041<br>2 | [TCV_Res]                                                                                                                                                                                                                                                                                                                                                                                                                                                                                                                                                                                                          |                                                                                            | (P) | 2.       |
| 11                          |            | +CCstatuschk_05( C_U12,<br>TCV_TI, TCV_chTch)                                                                                                                                                                                                                                                                                                                                                                                                                                                                                                                                                                      |                                                                                            |     | 3.       |
| 12                          |            | +PostMainLinkRel(<br>TCV_chTch)                                                                                                                                                                                                                                                                                                                                                                                                                                                                                                                                                                                    |                                                                                            |     |          |
| 13                          | L_041<br>3 | [NOT TCV_Res]                                                                                                                                                                                                                                                                                                                                                                                                                                                                                                                                                                                                      |                                                                                            | (F) |          |
| 14                          |            | +PostMainLinkRel( TCV_chTch)                                                                                                                                                                                                                                                                                                                                                                                                                                                                                                                                                                                       |                                                                                            |     |          |
| 15                          |            | [TCV_ChMod.mode <> C_ChMod_r]                                                                                                                                                                                                                                                                                                                                                                                                                                                                                                                                                                                      |                                                                                            |     |          |
| 16                          | L_041<br>4 | L?DL_DatInRel                                                                                                                                                                                                                                                                                                                                                                                                                                                                                                                                                                                                      | ReleaseRcv(<br>Release_10(<br>TCV_TI0))                                                    | (P) |          |
| 17                          |            | +CCstatuschk_05( C_U19, TCV_TI,<br>TCV_chTch)                                                                                                                                                                                                                                                                                                                                                                                                                                                                                                                                                                      |                                                                                            |     | 4.       |
| 18                          |            | +PostMainLinkRel( TCV_chTch)                                                                                                                                                                                                                                                                                                                                                                                                                                                                                                                                                                                       |                                                                                            |     |          |
| <b>Detailed Comments:</b>   |            | <ol style="list-style-type: none"> <li>1. To select a circuit switched basic service for testing.</li> <li>2. To check that the TCH is connected through if channel mode is speech.</li> <li>3. To check that CC is in state U12.</li> <li>4. To check that CC is in state U19.</li> </ol>                                                                                                                                                                                                                                                                                                                         |                                                                                            |     |          |

| Test Case Dynamic Behaviour |       |                                                                                                                                                                                                                                                                                                                                                                                                                                                                                                                                                                         |                                                                             |   |          |
|-----------------------------|-------|-------------------------------------------------------------------------------------------------------------------------------------------------------------------------------------------------------------------------------------------------------------------------------------------------------------------------------------------------------------------------------------------------------------------------------------------------------------------------------------------------------------------------------------------------------------------------|-----------------------------------------------------------------------------|---|----------|
| <b>Test Case Name:</b>      |       | TC_26_8_1_2_4_6                                                                                                                                                                                                                                                                                                                                                                                                                                                                                                                                                         |                                                                             |   |          |
| <b>Group:</b>               |       | GSM_L3_MS_v4200/CC/                                                                                                                                                                                                                                                                                                                                                                                                                                                                                                                                                     |                                                                             |   |          |
| <b>Purpose:</b>             |       | To verify that a CC-entity of the MS in CC-state U3, "Mobile Originating Call Proceeding", upon receipt of a DISCONNECT without progress indicator returns a RELEASE message and enters the CC-state U19, "Release Request".                                                                                                                                                                                                                                                                                                                                            |                                                                             |   |          |
| <b>Default:</b>             |       | OtherEventsFail                                                                                                                                                                                                                                                                                                                                                                                                                                                                                                                                                         |                                                                             |   |          |
| Nr                          | Label | Behaviour Description                                                                                                                                                                                                                                                                                                                                                                                                                                                                                                                                                   | CRef                                                                        | V | Comments |
| 1                           |       | START T_guard(300)                                                                                                                                                                                                                                                                                                                                                                                                                                                                                                                                                      |                                                                             |   |          |
| 2                           |       | +BasicServiceMOorTelephony( TSPX_MOBscSvcF, TSPX_MOChRateF)                                                                                                                                                                                                                                                                                                                                                                                                                                                                                                             |                                                                             |   | 1.       |
| 3                           |       | +IdleUpdated( C_E_default, C_CellA, C_SCH_A, C_BCCH_A_1, C_Immass, C_S0, C_SlotNU, C_SlotNU, C_SlotNU, C_BCC, C_TxInt_5, C_Max_7, C_NECI_0, C_ATT_0, TimingAdv( 0), C_BABR_0, C_cch_1Comb, C_BPM_3, C_T3212_0, C_ci_cellA, C_MCC_1, C_PLMN_1, C_LAC_1, CellOpt_01, CellChDes_Omit, CellChDes_Omit, C_CellReselectHys12, C_MaxPwrLvIG, C_MaxPwrLvID, BcchFreqLst_45, BcchFreqLst_02, BcchFreqLst_03, BcchFreqLst_04, C_Restablishment, C_BCC, C_NCC, C_Start_Tmsi, TSPX_SDCCH4SubDef, TSPX_CKSNDDef, TSPX_RANDDef, C_arfcnA, C_arfcnAd, TSPX_IMSI, C_Test_nfh, C_NCCP_2) |                                                                             |   |          |
| 4                           |       | +CCConfigTCH_nociph( TSPX_TCHHSubDef, C_Immass, TSPX_TmSlitDef, TSPX_TscDef, TimingAdv( 0), C_BABR_0, C_cch_1Comb, C_BPM_3, TCV_ChMod.mode, FreqTCH_omit, FreqTCH_omit, C_arfcn_tchA, C_arfcn_tchAd)                                                                                                                                                                                                                                                                                                                                                                    |                                                                             |   |          |
| 5                           |       | +InitCall( TCV_Service)                                                                                                                                                                                                                                                                                                                                                                                                                                                                                                                                                 |                                                                             |   |          |
| 6                           |       | +PreEnterCCstateU3_22( TSPX_TmSlitDef, TSPX_TscDef, TimingAdv( 0))                                                                                                                                                                                                                                                                                                                                                                                                                                                                                                      |                                                                             |   |          |
| 7                           | body  | L!DL_DatRqDisc                                                                                                                                                                                                                                                                                                                                                                                                                                                                                                                                                          | DiscSnd( TCV_chTch, DisconnS( TCV_TI, Cause_01, ProgInd_omit, UuInfo_omit)) |   |          |
| 8                           |       | L?DL_DatInRel                                                                                                                                                                                                                                                                                                                                                                                                                                                                                                                                                           | ReleaseRcv( Release_10( TCV_TI0))                                           |   |          |
| 9                           |       | +CCstatuschk_05( C_U19, TCV_TI, TCV_chTch)                                                                                                                                                                                                                                                                                                                                                                                                                                                                                                                              |                                                                             |   | 2.       |
| 10                          |       | +PostMainLinkRel( TCV_chTch)                                                                                                                                                                                                                                                                                                                                                                                                                                                                                                                                            |                                                                             |   |          |
| <b>Detailed Comments:</b>   |       | 1. To select a circuit switched basic service for testing.<br>2. To check that CC is in state U19.                                                                                                                                                                                                                                                                                                                                                                                                                                                                      |                                                                             |   |          |

| Test Case Dynamic Behaviour |            |                                                                                                                                                                                                                                                                                                                                                                                                                                                                                                                                                                                                                     |                                                      |     |          |
|-----------------------------|------------|---------------------------------------------------------------------------------------------------------------------------------------------------------------------------------------------------------------------------------------------------------------------------------------------------------------------------------------------------------------------------------------------------------------------------------------------------------------------------------------------------------------------------------------------------------------------------------------------------------------------|------------------------------------------------------|-----|----------|
| <b>Test Case Name:</b>      |            | TC_26_8_1_2_4_7                                                                                                                                                                                                                                                                                                                                                                                                                                                                                                                                                                                                     |                                                      |     |          |
| <b>Group:</b>               |            | GSM_L3_MS_v4200/CC/                                                                                                                                                                                                                                                                                                                                                                                                                                                                                                                                                                                                 |                                                      |     |          |
| <b>Purpose:</b>             |            | <ol style="list-style-type: none"> <li>1) To verify that a CC-entity of the MS in CC-state U3, "Mobile Originating Call Proceeding", upon receipt of a RELEASE will return a RELEASE COMPLETE and enter the CC-state U0, "Null".</li> <li>2) To verify that the MS on returning to the idle mode releases the MM-connection and that the CC-entities relating to the seven mobile originating transaction identifiers are in CC-state U0, "Null".</li> <li>3) To verify that in releasing the MM-connection, the MS shall wait for MM layer release initiated by SS.</li> </ol>                                     |                                                      |     |          |
| <b>Default:</b>             |            | OtherEventsFail                                                                                                                                                                                                                                                                                                                                                                                                                                                                                                                                                                                                     |                                                      |     |          |
| Nr                          | Label      | Behaviour Description                                                                                                                                                                                                                                                                                                                                                                                                                                                                                                                                                                                               | CRef                                                 | V   | Comments |
| 1                           |            | START T_guard(300)                                                                                                                                                                                                                                                                                                                                                                                                                                                                                                                                                                                                  |                                                      |     |          |
| 2                           |            | +BasicServiceMOorTelephony(<br>TSPX_MOBscSvcG, TSPX_MOChRateG)                                                                                                                                                                                                                                                                                                                                                                                                                                                                                                                                                      |                                                      |     | 1.       |
| 3                           |            | +IdleUpdated( C_E_default, C_CellA, C_SCH_A,<br>C_BCCH_A_1, C_Immass, C_S0, C_SlotNU,<br>C_SlotNU, C_SlotNU, C_BCC, C_TxInt_5,<br>C_Max_7, C_NECI_0, C_ATT_0, TimingAdv( 0),<br>C_BABR_0, C_cch_1Comb, C_BPM_3,<br>C_T3212_0, C_ci_cellA, C_MCC_1, C_PLMN_1,<br>C_LAC_1, CellOpt_01, CellChDes_Omit,<br>CellChDes_Omit, C_CellReselectHys12,<br>C_MaxPwrLvIG, C_MaxPwrLvID,<br>BcchFreqLst_45, BcchFreqLst_02,<br>BcchFreqLst_03, BcchFreqLst_04,<br>C_Restablishment, C_BCC, C_NCC,<br>C_Start_Tmsi, TSPX_SDCCCH4SubDef,<br>TSPX_CKSNDf, TSPX_RANDDef, C_arfcnA,<br>C_arfcnAd, TSPX_IMSI, C_Test_nfh,<br>C_NCCP_2) |                                                      |     |          |
| 4                           |            | +CCConfigTCH_nociph( TSPX_TCHHSubDef,<br>C_Immass, TSPX_TmSlitDef, TSPX_TscDef,<br>TimingAdv( 0), C_BABR_0, C_cch_1Comb,<br>C_BPM_3, TCV_ChMod.mode, FreqTCH_omit,<br>FreqTCH_omit, C_arfcn_tchA, C_arfcn_tchAd)                                                                                                                                                                                                                                                                                                                                                                                                    |                                                      |     |          |
| 5                           |            | +InitCall( TCV_Service)                                                                                                                                                                                                                                                                                                                                                                                                                                                                                                                                                                                             |                                                      |     |          |
| 6                           |            | +PreEnterCCstateU3_22( TSPX_TmSlitDef,<br>TSPX_TscDef, TimingAdv( 0))                                                                                                                                                                                                                                                                                                                                                                                                                                                                                                                                               |                                                      |     |          |
| 7                           | body       | LIDL_DatRqRel                                                                                                                                                                                                                                                                                                                                                                                                                                                                                                                                                                                                       | ReleaseSnd(<br>TCV_chTch,<br>Release_03(<br>TCV_TI)) |     |          |
| 8                           | L_041<br>5 | L?DL_DatInRelCmp                                                                                                                                                                                                                                                                                                                                                                                                                                                                                                                                                                                                    | RelComRcv(<br>ReleaseCmp_03(<br>TCV_TI0))            | (P) |          |
| 9                           |            | +CheckTlInStateU0( TRUE,<br>TCV_chTch)                                                                                                                                                                                                                                                                                                                                                                                                                                                                                                                                                                              |                                                      |     |          |
| 10                          |            | +PostMainLinkRel( TCV_chTch)                                                                                                                                                                                                                                                                                                                                                                                                                                                                                                                                                                                        |                                                      |     |          |
| <b>Detailed Comments:</b>   |            | 1. To select a circuit switched basic service for testing.                                                                                                                                                                                                                                                                                                                                                                                                                                                                                                                                                          |                                                      |     |          |

| Test Case Dynamic Behaviour |            |                                                                                                                                                                                                                                                                                                                                                                                                                                                                                                                                                                                                                      |                                                       |     |          |
|-----------------------------|------------|----------------------------------------------------------------------------------------------------------------------------------------------------------------------------------------------------------------------------------------------------------------------------------------------------------------------------------------------------------------------------------------------------------------------------------------------------------------------------------------------------------------------------------------------------------------------------------------------------------------------|-------------------------------------------------------|-----|----------|
| <b>Test Case Name:</b>      |            | TC_26_8_1_2_4_8                                                                                                                                                                                                                                                                                                                                                                                                                                                                                                                                                                                                      |                                                       |     |          |
| <b>Group:</b>               |            | GSM_L3_MS_v4200/CC/                                                                                                                                                                                                                                                                                                                                                                                                                                                                                                                                                                                                  |                                                       |     |          |
| <b>Purpose:</b>             |            | To verify that a CC-entity of the MS in CC-state U3, "Mobile Originating Call Proceeding", upon request by the user to terminate will send a DISCONNECT message and enter the CC-state U11, "Disconnect Request".                                                                                                                                                                                                                                                                                                                                                                                                    |                                                       |     |          |
| <b>Default:</b>             |            | OtherEventsFail                                                                                                                                                                                                                                                                                                                                                                                                                                                                                                                                                                                                      |                                                       |     |          |
| Nr                          | Label      | Behaviour Description                                                                                                                                                                                                                                                                                                                                                                                                                                                                                                                                                                                                | CRef                                                  | V   | Comments |
| 1                           |            | START T_guard(300)                                                                                                                                                                                                                                                                                                                                                                                                                                                                                                                                                                                                   |                                                       |     |          |
| 2                           |            | +BasicServiceMOorTelephony(<br>TSPX_MOBscSvch, TSPX_MOChRateH)                                                                                                                                                                                                                                                                                                                                                                                                                                                                                                                                                       |                                                       |     | 1.       |
| 3                           |            | +IdleUpdated( C_E_default, C_CellA, C_SCH_A,<br>C_BCCH_A_1, C_Immass, C_S0, C_SlotNU,<br>C_SlotNU, C_SlotNU, C_BCC, C_TxInt_5,<br>C_Max_7, C_NECI_0, C_ATT_0, TimingAdv( 0),<br>C_BABR_0, C_cch_1Comb, C_BPM_3,<br>C_T3212_0, C_ci_cellA, C_MCC_1, C_PLMN_1,<br>C_LAC_1, CellOpt_01, CellChDes_Omit,<br>CellChDes_Omit, C_CellReselectHys12,<br>C_MaxPwrLvlG, C_MaxPwrLvlD,<br>BcchFreqLst_45, BcchFreqLst_02,<br>BcchFreqLst_03, BcchFreqLst_04,<br>C_Restablishment, C_BCC, C_NCC,<br>C_Start_Tmsi, TSPX_SDCCH4SubDef,<br>TSPX_CKSNDDef, TSPX_RANDDef, C_arfcnA,<br>C_arfcnAd, TSPX_IMSI, C_Test_nfh,<br>C_NCCP_2) |                                                       |     |          |
| 4                           |            | +InitCall( TCV_Service)                                                                                                                                                                                                                                                                                                                                                                                                                                                                                                                                                                                              |                                                       |     |          |
| 5                           |            | +PreEnterCCstateU3_23(<br>TSPX_SDCCH4SubDef, TimingAdv( 0),<br>TSPX_CKSNDDef, TSPX_RANDDef)                                                                                                                                                                                                                                                                                                                                                                                                                                                                                                                          |                                                       |     | 2.       |
| 6                           | body       | (TCV_Null := OO_TermCall())                                                                                                                                                                                                                                                                                                                                                                                                                                                                                                                                                                                          |                                                       |     |          |
| 7                           | L_041<br>6 | L?DL_DatInDisc                                                                                                                                                                                                                                                                                                                                                                                                                                                                                                                                                                                                       | DiscRcv( TCV_ch,<br>DisconnR( TCV_TI0,<br>Cause_Def)) | (P) | 3.       |
| 8                           |            | +CCstatuschk_05( C_U11, TCV_TI,<br>TCV_ch)                                                                                                                                                                                                                                                                                                                                                                                                                                                                                                                                                                           |                                                       |     | 4.       |
| 9                           |            | +PostMainLinkRel( TCV_ch)                                                                                                                                                                                                                                                                                                                                                                                                                                                                                                                                                                                            |                                                       |     |          |
| <b>Detailed Comments:</b>   |            | <ol style="list-style-type: none"> <li>1. To select a circuit switched basic service for testing.</li> <li>2. To initiate MO call and bring the MS into U3 state.</li> <li>3. The expected DISCONNECT received.</li> <li>4. To check whether the MS is in CC state U11.</li> </ol>                                                                                                                                                                                                                                                                                                                                   |                                                       |     |          |

| Test Case Dynamic Behaviour |       |                                                                                                                                                                                                                                                                                                                                                                                                                                                                                                                                                                       |      |   |          |
|-----------------------------|-------|-----------------------------------------------------------------------------------------------------------------------------------------------------------------------------------------------------------------------------------------------------------------------------------------------------------------------------------------------------------------------------------------------------------------------------------------------------------------------------------------------------------------------------------------------------------------------|------|---|----------|
| <b>Test Case Name:</b>      |       | TC_26_8_1_2_4_9                                                                                                                                                                                                                                                                                                                                                                                                                                                                                                                                                       |      |   |          |
| <b>Group:</b>               |       | GSM_L3_MS_v4200/CC/                                                                                                                                                                                                                                                                                                                                                                                                                                                                                                                                                   |      |   |          |
| <b>Purpose:</b>             |       | To verify that a CC-entity of the MS in CC-state U3, "Mobile Originating Call Proceeding", when allocated a traffic channel by the network performing the assignment procedure, performs a layer 2 establishment on the FACCH without changing the state of the call in progress.                                                                                                                                                                                                                                                                                     |      |   |          |
| <b>Default:</b>             |       | OtherEventsFail                                                                                                                                                                                                                                                                                                                                                                                                                                                                                                                                                       |      |   |          |
| Nr                          | Label | Behaviour Description                                                                                                                                                                                                                                                                                                                                                                                                                                                                                                                                                 | CRef | V | Comments |
| 1                           |       | START T_guard(300)                                                                                                                                                                                                                                                                                                                                                                                                                                                                                                                                                    |      |   |          |
| 2                           |       | +BasicServiceMOorTelephony( TSPX_MOBscSvcl, TSPX_MOChRate)                                                                                                                                                                                                                                                                                                                                                                                                                                                                                                            |      |   |          |
| 3                           |       | +IdleUpdated( C_E_default, C_CellA, C_SCH_A, C_BCCH_A_1, C_Immass, C_S0, C_SlotNU, C_SlotNU, C_SlotNU, C_BCC, C_TxInt_5, C_Max_7, C_NECl_0, C_ATT_0, TimingAdv( 0), C_BABR_0, C_cch_1Comb, C_BPM_3, C_T3212_0, C_ci_cellA, C_MCC_1, C_PLMN_1, C_LAC_1, CellOpt_01, CellChDes_Omit, CellChDes_Omit, C_CellReselectHys12, C_MaxPwrLvlG, C_MaxPwrLvlD, BcchFreqLst_45, BcchFreqLst_02, BcchFreqLst_03, BcchFreqLst_04, C_Restablishment, C_BCC, C_NCC, C_Start_Tmsi, TSPX_SDCCH4SubDef, TSPX_CKSNDf, TSPX_RANDDef, C_arfcnA, C_arfcnAd, TSPX_IMSI, C_Test_nfh, C_NCCP_2) |      |   | 1.       |
| 4                           |       | +CCConfigTCH( TSPX_TCHHSubDef, C_Ass, TSPX_TmSlitDef, TSPX_TscDef, TimingAdv( 0), C_BABR_0, C_cch_1Comb, C_BPM_3, TCV_ChMod.mode, FreqTCH_omit, FreqTCH_omit, C_arfcn_tchA, C_arfcn_tchAd)                                                                                                                                                                                                                                                                                                                                                                            |      |   |          |
| 5                           |       | +InitCall( TCV_Service)                                                                                                                                                                                                                                                                                                                                                                                                                                                                                                                                               |      |   |          |
| 6                           |       | +PreEnterCCstateU3_23( TSPX_SDCCH4SubDef, TimingAdv( 0), TSPX_CKSNDf, TSPX_RANDDef)                                                                                                                                                                                                                                                                                                                                                                                                                                                                                   |      |   |          |
| 7                           | body  | +CCAssignTCH( TSPX_TmSlitDef, TSPX_TscDef)                                                                                                                                                                                                                                                                                                                                                                                                                                                                                                                            |      |   | 2.       |
| 8                           |       | +CCstatuschk_05( C_U3, TCV_TI, TCV_chTch)                                                                                                                                                                                                                                                                                                                                                                                                                                                                                                                             |      |   | 3.       |
| 9                           |       | +PostMainLinkRel( TCV_chTch)                                                                                                                                                                                                                                                                                                                                                                                                                                                                                                                                          |      |   |          |
| <b>Detailed Comments:</b>   |       | <ol style="list-style-type: none"> <li>1. To setup a physical channel as BCCH, CCCH and SDCCH4.</li> <li>2. To assign traffic channel.</li> <li>3. To check that the MS is in state U3.</li> </ol>                                                                                                                                                                                                                                                                                                                                                                    |      |   |          |

| Test Case Dynamic Behaviour |            |                                                                                                                                                                                                                                                                                                                                                                                                                                                                                                                                                                       |                                                 |     |          |
|-----------------------------|------------|-----------------------------------------------------------------------------------------------------------------------------------------------------------------------------------------------------------------------------------------------------------------------------------------------------------------------------------------------------------------------------------------------------------------------------------------------------------------------------------------------------------------------------------------------------------------------|-------------------------------------------------|-----|----------|
| <b>Test Case Name:</b>      |            | TC_26_8_1_2_4_10                                                                                                                                                                                                                                                                                                                                                                                                                                                                                                                                                      |                                                 |     |          |
| <b>Group:</b>               |            | GSM_L3_MS_v4200/CC/                                                                                                                                                                                                                                                                                                                                                                                                                                                                                                                                                   |                                                 |     |          |
| <b>Purpose:</b>             |            | To verify that a CC-entity of the MS in CC-state U3, "Mobile Originating Call Proceeding" will, upon expiry of timer T310, initiate call release by sending DISCONNECT and enter the CC-state U11, "Disconnect Request".                                                                                                                                                                                                                                                                                                                                              |                                                 |     |          |
| <b>Default:</b>             |            | OtherEventsFail                                                                                                                                                                                                                                                                                                                                                                                                                                                                                                                                                       |                                                 |     |          |
| Nr                          | Label      | Behaviour Description                                                                                                                                                                                                                                                                                                                                                                                                                                                                                                                                                 | CRef                                            | V   | Comments |
| 1                           |            | START T_guard(300)                                                                                                                                                                                                                                                                                                                                                                                                                                                                                                                                                    |                                                 |     |          |
| 2                           |            | +BasicServiceMOorTelephony( TSPX_MOBscSvcJ, TSPX_MOChRateJ)                                                                                                                                                                                                                                                                                                                                                                                                                                                                                                           |                                                 |     |          |
| 3                           |            | +IdleUpdated( C_E_default, C_CellA, C_SCH_A, C_BCCH_A_1, C_Immass, C_S0, C_SlotNU, C_SlotNU, C_SlotNU, C_BCC, C_TxInt_5, C_Max_7, C_NECI_0, C_ATT_0, TimingAdv( 0), C_BABR_0, C_cch_1Comb, C_BPM_3, C_T3212_0, C_ci_cellA, C_MCC_1, C_PLMN_1, C_LAC_1, CellOpt_01, CellChDes_Omit, CellChDes_Omit, C_CellReselectHys12, C_MaxPwrLvlG, C_MaxPwrLvlD, BcchFreqLst_45, BcchFreqLst_02, BcchFreqLst_03, BcchFreqLst_04, C_Restablishment, C_BCC, C_NCC, C_Start_Tmsi, TSPX_SDCCH4SubDef, TSPX_CKSNDf, TSPX_RANDDef, C_arfcnA, C_arfcnAd, TSPX_IMSI, C_Test_nfh, C_NCCP_2) |                                                 |     | 1.       |
| 4                           |            | +InitCall( TCV_Service)                                                                                                                                                                                                                                                                                                                                                                                                                                                                                                                                               |                                                 |     |          |
| 5                           |            | +PreEnterCCstateU3_23( TSPX_SDCCH4SubDef, TimingAdv( 0), TSPX_CKSNDf, TSPX_RANDDef)                                                                                                                                                                                                                                                                                                                                                                                                                                                                                   |                                                 |     | 2.       |
| 6                           | body       | START T_dly1( 45000)                                                                                                                                                                                                                                                                                                                                                                                                                                                                                                                                                  |                                                 |     |          |
| 7                           | L_041<br>7 | ?TIMEOUT T_dly1                                                                                                                                                                                                                                                                                                                                                                                                                                                                                                                                                       |                                                 | (F) | 3.       |
| 8                           |            | +PostMainLinkRel( TCV_ch)                                                                                                                                                                                                                                                                                                                                                                                                                                                                                                                                             |                                                 |     |          |
| 9                           |            | L?DL_DatInDisc                                                                                                                                                                                                                                                                                                                                                                                                                                                                                                                                                        | DiscRcv( TCV_ch, DisconnR( TCV_TI0, Cause_Def)) |     |          |
| 10                          |            | READTIMER T_dly1(TCV_Time),<br>CANCEL T_dly1                                                                                                                                                                                                                                                                                                                                                                                                                                                                                                                          |                                                 |     |          |
| 11                          | L_041<br>8 | [TCV_Time < 29400]                                                                                                                                                                                                                                                                                                                                                                                                                                                                                                                                                    |                                                 | (F) | 4.       |
| 12                          |            | +PostMainLinkRel( TCV_ch)                                                                                                                                                                                                                                                                                                                                                                                                                                                                                                                                             |                                                 |     |          |
| 13                          | L_041<br>9 | [TCV_Time >= 29400]                                                                                                                                                                                                                                                                                                                                                                                                                                                                                                                                                   |                                                 | (P) |          |
| 14                          |            | +CCstatuschk_05( C_U11, TCV_TI, TCV_ch)                                                                                                                                                                                                                                                                                                                                                                                                                                                                                                                               |                                                 |     | 5.       |
| 15                          |            | +PostMainLinkRel( TCV_ch)                                                                                                                                                                                                                                                                                                                                                                                                                                                                                                                                             |                                                 |     |          |
| <b>Detailed Comments:</b>   |            | <ol style="list-style-type: none"> <li>1. To setup a physical channel as BCCH, CCCH and SDCCH4.</li> <li>2. To initiate MO call and bring the MS into U3 state.</li> <li>3. T310 &gt;= 45 seconds, fail.</li> <li>4. T310 &lt; 29.4 seconds, fail.</li> <li>5. To check that the MS is in the state U11.</li> </ol>                                                                                                                                                                                                                                                   |                                                 |     |          |



| Test Case Dynamic Behaviour |       |                                                                                                                                                                                                                                                                                                                                                                                                                                                                                                                                                                       |      |   |          |
|-----------------------------|-------|-----------------------------------------------------------------------------------------------------------------------------------------------------------------------------------------------------------------------------------------------------------------------------------------------------------------------------------------------------------------------------------------------------------------------------------------------------------------------------------------------------------------------------------------------------------------------|------|---|----------|
| <b>Test Case Name:</b>      |       | TC_26_8_1_2_4_11                                                                                                                                                                                                                                                                                                                                                                                                                                                                                                                                                      |      |   |          |
| <b>Group:</b>               |       | GSM_L3_MS_v4200/CC/                                                                                                                                                                                                                                                                                                                                                                                                                                                                                                                                                   |      |   |          |
| <b>Purpose:</b>             |       | To verify that a CC-entity of the MS in CC-state U3, "Mobile Originating Call Proceeding" having detected a lower layer failure and having returned to idle mode, the CC entities relating to the seven mobile originating transaction identifiers are in state U0, "Null".                                                                                                                                                                                                                                                                                           |      |   |          |
| <b>Default:</b>             |       | OtherEventsFail                                                                                                                                                                                                                                                                                                                                                                                                                                                                                                                                                       |      |   |          |
| Nr                          | Label | Behaviour Description                                                                                                                                                                                                                                                                                                                                                                                                                                                                                                                                                 | CRef | V | Comments |
| 1                           |       | START T_guard(300)                                                                                                                                                                                                                                                                                                                                                                                                                                                                                                                                                    |      |   |          |
| 2                           |       | +BasicServiceMOorTelephony(TSPX_MOBscSvcA, TSPX_MOChRateA)                                                                                                                                                                                                                                                                                                                                                                                                                                                                                                            |      |   | 1.       |
| 3                           |       | +IdleUpdated( C_E_default, C_CellA, C_SCH_A, C_BCCH_A_1, C_Immass, C_S0, C_SlotNU, C_SlotNU, C_SlotNU, C_BCC, C_TxInt_5, C_Max_7, C_NECl_0, C_ATT_0, TimingAdv( 0), C_BABR_0, C_cch_1Comb, C_BPM_3, C_T3212_0, C_ci_cellA, C_MCC_1, C_PLMN_1, C_LAC_1, CellOpt_01, CellChDes_Omit, CellChDes_Omit, C_CellReselectHys12, C_MaxPwrLvIG, C_MaxPwrLvID, BcchFreqLst_45, BcchFreqLst_02, BcchFreqLst_03, BcchFreqLst_04, C_Restablishment, C_BCC, C_NCC, C_Start_Tmsi, TSPX_SDCCH4SubDef, TSPX_CKSNDf, TSPX_RANDDef, C_arfcnA, C_arfcnAd, TSPX_IMSI, C_Test_nfh, C_NCCP_2) |      |   |          |
| 4                           |       | +CCConfigTCH_nociph( TSPX_TCHHSubDef, C_Immass, TSPX_TmSlitDef, TSPX_TscDef, TimingAdv( 0), C_BABR_0, C_cch_1Comb, C_BPM_3, TCV_ChMod.mode, FreqTCH_omit, FreqTCH_omit, C_arfcn_tchA, C_arfcn_tchAd)                                                                                                                                                                                                                                                                                                                                                                  |      |   | 2.       |
| 5                           |       | +InitCall( TCV_Service)                                                                                                                                                                                                                                                                                                                                                                                                                                                                                                                                               |      |   |          |
| 6                           |       | +PreEnterCCstateU3_24( TSPX_TmSlitDef, TSPX_TscDef, TimingAdv( 0))                                                                                                                                                                                                                                                                                                                                                                                                                                                                                                    |      |   |          |
| 7                           | body  | (TCV_Null := OM_LowerLayerFail(TCV_chTch))                                                                                                                                                                                                                                                                                                                                                                                                                                                                                                                            |      |   |          |
| 8                           |       | START T_dly( 20000)                                                                                                                                                                                                                                                                                                                                                                                                                                                                                                                                                   |      |   |          |
| 9                           |       | ?TIMEOUT T_dly                                                                                                                                                                                                                                                                                                                                                                                                                                                                                                                                                        |      |   | 3.       |
| 10                          |       | +CCEstablishMT_SDCCH4(TimingAdv( 0), TSPX_SDCCH4SubDef, TSPX_CKSNDf)                                                                                                                                                                                                                                                                                                                                                                                                                                                                                                  |      |   |          |
| 11                          |       | +CheckTIsInStateU0( TRUE, TCV_ch)                                                                                                                                                                                                                                                                                                                                                                                                                                                                                                                                     |      |   | 4.       |
| 12                          |       | +PostMainLinkRel( TCV_ch)                                                                                                                                                                                                                                                                                                                                                                                                                                                                                                                                             |      |   |          |
| <b>Detailed Comments:</b>   |       | <ol style="list-style-type: none"> <li>1. To select a basic service and channel rate, if the MS supports telephony the selected basic service is telephony.</li> <li>2. To setup the full rate or half rate traffic channel .</li> <li>3. Waiting for the MS return to idle state.</li> <li>4. To check that CC entities related to all transaction identifiers are return to idle.</li> </ol>                                                                                                                                                                        |      |   |          |

| Test Case Dynamic Behaviour |            |                                                                                                                                                                                                                                                                                                                                                                                                                                                                                                                                                                                                                      |                                                     |     |          |
|-----------------------------|------------|----------------------------------------------------------------------------------------------------------------------------------------------------------------------------------------------------------------------------------------------------------------------------------------------------------------------------------------------------------------------------------------------------------------------------------------------------------------------------------------------------------------------------------------------------------------------------------------------------------------------|-----------------------------------------------------|-----|----------|
| <b>Test Case Name:</b>      |            | TC_26_8_1_2_4_12                                                                                                                                                                                                                                                                                                                                                                                                                                                                                                                                                                                                     |                                                     |     |          |
| <b>Group:</b>               |            | GSM_L3_MS_v4200/CC/                                                                                                                                                                                                                                                                                                                                                                                                                                                                                                                                                                                                  |                                                     |     |          |
| <b>Purpose:</b>             |            | To verify that a CC-entity of the MS in CC-state U3, "Mobile Originating Call Proceeding" having received an unknown message from its peer entity returns a STATUS message.                                                                                                                                                                                                                                                                                                                                                                                                                                          |                                                     |     |          |
| <b>Default:</b>             |            | OtherEventsFail                                                                                                                                                                                                                                                                                                                                                                                                                                                                                                                                                                                                      |                                                     |     |          |
| Nr                          | Label      | Behaviour Description                                                                                                                                                                                                                                                                                                                                                                                                                                                                                                                                                                                                | CRef                                                | V   | Comments |
| 1                           |            | START T_guard(300)                                                                                                                                                                                                                                                                                                                                                                                                                                                                                                                                                                                                   |                                                     |     |          |
| 2                           |            | +BasicServiceMOorTelephony(<br>TSPX_MOBscSvcB, TSPX_MOChRateB)                                                                                                                                                                                                                                                                                                                                                                                                                                                                                                                                                       |                                                     |     |          |
| 3                           |            | +IdleUpdated( C_E_default, C_CellA, C_SCH_A,<br>C_BCCH_A_1, C_Immass, C_S0, C_SlotNU,<br>C_SlotNU, C_SlotNU, C_BCC, C_TxInt_5,<br>C_Max_7, C_NECI_0, C_ATT_0, TimingAdv( 0),<br>C_BABR_0, C_cch_1Comb, C_BPM_3,<br>C_T3212_0, C_ci_cellA, C_MCC_1, C_PLMN_1,<br>C_LAC_1, CellOpt_01, CellChDes_Omit,<br>CellChDes_Omit, C_CellReselectHys12,<br>C_MaxPwrLvIG, C_MaxPwrLvID,<br>BcchFreqLst_45, BcchFreqLst_02,<br>BcchFreqLst_03, BcchFreqLst_04,<br>C_Restablishment, C_BCC, C_NCC,<br>C_Start_Tmsi, TSPX_SDCCH4SubDef,<br>TSPX_CKSNDDef, TSPX_RANDDef, C_arfcnA,<br>C_arfcnAd, TSPX_IMSI, C_Test_nfh,<br>C_NCCP_2) |                                                     |     | 1.       |
| 4                           |            | +InitCall( TCV_Service)                                                                                                                                                                                                                                                                                                                                                                                                                                                                                                                                                                                              |                                                     |     |          |
| 5                           |            | +PreEnterCCstateU3_21(<br>TSPX_SDCCH4SubDef, TimingAdv( 0))                                                                                                                                                                                                                                                                                                                                                                                                                                                                                                                                                          |                                                     |     |          |
| 6                           | body       | L?DL_DatRqUndefCC                                                                                                                                                                                                                                                                                                                                                                                                                                                                                                                                                                                                    | UndefCC( TCV_ch,<br>UndefCC_02(<br>TCV_TI))         |     | 2.       |
| 7                           | L_042<br>0 | L?DL_DatInCst                                                                                                                                                                                                                                                                                                                                                                                                                                                                                                                                                                                                        | CCStRcv( TCV_ch,<br>CCStatus_08(<br>TCV_TI0, C_U3)) | (P) | 3.       |
| 8                           |            | +CCstatuschk_05( C_U3, TCV_TI,<br>TCV_ch)                                                                                                                                                                                                                                                                                                                                                                                                                                                                                                                                                                            |                                                     |     | 4.       |
| 9                           |            | +PostMainLinkRel( TCV_ch)                                                                                                                                                                                                                                                                                                                                                                                                                                                                                                                                                                                            |                                                     |     |          |
| <b>Detailed Comments:</b>   |            | <ol style="list-style-type: none"> <li>1. To setup a physical channel as BCCH, CCCH and SDCCH4.</li> <li>2. To send a message which type is not defined for the CC.</li> <li>3. The expected STATUS message received.</li> <li>4. To check whether the MS is still in the CC state U3.</li> </ol>                                                                                                                                                                                                                                                                                                                    |                                                     |     |          |

| Test Case Dynamic Behaviour |            |                                                                                                                                                                                                                                                                                                                                                                                                                                                                                                                                                                         |                                         |     |          |
|-----------------------------|------------|-------------------------------------------------------------------------------------------------------------------------------------------------------------------------------------------------------------------------------------------------------------------------------------------------------------------------------------------------------------------------------------------------------------------------------------------------------------------------------------------------------------------------------------------------------------------------|-----------------------------------------|-----|----------|
| <b>Test Case Name:</b>      |            | TC_26_8_1_2_4_13                                                                                                                                                                                                                                                                                                                                                                                                                                                                                                                                                        |                                         |     |          |
| <b>Group:</b>               |            | GSM_L3_MS_v4200/CC/                                                                                                                                                                                                                                                                                                                                                                                                                                                                                                                                                     |                                         |     |          |
| <b>Purpose:</b>             |            | To verify that if the user connection is not attached to the radio path, the MS generates internally an alerting indication when the call control entity of the MS in the "mobile originating call proceeding" state receives an ALERTING message then it enters "call delivered" state and, for speech calls, if the user connection is not attached to the radio path, the MS shall internally generate an alerting indication.                                                                                                                                       |                                         |     |          |
| <b>Default:</b>             |            | OtherEventsFail                                                                                                                                                                                                                                                                                                                                                                                                                                                                                                                                                         |                                         |     |          |
| Nr                          | Label      | Behaviour Description                                                                                                                                                                                                                                                                                                                                                                                                                                                                                                                                                   | CRef                                    | V   | Comments |
| 1                           |            | START T_guard(300)                                                                                                                                                                                                                                                                                                                                                                                                                                                                                                                                                      |                                         |     |          |
| 2                           |            | +SpeechService                                                                                                                                                                                                                                                                                                                                                                                                                                                                                                                                                          |                                         |     |          |
| 3                           |            | +IdleUpdated( C_E_default, C_CellA, C_SCH_A, C_BCCH_A_1, C_Immass, C_S0, C_SlotNU, C_SlotNU, C_SlotNU, C_BCC, C_TxInt_5, C_Max_7, C_NECL_0, C_ATT_0, TimingAdv( 0), C_BABR_0, C_cch_1Comb, C_BPM_3, C_T3212_0, C_ci_cellA, C_MCC_1, C_PLMN_1, C_LAC_1, CellOpt_01, CellChDes_Omit, CellChDes_Omit, C_CellReselectHys12, C_MaxPwrLvIG, C_MaxPwrLvID, BcchFreqLst_45, BcchFreqLst_02, BcchFreqLst_03, BcchFreqLst_04, C_Restablishment, C_BCC, C_NCC, C_Start_Tmsi, TSPX_SDCCH4SubDef, TSPX_CKSNDDef, TSPX_RANDDef, C_arfcnA, C_arfcnAd, TSPX_IMSI, C_Test_nfh, C_NCCP_2) |                                         |     |          |
| 4                           |            | +InitCall( TCV_Service)                                                                                                                                                                                                                                                                                                                                                                                                                                                                                                                                                 |                                         |     |          |
| 5                           |            | +PreEnterCCstateU3_21( TSPX_SDCCH4SubDef, TimingAdv( 0))                                                                                                                                                                                                                                                                                                                                                                                                                                                                                                                |                                         |     |          |
| 6                           | body       | L!DL_DatRqAlert                                                                                                                                                                                                                                                                                                                                                                                                                                                                                                                                                         | AlertSnd( TCV_ch, Alerting_01( TCV_TI)) |     |          |
| 7                           |            | (TCV_Res := OO_AltIndCHK())                                                                                                                                                                                                                                                                                                                                                                                                                                                                                                                                             |                                         |     |          |
| 8                           | L_042<br>1 | [TCV_Res]                                                                                                                                                                                                                                                                                                                                                                                                                                                                                                                                                               |                                         | (P) | 1.       |
| 9                           |            | +CCstatuschk_05( C_U4, TCV_TI, TCV_ch)                                                                                                                                                                                                                                                                                                                                                                                                                                                                                                                                  |                                         |     | 2.       |
| 10                          |            | +PostMainLinkRel( TCV_ch)                                                                                                                                                                                                                                                                                                                                                                                                                                                                                                                                               |                                         |     |          |
| 11                          | L_042<br>2 | [NOT TCV_Res]                                                                                                                                                                                                                                                                                                                                                                                                                                                                                                                                                           |                                         | (F) | 3.       |
| 12                          |            | +PostMainLinkRel( TCV_ch)                                                                                                                                                                                                                                                                                                                                                                                                                                                                                                                                               |                                         |     |          |
| <b>Detailed Comments:</b>   |            | <ol style="list-style-type: none"> <li>1. The Ms generates a alerting indication to the user.</li> <li>2. To check whether the MS is in CC state U4.</li> <li>3. The MS does not generate a alerting indication to the user.</li> </ol>                                                                                                                                                                                                                                                                                                                                 |                                         |     |          |

| Test Case Dynamic Behaviour |            |                                                                                                                                                                                                                                                                                                                                                                                                                                                                                                                                                                                                                      |                                                   |     |          |
|-----------------------------|------------|----------------------------------------------------------------------------------------------------------------------------------------------------------------------------------------------------------------------------------------------------------------------------------------------------------------------------------------------------------------------------------------------------------------------------------------------------------------------------------------------------------------------------------------------------------------------------------------------------------------------|---------------------------------------------------|-----|----------|
| <b>Test Case Name:</b>      |            | TC_26_8_1_2_5_1                                                                                                                                                                                                                                                                                                                                                                                                                                                                                                                                                                                                      |                                                   |     |          |
| <b>Group:</b>               |            | GSM_L3_MS_v4200/CC/                                                                                                                                                                                                                                                                                                                                                                                                                                                                                                                                                                                                  |                                                   |     |          |
| <b>Purpose:</b>             |            | To verify that a CC-entity of the MS in CC-state U4, "Call Delivered", upon receipt of the CONNECT message returns a CONNECT ACKNOWLEDGE to its peer entity and enters the CC-state U10, "Active".                                                                                                                                                                                                                                                                                                                                                                                                                   |                                                   |     |          |
| <b>Default:</b>             |            | OtherEventsFail                                                                                                                                                                                                                                                                                                                                                                                                                                                                                                                                                                                                      |                                                   |     |          |
| Nr                          | Label      | Behaviour Description                                                                                                                                                                                                                                                                                                                                                                                                                                                                                                                                                                                                | CRef                                              | V   | Comments |
| 1                           |            | START T_guard(300)                                                                                                                                                                                                                                                                                                                                                                                                                                                                                                                                                                                                   |                                                   |     |          |
| 2                           |            | +BasicServiceMOorTelephony(<br>TSPX_MOBscSvcC, TSPX_MOChRateC)                                                                                                                                                                                                                                                                                                                                                                                                                                                                                                                                                       |                                                   |     |          |
| 3                           |            | +IdleUpdated( C_E_default, C_CellA, C_SCH_A,<br>C_BCCH_A_1, C_Immass, C_S0, C_SlotNU,<br>C_SlotNU, C_SlotNU, C_BCC, C_TxInt_5,<br>C_Max_7, C_NECI_0, C_ATT_0, TimingAdv( 0),<br>C_BABR_0, C_cch_1Comb, C_BPM_3,<br>C_T3212_0, C_ci_cellA, C_MCC_1, C_PLMN_1,<br>C_LAC_1, CellOpt_01, CellChDes_Omit,<br>CellChDes_Omit, C_CellReselectHys12,<br>C_MaxPwrLvlG, C_MaxPwrLvlD,<br>BcchFreqLst_45, BcchFreqLst_02,<br>BcchFreqLst_03, BcchFreqLst_04,<br>C_Restablishment, C_BCC, C_NCC,<br>C_Start_Tmsi, TSPX_SDCCH4SubDef,<br>TSPX_CKSNDDef, TSPX_RANDDef, C_arfcnA,<br>C_arfcnAd, TSPX_IMSI, C_Test_nfh,<br>C_NCCP_2) |                                                   |     | 1.       |
| 4                           |            | +CCConfigTCH( TSPX_TCHHSubDef, C_Ass,<br>TSPX_TmSlitDef, TSPX_TscDef, TimingAdv( 0),<br>C_BABR_0, C_cch_1Comb, C_BPM_3,<br>TCV_ChMod.mode, FreqTCH_omit,<br>FreqTCH_omit, C_arfcn_tchA, C_arfcn_tchAd)                                                                                                                                                                                                                                                                                                                                                                                                               |                                                   |     |          |
| 5                           |            | +InitCall( TCV_Service)                                                                                                                                                                                                                                                                                                                                                                                                                                                                                                                                                                                              |                                                   |     |          |
| 6                           |            | +PreEnterCCstateU4_23(<br>TSPX_SDCCH4SubDef, TSPX_TmSlitDef,<br>TSPX_TscDef, TimingAdv( 0),<br>TSPX_CKSNDDef, TSPX_RANDDef)                                                                                                                                                                                                                                                                                                                                                                                                                                                                                          |                                                   |     |          |
| 7                           | body       | L?DL_DatRqConn                                                                                                                                                                                                                                                                                                                                                                                                                                                                                                                                                                                                       | ConnSnd(<br>TCV_chTch,<br>Connect_02(<br>TCV_TI)) |     |          |
| 8                           | L_042<br>3 | L?DL_DatInConnAck                                                                                                                                                                                                                                                                                                                                                                                                                                                                                                                                                                                                    | ConnAckRcv(<br>ConnectAck_02(<br>TCV_TI))         | (P) | 2.       |
| 9                           |            | (TCV_Res := OO_AltIndCHK())                                                                                                                                                                                                                                                                                                                                                                                                                                                                                                                                                                                          |                                                   |     |          |
| 10                          | L_042<br>4 | [TCV_Res]                                                                                                                                                                                                                                                                                                                                                                                                                                                                                                                                                                                                            |                                                   | (F) |          |
| 11                          |            | +PostMainLinkRel( TCV_chTch)                                                                                                                                                                                                                                                                                                                                                                                                                                                                                                                                                                                         |                                                   |     | 3.       |
| 12                          | L_042<br>5 | [NOT TCV_Res]                                                                                                                                                                                                                                                                                                                                                                                                                                                                                                                                                                                                        |                                                   | (P) | 4.       |
| 13                          |            | +CCstatuschk_05( C_U10,<br>TCV_TI, TCV_chTch)                                                                                                                                                                                                                                                                                                                                                                                                                                                                                                                                                                        |                                                   |     | 5.       |
| 14                          |            | +PostMainLinkRel(<br>TCV_chTch)                                                                                                                                                                                                                                                                                                                                                                                                                                                                                                                                                                                      |                                                   |     |          |
| <b>Detailed Comments:</b>   |            | <ol style="list-style-type: none"> <li>1. To set a physical channel as BCCH, CCCH and SDCCH4.</li> <li>2. The expected CONNECT ACKNOWLEDGE received.</li> <li>3. Alerting does not stop.</li> <li>4. Alerting stopped.</li> <li>5. To check whether the MS is in state U10.</li> </ol>                                                                                                                                                                                                                                                                                                                               |                                                   |     |          |

| Test Case Dynamic Behaviour |            |                                                                                                                                                                                                                                                                                                                                                                                                                                                                                                                                                                          |                                                    |     |          |
|-----------------------------|------------|--------------------------------------------------------------------------------------------------------------------------------------------------------------------------------------------------------------------------------------------------------------------------------------------------------------------------------------------------------------------------------------------------------------------------------------------------------------------------------------------------------------------------------------------------------------------------|----------------------------------------------------|-----|----------|
| <b>Test Case Name:</b>      |            | TC_26_8_1_2_5_2                                                                                                                                                                                                                                                                                                                                                                                                                                                                                                                                                          |                                                    |     |          |
| <b>Group:</b>               |            | GSM_L3_MS_v4200/CC/                                                                                                                                                                                                                                                                                                                                                                                                                                                                                                                                                      |                                                    |     |          |
| <b>Purpose:</b>             |            | To verify that a CC-entity of the MS in CC-state U4, "Call Delivered", upon request by the user to terminate will send a DISCONNECT message and enter the CC-state U11, "Disconnect Request".                                                                                                                                                                                                                                                                                                                                                                            |                                                    |     |          |
| <b>Default:</b>             |            | OtherEventsFail                                                                                                                                                                                                                                                                                                                                                                                                                                                                                                                                                          |                                                    |     |          |
| Nr                          | Label      | Behaviour Description                                                                                                                                                                                                                                                                                                                                                                                                                                                                                                                                                    | CRef                                               | V   | Comments |
| 1                           |            | START T_guard(300)                                                                                                                                                                                                                                                                                                                                                                                                                                                                                                                                                       |                                                    |     |          |
| 2                           |            | +BasicServiceMOorTelephony(TSPX_MOBscSvcD, TSPX_MOChRateD)                                                                                                                                                                                                                                                                                                                                                                                                                                                                                                               |                                                    |     |          |
| 3                           |            | +IdleUpdated( C_E_default, C_CellA, C_SCH_A, C_BCCH_A_1, C_Immass, C_S0, C_SlotNU, C_SlotNU, C_SlotNU, C_BCC, C_TxInt_5, C_Max_7, C_NECI_0, C_ATT_0, TimingAdv( 0), C_BABR_0, C_cch_1Comb, C_BPM_3, C_T3212_0, C_ci_cellA, C_MCC_1, C_PLMN_1, C_LAC_1, CellOpt_01, CellChDes_Omit, CellChDes_Omit, C_CellReselectHys12, C_MaxPwrLvlG, C_MaxPwrLvlD, BcchFreqLst_45, BcchFreqLst_02, BcchFreqLst_03, BcchFreqLst_04, C_Restablishment, C_BCC, C_NCC, C_Start_Tmsi, TSPX_SDCCH4SubDef, TSPX_CKSNDDef, TSPX_RANDDDef, C_arfcnA, C_arfcnAd, TSPX_IMSI, C_Test_nfh, C_NCCP_2) |                                                    |     | 1.       |
| 4                           |            | +CCConfigTCH( TSPX_TCHHSubDef, C_Ass, TSPX_TmSltDef, TSPX_TscDef, TimingAdv( 0), C_BABR_0, C_cch_1Comb, C_BPM_3, TCV_ChMod.mode, FreqTCH_omit, FreqTCH_omit, C_arfcn_tchA, C_arfcn_tchAd)                                                                                                                                                                                                                                                                                                                                                                                |                                                    |     |          |
| 5                           |            | +InitCall( TCV_Service)                                                                                                                                                                                                                                                                                                                                                                                                                                                                                                                                                  |                                                    |     |          |
| 6                           |            | +PreEnterCCstateU4_23( TSPX_SDCCH4SubDef, TSPX_TmSltDef, TSPX_TscDef, TimingAdv( 0), TSPX_CKSNDDef, TSPX_RANDDDef)                                                                                                                                                                                                                                                                                                                                                                                                                                                       |                                                    |     |          |
| 7                           | body       | (TCV_Null := OO_TermCall())                                                                                                                                                                                                                                                                                                                                                                                                                                                                                                                                              |                                                    |     |          |
| 8                           | L_042<br>6 | L?DL_DatInDisc                                                                                                                                                                                                                                                                                                                                                                                                                                                                                                                                                           | DiscRcv( TCV_chTch, DisconnR( TCV_TI0, Cause_Def)) | (P) | 2.       |
| 9                           |            | +CCstatuschk_05( C_U11, TCV_TI, TCV_chTch)                                                                                                                                                                                                                                                                                                                                                                                                                                                                                                                               |                                                    |     | 3.       |
| 10                          |            | +PostMainLinkRel( TCV_chTch)                                                                                                                                                                                                                                                                                                                                                                                                                                                                                                                                             |                                                    |     |          |
| <b>Detailed Comments:</b>   |            | <ol style="list-style-type: none"> <li>1. To setup a physical channel as BCCH, CCCH and SDCCH4.</li> <li>2. The expected DISCONNECT message received.</li> <li>3. To check whether the MS enters into the state U11.</li> </ol>                                                                                                                                                                                                                                                                                                                                          |                                                    |     |          |

| Test Case Dynamic Behaviour |            |                                                                                                                                                                                                                                                                                                                                                                                                                                                                                                                                                                                                                      |                                                                                             |     |          |
|-----------------------------|------------|----------------------------------------------------------------------------------------------------------------------------------------------------------------------------------------------------------------------------------------------------------------------------------------------------------------------------------------------------------------------------------------------------------------------------------------------------------------------------------------------------------------------------------------------------------------------------------------------------------------------|---------------------------------------------------------------------------------------------|-----|----------|
| <b>Test Case Name:</b>      |            | TC_26_8_1_2_5_3                                                                                                                                                                                                                                                                                                                                                                                                                                                                                                                                                                                                      |                                                                                             |     |          |
| <b>Group:</b>               |            | GSM_L3_MS_v4200/CC/                                                                                                                                                                                                                                                                                                                                                                                                                                                                                                                                                                                                  |                                                                                             |     |          |
| <b>Purpose:</b>             |            | To verify that a CC-entity of the MS in CC-state U4, "Call Delivered", upon receipt of a DISCONNECT with a progress indicator indicating in-band information, through-connects the speech channel to make in-band announcements available, if traffic channel is in speech mode. If TCH is not in speech mode, the MS shall send a RELEASE message.                                                                                                                                                                                                                                                                  |                                                                                             |     |          |
| <b>Default:</b>             |            | OtherEventsFail                                                                                                                                                                                                                                                                                                                                                                                                                                                                                                                                                                                                      |                                                                                             |     |          |
| Nr                          | Label      | Behaviour Description                                                                                                                                                                                                                                                                                                                                                                                                                                                                                                                                                                                                | CRef                                                                                        | V   | Comments |
| 1                           |            | START T_guard(300)                                                                                                                                                                                                                                                                                                                                                                                                                                                                                                                                                                                                   |                                                                                             |     |          |
| 2                           |            | +BasicServiceMOorTelephony(<br>TSPX_MOBscSvcE, TSPX_MOChRateE)                                                                                                                                                                                                                                                                                                                                                                                                                                                                                                                                                       |                                                                                             |     | 1.       |
| 3                           |            | +IdleUpdated( C_E_default, C_CellA, C_SCH_A,<br>C_BCCH_A_1, C_Immass, C_S0, C_SlotNU,<br>C_SlotNU, C_SlotNU, C_BCC, C_TxInt_5,<br>C_Max_7, C_NECI_0, C_ATT_0, TimingAdv( 0),<br>C_BABR_0, C_cch_1Comb, C_BPM_3,<br>C_T3212_0, C_ci_cellA, C_MCC_1, C_PLMN_1,<br>C_LAC_1, CellOpt_01, CellChDes_Omit,<br>CellChDes_Omit, C_CellReselectHys12,<br>C_MaxPwrLvIG, C_MaxPwrLvID,<br>BcchFreqLst_45, BcchFreqLst_02,<br>BcchFreqLst_03, BcchFreqLst_04,<br>C_Restablishment, C_BCC, C_NCC,<br>C_Start_Tmsi, TSPX_SDCCH4SubDef,<br>TSPX_CKSNDDef, TSPX_RANDDef, C_arfcnA,<br>C_arfcnAd, TSPX_IMSI, C_Test_nfh,<br>C_NCCP_2) |                                                                                             |     |          |
| 4                           |            | +CCConfigTCH_nociph( TSPX_TCHHSubDef,<br>C_Immass, TSPX_TmSlitDef, TSPX_TscDef,<br>TimingAdv( 0), C_BABR_0, C_cch_1Comb,<br>C_BPM_3, TCV_ChMod.mode, FreqTCH_omit,<br>FreqTCH_omit, C_arfcn_tchA, C_arfcn_tchAd)                                                                                                                                                                                                                                                                                                                                                                                                     |                                                                                             |     |          |
| 5                           |            | +InitCall( TCV_Service)                                                                                                                                                                                                                                                                                                                                                                                                                                                                                                                                                                                              |                                                                                             |     |          |
| 6                           |            | +PreEnterCCstateU4_22( TSPX_TmSlitDef,<br>TSPX_TscDef, TimingAdv( 0))                                                                                                                                                                                                                                                                                                                                                                                                                                                                                                                                                |                                                                                             |     |          |
| 7                           | body       | L!DL_DatRqDisc                                                                                                                                                                                                                                                                                                                                                                                                                                                                                                                                                                                                       | DiscSnd(<br>TCV_chTch,<br>DisconnS( TCV_TI,<br>Cause_01,<br>ProgInd_03iei,<br>UuInfo_omit)) |     |          |
| 8                           |            | [TCV_ChMod.mode = C_ChMod_r]                                                                                                                                                                                                                                                                                                                                                                                                                                                                                                                                                                                         |                                                                                             |     |          |
| 9                           |            | +CCstatuschk_05( C_U12, TCV_TI,<br>TCV_chTch)                                                                                                                                                                                                                                                                                                                                                                                                                                                                                                                                                                        |                                                                                             |     |          |
| 10                          |            | +PostMainLinkRel( TCV_chTch)                                                                                                                                                                                                                                                                                                                                                                                                                                                                                                                                                                                         |                                                                                             |     |          |
| 11                          |            | [TCV_ChMod.mode <> C_ChMod_r]                                                                                                                                                                                                                                                                                                                                                                                                                                                                                                                                                                                        |                                                                                             |     |          |
| 12                          | L_042<br>7 | L?DL_DatInRel                                                                                                                                                                                                                                                                                                                                                                                                                                                                                                                                                                                                        | ReleaseRcv(<br>Release_10(<br>TCV_TI0))                                                     | (P) |          |
| 13                          |            | +CCstatuschk_05( C_U19, TCV_TI,<br>TCV_chTch)                                                                                                                                                                                                                                                                                                                                                                                                                                                                                                                                                                        |                                                                                             |     |          |
| 14                          |            | +PostMainLinkRel( TCV_chTch)                                                                                                                                                                                                                                                                                                                                                                                                                                                                                                                                                                                         |                                                                                             |     |          |
| <b>Detailed Comments:</b>   |            | 1. To select a circuit switched basic service for testing.                                                                                                                                                                                                                                                                                                                                                                                                                                                                                                                                                           |                                                                                             |     |          |

| Test Case Dynamic Behaviour |        |                                                                                                                                                                                                                                                                                                                                                                                                                                                                                                                                                                        |                                                                             |     |          |
|-----------------------------|--------|------------------------------------------------------------------------------------------------------------------------------------------------------------------------------------------------------------------------------------------------------------------------------------------------------------------------------------------------------------------------------------------------------------------------------------------------------------------------------------------------------------------------------------------------------------------------|-----------------------------------------------------------------------------|-----|----------|
| <b>Test Case Name:</b>      |        | TC_26_8_1_2_5_4                                                                                                                                                                                                                                                                                                                                                                                                                                                                                                                                                        |                                                                             |     |          |
| <b>Group:</b>               |        | GSM_L3_MS_v4200/CC/                                                                                                                                                                                                                                                                                                                                                                                                                                                                                                                                                    |                                                                             |     |          |
| <b>Purpose:</b>             |        | To verify that a CC-entity of the MS in CC-state U4, "Call Delivered", upon receipt of a DISCONNECT without progress indicator, returns a RELEASE message and enters the CC-state U19, "Release Request".                                                                                                                                                                                                                                                                                                                                                              |                                                                             |     |          |
| <b>Default:</b>             |        | OtherEventsFail                                                                                                                                                                                                                                                                                                                                                                                                                                                                                                                                                        |                                                                             |     |          |
| Nr                          | Label  | Behaviour Description                                                                                                                                                                                                                                                                                                                                                                                                                                                                                                                                                  | CRef                                                                        | V   | Comments |
| 1                           |        | START T_guard(300)                                                                                                                                                                                                                                                                                                                                                                                                                                                                                                                                                     |                                                                             |     |          |
| 2                           |        | +BasicServiceMOorTelephony( TSPX_MOBscSvcF, TSPX_MOChRateF)                                                                                                                                                                                                                                                                                                                                                                                                                                                                                                            |                                                                             |     | 1.       |
| 3                           |        | +IdleUpdated( C_E_default, C_CellA, C_SCH_A, C_BCCH_A_1, C_Immass, C_S0, C_SlotNU, C_SlotNU, C_SlotNU, C_BCC, C_TxInt_5, C_Max_7, C_NECl_0, C_ATT_0, TimingAdv( 0), C_BABR_0, C_cch_1Comb, C_BPM_3, C_T3212_0, C_ci_cellA, C_MCC_1, C_PLMN_1, C_LAC_1, CellOpt_01, CellChDes_Omit, CellChDes_Omit, C_CellReselectHys12, C_MaxPwrLvlG, C_MaxPwrLvlD, BcchFreqLst_45, BcchFreqLst_02, BcchFreqLst_03, BcchFreqLst_04, C_Restablishment, C_BCC, C_NCC, C_Start_Tmsi, TSPX_SDCCH4SubDef, TSPX_CKSNDef, TSPX_RANDDef, C_arfcnA, C_arfcnAd, TSPX_IMSI, C_Test_nfh, C_NCCP_2) |                                                                             |     |          |
| 4                           |        | +CCConfigTCH_nociph( TSPX_TCHHSubDef, C_Immass, TSPX_TmSlitDef, TSPX_TscDef, TimingAdv( 0), C_BABR_0, C_cch_1Comb, C_BPM_3, TCV_ChMod.mode, FreqTCH_omit, FreqTCH_omit, C_arfcn_tchA, C_arfcn_tchAd)                                                                                                                                                                                                                                                                                                                                                                   |                                                                             |     |          |
| 5                           |        | +InitCall( TCV_Service)                                                                                                                                                                                                                                                                                                                                                                                                                                                                                                                                                |                                                                             |     |          |
| 6                           |        | +PreEnterCCstateU4_22(TSPX_TmSlitDef, TSPX_TscDef, TimingAdv( 0))                                                                                                                                                                                                                                                                                                                                                                                                                                                                                                      |                                                                             |     |          |
| 7                           | body   | LIDL_DatRqDisc                                                                                                                                                                                                                                                                                                                                                                                                                                                                                                                                                         | DiscSnd( TCV_chTch, DisconnS( TCV_TI, Cause_01, ProgInd_omit, UuInfo_omit)) |     |          |
| 8                           | L_0428 | L?DL_DatInRel                                                                                                                                                                                                                                                                                                                                                                                                                                                                                                                                                          | ReleaseRcv( Release_10( TCV_TI0))                                           | (P) |          |
| 9                           |        | +CCstatuschk_05( C_U19, TCV_TI, TCV_chTch)                                                                                                                                                                                                                                                                                                                                                                                                                                                                                                                             |                                                                             |     |          |
| 10                          |        | +PostMainLinkRel( TCV_chTch)                                                                                                                                                                                                                                                                                                                                                                                                                                                                                                                                           |                                                                             |     |          |
| <b>Detailed Comments:</b>   |        | 1. To select a circuit switched basic service for testing.                                                                                                                                                                                                                                                                                                                                                                                                                                                                                                             |                                                                             |     |          |

### Test Case Dynamic Behaviour

**Test Case Name:** TC\_26\_8\_1\_2\_5\_5  
**Group:** GSM\_L3\_MS\_v4200/CC/  
**Purpose:** 1) To verify that a CC-entity of the MS in CC-state U4, "Call Delivered", upon receipt of the RELEASE message will respond with the RELEASE COMPLETE message and enter the CC-state U0, "Null"  
 2) To verify that the MS on returning the idle mode releases the MM-connection and that the CC-entities relating to the seven mobile originating transaction identifiers are in CC-state U0, "Null".  
**Default:** OtherEventsFail

| Nr | Label  | Behaviour Description                                                                                                                                                                                                                                                                                                                                                                                                                                                                                                                                                   | CRef                                      | V   | Comments |
|----|--------|-------------------------------------------------------------------------------------------------------------------------------------------------------------------------------------------------------------------------------------------------------------------------------------------------------------------------------------------------------------------------------------------------------------------------------------------------------------------------------------------------------------------------------------------------------------------------|-------------------------------------------|-----|----------|
| 1  |        | START T_guard(300)                                                                                                                                                                                                                                                                                                                                                                                                                                                                                                                                                      |                                           |     |          |
| 2  |        | +BasicServiceMOorTelephony(TSPX_MOBscSvcG, TSPX_MOChRateG)                                                                                                                                                                                                                                                                                                                                                                                                                                                                                                              |                                           |     | 1.       |
| 3  |        | +IdleUpdated( C_E_default, C_CellA, C_SCH_A, C_BCCH_A_1, C_Immass, C_S0, C_SlotNU, C_SlotNU, C_SlotNU, C_BCC, C_TxInt_5, C_Max_7, C_NECI_0, C_ATT_0, TimingAdv( 0), C_BABR_0, C_cch_1Comb, C_BPM_3, C_T3212_0, C_ci_cellA, C_MCC_1, C_PLMN_1, C_LAC_1, CellOpt_01, CellChDes_Omit, CellChDes_Omit, C_CellReselectHys12, C_MaxPwrLvlG, C_MaxPwrLvlD, BcchFreqLst_45, BcchFreqLst_02, BcchFreqLst_03, BcchFreqLst_04, C_Restablishment, C_BCC, C_NCC, C_Start_Tmsi, TSPX_SDCCH4SubDef, TSPX_CKSNDDef, TSPX_RANDDef, C_arfcnA, C_arfcnAd, TSPX_IMSI, C_Test_nfh, C_NCCP_2) |                                           |     |          |
| 4  |        | +CCConfigTCH_nociph( TSPX_TCHHSubDef, C_Immass, TSPX_TmSltDef, TSPX_TscDef, TimingAdv( 0), C_BABR_0, C_cch_1Comb, C_BPM_3, TCV_ChMod.mode, FreqTCH_omit, FreqTCH_omit, C_arfcn_tchA, C_arfcn_tchAd)                                                                                                                                                                                                                                                                                                                                                                     |                                           |     |          |
| 5  |        | +InitCall( TCV_Service)                                                                                                                                                                                                                                                                                                                                                                                                                                                                                                                                                 |                                           |     |          |
| 6  |        | +PreEnterCCstateU4_22( TSPX_TmSltDef, TSPX_TscDef, TimingAdv( 0))                                                                                                                                                                                                                                                                                                                                                                                                                                                                                                       |                                           |     |          |
| 7  | body   | L!DL_DatRqRel                                                                                                                                                                                                                                                                                                                                                                                                                                                                                                                                                           | ReleaseSnd(TCV_chTch, Release_03(TCV_TI)) |     |          |
| 8  | L_0429 | L?DL_DatInRelCmp                                                                                                                                                                                                                                                                                                                                                                                                                                                                                                                                                        | RelComRcv(ReleaseCmp_03(TCV_TI0))         | (P) |          |
| 9  |        | +CheckTIsInStateU0( TRUE, TCV_chTch)                                                                                                                                                                                                                                                                                                                                                                                                                                                                                                                                    |                                           |     |          |
| 10 |        | +PostMainLinkRel( TCV_chTch)                                                                                                                                                                                                                                                                                                                                                                                                                                                                                                                                            |                                           |     |          |

**Detailed Comments:** 1. To select a circuit switched basic service for testing.



| Test Case Dynamic Behaviour |       |                                                                                                                                                                                                                                                                                                                                                                                                                                                                                                                                                                                                                    |      |   |          |
|-----------------------------|-------|--------------------------------------------------------------------------------------------------------------------------------------------------------------------------------------------------------------------------------------------------------------------------------------------------------------------------------------------------------------------------------------------------------------------------------------------------------------------------------------------------------------------------------------------------------------------------------------------------------------------|------|---|----------|
| <b>Test Case Name:</b>      |       | TC_26_8_1_2_5_6                                                                                                                                                                                                                                                                                                                                                                                                                                                                                                                                                                                                    |      |   |          |
| <b>Group:</b>               |       | GSM_L3_MS_v4200/CC/                                                                                                                                                                                                                                                                                                                                                                                                                                                                                                                                                                                                |      |   |          |
| <b>Purpose:</b>             |       | To verify that a CC-entity of the MS in CC-state U4, "Call Delivered" having detected a lower layer failure and has returned to idle mode, the CC-entities relating to the seven mobile originating transaction identifiers are in CC-state U0, "Null".                                                                                                                                                                                                                                                                                                                                                            |      |   |          |
| <b>Default:</b>             |       | OtherEventsFail                                                                                                                                                                                                                                                                                                                                                                                                                                                                                                                                                                                                    |      |   |          |
| Nr                          | Label | Behaviour Description                                                                                                                                                                                                                                                                                                                                                                                                                                                                                                                                                                                              | CRef | V | Comments |
| 1                           |       | START T_guard(300)                                                                                                                                                                                                                                                                                                                                                                                                                                                                                                                                                                                                 |      |   |          |
| 2                           |       | +BasicServiceMOorTelephony(<br>TSPX_MOBscSvcH, TSPX_MOChRateH)                                                                                                                                                                                                                                                                                                                                                                                                                                                                                                                                                     |      |   | 1.       |
| 3                           |       | +IdleUpdated( C_E_default, C_CellA, C_SCH_A,<br>C_BCCH_A_1, C_Immass, C_S0, C_SlotNU,<br>C_SlotNU, C_SlotNU, C_BCC, C_TxInt_5,<br>C_Max_7, C_NECl_0, C_ATT_0, TimingAdv( 0),<br>C_BABR_0, C_cch_1Comb, C_BPM_3,<br>C_T3212_0, C_ci_cellA, C_MCC_1, C_PLMN_1,<br>C_LAC_1, CellOpt_01, CellChDes_Omit,<br>CellChDes_Omit, C_CellReselectHys12,<br>C_MaxPwrLvIG, C_MaxPwrLvID,<br>BcchFreqLst_45, BcchFreqLst_02,<br>BcchFreqLst_03, BcchFreqLst_04,<br>C_Restablishment, C_BCC, C_NCC,<br>C_Start_Tmsi, TSPX_SDCCH4SubDef,<br>TSPX_CKSNDf, TSPX_RANDDef, C_arfcnA,<br>C_arfcnAd, TSPX_IMSI, C_Test_nfh,<br>C_NCCP_2) |      |   |          |
| 4                           |       | +CCConfigTCH_nociph( TSPX_TCHHSubDef,<br>C_Immass, TSPX_TmSlitDef, TSPX_TscDef,<br>TimingAdv( 0), C_BABR_0, C_cch_1Comb,<br>C_BPM_3, TCV_ChMod.mode, FreqTCH_omit,<br>FreqTCH_omit, C_arfcn_tchA, C_arfcn_tchAd)                                                                                                                                                                                                                                                                                                                                                                                                   |      |   |          |
| 5                           |       | +InitCall( TCV_Service)                                                                                                                                                                                                                                                                                                                                                                                                                                                                                                                                                                                            |      |   |          |
| 6                           |       | +PreEnterCCstateU4_22( TSPX_TmSlitDef,<br>TSPX_TscDef, TimingAdv( 0))                                                                                                                                                                                                                                                                                                                                                                                                                                                                                                                                              |      |   |          |
| 7                           | body  | (TCV_Null := OM_LowerLayerFail(<br>TCV_chTch))                                                                                                                                                                                                                                                                                                                                                                                                                                                                                                                                                                     |      |   |          |
| 8                           |       | START T_dly( 20000)                                                                                                                                                                                                                                                                                                                                                                                                                                                                                                                                                                                                |      |   |          |
| 9                           |       | ?TIMEOUT T_dly                                                                                                                                                                                                                                                                                                                                                                                                                                                                                                                                                                                                     |      |   |          |
| 10                          |       | +CCEstablishMT_SDCCH4(<br>TimingAdv( 0),<br>TSPX_SDCCH4SubDef,<br>TSPX_CKSNDf)                                                                                                                                                                                                                                                                                                                                                                                                                                                                                                                                     |      |   |          |
| 11                          |       | +CheckTIsInStateU0( TRUE,<br>TCV_ch)                                                                                                                                                                                                                                                                                                                                                                                                                                                                                                                                                                               |      |   |          |
| 12                          |       | +PostMainLinkRel( TCV_ch)                                                                                                                                                                                                                                                                                                                                                                                                                                                                                                                                                                                          |      |   |          |
| <b>Detailed Comments:</b>   |       | 1. To select a circuit switched basic service for testing.                                                                                                                                                                                                                                                                                                                                                                                                                                                                                                                                                         |      |   |          |

| Test Case Dynamic Behaviour |       |                                                                                                                                                                                                                                                                                                                                                                                                                                                                                                                                                                         |      |   |          |
|-----------------------------|-------|-------------------------------------------------------------------------------------------------------------------------------------------------------------------------------------------------------------------------------------------------------------------------------------------------------------------------------------------------------------------------------------------------------------------------------------------------------------------------------------------------------------------------------------------------------------------------|------|---|----------|
| <b>Test Case Name:</b>      |       | TC_26_8_1_2_5_7                                                                                                                                                                                                                                                                                                                                                                                                                                                                                                                                                         |      |   |          |
| <b>Group:</b>               |       | GSM_L3_MS_v4200/CC/                                                                                                                                                                                                                                                                                                                                                                                                                                                                                                                                                     |      |   |          |
| <b>Purpose:</b>             |       | To verify that a CC-entity of the MS in CC-state U4, "Call Delivered", when allocated a traffic channel by the network performing the assignment procedure, shall perform a layer 2 establishment on the FACCH without changing the state of the call in progress.                                                                                                                                                                                                                                                                                                      |      |   |          |
| <b>Default:</b>             |       | OtherEventsFail                                                                                                                                                                                                                                                                                                                                                                                                                                                                                                                                                         |      |   |          |
| Nr                          | Label | Behaviour Description                                                                                                                                                                                                                                                                                                                                                                                                                                                                                                                                                   | CRef | V | Comments |
| 1                           |       | START T_guard(300)                                                                                                                                                                                                                                                                                                                                                                                                                                                                                                                                                      |      |   |          |
| 2                           |       | +BasicServiceMOorTelephony( TSPX_MOBscSvcI, TSPX_MOChRatel)                                                                                                                                                                                                                                                                                                                                                                                                                                                                                                             |      |   |          |
| 3                           |       | +IdleUpdated( C_E_default, C_CellA, C_SCH_A, C_BCCH_A_1, C_Immass, C_S0, C_SlotNU, C_SlotNU, C_SlotNU, C_BCC, C_TxInt_5, C_Max_7, C_NECI_0, C_ATT_0, TimingAdv( 0), C_BABR_0, C_cch_1Comb, C_BPM_3, C_T3212_0, C_ci_cellA, C_MCC_1, C_PLMN_1, C_LAC_1, CellOpt_01, CellChDes_Omit, CellChDes_Omit, C_CellReselectHys12, C_MaxPwrLvIG, C_MaxPwrLvID, BcchFreqLst_45, BcchFreqLst_02, BcchFreqLst_03, BcchFreqLst_04, C_Restablishment, C_BCC, C_NCC, C_Start_Tmsi, TSPX_SDCCH4SubDef, TSPX_CKSNDDef, TSPX_RANDDef, C_arfcnA, C_arfcnAd, TSPX_IMSI, C_Test_nfh, C_NCCP_2) |      |   | 1.       |
| 4                           |       | +CCConfigTCH( TSPX_TCHHSubDef, C_Ass, TSPX_TmSlitDef, TSPX_TscDef, TimingAdv( 0), C_BABR_0, C_cch_1Comb, C_BPM_3, TCV_ChMod.mode, FreqTCH_omit, FreqTCH_omit, C_arfcn_tchA, C_arfcn_tchAd)                                                                                                                                                                                                                                                                                                                                                                              |      |   |          |
| 5                           |       | +InitCall( TCV_Service)                                                                                                                                                                                                                                                                                                                                                                                                                                                                                                                                                 |      |   |          |
| 6                           |       | +PreEnterCCstateU4_21( TSPX_SDCCH4SubDef, TimingAdv( 0))                                                                                                                                                                                                                                                                                                                                                                                                                                                                                                                |      |   | 2.       |
| 7                           | body  | +CCAssignTCH( TSPX_TmSlitDef, TSPX_TscDef)                                                                                                                                                                                                                                                                                                                                                                                                                                                                                                                              |      |   | 3.       |
| 8                           |       | +CCstatuschk_05( C_U4, TCV_TI, TCV_chTch)                                                                                                                                                                                                                                                                                                                                                                                                                                                                                                                               |      |   | 4.       |
| 9                           |       | +PostMainLinkRel( TCV_chTch)                                                                                                                                                                                                                                                                                                                                                                                                                                                                                                                                            |      |   |          |
| <b>Detailed Comments:</b>   |       | <ol style="list-style-type: none"> <li>1. To setup a physical channel as BCCH, CCCH and SDCCH4.</li> <li>2. To initiate MO call and bring the MS into U4 state.</li> <li>3. The assignment procedure succeeds.</li> <li>4. To check that the MS is still in state U4.</li> </ol>                                                                                                                                                                                                                                                                                        |      |   |          |

| Test Case Dynamic Behaviour |       |                                                                                                                                                                                                                                                                                                                                                                                                                                                                                                                                                                       |                                                  |   |          |
|-----------------------------|-------|-----------------------------------------------------------------------------------------------------------------------------------------------------------------------------------------------------------------------------------------------------------------------------------------------------------------------------------------------------------------------------------------------------------------------------------------------------------------------------------------------------------------------------------------------------------------------|--------------------------------------------------|---|----------|
| <b>Test Case Name:</b>      |       | TC_26_8_1_2_5_8                                                                                                                                                                                                                                                                                                                                                                                                                                                                                                                                                       |                                                  |   |          |
| <b>Group:</b>               |       | GSM_L3_MS_v4200/CC/                                                                                                                                                                                                                                                                                                                                                                                                                                                                                                                                                   |                                                  |   |          |
| <b>Purpose:</b>             |       | To verify that a CC-entity of the MS in CC-state U4, "Call Delivered", having received an unknown message from its peer entity returns a STATUS message.                                                                                                                                                                                                                                                                                                                                                                                                              |                                                  |   |          |
| <b>Default:</b>             |       | OtherEventsFail                                                                                                                                                                                                                                                                                                                                                                                                                                                                                                                                                       |                                                  |   |          |
| Nr                          | Label | Behaviour Description                                                                                                                                                                                                                                                                                                                                                                                                                                                                                                                                                 | CRef                                             | V | Comments |
| 1                           |       | START T_guard(300)                                                                                                                                                                                                                                                                                                                                                                                                                                                                                                                                                    |                                                  |   |          |
| 2                           |       | +BasicServiceMOorTelephony( TSPX_MOBscSvcJ, TSPX_MOChRateJ)                                                                                                                                                                                                                                                                                                                                                                                                                                                                                                           |                                                  |   | 1.       |
| 3                           |       | +IdleUpdated( C_E_default, C_CellA, C_SCH_A, C_BCCH_A_1, C_Immass, C_S0, C_SlotNU, C_SlotNU, C_SlotNU, C_BCC, C_TxInt_5, C_Max_7, C_NECI_0, C_ATT_0, TimingAdv( 0), C_BABR_0, C_cch_1Comb, C_BPM_3, C_T3212_0, C_ci_cellA, C_MCC_1, C_PLMN_1, C_LAC_1, CellOpt_01, CellChDes_Omit, CellChDes_Omit, C_CellReselectHys12, C_MaxPwrLvIG, C_MaxPwrLvID, BcchFreqLst_45, BcchFreqLst_02, BcchFreqLst_03, BcchFreqLst_04, C_Restablishment, C_BCC, C_NCC, C_Start_Tmsi, TSPX_SDCCH4SubDef, TSPX_CKSNDf, TSPX_RANDDef, C_arfcnA, C_arfcnAd, TSPX_IMSI, C_Test_nfh, C_NCCP_2) |                                                  |   |          |
| 4                           |       | +CCConfigTCH_nociph( TSPX_TCHHSubDef, C_Immass, TSPX_TmSlitDef, TSPX_TscDef, TimingAdv( 0), C_BABR_0, C_cch_1Comb, C_BPM_3, TCV_ChMod.mode, FreqTCH_omit, FreqTCH_omit, C_arfcn_tchA, C_arfcn_tchAd)                                                                                                                                                                                                                                                                                                                                                                  |                                                  |   | 2.       |
| 5                           |       | +InitCall( TCV_Service)                                                                                                                                                                                                                                                                                                                                                                                                                                                                                                                                               |                                                  |   |          |
| 6                           |       | +PreEnterCCstateU4_24( TSPX_TmSlitDef, TSPX_TscDef, TimingAdv( 0))                                                                                                                                                                                                                                                                                                                                                                                                                                                                                                    |                                                  |   |          |
| 7                           | body  | LIDL_DatRqUndefCC                                                                                                                                                                                                                                                                                                                                                                                                                                                                                                                                                     | UndefCC( TCV_chTch, UndefCC_02( TCV_TI))         |   | 3.       |
| 8                           |       | L?DL_DatInCcst                                                                                                                                                                                                                                                                                                                                                                                                                                                                                                                                                        | CCStRcv( TCV_chTch, CCStatus_08( TCV_TI0, C_U4)) |   |          |
| 9                           |       | +CCstatuschk_05( C_U4, TCV_TI, TCV_chTch)                                                                                                                                                                                                                                                                                                                                                                                                                                                                                                                             |                                                  |   |          |
| 10                          |       | +PostMainLinkRel( TCV_chTch)                                                                                                                                                                                                                                                                                                                                                                                                                                                                                                                                          |                                                  |   |          |
| <b>Detailed Comments:</b>   |       | <p>1. To select a basic service and channel rate, if the MS supports telephony the selected basic service is telephony.</p> <p>2. To setup the full rate or half rate traffic channel and BCCH, CCCH for the test.</p> <p>3. To send a CC message which message type is undefined for the CC.</p>                                                                                                                                                                                                                                                                     |                                                  |   |          |

| Test Case Dynamic Behaviour |            |                                                                                                                                                                                                                                                                                                                                                                                                                                                                                                                                                                                                                    |                                                          |     |          |
|-----------------------------|------------|--------------------------------------------------------------------------------------------------------------------------------------------------------------------------------------------------------------------------------------------------------------------------------------------------------------------------------------------------------------------------------------------------------------------------------------------------------------------------------------------------------------------------------------------------------------------------------------------------------------------|----------------------------------------------------------|-----|----------|
| <b>Test Case Name:</b>      |            | TC_26_8_1_2_6_1                                                                                                                                                                                                                                                                                                                                                                                                                                                                                                                                                                                                    |                                                          |     |          |
| <b>Group:</b>               |            | GSM_L3_MS_v4200/CC/                                                                                                                                                                                                                                                                                                                                                                                                                                                                                                                                                                                                |                                                          |     |          |
| <b>Purpose:</b>             |            | To verify that the a CC-entity of the MS in CC-state U10, "Call Active", upon request by the user to terminate will send a DISCONNECT message and enter the CC-state U11, "Disconnect Request".                                                                                                                                                                                                                                                                                                                                                                                                                    |                                                          |     |          |
| <b>Default:</b>             |            | OtherEventsFail                                                                                                                                                                                                                                                                                                                                                                                                                                                                                                                                                                                                    |                                                          |     |          |
| Nr                          | Label      | Behaviour Description                                                                                                                                                                                                                                                                                                                                                                                                                                                                                                                                                                                              | CRef                                                     | V   | Comments |
| 1                           |            | START T_guard(300)                                                                                                                                                                                                                                                                                                                                                                                                                                                                                                                                                                                                 |                                                          |     |          |
| 2                           |            | +BasicServiceMOorTelephony(<br>TSPX_MOBscSvcA, TSPX_MOChRateA)                                                                                                                                                                                                                                                                                                                                                                                                                                                                                                                                                     |                                                          |     |          |
| 3                           |            | +IdleUpdated( C_E_default, C_CellA, C_SCH_A,<br>C_BCCH_A_1, C_Immass, C_S0, C_SlotNU,<br>C_SlotNU, C_SlotNU, C_BCC, C_TxInt_5,<br>C_Max_7, C_NECI_0, C_ATT_0, TimingAdv( 0),<br>C_BABR_0, C_cch_1Comb, C_BPM_3,<br>C_T3212_0, C_ci_cellA, C_MCC_1, C_PLMN_1,<br>C_LAC_1, CellOpt_01, CellChDes_Omit,<br>CellChDes_Omit, C_CellReselectHys12,<br>C_MaxPwrLvIG, C_MaxPwrLvID,<br>BcchFreqLst_45, BcchFreqLst_02,<br>BcchFreqLst_03, BcchFreqLst_04,<br>C_Restablishment, C_BCC, C_NCC,<br>C_Start_Tmsi, TSPX_SDCCH4SubDef,<br>TSPX_CKSNDf, TSPX_RANDDef, C_arfcnA,<br>C_arfcnAd, TSPX_IMSI, C_Test_nfh,<br>C_NCCP_2) |                                                          |     | 1.       |
| 4                           |            | +InitCall( TCV_Service)                                                                                                                                                                                                                                                                                                                                                                                                                                                                                                                                                                                            |                                                          |     |          |
| 5                           |            | +CCConfigTCH( TSPX_TCHHSubDef,<br>C_Ass, TSPX_TmSlitDef, TSPX_TscDef,<br>TimingAdv( 0), C_BABR_0, C_cch_1Comb,<br>C_BPM_3, TCV_ChMod.mode,<br>FreqTCH_omit, FreqTCH_omit,<br>C_arfcn_tchA, C_arfcn_tchAd)                                                                                                                                                                                                                                                                                                                                                                                                          |                                                          |     |          |
| 6                           |            | +PreEnterCCstateU10_21(<br>TSPX_SDCCH4SubDef, TSPX_TmSlitDef,<br>TSPX_TscDef, TimingAdv( 0))                                                                                                                                                                                                                                                                                                                                                                                                                                                                                                                       |                                                          |     | 2.       |
| 7                           | body       | (TCV_Null := OO_TermCall())                                                                                                                                                                                                                                                                                                                                                                                                                                                                                                                                                                                        |                                                          |     |          |
| 8                           | L_043<br>0 | L?DL_DatInDisc                                                                                                                                                                                                                                                                                                                                                                                                                                                                                                                                                                                                     | DiscRcv( TCV_chTch,<br>DisconnR( TCV_TI0,<br>Cause_Def)) | (P) | 3.       |
| 9                           |            | +CCstatuschk_05( C_U11, TCV_TI,<br>TCV_chTch)                                                                                                                                                                                                                                                                                                                                                                                                                                                                                                                                                                      |                                                          |     | 4.       |
| 10                          |            | +PostMainLinkRel( TCV_chTch)                                                                                                                                                                                                                                                                                                                                                                                                                                                                                                                                                                                       |                                                          |     |          |
| <b>Detailed Comments:</b>   |            | <ol style="list-style-type: none"> <li>1. To setup a physical channel as BCCH, CCCH and SDCCH4.</li> <li>2. To bring the MS into U10 state.</li> <li>3. The expected DISCONNECT message received.</li> <li>4. To check whether the MS enters the state U11.</li> </ol>                                                                                                                                                                                                                                                                                                                                             |                                                          |     |          |

| Test Case Dynamic Behaviour |            |                                                                                                                                                                                                                                                                                                                                                                                                                                                                                                                                                                        |                                           |     |          |
|-----------------------------|------------|------------------------------------------------------------------------------------------------------------------------------------------------------------------------------------------------------------------------------------------------------------------------------------------------------------------------------------------------------------------------------------------------------------------------------------------------------------------------------------------------------------------------------------------------------------------------|-------------------------------------------|-----|----------|
| <b>Test Case Name:</b>      |            | TC_26_8_1_2_6_2                                                                                                                                                                                                                                                                                                                                                                                                                                                                                                                                                        |                                           |     |          |
| <b>Group:</b>               |            | GSM_L3_MS_v4200/CC/                                                                                                                                                                                                                                                                                                                                                                                                                                                                                                                                                    |                                           |     |          |
| <b>Purpose:</b>             |            | 1) To verify that the a CC-entity of the MS in CC-state U10, "Call Active", upon receive of the RELEASE will respond with the RELEASE COMPLETE message and enter the CC-state U0, "Null"<br>2) To verify that the MS on returning to the idle mode releases the MM-connection and that the CC-entities relating to the seven mobile originating transaction identifiers are in CC-state U0, "Null"                                                                                                                                                                     |                                           |     |          |
| <b>Default:</b>             |            | OtherEventsFail                                                                                                                                                                                                                                                                                                                                                                                                                                                                                                                                                        |                                           |     |          |
| Nr                          | Label      | Behaviour Description                                                                                                                                                                                                                                                                                                                                                                                                                                                                                                                                                  | CRef                                      | V   | Comments |
| 1                           |            | START T_guard(300)                                                                                                                                                                                                                                                                                                                                                                                                                                                                                                                                                     |                                           |     |          |
| 2                           |            | +BasicServiceMOorTelephony(TSPX_MOBscSvcB, TSPX_MOChRateB)                                                                                                                                                                                                                                                                                                                                                                                                                                                                                                             |                                           |     |          |
| 3                           |            | +IdleUpdated( C_E_default, C_CellA, C_SCH_A, C_BCCH_A_1, C_Immass, C_S0, C_SlotNU, C_SlotNU, C_SlotNU, C_BCC, C_TxInt_5, C_Max_7, C_NECI_0, C_ATT_0, TimingAdv( 0), C_BABR_0, C_cch_1Comb, C_BPM_3, C_T3212_0, C_ci_cellA, C_MCC_1, C_PLMN_1, C_LAC_1, CellOpt_01, CellChDes_Omit, CellChDes_Omit, C_CellReselectHys12, C_MaxPwrLvIG, C_MaxPwrLvID, BcchFreqLst_45, BcchFreqLst_02, BcchFreqLst_03, BcchFreqLst_04, C_Restablishment, C_BCC, C_NCC, C_Start_Tmsi, TSPX_SDCCH4SubDef, TSPX_CKSNDef, TSPX_RANDDef, C_arfcnA, C_arfcnAd, TSPX_IMSI, C_Test_nfh, C_NCCP_2) |                                           |     | 1.       |
| 4                           |            | +InitCall( TCV_Service)                                                                                                                                                                                                                                                                                                                                                                                                                                                                                                                                                |                                           |     |          |
| 5                           |            | +CCConfigTCH( TSPX_TCHHSubDef, C_Ass, TSPX_TmSlitDef, TSPX_TscDef, TimingAdv( 0), C_BABR_0, C_cch_1Comb, C_BPM_3, TCV_ChMod.mode, FreqTCH_omit, FreqTCH_omit, C_arfcn_tchA, C_arfcn_tchAd)                                                                                                                                                                                                                                                                                                                                                                             |                                           |     |          |
| 6                           |            | +PreEnterCCstateU10_21( TSPX_SDCCH4SubDef, TSPX_TmSlitDef, TSPX_TscDef, TimingAdv( 0))                                                                                                                                                                                                                                                                                                                                                                                                                                                                                 |                                           |     | 2.       |
| 7                           | body       | L!DL_DatRqRel                                                                                                                                                                                                                                                                                                                                                                                                                                                                                                                                                          | ReleaseSnd(TCV_chTch, Release_03(TCV_TI)) |     |          |
| 8                           | L_043<br>1 | L?DL_DatInRelCmp                                                                                                                                                                                                                                                                                                                                                                                                                                                                                                                                                       | RelComRcv(ReleaseCmp_03(TCV_TI0))         | (P) | 3.       |
| 9                           |            | +CheckTIsInStateU0( TRUE, TCV_chTch)                                                                                                                                                                                                                                                                                                                                                                                                                                                                                                                                   |                                           |     |          |
| 10                          |            | +PostMainLinkRel( TCV_chTch)                                                                                                                                                                                                                                                                                                                                                                                                                                                                                                                                           |                                           |     |          |
| <b>Detailed Comments:</b>   |            | 1. To setup a physical channel as BCCH, CCCH and SDCCH4.<br>2. To bring the MS into U10 state.<br>3. The expected RELEASE COMPLETE message received.                                                                                                                                                                                                                                                                                                                                                                                                                   |                                           |     |          |

| Test Case Dynamic Behaviour |            |                                                                                                                                                                                                                                                                                                                                                                                                                                                                                                                                                                                                                     |                                                                                             |     |                        |
|-----------------------------|------------|---------------------------------------------------------------------------------------------------------------------------------------------------------------------------------------------------------------------------------------------------------------------------------------------------------------------------------------------------------------------------------------------------------------------------------------------------------------------------------------------------------------------------------------------------------------------------------------------------------------------|---------------------------------------------------------------------------------------------|-----|------------------------|
| <b>Test Case Name:</b>      |            | TC_26_8_1_2_6_3                                                                                                                                                                                                                                                                                                                                                                                                                                                                                                                                                                                                     |                                                                                             |     |                        |
| <b>Group:</b>               |            | GSM_L3_MS_v4200/CC/                                                                                                                                                                                                                                                                                                                                                                                                                                                                                                                                                                                                 |                                                                                             |     |                        |
| <b>Purpose:</b>             |            | To verify that a CC-entity of the MS in CC-state U10, "Call Active", upon receipt of a DISCONNECT message with a Progress Indicator indicating in-band information, through-connects the speech channel to make in-band announcements available, if traffic channel is in speech mode. If TCH is not in speech mode, the MS sends a RELEASE message.                                                                                                                                                                                                                                                                |                                                                                             |     |                        |
| <b>Default:</b>             |            | OtherEventsFail                                                                                                                                                                                                                                                                                                                                                                                                                                                                                                                                                                                                     |                                                                                             |     |                        |
| Nr                          | Label      | Behaviour Description                                                                                                                                                                                                                                                                                                                                                                                                                                                                                                                                                                                               | CRef                                                                                        | V   | Comments               |
| 1                           |            | START T_guard(300)                                                                                                                                                                                                                                                                                                                                                                                                                                                                                                                                                                                                  |                                                                                             |     |                        |
| 2                           |            | +BasicServiceMOorTelephony(<br>TSPX_MOBscSvcC, TSPX_MOChRateC)                                                                                                                                                                                                                                                                                                                                                                                                                                                                                                                                                      |                                                                                             |     | 1.                     |
| 3                           |            | +IdleUpdated( C_E_default, C_CellA, C_SCH_A,<br>C_BCCH_A_1, C_Immss, C_S0, C_SlotNU,<br>C_SlotNU, C_SlotNU, C_BCC, C_TxInt_5,<br>C_Max_7, C_NECI_0, C_ATT_0, TimingAdv( 0),<br>C_BABR_0, C_cch_1Comb, C_BPM_3,<br>C_T3212_0, C_ci_cellA, C_MCC_1, C_PLMN_1,<br>C_LAC_1, CellOpt_01, CellChDes_Omit,<br>CellChDes_Omit, C_CellReselectHys12,<br>C_MaxPwrLvIG, C_MaxPwrLvID,<br>BcchFreqLst_45, BcchFreqLst_02,<br>BcchFreqLst_03, BcchFreqLst_04,<br>C_Restablishment, C_BCC, C_NCC,<br>C_Start_Tmsi, TSPX_SDCCH4SubDef,<br>TSPX_CKSNDDef, TSPX_RANDDef, C_arfcnA,<br>C_arfcnAd, TSPX_IMSI, C_Test_nfh,<br>C_NCCP_2) |                                                                                             |     | 2.                     |
| 4                           |            | +CCConfigTCH_nociph( TSPX_TCHHSubDef,<br>C_Immss, TSPX_TmSttDef, TSPX_TscDef,<br>TimingAdv( 0), C_BABR_0, C_cch_1Comb,<br>C_BPM_3, TCV_ChMod.mode, FreqTCH_omit,<br>FreqTCH_omit, C_arfcn_tchA, C_arfcn_tchAd)                                                                                                                                                                                                                                                                                                                                                                                                      |                                                                                             |     | 2.                     |
| 5                           |            | +InitCall( TCV_Service)                                                                                                                                                                                                                                                                                                                                                                                                                                                                                                                                                                                             |                                                                                             |     |                        |
| 6                           |            | +PreEnterCCstateU10_22(<br>TSPX_TmSttDef, TSPX_TscDef,<br>TimingAdv( 0))                                                                                                                                                                                                                                                                                                                                                                                                                                                                                                                                            |                                                                                             |     |                        |
| 7                           | body       | L!DL_DatRqDisc                                                                                                                                                                                                                                                                                                                                                                                                                                                                                                                                                                                                      | DiscSnd(<br>TCV_chTch,<br>DisconnS( TCV_TI,<br>Cause_01,<br>ProgInd_03iei,<br>UuInfo_omit)) |     | 3.                     |
| 8                           |            | [TCV_ChMod.mode = C_ChMod_r]                                                                                                                                                                                                                                                                                                                                                                                                                                                                                                                                                                                        |                                                                                             |     |                        |
| 9                           |            | (TCV_Res :=<br>OO_TCHThroConnCHK())                                                                                                                                                                                                                                                                                                                                                                                                                                                                                                                                                                                 |                                                                                             |     | 4.                     |
| 10                          | L_043<br>2 | [TCV_Res]                                                                                                                                                                                                                                                                                                                                                                                                                                                                                                                                                                                                           |                                                                                             | (P) | Inband info audible    |
| 11                          |            | +CCstatuschk_05( C_U12,<br>TCV_TI, TCV_chTch)                                                                                                                                                                                                                                                                                                                                                                                                                                                                                                                                                                       |                                                                                             |     |                        |
| 12                          |            | +PostMainLinkRel(<br>TCV_chTch)                                                                                                                                                                                                                                                                                                                                                                                                                                                                                                                                                                                     |                                                                                             |     |                        |
| 13                          | L_043<br>3 | [NOT TCV_Res]                                                                                                                                                                                                                                                                                                                                                                                                                                                                                                                                                                                                       |                                                                                             | (F) | No inband info audible |
| 14                          |            | +PostMainLinkRel( TCV_chTch)                                                                                                                                                                                                                                                                                                                                                                                                                                                                                                                                                                                        |                                                                                             |     |                        |
| 15                          |            | [TCV_ChMod.mode <> C_ChMod_r]                                                                                                                                                                                                                                                                                                                                                                                                                                                                                                                                                                                       |                                                                                             |     |                        |
| 16                          | L_043<br>4 | L?DL_DatInRel                                                                                                                                                                                                                                                                                                                                                                                                                                                                                                                                                                                                       | ReleaseRcv(<br>Release_10(<br>TCV_TI0))                                                     | (P) |                        |
| 17                          |            | +CCstatuschk_05( C_U19, TCV_TI,<br>TCV_chTch)                                                                                                                                                                                                                                                                                                                                                                                                                                                                                                                                                                       |                                                                                             |     |                        |
| 18                          |            | +PostMainLinkRel( TCV_chTch)                                                                                                                                                                                                                                                                                                                                                                                                                                                                                                                                                                                        |                                                                                             |     |                        |
| <b>Detailed Comments:</b>   |            | <ol style="list-style-type: none"> <li>1. To select a circuit switched basic service for testing.</li> <li>2. To setup BCCH, CCCH and traffic channels.</li> <li>3. With progress indicator #8.</li> <li>4. To check whether the audio path is connected for inband tones.</li> </ol>                                                                                                                                                                                                                                                                                                                               |                                                                                             |     |                        |

| Test Case Dynamic Behaviour |            |                                                                                                                                                                                                                                                                                                                                                                                                                                                                                                                                                                         |                                                                            |     |          |
|-----------------------------|------------|-------------------------------------------------------------------------------------------------------------------------------------------------------------------------------------------------------------------------------------------------------------------------------------------------------------------------------------------------------------------------------------------------------------------------------------------------------------------------------------------------------------------------------------------------------------------------|----------------------------------------------------------------------------|-----|----------|
| <b>Test Case Name:</b>      |            | TC_26_8_1_2_6_4                                                                                                                                                                                                                                                                                                                                                                                                                                                                                                                                                         |                                                                            |     |          |
| <b>Group:</b>               |            | GSM_L3_MS_v4200/CC/                                                                                                                                                                                                                                                                                                                                                                                                                                                                                                                                                     |                                                                            |     |          |
| <b>Purpose:</b>             |            | To verify that the a CC-entity of the MS in CC-state U10, "Call Active", upon receipt of a DISCONNECT message without progress indicator, returns a RELEASE message and enters the CC-state U19, "Release Request".                                                                                                                                                                                                                                                                                                                                                     |                                                                            |     |          |
| <b>Default:</b>             |            | OtherEventsFail                                                                                                                                                                                                                                                                                                                                                                                                                                                                                                                                                         |                                                                            |     |          |
| Nr                          | Label      | Behaviour Description                                                                                                                                                                                                                                                                                                                                                                                                                                                                                                                                                   | CRef                                                                       | V   | Comments |
| 1                           |            | START T_guard(300)                                                                                                                                                                                                                                                                                                                                                                                                                                                                                                                                                      |                                                                            |     |          |
| 2                           |            | +BasicServiceMOorTelephony(TSPX_MOBscSvcD, TSPX_MOChRateD)                                                                                                                                                                                                                                                                                                                                                                                                                                                                                                              |                                                                            |     | 1.       |
| 3                           |            | +IdleUpdated( C_E_default, C_CellA, C_SCH_A, C_BCCH_A_1, C_Immass, C_S0, C_SlotNU, C_SlotNU, C_SlotNU, C_BCC, C_TxInt_5, C_Max_7, C_NECl_0, C_ATT_0, TimingAdv( 0), C_BABR_0, C_cch_1Comb, C_BPM_3, C_T3212_0, C_ci_cellA, C_MCC_1, C_PLMN_1, C_LAC_1, CellOpt_01, CellChDes_Omit, CellChDes_Omit, C_CellReselectHys12, C_MaxPwrLvlG, C_MaxPwrLvlD, BcchFreqLst_45, BcchFreqLst_02, BcchFreqLst_03, BcchFreqLst_04, C_Restablishment, C_BCC, C_NCC, C_Start_Tmsi, TSPX_SDCCCH4SubDef, TSPX_CKSNDef, TSPX_RANDDef, C_arfcnA, C_arfcnAd, TSPX_IMSI, C_Test_nfh, C_NCCP_2) |                                                                            |     | 2.       |
| 4                           |            | +CCConfigTCH_nociph( TSPX_TCHHSubDef, C_Immass, TSPX_TmSlitDef, TSPX_TscDef, TimingAdv( 0), C_BABR_0, C_cch_1Comb, C_BPM_3, TCV_ChMod.mode, FreqTCH_omit, FreqTCH_omit, C_arfcn_tchA, C_arfcn_tchAd)                                                                                                                                                                                                                                                                                                                                                                    |                                                                            |     | 2.       |
| 5                           |            | +InitCall( TCV_Service)                                                                                                                                                                                                                                                                                                                                                                                                                                                                                                                                                 |                                                                            |     |          |
| 6                           |            | +PreEnterCCstateU10_22(TSPX_TmSlitDef, TSPX_TscDef, TimingAdv( 0))                                                                                                                                                                                                                                                                                                                                                                                                                                                                                                      |                                                                            |     |          |
| 7                           | body       | LIDL_DatRqDisc                                                                                                                                                                                                                                                                                                                                                                                                                                                                                                                                                          | DiscSnd(TCV_chTch, DisconnS( TCV_TI, Cause_01, ProgInd_omit, UuInfo_omit)) |     | 3.       |
| 8                           | L_043<br>5 | L?DL_DatInRel                                                                                                                                                                                                                                                                                                                                                                                                                                                                                                                                                           | ReleaseRcv(Release_10(TCV_TI0))                                            | (P) |          |
| 9                           |            | +CCstatuschk_05( C_U19, TCV_TI, TCV_chTch)                                                                                                                                                                                                                                                                                                                                                                                                                                                                                                                              |                                                                            |     |          |
| 10                          |            | +PostMainLinkRel( TCV_chTch)                                                                                                                                                                                                                                                                                                                                                                                                                                                                                                                                            |                                                                            |     |          |
| <b>Detailed Comments:</b>   |            | <ol style="list-style-type: none"> <li>1. To select a circuit switched basic service for testing.</li> <li>2. To setup BCCH, CCCH and traffic channels.</li> <li>3. Without progress indicator #8.</li> </ol>                                                                                                                                                                                                                                                                                                                                                           |                                                                            |     |          |

### Test Case Dynamic Behaviour

**Test Case Name:** TC\_26\_8\_1\_2\_6\_5  
**Group:** GSM\_L3\_MS\_v4200/CC/  
**Purpose:** 1) To verify that a CC entity of the MS in CC-state U10, "Call active" upon receipt of a RELEASE COMPLETE message with valid cause value, enters CC state U0, "Null".  
 2) To verify that in returning to idle mode, the CC entities relating to the seven mobile originating transaction identifiers are in state U0, "Null".  
**Default:** OtherEventsFail

| Nr | Label | Behaviour Description                                                                                                                                                                                                                                                                                                                                                                                                                                                                                                                                                  | CRef                                        | V | Comments |
|----|-------|------------------------------------------------------------------------------------------------------------------------------------------------------------------------------------------------------------------------------------------------------------------------------------------------------------------------------------------------------------------------------------------------------------------------------------------------------------------------------------------------------------------------------------------------------------------------|---------------------------------------------|---|----------|
| 1  |       | START T_guard(300)                                                                                                                                                                                                                                                                                                                                                                                                                                                                                                                                                     |                                             |   |          |
| 2  |       | +BasicServiceMOorTelephony(TSPX_MOBscSvcE, TSPX_MOChRateE)                                                                                                                                                                                                                                                                                                                                                                                                                                                                                                             |                                             |   | 1.       |
| 3  |       | +IdleUpdated( C_E_default, C_CellA, C_SCH_A, C_BCCH_A_1, C_Immass, C_S0, C_SlotNU, C_SlotNU, C_SlotNU, C_BCC, C_TxInt_5, C_Max_7, C_NECI_0, C_ATT_0, TimingAdv( 0), C_BABR_0, C_cch_1Comb, C_BPM_3, C_T3212_0, C_ci_cellA, C_MCC_1, C_PLMN_1, C_LAC_1, CellOpt_01, CellChDes_Omit, CellChDes_Omit, C_CellReselectHys12, C_MaxPwrLvIG, C_MaxPwrLvID, BcchFreqLst_45, BcchFreqLst_02, BcchFreqLst_03, BcchFreqLst_04, C_Restablishment, C_BCC, C_NCC, C_Start_Tmsi, TSPX_SDCCH4SubDef, TSPX_CKSNDef, TSPX_RANDDef, C_arfcnA, C_arfcnAd, TSPX_IMSI, C_Test_nfh, C_NCCP_2) |                                             |   | 2.       |
| 4  |       | +CCConfigTCH_nociph( TSPX_TCHHSubDef, C_Immass, TSPX_TmSltDef, TSPX_TscDef, TimingAdv( 0), C_BABR_0, C_cch_1Comb, C_BPM_3, TCV_ChMod.mode, FreqTCH_omit, FreqTCH_omit, C_arfcn_tchA, C_arfcn_tchAd)                                                                                                                                                                                                                                                                                                                                                                    |                                             |   | 2.       |
| 5  |       | +InitCall( TCV_Service)                                                                                                                                                                                                                                                                                                                                                                                                                                                                                                                                                |                                             |   |          |
| 6  |       | +PreEnterCCstateU10_22( TSPX_TmSltDef, TSPX_TscDef, TimingAdv( 0))                                                                                                                                                                                                                                                                                                                                                                                                                                                                                                     |                                             |   |          |
| 7  | body  | !DL_DatRqRelCmp                                                                                                                                                                                                                                                                                                                                                                                                                                                                                                                                                        | RelComSnd(TCV_chTch, ReleaseCmp_04(TCV_TI)) |   |          |
| 8  |       | +CheckTIsInStateU0( TRUE, TCV_chTch)                                                                                                                                                                                                                                                                                                                                                                                                                                                                                                                                   |                                             |   |          |
| 9  |       | +PostMainLinkRel( TCV_chTch)                                                                                                                                                                                                                                                                                                                                                                                                                                                                                                                                           |                                             |   |          |

**Detailed Comments:** 1. To select a circuit switched basic service for testing.  
 2. To setup BCCH, CCCH and traffic channels.



| Test Case Dynamic Behaviour |            |                                                                                                                                                                                                                                                                                                                                                                                                                                                                                                                                                                       |                                                |     |          |
|-----------------------------|------------|-----------------------------------------------------------------------------------------------------------------------------------------------------------------------------------------------------------------------------------------------------------------------------------------------------------------------------------------------------------------------------------------------------------------------------------------------------------------------------------------------------------------------------------------------------------------------|------------------------------------------------|-----|----------|
| <b>Test Case Name:</b>      |            | TC_26_8_1_2_6_6                                                                                                                                                                                                                                                                                                                                                                                                                                                                                                                                                       |                                                |     |          |
| <b>Group:</b>               |            | GSM_L3_MS_v4200/CC/                                                                                                                                                                                                                                                                                                                                                                                                                                                                                                                                                   |                                                |     |          |
| <b>Purpose:</b>             |            | 1) To verify that a Mobile Station that has a call established and receives a SETUP message answers either with a CALL CONFIRMED message with cause "user busy" if it supports call waiting, or with a RELEASE COMPLETE message with cause "user busy" otherwise.                                                                                                                                                                                                                                                                                                     |                                                |     |          |
|                             |            | 2) To verify that after having sent this message, the MS is still in state U10 for the established call.                                                                                                                                                                                                                                                                                                                                                                                                                                                              |                                                |     |          |
| <b>Default:</b>             |            | OtherEventsFail                                                                                                                                                                                                                                                                                                                                                                                                                                                                                                                                                       |                                                |     |          |
| Nr                          | Label      | Behaviour Description                                                                                                                                                                                                                                                                                                                                                                                                                                                                                                                                                 | CRef                                           | V   | Comments |
| 1                           |            | START T_guard(300)                                                                                                                                                                                                                                                                                                                                                                                                                                                                                                                                                    |                                                |     |          |
| 2                           |            | +BasicServiceMT( TSPX_MTBscSvcA, TSPX_MTChRateA)                                                                                                                                                                                                                                                                                                                                                                                                                                                                                                                      |                                                |     | 1.       |
| 3                           |            | +BasicServiceMOorTelephony( TSPX_MOBscSvcF, TSPX_MOChRateF)                                                                                                                                                                                                                                                                                                                                                                                                                                                                                                           |                                                |     |          |
| 4                           |            | +IdleUpdated( C_E_default, C_CellA, C_SCH_A, C_BCCH_A_1, C_Immass, C_S0, C_SlotNU, C_SlotNU, C_SlotNU, C_BCC, C_TxInt_5, C_Max_7, C_NECI_0, C_ATT_0, TimingAdv( 0), C_BABR_0, C_cch_1Comb, C_BPM_3, C_T3212_0, C_ci_cellA, C_MCC_1, C_PLMN_1, C_LAC_1, CellOpt_01, CellChDes_Omit, CellChDes_Omit, C_CellReselectHys12, C_MaxPwrLvIG, C_MaxPwrLvID, BcchFreqLst_45, BcchFreqLst_02, BcchFreqLst_03, BcchFreqLst_04, C_Restablishment, C_BCC, C_NCC, C_Start_Tmsi, TSPX_SDCCH4SubDef, TSPX_CKSNDf, TSPX_RANDDef, C_arfcnA, C_arfcnAd, TSPX_IMSI, C_Test_nfh, C_NCCP_2) |                                                |     | 2.       |
| 5                           |            | +CCConfigTCH( TSPX_TCHHSubDef, C_Ass, TSPX_TmSlitDef, TSPX_TscDef, TimingAdv( 0), C_BABR_0, C_cch_1Comb, C_BPM_3, TCV_ChMod.mode, FreqTCH_omit, FreqTCH_omit, C_arfcn_tchA, C_arfcn_tchAd)                                                                                                                                                                                                                                                                                                                                                                            |                                                |     |          |
| 6                           |            | +InitCall( TCV_Service)                                                                                                                                                                                                                                                                                                                                                                                                                                                                                                                                               |                                                |     |          |
| 7                           |            | +PreEnterCCstateU10_21( TSPX_SDCCH4SubDef, TSPX_TmSlitDef, TSPX_TscDef, TimingAdv( 0))                                                                                                                                                                                                                                                                                                                                                                                                                                                                                |                                                |     | 3.       |
| 8                           | body       | (TCV_Setup_mt.sig := Signal_02, TCV_Setup_mt.ti := TCV_TI0)                                                                                                                                                                                                                                                                                                                                                                                                                                                                                                           |                                                |     | 4.       |
| 9                           |            | L!DL_DatRqSetup                                                                                                                                                                                                                                                                                                                                                                                                                                                                                                                                                       | SetupSnd( TCV_chTch, TCV_Setup_mt)             |     | 5.       |
| 10                          | L_043<br>6 | L?DL_DatInRelCmp                                                                                                                                                                                                                                                                                                                                                                                                                                                                                                                                                      | RelComRcv( ReleaseCmp_10( TCV_TI))             | (P) | 6.       |
| 11                          |            | +CCstatuschk_05(C_U10, TCV_TI, TCV_chTch)                                                                                                                                                                                                                                                                                                                                                                                                                                                                                                                             |                                                |     | 7.       |
| 12                          |            | +PostMainLinkRel( TCV_chTch)                                                                                                                                                                                                                                                                                                                                                                                                                                                                                                                                          |                                                |     |          |
| 13                          | L_043<br>7 | L?DL_DatInCallCo                                                                                                                                                                                                                                                                                                                                                                                                                                                                                                                                                      | CallCfm( CallConfirm_02( TCV_TI))              | (P) | 8.       |
| 14                          |            | L?DL_DatInAlert                                                                                                                                                                                                                                                                                                                                                                                                                                                                                                                                                       | AlertRcv( AlertingInd_02( TCV_TI))             |     |          |
| 15                          |            | L!DL_DatRqRelCmp                                                                                                                                                                                                                                                                                                                                                                                                                                                                                                                                                      | RelComSnd( TCV_chTch, ReleaseCmp_08( TCV_TI0)) |     |          |
| 16                          |            | +CCstatuschk_05( C_U10, TCV_TI, TCV_chTch)                                                                                                                                                                                                                                                                                                                                                                                                                                                                                                                            |                                                |     | 7.       |
| 17                          |            | +PostMainLinkRel( TCV_chTch)                                                                                                                                                                                                                                                                                                                                                                                                                                                                                                                                          |                                                |     |          |
| <b>Detailed Comments:</b>   |            | 1. Select a MT service supported by the MS, The SETUP_PDU will be stored in TCV_Setup_mt.                                                                                                                                                                                                                                                                                                                                                                                                                                                                             |                                                |     |          |
|                             |            | 2. To setup a physical channel as BCCH, CCCH and SDCCH4.                                                                                                                                                                                                                                                                                                                                                                                                                                                                                                              |                                                |     |          |
|                             |            | 3. To bring the MS into the state U10 of a MO call.                                                                                                                                                                                                                                                                                                                                                                                                                                                                                                                   |                                                |     |          |

4. a) add signal IE with "call waiting tone on" - b) Set TI value same as MO call and TI flag for MT.
5. To establish a second transaction for MT call with the same TI value as that in the MO call
6. Call waiting not supported.
7. To check whether the MS is still in the state U10.
8. Call waiting supported.

### Test Case Dynamic Behaviour

**Test Case Name:** TC\_26\_8\_1\_2\_7\_1  
**Group:** GSM\_L3\_MS\_v4200/CC/  
**Purpose:** To verify that the a CC-entity of the MS in CC-state U11, "Disconnect Request", upon receipt of a DISCONNECT message, returns to its peer entity the RELEASE message and enters the CC-state U19, "Release Request".  
**Default:** OtherEventsFail

| Nr | Label      | Behaviour Description                                                                                                                                                                                                                                                                                                                                                                                                                                                                                                                                                                                              | CRef                                                                                       | V   | Comments |
|----|------------|--------------------------------------------------------------------------------------------------------------------------------------------------------------------------------------------------------------------------------------------------------------------------------------------------------------------------------------------------------------------------------------------------------------------------------------------------------------------------------------------------------------------------------------------------------------------------------------------------------------------|--------------------------------------------------------------------------------------------|-----|----------|
| 1  |            | START T_guard(300)                                                                                                                                                                                                                                                                                                                                                                                                                                                                                                                                                                                                 |                                                                                            |     |          |
| 2  |            | +BasicServiceMOorTelephony(<br>TSPX_MOBscSvcG, TSPX_MOChRateG)                                                                                                                                                                                                                                                                                                                                                                                                                                                                                                                                                     |                                                                                            |     |          |
| 3  |            | +IdleUpdated( C_E_default, C_CellA, C_SCH_A,<br>C_BCCH_A_1, C_Immass, C_S0, C_SlotNU,<br>C_SlotNU, C_SlotNU, C_BCC, C_TxInt_5,<br>C_Max_7, C_NECI_0, C_ATT_0, TimingAdv( 0),<br>C_BABR_0, C_cch_1Comb, C_BPM_3,<br>C_T3212_0, C_ci_cellA, C_MCC_1, C_PLMN_1,<br>C_LAC_1, CellOpt_01, CellChDes_Omit,<br>CellChDes_Omit, C_CellReselectHys12,<br>C_MaxPwrLvIG, C_MaxPwrLvID,<br>BcchFreqLst_45, BcchFreqLst_02,<br>BcchFreqLst_03, BcchFreqLst_04,<br>C_Restablishment, C_BCC, C_NCC,<br>C_Start_Tmsi, TSPX_SDCCH4SubDef,<br>TSPX_CKSNDf, TSPX_RANDDef, C_arfcnA,<br>C_arfcnAd, TSPX_IMSI, C_Test_nfh,<br>C_NCCP_2) |                                                                                            |     | 1.       |
| 4  |            | +CCConfigTCH( TSPX_TCHHSubDef, C_Ass,<br>TSPX_TmSlitDef, TSPX_TscDef, TimingAdv( 0),<br>C_BABR_0, C_cch_1Comb, C_BPM_3,<br>TCV_ChMod.mode, FreqTCH_omit,<br>FreqTCH_omit, C_arfcn_tchA, C_arfcn_tchAd)                                                                                                                                                                                                                                                                                                                                                                                                             |                                                                                            |     |          |
| 5  |            | +InitCall( TCV_Service)                                                                                                                                                                                                                                                                                                                                                                                                                                                                                                                                                                                            |                                                                                            |     |          |
| 6  |            | +PreEnterCCstateU11_23(<br>TSPX_SDCCH4SubDef, TSPX_TmSlitDef,<br>TSPX_TscDef, TimingAdv( 0),<br>TSPX_CKSNDf, TSPX_RANDDef)                                                                                                                                                                                                                                                                                                                                                                                                                                                                                         |                                                                                            |     | 2.       |
| 7  | body       | L?DL_DatRqDisc                                                                                                                                                                                                                                                                                                                                                                                                                                                                                                                                                                                                     | DiscSnd(<br>TCV_chTch,<br>DisconnS( TCV_TI,<br>Cause_01,<br>ProgInd_omit,<br>UuInfo_omit)) |     |          |
| 8  | L_043<br>8 | L?DL_DatInRel                                                                                                                                                                                                                                                                                                                                                                                                                                                                                                                                                                                                      | ReleaseRcv(<br>Release_10(<br>TCV_TI0))                                                    | (P) | 3.       |
| 9  |            | +CCstatuschk_05( C_U19, TCV_TI,<br>TCV_chTch)                                                                                                                                                                                                                                                                                                                                                                                                                                                                                                                                                                      |                                                                                            |     | 4.       |
| 10 |            | +PostMainLinkRel( TCV_chTch)                                                                                                                                                                                                                                                                                                                                                                                                                                                                                                                                                                                       |                                                                                            |     |          |

**Detailed Comments:**

1. To setup a physical channel as BCCH, CCCH and SDCCH4.
2. To bring the MS into the state U11.
3. The expected RELEASE message received.
4. To check whether the MS enters the state U19.

| Test Case Dynamic Behaviour |            |                                                                                                                                                                                                                                                                                                                                                                                                                                                                                                                                                                         |                                           |     |          |
|-----------------------------|------------|-------------------------------------------------------------------------------------------------------------------------------------------------------------------------------------------------------------------------------------------------------------------------------------------------------------------------------------------------------------------------------------------------------------------------------------------------------------------------------------------------------------------------------------------------------------------------|-------------------------------------------|-----|----------|
| <b>Test Case Name:</b>      |            | TC_26_8_1_2_7_2                                                                                                                                                                                                                                                                                                                                                                                                                                                                                                                                                         |                                           |     |          |
| <b>Group:</b>               |            | GSM_L3_MS_v4200/CC/                                                                                                                                                                                                                                                                                                                                                                                                                                                                                                                                                     |                                           |     |          |
| <b>Purpose:</b>             |            | 1) To verify that the a CC-entity of the MS in CC-state U11, "Disconnect Request", upon receipt of the RELEASE message shall return RELEASE COMPLETE and enter the CC-state U0, "Null".<br>2) To verify that the MS on returning to the idle mode releases the MM-connection and that the CC-entities relating to the seven mobile originating transaction identifiers are in CC-state U0, "Null".                                                                                                                                                                      |                                           |     |          |
| <b>Default:</b>             |            | OtherEventsFail                                                                                                                                                                                                                                                                                                                                                                                                                                                                                                                                                         |                                           |     |          |
| Nr                          | Label      | Behaviour Description                                                                                                                                                                                                                                                                                                                                                                                                                                                                                                                                                   | CRef                                      | V   | Comments |
| 1                           |            | START T_guard(300)                                                                                                                                                                                                                                                                                                                                                                                                                                                                                                                                                      |                                           |     |          |
| 2                           |            | +BasicServiceMOorTelephony(TSPX_MOBscSvcH, TSPX_MOChRateH)                                                                                                                                                                                                                                                                                                                                                                                                                                                                                                              |                                           |     |          |
| 3                           |            | +IdleUpdated( C_E_default, C_CellA, C_SCH_A, C_BCCH_A_1, C_Immass, C_S0, C_SlotNU, C_SlotNU, C_SlotNU, C_BCC, C_TxInt_5, C_Max_7, C_NECI_0, C_ATT_0, TimingAdv( 0), C_BABR_0, C_cch_1Comb, C_BPM_3, C_T3212_0, C_ci_cellA, C_MCC_1, C_PLMN_1, C_LAC_1, CellOpt_01, CellChDes_Omit, CellChDes_Omit, C_CellReselectHys12, C_MaxPwrLvIG, C_MaxPwrLvID, BcchFreqLst_45, BcchFreqLst_02, BcchFreqLst_03, BcchFreqLst_04, C_Restablishment, C_BCC, C_NCC, C_Start_Tmsi, TSPX_SDCCH4SubDef, TSPX_CKSNDDef, TSPX_RANDDef, C_arfcnA, C_arfcnAd, TSPX_IMSI, C_Test_nfh, C_NCCP_2) |                                           |     | 1.       |
| 4                           |            | +CCConfigTCH( TSPX_TCHHSubDef, C_Ass, TSPX_TmSlitDef, TSPX_TscDef, TimingAdv( 0), C_BABR_0, C_cch_1Comb, C_BPM_3, TCV_ChMod.mode, FreqTCH_omit, FreqTCH_omit, C_arfcn_tchA, C_arfcn_tchAd)                                                                                                                                                                                                                                                                                                                                                                              |                                           |     |          |
| 5                           |            | +InitCall( TCV_Service)                                                                                                                                                                                                                                                                                                                                                                                                                                                                                                                                                 |                                           |     |          |
| 6                           |            | +PreEnterCCstateU11_23( TSPX_SDCCH4SubDef, TSPX_TmSlitDef, TSPX_TscDef, TimingAdv( 0), TSPX_CKSNDDef, TSPX_RANDDef)                                                                                                                                                                                                                                                                                                                                                                                                                                                     |                                           |     | 2.       |
| 7                           | body       | LIDL_DatRqRel                                                                                                                                                                                                                                                                                                                                                                                                                                                                                                                                                           | ReleaseSnd(TCV_chTch, Release_03(TCV_TI)) |     |          |
| 8                           | L_043<br>9 | L?DL_DatInRelCmp                                                                                                                                                                                                                                                                                                                                                                                                                                                                                                                                                        | RelComRcv(ReleaseCmp_03(TCV_TI0))         | (P) | 3.       |
| 9                           |            | +CheckTIsInStateU0( TRUE, TCV_chTch)                                                                                                                                                                                                                                                                                                                                                                                                                                                                                                                                    |                                           |     | 4.       |
| 10                          |            | +PostMainLinkRel( TCV_chTch)                                                                                                                                                                                                                                                                                                                                                                                                                                                                                                                                            |                                           |     |          |
| <b>Detailed Comments:</b>   |            | 1. To setup a physical channel as BCCH, CCCH and SDCCH4.<br>2. To bring the MS into the state U11.<br>3. The expected RELEASE COMPLETE message received.<br>4. To check that the CC entities with relevant transaction identifiers are in the state U0.                                                                                                                                                                                                                                                                                                                 |                                           |     |          |

| Test Case Dynamic Behaviour |            |                                                                                                                                                                                                                                                                                                                                                                                                                                                                                                                                                                         |                                             |     |          |
|-----------------------------|------------|-------------------------------------------------------------------------------------------------------------------------------------------------------------------------------------------------------------------------------------------------------------------------------------------------------------------------------------------------------------------------------------------------------------------------------------------------------------------------------------------------------------------------------------------------------------------------|---------------------------------------------|-----|----------|
| <b>Test Case Name:</b>      |            | TC_26_8_1_2_7_3                                                                                                                                                                                                                                                                                                                                                                                                                                                                                                                                                         |                                             |     |          |
| <b>Group:</b>               |            | GSM_L3_MS_v4200/CC/                                                                                                                                                                                                                                                                                                                                                                                                                                                                                                                                                     |                                             |     |          |
| <b>Purpose:</b>             |            | To verify that the a CC-entity of the MS in CC-state U11, "Disconnect Request" shall on expiry of T305, proceeds ahead with the connection release procedure by sending the RELEASE message to its peer entity and enters the CC-state U19, "Release Request".                                                                                                                                                                                                                                                                                                          |                                             |     |          |
| <b>Default:</b>             |            | OtherEventsFail                                                                                                                                                                                                                                                                                                                                                                                                                                                                                                                                                         |                                             |     |          |
| Nr                          | Label      | Behaviour Description                                                                                                                                                                                                                                                                                                                                                                                                                                                                                                                                                   | CRef                                        | V   | Comments |
| 1                           |            | START T_guard(300)                                                                                                                                                                                                                                                                                                                                                                                                                                                                                                                                                      |                                             |     |          |
| 2                           |            | +BasicServiceMOorTelephony( TSPX_MOBscSvcI, TSPX_MOChRatel)                                                                                                                                                                                                                                                                                                                                                                                                                                                                                                             |                                             |     |          |
| 3                           |            | +IdleUpdated( C_E_default, C_CellA, C_SCH_A, C_BCCH_A_1, C_Immass, C_S0, C_SlotNU, C_SlotNU, C_SlotNU, C_BCC, C_TxInt_5, C_Max_7, C_NECI_0, C_ATT_0, TimingAdv( 0), C_BABR_0, C_cch_1Comb, C_BPM_3, C_T3212_0, C_ci_cellA, C_MCC_1, C_PLMN_1, C_LAC_1, CellOpt_01, CellChDes_Omit, CellChDes_Omit, C_CellReselectHys12, C_MaxPwrLvIG, C_MaxPwrLvID, BcchFreqLst_45, BcchFreqLst_02, BcchFreqLst_03, BcchFreqLst_04, C_Restablishment, C_BCC, C_NCC, C_Start_Tmsi, TSPX_SDCCH4SubDef, TSPX_CKSNDDef, TSPX_RANDDef, C_arfcnA, C_arfcnAd, TSPX_IMSI, C_Test_nfh, C_NCCP_2) |                                             |     | 1.       |
| 4                           |            | +CCConfigTCH( TSPX_TCHHSubDef, C_Ass, TSPX_TmSlitDef, TSPX_TscDef, TimingAdv( 0), C_BABR_0, C_cch_1Comb, C_BPM_3, TCV_ChMod.mode, FreqTCH_omit, FreqTCH_omit, C_arfcn_tchA, C_arfcn_tchAd)                                                                                                                                                                                                                                                                                                                                                                              |                                             |     |          |
| 5                           |            | +InitCall( TCV_Service)                                                                                                                                                                                                                                                                                                                                                                                                                                                                                                                                                 |                                             |     |          |
| 6                           |            | +PreEnterCCstateU11_23Timer( TSPX_SDCCH4SubDef, TSPX_TmSlitDef, TSPX_TscDef, TimingAdv( 0), TSPX_CKSNDDef, TSPX_RANDDef)                                                                                                                                                                                                                                                                                                                                                                                                                                                |                                             |     | 2.       |
| 7                           | body       | (TCV_Cau0.iei := '00001000'B)                                                                                                                                                                                                                                                                                                                                                                                                                                                                                                                                           |                                             |     | 3.       |
| 8                           | L_044<br>0 | L?DL_DatInRel( TCV_Fn1 := DL_DatInRel.fn) READTIMER T_dly(TCV_Time), CANCEL T_dly                                                                                                                                                                                                                                                                                                                                                                                                                                                                                       | ReleaseRcv( Release_05( TCV_TI0, TCV_Cau0)) | (P) |          |
| 9                           | L_044<br>1 | [(TCV_Time < 27000) OR (TCV_Time >= 33000)]                                                                                                                                                                                                                                                                                                                                                                                                                                                                                                                             |                                             | (F) | 4.       |
| 10                          |            | +PostMainLinkRel( TCV_chTch)                                                                                                                                                                                                                                                                                                                                                                                                                                                                                                                                            |                                             |     |          |
| 11                          | L_044<br>2 | [(TCV_Time >= 27000) AND(TCV_Time < 33000)]                                                                                                                                                                                                                                                                                                                                                                                                                                                                                                                             |                                             | (P) | 5.       |
| 12                          |            | +CCstatuschk_05( C_U19, TCV_TI, TCV_chTch)                                                                                                                                                                                                                                                                                                                                                                                                                                                                                                                              |                                             |     | 6.       |
| 13                          |            | +PostMainLinkRel( TCV_chTch)                                                                                                                                                                                                                                                                                                                                                                                                                                                                                                                                            |                                             |     |          |
| <b>Detailed Comments:</b>   |            | <ol style="list-style-type: none"> <li>1. To setup a physical channel as BCCH, CCCH and SDCCH4.</li> <li>2. To bring the MS into the state U11.</li> <li>3. Cause IE in DISCONNECT without IEI, add IEI to the Cause IE received from DISCONNECT.</li> <li>4. Fail, if the timeout value of the T305 timer is either greater than or equal to 33 seconds, or less than 27 seconds.</li> <li>5. Pass, if the timeout value of T305 is OK.</li> <li>6. To check whether the MS enters the state U19.</li> </ol>                                                           |                                             |     |          |

| Test Case Dynamic Behaviour |       |                                                                                                                                                                                                                                                                                                                                                                                                                                                                                                                                                                         |      |   |          |
|-----------------------------|-------|-------------------------------------------------------------------------------------------------------------------------------------------------------------------------------------------------------------------------------------------------------------------------------------------------------------------------------------------------------------------------------------------------------------------------------------------------------------------------------------------------------------------------------------------------------------------------|------|---|----------|
| <b>Test Case Name:</b>      |       | TC_26_8_1_2_7_4                                                                                                                                                                                                                                                                                                                                                                                                                                                                                                                                                         |      |   |          |
| <b>Group:</b>               |       | GSM_L3_MS_v4200/CC/                                                                                                                                                                                                                                                                                                                                                                                                                                                                                                                                                     |      |   |          |
| <b>Purpose:</b>             |       | To verify that the a CC-entity of the MS in CC-state U11, "Disconnect Request" having detected a lower layer failure returns to the idle mode. The CC entities relating to the seven mobile originating transaction identifiers are thus in state U0, "Null".                                                                                                                                                                                                                                                                                                           |      |   |          |
| <b>Default:</b>             |       | OtherEventsFail                                                                                                                                                                                                                                                                                                                                                                                                                                                                                                                                                         |      |   |          |
| Nr                          | Label | Behaviour Description                                                                                                                                                                                                                                                                                                                                                                                                                                                                                                                                                   | CRef | V | Comments |
| 1                           |       | START T_guard(300)                                                                                                                                                                                                                                                                                                                                                                                                                                                                                                                                                      |      |   |          |
| 2                           |       | +BasicServiceMOorTelephony( TSPX_MOBscSvcJ, TSPX_MOChRateJ)                                                                                                                                                                                                                                                                                                                                                                                                                                                                                                             |      |   | 1.       |
| 3                           |       | +IdleUpdated( C_E_default, C_CellA, C_SCH_A, C_BCCH_A_1, C_Immass, C_S0, C_SlotNU, C_SlotNU, C_SlotNU, C_BCC, C_TxInt_5, C_Max_7, C_NECl_0, C_ATT_0, TimingAdv( 0), C_BABR_0, C_cch_1Comb, C_BPM_3, C_T3212_0, C_ci_cellA, C_MCC_1, C_PLMN_1, C_LAC_1, CellOpt_01, CellChDes_Omit, CellChDes_Omit, C_CellReselectHys12, C_MaxPwrLvIG, C_MaxPwrLvID, BcchFreqLst_45, BcchFreqLst_02, BcchFreqLst_03, BcchFreqLst_04, C_Restablishment, C_BCC, C_NCC, C_Start_Tmsi, TSPX_SDCCH4SubDef, TSPX_CKSNDDef, TSPX_RANDDef, C_arfcnA, C_arfcnAd, TSPX_IMSI, C_Test_nfh, C_NCCP_2) |      |   | 2.       |
| 4                           |       | +CCConfigTCH_nociph( TSPX_TCHHSubDef, C_Immass, TSPX_TmSlTDef, TSPX_TscDef, TimingAdv( 0), C_BABR_0, C_cch_1Comb, C_BPM_3, TCV_ChMod.mode, FreqTCH_omit, FreqTCH_omit, C_arfcn_tchA, C_arfcn_tchAd)                                                                                                                                                                                                                                                                                                                                                                     |      |   | 2.       |
| 5                           |       | +InitCall( TCV_Service)                                                                                                                                                                                                                                                                                                                                                                                                                                                                                                                                                 |      |   |          |
| 6                           |       | +PreEnterCCstateU11_24( TSPX_TmSlTDef, TSPX_TscDef, TimingAdv( 0))                                                                                                                                                                                                                                                                                                                                                                                                                                                                                                      |      |   |          |
| 7                           | body  | (TCV_Null := OM_LowerLayerFail( TCV_chTch))                                                                                                                                                                                                                                                                                                                                                                                                                                                                                                                             |      |   |          |
| 8                           |       | START T_dly( 20000)                                                                                                                                                                                                                                                                                                                                                                                                                                                                                                                                                     |      |   |          |
| 9                           |       | ?TIMEOUT T_dly                                                                                                                                                                                                                                                                                                                                                                                                                                                                                                                                                          |      |   |          |
| 10                          |       | +CCEstablishMT_SDCCH4( TimingAdv( 0), TSPX_SDCCH4SubDef, TSPX_CKSNDDef)                                                                                                                                                                                                                                                                                                                                                                                                                                                                                                 |      |   |          |
| 11                          |       | +CheckTIsInStateU0( TRUE, TCV_ch)                                                                                                                                                                                                                                                                                                                                                                                                                                                                                                                                       |      |   |          |
| 12                          |       | +PostMainLinkRel( TCV_ch)                                                                                                                                                                                                                                                                                                                                                                                                                                                                                                                                               |      |   |          |
| <b>Detailed Comments:</b>   |       | 1. To select a circuit switched basic service for testing.<br>2. To setup BCCH, CCCH and traffic channels.                                                                                                                                                                                                                                                                                                                                                                                                                                                              |      |   |          |

| Test Case Dynamic Behaviour |            |                                                                                                                                                                                                                                                                                                                                                                                                                                                                                                                                                                                                                      |                                                            |     |          |
|-----------------------------|------------|----------------------------------------------------------------------------------------------------------------------------------------------------------------------------------------------------------------------------------------------------------------------------------------------------------------------------------------------------------------------------------------------------------------------------------------------------------------------------------------------------------------------------------------------------------------------------------------------------------------------|------------------------------------------------------------|-----|----------|
| <b>Test Case Name:</b>      |            | TC_26_8_1_2_7_5                                                                                                                                                                                                                                                                                                                                                                                                                                                                                                                                                                                                      |                                                            |     |          |
| <b>Group:</b>               |            | GSM_L3_MS_v4200/CC/                                                                                                                                                                                                                                                                                                                                                                                                                                                                                                                                                                                                  |                                                            |     |          |
| <b>Purpose:</b>             |            | To verify that the a CC-entity of the MS in CC-state U11, "Call Delivered" having received an unknown message from its peer entity shall return a STATUS message.                                                                                                                                                                                                                                                                                                                                                                                                                                                    |                                                            |     |          |
| <b>Default:</b>             |            | OtherEventsFail                                                                                                                                                                                                                                                                                                                                                                                                                                                                                                                                                                                                      |                                                            |     |          |
| Nr                          | Label      | Behaviour Description                                                                                                                                                                                                                                                                                                                                                                                                                                                                                                                                                                                                | CRef                                                       | V   | Comments |
| 1                           |            | START T_guard(300)                                                                                                                                                                                                                                                                                                                                                                                                                                                                                                                                                                                                   |                                                            |     |          |
| 2                           |            | +BasicServiceMOorTelephony(<br>TSPX_MOBscSvcA, TSPX_MOChRateA)                                                                                                                                                                                                                                                                                                                                                                                                                                                                                                                                                       |                                                            |     | 1.       |
| 3                           |            | +IdleUpdated( C_E_default, C_CellA, C_SCH_A,<br>C_BCCH_A_1, C_Immass, C_S0, C_SlotNU,<br>C_SlotNU, C_SlotNU, C_BCC, C_TxInt_5,<br>C_Max_7, C_NECI_0, C_ATT_0, TimingAdv( 0),<br>C_BABR_0, C_cch_1Comb, C_BPM_3,<br>C_T3212_0, C_ci_cellA, C_MCC_1, C_PLMN_1,<br>C_LAC_1, CellOpt_01, CellChDes_Omit,<br>CellChDes_Omit, C_CellReselectHys12,<br>C_MaxPwrLvIG, C_MaxPwrLvID,<br>BcchFreqLst_45, BcchFreqLst_02,<br>BcchFreqLst_03, BcchFreqLst_04,<br>C_Restablishment, C_BCC, C_NCC,<br>C_Start_Tmsi, TSPX_SDCCH4SubDef,<br>TSPX_CKSNDDef, TSPX_RANDDef, C_arfcnA,<br>C_arfcnAd, TSPX_IMSI, C_Test_nfh,<br>C_NCCP_2) |                                                            |     | 2.       |
| 4                           |            | +CCConfigTCH_nociph( TSPX_TCHHSubDef,<br>C_Immass, TSPX_TmSltDef, TSPX_TscDef,<br>TimingAdv( 0), C_BABR_0, C_cch_1Comb,<br>C_BPM_3, TCV_ChMod.mode, FreqTCH_omit,<br>FreqTCH_omit, C_arfcn_tchA, C_arfcn_tchAd)                                                                                                                                                                                                                                                                                                                                                                                                      |                                                            |     | 2.       |
| 5                           |            | +InitCall( TCV_Service)                                                                                                                                                                                                                                                                                                                                                                                                                                                                                                                                                                                              |                                                            |     |          |
| 6                           |            | +PreEnterCCstateU11_24(<br>TSPX_TmSltDef, TSPX_TscDef,<br>TimingAdv( 0))                                                                                                                                                                                                                                                                                                                                                                                                                                                                                                                                             |                                                            |     |          |
| 7                           | body       | L?DL_DatRqUndefCC                                                                                                                                                                                                                                                                                                                                                                                                                                                                                                                                                                                                    | UndefCC(<br>TCV_chTch,<br>UndefCC_02(<br>TCV_TI))          |     | 3.       |
| 8                           | L_044<br>3 | L?DL_DatInCcst                                                                                                                                                                                                                                                                                                                                                                                                                                                                                                                                                                                                       | CCStRcv(<br>TCV_chTch,<br>CCStatus_08(<br>TCV_TI0, C_U11)) | (P) |          |
| 9                           |            | +CCstatuschk_05( C_U11, TCV_TI,<br>TCV_chTch)                                                                                                                                                                                                                                                                                                                                                                                                                                                                                                                                                                        |                                                            |     |          |
| 10                          |            | +PostMainLinkRel( TCV_chTch)                                                                                                                                                                                                                                                                                                                                                                                                                                                                                                                                                                                         |                                                            |     |          |
| <b>Detailed Comments:</b>   |            | <ol style="list-style-type: none"> <li>1. To select a circuit switched basic service for testing.</li> <li>2. To setup BCCH, CCCH and traffic channels.</li> <li>3. To send a CC message which message type is undefined for the CC.</li> </ol>                                                                                                                                                                                                                                                                                                                                                                      |                                                            |     |          |

| Test Case Dynamic Behaviour |       |                                                                                                                                                                                                                                                                                                                                                                                                                                                                                                                                                                         |                                   |   |          |
|-----------------------------|-------|-------------------------------------------------------------------------------------------------------------------------------------------------------------------------------------------------------------------------------------------------------------------------------------------------------------------------------------------------------------------------------------------------------------------------------------------------------------------------------------------------------------------------------------------------------------------------|-----------------------------------|---|----------|
| <b>Test Case Name:</b>      |       | TC_26_8_1_2_8_1                                                                                                                                                                                                                                                                                                                                                                                                                                                                                                                                                         |                                   |   |          |
| <b>Group:</b>               |       | GSM_L3_MS_v4200/CC/                                                                                                                                                                                                                                                                                                                                                                                                                                                                                                                                                     |                                   |   |          |
| <b>Purpose:</b>             |       | To verify that a CC-entity of the MS in CC-state U12, "Disconnect Indication" being in network initiated call release phase, shall, upon receiving a call release request from the user sends a RELEASE to its peer entity and enters CC-state U19, "Release Request"                                                                                                                                                                                                                                                                                                   |                                   |   |          |
| <b>Default:</b>             |       | OtherEventsFail                                                                                                                                                                                                                                                                                                                                                                                                                                                                                                                                                         |                                   |   |          |
| Nr                          | Label | Behaviour Description                                                                                                                                                                                                                                                                                                                                                                                                                                                                                                                                                   | CRef                              | V | Comments |
| 1                           |       | START T_guard(300)                                                                                                                                                                                                                                                                                                                                                                                                                                                                                                                                                      |                                   |   |          |
| 2                           |       | +SpeechService                                                                                                                                                                                                                                                                                                                                                                                                                                                                                                                                                          |                                   |   |          |
| 3                           |       | +IdleUpdated( C_E_default, C_CellA, C_SCH_A, C_BCCH_A_1, C_Immass, C_S0, C_SlotNU, C_SlotNU, C_SlotNU, C_BCC, C_TxInt_5, C_Max_7, C_NECL_0, C_ATT_0, TimingAdv( 0), C_BABR_0, C_cch_1Comb, C_BPM_3, C_T3212_0, C_ci_cellA, C_MCC_1, C_PLMN_1, C_LAC_1, CellOpt_01, CellChDes_Omit, CellChDes_Omit, C_CellReselectHys12, C_MaxPwrLvlG, C_MaxPwrLvlD, BcchFreqLst_45, BcchFreqLst_02, BcchFreqLst_03, BcchFreqLst_04, C_Restablishment, C_BCC, C_NCC, C_Start_Tmsi, TSPX_SDCCH4SubDef, TSPX_CKSNDDef, TSPX_RANDDef, C_arfcnA, C_arfcnAd, TSPX_IMSI, C_Test_nfh, C_NCCP_2) |                                   |   | 1.       |
| 4                           |       | +CCConfigTCH( TSPX_TCHHSubDef, C_Ass, TSPX_TmSlitDef, TSPX_TscDef, TimingAdv( 0), C_BABR_0, C_cch_1Comb, C_BPM_3, C_ChMod_r, FreqTCH_omit, FreqTCH_omit, C_arfcn_tchA, C_arfcn_tchAd)                                                                                                                                                                                                                                                                                                                                                                                   |                                   |   |          |
| 5                           |       | +InitCall( TCV_Service)                                                                                                                                                                                                                                                                                                                                                                                                                                                                                                                                                 |                                   |   |          |
| 6                           |       | +PreEnterCCstateU12_21( TSPX_SDCCH4SubDef, TSPX_TmSlitDef, TSPX_TscDef, TimingAdv( 0))                                                                                                                                                                                                                                                                                                                                                                                                                                                                                  |                                   |   | 2.       |
| 7                           | body  | (TCV_Null := OO_TermCall())                                                                                                                                                                                                                                                                                                                                                                                                                                                                                                                                             |                                   |   | 3.       |
| 8                           |       | L?DL_DatInRel                                                                                                                                                                                                                                                                                                                                                                                                                                                                                                                                                           | ReleaseRcv( Release_10( TCV_TI0)) |   | 4.       |
| 9                           |       | +CCstatuschk_05( C_U19, TCV_TI, TCV_chTch)                                                                                                                                                                                                                                                                                                                                                                                                                                                                                                                              |                                   |   | 5.       |
| 10                          |       | +PostMainLinkRel( TCV_chTch)                                                                                                                                                                                                                                                                                                                                                                                                                                                                                                                                            |                                   |   |          |
| <b>Detailed Comments:</b>   |       | <ol style="list-style-type: none"> <li>1. To setup a physical channel as BCCH, CCCH and SDCHH4, and wait for the MS in service.</li> <li>2. To bring the MS into the state U12.</li> <li>3. MMI action, "on hook".</li> <li>4. The expected RELEASE message received.</li> <li>5. To check whether the MS is in the state U19.</li> </ol>                                                                                                                                                                                                                               |                                   |   |          |

### Test Case Dynamic Behaviour

**Test Case Name:** TC\_26\_8\_1\_2\_8\_2  
**Group:** GSM\_L3\_MS\_v4200/CC/  
**Purpose:** 1) To verify that a CC-entity of the MS in CC-state U12, "Disconnect Indication", upon receipt of a RELEASE message returns to its peer entity the RELEASE COMPLETE message and enters the CC-state U0, "Null"  
 2) To verify that the MS on returning to the idle mode releases the MM-connection and that the CC-entities relating to the seven mobile originating transaction identifiers are in CC-state U0, "Null".  
**Default:** OtherEventsFail

| Nr | Label      | Behaviour Description                                                                                                                                                                                                                                                                                                                                                                                                                                                                                                                                                   | CRef                                        | V   | Comments |
|----|------------|-------------------------------------------------------------------------------------------------------------------------------------------------------------------------------------------------------------------------------------------------------------------------------------------------------------------------------------------------------------------------------------------------------------------------------------------------------------------------------------------------------------------------------------------------------------------------|---------------------------------------------|-----|----------|
| 1  |            | START T_guard(300)                                                                                                                                                                                                                                                                                                                                                                                                                                                                                                                                                      |                                             |     |          |
| 2  |            | +SpeechService                                                                                                                                                                                                                                                                                                                                                                                                                                                                                                                                                          |                                             |     |          |
| 3  |            | +IdleUpdated( C_E_default, C_CellA, C_SCH_A, C_BCCH_A_1, C_Immass, C_S0, C_SlotNU, C_SlotNU, C_SlotNU, C_BCC, C_TxInt_5, C_Max_7, C_NECI_0, C_ATT_0, TimingAdv( 0), C_BABR_0, C_cch_1Comb, C_BPM_3, C_T3212_0, C_ci_cellA, C_MCC_1, C_PLMN_1, C_LAC_1, CellOpt_01, CellChDes_Omit, CellChDes_Omit, C_CellReselectHys12, C_MaxPwrLvIG, C_MaxPwrLvID, BcchFreqLst_45, BcchFreqLst_02, BcchFreqLst_03, BcchFreqLst_04, C_Restablishment, C_BCC, C_NCC, C_Start_Tmsi, TSPX_SDCCH4SubDef, TSPX_CKSNDDef, TSPX_RANDDef, C_arfcnA, C_arfcnAd, TSPX_IMSI, C_Test_nfh, C_NCCP_2) |                                             |     | 1.       |
| 4  |            | +CCConfigTCH( TSPX_TCHHSubDef, C_Ass, TSPX_TmSitDef, TSPX_TscDef, TimingAdv( 0), C_BABR_0, C_cch_1Comb, C_BPM_3, C_ChMod_r, FreqTCH_omit, FreqTCH_omit, C_arfcn_tchA, C_arfcn_tchAd)                                                                                                                                                                                                                                                                                                                                                                                    |                                             |     |          |
| 5  |            | +InitCall( TCV_Service)                                                                                                                                                                                                                                                                                                                                                                                                                                                                                                                                                 |                                             |     |          |
| 6  |            | +PreEnterCCstateU12_21( TSPX_SDCCH4SubDef, TSPX_TmSitDef, TSPX_TscDef, TimingAdv( 0))                                                                                                                                                                                                                                                                                                                                                                                                                                                                                   |                                             |     | 2.       |
| 7  | body       | L!DL_DatRqRel                                                                                                                                                                                                                                                                                                                                                                                                                                                                                                                                                           | ReleaseSnd( TCV_chTch, Release_03( TCV_TI)) |     |          |
| 8  | L_044<br>4 | L?DL_DatInRelCmp                                                                                                                                                                                                                                                                                                                                                                                                                                                                                                                                                        | RelComRcv( ReleaseCmp_03( TCV_TI0))         | (P) | 3.       |
| 9  |            | +CheckTIsInStateU0( TRUE, TCV_chTch)                                                                                                                                                                                                                                                                                                                                                                                                                                                                                                                                    |                                             |     | 4.       |
| 10 |            | +PostMainLinkRel( TCV_chTch)                                                                                                                                                                                                                                                                                                                                                                                                                                                                                                                                            |                                             |     |          |

**Detailed Comments:**

1. To setup a physical channel as BCCH, CCCH and SDCH4, and wait for the MS in service.
2. To bring the MS into the state U12. Within the step a physical channel as appropriate traffic channel is setup.
3. The expected RELEASE COMPLETE message received.
4. To check whether the CC entities related to the seven mobile originating transaction is in the state U0.



| Test Case Dynamic Behaviour |       |                                                                                                                                                                                                                                                                                                                                                                                                                                                                                                                                                                         |      |   |          |
|-----------------------------|-------|-------------------------------------------------------------------------------------------------------------------------------------------------------------------------------------------------------------------------------------------------------------------------------------------------------------------------------------------------------------------------------------------------------------------------------------------------------------------------------------------------------------------------------------------------------------------------|------|---|----------|
| <b>Test Case Name:</b>      |       | TC_26_8_1_2_8_3                                                                                                                                                                                                                                                                                                                                                                                                                                                                                                                                                         |      |   |          |
| <b>Group:</b>               |       | GSM_L3_MS_v4200/CC/                                                                                                                                                                                                                                                                                                                                                                                                                                                                                                                                                     |      |   |          |
| <b>Purpose:</b>             |       | To verify that a CC-entity of the MS in CC-state U12, "Disconnect Indication" having detected a lower layer failure returns to idle mode. The CC-entities relating to the seven mobile originating transaction identifiers are thus in state U0, "Null".                                                                                                                                                                                                                                                                                                                |      |   |          |
| <b>Default:</b>             |       | OtherEventsFail                                                                                                                                                                                                                                                                                                                                                                                                                                                                                                                                                         |      |   |          |
| Nr                          | Label | Behaviour Description                                                                                                                                                                                                                                                                                                                                                                                                                                                                                                                                                   | CRef | V | Comments |
| 1                           |       | START T_guard(300)                                                                                                                                                                                                                                                                                                                                                                                                                                                                                                                                                      |      |   |          |
| 2                           |       | +SpeechService                                                                                                                                                                                                                                                                                                                                                                                                                                                                                                                                                          |      |   |          |
| 3                           |       | +IdleUpdated( C_E_default, C_CellA, C_SCH_A, C_BCCH_A_1, C_Immass, C_S0, C_SlotNU, C_SlotNU, C_SlotNU, C_BCC, C_TxInt_5, C_Max_7, C_NECI_0, C_ATT_0, TimingAdv( 0), C_BABR_0, C_cch_1Comb, C_BPM_3, C_T3212_0, C_ci_cellA, C_MCC_1, C_PLMN_1, C_LAC_1, CellOpt_01, CellChDes_Omit, CellChDes_Omit, C_CellReselectHys12, C_MaxPwrLvlG, C_MaxPwrLvlD, BcchFreqLst_45, BcchFreqLst_02, BcchFreqLst_03, BcchFreqLst_04, C_Restablishment, C_BCC, C_NCC, C_Start_Tmsi, TSPX_SDCCH4SubDef, TSPX_CKSNDDef, TSPX_RANDDef, C_arfcnA, C_arfcnAd, TSPX_IMSI, C_Test_nfh, C_NCCP_2) |      |   |          |
| 4                           |       | +CCConfigTCH_nociph( TSPX_TCHHSubDef, C_Immass, TSPX_TmSltDef, TSPX_TscDef, TimingAdv( 0), C_BABR_0, C_cch_1Comb, C_BPM_3, TCV_ChMod.mode, FreqTCH_omit, FreqTCH_omit, C_arfcn_tchA, C_arfcn_tchAd)                                                                                                                                                                                                                                                                                                                                                                     |      |   |          |
| 5                           |       | +InitCall( TCV_Service)                                                                                                                                                                                                                                                                                                                                                                                                                                                                                                                                                 |      |   |          |
| 6                           |       | +PreEnterCCstateU12_22( TSPX_TmSltDef, TSPX_TscDef, TimingAdv( 0))                                                                                                                                                                                                                                                                                                                                                                                                                                                                                                      |      |   |          |
| 7                           | body  | (TCV_Null := OM_LowerLayerFail( TCV_chTch))                                                                                                                                                                                                                                                                                                                                                                                                                                                                                                                             |      |   |          |
| 8                           |       | START T_dly( 20000)                                                                                                                                                                                                                                                                                                                                                                                                                                                                                                                                                     |      |   |          |
| 9                           |       | ?TIMEOUT T_dly                                                                                                                                                                                                                                                                                                                                                                                                                                                                                                                                                          |      |   |          |
| 10                          |       | +CCEstablishMT_SDCCH4( TimingAdv( 0), TSPX_SDCCH4SubDef, TSPX_CKSNDDef)                                                                                                                                                                                                                                                                                                                                                                                                                                                                                                 |      |   |          |
| 11                          |       | +CheckTIsInStateU0( TRUE, TCV_ch)                                                                                                                                                                                                                                                                                                                                                                                                                                                                                                                                       |      |   |          |
| 12                          |       | +PostMainLinkRel( TCV_ch)                                                                                                                                                                                                                                                                                                                                                                                                                                                                                                                                               |      |   |          |
| <b>Detailed Comments:</b>   |       |                                                                                                                                                                                                                                                                                                                                                                                                                                                                                                                                                                         |      |   |          |

| Test Case Dynamic Behaviour |       |                                                                                                                                                                                                                                                                                                                                                                                                                                                                                                                                                                         |                                                   |   |          |
|-----------------------------|-------|-------------------------------------------------------------------------------------------------------------------------------------------------------------------------------------------------------------------------------------------------------------------------------------------------------------------------------------------------------------------------------------------------------------------------------------------------------------------------------------------------------------------------------------------------------------------------|---------------------------------------------------|---|----------|
| <b>Test Case Name:</b>      |       | TC_26_8_1_2_8_4                                                                                                                                                                                                                                                                                                                                                                                                                                                                                                                                                         |                                                   |   |          |
| <b>Group:</b>               |       | GSM_L3_MS_v4200/CC/                                                                                                                                                                                                                                                                                                                                                                                                                                                                                                                                                     |                                                   |   |          |
| <b>Purpose:</b>             |       | To verify that a CC-entity of the MS in CC-state U12, "Disconnect Indication" having received an unknown message from its peer entity returns a STATUS message.                                                                                                                                                                                                                                                                                                                                                                                                         |                                                   |   |          |
| <b>Default:</b>             |       | OtherEventsFail                                                                                                                                                                                                                                                                                                                                                                                                                                                                                                                                                         |                                                   |   |          |
| Nr                          | Label | Behaviour Description                                                                                                                                                                                                                                                                                                                                                                                                                                                                                                                                                   | CRef                                              | V | Comments |
| 1                           |       | START T_guard(300)                                                                                                                                                                                                                                                                                                                                                                                                                                                                                                                                                      |                                                   |   |          |
| 2                           |       | +SpeechService                                                                                                                                                                                                                                                                                                                                                                                                                                                                                                                                                          |                                                   |   |          |
| 3                           |       | +IdleUpdated( C_E_default, C_CellA, C_SCH_A, C_BCCH_A_1, C_Immass, C_S0, C_SlotNU, C_SlotNU, C_SlotNU, C_BCC, C_TxInt_5, C_Max_7, C_NECI_0, C_ATT_0, TimingAdv( 0), C_BABR_0, C_cch_1Comb, C_BPM_3, C_T3212_0, C_ci_cellA, C_MCC_1, C_PLMN_1, C_LAC_1, CellOpt_01, CellChDes_Omit, CellChDes_Omit, C_CellReselectHys12, C_MaxPwrLvIG, C_MaxPwrLvID, BcchFreqLst_45, BcchFreqLst_02, BcchFreqLst_03, BcchFreqLst_04, C_Restablishment, C_BCC, C_NCC, C_Start_Tmsi, TSPX_SDCCH4SubDef, TSPX_CKSNDDef, TSPX_RANDDef, C_arfcnA, C_arfcnAd, TSPX_IMSI, C_Test_nfh, C_NCCP_2) |                                                   |   | 1.       |
| 4                           |       | +CCConfigTCH( TSPX_TCHHSubDef, C_Ass, TSPX_TmSlitDef, TSPX_TscDef, TimingAdv( 0), C_BABR_0, C_cch_1Comb, C_BPM_3, C_ChMod_r, FreqTCH_omit, FreqTCH_omit, C_arfcn_tchA, C_arfcn_tchAd)                                                                                                                                                                                                                                                                                                                                                                                   |                                                   |   |          |
| 5                           |       | +InitCall( TCV_Service)                                                                                                                                                                                                                                                                                                                                                                                                                                                                                                                                                 |                                                   |   |          |
| 6                           |       | +PreEnterCCstateU12_23( TSPX_SDCCH4SubDef, TSPX_TmSlitDef, TSPX_TscDef, TimingAdv( 0), TSPX_CKSNDDef, TSPX_RANDDef)                                                                                                                                                                                                                                                                                                                                                                                                                                                     |                                                   |   | 2.       |
| 7                           | body  | L!DL_DatRqUndefCC                                                                                                                                                                                                                                                                                                                                                                                                                                                                                                                                                       | UndefCC( TCV_chTch, UndefCC_02(TCV_TI) )          |   | 3.       |
| 8                           |       | L?DL_DatInCst                                                                                                                                                                                                                                                                                                                                                                                                                                                                                                                                                           | CCStRcv( TCV_chTch, CCStatus_08( TCV_TI0, C_U12)) |   | 4.       |
| 9                           |       | +CCstatuschk_05( C_U12, TCV_TI, TCV_chTch)                                                                                                                                                                                                                                                                                                                                                                                                                                                                                                                              |                                                   |   | 5.       |
| 10                          |       | +PostMainLinkRel( TCV_chTch)                                                                                                                                                                                                                                                                                                                                                                                                                                                                                                                                            |                                                   |   |          |
| <b>Detailed Comments:</b>   |       | <ol style="list-style-type: none"> <li>1. To setup a physical channel as BCCH, CCCH and SDCCH4, waiting for the MS in service.</li> <li>2. To bring the MS into the state U12.</li> <li>3. To send a CC message which message type is undefined for the CC.</li> <li>4. The expected STATUS message with cause #97 received.</li> <li>5. To check whether the MS is still in the state U12.</li> </ol>                                                                                                                                                                  |                                                   |   |          |

| Test Case Dynamic Behaviour |            |                                                                                                                                                                                                                                                                                                                                                                                                                                                                                                                                                                       |                                 |     |                 |
|-----------------------------|------------|-----------------------------------------------------------------------------------------------------------------------------------------------------------------------------------------------------------------------------------------------------------------------------------------------------------------------------------------------------------------------------------------------------------------------------------------------------------------------------------------------------------------------------------------------------------------------|---------------------------------|-----|-----------------|
| <b>Test Case Name:</b>      |            | TC_26_8_1_2_9_1                                                                                                                                                                                                                                                                                                                                                                                                                                                                                                                                                       |                                 |     |                 |
| <b>Group:</b>               |            | GSM_L3_MS_v4200/CC/                                                                                                                                                                                                                                                                                                                                                                                                                                                                                                                                                   |                                 |     |                 |
| <b>Purpose:</b>             |            | To verify that a CC-entity of the MS in CC-state U19, "Release Request" will, upon the first expiry of timer T308 send the RELEASE message to its peer entity and remain in the CC-state U19.                                                                                                                                                                                                                                                                                                                                                                         |                                 |     |                 |
| <b>Default:</b>             |            | OtherEventsFail                                                                                                                                                                                                                                                                                                                                                                                                                                                                                                                                                       |                                 |     |                 |
| Nr                          | Label      | Behaviour Description                                                                                                                                                                                                                                                                                                                                                                                                                                                                                                                                                 | CRef                            | V   | Comments        |
| 1                           |            | START T_guard(300)                                                                                                                                                                                                                                                                                                                                                                                                                                                                                                                                                    |                                 |     |                 |
| 2                           |            | +BasicServiceMOorTelephony(TSPX_MOBscSvcB, TSPX_MOChRateB)                                                                                                                                                                                                                                                                                                                                                                                                                                                                                                            |                                 |     |                 |
| 3                           |            | +IdleUpdated( C_E_default, C_CellA, C_SCH_A, C_BCCH_A_1, C_Immass, C_S0, C_SlotNU, C_SlotNU, C_SlotNU, C_BCC, C_TxInt_5, C_Max_7, C_NECI_0, C_ATT_0, TimingAdv( 0), C_BABR_0, C_cch_1Comb, C_BPM_3, C_T3212_0, C_ci_cellA, C_MCC_1, C_PLMN_1, C_LAC_1, CellOpt_01, CellChDes_Omit, CellChDes_Omit, C_CellReselectHys12, C_MaxPwrLvlG, C_MaxPwrLvlD, BcchFreqLst_45, BcchFreqLst_02, BcchFreqLst_03, BcchFreqLst_04, C_Restablishment, C_BCC, C_NCC, C_Start_Tmsi, TSPX_SDCCH4SubDef, TSPX_CKSNDf, TSPX_RANDDef, C_arfcnA, C_arfcnAd, TSPX_IMSI, C_Test_nfh, C_NCCP_2) |                                 |     |                 |
| 4                           |            | +CCConfigTCH_nociph( TSPX_TCHHSubDef, C_Immass, TSPX_TmSlitDef, TSPX_TscDef, TimingAdv( 0), C_BABR_0, C_cch_1Comb, C_BPM_3, TCV_ChMod.mode, FreqTCH_omit, FreqTCH_omit, C_arfcn_tchA, C_arfcn_tchAd)                                                                                                                                                                                                                                                                                                                                                                  |                                 |     |                 |
| 5                           |            | +InitCall( TCV_Service)                                                                                                                                                                                                                                                                                                                                                                                                                                                                                                                                               |                                 |     |                 |
| 6                           |            | +PreEnterCCstateU19_24Timer( TSPX_TmSlitDef, TSPX_TscDef, TimingAdv( 0))                                                                                                                                                                                                                                                                                                                                                                                                                                                                                              |                                 |     |                 |
| 7                           | body       | L?DL_DatInRel (TCV_Fn1 := DL_DatInRel.fn) READTIMER<br>T_dly(TCV_Time), CANCEL T_dly                                                                                                                                                                                                                                                                                                                                                                                                                                                                                  | ReleaseRcv(Release_10(TCV_TIO)) |     | Any cause value |
| 8                           | L_044<br>5 | [(TCV_Time < 27000) OR (TCV_Time >= 33000)]                                                                                                                                                                                                                                                                                                                                                                                                                                                                                                                           |                                 | (F) | 1.              |
| 9                           |            | +PostMainLinkRel( TCV_chTch)                                                                                                                                                                                                                                                                                                                                                                                                                                                                                                                                          |                                 |     |                 |
| 10                          | L_044<br>6 | [(TCV_Time >= 27000) AND(TCV_Time < 33000)]                                                                                                                                                                                                                                                                                                                                                                                                                                                                                                                           |                                 | (P) | 2.              |
| 11                          |            | +CCstatuschk_05(C_U19, TCV_TI, TCV_chTch)                                                                                                                                                                                                                                                                                                                                                                                                                                                                                                                             |                                 |     |                 |
| 12                          |            | +PostMainLinkRel( TCV_chTch)                                                                                                                                                                                                                                                                                                                                                                                                                                                                                                                                          |                                 |     |                 |
| <b>Detailed Comments:</b>   |            | 1. Fail, if the T308 timer value is either greater than or equal to 33 seconds, or less than 27 seconds.<br>2. Pass, if the T308 timer value is OK.                                                                                                                                                                                                                                                                                                                                                                                                                   |                                 |     |                 |

### Test Case Dynamic Behaviour

**Test Case Name:** TC\_26\_8\_1\_2\_9\_2  
**Group:** GSM\_L3\_MS\_v4200/CC/  
**Purpose:** 1) To verify that a CC-entity of the MS in CC-state U19, "Release Request", upon the 2nd expiry of the timer T308, enters the CC-state U0, "Null".  
 2) To verify that subsequently the MS proceeds with releasing the MM-connection and enters the idle mode with the CC entities relating to the seven mobile originating transaction identifiers in state U0, "Null".  
**Default:** OtherEventsFail

| Nr | Label      | Behaviour Description                                                                                                                                                                                                                                                                                                                                                                                                                                                                                                                                                    | CRef                              | V   | Comments |
|----|------------|--------------------------------------------------------------------------------------------------------------------------------------------------------------------------------------------------------------------------------------------------------------------------------------------------------------------------------------------------------------------------------------------------------------------------------------------------------------------------------------------------------------------------------------------------------------------------|-----------------------------------|-----|----------|
| 1  |            | START T_guard(300)                                                                                                                                                                                                                                                                                                                                                                                                                                                                                                                                                       |                                   |     |          |
| 2  |            | +BasicServiceMOorTelephony(TSPX_MOBscSvcC, TSPX_MOChRateC)                                                                                                                                                                                                                                                                                                                                                                                                                                                                                                               |                                   |     | 1.       |
| 3  |            | +IdleUpdated( C_E_default, C_CellA, C_SCH_A, C_BCCH_A_1, C_Immass, C_S0, C_SlotNU, C_SlotNU, C_SlotNU, C_BCC, C_TxInt_5, C_Max_7, C_NECI_0, C_ATT_0, TimingAdv( 0), C_BABR_0, C_cch_1Comb, C_BPM_3, C_T3212_0, C_ci_cellA, C_MCC_1, C_PLMN_1, C_LAC_1, CellOpt_01, CellChDes_Omit, CellChDes_Omit, C_CellReselectHys12, C_MaxPwrLvIG, C_MaxPwrLvID, BcchFreqLst_45, BcchFreqLst_02, BcchFreqLst_03, BcchFreqLst_04, C_Restablishment, C_BCC, C_NCC, C_Start_Tmsi, TSPX_SDCCH4SubDef, TSPX_CKSNDDef, TSPX_RANDDDef, C_arfcnA, C_arfcnAd, TSPX_IMSI, C_Test_nfh, C_NCCP_2) |                                   |     | 2.       |
| 4  |            | +CCConfigTCH_nociph( TSPX_TCHHSubDef, C_Immass, TSPX_TmSlitDef, TSPX_TscDef, TimingAdv( 0), C_BABR_0, C_cch_1Comb, C_BPM_3, TCV_ChMod.mode, FreqTCH_omit, FreqTCH_omit, C_arfcn_tchA, C_arfcn_tchAd)                                                                                                                                                                                                                                                                                                                                                                     |                                   |     | 2.       |
| 5  |            | +InitCall( TCV_Service)                                                                                                                                                                                                                                                                                                                                                                                                                                                                                                                                                  |                                   |     |          |
| 6  |            | +PreEnterCCstateU19_24( TSPX_TmSlitDef, TSPX_TscDef, TimingAdv( 0))                                                                                                                                                                                                                                                                                                                                                                                                                                                                                                      |                                   |     |          |
| 7  | body       | L?DL_DatInRel                                                                                                                                                                                                                                                                                                                                                                                                                                                                                                                                                            | ReleaseRcv( Release_10( TCV_TI0)) |     | 3.       |
| 8  |            | +CCstatuschk_05( C_U19, TCV_TI, TCV_chTch)                                                                                                                                                                                                                                                                                                                                                                                                                                                                                                                               |                                   |     |          |
| 9  |            | START T_dly( 50000)                                                                                                                                                                                                                                                                                                                                                                                                                                                                                                                                                      |                                   |     |          |
| 10 | L_044<br>7 | ?TIMEOUT T_dly                                                                                                                                                                                                                                                                                                                                                                                                                                                                                                                                                           |                                   | (F) | 4.       |
| 11 | L_044<br>8 | L?DL_RelIn START T_dly( 10000)                                                                                                                                                                                                                                                                                                                                                                                                                                                                                                                                           | DLRelInd_01                       | (P) |          |
| 12 |            | ?TIMEOUT T_dly                                                                                                                                                                                                                                                                                                                                                                                                                                                                                                                                                           |                                   |     |          |
| 13 |            | +CCEstablishMT_SDCCH4( TimingAdv( 0), TSPX_SDCCH4SubDef, TSPX_CKSNDDef)                                                                                                                                                                                                                                                                                                                                                                                                                                                                                                  |                                   |     |          |
| 14 |            | +CheckTIsInStateU0( TRUE, TCV_ch)                                                                                                                                                                                                                                                                                                                                                                                                                                                                                                                                        |                                   |     |          |
| 15 |            | +PostMainLinkRel( TCV_ch)                                                                                                                                                                                                                                                                                                                                                                                                                                                                                                                                                |                                   |     |          |

**Detailed Comments:**

1. To select a circuit switched basic service for testing.
2. To setup BCCH, CCCH and traffic channels.
3. First timeout of T308, release with any cause value accepted.
4. Second timeout of T308 (30 seconds), timeout of T3240 (10 seconds) and 10 seconds for the MS to return to listening to paging.

| Test Case Dynamic Behaviour |       |                                                                                                                                                                                                                                                                                                                                                                                                                                                                                                                                                                                                                      |                                                      |   |          |
|-----------------------------|-------|----------------------------------------------------------------------------------------------------------------------------------------------------------------------------------------------------------------------------------------------------------------------------------------------------------------------------------------------------------------------------------------------------------------------------------------------------------------------------------------------------------------------------------------------------------------------------------------------------------------------|------------------------------------------------------|---|----------|
| <b>Test Case Name:</b>      |       | TC_26_8_1_2_9_3                                                                                                                                                                                                                                                                                                                                                                                                                                                                                                                                                                                                      |                                                      |   |          |
| <b>Group:</b>               |       | GSM_L3_MS_v4200/CC/                                                                                                                                                                                                                                                                                                                                                                                                                                                                                                                                                                                                  |                                                      |   |          |
| <b>Purpose:</b>             |       | To verify that a CC-entity of the MS in CC-state U19, "Release Request", upon receipt of a RELEASE, shall release the MM-connection and enters the CC-state U0, "Null" with the CC entities relating to the seven mobile originating transaction identifiers in state U0, "Null".                                                                                                                                                                                                                                                                                                                                    |                                                      |   |          |
| <b>Default:</b>             |       | OtherEventsFail                                                                                                                                                                                                                                                                                                                                                                                                                                                                                                                                                                                                      |                                                      |   |          |
| Nr                          | Label | Behaviour Description                                                                                                                                                                                                                                                                                                                                                                                                                                                                                                                                                                                                | CRef                                                 | V | Comments |
| 1                           |       | START T_guard(300)                                                                                                                                                                                                                                                                                                                                                                                                                                                                                                                                                                                                   |                                                      |   |          |
| 2                           |       | +BasicServiceMOorTelephony(<br>TSPX_MOBscSvcD, TSPX_MOChRateD)                                                                                                                                                                                                                                                                                                                                                                                                                                                                                                                                                       |                                                      |   |          |
| 3                           |       | +IdleUpdated( C_E_default, C_CellA, C_SCH_A,<br>C_BCCH_A_1, C_Immass, C_S0, C_SlotNU,<br>C_SlotNU, C_SlotNU, C_BCC, C_TxInt_5,<br>C_Max_7, C_NECl_0, C_ATT_0, TimingAdv( 0),<br>C_BABR_0, C_cch_1Comb, C_BPM_3,<br>C_T3212_0, C_ci_cellA, C_MCC_1, C_PLMN_1,<br>C_LAC_1, CellOpt_01, CellChDes_Omit,<br>CellChDes_Omit, C_CellReselectHys12,<br>C_MaxPwrLvlG, C_MaxPwrLvlD,<br>BcchFreqLst_45, BcchFreqLst_02,<br>BcchFreqLst_03, BcchFreqLst_04,<br>C_Restablishment, C_BCC, C_NCC,<br>C_Start_Tmsi, TSPX_SDCCH4SubDef,<br>TSPX_CKSNDDef, TSPX_RANDDef, C_arfcnA,<br>C_arfcnAd, TSPX_IMSI, C_Test_nfh,<br>C_NCCP_2) |                                                      |   |          |
| 4                           |       | +CCConfigTCH_nociph( TSPX_TCHHSubDef,<br>C_Immass, TSPX_TmSlTDef, TSPX_TscDef,<br>TimingAdv( 0), C_BABR_0, C_cch_1Comb,<br>C_BPM_3, TCV_ChMod.mode, FreqTCH_omit,<br>FreqTCH_omit, C_arfcn_tchA, C_arfcn_tchAd)                                                                                                                                                                                                                                                                                                                                                                                                      |                                                      |   |          |
| 5                           |       | +InitCall( TCV_Service)                                                                                                                                                                                                                                                                                                                                                                                                                                                                                                                                                                                              |                                                      |   |          |
| 6                           |       | +PreEnterCCstateU19_24(<br>TSPX_TmSlTDef, TSPX_TscDef,<br>TimingAdv( 0))                                                                                                                                                                                                                                                                                                                                                                                                                                                                                                                                             |                                                      |   |          |
| 7                           | body  | LIDL_DatRqRel                                                                                                                                                                                                                                                                                                                                                                                                                                                                                                                                                                                                        | ReleaseSnd(<br>TCV_chTch,<br>Release_06(<br>TCV_TI)) |   |          |
| 8                           |       | +CheckTlInStateU0( TRUE,<br>TCV_chTch)                                                                                                                                                                                                                                                                                                                                                                                                                                                                                                                                                                               |                                                      |   |          |
| 9                           |       | +PostMainLinkRel( TCV_chTch)                                                                                                                                                                                                                                                                                                                                                                                                                                                                                                                                                                                         |                                                      |   |          |
| <b>Detailed Comments:</b>   |       |                                                                                                                                                                                                                                                                                                                                                                                                                                                                                                                                                                                                                      |                                                      |   |          |

| Test Case Dynamic Behaviour |       |                                                                                                                                                                                                                                                                                                                                                                                                                                                                                                                                                                                                                      |                                                        |   |          |
|-----------------------------|-------|----------------------------------------------------------------------------------------------------------------------------------------------------------------------------------------------------------------------------------------------------------------------------------------------------------------------------------------------------------------------------------------------------------------------------------------------------------------------------------------------------------------------------------------------------------------------------------------------------------------------|--------------------------------------------------------|---|----------|
| <b>Test Case Name:</b>      |       | TC_26_8_1_2_9_4                                                                                                                                                                                                                                                                                                                                                                                                                                                                                                                                                                                                      |                                                        |   |          |
| <b>Group:</b>               |       | GSM_L3_MS_v4200/CC/                                                                                                                                                                                                                                                                                                                                                                                                                                                                                                                                                                                                  |                                                        |   |          |
| <b>Purpose:</b>             |       | To verify that a CC-entity of the MS in CC-state U19, "Release Request", upon receipt of a RELEASE COMPLETE, shall release the MM-connection and enters the CC-state U0, "Null" with the CC entities relating to the seven mobile originating transaction identifiers in state U0, "Null".                                                                                                                                                                                                                                                                                                                           |                                                        |   |          |
| <b>Default:</b>             |       | OtherEventsFail                                                                                                                                                                                                                                                                                                                                                                                                                                                                                                                                                                                                      |                                                        |   |          |
| Nr                          | Label | Behaviour Description                                                                                                                                                                                                                                                                                                                                                                                                                                                                                                                                                                                                | CRef                                                   | V | Comments |
| 1                           |       | START T_guard(300)                                                                                                                                                                                                                                                                                                                                                                                                                                                                                                                                                                                                   |                                                        |   |          |
| 2                           |       | +BasicServiceMOorTelephony(<br>TSPX_MOBscSvcE, TSPX_MOChRateE)                                                                                                                                                                                                                                                                                                                                                                                                                                                                                                                                                       |                                                        |   |          |
| 3                           |       | +IdleUpdated( C_E_default, C_CellA, C_SCH_A,<br>C_BCCH_A_1, C_Immass, C_S0, C_SlotNU,<br>C_SlotNU, C_SlotNU, C_BCC, C_TxInt_5,<br>C_Max_7, C_NECI_0, C_ATT_0, TimingAdv( 0),<br>C_BABR_0, C_cch_1Comb, C_BPM_3,<br>C_T3212_0, C_ci_cellA, C_MCC_1, C_PLMN_1,<br>C_LAC_1, CellOpt_01, CellChDes_Omit,<br>CellChDes_Omit, C_CellReselectHys12,<br>C_MaxPwrLvIG, C_MaxPwrLvID,<br>BcchFreqLst_45, BcchFreqLst_02,<br>BcchFreqLst_03, BcchFreqLst_04,<br>C_Restablishment, C_BCC, C_NCC,<br>C_Start_Tmsi, TSPX_SDCCH4SubDef,<br>TSPX_CKSNDDef, TSPX_RANDDef, C_arfcnA,<br>C_arfcnAd, TSPX_IMSI, C_Test_nfh,<br>C_NCCP_2) |                                                        |   | 1.       |
| 4                           |       | +CCConfigTCH( TSPX_TCHHSubDef, C_Ass,<br>TSPX_TmSlitDef, TSPX_TscDef, TimingAdv( 0),<br>C_BABR_0, C_cch_1Comb, C_BPM_3,<br>TCV_ChMod.mode, FreqTCH_omit,<br>FreqTCH_omit, C_arfcn_tchA, C_arfcn_tchAd)                                                                                                                                                                                                                                                                                                                                                                                                               |                                                        |   |          |
| 5                           |       | +InitCall( TCV_Service)                                                                                                                                                                                                                                                                                                                                                                                                                                                                                                                                                                                              |                                                        |   |          |
| 6                           |       | +PreEnterCCstateU19_21(<br>TSPX_SDCCH4SubDef, TSPX_TmSlitDef,<br>TSPX_TscDef, TimingAdv( 0))                                                                                                                                                                                                                                                                                                                                                                                                                                                                                                                         |                                                        |   | 2.       |
| 7                           | body  | L!DL_DatRqRelCmp                                                                                                                                                                                                                                                                                                                                                                                                                                                                                                                                                                                                     | RelComSnd(<br>TCV_chTch,<br>ReleaseCmp_08(<br>TCV_TI)) |   | 3.       |
| 8                           |       | +CheckTIsInStateU0( TRUE,<br>TCV_chTch)                                                                                                                                                                                                                                                                                                                                                                                                                                                                                                                                                                              |                                                        |   | 4.       |
| 9                           |       | +PostMainLinkRel( TCV_chTch)                                                                                                                                                                                                                                                                                                                                                                                                                                                                                                                                                                                         |                                                        |   |          |
| <b>Detailed Comments:</b>   |       | <ol style="list-style-type: none"> <li>1. To setup a physical channel as BCCH, CCCH and SDCCH4, waiting the MS in service.</li> <li>2. To bring the MS into the state U19.</li> <li>3. To send a RELEASE COMPLETE message to the MS.</li> <li>4. To check whether the CC entities related to the seven mobile originating transaction identifiers are in the state U0.</li> </ol>                                                                                                                                                                                                                                    |                                                        |   |          |

| Test Case Dynamic Behaviour |       |                                                                                                                                                                                                                                                                                                                                                                                                                                                                                                                                                                         |      |   |          |
|-----------------------------|-------|-------------------------------------------------------------------------------------------------------------------------------------------------------------------------------------------------------------------------------------------------------------------------------------------------------------------------------------------------------------------------------------------------------------------------------------------------------------------------------------------------------------------------------------------------------------------------|------|---|----------|
| <b>Test Case Name:</b>      |       | TC_26_8_1_2_9_5                                                                                                                                                                                                                                                                                                                                                                                                                                                                                                                                                         |      |   |          |
| <b>Group:</b>               |       | GSM_L3_MS_v4200/CC/                                                                                                                                                                                                                                                                                                                                                                                                                                                                                                                                                     |      |   |          |
| <b>Purpose:</b>             |       | To verify that a CC-entity of the MS in CC-state U19, "Release Request", having detected a lower layer failure, returns to the idle mode, the CC entities relating to the seven mobile originating transaction identifiers are in state U0, "Null".                                                                                                                                                                                                                                                                                                                     |      |   |          |
| <b>Default:</b>             |       | OtherEventsFail                                                                                                                                                                                                                                                                                                                                                                                                                                                                                                                                                         |      |   |          |
| Nr                          | Label | Behaviour Description                                                                                                                                                                                                                                                                                                                                                                                                                                                                                                                                                   | CRef | V | Comments |
| 1                           |       | START T_guard(300)                                                                                                                                                                                                                                                                                                                                                                                                                                                                                                                                                      |      |   |          |
| 2                           |       | +BasicServiceMOorTelephony( TSPX_MOBscSvcF, TSPX_MOChRateF)                                                                                                                                                                                                                                                                                                                                                                                                                                                                                                             |      |   |          |
| 3                           |       | +IdleUpdated( C_E_default, C_CellA, C_SCH_A, C_BCCH_A_1, C_Immass, C_S0, C_SlotNU, C_SlotNU, C_SlotNU, C_BCC, C_TxInt_5, C_Max_7, C_NECl_0, C_ATT_0, TimingAdv( 0), C_BABR_0, C_cch_1Comb, C_BPM_3, C_T3212_0, C_ci_cellA, C_MCC_1, C_PLMN_1, C_LAC_1, CellOpt_01, CellChDes_Omit, CellChDes_Omit, C_CellReselectHys12, C_MaxPwrLvIG, C_MaxPwrLvID, BcchFreqLst_45, BcchFreqLst_02, BcchFreqLst_03, BcchFreqLst_04, C_Restablishment, C_BCC, C_NCC, C_Start_Tmsi, TSPX_SDCCH4SubDef, TSPX_CKSNDDef, TSPX_RANDDef, C_arfcnA, C_arfcnAd, TSPX_IMSI, C_Test_nfh, C_NCCP_2) |      |   | 1.       |
| 4                           |       | +CCConfigTCH( TSPX_TCHHSubDef, C_Ass, TSPX_TmSlitDef, TSPX_TscDef, TimingAdv( 0), C_BABR_0, C_cch_1Comb, C_BPM_3, TCV_ChMod.mode, FreqTCH_omit, FreqTCH_omit, C_arfcn_tchA, C_arfcn_tchAd)                                                                                                                                                                                                                                                                                                                                                                              |      |   |          |
| 5                           |       | +InitCall( TCV_Service)                                                                                                                                                                                                                                                                                                                                                                                                                                                                                                                                                 |      |   |          |
| 6                           |       | +PreEnterCCstateU19_21( TSPX_SDCCH4SubDef, TSPX_TmSlitDef, TSPX_TscDef, TimingAdv( 0))                                                                                                                                                                                                                                                                                                                                                                                                                                                                                  |      |   | 2.       |
| 7                           | body  | (TCV_Null := OM_LowerLayerFail( TCV_chTch))                                                                                                                                                                                                                                                                                                                                                                                                                                                                                                                             |      |   | 3.       |
| 8                           |       | START T_dly( 20000)                                                                                                                                                                                                                                                                                                                                                                                                                                                                                                                                                     |      |   |          |
| 9                           |       | ?TIMEOUT T_dly                                                                                                                                                                                                                                                                                                                                                                                                                                                                                                                                                          |      |   | 4.       |
| 10                          |       | +CCEstablishMT_SDCCH4( TimingAdv( 0), TSPX_SDCCH4SubDef, TSPX_CKSNDDef)                                                                                                                                                                                                                                                                                                                                                                                                                                                                                                 |      |   |          |
| 11                          |       | +CheckTIsInStateU0( TRUE, TCV_ch)                                                                                                                                                                                                                                                                                                                                                                                                                                                                                                                                       |      |   | 5.       |
| 12                          |       | +PostMainLinkRel( TCV_ch)                                                                                                                                                                                                                                                                                                                                                                                                                                                                                                                                               |      |   |          |
| <b>Detailed Comments:</b>   |       | <ol style="list-style-type: none"> <li>1. To setup a physical channel as BCCH, CCCH and SDCCH4, waiting the MS in service.</li> <li>2. To bring the MS into the state U19.</li> <li>3. To generate lower layer failure in the lower emulator.</li> <li>4. To wait for the MS back to listening to paging.</li> <li>5. To check whether the CC entities related to the seven mobile originating transaction identifiers are in the state U0.</li> </ol>                                                                                                                  |      |   |          |

| Test Case Dynamic Behaviour |            |                                                                                                                                                                                                                                                                                                                                                                                                                                                                                                                                                                                                                    |                                                   |     |          |
|-----------------------------|------------|--------------------------------------------------------------------------------------------------------------------------------------------------------------------------------------------------------------------------------------------------------------------------------------------------------------------------------------------------------------------------------------------------------------------------------------------------------------------------------------------------------------------------------------------------------------------------------------------------------------------|---------------------------------------------------|-----|----------|
| <b>Test Case Name:</b>      |            | TC_26_8_1_3_1_1                                                                                                                                                                                                                                                                                                                                                                                                                                                                                                                                                                                                    |                                                   |     |          |
| <b>Group:</b>               |            | GSM_L3_MS_v4200/CC/                                                                                                                                                                                                                                                                                                                                                                                                                                                                                                                                                                                                |                                                   |     |          |
| <b>Purpose:</b>             |            | To verify that a CC entity of the MS, upon receipt of SETUP containing one bearer capability and this bearer capability is not supported, returns a RELEASE COMPLETE with correct cause value to its peer entity and return to the idle mode. To verify that the CC-entities relating to the seven mobile terminating transaction identifiers are then in the state U0, "NULL".                                                                                                                                                                                                                                    |                                                   |     |          |
| <b>Default:</b>             |            | OtherEventsFail                                                                                                                                                                                                                                                                                                                                                                                                                                                                                                                                                                                                    |                                                   |     |          |
| Nr                          | Label      | Behaviour Description                                                                                                                                                                                                                                                                                                                                                                                                                                                                                                                                                                                              | CRef                                              | V   | Comments |
| 1                           |            | START T_guard(300)                                                                                                                                                                                                                                                                                                                                                                                                                                                                                                                                                                                                 |                                                   |     |          |
| 2                           |            | (TCV_SpecialCase := C_Yes)                                                                                                                                                                                                                                                                                                                                                                                                                                                                                                                                                                                         |                                                   |     |          |
| 3                           |            | +BasicServiceMT( TSPX_MT_NonSptSvc,<br>C_Full)                                                                                                                                                                                                                                                                                                                                                                                                                                                                                                                                                                     |                                                   |     |          |
| 4                           |            | +IdleUpdated( C_E_default, C_CellA,<br>C_SCH_A, C_BCCH_A_1, C_Immass, C_S0,<br>C_SlotNU, C_SlotNU, C_SlotNU, C_BCC,<br>C_TxInt_5, C_Max_1, C_NECl_0, C_ATT_0,<br>TimingAdv( 0), C_BABR_0, C_cch_1Comb,<br>C_BPM_3, C_T3212_0, C_ci_cellA,<br>C_MCC_1, C_PLMN_1, C_LAC_1, CellOpt_01,<br>CellChDes_Omit, CellChDes_Omit,<br>C_CellReselectHys12, C_MaxPwrLvlG,<br>C_MaxPwrLvlD, BcchFreqLst_45,<br>BcchFreqLst_02, BcchFreqLst_03,<br>BcchFreqLst_04, C_Restablishment, C_BCC,<br>C_NCC, C_Start_Tmsi,<br>TSPX_SDCCH4SubDef, TSPX_CKSNDf,<br>TSPX_RANDDef, C_arfcnA, C_arfcnAd,<br>TSPX_IMSI, C_Test_nfh, C_NCCP_2) |                                                   |     |          |
| 5                           | body       | +CCEstablishMT_SDCCH4( TimingAdv( 0),<br>TSPX_SDCCH4SubDef, TSPX_CKSNDf)                                                                                                                                                                                                                                                                                                                                                                                                                                                                                                                                           |                                                   |     | 2.       |
| 6                           |            | +Authentication(TCV_ch, TSPX_CKSNDf,<br>TSPX_RANDDef)                                                                                                                                                                                                                                                                                                                                                                                                                                                                                                                                                              |                                                   |     |          |
| 7                           |            | +CIPHERING_on(TCV_ch)                                                                                                                                                                                                                                                                                                                                                                                                                                                                                                                                                                                              |                                                   |     |          |
| 8                           |            | L!DL_DatRqSetup                                                                                                                                                                                                                                                                                                                                                                                                                                                                                                                                                                                                    | SetupSnd(TCV_ch,<br>TCV_Setup_mt)                 |     | 3.       |
| 9                           | L_044<br>9 | L?DL_DatInRelCmp                                                                                                                                                                                                                                                                                                                                                                                                                                                                                                                                                                                                   | RelComRcv(<br>ReleaseCmpRcv(<br>TI_01, Cause_12)) | (P) | 4.       |
| 10                          |            | +CheckTIsInStateU0( FALSE,<br>TCV_ch)                                                                                                                                                                                                                                                                                                                                                                                                                                                                                                                                                                              |                                                   |     | 5.       |
| 11                          |            | +PostMainLinkRel( TCV_ch)                                                                                                                                                                                                                                                                                                                                                                                                                                                                                                                                                                                          |                                                   |     |          |
| <b>Detailed Comments:</b>   |            | <ol style="list-style-type: none"> <li>1. To setup a physical channel as BCCH, CCCH and SDCCH4.</li> <li>2. To assign SDCCH4 channel.</li> <li>3. To send a SETUP message containing a bearer capability not supported by the MS.</li> <li>4. The expected RELEASE COMPLETE message with cause #88 received.</li> <li>5. To check that the CC entity is in state U0 with all the relevant transaction identifiers.</li> </ol>                                                                                                                                                                                      |                                                   |     |          |



| Test Case Dynamic Behaviour |       |                                                                                                                                                                                                                                                                                                                                                                                                                                                                                                                                                                       |                                             |     |          |
|-----------------------------|-------|-----------------------------------------------------------------------------------------------------------------------------------------------------------------------------------------------------------------------------------------------------------------------------------------------------------------------------------------------------------------------------------------------------------------------------------------------------------------------------------------------------------------------------------------------------------------------|---------------------------------------------|-----|----------|
| <b>Test Case Name:</b>      |       | TC_26_8_1_3_2_1                                                                                                                                                                                                                                                                                                                                                                                                                                                                                                                                                       |                                             |     |          |
| <b>Group:</b>               |       | GSM_L3_MS_v4200/CC/                                                                                                                                                                                                                                                                                                                                                                                                                                                                                                                                                   |                                             |     |          |
| <b>Purpose:</b>             |       | To verify that a CC entity of the MS in CC-state U6, "Call Present", shall upon receipt of a rejection indication of the incoming call from the user, shall send RELEASE COMPLETE with the appropriate cause value to its peer entity and enter the CC-state U0, "Null". The CC entities relating to the seven mobile terminating transaction identifiers are then in state U0, "Null".                                                                                                                                                                               |                                             |     |          |
| <b>Default:</b>             |       | OtherEventsFail                                                                                                                                                                                                                                                                                                                                                                                                                                                                                                                                                       |                                             |     |          |
| Nr                          | Label | Behaviour Description                                                                                                                                                                                                                                                                                                                                                                                                                                                                                                                                                 | CRef                                        | V   | Comments |
| 1                           |       | START T_guard(300)                                                                                                                                                                                                                                                                                                                                                                                                                                                                                                                                                    |                                             |     |          |
| 2                           |       | +BasicServiceMTorTelephony( TSPX_MTBscSvcB, TSPX_MTChRateB)                                                                                                                                                                                                                                                                                                                                                                                                                                                                                                           |                                             |     | 1.       |
| 3                           |       | +IdleUpdated( C_E_default, C_CellA, C_SCH_A, C_BCCH_A_1, C_Immass, C_S0, C_SlotNU, C_SlotNU, C_SlotNU, C_BCC, C_TxInt_5, C_Max_1, C_NECL_0, C_ATT_0, TimingAdv( 0), C_BABR_0, C_cch_1Comb, C_BPM_3, C_T3212_0, C_ci_cellA, C_MCC_1, C_PLMN_1, C_LAC_1, CellOpt_01, CellChDes_Omit, CellChDes_Omit, C_CellReselectHys12, C_MaxPwrLvIG, C_MaxPwrLvID, BcchFreqLst_45, BcchFreqLst_02, BcchFreqLst_03, BcchFreqLst_04, C_Restablishment, C_BCC, C_NCC, C_Start_Tmsi, TSPX_SDCCH4SubDef, TSPX_CKSNDf, TSPX_RANDDef, C_arfcnA, C_arfcnAd, TSPX_IMSI, C_Test_nfh, C_NCCP_2) |                                             |     | 2.       |
| 4                           |       | (TCV_Null := OO_SetRefuseCall())                                                                                                                                                                                                                                                                                                                                                                                                                                                                                                                                      |                                             |     |          |
| 5                           |       | +PreEnterCCstateU6_32( TimingAdv( 0), TSPX_SDCCH4SubDef, TSPX_CKSNDf)                                                                                                                                                                                                                                                                                                                                                                                                                                                                                                 |                                             |     |          |
| 6                           | body  | L?DL_DatInRelCmp                                                                                                                                                                                                                                                                                                                                                                                                                                                                                                                                                      | RelComRcv( ReleaseCmpRcv( TI_01, Cause_13)) | (P) | 3.       |
| 7                           |       | +CheckTIsInStateU0( FALSE, TCV_ch)                                                                                                                                                                                                                                                                                                                                                                                                                                                                                                                                    |                                             |     |          |
| 8                           |       | +PostMainLinkRel( TCV_ch)                                                                                                                                                                                                                                                                                                                                                                                                                                                                                                                                             |                                             |     |          |
| <b>Detailed Comments:</b>   |       | <ol style="list-style-type: none"> <li>1. To select a basic service. if the MS supports telephony the selected basic service is telephony, otherwise the selected basic service is indicated by TSPX_MTBscSvcA.</li> <li>2. One physical channel as BCCH, CCCH and SDCCH4.</li> <li>3. The expected RELEASE COMPLETE message with cause #21 received.</li> </ol>                                                                                                                                                                                                      |                                             |     |          |

| Test Case Dynamic Behaviour |        |                                                                                                                                                                                                                                                                                                                                                                                                                                                                                                                                                                       |                                   |     |          |
|-----------------------------|--------|-----------------------------------------------------------------------------------------------------------------------------------------------------------------------------------------------------------------------------------------------------------------------------------------------------------------------------------------------------------------------------------------------------------------------------------------------------------------------------------------------------------------------------------------------------------------------|-----------------------------------|-----|----------|
| <b>Test Case Name:</b>      |        | TC_26_8_1_3_3_1                                                                                                                                                                                                                                                                                                                                                                                                                                                                                                                                                       |                                   |     |          |
| <b>Group:</b>               |        | GSM_L3_MS_v4200/CC/                                                                                                                                                                                                                                                                                                                                                                                                                                                                                                                                                   |                                   |     |          |
| <b>Purpose:</b>             |        | To verify that a CC entity in CC-state U9, "MS Terminating Call Confirmed", (if signalled by the network in previous SETUP message that it may alert) will either send a ALERTING message to its peer entity and enter state U7, or send a CONNECT message to its peer entity and enter U8                                                                                                                                                                                                                                                                            |                                   |     |          |
| <b>Default:</b>             |        | OtherEventsFail                                                                                                                                                                                                                                                                                                                                                                                                                                                                                                                                                       |                                   |     |          |
| Nr                          | Label  | Behaviour Description                                                                                                                                                                                                                                                                                                                                                                                                                                                                                                                                                 | CRef                              | V   | Comments |
| 1                           |        | START T_guard(300)                                                                                                                                                                                                                                                                                                                                                                                                                                                                                                                                                    |                                   |     |          |
| 2                           |        | +BasicServiceMTorTelephony( TSPX_MTBscSvcB, TSPX_MTChRateB)                                                                                                                                                                                                                                                                                                                                                                                                                                                                                                           |                                   |     | 1.       |
| 3                           |        | +IdleUpdated( C_E_default, C_CellA, C_SCH_A, C_BCCH_A_1, C_Immass, C_S0, C_SlotNU, C_SlotNU, C_SlotNU, C_BCC, C_TxInt_5, C_Max_1, C_NECI_0, C_ATT_0, TimingAdv( 0), C_BABR_0, C_cch_1Comb, C_BPM_3, C_T3212_0, C_ci_cellA, C_MCC_1, C_PLMN_1, C_LAC_1, CellOpt_01, CellChDes_Omit, CellChDes_Omit, C_CellReselectHys12, C_MaxPwrLvIG, C_MaxPwrLvID, BcchFreqLst_45, BcchFreqLst_02, BcchFreqLst_03, BcchFreqLst_04, C_Restablishment, C_BCC, C_NCC, C_Start_Tmsi, TSPX_SDCCH4SubDef, TSPX_CKSNDf, TSPX_RANDDef, C_arfcnA, C_arfcnAd, TSPX_IMSI, C_Test_nfh, C_NCCP_2) |                                   |     | 2.       |
| 4                           |        | +PreEnterCCstateU9_32( TimingAdv( 0), TSPX_SDCCH4SubDef, TSPX_CKSNDf)                                                                                                                                                                                                                                                                                                                                                                                                                                                                                                 |                                   |     |          |
| 5                           | body   | L?DL_DatInConn                                                                                                                                                                                                                                                                                                                                                                                                                                                                                                                                                        | ConnRcv( Connect_01( TI_01))      | (P) | 3.       |
| 6                           |        | +CCstatuschk_05(C_U8, TI_02, TCV_ch)                                                                                                                                                                                                                                                                                                                                                                                                                                                                                                                                  |                                   |     |          |
| 7                           |        | +PostMainLinkRel(TCV_ch)                                                                                                                                                                                                                                                                                                                                                                                                                                                                                                                                              |                                   |     |          |
| 8                           | L_0450 | L?DL_DatInAlert                                                                                                                                                                                                                                                                                                                                                                                                                                                                                                                                                       | AlertRcv( AlertingInd_02( TI_01)) | (P) | 4.       |
| 9                           |        | +CCstatuschk_05(C_U7, TI_02, TCV_ch)                                                                                                                                                                                                                                                                                                                                                                                                                                                                                                                                  |                                   |     |          |
| 10                          |        | +PostMainLinkRel(TCV_ch)                                                                                                                                                                                                                                                                                                                                                                                                                                                                                                                                              |                                   |     |          |
| <b>Detailed Comments:</b>   |        | <ol style="list-style-type: none"> <li>1. To select a basic service.</li> <li>2. One physical channel as BCCH, CCCH and SDCCH4.</li> <li>3. The expected CONNECT message received in case of the MS supporting immediate connect.</li> <li>4. The expected ALERTING message received in case of the MS not supporting immediate connect.</li> </ol>                                                                                                                                                                                                                   |                                   |     |          |

| Test Case Dynamic Behaviour |            |                                                                                                                                                                                                                                                                                                                                                                                                                                                                                                                                                                       |                                 |     |          |
|-----------------------------|------------|-----------------------------------------------------------------------------------------------------------------------------------------------------------------------------------------------------------------------------------------------------------------------------------------------------------------------------------------------------------------------------------------------------------------------------------------------------------------------------------------------------------------------------------------------------------------------|---------------------------------|-----|----------|
| <b>Test Case Name:</b>      |            | TC_26_8_1_3_3_2                                                                                                                                                                                                                                                                                                                                                                                                                                                                                                                                                       |                                 |     |          |
| <b>Group:</b>               |            | GSM_L3_MS_v4200/CC/                                                                                                                                                                                                                                                                                                                                                                                                                                                                                                                                                   |                                 |     |          |
| <b>Purpose:</b>             |            | To verify that A CC-entity of the MS in CC-state U9, "MS Terminating Call Confirmed", when allocated a traffic channel by the network performing the assignment procedure, performs a layer 2 establishment on the FACCH, sends a ALERTING message and enters state U7.                                                                                                                                                                                                                                                                                               |                                 |     |          |
| <b>Default:</b>             |            | OtherEventsFail                                                                                                                                                                                                                                                                                                                                                                                                                                                                                                                                                       |                                 |     |          |
| Nr                          | Label      | Behaviour Description                                                                                                                                                                                                                                                                                                                                                                                                                                                                                                                                                 | CRef                            | V   | Comments |
| 1                           |            | START T_guard(300)                                                                                                                                                                                                                                                                                                                                                                                                                                                                                                                                                    |                                 |     |          |
| 2                           |            | +BasicServiceMTorTelephony(TSPX_MTNIC_BscSvcA, TSPX_MTNIC_ChRateA)                                                                                                                                                                                                                                                                                                                                                                                                                                                                                                    |                                 |     | 1.       |
| 3                           |            | +IdleUpdated( C_E_default, C_CellA, C_SCH_A, C_BCCH_A_1, C_Immass, C_S0, C_SlotNU, C_SlotNU, C_SlotNU, C_BCC, C_TxInt_5, C_Max_1, C_NECl_0, C_ATT_0, TimingAdv( 0), C_BABR_0, C_cch_1Comb, C_BPM_3, C_T3212_0, C_ci_cellA, C_MCC_1, C_PLMN_1, C_LAC_1, CellOpt_01, CellChDes_Omit, CellChDes_Omit, C_CellReselectHys12, C_MaxPwrLvIG, C_MaxPwrLvID, BcchFreqLst_45, BcchFreqLst_02, BcchFreqLst_03, BcchFreqLst_04, C_Restablishment, C_BCC, C_NCC, C_Start_Tmsi, TSPX_SDCCH4SubDef, TSPX_CKSNDf, TSPX_RANDDef, C_arfcnA, C_arfcnAd, TSPX_IMSI, C_Test_nfh, C_NCCP_2) |                                 |     |          |
| 4                           |            | +CCConfigTCH( TSPX_TCHHSubDef, C_Ass, TSPX_TmSlitDef, TSPX_TscDef, TimingAdv( 0), C_BABR_0, C_cch_1Comb, C_BPM_3, TCV_ChMod.mode, FreqTCH_omit, FreqTCH_omit, C_arfcn_tchA, C_arfcn_tchAd)                                                                                                                                                                                                                                                                                                                                                                            |                                 |     |          |
| 5                           |            | +PreEnterCCstateU9_34( TimingAdv( 0), TSPX_SDCCH4SubDef, TSPX_CKSNDf)                                                                                                                                                                                                                                                                                                                                                                                                                                                                                                 |                                 |     | 2.       |
| 6                           | body       | +CCAssignTCH( TSPX_TmSlitDef, TSPX_TscDef)                                                                                                                                                                                                                                                                                                                                                                                                                                                                                                                            |                                 |     | 3.       |
| 7                           | L_045<br>1 | L?DL_DatInAlert                                                                                                                                                                                                                                                                                                                                                                                                                                                                                                                                                       | AlertRcv(AlertingInd_02(TI_01)) | (P) | 4.       |
| 8                           |            | +CCstatuschk_05( C_U7, TI_02, TCV_chTch)                                                                                                                                                                                                                                                                                                                                                                                                                                                                                                                              |                                 |     |          |
| 9                           |            | +PostMainLinkRel( TCV_chTch)                                                                                                                                                                                                                                                                                                                                                                                                                                                                                                                                          |                                 |     |          |
| <b>Detailed Comments:</b>   |            | <ol style="list-style-type: none"> <li>1. To select a basic service. if the MS supports telephony the selected basic service is telephony, otherwise the selected basic service is indicated by TSPX_MTNIC_BscSvcA and the channel rate is specified by TSPX_MTNIC_ChRateA.</li> <li>2. Use SETUP message without signal IE.</li> <li>3. Assign an appropriate traffic channel.</li> <li>4. The expected ALERTING message received.</li> </ol>                                                                                                                        |                                 |     |          |

| Test Case Dynamic Behaviour |            |                                                                                                                                                                                                                                                                                                                                                                                                                                                                                                                                                                                                                    |                                                     |     |          |
|-----------------------------|------------|--------------------------------------------------------------------------------------------------------------------------------------------------------------------------------------------------------------------------------------------------------------------------------------------------------------------------------------------------------------------------------------------------------------------------------------------------------------------------------------------------------------------------------------------------------------------------------------------------------------------|-----------------------------------------------------|-----|----------|
| <b>Test Case Name:</b>      |            | TC_26_8_1_3_3_3                                                                                                                                                                                                                                                                                                                                                                                                                                                                                                                                                                                                    |                                                     |     |          |
| <b>Group:</b>               |            | GSM_L3_MS_v4200/CC/                                                                                                                                                                                                                                                                                                                                                                                                                                                                                                                                                                                                |                                                     |     |          |
| <b>Purpose:</b>             |            | To verify that a CC-entity of the MS in CC-state U9, "MS Terminating Call Confirmed", upon request by the user to terminate will send a DISCONNECT message and enter the CC-state U11, "Disconnect Request".                                                                                                                                                                                                                                                                                                                                                                                                       |                                                     |     |          |
| <b>Default:</b>             |            | OtherEventsFail                                                                                                                                                                                                                                                                                                                                                                                                                                                                                                                                                                                                    |                                                     |     |          |
| Nr                          | Label      | Behaviour Description                                                                                                                                                                                                                                                                                                                                                                                                                                                                                                                                                                                              | CRef                                                | V   | Comments |
| 1                           |            | START T_guard(300)                                                                                                                                                                                                                                                                                                                                                                                                                                                                                                                                                                                                 |                                                     |     |          |
| 2                           |            | +BasicServiceMTorTelephony(<br>TSPX_MTNIC_BscSvcB, TSPX_MTNIC_ChRateB)                                                                                                                                                                                                                                                                                                                                                                                                                                                                                                                                             |                                                     |     | 1.       |
| 3                           |            | +IdleUpdated( C_E_default, C_CellA, C_SCH_A,<br>C_BCCH_A_1, C_Immass, C_S0, C_SlotNU,<br>C_SlotNU, C_SlotNU, C_BCC, C_TxInt_5,<br>C_Max_1, C_NECI_0, C_ATT_0, TimingAdv( 0),<br>C_BABR_0, C_cch_1Comb, C_BPM_3,<br>C_T3212_0, C_ci_cellA, C_MCC_1, C_PLMN_1,<br>C_LAC_1, CellOpt_01, CellChDes_Omit,<br>CellChDes_Omit, C_CellReselectHys12,<br>C_MaxPwrLvlG, C_MaxPwrLvlD,<br>BcchFreqLst_45, BcchFreqLst_02,<br>BcchFreqLst_03, BcchFreqLst_04,<br>C_Restablishment, C_BCC, C_NCC,<br>C_Start_Tmsi, TSPX_SDCCH4SubDef,<br>TSPX_CKSNDf, TSPX_RANDDef, C_arfcnA,<br>C_arfcnAd, TSPX_IMSI, C_Test_nfh,<br>C_NCCP_2) |                                                     |     | 2.       |
| 4                           |            | +PreEnterCCstateU9_34( TimingAdv( 0),<br>TSPX_SDCCH4SubDef, TSPX_CKSNDf)                                                                                                                                                                                                                                                                                                                                                                                                                                                                                                                                           |                                                     |     | 3.       |
| 5                           | body       | (TCV_Null := OO_TermCall())                                                                                                                                                                                                                                                                                                                                                                                                                                                                                                                                                                                        |                                                     |     | 4.       |
| 6                           | L_045<br>2 | L?DL_DatInDisc                                                                                                                                                                                                                                                                                                                                                                                                                                                                                                                                                                                                     | DiscRcv( TCV_ch,<br>DisconnR( TI_01,<br>Cause_Def)) | (P) | 5.       |
| 7                           |            | +CCstatuschk_05( C_U11, TI_02,<br>TCV_ch)                                                                                                                                                                                                                                                                                                                                                                                                                                                                                                                                                                          |                                                     |     |          |
| 8                           |            | +PostMainLinkRel( TCV_ch)                                                                                                                                                                                                                                                                                                                                                                                                                                                                                                                                                                                          |                                                     |     |          |
| <b>Detailed Comments:</b>   |            | <ol style="list-style-type: none"> <li>1. To select a basic service. if the MS supports telephony the selected basic service is telephony.</li> <li>2. One physical channel as BCCH, CCCH and SDCCH4.</li> <li>3. Bring MS to state U9.</li> <li>4. To terminate the call.</li> <li>5. The expected DISCONNECT received.</li> </ol>                                                                                                                                                                                                                                                                                |                                                     |     |          |

| Test Case Dynamic Behaviour |            |                                                                                                                                                                                                                                                                                                                                                                                                                                                                                                                                                                                                                      |                                                                                     |     |          |
|-----------------------------|------------|----------------------------------------------------------------------------------------------------------------------------------------------------------------------------------------------------------------------------------------------------------------------------------------------------------------------------------------------------------------------------------------------------------------------------------------------------------------------------------------------------------------------------------------------------------------------------------------------------------------------|-------------------------------------------------------------------------------------|-----|----------|
| <b>Test Case Name:</b>      |            | TC_26_8_1_3_3_4                                                                                                                                                                                                                                                                                                                                                                                                                                                                                                                                                                                                      |                                                                                     |     |          |
| <b>Group:</b>               |            | GSM_L3_MS_v4200/CC/                                                                                                                                                                                                                                                                                                                                                                                                                                                                                                                                                                                                  |                                                                                     |     |          |
| <b>Purpose:</b>             |            | To verify that a CC-entity of the MS in CC-state U9, "MS Terminating Call Confirmed", upon receipt of a DISCONNECT returns a RELEASE message and enters the CC-state U19, "Release Request".                                                                                                                                                                                                                                                                                                                                                                                                                         |                                                                                     |     |          |
| <b>Default:</b>             |            | OtherEventsFail                                                                                                                                                                                                                                                                                                                                                                                                                                                                                                                                                                                                      |                                                                                     |     |          |
| Nr                          | Label      | Behaviour Description                                                                                                                                                                                                                                                                                                                                                                                                                                                                                                                                                                                                | CRef                                                                                | V   | Comments |
| 1                           |            | START T_guard(300)                                                                                                                                                                                                                                                                                                                                                                                                                                                                                                                                                                                                   |                                                                                     |     |          |
| 2                           |            | +BasicServiceMTorTelephony(<br>TSPX_MTNIC_BscSvcC, TSPX_MTNIC_ChRateC)                                                                                                                                                                                                                                                                                                                                                                                                                                                                                                                                               |                                                                                     |     | 1.       |
| 3                           |            | +IdleUpdated( C_E_default, C_CellA, C_SCH_A,<br>C_BCCH_A_1, C_Immass, C_S0, C_SlotNU,<br>C_SlotNU, C_SlotNU, C_BCC, C_TxInt_5,<br>C_Max_1, C_NECI_0, C_ATT_0, TimingAdv( 0),<br>C_BABR_0, C_cch_1Comb, C_BPM_3,<br>C_T3212_0, C_ci_cellA, C_MCC_1, C_PLMN_1,<br>C_LAC_1, CellOpt_01, CellChDes_Omit,<br>CellChDes_Omit, C_CellReselectHys12,<br>C_MaxPwrLvlG, C_MaxPwrLvlD,<br>BcchFreqLst_45, BcchFreqLst_02,<br>BcchFreqLst_03, BcchFreqLst_04,<br>C_Restablishment, C_BCC, C_NCC,<br>C_Start_Tmsi, TSPX_SDCCH4SubDef,<br>TSPX_CKSNDDef, TSPX_RANDDef, C_arfcnA,<br>C_arfcnAd, TSPX_IMSI, C_Test_nfh,<br>C_NCCP_2) |                                                                                     |     | 2.       |
| 4                           |            | +PreEnterCCstateU9_34( TimingAdv( 0),<br>TSPX_SDCCH4SubDef, TSPX_CKSNDDef)                                                                                                                                                                                                                                                                                                                                                                                                                                                                                                                                           |                                                                                     |     | 3.       |
| 5                           | body       | L!DL_DatRqDisc                                                                                                                                                                                                                                                                                                                                                                                                                                                                                                                                                                                                       | DiscSnd( TCV_ch,<br>DisconnS( TI_02,<br>Cause_01,<br>ProgInd_omit,<br>UuInfo_omit)) |     | 4.       |
| 6                           | L_045<br>3 | L?DL_DatInRel                                                                                                                                                                                                                                                                                                                                                                                                                                                                                                                                                                                                        | ReleaseRcv(<br>Release_10( TI_01))                                                  | (P) | 5.       |
| 7                           |            | +CCstatuschk_05(C_U19, TI_02,<br>TCV_ch)                                                                                                                                                                                                                                                                                                                                                                                                                                                                                                                                                                             |                                                                                     |     |          |
| 8                           |            | +PostMainLinkRel(TCV_ch)                                                                                                                                                                                                                                                                                                                                                                                                                                                                                                                                                                                             |                                                                                     |     |          |
| <b>Detailed Comments:</b>   |            | <ol style="list-style-type: none"> <li>1. To select a basic service. if the MS supports telephony the selected basic service is telephony.</li> <li>2. One physical channel as BCCH, CCCH and SDCCH4.</li> <li>3. Bring MS to state U9.</li> <li>4. To send DISCONNECT message.</li> <li>5. The expected RELEASE message received.</li> </ol>                                                                                                                                                                                                                                                                        |                                                                                     |     |          |

| Test Case Dynamic Behaviour                                                                                                                                                                             |            |                                                                                                                                                                                                                                                                                                                                                                                                                                                                                                                                                                                                                   |                                           |     |          |
|---------------------------------------------------------------------------------------------------------------------------------------------------------------------------------------------------------|------------|-------------------------------------------------------------------------------------------------------------------------------------------------------------------------------------------------------------------------------------------------------------------------------------------------------------------------------------------------------------------------------------------------------------------------------------------------------------------------------------------------------------------------------------------------------------------------------------------------------------------|-------------------------------------------|-----|----------|
| <b>Test Case Name:</b> TC_26_8_1_3_3_5                                                                                                                                                                  |            |                                                                                                                                                                                                                                                                                                                                                                                                                                                                                                                                                                                                                   |                                           |     |          |
| <b>Group:</b> GSM_L3_MS_v4200/CC/                                                                                                                                                                       |            |                                                                                                                                                                                                                                                                                                                                                                                                                                                                                                                                                                                                                   |                                           |     |          |
| <b>Purpose:</b>                                                                                                                                                                                         |            |                                                                                                                                                                                                                                                                                                                                                                                                                                                                                                                                                                                                                   |                                           |     |          |
| 1) To verify that a CC-entity of the MS in CC-state U9, "MS Terminating Call Confirmed", upon receipt of a RELEASE will return a RELEASE COMPLETE and enter the CC-state U0, "Null".                    |            |                                                                                                                                                                                                                                                                                                                                                                                                                                                                                                                                                                                                                   |                                           |     |          |
| 2) To verify that the MS on returning to the idle mode releases the MM-connection and that the CC-entities relating to the seven mobile terminating transaction identifiers are in CC-state U0, "Null". |            |                                                                                                                                                                                                                                                                                                                                                                                                                                                                                                                                                                                                                   |                                           |     |          |
| <b>Default:</b> OtherEventsFail                                                                                                                                                                         |            |                                                                                                                                                                                                                                                                                                                                                                                                                                                                                                                                                                                                                   |                                           |     |          |
| Nr                                                                                                                                                                                                      | Label      | Behaviour Description                                                                                                                                                                                                                                                                                                                                                                                                                                                                                                                                                                                             | CRef                                      | V   | Comments |
| 1                                                                                                                                                                                                       |            | START T_guard(300)                                                                                                                                                                                                                                                                                                                                                                                                                                                                                                                                                                                                |                                           |     |          |
| 2                                                                                                                                                                                                       |            | +BasicServiceMTorTelephony(<br>TSPX_MTNIC_BscSvcD, TSPX_MTNIC_ChRateD)                                                                                                                                                                                                                                                                                                                                                                                                                                                                                                                                            |                                           |     | 1.       |
| 3                                                                                                                                                                                                       |            | +IdleUpdated( C_E_default, C_CellA, C_SCH_A,<br>C_BCCH_A_1, C_Immass, C_S0, C_SlotNU,<br>C_SlotNU, C_SlotNU, C_BCC, C_TxInt_5,<br>C_Max_1, C_NECI_0, C_ATT_0, TimingAdv( 0),<br>C_BABR_0, C_cch_1Comb, C_BPM_3,<br>C_T3212_0, C_ci_cellA, C_MCC_1, C_PLMN_1,<br>C_LAC_1, CellOpt_01, CellChDes_Omit,<br>CellChDes_Omit, C_CellReselectHys12,<br>C_MaxPwrLvIG, C_MaxPwrLvID,<br>BcchFreqLst_45, BcchFreqLst_02,<br>BcchFreqLst_03, BcchFreqLst_04,<br>C_Restablishment, C_BCC, C_NCC,<br>C_Start_Tmsi, TSPX_SDCCH4SubDef,<br>TSPX_CKSNDf, TSPX_RANDDf, C_arfcnA,<br>C_arfcnAd, TSPX_IMSI, C_Test_nfh,<br>C_NCCP_2) |                                           |     | 2.       |
| 4                                                                                                                                                                                                       |            | +PreEnterCCstateU9_34( TimingAdv( 0),<br>TSPX_SDCCH4SubDef, TSPX_CKSNDf)                                                                                                                                                                                                                                                                                                                                                                                                                                                                                                                                          |                                           |     | 3.       |
| 5                                                                                                                                                                                                       | body       | LIDL_DatRqRel                                                                                                                                                                                                                                                                                                                                                                                                                                                                                                                                                                                                     | ReleaseSnd(TCV_ch,<br>Release_03( TI_02)) |     | 4.       |
| 6                                                                                                                                                                                                       | L_045<br>4 | L?DL_DatInRelCmp                                                                                                                                                                                                                                                                                                                                                                                                                                                                                                                                                                                                  | RelComRcv(<br>ReleaseCmp_03(<br>TI_01))   | (P) | 5.       |
| 7                                                                                                                                                                                                       |            | +CheckTlInStateU0( FALSE, TCV_ch)                                                                                                                                                                                                                                                                                                                                                                                                                                                                                                                                                                                 |                                           |     |          |
| 8                                                                                                                                                                                                       |            | +PostMainLinkRel( TCV_ch)                                                                                                                                                                                                                                                                                                                                                                                                                                                                                                                                                                                         |                                           |     |          |
| <b>Detailed Comments:</b>                                                                                                                                                                               |            |                                                                                                                                                                                                                                                                                                                                                                                                                                                                                                                                                                                                                   |                                           |     |          |
| 1. To select a basic service. if the MS supports telephony the selected basic service is telephony.                                                                                                     |            |                                                                                                                                                                                                                                                                                                                                                                                                                                                                                                                                                                                                                   |                                           |     |          |
| 2. One physical channel as BCCH, CCCH and SDCCH4.                                                                                                                                                       |            |                                                                                                                                                                                                                                                                                                                                                                                                                                                                                                                                                                                                                   |                                           |     |          |
| 3. Bring MS to state U9.                                                                                                                                                                                |            |                                                                                                                                                                                                                                                                                                                                                                                                                                                                                                                                                                                                                   |                                           |     |          |
| 4. To send RELEASE message with cause = "normal, unspecified".                                                                                                                                          |            |                                                                                                                                                                                                                                                                                                                                                                                                                                                                                                                                                                                                                   |                                           |     |          |
| 5. The expected RELEASE COMPLETE received.                                                                                                                                                              |            |                                                                                                                                                                                                                                                                                                                                                                                                                                                                                                                                                                                                                   |                                           |     |          |

| Test Case Dynamic Behaviour |       |                                                                                                                                                                                                                                                                                                                                                                                                                                                                                                                                                                                                                    |      |   |          |
|-----------------------------|-------|--------------------------------------------------------------------------------------------------------------------------------------------------------------------------------------------------------------------------------------------------------------------------------------------------------------------------------------------------------------------------------------------------------------------------------------------------------------------------------------------------------------------------------------------------------------------------------------------------------------------|------|---|----------|
| <b>Test Case Name:</b>      |       | TC_26_8_1_3_3_6                                                                                                                                                                                                                                                                                                                                                                                                                                                                                                                                                                                                    |      |   |          |
| <b>Group:</b>               |       | GSM_L3_MS_v4200/CC/                                                                                                                                                                                                                                                                                                                                                                                                                                                                                                                                                                                                |      |   |          |
| <b>Purpose:</b>             |       | To verify that a CC entity of the MS in CC-state U9, "MS Terminating Call Confirmed", having detected a lower layer failure returns to idle mode with the CC entities relating to the seven mobile terminating transaction identifiers in CC-state U0, "Null".                                                                                                                                                                                                                                                                                                                                                     |      |   |          |
| <b>Default:</b>             |       | OtherEventsFail                                                                                                                                                                                                                                                                                                                                                                                                                                                                                                                                                                                                    |      |   |          |
| Nr                          | Label | Behaviour Description                                                                                                                                                                                                                                                                                                                                                                                                                                                                                                                                                                                              | CRef | V | Comments |
| 1                           |       | START T_guard(300)                                                                                                                                                                                                                                                                                                                                                                                                                                                                                                                                                                                                 |      |   |          |
| 2                           |       | +BasicServiceMTorTelephony(<br>TSPX_MTNIC_BscSvcE, TSPX_MTNIC_ChRateE)                                                                                                                                                                                                                                                                                                                                                                                                                                                                                                                                             |      |   | 1.       |
| 3                           |       | +IdleUpdated( C_E_default, C_CellA, C_SCH_A,<br>C_BCCH_A_1, C_Immass, C_S0, C_SlotNU,<br>C_SlotNU, C_SlotNU, C_BCC, C_TxInt_5,<br>C_Max_1, C_NECl_0, C_ATT_0, TimingAdv( 0),<br>C_BABR_0, C_cch_1Comb, C_BPM_3,<br>C_T3212_0, C_ci_cellA, C_MCC_1, C_PLMN_1,<br>C_LAC_1, CellOpt_01, CellChDes_Omit,<br>CellChDes_Omit, C_CellReselectHys12,<br>C_MaxPwrLvIG, C_MaxPwrLvID,<br>BcchFreqLst_45, BcchFreqLst_02,<br>BcchFreqLst_03, BcchFreqLst_04,<br>C_Restablishment, C_BCC, C_NCC,<br>C_Start_Tmsi, TSPX_SDCCH4SubDef,<br>TSPX_CKSNDf, TSPX_RANDDef, C_arfcnA,<br>C_arfcnAd, TSPX_IMSI, C_Test_nfh,<br>C_NCCP_2) |      |   | 2.       |
| 4                           |       | +PreEnterCCstateU9_34( TimingAdv( 0),<br>TSPX_SDCCH4SubDef, TSPX_CKSNDf)                                                                                                                                                                                                                                                                                                                                                                                                                                                                                                                                           |      |   | 3.       |
| 5                           | body  | (TCV_Null := OM_LowerLayerFail( TCV_ch))                                                                                                                                                                                                                                                                                                                                                                                                                                                                                                                                                                           |      |   | 4.       |
| 6                           |       | START T_dly( 20000)                                                                                                                                                                                                                                                                                                                                                                                                                                                                                                                                                                                                |      |   | 5.       |
| 7                           |       | ?TIMEOUT T_dly                                                                                                                                                                                                                                                                                                                                                                                                                                                                                                                                                                                                     |      |   |          |
| 8                           |       | +CCEstablishMT_SDCCH4(<br>TimingAdv( 0), TSPX_SDCCH4SubDef,<br>TSPX_CKSNDf)                                                                                                                                                                                                                                                                                                                                                                                                                                                                                                                                        |      |   |          |
| 9                           |       | +CheckTIsInStateU0( FALSE,<br>TCV_ch)                                                                                                                                                                                                                                                                                                                                                                                                                                                                                                                                                                              |      |   |          |
| 10                          |       | +PostMainLinkRel( TCV_ch)                                                                                                                                                                                                                                                                                                                                                                                                                                                                                                                                                                                          |      |   |          |
| <b>Detailed Comments:</b>   |       | <ol style="list-style-type: none"> <li>1. To select a basic service. if the MS supports telephony the selected basic service is telephony.</li> <li>2. One physical channel as BCCH, CCCH and SDCCH4.</li> <li>3. Bring MS to state U9.</li> <li>4. To generate lower layer failure.</li> <li>5. To wait 20 s for the MS to return to listening to paging.</li> </ol>                                                                                                                                                                                                                                              |      |   |          |

| Test Case Dynamic Behaviour |            |                                                                                                                                                                                                                                                                                                                                                                                                                                                                                                                                                                                                                      |                                                   |     |          |
|-----------------------------|------------|----------------------------------------------------------------------------------------------------------------------------------------------------------------------------------------------------------------------------------------------------------------------------------------------------------------------------------------------------------------------------------------------------------------------------------------------------------------------------------------------------------------------------------------------------------------------------------------------------------------------|---------------------------------------------------|-----|----------|
| <b>Test Case Name:</b>      |            | TC_26_8_1_3_3_7                                                                                                                                                                                                                                                                                                                                                                                                                                                                                                                                                                                                      |                                                   |     |          |
| <b>Group:</b>               |            | GSM_L3_MS_v4200/CC/                                                                                                                                                                                                                                                                                                                                                                                                                                                                                                                                                                                                  |                                                   |     |          |
| <b>Purpose:</b>             |            | To verify that a CC-entity of the MS in CC-state U9, "MS Terminating Call Confirmed" having received an unknown message from its peer entity returns a STATUS message.                                                                                                                                                                                                                                                                                                                                                                                                                                               |                                                   |     |          |
| <b>Default:</b>             |            | OtherEventsFail                                                                                                                                                                                                                                                                                                                                                                                                                                                                                                                                                                                                      |                                                   |     |          |
| Nr                          | Label      | Behaviour Description                                                                                                                                                                                                                                                                                                                                                                                                                                                                                                                                                                                                | CRef                                              | V   | Comments |
| 1                           |            | START T_guard(300)                                                                                                                                                                                                                                                                                                                                                                                                                                                                                                                                                                                                   |                                                   |     |          |
| 2                           |            | +BasicServiceMTorTelephony(<br>TSPX_MTNIC_BscSvcF, TSPX_MTNIC_ChRateF)                                                                                                                                                                                                                                                                                                                                                                                                                                                                                                                                               |                                                   |     | 1.       |
| 3                           |            | +IdleUpdated( C_E_default, C_CellA, C_SCH_A,<br>C_BCCH_A_1, C_Immass, C_S0, C_SlotNU,<br>C_SlotNU, C_SlotNU, C_BCC, C_TxInt_5,<br>C_Max_1, C_NECI_0, C_ATT_0, TimingAdv( 0),<br>C_BABR_0, C_cch_1Comb, C_BPM_3,<br>C_T3212_0, C_ci_cellA, C_MCC_1, C_PLMN_1,<br>C_LAC_1, CellOpt_01, CellChDes_Omit,<br>CellChDes_Omit, C_CellReselectHys12,<br>C_MaxPwrLvIG, C_MaxPwrLvID,<br>BcchFreqLst_45, BcchFreqLst_02,<br>BcchFreqLst_03, BcchFreqLst_04,<br>C_Restablishment, C_BCC, C_NCC,<br>C_Start_Tmsi, TSPX_SDCCH4SubDef,<br>TSPX_CKSNDDef, TSPX_RANDDef, C_arfcnA,<br>C_arfcnAd, TSPX_IMSI, C_Test_nfh,<br>C_NCCP_2) |                                                   |     | 2.       |
| 4                           |            | +PreEnterCCstateU9_34( TimingAdv( 0),<br>TSPX_SDCCH4SubDef, TSPX_CKSNDDef)                                                                                                                                                                                                                                                                                                                                                                                                                                                                                                                                           |                                                   |     | 3.       |
| 5                           | body       | LIDL_DatRqUndefCC                                                                                                                                                                                                                                                                                                                                                                                                                                                                                                                                                                                                    | UndefCC( TCV_ch,<br>UndefCC_02( TI_02))           |     | 4.       |
| 6                           | L_045<br>5 | L?DL_DatInCcst                                                                                                                                                                                                                                                                                                                                                                                                                                                                                                                                                                                                       | CCStRcv( TCV_ch,<br>CCStatus_08( TI_01,<br>C_U9)) | (P) |          |
| 7                           |            | +CCstatuschk_05( C_U9, TI_02,<br>TCV_ch)                                                                                                                                                                                                                                                                                                                                                                                                                                                                                                                                                                             |                                                   |     |          |
| 8                           |            | +PostMainLinkRel( TCV_ch)                                                                                                                                                                                                                                                                                                                                                                                                                                                                                                                                                                                            |                                                   |     |          |
| <b>Detailed Comments:</b>   |            | <ol style="list-style-type: none"> <li>1. To select a basic service. if the MS supports telephony the selected basic service is telephony.</li> <li>2. One physical channel as BCCH, CCCH and SDCCH4.</li> <li>3. Bring MS to state U9.</li> <li>4. To send an unknown message.</li> </ol>                                                                                                                                                                                                                                                                                                                           |                                                   |     |          |



| Test Case Dynamic Behaviour |       |                                                                                                                                                                                                                                                                                                                                                                                                                                                                                                                                                                                                                    |                                 |     |          |
|-----------------------------|-------|--------------------------------------------------------------------------------------------------------------------------------------------------------------------------------------------------------------------------------------------------------------------------------------------------------------------------------------------------------------------------------------------------------------------------------------------------------------------------------------------------------------------------------------------------------------------------------------------------------------------|---------------------------------|-----|----------|
| <b>Test Case Name:</b>      |       | TC_26_8_1_3_4_1                                                                                                                                                                                                                                                                                                                                                                                                                                                                                                                                                                                                    |                                 |     |          |
| <b>Group:</b>               |       | GSM_L3_MS_v4200/CC/                                                                                                                                                                                                                                                                                                                                                                                                                                                                                                                                                                                                |                                 |     |          |
| <b>Purpose:</b>             |       | To verify that a CC entity of a MS in CC-state U7, "Call Received", upon a user accepting the incoming call, shall send a CONNECT message to its peer entity and enter the CC-state U8, "Connect Request"                                                                                                                                                                                                                                                                                                                                                                                                          |                                 |     |          |
| <b>Default:</b>             |       | OtherEventsFail                                                                                                                                                                                                                                                                                                                                                                                                                                                                                                                                                                                                    |                                 |     |          |
| Nr                          | Label | Behaviour Description                                                                                                                                                                                                                                                                                                                                                                                                                                                                                                                                                                                              | CRef                            | V   | Comments |
| 1                           |       | START T_guard(300)                                                                                                                                                                                                                                                                                                                                                                                                                                                                                                                                                                                                 |                                 |     |          |
| 2                           |       | +BasicServiceMTorTelephony(<br>TSPX_MTNIC_BscSvcG, TSPX_MTNIC_ChRateG)                                                                                                                                                                                                                                                                                                                                                                                                                                                                                                                                             |                                 |     | 1.       |
| 3                           |       | +IdleUpdated( C_E_default, C_CellA, C_SCH_A,<br>C_BCCH_A_1, C_Immass, C_S0, C_SlotNU,<br>C_SlotNU, C_SlotNU, C_BCC, C_TxInt_5,<br>C_Max_1, C_NECl_0, C_ATT_0, TimingAdv( 0),<br>C_BABR_0, C_cch_1Comb, C_BPM_3,<br>C_T3212_0, C_ci_cellA, C_MCC_1, C_PLMN_1,<br>C_LAC_1, CellOpt_01, CellChDes_Omit,<br>CellChDes_Omit, C_CellReselectHys12,<br>C_MaxPwrLvlG, C_MaxPwrLvlD,<br>BcchFreqLst_45, BcchFreqLst_02,<br>BcchFreqLst_03, BcchFreqLst_04,<br>C_Restablishment, C_BCC, C_NCC,<br>C_Start_Tmsi, TSPX_SDCCH4SubDef,<br>TSPX_CKSNDf, TSPX_RANDDef, C_arfcnA,<br>C_arfcnAd, TSPX_IMSI, C_Test_nfh,<br>C_NCCP_2) |                                 |     |          |
| 4                           |       | +CCConfigTCH_nociph( TSPX_TCHHSubDef,<br>C_Immass, TSPX_TmSlTDef, TSPX_TscDef,<br>TimingAdv( 0), C_BABR_0, C_cch_1Comb,<br>C_BPM_3, TCV_ChMod.mode, FreqTCH_omit,<br>FreqTCH_omit, C_arfcn_tchA, C_arfcn_tchAd)                                                                                                                                                                                                                                                                                                                                                                                                    |                                 |     |          |
| 5                           |       | +PreEnterCCstateU7_33( TSPX_TmSlTDef,<br>TSPX_TscDef, TimingAdv( 0),<br>TSPX_CKSNDf, TSPX_RANDDef)                                                                                                                                                                                                                                                                                                                                                                                                                                                                                                                 |                                 |     |          |
| 6                           |       | (TCV_Null := OO_HookOff())                                                                                                                                                                                                                                                                                                                                                                                                                                                                                                                                                                                         |                                 |     |          |
| 7                           | body  | L?DL_DatInConn                                                                                                                                                                                                                                                                                                                                                                                                                                                                                                                                                                                                     | ConnRcv(<br>Connect_01( TI_01)) | (P) | 2.       |
| 8                           |       | +CCstatuschk_05( C_U8, TI_02,<br>TCV_chTch)                                                                                                                                                                                                                                                                                                                                                                                                                                                                                                                                                                        |                                 |     | 3.       |
| 9                           |       | +PostMainLinkRel( TCV_chTch)                                                                                                                                                                                                                                                                                                                                                                                                                                                                                                                                                                                       |                                 |     |          |
| <b>Detailed Comments:</b>   |       | <ol style="list-style-type: none"> <li>1. To select a basic service. if the MS supports telephony the selected basic service is telephony.</li> <li>2. The expected CONNECT message received.</li> <li>3. To check whether the MS is in the state U8. If not so the test case fails in the test step.</li> </ol>                                                                                                                                                                                                                                                                                                   |                                 |     |          |

| Test Case Dynamic Behaviour |            |                                                                                                                                                                                                                                                                                                                                                                                                                                                                                                                                                                                                                      |                                                        |     |          |
|-----------------------------|------------|----------------------------------------------------------------------------------------------------------------------------------------------------------------------------------------------------------------------------------------------------------------------------------------------------------------------------------------------------------------------------------------------------------------------------------------------------------------------------------------------------------------------------------------------------------------------------------------------------------------------|--------------------------------------------------------|-----|----------|
| <b>Test Case Name:</b>      |            | TC_26_8_1_3_4_2                                                                                                                                                                                                                                                                                                                                                                                                                                                                                                                                                                                                      |                                                        |     |          |
| <b>Group:</b>               |            | GSM_L3_MS_v4200/CC/                                                                                                                                                                                                                                                                                                                                                                                                                                                                                                                                                                                                  |                                                        |     |          |
| <b>Purpose:</b>             |            | To verify that a CC entity of a MS in CC-state U7, "Call Received", upon request by the user to terminate will send a DISCONNECT message and enter the CC-state U11, "Disconnect Request".                                                                                                                                                                                                                                                                                                                                                                                                                           |                                                        |     |          |
| <b>Default:</b>             |            | OtherEventsFail                                                                                                                                                                                                                                                                                                                                                                                                                                                                                                                                                                                                      |                                                        |     |          |
| Nr                          | Label      | Behaviour Description                                                                                                                                                                                                                                                                                                                                                                                                                                                                                                                                                                                                | CRef                                                   | V   | Comments |
| 1                           |            | START T_guard(300)                                                                                                                                                                                                                                                                                                                                                                                                                                                                                                                                                                                                   |                                                        |     |          |
| 2                           |            | +BasicServiceMTorTelephony(<br>TSPX_MTNIC_BscSvcH, TSPX_MTNIC_ChRateH)                                                                                                                                                                                                                                                                                                                                                                                                                                                                                                                                               |                                                        |     | 1.       |
| 3                           |            | +IdleUpdated( C_E_default, C_CellA, C_SCH_A,<br>C_BCCH_A_1, C_Immass, C_S0, C_SlotNU,<br>C_SlotNU, C_SlotNU, C_BCC, C_TxInt_5,<br>C_Max_1, C_NECI_0, C_ATT_0, TimingAdv( 0),<br>C_BABR_0, C_cch_1Comb, C_BPM_3,<br>C_T3212_0, C_ci_cellA, C_MCC_1, C_PLMN_1,<br>C_LAC_1, CellOpt_01, CellChDes_Omit,<br>CellChDes_Omit, C_CellReselectHys12,<br>C_MaxPwrLvIG, C_MaxPwrLvID,<br>BcchFreqLst_45, BcchFreqLst_02,<br>BcchFreqLst_03, BcchFreqLst_04,<br>C_Restablishment, C_BCC, C_NCC,<br>C_Start_Tmsi, TSPX_SDCCH4SubDef,<br>TSPX_CKSNDDef, TSPX_RANDDef, C_arfcnA,<br>C_arfcnAd, TSPX_IMSI, C_Test_nfh,<br>C_NCCP_2) |                                                        |     |          |
| 4                           |            | +CCConfigTCH_nociph( TSPX_TCHHSubDef,<br>C_Immass, TSPX_TmSltDef, TSPX_TscDef,<br>TimingAdv( 0), C_BABR_0, C_cch_1Comb,<br>C_BPM_3, TCV_ChMod.mode, FreqTCH_omit,<br>FreqTCH_omit, C_arfcn_tchA, C_arfcn_tchAd)                                                                                                                                                                                                                                                                                                                                                                                                      |                                                        |     |          |
| 5                           |            | +PreEnterCCstateU7_33( TSPX_TmSltDef,<br>TSPX_TscDef, TimingAdv( 0),<br>TSPX_CKSNDDef, TSPX_RANDDef)                                                                                                                                                                                                                                                                                                                                                                                                                                                                                                                 |                                                        |     |          |
| 6                           | body       | (TCV_Null := OO_TermCall())                                                                                                                                                                                                                                                                                                                                                                                                                                                                                                                                                                                          |                                                        |     |          |
| 7                           | L_045<br>6 | L?DL_DatInDisc                                                                                                                                                                                                                                                                                                                                                                                                                                                                                                                                                                                                       | DiscRcv( TCV_chTch,<br>DisconnR( TI_01,<br>Cause_Def)) | (P) | 2.       |
| 8                           |            | +CCstatuschk_05( C_U11, TI_02,<br>TCV_chTch)                                                                                                                                                                                                                                                                                                                                                                                                                                                                                                                                                                         |                                                        |     | 3.       |
| 9                           |            | +PostMainLinkRel( TCV_chTch)                                                                                                                                                                                                                                                                                                                                                                                                                                                                                                                                                                                         |                                                        |     |          |
| <b>Detailed Comments:</b>   |            | <ol style="list-style-type: none"> <li>1. To select a basic service. if the MS supports telephony the selected basic service is telephony.</li> <li>2. The expected DISCONNECT message received.</li> <li>3. To check whether the MS is in the state U11. If not so the test case fails in the test step.</li> </ol>                                                                                                                                                                                                                                                                                                 |                                                        |     |          |

| Test Case Dynamic Behaviour |            |                                                                                                                                                                                                                                                                                                                                                                                                                                                                                                                                                                                                                    |                                                                                      |     |          |
|-----------------------------|------------|--------------------------------------------------------------------------------------------------------------------------------------------------------------------------------------------------------------------------------------------------------------------------------------------------------------------------------------------------------------------------------------------------------------------------------------------------------------------------------------------------------------------------------------------------------------------------------------------------------------------|--------------------------------------------------------------------------------------|-----|----------|
| <b>Test Case Name:</b>      |            | TC_26_8_1_3_4_3                                                                                                                                                                                                                                                                                                                                                                                                                                                                                                                                                                                                    |                                                                                      |     |          |
| <b>Group:</b>               |            | GSM_L3_MS_v4200/CC/                                                                                                                                                                                                                                                                                                                                                                                                                                                                                                                                                                                                |                                                                                      |     |          |
| <b>Purpose:</b>             |            | To verify that a CC entity of a MS in CC-state U7, "Call Received", upon receipt of a DISCONNECT with a progress indicator indicating in-band information from network, if a TCH was not assigned, returns a RELEASE message and enters the CC-state U19, "Release Request".                                                                                                                                                                                                                                                                                                                                       |                                                                                      |     |          |
| <b>Default:</b>             |            | OtherEventsFail                                                                                                                                                                                                                                                                                                                                                                                                                                                                                                                                                                                                    |                                                                                      |     |          |
| Nr                          | Label      | Behaviour Description                                                                                                                                                                                                                                                                                                                                                                                                                                                                                                                                                                                              | CRef                                                                                 | V   | Comments |
| 1                           |            | START T_guard(300)                                                                                                                                                                                                                                                                                                                                                                                                                                                                                                                                                                                                 |                                                                                      |     |          |
| 2                           |            | +BasicServiceMTorTelephony(TSPX_MTNIC_BscS<br>vcl,TSPX_MTNIC_ChRateI)                                                                                                                                                                                                                                                                                                                                                                                                                                                                                                                                              |                                                                                      |     | 1.       |
| 3                           |            | +IdleUpdated( C_E_default, C_CellA, C_SCH_A,<br>C_BCCH_A_1, C_Immass, C_S0, C_SlotNU,<br>C_SlotNU, C_SlotNU, C_BCC, C_TxInt_5,<br>C_Max_1, C_NECl_0, C_ATT_0, TimingAdv( 0),<br>C_BABR_0, C_cch_1Comb, C_BPM_3,<br>C_T3212_0, C_ci_cellA, C_MCC_1, C_PLMN_1,<br>C_LAC_1, CellOpt_01, CellChDes_Omit,<br>CellChDes_Omit, C_CellReselectHys12,<br>C_MaxPwrLvIG, C_MaxPwrLvID,<br>BcchFreqLst_45, BcchFreqLst_02,<br>BcchFreqLst_03, BcchFreqLst_04,<br>C_Restablishment, C_BCC, C_NCC,<br>C_Start_Tmsi, TSPX_SDCCH4SubDef,<br>TSPX_CKSNDf, TSPX_RANDDef, C_arfcnA,<br>C_arfcnAd, TSPX_IMSI, C_Test_nfh,<br>C_NCCP_2) |                                                                                      |     | 2.       |
| 4                           |            | +PreEnterCCstateU7_31( TimingAdv( 0),<br>TSPX_SDCCH4SubDef, TSPX_CKSNDf,<br>TSPX_RANDDef)                                                                                                                                                                                                                                                                                                                                                                                                                                                                                                                          |                                                                                      |     |          |
| 5                           | body       | L!DL_DatRqDisc                                                                                                                                                                                                                                                                                                                                                                                                                                                                                                                                                                                                     | DiscSnd( TCV_ch,<br>DisconnS( TI_02,<br>Cause_01,<br>ProgInd_03iei,<br>UuInfo_omit)) |     | 3.       |
| 6                           | L_045<br>7 | L?DL_DatInRel                                                                                                                                                                                                                                                                                                                                                                                                                                                                                                                                                                                                      | ReleaseRcv(<br>Release_10( TI_01))                                                   | (P) | 4.       |
| 7                           |            | +CCstatuschk_05( C_U19, TI_02,<br>TCV_ch)                                                                                                                                                                                                                                                                                                                                                                                                                                                                                                                                                                          |                                                                                      |     | 5.       |
| 8                           |            | +PostMainLinkRel( TCV_ch)                                                                                                                                                                                                                                                                                                                                                                                                                                                                                                                                                                                          |                                                                                      |     |          |
| <b>Detailed Comments:</b>   |            | <ol style="list-style-type: none"> <li>1. To select a basic service. if the MS supports telephony the selected basic service is telephony.</li> <li>2. To setup a physical channels as BCCH, CCCH and SDCCH4.</li> <li>3. To send DISCONNECT message with progress indicator indicating cause #8.</li> <li>4. The expected RELEASE message received.</li> <li>5. To check whether the MS is in the state U19.</li> </ol>                                                                                                                                                                                           |                                                                                      |     |          |

### Test Case Dynamic Behaviour

**Test Case Name:** TC\_26\_8\_1\_3\_4\_4  
**Group:** GSM\_L3\_MS\_v4200/CC/  
**Purpose:** 1) To verify that a CC entity of a MS in CC-state U7, "Call Received", upon receipt of a RELEASE will return a RELEASE COMPLETE and enter the CC-state U0, "Null".  
 2) To verify that the MS on returning to the idle mode releases the MM-connection and that the CC-entities relating to the seven mobile terminating transaction identifiers are in CC-state U0, "Null".  
**Default:** OtherEventsFail

| Nr | Label | Behaviour Description                                                                                                                                                                                                                                                                                                                                                                                                                                                                                                                                                                                             | CRef                                          | V | Comments |
|----|-------|-------------------------------------------------------------------------------------------------------------------------------------------------------------------------------------------------------------------------------------------------------------------------------------------------------------------------------------------------------------------------------------------------------------------------------------------------------------------------------------------------------------------------------------------------------------------------------------------------------------------|-----------------------------------------------|---|----------|
| 1  |       | START T_guard(300)                                                                                                                                                                                                                                                                                                                                                                                                                                                                                                                                                                                                |                                               |   |          |
| 2  |       | +BasicServiceMTorTelephony(<br>TSPX_MTNIC_BscSvcJ, TSPX_MTNIC_ChRateJ)                                                                                                                                                                                                                                                                                                                                                                                                                                                                                                                                            |                                               |   | 1.       |
| 3  |       | +IdleUpdated( C_E_default, C_CellA, C_SCH_A,<br>C_BCCH_A_1, C_Immass, C_S0, C_SlotNU,<br>C_SlotNU, C_SlotNU, C_BCC, C_TxInt_5,<br>C_Max_1, C_NECI_0, C_ATT_0, TimingAdv( 0),<br>C_BABR_0, C_cch_1Comb, C_BPM_3,<br>C_T3212_0, C_ci_cellA, C_MCC_1, C_PLMN_1,<br>C_LAC_1, CellOpt_01, CellChDes_Omit,<br>CellChDes_Omit, C_CellReselectHys12,<br>C_MaxPwrLvIG, C_MaxPwrLvID,<br>BcchFreqLst_45, BcchFreqLst_02,<br>BcchFreqLst_03, BcchFreqLst_04,<br>C_Restablishment, C_BCC, C_NCC,<br>C_Start_Tmsi, TSPX_SDCCH4SubDef,<br>TSPX_CKSNDf, TSPX_RANDDf, C_arfcnA,<br>C_arfcnAd, TSPX_IMSI, C_Test_nfh,<br>C_NCCP_2) |                                               |   | 2.       |
| 4  |       | +PreEnterCCstateU7_31( TimingAdv( 0),<br>TSPX_SDCCH4SubDef, TSPX_CKSNDf,<br>TSPX_RANDDf)                                                                                                                                                                                                                                                                                                                                                                                                                                                                                                                          |                                               |   |          |
| 5  | body  | L!DL_DatRqRel                                                                                                                                                                                                                                                                                                                                                                                                                                                                                                                                                                                                     | ReleaseSnd(<br>TCV_ch, Release_03(<br>TI_02)) |   | 3.       |
| 6  |       | L?DL_DatInRelCmp                                                                                                                                                                                                                                                                                                                                                                                                                                                                                                                                                                                                  | RelComRcv(<br>ReleaseCmp_03(<br>TI_01))       |   | 4.       |
| 7  |       | +CheckTIsInStateU0( FALSE, TCV_ch)                                                                                                                                                                                                                                                                                                                                                                                                                                                                                                                                                                                |                                               |   | 5.       |
| 8  |       | +PostMainLinkRel( TCV_ch)                                                                                                                                                                                                                                                                                                                                                                                                                                                                                                                                                                                         |                                               |   |          |

**Detailed Comments:**

1. To select a basic service. if the MS supports telephony the selected basic service is telephony.
2. To setup a physical channels as BCCH, CCCH and SDCCH4.
3. To send RELEASE message with cause "Normal, unspecified".
4. The expected RELEASE COMPLETE message received.
5. To check that the CC entity has returned to state U0 with all transaction identifiers.

| Test Case Dynamic Behaviour |       |                                                                                                                                                                                                                                                                                                                                                                                                                                                                                                                                                                                                                    |      |   |          |
|-----------------------------|-------|--------------------------------------------------------------------------------------------------------------------------------------------------------------------------------------------------------------------------------------------------------------------------------------------------------------------------------------------------------------------------------------------------------------------------------------------------------------------------------------------------------------------------------------------------------------------------------------------------------------------|------|---|----------|
| <b>Test Case Name:</b>      |       | TC_26_8_1_3_4_5                                                                                                                                                                                                                                                                                                                                                                                                                                                                                                                                                                                                    |      |   |          |
| <b>Group:</b>               |       | GSM_L3_MS_v4200/CC/                                                                                                                                                                                                                                                                                                                                                                                                                                                                                                                                                                                                |      |   |          |
| <b>Purpose:</b>             |       | To verify that a CC entity of a MS in CC-state U7, "Call Received", having detected a lower layer failure returns to idle mode with the CC entities relating to the seven mobile terminating transaction identifiers in CC-state U0, "Null".                                                                                                                                                                                                                                                                                                                                                                       |      |   |          |
| <b>Default:</b>             |       | OtherEventsFail                                                                                                                                                                                                                                                                                                                                                                                                                                                                                                                                                                                                    |      |   |          |
| Nr                          | Label | Behaviour Description                                                                                                                                                                                                                                                                                                                                                                                                                                                                                                                                                                                              | CRef | V | Comments |
| 1                           |       | START T_guard(300)                                                                                                                                                                                                                                                                                                                                                                                                                                                                                                                                                                                                 |      |   |          |
| 2                           |       | +BasicServiceMTorTelephony(<br>TSPX_MTNIC_BscSvcA, TSPX_MTNIC_ChRateA)                                                                                                                                                                                                                                                                                                                                                                                                                                                                                                                                             |      |   | 1.       |
| 3                           |       | +IdleUpdated( C_E_default, C_CellA, C_SCH_A,<br>C_BCCH_A_1, C_Immass, C_S0, C_SlotNU,<br>C_SlotNU, C_SlotNU, C_BCC, C_TxInt_5,<br>C_Max_1, C_NECl_0, C_ATT_0, TimingAdv( 0),<br>C_BABR_0, C_cch_1Comb, C_BPM_3,<br>C_T3212_0, C_ci_cellA, C_MCC_1, C_PLMN_1,<br>C_LAC_1, CellOpt_01, CellChDes_Omit,<br>CellChDes_Omit, C_CellReselectHys12,<br>C_MaxPwrLvIG, C_MaxPwrLvID,<br>BcchFreqLst_45, BcchFreqLst_02,<br>BcchFreqLst_03, BcchFreqLst_04,<br>C_Restablishment, C_BCC, C_NCC,<br>C_Start_Tmsi, TSPX_SDCCH4SubDef,<br>TSPX_CKSNDf, TSPX_RANDDef, C_arfcnA,<br>C_arfcnAd, TSPX_IMSI, C_Test_nfh,<br>C_NCCP_2) |      |   | 2.       |
| 4                           |       | +PreEnterCCstateU7_32( TimingAdv( 0),<br>TSPX_SDCCH4SubDef, TSPX_CKSNDf)                                                                                                                                                                                                                                                                                                                                                                                                                                                                                                                                           |      |   |          |
| 5                           | body  | (TCV_Null := OM_LowerLayerFail( TCV_ch))                                                                                                                                                                                                                                                                                                                                                                                                                                                                                                                                                                           |      |   |          |
| 6                           |       | START T_dly( 20000)                                                                                                                                                                                                                                                                                                                                                                                                                                                                                                                                                                                                |      |   |          |
| 7                           |       | ?TIMEOUT T_dly                                                                                                                                                                                                                                                                                                                                                                                                                                                                                                                                                                                                     |      |   |          |
| 8                           |       | +CCEstablishMT_SDCCH4(<br>TimingAdv( 0), TSPX_SDCCH4SubDef,<br>TSPX_CKSNDf)                                                                                                                                                                                                                                                                                                                                                                                                                                                                                                                                        |      |   |          |
| 9                           |       | +CheckTIsInStateU0( FALSE,<br>TCV_ch)                                                                                                                                                                                                                                                                                                                                                                                                                                                                                                                                                                              |      |   |          |
| 10                          |       | +PostMainLinkRel( TCV_ch)                                                                                                                                                                                                                                                                                                                                                                                                                                                                                                                                                                                          |      |   |          |
| <b>Detailed Comments:</b>   |       | 1. To select a basic service. if the MS supports telephony the selected basic service is telephony.<br>2. To setup a physical channel as BCCH, CCCH and SDCCH4.                                                                                                                                                                                                                                                                                                                                                                                                                                                    |      |   |          |

| Test Case Dynamic Behaviour |       |                                                                                                                                                                                                                                                                                                                                                                                                                                                                                                                                                                                                                      |                                                         |   |          |
|-----------------------------|-------|----------------------------------------------------------------------------------------------------------------------------------------------------------------------------------------------------------------------------------------------------------------------------------------------------------------------------------------------------------------------------------------------------------------------------------------------------------------------------------------------------------------------------------------------------------------------------------------------------------------------|---------------------------------------------------------|---|----------|
| <b>Test Case Name:</b>      |       | TC_26_8_1_3_4_6                                                                                                                                                                                                                                                                                                                                                                                                                                                                                                                                                                                                      |                                                         |   |          |
| <b>Group:</b>               |       | GSM_L3_MS_v4200/CC/                                                                                                                                                                                                                                                                                                                                                                                                                                                                                                                                                                                                  |                                                         |   |          |
| <b>Purpose:</b>             |       | To verify that a CC entity of a MS in CC-state U7, "Call Received", having received an unknown message from its peer entity returns a STATUS message.                                                                                                                                                                                                                                                                                                                                                                                                                                                                |                                                         |   |          |
| <b>Default:</b>             |       | OtherEventsFail                                                                                                                                                                                                                                                                                                                                                                                                                                                                                                                                                                                                      |                                                         |   |          |
| Nr                          | Label | Behaviour Description                                                                                                                                                                                                                                                                                                                                                                                                                                                                                                                                                                                                | CRef                                                    | V | Comments |
| 1                           |       | START T_guard(300)                                                                                                                                                                                                                                                                                                                                                                                                                                                                                                                                                                                                   |                                                         |   |          |
| 2                           |       | +BasicServiceMTorTelephony(<br>TSPX_MTNIC_BscSvcB, TSPX_MTNIC_ChRateB)                                                                                                                                                                                                                                                                                                                                                                                                                                                                                                                                               |                                                         |   | 1.       |
| 3                           |       | +IdleUpdated( C_E_default, C_CellA, C_SCH_A,<br>C_BCCH_A_1, C_Immass, C_S0, C_SlotNU,<br>C_SlotNU, C_SlotNU, C_BCC, C_TxInt_5,<br>C_Max_1, C_NECI_0, C_ATT_0, TimingAdv( 0),<br>C_BABR_0, C_cch_1Comb, C_BPM_3,<br>C_T3212_0, C_ci_cellA, C_MCC_1, C_PLMN_1,<br>C_LAC_1, CellOpt_01, CellChDes_Omit,<br>CellChDes_Omit, C_CellReselectHys12,<br>C_MaxPwrLvIG, C_MaxPwrLvID,<br>BcchFreqLst_45, BcchFreqLst_02,<br>BcchFreqLst_03, BcchFreqLst_04,<br>C_Restablishment, C_BCC, C_NCC,<br>C_Start_Tmsi, TSPX_SDCCH4SubDef,<br>TSPX_CKSNDDef, TSPX_RANDDef, C_arfcnA,<br>C_arfcnAd, TSPX_IMSI, C_Test_nfh,<br>C_NCCP_2) |                                                         |   |          |
| 4                           |       | +CCConfigTCH_nociph( TSPX_TCHHSubDef,<br>C_Immass, TSPX_TmSlitDef, TSPX_TscDef,<br>TimingAdv( 0), C_BABR_0, C_cch_1Comb,<br>C_BPM_3, TCV_ChMod.mode, FreqTCH_omit,<br>FreqTCH_omit, C_arfcn_tchA, C_arfcn_tchAd)                                                                                                                                                                                                                                                                                                                                                                                                     |                                                         |   |          |
| 5                           |       | +PreEnterCCstateU7_33( TSPX_TmSlitDef,<br>TSPX_TscDef, TimingAdv( 0),<br>TSPX_CKSNDDef, TSPX_RANDDef)                                                                                                                                                                                                                                                                                                                                                                                                                                                                                                                |                                                         |   |          |
| 6                           | body  | L?DL_DatRqUndefCC                                                                                                                                                                                                                                                                                                                                                                                                                                                                                                                                                                                                    | UndefCC(<br>TCV_chTch,<br>UndefCC_02( TI_02))           |   | 2.       |
| 7                           |       | L?DL_DatInCcst                                                                                                                                                                                                                                                                                                                                                                                                                                                                                                                                                                                                       | CCStRcv(<br>TCV_chTch,<br>CCStatus_08( TI_01,<br>C_U7)) |   | 3.       |
| 8                           |       | +CCstatuschk_05( C_U7, TI_02,<br>TCV_chTch)                                                                                                                                                                                                                                                                                                                                                                                                                                                                                                                                                                          |                                                         |   | 4.       |
| 9                           |       | +PostMainLinkRel( TCV_chTch)                                                                                                                                                                                                                                                                                                                                                                                                                                                                                                                                                                                         |                                                         |   |          |
| <b>Detailed Comments:</b>   |       | <ol style="list-style-type: none"> <li>1. To select a basic service. if the MS supports telephony the selected basic service is telephony.</li> <li>2. To send an unknown message to the MS.</li> <li>3. The expected STATUS message with cause #97 and state U7 received.</li> <li>4. To check that the MS remains in the state U7.</li> </ol>                                                                                                                                                                                                                                                                      |                                                         |   |          |

| Test Case Dynamic Behaviour |       |                                                                                                                                                                                                                                                                                                                                                                                                                                                                                                                                                                                                                    |      |   |          |
|-----------------------------|-------|--------------------------------------------------------------------------------------------------------------------------------------------------------------------------------------------------------------------------------------------------------------------------------------------------------------------------------------------------------------------------------------------------------------------------------------------------------------------------------------------------------------------------------------------------------------------------------------------------------------------|------|---|----------|
| <b>Test Case Name:</b>      |       | TC_26_8_1_3_4_7                                                                                                                                                                                                                                                                                                                                                                                                                                                                                                                                                                                                    |      |   |          |
| <b>Group:</b>               |       | GSM_L3_MS_v4200/CC/                                                                                                                                                                                                                                                                                                                                                                                                                                                                                                                                                                                                |      |   |          |
| <b>Purpose:</b>             |       | To verify that a CC entity of a MS in CC-state U7, "Call Received", when allocated a traffic channel by the network performing the assignment procedure, shall perform a layer 2 establishment on the FACCH without changing the state of the call in progress.                                                                                                                                                                                                                                                                                                                                                    |      |   |          |
| <b>Default:</b>             |       | OtherEventsFail                                                                                                                                                                                                                                                                                                                                                                                                                                                                                                                                                                                                    |      |   |          |
| Nr                          | Label | Behaviour Description                                                                                                                                                                                                                                                                                                                                                                                                                                                                                                                                                                                              | CRef | V | Comments |
| 1                           |       | START T_guard(300)                                                                                                                                                                                                                                                                                                                                                                                                                                                                                                                                                                                                 |      |   |          |
| 2                           |       | +BasicServiceMTorTelephony(<br>TSPX_MTNIC_BscSvcC, TSPX_MTNIC_ChRateC)                                                                                                                                                                                                                                                                                                                                                                                                                                                                                                                                             |      |   | 1.       |
| 3                           |       | +IdleUpdated( C_E_default, C_CellA, C_SCH_A,<br>C_BCCH_A_1, C_Immass, C_S0, C_SlotNU,<br>C_SlotNU, C_SlotNU, C_BCC, C_TxInt_5,<br>C_Max_1, C_NECl_0, C_ATT_0, TimingAdv( 0),<br>C_BABR_0, C_cch_1Comb, C_BPM_3,<br>C_T3212_0, C_ci_cellA, C_MCC_1, C_PLMN_1,<br>C_LAC_1, CellOpt_01, CellChDes_Omit,<br>CellChDes_Omit, C_CellReselectHys12,<br>C_MaxPwrLvIG, C_MaxPwrLvID,<br>BcchFreqLst_45, BcchFreqLst_02,<br>BcchFreqLst_03, BcchFreqLst_04,<br>C_Restablishment, C_BCC, C_NCC,<br>C_Start_Tmsi, TSPX_SDCCH4SubDef,<br>TSPX_CKSNDf, TSPX_RANDDef, C_arfcnA,<br>C_arfcnAd, TSPX_IMSI, C_Test_nfh,<br>C_NCCP_2) |      |   |          |
| 4                           |       | +CCConfigTCH( TSPX_TCHHSubDef, C_Ass,<br>TSPX_TmSlitDef, TSPX_TscDef, TimingAdv( 0),<br>C_BABR_0, C_cch_1Comb, C_BPM_3,<br>TCV_ChMod.mode, FreqTCH_omit,<br>FreqTCH_omit, C_arfcn_tchA, C_arfcn_tchAd)                                                                                                                                                                                                                                                                                                                                                                                                             |      |   |          |
| 5                           |       | +PreEnterCCstateU7_31( TimingAdv( 0),<br>TSPX_SDCCH4SubDef, TSPX_CKSNDf,<br>TSPX_RANDDef)                                                                                                                                                                                                                                                                                                                                                                                                                                                                                                                          |      |   |          |
| 6                           | body  | +CCAssignTCH( TSPX_TmSlitDef,<br>TSPX_TscDef)                                                                                                                                                                                                                                                                                                                                                                                                                                                                                                                                                                      |      |   | 2.       |
| 7                           |       | +CCstatuschk_05( C_U7, TI_02,<br>TCV_chTch)                                                                                                                                                                                                                                                                                                                                                                                                                                                                                                                                                                        |      |   | 3.       |
| 8                           |       | +PostMainLinkRel( TCV_chTch)                                                                                                                                                                                                                                                                                                                                                                                                                                                                                                                                                                                       |      |   |          |
| <b>Detailed Comments:</b>   |       | 1. To select a basic service. if the MS supports telephony the selected basic service is telephony.<br>2. The assignment procedure succeeded.<br>3. To check whether the MS remains in the state U7.                                                                                                                                                                                                                                                                                                                                                                                                               |      |   |          |

### Test Case Dynamic Behaviour

**Test Case Name:** TC\_26\_8\_1\_3\_4\_8  
**Group:** GSM\_L3\_MS\_v4200/CC/  
**Purpose:** 1) To verify that a CC entity of the MS in CC-state U7, "Call received", upon receipt of a RELEASE COMPLETE message with valid cause value, enters CC state U0, "Null".  
 2) To verify that in returning to idle mode, the CC entities relating to the seven mobile originating transaction identifiers are in state U0, "Null".  
**Default:** OtherEventsFail

| Nr                        | Label | Behaviour Description                                                                                                                                                                                                                                                                                                                                                                                                                                                                                                                                                                                              | CRef                                               | V | Comments |
|---------------------------|-------|--------------------------------------------------------------------------------------------------------------------------------------------------------------------------------------------------------------------------------------------------------------------------------------------------------------------------------------------------------------------------------------------------------------------------------------------------------------------------------------------------------------------------------------------------------------------------------------------------------------------|----------------------------------------------------|---|----------|
| 1                         |       | START T_guard(300)                                                                                                                                                                                                                                                                                                                                                                                                                                                                                                                                                                                                 |                                                    |   |          |
| 2                         |       | +BasicServiceMTorTelephony(<br>TSPX_MTNIC_BscSvcD, TSPX_MTNIC_ChRateD)                                                                                                                                                                                                                                                                                                                                                                                                                                                                                                                                             |                                                    |   | 1.       |
| 3                         |       | +IdleUpdated( C_E_default, C_CellA, C_SCH_A,<br>C_BCCH_A_1, C_Immass, C_S0, C_SlotNU,<br>C_SlotNU, C_SlotNU, C_BCC, C_TxInt_5,<br>C_Max_1, C_NECl_0, C_ATT_0, TimingAdv( 0),<br>C_BABR_0, C_cch_1Comb, C_BPM_3,<br>C_T3212_0, C_ci_cellA, C_MCC_1, C_PLMN_1,<br>C_LAC_1, CellOpt_01, CellChDes_Omit,<br>CellChDes_Omit, C_CellReselectHys12,<br>C_MaxPwrLvIG, C_MaxPwrLvID,<br>BcchFreqLst_45, BcchFreqLst_02,<br>BcchFreqLst_03, BcchFreqLst_04,<br>C_Restablishment, C_BCC, C_NCC,<br>C_Start_Tmsi, TSPX_SDCCH4SubDef,<br>TSPX_CKSNDf, TSPX_RANDDef, C_arfcnA,<br>C_arfcnAd, TSPX_IMSI, C_Test_nfh,<br>C_NCCP_2) |                                                    |   | 2.       |
| 4                         |       | +PreEnterCCstateU7_31( TimingAdv( 0),<br>TSPX_SDCCH4SubDef, TSPX_CKSNDf,<br>TSPX_RANDDef)                                                                                                                                                                                                                                                                                                                                                                                                                                                                                                                          |                                                    |   |          |
| 5                         | body  | LIDL_DatRqRelCmp                                                                                                                                                                                                                                                                                                                                                                                                                                                                                                                                                                                                   | RelComSnd(<br>TCV_ch,<br>ReleaseCmp_04(<br>TI_02)) |   |          |
| 6                         |       | +CheckTIsInStateU0( FALSE, TCV_ch)                                                                                                                                                                                                                                                                                                                                                                                                                                                                                                                                                                                 |                                                    |   | 3.       |
| 7                         |       | +PostMainLinkRel( TCV_ch)                                                                                                                                                                                                                                                                                                                                                                                                                                                                                                                                                                                          |                                                    |   |          |
| <b>Detailed Comments:</b> |       | 1. To select a basic service. if the MS supports telephony the selected basic service is telephony.<br>2. To setup a physical channels as BCCH, CCCH and SDCCH4.<br>3. To check that the CC entities relating to the seven MT transaction identifiers are in state U0.                                                                                                                                                                                                                                                                                                                                             |                                                    |   |          |



| Test Case Dynamic Behaviour |       |                                                                                                                                                                                                                                                                                                                                                                                                                                                                                                                                                                         |                                               |   |          |
|-----------------------------|-------|-------------------------------------------------------------------------------------------------------------------------------------------------------------------------------------------------------------------------------------------------------------------------------------------------------------------------------------------------------------------------------------------------------------------------------------------------------------------------------------------------------------------------------------------------------------------------|-----------------------------------------------|---|----------|
| <b>Test Case Name:</b>      |       | TC_26_8_1_3_5_1                                                                                                                                                                                                                                                                                                                                                                                                                                                                                                                                                         |                                               |   |          |
| <b>Group:</b>               |       | GSM_L3_MS_v4200/CC/                                                                                                                                                                                                                                                                                                                                                                                                                                                                                                                                                     |                                               |   |          |
| <b>Purpose:</b>             |       | To verify that a CC entity of a MS in CC-state U8, "Connect Request", upon receipt of CONNECT ACKNOWLEDGE shall enter the CC-state U10, "Call Active".                                                                                                                                                                                                                                                                                                                                                                                                                  |                                               |   |          |
| <b>Default:</b>             |       | OtherEventsFail                                                                                                                                                                                                                                                                                                                                                                                                                                                                                                                                                         |                                               |   |          |
| Nr                          | Label | Behaviour Description                                                                                                                                                                                                                                                                                                                                                                                                                                                                                                                                                   | CRef                                          | V | Comments |
| 1                           |       | START T_guard(300)                                                                                                                                                                                                                                                                                                                                                                                                                                                                                                                                                      |                                               |   |          |
| 2                           |       | +BasicServiceMTorTelephony( TSPX_MTBscSvcC, TSPX_MTChRateC)                                                                                                                                                                                                                                                                                                                                                                                                                                                                                                             |                                               |   | 1.       |
| 3                           |       | +IdleUpdated( C_E_default, C_CellA, C_SCH_A, C_BCCH_A_1, C_Immass, C_S0, C_SlotNU, C_SlotNU, C_SlotNU, C_BCC, C_TxInt_5, C_Max_1, C_NECL_0, C_ATT_0, TimingAdv( 0), C_BABR_0, C_cch_1Comb, C_BPM_3, C_T3212_0, C_ci_cellA, C_MCC_1, C_PLMN_1, C_LAC_1, CellOpt_01, CellChDes_Omit, CellChDes_Omit, C_CellReselectHys12, C_MaxPwrLvlG, C_MaxPwrLvlD, BcchFreqLst_45, BcchFreqLst_02, BcchFreqLst_03, BcchFreqLst_04, C_Restablishment, C_BCC, C_NCC, C_Start_Tmsi, TSPX_SDCCH4SubDef, TSPX_CKSNDDef, TSPX_RANDDef, C_arfcnA, C_arfcnAd, TSPX_IMSI, C_Test_nfh, C_NCCP_2) |                                               |   |          |
| 4                           |       | +CCConfigTCH( TSPX_TCHHSubDef, C_Ass, TSPX_TmSltDef, TSPX_TscDef, TimingAdv( 0), C_BABR_0, C_cch_1Comb, C_BPM_3, TCV_ChMod.mode, FreqTCH_omit, FreqTCH_omit, C_arfcn_tchA, C_arfcn_tchAd)                                                                                                                                                                                                                                                                                                                                                                               |                                               |   |          |
| 5                           |       | +PreEnterCCstateU8_32( TSPX_TmSltDef, TSPX_TscDef, TimingAdv( 0), TSPX_SDCCH4SubDef, TSPX_CKSNDDef)                                                                                                                                                                                                                                                                                                                                                                                                                                                                     |                                               |   |          |
| 6                           | body  | !IDL_DatRqConnAck                                                                                                                                                                                                                                                                                                                                                                                                                                                                                                                                                       | ConnAckSnd( TCV_chTch, ConnectAck_01( TI_02)) |   |          |
| 7                           |       | +CCstatuschk_05( C_U10, TI_02, TCV_chTch)                                                                                                                                                                                                                                                                                                                                                                                                                                                                                                                               |                                               |   | 2.       |
| 8                           |       | +PostMainLinkRel( TCV_chTch)                                                                                                                                                                                                                                                                                                                                                                                                                                                                                                                                            |                                               |   |          |
| <b>Detailed Comments:</b>   |       | 1. To select a basic service. if the MS supports telephony the selected basic service is telephony.<br>2. To check whether the MS is in U10 state. if it is not in U10 fail in the test step.                                                                                                                                                                                                                                                                                                                                                                           |                                               |   |          |

| Test Case Dynamic Behaviour |            |                                                                                                                                                                                                                                                                                                                                                                                                                                                                                                                                                                      |                                                  |     |          |
|-----------------------------|------------|----------------------------------------------------------------------------------------------------------------------------------------------------------------------------------------------------------------------------------------------------------------------------------------------------------------------------------------------------------------------------------------------------------------------------------------------------------------------------------------------------------------------------------------------------------------------|--------------------------------------------------|-----|----------|
| <b>Test Case Name:</b>      |            | TC_26_8_1_3_5_2                                                                                                                                                                                                                                                                                                                                                                                                                                                                                                                                                      |                                                  |     |          |
| <b>Group:</b>               |            | GSM_L3_MS_v4200/CC/                                                                                                                                                                                                                                                                                                                                                                                                                                                                                                                                                  |                                                  |     |          |
| <b>Purpose:</b>             |            | To verify that a CC entity of a MS in CC-state U8, "Connect Request", having waited for a reasonable length of time (eg. expiry of timer T313) without receiving the appropriate protocol message to complete the incoming call, shall initiate the clearing of that incoming call by sending the CC message DISCONNECT and enter the CC-state U11, "Disconnect Request"                                                                                                                                                                                             |                                                  |     |          |
| <b>Default:</b>             |            | OtherEventsFail                                                                                                                                                                                                                                                                                                                                                                                                                                                                                                                                                      |                                                  |     |          |
| Nr                          | Label      | Behaviour Description                                                                                                                                                                                                                                                                                                                                                                                                                                                                                                                                                | CRef                                             | V   | Comments |
| 1                           |            | START T_guard(300)                                                                                                                                                                                                                                                                                                                                                                                                                                                                                                                                                   |                                                  |     |          |
| 2                           |            | +BasicServiceMTorTelephony( TSPX_MTBscSvcD, TSPX_MTChRateD)                                                                                                                                                                                                                                                                                                                                                                                                                                                                                                          |                                                  |     | 1.       |
| 3                           |            | +IdleUpdated( C_E_default, C_CellA, C_SCH_A, C_BCCH_A_1, C_Immss, C_S0, C_SlotNU, C_SlotNU, C_SlotNU, C_BCC, C_TxInt_5, C_Max_1, C_NECl_0, C_ATT_0, TimingAdv( 0), C_BABR_0, C_cch_1Comb, C_BPM_3, C_T3212_0, C_ci_cellA, C_MCC_1, C_PLMN_1, C_LAC_1, CellOpt_01, CellChDes_Omit, CellChDes_Omit, C_CellReselectHys12, C_MaxPwrLvIG, C_MaxPwrLvID, BcchFreqLst_45, BcchFreqLst_02, BcchFreqLst_03, BcchFreqLst_04, C_Restablishment, C_BCC, C_NCC, C_Start_Tmsi, TSPX_SDCCH4SubDef, TSPX_CKSNDf, TSPX_RANDDef, C_arfcnA, C_arfcnAd, TSPX_IMSI, C_Test_nfh, C_NCCP_2) |                                                  |     |          |
| 4                           |            | +CCConfigTCH( TSPX_TCHHSubDef, C_Ass, TSPX_TmSlitDef, TSPX_TscDef, TimingAdv( 0), C_BABR_0, C_cch_1Comb, C_BPM_3, TCv_ChMod.mode, FreqTCH_omit, FreqTCH_omit, C_arfcn_tchA, C_arfcn_tchAd)                                                                                                                                                                                                                                                                                                                                                                           |                                                  |     |          |
| 5                           |            | +PreEnterCCstateU8_32( TSPX_TmSlitDef, TSPX_TscDef, TimingAdv( 0), TSPX_SDCCH4SubDef, TSPX_CKSNDf)                                                                                                                                                                                                                                                                                                                                                                                                                                                                   |                                                  |     |          |
| 6                           | body       | +localtree1                                                                                                                                                                                                                                                                                                                                                                                                                                                                                                                                                          |                                                  |     |          |
|                             |            | <b>localtree1</b>                                                                                                                                                                                                                                                                                                                                                                                                                                                                                                                                                    |                                                  |     |          |
| 7                           |            | START T_dly(15000)                                                                                                                                                                                                                                                                                                                                                                                                                                                                                                                                                   |                                                  |     |          |
| 8                           |            | ?TIMEOUT T_dly                                                                                                                                                                                                                                                                                                                                                                                                                                                                                                                                                       |                                                  |     |          |
| 9                           |            | START T_dly(18000)                                                                                                                                                                                                                                                                                                                                                                                                                                                                                                                                                   |                                                  |     |          |
| 10                          | L_045<br>8 | ?TIMEOUT T_dly                                                                                                                                                                                                                                                                                                                                                                                                                                                                                                                                                       |                                                  | (F) |          |
| 11                          |            | +PostMainLinkRel(TCV_chTch)                                                                                                                                                                                                                                                                                                                                                                                                                                                                                                                                          |                                                  |     |          |
| 12                          | L_045<br>9 | L?DL_DatInDisc CANCEL T_dly                                                                                                                                                                                                                                                                                                                                                                                                                                                                                                                                          | DiscRcv( TCV_chTch, DisconnR( TI_01, Cause_Def)) | (P) | 2.       |
| 13                          |            | +CCstatuschk_05(C_U11, TI_02, TCV_chTch)                                                                                                                                                                                                                                                                                                                                                                                                                                                                                                                             |                                                  |     | 3.       |
| 14                          |            | +PostMainLinkRel(TCV_chTch)                                                                                                                                                                                                                                                                                                                                                                                                                                                                                                                                          |                                                  |     |          |
| <b>Detailed Comments:</b>   |            | <ol style="list-style-type: none"> <li>1. To select a basic service. if the MS supports telephony the selected basic service is telephony.</li> <li>2. The expected DISCONNECT message received within the time interval with any valid cause location and cause value.</li> <li>3. To check whether the MS is in the expected U11 state.</li> </ol>                                                                                                                                                                                                                 |                                                  |     |          |

| Test Case Dynamic Behaviour |            |                                                                                                                                                                                                                                                                                                                                                                                                                                                                                                                                                                         |                                                  |     |          |
|-----------------------------|------------|-------------------------------------------------------------------------------------------------------------------------------------------------------------------------------------------------------------------------------------------------------------------------------------------------------------------------------------------------------------------------------------------------------------------------------------------------------------------------------------------------------------------------------------------------------------------------|--------------------------------------------------|-----|----------|
| <b>Test Case Name:</b>      |            | TC_26_8_1_3_5_3                                                                                                                                                                                                                                                                                                                                                                                                                                                                                                                                                         |                                                  |     |          |
| <b>Group:</b>               |            | GSM_L3_MS_v4200/CC/                                                                                                                                                                                                                                                                                                                                                                                                                                                                                                                                                     |                                                  |     |          |
| <b>Purpose:</b>             |            | To verify that a CC entity of a MS in CC-state U8, "Connect Request", upon request by the user to terminate will send a DISCONNECT message and enter the CC-state U11, "Disconnect Request".                                                                                                                                                                                                                                                                                                                                                                            |                                                  |     |          |
| <b>Default:</b>             |            | OtherEventsFail                                                                                                                                                                                                                                                                                                                                                                                                                                                                                                                                                         |                                                  |     |          |
| Nr                          | Label      | Behaviour Description                                                                                                                                                                                                                                                                                                                                                                                                                                                                                                                                                   | CRef                                             | V   | Comments |
| 1                           |            | START T_guard(300)                                                                                                                                                                                                                                                                                                                                                                                                                                                                                                                                                      |                                                  |     |          |
| 2                           |            | +BasicServiceMTorTelephony( TSPX_MTBscSvcE, TSPX_MTChRateE)                                                                                                                                                                                                                                                                                                                                                                                                                                                                                                             |                                                  |     | 1.       |
| 3                           |            | +IdleUpdated( C_E_default, C_CellA, C_SCH_A, C_BCCH_A_1, C_Immass, C_S0, C_SlotNU, C_SlotNU, C_SlotNU, C_BCC, C_TxInt_5, C_Max_1, C_NECL_0, C_ATT_0, TimingAdv( 0), C_BABR_0, C_cch_1Comb, C_BPM_3, C_T3212_0, C_ci_cellA, C_MCC_1, C_PLMN_1, C_LAC_1, CellOpt_01, CellChDes_Omit, CellChDes_Omit, C_CellReselectHys12, C_MaxPwrLvIG, C_MaxPwrLvID, BcchFreqLst_45, BcchFreqLst_02, BcchFreqLst_03, BcchFreqLst_04, C_Restablishment, C_BCC, C_NCC, C_Start_Tmsi, TSPX_SDCCH4SubDef, TSPX_CKSNDDef, TSPX_RANDDef, C_arfcnA, C_arfcnAd, TSPX_IMSI, C_Test_nfh, C_NCCP_2) |                                                  |     |          |
| 4                           |            | +CCConfigTCH( TSPX_TCHHSubDef, C_Ass, TSPX_TmSltDef, TSPX_TscDef, TimingAdv( 0), C_BABR_0, C_cch_1Comb, C_BPM_3, TCV_ChMod.mode, FreqTCH_omit, FreqTCH_omit, C_arfcn_tchA, C_arfcn_tchAd)                                                                                                                                                                                                                                                                                                                                                                               |                                                  |     |          |
| 5                           |            | +PreEnterCCstateU8_32( TSPX_TmSltDef, TSPX_TscDef, TimingAdv( 0), TSPX_SDCCH4SubDef, TSPX_CKSNDDef)                                                                                                                                                                                                                                                                                                                                                                                                                                                                     |                                                  |     |          |
| 6                           | body       | (TCV_Null := OO_TermCall())                                                                                                                                                                                                                                                                                                                                                                                                                                                                                                                                             |                                                  |     | 2.       |
| 7                           | L_046<br>0 | L?DL_DatInDisc                                                                                                                                                                                                                                                                                                                                                                                                                                                                                                                                                          | DiscRcv( TCV_chTch, DisconnR( TI_01, Cause_Def)) | (P) | 3.       |
| 8                           |            | +CCstatuschk_05( C_U11, TI_02, TCV_chTch)                                                                                                                                                                                                                                                                                                                                                                                                                                                                                                                               |                                                  |     | 4.       |
| 9                           |            | +PostMainLinkRel( TCV_chTch)                                                                                                                                                                                                                                                                                                                                                                                                                                                                                                                                            |                                                  |     |          |
| <b>Detailed Comments:</b>   |            | <ol style="list-style-type: none"> <li>1. To select a basic service. if the MS supports telephony the selected basic service is telephony.</li> <li>2. The user terminates the call.</li> <li>3. The expected DISCONNECT message received.</li> <li>4. To check whether the MS is in the expected U11 state.</li> </ol>                                                                                                                                                                                                                                                 |                                                  |     |          |

| Test Case Dynamic Behaviour |            |                                                                                                                                                                                                                                                                                                                                                                                                                                                                                                                                                                      |                                                                             |     |          |
|-----------------------------|------------|----------------------------------------------------------------------------------------------------------------------------------------------------------------------------------------------------------------------------------------------------------------------------------------------------------------------------------------------------------------------------------------------------------------------------------------------------------------------------------------------------------------------------------------------------------------------|-----------------------------------------------------------------------------|-----|----------|
| <b>Test Case Name:</b>      |            | TC_26_8_1_3_5_4                                                                                                                                                                                                                                                                                                                                                                                                                                                                                                                                                      |                                                                             |     |          |
| <b>Group:</b>               |            | GSM_L3_MS_v4200/CC/                                                                                                                                                                                                                                                                                                                                                                                                                                                                                                                                                  |                                                                             |     |          |
| <b>Purpose:</b>             |            | To verify that a CC entity of a MS in CC-state U8, "Connect Request", upon receipt of a DISCONNECT with progress indicator #8 enters CC-state U12, if the traffic channel is in speech mode, and that the MS sends a RELEASE message and enters CC-state U19 if the TCH is not in speech mode.                                                                                                                                                                                                                                                                       |                                                                             |     |          |
| <b>Default:</b>             |            | OtherEventsFail                                                                                                                                                                                                                                                                                                                                                                                                                                                                                                                                                      |                                                                             |     |          |
| Nr                          | Label      | Behaviour Description                                                                                                                                                                                                                                                                                                                                                                                                                                                                                                                                                | CRef                                                                        | V   | Comments |
| 1                           |            | START T_guard(300)                                                                                                                                                                                                                                                                                                                                                                                                                                                                                                                                                   |                                                                             |     |          |
| 2                           |            | +BasicServiceMTorTelephony( TSPX_MTBscSvcF, TSPX_MTChRateF)                                                                                                                                                                                                                                                                                                                                                                                                                                                                                                          |                                                                             |     | 1.       |
| 3                           |            | +IdleUpdated( C_E_default, C_CellA, C_SCH_A, C_BCCH_A_1, C_Immss, C_S0, C_SlotNU, C_SlotNU, C_SlotNU, C_BCC, C_TxInt_5, C_Max_1, C_NECI_0, C_ATT_0, TimingAdv( 0), C_BABR_0, C_cch_1Comb, C_BPM_3, C_T3212_0, C_ci_cellA, C_MCC_1, C_PLMN_1, C_LAC_1, CellOpt_01, CellChDes_Omit, CellChDes_Omit, C_CellReselectHys12, C_MaxPwrLvIG, C_MaxPwrLvID, BcchFreqLst_45, BcchFreqLst_02, BcchFreqLst_03, BcchFreqLst_04, C_Restablishment, C_BCC, C_NCC, C_Start_Tmsi, TSPX_SDCCH4SubDef, TSPX_CKSNDf, TSPX_RANDDef, C_arfcnA, C_arfcnAd, TSPX_IMSI, C_Test_nfh, C_NCCP_2) |                                                                             |     |          |
| 4                           |            | +CCConfigTCH_nociph( TSPX_TCHHSubDef, C_Immss, TSPX_TmSlitDef, TSPX_TscDef, TimingAdv( 0), C_BABR_0, C_cch_1Comb, C_BPM_3, TCV_ChMod.mode, FreqTCH_omit, FreqTCH_omit, C_arfcn_tchA, C_arfcn_tchAd)                                                                                                                                                                                                                                                                                                                                                                  |                                                                             |     |          |
| 5                           |            | +PreEnterCCstateU8_33( TSPX_TmSlitDef, TSPX_TscDef, TimingAdv( 0), TSPX_CKSNDf, TSPX_RANDDef)                                                                                                                                                                                                                                                                                                                                                                                                                                                                        |                                                                             |     |          |
| 6                           | body       | LIDL_DatRqDisc                                                                                                                                                                                                                                                                                                                                                                                                                                                                                                                                                       | DiscSnd( TCV_chTch, DisconnS( TI_02, Cause_01, ProgInd_03iei, UuInfo_omit)) |     |          |
| 7                           |            | [TCV_ChMod.mode = C_ChMod_r]                                                                                                                                                                                                                                                                                                                                                                                                                                                                                                                                         |                                                                             |     | 2.       |
| 8                           |            | +CCstatuschk_05( C_U12, TI_02, TCV_chTch)                                                                                                                                                                                                                                                                                                                                                                                                                                                                                                                            |                                                                             |     |          |
| 9                           |            | +PostMainLinkRel( TCV_chTch)                                                                                                                                                                                                                                                                                                                                                                                                                                                                                                                                         |                                                                             |     |          |
| 10                          |            | [TCV_ChMod.mode <> C_ChMod_r]                                                                                                                                                                                                                                                                                                                                                                                                                                                                                                                                        |                                                                             |     | 3.       |
| 11                          | L_046<br>1 | L?DL_DatInRel                                                                                                                                                                                                                                                                                                                                                                                                                                                                                                                                                        | ReleaseRcv( Release_10( TI_01))                                             | (P) |          |
| 12                          |            | +CCstatuschk_05( C_U19, TI_02, TCV_chTch)                                                                                                                                                                                                                                                                                                                                                                                                                                                                                                                            |                                                                             |     |          |
| 13                          |            | +PostMainLinkRel( TCV_chTch)                                                                                                                                                                                                                                                                                                                                                                                                                                                                                                                                         |                                                                             |     |          |
| <b>Detailed Comments:</b>   |            | 1. To select a basic service. if the MS supports telephony the selected basic service is telephony.<br>2. TCH is in speech mode.<br>3. TCH is not in speech mode.                                                                                                                                                                                                                                                                                                                                                                                                    |                                                                             |     |          |

| Test Case Dynamic Behaviour |            |                                                                                                                                                                                                                                                                                                                                                                                                                                                                                                                                                                       |                                                                            |     |          |
|-----------------------------|------------|-----------------------------------------------------------------------------------------------------------------------------------------------------------------------------------------------------------------------------------------------------------------------------------------------------------------------------------------------------------------------------------------------------------------------------------------------------------------------------------------------------------------------------------------------------------------------|----------------------------------------------------------------------------|-----|----------|
| <b>Test Case Name:</b>      |            | TC_26_8_1_3_5_5                                                                                                                                                                                                                                                                                                                                                                                                                                                                                                                                                       |                                                                            |     |          |
| <b>Group:</b>               |            | GSM_L3_MS_v4200/CC/                                                                                                                                                                                                                                                                                                                                                                                                                                                                                                                                                   |                                                                            |     |          |
| <b>Purpose:</b>             |            | To verify that a CC entity of a MS in CC-state U8, "Connect Request", upon receipt of a DISCONNECT without progress indicator, returns a RELEASE message and enters the CC-state U19, "Release Request".                                                                                                                                                                                                                                                                                                                                                              |                                                                            |     |          |
| <b>Default:</b>             |            | OtherEventsFail                                                                                                                                                                                                                                                                                                                                                                                                                                                                                                                                                       |                                                                            |     |          |
| Nr                          | Label      | Behaviour Description                                                                                                                                                                                                                                                                                                                                                                                                                                                                                                                                                 | CRef                                                                       | V   | Comments |
| 1                           |            | START T_guard(300)                                                                                                                                                                                                                                                                                                                                                                                                                                                                                                                                                    |                                                                            |     |          |
| 2                           |            | +BasicServiceMTorTelephony( TSPX_MTBscSvcG, TSPX_MTChRateG)                                                                                                                                                                                                                                                                                                                                                                                                                                                                                                           |                                                                            |     | 1.       |
| 3                           |            | +IdleUpdated( C_E_default, C_CellA, C_SCH_A, C_BCCH_A_1, C_Immass, C_S0, C_SlotNU, C_SlotNU, C_SlotNU, C_BCC, C_TxInt_5, C_Max_1, C_NECl_0, C_ATT_0, TimingAdv( 0), C_BABR_0, C_cch_1Comb, C_BPM_3, C_T3212_0, C_ci_cellA, C_MCC_1, C_PLMN_1, C_LAC_1, CellOpt_01, CellChDes_Omit, CellChDes_Omit, C_CellReselectHys12, C_MaxPwrLvlG, C_MaxPwrLvlD, BcchFreqLst_45, BcchFreqLst_02, BcchFreqLst_03, BcchFreqLst_04, C_Restablishment, C_BCC, C_NCC, C_Start_Tmsi, TSPX_SDCCH4SubDef, TSPX_CKSNDf, TSPX_RANDDef, C_arfcnA, C_arfcnAd, TSPX_IMSI, C_Test_nfh, C_NCCP_2) |                                                                            |     |          |
| 4                           |            | +CCConfigTCH_nociph( TSPX_TCHHSubDef, C_Immass, TSPX_TmSlitDef, TSPX_TscDef, TimingAdv( 0), C_BABR_0, C_cch_1Comb, C_BPM_3, TCV_ChMod.mode, FreqTCH_omit, FreqTCH_omit, C_arfcn_tchA, C_arfcn_tchAd)                                                                                                                                                                                                                                                                                                                                                                  |                                                                            |     |          |
| 5                           |            | +PreEnterCCstateU8_33( TSPX_TmSlitDef, TSPX_TscDef, TimingAdv( 0), TSPX_CKSNDf, TSPX_RANDDef)                                                                                                                                                                                                                                                                                                                                                                                                                                                                         |                                                                            |     |          |
| 6                           | body       | L!DL_DatRqDisc                                                                                                                                                                                                                                                                                                                                                                                                                                                                                                                                                        | DiscSnd( TCV_chTch, DisconnS( TI_02, Cause_01, ProgInd_omit, UuInfo_omit)) |     |          |
| 7                           | L_046<br>2 | L?DL_DatInRel                                                                                                                                                                                                                                                                                                                                                                                                                                                                                                                                                         | ReleaseRcv( Release_10( TI_01))                                            | (P) | 2.       |
| 8                           |            | +CCstatuschk_05( C_U19, TI_02, TCV_chTch)                                                                                                                                                                                                                                                                                                                                                                                                                                                                                                                             |                                                                            |     |          |
| 9                           |            | +PostMainLinkRel( TCV_chTch)                                                                                                                                                                                                                                                                                                                                                                                                                                                                                                                                          |                                                                            |     |          |
| <b>Detailed Comments:</b>   |            | 1. To select a basic service. if the MS supports telephony the selected basic service is telephony.<br>2. The expected RELEASE message received.                                                                                                                                                                                                                                                                                                                                                                                                                      |                                                                            |     |          |

| Test Case Dynamic Behaviour                                                                                                                                                                             |            |                                                                                                                                                                                                                                                                                                                                                                                                                                                                                                                                                                          |                                            |     |          |
|---------------------------------------------------------------------------------------------------------------------------------------------------------------------------------------------------------|------------|--------------------------------------------------------------------------------------------------------------------------------------------------------------------------------------------------------------------------------------------------------------------------------------------------------------------------------------------------------------------------------------------------------------------------------------------------------------------------------------------------------------------------------------------------------------------------|--------------------------------------------|-----|----------|
| <b>Test Case Name:</b> TC_26_8_1_3_5_6                                                                                                                                                                  |            |                                                                                                                                                                                                                                                                                                                                                                                                                                                                                                                                                                          |                                            |     |          |
| <b>Group:</b> GSM_L3_MS_v4200/CC/                                                                                                                                                                       |            |                                                                                                                                                                                                                                                                                                                                                                                                                                                                                                                                                                          |                                            |     |          |
| <b>Purpose:</b>                                                                                                                                                                                         |            |                                                                                                                                                                                                                                                                                                                                                                                                                                                                                                                                                                          |                                            |     |          |
| 1) To verify that a CC entity of a MS in CC-state U8, "Connect Request", upon receipt of a RELEASE will return a RELEASE COMPLETE and enter the CC-state U0, "Null".                                    |            |                                                                                                                                                                                                                                                                                                                                                                                                                                                                                                                                                                          |                                            |     |          |
| 2) To verify that the MS on returning to the idle mode releases the MM-connection and that the CC-entities relating to the seven mobile terminating transaction identifiers are in CC-state U0, "Null". |            |                                                                                                                                                                                                                                                                                                                                                                                                                                                                                                                                                                          |                                            |     |          |
| <b>Default:</b> OtherEventsFail                                                                                                                                                                         |            |                                                                                                                                                                                                                                                                                                                                                                                                                                                                                                                                                                          |                                            |     |          |
| Nr                                                                                                                                                                                                      | Label      | Behaviour Description                                                                                                                                                                                                                                                                                                                                                                                                                                                                                                                                                    | CRef                                       | V   | Comments |
| 1                                                                                                                                                                                                       |            | START T_guard(300)                                                                                                                                                                                                                                                                                                                                                                                                                                                                                                                                                       |                                            |     |          |
| 2                                                                                                                                                                                                       |            | +BasicServiceMTorTelephony( TSPX_MTBscSvcH, TSPX_MTChRateH)                                                                                                                                                                                                                                                                                                                                                                                                                                                                                                              |                                            |     | 1.       |
| 3                                                                                                                                                                                                       |            | +IdleUpdated( C_E_default, C_CellA, C_SCH_A, C_BCCH_A_1, C_Immass, C_S0, C_SlotNU, C_SlotNU, C_SlotNU, C_BCC, C_TxInt_5, C_Max_1, C_NECI_0, C_ATT_0, TimingAdv( 0), C_BABR_0, C_cch_1Comb, C_BPM_3, C_T3212_0, C_ci_cellA, C_MCC_1, C_PLMN_1, C_LAC_1, CellOpt_01, CellChDes_Omit, CellChDes_Omit, C_CellReselectHys12, C_MaxPwrLvIG, C_MaxPwrLvID, BcchFreqLst_45, BcchFreqLst_02, BcchFreqLst_03, BcchFreqLst_04, C_Restablishment, C_BCC, C_NCC, C_Start_Tmsi, TSPX_SDCCH4SubDef, TSPX_CKSNDDef, TSPX_RANDDDef, C_arfcnA, C_arfcnAd, TSPX_IMSI, C_Test_nfh, C_NCCP_2) |                                            |     |          |
| 4                                                                                                                                                                                                       |            | +CCConfigTCH_nociph( TSPX_TCHHSubDef, C_Immass, TSPX_TmSlitDef, TSPX_TscDef, TimingAdv( 0), C_BABR_0, C_cch_1Comb, C_BPM_3, TCV_ChMod.mode, FreqTCH_omit, FreqTCH_omit, C_arfcn_tchA, C_arfcn_tchAd)                                                                                                                                                                                                                                                                                                                                                                     |                                            |     |          |
| 5                                                                                                                                                                                                       |            | +PreEnterCCstateU8_33( TSPX_TmSlitDef, TSPX_TscDef, TimingAdv( 0), TSPX_CKSNDDef, TSPX_RANDDDef)                                                                                                                                                                                                                                                                                                                                                                                                                                                                         |                                            |     |          |
| 6                                                                                                                                                                                                       | body       | L!DL_DatRqRel                                                                                                                                                                                                                                                                                                                                                                                                                                                                                                                                                            | ReleaseSnd( TCV_chTch, Release_03( TI_02)) |     |          |
| 7                                                                                                                                                                                                       | L_046<br>3 | L?DL_DatInRelCmp                                                                                                                                                                                                                                                                                                                                                                                                                                                                                                                                                         | RelComRcv( ReleaseCmp_03( TI_01))          | (P) | 2.       |
| 8                                                                                                                                                                                                       |            | +CheckTIsInStateU0( FALSE, TCV_chTch)                                                                                                                                                                                                                                                                                                                                                                                                                                                                                                                                    |                                            |     |          |
| 9                                                                                                                                                                                                       |            | +PostMainLinkRel( TCV_chTch)                                                                                                                                                                                                                                                                                                                                                                                                                                                                                                                                             |                                            |     |          |
| <b>Detailed Comments:</b>                                                                                                                                                                               |            |                                                                                                                                                                                                                                                                                                                                                                                                                                                                                                                                                                          |                                            |     |          |
| 1. To select a basic service. if the MS supports telephony the selected basic service is telephony.                                                                                                     |            |                                                                                                                                                                                                                                                                                                                                                                                                                                                                                                                                                                          |                                            |     |          |
| 2. The expected RELEASE COMPLETE message received.                                                                                                                                                      |            |                                                                                                                                                                                                                                                                                                                                                                                                                                                                                                                                                                          |                                            |     |          |

| Test Case Dynamic Behaviour |       |                                                                                                                                                                                                                                                                                                                                                                                                                                                                                                                                                                      |      |   |          |
|-----------------------------|-------|----------------------------------------------------------------------------------------------------------------------------------------------------------------------------------------------------------------------------------------------------------------------------------------------------------------------------------------------------------------------------------------------------------------------------------------------------------------------------------------------------------------------------------------------------------------------|------|---|----------|
| <b>Test Case Name:</b>      |       | TC_26_8_1_3_5_7                                                                                                                                                                                                                                                                                                                                                                                                                                                                                                                                                      |      |   |          |
| <b>Group:</b>               |       | GSM_L3_MS_v4200/CC/                                                                                                                                                                                                                                                                                                                                                                                                                                                                                                                                                  |      |   |          |
| <b>Purpose:</b>             |       | To verify that a CC entity of a MS in CC-state U8, "Connect Request", having detected a lower layer failure returns to idle mode with the CC entities relating to the seven mobile terminating transaction identifiers in CC-state U0, "Null".                                                                                                                                                                                                                                                                                                                       |      |   |          |
| <b>Default:</b>             |       | OtherEventsFail                                                                                                                                                                                                                                                                                                                                                                                                                                                                                                                                                      |      |   |          |
| Nr                          | Label | Behaviour Description                                                                                                                                                                                                                                                                                                                                                                                                                                                                                                                                                | CRef | V | Comments |
| 1                           |       | START T_guard(300)                                                                                                                                                                                                                                                                                                                                                                                                                                                                                                                                                   |      |   |          |
| 2                           |       | +BasicServiceMTorTelephony( TSPX_MTBscSvcI, TSPX_MTChRateI)                                                                                                                                                                                                                                                                                                                                                                                                                                                                                                          |      |   | 1.       |
| 3                           |       | +IdleUpdated( C_E_default, C_CellA, C_SCH_A, C_BCCH_A_1, C_Immass, C_S0, C_SlotNU, C_SlotNU, C_SlotNU, C_BCC, C_TxInt_5, C_Max_1, C_NECl_0, C_ATT_0, TimingAdv( 0), C_BABR_0, C_cch_1Comb, C_BPM_3, C_T3212_0, C_ci_cellA, C_MCC_1, C_PLMN_1, C_LAC_1, CellOpt_01, CellChDes_Omit, CellChDes_Omit, C_CellReselectHys12, C_MaxPwrLvIG, C_MaxPwrLvID, BcchFreqLst_45, BcchFreqLst_02, BcchFreqLst_03, BcchFreqLst_04, C_Restablishment, C_BCC, C_NCC, C_Start_Tmsi, TSPX_SDCCH4SubDef, TSPX_CKSNDf, TSPX_RANDDf, C_arfcnA, C_arfcnAd, TSPX_IMSI, C_Test_nfh, C_NCCP_2) |      |   | 2.       |
| 4                           |       | +PreEnterCCstateU8_31( TimingAdv( 0), TSPX_SDCCH4SubDef, TSPX_CKSNDf, TSPX_RANDDf)                                                                                                                                                                                                                                                                                                                                                                                                                                                                                   |      |   |          |
| 5                           | body  | (TCV_Null := OM_LowerLayerFail( TCV_ch))                                                                                                                                                                                                                                                                                                                                                                                                                                                                                                                             |      |   | 3.       |
| 6                           |       | START T_dly( 20000)                                                                                                                                                                                                                                                                                                                                                                                                                                                                                                                                                  |      |   |          |
| 7                           |       | ?TIMEOUT T_dly                                                                                                                                                                                                                                                                                                                                                                                                                                                                                                                                                       |      |   |          |
| 8                           |       | +CCEstablishMT_SDCCH4( TimingAdv( 0), TSPX_SDCCH4SubDef, TSPX_CKSNDf)                                                                                                                                                                                                                                                                                                                                                                                                                                                                                                |      |   |          |
| 9                           |       | +CheckTIsInStateU0( FALSE, TCV_ch)                                                                                                                                                                                                                                                                                                                                                                                                                                                                                                                                   |      |   |          |
| 10                          |       | +PostMainLinkRel( TCV_ch)                                                                                                                                                                                                                                                                                                                                                                                                                                                                                                                                            |      |   |          |
| <b>Detailed Comments:</b>   |       | 1. To select a basic service. if the MS supports telephony the selected teleservice is telephony.<br>2. To setup a physical channel as BCCH, CCCH and SDCCH4.<br>3. To generate lower layer failure.                                                                                                                                                                                                                                                                                                                                                                 |      |   |          |

| Test Case Dynamic Behaviour |       |                                                                                                                                                                                                                                                                                                                                                                                                                                                                                                                                                                       |      |   |          |
|-----------------------------|-------|-----------------------------------------------------------------------------------------------------------------------------------------------------------------------------------------------------------------------------------------------------------------------------------------------------------------------------------------------------------------------------------------------------------------------------------------------------------------------------------------------------------------------------------------------------------------------|------|---|----------|
| <b>Test Case Name:</b>      |       | TC_26_8_1_3_5_8                                                                                                                                                                                                                                                                                                                                                                                                                                                                                                                                                       |      |   |          |
| <b>Group:</b>               |       | GSM_L3_MS_v4200/CC/                                                                                                                                                                                                                                                                                                                                                                                                                                                                                                                                                   |      |   |          |
| <b>Purpose:</b>             |       | To verify that a CC entity of a MS in CC-state U8, "Connect Request", when allocated a traffic channel by the network performing the assignment procedure, shall perform a layer 2 establishment on the FACCH without changing the state of the call in progress.                                                                                                                                                                                                                                                                                                     |      |   |          |
| <b>Default:</b>             |       | OtherEventsFail                                                                                                                                                                                                                                                                                                                                                                                                                                                                                                                                                       |      |   |          |
| Nr                          | Label | Behaviour Description                                                                                                                                                                                                                                                                                                                                                                                                                                                                                                                                                 | CRef | V | Comments |
| 1                           |       | START T_guard(300)                                                                                                                                                                                                                                                                                                                                                                                                                                                                                                                                                    |      |   |          |
| 2                           |       | +BasicServiceMTorTelephony( TSPX_MTBscSvcJ, TSPX_MTChRateJ)                                                                                                                                                                                                                                                                                                                                                                                                                                                                                                           |      |   | 1.       |
| 3                           |       | +IdleUpdated( C_E_default, C_CellA, C_SCH_A, C_BCCH_A_1, C_Immass, C_S0, C_SlotNU, C_SlotNU, C_SlotNU, C_BCC, C_TxInt_5, C_Max_1, C_NECI_0, C_ATT_0, TimingAdv( 0), C_BABR_0, C_cch_1Comb, C_BPM_3, C_T3212_0, C_ci_cellA, C_MCC_1, C_PLMN_1, C_LAC_1, CellOpt_01, CellChDes_Omit, CellChDes_Omit, C_CellReselectHys12, C_MaxPwrLvlG, C_MaxPwrLvlD, BcchFreqLst_45, BcchFreqLst_02, BcchFreqLst_03, BcchFreqLst_04, C_Restablishment, C_BCC, C_NCC, C_Start_Tmsi, TSPX_SDCCH4SubDef, TSPX_CKSNDf, TSPX_RANDDef, C_arfcnA, C_arfcnAd, TSPX_IMSI, C_Test_nfh, C_NCCP_2) |      |   |          |
| 4                           |       | +CCConfigTCH( TSPX_TCHHSubDef, C_Ass, TSPX_TmSlitDef, TSPX_TscDef, TimingAdv( 0), C_BABR_0, C_cch_1Comb, C_BPM_3, TCV_ChMod.mode, FreqTCH_omit, FreqTCH_omit, C_arfcn_tchA, C_arfcn_tchAd)                                                                                                                                                                                                                                                                                                                                                                            |      |   |          |
| 5                           |       | +PreEnterCCstateU8_31( TimingAdv( 0), TSPX_SDCCH4SubDef, TSPX_CKSNDf, TSPX_RANDDef)                                                                                                                                                                                                                                                                                                                                                                                                                                                                                   |      |   |          |
| 6                           | body  | +CCAssignTCH( TSPX_TmSlitDef, TSPX_TscDef)                                                                                                                                                                                                                                                                                                                                                                                                                                                                                                                            |      |   | 2.       |
| 7                           |       | +CCstatuschk_05( C_U8, TI_02, TCV_chTch)                                                                                                                                                                                                                                                                                                                                                                                                                                                                                                                              |      |   | 3.       |
| 8                           |       | +PostMainLinkRel( TCV_chTch)                                                                                                                                                                                                                                                                                                                                                                                                                                                                                                                                          |      |   |          |
| <b>Detailed Comments:</b>   |       | 1. To select a basic service. if the MS supports telephony the selected basic service is telephony.<br>2. To assign a suitable traffic channel.<br>3.. To check whether the MS is still in the state U8.                                                                                                                                                                                                                                                                                                                                                              |      |   |          |



| Test Case Dynamic Behaviour |            |                                                                                                                                                                                                                                                                                                                                                                                                                                                                                                                                                                         |                                             |     |          |
|-----------------------------|------------|-------------------------------------------------------------------------------------------------------------------------------------------------------------------------------------------------------------------------------------------------------------------------------------------------------------------------------------------------------------------------------------------------------------------------------------------------------------------------------------------------------------------------------------------------------------------------|---------------------------------------------|-----|----------|
| <b>Test Case Name:</b>      |            | TC_26_8_1_3_5_9                                                                                                                                                                                                                                                                                                                                                                                                                                                                                                                                                         |                                             |     |          |
| <b>Group:</b>               |            | GSM_L3_MS_v4200/CC/                                                                                                                                                                                                                                                                                                                                                                                                                                                                                                                                                     |                                             |     |          |
| <b>Purpose:</b>             |            | To verify that a CC entity of a MS in CC-state U8, "Connect Request", having received an unknown message from its peer entity returns a STATUS message.                                                                                                                                                                                                                                                                                                                                                                                                                 |                                             |     |          |
| <b>Default:</b>             |            | OtherEventsFail                                                                                                                                                                                                                                                                                                                                                                                                                                                                                                                                                         |                                             |     |          |
| Nr                          | Label      | Behaviour Description                                                                                                                                                                                                                                                                                                                                                                                                                                                                                                                                                   | CRef                                        | V   | Comments |
| 1                           |            | START T_guard(300)                                                                                                                                                                                                                                                                                                                                                                                                                                                                                                                                                      |                                             |     |          |
| 2                           |            | +BasicServiceMTorTelephony( TSPX_MTBscSvcG, TSPX_MTChRateG)                                                                                                                                                                                                                                                                                                                                                                                                                                                                                                             |                                             |     | 1.       |
| 3                           |            | +IdleUpdated( C_E_default, C_CellA, C_SCH_A, C_BCCH_A_1, C_Immass, C_S0, C_SlotNU, C_SlotNU, C_SlotNU, C_BCC, C_TxInt_5, C_Max_1, C_NECL_0, C_ATT_0, TimingAdv( 0), C_BABR_0, C_cch_1Comb, C_BPM_3, C_T3212_0, C_ci_cellA, C_MCC_1, C_PLMN_1, C_LAC_1, CellOpt_01, CellChDes_Omit, CellChDes_Omit, C_CellReselectHys12, C_MaxPwrLvlG, C_MaxPwrLvlD, BcchFreqLst_45, BcchFreqLst_02, BcchFreqLst_03, BcchFreqLst_04, C_Restablishment, C_BCC, C_NCC, C_Start_Tmsi, TSPX_SDCCH4SubDef, TSPX_CKSNDDef, TSPX_RANDDef, C_arfcnA, C_arfcnAd, TSPX_IMSI, C_Test_nfh, C_NCCP_2) |                                             |     | 2.       |
| 4                           |            | +PreEnterCCstateU8_31( TimingAdv( 0), TSPX_SDCCH4SubDef, TSPX_CKSNDDef, TSPX_RANDDef)                                                                                                                                                                                                                                                                                                                                                                                                                                                                                   |                                             |     |          |
| 5                           | body       | L!DL_DatRqUndefCC                                                                                                                                                                                                                                                                                                                                                                                                                                                                                                                                                       | UndefCC( TCV_ch, UndefCC_02( TI_02))        |     | 3.       |
| 6                           | L_046<br>4 | L?DL_DatInCcst                                                                                                                                                                                                                                                                                                                                                                                                                                                                                                                                                          | CCStRcv( TCV_ch, CCStatus_08( TI_01, C_U8)) | (P) | 4.       |
| 7                           |            | +CCstatuschk_05( C_U8, TI_02, TCV_ch)                                                                                                                                                                                                                                                                                                                                                                                                                                                                                                                                   |                                             |     | 5.       |
| 8                           |            | +PostMainLinkRel( TCV_ch)                                                                                                                                                                                                                                                                                                                                                                                                                                                                                                                                               |                                             |     |          |
| <b>Detailed Comments:</b>   |            | <ol style="list-style-type: none"> <li>1. To select a basic service. if the MS supports telephony the selected basic service is telephony.</li> <li>2. To setup a physical channel as BCCH, CCCH and SDCCH4.</li> <li>3. To send an unknown message to the MS.</li> <li>4. The expected STATUS message with cause #97 and state U8 received.</li> <li>5. To check whether the MS is still in the state U8.</li> </ol>                                                                                                                                                   |                                             |     |          |

## Test Case Dynamic Behaviour

|                        |                                                                                                                                                                                                                                                                                                                                                                                                                                                                                                                                                                                                                                                            |
|------------------------|------------------------------------------------------------------------------------------------------------------------------------------------------------------------------------------------------------------------------------------------------------------------------------------------------------------------------------------------------------------------------------------------------------------------------------------------------------------------------------------------------------------------------------------------------------------------------------------------------------------------------------------------------------|
| <b>Test Case Name:</b> | TC_26_8_1_4_1_1                                                                                                                                                                                                                                                                                                                                                                                                                                                                                                                                                                                                                                            |
| <b>Group:</b>          | GSM_L3_MS_v4200/CC/                                                                                                                                                                                                                                                                                                                                                                                                                                                                                                                                                                                                                                        |
| <b>Purpose:</b>        | <p>1) To verify that an MS supporting the Mobile originating DTMF protocol control procedure, having a CC entity for speech in state U10, "Active": when made to send a DTMF tone, sends a START DTMF message on the correct DCCH.</p> <p>2) To verify that an MS supporting the Mobile originating DTMF protocol control procedure, having a CC entity for speech in state U10, "Active": when made to send a DTMF tone (the corresponding IA5 character being selected from among the ones supported), sends a START DTMF message specifying the correct IA5 character in the "keypad information" field of the keypad facility information element.</p> |
| <b>Default:</b>        | OtherEventsFail                                                                                                                                                                                                                                                                                                                                                                                                                                                                                                                                                                                                                                            |
| <b>Comments:</b>       | The test is carried on full rate speech.                                                                                                                                                                                                                                                                                                                                                                                                                                                                                                                                                                                                                   |

| Nr | Label      | Behaviour Description                                                                                                                                                                                                                                                                                                                                                                                                                                                                                                                                                                                                | CRef | V | Comments |
|----|------------|----------------------------------------------------------------------------------------------------------------------------------------------------------------------------------------------------------------------------------------------------------------------------------------------------------------------------------------------------------------------------------------------------------------------------------------------------------------------------------------------------------------------------------------------------------------------------------------------------------------------|------|---|----------|
| 1  |            | START T_guard(300)                                                                                                                                                                                                                                                                                                                                                                                                                                                                                                                                                                                                   |      |   |          |
| 2  |            | +BasicServiceMT( TSPX_MTBscSvcE,<br>TSPX_MTChRateE)                                                                                                                                                                                                                                                                                                                                                                                                                                                                                                                                                                  |      |   |          |
| 3  |            | +IdleUpdated( C_E_default, C_CellA, C_SCH_A,<br>C_BCCH_A_1, C_Immasc, C_S0, C_SlotNU,<br>C_SlotNU, C_SlotNU, C_BCC, C_TxInt_5,<br>C_Max_1, C_NECI_0, C_ATT_0, TimingAdv( 0),<br>C_BABR_0, C_cch_1Comb, C_BPM_3,<br>C_T3212_0, C_ci_cellA, C_MCC_1, C_PLMN_1,<br>C_LAC_1, CellOpt_01, CellChDes_Omit,<br>CellChDes_Omit, C_CellReselectHys12,<br>C_MaxPwrLvlG, C_MaxPwrLvlD,<br>BcchFreqLst_45, BcchFreqLst_02,<br>BcchFreqLst_03, BcchFreqLst_04,<br>C_Restablishment, C_BCC, C_NCC,<br>C_Start_Tmsi, TSPX_SDCCH4SubDef,<br>TSPX_CKSNDDef, TSPX_RANDDef, C_arfcnA,<br>C_arfcnAd, TSPX_IMSI, C_Test_nfh,<br>C_NCCP_2) |      |   | 1.       |
| 4  |            | +CCConfigTCH( TSPX_TCHHSubDef, C_Ass,<br>TSPX_TmSltDef, TSPX_TscDef, TimingAdv( 0),<br>C_BABR_0, C_cch_1Comb, C_BPM_3,<br>TCV_ChMod.mode, FreqTCH_omit,<br>FreqTCH_omit, C_arfcn_tchA, C_arfcn_tchAd)                                                                                                                                                                                                                                                                                                                                                                                                                |      |   |          |
| 5  |            | +PreEnterCCstateU10(<br>TSPX_SDCCH4SubDef, TCV_Setup_mt,<br>TSPX_TmSltDef, TSPX_TscDef, TimingAdv(<br>0), TSPX_CKSNDDef, TSPX_RANDDef)                                                                                                                                                                                                                                                                                                                                                                                                                                                                               |      |   | 2.       |
| 6  | body       | [TSPC_BasCharSet]                                                                                                                                                                                                                                                                                                                                                                                                                                                                                                                                                                                                    |      |   | 3.       |
| 7  |            | +localtree1("0")                                                                                                                                                                                                                                                                                                                                                                                                                                                                                                                                                                                                     |      |   |          |
| 8  |            | +localtree1("1")                                                                                                                                                                                                                                                                                                                                                                                                                                                                                                                                                                                                     |      |   |          |
| 9  |            | +localtree1("2")                                                                                                                                                                                                                                                                                                                                                                                                                                                                                                                                                                                                     |      |   |          |
| 10 |            | +localtree1("3")                                                                                                                                                                                                                                                                                                                                                                                                                                                                                                                                                                                                     |      |   |          |
| 11 |            | +localtree1("4")                                                                                                                                                                                                                                                                                                                                                                                                                                                                                                                                                                                                     |      |   |          |
| 12 |            | +localtree1("5")                                                                                                                                                                                                                                                                                                                                                                                                                                                                                                                                                                                                     |      |   |          |
| 13 |            | +localtree1("6")                                                                                                                                                                                                                                                                                                                                                                                                                                                                                                                                                                                                     |      |   |          |
| 14 |            | +localtree1("7")                                                                                                                                                                                                                                                                                                                                                                                                                                                                                                                                                                                                     |      |   |          |
| 15 |            | +localtree1("9")                                                                                                                                                                                                                                                                                                                                                                                                                                                                                                                                                                                                     |      |   |          |
| 16 |            | +continue                                                                                                                                                                                                                                                                                                                                                                                                                                                                                                                                                                                                            |      |   |          |
| 17 | L_046<br>5 | [NOT TSPC_BasCharSet]                                                                                                                                                                                                                                                                                                                                                                                                                                                                                                                                                                                                |      | I |          |
| 18 |            | <b>continue</b><br>+localtree1("#")                                                                                                                                                                                                                                                                                                                                                                                                                                                                                                                                                                                  |      |   |          |
| 19 |            | +localtree1("**")                                                                                                                                                                                                                                                                                                                                                                                                                                                                                                                                                                                                    |      |   |          |
| 20 |            | [TSPC_AddCharSet]                                                                                                                                                                                                                                                                                                                                                                                                                                                                                                                                                                                                    |      |   | 4.       |
| 21 |            | +localtree1("A")                                                                                                                                                                                                                                                                                                                                                                                                                                                                                                                                                                                                     |      |   |          |
| 22 |            | +localtree1("B")                                                                                                                                                                                                                                                                                                                                                                                                                                                                                                                                                                                                     |      |   |          |
| 23 |            | +localtree1("C")                                                                                                                                                                                                                                                                                                                                                                                                                                                                                                                                                                                                     |      |   |          |
| 24 |            | +localtree1("D")                                                                                                                                                                                                                                                                                                                                                                                                                                                                                                                                                                                                     |      |   |          |
| 25 |            | +localtree                                                                                                                                                                                                                                                                                                                                                                                                                                                                                                                                                                                                           |      |   |          |
| 26 |            | [NOT TSPC_AddCharSet]                                                                                                                                                                                                                                                                                                                                                                                                                                                                                                                                                                                                |      |   |          |
| 27 |            | +localtree                                                                                                                                                                                                                                                                                                                                                                                                                                                                                                                                                                                                           |      |   | 5.       |

|                                                                                                     |                                                                 |                                                              |     |    |
|-----------------------------------------------------------------------------------------------------|-----------------------------------------------------------------|--------------------------------------------------------------|-----|----|
| 28                                                                                                  | <b>localtree</b>                                                |                                                              |     |    |
| 29                                                                                                  | (TCV_Null := OO_ShortKeyDepr("0"))                              |                                                              |     |    |
| 30                                                                                                  | L?DL_DatInStartDtmf                                             | StartDTMFRcv(StartDtmf_01(TI_01, "0"))                       |     |    |
| 31                                                                                                  | LIDL_DatRqStartDtmfRej                                          | StartDTMFRrejSnd(TCV_chTch, StartDtmfRej_01(TI_02))          |     |    |
| 32                                                                                                  | +CCstatuschk_05(C_U10, TI_02, TCV_chTch)                        |                                                              |     | 6. |
| 33                                                                                                  | +PostMainLinkRel(TCV_chTch)                                     |                                                              |     |    |
| 34                                                                                                  | <b>localtree1(character:IA5String)</b>                          |                                                              |     |    |
| 35                                                                                                  | (TCV_Null := OO_ShortKeyDepr(character), TCV_Char := character) |                                                              |     |    |
| 36                                                                                                  | L?DL_DatInStartDtmf                                             | StartDTMFRcv(StartDtmf_01(TI_01, TCV_Char))                  |     |    |
| 37                                                                                                  | LIDL_DatRqStartDtmfAck                                          | StartDTMFAckSnd(TCV_chTch, StartDtmfAck_01(TI_02, TCV_Char)) |     |    |
| 38                                                                                                  | +CCstatuschk_05(C_U10, TI_02, TCV_chTch)                        |                                                              |     | 6. |
| 39                                                                                                  | [TSPX_DTMFInd]                                                  |                                                              |     |    |
| 40                                                                                                  | (TCV_Res := OO_DTMFIndCHK(character))                           |                                                              |     |    |
| 41                                                                                                  | [NOT TCV_Res]                                                   |                                                              | (F) | 7. |
| 42                                                                                                  | +PostMainLinkRel(TCV_chTch)                                     |                                                              |     |    |
| 43                                                                                                  | [TCV_Res]                                                       |                                                              | (P) | 8. |
| 44                                                                                                  | +localtree2                                                     |                                                              |     |    |
| 45                                                                                                  | [NOT TSPX_DTMFInd]                                              |                                                              |     |    |
| 46                                                                                                  | +localtree2                                                     |                                                              |     |    |
| 47                                                                                                  | <b>localtree2</b>                                               |                                                              |     |    |
| 48                                                                                                  | L?DL_DatInStopDtmf                                              | StopDTMFRcv(StopDtmf_01(TI_01))                              |     |    |
| 49                                                                                                  | LIDL_DatRqStopDtmfAck                                           | StopDTMFAckSnd(TCV_chTch, StopDtmfAck_01(TI_02))             |     |    |
| 50                                                                                                  | +CCstatuschk_05(C_U10, TI_02, TCV_chTch)                        |                                                              |     | 6. |
| <b>Detailed Comments:</b>                                                                           |                                                                 |                                                              |     |    |
| 1. To setup 2 physical channels one as BCCH, CCCH and SDCCH4, another as full rate traffic channel. |                                                                 |                                                              |     |    |
| 2. To bring the MS into the state U10 for speech.                                                   |                                                                 |                                                              |     |    |
| 3. To check the character set of "0-9, #, *".                                                       |                                                                 |                                                              |     |    |
| 4. To check the character set of "A, B, C, D" if it is supported by the MS.                         |                                                                 |                                                              |     |    |
| 5. To test the DTMF tone being rejected.                                                            |                                                                 |                                                              |     |    |
| 6. To verify that the MS is still in the state U10.                                                 |                                                                 |                                                              |     |    |
| 7. The DTMF indication is not correct.                                                              |                                                                 |                                                              |     |    |
| 8. The DTMF indication is correct.                                                                  |                                                                 |                                                              |     |    |

| Test Case Dynamic Behaviour |       |                                                                                                                                                                                                                                                                                                                                                                                                                                                                                                                                                                       |                                             |   |          |
|-----------------------------|-------|-----------------------------------------------------------------------------------------------------------------------------------------------------------------------------------------------------------------------------------------------------------------------------------------------------------------------------------------------------------------------------------------------------------------------------------------------------------------------------------------------------------------------------------------------------------------------|---------------------------------------------|---|----------|
| <b>Test Case Name:</b>      |       | TC_26_8_1_4_2_1                                                                                                                                                                                                                                                                                                                                                                                                                                                                                                                                                       |                                             |   |          |
| <b>Group:</b>               |       | GSM_L3_MS_v4200/CC/                                                                                                                                                                                                                                                                                                                                                                                                                                                                                                                                                   |                                             |   |          |
| <b>Purpose:</b>             |       | To verify that a CC entity of a MS in CC-state U10, "active", upon receiving of a NOTIFY message remains in the active state.                                                                                                                                                                                                                                                                                                                                                                                                                                         |                                             |   |          |
| <b>Default:</b>             |       | OtherEventsFail                                                                                                                                                                                                                                                                                                                                                                                                                                                                                                                                                       |                                             |   |          |
| Nr                          | Label | Behaviour Description                                                                                                                                                                                                                                                                                                                                                                                                                                                                                                                                                 | CRef                                        | V | Comments |
| 1                           |       | START T_guard(300)                                                                                                                                                                                                                                                                                                                                                                                                                                                                                                                                                    |                                             |   |          |
| 2                           |       | +BasicServiceMT( TSPX_MTBscSvcA, TSPX_MTChRateA)                                                                                                                                                                                                                                                                                                                                                                                                                                                                                                                      |                                             |   |          |
| 3                           |       | +IdleUpdated( C_E_default, C_CellA, C_SCH_A, C_BCCH_A_1, C_Immass, C_S0, C_SlotNU, C_SlotNU, C_SlotNU, C_BCC, C_TxInt_5, C_Max_1, C_NECI_0, C_ATT_0, TimingAdv( 0), C_BABR_0, C_cch_1Comb, C_BPM_3, C_T3212_0, C_ci_cellA, C_MCC_1, C_PLMN_1, C_LAC_1, CellOpt_01, CellChDes_Omit, CellChDes_Omit, C_CellReselectHys12, C_MaxPwrLvIG, C_MaxPwrLvID, BcchFreqLst_45, BcchFreqLst_02, BcchFreqLst_03, BcchFreqLst_04, C_Restablishment, C_BCC, C_NCC, C_Start_Tmsi, TSPX_SDCCH4SubDef, TSPX_CKSNDf, TSPX_RANDDef, C_arfcnA, C_arfcnAd, TSPX_IMSI, C_Test_nfh, C_NCCP_2) |                                             |   | 1.       |
| 4                           |       | +CCConfigTCH( TSPX_TCHHSubDef, C_Ass, TSPX_TmSlitDef, TSPX_TscDef, TimingAdv( 0), C_BABR_0, C_cch_1Comb, C_BPM_3, TCV_ChMod.mode, FreqTCH_omit, FreqTCH_omit, C_arfcn_tchA, C_arfcn_tchAd)                                                                                                                                                                                                                                                                                                                                                                            |                                             |   |          |
| 5                           |       | +PreEnterCCstateU10( TSPX_SDCCH4SubDef, TCV_Setup_mt, TSPX_TmSlitDef, TSPX_TscDef, TimingAdv( 0), TSPX_CKSNDf, TSPX_RANDDef)                                                                                                                                                                                                                                                                                                                                                                                                                                          |                                             |   | 2.       |
| 6                           | body  | !IDL_DatRqNotify                                                                                                                                                                                                                                                                                                                                                                                                                                                                                                                                                      | NotifySnd( TCV_chTch, NotifiReq_01( TI_02)) |   | 3.       |
| 7                           |       | +CCstatuschk_05(C_U10, TI_02, TCV_chTch)                                                                                                                                                                                                                                                                                                                                                                                                                                                                                                                              |                                             |   | 4.       |
| 8                           |       | +PostMainLinkRel(TCV_chTch)                                                                                                                                                                                                                                                                                                                                                                                                                                                                                                                                           |                                             |   |          |
| <b>Detailed Comments:</b>   |       | <ol style="list-style-type: none"> <li>1. To setup 2 physical channels one as BCCH, CCCH and SDCCH4, another as full rate traffic channel.</li> <li>2. To bring the MS into the state U10 for speech by generic call setup procedure.</li> <li>3. To send the NOTIFY message to the MS.</li> <li>4. To verify whether the MS is still in the state U10, the verdict is assigned in the test step.</li> </ol>                                                                                                                                                          |                                             |   |          |

| Test Case Dynamic Behaviour |       |                                                                                                                                                                                                                                                                                                                                                                                                                                                                                                                                                                                                                    |      |   |          |
|-----------------------------|-------|--------------------------------------------------------------------------------------------------------------------------------------------------------------------------------------------------------------------------------------------------------------------------------------------------------------------------------------------------------------------------------------------------------------------------------------------------------------------------------------------------------------------------------------------------------------------------------------------------------------------|------|---|----------|
| <b>Test Case Name:</b>      |       | TC_26_8_1_4_3_1                                                                                                                                                                                                                                                                                                                                                                                                                                                                                                                                                                                                    |      |   |          |
| <b>Group:</b>               |       | GSM_L3_MS_v4200/CC/                                                                                                                                                                                                                                                                                                                                                                                                                                                                                                                                                                                                |      |   |          |
| <b>Purpose:</b>             |       | To verify that the MS being in the call active state after having successfully completed a channel assignment or having completed a handover command remains in the call active state.                                                                                                                                                                                                                                                                                                                                                                                                                             |      |   |          |
| <b>Default:</b>             |       | OtherEventsFail                                                                                                                                                                                                                                                                                                                                                                                                                                                                                                                                                                                                    |      |   |          |
| Nr                          | Label | Behaviour Description                                                                                                                                                                                                                                                                                                                                                                                                                                                                                                                                                                                              | CRef | V | Comments |
| 1                           |       | START T_guard(300)                                                                                                                                                                                                                                                                                                                                                                                                                                                                                                                                                                                                 |      |   |          |
| 2                           |       | +BasicServiceMT( TSPX_MTBscSvcC,<br>TSPX_MTChRateC)                                                                                                                                                                                                                                                                                                                                                                                                                                                                                                                                                                |      |   |          |
| 3                           |       | (TCV_PwrLvl_ho:= INT_TO_BIT( TSPX_PwrLvlA,<br>5))                                                                                                                                                                                                                                                                                                                                                                                                                                                                                                                                                                  |      |   |          |
| 4                           |       | +IdleUpdated( C_E_default, C_CellA,<br>C_SCH_A, C_BCCH_A_1, C_Immasc, C_S0,<br>C_SlotNU, C_SlotNU, C_SlotNU, C_BCC,<br>C_TxInt_5, C_Max_1, C_NECl_0, C_ATT_0,<br>TimingAdv( 0), C_BABR_0, C_cch_1Comb,<br>C_BPM_3, C_T3212_0, C_ci_cellA,<br>C_MCC_1, C_PLMN_1, C_LAC_1, CellOpt_01,<br>CellChDes_Omit, CellChDes_Omit,<br>C_CellReselectHys12, C_MaxPwrLvlG,<br>C_MaxPwrLvlD, BcchFreqLst_45,<br>BcchFreqLst_02, BcchFreqLst_03,<br>BcchFreqLst_04, C_Restablishment, C_BCC,<br>C_NCC, C_Start_Tmsi,<br>TSPX_SDCCH4SubDef, TSPX_CKSNDf,<br>TSPX_RANDDef, C_arfcnA, C_arfcnAd,<br>TSPX_IMSI, C_Test_nfh, C_NCCP_2) |      |   |          |
| 5                           |       | +CCConfigTCH_nociph(<br>TSPX_TCHHSubDef, C_Ass,<br>TSPX_TmSlitDef, TSPX_TscDef, TimingAdv(<br>0), C_BABR_0, C_cch_1Comb, C_BPM_3,<br>TCV_ChMod.mode, FreqTCH_omit,<br>FreqTCH_omit, C_arfcn_tchA,<br>C_arfcn_tchAd)                                                                                                                                                                                                                                                                                                                                                                                                |      |   | 1.       |
| 6                           |       | [TCV_ChRate = C_Full]                                                                                                                                                                                                                                                                                                                                                                                                                                                                                                                                                                                              |      |   |          |
| 7                           |       | +FullRateCh_A_2( C_Synho,<br>TSPX_TmSlitC, TSPX_TscDef,<br>TCV_ChMod, FreqTCH( C_arfcn_tchA),<br>FreqTCH( C_arfcn_tchAd), TimingAdv(<br>0), C_BABR_0, C_cch_1Comb,<br>C_BPM_3)                                                                                                                                                                                                                                                                                                                                                                                                                                     |      |   | 2.       |
| 8                           |       | +localtree                                                                                                                                                                                                                                                                                                                                                                                                                                                                                                                                                                                                         |      |   |          |
| 9                           |       | [TCV_ChRate = C_Half]                                                                                                                                                                                                                                                                                                                                                                                                                                                                                                                                                                                              |      |   |          |
| 10                          |       | +HalfRateCh_A_2( TSPX_TCHHSubDef,<br>C_Synho, TSPX_TmSlitC, TSPX_TscDef,<br>TCV_ChMod, FreqTCH( C_arfcn_tchA),<br>FreqTCH( C_arfcn_tchAd), TimingAdv(<br>0), C_BABR_0, C_cch_1Comb,<br>C_BPM_3)                                                                                                                                                                                                                                                                                                                                                                                                                    |      |   | 3.       |
| 11                          |       | +localtree                                                                                                                                                                                                                                                                                                                                                                                                                                                                                                                                                                                                         |      |   |          |
|                             |       | <b>localtree</b>                                                                                                                                                                                                                                                                                                                                                                                                                                                                                                                                                                                                   |      |   |          |
| 12                          |       | (TCV_Tchtype := TCV_chtype)                                                                                                                                                                                                                                                                                                                                                                                                                                                                                                                                                                                        |      |   |          |
| 13                          |       | +PreEnterCCstateU10( TSPX_SDCCH4SubDef,<br>TCV_Setup_mt, TSPX_TmSlitDef, TSPX_TscDef,<br>TimingAdv( 0), TSPX_CKSNDf, TSPX_RANDDef)                                                                                                                                                                                                                                                                                                                                                                                                                                                                                 |      |   | 4.       |
| 14                          |       | (TCV_ch := TCV_chTch)                                                                                                                                                                                                                                                                                                                                                                                                                                                                                                                                                                                              |      |   |          |
| 15                          |       | +CCConfigTCH( TSPX_TCHHSubA, C_Synho,<br>TSPX_TmSlitA, TSPX_TscDef, TimingAdv( 0),<br>C_BABR_0, C_cch_1Comb, C_BPM_3,<br>TCV_ChMod.mode, FreqTCH_omit,<br>FreqTCH_omit, C_arfcn_tchA, C_arfcn_tchAd)                                                                                                                                                                                                                                                                                                                                                                                                               |      |   |          |
| 16                          |       | +AssCmdGen( C_CellA, TCV_ChRate,<br>TSPX_TmSlitA, TSPX_TscA,<br>TSPX_TCHHSubA)                                                                                                                                                                                                                                                                                                                                                                                                                                                                                                                                     |      |   |          |
| 17                          | body  | +Adjust_gsmanddcs_powerlvl( 0,<br>3,TCV_AssCmd)                                                                                                                                                                                                                                                                                                                                                                                                                                                                                                                                                                    |      |   |          |
| 18                          |       | +AssCh_complete( TCV_ch, TCV_chTch,<br>TCV_AssCmd)                                                                                                                                                                                                                                                                                                                                                                                                                                                                                                                                                                 |      |   | 5.       |
| 19                          |       | +CCstatuschk_05(C_U10, TI_02,<br>TCV_chTch)                                                                                                                                                                                                                                                                                                                                                                                                                                                                                                                                                                        |      |   | 7.       |

|    |            |                                                  |  |                                                                                                                                                                                                                                                                                                       |        |
|----|------------|--------------------------------------------------|--|-------------------------------------------------------------------------------------------------------------------------------------------------------------------------------------------------------------------------------------------------------------------------------------------------------|--------|
| 20 |            | +handover                                        |  |                                                                                                                                                                                                                                                                                                       |        |
| 21 |            | L?DL_RacInHoacc                                  |  | HndOvAccRcv(<br>TCV_chTch1,<br>HandOverAcc_02(<br>TSPX_HoRefA))                                                                                                                                                                                                                                       |        |
| 22 |            | L?DL_RacInHoacc                                  |  | HndOvAccRcv(<br>TCV_chTch1,<br>HandOverAcc_02(<br>TSPX_HoRefA))                                                                                                                                                                                                                                       |        |
| 23 |            | L?DL_RacInHoacc                                  |  | HndOvAccRcv(<br>TCV_chTch1,<br>HandOverAcc_02(<br>TSPX_HoRefA))                                                                                                                                                                                                                                       |        |
| 24 |            | L?DL_RacInHoacc                                  |  | HndOvAccRcv(<br>TCV_chTch1,<br>HandOverAcc_02(<br>TSPX_HoRefA))                                                                                                                                                                                                                                       |        |
| 25 |            | L?DL_EstIn                                       |  | DLEstIn(<br>TCV_chTch1)                                                                                                                                                                                                                                                                               |        |
| 26 | L_046<br>8 | L?DL_DatInHoCom                                  |  | HndOvCmpRcv(<br>TCV_chTch1,<br>HandOverCmp_01)                                                                                                                                                                                                                                                        | (P) 6. |
| 27 |            | +CCstatuschk_05(<br>C_U10, TI_02,<br>TCV_chTch1) |  |                                                                                                                                                                                                                                                                                                       | 7.     |
| 28 |            | +PostMainLinkRel(<br>TCV_chTch1)                 |  |                                                                                                                                                                                                                                                                                                       |        |
| 29 |            | <b>handover</b><br>[TSPC_PGSM OR TSPC_EGSM]      |  |                                                                                                                                                                                                                                                                                                       |        |
| 30 |            | L!DL_DatRqHoCmd                                  |  | HndOvSnd(<br>TCV_chTch,<br>HandOverCmd_nfh(<br>TCV_Tchtype,<br>TSPX_TmSlitC,<br>TSPX_TscDef,<br>C_NCC, C_BCC,<br>C_arfcnA, C_arfcnA,<br>TSPX_HoRefA,<br>TCV_Pwrlvl_ho,<br>Synchi(<br>C_not_report_otd,<br>C_synchronised),<br>ChMod_omit,<br>RelTmdDif_omit,<br>TimingAdv_omit,<br>CphMod_omit))      |        |
| 31 |            | [TSPC_DCS]                                       |  |                                                                                                                                                                                                                                                                                                       |        |
| 32 |            | L!DL_DatRqHoCmd                                  |  | HndOvSnd(<br>TCV_chTch,<br>HandOverCmd_nfh(<br>TCV_Tchtype,<br>TSPX_TmSlitC,<br>TSPX_TscDef,<br>C_NCC, C_BCC,<br>C_arfcnAd,<br>C_arfcnAd,<br>TSPX_HoRefA,<br>TCV_Pwrlvl_ho,<br>Synchi(<br>C_not_report_otd,<br>C_synchronised),<br>ChMod_omit,<br>RelTmdDif_omit,<br>TimingAdv_omit,<br>CphMod_omit)) |        |

**Detailed Comments:**

1. To setup a physical channels as full rate traffic channel or half traffic channel.
2. To setup a physical channel as second full rate traffic channel.
3. To setup a physical channel as the second half rate traffic channel.
4. To bring the MS into U10 state by MT call generic setup procedure.
5. The assignment procedure succeeds.
6. The handover procedure succeeds.
7. To check whether the MS is still in the state U10.



## Test Case Dynamic Behaviour

|                        |                                                                                                                                                            |
|------------------------|------------------------------------------------------------------------------------------------------------------------------------------------------------|
| <b>Test Case Name:</b> | TC_26_8_1_4_3_2                                                                                                                                            |
| <b>Group:</b>          | GSM_L3_MS_v4200/CC/                                                                                                                                        |
| <b>Purpose:</b>        | To verify that the MS, when returning to the old channel after handover failure and establishing correctly the link, will remain in the call active state. |
| <b>Default:</b>        | OtherEventsFail_01, RcvHdOvAcc                                                                                                                             |
| <b>Comments:</b>       | bearer capability TSPX_BCd is used in the test case. The generic MT call setup procedure is used.                                                          |

| Nr | Label      | Behaviour Description                                                                                                                                                                                                                                                                                                                                                                                                                                                                                                                                                                                              | CRef                                        | V   | Comments |
|----|------------|--------------------------------------------------------------------------------------------------------------------------------------------------------------------------------------------------------------------------------------------------------------------------------------------------------------------------------------------------------------------------------------------------------------------------------------------------------------------------------------------------------------------------------------------------------------------------------------------------------------------|---------------------------------------------|-----|----------|
| 1  |            | START T_guard(300)                                                                                                                                                                                                                                                                                                                                                                                                                                                                                                                                                                                                 |                                             |     |          |
| 2  |            | +BasicServiceMT( TSPX_MTBscSvcD,<br>TSPX_MTChRateD)                                                                                                                                                                                                                                                                                                                                                                                                                                                                                                                                                                |                                             |     |          |
| 3  |            | (TCV_Pwrlvl_ho:= INT_TO_BIT( TSPX_PwrlvlA,<br>5))                                                                                                                                                                                                                                                                                                                                                                                                                                                                                                                                                                  |                                             |     |          |
| 4  |            | +IdleUpdated( C_E_default, C_CellA,<br>C_SCH_A, C_BCCH_A_1, C_Immass, C_S0,<br>C_SlotNU, C_SlotNU, C_SlotNU, C_BCC,<br>C_TxInt_5, C_Max_1, C_NECI_0, C_ATT_0,<br>TimingAdv( 0), C_BABR_0, C_cch_1Comb,<br>C_BPM_3, C_T3212_0, C_ci_cellA,<br>C_MCC_1, C_PLMN_1, C_LAC_1, CellOpt_01,<br>CellChDes_Omit, CellChDes_Omit,<br>C_CellReselectHys12, C_MaxPwrLvlG,<br>C_MaxPwrLvlD, BcchFreqLst_45,<br>BcchFreqLst_02, BcchFreqLst_03,<br>BcchFreqLst_04, C_Restablishment, C_BCC,<br>C_NCC, C_Start_Tmsi,<br>TSPX_SDCCH4SubDef, TSPX_CKSNDf,<br>TSPX_RANDDef, C_arfcnA, C_arfcnAd,<br>TSPX_IMSI, C_Test_nfh, C_NCCP_2) |                                             |     |          |
| 5  |            | +CCConfigTCH_nociph(<br>TSPX_TCHHSubDef, C_Ass,<br>TSPX_TmSlitDef, TSPX_TscDef, TimingAdv(<br>0), C_BABR_0, C_cch_1Comb, C_BPM_3,<br>TCV_ChMod.mode, FreqTCH_omit,<br>FreqTCH_omit, C_arfcn_tchA,<br>C_arfcn_tchAd)                                                                                                                                                                                                                                                                                                                                                                                                |                                             |     |          |
| 6  |            | +StartCellB_1( C_E_neighbourdefault,<br>C_Rcv,TCV_slot, TCV_tsc, TimingAdv( 0),<br>0, C_BABR_0, C_cch_1Comb, C_BPM_3,<br>C_T3212_0, C_MCC_1, C_PLMN_1,<br>C_LAC_2, C_noRestablishment, C_BCC,<br>C_NCC)                                                                                                                                                                                                                                                                                                                                                                                                            |                                             |     | 1.       |
| 7  |            | ( TCV_ch1 := OC_SubchOfSdcch4(<br>TSPX_SDCCH4SubDef, C_CellB),<br>TCV_Null := OM_CphMd( TCV_ch1,<br>CphMod_01, TCV_CphKey))                                                                                                                                                                                                                                                                                                                                                                                                                                                                                        |                                             |     |          |
| 8  |            | +localtree                                                                                                                                                                                                                                                                                                                                                                                                                                                                                                                                                                                                         |                                             |     |          |
|    |            | <b>localtree</b>                                                                                                                                                                                                                                                                                                                                                                                                                                                                                                                                                                                                   |                                             |     |          |
| 9  |            | +PreEnterCCstateU10( TSPX_SDCCH4SubDef,<br>TCV_Setup_mt, TSPX_TmSlitDef, TSPX_TscDef,<br>TimingAdv( 0), TSPX_CKSNDf, TSPX_RANDDef)                                                                                                                                                                                                                                                                                                                                                                                                                                                                                 |                                             |     |          |
| 10 | body       | +handover                                                                                                                                                                                                                                                                                                                                                                                                                                                                                                                                                                                                          |                                             |     |          |
| 11 |            | REPEAT local_hobursts UNTIL [TCV_Res]                                                                                                                                                                                                                                                                                                                                                                                                                                                                                                                                                                              |                                             |     |          |
| 12 |            | L?DL_EstIn                                                                                                                                                                                                                                                                                                                                                                                                                                                                                                                                                                                                         | DLEstIn(<br>TCV_chTch)                      |     |          |
| 13 | L_046<br>9 | L?DL_DatInHofl                                                                                                                                                                                                                                                                                                                                                                                                                                                                                                                                                                                                     | HndOvFIRcv(<br>TCV_chTch,<br>HandOvFail_01) | (P) | 2.       |
| 14 |            | +CCstatuschk_05( C_U10, TI_02,<br>TCV_chTch)                                                                                                                                                                                                                                                                                                                                                                                                                                                                                                                                                                       |                                             |     | 3.       |
| 15 |            | +AssCmdGen_fh( C_Full, TCV_slot,<br>TCV_ts, TSPX_TCHHSubDef, 7, 7,<br>'000000'B, '000000'B, FrqL_02, FrqL_02,<br>CellChDes_12, CellChDes_12d,<br>ChMod_sign_iei, MobilAllc_02,<br>MobilAllc_02, CphMod_omit)                                                                                                                                                                                                                                                                                                                                                                                                       |                                             |     |          |
| 16 |            | +AssCh_failure( TCV_chTch,<br>TCV_AssCmd, FALSE)                                                                                                                                                                                                                                                                                                                                                                                                                                                                                                                                                                   |                                             |     | 4.       |
| 17 |            | +CCstatuschk_05( C_U10, TI_02,<br>TCV_chTch)                                                                                                                                                                                                                                                                                                                                                                                                                                                                                                                                                                       |                                             |     | 3.       |
| 18 |            | +PostMainLinkRel( TCV_chTch)                                                                                                                                                                                                                                                                                                                                                                                                                                                                                                                                                                                       |                                             |     |          |



|    |                                                                                                           |                                                                                                                                                                                                                                          |             |
|----|-----------------------------------------------------------------------------------------------------------|------------------------------------------------------------------------------------------------------------------------------------------------------------------------------------------------------------------------------------------|-------------|
| 19 | <b>handover</b><br>(TCV_Tchtype := INT_TO_BIT(( 4 + BIT_TO_INT(TSPX_SDCCH4SubDef)), 5), TCV_Res := FALSE) |                                                                                                                                                                                                                                          |             |
| 20 | [TSPC_PGSM OR TSPC_EGSM]                                                                                  |                                                                                                                                                                                                                                          |             |
| 21 | LIDL_DatRqHoCmd                                                                                           | HndOvSnd(TCV_chTch, HandOverCmd_nfh(TCV_Tchtype, TCV_slot, TCV_tsc, C_NCC, C_BCC, C_arfcnB, C_arfcnB, TSPX_HoRefB, TCV_Pwrlvl_ho, Synchi(C_report_otd, C_non_synchronised), ChMod_omit, RelTmdDif_omit, TimingAdv_omit, CphMod_02iei))   | Non-sync HO |
| 22 | START T_dly(C_T_T3124)                                                                                    |                                                                                                                                                                                                                                          |             |
| 23 | [TSPC_DCS]                                                                                                |                                                                                                                                                                                                                                          |             |
| 24 | LIDL_DatRqHoCmd                                                                                           | HndOvSnd(TCV_chTch, HandOverCmd_nfh(TCV_Tchtype, TCV_slot, TCV_tsc, C_NCC, C_BCC, C_arfcnBd, C_arfcnBd, TSPX_HoRefB, TCV_Pwrlvl_ho, Synchi(C_report_otd, C_non_synchronised), ChMod_omit, RelTmdDif_omit, TimingAdv_omit, CphMod_02iei)) | Non-sync HO |
| 25 | START T_dly(C_T_T3124)                                                                                    |                                                                                                                                                                                                                                          |             |
| 26 | <b>local_hobursts</b><br>L?DL_RaInHoacc                                                                   | HndOvAccRcv(TCV_ch1, HandOverAcc_02(TSPX_HoRefB))                                                                                                                                                                                        |             |
| 27 | ?TIMEOUT                                                                                                  |                                                                                                                                                                                                                                          |             |
| 28 | (TCV_Res := TRUE)                                                                                         |                                                                                                                                                                                                                                          |             |

**Detailed Comments:**

1. To setup a physical channel as BCCH, CCCH and SDCCH4 used as cell B.
2. The expected HANDOVER FAILURE message received on the old channel.
3. To check whether the MS is still in the state U10, if no test case fails in the test step.
4. The expected ASSIGNMENT FAILURE message received on the old channel.

## Test Case Dynamic Behaviour

|                        |                                                                                                                                                                                                                                                                                                                                                                                                                                 |
|------------------------|---------------------------------------------------------------------------------------------------------------------------------------------------------------------------------------------------------------------------------------------------------------------------------------------------------------------------------------------------------------------------------------------------------------------------------|
| <b>Test Case Name:</b> | TC_26_8_1_4_4_1                                                                                                                                                                                                                                                                                                                                                                                                                 |
| <b>Group:</b>          | GSM_L3_MS_v4200/CC/                                                                                                                                                                                                                                                                                                                                                                                                             |
| <b>Purpose:</b>        | 1) To verify that an MS supporting the network originated in-call modification procedure, after having received a MODIFY message with a new mode which is not the actual one and cannot be supported by the MS, rejects it by sending a MODIFY REJECT.<br>2) To verify that an MS not supporting the network originated in-call modification procedure, after having received a MODIFY message, responds with a STATUS message. |
| <b>Default:</b>        | OtherEventsFail                                                                                                                                                                                                                                                                                                                                                                                                                 |
| <b>Comments:</b>       | The generic MT call setup procedure is used to bring the MS into U10 state.                                                                                                                                                                                                                                                                                                                                                     |

| Nr | Label      | Behaviour Description                                                                                                                                                                                                                                                                                                                                                                                                                                                                                                                                                                                              | CRef                                                                                                                                                                                                                                                                                           | V   | Comments              |
|----|------------|--------------------------------------------------------------------------------------------------------------------------------------------------------------------------------------------------------------------------------------------------------------------------------------------------------------------------------------------------------------------------------------------------------------------------------------------------------------------------------------------------------------------------------------------------------------------------------------------------------------------|------------------------------------------------------------------------------------------------------------------------------------------------------------------------------------------------------------------------------------------------------------------------------------------------|-----|-----------------------|
| 1  |            | START T_guard(300)                                                                                                                                                                                                                                                                                                                                                                                                                                                                                                                                                                                                 |                                                                                                                                                                                                                                                                                                |     |                       |
| 2  | L_047<br>0 | [(TSPX_MT_DualModSvc <> C_AltSpchData)<br>OR(TSPX_MT_DualModSvc <> C_SpchData)<br>OR(TSPX_MT_DualModSvc <> C_AltSpchFax)]                                                                                                                                                                                                                                                                                                                                                                                                                                                                                          |                                                                                                                                                                                                                                                                                                | I   | not dual mode service |
| 3  |            | [(TSPX_MT_DualModSvc = C_AltSpchData) OR<br>(TSPX_MT_DualModSvc = C_SpchData) OR<br>(TSPX_MT_DualModSvc = C_AltSpchFax)]                                                                                                                                                                                                                                                                                                                                                                                                                                                                                           |                                                                                                                                                                                                                                                                                                |     |                       |
| 4  |            | +BasicServiceMT( TSPX_MT_DualModSvc,<br>C_Full)                                                                                                                                                                                                                                                                                                                                                                                                                                                                                                                                                                    |                                                                                                                                                                                                                                                                                                |     |                       |
| 5  |            | +IdleUpdated( C_E_default, C_CellA,<br>C_SCH_A, C_BCCH_A_1, C_Immass, C_S0,<br>C_SlotNU, C_SlotNU, C_SlotNU, C_BCC,<br>C_TxInt_5, C_Max_1, C_NECI_0, C_ATT_0,<br>TimingAdv( 0), C_BABR_0, C_cch_1Comb,<br>C_BPM_3, C_T3212_0, C_ci_cellA,<br>C_MCC_1, C_PLMN_1, C_LAC_1, CellOpt_01,<br>CellChDes_Omit, CellChDes_Omit,<br>C_CellReselectHys12, C_MaxPwrLvlG,<br>C_MaxPwrLvlD, BcchFreqLst_45,<br>BcchFreqLst_02, BcchFreqLst_03,<br>BcchFreqLst_04, C_Restablishment, C_BCC,<br>C_NCC, C_Start_Tmsi,<br>TSPX_SDCCH4SubDef, TSPX_CKSNDf,<br>TSPX_RANDDef, C_arfcnA, C_arfcnAd,<br>TSPX_IMSI, C_Test_nfh, C_NCCP_2) |                                                                                                                                                                                                                                                                                                |     |                       |
| 6  |            | +CCConfigTCH( TSPX_TCHHSubDef,<br>C_Ass, TSPX_TmSlitDef, TSPX_TscDef,<br>TimingAdv( 0), C_BABR_0, C_cch_1Comb,<br>C_BPM_3, TCV_ChMod.mode,<br>FreqTCH_omit, FreqTCH_omit,<br>C_arfcn_tchA, C_arfcn_tchAd)                                                                                                                                                                                                                                                                                                                                                                                                          |                                                                                                                                                                                                                                                                                                |     |                       |
| 7  |            | +PreEnterCCstateU10(<br>TSPX_SDCCH4SubDef, TCV_Setup_mt,<br>TSPX_TmSlitDef, TSPX_TscDef,<br>TimingAdv( 0), TSPX_CKSNDf,<br>TSPX_RANDDef)                                                                                                                                                                                                                                                                                                                                                                                                                                                                           |                                                                                                                                                                                                                                                                                                |     |                       |
| 8  |            | L!DL_DatRqModify                                                                                                                                                                                                                                                                                                                                                                                                                                                                                                                                                                                                   | ModifySnd(<br>TCV_chTch,<br>ModifyReq_01( TI_02,<br>Bcap_MT(C_UDI,<br>C_Unstructured,<br>C_nirr_nomeaning,<br>C_rate_adaption_V11<br>0, C_I440_450,<br>C_Synchronous,<br>TSPX_TE_stopbit,<br>TSPX_TE_databit,<br>C_4800bs, C_ir_8kbs,<br>TSPX_TE_parity,<br>C_transparent,<br>C_modemt_none))) |     |                       |
| 9  |            | [TSPC_InCallMod]                                                                                                                                                                                                                                                                                                                                                                                                                                                                                                                                                                                                   |                                                                                                                                                                                                                                                                                                |     | 1.                    |
| 10 | L_047<br>1 | L?DL_DatInModifyRej                                                                                                                                                                                                                                                                                                                                                                                                                                                                                                                                                                                                | ModifyRejRcv(<br>TCV_chTch,<br>ModifyRj_01( TI_01,<br>TCV_Setup_mt.bcap1<br>)                                                                                                                                                                                                                  | (P) |                       |
| 11 |            | +CCstatuschk_05( C_U10, TI_02,<br>TCV_chTch)                                                                                                                                                                                                                                                                                                                                                                                                                                                                                                                                                                       |                                                                                                                                                                                                                                                                                                |     |                       |
| 12 |            | +PostMainLinkRel( TCV_chTch)                                                                                                                                                                                                                                                                                                                                                                                                                                                                                                                                                                                       |                                                                                                                                                                                                                                                                                                |     |                       |
| 13 |            | [NOT TSPC_InCallMod]                                                                                                                                                                                                                                                                                                                                                                                                                                                                                                                                                                                               |                                                                                                                                                                                                                                                                                                |     | 2.                    |

|                                                         |            |                                              |                                                         |     |  |
|---------------------------------------------------------|------------|----------------------------------------------|---------------------------------------------------------|-----|--|
| 14                                                      | L_047<br>2 | L?DL_DatInCst                                | CCStRcv(<br>TCV_chTch,<br>CCStatus_08(TI_01,<br>C_U10)) | (P) |  |
| 15                                                      |            | +CCstatuschk_05( C_U10, TI_02,<br>TCV_chTch) |                                                         |     |  |
| 16                                                      |            | +PostMainLinkRel( TCV_chTch)                 |                                                         |     |  |
| <b>Detailed Comments:</b>                               |            |                                              |                                                         |     |  |
| 1. The In-Call modification procedure is supported.     |            |                                              |                                                         |     |  |
| 2. The In-Call modification procedure is not supported. |            |                                              |                                                         |     |  |

| Test Case Dynamic Behaviour                                                                                                                                                                                                                                                                                                                                                                                         |            |                                                                                                                                                                                                                                                                                                                                                                                                                                                                                                                                                                       |                                                                                                                 |     |          |
|---------------------------------------------------------------------------------------------------------------------------------------------------------------------------------------------------------------------------------------------------------------------------------------------------------------------------------------------------------------------------------------------------------------------|------------|-----------------------------------------------------------------------------------------------------------------------------------------------------------------------------------------------------------------------------------------------------------------------------------------------------------------------------------------------------------------------------------------------------------------------------------------------------------------------------------------------------------------------------------------------------------------------|-----------------------------------------------------------------------------------------------------------------|-----|----------|
| <b>Test Case Name:</b> TC_26_8_1_4_5_1                                                                                                                                                                                                                                                                                                                                                                              |            |                                                                                                                                                                                                                                                                                                                                                                                                                                                                                                                                                                       |                                                                                                                 |     |          |
| <b>Group:</b> GSM_L3_MS_v4200/CC/                                                                                                                                                                                                                                                                                                                                                                                   |            |                                                                                                                                                                                                                                                                                                                                                                                                                                                                                                                                                                       |                                                                                                                 |     |          |
| <b>Purpose:</b>                                                                                                                                                                                                                                                                                                                                                                                                     |            |                                                                                                                                                                                                                                                                                                                                                                                                                                                                                                                                                                       |                                                                                                                 |     |          |
| 1) To verify that the procedure is initiated by the MS in the "active" state of the call. It sends a MODIFY message including the new mode to be changed to; and enters the "mobile originating modify" state. The new mode given in the MODIFY message is one of those already negotiated and agreed during the establishment phase of the call. The MODIFY originating side stops sending Bm-channel information. |            |                                                                                                                                                                                                                                                                                                                                                                                                                                                                                                                                                                       |                                                                                                                 |     |          |
| 2) To verify that upon receipt of the MODIFY COMPLETE message the MS starts sending channel information according to the new call mode and enters the "active" state.                                                                                                                                                                                                                                               |            |                                                                                                                                                                                                                                                                                                                                                                                                                                                                                                                                                                       |                                                                                                                 |     |          |
| <b>Default:</b> OtherEventsFail                                                                                                                                                                                                                                                                                                                                                                                     |            |                                                                                                                                                                                                                                                                                                                                                                                                                                                                                                                                                                       |                                                                                                                 |     |          |
| Nr                                                                                                                                                                                                                                                                                                                                                                                                                  | Label      | Behaviour Description                                                                                                                                                                                                                                                                                                                                                                                                                                                                                                                                                 | CRef                                                                                                            | V   | Comments |
| 1                                                                                                                                                                                                                                                                                                                                                                                                                   |            | START T_guard(300)                                                                                                                                                                                                                                                                                                                                                                                                                                                                                                                                                    |                                                                                                                 |     |          |
| 2                                                                                                                                                                                                                                                                                                                                                                                                                   |            | +BasicServiceMO(TSPX_MO_DualModSvc, TSPX_MO_DualModRate)                                                                                                                                                                                                                                                                                                                                                                                                                                                                                                              |                                                                                                                 |     |          |
| 3                                                                                                                                                                                                                                                                                                                                                                                                                   |            | +IdleUpdated( C_E_default, C_CellA, C_SCH_A, C_BCCH_A_1, C_Immass, C_S0, C_SlotNU, C_SlotNU, C_SlotNU, C_BCC, C_TxInt_5, C_Max_7, C_NECI_0, C_ATT_0, TimingAdv( 0), C_BABR_0, C_cch_1Comb, C_BPM_3, C_T3212_0, C_ci_cellA, C_MCC_1, C_PLMN_1, C_LAC_1, CellOpt_01, CellChDes_Omit, CellChDes_Omit, C_CellReselectHys12, C_MaxPwrLvlG, C_MaxPwrLvlD, BcchFreqLst_45, BcchFreqLst_02, BcchFreqLst_03, BcchFreqLst_04, C_Restablishment, C_BCC, C_NCC, C_Start_Tmsi, TSPX_SDCCH4SubDef, TSPX_CKSNDf, TSPX_RANDDef, C_arfcnA, C_arfcnAd, TSPX_IMSI, C_Test_nfh, C_NCCP_2) |                                                                                                                 |     |          |
| 4                                                                                                                                                                                                                                                                                                                                                                                                                   |            | +CCConfigTCH( TSPX_TCHHSubDef, C_Ass, TSPX_TmSlitDef, TSPX_TscDef, TimingAdv( 0), C_BABR_0, C_cch_1Comb, C_BPM_3, TCV_ChMod.mode, FreqTCH_omit, FreqTCH_omit, C_arfcn_tchA, C_arfcn_tchAd)                                                                                                                                                                                                                                                                                                                                                                            |                                                                                                                 |     |          |
| 5                                                                                                                                                                                                                                                                                                                                                                                                                   |            | +PreModifySetup( TSPX_SDCCH4SubDef, TSPX_TmSlitDef, TSPX_TscDef, TimingAdv( 0), TSPX_CKSNDf, TSPX_RANDDef)                                                                                                                                                                                                                                                                                                                                                                                                                                                            |                                                                                                                 | 1.  |          |
| 6                                                                                                                                                                                                                                                                                                                                                                                                                   | body       | +CCstatuschk_05(C_U26, TCV_TI, TCV_chTch)                                                                                                                                                                                                                                                                                                                                                                                                                                                                                                                             |                                                                                                                 |     |          |
| 7                                                                                                                                                                                                                                                                                                                                                                                                                   |            | L!DL_DatRqChmmo                                                                                                                                                                                                                                                                                                                                                                                                                                                                                                                                                       | ChmmoReqSnd( TCV_chTch, ChmomoReq_07( TCV_chtype, TCV_ChModb.mode, TSPX_TmSlitDef, TSPX_TscDef, TCV_tch_arfcn)) |     |          |
| 8                                                                                                                                                                                                                                                                                                                                                                                                                   | L_047<br>3 | L?DL_DatInChmmoAck                                                                                                                                                                                                                                                                                                                                                                                                                                                                                                                                                    | ChmmoAckRcv( TCV_chTch, ChmomoAck_08( TCV_chtype, TCV_ChModb.mode, TSPX_TmSlitDef, TSPX_TscDef, TCV_tch_arfcn)) | (P) | 2.       |
| 9                                                                                                                                                                                                                                                                                                                                                                                                                   |            | (TCV_Res := OC_RcsdPresent(TCV_Modify))                                                                                                                                                                                                                                                                                                                                                                                                                                                                                                                               |                                                                                                                 |     |          |
| 10                                                                                                                                                                                                                                                                                                                                                                                                                  |            | [TCV_Res]                                                                                                                                                                                                                                                                                                                                                                                                                                                                                                                                                             |                                                                                                                 |     |          |
| 11                                                                                                                                                                                                                                                                                                                                                                                                                  |            | L!DL_DatRqModifyCom                                                                                                                                                                                                                                                                                                                                                                                                                                                                                                                                                   | ModifyCmpSnd( TCV_chTch, ModifyComp_02( TCV_TI, TCV_Bcap2))                                                     |     |          |
| 12                                                                                                                                                                                                                                                                                                                                                                                                                  |            | +local_continue                                                                                                                                                                                                                                                                                                                                                                                                                                                                                                                                                       |                                                                                                                 |     |          |
| 13                                                                                                                                                                                                                                                                                                                                                                                                                  |            | [NOT TCV_Res]                                                                                                                                                                                                                                                                                                                                                                                                                                                                                                                                                         |                                                                                                                 |     |          |
| 14                                                                                                                                                                                                                                                                                                                                                                                                                  |            | L!DL_DatRqModifyCom                                                                                                                                                                                                                                                                                                                                                                                                                                                                                                                                                   | ModifyCmpSnd( TCV_chTch, ModifyComp_03( TCV_TI, TCV_Bcap2))                                                     |     |          |

|                           |            |                                                                                                                                                                                                         |     |    |
|---------------------------|------------|---------------------------------------------------------------------------------------------------------------------------------------------------------------------------------------------------------|-----|----|
| 15                        |            | +local_continue                                                                                                                                                                                         |     |    |
|                           |            | <b>local_continue</b>                                                                                                                                                                                   |     |    |
| 16                        |            | START T_dly(2000)                                                                                                                                                                                       |     |    |
| 17                        |            | ?TIMEOUT T_dly                                                                                                                                                                                          |     |    |
| 18                        |            | +CCstatuschk_05(C_U10, TCV_TI, TCV_chTch)                                                                                                                                                               |     |    |
| 19                        |            | (TCV_Res := OM_BmInfo(TCV_chTch, TCV_ChModb.mode))                                                                                                                                                      |     |    |
| 20                        | L_047<br>4 | [TCV_Res]                                                                                                                                                                                               | (P) | 3. |
| 21                        |            | +PostMainLinkRel(TCV_chTch)                                                                                                                                                                             |     |    |
| 22                        | L_047<br>5 | [NOT TCV_Res]                                                                                                                                                                                           | (F) |    |
| 23                        |            | +PostMainLinkRel(TCV_chTch)                                                                                                                                                                             |     |    |
| <b>Detailed Comments:</b> |            | 1. To attempt a dual mode call and initiate incall modification.<br>2. The expected CMM ACKNOWLEDGE message received.<br>3. The MS does start sending Bm channel information according to the new mode. |     |    |

| Test Case Dynamic Behaviour |       |                                                                                                                                                                                                                                                                                                                                                                                                                                                                                                                                                                       |                                                               |   |          |
|-----------------------------|-------|-----------------------------------------------------------------------------------------------------------------------------------------------------------------------------------------------------------------------------------------------------------------------------------------------------------------------------------------------------------------------------------------------------------------------------------------------------------------------------------------------------------------------------------------------------------------------|---------------------------------------------------------------|---|----------|
| <b>Test Case Name:</b>      |       | TC_26_8_1_4_5_2                                                                                                                                                                                                                                                                                                                                                                                                                                                                                                                                                       |                                                               |   |          |
| <b>Group:</b>               |       | GSM_L3_MS_v4200/CC/                                                                                                                                                                                                                                                                                                                                                                                                                                                                                                                                                   |                                                               |   |          |
| <b>Purpose:</b>             |       | To verify that upon receipt of the MODIFY REJECT message with the old bearer capability the MS resumes sending Bm-channel information according to the present call mode; resumes interpreting received Bm-channel information according to the present call mode; and enters the "active" state.                                                                                                                                                                                                                                                                     |                                                               |   |          |
| <b>Default:</b>             |       | OtherEventsFail                                                                                                                                                                                                                                                                                                                                                                                                                                                                                                                                                       |                                                               |   |          |
| Nr                          | Label | Behaviour Description                                                                                                                                                                                                                                                                                                                                                                                                                                                                                                                                                 | CRef                                                          | V | Comments |
| 1                           |       | START T_guard(300)                                                                                                                                                                                                                                                                                                                                                                                                                                                                                                                                                    |                                                               |   |          |
| 2                           |       | +BasicServiceMO(TSPX_MO_DualModSvc, TSPX_MO_DualModRate)                                                                                                                                                                                                                                                                                                                                                                                                                                                                                                              |                                                               |   |          |
| 3                           |       | +IdleUpdated( C_E_default, C_CellA, C_SCH_A, C_BCCH_A_1, C_Immass, C_S0, C_SlotNU, C_SlotNU, C_SlotNU, C_BCC, C_TxInt_5, C_Max_7, C_NECI_0, C_ATT_0, TimingAdv( 0), C_BABR_0, C_cch_1Comb, C_BPM_3, C_T3212_0, C_ci_cellA, C_MCC_1, C_PLMN_1, C_LAC_1, CellOpt_01, CellChDes_Omit, CellChDes_Omit, C_CellReselectHys12, C_MaxPwrLvIG, C_MaxPwrLvID, BcchFreqLst_45, BcchFreqLst_02, BcchFreqLst_03, BcchFreqLst_04, C_Restablishment, C_BCC, C_NCC, C_Start_Tmsi, TSPX_SDCCH4SubDef, TSPX_CKSNDf, TSPX_RANDDef, C_arfcnA, C_arfcnAd, TSPX_IMSI, C_Test_nfh, C_NCCP_2) |                                                               |   |          |
| 4                           |       | +CCConfigTCH( TSPX_TCHHSubDef, C_Ass, TSPX_TmSlitDef, TSPX_TscDef, TimingAdv( 0), C_BABR_0, C_cch_1Comb, C_BPM_3, TCV_ChMod.mode, FreqTCH_omit, FreqTCH_omit, C_arfcn_tchA, C_arfcn_tchAd)                                                                                                                                                                                                                                                                                                                                                                            |                                                               |   |          |
| 5                           |       | +PreModifySetup( TSPX_SDCCH4SubDef, TSPX_TmSlitDef, TSPX_TscDef, TimingAdv( 0), TSPX_CKSNDf, TSPX_RANDDef)                                                                                                                                                                                                                                                                                                                                                                                                                                                            |                                                               |   | 1.       |
| 6                           | body  | !DL_DatRqModifyRej                                                                                                                                                                                                                                                                                                                                                                                                                                                                                                                                                    | ModifyRejRqSnd( TCV_chTch, ModifyRjRq_01( TCV_TI, TCV_Bcap1)) |   |          |
| 7                           |       | +CCstatuschk_05( C_U10, TCV_TI, TCV_chTch)                                                                                                                                                                                                                                                                                                                                                                                                                                                                                                                            |                                                               |   | 2.       |
| 8                           |       | +PostMainLinkRel( TCV_chTch)                                                                                                                                                                                                                                                                                                                                                                                                                                                                                                                                          |                                                               |   |          |
| <b>Detailed Comments:</b>   |       | 1. To attempt a dual mode call and initiate incall modification.<br>2. To check whether the MS is still in the state U10 and the verdict is assigned in the test step.                                                                                                                                                                                                                                                                                                                                                                                                |                                                               |   |          |

| Test Case Dynamic Behaviour |       |                                                                                                                                                                                                                                                                                                                                                                                                                                                                                                                                                                                                                      |                                                                         |    |          |
|-----------------------------|-------|----------------------------------------------------------------------------------------------------------------------------------------------------------------------------------------------------------------------------------------------------------------------------------------------------------------------------------------------------------------------------------------------------------------------------------------------------------------------------------------------------------------------------------------------------------------------------------------------------------------------|-------------------------------------------------------------------------|----|----------|
| <b>Test Case Name:</b>      |       | TC_26_8_1_4_5_3                                                                                                                                                                                                                                                                                                                                                                                                                                                                                                                                                                                                      |                                                                         |    |          |
| <b>Group:</b>               |       | GSM_L3_MS_v4200/CC/                                                                                                                                                                                                                                                                                                                                                                                                                                                                                                                                                                                                  |                                                                         |    |          |
| <b>Purpose:</b>             |       | To verify that upon receipt of the MODIFY COMPLETE message indicating a call mode which does not correspond to the requested one the MS discards it and takes no action.                                                                                                                                                                                                                                                                                                                                                                                                                                             |                                                                         |    |          |
| <b>Default:</b>             |       | OtherEventsFail                                                                                                                                                                                                                                                                                                                                                                                                                                                                                                                                                                                                      |                                                                         |    |          |
| Nr                          | Label | Behaviour Description                                                                                                                                                                                                                                                                                                                                                                                                                                                                                                                                                                                                | CRef                                                                    | V  | Comments |
| 1                           |       | START T_guard(300)                                                                                                                                                                                                                                                                                                                                                                                                                                                                                                                                                                                                   |                                                                         |    |          |
| 2                           |       | +BasicServiceMO(TSPX_MO_DualModSvc,<br>TSPX_MO_DualModRate)                                                                                                                                                                                                                                                                                                                                                                                                                                                                                                                                                          |                                                                         |    |          |
| 3                           |       | +IdleUpdated( C_E_default, C_CellA, C_SCH_A,<br>C_BCCH_A_1, C_Immass, C_S0, C_SlotNU,<br>C_SlotNU, C_SlotNU, C_BCC, C_TxInt_5,<br>C_Max_7, C_NECI_0, C_ATT_0, TimingAdv( 0),<br>C_BABR_0, C_cch_1Comb, C_BPM_3,<br>C_T3212_0, C_ci_cellA, C_MCC_1, C_PLMN_1,<br>C_LAC_1, CellOpt_01, CellChDes_Omit,<br>CellChDes_Omit, C_CellReselectHys12,<br>C_MaxPwrLvIG, C_MaxPwrLvID,<br>BcchFreqLst_45, BcchFreqLst_02,<br>BcchFreqLst_03, BcchFreqLst_04,<br>C_Restablishment, C_BCC, C_NCC,<br>C_Start_Tmsi, TSPX_SDCCH4SubDef,<br>TSPX_CKSNDDef, TSPX_RANDDef, C_arfcnA,<br>C_arfcnAd, TSPX_IMSI, C_Test_nfh,<br>C_NCCP_2) |                                                                         |    |          |
| 4                           |       | +CCConfigTCH( TSPX_TCHHSubDef, C_Ass,<br>TSPX_TmSltDef, TSPX_TscDef, TimingAdv( 0),<br>C_BABR_0, C_cch_1Comb, C_BPM_3,<br>TCV_ChMod.mode, FreqTCH_omit,<br>FreqTCH_omit, C_arfcn_tchA, C_arfcn_tchAd)                                                                                                                                                                                                                                                                                                                                                                                                                |                                                                         |    |          |
| 5                           |       | +PreModifySetup( TSPX_SDCCH4SubDef,<br>TSPX_TmSltDef, TSPX_TscDef, TimingAdv( 0),<br>TSPX_CKSNDDef, TSPX_RANDDef)                                                                                                                                                                                                                                                                                                                                                                                                                                                                                                    |                                                                         | 1. |          |
| 6                           | body  | LIDL_DatRqModifyCom                                                                                                                                                                                                                                                                                                                                                                                                                                                                                                                                                                                                  | ModifyCmpSnd(<br>TCV_chTch,<br>ModifyComp_03(<br>TCV_TI,<br>TCV_Bcap2)) |    | 2.       |
| 7                           |       | +CCstatuschk_05( C_U26, TCV_TI,<br>TCV_chTch)                                                                                                                                                                                                                                                                                                                                                                                                                                                                                                                                                                        |                                                                         |    | 3.       |
| 8                           |       | +PostMainLinkRel( TCV_chTch)                                                                                                                                                                                                                                                                                                                                                                                                                                                                                                                                                                                         |                                                                         |    |          |
| <b>Detailed Comments:</b>   |       | <ol style="list-style-type: none"> <li>1. To attempt a dual mode call.</li> <li>2. The mode (TCV_Bcap1) does not correspond to the requested one (TCV_Bcap2).</li> <li>3. To check whether the MS does not take any action and the verdict is assigned in the test step.</li> </ol>                                                                                                                                                                                                                                                                                                                                  |                                                                         |    |          |

| Test Case Dynamic Behaviour |       |                                                                                                                                                                                                                                                                                                                                                                                                                                                                                                                                                                          |                                                               |   |          |
|-----------------------------|-------|--------------------------------------------------------------------------------------------------------------------------------------------------------------------------------------------------------------------------------------------------------------------------------------------------------------------------------------------------------------------------------------------------------------------------------------------------------------------------------------------------------------------------------------------------------------------------|---------------------------------------------------------------|---|----------|
| <b>Test Case Name:</b>      |       | TC_26_8_1_4_5_4                                                                                                                                                                                                                                                                                                                                                                                                                                                                                                                                                          |                                                               |   |          |
| <b>Group:</b>               |       | GSM_L3_MS_v4200/CC/                                                                                                                                                                                                                                                                                                                                                                                                                                                                                                                                                      |                                                               |   |          |
| <b>Purpose:</b>             |       | To verify that upon receipt of the MODIFY REJECT message indicating a call mode which does not correspond to the actual one the MS discards it and takes no action.                                                                                                                                                                                                                                                                                                                                                                                                      |                                                               |   |          |
| <b>Default:</b>             |       | OtherEventsFail                                                                                                                                                                                                                                                                                                                                                                                                                                                                                                                                                          |                                                               |   |          |
| Nr                          | Label | Behaviour Description                                                                                                                                                                                                                                                                                                                                                                                                                                                                                                                                                    | CRef                                                          | V | Comments |
| 1                           |       | START T_guard(300)                                                                                                                                                                                                                                                                                                                                                                                                                                                                                                                                                       |                                                               |   |          |
| 2                           |       | +BasicServiceMO(TSPX_MO_DualModSvc, TSPX_MO_DualModRate)                                                                                                                                                                                                                                                                                                                                                                                                                                                                                                                 |                                                               |   |          |
| 3                           |       | +IdleUpdated( C_E_default, C_CellA, C_SCH_A, C_BCCCH_A_1, C_Immass, C_S0, C_SlotNU, C_SlotNU, C_SlotNU, C_BCC, C_TxInt_5, C_Max_7, C_NECI_0, C_ATT_0, TimingAdv( 0), C_BABR_0, C_cch_1Comb, C_BPM_3, C_T3212_0, C_ci_cellA, C_MCC_1, C_PLMN_1, C_LAC_1, CellOpt_01, CellChDes_Omit, CellChDes_Omit, C_CellReselectHys12, C_MaxPwrLvIG, C_MaxPwrLvID, BcchFreqLst_45, BcchFreqLst_02, BcchFreqLst_03, BcchFreqLst_04, C_Restablishment, C_BCC, C_NCC, C_Start_Tmsi, TSPX_SDCCH4SubDef, TSPX_CKSNDDef, TSPX_RANDDef, C_arfcnA, C_arfcnAd, TSPX_IMSI, C_Test_nfh, C_NCCP_2) |                                                               |   |          |
| 4                           |       | +CCConfigTCH( TSPX_TCHHSubDef, C_Ass, TSPX_TmSltDef, TSPX_TscDef, TimingAdv( 0), C_BABR_0, C_cch_1Comb, C_BPM_3, TCV_ChMod.mode, FreqTCH_omit, FreqTCH_omit, C_arfcn_tchA, C_arfcn_tchAd)                                                                                                                                                                                                                                                                                                                                                                                |                                                               |   |          |
| 5                           |       | +PreModifySetup( TSPX_SDCCH4SubDef, TSPX_TmSltDef, TSPX_TscDef, TimingAdv( 0), TSPX_CKSNDDef, TSPX_RANDDef)                                                                                                                                                                                                                                                                                                                                                                                                                                                              |                                                               |   | 1.       |
| 6                           | body  | !IDL_DatRqModifyRej                                                                                                                                                                                                                                                                                                                                                                                                                                                                                                                                                      | ModifyRejRqSnd( TCV_chTch, ModifyRjRq_01( TCV_TI, TCV_Bcap1)) |   | 2.       |
| 7                           |       | +CCstatuschk_05( C_U26, TCV_TI, TCV_chTch)                                                                                                                                                                                                                                                                                                                                                                                                                                                                                                                               |                                                               |   | 3.       |
| 8                           |       | +PostMainLinkRel( TCV_chTch)                                                                                                                                                                                                                                                                                                                                                                                                                                                                                                                                             |                                                               |   |          |
| <b>Detailed Comments:</b>   |       | <ol style="list-style-type: none"> <li>1. To attempt a dual mode call.</li> <li>2. The mode (TCV_Bcap1) does not correspond to the actual one (TCV_Bcap2).</li> <li>3. To check whether the MS does not take any action and the verdict is assigned in the test step.</li> </ol>                                                                                                                                                                                                                                                                                         |                                                               |   |          |

| Test Case Dynamic Behaviour |            |                                                                                                                                                                                                                                                                                                                                                                                                                                                                                                                                                                         |                                                   |     |          |
|-----------------------------|------------|-------------------------------------------------------------------------------------------------------------------------------------------------------------------------------------------------------------------------------------------------------------------------------------------------------------------------------------------------------------------------------------------------------------------------------------------------------------------------------------------------------------------------------------------------------------------------|---------------------------------------------------|-----|----------|
| <b>Test Case Name:</b>      |            | TC_26_8_1_4_5_5                                                                                                                                                                                                                                                                                                                                                                                                                                                                                                                                                         |                                                   |     |          |
| <b>Group:</b>               |            | GSM_L3_MS_v4200/CC/                                                                                                                                                                                                                                                                                                                                                                                                                                                                                                                                                     |                                                   |     |          |
| <b>Purpose:</b>             |            | To verify that upon expiration of T323 the MS shall initiate the procedures for call clearing with cause #102 "recovery on timer expiry".                                                                                                                                                                                                                                                                                                                                                                                                                               |                                                   |     |          |
| <b>Default:</b>             |            | OtherEventsFail                                                                                                                                                                                                                                                                                                                                                                                                                                                                                                                                                         |                                                   |     |          |
| Nr                          | Label      | Behaviour Description                                                                                                                                                                                                                                                                                                                                                                                                                                                                                                                                                   | CRef                                              | V   | Comments |
| 1                           |            | START T_guard(300)                                                                                                                                                                                                                                                                                                                                                                                                                                                                                                                                                      |                                                   |     |          |
| 2                           |            | +BasicServiceMO( TSPX_MO_DualModSvc, TSPX_MO_DualModRate)                                                                                                                                                                                                                                                                                                                                                                                                                                                                                                               |                                                   |     |          |
| 3                           |            | +IdleUpdated( C_E_default, C_CellA, C_SCH_A, C_BCCH_A_1, C_Immass, C_S0, C_SlotNU, C_SlotNU, C_SlotNU, C_BCC, C_TxInt_5, C_Max_7, C_NECI_0, C_ATT_0, TimingAdv( 0), C_BABR_0, C_cch_1Comb, C_BPM_3, C_T3212_0, C_ci_cellA, C_MCC_1, C_PLMN_1, C_LAC_1, CellOpt_01, CellChDes_Omit, CellChDes_Omit, C_CellReselectHys12, C_MaxPwrLvIG, C_MaxPwrLvID, BcchFreqLst_45, BcchFreqLst_02, BcchFreqLst_03, BcchFreqLst_04, C_Restablishment, C_BCC, C_NCC, C_Start_Tmsi, TSPX_SDCCH4SubDef, TSPX_CKSNDDef, TSPX_RANDDef, C_arfcnA, C_arfcnAd, TSPX_IMSI, C_Test_nfh, C_NCCP_2) |                                                   |     |          |
| 4                           |            | +CCConfigTCH( TSPX_TCHHSubDef, C_Ass, TSPX_TmSltDef, TSPX_TscDef, TimingAdv( 0), C_BABR_0, C_cch_1Comb, C_BPM_3, TCV_ChMod.mode, FreqTCH_omit, FreqTCH_omit, C_arfcn_tchA, C_arfcn_tchAd)                                                                                                                                                                                                                                                                                                                                                                               |                                                   |     |          |
| 5                           |            | +PreModifySetup( TSPX_SDCCH4SubDef, TSPX_TmSltDef, TSPX_TscDef, TimingAdv( 0), TSPX_CKSNDDef, TSPX_RANDDef)                                                                                                                                                                                                                                                                                                                                                                                                                                                             |                                                   |     | 1.       |
| 6                           |            | START T_dly( 45000)                                                                                                                                                                                                                                                                                                                                                                                                                                                                                                                                                     |                                                   |     |          |
| 7                           | body       | L?DL_DatInDisc( TCV_Fn1 := DL_DatInDisc.fn) READTIMER<br>T_dly(TCV_Time), CANCEL T_dly                                                                                                                                                                                                                                                                                                                                                                                                                                                                                  | DiscRcv( TCV_chTch, DisconnR( TCV_TI0, Cause_14)) |     | 2.       |
| 8                           | L_047<br>6 | [(TCV_Time < 27000) OR (TCV_Time >= 33000)]                                                                                                                                                                                                                                                                                                                                                                                                                                                                                                                             |                                                   | (F) | 3.       |
| 9                           |            | +PostMainLinkRel(TCV_chTch)                                                                                                                                                                                                                                                                                                                                                                                                                                                                                                                                             |                                                   |     |          |
| 10                          | L_047<br>7 | [(TCV_Time >= 27000) AND(TCV_Time < 33000)]                                                                                                                                                                                                                                                                                                                                                                                                                                                                                                                             |                                                   | (P) | 4.       |
| 11                          |            | +CCstatuschk_05(C_U11, TCV_TI, TCV_chTch)                                                                                                                                                                                                                                                                                                                                                                                                                                                                                                                               |                                                   |     |          |
| 12                          |            | +PostMainLinkRel( TCV_chTch)                                                                                                                                                                                                                                                                                                                                                                                                                                                                                                                                            |                                                   |     |          |
| <b>Detailed Comments:</b>   |            | <ol style="list-style-type: none"> <li>1. To attempt a dual mode call.</li> <li>2. The expected DISCONNECT message received.</li> <li>3. Fail, if the T323 timer value is either greater than or equal to 33 seconds, or less than 27 seconds.</li> <li>4. Pass, if the timeout value of the T323 timer is OK.</li> </ol>                                                                                                                                                                                                                                               |                                                   |     |          |



| Test Case Dynamic Behaviour |       |                                                                                                                                                                                                                                                                                                                                                                                                                                                                                                                                                                                                                      |                                                                         |   |          |
|-----------------------------|-------|----------------------------------------------------------------------------------------------------------------------------------------------------------------------------------------------------------------------------------------------------------------------------------------------------------------------------------------------------------------------------------------------------------------------------------------------------------------------------------------------------------------------------------------------------------------------------------------------------------------------|-------------------------------------------------------------------------|---|----------|
| <b>Test Case Name:</b>      |       | TC_26_8_1_4_5_6                                                                                                                                                                                                                                                                                                                                                                                                                                                                                                                                                                                                      |                                                                         |   |          |
| <b>Group:</b>               |       | GSM_L3_MS_v4200/CC/                                                                                                                                                                                                                                                                                                                                                                                                                                                                                                                                                                                                  |                                                                         |   |          |
| <b>Purpose:</b>             |       | <p>1. To verify that a CC-entity of the MS in CC-state U26, "Mobile Originating Modify", after successful completion of a channel assignment procedure remains in the call state U26.</p> <p>2. To verify that upon receipt of the MODIFY COMPLETE message the MS starts sending channel information according to the new call mode and enters the "active" state.</p>                                                                                                                                                                                                                                               |                                                                         |   |          |
| <b>Default:</b>             |       | OtherEventsFail                                                                                                                                                                                                                                                                                                                                                                                                                                                                                                                                                                                                      |                                                                         |   |          |
| Nr                          | Label | Behaviour Description                                                                                                                                                                                                                                                                                                                                                                                                                                                                                                                                                                                                | CRef                                                                    | V | Comments |
| 1                           |       | START T_guard(300)                                                                                                                                                                                                                                                                                                                                                                                                                                                                                                                                                                                                   |                                                                         |   |          |
| 2                           |       | +BasicServiceMO(TSPX_MO_DualModSvc,<br>TSPX_MO_DualModRate)                                                                                                                                                                                                                                                                                                                                                                                                                                                                                                                                                          |                                                                         |   |          |
| 3                           |       | +IdleUpdated( C_E_default, C_CellA, C_SCH_A,<br>C_BCCH_A_1, C_Immass, C_S0, C_SlotNU,<br>C_SlotNU, C_SlotNU, C_BCC, C_TxInt_5,<br>C_Max_7, C_NECl_0, C_ATT_0, TimingAdv( 0),<br>C_BABR_0, C_cch_1Comb, C_BPM_3,<br>C_T3212_0, C_ci_cellA, C_MCC_1, C_PLMN_1,<br>C_LAC_1, CellOpt_01, CellChDes_Omit,<br>CellChDes_Omit, C_CellReselectHys12,<br>C_MaxPwrLvIG, C_MaxPwrLvID,<br>BcchFreqLst_45, BcchFreqLst_02,<br>BcchFreqLst_03, BcchFreqLst_04,<br>C_Restablishment, C_BCC, C_NCC,<br>C_Start_Tmsi, TSPX_SDCCH4SubDef,<br>TSPX_CKSNDDef, TSPX_RANDDef, C_arfcnA,<br>C_arfcnAd, TSPX_IMSI, C_Test_nfh,<br>C_NCCP_2) |                                                                         |   |          |
| 4                           |       | +CCConfigTCH( TSPX_TCHHSubDef, C_Ass,<br>TSPX_TmSlitDef, TSPX_TscDef, TimingAdv( 0),<br>C_BABR_0, C_cch_1Comb, C_BPM_3,<br>TCV_ChMod.mode, FreqTCH_omit,<br>FreqTCH_omit, C_arfcn_tchA, C_arfcn_tchAd)                                                                                                                                                                                                                                                                                                                                                                                                               |                                                                         |   |          |
| 5                           |       | +local_2ndTCH( TSPX_TCHHSubDef,<br>C_Ass, TSPX_TmSlitDef, TSPX_TscDef,<br>TCV_ChModb, C_arfcn_tchA, C_arfcn_tchAd,<br>TimingAdv( 0), C_BABR_0, C_cch_1Comb,<br>C_BPM_3)                                                                                                                                                                                                                                                                                                                                                                                                                                              |                                                                         |   |          |
| 6                           |       | +PreModifySetup( TSPX_SDCCH4SubDef,<br>TSPX_TmSlitDef, TSPX_TscDef,<br>TimingAdv( 0), TSPX_CKSNDDef,<br>TSPX_RANDDef)                                                                                                                                                                                                                                                                                                                                                                                                                                                                                                |                                                                         |   | 1.       |
| 7                           |       | +local_continue                                                                                                                                                                                                                                                                                                                                                                                                                                                                                                                                                                                                      |                                                                         |   |          |
|                             |       | <b>local_continue</b>                                                                                                                                                                                                                                                                                                                                                                                                                                                                                                                                                                                                |                                                                         |   |          |
| 8                           |       | +assign                                                                                                                                                                                                                                                                                                                                                                                                                                                                                                                                                                                                              |                                                                         |   |          |
| 9                           |       | +CCstatuschk_05(C_U26, TCV_TI, TCV_chTch)                                                                                                                                                                                                                                                                                                                                                                                                                                                                                                                                                                            |                                                                         |   | 2.       |
| 10                          |       | (TCV_Res := OC_RcsdPresent(TCV_Modify))                                                                                                                                                                                                                                                                                                                                                                                                                                                                                                                                                                              |                                                                         |   |          |
| 11                          |       | [TCV_Res]                                                                                                                                                                                                                                                                                                                                                                                                                                                                                                                                                                                                            |                                                                         |   |          |
| 12                          |       | L!DL_DatRqModifyCom<br>(DL_DatRqModifyCom.msg.rcsd :=<br>TCV_Modify.rcsd)                                                                                                                                                                                                                                                                                                                                                                                                                                                                                                                                            | ModifyCmpSnd(<br>TCV_chTch,<br>ModifyComp_02(<br>TCV_TI,<br>TCV_Bcap2)) |   |          |
| 13                          |       | +localtree1                                                                                                                                                                                                                                                                                                                                                                                                                                                                                                                                                                                                          |                                                                         |   |          |
| 14                          |       | [NOT TCV_Res]                                                                                                                                                                                                                                                                                                                                                                                                                                                                                                                                                                                                        |                                                                         |   |          |
| 15                          |       | L!DL_DatRqModifyCom                                                                                                                                                                                                                                                                                                                                                                                                                                                                                                                                                                                                  | ModifyCmpSnd(<br>TCV_chTch,<br>ModifyComp_03(<br>TCV_TI,<br>TCV_Bcap2)) |   |          |
| 16                          |       | +localtree1                                                                                                                                                                                                                                                                                                                                                                                                                                                                                                                                                                                                          |                                                                         |   |          |
|                             |       | <b>localtree1</b>                                                                                                                                                                                                                                                                                                                                                                                                                                                                                                                                                                                                    |                                                                         |   |          |
| 17                          |       | +CCstatuschk_05(C_U10, TCV_TI, TCV_chTch1)                                                                                                                                                                                                                                                                                                                                                                                                                                                                                                                                                                           |                                                                         |   | 3.       |
| 18                          |       | +PostMainLinkRel(TCV_chTch1)                                                                                                                                                                                                                                                                                                                                                                                                                                                                                                                                                                                         |                                                                         |   |          |
|                             |       | <b>assign</b>                                                                                                                                                                                                                                                                                                                                                                                                                                                                                                                                                                                                        |                                                                         |   |          |
| 19                          |       | [TSPC_PGSM OR TSPC_EGSM]                                                                                                                                                                                                                                                                                                                                                                                                                                                                                                                                                                                             |                                                                         |   |          |
| 20                          |       | (TCV_AssCmd := AsgnCmd_nfh( TCV_chtype,                                                                                                                                                                                                                                                                                                                                                                                                                                                                                                                                                                              |                                                                         |   |          |

|                           |                                                                                                                                                          |                                                                                                                                                                                                                                                            |  |
|---------------------------|----------------------------------------------------------------------------------------------------------------------------------------------------------|------------------------------------------------------------------------------------------------------------------------------------------------------------------------------------------------------------------------------------------------------------|--|
| 21                        | TCV_sl2, TSPX_TscDef, 7, C_arfcn_tchA,<br>CellChDes_Omit, TCV_ChModb, StartingTm_omit,<br>CphMod_omit)                                                   |                                                                                                                                                                                                                                                            |  |
|                           | +AssCh_complete( TCV_chTch, TCV_chTch1,<br>TCV_AssCmd)                                                                                                   |                                                                                                                                                                                                                                                            |  |
| 22                        | [TSPC_DCS]                                                                                                                                               |                                                                                                                                                                                                                                                            |  |
| 23                        | (TCV_AssCmd := AsgnCmd_nfh( TCV_chtype,<br>TCV_sl2, TSPX_TscDef, 3, C_arfcn_tchAd,<br>CellChDes_Omit, TCV_ChModb, StartingTm_omit,<br>CphMod_omit))      |                                                                                                                                                                                                                                                            |  |
| 24                        | +AssCh_complete( TCV_chTch, TCV_chTch1,<br>TCV_AssCmd)                                                                                                   |                                                                                                                                                                                                                                                            |  |
|                           | <b>local_2ndTCH(sub:BITSTRING;<br/>acttype:BITSTRING; slot:SN; tsc:TSC;<br/>chmod:CHMOD; arfcng, arfcnd: INTEGER; ta:TA;<br/>babr, cch_con, bpm:B_3)</b> |                                                                                                                                                                                                                                                            |  |
| 25                        | (TCV_sl2 := INT_TO_BIT(((1+<br>BIT_TO_INT(slot))MOD 8),3))                                                                                               |                                                                                                                                                                                                                                                            |  |
| 26                        | [TCV_ChRate = C_Full]                                                                                                                                    |                                                                                                                                                                                                                                                            |  |
| 27                        | +FullRateCh_A_2( acttype, TCV_sl2, tsc, chmod,<br>FreqTCH(arfcng), FreqTCH(arfcnd), ta, babr,<br>cch_con, bpm)                                           |                                                                                                                                                                                                                                                            |  |
| 28                        | [TCV_ChRate = C_Half]                                                                                                                                    |                                                                                                                                                                                                                                                            |  |
| 29                        | +HalfRateCh_A_2( sub, acttype, TCV_sl2, tsc,<br>chmod, FreqTCH(arfcng), FreqTCH(arfcnd), ta,<br>babr, cch_con, bpm)                                      |                                                                                                                                                                                                                                                            |  |
| <b>Detailed Comments:</b> |                                                                                                                                                          | <ol style="list-style-type: none"> <li>1. To attempt a dual mode call.</li> <li>2. To check whether the MS is still in the state U26.</li> <li>3. TO check whether the MS is now in the state U10 and the verdict is assigned in the test step.</li> </ol> |  |

| Test Case Dynamic Behaviour |            |                                                                                                                                                                                                                                                                                                                                                                                                                                                                                                                                                                                                                    |                                                                             |     |          |
|-----------------------------|------------|--------------------------------------------------------------------------------------------------------------------------------------------------------------------------------------------------------------------------------------------------------------------------------------------------------------------------------------------------------------------------------------------------------------------------------------------------------------------------------------------------------------------------------------------------------------------------------------------------------------------|-----------------------------------------------------------------------------|-----|----------|
| <b>Test Case Name:</b>      |            | TC_26_8_1_4_5_7                                                                                                                                                                                                                                                                                                                                                                                                                                                                                                                                                                                                    |                                                                             |     |          |
| <b>Group:</b>               |            | GSM_L3_MS_v4200/CC/                                                                                                                                                                                                                                                                                                                                                                                                                                                                                                                                                                                                |                                                                             |     |          |
| <b>Purpose:</b>             |            | To verify that a CC-entity of the MS in CC-state U26, "Mobile Originating Modify", when returning to the old channel after handover failure and having established the link, remains in the call state U26.                                                                                                                                                                                                                                                                                                                                                                                                        |                                                                             |     |          |
| <b>Default:</b>             |            | OtherEventsFail                                                                                                                                                                                                                                                                                                                                                                                                                                                                                                                                                                                                    |                                                                             |     |          |
| Nr                          | Label      | Behaviour Description                                                                                                                                                                                                                                                                                                                                                                                                                                                                                                                                                                                              | CRef                                                                        | V   | Comments |
| 1                           |            | START T_guard(300)                                                                                                                                                                                                                                                                                                                                                                                                                                                                                                                                                                                                 |                                                                             |     |          |
| 2                           |            | +BasicServiceMO(TSPX_MO_DualModSvc,<br>TSPX_MO_DualModRate)                                                                                                                                                                                                                                                                                                                                                                                                                                                                                                                                                        |                                                                             |     |          |
| 3                           |            | (TCV_Pwrlvl_ho:= INT_TO_BIT( TSPX_PwrlvlA,<br>5))                                                                                                                                                                                                                                                                                                                                                                                                                                                                                                                                                                  |                                                                             |     |          |
| 4                           |            | +IdleUpdated( C_E_default, C_CellA,<br>C_SCH_A, C_BCCH_A_1, C_Immass, C_S0,<br>C_SlotNU, C_SlotNU, C_SlotNU, C_BCC,<br>C_TxInt_5, C_Max_7, C_NECI_0, C_ATT_0,<br>TimingAdv( 0), C_BABR_0, C_cch_1Comb,<br>C_BPM_3, C_T3212_0, C_ci_cellA,<br>C_MCC_1, C_PLMN_1, C_LAC_1, CellOpt_01,<br>CellChDes_Omit, CellChDes_Omit,<br>C_CellReselectHys12, C_MaxPwrLvlG,<br>C_MaxPwrLvlD, BcchFreqLst_45,<br>BcchFreqLst_02, BcchFreqLst_03,<br>BcchFreqLst_04, C_Restablishment, C_BCC,<br>C_NCC, C_Start_Tmsi,<br>TSPX_SDCCH4SubDef, TSPX_CKSNDf,<br>TSPX_RANDDef, C_arfcnA, C_arfcnAd,<br>TSPX_IMSI, C_Test_nfh, C_NCCP_2) |                                                                             |     |          |
| 5                           |            | +CCConfigTCH_nociph(<br>TSPX_TCHHSubDef, C_Ass,<br>TSPX_TmSltDef, TSPX_TscDef, TimingAdv(<br>0), C_BABR_0, C_cch_1Comb, C_BPM_3,<br>TCV_ChMod.mode, FreqTCH_omit,<br>FreqTCH_omit, C_arfcn_tchA,<br>C_arfcn_tchAd)                                                                                                                                                                                                                                                                                                                                                                                                 |                                                                             |     |          |
| 6                           |            | +PreModifySetup( TSPX_SDCCH4SubDef,<br>TSPX_TmSltDef, TSPX_TscDef,<br>TimingAdv( 0), TSPX_CKSNDf,<br>TSPX_RANDDef)                                                                                                                                                                                                                                                                                                                                                                                                                                                                                                 |                                                                             |     | 1.       |
| 7                           | body       | +FullRateCh_A_2( C_Rcv,<br>TSPX_TmSltC, TSPX_TscC,<br>ChMod_speech, FreqTCH(<br>C_arfcn_tchA), FreqTCH(<br>C_arfcn_tchAd), TimingAdv( 0),<br>C_BABR_0, C_cch_1Comb, C_BPM_3)                                                                                                                                                                                                                                                                                                                                                                                                                                       |                                                                             |     | 2.       |
| 8                           |            | +local_sendHoCMD                                                                                                                                                                                                                                                                                                                                                                                                                                                                                                                                                                                                   |                                                                             |     |          |
| 9                           |            | (TCV_Cnt := 0)                                                                                                                                                                                                                                                                                                                                                                                                                                                                                                                                                                                                     |                                                                             |     |          |
| 10                          |            | REPEAT local_Hoacc UNTIL<br>[TCV_Cnt = 4]                                                                                                                                                                                                                                                                                                                                                                                                                                                                                                                                                                          |                                                                             |     |          |
| 11                          | L_047<br>8 | L?DL_DatInHofl                                                                                                                                                                                                                                                                                                                                                                                                                                                                                                                                                                                                     | HndOvFIRcv(<br>TCV_chTch,<br>HandOvFail_01)                                 | (P) | 5.       |
| 12                          |            | +CCstatuschk_05( C_U26,<br>TCV_TI, TCV_chTch)                                                                                                                                                                                                                                                                                                                                                                                                                                                                                                                                                                      |                                                                             |     | 6.       |
| 13                          |            | +PostMainLinkRel(<br>TCV_chTch)                                                                                                                                                                                                                                                                                                                                                                                                                                                                                                                                                                                    |                                                                             |     |          |
| 14                          |            | <b>local_Hoacc</b><br>L?DL_RaInHoacc                                                                                                                                                                                                                                                                                                                                                                                                                                                                                                                                                                               | HndOvAccRcv(<br>TCV_chTch1,<br>HandOverAcc_02(<br>TSPX_HoRefA))             |     | 4.       |
| 15                          |            | (TCV_Cnt := TCV_Cnt +1)                                                                                                                                                                                                                                                                                                                                                                                                                                                                                                                                                                                            |                                                                             |     |          |
| 16                          |            | <b>local_sendHoCMD</b><br>(TCV_Tchtype := '00001'B)                                                                                                                                                                                                                                                                                                                                                                                                                                                                                                                                                                |                                                                             |     |          |
| 17                          |            | [TSPC_PGSM OR TSPC_EGSM]                                                                                                                                                                                                                                                                                                                                                                                                                                                                                                                                                                                           |                                                                             |     |          |
| 18                          |            | LIDL_DatRqHoCmd                                                                                                                                                                                                                                                                                                                                                                                                                                                                                                                                                                                                    | HndOvSnd(<br>TCV_chTch,<br>HandOverCmd_nfh(<br>TCV_Tchtype,<br>TSPX_TmSltC, |     | 3.       |

|                                  |  |                                                                                                                                                                                                                                                                                                                                                                                                                           |                                                                                                                                                                                                                                                                                                                                                                                                                                                                                                                                                                 |  |           |
|----------------------------------|--|---------------------------------------------------------------------------------------------------------------------------------------------------------------------------------------------------------------------------------------------------------------------------------------------------------------------------------------------------------------------------------------------------------------------------|-----------------------------------------------------------------------------------------------------------------------------------------------------------------------------------------------------------------------------------------------------------------------------------------------------------------------------------------------------------------------------------------------------------------------------------------------------------------------------------------------------------------------------------------------------------------|--|-----------|
| <p>19<br/>20</p>                 |  | <p>[TSPC_DCS]<br/>LIDL_DatRqHoCmd</p>                                                                                                                                                                                                                                                                                                                                                                                     | <p>TSPX_TscC, C_NCC,<br/>C_BCC, C_arfcnA,<br/>C_arfcn_tchA,<br/>TSPX_HoRefA,<br/>TCV_Pwrlvl_ho,<br/>Synchi(<br/>C_not_report_otd,<br/>C_synchronised),<br/>ChMod_omit,<br/>RelTmdDif_omit,<br/>TimingAdv_omit,<br/>CphMod_omit))</p> <p>HndOvSnd(<br/>TCV_chTch,<br/>HandOverCmd_nfh(<br/>TCV_Tchtype,<br/>TSPX_TmSlcC,<br/>TSPX_TscC, C_NCC,<br/>C_BCC, C_arfcnAd,<br/>C_arfcn_tchAd,<br/>TSPX_HoRefA,<br/>TCV_Pwrlvl_ho,<br/>Synchi(<br/>C_not_report_otd,<br/>C_synchronised),<br/>ChMod_omit,<br/>RelTmdDif_omit,<br/>TimingAdv_omit,<br/>CphMod_omit))</p> |  | <p>3.</p> |
| <p><b>Detailed Comments:</b></p> |  | <ol style="list-style-type: none"> <li>1. To attempt a dual mode call.</li> <li>2. To setup a receiving only TCH/F for handover.</li> <li>3. To handover to the channel which does not respond.</li> <li>4. To check that the MS sends HANDOVER ACCESS messages on the new channel.</li> <li>5. The expected HANDOVER FAILURE message received.</li> <li>6. To check whether the MS is still in the state U26.</li> </ol> |                                                                                                                                                                                                                                                                                                                                                                                                                                                                                                                                                                 |  |           |

| Test Case Dynamic Behaviour |        |                                                                                                                                                                                                                                                                                                                                                                                                                                                                                                                                                                         |                                                   |     |          |
|-----------------------------|--------|-------------------------------------------------------------------------------------------------------------------------------------------------------------------------------------------------------------------------------------------------------------------------------------------------------------------------------------------------------------------------------------------------------------------------------------------------------------------------------------------------------------------------------------------------------------------------|---------------------------------------------------|-----|----------|
| <b>Test Case Name:</b>      |        | TC_26_8_1_4_5_8                                                                                                                                                                                                                                                                                                                                                                                                                                                                                                                                                         |                                                   |     |          |
| <b>Group:</b>               |        | GSM_L3_MS_v4200/CC/                                                                                                                                                                                                                                                                                                                                                                                                                                                                                                                                                     |                                                   |     |          |
| <b>Purpose:</b>             |        | To verify that a CC entity of a MS in CC-state U26, "Mobile Originating Modify", having received an unknown message from its peer entity returns a STATUS message.                                                                                                                                                                                                                                                                                                                                                                                                      |                                                   |     |          |
| <b>Default:</b>             |        | OtherEventsFail                                                                                                                                                                                                                                                                                                                                                                                                                                                                                                                                                         |                                                   |     |          |
| Nr                          | Label  | Behaviour Description                                                                                                                                                                                                                                                                                                                                                                                                                                                                                                                                                   | CRef                                              | V   | Comments |
| 1                           |        | START T_guard(300)                                                                                                                                                                                                                                                                                                                                                                                                                                                                                                                                                      |                                                   |     |          |
| 2                           |        | +BasicServiceMO(TSPX_MO_DualModSvc, TSPX_MO_DualModRate)                                                                                                                                                                                                                                                                                                                                                                                                                                                                                                                |                                                   |     |          |
| 3                           |        | +IdleUpdated( C_E_default, C_CellA, C_SCH_A, C_BCCH_A_1, C_Immass, C_S0, C_SlotNU, C_SlotNU, C_SlotNU, C_BCC, C_TxInt_5, C_Max_7, C_NECL_0, C_ATT_0, TimingAdv( 0), C_BABR_0, C_cch_1Comb, C_BPM_3, C_T3212_0, C_ci_cellA, C_MCC_1, C_PLMN_1, C_LAC_1, CellOpt_01, CellChDes_Omit, CellChDes_Omit, C_CellReselectHys12, C_MaxPwrLvlG, C_MaxPwrLvlD, BcchFreqLst_45, BcchFreqLst_02, BcchFreqLst_03, BcchFreqLst_04, C_Restablishment, C_BCC, C_NCC, C_Start_Tmsi, TSPX_SDCCH4SubDef, TSPX_CKSNDDef, TSPX_RANDDef, C_arfcnA, C_arfcnAd, TSPX_IMSI, C_Test_nfh, C_NCCP_2) |                                                   |     |          |
| 4                           |        | +CCConfigTCH( TSPX_TCHHSubDef, C_Ass, TSPX_TmSltDef, TSPX_TscDef, TimingAdv( 0), C_BABR_0, C_cch_1Comb, C_BPM_3, TCV_ChMod.mode, FreqTCH_omit, FreqTCH_omit, C_arfcn_tchA, C_arfcn_tchAd)                                                                                                                                                                                                                                                                                                                                                                               |                                                   |     |          |
| 5                           |        | +PreModifySetup( TSPX_SDCCH4SubDef, TSPX_TmSltDef, TSPX_TscDef, TimingAdv( 0), TSPX_CKSNDDef, TSPX_RANDDef)                                                                                                                                                                                                                                                                                                                                                                                                                                                             |                                                   |     | 1.       |
| 6                           | body   | L!DL_DatRqUndefCC                                                                                                                                                                                                                                                                                                                                                                                                                                                                                                                                                       | UndefCC( TCV_chTch, UndefCC_02(TCV_TI) )          |     | 2.       |
| 7                           | L_0479 | L?DL_DatInCcst                                                                                                                                                                                                                                                                                                                                                                                                                                                                                                                                                          | CCStRcv( TCV_chTch, CCStatus_08(TCV_TI 0, C_U26)) | (P) | 3.       |
| 8                           |        | +CCstatuschk_05( C_U26, TCV_TI, TCV_chTch)                                                                                                                                                                                                                                                                                                                                                                                                                                                                                                                              |                                                   |     | 4.       |
| 9                           |        | +PostMainLinkRel( TCV_chTch)                                                                                                                                                                                                                                                                                                                                                                                                                                                                                                                                            |                                                   |     |          |
| <b>Detailed Comments:</b>   |        | <ol style="list-style-type: none"> <li>1. To attempt a dual mode call.</li> <li>2. To send a message which message type is not defined for CC.</li> <li>3. Received expected CC STATUS message with state U26.</li> <li>4. To check whether the MS is still in the state U26 and assign the verdict.</li> </ol>                                                                                                                                                                                                                                                         |                                                   |     |          |

| Test Case Dynamic Behaviour                                                                                                                                                                             |       |                                                                                                                                                                                                                                                                                                                                                                                                                                                                                                                                                                         |                                               |    |          |
|---------------------------------------------------------------------------------------------------------------------------------------------------------------------------------------------------------|-------|-------------------------------------------------------------------------------------------------------------------------------------------------------------------------------------------------------------------------------------------------------------------------------------------------------------------------------------------------------------------------------------------------------------------------------------------------------------------------------------------------------------------------------------------------------------------------|-----------------------------------------------|----|----------|
| <b>Test Case Name:</b> TC_26_8_1_4_5_9                                                                                                                                                                  |       |                                                                                                                                                                                                                                                                                                                                                                                                                                                                                                                                                                         |                                               |    |          |
| <b>Group:</b> GSM_L3_MS_v4200/CC/                                                                                                                                                                       |       |                                                                                                                                                                                                                                                                                                                                                                                                                                                                                                                                                                         |                                               |    |          |
| <b>Purpose:</b> 1) To verify that a CC entity of a MS in CC-state U26, "Mobile Originating Modify", upon receipt of a RELEASE COMPLETE message with valid cause value, shall enter CC state U0, "Null". |       |                                                                                                                                                                                                                                                                                                                                                                                                                                                                                                                                                                         |                                               |    |          |
| 2) To verify that on returning to idle mode, the CC entities relating to the seven mobile originating transaction identifiers shall be in state U0, "Null".                                             |       |                                                                                                                                                                                                                                                                                                                                                                                                                                                                                                                                                                         |                                               |    |          |
| <b>Default:</b> OtherEventsFail                                                                                                                                                                         |       |                                                                                                                                                                                                                                                                                                                                                                                                                                                                                                                                                                         |                                               |    |          |
| Nr                                                                                                                                                                                                      | Label | Behaviour Description                                                                                                                                                                                                                                                                                                                                                                                                                                                                                                                                                   | CRef                                          | V  | Comments |
| 1                                                                                                                                                                                                       |       | START T_guard(300)                                                                                                                                                                                                                                                                                                                                                                                                                                                                                                                                                      |                                               |    |          |
| 2                                                                                                                                                                                                       |       | +BasicServiceMO(TSPX_MO_DualModSvc, TSPX_MO_DualModRate)                                                                                                                                                                                                                                                                                                                                                                                                                                                                                                                |                                               |    |          |
| 3                                                                                                                                                                                                       |       | +IdleUpdated( C_E_default, C_CellA, C_SCH_A, C_BCCH_A_1, C_Immass, C_S0, C_SlotNU, C_SlotNU, C_SlotNU, C_BCC, C_TxInt_5, C_Max_7, C_NECI_0, C_ATT_0, TimingAdv( 0), C_BABR_0, C_cch_1Comb, C_BPM_3, C_T3212_0, C_ci_cellA, C_MCC_1, C_PLMN_1, C_LAC_1, CellOpt_01, CellChDes_Omit, CellChDes_Omit, C_CellReselectHys12, C_MaxPwrLvlG, C_MaxPwrLvlD, BcchFreqLst_45, BcchFreqLst_02, BcchFreqLst_03, BcchFreqLst_04, C_Restablishment, C_BCC, C_NCC, C_Start_Tmsi, TSPX_SDCCH4SubDef, TSPX_CKSNDDef, TSPX_RANDDef, C_arfcnA, C_arfcnAd, TSPX_IMSI, C_Test_nfh, C_NCCP_2) |                                               |    |          |
| 4                                                                                                                                                                                                       |       | +CCConfigTCH( TSPX_TCHHSubDef, C_Ass, TSPX_TmSltDef, TSPX_TscDef, TimingAdv( 0), C_BABR_0, C_cch_1Comb, C_BPM_3, TCV_ChMod.mode, FreqTCH_omit, FreqTCH_omit, C_arfcn_tchA, C_arfcn_tchAd)                                                                                                                                                                                                                                                                                                                                                                               |                                               |    |          |
| 5                                                                                                                                                                                                       |       | +PreModifySetup( TSPX_SDCCH4SubDef, TSPX_TmSltDef, TSPX_TscDef, TimingAdv( 0), TSPX_CKSNDDef, TSPX_RANDDef)                                                                                                                                                                                                                                                                                                                                                                                                                                                             |                                               | 1. |          |
| 6                                                                                                                                                                                                       | body  | +CCstatuschk_05( C_U26, TCV_TI, TCV_chTch)                                                                                                                                                                                                                                                                                                                                                                                                                                                                                                                              |                                               |    |          |
| 7                                                                                                                                                                                                       |       | L!DL_DatRqRelCmp                                                                                                                                                                                                                                                                                                                                                                                                                                                                                                                                                        | RelComSnd( TCV_chTch, ReleaseCmp_08( TCV_TI)) |    | 2.       |
| 8                                                                                                                                                                                                       |       | +CheckTIsInStateU0( TRUE, TCV_chTch)                                                                                                                                                                                                                                                                                                                                                                                                                                                                                                                                    |                                               |    |          |
| 9                                                                                                                                                                                                       |       | +PostMainLinkRel( TCV_chTch)                                                                                                                                                                                                                                                                                                                                                                                                                                                                                                                                            |                                               |    |          |
| <b>Detailed Comments:</b> 1. To attempt a dual mode call and initiate incall modification.                                                                                                              |       |                                                                                                                                                                                                                                                                                                                                                                                                                                                                                                                                                                         |                                               |    |          |
| 2. To send RELEASE COMPLETE message.                                                                                                                                                                    |       |                                                                                                                                                                                                                                                                                                                                                                                                                                                                                                                                                                         |                                               |    |          |

| Test Case Dynamic Behaviour |       |                                                                                                                                                                                                                                                                                                                                                                                                                                                                                                                                                                         |                                |   |                         |
|-----------------------------|-------|-------------------------------------------------------------------------------------------------------------------------------------------------------------------------------------------------------------------------------------------------------------------------------------------------------------------------------------------------------------------------------------------------------------------------------------------------------------------------------------------------------------------------------------------------------------------------|--------------------------------|---|-------------------------|
| <b>Test Case Name:</b>      |       | TC_26_8_2_1                                                                                                                                                                                                                                                                                                                                                                                                                                                                                                                                                             |                                |   |                         |
| <b>Group:</b>               |       | GSM_L3_MS_v4200/CC/                                                                                                                                                                                                                                                                                                                                                                                                                                                                                                                                                     |                                |   |                         |
| <b>Purpose:</b>             |       | The purpose of this test is to verify that the MS can correctly perform a call re-establishment procedure.                                                                                                                                                                                                                                                                                                                                                                                                                                                              |                                |   |                         |
| <b>Default:</b>             |       | OtherEventsFail                                                                                                                                                                                                                                                                                                                                                                                                                                                                                                                                                         |                                |   |                         |
| Nr                          | Label | Behaviour Description                                                                                                                                                                                                                                                                                                                                                                                                                                                                                                                                                   | CRef                           | V | Comments                |
| 1                           |       | START T_guard(300)                                                                                                                                                                                                                                                                                                                                                                                                                                                                                                                                                      |                                |   |                         |
| 2                           |       | +BasicServiceMO(TSPX_MOBscSvcA, TSPX_MOChRateA)                                                                                                                                                                                                                                                                                                                                                                                                                                                                                                                         |                                |   |                         |
| 3                           |       | +IdleUpdated( C_E_default, C_CellA, C_SCH_A, C_BCCH_A_1, C_Immass, C_S0, C_SlotNU, C_SlotNU, C_SlotNU, C_BCC, C_TxInt_5, C_Max_1, C_NECI_0, C_ATT_0, TimingAdv( 0), C_BABR_0, C_cch_1Comb, C_BPM_3, C_T3212_0, C_ci_cellA, C_MCC_1, C_PLMN_1, C_LAC_1, CellOpt_01, CellChDes_Omit, CellChDes_Omit, C_CellReselectHys12, C_MaxPwrLvlG, C_MaxPwrLvlD, BcchFreqLst_45, BcchFreqLst_02, BcchFreqLst_03, BcchFreqLst_04, C_Restablishment, C_BCC, C_NCC, C_Start_Tmsi, TSPX_SDCCH4SubDef, TSPX_CKSNDDef, TSPX_RANDDef, C_arfcnA, C_arfcnAd, TSPX_IMSI, C_Test_nfh, C_NCCP_2) |                                |   | 1.                      |
| 4                           |       | (TCV_ch1 := OC_SubchOfSdcch4( TSPX_SDCCH4SubDef, C_CellB))                                                                                                                                                                                                                                                                                                                                                                                                                                                                                                              |                                |   |                         |
| 5                           |       | +CCConfigTCH( TSPX_TCHHSubDef, C_Ass, TSPX_TmSltDef, TSPX_TscDef, TimingAdv( 0), C_BABR_0, C_cch_1Comb, C_BPM_3, TCV_ChMod.mode, FreqTCH_omit, FreqTCH_omit, C_arfcn_tchA, C_arfcn_tchAd)                                                                                                                                                                                                                                                                                                                                                                               |                                |   |                         |
| 6                           |       | +StartCellB_1( C_E_neighbourdefault, C_Immass, TCV_slot, TCV_tsc, TimingAdv( 0), C_ATT_0, C_BABR_0, C_cch_1Comb, C_BPM_3, C_T3212_0, C_MCC_1, C_PLMN_1, C_LAC_2, C_Restablishment, C_BCC, C_NCC)                                                                                                                                                                                                                                                                                                                                                                        |                                |   |                         |
| 7                           |       | +CCConfigTCH_B( TSPX_TCHHSubDef, C_Ass, TSPX_TmSltC, TSPX_TscC, TimingAdv( 0), C_BABR_0, C_cch_1Comb, C_BPM_3, TCV_ChMod.mode, FreqTCH_omit, FreqTCH_omit, C_arfcn_tchB, C_arfcn_tchBd)                                                                                                                                                                                                                                                                                                                                                                                 |                                |   |                         |
| 8                           |       | +ltree                                                                                                                                                                                                                                                                                                                                                                                                                                                                                                                                                                  |                                |   |                         |
|                             |       | <b>ltree</b>                                                                                                                                                                                                                                                                                                                                                                                                                                                                                                                                                            |                                |   |                         |
| 9                           |       | +InitCall( TCV_Service)                                                                                                                                                                                                                                                                                                                                                                                                                                                                                                                                                 |                                |   |                         |
| 10                          |       | +CCEstablishMO_SDCCH4( TSPX_SDCCH4SubDef, TimingAdv( 0))                                                                                                                                                                                                                                                                                                                                                                                                                                                                                                                |                                |   |                         |
| 11                          |       | ACTIVATE( OtherEventsFail_02)                                                                                                                                                                                                                                                                                                                                                                                                                                                                                                                                           |                                |   | To match ChReq retrans. |
| 12                          |       | L?DL_EstInCmsRq                                                                                                                                                                                                                                                                                                                                                                                                                                                                                                                                                         | CMSerReq( CMSerReq_04)         |   |                         |
| 13                          |       | ACTIVATE( OtherEventsFail)                                                                                                                                                                                                                                                                                                                                                                                                                                                                                                                                              |                                |   | Restore Normal default  |
| 14                          |       | +Authentication( TCV_ch, TSPX_CKSNDDef, TSPX_RANDDef)                                                                                                                                                                                                                                                                                                                                                                                                                                                                                                                   |                                |   |                         |
| 15                          |       | +Cipherring_on( TCV_ch)                                                                                                                                                                                                                                                                                                                                                                                                                                                                                                                                                 |                                |   |                         |
| 16                          |       | +localtree                                                                                                                                                                                                                                                                                                                                                                                                                                                                                                                                                              |                                |   |                         |
|                             |       | <b>localtree</b>                                                                                                                                                                                                                                                                                                                                                                                                                                                                                                                                                        |                                |   |                         |
| 17                          |       | +RcvSetupOrEsetup( TCV_Setup_mo, TCV_Esetup, TCV_Ecall)                                                                                                                                                                                                                                                                                                                                                                                                                                                                                                                 |                                |   |                         |
| 18                          |       | LIDL_DatRqCallProc                                                                                                                                                                                                                                                                                                                                                                                                                                                                                                                                                      | CallProc(TCV_ch, TCV_CallProc) |   |                         |
| 19                          |       | +AssCmdGen( TCV_cellid, TCV_ChRate, TSPX_TmSltDef, TSPX_TscDef, TSPX_TCHHSubDef)                                                                                                                                                                                                                                                                                                                                                                                                                                                                                        |                                |   |                         |
| 20                          |       | +AssCh_complete( TCV_ch, TCV_chTch,                                                                                                                                                                                                                                                                                                                                                                                                                                                                                                                                     |                                |   |                         |

|    |            |                                                                                                                                                |                                                                                                                                                      |     |                         |
|----|------------|------------------------------------------------------------------------------------------------------------------------------------------------|------------------------------------------------------------------------------------------------------------------------------------------------------|-----|-------------------------|
| 21 |            | TCV_AssCmd<br>LIDL_DatRqAlert                                                                                                                  | AlertSnd(<br>TCV_chTch,<br>Alerting_01( TCV_TI))                                                                                                     |     |                         |
| 22 |            | LIDL_DatRqConn                                                                                                                                 | ConnSnd(<br>TCV_chTch,<br>Connect_02(<br>TCV_TI))                                                                                                    |     |                         |
| 23 |            | L?DL_DatInConnAck                                                                                                                              | ConnAckRcv(<br>ConnectAck_02(<br>TCV_TI))                                                                                                            |     |                         |
| 24 | body       | +Switchcell( C_CellA, C_CellB,<br>C_LAC_2, TSPX_SDCCH4SubDef,<br>TSPX_CKSNDDef, TSPX_RANDDef,<br>C_arfcnB, C_arfcnBd, TCV_Ccd0B,<br>TSPX_IMSI) |                                                                                                                                                      |     | Cell A still exists.    |
| 25 |            | START T_dly( C_T_Wait)                                                                                                                         |                                                                                                                                                      |     |                         |
| 26 |            | ?TIMEOUT T_dly                                                                                                                                 |                                                                                                                                                      |     |                         |
| 27 |            | +localtree1                                                                                                                                    |                                                                                                                                                      |     |                         |
| 28 |            | <b>localtree1</b><br>(TCV_Null := OM_Deactivate( TCV_chTch,<br>TCV_sacchTch), TCV_Null := OM_CphMd( TCV_ch,<br>CphMod_02, TCV_CphKey))         |                                                                                                                                                      |     |                         |
| 29 | L_048<br>0 | L?DL_RaclnChRq (TCV_Rr := DL_RaclnChRq.<br>msg.ecau_rrf, TCV_Fn := DL_RaclnChRq.fn)                                                            | ChReq(<br>ChRequest_10)                                                                                                                              | (P) | 1.                      |
| 30 |            | ACTIVATE( OtherEventsFail_02)                                                                                                                  |                                                                                                                                                      |     | To match ChReq retrans. |
| 31 |            | LIDL_UdatRqImmss                                                                                                                               | ImmAss(<br>C_AGCH_B_1,<br>ImmAsgn_01Def(<br>TCV_Rr, TCV_Fn,<br>TSPX_SDCCH4SubD<br>ef, TCV_slot,<br>TCV_tsc,<br>TCV_chdescr_arfcn,<br>TimingAdv( 0))) |     |                         |
| 32 |            | L?DL_EstInCmreRq                                                                                                                               | CmreReq_02(<br>MiTmsi_01,<br>LocArealdiei(<br>C_MCC_1,<br>C_PLMN_1,<br>C_LAC_1),<br>TSPX_CKSNDDef)                                                   |     |                         |
| 33 |            | ACTIVATE( OtherEventsFail)                                                                                                                     |                                                                                                                                                      |     | Restore Normal default  |
| 34 |            | +Cipherring_on( TCV_ch1)                                                                                                                       |                                                                                                                                                      |     |                         |
| 35 |            | +AssCmdGen( TCV_cellid,<br>TCV_ChRate, TSPX_TmSlitDef,<br>TSPX_TscDef, TSPX_TCHHSubDef)                                                        |                                                                                                                                                      |     |                         |
| 36 |            | +AssCh_complete( TCV_ch1,<br>TCV_chTch1, TCV_AssCmd)                                                                                           |                                                                                                                                                      |     |                         |
| 37 |            | (TCV_Res :=<br>OO_TCHThroConnCHK())                                                                                                            |                                                                                                                                                      |     |                         |
| 38 | L_048<br>1 | [NOT TCV_Res]                                                                                                                                  |                                                                                                                                                      | (F) | 2.                      |
| 39 |            | +PostMainLinkRel(<br>TCV_chTch1)                                                                                                               |                                                                                                                                                      |     |                         |
| 40 | L_048<br>2 | [TCV_Res]                                                                                                                                      |                                                                                                                                                      | (P) |                         |
| 41 |            | LIDL_DatRqDisc                                                                                                                                 | DiscSnd(<br>TCV_chTch1,<br>DisconnS( TCV_TI,<br>Cause_01,<br>ProgInd_omit,<br>UuInfo_omit))                                                          |     |                         |
| 42 |            | L?DL_DatInRel                                                                                                                                  | ReleaseRcv(<br>Release_10(<br>TCV_TI))                                                                                                               |     |                         |
| 43 |            | LIDL_DatRqRelCmp                                                                                                                               | RelComSnd(<br>TCV_chTch1,<br>ReleaseCmp_08(<br>TCV_TI))                                                                                              |     |                         |
| 44 |            | +PostMainLinkRel(<br>TCV_chTch1)                                                                                                               |                                                                                                                                                      |     |                         |



**Detailed Comments:**

1. The expected call re-establishment is started.
2. The bearer channel is not through connected, fail.

| Test Case Dynamic Behaviour |            |                                                                                                                                                                                                                                                                                                                                                                                                                                                                                                                                                                                                                    |                                                 |   |                         |
|-----------------------------|------------|--------------------------------------------------------------------------------------------------------------------------------------------------------------------------------------------------------------------------------------------------------------------------------------------------------------------------------------------------------------------------------------------------------------------------------------------------------------------------------------------------------------------------------------------------------------------------------------------------------------------|-------------------------------------------------|---|-------------------------|
| <b>Test Case Name:</b>      |            | TC_26_8_2_2                                                                                                                                                                                                                                                                                                                                                                                                                                                                                                                                                                                                        |                                                 |   |                         |
| <b>Group:</b>               |            | GSM_L3_MS_v4200/CC/                                                                                                                                                                                                                                                                                                                                                                                                                                                                                                                                                                                                |                                                 |   |                         |
| <b>Purpose:</b>             |            | The purpose of this test is to verify that the MS does not attempt call re-establishment when it is not allowed to take place because of the unavailability of a cell allowing call re-establishment.                                                                                                                                                                                                                                                                                                                                                                                                              |                                                 |   |                         |
| <b>Default:</b>             |            | OtherEventsFail                                                                                                                                                                                                                                                                                                                                                                                                                                                                                                                                                                                                    |                                                 |   |                         |
| Nr                          | Label      | Behaviour Description                                                                                                                                                                                                                                                                                                                                                                                                                                                                                                                                                                                              | CRef                                            | V | Comments                |
| 1                           |            | START T_guard(300)                                                                                                                                                                                                                                                                                                                                                                                                                                                                                                                                                                                                 |                                                 |   |                         |
| 2                           |            | +BasicServiceMO(TSPX_MOBscSvcC,<br>TSPX_MOChRateC)                                                                                                                                                                                                                                                                                                                                                                                                                                                                                                                                                                 |                                                 |   |                         |
| 3                           |            | +IdleUpdated( C_E_default, C_CellA, C_SCH_A,<br>C_BCCH_A_1, C_Immss, C_S0, C_SlotNU,<br>C_SlotNU, C_SlotNU, C_BCC, C_TxInt_5,<br>C_Max_1, C_NECl_0, C_ATT_0, TimingAdv( 0),<br>C_BABR_0, C_cch_1Comb, C_BPM_3,<br>C_T3212_0, C_ci_cellA, C_MCC_1, C_PLMN_1,<br>C_LAC_1, CellOpt_01, CellChDes_Omit,<br>CellChDes_Omit, C_CellReselectHys12,<br>C_MaxPwrLvIG, C_MaxPwrLvID,<br>BcchFreqLst_45, BcchFreqLst_02,<br>BcchFreqLst_03, BcchFreqLst_04,<br>C_noRestablishment, C_BCC, C_NCC,<br>C_Start_Tmsi, TSPX_SDCCH4SubDef,<br>TSPX_CKSNDf, TSPX_RANDDf, C_arfcnA,<br>C_arfcnAd, TSPX_IMSI, C_Test_nfh,<br>C_NCCP_2) |                                                 |   | 1.                      |
| 4                           |            | +CCConfigTCH( TSPX_TCHHSubDef, C_Ass,<br>TSPX_TmSlitDef, TSPX_TscDef, TimingAdv( 0),<br>C_BABR_0, C_cch_1Comb, C_BPM_3,<br>TCV_ChMod.mode, FreqTCH_omit,<br>FreqTCH_omit, C_arfcn_tchA, C_arfcn_tchAd)                                                                                                                                                                                                                                                                                                                                                                                                             |                                                 |   |                         |
| 5                           |            | +InitCall( TCV_Service)                                                                                                                                                                                                                                                                                                                                                                                                                                                                                                                                                                                            |                                                 |   |                         |
| 6                           |            | +CCEstablishMO_SDCCH4(<br>TSPX_SDCCH4SubDef, TimingAdv( 0))                                                                                                                                                                                                                                                                                                                                                                                                                                                                                                                                                        |                                                 |   |                         |
| 7                           |            | ACTIVATE( OtherEventsFail_02)                                                                                                                                                                                                                                                                                                                                                                                                                                                                                                                                                                                      |                                                 |   | To match ChReq retrans. |
| 8                           |            | L?DL_EstInCmsRq                                                                                                                                                                                                                                                                                                                                                                                                                                                                                                                                                                                                    | CMSerReq(<br>CMServiceReq_04)                   |   |                         |
| 9                           |            | ACTIVATE( OtherEventsFail)                                                                                                                                                                                                                                                                                                                                                                                                                                                                                                                                                                                         |                                                 |   | Restore Normal default  |
| 10                          |            | +Authentication( TCV_ch,<br>TSPX_CKSNDf, TSPX_RANDDf)                                                                                                                                                                                                                                                                                                                                                                                                                                                                                                                                                              |                                                 |   |                         |
| 11                          |            | +Cipherring_on( TCV_ch)                                                                                                                                                                                                                                                                                                                                                                                                                                                                                                                                                                                            |                                                 |   |                         |
| 12                          |            | +localtree                                                                                                                                                                                                                                                                                                                                                                                                                                                                                                                                                                                                         |                                                 |   |                         |
| 13                          |            | <b>localtree</b><br>+RcvSetupOrEsetup( TCV_Setup_mo, TCV_Esetup,<br>TCV_Ecall)                                                                                                                                                                                                                                                                                                                                                                                                                                                                                                                                     |                                                 |   |                         |
| 14                          |            | L!DL_DatRqCallProc                                                                                                                                                                                                                                                                                                                                                                                                                                                                                                                                                                                                 | CallProc(TCV_ch,<br>TCV_CallProc)               |   |                         |
| 15                          |            | +AssCmdGen( TCV_cellid, TCV_ChRate,<br>TSPX_TmSlitDef, TSPX_TscDef,<br>TSPX_TCHHSubDef)                                                                                                                                                                                                                                                                                                                                                                                                                                                                                                                            |                                                 |   |                         |
| 16                          |            | +AssCh_complete( TCV_ch, TCV_chTch,<br>TCV_AssCmd)                                                                                                                                                                                                                                                                                                                                                                                                                                                                                                                                                                 |                                                 |   |                         |
| 17                          |            | L!DL_DatRqAlert                                                                                                                                                                                                                                                                                                                                                                                                                                                                                                                                                                                                    | AlertSnd(<br>TCV_chTch,<br>Alerting_01(TCV_TI)) |   |                         |
| 18                          |            | L!DL_DatRqConn                                                                                                                                                                                                                                                                                                                                                                                                                                                                                                                                                                                                     | ConnSnd(<br>TCV_chTch,<br>Connect_02(TCV_TI))   |   |                         |
| 19                          |            | L?DL_DatInConnAck                                                                                                                                                                                                                                                                                                                                                                                                                                                                                                                                                                                                  | ConnAckRcv(<br>ConnectAck_02(<br>TCV_TI0))      |   |                         |
| 20                          |            | (TCV_Null := OM_Deactivate(<br>TCV_chTch, TCV_sacchTch),<br>TCV_Null := OM_CphMd( TCV_ch,<br>CphMod_02, TCV_CphKey))                                                                                                                                                                                                                                                                                                                                                                                                                                                                                               |                                                 |   |                         |
| 21                          |            | START T_dly( 30000)                                                                                                                                                                                                                                                                                                                                                                                                                                                                                                                                                                                                |                                                 |   |                         |
| 22                          | L_048<br>3 | L?DL_RacInChRq CANCEL T_dly                                                                                                                                                                                                                                                                                                                                                                                                                                                                                                                                                                                        | ChReq(<br>ChRequest_02)                         | F | 2.                      |
| 23                          | L_048<br>4 | ?TIMEOUT T_dly                                                                                                                                                                                                                                                                                                                                                                                                                                                                                                                                                                                                     |                                                 | P | 3.                      |

**Detailed Comments:**

1. Default parameters, call reestablishment not allowed.
2. Re-establishment is attempted, fail.
3. No re-establishment attempting, pass.

| Test Case Dynamic Behaviour |            |                                                                                                                                                                                                                                                                                                                                                                                                                                                                                                                                                                          |                                           |   |                         |
|-----------------------------|------------|--------------------------------------------------------------------------------------------------------------------------------------------------------------------------------------------------------------------------------------------------------------------------------------------------------------------------------------------------------------------------------------------------------------------------------------------------------------------------------------------------------------------------------------------------------------------------|-------------------------------------------|---|-------------------------|
| <b>Test Case Name:</b>      |            | TC_26_8_2_3                                                                                                                                                                                                                                                                                                                                                                                                                                                                                                                                                              |                                           |   |                         |
| <b>Group:</b>               |            | GSM_L3_MS_v4200/CC/                                                                                                                                                                                                                                                                                                                                                                                                                                                                                                                                                      |                                           |   |                         |
| <b>Purpose:</b>             |            | The purpose of this test is to verify that the MS does not attempt call re-establishment when it is not allowed to take place because of the call control state.                                                                                                                                                                                                                                                                                                                                                                                                         |                                           |   |                         |
| <b>Default:</b>             |            | OtherEventsFail                                                                                                                                                                                                                                                                                                                                                                                                                                                                                                                                                          |                                           |   |                         |
| Nr                          | Label      | Behaviour Description                                                                                                                                                                                                                                                                                                                                                                                                                                                                                                                                                    | CRef                                      | V | Comments                |
| 1                           |            | START T_guard(300)                                                                                                                                                                                                                                                                                                                                                                                                                                                                                                                                                       |                                           |   |                         |
| 2                           |            | +BasicServiceMO(TSPX_MOBscSvcB, TSPX_MOChRateB)                                                                                                                                                                                                                                                                                                                                                                                                                                                                                                                          |                                           |   |                         |
| 3                           |            | +IdleUpdated( C_E_default, C_CellA, C_SCH_A, C_BCCH_A_1, C_Immass, C_S0, C_SlotNU, C_SlotNU, C_SlotNU, C_BCC, C_TxInt_5, C_Max_1, C_NECI_0, C_ATT_0, TimingAdv( 0), C_BABR_0, C_cch_1Comb, C_BPM_3, C_T3212_0, C_ci_cellA, C_MCC_1, C_PLMN_1, C_LAC_1, CellOpt_01, CellChDes_Omit, CellChDes_Omit, C_CellReselectHys12, C_MaxPwrLvIG, C_MaxPwrLvID, BcchFreqLst_45, BcchFreqLst_02, BcchFreqLst_03, BcchFreqLst_04, C_Restablishment, C_BCC, C_NCC, C_Start_Tmsi, TSPX_SDCCH4SubDef, TSPX_CKSNDDef, TSPX_RANDDDef, C_arfcnA, C_arfcnAd, TSPX_IMSI, C_Test_nfh, C_NCCP_2) |                                           |   | 1.                      |
| 4                           |            | +CCConfigTCH( TSPX_TCHHSubDef, C_Ass, TSPX_TmSlitDef, TSPX_TscDef, TimingAdv( 0), C_BABR_0, C_cch_1Comb, C_BPM_3, TCV_ChMod.mode, FreqTCH_omit, FreqTCH_omit, C_arfcn_tchA, C_arfcn_tchAd)                                                                                                                                                                                                                                                                                                                                                                               |                                           |   |                         |
| 5                           |            | +InitCall( TCV_Service)                                                                                                                                                                                                                                                                                                                                                                                                                                                                                                                                                  |                                           |   |                         |
| 6                           |            | +CCEstablishMO_SDCCH4( TSPX_SDCCH4SubDef, TimingAdv( 0))                                                                                                                                                                                                                                                                                                                                                                                                                                                                                                                 |                                           |   |                         |
| 7                           |            | ACTIVATE( OtherEventsFail_02)                                                                                                                                                                                                                                                                                                                                                                                                                                                                                                                                            |                                           |   | To match ChReq retrans. |
| 8                           |            | L?DL_EstInCmsRq                                                                                                                                                                                                                                                                                                                                                                                                                                                                                                                                                          | CMSerReq( CMServiceReq_04)                |   |                         |
| 9                           |            | ACTIVATE( OtherEventsFail)                                                                                                                                                                                                                                                                                                                                                                                                                                                                                                                                               |                                           |   | Restore Normal default  |
| 10                          |            | +Authentication( TCV_ch, TSPX_CKSNDDef, TSPX_RANDDDef)                                                                                                                                                                                                                                                                                                                                                                                                                                                                                                                   |                                           |   |                         |
| 11                          |            | +Cipherring_on( TCV_ch)                                                                                                                                                                                                                                                                                                                                                                                                                                                                                                                                                  |                                           |   |                         |
| 12                          |            | +localtree                                                                                                                                                                                                                                                                                                                                                                                                                                                                                                                                                               |                                           |   |                         |
| 13                          |            | <b>localtree</b><br>+RcvSetupOrEsetup( TCV_Setup_mo, TCV_Esetup, TCV_Ecall)                                                                                                                                                                                                                                                                                                                                                                                                                                                                                              |                                           |   |                         |
| 14                          |            | L!DL_DatRqCallProc                                                                                                                                                                                                                                                                                                                                                                                                                                                                                                                                                       | CallProc( TCV_ch, TCV_CallProc)           |   |                         |
| 15                          |            | +AssCmdGen( TCV_cellid, TCV_ChRate, TSPX_TmSlitDef, TSPX_TscDef, TSPX_TCHHSubDef)                                                                                                                                                                                                                                                                                                                                                                                                                                                                                        |                                           |   |                         |
| 16                          |            | +AssCh_complete( TCV_ch, TCV_chTch, TCV_AssCmd)                                                                                                                                                                                                                                                                                                                                                                                                                                                                                                                          |                                           |   |                         |
| 17                          |            | L!DL_DatRqAlert                                                                                                                                                                                                                                                                                                                                                                                                                                                                                                                                                          | AlertSnd( TCV_chTch, Alerting_01(TCV_TI)) |   |                         |
| 18                          | body       | (TCV_Null := OM_Deactivate( TCV_chTch, TCV_sacchTch), TCV_Null := OM_CphMd( TCV_ch, CphMod_02, TCV_CphKey))                                                                                                                                                                                                                                                                                                                                                                                                                                                              |                                           |   |                         |
| 19                          |            | START T_dly(30000)                                                                                                                                                                                                                                                                                                                                                                                                                                                                                                                                                       |                                           |   |                         |
| 20                          | L_048<br>5 | L?DL_RaInChRq CANCEL T_dly                                                                                                                                                                                                                                                                                                                                                                                                                                                                                                                                               | ChReq( ChRequest_02)                      | F | 2.                      |
| 21                          | L_048<br>6 | ?TIMEOUT T_dly                                                                                                                                                                                                                                                                                                                                                                                                                                                                                                                                                           |                                           | P | 3.                      |
| <b>Detailed Comments:</b>   |            | 1. Default parameters, reestablishment allowed.<br>2. Re-establishment is attempted, fail.<br>3. No re-establishment attempting, pass.                                                                                                                                                                                                                                                                                                                                                                                                                                   |                                           |   |                         |

| Test Case Dynamic Behaviour |            |                                                                                                                                                                                                                                                                                                                                                                                                                                                                                                                                                                                                                       |                                                                                      |     |          |
|-----------------------------|------------|-----------------------------------------------------------------------------------------------------------------------------------------------------------------------------------------------------------------------------------------------------------------------------------------------------------------------------------------------------------------------------------------------------------------------------------------------------------------------------------------------------------------------------------------------------------------------------------------------------------------------|--------------------------------------------------------------------------------------|-----|----------|
| <b>Test Case Name:</b>      |            | TC_26_8_3                                                                                                                                                                                                                                                                                                                                                                                                                                                                                                                                                                                                             |                                                                                      |     |          |
| <b>Group:</b>               |            | GSM_L3_MS_v4200/CC/                                                                                                                                                                                                                                                                                                                                                                                                                                                                                                                                                                                                   |                                                                                      |     |          |
| <b>Purpose:</b>             |            | To verify that inclusion of the 'user-user' information element in a either of the down link messages, SETUP or DISCONNECT causes no adverse effects on the operation of the MS.                                                                                                                                                                                                                                                                                                                                                                                                                                      |                                                                                      |     |          |
| <b>Default:</b>             |            | OtherEventsFail                                                                                                                                                                                                                                                                                                                                                                                                                                                                                                                                                                                                       |                                                                                      |     |          |
| Nr                          | Label      | Behaviour Description                                                                                                                                                                                                                                                                                                                                                                                                                                                                                                                                                                                                 | CRef                                                                                 | V   | Comments |
| 1                           |            | START T_guard(300)                                                                                                                                                                                                                                                                                                                                                                                                                                                                                                                                                                                                    |                                                                                      |     |          |
| 2                           |            | +BasicServiceMT( TSPX_MTBscSvcF,<br>TSPX_MTChRateF)                                                                                                                                                                                                                                                                                                                                                                                                                                                                                                                                                                   |                                                                                      |     |          |
| 3                           |            | (TCV_Setup_mt.uu := UuInfo, TCV_Setup_mt.sig<br>:= Signal_01)                                                                                                                                                                                                                                                                                                                                                                                                                                                                                                                                                         |                                                                                      |     |          |
| 4                           |            | +IdleUpdated( C_E_default, C_CellA,<br>C_SCH_A, C_BCCH_A_1, C_Immass, C_S0,<br>C_SlotNU, C_SlotNU, C_SlotNU, C_BCC,<br>C_TxInt_5, C_Max_1, C_NECI_0, C_ATT_0,<br>TimingAdv( 0), C_BABR_0, C_cch_1Comb,<br>C_BPM_3, C_T3212_0, C_ci_cellA,<br>C_MCC_1, C_PLMN_1, C_LAC_1, CellOpt_01,<br>CellChDes_Omit, CellChDes_Omit,<br>C_CellReselectHys12, C_MaxPwrLvlG,<br>C_MaxPwrLvlD, BcchFreqLst_45,<br>BcchFreqLst_02, BcchFreqLst_03,<br>BcchFreqLst_04, C_Restablishment, C_BCC,<br>C_NCC, C_Start_Tmsi,<br>TSPX_SDCCH4SubDef, TSPX_CKSNDDef,<br>TSPX_RANDDDef, C_arfcnA, C_arfcnAd,<br>TSPX_IMSI, C_Test_nfh, C_NCCP_2) |                                                                                      |     |          |
| 5                           |            | +CCConfigTCH( TSPX_TCHHSubDef,<br>C_Ass, TSPX_TmSlitDef, TSPX_TscDef,<br>TimingAdv( 0), C_BABR_0, C_cch_1Comb,<br>C_BPM_3, TCV_ChMod.mode,<br>FreqTCH_omit, FreqTCH_omit,<br>C_arfcn_tchA, C_arfcn_tchAd)                                                                                                                                                                                                                                                                                                                                                                                                             |                                                                                      |     |          |
| 6                           |            | +CCEstablishMT_SDCCH4( TimingAdv( 0),<br>TSPX_SDCCH4SubDef, TSPX_CKSNDDef)                                                                                                                                                                                                                                                                                                                                                                                                                                                                                                                                            |                                                                                      |     |          |
| 7                           |            | +Authentication( TCV_ch,<br>TSPX_CKSNDDef, TSPX_RANDDDef)                                                                                                                                                                                                                                                                                                                                                                                                                                                                                                                                                             |                                                                                      |     |          |
| 8                           |            | +Ciphering_on( TCV_ch)                                                                                                                                                                                                                                                                                                                                                                                                                                                                                                                                                                                                |                                                                                      |     |          |
| 9                           | body       | L!DL_DatRqSetup                                                                                                                                                                                                                                                                                                                                                                                                                                                                                                                                                                                                       | SetupSnd( TCV_ch,<br>TCV_Setup_mt)                                                   |     |          |
| 10                          | L_048<br>7 | L?DL_DatInCallCo                                                                                                                                                                                                                                                                                                                                                                                                                                                                                                                                                                                                      | CallCfm(<br>CallConfirm_01(<br>TI_01))                                               | (P) | 1.       |
| 11                          |            | L?DL_DatInConn                                                                                                                                                                                                                                                                                                                                                                                                                                                                                                                                                                                                        | ConnRcv(<br>Connect_01( TI_01))                                                      |     |          |
| 12                          |            | +localtree                                                                                                                                                                                                                                                                                                                                                                                                                                                                                                                                                                                                            |                                                                                      |     |          |
| 13                          |            | L?DL_DatInAlert                                                                                                                                                                                                                                                                                                                                                                                                                                                                                                                                                                                                       | AlertRcv(<br>AlertingInd_02(<br>TI_01))                                              |     |          |
| 14                          |            | (TCV_Null := OO_HookOff())                                                                                                                                                                                                                                                                                                                                                                                                                                                                                                                                                                                            |                                                                                      |     |          |
| 15                          |            | L?DL_DatInConn                                                                                                                                                                                                                                                                                                                                                                                                                                                                                                                                                                                                        | ConnRcv(<br>Connect_01( TI_01))                                                      |     |          |
| 16                          |            | +localtree                                                                                                                                                                                                                                                                                                                                                                                                                                                                                                                                                                                                            |                                                                                      |     |          |
| 17                          |            | <b>localtree</b>                                                                                                                                                                                                                                                                                                                                                                                                                                                                                                                                                                                                      |                                                                                      |     |          |
| 18                          |            | +CCAssignTCH( TSPX_TmSlitDef, TSPX_TscDef)<br>L!DL_DatRqConnAck                                                                                                                                                                                                                                                                                                                                                                                                                                                                                                                                                       | ConnAckSnd(<br>TCV_chTch,<br>ConnectAck_01(<br>TI_02))                               |     |          |
| 19                          |            | START T_dly( 30000)                                                                                                                                                                                                                                                                                                                                                                                                                                                                                                                                                                                                   |                                                                                      |     |          |
| 20                          |            | ?TIMEOUT T_dly                                                                                                                                                                                                                                                                                                                                                                                                                                                                                                                                                                                                        |                                                                                      |     |          |
| 21                          |            | L!DL_DatRqDisc                                                                                                                                                                                                                                                                                                                                                                                                                                                                                                                                                                                                        | DiscSnd(<br>TCV_chTch,<br>DisconnS( TI_02,<br>Cause_01,<br>ProgInd_omit,<br>UuInfo)) |     |          |
| 22                          | L_048<br>8 | L?DL_DatInRel                                                                                                                                                                                                                                                                                                                                                                                                                                                                                                                                                                                                         | ReleaseRcv(<br>Release_10( TI_01))                                                   | (P) | 2.       |

|                                                                                       |  |                              |                                                       |  |
|---------------------------------------------------------------------------------------|--|------------------------------|-------------------------------------------------------|--|
| 23                                                                                    |  | L!DL_DatRqRelCmp             | RelComSnd(<br>TCV_chTch,<br>ReleaseCmp_08(<br>TI_02)) |  |
| 24                                                                                    |  | +PostMainLinkRel( TCV_chTch) |                                                       |  |
| <b>Detailed Comments:</b>                                                             |  |                              |                                                       |  |
| 1. The MS responds to the SETUP message with user-user information IE correctly.      |  |                              |                                                       |  |
| 2. The MS responds to the DISCONNECT message with user-user information IE correctly. |  |                              |                                                       |  |

Test Group StructureProc

| Test Case Dynamic Behaviour |       |                                                                                                                                                                                                                                                                                                                                                                                                                                                                                                                                                                                                                                                                                                                                                                                                                                                                                                                                                                                                                                                                                                                                                                                                                                                                                                                                                                                                                                                                                                                                                                                                                                                                                                                                                                                                                                                                                                                                                                                                                                                                                                                                                                                                                                                                       |         |   |          |
|-----------------------------|-------|-----------------------------------------------------------------------------------------------------------------------------------------------------------------------------------------------------------------------------------------------------------------------------------------------------------------------------------------------------------------------------------------------------------------------------------------------------------------------------------------------------------------------------------------------------------------------------------------------------------------------------------------------------------------------------------------------------------------------------------------------------------------------------------------------------------------------------------------------------------------------------------------------------------------------------------------------------------------------------------------------------------------------------------------------------------------------------------------------------------------------------------------------------------------------------------------------------------------------------------------------------------------------------------------------------------------------------------------------------------------------------------------------------------------------------------------------------------------------------------------------------------------------------------------------------------------------------------------------------------------------------------------------------------------------------------------------------------------------------------------------------------------------------------------------------------------------------------------------------------------------------------------------------------------------------------------------------------------------------------------------------------------------------------------------------------------------------------------------------------------------------------------------------------------------------------------------------------------------------------------------------------------------|---------|---|----------|
| <b>Test Case Name:</b>      |       | TC_26_9_2                                                                                                                                                                                                                                                                                                                                                                                                                                                                                                                                                                                                                                                                                                                                                                                                                                                                                                                                                                                                                                                                                                                                                                                                                                                                                                                                                                                                                                                                                                                                                                                                                                                                                                                                                                                                                                                                                                                                                                                                                                                                                                                                                                                                                                                             |         |   |          |
| <b>Group:</b>               |       | GSM_L3_MS_v4200/StructureProc/                                                                                                                                                                                                                                                                                                                                                                                                                                                                                                                                                                                                                                                                                                                                                                                                                                                                                                                                                                                                                                                                                                                                                                                                                                                                                                                                                                                                                                                                                                                                                                                                                                                                                                                                                                                                                                                                                                                                                                                                                                                                                                                                                                                                                                        |         |   |          |
| <b>Purpose:</b>             |       | <p>1) To verify that the MS in MM state "idle, updated" with a TMSI assigned, when made to initiate a call for a selected teleservice that is supported by the MS as declared in a PICS/PIXIT statement, displays the dialled number in the way described in a PICS/PIXIT statement.</p> <p>2) To verify that the MS in MM state "idle, updated" and in RR idle mode, with a TMSI assigned, when made to initiate a call for a selected teleservice that is supported by the MS as declared in a PICS/PIXIT statement, starts to initiate an immediate assignment procedure by sending the CHANNEL REQUEST message with correct establishment cause.</p> <p>3) To verify that subsequently after receipt of an IMMEDIATE ASSIGNMENT message allocating an SDCCH, after completion of establishment of the main signalling link, after having sent a CM SERVICE REQUEST message, after having successfully performed the authentication and cipher mode setting procedures, the MS sends a SETUP message with correct parameters.</p> <p>4) To verify that subsequently, after receipt of a CALL PROCEEDING message and of an ASSIGNMENT COMMAND message allocating an appropriate TCH, after having completed the traffic channel early assignment procedure by replying with the ASSIGNMENT COMPLETE message, after receipt of an ALERTING message and a CONNECT message, the MS returns a CONNECT ACKNOWLEDGE message.</p> <p>5) To verify that subsequently the MS has attached the user connection to the radio path. (This is checked by verifying that there is a point in time after transmission of the first L2 frame containing the (complete) CONNECT message, where the MS is sending appropriate speech or data frames whenever it doesn't have to transmit or acknowledge an L frame on layer 2 of the FACCH.)</p> <p>6) To verify that subsequently upon the network initiating call clearing by sending a DISCONNECT message, the MS proceed to release the call with RELEASE.</p> <p>7) To verify that subsequently, on receipt of a RELEASE COMPLETE message followed by a CHANNEL RELEASE message, the MS disconnects the main signalling link.</p> <p>These test purposes are tested for all rates supported by the MS (full rate/half rate).</p> |         |   |          |
| <b>Default:</b>             |       | OtherEventsFail                                                                                                                                                                                                                                                                                                                                                                                                                                                                                                                                                                                                                                                                                                                                                                                                                                                                                                                                                                                                                                                                                                                                                                                                                                                                                                                                                                                                                                                                                                                                                                                                                                                                                                                                                                                                                                                                                                                                                                                                                                                                                                                                                                                                                                                       |         |   |          |
| Nr                          | Label | Behaviour Description                                                                                                                                                                                                                                                                                                                                                                                                                                                                                                                                                                                                                                                                                                                                                                                                                                                                                                                                                                                                                                                                                                                                                                                                                                                                                                                                                                                                                                                                                                                                                                                                                                                                                                                                                                                                                                                                                                                                                                                                                                                                                                                                                                                                                                                 | CRef    | V | Comments |
| 1                           | body  | START T_guard(300)                                                                                                                                                                                                                                                                                                                                                                                                                                                                                                                                                                                                                                                                                                                                                                                                                                                                                                                                                                                                                                                                                                                                                                                                                                                                                                                                                                                                                                                                                                                                                                                                                                                                                                                                                                                                                                                                                                                                                                                                                                                                                                                                                                                                                                                    |         |   |          |
| 2                           |       | [TSPC_Serv_TS11]                                                                                                                                                                                                                                                                                                                                                                                                                                                                                                                                                                                                                                                                                                                                                                                                                                                                                                                                                                                                                                                                                                                                                                                                                                                                                                                                                                                                                                                                                                                                                                                                                                                                                                                                                                                                                                                                                                                                                                                                                                                                                                                                                                                                                                                      |         |   |          |
| 3                           |       | +BasicServiceMO( C_Telephony, C_Full)                                                                                                                                                                                                                                                                                                                                                                                                                                                                                                                                                                                                                                                                                                                                                                                                                                                                                                                                                                                                                                                                                                                                                                                                                                                                                                                                                                                                                                                                                                                                                                                                                                                                                                                                                                                                                                                                                                                                                                                                                                                                                                                                                                                                                                 |         |   |          |
| 4                           |       | +local_testfullrate                                                                                                                                                                                                                                                                                                                                                                                                                                                                                                                                                                                                                                                                                                                                                                                                                                                                                                                                                                                                                                                                                                                                                                                                                                                                                                                                                                                                                                                                                                                                                                                                                                                                                                                                                                                                                                                                                                                                                                                                                                                                                                                                                                                                                                                   |         |   | 1.       |
| 5                           |       | (TCV_Null := OM_CphMd(TCV_ch, CphMod_02, TCV_CphKey))                                                                                                                                                                                                                                                                                                                                                                                                                                                                                                                                                                                                                                                                                                                                                                                                                                                                                                                                                                                                                                                                                                                                                                                                                                                                                                                                                                                                                                                                                                                                                                                                                                                                                                                                                                                                                                                                                                                                                                                                                                                                                                                                                                                                                 |         |   |          |
| 6                           |       | [TSPC_DualRate]                                                                                                                                                                                                                                                                                                                                                                                                                                                                                                                                                                                                                                                                                                                                                                                                                                                                                                                                                                                                                                                                                                                                                                                                                                                                                                                                                                                                                                                                                                                                                                                                                                                                                                                                                                                                                                                                                                                                                                                                                                                                                                                                                                                                                                                       |         |   |          |
| 7                           |       | +BasicServiceMO( C_Telephony, C_Half)                                                                                                                                                                                                                                                                                                                                                                                                                                                                                                                                                                                                                                                                                                                                                                                                                                                                                                                                                                                                                                                                                                                                                                                                                                                                                                                                                                                                                                                                                                                                                                                                                                                                                                                                                                                                                                                                                                                                                                                                                                                                                                                                                                                                                                 |         |   |          |
| 8                           |       | +local_testhalfrate                                                                                                                                                                                                                                                                                                                                                                                                                                                                                                                                                                                                                                                                                                                                                                                                                                                                                                                                                                                                                                                                                                                                                                                                                                                                                                                                                                                                                                                                                                                                                                                                                                                                                                                                                                                                                                                                                                                                                                                                                                                                                                                                                                                                                                                   |         |   | 2.       |
| 9                           |       | [NOT TSPC_DualRate]                                                                                                                                                                                                                                                                                                                                                                                                                                                                                                                                                                                                                                                                                                                                                                                                                                                                                                                                                                                                                                                                                                                                                                                                                                                                                                                                                                                                                                                                                                                                                                                                                                                                                                                                                                                                                                                                                                                                                                                                                                                                                                                                                                                                                                                   |         |   |          |
| 10                          |       | [TSPC_Serv_TS62]                                                                                                                                                                                                                                                                                                                                                                                                                                                                                                                                                                                                                                                                                                                                                                                                                                                                                                                                                                                                                                                                                                                                                                                                                                                                                                                                                                                                                                                                                                                                                                                                                                                                                                                                                                                                                                                                                                                                                                                                                                                                                                                                                                                                                                                      |         |   | TS62     |
| 11                          |       | +BasicServiceMO( C_AutoFax, C_Full)                                                                                                                                                                                                                                                                                                                                                                                                                                                                                                                                                                                                                                                                                                                                                                                                                                                                                                                                                                                                                                                                                                                                                                                                                                                                                                                                                                                                                                                                                                                                                                                                                                                                                                                                                                                                                                                                                                                                                                                                                                                                                                                                                                                                                                   |         |   |          |
| 12                          |       | +local_testfullrate                                                                                                                                                                                                                                                                                                                                                                                                                                                                                                                                                                                                                                                                                                                                                                                                                                                                                                                                                                                                                                                                                                                                                                                                                                                                                                                                                                                                                                                                                                                                                                                                                                                                                                                                                                                                                                                                                                                                                                                                                                                                                                                                                                                                                                                   |         |   | 3.       |
| 13                          |       | L_0489                                                                                                                                                                                                                                                                                                                                                                                                                                                                                                                                                                                                                                                                                                                                                                                                                                                                                                                                                                                                                                                                                                                                                                                                                                                                                                                                                                                                                                                                                                                                                                                                                                                                                                                                                                                                                                                                                                                                                                                                                                                                                                                                                                                                                                                                | [C_Yes] |   | I        |
| 14                          |       | <b>local_testfullrate</b><br>+IdleUpdated( C_E_default, C_CellA, C_SCH_A, C_BCCH_A_1, C_Immass, C_S0, C_SlotNU, C_SlotNU, C_SlotNU, C_BCC, C_TxInt_5, C_Max_1, C_NECL_0, C_ATT_0, TimingAdv( 0), C_BABR_0, C_cch_1Comb, C_BPM_3, C_T3212_0, C_ci_cellA, C_MCC_1, C_PLMN_1, C_LAC_1, CellOpt_01, CellChDes_Omit, CellChDes_Omit, C_CellReselectHys12, C_MaxPwrLvlG, C_MaxPwrLvlD, BcchFreqLst_45, BcchFreqLst_02,                                                                                                                                                                                                                                                                                                                                                                                                                                                                                                                                                                                                                                                                                                                                                                                                                                                                                                                                                                                                                                                                                                                                                                                                                                                                                                                                                                                                                                                                                                                                                                                                                                                                                                                                                                                                                                                      |         |   |          |

|    |                                                                                                                                                                                                                                      |                                                                                                                                                 |                         |
|----|--------------------------------------------------------------------------------------------------------------------------------------------------------------------------------------------------------------------------------------|-------------------------------------------------------------------------------------------------------------------------------------------------|-------------------------|
| 15 | BcchFreqLst_03, BcchFreqLst_04,<br>C_Restablishment, C_BCC, C_NCC, C_Start_Tmsi,<br>TSPX_SDCCH4SubDef, TSPX_CKSNA,<br>TSPX_RANDA, C_arfcnA, C_arfcnAd, TSPX_IMSI,<br>C_Test_nfh, C_NCCP_2)                                           |                                                                                                                                                 |                         |
| 16 | +FullRateCh_A_1( C_Ass, TSPX_TmSlitDef,<br>TSPX_TscDef, ChMod_sign, FreqTCH_omit,<br>FreqTCH_omit, C_arfcn_tchA, C_arfcn_tchAd,<br>TimingAdv( 0), C_BABR_0, C_cch_1Comb,<br>C_BPM_3)                                                 |                                                                                                                                                 |                         |
| 17 | +local_initcall                                                                                                                                                                                                                      |                                                                                                                                                 |                         |
| 18 | <b>local_testhalfrate</b><br>+HalfRateCh_A_1( TSPX_TCHHSubDef, C_Ass,<br>TSPX_TmSlitDef, TSPX_TscDef, ChMod_speech,<br>FreqTCH_omit, FreqTCH_omit, C_arfcn_tchA,<br>C_arfcn_tchAd, TimingAdv( 0), C_BABR_0,<br>C_cch_1Comb, C_BPM_3) |                                                                                                                                                 | 7.                      |
| 19 | (TCV_Null := OM_ChMdModi(TCV_chTch,<br>TCV_ChMod))                                                                                                                                                                                   |                                                                                                                                                 |                         |
| 20 | +local_initcall                                                                                                                                                                                                                      |                                                                                                                                                 |                         |
| 21 | <b>local_initcall</b><br>(TCV_Null := OO_DialCalledNum())                                                                                                                                                                            |                                                                                                                                                 | 4.                      |
| 22 | [TSPC_CalledNumDisp]                                                                                                                                                                                                                 |                                                                                                                                                 |                         |
| 23 | (TCV_Res := OO_CalledNumCHK())                                                                                                                                                                                                       |                                                                                                                                                 | 5.                      |
| 24 | [NOT TCV_Res]                                                                                                                                                                                                                        | (F)                                                                                                                                             |                         |
| 25 | [TCV_Res]                                                                                                                                                                                                                            | (P)                                                                                                                                             |                         |
| 26 | +InitCall(TCV_Service)                                                                                                                                                                                                               |                                                                                                                                                 | 6.                      |
| 27 | +localtree                                                                                                                                                                                                                           |                                                                                                                                                 |                         |
| 28 | [NOT TSPC_CalledNumDisp]                                                                                                                                                                                                             |                                                                                                                                                 |                         |
| 29 | +InitCall(TCV_Service)                                                                                                                                                                                                               |                                                                                                                                                 |                         |
| 30 | +localtree                                                                                                                                                                                                                           |                                                                                                                                                 |                         |
| 31 | L?DL_RaInChRq (TCV_Rr := DL_RaInChRq.<br>msg.ecau_rrf, TCV_Fn := DL_RaInChRq.fn)                                                                                                                                                     | ChReq(<br>ChRequest_04)                                                                                                                         | (P)                     |
| 32 | ACTIVATE(OtherEventsFail_02)<br>L!DL_UdatRqImmss                                                                                                                                                                                     | ImmAss( TCV_agch,<br>ImmAsgn_01Def(<br>TCV_Rr, TCV_Fn,<br>TSPX_SDCCH4SubD<br>ef, TCV_slot,<br>TCV_tsc,<br>TCV_chdescr_arfcn,<br>TimingAdv( 0))) | To match ChReq retrans. |
| 33 | L?DL_EstInCmsRq                                                                                                                                                                                                                      | CMSerReq(<br>CMServiceReq_04)                                                                                                                   |                         |
| 34 | ACTIVATE(OtherEventsFail)                                                                                                                                                                                                            |                                                                                                                                                 | Restore Normal default  |
| 35 | L!DL_DatRqAuthRq                                                                                                                                                                                                                     | AuthReq(TCV_ch,<br>AuthRequest(<br>TSPX_CKSNA,<br>TSPX_RANDA))                                                                                  |                         |
| 36 | L?DL_DatInAuthRes(TCV_Sres:=DL_DatI<br>nAuthRes.msg.sres)                                                                                                                                                                            | AuthRes(<br>AuthResponse)                                                                                                                       |                         |
| 37 | (TCV_Res :=<br>OC_ChkSRES(TCV_Sres, TSPX_Ki,<br>TSPX_RANDA))                                                                                                                                                                         |                                                                                                                                                 |                         |
| 38 | [NOT TCV_Res]                                                                                                                                                                                                                        |                                                                                                                                                 | (F)                     |
| 39 | +PostMainLinkRel(TCV_ch)                                                                                                                                                                                                             |                                                                                                                                                 |                         |
| 40 | [TCV_Res]                                                                                                                                                                                                                            |                                                                                                                                                 | (P)                     |
| 41 | +localtree1                                                                                                                                                                                                                          |                                                                                                                                                 |                         |
| 42 | <b>localtree1</b><br>+Cipherring_on(TCV_ch)                                                                                                                                                                                          |                                                                                                                                                 |                         |
| 43 | +RcvSetupOrEsetup( TCV_Setup_mo,                                                                                                                                                                                                     |                                                                                                                                                 |                         |



|    |            |                                                                                        |                                                                                            |     |    |
|----|------------|----------------------------------------------------------------------------------------|--------------------------------------------------------------------------------------------|-----|----|
| 44 | L_049<br>5 | TCV_Esetup, TCV_Ecall)<br>L!DL_DatRqCallProc                                           | CallProc(TCV_ch,<br>TCV_CallProc)                                                          | (P) |    |
| 45 |            | +AssCmdGen( TCV_cellid, TCV_ChRate,<br>TSPX_TmSltDef, TSPX_TscDef,<br>TSPX_TCHHSubDef) |                                                                                            |     |    |
| 46 |            | +AssCh_complete(TCV_ch,TCV_chTch,TCV<br>_AssCmd)                                       |                                                                                            |     | 8. |
| 47 |            | +localtree2                                                                            |                                                                                            |     |    |
|    |            | <b>localtree2</b>                                                                      |                                                                                            |     |    |
| 48 |            | L!DL_DatRqAlert                                                                        | AlertSnd(<br>TCV_chTch,<br>Alerting_01( TCV_TI))                                           |     |    |
| 49 |            | [TSPC_AlertInd]                                                                        |                                                                                            |     |    |
| 50 |            | (TCV_Res := OO_AltIndCHK())                                                            |                                                                                            |     |    |
| 51 | L_049<br>6 | [NOT TCV_Res]                                                                          |                                                                                            | (F) |    |
| 52 |            | +PostMainLinkRel(TCV_chTch)                                                            |                                                                                            |     |    |
| 53 |            | [TCV_Res]                                                                              |                                                                                            |     |    |
| 54 |            | +localtree3                                                                            |                                                                                            |     |    |
| 55 |            | [NOT TSPC_AlertInd]                                                                    |                                                                                            |     |    |
| 56 |            | +localtree3                                                                            |                                                                                            |     |    |
|    |            | <b>localtree3</b>                                                                      |                                                                                            |     |    |
| 57 |            | L!DL_DatRqConn                                                                         | ConnSnd(<br>TCV_chTch,<br>Connect_02(<br>TCV_TI))                                          |     |    |
| 58 | L_049<br>7 | L?DL_DatInConnAck                                                                      | ConnAckRcv(<br>ConnectAck_02(<br>TCV_TI0))                                                 | (P) |    |
| 59 |            | (TCV_Res := OO_TCHThroConnCHK())                                                       |                                                                                            |     |    |
| 60 | L_049<br>8 | [NOT TCV_Res]                                                                          |                                                                                            | (F) |    |
| 61 |            | +PostMainLinkRel(TCV_chTch)                                                            |                                                                                            |     |    |
| 62 | L_049<br>9 | [TCV_Res]                                                                              |                                                                                            | (P) |    |
| 63 |            | L!DL_DatRqDisc                                                                         | DiscSnd(<br>TCV_chTch,<br>DisconnS( TCV_TI,<br>Cause_01,<br>ProgInd_omit,<br>UuInfo_omit)) |     |    |
| 64 | L_050<br>0 | L?DL_DatInRel                                                                          | ReleaseRcv(<br>Release_10(<br>TCV_TI0))                                                    | (P) |    |
| 65 |            | L!DL_DatRqRelCmp                                                                       | RelComSnd(<br>TCV_chTch,<br>ReleaseCmp_08(<br>TCV_TI))                                     |     |    |
| 66 |            | +PostMainLinkRel(TCV_chTch)                                                            |                                                                                            |     |    |

**Detailed Comments:**

1. To perform the test on full rate telephony service.
2. To perform the test on half rate telephony.
3. To perform the test on TS62 service.
4. To enter the called party number.
5. To check whether the MS displays the called party number correctly.
6. To initiate the call.
7. To setup the previous full rate traffic channel into half rate traffic channel.
8. Early assignment.

### Test Case Dynamic Behaviour

|                        |                                                                                                                                                                                                                                                                                                                                                                                                                                                                                                                                                                                                                                                                                                                                                                                                                                                                                                                                                                                                                                                                                                                                                                                                                                                                                                                                                                                                                                                                                                                                                                                                                                                           |
|------------------------|-----------------------------------------------------------------------------------------------------------------------------------------------------------------------------------------------------------------------------------------------------------------------------------------------------------------------------------------------------------------------------------------------------------------------------------------------------------------------------------------------------------------------------------------------------------------------------------------------------------------------------------------------------------------------------------------------------------------------------------------------------------------------------------------------------------------------------------------------------------------------------------------------------------------------------------------------------------------------------------------------------------------------------------------------------------------------------------------------------------------------------------------------------------------------------------------------------------------------------------------------------------------------------------------------------------------------------------------------------------------------------------------------------------------------------------------------------------------------------------------------------------------------------------------------------------------------------------------------------------------------------------------------------------|
| <b>Test Case Name:</b> | TC_26_9_3                                                                                                                                                                                                                                                                                                                                                                                                                                                                                                                                                                                                                                                                                                                                                                                                                                                                                                                                                                                                                                                                                                                                                                                                                                                                                                                                                                                                                                                                                                                                                                                                                                                 |
| <b>Group:</b>          | GSM_L3_MS_v4200/StructureProc/                                                                                                                                                                                                                                                                                                                                                                                                                                                                                                                                                                                                                                                                                                                                                                                                                                                                                                                                                                                                                                                                                                                                                                                                                                                                                                                                                                                                                                                                                                                                                                                                                            |
| <b>Purpose:</b>        | <p>1) To verify that the MS in MM state "idle, updated" and in RR idle mode with a TMSI assigned, when made to initiate a call for a selected teleservice that is supported by the MS as declared in a PICS/PIXIT statement, starts to initiate an immediate assignment procedure by sending the CHANNEL REQUEST message.</p> <p>2) To verify that subsequently after receipt of an IMMEDIATE ASSIGNMENT message allocating an SDCCH, after completion of establishment of the main signalling link, after having sent a CM SERVICE REQUEST message, after having successfully performed authentication and cipher mode setting procedures, after having sent a SETUP message, after having received a CALL PROCEEDING message followed by an ALERTING message and an ASSIGNMENT COMMAND message allocating an appropriate TCH, the MS sends an ASSIGNMENT COMPLETE message.</p> <p>3) To verify that subsequently, after the suite of actions specified in test purposes 1 and 2, the MS after receiving a CONNECT message returns a CONNECT ACKNOWLEDGE message.</p> <p>4) To verify that after the suite of actions specified in test purposes 1 and 2, the MS after receiving a CONNECT message attaches the user connection to the radio path. (This is checked by verifying that there is a point in time after transmission of the first L2 frame containing the (complete) CONNECT message, where the MS is sending appropriate speech or data frames whenever it doesn't have to transmit or acknowledge an I frame on layer 2 of the FACCH.)</p> <p>These test purposes are tested for all rates supported by the MS (full rate/half rate).</p> |
| <b>Default:</b>        | OtherEventsFail                                                                                                                                                                                                                                                                                                                                                                                                                                                                                                                                                                                                                                                                                                                                                                                                                                                                                                                                                                                                                                                                                                                                                                                                                                                                                                                                                                                                                                                                                                                                                                                                                                           |

| Nr | Label      | Behaviour Description                                                                                                                                                                                                                                                                                                                                                                                                                                                                                                                                                                           | CRef | V | Comments |
|----|------------|-------------------------------------------------------------------------------------------------------------------------------------------------------------------------------------------------------------------------------------------------------------------------------------------------------------------------------------------------------------------------------------------------------------------------------------------------------------------------------------------------------------------------------------------------------------------------------------------------|------|---|----------|
| 1  |            | START T_guard(300)                                                                                                                                                                                                                                                                                                                                                                                                                                                                                                                                                                              |      |   |          |
| 2  | body       | [TSPC_Serv_TS11]                                                                                                                                                                                                                                                                                                                                                                                                                                                                                                                                                                                |      |   |          |
| 3  |            | +BasicServiceMO( C_Telephony, C_Full)                                                                                                                                                                                                                                                                                                                                                                                                                                                                                                                                                           |      |   |          |
| 4  |            | +local_testfullrate                                                                                                                                                                                                                                                                                                                                                                                                                                                                                                                                                                             |      |   | 1.       |
| 5  |            | (TCV_Null := OM_CphMd(TCV_ch, CphMod_02, TCV_CphKey))                                                                                                                                                                                                                                                                                                                                                                                                                                                                                                                                           |      |   |          |
| 6  |            | [TSPC_DualRate]                                                                                                                                                                                                                                                                                                                                                                                                                                                                                                                                                                                 |      |   |          |
| 7  |            | +BasicServiceMO( C_Telephony, C_Half)                                                                                                                                                                                                                                                                                                                                                                                                                                                                                                                                                           |      |   |          |
| 8  |            | +local_testhalfrate                                                                                                                                                                                                                                                                                                                                                                                                                                                                                                                                                                             |      |   | 2.       |
| 9  |            | [NOT TSPC_DualRate]                                                                                                                                                                                                                                                                                                                                                                                                                                                                                                                                                                             |      |   |          |
| 10 |            | [TSPC_Serv_TS62]                                                                                                                                                                                                                                                                                                                                                                                                                                                                                                                                                                                |      |   | TS62     |
| 11 |            | +BasicServiceMO( C_AutoFax, C_Full)                                                                                                                                                                                                                                                                                                                                                                                                                                                                                                                                                             |      |   |          |
| 12 |            | +local_testfullrate                                                                                                                                                                                                                                                                                                                                                                                                                                                                                                                                                                             |      |   | 3.       |
| 13 | L_050<br>1 | [C_Yes]                                                                                                                                                                                                                                                                                                                                                                                                                                                                                                                                                                                         |      | I |          |
| 14 |            | <b>local_testfullrate</b><br>+IdleUpdated( C_E_default, C_CellA, C_SCH_A, C_BCCH_A_1, C_Immass, C_S0, C_SlotNU, C_SlotNU, C_SlotNU, C_BCC, C_TxInt_5, C_Max_1, C_NECI_0, C_ATT_0, TimingAdv( 0), C_BABR_0, C_cch_1Comb, C_BPM_3, C_T3212_0, C_ci_cellA, C_MCC_1, C_PLMN_1, C_LAC_1, CellOpt_01, CellChDes_Omit, CellChDes_Omit, C_CellReselectHys12, C_MaxPwrLvIG, C_MaxPwrLvID, BcchFreqLst_45, BcchFreqLst_02, BcchFreqLst_03, BcchFreqLst_04, C_Restablishment, C_BCC, C_NCC, C_Start_Tmsi, TSPX_SDCCH4SubDef, TSPX_CKSNA, TSPX_RANDA, C_arfcnA, C_arfcnAd, TSPX_IMSI, C_Test_nfh, C_NCCP_2) |      |   |          |
| 15 |            | +FullRateCh_A_1(C_Ass, TSPX_TmSlitDef, TSPX_TscDef, ChMod_sign, FreqTCH_omit, FreqTCH_omit, C_arfcn_tchA, C_arfcn_tchAd, TimingAdv( 0), C_BABR_0, C_cch_1Comb, C_BPM_3)                                                                                                                                                                                                                                                                                                                                                                                                                         |      |   |          |
| 16 |            | +local_initcall                                                                                                                                                                                                                                                                                                                                                                                                                                                                                                                                                                                 |      |   |          |

|    |            |                                                                                                                                                                                                                                      |                                                                                                                                                 |     |                         |
|----|------------|--------------------------------------------------------------------------------------------------------------------------------------------------------------------------------------------------------------------------------------|-------------------------------------------------------------------------------------------------------------------------------------------------|-----|-------------------------|
| 17 |            | <b>local_testhalfrate</b><br>+HalfRateCh_A_1( TSPX_TCHHSubDef, C_Ass,<br>TSPX_TmSlitDef, TSPX_TscDef, ChMod_speech,<br>FreqTCH_omit, FreqTCH_omit, C_arfcn_tchA,<br>C_arfcn_tchAd, TimingAdv( 0), C_BABR_0,<br>C_cch_1Comb, C_BPM_3) |                                                                                                                                                 |     | 7.                      |
| 18 |            | +local_initcall                                                                                                                                                                                                                      |                                                                                                                                                 |     |                         |
| 19 |            | <b>local_initcall</b><br>(TCV_Null := OO_DialCalledNum())                                                                                                                                                                            |                                                                                                                                                 |     | 4.                      |
| 20 |            | [TSPC_CalledNumDisp]                                                                                                                                                                                                                 |                                                                                                                                                 |     |                         |
| 21 |            | (TCV_Res := OO_CalledNumCHK())                                                                                                                                                                                                       |                                                                                                                                                 |     | 5.                      |
| 22 | L_050<br>2 | [NOT TCV_Res]                                                                                                                                                                                                                        |                                                                                                                                                 | (F) |                         |
| 23 | L_050<br>3 | [TCV_Res]                                                                                                                                                                                                                            |                                                                                                                                                 | (P) |                         |
| 24 |            | +InitCall(TCV_Service)                                                                                                                                                                                                               |                                                                                                                                                 |     | 6.                      |
| 25 |            | +localtree                                                                                                                                                                                                                           |                                                                                                                                                 |     |                         |
| 26 |            | [NOT TSPC_CalledNumDisp]                                                                                                                                                                                                             |                                                                                                                                                 |     |                         |
| 27 |            | +InitCall(TCV_Service)                                                                                                                                                                                                               |                                                                                                                                                 |     |                         |
| 28 |            | +localtree                                                                                                                                                                                                                           |                                                                                                                                                 |     |                         |
| 29 | L_050<br>4 | <b>localtree</b><br>L?DL_RaInChRq (TCV_Rr := DL_RaInChRq.<br>msg.ecau_rrf, TCV_Fn := DL_RaInChRq.fn)                                                                                                                                 | ChReq(<br>ChRequest_04)                                                                                                                         | (P) |                         |
| 30 |            | ACTIVATE(OtherEventsFail_02)                                                                                                                                                                                                         |                                                                                                                                                 |     | To match ChReq retrans. |
| 31 |            | LIDL_UdatRqImmss                                                                                                                                                                                                                     | ImmAss( TCV_agch,<br>ImmAsgn_01Def(<br>TCV_Rr, TCV_Fn,<br>TSPX_SDCCH4SubD<br>ef, TCV_slot,<br>TCV_tsc,<br>TCV_chdescr_arfcn,<br>TimingAdv( 0))) |     |                         |
| 32 |            | L?DL_EstInCmsRq                                                                                                                                                                                                                      | CMSerReq(<br>CMSerReq_04)                                                                                                                       |     |                         |
| 33 |            | ACTIVATE(OtherEventsFail)                                                                                                                                                                                                            |                                                                                                                                                 |     | Restore Normal default  |
| 34 |            | L!DL_DatRqAuthRq                                                                                                                                                                                                                     | AuthReq(TCV_ch,<br>AuthRequest(<br>TSPX_CKSNA,<br>TSPX_RANDA))                                                                                  |     |                         |
| 35 |            | L?DL_DatInAuthRes (TCV_Sres :=<br>DL_DatInAuthRes.msg.sres)                                                                                                                                                                          | AuthRes(<br>AuthResponse)                                                                                                                       |     |                         |
| 36 |            | (TCV_Res :=<br>OC_ChkSRES(TCV_Sres, TSPX_Ki,<br>TSPX_RANDA))                                                                                                                                                                         |                                                                                                                                                 |     |                         |
| 37 | L_050<br>5 | [NOT TCV_Res]                                                                                                                                                                                                                        |                                                                                                                                                 | (F) |                         |
| 38 |            | +PostMainLinkRel(TCV_ch)                                                                                                                                                                                                             |                                                                                                                                                 |     |                         |
| 39 |            | [TCV_Res]                                                                                                                                                                                                                            |                                                                                                                                                 |     |                         |
| 40 |            | +localtree1                                                                                                                                                                                                                          |                                                                                                                                                 |     |                         |
| 41 |            | <b>localtree1</b><br>+Cipherring_on(TCV_ch)                                                                                                                                                                                          |                                                                                                                                                 |     |                         |
| 42 |            | +RcvSetupOrEsetup( TCV_Setup_mo,<br>TCV_Esetup, TCV_Ecall)                                                                                                                                                                           |                                                                                                                                                 |     |                         |
| 43 | L_050<br>6 | LIDL_DatRqCallProc                                                                                                                                                                                                                   | CallProc(TCV_ch,<br>TCV_CallProc)                                                                                                               | (P) |                         |
| 44 |            | LIDL_DatRqAlert                                                                                                                                                                                                                      | AlertSnd( TCV_ch,<br>Alerting_01( TCV_TI))                                                                                                      |     |                         |
| 45 |            | [TSPC_AlertInd]                                                                                                                                                                                                                      |                                                                                                                                                 |     |                         |
| 46 |            | (TCV_Res := OO_AltIndCHK())                                                                                                                                                                                                          |                                                                                                                                                 |     |                         |
| 47 | L_050<br>7 | [NOT TCV_Res]                                                                                                                                                                                                                        |                                                                                                                                                 | (F) |                         |
| 48 |            | +localtree2                                                                                                                                                                                                                          |                                                                                                                                                 |     |                         |
| 49 |            | [TCV_Res]                                                                                                                                                                                                                            |                                                                                                                                                 |     |                         |
| 50 |            | +localtree2                                                                                                                                                                                                                          |                                                                                                                                                 |     |                         |
| 51 |            | [NOT TSPC_AlertInd]                                                                                                                                                                                                                  |                                                                                                                                                 |     |                         |
| 52 |            | +localtree2                                                                                                                                                                                                                          |                                                                                                                                                 |     |                         |

|    |            |                                                                                                              |                                                                                            |     |
|----|------------|--------------------------------------------------------------------------------------------------------------|--------------------------------------------------------------------------------------------|-----|
| 53 |            | <b>localtree2</b><br>+AssCmdGen( TCV_cellid, TCV_ChRate,<br>TSPX_TmSlitDef, TSPX_TscDef,<br>TSPX_TCHHSubDef) |                                                                                            |     |
| 54 |            | +AssCh_complete( TCV_ch, TCV_chTch,<br>TCV_AssCmd)                                                           |                                                                                            |     |
| 55 |            | +localtree3                                                                                                  |                                                                                            |     |
| 56 |            | <b>localtree3</b><br>L!DL_DatRqConn                                                                          | ConnSnd(<br>TCV_chTch,<br>Connect_02(<br>TCV_TI))                                          |     |
| 57 | L_050<br>8 | L?DL_DatInConnAck                                                                                            | ConnAckRcv(<br>ConnectAck_02(<br>TCV_TI0))                                                 | (P) |
| 58 |            | (TCV_Res := OO_TCHThroConnCHK())                                                                             |                                                                                            |     |
| 59 | L_050<br>9 | [NOT TCV_Res]                                                                                                |                                                                                            | (F) |
| 60 |            | +PostMainLinkRel(TCV_chTch)                                                                                  |                                                                                            |     |
| 61 | L_051<br>0 | [TCV_Res]                                                                                                    |                                                                                            | (P) |
| 62 |            | L!DL_DatRqDisc                                                                                               | DiscSnd(<br>TCV_chTch,<br>DisconnS( TCV_TI,<br>Cause_01,<br>ProgInd_omit,<br>UuInfo_omit)) |     |
| 63 | L_051<br>1 | L?DL_DatInRel                                                                                                | ReleaseRcv(<br>Release_10(<br>TCV_TI0))                                                    | (P) |
| 64 |            | L!DL_DatRqRelCmp                                                                                             | RelComSnd(<br>TCV_chTch,<br>ReleaseCmp_08(<br>TCV_TI))                                     |     |
| 65 |            | +PostMainLinkRel(TCV_chTch)                                                                                  |                                                                                            |     |

**Detailed Comments:**

1. To perform the test on full rate telephony service.
2. To perform the test on half rate telephony.
3. To perform the test on TS62 service.
4. To enter the called party number.
5. To check whether the MS displays the called party number correctly.
6. To initiate the call.
7. To setup the previous full rate traffic channel into half rate traffic channel.
8. Later assignment

### Test Case Dynamic Behaviour

**Test Case Name:** TC\_26\_9\_4

**Group:** GSM\_L3\_MS\_v4200/StructureProc/

**Purpose:**

- 1) To verify that the MS in MM state "idle, updated" and in RR idle mode with a TMSI assigned, after being paged by the network on the correct paging subchannel, after initiating the immediate assignment procedure by sending the CHANNEL REQUEST message, after receipt of an IMMEDIATE ASSIGNMENT message allocating an SDCCH, after having sent a PAGING RESPONSE message on the allocated SDCCH, after having performed successful authentication and cipher mode setting procedures, after receipt of a SETUP message not containing a signal information element, returns a CALL CONFIRMED message.
- 2) To verify that subsequently, the SS sending an ASSIGNMENT COMMAND message, the MS successfully continues a mobile terminating call establishment with early assignment of traffic channel
  - a) by replying to the ASSIGNMENT COMMAND with an ASSIGNMENT COMPLETE message, and
  - b) by continuing the call establishment by either sending a CONNECT message and through connecting the TCH in both directions, or, sending an ALERTING message.
- 3) To verify that if after sending a CALL PROCEEDING message, the MS sends an ALERTING message during MTC establishment with early assignment, it generates an alerting indication.
- 4) To verify that if an ALERTING had been sent, subsequently, when the user accepts the call (possibly internal action as declared in PICS/PIXIT statement), the MS returns a CONNECT message.
- 5) To verify that the MS:
  - if the call is a speech call: after sending the CONNECT message has through connected the TCH in both directions (this is checked by verifying that after transmission of the first L2 frame containing the (complete) CONNECT message, the MS is sending appropriate speech or data frames whenever it doesn't have to transmit or acknowledge an I frame on layer 2 of the FACCH.)
  - if the call is a data call: after receipt of a subsequent CONNECT ACKNOWLEDGE message through connects the TCH in both directions (this is checked by verifying that there is a point in time after transmission of the first L2 frame containing the (complete) CONNECT ACKNOWLEDGE message, where the MS is sending appropriate speech or data frames whenever it doesn't have to transmit or acknowledge an I frame on layer 2 of the FACCH.)
- 6) To verify that subsequently, the MS can initiate call clearing by sending a DISCONNECT message.
- 7) To verify that the MS in this phase of call release, upon receipt of a RELEASE message, returns a RELEASE COMPLETE message.
- 8) To verify that subsequently the MS, upon receipt of a CHANNEL RELEASE message, disconnects the main signalling link.

**Default:** OtherEventsFail

| Nr | Label      | Behaviour Description                                 | CRef | V | Comments |
|----|------------|-------------------------------------------------------|------|---|----------|
| 1  |            | START T_guard(300)                                    |      |   |          |
| 2  | body       | [TSPC_Serv_TS11]                                      |      |   |          |
| 3  |            | +BasicServiceMT( C_Telephony, C_Full)                 |      |   |          |
| 4  |            | +local_testfullrate                                   |      |   | 1.       |
| 5  |            | (TCV_Null := OM_CphMd(TCV_ch, CphMod_02, TCV_CphKey)) |      |   |          |
| 6  |            | [TSPC_DualRate]                                       |      |   |          |
| 7  |            | +BasicServiceMT( C_Telephony, C_Half)                 |      |   |          |
| 8  |            | +local_testhalfrate                                   |      |   | 2.       |
| 9  |            | [NOT TSPC_DualRate]                                   |      |   |          |
| 10 |            | [TSPC_Serv_TS62]                                      |      |   | TS62     |
| 11 |            | +BasicServiceMT( C_AutoFax, C_Full)                   |      |   |          |
| 12 |            | +local_testfullrate                                   |      |   | 3.       |
| 13 | L_051<br>2 | [C_Yes]                                               |      | I |          |

|    |                                                                                                                                                                                                                                                                                                                                                                                                                                                                                                                                                                                                                                     |                                                                                                                                                 |     |                         |
|----|-------------------------------------------------------------------------------------------------------------------------------------------------------------------------------------------------------------------------------------------------------------------------------------------------------------------------------------------------------------------------------------------------------------------------------------------------------------------------------------------------------------------------------------------------------------------------------------------------------------------------------------|-------------------------------------------------------------------------------------------------------------------------------------------------|-----|-------------------------|
| 14 | <b>local_testfullrate</b><br>+IdleUpdated( C_E_default, C_CellA, C_SCH_A,<br>C_BCCH_A_1, C_Imm, C_S0, C_SlotNU,<br>C_SlotNU, C_SlotNU, C_BCC, C_TxInt_5, C_Max_1,<br>C_NECI_0, C_ATT_0, TimingAdv( 0), C_BABR_0,<br>C_cch_1Comb, C_BPM_3, C_T3212_0, C_ci_cellA,<br>C_MCC_1, C_PLMN_1, C_LAC_1, CellOpt_01,<br>CellChDes_Omit, CellChDes_Omit,<br>C_CellReselectHys12, C_MaxPwrLvIG,<br>C_MaxPwrLvID, BcchFreqLst_45, BcchFreqLst_02,<br>BcchFreqLst_03, BcchFreqLst_04,<br>C_Restablishment, C_BCC, C_NCC, C_Start_Tmsi,<br>TSPX_SDCCH4SubDef, TSPX_CKSNA,<br>TSPX_RANDA, C_arfcnA, C_arfcnAd, TSPX_IMSI,<br>C_Test_nfh, C_NCCP_2) |                                                                                                                                                 |     |                         |
| 15 | +FullRateCh_A_1( C_Ass, TSPX_TmSltDef,<br>TSPX_TscDef, ChMod_sign, FreqTCH_omit,<br>FreqTCH_omit, C_arfcn_tchA, C_arfcn_tchAd,<br>TimingAdv( 0), C_BABR_0, C_cch_1Comb,<br>C_BPM_3)                                                                                                                                                                                                                                                                                                                                                                                                                                                 |                                                                                                                                                 |     |                         |
| 16 | (TCV_Null := OM_ChMdModi( TCV_chTch,<br>TCV_ChMod))                                                                                                                                                                                                                                                                                                                                                                                                                                                                                                                                                                                 |                                                                                                                                                 |     |                         |
| 17 | +localtree( C_Full)                                                                                                                                                                                                                                                                                                                                                                                                                                                                                                                                                                                                                 |                                                                                                                                                 |     |                         |
| 18 | <b>local_testhalfrate</b><br>+HalfRateCh_A_1( TSPX_TCHHSubDef, C_Ass,<br>TSPX_TmSltDef, TSPX_TscDef, ChMod_speech,<br>FreqTCH_omit, FreqTCH_omit, C_arfcn_tchA,<br>C_arfcn_tchAd, TimingAdv( 0), C_BABR_0,<br>C_cch_1Comb, C_BPM_3)                                                                                                                                                                                                                                                                                                                                                                                                 |                                                                                                                                                 | 4.  |                         |
| 19 | +localtree( C_Half)                                                                                                                                                                                                                                                                                                                                                                                                                                                                                                                                                                                                                 |                                                                                                                                                 |     |                         |
| 20 | <b>localtree(rate:IA5String)</b><br>L!DL_UdatRqPg1Rq                                                                                                                                                                                                                                                                                                                                                                                                                                                                                                                                                                                | PgReq1(TCV_PgCh,<br>TCV_Pgg,<br>PgReqTp1_01)                                                                                                    |     |                         |
| 21 | L?DL_RaInChRq( TCV_Rr := DL_RaInChRq.<br>msg.ecau_rrf, TCV_Fn := DL_RaInChRq.fn)                                                                                                                                                                                                                                                                                                                                                                                                                                                                                                                                                    | ChReq(<br>ChRequest_17)                                                                                                                         |     |                         |
| 22 | ACTIVATE(OtherEventsFail_02)                                                                                                                                                                                                                                                                                                                                                                                                                                                                                                                                                                                                        |                                                                                                                                                 |     | To match ChReq retrans. |
| 23 | L!DL_UdatRqImm                                                                                                                                                                                                                                                                                                                                                                                                                                                                                                                                                                                                                      | ImmAss( TCV_agch,<br>ImmAsgn_01Def(<br>TCV_Rr, TCV_Fn,<br>TSPX_SDCCH4SubD<br>ef, TCV_slot,<br>TCV_tsc,<br>TCV_chdescr_arfcn,<br>TimingAdv( 0))) |     |                         |
| 24 | L?DL_EstInPgRes                                                                                                                                                                                                                                                                                                                                                                                                                                                                                                                                                                                                                     | PagingRes(<br>PagingRes_03(<br>TSPX_CKSNDf))                                                                                                    |     |                         |
| 25 | ACTIVATE(OtherEventsFail)                                                                                                                                                                                                                                                                                                                                                                                                                                                                                                                                                                                                           |                                                                                                                                                 |     | Restore Normal default  |
| 26 | L!DL_DatRqAuthRq                                                                                                                                                                                                                                                                                                                                                                                                                                                                                                                                                                                                                    | AuthReq(TCV_ch,<br>AuthRequest(<br>TSPX_CKSNA,<br>TSPX_RANDA))                                                                                  |     |                         |
| 27 | L?DL_DatInAuthRes( TCV_Sres :=<br>DL_DatInAuthRes.msg.sres)                                                                                                                                                                                                                                                                                                                                                                                                                                                                                                                                                                         | AuthRes(<br>AuthResponse)                                                                                                                       |     |                         |
| 28 | (TCV_Res :=<br>OC_ChkSRES(TCV_Sres, TSPX_Ki,<br>TSPX_RANDA))                                                                                                                                                                                                                                                                                                                                                                                                                                                                                                                                                                        |                                                                                                                                                 |     |                         |
| 29 | L_051<br>3 [NOT TCV_Res]                                                                                                                                                                                                                                                                                                                                                                                                                                                                                                                                                                                                            |                                                                                                                                                 | (F) |                         |
| 30 | +PostMainLinkRel( TCV_ch)                                                                                                                                                                                                                                                                                                                                                                                                                                                                                                                                                                                                           |                                                                                                                                                 |     |                         |
| 31 | L_051<br>4 [TCV_Res]                                                                                                                                                                                                                                                                                                                                                                                                                                                                                                                                                                                                                |                                                                                                                                                 | (P) | 5.                      |
| 32 | +localtree1( rate)                                                                                                                                                                                                                                                                                                                                                                                                                                                                                                                                                                                                                  |                                                                                                                                                 |     |                         |
| 33 | <b>localtree1(rate:IA5String)</b><br>+Cipherring_on(TCV_ch)                                                                                                                                                                                                                                                                                                                                                                                                                                                                                                                                                                         |                                                                                                                                                 |     |                         |
| 34 | L!DL_DatRqSetup                                                                                                                                                                                                                                                                                                                                                                                                                                                                                                                                                                                                                     | SetupSnd(TCV_ch,<br>TCV_Setup_mt)                                                                                                               |     | 6.                      |
| 35 | L?DL_DatInCallCo( TCV_CallCfm :=                                                                                                                                                                                                                                                                                                                                                                                                                                                                                                                                                                                                    | CallCfm(                                                                                                                                        |     |                         |

|    |            |                                     |                                                  |     |             |
|----|------------|-------------------------------------|--------------------------------------------------|-----|-------------|
|    |            | DL_DatInCallCo.msg)                 | CallConfirm_01( TI_01))                          |     |             |
| 36 |            | [TSPX_Immconn]                      |                                                  |     |             |
| 37 |            | L?DL_DatInConn                      | ConnRcv( Connect_01( TI_01))                     |     |             |
| 38 |            | +asstrafficch(rate)                 |                                                  |     | 7.          |
| 39 |            | +localtree3                         |                                                  |     |             |
| 40 |            | [NOT TSPX_Immconn]                  |                                                  |     |             |
| 41 |            | +asstrafficch(rate)                 |                                                  |     | 7.          |
| 42 |            | L?DL_DatInAlert                     | AlertRcv( AlertingInd_01( TI_01))                |     |             |
| 43 |            | [TSPC_AlertInd]                     |                                                  |     |             |
| 44 |            | (TCV_Res := OO_AltIndCHK())         |                                                  |     |             |
| 45 | L_051<br>5 | [NOT TCV_Res]                       |                                                  | (F) | 8.          |
| 46 |            | +PostMainLinkRel(TCV_chTch)         |                                                  |     |             |
| 47 | L_051<br>6 | [TCV_Res]                           |                                                  | (P) |             |
| 48 |            | (TCV_Null := OO_HookOff())          |                                                  |     | 9.          |
| 49 |            | L?DL_DatInConn                      | ConnRcv( Connect_01( TI_01))                     |     |             |
| 50 |            | +localtree3                         |                                                  |     |             |
| 51 |            | [NOT TSPC_AlertInd]                 |                                                  |     |             |
| 52 |            | (TCV_Null := OO_HookOff())          |                                                  |     | 9.          |
| 53 |            | L?DL_DatInConn                      | ConnRcv( Connect_01( TI_01))                     |     |             |
| 54 |            | +localtree3                         |                                                  |     |             |
|    |            | <b>localtree3</b>                   |                                                  |     |             |
| 55 |            | [TCV_Setup_mt.bcap1.itc = '000'B]   |                                                  |     | Speech Call |
| 56 |            | (TCV_Res := OO_TCHThroConnCHK())    |                                                  |     |             |
| 57 | L_051<br>7 | [NOT TCV_Res]                       |                                                  | (F) |             |
| 58 |            | +PostMainLinkRel(TCV_chTch)         |                                                  |     |             |
| 59 | L_051<br>8 | [TCV_Res]                           |                                                  | (P) |             |
| 60 |            | LIDL_DatRqConnAck                   | ConnAckSnd( TCV_chTch, ConnectAck_01( TI_02))    |     |             |
| 61 |            | +localtree5                         |                                                  |     |             |
| 62 |            | [TCV_Setup_mt.bcap1.itc <> '000'B]  |                                                  |     | Data Call   |
| 63 |            | LIDL_DatRqConnAck                   | ConnAckSnd( TCV_chTch, ConnectAck_01( TI_02))    |     |             |
| 64 |            | (TCV_Res := OO_TCHThroConnCHK())    |                                                  |     |             |
| 65 | L_051<br>9 | [NOT TCV_Res]                       |                                                  | (F) |             |
| 66 |            | +PostMainLinkRel(TCV_chTch)         |                                                  |     |             |
| 67 | L_052<br>0 | [TCV_Res]                           |                                                  | (P) |             |
| 68 |            | +localtree5                         |                                                  |     |             |
|    |            | <b>localtree5</b>                   |                                                  |     |             |
| 69 |            | (TCV_Null := OO_TermCall())         |                                                  |     |             |
| 70 |            | L?DL_DatInDisc                      | DiscRcv( TCV_chTch, DisconnR( TI_01, Cause_Def)) |     |             |
| 71 |            | LIDL_DatRqRel                       | ReleaseSnd( TCV_chTch, Release_08( TI_02))       |     |             |
| 72 |            | L?DL_DatInRelCmp                    | RelComRcv( ReleaseCmp_03( TI_01))                |     |             |
| 73 |            | +PostMainLinkRel(TCV_chTch)         |                                                  |     |             |
|    |            | <b>asstrafficch(rate:IA5String)</b> |                                                  |     |             |

|                                                                                                                                                                                                                                                                                                                                                                                                                                                                                                                   |                                                                               |  |  |
|-------------------------------------------------------------------------------------------------------------------------------------------------------------------------------------------------------------------------------------------------------------------------------------------------------------------------------------------------------------------------------------------------------------------------------------------------------------------------------------------------------------------|-------------------------------------------------------------------------------|--|--|
| 74                                                                                                                                                                                                                                                                                                                                                                                                                                                                                                                | (TCV_Res := FALSE)                                                            |  |  |
| 75                                                                                                                                                                                                                                                                                                                                                                                                                                                                                                                | +AssCmdGen( TCV_cellid, rate, TSPX_TmSltDef,<br>TSPX_TscDef, TSPX_TCHHSubDef) |  |  |
| 76                                                                                                                                                                                                                                                                                                                                                                                                                                                                                                                | +AssCh_complete(TCV_ch, TCV_chTch,<br>TCV_AssCmd)                             |  |  |
| <b>Detailed Comments:</b> <ol style="list-style-type: none"><li>1. To perform the test on full rate telephony service.</li><li>2. To perform the test on half rate telephony.</li><li>3. To perform the test on TS62 service.</li><li>4. To setup the previous full rate channel into half rate channel.</li><li>5. Authentication is OK.</li><li>6. SETUP message without signal IE.</li><li>7. Early assignment.</li><li>8. Alerting indication not correct.</li><li>9. To accept the call at the MS.</li></ol> |                                                                               |  |  |



### Test Case Dynamic Behaviour

|                        |                                                                                                                                                                                                                                                                                                                                                                                                                                                                                                                                                                                                                                                                                                                                                                                                                                                                                                                                                                                                                                                                                                                                                                                                                                                                                                                                                                                                                                                                                                                                                                                                                                                                                                                                                                                                                                                                                                                                                                                                                                                                                                                                                                                                                                                                                      |
|------------------------|--------------------------------------------------------------------------------------------------------------------------------------------------------------------------------------------------------------------------------------------------------------------------------------------------------------------------------------------------------------------------------------------------------------------------------------------------------------------------------------------------------------------------------------------------------------------------------------------------------------------------------------------------------------------------------------------------------------------------------------------------------------------------------------------------------------------------------------------------------------------------------------------------------------------------------------------------------------------------------------------------------------------------------------------------------------------------------------------------------------------------------------------------------------------------------------------------------------------------------------------------------------------------------------------------------------------------------------------------------------------------------------------------------------------------------------------------------------------------------------------------------------------------------------------------------------------------------------------------------------------------------------------------------------------------------------------------------------------------------------------------------------------------------------------------------------------------------------------------------------------------------------------------------------------------------------------------------------------------------------------------------------------------------------------------------------------------------------------------------------------------------------------------------------------------------------------------------------------------------------------------------------------------------------|
| <b>Test Case Name:</b> | TC_26_9_5                                                                                                                                                                                                                                                                                                                                                                                                                                                                                                                                                                                                                                                                                                                                                                                                                                                                                                                                                                                                                                                                                                                                                                                                                                                                                                                                                                                                                                                                                                                                                                                                                                                                                                                                                                                                                                                                                                                                                                                                                                                                                                                                                                                                                                                                            |
| <b>Group:</b>          | GSM_L3_MS_v4200/StructureProc/                                                                                                                                                                                                                                                                                                                                                                                                                                                                                                                                                                                                                                                                                                                                                                                                                                                                                                                                                                                                                                                                                                                                                                                                                                                                                                                                                                                                                                                                                                                                                                                                                                                                                                                                                                                                                                                                                                                                                                                                                                                                                                                                                                                                                                                       |
| <b>Purpose:</b>        | <p>1) To verify that the MS in "Idle, Updated" state with a TMSI assigned, after being paged by the network on the correct paging subchannel, after initiating the immediate assignment procedure by sending the CHANNEL REQUEST message, after receipt of an IMMEDIATE ASSIGNMENT message allocating an SDCCH, after having established the main signalling link, after having sent a PAGING RESPONSE message, after having performed successful authentication and cipher mode setting procedures, after receipt of a SETUP message containing a signal information element, returns a CALL CONFIRMED message followed by</p> <ul style="list-style-type: none"> <li>- an ALERTING message</li> <li>- or a CONNECT message.</li> </ul> <p>2) To verify that in the situation of test purpose 1, if the MS sends an ALERTING message, the MS generates an alerting indication in the way described in a PICS/PIXIT statement.</p> <p>3) To verify that subsequently the MS, if it had not yet sent a CONNECT message, upon acceptance of the call, sends a CONNECT message.</p> <p>4) To verify that subsequently after receipt of an ASSIGNMENT COMMAND, the MS sends an ASSIGNMENT COMPLETE message.</p> <p>5) To verify that subsequently the MS</p> <ul style="list-style-type: none"> <li>- if the call is a speech call: after sending the ASSIGNMENT COMPLETE message has through connected the TCH in both directions (this is checked by verifying that after transmission of the first L2 frame containing the (complete) ASSIGNMENT COMPLETE message, the MS is sending appropriate speech or data frames whenever it doesn't have to transmit or acknowledge an I frame on layer 2 of the FACCH.)</li> <li>- if the call is a data call: after receipt of a subsequent CONNECT ACKNOWLEDGE message through connects the TCH in both directions (this is checked by verifying that there is a point in time after transmission of the first L2 frame containing the (complete) CONNECT ACKNOWLEDGE message, where the MS is sending appropriate speech or data frames whenever it doesn't have to transmit or acknowledge an I frame on layer 2 of the FACCH.)</li> </ul> <p>These test purposes are tested for all rates supported by the MS (full rate/half rate).</p> |
| <b>Default:</b>        | OtherEventsFail                                                                                                                                                                                                                                                                                                                                                                                                                                                                                                                                                                                                                                                                                                                                                                                                                                                                                                                                                                                                                                                                                                                                                                                                                                                                                                                                                                                                                                                                                                                                                                                                                                                                                                                                                                                                                                                                                                                                                                                                                                                                                                                                                                                                                                                                      |

| Nr | Label      | Behaviour Description                                                                                                                                                                                                                                                                                                                                          | CRef | V | Comments |
|----|------------|----------------------------------------------------------------------------------------------------------------------------------------------------------------------------------------------------------------------------------------------------------------------------------------------------------------------------------------------------------------|------|---|----------|
| 1  |            | START T_guard(300)                                                                                                                                                                                                                                                                                                                                             |      |   |          |
| 2  | body       | [TSPC_Serv_TS11]                                                                                                                                                                                                                                                                                                                                               |      |   |          |
| 3  |            | +BasicServiceMT( C_Telephony, C_Full)                                                                                                                                                                                                                                                                                                                          |      |   |          |
| 4  |            | +local_testfullrate                                                                                                                                                                                                                                                                                                                                            |      |   | 1.       |
| 5  |            | (TCV_Null := OM_CphMd(TCV_ch, CphMod_02, TCV_CphKey), TCV_Null := OM_CphMd(TCV_chTch, CphMod_02, TCV_CphKey))                                                                                                                                                                                                                                                  |      |   |          |
| 6  |            | [TSPC_DualRate]                                                                                                                                                                                                                                                                                                                                                |      |   |          |
| 7  |            | +BasicServiceMT( C_Telephony, C_Half)                                                                                                                                                                                                                                                                                                                          |      |   |          |
| 8  |            | +local_testhalfrate                                                                                                                                                                                                                                                                                                                                            |      |   | 2.       |
| 9  |            | [NOT TSPC_DualRate]                                                                                                                                                                                                                                                                                                                                            |      |   |          |
| 10 |            | [TSPC_Serv_TS62]                                                                                                                                                                                                                                                                                                                                               |      |   | TS62     |
| 11 |            | +BasicServiceMT( C_AutoFax, C_Full)                                                                                                                                                                                                                                                                                                                            |      |   |          |
| 12 |            | +local_testfullrate                                                                                                                                                                                                                                                                                                                                            |      |   | 3.       |
| 13 | L_052<br>1 | [C_Yes]                                                                                                                                                                                                                                                                                                                                                        |      | I |          |
| 14 |            | <b>local_testfullrate</b><br>+IdleUpdated( C_E_default, C_CellA, C_SCH_A, C_BCCH_A_1, C_Imm, C_S0, C_SlotNU, C_SlotNU, C_SlotNU, C_BCC, C_TxInt_5, C_Max_1, C_NECl_0, C_ATT_0, TimingAdv(0), C_BABR_0, C_cch_1Comb, C_BPM_3, C_T3212_0, C_ci_cellA, C_MCC_1, C_PLMN_1, C_LAC_1, CellOpt_01, CellChDes_Omit, CellChDes_Omit, C_CellReselectHys12, C_MaxPwrLvlG, |      |   |          |

|    |                                                                                                                                                                                                                              |                                                                                                                           |     |                         |
|----|------------------------------------------------------------------------------------------------------------------------------------------------------------------------------------------------------------------------------|---------------------------------------------------------------------------------------------------------------------------|-----|-------------------------|
| 15 | C_MaxPwrLvlD, BcchFreqLst_45, BcchFreqLst_02, BcchFreqLst_03, BcchFreqLst_04, C_Restablishment, C_BCC, C_NCC, C_Start_Tmsi, TSPX_SDCCH4SubDef, TSPX_CKSNA, TSPX_RANDA, C_arfcnA, C_arfcnAd, TSPX_IMSI, C_Test_nfh, C_NCCP_2) |                                                                                                                           |     |                         |
| 16 | +FullRateCh_A_1(C_Ass, TSPX_TmSltDef, TSPX_TscDef, ChMod_sign, FreqTCH_omit, FreqTCH_omit, C_arfcn_tchA, C_arfcn_tchAd, TimingAdv( 0), C_BABR_0, C_cch_1Comb, C_BPM_3)                                                       |                                                                                                                           |     |                         |
| 17 | (TCV_Null := OM_ChMdModi(TCV_chTch, TCV_ChMod))                                                                                                                                                                              |                                                                                                                           |     |                         |
| 18 | +localtree(C_Full)                                                                                                                                                                                                           |                                                                                                                           |     |                         |
| 18 | <b>local_testhalftrate</b>                                                                                                                                                                                                   |                                                                                                                           |     |                         |
| 19 | +HalfRateCh_A_1( TSPX_TCHHSubDef, C_Ass, TSPX_TmSltDef, TSPX_TscDef, ChMod_speech, FreqTCH_omit, FreqTCH_omit, C_arfcn_tchA, C_arfcn_tchAd, TimingAdv( 0), C_BABR_0, C_cch_1Comb, C_BPM_3)                                   |                                                                                                                           |     | 4.                      |
| 20 | +localtree( C_Half)                                                                                                                                                                                                          |                                                                                                                           |     |                         |
| 20 | <b>localtree(rate:IA5String)</b>                                                                                                                                                                                             |                                                                                                                           |     |                         |
| 21 | L!DL_UdatRqPg1Rq                                                                                                                                                                                                             | PgReq1(TCV_PgCh, TCV_Pgg, PgReqTp1_01)                                                                                    |     |                         |
| 22 | L?DL_RaclnChRq (TCV_Rr := DL_RaclnChRq.msg.ecau_rrf, TCV_Fn := DL_RaclnChRq.fn)                                                                                                                                              | ChReq(ChRequest_17)                                                                                                       |     |                         |
| 23 | ACTIVATE(OtherEventsFail_02)                                                                                                                                                                                                 |                                                                                                                           |     | To match ChReq retrans. |
| 24 | LIDL_UdatRqImmass                                                                                                                                                                                                            | ImmAss( TCV_agch, ImmAsgn_01Def( TCV_Rr, TCV_Fn, TSPX_SDCCH4SubDef, TCV_slot, TCV_tsc, TCV_chdescr_arfcn, TimingAdv( 0))) |     |                         |
| 25 | L?DL_EstInPgRes                                                                                                                                                                                                              | PagingRes(PagingRes_03(TSPX_CKSNDf))                                                                                      |     |                         |
| 26 | ACTIVATE(OtherEventsFail)                                                                                                                                                                                                    |                                                                                                                           |     | Restore Normal default  |
| 27 | L!DL_DatRqAuthRq                                                                                                                                                                                                             | AuthReq(TCV_ch, AuthRequest(TSPX_CKSNA, TSPX_RANDA))                                                                      |     |                         |
| 28 | L?DL_DatInAuthRes(TCV_Sres:=DL_DatInAuthRes.msg.sres)                                                                                                                                                                        | AuthRes(AuthResponse)                                                                                                     |     |                         |
| 29 | (TCV_Res := OC_ChkSRES(TCV_Sres, TSPX_Ki, TSPX_RANDA))                                                                                                                                                                       |                                                                                                                           |     |                         |
| 30 | [NOT TCV_Res]                                                                                                                                                                                                                |                                                                                                                           | (F) |                         |
| 31 | +PostMainLinkRel( TCV_ch)                                                                                                                                                                                                    |                                                                                                                           |     |                         |
| 32 | [TCV_Res]                                                                                                                                                                                                                    |                                                                                                                           | (P) | 5.                      |
| 33 | +localtree1( rate)                                                                                                                                                                                                           |                                                                                                                           |     |                         |
| 34 | <b>localtree1(rate:IA5String)</b>                                                                                                                                                                                            |                                                                                                                           |     |                         |
| 35 | +Cipherring_on(TCV_ch)                                                                                                                                                                                                       | SetupSnd(TCV_ch, TCV_Setup_mt)                                                                                            |     | 6.                      |
| 36 | ( TCV_Setup_mt.sig := Signal_01)                                                                                                                                                                                             | CallCfm(CallConfirm_01(TI_01))                                                                                            |     |                         |
| 37 | LIDL_DatRqSetup                                                                                                                                                                                                              | ConnRcv(Connect_01( TI_01))                                                                                               |     |                         |
| 38 | L?DL_DatInCallCo ( TCV_CallCfm := DL_DatInCallCo.msg)                                                                                                                                                                        |                                                                                                                           |     |                         |
| 39 | L?DL_DatInConn                                                                                                                                                                                                               | AlertRcv(AlertingInd_01(TI_01))                                                                                           |     |                         |
| 40 | +localtree2( rate)                                                                                                                                                                                                           |                                                                                                                           |     |                         |
| 41 | L?DL_DatInAlert                                                                                                                                                                                                              |                                                                                                                           |     |                         |

|    |            |                                                                                                                    |                                                        |     |    |
|----|------------|--------------------------------------------------------------------------------------------------------------------|--------------------------------------------------------|-----|----|
| 40 |            | [TSPC_AlertInd]                                                                                                    |                                                        |     |    |
| 41 |            | (TCV_Res := OO_AltIndCHK())                                                                                        |                                                        |     |    |
| 42 | L_052<br>4 | [NOT TCV_Res]                                                                                                      |                                                        | (F) | 8. |
| 43 |            | +localtree2( rate)                                                                                                 |                                                        |     |    |
| 44 | L_052<br>5 | [TCV_Res]                                                                                                          |                                                        | (P) |    |
| 45 |            | (TCV_Null := OO_HookOff())                                                                                         |                                                        |     | 9. |
| 46 |            | L?DL_DatInConn                                                                                                     | ConnRcv(<br>Connect_01( TI_01))                        |     |    |
| 47 |            | +localtree2( rate)                                                                                                 |                                                        |     |    |
| 48 |            | [NOT TSPC_AlertInd]                                                                                                |                                                        |     |    |
| 49 |            | (TCV_Null := OO_HookOff())                                                                                         |                                                        |     | 9. |
| 50 |            | L?DL_DatInConn                                                                                                     | ConnRcv(<br>Connect_01( TI_01))                        |     |    |
| 51 |            | +localtree2( rate)                                                                                                 |                                                        |     |    |
| 52 |            | <b>localtree2(rate:IA5String)</b><br>+AssCmdGen( TCV_cellid, rate, TSPX_TmSlTDef,<br>TSPX_TscDef, TSPX_TCHHSubDef) |                                                        |     |    |
| 53 |            | +AssCh_complete( TCV_ch, TCV_chTch,<br>TCV_AssCmd)                                                                 |                                                        |     |    |
| 54 |            | +localtree3                                                                                                        |                                                        |     |    |
| 55 |            | <b>localtree3</b><br>[TCV_Setup_mt.bcap1.itc = '000'B]                                                             |                                                        |     |    |
| 56 |            | (TCV_Res := OO_TCHThroConnCHK())                                                                                   |                                                        |     |    |
| 57 | L_052<br>6 | [NOT TCV_Res]                                                                                                      |                                                        | (F) |    |
| 58 |            | +PostMainLinkRel(TCV_chTch)                                                                                        |                                                        |     |    |
| 59 | L_052<br>7 | [TCV_Res]                                                                                                          |                                                        | (P) |    |
| 60 |            | +localtree4                                                                                                        |                                                        |     |    |
| 61 |            | [TCV_Setup_mt.bcap1.itc <> '000'B]                                                                                 |                                                        |     |    |
| 62 |            | +localtree4                                                                                                        |                                                        |     |    |
| 63 |            | <b>localtree4</b><br>L!DL_DatRqConnAck                                                                             | ConnAckSnd(<br>TCV_chTch,<br>ConnectAck_01(<br>TI_02)) |     |    |
| 64 |            | [TCV_Setup_mt.bcap1.itc <> '000'B]                                                                                 |                                                        |     |    |
| 65 |            | (TCV_Res := OO_TCHThroConnCHK())                                                                                   |                                                        |     |    |
| 66 | L_052<br>8 | [NOT TCV_Res]                                                                                                      |                                                        | (F) |    |
| 67 |            | +PostMainLinkRel(TCV_chTch)                                                                                        |                                                        |     |    |
| 68 | L_052<br>9 | [TCV_Res]                                                                                                          |                                                        | (P) |    |
| 69 |            | +PostMainLinkRel(TCV_chTch)                                                                                        |                                                        |     |    |
| 70 |            | [TCV_Setup_mt.bcap1.itc = '000'B]                                                                                  |                                                        |     |    |
| 71 |            | +PostMainLinkRel(TCV_chTch)                                                                                        |                                                        |     |    |

**Detailed Comments:**

1. To perform the test on full rate telephony service.
2. To perform the test on half rate telephony.
3. To perform the test on TS62 service.
4. To setup the previous full rate channel into half rate channel.
5. Authentication is OK.
6. SETUP message without signal IE.
7. Late assignment.
8. Alerting indication not correct.
9. To accept the call at the MS.

**Test Case Dynamic Behaviour**

**Test Case Name:** TC\_26\_9\_6\_1\_1  
**Group:** GSM\_L3\_MS\_v4200/StructureProc/  
**Purpose:**

- 1) To verify that an MS supporting speech in the MM state "idle, updated", when made to call the number 112, sends a CHANNEL REQUEST message with establishment cause "emergency call".
- 2) To verify that after assignment of a dedicated channel the first layer message sent by the MS on the assigned dedicated channel is a CM SERVICE REQUEST message specifying the correct CKSN and TMSI, with CM Service Type "emergency call establishment" .
- 3) To verify that authentication and cipher mode setting are performed successfully.
- 4) To verify that after cipher mode setting acceptance by the SS, the MS sends an EMERGENCY SETUP message.
- 5) To verify that subsequently, the SS having sent a CALL PROCEEDING message and then an ALERT message and having initiated the assignment procedure of an appropriate speech traffic channel, which, if the MS supports both TCH/FS and TCH/HS, is at the preferred rate, the MS performs correctly that assignment procedure.
- 6) To verify subsequent correct performance of a connect procedure.
- 7) To verify that subsequently the MS has through connected the TCH in both directions.
- 8) To verify that the call is cleared correctly.

**Default:** OtherEventsFail

| Nr | Label      | Behaviour Description                                                                                                                                                                                                                                                                                                                                                                                                                                                                                                                                               | CRef                                                                                                                      | V   | Comments                |
|----|------------|---------------------------------------------------------------------------------------------------------------------------------------------------------------------------------------------------------------------------------------------------------------------------------------------------------------------------------------------------------------------------------------------------------------------------------------------------------------------------------------------------------------------------------------------------------------------|---------------------------------------------------------------------------------------------------------------------------|-----|-------------------------|
| 1  |            | START T_guard(300)                                                                                                                                                                                                                                                                                                                                                                                                                                                                                                                                                  |                                                                                                                           |     |                         |
| 2  |            | +BasicServiceMO( C_EmgCall, TSPX_EmgCallRate)                                                                                                                                                                                                                                                                                                                                                                                                                                                                                                                       |                                                                                                                           |     |                         |
| 3  |            | +IdleUpdated( C_E_default, C_CellA, C_SCH_A, C_BCCH_A_1, C_ImmAsgn, C_S0, C_SlotNU, C_SlotNU, C_SlotNU, C_BCC, C_TxInt_5, C_Max_1, C_NECI_0, C_ATT_0, TimingAdv( 0), C_BABR_0, C_cch_1Comb, C_BPM_3, C_T3212_0, C_ci_cellA, C_MCC_1, C_PLMN_1, C_LAC_1, CellOpt_01, CellChDes_Omit, CellChDes_Omit, C_CellReselectHys12, C_MaxPwrLvIG, C_MaxPwrLvID, BcchFreqLst_45, BcchFreqLst_02, BcchFreqLst_03, BcchFreqLst_04, C_Restablishment, C_BCC, C_NCC, C_Start_Tmsi, TSPX_SDCCH4SubDef, TSPX_CKSNA, TSPX_RANDA, C_arfcnA, C_arfcnAd, TSPX_IMSI, C_Test_nfh, C_NCCP_2) |                                                                                                                           |     | 1.                      |
| 4  | body       | +InitCall( TCV_Service)                                                                                                                                                                                                                                                                                                                                                                                                                                                                                                                                             |                                                                                                                           |     |                         |
| 5  | L_053<br>0 | L?DL_RaInChRq (TCV_Rr := DL_RaInChRq.msg.ecau_rrf, TCV_Fn := DL_RaInChRq.fn)                                                                                                                                                                                                                                                                                                                                                                                                                                                                                        | ChReq( ChRequest_16)                                                                                                      | (P) | 2.                      |
| 6  |            | ACTIVATE( OtherEventsFail_02)                                                                                                                                                                                                                                                                                                                                                                                                                                                                                                                                       |                                                                                                                           |     | To match ChReq retrans. |
| 7  |            | LIDL_UdatRqImmAsgn                                                                                                                                                                                                                                                                                                                                                                                                                                                                                                                                                  | ImmAss( TCV_agch, ImmAsgn_01Def( TCV_Rr, TCV_Fn, TSPX_SDCCH4SubDef, TCV_slot, TCV_tsc, TCV_chdescr_arfcn, TimingAdv( 0))) |     |                         |
| 8  | L_053<br>1 | L?DL_EstInCmsRq                                                                                                                                                                                                                                                                                                                                                                                                                                                                                                                                                     | CMSerReq( CMServiceReq_06( TSPX_CKSNA))                                                                                   | (P) | 3.                      |
| 9  |            | ACTIVATE( OtherEventsFail)                                                                                                                                                                                                                                                                                                                                                                                                                                                                                                                                          |                                                                                                                           |     | Restore Normal default  |
| 10 |            | LIDL_DatRqAuthRq                                                                                                                                                                                                                                                                                                                                                                                                                                                                                                                                                    | AuthReq(TCV_ch, AuthRequest( TSPX_CKSNA, TSPX_RANDA))                                                                     |     |                         |

|    |            |                                                                                                                                                                                                        |                                                                                            |     |     |
|----|------------|--------------------------------------------------------------------------------------------------------------------------------------------------------------------------------------------------------|--------------------------------------------------------------------------------------------|-----|-----|
| 11 |            | L?DL_DatInAuthRes( TCV_Sres<br>:= DL_DatInAuthRes.msg.sres)                                                                                                                                            | AuthRes(<br>AuthResponse)                                                                  |     |     |
| 12 |            | +local_continue                                                                                                                                                                                        |                                                                                            |     |     |
|    |            | <b>local_continue</b>                                                                                                                                                                                  |                                                                                            |     |     |
| 13 |            | (TCV_Res := OC_ChkSRES(TCV_Sres, TSPX_Ki,<br>TSPX_RANDA))                                                                                                                                              |                                                                                            |     |     |
| 14 | L_053<br>2 | [NOT TCV_Res]                                                                                                                                                                                          |                                                                                            | (F) | 4.  |
| 15 |            | +PostMainLinkRel(TCV_ch)                                                                                                                                                                               |                                                                                            |     |     |
| 16 | L_053<br>3 | [TCV_Res]                                                                                                                                                                                              |                                                                                            | (P) | 5.  |
| 17 |            | +Ciphering_on(TCV_ch)                                                                                                                                                                                  |                                                                                            |     |     |
| 18 |            | +RcvSetupOrEsetup(TCV_Setup_mo,<br>TCV_Esetup, TCV_Ecall)                                                                                                                                              |                                                                                            |     | 6.  |
| 19 |            | +local_preferred_rate                                                                                                                                                                                  |                                                                                            |     |     |
| 20 |            | L!DL_DatRqCallProc                                                                                                                                                                                     | CallProc( TCV_ch,<br>TCV_CallProc)                                                         |     |     |
| 21 |            | L!DL_DatRqAlert                                                                                                                                                                                        | AlertSnd( TCV_ch,<br>Alerting_01( TCV_TI))                                                 |     |     |
| 22 |            | +AssCmdGen( TCV_cellid,<br>TCV_ChRate, TSPX_TmSltDef,<br>TSPX_TscDef, TSPX_TCHHSubDef)                                                                                                                 |                                                                                            |     |     |
| 23 |            | +AssCh_complete(TCV_ch,<br>TCV_chTch, TCV_AssCmd)                                                                                                                                                      |                                                                                            |     |     |
| 24 |            | +local_continue1                                                                                                                                                                                       |                                                                                            |     |     |
|    |            | <b>local_continue1</b>                                                                                                                                                                                 |                                                                                            |     |     |
| 25 |            | L!DL_DatRqConn                                                                                                                                                                                         | ConnSnd(<br>TCV_chTch,<br>Connect_02(<br>TCV_TI))                                          |     |     |
| 26 | L_053<br>4 | L?DL_DatInConnAck                                                                                                                                                                                      | ConnAckRcv(<br>ConnectAck_02(<br>TCV_TI0))                                                 | (P) |     |
| 27 |            | (TCV_Res := OO_TCHThroConnCHK())                                                                                                                                                                       |                                                                                            |     |     |
| 28 | L_053<br>5 | [NOT TCV_Res]                                                                                                                                                                                          |                                                                                            | (F) | 7.  |
| 29 |            | +PostMainLinkRel(TCV_chTch)                                                                                                                                                                            |                                                                                            |     |     |
| 30 | L_053<br>6 | [TCV_Res]                                                                                                                                                                                              |                                                                                            | (P) | 8.  |
| 31 |            | L!DL_DatRqDisc                                                                                                                                                                                         | DiscSnd(<br>TCV_chTch,<br>DisconnS( TCV_TI,<br>Cause_01,<br>ProgInd_omit,<br>UuInfo_omit)) |     |     |
| 32 | L_053<br>7 | L?DL_DatInRel                                                                                                                                                                                          | ReleaseRcv(<br>Release_10(<br>TCV_TI0))                                                    | (P) |     |
| 33 |            | L!DL_DatRqRelCmp                                                                                                                                                                                       | RelComSnd(<br>TCV_chTch,<br>ReleaseCmp_08(<br>TCV_TI))                                     |     |     |
| 34 |            | +PostMainLinkRel(TCV_chTch)                                                                                                                                                                            |                                                                                            |     |     |
|    |            | <b>local_preferred_rate</b>                                                                                                                                                                            |                                                                                            |     |     |
| 35 |            | +set_radio_chan_req                                                                                                                                                                                    |                                                                                            |     |     |
| 36 |            | [TCV_Rchr = '11'B]                                                                                                                                                                                     |                                                                                            |     | 9.  |
| 37 |            | +FullRateCh_A_1(C_Ass, TSPX_TmSltDef,<br>TSPX_TscDef, ChMod_speech, FreqTCH_omit,<br>FreqTCH_omit, C_arfcn_tchA,<br>C_arfcn_tchAd, TimingAdv( 0), C_BABR_0,<br>C_cch_1Comb, C_BPM_3)                   |                                                                                            |     |     |
| 38 |            | (TCV_ChRate := C_Full)                                                                                                                                                                                 |                                                                                            |     |     |
| 39 |            | [TCV_Rchr = '10'B]                                                                                                                                                                                     |                                                                                            |     | 10. |
| 40 |            | +HalfRateCh_A_1( TSPX_TCHHSubDef, C_Ass,<br>TSPX_TmSltDef, TSPX_TscDef, ChMod_speech,<br>FreqTCH_omit, FreqTCH_omit, C_arfcn_tchA,<br>C_arfcn_tchAd, TimingAdv( 0), C_BABR_0,<br>C_cch_1Comb, C_BPM_3) |                                                                                            |     |     |

|                           |                                        |                                                                                                                                                                                                                                                                                                                                                                                                                                                                                                                                                                                                                                                                                                                                                                                                      |  |  |
|---------------------------|----------------------------------------|------------------------------------------------------------------------------------------------------------------------------------------------------------------------------------------------------------------------------------------------------------------------------------------------------------------------------------------------------------------------------------------------------------------------------------------------------------------------------------------------------------------------------------------------------------------------------------------------------------------------------------------------------------------------------------------------------------------------------------------------------------------------------------------------------|--|--|
| 41                        | (TCV_ChRate := C_Half)                 |                                                                                                                                                                                                                                                                                                                                                                                                                                                                                                                                                                                                                                                                                                                                                                                                      |  |  |
|                           | <b>set_radio_chan_req</b>              |                                                                                                                                                                                                                                                                                                                                                                                                                                                                                                                                                                                                                                                                                                                                                                                                      |  |  |
| 42                        | [NOT TCV_Ecall]                        |                                                                                                                                                                                                                                                                                                                                                                                                                                                                                                                                                                                                                                                                                                                                                                                                      |  |  |
| 43                        | (TCV_Rchr := TCV_Setup_mo1.bcap1.rchr) |                                                                                                                                                                                                                                                                                                                                                                                                                                                                                                                                                                                                                                                                                                                                                                                                      |  |  |
| 44                        | [TCV_Ecall]                            |                                                                                                                                                                                                                                                                                                                                                                                                                                                                                                                                                                                                                                                                                                                                                                                                      |  |  |
| 45                        | (TCV_Rchr := TCV_Esetup1.bcap.rchr)    |                                                                                                                                                                                                                                                                                                                                                                                                                                                                                                                                                                                                                                                                                                                                                                                                      |  |  |
| <b>Detailed Comments:</b> |                                        | 1. To setup a physical channels as BCCH CCCH and SDCCH4 combined channel.<br>2. CHANNEL REQUEST with "emergency call establishment" cause received.<br>3. CM SERVICE REQUEST with "emergency call establishment" service type correct TMSI and CKSN received.<br>4. Authentication failed.<br>5. Authentication passed.<br>6. EMERGENCY SETUP with BC or without BC received.<br>7. The TCH channel is not through connected, fail.<br>8. The TCH channel is through connected.<br>9. dual rate / full rate preferred" case. setup a physical channel as full rate traffic channel and the preferred full rate channel is to be assigned.<br>10. dual rate / half rate preferred" case. setup a physical channel as half rate traffic channel and the preferred half rate channel is to be assigned. |  |  |

### Test Case Dynamic Behaviour

|                        |                                                                                                                                                                                                                                                                                                                                                                                                                                                                                                                                                                                                                                                                                                                                                                                                                                                                                                                                                                                                                                                                                                                                                                           |
|------------------------|---------------------------------------------------------------------------------------------------------------------------------------------------------------------------------------------------------------------------------------------------------------------------------------------------------------------------------------------------------------------------------------------------------------------------------------------------------------------------------------------------------------------------------------------------------------------------------------------------------------------------------------------------------------------------------------------------------------------------------------------------------------------------------------------------------------------------------------------------------------------------------------------------------------------------------------------------------------------------------------------------------------------------------------------------------------------------------------------------------------------------------------------------------------------------|
| <b>Test Case Name:</b> | TC_26_9_6_1_2                                                                                                                                                                                                                                                                                                                                                                                                                                                                                                                                                                                                                                                                                                                                                                                                                                                                                                                                                                                                                                                                                                                                                             |
| <b>Group:</b>          | GSM_L3_MS_v4200/StructureProc/                                                                                                                                                                                                                                                                                                                                                                                                                                                                                                                                                                                                                                                                                                                                                                                                                                                                                                                                                                                                                                                                                                                                            |
| <b>Purpose:</b>        | <p>1) To verify that the MS in the "idle, no IMSI" state (no SIM inserted) when made to call the number 112, sends a CHANNEL REQUEST message with establishment cause "emergency call".</p> <p>2) To verify that after assignment of a dedicated channel the first layer message sent by the MS on the assigned dedicated channel is a CM SERVICE REQUEST message specifying the correct CKSN and TMSI, with CM Service Type "emergency call establishment".</p> <p>3) To verify that after receipt of a CM SERVICE ACCEPT message from the SS, the MS sends an EMERGENCY SETUP message.</p> <p>4) To verify that subsequently, the SS having sent a CALL PROCEEDING message and then an ALERT message and having initiated the assignment procedure of an appropriate speech traffic channel, which, if the MS supports both TCH/F5 and TCH/HS, is at the non-preferred rate, the MS performs correctly that assignment procedure.</p> <p>5) To verify subsequent correct performance of a connect procedure.</p> <p>6) To verify that subsequently the MS has through connected the TCH in both directions.</p> <p>7) To verify that the call is cleared correctly.</p> |
| <b>Default:</b>        | OtherEventsFail                                                                                                                                                                                                                                                                                                                                                                                                                                                                                                                                                                                                                                                                                                                                                                                                                                                                                                                                                                                                                                                                                                                                                           |

| Nr | Label      | Behaviour Description                                                                                                                                                                                                                                                                                                                                                                                                                                                                                                                                                                                          | CRef                                                                                                                                                         | V   | Comments                |
|----|------------|----------------------------------------------------------------------------------------------------------------------------------------------------------------------------------------------------------------------------------------------------------------------------------------------------------------------------------------------------------------------------------------------------------------------------------------------------------------------------------------------------------------------------------------------------------------------------------------------------------------|--------------------------------------------------------------------------------------------------------------------------------------------------------------|-----|-------------------------|
| 1  |            | START T_guard(300)                                                                                                                                                                                                                                                                                                                                                                                                                                                                                                                                                                                             |                                                                                                                                                              |     |                         |
| 2  |            | +BasicServiceMO( C_EmgCall,<br>TSPX_EmgCallRate)                                                                                                                                                                                                                                                                                                                                                                                                                                                                                                                                                               |                                                                                                                                                              |     |                         |
| 3  |            | +IdleUpdated( C_E_default, C_CellA, C_SCH_A,<br>C_BCCH_A_1, C_Immass, C_S0, C_SlotNU,<br>C_SlotNU, C_SlotNU, C_BCC, C_TxInt_5,<br>C_Max_1, C_NECI_0, C_ATT_0, TimingAdv( 0),<br>C_BABR_0, C_cch_1Comb, C_BPM_3,<br>C_T3212_0, C_ci_cellA, C_MCC_1, C_PLMN_1,<br>C_LAC_1, CellOpt_01, CellChDes_Omit,<br>CellChDes_Omit, C_CellReselectHys12,<br>C_MaxPwrLvlG, C_MaxPwrLvlD,<br>BcchFreqLst_45, BcchFreqLst_02,<br>BcchFreqLst_03, BcchFreqLst_04,<br>C_Restablishment, C_BCC, C_NCC,<br>C_Start_Tmsi, TSPX_SDCC4SubDef,<br>TSPX_CKSNA, TSPX_RANDA, C_arfcnA,<br>C_arfcnAd, TSPX_IMSI, C_Test_nfh,<br>C_NCCP_2) |                                                                                                                                                              |     | 1.                      |
| 4  | body       | +local_continue                                                                                                                                                                                                                                                                                                                                                                                                                                                                                                                                                                                                |                                                                                                                                                              |     |                         |
|    |            | <b>local_continue</b>                                                                                                                                                                                                                                                                                                                                                                                                                                                                                                                                                                                          |                                                                                                                                                              |     |                         |
| 5  |            | +InitCall( TCV_Service)                                                                                                                                                                                                                                                                                                                                                                                                                                                                                                                                                                                        |                                                                                                                                                              |     |                         |
| 6  | L_053<br>8 | L?DL_RaInChRq (TCV_Rr := DL_RaInChRq.<br>msg.ecau_rrf, TCV_Fn := DL_RaInChRq.fn)                                                                                                                                                                                                                                                                                                                                                                                                                                                                                                                               | ChReq(<br>ChRequest_16)                                                                                                                                      | (P) | 2.                      |
| 7  |            | ACTIVATE(OtherEventsFail_02)                                                                                                                                                                                                                                                                                                                                                                                                                                                                                                                                                                                   |                                                                                                                                                              |     | To match ChReq retrans. |
| 8  |            | LIDL_UdatRqImmass                                                                                                                                                                                                                                                                                                                                                                                                                                                                                                                                                                                              | ImmAss( TCV_agch,<br>ImmAsgn_01Def(<br>TCV_Rr, TCV_Fn,<br>TSPX_SDCC4SubD<br>ef, TCV_slot,<br>TCV_tsc,<br>TCV_chdescr_arfcn,<br>TimingAdv(<br>TSPX_TimadvA))) |     |                         |
| 9  | L_053<br>9 | L?DL_EstInCmsRq                                                                                                                                                                                                                                                                                                                                                                                                                                                                                                                                                                                                | CMSerReq(<br>CMServiceReq_06(<br>TSPX_CKSNA))                                                                                                                | (P) | 3.                      |
| 10 |            | ACTIVATE(OtherEventsFail)                                                                                                                                                                                                                                                                                                                                                                                                                                                                                                                                                                                      |                                                                                                                                                              |     | Restore Normal default  |
| 11 |            | +Authentication(TCV_ch, TSPX_CKSNA,<br>TSPX_RANDA)                                                                                                                                                                                                                                                                                                                                                                                                                                                                                                                                                             |                                                                                                                                                              |     |                         |
| 12 | L_054<br>0 | [NOT TCV_Res]                                                                                                                                                                                                                                                                                                                                                                                                                                                                                                                                                                                                  |                                                                                                                                                              | (F) | 4.                      |

|    |            |                                                                                                                                                                                                        |                                                                                            |     |     |
|----|------------|--------------------------------------------------------------------------------------------------------------------------------------------------------------------------------------------------------|--------------------------------------------------------------------------------------------|-----|-----|
| 13 |            | +PostMainLinkRel( TCV_ch)                                                                                                                                                                              |                                                                                            |     |     |
| 14 | L_054<br>1 | [TCV_Res]                                                                                                                                                                                              |                                                                                            | (P) | 5.  |
| 15 |            | +Ciphering_on(TCV_ch)                                                                                                                                                                                  |                                                                                            |     |     |
| 16 |            | +local_continue1                                                                                                                                                                                       |                                                                                            |     |     |
| 17 |            | <b>local_continue1</b><br>+RcvSetupOrEsetup(TCV_Setup_mo, TCV_Esetup,<br>TCV_Ecall)                                                                                                                    |                                                                                            |     | 6.  |
| 18 |            | +local_nonpreferred_rate                                                                                                                                                                               |                                                                                            |     |     |
| 19 |            | LIDL_DatRqCallProc                                                                                                                                                                                     | CallProc( TCV_ch,<br>TCV_CallProc)                                                         |     |     |
| 20 |            | LIDL_DatRqAlert                                                                                                                                                                                        | AlertSnd( TCV_ch,<br>Alerting_01( TCV_TI))                                                 |     |     |
| 21 |            | +AssCmdGen( TCV_cellid, TCV_ChRate,<br>TSPX_TmSltDef, TSPX_TscDef,<br>TSPX_TCHHSubDef)                                                                                                                 |                                                                                            |     |     |
| 22 |            | +AssCh_complete(TCV_ch, TCV_chTch,<br>TCV_AssCmd)                                                                                                                                                      |                                                                                            |     |     |
| 23 |            | +local_continue2                                                                                                                                                                                       |                                                                                            |     |     |
| 24 |            | <b>local_continue2</b><br>LIDL_DatRqConn                                                                                                                                                               | ConnSnd(<br>TCV_chTch,<br>Connect_02(<br>TCV_TI))                                          |     |     |
| 25 | L_054<br>2 | L?DL_DatInConnAck                                                                                                                                                                                      | ConnAckRcv(<br>ConnectAck_02(<br>TCV_TI))                                                  | (P) |     |
| 26 |            | (TCV_Res := OO_TCHThroConnCHK())                                                                                                                                                                       |                                                                                            |     |     |
| 27 | L_054<br>3 | [NOT TCV_Res]                                                                                                                                                                                          |                                                                                            | (F) | 9.  |
| 28 |            | +PostMainLinkRel(TCV_chTch)                                                                                                                                                                            |                                                                                            |     |     |
| 29 | L_054<br>4 | [TCV_Res]                                                                                                                                                                                              |                                                                                            | (P) | 10. |
| 30 |            | LIDL_DatRqDisc                                                                                                                                                                                         | DiscSnd(<br>TCV_chTch,<br>DisconnS( TCV_TI,<br>Cause_01,<br>ProgInd_omit,<br>UuInfo_omit)) |     |     |
| 31 | L_054<br>5 | L?DL_DatInRel                                                                                                                                                                                          | ReleaseRcv(<br>Release_10(<br>TCV_TI))                                                     | (P) |     |
| 32 |            | LIDL_DatRqRelCmp                                                                                                                                                                                       | RelComSnd(<br>TCV_chTch,<br>ReleaseCmp_08(<br>TCV_TI))                                     |     |     |
| 33 |            | +PostMainLinkRel(TCV_chTch)                                                                                                                                                                            |                                                                                            |     |     |
| 34 |            | <b>local_nonpreferred_rate</b><br>(TCV_Rchr := TCV_Setup_mo1.bcap1.rchr)                                                                                                                               |                                                                                            |     |     |
| 35 |            | [TCV_Rchr = '10'B]                                                                                                                                                                                     |                                                                                            |     | 7.  |
| 36 |            | +FullRateCh_A_1(C_Ass, TSPX_TmSltDef,<br>TSPX_TscDef, ChMod_speech, FreqTCH_omit,<br>FreqTCH_omit, C_arfcn_tchA,<br>C_arfcn_tchAd, TimingAdv( 0), C_BABR_0,<br>C_cch_1Comb, C_BPM_3)                   |                                                                                            |     |     |
| 37 |            | (TCV_ChRate := C_Full)                                                                                                                                                                                 |                                                                                            |     |     |
| 38 |            | [TCV_Rchr = '11'B]                                                                                                                                                                                     |                                                                                            |     | 8.  |
| 39 |            | +HalfRateCh_A_1( TSPX_TCHHSubDef, C_Ass,<br>TSPX_TmSltDef, TSPX_TscDef, ChMod_speech,<br>FreqTCH_omit, FreqTCH_omit, C_arfcn_tchA,<br>C_arfcn_tchAd, TimingAdv( 0), C_BABR_0,<br>C_cch_1Comb, C_BPM_3) |                                                                                            |     |     |
| 40 |            | (TCV_ChRate := C_Half)                                                                                                                                                                                 |                                                                                            |     |     |

**Detailed Comments:**

1. To setup a physical channels as BCCH CCCH and SDCCH4 combined channel.
2. CHANNEL REQUEST with "emergency call establishment" cause received.
3. CM SERVICE REQUEST with "emergency call establishment" service type received.
4. Authentication failed.



5. Authentication passed.
6. EMERGENCY SETUP with a BC indicating "dual rate/half rate preferred" or "dual rate/full rate preferred" received.
7. dual rate / half rate preferred" case. setup a physical channel as full rate traffic channel and the non-preferred full rate channel is to be assigned.
8. dual rate / full rate preferred" case. setup a physical channel as half rate traffic channel and the non-preferred half rate channel is to be assigned.
9. The TCH channel is not through connected, fail.
10. The TCH channel is through connected.

### Test Case Dynamic Behaviour

|                        |                                                                                                                                                                                                                                                                                                                                                                                                                                                                                                                                                                                                                                                                                                                                                                                                                                                                                                                                                                                                                                                                                                                                                                                                                                                                                  |
|------------------------|----------------------------------------------------------------------------------------------------------------------------------------------------------------------------------------------------------------------------------------------------------------------------------------------------------------------------------------------------------------------------------------------------------------------------------------------------------------------------------------------------------------------------------------------------------------------------------------------------------------------------------------------------------------------------------------------------------------------------------------------------------------------------------------------------------------------------------------------------------------------------------------------------------------------------------------------------------------------------------------------------------------------------------------------------------------------------------------------------------------------------------------------------------------------------------------------------------------------------------------------------------------------------------|
| <b>Test Case Name:</b> | TC_26_9_6_2_1                                                                                                                                                                                                                                                                                                                                                                                                                                                                                                                                                                                                                                                                                                                                                                                                                                                                                                                                                                                                                                                                                                                                                                                                                                                                    |
| <b>Group:</b>          | GSM_L3_MS_v4200/StructureProc/                                                                                                                                                                                                                                                                                                                                                                                                                                                                                                                                                                                                                                                                                                                                                                                                                                                                                                                                                                                                                                                                                                                                                                                                                                                   |
| <b>Purpose:</b>        | <p>1) To verify that the MS in the "idle, no IMSI" state (no SIM inserted) when made to call the number 112, sends a CHANNEL REQUEST message with establishment cause "emergency call".</p> <p>2) To verify that after assignment of a dedicated channel the first layer message sent by the MS on the assigned dedicated channel is a CM SERVICE REQUEST message in which the cipher key sequence number IE indicates "no key is available", the CM service type IE indicates "emergency call establishment", and the mobile identity IE specifies the IMEI of the MS.</p> <p>3) To verify that after receipt of a CM SERVICE ACCEPT message from the SS, the MS sends an EMERGENCY SETUP message.</p> <p>4) To verify that subsequently, the SS having sent a CALL PROCEEDING message and then an ALERT message and having initiated the assignment procedure of an appropriate speech traffic channel, which, if the MS supports both TCH/FS and TCH/HS, is at the preferred rate, the MS performs correctly that assignment procedure.</p> <p>5) To verify subsequent correct performance of a connect procedure.</p> <p>6) To verify that subsequently the MS has through connected the TCH in both directions.</p> <p>7) To verify that the call is cleared correctly.</p> |
| <b>Default:</b>        | OtherEventsFail                                                                                                                                                                                                                                                                                                                                                                                                                                                                                                                                                                                                                                                                                                                                                                                                                                                                                                                                                                                                                                                                                                                                                                                                                                                                  |
| <b>Comments:</b>       | For this test case the SIM card shall be removed from the MS.                                                                                                                                                                                                                                                                                                                                                                                                                                                                                                                                                                                                                                                                                                                                                                                                                                                                                                                                                                                                                                                                                                                                                                                                                    |

| Nr | Label      | Behaviour Description                                                                                                                                                                                                                                                                                                                                                                                                                                                                                                                                                                                            | CRef                                                                                                                                            | V   | Comments                |
|----|------------|------------------------------------------------------------------------------------------------------------------------------------------------------------------------------------------------------------------------------------------------------------------------------------------------------------------------------------------------------------------------------------------------------------------------------------------------------------------------------------------------------------------------------------------------------------------------------------------------------------------|-------------------------------------------------------------------------------------------------------------------------------------------------|-----|-------------------------|
| 1  |            | START T_guard(300)                                                                                                                                                                                                                                                                                                                                                                                                                                                                                                                                                                                               |                                                                                                                                                 |     |                         |
| 2  |            | +BasicServiceMO( C_EmgCall,<br>TSPX_EmgCallRate)                                                                                                                                                                                                                                                                                                                                                                                                                                                                                                                                                                 |                                                                                                                                                 |     |                         |
| 3  |            | +IdleUpdated( C_E_default, C_CellA, C_SCH_A,<br>C_BCCH_A_1, C_ImmAss, C_S0, C_SlotNU,<br>C_SlotNU, C_SlotNU, C_BCC, C_TxInt_5,<br>C_Max_1, C_NECI_0, C_ATT_0, TimingAdv( 0),<br>C_BABR_0, C_cch_1Comb, C_BPM_3,<br>C_T3212_0, C_ci_cellA, C_MCC_1, C_PLMN_1,<br>C_LAC_1, CellOpt_01, CellChDes_Omit,<br>CellChDes_Omit, C_CellReselectHys12,<br>C_MaxPwrLvIG, C_MaxPwrLvID,<br>BcchFreqLst_45, BcchFreqLst_02,<br>BcchFreqLst_03, BcchFreqLst_04,<br>C_Restablishment, C_BCC, C_NCC,<br>C_Start_Rej, TSPX_SDCCH4SubDef,<br>TSPX_CKSNDf, TSPX_RANDDf, C_arfcnA,<br>C_arfcnAd, TSPX_IMSI, C_Test_nfh,<br>C_NCCP_2) |                                                                                                                                                 |     | 1.                      |
| 4  |            | +CCConfigTCH_nociph( TSPX_TCHHSubDef,<br>C_Ass, TSPX_TmSltDef, TSPX_TscDef,<br>TimingAdv( 0), C_BABR_0, C_cch_1Comb,<br>C_BPM_3, TCV_ChMod.mode, FreqTCH_omit,<br>FreqTCH_omit, C_arfcn_tchA, C_arfcn_tchAd)                                                                                                                                                                                                                                                                                                                                                                                                     |                                                                                                                                                 |     |                         |
| 5  | body       | +InitCall(TCV_Service)                                                                                                                                                                                                                                                                                                                                                                                                                                                                                                                                                                                           |                                                                                                                                                 |     |                         |
| 6  | L_054<br>6 | L?DL_RaInChRq (TCV_Rr :=<br>DL_RaInChRq.msg.ecau_rrf, TCV_Fn :=<br>DL_RaInChRq.fn)                                                                                                                                                                                                                                                                                                                                                                                                                                                                                                                               | ChReq(<br>ChRequest_16)                                                                                                                         | (P) | 2.                      |
| 7  |            | ACTIVATE( OtherEventsFail_02)                                                                                                                                                                                                                                                                                                                                                                                                                                                                                                                                                                                    |                                                                                                                                                 |     | To match ChReq retrans. |
| 8  |            | L!DL_UdatRqImmAss                                                                                                                                                                                                                                                                                                                                                                                                                                                                                                                                                                                                | ImmAss( TCV_agch,<br>ImmAsgn_01Def(<br>TCV_Rr, TCV_Fn,<br>TSPX_SDCCH4SubD<br>ef, TCV_slot,<br>TCV_tsc,<br>TCV_chdescr_arfcn,<br>TimingAdv( 0))) |     |                         |
| 9  | L_054<br>7 | L?DL_EstInCmsRq                                                                                                                                                                                                                                                                                                                                                                                                                                                                                                                                                                                                  | CMSerReq(<br>CMSerReq_07)                                                                                                                       | (P) | 3.                      |
| 10 |            | ACTIVATE( OtherEventsFail)                                                                                                                                                                                                                                                                                                                                                                                                                                                                                                                                                                                       |                                                                                                                                                 |     | Restore Normal default  |
| 11 |            | L!DL_DatRqCmsAcp                                                                                                                                                                                                                                                                                                                                                                                                                                                                                                                                                                                                 | CMSerAcp( TCV_ch,<br>CMSerReq_01)                                                                                                               |     |                         |
| 12 |            | +local_continue                                                                                                                                                                                                                                                                                                                                                                                                                                                                                                                                                                                                  |                                                                                                                                                 |     |                         |

|    |            |                                                                                   |                                                                             |        |
|----|------------|-----------------------------------------------------------------------------------|-----------------------------------------------------------------------------|--------|
|    |            | <b>local_continue</b>                                                             |                                                                             |        |
| 13 |            | +RcvSetupOrEsetup(TCV_Setup_mo, TCV_Esetup, TCV_Ecall)                            |                                                                             | 4.     |
| 14 |            | L!DL_DatRqCallProc                                                                | CallProc(TCV_ch, TCV_CallProc)                                              |        |
| 15 |            | L!DL_DatRqAlert                                                                   | AlertSnd( TCV_ch, Alerting_01( TCV_TI))                                     |        |
| 16 |            | +AssCmdGen( TCV_cellid, TCV_ChRate, TSPX_TmSlitDef, TSPX_TscDef, TSPX_TCHHSubDef) |                                                                             | 5.     |
| 17 |            | +AssCh_complete(TCV_ch, TCV_chTch, TCV_AssCmd)                                    |                                                                             |        |
| 18 |            | +local_continue1                                                                  |                                                                             |        |
|    |            | <b>local_continue1</b>                                                            |                                                                             |        |
| 19 |            | L!DL_DatRqConn                                                                    | ConnSnd( TCV_chTch, Connect_02( TCV_TI))                                    |        |
| 20 | L_054<br>8 | L?DL_DatInConnAck                                                                 | ConnAckRcv( ConnectAck_02( TCV_TI0))                                        | (P)    |
| 21 |            | (TCV_Res := OO_TCHThroConnCHK())                                                  |                                                                             |        |
| 22 | L_054<br>9 | [NOT TCV_Res]                                                                     |                                                                             | (F) 6. |
| 23 |            | +PostMainLinkRel(TCV_chTch)                                                       |                                                                             |        |
| 24 | L_055<br>0 | [TCV_Res]                                                                         |                                                                             | (P) 7. |
| 25 |            | L!DL_DatRqDisc                                                                    | DiscSnd( TCV_chTch, DisconnS( TCV_TI, Cause_01, ProgInd_omit, UuInfo_omit)) |        |
| 26 | L_055<br>1 | L?DL_DatInRel                                                                     | ReleaseRcv( Release_10( TCV_TI0))                                           | (P)    |
| 27 |            | L!DL_DatRqRelCmp                                                                  | RelComSnd( TCV_chTch, ReleaseCmp_08( TCV_TI))                               |        |
| 28 |            | L!DL_DatRqChRel                                                                   | ChRel( TCV_chTch, ChRelease_01)                                             |        |
| 29 | L_055<br>2 | L?DL_RelIn                                                                        | DLRelInd_01                                                                 | (P) 8. |

**Detailed Comments:**

1. To setup a physical channel as BCCH CCCH and SDCCH4 combined channel.
2. CHANNEL REQUEST with "emergency call establishment" cause received.
3. CM SERVICE REQUEST with "emergency call establishment" service type received and the mobile identity IE specifies the IMEI of the MS, the classmark IE has the value specified in PIXIT.
4. EMERGENCY SETUP with BC indicating or without BC received.
5. To assign the traffic channel.
6. The TCH channel is not through connected, fail.
7. The TCH channel is through connected.
8. Main signalling link is released.

### Test Case Dynamic Behaviour

**Test Case Name:** TC\_26\_9\_6\_2\_2  
**Group:** GSM\_L3\_MS\_v4200/StructureProc/  
**Purpose:** 1) To verify that the MS in the "idle, no IMSI" state (no SIM inserted) when made to call the number 112, sends a CHANNEL REQUEST message with establishment cause "emergency call".

2) To verify that after assignment of a dedicated channel the first layer message sent by the MS on the assigned dedicated channel is a CM SERVICE REQUEST message in which the cipher key sequence number IE indicates "no key is available", the CM service type IE indicates "emergency call establishment", and the mobile identity IE specifies the IMEI of the MS.

3) To verify that after receipt of a CM SERVICE REJECT message from the SS, the MS abandons the emergency call establishment.

**Default:** OtherEventsFail  
**Comments:** For this test case the SIM card shall be removed from the MS.

| Nr | Label      | Behaviour Description                                                                                                                                                                                                                                                                                                                                                                                                                                                                                                                                                 | CRef                                                                                                                      | V   | Comments                |
|----|------------|-----------------------------------------------------------------------------------------------------------------------------------------------------------------------------------------------------------------------------------------------------------------------------------------------------------------------------------------------------------------------------------------------------------------------------------------------------------------------------------------------------------------------------------------------------------------------|---------------------------------------------------------------------------------------------------------------------------|-----|-------------------------|
| 1  |            | START T_guard(300)                                                                                                                                                                                                                                                                                                                                                                                                                                                                                                                                                    |                                                                                                                           |     |                         |
| 2  |            | +BasicServiceMO( C_EmgCall, TSPX_EmgCallRate)                                                                                                                                                                                                                                                                                                                                                                                                                                                                                                                         |                                                                                                                           |     |                         |
| 3  |            | +IdleUpdated( C_E_default, C_CellA, C_SCH_A, C_BCCH_A_1, C_ImmAss, C_S0, C_SlotNU, C_SlotNU, C_SlotNU, C_BCC, C_TxInt_5, C_Max_1, C_NECI_0, C_ATT_0, TimingAdv( 0), C_BABR_0, C_cch_1Comb, C_BPM_3, C_T3212_0, C_ci_cellA, C_MCC_1, C_PLMN_1, C_LAC_1, CellOpt_01, CellChDes_Omit, CellChDes_Omit, C_CellReselectHys12, C_MaxPwrLvIG, C_MaxPwrLvID, BcchFreqLst_45, BcchFreqLst_02, BcchFreqLst_03, BcchFreqLst_04, C_Restablishment, C_BCC, C_NCC, C_Start_Rej, TSPX_SDCCH4SubDef, TSPX_CKSNDef, TSPX_RANDDef, C_arfcnA, C_arfcnAd, TSPX_IMSI, C_Test_nfh, C_NCCP_2) |                                                                                                                           |     |                         |
| 4  | body       | +local_continue                                                                                                                                                                                                                                                                                                                                                                                                                                                                                                                                                       |                                                                                                                           |     |                         |
|    |            | <b>local_continue</b>                                                                                                                                                                                                                                                                                                                                                                                                                                                                                                                                                 |                                                                                                                           |     |                         |
| 5  |            | +InitCall(TCV_Service)                                                                                                                                                                                                                                                                                                                                                                                                                                                                                                                                                |                                                                                                                           |     |                         |
| 6  | L_055<br>3 | L?DL_RaInChRq (TCV_Rr := DL_RaInChRq.msg.ecau_rrf, TCV_Fn := DL_RaInChRq.fn)                                                                                                                                                                                                                                                                                                                                                                                                                                                                                          | ChReq(ChRequest_16)                                                                                                       | (P) | 2.                      |
| 7  |            | ACTIVATE(OtherEventsFail_02)                                                                                                                                                                                                                                                                                                                                                                                                                                                                                                                                          |                                                                                                                           |     | To match ChReq retrans. |
| 8  |            | LIDL_UdatRqImmAss                                                                                                                                                                                                                                                                                                                                                                                                                                                                                                                                                     | ImmAss( TCV_agch, ImmAsgn_01Def( TCV_Rr, TCV_Fn, TSPX_SDCCH4SubDef, TCV_slot, TCV_tsc, TCV_chdescr_arfcn, TimingAdv( 0))) |     |                         |
| 9  | L_055<br>4 | L?DL_EstInCmsRq                                                                                                                                                                                                                                                                                                                                                                                                                                                                                                                                                       | CMSerReq(CMSerReq_07)                                                                                                     | (P) | 3.                      |
| 10 |            | ACTIVATE(OtherEventsFail)                                                                                                                                                                                                                                                                                                                                                                                                                                                                                                                                             |                                                                                                                           |     | Restore Normal default  |
| 11 |            | L!DL_DatRqCmsRej                                                                                                                                                                                                                                                                                                                                                                                                                                                                                                                                                      | CMSerRej(TCV_ch, CMSerReq_02)                                                                                             |     |                         |
| 12 |            | START T_dly(5000)                                                                                                                                                                                                                                                                                                                                                                                                                                                                                                                                                     |                                                                                                                           |     | 4.                      |
| 13 |            | ?TIMEOUT T_dly                                                                                                                                                                                                                                                                                                                                                                                                                                                                                                                                                        |                                                                                                                           |     |                         |
| 14 |            | +PostMainLinkRel(TCV_ch)                                                                                                                                                                                                                                                                                                                                                                                                                                                                                                                                              |                                                                                                                           |     |                         |
| 15 |            | START T_dly(20000)                                                                                                                                                                                                                                                                                                                                                                                                                                                                                                                                                    |                                                                                                                           |     | 5.                      |
| 16 |            | ?TIMEOUT T_dly                                                                                                                                                                                                                                                                                                                                                                                                                                                                                                                                                        |                                                                                                                           |     |                         |

**Detailed Comments:**

- To setup a physical channel as BCCH CCCH and SDCCH4.
- CHANNEL REQUEST with "emergency call" received.
- CM SERVICE REQUEST with "emergency call establishment", IMEI, "no key available" and classmark received.
- To check whether the MS sends any L 3 messages, the test case fails in the default tree if the MS does.
- To check whether the MS initiates an RR connection establishment, the test case fails in the default tree if the MS does.

## Test Group EGSMSignalling

| Test Case Dynamic Behaviour |       |                                                                                                                                                                                                                                                                                                                                                                                                                                                                                                                                                                                                                                  |      |   |          |
|-----------------------------|-------|----------------------------------------------------------------------------------------------------------------------------------------------------------------------------------------------------------------------------------------------------------------------------------------------------------------------------------------------------------------------------------------------------------------------------------------------------------------------------------------------------------------------------------------------------------------------------------------------------------------------------------|------|---|----------|
| <b>Test Case Name:</b>      |       | TC_26_10_2_1                                                                                                                                                                                                                                                                                                                                                                                                                                                                                                                                                                                                                     |      |   |          |
| <b>Group:</b>               |       | GSM_L3_MS_v4200/EGSMSignalling/                                                                                                                                                                                                                                                                                                                                                                                                                                                                                                                                                                                                  |      |   |          |
| <b>Purpose:</b>             |       | To verify that the MS reports appropriate results when the test system gives information about neighbouring cells                                                                                                                                                                                                                                                                                                                                                                                                                                                                                                                |      |   |          |
| <b>Default:</b>             |       | OtherEventsFail                                                                                                                                                                                                                                                                                                                                                                                                                                                                                                                                                                                                                  |      |   |          |
| Nr                          | Label | Behaviour Description                                                                                                                                                                                                                                                                                                                                                                                                                                                                                                                                                                                                            | CRef | V | Comments |
| 1                           |       | START T_guard(480)                                                                                                                                                                                                                                                                                                                                                                                                                                                                                                                                                                                                               |      |   |          |
| 2                           |       | +BasicServiceMT( TSPX_MTBscSvcA,<br>TSPX_MTChRateA)                                                                                                                                                                                                                                                                                                                                                                                                                                                                                                                                                                              |      |   |          |
| 3                           |       | +IdleUpdated( C_E_neighbourdefault, C_CellA,<br>C_SCH_A, C_BCCH_A_1, C_Immass, C_S0,<br>C_SlotNU, C_SlotNU, C_SlotNU, C_BCC,<br>C_TxInt_5, C_Max_1, C_NECI_0, C_ATT_0,<br>TimingAdv( 30), C_BABR_0, C_cch_1Comb,<br>C_BPM_3, C_T3212_0, C_ci_cellA, C_MCC_1,<br>C_PLMN_1, C_LAC_1, CellOpt_01,<br>CellChDes_02, CellChDes_03,<br>C_CellReselectHys12, C_MaxPwrLvlG,<br>C_MaxPwrLvlD, BcchFreqLst_21,<br>BcchFreqLst_Omit, BcchFreqLst_27,<br>BcchFreqLst_Omit, C_noRestablishment,<br>C_BCC_3, C_NCC, C_Start_Tmsi,<br>TSPX_SDCCH4SubA, TSPX_CKSNDf,<br>TSPX_RANDDef, C_arfcn_2, C_arfcnAd_2,<br>TSPX_IMSI, C_Test_fh, C_NCCP_2) |      |   |          |
| 4                           |       | +StartMultiCells_02( BcchFreqLst_21,<br>BcchFreqLst_27, C_Immass, TCV_slot,<br>TCV_tsc, TimingAdv( 30), C_ATT_0,<br>C_BABR_0, C_cch_1Comb, C_BPM_3,<br>C_T3212_0, C_MCC_1, C_PLMN_1, C_LAC_1,<br>C_LAC_1, C_LAC_1, C_LAC_1, C_LAC_1,<br>C_LAC_1, C_LAC_1)                                                                                                                                                                                                                                                                                                                                                                        |      |   |          |
| 5                           |       | (TCV_Cnt:=0)                                                                                                                                                                                                                                                                                                                                                                                                                                                                                                                                                                                                                     |      |   |          |
| 6                           |       | REPEAT ltree_loopForC UNTIL [TCV_Cnt<br>=6]                                                                                                                                                                                                                                                                                                                                                                                                                                                                                                                                                                                      |      |   |          |
|                             |       | <b>ltree_loopForC</b>                                                                                                                                                                                                                                                                                                                                                                                                                                                                                                                                                                                                            |      |   |          |
| 7                           |       | +ltree_StartMultiCells                                                                                                                                                                                                                                                                                                                                                                                                                                                                                                                                                                                                           |      |   |          |
| 8                           |       | +CCConfigTCH( TSPX_TCHHSubDef, C_Ass,<br>TSPX_TmSltDef, TSPX_TscDef, TimingAdv( 30),<br>C_BABR_0, C_cch_1Comb, C_BPM_3,<br>TCV_ChMod.mode, FreqTCH_omit, FreqTCH_omit,<br>C_arfcn_tchA, C_arfcn_tchAd)                                                                                                                                                                                                                                                                                                                                                                                                                           |      |   |          |
| 9                           | body  | +PreEnterCCstateU10_r01( TimingAdv( 30),<br>TSPX_SDCCH4SubA, 0, 3, TSPX_CKSNDf,<br>TSPX_RANDDef, TSPX_TmSltDef,<br>TSPX_TscDef, TSPX_TCHHSubDef,<br>TCV_ChRate)                                                                                                                                                                                                                                                                                                                                                                                                                                                                  |      |   |          |
| 10                          |       | (TCV_Null := OM_StartMsrReport(<br>TCV_sacchTch))                                                                                                                                                                                                                                                                                                                                                                                                                                                                                                                                                                                |      |   |          |
| 11                          |       | +ltree_receiveMsrRept                                                                                                                                                                                                                                                                                                                                                                                                                                                                                                                                                                                                            |      |   |          |
| 12                          |       | +local_MsrReptCHK(1, 2)                                                                                                                                                                                                                                                                                                                                                                                                                                                                                                                                                                                                          |      |   |          |
| 13                          |       | START T_dly1(960)                                                                                                                                                                                                                                                                                                                                                                                                                                                                                                                                                                                                                |      |   | 960 ms   |
| 14                          |       | +ltree_receiveMsrRept2                                                                                                                                                                                                                                                                                                                                                                                                                                                                                                                                                                                                           |      |   |          |
| 15                          |       | +local_MsrReptCHK(1, 2)                                                                                                                                                                                                                                                                                                                                                                                                                                                                                                                                                                                                          |      |   |          |
| 16                          |       | (TCV_Null := OM_StopMsrReport(<br>TCV_sacchTch))                                                                                                                                                                                                                                                                                                                                                                                                                                                                                                                                                                                 |      |   |          |
| 17                          |       | +PostMainLinkRel( TCV_chTch)                                                                                                                                                                                                                                                                                                                                                                                                                                                                                                                                                                                                     |      |   |          |
| 18                          |       | +execution2                                                                                                                                                                                                                                                                                                                                                                                                                                                                                                                                                                                                                      |      |   |          |
|                             |       | <b>execution2</b>                                                                                                                                                                                                                                                                                                                                                                                                                                                                                                                                                                                                                |      |   |          |
| 19                          |       | +ltree_sysinfo5and5bis                                                                                                                                                                                                                                                                                                                                                                                                                                                                                                                                                                                                           |      |   | 1.       |
| 20                          |       | +PreEnterCCstateU10_r01(TimingAdv( 30),<br>TSPX_SDCCH4SubA, 0, 3, TSPX_CKSNDf,<br>TSPX_RANDDef, TSPX_TmSltDef, TSPX_TscDef,<br>TSPX_TCHHSubDef, TCV_ChRate)                                                                                                                                                                                                                                                                                                                                                                                                                                                                      |      |   |          |
| 21                          |       | (TCV_Null :=                                                                                                                                                                                                                                                                                                                                                                                                                                                                                                                                                                                                                     |      |   |          |

|    |                                              |                                                      |        |
|----|----------------------------------------------|------------------------------------------------------|--------|
| 22 | OM_StartMsrReport(TCV_sacchTch)              |                                                      |        |
| 23 | +ltree_receiveMsrRept                        |                                                      |        |
| 24 | +local_MsrReptCHK(1, 3)                      |                                                      |        |
| 25 | START T_dly1(960)                            |                                                      | 960 ms |
| 26 | +ltree_receiveMsrRept2                       |                                                      |        |
| 27 | +local_MsrReptCHK(1, 3)                      |                                                      |        |
| 28 | (TCV_Null := OM_StopMsrReport(TCV_sacchTch)) |                                                      |        |
| 29 | +PostMainLinkRel(TCV_chTch)                  |                                                      |        |
|    | (TCV_Cnt:=(TCV_Cnt +1))                      |                                                      |        |
|    | <b>ltree_sysinfo5and5bis</b>                 |                                                      |        |
| 30 | +Wait(C_T_Wait1)                             |                                                      |        |
| 31 | [TCV_Cnt = 1]                                |                                                      |        |
| 32 | LIDL_UdatRqSysinfo5                          | SysInfo5(TCV_sacch, SysInf5(BcchFreqLst_e201))       |        |
| 33 | LIDL_UdatRqSysinfo5bis                       | SysInfo5bis(TCV_sacch, SysInf5bis(BcchFreqLst_e207)) |        |
| 34 | [TCV_Cnt = 2]                                |                                                      |        |
| 35 | LIDL_UdatRqSysinfo5                          | SysInfo5(TCV_sacch, SysInf5(BcchFreqLst_e202))       |        |
| 36 | LIDL_UdatRqSysinfo5bis                       | SysInfo5bis(TCV_sacch, SysInf5bis(BcchFreqLst_e208)) |        |
| 37 | [TCV_Cnt = 3]                                |                                                      |        |
| 38 | LIDL_UdatRqSysinfo5                          | SysInfo5(TCV_sacch, SysInf5(BcchFreqLst_e203))       |        |
| 39 | LIDL_UdatRqSysinfo5bis                       | SysInfo5bis(TCV_sacch, SysInf5bis(BcchFreqLst_e209)) |        |
| 40 | [TCV_Cnt = 4]                                |                                                      |        |
| 41 | LIDL_UdatRqSysinfo5                          | SysInfo5(TCV_sacch, SysInf5(BcchFreqLst_e204))       |        |
| 42 | LIDL_UdatRqSysinfo5bis                       | SysInfo5bis(TCV_sacch, SysInf5bis(BcchFreqLst_e210)) |        |
| 43 | [TCV_Cnt = 5]                                |                                                      |        |
| 44 | LIDL_UdatRqSysinfo5                          | SysInfo5(TCV_sacch, SysInf5(BcchFreqLst_e205))       |        |
| 45 | LIDL_UdatRqSysinfo5bis                       | SysInfo5bis(TCV_sacch, SysInf5bis(BcchFreqLst_e211)) |        |
| 46 | [TCV_Cnt = 6]                                |                                                      |        |
| 47 | LIDL_UdatRqSysinfo5                          | SysInfo5(TCV_sacch, SysInf5(BcchFreqLst_e206))       |        |
| 48 | LIDL_UdatRqSysinfo5bis                       | SysInfo5bis(TCV_sacch, SysInf5bis(BcchFreqLst_e212)) |        |
|    | <b>local_MsrReptCHK(in1, in2:INTEGER)</b>    |                                                      |        |
| 49 | (TCV_Res := OC_MsrReptChk(TCV_MsrRes, in1))  |                                                      |        |
| 50 | L_055 [NOT TCV_Res]                          |                                                      | (F)    |
| 51 | L_056 [TCV_Res]                              |                                                      | (P)    |
|    | <b>ltree_receiveMsrRept</b>                  |                                                      |        |

|    |            |                                                                        |  |                                        |        |
|----|------------|------------------------------------------------------------------------|--|----------------------------------------|--------|
| 52 |            | [TCV_Cnt = 1]                                                          |  |                                        |        |
| 53 |            | L?DL_UdatInMsRpt (TCV_MsrRes := DL_UdatInMsRpt.msg.msrr)               |  | MsrRept(MsrReport_03e(MsrResult_03e1)) |        |
| 54 |            | [TCV_Cnt = 2]                                                          |  |                                        |        |
| 55 |            | L?DL_UdatInMsRpt (TCV_MsrRes := DL_UdatInMsRpt.msg.msrr)               |  | MsrRept(MsrReport_03e(MsrResult_03e2)) |        |
| 56 |            | [TCV_Cnt = 3]                                                          |  |                                        |        |
| 57 |            | L?DL_UdatInMsRpt (TCV_MsrRes := DL_UdatInMsRpt.msg.msrr)               |  | MsrRept(MsrReport_03e(MsrResult_03e3)) |        |
| 58 |            | [TCV_Cnt = 4]                                                          |  |                                        |        |
| 59 |            | L?DL_UdatInMsRpt (TCV_MsrRes := DL_UdatInMsRpt.msg.msrr)               |  | MsrRept(MsrReport_03e(MsrResult_03e4)) |        |
| 60 |            | [TCV_Cnt = 5]                                                          |  |                                        |        |
| 61 |            | L?DL_UdatInMsRpt (TCV_MsrRes := DL_UdatInMsRpt.msg.msrr)               |  | MsrRept(MsrReport_03e(MsrResult_03e5)) |        |
| 62 |            | [TCV_Cnt = 6]                                                          |  |                                        |        |
| 63 |            | L?DL_UdatInMsRpt (TCV_MsrRes := DL_UdatInMsRpt.msg.msrr)               |  | MsrRept(MsrReport_04e)                 |        |
|    |            | <b>Itree_receiveMsRpt2</b>                                             |  |                                        |        |
| 64 |            | [TCV_Cnt = 1]                                                          |  |                                        |        |
| 65 | L_055<br>7 | ?TIMEOUT T_dly1                                                        |  |                                        | (F) 1. |
| 66 |            | +PostMainLinkRel(TCV_chTch)                                            |  |                                        |        |
| 67 |            | L?DL_UdatInMsRpt (TCV_MsrRes := DL_UdatInMsRpt.msg.msrr) CANCEL T_dly1 |  | MsrRept(MsrReport_03e(MsrResult_03e1)) |        |
| 68 |            | [TCV_Cnt = 2]                                                          |  |                                        |        |
| 69 | L_055<br>8 | ?TIMEOUT T_dly1                                                        |  |                                        | (F) 1. |
| 70 |            | +PostMainLinkRel(TCV_chTch)                                            |  |                                        |        |
| 71 |            | L?DL_UdatInMsRpt (TCV_MsrRes := DL_UdatInMsRpt.msg.msrr) CANCEL T_dly1 |  | MsrRept(MsrReport_03e(MsrResult_03e2)) |        |
| 72 |            | [TCV_Cnt = 3]                                                          |  |                                        |        |
| 73 | L_055<br>9 | ?TIMEOUT T_dly1                                                        |  |                                        | (F) 1. |
| 74 |            | +PostMainLinkRel(TCV_chTch)                                            |  |                                        |        |
| 75 |            | L?DL_UdatInMsRpt (TCV_MsrRes := DL_UdatInMsRpt.msg.msrr) CANCEL T_dly1 |  | MsrRept(MsrReport_03e(MsrResult_03e3)) |        |
| 76 |            | [TCV_Cnt = 4]                                                          |  |                                        |        |
| 77 | L_056<br>0 | ?TIMEOUT T_dly1                                                        |  |                                        | (F) 1. |
| 78 |            | +PostMainLinkRel(TCV_chTch)                                            |  |                                        |        |
| 79 |            | L?DL_UdatInMsRpt (TCV_MsrRes := DL_UdatInMsRpt.msg.msrr) CANCEL T_dly1 |  | MsrRept(MsrReport_03e(MsrResult_03e4)) |        |
| 80 |            | [TCV_Cnt = 5]                                                          |  |                                        |        |
| 81 | L_056<br>1 | ?TIMEOUT T_dly1                                                        |  |                                        | (F) 1. |
| 82 |            | +PostMainLinkRel(TCV_chTch)                                            |  |                                        |        |
| 83 |            | L?DL_UdatInMsRpt (TCV_MsrRes := DL_UdatInMsRpt.msg.msrr) CANCEL T_dly1 |  | MsrRept(MsrReport_03e(MsrResult_03e5)) |        |
| 84 |            | [TCV_Cnt = 6]                                                          |  |                                        |        |
| 85 | L_056<br>2 | ?TIMEOUT T_dly1                                                        |  |                                        | (F) 1. |
| 86 |            | +PostMainLinkRel(TCV_chTch)                                            |  |                                        |        |
| 87 |            | L?DL_UdatInMsRpt (TCV_MsrRes := DL_UdatInMsRpt.msg.msrr) CANCEL T_dly1 |  | MsrRept(MsrReport_04e)                 |        |
|    |            | <b>Itree_StartMultiCells</b>                                           |  |                                        |        |
| 88 |            | [TCV_Cnt = 0]                                                          |  |                                        |        |

|                           |                                                                                                                                                                                                                                                           |                                                                                                                    |  |  |
|---------------------------|-----------------------------------------------------------------------------------------------------------------------------------------------------------------------------------------------------------------------------------------------------------|--------------------------------------------------------------------------------------------------------------------|--|--|
| 89                        | [TCV_Cnt = 1]                                                                                                                                                                                                                                             |                                                                                                                    |  |  |
| 90                        | +StartMultiCells_02e(BcchFreqLst_e201,<br>BcchFreqLst_27, C_Immass, TCV_slot, TCV_tsc,<br>TimingAdv(0), 0, C_BABR_0, C_cch_1Comb,<br>C_BPM_3, C_T3212_0, C_MCC_1, C_PLMN_1,<br>C_LAC_1, C_LAC_2, C_LAC_3, C_LAC_4,<br>C_LAC_5, C_LAC_6, C_LAC_7, C_LAC_8) |                                                                                                                    |  |  |
| 91                        | [TCV_Cnt = 2]                                                                                                                                                                                                                                             |                                                                                                                    |  |  |
| 92                        | +StartMultiCells_02e(BcchFreqLst_e202,<br>BcchFreqLst_27, C_Immass, TCV_slot, TCV_tsc,<br>TimingAdv(0), 0, C_BABR_0, C_cch_1Comb,<br>C_BPM_3, C_T3212_0, C_MCC_1, C_PLMN_1,<br>C_LAC_1, C_LAC_2, C_LAC_3, C_LAC_4,<br>C_LAC_5, C_LAC_6, C_LAC_7, C_LAC_8) |                                                                                                                    |  |  |
| 93                        | [TCV_Cnt = 3]                                                                                                                                                                                                                                             |                                                                                                                    |  |  |
| 94                        | +StartMultiCells_02e(BcchFreqLst_e203,<br>BcchFreqLst_27, C_Immass, TCV_slot, TCV_tsc,<br>TimingAdv(0), 0, C_BABR_0, C_cch_1Comb,<br>C_BPM_3, C_T3212_0, C_MCC_1, C_PLMN_1,<br>C_LAC_1, C_LAC_2, C_LAC_3, C_LAC_4,<br>C_LAC_5, C_LAC_6, C_LAC_7, C_LAC_8) |                                                                                                                    |  |  |
| 95                        | [TCV_Cnt = 4]                                                                                                                                                                                                                                             |                                                                                                                    |  |  |
| 96                        | +StartMultiCells_02e(BcchFreqLst_e204,<br>BcchFreqLst_27, C_Immass, TCV_slot, TCV_tsc,<br>TimingAdv(0), 0, C_BABR_0, C_cch_1Comb,<br>C_BPM_3, C_T3212_0, C_MCC_1, C_PLMN_1,<br>C_LAC_1, C_LAC_2, C_LAC_3, C_LAC_4,<br>C_LAC_5, C_LAC_6, C_LAC_7, C_LAC_8) |                                                                                                                    |  |  |
| 97                        | [TCV_Cnt = 5]                                                                                                                                                                                                                                             |                                                                                                                    |  |  |
| 98                        | +StartMultiCells_02e(BcchFreqLst_e205,<br>BcchFreqLst_27, C_Immass, TCV_slot, TCV_tsc,<br>TimingAdv(0), 0, C_BABR_0, C_cch_1Comb,<br>C_BPM_3, C_T3212_0, C_MCC_1, C_PLMN_1,<br>C_LAC_1, C_LAC_2, C_LAC_3, C_LAC_4,<br>C_LAC_5, C_LAC_6, C_LAC_7, C_LAC_8) |                                                                                                                    |  |  |
| 99                        | [TCV_Cnt = 6]                                                                                                                                                                                                                                             |                                                                                                                    |  |  |
| 100                       | +StartMultiCells_02e(BcchFreqLst_e206,<br>BcchFreqLst_27, C_Immass, TCV_slot, TCV_tsc,<br>TimingAdv(0), 0, C_BABR_0, C_cch_1Comb,<br>C_BPM_3, C_T3212_0, C_MCC_1, C_PLMN_1,<br>C_LAC_1, C_LAC_2, C_LAC_3, C_LAC_4,<br>C_LAC_5, C_LAC_6, C_LAC_7, C_LAC_8) |                                                                                                                    |  |  |
| <b>Detailed Comments:</b> |                                                                                                                                                                                                                                                           | 1. The interval between 2 successive layer 2 frames containing MEASUREMENT REPORT exceeds one layer 2 frame, fail. |  |  |



| Test Case Dynamic Behaviour |            |                                                                                                                                                                                                                                                                                                                                                                                                                                                                                                                                                                                      |                                                                                                           |     |                         |
|-----------------------------|------------|--------------------------------------------------------------------------------------------------------------------------------------------------------------------------------------------------------------------------------------------------------------------------------------------------------------------------------------------------------------------------------------------------------------------------------------------------------------------------------------------------------------------------------------------------------------------------------------|-----------------------------------------------------------------------------------------------------------|-----|-------------------------|
| <b>Test Case Name:</b>      |            | TC_26_10_2_2                                                                                                                                                                                                                                                                                                                                                                                                                                                                                                                                                                         |                                                                                                           |     |                         |
| <b>Group:</b>               |            | GSM_L3_MS_v4200/EGSMsignalling/                                                                                                                                                                                                                                                                                                                                                                                                                                                                                                                                                      |                                                                                                           |     |                         |
| <b>Purpose:</b>             |            | To verify that the MS can correctly set up a dedicated control channel when E-GSM frequencies are used.                                                                                                                                                                                                                                                                                                                                                                                                                                                                              |                                                                                                           |     |                         |
| <b>Default:</b>             |            | OtherEventsFail                                                                                                                                                                                                                                                                                                                                                                                                                                                                                                                                                                      |                                                                                                           |     |                         |
| Nr                          | Label      | Behaviour Description                                                                                                                                                                                                                                                                                                                                                                                                                                                                                                                                                                | CRef                                                                                                      | V   | Comments                |
| 1                           | pre        | START T_guard(300)                                                                                                                                                                                                                                                                                                                                                                                                                                                                                                                                                                   |                                                                                                           |     |                         |
| 2                           |            | (TCV_ia_ts:= TSPX_TmSlitNotZero, TCV_Cnt:= 0)                                                                                                                                                                                                                                                                                                                                                                                                                                                                                                                                        |                                                                                                           |     |                         |
| 3                           |            | +IdleUpdated( C_E_default, C_CellA, C_SCH_A, C_BCCH_A_1, C_Immass, C_S0, C_SlotNU, C_SlotNU, C_SlotNU, C_BCC, C_TxInt_5, C_Max_1, C_NECI_0, C_ATT_0, TimingAdv( 0), C_BABR_0, C_cch_1nonComb, C_BPM_3, C_T3212_1, C_ci_cellA, C_MCC_1, C_PLMN_1, C_LAC_1, CellOpt_01, CellChDes_19, CellChDes_Omit, C_CellReselectHys12, C_MaxPwrLvIG, C_MaxPwrLvID, BcchFreqLst_01, BcchFreqLst_Omit, BcchFreqLst_46, BcchFreqLst_Omit, C_noRestablishment, C_BCC, C_NCC, C_Start_Tmsi, TSPX_SDCCH4SubDef, TSPX_CKSNDf, TSPX_RANDDef, C_arfcn_1015, C_arfcn_1015, TSPX_IMSI, C_Test_egsm, C_NCCP_2) |                                                                                                           |     |                         |
| 4                           |            | +SDCCH8_A_1_nociph( TSPX_SDCCH8SubA, C_Ass, TSPX_TmSlitNotZero, TSPX_TscDef, ChMod_sign, FreqSDCCH8_e1, FreqSDCCH8_e1, TimingAdv( 0), C_BABR_0, C_cch_1nonComb, C_BPM_3)                                                                                                                                                                                                                                                                                                                                                                                                             |                                                                                                           |     | for 1)                  |
| 5                           |            | +SysInfo_5bisSending( TCV_sacch8, TCV_sysinfo5bis)                                                                                                                                                                                                                                                                                                                                                                                                                                                                                                                                   |                                                                                                           |     |                         |
| 6                           |            | +SDCCH8_A_2_nociph( TSPX_SDCCH8SubB, C_Ass, TSPX_TmSlitNotZero, TSPX_TscDef, ChMod_r01, FreqSDCCH8_e2, FreqSDCCH8_e2, TimingAdv( 0), C_BABR_0, C_cch_1nonComb, C_BPM_3)                                                                                                                                                                                                                                                                                                                                                                                                              |                                                                                                           |     | for 2)                  |
| 7                           |            | +SysInfo_5bisSending( TCV_sacchTch, TCV_sysinfo5bis)                                                                                                                                                                                                                                                                                                                                                                                                                                                                                                                                 |                                                                                                           |     |                         |
| 8                           | body       | REPEAT localtree_body UNTIL [TCV_Cnt =2]                                                                                                                                                                                                                                                                                                                                                                                                                                                                                                                                             |                                                                                                           |     |                         |
|                             |            | <b>localtree_body</b>                                                                                                                                                                                                                                                                                                                                                                                                                                                                                                                                                                |                                                                                                           |     |                         |
| 9                           |            | +Wait(C_T_Wait1)                                                                                                                                                                                                                                                                                                                                                                                                                                                                                                                                                                     |                                                                                                           |     |                         |
| 10                          |            | LIDL_UdatRqPg1Rq                                                                                                                                                                                                                                                                                                                                                                                                                                                                                                                                                                     | PgReq1(TCV_PgCh, TCV_Pgg, PgReqTp1_01)                                                                    |     |                         |
| 11                          |            | L?DL_RaInChRq ( TCV_Rr := DL_RaInChRq.msg.ecau_rrf, TCV_Fn := DL_RaInChRq.fn)                                                                                                                                                                                                                                                                                                                                                                                                                                                                                                        | ChReq( ChRequest_17)                                                                                      |     |                         |
| 12                          |            | ACTIVATE(OtherEventsFail_02)                                                                                                                                                                                                                                                                                                                                                                                                                                                                                                                                                         |                                                                                                           |     | To match ChReq retrans. |
| 13                          |            | +Itree_send_immass                                                                                                                                                                                                                                                                                                                                                                                                                                                                                                                                                                   |                                                                                                           |     |                         |
| 14                          | L_056<br>3 | L?DL_EstInPgRes                                                                                                                                                                                                                                                                                                                                                                                                                                                                                                                                                                      | PgRes( TCV_ch, PagingRes_01)                                                                              | (P) |                         |
| 15                          |            | ACTIVATE(OtherEventsFail)                                                                                                                                                                                                                                                                                                                                                                                                                                                                                                                                                            |                                                                                                           |     | Restore Normal default  |
| 16                          |            | +ChanRel(TCV_ch)                                                                                                                                                                                                                                                                                                                                                                                                                                                                                                                                                                     |                                                                                                           |     |                         |
| 17                          |            | (TCV_Cnt := TCV_Cnt + 1)                                                                                                                                                                                                                                                                                                                                                                                                                                                                                                                                                             |                                                                                                           |     |                         |
|                             |            | <b>Itree_send_immass</b>                                                                                                                                                                                                                                                                                                                                                                                                                                                                                                                                                             |                                                                                                           |     |                         |
| 18                          |            | [TCV_Cnt = 1]                                                                                                                                                                                                                                                                                                                                                                                                                                                                                                                                                                        |                                                                                                           |     |                         |
| 19                          |            | LIDL_UdatRqImm                                                                                                                                                                                                                                                                                                                                                                                                                                                                                                                                                                       | ImmAss( TCV_agch, ImmAsgn_E_01(TCV_Rr, TCV_Fn, TCV_ia_ts, TSPX_TscDef, TCV_chdescr_arfcn, TimingAdv( 0))) |     | 1)                      |
| 20                          |            | (TCV_ch := OC_SubchOfSdcch8( TSPX_SDCCH8SubA, C_CellA, 1))                                                                                                                                                                                                                                                                                                                                                                                                                                                                                                                           |                                                                                                           |     |                         |
| 21                          |            | [TCV_Cnt = 2]                                                                                                                                                                                                                                                                                                                                                                                                                                                                                                                                                                        |                                                                                                           |     |                         |
| 22                          |            | LIDL_UdatRqImm                                                                                                                                                                                                                                                                                                                                                                                                                                                                                                                                                                       | ImmAss( TCV_agch,                                                                                         |     | 2)                      |

|                                                                                                                                                                                          |  |                                                               |                                                                                  |  |  |
|------------------------------------------------------------------------------------------------------------------------------------------------------------------------------------------|--|---------------------------------------------------------------|----------------------------------------------------------------------------------|--|--|
| 23                                                                                                                                                                                       |  | (TCV_ch := OC_SubchOfSdcch8(<br>TSPX_SDCCH8SubB, C_CellA, 2)) | ImmAsgn_E_02(<br>TCV_Rr, TCV_Fn,<br>TCV_ia_ts,<br>TSPX_TscDef,<br>TimingAdv( 0)) |  |  |
| <b>Detailed Comments:</b> <ul style="list-style-type: none"> <li>1) Immediate Assignment with single RF on ARFCN=1015</li> <li>2) Immediate Assignment with frequency hopping</li> </ul> |  |                                                               |                                                                                  |  |  |

| Test Case Dynamic Behaviour |       |                                                                                                                                                                                                                                                                                                                                                                                                                                                                                                                                                                             |                                                                                             |   |                         |
|-----------------------------|-------|-----------------------------------------------------------------------------------------------------------------------------------------------------------------------------------------------------------------------------------------------------------------------------------------------------------------------------------------------------------------------------------------------------------------------------------------------------------------------------------------------------------------------------------------------------------------------------|---------------------------------------------------------------------------------------------|---|-------------------------|
| <b>Test Case Name:</b>      |       | TC_26_10_2_3                                                                                                                                                                                                                                                                                                                                                                                                                                                                                                                                                                |                                                                                             |   |                         |
| <b>Group:</b>               |       | GSM_L3_MS_v4200/EGSMsignalling/                                                                                                                                                                                                                                                                                                                                                                                                                                                                                                                                             |                                                                                             |   |                         |
| <b>Purpose:</b>             |       | <p>1. To verify that upon receipt of an ASSIGNMENT COMMAND, the MS switches to the channel defined in the ASSIGNMENT COMMAND, establishes the link and sends an ASSIGNMENT COMPLETE message.</p> <p>2. To verify that an MS, having received an ASSIGNMENT COMMAND, is able in case of frequency hopping to decode the mobile allocation and frequency list correctly and applies the specified frequencies.</p>                                                                                                                                                            |                                                                                             |   |                         |
| <b>Default:</b>             |       | OtherEventsFail                                                                                                                                                                                                                                                                                                                                                                                                                                                                                                                                                             |                                                                                             |   |                         |
| Nr                          | Label | Behaviour Description                                                                                                                                                                                                                                                                                                                                                                                                                                                                                                                                                       | CRef                                                                                        | V | Comments                |
| 1                           | pre   | START T_guard(300)                                                                                                                                                                                                                                                                                                                                                                                                                                                                                                                                                          |                                                                                             |   |                         |
| 2                           |       | (TCV_ia_ts:= TSPX_TmSlitA, TCV_Cnt := 0)                                                                                                                                                                                                                                                                                                                                                                                                                                                                                                                                    |                                                                                             |   |                         |
| 3                           |       | +IdleUpdated( C_E_default, C_CellA, C_SCH_A, C_BCCH_A_1, C_Immass, C_S0, C_SlotNU, C_SlotNU, C_SlotNU, C_BCC, C_TxInt_5, C_Max_1, C_NECL_0, C_ATT_0, TimingAdv( 0), C_BABR_0, C_cch_1Comb, C_BPM_3, C_T3212_0, C_ci_cellA, C_MCC_1, C_PLMN_1, C_LAC_1, CellOpt_01, CellChDes_22, CellChDes_Omit, C_CellReselectHys12, C_MaxPwrLvlG, C_MaxPwrLvlD, BcchFreqLst_01, BcchFreqLst_Omit, BcchFreqLst_46, BcchFreqLst_Omit, C_noReestablishment, C_BCC, C_NCC, C_Start_Tmsi, TSPX_SDCCH4SubDef, TSPX_CKSNDf, TSPX_RANDDef, C_arfcnA, C_arfcnAd, TSPX_IMSI, C_Test_egsm, C_NCCP_2) |                                                                                             |   |                         |
| 4                           |       | +SDCCH8_A_1_nociph( TSPX_SDCCH8SubDef, C_Ass, TSPX_TmSlitDef, TSPX_TscDef, ChMod_sign, FreqBCCH( C_arfcnA), FreqBCCH( C_arfcnAd_4), TimingAdv( 0), C_BABR_0, C_cch_1nonComb, C_BPM_3)                                                                                                                                                                                                                                                                                                                                                                                       |                                                                                             |   |                         |
| 5                           |       | +SysInfo_5bisSending( TCV_sacch8, TCV_sysinfo5bis)                                                                                                                                                                                                                                                                                                                                                                                                                                                                                                                          |                                                                                             |   |                         |
| 6                           | body  | REPEAT localtree_body UNTIL [TCV_Cnt =2]                                                                                                                                                                                                                                                                                                                                                                                                                                                                                                                                    |                                                                                             |   |                         |
|                             |       | <b>localtree_body</b>                                                                                                                                                                                                                                                                                                                                                                                                                                                                                                                                                       |                                                                                             |   |                         |
| 7                           |       | +Wait(C_T_Wait1)                                                                                                                                                                                                                                                                                                                                                                                                                                                                                                                                                            |                                                                                             |   |                         |
| 8                           |       | LIDL_UdatRqPg1Rq                                                                                                                                                                                                                                                                                                                                                                                                                                                                                                                                                            | PgReq1(TCV_PgCh, TCV_Pgg, PgReqTp1_01)                                                      |   |                         |
| 9                           |       | L?DL_RacInChRq ( TCV_Rr := DL_RacInChRq.msg.ecau_rrf, TCV_Fn := DL_RacInChRq.fn)                                                                                                                                                                                                                                                                                                                                                                                                                                                                                            | ChReq( ChRequest_17)                                                                        |   |                         |
| 10                          |       | ACTIVATE(OtherEventsFail_02)                                                                                                                                                                                                                                                                                                                                                                                                                                                                                                                                                |                                                                                             |   | To match ChReq retrans. |
| 11                          |       | LIDL_UdatRqImmass                                                                                                                                                                                                                                                                                                                                                                                                                                                                                                                                                           | ImmAss( TCV_agch, ImmAsgn_27( TCV_Rr, TCV_Fn, TCV_ia_ts, TCV_chdescr_arfcn, TimingAdv( 0))) |   |                         |
| 12                          |       | L?DL_EstInPgRes                                                                                                                                                                                                                                                                                                                                                                                                                                                                                                                                                             | PgRes( TCV_ch, PagingRes_01)                                                                |   |                         |
| 13                          |       | ACTIVATE(OtherEventsFail)                                                                                                                                                                                                                                                                                                                                                                                                                                                                                                                                                   |                                                                                             |   | Restore Normal default  |
| 14                          |       | +ltree_chtype                                                                                                                                                                                                                                                                                                                                                                                                                                                                                                                                                               |                                                                                             |   |                         |
| 15                          |       | +ltree_send_ch_assign                                                                                                                                                                                                                                                                                                                                                                                                                                                                                                                                                       |                                                                                             |   |                         |
| 16                          |       | +ChanRel(TCV_chTch)                                                                                                                                                                                                                                                                                                                                                                                                                                                                                                                                                         |                                                                                             |   |                         |
| 17                          |       | (TCV_Cnt := (TCV_Cnt + 1))                                                                                                                                                                                                                                                                                                                                                                                                                                                                                                                                                  |                                                                                             |   | Loop for K              |
|                             |       | <b>ltree_chtype</b>                                                                                                                                                                                                                                                                                                                                                                                                                                                                                                                                                         |                                                                                             |   |                         |
| 18                          |       | [TSPC_Serv_TS11 OR TSPC_Serv_TS12]                                                                                                                                                                                                                                                                                                                                                                                                                                                                                                                                          |                                                                                             |   |                         |
| 19                          |       | (TCV_chtype := '00001'B)                                                                                                                                                                                                                                                                                                                                                                                                                                                                                                                                                    |                                                                                             |   | for TCH                 |
| 20                          |       | [(NOT TSPC_Serv_TS11) AND( NOT TSPC_Serv_TS12)]                                                                                                                                                                                                                                                                                                                                                                                                                                                                                                                             |                                                                                             |   |                         |
| 21                          |       | (TCV_chtype := INT_TO_BIT(( 8 + BIT_TO_INT( TSPX_SDCCH8SubA)), 5))                                                                                                                                                                                                                                                                                                                                                                                                                                                                                                          |                                                                                             |   | for SDCCH8              |

|    |                                                                                                                                                                                                                                            |            |
|----|--------------------------------------------------------------------------------------------------------------------------------------------------------------------------------------------------------------------------------------------|------------|
| 22 | <b>ltree_send_ch_assign</b>                                                                                                                                                                                                                |            |
| 23 | [TCV_Cnt = 1]                                                                                                                                                                                                                              |            |
| 24 | (TCV_asscmd_ts := INT_TO_BIT((( BIT_TO_INT(TSPX_TmSlitA) + 1) MOD 8), 3), TCV_Cnt1 := 1)                                                                                                                                                   |            |
| 25 | REPEAT ltree_assign1 UNTIL [TCV_Cnt1 = 6]                                                                                                                                                                                                  |            |
| 26 | [TCV_Cnt = 2]                                                                                                                                                                                                                              |            |
| 27 | (TCV_Cnt1 := 1)                                                                                                                                                                                                                            |            |
| 28 | REPEAT ltree_assign2 UNTIL [TCV_Cnt1 = 6]                                                                                                                                                                                                  |            |
| 29 | <b>ltree_assign1</b>                                                                                                                                                                                                                       |            |
| 30 | +ltree_assign1_setup                                                                                                                                                                                                                       |            |
| 31 | +ltree_chnassign1                                                                                                                                                                                                                          |            |
| 32 | (TCV_AssCmd := AsgnCmd_22_Ae1(TCV_asscmd_ts, TCV_chtype, TCV_flist, TCV_flistl, TCV_n))                                                                                                                                                    |            |
| 33 | +AssCh_complete( TCV_ch, TCV_chTch, TCV_AssCmd)                                                                                                                                                                                            | 1)         |
| 34 | (TCV_Cnt1 := (TCV_Cnt1 + 1))                                                                                                                                                                                                               | Loop for C |
| 35 | <b>ltree_assign2</b>                                                                                                                                                                                                                       |            |
| 36 | +ltree_assign2_setup                                                                                                                                                                                                                       |            |
| 37 | +ltree_asscmdsending                                                                                                                                                                                                                       |            |
| 38 | (TCV_Cnt1 := (TCV_Cnt1 + 1))                                                                                                                                                                                                               |            |
| 39 | <b>ltree_asscmdsending</b>                                                                                                                                                                                                                 |            |
| 40 | [TCV_Cnt1 = 4]                                                                                                                                                                                                                             |            |
| 41 | +ltree_chnassign1                                                                                                                                                                                                                          | 3)         |
| 42 | (TCV_AssCmd := AsgnCmd_22_Ae2(TCV_asscmd_ts, TCV_chtype, TCV_cchdescr, TCV_mae1, TCV_n))                                                                                                                                                   |            |
| 43 | +AssCh_complete( TCV_ch, TCV_chTch, TCV_AssCmd)                                                                                                                                                                                            | 2)         |
| 44 | [TCV_Cnt1 <> 4]                                                                                                                                                                                                                            |            |
| 45 | +ltree_chnassign2                                                                                                                                                                                                                          | 4)         |
| 46 | (TCV_AssCmd := AsgnCmd_22_Ae3(TCV_asscmd_ts, TCV_chtype, TCV_cchdescr, TCV_mae1, TCV_mae2, TCV_n))                                                                                                                                         |            |
| 47 | +AssCh_complete( TCV_ch, TCV_chTch, TCV_AssCmd)                                                                                                                                                                                            | 2)         |
| 48 | <b>ltree_chnassign1</b>                                                                                                                                                                                                                    |            |
| 49 | [TSPC_Serv_TS11 OR TSPC_Serv_TS12]                                                                                                                                                                                                         | 1)         |
| 50 | +FullRateCh_A_1_nociph(C_Ass, TCV_asscmd_ts, TCV_tsc, ChMod_speech, FreqTCH_ef1(TCV_mae1, TCV_flist, TCV_flistl, TCV_n), FreqTCH_ef1(TCV_mae1, TCV_flist, TCV_flistl, TCV_n), TimingAdv(0), C_BABR_0, C_cch_1Comb, C_BPM_3)                |            |
| 51 | +SysInfo_5bisSending( TCV_sacchTch, TCV_sysinfo5bis)                                                                                                                                                                                       |            |
| 52 | [(NOT TSPC_Serv_TS11) AND( NOT TSPC_Serv_TS12)]                                                                                                                                                                                            | 2)         |
| 53 | +SDCCH8_A_2_nociph( TSPX_SDCCH8SubA, C_Ass, TCV_asscmd_ts, TCV_tsc, ChMod_sign, FreqTCH_ef1( TCV_mae1,TCV_flist, TCV_flistl, TCV_n), FreqTCH_ef1( TCV_mae1,TCV_flist, TCV_flistl, TCV_n), TimingAdv(0), C_BABR_0, C_cch_1nonComb, C_BPM_3) |            |
| 54 | +SysInfo_5bisSending( TCV_sacchTch, TCV_sysinfo5bis)                                                                                                                                                                                       |            |
| 55 | <b>ltree_chnassign2</b>                                                                                                                                                                                                                    |            |
| 56 | [TSPC_Serv_TS11 OR TSPC_Serv_TS12]                                                                                                                                                                                                         | 1)         |
| 57 | +FullRateCh_A_1_nociph(C_Ass, TCV_asscmd_ts, TCV_tsc, ChMod_speech, FreqTCH_ef2(TCV_mae1, TCV_mae2, TCV_flist, TCV_flistl, TCV_n), FreqTCH_ef2( TCV_mae1, TCV_mae2, TCV_flist, TCV_flistl, TCV_n), TimingAdv(0),                           |            |

|                           |                                                                                                                                                                                                                                                                                     |                                                                                                                                                                                                                              |    |
|---------------------------|-------------------------------------------------------------------------------------------------------------------------------------------------------------------------------------------------------------------------------------------------------------------------------------|------------------------------------------------------------------------------------------------------------------------------------------------------------------------------------------------------------------------------|----|
| 52                        | C_BABR_0, C_cch_1nonComb, C_BPM_3)<br>+SysInfo_5bisSending( TCV_sacchTch,<br>TCV_sysinfo5bis)                                                                                                                                                                                       |                                                                                                                                                                                                                              |    |
| 53                        | [(NOT TSPC_Serv_TS11) AND( NOT<br>TSPC_Serv_TS12)]                                                                                                                                                                                                                                  |                                                                                                                                                                                                                              | 2) |
| 54                        | +SDCCH8_A_2_nociph( TSPX_SDCCH8SubA,<br>C_Ass, TCV_asscmd_ts, TCV_tsc, ChMod_sign,<br>FreqTCH_ef2( TCV_mae1, TCV_mae2, TCV_flist,<br>TCV_flistl, TCV_n), FreqTCH_ef2( TCV_mae1,<br>TCV_mae2, TCV_flist, TCV_flistl, TCV_n),<br>TimingAdv( 0), C_BABR_0, C_cch_1nonComb,<br>C_BPM_3) |                                                                                                                                                                                                                              |    |
| 55                        | +SysInfo_5bisSending( TCV_sacchTch,<br>TCV_sysinfo5bis)                                                                                                                                                                                                                             |                                                                                                                                                                                                                              |    |
|                           | <b>ltree_assign1_setup</b>                                                                                                                                                                                                                                                          |                                                                                                                                                                                                                              |    |
| 56                        | [TCV_Cnt1 = 1]                                                                                                                                                                                                                                                                      |                                                                                                                                                                                                                              |    |
| 57                        | (TCV_flist := C_flist_e_401, TCV_flistl:= '04'O,<br>TCV_mae1:= '00000111'B, TCV_n := 3)                                                                                                                                                                                             |                                                                                                                                                                                                                              |    |
| 58                        | [TCV_Cnt1 = 2]                                                                                                                                                                                                                                                                      |                                                                                                                                                                                                                              |    |
| 59                        | (TCV_flist := C_flist_e_402, TCV_flistl:= '06'O,<br>TCV_mae1:= '00011111'B, TCV_n := 5)                                                                                                                                                                                             |                                                                                                                                                                                                                              |    |
| 60                        | [TCV_Cnt1 = 3]                                                                                                                                                                                                                                                                      |                                                                                                                                                                                                                              |    |
| 61                        | (TCV_flist := C_flist_e_403, TCV_flistl:= '06'O,<br>TCV_mae1:= '00001111'B, TCV_n := 4)                                                                                                                                                                                             |                                                                                                                                                                                                                              |    |
| 62                        | [TCV_Cnt1 = 4]                                                                                                                                                                                                                                                                      |                                                                                                                                                                                                                              |    |
| 63                        | (TCV_flist := C_flist_e_404, TCV_flistl:= '06'O,<br>TCV_mae1:= '00001111'B, TCV_n := 4)                                                                                                                                                                                             |                                                                                                                                                                                                                              |    |
| 64                        | [TCV_Cnt1 = 5]                                                                                                                                                                                                                                                                      |                                                                                                                                                                                                                              |    |
| 65                        | (TCV_flist := C_flist_e_405, TCV_flistl:= '07'O,<br>TCV_mae1:= '00111111'B, TCV_n := 6)                                                                                                                                                                                             |                                                                                                                                                                                                                              |    |
| 66                        | [TCV_Cnt1 = 6]                                                                                                                                                                                                                                                                      |                                                                                                                                                                                                                              |    |
| 67                        | (TCV_flist := C_flist_e_406, TCV_flistl:= '10'O,<br>TCV_mae1:= '00000111'B, TCV_n := 3)                                                                                                                                                                                             |                                                                                                                                                                                                                              |    |
|                           | <b>ltree_assign2_setup</b>                                                                                                                                                                                                                                                          |                                                                                                                                                                                                                              |    |
| 68                        | [TCV_Cnt1 = 1]                                                                                                                                                                                                                                                                      |                                                                                                                                                                                                                              |    |
| 69                        | (TCV_cchdescr := C_cchd_e_407,<br>TCV_mae1:= '00011100'B,<br>TCV_mae2:= '00000000'B,<br>TCV_flist:= C_flist_e_407, TCV_flistl:= '05'O, TCV_n<br>:= 3)                                                                                                                               |                                                                                                                                                                                                                              |    |
| 70                        | [TCV_Cnt1 = 2]                                                                                                                                                                                                                                                                      |                                                                                                                                                                                                                              |    |
| 71                        | (TCV_cchdescr := C_cchd_e_408,<br>TCV_mae1:= '00000000'B,<br>TCV_mae2:= '11111000'B, TCV_flist:=<br>C_flist_e_408, TCV_flistl:= '0D'O, TCV_n := 5)                                                                                                                                  |                                                                                                                                                                                                                              |    |
| 72                        | [TCV_Cnt1 = 3]                                                                                                                                                                                                                                                                      |                                                                                                                                                                                                                              |    |
| 73                        | (TCV_cchdescr := C_cchd_e_409,<br>TCV_mae1:= '00000000'B,<br>TCV_mae2:= '00001111'B, TCV_flist:=<br>C_flist_e_409, TCV_flistl:= '10'O, TCV_n := 4)                                                                                                                                  |                                                                                                                                                                                                                              |    |
| 74                        | [TCV_Cnt1 = 4]                                                                                                                                                                                                                                                                      |                                                                                                                                                                                                                              |    |
| 75                        | (TCV_cchdescr := C_cchd_e_415,<br>TCV_mae1:= '11100011'B, TCV_flist:=<br>C_flist_e_415, TCV_flistl:= '09'O, TCV_n := 5)                                                                                                                                                             |                                                                                                                                                                                                                              |    |
| 76                        | [TCV_Cnt1 = 5]                                                                                                                                                                                                                                                                      |                                                                                                                                                                                                                              |    |
| 77                        | (TCV_cchdescr := C_cchd_e_411,<br>TCV_mae1:= '00000001'B,<br>TCV_mae2:= '11110000'B, TCV_flist:=<br>C_flist_e_411, TCV_flistl:= '07'O, TCV_n := 5)                                                                                                                                  |                                                                                                                                                                                                                              |    |
| 78                        | [TCV_Cnt1 = 6]                                                                                                                                                                                                                                                                      |                                                                                                                                                                                                                              |    |
| 79                        | (TCV_cchdescr := C_cchd_e_412,<br>TCV_mae1:= '00000000'B,<br>TCV_mae2:= '00000111'B, TCV_flist:=<br>C_flist_e_412, TCV_flistl:= '10'O, TCV_n := 3)                                                                                                                                  |                                                                                                                                                                                                                              |    |
| <b>Detailed Comments:</b> |                                                                                                                                                                                                                                                                                     | 1) Assignment Command without Cell Channel Description IE<br>2) Assignment Command with Cell Channel Description IE<br>3) Length of mobile allocation contents is 1 octet<br>4) PDU contains Mobile Allocation with 2 octets |    |



| Test Case Dynamic Behaviour |       |                                                                                                                                                                                                                                                                                                                                                                                                                                                                                                                                                                                                                                       |      |   |                    |
|-----------------------------|-------|---------------------------------------------------------------------------------------------------------------------------------------------------------------------------------------------------------------------------------------------------------------------------------------------------------------------------------------------------------------------------------------------------------------------------------------------------------------------------------------------------------------------------------------------------------------------------------------------------------------------------------------|------|---|--------------------|
| <b>Test Case Name:</b>      |       | TC_26_10_2_4_1                                                                                                                                                                                                                                                                                                                                                                                                                                                                                                                                                                                                                        |      |   |                    |
| <b>Group:</b>               |       | GSM_L3_MS_v4200/EGSMsignalling/                                                                                                                                                                                                                                                                                                                                                                                                                                                                                                                                                                                                       |      |   |                    |
| <b>Purpose:</b>             |       | To check that the MS correctly performs a non-synchronized handover, from a non hopping primary band SDCCH to a hopping TCH or SDCCH using E-GSM frequencies, whatever the coding used for the hopping sequence description and that it activates the new channel correctly.                                                                                                                                                                                                                                                                                                                                                          |      |   |                    |
|                             |       | This tested in the following case:                                                                                                                                                                                                                                                                                                                                                                                                                                                                                                                                                                                                    |      |   |                    |
|                             |       | E-GSM signalling/ Handover / successful / call under establishment / non-synchronized /                                                                                                                                                                                                                                                                                                                                                                                                                                                                                                                                               |      |   |                    |
|                             |       | - from SDCCH/8 to TCH/F if the MS supports a TCH                                                                                                                                                                                                                                                                                                                                                                                                                                                                                                                                                                                      |      |   |                    |
|                             |       | - from SDCCH/8 to SDCCH/8 if not                                                                                                                                                                                                                                                                                                                                                                                                                                                                                                                                                                                                      |      |   |                    |
| <b>Default:</b>             |       | OtherEventsFail                                                                                                                                                                                                                                                                                                                                                                                                                                                                                                                                                                                                                       |      |   |                    |
| Nr                          | Label | Behaviour Description                                                                                                                                                                                                                                                                                                                                                                                                                                                                                                                                                                                                                 | CRef | V | Comments           |
| 1                           |       | START T_guard(300)                                                                                                                                                                                                                                                                                                                                                                                                                                                                                                                                                                                                                    |      |   |                    |
| 2                           |       | +BasicServiceMO(TSPX_MOBscSvcD,<br>TSPX_MOChRateD)                                                                                                                                                                                                                                                                                                                                                                                                                                                                                                                                                                                    |      |   |                    |
| 3                           |       | (TCV_ia_ts:= TSPX_TmSltNotZero, TCV_ts:=<br>TSPX_TmSltNotZero, TCV_Horf:=<br>TSPX_HoRefA, TCV_PwrLvl_ho:= INT_TO_BIT(<br>TSPX_PwrLvlA, 5), TCV_flist := C_flist_e_416,<br>TCV_flistl:= '10'O, TCV_mae1 := '00000101'B,<br>TCV_mae2 := '00000001'B)                                                                                                                                                                                                                                                                                                                                                                                    |      |   | 1.                 |
| 4                           |       | +IdleUpdated( C_E_default, C_CellA,<br>C_SCH_A, C_BCCH_A_1, C_Immass, C_S0,<br>C_SlotNU, C_SlotNU, C_SlotNU,<br>TSPX_TscDef, C_TxInt_5, C_Max_1,<br>C_NECl_0, C_ATT_0, TimingAdv(30),<br>C_BABR_0, C_cch_1Comb, C_BPM_3,<br>C_T3212_0, C_ci_cellA, C_MCC_1,<br>C_PLMN_1, C_LAC_1, CellOpt_01,<br>CellChDes_23A, CellChDes_202_Adman,<br>C_CellReselectHys12, C_MaxPwrLvlG,<br>C_MaxPwrLvlD, BcchFreqLst_45,<br>BcchFreqLst_Omit, BcchFreqLst_46,<br>BcchFreqLst_Omit, C_noReestablishment,<br>C_BCC, C_NCC, C_Start_Tmsi,<br>TSPX_SDCCH4SubA, TSPX_CKSNDf,<br>TSPX_RANDDef, C_arfcnA, C_arfcnAd,<br>TSPX_IMSI, C_Test_egsm, C_NCCP_2) |      |   |                    |
| 5                           |       | +local_continue                                                                                                                                                                                                                                                                                                                                                                                                                                                                                                                                                                                                                       |      |   |                    |
|                             |       | <b>local_continue</b>                                                                                                                                                                                                                                                                                                                                                                                                                                                                                                                                                                                                                 |      |   |                    |
| 6                           |       | (TCV_sysinfo5bis_A := TCV_sysinfo5bis)                                                                                                                                                                                                                                                                                                                                                                                                                                                                                                                                                                                                |      |   |                    |
| 7                           |       | +StartCellB_egsm( C_E_neighbourdefault,<br>C_arfcnB, C_arfcnBd, C_Immass,<br>TSPX_TmSltNotZero, TCV_tsc, TimingAdv(20),<br>C_TxInt_5, C_Max_1, C_NECl_0, C_ATT_0,<br>C_BABR_0, C_cch_1Comb, C_BPM_3,<br>C_T3212_0, C_MCC_1, C_PLMN_1, C_LAC_1,<br>CellChDes_23B, BcchFreqLst_52,<br>BcchFreqLst_47, C_noReestablishment, C_BCC,<br>C_NCC)                                                                                                                                                                                                                                                                                             |      |   |                    |
| 8                           |       | +SDCCH8_A_1_nociph( TSPX_SDCCH8SubDef,<br>C_Immass, TSPX_TmSltNotZero, TCV_tsc,<br>ChMod_sign, FreqTCH_ef2(TCV_mae1,<br>TCV_mae2, TCV_flist,TCV_flistl, TCV_n),<br>FreqTCH_ef2(TCV_mae1, TCV_mae2,<br>TCV_flist,TCV_flistl, TCV_n), TimingAdv( 30),<br>C_BABR_0, C_cch_1nonComb, C_BPM_3)                                                                                                                                                                                                                                                                                                                                             |      |   | TCV_ch             |
| 9                           |       | +SysInfo_5bisSending(TCV_sacch8,<br>TCV_sysinfo5bis_A)                                                                                                                                                                                                                                                                                                                                                                                                                                                                                                                                                                                |      |   |                    |
| 10                          | body  | (TCV_Cnt2 :=1, TCV_ch1 := TCV_ch)                                                                                                                                                                                                                                                                                                                                                                                                                                                                                                                                                                                                     |      |   |                    |
| 11                          |       | +ltree_chtype                                                                                                                                                                                                                                                                                                                                                                                                                                                                                                                                                                                                                         |      |   |                    |
| 12                          |       | REPEAT local_body UNTIL [TCV_Cnt2<br>=4]                                                                                                                                                                                                                                                                                                                                                                                                                                                                                                                                                                                              |      |   | Loop of k = 1 to 3 |
|                             |       | <b>local_body</b>                                                                                                                                                                                                                                                                                                                                                                                                                                                                                                                                                                                                                     |      |   |                    |
| 13                          |       | (TCV_Cnt1 :=1)                                                                                                                                                                                                                                                                                                                                                                                                                                                                                                                                                                                                                        |      |   |                    |
| 14                          |       | REPEAT ltree_execloopC UNTIL [TCV_Cnt1=7]                                                                                                                                                                                                                                                                                                                                                                                                                                                                                                                                                                                             |      |   | Loop of c = 1 to 6 |
| 15                          |       | (TCV_Cnt2 := (TCV_Cnt2 +1))                                                                                                                                                                                                                                                                                                                                                                                                                                                                                                                                                                                                           |      |   |                    |

|                                                                                                                            |                                                                                                                                                                                                                                                                                                                                                                                                                                                                                                                                                                                                                                                                                                                                                                                                                                                                                                                                                                                                                                                                                                                                                                                                                                                                                                                                                                            |                                                                                                                                                                                                                                                                                                                                                                                                                                                                                                                                                                                                                                                                                                                                                                                                                                                                                                                                                                                                                                                                                                                                                                        |                                                                                                                                                                     |
|----------------------------------------------------------------------------------------------------------------------------|----------------------------------------------------------------------------------------------------------------------------------------------------------------------------------------------------------------------------------------------------------------------------------------------------------------------------------------------------------------------------------------------------------------------------------------------------------------------------------------------------------------------------------------------------------------------------------------------------------------------------------------------------------------------------------------------------------------------------------------------------------------------------------------------------------------------------------------------------------------------------------------------------------------------------------------------------------------------------------------------------------------------------------------------------------------------------------------------------------------------------------------------------------------------------------------------------------------------------------------------------------------------------------------------------------------------------------------------------------------------------|------------------------------------------------------------------------------------------------------------------------------------------------------------------------------------------------------------------------------------------------------------------------------------------------------------------------------------------------------------------------------------------------------------------------------------------------------------------------------------------------------------------------------------------------------------------------------------------------------------------------------------------------------------------------------------------------------------------------------------------------------------------------------------------------------------------------------------------------------------------------------------------------------------------------------------------------------------------------------------------------------------------------------------------------------------------------------------------------------------------------------------------------------------------------|---------------------------------------------------------------------------------------------------------------------------------------------------------------------|
| 16<br>17<br>18<br>19<br>20<br>21<br>22<br>23<br>24<br>25<br>26<br>27<br>28<br>29<br>30<br>31<br>32<br>33<br>34<br>35<br>36 | <p><b>ltree_execloopC</b><br/>         [(TCV_Cnt2 &lt;&gt;1) OR(TCV_Cnt1&lt;&gt;6)]<br/>         +ltree_chconfig<br/>         +Est_MO_Call_init( C_CHSDCCH8_FH,<br/>         MobilAllc_281e2, MobilAllc_281e2, TimingAdv(30),<br/>         TSPX_TscDef, 1, 1)<br/>         +ltree_hocmd<br/>         (TCV_ch := TCV_chTch)<br/>         +RR_hocomp1(TCV_n, TimingAdv(20))<br/>         L?DL_DatInSetup (TCV_Mt1 :=<br/>         DL_DatInSetup.msg.mt)<br/>         +SendSeqNo_chk<br/>         +ChanRel( TCV_ch)<br/>         (TCV_Cnt1 := ( TCV_Cnt1+1),<br/>         TCV_ch := TCV_ch1, TCV_Null<br/>         :=OM_CphMd( TCV_ch,<br/>         CphMod_02, TCV_CphKey))<br/>         [(TCV_Cnt2 = 1) AND (TCV_Cnt1 = 6)]<br/>         (TCV_Cnt1 := ( TCV_Cnt1+1), TCV_ch :=<br/>         TCV_ch1)</p> <p><b>ltree_chtype</b><br/>         [TSPC_Serv_TS11 OR TSPC_Serv_TS12]<br/>         (TCV_chtype := '00001'B, TCV_n := 500,<br/>         TCV_Cntref:= TSPX_NoOfHoAccA)<br/>         [(NOT TSPC_Serv_TS11) AND( NOT<br/>         TSPC_Serv_TS12)]<br/>         (TCV_chtype := INT_TO_BIT((8 +<br/>         BIT_TO_INT(TSPX_SDCCH8SubDef)),5), TCV_n<br/>         :=750, TCV_Cntref:= TSPX_NoOfHoAccl)</p> <p><b>ltree_hocmd</b><br/>         [TCV_Cnt2 = 1]<br/>         L!DL_DatRqHoCmd</p> <p>[TCV_Cnt2 = 2]<br/>         L!DL_DatRqHoCmd</p> <p>[TCV_Cnt2 = 3]</p> | <p>SetupRcv(<br/>         SetupInd_01)</p> <p>HndOvSnd( TCV_ch,<br/>         HandOverCmd_fh(<br/>         TCV_chtype, TCV_ts,<br/>         TSPX_TscDef,<br/>         C_NCC_1, C_BCC_3,<br/>         C_BCCHcarrierB_ho,<br/>         TCV_n, TSPX_HSN,<br/>         TCV_Horf,<br/>         TCV_Pwrlvl_ho,<br/>         Synchi_omit,<br/>         Frql_short( TCV_flist),<br/>         Frql_omit,<br/>         CellChDes_Omit,<br/>         TCV_ChMod,<br/>         Freqchseq_omit,<br/>         MobilAllc_omit,<br/>         RelTmdDif_omit,<br/>         TimingAdv_omit,<br/>         CphMod_omit)</p> <p>HndOvSnd( TCV_ch,<br/>         HandOverCmd_fh(<br/>         TCV_chtype, TCV_ts,<br/>         TSPX_TscDef,<br/>         C_NCC_1, C_BCC_3,<br/>         C_BCCHcarrierB_ho,<br/>         TCV_n, TSPX_HSN,<br/>         TCV_Horf,<br/>         TCV_Pwrlvl_ho,<br/>         Synchi_omit,<br/>         Frql_omit, Frql(<br/>         TCV_flist, TCV_flistl),<br/>         CellChDes_Omit,<br/>         TCV_ChMod,<br/>         Freqchseq_omit,<br/>         MobilAllc_omit,<br/>         RelTmdDif_omit,<br/>         TimingAdv_omit,<br/>         CphMod_omit)</p> | <p>SDCCH8_A_1 back to no<br/>         ciphering mode</p> <p>no test for k=1 and c=6</p> <p>TCH</p> <p>SDCCH8</p> <p>for k = 1</p> <p>for k = 2</p> <p>for k = 3</p> |
|----------------------------------------------------------------------------------------------------------------------------|----------------------------------------------------------------------------------------------------------------------------------------------------------------------------------------------------------------------------------------------------------------------------------------------------------------------------------------------------------------------------------------------------------------------------------------------------------------------------------------------------------------------------------------------------------------------------------------------------------------------------------------------------------------------------------------------------------------------------------------------------------------------------------------------------------------------------------------------------------------------------------------------------------------------------------------------------------------------------------------------------------------------------------------------------------------------------------------------------------------------------------------------------------------------------------------------------------------------------------------------------------------------------------------------------------------------------------------------------------------------------|------------------------------------------------------------------------------------------------------------------------------------------------------------------------------------------------------------------------------------------------------------------------------------------------------------------------------------------------------------------------------------------------------------------------------------------------------------------------------------------------------------------------------------------------------------------------------------------------------------------------------------------------------------------------------------------------------------------------------------------------------------------------------------------------------------------------------------------------------------------------------------------------------------------------------------------------------------------------------------------------------------------------------------------------------------------------------------------------------------------------------------------------------------------------|---------------------------------------------------------------------------------------------------------------------------------------------------------------------|



|    |                                                                                                                                                      |                                                                                                                                                                                                                                                                                                                                                                                                    |                 |
|----|------------------------------------------------------------------------------------------------------------------------------------------------------|----------------------------------------------------------------------------------------------------------------------------------------------------------------------------------------------------------------------------------------------------------------------------------------------------------------------------------------------------------------------------------------------------|-----------------|
| 37 | LIDL_DatRqHoCmd                                                                                                                                      | HndOvSnd( TCV_ch,<br>HandOverCmd_fh(<br>TCV_chtype, TCV_ts,<br>TSPX_TscDef,<br>C_NCC_1, C_BCC_3,<br>C_BCCHcarrierB_ho,<br>TCV_n, TSPX_HSN,<br>TCV_Horf,<br>TCV_Pwrlvl_ho,<br>Synchi_omit,<br>Frql_omit, Frql_omit,<br>CellChDes_20_Be(<br>TCV_cchdescr),<br>TCV_ChMod,<br>Fregchseq_omit,<br>MoblAllc_20_Be2iei(T<br>CV_mae1,<br>TCV_mae2),<br>RelTmdDif_omit,<br>TimingAdv_omit,<br>CphMod_omit)) |                 |
|    | <b>ltree_chconfig</b>                                                                                                                                |                                                                                                                                                                                                                                                                                                                                                                                                    |                 |
| 38 | +local_setHoppingPara                                                                                                                                |                                                                                                                                                                                                                                                                                                                                                                                                    |                 |
| 39 | +local_configChOfCellB                                                                                                                               |                                                                                                                                                                                                                                                                                                                                                                                                    |                 |
|    | <b>local_setHoppingPara</b>                                                                                                                          |                                                                                                                                                                                                                                                                                                                                                                                                    |                 |
| 40 | [TCV_Cnt2 = 1]                                                                                                                                       |                                                                                                                                                                                                                                                                                                                                                                                                    |                 |
| 41 | [TCV_Cnt1 = 1]                                                                                                                                       |                                                                                                                                                                                                                                                                                                                                                                                                    |                 |
| 42 | (TCV_flist := C_flist_e_401, TCV_flist:= '05'O,<br>TCV_mae1:= '00000111'B, TCV_n := 3)                                                               |                                                                                                                                                                                                                                                                                                                                                                                                    | k = 1 and c = 1 |
| 43 | [TCV_Cnt1 = 2]                                                                                                                                       |                                                                                                                                                                                                                                                                                                                                                                                                    |                 |
| 44 | (TCV_flist := C_flist_e_402, TCV_flist:= '06'O,<br>TCV_mae1:= '00011111'B, TCV_n := 5)                                                               |                                                                                                                                                                                                                                                                                                                                                                                                    | k = 1 and c = 2 |
| 45 | [TCV_Cnt1 = 3]                                                                                                                                       |                                                                                                                                                                                                                                                                                                                                                                                                    |                 |
| 46 | (TCV_flist := C_flist_e_403, TCV_flist:= '06'O,<br>TCV_mae1:= '00001111'B, TCV_n := 4)                                                               |                                                                                                                                                                                                                                                                                                                                                                                                    | k = 1 and c = 3 |
| 47 | [TCV_Cnt1 = 4]                                                                                                                                       |                                                                                                                                                                                                                                                                                                                                                                                                    |                 |
| 48 | (TCV_flist := C_flist_e_404, TCV_flist:= '06'O,<br>TCV_mae1:= '00001111'B, TCV_n := 4)                                                               |                                                                                                                                                                                                                                                                                                                                                                                                    | k = 1 and c = 4 |
| 49 | [TCV_Cnt1 = 5]                                                                                                                                       |                                                                                                                                                                                                                                                                                                                                                                                                    |                 |
| 50 | (TCV_flist := C_flist_e_405, TCV_flist:= '07'O,<br>TCV_mae1:= '00111111'B, TCV_n := 6)                                                               |                                                                                                                                                                                                                                                                                                                                                                                                    | k = 1 and c = 5 |
| 51 | [TCV_Cnt2 = 2]                                                                                                                                       |                                                                                                                                                                                                                                                                                                                                                                                                    |                 |
| 52 | [TCV_Cnt1 = 1]                                                                                                                                       |                                                                                                                                                                                                                                                                                                                                                                                                    |                 |
| 53 | (TCV_flist := C_flist_e_401, TCV_flist:= '05'O,<br>TCV_mae1:= '00000111'B, TCV_n := 3)                                                               |                                                                                                                                                                                                                                                                                                                                                                                                    | k = 2 and c = 1 |
| 54 | [TCV_Cnt1 = 2]                                                                                                                                       |                                                                                                                                                                                                                                                                                                                                                                                                    |                 |
| 55 | (TCV_flist := C_flist_e_402, TCV_flist:= '06'O,<br>TCV_mae1:= '00011111'B, TCV_n := 5)                                                               |                                                                                                                                                                                                                                                                                                                                                                                                    | k = 2 and c = 2 |
| 56 | [TCV_Cnt1 = 3]                                                                                                                                       |                                                                                                                                                                                                                                                                                                                                                                                                    |                 |
| 57 | (TCV_flist := C_flist_e_403, TCV_flist:= '06'O,<br>TCV_mae1:= '00001111'B, TCV_n := 4)                                                               |                                                                                                                                                                                                                                                                                                                                                                                                    | k = 2 and c = 3 |
| 58 | [TCV_Cnt1 = 4]                                                                                                                                       |                                                                                                                                                                                                                                                                                                                                                                                                    |                 |
| 59 | (TCV_flist := C_flist_e_404, TCV_flist:= '06'O,<br>TCV_mae1:= '00001111'B, TCV_n := 4)                                                               |                                                                                                                                                                                                                                                                                                                                                                                                    | k = 2 and c = 4 |
| 60 | [TCV_Cnt1 = 5]                                                                                                                                       |                                                                                                                                                                                                                                                                                                                                                                                                    |                 |
| 61 | (TCV_flist := C_flist_e_405, TCV_flist:= '07'O,<br>TCV_mae1:= '00111111'B, TCV_n := 6)                                                               |                                                                                                                                                                                                                                                                                                                                                                                                    | k = 2 and c = 5 |
| 62 | [TCV_Cnt1 = 6]                                                                                                                                       |                                                                                                                                                                                                                                                                                                                                                                                                    |                 |
| 63 | (TCV_flist := C_flist_e_406, TCV_flist:= '10'O,<br>TCV_mae1:= '00000111'B, TCV_n := 3)                                                               |                                                                                                                                                                                                                                                                                                                                                                                                    | k = 2 and c = 6 |
| 64 | [TCV_Cnt2 = 3]                                                                                                                                       |                                                                                                                                                                                                                                                                                                                                                                                                    |                 |
| 65 | [TCV_Cnt1 = 1]                                                                                                                                       |                                                                                                                                                                                                                                                                                                                                                                                                    |                 |
| 66 | (TCV_cchdescr := C_cchd_e_407,<br>TCV_mae2:= '00011100'B,<br>TCV_mae1:= '00000000'B,<br>TCV_flist:= C_flist_e_407, TCV_flist:= '05'O,<br>TCV_n := 3) |                                                                                                                                                                                                                                                                                                                                                                                                    | k = 3 and c = 1 |
| 67 | [TCV_Cnt1 = 2]                                                                                                                                       |                                                                                                                                                                                                                                                                                                                                                                                                    |                 |
| 68 | (TCV_cchdescr := C_cchd_e_408,                                                                                                                       |                                                                                                                                                                                                                                                                                                                                                                                                    | k = 3 and c = 2 |

|                           |                                                                                                                                                                                                                                                                               |                |
|---------------------------|-------------------------------------------------------------------------------------------------------------------------------------------------------------------------------------------------------------------------------------------------------------------------------|----------------|
| 69                        | TCV_mae2:='00000000'B,<br>TCV_mae1:='11111000'B, TCV_flist:=<br>C_flist_e_408, TCV_flistl:='0D'O, TCV_n := 5)                                                                                                                                                                 |                |
| 70                        | [TCV_Cnt1 = 3]<br>(TCV_cchdescr := C_cchd_e_409,<br>TCV_mae2:='00000000'B,<br>TCV_mae1:='00001111'B, TCV_flist:=<br>C_flist_e_409, TCV_flistl:='10'O, TCV_n := 3)                                                                                                             | k =3 and c = 3 |
| 71                        | [TCV_Cnt1 = 4]                                                                                                                                                                                                                                                                |                |
| 72                        | (TCV_cchdescr := C_cchd_e_410,<br>TCV_mae2:='00000011'B,<br>TCV_mae1:='00000011'B, TCV_flist:=<br>C_flist_e_410, TCV_flistl:='0A'O, TCV_n := 4)                                                                                                                               | k =3 and c = 4 |
| 73                        | [TCV_Cnt1 = 5]                                                                                                                                                                                                                                                                |                |
| 74                        | (TCV_cchdescr := C_cchd_e_411,<br>TCV_mae1:='00000001'B,<br>TCV_mae2:='11110000'B, TCV_flist:=<br>C_flist_e_411, TCV_flistl:='07'O, TCV_n := 4)                                                                                                                               | k =3 and c = 5 |
| 75                        | [TCV_Cnt1 = 6]                                                                                                                                                                                                                                                                |                |
| 76                        | (TCV_cchdescr := C_cchd_e_412,<br>TCV_mae1:='00000000'B,<br>TCV_mae2:='00000111'B, TCV_flist:=<br>C_flist_e_412, TCV_flistl:='10'O, TCV_n := 3)                                                                                                                               | k =3 and c = 6 |
| 77                        | <b>local_configChOfCellB</b><br>(TCV_cellid:=C_CellB)                                                                                                                                                                                                                         |                |
| 78                        | [TSPC_Serv_TS11 OR TSPC_Serv_TS12]                                                                                                                                                                                                                                            | 2.             |
| 79                        | (TCV_ChMod := ChMod_speech)                                                                                                                                                                                                                                                   |                |
| 80                        | [TCV_Cnt2 <> 3]                                                                                                                                                                                                                                                               |                |
| 81                        | +FullRateCh_B_1( C_Asynho, TCV_ts,<br>TSPX_TscDef, TCV_ChMod, FreqTCH_ef1(<br>TCV_mae1, TCV_flist, TCV_flistl, TCV_n),<br>FreqTCH_ef1( TCV_mae1, TCV_flist,<br>TCV_flistl, TCV_n), TimingAdv(20),<br>C_BABR_0, C_cch_1nonComb, C_BPM_3)                                       |                |
| 82                        | [TCV_Cnt2 = 3]                                                                                                                                                                                                                                                                |                |
| 83                        | +FullRateCh_B_1( C_Asynho, TCV_ts,<br>TSPX_TscDef, TCV_ChMod, FreqTCH_ef2(<br>TCV_mae1, TCV_mae2, TCV_flist,<br>TCV_flistl, TCV_n), FreqTCH_ef2(<br>TCV_mae1, TCV_mae2, TCV_flist,<br>TCV_flistl, TCV_n), TimingAdv(20),<br>C_BABR_0, C_cch_1nonComb, C_BPM_3)                |                |
| 84                        | [(NOT TSPC_Serv_TS11) AND( NOT<br>TSPC_Serv_TS12)]                                                                                                                                                                                                                            | 3.             |
| 85                        | (TCV_ChMod := ChMod_sign)                                                                                                                                                                                                                                                     |                |
| 86                        | [TCV_Cnt2 <> 3]                                                                                                                                                                                                                                                               |                |
| 87                        | +SDCCH8_B_1( TSPX_SDCCH8SubDef,<br>C_Asynho, TCV_ts, TSPX_TscDef,<br>TCV_ChMod, FreqTCH_ef1( TCV_mae1,<br>TCV_flist, TCV_flistl, TCV_n), FreqTCH_ef1(<br>TCV_mae1, TCV_flist, TCV_flistl, TCV_n),<br>TimingAdv(20), C_BABR_0,<br>C_cch_1nonComb, C_BPM_3)                     |                |
| 88                        | [TCV_Cnt2 = 3]                                                                                                                                                                                                                                                                |                |
| 89                        | +SDCCH8_B_1( TSPX_SDCCH8SubDef,<br>C_Asynho, TCV_ts, TSPX_TscDef,<br>TCV_ChMod, FreqTCH_ef2( TCV_mae1,<br>TCV_mae2, TCV_flist, TCV_flistl, TCV_n),<br>FreqTCH_ef2( TCV_mae1, TCV_mae2,<br>TCV_flist, TCV_flistl, TCV_n), TimingAdv(20),<br>C_BABR_0, C_cch_1nonComb, C_BPM_3) |                |
| <b>Detailed Comments:</b> |                                                                                                                                                                                                                                                                               |                |
|                           | 1. Values TCV_flist , TCV_mae1 and TCV_mae2 are initialized for hopping frequencies : 20, 66,<br>78 in cell A.                                                                                                                                                                |                |
|                           | 2. for HO from SDCCH8 no FH in cell A to TCH/F FH in cell B                                                                                                                                                                                                                   |                |
|                           | 3. for HO from SDCCH8 no FH in cell A to SDCCH8 FH in cell B                                                                                                                                                                                                                  |                |

| Test Case Dynamic Behaviour |       |                                                                                                                                                                                                                                                                                                                                                                                                                                                                                                                                                                                  |                                                                                                                                                                                                                                 |   |          |
|-----------------------------|-------|----------------------------------------------------------------------------------------------------------------------------------------------------------------------------------------------------------------------------------------------------------------------------------------------------------------------------------------------------------------------------------------------------------------------------------------------------------------------------------------------------------------------------------------------------------------------------------|---------------------------------------------------------------------------------------------------------------------------------------------------------------------------------------------------------------------------------|---|----------|
| <b>Test Case Name:</b>      |       | TC_26_10_2_4_2                                                                                                                                                                                                                                                                                                                                                                                                                                                                                                                                                                   |                                                                                                                                                                                                                                 |   |          |
| <b>Group:</b>               |       | GSM_L3_MS_v4200/EGSM_Signalling/                                                                                                                                                                                                                                                                                                                                                                                                                                                                                                                                                 |                                                                                                                                                                                                                                 |   |          |
| <b>Purpose:</b>             |       | To check that the MS correctly returns to the old channel in the case of an handover failure caused by a layer 1 failure on the target cell, even if the origin is in the P-GSM band and the target in the E-GSM band.                                                                                                                                                                                                                                                                                                                                                           |                                                                                                                                                                                                                                 |   |          |
| <b>Default:</b>             |       | OtherEventsFail                                                                                                                                                                                                                                                                                                                                                                                                                                                                                                                                                                  |                                                                                                                                                                                                                                 |   |          |
| Nr                          | Label | Behaviour Description                                                                                                                                                                                                                                                                                                                                                                                                                                                                                                                                                            | CRef                                                                                                                                                                                                                            | V | Comments |
| 1                           |       | START T_guard(300)                                                                                                                                                                                                                                                                                                                                                                                                                                                                                                                                                               |                                                                                                                                                                                                                                 |   |          |
| 2                           |       | (TCV_asscmd_ts:= TSPX_TmSltNotZero, TCV_ts:= TSPX_TmSltNotZero1, TCV_Cntref:= TSPX_NoOfHoAccA, TCV_Horf:= TSPX_HoRefA, TCV_PwrLvl_ho:= '01100'B)                                                                                                                                                                                                                                                                                                                                                                                                                                 |                                                                                                                                                                                                                                 |   |          |
| 3                           |       | +BasicServiceMT( TSPX_MTBscSvcD, TSPX_MTChRateD)                                                                                                                                                                                                                                                                                                                                                                                                                                                                                                                                 |                                                                                                                                                                                                                                 |   |          |
| 4                           |       | +IdleUpdated( C_E_default, C_CellA, C_SCH_A, C_BCCH_A_1, C_Immass, C_S0, C_SlotNU, C_SlotNU, C_SlotNU, C_BCC, C_TxInt_5, C_Max_1, C_NECI_0, C_ATT_0, TimingAdv( 0), C_BABR_0, C_cch_1Comb, C_BPM_3, C_T3212_0, C_ci_cellA, C_MCC_1, C_PLMN_1, C_LAC_1, CellOpt_01, CellChDes_20_Aman, CellChDes_202_Adman, C_CellReselectHys12, C_MaxPwrLvlG, C_MaxPwrLvlD, BcchFreqLst_01, BcchFreqLst_Omit, BcchFreqLst_48, BcchFreqLst_Omit, C_noRestablishment, C_BCC, C_NCC, C_Start_Tmsi, TSPX_SDCCH4SubA, TSPX_CKSNDf, TSPX_RANDDef, C_arfcnA, C_arfcnAd, TSPX_IMSI, C_Test_fh, C_NCCP_2) |                                                                                                                                                                                                                                 |   |          |
| 5                           |       | +StartCellB( C_E_neighbourdefault, C_arfcnB, C_arfcnBd, C_Immass, TCV_slot, TCV_tsc, TimingAdv( 0), C_TxInt_5, C_Max_1, C_NECI_0, C_ATT_0, C_BABR_0, C_cch_1nonComb, C_BPM_3, C_T3212_0, C_MCC_1, C_PLMN_1, C_LAC_2, CellChDes_20_Bman, CellChDes_201_Bd, BcchFreqLst_01, BcchFreqLst_48, C_noRestablishment, C_BCC, C_NCC)                                                                                                                                                                                                                                                      |                                                                                                                                                                                                                                 |   |          |
| 6                           |       | +FullRateCh_A_1( C_Ass, TCV_asscmd_ts, TCV_tsc, ChMod_speech, FreqTCH_omit, FreqTCH_omit, TSPX_TCHcarrierA_ho, TSPX_TCHcarrierA_hod, TimingAdv( 0), C_BABR_0, C_cch_1Comb, C_BPM_3)                                                                                                                                                                                                                                                                                                                                                                                              |                                                                                                                                                                                                                                 |   |          |
| 7                           |       | +ltree_u10                                                                                                                                                                                                                                                                                                                                                                                                                                                                                                                                                                       |                                                                                                                                                                                                                                 |   |          |
| 8                           |       | +ltree_body                                                                                                                                                                                                                                                                                                                                                                                                                                                                                                                                                                      |                                                                                                                                                                                                                                 |   |          |
|                             |       | <b>ltree_body</b>                                                                                                                                                                                                                                                                                                                                                                                                                                                                                                                                                                |                                                                                                                                                                                                                                 |   |          |
| 9                           |       | (TCV_flist := C_flist_e_401, TCV_flistl := '05'O, TCV_mae1:= '00000111'B, TCV_n := 3, TCV_ch := TCV_chTch, TCV_sacch := TCV_sacchTch)                                                                                                                                                                                                                                                                                                                                                                                                                                            |                                                                                                                                                                                                                                 |   |          |
| 10                          |       | +FullRateCh_B_1( C_Rcv, TCV_ts, TCV_tsc, ChMod_speech, FreqTCH_ef1( TCV_mae1, TCV_flist, TCV_flistl, TCV_n), FreqTCH_ef1( TCV_mae1, TCV_flist, TCV_flistl, TCV_n), TimingAdv( 0), C_BABR_0, C_cch_1nonComb, C_BPM_3)                                                                                                                                                                                                                                                                                                                                                             |                                                                                                                                                                                                                                 |   |          |
| 11                          |       | (TCV_L1Head0 := OM_GetL1Hd(TCV_sacch))                                                                                                                                                                                                                                                                                                                                                                                                                                                                                                                                           |                                                                                                                                                                                                                                 |   |          |
| 12                          |       | LIDL_DatRqHoCmd                                                                                                                                                                                                                                                                                                                                                                                                                                                                                                                                                                  | HndOvSnd( TCV_ch, HandOverCmd_fh( TCV_chtype, TCV_ts, TSPX_TscDef, C_NCC_1, C_BCC_3, C_BCCHcarrierB_ho, TCV_n, TSPX_HSN, TCV_Horf, TCV_PwrLvl_ho, Synchi_omit, FrqL_20_egsm( TCV_flist, TCV_flistl), FrqL_omit, CellChDes_Omit, |   |          |

|                           |            |                                                                                                                                                                                                                                                                     |                                                                                                       |     |
|---------------------------|------------|---------------------------------------------------------------------------------------------------------------------------------------------------------------------------------------------------------------------------------------------------------------------|-------------------------------------------------------------------------------------------------------|-----|
|                           |            |                                                                                                                                                                                                                                                                     | TCV_ChMod,<br>Freqchseq_omit,<br>MobiAllc_omit,<br>RelTmdDif_omit,<br>TimingAdv_omit,<br>CphMod_omit) |     |
| 13                        |            | START T_dly(3000)                                                                                                                                                                                                                                                   |                                                                                                       |     |
| 14                        |            | (TCV_Cnt:=0)                                                                                                                                                                                                                                                        |                                                                                                       |     |
| 15                        |            | REPEAT Itree_hoacc UNTIL [TCV_Cnt =<br>TCV_Cntref]                                                                                                                                                                                                                  |                                                                                                       |     |
| 16                        |            | L?DL_DatInHofl                                                                                                                                                                                                                                                      | HndOvFIRcv(<br>TCV_ch,<br>HandOvFail_02)                                                              |     |
| 17                        |            | (TCV_L1Head :=<br>OM_GetL1Hd(TCV_sacch))                                                                                                                                                                                                                            |                                                                                                       |     |
| 18                        | L_056<br>4 | [TCV_L1Head.mspwrlvl =<br>TCV_L1Head0.mspwrlvl]                                                                                                                                                                                                                     |                                                                                                       | (P) |
| 19                        |            | +ChanRel_end(TCV_ch)                                                                                                                                                                                                                                                |                                                                                                       |     |
| 20                        |            | [TCV_L1Head.mspwrlvl <><br>TCV_L1Head0.mspwrlvl]                                                                                                                                                                                                                    |                                                                                                       |     |
| 21                        |            | +ChanRel_end(TCV_ch)                                                                                                                                                                                                                                                |                                                                                                       |     |
| 22                        | L_056<br>5 | ?TIMEOUT T_dly                                                                                                                                                                                                                                                      |                                                                                                       | (F) |
| 23                        |            | +ChanRel(TCV_chTch)                                                                                                                                                                                                                                                 |                                                                                                       |     |
| 24                        |            | <b>Itree_hoacc</b><br>L?DL_RacInHoacc                                                                                                                                                                                                                               | HndOvAccRcv(<br>TCV_chTch,<br>HandOverAcc_02(<br>TCV_Horf))                                           |     |
| 25                        |            | (TCV_Cnt := TCV_Cnt + 1)                                                                                                                                                                                                                                            |                                                                                                       |     |
| 26                        |            | <b>Itree_u10</b><br>+RRmtcallprepare( TimingAdv( 0), TSPX_RANDDef)                                                                                                                                                                                                  |                                                                                                       |     |
| 27                        |            | (TCV_Setup_mt.sig := Signal_01)                                                                                                                                                                                                                                     |                                                                                                       |     |
| 28                        |            | LIDL_DatRqSetup                                                                                                                                                                                                                                                     | SetupSnd( TCV_ch,<br>TCV_Setup_mt)                                                                    |     |
| 29                        |            | L?DL_DatInCallCo                                                                                                                                                                                                                                                    | CallCfm(<br>CallConfirm_01(<br>TI_01))                                                                | 1.  |
| 30                        |            | L?DL_DatInConn                                                                                                                                                                                                                                                      | ConnRcv(<br>Connect_01( TI_01))                                                                       |     |
| 31                        |            | +localtree                                                                                                                                                                                                                                                          |                                                                                                       |     |
| 32                        |            | L?DL_DatInAlert                                                                                                                                                                                                                                                     | AlertRcv(<br>AlertingInd_01(<br>TI_01))                                                               |     |
| 33                        |            | (TCV_Null := OO_HookOff())                                                                                                                                                                                                                                          |                                                                                                       |     |
| 34                        |            | L?DL_DatInConn                                                                                                                                                                                                                                                      | ConnRcv(<br>Connect_01( TI_01))                                                                       |     |
| 35                        |            | +localtree                                                                                                                                                                                                                                                          |                                                                                                       |     |
| 36                        |            | <b>localtree</b><br>(TCV_AssCmd := AsgnCmd_nfh( '00001'B,<br>TCV_asscmd_ts, TSPX_TscDef, 10,<br>C_arfcnEgsm_asscmd, CellChDes_Omit,<br>ChMod_omit, StartingTm_omit, CphMod_omit))                                                                                   |                                                                                                       |     |
| 37                        |            | +AssCh_complete( TCV_ch, TCV_chTch,<br>TCV_AssCmd)                                                                                                                                                                                                                  |                                                                                                       | 2.  |
| 38                        |            | LIDL_DatRqConnAck                                                                                                                                                                                                                                                   | ConnAckSnd(<br>TCV_chTch,<br>ConnectAck_01(<br>TI_02))                                                |     |
| <b>Detailed Comments:</b> |            | 1. If the MS supports the bearer capabilities, which are give in Setup message, it has to accept them. However, it may still send a bearer capability IE in the Call Confirm message.<br>2. TCH/F or SDCCH/4 with non hopping in selected cell.<br>Power level = 10 |                                                                                                       |     |

| Test Case Dynamic Behaviour                                                                                                                                                |            |                                                                                                                                                                                                                                                                                                                                                                                                                                                                                                                                                                             |                                        |     |                         |
|----------------------------------------------------------------------------------------------------------------------------------------------------------------------------|------------|-----------------------------------------------------------------------------------------------------------------------------------------------------------------------------------------------------------------------------------------------------------------------------------------------------------------------------------------------------------------------------------------------------------------------------------------------------------------------------------------------------------------------------------------------------------------------------|----------------------------------------|-----|-------------------------|
| <b>Test Case Name:</b> TC_26_10_2_5                                                                                                                                        |            |                                                                                                                                                                                                                                                                                                                                                                                                                                                                                                                                                                             |                                        |     |                         |
| <b>Group:</b> GSM_L3_MS_v4200/EGSMsignalling/                                                                                                                              |            |                                                                                                                                                                                                                                                                                                                                                                                                                                                                                                                                                                             |                                        |     |                         |
| <b>Purpose:</b>                                                                                                                                                            |            |                                                                                                                                                                                                                                                                                                                                                                                                                                                                                                                                                                             |                                        |     |                         |
| 1) To verify that the MS, after receiving a FREQUENCY REDEFINITION message, starts using the new frequencies and hopping sequence when some E-GSM frequencies are used.    |            |                                                                                                                                                                                                                                                                                                                                                                                                                                                                                                                                                                             |                                        |     |                         |
| 2) To check that the last received Cell Channel Description information element is used to decode the Mobile Allocation IE received in the FREQUENCY REDEFINITION message. |            |                                                                                                                                                                                                                                                                                                                                                                                                                                                                                                                                                                             |                                        |     |                         |
| <b>Default:</b> OtherEventsFail                                                                                                                                            |            |                                                                                                                                                                                                                                                                                                                                                                                                                                                                                                                                                                             |                                        |     |                         |
| Nr                                                                                                                                                                         | Label      | Behaviour Description                                                                                                                                                                                                                                                                                                                                                                                                                                                                                                                                                       | CRef                                   | V   | Comments                |
| 1                                                                                                                                                                          | pre        | START T_guard(300)                                                                                                                                                                                                                                                                                                                                                                                                                                                                                                                                                          |                                        |     |                         |
| 2                                                                                                                                                                          |            | (TCV_ia_ts:= TSPX_TmSlitNotZero)                                                                                                                                                                                                                                                                                                                                                                                                                                                                                                                                            |                                        |     |                         |
| 3                                                                                                                                                                          |            | +IdleUpdated( C_E_default, C_CellA, C_SCH_A, C_BCCH_A_1, C_Immass, C_S0, C_SlotNU, C_SlotNU, C_SlotNU, C_BCC, C_TxInt_5, C_Max_1, C_NECI_0, C_ATT_0, TimingAdv( 30), C_BABR_0, C_cch_1Comb, C_BPM_3, C_T3212_0, C_ci_cellA, C_MCC_1, C_PLMN_1, C_LAC_1, CellOpt_01, CellChDes_22, CellChDes_Omit, C_CellReselectHys12, C_MaxPwrLvIG, C_MaxPwrLvID, BcchFreqLst_01, BcchFreqLst_Omit, BcchFreqLst_46, BcchFreqLst_Omit, C_noRestablishment, C_BCC, C_NCC, C_Start_Tmsi, TSPX_SDCCH4SubDef, TSPX_CKSNDf, TSPX_RANDDef, C_arfcnA, C_arfcnAd, TSPX_IMSI, C_Test_egsm, C_NCCP_2) |                                        |     |                         |
| 4                                                                                                                                                                          |            | +local_ChConfig                                                                                                                                                                                                                                                                                                                                                                                                                                                                                                                                                             |                                        |     |                         |
| 5                                                                                                                                                                          |            | (TCV_Cnt1 := 1)                                                                                                                                                                                                                                                                                                                                                                                                                                                                                                                                                             |                                        |     |                         |
| 6                                                                                                                                                                          | body       | REPEAT localtree_body UNTIL [TCV_Cnt1 = 7]                                                                                                                                                                                                                                                                                                                                                                                                                                                                                                                                  |                                        |     |                         |
| <b>localtree_body</b>                                                                                                                                                      |            |                                                                                                                                                                                                                                                                                                                                                                                                                                                                                                                                                                             |                                        |     |                         |
| 7                                                                                                                                                                          |            | +Wait(C_T_Wait1)                                                                                                                                                                                                                                                                                                                                                                                                                                                                                                                                                            |                                        |     |                         |
| 8                                                                                                                                                                          |            | L?DL_UdatRqPg1Rq                                                                                                                                                                                                                                                                                                                                                                                                                                                                                                                                                            | PgReq1(TCV_PgCh, TCV_Pgg, PgReqTp1_01) |     |                         |
| 9                                                                                                                                                                          |            | L?DL_RacInChRq ( TCV_Rr := DL_RacInChRq.msg.ecau_rrf, TCV_Fn := DL_RacInChRq.fn)                                                                                                                                                                                                                                                                                                                                                                                                                                                                                            | ChReq(ChRequest_17)                    |     |                         |
| 10                                                                                                                                                                         |            | ACTIVATE(OtherEventsFail_02)                                                                                                                                                                                                                                                                                                                                                                                                                                                                                                                                                |                                        |     | To match ChReq retrans. |
| 11                                                                                                                                                                         |            | +ltree_send_immass                                                                                                                                                                                                                                                                                                                                                                                                                                                                                                                                                          |                                        |     |                         |
| 12                                                                                                                                                                         |            | L?DL_EstInPgRes                                                                                                                                                                                                                                                                                                                                                                                                                                                                                                                                                             | PgRes( TCV_ch, PagingRes_01)           |     |                         |
| 13                                                                                                                                                                         |            | ACTIVATE(OtherEventsFail)                                                                                                                                                                                                                                                                                                                                                                                                                                                                                                                                                   |                                        |     | Restore Normal default  |
| 14                                                                                                                                                                         |            | +ltree_setFreqRedefPara                                                                                                                                                                                                                                                                                                                                                                                                                                                                                                                                                     |                                        |     |                         |
| 15                                                                                                                                                                         |            | +ltree_LowerTestorManage                                                                                                                                                                                                                                                                                                                                                                                                                                                                                                                                                    |                                        |     |                         |
| 16                                                                                                                                                                         |            | +ltree_sendFreqRedef                                                                                                                                                                                                                                                                                                                                                                                                                                                                                                                                                        |                                        |     |                         |
| 17                                                                                                                                                                         |            | +ltree_checkchnafterfreqred                                                                                                                                                                                                                                                                                                                                                                                                                                                                                                                                                 |                                        |     |                         |
| 18                                                                                                                                                                         |            | +ChanRel(TCV_ch)                                                                                                                                                                                                                                                                                                                                                                                                                                                                                                                                                            |                                        |     |                         |
| 19                                                                                                                                                                         |            | (TCV_Cnt1 := ( TCV_Cnt1 +1))                                                                                                                                                                                                                                                                                                                                                                                                                                                                                                                                                |                                        |     |                         |
| <b>ltree_checkchnafterfreqred</b>                                                                                                                                          |            |                                                                                                                                                                                                                                                                                                                                                                                                                                                                                                                                                                             |                                        |     |                         |
| 20                                                                                                                                                                         |            | [(TCV_Cnt1 = 4) OR (TCV_Cnt1 = 6)]                                                                                                                                                                                                                                                                                                                                                                                                                                                                                                                                          |                                        |     | Ma1)                    |
| 21                                                                                                                                                                         |            | (TCV_Res := OM_FHCHK( TCV_chTch, CellChDes_20_Be( TCV_cchdescr), MoblAlc_20_Be1(TCV_mae1), TCV_chd1, 100, TCV_Fn))                                                                                                                                                                                                                                                                                                                                                                                                                                                          |                                        |     |                         |
| 22                                                                                                                                                                         | L_056<br>6 | [NOT TCV_Res]                                                                                                                                                                                                                                                                                                                                                                                                                                                                                                                                                               |                                        | (F) |                         |
| 23                                                                                                                                                                         | L_056<br>7 | [TCV_Res]                                                                                                                                                                                                                                                                                                                                                                                                                                                                                                                                                                   |                                        | (P) |                         |
| 24                                                                                                                                                                         |            | [(TCV_Cnt1 <> 4) AND(TCV_Cnt1 <> 6)]                                                                                                                                                                                                                                                                                                                                                                                                                                                                                                                                        |                                        |     | Ma2)                    |
| 25                                                                                                                                                                         |            | (TCV_Res := OM_FHCHK( TCV_chTch, CellChDes_20_Be( TCV_cchdescr), MoblAlc_20_Be2( TCV_mae1, TCV_mae2), TCV_chd1, 100, TCV_Fn))                                                                                                                                                                                                                                                                                                                                                                                                                                               |                                        |     |                         |
| 26                                                                                                                                                                         | L_056      | [NOT TCV_Res]                                                                                                                                                                                                                                                                                                                                                                                                                                                                                                                                                               |                                        | (F) |                         |

|    |                 |                                                                                                                                                                                                                                                                                                                 |                                                                                                                                                   |      |
|----|-----------------|-----------------------------------------------------------------------------------------------------------------------------------------------------------------------------------------------------------------------------------------------------------------------------------------------------------------|---------------------------------------------------------------------------------------------------------------------------------------------------|------|
| 27 | 8<br>L_056<br>9 | [TCV_Res]                                                                                                                                                                                                                                                                                                       |                                                                                                                                                   | (P)  |
| 28 |                 | <b>Itree_LowerTestorManage</b><br>(TCV_Fn := OM_ComingFn( TCV_ch), TCV_chd1 :=<br>ChDescrp_fh( TCV_chtype, TSPX_TmSlitNotZero1,<br>TSPX_TscDef, INT_TO_BIT((TSPX_MAIO MOD<br>TCV_n), 6), INT_TO_BIT(TSPX_HSN, 6)), TCV_Strt<br>:= OC_StartTime( TCV_Fn, 100, 0), TCV_Null :=<br>OM_SendNextOn( TCV_ch, TCV_Fn)) |                                                                                                                                                   |      |
| 29 |                 | [(TCV_Cnt1 = 4) OR (TCV_Cnt1=6)]                                                                                                                                                                                                                                                                                |                                                                                                                                                   | Ma1) |
| 30 |                 | (TCV_Null := OM_FreqDef( TCV_Strt,<br>MoblAllc_20_Be1( TCV_mae1), TCV_ch,<br>TCV_chd1, CellChDes_20_Be( TCV_cchdescr),<br>TCV_Fn))                                                                                                                                                                              |                                                                                                                                                   |      |
| 31 |                 | [(TCV_Cnt1 <>4) AND(TCV_Cnt1<>6)]                                                                                                                                                                                                                                                                               |                                                                                                                                                   | Ma2) |
| 32 |                 | (TCV_Null := OM_FreqDef( TCV_Strt,<br>MoblAllc_20_Be2( TCV_mae1, TCV_mae2),<br>TCV_ch, TCV_chd1, CellChDes_20_Be(<br>TCV_cchdescr), TCV_Fn))                                                                                                                                                                    |                                                                                                                                                   |      |
| 33 |                 | <b>Itree_sendFreqRedef</b><br>[TCV_Cnt1 <> 6]                                                                                                                                                                                                                                                                   |                                                                                                                                                   |      |
| 34 |                 | [TCV_Cnt1 = 4]                                                                                                                                                                                                                                                                                                  |                                                                                                                                                   | Ma1) |
| 35 |                 | LIDL_DatRqFrqre                                                                                                                                                                                                                                                                                                 | FrqRedfSnd( TCV_ch,<br>FreqRedef_20(<br>TSPX_TmSlitNotZero<br>1, TCV_chtype,<br>TCV_cchdescr,<br>TCV_mae1,<br>TCV_Strt, TCV_n))                   |      |
| 36 |                 | [TCV_Cnt1 <> 4]                                                                                                                                                                                                                                                                                                 |                                                                                                                                                   | Ma2) |
| 37 |                 | LIDL_DatRqFrqre                                                                                                                                                                                                                                                                                                 | FrqRedfSnd( TCV_ch,<br>FreqRedef_22(<br>TSPX_TmSlitNotZero<br>1, TCV_chtype,<br>TCV_cchdescr,<br>TCV_mae1,<br>TCV_mae2,<br>TCV_Strt, TCV_n))      |      |
| 38 |                 | [TCV_Cnt1 = 6]                                                                                                                                                                                                                                                                                                  |                                                                                                                                                   | Ma1) |
| 39 |                 | LIDL_DatRqFrqre                                                                                                                                                                                                                                                                                                 | FrqRedfSnd( TCV_ch,<br>FreqRedef_21(<br>TSPX_TmSlitNotZero<br>1, TCV_chtype,<br>TCV_mae1,<br>TCV_Strt, TCV_n))                                    |      |
| 40 |                 | <b>Itree_send_immass</b><br>[TSPC_Serv_TS11 OR TSPC_Serv_TS12]                                                                                                                                                                                                                                                  |                                                                                                                                                   |      |
| 41 |                 | LIDL_UdatRqImmass                                                                                                                                                                                                                                                                                               | ImmAss( TCV_agch,<br>ImmAsgn_nfh(<br>TCV_Rr, TCV_Fn,<br>'00001'B, TCV_ia_ts,<br>TSPX_TscDef,<br>TimingAdv( 30),<br>C_arfcnC,<br>C_normal_paging)) |      |
| 42 |                 | [(NOT TSPC_Serv_TS11) AND( NOT<br>TSPC_Serv_TS12)]                                                                                                                                                                                                                                                              |                                                                                                                                                   |      |
| 43 |                 | LIDL_UdatRqImmass                                                                                                                                                                                                                                                                                               | ImmAss( TCV_agch,<br>ImmAsgn_27(<br>TCV_Rr, TCV_Fn,<br>TCV_ia_ts, C_arfcnC,<br>TimingAdv( 30)))                                                   |      |
| 44 |                 | <b>Itree_setFreqRedefPara</b><br>[TCV_Cnt1 = 1]                                                                                                                                                                                                                                                                 |                                                                                                                                                   |      |
| 45 |                 | (TCV_cchdescr := C_cchd_e_407,<br>TCV_mae1:= '00011100'B,<br>TCV_mae2:= '00000000'B, TCV_n := 3)                                                                                                                                                                                                                |                                                                                                                                                   |      |

|                           |                                                                                                                                                                                       |                                      |  |  |
|---------------------------|---------------------------------------------------------------------------------------------------------------------------------------------------------------------------------------|--------------------------------------|--|--|
| 46                        | [TCV_Cnt1 = 2]                                                                                                                                                                        |                                      |  |  |
| 47                        | (TCV_cchdescr := C_cchd_e_408,<br>TCV_mae1:= '00000000'B,<br>TCV_mae2:= '11110000'B, TCV_n := 4)                                                                                      |                                      |  |  |
| 48                        | [TCV_Cnt1 = 3]                                                                                                                                                                        |                                      |  |  |
| 49                        | (TCV_cchdescr := C_cchd_e_409,<br>TCV_mae1:= '00000000'B,<br>TCV_mae2:= '00001111'B, TCV_n := 4)                                                                                      |                                      |  |  |
| 50                        | [TCV_Cnt1 = 4]                                                                                                                                                                        |                                      |  |  |
| 51                        | (TCV_cchdescr := C_cchd_e_415,<br>TCV_mae1:= '11000110'B, TCV_n := 4)                                                                                                                 |                                      |  |  |
| 52                        | [TCV_Cnt1 = 5]                                                                                                                                                                        |                                      |  |  |
| 53                        | (TCV_cchdescr := C_cchd_e_411,<br>TCV_mae1:= '00000001'B,<br>TCV_mae2:= '11110000'B, TCV_n := 5)                                                                                      |                                      |  |  |
| 54                        | [TCV_Cnt1 = 6]                                                                                                                                                                        |                                      |  |  |
| 55                        | (TCV_cchdescr := C_cchd_e_414,<br>TCV_mae1:= '00001110'B, TCV_n := 4)                                                                                                                 |                                      |  |  |
|                           | <b>local_ChConfig</b>                                                                                                                                                                 |                                      |  |  |
| 56                        | [TSPC_Serv_TS11 OR TSPC_Serv_TS12]                                                                                                                                                    |                                      |  |  |
| 57                        | +FullRateCh_A_1_nociph( C_Immass, TCV_ia_ts,<br>TSPX_TscDef, ChMod_sign, FreqTCH( C_arfcnC),<br>FreqTCH( C_arfcnC), TimingAdv(30), C_BABR_0,<br>C_cch_1Comb, C_BPM_3)                 |                                      |  |  |
| 58                        | (TCV_ch := TCV_chTch)                                                                                                                                                                 |                                      |  |  |
| 59                        | +SysInfo_5bisSending( TCV_sacchTch,<br>TCV_sysinfo5bis)                                                                                                                               |                                      |  |  |
| 60                        | [(NOT TSPC_Serv_TS11) AND( NOT<br>TSPC_Serv_TS12)]                                                                                                                                    |                                      |  |  |
| 61                        | (TCV_chtype := INT_TO_BIT((8 +<br>BIT_TO_INT(TSPX_SDCCH8SubDef)),5))                                                                                                                  |                                      |  |  |
| 62                        | +SDCCH8_A_1_nociph( TSPX_SDCCH8SubDef,<br>C_Immass, TCV_slot, TCV_tsc, ChMod_sign,<br>FreqTCH( C_arfcnC), FreqTCH(C_arfcnC),<br>TimingAdv( 30), C_BABR_0, C_cch_1nonComb,<br>C_BPM_3) |                                      |  |  |
| 63                        | +SysInfo_5bisSending( TCV_sacch8,<br>TCV_sysinfo5bis)                                                                                                                                 |                                      |  |  |
| <b>Detailed Comments:</b> |                                                                                                                                                                                       | Ma1) Mobile Allocation with 1 octets |  |  |
|                           |                                                                                                                                                                                       | Ma2) Mobile Allocation with 2 octets |  |  |

### Test Case Dynamic Behaviour

|                        |                                                                                                                                                                                                                                                                                                                                                                                                                                                                                                                                                                                                                                                                                                                                                                                                                                                                                                                                                                                                                                                                                                                                                                                                                                                                                                                                                                                                                                                                                                                                                             |
|------------------------|-------------------------------------------------------------------------------------------------------------------------------------------------------------------------------------------------------------------------------------------------------------------------------------------------------------------------------------------------------------------------------------------------------------------------------------------------------------------------------------------------------------------------------------------------------------------------------------------------------------------------------------------------------------------------------------------------------------------------------------------------------------------------------------------------------------------------------------------------------------------------------------------------------------------------------------------------------------------------------------------------------------------------------------------------------------------------------------------------------------------------------------------------------------------------------------------------------------------------------------------------------------------------------------------------------------------------------------------------------------------------------------------------------------------------------------------------------------------------------------------------------------------------------------------------------------|
| <b>Test Case Name:</b> | TC_26_10_3_1                                                                                                                                                                                                                                                                                                                                                                                                                                                                                                                                                                                                                                                                                                                                                                                                                                                                                                                                                                                                                                                                                                                                                                                                                                                                                                                                                                                                                                                                                                                                                |
| <b>Group:</b>          | GSM_L3_MS_v4200/EGSMsignalling/                                                                                                                                                                                                                                                                                                                                                                                                                                                                                                                                                                                                                                                                                                                                                                                                                                                                                                                                                                                                                                                                                                                                                                                                                                                                                                                                                                                                                                                                                                                             |
| <b>Purpose:</b>        | <p>1) To verify that the MS in MM state "idle, updated" and in RR idle mode with a TMSI assigned, when made to initiate a call for a selected teleservice that is supported by the MS as declared in a PICS/PIXIT statement, starts to initiate an immediate assignment procedure by sending the CHANNEL REQUEST message.</p> <p>2) To verify that subsequently after receipt of an IMMEDIATE ASSIGNMENT message allocating an SDCCH, after completion of establishment of the main signalling link, after having sent a CM SERVICE REQUEST message, after having successfully performed authentication and cipher mode setting procedures, after having sent a SETUP message, after having received a CALL PROCEEDING message followed by an ALERTING message and an ASSIGNMENT COMMAND message allocating an appropriate TCH, the MS sends an ASSIGNMENT COMPLETE message.</p> <p>3) To verify that subsequently, after the suite of actions specified in test purposes 1 and 2, the MS after receiving a CONNECT message returns a CONNECT ACKNOWLEDGE message.</p> <p>4) To verify that after the suite of actions specified in test purposes 1 and 2, the MS after receiving a CONNECT message attaches the user connection to the radion path. (This is checked by verifying that there is a point in time after transmission of the first L2 frame containing the (complete) CONNECT message, where the MS is sending appropriate speech or data frames whenever it doesn't have to transmit or acknowledge an I frame on layer 2 of the FACCH.)</p> |
| <b>Default:</b>        | OtherEventsFail                                                                                                                                                                                                                                                                                                                                                                                                                                                                                                                                                                                                                                                                                                                                                                                                                                                                                                                                                                                                                                                                                                                                                                                                                                                                                                                                                                                                                                                                                                                                             |

| Nr | Label | Behaviour Description                                                                                                                                                                                                                                                                                                                                                                                                                                                                                                                                                                                                    | CRef                                                              | V | Comments                |
|----|-------|--------------------------------------------------------------------------------------------------------------------------------------------------------------------------------------------------------------------------------------------------------------------------------------------------------------------------------------------------------------------------------------------------------------------------------------------------------------------------------------------------------------------------------------------------------------------------------------------------------------------------|-------------------------------------------------------------------|---|-------------------------|
| 1  |       | START T_guard(300)                                                                                                                                                                                                                                                                                                                                                                                                                                                                                                                                                                                                       |                                                                   |   |                         |
| 2  |       | (TCV_chdescr_arfcn:= C_arfcnEgsm_iacmd,<br>TCV_ia_ts:= TSPX_TmSlTg, TCV_asscmd_ts:=<br>TSPX_TmSlTc)                                                                                                                                                                                                                                                                                                                                                                                                                                                                                                                      |                                                                   |   |                         |
| 3  |       | +ltree_SelectTeleservice                                                                                                                                                                                                                                                                                                                                                                                                                                                                                                                                                                                                 |                                                                   |   |                         |
| 4  |       | +IdleUpdated( C_E_default, C_CellA,<br>C_SCH_A, C_BCCH_A_1, C_ImmAss, C_S0,<br>C_SlotNU, C_SlotNU, C_SlotNU, C_BCC,<br>C_TxInt_5, C_Max_1, C_NECL_0, C_ATT_0,<br>TimingAdv( 0), C_BABR_0, C_cch_1Comb,<br>C_BPM_3, C_T3212_0, C_ci_cellA,<br>C_MCC_1, C_PLMN_1, C_LAC_1, CellOpt_01,<br>CellChDes_22, CellChDes_Omit,<br>C_CellReselectHys12, C_MaxPwrLvIG,<br>C_MaxPwrLvID, BcchFreqLst_01,<br>BcchFreqLst_Omit, BcchFreqLst_46,<br>BcchFreqLst_Omit, C_noReestablishment,<br>C_BCC, C_NCC, C_Start_Tmsi,<br>TSPX_SDCCH4SubDef, TSPX_CKSNDf,<br>TSPX_RANDDef, C_arfcnA, C_arfcnAd,<br>TSPX_IMSI, C_Test_egsm, C_NCCP_2) |                                                                   |   |                         |
| 5  |       | +SDCCH8_A_1( TSPX_SDCCH8SubDef,<br>C_ImmAss, TCV_ia_ts, TCV_tsc,<br>ChMod_sign, FreqTCH_omit, FreqTCH_omit,<br>TimingAdv( 0), C_BABR_0, C_cch_1Comb,<br>C_BPM_3)                                                                                                                                                                                                                                                                                                                                                                                                                                                         |                                                                   |   |                         |
| 6  |       | +SysInfo_5bisSending(TCV_sacch8,<br>TCV_sysinfo5bis)                                                                                                                                                                                                                                                                                                                                                                                                                                                                                                                                                                     |                                                                   |   |                         |
| 7  |       | +FullRateCh_A_1( C_Ass,<br>TCV_asscmd_ts, TCV_tsc,<br>ChMod_speech, FreqTCH_omit,<br>FreqTCH_omit, TSPX_TCHcarrierA_ho,<br>TSPX_TCHcarrierA_hod, TimingAdv( 0),<br>C_BABR_0, C_cch_1Comb, C_BPM_3)                                                                                                                                                                                                                                                                                                                                                                                                                       |                                                                   |   |                         |
| 8  |       | +SysInfo_5bisSending( TCV_sacchTch,<br>TCV_sysinfo5bis)                                                                                                                                                                                                                                                                                                                                                                                                                                                                                                                                                                  |                                                                   |   |                         |
| 9  |       | +InitCall( TCV_Service)                                                                                                                                                                                                                                                                                                                                                                                                                                                                                                                                                                                                  |                                                                   |   |                         |
| 10 |       | +local_continue                                                                                                                                                                                                                                                                                                                                                                                                                                                                                                                                                                                                          |                                                                   |   |                         |
|    |       | <b>local_continue</b>                                                                                                                                                                                                                                                                                                                                                                                                                                                                                                                                                                                                    |                                                                   |   |                         |
| 11 |       | L?DL_RaInChRq (TCV_Rr := DL_RaInChRq.<br>msg.ecau_rrf, TCV_Fn := DL_RaInChRq.fn)                                                                                                                                                                                                                                                                                                                                                                                                                                                                                                                                         | ChReq(<br>ChRequest_04)                                           |   |                         |
| 12 |       | ACTIVATE( OtherEventsFail_02)                                                                                                                                                                                                                                                                                                                                                                                                                                                                                                                                                                                            |                                                                   |   | To match ChReq retrans. |
| 13 |       | LIDL_UdatRqImmAss                                                                                                                                                                                                                                                                                                                                                                                                                                                                                                                                                                                                        | ImmAss( TCV_agch,<br>ImmAsgn_27(<br>TCV_Rr, TCV_Fn,<br>TCV_ia_ts, |   |                         |



|                           |                                                                                                                                                              |                                                          |                        |
|---------------------------|--------------------------------------------------------------------------------------------------------------------------------------------------------------|----------------------------------------------------------|------------------------|
| 14                        | L?DL_EstInCmsRq                                                                                                                                              | TCV_chdescr_arfcn,<br>TimingAdv( 0))                     |                        |
| 15                        | ACTIVATE( OtherEventsFail)                                                                                                                                   | CMSerReq(<br>CMServiceReq_01)                            | Restore Normal default |
| 16                        | +Authentication( TCV_ch, TCV_cksn,<br>TSPX_RANDDef)                                                                                                          |                                                          |                        |
| 17                        | +Cipherring_on( TCV_ch)                                                                                                                                      |                                                          |                        |
| 18                        | +ltree_ccest                                                                                                                                                 |                                                          |                        |
|                           | <b>ltree_SelectTeleservice</b>                                                                                                                               |                                                          |                        |
| 19                        | [TSPC_Serv_TS11]                                                                                                                                             |                                                          |                        |
| 20                        | +BasicServiceMO( C_Telephony, C_Full)                                                                                                                        |                                                          |                        |
| 21                        | [TSPC_Serv_TS61]                                                                                                                                             |                                                          |                        |
| 22                        | +BasicServiceMO( C_AltSpchFax, C_Full)                                                                                                                       |                                                          |                        |
| 23                        | [TSPC_Serv_TS62]                                                                                                                                             |                                                          |                        |
| 24                        | +BasicServiceMO( C_AutoFax, C_Full)                                                                                                                          |                                                          |                        |
|                           | <b>ltree_ccest</b>                                                                                                                                           |                                                          |                        |
| 25                        | +RcvSetupOrEsetup( TCV_Setup_mo, TCV_Esetup,<br>TCV_Ecall)                                                                                                   |                                                          |                        |
| 26                        | LIDL_DatRqCallProc                                                                                                                                           | CallProc( TCV_ch,<br>TCV_CallProc)                       |                        |
| 27                        | LIDL_DatRqAlert                                                                                                                                              | AlertSnd( TCV_ch,<br>Alerting_01( TCV_TI))               |                        |
| 28                        | (TCV_AssCmd := AsgnCmd_nfh( '00001'B,<br>TCV_asscmd_ts, TSPX_TscDef, 9,<br>C_arfcnEgsm_asscmd, CellChDes_Omit,<br>ChMod_omit, StartingTm_omit, CphMod_omit)) |                                                          |                        |
| 29                        | +AssCh_complete( TCV_ch, TCV_chTch,<br>TCV_AssCmd)                                                                                                           |                                                          |                        |
| 30                        | LIDL_DatRqConn                                                                                                                                               | ConnSnd(<br>TCV_chTch,<br>Connect_02(<br>TCV_TI))        |                        |
| 31                        | L?DL_DatInConnAck                                                                                                                                            | ConnAckRcv(<br>ConnectAck_02(<br>TCV_TI0))               |                        |
| 32                        | (TCV_Null := OO_TermCall())                                                                                                                                  |                                                          |                        |
| 33                        | L?DL_DatInDisc                                                                                                                                               | DiscRcv( TCV_chTch,<br>DisconnR( TCV_TI0,<br>Cause_Def)) |                        |
| 34                        | LIDL_DatRqRel                                                                                                                                                | ReleaseSnd(<br>TCV_chTch,<br>Release_08(<br>TCV_TI))     |                        |
| 35                        | L?DL_DatInRelCmp                                                                                                                                             | RelComRcv(<br>ReleaseCmp_03(<br>TCV_TI0))                |                        |
| 36                        | +PostMainLinkRel(<br>TCV_chTch)                                                                                                                              |                                                          |                        |
| <b>Detailed Comments:</b> |                                                                                                                                                              |                                                          |                        |

### Test Case Dynamic Behaviour

|                        |                                                                                                                                                                                                                                                                                                                                                                                                                                                                                                                                                                                                                                                                                                                                                                                                                                                                                                                                                                                                                                                  |
|------------------------|--------------------------------------------------------------------------------------------------------------------------------------------------------------------------------------------------------------------------------------------------------------------------------------------------------------------------------------------------------------------------------------------------------------------------------------------------------------------------------------------------------------------------------------------------------------------------------------------------------------------------------------------------------------------------------------------------------------------------------------------------------------------------------------------------------------------------------------------------------------------------------------------------------------------------------------------------------------------------------------------------------------------------------------------------|
| <b>Test Case Name:</b> | TC_26_10_3_2                                                                                                                                                                                                                                                                                                                                                                                                                                                                                                                                                                                                                                                                                                                                                                                                                                                                                                                                                                                                                                     |
| <b>Group:</b>          | GSM_L3_MS_v4200/EGSM_Signalling/                                                                                                                                                                                                                                                                                                                                                                                                                                                                                                                                                                                                                                                                                                                                                                                                                                                                                                                                                                                                                 |
| <b>Purpose:</b>        | <p>1) To verify that the MS in the "idle, no IMSI" state (no SIM inserted) when made to call the number 112, sends a CHANNEL REQUEST message with establishment cause "emergency call".</p> <p>2) To verify that after assignment of a dedicated channel the first layer message sent by the MS on the assigned dedicated channel is a CM SERVICE REQUEST message specifying the correct CKSN and TMSI, with CM Service Type "emergency call establishment".</p> <p>3) To verify that after receipt of a CM SERVICE ACCEPT message from the SS, the MS sends an EMERGENCY SETUP message.</p> <p>4) To verify that subsequently, the SS having sent a CALL PROCEEDING message and then an ALERT message and having initiated the assignment procedure, the MS performs correctly that assignment procedure.</p> <p>5) To verify subsequent correct performance of a connect procedure.</p> <p>6) To verify that subsequently the MS has through connected the TCH in both directions.</p> <p>7) To verify that the call is cleared correctly.</p> |
| <b>Default:</b>        | OtherEventsFail                                                                                                                                                                                                                                                                                                                                                                                                                                                                                                                                                                                                                                                                                                                                                                                                                                                                                                                                                                                                                                  |

| Nr | Label      | Behaviour Description                                                                                                                                                                                                                                                                                                                                                                                                                                                                                                                                                                                                               | CRef                                                                                                       | V   | Comments                |
|----|------------|-------------------------------------------------------------------------------------------------------------------------------------------------------------------------------------------------------------------------------------------------------------------------------------------------------------------------------------------------------------------------------------------------------------------------------------------------------------------------------------------------------------------------------------------------------------------------------------------------------------------------------------|------------------------------------------------------------------------------------------------------------|-----|-------------------------|
| 1  |            | START T_guard(300)                                                                                                                                                                                                                                                                                                                                                                                                                                                                                                                                                                                                                  |                                                                                                            |     |                         |
| 2  |            | +BasicServiceMO( C_EmgCall,<br>TSPX_EmgCallRate)                                                                                                                                                                                                                                                                                                                                                                                                                                                                                                                                                                                    |                                                                                                            |     |                         |
| 3  |            | (TCV_ia_ts:= TSPX_TmSlG)                                                                                                                                                                                                                                                                                                                                                                                                                                                                                                                                                                                                            |                                                                                                            |     |                         |
| 4  |            | +IdleUpdated( C_E_default, C_CellA,<br>C_SCH_A, C_BCCH_A_1, C_ImmAss, C_S0,<br>C_SlotNU, C_SlotNU, C_SlotNU, C_BCC,<br>C_TxInt_5, C_Max_1, C_NECl_0, C_ATT_0,<br>TimingAdv( 30), C_BABR_0,<br>C_cch_1nonComb, C_BPM_3, C_T3212_1,<br>C_ci_cellA, C_MCC_1, C_PLMN_1, C_LAC_1,<br>CellOpt_01, CellChDes_20_Aman,<br>CellChDes_Omit, C_CellReselectHys12,<br>C_MaxPwrLvIG, C_MaxPwrLvID,<br>BcchFreqLst_01, BcchFreqLst_Omit,<br>BcchFreqLst_Omit, BcchFreqLst_Omit,<br>C_noRestablishment, C_BCC, C_NCC,<br>C_Start_Tmsi, TSPX_SDCCH4SubDef,<br>TSPX_CKSNDf, TSPX_RANDDef, C_arfcnA,<br>C_arfcnAd, TSPX_IMSI, C_Test_fh,<br>C_NCCP_2) |                                                                                                            |     |                         |
| 5  |            | +SDCCH8_A_1_nociph(<br>TSPX_SDCCH8SubDef, C_Ass, TCV_ia_ts,<br>TCV_tsc, ChMod_sign, FreqSDCCH8_e,<br>FreqSDCCH8_e, TimingAdv( 0), C_BABR_0,<br>C_cch_1nonComb, C_BPM_3)                                                                                                                                                                                                                                                                                                                                                                                                                                                             |                                                                                                            | 1.  |                         |
| 6  |            | +local_TrafficChConf                                                                                                                                                                                                                                                                                                                                                                                                                                                                                                                                                                                                                |                                                                                                            |     |                         |
| 7  |            | +InitCall(TCV_Service)                                                                                                                                                                                                                                                                                                                                                                                                                                                                                                                                                                                                              |                                                                                                            |     |                         |
| 8  | L_057<br>0 | L?DL_RaInChRq (TCV_Rr :=<br>DL_RaInChRq.msg.ecau_rrf,<br>TCV_Fn := DL_RaInChRq.fn)                                                                                                                                                                                                                                                                                                                                                                                                                                                                                                                                                  | ChReq(<br>ChRequest_16)                                                                                    | (P) | 2.                      |
| 9  |            | ACTIVATE( OtherEventsFail_02)                                                                                                                                                                                                                                                                                                                                                                                                                                                                                                                                                                                                       |                                                                                                            |     | To match ChReq retrans. |
| 10 |            | L!DL_UdatRqImmAss                                                                                                                                                                                                                                                                                                                                                                                                                                                                                                                                                                                                                   | ImmAss( TCV_agch,<br>ImmAsgn_27(<br>TCV_Rr, TCV_Fn,<br>TCV_ia_ts,<br>TCV_chdescr_arfcn,<br>TimingAdv( 0))) |     |                         |
| 11 | L_057<br>1 | L?DL_EstInCmsRq                                                                                                                                                                                                                                                                                                                                                                                                                                                                                                                                                                                                                     | CMSerReq(<br>CMServiceReq_06(<br>TSPX_CKSNDf))                                                             | (P) | 3.                      |
| 12 |            | ACTIVATE( OtherEventsFail)                                                                                                                                                                                                                                                                                                                                                                                                                                                                                                                                                                                                          |                                                                                                            |     | Restore Normal default  |
| 13 |            | +local_continue                                                                                                                                                                                                                                                                                                                                                                                                                                                                                                                                                                                                                     |                                                                                                            |     |                         |
| 14 |            | <b>local_continue</b><br>L!DL_DatRqCmsAcp                                                                                                                                                                                                                                                                                                                                                                                                                                                                                                                                                                                           | CMSerAcp( TCV_ch,                                                                                          |     |                         |

|    |            |                                                                                                                                                                                                          |                                                                                            |     |    |
|----|------------|----------------------------------------------------------------------------------------------------------------------------------------------------------------------------------------------------------|--------------------------------------------------------------------------------------------|-----|----|
| 15 |            | +RcvSetupOrEsetup( TCV_Setup_mo,<br>TCV_Esetup, TCV_Ecall)                                                                                                                                               | CMSERVICEAcP_01)                                                                           |     |    |
| 16 |            | L!DL_DatRqCallProc                                                                                                                                                                                       | CallProc( TCV_ch,<br>TCV_CallProc)                                                         |     |    |
| 17 |            | L!DL_DatRqAlert                                                                                                                                                                                          | AlertSnd( TCV_ch,<br>Alerting_01( TCV_TI))                                                 |     |    |
| 18 |            | +AssCmdGen( TCV_cellid, TCV_ChRate,<br>TSPX_TmSlitDef, TSPX_TscDef,<br>TSPX_TCHHSubDef)                                                                                                                  |                                                                                            |     |    |
| 19 |            | (TCV_AssCmd.ch1d_at.arfcn:=<br>INT_TO_BIT( C_arfcnEgsm,10))                                                                                                                                              |                                                                                            |     |    |
| 20 |            | +AssCh_complete( TCV_ch, TCV_chTch,<br>TCV_AssCmd)                                                                                                                                                       |                                                                                            |     |    |
| 21 |            | +local_continue1                                                                                                                                                                                         |                                                                                            |     |    |
| 22 |            | <b>local_continue1</b><br>L!DL_DatRqConn                                                                                                                                                                 | ConnSnd(<br>TCV_chTch,<br>Connect_02(<br>TCV_TI))                                          |     |    |
| 23 | L_057<br>2 | L?DL_DatInConnAck                                                                                                                                                                                        | ConnAckRcv(<br>ConnectAck_02(<br>TCV_TI0))                                                 | (P) |    |
| 24 |            | (TCV_Res := OO_TCHThroConnCHK())                                                                                                                                                                         |                                                                                            |     |    |
| 25 | L_057<br>3 | [NOT TCV_Res]                                                                                                                                                                                            |                                                                                            | (F) | 6. |
| 26 |            | +PostMainLinkRel(TCV_chTch)                                                                                                                                                                              |                                                                                            |     |    |
| 27 | L_057<br>4 | [TCV_Res]                                                                                                                                                                                                |                                                                                            | (P) | 7. |
| 28 |            | L!DL_DatRqDisc                                                                                                                                                                                           | DiscSnd(<br>TCV_chTch,<br>DisconnS( TCV_TI,<br>Cause_01,<br>ProgInd_omit,<br>UuInfo_omit)) |     |    |
| 29 | L_057<br>5 | L?DL_DatInRel                                                                                                                                                                                            | ReleaseRcv(<br>Release_10(<br>TCV_TI0))                                                    | (P) |    |
| 30 |            | L!DL_DatRqRelCmp                                                                                                                                                                                         | RelComSnd(<br>TCV_chTch,<br>ReleaseCmp_08(<br>TCV_TI))                                     |     |    |
| 31 |            | +PostMainLinkRel(TCV_chTch)                                                                                                                                                                              |                                                                                            |     |    |
| 32 |            | <b>local_TrafficChConf</b><br>[TCV_ChRate = C_Full]                                                                                                                                                      |                                                                                            |     |    |
| 33 |            | +FullRateCh_A_1_nociph(C_Ass, TSPX_TmSlitDef,<br>TSPX_TscDef, ChMod_speech, FreqTCH(<br>C_arfcnEgsm), FreqTCH( C_arfcn_tchAd),<br>TimingAdv( 0), C_BABR_0, C_cch_1nonComb,<br>C_BPM_3)                   |                                                                                            |     | 4. |
| 34 |            | [TCV_ChRate = C_Half]                                                                                                                                                                                    |                                                                                            |     |    |
| 35 |            | +HalfRateCh_A_1_nociph( TSPX_TCHHSubDef,<br>C_Ass, TSPX_TmSlitDef, TSPX_TscDef,<br>ChMod_speech, FreqTCH( C_arfcnEgsm),<br>FreqTCH( C_arfcn_tchAd), TimingAdv( 0),<br>C_BABR_0, C_cch_1nonComb, C_BPM_3) |                                                                                            |     | 5. |

**Detailed Comments:**

1. To setup a physical channel
2. CHANNEL REQUEST with "emergency call establishment" cause received.
3. CM SERVICE REQUEST with "emergency call establishment" service type correct TMSI and CKSN received.
4. To setup aphysical channel as full rate traffic channel.
5. To setup aphysical channel as half rate traffic channel.
6. The TCH channel is not through connected, fail.
7. The TCH channel is through connected.

Test Group SS

| Test Case Dynamic Behaviour                                                                                                                                                       |       |                                                                                                                                                                                                                                                                                                                                                                                                                                                                                                                                                                         |                                                                                               |   |                                        |
|-----------------------------------------------------------------------------------------------------------------------------------------------------------------------------------|-------|-------------------------------------------------------------------------------------------------------------------------------------------------------------------------------------------------------------------------------------------------------------------------------------------------------------------------------------------------------------------------------------------------------------------------------------------------------------------------------------------------------------------------------------------------------------------------|-----------------------------------------------------------------------------------------------|---|----------------------------------------|
| <b>Test Case Name:</b> TC_31_2_1_1_1                                                                                                                                              |       |                                                                                                                                                                                                                                                                                                                                                                                                                                                                                                                                                                         |                                                                                               |   |                                        |
| <b>Group:</b> GSM_L3_MS_v4200/SS/                                                                                                                                                 |       |                                                                                                                                                                                                                                                                                                                                                                                                                                                                                                                                                                         |                                                                                               |   |                                        |
| <b>Purpose:</b>                                                                                                                                                                   |       |                                                                                                                                                                                                                                                                                                                                                                                                                                                                                                                                                                         |                                                                                               |   |                                        |
| 1) To check that the MS correctly requests a supplementary service transaction for registration of call forwarding in CHANNEL REQUEST message.                                    |       |                                                                                                                                                                                                                                                                                                                                                                                                                                                                                                                                                                         |                                                                                               |   |                                        |
| 2) To check that the MS correctly requests a supplementary service transaction for registration of call forwarding in the subsequent CM-SERVICE REQUEST.                          |       |                                                                                                                                                                                                                                                                                                                                                                                                                                                                                                                                                                         |                                                                                               |   |                                        |
| 3) To check that the MS sends a REGISTER message containing the invoke of the RegisterSS operation with the expected parameter values for registration of call forwarding.        |       |                                                                                                                                                                                                                                                                                                                                                                                                                                                                                                                                                                         |                                                                                               |   |                                        |
| 4) To check that upon receipt of the result of the operation (in a RELEASE COMPLETE message), the MS provides the appropriate user indication (as described by the manufacturer). |       |                                                                                                                                                                                                                                                                                                                                                                                                                                                                                                                                                                         |                                                                                               |   |                                        |
| These checks are done for :                                                                                                                                                       |       |                                                                                                                                                                                                                                                                                                                                                                                                                                                                                                                                                                         |                                                                                               |   |                                        |
| a) CFNRy, for basic service group speech,                                                                                                                                         |       |                                                                                                                                                                                                                                                                                                                                                                                                                                                                                                                                                                         |                                                                                               |   |                                        |
| b) CFU, for basic service group all facsimile.                                                                                                                                    |       |                                                                                                                                                                                                                                                                                                                                                                                                                                                                                                                                                                         |                                                                                               |   |                                        |
| <b>Default:</b> OtherEventsFail                                                                                                                                                   |       |                                                                                                                                                                                                                                                                                                                                                                                                                                                                                                                                                                         |                                                                                               |   |                                        |
| Nr                                                                                                                                                                                | Label | Behaviour Description                                                                                                                                                                                                                                                                                                                                                                                                                                                                                                                                                   | CRef                                                                                          | V | Comments                               |
| 1                                                                                                                                                                                 |       | START T_guard(300)                                                                                                                                                                                                                                                                                                                                                                                                                                                                                                                                                      |                                                                                               |   |                                        |
| 2                                                                                                                                                                                 |       | +IdleUpdated( C_E_default, C_CellA, C_SCH_A, C_BCCH_A_1, C_Immass, C_S0, C_SlotNU, C_SlotNU, C_SlotNU, C_BCC, C_TxInt_5, C_Max_1, C_NECI_0, C_ATT_0, TimingAdv( 0), C_BABR_0, C_cch_1Comb, C_BPM_3, C_T3212_0, C_ci_cellA, C_MCC_1, C_PLMN_1, C_LAC_1, CellOpt_01, CellChDes_Omit, CellChDes_Omit, C_CellReselectHys12, C_MaxPwrLvlG, C_MaxPwrLvlD, BcchFreqLst_45, BcchFreqLst_02, BcchFreqLst_03, BcchFreqLst_04, C_Restablishment, C_BCC, C_NCC, C_Start_Tmsi, TSPX_SDCCH4SubDef, TSPX_CKSNDDef, TSPX_RANDDef, C_arfcnA, C_arfcnAd, TSPX_IMSI, C_Test_nfh, C_NCCP_2) |                                                                                               |   |                                        |
| 3                                                                                                                                                                                 |       | +part1                                                                                                                                                                                                                                                                                                                                                                                                                                                                                                                                                                  |                                                                                               |   |                                        |
| 4                                                                                                                                                                                 |       | +part2                                                                                                                                                                                                                                                                                                                                                                                                                                                                                                                                                                  |                                                                                               |   |                                        |
|                                                                                                                                                                                   |       | <b>part1</b>                                                                                                                                                                                                                                                                                                                                                                                                                                                                                                                                                            |                                                                                               |   |                                        |
| 5                                                                                                                                                                                 |       | (TCV_Null := OO_InitSS("***61*00431234*11*5#"))                                                                                                                                                                                                                                                                                                                                                                                                                                                                                                                         |                                                                                               |   | 2. international prefix + Country code |
| 6                                                                                                                                                                                 |       | +ChannelReqtree                                                                                                                                                                                                                                                                                                                                                                                                                                                                                                                                                         |                                                                                               |   |                                        |
| 7                                                                                                                                                                                 |       | +localtree                                                                                                                                                                                                                                                                                                                                                                                                                                                                                                                                                              |                                                                                               |   |                                        |
| 8                                                                                                                                                                                 |       | +Checktree(C_RegCFNRy)                                                                                                                                                                                                                                                                                                                                                                                                                                                                                                                                                  |                                                                                               |   |                                        |
|                                                                                                                                                                                   |       | <b>part2</b>                                                                                                                                                                                                                                                                                                                                                                                                                                                                                                                                                            |                                                                                               |   |                                        |
| 9                                                                                                                                                                                 |       | (TCV_Null := OO_InitSS("***21*1234*13#"))                                                                                                                                                                                                                                                                                                                                                                                                                                                                                                                               |                                                                                               |   | 5.                                     |
| 10                                                                                                                                                                                |       | +ChannelReqtree                                                                                                                                                                                                                                                                                                                                                                                                                                                                                                                                                         |                                                                                               |   |                                        |
| 11                                                                                                                                                                                |       | +localtree1                                                                                                                                                                                                                                                                                                                                                                                                                                                                                                                                                             |                                                                                               |   |                                        |
| 12                                                                                                                                                                                |       | +Checktree(C_RegCFU)                                                                                                                                                                                                                                                                                                                                                                                                                                                                                                                                                    |                                                                                               |   |                                        |
|                                                                                                                                                                                   |       | <b>localtree</b>                                                                                                                                                                                                                                                                                                                                                                                                                                                                                                                                                        |                                                                                               |   |                                        |
| 13                                                                                                                                                                                |       | L?DL_DatInRegister (TCV_TI := DL_DatInRegister.msg.ti, TCV_TI0 := TCV_TI, TCV_TI.ti_f := '1'B, TCV_Comp := DL_DatInRegister.msg.fie.components_1, TCV_n := OC_PosinSet(TCV_Comp, RegisterSS_01), TCV_InvkId := OC_Asn1intToOct(TCV_Comp.[TCV_n].registerSSComponents.registerSS_InvokeComp.invokelD, 1))                                                                                                                                                                                                                                                                | Register_03( RegisterPdu_03( facilityIErcviei( RegisterSS_01)))                               |   |                                        |
| 14                                                                                                                                                                                |       | L!DL_DatRqRelCmp                                                                                                                                                                                                                                                                                                                                                                                                                                                                                                                                                        | RelComSnd(TCV_ch, ReleaseCmp_09( TCV_TI, facilityIEtsndiei( RegisterSSrslt_01( TCV_InvkId)))) |   | 6.                                     |

|    |            |                                                                                                                                                                                                                                                                                                                                                      |                                                                                                                                                 |                         |
|----|------------|------------------------------------------------------------------------------------------------------------------------------------------------------------------------------------------------------------------------------------------------------------------------------------------------------------------------------------------------------|-------------------------------------------------------------------------------------------------------------------------------------------------|-------------------------|
| 15 |            | <b>localtree1</b><br>L?DL_DatInRegister ( TCV_TI :=<br>DL_DatInRegister.msg.ti, TCV_TI0 := TCV_TI,<br>TCV_TI.ti_f := '1'B, TCV_Comp :=<br>DL_DatInRegister.msg.fie.components_1, TCV_n :=<br>OC_PosinSet(TCV_Comp, RegisterSS_02),<br>TCV_Invkld :=<br>OC_Asn1intToOct(TCV_Comp.[TCV_n].registerSSCo<br>mponents.registerSS_InvokeComp.invokeID, 1)) | Register_03(<br>RegisterPdu_03(<br>facilityIErcviei(<br>RegisterSS_02)))                                                                        |                         |
| 16 |            | LIDL_DatRqRelCmp                                                                                                                                                                                                                                                                                                                                     | RelComSnd(TCV_ch,<br>ReleaseCmp_09(<br>TCV_TI,<br>facilityIEtsndiei(<br>RegisterSSRslt_02(<br>TCV_Invkld))))                                    | 6.                      |
| 17 |            | <b>ChannelReqtree</b><br>L?DL_RacInChRq (TCV_Rr := DL_RacInChRq.<br>msg.ecau_rrf, TCV_Fn := DL_RacInChRq.fn)                                                                                                                                                                                                                                         | ChReq(<br>ChRequest_04)                                                                                                                         |                         |
| 18 |            | ACTIVATE(OtherEventsFail_02)                                                                                                                                                                                                                                                                                                                         |                                                                                                                                                 | To match ChReq retrans. |
| 19 |            | LIDL_UdatRqImm                                                                                                                                                                                                                                                                                                                                       | ImmAss( TCV_agch,<br>ImmAsgn_01Def(<br>TCV_Rr, TCV_Fn,<br>TSPX_SDCCH4SubD<br>ef, TCV_slot,<br>TCV_tsc,<br>TCV_chdescr_arfcn,<br>TimingAdv( 0))) |                         |
| 20 |            | L?DL_EstInCmsRq                                                                                                                                                                                                                                                                                                                                      | CMSerReq(<br>CMSerReq_08)                                                                                                                       |                         |
| 21 |            | ACTIVATE(OtherEventsFail)                                                                                                                                                                                                                                                                                                                            |                                                                                                                                                 | Restore Normal default  |
| 22 |            | LIDL_DatRqCmsAcp                                                                                                                                                                                                                                                                                                                                     | CMSerAcp( TCV_ch,<br>CMSerReq_01)                                                                                                               |                         |
| 23 |            | <b>Checktree(par:INTEGER)</b><br>(TCV_Res := OO_SSresultCHK(par))                                                                                                                                                                                                                                                                                    |                                                                                                                                                 |                         |
| 24 | L_057<br>6 | [TCV_Res]                                                                                                                                                                                                                                                                                                                                            |                                                                                                                                                 | (P) 3.                  |
| 25 |            | +PostMainLinkRel(TCV_ch)                                                                                                                                                                                                                                                                                                                             |                                                                                                                                                 |                         |
| 26 | L_057<br>7 | [NOT TCV_Res]                                                                                                                                                                                                                                                                                                                                        |                                                                                                                                                 | (F) 4.                  |
| 27 |            | +PostMainLinkRel(TCV_ch)                                                                                                                                                                                                                                                                                                                             |                                                                                                                                                 |                         |

**Detailed Comments:**

1. To setup a physical channel as BCCH, CCCH and SDCCH4 with default parameters.
2. To initiate a registration of call forwarding service for CFNRy (speech).
3. The user indication is correct.
4. The user indication is wrong.
5. To initiate a registration of call forwarding service for CFU (all facsimile).
6. To return the ReturnResult of SSoperation by RELEASE COMPLETE message.

### Test Case Dynamic Behaviour

|                        |                                                                                                                                                                                                                                                                                                                                                                                                                                                                                                                                                                                                                                                                                                                                                                                                                                                                                                                                                                                                                                                                                                                                                                            |
|------------------------|----------------------------------------------------------------------------------------------------------------------------------------------------------------------------------------------------------------------------------------------------------------------------------------------------------------------------------------------------------------------------------------------------------------------------------------------------------------------------------------------------------------------------------------------------------------------------------------------------------------------------------------------------------------------------------------------------------------------------------------------------------------------------------------------------------------------------------------------------------------------------------------------------------------------------------------------------------------------------------------------------------------------------------------------------------------------------------------------------------------------------------------------------------------------------|
| <b>Test Case Name:</b> | TC_31_2_1_1_2                                                                                                                                                                                                                                                                                                                                                                                                                                                                                                                                                                                                                                                                                                                                                                                                                                                                                                                                                                                                                                                                                                                                                              |
| <b>Group:</b>          | GSM_L3_MS_v4200/SS/                                                                                                                                                                                                                                                                                                                                                                                                                                                                                                                                                                                                                                                                                                                                                                                                                                                                                                                                                                                                                                                                                                                                                        |
| <b>Purpose:</b>        | <p>1) To check that the MS correctly requests the establishment of a parallel MM transaction for supplementary service transaction of registration of call forwarding, sending a CM-SERVICE REQUEST.</p> <p>2) To check that the MS sends a REGISTER message containing the invoke of the RegisterSS operation with the expected parameter values for registration of call forwarding.</p> <p>3) To check that upon receipt of the RELEASE COMPLETE message related to the present SS transaction, the first transaction remains unaffected.</p> <p>4) To check that upon receipt of the RELEASE COMPLETE message, the MS provides the appropriate user indication (as described by the Manufacturer).</p> <p>These checks are performed with a call transaction already established for :</p> <p>a) CFB, for all asynchronous services, the RELEASE COMPLETE message being sent with a facility IE containing a return_error(error) where error is "Bearer Service not provisioned".</p> <p>b) CF, for all facsimile, the RELEASE COMPLETE message being sent with a facility IE containing a reject(invoked_problem) where invoked_problem is "resource limitation".</p> |
| <b>Default:</b>        | OtherEventsFail                                                                                                                                                                                                                                                                                                                                                                                                                                                                                                                                                                                                                                                                                                                                                                                                                                                                                                                                                                                                                                                                                                                                                            |

| Nr | Label                                                                                                                                                          | Behaviour Description                                                                                                                                                                                                                                                                                                                                                                                                                                                                                                                                                                                               | CRef                                                                     | V | Comments                                  |
|----|----------------------------------------------------------------------------------------------------------------------------------------------------------------|---------------------------------------------------------------------------------------------------------------------------------------------------------------------------------------------------------------------------------------------------------------------------------------------------------------------------------------------------------------------------------------------------------------------------------------------------------------------------------------------------------------------------------------------------------------------------------------------------------------------|--------------------------------------------------------------------------|---|-------------------------------------------|
| 1  |                                                                                                                                                                | START T_guard(300)                                                                                                                                                                                                                                                                                                                                                                                                                                                                                                                                                                                                  |                                                                          |   |                                           |
| 2  |                                                                                                                                                                | +BasicServiceMO( TSPX_MOBscSvcH,<br>TSPX_MOChRateH)                                                                                                                                                                                                                                                                                                                                                                                                                                                                                                                                                                 |                                                                          |   |                                           |
| 3  |                                                                                                                                                                | +IdleUpdated( C_E_default, C_CellA, C_SCH_A,<br>C_BCCH_A_1, C_Immss, C_S0, C_SlotNU,<br>C_SlotNU, C_SlotNU, C_BCC, C_TxInt_5,<br>C_Max_1, C_NECI_0, C_ATT_0, TimingAdv( 0),<br>C_BABR_0, C_cch_1Comb, C_BPM_3,<br>C_T3212_0, C_ci_cellA, C_MCC_1, C_PLMN_1,<br>C_LAC_1, CellOpt_01, CellChDes_Omit,<br>CellChDes_Omit, C_CellReselectHys12,<br>C_MaxPwrLvlG, C_MaxPwrLvlD,<br>BcchFreqLst_45, BcchFreqLst_02,<br>BcchFreqLst_03, BcchFreqLst_04,<br>C_Restablishment, C_BCC, C_NCC,<br>C_Start_Tmsi, TSPX_SDCCH4SubDef,<br>TSPX_CKSNDDef, TSPX_RANDDef, C_arfcnA,<br>C_arfcnAd, TSPX_IMSI, C_Test_nfh,<br>C_NCCP_2) |                                                                          |   |                                           |
| 4  |                                                                                                                                                                | +CCConfigTCH_nociph( TSPX_TCHHSubDef,<br>C_Ass, TSPX_TmSlitDef, TSPX_TscDef,<br>TimingAdv( 0), C_BABR_0, C_cch_1Comb,<br>C_BPM_3, TCV_ChMod.mode, FreqTCH_omit,<br>FreqTCH_omit, C_arfcn_tchA, C_arfcn_tchAd)                                                                                                                                                                                                                                                                                                                                                                                                       |                                                                          |   | 1.                                        |
| 5  |                                                                                                                                                                | +Est_MO_Call( TimingAdv( 0), TCV_ChRate,<br>TSPX_RANDDef, TSPX_SDCCH4SubDef,<br>TSPX_TmSlitDef, TSPX_TscDef,<br>TSPX_TCHHSubDef)                                                                                                                                                                                                                                                                                                                                                                                                                                                                                    |                                                                          |   | 2.                                        |
| 6  |                                                                                                                                                                | (TCV_Null := OO_InitSS(<br>"***67*00431234*21#"))                                                                                                                                                                                                                                                                                                                                                                                                                                                                                                                                                                   |                                                                          |   | 3. international prefix +<br>Country code |
| 7  |                                                                                                                                                                | +part1                                                                                                                                                                                                                                                                                                                                                                                                                                                                                                                                                                                                              |                                                                          |   |                                           |
| 8  |                                                                                                                                                                | (TCV_Null := OO_InitSS(<br>"***002*00431234*13#"))                                                                                                                                                                                                                                                                                                                                                                                                                                                                                                                                                                  |                                                                          |   | 4. international prefix +<br>Country code |
| 9  |                                                                                                                                                                | +part2                                                                                                                                                                                                                                                                                                                                                                                                                                                                                                                                                                                                              |                                                                          |   |                                           |
| 10 | <b>part1</b><br>L?DL_DatInCmsRq                                                                                                                                |                                                                                                                                                                                                                                                                                                                                                                                                                                                                                                                                                                                                                     | CMSerDatReq(<br>CMServiceReq_08)                                         |   |                                           |
| 11 | L!DL_DatRqCmsAcp                                                                                                                                               |                                                                                                                                                                                                                                                                                                                                                                                                                                                                                                                                                                                                                     | CMSerAcp(<br>TCV_chTch,<br>CMServiceAcp_01)                              |   |                                           |
| 12 | L?DL_DatInRegister ( TCV_TI1 :=<br>DL_DatInRegister.msg.ti, TCV_TI2 := TCV_TI1,<br>TCV_TI2.ti_f := '1'B, TCV_Comp :=<br>DL_DatInRegister.msg.fie.components_1) |                                                                                                                                                                                                                                                                                                                                                                                                                                                                                                                                                                                                                     | Register_03(<br>RegisterPdu_03(<br>facilityIercviei(<br>RegisterSS_03))) |   |                                           |

|    |            |                                                                                                                                                                       |                                                                                                                     |     |
|----|------------|-----------------------------------------------------------------------------------------------------------------------------------------------------------------------|---------------------------------------------------------------------------------------------------------------------|-----|
| 13 |            | (TCV_n := OC_PosinSet(TCV_Comp,<br>RegisterSS_03), TCV_Invkld :=<br>OC_Asn1intToOct(TCV_Comp.[TCV_n].register<br>SSComponents.registerSS_InvokeComp.invoke<br>ID, 1)) |                                                                                                                     |     |
| 14 |            | +localtree                                                                                                                                                            |                                                                                                                     |     |
|    |            | <b>localtree</b>                                                                                                                                                      |                                                                                                                     |     |
| 15 |            | L!DL_DatRqRelCmp                                                                                                                                                      | RelComSnd(TCV_ch<br>Tch,<br>ReleaseCmp_09(<br>TCV_TI2,<br>facilityIEtsndiei(<br>RegisterSSerr_01(<br>TCV_Invkld)))) |     |
| 16 |            | LIDL_DatRqCstEnq                                                                                                                                                      | CCStESnd(<br>TCV_chTch,<br>CCStatusEq_01(<br>TCV_TI))                                                               |     |
| 17 | L_057<br>8 | L?DL_DatInCst                                                                                                                                                         | CCStRcv(<br>TCV_chTch,<br>CCStatus_14(<br>TCV_TI0, C_U10))                                                          | (P) |
|    |            | <b>part2</b>                                                                                                                                                          |                                                                                                                     |     |
| 18 |            | L?DL_DatInCmsRq                                                                                                                                                       | CMSerDatReq(<br>CMServiceReq_08)                                                                                    |     |
| 19 |            | LIDL_DatRqCmsAcp                                                                                                                                                      | CMSerAcp(<br>TCV_chTch,<br>CMServiceAcp_01)                                                                         |     |
| 20 |            | L?DL_DatInRegister ( TCV_TI1 :=<br>DL_DatInRegister.msg.ti, TCV_TI2 := TCV_TI1,<br>TCV_TI2.ti_f := '1'B, TCV_Comp :=<br>DL_DatInRegister.msg.fie.components_1)        | Register_03(<br>RegisterPdu_03(<br>facilityIErcviei(<br>RegisterSS_04)))                                            |     |
| 21 |            | (TCV_n := OC_PosinSet(TCV_Comp,<br>RegisterSS_04), TCV_Invkld :=<br>OC_Asn1intToOct(TCV_Comp.[TCV_n].register<br>SSComponents.registerSS_InvokeComp.invoke<br>ID, 1)) |                                                                                                                     |     |
| 22 |            | +localtree1                                                                                                                                                           |                                                                                                                     |     |
|    |            | <b>localtree1</b>                                                                                                                                                     |                                                                                                                     |     |
| 23 |            | L!DL_DatRqRelCmp                                                                                                                                                      | RelComSnd(TCV_ch<br>Tch,<br>ReleaseCmp_09(<br>TCV_TI2,<br>facilityIEtsndiei(<br>RegisterSSrej_01(<br>TCV_Invkld)))) |     |
| 24 |            | (TCV_Res := OO_SSresultCHK(C_RegCF))                                                                                                                                  |                                                                                                                     |     |
| 25 | L_057<br>9 | [TCV_Res]                                                                                                                                                             |                                                                                                                     | (P) |
| 26 |            | LIDL_DatRqCstEnq                                                                                                                                                      | CCStESnd(<br>TCV_chTch,<br>CCStatusEq_01(<br>TCV_TI))                                                               |     |
| 27 | L_058<br>0 | L?DL_DatInCst                                                                                                                                                         | CCStRcv(<br>TCV_chTch,<br>CCStatus_14(<br>TCV_TI0, C_U10))                                                          | (P) |
| 28 |            | +PostMainLinkRel(TCV_chTch)                                                                                                                                           |                                                                                                                     |     |
| 29 | L_058<br>1 | [NOT TCV_Res]                                                                                                                                                         |                                                                                                                     | (F) |
| 30 |            | LIDL_DatRqCstEnq                                                                                                                                                      | CCStESnd(<br>TCV_chTch,<br>CCStatusEq_01(<br>TCV_TI))                                                               |     |
| 31 | L_058<br>2 | L?DL_DatInCst                                                                                                                                                         | CCStRcv(<br>TCV_chTch,<br>CCStatus_14(<br>TCV_TI0, C_U10))                                                          | (P) |
| 32 |            | +PostMainLinkRel(TCV_chTch)                                                                                                                                           |                                                                                                                     |     |

**Detailed Comments:**

1. To setup traffic channel.
2. To establish a mobile originating call.
3. To initiate a registration of call forwarding service for CFB (all asynchronous service).
4. To initiate a registration of call forwarding service for CF (all facsimile).



| Test Case Dynamic Behaviour                                                                                                                                                       |       |                                                                                                                                                                                                                                                                                                                                                                                                                                                                                                                                                                         |                                                                                                                                                |   |                         |
|-----------------------------------------------------------------------------------------------------------------------------------------------------------------------------------|-------|-------------------------------------------------------------------------------------------------------------------------------------------------------------------------------------------------------------------------------------------------------------------------------------------------------------------------------------------------------------------------------------------------------------------------------------------------------------------------------------------------------------------------------------------------------------------------|------------------------------------------------------------------------------------------------------------------------------------------------|---|-------------------------|
| <b>Test Case Name:</b> TC_31_2_1_2_1                                                                                                                                              |       |                                                                                                                                                                                                                                                                                                                                                                                                                                                                                                                                                                         |                                                                                                                                                |   |                         |
| <b>Group:</b> GSM_L3_MS_v4200/SS/                                                                                                                                                 |       |                                                                                                                                                                                                                                                                                                                                                                                                                                                                                                                                                                         |                                                                                                                                                |   |                         |
| <b>Purpose:</b>                                                                                                                                                                   |       |                                                                                                                                                                                                                                                                                                                                                                                                                                                                                                                                                                         |                                                                                                                                                |   |                         |
| 1) To check that the MS correctly requests supplementary service transaction for erasure of call forwarding in CHANNEL REQUEST message.                                           |       |                                                                                                                                                                                                                                                                                                                                                                                                                                                                                                                                                                         |                                                                                                                                                |   |                         |
| 2) To check that the MS correctly requests supplementary service transaction for erasure of call forwarding in the subsequent CM-SERVICE REQUEST.                                 |       |                                                                                                                                                                                                                                                                                                                                                                                                                                                                                                                                                                         |                                                                                                                                                |   |                         |
| 3) To check that the MS sends a REGISTER message containing the invoke of the EraseSS operation with the expected parameter values for erasure of call forwarding.                |       |                                                                                                                                                                                                                                                                                                                                                                                                                                                                                                                                                                         |                                                                                                                                                |   |                         |
| 4) To check that upon receipt of the result of the operation (in a RELEASE COMPLETE message), the MS provides the appropriate user indication (as described by the manufacturer). |       |                                                                                                                                                                                                                                                                                                                                                                                                                                                                                                                                                                         |                                                                                                                                                |   |                         |
| These checks are done for :                                                                                                                                                       |       |                                                                                                                                                                                                                                                                                                                                                                                                                                                                                                                                                                         |                                                                                                                                                |   |                         |
| a) CFC, for basic service group all facsimile.                                                                                                                                    |       |                                                                                                                                                                                                                                                                                                                                                                                                                                                                                                                                                                         |                                                                                                                                                |   |                         |
| b) CFNRc, for all basic service groups.                                                                                                                                           |       |                                                                                                                                                                                                                                                                                                                                                                                                                                                                                                                                                                         |                                                                                                                                                |   |                         |
| <b>Default:</b> OtherEventsFail                                                                                                                                                   |       |                                                                                                                                                                                                                                                                                                                                                                                                                                                                                                                                                                         |                                                                                                                                                |   |                         |
| Nr                                                                                                                                                                                | Label | Behaviour Description                                                                                                                                                                                                                                                                                                                                                                                                                                                                                                                                                   | CRef                                                                                                                                           | V | Comments                |
| 1                                                                                                                                                                                 |       | START T_guard(300)                                                                                                                                                                                                                                                                                                                                                                                                                                                                                                                                                      |                                                                                                                                                |   |                         |
| 2                                                                                                                                                                                 |       | +IdleUpdated( C_E_default, C_CellA, C_SCH_A, C_BCCH_A_1, C_Immass, C_S0, C_SlotNU, C_SlotNU, C_SlotNU, C_BCC, C_TxInt_5, C_Max_1, C_NECI_0, C_ATT_0, TimingAdv( 0), C_BABR_0, C_cch_1Comb, C_BPM_3, C_T3212_0, C_ci_cellA, C_MCC_1, C_PLMN_1, C_LAC_1, CellOpt_01, CellChDes_Omit, CellChDes_Omit, C_CellReselectHys12, C_MaxPwrLvlG, C_MaxPwrLvlD, BcchFreqLst_45, BcchFreqLst_02, BcchFreqLst_03, BcchFreqLst_04, C_Restablishment, C_BCC, C_NCC, C_Start_Tmsi, TSPX_SDCCH4SubDef, TSPX_CKSNDDef, TSPX_RANDDef, C_arfcnA, C_arfcnAd, TSPX_IMSI, C_Test_nfh, C_NCCP_2) |                                                                                                                                                |   |                         |
| 3                                                                                                                                                                                 |       | (TCV_Null := OO_InitSS("##004**13#"))                                                                                                                                                                                                                                                                                                                                                                                                                                                                                                                                   |                                                                                                                                                |   | 2.                      |
| 4                                                                                                                                                                                 |       | +part1                                                                                                                                                                                                                                                                                                                                                                                                                                                                                                                                                                  |                                                                                                                                                |   |                         |
| 5                                                                                                                                                                                 |       | (TCV_Null := OO_InitSS("##62#"))                                                                                                                                                                                                                                                                                                                                                                                                                                                                                                                                        |                                                                                                                                                |   | 3.                      |
| 6                                                                                                                                                                                 |       | +part2                                                                                                                                                                                                                                                                                                                                                                                                                                                                                                                                                                  |                                                                                                                                                |   |                         |
|                                                                                                                                                                                   |       | <b>part1</b>                                                                                                                                                                                                                                                                                                                                                                                                                                                                                                                                                            |                                                                                                                                                |   |                         |
| 7                                                                                                                                                                                 |       | L?DL_RaInChRq (TCV_Rr := DL_RaInChRq.<br>msg.ecau_rrf, TCV_Fn := DL_RaInChRq.fn)                                                                                                                                                                                                                                                                                                                                                                                                                                                                                        | ChReq(<br>ChRequest_04)                                                                                                                        |   |                         |
| 8                                                                                                                                                                                 |       | ACTIVATE(OtherEventsFail_02)                                                                                                                                                                                                                                                                                                                                                                                                                                                                                                                                            |                                                                                                                                                |   | To match ChReq retrans. |
| 9                                                                                                                                                                                 |       | L!DL_UdatRqImmass                                                                                                                                                                                                                                                                                                                                                                                                                                                                                                                                                       | ImmAss( TCV_agch,<br>ImmAsgn_01Def(<br>TCV_Rr, TCV_Fn,<br>TSPX_SDCCH4SubDef,<br>TCV_slot,<br>TCV_tsc,<br>TCV_chdescr_arfcn,<br>TimingAdv( 0))) |   |                         |
| 10                                                                                                                                                                                |       | L?DL_EstInCmsRq                                                                                                                                                                                                                                                                                                                                                                                                                                                                                                                                                         | CMSerReq(<br>CMServiceReq_08)                                                                                                                  |   |                         |
| 11                                                                                                                                                                                |       | ACTIVATE(OtherEventsFail)                                                                                                                                                                                                                                                                                                                                                                                                                                                                                                                                               |                                                                                                                                                |   | Restore Normal default  |
| 12                                                                                                                                                                                |       | L!DL_DatRqCmsAcp                                                                                                                                                                                                                                                                                                                                                                                                                                                                                                                                                        | CMSerAcp( TCV_ch,<br>CMServiceAcp_01)                                                                                                          |   |                         |
| 13                                                                                                                                                                                |       | +localtree                                                                                                                                                                                                                                                                                                                                                                                                                                                                                                                                                              |                                                                                                                                                |   |                         |
|                                                                                                                                                                                   |       | <b>localtree</b>                                                                                                                                                                                                                                                                                                                                                                                                                                                                                                                                                        |                                                                                                                                                |   |                         |
| 14                                                                                                                                                                                |       | L?DL_DatInRegister ( TCV_TI :=<br>DL_DatInRegister.msg.ti, TCV_TI0 := TCV_TI,<br>TCV_TI.ti_f := '1'B, TCV_Comp :=<br>DL_DatInRegister.msg.fie.components_1, TCV_n :=<br>OC_PosinSet(TCV_Comp, EraseSS_01), TCV_Invkld :=<br>OC_Asn1intToOct(TCV_Comp.[TCV_n].eraseSSCom<br>ponents.eraseSS_InvokeComp.invokelD, 1))                                                                                                                                                                                                                                                     | Register_03(<br>RegisterPdu_03(<br>facilityIercviei(<br>EraseSS_01)))                                                                          |   |                         |
| 15                                                                                                                                                                                |       | L!DL_DatRqRelCmp                                                                                                                                                                                                                                                                                                                                                                                                                                                                                                                                                        | RelComSnd(TCV_ch,                                                                                                                              |   | 4.                      |

|    |            |                                                                                                                                                                                                                                                                                                                                             |                                                                                                                                                 |     |                         |
|----|------------|---------------------------------------------------------------------------------------------------------------------------------------------------------------------------------------------------------------------------------------------------------------------------------------------------------------------------------------------|-------------------------------------------------------------------------------------------------------------------------------------------------|-----|-------------------------|
| 16 |            | +Checktree(C_ErsCFC)                                                                                                                                                                                                                                                                                                                        | ReleaseCmp_09(TCV_TI, facility Etsndiei(EraseSSRslt_01(TCV_Invkld))))                                                                           |     |                         |
| 17 |            | <b>part2</b><br>L?DL_RaInChRq (TCV_Rr := DL_RaInChRq.<br>msg.ecau_rrf, TCV_Fn := DL_RaInChRq.fn)                                                                                                                                                                                                                                            | ChReq(<br>ChRequest_04)                                                                                                                         |     |                         |
| 18 |            | ACTIVATE(OtherEventsFail_02)                                                                                                                                                                                                                                                                                                                |                                                                                                                                                 |     | To match ChReq retrans. |
| 19 |            | LIDL_UdatRqImmass                                                                                                                                                                                                                                                                                                                           | ImmAss( TCV_agch,<br>ImmAsgn_01Def(<br>TCV_Rr, TCV_Fn,<br>TSPX_SDCCH4SubD<br>ef, TCV_slot,<br>TCV_tsc,<br>TCV_chdescr_arfcn,<br>TimingAdv( 0))) |     |                         |
| 20 |            | L?DL_EstInCmsRq                                                                                                                                                                                                                                                                                                                             | CMSerReq(<br>CMSerReq_08)                                                                                                                       |     |                         |
| 21 |            | ACTIVATE(OtherEventsFail)                                                                                                                                                                                                                                                                                                                   |                                                                                                                                                 |     | Restore Normal default  |
| 22 |            | LIDL_DatRqCmsAcp                                                                                                                                                                                                                                                                                                                            | CMSerAcp( TCV_ch,<br>CMSerAcp_01)                                                                                                               |     |                         |
| 23 |            | +localtree1                                                                                                                                                                                                                                                                                                                                 |                                                                                                                                                 |     |                         |
| 24 |            | <b>localtree1</b><br>L?DL_DatInRegister ( TCV_TI :=<br>DL_DatInRegister.msg.ti, TCV_TI0 := TCV_TI,<br>TCV_TI.ti_f := '1'B, TCV_Comp :=<br>DL_DatInRegister.msg.fie.components_1, TCV_n :=<br>OC_PosinSet(TCV_Comp, EraseSS_02), TCV_Invkld<br>:=<br>OC_Asn1intToOct(TCV_Comp.[TCV_n].eraseSSCom<br>ponents.eraseSS_InvokeComp.invokeID, 1)) | Register_03(<br>RegisterPdu_03(<br>facility Ercviei(<br>EraseSS_02)))                                                                           |     |                         |
| 25 |            | LIDL_DatRqRelCmp                                                                                                                                                                                                                                                                                                                            | RelComSnd(TCV_ch,<br>ReleaseCmp_09(<br>TCV_TI,<br>facility Etsndiei(<br>EraseSSRslt_02(<br>TCV_Invkld))))                                       |     | 5.                      |
| 26 |            | +Checktree(C_ErsCFNRc)                                                                                                                                                                                                                                                                                                                      |                                                                                                                                                 |     |                         |
| 27 |            | <b>Checktree(par:INTEGER)</b><br>(TCV_Res := OO_SSresultCHK(par))                                                                                                                                                                                                                                                                           |                                                                                                                                                 |     |                         |
| 28 | L_058<br>3 | [TCV_Res]                                                                                                                                                                                                                                                                                                                                   |                                                                                                                                                 | (P) | 6.                      |
| 29 |            | +PostMainLinkRel(TCV_ch)                                                                                                                                                                                                                                                                                                                    |                                                                                                                                                 |     |                         |
| 30 | L_058<br>4 | [NOT TCV_Res]                                                                                                                                                                                                                                                                                                                               |                                                                                                                                                 | (F) | 7.                      |
| 31 |            | +PostMainLinkRel(TCV_ch)                                                                                                                                                                                                                                                                                                                    |                                                                                                                                                 |     |                         |

**Detailed Comments:**

1. To setup a physical channel as BCCH, CCCH and SDCCH4 with default parameters.
2. To initiate an EraseSS operation of call forwarding service for CFC (all facsimile).
3. To initiate an EraseSS operation of call forwarding service for CFNRc (all basic services).
4. To return the ReturnResult of SSoperation by RELEASE COMPLETE message.
5. To return the ReturnResult of SSoperation by RELEASE COMPLETE message.
6. The user indication is correct.
7. The user indication is wrong.

### Test Case Dynamic Behaviour

|                        |                                                                                                                                                                                                                                                                                                                                                                                                                                                                                                                                                                                                                                                                                                                                                                                                                                                                                                                                                                                                                                                                                                                                           |
|------------------------|-------------------------------------------------------------------------------------------------------------------------------------------------------------------------------------------------------------------------------------------------------------------------------------------------------------------------------------------------------------------------------------------------------------------------------------------------------------------------------------------------------------------------------------------------------------------------------------------------------------------------------------------------------------------------------------------------------------------------------------------------------------------------------------------------------------------------------------------------------------------------------------------------------------------------------------------------------------------------------------------------------------------------------------------------------------------------------------------------------------------------------------------|
| <b>Test Case Name:</b> | TC_31_2_1_2_2                                                                                                                                                                                                                                                                                                                                                                                                                                                                                                                                                                                                                                                                                                                                                                                                                                                                                                                                                                                                                                                                                                                             |
| <b>Group:</b>          | GSM_L3_MS_v4200/SS/                                                                                                                                                                                                                                                                                                                                                                                                                                                                                                                                                                                                                                                                                                                                                                                                                                                                                                                                                                                                                                                                                                                       |
| <b>Purpose:</b>        | <p>1) To check that the MS correctly requests the establishment of a parallel MM transaction for supplementary service transaction of erasure of call forwarding, sending a CM-SERVICE REQUEST.</p> <p>2) To check that the MS sends a REGISTER message containing the invoke of the EraseSS operation with the expected parameter values for erasure of call forwarding.</p> <p>3) To check that upon receipt of the RELEASE COMPLETE message related to the present SS transaction, the first transaction remains unaffected.</p> <p>4) To check that upon receipt of the RELEASE COMPLETE message, the MS provides the appropriate user indication (as described by the Manufacturer).</p> <p>These checks are performed with a call transaction already established for :</p> <p>a) CFU, for speech, the RELEASE COMPLETE message being sent with a facility IE containing a return_error(error) where error is "Teleservice not provisionned".</p> <p>b) CFNRy, for all facsimile, the RELEASE COMPLETE message being sent with a facility IE containing a reject(invoke_problem) where invoke_problem is "resource limitation".</p> |
| <b>Default:</b>        | OtherEventsFail                                                                                                                                                                                                                                                                                                                                                                                                                                                                                                                                                                                                                                                                                                                                                                                                                                                                                                                                                                                                                                                                                                                           |

| Nr | Label | Behaviour Description                                                                                                                                                                                                                                                                                                                                                                                                                                                                                                                                                                                              | CRef                                                                  | V | Comments |
|----|-------|--------------------------------------------------------------------------------------------------------------------------------------------------------------------------------------------------------------------------------------------------------------------------------------------------------------------------------------------------------------------------------------------------------------------------------------------------------------------------------------------------------------------------------------------------------------------------------------------------------------------|-----------------------------------------------------------------------|---|----------|
| 1  |       | START T_guard(300)                                                                                                                                                                                                                                                                                                                                                                                                                                                                                                                                                                                                 |                                                                       |   |          |
| 2  |       | +BasicServiceMO( TSPX_MOBScVcl,<br>TSPX_MOChRateI)                                                                                                                                                                                                                                                                                                                                                                                                                                                                                                                                                                 |                                                                       |   |          |
| 3  |       | +IdleUpdated( C_E_default, C_CellA, C_SCH_A,<br>C_BCCH_A_1, C_Immass, C_S0, C_SlotNU,<br>C_SlotNU, C_SlotNU, C_BCC, C_TxInt_5,<br>C_Max_1, C_NECL_0, C_ATT_0, TimingAdv( 0),<br>C_BABR_0, C_cch_1Comb, C_BPM_3,<br>C_T3212_0, C_ci_cellA, C_MCC_1, C_PLMN_1,<br>C_LAC_1, CellOpt_01, CellChDes_Omit,<br>CellChDes_Omit, C_CellReselectHys12,<br>C_MaxPwrLvIG, C_MaxPwrLvID,<br>BcchFreqLst_45, BcchFreqLst_02,<br>BcchFreqLst_03, BcchFreqLst_04,<br>C_Restablishment, C_BCC, C_NCC,<br>C_Start_Tmsi, TSPX_SDCCH4SubDef,<br>TSPX_CKSNDf, TSPX_RANDDef, C_arfcnA,<br>C_arfcnAd, TSPX_IMSI, C_Test_nfh,<br>C_NCCP_2) |                                                                       |   |          |
| 4  |       | +CCConfigTCH_nociph( TSPX_TCHHSubDef,<br>C_Ass, TSPX_TmSltDef, TSPX_TscDef,<br>TimingAdv( 0), C_BABR_0, C_cch_1Comb,<br>C_BPM_3, TCV_ChMod.mode, FreqTCH_omit,<br>FreqTCH_omit, C_arfcn_tchA, C_arfcn_tchAd)                                                                                                                                                                                                                                                                                                                                                                                                       |                                                                       |   | 1.       |
| 5  |       | +Est_MO_Call( TimingAdv( 0), TCV_ChRate,<br>TSPX_RANDDef, TSPX_SDCCH4SubDef,<br>TSPX_TmSltDef, TSPX_TscDef,<br>TSPX_TCHHSubDef)                                                                                                                                                                                                                                                                                                                                                                                                                                                                                    |                                                                       |   | 2.       |
| 6  |       | (TCV_Null := OO_InitSS("##21**11#"))                                                                                                                                                                                                                                                                                                                                                                                                                                                                                                                                                                               |                                                                       |   | 3.       |
| 7  |       | +part1                                                                                                                                                                                                                                                                                                                                                                                                                                                                                                                                                                                                             |                                                                       |   |          |
| 8  |       | (TCV_Null := OO_InitSS("##61**13#"))                                                                                                                                                                                                                                                                                                                                                                                                                                                                                                                                                                               |                                                                       |   | 4.       |
| 9  |       | +part2                                                                                                                                                                                                                                                                                                                                                                                                                                                                                                                                                                                                             |                                                                       |   |          |
| 10 |       | <b>part1</b><br>L?DL_DatInCmsRq                                                                                                                                                                                                                                                                                                                                                                                                                                                                                                                                                                                    | CMSerDatReq(<br>CMServiceReq_08)                                      |   |          |
| 11 |       | LIDL_DatRqCmsAcp                                                                                                                                                                                                                                                                                                                                                                                                                                                                                                                                                                                                   | CMSerAcp(<br>TCV_chTch,<br>CMServiceAcp_01)                           |   |          |
| 12 |       | +localtree                                                                                                                                                                                                                                                                                                                                                                                                                                                                                                                                                                                                         |                                                                       |   |          |
| 13 |       | <b>localtree</b><br>L?DL_DatInRegister ( TCV_TI1 :=<br>DL_DatInRegister.msg.ti, TCV_TI2 := TCV_TI1,<br>TCV_TI2.ti_f := '1'B, TCV_Comp :=<br>DL_DatInRegister.msg.fie.components_1, TCV_n :=<br>OC_PosinSet(TCV_Comp, EraseSS_03), TCV_InvkId                                                                                                                                                                                                                                                                                                                                                                       | Register_03(<br>RegisterPdu_03(<br>facilityIErcviei(<br>EraseSS_03))) |   |          |

|    |            |                                                                                                                                                                                                                                                                                                                                                                    |                                                                                                                  |     |
|----|------------|--------------------------------------------------------------------------------------------------------------------------------------------------------------------------------------------------------------------------------------------------------------------------------------------------------------------------------------------------------------------|------------------------------------------------------------------------------------------------------------------|-----|
| 14 |            | :=<br>OC_Asn1intToOct(TCV_Comp.[TCV_n].eraseSSCom<br>ponents.eraseSS_InvokeComp.invokeID, 1))<br>L!DL_DatRqRelCmp                                                                                                                                                                                                                                                  | RelComSnd(TCV_ch<br>Tch,<br>ReleaseCmp_09(<br>TCV_TI2,<br>facilitylEtsndiei(<br>EraseSSErr_01(<br>TCV_Invkld)))) |     |
| 15 |            | L!DL_DatRqCstEnq                                                                                                                                                                                                                                                                                                                                                   | CCStESnd(<br>TCV_chTch,<br>CCStatusEq_01(<br>TCV_TI))                                                            |     |
| 16 | L_058<br>5 | L?DL_DatInCst                                                                                                                                                                                                                                                                                                                                                      | CCStRcv(<br>TCV_chTch,<br>CCStatus_14(<br>TCV_TI0, C_U10))                                                       | (P) |
| 17 |            | <b>part2</b><br>L?DL_DatInCmsRq                                                                                                                                                                                                                                                                                                                                    | CMSerDatReq(<br>CMServiceReq_08)                                                                                 |     |
| 18 |            | L!DL_DatRqCmsAcp                                                                                                                                                                                                                                                                                                                                                   | CMSerAcp(<br>TCV_chTch,<br>CMServiceAcp_01)                                                                      |     |
| 19 |            | +localtree1                                                                                                                                                                                                                                                                                                                                                        |                                                                                                                  |     |
| 20 |            | <b>localtree1</b><br>L?DL_DatInRegister ( TCV_TI1 :=<br>DL_DatInRegister.msg.ti, TCV_TI2 := TCV_TI1,<br>TCV_TI2.ti_f := '1'B, TCV_Comp :=<br>DL_DatInRegister.msg.fie.components_1, TCV_n :=<br>OC_PosinSet(TCV_Comp, EraseSS_04), TCV_Invkld<br>:=<br>OC_Asn1intToOct(TCV_Comp.[TCV_n].eraseSSCom<br>ponents.eraseSS_InvokeComp.invokeID, 1))<br>L!DL_DatRqRelCmp | Register_03(<br>RegisterPdu_03(<br>facilitylErcviei(<br>EraseSS_04)))                                            |     |
| 21 |            | L!DL_DatRqRelCmp                                                                                                                                                                                                                                                                                                                                                   | RelComSnd(TCV_ch<br>Tch,<br>ReleaseCmp_09(<br>TCV_TI2,<br>facilitylEtsndiei(<br>EraseSSRej_01(<br>TCV_Invkld)))) |     |
| 22 |            | (TCV_Res := OO_SSresultCHK(C_ErsCFNRy))                                                                                                                                                                                                                                                                                                                            |                                                                                                                  |     |
| 23 | L_058<br>6 | [TCV_Res]                                                                                                                                                                                                                                                                                                                                                          |                                                                                                                  | (P) |
| 24 |            | L!DL_DatRqCstEnq                                                                                                                                                                                                                                                                                                                                                   | CCStESnd(<br>TCV_chTch,<br>CCStatusEq_01(<br>TCV_TI))                                                            |     |
| 25 | L_058<br>7 | L?DL_DatInCst                                                                                                                                                                                                                                                                                                                                                      | CCStRcv(<br>TCV_chTch,<br>CCStatus_14(<br>TCV_TI0, C_U10))                                                       | (P) |
| 26 |            | +PostMainLinkRel(TCV_chTch)                                                                                                                                                                                                                                                                                                                                        |                                                                                                                  |     |
| 27 | L_058<br>8 | [NOT TCV_Res]                                                                                                                                                                                                                                                                                                                                                      |                                                                                                                  | (F) |
| 28 |            | +PostMainLinkRel(TCV_chTch)                                                                                                                                                                                                                                                                                                                                        |                                                                                                                  |     |

**Detailed Comments:**

1. To setup traffic channel.
2. To establish a mobile originating call.
3. To initiate an erasure of call forwarding service for CFU (speech).
4. To initiate an erasure of call forwarding service for CFNRy (all facsimile).

### Test Case Dynamic Behaviour

|                        |                                                                                                                                                                                                                                                                                                                                                                                                                                                                                                                                                                                                                                                                                                                                                                                                                                              |
|------------------------|----------------------------------------------------------------------------------------------------------------------------------------------------------------------------------------------------------------------------------------------------------------------------------------------------------------------------------------------------------------------------------------------------------------------------------------------------------------------------------------------------------------------------------------------------------------------------------------------------------------------------------------------------------------------------------------------------------------------------------------------------------------------------------------------------------------------------------------------|
| <b>Test Case Name:</b> | TC_31_2_1_3                                                                                                                                                                                                                                                                                                                                                                                                                                                                                                                                                                                                                                                                                                                                                                                                                                  |
| <b>Group:</b>          | GSM_L3_MS_v4200/SS/                                                                                                                                                                                                                                                                                                                                                                                                                                                                                                                                                                                                                                                                                                                                                                                                                          |
| <b>Purpose:</b>        | <p>1) To check that the MS correctly requests a supplementary service transaction for activation of call forwarding in CHANNEL REQUEST message.</p> <p>2) To check that the MS correctly requests a supplementary service transaction for activation of call forwarding in the subsequent CM-SERVICE REQUEST.</p> <p>3) To check that the MS sends a REGISTER message containing the invoke of the ActivateSS operation with the expected parameter values for activation of call forwarding.</p> <p>4) To check that upon receipt of the result of the operation (in a RELEASE COMPLETE message), the MS provides the appropriate user indication (as described by the manufacturer).</p> <p>These checks are done for :</p> <p>a) CF, for basic service group "all synchronous services".</p> <p>b) CFU, for all basic service groups.</p> |
| <b>Default:</b>        | OtherEventsFail                                                                                                                                                                                                                                                                                                                                                                                                                                                                                                                                                                                                                                                                                                                                                                                                                              |

| Nr | Label | Behaviour Description                                                                                                                                                                                                                                                                                                                                                                                                                                                                                                                                                   | CRef                                                                                                                                            | V | Comments                |
|----|-------|-------------------------------------------------------------------------------------------------------------------------------------------------------------------------------------------------------------------------------------------------------------------------------------------------------------------------------------------------------------------------------------------------------------------------------------------------------------------------------------------------------------------------------------------------------------------------|-------------------------------------------------------------------------------------------------------------------------------------------------|---|-------------------------|
| 1  |       | START T_guard(300)                                                                                                                                                                                                                                                                                                                                                                                                                                                                                                                                                      |                                                                                                                                                 |   |                         |
| 2  |       | +IdleUpdated( C_E_default, C_CellA, C_SCH_A, C_BCCH_A_1, C_Immass, C_S0, C_SlotNU, C_SlotNU, C_SlotNU, C_BCC, C_TxInt_5, C_Max_1, C_NECI_0, C_ATT_0, TimingAdv( 0), C_BABR_0, C_cch_1Comb, C_BPM_3, C_T3212_0, C_ci_cellA, C_MCC_1, C_PLMN_1, C_LAC_1, CellOpt_01, CellChDes_Omit, CellChDes_Omit, C_CellReselectHys12, C_MaxPwrLvIG, C_MaxPwrLvID, BcchFreqLst_45, BcchFreqLst_02, BcchFreqLst_03, BcchFreqLst_04, C_Restablishment, C_BCC, C_NCC, C_Start_Tmsi, TSPX_SDCCH4SubDef, TSPX_CKSNDDef, TSPX_RANDDef, C_arfcnA, C_arfcnAd, TSPX_IMSI, C_Test_nfh, C_NCCP_2) |                                                                                                                                                 |   |                         |
| 3  |       | (TCV_Null := OO_InitSS("**002**22#"))                                                                                                                                                                                                                                                                                                                                                                                                                                                                                                                                   |                                                                                                                                                 |   | 2.                      |
| 4  |       | +part1                                                                                                                                                                                                                                                                                                                                                                                                                                                                                                                                                                  |                                                                                                                                                 |   |                         |
| 5  |       | (TCV_Null := OO_InitSS("**21#"))                                                                                                                                                                                                                                                                                                                                                                                                                                                                                                                                        |                                                                                                                                                 |   | 3.                      |
| 6  |       | +part2                                                                                                                                                                                                                                                                                                                                                                                                                                                                                                                                                                  |                                                                                                                                                 |   |                         |
| 7  |       | <b>part1</b><br>L?DL_RaInChRq (TCV_Rr := DL_RaInChRq.<br>msg.ecau_rrf, TCV_Fn := DL_RaInChRq.fn)                                                                                                                                                                                                                                                                                                                                                                                                                                                                        | ChReq(<br>ChRequest_04)                                                                                                                         |   |                         |
| 8  |       | ACTIVATE(OtherEventsFail_02)                                                                                                                                                                                                                                                                                                                                                                                                                                                                                                                                            |                                                                                                                                                 |   | To match ChReq retrans. |
| 9  |       | LIDL_UdatRqImmass                                                                                                                                                                                                                                                                                                                                                                                                                                                                                                                                                       | ImmAss( TCV_agch,<br>ImmAsgn_01Def(<br>TCV_Rr, TCV_Fn,<br>TSPX_SDCCH4SubD<br>ef, TCV_slot,<br>TCV_tsc,<br>TCV_chdescr_arfcn,<br>TimingAdv( 0))) |   |                         |
| 10 |       | L?DL_EstInCmsRq                                                                                                                                                                                                                                                                                                                                                                                                                                                                                                                                                         | CMSerReq(<br>CMSerReq_08)                                                                                                                       |   |                         |
| 11 |       | ACTIVATE(OtherEventsFail)                                                                                                                                                                                                                                                                                                                                                                                                                                                                                                                                               |                                                                                                                                                 |   | Restore Normal default  |
| 12 |       | L!DL_DatRqCmsAcp                                                                                                                                                                                                                                                                                                                                                                                                                                                                                                                                                        | CMSerAcp( TCV_ch,<br>CMSerReq_01)                                                                                                               |   |                         |
| 13 |       | +localtree                                                                                                                                                                                                                                                                                                                                                                                                                                                                                                                                                              |                                                                                                                                                 |   |                         |
| 14 |       | <b>localtree</b><br>L?DL_DatInRegister ( TCV_TI :=<br>DL_DatInRegister.msg.ti, TCV_TI0 := TCV_TI,<br>TCV_TI.ti_f := '1'B, TCV_Comp :=<br>DL_DatInRegister.msg.fie.components_1, TCV_n :=<br>OC_PosinSet(TCV_Comp, ActivateSS_01),<br>TCV_Invkld :=<br>OC_Asn1intToOct(TCV_Comp.[TCV_n].activateSSCo<br>mponents.activateSS_InvokeComp.invokelD, 1))                                                                                                                                                                                                                     | Register_03(<br>RegisterPdu_03(<br>facilityIErcvie(<br>ActivateSS_01)))                                                                         |   |                         |

|    |                                                                                                                                                                                                                                                                                                                             |                                                                                                                          |                         |
|----|-----------------------------------------------------------------------------------------------------------------------------------------------------------------------------------------------------------------------------------------------------------------------------------------------------------------------------|--------------------------------------------------------------------------------------------------------------------------|-------------------------|
| 15 | L!DL_DatRqRelCmp                                                                                                                                                                                                                                                                                                            | RelComSnd(TCV_ch, ReleaseCmp_09(TCV_TI, facility Etsndiei(ActivateSSRslt_01(TCV_Invkld))))                               |                         |
| 16 | +Checktree(C_ActCF)                                                                                                                                                                                                                                                                                                         |                                                                                                                          |                         |
| 17 | <b>part2</b><br>L?DL_RaInChRq (TCV_Rr := DL_RaInChRq.msg.ecau_rrf, TCV_Fn := DL_RaInChRq.fn)                                                                                                                                                                                                                                | ChReq(ChRequest_04)                                                                                                      |                         |
| 18 | ACTIVATE(OtherEventsFail_02)                                                                                                                                                                                                                                                                                                |                                                                                                                          | To match ChReq retrans. |
| 19 | L!DL_UdatRqImm                                                                                                                                                                                                                                                                                                              | ImmAss( TCV_agch, ImmAsgn_01Def(TCV_Rr, TCV_Fn, TSPX_SDCCH4SubDef, TCV_slot, TCV_tsc, TCV_chdescr_arfcn, TimingAdv( 0))) |                         |
| 20 | L?DL_EstInCmsRq                                                                                                                                                                                                                                                                                                             | CMSerReq(CMServiceReq_08)                                                                                                |                         |
| 21 | ACTIVATE(OtherEventsFail)                                                                                                                                                                                                                                                                                                   |                                                                                                                          | Restore Normal default  |
| 22 | L!DL_DatRqCmsAcp                                                                                                                                                                                                                                                                                                            | CMSerAcp( TCV_ch, CMServiceAcp_01)                                                                                       |                         |
| 23 | +localtree1                                                                                                                                                                                                                                                                                                                 |                                                                                                                          |                         |
| 24 | <b>localtree1</b><br>L?DL_DatInRegister ( TCV_TI := DL_DatInRegister.msg.ti, TCV_TI0 := TCV_TI, TCV_TI.f := '1'B, TCV_Comp := DL_DatInRegister.msg.fie.components_1, TCV_n := OC_PosinSet(TCV_Comp, ActivateSS_02), TCV_Invkld := OC_Asn1intToOct(TCV_Comp.[TCV_n].activateSSComponents.activateSS_InvokeComp.invokeID, 1)) | Register_03(RegisterPdu_03(facility Ercviei(ActivateSS_02)))                                                             |                         |
| 25 | L!DL_DatRqRelCmp                                                                                                                                                                                                                                                                                                            | RelComSnd(TCV_ch, ReleaseCmp_09(TCV_TI, facility Etsndiei(ActivateSSRslt_02(TCV_Invkld))))                               | 5.                      |
| 26 | +Checktree(C_ActCFU)                                                                                                                                                                                                                                                                                                        |                                                                                                                          |                         |
| 27 | <b>Checktree(par:INTEGER)</b><br>(TCV_Res := OO_SSresultCHK(par))                                                                                                                                                                                                                                                           |                                                                                                                          | 6.                      |
| 28 | L_058<br>9 [TCV_Res]                                                                                                                                                                                                                                                                                                        |                                                                                                                          | (P)                     |
| 29 | +PostMainLinkRel(TCV_ch)                                                                                                                                                                                                                                                                                                    |                                                                                                                          |                         |
| 30 | L_059<br>0 [NOT TCV_Res]                                                                                                                                                                                                                                                                                                    |                                                                                                                          | (F)                     |
| 31 | +PostMainLinkRel(TCV_ch)                                                                                                                                                                                                                                                                                                    |                                                                                                                          |                         |

**Detailed Comments:**

1. To setup a physical channel as BCCH, CCCH and SDCCH4 with default parameters.
2. To initiate an ActivateSS operation of call forwarding service for CF (all synchronous services).
3. To initiate an ActivateSS operation of call forwarding service for CFU (all basic services).
4. To return the ReturnResult of SSoperation by FACILITY message.
5. To return the ReturnResult of SSoperation by RELEASE COMPLETE message.
6. To check whether the user indication is correct.

| Test Case Dynamic Behaviour |       |                                                                                                                                                                                                                                                                                                                                                                                                                                                                                                                                                                                                                                                                                                                                                                                                                                              |                                                                                                                                                |   |                         |
|-----------------------------|-------|----------------------------------------------------------------------------------------------------------------------------------------------------------------------------------------------------------------------------------------------------------------------------------------------------------------------------------------------------------------------------------------------------------------------------------------------------------------------------------------------------------------------------------------------------------------------------------------------------------------------------------------------------------------------------------------------------------------------------------------------------------------------------------------------------------------------------------------------|------------------------------------------------------------------------------------------------------------------------------------------------|---|-------------------------|
| <b>Test Case Name:</b>      |       | TC_31_2_1_4                                                                                                                                                                                                                                                                                                                                                                                                                                                                                                                                                                                                                                                                                                                                                                                                                                  |                                                                                                                                                |   |                         |
| <b>Group:</b>               |       | GSM_L3_MS_v4200/SS/                                                                                                                                                                                                                                                                                                                                                                                                                                                                                                                                                                                                                                                                                                                                                                                                                          |                                                                                                                                                |   |                         |
| <b>Purpose:</b>             |       | <p>1) To check that the MS correctly requests a supplementary service transaction for deactivation of call forwarding in CHANNEL REQUEST message.</p> <p>2) To check that the MS correctly requests a supplementary service transaction for deactivation of call forwarding in the subsequent CM-SERVICE REQUEST.</p> <p>3) To check that the MS sends a REGISTER message containing the invoke of the DeactivateSS operation with the expected parameter values for deactivation of call forwarding.</p> <p>4) To check that upon receipt of the result of the operation (in a RELEASE COMPLETE message), the MS provides the appropriate user indication (as described by the manufacturer).</p> <p>These checks are done for :</p> <p>a) CFC, for basic service group speech.</p> <p>b) CFNRc, for basic service group all facsimile.</p> |                                                                                                                                                |   |                         |
| <b>Default:</b>             |       | OtherEventsFail                                                                                                                                                                                                                                                                                                                                                                                                                                                                                                                                                                                                                                                                                                                                                                                                                              |                                                                                                                                                |   |                         |
| Nr                          | Label | Behaviour Description                                                                                                                                                                                                                                                                                                                                                                                                                                                                                                                                                                                                                                                                                                                                                                                                                        | CRef                                                                                                                                           | V | Comments                |
| 1                           |       | START T_guard(300)                                                                                                                                                                                                                                                                                                                                                                                                                                                                                                                                                                                                                                                                                                                                                                                                                           |                                                                                                                                                |   |                         |
| 2                           |       | +IdleUpdated( C_E_default, C_CellA, C_SCH_A, C_BCCH_A_1, C_Immass, C_S0, C_SlotNU, C_SlotNU, C_SlotNU, C_BCC, C_TxInt_5, C_Max_1, C_NECl_0, C_ATT_0, TimingAdv( 0), C_BABR_0, C_cch_1Comb, C_BPM_3, C_T3212_0, C_ci_cellA, C_MCC_1, C_PLMN_1, C_LAC_1, CellOpt_01, CellChDes_Omit, CellChDes_Omit, C_CellReselectHys12, C_MaxPwrLvlG, C_MaxPwrLvlD, BcchFreqLst_45, BcchFreqLst_02, BcchFreqLst_03, BcchFreqLst_04, C_Restablishment, C_BCC, C_NCC, C_Start_Tmsi, TSPX_SDCCH4SubDef, TSPX_CKSNDDef, TSPX_RANDDef, C_arfcnA, C_arfcnAd, TSPX_IMSI, C_Test_nfh, C_NCCP_2)                                                                                                                                                                                                                                                                      |                                                                                                                                                |   |                         |
| 3                           |       | (TCV_Null := OO_InitSS("#004**11#"))                                                                                                                                                                                                                                                                                                                                                                                                                                                                                                                                                                                                                                                                                                                                                                                                         |                                                                                                                                                |   | 2.                      |
| 4                           |       | +part1                                                                                                                                                                                                                                                                                                                                                                                                                                                                                                                                                                                                                                                                                                                                                                                                                                       |                                                                                                                                                |   |                         |
| 5                           |       | (TCV_Null := OO_InitSS("#62**13#"))                                                                                                                                                                                                                                                                                                                                                                                                                                                                                                                                                                                                                                                                                                                                                                                                          |                                                                                                                                                |   | 3.                      |
| 6                           |       | +part2                                                                                                                                                                                                                                                                                                                                                                                                                                                                                                                                                                                                                                                                                                                                                                                                                                       |                                                                                                                                                |   |                         |
|                             |       | <b>part1</b>                                                                                                                                                                                                                                                                                                                                                                                                                                                                                                                                                                                                                                                                                                                                                                                                                                 |                                                                                                                                                |   |                         |
| 7                           |       | L?DL_RaInChRq (TCV_Rr := DL_RaInChRq.<br>msg.ecau_rrf, TCV_Fn := DL_RaInChRq.fn)                                                                                                                                                                                                                                                                                                                                                                                                                                                                                                                                                                                                                                                                                                                                                             | ChReq(<br>ChRequest_04)                                                                                                                        |   |                         |
| 8                           |       | ACTIVATE(OtherEventsFail_02)                                                                                                                                                                                                                                                                                                                                                                                                                                                                                                                                                                                                                                                                                                                                                                                                                 |                                                                                                                                                |   | To match ChReq retrans. |
| 9                           |       | L!DL_UdatRqImmass                                                                                                                                                                                                                                                                                                                                                                                                                                                                                                                                                                                                                                                                                                                                                                                                                            | ImmAss( TCV_agch,<br>ImmAsgn_01Def(<br>TCV_Rr, TCV_Fn,<br>TSPX_SDCCH4SubDef,<br>TCV_slot,<br>TCV_tsc,<br>TCV_chdescr_arfcn,<br>TimingAdv( 0))) |   |                         |
| 10                          |       | L?DL_EstInCmsRq                                                                                                                                                                                                                                                                                                                                                                                                                                                                                                                                                                                                                                                                                                                                                                                                                              | CMSerReq(<br>CMServiceReq_08)                                                                                                                  |   |                         |
| 11                          |       | ACTIVATE(OtherEventsFail)                                                                                                                                                                                                                                                                                                                                                                                                                                                                                                                                                                                                                                                                                                                                                                                                                    |                                                                                                                                                |   | Restore Normal default  |
| 12                          |       | L!DL_DatRqCmsAcp                                                                                                                                                                                                                                                                                                                                                                                                                                                                                                                                                                                                                                                                                                                                                                                                                             | CMSerAcp( TCV_ch,<br>CMServiceAcp_01)                                                                                                          |   |                         |
| 13                          |       | +localtree                                                                                                                                                                                                                                                                                                                                                                                                                                                                                                                                                                                                                                                                                                                                                                                                                                   |                                                                                                                                                |   |                         |
|                             |       | <b>localtree</b>                                                                                                                                                                                                                                                                                                                                                                                                                                                                                                                                                                                                                                                                                                                                                                                                                             |                                                                                                                                                |   |                         |
| 14                          |       | L?DL_DatInRegister ( TCV_TI :=<br>DL_DatInRegister.msg.ti, TCV_TI0 := TCV_TI,<br>TCV_TI.ti.f := '1'B, TCV_Comp :=<br>DL_DatInRegister.msg.fie.components_1, TCV_n :=<br>OC_PosinSet(TCV_Comp, DeactivateSS_01),<br>TCV_Invkld :=<br>OC_Asn1intToOct(TCV_Comp.[TCV_n].deactivateSS<br>Components.deactivateSS_InvokeComp.invokeID, 1))                                                                                                                                                                                                                                                                                                                                                                                                                                                                                                        | Register_03(<br>RegisterPdu_03(<br>facilityIercviei(<br>DeactivateSS_01)))                                                                     |   |                         |
| 15                          |       | L!DL_DatRqRelCmp                                                                                                                                                                                                                                                                                                                                                                                                                                                                                                                                                                                                                                                                                                                                                                                                                             | RelComSnd(TCV_ch,                                                                                                                              |   |                         |

|    |            |                                                                                                                                                                                                                                                                                                                                                            |                                                                                                                                                 |                         |
|----|------------|------------------------------------------------------------------------------------------------------------------------------------------------------------------------------------------------------------------------------------------------------------------------------------------------------------------------------------------------------------|-------------------------------------------------------------------------------------------------------------------------------------------------|-------------------------|
| 16 |            | +Checktree(C_DeactCFC)                                                                                                                                                                                                                                                                                                                                     | ReleaseCmp_09(TCV_TI, facility!Etsndiei(DeactivateSSRslt_01(TCV_Invkld))))                                                                      |                         |
| 17 |            | <b>part2</b><br>L?DL_RaInChRq (TCV_Rr := DL_RaInChRq.<br>msg.ecau_rrf, TCV_Fn := DL_RaInChRq.fn)                                                                                                                                                                                                                                                           | ChReq(<br>ChRequest_04)                                                                                                                         | To match ChReq retrans. |
| 18 |            | ACTIVATE(OtherEventsFail_02)                                                                                                                                                                                                                                                                                                                               |                                                                                                                                                 |                         |
| 19 |            | LIDL_UdatRqImmass                                                                                                                                                                                                                                                                                                                                          | ImmAss( TCV_agch,<br>ImmAsgn_01Def(<br>TCV_Rr, TCV_Fn,<br>TSPX_SDCCH4SubD<br>ef, TCV_slot,<br>TCV_tsc,<br>TCV_chdescr_arfcn,<br>TimingAdv( 0))) |                         |
| 20 |            | L?DL_EstInCmsRq                                                                                                                                                                                                                                                                                                                                            | CMSerReq(<br>CMSerReq_08)                                                                                                                       |                         |
| 21 |            | ACTIVATE(OtherEventsFail)                                                                                                                                                                                                                                                                                                                                  |                                                                                                                                                 | Restore Normal default  |
| 22 |            | LIDL_DatRqCmsAcp                                                                                                                                                                                                                                                                                                                                           | CMSerAcp( TCV_ch,<br>CMSerAcp_01)                                                                                                               |                         |
| 23 |            | +localtree1                                                                                                                                                                                                                                                                                                                                                |                                                                                                                                                 |                         |
| 24 |            | <b>localtree1</b><br>L?DL_DatInRegister ( TCV_TI :=<br>DL_DatInRegister.msg.ti, TCV_TI0 := TCV_TI,<br>TCV_TI.ti_f := '1'B, TCV_Comp :=<br>DL_DatInRegister.msg.fie.components_1, TCV_n :=<br>OC_PosinSet(TCV_Comp, DeactivateSS_02),<br>TCV_Invkld :=<br>OC_Asn1intToOct(TCV_Comp.[TCV_n].deactivateSS<br>Components.deactivateSS_InvokeComp.invokeID, 1)) | Register_03(<br>RegisterPdu_03(<br>facility!Ercviei(<br>DeactivateSS_02)))                                                                      |                         |
| 25 |            | LIDL_DatRqRelCmp                                                                                                                                                                                                                                                                                                                                           | RelComSnd(TCV_ch,<br>ReleaseCmp_09(<br>TCV_TI,<br>facility!Etsndiei(<br>DeactivateSSRslt_02(<br>TCV_Invkld))))                                  | 5.                      |
| 26 |            | +Checktree(C_DeactCFNRc)                                                                                                                                                                                                                                                                                                                                   |                                                                                                                                                 |                         |
| 27 |            | <b>Checktree(par:INTEGER)</b><br>(TCV_Res := OO_SSresultCHK(par))                                                                                                                                                                                                                                                                                          |                                                                                                                                                 | 6.                      |
| 28 | L_059<br>1 | [TCV_Res]                                                                                                                                                                                                                                                                                                                                                  |                                                                                                                                                 | (P)                     |
| 29 |            | +PostMainLinkRel(TCV_ch)                                                                                                                                                                                                                                                                                                                                   |                                                                                                                                                 |                         |
| 30 | L_059<br>2 | [NOT TCV_Res]                                                                                                                                                                                                                                                                                                                                              |                                                                                                                                                 | (F)                     |
| 31 |            | +PostMainLinkRel(TCV_ch)                                                                                                                                                                                                                                                                                                                                   |                                                                                                                                                 |                         |

**Detailed Comments:**

1. To setup a physical channel as BCCH, CCCH and SDCCH4 with default parameters.
2. To initiate a DeactivateSS operation of call forwarding service for CFC (speech).
3. To initiate a DeactivateSS operation of call forwarding service for CFNRc (all facsimile).
4. To return the ReturnResult of SSoperation by FACILITY message.
5. To return the ReturnResult of SSoperation by RELEASE COMPLETE message.
6. To check whether the user indication is correct.



| Test Case Dynamic Behaviour                                                                                                                                                       |       |                                                                                                                                                                                                                                                                                                                                                                                                                                                                                                                                                                         |                                                                                                                                                |   |                         |
|-----------------------------------------------------------------------------------------------------------------------------------------------------------------------------------|-------|-------------------------------------------------------------------------------------------------------------------------------------------------------------------------------------------------------------------------------------------------------------------------------------------------------------------------------------------------------------------------------------------------------------------------------------------------------------------------------------------------------------------------------------------------------------------------|------------------------------------------------------------------------------------------------------------------------------------------------|---|-------------------------|
| <b>Test Case Name:</b> TC_31_2_1_6_1                                                                                                                                              |       |                                                                                                                                                                                                                                                                                                                                                                                                                                                                                                                                                                         |                                                                                                                                                |   |                         |
| <b>Group:</b> GSM_L3_MS_v4200/SS/                                                                                                                                                 |       |                                                                                                                                                                                                                                                                                                                                                                                                                                                                                                                                                                         |                                                                                                                                                |   |                         |
| <b>Purpose:</b>                                                                                                                                                                   |       |                                                                                                                                                                                                                                                                                                                                                                                                                                                                                                                                                                         |                                                                                                                                                |   |                         |
| 1) To check that the MS correctly requests a supplementary service transaction for interrogation of a specific call forwarding in CHANNEL REQUEST message.                        |       |                                                                                                                                                                                                                                                                                                                                                                                                                                                                                                                                                                         |                                                                                                                                                |   |                         |
| 2) To check that the MS correctly requests a supplementary service transaction for interrogation of call forwarding in the subsequent CM-SERVICE REQUEST.                         |       |                                                                                                                                                                                                                                                                                                                                                                                                                                                                                                                                                                         |                                                                                                                                                |   |                         |
| 3) To check that the MS sends a REGISTER message containing the invoke of the InterrogateSS operation with the expected parameter values for interrogation of call forwarding.    |       |                                                                                                                                                                                                                                                                                                                                                                                                                                                                                                                                                                         |                                                                                                                                                |   |                         |
| 4) To check that upon receipt of the result of the operation (in a RELEASE COMPLETE message), the MS provides the appropriate user indication (as described by the manufacturer). |       |                                                                                                                                                                                                                                                                                                                                                                                                                                                                                                                                                                         |                                                                                                                                                |   |                         |
| These checks are done for :                                                                                                                                                       |       |                                                                                                                                                                                                                                                                                                                                                                                                                                                                                                                                                                         |                                                                                                                                                |   |                         |
| a) CFB, for all basic service groups.                                                                                                                                             |       |                                                                                                                                                                                                                                                                                                                                                                                                                                                                                                                                                                         |                                                                                                                                                |   |                         |
| b) CFC, for basic service group speech.                                                                                                                                           |       |                                                                                                                                                                                                                                                                                                                                                                                                                                                                                                                                                                         |                                                                                                                                                |   |                         |
| <b>Default:</b> OtherEventsFail                                                                                                                                                   |       |                                                                                                                                                                                                                                                                                                                                                                                                                                                                                                                                                                         |                                                                                                                                                |   |                         |
| Nr                                                                                                                                                                                | Label | Behaviour Description                                                                                                                                                                                                                                                                                                                                                                                                                                                                                                                                                   | CRef                                                                                                                                           | V | Comments                |
| 1                                                                                                                                                                                 |       | START T_guard(300)                                                                                                                                                                                                                                                                                                                                                                                                                                                                                                                                                      |                                                                                                                                                |   |                         |
| 2                                                                                                                                                                                 |       | +IdleUpdated( C_E_default, C_CellA, C_SCH_A, C_BCCH_A_1, C_Immass, C_S0, C_SlotNU, C_SlotNU, C_SlotNU, C_BCC, C_TxInt_5, C_Max_1, C_NECl_0, C_ATT_0, TimingAdv( 0), C_BABR_0, C_cch_1Comb, C_BPM_3, C_T3212_0, C_ci_cellA, C_MCC_1, C_PLMN_1, C_LAC_1, CellOpt_01, CellChDes_Omit, CellChDes_Omit, C_CellReselectHys12, C_MaxPwrLvlG, C_MaxPwrLvlD, BcchFreqLst_45, BcchFreqLst_02, BcchFreqLst_03, BcchFreqLst_04, C_Restablishment, C_BCC, C_NCC, C_Start_Tmsi, TSPX_SDCCH4SubDef, TSPX_CKSNDDef, TSPX_RANDDef, C_arfcnA, C_arfcnAd, TSPX_IMSI, C_Test_nfh, C_NCCP_2) |                                                                                                                                                |   |                         |
| 3                                                                                                                                                                                 |       | (TCV_Null := OO_InitSS("#67#"))                                                                                                                                                                                                                                                                                                                                                                                                                                                                                                                                         |                                                                                                                                                |   | 2.                      |
| 4                                                                                                                                                                                 |       | +part1                                                                                                                                                                                                                                                                                                                                                                                                                                                                                                                                                                  |                                                                                                                                                |   |                         |
| 5                                                                                                                                                                                 |       | (TCV_Null := OO_InitSS("#61*11#"))                                                                                                                                                                                                                                                                                                                                                                                                                                                                                                                                      |                                                                                                                                                |   | 3.                      |
| 6                                                                                                                                                                                 |       | +part2                                                                                                                                                                                                                                                                                                                                                                                                                                                                                                                                                                  |                                                                                                                                                |   |                         |
| 7                                                                                                                                                                                 |       | <b>part1</b><br>L?DL_RaInChRq (TCV_Rr := DL_RaInChRq.<br>msg.ecau_rrf, TCV_Fn := DL_RaInChRq.fn)                                                                                                                                                                                                                                                                                                                                                                                                                                                                        | ChReq(<br>ChRequest_04)                                                                                                                        |   |                         |
| 8                                                                                                                                                                                 |       | ACTIVATE(OtherEventsFail_02)                                                                                                                                                                                                                                                                                                                                                                                                                                                                                                                                            |                                                                                                                                                |   | To match ChReq retrans. |
| 9                                                                                                                                                                                 |       | L!DL_UdatRqImmass                                                                                                                                                                                                                                                                                                                                                                                                                                                                                                                                                       | ImmAss( TCV_agch,<br>ImmAsgn_01Def(<br>TCV_Rr, TCV_Fn,<br>TSPX_SDCCH4SubDef,<br>TCV_slot,<br>TCV_tsc,<br>TCV_chdescr_arfcn,<br>TimingAdv( 0))) |   |                         |
| 10                                                                                                                                                                                |       | L?DL_EstInCmsRq                                                                                                                                                                                                                                                                                                                                                                                                                                                                                                                                                         | CMSerReq(<br>CMServiceReq_08)                                                                                                                  |   |                         |
| 11                                                                                                                                                                                |       | ACTIVATE(OtherEventsFail)                                                                                                                                                                                                                                                                                                                                                                                                                                                                                                                                               |                                                                                                                                                |   | Restore Normal default  |
| 12                                                                                                                                                                                |       | L!DL_DatRqCmsAcp                                                                                                                                                                                                                                                                                                                                                                                                                                                                                                                                                        | CMSerAcp( TCV_ch,<br>CMServiceAcp_01)                                                                                                          |   |                         |
| 13                                                                                                                                                                                |       | +localtree                                                                                                                                                                                                                                                                                                                                                                                                                                                                                                                                                              |                                                                                                                                                |   |                         |
| 14                                                                                                                                                                                |       | <b>localtree</b><br>L?DL_DatInRegister ( TCV_TI :=<br>DL_DatInRegister.msg.ti, TCV_TI0 := TCV_TI,<br>TCV_TI.ti_f := '1'B, TCV_Comp :=<br>DL_DatInRegister.msg.fie.components_1, TCV_n :=<br>OC_PosinSet(TCV_Comp, InterrogateSS_01),<br>TCV_Invkld :=<br>OC_Asn1intToOct(TCV_Comp.[TCV_n].interrogateSS<br>SComponents.interrogateSS_InvokeComp.invokeld,<br>1))                                                                                                                                                                                                        | Register_03(<br>RegisterPdu_03(<br>facilityIercviei(<br>InterrogateSS_01)))                                                                    |   |                         |

|    |            |                                                                                                                                                                                                                                                                                                                                                           |                                                                                                                          |                         |
|----|------------|-----------------------------------------------------------------------------------------------------------------------------------------------------------------------------------------------------------------------------------------------------------------------------------------------------------------------------------------------------------|--------------------------------------------------------------------------------------------------------------------------|-------------------------|
| 15 |            | L!DL_DatRqRelCmp                                                                                                                                                                                                                                                                                                                                          | RelComSnd(TCV_ch, ReleaseCmp_09(TCV_TI, facility Etsndiei(InterrogateSSRslt_01(TCV_Invkld))))                            |                         |
| 16 |            | +Checktree(C_InterrogCFB)                                                                                                                                                                                                                                                                                                                                 |                                                                                                                          |                         |
| 17 |            | <b>part2</b><br>L?DL_RaInChRq (TCV_Rr := DL_RaInChRq.<br>msg.ecau_rrf, TCV_Fn := DL_RaInChRq.fn)                                                                                                                                                                                                                                                          | ChReq(<br>ChRequest_04)                                                                                                  |                         |
| 18 |            | ACTIVATE(OtherEventsFail_02)                                                                                                                                                                                                                                                                                                                              |                                                                                                                          | To match ChReq retrans. |
| 19 |            | L!DL_UdatRqImm                                                                                                                                                                                                                                                                                                                                            | ImmAss( TCV_agch, ImmAsgn_01Def(TCV_Rr, TCV_Fn, TSPX_SDCCH4SubDef, TCV_slot, TCV_tsc, TCV_chdescr_arfcn, TimingAdv( 0))) |                         |
| 20 |            | L?DL_EstInCmsRq                                                                                                                                                                                                                                                                                                                                           | CMSerReq(<br>CMServiceReq_08)                                                                                            |                         |
| 21 |            | ACTIVATE(OtherEventsFail)                                                                                                                                                                                                                                                                                                                                 |                                                                                                                          | Restore Normal default  |
| 22 |            | L!DL_DatRqCmsAcp                                                                                                                                                                                                                                                                                                                                          | CMSerAcp( TCV_ch, CMServiceAcp_01)                                                                                       |                         |
| 23 |            | +localtree1                                                                                                                                                                                                                                                                                                                                               |                                                                                                                          |                         |
| 24 |            | <b>localtree1</b><br>L?DL_DatInRegister ( TCV_TI :=<br>DL_DatInRegister.msg.ti, TCV_TI0 := TCV_TI,<br>TCV_TI.ti_f := '1'B, TCV_Comp :=<br>DL_DatInRegister.msg.fie.components_1, TCV_n :=<br>OC_PosinSet(TCV_Comp, InterrogateSS_02),<br>TCV_Invkld :=<br>OC_Asn1intToOct(TCV_Comp.[TCV_n].interrogateSSComponents.interrogateSS_InvokeComp.invokeID, 1)) | Register_03(<br>RegisterPdu_03(<br>facility Ercviei(<br>InterrogateSS_02)))                                              |                         |
| 25 |            | L!DL_DatRqRelCmp                                                                                                                                                                                                                                                                                                                                          | RelComSnd(TCV_ch, ReleaseCmp_09(TCV_TI, facility Etsndiei(InterrogateSSRslt_02(TCV_Invkld))))                            | 5.                      |
| 26 |            | +Checktree(C_InterrogCFC)                                                                                                                                                                                                                                                                                                                                 |                                                                                                                          |                         |
| 27 |            | <b>Checktree(par:INTEGER)</b><br>(TCV_Res := OO_SSresultCHK(par))                                                                                                                                                                                                                                                                                         |                                                                                                                          | 6.                      |
| 28 | L_059<br>3 | [TCV_Res]                                                                                                                                                                                                                                                                                                                                                 |                                                                                                                          | (P)                     |
| 29 |            | +PostMainLinkRel(TCV_ch)                                                                                                                                                                                                                                                                                                                                  |                                                                                                                          |                         |
| 30 | L_059<br>4 | [NOT TCV_Res]                                                                                                                                                                                                                                                                                                                                             |                                                                                                                          | (F)                     |
| 31 |            | +PostMainLinkRel(TCV_ch)                                                                                                                                                                                                                                                                                                                                  |                                                                                                                          |                         |

**Detailed Comments:**

1. To setup a physical channel as BCCH, CCCH and SDCCH4 with default parameters.
2. To initiate a InterrogateSS operation of call forwarding service for CFB (all basic services).
3. To initiate a InterrogateSS operation of call forwarding service for CFNRy (Speech).
4. To return the ReturnResult of SSoperation by FACILITY message.
5. To return the ReturnResult of SSoperation by RELEASE COMPLETE message.
6. To check whether the user indication is correct.

### Test Case Dynamic Behaviour

|                        |                                                                                                                                                                                                                                                                                                                                                                                                                                                                                                                                                                                                                                                                                                                                                                                                                                                                                                                                                                                                                                                                                                                                                                                       |
|------------------------|---------------------------------------------------------------------------------------------------------------------------------------------------------------------------------------------------------------------------------------------------------------------------------------------------------------------------------------------------------------------------------------------------------------------------------------------------------------------------------------------------------------------------------------------------------------------------------------------------------------------------------------------------------------------------------------------------------------------------------------------------------------------------------------------------------------------------------------------------------------------------------------------------------------------------------------------------------------------------------------------------------------------------------------------------------------------------------------------------------------------------------------------------------------------------------------|
| <b>Test Case Name:</b> | TC_31_2_1_6_2                                                                                                                                                                                                                                                                                                                                                                                                                                                                                                                                                                                                                                                                                                                                                                                                                                                                                                                                                                                                                                                                                                                                                                         |
| <b>Group:</b>          | GSM_L3_MS_v4200/SS/                                                                                                                                                                                                                                                                                                                                                                                                                                                                                                                                                                                                                                                                                                                                                                                                                                                                                                                                                                                                                                                                                                                                                                   |
| <b>Purpose:</b>        | <p>1) To check that the MS correctly requests the establishment of a parallel MM transaction for supplementary service transaction of interrogation of a specific call forwarding service, sending a CM-SERVICE REQUEST.</p> <p>2) To check that the MS sends a REGISTER message containing the invoke of the InterrogateSS operation with the expected parameter values for interrogation of call forwarding.</p> <p>3) To check that upon receipt of the RELEASE COMPLETE message related to the present SS transaction, the first transaction remains unaffected.</p> <p>4) To check that upon receipt of the RELEASE COMPLETE message, the MS provides the appropriate user indication (as described by the Manufacturer).</p> <p>These checks are performed with a call transaction already established for :</p> <p>a) CFNRC, for all basic service group, the RELEASE COMPLETE message being sent with a facility IE containing a return_error(error) where error is "SS not available".</p> <p>b) CFB, for all facsimile, the RELEASE COMPLETE message being sent with a facility IE containing a reject(invoked_problem) where invoked_problem is "resource limitation".</p> |
| <b>Default:</b>        | OtherEventsFail                                                                                                                                                                                                                                                                                                                                                                                                                                                                                                                                                                                                                                                                                                                                                                                                                                                                                                                                                                                                                                                                                                                                                                       |

| Nr | Label | Behaviour Description                                                                                                                                                                                                                                                                                                                                                                                                                                                                                                                                                                                              | CRef                                                                        | V | Comments |
|----|-------|--------------------------------------------------------------------------------------------------------------------------------------------------------------------------------------------------------------------------------------------------------------------------------------------------------------------------------------------------------------------------------------------------------------------------------------------------------------------------------------------------------------------------------------------------------------------------------------------------------------------|-----------------------------------------------------------------------------|---|----------|
| 1  |       | START T_guard(300)                                                                                                                                                                                                                                                                                                                                                                                                                                                                                                                                                                                                 |                                                                             |   |          |
| 2  |       | +BasicServiceMO( TSPX_MOBscSvcJ,<br>TSPX_MOChRateJ)                                                                                                                                                                                                                                                                                                                                                                                                                                                                                                                                                                |                                                                             |   |          |
| 3  |       | +IdleUpdated( C_E_default, C_CellA, C_SCH_A,<br>C_BCCH_A_1, C_Immss, C_S0, C_SlotNU,<br>C_SlotNU, C_SlotNU, C_BCC, C_TxInt_5,<br>C_Max_1, C_NECI_0, C_ATT_0, TimingAdv( 0),<br>C_BABR_0, C_cch_1Comb, C_BPM_3,<br>C_T3212_0, C_ci_cellA, C_MCC_1, C_PLMN_1,<br>C_LAC_1, CellOpt_01, CellChDes_Omit,<br>CellChDes_Omit, C_CellReselectHys12,<br>C_MaxPwrLvlG, C_MaxPwrLvlD,<br>BcchFreqLst_45, BcchFreqLst_02,<br>BcchFreqLst_03, BcchFreqLst_04,<br>C_Reestablishment, C_BCC, C_NCC,<br>C_Start_Tmsi, TSPX_SDCCH4SubDef,<br>TSPX_CKSNDf, TSPX_RANDDef, C_arfcnA,<br>C_arfcnAd, TSPX_IMSI, C_Test_nfh,<br>C_NCCP_2) |                                                                             |   |          |
| 4  |       | +CCConfigTCH_nociph( TSPX_TCHHSubDef,<br>C_Ass, TSPX_TmSlitDef, TSPX_TscDef,<br>TimingAdv( 0), C_BABR_0, C_cch_1Comb,<br>C_BPM_3, TCV_ChMod.mode, FreqTCH_omit,<br>FreqTCH_omit, C_arfcn_tchA, C_arfcn_tchAd)                                                                                                                                                                                                                                                                                                                                                                                                      |                                                                             |   | 1.       |
| 5  |       | +Est_MO_Call( TimingAdv( 0), TCV_ChRate,<br>TSPX_RANDDef, TSPX_SDCCH4SubDef,<br>TSPX_TmSlitDef, TSPX_TscDef,<br>TSPX_TCHHSubDef)                                                                                                                                                                                                                                                                                                                                                                                                                                                                                   |                                                                             |   | 2.       |
| 6  |       | (TCV_Null := OO_InitSS("#62#"))                                                                                                                                                                                                                                                                                                                                                                                                                                                                                                                                                                                    |                                                                             |   | 3.       |
| 7  |       | +part1                                                                                                                                                                                                                                                                                                                                                                                                                                                                                                                                                                                                             |                                                                             |   |          |
| 8  |       | (TCV_Null := OO_InitSS("#67**13#"))                                                                                                                                                                                                                                                                                                                                                                                                                                                                                                                                                                                |                                                                             |   | 4.       |
| 9  |       | +part2                                                                                                                                                                                                                                                                                                                                                                                                                                                                                                                                                                                                             |                                                                             |   |          |
| 10 |       | <b>part1</b><br>L?DL_DatInCmsRq                                                                                                                                                                                                                                                                                                                                                                                                                                                                                                                                                                                    | CMSerDatReq(<br>CMServiceReq_08)                                            |   |          |
| 11 |       | LIDL_DatRqCmsAcp                                                                                                                                                                                                                                                                                                                                                                                                                                                                                                                                                                                                   | CMSerAcp(<br>TCV_chTch,<br>CMServiceAcp_01)                                 |   |          |
| 12 |       | +localtree                                                                                                                                                                                                                                                                                                                                                                                                                                                                                                                                                                                                         |                                                                             |   |          |
| 13 |       | <b>localtree</b><br>L?DL_DatInRegister ( TCV_TI1 :=<br>DL_DatInRegister.msg.ti, TCV_TI2 := TCV_TI1,<br>TCV_TI2.ti.f := '1'B, TCV_Comp :=<br>DL_DatInRegister.msg.fie.components_1, TCV_n :=                                                                                                                                                                                                                                                                                                                                                                                                                        | Register_03(<br>RegisterPdu_03(<br>facilityIErcviei(<br>InterrogateSS_03))) |   |          |

|                           |            |                                                                                                                                                                                                                                                                                                                                                                     |                                                                                                                        |     |
|---------------------------|------------|---------------------------------------------------------------------------------------------------------------------------------------------------------------------------------------------------------------------------------------------------------------------------------------------------------------------------------------------------------------------|------------------------------------------------------------------------------------------------------------------------|-----|
| 14                        |            | OC_PosinSet(TCV_Comp, InterrogateSS_03),<br>TCV_Invkld :=<br>OC_Asn1intToOct(TCV_Comp.[TCV_n].interrogateS<br>SComponents.interrogateSS_InvokeComp.invokeID,<br>1))<br>L!DL_DatRqRelCmp                                                                                                                                                                             | RelComSnd(TCV_ch<br>Tch,<br>ReleaseCmp_09(<br>TCV_TI2,<br>facilitylEtsndiei(<br>InterrogateSSErr_01(<br>TCV_Invkld)))) |     |
| 15                        |            | L!DL_DatRqCstEnq                                                                                                                                                                                                                                                                                                                                                    | CCStESnd(<br>TCV_chTch,<br>CCStatusEq_01(<br>TCV_TI))                                                                  |     |
| 16                        | L_059<br>5 | L?DL_DatInCst                                                                                                                                                                                                                                                                                                                                                       | CCStRcv(<br>TCV_chTch,<br>CCStatus_14(<br>TCV_TI0, C_U10))                                                             | (P) |
| 17                        |            | <b>part2</b><br>L?DL_DatInCmsRq                                                                                                                                                                                                                                                                                                                                     | CMSerDatReq(<br>CMServiceReq_08)                                                                                       |     |
| 18                        |            | L!DL_DatRqCmsAcp                                                                                                                                                                                                                                                                                                                                                    | CMSerAcp(<br>TCV_chTch,<br>CMServiceAcp_01)                                                                            |     |
| 19                        |            | +localtree1                                                                                                                                                                                                                                                                                                                                                         |                                                                                                                        |     |
| 20                        |            | <b>localtree1</b><br>L?DL_DatInRegister ( TCV_TI1 :=<br>DL_DatInRegister.msg.ti, TCV_TI2 := TCV_TI1,<br>TCV_TI2.ti_f := '1'B, TCV_Comp :=<br>DL_DatInRegister.msg.fie.components_1, TCV_n :=<br>OC_PosinSet(TCV_Comp, InterrogateSS_04),<br>TCV_Invkld :=<br>OC_Asn1intToOct(TCV_Comp.[TCV_n].interrogateS<br>SComponents.interrogateSS_InvokeComp.invokeID,<br>1)) | Register_03(<br>RegisterPdu_03(<br>facilitylErcviei(<br>InterrogateSS_04)))                                            |     |
| 21                        |            | L!DL_DatRqRelCmp                                                                                                                                                                                                                                                                                                                                                    | RelComSnd(TCV_ch<br>Tch,<br>ReleaseCmp_09(<br>TCV_TI2,<br>facilitylEtsndiei(<br>InterrogateSSRej_01(<br>TCV_Invkld)))) |     |
| 22                        |            | +Checktree(C_InterrogCFB)                                                                                                                                                                                                                                                                                                                                           |                                                                                                                        |     |
| 23                        |            | <b>Checktree(par:INTEGER)</b><br>(TCV_Res := OO_SSresultCHK(par))                                                                                                                                                                                                                                                                                                   |                                                                                                                        |     |
| 24                        | L_059<br>6 | [TCV_Res]                                                                                                                                                                                                                                                                                                                                                           |                                                                                                                        | (P) |
| 25                        |            | L!DL_DatRqCstEnq                                                                                                                                                                                                                                                                                                                                                    | CCStESnd(<br>TCV_chTch,<br>CCStatusEq_01(<br>TCV_TI))                                                                  |     |
| 26                        | L_059<br>7 | L?DL_DatInCst                                                                                                                                                                                                                                                                                                                                                       | CCStRcv(<br>TCV_chTch,<br>CCStatus_14(<br>TCV_TI0, C_U10))                                                             | (P) |
| 27                        |            | +PostMainLinkRel(TCV_chTch)                                                                                                                                                                                                                                                                                                                                         |                                                                                                                        |     |
| 28                        | L_059<br>8 | [NOT TCV_Res]                                                                                                                                                                                                                                                                                                                                                       |                                                                                                                        | (F) |
| 29                        |            | +PostMainLinkRel(TCV_chTch)                                                                                                                                                                                                                                                                                                                                         |                                                                                                                        |     |
| <b>Detailed Comments:</b> |            | <ol style="list-style-type: none"> <li>1. To setup traffic channel.</li> <li>2. To establish a mobile originating call.</li> <li>3. To initiate an interrogation of call forwarding service for CFNRc (all basic services).</li> <li>4. To initiate an interrogation of call forwarding service for CFB (all facsimile).</li> </ol>                                 |                                                                                                                        |     |

| Test Case Dynamic Behaviour |       |                                                                                                                                                                                                                                                                                                                                                                                                                                                                                                                                                                        |                                                                                    |   |          |
|-----------------------------|-------|------------------------------------------------------------------------------------------------------------------------------------------------------------------------------------------------------------------------------------------------------------------------------------------------------------------------------------------------------------------------------------------------------------------------------------------------------------------------------------------------------------------------------------------------------------------------|------------------------------------------------------------------------------------|---|----------|
| <b>Test Case Name:</b>      |       | TC_31_2_1_7_1_1                                                                                                                                                                                                                                                                                                                                                                                                                                                                                                                                                        |                                                                                    |   |          |
| <b>Group:</b>               |       | GSM_L3_MS_v4200/SS/                                                                                                                                                                                                                                                                                                                                                                                                                                                                                                                                                    |                                                                                    |   |          |
| <b>Purpose:</b>             |       | <p>1) To check that, in state U7 or U10, upon receipt of a FACILITY message notifying an incoming call, the MS shall provide the appropriate user indication (which is to be described by the manufacturer).</p> <p>2) To check that when the notification of incoming call is received while the MS is in CC state U7 and U10 of another incoming call, it has no effect on its state.</p> <p>These checks are performed in the case of CFB.</p>                                                                                                                      |                                                                                    |   |          |
| <b>Default:</b>             |       | OtherEventsFail                                                                                                                                                                                                                                                                                                                                                                                                                                                                                                                                                        |                                                                                    |   |          |
| Nr                          | Label | Behaviour Description                                                                                                                                                                                                                                                                                                                                                                                                                                                                                                                                                  | CRef                                                                               | V | Comments |
| 1                           |       | START T_guard(300)                                                                                                                                                                                                                                                                                                                                                                                                                                                                                                                                                     |                                                                                    |   |          |
| 2                           |       | +BasicServiceMT( TSPX_MTBscSvcA, TSPX_MTChRateA)                                                                                                                                                                                                                                                                                                                                                                                                                                                                                                                       |                                                                                    |   |          |
| 3                           |       | +IdleUpdated( C_E_default, C_CellA, C_SCH_A, C_BCCH_A_1, C_Immass, C_S0, C_SlotNU, C_SlotNU, C_SlotNU, C_BCC, C_TxInt_5, C_Max_1, C_NECI_0, C_ATT_0, TimingAdv( 0), C_BABR_0, C_cch_1Comb, C_BPM_3, C_T3212_0, C_ci_cellA, C_MCC_1, C_PLMN_1, C_LAC_1, CellOpt_01, CellChDes_Omit, CellChDes_Omit, C_CellReselectHys12, C_MaxPwrLvIG, C_MaxPwrLvID, BcchFreqLst_45, BcchFreqLst_02, BcchFreqLst_03, BcchFreqLst_04, C_Reestablishment, C_BCC, C_NCC, C_Start_Tmsi, TSPX_SDCCH4SubDef, TSPX_CKSNDf, TSPX_RANDDef, C_arfcnA, C_arfcnAd, TSPX_IMSI, C_Test_nfh, C_NCCP_2) |                                                                                    |   |          |
| 4                           |       | +CCConfigTCH_nociph( TSPX_TCHHSubDef, C_Ass, TSPX_TmSltDef, TSPX_TscDef, TimingAdv( 0), C_BABR_0, C_cch_1Comb, C_BPM_3, TCV_ChMod.mode, FreqTCH_omit, FreqTCH_omit, C_arfcn_tchA, C_arfcn_tchAd)                                                                                                                                                                                                                                                                                                                                                                       |                                                                                    |   |          |
| 5                           |       | +PreEstRRConn(TCV_slot, TCV_tsc, TimingAdv( 0))                                                                                                                                                                                                                                                                                                                                                                                                                                                                                                                        |                                                                                    |   | Paging   |
| 6                           | body  | L!DL_DatRqSetup                                                                                                                                                                                                                                                                                                                                                                                                                                                                                                                                                        | SetupSnd(TCV_ch, TCV_Setup_mt)                                                     |   |          |
| 7                           |       | +AssCmdGen( TCV_cellid, TCV_ChRate, TSPX_TmSltDef, TSPX_TscDef, TSPX_TCHHSubDef)                                                                                                                                                                                                                                                                                                                                                                                                                                                                                       |                                                                                    |   |          |
| 8                           |       | L?DL_DatInCallCo                                                                                                                                                                                                                                                                                                                                                                                                                                                                                                                                                       | CallCfm( CallConfirm_01( TI_01))                                                   |   |          |
| 9                           |       | +ltree_connectTch                                                                                                                                                                                                                                                                                                                                                                                                                                                                                                                                                      |                                                                                    |   |          |
| 10                          |       | <b>ltree_connectTch</b>                                                                                                                                                                                                                                                                                                                                                                                                                                                                                                                                                |                                                                                    |   |          |
| 11                          |       | [TSPX_Immconn]<br>L?DL_DatInConn                                                                                                                                                                                                                                                                                                                                                                                                                                                                                                                                       | ConnRcv( Connect_01( TI_01))                                                       |   |          |
| 12                          |       | +AssCh_complete( TCV_ch, TCV_chTch, TCV_AssCmd)                                                                                                                                                                                                                                                                                                                                                                                                                                                                                                                        |                                                                                    |   |          |
| 13                          |       | +ltree_U10                                                                                                                                                                                                                                                                                                                                                                                                                                                                                                                                                             |                                                                                    |   |          |
| 14                          |       | [NOT TSPX_Immconn]                                                                                                                                                                                                                                                                                                                                                                                                                                                                                                                                                     |                                                                                    |   |          |
| 15                          |       | +AssCh_complete( TCV_ch, TCV_chTch, TCV_AssCmd)                                                                                                                                                                                                                                                                                                                                                                                                                                                                                                                        |                                                                                    |   |          |
| 16                          |       | L?DL_DatInAlert                                                                                                                                                                                                                                                                                                                                                                                                                                                                                                                                                        | AlertRcv( AlertingInd_01( TI_01))                                                  |   |          |
| 17                          |       | LIDL_DatRqFac                                                                                                                                                                                                                                                                                                                                                                                                                                                                                                                                                          | FacilitySnd(TCV_chTch, FacilityPdu_25( TI_02, facilityIEtsnd( NotificationSS_01))) |   | 2.       |
| 18                          |       | (TCV_Res := OO_SSresultCHK(C_NotifyCFB))                                                                                                                                                                                                                                                                                                                                                                                                                                                                                                                               |                                                                                    |   |          |
| 19                          |       | L!DL_DatRqCstEnq                                                                                                                                                                                                                                                                                                                                                                                                                                                                                                                                                       | CCStESnd( TCV_chTch, CCStatusEq_01(                                                |   |          |

|    |            |                                          |                                                                                              |     |              |
|----|------------|------------------------------------------|----------------------------------------------------------------------------------------------|-----|--------------|
| 20 | L_059<br>9 | L?DL_DatInCst                            | TI_02))<br>CCStRcv(<br>TCV_chTch,<br>CCStatus_14( TI_01,<br>C_U7))                           | (P) | U7           |
| 21 |            | (TCV_Null := OO_HookOff())               |                                                                                              |     |              |
| 22 |            | L?DL_DatInConn                           | ConnRcv(<br>Connect_01( TI_01))                                                              |     |              |
| 23 | L_060<br>0 | [TCV_Res]                                |                                                                                              | (P) | Notified     |
| 24 |            | +ltree_U10                               |                                                                                              |     |              |
| 25 | L_060<br>1 | [NOT TCV_Res]                            |                                                                                              | (F) | Not notified |
| 26 |            | +ltree_U10                               |                                                                                              |     |              |
| 27 |            | <b>ltree_U10</b><br>L!DL_DatRqConnAck    | ConnAckSnd(<br>TCV_chTch,<br>ConnectAck_01(<br>TI_02))                                       |     |              |
| 28 |            | L!DL_DatRqFac                            | FacilitySnd(TCV_chT<br>ch, FacilityPdu_25(<br>TI_02, facilityIEtsnd(<br>NotificationSS_01))) |     | 3.           |
| 29 |            | (TCV_Res := OO_SSresultCHK(C_NotifyCFB)) |                                                                                              |     |              |
| 30 |            | L!DL_DatRqCstEnq                         | CCStESnd(<br>TCV_chTch,<br>CCStatusEq_01(<br>TI_02))                                         |     |              |
| 31 | L_060<br>2 | L?DL_DatInCst                            | CCStRcv(<br>TCV_chTch,<br>CCStatus_14( TI_01,<br>C_U10))                                     | (P) | U10          |
| 32 |            | L!DL_DatRqRelCmp                         | RelComSnd(<br>TCV_chTch,<br>ReleaseCmp_08(<br>TI_02))                                        |     |              |
| 33 |            | +PostMainLinkRel(TCV_chTch)              |                                                                                              |     |              |
| 34 | L_060<br>3 | [TCV_Res]                                |                                                                                              | (P) | Notified     |
| 35 | L_060<br>4 | [NOT TCV_Res]                            |                                                                                              | (F) | Not notified |

**Detailed Comments:**

1. To setup physical channels for BCCH, CCCH, SDCCH4 and full rate traffic channels.
2. To send a FACILITY message containing NotifySS invocation while the MS is in U7 state.
3. To send a FACILITY message containing NotifySS invocation while the MS is in U10 state.

### Test Case Dynamic Behaviour

|                        |                                                                                                                                                                                                                                                                                                                                                                                                                                                                                                                                                                                                                                                                                                                                                                                                                                                                                                                                                                                                                                                                                                 |
|------------------------|-------------------------------------------------------------------------------------------------------------------------------------------------------------------------------------------------------------------------------------------------------------------------------------------------------------------------------------------------------------------------------------------------------------------------------------------------------------------------------------------------------------------------------------------------------------------------------------------------------------------------------------------------------------------------------------------------------------------------------------------------------------------------------------------------------------------------------------------------------------------------------------------------------------------------------------------------------------------------------------------------------------------------------------------------------------------------------------------------|
| <b>Test Case Name:</b> | TC_31_2_1_7_1_2                                                                                                                                                                                                                                                                                                                                                                                                                                                                                                                                                                                                                                                                                                                                                                                                                                                                                                                                                                                                                                                                                 |
| <b>Group:</b>          | GSM_L3_MS_v4200/SS/                                                                                                                                                                                                                                                                                                                                                                                                                                                                                                                                                                                                                                                                                                                                                                                                                                                                                                                                                                                                                                                                             |
| <b>Purpose:</b>        | <p>1) To check that when an outgoing call is being established, if the ALERTING message is received with the facility information element containing an SS notification, the MS correctly reaches CC state U4. This is tested for CFU.</p> <p>2) As an outgoing call is being established, if the ALERTING message is received with the facility information element containing an SS notification, the MS provides the appropriate user indication (which is to be described by the manufacturer). This is tested for CFU.</p> <p>3) As an outgoing call is being established, if the CONNECT message is received with the facility information element containing an SS notification, the MS normally sends a CONNECT ACK message and enter CC state U10. This is tested for CFC.</p> <p>4) As an outgoing call is being established, if the CONNECT message is received with the facility information element containaining an SS notification (for CFU or CFC), the MS provides the appropriate user indication (which is to be described by the manufacturer). This is tested for CFC.</p> |
| <b>Default:</b>        | OtherEventsFail                                                                                                                                                                                                                                                                                                                                                                                                                                                                                                                                                                                                                                                                                                                                                                                                                                                                                                                                                                                                                                                                                 |

| Nr | Label | Behaviour Description                                                                                                                                                                                                                                                                                                                                                                                                                                                                                                                                                                                                | Cref                                                                                                                                            | V | Comments                |
|----|-------|----------------------------------------------------------------------------------------------------------------------------------------------------------------------------------------------------------------------------------------------------------------------------------------------------------------------------------------------------------------------------------------------------------------------------------------------------------------------------------------------------------------------------------------------------------------------------------------------------------------------|-------------------------------------------------------------------------------------------------------------------------------------------------|---|-------------------------|
| 1  |       | START T_guard(300)                                                                                                                                                                                                                                                                                                                                                                                                                                                                                                                                                                                                   |                                                                                                                                                 |   |                         |
| 2  |       | +BasicServiceMO( TSPX_MOBscSvcJ,<br>TSPX_MOChRateJ)                                                                                                                                                                                                                                                                                                                                                                                                                                                                                                                                                                  |                                                                                                                                                 |   |                         |
| 3  |       | +IdleUpdated( C_E_default, C_CellA, C_SCH_A,<br>C_BCCH_A_1, C_Immass, C_S0, C_SlotNU,<br>C_SlotNU, C_SlotNU, C_BCC, C_TxInt_5,<br>C_Max_1, C_NECI_0, C_ATT_0, TimingAdv( 0),<br>C_BABR_0, C_cch_1Comb, C_BPM_3,<br>C_T3212_0, C_ci_cellA, C_MCC_1, C_PLMN_1,<br>C_LAC_1, CellOpt_01, CellChDes_Omit,<br>CellChDes_Omit, C_CellReselectHys12,<br>C_MaxPwrLvIG, C_MaxPwrLvID,<br>BcchFreqLst_45, BcchFreqLst_02,<br>BcchFreqLst_03, BcchFreqLst_04,<br>C_Restablishment, C_BCC, C_NCC,<br>C_Start_Tmsi, TSPX_SDCCH4SubDef,<br>TSPX_CKSNDDef, TSPX_RANDDef, C_arfcnA,<br>C_arfcnAd, TSPX_IMSI, C_Test_nfh,<br>C_NCCP_2) |                                                                                                                                                 |   |                         |
| 4  |       | +CCConfigTCH_nociph( TSPX_TCHHSubDef,<br>C_Ass, TSPX_TmSltDef, TSPX_TscDef,<br>TimingAdv( 0), C_BABR_0, C_cch_1Comb,<br>C_BPM_3, TCV_ChMod.mode, FreqTCH_omit,<br>FreqTCH_omit, C_arfcn_tchA, C_arfcn_tchAd)                                                                                                                                                                                                                                                                                                                                                                                                         |                                                                                                                                                 |   | 1.                      |
| 5  |       | +InitCall( TCV_Service)                                                                                                                                                                                                                                                                                                                                                                                                                                                                                                                                                                                              |                                                                                                                                                 |   |                         |
| 6  |       | L?DL_RaInChRq (TCV_Rr :=<br>DL_RaInChRq.msg.ecau_rrf, TCV_Fn :=<br>DL_RaInChRq.fn)                                                                                                                                                                                                                                                                                                                                                                                                                                                                                                                                   | ChReq(<br>ChRequest_15)                                                                                                                         |   |                         |
| 7  |       | ACTIVATE( OtherEventsFail_02)                                                                                                                                                                                                                                                                                                                                                                                                                                                                                                                                                                                        |                                                                                                                                                 |   | To match ChReq retrans. |
| 8  |       | L!DL_UdatRqImmass                                                                                                                                                                                                                                                                                                                                                                                                                                                                                                                                                                                                    | ImmAss( TCV_agch,<br>ImmAsgn_01Def(<br>TCV_Rr, TCV_Fn,<br>TSPX_SDCCH4SubD<br>ef, TCV_slot,<br>TCV_tsc,<br>TCV_chdescr_arfcn,<br>TimingAdv( 0))) |   |                         |
| 9  |       | L?DL_EstInCmsRq                                                                                                                                                                                                                                                                                                                                                                                                                                                                                                                                                                                                      | CMSerReq(<br>CMSerReq_01)                                                                                                                       |   |                         |
| 10 |       | ACTIVATE( OtherEventsFail)                                                                                                                                                                                                                                                                                                                                                                                                                                                                                                                                                                                           |                                                                                                                                                 |   | Restore Normal default  |
| 11 |       | L!DL_DatRqCmsAcp                                                                                                                                                                                                                                                                                                                                                                                                                                                                                                                                                                                                     | CMSerAcp( TCV_ch,<br>CMSerReq_01)                                                                                                               |   |                         |
| 12 |       | +RcvSetupOrEsetup(<br>TCV_Setup_mo, TCV_Esetup,<br>TCV_Ecall)                                                                                                                                                                                                                                                                                                                                                                                                                                                                                                                                                        |                                                                                                                                                 |   |                         |
| 13 |       | L!DL_DatRqCallProc                                                                                                                                                                                                                                                                                                                                                                                                                                                                                                                                                                                                   | CallProc(TCV_ch,<br>TCV_CallProc)                                                                                                               |   |                         |
| 14 |       | +AssCmdGen( TCV_cellid,<br>TCV_ChRate,<br>TSPX_TmSltDef,<br>TSPX_TscDef,<br>TSPX_TCHHSubDef)                                                                                                                                                                                                                                                                                                                                                                                                                                                                                                                         |                                                                                                                                                 |   |                         |

|    |            |                                                       |                                                                                             |     |
|----|------------|-------------------------------------------------------|---------------------------------------------------------------------------------------------|-----|
| 15 |            | +AssCh_complete(<br>TCV_ch, TCV_chTch,<br>TCV_AssCmd) |                                                                                             |     |
| 16 |            | +continue                                             |                                                                                             |     |
|    |            | <b>continue</b>                                       |                                                                                             |     |
| 17 |            | L!DL_DatRqAlert                                       | AlertSnd(TCV_chTch,<br>Alerting_04( TCV_TI,<br>facilitylEtsndiei(<br>NotificationSS_02)))   | 2.  |
| 18 |            | (TCV_Res := OO_SSresultCHK(C_NotifyCFU))              |                                                                                             |     |
| 19 | L_060<br>5 | [TCV_Res]                                             |                                                                                             | (P) |
| 20 |            | +localtree                                            |                                                                                             |     |
| 21 | L_060<br>6 | [NOT TCV_Res]                                         |                                                                                             | (F) |
| 22 |            | +localtree                                            |                                                                                             |     |
|    |            | <b>localtree</b>                                      |                                                                                             |     |
| 23 |            | L!DL_DatRqCcstEnq                                     | CCStESnd(<br>TCV_chTch,<br>CCStatusEq_01(<br>TCV_TI))                                       |     |
| 24 | L_060<br>7 | L?DL_DatInCcst                                        | CCStRcv(<br>TCV_chTch,<br>CCStatus_14(<br>TCV_TI0, C_U4))                                   | (P) |
| 25 |            | LIDL_DatRqConn                                        | ConnSnd(TCV_chTch<br>, Connect_05(<br>TCV_TI,<br>facilitylEtsndiei(<br>NotificationSS_03))) | 3.  |
| 26 |            | L?DL_DatInConnAck                                     | ConnAckRcv(<br>ConnectAck_02(<br>TCV_TI0))                                                  |     |
| 27 |            | (TCV_Res :=<br>OO_SSresultCHK(C_NotifyCFC))           |                                                                                             |     |
| 28 | L_060<br>8 | [TCV_Res]                                             |                                                                                             | (P) |
| 29 |            | +localtree1                                           |                                                                                             |     |
| 30 | L_060<br>9 | [NOT TCV_Res]                                         |                                                                                             | (F) |
| 31 |            | +localtree1                                           |                                                                                             |     |
|    |            | <b>localtree1</b>                                     |                                                                                             |     |
| 32 |            | L!DL_DatRqCcstEnq                                     | CCStESnd(<br>TCV_chTch,<br>CCStatusEq_01(<br>TCV_TI))                                       |     |
| 33 | L_061<br>0 | L?DL_DatInCcst                                        | CCStRcv(<br>TCV_chTch,<br>CCStatus_14(<br>TCV_TI0, C_U10))                                  | (P) |
| 34 |            | LIDL_DatRqRelCmp                                      | RelComSnd(<br>TCV_chTch,<br>ReleaseCmp_08(<br>TCV_TI))                                      |     |
| 35 |            | +PostMainLinkRel(TCV_chTch)                           |                                                                                             |     |

**Detailed Comments:**

1. To setup traffic channel.
2. To send an ALERTING message containing NotifySS invocation while the MS is in U4 state.
3. To send a CONNECT message containing NotifySS invocation while the MS is in U10 state.



| Test Case Dynamic Behaviour |            |                                                                                                                                                                                                                                                                                                                                                                                                                                                                                                                                                                                                                     |                                                                                                                                                 |     |                         |
|-----------------------------|------------|---------------------------------------------------------------------------------------------------------------------------------------------------------------------------------------------------------------------------------------------------------------------------------------------------------------------------------------------------------------------------------------------------------------------------------------------------------------------------------------------------------------------------------------------------------------------------------------------------------------------|-------------------------------------------------------------------------------------------------------------------------------------------------|-----|-------------------------|
| <b>Test Case Name:</b>      |            | TC_31_2_1_7_2                                                                                                                                                                                                                                                                                                                                                                                                                                                                                                                                                                                                       |                                                                                                                                                 |     |                         |
| <b>Group:</b>               |            | GSM_L3_MS_v4200/SS/                                                                                                                                                                                                                                                                                                                                                                                                                                                                                                                                                                                                 |                                                                                                                                                 |     |                         |
| <b>Purpose:</b>             |            | <p>1) To check that, upon receipt of the SETUP message containing a notification indication that the call is a forwarded one, the MS correctly continues call establishment and enters CC state U6.</p> <p>2) Upon receipt of the SETUP message containing a notification indication that the call is a forwarded one, the MS provides the appropriate user indication (which is to be described by the manufacturer).</p>                                                                                                                                                                                          |                                                                                                                                                 |     |                         |
| <b>Default:</b>             |            | OtherEventsFail                                                                                                                                                                                                                                                                                                                                                                                                                                                                                                                                                                                                     |                                                                                                                                                 |     |                         |
| Nr                          | Label      | Behaviour Description                                                                                                                                                                                                                                                                                                                                                                                                                                                                                                                                                                                               | CRef                                                                                                                                            | V   | Comments                |
| 1                           |            | START T_guard(300)                                                                                                                                                                                                                                                                                                                                                                                                                                                                                                                                                                                                  |                                                                                                                                                 |     |                         |
| 2                           |            | +BasicServiceMT( TSPX_MTBscSvcE,<br>TSPX_MTChRateE)                                                                                                                                                                                                                                                                                                                                                                                                                                                                                                                                                                 |                                                                                                                                                 |     |                         |
| 3                           |            | +IdleUpdated( C_E_default, C_CellA, C_SCH_A,<br>C_BCCH_A_1, C_ImmMass, C_S0, C_SlotNU,<br>C_SlotNU, C_SlotNU, C_BCC, C_TxInt_5,<br>C_Max_1, C_NECI_0, C_ATT_0, TimingAdv( 0),<br>C_BABR_0, C_cch_1Comb, C_BPM_3,<br>C_T3212_0, C_ci_cellA, C_MCC_1, C_PLMN_1,<br>C_LAC_1, CellOpt_01, CellChDes_Omit,<br>CellChDes_Omit, C_CellReselectHys12,<br>C_MaxPwrLvIG, C_MaxPwrLvID,<br>BcchFreqLst_45, BcchFreqLst_02,<br>BcchFreqLst_03, BcchFreqLst_04,<br>C_Restablishment, C_BCC, C_NCC,<br>C_Start_Tmsi, TSPX_SDCCH4SubDef,<br>TSPX_CKSNDf, TSPX_RANDDef, C_arfcnA,<br>C_arfcnAd, TSPX_IMSI, C_Test_nfh,<br>C_NCCP_2) |                                                                                                                                                 |     |                         |
| 4                           |            | LIDL_UdatRqPg1Rq                                                                                                                                                                                                                                                                                                                                                                                                                                                                                                                                                                                                    | PgReq1(TCV_PgCh,<br>TCV_Pgg,<br>PgReqTp1_01)                                                                                                    |     |                         |
| 5                           |            | L?DL_RacInChRq ( TCV_Rr :=<br>DL_RacInChRq. msg.ecau_rrf, TCV_Fn :=<br>DL_RacInChRq.fn)                                                                                                                                                                                                                                                                                                                                                                                                                                                                                                                             | ChReq(<br>ChRequest_17)                                                                                                                         |     |                         |
| 6                           |            | ACTIVATE(OtherEventsFail_02)                                                                                                                                                                                                                                                                                                                                                                                                                                                                                                                                                                                        |                                                                                                                                                 |     | To match ChReq retrans. |
| 7                           |            | LIDL_UdatRqImmMass                                                                                                                                                                                                                                                                                                                                                                                                                                                                                                                                                                                                  | ImmAss( TCV_agch,<br>ImmAsgn_01Def(<br>TCV_Rr, TCV_Fn,<br>TSPX_SDCCH4SubD<br>ef, TCV_slot,<br>TCV_tsc,<br>TCV_chdescr_arfcn,<br>TimingAdv( 0))) |     |                         |
| 8                           |            | L?DL_EstInPgRes                                                                                                                                                                                                                                                                                                                                                                                                                                                                                                                                                                                                     | PagingRes(<br>PagingRes_01)                                                                                                                     |     |                         |
| 9                           |            | ACTIVATE(OtherEventsFail)                                                                                                                                                                                                                                                                                                                                                                                                                                                                                                                                                                                           |                                                                                                                                                 |     | Restore Normal default  |
| 10                          |            | (TCV_Setup_mt.fie :=<br>facilityIEtsndiei( NotificationSS_04))                                                                                                                                                                                                                                                                                                                                                                                                                                                                                                                                                      |                                                                                                                                                 |     |                         |
| 11                          |            | LIDL_DatRqSetup                                                                                                                                                                                                                                                                                                                                                                                                                                                                                                                                                                                                     | SetupSnd( TCV_ch,<br>TCV_Setup_mt)                                                                                                              |     | 2.                      |
| 12                          |            | LIDL_DatRqCcstEnq                                                                                                                                                                                                                                                                                                                                                                                                                                                                                                                                                                                                   | CCStESnd( TCV_ch,<br>CCStatusEq_01(<br>TI_02))                                                                                                  |     |                         |
| 13                          | L_061<br>1 | L?DL_DatInCcst                                                                                                                                                                                                                                                                                                                                                                                                                                                                                                                                                                                                      | CCStRcv(<br>TCV_chTch,<br>CCStatus_14( TI_01,<br>C_U6))                                                                                         | (P) |                         |
| 14                          |            | (TCV_Res :=<br>OO_SSresultCHK(<br>C_NotifyCFNRc))                                                                                                                                                                                                                                                                                                                                                                                                                                                                                                                                                                   |                                                                                                                                                 |     |                         |
| 15                          | L_061<br>2 | [TCV_Res]                                                                                                                                                                                                                                                                                                                                                                                                                                                                                                                                                                                                           |                                                                                                                                                 | (P) |                         |
| 16                          |            | +localtree                                                                                                                                                                                                                                                                                                                                                                                                                                                                                                                                                                                                          |                                                                                                                                                 |     |                         |
| 17                          | L_061<br>3 | [NOT TCV_Res]                                                                                                                                                                                                                                                                                                                                                                                                                                                                                                                                                                                                       |                                                                                                                                                 | (F) |                         |
| 18                          |            | +localtree                                                                                                                                                                                                                                                                                                                                                                                                                                                                                                                                                                                                          |                                                                                                                                                 |     |                         |
| 19                          |            | <b>localtree</b><br>LIDL_DatRqRelCmp                                                                                                                                                                                                                                                                                                                                                                                                                                                                                                                                                                                | RelComSnd(<br>                                                                                                                                  |     |                         |

|                                                                                                                                                                            |                          |                                     |  |
|----------------------------------------------------------------------------------------------------------------------------------------------------------------------------|--------------------------|-------------------------------------|--|
| 20                                                                                                                                                                         | +PostMainLinkRel(TCV_ch) | TCV_ch,<br>ReleaseCmp_08(<br>TI_02) |  |
| <b>Detailed Comments:</b><br>1. To setup a physical channel as BCCH, CCCH and SDCCH4.<br>2. To send a setup message containing facility IE (notification, forwarded call). |                          |                                     |  |

| Test Case Dynamic Behaviour |       |                                                                                                                                                                                                                                                                                                                                                                                                                                                                                                                                                                                                                                  |      |   |          |
|-----------------------------|-------|----------------------------------------------------------------------------------------------------------------------------------------------------------------------------------------------------------------------------------------------------------------------------------------------------------------------------------------------------------------------------------------------------------------------------------------------------------------------------------------------------------------------------------------------------------------------------------------------------------------------------------|------|---|----------|
| <b>Test Case Name:</b>      |       | TC_31_6_1_1                                                                                                                                                                                                                                                                                                                                                                                                                                                                                                                                                                                                                      |      |   |          |
| <b>Group:</b>               |       | GSM_L3_MS_v4200/SS/                                                                                                                                                                                                                                                                                                                                                                                                                                                                                                                                                                                                              |      |   |          |
| <b>Purpose:</b>             |       | <p>1) To verify that when the MS receives the AOCC parameters in a Facility IE which is contained in the CONNECT message and when a TCH has already been assigned, the MS returns a FACILITY message containing the acknowledgement within 1 second.</p> <p>2) To verify that when the MS receives the AOCC parameters in a Facility IE which is contained in a CONNECT message and when a TCH has already been assigned, the MS stores the correct value in the ACM field of the SIM.</p> <p>3) To verify that the when the call has no volume related component the MS ignores non-zero AOCC e5, e6 parameters sent to it.</p> |      |   |          |
| <b>Default:</b>             |       | OtherEventsFail                                                                                                                                                                                                                                                                                                                                                                                                                                                                                                                                                                                                                  |      |   |          |
| Nr                          | Label | Behaviour Description                                                                                                                                                                                                                                                                                                                                                                                                                                                                                                                                                                                                            | CRef | V | Comments |
| 1                           |       | START T_guard(1800)                                                                                                                                                                                                                                                                                                                                                                                                                                                                                                                                                                                                              |      |   |          |
| 2                           |       | +BasicServiceMO( TSPX_MOBscSvcF, TSPX_MOChRateF)                                                                                                                                                                                                                                                                                                                                                                                                                                                                                                                                                                                 |      |   |          |
| 3                           |       | +IdleUpdated( C_E_default, C_CellA, C_SCH_A, C_BCCH_A_1, C_Immass, C_S0, C_SlotNU, C_SlotNU, C_SlotNU, C_BCC, C_TxInt_5, C_Max_1, C_NECL_0, C_ATT_0, TimingAdv( 0), C_BABR_0, C_cch_1Comb, C_BPM_3, C_T3212_0, C_ci_cellA, C_MCC_1, C_PLMN_1, C_LAC_1, CellOpt_01, CellChDes_Omit, CellChDes_Omit, C_CellReselectHys12, C_MaxPwrLvIG, C_MaxPwrLvID, BcchFreqLst_45, BcchFreqLst_02, BcchFreqLst_03, BcchFreqLst_04, C_Restablishment, C_BCC, C_NCC, C_Start_Tmsi, TSPX_SDCCH4SubDef, TSPX_CKSNDf, TSPX_RANDDef, C_arfcnA, C_arfcnAd, TSPX_IMSI, C_Test_nfh, C_NCCP_2)                                                            |      |   |          |
| 4                           |       | (TCV_Null := OO_ACMReading())                                                                                                                                                                                                                                                                                                                                                                                                                                                                                                                                                                                                    |      |   | 1.       |
| 5                           |       | +CCConfigTCH_nociph( TSPX_TCHHSubDef, C_Ass, TSPX_TmSlitDef, TSPX_TscDef, TimingAdv( 0), C_BABR_0, C_cch_1Comb, C_BPM_3, TCV_ChMod.mode, FreqTCH_omit, FreqTCH_omit, C_arfcn_tchA, C_arfcn_tchAd)                                                                                                                                                                                                                                                                                                                                                                                                                                |      |   |          |
| 6                           |       | +execution1                                                                                                                                                                                                                                                                                                                                                                                                                                                                                                                                                                                                                      |      |   |          |
| 7                           |       | +execution2                                                                                                                                                                                                                                                                                                                                                                                                                                                                                                                                                                                                                      |      |   |          |
| 8                           |       | +execution3                                                                                                                                                                                                                                                                                                                                                                                                                                                                                                                                                                                                                      |      |   |          |
| 9                           |       | +execution4                                                                                                                                                                                                                                                                                                                                                                                                                                                                                                                                                                                                                      |      |   |          |
| 10                          |       | +execution5                                                                                                                                                                                                                                                                                                                                                                                                                                                                                                                                                                                                                      |      |   |          |
|                             |       | <b>execution1</b>                                                                                                                                                                                                                                                                                                                                                                                                                                                                                                                                                                                                                |      |   |          |
| 11                          |       | +EstablishFacMO( 90000, FwdChAdvSS_01, TSPX_SDCCH4SubDef, TSPX_TmSlitDef, TSPX_TscDef, TSPX_TCHHSubDef)                                                                                                                                                                                                                                                                                                                                                                                                                                                                                                                          |      |   |          |
| 12                          |       | +localtree("43")                                                                                                                                                                                                                                                                                                                                                                                                                                                                                                                                                                                                                 |      |   |          |
|                             |       | <b>execution2</b>                                                                                                                                                                                                                                                                                                                                                                                                                                                                                                                                                                                                                |      |   |          |
| 13                          |       | +EstablishFacMO( 90000, FwdChAdvSS_02, TSPX_SDCCH4SubDef, TSPX_TmSlitDef, TSPX_TscDef, TSPX_TCHHSubDef)                                                                                                                                                                                                                                                                                                                                                                                                                                                                                                                          |      |   |          |
| 14                          |       | +localtree("100")                                                                                                                                                                                                                                                                                                                                                                                                                                                                                                                                                                                                                |      |   |          |
|                             |       | <b>execution3</b>                                                                                                                                                                                                                                                                                                                                                                                                                                                                                                                                                                                                                |      |   |          |
| 15                          |       | +EstablishFacMO( 90000, FwdChAdvSS_03, TSPX_SDCCH4SubDef, TSPX_TmSlitDef, TSPX_TscDef, TSPX_TCHHSubDef)                                                                                                                                                                                                                                                                                                                                                                                                                                                                                                                          |      |   |          |
| 16                          |       | +localtree("2000")                                                                                                                                                                                                                                                                                                                                                                                                                                                                                                                                                                                                               |      |   |          |
|                             |       | <b>execution4</b>                                                                                                                                                                                                                                                                                                                                                                                                                                                                                                                                                                                                                |      |   |          |
| 17                          |       | +EstablishFacMO( 90000, FwdChAdvSS_04, TSPX_SDCCH4SubDef, TSPX_TmSlitDef,                                                                                                                                                                                                                                                                                                                                                                                                                                                                                                                                                        |      |   |          |

|                           |            |                                                                                                                                                                                                                                                                                                                                 |                                                                                            |     |
|---------------------------|------------|---------------------------------------------------------------------------------------------------------------------------------------------------------------------------------------------------------------------------------------------------------------------------------------------------------------------------------|--------------------------------------------------------------------------------------------|-----|
| 18                        |            | TSPX_TscDef, TSPX_TCHHSubDef)<br>+localtree("89 or 90")                                                                                                                                                                                                                                                                         |                                                                                            |     |
| 19                        |            | <b>execution5</b><br>+EstablishFacMO( 90000, FwdChAdvSS_05,<br>TSPX_SDCCH4SubDef, TSPX_TmSlTDef,<br>TSPX_TscDef, TSPX_TCHHSubDef)                                                                                                                                                                                               |                                                                                            |     |
| 20                        |            | +localtree("50 or 62.5")                                                                                                                                                                                                                                                                                                        |                                                                                            |     |
| 21                        |            | <b>localtree(val:IA5String)</b><br>?TIMEOUT T_dly                                                                                                                                                                                                                                                                               |                                                                                            |     |
| 22                        |            | L!DL_DatRqDisc                                                                                                                                                                                                                                                                                                                  | DiscSnd(<br>TCV_chTch,<br>DisconnS( TCV_TI,<br>Cause_01,<br>ProgInd_omit,<br>UuInfo_omit)) |     |
| 23                        |            | L?DL_DatInRel                                                                                                                                                                                                                                                                                                                   | ReleaseRcv(<br>Release_02)                                                                 |     |
| 24                        |            | L!DL_DatRqRelCmp                                                                                                                                                                                                                                                                                                                | RelComSnd(<br>TCV_chTch,<br>ReleaseCmp_08(<br>TCV_TI))                                     |     |
| 25                        |            | (TCV_Res := OO_ACMIncCHK(val))                                                                                                                                                                                                                                                                                                  |                                                                                            |     |
| 26                        |            | +PostMainLinkRel(TCV_chTch)                                                                                                                                                                                                                                                                                                     |                                                                                            |     |
| 27                        | L_061<br>4 | [TCV_Res]                                                                                                                                                                                                                                                                                                                       |                                                                                            | (P) |
| 28                        | L_061<br>5 | [NOT TCV_Res]                                                                                                                                                                                                                                                                                                                   |                                                                                            | (F) |
| <b>Detailed Comments:</b> |            | <ol style="list-style-type: none"> <li>1. To read and note the value of ACM on SIM at the beginning of the test,</li> <li>2. To send Facility IE of ForwardChargeAdvice using definite form mixed with indefinite form.</li> <li>3. To check whether the increment of the value of ACM on SIM is the expected value.</li> </ol> |                                                                                            |     |

| Test Case Dynamic Behaviour |            |                                                                                                                                                                                                                                                                                                                                                                                                                                                                                                                                                                                                                    |                                                                                    |     |          |
|-----------------------------|------------|--------------------------------------------------------------------------------------------------------------------------------------------------------------------------------------------------------------------------------------------------------------------------------------------------------------------------------------------------------------------------------------------------------------------------------------------------------------------------------------------------------------------------------------------------------------------------------------------------------------------|------------------------------------------------------------------------------------|-----|----------|
| <b>Test Case Name:</b>      |            | TC_31_6_1_2                                                                                                                                                                                                                                                                                                                                                                                                                                                                                                                                                                                                        |                                                                                    |     |          |
| <b>Group:</b>               |            | GSM_L3_MS_v4200/SS/                                                                                                                                                                                                                                                                                                                                                                                                                                                                                                                                                                                                |                                                                                    |     |          |
| <b>Purpose:</b>             |            | <p>1) To verify that when the MS receives certain AOCC e-parameters in a Facility IE which is contained in a FACILITY message sent after the CONNECT message and when a TCH has already been assigned, the MS returns a FACILITY message containing the acknowledgement within 1 second.</p> <p>2) To verify that when the MS receives the AOCC parameters in a Facility IE which is contained in a FACILITY message and when a TCH has already been assigned, the MS stores the correct value in the ACM field of the SIM.</p>                                                                                    |                                                                                    |     |          |
| <b>Default:</b>             |            | OtherEventsFail                                                                                                                                                                                                                                                                                                                                                                                                                                                                                                                                                                                                    |                                                                                    |     |          |
| Nr                          | Label      | Behaviour Description                                                                                                                                                                                                                                                                                                                                                                                                                                                                                                                                                                                              | CRef                                                                               | V   | Comments |
| 1                           |            | START T_guard(1800)                                                                                                                                                                                                                                                                                                                                                                                                                                                                                                                                                                                                |                                                                                    |     |          |
| 2                           |            | +BasicServiceMT( TSPX_MTBscSvcA,<br>TSPX_MTChRateA)                                                                                                                                                                                                                                                                                                                                                                                                                                                                                                                                                                |                                                                                    |     |          |
| 3                           |            | +IdleUpdated( C_E_default, C_CellA, C_SCH_A,<br>C_BCCH_A_1, C_Immass, C_S0, C_SlotNU,<br>C_SlotNU, C_SlotNU, C_BCC, C_TxInt_5,<br>C_Max_1, C_NECL_0, C_ATT_0, TimingAdv( 0),<br>C_BABR_0, C_cch_1Comb, C_BPM_3,<br>C_T3212_0, C_ci_cellA, C_MCC_1, C_PLMN_1,<br>C_LAC_1, CellOpt_01, CellChDes_Omit,<br>CellChDes_Omit, C_CellReselectHys12,<br>C_MaxPwrLvIG, C_MaxPwrLvID,<br>BcchFreqLst_45, BcchFreqLst_02,<br>BcchFreqLst_03, BcchFreqLst_04,<br>C_Restablishment, C_BCC, C_NCC,<br>C_Start_Tmsi, TSPX_SDCCH4SubDef,<br>TSPX_CKSNDf, TSPX_RANDDef, C_arfcnA,<br>C_arfcnAd, TSPX_IMSI, C_Test_nfh,<br>C_NCCP_2) |                                                                                    |     |          |
| 4                           |            | (TCV_Null := OO_ACMReading())                                                                                                                                                                                                                                                                                                                                                                                                                                                                                                                                                                                      |                                                                                    |     | 1.       |
| 5                           |            | +CCConfigTCH_nociph(<br>TSPX_TCHHSubDef, C_Ass,<br>TSPX_TmSlitDef, TSPX_TscDef, TimingAdv(<br>0), C_BABR_0, C_cch_1Comb, C_BPM_3,<br>TCV_ChMod.mode, FreqTCH_omit,<br>FreqTCH_omit, C_arfcn_tchA,<br>C_arfcn_tchAd)                                                                                                                                                                                                                                                                                                                                                                                                |                                                                                    |     |          |
| 6                           | body       | +execution( FwdChAdvSS_06, "0")                                                                                                                                                                                                                                                                                                                                                                                                                                                                                                                                                                                    |                                                                                    |     |          |
| 7                           |            | +execution( FwdChAdvSS_07, "100")                                                                                                                                                                                                                                                                                                                                                                                                                                                                                                                                                                                  |                                                                                    |     |          |
| 8                           |            | +execution( FwdChAdvSS_08, "43")                                                                                                                                                                                                                                                                                                                                                                                                                                                                                                                                                                                   |                                                                                    |     |          |
| 9                           |            | +execution( FwdChAdvSS_09, "89 or<br>90")                                                                                                                                                                                                                                                                                                                                                                                                                                                                                                                                                                          |                                                                                    |     |          |
| 10                          |            | +execution( FwdChAdvSS_10, "50<br>or 62.5")                                                                                                                                                                                                                                                                                                                                                                                                                                                                                                                                                                        |                                                                                    |     |          |
|                             |            | <b>execution( comp:Component_T; para:IA5String)</b>                                                                                                                                                                                                                                                                                                                                                                                                                                                                                                                                                                |                                                                                    |     |          |
| 11                          |            | +PreEnterCCstateU8_34_SS                                                                                                                                                                                                                                                                                                                                                                                                                                                                                                                                                                                           |                                                                                    |     |          |
| 12                          |            | LIDL_DatRqFac START T_dly(90000), START<br>T_dly1(10000)                                                                                                                                                                                                                                                                                                                                                                                                                                                                                                                                                           | FacilitySnd(<br>TCV_chTch,<br>FacilityPdu_25(<br>TI_02, facilityIEtsnd(<br>comp))) |     | 2.       |
| 13                          | L_061<br>6 | L?DL_DatInFac ( TCV_Fn1 := DL_DatInFac.fn)<br>CANCEL T_dly1                                                                                                                                                                                                                                                                                                                                                                                                                                                                                                                                                        | FacilityRcv(<br>FacilityPdu_26(<br>TI_01, facilityIErcv(<br>FwdChAdvRslt_01)))     | (P) | 6.       |
| 14                          |            | (TCV_Fn := OM_ReturnFn( TCV_chTch))                                                                                                                                                                                                                                                                                                                                                                                                                                                                                                                                                                                |                                                                                    |     | 5.       |
| 15                          |            | LIDL_DatRqConnAck                                                                                                                                                                                                                                                                                                                                                                                                                                                                                                                                                                                                  | ConnAckSnd(<br>TCV_chTch,<br>ConnectAck_01(<br>TI_02))                             |     |          |
| 16                          |            | +Check_Time(C_T_Wait_FAC)                                                                                                                                                                                                                                                                                                                                                                                                                                                                                                                                                                                          |                                                                                    |     |          |
| 17                          |            | +post( para)                                                                                                                                                                                                                                                                                                                                                                                                                                                                                                                                                                                                       |                                                                                    |     |          |
| 18                          | L_061<br>7 | ?TIMEOUT T_dly1                                                                                                                                                                                                                                                                                                                                                                                                                                                                                                                                                                                                    |                                                                                    | (F) | 3.       |
| 19                          |            | +PostLinkRelEnd( TCV_chTch)                                                                                                                                                                                                                                                                                                                                                                                                                                                                                                                                                                                        |                                                                                    |     |          |
|                             |            | <b>post(para:IA5String)</b>                                                                                                                                                                                                                                                                                                                                                                                                                                                                                                                                                                                        |                                                                                    |     |          |
| 20                          |            | ?TIMEOUT T_dly                                                                                                                                                                                                                                                                                                                                                                                                                                                                                                                                                                                                     |                                                                                    |     |          |

|    |            |                                 |                                                                                           |     |    |
|----|------------|---------------------------------|-------------------------------------------------------------------------------------------|-----|----|
| 21 |            | L!DL_DatRqDisc                  | DiscSnd(<br>TCV_chTch,<br>DisconnS( TI_02,<br>Cause_01,<br>ProgInd_omit,<br>UuInfo_omit)) |     |    |
| 22 |            | L?DL_DatInRel                   | ReleaseRcv(<br>Release_02)                                                                |     |    |
| 23 |            | L!DL_DatRqRelCmp                | RelComSnd(<br>TCV_chTch,<br>ReleaseCmp_08(<br>TI_02))                                     |     |    |
| 24 |            | +PostMainLinkRel(TCV_chTch)     |                                                                                           |     |    |
| 25 |            | (TCV_Res := OO_ACMIncCHK(para)) |                                                                                           |     |    |
| 26 | L_061<br>8 | [TCV_Res]                       |                                                                                           | (P) | 4. |
| 27 | L_061<br>9 | [NOT TCV_Res]                   |                                                                                           | (F) |    |

**Detailed Comments:**

1. To read and note the value of ACM on SIM at the beginning of the test,
2. To send Facility IE of ForwardChargeAdvice using definite form mixed with indefinite form.
3. The expected FACILITY message does not return, fail.
4. To check whether the increment of the value of ACM on SIM is correct.
5. Get the first frame number for transmitting of FACILITY message containing AOC information.
6. TCV\_Fn1 contains the first frame number of the received FACILITY message with AOC acknowledge from mobile.

| Test Case Dynamic Behaviour |       |                                                                                                                                                                                                                                                                                                                                                                                                                                                                                                                                                                                                                    |                                                                                                                                                 |   |                         |
|-----------------------------|-------|--------------------------------------------------------------------------------------------------------------------------------------------------------------------------------------------------------------------------------------------------------------------------------------------------------------------------------------------------------------------------------------------------------------------------------------------------------------------------------------------------------------------------------------------------------------------------------------------------------------------|-------------------------------------------------------------------------------------------------------------------------------------------------|---|-------------------------|
| <b>Test Case Name:</b>      |       | TC_31_6_1_5                                                                                                                                                                                                                                                                                                                                                                                                                                                                                                                                                                                                        |                                                                                                                                                 |   |                         |
| <b>Group:</b>               |       | GSM_L3_MS_v4200/SS/                                                                                                                                                                                                                                                                                                                                                                                                                                                                                                                                                                                                |                                                                                                                                                 |   |                         |
| <b>Purpose:</b>             |       | 1) To verify that when the MS receives new AOCC parameters mid-way through a call in a Facility IE which is contained within a FACILITY message the MS returns a FACILITY message containing the acknowledgement within 1 second.<br><br>2) To verify that when the MS receives new charging information mid-way through a call in the form of a Facility IE contained within a FACILITY message the MS correctly indicates the total charge considering both sets of charging information                                                                                                                         |                                                                                                                                                 |   |                         |
| <b>Default:</b>             |       | OtherEventsFail                                                                                                                                                                                                                                                                                                                                                                                                                                                                                                                                                                                                    |                                                                                                                                                 |   |                         |
| Nr                          | Label | Behaviour Description                                                                                                                                                                                                                                                                                                                                                                                                                                                                                                                                                                                              | CRef                                                                                                                                            | V | Comments                |
| 1                           |       | START T_guard(600)                                                                                                                                                                                                                                                                                                                                                                                                                                                                                                                                                                                                 |                                                                                                                                                 |   |                         |
| 2                           |       | +BasicServiceMO( TSPX_MOBscSvcJ,<br>TSPX_MOChRateJ)                                                                                                                                                                                                                                                                                                                                                                                                                                                                                                                                                                |                                                                                                                                                 |   |                         |
| 3                           |       | +IdleUpdated( C_E_default, C_CellA, C_SCH_A,<br>C_BCCH_A_1, C_Immass, C_S0, C_SlotNU,<br>C_SlotNU, C_SlotNU, C_BCC, C_TxInt_5,<br>C_Max_1, C_NECl_0, C_ATT_0, TimingAdv( 0),<br>C_BABR_0, C_cch_1Comb, C_BPM_3,<br>C_T3212_0, C_ci_cellA, C_MCC_1, C_PLMN_1,<br>C_LAC_1, CellOpt_01, CellChDes_Omit,<br>CellChDes_Omit, C_CellReselectHys12,<br>C_MaxPwrLvlG, C_MaxPwrLvlD,<br>BcchFreqLst_45, BcchFreqLst_02,<br>BcchFreqLst_03, BcchFreqLst_04,<br>C_Restablishment, C_BCC, C_NCC,<br>C_Start_Tmsi, TSPX_SDCCH4SubDef,<br>TSPX_CKSNDf, TSPX_RANDDef, C_arfcnA,<br>C_arfcnAd, TSPX_IMSI, C_Test_nfh,<br>C_NCCP_2) |                                                                                                                                                 |   |                         |
| 4                           |       | (TCV_Null := OO_ACMReading())                                                                                                                                                                                                                                                                                                                                                                                                                                                                                                                                                                                      |                                                                                                                                                 |   | 1.                      |
| 5                           |       | +CCConfigTCH_nociph(<br>TSPX_TCHHSubDef, C_Ass,<br>TSPX_TmSlitDef, TSPX_TscDef, TimingAdv(<br>0), C_BABR_0, C_cch_1Comb, C_BPM_3,<br>TCV_ChMod.mode, FreqTCH_omit,<br>FreqTCH_omit, C_arfcn_tchA,<br>C_arfcn_tchAd)                                                                                                                                                                                                                                                                                                                                                                                                |                                                                                                                                                 |   |                         |
| 6                           |       | +ltree_body                                                                                                                                                                                                                                                                                                                                                                                                                                                                                                                                                                                                        |                                                                                                                                                 |   |                         |
|                             |       | <b>ltree_body</b>                                                                                                                                                                                                                                                                                                                                                                                                                                                                                                                                                                                                  |                                                                                                                                                 |   |                         |
| 7                           |       | +InitCall(TCV_Service)                                                                                                                                                                                                                                                                                                                                                                                                                                                                                                                                                                                             |                                                                                                                                                 |   |                         |
| 8                           |       | L?DL_RaInChRq (TCV_Rr := DL_RaInChRq.<br>msg.ecau_rrf, TCV_Fn := DL_RaInChRq.fn)                                                                                                                                                                                                                                                                                                                                                                                                                                                                                                                                   | ChReq(<br>ChRequest_15)                                                                                                                         |   |                         |
| 9                           |       | ACTIVATE( OtherEventsFail_02)                                                                                                                                                                                                                                                                                                                                                                                                                                                                                                                                                                                      |                                                                                                                                                 |   | To match ChReq retrans. |
| 10                          |       | LIDL_UdatRqImmass                                                                                                                                                                                                                                                                                                                                                                                                                                                                                                                                                                                                  | ImmAss( TCV_agch,<br>ImmAsgn_01Def(<br>TCV_Rr, TCV_Fn,<br>TSPX_SDCCH4SubD<br>ef, TCV_slot,<br>TCV_tsc,<br>TCV_chdescr_arfcn,<br>TimingAdv( 0))) |   |                         |
| 11                          |       | L?DL_EstInCmsRq                                                                                                                                                                                                                                                                                                                                                                                                                                                                                                                                                                                                    | CMSerReq(<br>CMSerReq_01)                                                                                                                       |   |                         |
| 12                          |       | ACTIVATE( OtherEventsFail)                                                                                                                                                                                                                                                                                                                                                                                                                                                                                                                                                                                         |                                                                                                                                                 |   | Restore Normal default  |
| 13                          |       | LIDL_DatRqCmsAcp                                                                                                                                                                                                                                                                                                                                                                                                                                                                                                                                                                                                   | CMSerAcp( TCV_ch,<br>CMSerReq_01)                                                                                                               |   |                         |
| 14                          |       | +RcvSetupOrEsetup( TCV_Setup_mo,<br>TCV_Esetup, TCV_Ecall)                                                                                                                                                                                                                                                                                                                                                                                                                                                                                                                                                         |                                                                                                                                                 |   |                         |
| 15                          |       | LIDL_DatRqCallProc                                                                                                                                                                                                                                                                                                                                                                                                                                                                                                                                                                                                 | CallProc( TCV_ch,<br>TCV_CallProc)                                                                                                              |   |                         |
| 16                          |       | +AssCmdGen( TCV_cellid,<br>TCV_ChRate, TSPX_TmSlitDef,<br>TSPX_TscDef,<br>TSPX_TCHHSubDef)                                                                                                                                                                                                                                                                                                                                                                                                                                                                                                                         |                                                                                                                                                 |   |                         |
| 17                          |       | +AssCh_complete( TCV_ch,<br>TCV_chTch, TCV_AssCmd)                                                                                                                                                                                                                                                                                                                                                                                                                                                                                                                                                                 |                                                                                                                                                 |   |                         |
| 18                          |       | LIDL_DatRqAlert                                                                                                                                                                                                                                                                                                                                                                                                                                                                                                                                                                                                    | AlertSnd(<br>TCV_chTch,                                                                                                                         |   |                         |

|    |            |                                                                                                  |                                                                                            |     |
|----|------------|--------------------------------------------------------------------------------------------------|--------------------------------------------------------------------------------------------|-----|
| 19 |            | LIDL_DatRqConn                                                                                   | Alerting_01( TCV_TI))<br>ConnSnd(<br>TCV_chTch,<br>Connect_02(<br>TCV_TI))                 |     |
| 20 |            | +continue                                                                                        |                                                                                            |     |
| 21 |            | <b>continue</b>                                                                                  |                                                                                            |     |
| 22 |            | +localtree( FwdChAdvSS_11, 80000)                                                                |                                                                                            |     |
| 23 |            | +localtree1( FwdChAdvSS_12, 100000)                                                              |                                                                                            |     |
| 24 |            | LIDL_DatRqDisc                                                                                   | DiscSnd(<br>TCV_chTch,<br>DisconnS( TCV_TI,<br>Cause_01,<br>ProgInd_omit,<br>UuInfo_omit)) |     |
| 25 |            | L?DL_DatInRel                                                                                    | ReleaseRcv(<br>Release_02)                                                                 |     |
| 26 |            | LIDL_DatRqRelCmp                                                                                 | RelComSnd(<br>TCV_chTch,<br>ReleaseCmp_08(<br>TCV_TI))                                     |     |
| 27 |            | +PostMainLinkRel(TCV_chTch)                                                                      |                                                                                            |     |
| 28 |            | +post                                                                                            |                                                                                            |     |
| 29 |            | <b>localtree( comp:Component_T; t:INTEGER)</b>                                                   |                                                                                            |     |
| 30 |            | LIDL_DatRqFac START T_dly(t), START<br>T_dly1(10000)                                             | FacilitySnd(<br>TCV_chTch,<br>FacilityPdu_25(<br>TCV_TI,<br>facilityIetsnd( comp)))        | 2.  |
| 31 |            | +AOC_CHK_FAC( TCV_TI0)                                                                           |                                                                                            |     |
| 32 |            | ?TIMEOUT T_dly                                                                                   |                                                                                            |     |
| 33 |            | <b>localtree1( comp:Component_T; t:INTEGER)</b>                                                  |                                                                                            |     |
| 34 |            | LIDL_DatRqFac START T_dly(t), START<br>T_dly1(10000)                                             | FacilitySnd(<br>TCV_chTch,<br>FacilityPdu_25(<br>TCV_TI,<br>facilityIetsnd( comp)))        | 2.  |
| 35 | L_104<br>6 | L?DL_DatInFac (TCV_Fn := OM_ReturnFn(<br>TCV_chTch), TCV_Fn1 := DL_DatInFac.fn)<br>CANCEL T_dly1 | FacilityRcv(<br>FacilityPdu_26(TCV_<br>TI0, facilityIercv(<br>FwdChAdvRslt_01)))           | (P) |
| 36 |            | +Check_Time(C_T_Wait_FAC)                                                                        |                                                                                            |     |
| 37 |            | ?TIMEOUT T_dly                                                                                   |                                                                                            |     |
| 38 | L_104<br>7 | ?TIMEOUT T_dly1                                                                                  |                                                                                            | (F) |
| 39 |            | CANCEL T_dly                                                                                     |                                                                                            |     |
| 40 |            | +PostLinkRelEnd( TCV_chTch)                                                                      |                                                                                            |     |
| 41 |            | <b>post</b>                                                                                      |                                                                                            |     |
| 42 |            | (TCV_Res := OO_ACMIncCHK("65"))                                                                  |                                                                                            | 3.  |
| 43 | L_062<br>0 | [TCV_Res]                                                                                        |                                                                                            | (P) |
| 44 | L_062<br>1 | [NOT TCV_Res]                                                                                    |                                                                                            | (F) |

**Detailed Comments:**

1. To read and note the value of ACM on SIM at the beginning of the test,
2. To send second CAI.
3. To check whether the increment of the value of ACM on SIM is 65.



| Test Case Dynamic Behaviour                                                                                                                                                                                                 |       |                                                                                                                                                                                                                                                                                                                                                                                                                                                                                                                                                                                                                      |      |   |                                                                                            |
|-----------------------------------------------------------------------------------------------------------------------------------------------------------------------------------------------------------------------------|-------|----------------------------------------------------------------------------------------------------------------------------------------------------------------------------------------------------------------------------------------------------------------------------------------------------------------------------------------------------------------------------------------------------------------------------------------------------------------------------------------------------------------------------------------------------------------------------------------------------------------------|------|---|--------------------------------------------------------------------------------------------|
| <b>Test Case Name:</b> TC_31_6_1_6                                                                                                                                                                                          |       |                                                                                                                                                                                                                                                                                                                                                                                                                                                                                                                                                                                                                      |      |   |                                                                                            |
| <b>Group:</b> GSM_L3_MS_v4200/SS/                                                                                                                                                                                           |       |                                                                                                                                                                                                                                                                                                                                                                                                                                                                                                                                                                                                                      |      |   |                                                                                            |
| <b>Purpose:</b>                                                                                                                                                                                                             |       |                                                                                                                                                                                                                                                                                                                                                                                                                                                                                                                                                                                                                      |      |   |                                                                                            |
| 1) To verify that when the MS receives a Facility IE in which certain e-parameters are set to zero the total charge accumulated is the same as that when the same e-parameters are completely omitted from the Facility IE. |       |                                                                                                                                                                                                                                                                                                                                                                                                                                                                                                                                                                                                                      |      |   |                                                                                            |
| 2) To verify the operation of a shortened channel release procedure where the SS does not send DISCONNECT but only the RELEASE COMPLETE and CHANNEL RELEASE messages or just the CHANNEL RELEASE message.                   |       |                                                                                                                                                                                                                                                                                                                                                                                                                                                                                                                                                                                                                      |      |   |                                                                                            |
| <b>Default:</b> OtherEventsFail                                                                                                                                                                                             |       |                                                                                                                                                                                                                                                                                                                                                                                                                                                                                                                                                                                                                      |      |   |                                                                                            |
| Nr                                                                                                                                                                                                                          | Label | Behaviour Description                                                                                                                                                                                                                                                                                                                                                                                                                                                                                                                                                                                                | Cref | V | Comments                                                                                   |
| 1                                                                                                                                                                                                                           |       | START T_guard(1200)                                                                                                                                                                                                                                                                                                                                                                                                                                                                                                                                                                                                  |      |   |                                                                                            |
| 2                                                                                                                                                                                                                           |       | +BasicServiceMO( TSPX_MOBScSvcA,<br>TSPX_MOChRateA)                                                                                                                                                                                                                                                                                                                                                                                                                                                                                                                                                                  |      |   |                                                                                            |
| 3                                                                                                                                                                                                                           |       | +IdleUpdated( C_E_default, C_CellA, C_SCH_A,<br>C_BCCH_A_1, C_Immass, C_S0, C_SlotNU,<br>C_SlotNU, C_SlotNU, C_BCC, C_TxInt_5,<br>C_Max_1, C_NECl_0, C_ATT_0, TimingAdv( 0),<br>C_BABR_0, C_cch_1Comb, C_BPM_3,<br>C_T3212_0, C_ci_cellA, C_MCC_1, C_PLMN_1,<br>C_LAC_1, CellOpt_01, CellChDes_Omit,<br>CellChDes_Omit, C_CellReselectHys12,<br>C_MaxPwrLvIG, C_MaxPwrLvID,<br>BcchFreqLst_45, BcchFreqLst_02,<br>BcchFreqLst_03, BcchFreqLst_04,<br>C_Restablishment, C_BCC, C_NCC,<br>C_Start_Tmsi, TSPX_SDCCH4SubDef,<br>TSPX_CKSNDDef, TSPX_RANDDef, C_arfcnA,<br>C_arfcnAd, TSPX_IMSI, C_Test_nfh,<br>C_NCCP_2) |      |   |                                                                                            |
| 4                                                                                                                                                                                                                           |       | +CCConfigTCH_nociph( TSPX_TCHHSubDef,<br>C_Ass, TSPX_TmSlitDef, TSPX_TscDef,<br>TimingAdv( 0), C_BABR_0, C_cch_1Comb,<br>C_BPM_3, TCV_ChMod.mode, FreqTCH_omit,<br>FreqTCH_omit, C_arfcn_tchA, C_arfcn_tchAd)                                                                                                                                                                                                                                                                                                                                                                                                        |      |   |                                                                                            |
| 5                                                                                                                                                                                                                           |       | (TCV_Null := OO_ACMReading())                                                                                                                                                                                                                                                                                                                                                                                                                                                                                                                                                                                        |      |   | 1.                                                                                         |
| 6                                                                                                                                                                                                                           |       | +execution1                                                                                                                                                                                                                                                                                                                                                                                                                                                                                                                                                                                                          |      |   |                                                                                            |
| 7                                                                                                                                                                                                                           |       | +execution2                                                                                                                                                                                                                                                                                                                                                                                                                                                                                                                                                                                                          |      |   |                                                                                            |
| 8                                                                                                                                                                                                                           |       | +execution3                                                                                                                                                                                                                                                                                                                                                                                                                                                                                                                                                                                                          |      |   |                                                                                            |
| <b>execution1</b>                                                                                                                                                                                                           |       |                                                                                                                                                                                                                                                                                                                                                                                                                                                                                                                                                                                                                      |      |   |                                                                                            |
| 9                                                                                                                                                                                                                           |       | +start( FwdChAdvSS_13)                                                                                                                                                                                                                                                                                                                                                                                                                                                                                                                                                                                               |      |   |                                                                                            |
| 10                                                                                                                                                                                                                          |       | LIDL_DatRqDisc                                                                                                                                                                                                                                                                                                                                                                                                                                                                                                                                                                                                       |      |   | DiscSnd(<br>TCV_chTch,<br>DisconnS( TCV_TI,<br>Cause_01,<br>ProgInd_omit,<br>UuInfo_omit)) |
| 11                                                                                                                                                                                                                          |       | L?DL_DatInRel                                                                                                                                                                                                                                                                                                                                                                                                                                                                                                                                                                                                        |      |   | ReleaseRcv(<br>Release_02)                                                                 |
| 12                                                                                                                                                                                                                          |       | LIDL_DatRqRelCmp                                                                                                                                                                                                                                                                                                                                                                                                                                                                                                                                                                                                     |      |   | RelComSnd(<br>TCV_chTch,<br>ReleaseCmp_08(<br>TCV_TI))                                     |
| 13                                                                                                                                                                                                                          |       | +localtree                                                                                                                                                                                                                                                                                                                                                                                                                                                                                                                                                                                                           |      |   |                                                                                            |
| <b>execution2</b>                                                                                                                                                                                                           |       |                                                                                                                                                                                                                                                                                                                                                                                                                                                                                                                                                                                                                      |      |   |                                                                                            |
| 14                                                                                                                                                                                                                          |       | +start( FwdChAdvSS_14)                                                                                                                                                                                                                                                                                                                                                                                                                                                                                                                                                                                               |      |   |                                                                                            |
| 15                                                                                                                                                                                                                          |       | LIDL_DatRqRelCmp                                                                                                                                                                                                                                                                                                                                                                                                                                                                                                                                                                                                     |      |   | RelComSnd(<br>TCV_chTch,<br>ReleaseCmp_08(<br>TCV_TI))                                     |
| 16                                                                                                                                                                                                                          |       | +localtree                                                                                                                                                                                                                                                                                                                                                                                                                                                                                                                                                                                                           |      |   |                                                                                            |
| <b>execution3</b>                                                                                                                                                                                                           |       |                                                                                                                                                                                                                                                                                                                                                                                                                                                                                                                                                                                                                      |      |   |                                                                                            |
| 17                                                                                                                                                                                                                          |       | +start( FwdChAdvSS_14)                                                                                                                                                                                                                                                                                                                                                                                                                                                                                                                                                                                               |      |   |                                                                                            |
| 18                                                                                                                                                                                                                          |       | +localtree                                                                                                                                                                                                                                                                                                                                                                                                                                                                                                                                                                                                           |      |   |                                                                                            |

|    |            |                                                                                            |                                                                                                                                                 |     |                         |
|----|------------|--------------------------------------------------------------------------------------------|-------------------------------------------------------------------------------------------------------------------------------------------------|-----|-------------------------|
| 19 |            | <b>localtree</b>                                                                           |                                                                                                                                                 |     |                         |
| 20 |            | +PostMainLinkRel(TCV_chTch)                                                                |                                                                                                                                                 |     |                         |
| 21 | L_062<br>2 | (TCV_Res := OO_ACMIncCHK("20"))<br>[TCV_Res]                                               |                                                                                                                                                 | (P) | 4.                      |
| 22 | L_062<br>3 | [NOT TCV_Res]                                                                              |                                                                                                                                                 | (F) |                         |
|    |            | <b>start( comp:Component_T)</b>                                                            |                                                                                                                                                 |     |                         |
| 23 |            | +InitCall(TCV_Service)                                                                     |                                                                                                                                                 |     |                         |
| 24 |            | L?DL_RaInChRq (TCV_Rr := DL_RaInChRq.<br>msg.ecau_rrf, TCV_Fn := DL_RaInChRq.fn)           | ChReq(<br>ChRequest_15)                                                                                                                         |     |                         |
| 25 |            | ACTIVATE( OtherEventsFail_02)                                                              |                                                                                                                                                 |     | To match ChReq retrans. |
| 26 |            | LIDL_UdatRqImmAss                                                                          | ImmAss( TCV_agch,<br>ImmAsgn_01Def(<br>TCV_Rr, TCV_Fn,<br>TSPX_SDCCH4SubD<br>ef, TCV_slot,<br>TCV_tsc,<br>TCV_chdescr_arfcn,<br>TimingAdv( 0))) |     |                         |
| 27 |            | L?DL_EstInCmsRq                                                                            | CMSerReq(<br>CMSerReq_01)                                                                                                                       |     |                         |
| 28 |            | ACTIVATE( OtherEventsFail)                                                                 |                                                                                                                                                 |     | Restore Normal default  |
| 29 |            | LIDL_DatRqCmsAcp                                                                           | CMSerAcp( TCV_ch,<br>CMSerReq_01)                                                                                                               |     |                         |
| 30 |            | +RcvSetupOrEsetup( TCV_Setup_mo,<br>TCV_Esetup, TCV_Ecall)                                 |                                                                                                                                                 |     |                         |
| 31 |            | LIDL_DatRqCallProc                                                                         | CallProc( TCV_ch,<br>TCV_CallProc)                                                                                                              |     |                         |
| 32 |            | +AssCmdGen( TCV_cellid,<br>TCV_ChRate, TSPX_TmSlitDef,<br>TSPX_TscDef,<br>TSPX_TCHHSubDef) |                                                                                                                                                 |     |                         |
| 33 |            | +AssCh_complete( TCV_ch,<br>TCV_chTch, TCV_AssCmd)                                         |                                                                                                                                                 |     |                         |
| 34 |            | LIDL_DatRqAlert                                                                            | AlertSnd(<br>TCV_chTch,<br>Alerting_01( TCV_TI))                                                                                                |     |                         |
| 35 |            | LIDL_DatRqFac START<br>T_dly( 90000)                                                       | FacilitySnd(<br>TCV_chTch,<br>FacilityPdu_25(<br>TCV_TI,<br>facilityIEtsnd( comp)))                                                             |     | 2.                      |
| 36 |            | LIDL_DatRqConn                                                                             | ConnSnd(<br>TCV_chTch,<br>Connect_02(<br>TCV_TI))                                                                                               |     |                         |
| 37 |            | +branch                                                                                    |                                                                                                                                                 |     |                         |
| 38 |            | ?TIMEOUT T_dly                                                                             |                                                                                                                                                 |     |                         |
|    |            | <b>branch</b>                                                                              |                                                                                                                                                 |     |                         |
| 39 | L_062<br>4 | L?DL_DatInFac                                                                              | FacilityRcv(<br>FacilityPdu_26(<br>TCV_TI0,<br>facilityIErcv(<br>FwdChAdvRslt_01)))                                                             | (P) | 3.                      |
| 40 |            | L?DL_DatInConnAck                                                                          | ConnAckRcv(<br>ConnectAck_02(<br>TCV_TI0))                                                                                                      |     |                         |
| 41 |            | L?DL_DatInConnAck                                                                          | ConnAckRcv(<br>ConnectAck_02(<br>TCV_TI0))                                                                                                      |     |                         |
| 42 | L_062<br>5 | L?DL_DatInFac                                                                              | FacilityRcv(<br>FacilityPdu_26(<br>TCV_TI0,<br>facilityIErcv(<br>FwdChAdvRslt_01)))                                                             | (P) | 3.                      |

**Detailed Comments:**

1. To read and note the value of ACM on SIM at the beginning of the test,
2. To send Facility IE of ForwardChargeAdvice using definite form mixed with indefinite form.
3. The expected FACILITY message received, pass.

4. To check whether the increment of the value of ACM on SIM is 20.

## Test Case Dynamic Behaviour

|                        |                                                                                                                                                                                                                                                                                                                                                                                                                                                                                                                                                                                                      |
|------------------------|------------------------------------------------------------------------------------------------------------------------------------------------------------------------------------------------------------------------------------------------------------------------------------------------------------------------------------------------------------------------------------------------------------------------------------------------------------------------------------------------------------------------------------------------------------------------------------------------------|
| <b>Test Case Name:</b> | TC_31_6_1_7                                                                                                                                                                                                                                                                                                                                                                                                                                                                                                                                                                                          |
| <b>Group:</b>          | GSM_L3_MS_v4200/SS/                                                                                                                                                                                                                                                                                                                                                                                                                                                                                                                                                                                  |
| <b>Purpose:</b>        | <p>1) To verify that when the MS invokes a Call Hold call and hence receives Facility IEs containing AOCC e-parameters for each chargeable call the MS returns a FACILITY message containing the AOCC acknowledgement within 1 second of transmission of each set of e-parameters.</p> <p>2) To verify that when the MS invokes a Call Hold call and hence receives Facility IEs containing CAI elements for each chargeable call the CCM records the sum of all the charges for the services currently being used and hence that the ME inserts the correct charge in the ACM field of the SIM.</p> |
| <b>Default:</b>        | OtherEventsFail                                                                                                                                                                                                                                                                                                                                                                                                                                                                                                                                                                                      |

| Nr | Label | Behaviour Description                                                                                                                                                                                                                                                                                                                                                                                                                                                                                                                                                                                                 | CRef                                                                    | V | Comments                     |
|----|-------|-----------------------------------------------------------------------------------------------------------------------------------------------------------------------------------------------------------------------------------------------------------------------------------------------------------------------------------------------------------------------------------------------------------------------------------------------------------------------------------------------------------------------------------------------------------------------------------------------------------------------|-------------------------------------------------------------------------|---|------------------------------|
| 1  |       | START T_guard(600)                                                                                                                                                                                                                                                                                                                                                                                                                                                                                                                                                                                                    |                                                                         |   |                              |
| 2  |       | +BasicServiceMO( TSPX_MOBscSvcC,<br>TSPX_MOChRateC)                                                                                                                                                                                                                                                                                                                                                                                                                                                                                                                                                                   |                                                                         |   |                              |
| 3  |       | +IdleUpdated( C_E_default, C_CellA, C_SCH_A,<br>C_BCCH_A_1, C_Immass, C_S0, C_SlotNU,<br>C_SlotNU, C_SlotNU, C_BCC, C_TxInt_5,<br>C_Max_1, C_NECI_0, C_ATT_0, TimingAdv( 0),<br>C_BABR_0, C_cch_1Comb, C_BPM_3,<br>C_T3212_0, C_ci_cellA, C_MCC_1, C_PLMN_1,<br>C_LAC_1, CellOpt_01, CellChDes_Omit,<br>CellChDes_Omit, C_CellReselectHys12,<br>C_MaxPwrLvIG, C_MaxPwrLvID,<br>BcchFreqLst_45, BcchFreqLst_02,<br>BcchFreqLst_03, BcchFreqLst_04,<br>C_Restablishment, C_BCC, C_NCC,<br>C_Start_Tmsi, TSPX_SDCCH4SubDef,<br>TSPX_CKSNDDef, TSPX_RANDDDef, C_arfcnA,<br>C_arfcnAd, TSPX_IMSI, C_Test_nfh,<br>C_NCCP_2) |                                                                         |   |                              |
| 4  |       | +CCConfigTCH_nociph( TSPX_TCHHSubDef,<br>C_Ass, TSPX_TmSltDef, TSPX_TscDef,<br>TimingAdv( 0), C_BABR_0, C_cch_1Comb,<br>C_BPM_3, TCV_ChMod.mode, FreqTCH_omit,<br>FreqTCH_omit, C_arfcn_tchA, C_arfcn_tchAd)                                                                                                                                                                                                                                                                                                                                                                                                          |                                                                         |   |                              |
| 5  |       | (TCV_Null := OO_ACMReading())                                                                                                                                                                                                                                                                                                                                                                                                                                                                                                                                                                                         |                                                                         |   | 1.                           |
| 6  |       | +EstablishFacMO( 180000,<br>FwdChAdvSS_15, TSPX_SDCCH4SubDef,<br>TSPX_TmSltDef, TSPX_TscDef,<br>TSPX_TCHHSubDef)                                                                                                                                                                                                                                                                                                                                                                                                                                                                                                      |                                                                         |   |                              |
| 7  |       | +localtree                                                                                                                                                                                                                                                                                                                                                                                                                                                                                                                                                                                                            |                                                                         |   |                              |
|    |       | <b>localtree</b>                                                                                                                                                                                                                                                                                                                                                                                                                                                                                                                                                                                                      |                                                                         |   |                              |
| 8  |       | +InitCall( TCV_Service)                                                                                                                                                                                                                                                                                                                                                                                                                                                                                                                                                                                               |                                                                         |   | Place the first call on hold |
| 9  |       | L?DL_DatInHold                                                                                                                                                                                                                                                                                                                                                                                                                                                                                                                                                                                                        | HoldRcv(<br>Holdpdu_01(<br>TCV_TI0))                                    |   |                              |
| 10 |       | LIDL_DatRqHoldAck                                                                                                                                                                                                                                                                                                                                                                                                                                                                                                                                                                                                     | HoldAckSnd(<br>TCV_chTch,<br>HoldAckpdu_01(<br>TCV_TI))                 |   |                              |
| 11 |       | L?DL_DatInCmsRq                                                                                                                                                                                                                                                                                                                                                                                                                                                                                                                                                                                                       | CMSerDatReq(<br>CMServiceReq_01)                                        |   |                              |
| 12 |       | LIDL_DatRqCmsAcp                                                                                                                                                                                                                                                                                                                                                                                                                                                                                                                                                                                                      | CMSerAcp(<br>TCV_chTch,<br>CMServiceAcp_01)                             |   |                              |
| 13 |       | +SetupRcvMo2( SetupInd_01)                                                                                                                                                                                                                                                                                                                                                                                                                                                                                                                                                                                            |                                                                         |   |                              |
| 14 |       | LIDL_DatRqCallProc                                                                                                                                                                                                                                                                                                                                                                                                                                                                                                                                                                                                    | CallProc(<br>TCV_chTch,<br>TCV_CallProc)                                |   |                              |
| 15 |       | LIDL_DatRqAlert                                                                                                                                                                                                                                                                                                                                                                                                                                                                                                                                                                                                       | AlertSnd(<br>TCV_chTch,<br>Alerting_01(<br>TCV_TI2))                    |   |                              |
| 16 |       | LIDL_DatRqConn START T_dly2(<br>90000), START T_dly1( 10000)                                                                                                                                                                                                                                                                                                                                                                                                                                                                                                                                                          | ConnSnd(<br>TCV_chTch,<br>Connect_05(<br>TCV_TI2,<br>facilityIEtsndiei) |   | 3.                           |

|                           |       |                                                                                                                                                                                                                                                                                                                                                                                                            |                                                                                        |     |
|---------------------------|-------|------------------------------------------------------------------------------------------------------------------------------------------------------------------------------------------------------------------------------------------------------------------------------------------------------------------------------------------------------------------------------------------------------------|----------------------------------------------------------------------------------------|-----|
| 17                        |       | +AOC_CHK_FAC( TCV_TI1)                                                                                                                                                                                                                                                                                                                                                                                     | FwdChAdvSS_16)))                                                                       |     |
| 18                        |       | +localtree1                                                                                                                                                                                                                                                                                                                                                                                                |                                                                                        |     |
| 19                        |       | <b>localtree1</b>                                                                                                                                                                                                                                                                                                                                                                                          |                                                                                        |     |
| 20                        |       | ?TIMEOUT T_dly2                                                                                                                                                                                                                                                                                                                                                                                            |                                                                                        |     |
| 21                        |       | +releasecall( TCV_TI2)                                                                                                                                                                                                                                                                                                                                                                                     |                                                                                        | 4.  |
| 22                        |       | ?TIMEOUT T_dly                                                                                                                                                                                                                                                                                                                                                                                             |                                                                                        |     |
| 23                        |       | +releasecall( TCV_TI)                                                                                                                                                                                                                                                                                                                                                                                      |                                                                                        | 5.  |
| 24                        |       | +releaselink                                                                                                                                                                                                                                                                                                                                                                                               |                                                                                        |     |
| 25                        |       | <b>releasecall(ti:TI)</b>                                                                                                                                                                                                                                                                                                                                                                                  |                                                                                        |     |
| 26                        |       | L!DL_DatRqDisc                                                                                                                                                                                                                                                                                                                                                                                             | DiscSnd(<br>TCV_chTch,<br>DisconnS( ti,<br>Cause_01,<br>ProgInd_omit,<br>UuInfo_omit)) |     |
| 27                        |       | L?DL_DatInRel                                                                                                                                                                                                                                                                                                                                                                                              | ReleaseRcv(<br>Release_02)                                                             |     |
| 28                        |       | L!DL_DatRqRelCmp                                                                                                                                                                                                                                                                                                                                                                                           | RelComSnd(<br>TCV_chTch,<br>ReleaseCmp_08( ti))                                        |     |
| 29                        |       | <b>releaselink</b>                                                                                                                                                                                                                                                                                                                                                                                         |                                                                                        |     |
| 30                        |       | +PostMainLinkRel( TCV_chTch)                                                                                                                                                                                                                                                                                                                                                                               |                                                                                        |     |
| 31                        |       | (TCV_Res := OO_ACMIncCHK("54"))                                                                                                                                                                                                                                                                                                                                                                            |                                                                                        | 6.  |
| 32                        | L_062 | [TCV_Res]                                                                                                                                                                                                                                                                                                                                                                                                  |                                                                                        | (P) |
| 33                        | 6     |                                                                                                                                                                                                                                                                                                                                                                                                            |                                                                                        |     |
| 34                        | L_062 | [NOT TCV_Res]                                                                                                                                                                                                                                                                                                                                                                                              |                                                                                        | (F) |
| 35                        | 7     |                                                                                                                                                                                                                                                                                                                                                                                                            |                                                                                        |     |
| <b>Detailed Comments:</b> |       | <ol style="list-style-type: none"> <li>1. To read and note the value of ACM on SIM at the beginning of the test,</li> <li>2. To send Facility IE of ForwardChargeAdvice using definite form mixed with indefinite form.</li> <li>3. To send second CAI.</li> <li>4. To release call C.</li> <li>5. To release call B.</li> <li>6. To check whether the increment of the ACM value on SIM is 54.</li> </ol> |                                                                                        |     |

## Test Case Dynamic Behaviour

|                        |                                                                                                                                                                                                                                                                                                                                                                                                                                                                                                                                                                                                        |
|------------------------|--------------------------------------------------------------------------------------------------------------------------------------------------------------------------------------------------------------------------------------------------------------------------------------------------------------------------------------------------------------------------------------------------------------------------------------------------------------------------------------------------------------------------------------------------------------------------------------------------------|
| <b>Test Case Name:</b> | TC_31_6_1_8                                                                                                                                                                                                                                                                                                                                                                                                                                                                                                                                                                                            |
| <b>Group:</b>          | GSM_L3_MS_v4200/SS/                                                                                                                                                                                                                                                                                                                                                                                                                                                                                                                                                                                    |
| <b>Purpose:</b>        | <p>1) To verify that when the MS invokes a Multi-party call and hence receives Facility IEs containing AOCC e-parameters for each chargeable call the MS returns a FACILITY message containing the AOCC acknowledgement within 1 second of transmission of each set of e-parameters.</p> <p>2) To verify that when the MS originates a Multi-party call and hence receives Facility IEs containing CAI elements for each chargeable call the CCM records the sum of all the charges for the services currently being used and hence the ME inserts the correct charge in the ACM field of the SIM.</p> |
| <b>Default:</b>        | OtherEventsFail                                                                                                                                                                                                                                                                                                                                                                                                                                                                                                                                                                                        |

| Nr | Label | Behaviour Description                                                                                                                                                                                                                                                                                                                                                                                                                                                                                                                                                                                                 | CRef                                                                                     | V | Comments |
|----|-------|-----------------------------------------------------------------------------------------------------------------------------------------------------------------------------------------------------------------------------------------------------------------------------------------------------------------------------------------------------------------------------------------------------------------------------------------------------------------------------------------------------------------------------------------------------------------------------------------------------------------------|------------------------------------------------------------------------------------------|---|----------|
| 1  |       | START T_guard(600)                                                                                                                                                                                                                                                                                                                                                                                                                                                                                                                                                                                                    |                                                                                          |   |          |
| 2  |       | +BasicServiceMO( TSPX_MOBScSvcI,<br>TSPX_MOChRatel)                                                                                                                                                                                                                                                                                                                                                                                                                                                                                                                                                                   |                                                                                          |   |          |
| 3  |       | +IdleUpdated( C_E_default, C_CellA, C_SCH_A,<br>C_BCCH_A_1, C_Immass, C_S0, C_SlotNU,<br>C_SlotNU, C_SlotNU, C_BCC, C_TxInt_5,<br>C_Max_1, C_NECI_0, C_ATT_0, TimingAdv( 0),<br>C_BABR_0, C_cch_1Comb, C_BPM_3,<br>C_T3212_0, C_ci_cellA, C_MCC_1, C_PLMN_1,<br>C_LAC_1, CellOpt_01, CellChDes_Omit,<br>CellChDes_Omit, C_CellReselectHys12,<br>C_MaxPwrLvIG, C_MaxPwrLvID,<br>BcchFreqLst_45, BcchFreqLst_02,<br>BcchFreqLst_03, BcchFreqLst_04,<br>C_Restablishment, C_BCC, C_NCC,<br>C_Start_Tmsi, TSPX_SDCCH4SubDef,<br>TSPX_CKSNDDef, TSPX_RANDDDef, C_arfcnA,<br>C_arfcnAd, TSPX_IMSI, C_Test_nfh,<br>C_NCCP_2) |                                                                                          |   |          |
| 4  |       | +CCConfigTCH_nociph( TSPX_TCHHSubDef,<br>C_Ass, TSPX_TmSlitDef, TSPX_TscDef,<br>TimingAdv( 0), C_BABR_0, C_cch_1Comb,<br>C_BPM_3, TCV_ChMod.mode, FreqTCH_omit,<br>FreqTCH_omit, C_arfcn_tchA, C_arfcn_tchAd)                                                                                                                                                                                                                                                                                                                                                                                                         |                                                                                          |   |          |
| 5  |       | (TCV_Null := OO_ACMReading())                                                                                                                                                                                                                                                                                                                                                                                                                                                                                                                                                                                         |                                                                                          |   | 1.       |
| 6  |       | +EstablishFacMO( 180000,<br>FwdChAdvSS_17, TSPX_SDCCH4SubDef,<br>TSPX_TmSlitDef, TSPX_TscDef,<br>TSPX_TCHHSubDef)                                                                                                                                                                                                                                                                                                                                                                                                                                                                                                     |                                                                                          |   |          |
| 7  |       | +localtree                                                                                                                                                                                                                                                                                                                                                                                                                                                                                                                                                                                                            |                                                                                          |   |          |
|    |       | <b>localtree</b>                                                                                                                                                                                                                                                                                                                                                                                                                                                                                                                                                                                                      |                                                                                          |   |          |
| 8  |       | +InitCall(TCV_Service)                                                                                                                                                                                                                                                                                                                                                                                                                                                                                                                                                                                                |                                                                                          |   | 3.       |
| 9  |       | L?DL_DatInHold                                                                                                                                                                                                                                                                                                                                                                                                                                                                                                                                                                                                        | HoldRcv(<br>Holdpdu_01(<br>TCV_TI0))                                                     |   |          |
| 10 |       | LIDL_DatRqHoldAck                                                                                                                                                                                                                                                                                                                                                                                                                                                                                                                                                                                                     | HoldAckSnd(<br>TCV_chTch,<br>HoldAckpdu_01(<br>TCV_TI))                                  |   |          |
| 11 |       | L?DL_DatInCmsRq                                                                                                                                                                                                                                                                                                                                                                                                                                                                                                                                                                                                       | CMSerDatReq(<br>CMSerReq_01)                                                             |   |          |
| 12 |       | LIDL_DatRqCmsAcp                                                                                                                                                                                                                                                                                                                                                                                                                                                                                                                                                                                                      | CMSerAcp(<br>TCV_chTch,<br>CMSerReq_01)                                                  |   |          |
| 13 |       | +SetupRcvMo2(SetupInd_01)                                                                                                                                                                                                                                                                                                                                                                                                                                                                                                                                                                                             |                                                                                          |   |          |
| 14 |       | LIDL_DatRqCallProc                                                                                                                                                                                                                                                                                                                                                                                                                                                                                                                                                                                                    | CallProc(TCV_chTch,<br>TCV_CallProc)                                                     |   |          |
| 15 |       | LIDL_DatRqAlert                                                                                                                                                                                                                                                                                                                                                                                                                                                                                                                                                                                                       | AlertSnd(<br>TCV_chTch,<br>Alerting_01(<br>TCV_TI2))                                     |   |          |
| 16 |       | LIDL_DatRqConn START<br>T_dly2(90000), START<br>T_dly1(10000)                                                                                                                                                                                                                                                                                                                                                                                                                                                                                                                                                         | ConnSnd(TCV_chTch<br>, Connect_05(<br>TCV_TI2,<br>facilityIEtsndiei(<br>FwdChAdvSS_18))) |   | 4.       |
| 17 |       | +AOC_CHK_FAC( TCV_TI1)                                                                                                                                                                                                                                                                                                                                                                                                                                                                                                                                                                                                |                                                                                          |   |          |

|    |            |                                                                                                                                                                                                                                                                                                               |                                                                                                                 |     |
|----|------------|---------------------------------------------------------------------------------------------------------------------------------------------------------------------------------------------------------------------------------------------------------------------------------------------------------------|-----------------------------------------------------------------------------------------------------------------|-----|
| 18 |            | +localtree1                                                                                                                                                                                                                                                                                                   |                                                                                                                 |     |
|    |            | <b>localtree1</b>                                                                                                                                                                                                                                                                                             |                                                                                                                 |     |
| 19 |            | (TCV_Null := OO_MptyCall())                                                                                                                                                                                                                                                                                   |                                                                                                                 | 5.  |
| 20 |            | L?DL_DatInFac (TCV_Comp :=<br>DL_DatInFac.msg.fie.components_1, TCV_n :=<br>OC_PosinSet( TCV_Comp, BldMptySS_01),<br>TCV_Invkld := OC_Asn1intToOct(<br>TCV_Comp.[TCV_n].registerSSComponents.registe<br>rSS_InvokComp.invokelD, 1), TCV_TI3 :=<br>DL_DatInFac.msg.ti, TCV_TI3.ti_f := '1'B)<br>+ltree_release | FacilityRcv(<br>FacilityPdu_26(<br>TCV_TI0,<br>facilityIErcv(<br>BldMptySS_01)))                                |     |
| 21 |            |                                                                                                                                                                                                                                                                                                               |                                                                                                                 |     |
| 22 |            | L?DL_DatInFac (TCV_Comp :=<br>DL_DatInFac.msg.fie.components_1, TCV_n :=<br>OC_PosinSet( TCV_Comp, BldMptySS_01),<br>TCV_Invkld := OC_Asn1intToOct(<br>TCV_Comp.[TCV_n].registerSSComponents.registe<br>rSS_InvokComp.invokelD, 1), TCV_TI3 :=<br>DL_DatInFac.msg.ti, TCV_TI3.ti_f := '1'B)<br>+ltree_release | FacilityRcv(<br>FacilityPdu_26(<br>TCV_TI1,<br>facilityIErcv(<br>BldMptySS_01)))                                |     |
| 23 |            |                                                                                                                                                                                                                                                                                                               |                                                                                                                 |     |
|    |            | <b>ltree_release</b>                                                                                                                                                                                                                                                                                          |                                                                                                                 |     |
| 24 |            | L!DL_DatRqFac                                                                                                                                                                                                                                                                                                 | FacilitySnd( TCV_ch,<br>FacilityPdu_25(<br>TCV_TI3,<br>facilityIEtsnd(<br>BuildMptySSRslt_01(<br>TCV_Invkld)))) |     |
| 25 |            | ?TIMEOUT T_dly2                                                                                                                                                                                                                                                                                               |                                                                                                                 |     |
| 26 |            | +releasecall(TCV_TI2)                                                                                                                                                                                                                                                                                         |                                                                                                                 |     |
| 27 |            | ?TIMEOUT T_dly                                                                                                                                                                                                                                                                                                |                                                                                                                 |     |
| 28 |            | +releasecall(TCV_TI)                                                                                                                                                                                                                                                                                          |                                                                                                                 |     |
| 29 |            | +releaselink                                                                                                                                                                                                                                                                                                  |                                                                                                                 |     |
|    |            | <b>releasecall(ti: TI)</b>                                                                                                                                                                                                                                                                                    |                                                                                                                 |     |
| 30 |            | L!DL_DatRqDisc                                                                                                                                                                                                                                                                                                | DiscSnd(<br>TCV_chTch,<br>DisconnS( ti,<br>Cause_01,<br>ProgInd_omit,<br>UuInfo_omit))                          |     |
| 31 |            | L?DL_DatInRel                                                                                                                                                                                                                                                                                                 | ReleaseRcv(<br>Release_02)                                                                                      |     |
| 32 |            | LIDL_DatRqRelCmp                                                                                                                                                                                                                                                                                              | RelComSnd(<br>TCV_chTch,<br>ReleaseCmp_08( ti))                                                                 |     |
|    |            | <b>releaselink</b>                                                                                                                                                                                                                                                                                            |                                                                                                                 |     |
| 33 |            | +PostMainLinkRel(TCV_chTch)                                                                                                                                                                                                                                                                                   |                                                                                                                 |     |
| 34 |            | (TCV_Res := OO_ACMIncCHK("134"))                                                                                                                                                                                                                                                                              |                                                                                                                 | 6.  |
| 35 | L_062<br>8 | [TCV_Res]                                                                                                                                                                                                                                                                                                     |                                                                                                                 | (P) |
| 36 | L_062<br>9 | [NOT TCV_Res]                                                                                                                                                                                                                                                                                                 |                                                                                                                 | (F) |

**Detailed Comments:**

1. To read and hote the value of ACM on SIM at the beginning of the test,
2. To send Facility IE of ForwardChargeAdvice using definite form mixed with indefinite form.
3. To hold the first call and make a second call.
4. To send CAI for the second call.
5. To build the multi party call.
6. To check whether the increment of the value of ACM on SIM is 134.

## Test Case Dynamic Behaviour

**Test Case Name:** TC\_31\_6\_2\_1  
**Group:** GSM\_L3\_MS\_v4200/SS/  
**Purpose:** 1) To verify that when the SIM is removed from the ME during an active AOCC call the ME immediately terminates the call.  
 2) To verify that when the SIM is removed during an active AOCC call the ME has written the total charge up to that point in the call to the ACM field of the SIM.  
**Default:** OtherEventsFail

| Nr | Label      | Behaviour Description                                                                                                                                                                                                                                                                                                                                                                                                                                                                                                                                                                                                | CRef                                                     | V   | Comments |
|----|------------|----------------------------------------------------------------------------------------------------------------------------------------------------------------------------------------------------------------------------------------------------------------------------------------------------------------------------------------------------------------------------------------------------------------------------------------------------------------------------------------------------------------------------------------------------------------------------------------------------------------------|----------------------------------------------------------|-----|----------|
| 1  |            | START T_guard(300)                                                                                                                                                                                                                                                                                                                                                                                                                                                                                                                                                                                                   |                                                          |     |          |
| 2  |            | +BasicServiceMO( TSPX_MOBscSvcD,<br>TSPX_MOChRateD)                                                                                                                                                                                                                                                                                                                                                                                                                                                                                                                                                                  |                                                          |     |          |
| 3  |            | +IdleUpdated( C_E_default, C_CellA, C_SCH_A,<br>C_BCCH_A_1, C_Immss, C_S0, C_SlotNU,<br>C_SlotNU, C_SlotNU, C_BCC, C_TxInt_5,<br>C_Max_1, C_NECI_0, C_ATT_0, TimingAdv( 0),<br>C_BABR_0, C_cch_1Comb, C_BPM_3,<br>C_T3212_0, C_ci_cellA, C_MCC_1, C_PLMN_1,<br>C_LAC_1, CellOpt_01, CellChDes_Omit,<br>CellChDes_Omit, C_CellReselectHys12,<br>C_MaxPwrLvIG, C_MaxPwrLvID,<br>BcchFreqLst_45, BcchFreqLst_02,<br>BcchFreqLst_03, BcchFreqLst_04,<br>C_Restablishment, C_BCC, C_NCC,<br>C_Start_Tmsi, TSPX_SDCCH4SubDef,<br>TSPX_CKSNDDef, TSPX_RANDDDef, C_arfcnA,<br>C_arfcnAd, TSPX_IMSI, C_Test_nfh,<br>C_NCCP_2) |                                                          |     |          |
| 4  |            | +CCConfigTCH_nociph( TSPX_TCHHSubDef,<br>C_Ass, TSPX_TmSlitDef, TSPX_TscDef,<br>TimingAdv( 0), C_BABR_0, C_cch_1Comb,<br>C_BPM_3, TCV_ChMod.mode, FreqTCH_omit,<br>FreqTCH_omit, C_arfcn_tchA, C_arfcn_tchAd)                                                                                                                                                                                                                                                                                                                                                                                                        |                                                          |     |          |
| 5  |            | (TCV_Null := OO_ACMReading())                                                                                                                                                                                                                                                                                                                                                                                                                                                                                                                                                                                        |                                                          |     | 1.       |
| 6  | body       | +EstablishFacMO( 90000,<br>FwdChAdvSS_19, TSPX_SDCCH4SubDef,<br>TSPX_TmSlitDef, TSPX_TscDef,<br>TSPX_TCHHSubDef)                                                                                                                                                                                                                                                                                                                                                                                                                                                                                                     |                                                          |     | 2.       |
| 7  |            | +localtree                                                                                                                                                                                                                                                                                                                                                                                                                                                                                                                                                                                                           |                                                          |     |          |
|    |            | <b>localtree</b>                                                                                                                                                                                                                                                                                                                                                                                                                                                                                                                                                                                                     |                                                          |     |          |
| 8  |            | ?TIMEOUT T_dly                                                                                                                                                                                                                                                                                                                                                                                                                                                                                                                                                                                                       |                                                          |     |          |
| 9  |            | START T_dly(60000)                                                                                                                                                                                                                                                                                                                                                                                                                                                                                                                                                                                                   |                                                          |     |          |
| 10 |            | (TCV_Null := OO_SIMRmv())                                                                                                                                                                                                                                                                                                                                                                                                                                                                                                                                                                                            |                                                          |     | 3.       |
| 11 |            | L?DL_DatInDisc CANCEL T_dly                                                                                                                                                                                                                                                                                                                                                                                                                                                                                                                                                                                          | DiscRcv( TCV_chTch,<br>DisconnR( TCV_TIO,<br>Cause_Def)) |     |          |
| 12 |            | LIDL_DatRqRel                                                                                                                                                                                                                                                                                                                                                                                                                                                                                                                                                                                                        | ReleaseSnd(<br>TCV_chTch,<br>Release_03(<br>TCV_TI))     |     |          |
| 13 | L_063<br>0 | L?DL_DatInRelCmp                                                                                                                                                                                                                                                                                                                                                                                                                                                                                                                                                                                                     | RelComRcv(<br>ReleaseCmp_03(<br>TCV_TIO))                | (P) |          |
| 14 |            | +PostMainLinkRel(TCV_chTch)                                                                                                                                                                                                                                                                                                                                                                                                                                                                                                                                                                                          |                                                          |     |          |
| 15 |            | +localtree1                                                                                                                                                                                                                                                                                                                                                                                                                                                                                                                                                                                                          |                                                          |     |          |
| 16 | L_063<br>1 | L?DL_DatInRelCmp CANCEL T_dly                                                                                                                                                                                                                                                                                                                                                                                                                                                                                                                                                                                        | RelComRcv(<br>ReleaseCmp_03(<br>TCV_TIO))                | (P) |          |
| 17 |            | +PostMainLinkRel(TCV_chTch)                                                                                                                                                                                                                                                                                                                                                                                                                                                                                                                                                                                          |                                                          |     |          |
| 18 |            | +localtree1                                                                                                                                                                                                                                                                                                                                                                                                                                                                                                                                                                                                          |                                                          |     |          |
| 19 | L_063<br>2 | L?DL_RelIn CANCEL T_dly                                                                                                                                                                                                                                                                                                                                                                                                                                                                                                                                                                                              | DLRelInd_01                                              | (P) |          |
| 20 |            | +localtree1                                                                                                                                                                                                                                                                                                                                                                                                                                                                                                                                                                                                          |                                                          |     |          |
| 21 | L_063<br>3 | ?TIMEOUT T_dly                                                                                                                                                                                                                                                                                                                                                                                                                                                                                                                                                                                                       |                                                          | (F) |          |
| 22 |            | +PostLinkRelEnd(TCV_chTch)                                                                                                                                                                                                                                                                                                                                                                                                                                                                                                                                                                                           |                                                          |     |          |
|    |            | <b>localtree1</b>                                                                                                                                                                                                                                                                                                                                                                                                                                                                                                                                                                                                    |                                                          |     |          |



|                                                                                                                                                                                                                                                                                                                                                                                                |            |                                 |     |    |
|------------------------------------------------------------------------------------------------------------------------------------------------------------------------------------------------------------------------------------------------------------------------------------------------------------------------------------------------------------------------------------------------|------------|---------------------------------|-----|----|
| 23                                                                                                                                                                                                                                                                                                                                                                                             |            | (TCV_Res := OO_ACMIncCHK("30")) |     |    |
| 24                                                                                                                                                                                                                                                                                                                                                                                             | L_063<br>4 | [TCV_Res]                       | (P) | 4. |
| 25                                                                                                                                                                                                                                                                                                                                                                                             | L_063<br>5 | [NOT TCV_Res]                   | (F) |    |
| <b>Detailed Comments:</b>                                                                                                                                                                                                                                                                                                                                                                      |            |                                 |     |    |
| <ol style="list-style-type: none"> <li>1. To read and note the value of ACM on SIM at the beginning of the test,</li> <li>2. To send Facility IE of ForwardChargeAdvice using definite form mixed with indefinite form.</li> <li>3. To remove the SIM without power off and 90 seconds after CAI sent.</li> <li>4. To check whether the increment of the value of ACM on SIM is 30.</li> </ol> |            |                                 |     |    |

| Test Case Dynamic Behaviour |            |                                                                                                                                                                                                                                                                                                                                                                                                                                                                                                                                                                                                                      |      |     |          |
|-----------------------------|------------|----------------------------------------------------------------------------------------------------------------------------------------------------------------------------------------------------------------------------------------------------------------------------------------------------------------------------------------------------------------------------------------------------------------------------------------------------------------------------------------------------------------------------------------------------------------------------------------------------------------------|------|-----|----------|
| <b>Test Case Name:</b>      |            | TC_31_6_2_2                                                                                                                                                                                                                                                                                                                                                                                                                                                                                                                                                                                                          |      |     |          |
| <b>Group:</b>               |            | GSM_L3_MS_v4200/SS/                                                                                                                                                                                                                                                                                                                                                                                                                                                                                                                                                                                                  |      |     |          |
| <b>Purpose:</b>             |            | To verify that when the power supply of the MS is removed during an active AOCC call the ME has written the total charge up to that point in the call to the ACM field of the SIM.                                                                                                                                                                                                                                                                                                                                                                                                                                   |      |     |          |
| <b>Default:</b>             |            | OtherEventsFail                                                                                                                                                                                                                                                                                                                                                                                                                                                                                                                                                                                                      |      |     |          |
| Nr                          | Label      | Behaviour Description                                                                                                                                                                                                                                                                                                                                                                                                                                                                                                                                                                                                | CRef | V   | Comments |
| 1                           |            | START T_guard(600)                                                                                                                                                                                                                                                                                                                                                                                                                                                                                                                                                                                                   |      |     |          |
| 2                           |            | +BasicServiceMO( TSPX_MOBscSvcE,<br>TSPX_MOChRateE)                                                                                                                                                                                                                                                                                                                                                                                                                                                                                                                                                                  |      |     |          |
| 3                           |            | +IdleUpdated( C_E_default, C_CellA, C_SCH_A,<br>C_BCCH_A_1, C_Immass, C_S0, C_SlotNU,<br>C_SlotNU, C_SlotNU, C_BCC, C_TxInt_5,<br>C_Max_1, C_NECI_0, C_ATT_0, TimingAdv( 0),<br>C_BABR_0, C_cch_1Comb, C_BPM_3,<br>C_T3212_0, C_ci_cellA, C_MCC_1, C_PLMN_1,<br>C_LAC_1, CellOpt_01, CellChDes_Omit,<br>CellChDes_Omit, C_CellReselectHys12,<br>C_MaxPwrLvIG, C_MaxPwrLvID,<br>BcchFreqLst_45, BcchFreqLst_02,<br>BcchFreqLst_03, BcchFreqLst_04,<br>C_Restablishment, C_BCC, C_NCC,<br>C_Start_Tmsi, TSPX_SDCCH4SubDef,<br>TSPX_CKSNDDef, TSPX_RANDDef, C_arfcnA,<br>C_arfcnAd, TSPX_IMSI, C_Test_nfh,<br>C_NCCP_2) |      |     |          |
| 4                           |            | +CCConfigTCH_nociph( TSPX_TCHHSubDef,<br>C_Ass, TSPX_TmSltDef, TSPX_TscDef,<br>TimingAdv( 0), C_BABR_0, C_cch_1Comb,<br>C_BPM_3, TCV_ChMod.mode, FreqTCH_omit,<br>FreqTCH_omit, C_arfcn_tchA, C_arfcn_tchAd)                                                                                                                                                                                                                                                                                                                                                                                                         |      |     |          |
| 5                           |            | (TCV_Null := OO_ACMReading())                                                                                                                                                                                                                                                                                                                                                                                                                                                                                                                                                                                        |      |     | 1.       |
| 6                           |            | +execution1                                                                                                                                                                                                                                                                                                                                                                                                                                                                                                                                                                                                          |      |     |          |
| 7                           |            | +execution2                                                                                                                                                                                                                                                                                                                                                                                                                                                                                                                                                                                                          |      |     |          |
|                             |            | <b>execution1</b>                                                                                                                                                                                                                                                                                                                                                                                                                                                                                                                                                                                                    |      |     |          |
| 8                           |            | +main                                                                                                                                                                                                                                                                                                                                                                                                                                                                                                                                                                                                                |      |     |          |
| 9                           |            | (TCV_Null := OO_SwitchOff())                                                                                                                                                                                                                                                                                                                                                                                                                                                                                                                                                                                         |      |     | 3.       |
| 10                          |            | (TCV_Res := OO_ACMIncCHK("30"))                                                                                                                                                                                                                                                                                                                                                                                                                                                                                                                                                                                      |      |     | 4.       |
| 11                          | L_063<br>6 | [TCV_Res]                                                                                                                                                                                                                                                                                                                                                                                                                                                                                                                                                                                                            |      | (P) |          |
| 12                          | L_063<br>7 | [NOT TCV_Res]                                                                                                                                                                                                                                                                                                                                                                                                                                                                                                                                                                                                        |      | (F) |          |
|                             |            | <b>execution2</b>                                                                                                                                                                                                                                                                                                                                                                                                                                                                                                                                                                                                    |      |     |          |
| 13                          |            | (TCV_Null := OO_SwitchOn())                                                                                                                                                                                                                                                                                                                                                                                                                                                                                                                                                                                          |      |     | 5.       |
| 14                          |            | START T_dly(20000)                                                                                                                                                                                                                                                                                                                                                                                                                                                                                                                                                                                                   |      |     |          |
| 15                          |            | ?TIMEOUT T_dly                                                                                                                                                                                                                                                                                                                                                                                                                                                                                                                                                                                                       |      |     |          |
| 16                          |            | +main                                                                                                                                                                                                                                                                                                                                                                                                                                                                                                                                                                                                                |      |     |          |
| 17                          |            | (TCV_Null := OO_PowerDown())                                                                                                                                                                                                                                                                                                                                                                                                                                                                                                                                                                                         |      |     | 6.       |
| 18                          |            | (TCV_Res := OO_ACMIncCHK("30"))                                                                                                                                                                                                                                                                                                                                                                                                                                                                                                                                                                                      |      |     | 4.       |
| 19                          | L_063<br>8 | [TCV_Res]                                                                                                                                                                                                                                                                                                                                                                                                                                                                                                                                                                                                            |      | (P) |          |
| 20                          | L_063<br>9 | [NOT TCV_Res]                                                                                                                                                                                                                                                                                                                                                                                                                                                                                                                                                                                                        |      | (F) |          |
|                             |            | <b>main</b>                                                                                                                                                                                                                                                                                                                                                                                                                                                                                                                                                                                                          |      |     |          |
| 21                          |            | +EstablishFacMO( 90000, FwdChAdvSS_19,<br>TSPX_SDCCH4SubDef, TSPX_TmSltDef,<br>TSPX_TscDef, TSPX_TCHHSubDef)                                                                                                                                                                                                                                                                                                                                                                                                                                                                                                         |      |     | 2.       |
| 22                          |            | ?TIMEOUT T_dly                                                                                                                                                                                                                                                                                                                                                                                                                                                                                                                                                                                                       |      |     |          |
| <b>Detailed Comments:</b>   |            | <ol style="list-style-type: none"> <li>1. To read and note the value of ACM on SIM at the beginning of the test,</li> <li>2. To send Facility IE of ForwardChargeAdvice using definite form mixed with indefinite form.</li> <li>3. To switch off the MS 90 seconds after CAI sent.</li> <li>4. To check whether the increment of the value of ACM on SIM is 30.</li> <li>5. To switch on the MS and wait for the MS back to idle state.</li> <li>6. To remove battery pack 90 seconds after CAI sent.</li> </ol>                                                                                                    |      |     |          |

| Test Case Dynamic Behaviour |            |                                                                                                                                                                                                                                                                                                                                                                                                                                                                                                                                                                                                                      |      |     |          |
|-----------------------------|------------|----------------------------------------------------------------------------------------------------------------------------------------------------------------------------------------------------------------------------------------------------------------------------------------------------------------------------------------------------------------------------------------------------------------------------------------------------------------------------------------------------------------------------------------------------------------------------------------------------------------------|------|-----|----------|
| <b>Test Case Name:</b>      |            | TC_31_6_2_3                                                                                                                                                                                                                                                                                                                                                                                                                                                                                                                                                                                                          |      |     |          |
| <b>Group:</b>               |            | GSM_L3_MS_v4200/SS/                                                                                                                                                                                                                                                                                                                                                                                                                                                                                                                                                                                                  |      |     |          |
| <b>Purpose:</b>             |            | To verify that when the MS goes out of radio coverage area and an active call is dropped the ME has written the total charge up to that point in the call to the ACM field of the SIM.                                                                                                                                                                                                                                                                                                                                                                                                                               |      |     |          |
| <b>Default:</b>             |            | OtherEventsFail                                                                                                                                                                                                                                                                                                                                                                                                                                                                                                                                                                                                      |      |     |          |
| Nr                          | Label      | Behaviour Description                                                                                                                                                                                                                                                                                                                                                                                                                                                                                                                                                                                                | CRef | V   | Comments |
| 1                           |            | START T_guard(300)                                                                                                                                                                                                                                                                                                                                                                                                                                                                                                                                                                                                   |      |     |          |
| 2                           |            | +BasicServiceMO( TSPX_MOBscSvch,<br>TSPX_MOChRateH)                                                                                                                                                                                                                                                                                                                                                                                                                                                                                                                                                                  |      |     |          |
| 3                           |            | +IdleUpdated( C_E_default, C_CellA, C_SCH_A,<br>C_BCCH_A_1, C_Immass, C_S0, C_SlotNU,<br>C_SlotNU, C_SlotNU, C_BCC, C_TxInt_5,<br>C_Max_1, C_NECI_0, C_ATT_0, TimingAdv( 0),<br>C_BABR_0, C_cch_1Comb, C_BPM_3,<br>C_T3212_0, C_ci_cellA, C_MCC_1, C_PLMN_1,<br>C_LAC_1, CellOpt_01, CellChDes_Omit,<br>CellChDes_Omit, C_CellReselectHys12,<br>C_MaxPwrLvlG, C_MaxPwrLvlD,<br>BcchFreqLst_45, BcchFreqLst_02,<br>BcchFreqLst_03, BcchFreqLst_04,<br>C_Restablishment, C_BCC, C_NCC,<br>C_Start_Tmsi, TSPX_SDCCH4SubDef,<br>TSPX_CKSNDDef, TSPX_RANDDef, C_arfcnA,<br>C_arfcnAd, TSPX_IMSI, C_Test_nfh,<br>C_NCCP_2) |      |     |          |
| 4                           |            | +CCConfigTCH_nociph( TSPX_TCHHSubDef,<br>C_Ass, TSPX_TmSltDef, TSPX_TscDef,<br>TimingAdv( 0), C_BABR_0, C_cch_1Comb,<br>C_BPM_3, TCV_ChMod.mode, FreqTCH_omit,<br>FreqTCH_omit, C_arfcn_tchA, C_arfcn_tchAd)                                                                                                                                                                                                                                                                                                                                                                                                         |      |     |          |
| 5                           |            | (TCV_Null := OO_ACMReading())                                                                                                                                                                                                                                                                                                                                                                                                                                                                                                                                                                                        |      |     | 1.       |
| 6                           |            | +EstablishFacMO( 90000,<br>FwdChAdvSS_19, TSPX_SDCCH4SubDef,<br>TSPX_TmSltDef, TSPX_TscDef,<br>TSPX_TCHHSubDef)                                                                                                                                                                                                                                                                                                                                                                                                                                                                                                      |      |     | 2.       |
| 7                           |            | ?TIMEOUT T_dly                                                                                                                                                                                                                                                                                                                                                                                                                                                                                                                                                                                                       |      |     |          |
| 8                           |            | (TCV_Null := OM_StopCell( C_CellA))                                                                                                                                                                                                                                                                                                                                                                                                                                                                                                                                                                                  |      |     | 3.       |
| 9                           |            | (TCV_Res := OO_ACMIncCHK("30"))                                                                                                                                                                                                                                                                                                                                                                                                                                                                                                                                                                                      |      |     | 4.       |
| 10                          | L_064<br>0 | [TCV_Res]                                                                                                                                                                                                                                                                                                                                                                                                                                                                                                                                                                                                            |      | (P) |          |
| 11                          | L_064<br>1 | [NOT TCV_Res]                                                                                                                                                                                                                                                                                                                                                                                                                                                                                                                                                                                                        |      | (F) |          |
| <b>Detailed Comments:</b>   |            | <ol style="list-style-type: none"> <li>1. To read and note the value of ACM on SIM at the beginning of the test,</li> <li>2. To send Facility IE of ForwardChargeAdvice using definite form mixed with indefinite form.</li> <li>3. To switch off the cell A 90 seconds after CAI sent.</li> <li>4. To check whether the increment of the value of ACM on SIM is 30.</li> </ol>                                                                                                                                                                                                                                      |      |     |          |

### Test Case Dynamic Behaviour

**Test Case Name:** TC\_31\_6\_2\_4  
**Group:** GSM\_L3\_MS\_v4200/SS/  
**Purpose:** 1) To verify that when the value stored in the ACM becomes equal to or exceeds its maximum value, the ACMM, any outgoing calls in progress for which a non-zero CAI exists are terminated by the ME, once the chargeable interval determined by the CAI has elapsed, with an appropriate indication given to the user.

2) To verify that when the value stored in the ACM becomes equal to or exceeds its maximum limit, the ACMM, the making of non-emergency calls is inhibited

3) To verify that when the value stored in the ACM becomes equal to or exceeds its maximum limit, the ACMM, the making of emergency calls is uninhibited

**Default:** OtherEventsFail  
**Comments:** The ACM is reset to zero and the ACMmax is set to 2 units before starting the test

| Nr | Label      | Behaviour Description                                                                                                                                                                                                                                                                                                                                                                                                                                                                                                                                                                                                | CRef                                                     | V   | Comments |
|----|------------|----------------------------------------------------------------------------------------------------------------------------------------------------------------------------------------------------------------------------------------------------------------------------------------------------------------------------------------------------------------------------------------------------------------------------------------------------------------------------------------------------------------------------------------------------------------------------------------------------------------------|----------------------------------------------------------|-----|----------|
| 1  |            | START T_guard(600)                                                                                                                                                                                                                                                                                                                                                                                                                                                                                                                                                                                                   |                                                          |     |          |
| 2  |            | +BasicServiceMO( TSPX_MOBscSvcl,<br>TSPX_MOChRatel)                                                                                                                                                                                                                                                                                                                                                                                                                                                                                                                                                                  |                                                          |     |          |
| 3  |            | +IdleUpdated( C_E_default, C_CellA, C_SCH_A,<br>C_BCCH_A_1, C_Immss, C_S0, C_SlotNU,<br>C_SlotNU, C_SlotNU, C_BCC, C_TxInt_5,<br>C_Max_1, C_NECI_0, C_ATT_0, TimingAdv( 0),<br>C_BABR_0, C_cch_1Comb, C_BPM_3,<br>C_T3212_0, C_ci_cellA, C_MCC_1, C_PLMN_1,<br>C_LAC_1, CellOpt_01, CellChDes_Omit,<br>CellChDes_Omit, C_CellReselectHys12,<br>C_MaxPwrLvIG, C_MaxPwrLvID,<br>BcchFreqLst_45, BcchFreqLst_02,<br>BcchFreqLst_03, BcchFreqLst_04,<br>C_Restablishment, C_BCC, C_NCC,<br>C_Start_Tmsi, TSPX_SDCCH4SubDef,<br>TSPX_CKSNDDef, TSPX_RANDDDef, C_arfcnA,<br>C_arfcnAd, TSPX_IMSI, C_Test_nfh,<br>C_NCCP_2) |                                                          |     |          |
| 4  |            | +CCConfigTCH_nociph( TSPX_TCHHSubDef,<br>C_Ass, TSPX_TmSlitDef, TSPX_TscDef,<br>TimingAdv( 0), C_BABR_0, C_cch_1Comb,<br>C_BPM_3, TCV_ChMod.mode, FreqTCH_omit,<br>FreqTCH_omit, C_arfcn_tchA, C_arfcn_tchAd)                                                                                                                                                                                                                                                                                                                                                                                                        |                                                          |     |          |
| 5  |            | (TCV_Null := OO_ACMSetting())                                                                                                                                                                                                                                                                                                                                                                                                                                                                                                                                                                                        |                                                          |     | 1.       |
| 6  |            | +execution1                                                                                                                                                                                                                                                                                                                                                                                                                                                                                                                                                                                                          |                                                          |     |          |
| 7  |            | +execution2                                                                                                                                                                                                                                                                                                                                                                                                                                                                                                                                                                                                          |                                                          |     |          |
| 8  |            | +execution3                                                                                                                                                                                                                                                                                                                                                                                                                                                                                                                                                                                                          |                                                          |     |          |
| 9  |            | <b>execution1</b><br>+EstablishFacMO( 100000, FwdChAdvSS_20,<br>TSPX_SDCCH4SubDef, TSPX_TmSlitDef,<br>TSPX_TscDef, TSPX_TCHHSubDef)                                                                                                                                                                                                                                                                                                                                                                                                                                                                                  |                                                          |     | 2.       |
| 10 |            | L?DL_DatInDisc READTIMER T_dly(TCV_Time),<br>CANCEL T_dly                                                                                                                                                                                                                                                                                                                                                                                                                                                                                                                                                            | DiscRcv( TCV_chTch,<br>DisconnR( TCV_TIO,<br>Cause_Def)) |     | 3.       |
| 11 | L_064<br>2 | [(88000 <= TCV_Time) AND (TCV_Time <= 92000)]                                                                                                                                                                                                                                                                                                                                                                                                                                                                                                                                                                        |                                                          | (P) | 4.       |
| 12 |            | +localtree1                                                                                                                                                                                                                                                                                                                                                                                                                                                                                                                                                                                                          |                                                          |     |          |
| 13 | L_064<br>3 | [(88000 > TCV_Time) OR(TCV_Time > 92000)]                                                                                                                                                                                                                                                                                                                                                                                                                                                                                                                                                                            |                                                          | (F) |          |
| 14 |            | +localtree1                                                                                                                                                                                                                                                                                                                                                                                                                                                                                                                                                                                                          |                                                          |     |          |
| 15 |            | <b>localtree1</b><br>L!DL_DatRqRel                                                                                                                                                                                                                                                                                                                                                                                                                                                                                                                                                                                   | ReleaseSnd(<br>TCV_chTch,<br>Release_08(<br>TCV_TI))     |     |          |
| 16 |            | L?DL_DatInRelCmp                                                                                                                                                                                                                                                                                                                                                                                                                                                                                                                                                                                                     | RelComRcv(<br>ReleaseCmp_03(<br>TCV_TIO))                |     |          |
| 17 |            | +PostMainLinkRel(TCV_chTch)                                                                                                                                                                                                                                                                                                                                                                                                                                                                                                                                                                                          |                                                          |     |          |

|                   |            |                                                                                                                                                                                                              |                                                                                                                                                 |     |                         |
|-------------------|------------|--------------------------------------------------------------------------------------------------------------------------------------------------------------------------------------------------------------|-------------------------------------------------------------------------------------------------------------------------------------------------|-----|-------------------------|
| 18                |            | (TCV_Res := OO_ACMIIncCHK("2"))                                                                                                                                                                              |                                                                                                                                                 |     | 5.                      |
| 19                | L_064<br>4 | [TCV_Res]                                                                                                                                                                                                    |                                                                                                                                                 | (P) |                         |
| 20                | L_064<br>5 | [NOT TCV_Res]                                                                                                                                                                                                |                                                                                                                                                 | (F) |                         |
| <b>execution2</b> |            |                                                                                                                                                                                                              |                                                                                                                                                 |     |                         |
| 21                |            | +InitCall(TCV_Service)                                                                                                                                                                                       |                                                                                                                                                 |     |                         |
| 22                |            | START T_dly( 5000)                                                                                                                                                                                           |                                                                                                                                                 |     |                         |
| 23                | L_064<br>6 | ?TIMEOUT T_dly                                                                                                                                                                                               |                                                                                                                                                 | (P) |                         |
| 24                | L_064<br>7 | L?DL_RacInChRq CANCEL T_dly                                                                                                                                                                                  | ChReq(<br>ChRequest_02)                                                                                                                         | (F) |                         |
| <b>execution3</b> |            |                                                                                                                                                                                                              |                                                                                                                                                 |     |                         |
| 25                |            | +BasicServiceMO( C_EmgCall, TSPX_EmgCallRate)                                                                                                                                                                |                                                                                                                                                 |     |                         |
| 26                |            | +CCConfigTCH_nociph( TSPX_TCHHSubDef,<br>C_Ass, TSPX_TmSltDef, TSPX_TscDef,<br>TimingAdv( 0), C_BABR_0, C_cch_1Comb,<br>C_BPM_3, TCV_ChMod.mode, FreqTCH_omit,<br>FreqTCH_omit, C_arfcn_tchA, C_arfcn_tchAd) |                                                                                                                                                 |     |                         |
| 27                |            | +InitCall(C_EmgCall)                                                                                                                                                                                         |                                                                                                                                                 |     | 6.                      |
| 28                |            | L?DL_RacInChRq (TCV_Rr := DL_RacInChRq.<br>msg.ecau_rrf, TCV_Fn := DL_RacInChRq.fn)                                                                                                                          | ChReq(<br>ChRequest_16)                                                                                                                         |     |                         |
| 29                |            | ACTIVATE(OtherEventsFail_02)                                                                                                                                                                                 |                                                                                                                                                 |     | To match ChReq retrans. |
| 30                |            | L!DL_UdatRqImmass                                                                                                                                                                                            | ImmAss( TCV_agch,<br>ImmAsgn_01Def(<br>TCV_Rr, TCV_Fn,<br>TSPX_SDCCH4SubD<br>ef, TCV_slot,<br>TCV_tsc,<br>TCV_chdescr_arfcn,<br>TimingAdv( 0))) |     |                         |
| 31                |            | L?DL_EstInCmsRq                                                                                                                                                                                              | CMSerReq(<br>CMServiceReq_01)                                                                                                                   |     |                         |
| 32                |            | ACTIVATE(OtherEventsFail)                                                                                                                                                                                    |                                                                                                                                                 |     | Restore Normal default  |
| 33                |            | L!DL_DatRqCmsAcp                                                                                                                                                                                             | CMSerAcp( TCV_ch,<br>CMServiceAcp_01)                                                                                                           |     |                         |
| 34                |            | +RcvSetupOrEsetup(<br>TCV_Setup_mo, TCV_Esetup,<br>TCV_Ecall)                                                                                                                                                |                                                                                                                                                 |     |                         |
| 35                |            | +continue1                                                                                                                                                                                                   |                                                                                                                                                 |     |                         |
| <b>continue1</b>  |            |                                                                                                                                                                                                              |                                                                                                                                                 |     |                         |
| 36                |            | L!DL_DatRqCallProc                                                                                                                                                                                           | CallProc(TCV_ch,<br>TCV_CallProc)                                                                                                               |     |                         |
| 37                |            | +AssCmdGen( TCV_cellid, TCV_ChRate,<br>TSPX_TmSltDef, TSPX_TscDef,<br>TSPX_TCHHSubDef)                                                                                                                       |                                                                                                                                                 |     |                         |
| 38                |            | +AssCh_complete( TCV_ch, TCV_chTch,<br>TCV_AssCmd)                                                                                                                                                           |                                                                                                                                                 |     |                         |
| 39                |            | LIDL_DatRqAlert                                                                                                                                                                                              | AlertSnd(<br>TCV_chTch,<br>Alerting_01( TCV_TI))                                                                                                |     |                         |
| 40                |            | L!DL_DatRqConn START T_dly1(10000),<br>START T_dly(120000)                                                                                                                                                   | ConnSnd(TCV_chTch<br>, Connect_05(<br>TCV_TI,<br>facilityIEtsndiei(<br>FwdChAdvSS_21)))                                                         |     | 7.                      |
| 41                |            | +AOC_CHK_FAC(TCV_TI0)                                                                                                                                                                                        |                                                                                                                                                 |     |                         |
| 42                |            | ?TIMEOUT T_dly                                                                                                                                                                                               |                                                                                                                                                 |     | 9.                      |
| 43                |            | (TCV_Null := OO_TermCall())                                                                                                                                                                                  |                                                                                                                                                 |     |                         |
| 44                |            | +localtree2                                                                                                                                                                                                  |                                                                                                                                                 |     |                         |
| <b>localtree2</b> |            |                                                                                                                                                                                                              |                                                                                                                                                 |     |                         |
| 45                | L_064<br>8 | L?DL_DatInDisc                                                                                                                                                                                               | DiscRcv( TCV_chTch,<br>DisconnR( TCV_TI0,<br>Cause_Def))                                                                                        | (P) |                         |
| 46                |            | LIDL_DatRqRel                                                                                                                                                                                                | ReleaseSnd(<br>TCV_chTch,<br>Release_08(                                                                                                        |     |                         |

|    |       |                                |                                                                                                                                                                                                                                                                                                                                                                                                                                                                                                                                                                                                                                                                    |     |    |
|----|-------|--------------------------------|--------------------------------------------------------------------------------------------------------------------------------------------------------------------------------------------------------------------------------------------------------------------------------------------------------------------------------------------------------------------------------------------------------------------------------------------------------------------------------------------------------------------------------------------------------------------------------------------------------------------------------------------------------------------|-----|----|
| 47 |       | L?DL_DatInRelCmp               | TCV_TI))                                                                                                                                                                                                                                                                                                                                                                                                                                                                                                                                                                                                                                                           |     |    |
| 48 |       | +PostMainLinkRel(TCV_chTch     | RelComRcv(                                                                                                                                                                                                                                                                                                                                                                                                                                                                                                                                                                                                                                                         |     |    |
| 49 |       | (TCV_Res := OO_ACMIncCHK("0")) | ReleaseCmp_03(                                                                                                                                                                                                                                                                                                                                                                                                                                                                                                                                                                                                                                                     |     |    |
| 50 | L_064 | [TCV_Res]                      | TCV_TI0))                                                                                                                                                                                                                                                                                                                                                                                                                                                                                                                                                                                                                                                          | (P) | 8. |
| 51 | L_065 | [NOT TCV_Res]                  |                                                                                                                                                                                                                                                                                                                                                                                                                                                                                                                                                                                                                                                                    | (F) |    |
|    |       | <b>Detailed Comments:</b>      | <ol style="list-style-type: none"> <li>1. To reset the ACM = 0 and set the ACMmax to 2.</li> <li>2. To send Facility IE of ForwardChargeAdvice using definite form mixed with indefinite form.</li> <li>3. The call is terminated when the ACM reaches the ACMmax (cause value #68).</li> <li>4. The time duration is 90 +- 2 seconds, pass.</li> <li>5. To check whether the ACM increment is 2.</li> <li>6. To make an emergency call.</li> <li>7. To send Facility IE of ForwardChargeAdvice using definite form mixed with indefinite form.</li> <li>8. To check whether the value of ACM is still 2.</li> <li>9. The time duration is 120 seconds.</li> </ol> |     |    |

| Test Case Dynamic Behaviour |       |                                                                                                                                                                                                                                                                                                                                                                                                                                                                                                                                                                                                                                                                                                                                                                                                                                |      |   |          |
|-----------------------------|-------|--------------------------------------------------------------------------------------------------------------------------------------------------------------------------------------------------------------------------------------------------------------------------------------------------------------------------------------------------------------------------------------------------------------------------------------------------------------------------------------------------------------------------------------------------------------------------------------------------------------------------------------------------------------------------------------------------------------------------------------------------------------------------------------------------------------------------------|------|---|----------|
| <b>Test Case Name:</b>      |       | TC_31_6_2_5                                                                                                                                                                                                                                                                                                                                                                                                                                                                                                                                                                                                                                                                                                                                                                                                                    |      |   |          |
| <b>Group:</b>               |       | GSM_L3_MS_v4200/SS/                                                                                                                                                                                                                                                                                                                                                                                                                                                                                                                                                                                                                                                                                                                                                                                                            |      |   |          |
| <b>Purpose:</b>             |       | <p>1) To verify that when the value stored in the ACM becomes equal to or exceeds its maximum value, the ACMM, any mobile terminating calls in progress for which a non-zero CAI exists are terminated by the ME, once the chargeable interval determined by the CAI has elapsed, with an appropriate indication given to the user.</p> <p>2) To verify that when the value stored in the ACM becomes equal to or exceeds its maximum value, the ACMM, and an incoming call is received for which subsequently a non-zero CAI is received, then the call is terminated by the ME with an appropriate indication given to the user.</p> <p>3) To verify that when the value stored in the ACM becomes equal to or exceeds its maximum limit,<br/>the ACMM, the receiving of calls for which the CAI is zero is uninhibited.</p> |      |   |          |
| <b>Default:</b>             |       | OtherEventsFail                                                                                                                                                                                                                                                                                                                                                                                                                                                                                                                                                                                                                                                                                                                                                                                                                |      |   |          |
| Nr                          | Label | Behaviour Description                                                                                                                                                                                                                                                                                                                                                                                                                                                                                                                                                                                                                                                                                                                                                                                                          | CRef | V | Comments |
| 1                           |       | START T_guard(600)                                                                                                                                                                                                                                                                                                                                                                                                                                                                                                                                                                                                                                                                                                                                                                                                             |      |   |          |
| 2                           |       | +BasicServiceMT( TSPX_MTBscSvcA,<br>TSPX_MTChRateA)                                                                                                                                                                                                                                                                                                                                                                                                                                                                                                                                                                                                                                                                                                                                                                            |      |   |          |
| 3                           |       | +IdleUpdated( C_E_default, C_CellA, C_SCH_A,<br>C_BCCH_A_1, C_Immass, C_S0, C_SlotNU,<br>C_SlotNU, C_SlotNU, C_BCC, C_TxInt_5,<br>C_Max_1, C_NECI_0, C_ATT_0, TimingAdv( 0),<br>C_BABR_0, C_cch_1Comb, C_BPM_3,<br>C_T3212_0, C_ci_cellA, C_MCC_1, C_PLMN_1,<br>C_LAC_1, CellOpt_01, CellChDes_Omit,<br>CellChDes_Omit, C_CellReselectHys12,<br>C_MaxPwrLvIG, C_MaxPwrLvID,<br>BcchFreqLst_45, BcchFreqLst_02,<br>BcchFreqLst_03, BcchFreqLst_04,<br>C_Restablishment, C_BCC, C_NCC,<br>C_Start_Tmsi, TSPX_SDCCH4SubDef,<br>TSPX_CKSNDDef, TSPX_RANDDef, C_arfcnA,<br>C_arfcnAd, TSPX_IMSI, C_Test_nfh,<br>C_NCCP_2)                                                                                                                                                                                                           |      |   |          |
| 4                           |       | +CCConfigTCH_nociph( TSPX_TCHHSubDef,<br>C_Ass, TSPX_TmSltDef, TSPX_TscDef,<br>TimingAdv( 0), C_BABR_0, C_cch_1Comb,<br>C_BPM_3, TCV_ChMod.mode, FreqTCH_omit,<br>FreqTCH_omit, C_arfcn_tchA, C_arfcn_tchAd)                                                                                                                                                                                                                                                                                                                                                                                                                                                                                                                                                                                                                   |      |   |          |
| 5                           |       | (TCV_Null := OO_ACMSetting())                                                                                                                                                                                                                                                                                                                                                                                                                                                                                                                                                                                                                                                                                                                                                                                                  |      |   | 1.       |
| 6                           | body  | +execution1                                                                                                                                                                                                                                                                                                                                                                                                                                                                                                                                                                                                                                                                                                                                                                                                                    |      |   |          |
| 7                           |       | +execution2                                                                                                                                                                                                                                                                                                                                                                                                                                                                                                                                                                                                                                                                                                                                                                                                                    |      |   |          |
| 8                           |       | +execution3                                                                                                                                                                                                                                                                                                                                                                                                                                                                                                                                                                                                                                                                                                                                                                                                                    |      |   |          |
|                             |       | <b>execution1</b>                                                                                                                                                                                                                                                                                                                                                                                                                                                                                                                                                                                                                                                                                                                                                                                                              |      |   |          |
| 9                           |       | +init                                                                                                                                                                                                                                                                                                                                                                                                                                                                                                                                                                                                                                                                                                                                                                                                                          |      |   |          |
| 10                          |       | +branchA( FwdChAdvSS_20)                                                                                                                                                                                                                                                                                                                                                                                                                                                                                                                                                                                                                                                                                                                                                                                                       |      |   |          |
| 11                          |       | +branchF                                                                                                                                                                                                                                                                                                                                                                                                                                                                                                                                                                                                                                                                                                                                                                                                                       |      |   |          |
| 12                          |       | +TimerCheck                                                                                                                                                                                                                                                                                                                                                                                                                                                                                                                                                                                                                                                                                                                                                                                                                    |      |   |          |
| 13                          |       | +step20("2")                                                                                                                                                                                                                                                                                                                                                                                                                                                                                                                                                                                                                                                                                                                                                                                                                   |      |   | 5.       |
|                             |       | <b>execution2</b>                                                                                                                                                                                                                                                                                                                                                                                                                                                                                                                                                                                                                                                                                                                                                                                                              |      |   |          |
| 14                          |       | +init                                                                                                                                                                                                                                                                                                                                                                                                                                                                                                                                                                                                                                                                                                                                                                                                                          |      |   |          |
| 15                          |       | +branchB                                                                                                                                                                                                                                                                                                                                                                                                                                                                                                                                                                                                                                                                                                                                                                                                                       |      |   |          |
| 16                          |       | +branchC                                                                                                                                                                                                                                                                                                                                                                                                                                                                                                                                                                                                                                                                                                                                                                                                                       |      |   |          |
| 17                          |       | +branchG                                                                                                                                                                                                                                                                                                                                                                                                                                                                                                                                                                                                                                                                                                                                                                                                                       |      |   |          |
| 18                          |       | +step20("0")                                                                                                                                                                                                                                                                                                                                                                                                                                                                                                                                                                                                                                                                                                                                                                                                                   |      |   | 8.       |
| 19                          |       | +branchD                                                                                                                                                                                                                                                                                                                                                                                                                                                                                                                                                                                                                                                                                                                                                                                                                       |      |   |          |
| 20                          |       | +branchG                                                                                                                                                                                                                                                                                                                                                                                                                                                                                                                                                                                                                                                                                                                                                                                                                       |      |   |          |
| 21                          |       | +step20("0")                                                                                                                                                                                                                                                                                                                                                                                                                                                                                                                                                                                                                                                                                                                                                                                                                   |      |   | 8.       |
| 22                          |       | +branchE                                                                                                                                                                                                                                                                                                                                                                                                                                                                                                                                                                                                                                                                                                                                                                                                                       |      |   |          |
| 23                          |       | +branchG                                                                                                                                                                                                                                                                                                                                                                                                                                                                                                                                                                                                                                                                                                                                                                                                                       |      |   |          |
| 24                          |       | +step20("0")                                                                                                                                                                                                                                                                                                                                                                                                                                                                                                                                                                                                                                                                                                                                                                                                                   |      |   | 8.       |
|                             |       | <b>execution3</b>                                                                                                                                                                                                                                                                                                                                                                                                                                                                                                                                                                                                                                                                                                                                                                                                              |      |   |          |
| 25                          |       | +init                                                                                                                                                                                                                                                                                                                                                                                                                                                                                                                                                                                                                                                                                                                                                                                                                          |      |   |          |

|    |            |                                                           |                                                                                             |     |                       |
|----|------------|-----------------------------------------------------------|---------------------------------------------------------------------------------------------|-----|-----------------------|
| 26 |            | +branchA( FwdChAdvSS_21)                                  |                                                                                             |     |                       |
| 27 |            | +branchH                                                  |                                                                                             |     |                       |
| 28 |            | +step20("0")                                              |                                                                                             |     | 8.                    |
|    |            | <b>init</b>                                               |                                                                                             |     |                       |
| 29 |            | +PreEnterCCstateU8_34_SS                                  |                                                                                             |     |                       |
| 30 |            | L!DL_DatRqConnAck                                         | ConnAckSnd(<br>TCV_chTch,<br>ConnectAck_01(<br>TI_02))                                      |     |                       |
|    |            | <b>branchA( comp:Component_T)</b>                         |                                                                                             |     |                       |
| 31 |            | L!DL_DatRqFac START T_dly(120000)                         | FacilitySnd(<br>TCV_chTch,<br>FacilityPdu_25(<br>TI_02, facilityIEtsnd(<br>comp)))          |     | 2., 7.                |
| 32 | L_065<br>1 | L?DL_DatInFac                                             | FacilityRcv(<br>FacilityPdu_26(<br>TI_01, facilityIErcv(<br>FwdChAdvRslt_01)))              | (P) |                       |
|    |            | <b>branchB</b>                                            |                                                                                             |     |                       |
| 33 |            | L!DL_DatRqFac                                             | FacilitySnd(<br>TCV_chTch,<br>FacilityPdu_25(<br>TI_02, facilityIEtsnd(<br>FwdChAdvSS_20))) |     | 2.                    |
|    |            | <b>branchC</b>                                            |                                                                                             |     |                       |
| 34 | L_065<br>2 | L?DL_DatInFac                                             | FacilityRcv(<br>FacilityPdu_26(<br>TI_01, facilityIErcv(<br>FwdChAdvRslt_01)))              | (P) |                       |
| 35 |            | L?DL_DatInDisc                                            | DiscRcv( TCV_chTch,<br>DisconnR( TI_01,<br>Cause_Def))                                      |     | 6.                    |
|    |            | <b>branchD</b>                                            |                                                                                             |     |                       |
| 36 |            | L?DL_DatInDisc                                            | DiscRcv( TCV_chTch,<br>DisconnR( TI_01,<br>Cause_Def))                                      |     | 6.                    |
| 37 | L_065<br>3 | L?DL_DatInFac                                             | FacilityRcv(<br>FacilityPdu_26(<br>TI_01, facilityIErcv(<br>FwdChAdvRslt_01)))              | (P) |                       |
|    |            | <b>branchE</b>                                            |                                                                                             |     |                       |
| 38 |            | L?DL_DatInDisc                                            | DiscRcv( TCV_chTch,<br>Disconn_10( TI_01))                                                  |     | 6., with ReturnResult |
|    |            | <b>branchF</b>                                            |                                                                                             |     |                       |
| 39 |            | L?DL_DatInDisc READTIMER T_dly(TCV_Time),<br>CANCEL T_dly | DiscRcv( TCV_chTch,<br>DisconnR( TI_01,<br>Cause_Def))                                      |     | 3.                    |
| 40 |            | L!DL_DatRqRel                                             | ReleaseSnd(<br>TCV_chTch,<br>Release_08( TI_02))                                            |     |                       |
| 41 |            | L?DL_DatInRelCmp                                          | RelComRcv(<br>ReleaseCmp_03(<br>TI_01))                                                     |     |                       |
| 42 |            | +PostMainLinkRel(TCV_chTch)                               |                                                                                             |     |                       |
|    |            | <b>branchG</b>                                            |                                                                                             |     |                       |
| 43 |            | L!DL_DatRqRel                                             | ReleaseSnd(<br>TCV_chTch,<br>Release_08( TI_02))                                            |     |                       |
| 44 |            | L?DL_DatInRelCmp                                          | RelComRcv(<br>ReleaseCmp_25(<br>TI_01))                                                     |     |                       |



|                           |            |                                                                                                                                                                                                                                                                                                                                                                                                                                                                                                                                                                                                                           |                                                        |     |    |
|---------------------------|------------|---------------------------------------------------------------------------------------------------------------------------------------------------------------------------------------------------------------------------------------------------------------------------------------------------------------------------------------------------------------------------------------------------------------------------------------------------------------------------------------------------------------------------------------------------------------------------------------------------------------------------|--------------------------------------------------------|-----|----|
| 45                        |            | +PostMainLinkRel(TCV_chTch)                                                                                                                                                                                                                                                                                                                                                                                                                                                                                                                                                                                               |                                                        |     |    |
|                           |            | <b>branchH</b>                                                                                                                                                                                                                                                                                                                                                                                                                                                                                                                                                                                                            |                                                        |     |    |
| 46                        |            | ?TIMEOUT T_dly                                                                                                                                                                                                                                                                                                                                                                                                                                                                                                                                                                                                            |                                                        |     | 9. |
| 47                        |            | (TCV_Null := OO_TermCall())                                                                                                                                                                                                                                                                                                                                                                                                                                                                                                                                                                                               |                                                        |     |    |
| 48                        |            | L?DL_DatInDisc (TCV_Fn1 := DL_DatInDisc.fn)                                                                                                                                                                                                                                                                                                                                                                                                                                                                                                                                                                               | DiscRcv( TCV_chTch,<br>DisconnR( TI_01,<br>Cause_Def)) |     | 3. |
| 49                        |            | LIDL_DatRqRel                                                                                                                                                                                                                                                                                                                                                                                                                                                                                                                                                                                                             | ReleaseSnd(<br>TCV_chTch,<br>Release_08( TI_02))       |     |    |
| 50                        |            | L?DL_DatInRelCmp                                                                                                                                                                                                                                                                                                                                                                                                                                                                                                                                                                                                          | RelComRcv(<br>ReleaseCmp_03(<br>TI_01))                |     |    |
| 51                        |            | +PostMainLinkRel(TCV_chTch)                                                                                                                                                                                                                                                                                                                                                                                                                                                                                                                                                                                               |                                                        |     |    |
|                           |            | <b>step20(val:IA5String)</b>                                                                                                                                                                                                                                                                                                                                                                                                                                                                                                                                                                                              |                                                        |     |    |
| 52                        |            | (TCV_Res := OO_ACMIncCHK( val))                                                                                                                                                                                                                                                                                                                                                                                                                                                                                                                                                                                           |                                                        |     |    |
| 53                        | L_065<br>4 | [TCV_Res]                                                                                                                                                                                                                                                                                                                                                                                                                                                                                                                                                                                                                 |                                                        | (P) |    |
| 54                        | L_065<br>5 | [NOT TCV_Res]                                                                                                                                                                                                                                                                                                                                                                                                                                                                                                                                                                                                             |                                                        | (F) |    |
|                           |            | <b>TimerCheck</b>                                                                                                                                                                                                                                                                                                                                                                                                                                                                                                                                                                                                         |                                                        |     |    |
| 55                        | L_065<br>6 | [(88000 <= TCV_Time) AND (TCV_Time <= 92000)]                                                                                                                                                                                                                                                                                                                                                                                                                                                                                                                                                                             |                                                        | (P) | 4. |
| 56                        | L_065<br>7 | [(88000 > TCV_Time) OR(TCV_Time > 92000)]                                                                                                                                                                                                                                                                                                                                                                                                                                                                                                                                                                                 |                                                        | (F) | 4. |
| <b>Detailed Comments:</b> |            | <ol style="list-style-type: none"> <li>1. To reset the ACM = 0 and set the ACMmax to 2.</li> <li>2. To send Facility IE of ForwardChargeAdvice using definite form mixed with indefinite form.</li> <li>3. The call is terminated when the ACM reaches the ACMmax.</li> <li>4. To check whether the time duration is 90 +- 2 seconds.</li> <li>5. To check whether the ACM increment is 2.</li> <li>6. The call is unsuccessful.</li> <li>7. To send Facility IE of ForwardChargeAdvice with zero CAI.</li> <li>8. To check whether the value of ACM is still 2.</li> <li>9. The time duration is 120 seconds.</li> </ol> |                                                        |     |    |

### Test Case Dynamic Behaviour

|                        |                                                                                                                                                                                                                                                                                                                                                                                                                                                                                                                                                                                                                                                                                                                                                                                                                                                                                                                                                                                                                                                                                                                                                                                                                                                                                                            |
|------------------------|------------------------------------------------------------------------------------------------------------------------------------------------------------------------------------------------------------------------------------------------------------------------------------------------------------------------------------------------------------------------------------------------------------------------------------------------------------------------------------------------------------------------------------------------------------------------------------------------------------------------------------------------------------------------------------------------------------------------------------------------------------------------------------------------------------------------------------------------------------------------------------------------------------------------------------------------------------------------------------------------------------------------------------------------------------------------------------------------------------------------------------------------------------------------------------------------------------------------------------------------------------------------------------------------------------|
| <b>Test Case Name:</b> | TC_31_8_1_1                                                                                                                                                                                                                                                                                                                                                                                                                                                                                                                                                                                                                                                                                                                                                                                                                                                                                                                                                                                                                                                                                                                                                                                                                                                                                                |
| <b>Group:</b>          | GSM_L3_MS_v4200/SS/                                                                                                                                                                                                                                                                                                                                                                                                                                                                                                                                                                                                                                                                                                                                                                                                                                                                                                                                                                                                                                                                                                                                                                                                                                                                                        |
| <b>Purpose:</b>        | <p>1) To check that the MS correctly requests a supplementary service transaction for registration of a password for all call restriction services in CHANNEL REQUEST message.</p> <p>2) To check that the MS correctly requests a supplementary service transaction for registration of a password for all call restriction services in the subsequent CM-SERVICE REQUEST.</p> <p>3) To check that the MS sends a REGISTER message containing the invoke of the RegisterPassword operation with the expected parameter values for registration of a password for all barring services.</p> <p>4) To check that when the mobile subscriber wants to register a new password, the old password the new and the repeat of the new password shall be entered into the MS before the MS sends to the network a CHANNEL REQUEST..</p> <p>5) To check that the MS is able to send a password by sending a FACILITY message in accordance to the user request (MMI actions).</p> <p>6) To check that upon receipt of the result of the procedure, contained in RELEASE COMPLETE message, the MS provides the appropriate user indication (as described by the manufacturer).</p> <p>These checks are done for:<br/>all barring services, the result of the operation being sent in a RELEASE COMPLETE message</p> |
| <b>Default:</b>        | OtherEventsFail                                                                                                                                                                                                                                                                                                                                                                                                                                                                                                                                                                                                                                                                                                                                                                                                                                                                                                                                                                                                                                                                                                                                                                                                                                                                                            |

| Nr | Label | Behaviour Description                                                                                                                                                                                                                                                                                                                                                                                                                                                                                                                                                   | CRef                                                                                                                       | V | Comments                |
|----|-------|-------------------------------------------------------------------------------------------------------------------------------------------------------------------------------------------------------------------------------------------------------------------------------------------------------------------------------------------------------------------------------------------------------------------------------------------------------------------------------------------------------------------------------------------------------------------------|----------------------------------------------------------------------------------------------------------------------------|---|-------------------------|
| 1  |       | START T_guard(300)                                                                                                                                                                                                                                                                                                                                                                                                                                                                                                                                                      |                                                                                                                            |   |                         |
| 2  |       | +IdleUpdated( C_E_default, C_CellA, C_SCH_A, C_BCCH_A_1, C_Immass, C_S0, C_SlotNU, C_SlotNU, C_SlotNU, C_BCC, C_TxInt_5, C_Max_1, C_NECI_0, C_ATT_0, TimingAdv( 0), C_BABR_0, C_cch_1Comb, C_BPM_3, C_T3212_0, C_ci_cellA, C_MCC_1, C_PLMN_1, C_LAC_1, CellOpt_01, CellChDes_Omit, CellChDes_Omit, C_CellReselectHys12, C_MaxPwrLvlG, C_MaxPwrLvlD, BcchFreqLst_45, BcchFreqLst_02, BcchFreqLst_03, BcchFreqLst_04, C_Restablishment, C_BCC, C_NCC, C_Start_Tmsi, TSPX_SDCCH4SubDef, TSPX_CKSNDDef, TSPX_RANDDef, C_arfcnA, C_arfcnAd, TSPX_IMSI, C_Test_nfh, C_NCCP_2) |                                                                                                                            |   |                         |
| 3  |       | (TCV_Null := OO_InitSS(***03*330*1234*9876*9876#"))                                                                                                                                                                                                                                                                                                                                                                                                                                                                                                                     |                                                                                                                            |   | 2.                      |
| 4  |       | L?DL_RaInChRq (TCV_Rr := DL_RaInChRq.msg.ecau_rrf, TCV_Fn := DL_RaInChRq.fn)                                                                                                                                                                                                                                                                                                                                                                                                                                                                                            | ChReq(ChRequest_04)                                                                                                        |   | To match ChReq retrans. |
| 5  |       | ACTIVATE( OtherEventsFail_02)                                                                                                                                                                                                                                                                                                                                                                                                                                                                                                                                           |                                                                                                                            |   |                         |
| 6  |       | LIDL_UdatRqImmass                                                                                                                                                                                                                                                                                                                                                                                                                                                                                                                                                       | ImmAssn( TCV_agch, ImmAsgn_01Def( TCV_Rr, TCV_Fn, TSPX_SDCCH4SubDef, TCV_slot, TCV_tsc, TCV_chdescr_arfcn, TimingAdv( 0))) |   |                         |
| 7  |       | L?DL_EstInCmsRq                                                                                                                                                                                                                                                                                                                                                                                                                                                                                                                                                         | CMSerReq( CMServiceReq_08)                                                                                                 |   |                         |
| 8  |       | ACTIVATE( OtherEventsFail)                                                                                                                                                                                                                                                                                                                                                                                                                                                                                                                                              |                                                                                                                            |   | Restore Normal default  |
| 9  |       | LIDL_DatRqCmsAcp                                                                                                                                                                                                                                                                                                                                                                                                                                                                                                                                                        | CMSerAcp( TCV_ch, CMServiceAcp_01)                                                                                         |   |                         |
| 10 |       | +continue                                                                                                                                                                                                                                                                                                                                                                                                                                                                                                                                                               |                                                                                                                            |   |                         |
| 11 |       | <b>continue</b><br>L?DL_DatInRegister ( TCV_TI := DL_DatInRegister.msg.ti, TCV_TIO := TCV_TI, TCV_TI.ti_f := '1'B, TCV_Comp := DL_DatInRegister.msg.fie.components_1, TCV_n := OC_PosinSet(TCV_Comp, RegPasswdSS_01), TCV_InvkId := OC_Asn1intToOct(TCV_Comp.[TCV_n].registerPasswordComponents.registerPassword_InvokeComp.inv                                                                                                                                                                                                                                         | Register_03( RegisterPdu_03( facilityIercviei( RegPasswdSS_01)))                                                           |   |                         |

|                                                                                                                                                                                                                                                                                                                                                |            |                             |                                                                                                                    |     |   |
|------------------------------------------------------------------------------------------------------------------------------------------------------------------------------------------------------------------------------------------------------------------------------------------------------------------------------------------------|------------|-----------------------------|--------------------------------------------------------------------------------------------------------------------|-----|---|
| 12                                                                                                                                                                                                                                                                                                                                             |            | okeID, 1))<br>L!DL_DatRqFac | FacilitySnd( TCV_ch,<br>FacilityPdu_25_ci(<br>TCV_TI,<br>facilityIEtsnd(<br>GetPasswdSS_01(<br>TCV_InvkId))))      |     |   |
| 13                                                                                                                                                                                                                                                                                                                                             |            | L?DL_DatInFac               | FacilityRcv(<br>FacilityPdu_26_ci(<br>TCV_TI0,<br>facilityIErcv(<br>GetPasswdRslt_01)))                            | 3   |   |
| 14                                                                                                                                                                                                                                                                                                                                             |            | L!DL_DatRqFac               | FacilitySnd( TCV_ch,<br>FacilityPdu_25_ci(<br>TCV_TI,<br>facilityIEtsnd(<br>GetPasswdSS_02(<br>TCV_InvkId))))      |     |   |
| 15                                                                                                                                                                                                                                                                                                                                             |            | L?DL_DatInFac               | FacilityRcv(<br>FacilityPdu_26_ci(<br>TCV_TI0,<br>facilityIErcv(<br>GetPasswdRslt_02)))                            | 4   |   |
| 16                                                                                                                                                                                                                                                                                                                                             |            | L!DL_DatRqFac               | FacilitySnd( TCV_ch,<br>FacilityPdu_25_ci(<br>TCV_TI,<br>facilityIEtsnd(<br>GetPasswdSS_03(<br>TCV_InvkId))))      |     |   |
| 17                                                                                                                                                                                                                                                                                                                                             | L_065<br>8 | L?DL_DatInFac               | FacilityRcv(<br>FacilityPdu_26_ci(<br>TCV_TI0,<br>facilityIErcv(<br>GetPasswdRslt_02)))                            | (P) | 5 |
| 18                                                                                                                                                                                                                                                                                                                                             |            | L!DL_DatRqRelCmp            | RelComSnd(<br>TCV_ch,<br>ReleaseCmp_09(<br>TCV_TI,<br>facilityIEtsndiei(<br>RegPasswdSSRslt_0<br>1( TCV_InvkId)))) |     |   |
| 19                                                                                                                                                                                                                                                                                                                                             |            | +PostMainLinkRel( TCV_ch)   |                                                                                                                    |     |   |
| <b>Detailed Comments:</b> <ol style="list-style-type: none"> <li>1. To set up physical channel as BCCH, CCCH and SDCCH4.</li> <li>2. To initiate the Registration of password supplementary service.</li> <li>3. Received the old password.</li> <li>4. Received the new password.</li> <li>5. Received the repeat of new password.</li> </ol> |            |                             |                                                                                                                    |     |   |

### Test Case Dynamic Behaviour

|                        |                                                                                                                                                                                                                                                                                                                                                                                                                                                                                                                                                                                                                                                                                                                                                                                                                                                                                                                                                                                                                                                                                                                              |
|------------------------|------------------------------------------------------------------------------------------------------------------------------------------------------------------------------------------------------------------------------------------------------------------------------------------------------------------------------------------------------------------------------------------------------------------------------------------------------------------------------------------------------------------------------------------------------------------------------------------------------------------------------------------------------------------------------------------------------------------------------------------------------------------------------------------------------------------------------------------------------------------------------------------------------------------------------------------------------------------------------------------------------------------------------------------------------------------------------------------------------------------------------|
| <b>Test Case Name:</b> | TC_31_8_1_2_1                                                                                                                                                                                                                                                                                                                                                                                                                                                                                                                                                                                                                                                                                                                                                                                                                                                                                                                                                                                                                                                                                                                |
| <b>Group:</b>          | GSM_L3_MS_v4200/SS/                                                                                                                                                                                                                                                                                                                                                                                                                                                                                                                                                                                                                                                                                                                                                                                                                                                                                                                                                                                                                                                                                                          |
| <b>Purpose:</b>        | <p>1) To check that, when a call transaction is already established, the MS correctly requests the establishment of a parallel MM transaction for supplementary service transaction of registration of a password for all call restriction services, sending a CM-SERVICE REQUEST.</p> <p>2) To check that the MS sends a REGISTER message containing the invoke of the RegisterPassword operation with the expected parameter values for registration of a password for all call restriction services.</p> <p>3) To check that upon receipt of the RELEASE COMPLETE message related to the present SS transaction, the first transaction remains unaffected.</p> <p>4) To check that upon receipt of the RELEASE COMPLETE message, the MS provides the appropriate user indication (as described by the Manufacturer).</p> <p>Those checks are performed with a call transaction already established for:<br/> all call restriction services, the RELEASE COMPLETE message being sent at the beginning of the procedure with a facility IE containing a return_error(error) where error is "SS subscription violation".</p> |
| <b>Default:</b>        | OtherEventsFail                                                                                                                                                                                                                                                                                                                                                                                                                                                                                                                                                                                                                                                                                                                                                                                                                                                                                                                                                                                                                                                                                                              |

| Nr | Label      | Behaviour Description                                                                                                                                                                                                                                                                                                                                                                                                                                                                                                                                                    | CRef                                                             | V   | Comments |
|----|------------|--------------------------------------------------------------------------------------------------------------------------------------------------------------------------------------------------------------------------------------------------------------------------------------------------------------------------------------------------------------------------------------------------------------------------------------------------------------------------------------------------------------------------------------------------------------------------|------------------------------------------------------------------|-----|----------|
| 1  |            | START T_guard(300)                                                                                                                                                                                                                                                                                                                                                                                                                                                                                                                                                       |                                                                  |     |          |
| 2  |            | +BasicServiceMO( TSPX_MOBscSvcA, TSPX_MOChRateA)                                                                                                                                                                                                                                                                                                                                                                                                                                                                                                                         |                                                                  |     |          |
| 3  |            | +IdleUpdated( C_E_default, C_CellA, C_SCH_A, C_BCCH_A_1, C_Immass, C_S0, C_SlotNU, C_SlotNU, C_SlotNU, C_BCC, C_TxInt_5, C_Max_1, C_NECI_0, C_ATT_0, TimingAdv( 0), C_BABR_0, C_cch_1Comb, C_BPM_3, C_T3212_0, C_ci_cellA, C_MCC_1, C_PLMN_1, C_LAC_1, CellOpt_01, CellChDes_Omit, CellChDes_Omit, C_CellReselectHys12, C_MaxPwrLvlG, C_MaxPwrLvlD, BcchFreqLst_45, BcchFreqLst_02, BcchFreqLst_03, BcchFreqLst_04, C_Restablishment, C_BCC, C_NCC, C_Start_Tmsi, TSPX_SDCCH4SubDef, TSPX_CKSNDDef, TSPX_RANDDDef, C_arfcnA, C_arfcnAd, TSPX_IMSI, C_Test_nfh, C_NCCP_2) |                                                                  |     |          |
| 4  |            | +CCConfigTCH_nociph( TSPX_TCHHSubDef, C_Ass, TSPX_TmSltDef, TSPX_TscDef, TimingAdv( 0), C_BABR_0, C_cch_1Comb, C_BPM_3, TCV_ChMod.mode, FreqTCH_omit, FreqTCH_omit, C_arfcn_tchA, C_arfcn_tchAd)                                                                                                                                                                                                                                                                                                                                                                         |                                                                  |     | 1.       |
| 5  |            | +Est_MO_Call( TimingAdv( 0), TCV_ChRate, TSPX_RANDDDef, TSPX_SDCCH4SubDef, TSPX_TmSltDef, TSPX_TscDef, TSPX_TCHHSubDef)                                                                                                                                                                                                                                                                                                                                                                                                                                                  |                                                                  |     | 2.       |
| 6  |            | (TCV_Null := OO_InitSS(***03*330*1234*9876*9877#*))                                                                                                                                                                                                                                                                                                                                                                                                                                                                                                                      |                                                                  |     | 3.       |
| 7  |            | L?DL_DatInCmsRq                                                                                                                                                                                                                                                                                                                                                                                                                                                                                                                                                          | CMSerDatReq( CMServiceReq_08)                                    |     |          |
| 8  |            | LIDL_DatRqCmsAcp                                                                                                                                                                                                                                                                                                                                                                                                                                                                                                                                                         | CMSerAcp( TCV_chTch, CMServiceAcp_01)                            |     |          |
| 9  |            | +localtree                                                                                                                                                                                                                                                                                                                                                                                                                                                                                                                                                               |                                                                  |     |          |
| 10 | L_065<br>9 | <b>localtree</b><br>L?DL_DatInRegister ( TCV_TI1 := DL_DatInRegister.msg.ti, TCV_TI2 := TCV_TI1, TCV_TI2.ti_f := '1'B, TCV_Comp := DL_DatInRegister.msg.fie.components_1, TCV_n := OC_PosinSet(TCV_Comp, RegPasswdSS_01), TCV_Invkld := OC_Asn1intToOct(TCV_Comp.[TCV_n].registerPasswordComponents.registerPassword_InvokeComp.invokedID, 1))                                                                                                                                                                                                                           | Register_03( RegisterPdu_03( facilityIercviei( RegPasswdSS_01))) | (P) |          |
| 11 |            | LIDL_DatRqRelCmp                                                                                                                                                                                                                                                                                                                                                                                                                                                                                                                                                         | RelComSnd(TCV_chTch,                                             |     | 4.       |

|                                                                                                                                                                                                                                                                                                               |            |                             |                                                                                                                                                    |     |
|---------------------------------------------------------------------------------------------------------------------------------------------------------------------------------------------------------------------------------------------------------------------------------------------------------------|------------|-----------------------------|----------------------------------------------------------------------------------------------------------------------------------------------------|-----|
| 12                                                                                                                                                                                                                                                                                                            |            | LIDL_DatRqCstEnq            | ReleaseCmp_09(<br>TCV_TI2,<br>facilityIEtsndiei(<br>RegPasswdSSErr_01<br>( TCV_InvkId))))<br>CCStESnd(<br>TCV_chTch,<br>CCStatusEq_01(<br>TCV_TI)) |     |
| 13                                                                                                                                                                                                                                                                                                            | L_066<br>0 | L?DL_DatInCst               | CCStRcv(<br>TCV_chTch,<br>CCStatus_14(<br>TCV_TI0, C_U10))                                                                                         | (P) |
| 14                                                                                                                                                                                                                                                                                                            |            | +PostMainLinkRel(TCV_chTch) |                                                                                                                                                    |     |
| <b>Detailed Comments:</b>                                                                                                                                                                                                                                                                                     |            |                             |                                                                                                                                                    |     |
| <ol style="list-style-type: none"> <li>1. To set up traffic channel.</li> <li>2. To establish a mobile originating call, bring the MS into state U10.</li> <li>3. To initiate RegisterPassword supplementary service.</li> <li>4. To reject the RegisterPassword supplementary service invocation.</li> </ol> |            |                             |                                                                                                                                                    |     |

**Test Case Dynamic Behaviour**

**Test Case Name:** TC\_31\_8\_1\_2\_2  
**Group:** GSM\_L3\_MS\_v4200/SS/  
**Purpose:**

- 1) To check that, when a call transaction is already established, the MS correctly requests the establishment of a parallel MM transaction for supplementary service transaction of registration of a password for all call restriction services, sending a CM-SERVICE REQUEST.
- 2) To check that the MS sends a REGISTER message containing the invoke of the RegisterPassword operation with the expected parameter values for registration of a password for all call restriction services.
- 3) To check that upon receipt of the RELEASE COMPLETE message related to the present SS transaction, the first transaction remains unaffected.
- 4) To check that upon receipt of the RELEASE COMPLETE message, the MS provides the appropriate user indication (as described by the Manufacturer).

Those checks are performed with a call transaction already established for :  
 all call restriction services, the RELEASE COMPLETE message being sent at the end of the procedure with a facility IE containing a return\_error(error) where error is "NegativePasswordCheck".

**Default:** OtherEventsFail

| Nr | Label | Behaviour Description                                                                                                                                                                                                                                                                                                                                                                                                                                                                                                                                                   | CRef                                                            | V | Comments |
|----|-------|-------------------------------------------------------------------------------------------------------------------------------------------------------------------------------------------------------------------------------------------------------------------------------------------------------------------------------------------------------------------------------------------------------------------------------------------------------------------------------------------------------------------------------------------------------------------------|-----------------------------------------------------------------|---|----------|
| 1  |       | START T_guard(300)                                                                                                                                                                                                                                                                                                                                                                                                                                                                                                                                                      |                                                                 |   |          |
| 2  |       | +BasicServiceMO( TSPX_MOBscSvcC, TSPX_MOChRateC)                                                                                                                                                                                                                                                                                                                                                                                                                                                                                                                        |                                                                 |   |          |
| 3  |       | +IdleUpdated( C_E_default, C_CellA, C_SCH_A, C_BCCH_A_1, C_Immss, C_S0, C_SlotNU, C_SlotNU, C_SlotNU, C_BCC, C_TxInt_5, C_Max_1, C_NECI_0, C_ATT_0, TimingAdv( 0), C_BABR_0, C_cch_1Comb, C_BPM_3, C_T3212_0, C_ci_cellA, C_MCC_1, C_PLMN_1, C_LAC_1, CellOpt_01, CellChDes_Omit, CellChDes_Omit, C_CellReselectHys12, C_MaxPwrLvIG, C_MaxPwrLvID, BcchFreqLst_45, BcchFreqLst_02, BcchFreqLst_03, BcchFreqLst_04, C_Restablishment, C_BCC, C_NCC, C_Start_Tmsi, TSPX_SDCCH4SubDef, TSPX_CKSNDDef, TSPX_RANDDDef, C_arfcnA, C_arfcnAd, TSPX_IMSI, C_Test_nfh, C_NCCP_2) |                                                                 |   |          |
| 4  |       | +CCConfigTCH_nociph( TSPX_TCHHSubDef, C_Ass, TSPX_TmSlitDef, TSPX_TscDef, TimingAdv( 0), C_BABR_0, C_cch_1Comb, C_BPM_3, TCV_ChMod.mode, FreqTCH_omit, FreqTCH_omit, C_arfcn_tchA, C_arfcn_tchAd)                                                                                                                                                                                                                                                                                                                                                                       |                                                                 |   | 1.       |
| 5  |       | +Est_MO_Call( TimingAdv( 0), TCV_ChRate, TSPX_RANDDDef, TSPX_SDCCH4SubDef, TSPX_TmSlitDef, TSPX_TscDef, TSPX_TCHHSubDef)                                                                                                                                                                                                                                                                                                                                                                                                                                                |                                                                 |   | 2.       |
| 6  | body  | (TCV_Null := OO_InitSS( ***03*330*1234*9876*9876#"))                                                                                                                                                                                                                                                                                                                                                                                                                                                                                                                    |                                                                 |   | 3.       |
| 7  |       | L?DL_DatInCmsRq                                                                                                                                                                                                                                                                                                                                                                                                                                                                                                                                                         | CMSerDatReq( CMServiceReq_08)                                   |   |          |
| 8  |       | L!DL_DatRqCmsAcp                                                                                                                                                                                                                                                                                                                                                                                                                                                                                                                                                        | CMSerAcp( TCV_chTch, CMServiceAcp_01)                           |   |          |
| 9  |       | +continue                                                                                                                                                                                                                                                                                                                                                                                                                                                                                                                                                               |                                                                 |   |          |
| 10 |       | <b>continue</b><br>L?DL_DatInRegister ( TCV_TI1 := DL_DatInRegister.msg.ti, TCV_TI2 := TCV_TI1, TCV_TI2.ti_f := '1'B, TCV_Comp := DL_DatInRegister.msg.fie.components_1, TCV_n := OC_PosinSet(TCV_Comp, RegPasswdSS_01), TCV_Invkld := OC_Asn1intToOct(TCV_Comp.[TCV_n].registerPasswordComponents.registerPassword_InvokeComp.invokelD, 1))                                                                                                                                                                                                                            | Register_03( RegisterPdu_03( facilityErcviei( RegPasswdSS_01))) |   |          |
| 11 |       | L!DL_DatRqFac                                                                                                                                                                                                                                                                                                                                                                                                                                                                                                                                                           | FacilitySnd(TCV_chTch, FacilityPdu_25_ci( TCV_TI2,              |   |          |

|                                                                                                                                                                                                                                                                                                                                                                                                                    |            |                                                                |                                                                                                                                                |     |
|--------------------------------------------------------------------------------------------------------------------------------------------------------------------------------------------------------------------------------------------------------------------------------------------------------------------------------------------------------------------------------------------------------------------|------------|----------------------------------------------------------------|------------------------------------------------------------------------------------------------------------------------------------------------|-----|
| 12                                                                                                                                                                                                                                                                                                                                                                                                                 |            | L?DL_DatInFac                                                  | facilityIEtsnd(<br>GetPasswdSS_01(<br>TCV_InvkId)))<br>FacilityRcv(<br>FacilityPdu_26_ci(<br>TCV_TI1,<br>facilityIErcv(<br>GetPasswdRslt_01))) | 4   |
| 13                                                                                                                                                                                                                                                                                                                                                                                                                 |            | LIDL_DatRqRelCmp                                               | RelComSnd(TCV_ch<br>Tch,<br>ReleaseCmp_09(<br>TCV_TI2,<br>facilityIEtsndie(<br>RegPasswdSSErr_02<br>( TCV_InvkId)))                            | 5.  |
| 14                                                                                                                                                                                                                                                                                                                                                                                                                 |            | +MMI_indic_chk                                                 |                                                                                                                                                |     |
| 15                                                                                                                                                                                                                                                                                                                                                                                                                 |            | LIDL_DatRqCcstEnq                                              | CCStESnd(<br>TCV_chTch,<br>CCStatusEq_01(<br>TCV_TI))                                                                                          |     |
| 16                                                                                                                                                                                                                                                                                                                                                                                                                 | L_066<br>1 | L?DL_DatInCcst                                                 | CCStRcv(<br>TCV_chTch,<br>CCStatus_14(<br>TCV_TI0, C_U10))                                                                                     | (P) |
| 17                                                                                                                                                                                                                                                                                                                                                                                                                 |            | +PostMainLinkRel(TCV_chTch)                                    |                                                                                                                                                |     |
| 18                                                                                                                                                                                                                                                                                                                                                                                                                 |            | <b>MMI_indic_chk</b><br>(TCV_Res := OO_SSresultCHK(C_RegPswd)) |                                                                                                                                                |     |
| 19                                                                                                                                                                                                                                                                                                                                                                                                                 | L_066<br>2 | [TCV_Res]                                                      |                                                                                                                                                | (P) |
| 20                                                                                                                                                                                                                                                                                                                                                                                                                 | L_066<br>3 | [NOT TCV_Res]                                                  |                                                                                                                                                | (F) |
| <b>Detailed Comments:</b>                                                                                                                                                                                                                                                                                                                                                                                          |            |                                                                |                                                                                                                                                |     |
| <ol style="list-style-type: none"> <li>1. To set up traffic channel.</li> <li>2. To establish a mobile originating call, bring the MS into state U10.</li> <li>3. To initiate the Registration of password supplementary service.</li> <li>4. Received the wrong password.</li> <li>5. Negative password check, indefinite form.</li> <li>6. Check whether the MS provides correct MMI user indication.</li> </ol> |            |                                                                |                                                                                                                                                |     |

**Test Case Dynamic Behaviour**

**Test Case Name:** TC\_31\_8\_1\_2\_3  
**Group:** GSM\_L3\_MS\_v4200/SS/  
**Purpose:**

- 1) To check that, when a call transaction is already established, the MS correctly requests the establishment of a parallel MM transaction for supplementary service transaction of registration of a password for all call restriction services, sending a CM-SERVICE REQUEST.
- 2) To check that the MS sends a REGISTER message containing the invoke of the RegisterPassword operation with the expected parameter values for registration of a password for all call restriction services.
- 3) To check that upon receipt of the RELEASE COMPLETE message related to the present SS transaction, the first transaction remains unaffected.
- 4) To check that upon receipt of the RELEASE COMPLETE message, the MS provides the appropriate user indication (as described by the Manufacturer).

Those checks are performed with a call transaction already established for :

all call restriction services, the RELEASE COMPLETE message being sent at the end of the procedure with a facility IE containing a return\_error(error) where error is "PasswordRegistrationFailure" with diagnostic "new password mismatch".

**Default:** OtherEventsFail

| Nr | Label | Behaviour Description                                                                                                                                                                                                                                                                                                                                                                                                                                                                                                                                                   | CRef                                                             | V | Comments |
|----|-------|-------------------------------------------------------------------------------------------------------------------------------------------------------------------------------------------------------------------------------------------------------------------------------------------------------------------------------------------------------------------------------------------------------------------------------------------------------------------------------------------------------------------------------------------------------------------------|------------------------------------------------------------------|---|----------|
| 1  |       | START T_guard(300)                                                                                                                                                                                                                                                                                                                                                                                                                                                                                                                                                      |                                                                  |   |          |
| 2  |       | +BasicServiceMO( TSPX_MOBscSvcB, TSPX_MOChRateB)                                                                                                                                                                                                                                                                                                                                                                                                                                                                                                                        |                                                                  |   |          |
| 3  |       | +IdleUpdated( C_E_default, C_CellA, C_SCH_A, C_BCCH_A_1, C_Immass, C_S0, C_SlotNU, C_SlotNU, C_SlotNU, C_BCC, C_TxInt_5, C_Max_1, C_NECI_0, C_ATT_0, TimingAdv( 0), C_BABR_0, C_cch_1Comb, C_BPM_3, C_T3212_0, C_ci_cellA, C_MCC_1, C_PLMN_1, C_LAC_1, CellOpt_01, CellChDes_Omit, CellChDes_Omit, C_CellReselectHys12, C_MaxPwrLvlG, C_MaxPwrLvlD, BcchFreqLst_45, BcchFreqLst_02, BcchFreqLst_03, BcchFreqLst_04, C_Restablishment, C_BCC, C_NCC, C_Start_Tmsi, TSPX_SDCCH4SubDef, TSPX_CKSNDDef, TSPX_RANDDef, C_arfcnA, C_arfcnAd, TSPX_IMSI, C_Test_nfh, C_NCCP_2) |                                                                  |   |          |
| 4  |       | +CCConfigTCH_nociph( TSPX_TCHHSubDef, C_Ass, TSPX_TmSltDef, TSPX_TscDef, TimingAdv( 0), C_BABR_0, C_cch_1Comb, C_BPM_3, TCV_ChMod.mode, FreqTCH_omit, FreqTCH_omit, C_arfcn_tchA, C_arfcn_tchAd)                                                                                                                                                                                                                                                                                                                                                                        |                                                                  |   | 1.       |
| 5  |       | +Est_MO_Call( TimingAdv( 0), TCV_ChRate, TSPX_RANDDef, TSPX_SDCCH4SubDef, TSPX_TmSltDef, TSPX_TscDef, TSPX_TCHHSubDef)                                                                                                                                                                                                                                                                                                                                                                                                                                                  |                                                                  |   | 2.       |
| 6  |       | (TCV_Null := OO_InitSS( ***03*330*1234*9876*9877#*))                                                                                                                                                                                                                                                                                                                                                                                                                                                                                                                    |                                                                  |   | 3.       |
| 7  |       | L?DL_DatInCmsRq                                                                                                                                                                                                                                                                                                                                                                                                                                                                                                                                                         | CMSerDatReq( CMServiceReq_08)                                    |   |          |
| 8  |       | LIDL_DatRqCmsAcp                                                                                                                                                                                                                                                                                                                                                                                                                                                                                                                                                        | CMSerAcp( TCV_chTch, CMServiceAcp_01)                            |   |          |
| 9  |       | +continue                                                                                                                                                                                                                                                                                                                                                                                                                                                                                                                                                               |                                                                  |   |          |
| 10 |       | <b>continue</b><br>L?DL_DatInRegister ( TCV_TI1 := DL_DatInRegister.msg.ti, TCV_TI2 := TCV_TI1, TCV_TI2.ti_f := '1'B, TCV_Comp := DL_DatInRegister.msg.fie.components_1, TCV_n := OC_PosinSet(TCV_Comp, RegPasswdSS_01), TCV_Invkld := OC_Asn1intToOct(TCV_Comp.[TCV_n].registerPasswordComponents.registerPassword_InvokeComp.invokedID, 1))                                                                                                                                                                                                                           | Register_03( RegisterPdu_03( facilityIercviei( RegPasswdSS_01))) |   |          |
| 11 |       | LIDL_DatRqFac                                                                                                                                                                                                                                                                                                                                                                                                                                                                                                                                                           | FacilitySnd(TCV_chTch, FacilityPdu_25_ci(                        |   |          |



|    |            |                                                                |                                                                                                                                                           |     |
|----|------------|----------------------------------------------------------------|-----------------------------------------------------------------------------------------------------------------------------------------------------------|-----|
| 12 |            | L?DL_DatInFac                                                  | TCV_TI2,<br>facilityEtsnd(<br>GetPasswdSS_01(<br>TCV_Invkld))))<br>FacilityRcv(<br>FacilityPdu_26_ci(<br>TCV_TI1,<br>facilityErcv(<br>GetPasswdRslt_01))) | 4.  |
| 13 |            | LIDL_DatRqFac                                                  | FacilitySnd(TCV_chT<br>ch, FacilityPdu_25_ci(<br>TCV_TI2,<br>facilityEtsnd(<br>GetPasswdSS_02(<br>TCV_Invkld))))                                          |     |
| 14 |            | L?DL_DatInFac                                                  | FacilityRcv(<br>FacilityPdu_26_ci(<br>TCV_TI1,<br>facilityErcv(<br>GetPasswdRslt_02)))                                                                    | 5.  |
| 15 |            | LIDL_DatRqFac                                                  | FacilitySnd(TCV_chT<br>ch, FacilityPdu_25_ci(<br>TCV_TI2,<br>facilityEtsnd(<br>GetPasswdSS_03(<br>TCV_Invkld))))                                          |     |
| 16 |            | L?DL_DatInFac                                                  | FacilityRcv(<br>FacilityPdu_26_ci(<br>TCV_TI1,<br>facilityErcv(<br>GetPasswdRslt_03)))                                                                    | 6.  |
| 17 |            | LIDL_DatRqRelCmp                                               | RelComSnd(TCV_ch<br>Tch,<br>ReleaseCmp_09(<br>TCV_TI2,<br>facilityEtsndiei(<br>RegPasswdSSerr_03<br>(TCV_Invkld))))                                       | 7.  |
| 18 |            | +MMI_indic_chk                                                 |                                                                                                                                                           |     |
| 19 |            | LIDL_DatRqCcstEnq                                              | CCStESnd(<br>TCV_chTch,<br>CCStatusEq_01(<br>TCV_TI))                                                                                                     |     |
| 20 | L_066<br>4 | L?DL_DatInCcst                                                 | CCStRcv(<br>TCV_chTch,<br>CCStatus_14(<br>TCV_TI0, C_U10))                                                                                                | (P) |
| 21 |            | +PostMainLinkRel(<br>TCV_chTch)                                |                                                                                                                                                           |     |
| 22 |            | <b>MMI_indic_chk</b><br>(TCV_Res := OO_SSresultCHK(C_RegPswd)) |                                                                                                                                                           |     |
| 23 | L_066<br>5 | [TCV_Res]                                                      |                                                                                                                                                           | (P) |
| 24 | L_066<br>6 | [NOT TCV_Res]                                                  |                                                                                                                                                           | (F) |

**Detailed Comments:**

1. To set up traffic channel.
2. To establish a mobile originating call, bring the MS into state U10.
3. To initiate the Registration of password supplementary service.
4. Received the old password.
5. Received the new password.
6. TReceived a different new password.
7. New password mismatch.

### Test Case Dynamic Behaviour

|                        |                                                                                                                                                                                                                                                                                                                                                                                                                                                                                                                                                                                                                                                                                                                                                                                                                                                                                                                                                                                                                                                                                                                                                                                                                                                                                                                                  |
|------------------------|----------------------------------------------------------------------------------------------------------------------------------------------------------------------------------------------------------------------------------------------------------------------------------------------------------------------------------------------------------------------------------------------------------------------------------------------------------------------------------------------------------------------------------------------------------------------------------------------------------------------------------------------------------------------------------------------------------------------------------------------------------------------------------------------------------------------------------------------------------------------------------------------------------------------------------------------------------------------------------------------------------------------------------------------------------------------------------------------------------------------------------------------------------------------------------------------------------------------------------------------------------------------------------------------------------------------------------|
| <b>Test Case Name:</b> | TC_31_8_3_1                                                                                                                                                                                                                                                                                                                                                                                                                                                                                                                                                                                                                                                                                                                                                                                                                                                                                                                                                                                                                                                                                                                                                                                                                                                                                                                      |
| <b>Group:</b>          | GSM_L3_MS_v4200/SS/                                                                                                                                                                                                                                                                                                                                                                                                                                                                                                                                                                                                                                                                                                                                                                                                                                                                                                                                                                                                                                                                                                                                                                                                                                                                                                              |
| <b>Purpose:</b>        | <p>1) To check that the MS correctly requests a supplementary service transaction for activation of a specific call restriction service in CHANNEL REQUEST message.</p> <p>2) To check that the MS correctly requests a supplementary service transaction for activation of call restriction service in the subsequent CM-SERVICE REQUEST.</p> <p>3) To check that the MS sends a REGISTER message containing the invoke of the ActivateSS operation with the expected parameter values for activation of a specific call restriction service.</p> <p>4) To check that upon receipt of FACILITY message requiring the password, the MS provides the appropriate user indication (as described by the manufacturer).</p> <p>5) To check that the MS is able to send a password by sending a FACILITY message in accordance to the user request (MMI actions).</p> <p>6) To check that upon receipt of the RELEASE COMPLETE message, the MS provides the appropriate user indication (which is to be described by the manufacturer).</p> <p>These checks are done for:</p> <p>a) BAOC, for basic service group "all synchronous services" the result of the operation being sent in a FACILITY message.</p> <p>b) BICRoam, for all basic service groups, the result of the operation being sent in a RELEASE COMPLETE message.</p> |
| <b>Default:</b>        | OtherEventsFail                                                                                                                                                                                                                                                                                                                                                                                                                                                                                                                                                                                                                                                                                                                                                                                                                                                                                                                                                                                                                                                                                                                                                                                                                                                                                                                  |

| Nr | Label | Behaviour Description                                                                                                                                                                                                                                                                                                                                                                                                                                                                                                                                                   | CRef                                                                                                                      | V   | Comments                |
|----|-------|-------------------------------------------------------------------------------------------------------------------------------------------------------------------------------------------------------------------------------------------------------------------------------------------------------------------------------------------------------------------------------------------------------------------------------------------------------------------------------------------------------------------------------------------------------------------------|---------------------------------------------------------------------------------------------------------------------------|-----|-------------------------|
| 1  |       | START T_guard(300)                                                                                                                                                                                                                                                                                                                                                                                                                                                                                                                                                      |                                                                                                                           |     |                         |
| 2  |       | +IdleUpdated( C_E_default, C_CellA, C_SCH_A, C_BCCH_A_1, C_ImmAss, C_S0, C_SlotNU, C_SlotNU, C_SlotNU, C_BCC, C_TxInt_5, C_Max_1, C_NECI_0, C_ATT_0, TimingAdv( 0), C_BABR_0, C_cch_1Comb, C_BPM_3, C_T3212_0, C_ci_cellA, C_MCC_1, C_PLMN_1, C_LAC_1, CellOpt_01, CellChDes_Omit, CellChDes_Omit, C_CellReselectHys12, C_MaxPwrLvlG, C_MaxPwrLvlD, BcchFreqLst_45, BcchFreqLst_02, BcchFreqLst_03, BcchFreqLst_04, C_Restablishment, C_BCC, C_NCC, C_Start_Tmsi, TSPX_SDCCH4SubDef, TSPX_CKSNDDef, TSPX_RANDDef, C_arfcnA, C_arfcnAd, TSPX_IMSI, C_Test_nfh, C_NCCP_2) |                                                                                                                           |     |                         |
| 3  |       | (TCV_Null := OO_InitSS("**33**22#"))                                                                                                                                                                                                                                                                                                                                                                                                                                                                                                                                    |                                                                                                                           |     | 2.                      |
| 4  |       | +part1                                                                                                                                                                                                                                                                                                                                                                                                                                                                                                                                                                  |                                                                                                                           |     |                         |
| 5  |       | (TCV_Null := OO_InitSS("**351#"))                                                                                                                                                                                                                                                                                                                                                                                                                                                                                                                                       |                                                                                                                           |     | 3.                      |
| 6  |       | +part2                                                                                                                                                                                                                                                                                                                                                                                                                                                                                                                                                                  |                                                                                                                           |     |                         |
|    |       | <b>part1</b>                                                                                                                                                                                                                                                                                                                                                                                                                                                                                                                                                            |                                                                                                                           |     |                         |
| 7  | L_066 | L?DL_RaInChRq (TCV_Rr := DL_RaInChRq, msg.ecau_rrf, TCV_Fn := DL_RaInChRq.fn)                                                                                                                                                                                                                                                                                                                                                                                                                                                                                           | ChReq( ChRequest_04)                                                                                                      | (P) |                         |
| 8  |       | ACTIVATE(OtherEventsFail_02)                                                                                                                                                                                                                                                                                                                                                                                                                                                                                                                                            |                                                                                                                           |     | To match ChReq retrans. |
| 9  |       | LIDL_UdatRqImmAss                                                                                                                                                                                                                                                                                                                                                                                                                                                                                                                                                       | ImmAss( TCV_agch, ImmAsgn_01Def( TCV_Rr, TCV_Fn, TSPX_SDCCH4SubDef, TCV_slot, TCV_tsc, TCV_chdescr_arfcn, TimingAdv( 0))) |     |                         |
| 10 |       | L?DL_EstInCmsRq                                                                                                                                                                                                                                                                                                                                                                                                                                                                                                                                                         | CMSerReq( CMServiceReq_08)                                                                                                |     |                         |
| 11 |       | ACTIVATE(OtherEventsFail)                                                                                                                                                                                                                                                                                                                                                                                                                                                                                                                                               |                                                                                                                           |     | Restore Normal default  |
| 12 |       | LIDL_DatRqCmsAcp                                                                                                                                                                                                                                                                                                                                                                                                                                                                                                                                                        | CMSerAcp( TCV_ch, CMServiceAcp_01)                                                                                        |     |                         |
| 13 |       | +localtree                                                                                                                                                                                                                                                                                                                                                                                                                                                                                                                                                              |                                                                                                                           |     |                         |
|    |       | <b>localtree</b>                                                                                                                                                                                                                                                                                                                                                                                                                                                                                                                                                        |                                                                                                                           |     |                         |
| 14 | L_066 | L?DL_DatInRegister ( TCV_TI :=                                                                                                                                                                                                                                                                                                                                                                                                                                                                                                                                          | Register_03(                                                                                                              | (P) |                         |

|    |                                                                                                                                                                                                                                                                                                                                                                 |                                                                                                                                                 |                         |
|----|-----------------------------------------------------------------------------------------------------------------------------------------------------------------------------------------------------------------------------------------------------------------------------------------------------------------------------------------------------------------|-------------------------------------------------------------------------------------------------------------------------------------------------|-------------------------|
| 8  | DL_DatInRegister.msg.ti, TCV_TI0 := TCV_TI,<br>TCV_TI.ti_f := '1'B, TCV_Comp :=<br>DL_DatInRegister.msg.fie.components_1, TCV_n :=<br>OC_PosinSet(TCV_Comp, ActivateSS_03),<br>TCV_Invkld :=<br>OC_Asn1intToOct(TCV_Comp.[TCV_n].activateSSCo<br>mponents.activateSS_InvokeComp.invokeID, 1))                                                                   | RegisterPdu_03(<br>facilityIErcviei(<br>ActivateSS_03)))                                                                                        |                         |
| 15 | LIDL_DatRqFac                                                                                                                                                                                                                                                                                                                                                   | FacilitySnd(TCV_ch,<br>FacilityPdu_25_ci(<br>TCV_TI,<br>facilityIEtsnd(<br>GetPasswdSS_01(<br>TCV_Invkld))))                                    | 4.                      |
| 16 | (TCV_Null := OO_EnterPswd("1234"))                                                                                                                                                                                                                                                                                                                              |                                                                                                                                                 | 5.                      |
| 17 | L_066<br>9 L?DL_DatInFac                                                                                                                                                                                                                                                                                                                                        | FacilityRcv(<br>FacilityPdu_26_ci(<br>TCV_TI0,<br>facilityIErcv(<br>GetPasswdRslt_01)))                                                         | (P)                     |
| 18 | LIDL_DatRqRelCmp                                                                                                                                                                                                                                                                                                                                                | RelComSnd(TCV_ch,<br>ReleaseCmp_09(<br>TCV_TI,<br>facilityIEtsndiei(<br>ActivateSSRslt_03(<br>TCV_Invkld))))                                    |                         |
| 19 | +Checktree(C_ActBOAC)                                                                                                                                                                                                                                                                                                                                           |                                                                                                                                                 |                         |
| 20 | +PostMainLinkRel(TCV_ch)                                                                                                                                                                                                                                                                                                                                        |                                                                                                                                                 |                         |
| 21 | <b>part2</b><br>L_067<br>0 L?DL_RacInChRq (TCV_Rr := DL_RacInChRq.<br>msg.ecau_rrf, TCV_Fn := DL_RacInChRq.fn)                                                                                                                                                                                                                                                  | ChReq(<br>ChRequest_04)                                                                                                                         | (P)                     |
| 22 | ACTIVATE(OtherEventsFail_02)                                                                                                                                                                                                                                                                                                                                    |                                                                                                                                                 | To match ChReq retrans. |
| 23 | LIDL_UdatRqImm                                                                                                                                                                                                                                                                                                                                                  | ImmAss( TCV_agch,<br>ImmAsgn_01Def(<br>TCV_Rr, TCV_Fn,<br>TSPX_SDCCH4SubD<br>ef, TCV_slot,<br>TCV_tsc,<br>TCV_chdescr_arfcn,<br>TimingAdv( 0))) |                         |
| 24 | L?DL_EstInCmsRq                                                                                                                                                                                                                                                                                                                                                 | CMSerReq(<br>CMServiceReq_08)                                                                                                                   |                         |
| 25 | ACTIVATE(OtherEventsFail)                                                                                                                                                                                                                                                                                                                                       |                                                                                                                                                 | Restore Normal default  |
| 26 | LIDL_DatRqCmsAcp                                                                                                                                                                                                                                                                                                                                                | CMSerAcp( TCV_ch,<br>CMServiceAcp_01)                                                                                                           |                         |
| 27 | +localtree1                                                                                                                                                                                                                                                                                                                                                     |                                                                                                                                                 |                         |
| 28 | <b>localtree1</b><br>L_067<br>1 L?DL_DatInRegister ( TCV_TI :=<br>DL_DatInRegister.msg.ti, TCV_TI0 := TCV_TI,<br>TCV_TI.ti_f := '1'B, TCV_Comp :=<br>DL_DatInRegister.msg.fie.components_1, TCV_n :=<br>OC_PosinSet(TCV_Comp, ActivateSS_04),<br>TCV_Invkld :=<br>OC_Asn1intToOct(TCV_Comp.[TCV_n].activateSSCo<br>mponents.activateSS_InvokeComp.invokeID, 1)) | Register_03(<br>RegisterPdu_03(<br>facilityIErcviei(<br>ActivateSS_04)))                                                                        | (P)                     |
| 29 | LIDL_DatRqFac                                                                                                                                                                                                                                                                                                                                                   | FacilitySnd(TCV_ch,<br>FacilityPdu_25_ci(<br>TCV_TI,<br>facilityIEtsnd(<br>GetPasswdSS_01(<br>TCV_Invkld))))                                    | 4.                      |
| 30 | +Checktree(C_RegPswd)                                                                                                                                                                                                                                                                                                                                           |                                                                                                                                                 |                         |
| 31 | (TCV_Null := OO_EnterPswd("1234"))                                                                                                                                                                                                                                                                                                                              |                                                                                                                                                 | 5.                      |
| 32 | L?DL_DatInFac                                                                                                                                                                                                                                                                                                                                                   | FacilityRcv(<br>FacilityPdu_26_ci(<br>TCV_TI0,<br>facilityIErcv(<br>GetPasswdRslt_01)))                                                         |                         |
| 33 | LIDL_DatRqRelCmp                                                                                                                                                                                                                                                                                                                                                | RelComSnd(TCV_ch,<br>ReleaseCmp_09(<br>TCV_TI,<br>facilityIEtsndiei(<br>ActivateSSRslt_03(<br>TCV_Invkld))))                                    |                         |

|                                                                                                                                                                                                                                                                                                       |            |                                                                   |                                      |     |
|-------------------------------------------------------------------------------------------------------------------------------------------------------------------------------------------------------------------------------------------------------------------------------------------------------|------------|-------------------------------------------------------------------|--------------------------------------|-----|
| 34                                                                                                                                                                                                                                                                                                    |            |                                                                   | ActivateSSRsIt_04(<br>TCV_InvkId)))) |     |
| 35                                                                                                                                                                                                                                                                                                    |            | +Checktree(C_ActBICRoam)<br>+PostMainLinkRel(TCV_ch)              |                                      |     |
| 36                                                                                                                                                                                                                                                                                                    |            | <b>Checktree(par:INTEGER)</b><br>(TCV_Res := OO_SSresultCHK(par)) |                                      |     |
| 37                                                                                                                                                                                                                                                                                                    | L_067<br>2 | [TCV_Res]                                                         |                                      | (P) |
| 38                                                                                                                                                                                                                                                                                                    | L_067<br>3 | [NOT TCV_Res]                                                     |                                      | (F) |
| <b>Detailed Comments:</b>                                                                                                                                                                                                                                                                             |            |                                                                   |                                      |     |
| <ol style="list-style-type: none"> <li>1. To setup physical channel as BCCH, CCCH and SDCCH4.</li> <li>2. To initiate Activation for BAOC.</li> <li>3. To initiate Activation for BICRoam.</li> <li>4. To send GetPassword invocation to the MS.</li> <li>5. To enter password at the MMI.</li> </ol> |            |                                                                   |                                      |     |

| Test Case Dynamic Behaviour |            |                                                                                                                                                                                                                                                                                                                                                                                                                                                                                                                                                                                                                                                                                                                                                                                                                                                                                                                                                                                                                                 |                                                                                  |     |          |
|-----------------------------|------------|---------------------------------------------------------------------------------------------------------------------------------------------------------------------------------------------------------------------------------------------------------------------------------------------------------------------------------------------------------------------------------------------------------------------------------------------------------------------------------------------------------------------------------------------------------------------------------------------------------------------------------------------------------------------------------------------------------------------------------------------------------------------------------------------------------------------------------------------------------------------------------------------------------------------------------------------------------------------------------------------------------------------------------|----------------------------------------------------------------------------------|-----|----------|
| <b>Test Case Name:</b>      |            | TC_31_8_3_2_1                                                                                                                                                                                                                                                                                                                                                                                                                                                                                                                                                                                                                                                                                                                                                                                                                                                                                                                                                                                                                   |                                                                                  |     |          |
| <b>Group:</b>               |            | GSM_L3_MS_v4200/SS/                                                                                                                                                                                                                                                                                                                                                                                                                                                                                                                                                                                                                                                                                                                                                                                                                                                                                                                                                                                                             |                                                                                  |     |          |
| <b>Purpose:</b>             |            | <p>1) To check that, when a call transaction is already established, the MS correctly requests the establishment of a parallel MM transaction for supplementary service transaction of specific call barring service, sending a CM-SERVICE REQUEST.</p> <p>2) To check that the MS sends a REGISTER message containing the invoke of the ActivateSS operation with the expected parameter values for specific call barring service.</p> <p>3) To check that upon receipt of the RELEASE COMPLETE message related to the present SS transaction, the first transaction remains unaffected.</p> <p>4) To check that upon receipt of the RELEASE COMPLETE message, the MS provides the appropriate user indication (as described by the Manufacturer).</p> <p>Those checks are performed with a call transaction already established for :<br/>BOIC, the RELEASE COMPLETE message being sent at the beginning of the procedure with a facility IE containing a return_error(error) where error is "SS subscription violation".</p> |                                                                                  |     |          |
| <b>Default:</b>             |            | OtherEventsFail                                                                                                                                                                                                                                                                                                                                                                                                                                                                                                                                                                                                                                                                                                                                                                                                                                                                                                                                                                                                                 |                                                                                  |     |          |
| Nr                          | Label      | Behaviour Description                                                                                                                                                                                                                                                                                                                                                                                                                                                                                                                                                                                                                                                                                                                                                                                                                                                                                                                                                                                                           | CRef                                                                             | V   | Comments |
| 1                           |            | START T_guard(300)                                                                                                                                                                                                                                                                                                                                                                                                                                                                                                                                                                                                                                                                                                                                                                                                                                                                                                                                                                                                              |                                                                                  |     |          |
| 2                           |            | +BasicServiceMO( TSPX_MOBscSvcD, TSPX_MOChRateD)                                                                                                                                                                                                                                                                                                                                                                                                                                                                                                                                                                                                                                                                                                                                                                                                                                                                                                                                                                                |                                                                                  |     |          |
| 3                           |            | +IdleUpdated( C_E_default, C_CellA, C_SCH_A, C_BCCH_A_1, C_Immass, C_S0, C_SlotNU, C_SlotNU, C_SlotNU, C_BCC, C_TxInt_5, C_Max_1, C_NECI_0, C_ATT_0, TimingAdv( 0), C_BABR_0, C_cch_1Comb, C_BPM_3, C_T3212_0, C_ci_cellA, C_MCC_1, C_PLMN_1, C_LAC_1, CellOpt_01, CellChDes_Omit, CellChDes_Omit, C_CellReselectHys12, C_MaxPwrLvIG, C_MaxPwrLvID, BcchFreqLst_45, BcchFreqLst_02, BcchFreqLst_03, BcchFreqLst_04, C_Restablishment, C_BCC, C_NCC, C_Start_Tmsi, TSPX_SDCCH4SubDef, TSPX_CKSNDf, TSPX_RANDDef, C_arfcnA, C_arfcnAd, TSPX_IMSI, C_Test_nfh, C_NCCP_2)                                                                                                                                                                                                                                                                                                                                                                                                                                                           |                                                                                  |     |          |
| 4                           |            | +CCConfigTCH_nociph( TSPX_TCHHSubDef, C_Ass, TSPX_TmSlitDef, TSPX_TscDef, TimingAdv( 0), C_BABR_0, C_cch_1Comb, C_BPM_3, TCV_ChMod.mode, FreqTCH_omit, FreqTCH_omit, C_arfcn_tchA, C_arfcn_tchAd)                                                                                                                                                                                                                                                                                                                                                                                                                                                                                                                                                                                                                                                                                                                                                                                                                               |                                                                                  |     | 1.       |
| 5                           |            | +Est_MO_Call( TimingAdv( 0), TCV_ChRate, TSPX_RANDDef, TSPX_SDCCH4SubDef, TSPX_TmSlitDef, TSPX_TscDef, TSPX_TCHHSubDef)                                                                                                                                                                                                                                                                                                                                                                                                                                                                                                                                                                                                                                                                                                                                                                                                                                                                                                         |                                                                                  |     | 2.       |
| 6                           |            | (TCV_Null := OO_InitSS("**331#"))                                                                                                                                                                                                                                                                                                                                                                                                                                                                                                                                                                                                                                                                                                                                                                                                                                                                                                                                                                                               |                                                                                  |     | 3.       |
| 7                           |            | L?DL_DatInCmsRq                                                                                                                                                                                                                                                                                                                                                                                                                                                                                                                                                                                                                                                                                                                                                                                                                                                                                                                                                                                                                 | CMSerDatReq( CMSerDatReq_08)                                                     |     |          |
| 8                           |            | LIDL_DatRqCmsAcp                                                                                                                                                                                                                                                                                                                                                                                                                                                                                                                                                                                                                                                                                                                                                                                                                                                                                                                                                                                                                | CMSerAcp( TCV_chTch, CMSerDatReq_01)                                             |     |          |
| 9                           |            | +localtree                                                                                                                                                                                                                                                                                                                                                                                                                                                                                                                                                                                                                                                                                                                                                                                                                                                                                                                                                                                                                      |                                                                                  |     |          |
| 10                          | L_067<br>4 | <b>localtree</b><br>L?DL_DatInRegister ( TCV_TI1 := DL_DatInRegister.msg.ti, TCV_TI2 := TCV_TI1, TCV_TI2.ti.f := '1'B, TCV_Comp := DL_DatInRegister.msg.fie.components_1, TCV_n := OC_PosinSet(TCV_Comp, ActivateSS_05), TCV_Invkld := OC_Asn1intToOct(TCV_Comp.[TCV_n].activateSSComponents.activateSS_InvokeComp.invokeID, 1))                                                                                                                                                                                                                                                                                                                                                                                                                                                                                                                                                                                                                                                                                                | Register_03( RegisterPdu_03( facilityIErcviei( ActivateSS_05)))                  | (P) |          |
| 11                          |            | LIDL_DatRqRelCmp                                                                                                                                                                                                                                                                                                                                                                                                                                                                                                                                                                                                                                                                                                                                                                                                                                                                                                                                                                                                                | RelComSnd(TCV_chTch, ReleaseCmp_09( TCV_TI2, facilityIEsndiei( ActivateSSErr_01( |     | 4.       |

|    |            |                                        |                                                            |     |    |
|----|------------|----------------------------------------|------------------------------------------------------------|-----|----|
| 12 |            | (TCV_Res := OO_SSresultCHK(C_ActBOIC)) | TCV_InvkId))))                                             |     |    |
| 13 | L_067<br>5 | [TCV_Res]                              |                                                            | (P) | 5. |
| 14 |            | +localtree1                            |                                                            |     |    |
| 15 | L_067<br>6 | [NOT TCV_Res]                          |                                                            | (F) |    |
| 16 |            | +localtree1                            |                                                            |     |    |
| 17 |            | <b>localtree1</b><br>L!DL_DatRqCstEnq  | CCStESnd(<br>TCV_chTch,<br>CCStatusEq_01(<br>TCV_TI))      |     |    |
| 18 | L_067<br>7 | L?DL_DatInCst                          | CCStRcv(<br>TCV_chTch,<br>CCStatus_14(<br>TCV_TI0, C_U10)) | (P) |    |
| 19 |            | +PostMainLinkRel(TCV_chTch)            |                                                            |     |    |

**Detailed Comments:**

1. To setup traffic channel.
2. To establish a mobile originating call to bring the MS into state U10.
3. To initiate the ActivateSS for BOIC.
4. To send ReturnError for the invocation of ActivateSS.
5. The user indication is correct, pass.

| Test Case Dynamic Behaviour |       |                                                                                                                                                                                                                                                                                                                                                                                                                                                                                                                                                                                                                                                                                                                                                                                                                                                                                                                                                                                                                                                                   |                                                                                    |     |          |
|-----------------------------|-------|-------------------------------------------------------------------------------------------------------------------------------------------------------------------------------------------------------------------------------------------------------------------------------------------------------------------------------------------------------------------------------------------------------------------------------------------------------------------------------------------------------------------------------------------------------------------------------------------------------------------------------------------------------------------------------------------------------------------------------------------------------------------------------------------------------------------------------------------------------------------------------------------------------------------------------------------------------------------------------------------------------------------------------------------------------------------|------------------------------------------------------------------------------------|-----|----------|
| <b>Test Case Name:</b>      |       | TC_31_8_3_2_2                                                                                                                                                                                                                                                                                                                                                                                                                                                                                                                                                                                                                                                                                                                                                                                                                                                                                                                                                                                                                                                     |                                                                                    |     |          |
| <b>Group:</b>               |       | GSM_L3_MS_v4200/SS/                                                                                                                                                                                                                                                                                                                                                                                                                                                                                                                                                                                                                                                                                                                                                                                                                                                                                                                                                                                                                                               |                                                                                    |     |          |
| <b>Purpose:</b>             |       | <p>1) To check that, when a call transaction is already established, the MS correctly requests the establishment of a parallel MM transaction for supplementary service transaction of activation of one specific call restriction service, sending a CM-SERVICE REQUEST.</p> <p>2) To check that the MS sends a REGISTER message containing the invoke of the ActivateSS operation with the expected parameter values for activation of one specific call restriction service.</p> <p>3) To check that upon receipt of the RELEASE COMPLETE message related to the present SS transaction, the first transaction remains unaffected.</p> <p>4) To check that upon receipt of the RELEASE COMPLETE message, the MS provides the appropriate user indication (as described by the Manufacturer).</p> <p>Those checks are performed with a call transaction already established for :<br/>BAIC, the RELEASE COMPLETE message being sent at the end of the procedure with a facility IE containing a return_error(error) where error is "NegativePasswordCheck".</p> |                                                                                    |     |          |
| <b>Default:</b>             |       | OtherEventsFail                                                                                                                                                                                                                                                                                                                                                                                                                                                                                                                                                                                                                                                                                                                                                                                                                                                                                                                                                                                                                                                   |                                                                                    |     |          |
| Nr                          | Label | Behaviour Description                                                                                                                                                                                                                                                                                                                                                                                                                                                                                                                                                                                                                                                                                                                                                                                                                                                                                                                                                                                                                                             | CRef                                                                               | V   | Comments |
| 1                           |       | START T_guard(300)                                                                                                                                                                                                                                                                                                                                                                                                                                                                                                                                                                                                                                                                                                                                                                                                                                                                                                                                                                                                                                                |                                                                                    |     |          |
| 2                           |       | +BasicServiceMO( TSPX_MOBscSvcE, TSPX_MOChRateE)                                                                                                                                                                                                                                                                                                                                                                                                                                                                                                                                                                                                                                                                                                                                                                                                                                                                                                                                                                                                                  |                                                                                    |     |          |
| 3                           |       | +IdleUpdated( C_E_default, C_CellA, C_SCH_A, C_BCCH_A_1, C_Immass, C_S0, C_SlotNU, C_SlotNU, C_SlotNU, C_BCC, C_TxInt_5, C_Max_1, C_NECI_0, C_ATT_0, TimingAdv( 0), C_BABR_0, C_cch_1Comb, C_BPM_3, C_T3212_0, C_ci_cellA, C_MCC_1, C_PLMN_1, C_LAC_1, CellOpt_01, CellChDes_Omit, CellChDes_Omit, C_CellReselectHys12, C_MaxPwrLvIG, C_MaxPwrLvID, BcchFreqLst_45, BcchFreqLst_02, BcchFreqLst_03, BcchFreqLst_04, C_Restablishment, C_BCC, C_NCC, C_Start_Tmsi, TSPX_SDCCH4SubDef, TSPX_CKSNDDef, TSPX_RANDDef, C_arfcnA, C_arfcnAd, TSPX_IMSI, C_Test_nfh, C_NCCP_2)                                                                                                                                                                                                                                                                                                                                                                                                                                                                                           |                                                                                    |     |          |
| 4                           |       | +CCConfigTCH_nociph( TSPX_TCHHSubDef, C_Ass, TSPX_TmSlitDef, TSPX_TscDef, TimingAdv( 0), C_BABR_0, C_cch_1Comb, C_BPM_3, TCV_ChMod.mode, FreqTCH_omit, FreqTCH_omit, C_arfcn_tchA, C_arfcn_tchAd)                                                                                                                                                                                                                                                                                                                                                                                                                                                                                                                                                                                                                                                                                                                                                                                                                                                                 |                                                                                    |     | 1.       |
| 5                           |       | +Est_MO_Call( TimingAdv( 0), TCV_ChRate, TSPX_RANDDef, TSPX_SDCCH4SubDef, TSPX_TmSlitDef, TSPX_TscDef, TSPX_TCHHSubDef)                                                                                                                                                                                                                                                                                                                                                                                                                                                                                                                                                                                                                                                                                                                                                                                                                                                                                                                                           |                                                                                    |     | 2.       |
| 6                           |       | (TCV_Null := OO_InitSS("**35#"))                                                                                                                                                                                                                                                                                                                                                                                                                                                                                                                                                                                                                                                                                                                                                                                                                                                                                                                                                                                                                                  |                                                                                    |     | 3.       |
| 7                           | L_067 | L?DL_DatInCmsRq                                                                                                                                                                                                                                                                                                                                                                                                                                                                                                                                                                                                                                                                                                                                                                                                                                                                                                                                                                                                                                                   | CMSerDatReq( CServiceReq_08)                                                       | (P) |          |
| 8                           | 8     | LIDL_DatRqCmsAcp                                                                                                                                                                                                                                                                                                                                                                                                                                                                                                                                                                                                                                                                                                                                                                                                                                                                                                                                                                                                                                                  | CMSerAcp( TCV_chTch, CServiceAcp_01)                                               |     |          |
| 9                           |       | +localtree                                                                                                                                                                                                                                                                                                                                                                                                                                                                                                                                                                                                                                                                                                                                                                                                                                                                                                                                                                                                                                                        |                                                                                    |     |          |
| 10                          | L_067 | <b>localtree</b><br>L?DL_DatInRegister ( TCV_TI1 := DL_DatInRegister.msg.ti, TCV_TI2 := TCV_TI1, TCV_TI2.ti_f := '1'B, TCV_Comp := DL_DatInRegister.msg.fie.components_1, TCV_n := OC_PosinSet(TCV_Comp, ActivateSS_06), TCV_Invkld := OC_Asn1intToOct(TCV_Comp.[TCV_n].activateSSComponents.activateSS_InvokeComp.invokeID, 1))                                                                                                                                                                                                                                                                                                                                                                                                                                                                                                                                                                                                                                                                                                                                  | Register_03( RegisterPdu_03( facilityIErcviei( ActivateSS_06)))                    | (P) |          |
| 11                          |       | LIDL_DatRqFac                                                                                                                                                                                                                                                                                                                                                                                                                                                                                                                                                                                                                                                                                                                                                                                                                                                                                                                                                                                                                                                     | FacilitySnd(TCV_chTch, FacilityPdu_25_ci( TCV_TI2, facilityIEtsnd( GetPasswdSS_01( |     |          |

|    |            |                                        |                                                                                                                     |     |    |
|----|------------|----------------------------------------|---------------------------------------------------------------------------------------------------------------------|-----|----|
| 12 |            | (TCV_Res := OO_SSresultCHK(C_RegPswd)) | TCV_InvkId))))                                                                                                      |     |    |
| 13 | L_068<br>0 | [TCV_Res]                              |                                                                                                                     | (P) |    |
| 14 |            | +localtree1                            |                                                                                                                     |     |    |
| 15 | L_068<br>1 | [NOT TCV_Res]                          |                                                                                                                     | (F) |    |
| 16 |            | +localtree1                            |                                                                                                                     |     |    |
|    |            | <b>localtree1</b>                      |                                                                                                                     |     |    |
| 17 |            | (TCV_Null := OO_EnterPswd("1234"))     |                                                                                                                     |     | 4. |
| 18 |            | L?DL_DatInFac                          | FacilityRcv(<br>FacilityPdu_26_ci(<br>TCV_TI1,<br>facilityIercv(<br>GetPasswdRslt_01)))                             |     |    |
| 19 |            | LIDL_DatRqRelCmp                       | RelComSnd(<br>TCV_chTch,<br>ReleaseCmp_09(<br>TCV_TI2,<br>facilityIetsndiei(<br>ActivateSSErr_02(<br>TCV_InvkId)))) |     | 5. |
| 20 |            | (TCV_Res := OO_SSresultCHK(C_ActBAIC)) |                                                                                                                     |     |    |
| 21 | L_068<br>2 | [TCV_Res]                              |                                                                                                                     | (P) | 6. |
| 22 |            | +localtree2                            |                                                                                                                     |     |    |
| 23 | L_068<br>3 | [NOT TCV_Res]                          |                                                                                                                     | (F) |    |
| 24 |            | +localtree2                            |                                                                                                                     |     |    |
|    |            | <b>localtree2</b>                      |                                                                                                                     |     |    |
| 25 |            | L!DL_DatRqCcstEnq                      | CCStESnd(<br>TCV_chTch,<br>CCStatusEq_01(<br>TCV_TI))                                                               |     |    |
| 26 | L_068<br>4 | L?DL_DatInCcst                         | CCStRcv(<br>TCV_chTch,<br>CCStatus_14(<br>TCV_TI0, C_U10))                                                          | (P) |    |
| 27 |            | +PostMainLinkRel(TCV_chTch)            |                                                                                                                     |     |    |

**Detailed Comments:**

1. To setup traffic channel.
2. To establish a mobile originating call, bring the MS into state U10.
3. To initiate the Activation supplementary service.
4. To enter password.
5. ReturnError indication negative password checking.
6. The user indication is correct, pass.



| Test Case Dynamic Behaviour |       |                                                                                                                                                                                                                                                                                                                                                                                                                                                                                                                                                                                                                                                                                                                                                                                                                                                                                                                                                                                                                                                                                                                                                                                                              |                    |     |                         |
|-----------------------------|-------|--------------------------------------------------------------------------------------------------------------------------------------------------------------------------------------------------------------------------------------------------------------------------------------------------------------------------------------------------------------------------------------------------------------------------------------------------------------------------------------------------------------------------------------------------------------------------------------------------------------------------------------------------------------------------------------------------------------------------------------------------------------------------------------------------------------------------------------------------------------------------------------------------------------------------------------------------------------------------------------------------------------------------------------------------------------------------------------------------------------------------------------------------------------------------------------------------------------|--------------------|-----|-------------------------|
| <b>Test Case Name:</b>      |       | TC_31_8_4_1                                                                                                                                                                                                                                                                                                                                                                                                                                                                                                                                                                                                                                                                                                                                                                                                                                                                                                                                                                                                                                                                                                                                                                                                  |                    |     |                         |
| <b>Group:</b>               |       | GSM_L3_MS_v4200/SS/                                                                                                                                                                                                                                                                                                                                                                                                                                                                                                                                                                                                                                                                                                                                                                                                                                                                                                                                                                                                                                                                                                                                                                                          |                    |     |                         |
| <b>Purpose:</b>             |       | <p>1) To check that the MS correctly requests a supplementary service transaction for deactivation of a group of call barring services in CHANNEL REQUEST message.</p> <p>2) To check that the MS correctly requests a supplementary service transaction for deactivation of a group of call barring services in the subsequent CM-SERVICE REQUEST.</p> <p>3) To check that the MS sends a REGISTER message containing the invoke of the DeactivateSS operation with the expected parameter values for deactivation of a group of call restriction services.</p> <p>4) To check that upon receipt of FACILITY message requiring the password, the MS provides the appropriate user indication (as described by the manufacturer).</p> <p>5) To check that the MS is able to send a password by sending a FACILITY message in accordance to the user request (MMI actions).</p> <p>6) To check that upon receipt of the RELEASE COMPLETE message, the MS provides the appropriate user indication (which is to be described by the manufacturer).</p> <p>These checks are done for:</p> <p>a) all restrictions, for basic service group "speech".</p> <p>b) barring of outgoing calls, for all facsimile.</p> |                    |     |                         |
| <b>Default:</b>             |       | OtherEventsFail                                                                                                                                                                                                                                                                                                                                                                                                                                                                                                                                                                                                                                                                                                                                                                                                                                                                                                                                                                                                                                                                                                                                                                                              |                    |     |                         |
| Nr                          | Label | Behaviour Description                                                                                                                                                                                                                                                                                                                                                                                                                                                                                                                                                                                                                                                                                                                                                                                                                                                                                                                                                                                                                                                                                                                                                                                        | CRef               | V   | Comments                |
| 1                           |       | START T_guard(300)                                                                                                                                                                                                                                                                                                                                                                                                                                                                                                                                                                                                                                                                                                                                                                                                                                                                                                                                                                                                                                                                                                                                                                                           |                    |     |                         |
| 2                           |       | +IdleUpdated( C_E_default, C_CellA, C_SCH_A, C_BCCH_A_1, C_Immass, C_S0, C_SlotNU, C_SlotNU, C_SlotNU, C_BCC, C_TxInt_5, C_Max_1, C_NECI_0, C_ATT_0, TimingAdv( 0), C_BABR_0, C_cch_1Comb, C_BPM_3, C_T3212_0, C_ci_cellA, C_MCC_1, C_PLMN_1, C_LAC_1, CellOpt_01, CellChDes_Omit, CellChDes_Omit, C_CellReselectHys12, C_MaxPwrLvIG, C_MaxPwrLvID, BcchFreqLst_45, BcchFreqLst_02, BcchFreqLst_03, BcchFreqLst_04, C_Restablishment, C_BCC, C_NCC, C_Start_Tmsi, TSPX_SDCCH4SubDef, TSPX_CKSNDf, TSPX_RANDDef, C_arfcnA, C_arfcnAd, TSPX_IMSI, C_Test_nfh, C_NCCP_2)                                                                                                                                                                                                                                                                                                                                                                                                                                                                                                                                                                                                                                        |                    |     |                         |
| 3                           |       | (TCV_Null := OO_InitSS("#330**11#"))                                                                                                                                                                                                                                                                                                                                                                                                                                                                                                                                                                                                                                                                                                                                                                                                                                                                                                                                                                                                                                                                                                                                                                         |                    |     | 2.                      |
| 4                           |       | +part1                                                                                                                                                                                                                                                                                                                                                                                                                                                                                                                                                                                                                                                                                                                                                                                                                                                                                                                                                                                                                                                                                                                                                                                                       |                    |     |                         |
| 5                           |       | (TCV_Null := OO_InitSS( "#333**13#"))                                                                                                                                                                                                                                                                                                                                                                                                                                                                                                                                                                                                                                                                                                                                                                                                                                                                                                                                                                                                                                                                                                                                                                        |                    |     | 3.                      |
| 6                           |       | +part2                                                                                                                                                                                                                                                                                                                                                                                                                                                                                                                                                                                                                                                                                                                                                                                                                                                                                                                                                                                                                                                                                                                                                                                                       |                    |     |                         |
|                             |       | <b>part1</b>                                                                                                                                                                                                                                                                                                                                                                                                                                                                                                                                                                                                                                                                                                                                                                                                                                                                                                                                                                                                                                                                                                                                                                                                 |                    |     |                         |
| 7                           | L_068 | L?DL_RaInChRq (TCV_Rr := DL_RaInChRq.                                                                                                                                                                                                                                                                                                                                                                                                                                                                                                                                                                                                                                                                                                                                                                                                                                                                                                                                                                                                                                                                                                                                                                        | ChReq(             | (P) |                         |
| 8                           | 5     | msg.ecau_rrf, TCV_Fn := DL_RaInChRq.fn)                                                                                                                                                                                                                                                                                                                                                                                                                                                                                                                                                                                                                                                                                                                                                                                                                                                                                                                                                                                                                                                                                                                                                                      | ChRequest_04)      |     |                         |
| 9                           |       | ACTIVATE(OtherEventsFail_02)                                                                                                                                                                                                                                                                                                                                                                                                                                                                                                                                                                                                                                                                                                                                                                                                                                                                                                                                                                                                                                                                                                                                                                                 |                    |     | To match ChReq retrans. |
|                             |       | LIDL_UdatRqImmass                                                                                                                                                                                                                                                                                                                                                                                                                                                                                                                                                                                                                                                                                                                                                                                                                                                                                                                                                                                                                                                                                                                                                                                            | ImmAss( TCV_agch,  |     |                         |
|                             |       |                                                                                                                                                                                                                                                                                                                                                                                                                                                                                                                                                                                                                                                                                                                                                                                                                                                                                                                                                                                                                                                                                                                                                                                                              | ImmAsgn_01Def(     |     |                         |
|                             |       |                                                                                                                                                                                                                                                                                                                                                                                                                                                                                                                                                                                                                                                                                                                                                                                                                                                                                                                                                                                                                                                                                                                                                                                                              | TCV_Rr, TCV_Fn,    |     |                         |
|                             |       |                                                                                                                                                                                                                                                                                                                                                                                                                                                                                                                                                                                                                                                                                                                                                                                                                                                                                                                                                                                                                                                                                                                                                                                                              | TSPX_SDCCH4SubD    |     |                         |
|                             |       |                                                                                                                                                                                                                                                                                                                                                                                                                                                                                                                                                                                                                                                                                                                                                                                                                                                                                                                                                                                                                                                                                                                                                                                                              | ef, TCV_slot,      |     |                         |
|                             |       |                                                                                                                                                                                                                                                                                                                                                                                                                                                                                                                                                                                                                                                                                                                                                                                                                                                                                                                                                                                                                                                                                                                                                                                                              | TCV_tsc,           |     |                         |
|                             |       |                                                                                                                                                                                                                                                                                                                                                                                                                                                                                                                                                                                                                                                                                                                                                                                                                                                                                                                                                                                                                                                                                                                                                                                                              | TCV_chdescr_arfcn, |     |                         |
|                             |       |                                                                                                                                                                                                                                                                                                                                                                                                                                                                                                                                                                                                                                                                                                                                                                                                                                                                                                                                                                                                                                                                                                                                                                                                              | TimingAdv( 0)))    |     |                         |
| 10                          | L_068 | L?DL_EstInCmsRq                                                                                                                                                                                                                                                                                                                                                                                                                                                                                                                                                                                                                                                                                                                                                                                                                                                                                                                                                                                                                                                                                                                                                                                              | CMSerReq(          | (P) |                         |
| 11                          | 6     | ACTIVATE(OtherEventsFail)                                                                                                                                                                                                                                                                                                                                                                                                                                                                                                                                                                                                                                                                                                                                                                                                                                                                                                                                                                                                                                                                                                                                                                                    | CMSerReq_08)       |     |                         |
| 12                          |       | LIDL_DatRqCmsAcp                                                                                                                                                                                                                                                                                                                                                                                                                                                                                                                                                                                                                                                                                                                                                                                                                                                                                                                                                                                                                                                                                                                                                                                             | CMSerAcp( TCV_ch,  |     | Restore Normal default  |
| 13                          |       | +localtree                                                                                                                                                                                                                                                                                                                                                                                                                                                                                                                                                                                                                                                                                                                                                                                                                                                                                                                                                                                                                                                                                                                                                                                                   | CMSerAcp_01)       |     |                         |
|                             |       | <b>localtree</b>                                                                                                                                                                                                                                                                                                                                                                                                                                                                                                                                                                                                                                                                                                                                                                                                                                                                                                                                                                                                                                                                                                                                                                                             |                    |     |                         |
| 14                          | L_068 | L?DL_DatInRegister ( TCV_TI :=                                                                                                                                                                                                                                                                                                                                                                                                                                                                                                                                                                                                                                                                                                                                                                                                                                                                                                                                                                                                                                                                                                                                                                               | Register_03(       | (P) |                         |
|                             | 7     | DL_DatInRegister.msg.ti, TCV_TI0 := TCV_TI,                                                                                                                                                                                                                                                                                                                                                                                                                                                                                                                                                                                                                                                                                                                                                                                                                                                                                                                                                                                                                                                                                                                                                                  | RegisterPdu_03(    |     |                         |

|    |            |                                                                                                                                                                                                                                                                                                                                                                           |                                                                                                                                                             |     |                         |
|----|------------|---------------------------------------------------------------------------------------------------------------------------------------------------------------------------------------------------------------------------------------------------------------------------------------------------------------------------------------------------------------------------|-------------------------------------------------------------------------------------------------------------------------------------------------------------|-----|-------------------------|
| 15 |            | TCV_TI.ti.f := '1'B, TCV_Comp :=<br>DL_DatInRegister.msg.fie.components_1, TCV_n :=<br>OC_PosinSet(TCV_Comp, DeactivateSS_03),<br>TCV_InvkId :=<br>OC_Asn1intToOct(TCV_Comp.[TCV_n].deactivateSS<br>Components.deactivateSS_InvokComp.invokId, 1))<br>L!DL_DatRqFac                                                                                                       | facility!Ercviei(<br>DeactivateSS_03)))<br><br>FacilitySnd(TCV_ch,<br>FacilityPdu_25_ci(<br>TCV_TI,<br>facility!Etsnd(<br>GetPasswdSS_01(<br>TCV_InvkId)))) |     |                         |
| 16 |            | (TCV_Res := OO_SSresultCHK(C_RegPswd))                                                                                                                                                                                                                                                                                                                                    |                                                                                                                                                             |     |                         |
| 17 | L_068<br>8 | [TCV_Res]                                                                                                                                                                                                                                                                                                                                                                 |                                                                                                                                                             | (P) |                         |
| 18 |            | +localtree1                                                                                                                                                                                                                                                                                                                                                               |                                                                                                                                                             |     |                         |
| 19 | L_068<br>9 | [NOT TCV_Res]                                                                                                                                                                                                                                                                                                                                                             |                                                                                                                                                             | (F) |                         |
| 20 |            | +localtree1                                                                                                                                                                                                                                                                                                                                                               |                                                                                                                                                             |     |                         |
| 21 |            | <b>localtree1</b><br>(TCV_Null := OO_EnterPswd("1234"))                                                                                                                                                                                                                                                                                                                   |                                                                                                                                                             |     | 4.                      |
| 22 |            | L?DL_DatInFac                                                                                                                                                                                                                                                                                                                                                             | FacilityRcv(<br>FacilityPdu_26_ci(<br>TCV_TI0,<br>facility!Ercv(<br>GetPasswdRslt_01)))                                                                     |     |                         |
| 23 |            | L!DL_DatRqRelCmp                                                                                                                                                                                                                                                                                                                                                          | RelComSnd(TCV_ch,<br>ReleaseCmp_09(<br>TCV_TI,<br>facility!Etsndiei(<br>DeactivateSSRslt_03(<br>TCV_InvkId))))                                              |     |                         |
| 24 |            | +PostMainLinkRel(TCV_ch)                                                                                                                                                                                                                                                                                                                                                  |                                                                                                                                                             |     |                         |
| 25 | L_069<br>0 | <b>part2</b><br>L?DL_RacInChRq (TCV_Rr := DL_RacInChRq.<br>msg.ecau_rrf, TCV_Fn := DL_RacInChRq.fn)<br>ACTIVATE(OtherEventsFail_02)                                                                                                                                                                                                                                       | ChReq(<br>ChRequest_04)                                                                                                                                     | (P) | To match ChReq retrans. |
| 26 |            | L!DL_UdatRqImm                                                                                                                                                                                                                                                                                                                                                            | ImmAss( TCV_agch,<br>ImmAsgn_01Def(<br>TCV_Rr, TCV_Fn,<br>TSPX_SDCCH4SubD<br>ef, TCV_slot,<br>TCV_tsc,<br>TCV_chdescr_arfcn,<br>TimingAdv( 0)))             |     |                         |
| 28 | L_069<br>1 | L?DL_EstInCmsRq                                                                                                                                                                                                                                                                                                                                                           | CMSerReq(<br>CMServiceReq_08)                                                                                                                               | (P) |                         |
| 29 |            | ACTIVATE(OtherEventsFail)                                                                                                                                                                                                                                                                                                                                                 |                                                                                                                                                             |     | Restore Normal default  |
| 30 |            | L!DL_DatRqCmsAcp                                                                                                                                                                                                                                                                                                                                                          | CMSerAcp( TCV_ch,<br>CMServiceAcp_01)                                                                                                                       |     |                         |
| 31 |            | +localtree2                                                                                                                                                                                                                                                                                                                                                               |                                                                                                                                                             |     |                         |
| 32 | L_069<br>2 | <b>localtree2</b><br>L?DL_DatInRegister ( TCV_TI :=<br>DL_DatInRegister.msg.ti, TCV_TI0 := TCV_TI,<br>TCV_TI.ti.f := '1'B, TCV_Comp :=<br>DL_DatInRegister.msg.fie.components_1, TCV_n :=<br>OC_PosinSet(TCV_Comp, DeactivateSS_04),<br>TCV_InvkId :=<br>OC_Asn1intToOct(TCV_Comp.[TCV_n].deactivateSS<br>Components.deactivateSS_InvokComp.invokId, 1))<br>L!DL_DatRqFac | Register_03(<br>RegisterPdu_03(<br>facility!Ercviei(<br>DeactivateSS_04)))                                                                                  | (P) |                         |
| 33 |            | L!DL_DatRqFac                                                                                                                                                                                                                                                                                                                                                             | FacilitySnd(TCV_ch,<br>FacilityPdu_25_ci(<br>TCV_TI,<br>facility!Etsnd(<br>GetPasswdSS_01(<br>TCV_InvkId))))                                                |     |                         |
| 34 |            | (TCV_Res := OO_SSresultCHK(C_RegPswd))                                                                                                                                                                                                                                                                                                                                    |                                                                                                                                                             |     |                         |
| 35 | L_069<br>3 | [TCV_Res]                                                                                                                                                                                                                                                                                                                                                                 |                                                                                                                                                             | (P) |                         |

|                                                        |            |                                        |                                                                                                                |     |
|--------------------------------------------------------|------------|----------------------------------------|----------------------------------------------------------------------------------------------------------------|-----|
| 36                                                     |            | +localtree3                            |                                                                                                                |     |
| 37                                                     | L_069<br>4 | [NOT TCV_Res]                          |                                                                                                                | (F) |
| 38                                                     |            | +localtree3                            |                                                                                                                |     |
|                                                        |            | <b>localtree3</b>                      |                                                                                                                |     |
| 39                                                     |            | (TCV_Null := OO_EnterPswd("1234"))     |                                                                                                                |     |
| 40                                                     | L_069<br>5 | L?DL_DatInFac                          | FacilityRcv(<br>FacilityPdu_26_ci(<br>TCV_TI0,<br>facilityIErcv(<br>GetPasswdRslt_01)))                        | (P) |
| 41                                                     |            | LIDL_DatRqRelCmp                       | RelComSnd(TCV_ch,<br>ReleaseCmp_09(<br>TCV_TI,<br>facilityIEtsndiei(<br>DeactivateSSRslt_04(<br>TCV_Invkld)))) |     |
| 42                                                     |            | (TCV_Res := OO_SSresultCHK(C_DeactBO)) |                                                                                                                |     |
| 43                                                     | L_069<br>6 | [TCV_Res]                              |                                                                                                                | (P) |
| 44                                                     |            | +PostMainLinkRel(TCV_ch)               |                                                                                                                |     |
| 45                                                     | L_069<br>7 | [NOT TCV_Res]                          |                                                                                                                | (F) |
| 46                                                     |            | +PostMainLinkRel(TCV_ch)               |                                                                                                                |     |
| <b>Detailed Comments:</b>                              |            |                                        |                                                                                                                |     |
| 1. To setup physical channel as BCCH, CCCH and SDCCH4. |            |                                        |                                                                                                                |     |
| 2. To initiate Deactivation for B.                     |            |                                        |                                                                                                                |     |
| 3. To initiate Deactivation for BO.                    |            |                                        |                                                                                                                |     |
| 4. To send GetPassword invocation to the MS.           |            |                                        |                                                                                                                |     |
| 5. To enter password at the MMI.                       |            |                                        |                                                                                                                |     |

**Test Case Dynamic Behaviour**

**Test Case Name:** TC\_31\_8\_4\_2\_1  
**Group:** GSM\_L3\_MS\_v4200/SS/  
**Purpose:** 1) To check that, when a call transaction is already established, the MS correctly requests the establishment of a parallel MM transaction for supplementary service transaction of a group of call barring services, sending a CM-SERVICE REQUEST.  
 2) To check that the MS sends a REGISTER message containing the invoke of the DeactivateSS operation with the expected parameter values for a group of call barring services.  
 3) To check that upon receipt of the RELEASE COMPLETE message related to the present SS transaction, the first transaction remains unaffected.  
 4) To check that upon receipt of the RELEASE COMPLETE message, the MS provides the appropriate user indication (as described by the Manufacturer).  
 These checks are performed with a call transaction already established for :  
 BI, the RELEASE COMPLETE message being sent at the beginning of the procedure with a facility IE containing a return\_error(error) where error is "SS subscription violation".  
**Default:** OtherEventsFail

| Nr | Label      | Behaviour Description                                                                                                                                                                                                                                                                                                                                                                                                                                                                                                                                                  | CRef                                                              | V   | Comments |
|----|------------|------------------------------------------------------------------------------------------------------------------------------------------------------------------------------------------------------------------------------------------------------------------------------------------------------------------------------------------------------------------------------------------------------------------------------------------------------------------------------------------------------------------------------------------------------------------------|-------------------------------------------------------------------|-----|----------|
| 1  |            | START T_guard(300)                                                                                                                                                                                                                                                                                                                                                                                                                                                                                                                                                     |                                                                   |     |          |
| 2  |            | +BasicServiceMO( TSPX_MOBScSvcF, TSPX_MOChRateF)                                                                                                                                                                                                                                                                                                                                                                                                                                                                                                                       |                                                                   |     |          |
| 3  |            | +IdleUpdated( C_E_default, C_CellA, C_SCH_A, C_BCCH_A_1, C_Immss, C_S0, C_SlotNU, C_SlotNU, C_SlotNU, C_BCC, C_TxInt_5, C_Max_1, C_NECI_0, C_ATT_0, TimingAdv( 0), C_BABR_0, C_cch_1Comb, C_BPM_3, C_T3212_0, C_ci_cellA, C_MCC_1, C_PLMN_1, C_LAC_1, CellOpt_01, CellChDes_Omit, CellChDes_Omit, C_CellReselectHys12, C_MaxPwrLvIG, C_MaxPwrLvID, BcchFreqLst_45, BcchFreqLst_02, BcchFreqLst_03, BcchFreqLst_04, C_Restablishment, C_BCC, C_NCC, C_Start_Tmsi, TSPX_SDCCH4SubDef, TSPX_CKSNDDef, TSPX_RANDDef, C_arfcnA, C_arfcnAd, TSPX_IMSI, C_Test_nfh, C_NCCP_2) |                                                                   |     |          |
| 4  |            | +CCConfigTCH_nociph( TSPX_TCHHSubDef, C_Ass, TSPX_TmSltDef, TSPX_TscDef, TimingAdv( 0), C_BABR_0, C_cch_1Comb, C_BPM_3, TCV_ChMod.mode, FreqTCH_omit, FreqTCH_omit, C_arfcn_tchA, C_arfcn_tchAd)                                                                                                                                                                                                                                                                                                                                                                       |                                                                   |     | 1.       |
| 5  |            | +Est_MO_Call( TimingAdv( 0), TCV_ChRate, TSPX_RANDDef, TSPX_SDCCH4SubDef, TSPX_TmSltDef, TSPX_TscDef, TSPX_TCHHSubDef)                                                                                                                                                                                                                                                                                                                                                                                                                                                 |                                                                   |     | 2.       |
| 6  |            | (TCV_Null := OO_InitSS("#353#"))                                                                                                                                                                                                                                                                                                                                                                                                                                                                                                                                       |                                                                   |     | 3.       |
| 7  |            | L?DL_DatInCmsRq                                                                                                                                                                                                                                                                                                                                                                                                                                                                                                                                                        | CMSerDatReq( CMServiceReq_08)                                     |     |          |
| 8  |            | LIDL_DatRqCmsAcp                                                                                                                                                                                                                                                                                                                                                                                                                                                                                                                                                       | CMSerAcp( TCV_chTch, CMServiceAcp_01)                             |     |          |
| 9  |            | +localtree                                                                                                                                                                                                                                                                                                                                                                                                                                                                                                                                                             |                                                                   |     |          |
| 10 | L_069<br>8 | <b>localtree</b><br>L?DL_DatInRegister ( TCV_T11 := DL_DatInRegister.msg.ti, TCV_T12 := TCV_T11, TCV_T12.ti_f := '1'B, TCV_Comp := DL_DatInRegister.msg.fie.components_1, TCV_n := OC_PosinSet(TCV_Comp, DeactivateSS_05), TCV_InvkId := OC_Asn1intToOct(TCV_Comp.[TCV_n].deactivateSS.Components.deactivateSS_InvokeComp.invokeID, 1))                                                                                                                                                                                                                                | Register_03( RegisterPdu_03( facilityIErcviei( DeactivateSS_05))) | (P) |          |
| 11 |            | LIDL_DatRqRelCmp                                                                                                                                                                                                                                                                                                                                                                                                                                                                                                                                                       | RelComSnd(TCV_chTch, ReleaseCmp_09( TCV_T12,                      |     | 4.       |

|    |            |                                                     |                                                     |     |    |
|----|------------|-----------------------------------------------------|-----------------------------------------------------|-----|----|
| 12 |            |                                                     | facility!Etsndiei(DeactivateSSerr_01(TCV_InvkId)))) |     |    |
| 13 | L_069<br>9 | (TCV_Res := OO_SSresultCHK(C_DeactBl))<br>[TCV_Res] |                                                     | (P) | 5. |
| 14 |            | +localtree1                                         |                                                     |     |    |
| 15 | L_070<br>0 | [NOT TCV_Res]                                       |                                                     | (F) |    |
| 16 |            | +localtree1                                         |                                                     |     |    |
| 17 |            | <b>localtree1</b><br>L!DL_DatRqCcstEnq              | CCStESnd(TCV_chTch, CCStatusEq_01(TCV_TI))          |     |    |
| 18 | L_070<br>1 | L?DL_DatInCcst                                      | CCStRcv(TCV_chTch, CCStatus_14(TCV_TI0, C_U10))     | (P) |    |
| 19 |            | +PostMainLinkRel(TCV_chTch)                         |                                                     |     |    |

**Detailed Comments:**

1. To setup traffic channel.
2. To establish a mobile originating call to bring the MS into state U10.
3. To initiate the DeactivateSS for Bl.
4. To send ReturnError for the invocation of DeactivateSS.
5. The user indication is correct, pass.

### Test Case Dynamic Behaviour

|                        |                                                                                                                                                                                                                                                                                                                                                                                                                                                                                                                                                                                                                                                                                                                                                                                                                                                                                                                                                                                                                                                                                                         |
|------------------------|---------------------------------------------------------------------------------------------------------------------------------------------------------------------------------------------------------------------------------------------------------------------------------------------------------------------------------------------------------------------------------------------------------------------------------------------------------------------------------------------------------------------------------------------------------------------------------------------------------------------------------------------------------------------------------------------------------------------------------------------------------------------------------------------------------------------------------------------------------------------------------------------------------------------------------------------------------------------------------------------------------------------------------------------------------------------------------------------------------|
| <b>Test Case Name:</b> | TC_31_8_4_2_2                                                                                                                                                                                                                                                                                                                                                                                                                                                                                                                                                                                                                                                                                                                                                                                                                                                                                                                                                                                                                                                                                           |
| <b>Group:</b>          | GSM_L3_MS_v4200/SS/                                                                                                                                                                                                                                                                                                                                                                                                                                                                                                                                                                                                                                                                                                                                                                                                                                                                                                                                                                                                                                                                                     |
| <b>Purpose:</b>        | <p>1) To check that, when a call transaction is already established, the MS correctly requests the establishment of a parallel MM transaction for supplementary service transaction of deactivation of a group of call restriction services, sending a CM-SERVICE REQUEST.</p> <p>2) To check that the MS sends a REGISTER message containing the invoke of the DeactivateSS operation with the expected parameter values for deactivation of a group of call restriction service.</p> <p>3) To check that upon receipt of the RELEASE COMPLETE message related to the present SS transaction, the first transaction remains unaffected.</p> <p>4) To check that upon receipt of the RELEASE COMPLETE message, the MS provides the appropriate user indication (as described by the Manufacturer).</p> <p>Those checks are performed with a call transaction already established for :</p> <p style="padding-left: 20px;">BOICExHC, the RELEASE COMPLETE message being sent at the end of the procedure with a facility IE containing a return_error(error) where error is "NegativePasswordCheck".</p> |
| <b>Default:</b>        | OtherEventsFail                                                                                                                                                                                                                                                                                                                                                                                                                                                                                                                                                                                                                                                                                                                                                                                                                                                                                                                                                                                                                                                                                         |

| Nr | Label      | Behaviour Description                                                                                                                                                                                                                                                                                                                                                                                                                                                                                                                                                                                                | CRef                                                                                            | V   | Comments |
|----|------------|----------------------------------------------------------------------------------------------------------------------------------------------------------------------------------------------------------------------------------------------------------------------------------------------------------------------------------------------------------------------------------------------------------------------------------------------------------------------------------------------------------------------------------------------------------------------------------------------------------------------|-------------------------------------------------------------------------------------------------|-----|----------|
| 1  |            | START T_guard(300)                                                                                                                                                                                                                                                                                                                                                                                                                                                                                                                                                                                                   |                                                                                                 |     |          |
| 2  |            | +BasicServiceMO( TSPX_MOBscSvcG,<br>TSPX_MOChRateG)                                                                                                                                                                                                                                                                                                                                                                                                                                                                                                                                                                  |                                                                                                 |     |          |
| 3  |            | +IdleUpdated( C_E_default, C_CellA, C_SCH_A,<br>C_BCCH_A_1, C_Immass, C_S0, C_SlotNU,<br>C_SlotNU, C_SlotNU, C_BCC, C_TxInt_5,<br>C_Max_1, C_NECI_0, C_ATT_0, TimingAdv( 0),<br>C_BABR_0, C_cch_1Comb, C_BPM_3,<br>C_T3212_0, C_ci_cellA, C_MCC_1, C_PLMN_1,<br>C_LAC_1, CellOpt_01, CellChDes_Omit,<br>CellChDes_Omit, C_CellReselectHys12,<br>C_MaxPwrLvIG, C_MaxPwrLvID,<br>BcchFreqLst_45, BcchFreqLst_02,<br>BcchFreqLst_03, BcchFreqLst_04,<br>C_Restablishment, C_BCC, C_NCC,<br>C_Start_Tmsi, TSPX_SDCCH4SubDef,<br>TSPX_CKSNDDef, TSPX_RANDDef, C_arfcnA,<br>C_arfcnAd, TSPX_IMSI, C_Test_nfh,<br>C_NCCP_2) |                                                                                                 |     |          |
| 4  |            | +CCConfigTCH_nociph( TSPX_TCHHSubDef,<br>C_Ass, TSPX_TmSltDef, TSPX_TscDef,<br>TimingAdv( 0), C_BABR_0, C_cch_1Comb,<br>C_BPM_3, TCV_ChMod.mode, FreqTCH_omit,<br>FreqTCH_omit, C_arfcn_tchA, C_arfcn_tchAd)                                                                                                                                                                                                                                                                                                                                                                                                         |                                                                                                 |     | 1.       |
| 5  |            | +Est_MO_Call( TimingAdv( 0), TCV_ChRate,<br>TSPX_RANDDef, TSPX_SDCCH4SubDef,<br>TSPX_TmSltDef, TSPX_TscDef,<br>TSPX_TCHHSubDef)                                                                                                                                                                                                                                                                                                                                                                                                                                                                                      |                                                                                                 |     | 2.       |
| 6  |            | (TCV_Null := OO_InitSS("#332#"))                                                                                                                                                                                                                                                                                                                                                                                                                                                                                                                                                                                     |                                                                                                 |     | 3.       |
| 7  | L_070<br>2 | L?DL_DatInCmsRq                                                                                                                                                                                                                                                                                                                                                                                                                                                                                                                                                                                                      | CMSerDatReq(<br>CMServiceReq_08)                                                                | (P) |          |
| 8  |            | L!DL_DatRqCmsAcp                                                                                                                                                                                                                                                                                                                                                                                                                                                                                                                                                                                                     | CMSerAcp(<br>TCV_chTch,<br>CMServiceAcp_01)                                                     |     |          |
| 9  |            | +localtree                                                                                                                                                                                                                                                                                                                                                                                                                                                                                                                                                                                                           |                                                                                                 |     |          |
| 10 | L_070<br>3 | <b>localtree</b><br>L?DL_DatInRegister ( TCV_TI1 :=<br>DL_DatInRegister.msg.ti, TCV_TI2 := TCV_TI1,<br>TCV_TI2.ti_f := '1'B, TCV_Comp :=<br>DL_DatInRegister.msg.fie.components_1, TCV_n :=<br>OC_PosinSet(TCV_Comp, DeactivateSS_06),<br>TCV_InvkId :=<br>OC_Asn1intToOct(TCV_Comp.[TCV_n].deactivateSS<br>Components.deactivateSS_InvokeComp.invokeID, 1))                                                                                                                                                                                                                                                         | Register_03(<br>RegisterPdu_03(<br>facilityIErcviei(<br>DeactivateSS_06)))                      | (P) |          |
| 11 |            | L!DL_DatRqFac                                                                                                                                                                                                                                                                                                                                                                                                                                                                                                                                                                                                        | FacilitySnd(TCV_chT<br>ch, FacilityPdu_25_ci(<br>TCV_TI2,<br>facilityIEtsnd(<br>GetPasswdSS_01( |     |          |

|    |            |                                                 |                                                                                                                       |     |    |
|----|------------|-------------------------------------------------|-----------------------------------------------------------------------------------------------------------------------|-----|----|
| 12 |            | (TCV_Res := OO_SSresultCHK(C_RegPswd))          | TCV_InvkId))))                                                                                                        |     |    |
| 13 | L_070<br>4 | [TCV_Res]                                       |                                                                                                                       | (P) |    |
| 14 |            | +localtree1                                     |                                                                                                                       |     |    |
| 15 | L_070<br>5 | [NOT TCV_Res]                                   |                                                                                                                       | (F) |    |
| 16 |            | +localtree1                                     |                                                                                                                       |     |    |
|    |            | <b>localtree1</b>                               |                                                                                                                       |     |    |
| 17 |            | (TCV_Null := OO_EnterPswd("1234"))              |                                                                                                                       |     | 4. |
| 18 |            | L?DL_DatInFac                                   | FacilityRcv(<br>FacilityPdu_26_ci(<br>TCV_TI1,<br>facilityIErcv(<br>GetPasswdRslt_01)))                               |     |    |
| 19 |            | LIDL_DatRqRelCmp                                | RelComSnd(TCV_ch<br>Tch,<br>ReleaseCmp_09(<br>TCV_TI2,<br>facilityIEtsndiei(<br>DeactivateSSErr_02(<br>TCV_InvkId)))) |     | 5. |
| 20 |            | (TCV_Res :=<br>OO_SSresultCHK(C_DeactBOICExHC)) |                                                                                                                       |     |    |
| 21 | L_070<br>6 | [TCV_Res]                                       |                                                                                                                       | (P) | 6. |
| 22 |            | +localtree2                                     |                                                                                                                       |     |    |
| 23 | L_070<br>7 | [NOT TCV_Res]                                   |                                                                                                                       | (F) |    |
| 24 |            | +localtree2                                     |                                                                                                                       |     |    |
|    |            | <b>localtree2</b>                               |                                                                                                                       |     |    |
| 25 |            | L!DL_DatRqCcstEnq                               | CCStESnd(<br>TCV_chTch,<br>CCStatusEq_01(<br>TCV_TI))                                                                 |     |    |
| 26 | L_070<br>8 | L?DL_DatInCcst                                  | CCStRcv(<br>TCV_chTch,<br>CCStatus_14(<br>TCV_TI0, C_U10))                                                            | (P) |    |
| 27 |            | +PostMainLinkRel(TCV_chTch)                     |                                                                                                                       |     |    |

**Detailed Comments:**

1. To setup traffic channel.
2. To establish a mobile originating call, bring the MS into state U10.
3. To initiate the deactivation supplementary service.
4. To enter password.
5. ReturnError indication negative password checking.
6. The user indication is correct, pass.

### Test Case Dynamic Behaviour

|                        |                                                                                                                                                                                                                                                                                                                                                                                                                                                                                                                                                                                                                                                                                                                                                                                                                                                                                                                                                                                                                                                                                                                                                                                                                                                                                   |
|------------------------|-----------------------------------------------------------------------------------------------------------------------------------------------------------------------------------------------------------------------------------------------------------------------------------------------------------------------------------------------------------------------------------------------------------------------------------------------------------------------------------------------------------------------------------------------------------------------------------------------------------------------------------------------------------------------------------------------------------------------------------------------------------------------------------------------------------------------------------------------------------------------------------------------------------------------------------------------------------------------------------------------------------------------------------------------------------------------------------------------------------------------------------------------------------------------------------------------------------------------------------------------------------------------------------|
| <b>Test Case Name:</b> | TC_31_8_6_1                                                                                                                                                                                                                                                                                                                                                                                                                                                                                                                                                                                                                                                                                                                                                                                                                                                                                                                                                                                                                                                                                                                                                                                                                                                                       |
| <b>Group:</b>          | GSM_L3_MS_v4200/SS/                                                                                                                                                                                                                                                                                                                                                                                                                                                                                                                                                                                                                                                                                                                                                                                                                                                                                                                                                                                                                                                                                                                                                                                                                                                               |
| <b>Purpose:</b>        | <p>1) To check that the MS correctly requests a supplementary service transaction for interrogation of a specific call barring service in CHANNEL REQUEST message.</p> <p>2) To check that the MS correctly requests a supplementary service transaction for interrogation of a call barring service in the subsequent CM-SERVICE REQUEST.</p> <p>3) To check that the MS sends a REGISTER message containing the invoke of the InterrogateSS operation with the expected parameter values for interrogation of one call restriction service.</p> <p>4) To check that upon receipt of FACILITY message requiring the password, the MS provides the appropriate user indication (as described by the manufacturer).</p> <p>5) To check that the MS is able to send a password by sending a FACILITY message in accordance to the user request (MMI actions).</p> <p>6) To check that upon receipt of the RELEASE COMPLETE message, the MS provides the appropriate user indication (which is to be described by the manufacturer).</p> <p>These checks are done for :</p> <p>a) BAIC, the result of the operation being a Basic Service code sent in a FACILITY message.</p> <p>b) BOICExHC, the result of the operation being a SS-status sent in a RELEASE COMPLETE message.</p> |
| <b>Default:</b>        | OtherEventsFail                                                                                                                                                                                                                                                                                                                                                                                                                                                                                                                                                                                                                                                                                                                                                                                                                                                                                                                                                                                                                                                                                                                                                                                                                                                                   |

| Nr | Label  | Behaviour Description                                                                                                                                                                                                                                                                                                                                                                                                                                                                                                                                                 | CRef                                                                                                                      | V   | Comments                |
|----|--------|-----------------------------------------------------------------------------------------------------------------------------------------------------------------------------------------------------------------------------------------------------------------------------------------------------------------------------------------------------------------------------------------------------------------------------------------------------------------------------------------------------------------------------------------------------------------------|---------------------------------------------------------------------------------------------------------------------------|-----|-------------------------|
| 1  |        | START T_guard(300)                                                                                                                                                                                                                                                                                                                                                                                                                                                                                                                                                    |                                                                                                                           |     |                         |
| 2  |        | +IdleUpdated( C_E_default, C_CellA, C_SCH_A, C_BCCH_A_1, C_ImmAss, C_S0, C_SlotNU, C_SlotNU, C_SlotNU, C_BCC, C_TxInt_5, C_Max_1, C_NECI_0, C_ATT_0, TimingAdv( 0), C_BABR_0, C_cch_1Comb, C_BPM_3, C_T3212_0, C_ci_cellA, C_MCC_1, C_PLMN_1, C_LAC_1, CellOpt_01, CellChDes_Omit, CellChDes_Omit, C_CellReselectHys12, C_MaxPwrLvlG, C_MaxPwrLvlD, BcchFreqLst_45, BcchFreqLst_02, BcchFreqLst_03, BcchFreqLst_04, C_Restablishment, C_BCC, C_NCC, C_Start_Tmsi, TSPX_SDCCH4SubDef, TSPX_CKSNDf, TSPX_RANDDef, C_arfcnA, C_arfcnAd, TSPX_IMSI, C_Test_nfh, C_NCCP_2) |                                                                                                                           |     |                         |
| 3  |        | (TCV_Null := OO_InitSS("#35#"))                                                                                                                                                                                                                                                                                                                                                                                                                                                                                                                                       |                                                                                                                           |     | 2.                      |
| 4  |        | +part1                                                                                                                                                                                                                                                                                                                                                                                                                                                                                                                                                                |                                                                                                                           |     |                         |
| 5  |        | (TCV_Null := OO_InitSS("#332#"))                                                                                                                                                                                                                                                                                                                                                                                                                                                                                                                                      |                                                                                                                           |     | 3.                      |
| 6  |        | +part2                                                                                                                                                                                                                                                                                                                                                                                                                                                                                                                                                                |                                                                                                                           |     |                         |
| 7  | L_0709 | <b>part1</b><br>L?DL_RacInChRq (TCV_Rr := DL_RacInChRq.msg.ecau_rrf, TCV_Fn := DL_RacInChRq.fn)<br>ACTIVATE(OtherEventsFail_02)                                                                                                                                                                                                                                                                                                                                                                                                                                       | ChReq(<br>ChRequest_04)                                                                                                   | (P) |                         |
| 8  |        | L!DL_UdatRqImmAss                                                                                                                                                                                                                                                                                                                                                                                                                                                                                                                                                     | ImmAss( TCV_agch, ImmAsgn_01Def( TCV_Rr, TCV_Fn, TSPX_SDCCH4SubDef, TCV_slot, TCV_tsc, TCV_chdescr_arfcn, TimingAdv( 0))) |     | To match ChReq retrans. |
| 10 | L_0710 | L?DL_EstInCmsRq                                                                                                                                                                                                                                                                                                                                                                                                                                                                                                                                                       | CMSerReq(<br>CMServiceReq_08)                                                                                             | (P) |                         |
| 11 |        | ACTIVATE(OtherEventsFail)                                                                                                                                                                                                                                                                                                                                                                                                                                                                                                                                             |                                                                                                                           |     | Restore Normal default  |
| 12 |        | L!DL_DatRqCmsAcp                                                                                                                                                                                                                                                                                                                                                                                                                                                                                                                                                      | CMSerAcp( TCV_ch, CMServiceAcp_01)                                                                                        |     |                         |
| 13 |        | +localtree                                                                                                                                                                                                                                                                                                                                                                                                                                                                                                                                                            |                                                                                                                           |     |                         |
| 14 | L_071  | <b>localtree</b><br>L?DL_DatInRegister ( TCV_TI :=                                                                                                                                                                                                                                                                                                                                                                                                                                                                                                                    | Register_03(                                                                                                              | (P) |                         |



|    |                                                                                                                                                                                                                                                                                                                                                                   |                                                                                                                                                 |                         |
|----|-------------------------------------------------------------------------------------------------------------------------------------------------------------------------------------------------------------------------------------------------------------------------------------------------------------------------------------------------------------------|-------------------------------------------------------------------------------------------------------------------------------------------------|-------------------------|
| 1  | DL_DatInRegister.msg.ti, TCV_TI0 := TCV_TI,<br>TCV_TI.ti_f := '1'B, TCV_Comp :=<br>DL_DatInRegister.msg.fie.components_1, TCV_n :=<br>OC_PosinSet(TCV_Comp, InterrogateSS_07),<br>TCV_Invkld :=<br>OC_Asn1intToOct(TCV_Comp.[TCV_n].interrogateSS<br>SComponents.interrogateSS_InvokeComp.invokeld,<br>1))                                                        | RegisterPdu_03(<br>facilityErcviei(<br>InterrogateSS_07)))                                                                                      |                         |
| 15 | L!DL_DatRqFac                                                                                                                                                                                                                                                                                                                                                     | FacilitySnd(TCV_ch,<br>FacilityPdu_25_ci(<br>TCV_TI,<br>facilityIEtsnd(<br>GetPasswdSS_01(<br>TCV_Invkld))))                                    |                         |
| 16 | (TCV_Res := OO_SSresultCHK(C_RegPswd))                                                                                                                                                                                                                                                                                                                            |                                                                                                                                                 |                         |
| 17 | L_071 [TCV_Res]                                                                                                                                                                                                                                                                                                                                                   |                                                                                                                                                 | (P)                     |
| 18 | +localtree1                                                                                                                                                                                                                                                                                                                                                       |                                                                                                                                                 |                         |
| 19 | L_071 [NOT TCV_Res]                                                                                                                                                                                                                                                                                                                                               |                                                                                                                                                 | (F)                     |
| 20 | +localtree1                                                                                                                                                                                                                                                                                                                                                       |                                                                                                                                                 |                         |
| 21 | <b>localtree1</b><br>(TCV_Null := OO_EnterPswd("1234"))                                                                                                                                                                                                                                                                                                           |                                                                                                                                                 | 4.                      |
| 22 | L?DL_DatInFac                                                                                                                                                                                                                                                                                                                                                     | FacilityRcv(<br>FacilityPdu_26_ci(<br>TCV_TI0,<br>facilityIErcv(<br>GetPasswdRslt_01)))                                                         |                         |
| 23 | L!DL_DatRqRelCmp                                                                                                                                                                                                                                                                                                                                                  | RelComSnd(<br>TCV_ch,<br>ReleaseCmp_09(<br>TCV_TI,<br>facilityIEtsndie(<br>InterrogateSSRslt_03(<br>TCV_Invkld))))                              |                         |
| 24 | +PostMainLinkRel(TCV_ch)                                                                                                                                                                                                                                                                                                                                          |                                                                                                                                                 |                         |
| 25 | <b>part2</b><br>L?DL_RaInChRq (TCV_Rr := DL_RaInChRq.<br>msg.eau_rrf, TCV_Fn := DL_RaInChRq.fn)                                                                                                                                                                                                                                                                   | ChReq(<br>ChRequest_04)                                                                                                                         | (P)                     |
| 26 | ACTIVATE(OtherEventsFail_02)                                                                                                                                                                                                                                                                                                                                      |                                                                                                                                                 | To match ChReq retrans. |
| 27 | L!DL_UdatRqImmss                                                                                                                                                                                                                                                                                                                                                  | ImmAss( TCV_agch,<br>ImmAsgn_01Def(<br>TCV_Rr, TCV_Fn,<br>TSPX_SDCCH4SubD<br>ef, TCV_slot,<br>TCV_tsc,<br>TCV_chdescr_arfcn,<br>TimingAdv( 0))) |                         |
| 28 | L_071 L?DL_EstInCmsRq                                                                                                                                                                                                                                                                                                                                             | CMSerReq(<br>CMSerReq_08)                                                                                                                       | (P)                     |
| 29 | ACTIVATE(OtherEventsFail)                                                                                                                                                                                                                                                                                                                                         |                                                                                                                                                 | Restore Normal default  |
| 30 | L!DL_DatRqCmsAcp                                                                                                                                                                                                                                                                                                                                                  | CMSerAcp( TCV_ch,<br>CMSerReq_01)                                                                                                               |                         |
| 31 | +localtree2                                                                                                                                                                                                                                                                                                                                                       |                                                                                                                                                 |                         |
| 32 | <b>localtree2</b><br>L?DL_DatInRegister ( TCV_TI :=<br>DL_DatInRegister.msg.ti, TCV_TI0 := TCV_TI,<br>TCV_TI.ti_f := '1'B, TCV_Comp :=<br>DL_DatInRegister.msg.fie.components_1, TCV_n :=<br>OC_PosinSet(TCV_Comp, InterrogateSS_08),<br>TCV_Invkld :=<br>OC_Asn1intToOct(TCV_Comp.[TCV_n].interrogateSS<br>SComponents.interrogateSS_InvokeComp.invokeld,<br>1)) | Register_03(<br>RegisterPdu_03(<br>facilityIErcviei(<br>InterrogateSS_08)))                                                                     | (P)                     |
| 33 | L!DL_DatRqFac                                                                                                                                                                                                                                                                                                                                                     | FacilitySnd(TCV_ch,<br>FacilityPdu_25_ci(<br>TCV_TI,<br>facilityIEtsnd(<br>GetPasswdSS_01(<br>TCV_Invkld))))                                    |                         |

|    |            |                                                    |                                                                                                                   |     |
|----|------------|----------------------------------------------------|-------------------------------------------------------------------------------------------------------------------|-----|
| 34 |            | (TCV_Res := OO_SSresultCHK(C_RegPswd))             |                                                                                                                   |     |
| 35 | L_071<br>7 | [TCV_Res]                                          |                                                                                                                   | (P) |
| 36 |            | +localtree3                                        |                                                                                                                   |     |
| 37 | L_071<br>8 | [NOT TCV_Res]                                      |                                                                                                                   | (F) |
| 38 |            | +localtree3                                        |                                                                                                                   |     |
|    |            | <b>localtree3</b>                                  |                                                                                                                   |     |
| 39 |            | (TCV_Null := OO_EnterPswd("1234"))                 |                                                                                                                   |     |
| 40 | L_071<br>9 | L?DL_DatInFac                                      | FacilityRcv(<br>FacilityPdu_26_ci(<br>TCV_TI0,<br>facilityIercv(<br>GetPasswdRslt_01)))                           | (P) |
| 41 |            | L!DL_DatRqRelCmp                                   | RelComSnd(<br>TCV_ch,<br>ReleaseCmp_09(<br>TCV_TI,<br>facilityIEtsndie(<br>InterrogateSSRslt_04(<br>TCV_Invkld))) |     |
| 42 |            | (TCV_Res :=<br>OO_SSresultCHK(C_InterrogBOICExHC)) |                                                                                                                   |     |
| 43 | L_072<br>0 | [TCV_Res]                                          |                                                                                                                   | (P) |
| 44 |            | +PostMainLinkRel(TCV_ch)                           |                                                                                                                   |     |
| 45 | L_072<br>1 | [NOT TCV_Res]                                      |                                                                                                                   | (F) |
| 46 |            | +PostMainLinkRel(TCV_ch)                           |                                                                                                                   |     |

**Detailed Comments:**

1. To setup physical channel as BCCH, CCCH and SDCCH4.
2. To initiate Interrogation for BAIC.
3. To initiate Interrogation for BOICExHC.
4. To send GetPassword invocation to the MS.
5. To enter password at the MMI.

### Test Case Dynamic Behaviour

|                        |                                                                                                                                                                                                                                                                                                                                                                                                                                                                                                                                                                                                                                                                                                                                                                                                                                                                                                                                                                                                                                                                                                                                            |
|------------------------|--------------------------------------------------------------------------------------------------------------------------------------------------------------------------------------------------------------------------------------------------------------------------------------------------------------------------------------------------------------------------------------------------------------------------------------------------------------------------------------------------------------------------------------------------------------------------------------------------------------------------------------------------------------------------------------------------------------------------------------------------------------------------------------------------------------------------------------------------------------------------------------------------------------------------------------------------------------------------------------------------------------------------------------------------------------------------------------------------------------------------------------------|
| <b>Test Case Name:</b> | TC_31_8_6_2                                                                                                                                                                                                                                                                                                                                                                                                                                                                                                                                                                                                                                                                                                                                                                                                                                                                                                                                                                                                                                                                                                                                |
| <b>Group:</b>          | GSM_L3_MS_v4200/SS/                                                                                                                                                                                                                                                                                                                                                                                                                                                                                                                                                                                                                                                                                                                                                                                                                                                                                                                                                                                                                                                                                                                        |
| <b>Purpose:</b>        | <p>1) To check that the MS correctly requests the establishment of a parallel MM transaction for supplementary service transaction of interrogation of a specific call barring service message, sending a CM-SERVICE REQUEST.</p> <p>2) To check that the MS sends a REGISTER message containing the invoke of the InterrogateSS operation with the expected parameter values for interrogation of call barring.</p> <p>3) To check that upon receipt of the RELEASE COMPLETE message related to the present SS transaction, the first transaction remains unaffected.</p> <p>4) To check that upon receipt of the RELEASE COMPLETE message, the MS provides the appropriate user indication (as described by the Manufacturer).</p> <p>These checks are performed with a call transaction already established for :</p> <p>a) BICRoam, the RELEASE COMPLETE message being sent with a facility IE containing a return_error(error) where error is "SS not available".</p> <p>b) BOIC, the RELEASE COMPLETE message being sent with a facility IE containing a reject(involve_problem) where involve_problem is "resource limitation".</p> |
| <b>Default:</b>        | OtherEventsFail                                                                                                                                                                                                                                                                                                                                                                                                                                                                                                                                                                                                                                                                                                                                                                                                                                                                                                                                                                                                                                                                                                                            |

| Nr | Label | Behaviour Description                                                                                                                                                                                                                                                                                                                                                                                                                                                                                                                                                | CRef                                                              | V | Comments |
|----|-------|----------------------------------------------------------------------------------------------------------------------------------------------------------------------------------------------------------------------------------------------------------------------------------------------------------------------------------------------------------------------------------------------------------------------------------------------------------------------------------------------------------------------------------------------------------------------|-------------------------------------------------------------------|---|----------|
| 1  |       | START T_guard(300)                                                                                                                                                                                                                                                                                                                                                                                                                                                                                                                                                   |                                                                   |   |          |
| 2  |       | +BasicServiceMO( TSPX_MOBscSvch, TSPX_MOChRateH)                                                                                                                                                                                                                                                                                                                                                                                                                                                                                                                     |                                                                   |   |          |
| 3  |       | +IdleUpdated( C_E_default, C_CellA, C_SCH_A, C_BCCH_A_1, C_Immss, C_S0, C_SlotNU, C_SlotNU, C_SlotNU, C_BCC, C_TxInt_5, C_Max_1, C_NECI_0, C_ATT_0, TimingAdv( 0), C_BABR_0, C_cch_1Comb, C_BPM_3, C_T3212_0, C_ci_cellA, C_MCC_1, C_PLMN_1, C_LAC_1, CellOpt_01, CellChDes_Omit, CellChDes_Omit, C_CellReselectHys12, C_MaxPwrLvlG, C_MaxPwrLvlD, BcchFreqLst_45, BcchFreqLst_02, BcchFreqLst_03, BcchFreqLst_04, C_Restablishment, C_BCC, C_NCC, C_Start_Tmsi, TSPX_SDCCH4SubDef, TSPX_CKSNDf, TSPX_RANDDef, C_arfcnA, C_arfcnAd, TSPX_IMSI, C_Test_nfh, C_NCCP_2) |                                                                   |   |          |
| 4  |       | +CCConfigTCH_nociph( TSPX_TCHHSubDef, C_Ass, TSPX_TmSlitDef, TSPX_TscDef, TimingAdv( 0), C_BABR_0, C_cch_1Comb, C_BPM_3, TCV_ChMod.mode, FreqTCH_omit, FreqTCH_omit, C_arfcn_tchA, C_arfcn_tchAd)                                                                                                                                                                                                                                                                                                                                                                    |                                                                   |   | 1.       |
| 5  |       | +Est_MO_Call( TimingAdv( 0), TCV_ChRate, TSPX_RANDDef, TSPX_SDCCH4SubDef, TSPX_TmSlitDef, TSPX_TscDef, TSPX_TCHHSubDef)                                                                                                                                                                                                                                                                                                                                                                                                                                              |                                                                   |   | 2.       |
| 6  |       | (TCV_Null := OO_InitSS("**#351#"))                                                                                                                                                                                                                                                                                                                                                                                                                                                                                                                                   |                                                                   |   | 3.       |
| 7  |       | +part1                                                                                                                                                                                                                                                                                                                                                                                                                                                                                                                                                               |                                                                   |   |          |
| 8  |       | (TCV_Null := OO_InitSS( "**#331#"))                                                                                                                                                                                                                                                                                                                                                                                                                                                                                                                                  |                                                                   |   | 4.       |
| 9  |       | +part2                                                                                                                                                                                                                                                                                                                                                                                                                                                                                                                                                               |                                                                   |   |          |
|    |       | <b>part1</b>                                                                                                                                                                                                                                                                                                                                                                                                                                                                                                                                                         |                                                                   |   |          |
| 10 |       | L?DL_DatInCmsRq                                                                                                                                                                                                                                                                                                                                                                                                                                                                                                                                                      | CMSerDatReq( CMServiceReq_08)                                     |   |          |
| 11 |       | LIDL_DatRqCmsAcp                                                                                                                                                                                                                                                                                                                                                                                                                                                                                                                                                     | CMSerAcp( TCV_chTch, CMServiceAcp_01)                             |   |          |
| 12 |       | +localtree                                                                                                                                                                                                                                                                                                                                                                                                                                                                                                                                                           |                                                                   |   |          |
|    |       | <b>localtree</b>                                                                                                                                                                                                                                                                                                                                                                                                                                                                                                                                                     |                                                                   |   |          |
| 13 |       | L?DL_DatInRegister ( TCV_TI1 := DL_DatInRegister.msg.ti, TCV_TI2 := TCV_TI1, TCV_TI2.ti.f := '1'B, TCV_Comp := DL_DatInRegister.msg.fie.components_1, TCV_n :=                                                                                                                                                                                                                                                                                                                                                                                                       | Register_03( RegisterPdu_03( facilityIErcvie( InterrogateSS_05))) |   |          |

|                           |            |                                                                                                                                                                                                                                                                                                                                                                     |                                                                                                                        |     |
|---------------------------|------------|---------------------------------------------------------------------------------------------------------------------------------------------------------------------------------------------------------------------------------------------------------------------------------------------------------------------------------------------------------------------|------------------------------------------------------------------------------------------------------------------------|-----|
| 14                        |            | OC_PosinSet(TCV_Comp, InterrogateSS_05),<br>TCV_Invkld :=<br>OC_Asn1intToOct(TCV_Comp.[TCV_n].interrogateS<br>SComponents.interrogateSS_InvokeComp.invokeID,<br>1))<br>L!DL_DatRqRelCmp                                                                                                                                                                             | RelComSnd(<br>TCV_chTch,<br>ReleaseCmp_09(<br>TCV_TI2,<br>facilitylEtsndiei(<br>InterrogateSSErr_02(<br>TCV_Invkld)))) |     |
| 15                        |            | L!DL_DatRqCcstEnq                                                                                                                                                                                                                                                                                                                                                   | CCStESnd(<br>TCV_chTch,<br>CCStatusEq_01(<br>TCV_TI))                                                                  |     |
| 16                        | L_072<br>2 | L?DL_DatInCcst                                                                                                                                                                                                                                                                                                                                                      | CCStRcv(<br>TCV_chTch,<br>CCStatus_14(<br>TCV_TI0, C_U10))                                                             | (P) |
| 17                        |            | <b>part2</b><br>L?DL_DatInCmsRq                                                                                                                                                                                                                                                                                                                                     | CMSerDatReq(<br>CMServiceReq_08)                                                                                       |     |
| 18                        |            | L!DL_DatRqCmsAcp                                                                                                                                                                                                                                                                                                                                                    | CMSerAcp(<br>TCV_chTch,<br>CMServiceAcp_01)                                                                            |     |
| 19                        |            | +localtree1                                                                                                                                                                                                                                                                                                                                                         |                                                                                                                        |     |
| 20                        |            | <b>localtree1</b><br>L?DL_DatInRegister ( TCV_TI1 :=<br>DL_DatInRegister.msg.ti, TCV_TI2 := TCV_TI1,<br>TCV_TI2.ti_f := '1'B, TCV_Comp :=<br>DL_DatInRegister.msg.fie.components_1, TCV_n :=<br>OC_PosinSet(TCV_Comp, InterrogateSS_06),<br>TCV_Invkld :=<br>OC_Asn1intToOct(TCV_Comp.[TCV_n].interrogateS<br>SComponents.interrogateSS_InvokeComp.invokeID,<br>1)) | Register_03(<br>RegisterPdu_03(<br>facilitylErcviei(<br>InterrogateSS_06)))                                            |     |
| 21                        |            | L!DL_DatRqRelCmp                                                                                                                                                                                                                                                                                                                                                    | RelComSnd(<br>TCV_chTch,<br>ReleaseCmp_09(<br>TCV_TI2,<br>facilitylEtsndiei(<br>InterrogateSSRej_02(<br>TCV_Invkld)))) |     |
| 22                        |            | (TCV_Res := OO_SSresultCHK(C_InterrogBOIC))                                                                                                                                                                                                                                                                                                                         |                                                                                                                        |     |
| 23                        | L_072<br>3 | [TCV_Res]                                                                                                                                                                                                                                                                                                                                                           |                                                                                                                        | (P) |
| 24                        |            | L!DL_DatRqCcstEnq                                                                                                                                                                                                                                                                                                                                                   | CCStESnd(<br>TCV_chTch,<br>CCStatusEq_01(<br>TCV_TI))                                                                  |     |
| 25                        | L_072<br>4 | L?DL_DatInCcst                                                                                                                                                                                                                                                                                                                                                      | CCStRcv(<br>TCV_chTch,<br>CCStatus_14(<br>TCV_TI0, C_U10))                                                             | (P) |
| 26                        |            | +PostMainLinkRel(TCV_chTch)                                                                                                                                                                                                                                                                                                                                         |                                                                                                                        |     |
| 27                        | L_072<br>5 | [NOT TCV_Res]                                                                                                                                                                                                                                                                                                                                                       |                                                                                                                        | (F) |
| 28                        |            | L!DL_DatRqCcstEnq                                                                                                                                                                                                                                                                                                                                                   | CCStESnd(<br>TCV_chTch,<br>CCStatusEq_01(<br>TCV_TI))                                                                  |     |
| 29                        | L_072<br>6 | L?DL_DatInCcst                                                                                                                                                                                                                                                                                                                                                      | CCStRcv(<br>TCV_chTch,<br>CCStatus_14(<br>TCV_TI0, C_U10))                                                             | (P) |
| 30                        |            | +PostMainLinkRel(TCV_chTch)                                                                                                                                                                                                                                                                                                                                         |                                                                                                                        |     |
| <b>Detailed Comments:</b> |            | <ol style="list-style-type: none"> <li>1. To setup traffic channel.</li> <li>2. To establish a mobile originating call.</li> <li>3. To initiate an interrogation for BICRoam.</li> <li>4. To initiate an interrogation for BOIC.</li> </ol>                                                                                                                         |                                                                                                                        |     |



| Test Case Dynamic Behaviour |            |                                                                                                                                                                                                                                                                                                                                                                                                                                                                                                                                                                                                                      |                                                                                                                                                 |     |                         |
|-----------------------------|------------|----------------------------------------------------------------------------------------------------------------------------------------------------------------------------------------------------------------------------------------------------------------------------------------------------------------------------------------------------------------------------------------------------------------------------------------------------------------------------------------------------------------------------------------------------------------------------------------------------------------------|-------------------------------------------------------------------------------------------------------------------------------------------------|-----|-------------------------|
| <b>Test Case Name:</b>      |            | TC_31_8_7                                                                                                                                                                                                                                                                                                                                                                                                                                                                                                                                                                                                            |                                                                                                                                                 |     |                         |
| <b>Group:</b>               |            | GSM_L3_MS_v4200/SS/                                                                                                                                                                                                                                                                                                                                                                                                                                                                                                                                                                                                  |                                                                                                                                                 |     |                         |
| <b>Purpose:</b>             |            | To check that upon receipt of the RELEASE COMPLETE message the MS provides the appropriate user indication (as described by the manufacturer).                                                                                                                                                                                                                                                                                                                                                                                                                                                                       |                                                                                                                                                 |     |                         |
| <b>Default:</b>             |            | OtherEventsFail                                                                                                                                                                                                                                                                                                                                                                                                                                                                                                                                                                                                      |                                                                                                                                                 |     |                         |
| <b>Default:</b>             |            | This is tested in the case of barring of incoming calls.                                                                                                                                                                                                                                                                                                                                                                                                                                                                                                                                                             |                                                                                                                                                 |     |                         |
| Nr                          | Label      | Behaviour Description                                                                                                                                                                                                                                                                                                                                                                                                                                                                                                                                                                                                | CRef                                                                                                                                            | V   | Comments                |
| 1                           |            | START T_guard(300)                                                                                                                                                                                                                                                                                                                                                                                                                                                                                                                                                                                                   |                                                                                                                                                 |     |                         |
| 2                           |            | +BasicServiceMO( TSPX_MOBscSvcB,<br>TSPX_MOChRateB)                                                                                                                                                                                                                                                                                                                                                                                                                                                                                                                                                                  |                                                                                                                                                 |     |                         |
| 3                           |            | +IdleUpdated( C_E_default, C_CellA, C_SCH_A,<br>C_BCCH_A_1, C_Immass, C_S0, C_SlotNU,<br>C_SlotNU, C_SlotNU, C_BCC, C_TxInt_5,<br>C_Max_1, C_NECI_0, C_ATT_0, TimingAdv( 0),<br>C_BABR_0, C_cch_1Comb, C_BPM_3,<br>C_T3212_0, C_ci_cellA, C_MCC_1, C_PLMN_1,<br>C_LAC_1, CellOpt_01, CellChDes_Omit,<br>CellChDes_Omit, C_CellReselectHys12,<br>C_MaxPwrLvlG, C_MaxPwrLvlD,<br>BcchFreqLst_45, BcchFreqLst_02,<br>BcchFreqLst_03, BcchFreqLst_04,<br>C_Restablishment, C_BCC, C_NCC,<br>C_Start_Tmsi, TSPX_SDCCH4SubDef,<br>TSPX_CKSNDDef, TSPX_RANDDef, C_arfcnA,<br>C_arfcnAd, TSPX_IMSI, C_Test_nfh,<br>C_NCCP_2) |                                                                                                                                                 |     |                         |
| 4                           |            | +CCConfigTCH_nociph( TSPX_TCHHSubDef,<br>C_Ass, TSPX_TmSlitDef, TSPX_TscDef,<br>TimingAdv( 0), C_BABR_0, C_cch_1Comb,<br>C_BPM_3, TCV_ChMod.mode, FreqTCH_omit,<br>FreqTCH_omit, C_arfcn_tchA, C_arfcn_tchAd)                                                                                                                                                                                                                                                                                                                                                                                                        |                                                                                                                                                 |     |                         |
| 5                           |            | +InitCall(TCV_Service)                                                                                                                                                                                                                                                                                                                                                                                                                                                                                                                                                                                               |                                                                                                                                                 |     |                         |
| 6                           |            | L?DL_RacInChRq (TCV_Rr :=<br>DL_RacInChRq.msg.ecau_rrf, TCV_Fn :=<br>DL_RacInChRq.fn)                                                                                                                                                                                                                                                                                                                                                                                                                                                                                                                                | ChReq(<br>ChRequest_15)                                                                                                                         |     |                         |
| 7                           |            | ACTIVATE( OtherEventsFail_02)                                                                                                                                                                                                                                                                                                                                                                                                                                                                                                                                                                                        |                                                                                                                                                 |     | To match ChReq retrans. |
| 8                           |            | LIDL_UdatRqImmass                                                                                                                                                                                                                                                                                                                                                                                                                                                                                                                                                                                                    | ImmAss( TCV_agch,<br>ImmAsgn_01Def(<br>TCV_Rr, TCV_Fn,<br>TSPX_SDCCH4SubD<br>ef, TCV_slot,<br>TCV_tsc,<br>TCV_chdescr_arfcn,<br>TimingAdv( 0))) |     |                         |
| 9                           |            | L?DL_EstInCmsRq                                                                                                                                                                                                                                                                                                                                                                                                                                                                                                                                                                                                      | CMSerReq(<br>CMSerReq_01)                                                                                                                       |     |                         |
| 10                          |            | ACTIVATE( OtherEventsFail)                                                                                                                                                                                                                                                                                                                                                                                                                                                                                                                                                                                           |                                                                                                                                                 |     | Restore Normal default  |
| 11                          |            | LIDL_DatRqCmsAcp                                                                                                                                                                                                                                                                                                                                                                                                                                                                                                                                                                                                     | CMSerAcp( TCV_ch,<br>CMSerReq_01)                                                                                                               |     |                         |
| 12                          |            | +RcvSetupOrEsetup(<br>TCV_Setup_mo, TCV_Esetup,<br>TCV_Ecall)                                                                                                                                                                                                                                                                                                                                                                                                                                                                                                                                                        |                                                                                                                                                 |     |                         |
| 13                          |            | LIDL_DatRqRelCmp                                                                                                                                                                                                                                                                                                                                                                                                                                                                                                                                                                                                     | RelComSnd(<br>TCV_ch,<br>ReleaseCmp_09(<br>TCV_TI,<br>facility Etsndiei(<br>NotificationSS_05)))                                                |     |                         |
| 14                          |            | (TCV_Res :=<br>OO_SSresultCHK(<br>C_NotifyBI))                                                                                                                                                                                                                                                                                                                                                                                                                                                                                                                                                                       |                                                                                                                                                 |     |                         |
| 15                          | L_072<br>7 | [TCV_Res]                                                                                                                                                                                                                                                                                                                                                                                                                                                                                                                                                                                                            |                                                                                                                                                 | (P) |                         |
| 16                          |            | +PostMainLinkRel(TCV<br>_ch)                                                                                                                                                                                                                                                                                                                                                                                                                                                                                                                                                                                         |                                                                                                                                                 |     |                         |
| 17                          | L_072<br>8 | [NOT TCV_Res]                                                                                                                                                                                                                                                                                                                                                                                                                                                                                                                                                                                                        |                                                                                                                                                 | (F) |                         |
| 18                          |            | +PostMainLinkRel(TCV<br>_ch)                                                                                                                                                                                                                                                                                                                                                                                                                                                                                                                                                                                         |                                                                                                                                                 |     |                         |

Detailed Comments:

**Test Case Dynamic Behaviour**

**Test Case Name:** TC\_31\_9\_1\_1  
**Group:** GSM\_L3\_MS\_v4200/SS/  
**Purpose:** 1)To verify that the mobile station invokes an USSD request by sending a REGISTER message to the network containing a ProcessUnstructuredSS-Request invoke component. This message will contain the alphabet indicator set to "SMS default alphabet" and the language indicator set to "language unspecified". The ussd-string parameter shall contain the following digits and symbols depending on the operation initiated:

Activation \*NN(N)# (no supplementary information included)  
 \*NN(N)\*SI#(one field of supplementary information included)  
 \*NN(N)\*SIA\*SIB#(two fields of supplementary information included)

Deactivation #NN(N)# (no supplementary information included)  
 #NN(N)\*SI#(one field of supplementary information included)  
 #NN(N)\*SIA\*SIB#(two fields of supplementary information included)

Interrogation \*#NN(N)# (no supplementary information included)  
 \*#NN(N)\*SI#(one field of supplementary information included)  
 \*#NN(N)\*SIA\*SIB#(two fields of supplementary information included)

Registration \*\*NN(N)# (no supplementary information included)  
 \*\*NN(N)\*SI#(one field of supplementary information included)  
 \*\*NN(N)\*SIA\*SIB#(two fields of supplementary information included)

Erasure ##NN(N)# (no supplementary information included)  
 ##NN(N)\*SI#(one field of supplementary information included)  
 ##NN(N)\*SIA\*SIB#(two fields of supplementary information included)

Operations not yet defined in GSM 02.30 (see 2)

NN(N) features a set of service codes which have not yet been allocated for GSM supplementary services (see GSM 02.30 for service codes already specified).  
 N is a digit within 1..9 and SI, SIA, SIB strings of characters.

2)To check that the entry of 1 or 2 characters defined in the GSM 03.38 default alphabet followed by "SEND" shall be interpreted by the MS as an USSD request unless the MS is not engaged in a call and the first of the two character entry followed by "SEND " is a "1".

3) To verify that, for supplementary service procedures independent of any call, the initiating side must establish a MM-connection between the network and the mobile station according to the rules in TS GSM 4.07 and 4.08.

4) To verify that, within a call the MS shall transmit a USSD request if any. See TS GSM 4.07 and 4.08 for the handling of multiple MM connections.

5) To check that upon receipt of the RELEASE COMPLETE message, the MS shall display the information contained to the user in a way described by the manufacturer.

**Default:** OtherEventsFail

| Nr | Label | Behaviour Description                                                                                                                                                                                                                                                                                                                                                                                                                                                                                                                                                   | CRef | V | Comments |
|----|-------|-------------------------------------------------------------------------------------------------------------------------------------------------------------------------------------------------------------------------------------------------------------------------------------------------------------------------------------------------------------------------------------------------------------------------------------------------------------------------------------------------------------------------------------------------------------------------|------|---|----------|
| 1  |       | START T_guard(300)                                                                                                                                                                                                                                                                                                                                                                                                                                                                                                                                                      |      |   |          |
| 2  |       | +BasicServiceMO( TSPX_MOBscSvcC, C_Full)                                                                                                                                                                                                                                                                                                                                                                                                                                                                                                                                |      |   |          |
| 3  |       | +IdleUpdated( C_E_default, C_CellA, C_SCH_A, C_BCCH_A_1, C_Immss, C_S0, C_SlotNU, C_SlotNU, C_SlotNU, C_BCC, C_TxInt_5, C_Max_1, C_NECI_0, C_ATT_0, TimingAdv( 0), C_BABR_0, C_cch_1Comb, C_BPM_3, C_T3212_0, C_ci_cellA, C_MCC_1, C_PLMN_1, C_LAC_1, CellOpt_01, CellChDes_Omit, CellChDes_Omit, C_CellReselectHys12, C_MaxPwrLvIG, C_MaxPwrLvID, BcchFreqLst_45, BcchFreqLst_02, BcchFreqLst_03, BcchFreqLst_04, C_Restablishment, C_BCC, C_NCC, C_Start_Tmsi, TSPX_SDCCCH4SubDef, TSPX_CKSNDDef, TSPX_RANDDef, C_arfcnA, C_arfcnAd, TSPX_IMSI, C_Test_nfh, C_NCCP_2) |      |   |          |



|    |                                                                                                                                                                                                               |                                                                                                                                                 |                                                                |
|----|---------------------------------------------------------------------------------------------------------------------------------------------------------------------------------------------------------------|-------------------------------------------------------------------------------------------------------------------------------------------------|----------------------------------------------------------------|
| 4  | +CCConfigTCH_nociph( TSPX_TCHHSubDef,<br>C_Ass, TSPX_TmSlitDef, TSPX_TscDef,<br>TimingAdv( 0), C_BABR_0, C_cch_1Comb,<br>C_BPM_3, TCV_ChMod.mode, FreqTCH_omit,<br>FreqTCH_omit, C_arfcn_tchA, C_arfcn_tchAd) |                                                                                                                                                 |                                                                |
| 5  | (TCV_PreviousOctets:= 'A2120201'O,<br>TCV_FollowingOctets:=<br>'300E02013B0FC6F038CD4ED3F391E712'O,<br>TCV_counter_c:=1, TCV_counter_k:=1)                                                                    |                                                                                                                                                 | USSD String for<br>FACILITY message<br>(random): "Facility OK" |
| 6  | REPEAT ltree_c_loop UNTIL<br>[TCV_counter_c>17]                                                                                                                                                               |                                                                                                                                                 |                                                                |
|    | <b>ltree_c_loop</b>                                                                                                                                                                                           |                                                                                                                                                 |                                                                |
| 7  | +ltreeSetLoopParameters                                                                                                                                                                                       |                                                                                                                                                 |                                                                |
| 8  | (TCV_Null:=OO_InitSS(TCV_UssdString))                                                                                                                                                                         |                                                                                                                                                 |                                                                |
| 9  | +ltree_MMConnection                                                                                                                                                                                           |                                                                                                                                                 |                                                                |
| 10 | L?DL_EstInCmsRq                                                                                                                                                                                               | CMSerReq(<br>CMServiceReq_08)                                                                                                                   |                                                                |
| 11 | ACTIVATE(OtherEventsFail)                                                                                                                                                                                     |                                                                                                                                                 | Restore Normal default                                         |
| 12 | +ltree_UssdOperation(TCV_ch)                                                                                                                                                                                  |                                                                                                                                                 |                                                                |
| 13 | +PostMainLinkRel(TCV_ch)                                                                                                                                                                                      |                                                                                                                                                 |                                                                |
| 14 | +ltree_continue                                                                                                                                                                                               |                                                                                                                                                 |                                                                |
|    | <b>ltree_continue</b>                                                                                                                                                                                         |                                                                                                                                                 |                                                                |
| 15 | +ltree_MsOrigCall                                                                                                                                                                                             |                                                                                                                                                 |                                                                |
| 16 | (TCV_Null := OO_InitSS(TCV_UssdString))                                                                                                                                                                       |                                                                                                                                                 |                                                                |
| 17 | +DTMFSignalling( OC_LengthOfString(<br>TCV_UssdString), TCV_TI0, TCV_TI,<br>TCV_chTch)                                                                                                                        |                                                                                                                                                 |                                                                |
| 18 | L?DL_DatInCmsRq                                                                                                                                                                                               | CMSerDatReq(<br>CMServiceReq_08)                                                                                                                |                                                                |
| 19 | +ltree_UssdOperation(TCV_chTch)                                                                                                                                                                               |                                                                                                                                                 |                                                                |
| 20 | L!DL_DatRqDisc                                                                                                                                                                                                | DiscSnd(<br>TCV_chTch,<br>DisconnS( TCV_TI,<br>Cause_01,<br>ProgInd_omit,<br>UuInfo_omit))                                                      |                                                                |
| 21 | L?DL_DatInRel                                                                                                                                                                                                 | ReleaseRcv(<br>Release_02)                                                                                                                      |                                                                |
| 22 | L!DL_DatRqRelCmp                                                                                                                                                                                              | RelComSnd(<br>TCV_chTch,<br>ReleaseCmp_08(<br>TCV_TI))                                                                                          |                                                                |
| 23 | +PostMainLinkRel(TCV_chTch)                                                                                                                                                                                   |                                                                                                                                                 |                                                                |
| 24 | (TCV_counter_c :=<br>TCV_counter_c+1)                                                                                                                                                                         |                                                                                                                                                 |                                                                |
|    | <b>ltree_MMConnection</b>                                                                                                                                                                                     |                                                                                                                                                 |                                                                |
| 25 | L?DL_RaInChRq (TCV_Rr := DL_RaInChRq.<br>msg.ecau_rrf, TCV_Fn := DL_RaInChRq.fn)                                                                                                                              | ChReq(<br>ChRequest_15)                                                                                                                         |                                                                |
| 26 | ACTIVATE(OtherEventsFail_02)                                                                                                                                                                                  |                                                                                                                                                 | To match ChReq retrans.                                        |
| 27 | L!DL_UdatRqImmch                                                                                                                                                                                              | ImmAss( TCV_agch,<br>ImmAsgn_01Def(<br>TCV_Rr, TCV_Fn,<br>TSPX_SDCCH4SubD<br>ef, TCV_slot,<br>TCV_tsc,<br>TCV_chdescr_arfcn,<br>TimingAdv( 0))) |                                                                |
|    | <b>ltree_MsOrigCall</b>                                                                                                                                                                                       |                                                                                                                                                 |                                                                |
| 28 | +InitCall(TCV_Service)                                                                                                                                                                                        |                                                                                                                                                 |                                                                |
| 29 | L?DL_RaInChRq (TCV_Rr := DL_RaInChRq.<br>msg.ecau_rrf, TCV_Fn := DL_RaInChRq.fn)                                                                                                                              | ChReq(<br>ChRequest_15)                                                                                                                         |                                                                |
| 30 | ACTIVATE(OtherEventsFail_02)                                                                                                                                                                                  |                                                                                                                                                 | To match ChReq retrans.                                        |
| 31 | L!DL_UdatRqImmch                                                                                                                                                                                              | ImmAss( TCV_agch,<br>ImmAsgn_01Def(<br>TCV_Rr, TCV_Fn,<br>TSPX_SDCCH4SubD<br>ef, TCV_slot,                                                      |                                                                |

|    |                                                                                                                                                                                                                                                                                                                                                                                                              |                                                                                                                                                                       |                                                     |
|----|--------------------------------------------------------------------------------------------------------------------------------------------------------------------------------------------------------------------------------------------------------------------------------------------------------------------------------------------------------------------------------------------------------------|-----------------------------------------------------------------------------------------------------------------------------------------------------------------------|-----------------------------------------------------|
| 32 | L?DL_EstInCmsRq                                                                                                                                                                                                                                                                                                                                                                                              | TCV_tsc,<br>TCV_chdescr_arfcn,<br>TimingAdv( 0)))<br>CMSerReq(<br>CMServiceReq_01)                                                                                    |                                                     |
| 33 | ACTIVATE(OtherEventsFail)                                                                                                                                                                                                                                                                                                                                                                                    |                                                                                                                                                                       | Restore Normal default                              |
| 34 | L!DL_DatRqCmsAcp                                                                                                                                                                                                                                                                                                                                                                                             | CMSerAcp(<br>TCV_chTch,<br>CMServiceAcp_01)                                                                                                                           |                                                     |
| 35 | +RcvSetupOrEsetup( TCV_Setup_mo,<br>TCV_Esetup, TCV_Ecall)                                                                                                                                                                                                                                                                                                                                                   |                                                                                                                                                                       |                                                     |
| 36 | LIDL_DatRqCallProc                                                                                                                                                                                                                                                                                                                                                                                           | CallProc(TCV_chTch,<br>TCV_CallProc)                                                                                                                                  |                                                     |
| 37 | LIDL_DatRqAlert                                                                                                                                                                                                                                                                                                                                                                                              | AlertSnd(<br>TCV_chTch,<br>Alerting_01( TCV_TI))                                                                                                                      |                                                     |
| 38 | LIDL_DatRqConn                                                                                                                                                                                                                                                                                                                                                                                               | ConnSnd(<br>TCV_chTch,<br>Connect_02(<br>TCV_TI))                                                                                                                     |                                                     |
| 39 | L?DL_DatInConnAck                                                                                                                                                                                                                                                                                                                                                                                            | ConnAckRcv(<br>ConnectAck_02(<br>TCV_TI0))                                                                                                                            |                                                     |
| 40 | <b>Itree_UssdOperation(ch: LOGICCH)</b><br>L!DL_DatRqCmsAcp                                                                                                                                                                                                                                                                                                                                                  | CMSerAcp( ch,<br>CMServiceAcp_01)                                                                                                                                     |                                                     |
| 41 | L_072<br>9 L?DL_DatInRegister (TCV_TI1 :=<br>DL_DatInRegister.msg.ti, TCV_TI2 := TCV_TI,<br>TCV_TI2.ti.f := '1'B, TCV_Comp :=<br>DL_DatInRegister.msg.fie.components_1, TCV_n<br>:= OC_PosinSet(TCV_Comp,<br>ProcessUSSDReq_01(TCV_UssdString)),<br>TCV_Invkld :=<br>OC_Asn1intToOct(TCV_Comp.[TCV_n].processUn<br>structuredSSRrequestComponents.processUnstruct<br>uredSSRrequest_InvokeComp.invokeID, 1)) | Register_03(<br>RegisterPdu_03(<br>facilityIercv(<br>ProcessUSSDReq_01<br>( TCV_UssdString))))                                                                        | (P)                                                 |
| 42 | LIDL_DatRqRelCmp                                                                                                                                                                                                                                                                                                                                                                                             | RelComSnd( ch,<br>ReleaseCmp_09(<br>TCV_TI2,<br>facilityIetsndie(<br>USSDReq_01(<br>TCV_Invkld,<br>TCV_PreviousOctets,<br>TCV_FollowingOctets<br>, TCV_UssdString)))) |                                                     |
| 43 | <b>ItreeSetLoopParameters</b><br>[TCV_counter_c=1]                                                                                                                                                                                                                                                                                                                                                           |                                                                                                                                                                       |                                                     |
| 44 | (TCV_UssdString:="*60#",<br>TCV_PreviousOctets:="O",<br>TCV_FollowingOctets:="O)                                                                                                                                                                                                                                                                                                                             |                                                                                                                                                                       | activation with no<br>supplement. information       |
| 45 | [TCV_counter_c=2]                                                                                                                                                                                                                                                                                                                                                                                            |                                                                                                                                                                       |                                                     |
| 46 | (TCV_UssdString:="*201*35#",<br>TCV_PreviousOctets:="O",<br>TCV_FollowingOctets:="O)                                                                                                                                                                                                                                                                                                                         |                                                                                                                                                                       | activation with one field of<br>sup. information    |
| 47 | [TCV_counter_c=3]                                                                                                                                                                                                                                                                                                                                                                                            |                                                                                                                                                                       |                                                     |
| 48 | (TCV_UssdString:="*70*635*562#",<br>TCV_PreviousOctets:="O",<br>TCV_FollowingOctets:="O)                                                                                                                                                                                                                                                                                                                     |                                                                                                                                                                       | activation with two fields<br>of sup. information   |
| 49 | [TCV_counter_c=4]                                                                                                                                                                                                                                                                                                                                                                                            |                                                                                                                                                                       |                                                     |
| 50 | (TCV_UssdString:="#60#",<br>TCV_PreviousOctets:="O",<br>TCV_FollowingOctets:="O)                                                                                                                                                                                                                                                                                                                             |                                                                                                                                                                       | deactivation with no<br>supplement. information     |
| 51 | [TCV_counter_c=5]                                                                                                                                                                                                                                                                                                                                                                                            |                                                                                                                                                                       |                                                     |
| 52 | (TCV_UssdString:="#201*35#",<br>TCV_PreviousOctets:="O",<br>TCV_FollowingOctets:="O)                                                                                                                                                                                                                                                                                                                         |                                                                                                                                                                       | deactivation with one field<br>of sup. information  |
| 53 | [TCV_counter_c=6]                                                                                                                                                                                                                                                                                                                                                                                            |                                                                                                                                                                       |                                                     |
| 54 | (TCV_UssdString:="#70*635*562#",<br>TCV_PreviousOctets:="O",<br>TCV_FollowingOctets:="O)                                                                                                                                                                                                                                                                                                                     |                                                                                                                                                                       | deactivation with two<br>fields of sup. information |

|    |                                                                                            |  |                                                      |
|----|--------------------------------------------------------------------------------------------|--|------------------------------------------------------|
| 55 | [TCV_counter_c=7]                                                                          |  |                                                      |
| 56 | (TCV_UssdString:="*#60#",<br>TCV_PreviousOctets:="O",<br>TCV_FollowingOctets:="O")         |  | interrogation with no<br>supplement. information     |
| 57 | [TCV_counter_c=8]                                                                          |  |                                                      |
| 58 | (TCV_UssdString:="*#201*35#",<br>TCV_PreviousOctets:="O",<br>TCV_FollowingOctets:="O")     |  | interrogation with one field<br>of sup. information  |
| 59 | [TCV_counter_c=9]                                                                          |  |                                                      |
| 60 | (TCV_UssdString:="*#70*635*562#",<br>TCV_PreviousOctets:="O",<br>TCV_FollowingOctets:="O") |  | interrogation with two<br>fields of sup. information |
| 61 | [TCV_counter_c=10]                                                                         |  |                                                      |
| 62 | (TCV_UssdString:="**60#",<br>TCV_PreviousOctets:="O",<br>TCV_FollowingOctets:="O")         |  | registration with no<br>supplement. information      |
| 63 | [TCV_counter_c=11]                                                                         |  |                                                      |
| 64 | (TCV_UssdString:="**201*35#",<br>TCV_PreviousOctets:="O",<br>TCV_FollowingOctets:="O")     |  | registration with one field<br>of sup. information   |
| 65 | [TCV_counter_c=12]                                                                         |  |                                                      |
| 66 | (TCV_UssdString:="**70*635*562#",<br>TCV_PreviousOctets:="O",<br>TCV_FollowingOctets:="O") |  | registration with two fields<br>of sup. information  |
| 67 | [TCV_counter_c=13]                                                                         |  |                                                      |
| 68 | (TCV_UssdString:="##60#",<br>TCV_PreviousOctets:="O",<br>TCV_FollowingOctets:="O")         |  | erasure with no<br>supplement. information           |
| 69 | [TCV_counter_c=14]                                                                         |  |                                                      |
| 70 | (TCV_UssdString:="##201*35#",<br>TCV_PreviousOctets:="O",<br>TCV_FollowingOctets:="O")     |  | erasure with one field of<br>sup. information        |
| 71 | [TCV_counter_c=15]                                                                         |  |                                                      |
| 72 | (TCV_UssdString:="##70*635*562#",<br>TCV_PreviousOctets:="O",<br>TCV_FollowingOctets:="O") |  | erasure with two fields of<br>sup. information       |
| 73 | [TCV_counter_c=16]                                                                         |  |                                                      |
| 74 | (TCV_UssdString:="7", TCV_PreviousOctets:="O",<br>TCV_FollowingOctets:="O")                |  | acc. requirement 1a<br>(GSM 11.10)                   |
| 75 | [TCV_counter_c=17]                                                                         |  |                                                      |
| 76 | (TCV_UssdString:="26", TCV_PreviousOctets:="O",<br>TCV_FollowingOctets:="O")               |  | acc. requirement 1a<br>(GSM 11.10)                   |
| 77 | L_073<br>0 [TCV_counter_c>17]                                                              |  | I                                                    |

Detailed Comments:

## Test Case Dynamic Behaviour

|                        |                                                                                                                                                                                                                                                                                                                                                                                                                                                                                                                                                                                                                                                                                                                                                                                                                                                                             |
|------------------------|-----------------------------------------------------------------------------------------------------------------------------------------------------------------------------------------------------------------------------------------------------------------------------------------------------------------------------------------------------------------------------------------------------------------------------------------------------------------------------------------------------------------------------------------------------------------------------------------------------------------------------------------------------------------------------------------------------------------------------------------------------------------------------------------------------------------------------------------------------------------------------|
| <b>Test Case Name:</b> | TC_31_9_1_2                                                                                                                                                                                                                                                                                                                                                                                                                                                                                                                                                                                                                                                                                                                                                                                                                                                                 |
| <b>Group:</b>          | GSM_L3_MS_v4200/SS/                                                                                                                                                                                                                                                                                                                                                                                                                                                                                                                                                                                                                                                                                                                                                                                                                                                         |
| <b>Purpose:</b>        | <p>1)To verify that if a mobile initiated USSD request using protocole version 2 is rejected by the network, and the reason for the rejection is indicated either by the problem code "unrecognized operation" or a cause "facility rejected", the mobile station shall assume that the network only supports protocole version 1 of USSD operation. The mobile station shall re-attempt the request by using the appropriate protocole version 1 USSD operation without a SS version indicator if the unstructured data entered by teh user can be coded as an IA5 string.</p> <p>2)To check that, upon receipt of the RELEASE COMPLETE message, the MS shall provide the appropriate user indication (which is to be described by the manufacturer). If ussd-string information is included this shall be given to the user (in a way described by the manufacturer).</p> |
| <b>Default:</b>        | OtherEventsFail                                                                                                                                                                                                                                                                                                                                                                                                                                                                                                                                                                                                                                                                                                                                                                                                                                                             |

| Nr | Label      | Behaviour Description                                                                                                                                                                                                                                                                                                                                                                                                                                                                                                                                                   | CRef                                                                                                                                   | V   | Comments                                   |
|----|------------|-------------------------------------------------------------------------------------------------------------------------------------------------------------------------------------------------------------------------------------------------------------------------------------------------------------------------------------------------------------------------------------------------------------------------------------------------------------------------------------------------------------------------------------------------------------------------|----------------------------------------------------------------------------------------------------------------------------------------|-----|--------------------------------------------|
| 1  |            | START T_guard(300)                                                                                                                                                                                                                                                                                                                                                                                                                                                                                                                                                      |                                                                                                                                        |     |                                            |
| 2  |            | +BasicServiceMO( TSPX_MOBscSvcC, C_Full)                                                                                                                                                                                                                                                                                                                                                                                                                                                                                                                                |                                                                                                                                        |     |                                            |
| 3  |            | +IdleUpdated( C_E_default, C_CellA, C_SCH_A, C_BCCH_A_1, C_Immass, C_S0, C_SlotNU, C_SlotNU, C_SlotNU, C_BCC, C_TxInt_5, C_Max_1, C_NECI_0, C_ATT_0, TimingAdv( 0), C_BABR_0, C_cch_1Comb, C_BPM_3, C_T3212_0, C_ci_cellA, C_MCC_1, C_PLMN_1, C_LAC_1, CellOpt_01, CellChDes_Omit, CellChDes_Omit, C_CellReselectHys12, C_MaxPwrLvIG, C_MaxPwrLvID, BcchFreqLst_45, BcchFreqLst_02, BcchFreqLst_03, BcchFreqLst_04, C_Restablishment, C_BCC, C_NCC, C_Start_Tmsi, TSPX_SDCCH4SubDef, TSPX_CKSNDDef, TSPX_RANDDef, C_arfcnA, C_arfcnAd, TSPX_IMSI, C_Test_nfh, C_NCCP_2) |                                                                                                                                        |     |                                            |
| 4  |            | +CCConfigTCH_nociph( TSPX_TCHHSubDef, C_Ass, TSPX_TmSltDef, TSPX_TscDef, TimingAdv( 0), C_BABR_0, C_cch_1Comb, C_BPM_3, TCV_ChMod.mode, FreqTCH_omit, FreqTCH_omit, C_arfcn_tchA, C_arfcn_tchAd)                                                                                                                                                                                                                                                                                                                                                                        |                                                                                                                                        |     |                                            |
| 5  |            | (TCV_counter_k:=1, TCV_UssdString:="*70*635*562#")                                                                                                                                                                                                                                                                                                                                                                                                                                                                                                                      |                                                                                                                                        |     |                                            |
| 6  | body       | +ltree_part1                                                                                                                                                                                                                                                                                                                                                                                                                                                                                                                                                            |                                                                                                                                        |     |                                            |
| 7  |            | +ltree_part2                                                                                                                                                                                                                                                                                                                                                                                                                                                                                                                                                            |                                                                                                                                        |     |                                            |
| 8  |            | +ltree_part3                                                                                                                                                                                                                                                                                                                                                                                                                                                                                                                                                            |                                                                                                                                        |     |                                            |
|    |            | <b>ltree_part1</b>                                                                                                                                                                                                                                                                                                                                                                                                                                                                                                                                                      |                                                                                                                                        |     |                                            |
| 9  |            | (TCV_Null:=OO_InitSS(TCV_UssdString))                                                                                                                                                                                                                                                                                                                                                                                                                                                                                                                                   |                                                                                                                                        |     |                                            |
| 10 |            | +ltree_MMConnection                                                                                                                                                                                                                                                                                                                                                                                                                                                                                                                                                     |                                                                                                                                        |     |                                            |
| 11 |            | L?DL_EstInCmsRq                                                                                                                                                                                                                                                                                                                                                                                                                                                                                                                                                         | CMSerReq( CMServiceReq_08)                                                                                                             |     |                                            |
| 12 |            | ACTIVATE(OtherEventsFail)                                                                                                                                                                                                                                                                                                                                                                                                                                                                                                                                               |                                                                                                                                        |     | Restore Normal default                     |
| 13 |            | LIDL_DatRqCmsAcp                                                                                                                                                                                                                                                                                                                                                                                                                                                                                                                                                        | CMSerAcp( TCV_ch, CMServiceAcp_01)                                                                                                     |     |                                            |
| 14 | L_073<br>1 | L?DL_DatInRegister (TCV_TI1 := DL_DatInRegister.msg.ti, TCV_TI2 := TCV_TI1, TCV_TI2.ti_f := '1'B, TCV_Comp := DL_DatInRegister.msg.fie.components_1, TCV_n := OC_PosinSet( TCV_Comp, ProcessUSSDReq_01( TCV_UssdString)), TCV_InvkId := OC_Asn1intToOct( TCV_Comp.[TCV_n].processUnstructuredS SRequestComponents.processUnstructured SSRequest_InvokeComp.invokeID, 1))                                                                                                                                                                                                | Register_03( RegisterPdu_03( facilityIErcv( ProcessUSSDReq_01 ( TCV_UssdString))))                                                     | (P) | Invoke ProcessUnstructuredUSS -Request     |
| 15 |            | LIDL_DatRqRelCmp                                                                                                                                                                                                                                                                                                                                                                                                                                                                                                                                                        | RelComSnd( TCV_ch, ReleaseCmp_09( TCV_TI2, facilityIEtsndie( ProcessUSSRequest_02( TCV_InvkId, TCV_PreviousOctets, TCV_FollowingOctets |     | Return result ProcessUnstructuredUSS -Data |

|    |            |                                                                                                                                                                                                                                                                                                                                                                                                                    |                                                                                                                                                                      |     |                                                  |
|----|------------|--------------------------------------------------------------------------------------------------------------------------------------------------------------------------------------------------------------------------------------------------------------------------------------------------------------------------------------------------------------------------------------------------------------------|----------------------------------------------------------------------------------------------------------------------------------------------------------------------|-----|--------------------------------------------------|
| 16 |            | L?DL_DatInCmsRq                                                                                                                                                                                                                                                                                                                                                                                                    | ))))<br>CMSerDatReq(<br>CMServiceReq_08)                                                                                                                             |     |                                                  |
| 17 |            | LIDL_DatRqCmsAcp                                                                                                                                                                                                                                                                                                                                                                                                   | CMSerAcp( TCV_ch,<br>CMServiceAcp_01)                                                                                                                                |     |                                                  |
| 18 | L_073<br>2 | L?DL_DatInRegister (TCV_TI1 :=<br>DL_DatInRegister.msg.ti, TCV_TI2<br>:= TCV_TI1, TCV_TI2.ti_f := '1'B,<br>TCV_Comp :=<br>DL_DatInRegister.msg.fie.components<br>nts_1, TCV_n :=<br>OC_PosinSet(TCV_Comp,<br>ProcessUSSData_01(TCV_UssdStr<br>ing)), TCV_Invkld :=<br>OC_Asn1intToOct(TCV_Comp.[TC<br>V_n].processUnstructuredSSReque<br>stComponents.processUnstructured<br>SSRequest_InvokeComp.invokeID,<br>1)) | Register_03(<br>RegisterPdu_03(<br>facilityIErcv(<br>ProcessUSSData_01(<br>TCV_UssdString))))                                                                        | (P) | Invoke<br>ProcessUnstructuredUSS<br>-Data        |
| 19 |            | LIDL_DatRqRelCmp                                                                                                                                                                                                                                                                                                                                                                                                   | RelComSnd(<br>TCV_ch,<br>ReleaseCmp_09(<br>TCV_TI2,<br>facilityIEtsndiei(<br>ProcessUSSData_02(<br>TCV_Invkld,<br>TCV_PreviousOctets,<br>TCV_FollowingOctets<br>)))) |     | Return result<br>ProcessUnstructuredUSS<br>-Data |
| 20 |            | +PostMainLinkRel( TCV_ch)                                                                                                                                                                                                                                                                                                                                                                                          |                                                                                                                                                                      |     |                                                  |
| 21 |            | <b>ltree_part2</b><br>(TCV_Null:=OO_InitSS(TCV_UssdString))                                                                                                                                                                                                                                                                                                                                                        |                                                                                                                                                                      |     |                                                  |
| 22 |            | +ltree_MMConnection                                                                                                                                                                                                                                                                                                                                                                                                |                                                                                                                                                                      |     |                                                  |
| 23 |            | L?DL_EstInCmsRq                                                                                                                                                                                                                                                                                                                                                                                                    | CMSerReq(<br>CMServiceReq_08)                                                                                                                                        |     |                                                  |
| 24 |            | ACTIVATE(OtherEventsFail)                                                                                                                                                                                                                                                                                                                                                                                          |                                                                                                                                                                      |     | Restore Normal default                           |
| 25 |            | LIDL_DatRqCmsAcp                                                                                                                                                                                                                                                                                                                                                                                                   | CMSerAcp( TCV_ch,<br>CMServiceAcp_01)                                                                                                                                |     |                                                  |
| 26 | L_073<br>3 | L?DL_DatInRegister (TCV_TI1 :=<br>DL_DatInRegister.msg.ti, TCV_TI2 :=<br>TCV_TI1, TCV_TI2.ti_f := '1'B, TCV_Comp<br>:=<br>DL_DatInRegister.msg.fie.components_1,<br>TCV_n := OC_PosinSet(TCV_Comp,<br>ProcessUSSDReq_01(TCV_UssdString)),<br>TCV_Invkld :=<br>OC_Asn1intToOct(TCV_Comp.[TCV_n].p<br>rocessUnstructuredSSRequestComponents.p<br>rocessUnstructuredSSRequest_InvokeCom<br>p.invokeID, 1))            | Register_03(<br>RegisterPdu_03(<br>facilityIErcv(<br>ProcessUSSDReq_01<br>( TCV_UssdString))))                                                                       | (P) | Invoke<br>ProcessUnstructuredUSS<br>-Request     |
| 27 |            | LIDL_DatRqRelCmp                                                                                                                                                                                                                                                                                                                                                                                                   | RelComSnd(<br>TCV_ch,<br>ReleaseCmp_42(<br>TCV_TI2))                                                                                                                 |     | Facility rejected                                |
| 28 |            | +PostMainLinkRel(TCV_ch)                                                                                                                                                                                                                                                                                                                                                                                           |                                                                                                                                                                      |     |                                                  |
| 29 |            | +ltree_MMConnection                                                                                                                                                                                                                                                                                                                                                                                                |                                                                                                                                                                      |     |                                                  |
| 30 |            | L?DL_DatInCmsRq                                                                                                                                                                                                                                                                                                                                                                                                    | CMSerDatReq(<br>CMServiceReq_08)                                                                                                                                     |     |                                                  |
| 31 |            | ACTIVATE( OtherEventsFail)                                                                                                                                                                                                                                                                                                                                                                                         |                                                                                                                                                                      |     | Restore Normal default                           |
| 32 |            | LIDL_DatRqCmsAcp                                                                                                                                                                                                                                                                                                                                                                                                   | CMSerAcp( TCV_ch,<br>CMServiceAcp_01)                                                                                                                                |     |                                                  |
| 33 | L_073<br>4 | L?DL_DatInRegister<br>(TCV_TI1 :=<br>DL_DatInRegister.msg.ti,<br>TCV_TI2 := TCV_TI1,<br>TCV_TI2.ti_f := '1'B,<br>TCV_Comp :=<br>DL_DatInRegister.msg.fie.co<br>mponents_1, TCV_n :=<br>OC_PosinSet(TCV_Comp,<br>ProcessUSSData_01(TCV_U<br>ssdString)), TCV_Invkld :=<br>OC_Asn1intToOct(TCV_Com                                                                                                                   | Register_03(<br>RegisterPdu_03(<br>facilityIErcv(<br>ProcessUSSData_01(<br>TCV_UssdString))))                                                                        | (P) | Invoke<br>ProcessUnstructuredUSS<br>-Data        |

|    |            |                                                                                                                                                                                                                                                                                                                                                                    |                                                                                                                                             |                                                |
|----|------------|--------------------------------------------------------------------------------------------------------------------------------------------------------------------------------------------------------------------------------------------------------------------------------------------------------------------------------------------------------------------|---------------------------------------------------------------------------------------------------------------------------------------------|------------------------------------------------|
| 34 |            | p.[TCV_n].processUnstructuredSSRequestComponents.processUnstructuredSSRequest_InvokeComp.invokeID, 1))<br>L!DL_DatRqRelCmp                                                                                                                                                                                                                                         | RelComSnd(TCV_ch, ReleaseCmp_09(TCV_TI2, facilityIetsndiei(ProcessUSSData_02(TCV_InvkId, TCV_PreviousOctets, TCV_FollowingOctets))))        | Return result<br>ProcessUnstructuredUSS-Data   |
| 35 |            | +PostMainLinkRel(TCV_ch)                                                                                                                                                                                                                                                                                                                                           |                                                                                                                                             |                                                |
| 36 |            | <b>ltree_part3</b><br>REPEAT ltree_k_loop UNTIL [TCV_counter_k>10]                                                                                                                                                                                                                                                                                                 |                                                                                                                                             |                                                |
| 37 |            | <b>ltree_k_loop</b><br>+ltreeSetLoopParameters                                                                                                                                                                                                                                                                                                                     |                                                                                                                                             |                                                |
| 38 |            | +ltree_MsOrigCall                                                                                                                                                                                                                                                                                                                                                  |                                                                                                                                             |                                                |
| 39 |            | (TCV_Null:=OO_InitSS(TCV_UssdString))                                                                                                                                                                                                                                                                                                                              |                                                                                                                                             |                                                |
| 40 |            | L?DL_DatInCmsRq                                                                                                                                                                                                                                                                                                                                                    | CMSerDatReq(CMServiceReq_08)                                                                                                                |                                                |
| 41 |            | L!DL_DatRqCmsAcp                                                                                                                                                                                                                                                                                                                                                   | CMSerAcp(TCV_chTch, CMServiceAcp_01)                                                                                                        |                                                |
| 42 | L_073<br>5 | L?DL_DatInRegister (TCV_TI1 := DL_DatInRegister.msg.ti, TCV_TI2 := TCV_TI1, TCV_TI2.ti_f := '1'B, TCV_Comp := DL_DatInRegister.msg.fie.components_1, TCV_n := OC_PosinSet(TCV_Comp, ProcessUSSReq_01(TCV_UssdString)), TCV_InvkId := OC_Asn1intToOct(TCV_Comp.[TCV_n].processUnstructuredSSRequestComponents.processUnstructuredSSRequest_InvokeComp.invokeID, 1)) | Register_03( RegisterPdu_03( facilityIErcv( ProcessUSSReq_01 ( TCV_UssdString))))                                                           | (P) Invoke<br>ProcessUnstructuredUSS-Request   |
| 43 |            | +ltree_ReleaseCmpAccCounterK                                                                                                                                                                                                                                                                                                                                       |                                                                                                                                             |                                                |
| 44 |            | L!DL_DatRqDisc                                                                                                                                                                                                                                                                                                                                                     | DiscSnd(TCV_chTch, DisconnS( TCV_TI2, Cause_01, ProgInd_omit, UuInfo_omit))                                                                 |                                                |
| 45 |            | L?DL_DatInRel                                                                                                                                                                                                                                                                                                                                                      | ReleaseRcv(Release_02)                                                                                                                      |                                                |
| 46 |            | L!DL_DatRqRelCmp                                                                                                                                                                                                                                                                                                                                                   | RelComSnd(TCV_chTch, ReleaseCmp_08(TCV_TI2))                                                                                                |                                                |
| 47 |            | +PostMainLinkRel( TCV_chTch)                                                                                                                                                                                                                                                                                                                                       |                                                                                                                                             |                                                |
| 48 |            | (TCV_counter_k:= TCV_counter_k+1)                                                                                                                                                                                                                                                                                                                                  |                                                                                                                                             |                                                |
| 49 |            | <b>ltree_ReleaseCmpAccCounterK</b><br>[TCV_counter_k<5]                                                                                                                                                                                                                                                                                                            |                                                                                                                                             |                                                |
| 50 |            | L!DL_DatRqRelCmp                                                                                                                                                                                                                                                                                                                                                   | RelComSnd(TCV_chTch, ReleaseCmp_09(TCV_TI2, facilityIetsndiei(ProcessUSSRequest_02( TCV_InvkId, TCV_PreviousOctets, TCV_FollowingOctets)))) | Return error<br>ProcessUnstructuredUSS-Request |
| 51 |            | [TCV_counter_k>4]                                                                                                                                                                                                                                                                                                                                                  |                                                                                                                                             |                                                |
| 52 |            | L!DL_DatRqRelCmp                                                                                                                                                                                                                                                                                                                                                   | RelComSnd(TCV_chTch,                                                                                                                        | Reject<br>ProcessUnstructuredUSS               |

|    |                                                                                                               |                                                                                                                                                               |                                             |
|----|---------------------------------------------------------------------------------------------------------------|---------------------------------------------------------------------------------------------------------------------------------------------------------------|---------------------------------------------|
|    |                                                                                                               | ReleaseCmp_09(<br>TCV_TI2,<br>facilityIEtsndiei(<br>ProcessUSSRequest<br>_02( TCV_InvkId,<br>TCV_PreviousOctets,<br>TCV_FollowingOctets<br>))))               | -Request                                    |
| 53 | <b>Itree_MMConnection</b><br>L?DL_RaInChRq (TCV_Rr := DL_RaInChRq.<br>msg.ecau_rrf, TCV_Fn := DL_RaInChRq.fn) | ChReq(<br>ChRequest_15)                                                                                                                                       |                                             |
| 54 | ACTIVATE(OtherEventsFail_02)                                                                                  |                                                                                                                                                               | To match ChReq retrans.                     |
| 55 | LIDL_UdatRqImmass                                                                                             | ImmAss( TCV_agch,<br>ImmAsgn_01Def(<br>TCV_Rr, TCV_Fn,<br>TSPX_SDCCH4SubD<br>ef, TCV_slot,<br>TCV_tsc,<br>TCV_chdescr_arfcn,<br>TimingAdv( 0)))               |                                             |
|    | <b>Itree_MsOrigCall</b>                                                                                       |                                                                                                                                                               |                                             |
| 56 | +InitCall(TCV_Service)                                                                                        |                                                                                                                                                               |                                             |
| 57 | L?DL_RaInChRq (TCV_Rr := DL_RaInChRq.<br>msg.ecau_rrf, TCV_Fn := DL_RaInChRq.fn)                              | ChReq(<br>ChRequest_15)                                                                                                                                       |                                             |
| 58 | ACTIVATE(OtherEventsFail_02)                                                                                  |                                                                                                                                                               | To match ChReq retrans.                     |
| 59 | LIDL_UdatRqImmass                                                                                             | ImmAss(TCV_agch,<br>ImmAsgn_nfh(TCV_R<br>r, TCV_Fn,<br>TCV_chtype,<br>TSPX_TmSltDef,<br>TSPX_TscDef,<br>TimingAdv( 0),<br>TCV_tch_arfcn,<br>C_normal_paging)) |                                             |
| 60 | L?DL_EstInCmsRq                                                                                               | CMSerReq(<br>CMSerReq_01)                                                                                                                                     |                                             |
| 61 | ACTIVATE(OtherEventsFail)                                                                                     |                                                                                                                                                               | Restore Normal default                      |
| 62 | LIDL_DatRqCmsAcp                                                                                              | CMSerAcp(<br>TCV_chTch,<br>CMSerReq_01)                                                                                                                       |                                             |
| 63 | +RcvSetupOrEsetup( TCV_Setup_mo,<br>TCV_Esetup, TCV_Ecall)                                                    |                                                                                                                                                               |                                             |
| 64 | LIDL_DatRqCallProc                                                                                            | CallProc(TCV_chTch,<br>TCV_CallProc)                                                                                                                          |                                             |
| 65 | LIDL_DatRqAlert                                                                                               | AlertSnd(<br>TCV_chTch,<br>Alerting_01( TCV_TI))                                                                                                              |                                             |
| 66 | LIDL_DatRqConn                                                                                                | ConnSnd(<br>TCV_chTch,<br>Connect_02(<br>TCV_TI))                                                                                                             |                                             |
| 67 | L?DL_DatInConnAck                                                                                             | ConnAckRcv(<br>ConnectAck_02(<br>TCV_TI0))                                                                                                                    |                                             |
|    | <b>ItreeSetLoopParameters</b>                                                                                 |                                                                                                                                                               |                                             |
| 68 | [TCV_counter_k=1]                                                                                             |                                                                                                                                                               |                                             |
| 69 | (TCV_PreviousOctets:='A3060201'O,<br>TCV_FollowingOctets:='020122'O)                                          |                                                                                                                                                               | RETURN ERR<br>Error code system failure     |
| 70 | [TCV_counter_k=2]                                                                                             |                                                                                                                                                               |                                             |
| 71 | (TCV_PreviousOctets:='A3060201'O,<br>TCV_FollowingOctets:='020123'O)                                          |                                                                                                                                                               | RETURN ERR<br>Error code data missing       |
| 72 | [TCV_counter_k=3]                                                                                             |                                                                                                                                                               |                                             |
| 73 | (TCV_PreviousOctets:='A3060201'O,<br>TCV_FollowingOctets:='020147'O)                                          |                                                                                                                                                               | RETURN ERR<br>Error code unknown<br>alpabet |
| 74 | [TCV_counter_k=4]                                                                                             |                                                                                                                                                               |                                             |
| 75 | (TCV_PreviousOctets:='A3060201'O,<br>TCV_FollowingOctets:='020124'O)                                          |                                                                                                                                                               | RETURN ERR<br>Error code unexpected         |

|    |            |                                                                      |   |                                                      |
|----|------------|----------------------------------------------------------------------|---|------------------------------------------------------|
| 76 |            | [TCV_counter_k=5]                                                    |   | data value                                           |
| 77 |            | (TCV_PreviousOctets:='A4060201'O,<br>TCV_FollowingOctets:='800100'O) |   | REJECT<br>Gen. Problem<br>unrecognized component     |
| 78 |            | [TCV_counter_k=6]                                                    |   |                                                      |
| 79 |            | (TCV_PreviousOctets:='A4060201'O,<br>TCV_FollowingOctets:='800101'O) |   | REJECT<br>Gen. Problem Mistyped<br>component         |
| 80 |            | [TCV_counter_k=7]                                                    |   |                                                      |
| 81 |            | (TCV_PreviousOctets:='A4060201'O,<br>TCV_FollowingOctets:='800102'O) |   | REJECT<br>Gen. Problem badly<br>structured component |
| 82 |            | [TCV_counter_k=8]                                                    |   |                                                      |
| 83 |            | (TCV_PreviousOctets:='A4060201'O,<br>TCV_FollowingOctets:='800102'O) |   | REJECT<br>Invoke Problem Mistyped<br>parameter       |
| 84 |            | [TCV_counter_k=9]                                                    |   |                                                      |
| 85 |            | (TCV_PreviousOctets:='A4060201'O,<br>TCV_FollowingOctets:='800103'O) |   | REJECT<br>Invoke Problem resource<br>limitation      |
| 86 |            | [TCV_counter_k=10]                                                   |   |                                                      |
| 87 |            | (TCV_PreviousOctets:='A4060201'O,<br>TCV_FollowingOctets:='800104'O) |   | REJECT<br>Invoke Problem initiating<br>release       |
| 88 | L_073<br>6 | [TCV_counter_k>10]                                                   | I |                                                      |

Detailed Comments:



| Test Case Dynamic Behaviour |            |                                                                                                                                                                                                                                                                                                                                                                                                                                                                                                                                                                                                         |                                                                                                                  |     |          |
|-----------------------------|------------|---------------------------------------------------------------------------------------------------------------------------------------------------------------------------------------------------------------------------------------------------------------------------------------------------------------------------------------------------------------------------------------------------------------------------------------------------------------------------------------------------------------------------------------------------------------------------------------------------------|------------------------------------------------------------------------------------------------------------------|-----|----------|
| <b>Test Case Name:</b>      |            | TC_31_9_2_1                                                                                                                                                                                                                                                                                                                                                                                                                                                                                                                                                                                             |                                                                                                                  |     |          |
| <b>Group:</b>               |            | GSM_L3_MS_v4200/SS/                                                                                                                                                                                                                                                                                                                                                                                                                                                                                                                                                                                     |                                                                                                                  |     |          |
| <b>Purpose:</b>             |            | <p>1) To verify that for a USSD request, the MS shall display the text provided and await user input. If the user enters a response, the MS shall acknowledge the operation by sending a FACILITY message containing an empty result component to the network</p> <p>2) To verify that the MS includes alphabet and language indicators in the response to the network. The alphabet indicator shall indicate "SMS default alphabet". The language indicator shall indicate "language unspecified".</p> <p>3) To check that the MS is able to process the operation during a call or out of a call.</p> |                                                                                                                  |     |          |
| <b>Default:</b>             |            | OtherEventsFail                                                                                                                                                                                                                                                                                                                                                                                                                                                                                                                                                                                         |                                                                                                                  |     |          |
| Nr                          | Label      | Behaviour Description                                                                                                                                                                                                                                                                                                                                                                                                                                                                                                                                                                                   | CRef                                                                                                             | V   | Comments |
| 1                           |            | START T_guard(300)                                                                                                                                                                                                                                                                                                                                                                                                                                                                                                                                                                                      |                                                                                                                  |     |          |
| 2                           |            | +BasicServiceMT( TSPX_MTBscSvcF, C_Full)                                                                                                                                                                                                                                                                                                                                                                                                                                                                                                                                                                |                                                                                                                  |     |          |
| 3                           |            | +IdleUpdated( C_E_default, C_CellA, C_SCH_A, C_BCCH_A_1, C_Immass, C_S0, C_SlotNU, C_SlotNU, C_SlotNU, C_BCC, C_TxInt_5, C_Max_1, C_NECI_0, C_ATT_0, TimingAdv( 0), C_BABR_0, C_cch_1Comb, C_BPM_3, C_T3212_0, C_ci_cellA, C_MCC_1, C_PLMN_1, C_LAC_1, CellOpt_01, CellChDes_Omit, CellChDes_Omit, C_CellReselectHys12, C_MaxPwrLvlG, C_MaxPwrLvlD, BcchFreqLst_45, BcchFreqLst_02, BcchFreqLst_03, BcchFreqLst_04, C_Reestablishment, C_BCC, C_NCC, C_Start_Tmsi, TSPX_SDCCH4SubDef, TSPX_CKSNDef, TSPX_RANDDef, C_arfcnA, C_arfcnAd, TSPX_IMSI, C_Test_nfh, C_NCCP_2)                                 |                                                                                                                  |     |          |
| 4                           |            | +CCConfigTCH_nociph( TSPX_TCHHSubDef, C_Ass, TSPX_TmSltDef, TSPX_TscDef, TimingAdv( 0), C_BABR_0, C_cch_1Comb, C_BPM_3, TCV_ChMod.mode, FreqTCH_omit, FreqTCH_omit, C_arfcn_tchA, C_arfcn_tchAd)                                                                                                                                                                                                                                                                                                                                                                                                        |                                                                                                                  |     |          |
| 5                           |            | (TCV_UssdString:="Transaction OK")                                                                                                                                                                                                                                                                                                                                                                                                                                                                                                                                                                      |                                                                                                                  |     |          |
| 6                           | body       | +ltree_body                                                                                                                                                                                                                                                                                                                                                                                                                                                                                                                                                                                             |                                                                                                                  |     |          |
|                             |            | <b>ltree_body</b>                                                                                                                                                                                                                                                                                                                                                                                                                                                                                                                                                                                       |                                                                                                                  |     |          |
| 7                           |            | +PreEstRRConn( TCV_slot, TCV_tsc, TimingAdv( 0))                                                                                                                                                                                                                                                                                                                                                                                                                                                                                                                                                        |                                                                                                                  |     |          |
| 8                           |            | L!DL_DatRqRegister(TCV_TI.ti.v:='100'B, TCV_TI.ti.f:='0'B, TCV_TI0.ti.v:='100'B, TCV_TI0.ti.f:='1'B, TCV_Invkld:='00'O)                                                                                                                                                                                                                                                                                                                                                                                                                                                                                 | RegisterReq(TCV_ch, RegisterPdu_34(TCV_TI, facilityIEtsnd( NotificationSS_06(TCV_Invkld, TCV_UssdString))))      |     |          |
| 9                           |            | +CheckUssdStringDisplayed( TCV_UssdString)                                                                                                                                                                                                                                                                                                                                                                                                                                                                                                                                                              |                                                                                                                  |     |          |
| 10                          | L_073<br>7 | L?DL_DatInFac                                                                                                                                                                                                                                                                                                                                                                                                                                                                                                                                                                                           | FacilityRcv( FacilityPdu_26_ci(TCV_TI0, facilityIErcv( NotificationSS_07(TCV_Invkld))))                          | (P) |          |
| 11                          |            | +CC_EstMsTermCall( TCV_ChRate, TSPX_TCHHSubDef)                                                                                                                                                                                                                                                                                                                                                                                                                                                                                                                                                         |                                                                                                                  |     |          |
| 12                          |            | L!DL_DatRqRelCmp                                                                                                                                                                                                                                                                                                                                                                                                                                                                                                                                                                                        | RelComSnd( TCV_chTch, ReleaseCmp_47(TCV_TI))                                                                     |     |          |
| 13                          |            | L!DL_DatRqRegister(TCV_TI2.ti.v:='001'B, TCV_TI2.ti.f:='0'B, TCV_TI1.ti.v:='001'B, TCV_TI1.ti.f:='1'B, TCV_Invkld:='01'O)                                                                                                                                                                                                                                                                                                                                                                                                                                                                               | RegisterReq( TCV_chTch, RegisterPdu_34(TCV_TI2, facilityIEtsnd( NotificationSS_06(TCV_Invkld, TCV_UssdString)))) |     |          |
| 14                          |            | +CheckUssdStringDisplayed( TCV_UssdString)                                                                                                                                                                                                                                                                                                                                                                                                                                                                                                                                                              |                                                                                                                  |     |          |

|                           |            |                             |                                                                                                          |     |
|---------------------------|------------|-----------------------------|----------------------------------------------------------------------------------------------------------|-----|
| 15                        | L_073<br>8 | L?DL_DatInFac               | FacilityRcv(<br>FacilityPdu_26_ci(<br>TCV_TI1,<br>facilityIercv(<br>NotificationSS_07(<br>TCV_InvkId)))) | (P) |
| 16                        |            | L!DL_DatRqRelCmp            | RelComSnd(<br>TCV_chTch,<br>ReleaseCmp_47(<br>TCV_TI2))                                                  |     |
| 17                        |            | L!DL_DatRqDisc              | DiscSnd(<br>TCV_chTch,<br>DisconnS( TI_02,<br>Cause_01,<br>ProgInd_omit,<br>UuInfo_omit))                |     |
| 18                        |            | L?DL_DatInRel               | ReleaseRcv(<br>Release_02)                                                                               |     |
| 19                        |            | L!DL_DatRqRelCmp            | RelComSnd(<br>TCV_chTch,<br>ReleaseCmp_08(<br>TI_02))                                                    |     |
| 20                        |            | +ChanRel_end(<br>TCV_chTch) |                                                                                                          |     |
| <b>Detailed Comments:</b> |            |                             |                                                                                                          |     |

| Test Case Dynamic Behaviour |       |                                                                                                                                                                                                                                                                                                                                                                                                                                                                                                                                                                       |                                                                                                                 |     |          |
|-----------------------------|-------|-----------------------------------------------------------------------------------------------------------------------------------------------------------------------------------------------------------------------------------------------------------------------------------------------------------------------------------------------------------------------------------------------------------------------------------------------------------------------------------------------------------------------------------------------------------------------|-----------------------------------------------------------------------------------------------------------------|-----|----------|
| <b>Test Case Name:</b>      |       | TC_31_9_2_2                                                                                                                                                                                                                                                                                                                                                                                                                                                                                                                                                           |                                                                                                                 |     |          |
| <b>Group:</b>               |       | GSM_L3_MS_v4200/SS/                                                                                                                                                                                                                                                                                                                                                                                                                                                                                                                                                   |                                                                                                                 |     |          |
| <b>Purpose:</b>             |       | To verify that when the mobile station receives an USSD operation in parallel to any call independent supplementary transaction, it responds with a return error component in a RELEASE COMPLETE message, containing "USSD-Busy" error.                                                                                                                                                                                                                                                                                                                               |                                                                                                                 |     |          |
| <b>Default:</b>             |       | OtherEventsFail                                                                                                                                                                                                                                                                                                                                                                                                                                                                                                                                                       |                                                                                                                 |     |          |
| Nr                          | Label | Behaviour Description                                                                                                                                                                                                                                                                                                                                                                                                                                                                                                                                                 | CRef                                                                                                            | V   | Comments |
| 1                           |       | START T_guard(300)                                                                                                                                                                                                                                                                                                                                                                                                                                                                                                                                                    |                                                                                                                 |     |          |
| 2                           |       | +IdleUpdated( C_E_default, C_CellA, C_SCH_A, C_BCCH_A_1, C_Immass, C_S0, C_SlotNU, C_SlotNU, C_SlotNU, C_BCC, C_TxInt_5, C_Max_1, C_NECI_0, C_ATT_0, TimingAdv( 0), C_BABR_0, C_cch_1Comb, C_BPM_3, C_T3212_0, C_ci_cellA, C_MCC_1, C_PLMN_1, C_LAC_1, CellOpt_01, CellChDes_Omit, CellChDes_Omit, C_CellReselectHys12, C_MaxPwrLvIG, C_MaxPwrLvID, BcchFreqLst_45, BcchFreqLst_02, BcchFreqLst_03, BcchFreqLst_04, C_Restablishment, C_BCC, C_NCC, C_Start_Tmsi, TSPX_SDCCH4SubDef, TSPX_CKSNDf, TSPX_RANDDef, C_arfcnA, C_arfcnAd, TSPX_IMSI, C_Test_nfh, C_NCCP_2) |                                                                                                                 |     |          |
| 3                           |       | (TCV_UssdString:="Transaction OK")                                                                                                                                                                                                                                                                                                                                                                                                                                                                                                                                    |                                                                                                                 |     |          |
| 4                           | body  | +ltree_body                                                                                                                                                                                                                                                                                                                                                                                                                                                                                                                                                           |                                                                                                                 |     |          |
| 5                           |       | <b>ltree_body</b>                                                                                                                                                                                                                                                                                                                                                                                                                                                                                                                                                     |                                                                                                                 |     |          |
| 6                           |       | +PreEstRRConn( TCV_slot, TCV_tsc, TimingAdv( 0))                                                                                                                                                                                                                                                                                                                                                                                                                                                                                                                      |                                                                                                                 |     |          |
| 7                           |       | L!DL_DatRqRegister(TCV_TI.ti.v:='000'B, TCV_TI.ti.f:='0'B, TCV_TI0.ti.v:='000'B, TCV_TI0.ti.f:='1'B, TCV_Invkld0:='00'O)                                                                                                                                                                                                                                                                                                                                                                                                                                              | RegisterReq(TCV_ch, RegisterPdu_34( TCV_TI, facilityIEtsnd( NotificationSS_06( TCV_Invkld0, TCV_UssdString))))  |     |          |
| 8                           | L_073 | +CheckUssdStringDisplayed( TCV_UssdString)                                                                                                                                                                                                                                                                                                                                                                                                                                                                                                                            |                                                                                                                 |     |          |
| 9                           | 9     | L?DL_DatInFac                                                                                                                                                                                                                                                                                                                                                                                                                                                                                                                                                         | FacilityRcv( FacilityPdu_26_ci( TCV_TI0, facilityIErcv( NotificationSS_07( TCV_Invkld0))))                      | (P) |          |
| 10                          |       | L!DL_DatRqRegister(TCV_TI2.ti.v:='001'B, TCV_TI2.ti.f:='0'B, TCV_TI1.ti.v:='001'B, TCV_TI1.ti.f:='1'B, TCV_Invkld1:='01'O)                                                                                                                                                                                                                                                                                                                                                                                                                                            | RegisterReq(TCV_ch, RegisterPdu_34( TCV_TI2, facilityIEtsnd( NotificationSS_06( TCV_Invkld1, TCV_UssdString)))) |     |          |
| 11                          | L_074 | L?DL_DatInRelCmp                                                                                                                                                                                                                                                                                                                                                                                                                                                                                                                                                      | RelComRcv( ReleaseCmp_49( TCV_TI1, TCV_Invkld1))                                                                | (P) |          |
| 12                          | 0     | L!DL_DatRqRelCmp                                                                                                                                                                                                                                                                                                                                                                                                                                                                                                                                                      | RelComSnd( TCV_ch, ReleaseCmp_09( TCV_TI, facilityIEtsndie( NotificationSS_08( TCV_Invkld0))))                  |     |          |
| 12                          |       | +ChanRel_end(TCV_ch)                                                                                                                                                                                                                                                                                                                                                                                                                                                                                                                                                  |                                                                                                                 |     |          |
| <b>Detailed Comments:</b>   |       |                                                                                                                                                                                                                                                                                                                                                                                                                                                                                                                                                                       |                                                                                                                 |     |          |

## Test Case Dynamic Behaviour

**Test Case Name:** TC\_31\_9\_2\_3  
**Group:** GSM\_L3\_MS\_v4200/SS/  
**Purpose:** 1) To verify that for a USSD notification, the MS shall display the text provided and await user input. If the user enters a response, the MS shall return the response to the network, maintaining the transaction.

2) To verify that the MS includes alphabet and language indicators in the response to the network. The alphabet indicator shall indicate "SMS default alphabet". The language indicator shall indicate "language unspecified".

3) To check that the MS is able to process the operation during a call or out of a call.

**Default:** OtherEventsFail

| Nr | Label      | Behaviour Description                                                                                                                                                                                                                                                                                                                                                                                                                                                                                                                                                 | CRef                                                                                                    | V   | Comments |
|----|------------|-----------------------------------------------------------------------------------------------------------------------------------------------------------------------------------------------------------------------------------------------------------------------------------------------------------------------------------------------------------------------------------------------------------------------------------------------------------------------------------------------------------------------------------------------------------------------|---------------------------------------------------------------------------------------------------------|-----|----------|
| 1  |            | START T_guard(300)                                                                                                                                                                                                                                                                                                                                                                                                                                                                                                                                                    |                                                                                                         |     |          |
| 2  |            | +BasicServiceMT( TSPX_MTBscSvcG, C_Full)                                                                                                                                                                                                                                                                                                                                                                                                                                                                                                                              |                                                                                                         |     |          |
| 3  |            | +IdleUpdated( C_E_default, C_CellA, C_SCH_A, C_BCCH_A_1, C_Immass, C_S0, C_SlotNU, C_SlotNU, C_SlotNU, C_BCC, C_TxInt_5, C_Max_1, C_NECI_0, C_ATT_0, TimingAdv( 0), C_BABR_0, C_cch_1Comb, C_BPM_3, C_T3212_0, C_ci_cellA, C_MCC_1, C_PLMN_1, C_LAC_1, CellOpt_01, CellChDes_Omit, CellChDes_Omit, C_CellReselectHys12, C_MaxPwrLvlG, C_MaxPwrLvlD, BcchFreqLst_45, BcchFreqLst_02, BcchFreqLst_03, BcchFreqLst_04, C_Restablishment, C_BCC, C_NCC, C_Start_Tmsi, TSPX_SDCCH4SubDef, TSPX_CKSNDf, TSPX_RANDDef, C_arfcnA, C_arfcnAd, TSPX_IMSI, C_Test_nfh, C_NCCP_2) |                                                                                                         |     |          |
| 4  |            | +FullRateCh_A_1_nociph( C_Ass, TSPX_TmSlitDef, TSPX_TscDef, ChMod_speech, FreqTCH( C_arfcn_tchA), FreqTCH( C_arfcn_tchAd), TimingAdv( 0), C_BABR_0, C_cch_1Comb, C_BPM_3)                                                                                                                                                                                                                                                                                                                                                                                             |                                                                                                         |     |          |
| 5  |            | (TCV_UssdString1 := "Type *70*635*562# and send", TCV_UssdString2 := "**70*635*562#")                                                                                                                                                                                                                                                                                                                                                                                                                                                                                 |                                                                                                         |     |          |
| 6  | body       | +ltree_body                                                                                                                                                                                                                                                                                                                                                                                                                                                                                                                                                           |                                                                                                         |     |          |
|    |            | <b>ltree_body</b>                                                                                                                                                                                                                                                                                                                                                                                                                                                                                                                                                     |                                                                                                         |     |          |
| 7  |            | +PreEstRRConn( TCV_slot, TCV_tsc, TimingAdv( 0))                                                                                                                                                                                                                                                                                                                                                                                                                                                                                                                      |                                                                                                         |     |          |
| 8  |            | L!DL_DatRqRegister(TCV_TI.ti.v:=010'B, TCV_TI.ti.f:=0'B, TCV_TI0.ti.v:=010'B, TCV_TI0.ti.f:=1'B, TCV_Invkld:=00'O)                                                                                                                                                                                                                                                                                                                                                                                                                                                    | RegisterReq(TCV_ch, RegisterPdu_34( TCV_TI, facilityIEtsnd( USSDReq_03( TCV_Invkld, TCV_UssdString1)))) |     |          |
| 9  |            | +CheckUssdStringDisplayed( TCV_UssdString1)                                                                                                                                                                                                                                                                                                                                                                                                                                                                                                                           |                                                                                                         |     |          |
| 10 |            | (TCV_Null:=OO_InitSS( TCV_UssdString2))                                                                                                                                                                                                                                                                                                                                                                                                                                                                                                                               |                                                                                                         |     |          |
| 11 | L_074<br>1 | L?DL_DatInFac                                                                                                                                                                                                                                                                                                                                                                                                                                                                                                                                                         | FacilityRcv( FacilityPdu_26_ci( TCV_TI0, facilityIErcv( USSDReq_04( TCV_Invkld, TCV_UssdString2))))     | (P) |          |
| 12 |            | +CC_EstMsTermCall( C_Full, TSPX_TCHHSubDef)                                                                                                                                                                                                                                                                                                                                                                                                                                                                                                                           |                                                                                                         |     |          |
| 13 |            | L!DL_DatRqRelCmp                                                                                                                                                                                                                                                                                                                                                                                                                                                                                                                                                      | RelComSnd( TCV_chTch, ReleaseCmp_47( TCV_TI))                                                           |     |          |
| 14 |            | L!DL_DatRqRegister( TCV_TI2.ti.v:=001'B, TCV_TI2.ti.f:=0'B, TCV_TI1.ti.v:=001'B, TCV_TI1.ti.f:=1'B, TCV_Invkld:=01'O)                                                                                                                                                                                                                                                                                                                                                                                                                                                 | RegisterReq(TCV_ch Tch, RegisterPdu_34( TCV_TI2, facilityIEtsnd( USSDReq_03( TCV_Invkld,                |     |          |

|                           |            |                                                                                         |                                                                                                                       |     |
|---------------------------|------------|-----------------------------------------------------------------------------------------|-----------------------------------------------------------------------------------------------------------------------|-----|
| 15                        |            | +CheckUssdStringDisplayed(<br>TCV_UssdString1)                                          | TCV_UssdString1))))                                                                                                   |     |
| 16                        |            | (TCV_Null := OO_InitSS(<br>TCV_UssdString2))                                            |                                                                                                                       |     |
| 17                        |            | +DTMFSignalling(<br>OC_LengthOfString(<br>TCV_UssdString2), TI_01, TI_02,<br>TCV_chTch) |                                                                                                                       |     |
| 18                        | L_074<br>2 | L?DL_DatInFac                                                                           | FacilityRcv(<br>FacilityPdu_26_ci(<br>TCV_TI1,<br>facilityIErcv(<br>USSDReq_04(<br>TCV_InvkId,<br>TCV_UssdString2)))) | (P) |
| 19                        |            | LIDL_DatRqRelCmp                                                                        | RelComSnd(<br>TCV_chTch,<br>ReleaseCmp_47(<br>TCV_TI2))                                                               |     |
| 20                        |            | LIDL_DatRqDisc                                                                          | DiscSnd(<br>TCV_chTch,<br>DisconnS( TI_02,<br>Cause_01,<br>ProgInd_omit,<br>UuInfo_omit))                             |     |
| 21                        |            | L?DL_DatInRel                                                                           | ReleaseRcv(<br>Release_02)                                                                                            |     |
| 22                        |            | LIDL_DatRqRelCmp                                                                        | RelComSnd(<br>TCV_chTch,<br>ReleaseCmp_08(<br>TI_02))                                                                 |     |
| 23                        |            | +ChanRel_end(<br>TCV_chTch)                                                             |                                                                                                                       |     |
| <b>Detailed Comments:</b> |            |                                                                                         |                                                                                                                       |     |

| Test Case Dynamic Behaviour |            |                                                                                                                                                                                                                                                                                                                                                                                                                                                                                                                                                                        |                                                                                                                  |     |          |
|-----------------------------|------------|------------------------------------------------------------------------------------------------------------------------------------------------------------------------------------------------------------------------------------------------------------------------------------------------------------------------------------------------------------------------------------------------------------------------------------------------------------------------------------------------------------------------------------------------------------------------|------------------------------------------------------------------------------------------------------------------|-----|----------|
| <b>Test Case Name:</b>      |            | TC_31_9_2_4                                                                                                                                                                                                                                                                                                                                                                                                                                                                                                                                                            |                                                                                                                  |     |          |
| <b>Group:</b>               |            | GSM_L3_MS_v4200/SS/                                                                                                                                                                                                                                                                                                                                                                                                                                                                                                                                                    |                                                                                                                  |     |          |
| <b>Purpose:</b>             |            | To verify that when the mobile station receives an USSD operation in parallel to any call independent supplementary transaction, it responds with a return error component in a RELEASE COMPLETE message, containing "USSD-Busy" error.                                                                                                                                                                                                                                                                                                                                |                                                                                                                  |     |          |
| <b>Default:</b>             |            | OtherEventsFail                                                                                                                                                                                                                                                                                                                                                                                                                                                                                                                                                        |                                                                                                                  |     |          |
| Nr                          | Label      | Behaviour Description                                                                                                                                                                                                                                                                                                                                                                                                                                                                                                                                                  | CRef                                                                                                             | V   | Comments |
| 1                           |            | START T_guard(300)                                                                                                                                                                                                                                                                                                                                                                                                                                                                                                                                                     |                                                                                                                  |     |          |
| 2                           |            | +IdleUpdated( C_E_default, C_CellA, C_SCH_A, C_BCCH_A_1, C_Immss, C_S0, C_SlotNU, C_SlotNU, C_SlotNU, C_BCC, C_TxInt_5, C_Max_1, C_NECI_0, C_ATT_0, TimingAdv( 0), C_BABR_0, C_cch_1Comb, C_BPM_3, C_T3212_0, C_ci_cellA, C_MCC_1, C_PLMN_1, C_LAC_1, CellOpt_01, CellChDes_Omit, CellChDes_Omit, C_CellReselectHys12, C_MaxPwrLvlG, C_MaxPwrLvlD, BcchFreqLst_45, BcchFreqLst_02, BcchFreqLst_03, BcchFreqLst_04, C_Restablishment, C_BCC, C_NCC, C_Start_Tmsi, TSPX_SDCCH4SubDef, TSPX_CKSNDDef, TSPX_RANDDef, C_arfcnA, C_arfcnAd, TSPX_IMSI, C_Test_nfh, C_NCCP_2) |                                                                                                                  |     |          |
| 3                           |            | (TCV_UssdString1 := "Type *70*635*562# and send", TCV_UssdString2 := "**70*635*562#")                                                                                                                                                                                                                                                                                                                                                                                                                                                                                  |                                                                                                                  |     |          |
| 4                           | body       | +ltree_body                                                                                                                                                                                                                                                                                                                                                                                                                                                                                                                                                            |                                                                                                                  |     |          |
|                             |            | <b>ltree_body</b>                                                                                                                                                                                                                                                                                                                                                                                                                                                                                                                                                      |                                                                                                                  |     |          |
| 5                           |            | +PreEstRRConn( TCV_slot, TCV_tsc, TimingAdv( 0))                                                                                                                                                                                                                                                                                                                                                                                                                                                                                                                       |                                                                                                                  |     |          |
| 6                           |            | L!DL_DatRqRegister(TCV_TI.ti.v:='000'B, TCV_TI.ti.f:='0'B, TCV_TI0.ti.v:='000'B, TCV_TI0.ti.f:='1'B, TCV_Invkld0:='00'O)                                                                                                                                                                                                                                                                                                                                                                                                                                               | RegisterReq(TCV_ch, RegisterPdu_34( TCV_TI, facilityIEtsnd( NotificationSS_06( TCV_Invkld0, TCV_UssdString1))))  |     |          |
| 7                           |            | +CheckUssdStringDisplayed( TCV_UssdString1)                                                                                                                                                                                                                                                                                                                                                                                                                                                                                                                            |                                                                                                                  |     |          |
| 8                           |            | (TCV_Null:=OO_InitSS( TCV_UssdString2))                                                                                                                                                                                                                                                                                                                                                                                                                                                                                                                                |                                                                                                                  |     |          |
| 9                           | L_074<br>3 | L?DL_DatInFac                                                                                                                                                                                                                                                                                                                                                                                                                                                                                                                                                          | FacilityRcv( FacilityPdu_26_ci( TCV_TI0, facilityIErcv( USSDReq_04( TCV_Invkld0, TCV_UssdString2))))             | (P) |          |
| 10                          |            | L!DL_DatRqRegister( TCV_TI2.ti.v:='001'B, TCV_TI2.ti.f:='0'B, TCV_TI1.ti.v:='001'B, TCV_TI1.ti.f:='1'B, TCV_Invkld1:='01'O)                                                                                                                                                                                                                                                                                                                                                                                                                                            | RegisterReq(TCV_ch, RegisterPdu_34( TCV_TI2, facilityIEtsnd( NotificationSS_06( TCV_Invkld1, TCV_UssdString1)))) |     |          |
| 11                          | L_074<br>4 | L?DL_DatInRelCmp                                                                                                                                                                                                                                                                                                                                                                                                                                                                                                                                                       | RelComRcv( ReleaseCmp_50( TCV_TI1, TCV_Invkld1))                                                                 | (P) |          |
| 12                          |            | LIDL_DatRqRelCmp                                                                                                                                                                                                                                                                                                                                                                                                                                                                                                                                                       | RelComSnd( TCV_ch, ReleaseCmp_09( TCV_TI, facilityIEtsndie( USSDReq_06( TCV_Invkld0))))                          |     |          |
| 13                          |            | +ChanRel_end( TCV_ch)                                                                                                                                                                                                                                                                                                                                                                                                                                                                                                                                                  |                                                                                                                  |     |          |
| <b>Detailed Comments:</b>   |            |                                                                                                                                                                                                                                                                                                                                                                                                                                                                                                                                                                        |                                                                                                                  |     |          |

| Test Case Dynamic Behaviour |       |                                                                                                                                                                                                                                                                                                                                                                                                                                                                                                                                                                         |                                                                                                                           |   |                         |
|-----------------------------|-------|-------------------------------------------------------------------------------------------------------------------------------------------------------------------------------------------------------------------------------------------------------------------------------------------------------------------------------------------------------------------------------------------------------------------------------------------------------------------------------------------------------------------------------------------------------------------------|---------------------------------------------------------------------------------------------------------------------------|---|-------------------------|
| <b>Test Case Name:</b>      |       | TC_31_10                                                                                                                                                                                                                                                                                                                                                                                                                                                                                                                                                                |                                                                                                                           |   |                         |
| <b>Group:</b>               |       | GSM_L3_MS_v4200/SS/                                                                                                                                                                                                                                                                                                                                                                                                                                                                                                                                                     |                                                                                                                           |   |                         |
| <b>Purpose:</b>             |       | To check that the entry of two digits in the form !X (X in the set 0..9) followed by SEND is accepted by the mobile station in idle mode as a normal call establishment for the 1X number. It is checked that the MS sends a CHANNEL REQUEST, sends CM SERVICE REQUEST message for mobile originated call (after having received an IMMEDIATE ASSIGNMENT), and then sends the SETUP message containing the 1X phone number as called number (after having received the CM SERVICE ACCEPT message)                                                                       |                                                                                                                           |   |                         |
| <b>Default:</b>             |       | OtherEventsFail                                                                                                                                                                                                                                                                                                                                                                                                                                                                                                                                                         |                                                                                                                           |   |                         |
| Nr                          | Label | Behaviour Description                                                                                                                                                                                                                                                                                                                                                                                                                                                                                                                                                   | CRef                                                                                                                      | V | Comments                |
| 1                           |       | START T_guard(300)                                                                                                                                                                                                                                                                                                                                                                                                                                                                                                                                                      |                                                                                                                           |   |                         |
| 2                           |       | +IdleUpdated( C_E_default, C_CellA, C_SCH_A, C_BCCH_A_1, C_Immss, C_S0, C_SlotNU, C_SlotNU, C_SlotNU, C_BCC, C_TxInt_5, C_Max_1, C_NECI_0, C_ATT_0, TimingAdv( 0), C_BABR_0, C_cch_1Comb, C_BPM_3, C_T3212_0, C_ci_cellA, C_MCC_1, C_PLMN_1, C_LAC_1, CellOpt_01, CellChDes_Omit, CellChDes_Omit, C_CellReselectHys12, C_MaxPwrLvlG, C_MaxPwrLvlID, BcchFreqLst_45, BcchFreqLst_02, BcchFreqLst_03, BcchFreqLst_04, C_Restablishment, C_BCC, C_NCC, C_Start_Tmsi, TSPX_SDCCH4SubDef, TSPX_CKSNDDef, TSPX_RANDDef, C_arfcnA, C_arfcnAd, TSPX_IMSI, C_Test_nfh, C_NCCP_2) |                                                                                                                           |   |                         |
| 3                           |       | +test("10")                                                                                                                                                                                                                                                                                                                                                                                                                                                                                                                                                             |                                                                                                                           |   |                         |
| 4                           |       | +test("11")                                                                                                                                                                                                                                                                                                                                                                                                                                                                                                                                                             |                                                                                                                           |   |                         |
| 5                           |       | +test("12")                                                                                                                                                                                                                                                                                                                                                                                                                                                                                                                                                             |                                                                                                                           |   |                         |
| 6                           |       | +test("13")                                                                                                                                                                                                                                                                                                                                                                                                                                                                                                                                                             |                                                                                                                           |   |                         |
| 7                           |       | +test("14")                                                                                                                                                                                                                                                                                                                                                                                                                                                                                                                                                             |                                                                                                                           |   |                         |
| 8                           |       | +test("15")                                                                                                                                                                                                                                                                                                                                                                                                                                                                                                                                                             |                                                                                                                           |   |                         |
| 9                           |       | +test("16")                                                                                                                                                                                                                                                                                                                                                                                                                                                                                                                                                             |                                                                                                                           |   |                         |
| 10                          |       | +test("17")                                                                                                                                                                                                                                                                                                                                                                                                                                                                                                                                                             |                                                                                                                           |   |                         |
| 11                          |       | +test("18")                                                                                                                                                                                                                                                                                                                                                                                                                                                                                                                                                             |                                                                                                                           |   |                         |
| 12                          |       | +test("19")                                                                                                                                                                                                                                                                                                                                                                                                                                                                                                                                                             |                                                                                                                           |   |                         |
|                             |       | <b>test(num:IA5String)</b>                                                                                                                                                                                                                                                                                                                                                                                                                                                                                                                                              |                                                                                                                           |   |                         |
| 13                          |       | (TCV_Null := OO_InitSS(num))                                                                                                                                                                                                                                                                                                                                                                                                                                                                                                                                            |                                                                                                                           |   | 2.                      |
| 14                          |       | L?DL_RaInChRq (TCV_Rr := DL_RaInChRq.msg.ecau_rrf, TCV_Fn := DL_RaInChRq.fn)                                                                                                                                                                                                                                                                                                                                                                                                                                                                                            | ChReq(ChRequest_15)                                                                                                       |   |                         |
| 15                          |       | ACTIVATE(OtherEventsFail_02)                                                                                                                                                                                                                                                                                                                                                                                                                                                                                                                                            |                                                                                                                           |   | To match ChReq retrans. |
| 16                          |       | LIDL_UdatRqImmss                                                                                                                                                                                                                                                                                                                                                                                                                                                                                                                                                        | ImmAss( TCV_agch, ImmAsgn_01Def( TCV_Rr, TCV_Fn, TSPX_SDCCH4SubDef, TCV_slot, TCV_tsc, TCV_chdescr_arfcn, TimingAdv( 0))) |   |                         |
| 17                          |       | L?DL_EstInCmsRq                                                                                                                                                                                                                                                                                                                                                                                                                                                                                                                                                         | CMSerReq(CMServiceReq_04)                                                                                                 |   |                         |
| 18                          |       | ACTIVATE(OtherEventsFail)                                                                                                                                                                                                                                                                                                                                                                                                                                                                                                                                               |                                                                                                                           |   | Restore Normal default  |
| 19                          |       | LIDL_DatRqCmsAcp                                                                                                                                                                                                                                                                                                                                                                                                                                                                                                                                                        | CMSerAcp( TCV_ch, CMServiceAcp_01)                                                                                        |   |                         |
| 20                          |       | L?DL_DatInSetup( TCV_TI := DL_DatInSetup.msg.ti, TCV_CalledNum := DL_DatInSetup.msg.cdpn, TCV_TI0 := TCV_TI, TCV_TI.ti_f := '1'B)                                                                                                                                                                                                                                                                                                                                                                                                                                       | SetupRcv(SetupInd_01)                                                                                                     |   |                         |
| 21                          |       | LIDL_DatRqRelCmp                                                                                                                                                                                                                                                                                                                                                                                                                                                                                                                                                        | RelComSnd( TCV_ch, ReleaseCmp_08( TCV_TI))                                                                                |   |                         |
| 22                          |       | +PostMainLinkRel(TCV_ch)                                                                                                                                                                                                                                                                                                                                                                                                                                                                                                                                                |                                                                                                                           |   |                         |
| 23                          |       | +Itree_check(num)                                                                                                                                                                                                                                                                                                                                                                                                                                                                                                                                                       |                                                                                                                           |   | 3.                      |
| 24                          |       | START T_dly(10000)                                                                                                                                                                                                                                                                                                                                                                                                                                                                                                                                                      |                                                                                                                           |   |                         |
| 25                          |       | ?TIMEOUT T_dly                                                                                                                                                                                                                                                                                                                                                                                                                                                                                                                                                          |                                                                                                                           |   |                         |
|                             |       | <b>Itree_check(num:IA5String)</b>                                                                                                                                                                                                                                                                                                                                                                                                                                                                                                                                       |                                                                                                                           |   |                         |

|                                                                                         |            |                                                             |     |    |
|-----------------------------------------------------------------------------------------|------------|-------------------------------------------------------------|-----|----|
| 26                                                                                      |            | (TCV_Res := OC_CalledNumCHK(<br>TCV_CalledNum.digits, num)) |     | 3. |
| 27                                                                                      | L_074<br>5 | [TCV_Res]                                                   | (P) |    |
| 28                                                                                      | L_074<br>6 | [NOT TCV_Res]                                               | (F) |    |
| <b>Detailed Comments:</b>                                                               |            |                                                             |     |    |
| 1. To setup physical channel as BCCH, CCCH and SDCCH4.                                  |            |                                                             |     |    |
| 2. To dial the two digits number.                                                       |            |                                                             |     |    |
| 3. To check whether the received called party number is the same as the dialled number. |            |                                                             |     |    |



## Test Group SM

| Test Case Dynamic Behaviour |       |                                                                                                                                                                                                                                                                                                                                                                                                                                                                                                                                                                                                                        |      |   |          |
|-----------------------------|-------|------------------------------------------------------------------------------------------------------------------------------------------------------------------------------------------------------------------------------------------------------------------------------------------------------------------------------------------------------------------------------------------------------------------------------------------------------------------------------------------------------------------------------------------------------------------------------------------------------------------------|------|---|----------|
| <b>Test Case Name:</b>      |       | TC_34_2_1                                                                                                                                                                                                                                                                                                                                                                                                                                                                                                                                                                                                              |      |   |          |
| <b>Group:</b>               |       | GSM_L3_MS_v4200/SM/                                                                                                                                                                                                                                                                                                                                                                                                                                                                                                                                                                                                    |      |   |          |
| <b>Purpose:</b>             |       | To verify the ability of a MS to receive and decode the SMS where provided for the point to point service.                                                                                                                                                                                                                                                                                                                                                                                                                                                                                                             |      |   |          |
| <b>Default:</b>             |       | OtherEventsFail                                                                                                                                                                                                                                                                                                                                                                                                                                                                                                                                                                                                        |      |   |          |
| Nr                          | Label | Behaviour Description                                                                                                                                                                                                                                                                                                                                                                                                                                                                                                                                                                                                  | CRef | V | Comments |
| 1                           |       | START T_guard( 1200)                                                                                                                                                                                                                                                                                                                                                                                                                                                                                                                                                                                                   |      |   |          |
| 2                           |       | +ltree_emptystorage( TRUE)                                                                                                                                                                                                                                                                                                                                                                                                                                                                                                                                                                                             |      |   |          |
| 3                           |       | (TCV_asscmd_ts := TSPX_TmSlitDef,<br>TCV_RPOA_MT:= '1111111111'O,<br>TCV_TPOA1:= '3333333333'O, TCV_Rpmr :=<br>'00'O)                                                                                                                                                                                                                                                                                                                                                                                                                                                                                                  |      |   |          |
| 4                           |       | +BasicServiceMT( TSPX_MTBscSvcE, C_Full)                                                                                                                                                                                                                                                                                                                                                                                                                                                                                                                                                                               |      |   |          |
| 5                           |       | +IdleUpdated( C_E_default, C_CellA,<br>C_SCH_A, C_BCCH_A_1, C_ImmMass, C_S0,<br>C_SlotNU, C_SlotNU, C_SlotNU, C_BCC,<br>C_TxInt_5, C_Max_1, C_NECl_0, C_ATT_0,<br>TimingAdv( 0), C_BABR_0, C_cch_1Comb,<br>C_BPM_3, C_T3212_0, C_ci_cellA,<br>C_MCC_1, C_PLMN_1, C_LAC_1,<br>CellOpt_01, CellChDes_02, CellChDes_03,<br>C_CellReselectHys12, C_MaxPwrLvlG,<br>C_MaxPwrLvlD, BcchFreqLst_01,<br>BcchFreqLst_Omit, BcchFreqLst_48,<br>BcchFreqLst_Omit, C_noRestablishment,<br>C_BCC, C_NCC, C_Start_Tmsi,<br>TSPX_SDCCH4SubDef, TSPX_CKSNDDef,<br>TSPX_RANDDef, C_arfcnA, C_arfcnAd,<br>TSPX_IMSI, C_Test_fh, C_NCCP_2) |      |   |          |
| 6                           |       | +FullRateCh_A_1( C_Ass,<br>TSPX_TmSlitDef, TSPX_TscDef,<br>ChMod_speech, FreqTCH_omit,<br>FreqTCH_omit, C_arfcn_tchA,<br>C_arfcn_tchAd, TimingAdv( 0),<br>C_BABR_0, C_cch_1Comb, C_BPM_3)                                                                                                                                                                                                                                                                                                                                                                                                                              |      |   |          |
| 7                           | body  | +ltree_part1                                                                                                                                                                                                                                                                                                                                                                                                                                                                                                                                                                                                           |      |   | 1        |
| 8                           |       | +ltree_part2                                                                                                                                                                                                                                                                                                                                                                                                                                                                                                                                                                                                           |      |   | 2        |
| 9                           |       | +ltree_part3                                                                                                                                                                                                                                                                                                                                                                                                                                                                                                                                                                                                           |      |   | 3        |
| 10                          |       | +ltree_part4                                                                                                                                                                                                                                                                                                                                                                                                                                                                                                                                                                                                           |      |   | 4        |
|                             |       | <b>ltree_part1</b>                                                                                                                                                                                                                                                                                                                                                                                                                                                                                                                                                                                                     |      |   |          |
| 11                          |       | +ltree_Environment1                                                                                                                                                                                                                                                                                                                                                                                                                                                                                                                                                                                                    |      |   |          |
| 12                          |       | +ltree_sms1( TCV_ch)                                                                                                                                                                                                                                                                                                                                                                                                                                                                                                                                                                                                   |      |   |          |
| 13                          |       | +ltree_CheckMessage( TCV_ch, FALSE)                                                                                                                                                                                                                                                                                                                                                                                                                                                                                                                                                                                    |      |   |          |
| 14                          |       | +ltree_Environment1                                                                                                                                                                                                                                                                                                                                                                                                                                                                                                                                                                                                    |      |   |          |
| 15                          |       | +ltree_sms3( TCV_ch)                                                                                                                                                                                                                                                                                                                                                                                                                                                                                                                                                                                                   |      |   |          |
| 16                          |       | +ltree_CheckMessage( TCV_ch, FALSE)                                                                                                                                                                                                                                                                                                                                                                                                                                                                                                                                                                                    |      |   |          |
| 17                          |       | +ltree_Environment1                                                                                                                                                                                                                                                                                                                                                                                                                                                                                                                                                                                                    |      |   |          |
| 18                          |       | +ltree_sms4( TCV_ch, 5)                                                                                                                                                                                                                                                                                                                                                                                                                                                                                                                                                                                                |      |   |          |
| 19                          |       | +ltree_CheckMessage( TCV_ch,<br>TRUE)                                                                                                                                                                                                                                                                                                                                                                                                                                                                                                                                                                                  |      |   |          |
|                             |       | <b>ltree_part2</b>                                                                                                                                                                                                                                                                                                                                                                                                                                                                                                                                                                                                     |      |   |          |
| 20                          |       | +ltree_Environment2                                                                                                                                                                                                                                                                                                                                                                                                                                                                                                                                                                                                    |      |   |          |
| 21                          |       | +ltree_sms1( TCV_chSms)                                                                                                                                                                                                                                                                                                                                                                                                                                                                                                                                                                                                |      |   |          |
| 22                          |       | +ltree_CheckMessage( TCV_chTch, TRUE)                                                                                                                                                                                                                                                                                                                                                                                                                                                                                                                                                                                  |      |   |          |
| 23                          |       | +ltree_Environment2                                                                                                                                                                                                                                                                                                                                                                                                                                                                                                                                                                                                    |      |   |          |
| 24                          |       | +ltree_sms3( TCV_chSms)                                                                                                                                                                                                                                                                                                                                                                                                                                                                                                                                                                                                |      |   |          |
| 25                          |       | +ltree_CheckMessage( TCV_chTch, TRUE)                                                                                                                                                                                                                                                                                                                                                                                                                                                                                                                                                                                  |      |   |          |
| 26                          |       | +ltree_Environment2                                                                                                                                                                                                                                                                                                                                                                                                                                                                                                                                                                                                    |      |   |          |
| 27                          |       | +ltree_sms4( TCV_chSms, 15)                                                                                                                                                                                                                                                                                                                                                                                                                                                                                                                                                                                            |      |   |          |
| 28                          |       | +ltree_CheckMessage( TCV_chTch,<br>TRUE)                                                                                                                                                                                                                                                                                                                                                                                                                                                                                                                                                                               |      |   |          |
|                             |       | <b>ltree_part3</b>                                                                                                                                                                                                                                                                                                                                                                                                                                                                                                                                                                                                     |      |   |          |

|    |            |                                                                             |                                                                                                                                            |     |                                                      |
|----|------------|-----------------------------------------------------------------------------|--------------------------------------------------------------------------------------------------------------------------------------------|-----|------------------------------------------------------|
| 29 |            | +ltree_Environment2                                                         |                                                                                                                                            |     |                                                      |
| 30 |            | +ltree_ClearTchChannel_SS                                                   |                                                                                                                                            |     |                                                      |
| 31 |            | +ltree_sms1( TCV_chSms)                                                     |                                                                                                                                            |     |                                                      |
| 32 |            | +ltree_CheckMessage( TCV_chTch, TRUE)                                       |                                                                                                                                            |     |                                                      |
|    |            | <b>ltree_part4</b>                                                          |                                                                                                                                            |     |                                                      |
| 33 |            | +ltree_Environment2                                                         |                                                                                                                                            |     |                                                      |
| 34 |            | +ltree_ClearTchChannel_MS                                                   |                                                                                                                                            |     |                                                      |
| 35 |            | +ltree_CheckMessage( TCV_chTch, TRUE)                                       |                                                                                                                                            |     |                                                      |
|    |            | <b>ltree_Environment1</b>                                                   |                                                                                                                                            |     |                                                      |
| 36 |            | +RRmtcallprepare( TimingAdv( 0), TSPX_RANDDef)                              |                                                                                                                                            |     |                                                      |
| 37 |            | (TCV_CPDDataRetx := 0, TCV_ti_v_2 := '000'B,<br>TCV_chSms := TCV_ch)        |                                                                                                                                            |     |                                                      |
| 38 |            | +ltree_set_sapi3_SDCCH                                                      |                                                                                                                                            |     |                                                      |
|    |            | <b>ltree_Environment2</b>                                                   |                                                                                                                                            |     |                                                      |
| 39 |            | +Est_MT_CallNonFH( TimingAdv( 0), C_Full,<br>TSPX_TCHHSubDef, TSPX_RANDDef) |                                                                                                                                            |     |                                                      |
| 40 |            | (TCV_CPDDataRetx := 0, TCV_ti_v_2 := '000'B,<br>TCV_chSms := C_SACCHF_A_1)  |                                                                                                                                            |     |                                                      |
| 41 |            | +ltree_set_sapi3_SACCH                                                      |                                                                                                                                            |     |                                                      |
|    |            | <b>ltree_set_sapi3_SDCCH</b>                                                |                                                                                                                                            |     |                                                      |
| 42 |            | L!DL_EstRq                                                                  | DLEstRq( TCV_ch)                                                                                                                           |     | SABM(SAPI=3)                                         |
| 43 |            | L?DL_EstCo                                                                  | DLEstCo( TCV_ch)                                                                                                                           |     | UA(SAPI=3)                                           |
|    |            | <b>ltree_set_sapi3_SACCH</b>                                                |                                                                                                                                            |     |                                                      |
| 44 |            | L!DL_EstRq                                                                  | DLEstRq(<br>TCV_chSms)                                                                                                                     |     | SABM(SAPI=3)                                         |
| 45 |            | L?DL_EstCo                                                                  | DLEstCo(<br>TCV_chSms)                                                                                                                     |     | UA(SAPI=3)                                           |
|    |            | <b>ltree_ClearTchChannel_SS</b>                                             |                                                                                                                                            |     |                                                      |
| 46 |            | L!DL_DatRqDisc                                                              | DiscSnd(<br>TCV_chTch,<br>DisconnS( TI_02,<br>Cause_01,<br>ProgInd_omit,<br>UuInfo_omit))                                                  |     |                                                      |
| 47 | L_074<br>7 | L?DL_DatInRel                                                               | ReleaseRcv(<br>Release_10( TI_01))                                                                                                         | (P) |                                                      |
| 48 |            | L!DL_DatRqRelCmp                                                            | RelComSnd(<br>TCV_chTch,<br>ReleaseCmp_08(<br>TI_02))                                                                                      |     |                                                      |
|    |            | <b>ltree_ClearTchChannel_MS</b>                                             |                                                                                                                                            |     |                                                      |
| 49 |            | ( TCV_Null := OO_TermCall())                                                |                                                                                                                                            |     |                                                      |
| 50 | L_074<br>8 | L?DL_DatInDisc                                                              | DiscRcv( TCV_chTch,<br>DisconnR( TI_01,<br>Cause_Def))                                                                                     | (P) |                                                      |
| 51 |            | L!DL_DatRqCpData START T_dly( 25000)                                        | DatRqCpData(<br>CpDataPdu_01(<br>TI_07( TCV_ti_v_2),<br>CpData_01(<br>TCV_TPOA1,<br>TCV_RPOA_MT,<br>TCV_Rpmr,<br>C_Tzone0)),<br>TCV_chSms) |     | CP-DATA including RP-<br>Data(SMS DELIVER) n-<br>>ms |
| 52 |            | L!DL_DatRqRel                                                               | ReleaseSnd(<br>TCV_chTch,<br>Release_08( TI_02))                                                                                           |     |                                                      |
| 53 |            | L?DL_DatInRelCmp                                                            | RelComRcv(<br>ReleaseCmp_03(<br>TI_01))                                                                                                    |     |                                                      |
| 54 | L_074<br>9 | ?TIMEOUT T_dly                                                              |                                                                                                                                            | (F) |                                                      |

|    |            |                                                                                                                                                 |                                                                                                                |     |                                                       |
|----|------------|-------------------------------------------------------------------------------------------------------------------------------------------------|----------------------------------------------------------------------------------------------------------------|-----|-------------------------------------------------------|
| 55 |            | L?DL_DatInCpDataAck START T_dly(60000)                                                                                                          | DatInCpDataAck(CpDataAckPdu_01(TI_08(TCV_ti_v_2)))                                                             |     | CP-ACK ms->n                                          |
| 56 | L_075<br>0 | ?TIMEOUT T_dly                                                                                                                                  |                                                                                                                | (F) |                                                       |
| 57 |            | L?DL_DatInCpData CANCEL T_dly                                                                                                                   | DatInCpData(TCV_chSms, CpDataPdu_02(TI_08(TCV_ti_v_2), CpData_02(TCV_Rpmr)))                                   |     | CP-DATA including RP-Ack ms->n                        |
| 58 |            | LIDL_DatRqCpDataAck                                                                                                                             | DatRqCpDataAck(CpDataAckPdu_02(TI_07(TCV_ti_v_2)), TCV_chSms)                                                  |     | CP-ACK n->ms                                          |
| 59 |            | +NoReaction(TSPX_TC1M * 1000)                                                                                                                   |                                                                                                                |     | Step 128                                              |
| 60 |            | <b>ltree_sms1( ch: LOGICCH)</b>                                                                                                                 |                                                                                                                |     |                                                       |
| 61 |            | +ltree_sms2( ch)<br>LIDL_DatRqCpDataAck                                                                                                         | DatRqCpDataAck(CpDataAckPdu_02(TI_07(TCV_ti_v_2)), TCV_chSms)                                                  |     | CP-ACK n->ms                                          |
| 62 |            | +NoReaction(TSPX_TC1M * 1000)                                                                                                                   |                                                                                                                |     | Step 17, 71, 113                                      |
| 63 |            | <b>ltree_sms2( ch: LOGICCH)</b><br>LIDL_DatRqCpData ( TCV_SMcntns := DL_DatRqCpData.msg.CPdata.rpdata.rpusdat.tpdeliver.ud) START T_dly( 25000) | DatRqCpData(CpDataPdu_01(TI_07(TCV_ti_v_2), CpData_01(TCV_TPOA1, TCV_RPOA_MT, TCV_Rpmr, C_Tzone0)), TCV_chSms) |     | CP-DATA including RP-Data(SMS DELIVER) n->ms          |
| 64 | L_075<br>1 | ?TIMEOUT T_dly                                                                                                                                  |                                                                                                                | (F) |                                                       |
| 65 |            | L?DL_DatInCpDataAck START T_dly( 60000)                                                                                                         | DatInCpDataAck(CpDataAckPdu_01(TI_08(TCV_ti_v_2)))                                                             |     | CP-ACK ms->n                                          |
| 66 | L_075<br>2 | ?TIMEOUT T_dly                                                                                                                                  |                                                                                                                | (F) |                                                       |
| 67 |            | L?DL_DatInCpData CANCEL T_dly                                                                                                                   | DatInCpData( ch, CpDataPdu_02(TI_08(TCV_ti_v_2), CpData_02(TCV_Rpmr)))                                         |     | CP-DATA including RP-Ack ms->n                        |
| 68 |            | <b>ltree_sms3( ch: LOGICCH)</b>                                                                                                                 |                                                                                                                |     |                                                       |
| 69 |            | +ltree_sms2( ch)<br>START T_dly(TCV_T_TwiceTC1M)                                                                                                |                                                                                                                |     |                                                       |
| 70 | L_075<br>3 | ?TIMEOUT T_dly                                                                                                                                  |                                                                                                                | (F) | First CP-DATA( Rp-Ack) not acknowledged               |
| 71 |            | L?DL_DatInCpData CANCEL T_dly                                                                                                                   | DatInCpData( ch, CpDataPdu_02(TI_08(TCV_ti_v_2), CpData_02(TCV_Rpmr)))                                         |     | CP-DATA(RP-Ack) retransmitted                         |
| 72 |            | LIDL_DatRqCpDataAck                                                                                                                             | DatRqCpDataAck(CpDataAckPdu_02(TI_07(TCV_ti_v_2)), TCV_chSms)                                                  |     | Second CP-DATA( Rp-Ack) acknowledged                  |
| 73 |            | +NoReaction(TSPX_TC1M * 1000)                                                                                                                   |                                                                                                                |     | Step 38, 84                                           |
| 74 |            | <b>ltree_sms4(ch: LOGICCH; time: INTEGER)</b>                                                                                                   |                                                                                                                |     |                                                       |
| 75 |            | +ltree_sms2( ch)<br>REPEAT ltree_sms5( ch) UNTIL [TCV_CPDataRetx = TSPX_MaxCPDataRetx]                                                          |                                                                                                                |     | CP-DATA( RP-Ack) retransmitted                        |
| 76 |            | START T_dly((( TSPX_TC1M + time) * 1000))                                                                                                       |                                                                                                                |     |                                                       |
| 77 | L_075<br>4 | L?DL_DatInCpData CANCEL T_dly                                                                                                                   | DatInCpData( ch, CpDataPdu_02(TI_08(TCV_ti_v_2),                                                               | (F) | RP-Ack shall not be sent more than TSPX_MaxCPDataRetx |

|                                                                           |            |                                                                                                                        |                                                                                      |     |                        |
|---------------------------------------------------------------------------|------------|------------------------------------------------------------------------------------------------------------------------|--------------------------------------------------------------------------------------|-----|------------------------|
| 78                                                                        | L_075<br>5 | ?TIMEOUT T_dly                                                                                                         | CpData_02(<br>TCV_Rpmr))                                                             | (P) | times                  |
| 79                                                                        |            | <b>Itree_sms5(ch: LOGICCH)</b><br>START T_dly( TCV_T_TwiceTC1M)                                                        |                                                                                      |     |                        |
| 80                                                                        | L_075<br>6 | ?TIMEOUT T_dly                                                                                                         |                                                                                      | (F) |                        |
| 81                                                                        |            | L?DL_DatInCpData CANCEL T_dly                                                                                          | DatInCpData( ch,<br>CpDataPdu_02(<br>TI_08( TCV_ti_v_2),<br>CpData_02(<br>TCV_Rpmr)) |     | CP-DATA (RP-Ack) ms->n |
| 82                                                                        |            | (TCV_CPDDataRetx := TCV_CPDDataRetx + 1)                                                                               |                                                                                      |     |                        |
| 83                                                                        |            | <b>Itree_CheckMessage( ch: LOGICCH;<br/>Emptying:BOOLEAN)</b><br>+ChanRel( ch)                                         |                                                                                      |     |                        |
| 84                                                                        |            | (TCV_Null := OM_CphMd( TCV_ch, CphMod_02,<br>TCV_CphKey), TCV_Res :=<br>OO_CheckMessageDisplayed( 160,<br>TCV_SMcmts)) |                                                                                      |     |                        |
| 85                                                                        | L_075<br>7 | [NOT TCV_Res]                                                                                                          |                                                                                      | (F) |                        |
| 86                                                                        |            | +Itree_emptystorage( Emptying)                                                                                         |                                                                                      |     |                        |
| 87                                                                        | L_075<br>8 | [TCV_Res]                                                                                                              |                                                                                      | (P) |                        |
| 88                                                                        |            | +Itree_emptystorage( Emptying)                                                                                         |                                                                                      |     |                        |
| 89                                                                        |            | <b>Itree_emptystorage( Emptying:BOOLEAN)</b><br>[Emptying]                                                             |                                                                                      |     |                        |
| 90                                                                        |            | (TCV_Null := OO_EmptyMessageStorage())                                                                                 |                                                                                      |     |                        |
| 91                                                                        |            | [NOT Emptying]                                                                                                         |                                                                                      |     |                        |
| <b>Detailed Comments:</b>                                                 |            |                                                                                                                        |                                                                                      |     |                        |
| 1: Parts a) to f) of the test procedure as described in GSM 11.10, 34.2.1 |            |                                                                                                                        |                                                                                      |     |                        |
| 2: Parts g) to j) of the test procedure as described in GSM 11.10, 34.2.1 |            |                                                                                                                        |                                                                                      |     |                        |
| 3: Part k) of the test procedure as described in GSM 11.10, 34.2.1        |            |                                                                                                                        |                                                                                      |     |                        |
| 4: Part l) of the test procedure as described in GSM 11.10, 34.2.1        |            |                                                                                                                        |                                                                                      |     |                        |

| Test Case Dynamic Behaviour |            |                                                                                                                                                                                                                                                                                                                                                                                                                                                                                                                                                                                                                       |      |     |                 |
|-----------------------------|------------|-----------------------------------------------------------------------------------------------------------------------------------------------------------------------------------------------------------------------------------------------------------------------------------------------------------------------------------------------------------------------------------------------------------------------------------------------------------------------------------------------------------------------------------------------------------------------------------------------------------------------|------|-----|-----------------|
| <b>Test Case Name:</b>      |            | TC_34_2_2                                                                                                                                                                                                                                                                                                                                                                                                                                                                                                                                                                                                             |      |     |                 |
| <b>Group:</b>               |            | GSM_L3_MS_v4200/SM/                                                                                                                                                                                                                                                                                                                                                                                                                                                                                                                                                                                                   |      |     |                 |
| <b>Purpose:</b>             |            | To verify the MS ability to correctly send a short message where the SMS is provided for the point to point service. It also verifies the MS capability to simultaneously receive a network originated SM whilst sending a mobile originated SM.                                                                                                                                                                                                                                                                                                                                                                      |      |     |                 |
| <b>Default:</b>             |            | OtherEventsFail                                                                                                                                                                                                                                                                                                                                                                                                                                                                                                                                                                                                       |      |     |                 |
| Nr                          | Label      | Behaviour Description                                                                                                                                                                                                                                                                                                                                                                                                                                                                                                                                                                                                 | CRef | V   | Comments        |
| 1                           |            | START T_guard( 1200)                                                                                                                                                                                                                                                                                                                                                                                                                                                                                                                                                                                                  |      |     |                 |
| 2                           |            | (TCV_Null:=OO_EmptyMessageStorage(),<br>TCV_asscmd_ts := TSPX_TmSltDef,<br>TCV_RPOA_MT:='1111111111'O,<br>TCV_TPOA1:='5555555555'O)                                                                                                                                                                                                                                                                                                                                                                                                                                                                                   |      |     |                 |
| 3                           |            | +BasicServiceMT( TSPX_MTBscSvcF, C_Full)                                                                                                                                                                                                                                                                                                                                                                                                                                                                                                                                                                              |      |     |                 |
| 4                           |            | +IdleUpdated( C_E_default, C_CellA,<br>C_SCH_A, C_BCCH_A_1, C_Immass, C_S0,<br>C_SlotNU, C_SlotNU, C_SlotNU, C_BCC,<br>C_TxInt_5, C_Max_1, C_NECI_0, C_ATT_0,<br>TimingAdv( 0), C_BABR_0, C_cch_1Comb,<br>C_BPM_3, C_T3212_0, C_ci_cellA,<br>C_MCC_1, C_PLMN_1, C_LAC_1, CellOpt_01,<br>CellChDes_02, CellChDes_03,<br>C_CellReselectHys12, C_MaxPwrLvlG,<br>C_MaxPwrLvlD, BcchFreqLst_01,<br>BcchFreqLst_Omit, BcchFreqLst_48,<br>BcchFreqLst_Omit, C_noRestablishment,<br>C_BCC, C_NCC, C_Start_Tmsi,<br>TSPX_SDCCH4SubDef, TSPX_CKSNDDef,<br>TSPX_RANDDef, C_arfcnA, C_arfcnAd,<br>TSPX_IMSI, C_Test_fh, C_NCCP_2) |      |     |                 |
| 5                           |            | +FullRateCh_A_1( C_Ass, TSPX_TmSltDef,<br>TSPX_TscDef, ChMod_speech,<br>FreqTCH_omit, FreqTCH_omit,<br>C_arfcn_tchA, C_arfcn_tchAd, TimingAdv(<br>0), C_BABR_0, C_cch_1Comb, C_BPM_3)                                                                                                                                                                                                                                                                                                                                                                                                                                 |      |     |                 |
| 6                           | body       | +ltree_part1                                                                                                                                                                                                                                                                                                                                                                                                                                                                                                                                                                                                          |      |     | 1               |
| 7                           |            | +ltree_part2                                                                                                                                                                                                                                                                                                                                                                                                                                                                                                                                                                                                          |      |     | 2               |
| 8                           |            | +ltree_part3                                                                                                                                                                                                                                                                                                                                                                                                                                                                                                                                                                                                          |      |     | 3               |
| 9                           |            | +ltree_part4                                                                                                                                                                                                                                                                                                                                                                                                                                                                                                                                                                                                          |      |     | 4               |
|                             |            | <b>ltree_part1</b>                                                                                                                                                                                                                                                                                                                                                                                                                                                                                                                                                                                                    |      |     |                 |
| 10                          |            | +ltree_Environment1_3                                                                                                                                                                                                                                                                                                                                                                                                                                                                                                                                                                                                 |      |     |                 |
| 11                          |            | +ltree_sms1(TCV_ch)                                                                                                                                                                                                                                                                                                                                                                                                                                                                                                                                                                                                   |      |     |                 |
| 12                          |            | +ltree_ChanRel( TCV_ch)                                                                                                                                                                                                                                                                                                                                                                                                                                                                                                                                                                                               |      |     |                 |
| 13                          |            | +ltree_Environment1_3                                                                                                                                                                                                                                                                                                                                                                                                                                                                                                                                                                                                 |      |     |                 |
| 14                          |            | +ltree_sms3( TCV_ch, 5)                                                                                                                                                                                                                                                                                                                                                                                                                                                                                                                                                                                               |      |     |                 |
| 15                          |            | +ltree_Environment1_3                                                                                                                                                                                                                                                                                                                                                                                                                                                                                                                                                                                                 |      |     |                 |
| 16                          |            | +ltree_sms4                                                                                                                                                                                                                                                                                                                                                                                                                                                                                                                                                                                                           |      |     | CP-Error        |
| 17                          |            | +ltree_ChanRel( TCV_ch)                                                                                                                                                                                                                                                                                                                                                                                                                                                                                                                                                                                               |      |     |                 |
|                             |            | <b>ltree_part2</b>                                                                                                                                                                                                                                                                                                                                                                                                                                                                                                                                                                                                    |      |     |                 |
| 18                          |            | +ltree_Environment2                                                                                                                                                                                                                                                                                                                                                                                                                                                                                                                                                                                                   |      |     |                 |
| 19                          |            | +ltree_sms1( TCV_chSms)                                                                                                                                                                                                                                                                                                                                                                                                                                                                                                                                                                                               |      |     |                 |
| 20                          |            | +ltree_ChanRel( TCV_chTch)                                                                                                                                                                                                                                                                                                                                                                                                                                                                                                                                                                                            |      |     |                 |
| 21                          |            | +ltree_Environment2                                                                                                                                                                                                                                                                                                                                                                                                                                                                                                                                                                                                   |      |     |                 |
| 22                          |            | +ltree_sms3( TCV_chTch, 15)                                                                                                                                                                                                                                                                                                                                                                                                                                                                                                                                                                                           |      |     |                 |
|                             |            | <b>ltree_part3</b>                                                                                                                                                                                                                                                                                                                                                                                                                                                                                                                                                                                                    |      |     |                 |
| 23                          |            | +ltree_Environment1_3                                                                                                                                                                                                                                                                                                                                                                                                                                                                                                                                                                                                 |      |     |                 |
| 24                          |            | +ltree_sms5                                                                                                                                                                                                                                                                                                                                                                                                                                                                                                                                                                                                           |      |     | MT-SM           |
| 25                          |            | +ltree_sms2( TCV_ch)                                                                                                                                                                                                                                                                                                                                                                                                                                                                                                                                                                                                  |      |     | Terminate MO-SM |
| 26                          |            | +ltree_ChanRel( TCV_ch)                                                                                                                                                                                                                                                                                                                                                                                                                                                                                                                                                                                               |      |     |                 |
| 27                          |            | (TCV_Res := OO_CheckMessageDisplayed(<br>160, TCV_SMcntns))                                                                                                                                                                                                                                                                                                                                                                                                                                                                                                                                                           |      |     |                 |
| 28                          | L_075<br>9 | [NOT TCV_Res]                                                                                                                                                                                                                                                                                                                                                                                                                                                                                                                                                                                                         |      | (F) |                 |
| 29                          | L_076<br>0 | [TCV_Res]                                                                                                                                                                                                                                                                                                                                                                                                                                                                                                                                                                                                             |      | (P) |                 |

|    |            |                                                                                                                 |                                                                                                                                                 |     |                                    |
|----|------------|-----------------------------------------------------------------------------------------------------------------|-------------------------------------------------------------------------------------------------------------------------------------------------|-----|------------------------------------|
| 30 |            | <b>Itree_part4</b>                                                                                              |                                                                                                                                                 |     |                                    |
| 31 |            | +Itree_Environment4                                                                                             |                                                                                                                                                 |     |                                    |
|    |            | +ChanRel_end(TCV_ch)                                                                                            |                                                                                                                                                 |     |                                    |
|    |            | <b>Itree_init</b>                                                                                               |                                                                                                                                                 |     |                                    |
| 32 |            | (TCV_Null:=OO_SendMOShortMessage())                                                                             |                                                                                                                                                 |     |                                    |
| 33 |            | L?DL_RaInChRq ( TCV_Rr := DL_RaInChRq.<br>msg.ecau_rrf, TCV_Fn := DL_RaInChRq.fn)                               | ChReq(<br>ChRequest_04)                                                                                                                         |     |                                    |
| 34 |            | ACTIVATE( OtherEventsFail_02)                                                                                   |                                                                                                                                                 |     | To match ChReq retrans.            |
| 35 |            | LIDL_UdatRqImmss                                                                                                | ImmAss( TCV_agch,<br>ImmAsgn_01Def(<br>TCV_Rr, TCV_Fn,<br>TSPX_SDCCH4SubD<br>ef, TCV_slot,<br>TCV_tsc,<br>TCV_chdescr_arfcn,<br>TimingAdv( 0))) |     |                                    |
| 36 |            | L?DL_EstInCmsRq                                                                                                 | CMSerReq(<br>CMServiceReq_09)                                                                                                                   |     |                                    |
| 37 |            | ACTIVATE( OtherEventsFail)                                                                                      |                                                                                                                                                 |     | Restore normal default<br>tree     |
|    |            | <b>Itree_Environment1_3</b>                                                                                     |                                                                                                                                                 |     |                                    |
| 38 |            | +Itree_init                                                                                                     |                                                                                                                                                 |     |                                    |
| 39 |            | +Authentication(TCV_ch, TCV_cksn,<br>TSPX_RANDDef)                                                              |                                                                                                                                                 |     |                                    |
| 40 |            | +Cipherring_on(TCV_ch)                                                                                          |                                                                                                                                                 |     |                                    |
| 41 |            | +Itree_set_sapi3_SDCCH                                                                                          |                                                                                                                                                 |     |                                    |
|    |            | <b>Itree_Environment2</b>                                                                                       |                                                                                                                                                 |     |                                    |
| 42 |            | +Wait(C_T_Wait1)                                                                                                |                                                                                                                                                 |     |                                    |
| 43 |            | +Est_MT_CallNonFH( TimingAdv( 0), C_Full,<br>TSPX_TCHHSubDef, TSPX_RANDDef)                                     |                                                                                                                                                 |     |                                    |
| 44 |            | (TCV_Null := OO_SendMOShortMessage())                                                                           |                                                                                                                                                 |     |                                    |
| 45 |            | L?DL_DatInCmsRq                                                                                                 | CMSerDatReq(<br>CMServiceReq_09)                                                                                                                |     |                                    |
| 46 |            | LIDL_DatRqCmsAcp                                                                                                | CMSerAcp(<br>TCV_chTch,<br>CMServiceAcp_01)                                                                                                     |     |                                    |
| 47 |            | +Itree_set_sapi3_SACCH                                                                                          |                                                                                                                                                 |     |                                    |
|    |            | <b>Itree_Environment4</b>                                                                                       |                                                                                                                                                 |     |                                    |
| 48 |            | +Itree_init                                                                                                     |                                                                                                                                                 |     |                                    |
| 49 |            | LIDL_DatRqCmsRej                                                                                                | CMSerRej( TCV_ch,<br>CMServiceRej_03)                                                                                                           |     | Service Option not<br>supported    |
| 50 |            | START T_dly( 5000)                                                                                              |                                                                                                                                                 |     |                                    |
| 51 | L_076<br>1 | ?TIMEOUT T_dly                                                                                                  |                                                                                                                                                 | (P) |                                    |
| 52 | L_076<br>2 | L?DL_EstIn CANCEL T_dly                                                                                         | DLEstInd_2( TCV_ch)                                                                                                                             | (F) | SAPI-3 shall NOT be<br>established |
|    |            | <b>Itree_sms1( ch: LOGICCH)</b>                                                                                 |                                                                                                                                                 |     |                                    |
| 53 |            | L?DL_DatInCpData( TCV_Rpmr :=<br>DL_DatInCpData.msg.CPdata.rpdata.rpmr, TCV_ti_v<br>:= DL_DatInCpData.msg.ti.v) | DatInCpData( ch,<br>CpDataPdu_03(<br>CpData_03(<br>RpData_03)))                                                                                 |     | CP-DATA(RP-Data SMS<br>SUBMIT)     |
| 54 |            | +Itree_sms2( ch)                                                                                                |                                                                                                                                                 |     | Terminate MO-SM                    |
|    |            | <b>Itree_sms2( ch: LOGICCH)</b>                                                                                 |                                                                                                                                                 |     |                                    |
| 55 |            | LIDL_DatRqCpDataAck                                                                                             | DatRqCpDataAck(<br>CpDataAckPdu_01(<br>TI_08( TCV_ti_v)),<br>TCV_chSms)                                                                         |     | CP-ACK n->ms                       |
| 56 |            | LIDL_DatRqCpData START T_dly(25000)                                                                             | DatRqCpData(<br>CpDataPdu_02(<br>TI_08( TCV_ti_v),<br>CpData_04(<br>TCV_Rpmr)),                                                                 |     | CP-DATA(RP-Ack) n-<br>>ms          |

|    |            |                                                                                                                                                               |                                                                                                                                            |     |                                                                                               |
|----|------------|---------------------------------------------------------------------------------------------------------------------------------------------------------------|--------------------------------------------------------------------------------------------------------------------------------------------|-----|-----------------------------------------------------------------------------------------------|
| 57 | L_076<br>3 | ?TIMEOUT T_dly                                                                                                                                                | TCV_chSms)                                                                                                                                 | (F) |                                                                                               |
| 58 |            | +ChanRel( ch)                                                                                                                                                 |                                                                                                                                            |     |                                                                                               |
| 59 | L_076<br>4 | L?DL_DatInCpDataAck CANCEL T_dly                                                                                                                              | DatInCpDataAck(<br>CpDataAckPdu_02(<br>TI_07( TCV_ti_v)))                                                                                  | (P) | CP-ACK ms->n                                                                                  |
| 60 |            | <b>ltree_sms3( ch: LOGICCH; t:INTEGER)</b><br>L?DL_DatInCpData( TCV_Rpmr :=<br>DL_DatInCpData.msg.CPdata.rpdata.rpmr, TCV_ti_v<br>:= DL_DatInCpData.msg.ti.v) | DatInCpData(<br>TCV_chSms,<br>CpDataPdu_03(<br>CpData_03(<br>RpData_03)))                                                                  |     | CP-DATA(RP-Data SMS<br>SUBMIT)                                                                |
| 61 |            | REPEAT ltree_sms6( ch) UNTIL [TCV_CPDataRetx<br>= TSPX_MaxCPDataRetx]                                                                                         |                                                                                                                                            |     | MO-SM is retransmitted                                                                        |
| 62 |            | START T_dly((( TSPX_TC1M + t) * 1000))                                                                                                                        |                                                                                                                                            |     |                                                                                               |
| 63 | L_076<br>5 | L?DL_DatInCpData( TCV_Rpmr :=<br>DL_DatInCpData.msg.CPdata.rpdata.rpmr,<br>TCV_ti_v := DL_DatInCpData.msg.ti.v)                                               | DatInCpData(<br>TCV_chSms,<br>CpDataPdu_03(<br>CpData_03(<br>RpData_03)))                                                                  | (F) | RP-Data( RP Data SMS<br>SUBMIT) shall NOT be<br>sent more than<br>TSPX_MaxCPDataRetx<br>times |
| 64 |            | +ChanRel( ch)                                                                                                                                                 |                                                                                                                                            |     |                                                                                               |
| 65 |            | ?TIMEOUT T_dly                                                                                                                                                |                                                                                                                                            |     |                                                                                               |
| 66 |            | +ltree_ChanRel( ch)                                                                                                                                           |                                                                                                                                            |     |                                                                                               |
| 67 |            | <b>ltree_sms4</b><br>L?DL_DatInCpData(TCV_Rpmr :=<br>DL_DatInCpData.msg.CPdata.rpdata.rpmr, TCV_ti_v<br>:= DL_DatInCpData.msg.ti.v)                           | DatInCpData(<br>TCV_chSms,<br>CpDataPdu_03(<br>CpData_03(<br>RpData_03)))                                                                  |     | CP-DATA(RP-Data SMS<br>SUBMIT)                                                                |
| 68 |            | LIDL_DatRqCpError                                                                                                                                             | DatRqCpError(<br>CpErrPdu_01( TI_08(<br>TCV_ti_v)),<br>TCV_chSms)                                                                          |     | CP error n->ms "Network<br>Failure"                                                           |
| 69 |            | <b>ltree_sms5</b><br>L?DL_DatInCpData(TCV_Rpmr :=<br>DL_DatInCpData.msg.CPdata.rpdata.rpmr, TCV_ti_v<br>:= DL_DatInCpData.msg.ti.v)                           | DatInCpData(<br>TCV_chSms,<br>CpDataPdu_03(<br>CpData_03(<br>RpData_03)))                                                                  |     | CP-DATA(RP-Data SMS<br>SUBMIT)                                                                |
| 70 |            | +ltree_ti                                                                                                                                                     |                                                                                                                                            |     |                                                                                               |
| 71 |            | LIDL_DatRqCpData (TCV_SMcntns :=<br>DL_DatRqCpData.msg.CPdata.rpdata.rpusrdat.tp<br>deliver.ud) START T_dly( 25000)                                           | DatRqCpData(<br>CpDataPdu_01(<br>TI_07( TCV_ti_v_2),<br>CpData_01(<br>TCV_TPOA1,<br>TCV_RPOA_MT,<br>TCV_Rpmr,<br>C_Tzone1)),<br>TCV_chSms) |     | CP-DATA(RP-Data SMS<br>DELIVER), n->ms                                                        |
| 72 | L_076<br>6 | ?TIMEOUT T_dly                                                                                                                                                |                                                                                                                                            | (F) |                                                                                               |
| 73 |            | +ChanRel(TCV_ch)                                                                                                                                              |                                                                                                                                            |     |                                                                                               |
| 74 | L_076<br>7 | L?DL_DatInCpDataAck START T_dly( 60000)                                                                                                                       | DatInCpDataAck(<br>CpDataAckPdu_01(<br>TI_08( TCV_ti_v_2)))                                                                                | (P) | CP-ACK ms->n                                                                                  |
| 75 | L_076<br>8 | ?TIMEOUT T_dly                                                                                                                                                |                                                                                                                                            | (F) |                                                                                               |
| 76 |            | +ChanRel(TCV_ch)                                                                                                                                              |                                                                                                                                            |     |                                                                                               |
| 77 | L_076<br>9 | L?DL_DatInCpData CANCEL T_dly                                                                                                                                 | DatInCpData(<br>TCV_chSms,<br>CpDataPdu_02(<br>TI_08( TCV_ti_v_2),<br>CpData_02(<br>TCV_Rpmr)))                                            | (P) | CP-DATA(RP-Ack) n-<br>>ms                                                                     |
| 78 |            | LIDL_DatRqCpDataAck                                                                                                                                           | DatRqCpDataAck(<br>CpDataAckPdu_02(<br>TI_07( TCV_ti_v_2)),<br>TCV_chSms)                                                                  |     |                                                                                               |

|                           |            |                                                                                                                                                                                                                                                                                                            |                                                                           |     |                                |
|---------------------------|------------|------------------------------------------------------------------------------------------------------------------------------------------------------------------------------------------------------------------------------------------------------------------------------------------------------------|---------------------------------------------------------------------------|-----|--------------------------------|
| 79                        |            | <b>Itree_sms6( ch: LOGICCH)</b>                                                                                                                                                                                                                                                                            |                                                                           |     |                                |
| 80                        | L_077<br>0 | START T_dly( TCV_T_TwiceTC1M)<br>?TIMEOUT T_dly                                                                                                                                                                                                                                                            |                                                                           | (F) |                                |
| 81                        |            | +ChanRel( ch)                                                                                                                                                                                                                                                                                              |                                                                           |     |                                |
| 82                        |            | L?DL_DatInCpData(TCV_Rpmr :=<br>DL_DatInCpData.msg.CPdata.rpdata.rpmr,<br>TCV_ti_v := DL_DatInCpData.msg.ti.v) CANCEL<br>T_dly                                                                                                                                                                             | DatInCpData(<br>TCV_chSms,<br>CpDataPdu_03(<br>CpData_03(<br>RpData_03))) |     | CP-DATA(RP-Data SMS<br>SUBMIT) |
| 83                        |            | (TCV_CPDDataRetx := TCV_CPDDataRetx + 1)                                                                                                                                                                                                                                                                   |                                                                           |     |                                |
|                           |            | <b>Itree_set_sapi3_SDCCH</b>                                                                                                                                                                                                                                                                               |                                                                           |     |                                |
| 84                        |            | L?DL_EstIn                                                                                                                                                                                                                                                                                                 | DLEstInd_2( TCV_ch)                                                       |     |                                |
| 85                        |            | (TCV_CPDDataRetx := 0, TCV_chSms := TCV_ch)                                                                                                                                                                                                                                                                |                                                                           |     |                                |
|                           |            | <b>Itree_set_sapi3_SACCH</b>                                                                                                                                                                                                                                                                               |                                                                           |     |                                |
| 86                        |            | L?DL_EstIn                                                                                                                                                                                                                                                                                                 | DLEstInd_2(<br>C_SACCHF_A_1)                                              |     |                                |
| 87                        |            | (TCV_CPDDataRetx := 0, TCV_chSms :=<br>C_SACCHF_A_1)                                                                                                                                                                                                                                                       |                                                                           |     |                                |
|                           |            | <b>Itree_ti</b>                                                                                                                                                                                                                                                                                            |                                                                           |     |                                |
| 88                        |            | [TCV_ti_v='000'B]                                                                                                                                                                                                                                                                                          |                                                                           |     |                                |
| 89                        |            | (TCV_ti_v_2:='001'B)                                                                                                                                                                                                                                                                                       |                                                                           |     |                                |
| 90                        |            | [NOT(TCV_ti_v='000'B)]                                                                                                                                                                                                                                                                                     |                                                                           |     |                                |
| 91                        |            | (TCV_ti_v_2:='000'B)                                                                                                                                                                                                                                                                                       |                                                                           |     |                                |
|                           |            | <b>Itree_ChanRel( ch: LOGICCH)</b>                                                                                                                                                                                                                                                                         |                                                                           |     |                                |
| 92                        |            | +ChanRel( ch)                                                                                                                                                                                                                                                                                              |                                                                           |     |                                |
| 93                        |            | (TCV_Null := OM_CphMd( TCV_ch, CphMod_02,<br>TCV_CphKey))                                                                                                                                                                                                                                                  |                                                                           |     |                                |
| <b>Detailed Comments:</b> |            | 1: Parts a) to f) of the test procedure as described in GSM 11.10, 34.2.2.3<br>2: Parts g) to i) of the test procedure as described in GSM 11.10, 34.2.2.3<br>3: Part j) of the test procedure as described in GSM 11.10, 34.2.2.3<br>4: Part k) of the test procedure as described in GSM 11.10, 34.2.2.3 |                                                                           |     |                                |



| Test Case Dynamic Behaviour |       |                                                                                                                                                                                                                                                                                                                                                                                                                                                                                                                                                                                                                   |                                                                                                                                                 |   |                                |
|-----------------------------|-------|-------------------------------------------------------------------------------------------------------------------------------------------------------------------------------------------------------------------------------------------------------------------------------------------------------------------------------------------------------------------------------------------------------------------------------------------------------------------------------------------------------------------------------------------------------------------------------------------------------------------|-------------------------------------------------------------------------------------------------------------------------------------------------|---|--------------------------------|
| <b>Test Case Name:</b>      |       | TC_34_2_3                                                                                                                                                                                                                                                                                                                                                                                                                                                                                                                                                                                                         |                                                                                                                                                 |   |                                |
| <b>Group:</b>               |       | GSM_L3_MS_v4200/SM/                                                                                                                                                                                                                                                                                                                                                                                                                                                                                                                                                                                               |                                                                                                                                                 |   |                                |
| <b>Purpose:</b>             |       | 1. To verify that the MS sends the correct acknowledgement when its memory in the SIM becomes full.<br>2. To verify that the MS sends the correct acknowledgement when its memory in the ME and the SIM becomes full, and sets the "memory exceeded" notification flag in the SIM.<br>3. To verify that the MS performs the "memory available" procedure when its message store becomes available for receiving short messages, and only at this moment.                                                                                                                                                          |                                                                                                                                                 |   |                                |
| <b>Default:</b>             |       | OtherEventsFail                                                                                                                                                                                                                                                                                                                                                                                                                                                                                                                                                                                                   |                                                                                                                                                 |   |                                |
| Nr                          | Label | Behaviour Description                                                                                                                                                                                                                                                                                                                                                                                                                                                                                                                                                                                             | CRef                                                                                                                                            | V | Comments                       |
| 1                           |       | START T_guard(300)                                                                                                                                                                                                                                                                                                                                                                                                                                                                                                                                                                                                |                                                                                                                                                 |   |                                |
| 2                           |       | (TCV_Null := OO_EmptyMessageStorage(),<br>TCV_Null :=<br>OO_MSSSetupStoreClass1SMInMEMemory(),<br>TCV_Null := OO_ConnectSIMSimulator(),<br>TCV_RPOA_MT:='1111111111'O,<br>TCV_TPOA1:='3333333333'O, TCV_Rpmr:='00'O)                                                                                                                                                                                                                                                                                                                                                                                              |                                                                                                                                                 |   |                                |
| 3                           |       | +IdleUpdated( C_E_default, C_CellA, C_SCH_A,<br>C_BCCH_A_1, C_Immss, C_S0, C_SlotNU,<br>C_SlotNU, C_SlotNU, C_BCC, C_TxInt_5,<br>C_Max_1, C_NECI_0, C_ATT_0, TimingAdv( 0),<br>C_BABR_0, C_cch_1Comb, C_BPM_3,<br>C_T3212_0, C_ci_cellA, C_MCC_1, C_PLMN_1,<br>C_LAC_1, CellOpt_01, CellChDes_02,<br>CellChDes_03, C_CellReselectHys12,<br>C_MaxPwrLvlG, C_MaxPwrLvlD,<br>BcchFreqLst_01, BcchFreqLst_Omit,<br>BcchFreqLst_48, BcchFreqLst_Omit,<br>C_noRestablishment, C_BCC, C_NCC,<br>C_Start_Tmsi, TSPX_SDCCH4SubDef,<br>TSPX_CKSNDDef, TSPX_RANDDef, C_arfcnA,<br>C_arfcnAd, TSPX_IMSI, C_Test_fh, C_NCCP_2) |                                                                                                                                                 |   |                                |
| 4                           | body  | +ltree_part1                                                                                                                                                                                                                                                                                                                                                                                                                                                                                                                                                                                                      |                                                                                                                                                 |   | 1                              |
| 5                           |       | +ltree_part2                                                                                                                                                                                                                                                                                                                                                                                                                                                                                                                                                                                                      |                                                                                                                                                 |   | 2                              |
| 6                           |       | +ltree_sms3                                                                                                                                                                                                                                                                                                                                                                                                                                                                                                                                                                                                       |                                                                                                                                                 |   | 3                              |
| 7                           |       | +ltree_sms4                                                                                                                                                                                                                                                                                                                                                                                                                                                                                                                                                                                                       |                                                                                                                                                 |   | 4                              |
| 8                           |       | <b>ltree_part1</b><br>(TCV_ProtErrorUnspec := FALSE,<br>TCV_MemCapExcd := FALSE)                                                                                                                                                                                                                                                                                                                                                                                                                                                                                                                                  |                                                                                                                                                 |   |                                |
| 9                           |       | REPEAT ltree_sms1 UNTIL<br>[(TCV_ProtErrorUnspec) OR(TCV_MemCapExcd)]                                                                                                                                                                                                                                                                                                                                                                                                                                                                                                                                             |                                                                                                                                                 |   |                                |
| 10                          |       | <b>ltree_part2</b><br>(TCV_MemCapExcd := FALSE)                                                                                                                                                                                                                                                                                                                                                                                                                                                                                                                                                                   |                                                                                                                                                 |   |                                |
| 11                          |       | REPEAT ltree_sms2 UNTIL [TCV_MemCapExcd]                                                                                                                                                                                                                                                                                                                                                                                                                                                                                                                                                                          |                                                                                                                                                 |   |                                |
| 12                          |       | <b>ltree_Environment</b><br>+Wait(C_T_Wait1)                                                                                                                                                                                                                                                                                                                                                                                                                                                                                                                                                                      |                                                                                                                                                 |   |                                |
| 13                          |       | +RRmtcallprepare(TimingAdv( 0), TSPX_RANDDef)                                                                                                                                                                                                                                                                                                                                                                                                                                                                                                                                                                     |                                                                                                                                                 |   |                                |
| 14                          |       | +ltree_set_sapi3_SDCCH_MT                                                                                                                                                                                                                                                                                                                                                                                                                                                                                                                                                                                         |                                                                                                                                                 |   |                                |
| 15                          |       | (TCV_ti_v_2:='000'B, TCV_chSms:=TCV_ch)                                                                                                                                                                                                                                                                                                                                                                                                                                                                                                                                                                           |                                                                                                                                                 |   |                                |
| 16                          |       | <b>ltree_Environment2</b><br>L?DL_RaInChRq (TCV_Rr := DL_RaInChRq.<br>msg.ecau_rrf, TCV_Fn := DL_RaInChRq.fn)                                                                                                                                                                                                                                                                                                                                                                                                                                                                                                     | ChReq(<br>ChRequest_04)                                                                                                                         |   |                                |
| 17                          |       | ACTIVATE(OtherEventsFail_02)                                                                                                                                                                                                                                                                                                                                                                                                                                                                                                                                                                                      |                                                                                                                                                 |   | To match ChReq retrans.        |
| 18                          |       | LIDL_UdatRqImmss                                                                                                                                                                                                                                                                                                                                                                                                                                                                                                                                                                                                  | ImmAss( TCV_agch,<br>ImmAsgn_01Def(<br>TCV_Rr, TCV_Fn,<br>TSPX_SDCCH4SubD<br>ef, TCV_slot,<br>TCV_tsc,<br>TCV_chdescr_arfcn,<br>TimingAdv( 0))) |   |                                |
| 19                          |       | L?DL_EstInCmsRq                                                                                                                                                                                                                                                                                                                                                                                                                                                                                                                                                                                                   | CMSerReq(<br>CMSerReq_09)                                                                                                                       |   |                                |
| 20                          |       | ACTIVATE(OtherEventsFail)                                                                                                                                                                                                                                                                                                                                                                                                                                                                                                                                                                                         |                                                                                                                                                 |   | Restore normal default<br>tree |

|    |            |                                                                                               |                                                                                                                                            |     |                                                         |
|----|------------|-----------------------------------------------------------------------------------------------|--------------------------------------------------------------------------------------------------------------------------------------------|-----|---------------------------------------------------------|
| 21 |            | +Authentication(TCV_ch, TCV_cksn,<br>TSPX_RANDDef)                                            |                                                                                                                                            |     |                                                         |
| 22 |            | +Ciphering_on(TCV_ch)                                                                         |                                                                                                                                            |     |                                                         |
| 23 |            | +ltree_set_sapi3_SDCCH_MO                                                                     |                                                                                                                                            |     |                                                         |
| 24 |            | (TCV_chSms:=TCV_ch)                                                                           |                                                                                                                                            |     |                                                         |
|    |            | <b>ltree_sms1</b>                                                                             |                                                                                                                                            |     |                                                         |
| 25 |            | +ltree_Environment                                                                            |                                                                                                                                            |     |                                                         |
| 26 |            | L!DL_DatRqCpData START T_dly( 25000)                                                          | DatRqCpData(<br>CpDataPdu_01(<br>TI_07( TCV_ti_v_2),<br>CpData_05(<br>TCV_TPOA1,<br>TCV_RPOA_MT,<br>TCV_Rpmr,<br>C_Tzone2)),<br>TCV_chSms) |     | CP-DATA(RP-Data SMS<br>DELIVER), n->ms<br>class 2 MT-SM |
| 27 | L_077<br>1 | ?TIMEOUT T_dly                                                                                |                                                                                                                                            | (F) |                                                         |
| 28 |            | +ChanRel(TCV_ch)                                                                              |                                                                                                                                            |     |                                                         |
| 29 | L_077<br>2 | L?DL_DatInCpDataAck START T_dly( 60000)                                                       | DatInCpDataAck(<br>CpDataAckPdu_01(<br>TI_08( TCV_ti_v_2)))                                                                                | (P) | CP-ACK ms->n                                            |
| 30 | L_077<br>3 | ?TIMEOUT T_dly                                                                                |                                                                                                                                            | (F) |                                                         |
| 31 |            | +ChanRel(TCV_ch)                                                                              |                                                                                                                                            |     |                                                         |
| 32 | L_077<br>4 | L?DL_DatInCpData CANCEL T_dly                                                                 | DatInCpData(<br>TCV_chSms,<br>CpDataPdu_02(<br>TI_08( TCV_ti_v_2),<br>CpData_02(<br>TCV_Rpmr)))                                            | (P) | CP-DATA(RP-Ack) ms->n                                   |
| 33 |            | L!DL_DatRqCpDataAck CANCEL T_dly                                                              | DatRqCpDataAck(<br>CpDataAckPdu_02(<br>TI_07( TCV_ti_v_2)),<br>TCV_chSms)                                                                  |     | CP-ACK n->ms                                            |
| 34 |            | +ChanRel(TCV_ch)                                                                              |                                                                                                                                            |     |                                                         |
| 35 |            | (TCV_Null := OM_CphMd( TCV_ch,<br>CphMod_02, TCV_CphKey))                                     |                                                                                                                                            |     |                                                         |
| 36 | L_077<br>5 | L?DL_DatInCpData CANCEL T_dly                                                                 | DatInCpData(<br>TCV_chSms,<br>CpDataPdu_02(<br>TI_08( TCV_ti_v_2),<br>CpData_07(<br>TCV_Rpmr)))                                            | (P) | CP-DATA(RP-Error:<br>Protocol Error,<br>unspecified)    |
| 37 |            | L!DL_DatRqCpDataAck                                                                           | DatRqCpDataAck(<br>CpDataAckPdu_02(<br>TI_07( TCV_ti_v_2)),<br>TCV_chSms)                                                                  |     | CP-ACK n->ms                                            |
| 38 |            | (TCV_ProtErrorUnspec := TRUE)                                                                 |                                                                                                                                            |     | SMS storage in SIM full                                 |
| 39 |            | +ChanRel(TCV_ch)                                                                              |                                                                                                                                            |     |                                                         |
| 40 |            | (TCV_Null := OM_CphMd( TCV_ch,<br>CphMod_02, TCV_CphKey))                                     |                                                                                                                                            |     |                                                         |
| 41 | L_077<br>6 | L?DL_DatInCpData CANCEL T_dly                                                                 | DatInCpData(<br>TCV_chSms,<br>CpDataPdu_02(<br>TI_08( TCV_ti_v_2),<br>CpData_08(<br>TCV_Rpmr)))                                            | (P) | CP-DATA(RP-Error:<br>Memory Capacity<br>Exceeded)       |
| 42 |            | L!DL_DatRqCpDataAck                                                                           | DatRqCpDataAck(<br>CpDataAckPdu_02(<br>TI_07( TCV_ti_v_2)),<br>TCV_chSms)                                                                  |     | CP-ACK n->ms                                            |
| 43 |            | (TCV_MemCapExcd := TRUE)                                                                      |                                                                                                                                            |     | SMS storage in ME + SIM<br>full                         |
| 44 |            | +ChanRel(TCV_ch)                                                                              |                                                                                                                                            |     |                                                         |
| 45 |            | (TCV_Null := OM_CphMd( TCV_ch,<br>CphMod_02, TCV_CphKey), TCV_Res<br>:= OO_CheckMCEFOOnSIM()) |                                                                                                                                            |     |                                                         |
| 46 | L_077<br>7 | [NOT TCV_Res]                                                                                 |                                                                                                                                            | (F) |                                                         |
| 47 | L_077      | [TCV_Res]                                                                                     |                                                                                                                                            | (P) |                                                         |

|    |            |                                                                                               |                                                                                                                                            |     |                                                          |
|----|------------|-----------------------------------------------------------------------------------------------|--------------------------------------------------------------------------------------------------------------------------------------------|-----|----------------------------------------------------------|
|    | 8          |                                                                                               |                                                                                                                                            |     |                                                          |
|    |            | <b>ltree_sms2</b>                                                                             |                                                                                                                                            |     |                                                          |
| 48 |            | +ltree_Environment                                                                            |                                                                                                                                            |     |                                                          |
| 49 |            | L!DL_DatRqCpData START T_dly(25000)                                                           | DatRqCpData(<br>CpDataPdu_01(<br>TI_07( TCV_ti_v_2),<br>CpData_06(<br>TCV_TPOA1,<br>TCV_RPOA_MT,<br>TCV_Rpmr,<br>C_Tzone2)),<br>TCV_chSms) |     | CP-DATA(RP-Data SMS<br>DELIVER), n->ms, class<br>1 MT-SM |
| 50 | L_077<br>9 | ?TIMEOUT T_dly                                                                                |                                                                                                                                            | (F) |                                                          |
| 51 |            | +ChanRel(TCV_ch)                                                                              |                                                                                                                                            |     |                                                          |
| 52 |            | L?DL_DatInCpDataAck START T_dly( 60000)                                                       | DatInCpDataAck(<br>CpDataAckPdu_01(<br>TI_08( TCV_ti_v_2)))                                                                                |     | CP-ACK ms->n                                             |
| 53 | L_078<br>0 | ?TIMEOUT T_dly                                                                                |                                                                                                                                            | (F) |                                                          |
| 54 |            | +ChanRel( TCV_ch)                                                                             |                                                                                                                                            |     |                                                          |
| 55 |            | L?DL_DatInCpData CANCEL T_dly                                                                 | DatInCpData(<br>TCV_chSms,<br>CpDataPdu_02(<br>TI_08( TCV_ti_v_2),<br>CpData_02(<br>TCV_Rpmr)))                                            |     | CP-DATA(RP-Ack) ms->n                                    |
| 56 |            | L!DL_DatRqCpDataAck                                                                           | DatRqCpDataAck(<br>CpDataAckPdu_02(<br>TI_07( TCV_ti_v_2)),<br>TCV_chSms)                                                                  |     | CP-ACK n->ms                                             |
| 57 |            | +ChanRel( TCV_ch)                                                                             |                                                                                                                                            |     |                                                          |
| 58 |            | (TCV_Null := OM_CphMd( TCV_ch,<br>CphMod_02, TCV_CphKey))                                     |                                                                                                                                            |     |                                                          |
| 59 |            | L?DL_DatInCpData CANCEL T_dly                                                                 | DatInCpData(<br>TCV_chSms,<br>CpDataPdu_02(<br>TI_08( TCV_ti_v_2),<br>CpData_08(<br>TCV_Rpmr)))                                            |     | CP-DATA(RP-Error:<br>Memory Capacity<br>Exceeded)        |
| 60 |            | L!DL_DatRqCpDataAck                                                                           | DatRqCpDataAck(<br>CpDataAckPdu_02(<br>TI_07( TCV_ti_v_2)),<br>TCV_chSms)                                                                  |     | CP-ACK n->ms                                             |
| 61 |            | (TCV_MemCapExcd := TRUE)                                                                      |                                                                                                                                            |     | SMS storage in ME + SIM<br>full                          |
| 62 |            | +ChanRel( TCV_ch)                                                                             |                                                                                                                                            |     |                                                          |
| 63 |            | (TCV_Null := OM_CphMd( TCV_ch,<br>CphMod_02, TCV_CphKey), TCV_Res<br>:= OO_CheckMCEFOOnSIM()) |                                                                                                                                            |     |                                                          |
| 64 | L_078<br>1 | [NOT TCV_Res]                                                                                 |                                                                                                                                            | (F) |                                                          |
| 65 | L_078<br>2 | [TCV_Res]                                                                                     |                                                                                                                                            | (P) |                                                          |
|    |            | <b>ltree_sms3</b>                                                                             |                                                                                                                                            |     |                                                          |
| 66 |            | +ltree_Environment                                                                            |                                                                                                                                            |     |                                                          |
| 67 |            | L!DL_DatRqCpData START T_dly(25000)                                                           | DatRqCpData(<br>CpDataPdu_01(<br>TI_07( TCV_ti_v_2),<br>CpData_01(<br>TCV_TPOA1,<br>TCV_RPOA_MT,<br>TCV_Rpmr,<br>C_Tzone2)),<br>TCV_chSms) |     | CP-DATA(RP-Data SMS<br>DELIVER)<br>TP-DCS is 0           |
| 68 | L_078<br>3 | ?TIMEOUT T_dly                                                                                |                                                                                                                                            | (F) |                                                          |
| 69 |            | +ChanRel(TCV_ch)                                                                              |                                                                                                                                            |     |                                                          |
| 70 |            | L?DL_DatInCpDataAck START T_dly(60000)                                                        | DatInCpDataAck(<br>CpDataAckPdu_01(<br>TI_08( TCV_ti_v_2)))                                                                                |     | CP-ACK ms->n                                             |

|    |            |                                                                                                     |                                                                                                 |     |                                                   |
|----|------------|-----------------------------------------------------------------------------------------------------|-------------------------------------------------------------------------------------------------|-----|---------------------------------------------------|
| 71 | L_078<br>4 | ?TIMEOUT T_dly                                                                                      | TI_08( TCV_ti_v_2))                                                                             | (F) |                                                   |
| 72 |            | +ChanRel(TCV_ch)                                                                                    |                                                                                                 |     |                                                   |
| 73 |            | L?DL_DatInCpData CANCEL T_dly                                                                       | DatInCpData(<br>TCV_chSms,<br>CpDataPdu_02(<br>TI_08( TCV_ti_v_2),<br>CpData_08(<br>TCV_Rpmr))) |     | CP-DATA(RP-Error:<br>Memory Capacity<br>Exceeded) |
| 74 |            | LIDL_DatRqCpDataAck                                                                                 | DatRqCpDataAck(<br>CpDataAckPdu_02(<br>TI_07( TCV_ti_v_2)),<br>TCV_chSms)                       |     | CP-ACK n->ms                                      |
| 75 |            | +ChanRel(TCV_ch)                                                                                    |                                                                                                 |     |                                                   |
| 76 |            | (TCV_Null := OM_CphMd( TCV_ch,<br>CphMod_02, TCV_CphKey), TCV_Null :=<br>OO_RemoveOneSM())          |                                                                                                 |     |                                                   |
|    |            | <b>Itree_sms4</b>                                                                                   |                                                                                                 |     |                                                   |
| 77 |            | +Itree_Environment2                                                                                 |                                                                                                 |     |                                                   |
| 78 |            | L?DL_DatInCpData( TCV_ti_v :=<br>DL_DatInCpData.msg.ti.v)                                           | DatInCpData(<br>TCV_chSms,<br>CpDataPdu_02(<br>TI_09, CpData_09))                               |     | CP-DATA(RP-SMMA),<br>ms->n                        |
| 79 |            | LIDL_DatRqCpDataAck                                                                                 | DatRqCpDataAck(<br>CpDataAckPdu_01(<br>TI_08( TCV_ti_v)),<br>TCV_chSms)                         |     | CP-ACK n->ms                                      |
| 80 |            | LIDL_DatRqCpData START T_dly(25000)                                                                 | DatRqCpData(<br>CpDataPdu_02(<br>TI_08( TCV_ti_v),<br>CpData_04(<br>TCV_Rpmr)),<br>TCV_chSms)   |     | CP-DATA(RP-Ack) n-><br>ms                         |
| 81 | L_078<br>5 | ?TIMEOUT T_dly                                                                                      |                                                                                                 | (F) |                                                   |
| 82 |            | +ChanRel(TCV_ch)                                                                                    |                                                                                                 |     |                                                   |
| 83 |            | L?DL_DatInCpDataAck CANCEL T_dly                                                                    | DatInCpDataAck(<br>CpDataAckPdu_02(<br>TI_07( TCV_ti_v)))                                       |     | CP-ACK ms->n                                      |
| 84 |            | +ChanRel(TCV_ch)                                                                                    |                                                                                                 |     |                                                   |
| 85 |            | (TCV_Null := OM_CphMd( TCV_ch,<br>CphMod_02, TCV_CphKey), TCV_Res :=<br>OO_CheckMCEFOOnSIMUnset())  |                                                                                                 |     |                                                   |
| 86 | L_078<br>6 | [NOT TCV_Res]                                                                                       |                                                                                                 | (F) |                                                   |
| 87 | L_078<br>7 | [TCV_Res]                                                                                           |                                                                                                 | (P) |                                                   |
| 88 |            | (TCV_Null := OO_RemoveOneSM())                                                                      |                                                                                                 |     |                                                   |
| 89 |            | START T_dly( 60000)                                                                                 |                                                                                                 |     |                                                   |
| 90 | L_078<br>8 | L?DL_RaInChRq( TCV_Rr :=<br>DL_RaInChRq. msg.ecau_rrf,<br>TCV_Fn := DL_RaInChRq.fn)<br>CANCEL T_dly | ChReq(<br>ChRequest_04)                                                                         | (F) | The MS shall not attempt<br>to send RP-SSMA       |
| 91 |            | +ChanRel(TCV_ch)                                                                                    |                                                                                                 |     |                                                   |
| 92 | L_078<br>9 | ?TIMEOUT T_dly                                                                                      |                                                                                                 | (P) |                                                   |
|    |            | <b>Itree_set_sapi3_SDCCH_MT</b>                                                                     |                                                                                                 |     |                                                   |
| 93 |            | LIDL_EstRq                                                                                          | DLEstRq(TCV_ch)                                                                                 |     |                                                   |
| 94 |            | L?DL_EstCo                                                                                          | DLEstCo(TCV_ch)                                                                                 |     |                                                   |
|    |            | <b>Itree_set_sapi3_SDCCH_MO</b>                                                                     |                                                                                                 |     |                                                   |
| 95 |            | L?DL_EstIn                                                                                          | DLEstInd_2( TCV_ch)                                                                             |     |                                                   |

**Detailed Comments:**

- 1: Part a) of the test procedure as described in GSM 11.10, 34.2.3.3
- 2: Parts b) to c) of the test procedure as described in GSM 11.10, 34.2.3.3
- 3: Parts d) to e) of the test procedure as described in GSM 11.10, 34.2.3.3
- 4: Parts f) to k) of the test procedure as described in GSM 11.10, 34.2.3.3

| Test Case Dynamic Behaviour |       |                                                                                                                                                                                                                                                                                                                                                                                                                                                                                                                                                                                                                  |                                                                                            |   |                                            |
|-----------------------------|-------|------------------------------------------------------------------------------------------------------------------------------------------------------------------------------------------------------------------------------------------------------------------------------------------------------------------------------------------------------------------------------------------------------------------------------------------------------------------------------------------------------------------------------------------------------------------------------------------------------------------|--------------------------------------------------------------------------------------------|---|--------------------------------------------|
| <b>Test Case Name:</b>      |       | TC_34_2_4                                                                                                                                                                                                                                                                                                                                                                                                                                                                                                                                                                                                        |                                                                                            |   |                                            |
| <b>Group:</b>               |       | GSM_L3_MS_v4200/SM/                                                                                                                                                                                                                                                                                                                                                                                                                                                                                                                                                                                              |                                                                                            |   |                                            |
| <b>Purpose:</b>             |       | 1) To verify that the MS is able to accept a SMS-STATUS-REPORT TPDU.<br><br>2) To verify that a MS able to use the SMS-COMMAND functionality correctly sends a SMS-COMMAND TPDU with the correct TP-Message-Reference.                                                                                                                                                                                                                                                                                                                                                                                           |                                                                                            |   |                                            |
| <b>Default:</b>             |       | OtherEventsFail                                                                                                                                                                                                                                                                                                                                                                                                                                                                                                                                                                                                  |                                                                                            |   |                                            |
| Nr                          | Label | Behaviour Description                                                                                                                                                                                                                                                                                                                                                                                                                                                                                                                                                                                            | CRef                                                                                       | V | Comments                                   |
| 1                           |       | START T_guard(300)                                                                                                                                                                                                                                                                                                                                                                                                                                                                                                                                                                                               |                                                                                            |   |                                            |
| 2                           |       | (TCV_RPOA_MT:='1111111111'O,<br>TCV_TPDA:='5555555555'O)                                                                                                                                                                                                                                                                                                                                                                                                                                                                                                                                                         |                                                                                            |   |                                            |
| 3                           |       | +IdleUpdated( C_E_default, C_CellA, C_SCH_A,<br>C_BCCH_A_1, C_Immass, C_S0, C_SlotNU,<br>C_SlotNU, C_SlotNU, C_BCC, C_TxInt_5,<br>C_Max_1, C_NECL_0, C_ATT_0, TimingAdv( 0),<br>C_BABR_0, C_cch_1Comb, C_BPM_3,<br>C_T3212_0, C_ci_cellA, C_MCC_1, C_PLMN_1,<br>C_LAC_1, CellOpt_01, CellChDes_02,<br>CellChDes_03, C_CellReselectHys12,<br>C_MaxPwrLvlG, C_MaxPwrLvlD,<br>BcchFreqLst_01, BcchFreqLst_Omit,<br>BcchFreqLst_48, BcchFreqLst_Omit,<br>C_noRestablishment, C_BCC, C_NCC,<br>C_Start_Tmsi, TSPX_SDCCH4SubDef,<br>TSPX_CKSNDf, TSPX_RANDDef, C_arfcnA,<br>C_arfcnAd, TSPX_IMSI, C_Test_fh, C_NCCP_2) |                                                                                            |   |                                            |
| 4                           | body  | +ltree_part1                                                                                                                                                                                                                                                                                                                                                                                                                                                                                                                                                                                                     |                                                                                            |   | 1                                          |
| 5                           |       | +ltree_part2                                                                                                                                                                                                                                                                                                                                                                                                                                                                                                                                                                                                     |                                                                                            |   | 2                                          |
| 6                           |       | +ltree_part3                                                                                                                                                                                                                                                                                                                                                                                                                                                                                                                                                                                                     |                                                                                            |   | 3                                          |
| 7                           |       | +ltree_part4                                                                                                                                                                                                                                                                                                                                                                                                                                                                                                                                                                                                     |                                                                                            |   | 4                                          |
| 8                           |       | <b>ltree_part1</b><br>(TCV_Null := OO_SendMOShortMessage())                                                                                                                                                                                                                                                                                                                                                                                                                                                                                                                                                      |                                                                                            |   |                                            |
| 9                           |       | +ltree_PrepareEnvironmentParts1_3_4                                                                                                                                                                                                                                                                                                                                                                                                                                                                                                                                                                              |                                                                                            |   |                                            |
| 10                          |       | +ltree_sms1                                                                                                                                                                                                                                                                                                                                                                                                                                                                                                                                                                                                      |                                                                                            |   | Initiate MO-SM, status<br>report requested |
| 11                          |       | +ltree_sms2                                                                                                                                                                                                                                                                                                                                                                                                                                                                                                                                                                                                      |                                                                                            |   | Terminate MO-SM                            |
| 12                          |       | <b>ltree_part2</b><br>+ltree_PrepareEnvironmentPart2                                                                                                                                                                                                                                                                                                                                                                                                                                                                                                                                                             |                                                                                            |   |                                            |
| 13                          |       | +ltree_sms3                                                                                                                                                                                                                                                                                                                                                                                                                                                                                                                                                                                                      |                                                                                            |   | MT-SM (SMS Status<br>Report)               |
| 14                          |       | <b>ltree_part3</b><br>(TCV_Null := OO_SendSMSCOMMANDEnq())                                                                                                                                                                                                                                                                                                                                                                                                                                                                                                                                                       |                                                                                            |   |                                            |
| 15                          |       | +ltree_PrepareEnvironmentParts1_3_4                                                                                                                                                                                                                                                                                                                                                                                                                                                                                                                                                                              |                                                                                            |   |                                            |
| 16                          |       | +ltree_sms4                                                                                                                                                                                                                                                                                                                                                                                                                                                                                                                                                                                                      |                                                                                            |   | Initiate MO-SM (SMS<br>COMMAND, enquiry)   |
| 17                          |       | +ltree_sms2                                                                                                                                                                                                                                                                                                                                                                                                                                                                                                                                                                                                      |                                                                                            |   | Terminate MO-SM                            |
| 18                          |       | <b>ltree_part4</b><br>(TCV_Null := OO_SendSMSCOMMANDDel())                                                                                                                                                                                                                                                                                                                                                                                                                                                                                                                                                       |                                                                                            |   |                                            |
| 19                          |       | +ltree_PrepareEnvironmentParts1_3_4                                                                                                                                                                                                                                                                                                                                                                                                                                                                                                                                                                              |                                                                                            |   |                                            |
| 20                          |       | +ltree_sms5                                                                                                                                                                                                                                                                                                                                                                                                                                                                                                                                                                                                      |                                                                                            |   | Initiate MO-SM (SMS<br>COMMAND, deletion)  |
| 21                          |       | +ltree_sms2                                                                                                                                                                                                                                                                                                                                                                                                                                                                                                                                                                                                      |                                                                                            |   | Terminate MO-SM                            |
| 22                          |       | <b>ltree_PrepareEnvironmentParts1_3_4</b><br>(TCV_chSms:=TCV_ch)                                                                                                                                                                                                                                                                                                                                                                                                                                                                                                                                                 |                                                                                            |   |                                            |
| 23                          |       | L?DL_RaInChRq (TCV_Rr := DL_RaInChRq.<br>msg.ecau_rrf, TCV_Fn := DL_RaInChRq.fn)                                                                                                                                                                                                                                                                                                                                                                                                                                                                                                                                 | ChReq(<br>ChRequest_04)                                                                    |   |                                            |
| 24                          |       | ACTIVATE(OtherEventsFail_02)                                                                                                                                                                                                                                                                                                                                                                                                                                                                                                                                                                                     |                                                                                            |   | To match ChReq retrans.                    |
| 25                          |       | LIDL_UdatRqImmass                                                                                                                                                                                                                                                                                                                                                                                                                                                                                                                                                                                                | ImmAss( TCV_agch,<br>ImmAsgn_01Def(<br>TCV_Rr, TCV_Fn,<br>TSPX_SDCCH4SubD<br>ef, TCV_slot, |   |                                            |

|    |            |                                                                                                                                                                                           |                                                                                                                                                        |                                |
|----|------------|-------------------------------------------------------------------------------------------------------------------------------------------------------------------------------------------|--------------------------------------------------------------------------------------------------------------------------------------------------------|--------------------------------|
| 26 |            | L?DL_EstInCmsRq                                                                                                                                                                           | TCV_tsc,<br>TCV_chdescr_arfcn,<br>TimingAdv( 0))<br>CMSerReq(<br>CMServiceReq_09)                                                                      |                                |
| 27 |            | ACTIVATE(OtherEventsFail)                                                                                                                                                                 |                                                                                                                                                        | Restore normal default<br>tree |
| 28 |            | +Authentication( TCV_ch, TCV_cksn,<br>TSPX_RANDDef)                                                                                                                                       |                                                                                                                                                        |                                |
| 29 |            | +Cipherring_on( TCV_ch)                                                                                                                                                                   |                                                                                                                                                        |                                |
| 30 |            | +Itree_set_sapi3_SDCCH_MO                                                                                                                                                                 |                                                                                                                                                        |                                |
|    |            | <b>Itree_PrepareEnvironmentPart2</b>                                                                                                                                                      |                                                                                                                                                        |                                |
| 31 |            | +Wait(C_T_Wait1)                                                                                                                                                                          |                                                                                                                                                        |                                |
| 32 |            | +RRmtcallprepare( TimingAdv( 0),<br>TSPX_RANDDef)                                                                                                                                         |                                                                                                                                                        |                                |
| 33 |            | +Itree_set_sapi3_SDCCH_MT                                                                                                                                                                 |                                                                                                                                                        |                                |
| 34 |            | (TCV_ti_v_2 := '000'B, TCV_chSms := TCV_ch)                                                                                                                                               |                                                                                                                                                        |                                |
|    |            | <b>Itree_sms1</b>                                                                                                                                                                         |                                                                                                                                                        |                                |
| 35 |            | L?DL_DatInCpData( TCV_Rpmr :=<br>DL_DatInCpData.msg.CPdata.rpdata.rpmr,<br>TCV_Tpmr :=<br>DL_DatInCpData.msg.CPdata.rpdata.rpusrdat.tpsub<br>mit.mr, TCV_ti_v := DL_DatInCpData.msg.ti.v) | DatInCpData(<br>TCV_chSms,<br>CpDataPdu_03(<br>CpData_03(<br>RpData_08)))                                                                              | RP-Data                        |
|    |            | <b>Itree_sms2</b>                                                                                                                                                                         |                                                                                                                                                        |                                |
| 36 |            | L!DL_DatRqCpDataAck                                                                                                                                                                       | DatRqCpDataAck(<br>CpDataAckPdu_01(<br>TI_08( TCV_ti_v)),<br>TCV_chSms)                                                                                |                                |
| 37 |            | L!DL_DatRqCpData                                                                                                                                                                          | DatRqCpData(<br>CpDataPdu_02(<br>TI_08( TCV_ti_v),<br>CpData_04(<br>TCV_Rpmr)),<br>TCV_chSms)                                                          | RP-Ack                         |
| 38 |            | START T_dly( 25000)                                                                                                                                                                       |                                                                                                                                                        |                                |
| 39 | L_079<br>0 | ?TIMEOUT T_dly                                                                                                                                                                            |                                                                                                                                                        | (F)                            |
| 40 |            | +ChanRel(TCV_ch)                                                                                                                                                                          |                                                                                                                                                        |                                |
| 41 |            | L?DL_DatInCpDataAck CANCEL T_dly                                                                                                                                                          | DatInCpDataAck(<br>CpDataAckPdu_02(<br>TI_07( TCV_ti_v)))                                                                                              |                                |
| 42 |            | +ChanRel_P(TCV_ch)                                                                                                                                                                        |                                                                                                                                                        |                                |
| 43 |            | (TCV_Null := OM_CphMd( TCV_ch,<br>CphMod_02, TCV_CphKey))                                                                                                                                 |                                                                                                                                                        |                                |
|    |            | <b>Itree_sms3</b>                                                                                                                                                                         |                                                                                                                                                        |                                |
| 44 |            | +Itree_PrepareEnvironmentPart2                                                                                                                                                            |                                                                                                                                                        |                                |
| 45 |            | L!DL_DatRqCpData                                                                                                                                                                          | DatRqCpData(<br>CpDataPdu_01(<br>TI_07( TCV_ti_v_2),<br>CpData_12(<br>TCV_TPDA,<br>TCV_RPOA_MT,<br>TCV_Tpmr,<br>TCV_Rpmr,<br>C_Tzone3)),<br>TCV_chSms) | RP-Data<br>status report       |
| 46 |            | START T_dly( 25000)                                                                                                                                                                       |                                                                                                                                                        |                                |
| 47 | L_079<br>1 | ?TIMEOUT T_dly                                                                                                                                                                            |                                                                                                                                                        | (F)                            |
| 48 |            | +ChanRel(TCV_ch)                                                                                                                                                                          |                                                                                                                                                        |                                |
| 49 |            | L?DL_DatInCpDataAck CANCEL T_dly                                                                                                                                                          | DatInCpDataAck(<br>CpDataAckPdu_01(<br>TI_08( TCV_ti_v_2)))                                                                                            |                                |
| 50 |            | START T_dly( 60000)                                                                                                                                                                       |                                                                                                                                                        |                                |
| 51 | L_079<br>2 | ?TIMEOUT T_dly                                                                                                                                                                            |                                                                                                                                                        | (F)                            |
| 52 |            | +ChanRel(TCV_ch)                                                                                                                                                                          |                                                                                                                                                        |                                |

|                           |                                                                                                                                                                                                              |                                                                                                                         |                                   |
|---------------------------|--------------------------------------------------------------------------------------------------------------------------------------------------------------------------------------------------------------|-------------------------------------------------------------------------------------------------------------------------|-----------------------------------|
| 53                        | L?DL_DatInCpData CANCEL T_dly                                                                                                                                                                                | DatInCpData(<br>TCV_chSms,<br>CpDataPdu_02(<br>TI_08( TCV_ti_v_2),<br>CpData_02(<br>TCV_Rpmr)))                         | RP-Ack                            |
| 54                        | L!DL_DatRqCpDataAck                                                                                                                                                                                          | DatRqCpDataAck(<br>CpDataAckPdu_02(<br>TI_07( TCV_ti_v_2)),<br>TCV_chSms)                                               |                                   |
| 55                        | +ChanRel(TCV_ch)                                                                                                                                                                                             |                                                                                                                         |                                   |
| 56                        | (TCV_Null := OM_CphMd( TCV_ch,<br>CphMod_02, TCV_CphKey))                                                                                                                                                    |                                                                                                                         |                                   |
| 57                        | <b>Itree_sms4</b><br>L?DL_DatInCpData(TCV_Rpmr :=<br>DL_DatInCpData.msg.CPdata.rpdata.rpmr,<br>TCV_Tpmr :=<br>DL_DatInCpData.msg.CPdata.rpdata.rpusrdat.tpcom<br>mand.mr, TCV_ti_v:=DL_DatInCpData.msg.ti.v) | DatInCpData(<br>TCV_chSms,<br>CpDataPdu_03(<br>CpData_03(<br>RpData_11(<br>TCV_Rpmr,<br>TpCommand_01(<br>TCV_Tpmr)))))) | RP-Data, SMS<br>COMMAND, enquiry  |
| 58                        | <b>Itree_sms5</b><br>L?DL_DatInCpData( TCV_Rpmr :=<br>DL_DatInCpData.msg.CPdata.rpdata.rpmr, TCV_ti_v<br>:= DL_DatInCpData.msg.ti.v)                                                                         | DatInCpData(<br>TCV_chSms,<br>CpDataPdu_03(<br>CpData_03(<br>RpData_11(<br>TCV_Rpmr,<br>TpCommand_02(<br>TCV_Tpmr)))))) | RP-Data, SMS<br>COMMAND, deletion |
| 59                        | <b>Itree_set_sapi3_SDCCH_MO</b><br>L?DL_EstIn                                                                                                                                                                | DLEstIn_2( TCV_ch)                                                                                                      |                                   |
| 60                        | <b>Itree_set_sapi3_SDCCH_MT</b><br>L!DL_EstRq                                                                                                                                                                | DLEstRq( TCV_ch)                                                                                                        |                                   |
| 61                        | L?DL_EstCo                                                                                                                                                                                                   | DLEstCo( TCV_ch)                                                                                                        |                                   |
| <b>Detailed Comments:</b> |                                                                                                                                                                                                              |                                                                                                                         |                                   |

| Test Case Dynamic Behaviour |            |                                                                                                                                                                                                                                                                                                                                                                                                                                                                                                                                                                                                                    |                                                                                                                                            |     |                                   |
|-----------------------------|------------|--------------------------------------------------------------------------------------------------------------------------------------------------------------------------------------------------------------------------------------------------------------------------------------------------------------------------------------------------------------------------------------------------------------------------------------------------------------------------------------------------------------------------------------------------------------------------------------------------------------------|--------------------------------------------------------------------------------------------------------------------------------------------|-----|-----------------------------------|
| <b>Test Case Name:</b>      |            | TC_34_2_5_1                                                                                                                                                                                                                                                                                                                                                                                                                                                                                                                                                                                                        |                                                                                                                                            |     |                                   |
| <b>Group:</b>               |            | GSM_L3_MS_v4200/SM/                                                                                                                                                                                                                                                                                                                                                                                                                                                                                                                                                                                                |                                                                                                                                            |     |                                   |
| <b>Purpose:</b>             |            | To verify that the MS will accept and display but not store a class 0 message, and that it will accept and display a class 0 message if its message store is full.                                                                                                                                                                                                                                                                                                                                                                                                                                                 |                                                                                                                                            |     |                                   |
| <b>Default:</b>             |            | OtherEventsFail                                                                                                                                                                                                                                                                                                                                                                                                                                                                                                                                                                                                    |                                                                                                                                            |     |                                   |
| Nr                          | Label      | Behaviour Description                                                                                                                                                                                                                                                                                                                                                                                                                                                                                                                                                                                              | CRef                                                                                                                                       | V   | Comments                          |
| 1                           |            | START T_guard(300)                                                                                                                                                                                                                                                                                                                                                                                                                                                                                                                                                                                                 |                                                                                                                                            |     |                                   |
| 2                           |            | (TCV_Null:=OO_EmptyMessageStorage(),<br>TCV_RPOA_MT:='1111111111'O,<br>TCV_TPOA1:='3333333333'O, TCV_Rpmr:='00'O)                                                                                                                                                                                                                                                                                                                                                                                                                                                                                                  |                                                                                                                                            |     |                                   |
| 3                           |            | +IdleUpdated( C_E_default, C_CellA, C_SCH_A,<br>C_BCCH_A_1, C_Immass, C_S0, C_SlotNU,<br>C_SlotNU, C_SlotNU, C_BCC, C_TxInt_5,<br>C_Max_1, C_NECI_0, C_ATT_0, TimingAdv( 0),<br>C_BABR_0, C_cch_1Comb, C_BPM_3,<br>C_T3212_0, C_ci_cellA, C_MCC_1, C_PLMN_1,<br>C_LAC_1, CellOpt_01, CellChDes_02,<br>CellChDes_03, C_CellReselectHys12,<br>C_MaxPwrLvlG, C_MaxPwrLvlD,<br>BcchFreqLst_01, BcchFreqLst_Omit,<br>BcchFreqLst_48, BcchFreqLst_Omit,<br>C_noRestablishment, C_BCC, C_NCC,<br>C_Start_Tmsi, TSPX_SDCCH4SubDef,<br>TSPX_CKSNDDef, TSPX_RANDDef, C_arfcnA,<br>C_arfcnAd, TSPX_IMSI, C_Test_fh, C_NCCP_2) |                                                                                                                                            |     |                                   |
| 4                           | body       | +ltree_sms1                                                                                                                                                                                                                                                                                                                                                                                                                                                                                                                                                                                                        |                                                                                                                                            | 1   |                                   |
| 5                           |            | (TCV_Res := OO_RecallAndDisplaySM( 160,<br>TCV_SMcntns))                                                                                                                                                                                                                                                                                                                                                                                                                                                                                                                                                           |                                                                                                                                            |     |                                   |
| 6                           | L_079<br>3 | [TCV_Res]                                                                                                                                                                                                                                                                                                                                                                                                                                                                                                                                                                                                          |                                                                                                                                            | (F) | Message store should be empty     |
| 7                           | L_079<br>4 | [NOT TCV_Res]                                                                                                                                                                                                                                                                                                                                                                                                                                                                                                                                                                                                      |                                                                                                                                            | (P) |                                   |
| 8                           |            | +ltree_Release                                                                                                                                                                                                                                                                                                                                                                                                                                                                                                                                                                                                     |                                                                                                                                            |     |                                   |
| 9                           |            | (TCV_MemCapExcd := FALSE)                                                                                                                                                                                                                                                                                                                                                                                                                                                                                                                                                                                          |                                                                                                                                            |     |                                   |
| 10                          |            | REPEAT ltree_sms2 UNTIL<br>[TCV_MemCapExcd]                                                                                                                                                                                                                                                                                                                                                                                                                                                                                                                                                                        |                                                                                                                                            |     |                                   |
| 11                          |            | +ltree_Release                                                                                                                                                                                                                                                                                                                                                                                                                                                                                                                                                                                                     |                                                                                                                                            |     |                                   |
| 12                          |            | +ltree_sms1                                                                                                                                                                                                                                                                                                                                                                                                                                                                                                                                                                                                        |                                                                                                                                            | 3   |                                   |
| 13                          |            | +ChanRel_end( TCV_ch)                                                                                                                                                                                                                                                                                                                                                                                                                                                                                                                                                                                              |                                                                                                                                            |     |                                   |
| 14                          |            | <b>ltree_Release</b><br>+ChanRel( TCV_ch)                                                                                                                                                                                                                                                                                                                                                                                                                                                                                                                                                                          |                                                                                                                                            |     |                                   |
| 15                          |            | (TCV_Null := OM_CphMd( TCV_ch, CphMod_02,<br>TCV_CphKey))                                                                                                                                                                                                                                                                                                                                                                                                                                                                                                                                                          |                                                                                                                                            |     |                                   |
| 16                          |            | <b>ltree_Environment</b><br>+Wait(C_T_Wait1)                                                                                                                                                                                                                                                                                                                                                                                                                                                                                                                                                                       |                                                                                                                                            |     |                                   |
| 17                          |            | +RRmtcallprepare( TimingAdv( 0),<br>TSPX_RANDDef)                                                                                                                                                                                                                                                                                                                                                                                                                                                                                                                                                                  |                                                                                                                                            |     |                                   |
| 18                          |            | +ltree_set_sapi3_SDCCH_MT                                                                                                                                                                                                                                                                                                                                                                                                                                                                                                                                                                                          |                                                                                                                                            |     |                                   |
| 19                          |            | (TCV_ti_v_2 := '000'B, TCV_chSms := TCV_ch)                                                                                                                                                                                                                                                                                                                                                                                                                                                                                                                                                                        |                                                                                                                                            |     |                                   |
| 20                          |            | <b>ltree_sms1</b><br>+ltree_Environment                                                                                                                                                                                                                                                                                                                                                                                                                                                                                                                                                                            |                                                                                                                                            |     |                                   |
| 21                          |            | L!DL_DatRqCpData ( TCV_SMcntns :=<br>DL_DatRqCpData.msg.CPdata.rpdata.rpusdat.tpde<br>liver.ud) START T_dly( 25000)                                                                                                                                                                                                                                                                                                                                                                                                                                                                                                | DatRqCpData(<br>CpDataPdu_01(<br>TI_07( TCV_ti_v_2),<br>CpData_10(<br>TCV_TPOA1,<br>TCV_RPOA_MT,<br>TCV_Rpmr,<br>C_Tzone4)),<br>TCV_chSms) |     | RP-Data<br>Initiate class 0 MT-SM |
| 22                          | L_079<br>5 | ?TIMEOUT T_dly                                                                                                                                                                                                                                                                                                                                                                                                                                                                                                                                                                                                     |                                                                                                                                            | (F) |                                   |
| 23                          |            | L?DL_DatInCpDataAck START T_dly(60000)                                                                                                                                                                                                                                                                                                                                                                                                                                                                                                                                                                             | DatInCpDataAck(<br>CpDataAckPdu_01(<br>TI_08( TCV_ti_v_2)))                                                                                |     |                                   |
| 24                          | L_079      | ?TIMEOUT T_dly                                                                                                                                                                                                                                                                                                                                                                                                                                                                                                                                                                                                     |                                                                                                                                            | (F) |                                   |



|    |            |                                                               |                                                                                                                                            |     |                                   |
|----|------------|---------------------------------------------------------------|--------------------------------------------------------------------------------------------------------------------------------------------|-----|-----------------------------------|
| 25 | 6          | L?DL_DatInCpData CANCEL T_dly                                 | DatInCpData(<br>TCV_chSms,<br>CpDataPdu_02(<br>TI_08( TCV_ti_v_2),<br>CpData_02(<br>TCV_Rpmr)))                                            |     | RP-Ack                            |
| 26 |            | L!DL_DatRqCpDataAck                                           | DatRqCpDataAck(<br>CpDataAckPdu_02(<br>TI_07( TCV_ti_v_2)),<br>TCV_chSms)                                                                  |     |                                   |
| 27 |            | (TCV_Res :=<br>OO_CheckMessageDisplayed( 160,<br>TCV_SMcmts)) |                                                                                                                                            |     |                                   |
| 28 | L_079<br>7 | [NOT TCV_Res]                                                 |                                                                                                                                            | (F) |                                   |
| 29 | L_079<br>8 | [TCV_Res]                                                     |                                                                                                                                            | (P) |                                   |
| 30 |            | <b>ltree_sms2</b><br>+ltree_Environment                       |                                                                                                                                            |     |                                   |
| 31 |            | L!DL_DatRqCpData START T_dly( 25000)                          | DatRqCpData(<br>CpDataPdu_01(<br>TI_07( TCV_ti_v_2),<br>CpData_06(<br>TCV_RPOA_MT,<br>TCV_TPOA1,<br>TCV_Rpmr,<br>C_Tzone4)),<br>TCV_chSms) |     | RP-Data<br>Initiate class 1 MT-SM |
| 32 | L_079<br>9 | ?TIMEOUT T_dly                                                |                                                                                                                                            | (F) |                                   |
| 33 |            | L?DL_DatInCpDataAck START T_dly( 60000)                       | DatInCpDataAck(<br>CpDataAckPdu_01(<br>TI_08( TCV_ti_v_2)))                                                                                |     |                                   |
| 34 | L_080<br>0 | ?TIMEOUT T_dly                                                |                                                                                                                                            | (F) |                                   |
| 35 |            | L?DL_DatInCpData CANCEL T_dly                                 | DatInCpData(<br>TCV_chSms,<br>CpDataPdu_02(<br>TI_08( TCV_ti_v_2),<br>CpData_02(<br>TCV_Rpmr)))                                            |     | RP-Ack                            |
| 36 |            | L!DL_DatRqCpDataAck                                           | DatRqCpDataAck(<br>CpDataAckPdu_02(<br>TI_07( TCV_ti_v_2)),<br>TCV_chSms)                                                                  |     |                                   |
| 37 |            | L?DL_DatInCpData CANCEL T_dly                                 | DatInCpData(<br>TCV_chSms,<br>CpDataPdu_02(<br>TI_08( TCV_ti_v_2),<br>CpData_08(<br>TCV_Rpmr)))                                            |     | RP-Error:<br>Memory Capacity Exc. |
| 38 |            | L!DL_DatRqCpDataAck                                           | DatRqCpDataAck(<br>CpDataAckPdu_02(<br>TI_07( TCV_ti_v_2)),<br>TCV_chSms)                                                                  |     |                                   |
| 39 |            | (TCV_MemCapExcd := TRUE)                                      |                                                                                                                                            |     |                                   |
| 40 |            | <b>ltree_set_sapi3_SDCCH_MT</b><br>L!DL_EstRq                 | DLEstRq(TCV_ch)                                                                                                                            |     |                                   |
| 41 |            | L?DL_EstCo                                                    | DLEstCo(TCV_ch)                                                                                                                            |     |                                   |

Detailed Comments:

| Test Case Dynamic Behaviour |            |                                                                                                                                                                                                                                                                                                                                                                                                                                                                                                                                                                                                                  |                                                                                                                                            |     |                                   |
|-----------------------------|------------|------------------------------------------------------------------------------------------------------------------------------------------------------------------------------------------------------------------------------------------------------------------------------------------------------------------------------------------------------------------------------------------------------------------------------------------------------------------------------------------------------------------------------------------------------------------------------------------------------------------|--------------------------------------------------------------------------------------------------------------------------------------------|-----|-----------------------------------|
| <b>Test Case Name:</b>      |            | TC_34_2_5_2                                                                                                                                                                                                                                                                                                                                                                                                                                                                                                                                                                                                      |                                                                                                                                            |     |                                   |
| <b>Group:</b>               |            | GSM_L3_MS_v4200/SM/                                                                                                                                                                                                                                                                                                                                                                                                                                                                                                                                                                                              |                                                                                                                                            |     |                                   |
| <b>Purpose:</b>             |            | To verify that the MS acts correctly on receiving a class 1 message, i.e. that it stores the message in the ME or SIM and sends an acknowledgement (at RP and CP-Layer).                                                                                                                                                                                                                                                                                                                                                                                                                                         |                                                                                                                                            |     |                                   |
| <b>Default:</b>             |            | OtherEventsFail                                                                                                                                                                                                                                                                                                                                                                                                                                                                                                                                                                                                  |                                                                                                                                            |     |                                   |
| Nr                          | Label      | Behaviour Description                                                                                                                                                                                                                                                                                                                                                                                                                                                                                                                                                                                            | CRef                                                                                                                                       | V   | Comments                          |
| 1                           |            | START T_guard(300)                                                                                                                                                                                                                                                                                                                                                                                                                                                                                                                                                                                               |                                                                                                                                            |     |                                   |
| 2                           |            | (TCV_Null:=OO_EmptyMessageStorage(),<br>TCV_Null:=OO_MSSetupStoreClass1SMInMEMemory(), TCV_RPOA_MT:='1111111111'0,<br>TCV_TPOA1:= '3333333333'0, TCV_Rpmr:='00'0)                                                                                                                                                                                                                                                                                                                                                                                                                                                |                                                                                                                                            |     |                                   |
| 3                           |            | +IdleUpdated( C_E_default, C_CellA, C_SCH_A,<br>C_BCCH_A_1, C_Immss, C_S0, C_SlotNU,<br>C_SlotNU, C_SlotNU, C_BCC, C_TxInt_5,<br>C_Max_1, C_NECI_0, C_ATT_0, TimingAdv( 0),<br>C_BABR_0, C_cch_1Comb, C_BPM_3,<br>C_T3212_0, C_ci_cellA, C_MCC_1, C_PLMN_1,<br>C_LAC_1, CellOpt_01, CellChDes_02,<br>CellChDes_03, C_CellReselectHys12,<br>C_MaxPwrLvIG, C_MaxPwrLvID,<br>BcchFreqLst_01, BcchFreqLst_Omit,<br>BcchFreqLst_48, BcchFreqLst_Omit,<br>C_noReestablishment, C_BCC, C_NCC,<br>C_Start_Tmsi, TSPX_SDCCH4SubDef,<br>TSPX_CKSNDf, TSPX_RANDDef, C_arfcnA,<br>C_arfcnAd, TSPX_IMSI, C_Test_fh, C_NCCP_2) |                                                                                                                                            |     |                                   |
| 4                           | body       | +ltree_Environment                                                                                                                                                                                                                                                                                                                                                                                                                                                                                                                                                                                               |                                                                                                                                            | 1   |                                   |
| 5                           |            | +ltree_sms1                                                                                                                                                                                                                                                                                                                                                                                                                                                                                                                                                                                                      |                                                                                                                                            |     |                                   |
|                             |            | <b>ltree_Environment</b>                                                                                                                                                                                                                                                                                                                                                                                                                                                                                                                                                                                         |                                                                                                                                            |     |                                   |
| 6                           |            | +RRmtcallprepare(TimingAdv( 0), TSPX_RANDDef)                                                                                                                                                                                                                                                                                                                                                                                                                                                                                                                                                                    |                                                                                                                                            |     |                                   |
| 7                           |            | +ltree_set_sapi3_SDCCH_MT                                                                                                                                                                                                                                                                                                                                                                                                                                                                                                                                                                                        |                                                                                                                                            |     |                                   |
| 8                           |            | (TCV_ti_v_2:='000'B, TCV_chSms:=TCV_ch)                                                                                                                                                                                                                                                                                                                                                                                                                                                                                                                                                                          |                                                                                                                                            |     |                                   |
|                             |            | <b>ltree_sms1</b>                                                                                                                                                                                                                                                                                                                                                                                                                                                                                                                                                                                                |                                                                                                                                            |     |                                   |
| 9                           |            | L!DL_DatRqCpData (TCV_SMcntns :=<br>DL_DatRqCpData.msg.CPdata.rpdata.rpusrdat.tpdeli<br>ver.ud)                                                                                                                                                                                                                                                                                                                                                                                                                                                                                                                  | DatRqCpData(<br>CpDataPdu_01(<br>TI_07( TCV_ti_v_2),<br>CpData_06(<br>TCV_RPOA_MT,<br>TCV_TPOA1,<br>TCV_Rpmr,<br>C_Tzone5)),<br>TCV_chSms) |     | RP-Data<br>Initiate class 1 MT-SM |
| 10                          |            | START T_dly(25000)                                                                                                                                                                                                                                                                                                                                                                                                                                                                                                                                                                                               |                                                                                                                                            |     |                                   |
| 11                          | L_080<br>1 | ?TIMEOUT T_dly                                                                                                                                                                                                                                                                                                                                                                                                                                                                                                                                                                                                   |                                                                                                                                            | (F) |                                   |
| 12                          |            | +ChanRel(TCV_chTch)                                                                                                                                                                                                                                                                                                                                                                                                                                                                                                                                                                                              |                                                                                                                                            |     |                                   |
| 13                          | L_080<br>2 | L?DL_DatInCpDataAck CANCEL T_dly                                                                                                                                                                                                                                                                                                                                                                                                                                                                                                                                                                                 | DatInCpDataAck(<br>CpDataAckPdu_01(<br>TI_08( TCV_ti_v_2)))                                                                                | (P) |                                   |
| 14                          |            | START T_dly(60000)                                                                                                                                                                                                                                                                                                                                                                                                                                                                                                                                                                                               |                                                                                                                                            |     |                                   |
| 15                          | L_080<br>3 | ?TIMEOUT T_dly                                                                                                                                                                                                                                                                                                                                                                                                                                                                                                                                                                                                   |                                                                                                                                            | (F) |                                   |
| 16                          |            | +ChanRel(TCV_chTch)                                                                                                                                                                                                                                                                                                                                                                                                                                                                                                                                                                                              |                                                                                                                                            |     |                                   |
| 17                          | L_080<br>4 | L?DL_DatInCpData CANCEL T_dly                                                                                                                                                                                                                                                                                                                                                                                                                                                                                                                                                                                    | DatInCpData(<br>TCV_chSms,<br>CpDataPdu_02(<br>TI_08( TCV_ti_v_2),<br>CpData_02(<br>TCV_Rpmr)))                                            | (P) | RP-Ack                            |
| 18                          |            | L!DL_DatRqCpDataAck                                                                                                                                                                                                                                                                                                                                                                                                                                                                                                                                                                                              | DatRqCpDataAck(<br>CpDataAckPdu_02(<br>TI_07( TCV_ti_v_2)),<br>TCV_chSms)                                                                  |     |                                   |
| 19                          |            | +ChanRel(TCV_ch)                                                                                                                                                                                                                                                                                                                                                                                                                                                                                                                                                                                                 |                                                                                                                                            |     |                                   |
| 20                          |            | (TCV_Res :=<br>OO_RecallAndDisplaySM( 160,<br>TCV_SMcntns))                                                                                                                                                                                                                                                                                                                                                                                                                                                                                                                                                      |                                                                                                                                            |     |                                   |
| 21                          | L_080      | [NOT TCV_Res]                                                                                                                                                                                                                                                                                                                                                                                                                                                                                                                                                                                                    |                                                                                                                                            | (F) |                                   |

|                           |                 |                                 |                                    |     |  |
|---------------------------|-----------------|---------------------------------|------------------------------------|-----|--|
| 22                        | 5<br>L_080<br>6 | [TCV_Res]                       |                                    | (P) |  |
| 23                        |                 | <b>ltree_set_sapi3_SDCCH_MT</b> |                                    |     |  |
| 24                        |                 | L!DL_EstRq<br>L?DL_EstCo        | DLEstRq(TCV_ch)<br>DLEstCo(TCV_ch) |     |  |
| <b>Detailed Comments:</b> |                 |                                 |                                    |     |  |

| Test Case Dynamic Behaviour |            |                                                                                                                                                                                                                                                                                                                                                                                                                                                                                                                                                                                                                                                                      |                                                                                                                                            |     |                                                         |
|-----------------------------|------------|----------------------------------------------------------------------------------------------------------------------------------------------------------------------------------------------------------------------------------------------------------------------------------------------------------------------------------------------------------------------------------------------------------------------------------------------------------------------------------------------------------------------------------------------------------------------------------------------------------------------------------------------------------------------|--------------------------------------------------------------------------------------------------------------------------------------------|-----|---------------------------------------------------------|
| <b>Test Case Name:</b>      |            | TC_34_2_5_3                                                                                                                                                                                                                                                                                                                                                                                                                                                                                                                                                                                                                                                          |                                                                                                                                            |     |                                                         |
| <b>Group:</b>               |            | GSM_L3_MS_v4200/SM/                                                                                                                                                                                                                                                                                                                                                                                                                                                                                                                                                                                                                                                  |                                                                                                                                            |     |                                                         |
| <b>Purpose:</b>             |            | To verify that the MS acts correctly on receiving a class 2 message, i.e. that it stores the message correctly in the SIM, and if this is not possible, returns a protocol error message, with the correct error cause, to the network. There are 2 cases. (1) If the MS supports storing of short messages in the SIM and in the ME, and storage in the ME is not full, and the short message cannot be stored in the SIM, the error cause shall be "protocol error, unspecified". (2) If the MS supports storing of short message in the SIM and not in the ME and short message cannot be stored in the SIM, the error cause shall be "memory capacity exceeded". |                                                                                                                                            |     |                                                         |
| <b>Default:</b>             |            | OtherEventsFail                                                                                                                                                                                                                                                                                                                                                                                                                                                                                                                                                                                                                                                      |                                                                                                                                            |     |                                                         |
| Nr                          | Label      | Behaviour Description                                                                                                                                                                                                                                                                                                                                                                                                                                                                                                                                                                                                                                                | CRef                                                                                                                                       | V   | Comments                                                |
| 1                           |            | START T_guard(300)                                                                                                                                                                                                                                                                                                                                                                                                                                                                                                                                                                                                                                                   |                                                                                                                                            |     |                                                         |
| 2                           |            | (TCV_Null := OO_EmptyMessageStorage(),<br>TCV_Null :=<br>OO_MSSetupStoreClass1SMInMEMemory(),<br>TCV_Null := OO_ConnectSIMSimulator(),<br>TCV_RPOA_MT := '1111111111'O, TCV_TPOA1:=<br>'3333333333'O, TCV_Rpmr:= '00'O)                                                                                                                                                                                                                                                                                                                                                                                                                                              |                                                                                                                                            |     |                                                         |
| 3                           |            | +IdleUpdated( C_E_default, C_CellA, C_SCH_A,<br>C_BCCH_A_1, C_Immss, C_S0, C_SlotNU,<br>C_SlotNU, C_SlotNU, C_BCC, C_TxInt_5,<br>C_Max_1, C_NECI_0, C_ATT_0, TimingAdv( 0),<br>C_BABR_0, C_cch_1Comb, C_BPM_3,<br>C_T3212_0, C_ci_cellA, C_MCC_1, C_PLMN_1,<br>C_LAC_1, CellOpt_01, CellChDes_02,<br>CellChDes_03, C_CellReselectHys12,<br>C_MaxPwrLvIG, C_MaxPwrLvID,<br>BcchFreqLst_01, BcchFreqLst_Omit,<br>BcchFreqLst_48, BcchFreqLst_Omit,<br>C_noReestablishment, C_BCC, C_NCC,<br>C_Start_Tmsi, TSPX_SDCCH4SubDef,<br>TSPX_CKSNDDef, TSPX_RANDDef, C_arfcnA,<br>C_arfcnAd, TSPX_IMSI, C_Test_fh, C_NCCP_2)                                                   |                                                                                                                                            |     |                                                         |
| 4                           | body       | +ltree_sms1                                                                                                                                                                                                                                                                                                                                                                                                                                                                                                                                                                                                                                                          |                                                                                                                                            | 1   |                                                         |
| 5                           |            | +ltree_sms2                                                                                                                                                                                                                                                                                                                                                                                                                                                                                                                                                                                                                                                          |                                                                                                                                            |     |                                                         |
| 6                           |            | +ltree_Release                                                                                                                                                                                                                                                                                                                                                                                                                                                                                                                                                                                                                                                       |                                                                                                                                            |     |                                                         |
| 7                           |            | +ltree_sms1                                                                                                                                                                                                                                                                                                                                                                                                                                                                                                                                                                                                                                                          |                                                                                                                                            |     |                                                         |
| 8                           |            | +ltree_sms3                                                                                                                                                                                                                                                                                                                                                                                                                                                                                                                                                                                                                                                          |                                                                                                                                            |     |                                                         |
| 9                           |            | +ChanRel_end( TCV_ch)                                                                                                                                                                                                                                                                                                                                                                                                                                                                                                                                                                                                                                                |                                                                                                                                            |     |                                                         |
|                             |            | <b>ltree_Release</b>                                                                                                                                                                                                                                                                                                                                                                                                                                                                                                                                                                                                                                                 |                                                                                                                                            |     |                                                         |
| 10                          |            | +ChanRel( TCV_ch)                                                                                                                                                                                                                                                                                                                                                                                                                                                                                                                                                                                                                                                    |                                                                                                                                            |     |                                                         |
| 11                          |            | (TCV_Null := OM_CphMd( TCV_ch, CphMod_02,<br>TCV_CphKey))                                                                                                                                                                                                                                                                                                                                                                                                                                                                                                                                                                                                            |                                                                                                                                            |     |                                                         |
|                             |            | <b>ltree_Environment</b>                                                                                                                                                                                                                                                                                                                                                                                                                                                                                                                                                                                                                                             |                                                                                                                                            |     |                                                         |
| 12                          |            | +Wait(C_T_Wait1)                                                                                                                                                                                                                                                                                                                                                                                                                                                                                                                                                                                                                                                     |                                                                                                                                            |     |                                                         |
| 13                          |            | +RRmtcallprepare( TimingAdv( 0),<br>TSPX_RANDDef)                                                                                                                                                                                                                                                                                                                                                                                                                                                                                                                                                                                                                    |                                                                                                                                            |     |                                                         |
| 14                          |            | +ltree_set_sapi3_SDCCH_MT                                                                                                                                                                                                                                                                                                                                                                                                                                                                                                                                                                                                                                            |                                                                                                                                            |     |                                                         |
| 15                          |            | (TCV_ti_v_2:='000'B, TCV_chSms:=TCV_ch)                                                                                                                                                                                                                                                                                                                                                                                                                                                                                                                                                                                                                              |                                                                                                                                            |     |                                                         |
|                             |            | <b>ltree_sms1</b>                                                                                                                                                                                                                                                                                                                                                                                                                                                                                                                                                                                                                                                    |                                                                                                                                            |     |                                                         |
| 16                          |            | +ltree_Environment                                                                                                                                                                                                                                                                                                                                                                                                                                                                                                                                                                                                                                                   |                                                                                                                                            |     |                                                         |
| 17                          |            | L!DL_DatRqCpData START T_dly( 25000)                                                                                                                                                                                                                                                                                                                                                                                                                                                                                                                                                                                                                                 | DatRqCpData(<br>CpDataPdu_01(<br>TI_07( TCV_ti_v_2),<br>CpData_05(<br>TCV_TPOA1,<br>TCV_RPOA_MT,<br>TCV_Rpmr,<br>C_Tzone0)),<br>TCV_chSms) |     | CP-DATA(RP-Data SMS<br>DELIVER), n->ms<br>class 2 MT-SM |
| 18                          | L_080<br>7 | ?TIMEOUT T_dly                                                                                                                                                                                                                                                                                                                                                                                                                                                                                                                                                                                                                                                       |                                                                                                                                            | (F) |                                                         |
| 19                          |            | L?DL_DatInCpDataAck START T_dly( 60000)                                                                                                                                                                                                                                                                                                                                                                                                                                                                                                                                                                                                                              | DatInCpDataAck(<br>CpDataAckPdu_01(<br>TI_08( TCV_ti_v_2)))                                                                                |     | CP-ACK ms->n                                            |

|                           |            |                                                                 |                                                                                                 |     |                                                                 |
|---------------------------|------------|-----------------------------------------------------------------|-------------------------------------------------------------------------------------------------|-----|-----------------------------------------------------------------|
| 20                        |            | <b>ltree_sms2</b><br>(TCV_Res := OO_SIMSimulAttIndOK())         |                                                                                                 |     | ME attempt to store SM on SIM? Status OK ('9000')               |
| 21                        | L_080<br>8 | [NOT TCV_Res]                                                   |                                                                                                 | (F) |                                                                 |
| 22                        |            | [TCV_Res]                                                       |                                                                                                 |     |                                                                 |
| 23                        | L_080<br>9 | ?TIMEOUT T_dly                                                  |                                                                                                 | (F) |                                                                 |
| 24                        |            | L?DL_DatInCpData CANCEL T_dly                                   | DatInCpData(<br>TCV_chSms,<br>CpDataPdu_02(<br>TI_08( TCV_ti_v_2),<br>CpData_02(<br>TCV_Rpmr))) |     | CP-DATA(RP-Ack) ms->n                                           |
| 25                        |            | LIDL_DatRqCpDataAck                                             | DatRqCpDataAck(<br>CpDataAckPdu_02(<br>TI_07( TCV_ti_v_2),<br>TCV_chSms)                        |     | CP-ACK n->ms                                                    |
| 26                        |            | <b>ltree_sms3</b><br>(TCV_Res := OO_SIMSimulAttIndMemProblem()) |                                                                                                 |     | ME attempt to store SM on SIM? Status 'memory problem' ('9240') |
| 27                        | L_081<br>0 | [NOT TCV_Res]                                                   |                                                                                                 | (F) |                                                                 |
| 28                        |            | [TCV_Res]                                                       |                                                                                                 |     |                                                                 |
| 29                        |            | [TSPC_StoreRcvSMSME]                                            |                                                                                                 |     |                                                                 |
| 30                        | L_081<br>1 | ?TIMEOUT T_dly                                                  |                                                                                                 | (F) |                                                                 |
| 31                        |            | L?DL_DatInCpData CANCEL T_dly                                   | DatInCpData(<br>TCV_chSms,<br>CpDataPdu_02(<br>TI_08( TCV_ti_v_2),<br>CpData_07(<br>TCV_Rpmr))) |     | CP-DATA(RP-Error: Protocol Error, unspecified)                  |
| 32                        |            | LIDL_DatRqCpDataAck                                             | DatRqCpDataAck(<br>CpDataAckPdu_02(<br>TI_07( TCV_ti_v_2),<br>TCV_chSms)                        |     | CP-ACK n->ms                                                    |
| 33                        |            | [NOT TSPC_StoreRcvSMSME]                                        |                                                                                                 |     |                                                                 |
| 34                        | L_081<br>2 | ?TIMEOUT T_dly                                                  |                                                                                                 | (F) |                                                                 |
| 35                        |            | L?DL_DatInCpData CANCEL T_dly                                   | DatInCpData(<br>TCV_chSms,<br>CpDataPdu_02(<br>TI_08( TCV_ti_v_2),<br>CpData_08(<br>TCV_Rpmr))) |     | CP-DATA(RP-Error: Memory capacity exceeded)                     |
| 36                        |            | LIDL_DatRqCpDataAck                                             | DatRqCpDataAck(<br>CpDataAckPdu_02(<br>TI_07( TCV_ti_v_2),<br>TCV_chSms)                        |     | CP-ACK n->ms                                                    |
| 37                        |            | <b>ltree_set_sapi3_SDCCH_MT</b><br>L!DL_EstRq                   | DLEstRq(TCV_ch)                                                                                 |     |                                                                 |
| 38                        |            | L?DL_EstCo                                                      | DLEstCo(TCV_ch)                                                                                 |     |                                                                 |
| <b>Detailed Comments:</b> |            |                                                                 |                                                                                                 |     |                                                                 |

| Test Case Dynamic Behaviour |            |                                                                                                                                                                                                                                                                                                                                                                                                                                                                                                                                                                                                                     |                               |     |          |
|-----------------------------|------------|---------------------------------------------------------------------------------------------------------------------------------------------------------------------------------------------------------------------------------------------------------------------------------------------------------------------------------------------------------------------------------------------------------------------------------------------------------------------------------------------------------------------------------------------------------------------------------------------------------------------|-------------------------------|-----|----------|
| <b>Test Case Name:</b>      |            | TC_34_2_7                                                                                                                                                                                                                                                                                                                                                                                                                                                                                                                                                                                                           |                               |     |          |
| <b>Group:</b>               |            | GSM_L3_MS_v4200/SM/                                                                                                                                                                                                                                                                                                                                                                                                                                                                                                                                                                                                 |                               |     |          |
| <b>Purpose:</b>             |            | To verify the correct implementation of the replace mechanism for Replace Short Messages.                                                                                                                                                                                                                                                                                                                                                                                                                                                                                                                           |                               |     |          |
| <b>Default:</b>             |            | OtherEventsFail                                                                                                                                                                                                                                                                                                                                                                                                                                                                                                                                                                                                     |                               |     |          |
| Nr                          | Label      | Behaviour Description                                                                                                                                                                                                                                                                                                                                                                                                                                                                                                                                                                                               | CRef                          | V   | Comments |
| 1                           |            | START T_guard(300)                                                                                                                                                                                                                                                                                                                                                                                                                                                                                                                                                                                                  |                               |     |          |
| 2                           |            | (TCV_Null:=OO_EmptyMessageStorage(),<br>TCV_TPOA1:='1111111111'O,<br>TCV_TPOA2:='2222222222'O,<br>TCV_RPOA1:='3333333333'O,<br>TCV_RPOA2:='4444444444'O, TCV_Rpmr:='00'O)                                                                                                                                                                                                                                                                                                                                                                                                                                           |                               |     |          |
| 3                           |            | +IdleUpdated( C_E_default, C_CellA, C_SCH_A,<br>C_BCCH_A_1, C_Immass, C_S0, C_SlotNU,<br>C_SlotNU, C_SlotNU, C_BCC, C_TxInt_5,<br>C_Max_1, C_NECI_0, C_ATT_0, TimingAdv( 0),<br>C_BABR_0, C_cch_1Comb, C_BPM_3,<br>C_T3212_0, C_ci_cellA, C_MCC_1, C_PLMN_1,<br>C_LAC_1, CellOpt_01, CellChDes_02,<br>CellChDes_03, C_CellReselectHys12,<br>C_MaxPwrLvIG, C_MaxPwrLvID,<br>BcchFreqLst_01, BcchFreqLst_Omit,<br>BcchFreqLst_48, BcchFreqLst_Omit,<br>C_noReestablishment, C_BCC, C_NCC,<br>C_Start_Tmsi, TSPX_SDCCH4SubDef,<br>TSPX_CKSNDDef, TSPX_RANDDef, C_arfcnA,<br>C_arfcnAd, TSPX_IMSI, C_Test_fh, C_NCCP_2) |                               |     |          |
| 4                           |            | REPEAT ltree_RandomTypes UNTIL [NOT(<br>TCV_SMTypeM = TCV_SMTypeN)]                                                                                                                                                                                                                                                                                                                                                                                                                                                                                                                                                 |                               |     |          |
| 5                           | body       | +ltree_part1                                                                                                                                                                                                                                                                                                                                                                                                                                                                                                                                                                                                        |                               |     |          |
| 6                           |            | +ChanRel_end( TCV_ch)                                                                                                                                                                                                                                                                                                                                                                                                                                                                                                                                                                                               |                               |     |          |
|                             |            | <b>ltree_RandomTypes</b>                                                                                                                                                                                                                                                                                                                                                                                                                                                                                                                                                                                            |                               |     |          |
| 7                           |            | (TCV_SMTypeM:=OC_Random(1, 7),<br>TCV_SMTypeN:=OC_Random(1, 7))                                                                                                                                                                                                                                                                                                                                                                                                                                                                                                                                                     |                               |     |          |
|                             |            | <b>ltree_part1</b>                                                                                                                                                                                                                                                                                                                                                                                                                                                                                                                                                                                                  |                               |     |          |
| 8                           |            | +ltree_sms1( "First short message. ")                                                                                                                                                                                                                                                                                                                                                                                                                                                                                                                                                                               |                               |     |          |
| 9                           |            | +ltree_Release                                                                                                                                                                                                                                                                                                                                                                                                                                                                                                                                                                                                      |                               |     |          |
| 10                          |            | +ltree_sms1( "Second short message. ")                                                                                                                                                                                                                                                                                                                                                                                                                                                                                                                                                                              |                               |     |          |
| 11                          |            | +ltree_Release                                                                                                                                                                                                                                                                                                                                                                                                                                                                                                                                                                                                      |                               |     |          |
| 12                          |            | +ltree_sms1( "Third short message. ")                                                                                                                                                                                                                                                                                                                                                                                                                                                                                                                                                                               |                               |     |          |
| 13                          |            | +ltree_Release                                                                                                                                                                                                                                                                                                                                                                                                                                                                                                                                                                                                      |                               |     |          |
| 14                          |            | +ltree_sms1( "Fourth short message. ")                                                                                                                                                                                                                                                                                                                                                                                                                                                                                                                                                                              |                               |     |          |
| 15                          |            | +ltree_Release                                                                                                                                                                                                                                                                                                                                                                                                                                                                                                                                                                                                      |                               |     |          |
| 16                          |            | +ltree_sms1( "Fifth short message. ")                                                                                                                                                                                                                                                                                                                                                                                                                                                                                                                                                                               |                               |     |          |
| 17                          |            | (TCV_Res :=<br>OO_CheckAllSMPresentBut4th())                                                                                                                                                                                                                                                                                                                                                                                                                                                                                                                                                                        |                               |     |          |
| 18                          | L_081<br>3 | [NOT TCV_Res]                                                                                                                                                                                                                                                                                                                                                                                                                                                                                                                                                                                                       |                               | (F) |          |
| 19                          | L_081<br>4 | [TCV_Res]                                                                                                                                                                                                                                                                                                                                                                                                                                                                                                                                                                                                           |                               | (P) |          |
|                             |            | <b>ltree_Release</b>                                                                                                                                                                                                                                                                                                                                                                                                                                                                                                                                                                                                |                               |     |          |
| 20                          |            | +ChanRel( TCV_ch)                                                                                                                                                                                                                                                                                                                                                                                                                                                                                                                                                                                                   |                               |     |          |
| 21                          |            | (TCV_Null := OM_CphMd( TCV_ch, CphMod_02,<br>TCV_CphKey))                                                                                                                                                                                                                                                                                                                                                                                                                                                                                                                                                           |                               |     |          |
|                             |            | <b>ltree_Environment</b>                                                                                                                                                                                                                                                                                                                                                                                                                                                                                                                                                                                            |                               |     |          |
| 22                          |            | +Wait(C_T_Wait1)                                                                                                                                                                                                                                                                                                                                                                                                                                                                                                                                                                                                    |                               |     |          |
| 23                          |            | +RRmtcallprepare(TimingAdv( 0), TSPX_RANDDef)                                                                                                                                                                                                                                                                                                                                                                                                                                                                                                                                                                       |                               |     |          |
| 24                          |            | +ltree_set_sapi3_SDCCH_MT                                                                                                                                                                                                                                                                                                                                                                                                                                                                                                                                                                                           |                               |     |          |
| 25                          |            | (TCV_ti_v_2:='000'B, TCV_chSms:=TCV_ch)                                                                                                                                                                                                                                                                                                                                                                                                                                                                                                                                                                             |                               |     |          |
|                             |            | <b>ltree_sms1( text: IA5String)</b>                                                                                                                                                                                                                                                                                                                                                                                                                                                                                                                                                                                 |                               |     |          |
| 26                          |            | +ltree_Environment                                                                                                                                                                                                                                                                                                                                                                                                                                                                                                                                                                                                  |                               |     |          |
| 27                          |            | L!DL_DatRqCpData START T_dly( 25000)                                                                                                                                                                                                                                                                                                                                                                                                                                                                                                                                                                                | DatRqCpData(<br>CpDataPdu_16( |     | RP-Data  |

|                           |            |                                               |                                                                                                                 |     |        |
|---------------------------|------------|-----------------------------------------------|-----------------------------------------------------------------------------------------------------------------|-----|--------|
| 28                        | L_081<br>5 | ?TIMEOUT T_dly                                | TCV_TPOA1,<br>TCV_RPOA1,<br>TCV_SMTtypeN, text,<br>TI_07( TCV_ti_v_2),<br>TCV_Rpmr,<br>C_Tzone1),<br>TCV_chSms) | (F) |        |
| 29                        |            | L?DL_DatInCpDataAck START T_dly( 60000)       | DatInCpDataAck(<br>CpDataAckPdu_01(<br>TI_08( TCV_ti_v_2)))                                                     |     |        |
| 30                        | L_081<br>6 | ?TIMEOUT T_dly                                |                                                                                                                 | (F) |        |
| 31                        |            | L?DL_DatInCpData CANCEL T_dly                 | DatInCpData(<br>TCV_chSms,<br>CpDataPdu_02(<br>TI_08( TCV_ti_v_2),<br>CpData_02(<br>TCV_Rpmr)))                 |     | RP-Ack |
| 32                        |            | L!DL_DatRqCpDataAck                           | DatRqCpDataAck(<br>CpDataAckPdu_02(<br>TI_07( TCV_ti_v_2)),<br>TCV_chSms)                                       |     |        |
| 33                        |            | <b>ltree_set_sapi3_SDCCH_MT</b><br>L!DL_EstRq | DLEstRq(TCV_ch)                                                                                                 |     |        |
| 34                        |            | L?DL_EstCo                                    | DLEstCo(TCV_ch)                                                                                                 |     |        |
| <b>Detailed Comments:</b> |            |                                               |                                                                                                                 |     |        |

| Test Case Dynamic Behaviour |       |                                                                                                                                                                                                                                                                                                                                                                                                                                                                                                                                                                                                                    |                                                                                                                                                 |   |                                                                                                                                      |
|-----------------------------|-------|--------------------------------------------------------------------------------------------------------------------------------------------------------------------------------------------------------------------------------------------------------------------------------------------------------------------------------------------------------------------------------------------------------------------------------------------------------------------------------------------------------------------------------------------------------------------------------------------------------------------|-------------------------------------------------------------------------------------------------------------------------------------------------|---|--------------------------------------------------------------------------------------------------------------------------------------|
| <b>Test Case Name:</b>      |       | TC_34_2_8                                                                                                                                                                                                                                                                                                                                                                                                                                                                                                                                                                                                          |                                                                                                                                                 |   |                                                                                                                                      |
| <b>Group:</b>               |       | GSM_L3_MS_v4200/SM/                                                                                                                                                                                                                                                                                                                                                                                                                                                                                                                                                                                                |                                                                                                                                                 |   |                                                                                                                                      |
| <b>Purpose:</b>             |       | To verify that the MS is able to send a Reply Short Message back to the correct originating SME even if in the meantime it receives another Short Message.                                                                                                                                                                                                                                                                                                                                                                                                                                                         |                                                                                                                                                 |   |                                                                                                                                      |
| <b>Default:</b>             |       | OtherEventsFail                                                                                                                                                                                                                                                                                                                                                                                                                                                                                                                                                                                                    |                                                                                                                                                 |   |                                                                                                                                      |
| Nr                          | Label | Behaviour Description                                                                                                                                                                                                                                                                                                                                                                                                                                                                                                                                                                                              | CRef                                                                                                                                            | V | Comments                                                                                                                             |
| 1                           |       | START T_guard(300)                                                                                                                                                                                                                                                                                                                                                                                                                                                                                                                                                                                                 |                                                                                                                                                 |   |                                                                                                                                      |
| 2                           |       | (TCV_Null := OO_EmptyMessageStorage(),<br>TCV_RPOA1 := '1111111111'O, TCV_RPOA2 :=<br>'2222222222'O, TCV_RPDA_MT := '3333333333'O,<br>TCV_TPOA1 := '4444444444'O, TCV_TPOA2 :=<br>'5555555555'O, TCV_RPOA_MO :=<br>TCV_RPDA_MT, TCV_RPDA_MO := TCV_RPOA1,<br>TCV_TPDA := TCV_TPOA1, TCV_Rpmr := '00'O)                                                                                                                                                                                                                                                                                                             |                                                                                                                                                 |   | n->ms, 1st SM<br>n->ms, 2nd SM<br>n->ms, both<br>n->ms, 1st SM<br>n->ms, 2nd SM<br>ms->n, both<br>ms->n,1st reply<br>ms->n,1st reply |
| 3                           |       | +IdleUpdated( C_E_default, C_CellA, C_SCH_A,<br>C_BCCH_A_1, C_Immass, C_S0, C_SlotNU,<br>C_SlotNU, C_SlotNU, C_BCC, C_TxInt_5,<br>C_Max_1, C_NECI_0, C_ATT_0, TimingAdv( 0),<br>C_BABR_0, C_cch_1Comb, C_BPM_3,<br>C_T3212_0, C_ci_cellA, C_MCC_1, C_PLMN_1,<br>C_LAC_1, CellOpt_01, CellChDes_02,<br>CellChDes_03, C_CellReselectHys12,<br>C_MaxPwrLvlG, C_MaxPwrLvlD,<br>BcchFreqLst_01, BcchFreqLst_Omit,<br>BcchFreqLst_48, BcchFreqLst_Omit,<br>C_noRestablishment, C_BCC, C_NCC,<br>C_Start_Tmsi, TSPX_SDCCH4SubDef,<br>TSPX_CKSNDDef, TSPX_RANDDef, C_arfcnA,<br>C_arfcnAd, TSPX_IMSI, C_Test_fh, C_NCCP_2) |                                                                                                                                                 |   |                                                                                                                                      |
| 4                           | body  | +ltree_part1                                                                                                                                                                                                                                                                                                                                                                                                                                                                                                                                                                                                       |                                                                                                                                                 |   |                                                                                                                                      |
| 5                           |       | +ltree_part2                                                                                                                                                                                                                                                                                                                                                                                                                                                                                                                                                                                                       |                                                                                                                                                 |   |                                                                                                                                      |
| 6                           |       | +ChanRel_end( TCV_ch)                                                                                                                                                                                                                                                                                                                                                                                                                                                                                                                                                                                              |                                                                                                                                                 |   |                                                                                                                                      |
|                             |       | <b>ltree_Release</b>                                                                                                                                                                                                                                                                                                                                                                                                                                                                                                                                                                                               |                                                                                                                                                 |   |                                                                                                                                      |
| 7                           |       | +ChanRel( TCV_ch)                                                                                                                                                                                                                                                                                                                                                                                                                                                                                                                                                                                                  |                                                                                                                                                 |   |                                                                                                                                      |
| 8                           |       | (TCV_Null := OM_CphMd( TCV_ch, CphMod_02,<br>TCV_CphKey))                                                                                                                                                                                                                                                                                                                                                                                                                                                                                                                                                          |                                                                                                                                                 |   |                                                                                                                                      |
|                             |       | <b>ltree_Environment1</b>                                                                                                                                                                                                                                                                                                                                                                                                                                                                                                                                                                                          |                                                                                                                                                 |   |                                                                                                                                      |
| 9                           |       | +Wait(C_T_Wait1)                                                                                                                                                                                                                                                                                                                                                                                                                                                                                                                                                                                                   |                                                                                                                                                 |   |                                                                                                                                      |
| 10                          |       | +RRmtcallprepare( TimingAdv( 0),<br>TSPX_RANDDef)                                                                                                                                                                                                                                                                                                                                                                                                                                                                                                                                                                  |                                                                                                                                                 |   |                                                                                                                                      |
| 11                          |       | +ltree_set_sapi3_SDCCH_MT                                                                                                                                                                                                                                                                                                                                                                                                                                                                                                                                                                                          |                                                                                                                                                 |   |                                                                                                                                      |
| 12                          |       | (TCV_ti_v_2 := '000'B, TCV_chSms := TCV_ch)                                                                                                                                                                                                                                                                                                                                                                                                                                                                                                                                                                        |                                                                                                                                                 |   |                                                                                                                                      |
|                             |       | <b>ltree_Environment2</b>                                                                                                                                                                                                                                                                                                                                                                                                                                                                                                                                                                                          |                                                                                                                                                 |   |                                                                                                                                      |
| 13                          |       | L?DL_RacInChRq( TCV_Rr := DL_RacInChRq.<br>msg.ecau_rrf, TCV_Fn := DL_RacInChRq.fn)                                                                                                                                                                                                                                                                                                                                                                                                                                                                                                                                | ChReq(<br>ChRequest_15)                                                                                                                         |   |                                                                                                                                      |
| 14                          |       | ACTIVATE(OtherEventsFail_02)                                                                                                                                                                                                                                                                                                                                                                                                                                                                                                                                                                                       |                                                                                                                                                 |   | To match ChReq retrans.                                                                                                              |
| 15                          |       | LIDL_UdatRqImmass                                                                                                                                                                                                                                                                                                                                                                                                                                                                                                                                                                                                  | ImmAss( TCV_agch,<br>ImmAsgn_01Def(<br>TCV_Rr, TCV_Fn,<br>TSPX_SDCCH4SubD<br>ef, TCV_slot,<br>TCV_tsc,<br>TCV_chdescr_arfcn,<br>TimingAdv( 0))) |   |                                                                                                                                      |
| 16                          |       | L?DL_EstInCmsRq                                                                                                                                                                                                                                                                                                                                                                                                                                                                                                                                                                                                    | CMSerReq(<br>CMSerReq_09)                                                                                                                       |   |                                                                                                                                      |
| 17                          |       | ACTIVATE(OtherEventsFail)                                                                                                                                                                                                                                                                                                                                                                                                                                                                                                                                                                                          |                                                                                                                                                 |   | Restore normal default<br>tree                                                                                                       |
| 18                          |       | +Authentication(TCV_ch, TCV_cks,<br>TSPX_RANDDef)                                                                                                                                                                                                                                                                                                                                                                                                                                                                                                                                                                  |                                                                                                                                                 |   |                                                                                                                                      |
| 19                          |       | +Cipherring_on(TCV_ch)                                                                                                                                                                                                                                                                                                                                                                                                                                                                                                                                                                                             |                                                                                                                                                 |   |                                                                                                                                      |
| 20                          |       | +ltree_set_sapi3_SDCCH_MO                                                                                                                                                                                                                                                                                                                                                                                                                                                                                                                                                                                          |                                                                                                                                                 |   |                                                                                                                                      |
|                             |       | <b>ltree_part1</b>                                                                                                                                                                                                                                                                                                                                                                                                                                                                                                                                                                                                 |                                                                                                                                                 |   |                                                                                                                                      |



|    |            |                                                                                                                     |                                                                                                                        |                                     |
|----|------------|---------------------------------------------------------------------------------------------------------------------|------------------------------------------------------------------------------------------------------------------------|-------------------------------------|
| 21 |            | +ltree_sms1( TCV_TPOA1, TCV_RPOA1, "The first short message. ")                                                     |                                                                                                                        |                                     |
| 22 |            | (TCV_CB1 := TCV_SMcntns)                                                                                            |                                                                                                                        |                                     |
| 23 |            | +ltree_Release                                                                                                      |                                                                                                                        |                                     |
| 24 |            | [TSPC_StoreRcvSMSME OR<br>TSPC_StoreRcvSMSSIM]                                                                      |                                                                                                                        | SM can be stored                    |
| 25 |            | +ltree_sms1( TCV_TPOA2, TCV_RPOA2,<br>"The second short message. ")                                                 |                                                                                                                        |                                     |
| 26 |            | (TCV_CB2 := TCV_SMcntns)                                                                                            |                                                                                                                        |                                     |
| 27 |            | +ltree_Release                                                                                                      |                                                                                                                        |                                     |
| 28 |            | [NOT(TSPC_StoreRcvSMSME) AND<br>NOT(TSPC_StoreRcvSMSSIM)]                                                           |                                                                                                                        | SM cannot be stored                 |
|    |            | <b>ltree_part2</b>                                                                                                  |                                                                                                                        |                                     |
| 29 |            | (TCV_CB3 := OO_DisplaySMAndSendReplySM( 1,<br>160, TCV_CB1))                                                        |                                                                                                                        | TCV_CB3 holds the 1st<br>reply data |
| 30 |            | +ltree_sms2( TCV_CB3)                                                                                               |                                                                                                                        | Reply SM                            |
| 31 |            | +ltree_Release                                                                                                      |                                                                                                                        |                                     |
| 32 |            | [TSPC_StoreRcvSMSME OR<br>TSPC_StoreRcvSMSSIM]                                                                      |                                                                                                                        | SM can be stored                    |
| 33 |            | (TCV_RPDA_MO := TCV_RPOA2,<br>TCV_TPDA := TCV_TPOA2, TCV_CB4 :=<br>OO_DisplaySMAndSendReplySM( 2, 160,<br>TCV_CB2)) |                                                                                                                        |                                     |
| 34 |            | +ltree_sms2( TCV_CB4)                                                                                               |                                                                                                                        | Reply SM                            |
| 35 |            | [NOT(TSPC_StoreRcvSMSME) AND<br>NOT(TSPC_StoreRcvSMSSIM)]                                                           |                                                                                                                        | SM cannot be stored                 |
|    |            | <b>ltree_sms1( tpoa1: BCDN; rpoa_mt: BCDN; text:<br/>IA5String)</b>                                                 |                                                                                                                        |                                     |
| 36 |            | +ltree_Environment1                                                                                                 |                                                                                                                        |                                     |
| 37 |            | LIDL_DatRqCpData ( TCV_SMcntns :=<br>DL_DatRqCpData.msg.CPdata.rpdata.rpusdat.tpde<br>liver.ud) START T_dly( 25000) | DatRqCpData(<br>CpDataPdu_17(<br>tpoa1, rpoa_mt, text,<br>TI_07( TCV_ti_v_2),<br>TCV_Rpmr,<br>C_Tzone6),<br>TCV_chSms) | RP-Data                             |
| 38 | L_081<br>7 | ?TIMEOUT T_dly                                                                                                      |                                                                                                                        | (F)                                 |
| 39 | L_081<br>8 | L?DL_DatInCpDataAck START T_dly( 60000)                                                                             | DatInCpDataAck(<br>CpDataAckPdu_01(<br>TI_08( TCV_ti_v_2)))                                                            | (P)                                 |
| 40 | L_081<br>9 | ?TIMEOUT T_dly                                                                                                      |                                                                                                                        | (F)                                 |
| 41 | L_082<br>0 | L?DL_DatInCpData CANCEL T_dly                                                                                       | DatInCpData(<br>TCV_chSms,<br>CpDataPdu_02(<br>TI_08( TCV_ti_v_2),<br>CpData_02(<br>TCV_Rpmr)))                        | (P) RP-Ack                          |
| 42 |            | LIDL_DatRqCpDataAck                                                                                                 | DatRqCpDataAck(<br>CpDataAckPdu_02(<br>TI_07( TCV_ti_v_2)),<br>TCV_chSms)                                              |                                     |
|    |            | <b>ltree_sms2( tpud:TPUD)</b>                                                                                       |                                                                                                                        |                                     |
| 43 |            | +ltree_Environment2                                                                                                 |                                                                                                                        |                                     |
| 44 |            | L?DL_DatInCpData( TCV_Rpmr :=<br>DL_DatInCpData.msg.CPdata.rpdata.rpmr,<br>TCV_ti_v := DL_DatInCpData.msg.ti.v)     | DatInCpData(<br>TCV_chSms,<br>CpDataPdu_18(<br>TCV_TPDA,TCV_RP<br>DA_MT, tpud))                                        | RP-Data, TP-submit                  |
| 45 |            | LIDL_DatRqCpDataAck                                                                                                 | DatRqCpDataAck(<br>CpDataAckPdu_01(<br>TI_08( TCV_ti_v)),<br>TCV_chSms)                                                |                                     |
| 46 |            | LIDL_DatRqCpData START T_dly(25000)                                                                                 | DatRqCpData(<br>CpDataPdu_02(<br>TI_08( TCV_ti_v),<br>CpData_04(<br>TCV_Rpmr)),                                        | RP-Ack                              |

|                           |            |                                               |                                                           |     |
|---------------------------|------------|-----------------------------------------------|-----------------------------------------------------------|-----|
| 47                        | L_082<br>1 | ?TIMEOUT T_dly                                | TCV_chSms)                                                | (F) |
| 48                        | L_082<br>2 | L?DL_DatInCpDataAck CANCEL T_dly              | DatInCpDataAck(<br>CpDataAckPdu_02(<br>TI_07( TCV_ti_v))) | (P) |
| 49                        |            | <b>Itree_set_sapi3_SDCCH_MT</b><br>L!DL_EstRq | DLEstRq( TCV_ch)                                          |     |
| 50                        |            | L?DL_EstCo                                    | DLEstCo( TCV_ch)                                          |     |
| 51                        |            | <b>Itree_set_sapi3_SDCCH_MO</b><br>L?DL_EstIn | DLEstInd_2( TCV_ch)                                       |     |
| <b>Detailed Comments:</b> |            |                                               |                                                           |     |

| Test Case Dynamic Behaviour |            |                                                                                                                                                                                                                                                                                                                                                                                                                                                                                                                                                                        |      |     |                                          |
|-----------------------------|------------|------------------------------------------------------------------------------------------------------------------------------------------------------------------------------------------------------------------------------------------------------------------------------------------------------------------------------------------------------------------------------------------------------------------------------------------------------------------------------------------------------------------------------------------------------------------------|------|-----|------------------------------------------|
| <b>Test Case Name:</b>      |            | TC_34_3                                                                                                                                                                                                                                                                                                                                                                                                                                                                                                                                                                |      |     |                                          |
| <b>Group:</b>               |            | GSM_L3_MS_v4200/SM/                                                                                                                                                                                                                                                                                                                                                                                                                                                                                                                                                    |      |     |                                          |
| <b>Purpose:</b>             |            | This test verifies that an MS is able to receive SMS-CB messages.<br>This test verifies that a MS is able to respond to a paging requested during the transmission of a cell broadcast short message.                                                                                                                                                                                                                                                                                                                                                                  |      |     |                                          |
| <b>Default:</b>             |            | OtherEventsFail                                                                                                                                                                                                                                                                                                                                                                                                                                                                                                                                                        |      |     |                                          |
| Nr                          | Label      | Behaviour Description                                                                                                                                                                                                                                                                                                                                                                                                                                                                                                                                                  | CRef | V   | Comments                                 |
| 1                           |            | START T_guard(300)                                                                                                                                                                                                                                                                                                                                                                                                                                                                                                                                                     |      |     |                                          |
| 2                           |            | (TCV_CBch := C_CBCH_A)                                                                                                                                                                                                                                                                                                                                                                                                                                                                                                                                                 |      |     |                                          |
| 3                           |            | +IdleUpdated( C_E_default, C_CellA, C_SCH_A, C_BCCH_A_1, C_Immass, C_S0, C_SlotNU, C_SlotNU, C_SlotNU, C_BCC, C_TxInt_5, C_Max_1, C_NECI_0, C_ATT_0, TimingAdv( 0), C_BABR_0, C_cch_1Comb, C_BPM_0, C_T3212_0, C_ci_cellA, C_MCC_1, C_PLMN_1, C_LAC_1, CellOpt_01, CellChDes_02, CellChDes_03, C_CellReselectHys12, C_MaxPwrLvIG, C_MaxPwrLvID, BcchFreqLst_01, BcchFreqLst_Omit, BcchFreqLst_48, BcchFreqLst_Omit, C_Restablishment, C_BCC, C_NCC, C_Start_Tmsi, TSPX_SDCCH4SubDef, TSPX_CKSNDf, TSPX_RANDDef, C_arfcnA, C_arfcnAd, TSPX_IMSI, C_Test_cbms, C_NCCP_2) |      |     |                                          |
| 4                           | body       | +ltree_body                                                                                                                                                                                                                                                                                                                                                                                                                                                                                                                                                            |      |     |                                          |
|                             |            | <b>ltree_body</b>                                                                                                                                                                                                                                                                                                                                                                                                                                                                                                                                                      |      |     |                                          |
| 5                           |            | +SendSMSCBMessage( SerialNumber_01)                                                                                                                                                                                                                                                                                                                                                                                                                                                                                                                                    |      |     | Send cell broadcast message              |
| 6                           |            | (TCV_Res := OO_CheckCBSMReceived( 93, TCV_SMSCBpack))                                                                                                                                                                                                                                                                                                                                                                                                                                                                                                                  |      |     |                                          |
| 7                           | L_082<br>3 | [NOT TCV_Res]                                                                                                                                                                                                                                                                                                                                                                                                                                                                                                                                                          |      | (F) |                                          |
| 8                           | L_082<br>4 | [TCV_Res]                                                                                                                                                                                                                                                                                                                                                                                                                                                                                                                                                              |      | (P) |                                          |
| 9                           |            | +SendSMSCBMessage( SerialNumber_02)                                                                                                                                                                                                                                                                                                                                                                                                                                                                                                                                    |      |     | Send cell broadcast message              |
| 10                          |            | (TCV_Res := OO_CheckCBSMReceived( 93,TCV_SMSCBpack))                                                                                                                                                                                                                                                                                                                                                                                                                                                                                                                   |      |     |                                          |
| 11                          | L_082<br>5 | [NOT TCV_Res]                                                                                                                                                                                                                                                                                                                                                                                                                                                                                                                                                          |      | (F) |                                          |
| 12                          | L_082<br>6 | [TCV_Res]                                                                                                                                                                                                                                                                                                                                                                                                                                                                                                                                                              |      | (P) |                                          |
| 13                          |            | +SendSMSCBMessage( SerialNumber_03)                                                                                                                                                                                                                                                                                                                                                                                                                                                                                                                                    |      |     | Send cell broadcast message              |
| 14                          |            | (TCV_Res := OO_CheckCBSMReceived( 93, TCV_SMSCBpack))                                                                                                                                                                                                                                                                                                                                                                                                                                                                                                                  |      |     |                                          |
| 15                          | L_082<br>7 | [NOT TCV_Res]                                                                                                                                                                                                                                                                                                                                                                                                                                                                                                                                                          |      | (F) |                                          |
| 16                          | L_082<br>8 | [TCV_Res]                                                                                                                                                                                                                                                                                                                                                                                                                                                                                                                                                              |      | (P) |                                          |
| 17                          |            | +ltree_body2                                                                                                                                                                                                                                                                                                                                                                                                                                                                                                                                                           |      |     |                                          |
|                             |            | <b>ltree_body2</b>                                                                                                                                                                                                                                                                                                                                                                                                                                                                                                                                                     |      |     |                                          |
| 18                          |            | +SendSMSCBMessage( SerialNumber_01)                                                                                                                                                                                                                                                                                                                                                                                                                                                                                                                                    |      |     | Send cell broadcast message              |
| 19                          |            | (TCV_Res := OO_CheckCBSMReceived( 93, TCV_SMSCBpack))                                                                                                                                                                                                                                                                                                                                                                                                                                                                                                                  |      |     |                                          |
| 20                          | L_082<br>9 | [NOT TCV_Res]                                                                                                                                                                                                                                                                                                                                                                                                                                                                                                                                                          |      | (F) |                                          |
| 21                          | L_083<br>0 | [TCV_Res]                                                                                                                                                                                                                                                                                                                                                                                                                                                                                                                                                              |      | (P) |                                          |
| 22                          |            | (TCV_Null := OM_SendSMSCBWhilePaging( TCV_CBch))                                                                                                                                                                                                                                                                                                                                                                                                                                                                                                                       |      |     | Send cell broadcast message while paging |
| 23                          |            | +SendSMSCBMessage( SerialNumber_02)                                                                                                                                                                                                                                                                                                                                                                                                                                                                                                                                    |      |     | Send cell broadcast message              |
| 24                          |            | +localtree                                                                                                                                                                                                                                                                                                                                                                                                                                                                                                                                                             |      |     |                                          |

|    |            |                                                                                                                                    |                                                                                                                           |                                                |
|----|------------|------------------------------------------------------------------------------------------------------------------------------------|---------------------------------------------------------------------------------------------------------------------------|------------------------------------------------|
| 25 |            | (TCV_Res := OO_CheckCBSMReceived(93, TCV_SMSCBpack))                                                                               |                                                                                                                           |                                                |
| 26 |            | [NOT TCV_Res]                                                                                                                      |                                                                                                                           |                                                |
| 27 |            | +localtree2                                                                                                                        |                                                                                                                           |                                                |
| 28 | L_083<br>1 | [TCV_Res]                                                                                                                          |                                                                                                                           | (P)                                            |
| 29 |            | +localtree2                                                                                                                        |                                                                                                                           |                                                |
| 30 |            | <b>localtree2</b><br>+SendSMSCBMessage( SerialNumber_03)                                                                           |                                                                                                                           | Send cell broadcast message                    |
| 31 |            | (TCV_Res := OO_CheckCBSMReceived( 93, TCV_SMSCBpack))                                                                              |                                                                                                                           |                                                |
| 32 | L_083<br>2 | [NOT TCV_Res]                                                                                                                      |                                                                                                                           | (F)                                            |
| 33 | L_083<br>3 | [TCV_Res]                                                                                                                          |                                                                                                                           | (P)                                            |
| 34 |            | <b>localtree</b><br>L!DL_UdatRqPg1Rq                                                                                               | PgReq1( TCV_PgCh, TCV_Pgg, PgReqTp1_01)                                                                                   |                                                |
| 35 |            | START T_dly( 5000)                                                                                                                 |                                                                                                                           |                                                |
| 36 | L_083<br>4 | ?TIMEOUT T_dly                                                                                                                     |                                                                                                                           | (F)                                            |
| 37 |            | L?DL_RacInChRq( TCV_Rr := DL_RacInChRq.msg.ecau_rrf, TCV_Fn := DL_RacInChRq.fn) CANCEL T_dly                                       | ChReq( ChRequest_17)                                                                                                      |                                                |
| 38 |            | L!DL_UdatRqImm                                                                                                                     | ImmAss( TCV_agch, ImmAsgn_01Def( TCV_Rr, TCV_Fn, TSPX_SDCCH4SubDef, TCV_slot, TCV_tsc, TCV_chdescr_arfcn, TimingAdv( 0))) |                                                |
| 39 |            | L?DL_EstInPgRes                                                                                                                    | PagingRes( PagingRes_01)                                                                                                  |                                                |
| 40 |            | +ChanRel(TCV_ch)                                                                                                                   |                                                                                                                           |                                                |
| 41 |            | <b>SendSMSCBMessage( serial_number:SERIAL_NUMBER)</b><br>L!DL_UdatRqSMSCBData( TCV_CB1 := DL_UdatRqSMSCBData.msg.message_contents) | SMSCBReq( TCV_CBch, SMSCB_01( serial_number))                                                                             | First block                                    |
| 42 |            | L!DL_UdatRqSMSCBData( TCV_CB2 := DL_UdatRqSMSCBData.msg.message_contents)                                                          | SMSCBReq( TCV_CBch, SMSCB_02( '0001'B, '0'B, 17, 38))                                                                     | Second block, message octets 17 to 38          |
| 43 |            | L!DL_UdatRqSMSCBData( TCV_CB3 := DL_UdatRqSMSCBData.msg.message_contents)                                                          | SMSCBReq( TCV_CBch, SMSCB_02( '0010'B, '0'B, 39, 60))                                                                     | Third block, message octets 39 to 60           |
| 44 |            | L!DL_UdatRqSMSCBData( TCV_CB4 := DL_UdatRqSMSCBData.msg.message_contents)                                                          | SMSCBReq( TCV_CBch, SMSCB_02( '0011'B, '1'B, 61, 82))                                                                     | Fourth and last block, message octets 61 to 82 |
| 45 |            | (TCV_SMSCBpack := SMSCBdata( TCV_CB1, TCV_CB2, TCV_CB3, TCV_CB4))                                                                  |                                                                                                                           | 4 blocks data                                  |

Detailed Comments:

## Test Step Library

## Test Step Group management

| Test Step Dynamic Behaviour |       |                                                                                                                              |      |   |          |
|-----------------------------|-------|------------------------------------------------------------------------------------------------------------------------------|------|---|----------|
| <b>Test Step Name:</b>      |       | StopAllBCCH                                                                                                                  |      |   |          |
| <b>Group:</b>               |       | GSM_L3_MS_v4200/management/                                                                                                  |      |   |          |
| <b>Objective:</b>           |       | To stop the RF transmission of all BCCH channels in all active cells.                                                        |      |   |          |
| <b>Default:</b>             |       | OtherEventsFail                                                                                                              |      |   |          |
| Nr                          | Label | Behaviour Description                                                                                                        | CRef | V | Comments |
| 1                           |       | [TSPC_PGSM OR TSPC_EGSM]                                                                                                     |      |   |          |
| 2                           |       | (TCV_Null := OM_StopAllBCCH(C_BCCH_A_1, C_BCCH_B_1, C_BCCH_C_1, C_BCCH_D_1, C_BCCH_E_1, C_BCCH_F_1, C_BCCH_G_1, C_BCCH_H_1)) |      |   |          |
| 3                           |       | [TSPC_DCS]                                                                                                                   |      |   |          |
| 4                           |       | (TCV_Null := OM_StopAllBCCH(C_BCCH_A_1, C_BCCH_B_1, C_BCCH_C_1, C_BCCH_D_1, C_BCCH_E_1, C_BCCH_F_1, C_BCCH_G_1, "dummy"))    |      |   |          |
| <b>Detailed Comments:</b>   |       |                                                                                                                              |      |   |          |

| Test Step Dynamic Behaviour                                                                                                                                                        |            |                                                                                         |                           |     |          |
|------------------------------------------------------------------------------------------------------------------------------------------------------------------------------------|------------|-----------------------------------------------------------------------------------------|---------------------------|-----|----------|
| <b>Test Step Name:</b>                                                                                                                                                             |            | Stopmaindcch(ch_main:LOGICCH; ch_sacch:LOGICCH)                                         |                           |     |          |
| <b>Group:</b>                                                                                                                                                                      |            | GSM_L3_MS_v4200/management/                                                             |                           |     |          |
| <b>Objective:</b>                                                                                                                                                                  |            | To stop the transmission of main dcch channel and wait till no more uplink SACCH frame. |                           |     |          |
| <b>Default:</b>                                                                                                                                                                    |            | OtherEventsFail_01                                                                      |                           |     |          |
| <b>Comments:</b>                                                                                                                                                                   |            | 'ch_main` identifying a main dcch channel and 'ch_sacch' a sacch channel.               |                           |     |          |
| Nr                                                                                                                                                                                 | Label      | Behaviour Description                                                                   | CRef                      | V   | Comments |
| 1                                                                                                                                                                                  |            | (TCV_Null := OM_Deactivate(ch_main, ch_sacch))                                          |                           |     |          |
| 2                                                                                                                                                                                  |            | (TCV_Null := OM_StartMsrReport( ch_sacch))<br>START T_dly1(C_T_mrsp)                    |                           |     | 1.       |
| 3                                                                                                                                                                                  |            | (TCV_Res := FALSE)                                                                      |                           |     |          |
| 4                                                                                                                                                                                  |            | REPEAT ltree_rcvmsr UNTIL [TCV_Res]                                                     |                           |     |          |
| 5                                                                                                                                                                                  |            | (TCV_Null := OM_StopMsrReport(ch_sacch))                                                |                           |     |          |
| 6                                                                                                                                                                                  |            | <b>ltree_rcvmsr</b><br>L?DL_UdatInMsrRpt                                                | MsrRept(<br>MsrReport_02) |     | 2.       |
| 7                                                                                                                                                                                  |            | START T_dly1(C_T_mrsp)                                                                  |                           |     |          |
| 8                                                                                                                                                                                  | L_083<br>5 | ?TIMEOUT T_dly1                                                                         |                           | (P) |          |
| 9                                                                                                                                                                                  |            | (TCV_Res := TRUE)                                                                       |                           |     |          |
| <b>Detailed Comments:</b>                                                                                                                                                          |            |                                                                                         |                           |     |          |
| 1. Wait until there is no more SACCH frames in the uplink direction.                                                                                                               |            |                                                                                         |                           |     |          |
| 2. If any measurement report message with any contents has been received, restart the timer again. The loop is watched by the T_guard in the default test step OtherEventsFail_01. |            |                                                                                         |                           |     |          |
| This test step is called by TC_26_7_4_3_2, TC_26_7_4_3_3, TC_26_7_4_3_4.                                                                                                           |            |                                                                                         |                           |     |          |

## Test Step Group ChConfig

| Test Step Dynamic Behaviour                                                                                                                                             |       |                                                                                                              |      |   |          |
|-------------------------------------------------------------------------------------------------------------------------------------------------------------------------|-------|--------------------------------------------------------------------------------------------------------------|------|---|----------|
| <b>Test Step Name:</b> CCConfigTCH( sub:B_1; acttype:BITSTRING; slot:SN; tsc:TSC; ta:TA; babr, cch_con, bpm:B_3; mod:B_8; Freqg, Freqd:FRQPARA; arfcng, arfcnd:INTEGER) |       |                                                                                                              |      |   |          |
| <b>Group:</b> GSM_L3_MS_v4200/management/ChConfig/                                                                                                                      |       |                                                                                                              |      |   |          |
| <b>Objective:</b> Configure Tester for TCH/H or TCH/F depending on TCV_ChRate.                                                                                          |       |                                                                                                              |      |   |          |
| <b>Default:</b> OtherEvents                                                                                                                                             |       |                                                                                                              |      |   |          |
| Nr                                                                                                                                                                      | Label | Behaviour Description                                                                                        | CRef | V | Comments |
| 1                                                                                                                                                                       |       | [TCV_ChRate = C_Full]                                                                                        |      |   | 1.       |
| 2                                                                                                                                                                       |       | +FullRateCh_A_1( acttype, slot, tsc, ChMod( mod), Freqg, Freqd, arfcng, arfcnd, ta, babr, cch_con, bpm)      |      |   |          |
| 3                                                                                                                                                                       |       | [TCV_ChRate = C_Half]                                                                                        |      |   | 2.       |
| 4                                                                                                                                                                       |       | +HalfRateCh_A_1( sub, acttype, slot, tsc, ChMod( mod), Freqg, Freqd, arfcng, arfcnd, ta, babr, cch_con, bpm) |      |   |          |
| <b>Detailed Comments:</b>                                                                                                                                               |       |                                                                                                              |      |   |          |
| 1. Full rate channel needed, to setup a physical channel as full rate traffic channel.                                                                                  |       |                                                                                                              |      |   |          |
| 2. Half rate channel needed, to setup the physical channel as half rate traffic channel.                                                                                |       |                                                                                                              |      |   |          |

| Test Step Dynamic Behaviour                                                                                                                                               |       |                                                                                                                   |      |   |          |
|---------------------------------------------------------------------------------------------------------------------------------------------------------------------------|-------|-------------------------------------------------------------------------------------------------------------------|------|---|----------|
| <b>Test Step Name:</b> CCConfigTCH_B( sub:B_1; acttype:BITSTRING; slot:SN; tsc:TSC; ta:TA; babr, cch_con, bpm:B_3; mod:B_8; Freqg, Freqd:FRQPARA; arfcng, arfcnd:INTEGER) |       |                                                                                                                   |      |   |          |
| <b>Group:</b> GSM_L3_MS_v4200/management/ChConfig/                                                                                                                        |       |                                                                                                                   |      |   |          |
| <b>Objective:</b> Configure Tester for TCH/H or TCH/F depending on TCV_ChRate.                                                                                            |       |                                                                                                                   |      |   |          |
| <b>Default:</b> OtherEvents                                                                                                                                               |       |                                                                                                                   |      |   |          |
| Nr                                                                                                                                                                        | Label | Behaviour Description                                                                                             | CRef | V | Comments |
| 1                                                                                                                                                                         |       | [TCV_ChRate = C_Full]                                                                                             |      |   | 1.       |
| 2                                                                                                                                                                         |       | [arfcng <> C_Noarfcn]                                                                                             |      |   |          |
| 3                                                                                                                                                                         |       | +FullRateCh_B_1( acttype, slot, tsc, ChMod(mod), FreqTCH( arfcng), FreqTCH( arfcnd), ta, babr, cch_con, bpm)      |      |   |          |
| 4                                                                                                                                                                         |       | [TSPC_PGSM OR TSPC_EGSM]                                                                                          |      |   |          |
| 5                                                                                                                                                                         |       | (TCV_tch_arfcn:= arfcng)                                                                                          |      |   |          |
| 6                                                                                                                                                                         |       | [TSPC_DCS]                                                                                                        |      |   |          |
| 7                                                                                                                                                                         |       | (TCV_tch_arfcn:= arfcnd)                                                                                          |      |   |          |
| 8                                                                                                                                                                         |       | [arfcng = C_Noarfcn]                                                                                              |      |   |          |
| 9                                                                                                                                                                         |       | +FullRateCh_B_1( acttype, slot, tsc, ChMod(mod), Freqg, Freqd, ta, babr, cch_con, bpm)                            |      |   |          |
| 10                                                                                                                                                                        |       | [TCV_ChRate = C_Half]                                                                                             |      |   | 2.       |
| 11                                                                                                                                                                        |       | [arfcng <> C_Noarfcn]                                                                                             |      |   |          |
| 12                                                                                                                                                                        |       | +HalfRateCh_B_1( sub, acttype, slot, tsc, ChMod(mod), FreqTCH( arfcng), FreqTCH( arfcnd), ta, babr, cch_con, bpm) |      |   |          |
| 13                                                                                                                                                                        |       | [TSPC_PGSM OR TSPC_EGSM]                                                                                          |      |   |          |
| 14                                                                                                                                                                        |       | (TCV_tch_arfcn:= arfcng)                                                                                          |      |   |          |
| 15                                                                                                                                                                        |       | [TSPC_DCS]                                                                                                        |      |   |          |
| 16                                                                                                                                                                        |       | (TCV_tch_arfcn:= arfcnd)                                                                                          |      |   |          |
| 17                                                                                                                                                                        |       | [arfcng = C_Noarfcn]                                                                                              |      |   |          |
| 18                                                                                                                                                                        |       | +HalfRateCh_B_1( sub, acttype, slot, tsc, ChMod(mod), Freqg, Freqd, ta, babr, cch_con, bpm)                       |      |   |          |
| <b>Detailed Comments:</b>                                                                                                                                                 |       |                                                                                                                   |      |   |          |
| 1. Full rate channel needed, to setup a physical channel as full rate traffic channel.                                                                                    |       |                                                                                                                   |      |   |          |
| 2. Half rate channel needed, to setup the physical channel as half rate traffic channel.                                                                                  |       |                                                                                                                   |      |   |          |

| Test Step Dynamic Behaviour |       |                                                                                                                                                         |      |   |          |
|-----------------------------|-------|---------------------------------------------------------------------------------------------------------------------------------------------------------|------|---|----------|
| <b>Test Step Name:</b>      |       | CCConfigTCH_nociph( sub:B_1; acttype:BITSTRING; slot:SN; tsc:TSC; ta:TA; babr, cch_con, bpm:B_3; mod:B_8; Freqg, Freqd:FRQPARA; arfcng, arfcnd:INTEGER) |      |   |          |
| <b>Group:</b>               |       | GSM_L3_MS_v4200/management/ChConfig/                                                                                                                    |      |   |          |
| <b>Objective:</b>           |       | Configure Tester for TCH/H or TCH/F depending on TCV_ChRate.                                                                                            |      |   |          |
| <b>Default:</b>             |       | OtherEvents                                                                                                                                             |      |   |          |
| Nr                          | Label | Behaviour Description                                                                                                                                   | CRef | V | Comments |
| 1                           |       | [TCV_ChRate = C_Full]                                                                                                                                   |      |   | 1.       |
| 2                           |       | [arfcng <> C_Noarfcn]                                                                                                                                   |      |   |          |
| 3                           |       | +FullRateCh_A_1_nociph( acttype, slot, tsc, ChMod(mod), FreqTCH( arfcng), FreqTCH( arfcnd), ta, babr, cch_con, bpm)                                     |      |   |          |
| 4                           |       | [TSPC_PGSM OR TSPC_EGSM]                                                                                                                                |      |   |          |
| 5                           |       | (TCV_tch_arfcn:= arfcng)                                                                                                                                |      |   |          |
| 6                           |       | [TSPC_DCS]                                                                                                                                              |      |   |          |
| 7                           |       | (TCV_tch_arfcn:= arfcnd)                                                                                                                                |      |   |          |
| 8                           |       | [arfcng = C_Noarfcn]                                                                                                                                    |      |   |          |
| 9                           |       | +FullRateCh_A_1_nociph( acttype, slot, tsc, ChMod(mod), Freqg, Freqd, ta, babr, cch_con, bpm)                                                           |      |   |          |
| 10                          |       | [TCV_ChRate = C_Half]                                                                                                                                   |      |   | 2.       |
| 11                          |       | [arfcng <> C_Noarfcn]                                                                                                                                   |      |   |          |
| 12                          |       | +HalfRateCh_A_1_nociph( sub, acttype, slot, tsc, ChMod(mod), FreqTCH( arfcng), FreqTCH(arfcnd), ta, babr, cch_con, bpm)                                 |      |   |          |
| 13                          |       | [TSPC_PGSM OR TSPC_EGSM]                                                                                                                                |      |   |          |
| 14                          |       | (TCV_tch_arfcn:= arfcng)                                                                                                                                |      |   |          |
| 15                          |       | [TSPC_DCS]                                                                                                                                              |      |   |          |
| 16                          |       | (TCV_tch_arfcn:= arfcnd)                                                                                                                                |      |   |          |
| 17                          |       | [arfcng = C_Noarfcn]                                                                                                                                    |      |   |          |
| 18                          |       | +HalfRateCh_A_1_nociph( sub, acttype, slot, tsc, ChMod(mod), Freqg, Freqd, ta, babr, cch_con, bpm)                                                      |      |   |          |
| <b>Detailed Comments:</b>   |       | 1. Full rate channel needed, to setup a physical channel as full rate traffic channel.                                                                  |      |   |          |
|                             |       | 2. Half rate channel needed, to setup the physical channel as half rate traffic channel.                                                                |      |   |          |

| Test Step Dynamic Behaviour |       |                                                                                                                                                                                                                                                             |      |   |          |
|-----------------------------|-------|-------------------------------------------------------------------------------------------------------------------------------------------------------------------------------------------------------------------------------------------------------------|------|---|----------|
| <b>Test Step Name:</b>      |       | Config_CBMS_A_1(par_bspwr, par_mspwr:INTEGER; chmod:CHMOD; acttype:BITSTRING; slot:SN; tsc:TSC; rf:FRQPARA; chcmbn:LOGCH; ta:TA; babr, cch_con, bpm:B_3)                                                                                                    |      |   |          |
| <b>Group:</b>               |       | GSM_L3_MS_v4200/management/ChConfig/                                                                                                                                                                                                                        |      |   |          |
| <b>Objective:</b>           |       | To set a physical channel and map FCCH, SCH, BCCH, CCCH, SDCCH4 and CBCH onto the physical channel which represents cell A.                                                                                                                                 |      |   |          |
| <b>Default:</b>             |       | OtherEvents                                                                                                                                                                                                                                                 |      |   |          |
| Nr                          | Label | Behaviour Description                                                                                                                                                                                                                                       | CRef | V | Comments |
| 1                           |       | (TCV_Null := OM_ChConf( par_bspwr, par_mspwr, acttype, chmod, ta, slot, tsc, rf, chcmbn, 0, 0, babr, cch_con, bpm, PgReqTp1Norm, '0'B, '0'B, C_CellA, C_FCCH_A, C_SCH_A, C_BCCH_A_1, C_PCH_A_1, C_AGCH_A_1, C_RACH_A_1, C_SDCCH4_A, C_SACCHC4_A, C_CBCH_A)) |      |   |          |
| 2                           |       | (TCV_Null := OM_Assoc( C_SDCCH4_A, C_SDCCH40_A, C_SDCCH41_A, C_SDCCH42_A, C_SDCCH43_A, "dummy", "dummy", "dummy", "dummy", C_SACCHC4_A, C_SACCHC40_A, C_SACCHC41_A, C_SACCHC42_A, C_SACCHC43_A, "dummy", "dummy", "dummy", "dummy"))                        |      |   |          |
| <b>Detailed Comments:</b>   |       |                                                                                                                                                                                                                                                             |      |   |          |

| Test Step Dynamic Behaviour |       |                                                                                                                                                                                                                                                 |      |   |          |
|-----------------------------|-------|-------------------------------------------------------------------------------------------------------------------------------------------------------------------------------------------------------------------------------------------------|------|---|----------|
| <b>Test Step Name:</b>      |       | Config_FACCHF_A_1(par_bspwr, par_mspwr:INTEGER; chmod:CHMOD; acttype:BITSTRING; slot:SN; tsc:TSC; rf:FRQPARA; chcmbn:LOGCH; ta:TA; babr, cch_con, bpm:B_3)                                                                                      |      |   |          |
| <b>Group:</b>               |       | GSM_L3_MS_v4200/management/ChConfig/                                                                                                                                                                                                            |      |   |          |
| <b>Objective:</b>           |       | To set one physical channel used as TCHF_ACCH's of cell A.                                                                                                                                                                                      |      |   |          |
| <b>Default:</b>             |       | OtherEvents                                                                                                                                                                                                                                     |      |   |          |
| Nr                          | Label | Behaviour Description                                                                                                                                                                                                                           | CRef | V | Comments |
| 1                           |       | (TCV_Null := OM_ChConf( par_bspwr, par_mspwr, acttype, chmod, ta, slot, tsc, rf, chcmbn, 0, 0, babr, cch_con, bpm, PgReqTp1Norm, '0B, '0B, C_CellA, "dummy", "dummy", "dummy", "dummy", "dummy", "dummy", C_FACCHF_A_1, C_SACCHF_A_1, "dummy")) |      |   |          |
| <b>Detailed Comments:</b>   |       |                                                                                                                                                                                                                                                 |      |   |          |

| Test Step Dynamic Behaviour |       |                                                                                                                                                                                                                                                 |      |   |          |
|-----------------------------|-------|-------------------------------------------------------------------------------------------------------------------------------------------------------------------------------------------------------------------------------------------------|------|---|----------|
| <b>Test Step Name:</b>      |       | Config_FACCHF_A_2(par_bspwr, par_mspwr:INTEGER; chmod:CHMOD; acttype:BITSTRING; slot:SN; tsc:TSC; rf:FRQPARA; chcmbn:LOGCH; ta:TA; babr, cch_con, bpm:B_3)                                                                                      |      |   |          |
| <b>Group:</b>               |       | GSM_L3_MS_v4200/management/ChConfig/                                                                                                                                                                                                            |      |   |          |
| <b>Objective:</b>           |       | To set one physical channel used as TCHF_ACCH's for instance 2 of cell A.                                                                                                                                                                       |      |   |          |
| <b>Default:</b>             |       | OtherEvents                                                                                                                                                                                                                                     |      |   |          |
| Nr                          | Label | Behaviour Description                                                                                                                                                                                                                           | CRef | V | Comments |
| 1                           |       | (TCV_Null := OM_ChConf( par_bspwr, par_mspwr, acttype, chmod, ta, slot, tsc, rf, chcmbn, 0, 0, babr, cch_con, bpm, PgReqTp1Norm, '0B, '0B, C_CellA, "dummy", "dummy", "dummy", "dummy", "dummy", "dummy", C_FACCHF_A_2, C_SACCHF_A_2, "dummy")) |      |   |          |
| <b>Detailed Comments:</b>   |       |                                                                                                                                                                                                                                                 |      |   |          |

| Test Step Dynamic Behaviour |       |                                                                                                                                                                                                                                                 |      |   |          |
|-----------------------------|-------|-------------------------------------------------------------------------------------------------------------------------------------------------------------------------------------------------------------------------------------------------|------|---|----------|
| <b>Test Step Name:</b>      |       | Config_FACCHF_B_1(par_bspwr, par_mspwr:INTEGER; chmod:CHMOD; acttype:BITSTRING; slot:SN; tsc:TSC; rf:FRQPARA; chcmbn:LOGCH; ta:TA; babr, cch_con, bpm:B_3)                                                                                      |      |   |          |
| <b>Group:</b>               |       | GSM_L3_MS_v4200/management/ChConfig/                                                                                                                                                                                                            |      |   |          |
| <b>Objective:</b>           |       | To set one physical channel used as TCHF_ACCH's of cell B.                                                                                                                                                                                      |      |   |          |
| <b>Default:</b>             |       | OtherEvents                                                                                                                                                                                                                                     |      |   |          |
| Nr                          | Label | Behaviour Description                                                                                                                                                                                                                           | CRef | V | Comments |
| 1                           |       | (TCV_Null := OM_ChConf( par_bspwr, par_mspwr, acttype, chmod, ta, slot, tsc, rf, chcmbn, 0, 0, babr, cch_con, bpm, PgReqTp1Norm, '0B, '0B, C_CellB, "dummy", "dummy", "dummy", "dummy", "dummy", "dummy", C_FACCHF_B_1, C_SACCHF_B_1, "dummy")) |      |   |          |
| <b>Detailed Comments:</b>   |       |                                                                                                                                                                                                                                                 |      |   |          |

| Test Step Dynamic Behaviour |       |                                                                                                                                                                                                                                                 |      |   |          |
|-----------------------------|-------|-------------------------------------------------------------------------------------------------------------------------------------------------------------------------------------------------------------------------------------------------|------|---|----------|
| <b>Test Step Name:</b>      |       | Config_FACCHF_H_1(par_bspwr, par_mspwr:INTEGER; chmod:CHMOD; acttype:BITSTRING; slot:SN; tsc:TSC; rf:FRQPARA; chcmbn:LOGCH; ta:TA; babr, cch_con, bpm:B_3)                                                                                      |      |   |          |
| <b>Group:</b>               |       | GSM_L3_MS_v4200/management/ChConfig/                                                                                                                                                                                                            |      |   |          |
| <b>Objective:</b>           |       | To set one physical channel used as TCHF_ACCH's of cell H.                                                                                                                                                                                      |      |   |          |
| <b>Default:</b>             |       | OtherEvents                                                                                                                                                                                                                                     |      |   |          |
| Nr                          | Label | Behaviour Description                                                                                                                                                                                                                           | CRef | V | Comments |
| 1                           |       | (TCV_Null := OM_ChConf( par_bspwr, par_mspwr, acttype, chmod, ta, slot, tsc, rf, chcmbn, 0, 0, babr, cch_con, bpm, PgReqTp1Norm, '0B, '0B, C_CellH, "dummy", "dummy", "dummy", "dummy", "dummy", "dummy", C_FACCHF_H_1, C_SACCHF_H_1, "dummy")) |      |   |          |
| <b>Detailed Comments:</b>   |       |                                                                                                                                                                                                                                                 |      |   |          |



| Test Step Dynamic Behaviour |       |                                                                                                                                                                                                                                                   |      |   |          |
|-----------------------------|-------|---------------------------------------------------------------------------------------------------------------------------------------------------------------------------------------------------------------------------------------------------|------|---|----------|
| <b>Test Step Name:</b>      |       | Config_FACCHH_A_1(par_bspwr, par_mspwr:INTEGER; chmod:CHMOD; acttype:BITSTRING; slot:SN; tsc:TSC; rf:FRQPARA; chcmbn:LOGCH; ta:TA; babr, cch_con, bpm:B_3)                                                                                        |      |   |          |
| <b>Group:</b>               |       | GSM_L3_MS_v4200/management/ChConfig/                                                                                                                                                                                                              |      |   |          |
| <b>Objective:</b>           |       | To set one physical channel used as TCHH_ACCH's of cell A.                                                                                                                                                                                        |      |   |          |
| <b>Default:</b>             |       | OtherEvents                                                                                                                                                                                                                                       |      |   |          |
| Nr                          | Label | Behaviour Description                                                                                                                                                                                                                             | CRef | V | Comments |
| 1                           |       | (TCV_Null := OM_ChConf( par_bspwr, par_mspwr, acttype, chmod, ta, slot, tsc, rf, chcmbn, 0, 0, babr, cch_con, bpm, PgReqTp1Norm, '0'B, '0'B, C_CellA, "dummy", "dummy", "dummy", "dummy", "dummy", "dummy", C_FACCHH_A_1, C_SACCHH_A_1, "dummy")) |      |   |          |
| 2                           |       | (TCV_Null := OM_Assoc( C_FACCHH_A_1, C_FACCHH0_A_1, C_FACCHH1_A_1, "dummy", "dummy", "dummy", "dummy", "dummy", "dummy", C_SACCHH_A_1, C_SACCHH0_A_1, C_SACCHH1_A_1, "dummy", "dummy", "dummy", "dummy", "dummy", "dummy", "dummy", "dummy"))     |      |   |          |
| <b>Detailed Comments:</b>   |       |                                                                                                                                                                                                                                                   |      |   |          |

| Test Step Dynamic Behaviour |       |                                                                                                                                                                                                                                                   |      |   |          |
|-----------------------------|-------|---------------------------------------------------------------------------------------------------------------------------------------------------------------------------------------------------------------------------------------------------|------|---|----------|
| <b>Test Step Name:</b>      |       | Config_FACCHH_A_2(par_bspwr, par_mspwr:INTEGER; chmod:CHMOD; acttype:BITSTRING; slot:SN; tsc:TSC; rf:FRQPARA; chcmbn:LOGCH; ta:TA; babr, cch_con, bpm:B_3)                                                                                        |      |   |          |
| <b>Group:</b>               |       | GSM_L3_MS_v4200/management/ChConfig/                                                                                                                                                                                                              |      |   |          |
| <b>Objective:</b>           |       | To set one physical channel used as TCHH_ACCH's of cell A.                                                                                                                                                                                        |      |   |          |
| <b>Default:</b>             |       | OtherEvents                                                                                                                                                                                                                                       |      |   |          |
| Nr                          | Label | Behaviour Description                                                                                                                                                                                                                             | CRef | V | Comments |
| 1                           |       | (TCV_Null := OM_ChConf( par_bspwr, par_mspwr, acttype, chmod, ta, slot, tsc, rf, chcmbn, 0, 0, babr, cch_con, bpm, PgReqTp1Norm, '0'B, '0'B, C_CellA, "dummy", "dummy", "dummy", "dummy", "dummy", "dummy", C_FACCHH_A_2, C_SACCHH_A_2, "dummy")) |      |   |          |
| 2                           |       | (TCV_Null := OM_Assoc( C_FACCHH_A_2, C_FACCHH0_A_2, C_FACCHH1_A_2, "dummy", "dummy", "dummy", "dummy", "dummy", "dummy", C_SACCHH_A_2, C_SACCHH0_A_2, C_SACCHH1_A_2, "dummy", "dummy", "dummy", "dummy", "dummy", "dummy", "dummy", "dummy"))     |      |   |          |
| <b>Detailed Comments:</b>   |       |                                                                                                                                                                                                                                                   |      |   |          |

| Test Step Dynamic Behaviour |       |                                                                                                                                                                                                                                                   |      |   |          |
|-----------------------------|-------|---------------------------------------------------------------------------------------------------------------------------------------------------------------------------------------------------------------------------------------------------|------|---|----------|
| <b>Test Step Name:</b>      |       | Config_FACCHH_B_1(par_bspwr, par_mspwr:INTEGER; chmod:CHMOD; acttype:BITSTRING; slot:SN; tsc:TSC; rf:FRQPARA; chcmbn:LOGCH; ta:TA; babr, cch_con, bpm:B_3)                                                                                        |      |   |          |
| <b>Group:</b>               |       | GSM_L3_MS_v4200/management/ChConfig/                                                                                                                                                                                                              |      |   |          |
| <b>Objective:</b>           |       | To set one physical channel used as TCHH_ACCH's of cell B.                                                                                                                                                                                        |      |   |          |
| <b>Default:</b>             |       | OtherEvents                                                                                                                                                                                                                                       |      |   |          |
| Nr                          | Label | Behaviour Description                                                                                                                                                                                                                             | CRef | V | Comments |
| 1                           |       | (TCV_Null := OM_ChConf( par_bspwr, par_mspwr, acttype, chmod, ta, slot, tsc, rf, chcmbn, 0, 0, babr, cch_con, bpm, PgReqTp1Norm, '0'B, '0'B, C_CellB, "dummy", "dummy", "dummy", "dummy", "dummy", "dummy", C_FACCHH_B_1, C_SACCHH_B_1, "dummy")) |      |   |          |
| 2                           |       | (TCV_Null := OM_Assoc( C_FACCHH_B_1, C_FACCHH0_B_1, C_FACCHH1_B_1, "dummy", "dummy", "dummy", "dummy", "dummy", "dummy", C_SACCHH_B_1, C_SACCHH0_B_1, C_SACCHH1_B_1, "dummy", "dummy", "dummy", "dummy", "dummy", "dummy", "dummy", "dummy"))     |      |   |          |
| <b>Detailed Comments:</b>   |       |                                                                                                                                                                                                                                                   |      |   |          |

| Test Step Dynamic Behaviour |       |                                                                                                                                                                                                                                                     |      |   |          |
|-----------------------------|-------|-----------------------------------------------------------------------------------------------------------------------------------------------------------------------------------------------------------------------------------------------------|------|---|----------|
| <b>Test Step Name:</b>      |       | Config_BCCH_CCCH_A_1(par_bspwr, par_mspwr:INTEGER; chmod:CHMOD; acttype:BITSTRING; slot:SN; tsc:TSC; rf:FRQPARA; chcmbn:LOGCH; ta:TA; babr, cch_con, bpm:B_3)                                                                                       |      |   |          |
| <b>Group:</b>               |       | GSM_L3_MS_v4200/management/ChConfig/                                                                                                                                                                                                                |      |   |          |
| <b>Objective:</b>           |       | To set a physical channel and map FCCH, SCH, BCCH and CCCH onto the physical channel which represents cell A.                                                                                                                                       |      |   |          |
| <b>Default:</b>             |       | OtherEvents                                                                                                                                                                                                                                         |      |   |          |
| Nr                          | Label | Behaviour Description                                                                                                                                                                                                                               | CRef | V | Comments |
| 1                           |       | (TCV_Null := OM_ChConf( par_bspwr, par_mspwr, acttype, chmod, ta, slot, tsc, rf, chcmbn, 0, 0, babr, cch_con, bpm, PgReqTp1Norm, '0'B, '0'B, C_CellA, C_FCCH_A, C_SCH_A, C_BCCH_A_1, C_PCH_A_1, C_AGCH_A_1, C_RACH_A_1, "dummy", "dummy", "dummy")) |      |   |          |
| <b>Detailed Comments:</b>   |       |                                                                                                                                                                                                                                                     |      |   |          |

| Test Step Dynamic Behaviour |       |                                                                                                                                                                                                                                                    |      |   |          |
|-----------------------------|-------|----------------------------------------------------------------------------------------------------------------------------------------------------------------------------------------------------------------------------------------------------|------|---|----------|
| <b>Test Step Name:</b>      |       | Config_BCCH_CCCH_A_2(par_bspwr, par_mspwr:INTEGER; chmod:CHMOD; acttype:BITSTRING; slot:SN; tsc:TSC; rf:FRQPARA; chcmbn:LOGCH; ta:TA; babr, cch_con, bpm:B_3)                                                                                      |      |   |          |
| <b>Group:</b>               |       | GSM_L3_MS_v4200/management/ChConfig/                                                                                                                                                                                                               |      |   |          |
| <b>Objective:</b>           |       | To set a physical channel and map the second BCCH, CCCH onto the physical channel which represents cell A.                                                                                                                                         |      |   |          |
| <b>Default:</b>             |       | OtherEvents                                                                                                                                                                                                                                        |      |   |          |
| Nr                          | Label | Behaviour Description                                                                                                                                                                                                                              | CRef | V | Comments |
| 1                           |       | (TCV_Null := OM_ChConf( par_bspwr, par_mspwr, acttype, chmod, ta, slot, tsc, rf, chcmbn, 0, 0, babr, cch_con, bpm, PgReqTp1Norm, '0'B, '0'B, C_CellA, "dummy", "dummy", C_BCCH_A_2, C_PCH_A_2, C_AGCH_A_2, C_RACH_A_2, "dummy", "dummy", "dummy")) |      |   |          |
| <b>Detailed Comments:</b>   |       |                                                                                                                                                                                                                                                    |      |   |          |

| Test Step Dynamic Behaviour |       |                                                                                                                                                                                                                                                    |      |   |          |
|-----------------------------|-------|----------------------------------------------------------------------------------------------------------------------------------------------------------------------------------------------------------------------------------------------------|------|---|----------|
| <b>Test Step Name:</b>      |       | Config_BCCH_CCCH_A_3(par_bspwr, par_mspwr:INTEGER; chmod:CHMOD; acttype:BITSTRING; slot:SN; tsc:TSC; rf:FRQPARA; chcmbn:LOGCH; ta:TA; babr, cch_con, bpm:B_3)                                                                                      |      |   |          |
| <b>Group:</b>               |       | GSM_L3_MS_v4200/management/ChConfig/                                                                                                                                                                                                               |      |   |          |
| <b>Objective:</b>           |       | To set a physical channel and map the third BCCH, CCCH onto the physical channel which represents cell A.                                                                                                                                          |      |   |          |
| <b>Default:</b>             |       | OtherEvents                                                                                                                                                                                                                                        |      |   |          |
| Nr                          | Label | Behaviour Description                                                                                                                                                                                                                              | CRef | V | Comments |
| 1                           |       | (TCV_Null := OM_ChConf( par_bspwr, par_mspwr, acttype, chmod, ta, slot, tsc, rf, chcmbn, 0, 0, babr, cch_con, bpm, PgReqTp1Norm, '0'B, '0'B, C_CellA, "dummy", "dummy", C_BCCH_A_3, C_PCH_A_3, C_AGCH_A_3, C_RACH_A_3, "dummy", "dummy", "dummy")) |      |   |          |
| <b>Detailed Comments:</b>   |       |                                                                                                                                                                                                                                                    |      |   |          |

| Test Step Dynamic Behaviour |       |                                                                                                                                                                                                                                                    |      |   |          |
|-----------------------------|-------|----------------------------------------------------------------------------------------------------------------------------------------------------------------------------------------------------------------------------------------------------|------|---|----------|
| <b>Test Step Name:</b>      |       | Config_BCCH_CCCH_A_4(par_bspwr, par_mspwr:INTEGER; chmod:CHMOD; acttype:BITSTRING; slot:SN; tsc:TSC; rf:FRQPARA; chcmbn:LOGCH; ta:TA; babr, cch_con, bpm:B_3)                                                                                      |      |   |          |
| <b>Group:</b>               |       | GSM_L3_MS_v4200/management/ChConfig/                                                                                                                                                                                                               |      |   |          |
| <b>Objective:</b>           |       | To set a physical channel and map the fourth BCCH, CCCH onto the physical channel which represents cell A.                                                                                                                                         |      |   |          |
| <b>Default:</b>             |       | OtherEvents                                                                                                                                                                                                                                        |      |   |          |
| Nr                          | Label | Behaviour Description                                                                                                                                                                                                                              | CRef | V | Comments |
| 1                           |       | (TCV_Null := OM_ChConf( par_bspwr, par_mspwr, acttype, chmod, ta, slot, tsc, rf, chcmbn, 0, 0, babr, cch_con, bpm, PgReqTp1Norm, '0'B, '0'B, C_CellA, "dummy", "dummy", C_BCCH_A_4, C_PCH_A_4, C_AGCH_A_4, C_RACH_A_4, "dummy", "dummy", "dummy")) |      |   |          |
| <b>Detailed Comments:</b>   |       |                                                                                                                                                                                                                                                    |      |   |          |

| Test Step Dynamic Behaviour |       |                                                                                                                                                                                                                                                     |      |   |          |
|-----------------------------|-------|-----------------------------------------------------------------------------------------------------------------------------------------------------------------------------------------------------------------------------------------------------|------|---|----------|
| <b>Test Step Name:</b>      |       | Config_BCCH_CCCH_B_1(par_bspwr, par_mspwr:INTEGER; chmod:CHMOD; acttype:BITSTRING; slot:SN; tsc:TSC; rf:FRQPARA; chcmbn:LOGCH; ta:TA; babr, cch_con, bpm:B_3)                                                                                       |      |   |          |
| <b>Group:</b>               |       | GSM_L3_MS_v4200/management/ChConfig/                                                                                                                                                                                                                |      |   |          |
| <b>Objective:</b>           |       | To set a physical channel and map FCCH, SCH, BCCH and CCCH onto the physical channel which represents cell B.                                                                                                                                       |      |   |          |
| <b>Default:</b>             |       | OtherEvents                                                                                                                                                                                                                                         |      |   |          |
| Nr                          | Label | Behaviour Description                                                                                                                                                                                                                               | CRef | V | Comments |
| 1                           |       | (TCV_Null := OM_ChConf( par_bspwr, par_mspwr, acttype, chmod, ta, slot, tsc, rf, chcmbn, 0, 0, babr, cch_con, bpm, PgReqTp1Norm, '0'B, '0'B, C_CellB, C_FCCH_B, C_SCH_B, C_BCCH_B_1, C_PCH_B_1, C_AGCH_B_1, C_RACH_B_1, "dummy", "dummy", "dummy")) |      |   |          |
| <b>Detailed Comments:</b>   |       |                                                                                                                                                                                                                                                     |      |   |          |

| Test Step Dynamic Behaviour |       |                                                                                                                                                                                                                                                       |      |   |          |
|-----------------------------|-------|-------------------------------------------------------------------------------------------------------------------------------------------------------------------------------------------------------------------------------------------------------|------|---|----------|
| <b>Test Step Name:</b>      |       | Config_BCCH_CCCH_B_ho_1(par_bspwr, par_mspwr:INTEGER; chmod:CHMOD; acttype:BITSTRING; slot:SN; tsc:TSC; rf:FRQPARA; chcmbn:LOGCH; ta:TA; babr, cch_con, bpm:B_3; td, fn:INTEGER)                                                                      |      |   |          |
| <b>Group:</b>               |       | GSM_L3_MS_v4200/management/ChConfig/                                                                                                                                                                                                                  |      |   |          |
| <b>Objective:</b>           |       | To set a physical channel and map FCCH, SCH, BCCH and CCCH onto the physical channel which represents cell B with controllable td and fn.                                                                                                             |      |   |          |
| <b>Default:</b>             |       | OtherEvents                                                                                                                                                                                                                                           |      |   |          |
| Nr                          | Label | Behaviour Description                                                                                                                                                                                                                                 | CRef | V | Comments |
| 1                           |       | (TCV_Null := OM_ChConf( par_bspwr, par_mspwr, acttype, chmod, ta, slot, tsc, rf, chcmbn, td, fn, babr, cch_con, bpm, PgReqTp1Norm, '0'B, '0'B, C_CellB, C_FCCH_B, C_SCH_B, C_BCCH_B_1, C_PCH_B_1, C_AGCH_B_1, C_RACH_B_1, "dummy", "dummy", "dummy")) |      |   |          |
| <b>Detailed Comments:</b>   |       |                                                                                                                                                                                                                                                       |      |   |          |

| Test Step Dynamic Behaviour |       |                                                                                                                                                                                                                                                            |      |   |          |
|-----------------------------|-------|------------------------------------------------------------------------------------------------------------------------------------------------------------------------------------------------------------------------------------------------------------|------|---|----------|
| <b>Test Step Name:</b>      |       | Config_SDCCH4_A_1(par_bspwr, par_mspwr:INTEGER; chmod:CHMOD; acttype:BITSTRING; slot:SN; tsc:TSC; rf:FRQPARA; chcmbn:LOGCH; ta:TA; babr, cch_con, bpm:B_3)                                                                                                 |      |   |          |
| <b>Group:</b>               |       | GSM_L3_MS_v4200/management/ChConfig/                                                                                                                                                                                                                       |      |   |          |
| <b>Objective:</b>           |       | To set a physical channel and map FCCH, SCH, BCCH, CCCH and SDCCH4 onto the physical channel which represents cell A.                                                                                                                                      |      |   |          |
| <b>Default:</b>             |       | OtherEvents                                                                                                                                                                                                                                                |      |   |          |
| Nr                          | Label | Behaviour Description                                                                                                                                                                                                                                      | CRef | V | Comments |
| 1                           |       | (TCV_Null := OM_ChConf( par_bspwr, par_mspwr, acttype, chmod, ta, slot, tsc, rf, chcmbn, 0, 0, babr, cch_con, bpm, PgReqTp1Norm, '0'B, '0'B, C_CellA, C_FCCH_A, C_SCH_A, C_BCCH_A_1, C_PCH_A_1, C_AGCH_A_1, C_RACH_A_1, C_SDCCH4_A, C_SACCHC4_A, "dummy")) |      |   |          |
| 2                           |       | (TCV_Null := OM_Assoc( C_SDCCH4_A, C_SDCCH40_A, C_SDCCH41_A, C_SDCCH42_A, C_SDCCH43_A, "dummy", "dummy", "dummy", "dummy", C_SACCHC4_A, C_SACCHC40_A, C_SACCHC41_A, C_SACCHC42_A, C_SACCHC43_A, "dummy", "dummy", "dummy", "dummy"))                       |      |   |          |
| <b>Detailed Comments:</b>   |       |                                                                                                                                                                                                                                                            |      |   |          |

| Test Step Dynamic Behaviour |       |                                                                                                                                                                                                                                                            |      |   |          |
|-----------------------------|-------|------------------------------------------------------------------------------------------------------------------------------------------------------------------------------------------------------------------------------------------------------------|------|---|----------|
| <b>Test Step Name:</b>      |       | Config_SDCCH4_B_1(par_bspwr, par_mspwr:INTEGER; chmod:CHMOD; acttype:BITSTRING; slot:SN; tsc:TSC; rf:FRQPARA; chcmbn:LOGCH; ta:TA; babr, cch_con, bpm:B_3)                                                                                                 |      |   |          |
| <b>Group:</b>               |       | GSM_L3_MS_v4200/management/ChConfig/                                                                                                                                                                                                                       |      |   |          |
| <b>Objective:</b>           |       | To set a physical channel and map FCCH, SCH, BCCH, CCCH and SDCCH4 onto the physical channel which represents cell B.                                                                                                                                      |      |   |          |
| <b>Default:</b>             |       | OtherEvents                                                                                                                                                                                                                                                |      |   |          |
| Nr                          | Label | Behaviour Description                                                                                                                                                                                                                                      | CRef | V | Comments |
| 1                           |       | (TCV_Null := OM_ChConf( par_bspwr, par_mspwr, acttype, chmod, ta, slot, tsc, rf, chcmbn, 0, 0, babr, cch_con, bpm, PgReqTp1Norm, '0'B, '0'B, C_CellB, C_FCCH_B, C_SCH_B, C_BCCH_B_1, C_PCH_B_1, C_AGCH_B_1, C_RACH_B_1, C_SDCCH4_B, C_SACCHC4_B, "dummy")) |      |   |          |
| 2                           |       | (TCV_Null := OM_Assoc( C_SDCCH4_B, C_SDCCH40_B, C_SDCCH41_B, C_SDCCH42_B, C_SDCCH43_B, "dummy", "dummy", "dummy", "dummy", C_SACCHC4_B, C_SACCHC40_B, C_SACCHC41_B, C_SACCHC42_B, C_SACCHC43_B, "dummy", "dummy", "dummy", "dummy"))                       |      |   |          |
| <b>Detailed Comments:</b>   |       |                                                                                                                                                                                                                                                            |      |   |          |

| Test Step Dynamic Behaviour |       |                                                                                                                                                                                                                                                              |      |   |          |
|-----------------------------|-------|--------------------------------------------------------------------------------------------------------------------------------------------------------------------------------------------------------------------------------------------------------------|------|---|----------|
| <b>Test Step Name:</b>      |       | Config_SDCCH4_B_ho_1(par_bspwr, par_mspwr:INTEGER; chmod:CHMOD; acttype:BITSTRING; slot:SN; tsc:TSC; rf:FRQPARA; chcmbn:LOGCH; ta:TA; babr, cch_con, bpm:B_3; td, fn:INTEGER)                                                                                |      |   |          |
| <b>Group:</b>               |       | GSM_L3_MS_v4200/management/ChConfig/                                                                                                                                                                                                                         |      |   |          |
| <b>Objective:</b>           |       | To set a physical channel and map FCCH, SCH, BCCH, CCCH and SDCCH4 onto the physical channel which represents cell B with controllable ta and fn.                                                                                                            |      |   |          |
| <b>Default:</b>             |       | OtherEvents                                                                                                                                                                                                                                                  |      |   |          |
| Nr                          | Label | Behaviour Description                                                                                                                                                                                                                                        | CRef | V | Comments |
| 1                           |       | (TCV_Null := OM_ChConf( par_bspwr, par_mspwr, acttype, chmod, ta, slot, tsc, rf, chcmbn, td, fn, babr, cch_con, bpm, PgReqTp1Norm, '0'B, '0'B, C_CellB, C_FCCH_B, C_SCH_B, C_BCCH_B_1, C_PCH_B_1, C_AGCH_B_1, C_RACH_B_1, C_SDCCH4_B, C_SACCHC4_B, "dummy")) |      |   |          |
| 2                           |       | (TCV_Null := OM_Assoc( C_SDCCH4_B, C_SDCCH40_B, C_SDCCH41_B, C_SDCCH42_B, C_SDCCH43_B, "dummy", "dummy", "dummy", "dummy", C_SACCHC4_B, C_SACCHC40_B, C_SACCHC41_B, C_SACCHC42_B, C_SACCHC43_B, "dummy", "dummy", "dummy", "dummy"))                         |      |   |          |
| <b>Detailed Comments:</b>   |       |                                                                                                                                                                                                                                                              |      |   |          |

| Test Step Dynamic Behaviour |       |                                                                                                                                                                                                                                                            |      |   |          |
|-----------------------------|-------|------------------------------------------------------------------------------------------------------------------------------------------------------------------------------------------------------------------------------------------------------------|------|---|----------|
| <b>Test Step Name:</b>      |       | Config_SDCCH4_C_1(par_bspwr, par_mspwr:INTEGER; chmod:CHMOD; acttype:BITSTRING; slot:SN; tsc:TSC; rf:FRQPARA; chcmbn:LOGCH; ta:TA; babr, cch_con, bpm:B_3)                                                                                                 |      |   |          |
| <b>Group:</b>               |       | GSM_L3_MS_v4200/management/ChConfig/                                                                                                                                                                                                                       |      |   |          |
| <b>Objective:</b>           |       | To set a physical channel and map FCCH, SCH, BCCH, CCCH and SDCCH4 onto the physical channel which represents cell C.                                                                                                                                      |      |   |          |
| <b>Default:</b>             |       | OtherEvents                                                                                                                                                                                                                                                |      |   |          |
| Nr                          | Label | Behaviour Description                                                                                                                                                                                                                                      | CRef | V | Comments |
| 1                           |       | (TCV_Null := OM_ChConf( par_bspwr, par_mspwr, acttype, chmod, ta, slot, tsc, rf, chcmbn, 0, 0, babr, cch_con, bpm, PgReqTp1Norm, '0'B, '0'B, C_CellC, C_FCCH_C, C_SCH_C, C_BCCH_C_1, C_PCH_C_1, C_AGCH_C_1, C_RACH_C_1, C_SDCCH4_C, C_SACCHC4_C, "dummy")) |      |   |          |
| 2                           |       | (TCV_Null := OM_Assoc( C_SDCCH4_C, C_SDCCH40_C, C_SDCCH41_C, C_SDCCH42_C, C_SDCCH43_C, "dummy", "dummy", "dummy", "dummy", C_SACCHC4_C, C_SACCHC40_C, C_SACCHC41_C, C_SACCHC42_C, C_SACCHC43_C, "dummy", "dummy", "dummy", "dummy"))                       |      |   |          |
| <b>Detailed Comments:</b>   |       |                                                                                                                                                                                                                                                            |      |   |          |

| Test Step Dynamic Behaviour |       |                                                                                                                                                                                                                                                            |      |   |          |
|-----------------------------|-------|------------------------------------------------------------------------------------------------------------------------------------------------------------------------------------------------------------------------------------------------------------|------|---|----------|
| <b>Test Step Name:</b>      |       | Config_SDCCH4_D_1(par_bspwr, par_mspwr:INTEGER; chmod:CHMOD; acttype:BITSTRING; slot:SN; tsc:TSC; rf:FRQPARA; chcmbn:LOGCH; ta:TA; babr, cch_con, bpm:B_3)                                                                                                 |      |   |          |
| <b>Group:</b>               |       | GSM_L3_MS_v4200/management/ChConfig/                                                                                                                                                                                                                       |      |   |          |
| <b>Objective:</b>           |       | To set a physical channel and map FCCH, SCH, BCCH, CCCH and SDCCH4 onto the physical channel which represents cell D                                                                                                                                       |      |   |          |
| <b>Default:</b>             |       | OtherEvents                                                                                                                                                                                                                                                |      |   |          |
| Nr                          | Label | Behaviour Description                                                                                                                                                                                                                                      | CRef | V | Comments |
| 1                           |       | (TCV_Null := OM_ChConf( par_bspwr, par_mspwr, acttype, chmod, ta, slot, tsc, rf, chcmbn, 0, 0, babr, cch_con, bpm, PgReqTp1Norm, '0'B, '0'B, C_CelID, C_FCCH_D, C_SCH_D, C_BCCH_D_1, C_PCH_D_1, C_AGCH_D_1, C_RACH_D_1, C_SDCCH4_D, C_SACCHC4_D, "dummy")) |      |   |          |
| 2                           |       | (TCV_Null := OM_Assoc( C_SDCCH4_D, C_SDCCH40_D, C_SDCCH41_D, C_SDCCH42_D, C_SDCCH43_D, "dummy", "dummy", "dummy", "dummy", C_SACCHC4_D, C_SACCHC40_D, C_SACCHC41_D, C_SACCHC42_D, C_SACCHC43_D, "dummy", "dummy", "dummy", "dummy"))                       |      |   |          |
| <b>Detailed Comments:</b>   |       |                                                                                                                                                                                                                                                            |      |   |          |

| Test Step Dynamic Behaviour |       |                                                                                                                                                                                                                                                            |      |   |          |
|-----------------------------|-------|------------------------------------------------------------------------------------------------------------------------------------------------------------------------------------------------------------------------------------------------------------|------|---|----------|
| <b>Test Step Name:</b>      |       | Config_SDCCH4_E_1(par_bspwr, par_mspwr:INTEGER; chmod:CHMOD; acttype:BITSTRING; slot:SN; tsc:TSC; rf:FRQPARA; chcmbn:LOGCH; ta:TA; babr, cch_con, bpm:B_3)                                                                                                 |      |   |          |
| <b>Group:</b>               |       | GSM_L3_MS_v4200/management/ChConfig/                                                                                                                                                                                                                       |      |   |          |
| <b>Objective:</b>           |       | To set a physical channel and map FCCH, SCH, BCCH, CCCH and SDCCH4 onto the physical channel which represents cell E                                                                                                                                       |      |   |          |
| <b>Default:</b>             |       | OtherEvents                                                                                                                                                                                                                                                |      |   |          |
| Nr                          | Label | Behaviour Description                                                                                                                                                                                                                                      | CRef | V | Comments |
| 1                           |       | (TCV_Null := OM_ChConf( par_bspwr, par_mspwr, acttype, chmod, ta, slot, tsc, rf, chcmbn, 0, 0, babr, cch_con, bpm, PgReqTp1Norm, '0'B, '0'B, C_CelIE, C_FCCH_E, C_SCH_E, C_BCCH_E_1, C_PCH_E_1, C_AGCH_E_1, C_RACH_E_1, C_SDCCH4_E, C_SACCHC4_E, "dummy")) |      |   |          |
| 2                           |       | (TCV_Null := OM_Assoc( C_SDCCH4_E, C_SDCCH40_E, C_SDCCH41_E, C_SDCCH42_E, C_SDCCH43_E, "dummy", "dummy", "dummy", "dummy", C_SACCHC4_E, C_SACCHC40_E, C_SACCHC41_E, C_SACCHC42_E, C_SACCHC43_E, "dummy", "dummy", "dummy", "dummy"))                       |      |   |          |
| <b>Detailed Comments:</b>   |       |                                                                                                                                                                                                                                                            |      |   |          |

| Test Step Dynamic Behaviour |       |                                                                                                                                                                                                                                                            |      |   |          |
|-----------------------------|-------|------------------------------------------------------------------------------------------------------------------------------------------------------------------------------------------------------------------------------------------------------------|------|---|----------|
| <b>Test Step Name:</b>      |       | Config_SDCCH4_F_1(par_bspwr, par_mspwr:INTEGER; chmod:CHMOD; acttype:BITSTRING; slot:SN; tsc:TSC; rf:FRQPARA; chcmbn:LOGCH; ta:TA; babr, cch_con, bpm:B_3)                                                                                                 |      |   |          |
| <b>Group:</b>               |       | GSM_L3_MS_v4200/management/ChConfig/                                                                                                                                                                                                                       |      |   |          |
| <b>Objective:</b>           |       | To set a physical channel and map FCCH, SCH, BCCH, CCCH and SDCCH4 onto the physical channel which represents cell F                                                                                                                                       |      |   |          |
| <b>Default:</b>             |       | OtherEvents                                                                                                                                                                                                                                                |      |   |          |
| Nr                          | Label | Behaviour Description                                                                                                                                                                                                                                      | CRef | V | Comments |
| 1                           |       | (TCV_Null := OM_ChConf( par_bspwr, par_mspwr, acttype, chmod, ta, slot, tsc, rf, chcmbn, 0, 0, babr, cch_con, bpm, PgReqTp1Norm, '0'B, '0'B, C_CellF, C_FCCH_F, C_SCH_F, C_BCCH_F_1, C_PCH_F_1, C_AGCH_F_1, C_RACH_F_1, C_SDCCH4_F, C_SACCHC4_F, "dummy")) |      |   |          |
| 2                           |       | (TCV_Null := OM_Assoc( C_SDCCH4_F, C_SDCCH40_F, C_SDCCH41_F, C_SDCCH42_F, C_SDCCH43_F, "dummy", "dummy", "dummy", "dummy", C_SACCHC4_F, C_SACCHC40_F, C_SACCHC41_F, C_SACCHC42_F, C_SACCHC43_F, "dummy", "dummy", "dummy", "dummy"))                       |      |   |          |
| <b>Detailed Comments:</b>   |       |                                                                                                                                                                                                                                                            |      |   |          |

| Test Step Dynamic Behaviour |       |                                                                                                                                                                                                                                                            |      |   |          |
|-----------------------------|-------|------------------------------------------------------------------------------------------------------------------------------------------------------------------------------------------------------------------------------------------------------------|------|---|----------|
| <b>Test Step Name:</b>      |       | Config_SDCCH4_G_1(par_bspwr, par_mspwr:INTEGER; chmod:CHMOD; acttype:BITSTRING; slot:SN; tsc:TSC; rf:FRQPARA; chcmbn:LOGCH; ta:TA; babr, cch_con, bpm:B_3)                                                                                                 |      |   |          |
| <b>Group:</b>               |       | GSM_L3_MS_v4200/management/ChConfig/                                                                                                                                                                                                                       |      |   |          |
| <b>Objective:</b>           |       | To set a physical channel and map FCCH, SCH, BCCH, CCCH and SDCCH4 onto the physical channel which represents cell G                                                                                                                                       |      |   |          |
| <b>Default:</b>             |       | OtherEvents                                                                                                                                                                                                                                                |      |   |          |
| Nr                          | Label | Behaviour Description                                                                                                                                                                                                                                      | CRef | V | Comments |
| 1                           |       | (TCV_Null := OM_ChConf( par_bspwr, par_mspwr, acttype, chmod, ta, slot, tsc, rf, chcmbn, 0, 0, babr, cch_con, bpm, PgReqTp1Norm, '0'B, '0'B, C_CellG, C_FCCH_G, C_SCH_G, C_BCCH_G_1, C_PCH_G_1, C_AGCH_G_1, C_RACH_G_1, C_SDCCH4_G, C_SACCHC4_G, "dummy")) |      |   |          |
| 2                           |       | (TCV_Null := OM_Assoc( C_SDCCH4_G, C_SDCCH40_G, C_SDCCH41_G, C_SDCCH42_G, C_SDCCH43_G, "dummy", "dummy", "dummy", "dummy", C_SACCHC4_G, C_SACCHC40_G, C_SACCHC41_G, C_SACCHC42_G, C_SACCHC43_G, "dummy", "dummy", "dummy", "dummy"))                       |      |   |          |
| <b>Detailed Comments:</b>   |       |                                                                                                                                                                                                                                                            |      |   |          |

| Test Step Dynamic Behaviour |       |                                                                                                                                                                                                                                                            |      |   |          |
|-----------------------------|-------|------------------------------------------------------------------------------------------------------------------------------------------------------------------------------------------------------------------------------------------------------------|------|---|----------|
| <b>Test Step Name:</b>      |       | Config_SDCCH4_H_1(par_bspwr, par_mspwr:INTEGER; chmod:CHMOD; acttype:BITSTRING; slot:SN; tsc:TSC; rf:FRQPARA; chcmbn:LOGCH; ta:TA; babr, cch_con, bpm:B_3)                                                                                                 |      |   |          |
| <b>Group:</b>               |       | GSM_L3_MS_v4200/management/ChConfig/                                                                                                                                                                                                                       |      |   |          |
| <b>Objective:</b>           |       | To set a physical channel and map FCCH, SCH, BCCH, CCCH and SDCCH4 onto the physical channel which represents cell H                                                                                                                                       |      |   |          |
| <b>Default:</b>             |       | OtherEvents                                                                                                                                                                                                                                                |      |   |          |
| Nr                          | Label | Behaviour Description                                                                                                                                                                                                                                      | CRef | V | Comments |
| 1                           |       | (TCV_Null := OM_ChConf( par_bspwr, par_mspwr, acttype, chmod, ta, slot, tsc, rf, chcmbn, 0, 0, babr, cch_con, bpm, PgReqTp1Norm, '0'B, '0'B, C_CellH, C_FCCH_H, C_SCH_H, C_BCCH_H_1, C_PCH_H_1, C_AGCH_H_1, C_RACH_H_1, C_SDCCH4_H, C_SACCHC4_H, "dummy")) |      |   |          |
| 2                           |       | (TCV_Null := OM_Assoc( C_SDCCH4_H, C_SDCCH40_H, C_SDCCH41_H, C_SDCCH42_H, C_SDCCH43_H, "dummy", "dummy", "dummy", "dummy", C_SACCHC4_H, C_SACCHC40_H, C_SACCHC41_H, C_SACCHC42_H, C_SACCHC43_H, "dummy", "dummy", "dummy", "dummy"))                       |      |   |          |
| <b>Detailed Comments:</b>   |       |                                                                                                                                                                                                                                                            |      |   |          |

| Test Step Dynamic Behaviour |       |                                                                                                                                                                                                                                                                                                              |      |   |          |
|-----------------------------|-------|--------------------------------------------------------------------------------------------------------------------------------------------------------------------------------------------------------------------------------------------------------------------------------------------------------------|------|---|----------|
| <b>Test Step Name:</b>      |       | Config_SDCCH8_A_1(par_bspwr, par_mspwr:INTEGER; chmod:CHMOD; acttype:BITSTRING; slot:SN; tsc:TSC; rf:FRQPARA; chcmbn:LOGCH; ta:TA; babr, cch_con, bpm:B_3)                                                                                                                                                   |      |   |          |
| <b>Group:</b>               |       | GSM_L3_MS_v4200/management/ChConfig/                                                                                                                                                                                                                                                                         |      |   |          |
| <b>Objective:</b>           |       | To set one physical channel used as SDCCH8 channel for instance 1 of cell A.                                                                                                                                                                                                                                 |      |   |          |
| <b>Default:</b>             |       | OtherEvents                                                                                                                                                                                                                                                                                                  |      |   |          |
| Nr                          | Label | Behaviour Description                                                                                                                                                                                                                                                                                        | CRef | V | Comments |
| 1                           |       | (TCV_Null := OM_ChConf( par_bspwr, par_mspwr, acttype, chmod, ta, slot, tsc, rf, chcmbn, 0, 0, babr, cch_con, bpm, PgReqTp1Norm, '0'B, '0'B, C_CellA, "dummy", "dummy", "dummy", "dummy", "dummy", "dummy", C_SDCCH8_A_1, C_SACCHC8_A_1, "dummy"))                                                           |      |   |          |
| 2                           |       | (TCV_Null := OM_Assoc( C_SDCCH8_A_1, C_SDCCH80_A_1, C_SDCCH81_A_1, C_SDCCH82_A_1, C_SDCCH83_A_1, C_SDCCH84_A_1, C_SDCCH85_A_1, C_SDCCH86_A_1, C_SDCCH87_A_1, C_SACCHC8_A_1, C_SACCHC80_A_1, C_SACCHC81_A_1, C_SACCHC82_A_1, C_SACCHC83_A_1, C_SACCHC84_A_1, C_SACCHC85_A_1, C_SACCHC86_A_1, C_SACCHC87_A_1)) |      |   |          |
| <b>Detailed Comments:</b>   |       |                                                                                                                                                                                                                                                                                                              |      |   |          |



| Test Step Dynamic Behaviour |       |                                                                                                                                                                                                                                                                                                              |      |   |          |
|-----------------------------|-------|--------------------------------------------------------------------------------------------------------------------------------------------------------------------------------------------------------------------------------------------------------------------------------------------------------------|------|---|----------|
| <b>Test Step Name:</b>      |       | Config_SDCCH8_A_2(par_bspwr, par_mspwr:INTEGER; chmod:CHMOD; acttype:BITSTRING; slot:SN; tsc:TSC; rf:FRQPARA; chcmbn:LOGCH; ta:TA; babr, cch_con, bpm:B_3)                                                                                                                                                   |      |   |          |
| <b>Group:</b>               |       | GSM_L3_MS_v4200/management/ChConfig/                                                                                                                                                                                                                                                                         |      |   |          |
| <b>Objective:</b>           |       | To set one physical channel used as SDCCH8 channel for instance 2 of cell A.                                                                                                                                                                                                                                 |      |   |          |
| <b>Default:</b>             |       | OtherEvents                                                                                                                                                                                                                                                                                                  |      |   |          |
| Nr                          | Label | Behaviour Description                                                                                                                                                                                                                                                                                        | CRef | V | Comments |
| 1                           |       | (TCV_Null := OM_ChConf( par_bspwr, par_mspwr, acttype, chmod, ta, slot, tsc, rf, chcmbn, 0, 0, babr, cch_con, bpm, PgReqTp1Norm, '0'B, '0'B, C_CellA, "dummy", "dummy", "dummy", "dummy", "dummy", "dummy", C_SDCCH8_A_2, C_SACCHC8_A_2, "dummy"))                                                           |      |   |          |
| 2                           |       | (TCV_Null := OM_Assoc( C_SDCCH8_A_2, C_SDCCH80_A_2, C_SDCCH81_A_2, C_SDCCH82_A_2, C_SDCCH83_A_2, C_SDCCH84_A_2, C_SDCCH85_A_2, C_SDCCH86_A_2, C_SDCCH87_A_2, C_SACCHC8_A_2, C_SACCHC80_A_2, C_SACCHC81_A_2, C_SACCHC82_A_2, C_SACCHC83_A_2, C_SACCHC84_A_2, C_SACCHC85_A_2, C_SACCHC86_A_2, C_SACCHC87_A_2)) |      |   |          |
| <b>Detailed Comments:</b>   |       |                                                                                                                                                                                                                                                                                                              |      |   |          |

| Test Step Dynamic Behaviour |       |                                                                                                                                                                                                                                                                                                              |      |   |          |
|-----------------------------|-------|--------------------------------------------------------------------------------------------------------------------------------------------------------------------------------------------------------------------------------------------------------------------------------------------------------------|------|---|----------|
| <b>Test Step Name:</b>      |       | Config_SDCCH8_B_1(par_bspwr, par_mspwr:INTEGER; chmod:CHMOD; acttype:BITSTRING; slot:SN; tsc:TSC; rf:FRQPARA; chcmbn:LOGCH; ta:TA; babr, cch_con, bpm:B_3)                                                                                                                                                   |      |   |          |
| <b>Group:</b>               |       | GSM_L3_MS_v4200/management/ChConfig/                                                                                                                                                                                                                                                                         |      |   |          |
| <b>Objective:</b>           |       | To set one physical channel used as SDCCH8 channel for instance 1 of cell B.                                                                                                                                                                                                                                 |      |   |          |
| <b>Default:</b>             |       | OtherEvents                                                                                                                                                                                                                                                                                                  |      |   |          |
| Nr                          | Label | Behaviour Description                                                                                                                                                                                                                                                                                        | CRef | V | Comments |
| 1                           |       | (TCV_Null := OM_ChConf( par_bspwr, par_mspwr, acttype, chmod, ta, slot, tsc, rf, chcmbn, 0, 0, babr, cch_con, bpm, PgReqTp1Norm, '0'B, '0'B, C_CellB, "dummy", "dummy", "dummy", "dummy", "dummy", "dummy", C_SDCCH8_B_1, C_SACCHC8_B_1, "dummy"))                                                           |      |   |          |
| 2                           |       | (TCV_Null := OM_Assoc( C_SDCCH8_B_1, C_SDCCH80_B_1, C_SDCCH81_B_1, C_SDCCH82_B_1, C_SDCCH83_B_1, C_SDCCH84_B_1, C_SDCCH85_B_1, C_SDCCH86_B_1, C_SDCCH87_B_1, C_SACCHC8_B_1, C_SACCHC80_B_1, C_SACCHC81_B_1, C_SACCHC82_B_1, C_SACCHC83_B_1, C_SACCHC84_B_1, C_SACCHC85_B_1, C_SACCHC86_B_1, C_SACCHC87_B_1)) |      |   |          |
| <b>Detailed Comments:</b>   |       |                                                                                                                                                                                                                                                                                                              |      |   |          |

| Test Step Dynamic Behaviour |       |                                                                                                                                                             |      |   |          |
|-----------------------------|-------|-------------------------------------------------------------------------------------------------------------------------------------------------------------|------|---|----------|
| <b>Test Step Name:</b>      |       | CombinedBCCH_A_CBMS( par_bspwr, mtmcgsm, mtmcdds, arfcn1, arfcn2:INTEGER; acttype:BITSTRING; slot:SN; tsc:TSC; ta:TA; babr, cch_con, bpm:B_3)               |      |   |          |
| <b>Group:</b>               |       | GSM_L3_MS_v4200/management/ChConfig/                                                                                                                        |      |   |          |
| <b>Objective:</b>           |       | To set a physical channel and map FCCH, SCH, BCCH, CCCH and SDCCH4 onto the physical channel which represents cell A.                                       |      |   |          |
| <b>Default:</b>             |       | OtherEvents                                                                                                                                                 |      |   |          |
| <b>Comments:</b>            |       | time slot = 0, ARFCN = 20 (GSM900) or ARFCN = 590 (DCS1800) cell A for RR testing.                                                                          |      |   |          |
| Nr                          | Label | Behaviour Description                                                                                                                                       | CRef | V | Comments |
| 1                           |       | [TSPC_PGSM OR TSPC_EGSM]                                                                                                                                    |      |   | 1.       |
| 2                           |       | +Config_CBMS_A_1( par_bspwr,mtmcgsm, ChMod_sign, acttype, slot, tsc, FreqBCCH( arfcn1), C_CBCH_FCCH_SCH_BCCH_CCCH_SDCCH4_S ACCHC4, ta, babr, cch_con, bpm)  |      |   |          |
| 3                           |       | [TSPC_DCS]                                                                                                                                                  |      |   | 2.       |
| 4                           |       | +Config_CBMS_A_1( par_bspwr, mtmcdds, ChMod_sign, acttype, slot, tsc, FreqBCCH( arfcn2), C_CBCH_FCCH_SCH_BCCH_CCCH_SDCCH4_S ACCHC4, ta, babr, cch_con, bpm) |      |   |          |
| <b>Detailed Comments:</b>   |       | 1. For P-GSM900.<br>2. For DCS1800.                                                                                                                         |      |   |          |

| Test Step Dynamic Behaviour |       |                                                                                                                                                         |      |   |          |
|-----------------------------|-------|---------------------------------------------------------------------------------------------------------------------------------------------------------|------|---|----------|
| <b>Test Step Name:</b>      |       | CombinedBCCH_A(par_bspwr, mtmcgsm, mtmcdds, arfcn1, arfcn2:INTEGER; acttype:BITSTRING; slot:SN; tsc:TSC; ta:TA; babr, cch_con, bpm:B_3)                 |      |   |          |
| <b>Group:</b>               |       | GSM_L3_MS_v4200/management/ChConfig/                                                                                                                    |      |   |          |
| <b>Objective:</b>           |       | To set a physical channel and map FCCH, SCH, BCCH, CCCH and SDCCH4 onto the physical channel which represents cell A.                                   |      |   |          |
| <b>Default:</b>             |       | OtherEvents                                                                                                                                             |      |   |          |
| Nr                          | Label | Behaviour Description                                                                                                                                   | CRef | V | Comments |
| 1                           |       | [TSPC_PGSM OR TSPC_EGSM]                                                                                                                                |      |   | 1.       |
| 2                           |       | +Config_SDCCH4_A_1(par_bspwr, mtmcgsm, ChMod_sign, acttype, slot, tsc, FreqBCCH( arfcn1), C_FCCH_SCH_BCCH_CCCH_SDCCH4_SACCHC 4, ta, babr, cch_con, bpm) |      |   |          |
| 3                           |       | [TSPC_DCS]                                                                                                                                              |      |   | 2.       |
| 4                           |       | +Config_SDCCH4_A_1(par_bspwr, mtmcdds, ChMod_sign, acttype, slot, tsc, FreqBCCH( arfcn2), C_FCCH_SCH_BCCH_CCCH_SDCCH4_SACCHC 4, ta, babr, cch_con, bpm) |      |   |          |
| <b>Detailed Comments:</b>   |       | 1. For P-GSM900.<br>2. For DCS1800.                                                                                                                     |      |   |          |

| Test Step Dynamic Behaviour |       |                                                                                                                                                         |      |   |          |
|-----------------------------|-------|---------------------------------------------------------------------------------------------------------------------------------------------------------|------|---|----------|
| <b>Test Step Name:</b>      |       | CombinedBCCH_B(par_bspwr, mtmcgsm, mtmcdds, arfcn1, arfcn2:INTEGER; acttype:BITSTRING; slot:SN; tsc:TSC; ta:TA; babr, cch_con, bpm:B_3)                 |      |   |          |
| <b>Group:</b>               |       | GSM_L3_MS_v4200/management/ChConfig/                                                                                                                    |      |   |          |
| <b>Objective:</b>           |       | To set a physical channel and map FCCH, SCH, BCCH, CCCH and SDCCH4 onto the physical channel which represents cell B.                                   |      |   |          |
| <b>Default:</b>             |       | OtherEvents                                                                                                                                             |      |   |          |
| Nr                          | Label | Behaviour Description                                                                                                                                   | CRef | V | Comments |
| 1                           |       | [TSPC_PGSM OR TSPC_EGSM]                                                                                                                                |      |   | 1.       |
| 2                           |       | +Config_SDCCH4_B_1(par_bspwr, mtmcgsm, ChMod_sign, acttype, slot, tsc, FreqBCCH( arfcn1), C_FCCH_SCH_BCCH_CCCH_SDCCH4_SACCHC 4, ta, babr, cch_con, bpm) |      |   |          |
| 3                           |       | [TSPC_DCS]                                                                                                                                              |      |   | 2.       |
| 4                           |       | +Config_SDCCH4_B_1(par_bspwr, mtmcdds, ChMod_sign, acttype, slot, tsc, FreqBCCH( arfcn2), C_FCCH_SCH_BCCH_CCCH_SDCCH4_SACCHC 4, ta, babr, cch_con, bpm) |      |   |          |
| <b>Detailed Comments:</b>   |       | 1. For P-GSM900.<br>2. For DCS1800.                                                                                                                     |      |   |          |

| Test Step Dynamic Behaviour |       |                                                                                                                                                                    |      |   |          |
|-----------------------------|-------|--------------------------------------------------------------------------------------------------------------------------------------------------------------------|------|---|----------|
| <b>Test Step Name:</b>      |       | CombinedBCCH_B_ho(par_bspwr, mtmcgsm, mtmcdcs, arfcn1, arfcn2:INTEGER; acttype:BITSTRING; slot:SN; tsc:TSC; ta:TA; babr, cch_con, bpm:B_3; td, fn:INTEGER)         |      |   |          |
| <b>Group:</b>               |       | GSM_L3_MS_v4200/management/ChConfig/                                                                                                                               |      |   |          |
| <b>Objective:</b>           |       | To set a physical channel and map FCCH, SCH, BCCH, CCCH and SDCCH4 onto the physical channel which represents cell B.                                              |      |   |          |
| <b>Default:</b>             |       | OtherEvents                                                                                                                                                        |      |   |          |
| Nr                          | Label | Behaviour Description                                                                                                                                              | CRef | V | Comments |
| 1                           |       | [TSPC_PGSM OR TSPC_EGSM]                                                                                                                                           |      |   | 1.       |
| 2                           |       | +Config_SDCCH4_B_ho_1(par_bspwr, mtmcgsm, ChMod_sign, acttype, slot, tsc, FreqBCCH( arfcn1), C_FCCH_SCH_BCCH_CCCH_SDCCH4_SACCHC 4, ta, babr, cch_con, bpm, td, fn) |      |   |          |
| 3                           |       | [TSPC_DCS]                                                                                                                                                         |      |   | 2.       |
| 4                           |       | +Config_SDCCH4_B_ho_1(par_bspwr, mtmcdcs, ChMod_sign, acttype, slot, tsc, FreqBCCH( arfcn2), C_FCCH_SCH_BCCH_CCCH_SDCCH4_SACCHC 4, ta, babr, cch_con, bpm, td, fn) |      |   |          |
| <b>Detailed Comments:</b>   |       | 1. For P-GSM900.<br>2. For DCS1800.                                                                                                                                |      |   |          |

| Test Step Dynamic Behaviour |       |                                                                                                                                                         |      |   |          |
|-----------------------------|-------|---------------------------------------------------------------------------------------------------------------------------------------------------------|------|---|----------|
| <b>Test Step Name:</b>      |       | CombinedBCCH_C(par_bspwr, mtmcgsm, mtmcdcs, arfcn1, arfcn2:INTEGER; acttype:BITSTRING; slot:SN; tsc:TSC; ta:TA; babr, cch_con, bpm:B_3)                 |      |   |          |
| <b>Group:</b>               |       | GSM_L3_MS_v4200/management/ChConfig/                                                                                                                    |      |   |          |
| <b>Objective:</b>           |       | To set a physical channel and map FCCH, SCH, BCCH, CCCH and SDCCH4 onto the physical channel which represents cell C.                                   |      |   |          |
| <b>Default:</b>             |       | OtherEvents                                                                                                                                             |      |   |          |
| Nr                          | Label | Behaviour Description                                                                                                                                   | CRef | V | Comments |
| 1                           |       | [TSPC_PGSM OR TSPC_EGSM]                                                                                                                                |      |   | 1.       |
| 2                           |       | +Config_SDCCH4_C_1(par_bspwr, mtmcgsm, ChMod_sign, acttype, slot, tsc, FreqBCCH( arfcn1), C_FCCH_SCH_BCCH_CCCH_SDCCH4_SACCHC 4, ta, babr, cch_con, bpm) |      |   |          |
| 3                           |       | [TSPC_DCS]                                                                                                                                              |      |   | 2.       |
| 4                           |       | +Config_SDCCH4_C_1(par_bspwr, mtmcdcs, ChMod_sign, acttype, slot, tsc, FreqBCCH( arfcn2), C_FCCH_SCH_BCCH_CCCH_SDCCH4_SACCHC 4, ta, babr, cch_con, bpm) |      |   |          |
| <b>Detailed Comments:</b>   |       | 1. For P-GSM900.<br>2. For DCS1800.                                                                                                                     |      |   |          |

| Test Step Dynamic Behaviour |       |                                                                                                                                                         |      |   |          |
|-----------------------------|-------|---------------------------------------------------------------------------------------------------------------------------------------------------------|------|---|----------|
| <b>Test Step Name:</b>      |       | CombinedBCCH_D(par_bspwr, mtmcgsm, mtmcdcs, arfcn1, arfcn2:INTEGER; acttype:BITSTRING; slot:SN; tsc:TSC; ta:TA; babr, cch_con, bpm:B_3)                 |      |   |          |
| <b>Group:</b>               |       | GSM_L3_MS_v4200/management/ChConfig/                                                                                                                    |      |   |          |
| <b>Objective:</b>           |       | To set a physical channel and map FCCH, SCH, BCCH, CCCH and SDCCH4 onto the physical channel which represents cell D.                                   |      |   |          |
| <b>Default:</b>             |       | OtherEvents                                                                                                                                             |      |   |          |
| Nr                          | Label | Behaviour Description                                                                                                                                   | CRef | V | Comments |
| 1                           |       | [TSPC_PGSM OR TSPC_EGSM]                                                                                                                                |      |   | 1.       |
| 2                           |       | +Config_SDCCH4_D_1(par_bspwr, mtmcgsm, ChMod_sign, acttype, slot, tsc, FreqBCCH( arfcn1), C_FCCH_SCH_BCCH_CCCH_SDCCH4_SACCHC 4, ta, babr, cch_con, bpm) |      |   |          |
| 3                           |       | [TSPC_DCS]                                                                                                                                              |      |   | 2.       |
| 4                           |       | +Config_SDCCH4_D_1(par_bspwr, mtmcdcs, ChMod_sign, acttype, slot, tsc, FreqBCCH( arfcn2), C_FCCH_SCH_BCCH_CCCH_SDCCH4_SACCHC 4, ta, babr, cch_con, bpm) |      |   |          |
| <b>Detailed Comments:</b>   |       | 1. For P-GSM900.<br>2. For DCS1800.                                                                                                                     |      |   |          |

| Test Step Dynamic Behaviour |       |                                                                                                                                                         |      |   |          |
|-----------------------------|-------|---------------------------------------------------------------------------------------------------------------------------------------------------------|------|---|----------|
| <b>Test Step Name:</b>      |       | CombinedBCCH_E(par_bspwr, mtmcgsm, mtmcdds, arfcn1, arfcn2:INTEGER; acttype:BITSTRING; slot:SN; tsc:TSC; ta:TA; babr, cch_con, bpm:B_3)                 |      |   |          |
| <b>Group:</b>               |       | GSM_L3_MS_v4200/management/ChConfig/                                                                                                                    |      |   |          |
| <b>Objective:</b>           |       | To set a physical channel and map FCCH, SCH, BCCH, CCCH and SDCCH4 onto the physical channel which represents cell E.                                   |      |   |          |
| <b>Default:</b>             |       | OtherEvents                                                                                                                                             |      |   |          |
| Nr                          | Label | Behaviour Description                                                                                                                                   | CRef | V | Comments |
| 1                           |       | [TSPC_PGSM OR TSPC_EGSM]                                                                                                                                |      |   | 1.       |
| 2                           |       | +Config_SDCCH4_E_1(par_bspwr, mtmcgsm, ChMod_sign, acttype, slot, tsc, FreqBCCH( arfcn1), C_FCCH_SCH_BCCH_CCCH_SDCCH4_SACCHC 4, ta, babr, cch_con, bpm) |      |   |          |
| 3                           |       | [TSPC_DCS]                                                                                                                                              |      |   | 2.       |
| 4                           |       | +Config_SDCCH4_E_1(par_bspwr, mtmcdds, ChMod_sign, acttype, slot, tsc, FreqBCCH( arfcn2), C_FCCH_SCH_BCCH_CCCH_SDCCH4_SACCHC 4, ta, babr, cch_con, bpm) |      |   |          |
| <b>Detailed Comments:</b>   |       | 1. For P-GSM900.<br>2. For DCS1800.                                                                                                                     |      |   |          |

| Test Step Dynamic Behaviour |       |                                                                                                                                                         |      |   |          |
|-----------------------------|-------|---------------------------------------------------------------------------------------------------------------------------------------------------------|------|---|----------|
| <b>Test Step Name:</b>      |       | CombinedBCCH_F(par_bspwr, mtmcgsm, mtmcdds, arfcn1, arfcn2:INTEGER; acttype:BITSTRING; slot:SN; tsc:TSC; ta:TA; babr, cch_con, bpm:B_3)                 |      |   |          |
| <b>Group:</b>               |       | GSM_L3_MS_v4200/management/ChConfig/                                                                                                                    |      |   |          |
| <b>Objective:</b>           |       | To set a physical channel and map FCCH, SCH, BCCH, CCCH and SDCCH4 onto the physical channel which represents cell F.                                   |      |   |          |
| <b>Default:</b>             |       | OtherEvents                                                                                                                                             |      |   |          |
| Nr                          | Label | Behaviour Description                                                                                                                                   | CRef | V | Comments |
| 1                           |       | [TSPC_PGSM OR TSPC_EGSM]                                                                                                                                |      |   | 1.       |
| 2                           |       | +Config_SDCCH4_F_1(par_bspwr, mtmcgsm, ChMod_sign, acttype, slot, tsc, FreqBCCH( arfcn1), C_FCCH_SCH_BCCH_CCCH_SDCCH4_SACCHC 4, ta, babr, cch_con, bpm) |      |   |          |
| 3                           |       | [TSPC_DCS]                                                                                                                                              |      |   | 2.       |
| 4                           |       | +Config_SDCCH4_F_1(par_bspwr, mtmcdds, ChMod_sign, acttype, slot, tsc, FreqBCCH( arfcn2), C_FCCH_SCH_BCCH_CCCH_SDCCH4_SACCHC 4, ta, babr, cch_con, bpm) |      |   |          |
| <b>Detailed Comments:</b>   |       | 1. For P-GSM900.<br>2. For DCS1800.                                                                                                                     |      |   |          |

| Test Step Dynamic Behaviour |       |                                                                                                                                                         |      |   |          |
|-----------------------------|-------|---------------------------------------------------------------------------------------------------------------------------------------------------------|------|---|----------|
| <b>Test Step Name:</b>      |       | CombinedBCCH_G(par_bspwr, mtmcgsm, mtmcdds, arfcn1, arfcn2: INTEGER; acttype:BITSTRING; slot:SN; tsc:TSC; ta:TA; babr, cch_con, bpm:B_3)                |      |   |          |
| <b>Group:</b>               |       | GSM_L3_MS_v4200/management/ChConfig/                                                                                                                    |      |   |          |
| <b>Objective:</b>           |       | To set a physical channel and map FCCH, SCH, BCCH, CCCH and SDCCH4 onto the physical channel which represents cell G.                                   |      |   |          |
| <b>Default:</b>             |       | OtherEvents                                                                                                                                             |      |   |          |
| Nr                          | Label | Behaviour Description                                                                                                                                   | CRef | V | Comments |
| 1                           |       | [TSPC_PGSM OR TSPC_EGSM]                                                                                                                                |      |   | 1.       |
| 2                           |       | +Config_SDCCH4_G_1(par_bspwr, mtmcgsm, ChMod_sign, acttype, slot, tsc, FreqBCCH( arfcn1), C_FCCH_SCH_BCCH_CCCH_SDCCH4_SACCHC 4, ta, babr, cch_con, bpm) |      |   |          |
| 3                           |       | [TSPC_DCS]                                                                                                                                              |      |   | 2.       |
| 4                           |       | +Config_SDCCH4_G_1(par_bspwr, mtmcdds, ChMod_sign, acttype, slot, tsc, FreqBCCH( arfcn2), C_FCCH_SCH_BCCH_CCCH_SDCCH4_SACCHC 4, ta, babr, cch_con, bpm) |      |   |          |
| <b>Detailed Comments:</b>   |       | 1. For P-GSM900.<br>2. For DCS1800.                                                                                                                     |      |   |          |

| Test Step Dynamic Behaviour |       |                                                                                                                                                         |      |   |          |
|-----------------------------|-------|---------------------------------------------------------------------------------------------------------------------------------------------------------|------|---|----------|
| <b>Test Step Name:</b>      |       | CombinedBCCH_G_sp(par_bspwr, mtmcgsm, mtmcdds, arfcn1, arfcn2, arfcn3:INTEGER; acttype:BITSTRING; slot:SN; tsc:TSC; ta:TA; babr, cch_con, bpm:B_3)      |      |   |          |
| <b>Group:</b>               |       | GSM_L3_MS_v4200/management/ChConfig/                                                                                                                    |      |   |          |
| <b>Objective:</b>           |       | To set a physical channel and map FCCH, SCH, BCCH, CCCH and SDCCH4 onto the physical channel which represents cell G.                                   |      |   |          |
| <b>Default:</b>             |       | OtherEvents                                                                                                                                             |      |   |          |
| Nr                          | Label | Behaviour Description                                                                                                                                   | CRef | V | Comments |
| 1                           |       | [TSPC_PGSM]                                                                                                                                             |      |   | 1.       |
| 2                           |       | +Config_SDCCH4_G_1(par_bspwr, mtmcgsm, ChMod_sign, acttype, slot, tsc, FreqBCCH( arfcn1), C_FCCH_SCH_BCCH_CCCH_SDCCH4_SACCHC 4, ta, babr, cch_con, bpm) |      |   |          |
| 3                           |       | [TSPC_EGSM]                                                                                                                                             |      |   | 1.       |
| 4                           |       | +Config_SDCCH4_G_1(par_bspwr, mtmcgsm, ChMod_sign, acttype, slot, tsc, FreqBCCH( arfcn2), C_FCCH_SCH_BCCH_CCCH_SDCCH4_SACCHC 4, ta, babr, cch_con, bpm) |      |   |          |
| 5                           |       | [TSPC_DCS]                                                                                                                                              |      |   | 2.       |
| 6                           |       | +Config_SDCCH4_G_1(par_bspwr, mtmcdds, ChMod_sign, acttype, slot, tsc, FreqBCCH( arfcn3), C_FCCH_SCH_BCCH_CCCH_SDCCH4_SACCHC 4, ta, babr, cch_con, bpm) |      |   |          |
| <b>Detailed Comments:</b>   |       | 1. For P-GSM900.<br>2. For DCS1800.                                                                                                                     |      |   |          |

| Test Step Dynamic Behaviour |       |                                                                                                                                                         |      |   |          |
|-----------------------------|-------|---------------------------------------------------------------------------------------------------------------------------------------------------------|------|---|----------|
| <b>Test Step Name:</b>      |       | CombinedBCCH_H(par_bspwr, mtmcgsm, mtmcdds, arfcn1, arfcn2:INTEGER; acttype:BITSTRING; slot:SN; tsc:TSC; ta:TA; babr, cch_con, bpm:B_3)                 |      |   |          |
| <b>Group:</b>               |       | GSM_L3_MS_v4200/management/ChConfig/                                                                                                                    |      |   |          |
| <b>Objective:</b>           |       | To set a physical channel and map FCCH, SCH, BCCH, CCCH and SDCCH4 onto the physical channel which represents cell H.                                   |      |   |          |
| <b>Default:</b>             |       | OtherEvents                                                                                                                                             |      |   |          |
| Nr                          | Label | Behaviour Description                                                                                                                                   | CRef | V | Comments |
| 1                           |       | [TSPC_PGSM OR TSPC_EGSM]                                                                                                                                |      |   | 1.       |
| 2                           |       | +Config_SDCCH4_H_1(par_bspwr, mtmcgsm, ChMod_sign, acttype, slot, tsc, FreqBCCH( arfcn1), C_FCCH_SCH_BCCH_CCCH_SDCCH4_SACCHC 4, ta, babr, cch_con, bpm) |      |   |          |
| 3                           |       | [TSPC_DCS]                                                                                                                                              |      |   | 2.       |
| 4                           |       | +Config_SDCCH4_H_1(par_bspwr, mtmcdds, ChMod_sign, acttype, slot, tsc, FreqBCCH( arfcn2), C_FCCH_SCH_BCCH_CCCH_SDCCH4_SACCHC 4, ta, babr, cch_con, bpm) |      |   |          |
| <b>Detailed Comments:</b>   |       | 1. For P-GSM900.<br>2. For DCS1800.                                                                                                                     |      |   |          |

| Test Step Dynamic Behaviour                                                                                                                                       |       |                                                                                                                                            |      |   |          |
|-------------------------------------------------------------------------------------------------------------------------------------------------------------------|-------|--------------------------------------------------------------------------------------------------------------------------------------------|------|---|----------|
| <b>Test Step Name:</b> NonCombinedBCCH_A(par_bspwr, mtmcgsm, mtmcdcs, arfcn1, arfcn2:INTEGER; acttype:BITSTRING; slot:SN; tsc:TSC; ta:TA; babr, cch_con, bpm:B_3) |       |                                                                                                                                            |      |   |          |
| <b>Group:</b> GSM_L3_MS_v4200/management/ChConfig/                                                                                                                |       |                                                                                                                                            |      |   |          |
| <b>Objective:</b> To set one physical channel used as FCHH_SCH_BCCH_CCCH for cell A.                                                                              |       |                                                                                                                                            |      |   |          |
| <b>Default:</b> OtherEvents                                                                                                                                       |       |                                                                                                                                            |      |   |          |
| Nr                                                                                                                                                                | Label | Behaviour Description                                                                                                                      | CRef | V | Comments |
| 1                                                                                                                                                                 |       | [TSPC_PGSM OR TSPC_EGSM]                                                                                                                   |      |   | 1.       |
| 2                                                                                                                                                                 |       | +Config_BCCH_CCCH_A_1(par_bspwr, mtmcgsm, ChMod_sign, acttype, slot, tsc, FreqBCCH( arfcn1), C_FCCH_SCH_BCCH_CCCH, ta, babr, cch_con, bpm) |      |   |          |
| 3                                                                                                                                                                 |       | [TSPC_DCS]                                                                                                                                 |      |   | 2.       |
| 4                                                                                                                                                                 |       | +Config_BCCH_CCCH_A_1(par_bspwr, mtmcdcs, ChMod_sign, acttype, slot, tsc, FreqBCCH( arfcn2), C_FCCH_SCH_BCCH_CCCH, ta, babr, cch_con, bpm) |      |   |          |
| <b>Detailed Comments:</b> 1. For P-GSM900.<br>2. For DCS1800.                                                                                                     |       |                                                                                                                                            |      |   |          |

| Test Step Dynamic Behaviour                                                                                                  |       |                                                                                                                            |      |   |          |
|------------------------------------------------------------------------------------------------------------------------------|-------|----------------------------------------------------------------------------------------------------------------------------|------|---|----------|
| <b>Test Step Name:</b> NonCombinedBCCH_A_2(acttype:BITSTRING; slot:SN; tsc:TSC; ta:TA; babr, cch_con, bpm:B_3)               |       |                                                                                                                            |      |   |          |
| <b>Group:</b> GSM_L3_MS_v4200/management/ChConfig/                                                                           |       |                                                                                                                            |      |   |          |
| <b>Objective:</b> To set a physical channel and map the second BCCH, CCCH onto the physical channel which represents cell A. |       |                                                                                                                            |      |   |          |
| <b>Default:</b> OtherEvents                                                                                                  |       |                                                                                                                            |      |   |          |
| Nr                                                                                                                           | Label | Behaviour Description                                                                                                      | CRef | V | Comments |
| 1                                                                                                                            |       | [TSPC_PGSM OR TSPC_EGSM]                                                                                                   |      |   | 1.       |
| 2                                                                                                                            |       | +Config_BCCH_CCCH_A_2(63, 19, ChMod_sign, acttype, slot, tsc, FreqBCCH( C_arfcnA), C_BCCH_CCCH_2, ta, babr, cch_con, bpm)  |      |   |          |
| 3                                                                                                                            |       | [TSPC_DCS]                                                                                                                 |      |   | 2.       |
| 4                                                                                                                            |       | +Config_BCCH_CCCH_A_2(63, 15, ChMod_sign, acttype, slot, tsc, FreqBCCH( C_arfcnAd), C_BCCH_CCCH_2, ta, babr, cch_con, bpm) |      |   |          |
| <b>Detailed Comments:</b> 1. For P-GSM900.<br>2. For DCS1800.                                                                |       |                                                                                                                            |      |   |          |

| Test Step Dynamic Behaviour                                                                                                 |       |                                                                                                                            |      |   |          |
|-----------------------------------------------------------------------------------------------------------------------------|-------|----------------------------------------------------------------------------------------------------------------------------|------|---|----------|
| <b>Test Step Name:</b> NonCombinedBCCH_A_3(acttype:BITSTRING; slot:SN; tsc:TSC; ta:TA; babr, cch_con, bpm:B_3)              |       |                                                                                                                            |      |   |          |
| <b>Group:</b> GSM_L3_MS_v4200/management/ChConfig/                                                                          |       |                                                                                                                            |      |   |          |
| <b>Objective:</b> To set a physical channel and map the third BCCH, CCCH onto the physical channel which represents cell A. |       |                                                                                                                            |      |   |          |
| <b>Default:</b> OtherEvents                                                                                                 |       |                                                                                                                            |      |   |          |
| <b>Comments:</b> time slot = 4, ARFCN = TSPX_BCCHcarrierA                                                                   |       |                                                                                                                            |      |   |          |
| Nr                                                                                                                          | Label | Behaviour Description                                                                                                      | CRef | V | Comments |
| 1                                                                                                                           |       | [TSPC_PGSM OR TSPC_EGSM]                                                                                                   |      |   | 1.       |
| 2                                                                                                                           |       | +Config_BCCH_CCCH_A_3(63, 19, ChMod_sign, acttype, slot, tsc, FreqBCCH( C_arfcnA), C_BCCH_CCCH_3, ta, babr, cch_con, bpm)  |      |   |          |
| 3                                                                                                                           |       | [TSPC_DCS]                                                                                                                 |      |   | 2.       |
| 4                                                                                                                           |       | +Config_BCCH_CCCH_A_3(63, 15, ChMod_sign, acttype, slot, tsc, FreqBCCH( C_arfcnAd), C_BCCH_CCCH_3, ta, babr, cch_con, bpm) |      |   |          |
| <b>Detailed Comments:</b> 1. For P-GSM900.<br>2. For DCS1800.                                                               |       |                                                                                                                            |      |   |          |

| Test Step Dynamic Behaviour |       |                                                                                                                            |      |   |          |
|-----------------------------|-------|----------------------------------------------------------------------------------------------------------------------------|------|---|----------|
| <b>Test Step Name:</b>      |       | NonCombinedBCCH_A_4(acttype:BITSTRING; slot:SN; tsc:TSC; ta:TA; babr, cch_con, bpm:B_3)                                    |      |   |          |
| <b>Group:</b>               |       | GSM_L3_MS_v4200/management/ChConfig/                                                                                       |      |   |          |
| <b>Objective:</b>           |       | To set a physical channel and map the fourth BCCH, CCCH onto the physical channel which represents cell A.                 |      |   |          |
| <b>Default:</b>             |       | OtherEvents                                                                                                                |      |   |          |
| <b>Comments:</b>            |       | time slot = 6, ARFCN = TSPX_BCCHcarrierA                                                                                   |      |   |          |
| Nr                          | Label | Behaviour Description                                                                                                      | CRef | V | Comments |
| 1                           |       | [TSPC_PGSM OR TSPC_EGSM]                                                                                                   |      |   | 1.       |
| 2                           |       | +Config_BCCH_CCCH_A_4(63, 19, ChMod_sign, acttype, slot, tsc, FreqBCCH( C_arfcnA), C_BCCH_CCCH_4, ta, babr, cch_con, bpm)  |      |   |          |
| 3                           |       | [TSPC_DCS]                                                                                                                 |      |   | 2.       |
| 4                           |       | +Config_BCCH_CCCH_A_4(63, 15, ChMod_sign, acttype, slot, tsc, FreqBCCH( C_arfcnAd), C_BCCH_CCCH_4, ta, babr, cch_con, bpm) |      |   |          |
| <b>Detailed Comments:</b>   |       | 1. For P-GSM900.<br>2. For DCS1800.                                                                                        |      |   |          |

| Test Step Dynamic Behaviour |       |                                                                                                                                            |      |   |          |
|-----------------------------|-------|--------------------------------------------------------------------------------------------------------------------------------------------|------|---|----------|
| <b>Test Step Name:</b>      |       | NonCombinedBCCH_B(par_bspwr, mtmcgsm, mtmcdcs, arfcn1, arfcn2:INTEGER; acttype:BITSTRING; slot:SN; tsc:TSC; ta:TA; babr, cch_con, bpm:B_3) |      |   |          |
| <b>Group:</b>               |       | GSM_L3_MS_v4200/management/ChConfig/                                                                                                       |      |   |          |
| <b>Objective:</b>           |       | To set a physical channel and map FCCH, SCH, BCCH, CCCH onto the physical channel which represents cell B for RR testing.                  |      |   |          |
| <b>Default:</b>             |       | OtherEvents                                                                                                                                |      |   |          |
| Nr                          | Label | Behaviour Description                                                                                                                      | CRef | V | Comments |
| 1                           |       | [TSPC_PGSM]                                                                                                                                |      |   | 1.       |
| 2                           |       | +Config_BCCH_CCCH_B_1(par_bspwr, mtmcgsm, ChMod_sign, acttype, slot, tsc, FreqBCCH( arfcn1), C_FCCH_SCH_BCCH_CCCH, ta, babr, cch_con, bpm) |      |   |          |
| 3                           |       | [TSPC_DCS]                                                                                                                                 |      |   | 2.       |
| 4                           |       | +Config_BCCH_CCCH_B_1(par_bspwr, mtmcdcs, ChMod_sign, acttype, slot, tsc, FreqBCCH( arfcn2), C_FCCH_SCH_BCCH_CCCH, ta, babr, cch_con, bpm) |      |   |          |
| <b>Detailed Comments:</b>   |       | 1. For P-GSM900.<br>1.1 Frequenz and cell_id for cell B in HO cases<br>2. For DCS1800.<br>2.1 Frequenz and cell_id for cell B in HO cases  |      |   |          |

| Test Step Dynamic Behaviour                                                                                                                                                          |       |                                                                                                                                                       |      |   |          |
|--------------------------------------------------------------------------------------------------------------------------------------------------------------------------------------|-------|-------------------------------------------------------------------------------------------------------------------------------------------------------|------|---|----------|
| <b>Test Step Name:</b> NonCombinedBCCH_B_ho(par_bspwr, mtmcgsm, mtmcdcs, arfcn1, arfcn2:INTEGER; acttype:BITSTRING; slot:SN; tsc:TSC; ta:TA; babr, cch_con, bpm:B_3; td, fn:INTEGER) |       |                                                                                                                                                       |      |   |          |
| <b>Group:</b> GSM_L3_MS_v4200/management/ChConfig/                                                                                                                                   |       |                                                                                                                                                       |      |   |          |
| <b>Objective:</b> To set a physical channel and map FCCH, SCH, BCCH, CCCH onto the physical channel which represents cell B for RR testing.                                          |       |                                                                                                                                                       |      |   |          |
| <b>Default:</b> OtherEvents                                                                                                                                                          |       |                                                                                                                                                       |      |   |          |
| Nr                                                                                                                                                                                   | Label | Behaviour Description                                                                                                                                 | CRef | V | Comments |
| 1                                                                                                                                                                                    |       | [TSPC_PGSM]                                                                                                                                           |      |   | 1.       |
| 2                                                                                                                                                                                    |       | +Config_BCCH_CCCH_B_ho_1(par_bspwr, mtmcgsm, ChMod_sign, acttype, slot, tsc, FreqBCCH( arfcn1), C_FCCH_SCH_BCCH_CCCH, ta, babr, cch_con, bpm, td, fn) |      |   |          |
| 3                                                                                                                                                                                    |       | [TSPC_DCS]                                                                                                                                            |      |   | 2.       |
| 4                                                                                                                                                                                    |       | +Config_BCCH_CCCH_B_ho_1(par_bspwr, mtmcdcs, ChMod_sign, acttype, slot, tsc, FreqBCCH( arfcn2), C_FCCH_SCH_BCCH_CCCH, ta, babr, cch_con, bpm, td, fn) |      |   |          |
| <b>Detailed Comments:</b>                                                                                                                                                            |       |                                                                                                                                                       |      |   |          |
| 1. For P-GSM900.                                                                                                                                                                     |       |                                                                                                                                                       |      |   |          |
| 1.1 Frequenz and cell_id for cell B in HO cases                                                                                                                                      |       |                                                                                                                                                       |      |   |          |
| 2. For DCS1800.                                                                                                                                                                      |       |                                                                                                                                                       |      |   |          |
| 2.1 Frequenz and cell_id for cell B in HO cases                                                                                                                                      |       |                                                                                                                                                       |      |   |          |

| Test Step Dynamic Behaviour                                                                                                                                             |       |                                                                                                                   |      |   |             |
|-------------------------------------------------------------------------------------------------------------------------------------------------------------------------|-------|-------------------------------------------------------------------------------------------------------------------|------|---|-------------|
| <b>Test Step Name:</b> FullRateCh_A_1(acttypeT:BITSTRING; slotT:SN; tscT:TSC; chmod:CHMOD; Freqg, Freqd:FRQPARA; arfcng, arfcnd:INTEGER; ta:TA; babr, cch_con, bpm:B_3) |       |                                                                                                                   |      |   |             |
| <b>Group:</b> GSM_L3_MS_v4200/management/ChConfig/                                                                                                                      |       |                                                                                                                   |      |   |             |
| <b>Objective:</b> To set one physical channel used as TCHF_ACCH's for instance 1 of cell A.                                                                             |       |                                                                                                                   |      |   |             |
| <b>Default:</b> OtherEvents                                                                                                                                             |       |                                                                                                                   |      |   |             |
| Nr                                                                                                                                                                      | Label | Behaviour Description                                                                                             | CRef | V | Comments    |
| 1                                                                                                                                                                       |       | [arfcng <> C_Noarfcn]                                                                                             |      |   | Non hopping |
| 2                                                                                                                                                                       |       | +FullRateCh_A_1_nociph( acttypeT, slotT, tscT, chmod, FreqTCH( arfcng), FreqTCH( arfcnd), ta, babr, cch_con, bpm) |      |   |             |
| 3                                                                                                                                                                       |       | (TCV_Null := OM_CphMd( TCV_chTch, CphMod_01, TCV_CphKey))                                                         |      |   |             |
| 4                                                                                                                                                                       |       | [TSPC_PGSM OR TSPC_EGSM]                                                                                          |      |   |             |
| 5                                                                                                                                                                       |       | (TCV_tch_arfcn:= arfcng)                                                                                          |      |   |             |
| 6                                                                                                                                                                       |       | [TSPC_DCS]                                                                                                        |      |   |             |
| 7                                                                                                                                                                       |       | (TCV_tch_arfcn:= arfcnd)                                                                                          |      |   |             |
| 8                                                                                                                                                                       |       | [arfcng = C_Noarfcn]                                                                                              |      |   | Hopping     |
| 9                                                                                                                                                                       |       | +FullRateCh_A_1_nociph( acttypeT, slotT, tscT, chmod, Freqg, Freqd, ta, babr, cch_con, bpm)                       |      |   |             |
| 10                                                                                                                                                                      |       | (TCV_Null := OM_CphMd( TCV_chTch, CphMod_01, TCV_CphKey))                                                         |      |   |             |
| <b>Detailed Comments:</b>                                                                                                                                               |       |                                                                                                                   |      |   |             |



| Test Step Dynamic Behaviour |       |                                                                                                                                  |      |   |          |
|-----------------------------|-------|----------------------------------------------------------------------------------------------------------------------------------|------|---|----------|
| <b>Test Step Name:</b>      |       | FullRateCh_A_1_nociph( acttypeT:BITSTRING; slotT:SN; tscT:TSC; chmod:CHMOD; Freqg, Freqd:FRQPARA; ta:TA; babr, cch_con, bpm:B_3) |      |   |          |
| <b>Group:</b>               |       | GSM_L3_MS_v4200/management/ChConfig/                                                                                             |      |   |          |
| <b>Objective:</b>           |       | To set one physical channel used as TCHF_ACCH's for instance 1 of cell A.                                                        |      |   |          |
| <b>Default:</b>             |       | OtherEvents                                                                                                                      |      |   |          |
| Nr                          | Label | Behaviour Description                                                                                                            | CRef | V | Comments |
| 1                           |       | (TCV_chTch := C_FACCHF_A_1, TCV_sacchTch := C_SACCHF_A_1, TCV_chtype := '00001'B)                                                |      |   |          |
| 2                           |       | [TSPC_PGSM OR TSPC_EGSM]                                                                                                         |      |   |          |
| 3                           |       | +Config_FACCHF_A_1( 63, 19, chmod, acttypeT, slotT, tscT, Freqg, C_TCHF_ACCHF_1, ta, babr, cch_con, bpm)                         |      |   |          |
| 4                           |       | +SysInfo_SacchSending( TCV_sacchTch, TCV_sysinfo5, TCV_sysinfo6)                                                                 |      |   |          |
| 5                           |       | [TSPC_DCS]                                                                                                                       |      |   |          |
| 6                           |       | +Config_FACCHF_A_1( 63, 15, chmod, acttypeT, slotT, tscT, Freqd, C_TCHF_ACCHF_1, ta, babr, cch_con, bpm)                         |      |   |          |
| 7                           |       | +SysInfo_SacchSending( TCV_sacchTch, TCV_sysinfo5, TCV_sysinfo6)                                                                 |      |   |          |
| <b>Detailed Comments:</b>   |       |                                                                                                                                  |      |   |          |

| Test Step Dynamic Behaviour |       |                                                                                                                          |      |   |          |
|-----------------------------|-------|--------------------------------------------------------------------------------------------------------------------------|------|---|----------|
| <b>Test Step Name:</b>      |       | FullRateCh_A_2(acttypeT:BITSTRING; slotT:SN; tscT:TSC; chmod:CHMOD; Freqg, Freqd:FRQPARA; ta:TA; babr, cch_con, bpm:B_3) |      |   |          |
| <b>Group:</b>               |       | GSM_L3_MS_v4200/management/ChConfig/                                                                                     |      |   |          |
| <b>Objective:</b>           |       | To set one physical channel used as TCHF_ACCH's for instance 2 of cell A for TC_26_6_13_1.                               |      |   |          |
| <b>Default:</b>             |       | OtherEvents                                                                                                              |      |   |          |
| <b>Comments:</b>            |       | used as after time channel.                                                                                              |      |   |          |
| Nr                          | Label | Behaviour Description                                                                                                    | CRef | V | Comments |
| 1                           |       | +FullRateCh_A_2_nociph( acttypeT, slotT, tscT, chmod, Freqg, Freqd, ta, babr, cch_con, bpm)                              |      |   |          |
| 2                           |       | (TCV_Null := OM_CphMd( TCV_chTch1, CphMod_01, TCV_CphKey))                                                               |      |   |          |
| <b>Detailed Comments:</b>   |       |                                                                                                                          |      |   |          |

| Test Step Dynamic Behaviour |       |                                                                                                                                 |      |   |          |
|-----------------------------|-------|---------------------------------------------------------------------------------------------------------------------------------|------|---|----------|
| <b>Test Step Name:</b>      |       | FullRateCh_A_2_nociph(acttypeT:BITSTRING; slotT:SN; tscT:TSC; chmod:CHMOD; Freqg, Freqd:FRQPARA; ta:TA; babr, cch_con, bpm:B_3) |      |   |          |
| <b>Group:</b>               |       | GSM_L3_MS_v4200/management/ChConfig/                                                                                            |      |   |          |
| <b>Objective:</b>           |       | To set one physical channel used as TCHF_ACCH's for instance 2 of cell A for TC_26_6_13_1.                                      |      |   |          |
| <b>Default:</b>             |       | OtherEvents                                                                                                                     |      |   |          |
| <b>Comments:</b>            |       | used as after time channel.                                                                                                     |      |   |          |
| Nr                          | Label | Behaviour Description                                                                                                           | CRef | V | Comments |
| 1                           |       | (TCV_chTch1 := C_FACCHF_A_2, TCV_sacchTch1 := C_SACCHF_A_2)                                                                     |      |   |          |
| 2                           |       | [TSPC_PGSM OR TSPC_EGSM]                                                                                                        |      |   |          |
| 3                           |       | +Config_FACCHF_A_2(63, 19, chmod, acttypeT, slotT, tscT, Freqg, C_TCHF_ACCHF_2, ta, babr, cch_con, bpm)                         |      |   |          |
| 4                           |       | +SysInfo_SacchSending( TCV_sacchTch1, TCV_sysinfo5, TCV_sysinfo6)                                                               |      |   |          |
| 5                           |       | [TSPC_DCS]                                                                                                                      |      |   |          |
| 6                           |       | +Config_FACCHF_A_2(63, 15, chmod, acttypeT, slotT, tscT, Freqd, C_TCHF_ACCHF_2, ta, babr, cch_con, bpm)                         |      |   |          |
| 7                           |       | +SysInfo_SacchSending( TCV_sacchTch1, TCV_sysinfo5, TCV_sysinfo6)                                                               |      |   |          |
| <b>Detailed Comments:</b>   |       |                                                                                                                                 |      |   |          |

| Test Step Dynamic Behaviour                                                                                                                    |       |                                                                                             |      |   |          |
|------------------------------------------------------------------------------------------------------------------------------------------------|-------|---------------------------------------------------------------------------------------------|------|---|----------|
| <b>Test Step Name:</b> FullRateCh_B_1(acttypeT:BITSTRING; slotT:SN; tscT:TSC; chmod:CHMOD; Freqg,Freqd:FRQPARA; ta:TA; babr, cch_con, bpm:B_3) |       |                                                                                             |      |   |          |
| <b>Group:</b> GSM_L3_MS_v4200/management/ChConfig/                                                                                             |       |                                                                                             |      |   |          |
| <b>Objective:</b> To set one physical channel used as TCHF_ACCH's for instance 1 of cell B.                                                    |       |                                                                                             |      |   |          |
| <b>Default:</b> OtherEvents                                                                                                                    |       |                                                                                             |      |   |          |
| <b>Comments:</b> FullRateCh_B_1.                                                                                                               |       |                                                                                             |      |   |          |
| Nr                                                                                                                                             | Label | Behaviour Description                                                                       | CRef | V | Comments |
| 1                                                                                                                                              |       | +FullRateCh_B_1_nociph( acttypeT, slotT, tscT, chmod, Freqg, Freqd, ta, babr, cch_con, bpm) |      |   |          |
| 2                                                                                                                                              |       | (TCV_Null := OM_CphMd( TCV_chTch, CphMod_01, TCV_CphKey))                                   |      |   |          |
| <b>Detailed Comments:</b>                                                                                                                      |       |                                                                                             |      |   |          |

| Test Step Dynamic Behaviour                                                                                                                           |       |                                                                                                         |      |   |          |
|-------------------------------------------------------------------------------------------------------------------------------------------------------|-------|---------------------------------------------------------------------------------------------------------|------|---|----------|
| <b>Test Step Name:</b> FullRateCh_B_1_nociph(acttypeT:BITSTRING; slotT:SN; tscT:TSC; chmod:CHMOD; Freqg,Freqd:FRQPARA; ta:TA; babr, cch_con, bpm:B_3) |       |                                                                                                         |      |   |          |
| <b>Group:</b> GSM_L3_MS_v4200/management/ChConfig/                                                                                                    |       |                                                                                                         |      |   |          |
| <b>Objective:</b> To set one physical channel used as TCHF_ACCH's for instance 1 of cell B.                                                           |       |                                                                                                         |      |   |          |
| <b>Default:</b> OtherEvents                                                                                                                           |       |                                                                                                         |      |   |          |
| <b>Comments:</b> Used in TC_26_6_13_5 for after time channel                                                                                          |       |                                                                                                         |      |   |          |
| Nr                                                                                                                                                    | Label | Behaviour Description                                                                                   | CRef | V | Comments |
| 1                                                                                                                                                     |       | (TCV_chTch := C_FACCHF_B_1, TCV_sacchTch := C_SACCHF_B_1)                                               |      |   |          |
| 2                                                                                                                                                     |       | [TSPC_PGSM OR TSPC_EGSM]                                                                                |      |   |          |
| 3                                                                                                                                                     |       | +Config_FACCHF_B_1(63, 19, chmod, acttypeT, slotT, tscT, Freqg, C_TCHF_ACCHF_1, ta, babr, cch_con, bpm) |      |   |          |
| 4                                                                                                                                                     |       | +SysInfo_SacchSending( TCV_sacchTch, TCV_sysinfo5_B, TCV_sysinfo6_B)                                    |      |   |          |
| 5                                                                                                                                                     |       | [TSPC_DCS]                                                                                              |      |   |          |
| 6                                                                                                                                                     |       | +Config_FACCHF_B_1(63, 15, chmod, acttypeT, slotT, tscT, Freqd, C_TCHF_ACCHF_1, ta, babr, cch_con, bpm) |      |   |          |
| 7                                                                                                                                                     |       | +SysInfo_SacchSending( TCV_sacchTch, TCV_sysinfo5_B, TCV_sysinfo6_B)                                    |      |   |          |
| <b>Detailed Comments:</b>                                                                                                                             |       |                                                                                                         |      |   |          |

| Test Step Dynamic Behaviour                                                                                                                                                       |       |                                                                                                                        |      |   |             |
|-----------------------------------------------------------------------------------------------------------------------------------------------------------------------------------|-------|------------------------------------------------------------------------------------------------------------------------|------|---|-------------|
| <b>Test Step Name:</b> HalfRateCh_A_1( sub:B_1; acttypeT:BITSTRING; slotT:SN; tscT:TSC; chmod:CHMOD; Freqg, Freqd:FRQPARA; arfcng, arfcnd:INTEGER; ta:TA; babr, cch_con, bpm:B_3) |       |                                                                                                                        |      |   |             |
| <b>Group:</b> GSM_L3_MS_v4200/management/ChConfig/                                                                                                                                |       |                                                                                                                        |      |   |             |
| <b>Objective:</b> To set one physical channel used as TCHH_ACCH's for instance 1 of cell A.                                                                                       |       |                                                                                                                        |      |   |             |
| <b>Default:</b> OtherEvents                                                                                                                                                       |       |                                                                                                                        |      |   |             |
| Nr                                                                                                                                                                                | Label | Behaviour Description                                                                                                  | CRef | V | Comments    |
| 1                                                                                                                                                                                 |       | [arfcng <> C_Noarfcn]                                                                                                  |      |   | not hopping |
| 2                                                                                                                                                                                 |       | +HalfRateCh_A_1_nociph( sub, acttypeT, slotT, tscT, chmod, FreqTCH( arfcng), FreqTCH( arfcnd), ta, babr, cch_con, bpm) |      |   |             |
| 3                                                                                                                                                                                 |       | (TCV_Null := OM_CphMd( TCV_chTch, CphMod_01, TCV_CphKey))                                                              |      |   |             |
| 4                                                                                                                                                                                 |       | [TSPC_PGSM OR TSPC_EGSM]                                                                                               |      |   |             |
| 5                                                                                                                                                                                 |       | (TCV_tch_arfcn:= arfcng)                                                                                               |      |   |             |
| 6                                                                                                                                                                                 |       | [TSPC_DCS]                                                                                                             |      |   |             |
| 7                                                                                                                                                                                 |       | (TCV_tch_arfcn:= arfcnd)                                                                                               |      |   |             |
| 8                                                                                                                                                                                 |       | [arfcng = C_Noarfcn]                                                                                                   |      |   | hopping     |
| 9                                                                                                                                                                                 |       | +HalfRateCh_A_1_nociph( sub, acttypeT, slotT, tscT, chmod, Freqg, Freqd, ta, babr, cch_con, bpm)                       |      |   |             |
| 10                                                                                                                                                                                |       | (TCV_Null := OM_CphMd( TCV_chTch, CphMod_01, TCV_CphKey))                                                              |      |   |             |
| <b>Detailed Comments:</b>                                                                                                                                                         |       |                                                                                                                        |      |   |             |

| Test Step Dynamic Behaviour |       |                                                                                                                                          |      |   |          |
|-----------------------------|-------|------------------------------------------------------------------------------------------------------------------------------------------|------|---|----------|
| <b>Test Step Name:</b>      |       | HalfRateCh_A_1_nociph( sub:B_1; actypeT:BITSTRING; slotT:SN; tscT:TSC; chmod:CHMOD; Freqg, Freqd:FRQPARA; ta:TA; babr, cch_con, bpm:B_3) |      |   |          |
| <b>Group:</b>               |       | GSM_L3_MS_v4200/management/ChConfig/                                                                                                     |      |   |          |
| <b>Objective:</b>           |       | To set one physical channel used as TCHH_ACCH's for instance 1 of cell A.                                                                |      |   |          |
| <b>Default:</b>             |       | OtherEvents                                                                                                                              |      |   |          |
| Nr                          | Label | Behaviour Description                                                                                                                    | CRef | V | Comments |
| 1                           |       | (TCV_chTch := OC_SubchOfFacchh( sub, C_Cella, 1), TCV_sacchTch := OC_SubchOfSacchh( sub, C_Cella, 1))                                    |      |   |          |
| 2                           |       | [TSPC_PGSM OR TSPC_EGSM]                                                                                                                 |      |   |          |
| 3                           |       | +Config_FACCHH_A_1(63, 19, chmod, actypeT, slotT, tscT, Freqg, C_TCHH_ACCHH_1, ta, babr, cch_con, bpm)                                   |      |   |          |
| 4                           |       | +SysInfo_SacchSending( TCV_sacchTch, TCV_sysinfo5, TCV_sysinfo6)                                                                         |      |   |          |
| 5                           |       | +localtree                                                                                                                               |      |   |          |
| 6                           |       | [TSPC_DCS]                                                                                                                               |      |   |          |
| 7                           |       | +Config_FACCHH_A_1(63, 15, chmod, actypeT, slotT, tscT, Freqd, C_TCHH_ACCHH_1, ta, babr, cch_con, bpm)                                   |      |   |          |
| 8                           |       | +SysInfo_SacchSending( TCV_sacchTch, TCV_sysinfo5, TCV_sysinfo6)                                                                         |      |   |          |
| 9                           |       | +localtree                                                                                                                               |      |   |          |
|                             |       | <b>localtree</b>                                                                                                                         |      |   |          |
| 10                          |       | [sub = '0'B]                                                                                                                             |      |   |          |
| 11                          |       | (TCV_chtype := '00010'B)                                                                                                                 |      |   |          |
| 12                          |       | [sub = '1'B]                                                                                                                             |      |   |          |
| 13                          |       | (TCV_chtype := '00011'B)                                                                                                                 |      |   |          |
| <b>Detailed Comments:</b>   |       |                                                                                                                                          |      |   |          |

| Test Step Dynamic Behaviour |       |                                                                                                                                     |      |   |          |
|-----------------------------|-------|-------------------------------------------------------------------------------------------------------------------------------------|------|---|----------|
| <b>Test Step Name:</b>      |       | HalfRateCh_A_2(bstring:B_1; actypeT:BITSTRING; slotT:SN; tscT:TSC; chmod:CHMOD; Freqg,Freqd:FRQPARA; ta:TA; babr, cch_con, bpm:B_3) |      |   |          |
| <b>Group:</b>               |       | GSM_L3_MS_v4200/management/ChConfig/                                                                                                |      |   |          |
| <b>Objective:</b>           |       | To set one physical channel used as TCHH_ACCH's for instance 2 of cell A for TC_26_6_13_1.                                          |      |   |          |
| <b>Default:</b>             |       | OtherEvents                                                                                                                         |      |   |          |
| <b>Comments:</b>            |       | used for after time channel.                                                                                                        |      |   |          |
| Nr                          | Label | Behaviour Description                                                                                                               | CRef | V | Comments |
| 1                           |       | +HalfRateCh_A_2_nociph( bstring, actypeT, slotT, tscT, chmod, Freqg, Freqd, ta, babr, cch_con, bpm)                                 |      |   |          |
| 2                           |       | (TCV_Null := OM_CphMd( TCV_chTch1, CphMod_01, TCV_CphKey))                                                                          |      |   |          |
| <b>Detailed Comments:</b>   |       |                                                                                                                                     |      |   |          |

| Test Step Dynamic Behaviour |       |                                                                                                                                             |      |   |          |
|-----------------------------|-------|---------------------------------------------------------------------------------------------------------------------------------------------|------|---|----------|
| <b>Test Step Name:</b>      |       | HalfRateCh_A_2_nociph(bstring:B_1; acttypeT:BITSTRING; slotT:SN; tscT:TSC; chmod:CHMOD; Freqg,Freqd:FRQPARA; ta:TA; babr, cch_con, bpm:B_3) |      |   |          |
| <b>Group:</b>               |       | GSM_L3_MS_v4200/management/ChConfig/                                                                                                        |      |   |          |
| <b>Objective:</b>           |       | To set one physical channel used as TCHH_ACCH's for instance 2 of cell A for TC_26_6_13_1.                                                  |      |   |          |
| <b>Default:</b>             |       | OtherEvents                                                                                                                                 |      |   |          |
| <b>Comments:</b>            |       | used for after time channel.                                                                                                                |      |   |          |
| Nr                          | Label | Behaviour Description                                                                                                                       | CRef | V | Comments |
| 1                           |       | (TCV_chTch1 := OC_SubchOfFacchh( bstring, C_Cella, 2), TCV_sacchTch1 := OC_SubchOfSacchh( bstring, C_Cella, 2))                             |      |   |          |
| 2                           |       | [TSPC_PGSM OR TSPC_EGSM]                                                                                                                    |      |   |          |
| 3                           |       | +Config_FACCHH_A_2(63, 19, chmod, acttypeT, slotT, tscT, Freqg, C_TCHH_ACCHH_2, ta, babr, cch_con, bpm)                                     |      |   |          |
| 4                           |       | +SysInfo_SacchSending( TCV_sacchTch1, TCV_sysinfo5, TCV_sysinfo6)                                                                           |      |   |          |
| 5                           |       | [TSPC_DCS]                                                                                                                                  |      |   |          |
| 6                           |       | +Config_FACCHH_A_2(63, 15, chmod, acttypeT, slotT, tscT, Freqd, C_TCHH_ACCHH_2, ta, babr, cch_con, bpm)                                     |      |   |          |
| 7                           |       | +SysInfo_SacchSending( TCV_sacchTch1, TCV_sysinfo5, TCV_sysinfo6)                                                                           |      |   |          |
| <b>Detailed Comments:</b>   |       |                                                                                                                                             |      |   |          |

| Test Step Dynamic Behaviour |       |                                                                                                                                      |      |   |          |
|-----------------------------|-------|--------------------------------------------------------------------------------------------------------------------------------------|------|---|----------|
| <b>Test Step Name:</b>      |       | HalfRateCh_B_1(bstring:B_1; acttypeT:BITSTRING; slotT:SN; tscT:TSC; chmod:CHMOD; Freqg,Freqd:FRQPARA; ta:TA; babr, cch_con, bpm:B_3) |      |   |          |
| <b>Group:</b>               |       | GSM_L3_MS_v4200/management/ChConfig/                                                                                                 |      |   |          |
| <b>Objective:</b>           |       | To set one physical channel used as TCHH_ACCH's for instance 1 of cell B                                                             |      |   |          |
| <b>Default:</b>             |       | OtherEvents                                                                                                                          |      |   |          |
| <b>Comments:</b>            |       | used as after time channel assigned by handover command                                                                              |      |   |          |
| Nr                          | Label | Behaviour Description                                                                                                                | CRef | V | Comments |
| 1                           |       | +HalfRateCh_B_1_nociph( bstring, acttypeT, slotT, tscT, chmod, Freqg, Freqd, ta, babr, cch_con, bpm)                                 |      |   |          |
| 2                           |       | (TCV_Null := OM_CphMd( TCV_chTch, CphMod_01, TCV_CphKey))                                                                            |      |   |          |
| <b>Detailed Comments:</b>   |       |                                                                                                                                      |      |   |          |

| Test Step Dynamic Behaviour |       |                                                                                                                                            |      |   |          |
|-----------------------------|-------|--------------------------------------------------------------------------------------------------------------------------------------------|------|---|----------|
| <b>Test Step Name:</b>      |       | HalfRateCh_B_1_nociph(bstring:B_1; actypeT:BITSTRING; slotT:SN; tscT:TSC; chmod:CHMOD; Freqg,Freqd:FRQPARA; ta:TA; babr, cch_con, bpm:B_3) |      |   |          |
| <b>Group:</b>               |       | GSM_L3_MS_v4200/management/ChConfig/                                                                                                       |      |   |          |
| <b>Objective:</b>           |       | To set one physical channel used as TCHH_ACCH's for instance 1 of cell B                                                                   |      |   |          |
| <b>Default:</b>             |       | OtherEvents                                                                                                                                |      |   |          |
| <b>Comments:</b>            |       | used as after time channel assigned by handover command                                                                                    |      |   |          |
| Nr                          | Label | Behaviour Description                                                                                                                      | CRef | V | Comments |
| 1                           |       | (TCV_chTch := OC_SubchOfFacch( bstring, C_CellB, 1), TCV_sacchTch := OC_SubchOfSacchh( bstring, C_CellB, 1))                               |      |   |          |
| 2                           |       | [TSPC_PGSM OR TSPC_EGSM]                                                                                                                   |      |   |          |
| 3                           |       | +Config_FACCHH_B_1(63, 19, chmod, actypeT, slotT, tscT, Freqg, C_TCHH_ACCHH_1, ta, babr, cch_con, bpm)                                     |      |   |          |
| 4                           |       | +SysInfo_SacchSending( TCV_sacchTch, TCV_sysinfo5_B, TCV_sysinfo6_B)                                                                       |      |   |          |
| 5                           |       | [TSPC_DCS]                                                                                                                                 |      |   |          |
| 6                           |       | +Config_FACCHH_B_1(63, 15, chmod, actypeT, slotT, tscT, Freqd, C_TCHH_ACCHH_1, ta, babr, cch_con, bpm)                                     |      |   |          |
| 7                           |       | +SysInfo_SacchSending( TCV_sacchTch, TCV_sysinfo5_B, TCV_sysinfo6_B)                                                                       |      |   |          |
| <b>Detailed Comments:</b>   |       |                                                                                                                                            |      |   |          |

| Test Step Dynamic Behaviour |       |                                                                                                                                       |      |   |          |
|-----------------------------|-------|---------------------------------------------------------------------------------------------------------------------------------------|------|---|----------|
| <b>Test Step Name:</b>      |       | SDCCH8_A_1(bstring:BITSTRING; actypeT:BITSTRING; slotT:SN; tscT:TSC; chmod:CHMOD; Freqg,Freqd:FRQPARA; ta:TA; babr, cch_con, bpm:B_3) |      |   |          |
| <b>Group:</b>               |       | GSM_L3_MS_v4200/management/ChConfig/                                                                                                  |      |   |          |
| <b>Objective:</b>           |       | To set one physical channel used as SDCCH8 channel for instance 1 of cell A.                                                          |      |   |          |
| <b>Default:</b>             |       | OtherEvents                                                                                                                           |      |   |          |
| Nr                          | Label | Behaviour Description                                                                                                                 | CRef | V | Comments |
| 1                           |       | +SDCCH8_A_1_nociph( bstring, actypeT, slotT, tscT, chmod, Freqg, Freqd, ta, babr, cch_con, bpm)                                       |      |   |          |
| 2                           |       | (TCV_Null := OM_CphMd( TCV_ch, CphMod_01, TCV_CphKey))                                                                                |      |   |          |
| <b>Detailed Comments:</b>   |       |                                                                                                                                       |      |   |          |

| Test Step Dynamic Behaviour |       |                                                                                                                                        |      |   |          |
|-----------------------------|-------|----------------------------------------------------------------------------------------------------------------------------------------|------|---|----------|
| <b>Test Step Name:</b>      |       | SDCCH8_A_1_nociph(bstring:B_3; actypeT:BITSTRING; slotT:SN; tscT:TSC; chmod:CHMOD; Freqg,Freqd:FRQPARA; ta:TA; babr, cch_con, bpm:B_3) |      |   |          |
| <b>Group:</b>               |       | GSM_L3_MS_v4200/management/ChConfig/                                                                                                   |      |   |          |
| <b>Objective:</b>           |       | To set one physical channel used as SDCCH8 channel for instance 1 of cell A.                                                           |      |   |          |
| <b>Default:</b>             |       | OtherEvents                                                                                                                            |      |   |          |
| Nr                          | Label | Behaviour Description                                                                                                                  | CRef | V | Comments |
| 1                           |       | (TCV_ch := OC_SubchOfSdcch8( bstring, C_CellA, 1), TCV_sacch8 := OC_SubchOfSacch8( bstring, C_CellA, 1))                               |      |   |          |
| 2                           |       | [TSPC_PGSM OR TSPC_EGSM]                                                                                                               |      |   |          |
| 3                           |       | +Config_SDCCH8_A_1(63, 19, chmod, actypeT, slotT, tscT, Freqg, C_SDCCH8_SACCH8_1, ta, babr, cch_con, bpm)                              |      |   |          |
| 4                           |       | +SysInfo_SacchSending(TCV_sacch8, TCV_sysinfo5, TCV_sysinfo6)                                                                          |      |   |          |
| 5                           |       | [TSPC_DCS]                                                                                                                             |      |   |          |
| 6                           |       | +Config_SDCCH8_A_1(63, 19, chmod, actypeT, slotT, tscT, Freqd, C_SDCCH8_SACCH8_1, ta, babr, cch_con, bpm)                              |      |   |          |
| 7                           |       | +SysInfo_SacchSending(TCV_sacch8, TCV_sysinfo5, TCV_sysinfo6)                                                                          |      |   |          |
| <b>Detailed Comments:</b>   |       |                                                                                                                                        |      |   |          |

| Test Step Dynamic Behaviour                                                                                                                                    |       |                                                                                                               |      |   |          |
|----------------------------------------------------------------------------------------------------------------------------------------------------------------|-------|---------------------------------------------------------------------------------------------------------------|------|---|----------|
| <b>Test Step Name:</b> SDCCH8_A_2_nociph(bstring:B_3; acttypeT:BITSTRING; slotT:SN; tscT:TSC; chmod:CHMOD; Freqg,Freqd:FRQPARA; ta:TA; babr, cch_con, bpm:B_3) |       |                                                                                                               |      |   |          |
| <b>Group:</b> GSM_L3_MS_v4200/management/ChConfig/                                                                                                             |       |                                                                                                               |      |   |          |
| <b>Objective:</b> To set one physical channel used as hopping SDCCH8 channel for instance 2 of cell A, for TC_26_6_13_1.                                       |       |                                                                                                               |      |   |          |
| <b>Default:</b> OtherEvents                                                                                                                                    |       |                                                                                                               |      |   |          |
| <b>Comments:</b> hopping parameters are from PIXIT, used as before time channel.                                                                               |       |                                                                                                               |      |   |          |
| Nr                                                                                                                                                             | Label | Behaviour Description                                                                                         | CRef | V | Comments |
| 1                                                                                                                                                              |       | (TCV_chTch := OC_SubchOfSdcch8( bstring, C_CellA, 2), TCV_sacchTch := OC_SubchOfSacch8( bstring, C_CellA, 2)) |      |   |          |
| 2                                                                                                                                                              |       | [TSPC_PGSM OR TSPC_EGSM]                                                                                      |      |   |          |
| 3                                                                                                                                                              |       | +Config_SDCCH8_A_2(63, 19, chmod, acttypeT, slotT, tscT, Freqg, C_SDCCH8_SACCHC8_2, ta, babr, cch_con, bpm)   |      |   |          |
| 4                                                                                                                                                              |       | +SysInfo_SacchSending( TCV_sacchTch, TCV_sysinfo5, TCV_sysinfo6)                                              |      |   |          |
| 5                                                                                                                                                              |       | [TSPC_DCS]                                                                                                    |      |   |          |
| 6                                                                                                                                                              |       | +Config_SDCCH8_A_2(63, 15, chmod, acttypeT, slotT, tscT, Freqd, C_SDCCH8_SACCHC8_2, ta, babr, cch_con, bpm)   |      |   |          |
| 7                                                                                                                                                              |       | +SysInfo_SacchSending( TCV_sacchTch, TCV_sysinfo5, TCV_sysinfo6)                                              |      |   |          |
| <b>Detailed Comments:</b>                                                                                                                                      |       |                                                                                                               |      |   |          |

| Test Step Dynamic Behaviour                                                                                                                             |       |                                                                                                  |      |   |          |
|---------------------------------------------------------------------------------------------------------------------------------------------------------|-------|--------------------------------------------------------------------------------------------------|------|---|----------|
| <b>Test Step Name:</b> SDCCH8_B_1(bstring:B_3; acttypeT:BITSTRING; slotT:SN; tscT:TSC; chmod:CHMOD; Freqg,Freqd:FRQPARA; ta:TA; babr, cch_con, bpm:B_3) |       |                                                                                                  |      |   |          |
| <b>Group:</b> GSM_L3_MS_v4200/management/ChConfig/                                                                                                      |       |                                                                                                  |      |   |          |
| <b>Objective:</b> To set one physical channel used as hopping SDCCH8 channel for instance 1 of cell B.                                                  |       |                                                                                                  |      |   |          |
| <b>Default:</b> OtherEvents                                                                                                                             |       |                                                                                                  |      |   |          |
| Nr                                                                                                                                                      | Label | Behaviour Description                                                                            | CRef | V | Comments |
| 1                                                                                                                                                       |       | +SDCCH8_B_1_nociph( bstring, acttypeT, slotT, tscT, chmod, Freqg, Freqd, ta, babr, cch_con, bpm) |      |   |          |
| 2                                                                                                                                                       |       | (TCV_Null := OM_CphMd( TCV_chTch, CphMod_01, TCV_CphKey))                                        |      |   |          |
| <b>Detailed Comments:</b>                                                                                                                               |       |                                                                                                  |      |   |          |

| Test Step Dynamic Behaviour |       |                                                                                                                                         |      |   |          |
|-----------------------------|-------|-----------------------------------------------------------------------------------------------------------------------------------------|------|---|----------|
| <b>Test Step Name:</b>      |       | SDCCH8_B_1_nociph(bstring:B_3; acttypeT:BITSTRING; slotT:SN; tscT:TSC; chmod:CHMOD; Freqg,Freqd:FRQPARA; ta:TA; babr, cch_con, bpm:B_3) |      |   |          |
| <b>Group:</b>               |       | GSM_L3_MS_v4200/management/ChConfig/                                                                                                    |      |   |          |
| <b>Objective:</b>           |       | To set one physical channel used as hopping SDCCH8 channel for instance 1 of cell B For TC_26_6_13_5.                                   |      |   |          |
| <b>Default:</b>             |       | OtherEvents                                                                                                                             |      |   |          |
| <b>Comments:</b>            |       | hopping parameters are from PIXIT, used by handover command after time channel.                                                         |      |   |          |
| Nr                          | Label | Behaviour Description                                                                                                                   | CRef | V | Comments |
| 1                           |       | (TCV_chTch := OC_SubchOfSdcch8( bstring, C_CellB, 1), TCV_sacchTch := OC_SubchOfSacch8( bstring, C_CellB, 1))                           |      |   |          |
| 2                           |       | [TSPC_PGSM OR TSPC_EGSM]                                                                                                                |      |   |          |
| 3                           |       | +Config_SDCCH8_B_1(63, 19, chmod, acttypeT, slotT, tscT, Freqg, C_SDCCH8_SACCH8_1, ta, babr, cch_con, bpm)                              |      |   |          |
| 4                           |       | +SysInfo_SacchSending( TCV_sacchTch, TCV_sysinfo5_B, TCV_sysinfo6_B)                                                                    |      |   |          |
| 5                           |       | [TSPC_DCS]                                                                                                                              |      |   |          |
| 6                           |       | +Config_SDCCH8_B_1(63, 15, chmod, acttypeT, slotT, tscT, Freqd, C_SDCCH8_SACCH8_1, ta, babr, cch_con, bpm)                              |      |   |          |
| 7                           |       | +SysInfo_SacchSending( TCV_sacchTch, TCV_sysinfo5_B, TCV_sysinfo6_B)                                                                    |      |   |          |
| <b>Detailed Comments:</b>   |       |                                                                                                                                         |      |   |          |

### Test Step Group Miscellaneous

| Test Step Dynamic Behaviour |       |                                                                                   |      |   |          |
|-----------------------------|-------|-----------------------------------------------------------------------------------|------|---|----------|
| <b>Test Step Name:</b>      |       | Adjust_gsmmanddcs_powerlvl(powerlevel1,powerlevel2:INTEGER; pdu_ass: ASS_CMD_PDU) |      |   |          |
| <b>Group:</b>               |       | GSM_L3_MS_v4200/Miscellaneous/                                                    |      |   |          |
| <b>Objective:</b>           |       | OtherEvents                                                                       |      |   |          |
| <b>Default:</b>             |       | OtherEvents                                                                       |      |   |          |
| Nr                          | Label | Behaviour Description                                                             | CRef | V | Comments |
| 1                           |       | [TSPC_PGSM OR TSPC_EGSM]                                                          |      |   |          |
| 2                           |       | [powerlevel1 <> 0]                                                                |      |   |          |
| 3                           |       | (pdu_ass.pcmd := Pcmd_19(INT_TO_BIT(powerlevel1,5)))                              |      |   |          |
| 4                           |       | [powerlevel1 = 0]                                                                 |      |   |          |
| 5                           |       | [TSPC_DCS]                                                                        |      |   |          |
| 6                           |       | (pdu_ass.pcmd := Pcmd_19(INT_TO_BIT(powerlevel2,5)))                              |      |   |          |
| <b>Detailed Comments:</b>   |       |                                                                                   |      |   |          |

| Test Step Dynamic Behaviour |       |                                                                                                                                                                                                                |                                                                 |     |          |
|-----------------------------|-------|----------------------------------------------------------------------------------------------------------------------------------------------------------------------------------------------------------------|-----------------------------------------------------------------|-----|----------|
| <b>Test Step Name:</b>      |       | AOC_CHK_FAC(ti:TI)                                                                                                                                                                                             |                                                                 |     |          |
| <b>Group:</b>               |       | GSM_L3_MS_v4200/Miscellaneous/                                                                                                                                                                                 |                                                                 |     |          |
| <b>Objective:</b>           |       | Reception of FACILITY and callinh check_AOCCackTime                                                                                                                                                            |                                                                 |     |          |
| <b>Default:</b>             |       | OtherEventsFail                                                                                                                                                                                                |                                                                 |     |          |
| Nr                          | Label | Behaviour Description                                                                                                                                                                                          | CRef                                                            | V   | Comments |
| 1                           |       | L?DL_DatInConnAck                                                                                                                                                                                              | ConnAckRcv(ConnectAck_02( ti))                                  |     |          |
| 2                           |       | (TCV_Fn := OM_ReturnFn( TCV_chTch))                                                                                                                                                                            |                                                                 |     | 1.       |
| 3                           | L_083 | L?DL_DatInFac ( TCV_Fn1 := DL_DatInFac.fn)                                                                                                                                                                     | FacilityRcv(FacilityPdu_26( ti, facilityErcv(FwdChAdvRslt_01))) | (P) | 2.       |
| 6                           |       | CANCEL T_dly1                                                                                                                                                                                                  |                                                                 |     |          |
| 4                           |       | +Check_Time(C_T_Wait_FAC)                                                                                                                                                                                      |                                                                 |     |          |
| 5                           | L_083 | ?TIMEOUT T_dly1                                                                                                                                                                                                |                                                                 | (F) |          |
| 7                           |       | +PostLinkRelEnd( TCV_chTch)                                                                                                                                                                                    |                                                                 |     |          |
| 7                           | L_083 | L?DL_DatInFac ( TCV_Fn1 := DL_DatInFac.fn)                                                                                                                                                                     | FacilityRcv(FacilityPdu_26( ti, facilityErcv(FwdChAdvRslt_01))) | (P) | 2.       |
| 8                           |       | (TCV_Fn := OM_ReturnFn( TCV_chTch))                                                                                                                                                                            |                                                                 |     | 1.       |
| 9                           |       | L?DL_DatInConnAck CANCEL T_dly1                                                                                                                                                                                | ConnAckRcv(ConnectAck_02( ti))                                  |     |          |
| 10                          |       | +Check_Time(C_T_Wait_FAC)                                                                                                                                                                                      |                                                                 |     |          |
| 11                          | L_083 | ?TIMEOUT T_dly1                                                                                                                                                                                                |                                                                 | (F) |          |
| 12                          |       | +PostLinkRelEnd( TCV_chTch)                                                                                                                                                                                    |                                                                 |     |          |
| 13                          | L_084 | ?TIMEOUT T_dly1                                                                                                                                                                                                |                                                                 | (F) |          |
| 14                          |       | +PostLinkRelEnd( TCV_chTch)                                                                                                                                                                                    |                                                                 |     |          |
| <b>Detailed Comments:</b>   |       | 1. Get the first frame number for transmitting of CONNECT message containing AOC information.<br>2. TCV_Fn1 contains the first frame number of the received FACILITY message with AOC acknowledge from mobile. |                                                                 |     |          |

| Test Step Dynamic Behaviour |       |                                                                                                           |                           |     |          |
|-----------------------------|-------|-----------------------------------------------------------------------------------------------------------|---------------------------|-----|----------|
| <b>Test Step Name:</b>      |       | AssCh_complete(oldch,newch:LOGICCH; pdu_ass: ASS_CMD_PDU)                                                 |                           |     |          |
| <b>Group:</b>               |       | GSM_L3_MS_v4200/Miscellaneous/                                                                            |                           |     |          |
| <b>Objective:</b>           |       | To provide a generic test step to Assign a traffic channel. Assign complete expected and verdict is PASS. |                           |     |          |
| <b>Default:</b>             |       | OtherEvents                                                                                               |                           |     |          |
| Nr                          | Label | Behaviour Description                                                                                     | CRef                      | V   | Comments |
| 1                           |       | L!DL_DatRqAssCmd START T_dlyAss                                                                           | AssCmd(oldch,pdu_ass)     |     |          |
| 2                           | L_084 | ?TIMEOUT T_dlyAss                                                                                         |                           | (F) |          |
| 3                           |       | +PostLinkRelEnd(oldch)                                                                                    |                           |     |          |
| 4                           |       | L?DL_EstIn (TCV_FnAss := DL_EstIn.fn) CANCEL T_dlyAss                                                     | DLEstInd(newch)           |     |          |
| 5                           | L_084 | L?DL_DatInAssCom                                                                                          | AssCmp(newch, AsgnCmp_02) | (P) |          |
| 6                           |       | LIMDL_RelRq                                                                                               | MDLRelReq(oldch)          |     |          |
| 7                           |       | L?DL_EstIn CANCEL T_dlyAss                                                                                | DLEstInd(oldch)           |     |          |
| 8                           | L_084 | L?DL_DatInAssfl                                                                                           | AssFl_any_cau(oldch)      | (F) |          |
| 9                           |       | +PostLinkRelEnd(oldch)                                                                                    |                           |     |          |
| <b>Detailed Comments:</b>   |       |                                                                                                           |                           |     |          |



| Test Step Dynamic Behaviour |       |                                                                                                          |                    |     |          |
|-----------------------------|-------|----------------------------------------------------------------------------------------------------------|--------------------|-----|----------|
| <b>Test Step Name:</b>      |       | AssCh_failure(ch:LOGICCH; pdu_ass: ASS_CMD_PDU; any:BOOLEAN)                                             |                    |     |          |
| <b>Group:</b>               |       | GSM_L3_MS_v4200/Miscellaneous/                                                                           |                    |     |          |
| <b>Objective:</b>           |       | To provide a generic test step to Assign a traffic channel. Assign failure expected and verdict is PASS. |                    |     |          |
| <b>Default:</b>             |       | OtherEventsFail                                                                                          |                    |     |          |
| Nr                          | Label | Behaviour Description                                                                                    | CRef               | V   | Comments |
| 1                           |       | L!DL_DatRqAssCmd START T_dlyAss(4000)                                                                    | AssCmd(ch,pdu_ass) |     |          |
| 2                           |       | [any]                                                                                                    |                    |     |          |
| 3                           | L_084 | ?TIMEOUT T_dlyAss                                                                                        |                    | (F) |          |
| 4                           | 4     | +PostLinkRelEnd(ch)                                                                                      |                    |     |          |
| 5                           |       | L?DL_EstIn (TCV_FnAss := DL_EstIn.fn)<br>CANCEL T_dlyAss                                                 | DLEstInd(ch)       |     |          |
| 6                           | L_084 | L?DL_DatInAssfl                                                                                          | AssFI_any_cau(ch)  | (P) |          |
| 7                           | 5     | [NOT any]                                                                                                |                    |     |          |
| 8                           | L_084 | ?TIMEOUT T_dlyAss                                                                                        |                    | (F) |          |
| 9                           | 6     | +PostLinkRelEnd(ch)                                                                                      |                    |     |          |
| 10                          |       | L?DL_EstIn (TCV_FnAss := DL_EstIn.fn)<br>CANCEL T_dlyAss                                                 | DLEstInd(ch)       |     |          |
| 11                          | L_084 | L?DL_DatInAssfl                                                                                          | AssFI_02(ch)       | (P) |          |
| 7                           |       |                                                                                                          |                    |     |          |
| <b>Detailed Comments:</b>   |       |                                                                                                          |                    |     |          |

| Test Step Dynamic Behaviour |       |                                                                                                                                       |      |   |           |           |
|-----------------------------|-------|---------------------------------------------------------------------------------------------------------------------------------------|------|---|-----------|-----------|
| <b>Test Step Name:</b>      |       | AssCmdGen( cell:CellID; rate:IA5String; slot:SN; tsc:TSC; sch:B_1)                                                                    |      |   |           |           |
| <b>Group:</b>               |       | GSM_L3_MS_v4200/Miscellaneous/                                                                                                        |      |   |           |           |
| <b>Objective:</b>           |       | To generate the ASSIGNMENT COMMAND message.                                                                                           |      |   |           |           |
| <b>Default:</b>             |       | OtherEvents                                                                                                                           |      |   |           |           |
| Nr                          | Label | Behaviour Description                                                                                                                 | CRef | V | Comments  |           |
| 1                           |       | [rate <> C_Half]                                                                                                                      |      |   | Full rate |           |
| 2                           |       | (TCV_Tchtype := '00001'B)                                                                                                             |      |   |           |           |
| 3                           |       | +ltree_Asgn                                                                                                                           |      |   |           |           |
| 4                           |       | [rate = C_Half]                                                                                                                       |      |   |           | Half rate |
| 5                           |       | [sch = '0'B]                                                                                                                          |      |   |           |           |
| 6                           |       | (TCV_Tchtype := '00010'B)                                                                                                             |      |   |           |           |
| 7                           |       | +ltree_Asgn                                                                                                                           |      |   |           |           |
| 8                           |       | [sch = '1'B]                                                                                                                          |      |   |           |           |
| 9                           |       | (TCV_Tchtype := '00011'B)                                                                                                             |      |   |           |           |
| 10                          |       | +ltree_Asgn                                                                                                                           |      |   |           |           |
|                             |       | <b>ltree_Asgn</b>                                                                                                                     |      |   |           |           |
| 11                          |       | [cell = C_CellA]                                                                                                                      |      |   |           |           |
| 12                          |       | +ltree_AsgnTchA                                                                                                                       |      |   |           |           |
| 13                          |       | [cell = C_CellB]                                                                                                                      |      |   |           |           |
| 14                          |       | +ltree_AsgnTchB                                                                                                                       |      |   |           |           |
|                             |       | <b>ltree_AsgnTchA</b>                                                                                                                 |      |   |           |           |
| 15                          |       | [TSPC_PGSM OR TSPC_EGSM]                                                                                                              |      |   |           |           |
| 16                          |       | (TCV_AssCmd := AsgnCmd_nfh( TCV_Tchtype,<br>slot, tsc, 7, C_arfcn_tchA, CellChDes_Omit,<br>TCV_ChMod, StartingTm_omit, CphMod_omit))  |      |   |           |           |
| 17                          |       | [TSPC_DCS]                                                                                                                            |      |   |           |           |
| 18                          |       | (TCV_AssCmd := AsgnCmd_nfh( TCV_Tchtype,<br>slot, tsc, 3, C_arfcn_tchAd, CellChDes_Omit,<br>TCV_ChMod, StartingTm_omit, CphMod_omit)) |      |   |           |           |
|                             |       | <b>ltree_AsgnTchB</b>                                                                                                                 |      |   |           |           |
| 19                          |       | [TSPC_PGSM OR TSPC_EGSM]                                                                                                              |      |   |           |           |
| 20                          |       | (TCV_AssCmd := AsgnCmd_nfh( TCV_Tchtype,<br>slot, tsc, 7, C_arfcn_tchB, CellChDes_Omit,<br>TCV_ChMod, StartingTm_omit, CphMod_omit))  |      |   |           |           |
| 21                          |       | [TSPC_DCS]                                                                                                                            |      |   |           |           |
| 22                          |       | (TCV_AssCmd := AsgnCmd_nfh( TCV_Tchtype,<br>slot, tsc, 3, C_arfcn_tchBd, CellChDes_Omit,<br>TCV_ChMod, StartingTm_omit, CphMod_omit)) |      |   |           |           |
| <b>Detailed Comments:</b>   |       | The test step makes the assumption that the channel rate is known when the test step is called.                                       |      |   |           |           |

| Test Step Dynamic Behaviour |       |                                                                                                                                                                                                 |      |   |           |
|-----------------------------|-------|-------------------------------------------------------------------------------------------------------------------------------------------------------------------------------------------------|------|---|-----------|
| <b>Test Step Name:</b>      |       | AssCmdGen_fh( rate:IA5String; slot:SN; tsc:TSC; sch:B_1; par_pwlvlg, par_pwlvid:INTEGER; maio:MAIO; hsn:HSN; frql_g, frql_d:FRQL; cchd_g, cchd_d:CCHD; chmod:CHMOD; ma_g, ma_d:MA; Cphms:CPHMS) |      |   |           |
| <b>Group:</b>               |       | GSM_L3_MS_v4200/Miscellaneous/                                                                                                                                                                  |      |   |           |
| <b>Objective:</b>           |       | To generate a ASSIGNMENT COMMAND message in case of hopping without starting time.                                                                                                              |      |   |           |
| <b>Default:</b>             |       | OtherEvents                                                                                                                                                                                     |      |   |           |
| Nr                          | Label | Behaviour Description                                                                                                                                                                           | CRef | V | Comments  |
| 1                           |       | [rate <> C_Half]                                                                                                                                                                                |      |   | Full rate |
| 2                           |       | (TCV_Tchtype := '00001'B)                                                                                                                                                                       |      |   |           |
| 3                           |       | +ltree_Asgn                                                                                                                                                                                     |      |   |           |
| 4                           |       | [rate = C_Half]                                                                                                                                                                                 |      |   | Half rate |
| 5                           |       | [sch = '0'B]                                                                                                                                                                                    |      |   |           |
| 6                           |       | (TCV_Tchtype := '00010'B)                                                                                                                                                                       |      |   |           |
| 7                           |       | +ltree_Asgn                                                                                                                                                                                     |      |   |           |
| 8                           |       | [sch = '1'B]                                                                                                                                                                                    |      |   |           |
| 9                           |       | (TCV_Tchtype := '00011'B)                                                                                                                                                                       |      |   |           |
| 10                          |       | +ltree_Asgn                                                                                                                                                                                     |      |   |           |
| <b>ltree_Asgn</b>           |       |                                                                                                                                                                                                 |      |   |           |
| 11                          |       | [TSPC_PGSM OR TSPC_EGSM]                                                                                                                                                                        |      |   |           |
| 12                          |       | (TCV_AssCmd := AsgnCmd_fh( slot, tsc, TCV_Tchtype, par_pwlvlg, maio, hsn, frql_g, cchd_g, chmod, ma_g, Cphms))                                                                                  |      |   |           |
| 13                          |       | [TSPC_DCS]                                                                                                                                                                                      |      |   |           |
| 14                          |       | (TCV_AssCmd := AsgnCmd_fh( slot, tsc, TCV_Tchtype, par_pwlvid, maio, hsn, frql_d, cchd_d, chmod, ma_d, Cphms))                                                                                  |      |   |           |
| <b>Detailed Comments:</b>   |       |                                                                                                                                                                                                 |      |   |           |

| Test Step Dynamic Behaviour                     |            |                                                           |                                        |     |          |
|-------------------------------------------------|------------|-----------------------------------------------------------|----------------------------------------|-----|----------|
| <b>Test Step Name:</b>                          |            | Authentication(ch: LOGICCH; cksn: BITSTRING; rand:RAND)   |                                        |     |          |
| <b>Group:</b>                                   |            | GSM_L3_MS_v4200/Miscellaneous/                            |                                        |     |          |
| <b>Objective:</b>                               |            |                                                           |                                        |     |          |
| <b>Default:</b>                                 |            | OtherEventsFail                                           |                                        |     |          |
| Nr                                              | Label      | Behaviour Description                                     | CRef                                   | V   | Comments |
| 1                                               |            | L!DL_DatRqAuthRq                                          | AuthReq( ch, AuthRequest( cksn, rand)) |     |          |
| 2                                               |            | L?DL_DatInAuthRes ( TCV_Sres := DL_DatInAuthRes.msg.sres) | AuthRes( AuthResponse)                 |     |          |
| 3                                               |            | (TCV_Res := OC_ChkSRES( TCV_Sres, TSPX_Ki, rand))         |                                        |     |          |
| 4                                               | L_084<br>8 | [NOT TCV_Res]                                             |                                        | (F) | 1)       |
| 5                                               | L_084<br>9 | [TCV_Res]                                                 |                                        | (P) |          |
| <b>Detailed Comments:</b> Authentication fails. |            |                                                           |                                        |     |          |

| Test Step Dynamic Behaviour |       |                                                                                                                                                                                                                                                                                                                                                                                                                                                                                                                                                                                                                                                                                |      |   |                    |
|-----------------------------|-------|--------------------------------------------------------------------------------------------------------------------------------------------------------------------------------------------------------------------------------------------------------------------------------------------------------------------------------------------------------------------------------------------------------------------------------------------------------------------------------------------------------------------------------------------------------------------------------------------------------------------------------------------------------------------------------|------|---|--------------------|
| <b>Test Step Name:</b>      |       | CallProcGen(setup:SETUP_MO_PDU; srv:SERVICES)                                                                                                                                                                                                                                                                                                                                                                                                                                                                                                                                                                                                                                  |      |   |                    |
| <b>Group:</b>               |       | GSM_L3_MS_v4200/Miscellaneous/                                                                                                                                                                                                                                                                                                                                                                                                                                                                                                                                                                                                                                                 |      |   |                    |
| <b>Objective:</b>           |       | To generate a CALL PROCEEDING message which is compatible with input value 'setup'..                                                                                                                                                                                                                                                                                                                                                                                                                                                                                                                                                                                           |      |   |                    |
| <b>Default:</b>             |       | OtherEvents                                                                                                                                                                                                                                                                                                                                                                                                                                                                                                                                                                                                                                                                    |      |   |                    |
| <b>Comments:</b>            |       | The generated CALL PROCEEDING is in TCV_CallProc. This test step can handle the following dual mode services: the first BCAP is speech or the second BCAP is speech                                                                                                                                                                                                                                                                                                                                                                                                                                                                                                            |      |   |                    |
| Nr                          | Label | Behaviour Description                                                                                                                                                                                                                                                                                                                                                                                                                                                                                                                                                                                                                                                          | CRef | V | Comments           |
| 1                           |       | (TCV_CallProc := CallProced_03, TCV_CallProc.ti := TCV_TI)                                                                                                                                                                                                                                                                                                                                                                                                                                                                                                                                                                                                                     |      |   |                    |
| 2                           |       | [(srv = C_AltSpchData) OR ( srv = C_SpchData)<br>OR (srv = C_AltSpchFax)]                                                                                                                                                                                                                                                                                                                                                                                                                                                                                                                                                                                                      |      |   | dual service       |
| 3                           |       | [setup.bcap1.itc = C_Speech]                                                                                                                                                                                                                                                                                                                                                                                                                                                                                                                                                                                                                                                   |      |   | 1st BCAP is speech |
| 4                           |       | (TCV_ce3 := setup.bcap2.ce)                                                                                                                                                                                                                                                                                                                                                                                                                                                                                                                                                                                                                                                    |      |   |                    |
| 5                           |       | [(TCV_ce3 <> C_BothT) OR(TCV_ce3 <> C_BothNT)]                                                                                                                                                                                                                                                                                                                                                                                                                                                                                                                                                                                                                                 |      |   | 1.                 |
| 6                           |       | [(TCV_ce3 = C_BothT) OR (TCV_ce3 = C_BothNT)]                                                                                                                                                                                                                                                                                                                                                                                                                                                                                                                                                                                                                                  |      |   | 2.                 |
| 7                           |       | (TCV_CallProc.bcap1 := setup.bcap1,<br>TCV_CallProc.bcap1.rchr := '00'B,<br>TCV_CallProc.bcri := setup.bcri,<br>TCV_CallProc.bcap2 := setup.bcap2,<br>TCV_CallProc.bcap2.ce :=<br>INT_TO_BIT((BIT_TO_INT(setup.bcap2.ce)<br>-2), 2), TCV_CallProc.bcap2.nirr :=<br>C_nirr_nomeaning)                                                                                                                                                                                                                                                                                                                                                                                           |      |   |                    |
| 8                           |       | [NOT (setup.bcap1.itc = C_Speech)]                                                                                                                                                                                                                                                                                                                                                                                                                                                                                                                                                                                                                                             |      |   |                    |
| 9                           |       | (TCV_ce1 := setup.bcap1.ce)                                                                                                                                                                                                                                                                                                                                                                                                                                                                                                                                                                                                                                                    |      |   |                    |
| 10                          |       | [(TCV_ce1 <> C_BothT) AND(TCV_ce1 <> C_BothNT)]                                                                                                                                                                                                                                                                                                                                                                                                                                                                                                                                                                                                                                |      |   | 3.                 |
| 11                          |       | [(TCV_ce1 = C_BothT) OR (TCV_ce1 = C_BothNT)]                                                                                                                                                                                                                                                                                                                                                                                                                                                                                                                                                                                                                                  |      |   | 4.                 |
| 12                          |       | (TCV_CallProc.bcap1 := setup.bcap1,<br>TCV_CallProc.bcap1.ce :=<br>INT_TO_BIT((BIT_TO_INT(setup.bcap1.ce)<br>-2), 2), TCV_CallProc.bcap1.nirr :=<br>C_nirr_nomeaning, TCV_CallProc.bcri :=<br>setup.bcri, TCV_CallProc.bcap2 :=<br>setup.bcap2, TCV_CallProc.bcap2.rchr :=<br>'11'B)                                                                                                                                                                                                                                                                                                                                                                                           |      |   |                    |
| 13                          |       | [(srv <> C_AltSpchData) AND( srv <> C_SpchData)<br>AND(srv <> C_AltSpchFax)]                                                                                                                                                                                                                                                                                                                                                                                                                                                                                                                                                                                                   |      |   |                    |
| 14                          |       | [srv = C_EmgCall]                                                                                                                                                                                                                                                                                                                                                                                                                                                                                                                                                                                                                                                              |      |   | 8.                 |
| 15                          |       | [srv <> C_EmgCall]                                                                                                                                                                                                                                                                                                                                                                                                                                                                                                                                                                                                                                                             |      |   |                    |
| 16                          |       | [setup.bcap1.itc = C_Speech]                                                                                                                                                                                                                                                                                                                                                                                                                                                                                                                                                                                                                                                   |      |   | 5.                 |
| 17                          |       | [setup.bcap1.itc <> C_Speech]                                                                                                                                                                                                                                                                                                                                                                                                                                                                                                                                                                                                                                                  |      |   |                    |
| 18                          |       | (TCV_ce1 := setup.bcap1.ce)                                                                                                                                                                                                                                                                                                                                                                                                                                                                                                                                                                                                                                                    |      |   |                    |
| 19                          |       | [(TCV_ce1 = C_BothT) OR (TCV_ce1 = C_BothNT)]                                                                                                                                                                                                                                                                                                                                                                                                                                                                                                                                                                                                                                  |      |   | 6.                 |
| 20                          |       | (TCV_CallProc.bcap1 := setup.bcap1,<br>TCV_CallProc.bcap1.ce :=<br>INT_TO_BIT((BIT_TO_INT(setup.bcap1.c<br>e) -2), 2), TCV_CallProc.bcap1.nirr :=<br>C_nirr_nomeaning)                                                                                                                                                                                                                                                                                                                                                                                                                                                                                                         |      |   |                    |
| 21                          |       | [(TCV_ce1 <> C_BothT) OR(TCV_ce1 <> C_BothNT)]                                                                                                                                                                                                                                                                                                                                                                                                                                                                                                                                                                                                                                 |      |   | 7.                 |
| <b>Detailed Comments:</b>   |       | <ol style="list-style-type: none"> <li>1. BCAP1 is speech and BCAP2 does not require negotiation, the CallProc will contain no BCAP's</li> <li>2. BCAP1 is speech and BCAP2 requires negotiation</li> <li>3. BCAP2 is speech and BCAP1 does not require negotiation, the CallProc will contain no BCAP's</li> <li>4. BCAP2 is speech and BCAP1 requires negotiation</li> <li>5. BCAP2 does not exist and BCAP1 is speech, the CallProc will contain no BCAP's</li> <li>6. BCAP2 does not exist and BCAP1 requires negotiation</li> <li>7. BCAP2 does not exist and BCAP1 does not require negotiation</li> <li>8. Emergency call, the CallProc will contain no BCAP</li> </ol> |      |   |                    |

| Test Step Dynamic Behaviour |       |                                                                                                                                                                                                                                                                                                                                      |      |   |          |
|-----------------------------|-------|--------------------------------------------------------------------------------------------------------------------------------------------------------------------------------------------------------------------------------------------------------------------------------------------------------------------------------------|------|---|----------|
| <b>Test Step Name:</b>      |       | CCAssignTCH(slot:SN; tsc:TSC)                                                                                                                                                                                                                                                                                                        |      |   |          |
| <b>Group:</b>               |       | GSM_L3_MS_v4200/Miscellaneous/                                                                                                                                                                                                                                                                                                       |      |   |          |
| <b>Objective:</b>           |       | Send assign command TCH/H or TCH/F depending on TCV_ChRate and wait for establishment indication. This is used in CC testing.                                                                                                                                                                                                        |      |   |          |
| <b>Default:</b>             |       | OtherEvents                                                                                                                                                                                                                                                                                                                          |      |   |          |
| <b>Comments:</b>            |       | The calling tree prepare three variables for the step: TCV_ChRate for the type of the channel, TCV_chMod with th channel mode IE for the channel, TCV_chTch contains the identifier for the traffic channel and TCV_chtype the channel type.                                                                                         |      |   |          |
| Nr                          | Label | Behaviour Description                                                                                                                                                                                                                                                                                                                | CRef | V | Comments |
| 1                           |       | (TCV_Null := OM_ChMdModi( TCV_chTch, TCV_ChMod), TCV_Null := OM_CphMd( TCV_chTch, CphMod_01, TCV_CphKey))                                                                                                                                                                                                                            |      |   |          |
| 2                           |       | +ltree_Asgn                                                                                                                                                                                                                                                                                                                          |      |   | 1.       |
| 3                           |       | +AssCh_complete( TCV_ch, TCV_chTch, TCV_AssCmd)                                                                                                                                                                                                                                                                                      |      |   | 2. 3.    |
| 4                           |       | <b>ltree_Asgn</b>                                                                                                                                                                                                                                                                                                                    |      |   |          |
| 5                           |       | [TSPC_PGSM OR TSPC_EGSM]<br>(TCV_AssCmd := AsgnCmd_nfh( TCV_chtype, slot, tsc, 7, C_arfcn_tchA, CellChDes_Omit, TCV_ChMod, StartingTm_omit, CphMod_omit))                                                                                                                                                                            |      |   |          |
| 6                           |       | [TSPC_DCS]                                                                                                                                                                                                                                                                                                                           |      |   |          |
| 7                           |       | (TCV_AssCmd := AsgnCmd_nfh( TCV_chtype, slot, tsc, 3, C_arfcn_tchAd, CellChDes_Omit, TCV_ChMod, StartingTm_omit, CphMod_omit))                                                                                                                                                                                                       |      |   |          |
| <b>Detailed Comments:</b>   |       | <ol style="list-style-type: none"> <li>1. To assign the suitable traffic channel to the MS.</li> <li>2. ASSIGN COMMAND with channel mode, channel description and power command.<br/>The channel mode and type (TCH/H or TCH/F) and power command are supplied as parameter.</li> <li>3. Different power command for DCS.</li> </ol> |      |   |          |

| Test Step Dynamic Behaviour |            |                                                                                                                                                                                                  |      |   |                       |
|-----------------------------|------------|--------------------------------------------------------------------------------------------------------------------------------------------------------------------------------------------------|------|---|-----------------------|
| <b>Test Step Name:</b>      |            | CCCH_group_Paging_group(ccd: CCD; imsi: HEXSTRING)                                                                                                                                               |      |   |                       |
| <b>Group:</b>               |            | GSM_L3_MS_v4200/Miscellaneous/                                                                                                                                                                   |      |   |                       |
| <b>Objective:</b>           |            | To calculate the CCCH group and the Paging group from the IMSI and the Control Channel Descriptor according to GSM 05.02, subclause 6.5.2.                                                       |      |   |                       |
| <b>Default:</b>             |            | OtherEvents                                                                                                                                                                                      |      |   |                       |
| Nr                          | Label      | Behaviour Description                                                                                                                                                                            | CRef | V | Comments              |
| 1                           |            | [ccd.ccch_con = '000'B]                                                                                                                                                                          |      |   |                       |
| 2                           |            | (TCV_bs_cc_chans := 1)                                                                                                                                                                           |      |   |                       |
| 3                           |            | +localtree1                                                                                                                                                                                      |      |   |                       |
| 4                           |            | [ccd.ccch_con = '001'B]                                                                                                                                                                          |      |   |                       |
| 5                           |            | (TCV_bs_cc_chans := 1)                                                                                                                                                                           |      |   |                       |
| 6                           |            | +localtree1                                                                                                                                                                                      |      |   |                       |
| 7                           |            | [ccd.ccch_con = '010'B]                                                                                                                                                                          |      |   |                       |
| 8                           |            | (TCV_bs_cc_chans := 2)                                                                                                                                                                           |      |   |                       |
| 9                           |            | +localtree1                                                                                                                                                                                      |      |   |                       |
| 10                          |            | [ccd.ccch_con = '100'B]                                                                                                                                                                          |      |   |                       |
| 11                          |            | (TCV_bs_cc_chans := 3)                                                                                                                                                                           |      |   |                       |
| 12                          |            | +localtree1                                                                                                                                                                                      |      |   |                       |
| 13                          |            | [ccd.ccch_con = '110'B]                                                                                                                                                                          |      |   |                       |
| 14                          |            | (TCV_bs_cc_chans := 4)                                                                                                                                                                           |      |   |                       |
| 15                          |            | +localtree1                                                                                                                                                                                      |      |   |                       |
|                             |            | <b>localtree1</b>                                                                                                                                                                                |      |   |                       |
| 16                          |            | (TCV_bs_ag_blks_res := BIT_TO_INT(ccd.babr),<br>TCV_bs_pa_mfrms := (2 + BIT_TO_INT(ccd.bpm)))                                                                                                    |      |   |                       |
| 17                          |            | [ccd.ccch_con = '001'B]                                                                                                                                                                          |      |   | i.e. combined         |
| 18                          | L_085<br>0 | [(TCV_bs_ag_blks_res < 0)<br>OR(TCV_bs_ag_blks_res > 2)]                                                                                                                                         |      | I | Stop! A tester error. |
| 19                          |            | [(TCV_bs_ag_blks_res >= 0) AND<br>(TCV_bs_ag_blks_res <= 2)]                                                                                                                                     |      |   |                       |
| 20                          |            | (TCV_tmp := 3 - TCV_bs_ag_blks_res)                                                                                                                                                              |      |   |                       |
| 21                          |            | +localtree2                                                                                                                                                                                      |      |   |                       |
| 22                          |            | [ccd.ccch_con <> '001'B]                                                                                                                                                                         |      |   | i.e. not combined     |
| 23                          | L_085<br>1 | [(TCV_bs_ag_blks_res < 0)<br>OR(TCV_bs_ag_blks_res > 7)]                                                                                                                                         |      | I | Stop! A tester error. |
| 24                          |            | [(TCV_bs_ag_blks_res >= 0) AND<br>(TCV_bs_ag_blks_res <= 7)]                                                                                                                                     |      |   |                       |
| 25                          |            | (TCV_tmp := 9 - TCV_bs_ag_blks_res)                                                                                                                                                              |      |   |                       |
| 26                          |            | +localtree2                                                                                                                                                                                      |      |   | ini. TCV Pgg          |
|                             |            | <b>localtree2</b>                                                                                                                                                                                |      |   |                       |
| 27                          |            | (TCV_tmp := TCV_tmp * TCV_bs_pa_mfrms)                                                                                                                                                           |      |   |                       |
| 28                          |            | (TCV_Pgg := INT_TO_BIT((((OC_BCDtoInt(imsi, 3))<br>MOD(TCV_bs_cc_chans * TCV_tmp)) MOD<br>TCV_tmp), 8), TCV_Ccchg :=<br>((((OC_BCDtoInt(imsi, 3)) MOD(TCV_bs_cc_chans *<br>TCV_tmp)) / TCV_tmp)) |      |   |                       |
| <b>Detailed Comments:</b>   |            |                                                                                                                                                                                                  |      |   |                       |

| Test Step Dynamic Behaviour |       |                                                                                  |                                                                                                                 |   |          |
|-----------------------------|-------|----------------------------------------------------------------------------------|-----------------------------------------------------------------------------------------------------------------|---|----------|
| <b>Test Step Name:</b>      |       | CCEstablishMO_SDCCH4( sub:B_2; ta:TA)                                            |                                                                                                                 |   |          |
| <b>Group:</b>               |       | GSM_L3_MS_v4200/Miscellaneous/                                                   |                                                                                                                 |   |          |
| <b>Objective:</b>           |       | Establish a MO SDCCH/4 connection. This is used in CC testing                    |                                                                                                                 |   |          |
| <b>Default:</b>             |       | OtherEventsFail                                                                  |                                                                                                                 |   |          |
| Nr                          | Label | Behaviour Description                                                            | CRef                                                                                                            | V | Comments |
| 1                           |       | L?DL_RaInChRq (TCV_Rr := DL_RaInChRq.<br>msg.ecau_rrf, TCV_Fn := DL_RaInChRq.fn) | ChReq(ChRequest_1<br>9)                                                                                         |   | 1.       |
| 2                           |       | LIDL_UdatRqImmss                                                                 | ImmAss(TCV_agch,<br>ImmAsgn_01Def(TCV<br>_Rr, TCV_Fn, sub,<br>_TCV_slot, TCV_tsc,<br>TCV_chdescr_arfcn,<br>ta)) |   |          |
| <b>Detailed Comments:</b>   |       | 1. To assign a SDCCH/4.                                                          |                                                                                                                 |   |          |

| Test Step Dynamic Behaviour |       |                                                                                                                                                                                              |                                                                                                                               |   |                         |
|-----------------------------|-------|----------------------------------------------------------------------------------------------------------------------------------------------------------------------------------------------|-------------------------------------------------------------------------------------------------------------------------------|---|-------------------------|
| <b>Test Step Name:</b>      |       | CCEstablishMO_TCH( slot:SN; tsc:TSC; ta:TA)                                                                                                                                                  |                                                                                                                               |   |                         |
| <b>Group:</b>               |       | GSM_L3_MS_v4200/Miscellaneous/                                                                                                                                                               |                                                                                                                               |   |                         |
| <b>Objective:</b>           |       | Establish a MO TCH/F or TCH/H connection. This is used in CC testing                                                                                                                         |                                                                                                                               |   |                         |
| <b>Default:</b>             |       | OtherEvents                                                                                                                                                                                  |                                                                                                                               |   |                         |
| <b>Comments:</b>            |       | The calling tree shall prepare one variable for the step: TCV_ChRate for the type of the channel.<br>TCV_chTch contains the identifier for the traffic channel and TCV_cht the channel type. |                                                                                                                               |   |                         |
| Nr                          | Label | Behaviour Description                                                                                                                                                                        | CRef                                                                                                                          | V | Comments                |
| 1                           |       | L?DL_RaInChRq (TCV_Rr := DL_RaInChRq.<br>msg.ecau_rrf, TCV_Fn := DL_RaInChRq.fn)                                                                                                             | ChReq(ChRequest_1<br>9)                                                                                                       |   | To match ChReq retrans. |
| 2                           |       | ACTIVATE(OtherEvents_02)                                                                                                                                                                     | ImmAss(<br>C_AGCH_A_1,<br>ImmAsgn_nfh(<br>TCV_Rr, TCV_Fn,<br>TCV_ctype, slot, tsc,<br>ta, TCV_tch_arfcn,<br>C_normal_paging)) |   |                         |
| 3                           |       | LIDL_UdatRqImmss                                                                                                                                                                             |                                                                                                                               |   |                         |
| <b>Detailed Comments:</b>   |       | 1. To assign TCH/F or TCH/H.                                                                                                                                                                 |                                                                                                                               |   |                         |

| Test Step Dynamic Behaviour |       |                                                               |                                                                                                                    |   |                               |
|-----------------------------|-------|---------------------------------------------------------------|--------------------------------------------------------------------------------------------------------------------|---|-------------------------------|
| <b>Test Step Name:</b>      |       | CCEstablishMT_SDCCH4(ta:TA; sub:B_2; cksn:B_3)                |                                                                                                                    |   |                               |
| <b>Group:</b>               |       | GSM_L3_MS_v4200/Miscellaneous/                                |                                                                                                                    |   |                               |
| <b>Objective:</b>           |       | Establish a MT SDCCH/4 connection. This is used in CC testing |                                                                                                                    |   |                               |
| <b>Default:</b>             |       | OtherEvents                                                   |                                                                                                                    |   |                               |
| Nr                          | Label | Behaviour Description                                         | CRef                                                                                                               | V | Comments                      |
| 1                           |       | +CCPage                                                       | ImmAss( TCV_agch,<br>ImmAsgn_01Def(<br>TCV_Rr, TCV_Fn,<br>sub, TCV_slot,<br>TCV_tsc,<br>TCV_chdescr_arfcn,<br>ta)) |   | To match ChReq retrans.<br>1. |
| 2                           |       | ACTIVATE( OtherEvents_02)                                     |                                                                                                                    |   |                               |
| 3                           |       | LIDL_UdatRqImmss                                              |                                                                                                                    |   |                               |
| 4                           |       | L?DL_EstInPgRes                                               | PagingRes(<br>PagingRes_03( cksn))                                                                                 |   | Restore Normal default        |
| 5                           |       | ACTIVATE( OtherEvents)                                        |                                                                                                                    |   |                               |
| <b>Detailed Comments:</b>   |       | 1. To assign a SDCCH/4.                                       |                                                                                                                    |   |                               |

| Test Step Dynamic Behaviour |       |                                                                                                                                                                                           |                                                                                                                                |   |                         |
|-----------------------------|-------|-------------------------------------------------------------------------------------------------------------------------------------------------------------------------------------------|--------------------------------------------------------------------------------------------------------------------------------|---|-------------------------|
| <b>Test Step Name:</b>      |       | CCEstablishMT_TCH( slot:SN; tsc:TSC; ta:TA)                                                                                                                                               |                                                                                                                                |   |                         |
| <b>Group:</b>               |       | GSM_L3_MS_v4200/Miscellaneous/                                                                                                                                                            |                                                                                                                                |   |                         |
| <b>Objective:</b>           |       | Establish a MT TCH/F or TCH/H connection. This is used in CC testing                                                                                                                      |                                                                                                                                |   |                         |
| <b>Default:</b>             |       | OtherEvents                                                                                                                                                                               |                                                                                                                                |   |                         |
| <b>Comments:</b>            |       | The calling tree shall prepare one variable for the step: TCV_ChRate for the type of the channel. TCV_chTch contains the identifier for the traffic channel and TCV_cht the channel type. |                                                                                                                                |   |                         |
| Nr                          | Label | Behaviour Description                                                                                                                                                                     | CRef                                                                                                                           | V | Comments                |
| 1                           |       | +CCPage                                                                                                                                                                                   |                                                                                                                                |   | To match ChReq retrans. |
| 2                           |       | ACTIVATE(OtherEvents_02)                                                                                                                                                                  |                                                                                                                                |   |                         |
| 3                           |       | LIDL_UdatRqImmss                                                                                                                                                                          | ImmAss(<br>C_AGCH_A_1,<br>ImmAsgn_nfh(<br>TCV_Rr, TCV_Fn,<br>TCV_chtype, slot, tsc,<br>ta, TCV_tch_arfcn,<br>C_normal_paging)) |   |                         |
| 4                           |       | L?DL_EstInPgRes                                                                                                                                                                           | PagingRes(PagingRes_01)                                                                                                        |   | Restore Normal default  |
| 5                           |       | ACTIVATE(OtherEvents)                                                                                                                                                                     |                                                                                                                                |   |                         |
| <b>Detailed Comments:</b>   |       | 1. To assign TCH/F or TCH/H.                                                                                                                                                              |                                                                                                                                |   |                         |

| Test Step Dynamic Behaviour |       |                                                                                                                                                                                                               |                                         |   |          |
|-----------------------------|-------|---------------------------------------------------------------------------------------------------------------------------------------------------------------------------------------------------------------|-----------------------------------------|---|----------|
| <b>Test Step Name:</b>      |       | CC_Est_MT_Call                                                                                                                                                                                                |                                         |   |          |
| <b>Group:</b>               |       | GSM_L3_MS_v4200/Miscellaneous/                                                                                                                                                                                |                                         |   |          |
| <b>Objective:</b>           |       | To perform the CC message exchange to establish a mobile station terminating call (late assignment).                                                                                                          |                                         |   |          |
| <b>Default:</b>             |       | OtherEvents                                                                                                                                                                                                   |                                         |   |          |
| Nr                          | Label | Behaviour Description                                                                                                                                                                                         | CRef                                    | V | Comments |
| 1                           |       | (TCV_Setup_mt.sig := Signal_01)                                                                                                                                                                               |                                         |   | 1)       |
| 2                           |       | LIDL_DatRqSetup                                                                                                                                                                                               | SetupSnd( TCV_ch,<br>TCV_Setup_mt)      |   |          |
| 3                           |       | L?DL_DatInCallCo                                                                                                                                                                                              | CallCfm(<br>CallConfirm_01(<br>TI_01))  |   |          |
| 4                           |       | L?DL_DatInConn                                                                                                                                                                                                | ConnRcv(<br>Connect_01( TI_01))         |   |          |
| 5                           |       | L?DL_DatInAlert                                                                                                                                                                                               | AlertRcv(<br>AlertingInd_01(<br>TI_01)) |   |          |
| 6                           |       | (TCV_Null := OO_HookOff())                                                                                                                                                                                    |                                         |   |          |
| 7                           |       | L?DL_DatInConn                                                                                                                                                                                                | ConnRcv(<br>Connect_01( TI_01))         |   |          |
| <b>Detailed Comments:</b>   |       | 1. If the MS supports the bearer capabilities, which are give in Setup message, it has to accept them. However, it may still send bearer capabilities in the Call Confirm message for either EFR or Half Rate |                                         |   |          |



| Test Step Dynamic Behaviour |       |                                                                                                                                                                                                               |                                               |   |           |
|-----------------------------|-------|---------------------------------------------------------------------------------------------------------------------------------------------------------------------------------------------------------------|-----------------------------------------------|---|-----------|
| <b>Test Step Name:</b>      |       | CC_EstMsTermCall( rate:IA5String; sub:B_1)                                                                                                                                                                    |                                               |   |           |
| <b>Group:</b>               |       | GSM_L3_MS_v4200/Miscellaneous/                                                                                                                                                                                |                                               |   |           |
| <b>Objective:</b>           |       | To perform the CC message exchange to establish a mobile station terminating call with non hopping channel (speech or data call). (Similar to EstMsTermFullRateCallNonFH but without initial RRmtcallprepare) |                                               |   |           |
| <b>Default:</b>             |       | OtherEvents                                                                                                                                                                                                   |                                               |   |           |
| Nr                          | Label | Behaviour Description                                                                                                                                                                                         | CRef                                          | V | Comments  |
| 1                           |       | +CC_Est_MT_Call                                                                                                                                                                                               |                                               |   |           |
| 2                           |       | +ltree_Asgn                                                                                                                                                                                                   |                                               |   |           |
| 3                           |       | +Adjust_gsmanddcs_powerlvl( 0, 15, TCV_AssCmd)                                                                                                                                                                |                                               |   |           |
| 4                           |       | +AssCh_complete( TCV_ch, TCV_chTch, TCV_AssCmd)                                                                                                                                                               |                                               |   |           |
| 5                           |       | L!DL_DatRqConnAck                                                                                                                                                                                             | ConnAckSnd( TCV_chTch, ConnectAck_01( TI_02)) |   |           |
| <b>ltree_Asgn</b>           |       |                                                                                                                                                                                                               |                                               |   |           |
| 6                           |       | [rate <> C_Half]                                                                                                                                                                                              |                                               |   | Full rate |
| 7                           |       | (TCV_Tchtype := '00001'B)                                                                                                                                                                                     |                                               |   |           |
| 8                           |       | (TCV_AssCmd := AsgnCmd_nfh( TCV_Tchtype, TCV_asscmd_ts, TSPX_TscDef, 9, TCV_tch_arfcn, CellChDes_Omit, TCV_ChMod, StartingTm_omit, CphMod_omit))                                                              |                                               |   |           |
| 9                           |       | [rate = C_Half]                                                                                                                                                                                               |                                               |   | Half rate |
| 10                          |       | (TCV_Tchtype := INT_TO_BIT(( 2 + BIT_TO_INT( sub)), 5))                                                                                                                                                       |                                               |   |           |
| 11                          |       | (TCV_AssCmd := AsgnCmd_nfh( TCV_Tchtype, TCV_asscmd_ts, TSPX_TscDef, 9, TCV_tch_arfcn, CellChDes_Omit, TCV_ChMod, StartingTm_omit, CphMod_omit))                                                              |                                               |   |           |
| <b>Detailed Comments:</b>   |       |                                                                                                                                                                                                               |                                               |   |           |

| Test Step Dynamic Behaviour |       |                                                                                                                                                        |                                                                                              |   |          |
|-----------------------------|-------|--------------------------------------------------------------------------------------------------------------------------------------------------------|----------------------------------------------------------------------------------------------|---|----------|
| <b>Test Step Name:</b>      |       | CCModifyTCH(slot :SN; tsc:TSC)                                                                                                                         |                                                                                              |   |          |
| <b>Group:</b>               |       | GSM_L3_MS_v4200/Miscellaneous/                                                                                                                         |                                                                                              |   |          |
| <b>Objective:</b>           |       | Send channel mode modify command and wait for successful completion. This is used for CC testing.                                                      |                                                                                              |   |          |
| <b>Default:</b>             |       | OtherEvents                                                                                                                                            |                                                                                              |   |          |
| <b>Comments:</b>            |       | The calling tree shall prepare two variables for the step: TCV_chtype for the type of the channel, TCV_ChMod with the channel mode IE for the channel. |                                                                                              |   |          |
| Nr                          | Label | Behaviour Description                                                                                                                                  | CRef                                                                                         | V | Comments |
| 1                           |       | (TCV_Null := OM_ChMdModi(TCV_chTch, TCV_ChMod))                                                                                                        |                                                                                              |   |          |
| 2                           |       | L!DL_DatRqChmmo                                                                                                                                        | ChmmoReqSnd( TCV_chTch, ChmomoReq_07( TCV_chtype, TCV_ChMod.mode, slot, tsc, TCV_tch_arfcn)) |   |          |
| 3                           |       | L?DL_DatInChmmoAck                                                                                                                                     | ChmmoAckRcv( TCV_chTch, ChmomoAck_08( TCV_chtype, TCV_ChMod.mode, slot, tsc, TCV_tch_arfcn)) |   |          |
| <b>Detailed Comments:</b>   |       |                                                                                                                                                        |                                                                                              |   |          |

| Test Step Dynamic Behaviour |       |                                                                                                    |                                        |   |          |
|-----------------------------|-------|----------------------------------------------------------------------------------------------------|----------------------------------------|---|----------|
| <b>Test Step Name:</b>      |       | CCPage                                                                                             |                                        |   |          |
| <b>Group:</b>               |       | GSM_L3_MS_v4200/Miscellaneous/                                                                     |                                        |   |          |
| <b>Objective:</b>           |       | Send paging request and wait for channel request. This is used in CC testing.                      |                                        |   |          |
| <b>Default:</b>             |       | OtherEvents                                                                                        |                                        |   |          |
| <b>Comments:</b>            |       | TCV_Rr contains the request reference and TCV_Fn contains the frame number of the channel request. |                                        |   |          |
| Nr                          | Label | Behaviour Description                                                                              | CRef                                   | V | Comments |
| 1                           |       | L!DL_UdatRqPg1Rq                                                                                   | PgReq1(TCV_PgCh, TCV_Pgg, PgReqTp1_01) |   |          |
| 2                           |       | L?DL_RaInChRq (TCV_Rr := DL_RaInChRq.msg.ecau_rrf, TCV_Fn := DL_RaInChRq.fn)                       | ChReq(ChRequest_01)                    |   |          |
| <b>Detailed Comments:</b>   |       |                                                                                                    |                                        |   |          |

| Test Step Dynamic Behaviour |       |                                                                                                                                                                                |                                       |   |          |
|-----------------------------|-------|--------------------------------------------------------------------------------------------------------------------------------------------------------------------------------|---------------------------------------|---|----------|
| <b>Test Step Name:</b>      |       | CCstatuschk_01(ch: LOGICCH; st:CCSTATE)                                                                                                                                        |                                       |   |          |
| <b>Group:</b>               |       | GSM_L3_MS_v4200/Miscellaneous/                                                                                                                                                 |                                       |   |          |
| <b>Objective:</b>           |       | To check whether the MS under test is in the CC state `st` and cause = #30.                                                                                                    |                                       |   |          |
| <b>Default:</b>             |       | OtherEventsFail                                                                                                                                                                |                                       |   |          |
| <b>Comments:</b>            |       | if the cause value is #30 and the CC state value is `st`, the preliminary verdict is pass. This is used in the case of transaction initiated by test system, the DCCH is `ch`. |                                       |   |          |
| Nr                          | Label | Behaviour Description                                                                                                                                                          | CRef                                  | V | Comments |
| 1                           |       | L!DL_DatRqCcstEnq                                                                                                                                                              | CCStESnd( ch, CCStatusEq_01( TI_02))  |   |          |
| 2                           |       | L?DL_DatInCcst                                                                                                                                                                 | CCStRcv( ch, CCStatus_14( TI_01, st)) |   |          |
| <b>Detailed Comments:</b>   |       |                                                                                                                                                                                |                                       |   |          |

| Test Step Dynamic Behaviour              |            |                                                                                            |                                      |      |          |
|------------------------------------------|------------|--------------------------------------------------------------------------------------------|--------------------------------------|------|----------|
| <b>Test Step Name:</b>                   |            | CCstatuschk_02(ch: LOGICCH; st:CCSTATE; ti_orig, ti_dest: TI)                              |                                      |      |          |
| <b>Group:</b>                            |            | GSM_L3_MS_v4200/Miscellaneous/                                                             |                                      |      |          |
| <b>Objective:</b>                        |            | To check whether the MS under test is in the CC state `st` and cause = #30.                |                                      |      |          |
| <b>Default:</b>                          |            | OtherEvents                                                                                |                                      |      |          |
| <b>Comments:</b>                         |            | if the cause value is #30 and the CC state value is `st`, the preliminary verdict is pass. |                                      |      |          |
| Nr                                       | Label      | Behaviour Description                                                                      | CRef                                 | V    | Comments |
| 1                                        |            | L!DL_DatRqCcstEnq                                                                          | CCStESnd(ch, CCStatusEq_01(ti_orig)) |      |          |
| 2                                        |            | L?DL_DatInCcst (TCV_Cau := DL_DatInCcst.msg.cau, TCV_CCst := DL_DatInCcst.msg.cst)         | CCStRcv( ch, CCStatus_01(ti_dest))   |      |          |
| 3                                        |            | [(TCV_Cau.cau_class = '001'B) AND (TCV_Cau.cau_va = '1110'B)]                              |                                      |      |          |
| 4                                        |            | [TCV_CCst.csv = INT_TO_BIT(st, 6)]                                                         |                                      |      | 1.       |
| 5                                        | L_085<br>2 | [TCV_CCst.csv <> INT_TO_BIT(st, 6)]                                                        |                                      | ( I) | 2.       |
| 6                                        |            | +PostLinkRelEnd(ch)                                                                        |                                      |      |          |
| 7                                        | L_085<br>3 | [(TCV_Cau.cau_class <> '001'B) OR(TCV_Cau.cau_va<> '1110'B)]                               |                                      | ( I) | 3.       |
| 8                                        |            | +PostLinkRelEnd(ch)                                                                        |                                      |      |          |
| <b>Detailed Comments:</b>                |            |                                                                                            |                                      |      |          |
| 1. Now in CC state 'st' and cause = #30. |            |                                                                                            |                                      |      |          |
| 2. Not in CC state 'st'.                 |            |                                                                                            |                                      |      |          |
| 3. Cause is not #30.                     |            |                                                                                            |                                      |      |          |

| Test Step Dynamic Behaviour |            |                                                                                                                                                                                                                                              |                                                   |     |          |
|-----------------------------|------------|----------------------------------------------------------------------------------------------------------------------------------------------------------------------------------------------------------------------------------------------|---------------------------------------------------|-----|----------|
| <b>Test Step Name:</b>      |            | CCstatuschk_03(st:CCSTATE; Ti:Ti)                                                                                                                                                                                                            |                                                   |     |          |
| <b>Group:</b>               |            | GSM_L3_MS_v4200/Miscellaneous/                                                                                                                                                                                                               |                                                   |     |          |
| <b>Objective:</b>           |            | To check whether the MS under test is in the CC state `st` and cause = #30.                                                                                                                                                                  |                                                   |     |          |
| <b>Default:</b>             |            | OtherEventsFail                                                                                                                                                                                                                              |                                                   |     |          |
| <b>Comments:</b>            |            | if the cause value is #30 and the CC state value is `st`, the preliminary verdict is pass. This is used in the case of DCCH = SDCCH4 and transcaction initiated by the MS. The calling tree shall prepare the variable for the step: TCV_ch. |                                                   |     |          |
| Nr                          | Label      | Behaviour Description                                                                                                                                                                                                                        | CRef                                              | V   | Comments |
| 1                           |            | (TCV_TI1 := Ti, TCV_TI1.ti_f := '0'B)                                                                                                                                                                                                        |                                                   |     |          |
| 2                           |            | L!DL_DatRqCcstEnq                                                                                                                                                                                                                            | CCStESnd( TCV_ch,<br>CCStatusEq_01( Ti))          |     |          |
| 3                           | L_085<br>4 | L?DL_DatInCcst                                                                                                                                                                                                                               | CCStRcv( TCV_ch,<br>CCStatus_14(<br>TCV_TI1, st)) | (P) |          |
| <b>Detailed Comments:</b>   |            |                                                                                                                                                                                                                                              |                                                   |     |          |

| Test Step Dynamic Behaviour |            |                                                                                            |                                               |     |          |
|-----------------------------|------------|--------------------------------------------------------------------------------------------|-----------------------------------------------|-----|----------|
| <b>Test Step Name:</b>      |            | CCstatuschk_05(st:CCSTATE; ti:Ti; ch: LOGICCH)                                             |                                               |     |          |
| <b>Group:</b>               |            | GSM_L3_MS_v4200/Miscellaneous/                                                             |                                               |     |          |
| <b>Objective:</b>           |            | To check whether the MS under test is in the CC state `st` and cause = #30.                |                                               |     |          |
| <b>Default:</b>             |            | OtherEventsFail                                                                            |                                               |     |          |
| <b>Comments:</b>            |            | if the cause value is #30 and the CC state value is `st`, the preliminary verdict is pass. |                                               |     |          |
| Nr                          | Label      | Behaviour Description                                                                      | CRef                                          | V   | Comments |
| 1                           |            | (TCV_TI1.ti_v := ti.ti_v)                                                                  |                                               |     |          |
| 2                           |            | [ti.ti_f = '0'B]                                                                           |                                               |     |          |
| 3                           |            | (TCV_TI1.ti_f := '1'B)                                                                     |                                               |     |          |
| 4                           |            | +localtree                                                                                 |                                               |     |          |
| 5                           |            | [ti.ti_f = '1'B]                                                                           |                                               |     |          |
| 6                           |            | (TCV_TI1.ti_f := '0'B)                                                                     |                                               |     |          |
| 7                           |            | +localtree                                                                                 |                                               |     |          |
|                             |            | <b>localtree</b>                                                                           |                                               |     |          |
| 8                           |            | L!DL_DatRqCcstEnq                                                                          | CCStESnd( ch,<br>CCStatusEq_01( ti))          |     |          |
| 9                           | L_085<br>5 | L?DL_DatInCcst                                                                             | CCStRcv( ch,<br>CCStatus_14(TCV_TI<br>1, st)) | (P) |          |
| <b>Detailed Comments:</b>   |            |                                                                                            |                                               |     |          |

| Test Step Dynamic Behaviour |            |                                |      |     |          |
|-----------------------------|------------|--------------------------------|------|-----|----------|
| <b>Test Step Name:</b>      |            | Check_Time(maxtime: INTEGER)   |      |     |          |
| <b>Group:</b>               |            | GSM_L3_MS_v4200/Miscellaneous/ |      |     |          |
| <b>Objective:</b>           |            |                                |      |     |          |
| <b>Default:</b>             |            | OtherEventsFail                |      |     |          |
| Nr                          | Label      | Behaviour Description          | CRef | V   | Comments |
| 1                           |            | +FnArith( TCV_Fn, TCV_Fn1)     |      |     |          |
| 2                           | L_085<br>6 | [TCV_Time <= maxtime]          |      | (P) |          |
| 3                           | L_085<br>7 | [TCV_Time > maxtime]           |      | (F) |          |
| <b>Detailed Comments:</b>   |            |                                |      |     |          |

| Test Step Dynamic Behaviour |            |                                                                                            |                                                     |     |          |
|-----------------------------|------------|--------------------------------------------------------------------------------------------|-----------------------------------------------------|-----|----------|
| <b>Test Step Name:</b>      |            | CheckTlInStateU0(mo: BOOLEAN; ch: LOGICCH)                                                 |                                                     |     |          |
| <b>Group:</b>               |            | GSM_L3_MS_v4200/Miscellaneous/                                                             |                                                     |     |          |
| <b>Objective:</b>           |            | Check that all MO or MT CC entities in the MS are in state U0. This is used in CC testing. |                                                     |     |          |
| <b>Default:</b>             |            | OtherEventsFail                                                                            |                                                     |     |          |
| Nr                          | Label      | Behaviour Description                                                                      | CRef                                                | V   | Comments |
| 1                           |            | [mo]                                                                                       |                                                     |     |          |
| 2                           |            | (TCV_TI1.ti_f := '1'B, TCV_TI2.ti_f := '0'B)                                               |                                                     |     |          |
| 3                           |            | +localtree1                                                                                |                                                     |     |          |
| 4                           |            | [NOT mo]                                                                                   |                                                     |     |          |
| 5                           |            | (TCV_TI1.ti_f := '0'B, TCV_TI2.ti_f := '1'B)                                               |                                                     |     |          |
| 6                           |            | +localtree1                                                                                |                                                     |     |          |
| <b>localtree1</b>           |            |                                                                                            |                                                     |     |          |
| 7                           |            | (TCV_Cnt := 0)                                                                             |                                                     |     |          |
| 8                           |            | REPEAT localtree2 UNTIL [TCV_Cnt = 7]                                                      |                                                     |     |          |
| <b>localtree2</b>           |            |                                                                                            |                                                     |     |          |
| 9                           |            | (TCV_TI1.ti_v := INT_TO_BIT(TCV_Cnt, 3),<br>TCV_TI2.ti_v := INT_TO_BIT(TCV_Cnt, 3))        |                                                     |     |          |
| 10                          |            | L!DL_DatRqCcsstEnq                                                                         | CCStESnd( ch,<br>CCStatusEq_01(<br>TCV_TI1))        |     |          |
| 11                          | L_085<br>8 | L?DL_DatInRelCmp                                                                           | RelComRcv(<br>ReleaseCmpRcv(<br>TCV_TI2, Cause_07)) | (P) | 1.       |
| 12                          |            | (TCV_Cnt := TCV_Cnt + 1)                                                                   |                                                     |     |          |
| <b>Detailed Comments:</b>   |            | 1. Cause #81 (invalid TI value)                                                            |                                                     |     |          |

| Test Step Dynamic Behaviour |            |                                                                                   |      |     |          |
|-----------------------------|------------|-----------------------------------------------------------------------------------|------|-----|----------|
| <b>Test Step Name:</b>      |            | ChkMsrmntRpt(index1, index2:INTEGER)                                              |      |     |          |
| <b>Group:</b>               |            | GSM_L3_MS_v4200/Miscellaneous/                                                    |      |     |          |
| <b>Objective:</b>           |            | Check whether the mesurment report is correct and assign the verdict accordingly. |      |     |          |
| <b>Default:</b>             |            | OtherEventsFail                                                                   |      |     |          |
| Nr                          | Label      | Behaviour Description                                                             | CRef | V   | Comments |
| 1                           |            | [TSPC_PGSM OR TSPC_EGSM]                                                          |      |     |          |
| 2                           |            | (TCV_Res := OC_MsrReptChk(TCV_MsrRes,<br>index1))                                 |      |     |          |
| 3                           | L_085<br>9 | [NOT TCV_Res]                                                                     |      | (F) |          |
| 4                           | L_086<br>0 | [TCV_Res]                                                                         |      | (P) |          |
| 5                           |            | [TSPC_DCS]                                                                        |      |     |          |
| 6                           |            | (TCV_Res := OC_MsrReptChk(TCV_MsrRes,<br>index2))                                 |      |     |          |
| 7                           | L_086<br>1 | [NOT TCV_Res]                                                                     |      | (F) |          |
| 8                           | L_086<br>2 | [TCV_Res]                                                                         |      | (P) |          |
| <b>Detailed Comments:</b>   |            |                                                                                   |      |     |          |

| Test Step Dynamic Behaviour |            |                                                          |                            |     |          |
|-----------------------------|------------|----------------------------------------------------------|----------------------------|-----|----------|
| <b>Test Step Name:</b>      |            | Ciphering_off(ch: LOGICCH)                               |                            |     |          |
| <b>Group:</b>               |            | GSM_L3_MS_v4200/Miscellaneous/                           |                            |     |          |
| <b>Objective:</b>           |            |                                                          |                            |     |          |
| <b>Default:</b>             |            | OtherEventsFail                                          |                            |     |          |
| Nr                          | Label      | Behaviour Description                                    | CRef                       | V   | Comments |
| 1                           |            | (TCV_Null := OM_CphMdChg(TCV_ch, CphMod_02, TCV_CphKey)) |                            |     |          |
| 2                           |            | L!DL_DatRqCphmCmd                                        | CphCmd( ch, CphModeCmd_02) |     |          |
| 3                           | L_086<br>3 | L?DL_DatInCphmCom                                        | CphCom( CphModeCmp_01)     | (P) |          |
| <b>Detailed Comments:</b>   |            |                                                          |                            |     |          |

| Test Step Dynamic Behaviour |            |                                                        |                           |     |          |
|-----------------------------|------------|--------------------------------------------------------|---------------------------|-----|----------|
| <b>Test Step Name:</b>      |            | Ciphering_on(ch: LOGICCH)                              |                           |     |          |
| <b>Group:</b>               |            | GSM_L3_MS_v4200/Miscellaneous/                         |                           |     |          |
| <b>Objective:</b>           |            | Send cipher command and wait for successful completion |                           |     |          |
| <b>Default:</b>             |            | OtherEventsFail                                        |                           |     |          |
| Nr                          | Label      | Behaviour Description                                  | CRef                      | V   | Comments |
| 1                           |            | (TCV_Null := OM_CphMdChg( ch, CphMod_01, TCV_CphKey))  |                           |     |          |
| 2                           |            | L!DL_DatRqCphmCmd                                      | CphCmd(ch, CphModeCmd_01) |     |          |
| 3                           | L_086<br>4 | L?DL_DatInCphmCom                                      | CphCom(CphModeCmp_01)     | (P) |          |
| <b>Detailed Comments:</b>   |            |                                                        |                           |     |          |

| Test Step Dynamic Behaviour                               |            |                                                  |                                     |     |          |
|-----------------------------------------------------------|------------|--------------------------------------------------|-------------------------------------|-----|----------|
| <b>Test Step Name:</b>                                    |            | CMsrvcRq                                         |                                     |     |          |
| <b>Group:</b>                                             |            | GSM_L3_MS_v4200/Miscellaneous/                   |                                     |     |          |
| <b>Objective:</b>                                         |            |                                                  |                                     |     |          |
| <b>Default:</b>                                           |            | OtherEventsFail                                  |                                     |     |          |
| Nr                                                        | Label      | Behaviour Description                            | CRef                                | V   | Comments |
| 1                                                         |            | L?DL_DatInCmsRq                                  | CMSerDatReq( CMSerDatReq_01)        |     | 1)       |
| 2                                                         |            | L!DL_DatRqCmsAcp                                 | CMSerAcp( TCV_ch, CMSerAcp_01)      |     |          |
| 3                                                         | L_086<br>5 | L?DL_DatInSetup (TCV_Mt := DL_DatInSetup.msg.mt) | SetupRcv( SetupInd_01)              | (P) | 2)       |
| 4                                                         | L_086<br>6 | L?DL_DatInRegister                               | Register_03( RegisterPdu_01)        | (P) | 2)       |
| 5                                                         | L_086<br>7 | L?DL_DatInCpData                                 | DatInCpData( TCV_ch, CpDataPdu_any) | (P) | 2)       |
| <b>Detailed Comments:</b>                                 |            |                                                  |                                     |     |          |
| 1) MS shall send a CM Service Request.                    |            |                                                  |                                     |     |          |
| 2) Any initial CM message is to expect.                   |            |                                                  |                                     |     |          |
| This test step is called in TC_26_7_4_3_4 & TC_26_7_5_8_2 |            |                                                  |                                     |     |          |

| Test Step Dynamic Behaviour                                                          |       |                                                                        |                                                               |   |          |
|--------------------------------------------------------------------------------------|-------|------------------------------------------------------------------------|---------------------------------------------------------------|---|----------|
| <b>Test Step Name:</b> DTMFSignalling(n: INTEGER; ti_ms: TI; ti_ss: TI; ch: LOGICCH) |       |                                                                        |                                                               |   |          |
| <b>Group:</b> GSM_L3_MS_v4200/Miscellaneous/                                         |       |                                                                        |                                                               |   |          |
| <b>Objective:</b>                                                                    |       |                                                                        |                                                               |   |          |
| <b>Default:</b> OtherEventsFail                                                      |       |                                                                        |                                                               |   |          |
| Nr                                                                                   | Label | Behaviour Description                                                  | CRef                                                          | V | Comments |
| 1                                                                                    |       | (TCV_Cnt:=0)                                                           |                                                               |   |          |
| 2                                                                                    |       | REPEAT localtree UNTIL [TCV_Cnt=n]                                     |                                                               |   |          |
|                                                                                      |       | <b>localtree</b>                                                       |                                                               |   |          |
| 3                                                                                    |       | L?DL_DatInStartDtmf(TCV_Char :=<br>DL_DatInStartDtmf.msg.kpf.kpf_info) | StartDTMFRCv(<br>StartDtmf_02( ti_ms))                        |   |          |
| 4                                                                                    |       | L!DL_DatRqStartDtmfAck                                                 | StartDTMFackSnd(<br>ch, StartDtmfAck_01(<br>ti_ss, TCV_Char)) |   |          |
| 5                                                                                    |       | L?DL_DatInStopDtmf                                                     | StopDTMFRCv(<br>StopDtmf_01( ti_ms))                          |   |          |
| 6                                                                                    |       | L!DL_DatRqStopDtmfAck                                                  | StopDTMFackSnd(<br>ch, StopDtmfAck_01(<br>ti_ss))             |   |          |
| 7                                                                                    |       | (TCV_Cnt:=TCV_Cnt+1)                                                   |                                                               |   |          |
| <b>Detailed Comments:</b>                                                            |       |                                                                        |                                                               |   |          |

| Test Step Dynamic Behaviour                                                                               |       |                                                                                   |                                                                                                                                 |   |                         |
|-----------------------------------------------------------------------------------------------------------|-------|-----------------------------------------------------------------------------------|---------------------------------------------------------------------------------------------------------------------------------|---|-------------------------|
| <b>Test Step Name:</b> EstablishFacMO( t:INTEGER; comp:Component_T; sdcch:B_2; slot:SN; tsc:TSC; tch:B_1) |       |                                                                                   |                                                                                                                                 |   |                         |
| <b>Group:</b> GSM_L3_MS_v4200/Miscellaneous/                                                              |       |                                                                                   |                                                                                                                                 |   |                         |
| <b>Objective:</b>                                                                                         |       |                                                                                   |                                                                                                                                 |   |                         |
| <b>Default:</b> OtherEventsFail                                                                           |       |                                                                                   |                                                                                                                                 |   |                         |
| Nr                                                                                                        | Label | Behaviour Description                                                             | CRef                                                                                                                            | V | Comments                |
| 1                                                                                                         |       | +InitCall( TCV_Service)                                                           |                                                                                                                                 |   |                         |
| 2                                                                                                         |       | L?DL_RaInChRq ( TCV_Rr := DL_RaInChRq.<br>msg.ecau_rrf, TCV_Fn := DL_RaInChRq.fn) | ChReq(<br>ChRequest_15)                                                                                                         |   |                         |
| 3                                                                                                         |       | ACTIVATE( OtherEventsFail_02)                                                     |                                                                                                                                 |   | To match ChReq retrans. |
| 4                                                                                                         |       | L!DL_UdatRqImmass                                                                 | ImmAss( TCV_agch,<br>ImmAsgn_01Def(<br>TCV_Rr, TCV_Fn,<br>sdcch, TCV_slot,<br>TCV_tsc,<br>TCV_chdescr_arfcn,<br>TimingAdv( 0))) |   |                         |
| 5                                                                                                         |       | L?DL_EstInCmsRq                                                                   | CMSerReq(<br>CMServiceReq_01)                                                                                                   |   |                         |
| 6                                                                                                         |       | ACTIVATE( OtherEventsFail)                                                        |                                                                                                                                 |   | Restore Normal default  |
| 7                                                                                                         |       | L!DL_DatRqCmsAcp                                                                  | CMSerAcp( TCV_ch,<br>CMServiceAcp_01)                                                                                           |   |                         |
| 8                                                                                                         |       | +RcvSetupOrEsetup( TCV_Setup_mo,<br>TCV_Esetup, TCV_Ecall)                        |                                                                                                                                 |   |                         |
| 9                                                                                                         |       | L!DL_DatRqCallProc                                                                | CallProc( TCV_ch,<br>TCV_CallProc)                                                                                              |   |                         |
| 10                                                                                                        |       | +AssCmdGen( TCV_cellid,<br>TCV_ChRate, slot, tsc, tch)                            |                                                                                                                                 |   |                         |
| 11                                                                                                        |       | +AssCh_complete( TCV_ch,<br>TCV_chTch, TCV_AssCmd)                                |                                                                                                                                 |   |                         |
| 12                                                                                                        |       | L!DL_DatRqAlert                                                                   | AlertSnd(<br>TCV_chTch,<br>Alerting_01( TCV_TI))                                                                                |   |                         |
| 13                                                                                                        |       | L!DL_DatRqConn START<br>T_dly( t), START T_dly1(<br>10000)                        | ConnSnd(<br>TCV_chTch,<br>Connect_05( TCV_TI,<br>facilityIEtsndiei(<br>comp)))                                                  |   | 1.                      |
| 14                                                                                                        |       | +AOC_CHK_FAC(<br>TCV_TI0)                                                         |                                                                                                                                 |   |                         |
| <b>Detailed Comments:</b> 1. To send Facility IE of ForwardChargeAdvice - comp.                           |       |                                                                                   |                                                                                                                                 |   |                         |

| Test Step Dynamic Behaviour |       |                                                                                                                                                                                                                                                                                                                                                          |      |   |                                                                                                                         |
|-----------------------------|-------|----------------------------------------------------------------------------------------------------------------------------------------------------------------------------------------------------------------------------------------------------------------------------------------------------------------------------------------------------------|------|---|-------------------------------------------------------------------------------------------------------------------------|
| <b>Test Step Name:</b>      |       | FnArith(fn, fn1:FN)                                                                                                                                                                                                                                                                                                                                      |      |   |                                                                                                                         |
| <b>Group:</b>               |       | GSM_L3_MS_v4200/Miscellaneous/                                                                                                                                                                                                                                                                                                                           |      |   |                                                                                                                         |
| <b>Objective:</b>           |       |                                                                                                                                                                                                                                                                                                                                                          |      |   |                                                                                                                         |
| <b>Default:</b>             |       | OtherEventsFail                                                                                                                                                                                                                                                                                                                                          |      |   |                                                                                                                         |
| <b>Comments:</b>            |       | To calculate the difference of two frame numbers 'fn1' and 'fn'. The test step uses TCV_Cnt1, TCV_Cnt2, TCV_K and TCV_Time                                                                                                                                                                                                                               |      |   |                                                                                                                         |
| Nr                          | Label | Behaviour Description                                                                                                                                                                                                                                                                                                                                    | CRef | V | Comments                                                                                                                |
| 1                           |       | (TCV_Cnt1 := (51 * ((BIT_TO_INT( fn.t3) - BIT_TO_INT( fn.t2) + 26) MOD 26)) + BIT_TO_INT( fn.t3) + (1326 * BIT_TO_INT( fn.t1_))), TCV_Cnt2 := (51 * ((BIT_TO_INT( fn1.t3) - BIT_TO_INT( fn1.t2) + 26) MOD 26)) + BIT_TO_INT( fn1.t3) + (1326 * BIT_TO_INT( fn1.t1_))), TCV_K := ((TCV_Cnt2 - TCV_Cnt1 + 42432) MOD 42432), TCV_Time := TCV_K * 120 / 26) |      |   | GSM 04.08 section 10.5.2.30.<br>TCV_K stores the frame number difference.<br>TCV_Time stores the time difference in ms. |
| <b>Detailed Comments:</b>   |       |                                                                                                                                                                                                                                                                                                                                                          |      |   |                                                                                                                         |

| Test Step Dynamic Behaviour |            |                                             |                                              |     |          |
|-----------------------------|------------|---------------------------------------------|----------------------------------------------|-----|----------|
| <b>Test Step Name:</b>      |            | IdentityRequest(par_int:INTEGER; par_mi:MI) |                                              |     |          |
| <b>Group:</b>               |            | GSM_L3_MS_v4200/Miscellaneous/              |                                              |     |          |
| <b>Objective:</b>           |            |                                             |                                              |     |          |
| <b>Default:</b>             |            | OtherEventsFail                             |                                              |     |          |
| Nr                          | Label      | Behaviour Description                       | CRef                                         | V   | Comments |
| 1                           |            | +Itree_idrequest                            |                                              |     |          |
| 2                           | L_086<br>8 | L?DL_DatInIdRes                             | IDRes(<br>IDResponse_30(<br>par_mi))         | (P) |          |
|                             |            | <b>Itree_idrequest</b>                      |                                              |     |          |
| 3                           |            | [par_int=C_IMSI]                            |                                              |     |          |
| 4                           |            | L!DL_DatRqIdRq                              | IDReq( TCV_ch,<br>IDRequest_01(<br>'0001'B)) |     | IMSI.    |
| 5                           |            | [par_int=C_TMSI]                            |                                              |     |          |
| 6                           |            | L!DL_DatRqIdRq                              | IDReq( TCV_ch,<br>IDRequest_01(<br>'0100'B)) |     | TMSI.    |
| 7                           |            | [par_int=C_IMEI]                            |                                              |     |          |
| 8                           |            | L!DL_DatRqIdRq                              | IDReq( TCV_ch,<br>IDRequest_01(<br>'0010'B)) |     | IMEI.    |
| 9                           |            | [par_int=C_IMEISV]                          |                                              |     |          |
| 10                          |            | L!DL_DatRqIdRq                              | IDReq( TCV_ch,<br>IDRequest_01(<br>'0011'B)) |     | IMSESV.  |
| <b>Detailed Comments:</b>   |            |                                             |                                              |     |          |

| Test Step Dynamic Behaviour |        |                                                                                                                            |                                                                                                                |     |                                       |
|-----------------------------|--------|----------------------------------------------------------------------------------------------------------------------------|----------------------------------------------------------------------------------------------------------------|-----|---------------------------------------|
| <b>Test Step Name:</b>      |        | ImsiAttach(par_mi:MI; ta:TA; mcc, mnc:OCTETSTRING; sim_rmvd:BOOLEAN)                                                       |                                                                                                                |     |                                       |
| <b>Group:</b>               |        | GSM_L3_MS_v4200/Miscellaneous/                                                                                             |                                                                                                                |     |                                       |
| <b>Objective:</b>           |        |                                                                                                                            |                                                                                                                |     |                                       |
| <b>Default:</b>             |        | OtherEventsFail                                                                                                            |                                                                                                                |     |                                       |
| Nr                          | Label  | Behaviour Description                                                                                                      | CRef                                                                                                           | V   | Comments                              |
| 1                           |        | [(sim_rmvd) AND(TSPC_SIMRmv)                                                                                               |                                                                                                                |     | SIM has been removed during the test. |
| 2                           |        | AND(TSPC_DetachOnSIMRmv)]                                                                                                  |                                                                                                                |     |                                       |
| 3                           |        | (TCV_Null := OO_SIMIns())                                                                                                  |                                                                                                                |     |                                       |
| 4                           |        | +ltree_imsiattach                                                                                                          |                                                                                                                |     |                                       |
| 5                           |        | [TSPC_SwitchOnOff]                                                                                                         |                                                                                                                |     |                                       |
| 6                           |        | (TCV_Null := OO_SwitchOn())                                                                                                |                                                                                                                |     |                                       |
| 7                           |        | +ltree_imsiattach                                                                                                          |                                                                                                                |     |                                       |
| 8                           |        | [TSPC_DetachOnPwrDn]                                                                                                       |                                                                                                                |     |                                       |
| 9                           |        | (TCV_Null := OO_PowerUp())                                                                                                 |                                                                                                                |     |                                       |
| 10                          |        | +ltree_imsiattach                                                                                                          |                                                                                                                |     |                                       |
| 11                          |        | [[((NOT sim_rmvd) OR(NOT TSPC_SIMRmv) OR(NOT TSPC_DetachOnSIMRmv)) AND(NOT TSPC_SwitchOnOff) AND(NOT TSPC_DetachOnPwrDn)]] |                                                                                                                |     | Restore power source                  |
| 12                          |        | (TCV_Null := OO_PowerUp())                                                                                                 |                                                                                                                |     | Restore power source                  |
| 13                          |        | <b>ltree_imsiattach</b>                                                                                                    |                                                                                                                |     |                                       |
| 14                          |        | L?DL_RaInChRq (TCV_Rr := DL_RaInChRq.msg.ecau_rrf, TCV_Fn := DL_RaInChRq.fn)                                               | ChReq(ChRequest_09)                                                                                            |     | To match ChReq retrans.               |
| 15                          | L_0869 | L?DL_EstInLupRq                                                                                                            | ImmAss( TCV_agch, ImmAsgn_01Def( TCV_Rr, TCV_Fn, TSPX_SDCCH4SubDef, TCV_slot, TCV_tsc, TCV_chdescr_arfcn, ta)) | (P) |                                       |
| 16                          |        | ACTIVATE(OtherEventsFail)                                                                                                  | LocUp( TCV_ch, LocUpdtReq_31( par_mi, mcc, mnc, TCV_lac, C_imsi_attach, TCV_cks))                              |     | Restore Normal default                |
| 17                          |        | L!DL_DatRqLupAcp                                                                                                           | LocAcp( TCV_ch, LocUpdtAcp( mcc, mnc, TCV_lac))                                                                |     | No MI                                 |
| 18                          |        | +ChanRel(TCV_ch)                                                                                                           |                                                                                                                |     |                                       |

Detailed Comments:



| Test Step Dynamic Behaviour |       |                                                                         |                    |     |                                       |
|-----------------------------|-------|-------------------------------------------------------------------------|--------------------|-----|---------------------------------------|
| <b>Test Step Name:</b>      |       | ImsiAttachIni(par_mi:MI; ta:TA; mcc, mnc:OCTETSTRING; sim_rmvd:BOOLEAN) |                    |     |                                       |
| <b>Group:</b>               |       | GSM_L3_MS_v4200/Miscellaneous/                                          |                    |     |                                       |
| <b>Objective:</b>           |       |                                                                         |                    |     |                                       |
| <b>Default:</b>             |       | OtherEventsFail                                                         |                    |     |                                       |
| Nr                          | Label | Behaviour Description                                                   | CRef               | V   | Comments                              |
| 1                           |       | [(sim_rmvd) AND(TSPC_SIMRmv)                                            |                    |     | SIM has been removed during the test. |
| 2                           |       | AND(TSPC_DetachOnSIMRmv)]                                               |                    |     |                                       |
| 3                           |       | (TCV_Null := OO_SIMIns())                                               |                    |     |                                       |
| 4                           |       | +ltree_imsiattachIni                                                    |                    |     |                                       |
| 5                           |       | [TSPC_SwitchOnOff]                                                      |                    |     |                                       |
| 6                           |       | (TCV_Null := OO_SwitchOn())                                             |                    |     |                                       |
| 7                           |       | +ltree_imsiattachIni                                                    |                    |     |                                       |
| 8                           |       | [TSPC_DetachOnPwrDn]                                                    |                    |     |                                       |
| 9                           |       | (TCV_Null := OO_PowerUp())                                              |                    |     |                                       |
| 10                          |       | +ltree_imsiattachIni                                                    |                    |     |                                       |
| 11                          |       | [[((NOT sim_rmvd) OR(NOT TSPC_SIMRmv)                                   |                    |     | Restore power source                  |
| 12                          |       | OR(NOT TSPC_DetachOnSIMRmv)) AND(NOT                                    |                    |     |                                       |
| 13                          |       | TSPC_SwitchOnOff) AND(NOT                                               |                    |     | Restore power source                  |
| 14                          |       | TSPC_DetachOnPwrDn))] (TCV_Null := OO_PowerUp())                        |                    |     |                                       |
| 12                          |       | <b>ltree_imsiattachIni</b>                                              |                    |     | Restore power source                  |
| 13                          |       | L?DL_RaInChRq (TCV_Rr := DL_RaInChRq.                                   | ChReq(             |     |                                       |
| 14                          |       | msg.ecau_rrf, TCV_Fn := DL_RaInChRq.fn) START                           | ChRequest_09)      |     |                                       |
| 15                          |       | T_dly(15000)                                                            |                    |     |                                       |
| 16                          |       | ACTIVATE(OtherEventsFail_02)                                            |                    |     |                                       |
| 17                          |       | LIDL_UdatRqImmass                                                       | ImmAss( TCV_agch,  |     |                                       |
| 18                          |       |                                                                         | ImmAsgn_01Def(     |     |                                       |
| 19                          |       |                                                                         | TCV_Rr, TCV_Fn,    |     |                                       |
| 20                          |       |                                                                         | TSPX_SDCCCH4SubD   |     |                                       |
| 21                          |       |                                                                         | ef, TCV_slot,      |     |                                       |
| 22                          |       |                                                                         | TCV_tsc,           |     |                                       |
| 23                          |       |                                                                         | TCV_chdescr_arfcn, |     |                                       |
| 24                          |       |                                                                         | ta))               |     |                                       |
| 25                          | L_087 | L?DL_EstInLupRq                                                         | LocUp( TCV_ch,     | (P) | To match ChReq retrans.               |
| 26                          | 0     |                                                                         | LocUpdtReq_31(     |     |                                       |
| 27                          |       |                                                                         | par_mi, mcc, mnc,  |     |                                       |
| 28                          |       |                                                                         | TCV_lac,           |     |                                       |
| 29                          |       |                                                                         | C_imsi_attach,     |     |                                       |
| 30                          |       |                                                                         | TCV_cksnn))        |     |                                       |
| 31                          |       |                                                                         |                    |     |                                       |
| 32                          |       |                                                                         |                    |     |                                       |
| 33                          |       |                                                                         |                    |     |                                       |
| 34                          |       |                                                                         |                    |     |                                       |
| 15                          | L_087 | L?DL_EstInLupRq                                                         | LocUp( TCV_ch,     | (P) | To match ChReq retrans.               |
| 16                          | 0     |                                                                         | LocUpdtReq_31(     |     |                                       |
| 17                          |       |                                                                         | par_mi, mcc, mnc,  |     |                                       |
| 18                          |       |                                                                         | TCV_lac,           |     |                                       |
| 19                          |       |                                                                         | C_imsi_attach,     |     |                                       |
| 20                          |       |                                                                         | TCV_cksnn))        |     |                                       |
| 21                          |       |                                                                         |                    |     |                                       |
| 22                          |       |                                                                         |                    |     |                                       |
| 23                          |       |                                                                         |                    |     |                                       |
| 24                          |       |                                                                         |                    |     |                                       |
| 16                          |       | ACTIVATE(OtherEventsFail)                                               |                    |     | Restore Normal default                |
| <b>Detailed Comments:</b>   |       | The test step is calld in TC_26_7_5_8_1, TC_26_7_5_8_2, TC_26_7_5_8_3.  |                    |     |                                       |

| Test Step Dynamic Behaviour                                                      |       |                                                                                                                                                |      |   |                                       |                      |
|----------------------------------------------------------------------------------|-------|------------------------------------------------------------------------------------------------------------------------------------------------|------|---|---------------------------------------|----------------------|
| <b>Test Step Name:</b> ImsiAttachNoReaction( par_int: INTEGER; sim_rmvd:BOOLEAN) |       |                                                                                                                                                |      |   |                                       |                      |
| <b>Group:</b> GSM_L3_MS_v4200/Miscellaneous/                                     |       |                                                                                                                                                |      |   |                                       |                      |
| <b>Objective:</b>                                                                |       |                                                                                                                                                |      |   |                                       |                      |
| <b>Default:</b> OtherEventsFail                                                  |       |                                                                                                                                                |      |   |                                       |                      |
| Nr                                                                               | Label | Behaviour Description                                                                                                                          | CRef | V | Comments                              |                      |
| 1                                                                                |       | [(sim_rmvd) AND(TSPC_SIMRmv)                                                                                                                   |      |   | SIM has been removed during the test. |                      |
| 2                                                                                |       | AND(TSPC_DetachOnSIMRmv)]                                                                                                                      |      |   |                                       |                      |
| 3                                                                                |       | (TCV_Null := OO_SIMIns())                                                                                                                      |      |   |                                       |                      |
| 4                                                                                |       | +NoReaction(par_int)                                                                                                                           |      |   |                                       |                      |
| 5                                                                                |       | [TSPC_SwitchOnOff]                                                                                                                             |      |   |                                       |                      |
| 6                                                                                |       | (TCV_Null := OO_SwitchOn())                                                                                                                    |      |   |                                       |                      |
| 7                                                                                |       | +NoReaction(par_int)                                                                                                                           |      |   |                                       |                      |
| 8                                                                                |       | [TSPC_DetachOnPwrDn]                                                                                                                           |      |   |                                       |                      |
| 9                                                                                |       | (TCV_Null := OO_PowerUp())                                                                                                                     |      |   |                                       | Restore power source |
| 10                                                                               |       | +NoReaction(par_int)                                                                                                                           |      |   |                                       |                      |
| 11                                                                               |       | [[((NOT sim_rmvd) OR(NOT TSPC_SIMRmv) OR((TSPC_SIMRmv) AND(NOT TSPC_DetachOnSIMRmv))) AND(NOT TSPC_SwitchOnOff) AND(NOT TSPC_DetachOnPwrDn))]] |      |   |                                       | Restore power source |
|                                                                                  |       | (TCV_Null := OO_PowerUp())                                                                                                                     |      |   | Restore power source                  |                      |
| <b>Detailed Comments:</b>                                                        |       |                                                                                                                                                |      |   |                                       |                      |

| Test Step Dynamic Behaviour |            |                                                                                                                                                 |                                                                                                                                      |     |                          |
|-----------------------------|------------|-------------------------------------------------------------------------------------------------------------------------------------------------|--------------------------------------------------------------------------------------------------------------------------------------|-----|--------------------------|
| <b>Test Step Name:</b>      |            | ImsiDetach(par_mi:MI; ta:TA; sim_rmvd:BOOLEAN)                                                                                                  |                                                                                                                                      |     |                          |
| <b>Group:</b>               |            | GSM_L3_MS_v4200/Miscellaneous/                                                                                                                  |                                                                                                                                      |     |                          |
| <b>Objective:</b>           |            |                                                                                                                                                 |                                                                                                                                      |     |                          |
| <b>Default:</b>             |            | OtherEventsFail                                                                                                                                 |                                                                                                                                      |     |                          |
| Nr                          | Label      | Behaviour Description                                                                                                                           | CRef                                                                                                                                 | V   | Comments                 |
| 1                           |            | [(sim_rmvd) AND(TSPC_SIMRmv)                                                                                                                    |                                                                                                                                      |     | SIM needs to be removed. |
| 2                           |            | AND(TSPC_DetachOnSIMRmv)]                                                                                                                       |                                                                                                                                      |     |                          |
| 3                           |            | (TCV_Null :=OO_SIMRmv())                                                                                                                        |                                                                                                                                      |     |                          |
| 4                           |            | +ltree_imsidetach                                                                                                                               |                                                                                                                                      |     |                          |
| 5                           |            | [TSPC_SwitchOnOff]                                                                                                                              |                                                                                                                                      |     |                          |
| 6                           |            | (TCV_Null := OO_SwitchOff())                                                                                                                    |                                                                                                                                      |     |                          |
| 7                           |            | +ltree_imsidetach                                                                                                                               |                                                                                                                                      |     |                          |
| 8                           |            | [TSPC_DetachOnPwrDn]                                                                                                                            |                                                                                                                                      |     |                          |
| 9                           |            | (TCV_Null := OO_PowerDown())                                                                                                                    |                                                                                                                                      |     |                          |
| 10                          |            | +ltree_imsidetach                                                                                                                               |                                                                                                                                      |     |                          |
| 11                          |            | Remove power source                                                                                                                             |                                                                                                                                      |     |                          |
| 12                          |            | Remove power source                                                                                                                             |                                                                                                                                      |     |                          |
| 13                          |            | <b>ltree_imsidetach</b>                                                                                                                         |                                                                                                                                      |     |                          |
| 14                          |            | L?DL_RaInChRq ( TCV_Rr := DL_RaInChRq.<br>msg.ecau_rrf, TCV_Fn := DL_RaInChRq.fn)                                                               | ChReq(<br>ChRequest_02)                                                                                                              |     | To match ChReq retrans.  |
| 15                          |            | ACTIVATE(OtherEventsFail_02)                                                                                                                    |                                                                                                                                      |     |                          |
| 16                          | L_087<br>1 | L?DL_EstInImsidIn                                                                                                                               | ImmAss( TCV_agch,<br>ImmAsgn_01Def(<br>TCV_Rr, TCV_Fn,<br>TSPX_SDCCH4SubD<br>ef, TCV_slot,<br>TCV_tsc,<br>TCV_chdescr_arfcn,<br>ta)) | (P) |                          |
| 17                          |            | ACTIVATE(OtherEventsFail)<br>+ChanRel(TCV_ch)                                                                                                   | ImsiDet(<br>ImsiDetach_30(<br>par_mi))                                                                                               |     | Restore normal default   |
| <b>Detailed Comments:</b>   |            | If IMSI detach procedure has been executed, the channel will be released. If ATT=0 no detach has been executed, the channel is still connected. |                                                                                                                                      |     |                          |

| Test Step Dynamic Behaviour                                                     |       |                                                                                                                                               |      |   |                          |                     |
|---------------------------------------------------------------------------------|-------|-----------------------------------------------------------------------------------------------------------------------------------------------|------|---|--------------------------|---------------------|
| <b>Test Step Name:</b> ImsiDetachNoReaction(par_int: INTEGER; sim_rmvd:BOOLEAN) |       |                                                                                                                                               |      |   |                          |                     |
| <b>Group:</b> GSM_L3_MS_v4200/Miscellaneous/                                    |       |                                                                                                                                               |      |   |                          |                     |
| <b>Objective:</b>                                                               |       |                                                                                                                                               |      |   |                          |                     |
| <b>Default:</b> OtherEventsFail                                                 |       |                                                                                                                                               |      |   |                          |                     |
| Nr                                                                              | Label | Behaviour Description                                                                                                                         | CRef | V | Comments                 |                     |
| 1                                                                               |       | [(sim_rmvd) AND(TSPC_SIMRmv)                                                                                                                  |      |   | SIM needs to be removed. |                     |
| 2                                                                               |       | AND(TSPC_DetachOnSIMRmv)]                                                                                                                     |      |   |                          |                     |
| 3                                                                               |       | (TCV_Null :=OO_SIMRmv())                                                                                                                      |      |   |                          |                     |
| 4                                                                               |       | +NoReaction(par_int)                                                                                                                          |      |   |                          |                     |
| 5                                                                               |       | [TSPC_SwitchOnOff]                                                                                                                            |      |   |                          |                     |
| 6                                                                               |       | (TCV_Null := OO_SwitchOff())                                                                                                                  |      |   |                          |                     |
| 7                                                                               |       | +NoReaction(par_int)                                                                                                                          |      |   |                          |                     |
| 8                                                                               |       | [TSPC_DetachOnPwrDn]                                                                                                                          |      |   |                          |                     |
| 9                                                                               |       | (TCV_Null := OO_PowerDown())                                                                                                                  |      |   |                          | Remove power source |
| 10                                                                              |       | +NoReaction(par_int)                                                                                                                          |      |   |                          |                     |
| 11                                                                              |       | (((NOT sim_rmvd) OR(NOT TSPC_SIMRmv) OR((TSPC_SIMRmv) AND(NOT TSPC_DetachOnSIMRmv))) AND(NOT TSPC_SwitchOnOff) AND(NOT TSPC_DetachOnPwrDn)))] |      |   |                          | Remove power source |
|                                                                                 |       | (TCV_Null := OO_PowerDown())                                                                                                                  |      |   |                          |                     |
| <b>Detailed Comments:</b>                                                       |       |                                                                                                                                               |      |   |                          |                     |

| Test Step Dynamic Behaviour                                                                   |       |                                                                                                                                           |      |   |          |
|-----------------------------------------------------------------------------------------------|-------|-------------------------------------------------------------------------------------------------------------------------------------------|------|---|----------|
| <b>Test Step Name:</b> InCallModi1(srv:SERVICES)                                              |       |                                                                                                                                           |      |   |          |
| <b>Group:</b> GSM_L3_MS_v4200/Miscellaneous/                                                  |       |                                                                                                                                           |      |   |          |
| <b>Objective:</b> MMI action to initiate in-call modification to the basic service specified. |       |                                                                                                                                           |      |   |          |
| <b>Default:</b> OtherEvents                                                                   |       |                                                                                                                                           |      |   |          |
| <b>Comments:</b> TCV_Setup_mo, TCV_CallProc have been initialised by the calling tree.        |       |                                                                                                                                           |      |   |          |
| Nr                                                                                            | Label | Behaviour Description                                                                                                                     | CRef | V | Comments |
| 1                                                                                             |       | (TCV_Res := OO_InCallModi(srv), TCV_Bcap2 := OC_Bcap(TCV_Setup_mo, TCV_CallProc, 2), TCV_Bcap1 := OC_Bcap(TCV_Setup_mo, TCV_CallProc, 1)) |      |   | 1.       |
| <b>Detailed Comments:</b> 1. MMI action to initiate in-call modification.                     |       |                                                                                                                                           |      |   |          |

| Test Step Dynamic Behaviour                                                                |       |                          |                                                             |   |          |
|--------------------------------------------------------------------------------------------|-------|--------------------------|-------------------------------------------------------------|---|----------|
| <b>Test Step Name:</b> MM_LUP(newmi:MI; mcc, newmnc, newlac:OCTETSTRING; locup:B_2; ta:TA) |       |                          |                                                             |   |          |
| <b>Group:</b> GSM_L3_MS_v4200/Miscellaneous/                                               |       |                          |                                                             |   |          |
| <b>Objective:</b>                                                                          |       |                          |                                                             |   |          |
| <b>Default:</b> OtherEventsFail                                                            |       |                          |                                                             |   |          |
| Nr                                                                                         | Label | Behaviour Description    | CRef                                                        | V | Comments |
| 1                                                                                          |       | +MM_LupInit5( locup, ta) |                                                             |   |          |
| 2                                                                                          |       | L!DL_DatRqLupAcp         | LocAcp( TCV_ch, LocUpdtAcp_01( newmi, mcc, newmnc, newlac)) |   |          |
| 3                                                                                          |       | L?DL_DatInTmsireCom      | TmsiReallocCmp( TCV_ch)                                     |   |          |
| 4                                                                                          |       | +ChanRel( TCV_ch)        |                                                             |   |          |
| <b>Detailed Comments:</b>                                                                  |       |                          |                                                             |   |          |

| Test Step Dynamic Behaviour                                                                                                 |            |                                                         |                                                          |     |          |
|-----------------------------------------------------------------------------------------------------------------------------|------------|---------------------------------------------------------|----------------------------------------------------------|-----|----------|
| <b>Test Step Name:</b> MM_LUP2(newmi:MI; lup_mi:MI; mcc, mnc, oldlac, newlac:OCTETSTRING; locup:B_2; cksn:BITSTRING; ta:TA) |            |                                                         |                                                          |     |          |
| <b>Group:</b> GSM_L3_MS_v4200/Miscellaneous/                                                                                |            |                                                         |                                                          |     |          |
| <b>Objective:</b>                                                                                                           |            |                                                         |                                                          |     |          |
| <b>Default:</b> OtherEventsFail                                                                                             |            |                                                         |                                                          |     |          |
| Nr                                                                                                                          | Label      | Behaviour Description                                   | CRef                                                     | V   | Comments |
| 1                                                                                                                           |            | +MM_LupInit( lup_mi, mcc, mnc, oldlac, locup, cksn, ta) |                                                          |     |          |
| 2                                                                                                                           |            | L!DL_DatRqLupAcp                                        | LocAcp( TCV_ch, LocUpdtAcp_01( newmi, mcc, mnc, newlac)) |     |          |
| 3                                                                                                                           | L_087<br>3 | L?DL_DatInTmsireCom                                     | TmsiReallocCmp( TCV_ch)                                  | (P) |          |
| 4                                                                                                                           |            | +ChanRel( TCV_ch)                                       |                                                          |     |          |
| <b>Detailed Comments:</b>                                                                                                   |            |                                                         |                                                          |     |          |

| Test Step Dynamic Behaviour                                                  |            |                          |                                            |     |            |
|------------------------------------------------------------------------------|------------|--------------------------|--------------------------------------------|-----|------------|
| <b>Test Step Name:</b> MM_LUP3(mcc, mnc, lac: OCTETSTRING; locup:B_2; ta:TA) |            |                          |                                            |     |            |
| <b>Group:</b> GSM_L3_MS_v4200/Miscellaneous/                                 |            |                          |                                            |     |            |
| <b>Objective:</b>                                                            |            |                          |                                            |     |            |
| <b>Default:</b> OtherEventsFail                                              |            |                          |                                            |     |            |
| Nr                                                                           | Label      | Behaviour Description    | CRef                                       | V   | Comments   |
| 1                                                                            |            | +MM_LupInit2( locup, ta) |                                            |     |            |
| 2                                                                            | L_087<br>4 | L!DL_DatRqLupAcp         | LocAcp(TCV_ch, LocUpdtAcp( mcc, mnc, lac)) | (P) | without MI |
| 3                                                                            |            | +ChanRel(TCV_ch)         |                                            |     |            |
| <b>Detailed Comments:</b>                                                    |            |                          |                                            |     |            |

| Test Step Dynamic Behaviour                                                                                                                   |       |                                                      |                    |   |          |
|-----------------------------------------------------------------------------------------------------------------------------------------------|-------|------------------------------------------------------|--------------------|---|----------|
| <b>Test Step Name:</b> MM_LupAndStop( par_mi:MI; mcc, mnc, lac:OCTETSTRING; locup:B_2; cksn:BITSTRING; ta:TA; ch_sacch:LOGICCH; time:INTEGER) |       |                                                      |                    |   |          |
| <b>Group:</b> GSM_L3_MS_v4200/Miscellaneous/                                                                                                  |       |                                                      |                    |   |          |
| <b>Objective:</b>                                                                                                                             |       |                                                      |                    |   |          |
| <b>Default:</b> OtherEventsFail                                                                                                               |       |                                                      |                    |   |          |
| Nr                                                                                                                                            | Label | Behaviour Description                                | CRef               | V | Comments |
| 1                                                                                                                                             |       | +MM_LupInit( par_mi, mcc, mnc, lac, locup, cksn, ta) |                    |   |          |
| 2                                                                                                                                             |       | +Stopmaindcch( TCV_ch, ch_sacch)                     |                    |   |          |
| 3                                                                                                                                             |       | [time <> 0]                                          |                    |   |          |
| 4                                                                                                                                             |       | +NoReaction( time)                                   |                    |   |          |
| 5                                                                                                                                             |       | L!MDL_RelRq                                          | MDLRelReq( TCV_ch) |   |          |
| 6                                                                                                                                             |       | (TCV_Null := OM_Reactivate( TCV_ch, ch_sacch))       |                    |   |          |
| 7                                                                                                                                             |       | [time = 0]                                           |                    |   |          |
| 8                                                                                                                                             |       | L!MDL_RelRq                                          | MDLRelReq( TCV_ch) |   |          |
| 9                                                                                                                                             |       | (TCV_Null := OM_Reactivate( TCV_ch, ch_sacch))       |                    |   |          |
| <b>Detailed Comments:</b>                                                                                                                     |       |                                                      |                    |   |          |

| Test Step Dynamic Behaviour |       |                                                                                                                                                        |                                                 |    |          |
|-----------------------------|-------|--------------------------------------------------------------------------------------------------------------------------------------------------------|-------------------------------------------------|----|----------|
| <b>Test Step Name:</b>      |       | MM_LupAuthRpt( par_mi:MI; mcc, mnc, lac:OCTETSTRING; locup:B_2; cksn:B_3; rand:RAND; ta:TA)                                                            |                                                 |    |          |
| <b>Group:</b>               |       | GSM_L3_MS_v4200/Miscellaneous/                                                                                                                         |                                                 |    |          |
| <b>Objective:</b>           |       | To initialise Location Update and repeated Authentication procedures till T3210 times out.                                                             |                                                 |    |          |
| <b>Default:</b>             |       | OtherEventsFail                                                                                                                                        |                                                 |    |          |
| Nr                          | Label | Behaviour Description                                                                                                                                  | CRef                                            | V  | Comments |
| 1                           |       | +MM_LupInit(par_mi, mcc, mnc, lac, locup, cksn, ta)                                                                                                    |                                                 |    |          |
| 2                           |       | START T_dly( C_T_T3210min)                                                                                                                             |                                                 |    |          |
| 3                           |       | (TCV_Cntstart := FALSE)                                                                                                                                |                                                 |    |          |
| 4                           |       | REPEAT ltree_auth UNTIL [TCV_Cntstart]                                                                                                                 |                                                 |    |          |
|                             |       | <b>ltree_auth</b>                                                                                                                                      |                                                 |    |          |
| 5                           |       | L!DL_DatRqAuthRq                                                                                                                                       | AuthReq(TCV_ch, AuthRequest(TSPX_CKSNDf, rand)) |    |          |
| 6                           |       | ?TIMEOUT T_dly                                                                                                                                         |                                                 |    |          |
| 7                           |       | L?DL_DatInAuthRes                                                                                                                                      | AuthRes(AuthResponse)                           |    |          |
| 8                           |       | +ltree_rcvRel                                                                                                                                          |                                                 | 2. |          |
| 9                           |       | +ltree_rcvRel                                                                                                                                          |                                                 | 2. |          |
| 10                          |       | L?DL_DatInAuthRes                                                                                                                                      | AuthRes(AuthResponse)                           |    |          |
|                             |       | <b>ltree_rcvRel</b>                                                                                                                                    |                                                 |    |          |
| 11                          |       | L?DL_Relln                                                                                                                                             | DLRelInd_01                                     |    | 2.       |
| 12                          |       | (TCV_Cntstart := TRUE)                                                                                                                                 |                                                 |    | Exit     |
| <b>Detailed Comments:</b>   |       | 1. The test step is used in TC_26_7_4_3_2 and TC_26_7_4_3_3.<br>2. The T3210 has expired. The MS aborts the RR connection on the main signalling link. |                                                 |    |          |

| Test Step Dynamic Behaviour |            |                                                                                             |                                                         |     |          |
|-----------------------------|------------|---------------------------------------------------------------------------------------------|---------------------------------------------------------|-----|----------|
| <b>Test Step Name:</b>      |            | MM_LUPauth1(newtmsi: MI; mcc, mnc, lac:OCTETSTRING; locup:B_2; cksn: B_3; rand:RAND; ta:TA) |                                                         |     |          |
| <b>Group:</b>               |            | GSM_L3_MS_v4200/Miscellaneous/                                                              |                                                         |     |          |
| <b>Objective:</b>           |            | OtherEventsFail                                                                             |                                                         |     |          |
| <b>Default:</b>             |            | OtherEventsFail                                                                             |                                                         |     |          |
| Nr                          | Label      | Behaviour Description                                                                       | CRef                                                    | V   | Comments |
| 1                           |            | +MM_LupInit2( locup, ta)                                                                    |                                                         |     |          |
| 2                           |            | +Authentication(TCV_ch, cksn, rand)                                                         |                                                         |     |          |
| 3                           |            | L!DL_DatRqLupAcp                                                                            | LocAcp( TCV_ch, LocUpdtAcp_01( newtmsi, mcc, mnc, lac)) |     |          |
| 4                           | L_087<br>7 | L?DL_DatInTmsireCom                                                                         | TmsiReallocCmp(TCV_ch)                                  | (P) |          |
| <b>Detailed Comments:</b>   |            |                                                                                             |                                                         |     |          |

| Test Step Dynamic Behaviour |        |                                                                                                                                             |                                                             |     |          |
|-----------------------------|--------|---------------------------------------------------------------------------------------------------------------------------------------------|-------------------------------------------------------------|-----|----------|
| <b>Test Step Name:</b>      |        | MM_LUPauth2(newtmsi: MI; lup_mi:MI; mcc, mnc, old_lac, new_lac:OCTETSTRING; locup:B_2; old_cks, new_cks: B_3; rand:RAND; ta:TA)             |                                                             |     |          |
| <b>Group:</b>               |        | GSM_L3_MS_v4200/Miscellaneous/                                                                                                              |                                                             |     |          |
| <b>Objective:</b>           |        | OtherEventsFail                                                                                                                             |                                                             |     |          |
| <b>Default:</b>             |        | OtherEventsFail                                                                                                                             |                                                             |     |          |
| Nr                          | Label  | Behaviour Description                                                                                                                       | CRef                                                        | V   | Comments |
| 1                           |        | +MM_LupInit3( lup_mi, mcc, mnc, old_lac, locup, old_cks, ta)                                                                                |                                                             |     | 1.       |
| 2                           |        | +Authentication(TCV_ch, new_cks, rand)                                                                                                      |                                                             |     |          |
| 3                           |        | LIDL_DatRqLupAcp                                                                                                                            | LocAcp( TCV_ch, LocUpdtAcp_01( newtmsi, mcc, mnc, new_lac)) |     |          |
| 4                           | L_0878 | L?DL_DatInTmsireCom                                                                                                                         | TmsiReallocCmp( TCV_ch)                                     | (P) |          |
| <b>Detailed Comments:</b>   |        | 1. The test step MM_LupInit3 cancels the timer T_dly when receiving CHANNEL REQUEST from the MS for location updating. Caution for its use. |                                                             |     |          |

| Test Step Dynamic Behaviour |        |                                                                                                        |                                                                                                                |     |                         |
|-----------------------------|--------|--------------------------------------------------------------------------------------------------------|----------------------------------------------------------------------------------------------------------------|-----|-------------------------|
| <b>Test Step Name:</b>      |        | MM_LUP_imsi( duration: INTEGER; newmi, lup_mi:MI; mcc, mnc, lac, newlac:OCTETSTRING; locup:B_2; ta:TA) |                                                                                                                |     |                         |
| <b>Group:</b>               |        | GSM_L3_MS_v4200/Miscellaneous/                                                                         |                                                                                                                |     |                         |
| <b>Objective:</b>           |        | OtherEventsFail                                                                                        |                                                                                                                |     |                         |
| <b>Default:</b>             |        | OtherEventsFail                                                                                        |                                                                                                                |     |                         |
| Nr                          | Label  | Behaviour Description                                                                                  | CRef                                                                                                           | V   | Comments                |
| 1                           |        | (TCV_Time := (duration + ((20 * duration) / 100)))                                                     |                                                                                                                |     | To match ChReq retrans. |
| 2                           |        | START T_dly( TCV_Time)                                                                                 |                                                                                                                |     |                         |
| 3                           |        | L?DL_RaInChRq( TCV_Rr := DL_RaInChRq, msg.ecau_rrf, TCV_Fn := DL_RaInChRq.fn)                          | ChReq( ChRequest_09)                                                                                           |     |                         |
| 4                           |        | READTIMER T_dly( TCV_Time), CANCEL T_dly                                                               |                                                                                                                |     |                         |
| 5                           |        | ACTIVATE(OtherEventsFail_02)                                                                           | ImmAss( TCV_agch, ImmAsgn_01Def( TCV_Rr, TCV_Fn, TSPX_SDCCH4SubDef, TCV_slot, TCV_tsc, TCV_chdescr_arfcn, ta)) |     |                         |
| 6                           |        | L?DL_EstInLupRq                                                                                        | LocUp( TCV_ch, LocUpdtReq_31( lup_mi, mcc, mnc, lac, locup, TCV_cks))                                          |     | Restore Normal default  |
| 7                           |        | ACTIVATE(OtherEventsFail)                                                                              |                                                                                                                |     |                         |
| 8                           |        | LIDL_DatRqLupAcp                                                                                       | LocAcp( TCV_ch, LocUpdtAcp_01( newmi, mcc, mnc, newlac))                                                       |     |                         |
| 9                           |        | +ChanRel( TCV_ch)                                                                                      |                                                                                                                |     |                         |
| 10                          | L_0879 | [TCV_Time <= duration]                                                                                 |                                                                                                                | (P) |                         |
| 11                          | L_0880 | [TCV_Time > duration]                                                                                  |                                                                                                                | (F) |                         |
| 12                          | L_0881 | ?TIMEOUT T_dly                                                                                         |                                                                                                                | (F) |                         |
| <b>Detailed Comments:</b>   |        |                                                                                                        |                                                                                                                |     |                         |

| Test Step Dynamic Behaviour                                                                                |            |                                                                                  |                                                                                                                                      |     |                         |
|------------------------------------------------------------------------------------------------------------|------------|----------------------------------------------------------------------------------|--------------------------------------------------------------------------------------------------------------------------------------|-----|-------------------------|
| <b>Test Step Name:</b> MM_LupInIt( par_mi:Ml; mcc, mnc, lac:OCTETSTRING; locup:B_2; cksn:BITSTRING; ta:TA) |            |                                                                                  |                                                                                                                                      |     |                         |
| <b>Group:</b> GSM_L3_MS_v4200/Miscellaneous/                                                               |            |                                                                                  |                                                                                                                                      |     |                         |
| <b>Objective:</b>                                                                                          |            |                                                                                  |                                                                                                                                      |     |                         |
| <b>Default:</b> OtherEventsFail                                                                            |            |                                                                                  |                                                                                                                                      |     |                         |
| Nr                                                                                                         | Label      | Behaviour Description                                                            | CRef                                                                                                                                 | V   | Comments                |
| 1                                                                                                          |            | L?DL_RaInChRq (TCV_Rr := DL_RaInChRq.<br>msg.ecau_rrf, TCV_Fn := DL_RaInChRq.fn) | ChReq(<br>ChRequest_09)                                                                                                              |     | To match ChReq retrans. |
| 2                                                                                                          |            | ACTIVATE(OtherEventsFail_02)                                                     |                                                                                                                                      |     |                         |
| 3                                                                                                          |            | LIDL_UdatRqImmss                                                                 | ImmAss( TCV_agch,<br>ImmAsgn_01Def(<br>TCV_Rr, TCV_Fn,<br>TSPX_SDCCH4SubD<br>ef, TCV_slot,<br>TCV_tsc,<br>TCV_chdescr_arfcn,<br>ta)) |     |                         |
| 4                                                                                                          | L_088<br>2 | L?DL_EstInLupRq                                                                  | LocUp( TCV_ch,<br>LocUpdtReq_31(<br>par_mi, mcc, mnc,<br>lac, locup, cksn))                                                          | (P) |                         |
| 5                                                                                                          |            | ACTIVATE(OtherEventsFail)                                                        |                                                                                                                                      |     | Restore Normal default  |
| <b>Detailed Comments:</b>                                                                                  |            |                                                                                  |                                                                                                                                      |     |                         |

| Test Step Dynamic Behaviour                           |       |                                                                                  |                                                                                                                                      |   |                         |
|-------------------------------------------------------|-------|----------------------------------------------------------------------------------|--------------------------------------------------------------------------------------------------------------------------------------|---|-------------------------|
| <b>Test Step Name:</b> MM_LupInIt2( locup:B_2; ta:TA) |       |                                                                                  |                                                                                                                                      |   |                         |
| <b>Group:</b> GSM_L3_MS_v4200/Miscellaneous/          |       |                                                                                  |                                                                                                                                      |   |                         |
| <b>Objective:</b>                                     |       |                                                                                  |                                                                                                                                      |   |                         |
| <b>Default:</b> OtherEventsFail                       |       |                                                                                  |                                                                                                                                      |   |                         |
| Nr                                                    | Label | Behaviour Description                                                            | CRef                                                                                                                                 | V | Comments                |
| 1                                                     |       | L?DL_RaInChRq (TCV_Rr := DL_RaInChRq.<br>msg.ecau_rrf, TCV_Fn := DL_RaInChRq.fn) | ChReq(<br>ChRequest_09)                                                                                                              |   | To match ChReq retrans. |
| 2                                                     |       | ACTIVATE(OtherEventsFail_02)                                                     |                                                                                                                                      |   |                         |
| 3                                                     |       | LIDL_UdatRqImmss                                                                 | ImmAss( TCV_agch,<br>ImmAsgn_01Def(<br>TCV_Rr, TCV_Fn,<br>TSPX_SDCCH4SubD<br>ef, TCV_slot,<br>TCV_tsc,<br>TCV_chdescr_arfcn,<br>ta)) |   |                         |
| 4                                                     |       | L?DL_EstInLupRq                                                                  | LocUp( TCV_ch,<br>LocUpdtReq_01(<br>locup))                                                                                          |   |                         |
| 5                                                     |       | ACTIVATE(OtherEventsFail)                                                        |                                                                                                                                      |   | Restore Normal default  |
| <b>Detailed Comments:</b>                             |       |                                                                                  |                                                                                                                                      |   |                         |



| Test Step Dynamic Behaviour |            |                                                                                                  |                                                                                                                                      |     |                         |
|-----------------------------|------------|--------------------------------------------------------------------------------------------------|--------------------------------------------------------------------------------------------------------------------------------------|-----|-------------------------|
| <b>Test Step Name:</b>      |            | MM_LuplNit3( par_mi:MI; mcc, mnc, lac:OCTETSTRING; locup:B_2; cksn:BITSTRING; ta:TA)             |                                                                                                                                      |     |                         |
| <b>Group:</b>               |            | GSM_L3_MS_v4200/Miscellaneous/                                                                   |                                                                                                                                      |     |                         |
| <b>Objective:</b>           |            |                                                                                                  |                                                                                                                                      |     |                         |
| <b>Default:</b>             |            | OtherEventsFail                                                                                  |                                                                                                                                      |     |                         |
| Nr                          | Label      | Behaviour Description                                                                            | CRef                                                                                                                                 | V   | Comments                |
| 1                           |            | L?DL_RaInChRq (TCV_Rr := DL_RaInChRq.<br>msg.ecau_rrf, TCV_Fn := DL_RaInChRq.fn)<br>CANCEL T_dly | ChReq(<br>ChRequest_09)                                                                                                              |     | To match ChReq retrans. |
| 2                           |            | ACTIVATE(OtherEventsFail_02)                                                                     |                                                                                                                                      |     |                         |
| 3                           |            | LIDL_UdatRqImm                                                                                   | ImmAss( TCV_agch,<br>ImmAsgn_01Def(<br>TCV_Rr, TCV_Fn,<br>TSPX_SDCCH4SubD<br>ef, TCV_slot,<br>TCV_tsc,<br>TCV_chdescr_arfcn,<br>ta)) |     |                         |
| 4                           | L_088<br>3 | L?DL_EstInLupRq                                                                                  | LocUp( TCV_ch,<br>LocUpdtReq_31(par_<br>mi, mcc, mnc, lac,<br>locup, cksn))                                                          | (P) |                         |
| 5                           |            | ACTIVATE(OtherEventsFail)                                                                        |                                                                                                                                      |     | Restore Normal default  |
| <b>Detailed Comments:</b>   |            |                                                                                                  |                                                                                                                                      |     |                         |

| Test Step Dynamic Behaviour |       |                                                                                                  |                                                                                                                                      |   |                         |
|-----------------------------|-------|--------------------------------------------------------------------------------------------------|--------------------------------------------------------------------------------------------------------------------------------------|---|-------------------------|
| <b>Test Step Name:</b>      |       | MM_LuplNit4( locup:B_2; ta:TA)                                                                   |                                                                                                                                      |   |                         |
| <b>Group:</b>               |       | GSM_L3_MS_v4200/Miscellaneous/                                                                   |                                                                                                                                      |   |                         |
| <b>Objective:</b>           |       |                                                                                                  |                                                                                                                                      |   |                         |
| <b>Default:</b>             |       | OtherEventsFail                                                                                  |                                                                                                                                      |   |                         |
| Nr                          | Label | Behaviour Description                                                                            | CRef                                                                                                                                 | V | Comments                |
| 1                           |       | L?DL_RaInChRq (TCV_Rr := DL_RaInChRq.<br>msg.ecau_rrf, TCV_Fn := DL_RaInChRq.fn)<br>CANCEL T_dly | ChReq(<br>ChRequest_09)                                                                                                              |   | To match ChReq retrans. |
| 2                           |       | ACTIVATE(OtherEventsFail_02)                                                                     |                                                                                                                                      |   |                         |
| 3                           |       | LIDL_UdatRqImm                                                                                   | ImmAss( TCV_agch,<br>ImmAsgn_01Def(<br>TCV_Rr, TCV_Fn,<br>TSPX_SDCCH4SubD<br>ef, TCV_slot,<br>TCV_tsc,<br>TCV_chdescr_arfcn,<br>ta)) |   |                         |
| 4                           |       | L?DL_EstInLupRq                                                                                  | LocUp( TCV_ch,<br>LocUpdtReq_01(<br>locup))                                                                                          |   |                         |
| 5                           |       | ACTIVATE(OtherEventsFail)                                                                        |                                                                                                                                      |   | Restore Normal default  |
| <b>Detailed Comments:</b>   |       |                                                                                                  |                                                                                                                                      |   |                         |

| Test Step Dynamic Behaviour                           |            |                                                                                  |                                                                                                                                      |     |                         |
|-------------------------------------------------------|------------|----------------------------------------------------------------------------------|--------------------------------------------------------------------------------------------------------------------------------------|-----|-------------------------|
| <b>Test Step Name:</b> MM_LupInit5( locup:B_2; ta:TA) |            |                                                                                  |                                                                                                                                      |     |                         |
| <b>Group:</b> GSM_L3_MS_v4200/Miscellaneous/          |            |                                                                                  |                                                                                                                                      |     |                         |
| <b>Objective:</b>                                     |            |                                                                                  |                                                                                                                                      |     |                         |
| <b>Default:</b> OtherEventsFail                       |            |                                                                                  |                                                                                                                                      |     |                         |
| Nr                                                    | Label      | Behaviour Description                                                            | CRef                                                                                                                                 | V   | Comments                |
| 1                                                     |            | L?DL_RaInChRq (TCV_Rr := DL_RaInChRq.<br>msg.ecau_rrf, TCV_Fn := DL_RaInChRq.fn) | ChReq(<br>ChRequest_02)                                                                                                              |     | To match ChReq retrans. |
| 2                                                     |            | ACTIVATE(OtherEventsFail_02)                                                     |                                                                                                                                      |     |                         |
| 3                                                     |            | LIDL_UdatRqImmss                                                                 | ImmAss( TCV_agch,<br>ImmAsgn_01Def(<br>TCV_Rr, TCV_Fn,<br>TSPX_SDCCH4SubD<br>ef, TCV_slot,<br>TCV_tsc,<br>TCV_chdescr_arfcn,<br>ta)) |     |                         |
| 4                                                     | L_088<br>4 | L?DL_EstInLupRq                                                                  | LocUp( TCV_ch,<br>LocUpdtReq_01(<br>locup))                                                                                          | (P) |                         |
| 5                                                     |            | ACTIVATE(OtherEventsFail)                                                        |                                                                                                                                      |     | Restore Normal default  |
| <b>Detailed Comments:</b>                             |            |                                                                                  |                                                                                                                                      |     |                         |

| Test Step Dynamic Behaviour                           |            |                                                                                  |                                                                                                                                      |     |                         |
|-------------------------------------------------------|------------|----------------------------------------------------------------------------------|--------------------------------------------------------------------------------------------------------------------------------------|-----|-------------------------|
| <b>Test Step Name:</b> MM_LupInit6( locup:B_2; ta:TA) |            |                                                                                  |                                                                                                                                      |     |                         |
| <b>Group:</b> GSM_L3_MS_v4200/Miscellaneous/          |            |                                                                                  |                                                                                                                                      |     |                         |
| <b>Objective:</b>                                     |            |                                                                                  |                                                                                                                                      |     |                         |
| <b>Default:</b> OtherEventsFail                       |            |                                                                                  |                                                                                                                                      |     |                         |
| Nr                                                    | Label      | Behaviour Description                                                            | CRef                                                                                                                                 | V   | Comments                |
| 1                                                     |            | L?DL_RaInChRq (TCV_Rr := DL_RaInChRq.<br>msg.ecau_rrf, TCV_Fn := DL_RaInChRq.fn) | ChReq(<br>ChRequest_02)                                                                                                              |     | To match ChReq retrans. |
| 2                                                     |            | CANCEL T_dly                                                                     |                                                                                                                                      |     |                         |
| 3                                                     |            | ACTIVATE(OtherEventsFail_02)                                                     | ImmAss( TCV_agch,<br>ImmAsgn_01Def(<br>TCV_Rr, TCV_Fn,<br>TSPX_SDCCH4SubD<br>ef, TCV_slot,<br>TCV_tsc,<br>TCV_chdescr_arfcn,<br>ta)) |     |                         |
| 4                                                     | L_088<br>5 | L?DL_EstInLupRq                                                                  | LocUp( TCV_ch,<br>LocUpdtReq_01(<br>locup))                                                                                          | (P) |                         |
| 5                                                     |            | ACTIVATE(OtherEventsFail)                                                        |                                                                                                                                      |     | Restore Normal default  |
| <b>Detailed Comments:</b>                             |            |                                                                                  |                                                                                                                                      |     |                         |

| Test Step Dynamic Behaviour                                                                                                                             |       |                                                                         |                                                                     |   |          |
|---------------------------------------------------------------------------------------------------------------------------------------------------------|-------|-------------------------------------------------------------------------|---------------------------------------------------------------------|---|----------|
| <b>Test Step Name:</b> MM_LUP_tmsirealloc(newtmsi:MI; expectedlup_mi:MI; mcc, mnc, lup_lac, lac: OCTETSTRING;<br>locup:B_2; lup_cksn: BITSTRING; ta:TA) |       |                                                                         |                                                                     |   |          |
| <b>Group:</b> GSM_L3_MS_v4200/Miscellaneous/                                                                                                            |       |                                                                         |                                                                     |   |          |
| <b>Objective:</b>                                                                                                                                       |       |                                                                         |                                                                     |   |          |
| <b>Default:</b> OtherEventsFail                                                                                                                         |       |                                                                         |                                                                     |   |          |
| Nr                                                                                                                                                      | Label | Behaviour Description                                                   | CRef                                                                | V | Comments |
| 1                                                                                                                                                       |       | +MM_LupInit( expectedlup_mi, mcc, mnc, lup_lac,<br>locup, lup_cksn, ta) |                                                                     |   |          |
| 2                                                                                                                                                       |       | +TmsiReallocation(newtmsi, mcc, mnc, lac)                               |                                                                     |   |          |
| 3                                                                                                                                                       |       | LIDL_DatRqLupAcp                                                        | LocAcp( TCV_ch,<br>LocUpdtAcp_01(<br>MiMsi_omit, mcc,<br>mnc, lac)) |   |          |
| <b>Detailed Comments:</b>                                                                                                                               |       |                                                                         |                                                                     |   |          |

| Test Step Dynamic Behaviour |            |                                                          |                                                   |     |          |
|-----------------------------|------------|----------------------------------------------------------|---------------------------------------------------|-----|----------|
| <b>Test Step Name:</b>      |            | MM_LUPper( mcc, mnc, lac: OCTETSTRING; locup:B_2; ta:TA) |                                                   |     |          |
| <b>Group:</b>               |            | GSM_L3_MS_v4200/Miscellaneous/                           |                                                   |     |          |
| <b>Objective:</b>           |            |                                                          |                                                   |     |          |
| <b>Default:</b>             |            | OtherEventsFail                                          |                                                   |     |          |
| Nr                          | Label      | Behaviour Description                                    | CRef                                              | V   | Comments |
| 1                           |            | START T_dly(C_T_T3212min)                                |                                                   |     |          |
| 2                           | L_088<br>6 | ?TIMEOUT T_dly                                           |                                                   | (P) |          |
| 3                           |            | START T_dly( C_T_T3212dif*2)                             |                                                   |     |          |
| 4                           |            | +MM_LupInit4( locup, ta)                                 |                                                   |     |          |
| 5                           | L_088<br>7 | L!DL_DatRqLupAcp                                         | LocAcp( TCV_ch,<br>LocUpdtAcp( mcc,<br>mnc, lac)) | (P) | no MI    |
| 6                           | L_088<br>8 | ?TIMEOUT T_dly                                           |                                                   | (F) |          |
| <b>Detailed Comments:</b>   |            |                                                          |                                                   |     |          |

| Test Step Dynamic Behaviour |            |                                                                              |                                                   |     |             |
|-----------------------------|------------|------------------------------------------------------------------------------|---------------------------------------------------|-----|-------------|
| <b>Test Step Name:</b>      |            | MM_LUPper2(par_timetol:INTEGER; locup:B_2; mcc, mnc, lac:OCTETSTRING; ta:TA) |                                                   |     |             |
| <b>Group:</b>               |            | GSM_L3_MS_v4200/Miscellaneous/                                               |                                                   |     |             |
| <b>Objective:</b>           |            |                                                                              |                                                   |     |             |
| <b>Default:</b>             |            | OtherEventsFail                                                              |                                                   |     |             |
| Nr                          | Label      | Behaviour Description                                                        | CRef                                              | V   | Comments    |
| 1                           |            | START T_dly(par_timetol)                                                     |                                                   |     |             |
| 2                           |            | +MM_LupInit4( locup, ta)                                                     |                                                   |     |             |
| 3                           | L_088<br>9 | L!DL_DatRqLupAcp                                                             | LocAcp( TCV_ch,<br>LocUpdtAcp( mcc,<br>mnc, lac)) | (P) | no MI, fop; |
| 4                           | L_089<br>0 | ?TIMEOUT T_dly                                                               |                                                   | (F) |             |
| <b>Detailed Comments:</b>   |            |                                                                              |                                                   |     |             |

| Test Step Dynamic Behaviour |            |                                                                                                               |                                                                   |     |                    |
|-----------------------------|------------|---------------------------------------------------------------------------------------------------------------|-------------------------------------------------------------------|-----|--------------------|
| <b>Test Step Name:</b>      |            | MM_LUPperauth(oldmi, newmi: MI; mcc, mnc, oldlac, newlac:OCTETSTRING; locup:B_2; cksn: B_3; rand:RAND; ta:TA) |                                                                   |     |                    |
| <b>Group:</b>               |            | GSM_L3_MS_v4200/Miscellaneous/                                                                                |                                                                   |     |                    |
| <b>Objective:</b>           |            |                                                                                                               |                                                                   |     |                    |
| <b>Default:</b>             |            | OtherEventsFail                                                                                               |                                                                   |     |                    |
| Nr                          | Label      | Behaviour Description                                                                                         | CRef                                                              | V   | Comments           |
| 1                           |            | START T_dly( C_T_T3212min)                                                                                    |                                                                   |     | T3212 - 15 s       |
| 2                           | L_089<br>1 | ?TIMEOUT T_dly                                                                                                |                                                                   | (P) |                    |
| 3                           |            | START T_dly( C_T_T3212dif * 2)                                                                                |                                                                   |     | 2 * 15 s tolerance |
| 4                           |            | +MM_LupInit3( oldmi, mcc, mnc, oldlac, locup,<br>cksn, ta)                                                    |                                                                   |     |                    |
| 5                           |            | +Authentication( TCV_ch, TCV_cksn, rand)                                                                      |                                                                   |     |                    |
| 6                           |            | L!DL_DatRqLupAcp                                                                                              | LocAcp( TCV_ch,<br>LocUpdtAcp_01(<br>newmi, mcc, mnc,<br>newlac)) |     |                    |
| 7                           |            | L?DL_DatInTmsireCom                                                                                           | TmsiReallocCmp(<br>TCV_ch)                                        |     |                    |
| 8                           | L_089<br>2 | ?TIMEOUT T_dly                                                                                                |                                                                   | (F) | T3212 + 15 s       |
| <b>Detailed Comments:</b>   |            |                                                                                                               |                                                                   |     |                    |

| Test Step Dynamic Behaviour                                           |            |                             |                                                |     |          |
|-----------------------------------------------------------------------|------------|-----------------------------|------------------------------------------------|-----|----------|
| <b>Test Step Name:</b> MM_LUPperrej(par_rej:REJCAU; locup:B_2; ta:TA) |            |                             |                                                |     |          |
| <b>Group:</b> GSM_L3_MS_v4200/Miscellaneous/                          |            |                             |                                                |     |          |
| <b>Objective:</b>                                                     |            |                             |                                                |     |          |
| <b>Default:</b> OtherEventsFail                                       |            |                             |                                                |     |          |
| Nr                                                                    | Label      | Behaviour Description       | CRef                                           | V   | Comments |
| 1                                                                     |            | START T_dly(C_T_T3212min)   |                                                |     |          |
| 2                                                                     | L_089<br>3 | ?TIMEOUT T_dly              |                                                | (P) |          |
| 3                                                                     |            | START T_dly(C_T_T3212dif*2) |                                                |     |          |
| 4                                                                     |            | +MM_LuplNit4( locup, ta)    |                                                |     |          |
| 5                                                                     | L_089<br>4 | LIDL_DatRqLupRej            | LocRej( TCV_ch,<br>LocUpdtRej_01(<br>par_rej)) | (P) |          |
| 6                                                                     |            | +ChanRel(TCV_ch)            |                                                |     |          |
| 7                                                                     | L_089<br>5 | ?TIMEOUT T_dly              |                                                | (F) |          |
| <b>Detailed Comments:</b>                                             |            |                             |                                                |     |          |

| Test Step Dynamic Behaviour                                                                                                                           |            |                                                       |                                                |     |          |
|-------------------------------------------------------------------------------------------------------------------------------------------------------|------------|-------------------------------------------------------|------------------------------------------------|-----|----------|
| <b>Test Step Name:</b> MM_LUPperrej2(par_rej:REJCAU; par_mi:MI; par_toleranz: INTEGER; mcc, mnc, lac: OCTETSTRING; locup:B_2; cksn: BITSTRING; ta:TA) |            |                                                       |                                                |     |          |
| <b>Group:</b> GSM_L3_MS_v4200/Miscellaneous/                                                                                                          |            |                                                       |                                                |     |          |
| <b>Objective:</b>                                                                                                                                     |            |                                                       |                                                |     |          |
| <b>Default:</b> OtherEventsFail                                                                                                                       |            |                                                       |                                                |     |          |
| Nr                                                                                                                                                    | Label      | Behaviour Description                                 | CRef                                           | V   | Comments |
| 1                                                                                                                                                     |            | START T_dly( par_toleranz)                            |                                                |     |          |
| 2                                                                                                                                                     |            | +MM_LuplNit3( par_mi, mcc, mnc, lac, locup, cksn, ta) |                                                |     |          |
| 3                                                                                                                                                     | L_089<br>6 | LIDL_DatRqLupRej                                      | LocRej( TCV_ch,<br>LocUpdtRej_01(<br>par_rej)) | (P) |          |
| 4                                                                                                                                                     |            | +ChanRel(TCV_ch)                                      |                                                |     |          |
| 5                                                                                                                                                     | L_089<br>7 | ?TIMEOUT T_dly                                        |                                                | (F) |          |
| <b>Detailed Comments:</b>                                                                                                                             |            |                                                       |                                                |     |          |

| Test Step Dynamic Behaviour                                                                                                       |            |                                                       |      |     |          |
|-----------------------------------------------------------------------------------------------------------------------------------|------------|-------------------------------------------------------|------|-----|----------|
| <b>Test Step Name:</b> MM_LUPperrej3(par_mi:MI;par_toleranz:INTEGER; mcc, mnc, lac:OCTETSTRING; locup:B_2; cksn:BITSTRING; ta:TA) |            |                                                       |      |     |          |
| <b>Group:</b> GSM_L3_MS_v4200/Miscellaneous/                                                                                      |            |                                                       |      |     |          |
| <b>Objective:</b>                                                                                                                 |            |                                                       |      |     |          |
| <b>Default:</b> OtherEventsFail                                                                                                   |            |                                                       |      |     |          |
| Nr                                                                                                                                | Label      | Behaviour Description                                 | CRef | V   | Comments |
| 1                                                                                                                                 |            | START T_dly( par_toleranz)                            |      |     |          |
| 2                                                                                                                                 |            | +MM_LuplNit3( par_mi, mcc, mnc, lac, locup, cksn, ta) |      |     |          |
| 3                                                                                                                                 |            | +ChanRel(TCV_ch)                                      |      |     |          |
| 4                                                                                                                                 | L_089<br>8 | ?TIMEOUT T_dly                                        |      | (F) |          |
| <b>Detailed Comments:</b>                                                                                                         |            |                                                       |      |     |          |

| Test Step Dynamic Behaviour |            |                                              |                                                |     |          |
|-----------------------------|------------|----------------------------------------------|------------------------------------------------|-----|----------|
| <b>Test Step Name:</b>      |            | MM_LupRej(par_rej: REJCAU; locup:B_2; ta:TA) |                                                |     |          |
| <b>Group:</b>               |            | GSM_L3_MS_v4200/Miscellaneous/               |                                                |     |          |
| <b>Objective:</b>           |            |                                              |                                                |     |          |
| <b>Default:</b>             |            | OtherEventsFail                              |                                                |     |          |
| Nr                          | Label      | Behaviour Description                        | CRef                                           | V   | Comments |
| 1                           |            | +MM_LupInit2( locup, ta)                     |                                                |     |          |
| 2                           | L_089<br>9 | LIDL_DatRqLupRej                             | LocRej( TCV_ch,<br>LocUpdtRej_01(<br>par_rej)) | (P) |          |
| 3                           |            | +ChanRel(TCV_ch)                             |                                                |     |          |
| <b>Detailed Comments:</b>   |            |                                              |                                                |     |          |

| Test Step Dynamic Behaviour |            |                                                                                                     |                                                |     |          |
|-----------------------------|------------|-----------------------------------------------------------------------------------------------------|------------------------------------------------|-----|----------|
| <b>Test Step Name:</b>      |            | MM_LupRej2(par_rej: REJCAU; par_mi:MI; mcc, mnc, lac:OCTETSTRING; locup:B_2; cksn:BITSTRING; ta:TA) |                                                |     |          |
| <b>Group:</b>               |            | GSM_L3_MS_v4200/Miscellaneous/                                                                      |                                                |     |          |
| <b>Objective:</b>           |            |                                                                                                     |                                                |     |          |
| <b>Default:</b>             |            | OtherEventsFail                                                                                     |                                                |     |          |
| Nr                          | Label      | Behaviour Description                                                                               | CRef                                           | V   | Comments |
| 1                           |            | +MM_LupInit( par_mi, mcc, mnc, lac, locup, cksn, ta)                                                |                                                |     |          |
| 2                           | L_090<br>0 | LIDL_DatRqLupRej                                                                                    | LocRej( TCV_ch,<br>LocUpdtRej_01(<br>par_rej)) | (P) |          |
| 3                           |            | +ChanRel(TCV_ch)                                                                                    |                                                |     |          |
| <b>Detailed Comments:</b>   |            |                                                                                                     |                                                |     |          |

| Test Step Dynamic Behaviour |       |                                                                    |      |   |                          |
|-----------------------------|-------|--------------------------------------------------------------------|------|---|--------------------------|
| <b>Test Step Name:</b>      |       | MM_PwrOrSimOff(sim_rmvd:BOOLEAN)                                   |      |   |                          |
| <b>Group:</b>               |       | GSM_L3_MS_v4200/Miscellaneous/                                     |      |   |                          |
| <b>Objective:</b>           |       |                                                                    |      |   |                          |
| <b>Default:</b>             |       | OtherEventsFail                                                    |      |   |                          |
| Nr                          | Label | Behaviour Description                                              | CRef | V | Comments                 |
| 1                           |       | [(sim_rmvd) AND(TSPC_SIMRmv)]                                      |      |   | SIM needs to be removed. |
| 2                           |       | (TCV_Null :=OO_SIMRmv())                                           |      |   |                          |
| 3                           |       | [TSPC_SwitchOnOff]                                                 |      |   |                          |
| 4                           |       | (TCV_Null := OO_SwitchOff())                                       |      |   |                          |
| 5                           |       | [(((NOT sim_rmvd) OR(NOT TSPC_SIMRmv)) AND(NOT TSPC_SwitchOnOff))] |      |   |                          |
| 6                           |       | (TCV_Null := OO_PowerDown())                                       |      |   | Remove power source      |
| <b>Detailed Comments:</b>   |       |                                                                    |      |   |                          |

| Test Step Dynamic Behaviour |       |                                                                    |      |   |                      |
|-----------------------------|-------|--------------------------------------------------------------------|------|---|----------------------|
| <b>Test Step Name:</b>      |       | MM_PwrOrSimOn(sim_rmvd:BOOLEAN)                                    |      |   |                      |
| <b>Group:</b>               |       | GSM_L3_MS_v4200/Miscellaneous/                                     |      |   |                      |
| <b>Objective:</b>           |       |                                                                    |      |   |                      |
| <b>Default:</b>             |       | OtherEventsFail                                                    |      |   |                      |
| Nr                          | Label | Behaviour Description                                              | CRef | V | Comments             |
| 1                           |       | [(sim_rmvd) AND(TSPC_SIMRmv)]                                      |      |   | SIM has been removed |
| 2                           |       | (TCV_Null := OO_SIMIns())                                          |      |   |                      |
| 3                           |       | [TSPC_SwitchOnOff]                                                 |      |   |                      |
| 4                           |       | (TCV_Null := OO_SwitchOn())                                        |      |   |                      |
| 5                           |       | [(((NOT sim_rmvd) OR(NOT TSPC_SIMRmv)) AND(NOT TSPC_SwitchOnOff))] |      |   |                      |
| 6                           |       | (TCV_Null := OO_PowerUp())                                         |      |   | Restore power source |
| <b>Detailed Comments:</b>   |       |                                                                    |      |   |                      |

| Test Step Dynamic Behaviour |            |                                                                                   |                                                                                                                                      |     |                         |
|-----------------------------|------------|-----------------------------------------------------------------------------------|--------------------------------------------------------------------------------------------------------------------------------------|-----|-------------------------|
| <b>Test Step Name:</b>      |            | MM_check_ecall1(ta:TA; mi:MI)                                                     |                                                                                                                                      |     |                         |
| <b>Group:</b>               |            | GSM_L3_MS_v4200/Miscellaneous/                                                    |                                                                                                                                      |     |                         |
| <b>Objective:</b>           |            |                                                                                   |                                                                                                                                      |     |                         |
| <b>Default:</b>             |            | OtherEventsFail                                                                   |                                                                                                                                      |     |                         |
| Nr                          | Label      | Behaviour Description                                                             | CRef                                                                                                                                 | V   | Comments                |
| 1                           |            | [TSPC_Serv_TS11]                                                                  |                                                                                                                                      |     |                         |
| 2                           |            | +BasicServiceMO(C_EmgCall,<br>TSPX_EmgCallRate)                                   |                                                                                                                                      |     |                         |
| 3                           |            | +InitCall(TCV_Service)                                                            |                                                                                                                                      |     |                         |
| 4                           |            | L?DL_RaInChRq ( TCV_Rr := DL_RaInChRq.<br>msg.ecau_rrf, TCV_Fn := DL_RaInChRq.fn) | ChReq(<br>ChRequest_16)                                                                                                              |     |                         |
| 5                           |            | ACTIVATE(OtherEventsFail_02)                                                      |                                                                                                                                      |     | To match ChReq retrans. |
| 6                           |            | L!DL_UdatRqImmss                                                                  | ImmAss( TCV_agch,<br>ImmAsgn_01Def(<br>TCV_Rr, TCV_Fn,<br>TSPX_SDCCH4SubD<br>ef, TCV_slot,<br>TCV_tsc,<br>TCV_chdescr_arfcn,<br>ta)) |     |                         |
| 7                           |            | L?DL_EstInCmsRq                                                                   | CMSerReq(<br>CMServiceReq_05(<br>mi))                                                                                                |     |                         |
| 8                           |            | ACTIVATE(OtherEventsFail)                                                         |                                                                                                                                      |     | Restore Normal default  |
| 9                           |            | LIDL_DatRqCmsAcp                                                                  | CMSerAcp( TCV_ch,<br>CMServiceAcp_01)                                                                                                |     |                         |
| 10                          |            | +RcvSetupOrEsetup(TCV_Setup_m<br>o, TCV_Esetup, TCV_Ecall)                        |                                                                                                                                      |     |                         |
| 11                          |            | +ltree_check_ti_flag                                                              |                                                                                                                                      |     |                         |
| 12                          | L_090<br>1 | L!DL_DatRqRelCmp                                                                  | RelComSnd(<br>TCV_ch,<br>ReleaseCmp_04(<br>TCV_TI))                                                                                  | (P) |                         |
| 13                          |            | +ChanRel(TCV_ch)                                                                  |                                                                                                                                      |     |                         |
| 14                          |            | [NOT TSPC_Serv_TS11]                                                              |                                                                                                                                      |     |                         |
| 15                          | L_090<br>2 | <b>ltree_check_ti_flag</b><br>[TCV_TI0.ti_f = '1'B]                               |                                                                                                                                      | (F) |                         |
| 16                          |            | L!DL_DatRqChRel                                                                   | ChRel( TCV_ch,<br>ChRelease_01)                                                                                                      |     |                         |
| 17                          |            | L?DL_RelIn                                                                        | DLRelInd_01                                                                                                                          |     |                         |
| 18                          | L_090<br>3 | [TCV_TI0.ti_f = '0'B]                                                             |                                                                                                                                      | (P) |                         |
| <b>Detailed Comments:</b>   |            |                                                                                   |                                                                                                                                      |     |                         |

| Test Step Dynamic Behaviour |            |                                                                                   |                                                                                                                                      |     |                         |
|-----------------------------|------------|-----------------------------------------------------------------------------------|--------------------------------------------------------------------------------------------------------------------------------------|-----|-------------------------|
| <b>Test Step Name:</b>      |            | MM_check_ecall2(parexpected_mi: MI; parexpected_cksn: BITSTRING; ta:TA)           |                                                                                                                                      |     |                         |
| <b>Group:</b>               |            | GSM_L3_MS_v4200/Miscellaneous/                                                    |                                                                                                                                      |     |                         |
| <b>Objective:</b>           |            |                                                                                   |                                                                                                                                      |     |                         |
| <b>Default:</b>             |            | OtherEventsFail                                                                   |                                                                                                                                      |     |                         |
| Nr                          | Label      | Behaviour Description                                                             | CRef                                                                                                                                 | V   | Comments                |
| 1                           |            | [TSPC_Serv_TS11]                                                                  |                                                                                                                                      |     |                         |
| 2                           |            | +BasicServiceMO(C_EmgCall,<br>TSPX_EmgCallRate)                                   |                                                                                                                                      |     |                         |
| 3                           |            | +InitCall(TCV_Service)                                                            |                                                                                                                                      |     |                         |
| 4                           |            | L?DL_RaInChRq ( TCV_Rr := DL_RaInChRq.<br>msg.ecau_rrf, TCV_Fn := DL_RaInChRq.fn) | ChReq(<br>ChRequest_16)                                                                                                              |     |                         |
| 5                           |            | ACTIVATE(OtherEventsFail_02)                                                      |                                                                                                                                      |     | To match ChReq retrans. |
| 6                           |            | L!DL_UdatRqImmss                                                                  | ImmAss( TCV_agch,<br>ImmAsgn_01Def(<br>TCV_Rr, TCV_Fn,<br>TSPX_SDCCH4SubD<br>ef, TCV_slot,<br>TCV_tsc,<br>TCV_chdescr_arfcn,<br>ta)) |     |                         |
| 7                           |            | L?DL_EstInCmsRq                                                                   | CMSerReq(<br>CMSerReq_31(<br>parexpected_mi,<br>parexpected_cksn))                                                                   |     |                         |
| 8                           |            | ACTIVATE(OtherEventsFail)                                                         |                                                                                                                                      |     | Restore Normal default  |
| 9                           |            | L!DL_DatRqCmsAcp                                                                  | CMSerAcp( TCV_ch,<br>CMSerReq_01)                                                                                                    |     |                         |
| 10                          |            | +RcvSetupOrEsetup(TCV_Setup_m<br>o, TCV_Esetup, TCV_Ecall)                        |                                                                                                                                      |     |                         |
| 11                          |            | +ltree_check_ti_flag                                                              |                                                                                                                                      |     |                         |
| 12                          | L_090<br>4 | L!DL_DatRqRelCmp                                                                  | RelComSnd(<br>TCV_ch,<br>ReleaseCmp_04(<br>TCV_TI))                                                                                  | (P) |                         |
| 13                          |            | +ChanRel(TCV_ch)                                                                  |                                                                                                                                      |     |                         |
| 14                          | L_090<br>5 | [NOT TSPC_Serv_TS11]                                                              |                                                                                                                                      | (P) |                         |
| 15                          | L_090<br>6 | <b>ltree_check_ti_flag</b><br>[TCV_TI0.ti_f = '1'B]                               |                                                                                                                                      | (F) |                         |
| 16                          |            | L!DL_DatRqChRel                                                                   | ChRel( TCV_ch,<br>ChRelease_01)                                                                                                      |     |                         |
| 17                          |            | L?DL_Relln                                                                        | DLRelInd_01                                                                                                                          |     |                         |
| 18                          | L_090<br>7 | [TCV_TI0.ti_f = '0'B]                                                             |                                                                                                                                      | (P) |                         |
| <b>Detailed Comments:</b>   |            |                                                                                   |                                                                                                                                      |     |                         |

| Test Step Dynamic Behaviour |            |                                    |      |     |          |
|-----------------------------|------------|------------------------------------|------|-----|----------|
| <b>Test Step Name:</b>      |            | MM_no_cmsservices(par_int:INTEGER) |      |     |          |
| <b>Group:</b>               |            | GSM_L3_MS_v4200/Miscellaneous/     |      |     |          |
| <b>Objective:</b>           |            |                                    |      |     |          |
| <b>Default:</b>             |            | OtherEventsFail                    |      |     |          |
| Nr                          | Label      | Behaviour Description              | CRef | V   | Comments |
| 1                           |            | +InitCall(TCV_Service)             |      |     |          |
| 2                           |            | START T_dly(par_int)               |      |     |          |
| 3                           | L_090<br>8 | ?TIMEOUT T_dly                     |      | (P) |          |
| <b>Detailed Comments:</b>   |            |                                    |      |     |          |

| Test Step Dynamic Behaviour                                                                         |            |                                                |                                                         |     |          |
|-----------------------------------------------------------------------------------------------------|------------|------------------------------------------------|---------------------------------------------------------|-----|----------|
| <b>Test Step Name:</b> MM_no_paging(par_mi: MI; par_checktime:INTEGER; ccd: CCD; activ_cell:CellID) |            |                                                |                                                         |     |          |
| <b>Group:</b> GSM_L3_MS_v4200/Miscellaneous/                                                        |            |                                                |                                                         |     |          |
| <b>Objective:</b>                                                                                   |            |                                                |                                                         |     |          |
| <b>Default:</b> OtherEventsFail                                                                     |            |                                                |                                                         |     |          |
| Nr                                                                                                  | Label      | Behaviour Description                          | CRef                                                    | V   | Comments |
| 1                                                                                                   |            | +CCCH_group_Paging_group( ccd, TSPX_IMSI)      |                                                         |     |          |
| 2                                                                                                   |            | +SelectPagingCh( activ_cell)                   |                                                         |     |          |
| 3                                                                                                   |            | LIDL_UdatRqPg1Rq START<br>T_dly(par_checktime) | PgReq1(TCV_PgCh,<br>TCV_Pgg,<br>PgReqTp1_30(par_mi<br>) |     |          |
| 4                                                                                                   | L_090<br>9 | ?TIMEOUT T_dly                                 |                                                         | (P) |          |
| <b>Detailed Comments:</b>                                                                           |            |                                                |                                                         |     |          |

| Test Step Dynamic Behaviour                        |            |                       |      |     |          |
|----------------------------------------------------|------------|-----------------------|------|-----|----------|
| <b>Test Step Name:</b> NoReaction(par_int:INTEGER) |            |                       |      |     |          |
| <b>Group:</b> GSM_L3_MS_v4200/Miscellaneous/       |            |                       |      |     |          |
| <b>Objective:</b>                                  |            |                       |      |     |          |
| <b>Default:</b> OtherEventsFail                    |            |                       |      |     |          |
| Nr                                                 | Label      | Behaviour Description | CRef | V   | Comments |
| 1                                                  |            | START T_dly(par_int)  |      |     |          |
| 2                                                  | L_091<br>0 | ?TIMEOUT T_dly        |      | (P) |          |
| <b>Detailed Comments:</b>                          |            |                       |      |     |          |



| Test Step Dynamic Behaviour |            |                                                                                                                                                                                                                                                                 |                                               |     |          |
|-----------------------------|------------|-----------------------------------------------------------------------------------------------------------------------------------------------------------------------------------------------------------------------------------------------------------------|-----------------------------------------------|-----|----------|
| <b>Test Step Name:</b>      |            | RR_hocomp1(time_fn_fn1:INTEGER; ta:TA)                                                                                                                                                                                                                          |                                               |     |          |
| <b>Group:</b>               |            | GSM_L3_MS_v4200/Miscellaneous/                                                                                                                                                                                                                                  |                                               |     |          |
| <b>Objective:</b>           |            | To finish the HO-procedure. Timing advance = 20 bits period                                                                                                                                                                                                     |                                               |     |          |
| <b>Default:</b>             |            | RcvHdOvAcc, OtherEvents                                                                                                                                                                                                                                         |                                               |     |          |
| <b>Comments:</b>            |            | used var's: TCV_ch, TCV_Horf, TCV_Cntref                                                                                                                                                                                                                        |                                               |     |          |
| Nr                          | Label      | Behaviour Description                                                                                                                                                                                                                                           | CRef                                          | V   | Comments |
| 1                           |            | L?DL_RacInHoacc (TCV_FnBurst := DL_RacInHoacc.fn)                                                                                                                                                                                                               | HndOvAccRcv(TCV_ch, HandOverAcc_02(TCV_Horf)) |     | 1.       |
| 2                           |            | L?DL_EstIn                                                                                                                                                                                                                                                      | DLEstIn(TCV_ch)                               |     |          |
| 3                           |            | (TCV_HoaccPara := OM_GetHoaccPara(TCV_ch))                                                                                                                                                                                                                      |                                               |     |          |
| 4                           | L_104<br>3 | [(OC_OctToInt(TCV_HoaccPara.num_bursts) >= TCV_Cntref) AND(OC_OctToInt(TCV_HoaccPara.num_bursts) <= (TCV_Cntref+20))]                                                                                                                                           |                                               | (P) | 2.       |
| 5                           |            | +localtree_continue                                                                                                                                                                                                                                             |                                               |     |          |
| 6                           | L_104<br>4 | [C_Yes]                                                                                                                                                                                                                                                         |                                               | (F) |          |
| 7                           |            | +localtree_continue                                                                                                                                                                                                                                             |                                               |     |          |
| 8                           |            | <b>localtree_continue</b><br>(TCV_Fn1:= OM_ReturnFn(TCV_ch))                                                                                                                                                                                                    |                                               |     |          |
| 9                           |            | L?DL_DatInHoCom( TCV_Fn := DL_DatInHoCom.fn)                                                                                                                                                                                                                    | HndOvCmpRcv(TCV_ch, HandOverCmp_20)           |     |          |
| 10                          |            | +FnArith( TCV_Fn1, TCV_Fn)                                                                                                                                                                                                                                      |                                               |     | 3.       |
| 11                          | L_091<br>1 | [TCV_Time > time_fn_fn1]                                                                                                                                                                                                                                        |                                               | (F) |          |
| 12                          | L_091<br>2 | [TCV_Time <= time_fn_fn1]                                                                                                                                                                                                                                       |                                               | (P) |          |
| <b>Detailed Comments:</b>   |            | 1. Match the 1st access burst. The access bursts except the 1st one are matched by the default test step RcvHdOvAcc.<br>2. Check the number of access bursts received with tolerance +20 (10 for FACCH interleave & 10 for MS processing).<br>3. Check HO-time. |                                               |     |          |

| Test Step Dynamic Behaviour                                                                                   |            |                                                   |                                               |     |          |
|---------------------------------------------------------------------------------------------------------------|------------|---------------------------------------------------|-----------------------------------------------|-----|----------|
| <b>Test Step Name:</b> RR_hocomp3(time_fn1_fn:INTEGER)                                                        |            |                                                   |                                               |     |          |
| <b>Group:</b> GSM_L3_MS_v4200/Miscellaneous/                                                                  |            |                                                   |                                               |     |          |
| <b>Objective:</b> To finish the HO-procedure.                                                                 |            |                                                   |                                               |     |          |
| <b>Default:</b> OtherEvents                                                                                   |            |                                                   |                                               |     |          |
| <b>Comments:</b> used var's:<br>TCV_ch, TCV_Horf, TCV_L1Head                                                  |            |                                                   |                                               |     |          |
| Nr                                                                                                            | Label      | Behaviour Description                             | CRef                                          | V   | Comments |
| 1                                                                                                             |            | (TCV_Cnt:=0, TCV_L1Head := OM_GetL1Hd(TCV_sacch)) |                                               |     | 1.       |
| 2                                                                                                             |            | REPEAT localtree_hoacc UNTIL [TCV_Cnt = 4]        |                                               |     |          |
| 3                                                                                                             |            | L?DL_EstIn                                        | DLEstInd( TCV_ch)                             |     |          |
| 4                                                                                                             |            | L?DL_DatInHoCom( TCV_Fn := DL_DatInHoCom.fn)      | HndOvCmpRcv(TCV_ch, HandOverCmp_20)           |     |          |
| 5                                                                                                             |            | +localtree_hotime                                 |                                               |     | 2.       |
| <b>localtree_hoacc</b>                                                                                        |            |                                                   |                                               |     |          |
| 6                                                                                                             |            | L?DL_RacInHoacc                                   | HndOvAccRcv(TCV_ch, HandOverAcc_02(TCV_Horf)) |     |          |
| 7                                                                                                             |            | (TCV_Cnt := TCV_Cnt + 1)                          |                                               |     |          |
| <b>localtree_hotime</b>                                                                                       |            |                                                   |                                               |     |          |
| 8                                                                                                             |            | +FnArith( TCV_Fn1, TCV_Fn)                        |                                               |     |          |
| 9                                                                                                             | L_091<br>3 | [TCV_Time > time_fn1_fn]                          |                                               | (F) |          |
| 10                                                                                                            | L_091<br>4 | [TCV_Time <= time_fn1_fn]                         |                                               | (P) |          |
| <b>Detailed Comments:</b> 1) Store first SACCH L1 header from MS to check TA and Power<br>2) Check of HO-time |            |                                                   |                                               |     |          |

| Test Step Dynamic Behaviour                                           |       |                                         |      |   |          |
|-----------------------------------------------------------------------|-------|-----------------------------------------|------|---|----------|
| <b>Test Step Name:</b> RRmtcallprepare(ta:TA; rand:RAND)              |       |                                         |      |   |          |
| <b>Group:</b> GSM_L3_MS_v4200/Miscellaneous/                          |       |                                         |      |   |          |
| <b>Objective:</b> To prepare a mobile terminating call establishment. |       |                                         |      |   |          |
| <b>Default:</b> OtherEvents                                           |       |                                         |      |   |          |
| Nr                                                                    | Label | Behaviour Description                   | CRef | V | Comments |
| 1                                                                     |       | +PreEstRRConn( TCV_slot, TCV_tsc, ta)   |      |   |          |
| 2                                                                     |       | +Authentication( TCV_ch, TCV_cks, rand) |      |   |          |
| 3                                                                     |       | +Cipherng_on( TCV_ch)                   |      |   |          |
| <b>Detailed Comments:</b>                                             |       |                                         |      |   |          |

| Test Step Dynamic Behaviour |       |                                                                                                                                                                                                                                                                                                     |                   |   |          |
|-----------------------------|-------|-----------------------------------------------------------------------------------------------------------------------------------------------------------------------------------------------------------------------------------------------------------------------------------------------------|-------------------|---|----------|
| <b>Test Step Name:</b>      |       | RcvSetupOrEsetup(Setup: SETUP_MO_PDU; Esetup:ESETUP_PDU; Ecall:BOOLEAN)                                                                                                                                                                                                                             |                   |   |          |
| <b>Group:</b>               |       | GSM_L3_MS_v4200/Miscellaneous/                                                                                                                                                                                                                                                                      |                   |   |          |
| <b>Objective:</b>           |       | To manage Setup Mobile Originated.                                                                                                                                                                                                                                                                  |                   |   |          |
| <b>Default:</b>             |       | OtherEvents                                                                                                                                                                                                                                                                                         |                   |   |          |
| Nr                          | Label | Behaviour Description                                                                                                                                                                                                                                                                               | CRef              | V | Comments |
| 1                           |       | [NOT Ecall]                                                                                                                                                                                                                                                                                         |                   |   |          |
| 2                           |       | L?DL_DatInSetup (TCV_Setup_mo1 :=<br>DL_DatInSetup.msg, TCV_TI :=<br>TCV_Setup_mo1.ti, TCV_TI0 := TCV_TI,<br>TCV_TI.ti_f := '1'B)                                                                                                                                                                   | SetupRcv(Setup)   |   |          |
| 3                           |       | +CallProcGen(TCV_Setup_mo1, TCV_Service)                                                                                                                                                                                                                                                            |                   |   |          |
| 4                           |       | [Ecall]                                                                                                                                                                                                                                                                                             |                   |   |          |
| 5                           |       | L?DL_DatInESetup (TCV_Esetup1 :=<br>DL_DatInESetup.msg, TCV_Setup_mo1.ti :=<br>TCV_Esetup1.ti, TCV_Setup_mo1.bcap1 :=<br>TCV_Esetup1.bcap, TCV_Setup_mo1.ccpd :=<br>TCV_Esetup1.ccpd, TCV_Setup_mo1.mt :=<br>TCV_Esetup1.mt, TCV_TI := TCV_Setup_mo1.ti,<br>TCV_TI0 := TCV_TI, TCV_TI.ti_f := '1'B) | ESetupRcv(Esetup) |   |          |
| 6                           |       | +CallProcGen(TCV_Setup_mo1, TCV_Service)                                                                                                                                                                                                                                                            |                   |   |          |
| <b>Detailed Comments:</b>   |       |                                                                                                                                                                                                                                                                                                     |                   |   |          |

| Test Step Dynamic Behaviour |            |                                                          |      |     |            |
|-----------------------------|------------|----------------------------------------------------------|------|-----|------------|
| <b>Test Step Name:</b>      |            | SendSeqNo_chk                                            |      |     |            |
| <b>Group:</b>               |            | GSM_L3_MS_v4200/Miscellaneous/                           |      |     |            |
| <b>Objective:</b>           |            | To check whether the sending sequence number is the same |      |     |            |
| <b>Default:</b>             |            | OtherEvents                                              |      |     |            |
| Nr                          | Label      | Behaviour Description                                    | CRef | V   | Comments   |
| 1                           | L_091<br>5 | [TCV_Mt1 = TCV_Mt]                                       |      | (P) | same N(SD) |
| 2                           | L_091<br>6 | [TCV_Mt1 <> TCV_Mt]                                      |      | (F) |            |
| <b>Detailed Comments:</b>   |            |                                                          |      |     |            |

| Test Step Dynamic Behaviour |       |                                                                                                                                                        |      |   |          |
|-----------------------------|-------|--------------------------------------------------------------------------------------------------------------------------------------------------------|------|---|----------|
| <b>Test Step Name:</b>      |       | SelectPagingCh(cell:CellID)                                                                                                                            |      |   |          |
| <b>Group:</b>               |       | GSM_L3_MS_v4200/Miscellaneous/                                                                                                                         |      |   |          |
| <b>Objective:</b>           |       | To assign a paging channel and an access grant channel to the variable TCV_PgCh and TCV_agch respectively, depending on the parameter 'cell' (cell ID) |      |   |          |
| <b>Default:</b>             |       | OtherEvents                                                                                                                                            |      |   |          |
| Nr                          | Label | Behaviour Description                                                                                                                                  | CRef | V | Comments |
| 1                           |       | [cell = C_CellA]                                                                                                                                       |      |   |          |
| 2                           |       | [TCV_Ccchg=0]                                                                                                                                          |      |   |          |
| 3                           |       | (TCV_PgCh := C_PCH_A_1, TCV_agch := C_AGCH_A_1)                                                                                                        |      |   |          |
| 4                           |       | [TCV_Ccchg=1]                                                                                                                                          |      |   |          |
| 5                           |       | (TCV_PgCh := C_PCH_A_2, TCV_agch := C_AGCH_A_2)                                                                                                        |      |   |          |
| 6                           |       | [TCV_Ccchg=2]                                                                                                                                          |      |   |          |
| 7                           |       | (TCV_PgCh := C_PCH_A_3, TCV_agch := C_AGCH_A_3)                                                                                                        |      |   |          |
| 8                           |       | [TCV_Ccchg=3]                                                                                                                                          |      |   |          |
| 9                           |       | (TCV_PgCh := C_PCH_A_4, TCV_agch := C_AGCH_A_4)                                                                                                        |      |   |          |
| 10                          |       | [cell = C_CellB]                                                                                                                                       |      |   |          |
| 11                          |       | [TCV_Ccchg=0]                                                                                                                                          |      |   |          |
| 12                          |       | (TCV_PgCh := C_PCH_B_1, TCV_agch := C_AGCH_B_1)                                                                                                        |      |   |          |
| 13                          |       | [TCV_Ccchg=1]                                                                                                                                          |      |   |          |
| 14                          |       | (TCV_PgCh := C_PCH_B_2, TCV_agch := C_AGCH_B_2)                                                                                                        |      |   |          |
| 15                          |       | [TCV_Ccchg=2]                                                                                                                                          |      |   |          |
| 16                          |       | (TCV_PgCh := C_PCH_B_3, TCV_agch := C_AGCH_B_3)                                                                                                        |      |   |          |
| 17                          |       | [TCV_Ccchg=3]                                                                                                                                          |      |   |          |
| 18                          |       | (TCV_PgCh := C_PCH_B_4, TCV_agch := C_AGCH_B_4)                                                                                                        |      |   |          |
| 19                          |       | [cell = C_CellC]                                                                                                                                       |      |   |          |
| 20                          |       | [TCV_Ccchg=0]                                                                                                                                          |      |   |          |
| 21                          |       | (TCV_PgCh := C_PCH_C_1, TCV_agch := C_AGCH_C_1)                                                                                                        |      |   |          |
| 22                          |       | [TCV_Ccchg=1]                                                                                                                                          |      |   |          |
| 23                          |       | (TCV_PgCh := C_PCH_C_2, TCV_agch := C_AGCH_C_2)                                                                                                        |      |   |          |
| 24                          |       | [TCV_Ccchg=2]                                                                                                                                          |      |   |          |
| 25                          |       | (TCV_PgCh := C_PCH_C_3, TCV_agch := C_AGCH_C_3)                                                                                                        |      |   |          |
| 26                          |       | [TCV_Ccchg=3]                                                                                                                                          |      |   |          |
| 27                          |       | (TCV_PgCh := C_PCH_C_4, TCV_agch := C_AGCH_C_4)                                                                                                        |      |   |          |
| <b>Detailed Comments:</b>   |       |                                                                                                                                                        |      |   |          |

| Test Step Dynamic Behaviour |       |                                     |      |   |          |
|-----------------------------|-------|-------------------------------------|------|---|----------|
| <b>Test Step Name:</b>      |       | Set_CellChDescr(cell:CellID)        |      |   |          |
| <b>Group:</b>               |       | GSM_L3_MS_v4200/Miscellaneous/      |      |   |          |
| <b>Objective:</b>           |       | To set the cell channel description |      |   |          |
| <b>Default:</b>             |       |                                     |      |   |          |
| <b>Comments:</b>            |       | used in TC_26_6_13                  |      |   |          |
| Nr                          | Label | Behaviour Description               | CRef | V | Comments |
| 1                           |       | [TSPC_PGSM OR TSPC_EGSM]            |      |   |          |
| 2                           |       | [cell = C_CellA]                    |      |   |          |
| 3                           |       | (TCV_cchd1 := CellChDes_20_Aman)    |      |   |          |
| 4                           |       | [cell = C_CellB]                    |      |   |          |
| 5                           |       | (TCV_cchd1 := CellChDes_20_Bman)    |      |   |          |
| 6                           |       | [TSPC_DCS]                          |      |   |          |
| 7                           |       | [cell = C_CellA]                    |      |   |          |
| 8                           |       | (TCV_cchd1 := CellChDes_203_Ad)     |      |   |          |
| 9                           |       | [cell = C_CellB]                    |      |   |          |
| 10                          |       | (TCV_cchd1 := CellChDes_201_Bd)     |      |   |          |
| <b>Detailed Comments:</b>   |       |                                     |      |   |          |

| Test Step Dynamic Behaviour |       |                                                                                                    |                     |   |          |
|-----------------------------|-------|----------------------------------------------------------------------------------------------------|---------------------|---|----------|
| <b>Test Step Name:</b>      |       | SetupRcvMo2(pdu_setup: SETUP_MO_PDU)                                                               |                     |   |          |
| <b>Group:</b>               |       | GSM_L3_MS_v4200/Miscellaneous/                                                                     |                     |   |          |
| <b>Objective:</b>           |       | To manage Setup Mobile Originated.                                                                 |                     |   |          |
| <b>Default:</b>             |       | OtherEvents                                                                                        |                     |   |          |
| Nr                          | Label | Behaviour Description                                                                              | CRef                | V | Comments |
| 1                           |       | L?DL_DatInSetup (TCV_Setup_mo := DL_DatInSetup.msg)                                                | SetupRcv(pdu_setup) |   |          |
| 2                           |       | +CallProcGen(TCV_Setup_mo, TCV_Service)                                                            |                     |   |          |
| 3                           |       | (TCV_TI1 := TCV_Setup_mo.ti, TCV_TI2 := TCV_TI1, TCV_TI2.ti_f := '1'B, TCV_CallProc.ti := TCV_TI2) |                     |   |          |
| <b>Detailed Comments:</b>   |       |                                                                                                    |                     |   |          |

| Test Step Dynamic Behaviour |       |                                                                                                                                              |      |   |          |
|-----------------------------|-------|----------------------------------------------------------------------------------------------------------------------------------------------|------|---|----------|
| <b>Test Step Name:</b>      |       | Switchcell( old_cell, activ_cell:CellID; lac:OCTETSTRING; subch, cksn, rand:BITSTRING; arfcngsm, arfcndcs:INTEGER; ccd: CCD; imsi:HEXSTRING) |      |   |          |
| <b>Group:</b>               |       | GSM_L3_MS_v4200/Miscellaneous/                                                                                                               |      |   |          |
| <b>Objective:</b>           |       | To force the MS to reselect cell A                                                                                                           |      |   |          |
| <b>Default:</b>             |       | OtherEvents                                                                                                                                  |      |   |          |
| Nr                          | Label | Behaviour Description                                                                                                                        | CRef | V | Comments |
| 1                           |       | +Varinit_fix( activ_cell, lac, subch, cksn, rand, arfcngsm, arfcndcs, ccd, imsi)                                                             |      |   |          |
| 2                           |       | (TCV_Null := OM_ChangeRFOf2Cells( activ_cell, C_E_default, old_cell, C_E_notsuitable))                                                       |      |   |          |
| <b>Detailed Comments:</b>   |       |                                                                                                                                              |      |   |          |

| Test Step Dynamic Behaviour |       |                                                                                                                  |      |   |          |
|-----------------------------|-------|------------------------------------------------------------------------------------------------------------------|------|---|----------|
| <b>Test Step Name:</b>      |       | SvcSupportedChk(svc:IA5String)                                                                                   |      |   |          |
| <b>Group:</b>               |       | GSM_L3_MS_v4200/Miscellaneous/                                                                                   |      |   |          |
| <b>Objective:</b>           |       | To check whether the Basic Service svc is supported against PICS answers.                                        |      |   |          |
| <b>Default:</b>             |       | OtherEvents                                                                                                      |      |   |          |
| <b>Comments:</b>            |       | In PICS, if the svc is declared supported, the test case variable TCV_supported is set to TRUE, otherwise FALSE. |      |   |          |
| Nr                          | Label | Behaviour Description                                                                                            | CRef | V | Comments |
| 1                           |       | (TCV_supported := C_No)                                                                                          |      |   |          |
| 2                           |       | [(svc = C_Telephony) AND TSPC_Serv_TS11]                                                                         |      |   | TS11     |
| 3                           |       | (TCV_supported := C_Yes)                                                                                         |      |   |          |
| 4                           |       | [(svc = C_EmgCall) AND TSPC_Serv_TS12]                                                                           |      |   | TS12     |
| 5                           |       | (TCV_supported := C_Yes)                                                                                         |      |   |          |
| 6                           |       | [(svc = C_AltSpchFax) AND TSPC_Serv_TS61]                                                                        |      |   | TS61     |
| 7                           |       | (TCV_supported := C_Yes)                                                                                         |      |   |          |
| 8                           |       | [(svc = C_AutoFax) AND TSPC_Serv_TS62]                                                                           |      |   | TS62     |
| 9                           |       | (TCV_supported := C_Yes)                                                                                         |      |   |          |
| 10                          |       | [(svc = C_Async300) AND TSPC_Serv_BS21]                                                                          |      |   | BS21     |
| 11                          |       | (TCV_supported := C_Yes)                                                                                         |      |   |          |
| 12                          |       | [(svc = C_Async1200) AND TSPC_Serv_BS22]                                                                         |      |   | BS22     |
| 13                          |       | (TCV_supported := C_Yes)                                                                                         |      |   |          |
| 14                          |       | [(svc = C_Async120075) AND TSPC_Serv_BS23]                                                                       |      |   | BS23     |
| 15                          |       | (TCV_supported := C_Yes)                                                                                         |      |   |          |
| 16                          |       | [(svc = C_Async2400) AND TSPC_Serv_BS24]                                                                         |      |   | BS24     |
| 17                          |       | (TCV_supported := C_Yes)                                                                                         |      |   |          |
| 18                          |       | [(svc = C_Async4800) AND TSPC_Serv_BS25]                                                                         |      |   | BS25     |
| 19                          |       | (TCV_supported := C_Yes)                                                                                         |      |   |          |
| 20                          |       | [(svc = C_Async9600) AND TSPC_Serv_BS26]                                                                         |      |   | BS26     |
| 21                          |       | (TCV_supported := C_Yes)                                                                                         |      |   |          |
| 22                          |       | [(svc = C_Sync1200) AND TSPC_Serv_BS31]                                                                          |      |   | BS31     |
| 23                          |       | (TCV_supported := C_Yes)                                                                                         |      |   |          |
| 24                          |       | [(svc = C_Sync2400) AND TSPC_Serv_BS32]                                                                          |      |   | BS32     |
| 25                          |       | (TCV_supported := C_Yes)                                                                                         |      |   |          |
| 26                          |       | [(svc = C_Sync4800) AND TSPC_Serv_BS33]                                                                          |      |   | BS33     |
| 27                          |       | (TCV_supported := C_Yes)                                                                                         |      |   |          |
| 28                          |       | [(svc = C_Sync9600) AND TSPC_Serv_BS34]                                                                          |      |   | BS34     |
| 29                          |       | (TCV_supported := C_Yes)                                                                                         |      |   |          |
| 30                          |       | [(svc = C_PAD300) AND TSPC_Serv_BS41]                                                                            |      |   | BS41     |
| 31                          |       | (TCV_supported := C_Yes)                                                                                         |      |   |          |
| 32                          |       | [(svc = C_PAD1200) AND TSPC_Serv_BS42]                                                                           |      |   | BS42     |
| 33                          |       | (TCV_supported := C_Yes)                                                                                         |      |   |          |
| 34                          |       | [(svc = C_PAD120075) AND TSPC_Serv_BS43]                                                                         |      |   | BS43     |
| 35                          |       | (TCV_supported := C_Yes)                                                                                         |      |   |          |
| 36                          |       | [(svc = C_PAD2400) AND TSPC_Serv_BS44]                                                                           |      |   | BS44     |
| 37                          |       | (TCV_supported := C_Yes)                                                                                         |      |   |          |
| 38                          |       | [(svc = C_PAD4800) AND TSPC_Serv_BS45]                                                                           |      |   | BS45     |
| 39                          |       | (TCV_supported := C_Yes)                                                                                         |      |   |          |
| 40                          |       | [(svc = C_PAD9600) AND TSPC_Serv_BS46]                                                                           |      |   | BS46     |
| 41                          |       | (TCV_supported := C_Yes)                                                                                         |      |   |          |
| 42                          |       | [(svc = C_Packet2400) AND TSPC_Serv_BS51]                                                                        |      |   | BS51     |
| 43                          |       | (TCV_supported := C_Yes)                                                                                         |      |   |          |
| 44                          |       | [(svc = C_Packet4800) AND TSPC_Serv_BS52]                                                                        |      |   | BS52     |
| 45                          |       | (TCV_supported := C_Yes)                                                                                         |      |   |          |
| 46                          |       | [(svc = C_Packet9600) AND TSPC_Serv_BS53]                                                                        |      |   | BS53     |
| 47                          |       | (TCV_supported := C_Yes)                                                                                         |      |   |          |
| 48                          |       | [(svc = C_AltSpchData) AND TSPC_Serv_BS61]                                                                       |      |   | BS61     |
| 49                          |       | (TCV_supported := C_Yes)                                                                                         |      |   |          |
| 50                          |       | [(svc = C_SpchData) AND TSPC_Serv_BS81]                                                                          |      |   | BS81     |
| 51                          |       | (TCV_supported := C_Yes)                                                                                         |      |   |          |
| 52                          |       | [C_Yes]                                                                                                          |      |   |          |
| <b>Detailed Comments:</b>   |       |                                                                                                                  |      |   |          |

| Test Step Dynamic Behaviour |            |                                                                                                        |      |     |                              |
|-----------------------------|------------|--------------------------------------------------------------------------------------------------------|------|-----|------------------------------|
| <b>Test Step Name:</b>      |            | Timadv_Pwrlvl_chk(k, y:INTEGER; pwrvl:B_5)                                                             |      |     |                              |
| <b>Group:</b>               |            | GSM_L3_MS_v4200/Miscellaneous/                                                                         |      |     |                              |
| <b>Objective:</b>           |            | To check whether the power level and the timing advance in L1 head is correct.                         |      |     |                              |
| <b>Default:</b>             |            | OtherEvents                                                                                            |      |     |                              |
| Nr                          | Label      | Behaviour Description                                                                                  | CRef | V   | Comments                     |
| 1                           |            | (TCV_temp1 := BIT_TO_INT(TCV_L1Head.ta),<br>TCV_temp2 := (k*2 + y) MOD 256)                            |      |     |                              |
| 2                           | L_104<br>5 | [(TCV_temp2 >= 60) OR (TCV_temp2 = 0)<br>OR(TCV_temp1 > 63)]                                           |      | (I) |                              |
| 3                           | L_091<br>7 | [(TCV_temp2 >= TCV_temp1 - 2) AND<br>(TCV_temp2 <= TCV_temp1 + 2) AND<br>(TCV_L1Head.mspwrvl = pwrvl)] |      | (P) | TA must be within +/- 2 bits |
| 4                           | L_091<br>8 | [C_Yes]                                                                                                |      | (F) |                              |
| <b>Detailed Comments:</b>   |            |                                                                                                        |      |     |                              |

| Test Step Dynamic Behaviour |            |                                                         |                                                      |     |          |
|-----------------------------|------------|---------------------------------------------------------|------------------------------------------------------|-----|----------|
| <b>Test Step Name:</b>      |            | TmsiReallocation(par_mi:MI; mcc, mnc, lac: OCTETSTRING) |                                                      |     |          |
| <b>Group:</b>               |            | GSM_L3_MS_v4200/Miscellaneous/                          |                                                      |     |          |
| <b>Objective:</b>           |            |                                                         |                                                      |     |          |
| <b>Default:</b>             |            | OtherEventsFail                                         |                                                      |     |          |
| Nr                          | Label      | Behaviour Description                                   | CRef                                                 | V   | Comments |
| 1                           |            | L!DL_DatRqTmsireCmd                                     | TmsiReallocSnd(<br>par_mi, TCV_ch,<br>mcc, mnc, lac) |     |          |
| 2                           | L_091<br>9 | L?DL_DatInTmsireCom                                     | TmsiReallocCmp(<br>TCV_ch)                           | (P) |          |
| <b>Detailed Comments:</b>   |            |                                                         |                                                      |     |          |

| Test Step Dynamic Behaviour |       |                                                   |      |   |          |
|-----------------------------|-------|---------------------------------------------------|------|---|----------|
| <b>Test Step Name:</b>      |       | Varinit_tch(arfcngsm, arfcndcs:INTEGER)           |      |   |          |
| <b>Group:</b>               |       | GSM_L3_MS_v4200/Miscellaneous/                    |      |   |          |
| <b>Objective:</b>           |       | To assign an initial arfcn value to TCV_tch_arfcn |      |   |          |
| <b>Default:</b>             |       | OtherEventsFail                                   |      |   |          |
| Nr                          | Label | Behaviour Description                             | CRef | V | Comments |
| 1                           |       | [TSPC_PGSM OR TSPC_EGSM]                          |      |   |          |
| 2                           |       | (TCV_tch_arfcn:= arfcngsm)                        |      |   |          |
| 3                           |       | [TSPC_DCS]                                        |      |   |          |
| 4                           |       | (TCV_tch_arfcn:= arfcndcs)                        |      |   |          |
| <b>Detailed Comments:</b>   |       |                                                   |      |   |          |

| Test Step Dynamic Behaviour                                                                                                                  |       |                                                         |      |   |          |
|----------------------------------------------------------------------------------------------------------------------------------------------|-------|---------------------------------------------------------|------|---|----------|
| <b>Test Step Name:</b>                                                                                                                       |       | Wait(par_int:INTEGER)                                   |      |   |          |
| <b>Group:</b>                                                                                                                                |       | GSM_L3_MS_v4200/Miscellaneous/                          |      |   |          |
| <b>Objective:</b>                                                                                                                            |       |                                                         |      |   |          |
| <b>Default:</b>                                                                                                                              |       | OtherEventsFail                                         |      |   |          |
| <b>Comments:</b>                                                                                                                             |       | To check whether MS doesn't initiate any RR connections |      |   |          |
| Nr                                                                                                                                           | Label | Behaviour Description                                   | CRef | V | Comments |
| 1                                                                                                                                            |       | START T_dly(par_int)                                    |      |   |          |
| 2                                                                                                                                            |       | ?TIMEOUT T_dly                                          |      |   |          |
| <b>Detailed Comments:</b> This test step can be used, e.g.for 1s. delay of a PAGING REQUEST message following immediately a CHANNEL RELEASE. |       |                                                         |      |   |          |

| Test Step Dynamic Behaviour                                                                                                                                   |       |                                                                                                                                                                                                                                 |      |   |          |
|---------------------------------------------------------------------------------------------------------------------------------------------------------------|-------|---------------------------------------------------------------------------------------------------------------------------------------------------------------------------------------------------------------------------------|------|---|----------|
| <b>Test Step Name:</b> Varinit_fix( activ_cell:CellID; lac:OCTETSTRING; subch:B_2; cksn:B_3; rand:RAND; arfcngsm, arfncdcs:INTEGER; ccd: CCD; imsi:HEXSTRING) |       |                                                                                                                                                                                                                                 |      |   |          |
| <b>Group:</b> GSM_L3_MS_v4200/Miscellaneous/                                                                                                                  |       |                                                                                                                                                                                                                                 |      |   |          |
| <b>Objective:</b>                                                                                                                                             |       |                                                                                                                                                                                                                                 |      |   |          |
| <b>Default:</b> OtherEventsFail                                                                                                                               |       |                                                                                                                                                                                                                                 |      |   |          |
| Nr                                                                                                                                                            | Label | Behaviour Description                                                                                                                                                                                                           | CRef | V | Comments |
| 1                                                                                                                                                             |       | (TCV_cellid := activ_cell, TCV_ch := OC_SubchOfSdcch4( subch, activ_cell), TCV_sacch := OC_SubchOfSacch4( subch, activ_cell), TCV_ia_ts := '000'B, TCV_lac := lac, TCV_ksn := cksn, TCV_CphKey := OC_CphKeyGen( TSPX_Ki, rand)) |      |   |          |
| 2                                                                                                                                                             |       | +CCCH_group_Paging_group( ccd, imsi)                                                                                                                                                                                            |      |   |          |
| 3                                                                                                                                                             |       | +SelectPagingCh( activ_cell)                                                                                                                                                                                                    |      |   |          |
| 4                                                                                                                                                             |       | [TSPC_PGSM OR TSPC_EGSM]                                                                                                                                                                                                        |      |   |          |
| 5                                                                                                                                                             |       | (TCV_chdescr_arfcn:= arfcngsm)                                                                                                                                                                                                  |      |   |          |
| 6                                                                                                                                                             |       | [TSPC_DCS]                                                                                                                                                                                                                      |      |   |          |
| 7                                                                                                                                                             |       | (TCV_chdescr_arfcn:= arfncdcs)                                                                                                                                                                                                  |      |   |          |
| <b>Detailed Comments:</b>                                                                                                                                     |       |                                                                                                                                                                                                                                 |      |   |          |

| Test Step Dynamic Behaviour                                               |       |                                                  |      |   |          |
|---------------------------------------------------------------------------|-------|--------------------------------------------------|------|---|----------|
| <b>Test Step Name:</b> WaitForInService                                   |       |                                                  |      |   |          |
| <b>Group:</b> GSM_L3_MS_v4200/Miscellaneous/                              |       |                                                  |      |   |          |
| <b>Objective:</b> To wait until the MS enters the Idle and updated state. |       |                                                  |      |   |          |
| <b>Default:</b> OtherEvents                                               |       |                                                  |      |   |          |
| Nr                                                                        | Label | Behaviour Description                            | CRef | V | Comments |
| 1                                                                         |       | (TCV_Null:=OM_PgFill(TCV_cellid, PgReqTp1Reorg)) |      |   |          |
| 2                                                                         |       | START T_dly(5000)                                |      |   |          |
| 3                                                                         |       | ?TIMEOUT T_dly                                   |      |   |          |
| 4                                                                         |       | (TCV_Null:=OM_PgFill(TCV_cellid, PgReqTp1Norm))  |      |   |          |
| <b>Detailed Comments:</b>                                                 |       |                                                  |      |   |          |

### Test Step Group SysInfo

| Test Step Dynamic Behaviour                                                                                                       |       |                                                                                                                                                                                                                                                                                           |      |   |          |
|-----------------------------------------------------------------------------------------------------------------------------------|-------|-------------------------------------------------------------------------------------------------------------------------------------------------------------------------------------------------------------------------------------------------------------------------------------------|------|---|----------|
| <b>Test Step Name:</b> ChgLAC_A(t, retr, neci, att:INTEGER; babr, cch_con, bpm:B_3; t3212:OCTETSTRING; mcc, mnc, lac:OCTETSTRING) |       |                                                                                                                                                                                                                                                                                           |      |   |          |
| <b>Group:</b> GSM_L3_MS_v4200/Miscellaneous/SysInfo/                                                                              |       |                                                                                                                                                                                                                                                                                           |      |   |          |
| <b>Objective:</b> To change the LAC of cell A and of System Information Messages according to used testcase.                      |       |                                                                                                                                                                                                                                                                                           |      |   |          |
| <b>Default:</b> OtherEvents                                                                                                       |       |                                                                                                                                                                                                                                                                                           |      |   |          |
| Nr                                                                                                                                | Label | Behaviour Description                                                                                                                                                                                                                                                                     | CRef | V | Comments |
| 1                                                                                                                                 |       | +SysInfoSending_fh( C_SCH_A, C_BCCH_A_1, t, retr, neci, att, babr, cch_con, bpm, t3212, C_ci_cellA, mcc, mnc, lac, CellOpt_01, CellChDes_04, CellChDes_03, C_CellReselectHys12, C_MaxPwrLvlG, C_MaxPwrLvlD, BcchFreqLst_01, BcchFreqLst_48, C_noRestablishment, C_BCC, C_NCC_1, C_NCCP_2) |      |   |          |
| 2                                                                                                                                 |       | (TCV_Ccd0A := TCV_Ccd0H, TCV_sysinfo5 := TCV_sysinfo5, TCV_sysinfo6 := TCV_sysinfo6)                                                                                                                                                                                                      |      |   |          |
| 3                                                                                                                                 |       | +SysInfo_SacchSending(TCV_sacch, TCV_sysinfo5, TCV_sysinfo6)                                                                                                                                                                                                                              |      |   |          |
| <b>Detailed Comments:</b>                                                                                                         |       |                                                                                                                                                                                                                                                                                           |      |   |          |



| Test Step Dynamic Behaviour |       |                                                                                                                                                                                                                                                                                           |      |   |          |
|-----------------------------|-------|-------------------------------------------------------------------------------------------------------------------------------------------------------------------------------------------------------------------------------------------------------------------------------------------|------|---|----------|
| <b>Test Step Name:</b>      |       | ChgLAC_B(t, retr, neci, att:INTEGER; babr, cch_con, bpm:B_3; t3212:OCTETSTRING; mcc, mnc, lac:OCTETSTRING)                                                                                                                                                                                |      |   |          |
| <b>Group:</b>               |       | GSM_L3_MS_v4200/Miscellaneous/SysInfo/                                                                                                                                                                                                                                                    |      |   |          |
| <b>Objective:</b>           |       | To change the LAC of cell B and of System Information Messages according to used testcase.                                                                                                                                                                                                |      |   |          |
| <b>Default:</b>             |       | OtherEvents                                                                                                                                                                                                                                                                               |      |   |          |
| Nr                          | Label | Behaviour Description                                                                                                                                                                                                                                                                     | CRef | V | Comments |
| 1                           |       | +SysInfoSending_fh( C_SCH_B, C_BCCH_B_1, t, retr, neci, att, babr, cch_con, bpm, t3212, C_ci_cellB, mcc, mnc, lac, CellOpt_01, CellChDes_04, CellChDes_03, C_CellReselectHys12, C_MaxPwrLvlG, C_MaxPwrLvlD, BcchFreqLst_01, BcchFreqLst_48, C_noRestablishment, C_BCC, C_NCC_1, C_NCCP_2) |      |   |          |
| 2                           |       | (TCV_Ccd0B := TCV_Ccd0H, TCV_sysinfo5_B := TCV_sysinf5, TCV_sysinfo6_B := TCV_sysinf6)                                                                                                                                                                                                    |      |   |          |
| 3                           |       | +SysInfo_SacchSending( TCV_sacch_B, TCV_sysinfo5_B, TCV_sysinfo6_B)                                                                                                                                                                                                                       |      |   |          |
| <b>Detailed Comments:</b>   |       |                                                                                                                                                                                                                                                                                           |      |   |          |

| Test Step Dynamic Behaviour |       |                                                                                                                    |                                                                                                                                                              |   |          |
|-----------------------------|-------|--------------------------------------------------------------------------------------------------------------------|--------------------------------------------------------------------------------------------------------------------------------------------------------------|---|----------|
| <b>Test Step Name:</b>      |       | ChgLAI_C( att:INTEGER; babr, cch_con, bpm:B_3; t3212, mcc, par_mnc, lac:OCTETSTRING)                               |                                                                                                                                                              |   |          |
| <b>Group:</b>               |       | GSM_L3_MS_v4200/Miscellaneous/SysInfo/                                                                             |                                                                                                                                                              |   |          |
| <b>Objective:</b>           |       | To change the LAI of cell C to HPLMN.                                                                              |                                                                                                                                                              |   |          |
| <b>Default:</b>             |       | OtherEvents                                                                                                        |                                                                                                                                                              |   |          |
| Nr                          | Label | Behaviour Description                                                                                              | CRef                                                                                                                                                         | V | Comments |
| 1                           |       | (TCV_Tx := '0010'B, TCV_Max := '00'B, TCV_Neci := '0'B, TCV_Ccd0C := CntrlChDscrp(att, babr, cch_con, bpm, t3212)) |                                                                                                                                                              |   |          |
| 2                           |       | [TSPC_PGSM OR TSPC_EGSM]                                                                                           |                                                                                                                                                              |   |          |
| 3                           |       | LIDL_UdatRqSysinfo4                                                                                                | SysInfo4(C_BCCH_C_1, mcc, par_mnc, lac, C_CellReselectHys12, C_MaxPwrLvlG, TCV_Neci, TCV_Max, TCV_Tx, C_noRestablishment)                                    |   |          |
| 4                           |       | LIDL_UdatRqSysinfo6                                                                                                | SysInfo6(TCV_sacch_C, SysInf6( C_ci_cellC, mcc, par_mnc, lac, CellOpt_01))                                                                                   |   |          |
| 5                           |       | LIDL_UdatRqSysinfo3                                                                                                | SysInfo3(C_BCCH_C_1, C_ci_cellC, mcc, par_mnc, lac, TCV_Ccd0C, CellOpt_01, C_CellReselectHys12, C_MaxPwrLvlG, TCV_Neci, TCV_Max, TCV_Tx, C_noRestablishment) |   |          |
| 6                           |       | [TSPC_DCS]                                                                                                         |                                                                                                                                                              |   |          |
| 7                           |       | LIDL_UdatRqSysinfo4                                                                                                | SysInfo4(C_BCCH_C_1, mcc, par_mnc, lac, C_CellReselectHys12, C_MaxPwrLvlD, TCV_Neci, TCV_Max, TCV_Tx, C_noRestablishment)                                    |   |          |
| 8                           |       | LIDL_UdatRqSysinfo6                                                                                                | SysInfo6(TCV_sacch_C, SysInf6( C_ci_cellC, mcc, par_mnc, lac, CellOpt_01))                                                                                   |   |          |
| 9                           |       | LIDL_UdatRqSysinfo3                                                                                                | SysInfo3(C_BCCH_C_1, C_ci_cellC, mcc, par_mnc, lac, TCV_Ccd0C, CellOpt_01, C_CellReselectHys12, C_MaxPwrLvlD, TCV_Neci, TCV_Max, TCV_Tx, C_noRestablishment) |   |          |
| <b>Detailed Comments:</b>   |       |                                                                                                                    |                                                                                                                                                              |   |          |

| Test Step Dynamic Behaviour |       |                                                                                                                                                                                                                                                                |                                                                                                                                         |   |          |
|-----------------------------|-------|----------------------------------------------------------------------------------------------------------------------------------------------------------------------------------------------------------------------------------------------------------------|-----------------------------------------------------------------------------------------------------------------------------------------|---|----------|
| <b>Test Step Name:</b>      |       | SysInfoSending_cbms( sch, bcch:LOGICCH; t, retr, neci, att:INTEGER; babr, cch_con, bpm:B_3; t3212:OCTETSTRING; ci:CI; mcc, mnc, lac:OCTETSTRING; co:CO; crh, mtmcgsm, mtmcdcs:INTEGER; bcchflgsm, bcchfldcs:NCD; Re:B_1; bcc:BCC; ncc:NCC; nccp:NCCP; Sub:B_2) |                                                                                                                                         |   |          |
| <b>Group:</b>               |       | GSM_L3_MS_v4200/Miscellaneous/SysInfo/                                                                                                                                                                                                                         |                                                                                                                                         |   |          |
| <b>Objective:</b>           |       | To send system information messages for the CBMS tests.                                                                                                                                                                                                        |                                                                                                                                         |   |          |
| <b>Default:</b>             |       | OtherEvents                                                                                                                                                                                                                                                    |                                                                                                                                         |   |          |
| Nr                          | Label | Behaviour Description                                                                                                                                                                                                                                          | CRef                                                                                                                                    | V | Comments |
| 1                           |       | (TCV_Tx := OC_CnvtTx(t), TCV_Max := OC_CnvtMax(retr), TCV_Neci := INT_TO_BIT(neci,1), TCV_Ccd0H := CntrlChDscrp(att, babr, cch_con, bpm, t3212), TCV_Tchtype := INT_TO_BIT(( 4 + BIT_TO_INT( Sub)), 5))                                                        |                                                                                                                                         |   |          |
| 2                           |       | (TCV_sysinf6 := SysInf6( ci, mcc, mnc, lac, co))                                                                                                                                                                                                               |                                                                                                                                         |   |          |
| 3                           |       | LIDL_UdatRqSchinfo                                                                                                                                                                                                                                             | SyncInfo( sch, bcc, ncc)                                                                                                                |   |          |
| 4                           |       | +ltree_sysinfo                                                                                                                                                                                                                                                 |                                                                                                                                         |   |          |
|                             |       | <b>ltree_sysinfo</b>                                                                                                                                                                                                                                           |                                                                                                                                         |   |          |
| 5                           |       | [TSPC_PGSM OR TSPC_EGSM]                                                                                                                                                                                                                                       |                                                                                                                                         |   |          |
| 6                           |       | LIDL_UdatRqSysinfo4                                                                                                                                                                                                                                            | SysInfo4_CBMS( bcch, mcc, mnc, lac, crh, mtmcgsm, TCV_Neci, TCV_Max, TCV_Tx, Re, ChDescrp_nfhiei( TCV_Tchtype, C_S0, C_BCC, C_arfcnA))  |   |          |
| 7                           |       | LIDL_UdatRqSysinfo2                                                                                                                                                                                                                                            | SysInfo2( bcch, bcchflgsm, TCV_Max, TCV_Tx, Re, nccp)                                                                                   |   |          |
| 8                           |       | LIDL_UdatRqSysinfo1_nh                                                                                                                                                                                                                                         | SysInfo1_nh( bcch, ci, mcc, mnc, lac, TCV_Ccd0H, co, crh, mtmcgsm, TCV_Neci, TCV_Max, TCV_Tx, Re)                                       |   |          |
| 9                           |       | LIDL_UdatRqSysinfo3                                                                                                                                                                                                                                            | SysInfo3( bcch, ci, mcc, mnc, lac, TCV_Ccd0H, co, crh, mtmcgsm, TCV_Neci, TCV_Max, TCV_Tx, Re)                                          |   |          |
| 10                          |       | (TCV_sysinf5 := SysInf5(bcchflgsm))                                                                                                                                                                                                                            |                                                                                                                                         |   |          |
| 11                          |       | [TSPC_DCS]                                                                                                                                                                                                                                                     |                                                                                                                                         |   |          |
| 12                          |       | LIDL_UdatRqSysinfo4                                                                                                                                                                                                                                            | SysInfo4_CBMS( bcch, mcc, mnc, lac, crh, mtmcdcs, TCV_Neci, TCV_Max, TCV_Tx, Re, ChDescrp_nfhiei( TCV_Tchtype, C_S0, C_BCC, C_arfcnAd)) |   |          |
| 13                          |       | LIDL_UdatRqSysinfo2                                                                                                                                                                                                                                            | SysInfo2( bcch, bcchfldcs, TCV_Max, TCV_Tx, Re, nccp)                                                                                   |   |          |
| 14                          |       | LIDL_UdatRqSysinfo1_nh                                                                                                                                                                                                                                         | SysInfo1_nh( bcch, ci, mcc, mnc, lac, TCV_Ccd0H, co, crh, mtmcdcs, TCV_Neci, TCV_Max, TCV_Tx, Re)                                       |   |          |
| 15                          |       | LIDL_UdatRqSysinfo3                                                                                                                                                                                                                                            | SysInfo3( bcch, ci, mcc, mnc, lac, TCV_Ccd0H, co, crh, mtmcdcs, TCV_Neci, TCV_Max, TCV_Tx, Re)                                          |   |          |
| 16                          |       | (TCV_sysinf5 := SysInf5(bcchfldcs))                                                                                                                                                                                                                            |                                                                                                                                         |   |          |
| <b>Detailed Comments:</b>   |       |                                                                                                                                                                                                                                                                |                                                                                                                                         |   |          |

### Test Step Dynamic Behaviour

|                        |                                                                                                                                                                                                                                                                                                                                                                                                     |
|------------------------|-----------------------------------------------------------------------------------------------------------------------------------------------------------------------------------------------------------------------------------------------------------------------------------------------------------------------------------------------------------------------------------------------------|
| <b>Test Step Name:</b> | SysInfoSending_fh( sch, bcch:LOGICCH; t, retr, neci, att:INTEGER; babr, cch_con, bpm:B_3; t3212:OCTETSTRING; ci:CI; mcc, mnc, lac:OCTETSTRING; co:CO; cchdgsm, cchddcs:CCHD; crh, mtmcgsm, mtmcdcs:INTEGER; bcchflgsm, bcchfldcs:NCD; Re:B_1; bcc:BCC; ncc:NCC; nccp:NCCP)                                                                                                                          |
| <b>Group:</b>          | GSM_L3_MS_v4200/Miscellaneous/SysInfo/                                                                                                                                                                                                                                                                                                                                                              |
| <b>Objective:</b>      | To send system information messages for the L3 tests. The following parameters specified by input parameters:<br>- bcch: BCCH<br>- sch: SCH<br>- bcchfl: BCCH frequency list<br>- ci: Cell identity<br>- lai: Location area identification<br>- ccd: Control channel description<br>- csp: Cell selection parameters<br>- cchd: Cell channel description<br>- rachcpar: RACH controll paramenterers |
| <b>Default:</b>        | OtherEvents                                                                                                                                                                                                                                                                                                                                                                                         |

| Nr | Label | Behaviour Description                                                                                                                               | CRef                                                                                           | V | Comments |
|----|-------|-----------------------------------------------------------------------------------------------------------------------------------------------------|------------------------------------------------------------------------------------------------|---|----------|
| 1  |       | (TCV_Tx := OC_CnvtTx( t), TCV_Max := OC_CnvtMax( retr), TCV_Neci := INT_TO_BIT(neci,1), TCV_Ccd0H := CntrlChDscrp( att, babr, cch_con, bpm, t3212)) |                                                                                                |   |          |
| 2  |       | (TCV_sysinf6 := SysInf6(ci, mcc, mnc, lac, co))                                                                                                     |                                                                                                |   |          |
| 3  |       | LIDL_UdatRqSchinfo                                                                                                                                  | SyncInfo( sch, bcc, ncc)                                                                       |   |          |
| 4  |       | +ltree_sysinfo                                                                                                                                      |                                                                                                |   |          |
| 5  |       | <b>ltree_sysinfo</b>                                                                                                                                |                                                                                                |   |          |
| 6  |       | [TSPC_PGSM OR TSPC_EGSM]<br>LIDL_UdatRqSysinfo1                                                                                                     | SysInfo1( bcch, cchdgsm, TCV_Max, TCV_Tx, Re)                                                  |   |          |
| 7  |       | LIDL_UdatRqSysinfo2                                                                                                                                 | SysInfo2( bcch, bcchflgsm, TCV_Max, TCV_Tx, Re, nccp)                                          |   |          |
| 8  |       | LIDL_UdatRqSysinfo3                                                                                                                                 | SysInfo3( bcch, ci, mcc, mnc, lac, TCV_Ccd0H, co, crh, mtmcgsm, TCV_Neci, TCV_Max, TCV_Tx, Re) |   |          |
| 9  |       | LIDL_UdatRqSysinfo4                                                                                                                                 | SysInfo4( bcch, mcc, mnc, lac, crh, mtmcgsm, TCV_Neci, TCV_Max, TCV_Tx, Re)                    |   |          |
| 10 |       | (TCV_sysinf5 := SysInf5(bcchflgsm))                                                                                                                 |                                                                                                |   |          |
| 11 |       | [TSPC_DCS]                                                                                                                                          |                                                                                                |   |          |
| 12 |       | LIDL_UdatRqSysinfo1                                                                                                                                 | SysInfo1( bcch, cchddcs, TCV_Max, TCV_Tx, Re)                                                  |   |          |
| 13 |       | LIDL_UdatRqSysinfo2                                                                                                                                 | SysInfo2( bcch, bcchfldcs, TCV_Max, TCV_Tx, Re, nccp)                                          |   |          |
| 14 |       | LIDL_UdatRqSysinfo3                                                                                                                                 | SysInfo3( bcch, ci, mcc, mnc, lac, TCV_Ccd0H, co, crh, mtmcdcs, TCV_Neci, TCV_Max, TCV_Tx, Re) |   |          |
| 15 |       | LIDL_UdatRqSysinfo4                                                                                                                                 | SysInfo4( bcch, mcc, mnc, lac, crh, mtmcdcs, TCV_Neci, TCV_Max, TCV_Tx, Re)                    |   |          |
| 16 |       | (TCV_sysinf5 := SysInf5(bcchfldcs), TCV_sysinf6.co.pwrc := '1'B)                                                                                    |                                                                                                |   |          |

**Detailed Comments:**

| Test Step Dynamic Behaviour |       |                                                                                                                                                                                                                                                                                |                                                                                                  |   |          |
|-----------------------------|-------|--------------------------------------------------------------------------------------------------------------------------------------------------------------------------------------------------------------------------------------------------------------------------------|--------------------------------------------------------------------------------------------------|---|----------|
| <b>Test Step Name:</b>      |       | SysInfoSending_nfh( sch, bcch:LOGICCH; t, retr, neci, att: INTEGER; babr, cch_con, bpm:B_3; t3212:OCTETSTRING; ci:CI; mcc, mnc, lac:OCTETSTRING; co:CO; crh, mtmcgsm, mtmcdcs:INTEGER; bcchflgsm, bcflaltgsm, bcchfldcs, bcflaltcdcs:NCD; Re:B_1; bcc:BCC; ncc:NCC; nccp:NCCP) |                                                                                                  |   |          |
| <b>Group:</b>               |       | GSM_L3_MS_v4200/Miscellaneous/SysInfo/                                                                                                                                                                                                                                         |                                                                                                  |   |          |
| <b>Objective:</b>           |       | To send system information messages with default parameters defined for the L3 tests for which no special parameters indicated.                                                                                                                                                |                                                                                                  |   |          |
| <b>Default:</b>             |       | OtherEvents                                                                                                                                                                                                                                                                    |                                                                                                  |   |          |
| Nr                          | Label | Behaviour Description                                                                                                                                                                                                                                                          | CRef                                                                                             | V | Comments |
| 1                           |       | (TCV_Tx := OC_CnvtTx(t), TCV_Max := OC_CnvtMax(retr), TCV_Neci := INT_TO_BIT(neci,1), TCV_Ccd0H := CntrlChDscrp(att, babr, cch_con, bpm, t3212))                                                                                                                               |                                                                                                  |   |          |
| 2                           |       | (TCV_sysinf6 := SysInf6(ci, mcc, mnc, lac, co))                                                                                                                                                                                                                                |                                                                                                  |   |          |
| 3                           |       | LIDL_UdatRqSschinfo                                                                                                                                                                                                                                                            | SysInfo( sch, bcc, ncc)                                                                          |   |          |
| 4                           |       | +gsmOrDcs                                                                                                                                                                                                                                                                      |                                                                                                  |   |          |
|                             |       | <b>gsmOrDcs</b>                                                                                                                                                                                                                                                                |                                                                                                  |   |          |
| 5                           |       | [TSPC_PGSM OR TSPC_EGSM]                                                                                                                                                                                                                                                       |                                                                                                  |   | 1.       |
| 6                           |       | LIDL_UdatRqSysinfo4                                                                                                                                                                                                                                                            | SysInfo4(bcch, mcc, mnc, lac, crh, mtmcgsm, TCV_Neci, TCV_Max, TCV_Tx, Re)                       |   |          |
| 7                           |       | LIDL_UdatRqSysinfo1_nh                                                                                                                                                                                                                                                         | SysInfo1_nh(bcch, ci, mcc, mnc, lac, TCV_Ccd0H, co, crh, mtmcgsm, TCV_Neci, TCV_Max, TCV_Tx, Re) |   |          |
| 8                           |       | LIDL_UdatRqSysinfo3                                                                                                                                                                                                                                                            | SysInfo3(bcch, ci, mcc, mnc, lac, TCV_Ccd0H, co, crh, mtmcgsm, TCV_Neci, TCV_Max, TCV_Tx, Re)    |   |          |
| 9                           |       | [NOT TSPX_AltNb]                                                                                                                                                                                                                                                               |                                                                                                  |   | 3.       |
| 10                          |       | LIDL_UdatRqSysinfo2                                                                                                                                                                                                                                                            | SysInfo2(bcch, bcchflgsm, TCV_Max, TCV_Tx, Re, nccp)                                             |   |          |
| 11                          |       | (TCV_sysinf5 := SysInf5(bcchflgsm))                                                                                                                                                                                                                                            |                                                                                                  |   |          |
| 12                          |       | [TSPX_AltNb]                                                                                                                                                                                                                                                                   |                                                                                                  |   | 4.       |
| 13                          |       | LIDL_UdatRqSysinfo2                                                                                                                                                                                                                                                            | SysInfo2(bcch, bcflaltgsm, TCV_Max, TCV_Tx, Re, nccp)                                            |   |          |
| 14                          |       | (TCV_sysinf5 := SysInf5(bcflaltgsm))                                                                                                                                                                                                                                           |                                                                                                  |   |          |
| 15                          |       | [TSPC_DCS]                                                                                                                                                                                                                                                                     |                                                                                                  |   | 2.       |
| 16                          |       | LIDL_UdatRqSysinfo4                                                                                                                                                                                                                                                            | SysInfo4(bcch, mcc, mnc, lac, crh, mtmcdcs, TCV_Neci, TCV_Max, TCV_Tx, Re)                       |   |          |
| 17                          |       | LIDL_UdatRqSysinfo1_nh                                                                                                                                                                                                                                                         | SysInfo1_nh(bcch, ci, mcc, mnc, lac, TCV_Ccd0H, co, crh, mtmcdcs, TCV_Neci, TCV_Max, TCV_Tx, Re) |   |          |
| 18                          |       | LIDL_UdatRqSysinfo3                                                                                                                                                                                                                                                            | SysInfo3(bcch, ci, mcc, mnc, lac, TCV_Ccd0H, co, crh, mtmcdcs, TCV_Neci, TCV_Max, TCV_Tx, Re)    |   |          |
| 19                          |       | [NOT TSPX_AltNb]                                                                                                                                                                                                                                                               |                                                                                                  |   | 3.       |
| 20                          |       | LIDL_UdatRqSysinfo2                                                                                                                                                                                                                                                            | SysInfo2(bcch, bcchfldcs, TCV_Max, TCV_Tx, Re, nccp)                                             |   |          |
| 21                          |       | (TCV_sysinf5 := SysInf5(bcchfldcs))                                                                                                                                                                                                                                            |                                                                                                  |   |          |

|                                                                                                                                                                                                                      |  |                                      |                                                             |    |
|----------------------------------------------------------------------------------------------------------------------------------------------------------------------------------------------------------------------|--|--------------------------------------|-------------------------------------------------------------|----|
| 22                                                                                                                                                                                                                   |  | [TSPX_AltNb]                         |                                                             |    |
| 23                                                                                                                                                                                                                   |  | L!DL_UdatRqSysinfo2                  | SysInfo2(bcch,<br>bcflaltdcs, TCV_Max,<br>TCV_Tx, Re, nccp) | 4. |
| 24                                                                                                                                                                                                                   |  | (TCV_sysinf5 := SysInf5(bcflaltdcs)) |                                                             |    |
| <b>Detailed Comments:</b><br>1. For GSM900 mobile station testing.<br>2. For DCS1800 mobile station testing.<br>3. To use alternative neighbour cells description.<br>4. To use default neighbour cells description. |  |                                      |                                                             |    |

| Test Step Dynamic Behaviour |       |                                                                                                                                                                                                                                                                                  |                                                                                                  |   |          |
|-----------------------------|-------|----------------------------------------------------------------------------------------------------------------------------------------------------------------------------------------------------------------------------------------------------------------------------------|--------------------------------------------------------------------------------------------------|---|----------|
| <b>Test Step Name:</b>      |       | SysInfoSending_nfhCb( sch, bcch:LOGICCH; t, retr, neci, att: INTEGER; babr, cch_con, bpm:B_3; t3212:OCTETSTRING; ci:CI; mcc, mnc, lac:OCTETSTRING; co:CO; crh, mtmcgsm, mtmcdcs:INTEGER; bcchflgsm, bcflaltgsm, bcchfldcs, bcflaltcdcs:NCD; Re:B_1; bcc:BCC; ncc:NCC; nccp:NCCP) |                                                                                                  |   |          |
| <b>Group:</b>               |       | GSM_L3_MS_v4200/Miscellaneous/SysInfo/                                                                                                                                                                                                                                           |                                                                                                  |   |          |
| <b>Objective:</b>           |       | To send system information messages with default parameters defined for the L3 tests for which no special parameters indicated.                                                                                                                                                  |                                                                                                  |   |          |
| <b>Default:</b>             |       | OtherEvents                                                                                                                                                                                                                                                                      |                                                                                                  |   |          |
| Nr                          | Label | Behaviour Description                                                                                                                                                                                                                                                            | CRef                                                                                             | V | Comments |
| 1                           |       | (TCV_Tx := OC_CnvtTx(t), TCV_Max := OC_CnvtMax(retr), TCV_Neci := INT_TO_BIT(neci,1), TCV_Ccd0H := CntrlChDscrp(att, babr, cch_con, bpm, t3212))                                                                                                                                 |                                                                                                  |   |          |
| 2                           |       | (TCV_sysinf6 := SysInf6(ci, mcc, mnc, lac, co))                                                                                                                                                                                                                                  |                                                                                                  |   |          |
| 3                           |       | L!DL_UdatRqSchinfo                                                                                                                                                                                                                                                               | SyncInfo( sch, bcc, ncc)                                                                         |   |          |
| 4                           |       | +gsmOrDcs                                                                                                                                                                                                                                                                        |                                                                                                  |   |          |
|                             |       | <b>gsmOrDcs</b>                                                                                                                                                                                                                                                                  |                                                                                                  |   |          |
| 5                           |       | [TSPC_PGSM OR TSPC_EGSM]                                                                                                                                                                                                                                                         |                                                                                                  |   | 1.       |
| 6                           |       | L!DL_UdatRqSysinfo4<br>(DL_UdatRqSysinfo4.msg.rachp.cba := '1'B)                                                                                                                                                                                                                 | SysInfo4(bcch, mcc, mnc, lac, crh, mtmcgsm, TCV_Neci, TCV_Max, TCV_Tx, Re)                       |   |          |
| 7                           |       | L!DL_UdatRqSysinfo1_nh<br>(DL_UdatRqSysinfo1_nh.msg.rachp.cba := '1'B)                                                                                                                                                                                                           | SysInfo1_nh(bcch, ci, mcc, mnc, lac, TCV_Ccd0H, co, crh, mtmcgsm, TCV_Neci, TCV_Max, TCV_Tx, Re) |   |          |
| 8                           |       | L!DL_UdatRqSysinfo3<br>(DL_UdatRqSysinfo3.msg.rachp.cba := '1'B)                                                                                                                                                                                                                 | SysInfo3(bcch, ci, mcc, mnc, lac, TCV_Ccd0H, co, crh, mtmcgsm, TCV_Neci, TCV_Max, TCV_Tx, Re)    |   |          |
| 9                           |       | [NOT TSPX_AltNb]                                                                                                                                                                                                                                                                 |                                                                                                  |   | 3.       |
| 10                          |       | L!DL_UdatRqSysinfo2<br>(DL_UdatRqSysinfo2.msg.rachp.cba := '1'B)                                                                                                                                                                                                                 | SysInfo2(bcch, bcchflgsm, TCV_Max, TCV_Tx, Re, nccp)                                             |   |          |
| 11                          |       | (TCV_sysinf5 := SysInf5(bcchflgsm))                                                                                                                                                                                                                                              |                                                                                                  |   |          |
| 12                          |       | [TSPX_AltNb]                                                                                                                                                                                                                                                                     |                                                                                                  |   | 4.       |
| 13                          |       | L!DL_UdatRqSysinfo2<br>(DL_UdatRqSysinfo2.msg.rachp.cba := '1'B)                                                                                                                                                                                                                 | SysInfo2(bcch, bcflaltgsm, TCV_Max, TCV_Tx, Re, nccp)                                            |   |          |
| 14                          |       | (TCV_sysinf5 := SysInf5(bcflaltgsm))                                                                                                                                                                                                                                             |                                                                                                  |   |          |
| 15                          |       | [TSPC_DCS]                                                                                                                                                                                                                                                                       |                                                                                                  |   | 2.       |
| 16                          |       | L!DL_UdatRqSysinfo4<br>(DL_UdatRqSysinfo4.msg.rachp.cba := '1'B)                                                                                                                                                                                                                 | SysInfo4(bcch, mcc, mnc, lac, crh, mtmcdcs, TCV_Neci, TCV_Max, TCV_Tx, Re)                       |   |          |
| 17                          |       | L!DL_UdatRqSysinfo1_nh<br>(DL_UdatRqSysinfo1_nh.msg.rachp.cba := '1'B)                                                                                                                                                                                                           | SysInfo1_nh(bcch, ci, mcc, mnc, lac, TCV_Ccd0H, co, crh, mtmcdcs, TCV_Neci, TCV_Max, TCV_Tx, Re) |   |          |
| 18                          |       | L!DL_UdatRqSysinfo3<br>(DL_UdatRqSysinfo3.msg.rachp.cba := '1'B)                                                                                                                                                                                                                 | SysInfo3(bcch, ci, mcc, mnc, lac, TCV_Ccd0H, co, crh, mtmcdcs, TCV_Neci, TCV_Max, TCV_Tx, Re)    |   |          |
| 19                          |       | [NOT TSPX_AltNb]                                                                                                                                                                                                                                                                 |                                                                                                  |   | 3.       |
| 20                          |       | L!DL_UdatRqSysinfo2<br>(DL_UdatRqSysinfo2.msg.rachp.cba := '1'B)                                                                                                                                                                                                                 | SysInfo2(bcch, bcchfldcs, TCV_Max, TCV_Tx, Re, nccp)                                             |   |          |
| 21                          |       | (TCV_sysinf5 := SysInf5(bcchfldcs))                                                                                                                                                                                                                                              |                                                                                                  |   |          |

|                                                                                                                                                                                                                                                             |                                                                      |                                                             |    |
|-------------------------------------------------------------------------------------------------------------------------------------------------------------------------------------------------------------------------------------------------------------|----------------------------------------------------------------------|-------------------------------------------------------------|----|
| 22                                                                                                                                                                                                                                                          | [TSPX_AltNb]                                                         |                                                             | 4. |
| 23                                                                                                                                                                                                                                                          | L!DL_UdatRqSysinfo2<br>(DL_UdatRqSysinfo2.msg.rachcp.cba :=<br>'1'B) | SysInfo2(bcch,<br>bcflaltdcs, TCV_Max,<br>TCV_Tx, Re, nccp) |    |
| 24                                                                                                                                                                                                                                                          | (TCV_sysinf5 := SysInf5(bcflaltdcs))                                 |                                                             |    |
| <b>Detailed Comments:</b>                                                                                                                                                                                                                                   |                                                                      |                                                             |    |
| <ol style="list-style-type: none"> <li>1. For GSM900 mobile station testing.</li> <li>2. For DCS1800 mobile station testing.</li> <li>3. To use alternative neighbour cells description.</li> <li>4. To use default neighbour cells description.</li> </ol> |                                                                      |                                                             |    |

### Test Step Dynamic Behaviour

| <b>Test Step Name:</b>    |       | SysInfoSending_e( sch, bcch:LOGICCH; t, retr, neci, att:INTEGER; babr, cch_con, bpm:B_3; t3212:OCTETSTRING; ci:CI; mcc, mnc, lac:OCTETSTRING; co:CO; cchdgsM:CCHD; crh, mtmcgsM:INTEGER; bcchflgsM, bcchflegsm:NCD; Re:B_1; bcc:BCC; ncc:NCC; nccp:NCCP) |                                                                                                               |   |          |
|---------------------------|-------|----------------------------------------------------------------------------------------------------------------------------------------------------------------------------------------------------------------------------------------------------------|---------------------------------------------------------------------------------------------------------------|---|----------|
| <b>Group:</b>             |       | GSM_L3_MS_v4200/Miscellaneous/SysInfo/                                                                                                                                                                                                                   |                                                                                                               |   |          |
| <b>Objective:</b>         |       | To send SYNCHRONIZATION CHANNEL INFORMATION and SYSTEM INFORMATION messages with default parameters except CCCH_CONF, Tx-integer, Max-Retrans and ATT which are specified by input parameters.                                                           |                                                                                                               |   |          |
| <b>Default:</b>           |       | OtherEvents                                                                                                                                                                                                                                              |                                                                                                               |   |          |
| Nr                        | Label | Behaviour Description                                                                                                                                                                                                                                    | CRef                                                                                                          | V | Comments |
| 1                         |       | (TCV_Tx := OC_CnvtTx(t), TCV_Max :=<br>OC_CnvtMax(retr), TCV_Neci := INT_TO_BIT(neci,1),<br>TCV_Ccd0H := CntrlChDscrp(att, babr, cch_con,<br>bpm, t3212))                                                                                                |                                                                                                               |   |          |
| 2                         |       | L!DL_UdatRqSchinfo                                                                                                                                                                                                                                       | SynInfo( sch, bcc,<br>ncc)                                                                                    |   | 1.       |
| 3                         |       | (TCV_sysinf6 := SysInf6( ci, mcc, mnc, lac, co))                                                                                                                                                                                                         |                                                                                                               |   |          |
| 4                         |       | L!DL_UdatRqSysinfo1                                                                                                                                                                                                                                      | SysInfo1( bcch,<br>cchdgsM, TCV_Max,<br>TCV_Tx, Re)                                                           |   | 2.       |
| 5                         |       | L!DL_UdatRqSysinfo2<br>(DL_UdatRqSysinfo2.msg.bcchfl.extind :=<br>'1'B)                                                                                                                                                                                  | SysInfo2( bcch,<br>bcchflgsM,<br>TCV_Max, TCV_Tx,<br>Re, nccp)                                                |   |          |
| 6                         |       | L!DL_UdatRqSysinfo2bis                                                                                                                                                                                                                                   | SysInfo2bis( bcch)                                                                                            |   |          |
| 7                         |       | L!DL_UdatRqSysinfo4                                                                                                                                                                                                                                      | SysInfo4( bcch, mcc,<br>mnc, lac, crh,<br>mtmcgsM, TCV_Neci,<br>TCV_Max, TCV_Tx,<br>Re)                       |   |          |
| 8                         |       | (TCV_sysinf5 := SysInf5( bcchflgsM),<br>TCV_sysinfo5.bcchfl.extind := '1'B)                                                                                                                                                                              |                                                                                                               |   |          |
| 9                         |       | (TCV_sysinfo5bis := SysInf5bis(<br>bcchflegsm))                                                                                                                                                                                                          |                                                                                                               |   |          |
| 10                        |       | L!DL_UdatRqSysinfo3                                                                                                                                                                                                                                      | SysInfo3( bcch, ci,<br>mcc, mnc, lac,<br>TCV_Ccd0H, co, crh,<br>mtmcgsM, TCV_Neci,<br>TCV_Max, TCV_Tx,<br>Re) |   |          |
| <b>Detailed Comments:</b> |       | <ol style="list-style-type: none"> <li>1. To send SYNCHRONIZATION INFORMATION message with default parameter for cell A.</li> <li>2. System Information Type 1 with Cell Channel Description for HO-testin in cell A (GSM900).</li> </ol>                |                                                                                                               |   |          |



| Test Step Dynamic Behaviour |            |                                                                                                                                       |                               |   |          |
|-----------------------------|------------|---------------------------------------------------------------------------------------------------------------------------------------|-------------------------------|---|----------|
| <b>Test Step Name:</b>      |            | SysInfo_SacchSending(ch:LOGICCH; sysinfo5_pdu:SYSINFO5_PDU;<br>sysinfo6_pdu:SYSINFO6_PDU)                                             |                               |   |          |
| <b>Group:</b>               |            | GSM_L3_MS_v4200/Miscellaneous/SysInfo/                                                                                                |                               |   |          |
| <b>Objective:</b>           |            | To send SYSTEM INFORMATION 5 and 6 messages defined by parameters 'sysinfo5_pdu' and 'sysinfo6_pdu' in the parametrised 'ch' channel. |                               |   |          |
| <b>Default:</b>             |            | OtherEvents                                                                                                                           |                               |   |          |
| Nr                          | Label      | Behaviour Description                                                                                                                 | CRef                          | V | Comments |
| 1                           |            | [ch <> "dummy"]                                                                                                                       |                               |   |          |
| 2                           |            | L!DL_UdatRqSysinfo6                                                                                                                   | SysInfo6(ch,<br>sysinfo6_pdu) |   |          |
| 3                           |            | L!DL_UdatRqSysinfo5                                                                                                                   | SysInfo5(ch,<br>sysinfo5_pdu) |   |          |
| 4                           | L_092<br>0 | [ch = "dummy"]                                                                                                                        |                               | I |          |
| <b>Detailed Comments:</b>   |            |                                                                                                                                       |                               |   |          |

| Test Step Dynamic Behaviour |            |                                                                                                                   |                                     |   |          |
|-----------------------------|------------|-------------------------------------------------------------------------------------------------------------------|-------------------------------------|---|----------|
| <b>Test Step Name:</b>      |            | SysInfo_5bisSending(ch:LOGICCH; sysinfo5bis_pdu:SYSINFO5bis_PDU)                                                  |                                     |   |          |
| <b>Group:</b>               |            | GSM_L3_MS_v4200/Miscellaneous/SysInfo/                                                                            |                                     |   |          |
| <b>Objective:</b>           |            | To send SYSTEM INFORMATION 5bis message defined by parameters 'sysinfo5bis_pdu' in the parametrised 'ch' channel. |                                     |   |          |
| <b>Default:</b>             |            | OtherEvents                                                                                                       |                                     |   |          |
| Nr                          | Label      | Behaviour Description                                                                                             | CRef                                | V | Comments |
| 1                           |            | [ch <> "dummy"]                                                                                                   |                                     |   |          |
| 2                           |            | L!DL_UdatRqSysinfo5bis                                                                                            | SysInfo5bis(ch,<br>sysinfo5bis_pdu) |   |          |
| 3                           | L_092<br>1 | [ch = "dummy"]                                                                                                    |                                     | I |          |
| <b>Detailed Comments:</b>   |            |                                                                                                                   |                                     |   |          |

| Test Step Dynamic Behaviour                                                                           |       |                                                                                                                    |                                                                                                                                                        |   |          |
|-------------------------------------------------------------------------------------------------------|-------|--------------------------------------------------------------------------------------------------------------------|--------------------------------------------------------------------------------------------------------------------------------------------------------|---|----------|
| <b>Test Step Name:</b> SetNECI(att:INTEGER; babr, cch_con, bpm:B_3; t3212, mcc, mnc, lac:OCTETSTRING) |       |                                                                                                                    |                                                                                                                                                        |   |          |
| <b>Group:</b> GSM_L3_MS_v4200/Miscellaneous/SysInfo/                                                  |       |                                                                                                                    |                                                                                                                                                        |   |          |
| <b>Objective:</b> To set the NECI =1.                                                                 |       |                                                                                                                    |                                                                                                                                                        |   |          |
| <b>Default:</b> OtherEvents                                                                           |       |                                                                                                                    |                                                                                                                                                        |   |          |
| Nr                                                                                                    | Label | Behaviour Description                                                                                              | CRef                                                                                                                                                   | V | Comments |
| 1                                                                                                     |       | (TCV_Tx := '0010'B, TCV_Max := '11'B, TCV_Neci := '1'B, TCV_Ccd0A := CntrlChDscrp(att, babr, cch_con, bpm, t3212)) |                                                                                                                                                        |   |          |
| 2                                                                                                     |       | [TSPC_PGSM OR TSPC_EGSM]                                                                                           |                                                                                                                                                        |   |          |
| 3                                                                                                     |       | LIDL_UdatRqSysinfo4                                                                                                | SysInfo4(C_BCCH_A_1, mcc, mnc, lac, C_CellReselectHys12, C_MaxPwrLvlG, TCV_Neci, TCV_Max, TCV_Tx, C_Restablishment)                                    |   |          |
| 4                                                                                                     |       | LIDL_UdatRqSysinfo3                                                                                                | SysInfo3(C_BCCH_A_1, C_ci_cellA, mcc, mnc, lac, TCV_Ccd0A, CellOpt_01, C_CellReselectHys12, C_MaxPwrLvlG, TCV_Neci, TCV_Max, TCV_Tx, C_Restablishment) |   |          |
| 5                                                                                                     |       | [TSPC_DCS]                                                                                                         |                                                                                                                                                        |   |          |
| 6                                                                                                     |       | LIDL_UdatRqSysinfo4                                                                                                | SysInfo4(C_BCCH_A_1, mcc, mnc, lac, C_CellReselectHys12, C_MaxPwrLvlD, TCV_Neci, TCV_Max, TCV_Tx, C_Restablishment)                                    |   |          |
| 7                                                                                                     |       | LIDL_UdatRqSysinfo3                                                                                                | SysInfo3(C_BCCH_A_1, C_ci_cellA, mcc, mnc, lac, TCV_Ccd0A, CellOpt_01, C_CellReselectHys12, C_MaxPwrLvlD, TCV_Neci, TCV_Max, TCV_Tx, C_Restablishment) |   |          |
| <b>Detailed Comments:</b>                                                                             |       |                                                                                                                    |                                                                                                                                                        |   |          |

| Test Step Dynamic Behaviour |       |                                                                                                                                                  |                                                                                                                                                            |   |          |
|-----------------------------|-------|--------------------------------------------------------------------------------------------------------------------------------------------------|------------------------------------------------------------------------------------------------------------------------------------------------------------|---|----------|
| <b>Test Step Name:</b>      |       | SetATT(t, retr, att, neci:INTEGER; babr, cch_con, bpm:B_3; t3212, mcc, mnc, lac:OCTETSTRING)                                                     |                                                                                                                                                            |   |          |
| <b>Group:</b>               |       | GSM_L3_MS_v4200/Miscellaneous/SysInfo/                                                                                                           |                                                                                                                                                            |   |          |
| <b>Objective:</b>           |       | To set the ATT flag to "MS's in the cell should apply IMSI attach and detach procedure"                                                          |                                                                                                                                                            |   |          |
| <b>Default:</b>             |       | OtherEvents                                                                                                                                      |                                                                                                                                                            |   |          |
| Nr                          | Label | Behaviour Description                                                                                                                            | CRef                                                                                                                                                       | V | Comments |
| 1                           |       | (TCV_Tx := OC_CnvtTx(t), TCV_Max := OC_CnvtMax(retr), TCV_Neci := INT_TO_BIT(neci,1), TCV_Ccd0A := CntrlChDscrp(att, babr, cch_con, bpm, t3212)) |                                                                                                                                                            |   |          |
| 2                           |       | [TSPC_PGSM OR TSPC_EGSM]                                                                                                                         |                                                                                                                                                            |   | 1.       |
| 3                           |       | LIDL_UdatRqSysinfo1_nh                                                                                                                           | SysInfo1_nh(C_BCC H_A_1, C_ci_cellA, mcc, mnc, lac, TCV_Ccd0A, CellOpt_01, C_CellReselectHys12, C_MaxPwrLvlG, TCV_Neci, TCV_Max, TCV_Tx, C_Restablishment) |   |          |
| 4                           |       | LIDL_UdatRqSysinfo3                                                                                                                              | SysInfo3(C_BCCH_A_1, C_ci_cellA, mcc, mnc, lac, TCV_Ccd0A, CellOpt_01, C_CellReselectHys12, C_MaxPwrLvlG, TCV_Neci, TCV_Max, TCV_Tx, C_Restablishment)     |   |          |
| 5                           |       | START T_dly(5000)                                                                                                                                |                                                                                                                                                            |   | 3.       |
| 6                           |       | ?TIMEOUT T_dly                                                                                                                                   |                                                                                                                                                            |   |          |
| 7                           |       | [TSPC_DCS]                                                                                                                                       |                                                                                                                                                            |   | 2.       |
| 8                           |       | LIDL_UdatRqSysinfo1_nh                                                                                                                           | SysInfo1_nh(C_BCC H_A_1, C_ci_cellA, mcc, mnc, lac, TCV_Ccd0A, CellOpt_01, C_CellReselectHys12, C_MaxPwrLvlD, TCV_Neci, TCV_Max, TCV_Tx, C_Restablishment) |   |          |
| 9                           |       | LIDL_UdatRqSysinfo3                                                                                                                              | SysInfo3(C_BCCH_A_1, C_ci_cellA, mcc, mnc, lac, TCV_Ccd0A, CellOpt_01, C_CellReselectHys12, C_MaxPwrLvlD, TCV_Neci, TCV_Max, TCV_Tx, C_Restablishment)     |   |          |
| 10                          |       | START T_dly(5000)                                                                                                                                |                                                                                                                                                            |   | 3.       |
| 11                          |       | ?TIMEOUT T_dly                                                                                                                                   |                                                                                                                                                            |   |          |
| <b>Detailed Comments:</b>   |       | 1. For P-GSM900.<br>2. For DCS1800.<br>3. Wait for 5 seconds to allow the MS read BCCH information.                                              |                                                                                                                                                            |   |          |

## Test Step Group OperatorOP

| Test Step Dynamic Behaviour |       |                                                |      |   |          |
|-----------------------------|-------|------------------------------------------------|------|---|----------|
| <b>Test Step Name:</b>      |       | InitCall(srv: SERVICES)                        |      |   |          |
| <b>Group:</b>               |       | GSM_L3_MS_v4200/OperatorOP/                    |      |   |          |
| <b>Objective:</b>           |       | To initiate a call of the basic service `srv`. |      |   |          |
| <b>Default:</b>             |       | OtherEvents                                    |      |   |          |
| Nr                          | Label | Behaviour Description                          | CRef | V | Comments |
| 1                           |       | (TCV_Null := OO_InitCall( srv))                |      |   |          |
| <b>Detailed Comments:</b>   |       |                                                |      |   |          |

| Test Step Dynamic Behaviour |       |                                                                           |      |   |          |
|-----------------------------|-------|---------------------------------------------------------------------------|------|---|----------|
| <b>Test Step Name:</b>      |       | InitNonCallSupp                                                           |      |   |          |
| <b>Group:</b>               |       | GSM_L3_MS_v4200/OperatorOP/                                               |      |   |          |
| <b>Objective:</b>           |       | To attempt a non call related supplementary service at the MS under test. |      |   |          |
| <b>Default:</b>             |       | OtherEvents                                                               |      |   |          |
| Nr                          | Label | Behaviour Description                                                     | CRef | V | Comments |
| 1                           |       | (TCV_Null := OO_InitNonCallSS())                                          |      |   |          |
| <b>Detailed Comments:</b>   |       |                                                                           |      |   |          |

| Test Step Dynamic Behaviour |       |                                                                      |      |   |          |
|-----------------------------|-------|----------------------------------------------------------------------|------|---|----------|
| <b>Test Step Name:</b>      |       | AtmpShortMsg                                                         |      |   |          |
| <b>Group:</b>               |       | GSM_L3_MS_v4200/OperatorOP/                                          |      |   |          |
| <b>Objective:</b>           |       | To attempt a short message service transaction at the MS under test. |      |   |          |
| <b>Default:</b>             |       | OtherEvents                                                          |      |   |          |
| Nr                          | Label | Behaviour Description                                                | CRef | V | Comments |
| 1                           |       | (TCV_Null := OO_InitCall( TSPX_MO_BscSvc_SMS))                       |      |   |          |
| <b>Detailed Comments:</b>   |       |                                                                      |      |   |          |

| Test Step Dynamic Behaviour |            |                                                                        |      |     |          |
|-----------------------------|------------|------------------------------------------------------------------------|------|-----|----------|
| <b>Test Step Name:</b>      |            | CheckUssdStringDisplayed(strg: IA5String)                              |      |     |          |
| <b>Group:</b>               |            | GSM_L3_MS_v4200/OperatorOP/                                            |      |     |          |
| <b>Objective:</b>           |            | To check whether the correct USSD String 'strg' is displayed on the MS |      |     |          |
| <b>Default:</b>             |            | OtherEvents                                                            |      |     |          |
| Nr                          | Label      | Behaviour Description                                                  | CRef | V   | Comments |
| 1                           |            | (TCV_Res := OO_CheckUssdStringDisplayed( strg))                        |      |     |          |
| 2                           | L_092<br>2 | [TCV_Res]                                                              |      | (P) |          |
| 3                           | L_092<br>3 | [NOT TCV_Res]                                                          |      | (F) |          |
| <b>Detailed Comments:</b>   |            |                                                                        |      |     |          |

| Test Step Dynamic Behaviour |            |                                                             |      |   |          |
|-----------------------------|------------|-------------------------------------------------------------|------|---|----------|
| <b>Test Step Name:</b>      |            | PLMNsCHK                                                    |      |   |          |
| <b>Group:</b>               |            | GSM_L3_MS_v4200/OperatorOP/                                 |      |   |          |
| <b>Objective:</b>           |            | To check whether the MS presents a list of available PLMNs. |      |   |          |
| <b>Default:</b>             |            | OtherEvents                                                 |      |   |          |
| Nr                          | Label      | Behaviour Description                                       | CRef | V | Comments |
| 1                           |            | (TCV_Res := OO_PLMNsCHK())                                  |      |   |          |
| 2                           | L_092<br>4 | [TCV_Res]                                                   |      | P |          |
| 3                           | L_092<br>5 | [NOT TCV_Res]                                               |      | F |          |
| <b>Detailed Comments:</b>   |            |                                                             |      |   |          |

| Test Step Dynamic Behaviour |            |                                                     |      |     |          |
|-----------------------------|------------|-----------------------------------------------------|------|-----|----------|
| <b>Test Step Name:</b>      |            | RFtransCHK                                          |      |     |          |
| <b>Group:</b>               |            | GSM_L3_MS_v4200/OperatorOP/                         |      |     |          |
| <b>Objective:</b>           |            | To check whether the MS transmits any radio signal. |      |     |          |
| <b>Default:</b>             |            | OtherEvents                                         |      |     |          |
| Nr                          | Label      | Behaviour Description                               | CRef | V   | Comments |
| 1                           |            | (TCV_Res := OO_RFoutputCHK())                       |      |     |          |
| 2                           | L_092<br>6 | [TCV_Res]                                           |      | F   |          |
| 3                           | L_092<br>7 | [NOT TCV_Res]                                       |      | (P) |          |
| <b>Detailed Comments:</b>   |            |                                                     |      |     |          |

### Test Step Group Postambles

| Test Step Dynamic Behaviour                                                  |            |                                                                   |                             |   |          |
|------------------------------------------------------------------------------|------------|-------------------------------------------------------------------|-----------------------------|---|----------|
| <b>Test Step Name:</b>                                                       |            | PostLinkRelEnd(ch: LOGICCH)                                       |                             |   |          |
| <b>Group:</b>                                                                |            | GSM_L3_MS_v4200/Postambles/                                       |                             |   |          |
| <b>Objective:</b>                                                            |            | To release the RR connection and bring the MS back to Idle state. |                             |   |          |
| <b>Default:</b>                                                              |            | OtherEvents                                                       |                             |   |          |
| Nr                                                                           | Label      | Behaviour Description                                             | CRef                        | V | Comments |
| 1                                                                            |            | L!DL_DatRqChRel START T_release                                   | ChRel( ch,<br>ChRelease_01) |   |          |
| 2                                                                            |            | L?DL_RelIn                                                        | DLRelInd_01                 |   |          |
| 3                                                                            | L_092<br>8 | CANCEL                                                            |                             | R | 1.       |
| 4                                                                            |            | ?TIMEOUT T_release                                                |                             |   |          |
| 5                                                                            | L_092<br>9 | CANCEL                                                            |                             | R | 1.       |
| <b>Detailed Comments:</b> 1. Cancel of all running timers and final verdict. |            |                                                                   |                             |   |          |

| Test Step Dynamic Behaviour |       |                                                                                  |                               |   |          |
|-----------------------------|-------|----------------------------------------------------------------------------------|-------------------------------|---|----------|
| <b>Test Step Name:</b>      |       | PostMainLinkRel(chnl:LOGICCH)                                                    |                               |   |          |
| <b>Group:</b>               |       | GSM_L3_MS_v4200/Postambles/                                                      |                               |   |          |
| <b>Objective:</b>           |       | To release the main signalling link `chnl`, and bring the MS back to Idle state. |                               |   |          |
| <b>Default:</b>             |       | OtherEvents                                                                      |                               |   |          |
| Nr                          | Label | Behaviour Description                                                            | CRef                          | V | Comments |
| 1                           |       | L!DL_DatRqChRel START T_release                                                  | ChRel( chnl,<br>ChRelease_01) |   |          |
| 2                           |       | L?DL_RelIn CANCEL T_release                                                      | DLRelInd_01                   |   |          |
| 3                           |       | ?TIMEOUT T_release                                                               |                               |   |          |
| <b>Detailed Comments:</b>   |       |                                                                                  |                               |   |          |

| Test Step Dynamic Behaviour |            |                                                                                         |                            |     |          |
|-----------------------------|------------|-----------------------------------------------------------------------------------------|----------------------------|-----|----------|
| <b>Test Step Name:</b>      |            | ChanRel(ch: LOGICCH)                                                                    |                            |     |          |
| <b>Group:</b>               |            | GSM_L3_MS_v4200/Postambles/                                                             |                            |     |          |
| <b>Objective:</b>           |            | To release the RR connection on the channel TCV_ch and bring the MS back to Idle state. |                            |     |          |
| <b>Default:</b>             |            | OtherEvents                                                                             |                            |     |          |
| Nr                          | Label      | Behaviour Description                                                                   | CRef                       | V   | Comments |
| 1                           |            | L!DL_DatRqChRel START T_release                                                         | ChRel(ch,<br>ChRelease_01) |     |          |
| 2                           |            | L?DL_RelIn CANCEL T_release                                                             | DLRelInd_01                |     |          |
| 3                           | L_093<br>0 | ?TIMEOUT T_release                                                                      |                            | (F) |          |
| <b>Detailed Comments:</b>   |            |                                                                                         |                            |     |          |

| Test Step Dynamic Behaviour                                                                                       |            |                                 |                            |     |          |
|-------------------------------------------------------------------------------------------------------------------|------------|---------------------------------|----------------------------|-----|----------|
| <b>Test Step Name:</b> ChanRel_P(ch: LOGICCH)                                                                     |            |                                 |                            |     |          |
| <b>Group:</b> GSM_L3_MS_v4200/Postambles/                                                                         |            |                                 |                            |     |          |
| <b>Objective:</b> To release the RR connection on the channel TCV_chmaindcch and bring the MS back to Idle state. |            |                                 |                            |     |          |
| <b>Default:</b> OtherEvents                                                                                       |            |                                 |                            |     |          |
| Nr                                                                                                                | Label      | Behaviour Description           | CRef                       | V   | Comments |
| 1                                                                                                                 |            | L!DL_DatRqChRel START T_release | ChRel(ch,<br>ChRelease_01) |     |          |
| 2                                                                                                                 | L_093<br>1 | L?DL_Relln                      | DLRelInd_01                | (P) |          |
| 3                                                                                                                 |            | ?TIMEOUT T_release              |                            |     |          |
| <b>Detailed Comments:</b>                                                                                         |            |                                 |                            |     |          |

| Test Step Dynamic Behaviour                                                         |            |                                 |                            |     |          |
|-------------------------------------------------------------------------------------|------------|---------------------------------|----------------------------|-----|----------|
| <b>Test Step Name:</b> ChanRel_end(ch: LOGICCH)                                     |            |                                 |                            |     |          |
| <b>Group:</b> GSM_L3_MS_v4200/Postambles/                                           |            |                                 |                            |     |          |
| <b>Objective:</b> To release the RR connection and bring the MS back to Idle state. |            |                                 |                            |     |          |
| <b>Default:</b> OtherEvents                                                         |            |                                 |                            |     |          |
| Nr                                                                                  | Label      | Behaviour Description           | CRef                       | V   | Comments |
| 1                                                                                   |            | L!DL_DatRqChRel START T_release | ChRel(ch,<br>ChRelease_01) |     |          |
| 2                                                                                   |            | L?DL_Relln                      | DLRelInd_01                |     |          |
| 3                                                                                   | L_093<br>2 | CANCEL                          |                            | (P) | 1.       |
| 4                                                                                   |            | ?TIMEOUT T_release              |                            |     |          |
| 5                                                                                   | L_093<br>3 | CANCEL                          |                            | (F) | 1.       |
| <b>Detailed Comments:</b> 1. Cancel of all running timers.                          |            |                                 |                            |     |          |

| Test Step Dynamic Behaviour                                                                                                                                        |       |                                                                                                                                                                                                                                                                                                    |      |   |          |
|--------------------------------------------------------------------------------------------------------------------------------------------------------------------|-------|----------------------------------------------------------------------------------------------------------------------------------------------------------------------------------------------------------------------------------------------------------------------------------------------------|------|---|----------|
| <b>Test Step Name:</b> RmvForbiddenPlmn( activ_cell:CellID; lac:OCTETSTRING; subch:B_2; cksn:B_3; rand:RAND; arfcngsm, arfcndcs:INTEGER; ccd: CCD; imsi:HEXSTRING) |       |                                                                                                                                                                                                                                                                                                    |      |   |          |
| <b>Group:</b> GSM_L3_MS_v4200/Postambles/                                                                                                                          |       |                                                                                                                                                                                                                                                                                                    |      |   |          |
| <b>Objective:</b> To remove a forbidden PLMN in the list on SIM.                                                                                                   |       |                                                                                                                                                                                                                                                                                                    |      |   |          |
| <b>Default:</b> OtherEventsFail                                                                                                                                    |       |                                                                                                                                                                                                                                                                                                    |      |   |          |
| Nr                                                                                                                                                                 | Label | Behaviour Description                                                                                                                                                                                                                                                                              | CRef | V | Comments |
| 1                                                                                                                                                                  |       | +StartCellB( C_E_default, arfcngsm, arfcndcs, C_Immass, TCV_slot, TCV_tsc, TimingAdv( 30), C_TxInt_5, C_Max_1, C_NECL_0, C_ATT_0, C_BABR_0, C_cch_1Comb, C_BPM_3, C_T3212_1, C_MCC_1, C_PLMN_2, lac, CellChDes_04, CellChDes_03, BcchFreqLst_01, BcchFreqLst_48, C_noRestablishment, C_BCC, C_NCC) |      |   |          |
| 2                                                                                                                                                                  |       | +Varinit_fix( activ_cell, lac, subch, cksn, rand, arfcngsm, arfcndcs, ccd, imsi)                                                                                                                                                                                                                   |      |   |          |
| 3                                                                                                                                                                  |       | (TCV_Null := OM_StopCell( C_CellA))                                                                                                                                                                                                                                                                |      |   |          |
| 4                                                                                                                                                                  |       | (TCV_Null := OO_PLMNselModeMan())                                                                                                                                                                                                                                                                  |      |   |          |
| 5                                                                                                                                                                  |       | (TCV_Null := OO_SelPLMN( C_PLMN_2))                                                                                                                                                                                                                                                                |      |   |          |
| 6                                                                                                                                                                  |       | +MM_LUP3( C_MCC_1, C_PLMN_2, lac, C_norm_period_attach, TimingAdv( 30))                                                                                                                                                                                                                            |      |   |          |
| 7                                                                                                                                                                  |       | (TCV_Null := OO_PLMNselModeAuto())                                                                                                                                                                                                                                                                 |      |   |          |
| <b>Detailed Comments:</b>                                                                                                                                          |       |                                                                                                                                                                                                                                                                                                    |      |   |          |

| Test Step Dynamic Behaviour |       |                                                                                                                                                                                                                                                                                                    |      |   |          |
|-----------------------------|-------|----------------------------------------------------------------------------------------------------------------------------------------------------------------------------------------------------------------------------------------------------------------------------------------------------|------|---|----------|
| <b>Test Step Name:</b>      |       | RmvForbiddenPlmn1( activ_cell:CellID; lac:OCTETSTRING; subch:B_2; cksn:B_3; rand:RAND; arfcngsm, arfcndcs:INTEGER; ccd: CCD; imsi:HEXSTRING)                                                                                                                                                       |      |   |          |
| <b>Group:</b>               |       | GSM_L3_MS_v4200/Postambles/                                                                                                                                                                                                                                                                        |      |   |          |
| <b>Objective:</b>           |       | To remove a forbidden PLMN in the list on SIM.                                                                                                                                                                                                                                                     |      |   |          |
| <b>Default:</b>             |       | OtherEventsFail                                                                                                                                                                                                                                                                                    |      |   |          |
| Nr                          | Label | Behaviour Description                                                                                                                                                                                                                                                                              | CRef | V | Comments |
| 1                           |       | +StartCellB( C_E_default, arfcngsm, arfcndcs, C_Immass, TCV_slot, TCV_tsc, TimingAdv( 30), C_TxInt_5, C_Max_1, C_NECl_0, C_ATT_0, C_BABR_0, C_cch_1Comb, C_BPM_3, C_T3212_1, C_MCC_1, C_PLMN_2, lac, CellChDes_04, CellChDes_03, BcchFreqLst_01, BcchFreqLst_48, C_noRestablishment, C_BCC, C_NCC) |      |   |          |
| 2                           |       | +Varinit_fix( activ_cell, lac, subch, cksn, rand, arfcngsm, arfcndcs, ccd, imsi)                                                                                                                                                                                                                   |      |   |          |
| 3                           |       | (TCV_Null := OO_PLMNselModeMan())                                                                                                                                                                                                                                                                  |      |   |          |
| 4                           |       | (TCV_Null := OO_SelPLMN( C_PLMN_2))                                                                                                                                                                                                                                                                |      |   |          |
| 5                           |       | +MM_LUP3( C_MCC_1, C_PLMN_2, lac, C_norm_period_attach, TimingAdv( 30))                                                                                                                                                                                                                            |      |   |          |
| 6                           |       | (TCV_Null := OO_PLMNselModeAuto())                                                                                                                                                                                                                                                                 |      |   |          |
| <b>Detailed Comments:</b>   |       |                                                                                                                                                                                                                                                                                                    |      |   |          |

## Test Step Group Preambles

| Test Step Dynamic Behaviour |            |                                                                                                                                                                                            |      |   |                                 |
|-----------------------------|------------|--------------------------------------------------------------------------------------------------------------------------------------------------------------------------------------------|------|---|---------------------------------|
| <b>Test Step Name:</b>      |            | BasicServiceMO(svc:SERVICES; rate:RATE)                                                                                                                                                    |      |   |                                 |
| <b>Group:</b>               |            | GSM_L3_MS_v4200/Preambles/                                                                                                                                                                 |      |   |                                 |
| <b>Objective:</b>           |            | To generate a Bcap, an MO SETUP message and an appropriate channel mode based on the service and rate, as well as on several IXIT parameters, itc, ce, ur, synchronous bit for an MO call. |      |   |                                 |
| <b>Default:</b>             |            | OtherEvents                                                                                                                                                                                |      |   |                                 |
| <b>Comments:</b>            |            | Used for CC tests                                                                                                                                                                          |      |   |                                 |
| Nr                          | Label      | Behaviour Description                                                                                                                                                                      | CRef | V | Comments                        |
| 1                           |            | +local_init                                                                                                                                                                                |      |   | Default values                  |
| 2                           |            | [TCV_Service = C_EmgCall]                                                                                                                                                                  |      |   |                                 |
| 3                           |            | [(NOT TSPC_EFR_Speech_v2) AND(NOT TSPC_EFR_Speech_v3)]                                                                                                                                     |      |   |                                 |
| 4                           |            | (TCV_ChMod.mode := C_ChMod_r, TCV_Esetup := Setup_04(Bcap_Speech_MO(TCV_Rchr)), TCV_Ecall := C_Yes)                                                                                        |      |   | Emergency Call - Non EFR Mobile |
| 5                           |            | [TSPC_EFR_Speech_v2 OR TSPC_EFR_Speech_v3]                                                                                                                                                 |      |   |                                 |
| 6                           |            | (TCV_ChMod.mode := C_ChMod_r, TCV_Esetup := Setup_04(Bcap_Speech_Efr_MO(TCV_Rchr)), TCV_Ecall := C_Yes)                                                                                    |      |   | Emergency Call - EFR Mobile     |
| 7                           |            | [TCV_Service = C_Telephony]                                                                                                                                                                |      |   |                                 |
| 8                           |            | [(NOT TSPC_EFR_Speech_v2) AND(NOT TSPC_EFR_Speech_v3)]                                                                                                                                     |      |   |                                 |
| 9                           |            | (TCV_ChMod.mode := C_ChMod_r, TCV_Setup_mo := Setup_02(Bcap_Speech_MO(TCV_Rchr)))                                                                                                          |      |   | Speech - Non EFR Mobile         |
| 10                          |            | [TSPC_EFR_Speech_v2 OR TSPC_EFR_Speech_v3]                                                                                                                                                 |      |   |                                 |
| 11                          |            | (TCV_ChMod.mode := C_ChMod_r, TCV_Setup_mo := Setup_02(Bcap_Speech_Efr_MO(TCV_Rchr)))                                                                                                      |      |   | Speech - EFR Mobile             |
| 12                          |            | [TCV_Service = C_AltSpchFax]                                                                                                                                                               |      |   |                                 |
| 13                          |            | [rate = C_Full]                                                                                                                                                                            |      |   |                                 |
| 14                          |            | +TS61MO( C_AltSpchFax)                                                                                                                                                                     |      |   | Speech/fax                      |
| 15                          | L_093<br>4 | [rate <> C_Full]                                                                                                                                                                           |      | I | IXIT error                      |
| 16                          |            | [TCV_Service = C_AutoFax]                                                                                                                                                                  |      |   |                                 |
| 17                          |            | [rate = C_Full]                                                                                                                                                                            |      |   |                                 |
| 18                          |            | +TS62MO( C_AutoFax)                                                                                                                                                                        |      |   | Auto fax                        |
| 19                          | L_093<br>5 | [rate <> C_Full]                                                                                                                                                                           |      | I | IXIT error                      |
| 20                          |            | [TCV_Service = C_Async300]                                                                                                                                                                 |      |   |                                 |
| 21                          |            | +BS2xMO( C_Async300, TSPX_BS_21_sacp, TSPX_BS_21_T_NT, TSPX_BS_21_itc1, C_300bs, C_modemt_V21, TSPX_BS_21_ce)                                                                              |      |   | BS21                            |
| 22                          |            | [TCV_Service = C_Async1200]                                                                                                                                                                |      |   |                                 |
| 23                          |            | +BS2xMO( C_Async1200, TSPX_BS_22_sacp, TSPX_BS_22_T_NT, TSPX_BS_22_itc1, C_1200bs, C_modemt_V22, TSPX_BS_22_ce)                                                                            |      |   | BS22                            |
| 24                          |            | [TCV_Service = C_Async120075]                                                                                                                                                              |      |   |                                 |
| 25                          |            | +BS2xMO( C_Async120075, TSPX_BS_23_sacp, TSPX_BS_23_T_NT, TSPX_BS_23_itc, C_120075bs, C_modemt_V23, TSPX_BS_23_ce)                                                                         |      |   | BS23                            |
| 26                          |            | [TCV_Service = C_Async2400]                                                                                                                                                                |      |   |                                 |
| 27                          |            | +BS2xMO( C_Async2400, TSPX_BS_24_sacp, TSPX_BS_24_T_NT, TSPX_BS_24_itc1, C_2400bs, TCV_MODEM.V22bisOrV26ter, TSPX_BS_24_ce)                                                                |      |   | BS24                            |
| 28                          |            | [TCV_Service = C_Async4800]                                                                                                                                                                |      |   |                                 |
| 29                          |            | +BS2xMO( C_Async4800, TSPX_BS_25_sacp, TSPX_BS_25_T_NT, TSPX_BS_25_itc1, C_4800bs, C_modemt_V32, TSPX_BS_25_ce)                                                                            |      |   | BS25                            |
| 30                          |            | [TCV_Service = C_Async9600]                                                                                                                                                                |      |   |                                 |
| 31                          |            | +BS2xMO( C_Async9600, TSPX_BS_26_sacp, TSPX_BS_26_T_NT, TSPX_BS_26_itc1,                                                                                                                   |      |   | BS26                            |



|    |                                                                                                                                                                                                                                                                                  |   |            |
|----|----------------------------------------------------------------------------------------------------------------------------------------------------------------------------------------------------------------------------------------------------------------------------------|---|------------|
| 32 | C_9600bs, C_modemt_V32, TSPX_BS_26_ce)                                                                                                                                                                                                                                           |   |            |
| 33 | [TCV_Service = C_Sync1200]<br>+BS3xMO( C_Sync1200, FALSE,<br>TSPX_BS_31_itc1, TSPX_BS_31_sacp1,<br>C_1200bs, C_transparent, C_modemt_V22)                                                                                                                                        |   | BS31       |
| 34 | [TCV_Service = C_Sync2400]                                                                                                                                                                                                                                                       |   |            |
| 35 | +BS3xMO( C_Sync2400,<br>TSPX_BS_32_X32_T_NT, TSPX_BS_32_itc1,<br>TSPX_BS_32_sacp1, C_2400bs,<br>TSPX_BS_32_X32_ce,<br>TCV_MODEM.V22bisOrV26ter)                                                                                                                                  |   | BS32       |
| 36 | [TCV_Service = C_Sync4800]                                                                                                                                                                                                                                                       |   |            |
| 37 | +BS3xMO( C_Sync4800,<br>TSPX_BS_33_X32_T_NT, TSPX_BS_33_itc1,<br>TSPX_BS_33_sacp1, C_4800bs,<br>TSPX_BS_33_X32_ce, C_modemt_V32)                                                                                                                                                 |   | BS33       |
| 38 | [TCV_Service = C_Sync9600]                                                                                                                                                                                                                                                       |   |            |
| 39 | +BS3xMO( C_Sync9600,<br>TSPX_BS_34_X32_T_NT, TSPX_BS_34_itc1,<br>TSPX_BS_34_sacp1, C_9600bs,<br>TSPX_BS_34_X32_ce, C_modemt_V32)                                                                                                                                                 |   | BS34       |
| 40 | [TCV_Service = C_PAD300]                                                                                                                                                                                                                                                         |   |            |
| 41 | +BS4xMO( C_PAD300, C_300bs,<br>TSPX_BS_41_ce, TSPX_BS_41_T_NT)                                                                                                                                                                                                                   |   | BS41       |
| 42 | [TCV_Service = C_PAD1200]                                                                                                                                                                                                                                                        |   |            |
| 43 | +BS4xMO( C_PAD1200, C_1200bs,<br>TSPX_BS_42_ce, TSPX_BS_42_T_NT)                                                                                                                                                                                                                 |   | BS42       |
| 44 | [TCV_Service = C_PAD120075]                                                                                                                                                                                                                                                      |   |            |
| 45 | +BS4xMO( C_PAD120075, C_120075bs,<br>TSPX_BS_43_ce, TSPX_BS_43_T_NT)                                                                                                                                                                                                             |   | BS43       |
| 46 | [TCV_Service = C_PAD2400]                                                                                                                                                                                                                                                        |   |            |
| 47 | +BS4xMO( C_PAD2400, C_2400bs,<br>TSPX_BS_44_ce, TSPX_BS_44_T_NT)                                                                                                                                                                                                                 |   | BS44       |
| 48 | [TCV_Service = C_PAD4800]                                                                                                                                                                                                                                                        |   |            |
| 49 | +BS4xMO( C_PAD4800, C_4800bs,<br>TSPX_BS_45_ce, TSPX_BS_45_T_NT)                                                                                                                                                                                                                 |   | BS45       |
| 50 | [TCV_Service = C_PAD9600]                                                                                                                                                                                                                                                        |   |            |
| 51 | +BS4xMO( C_PAD9600, C_9600bs,<br>TSPX_BS_46_ce, TSPX_BS_46_T_NT)                                                                                                                                                                                                                 |   | BS46       |
| 52 | [TCV_Service = C_Packet2400]                                                                                                                                                                                                                                                     |   |            |
| 53 | +BS5xMO( C_Packet2400, C_2400bs)                                                                                                                                                                                                                                                 |   | BS51       |
| 54 | [TCV_Service = C_Packet4800]                                                                                                                                                                                                                                                     |   |            |
| 55 | +BS5xMO( C_Packet4800, C_4800bs)                                                                                                                                                                                                                                                 |   | BS52       |
| 56 | [TCV_Service = C_Packet9600]                                                                                                                                                                                                                                                     |   |            |
| 57 | +BS5xMO( C_Packet9600, C_9600bs)                                                                                                                                                                                                                                                 |   | BS53       |
| 58 | [TCV_Service = C_AltSpchData]                                                                                                                                                                                                                                                    |   |            |
| 59 | +BS61or81MO( C_AltSpchData,<br>TSPX_BS_61_A, TSPX_BS_61_A_ur1_T_NT,<br>TSPX_BS_61_A_ur1, TSPX_BS_61_A_ur1_ce,<br>TSPX_BS_61_S, TSPX_BS_61_S_ur1,<br>C_RI_alternate)                                                                                                              |   | BS61       |
| 60 | [TCV_Service = C_SpchData]                                                                                                                                                                                                                                                       |   |            |
| 61 | +BS61or81MO( C_SpchData, TSPX_BS_81_A,<br>TSPX_BS_81_A_ur1_T_NT,<br>TSPX_BS_81_A_ur1, TSPX_BS_81_A_ur1_ce,<br>TSPX_BS_81_S, TSPX_BS_81_S_ur1,<br>C_RI_follow)                                                                                                                    |   | BS81       |
| 62 | L_093<br>6 [C_Yes]                                                                                                                                                                                                                                                               | I | IXIT error |
| 63 | <b>local_init</b><br>(TCV_Service := svc, TCV_Rchr := C_Rchr_Full,<br>TCV_Ecall := C_No, TCV_ChRate :=rate,<br>TCV_ChMod.iei := '01100011'B, TCV_ChMod.mode<br>:= C_ChMod_12k, TCV_ChModb.iei := '01100011'B,<br>TCV_ChModb.mode := C_ChMod_12k,<br>TCV_MODEM := V22bisOrV26ter) |   |            |
| 64 | [TSPC_DualRate]                                                                                                                                                                                                                                                                  |   |            |
| 65 | (TCV_Rchr := C_Rchr_DualForDualH0)                                                                                                                                                                                                                                               |   |            |
| 66 | [NOT TSPC_DualRate]                                                                                                                                                                                                                                                              |   |            |

|                           |                                                                                                          |
|---------------------------|----------------------------------------------------------------------------------------------------------|
| <b>Detailed Comments:</b> | This test step is called in the preamble of test cases where an MO call is established in the test body. |
|---------------------------|----------------------------------------------------------------------------------------------------------|

### Test Step Dynamic Behaviour

|                        |                                                    |
|------------------------|----------------------------------------------------|
| <b>Test Step Name:</b> | BasicServiceMOorTelephony(svc:SERVICES; rate:RATE) |
| <b>Group:</b>          | GSM_L3_MS_v4200/Preambles/                         |
| <b>Objective:</b>      | To get a MO SETUP message with right BC IE.        |
| <b>Default:</b>        | OtherEvents                                        |
| <b>Comments:</b>       | Used for CC tests                                  |

| Nr | Label | Behaviour Description                            | CRef | V | Comments |
|----|-------|--------------------------------------------------|------|---|----------|
| 1  |       | [TSPC_Serv_TS11]                                 |      |   |          |
| 2  |       | +BasicServiceMO(C_Telephony,TSPX_Telephony_Rate) |      |   |          |
| 3  |       | [NOT TSPC_Serv_TS11]                             |      |   |          |
| 4  |       | +BasicServiceMO(svc,rate)                        |      |   |          |

|                           |
|---------------------------|
| <b>Detailed Comments:</b> |
|---------------------------|

| Test Step Dynamic Behaviour |       |                                                                                                                                                                                                                                                 |      |   |                |
|-----------------------------|-------|-------------------------------------------------------------------------------------------------------------------------------------------------------------------------------------------------------------------------------------------------|------|---|----------------|
| <b>Test Step Name:</b>      |       | BasicServiceMT(svc:SERVICES; rate:RATE)                                                                                                                                                                                                         |      |   |                |
| <b>Group:</b>               |       | GSM_L3_MS_v4200/Preambles/                                                                                                                                                                                                                      |      |   |                |
| <b>Objective:</b>           |       | To generate a Bcap, an MT SETUP message and an appropriate channel mode based on the service and rate, as well as on several IXIT parameters, itc, ce, ur, synchronous bit for an MT call.<br>To generate a second SETUP message for TC_11_1_1. |      |   |                |
| <b>Default:</b>             |       | OtherEvents                                                                                                                                                                                                                                     |      |   |                |
| <b>Comments:</b>            |       | Used for CC tests                                                                                                                                                                                                                               |      |   |                |
| Nr                          | Label | Behaviour Description                                                                                                                                                                                                                           | CRef | V | Comments       |
| 1                           |       | (TCV_Service := svc, TCV_ChRate :=rate,<br>TCV_ChMod.iei := '01100011'B, TCV_ChMod.mode<br>:= C_ChMod_12k, TCV_ChModb.iei := '01100011'B,<br>TCV_ChModb.mode := C_ChMod_12k, TCV_2ndtest<br>:= C_No)                                            |      |   | Default values |
| 2                           |       | +SvcSupportedChk(svc)                                                                                                                                                                                                                           |      |   |                |
| 3                           |       | +local_main                                                                                                                                                                                                                                     |      |   |                |
| <b>local_main</b>           |       |                                                                                                                                                                                                                                                 |      |   |                |
| 4                           |       | [TCV_Service = C_Telephony]                                                                                                                                                                                                                     |      |   |                |
| 5                           |       | (TCV_ChMod.mode := C_ChMod_r, TCV_Setup_mt<br>:= Setup_01(TI_02))                                                                                                                                                                               |      |   | Speech         |
| 6                           |       | +local_IFsetup_Telephony                                                                                                                                                                                                                        |      |   | Config speech  |
| 7                           |       | [TCV_Service = C_AltSpchFax]                                                                                                                                                                                                                    |      |   |                |
| 8                           |       | +TS61MT( C_AltSpchFax)                                                                                                                                                                                                                          |      |   | Speech/fax     |
| 9                           |       | [TCV_Service = C_AutoFax]                                                                                                                                                                                                                       |      |   |                |
| 10                          |       | +TS62MT( C_AutoFax)                                                                                                                                                                                                                             |      |   | Auto fax       |
| 11                          |       | [TCV_Service = C_Async300]                                                                                                                                                                                                                      |      |   |                |
| 12                          |       | +BS2xMT( C_Async300, TSPX_BS_21_more_itc,<br>TSPX_BS_21_T_NT, TSPX_BS_21_itc1,<br>TSPX_BS_21_itc2, C_300bs, C_modemt_V21,<br>TSPX_BS_21_ce)                                                                                                     |      |   | BS21           |
| 13                          |       | [TCV_Service = C_Async1200]                                                                                                                                                                                                                     |      |   |                |
| 14                          |       | +BS2xMT( C_Async1200, TSPX_BS_22_more_itc,<br>TSPX_BS_22_T_NT, TSPX_BS_22_itc1,<br>TSPX_BS_22_itc2, C_1200bs, C_modemt_V22,<br>TSPX_BS_22_ce)                                                                                                   |      |   | BS22           |
| 15                          |       | [TCV_Service = C_Async2400]                                                                                                                                                                                                                     |      |   |                |
| 16                          |       | +BS2xMT( C_Async2400, TSPX_BS_24_more_itc,<br>TSPX_BS_24_T_NT, TSPX_BS_24_itc1,<br>TSPX_BS_24_itc2, C_2400bs, C_modemt_V22bis,<br>TSPX_BS_24_ce)                                                                                                |      |   | BS24           |
| 17                          |       | [TCV_Service = C_Async4800]                                                                                                                                                                                                                     |      |   |                |
| 18                          |       | +BS2xMT( C_Async4800, TSPX_BS_25_more_itc,<br>TSPX_BS_25_T_NT, TSPX_BS_25_itc1,<br>TSPX_BS_25_itc2, C_4800bs, C_modemt_V32,<br>TSPX_BS_25_ce)                                                                                                   |      |   | BS25           |
| 19                          |       | [TCV_Service = C_Async9600]                                                                                                                                                                                                                     |      |   |                |
| 20                          |       | +BS2xMT( C_Async9600, TSPX_BS_26_more_itc,<br>TSPX_BS_26_T_NT, TSPX_BS_26_itc1,<br>TSPX_BS_26_itc2, C_9600bs, C_modemt_V32,<br>TSPX_BS_26_ce)                                                                                                   |      |   | BS26           |
| 21                          |       | [TCV_Service = C_Sync1200]                                                                                                                                                                                                                      |      |   |                |
| 22                          |       | +BS3xMT( C_Sync1200, TSPX_BS_31_more_itc,<br>C_No, TSPX_BS_31_more_sacp,<br>TSPX_BS_31_itc1, TSPX_BS_31_itc2,<br>TSPX_BS_31_sacp1, TSPX_BS_31_sacp2,<br>C_1200bs, C_transparent)                                                                |      |   | BS31           |
| 23                          |       | [TCV_Service = C_Sync2400]                                                                                                                                                                                                                      |      |   |                |
| 24                          |       | +BS3xMT( C_Sync2400, TSPX_BS_32_more_itc,<br>TSPX_BS_32_X32_T_NT,<br>TSPX_BS_32_more_sacp, TSPX_BS_32_itc1,<br>TSPX_BS_32_itc2, TSPX_BS_32_sacp1,<br>TSPX_BS_32_sacp2, C_2400bs,<br>TSPX_BS_32_X32_ce)                                          |      |   | BS32           |
| 25                          |       | [TCV_Service = C_Sync4800]                                                                                                                                                                                                                      |      |   |                |
| 26                          |       | +BS3xMT( C_Sync4800, TSPX_BS_33_more_itc,<br>TSPX_BS_33_X32_T_NT,<br>TSPX_BS_33_more_sacp, TSPX_BS_33_itc1,<br>TSPX_BS_33_itc2, TSPX_BS_33_sacp1,<br>TSPX_BS_33_sacp2, C_4800bs,                                                                |      |   | BS33           |

|    |            |                                                                                                                                                                                                                                                                                                                                                                                                                                                                                               |  |                   |
|----|------------|-----------------------------------------------------------------------------------------------------------------------------------------------------------------------------------------------------------------------------------------------------------------------------------------------------------------------------------------------------------------------------------------------------------------------------------------------------------------------------------------------|--|-------------------|
| 27 |            | TSPX_BS_33_X32_ce)                                                                                                                                                                                                                                                                                                                                                                                                                                                                            |  |                   |
| 28 |            | [TCV_Service = C_Sync9600]<br>+BS3xMT( C_Sync9600, TSPX_BS_34_more_itc,<br>TSPX_BS_34_X32_T_NT,<br>TSPX_BS_34_more_sacp, TSPX_BS_34_itc1,<br>TSPX_BS_34_itc2, TSPX_BS_34_sacp1,<br>TSPX_BS_34_sacp2, C_9600bs,<br>TSPX_BS_34_X32_ce)                                                                                                                                                                                                                                                          |  | BS34              |
| 29 |            | [TCV_Service = C_AltSpchData]                                                                                                                                                                                                                                                                                                                                                                                                                                                                 |  |                   |
| 30 |            | +BS61or81MT( C_AltSpchData, TSPX_BS_61_A,<br>TSPX_BS_61_A_ur1_T_NT,<br>TSPX_BS_61_A_ur2_T_NT,<br>TSPX_BS_61_A_more_ur, TSPX_BS_61_S,<br>TSPX_BS_61_S_more_ur, TSPX_BS_61_A_ur1,<br>TSPX_BS_61_A_ur2, TSPX_BS_61_S_ur1,<br>TSPX_BS_61_S_ur2, C_RI_alternate,<br>TSPX_BS_61_A_ur1_ce)                                                                                                                                                                                                           |  | BS61              |
| 31 |            | [TCV_Service = C_SpchData]                                                                                                                                                                                                                                                                                                                                                                                                                                                                    |  |                   |
| 32 |            | +BS61or81MT( C_SpchData, TSPX_BS_81_A,<br>TSPX_BS_81_A_ur1_T_NT,<br>TSPX_BS_81_A_ur2_T_NT,<br>TSPX_BS_81_A_more_ur, TSPX_BS_81_S,<br>TSPX_BS_81_S_more_ur, TSPX_BS_81_A_ur1,<br>TSPX_BS_81_A_ur2, TSPX_BS_81_S_ur1,<br>TSPX_BS_81_S_ur2, C_RI_follow,<br>TSPX_BS_81_A_ur1_ce)                                                                                                                                                                                                                 |  | BS81              |
| 33 | L_093<br>7 | [(TCV_Service <> C_Telephony) AND(TCV_Service<br><> C_AltSpchFax) AND(TCV_Service <> C_AutoFax)<br>AND(TCV_Service <> C_Async300)<br>AND(TCV_Service <> C_Async1200)<br>AND(TCV_Service <> C_Async2400)<br>AND(TCV_Service <> C_Async4800)<br>AND(TCV_Service <> C_Async9600)<br>AND(TCV_Service <> C_Sync1200)<br>AND(TCV_Service <> C_Sync2400)<br>AND(TCV_Service <> C_Sync4800)<br>AND(TCV_Service <> C_Sync9600)<br>AND(TCV_Service <> C_AltSpchData)<br>AND(TCV_Service <> C_SpchData)] |  | I                 |
| 34 |            | <b>local_IFsetup_Telephony</b><br>[TCV_supported]                                                                                                                                                                                                                                                                                                                                                                                                                                             |  |                   |
| 35 |            | (TCV_Null := OO_IFsetup_Telephony())                                                                                                                                                                                                                                                                                                                                                                                                                                                          |  |                   |
| 36 |            | [NOT TCV_supported]                                                                                                                                                                                                                                                                                                                                                                                                                                                                           |  |                   |
| 37 |            | [TCV_SpecialCase]                                                                                                                                                                                                                                                                                                                                                                                                                                                                             |  |                   |
| 38 |            | START T_dly(C_T_Wait)                                                                                                                                                                                                                                                                                                                                                                                                                                                                         |  |                   |
| 39 |            | ?TIMEOUT T_dly                                                                                                                                                                                                                                                                                                                                                                                                                                                                                |  |                   |
| 40 | L_093<br>8 | [NOT TCV_SpecialCase]                                                                                                                                                                                                                                                                                                                                                                                                                                                                         |  | I parameter error |

**Detailed Comments:** This test step is called in the preamble of test cases where an MT call is established in the test body.

| Test Step Dynamic Behaviour |       |                                                      |      |   |          |
|-----------------------------|-------|------------------------------------------------------|------|---|----------|
| <b>Test Step Name:</b>      |       | BasicServiceMTorTelephony(svc:SERVICES; rate:RATE)   |      |   |          |
| <b>Group:</b>               |       | GSM_L3_MS_v4200/Preambles/                           |      |   |          |
| <b>Objective:</b>           |       | To get a MT SETUP message with right BC IE.          |      |   |          |
| <b>Default:</b>             |       | OtherEvents                                          |      |   |          |
| <b>Comments:</b>            |       | Used for CC tests                                    |      |   |          |
| Nr                          | Label | Behaviour Description                                | CRef | V | Comments |
| 1                           |       | [TSPC_Serv_TS11]                                     |      |   |          |
| 2                           |       | +BasicServiceMT(C_Telephony,TSPX_Telephony_<br>Rate) |      |   |          |
| 3                           |       | [NOT TSPC_Serv_TS11]                                 |      |   |          |
| 4                           |       | +BasicServiceMT(svc,rate)                            |      |   |          |
| <b>Detailed Comments:</b>   |       |                                                      |      |   |          |

| Test Step Dynamic Behaviour |       |                                                                                                                                                                                                                                           |      |   |                                       |
|-----------------------------|-------|-------------------------------------------------------------------------------------------------------------------------------------------------------------------------------------------------------------------------------------------|------|---|---------------------------------------|
| <b>Test Step Name:</b>      |       | BS2xMO( srv:SERVICES; saccp: B_3; both:BOOLEAN; itc1:B_3; ur:B_4; modem:B_5; ce:B_2)                                                                                                                                                      |      |   |                                       |
| <b>Group:</b>               |       | GSM_L3_MS_v4200/Preambles/                                                                                                                                                                                                                |      |   |                                       |
| <b>Objective:</b>           |       | To generate an MO SETUP message with appropriate Bcap and LLC for BS2x service.                                                                                                                                                           |      |   |                                       |
| <b>Default:</b>             |       | OtherEvents                                                                                                                                                                                                                               |      |   |                                       |
| Nr                          | Label | Behaviour Description                                                                                                                                                                                                                     | CRef | V | Comments                              |
| 1                           |       | (TCV_srv := srv, TCV_ur := ur, TCV_CE := NT_BothT_BothNTorT_BothT_BothNT, TCV_ir := C_ir_16kbs)                                                                                                                                           |      |   |                                       |
| 2                           |       | +local_pixitvaluechk                                                                                                                                                                                                                      |      |   | validate IXIT values                  |
| 3                           |       | +local_selectCe                                                                                                                                                                                                                           |      |   | select a connection element           |
| 4                           |       | +local_bcap                                                                                                                                                                                                                               |      |   | generate BC                           |
| 5                           |       | +local_setupmsg                                                                                                                                                                                                                           |      |   | generate SETUP                        |
| 6                           |       | +Chmod(TCV_ChRate, TCV_ce, ur, srv)                                                                                                                                                                                                       |      |   | initiate channel mode variables       |
| 7                           |       | (TCV_Null := OO_IFsetup_BS2xorBS3x_MO(TCV_srv, itc1, saccp, TCV_ce, TCV_ChRate))                                                                                                                                                          |      |   | ask test operator to configure the MS |
|                             |       | <b>local_bcap</b>                                                                                                                                                                                                                         |      |   |                                       |
| 8                           |       | [NOT both]                                                                                                                                                                                                                                |      |   |                                       |
| 9                           |       | [TCV_ce = C_nottransparent]                                                                                                                                                                                                               |      |   |                                       |
| 10                          |       | [itc1 = C_UDI]                                                                                                                                                                                                                            |      |   |                                       |
| 11                          |       | +local_BS2x_UDI_NT(C_nottransparent, saccp)                                                                                                                                                                                               |      |   |                                       |
| 12                          |       | [itc1 = C_3100Hz]                                                                                                                                                                                                                         |      |   |                                       |
| 13                          |       | +local_BS2x_3100_NT(C_nottransparent, saccp)                                                                                                                                                                                              |      |   |                                       |
| 14                          |       | [TCV_ce = C_transparent]                                                                                                                                                                                                                  |      |   | CE:T only MS                          |
| 15                          |       | [itc1 = C_UDI]                                                                                                                                                                                                                            |      |   |                                       |
| 16                          |       | +local_BS2x_UDI_T(saccp)                                                                                                                                                                                                                  |      |   |                                       |
| 17                          |       | [itc1 = C_3100Hz]                                                                                                                                                                                                                         |      |   |                                       |
| 18                          |       | +local_BS2x_3100_T(saccp)                                                                                                                                                                                                                 |      |   |                                       |
| 19                          |       | [both]                                                                                                                                                                                                                                    |      |   |                                       |
| 20                          |       | [TCV_ce = C_transparent]                                                                                                                                                                                                                  |      |   |                                       |
| 21                          |       | [itc1 = C_UDI]                                                                                                                                                                                                                            |      |   |                                       |
| 22                          |       | +local_BS2x_UDI_Tboth(TCV_CE.TorBothTorBothNT,saccp)                                                                                                                                                                                      |      |   |                                       |
| 23                          |       | [itc1 = C_3100Hz]                                                                                                                                                                                                                         |      |   | 3.1kHz                                |
| 24                          |       | +local_BS2x_3100_Tboth(TCV_CE.TorBothTorBothNT, saccp)                                                                                                                                                                                    |      |   |                                       |
| 25                          |       | [(TCV_ce = C_nottransparent)]                                                                                                                                                                                                             |      |   |                                       |
| 26                          |       | [itc1 = C_UDI]                                                                                                                                                                                                                            |      |   |                                       |
| 27                          |       | +local_BS2x_UDI_NT(TCV_CE.NTorBothTorBothNT,saccp)                                                                                                                                                                                        |      |   |                                       |
| 28                          |       | [itc1 = C_3100Hz]                                                                                                                                                                                                                         |      |   | 3.1kHz                                |
| 29                          |       | +local_BS2x_3100_NT(TCV_CE.NTorBothTorBothNT, saccp)                                                                                                                                                                                      |      |   |                                       |
|                             |       | <b>local_BS2x_3100_NT(ce: B_2; saccp:B_3)</b>                                                                                                                                                                                             |      |   |                                       |
| 30                          |       | (TCV_BcapMO1 := BcapX_MO(TCV_Rchr, C_3100Hz, C_SDUintegrity, C_nirr_dontcare, C_no_rate_adaption, saccp, C_Asynchronous, C_stopbit_dontcare, C_databit_dontcare, ur, C_ir_16kbs, C_parity_dontcare, cel, modem, C_uil2p_dontcare))        |      |   | 11.8.2.1.1.2                          |
|                             |       | <b>local_BS2x_UDI_NT(ce: B_2; saccp:B_3)</b>                                                                                                                                                                                              |      |   |                                       |
| 31                          |       | (TCV_BcapMO1 := BcapX_MO(TCV_Rchr, C_UDI, C_SDUintegrity, C_nirr_dontcare, C_rate_adaption_V110, saccp, C_Asynchronous, C_stopbit_dontcare, C_databit_dontcare, ur, C_ir_16kbs, C_parity_dontcare, cel, C_modemt_none, C_uil2p_dontcare)) |      |   | 11.8.2.1.1.4                          |
|                             |       | <b>local_BS2x_3100_T(saccp:B_3)</b>                                                                                                                                                                                                       |      |   |                                       |
| 32                          |       | [ur = C_9600bs]                                                                                                                                                                                                                           |      |   |                                       |
| 33                          |       | (TCV_BcapMO1 := Bcap_MO(TCV_Rchr,                                                                                                                                                                                                         |      |   | 11.8.2.1.1.1                          |

|    |                                                                                                                                                                                                                                                      |                                                                               |
|----|------------------------------------------------------------------------------------------------------------------------------------------------------------------------------------------------------------------------------------------------------|-------------------------------------------------------------------------------|
|    | C_3100Hz, C_Unstructured, C_nirr_nomeaning, C_no_rate_adaption, sacp, C_Asynchronous, C_stopbit_dontcare, C_databit_dontcare, ur, C_ir_16kbs, C_parity_dontcare, C_transparent, modem))                                                              |                                                                               |
| 34 | [( ur = C_300bs) OR (ur = C_1200bs) OR (ur = C_120075bs) OR (ur = C_2400bs) OR (ur = C_4800bs)]                                                                                                                                                      |                                                                               |
| 35 | (TCV_BcapMO1 := Bcap_MO(TCV_Rchr, C_3100Hz, C_Unstructured, C_nirr_nomeaning, C_no_rate_adaption, sacp, C_Asynchronous, C_stopbit_dontcare, C_databit_dontcare, ur, C_ir_8kbs, C_parity_dontcare, C_transparent, modem), TCV_ir := C_ir_8kbs)        | 11.8.2.1.1.1                                                                  |
|    | <b>local_BS2x_UDI_T(sacp:B_3)</b>                                                                                                                                                                                                                    |                                                                               |
| 36 | [ur = C_9600bs]                                                                                                                                                                                                                                      |                                                                               |
| 37 | (TCV_BcapMO1 := Bcap_MO(TCV_Rchr, C_UDI, C_Unstructured, C_nirr_nomeaning, C_rate_adaption_V110, sacp, C_Asynchronous, C_stopbit_dontcare, C_databit_dontcare, ur, C_ir_16kbs, C_parity_dontcare, C_transparent, C_modemt_none))                     | 11.8.2.1.1.3                                                                  |
| 38 | [( ur = C_300bs) OR (ur = C_1200bs) OR (ur = C_120075bs) OR (ur = C_2400bs) OR (ur = C_4800bs)]                                                                                                                                                      |                                                                               |
| 39 | (TCV_BcapMO1 := Bcap_MO(TCV_Rchr, C_UDI, C_Unstructured, C_nirr_nomeaning, C_rate_adaption_V110, sacp, C_Asynchronous, C_stopbit_dontcare, C_databit_dontcare, ur, C_ir_8kbs, C_parity_dontcare, C_transparent, C_modemt_none), TCV_ir := C_ir_8kbs) | 11.8.2.1.1.3                                                                  |
|    | <b>local_BS2x_3100_Tboth(cel: B_2; sacp:B_3)</b>                                                                                                                                                                                                     |                                                                               |
| 40 | [ur <> C_9600bs]                                                                                                                                                                                                                                     |                                                                               |
| 41 | (TCV_BcapMO1 := BcapX_MO(TCV_Rchr, C_3100Hz, C_struct_dontchk, C_nirr_dontcare, C_no_rate_adaption, sacp, C_Asynchronous, C_stopbit_dontcare, C_databit_dontcare, ur, C_ir_8or16kbs, C_parity_dontcare, cel, modem, C_uil2p_dontcare))               | 11.8.2.1.1.1 combined with 11.8.2.1.1.2, CE and structure without exact match |
| 42 | [ur = C_9600bs]                                                                                                                                                                                                                                      |                                                                               |
| 43 | (TCV_BcapMO1 := BcapX_MO(TCV_Rchr, C_3100Hz, C_struct_dontchk, C_nirr_nomeaning, C_no_rate_adaption, sacp, C_Asynchronous, C_stopbit_dontcare, C_databit_dontcare, ur, C_ir_8or16kbs, C_parity_dontcare, cel, modem, C_uil2p_dontcare))              | 11.8.2.1.1.1 combined with 11.8.2.1.1.2, CE and structure without exact match |
|    | <b>local_BS2x_UDI_Tboth(cel: B_2; sacp:B_3)</b>                                                                                                                                                                                                      |                                                                               |
| 44 | [ur = C_9600bs]                                                                                                                                                                                                                                      |                                                                               |
| 45 | (TCV_BcapMO1 := BcapX_MO(TCV_Rchr, C_UDI, C_struct_dontchk, C_nirr_nomeaning, C_rate_adaption_V110, sacp, C_Asynchronous, C_stopbit_dontcare, C_databit_dontcare, ur, C_ir_8or16kbs, C_parity_dontcare, cel, C_modemt_none, C_uil2p_dontcare))       | 11.8.2.1.1.3 combined with 11.8.2.1.1.4, CE and structure without exact match |
| 46 | [ur <> C_9600bs]                                                                                                                                                                                                                                     |                                                                               |
| 47 | (TCV_BcapMO1 := BcapX_MO(TCV_Rchr, C_UDI, C_struct_dontchk, C_nirr_dontcare, C_rate_adaption_V110, sacp, C_Asynchronous, C_stopbit_dontcare, C_databit_dontcare, ur, C_ir_8or16kbs, C_parity_dontcare, cel, C_modemt_none, C_uil2p_dontcare))        | 11.8.2.1.1.3 combined with 11.8.2.1.1.4, CE and structure without exact match |
|    | <b>local_setupmsg</b>                                                                                                                                                                                                                                |                                                                               |
| 48 | [itc1 = C_UDI]                                                                                                                                                                                                                                       |                                                                               |
| 49 | (TCV_Setup_mo := Setup_10_UDI(TCV_BcapMO1, Llcmp_BS2xOrBS4x_UDI, Hlcmp_AnyOrOmit))                                                                                                                                                                   |                                                                               |
| 50 | [itc1 = C_3100Hz]                                                                                                                                                                                                                                    |                                                                               |
| 51 | (TCV_Setup_mo := Setup_10_3100(TCV_BcapMO1,                                                                                                                                                                                                          |                                                                               |

|    |            |                                                                       |   |                |
|----|------------|-----------------------------------------------------------------------|---|----------------|
|    |            | Llcmp_BS2xOrBS61aOrBS81a_3100,<br>Hlcmp_AnyOrOmit)                    |   |                |
|    |            | <b>local_selectCe</b>                                                 |   |                |
| 52 |            | [both]                                                                |   |                |
| 53 |            | [(ur = C_300bs) OR (ur = C_120075bs) OR (ur =<br>C_4800bs)]           |   |                |
| 54 |            | (TCV_ce := C_nottransparent)                                          |   |                |
| 55 |            | [(ur = C_1200bs) OR (ur = C_2400bs) OR (ur =<br>C_9600bs)]            |   |                |
| 56 |            | (TCV_ce := C_transparent)                                             |   |                |
| 57 |            | [NOT both]                                                            |   |                |
| 58 |            | (TCV_ce := ce)                                                        |   |                |
|    |            | <b>local_pixitvaluechk</b>                                            |   |                |
| 59 | L_093<br>9 | [(ce <> C_transparent) AND( ce <> C_nottransparent)<br>AND(NOT both)] | I | IXIT error     |
| 60 | L_094<br>0 | [(itc1 <> C_UDI) AND(itc1 <> C_3100Hz)]                               | I | IXIT error     |
| 61 | L_094<br>1 | [(sacp <> C_I440_450) AND(sacp <> C_X28_nond)]                        | I | IXIT error     |
| 62 |            | [C_Yes]                                                               |   | IXIT values OK |

**Detailed Comments:**

The BS2x Bearer Capabilities and SETUP messages for MO is constructed according to section 11.8.2.1.1.1, section 11.8.2.1.1.2, section 11.8.2.1.1.3 and section 11.8.2.1.1.4 of GSM 11.10 and section B.1.2.1, section B.1.2.2, section B.1.2.1 and section B.2.2.2 of GSM 07.01.

The algorithm for selecting parameters:

IF (TSPX\_BS\_2x\_T\_NT)

TCV\_ce := C\_nottransparent

ELSE

TCV\_ce := TSPX\_BS\_2x\_ce

use (TCV\_ce, TSPX\_BS\_2x\_itc1, TSPX\_BS\_2x\_sacp1, svc) for OO\_IFsetup\_BS2xorBS3x\_MO

| Test Step Dynamic Behaviour |            |                                                                                                                                                                                                                              |      |   |              |
|-----------------------------|------------|------------------------------------------------------------------------------------------------------------------------------------------------------------------------------------------------------------------------------|------|---|--------------|
| <b>Test Step Name:</b>      |            | BS2xMT( srv:SERVICES; more, both:BOOLEAN; itc1, itc2:B_3; ur:B_4; modem:B_5; ce:B_2)                                                                                                                                         |      |   |              |
| <b>Group:</b>               |            | GSM_L3_MS_v4200/Preambles/                                                                                                                                                                                                   |      |   |              |
| <b>Objective:</b>           |            | To generate an MT SETUP message with appropriate Bcap for BS2x service.                                                                                                                                                      |      |   |              |
| <b>Default:</b>             |            | OtherEvents                                                                                                                                                                                                                  |      |   |              |
| Nr                          | Label      | Behaviour Description                                                                                                                                                                                                        | CRef | V | Comments     |
| 1                           |            | +local_main                                                                                                                                                                                                                  |      |   |              |
| 2                           |            | +local_IFsetup                                                                                                                                                                                                               |      |   |              |
|                             |            | <b>local_main</b>                                                                                                                                                                                                            |      |   |              |
| 3                           |            | (TCV_srv := srv, TCV_itc := itc1)                                                                                                                                                                                            |      |   |              |
| 4                           |            | +local_bcap1                                                                                                                                                                                                                 |      |   |              |
| 5                           |            | (TCV_Setup_mt := Setup_20( TCV_BcapMT1, TI_02))                                                                                                                                                                              |      |   | 1st SETUP    |
| 6                           |            | +Chmod(TCV_ChRate, TCV_ce, ur, srv)                                                                                                                                                                                          |      |   | Ini ch mode  |
| 7                           |            | +local_bcap2                                                                                                                                                                                                                 |      |   |              |
| 8                           |            | (TCV_Setup_mt1:= Setup_20( TCV_BcapMT2, TI_02), TCV_2ndtest := C_Yes)                                                                                                                                                        |      |   | 2nd SETUP    |
|                             |            | <b>local_bcap1</b>                                                                                                                                                                                                           |      |   |              |
| 9                           |            | [itc1 = C_3100Hz]                                                                                                                                                                                                            |      |   | 3.1kHz       |
| 10                          |            | [both OR ( ce = C_nottransparent)]                                                                                                                                                                                           |      |   |              |
| 11                          |            | +local_BS2x_3100_NT(C_nottransparent)                                                                                                                                                                                        |      |   |              |
| 12                          |            | [NOT both AND ( ce = C_transparent)]                                                                                                                                                                                         |      |   |              |
| 13                          |            | +local_BS2x_3100_T                                                                                                                                                                                                           |      |   |              |
| 14                          |            | [itc1 = C_UDI]                                                                                                                                                                                                               |      |   | UDI          |
| 15                          |            | [both OR ( ce = C_nottransparent)]                                                                                                                                                                                           |      |   |              |
| 16                          |            | +local_BS2x_UDI_NT(C_nottransparent)                                                                                                                                                                                         |      |   |              |
| 17                          |            | [NOT both AND ( ce = C_transparent)]                                                                                                                                                                                         |      |   |              |
| 18                          |            | +local_BS2x_UDI_T                                                                                                                                                                                                            |      |   |              |
| 19                          | L_094<br>2 | [(itc1 <> C_3100Hz) AND(itc1 <> C_UDI)]                                                                                                                                                                                      |      | I |              |
|                             |            | <b>local_bcap2</b>                                                                                                                                                                                                           |      |   |              |
| 20                          |            | +local_itc                                                                                                                                                                                                                   |      |   |              |
| 21                          |            | +local_bcap                                                                                                                                                                                                                  |      |   |              |
| 22                          |            | (TCV_BcapMT2 := TCV_BcapMT1)                                                                                                                                                                                                 |      |   |              |
|                             |            | <b>local_itc</b>                                                                                                                                                                                                             |      |   |              |
| 23                          |            | (TCV_itc := itc1)                                                                                                                                                                                                            |      |   |              |
| 24                          |            | [more]                                                                                                                                                                                                                       |      |   | 3.1 kHz      |
| 25                          |            | (TCV_itc := itc2)                                                                                                                                                                                                            |      |   |              |
| 26                          |            | [NOT more]                                                                                                                                                                                                                   |      |   |              |
|                             |            | <b>local_bcap</b>                                                                                                                                                                                                            |      |   |              |
| 27                          |            | [both AND (TCV_itc = C_3100Hz)]                                                                                                                                                                                              |      |   |              |
| 28                          |            | +local_BS2x_3100_T                                                                                                                                                                                                           |      |   |              |
| 29                          |            | [both AND ( TCV_itc = C_UDI)]                                                                                                                                                                                                |      |   | UDI          |
| 30                          |            | +local_BS2x_UDI_T                                                                                                                                                                                                            |      |   |              |
| 31                          |            | [NOT both AND (TCV_itc = C_3100Hz)]                                                                                                                                                                                          |      |   |              |
| 32                          |            | +local_BS2x_3100_NT( C_BothT)                                                                                                                                                                                                |      |   |              |
| 33                          |            | [NOT both AND ( TCV_itc = C_UDI)]                                                                                                                                                                                            |      |   | UDI          |
| 34                          |            | +local_BS2x_UDI_NT( C_BothT)                                                                                                                                                                                                 |      |   |              |
| 35                          | L_094<br>3 | [(TCV_itc <> C_3100Hz) AND(TCV_itc <> C_UDI)]                                                                                                                                                                                |      | I |              |
|                             |            | <b>local_BS2x_3100_NT(ce: B_2)</b>                                                                                                                                                                                           |      |   |              |
| 36                          |            | [TSPX_TE_FLCT = C_Inband]                                                                                                                                                                                                    |      |   |              |
| 37                          |            | (TCV_BcapMT1 := BcapX_MT( C_3100Hz, C_SDUIegrity, C_nirr_nomeaning, C_no_rate_adaption, C_I440_450, C_Asynchrouous, TSPX_TE_stopbit, TSPX_TE_databit, ur, C_ir_16kbs, TSPX_TE_parity, cel, modem, C_ISO6429), TCV_ce := cel) |      |   | 11.8.1.1.1.2 |



|    |            |                                                                                                                                                                                                                                                                                       |              |
|----|------------|---------------------------------------------------------------------------------------------------------------------------------------------------------------------------------------------------------------------------------------------------------------------------------------|--------------|
| 38 |            | [TSPX_TE_FLCT = C_Nocontrol]                                                                                                                                                                                                                                                          |              |
| 39 |            | (TCV_BcapMT1 := Bcap_MT( C_3100Hz,<br>C_SDUintegrity, C_nirr_nomeaning,<br>C_no_rate_adaption, C_I440_450,<br>C_Asynchronous, TSPX_TE_stopbit,<br>TSPX_TE_databit, ur, C_ir_16kbs,<br>TSPX_TE_parity, cel, modem, C_COPnoFLCT),<br>TCV_ce := cel)                                     | 11.8.1.1.1.2 |
| 40 | L_094<br>4 | [(TSPX_TE_FLCT = C_Outband)<br>OR((TSPX_TE_FLCT <> C_Inband)<br>AND(TSPX_TE_FLCT <> C_Nocontrol))]                                                                                                                                                                                    | I            |
| 41 |            | <b>local_BS2x_UDI_NT(cel: B_2)</b><br>[TSPX_TE_FLCT = C_Outband]                                                                                                                                                                                                                      |              |
| 42 |            | (TCV_BcapMT1 := Bcap_MT( C_UDI,<br>C_SDUintegrity, C_nirr_nomeaning,<br>C_rate_adaption_V110, C_I440_450,<br>C_Asynchronous, TSPX_TE_stopbit,<br>TSPX_TE_databit, ur, C_ir_16kbs,<br>TSPX_TE_parity, cel, C_modemt_none), TCV_ce<br>:= cel)                                           | 11.8.1.1.1.4 |
| 43 |            | [TSPX_TE_FLCT = C_Inband]                                                                                                                                                                                                                                                             |              |
| 44 |            | (TCV_BcapMT1 := Bcap_MT( C_UDI,<br>C_SDUintegrity, C_nirr_nomeaning,<br>C_rate_adaption_V110, C_I440_450,<br>C_Asynchronous, TSPX_TE_stopbit,<br>TSPX_TE_databit, ur, C_ir_16kbs,<br>TSPX_TE_parity, cel, C_modemt_none,<br>C_ISO6429), TCV_ce := cel)                                | 11.8.1.1.1.4 |
| 45 |            | [TSPX_TE_FLCT = C_Nocontrol]                                                                                                                                                                                                                                                          |              |
| 46 |            | (TCV_BcapMT1 := Bcap_MT( C_UDI,<br>C_SDUintegrity, C_nirr_nomeaning,<br>C_rate_adaption_V110, C_I440_450,<br>C_Asynchronous, TSPX_TE_stopbit,<br>TSPX_TE_databit, ur, C_ir_16kbs,<br>TSPX_TE_parity, cel, C_modemt_none,<br>C_COPnoFLCT), TCV_ce := cel)                              | 11.8.1.1.1.4 |
| 47 | L_094<br>5 | [(TSPX_TE_FLCT <> C_Outband)<br>AND(TSPX_TE_FLCT <> C_Inband)<br>AND(TSPX_TE_FLCT <> C_Nocontrol)]                                                                                                                                                                                    | I            |
| 48 |            | <b>local_BS2x_3100_T</b><br>[ur = C_9600bs]                                                                                                                                                                                                                                           |              |
| 49 |            | (TCV_BcapMT1 := Bcap_MT( C_3100Hz,<br>C_Unstructured, C_nirr_nomeaning,<br>C_no_rate_adaption, C_I440_450,<br>C_Asynchronous, TSPX_TE_stopbit,<br>TSPX_TE_databit, ur, C_ir_16kbs,<br>TSPX_TE_parity, C_transparent, modem),<br>TCV_itc2 := C_3100Hz, TCV_ce := C_transparent)        | 11.8.1.1.1.1 |
| 50 |            | [ur <> C_9600bs]                                                                                                                                                                                                                                                                      |              |
| 51 |            | (TCV_BcapMT1 := Bcap_MT( C_3100Hz,<br>C_Unstructured, C_nirr_nomeaning,<br>C_no_rate_adaption, C_I440_450,<br>C_Asynchronous, TSPX_TE_stopbit,<br>TSPX_TE_databit, ur, C_ir_8kbs, TSPX_TE_parity,<br>C_transparent, modem), TCV_itc2 := C_3100Hz,<br>TCV_ce := C_transparent)         | 11.8.1.1.1.1 |
| 52 |            | <b>local_BS2x_UDI_T</b><br>[ur = C_9600bs]                                                                                                                                                                                                                                            |              |
| 53 |            | (TCV_BcapMT1 := Bcap_MT( C_UDI,<br>C_Unstructured, C_nirr_nomeaning,<br>C_rate_adaption_V110, C_I440_450,<br>C_Asynchronous, TSPX_TE_stopbit,<br>TSPX_TE_databit, ur, C_ir_16kbs,<br>TSPX_TE_parity, C_transparent,<br>C_modemt_none), TCV_itc2 := C_UDI, TCV_ce :=<br>C_transparent) | 11.8.1.1.1.3 |
| 54 |            | [ur <> C_9600bs]                                                                                                                                                                                                                                                                      |              |
| 55 |            | (TCV_BcapMT1 := Bcap_MT( C_UDI,<br>C_Unstructured, C_nirr_nomeaning,<br>C_rate_adaption_V110, C_I440_450,                                                                                                                                                                             | 11.8.1.1.1.3 |

|    |            |                                                                                                                                                                      |   |                 |
|----|------------|----------------------------------------------------------------------------------------------------------------------------------------------------------------------|---|-----------------|
|    |            | C_Asynchronous, TSPX_TE_stopbit,<br>TSPX_TE_databit, ur, C_ir_8kbs, TSPX_TE_parity,<br>C_transparent, C_modemt_none), TCV_its2 :=<br>C_UDI, TCV_ce := C_transparent) |   |                 |
| 56 |            | <b>local_IFsetup</b>                                                                                                                                                 |   |                 |
| 57 |            | [TCV_supported]                                                                                                                                                      |   |                 |
| 58 |            | (TCV_Null := OO_IFsetup_BS2x_MT(TCV_srv,<br>TCV_its))                                                                                                                |   |                 |
| 59 |            | [NOT TCV_supported]                                                                                                                                                  |   |                 |
| 60 |            | [TCV_SpecialCase]                                                                                                                                                    |   |                 |
| 61 |            | START T_dly(C_T_Wait)                                                                                                                                                |   |                 |
| 62 | L_094<br>6 | [NOT TCV_SpecialCase]                                                                                                                                                | I | Parameter error |

**Detailed Comments:**

The algorithm for derivation of BS2x Bearer Capabilities :

The Bearer Capability for 1st SETUP ( used for an MT call):

its= TSPX\_BS\_2x\_its1

IF its=3.1kHz

IF TSPX\_BS\_2x\_T\_MT OR ( NOT TSPX\_BS\_2x\_T\_MT AND (TSPX\_BS\_2x\_ce = NT))

use coding of sec. 11.8.1.1.1.2 with (ce=NT)

ELSE IF NOT TSPX\_BS\_2x\_T\_MT AND (TSPX\_BS\_2x\_ce = T)

use coding of sec. 11.8.1.1.1 with (ce=T)

ELSE IF its=udi

IF TSPX\_BS\_2x\_T\_MT OR ( NOT TSPX\_BS\_2x\_T\_MT AND (TSPX\_BS\_2x\_ce = NT))

use coding of sec. 11.8.1.1.1.4 with (ce=NT)

ELSE IF NOT TSPX\_BS\_2x\_T\_MT AND (TSPX\_BS\_2x\_ce = T)

use coding of sec. 11.8.1.1.1.3 with (ce=T)

The derived 2nd Bearer Capability for 2nd SETUP: (used for TC\_11\_1\_1)

IF TSPX\_BS\_2x\_more\_its

its=TSPX\_BS\_2x\_its2

ELSE

its= TSPX\_BS\_2x\_its1

IF TSPX\_BS\_2x\_T\_NT

IF its=3.1kHz use coding of sec. 11.8.1.1.1.1 with (ce=T)

IF its=udi use coding of sec. 11.8.1.1.1.3 with (ce=T)

ELSE

IF its=3.1Khz use coding of sec. 11.8.1.1.1.2 with (ce=both/T)

IF its=udi use coding of sec. 11.8.1.1.1.4 with (ce=both/T)

| Test Step Dynamic Behaviour |            |                                                                                                                                  |      |   |                                       |
|-----------------------------|------------|----------------------------------------------------------------------------------------------------------------------------------|------|---|---------------------------------------|
| <b>Test Step Name:</b>      |            | BS3xMO( srv:SERVICES; both:BOOLEAN; itc1, sacp1:B_3; ur:B_4; ce:B_2; modem:B_5)                                                  |      |   |                                       |
| <b>Group:</b>               |            | GSM_L3_MS_v4200/Preambles/                                                                                                       |      |   |                                       |
| <b>Objective:</b>           |            | To generate an MO SETUP message with appropriate Bcap and LLC for BS3x service.                                                  |      |   |                                       |
| <b>Default:</b>             |            | OtherEvents                                                                                                                      |      |   |                                       |
| Nr                          | Label      | Behaviour Description                                                                                                            | CRef | V | Comments                              |
| 1                           |            | (TCV_srv := srv, TCV_ur := ur, TCV_CE := NT_BothT_BothNTorT_BothT_BothNT, TCV_ir := C_ir_16kbs, TCV_uil1p := C_no_rate_adaption) |      |   |                                       |
| 2                           |            | +local_pixitvaluechk                                                                                                             |      |   | 2.                                    |
| 3                           |            | +local_selectCe                                                                                                                  |      |   | select a CE                           |
| 4                           |            | +local_bcap                                                                                                                      |      |   | generate BC                           |
| 5                           |            | +local_setupmsg                                                                                                                  |      |   | 3.                                    |
| 6                           |            | +Chmod(TCV_ChRate, TCV_ce, ur, srv)                                                                                              |      |   | initiate channel mode variables       |
| 7                           |            | (TCV_Null := OO_IFsetup_BS2xorBS3x_MO(TCV_srv, itc1, sacp1, TCV_ce, TCV_ChRate))                                                 |      |   | ask test operator to configure the MS |
|                             |            | <b>local_bcap</b>                                                                                                                |      |   |                                       |
| 8                           |            | [NOT both]                                                                                                                       |      |   |                                       |
| 9                           |            | [TCV_ce = C_nottransparent]                                                                                                      |      |   |                                       |
| 10                          |            | [itc1 = C_UDI]                                                                                                                   |      |   |                                       |
| 11                          |            | [sacp1 = C_X32]                                                                                                                  |      |   |                                       |
| 12                          |            | +local_BS3x_UDI_X32_NT                                                                                                           |      |   |                                       |
| 13                          | L_094<br>7 | [sacp1 <> C_X32]                                                                                                                 |      | I | 5.                                    |
| 14                          |            | [itc1 = C_3100Hz]                                                                                                                |      |   |                                       |
| 15                          | L_094<br>8 | [sacp1 <> C_X32]                                                                                                                 |      | I | 6.                                    |
| 16                          |            | [sacp1 = C_X32]                                                                                                                  |      |   |                                       |
| 17                          |            | +local_BS3x_3100_X32_NT(C_nottransparent)                                                                                        |      |   |                                       |
| 18                          |            | [TCV_ce = C_transparent]                                                                                                         |      |   | CE:T only MS                          |
| 19                          |            | [itc1 = C_UDI]                                                                                                                   |      |   |                                       |
| 20                          | L_094<br>9 | [sacp1 = C_X32]                                                                                                                  |      | I | 7.                                    |
| 21                          |            | [sacp1<> C_X32]                                                                                                                  |      |   |                                       |
| 22                          |            | +local_BS3x_UDI_T(sacp1)                                                                                                         |      |   |                                       |
| 23                          |            | [itc1 = C_3100Hz]                                                                                                                |      |   |                                       |
| 24                          | L_095<br>0 | [sacp1 = C_X21]                                                                                                                  |      | I | 8.                                    |
| 25                          |            | [sacp1 = C_I440_450]                                                                                                             |      |   |                                       |
| 26                          |            | +local_BS3x_3100_T                                                                                                               |      |   |                                       |
| 27                          |            | [sacp1 = C_X32]                                                                                                                  |      |   |                                       |
| 28                          |            | +local_BS3x_3100_X32_T                                                                                                           |      |   |                                       |
| 29                          |            | [both]                                                                                                                           |      |   |                                       |
| 30                          |            | [TCV_ce = C_transparent]                                                                                                         |      |   |                                       |
| 31                          |            | [itc1 = C_UDI]                                                                                                                   |      |   |                                       |
| 32                          | L_095<br>1 | [sacp1 = C_X32]                                                                                                                  |      | I | 7.                                    |
| 33                          |            | [sacp1<> C_X32]                                                                                                                  |      |   |                                       |
| 34                          |            | +local_BS3x_UDI_T(sacp1)                                                                                                         |      |   |                                       |
| 35                          |            | [itc1 = C_3100Hz]                                                                                                                |      |   | 3.1kHz                                |
| 36                          | L_095<br>2 | [sacp1 = C_X21]                                                                                                                  |      | I | 8.                                    |
| 37                          |            | [sacp1 = C_I440_450]                                                                                                             |      |   |                                       |
| 38                          |            | +local_BS3x_3100_T                                                                                                               |      |   |                                       |
| 39                          |            | [sacp1 = C_X32]                                                                                                                  |      |   |                                       |
| 40                          |            | +local_BS3x_3100_X32_NT(TCV_CE.TorBothTorBothNT)                                                                                 |      |   |                                       |
| 41                          |            | [(TCV_ce = C_nottransparent)]                                                                                                    |      |   |                                       |
| 42                          |            | [itc1 = C_UDI]                                                                                                                   |      |   |                                       |
| 43                          |            | [sacp1 = C_X32]                                                                                                                  |      |   |                                       |
| 44                          |            | +local_BS3x_UDI_X32_NT                                                                                                           |      |   |                                       |
| 45                          | L_095      | [sacp1 <> C_X32]                                                                                                                 |      | I | 5.                                    |

|                                        |       |                                                                                                                                                                                                                                                                                        |   |              |
|----------------------------------------|-------|----------------------------------------------------------------------------------------------------------------------------------------------------------------------------------------------------------------------------------------------------------------------------------------|---|--------------|
| 46                                     | 3     | [itc1 = C_3100Hz]                                                                                                                                                                                                                                                                      |   | 3.1kHz       |
| 47                                     | L_095 | [sacp1 <> C_X32]                                                                                                                                                                                                                                                                       | I | 6.           |
| 48                                     | 4     | [sacp1 = C_X32]                                                                                                                                                                                                                                                                        |   |              |
| 49                                     |       | +local_BS3x_3100_X32_Tboth(TCV_CE.NTo<br>rBothTorBothNT)                                                                                                                                                                                                                               |   |              |
| <b>local_setupmsg</b>                  |       |                                                                                                                                                                                                                                                                                        |   |              |
| 50                                     |       | [itc1 = C_UDI]                                                                                                                                                                                                                                                                         |   |              |
| 51                                     |       | (TCV_Setup_mo := Setup_10_UDI(<br>TCV_BcapMO1, Llcmp_BS3x_UDI,<br>Hlcmp_AnyOrOmit))                                                                                                                                                                                                    |   |              |
| 52                                     |       | [itc1 = C_3100Hz]                                                                                                                                                                                                                                                                      |   |              |
| 53                                     |       | (TCV_Setup_mo := Setup_10_3100(<br>TCV_BcapMO1,<br>Llcmp_BS3xOrBS61sOrBS81s_3100,<br>Hlcmp_AnyOrOmit))                                                                                                                                                                                 |   |              |
| <b>local_BS3x_3100_T</b>               |       |                                                                                                                                                                                                                                                                                        |   |              |
| 54                                     |       | [ur = C_9600bs]                                                                                                                                                                                                                                                                        |   |              |
| 55                                     |       | (TCV_BcapMO1 := Bcap_MO(TCV_Rchr,<br>C_3100Hz, C_Unstructured, C_nirr_nomeaning,<br>C_no_rate_adaption, C_I440_450,<br>C_Synchronous, C_stopbit_NA, C_databit_NA, ur,<br>C_ir_16kbs, C_parity_NA, C_transparent, modem))                                                               |   | 11.8.2.2.1.1 |
| 56                                     |       | [ur <> C_9600bs]                                                                                                                                                                                                                                                                       |   |              |
| 57                                     |       | (TCV_BcapMO1 := Bcap_MO(TCV_Rchr,<br>C_3100Hz, C_Unstructured, C_nirr_nomeaning,<br>C_no_rate_adaption, C_I440_450,<br>C_Synchronous, C_stopbit_NA, C_databit_NA, ur,<br>C_ir_8kbs, C_parity_NA, C_transparent, modem))                                                                |   | 11.8.2.2.1.1 |
| <b>local_BS3x_UDI_T(sacp:B_3)</b>      |       |                                                                                                                                                                                                                                                                                        |   |              |
| 58                                     |       | [ur = C_9600bs]                                                                                                                                                                                                                                                                        |   |              |
| 59                                     |       | (TCV_BcapMO1 := Bcap_MO(TCV_Rchr, C_UDI,<br>C_Unstructured, C_nirr_nomeaning,<br>C_rate_adaption_V110, sacp, C_Synchronous,<br>C_stopbit_NA, C_databit_NA, ur, C_ir_16kbs,<br>C_parity_NA, C_transparent, C_modemt_none),<br>TCV_uil1p := C_rate_adaption_V110)                        |   | 11.8.2.2.1.2 |
| 60                                     |       | [NOT (ur = C_9600bs)]                                                                                                                                                                                                                                                                  |   |              |
| 61                                     |       | (TCV_BcapMO1 := Bcap_MO(TCV_Rchr, C_UDI,<br>C_Unstructured, C_nirr_nomeaning,<br>C_rate_adaption_V110, sacp, C_Synchronous,<br>C_stopbit_NA, C_databit_NA, ur, C_ir_8kbs,<br>C_parity_NA, C_transparent, C_modemt_none),<br>TCV_ir := C_ir_8kbs, TCV_uil1p :=<br>C_rate_adaption_V110) |   | 11.8.2.2.1.2 |
| <b>local_BS3x_3100_X32_T</b>           |       |                                                                                                                                                                                                                                                                                        |   |              |
| 62                                     |       | [ur = C_9600bs]                                                                                                                                                                                                                                                                        |   |              |
| 63                                     |       | (TCV_BcapMO1 := Bcap_MO(TCV_Rchr,<br>C_3100Hz, C_Unstructured, C_nirr_nomeaning,<br>C_no_rate_adaption, C_X32, C_Synchronous,<br>C_stopbit_NA, C_databit_NA, ur, C_ir_16kbs,<br>C_parity_NA, C_transparent, modem))                                                                    |   | 11.8.2.2.1.3 |
| 64                                     |       | [ur <> C_9600bs]                                                                                                                                                                                                                                                                       |   |              |
| 65                                     |       | (TCV_BcapMO1 := Bcap_MO(TCV_Rchr,<br>C_3100Hz, C_Unstructured, C_nirr_nomeaning,<br>C_no_rate_adaption, C_X32, C_Synchronous,<br>C_stopbit_NA, C_databit_NA, ur, C_ir_8kbs,<br>C_parity_NA, C_transparent, modem))                                                                     |   | 11.8.2.2.1.3 |
| <b>local_BS3x_3100_X32_NT(ce2:B_2)</b> |       |                                                                                                                                                                                                                                                                                        |   |              |
| 66                                     |       | (TCV_BcapMO1 := BcapX_MO(TCV_Rchr,<br>C_3100Hz, C_SDUIegrity, C_nirr_dontcare,<br>C_no_rate_adaption, C_X32, C_Synchronous,<br>C_stopbit_NA, C_databit_NA, ur, C_ir_16kbs,<br>C_parity_NA, ce2, modem, C_X25_fct))                                                                     |   | 11.8.2.2.1.4 |

|    |            |                                                                                                                                                                                                                                                                                              |   |                                                                                   |
|----|------------|----------------------------------------------------------------------------------------------------------------------------------------------------------------------------------------------------------------------------------------------------------------------------------------------|---|-----------------------------------------------------------------------------------|
| 67 |            | <b>local_BS3x_UDI_X32_NT</b><br>(TCV_BcapMO1 := BcapX_MO(TCV_Rchr, C_UDI, C_SDUIegrity, C_nirr_dontcare, C_rate_adaption_X31, C_X32, C_Synchronous, C_stopbit_NA, C_databit_NA, ur, C_ir_16kbs, C_parity_NA, C_nottransparent, C_modemt_none, C_X25_flct), TCV_uil1p := C_rate_adaption_X31) |   | 11.8.2.2.1.5                                                                      |
| 68 |            | <b>local_BS3x_3100_X32_Tboth(ce2:B_2)</b><br>[ur = C_9600bs]                                                                                                                                                                                                                                 |   |                                                                                   |
| 69 |            | (TCV_BcapMO1 := BcapX_MO( TCV_Rchr, C_3100Hz, C_struct_dontchk, C_nirr_nomeaning, C_no_rate_adaption, C_X32, C_Synchronous, C_stopbit_NA, C_databit_NA, ur, C_ir_16kbs, C_parity_NA, ce2, modem, C_X25_flct))                                                                                |   | 11.8.2.2.1.3 combined with 11.8.2.2.1.4, CE and structure without exact match     |
| 70 |            | [ur <> C_9600bs]                                                                                                                                                                                                                                                                             |   |                                                                                   |
| 71 |            | (TCV_BcapMO1 := BcapX_MO( TCV_Rchr, C_3100Hz, C_struct_dontchk, C_nirr_dontcare, C_no_rate_adaption, C_X32, C_Synchronous, C_stopbit_NA, C_databit_NA, ur, C_ir_8or16kbs, C_parity_NA, ce2, modem, C_X25_flct))                                                                              |   | 11.8.2.2.1.3 combined with 11.8.2.2.1.4, CE, IR and structure without exact match |
| 72 |            | <b>local_selectCe</b><br>[both]                                                                                                                                                                                                                                                              |   |                                                                                   |
| 73 |            | [(ur = C_300bs) OR (ur = C_120075bs) OR ( ur = C_4800bs)]                                                                                                                                                                                                                                    |   |                                                                                   |
| 74 |            | (TCV_ce := C_transparent)                                                                                                                                                                                                                                                                    |   |                                                                                   |
| 75 |            | [(ur = C_1200bs) OR (ur = C_2400bs) OR ( ur = C_9600bs)]                                                                                                                                                                                                                                     |   |                                                                                   |
| 76 |            | (TCV_ce := C_nottransparent)                                                                                                                                                                                                                                                                 |   |                                                                                   |
| 77 |            | [NOT both]                                                                                                                                                                                                                                                                                   |   |                                                                                   |
| 78 |            | (TCV_ce := ce)                                                                                                                                                                                                                                                                               |   |                                                                                   |
| 79 | L_095<br>5 | <b>local_pixitvaluechk</b><br>[(ce <> C_transparent) AND( ce <> C_nottransparent) AND(NOT both)]                                                                                                                                                                                             | I | IXIT error                                                                        |
| 80 | L_095<br>6 | [(itc1 <> C_UDI) AND(itc1 <> C_3100Hz)]                                                                                                                                                                                                                                                      | I | IXIT error                                                                        |
| 81 | L_095<br>7 | [(sacp1 <> C_I440_450) AND(sacp1 <> C_X21) AND(sacp1 <>C_X32)]                                                                                                                                                                                                                               | I | IXIT error                                                                        |
| 82 | L_095<br>8 | [(ur = C_1200bs) AND (sacp1 = C_X32)]                                                                                                                                                                                                                                                        | I | 4.                                                                                |
| 83 |            | [C_Yes]                                                                                                                                                                                                                                                                                      |   | IXIT values OK, but combination not checked yet                                   |

**Detailed Comments:**

- The BS3x Bearer Capabilities and SETUP messages for MO is constructed according to section 11.8.2.2.1.1, section 11.8.2.2.1.2, section 11.8.2.2.1.3, section 11.8.2.2.1.4 and section 11.8.2.2.1.5 of GSM 11.10 and section B.1.3.1.1, section B.1.3.1.2, section B.1.3.2.1, section B.1.3.2.2, section B.2.3.1 and section B.2.3.2 of GSM 07.01.
- validate IXIT values.
- generate SETUP.
- IXIT error, BS31 does not support X32.
- IXIT error, UDI non-X32 case has no non transparent mode.
- IXIT error, 3.1kHz non-X32 case has no non transparent mode.
- IXIT error, UDI X32 case has no transparent mode.
- IXIT error, 3.1kHz case has no X21 signalling access protocol.

The algorithm for selecting parameters:

```

IF (TSPX_BS_3x_T_NT)
 TCV_ce := C_nottransparent
ELSE
 TCV_ce := TSPX_BS_3x_ce

```

use (TCV\_ce, TSPX\_BS\_3x\_itc1, TSPX\_BS\_3x\_sacp1, svc) for OO\_IFsetup\_BS2xorBS3x\_MO

| Test Step Dynamic Behaviour |            |                                                                                                              |      |   |              |
|-----------------------------|------------|--------------------------------------------------------------------------------------------------------------|------|---|--------------|
| <b>Test Step Name:</b>      |            | BS3xMT( srv:SERVICES; more_itc, both, more_sacp:BOOLEAN; itc1, itc2, sacp1, sacp2:B_3; ur:B_4; ce:B_2)       |      |   |              |
| <b>Group:</b>               |            | GSM_L3_MS_v4200/Preambles/                                                                                   |      |   |              |
| <b>Objective:</b>           |            | To generate an MT SETUP message with appropriate Bcap for BS3x service.                                      |      |   |              |
| <b>Default:</b>             |            | OtherEvents                                                                                                  |      |   |              |
| Nr                          | Label      | Behaviour Description                                                                                        | CRef | V | Comments     |
| 1                           |            | +local_main                                                                                                  |      |   |              |
| 2                           |            | +local_IFsetup                                                                                               |      |   |              |
| 3                           |            | <b>local_main</b><br>(TCV_srv := srv, TCV_ur := ur, TCV_ur2 := ur, TCV_ce := C_transparent)                  |      |   |              |
| 4                           |            | +local_bcap1                                                                                                 |      |   |              |
| 5                           |            | (TCV_BcapMT1 := TCV_BcapMT2)                                                                                 |      |   |              |
| 6                           |            | [more_itc OR more_sacp OR (itc1 = C_3100Hz) AND (sacp1 = C_X32)]                                             |      |   |              |
| 7                           |            | [more_itc]                                                                                                   |      |   |              |
| 8                           |            | +local_bcap2                                                                                                 |      |   |              |
| 9                           |            | (TCV_Setup_mt1 := Setup_20(TCV_BcapMT2, TI_02), TCV_2ndtest := C_Yes)                                        |      |   | 2nd SETUP    |
| 10                          |            | [NOT more_itc]                                                                                               |      |   |              |
| 11                          |            | [itc1 = C_3100Hz]                                                                                            |      |   |              |
| 12                          |            | (TCV_itc2 := C_3100Hz)                                                                                       |      |   |              |
| 13                          |            | [more_sacp]                                                                                                  |      |   |              |
| 14                          |            | +local_3100_1( sacp2)                                                                                        |      |   |              |
| 15                          |            | (TCV_Setup_mt1 := Setup_20(TCV_BcapMT2, TI_02), TCV_2ndtest := C_Yes, TCV_sacp2 := sacp2)                    |      |   | 2nd SETUP    |
| 16                          |            | [NOT more_sacp]                                                                                              |      |   |              |
| 17                          |            | [sacp1 = C_I440_450]                                                                                         |      |   | no second BC |
| 18                          |            | [sacp1 = C_X32]                                                                                              |      |   |              |
| 19                          |            | +local_3100_1( sacp1)                                                                                        |      |   |              |
| 20                          |            | (TCV_Setup_mt1 := Setup_20(TCV_BcapMT2, TI_02), TCV_2ndtest := C_Yes, TCV_sacp2 := sacp1)                    |      |   | 2nd SETUP    |
| 21                          | L_095<br>9 | [( sacp1 <> C_I440_450) AND( sacp1 <> C_X32)]                                                                |      | I |              |
| 22                          |            | [itc1 = C_UDI]                                                                                               |      |   |              |
| 23                          |            | [more_sacp]                                                                                                  |      |   |              |
| 24                          |            | +local_UDI( sacp2)                                                                                           |      |   |              |
| 25                          |            | (TCV_Setup_mt1 := Setup_20(TCV_BcapMT2, TI_02), TCV_2ndtest := C_Yes, TCV_sacp2 := sacp2, TCV_itc2 := C_UDI) |      |   | 2nd SETUP    |
| 26                          |            | [NOT more_sacp]                                                                                              |      |   | no second BC |
| 27                          |            | [(NOT more_itc) AND(NOT more_sacp) AND ((NOT(itc1=C_3100Hz)) OR (NOT(sacp1=C_X32)))]                         |      |   |              |
| 28                          |            | <b>local_bcap1</b><br>[itc1 = C_3100Hz]                                                                      |      |   |              |
| 29                          |            | +local_3100( sacp1)                                                                                          |      |   |              |
| 30                          |            | (TCV_itc := C_3100Hz, TCV_sacp := sacp1)                                                                     |      |   |              |
| 31                          |            | (TCV_Setup_mt := Setup_20(TCV_BcapMT2, TI_02), TCV_sacp := sacp1)                                            |      |   | 1st SETUP    |
| 32                          |            | +Chmod(TCV_ChRate, TCV_ce, ur, srv)                                                                          |      |   |              |
| 33                          |            | [itc1 = C_UDI]                                                                                               |      |   |              |
| 34                          |            | +local_UDI( sacp1)                                                                                           |      |   |              |
| 35                          |            | (TCV_Setup_mt := Setup_20(TCV_BcapMT2, TI_02), TCV_sacp := sacp1, TCV_itc := C_UDI)                          |      |   |              |
| 36                          |            | [sacp1 = C_X32]                                                                                              |      |   |              |
| 37                          |            | +Chmod(TCV_ChRate, C_nottransparent, ur, srv)                                                                |      |   |              |

|    |            |                                                                 |   |                      |
|----|------------|-----------------------------------------------------------------|---|----------------------|
| 38 |            | [NOT (sacp1 = C_X32)]                                           |   |                      |
| 39 |            | +Chmod(TCV_ChRate, TCV_ce, ur, srv)                             |   |                      |
| 40 | L_096<br>0 | [(itc1 <> C_3100Hz) AND( itc1 <> C_UDI)]                        | I |                      |
|    |            | <b>local_bcap2</b>                                              |   |                      |
| 41 |            | [itc2 = C_3100Hz]                                               |   |                      |
| 42 |            | [more_sacp]                                                     |   |                      |
| 43 |            | +local_3100_1( sacp2)                                           |   |                      |
| 44 |            | (TCV_itc2 := C_3100Hz, TCV_sacp2 := sacp2)                      |   |                      |
| 45 |            | [NOT more_sacp AND(sacp1 <> C_X21)]                             |   |                      |
| 46 |            | +local_3100_1( sacp1)                                           |   |                      |
| 47 |            | (TCV_itc2 := C_3100Hz, TCV_sacp2 := sacp1)                      |   |                      |
| 48 |            | [NOT more_sacp AND (sacp1 = C_X21)]                             |   | no second BC         |
| 49 |            | [itc2 = C_UDI]                                                  |   |                      |
| 50 |            | [more_sacp]                                                     |   |                      |
| 51 |            | +local_UDI( sacp2)                                              |   |                      |
| 52 |            | (TCV_itc2 := C_UDI, TCV_sacp2 := sacp2)                         |   |                      |
| 53 |            | [NOT more_sacp]                                                 |   |                      |
| 54 |            | +local_UDI( sacp1)                                              |   |                      |
| 55 |            | (TCV_itc2 := C_UDI, TCV_sacp2 := sacp1)                         |   |                      |
| 56 | L_096<br>1 | [(itc2 <> C_3100Hz) AND( itc2 <> C_UDI)]                        | I |                      |
|    |            | <b>local_3100(sacp:B_3)</b>                                     |   |                      |
| 57 |            | [sacp = C_I440_450]                                             |   |                      |
| 58 |            | +local_BS3x_3100                                                |   |                      |
| 59 |            | [sacp = C_X32]                                                  |   |                      |
| 60 |            | [NOT ( ur= C_1200bs)]                                           |   |                      |
| 61 |            | [both OR (ce = C_nottransparent)]                               |   |                      |
| 62 |            | +local_BS3x_3100_X32_NT(C_nottransparent)                       |   |                      |
| 63 |            | (TCV_ce := C_nottransparent)                                    |   |                      |
| 64 |            | [NOT both AND (ce = C_transparent)]                             |   |                      |
| 65 |            | +local_BS3x_3100_X32_T                                          |   |                      |
| 66 | L_096<br>2 | [ur= C_1200bs]                                                  | I | BS31 not support X32 |
| 67 | L_096<br>3 | [( sacp <> C_I440_450) AND( sacp <> C_X32)]                     | I |                      |
|    |            | <b>local_3100_1(sacp:B_3)</b>                                   |   |                      |
| 68 |            | [sacp = C_I440_450]                                             |   |                      |
| 69 |            | +local_BS3x_3100                                                |   |                      |
| 70 |            | [sacp = C_X32]                                                  |   |                      |
| 71 |            | +local_BS3x_3100_X32_NT(C_BothT)                                |   |                      |
| 72 | L_096<br>4 | [( sacp <> C_I440_450) AND( sacp <> C_X32)]                     | I |                      |
|    |            | <b>local_UDI(sacp:B_3)</b>                                      |   |                      |
| 73 |            | [sacp = C_I440_450]                                             |   |                      |
| 74 |            | [ur = C_9600bs]                                                 |   |                      |
| 75 |            | +ltree_BS3x_UDI_I440_T( C_ir_16kbs)                             |   |                      |
| 76 |            | [ur <> C_9600bs]                                                |   |                      |
| 77 |            | +ltree_BS3x_UDI_I440_T( C_ir_8kbs)                              |   |                      |
| 78 |            | [sacp = C_X21]                                                  |   |                      |
| 79 |            | [ur = C_9600bs]                                                 |   |                      |
| 80 |            | +ltree_BS3x_UDI_X21_T( C_ir_16kbs)                              |   |                      |
| 81 |            | [ur <> C_9600bs]                                                |   |                      |
| 82 |            | +ltree_BS3x_UDI_X21_T( C_ir_8kbs)                               |   |                      |
| 83 |            | [sacp = C_X32]                                                  |   |                      |
| 84 |            | [ur <> C_1200bs]                                                |   |                      |
| 85 |            | +ltree_BS3x_UDI_X32_NT                                          |   |                      |
| 86 | L_096<br>5 | [ur = C_1200bs]                                                 | I |                      |
| 87 | L_096<br>6 | [( sacp <> C_I440_450) AND( sacp <> C_X21) AND( sacp <> C_X32)] | I |                      |

|     |            |                                                                                                                                                                                                                                                                     |              |
|-----|------------|---------------------------------------------------------------------------------------------------------------------------------------------------------------------------------------------------------------------------------------------------------------------|--------------|
| 88  |            | <b>Itree_BS3x_3100_T(ir:B_2; modemt:B_5)</b><br>(TCV_BcapMT2 := Bcap_MT( C_3100Hz,<br>C_Unstructured, C_nirr_nomeaning,<br>C_no_rate_adaption, C_I440_450, C_Synchronous,<br>C_stopbit_NA, C_databit_NA, ur, ir, C_parity_NA,<br>C_transparent, modemt))            | 11.8.1.2.1.1 |
| 89  |            | <b>Itree_BS3x_UDI_I440_T(ir:B_2)</b><br>(TCV_BcapMT2 := Bcap_MT( C_UDI,<br>C_Unstructured, C_nirr_nomeaning,<br>C_rate_adaption_V110, C_I440_450,<br>C_Synchronous, C_stopbit_NA, C_databit_NA, ur, ir,<br>C_parity_NA, C_transparent, C_modemt_none))              | 11.8.1.2.1.2 |
| 90  |            | <b>Itree_BS3x_UDI_X21_T(ir:B_2)</b><br>(TCV_BcapMT2 := Bcap_MT( C_UDI,<br>C_Unstructured, C_nirr_nomeaning,<br>C_rate_adaption_V110, C_X21, C_Synchronous,<br>C_stopbit_NA, C_databit_NA, ur, ir, C_parity_NA,<br>C_transparent, C_modemt_none))                    | 11.8.1.2.1.2 |
| 91  |            | <b>Itree_BS3x_3100_X32_T(ir:B_2; modemt:B_5)</b><br>(TCV_BcapMT2 := Bcap_MT( C_3100Hz,<br>C_Unstructured, C_nirr_nomeaning,<br>C_no_rate_adaption, C_X32, C_Synchronous,<br>C_stopbit_NA, C_databit_NA, ur, ir, C_parity_NA,<br>C_transparent, modemt))             | 11.8.1.2.1.3 |
| 92  |            | <b>Itree_BS3x_3100_X32_NT(modemt:B_5; ce1:B_2)</b><br>(TCV_BcapMT2 := BcapX_MT( C_3100Hz,<br>C_SDUIntegrity, C_nirr_nomeaning,<br>C_no_rate_adaption, C_X32, C_Synchronous,<br>C_stopbit_NA, C_databit_NA, ur, C_ir_16kbs,<br>C_parity_NA, ce1, modemt, C_X25_fct)) | 11.8.1.2.1.4 |
| 93  |            | <b>Itree_BS3x_UDI_X32_NT</b><br>(TCV_BcapMT2 := BcapX_MT( C_UDI,<br>C_SDUIntegrity, C_nirr_nomeaning,<br>C_rate_adaption_X31, C_X32, C_Synchronous,<br>C_stopbit_NA, C_databit_NA, ur, C_ir_16kbs,<br>C_parity_NA, C_notransparent, C_modemt_none,<br>C_X25_fct))   | 11.8.1.2.1.5 |
| 94  |            | <b>local_BS3x_3100</b><br>[ur = C_1200bs]                                                                                                                                                                                                                           |              |
| 95  |            | +ltree_BS3x_3100_T( C_ir_8kbs, C_modemt_V22)                                                                                                                                                                                                                        |              |
| 96  |            | [ur = C_2400bs]                                                                                                                                                                                                                                                     |              |
| 97  |            | +ltree_BS3x_3100_T( C_ir_8kbs,<br>C_modemt_V22bis)                                                                                                                                                                                                                  |              |
| 98  |            | [ur = C_4800bs]                                                                                                                                                                                                                                                     |              |
| 99  |            | +ltree_BS3x_3100_T( C_ir_8kbs, C_modemt_V32)                                                                                                                                                                                                                        |              |
| 100 |            | [ur = C_9600bs]                                                                                                                                                                                                                                                     |              |
| 101 |            | +ltree_BS3x_3100_T( C_ir_16kbs,<br>C_modemt_V32)                                                                                                                                                                                                                    |              |
| 102 | L_096<br>7 | [(ur <> C_1200bs) AND(ur <> C_2400bs) AND(ur <><br>C_4800bs) AND(ur <> C_9600bs)]                                                                                                                                                                                   | I            |
| 103 |            | <b>local_BS3x_3100_X32_NT(ce2:B_2)</b><br>[ur = C_2400bs]                                                                                                                                                                                                           |              |
| 104 |            | +ltree_BS3x_3100_X32_NT( C_modemt_V22bis,<br>ce2)                                                                                                                                                                                                                   |              |
| 105 |            | [(ur = C_4800bs) OR (ur = C_9600bs)]                                                                                                                                                                                                                                |              |
| 106 |            | +ltree_BS3x_3100_X32_NT( C_modemt_V32, ce2)                                                                                                                                                                                                                         |              |
| 107 | L_096<br>8 | [(ur <> C_2400bs) AND(ur <> C_4800bs) AND(ur <><br>C_9600bs)]                                                                                                                                                                                                       | I            |
| 108 |            | <b>local_BS3x_3100_X32_T</b><br>[ur = C_2400bs]                                                                                                                                                                                                                     |              |
| 109 |            | +ltree_BS3x_3100_X32_T( C_ir_8kbs,<br>C_modemt_V22bis)                                                                                                                                                                                                              |              |



|     |            |                                                                 |   |                 |
|-----|------------|-----------------------------------------------------------------|---|-----------------|
| 110 |            | [ur = C_4800bs]                                                 |   |                 |
| 111 |            | +ltree_BS3x_3100_X32_T( C_ir_8kbs,<br>C_modemt_V32)             |   |                 |
| 112 |            | [ur = C_9600bs]                                                 |   |                 |
| 113 |            | +ltree_BS3x_3100_X32_T( C_ir_16kbs,<br>C_modemt_V32)            |   |                 |
| 114 | L_096<br>9 | [(ur <> C_2400bs) AND(ur <> C_4800bs) AND(ur <><br>C_9600bs)]   | I |                 |
|     |            | <b>local_IFsetup</b>                                            |   |                 |
| 115 |            | [TCV_supported]                                                 |   |                 |
| 116 |            | (TCV_Null := OO_IFsetup_BS3x_MT(TCV_srv,<br>TCV_itc, TCV_sacp)) |   |                 |
| 117 |            | [NOT TCV_supported]                                             |   |                 |
| 118 |            | [TCV_SpecialCase]                                               |   |                 |
| 119 |            | START T_dly(C_T_Wait)                                           |   |                 |
| 120 |            | ?TIMEOUT T_dly                                                  |   |                 |
| 121 | L_097<br>0 | [NOT TCV_SpecialCase]                                           | I | Parameter error |

**Detailed Comments:**

The algorithm for derivation of BS3x Bearer Capabilities :

The Bearer Capability for 1st SETUP ( used for an MT call):

itc= TSPX\_BS\_3x\_itc1

sacp= TSPX\_BS\_3x\_sacp1

IF itc= 3.1Khz

IF sacp= I440 use coding of sec. 11.8.1.2.1.1 with (ce=T)

IF sacp= X32

IF TSPX\_BS\_3x\_T\_NT OR (TSPX\_BS\_3x\_ce = NT)

use coding of sec. 11.8.1.2.1.4 with (ce= NT)

IF NOT TSPX\_BS\_3x\_T\_NT AND (TSPX\_BS\_3x\_ce = T)

use coding of sec. 11.8.1.2.1.3 with (ce= T)

IF itc=udi

IF sacp= I440 use coding of sec. 11.8.1.2.1.2 with (ce=T)

IF sacp= X21 use coding of sec. 11.8.1.2.1.2 with (ce=T)

IF sacp= X32 use coding of sec. 11.8.1.2.1.5 with (ce=NT)

The derived 2nd Bearer Capability for 2nd SETUP (used for TC\_11\_1\_ only):

Note: the 2nd BC is derived only IF

TSPX\_BS\_3x\_more\_itc OR TSPX\_BS\_3x\_more\_sacp OR

((TSPX\_BS\_3x\_itc1 = 3.1kHz) AND (TSPX\_BS\_3x\_sacp1 = X32))

IF TSPX\_BS\_3x\_more\_itc

itc= TSPX\_BS\_3x\_itc2

IF itc= 3.1kHz

IF TSP\_BS\_3x\_more\_sacp

sacp= TSPX\_BS\_3x\_sacp2

ELSE

sacp = TSPX\_BS\_3x\_sacp1

IF sacp= I440 use coding of sec. 11.8.1.2.1.1 with (ce=T)

IF sacp= X32 use coding of sec. 11.8.1.2.1.4 with (ce=both/T)

IF itc= udi

IF TSP\_BS\_3x\_more\_sacp

sacp= TSPX\_BS\_3x\_sacp2

IF sacp= I440 use coding of sec. 11.8.1.2.1.2 with (ce=T)

IF sacp= X21 use coding of sec. 11.8.1.2.1.2 with (ce=T)

IF sacp= X32 use coding of sec. 11.8.1.2.1.5 with (ce=NT)

ELSE

sacp= TSPX\_BS\_3x\_sacp1

IF sacp=I440 use coding of sec. 11.8.1.2.1.2 with (ce=T)

IF sacp= X32 use coding of sec. 11.8.1.2.1.5 with (ce=NT)

ELSE

itc= TSPX\_BS\_3x\_itc1

IF itc= 3.1kHz

IF TSPX\_BS\_3x\_more\_sacp

sacp= TSPX\_BS\_3x\_sacp2

IF sacp= I440

```
 use coding of sec. 11.8.1.2.1.1 with (ce=T)
 IF sacp= X32
 use coding of sec. 11.8.1.2.1.4 with (ce=both/T)
 ELSE
 sacp= TSPX_BS_3x_sacp1
 IF sacp= I440 no second Bearer Capability
 IF sacp= X32 use coding of sec. 11.8.1.2.1.4 with (ce=both/T)
IF itc= udi
 IF TSP_BS_3x_more_sacp
 sacp= TSPX_BS_3x_sacp2
 IF sacp= I440 use coding of sec. 11.8.1.2.1.2 with (ce=T)
 IF sacp= X21 use coding of sec. 11.8.1.2.1.2 with (ce=T)
 IF sacp= X32 use coding of sec. 11.8.1.2.1.5 with (ce=NT)
 ELSE
 sacp= TSPX_BS_3x_sacp1
 IF sacp=I440 no second Bearer Capability
 IF sacp=X21 no second Bearer Capability
 IF sacp= X32 no second Bearer Capability
```

| Test Step Dynamic Behaviour |       |                                                                                                                                                                                                                                               |      |   |                                    |
|-----------------------------|-------|-----------------------------------------------------------------------------------------------------------------------------------------------------------------------------------------------------------------------------------------------|------|---|------------------------------------|
| <b>Test Step Name:</b>      |       | BS4xMO( srv:SERVICES; ur:B_4; ce:B_2; both:BOOLEAN)                                                                                                                                                                                           |      |   |                                    |
| <b>Group:</b>               |       | GSM_L3_MS_v4200/Preambles/                                                                                                                                                                                                                    |      |   |                                    |
| <b>Objective:</b>           |       | To generate an MO SETUP message with appropriate Bcap and LLC for BS4x service.                                                                                                                                                               |      |   |                                    |
| <b>Default:</b>             |       | OtherEvents                                                                                                                                                                                                                                   |      |   |                                    |
| Nr                          | Label | Behaviour Description                                                                                                                                                                                                                         | CRef | V | Comments                           |
| 1                           |       | (TCV_srv := srv, TCV_ur := ur, TCV_CE := NT_BothT_BothNTorT_BothT_BothNT, TCV_ir := C_ir_16kbs)                                                                                                                                               |      |   |                                    |
| 2                           |       | +local_pixitvaluechk                                                                                                                                                                                                                          |      |   | validate IXIT values               |
| 3                           |       | +local_selectCe                                                                                                                                                                                                                               |      |   | select a CE                        |
| 4                           |       | +local_bcap                                                                                                                                                                                                                                   |      |   | generate BC                        |
| 5                           |       | (TCV_Setup_mo := Setup_10_UDI(TCV_BcapMO1, Llcmp_BS2xOrBS4x_UDI, Hlcmp_AnyOrOmit))                                                                                                                                                            |      |   | generate SETUP                     |
| 6                           |       | +Chmod(TCV_ChRate, TCV_ce, ur, srv)                                                                                                                                                                                                           |      |   | initiate channel mode variables    |
| 7                           |       | (TCV_Null := OO_IFsetup_BS4x_MO(TCV_srv, TCV_ce, TCV_ChRate))                                                                                                                                                                                 |      |   | ask test operator to set up the MS |
|                             |       | <b>local_bcap</b>                                                                                                                                                                                                                             |      |   |                                    |
| 8                           |       | [NOT both]                                                                                                                                                                                                                                    |      |   |                                    |
| 9                           |       | [TCV_ce = C_nottransparent]                                                                                                                                                                                                                   |      |   |                                    |
| 10                          |       | +local_BS4x_UDI_NT(C_nottransparent)                                                                                                                                                                                                          |      |   |                                    |
| 11                          |       | [TCV_ce = C_transparent]                                                                                                                                                                                                                      |      |   | CE:T only MS                       |
| 12                          |       | [ur = C_9600bs]                                                                                                                                                                                                                               |      |   |                                    |
| 13                          |       | +local_BS4x_UDI_T(C_ir_16kbs)                                                                                                                                                                                                                 |      |   |                                    |
| 14                          |       | [( ur = C_300bs) OR (ur = C_1200bs) OR (ur = C_120075bs) OR (ur = C_2400bs) OR (ur = C_4800bs)]                                                                                                                                               |      |   |                                    |
| 15                          |       | +local_BS4x_UDI_T(C_ir_8kbs)                                                                                                                                                                                                                  |      |   |                                    |
| 16                          |       | [both]                                                                                                                                                                                                                                        |      |   |                                    |
| 17                          |       | [TCV_ce = C_transparent]                                                                                                                                                                                                                      |      |   |                                    |
| 18                          |       | +local_BS4x_UDI_Tboth(TCV_CE.TorBothTorBothNT)                                                                                                                                                                                                |      |   |                                    |
| 19                          |       | [(TCV_ce = C_nottransparent)]                                                                                                                                                                                                                 |      |   |                                    |
| 20                          |       | +local_BS4x_UDI_NT(TCV_CE.NTorBothTorBothNT)                                                                                                                                                                                                  |      |   |                                    |
|                             |       | <b>local_BS4x_UDI_T(ir:B_2)</b>                                                                                                                                                                                                               |      |   |                                    |
| 21                          |       | (TCV_BcapMO1 := Bcap_MO(TCV_Rchr, C_UDI, C_Unstructured, C_nirr_nomeaning, C_rate_adaption_V110, C_X28_unui, C_Asynchronous, C_stopbit_dontcare, C_databit_dontcare, ur, ir, C_parity_dontcare, C_transparent, C_modemt_none), TCV_ir := ir)  |      |   | 11.8.2.3.1.1                       |
|                             |       | <b>local_BS4x_UDI_NT(ce1:B_2)</b>                                                                                                                                                                                                             |      |   |                                    |
| 22                          |       | [( ur = C_300bs) OR (ur = C_1200bs) OR (ur = C_120075bs) OR (ur = C_2400bs) OR (ur = C_4800bs)]                                                                                                                                               |      |   |                                    |
| 23                          |       | (TCV_BcapMO1 := BcapX_MO(TCV_Rchr, C_UDI, C_SDUIegrity, C_nirr_dontcare, C_rate_adaption_V110, C_X28_unui, C_Asynchronous, C_stopbit_dontcare, C_databit_dontcare, ur, C_ir_16kbs, C_parity_dontcare, ce1, C_modemt_none, C_uil2p_dontcare))  |      |   | 11.8.2.3.1.2                       |
| 24                          |       | [ur = C_9600bs]                                                                                                                                                                                                                               |      |   |                                    |
| 25                          |       | (TCV_BcapMO1 := BcapX_MO(TCV_Rchr, C_UDI, C_SDUIegrity, C_nirr_nomeaning, C_rate_adaption_V110, C_X28_unui, C_Asynchronous, C_stopbit_dontcare, C_databit_dontcare, ur, C_ir_16kbs, C_parity_dontcare, ce1, C_modemt_none, C_uil2p_dontcare)) |      |   | 11.8.2.3.1.2                       |
|                             |       | <b>local_BS4x_UDI_Tboth(ce1:B_2)</b>                                                                                                                                                                                                          |      |   |                                    |

|    |            |                                                                                                                                                                                                                                                    |   |                                                                                   |
|----|------------|----------------------------------------------------------------------------------------------------------------------------------------------------------------------------------------------------------------------------------------------------|---|-----------------------------------------------------------------------------------|
| 26 |            | [[ ur = C_300bs) OR (ur = C_1200bs) OR (ur = C_120075bs) OR (ur = C_2400bs) OR (ur = C_4800bs)]                                                                                                                                                    |   |                                                                                   |
| 27 |            | (TCV_BcapMO1 := BcapX_MO(TCV_Rchr, C_UDI, C_struct_dontchk, C_nirr_dontcare, C_rate_adaption_V110, C_X28_unui, C_Asynchrous, C_stopbit_dontcare, C_databit_dontcare, ur, C_ir_8or16kbs, C_parity_dontcare, ce1, C_modemt_none, C_uil2p_dontcare))  |   | 11.8.2.3.1.2 combined with 11.8.2.3.1.1, CE, IR and structure without exact match |
| 28 |            | [ur = C_9600bs]                                                                                                                                                                                                                                    |   |                                                                                   |
| 29 |            | (TCV_BcapMO1 := BcapX_MO(TCV_Rchr, C_UDI, C_struct_dontchk, C_nirr_nomeaning, C_rate_adaption_V110, C_X28_unui, C_Asynchrous, C_stopbit_dontcare, C_databit_dontcare, ur, C_ir_8or16kbs, C_parity_dontcare, ce1, C_modemt_none, C_uil2p_dontcare)) |   | 11.8.2.3.1.2 combined with 11.8.2.3.1.1, CE, IR and structure without exact match |
| 30 | L_097<br>1 | <b>local_pixitvaluechk</b><br>[(ce <> C_transparent) AND( ce <> C_nottransparent) AND(NOT both)]                                                                                                                                                   | I | IXIT error                                                                        |
| 31 |            | [C_Yes]                                                                                                                                                                                                                                            |   | IXIT values OK                                                                    |
| 32 |            | <b>local_selectCe</b><br>[both]                                                                                                                                                                                                                    |   |                                                                                   |
| 33 |            | [(ur = C_300bs) OR (ur = C_120075bs) OR ( ur = C_4800bs)]                                                                                                                                                                                          |   |                                                                                   |
| 34 |            | (TCV_ce := C_nottransparent)                                                                                                                                                                                                                       |   |                                                                                   |
| 35 |            | [(ur = C_1200bs) OR (ur = C_2400bs) OR ( ur = C_9600bs)]                                                                                                                                                                                           |   |                                                                                   |
| 36 |            | (TCV_ce := C_transparent)                                                                                                                                                                                                                          |   |                                                                                   |
| 37 |            | [NOT both]                                                                                                                                                                                                                                         |   |                                                                                   |
| 38 |            | (TCV_ce := ce)                                                                                                                                                                                                                                     |   |                                                                                   |

**Detailed Comments:** The BS4x Bearer Capabilities and SETUP messages for MO is constructed according to section 11.8.2.3.1.1 and section 11.8.2.3.1.2 of GSM 11.10 and section B.1.4 and section B.2.2.1 of GSM 07.01.

The algorithm for selecting parameters:  
IF (TSPX\_BS\_4x\_T\_NT)  
IF (user rate is one of the C\_300bs, C\_120075bs, C\_4800bs)  
TCV\_ce := C\_nottransparent  
ELSE /\* user rate is one of C\_1200bs, C\_2400bs, C\_9600bs \

| Test Step Dynamic Behaviour |       |                                                                                                                                                                                                                              |      |   |              |
|-----------------------------|-------|------------------------------------------------------------------------------------------------------------------------------------------------------------------------------------------------------------------------------|------|---|--------------|
| <b>Test Step Name:</b>      |       | BS5xMO( srv:SERVICES; ur:B_4)                                                                                                                                                                                                |      |   |              |
| <b>Group:</b>               |       | GSM_L3_MS_v4200/Preambles/                                                                                                                                                                                                   |      |   |              |
| <b>Objective:</b>           |       | To generate an MO SETUP message with appropriate Bcap for BS5x service.                                                                                                                                                      |      |   |              |
| <b>Default:</b>             |       | OtherEvents                                                                                                                                                                                                                  |      |   |              |
| Nr                          | Label | Behaviour Description                                                                                                                                                                                                        | CRef | V | Comments     |
| 1                           |       | (TCV_srv := srv, TCV_ur := ur)                                                                                                                                                                                               |      |   |              |
| 2                           |       | (TCV_BcapMO1 := BcapX_MO( TCV_Rchr, C_UDI, C_SDUIegrity, C_nirr_nomeaning, C_rate_adaption_X31, C_X32, C_Synchronous, C_stopbit_NA, C_databit_NA, ur, C_ir_16kbs, C_parity_NA, C_nottransparent, C_modemt_none, C_X25_flct)) |      |   | 11.8.2.4.1   |
| 3                           |       | (TCV_Setup_mo := Setup_10_UDI( TCV_BcapMO1, Llcmp_BS5x, Hlcmp_AnyOrOmit))                                                                                                                                                    |      |   |              |
| 4                           |       | +Chmod(TCV_ChRate, C_nottransparent, ur, srv)                                                                                                                                                                                |      |   | channel mode |
| 5                           |       | (TCV_Null := OO_IFsetup_BS5x_MO(TCV_srv, TCV_ur, TCV_ChRate))                                                                                                                                                                |      |   |              |
| <b>Detailed Comments:</b>   |       | 1. Bearer Caoability is coded according to section 11.8.2.4.1 of GSM 11.10 ver 4.16<br>2. low layer compatibility is coded according to section B.2.5 of GSM 07.01 ver 4.90                                                  |      |   |              |

| Test Step Dynamic Behaviour |       |                                                                                                                                                                                                                                                                    |      |   |                |
|-----------------------------|-------|--------------------------------------------------------------------------------------------------------------------------------------------------------------------------------------------------------------------------------------------------------------------|------|---|----------------|
| <b>Test Step Name:</b>      |       | BS61or81MO( srv:SERVICES; async, both: BOOLEAN; a_ur1: B_4; ce:B_2; sync:BOOLEAN; s_ur1: B_4; ri:B_8)                                                                                                                                                              |      |   |                |
| <b>Group:</b>               |       | GSM_L3_MS_v4200/Preambles/                                                                                                                                                                                                                                         |      |   |                |
| <b>Objective:</b>           |       | To get a MO SETUP message with right BC IE and LLC for BS61 or BS81 service.                                                                                                                                                                                       |      |   |                |
| <b>Default:</b>             |       | OtherEvents                                                                                                                                                                                                                                                        |      |   |                |
| Nr                          | Label | Behaviour Description                                                                                                                                                                                                                                              | CRef | V | Comments       |
| 1                           |       | (TCV_srv := srv, TCV_CE := NT_BothT_BothNTorT_BothT_BothNT, TCV_ir := C_ir_8kbs, TCV_MODEM := V22bisOrV26ter)                                                                                                                                                      |      |   |                |
| 2                           |       | +local_pixitvaluechk                                                                                                                                                                                                                                               |      |   | 1.             |
| 3                           |       | +local_selectSaAndCe                                                                                                                                                                                                                                               |      |   | 2.             |
| 4                           |       | +local_bcap                                                                                                                                                                                                                                                        |      |   | generate BC    |
| 5                           |       | +local_setupmsg                                                                                                                                                                                                                                                    |      |   | generate SETUP |
| 6                           |       | +Chmod(TCV_ChRate, TCV_ce, TCV_ur, srv)                                                                                                                                                                                                                            |      |   |                |
| 7                           |       | (TCV_Null := OO_IFsetup_BS61orBS81_MO(TCV_srv, TCV_ur, TCV_sa, TCV_ce, TCV_ChRate))                                                                                                                                                                                |      |   |                |
|                             |       | <b>local_bcap</b>                                                                                                                                                                                                                                                  |      |   |                |
| 8                           |       | [TCV_sa = C_Synchronous]                                                                                                                                                                                                                                           |      |   |                |
| 9                           |       | [TCV_ur = C_1200bs]                                                                                                                                                                                                                                                |      |   |                |
| 10                          |       | +local_BS61or81_S_T( C_ir_8kbs, C_1200bs, C_modemt_V22)                                                                                                                                                                                                            |      |   |                |
| 11                          |       | [TCV_ur = C_2400bs]                                                                                                                                                                                                                                                |      |   |                |
| 12                          |       | +local_BS61or81_S_T( C_ir_8kbs, C_2400bs, TCV_MODEM.V22bisOrV26ter)                                                                                                                                                                                                |      |   |                |
| 13                          |       | [TCV_ur = C_4800bs]                                                                                                                                                                                                                                                |      |   |                |
| 14                          |       | +local_BS61or81_S_T( C_ir_8kbs, C_4800bs, C_modemt_V32)                                                                                                                                                                                                            |      |   |                |
| 15                          |       | [TCV_ur = C_9600bs]                                                                                                                                                                                                                                                |      |   |                |
| 16                          |       | +local_BS61or81_S_T( C_ir_16kbs, C_9600bs, C_modemt_V32)                                                                                                                                                                                                           |      |   |                |
| 17                          |       | (TCV_ir := C_ir_16kbs)                                                                                                                                                                                                                                             |      |   |                |
| 18                          |       | [TCV_sa = C_Asynchronous]                                                                                                                                                                                                                                          |      |   |                |
| 19                          |       | [(TCV_ce = C_transparent) AND(NOT both)]                                                                                                                                                                                                                           |      |   | CE:T only MS   |
| 20                          |       | +local_BS61or81_A_T(TCV_ur)                                                                                                                                                                                                                                        |      |   |                |
| 21                          |       | [(TCV_ce = C_nottransparent) AND(NOT both)]                                                                                                                                                                                                                        |      |   | CE:NT only MS  |
| 22                          |       | +local_BS61or81_A_NT(TCV_ur, C_nottransparent, C_SDUintegrity, C_nirr_dontcare, C_ir_16kbs)                                                                                                                                                                        |      |   |                |
| 23                          |       | [(TCV_ce = C_nottransparent) AND both]                                                                                                                                                                                                                             |      |   |                |
| 24                          |       | +local_BS61or81_A_NT(TCV_ur, TCV_CE.NTorBothTorBothNT, C_SDUintegrity, C_nirr_dontcare, C_ir_16kbs)                                                                                                                                                                |      |   |                |
| 25                          |       | [(TCV_ce = C_transparent) AND both]                                                                                                                                                                                                                                |      |   |                |
| 26                          |       | +local_BS61or81_A_NT( TCV_ur, TCV_CE.TorBothTorBothNT, C_struct_dontchk, C_nirr_dontcare, C_ir_8or16kbs)                                                                                                                                                           |      |   |                |
|                             |       | <b>local_BS61or81_A_T(ur:B_4)</b>                                                                                                                                                                                                                                  |      |   |                |
| 27                          |       | [ur = C_300bs]                                                                                                                                                                                                                                                     |      |   |                |
| 28                          |       | (TCV_BcapMO1 := Bcap_MO( TCV_Rchr, C_3100Hz, C_Unstructured, C_nirr_nomeaning, C_no_rate_adaption, C_I440_450, C_Asynchronous, C_stopbit_dontcare, C_databit_dontcare, ur, C_ir_8kbs, C_parity_dontcare, C_transparent, C_modemt_V21), TCV_modemt := C_modemt_V21) |      |   | 11.8.2.5.1     |
| 29                          |       | [ur = C_1200bs]                                                                                                                                                                                                                                                    |      |   |                |
| 30                          |       | (TCV_BcapMO1 := Bcap_MO( TCV_Rchr, C_3100Hz, C_Unstructured, C_nirr_nomeaning, C_no_rate_adaption, C_I440_450, C_Asynchronous, C_stopbit_dontcare, C_databit_dontcare, ur, C_ir_8kbs, C_parity_dontcare, C_transparent,                                            |      |   | 11.8.2.5.1     |

|    |                                                                                                                                                                                                                                                                                                                 |            |
|----|-----------------------------------------------------------------------------------------------------------------------------------------------------------------------------------------------------------------------------------------------------------------------------------------------------------------|------------|
| 31 | C_modemt_V22), TCV_modemt :=<br>C_modemt_V22)                                                                                                                                                                                                                                                                   |            |
| 32 | [ur = C_120075bs]<br>(TCV_BcapMO1 := Bcap_MO( TCV_Rchr,<br>C_3100Hz, C_Unstructured, C_nirr_nomeaning,<br>C_no_rate_adaption, C_I440_450,<br>C_Asynchronous, C_stopbit_dontcare,<br>C_databit_dontcare, ur, C_ir_8kbs,<br>C_parity_dontcare, C_transparent,<br>C_modemt_V23), TCV_modemt :=<br>C_modemt_V23)    | 11.8.2.5.1 |
| 33 | [ur = C_2400bs]                                                                                                                                                                                                                                                                                                 |            |
| 34 | (TCV_BcapMO1 := Bcap_MO( TCV_Rchr,<br>C_3100Hz, C_Unstructured, C_nirr_nomeaning,<br>C_no_rate_adaption, C_I440_450,<br>C_Asynchronous, C_stopbit_dontcare,<br>C_databit_dontcare, ur, C_ir_8kbs,<br>C_parity_dontcare, C_transparent,<br>TCV_MODEM.V22bisOrV26ter), TCV_modemt :=<br>TCV_MODEM.V22bisOrV26ter) | 11.8.2.5.1 |
| 35 | [ur = C_4800bs]                                                                                                                                                                                                                                                                                                 |            |
| 36 | (TCV_BcapMO1 := Bcap_MO( TCV_Rchr,<br>C_3100Hz, C_Unstructured, C_nirr_nomeaning,<br>C_no_rate_adaption, C_I440_450,<br>C_Asynchronous, C_stopbit_dontcare,<br>C_databit_dontcare, ur, C_ir_8kbs,<br>C_parity_dontcare, C_transparent,<br>C_modemt_V32), TCV_modemt :=<br>C_modemt_V32)                         | 11.8.2.5.1 |
| 37 | [ur = C_9600bs]                                                                                                                                                                                                                                                                                                 |            |
| 38 | (TCV_BcapMO1 := Bcap_MO( TCV_Rchr,<br>C_3100Hz, C_Unstructured, C_nirr_nomeaning,<br>C_no_rate_adaption, C_I440_450,<br>C_Asynchronous, C_stopbit_dontcare,<br>C_databit_dontcare, ur, C_ir_16kbs,<br>C_parity_dontcare, C_transparent,<br>C_modemt_V32), TCV_modemt :=<br>C_modemt_V32)                        | 11.8.2.5.1 |
| 39 | (TCV_ir := C_ir_16kbs)                                                                                                                                                                                                                                                                                          |            |
|    | <b>local_BS61or81_A_NT(ur:B_4; ce:B_2; struc:B_2;<br/>nirr :B_1; ir:B_2)</b>                                                                                                                                                                                                                                    |            |
| 40 | (TCV_ir := C_ir_16kbs)                                                                                                                                                                                                                                                                                          |            |
| 41 | [ur = C_300bs]                                                                                                                                                                                                                                                                                                  |            |
| 42 | (TCV_BcapMO1 := BcapX_MO(TCV_Rchr,<br>C_3100Hz, struc, nirr, C_no_rate_adaption,<br>C_I440_450, C_Asynchronous,<br>C_stopbit_dontcare, C_databit_dontcare, ur, ir,<br>C_parity_dontcare, ce, C_modemt_V21,<br>C_uil2p_dontcare), TCV_modemt :=<br>C_modemt_V21)                                                 | 11.8.2.5.2 |
| 43 | [ur = C_1200bs]                                                                                                                                                                                                                                                                                                 |            |
| 44 | (TCV_BcapMO1 := BcapX_MO(TCV_Rchr,<br>C_3100Hz, struc, nirr, C_no_rate_adaption,<br>C_I440_450, C_Asynchronous,<br>C_stopbit_dontcare, C_databit_dontcare, ur, ir,<br>C_parity_dontcare, ce, C_modemt_V22,<br>C_uil2p_dontcare), TCV_modemt :=<br>C_modemt_V22)                                                 | 11.8.2.5.2 |
| 45 | [ur = C_120075bs]                                                                                                                                                                                                                                                                                               |            |
| 46 | (TCV_BcapMO1 := BcapX_MO(TCV_Rchr,<br>C_3100Hz, struc, nirr, C_no_rate_adaption,<br>C_I440_450, C_Asynchronous,<br>C_stopbit_dontcare, C_databit_dontcare, ur, ir,<br>C_parity_dontcare, ce, C_modemt_V23,<br>C_uil2p_dontcare), TCV_modemt :=<br>C_modemt_V23)                                                 | 11.8.2.5.2 |
| 47 | [ur = C_2400bs]                                                                                                                                                                                                                                                                                                 |            |
| 48 | (TCV_BcapMO1 := BcapX_MO(TCV_Rchr,<br>C_3100Hz, struc, nirr, C_no_rate_adaption,<br>C_I440_450, C_Asynchronous,<br>C_stopbit_dontcare, C_databit_dontcare, ur, ir,<br>C_parity_dontcare, ce,<br>TCV_MODEM.V22bisOrV26ter,                                                                                       | 11.8.2.5.2 |

|    |            |                                                                                                                                                                                                                                                                                                       |   |                |
|----|------------|-------------------------------------------------------------------------------------------------------------------------------------------------------------------------------------------------------------------------------------------------------------------------------------------------------|---|----------------|
| 49 |            | C_uil2p_dontcare), TCV_modemt :=<br>TCV_MODEM.V22bisOrV26ter)                                                                                                                                                                                                                                         |   |                |
| 50 |            | [ur = C_4800bs]<br>(TCV_BcapMO1 := BcapX_MO(TCV_Rchr,<br>C_3100Hz, struc, nirr, C_no_rate_adaption,<br>C_I440_450, C_Asynchronous,<br>C_stopbit_dontcare, C_databit_dontcare, ur, ir,<br>C_parity_dontcare, ce, C_modemt_V32,<br>C_uil2p_dontcare), TCV_modemt :=<br>C_modemt_V32)                    |   | 11.8.2.5.2     |
| 51 |            | [ur = C_9600bs]                                                                                                                                                                                                                                                                                       |   |                |
| 52 |            | (TCV_BcapMO1 := BcapX_MO(TCV_Rchr,<br>C_3100Hz, struc, C_nirr_nomeaning,<br>C_no_rate_adaption, C_I440_450,<br>C_Asynchronous, C_stopbit_dontcare,<br>C_databit_dontcare, ur, C_ir_16kbs,<br>C_parity_dontcare, ce, C_modemt_V32,<br>C_uil2p_dontcare), TCV_modemt :=<br>C_modemt_V32)                |   | 11.8.2.5.2     |
| 53 |            | <b>local_BS61or81_S_T(ir:B_2; ur: B_4;<br/>modemt:B_5)</b><br>(TCV_BcapMO1 := Bcap_MO(TCV_Rchr, C_3100Hz,<br>C_Unstructured, C_nirr_nomeaning,<br>C_no_rate_adaption, C_I440_450, C_Synchronous,<br>C_stopbit_NA, C_databit_NA, ur, ir, C_parity_NA,<br>C_transparent, modemt), TCV_modemt := modemt) |   | 11.8.2.5.3     |
| 54 | L_097<br>2 | <b>local_pixitvaluechk</b><br>[(ce <> C_transparent) AND( ce <> C_nottransparent)<br>AND(NOT both) AND async]                                                                                                                                                                                         | I | IXIT error     |
| 55 | L_097<br>3 | [(a_ur1 <> C_300bs) AND(a_ur1 <> C_1200bs)<br>AND(a_ur1 <> C_2400bs) AND(a_ur1 <> C_4800bs)<br>AND(a_ur1 <> C_9600bs) AND(a_ur1 <><br>C_120075bs) AND async]                                                                                                                                          | I | IXIT error     |
| 56 | L_097<br>4 | [(s_ur1 <> C_1200bs) AND(s_ur1 <> C_2400bs)<br>AND(s_ur1 <> C_4800bs) AND(s_ur1 <> C_9600bs)<br>AND sync]                                                                                                                                                                                             | I | IXIT error     |
| 57 |            | [C_Yes]                                                                                                                                                                                                                                                                                               |   | IXIT values OK |
| 58 |            | <b>local_selectSaAndCe</b><br>[async]                                                                                                                                                                                                                                                                 |   | 3.             |
| 59 |            | (TCV_sa := C_Asynchronous, TCV_ur := a_ur1)                                                                                                                                                                                                                                                           |   |                |
| 60 |            | [both]                                                                                                                                                                                                                                                                                                |   |                |
| 61 |            | [(a_ur1 = C_300bs) OR (a_ur1 = C_120075bs)<br>OR ( a_ur1 = C_4800bs)]                                                                                                                                                                                                                                 |   |                |
| 62 |            | (TCV_ce := C_nottransparent)                                                                                                                                                                                                                                                                          |   |                |
| 63 |            | [(a_ur1 = C_1200bs) OR (a_ur1 = C_2400bs)<br>OR ( a_ur1 = C_9600bs)]                                                                                                                                                                                                                                  |   |                |
| 64 |            | (TCV_ce := C_transparent)                                                                                                                                                                                                                                                                             |   |                |
| 65 |            | [NOT both]                                                                                                                                                                                                                                                                                            |   |                |
| 66 |            | (TCV_ce := ce)                                                                                                                                                                                                                                                                                        |   |                |
| 67 |            | [sync]                                                                                                                                                                                                                                                                                                |   |                |
| 68 |            | (TCV_sa := C_Synchronous, TCV_ce :=<br>C_transparent, TCV_ur := s_ur1)                                                                                                                                                                                                                                |   |                |
| 69 |            | <b>local_setupmsg</b><br>[TCV_sa = C_Asynchronous]                                                                                                                                                                                                                                                    |   |                |
| 70 |            | [(NOT TSPC_EFR_Speech_v2) AND(NOT<br>TSPC_EFR_Speech_v3)]                                                                                                                                                                                                                                             |   |                |
| 71 |            | (TCV_Setup_mo := Setup_11_3100( ri,<br>Bcap_Speech_MO(C_Rchr_dontcare),<br>TCV_BcapMO1, Llcmp_NotApplicable,<br>Llcmp_BS2xOrBS61aOrBS81a_3100, ri, ri,<br>Hlcmp_NotApplicable, Hlcmp_AnyOrOmit))                                                                                                      |   | Non EFR Mobile |
| 72 |            | [TSPC_EFR_Speech_v2 OR<br>TSPC_EFR_Speech_v3]                                                                                                                                                                                                                                                         |   |                |
| 73 |            | (TCV_Setup_mo := Setup_11_3100( ri,<br>Bcap_Speech_Efr_MO(C_Rchr_dontcare),<br>TCV_BcapMO1, Llcmp_NotApplicable,<br>Llcmp_BS2xOrBS61aOrBS81a_3100, ri, ri,                                                                                                                                            |   | EFR Mobile     |



|                                                                                                                                                                                                                                                                                                                                                                                                                                                                                                                                                                                                                                                                                                                                                                                                                                                                                                                                                                                                                                                                                                                                      |                                                                                                                                                                                      |  |                |
|--------------------------------------------------------------------------------------------------------------------------------------------------------------------------------------------------------------------------------------------------------------------------------------------------------------------------------------------------------------------------------------------------------------------------------------------------------------------------------------------------------------------------------------------------------------------------------------------------------------------------------------------------------------------------------------------------------------------------------------------------------------------------------------------------------------------------------------------------------------------------------------------------------------------------------------------------------------------------------------------------------------------------------------------------------------------------------------------------------------------------------------|--------------------------------------------------------------------------------------------------------------------------------------------------------------------------------------|--|----------------|
| 74                                                                                                                                                                                                                                                                                                                                                                                                                                                                                                                                                                                                                                                                                                                                                                                                                                                                                                                                                                                                                                                                                                                                   | Hlcmp_NotApplicable, Hlcmp_AnyOrOmit))                                                                                                                                               |  |                |
| 75                                                                                                                                                                                                                                                                                                                                                                                                                                                                                                                                                                                                                                                                                                                                                                                                                                                                                                                                                                                                                                                                                                                                   | [TCV_sa = C_Synchronous]                                                                                                                                                             |  |                |
| 76                                                                                                                                                                                                                                                                                                                                                                                                                                                                                                                                                                                                                                                                                                                                                                                                                                                                                                                                                                                                                                                                                                                                   | [(NOT TSPC_EFR_Speech_v2) AND(NOT TSPC_EFR_Speech_v3)]                                                                                                                               |  | Non EFR Mobile |
| 77                                                                                                                                                                                                                                                                                                                                                                                                                                                                                                                                                                                                                                                                                                                                                                                                                                                                                                                                                                                                                                                                                                                                   | (TCV_Setup_mo := Setup_11_3100( ri, Bcap_Speech_MO(C_Rchr_dontcare), TCV_BcapMO1, Llcmp_NotApplicable, Llcmp_BS3xOrBS61sOrBS81s_3100, ri, ri, Hlcmp_NotApplicable, Hlcmp_AnyOrOmit)) |  |                |
| 78                                                                                                                                                                                                                                                                                                                                                                                                                                                                                                                                                                                                                                                                                                                                                                                                                                                                                                                                                                                                                                                                                                                                   | [TSPC_EFR_Speech_v2 OR TSPC_EFR_Speech_v3]                                                                                                                                           |  | EFR Mobile     |
|                                                                                                                                                                                                                                                                                                                                                                                                                                                                                                                                                                                                                                                                                                                                                                                                                                                                                                                                                                                                                                                                                                                                      |                                                                                                                                                                                      |  |                |
| <b>Detailed Comments:</b>                                                                                                                                                                                                                                                                                                                                                                                                                                                                                                                                                                                                                                                                                                                                                                                                                                                                                                                                                                                                                                                                                                            |                                                                                                                                                                                      |  |                |
| <ol style="list-style-type: none"> <li>1. validate IXIT values</li> <li>2. select sync or async mode and corresponding CE</li> <li>3. If the MS supports both synchronous and asynchronous mode, selete the asynchronous mode</li> <li>4. The BS61 or BS81 Bearer Capabilities and SETUP messages for MO is constructed according to section 11.8.2.5.1, section 11.8.2.5.2 and section 11.8.2.5.3 of GSM 11.10 and section B.1.6.1, section B.1.6.2.1, section B.1.6.2.2, section B.2.2.2 and section B.2.3.2 of GSM 07.01.</li> </ol> <p>The algorithm for selecting parameters for BS61 basice service:</p> <pre> IF (TSPX_BS_61_A)     TCV_sa := C_Asynchronous     IF (TSPX_BS_61_A_ur1_T_NT)         TCV_ce := C_nottransparent     ELSE         TCV_ce := TSPX_BS_61_A_ur1_ce     use (TCV_sa, TCV_ce, TSPX_BS_61_A_ur1, svc) for OO_IFsetup_BS61orBS81_MO ELSE     TCV_sa := C_Synchronous     use (TCV_sa, C_transparent, TSPX_BS_61_S_ur1, svc) for OO_IFsetup_BS61orBS81_MO </pre> <p>The algorithm for selecting parameters for BS61 basice service is the same as above except using corresponding IXIT parameters.</p> |                                                                                                                                                                                      |  |                |

| Test Step Dynamic Behaviour |       |                                                                                                                                           |      |   |             |
|-----------------------------|-------|-------------------------------------------------------------------------------------------------------------------------------------------|------|---|-------------|
| <b>Test Step Name:</b>      |       | BS61or81MT( srv:SERVICES; async, t_nt_ur1, t_nt_ur2, a_more_ur, sync, s_more_ur:BOOLEAN; a_ur1, a_ur2, s_ur1, s_ur2: B_4; ri:B_8; ce:B_2) |      |   |             |
| <b>Group:</b>               |       | GSM_L3_MS_v4200/Preambles/                                                                                                                |      |   |             |
| <b>Objective:</b>           |       | To get a MT SETUP message with right BC IE for BS61 or BS81 service.                                                                      |      |   |             |
| <b>Default:</b>             |       | OtherEvents                                                                                                                               |      |   |             |
| Nr                          | Label | Behaviour Description                                                                                                                     | CRef | V | Comments    |
| 1                           |       | +local_main                                                                                                                               |      |   |             |
| 2                           |       | +local_IFsetup                                                                                                                            |      |   |             |
|                             |       | <b>local_main</b>                                                                                                                         |      |   |             |
| 3                           |       | (TCV_srv := srv)                                                                                                                          |      |   |             |
| 4                           |       | (TCV_BcapMT1 := Bcap_Speech_MT)                                                                                                           |      |   |             |
| 5                           |       | [async]                                                                                                                                   |      |   | If asynchro |
| 6                           |       | +local_bcapa                                                                                                                              |      |   |             |
| 7                           |       | (TCV_Setup_mt := Setup_21( ri, TCV_BcapMT1, TCV_BcapMT2, TI_02), TCV_ur := a_ur1, TCV_sa := C_Asynchronous)                               |      |   | 1st SETUP   |
| 8                           |       | +Chmod(TCV_ChRate, TCV_ce, a_ur1, srv)                                                                                                    |      |   | 2nd ch mode |
| 9                           |       | (TCV_ChMod.mode := C_ChMod_r)                                                                                                             |      |   | Speech mode |
| 10                          |       | [sync]                                                                                                                                    |      |   |             |
| 11                          |       | +local_bcap2S(s_ur1)                                                                                                                      |      |   |             |
| 12                          |       | (TCV_Setup_mt1 := Setup_21( ri, TCV_BcapMT1, TCV_BcapMT2, TI_02), TCV_2ndtest :=C_Yes, TCV_ur2 := s_ur1, TCV_sa2 := C_Synchronous)        |      |   | 2nd SETUP   |
| 13                          |       | [a_more_ur]                                                                                                                               |      |   |             |
| 14                          |       | [t_nt_ur2]                                                                                                                                |      |   |             |
| 15                          |       | +local_bcap2A(a_ur2, C_transparent)                                                                                                       |      |   |             |
| 16                          |       | (TCV_Setup_mt1 := Setup_21( ri, TCV_BcapMT1, TCV_BcapMT2, TI_02), TCV_2ndtest :=C_Yes, TCV_ur2 := a_ur2, TCV_sa2 := C_Asynchronous)       |      |   | 2nd SETUP   |
| 17                          |       | [NOT t_nt_ur2]                                                                                                                            |      |   |             |
| 18                          |       | +local_bcap2A(a_ur2, C_BothT)                                                                                                             |      |   |             |
| 19                          |       | (TCV_Setup_mt1 := Setup_21( ri, TCV_BcapMT1, TCV_BcapMT2, TI_02), TCV_2ndtest :=C_Yes, TCV_ur2 := a_ur2, TCV_sa2 := C_Asynchronous)       |      |   | 2nd SETUP   |
| 20                          |       | [NOT a_more_ur]                                                                                                                           |      |   |             |
| 21                          |       | [t_nt_ur1]                                                                                                                                |      |   |             |
| 22                          |       | +local_bcap2A(a_ur1, C_transparent)                                                                                                       |      |   |             |
| 23                          |       | (TCV_Setup_mt1 := Setup_21( ri, TCV_BcapMT1, TCV_BcapMT2, TI_02), TCV_2ndtest := C_Yes, TCV_ur2 := a_ur1, TCV_sa2 := C_Asynchronous)      |      |   | 2nd SETUP   |
| 24                          |       | [NOT t_nt_ur1]                                                                                                                            |      |   |             |
| 25                          |       | +local_bcap2A(a_ur1, C_BothT)                                                                                                             |      |   |             |
| 26                          |       | (TCV_Setup_mt1 := Setup_21( ri, TCV_BcapMT1, TCV_BcapMT2, TI_02), TCV_2ndtest := C_Yes, TCV_ur2 := a_ur1, TCV_sa2 := C_Asynchronous)      |      |   | 2nd SETUP   |
| 27                          |       | [sync]                                                                                                                                    |      |   | If synchro  |
| 28                          |       | +local_bcap2S(s_ur1)                                                                                                                      |      |   |             |
| 29                          |       | (TCV_Setup_mt := Setup_21( ri, TCV_BcapMT1, TCV_BcapMT2, TI_02), TCV_ur := s_ur1, TCV_sa := C_Synchronous)                                |      |   | 1st SETUP   |
| 30                          |       | +Chmod(TCV_ChRate, C_transparent, s_ur1, srv)                                                                                             |      |   | 2nd ch mode |
| 31                          |       | (TCV_ChMod.mode := C_ChMod_r)                                                                                                             |      |   | Speech mode |
| 32                          |       | [s_more_ur]                                                                                                                               |      |   |             |

|    |            |                                                                                                                                                |   |              |
|----|------------|------------------------------------------------------------------------------------------------------------------------------------------------|---|--------------|
| 33 |            | +local_bcap2S(s_ur2)                                                                                                                           |   |              |
| 34 |            | (TCV_Setup_mt1 := Setup_21( ri,<br>TCV_BcapMT1, TCV_BcapMT2,<br>TI_02), TCV_2ndtest :=C_Yes,<br>TCV_ur2 := s_ur1, TCV_sa2 :=<br>C_Synchronous) |   | 2nd SETUP    |
| 35 |            | [NOT s_more_ur]                                                                                                                                |   | no second BC |
|    |            | <b>local_bcap2A(ur:B_4; ce2: B_2)</b>                                                                                                          |   |              |
| 36 |            | [ce2 = C_transparent]                                                                                                                          |   |              |
| 37 |            | [ur = C_300bs]                                                                                                                                 |   |              |
| 38 |            | +local_BS61or81_A_T( C_ir_8kbs, ur,<br>C_modemt_V21)                                                                                           |   |              |
| 39 |            | [ur = C_1200bs]                                                                                                                                |   |              |
| 40 |            | +local_BS61or81_A_T( C_ir_8kbs, ur,<br>C_modemt_V22)                                                                                           |   |              |
| 41 |            | [ur = C_2400bs]                                                                                                                                |   |              |
| 42 |            | +local_BS61or81_A_T( C_ir_8kbs, ur,<br>C_modemt_V22bis)                                                                                        |   |              |
| 43 |            | [ur = C_4800bs]                                                                                                                                |   |              |
| 44 |            | +local_BS61or81_A_T( C_ir_8kbs, ur,<br>C_modemt_V32)                                                                                           |   |              |
| 45 |            | [ur = C_9600bs]                                                                                                                                |   |              |
| 46 |            | +local_BS61or81_A_T( C_ir_16kbs, ur,<br>C_modemt_V32)                                                                                          |   |              |
| 47 | L_097<br>5 | [(ur <> C_300bs) AND(ur <> C_1200bs) AND(ur <><br>C_2400bs) AND(ur <> C_4800bs) AND(ur <><br>C_9600bs)]                                        | I |              |
| 48 |            | [ce2 = C_BothNT]                                                                                                                               |   |              |
| 49 |            | [ur = C_300bs]                                                                                                                                 |   |              |
| 50 |            | +local_BS61or81_A_NT(ur, C_modemt_V21,<br>C_BothNT)                                                                                            |   |              |
| 51 |            | [ur = C_1200bs]                                                                                                                                |   |              |
| 52 |            | +local_BS61or81_A_NT(ur, C_modemt_V22,<br>C_BothNT)                                                                                            |   |              |
| 53 |            | [ur = C_2400bs]                                                                                                                                |   |              |
| 54 |            | +local_BS61or81_A_NT(ur, C_modemt_V22bis,<br>C_BothNT)                                                                                         |   |              |
| 55 |            | [ur = C_4800bs]                                                                                                                                |   |              |
| 56 |            | +local_BS61or81_A_NT(ur, C_modemt_V32,<br>C_BothNT)                                                                                            |   |              |
| 57 |            | [ur = C_9600bs]                                                                                                                                |   |              |
| 58 |            | +local_BS61or81_A_NT(ur, C_modemt_V32,<br>C_BothNT)                                                                                            |   |              |
| 59 | L_097<br>6 | [(ur <> C_300bs) AND(ur <> C_1200bs) AND(ur <><br>C_2400bs) AND(ur <> C_4800bs) AND(ur <><br>C_9600bs)]                                        | I |              |
| 60 |            | [ce2 = C_nottransparent]                                                                                                                       |   |              |
| 61 |            | [ur = C_300bs]                                                                                                                                 |   |              |
| 62 |            | +local_BS61or81_A_NT(ur, C_modemt_V21,<br>C_nottransparent)                                                                                    |   |              |
| 63 |            | [ur = C_1200bs]                                                                                                                                |   |              |
| 64 |            | +local_BS61or81_A_NT(ur, C_modemt_V22,<br>C_nottransparent)                                                                                    |   |              |
| 65 |            | [ur = C_2400bs]                                                                                                                                |   |              |
| 66 |            | +local_BS61or81_A_NT(ur, C_modemt_V22bis,<br>C_nottransparent)                                                                                 |   |              |
| 67 |            | [ur = C_4800bs]                                                                                                                                |   |              |
| 68 |            | +local_BS61or81_A_NT(ur, C_modemt_V32,<br>C_nottransparent)                                                                                    |   |              |
| 69 |            | [ur = C_9600bs]                                                                                                                                |   |              |
| 70 |            | +local_BS61or81_A_NT(ur, C_modemt_V32,<br>C_nottransparent)                                                                                    |   |              |
| 71 | L_097<br>7 | [(ur <> C_300bs) AND(ur <> C_1200bs) AND(ur <><br>C_2400bs) AND(ur <> C_4800bs) AND(ur <><br>C_9600bs)]                                        | I |              |
| 72 | L_097<br>8 | [(ce2 <> C_nottransparent) AND(ce2 <> C_BothNT)<br>AND (ce2 = C_transparent)]                                                                  | I |              |

|    |            |                                                                                                                                                                                                                                     |  |            |
|----|------------|-------------------------------------------------------------------------------------------------------------------------------------------------------------------------------------------------------------------------------------|--|------------|
|    |            | <b>local_bcap2S(ur:B_4)</b>                                                                                                                                                                                                         |  |            |
| 73 |            | [ur = C_1200bs]                                                                                                                                                                                                                     |  |            |
| 74 |            | +local_BS61or81_S_T( C_ir_8kbs, ur,<br>C_modemt_V22)                                                                                                                                                                                |  |            |
| 75 |            | [ur = C_2400bs]                                                                                                                                                                                                                     |  |            |
| 76 |            | +local_BS61or81_S_T( C_ir_8kbs, ur,<br>C_modemt_V22bis)                                                                                                                                                                             |  |            |
| 77 |            | [ur = C_4800bs]                                                                                                                                                                                                                     |  |            |
| 78 |            | +local_BS61or81_S_T( C_ir_8kbs, ur,<br>C_modemt_V32)                                                                                                                                                                                |  |            |
| 79 |            | [ur = C_9600bs]                                                                                                                                                                                                                     |  |            |
| 80 |            | +local_BS61or81_S_T( C_ir_16kbs, ur,<br>C_modemt_V32)                                                                                                                                                                               |  |            |
| 81 | L_097<br>9 | [(ur <> C_1200bs) AND(ur <> C_2400bs) AND(ur <><br>C_4800bs) AND(ur <> C_9600bs)]                                                                                                                                                   |  | I          |
|    |            | <b>local_BS61or81_A_T( ir:B_2; ur:B_4;<br/>modemt:B_5)</b>                                                                                                                                                                          |  |            |
| 82 |            | [TSPX_TE_FLCT = C_Outband]                                                                                                                                                                                                          |  |            |
| 83 |            | (TCV_BcapMT2 := Bcap_MT( C_3100Hz,<br>C_Unstructured, C_nirr_nomeaning,<br>C_no_rate_adaption, C_I440_450,<br>C_Asynchronous, TSPX_TE_stopbit,<br>TSPX_TE_databit, ur, ir, TSPX_TE_parity,<br>C_transparent, modemt))               |  | 11.8.1.3.1 |
| 84 |            | [TSPX_TE_FLCT = C_Inband]                                                                                                                                                                                                           |  |            |
| 85 |            | (TCV_BcapMT2 := BcapX_MT( C_3100Hz,<br>C_Unstructured, C_nirr_nomeaning,<br>C_no_rate_adaption, C_I440_450,<br>C_Asynchronous, TSPX_TE_stopbit,<br>TSPX_TE_databit, ur, ir, TSPX_TE_parity,<br>C_transparent, modemt, C_ISO6429))   |  | 11.8.1.3.1 |
| 86 |            | [TSPX_TE_FLCT = C_Nocontrol]                                                                                                                                                                                                        |  |            |
| 87 |            | (TCV_BcapMT2 := BcapX_MT( C_3100Hz,<br>C_Unstructured, C_nirr_nomeaning,<br>C_no_rate_adaption, C_I440_450,<br>C_Asynchronous, TSPX_TE_stopbit,<br>TSPX_TE_databit, ur, ir, TSPX_TE_parity,<br>C_transparent, modemt, C_COPnoFLCT)) |  | 11.8.1.3.1 |
| 88 | L_098<br>0 | [(TSPX_TE_FLCT <> C_Outband)<br>AND(TSPX_TE_FLCT <> C_Inband)<br>AND(TSPX_TE_FLCT <> C_Nocontrol)]                                                                                                                                  |  | I          |
|    |            | <b>local_BS61or81_A_NT(ur:B_4; modemt:B_5;<br/>cel:B_2)</b>                                                                                                                                                                         |  |            |
| 89 |            | [TSPX_TE_FLCT = C_Outband]                                                                                                                                                                                                          |  |            |
| 90 |            | (TCV_BcapMT2 := Bcap_MT( C_3100Hz,<br>C_SDUintegrity, C_nirr_nomeaning,<br>C_no_rate_adaption, C_I440_450,<br>C_Asynchronous, TSPX_TE_stopbit,<br>TSPX_TE_databit, ur, C_ir_16kbs,<br>TSPX_TE_parity, cel, modemt))                 |  | 11.8.1.3.2 |
| 91 |            | [TSPX_TE_FLCT = C_Inband]                                                                                                                                                                                                           |  |            |
| 92 |            | (TCV_BcapMT2 := BcapX_MT( C_3100Hz,<br>C_SDUintegrity, C_nirr_nomeaning,<br>C_no_rate_adaption, C_I440_450,<br>C_Asynchronous, TSPX_TE_stopbit,<br>TSPX_TE_databit, ur, C_ir_16kbs,<br>TSPX_TE_parity, cel, modemt, C_ISO6429))     |  | 11.8.1.3.2 |
| 93 |            | [TSPX_TE_FLCT = C_Nocontrol]                                                                                                                                                                                                        |  |            |
| 94 |            | (TCV_BcapMT2 := BcapX_MT( C_3100Hz,<br>C_SDUintegrity, C_nirr_nomeaning,<br>C_no_rate_adaption, C_I440_450,<br>C_Asynchronous, TSPX_TE_stopbit,<br>TSPX_TE_databit, ur, C_ir_16kbs,<br>TSPX_TE_parity, cel, modemt, C_COPnoFLCT))   |  | 11.8.1.3.2 |
| 95 | L_098<br>1 | [(TSPX_TE_FLCT <> C_Outband)<br>AND(TSPX_TE_FLCT <> C_Inband)<br>AND(TSPX_TE_FLCT <> C_Nocontrol)]                                                                                                                                  |  | I          |
|    |            | <b>local_BS61or81_S_T( ir:B_2; ur: B_4;<br/>modemt:B_5)</b>                                                                                                                                                                         |  |            |

|            |                                                                                                                                                                                                          |   |                 |
|------------|----------------------------------------------------------------------------------------------------------------------------------------------------------------------------------------------------------|---|-----------------|
| 96         | (TCV_BcapMT2 := Bcap_MT( C_3100Hz,<br>C_Unstructured, C_nirr_nomeaning,<br>C_no_rate_adaption, C_I440_450, C_Synchronous,<br>C_stopbit_NA, C_databit_NA, ur, ir, C_parity_NA,<br>C_transparent, modemt)) |   | 11.8.1.3.3      |
| 97         | <b>local_bcapa</b><br>[t_nt_ur1 OR (ce = C_notransparent)]                                                                                                                                               |   |                 |
| 98         | +local_bcap2A(a_ur1, C_notransparent)                                                                                                                                                                    |   |                 |
| 99         | (TCV_ce := C_notransparent)                                                                                                                                                                              |   |                 |
| 100        | [NOT t_nt_ur1 AND (ce = C_transparent)]                                                                                                                                                                  |   |                 |
| 101        | +local_bcap2A(a_ur1, C_transparent)                                                                                                                                                                      |   |                 |
| 102        | (TCV_ce := C_transparent)                                                                                                                                                                                |   |                 |
|            | <b>local_IFsetup</b>                                                                                                                                                                                     |   |                 |
| 103        | [TCV_supported]                                                                                                                                                                                          |   |                 |
| 104        | (TCV_Null :=<br>OO_IFsetup_BS61orBS81_MT(TCV_srv, TCV_ur,<br>TCV_sa))                                                                                                                                    |   |                 |
| 105        | [NOT TCV_supported]                                                                                                                                                                                      |   |                 |
| 106        | [TCV_SpecialCase]                                                                                                                                                                                        |   |                 |
| 107        | START T_dly(C_T_Wait)                                                                                                                                                                                    |   |                 |
| 108        | ?TIMEOUT T_dly                                                                                                                                                                                           |   |                 |
| 109        | [NOT TCV_SpecialCase]                                                                                                                                                                                    | I | Parameter error |
| L_098<br>2 |                                                                                                                                                                                                          |   |                 |

**Detailed Comments:**

The algorithm for derivation of BS61 Bearer Capabilities:

The data Bearer Capability for 1st SETUP (used for an MT call):

```

IF TSPX_BS_61_A
 ur= TSPX_BS_61_A_ur1
 IF TSPX_BS_61_A_ur1_T_NT OR (TSPX_BS_61_A_ur1_ce = NT)
 use coding of sec. 11.8.1.3.2 with (ur & ce=NT)
 ELSE
 use coding of sec. 11.8.1.3.1 with (ur & ce=T)
ELSE
 IF TSPX_BS_61_S
 ur= TSPX_BS_61_S_ur1 use coding of sec. 11.8.1.3.3 with (ur & ce=T)

```

The 2nd Bearer Capability for second SETUP ( used for TC\_11\_1\_1):

Note: the 2nd BC is derived IF  
(TSPX\_BS\_61\_A OR (TSPX\_BS\_61\_S AND TSPX\_BS\_61\_S\_more\_ur))

```

IF TSPX_BS_61_A AND TSPX_BS_61_S
 ur= TSPX_BS_61_S_ur1 use coding of sec. 11.8.1.3.3 with (ur & ce= T)
ELSE
 IF TSPX_BS_61_A_more_ur AND TSPX_BS_61_A
 ur= TSPX_BS_61_A_ur2
 IF TSPX_BS_61_A_ur2_T_NT
 use coding of sec. 11.8.1.3.1 with (ur & ce=T)
 ELSE
 use coding of sec. 11.8.1.3.2 with (ur & ce=both/T)
 ELSE
 IF TSPX_BS_61_S AND TSPX_BS_61_S_more_ur
 ur=TSPX_BS_61_S_ur2
 use coding of sec. 11.8.1.3.3 with (ur & ce= T)
 ELSE
 IF TSPX_BS_61_A
 ur= TSPX_BS_61_A_ur1
 IF TSPX_BS_61_A_ur1_T_NT
 use coding of sec. 11.8.1.3.1 with (ur & ce=T)
 ELSE
 use coding of sec. 11.8.1.3.2 with (ur & ce=both/T)

```

The algorithm for derivation of BS81 Bearer Capabilities is same as above except all parameters are changed to corresponding BS81's parameters.



| Test Step Dynamic Behaviour |            |                                                                                                                                                                                |      |   |                       |
|-----------------------------|------------|--------------------------------------------------------------------------------------------------------------------------------------------------------------------------------|------|---|-----------------------|
| <b>Test Step Name:</b>      |            | CallCfmGen(svc:SERVICES; rate:RATE)                                                                                                                                            |      |   |                       |
| <b>Group:</b>               |            | GSM_L3_MS_v4200/Preambles/                                                                                                                                                     |      |   |                       |
| <b>Objective:</b>           |            | To generate a CALL CONFIRMED based on the service and rate, as well as on several IXIT parameters, itc, ce, ur, synchronous bit for verifying received CALL CONFIRMED message. |      |   |                       |
| <b>Default:</b>             |            | OtherEvents                                                                                                                                                                    |      |   |                       |
| <b>Comments:</b>            |            | Used only for TC_11_2                                                                                                                                                          |      |   |                       |
| Nr                          | Label      | Behaviour Description                                                                                                                                                          | CRef | V | Comments              |
| 1                           |            | +local_init                                                                                                                                                                    |      |   | Default values        |
| 2                           |            | [TCV_Service = C_Telephony]                                                                                                                                                    |      |   |                       |
| 3                           |            | [(NOT TSPC_EFR_Speech_v2) AND(NOT TSPC_EFR_Speech_v3)]                                                                                                                         |      |   |                       |
| 4                           |            | (TCV_BcapMO1 := Bcap_Speech_MO(TCV_Rchr))                                                                                                                                      |      |   | TS11 - Non EFR Mobile |
| 5                           |            | +local_callcfm1                                                                                                                                                                |      |   |                       |
| 6                           |            | [TSPC_EFR_Speech_v2 OR TSPC_EFR_Speech_v3]                                                                                                                                     |      |   |                       |
| 7                           |            | (TCV_BcapMO1 := Bcap_Speech_Efr_MO(TCV_Rchr))                                                                                                                                  |      |   | TS11 - EFR Mobile     |
| 8                           |            | +local_callcfm1                                                                                                                                                                |      |   |                       |
| 9                           |            | [TCV_Service = C_AltSpchFax]                                                                                                                                                   |      |   |                       |
| 10                          |            | [rate = C_Full]                                                                                                                                                                |      |   |                       |
| 11                          |            | +local_TS61( C_AltSpchFax)                                                                                                                                                     |      |   | TS61                  |
| 12                          | L_098<br>3 | [rate <> C_Full]                                                                                                                                                               |      | I | IXIT error            |
| 13                          |            | [TCV_Service = C_AutoFax]                                                                                                                                                      |      |   |                       |
| 14                          |            | [rate = C_Full]                                                                                                                                                                |      |   |                       |
| 15                          |            | +local_TS62( C_AutoFax)                                                                                                                                                        |      |   | TS62                  |
| 16                          | L_098<br>4 | [rate <> C_Full]                                                                                                                                                               |      | I | IXIT error            |
| 17                          |            | [TCV_Service = C_Async300]                                                                                                                                                     |      |   |                       |
| 18                          |            | +local_BS2x( C_Async300, C_300bs, C_modemt_V21, TSPX_BS_21_ce)                                                                                                                 |      |   | BS21                  |
| 19                          |            | [TCV_Service = C_Async1200]                                                                                                                                                    |      |   |                       |
| 20                          |            | +local_BS2x( C_Async1200, C_1200bs, C_modemt_V22, TSPX_BS_22_ce)                                                                                                               |      |   | BS22                  |
| 21                          |            | [TCV_Service = C_Async120075]                                                                                                                                                  |      |   |                       |
| 22                          |            | +local_BS2x( C_Async120075, C_120075bs, C_modemt_V23, TSPX_BS_23_ce)                                                                                                           |      |   | BS23                  |
| 23                          |            | [TCV_Service = C_Async2400]                                                                                                                                                    |      |   |                       |
| 24                          |            | +local_BS2x( C_Async2400, C_2400bs, TCV_MODEM.V22bisOrV26ter, TSPX_BS_24_ce)                                                                                                   |      |   | BS24                  |
| 25                          |            | [TCV_Service = C_Async4800]                                                                                                                                                    |      |   |                       |
| 26                          |            | +local_BS2x( C_Async4800, C_4800bs, C_modemt_V32, TSPX_BS_25_ce)                                                                                                               |      |   | BS25                  |
| 27                          |            | [TCV_Service = C_Async9600]                                                                                                                                                    |      |   |                       |
| 28                          |            | +local_BS2x( C_Async9600, C_9600bs, C_modemt_V32, TSPX_BS_26_ce)                                                                                                               |      |   | BS26                  |
| 29                          |            | [TCV_Service = C_Sync1200]                                                                                                                                                     |      |   |                       |
| 30                          |            | +local_BS3x( C_Sync1200, TSPX_BS_31_sacp1, C_1200bs, C_transparent, C_modemt_V22)                                                                                              |      |   | BS31                  |
| 31                          |            | [TCV_Service = C_Sync2400]                                                                                                                                                     |      |   |                       |
| 32                          |            | +local_BS3x( C_Sync2400, TSPX_BS_32_sacp1, C_2400bs, TSPX_BS_32_X32_ce, TCV_MODEM.V22bisOrV26ter)                                                                              |      |   | BS32                  |
| 33                          |            | [TCV_Service = C_Sync4800]                                                                                                                                                     |      |   |                       |
| 34                          |            | +local_BS3x( C_Sync4800, TSPX_BS_33_sacp1, C_4800bs, TSPX_BS_33_X32_ce, C_modemt_V32)                                                                                          |      |   | BS33                  |
| 35                          |            | [TCV_Service = C_Sync9600]                                                                                                                                                     |      |   |                       |
| 36                          |            | +local_BS3x( C_Sync9600, TSPX_BS_34_sacp1, C_9600bs, TSPX_BS_34_X32_ce, C_modemt_V32)                                                                                          |      |   | BS34                  |
| 37                          |            | [TCV_Service = C_AltSpchData]                                                                                                                                                  |      |   |                       |
| 38                          |            | +local_BS61or81( C_AltSpchData, TSPX_BS_61_A, TSPX_BS_61_A_ur1, TSPX_BS_61_A_ur1_ce, TSPX_BS_61_S,                                                                             |      |   | BS61                  |

|    |            |                                                                                                                                                                                                                                                                           |              |                                          |
|----|------------|---------------------------------------------------------------------------------------------------------------------------------------------------------------------------------------------------------------------------------------------------------------------------|--------------|------------------------------------------|
| 39 |            | TSPX_BS_61_S_ur1, C_RI_alternate)<br>[TCV_Service = C_SpchData]                                                                                                                                                                                                           |              |                                          |
| 40 |            | +local_BS61or81( C_SpchData, TSPX_BS_81_A,<br>TSPX_BS_81_A_ur1, TSPX_BS_81_A_ur1_ce,<br>TSPX_BS_81_S, TSPX_BS_81_S_ur1,<br>C_RI_follow)                                                                                                                                   | BS81         |                                          |
| 41 | L_098<br>5 | [C_Yes]                                                                                                                                                                                                                                                                   | I            | IXIT error                               |
| 42 |            | <b>local_init</b><br>(TCV_Service := svc, TCV_Rchr := C_Rchr_Full,<br>TCV_MODEM := V22bisOrV26ter)                                                                                                                                                                        |              |                                          |
| 43 |            | [TSPC_DualRate]                                                                                                                                                                                                                                                           |              |                                          |
| 44 |            | (TCV_Rchr := '1?'B)                                                                                                                                                                                                                                                       |              |                                          |
| 45 |            | [NOT TSPC_DualRate]                                                                                                                                                                                                                                                       |              |                                          |
| 46 | L_098<br>6 | <b>local_BS2x(svc:SERVICES; ur:B_4; modem:B_5;<br/>ce:B_2)</b><br>[(ce <> C_transparent) AND( ce <> C_nottransparent)]                                                                                                                                                    | I            | IXIT value error                         |
| 47 |            | [C_Yes]                                                                                                                                                                                                                                                                   |              |                                          |
| 48 |            | +local_callCfm_BS2x(ce, ur, modem)                                                                                                                                                                                                                                        |              | generate call confirmed<br>msg           |
| 49 |            | (TCV_Null := OO_IFsetup_BS2xorBS3x_MO(svc,<br>C_3100Hz, C_I440_450, ce, TCV_ChRate))                                                                                                                                                                                      |              | ask test operator to<br>configure the MS |
| 50 |            | <b>local_callCfm_BS2x(ce1: B_2; ur1:B_4;<br/>modem1:B_5)</b><br>[ce1 = C_transparent]                                                                                                                                                                                     |              |                                          |
| 51 |            | [ur1 = C_9600bs]                                                                                                                                                                                                                                                          |              |                                          |
| 52 |            | (TCV_BcapMO1 := Bcap_MO(TCV_Rchr,<br>C_3100Hz, C_Unstructured, C_nirr_nomeaning,<br>C_no_rate_adaption, C_I440_450,<br>C_Asynchronous, C_stopbit_dontcare,<br>C_databit_dontcare, ur1, C_ir_16kbs,<br>C_parity_dontcare, C_transparent, modem1))                          | 11.8.2.1.1.1 |                                          |
| 53 |            | +local_callcfm1                                                                                                                                                                                                                                                           |              |                                          |
| 54 |            | [ur1 <> C_9600bs]                                                                                                                                                                                                                                                         |              |                                          |
| 55 |            | (TCV_BcapMO1 := Bcap_MO(TCV_Rchr,<br>C_3100Hz, C_Unstructured, C_nirr_nomeaning,<br>C_no_rate_adaption, C_I440_450,<br>C_Asynchronous, C_stopbit_dontcare,<br>C_databit_dontcare, ur1, C_ir_8kbs,<br>C_parity_dontcare, C_transparent, modem1))                           | 11.8.2.1.1.1 |                                          |
| 56 |            | +local_callcfm1                                                                                                                                                                                                                                                           |              |                                          |
| 57 |            | [ce1 = C_nottransparent]                                                                                                                                                                                                                                                  |              |                                          |
| 58 |            | (TCV_BcapMO1 := BcapX_MO(TCV_Rchr,<br>C_3100Hz, C_SDUintegrity, C_nirr_nomeaning,<br>C_no_rate_adaption, C_I440_450,<br>C_Asynchronous, C_stopbit_dontcare,<br>C_databit_dontcare, ur1, C_ir_16kbs,<br>C_parity_dontcare, C_nottransparent, modem1,<br>C_uil2p_dontcare)) | 11.8.2.1.1.2 |                                          |
| 59 |            | +local_callcfm1                                                                                                                                                                                                                                                           |              |                                          |
| 60 | L_098<br>7 | <b>local_BS3x( svc:SERVICES; sacp:B_3; ur:B_4;<br/>ce:B_2; modem:B_5)</b><br>[[ (ce <> C_transparent) AND( ce <><br>C_nottransparent) ] OR( (sacp <> C_I440_450)<br>AND( sacp <> C_X32) )]                                                                                | I            | IXIT value error                         |
| 61 |            | [C_Yes]                                                                                                                                                                                                                                                                   |              |                                          |
| 62 |            | +local_callCfm_BS3x(ce, ur, sacp, modem)                                                                                                                                                                                                                                  |              | generate call confirmed<br>msg           |
| 63 |            | (TCV_Null := OO_IFsetup_BS2xorBS3x_MO(svc,<br>C_3100Hz, sacp, ce, TCV_ChRate))                                                                                                                                                                                            |              | ask operator to configure<br>the MS      |
| 64 |            | <b>local_callCfm_BS3x(ce1: B_2; ur1: B_4; sacp1:<br/>B_3; modem1 :B_5)</b><br>[sacp1 = C_I440_450]                                                                                                                                                                        |              |                                          |
| 65 |            | [ur1 = C_9600bs]                                                                                                                                                                                                                                                          |              |                                          |



|    |                                                                                                                                                                                                                               |   |                |
|----|-------------------------------------------------------------------------------------------------------------------------------------------------------------------------------------------------------------------------------|---|----------------|
| 66 | (TCV_BcapMO1 := Bcap_MO(TCV_Rchr,<br>C_3100Hz, C_Unstructured, C_nirr_nomeaning,<br>C_no_rate_adaption, C_I440_450,<br>C_Synchronous, C_stopbit_NA, C_databit_NA,<br>ur1, C_ir_16kbs, C_parity_NA, C_transparent,<br>modem1)) |   | 11.8.2.2.1.1   |
| 67 | +local_callcfm1                                                                                                                                                                                                               |   |                |
| 68 | [ur1 <> C_9600bs]                                                                                                                                                                                                             |   |                |
| 69 | (TCV_BcapMO1 := Bcap_MO(TCV_Rchr,<br>C_3100Hz, C_Unstructured, C_nirr_nomeaning,<br>C_no_rate_adaption, C_I440_450,<br>C_Synchronous, C_stopbit_NA, C_databit_NA,<br>ur1, C_ir_8kbs, C_parity_NA, C_transparent,<br>modem1))  |   | 11.8.2.2.1.1   |
| 70 | +local_callcfm1                                                                                                                                                                                                               |   |                |
| 71 | [sacp1 = C_X32]                                                                                                                                                                                                               |   |                |
| 72 | [ce1 = C_transparent]                                                                                                                                                                                                         |   |                |
| 73 | [ur1 = C_9600bs]                                                                                                                                                                                                              |   |                |
| 74 | (TCV_BcapMO1 := Bcap_MO(TCV_Rchr,<br>C_3100Hz, C_Unstructured, C_nirr_nomeaning,<br>C_no_rate_adaption, C_X32, C_Synchronous,<br>C_stopbit_NA, C_databit_NA, ur1, C_ir_16kbs,<br>C_parity_NA, C_transparent, modem1))         |   | 11.8.2.2.1.3   |
| 75 | +local_callcfm1                                                                                                                                                                                                               |   |                |
| 76 | [ur1 <> C_9600bs]                                                                                                                                                                                                             |   |                |
| 77 | (TCV_BcapMO1 := Bcap_MO(TCV_Rchr,<br>C_3100Hz, C_Unstructured, C_nirr_nomeaning,<br>C_no_rate_adaption, C_X32, C_Synchronous,<br>C_stopbit_NA, C_databit_NA, ur1, C_ir_8kbs,<br>C_parity_NA, C_transparent, modem1))          |   | 11.8.2.2.1.3   |
| 78 | +local_callcfm1                                                                                                                                                                                                               |   |                |
| 79 | [ce1 = C_notransparent]                                                                                                                                                                                                       |   |                |
| 80 | (TCV_BcapMO1 := BcapX_MO(TCV_Rchr,<br>C_3100Hz, C_SDUIntegrity, C_nirr_nomeaning,<br>C_no_rate_adaption, C_X32, C_Synchronous,<br>C_stopbit_NA, C_databit_NA, ur1, C_ir_16kbs,<br>C_parity_NA, ce1, modem1, C_X25_fict))      |   | 11.8.2.2.1.4   |
| 81 | +local_callcfm1                                                                                                                                                                                                               |   |                |
|    | <b>local_BS61or81(svc1:SERVICES;<br/>async1:BOOLEAN; ur_a1:B_4; ce_a1:B_2;<br/>sync1:BOOLEAN; ur_s1:B_4; ri3: RPI)</b>                                                                                                        |   |                |
| 82 | L_098 8 [(ce_a1 <> C_transparent) AND( ce_a1 <><br>C_notransparent) AND async1]                                                                                                                                               | I | IXIT error     |
| 83 | L_098 9 [(ur_a1 <> C_300bs) AND(ur_a1 <> C_1200bs)<br>AND(ur_a1 <> C_2400bs) AND(ur_a1 <> C_4800bs)<br>AND(ur_a1 <> C_9600bs) AND(ur_a1 <><br>C_120075bs) AND async1]                                                         | I | IXIT error     |
| 84 | L_099 0 [(ur_s1 <> C_1200bs) AND(ur_s1 <> C_2400bs)<br>AND(ur_s1 <> C_4800bs) AND(ur_s1 <> C_9600bs)<br>AND sync1]                                                                                                            | I | IXIT error     |
| 85 | [C_Yes]                                                                                                                                                                                                                       |   | IXIT values OK |
| 86 | +local_callCfm_BS61or81(svc1, async1, ur_a1,<br>ce_a1, sync1, ur_s1, ri3)                                                                                                                                                     |   |                |
| 87 | (TCV_Null := OO_IFsetup_BS61orBS81_MO(svc,<br>TCV_ur, TCV_sa, TCV_ce, TCV_ChRate))                                                                                                                                            |   |                |
|    | <b>local_callCfm_BS61or81(svc:SERVICES;<br/>async:BOOLEAN; ur_a:B_4; ce_a:B_2;<br/>sync:BOOLEAN; ur_s:B_4; ri:RPI)</b>                                                                                                        |   |                |
| 88 | [async]                                                                                                                                                                                                                       |   |                |
| 89 | [ce_a = C_transparent]                                                                                                                                                                                                        |   |                |
| 90 | (TCV_ur := ur_a, TCV_sa := C_Asynchronous,<br>TCV_ce := C_transparent)                                                                                                                                                        |   |                |
| 91 | [ur_a = C_300bs]                                                                                                                                                                                                              |   |                |
| 92 | +local_Bs61or81_async_T(C_300bs,<br>C_modemt_V21, ri)                                                                                                                                                                         |   |                |
| 93 | [ur_a = C_1200bs]                                                                                                                                                                                                             |   |                |
| 94 | +local_Bs61or81_async_T(C_1200bs,<br>C_modemt_V22, ri)                                                                                                                                                                        |   |                |
| 95 | [ur_a = C_120075bs]                                                                                                                                                                                                           |   |                |

|     |                                                                                                                                                                                                                                                      |            |
|-----|------------------------------------------------------------------------------------------------------------------------------------------------------------------------------------------------------------------------------------------------------|------------|
| 96  | +local_Bs61or81_async_T(C_120075bs,<br>C_modemt_V23, ri)                                                                                                                                                                                             |            |
| 97  | [ur_a = C_2400bs]                                                                                                                                                                                                                                    |            |
| 98  | +local_Bs61or81_async_T(C_2400bs,<br>TCV_MODEM.V22bisOrV26ter, ri)                                                                                                                                                                                   |            |
| 99  | [ur_a = C_4800bs]                                                                                                                                                                                                                                    |            |
| 100 | +local_Bs61or81_async_T(C_4800bs,<br>C_modemt_V32, ri)                                                                                                                                                                                               |            |
| 101 | [ur_a = C_9600bs]                                                                                                                                                                                                                                    |            |
| 102 | +local_Bs61or81_async_T(C_9600bs,<br>C_modemt_V32, ri)                                                                                                                                                                                               |            |
| 103 | [ce_a = C_nottransparent]                                                                                                                                                                                                                            |            |
| 104 | (TCV_ur := ur_a, TCV_sa := C_Asynchronous,<br>TCV_ce := C_nottransparent)                                                                                                                                                                            |            |
| 105 | [ur_a = C_300bs]                                                                                                                                                                                                                                     |            |
| 106 | +local_Bs61or81_async_NT( C_300bs,<br>C_modemt_V21, ri)                                                                                                                                                                                              |            |
| 107 | [ur_a = C_1200bs]                                                                                                                                                                                                                                    |            |
| 108 | +local_Bs61or81_async_NT( C_1200bs,<br>C_modemt_V22, ri)                                                                                                                                                                                             |            |
| 109 | [ur_a = C_120075bs]                                                                                                                                                                                                                                  |            |
| 110 | +local_Bs61or81_async_NT( C_120075bs,<br>C_modemt_V23, ri)                                                                                                                                                                                           |            |
| 111 | [ur_a = C_2400bs]                                                                                                                                                                                                                                    |            |
| 112 | +local_Bs61or81_async_NT( C_2400bs,<br>TCV_MODEM.V22bisOrV26ter, ri)                                                                                                                                                                                 |            |
| 113 | [ur_a = C_4800bs]                                                                                                                                                                                                                                    |            |
| 114 | +local_Bs61or81_async_NT( C_1200bs,<br>C_modemt_V32, ri)                                                                                                                                                                                             |            |
| 115 | [ur_a = C_9600bs]                                                                                                                                                                                                                                    |            |
| 116 | +local_Bs61or81_async_NT( C_1200bs,<br>C_modemt_V32, ri)                                                                                                                                                                                             |            |
| 117 | [sync]                                                                                                                                                                                                                                               |            |
| 118 | (TCV_ur := ur_s, TCV_sa := C_Synchronous,<br>TCV_ce := C_transparent)                                                                                                                                                                                |            |
| 119 | [ur_s = C_1200bs]                                                                                                                                                                                                                                    |            |
| 120 | +local_Bs61or81_sync_T(C_1200bs,<br>C_modemt_V22, ri)                                                                                                                                                                                                |            |
| 121 | [ur_s = C_2400bs]                                                                                                                                                                                                                                    |            |
| 122 | +local_Bs61or81_sync_T(C_2400bs,<br>TCV_MODEM.V22bisOrV26ter, ri)                                                                                                                                                                                    |            |
| 123 | [ur_s = C_4800bs]                                                                                                                                                                                                                                    |            |
| 124 | +local_Bs61or81_sync_T(C_4800bs,<br>C_modemt_V32, ri)                                                                                                                                                                                                |            |
| 125 | [ur_s = C_9600bs]                                                                                                                                                                                                                                    |            |
| 126 | +local_Bs61or81_sync_T(C_9600bs,<br>C_modemt_V32, ri)                                                                                                                                                                                                |            |
|     | <b>local_Bs61or81_async_T(usrrt:B_4;<br/>modemtp:B_5; rpi:RPI)</b>                                                                                                                                                                                   |            |
| 127 | [usrrt <> C_9600bs]                                                                                                                                                                                                                                  |            |
| 128 | (TCV_BcapMO1 := Bcap_MO( TCV_Rchr,<br>C_3100Hz, C_Unstructured, C_nirr_nomeaning,<br>C_no_rate_adaption, C_I440_450,<br>C_Asynchronous, C_stopbit_dontcare,<br>C_databit_dontcare, usrrt, C_ir_8kbs,<br>C_parity_dontcare, C_transparent, modemtp))  | 11.8.2.5.1 |
| 129 | +local_callcfm2(rpi)                                                                                                                                                                                                                                 |            |
| 130 | [usrrt = C_9600bs]                                                                                                                                                                                                                                   |            |
| 131 | (TCV_BcapMO1 := Bcap_MO( TCV_Rchr,<br>C_3100Hz, C_Unstructured, C_nirr_nomeaning,<br>C_no_rate_adaption, C_I440_450,<br>C_Asynchronous, C_stopbit_dontcare,<br>C_databit_dontcare, usrrt, C_ir_16kbs,<br>C_parity_dontcare, C_transparent, modemtp)) | 11.8.2.5.1 |
| 132 | +local_callcfm2(rpi)                                                                                                                                                                                                                                 |            |
|     | <b>local_Bs61or81_async_NT(usrrt1:B_4;<br/>modemtp2:B_5; rpi:RPI)</b>                                                                                                                                                                                |            |

|     |                                                                                                                                                                                                                                                           |   |                      |
|-----|-----------------------------------------------------------------------------------------------------------------------------------------------------------------------------------------------------------------------------------------------------------|---|----------------------|
| 133 | (TCV_BcapMO1 := BcapX_MO(TCV_Rchr, C_3100Hz, C_SDUIegrity, C_nirr_nomeaning, C_no_rate_adaption, C_I440_450, C_Aynchronous, C_stopbit_dontcare, C_databit_dontcare, usrrt1, C_ir_16kbs, C_parity_dontcare, C_nottransparent, modemtp2, C_uil2p_dontcare)) |   | 11.8.2.5.2           |
| 134 | +local_callcfm2(rpi)                                                                                                                                                                                                                                      |   |                      |
|     | <b>local_Bs61or81_sync_T(usrrt2:B_4; modemtp2: B_5; rpi2:RPI)</b>                                                                                                                                                                                         |   |                      |
| 135 | [usrrt2 <> C_9600bs]                                                                                                                                                                                                                                      |   |                      |
| 136 | (TCV_BcapMO1 := Bcap_MO(TCV_Rchr, C_3100Hz, C_Unstructured, C_nirr_nomeaning, C_no_rate_adaption, C_I440_450, C_Synchronous, C_stopbit_NA, C_databit_NA, usrrt2, C_ir_8kbs, C_parity_NA, C_transparent, modemtp2))                                        |   | 11.8.2.5.3           |
| 137 | +local_callcfm2(rpi2)                                                                                                                                                                                                                                     |   |                      |
| 138 | [usrrt2 = C_9600bs]                                                                                                                                                                                                                                       |   |                      |
| 139 | (TCV_BcapMO1 := Bcap_MO(TCV_Rchr, C_3100Hz, C_Unstructured, C_nirr_nomeaning, C_no_rate_adaption, C_I440_450, C_Synchronous, C_stopbit_NA, C_databit_NA, usrrt2, C_ir_16kbs, C_parity_NA, C_transparent, modemtp2))                                       |   | 11.8.2.5.3           |
| 140 | +local_callcfm2(rpi2)                                                                                                                                                                                                                                     |   |                      |
|     | <b>local_TS61(svc:SERVICES)</b>                                                                                                                                                                                                                           |   |                      |
| 141 | (TCV_ur := TSPX_TS_61_ur1, TCV_ce := TSPX_TS_61_ce)                                                                                                                                                                                                       |   |                      |
| 142 | L_099 1 [(TCV_ur <> C_4800bs) AND(TCV_ur <> C_2400bs) AND(TCV_ur <> C_9600bs)]                                                                                                                                                                            | I | IXIT parameter error |
| 143 | L_099 2 [(TCV_ce <> C_transparent) AND(TCV_ce <> C_nottransparent)]                                                                                                                                                                                       | I | IXIT parameter error |
| 144 | [C_Yes]                                                                                                                                                                                                                                                   |   |                      |
| 145 | +local_Bcap_TS6x                                                                                                                                                                                                                                          |   |                      |
| 146 | +local_callcfm2(C_RI_alternate)                                                                                                                                                                                                                           |   |                      |
| 147 | (TCV_Null := OO_IFsetup_TS6x_MO(svc, TCV_ur, TCV_ce, TCV_ChRate))                                                                                                                                                                                         |   |                      |
|     | <b>local_TS62(svc:SERVICES)</b>                                                                                                                                                                                                                           |   |                      |
| 148 | (TCV_ur := TSPX_TS_62_ur1, TCV_ce := TSPX_TS_62_ce)                                                                                                                                                                                                       |   |                      |
| 149 | L_099 3 [(TCV_ur <> C_4800bs) AND(TCV_ur <> C_2400bs) AND(TCV_ur <> C_9600bs)]                                                                                                                                                                            | I | IXIT parameter error |
| 150 | L_099 4 [(TCV_ce <> C_transparent) AND(TCV_ce <> C_nottransparent)]                                                                                                                                                                                       | I | IXIT parameter error |
| 151 | [C_Yes]                                                                                                                                                                                                                                                   |   |                      |
| 152 | +local_Bcap_TS6x                                                                                                                                                                                                                                          |   |                      |
| 153 | +local_callcfm1                                                                                                                                                                                                                                           |   |                      |
| 154 | (TCV_Null := OO_IFsetup_TS6x_MO(svc, TCV_ur, TCV_ce, TCV_ChRate))                                                                                                                                                                                         |   |                      |
|     | <b>local_Bcap_TS6x</b>                                                                                                                                                                                                                                    |   |                      |
| 155 | [TCV_ce = C_transparent]                                                                                                                                                                                                                                  |   |                      |
| 156 | [TCV_ur = C_9600bs]                                                                                                                                                                                                                                       |   |                      |
| 157 | (TCV_BcapMO1 := Bcap_MO(TCV_Rchr, C_FAX3, C_Unstructured, C_nirr_nomeaning, C_no_rate_adaption, C_sacp_NA, C_Synchronous, C_stopbit_NA, C_databit_NA, TCV_ur, C_ir_16kbs, C_parity_NA, C_transparent, C_modemt_none))                                     |   | 11.8.2.7.1           |
| 158 | [(TCV_ur = C_4800bs) OR (TCV_ur = C_2400bs)]                                                                                                                                                                                                              |   |                      |
| 159 | (TCV_BcapMO1 := Bcap_MO(TCV_Rchr, C_FAX3, C_Unstructured, C_nirr_nomeaning, C_no_rate_adaption, C_sacp_NA, C_Synchronous, C_stopbit_NA, C_databit_NA, TCV_ur, C_ir_8kbs, C_parity_NA, C_transparent, C_modemt_none))                                      |   | 11.8.2.7.1           |
| 160 | [TCV_ce = C_nottransparent]                                                                                                                                                                                                                               |   |                      |

|                                                                                                  |                                                                                                                                                                                                                                       |  |                |
|--------------------------------------------------------------------------------------------------|---------------------------------------------------------------------------------------------------------------------------------------------------------------------------------------------------------------------------------------|--|----------------|
| 161                                                                                              | (TCV_BcapMO1 := BcapX_MO(TCV_Rchr, C_FAX3, C_SDUintegrity, C_nirr_nomeaning, C_no_rate_adaption, C_sacp_NA, C_Synchronous, C_stopbit_NA, C_databit_NA, TCV_ur, C_ir_16kbs, C_parity_NA, C_nottransparent, C_modemt_none, C_X25_flct)) |  | 11.8.2.7.2     |
| 162                                                                                              | <b>local_callcfm1</b><br>(TCV_CallCfm := CallConfirm_04(TI_01, TCV_BcapMO1))                                                                                                                                                          |  |                |
| 163                                                                                              | <b>local_callcfm2(rpi:RPI)</b><br>[(NOT TSPC_EFR_Speech_v2) AND(NOT TSPC_EFR_Speech_v3)]                                                                                                                                              |  |                |
| 164                                                                                              | (TCV_CallCfm := CallConfirm_05(TI_01, rpi, Bcap_Speech_MO(TCV_Rchr), TCV_BcapMO1))                                                                                                                                                    |  | Non EFR Mobile |
| 165                                                                                              | [TSPC_EFR_Speech_v2 OR TSPC_EFR_Speech_v3]                                                                                                                                                                                            |  |                |
| 166                                                                                              | (TCV_CallCfm := CallConfirm_05(TI_01, rpi, Bcap_Speech_Efr_MO(TCV_Rchr), TCV_BcapMO1))                                                                                                                                                |  | EFR Mobile     |
| <b>Detailed Comments:</b> The implementation of this test step is based on the SMG 7 Tdoc 266/96 |                                                                                                                                                                                                                                       |  |                |

| Test Step Dynamic Behaviour                                                                                                                                                                                                                                                                        |            |                                                                                         |      |   |                |
|----------------------------------------------------------------------------------------------------------------------------------------------------------------------------------------------------------------------------------------------------------------------------------------------------|------------|-----------------------------------------------------------------------------------------|------|---|----------------|
| <b>Test Step Name:</b> Chmod(rate:RATE; ce:B_2; ur:B_4; svc:SERVICES)                                                                                                                                                                                                                              |            |                                                                                         |      |   |                |
| <b>Group:</b> GSM_L3_MS_v4200/Preambles/                                                                                                                                                                                                                                                           |            |                                                                                         |      |   |                |
| <b>Objective:</b> To assign correct values to the test case variables TCV_ChMod and TCV_ChModb.                                                                                                                                                                                                    |            |                                                                                         |      |   |                |
| <b>Default:</b> OtherEvents                                                                                                                                                                                                                                                                        |            |                                                                                         |      |   |                |
| <b>Comments:</b> The rules for assignment are in Table 10-1 of GSM 11.10 section 10.3. If the value for ce is "BothT", the rule for transparent is used. If the value for ce is "BothNT", the rule for non transparent is used. That means the preferred value will be used in test configuration. |            |                                                                                         |      |   |                |
| Nr                                                                                                                                                                                                                                                                                                 | Label      | Behaviour Description                                                                   | CRef | V | Comments       |
| 1                                                                                                                                                                                                                                                                                                  |            | +local_tree                                                                             |      |   |                |
| 2                                                                                                                                                                                                                                                                                                  |            | [(svc = C_AltSpchData) OR (svc = C_SpchData) OR ( svc = C_AltSpchFax)]                  |      |   | dual mode call |
| 3                                                                                                                                                                                                                                                                                                  |            | (TCV_ChMod.mode := C_ChMod_r)                                                           |      |   |                |
| 4                                                                                                                                                                                                                                                                                                  |            | [(svc<> C_AltSpchData) AND(svc <> C_SpchData) AND( svc <> C_AltSpchFax)]                |      |   |                |
| 5                                                                                                                                                                                                                                                                                                  |            | <b>local_tree</b><br>[[(ce = C_nottransparent) OR (ce = C_BothNT)) AND (rate = C_Full)] |      |   |                |
| 6                                                                                                                                                                                                                                                                                                  |            | (TCV_ChMod.mode := C_ChMod_12k, TCV_ChModb.mode := C_ChMod_12k)                         |      |   |                |
| 7                                                                                                                                                                                                                                                                                                  |            | [[(ce = C_nottransparent) OR (ce = C_BothNT)) AND (rate = C_Half)]                      |      |   |                |
| 8                                                                                                                                                                                                                                                                                                  |            | [ur <> C_9600bs]                                                                        |      |   |                |
| 9                                                                                                                                                                                                                                                                                                  |            | (TCV_ChMod.mode := C_ChMod_6k, TCV_ChModb.mode := C_ChMod_6k)                           |      |   |                |
| 10                                                                                                                                                                                                                                                                                                 | L_099<br>5 | [ur = C_9600bs]                                                                         |      | I | not applicable |
| 11                                                                                                                                                                                                                                                                                                 |            | [(ce = C_transparent) OR ( ce = C_BothT)]                                               |      |   |                |
| 12                                                                                                                                                                                                                                                                                                 |            | [(ur = C_9600bs) AND (rate = C_Full)]                                                   |      |   |                |
| 13                                                                                                                                                                                                                                                                                                 |            | (TCV_ChMod.mode := C_ChMod_12k, TCV_ChModb.mode := C_ChMod_12k)                         |      |   |                |
| 14                                                                                                                                                                                                                                                                                                 |            | [ur = C_4800bs]                                                                         |      |   |                |
| 15                                                                                                                                                                                                                                                                                                 |            | (TCV_ChMod.mode := C_ChMod_6k, TCV_ChModb.mode := C_ChMod_6k)                           |      |   |                |
| 16                                                                                                                                                                                                                                                                                                 |            | [(ur <> C_4800bs) AND(ur <> C_9600bs)]                                                  |      |   |                |
| 17                                                                                                                                                                                                                                                                                                 |            | (TCV_ChMod.mode := C_ChMod_3k, TCV_ChModb.mode := C_ChMod_3k)                           |      |   |                |
| 18                                                                                                                                                                                                                                                                                                 | L_099<br>6 | [(ur = C_9600bs) AND (rate = C_Half)]                                                   |      | I | not applicable |
| <b>Detailed Comments:</b>                                                                                                                                                                                                                                                                          |            |                                                                                         |      |   |                |

| Test Step Dynamic Behaviour |       |                                                                                    |                                                                                                                     |   |                         |
|-----------------------------|-------|------------------------------------------------------------------------------------|---------------------------------------------------------------------------------------------------------------------|---|-------------------------|
| <b>Test Step Name:</b>      |       | Est_MO_Call(ta:TA; rate:IA5String; rand:RAND; sdch:B_2; slot:SN; tsc:TSC; tch:B_1) |                                                                                                                     |   |                         |
| <b>Group:</b>               |       | GSM_L3_MS_v4200/Preambles/                                                         |                                                                                                                     |   |                         |
| <b>Objective:</b>           |       | To establish a mobile station originating call using standard procedure.           |                                                                                                                     |   |                         |
| <b>Default:</b>             |       | OtherEvents                                                                        |                                                                                                                     |   |                         |
| Nr                          | Label | Behaviour Description                                                              | CRef                                                                                                                | V | Comments                |
| 1                           |       | +InitCall( TCV_Service)                                                            |                                                                                                                     |   |                         |
| 2                           |       | L?DL_RaInChRq ( TCV_Rr := DL_RaInChRq.<br>msg.ecau_rrf, TCV_Fn := DL_RaInChRq.fn)  | ChReq(<br>ChRequest_15)                                                                                             |   |                         |
| 3                           |       | ACTIVATE( OtherEvents_02)                                                          |                                                                                                                     |   | To match ChReq retrans. |
| 4                           |       | LIDL_UdatRqImmss                                                                   | ImmAss( TCV_agch,<br>ImmAsgn_01Def(<br>TCV_Rr, TCV_Fn,<br>sdch, TCV_slot,<br>TCV_tsc,<br>TCV_chdescr_arfcn,<br>ta)) |   |                         |
| 5                           |       | L?DL_EstInCmsRq                                                                    | CMSerReq(<br>CMSerReq_01)                                                                                           |   |                         |
| 6                           |       | ACTIVATE( OtherEvents)                                                             |                                                                                                                     |   | Restore Normal default  |
| 7                           |       | +Authentication( TCV_ch, TCV_cks, rand)                                            |                                                                                                                     |   |                         |
| 8                           |       | +Cipherring_on( TCV_ch)                                                            |                                                                                                                     |   |                         |
| 9                           |       | +RcvSetupOrEsetup(<br>TCV_Setup_mo, TCV_Esetup,<br>TCV_Ecall)                      |                                                                                                                     |   |                         |
| 10                          |       | LIDL_DatRqCallProc                                                                 | CallProc(TCV_ch,<br>TCV_CallProc)                                                                                   |   |                         |
| 11                          |       | LIDL_DatRqAlert                                                                    | AlertSnd( TCV_ch,<br>Alerting_01( TCV_TI))                                                                          |   |                         |
| 12                          |       | +AssCmdGen( TCV_cellid, rate,<br>slot, tsc, tch)                                   |                                                                                                                     |   |                         |
| 13                          |       | +AssCh_complete( TCV_ch,<br>TCV_chTch, TCV_AssCmd)                                 |                                                                                                                     |   |                         |
| 14                          |       | LIDL_DatRqConn                                                                     | ConnSnd(<br>TCV_chTch,<br>Connect_02(<br>TCV_TI))                                                                   |   |                         |
| 15                          |       | L?DL_DatInConnAck                                                                  | ConnAckRcv(<br>ConnectAck_02(<br>TCV_TI0))                                                                          |   |                         |
| <b>Detailed Comments:</b>   |       |                                                                                    |                                                                                                                     |   |                         |

| Test Step Dynamic Behaviour                    |       |                                                                                                                             |                                                                                                                                                             |   |                                    |
|------------------------------------------------|-------|-----------------------------------------------------------------------------------------------------------------------------|-------------------------------------------------------------------------------------------------------------------------------------------------------------|---|------------------------------------|
| <b>Test Step Name:</b>                         |       | Est_MO_Call_init( par1: OCTETSTRING; mag, mad:MA; ta:TA; tsc1:B_3; nfrqg, nfrqd:INTEGER)                                    |                                                                                                                                                             |   |                                    |
| <b>Group:</b>                                  |       | GSM_L3_MS_v4200/Preambles/                                                                                                  |                                                                                                                                                             |   |                                    |
| <b>Objective:</b>                              |       | To initiate a mobile originating call for the supported bearer capability. The channel in use is frequency hopping channel. |                                                                                                                                                             |   |                                    |
| <b>Default:</b>                                |       | OtherEvents                                                                                                                 |                                                                                                                                                             |   |                                    |
| <b>Comments:</b>                               |       | The test case variable TCV_Mt holds the message type of the received SETUP msg.                                             |                                                                                                                                                             |   |                                    |
| Nr                                             | Label | Behaviour Description                                                                                                       | CRef                                                                                                                                                        | V | Comments                           |
| 1                                              |       | (TCV_cellid:=C_CellA)                                                                                                       |                                                                                                                                                             |   |                                    |
| 2                                              |       | +InitCall( TCV_Service)                                                                                                     |                                                                                                                                                             |   |                                    |
| 3                                              |       | L?DL_RaInChRq (TCV_Rr := DL_RaInChRq.<br>msg.ecau_rfr, TCV_Fn := DL_RaInChRq.fn)                                            | ChReq(<br>ChRequest_15)                                                                                                                                     |   |                                    |
| 4                                              |       | ACTIVATE( OtherEvents_02)                                                                                                   |                                                                                                                                                             |   | To match ChReq retrans.            |
| 5                                              |       | +localtree_ia( par1)                                                                                                        |                                                                                                                                                             |   |                                    |
| 6                                              |       | L?DL_EstInCmsRq                                                                                                             | CMSerReq(<br>CMServiceReq_01)                                                                                                                               |   |                                    |
| 7                                              |       | ACTIVATE( OtherEvents)                                                                                                      |                                                                                                                                                             |   | Restore Normal default             |
| 8                                              |       | (TCV_Null := OM_NoL2Ack(2, TCV_ch))                                                                                         |                                                                                                                                                             |   | Prevent L2 Ack of Setup<br>message |
| 9                                              |       | +Ciphering_on( TCV_ch)                                                                                                      |                                                                                                                                                             |   |                                    |
| 10                                             |       | L?DL_DatInSetup (TCV_Mt :=<br>DL_DatInSetup.msg.mt)                                                                         | SetupRcv(<br>SetupInd_01)                                                                                                                                   |   |                                    |
| <b>localtree_ia( par_chn: OCTETSTRING)</b>     |       |                                                                                                                             |                                                                                                                                                             |   |                                    |
| 11                                             |       | [par_chn = C_CHTCHF_NonFH]                                                                                                  |                                                                                                                                                             |   |                                    |
| 12                                             |       | (TCV_Tchtype := '00001'B)                                                                                                   |                                                                                                                                                             |   |                                    |
| 13                                             |       | +ltree_immass_nfh( TCV_tch_arfcn, tsc1)                                                                                     |                                                                                                                                                             |   |                                    |
| 14                                             |       | [par_chn = C_CHSDCCH4_NonFH]                                                                                                |                                                                                                                                                             |   |                                    |
| 15                                             |       | (TCV_Tchtype := INT_TO_BIT(( 4 + BIT_TO_INT(<br>TSPX_SDCCH4SubDef)), 5))                                                    |                                                                                                                                                             |   |                                    |
| 16                                             |       | +ltree_immass_nfh( TCV_chdescr_arfcn, tsc1)                                                                                 |                                                                                                                                                             |   |                                    |
| 17                                             |       | [par_chn = C_CHSDCCH8_NonFH]                                                                                                |                                                                                                                                                             |   |                                    |
| 18                                             |       | (TCV_Tchtype := INT_TO_BIT(( 8 + BIT_TO_INT(<br>TSPX_SDCCH8SubDef)), 5))                                                    |                                                                                                                                                             |   |                                    |
| 19                                             |       | +ltree_immass_nfh( TCV_tch_arfcn, tsc1)                                                                                     |                                                                                                                                                             |   |                                    |
| 20                                             |       | [par_chn = C_CHTCHF_FH]                                                                                                     |                                                                                                                                                             |   |                                    |
| 21                                             |       | (TCV_Tchtype := '00001'B)                                                                                                   |                                                                                                                                                             |   |                                    |
| 22                                             |       | +ltree_immass_fh(nfrqg, nfrqd)                                                                                              |                                                                                                                                                             |   |                                    |
| 23                                             |       | [par_chn = C_CHTCHH_FH]                                                                                                     |                                                                                                                                                             |   |                                    |
| 24                                             |       | (TCV_Tchtype := INT_TO_BIT(( 2 + BIT_TO_INT(<br>TSPX_TCHHSubDef)), 5))                                                      |                                                                                                                                                             |   |                                    |
| 25                                             |       | +ltree_immass_fh(nfrqg, nfrqd)                                                                                              |                                                                                                                                                             |   |                                    |
| 26                                             |       | [par_chn = C_CHSDCCH8_FH]                                                                                                   |                                                                                                                                                             |   |                                    |
| 27                                             |       | (TCV_Tchtype := INT_TO_BIT(( 8 + BIT_TO_INT(<br>TSPX_SDCCH8SubDef)), 5))                                                    |                                                                                                                                                             |   |                                    |
| 28                                             |       | +ltree_immass_fh(nfrqg, nfrqd)                                                                                              |                                                                                                                                                             |   |                                    |
| <b>ltree_immass_fh(frqnog, frqnod:INTEGER)</b> |       |                                                                                                                             |                                                                                                                                                             |   |                                    |
| 29                                             |       | [TSPC_PGSM]                                                                                                                 |                                                                                                                                                             |   |                                    |
| 30                                             |       | (TCV_maio := INT_TO_BIT((TSPX_MAIO MOD<br>frqnog), 6), TCV_iel := mag.iel)                                                  |                                                                                                                                                             |   | 1.                                 |
| 31                                             |       | LIDL_UdatRqImm                                                                                                              | ImmAss( TCV_agch,<br>ImmAsgn_221(<br>TCV_Rr, TCV_Fn,<br>TCV_ia_ts, tsc1,<br>TCV_Tchtype,<br>TCV_maio,<br>INT_TO_BIT(TSPX_H<br>SN, 6), ta, mag,<br>TCV_iel)) |   |                                    |
| 32                                             |       | [TSPC_DCS]                                                                                                                  |                                                                                                                                                             |   |                                    |
| 33                                             |       | (TCV_maio := INT_TO_BIT((TSPX_MAIO MOD<br>frqnod), 6), TCV_iel := mad.iel)                                                  |                                                                                                                                                             |   | 1.                                 |
| 34                                             |       | LIDL_UdatRqImm                                                                                                              | ImmAss( TCV_agch,<br>ImmAsgn_221(<br>TCV_Rr, TCV_Fn,<br>TCV_ia_ts, tsc1,<br>TCV_Tchtype,                                                                    |   |                                    |

|                                                                                                                                                                                                              |  |                                                                            |                                                                                                                                                                                                                   |  |
|--------------------------------------------------------------------------------------------------------------------------------------------------------------------------------------------------------------|--|----------------------------------------------------------------------------|-------------------------------------------------------------------------------------------------------------------------------------------------------------------------------------------------------------------|--|
| 35                                                                                                                                                                                                           |  | <p><b>ltree_immass_nfh( arfcn:INTEGER; tsc:B_3)</b><br/>L!DL_UdatRqImm</p> | <p>TCV_maio,<br/>INT_TO_BIT(TSPX_H<br/>SN, 6), ta, mad,<br/>TCV_iel))</p> <p>ImmAss( TCV_agch,<br/>ImmAsgn_nfh(<br/>TCV_Rr, TCV_Fn,<br/>TCV_Tchtype,<br/>TCV_ia_ts, tsc, ta,<br/>arfcn,<br/>C_normal_paging))</p> |  |
| <p><b>Detailed Comments:</b> 1. To make the MAIO is within 0 ... N-1, where N is the number of frequencies of MA. "frqnog" and "frqnod" are number of of frequencies of MA for GSM and DCS respectively.</p> |  |                                                                            |                                                                                                                                                                                                                   |  |

| Test Step Dynamic Behaviour                                                                                                                                                                                                                                                                                                                                                                          |       |                                                                                                                                                                                                        |                                                        |   |           |
|------------------------------------------------------------------------------------------------------------------------------------------------------------------------------------------------------------------------------------------------------------------------------------------------------------------------------------------------------------------------------------------------------|-------|--------------------------------------------------------------------------------------------------------------------------------------------------------------------------------------------------------|--------------------------------------------------------|---|-----------|
| <p><b>Test Step Name:</b> Est_MT_Call_FH( ta:TA; rate:IA5String; maio:MAIO; hsn:INTEGER; rand:RAND; slot:SN; tsc:TSC; tch:B_1)</p> <p><b>Group:</b> GSM_L3_MS_v4200/Preambles/</p> <p><b>Objective:</b> To establish a mobile station terminating call with hopping channel (speech or data call).</p> <p><b>Default:</b> OtherEvents</p> <p><b>Comments:</b> used var's:<br/>TCV_cellid, TCV_ch</p> |       |                                                                                                                                                                                                        |                                                        |   |           |
| Nr                                                                                                                                                                                                                                                                                                                                                                                                   | Label | Behaviour Description                                                                                                                                                                                  | CRef                                                   | V | Comments  |
| 1                                                                                                                                                                                                                                                                                                                                                                                                    |       | +RRmtcallprepare( ta, rand)                                                                                                                                                                            |                                                        |   |           |
| 2                                                                                                                                                                                                                                                                                                                                                                                                    |       | +CC_Est_MT_Call                                                                                                                                                                                        |                                                        |   |           |
| 3                                                                                                                                                                                                                                                                                                                                                                                                    |       | +localtree                                                                                                                                                                                             |                                                        |   |           |
| 4                                                                                                                                                                                                                                                                                                                                                                                                    |       | +AssCh_complete( TCV_ch, TCV_chTch,<br>TCV_AssCmd)                                                                                                                                                     |                                                        |   |           |
| 5                                                                                                                                                                                                                                                                                                                                                                                                    |       | L!DL_DatRqConnAck                                                                                                                                                                                      | ConnAckSnd(<br>TCV_chTch,<br>ConnectAck_01(<br>TI_02)) |   |           |
| 6                                                                                                                                                                                                                                                                                                                                                                                                    |       | <b>localtree</b><br>[rate = C_Full]                                                                                                                                                                    |                                                        |   | Full rate |
| 7                                                                                                                                                                                                                                                                                                                                                                                                    |       | [TCV_cellid = C_CellA]                                                                                                                                                                                 |                                                        |   |           |
| 8                                                                                                                                                                                                                                                                                                                                                                                                    |       | +AssCmdGen_fh( C_Full, slot, tsc, tch, 9, 15,<br>maio, INT_TO_BIT( hsn, 6), Frql_20_A,<br>Frql_20_Ad, CellChDes_Omit, CellChDes_Omit,<br>ChMod_omit, MobilAllc_omit, MobilAllc_omit,<br>CphMod_omit)   |                                                        |   |           |
| 9                                                                                                                                                                                                                                                                                                                                                                                                    |       | [TCV_cellid = C_CellB]                                                                                                                                                                                 |                                                        |   |           |
| 10                                                                                                                                                                                                                                                                                                                                                                                                   |       | +AssCmdGen_fh( C_Full, slot, tsc, tch, 9, 15,<br>maio, INT_TO_BIT( hsn, 6), Frql_20_B1,<br>Frql_20_B8d, CellChDes_Omit, CellChDes_Omit,<br>ChMod_omit, MobilAllc_omit, MobilAllc_omit,<br>CphMod_omit) |                                                        |   | Half rate |
| 11                                                                                                                                                                                                                                                                                                                                                                                                   |       | [rate = C_Half]                                                                                                                                                                                        |                                                        |   |           |
| 12                                                                                                                                                                                                                                                                                                                                                                                                   |       | [TCV_cellid = C_CellA]                                                                                                                                                                                 |                                                        |   |           |
| 13                                                                                                                                                                                                                                                                                                                                                                                                   |       | +AssCmdGen_fh( C_Half, slot, tsc, tch, 9, 15,<br>maio, INT_TO_BIT( hsn, 6), Frql_20_A0,<br>Frql_20_A0d, CellChDes_Omit, CellChDes_Omit,<br>ChMod_omit, MobilAllc_omit, MobilAllc_omit,<br>CphMod_omit) |                                                        |   |           |
| 14                                                                                                                                                                                                                                                                                                                                                                                                   |       | [TCV_cellid = C_CellB]                                                                                                                                                                                 |                                                        |   |           |
| 15                                                                                                                                                                                                                                                                                                                                                                                                   |       | +AssCmdGen_fh( C_Half, slot, tsc, tch, 9, 15,<br>maio, INT_TO_BIT( hsn, 6), Frql_20_B3,<br>Frql_20_B3d, CellChDes_Omit, CellChDes_Omit,<br>ChMod_omit, MobilAllc_omit, MobilAllc_omit,<br>CphMod_omit) |                                                        |   |           |
| <p><b>Detailed Comments:</b></p>                                                                                                                                                                                                                                                                                                                                                                     |       |                                                                                                                                                                                                        |                                                        |   |           |

|                                    |
|------------------------------------|
| <b>Test Step Dynamic Behaviour</b> |
|------------------------------------|

|                        |                                                                                                |
|------------------------|------------------------------------------------------------------------------------------------|
| <b>Test Step Name:</b> | Est_MT_CallNonFH( ta:TA; rate:IA5String; sub:B_1; rand:RAND)                                   |
| <b>Group:</b>          | GSM_L3_MS_v4200/Preambles/                                                                     |
| <b>Objective:</b>      | To establish a mobile station terminating call with non hopping channel (speech or data call). |
| <b>Default:</b>        | OtherEvents                                                                                    |
| <b>Comments:</b>       | used var's:<br>TCV_cellid, TCV_chdescr_arfcn, TCV_Bcap1, TCV_chTch, TCV_asscmd_ts              |

| Nr | Label | Behaviour Description         | CRef | V | Comments |
|----|-------|-------------------------------|------|---|----------|
| 1  |       | +RRmtcallprepare(ta, rand)    |      |   |          |
| 2  |       | +CC_EstMsTermCall( rate, sub) |      |   |          |

|                           |
|---------------------------|
| <b>Detailed Comments:</b> |
|---------------------------|



| Test Step Dynamic Behaviour |       |                                                                                                                                                                                                                                                                                                                                                                                                                                                                                                                       |                                                                                            |   |                           |
|-----------------------------|-------|-----------------------------------------------------------------------------------------------------------------------------------------------------------------------------------------------------------------------------------------------------------------------------------------------------------------------------------------------------------------------------------------------------------------------------------------------------------------------------------------------------------------------|--------------------------------------------------------------------------------------------|---|---------------------------|
| <b>Test Step Name:</b>      |       | IdleUpdated( par_bspwr:INTEGER; activ_cell:CellID; sch, bcch:LOGICCH; acttype:BITSTRING; slot, slot2, slot3, slot4:SN; tsc:TSC; t, retr, neci, att:INTEGER; ta:TA; babr, cch_con, bpm:B_3; t3212:OCTETSTRING; ci:CI; mcc, mnc, lac:OCTETSTRING; co:CO; cchdgsm, cchddcs:CCHD; crh, mtmcgsm, mtmcdcs:INTEGER; bcchflgsm, bcflaltgsm, bcchfldcs, bcflaltdcs:NCD; Re:B_1; bcc:BCC; ncc:NCC; StartType:INTEGER; subch:B_2; cksn:B_3; rand:RAND; arfcngsm, arfcndcs:INTEGER; imsi:HEXSTRING; sysinfonb:INTEGER; nccp:NCCP) |                                                                                            |   |                           |
| <b>Group:</b>               |       | GSM_L3_MS_v4200/Preambles/                                                                                                                                                                                                                                                                                                                                                                                                                                                                                            |                                                                                            |   |                           |
| <b>Objective:</b>           |       | To ensure that the SIM is either updated to the initial conditions and the MS with CKSN valid, TMSI valid and idle updated in cell A, B or C; or idle updated without TMSI; or totally not updated and all LAI information deleted.                                                                                                                                                                                                                                                                                   |                                                                                            |   |                           |
| <b>Default:</b>             |       | OtherEvents                                                                                                                                                                                                                                                                                                                                                                                                                                                                                                           |                                                                                            |   |                           |
| Nr                          | Label | Behaviour Description                                                                                                                                                                                                                                                                                                                                                                                                                                                                                                 | CRef                                                                                       | V | Comments                  |
| 1                           |       | (TCV_slot := slot, TCV_tsc := tsc, TCV_Ccd0H := CntrlChDscrp( att, babr, C_cch_1Comb, bpm, t3212))                                                                                                                                                                                                                                                                                                                                                                                                                    |                                                                                            |   |                           |
| 2                           |       | +MM_PwrOrSimOff( C_SIMneedRmv)                                                                                                                                                                                                                                                                                                                                                                                                                                                                                        |                                                                                            |   |                           |
| 3                           |       | +Varinit_fix( activ_cell, lac, subch, cksn, rand, arfcngsm, arfcndcs, TCV_Ccd0H, imsi)                                                                                                                                                                                                                                                                                                                                                                                                                                |                                                                                            |   |                           |
| 4                           |       | +ltree_chconf( C_cch_1Comb)                                                                                                                                                                                                                                                                                                                                                                                                                                                                                           |                                                                                            |   | Config LT                 |
| 5                           |       | +localtree1                                                                                                                                                                                                                                                                                                                                                                                                                                                                                                           |                                                                                            |   |                           |
| <b>localtree1</b>           |       |                                                                                                                                                                                                                                                                                                                                                                                                                                                                                                                       |                                                                                            |   |                           |
| 6                           |       | +ltree_sysinfo( 1, C_cch_1Comb)                                                                                                                                                                                                                                                                                                                                                                                                                                                                                       |                                                                                            |   | ATT= '1'B                 |
| 7                           |       | +MM_PwrOrSimOn( C_SIMneedRmv)                                                                                                                                                                                                                                                                                                                                                                                                                                                                                         |                                                                                            |   |                           |
| 8                           |       | +localtree_Lup_Auth                                                                                                                                                                                                                                                                                                                                                                                                                                                                                                   |                                                                                            |   |                           |
| <b>localtree_Lup_Auth</b>   |       |                                                                                                                                                                                                                                                                                                                                                                                                                                                                                                                       |                                                                                            |   |                           |
| 9                           |       | START T_dly( C_T_Wait1stChReq)                                                                                                                                                                                                                                                                                                                                                                                                                                                                                        |                                                                                            |   |                           |
| 10                          |       | L?DL_RaclnChRq( TCV_Rr := DL_RaclnChRq.msg.ecau_rrf, TCV_Fn := DL_RaclnChRq.fn)                                                                                                                                                                                                                                                                                                                                                                                                                                       | ChReq( ChRequest_02)                                                                       |   | Any channel request PDU   |
| 11                          |       | CANCEL T_dly                                                                                                                                                                                                                                                                                                                                                                                                                                                                                                          |                                                                                            |   |                           |
| 12                          |       | ACTIVATE(OtherEvents_02)                                                                                                                                                                                                                                                                                                                                                                                                                                                                                              |                                                                                            |   | To match ChReq retrans.   |
| 13                          |       | L?DL_EstInLupRq                                                                                                                                                                                                                                                                                                                                                                                                                                                                                                       | ImmAss( TCV_agch, ImmAsgn_01Def( TCV_Rr, TCV_Fn, subch, slot, tsc, TCV_chdescr_arfcn, ta)) |   | Any location update type  |
| 14                          |       | ACTIVATE(OtherEvents)                                                                                                                                                                                                                                                                                                                                                                                                                                                                                                 | LocUp( TCV_ch, LocUpdtReq_01( C_norm_period_attac h))                                      |   | Restore Normal default    |
| 15                          |       | [StartType = C_Start_Rej]                                                                                                                                                                                                                                                                                                                                                                                                                                                                                             |                                                                                            |   |                           |
| 16                          |       | L!DL_DatRqLupRej                                                                                                                                                                                                                                                                                                                                                                                                                                                                                                      | LocRej( TCV_ch, LocUpdtRej_01( C_rc_LAnotallowed))                                         |   | Delete LAI, tmsi, cksn    |
| 17                          |       | +PostMainLinkRel(TCV_ch)                                                                                                                                                                                                                                                                                                                                                                                                                                                                                              |                                                                                            |   | Release Ch                |
| 18                          |       | +MM_PwrOrSimOff( C_SIMneedRmv)                                                                                                                                                                                                                                                                                                                                                                                                                                                                                        |                                                                                            |   |                           |
| 19                          |       | +localtree2                                                                                                                                                                                                                                                                                                                                                                                                                                                                                                           |                                                                                            |   |                           |
| 20                          |       | [StartType = C_Start_Imsi]                                                                                                                                                                                                                                                                                                                                                                                                                                                                                            |                                                                                            |   |                           |
| 21                          |       | +Authentication( TCV_ch, cksn, rand)                                                                                                                                                                                                                                                                                                                                                                                                                                                                                  |                                                                                            |   |                           |
| 22                          |       | L!DL_DatRqLupAcp                                                                                                                                                                                                                                                                                                                                                                                                                                                                                                      | LocAcp( TCV_ch, LocUpdtAcp_01( Milmsi_01iei, mcc, mnc, TCV_lac))                           |   | Location Accept with IMSI |
| 23                          |       | +PostMainLinkRel(TCV_ch)                                                                                                                                                                                                                                                                                                                                                                                                                                                                                              |                                                                                            |   | Release Ch                |
| 24                          |       | +localtree2                                                                                                                                                                                                                                                                                                                                                                                                                                                                                                           |                                                                                            |   |                           |
| 25                          |       | [(StartType = C_Start_Tmsi) OR (StartType = C_Start_TmsiOff)]                                                                                                                                                                                                                                                                                                                                                                                                                                                         |                                                                                            |   |                           |
| 26                          |       | +Authentication( TCV_ch, cksn, rand)                                                                                                                                                                                                                                                                                                                                                                                                                                                                                  |                                                                                            |   |                           |
| 27                          |       | L!DL_DatRqLupAcp                                                                                                                                                                                                                                                                                                                                                                                                                                                                                                      | LocAcp( TCV_ch, LocUpdtAcp_01( MiTmsi_01iei, mcc, mnc, TCV_lac))                           |   | Location Accept with TMSI |
| 28                          |       | L?DL_DatInTmsireCom                                                                                                                                                                                                                                                                                                                                                                                                                                                                                                   | TmsiReallocCmp( TCV_ch)                                                                    |   |                           |
| 29                          |       | +PostMainLinkRel(TCV_ch)                                                                                                                                                                                                                                                                                                                                                                                                                                                                                              |                                                                                            |   | Release Ch                |

|    |            |                                                                                                                                                                            |                                                      |                               |
|----|------------|----------------------------------------------------------------------------------------------------------------------------------------------------------------------------|------------------------------------------------------|-------------------------------|
| 30 |            | +localtree2                                                                                                                                                                |                                                      |                               |
| 31 |            | [StartType = C_Start_PLMNnot]                                                                                                                                              |                                                      |                               |
| 32 |            | LIDL_DatRqLupRej                                                                                                                                                           | LocRej( TCV_ch,<br>LocUpdtRej_01(<br>C_rc_plmn_not)) | Delete LAI, tmsi, cksn        |
| 33 |            | +PostMainLinkRel(TCV_ch)                                                                                                                                                   |                                                      | Release Ch                    |
| 34 |            | +localtree2                                                                                                                                                                |                                                      |                               |
| 35 | L_099<br>7 | [(StartType <> C_Start_Rej)<br>AND(StartType <> C_Start_Tmsi)<br>AND(StartType <> C_Start_TmsiOff)<br>AND(StartType <> C_Start_Imsi)<br>AND(StartType <> C_Start_PLMNnot)] |                                                      | I                             |
| 36 |            | ?TIMEOUT T_dly                                                                                                                                                             |                                                      |                               |
| 37 |            | +ltree_rmvPLMNfbdnlist                                                                                                                                                     |                                                      |                               |
|    |            | <b>localtree2</b>                                                                                                                                                          |                                                      |                               |
| 38 |            | [(att = 1) AND(StartType <> C_Start_TmsiOff)]                                                                                                                              |                                                      | ATT no change                 |
| 39 |            | [cch_con <> C_cch_1Comb]                                                                                                                                                   |                                                      | If non combined               |
| 40 |            | +localtree3                                                                                                                                                                |                                                      |                               |
| 41 |            | +ltree_PgReorg                                                                                                                                                             |                                                      |                               |
| 42 |            | [cch_con = C_cch_1Comb]                                                                                                                                                    |                                                      | If combined                   |
| 43 |            | [(att = 1) AND (StartType = C_Start_TmsiOff)]                                                                                                                              |                                                      |                               |
| 44 |            | +ImsiDetach(MiTmsi_01, ta, C_SIMneedRmv)                                                                                                                                   |                                                      | Switch off, detach            |
| 45 |            | [cch_con <> C_cch_1Comb]                                                                                                                                                   |                                                      | If non combined               |
| 46 |            | +localtree3                                                                                                                                                                |                                                      |                               |
| 47 |            | [cch_con = C_cch_1Comb]                                                                                                                                                    |                                                      | If combined                   |
| 48 |            | [att = 0]                                                                                                                                                                  |                                                      |                               |
| 49 |            | [cch_con = C_cch_1Comb]                                                                                                                                                    |                                                      | If combined                   |
| 50 |            | +ltree_sysinfo( 0, C_cch_1Comb)                                                                                                                                            |                                                      | ATT=0                         |
| 51 |            | +ltree_PgReorg                                                                                                                                                             |                                                      |                               |
| 52 |            | [cch_con <> C_cch_1Comb]                                                                                                                                                   |                                                      | If non combined               |
| 53 |            | +localtree3                                                                                                                                                                |                                                      |                               |
| 54 |            | +ltree_PgReorg                                                                                                                                                             |                                                      |                               |
|    |            | <b>localtree3</b>                                                                                                                                                          |                                                      |                               |
| 55 |            | (TCV_Ccd0H := CntrlChDscrp( att, babr, cch_con,<br>bpm, t3212))                                                                                                            |                                                      |                               |
| 56 |            | +Varinit_fix( activ_cell, lac, subch, cksn, rand,<br>arfcngsm, arfcndcs, TCV_Ccd0H, imsi)                                                                                  |                                                      |                               |
| 57 |            | +ltree_chconf( cch_con)                                                                                                                                                    |                                                      | Config LT                     |
| 58 |            | +ltree_sysinfo( att, cch_con)                                                                                                                                              |                                                      |                               |
|    |            | <b>ltree_PgReorg</b>                                                                                                                                                       |                                                      |                               |
| 59 |            | (TCV_Null:=OM_PgFill( activ_cell, PgReqTp1Reorg))                                                                                                                          |                                                      |                               |
| 60 |            | START T_dly(5000)                                                                                                                                                          |                                                      |                               |
| 61 |            | ?TIMEOUT T_dly                                                                                                                                                             |                                                      |                               |
| 62 |            | (TCV_Null:=OM_PgFill( activ_cell,<br>PgReqTp1Norm))                                                                                                                        |                                                      |                               |
|    |            | <b>ltree_sysinfo( attach:INTEGER; con_ch:B_3)</b>                                                                                                                          |                                                      |                               |
| 63 |            | [activ_cell = C_CellA]                                                                                                                                                     |                                                      |                               |
| 64 |            | +SysInfoSending( attach, con_ch)                                                                                                                                           |                                                      | SI1-4, cellA                  |
| 65 |            | (TCV_Ccd0A := TCV_Ccd0H, TCV_sysinfo5 :=<br>TCV_sysinfo5, TCV_sysinfo6 := TCV_sysinfo6)                                                                                    |                                                      |                               |
| 66 |            | [con_ch = C_cch_1Comb]                                                                                                                                                     |                                                      | If combined                   |
| 67 |            | +SysInfo_SacchSending( TCV_sacch,<br>TCV_sysinfo5, TCV_sysinfo6)                                                                                                           |                                                      | SI5, 6 on SACCH/C4, cell<br>A |
| 68 |            | [con_ch <> C_cch_1Comb]                                                                                                                                                    |                                                      |                               |
| 69 |            | +ltree_sysinfo_other( attach)                                                                                                                                              |                                                      | More SIs, cellA               |
| 70 |            | [activ_cell = C_CellB]                                                                                                                                                     |                                                      |                               |
| 71 |            | +SysInfoSending( attach, con_ch)                                                                                                                                           |                                                      | SI1-4, cellB                  |
| 72 |            | (TCV_Ccd0B := TCV_Ccd0H, TCV_sacch_B :=<br>TCV_sacch, TCV_sysinfo5_B := TCV_sysinfo5,<br>TCV_sysinfo6_B := TCV_sysinfo6)                                                   |                                                      | SI5, 6 on SACCH/C4, cell<br>B |
| 73 |            | [con_ch = C_cch_1Comb]                                                                                                                                                     |                                                      | If combined                   |
| 74 |            | +SysInfo_SacchSending( TCV_sacch_B,<br>TCV_sysinfo5_B, TCV_sysinfo6_B)                                                                                                     |                                                      | SI5, 6 on SACCH/C4, cell<br>A |

|     |                                                                                                                                                                                                              |                                             |
|-----|--------------------------------------------------------------------------------------------------------------------------------------------------------------------------------------------------------------|---------------------------------------------|
| 75  | [con_ch <> C_cch_1Comb]                                                                                                                                                                                      | No more SIs, cell B                         |
| 76  | [activ_cell = C_CellC]                                                                                                                                                                                       |                                             |
| 77  | +SysInfoSending( attach, con_ch)                                                                                                                                                                             | SI1-4, cellC                                |
| 78  | (TCV_Ccd0C := TCV_Ccd0H, TCV_sacch_C :=<br>TCV_sacch, TCV_sysinfo5_C := TCV_sysinf5,<br>TCV_sysinfo6_C := TCV_sysinf6)                                                                                       |                                             |
| 79  | [con_ch = C_cch_1Comb]                                                                                                                                                                                       | If combined                                 |
| 80  | +SysInfo_SacchSending( TCV_sacch_C,<br>TCV_sysinfo5_C, TCV_sysinfo6_C)                                                                                                                                       | SI5, 6 on SACCH/C4, cell<br>C               |
| 81  | [con_ch <> C_cch_1Comb]                                                                                                                                                                                      | No more SIs, cell C                         |
|     | <b>SysInfoSending(attachb:INTEGER; con_chs:B_3)</b>                                                                                                                                                          |                                             |
| 82  | [sysinfonb = C_Test_fh]                                                                                                                                                                                      | Hopping                                     |
| 83  | +SysInfoSending_fh( sch, bcch, t, retr, neci,<br>attachb, babr, con_chs, bpm, t3212, ci, mcc, mnc,<br>lac, co, cchdgs, cchddcs, crh, mtmcgsm,<br>mtmcdcs, bcchflgs, bcchfldcs, Re, bcc, ncc, nccp)           |                                             |
| 84  | [sysinfonb = C_Test_nfh]                                                                                                                                                                                     | Non hopping                                 |
| 85  | +SysInfoSending_nfh( sch, bcch, t, retr, neci,<br>attachb, babr, con_chs, bpm, t3212, ci, mcc, mnc,<br>lac, co, crh, mtmcgsm, mtmcdcs, bcchflgs,<br>bcflaltgs, bcchfldcs, bcflaltdcs, Re, bcc, ncc,<br>nccp) |                                             |
| 86  | [sysinfonb = C_Test_egsm]                                                                                                                                                                                    | EGSM                                        |
| 87  | +SysInfoSending_e( sch, bcch, t, retr, neci, attachb,<br>babr, con_chs, bpm, t3212, ci, mcc, mnc, lac, co,<br>cchdgs, crh, mtmcgsm, bcchflgs, bcchfldcs, Re,<br>bcc, ncc, nccp)                              |                                             |
| 88  | [sysinfonb = C_Test_cbms]                                                                                                                                                                                    | CBMS                                        |
| 89  | +SysInfoSending_cbms( sch, bcch, t, retr, neci,<br>attachb, babr, con_chs, bpm, t3212, ci, mcc, mnc,<br>lac, co, crh, mtmcgsm, mtmcdcs, bcchflgs,<br>bcchfldcs, Re, bcc, ncc, nccp, subch)                   |                                             |
|     | <b>ltree_chconf( conf:B_3)</b>                                                                                                                                                                               |                                             |
| 90  | [activ_cell = C_CellA]                                                                                                                                                                                       |                                             |
| 91  | +ltree_chconf_A( conf)                                                                                                                                                                                       | Config LT                                   |
| 92  | [activ_cell = C_CellB]                                                                                                                                                                                       |                                             |
| 93  | +ltree_chconf_B( conf)                                                                                                                                                                                       | Config LT                                   |
| 94  | [activ_cell = C_CellC]                                                                                                                                                                                       |                                             |
| 95  | +ltree_chconf_C( conf)                                                                                                                                                                                       | Config LT                                   |
|     | <b>ltree_chconf_A( conf_a:B_3)</b>                                                                                                                                                                           |                                             |
| 96  | [conf_a = C_cch_1nonComb]                                                                                                                                                                                    |                                             |
| 97  | +NonCombinedBCCH_A( par_bspwr, mtmcgsm,<br>mtmcdcs, arfcngsm, arfcndcs, acttype, slot, tsc, ta,<br>babr, conf_a, bpm)                                                                                        | 1 non combined CCCH,<br>cell A              |
| 98  | (TCV_Upd := C_NotCombined)                                                                                                                                                                                   |                                             |
| 99  | [conf_a = C_cch_1Comb]                                                                                                                                                                                       |                                             |
| 100 | [sysinfonb <> C_Test_cbms]                                                                                                                                                                                   |                                             |
| 101 | +CombinedBCCH_A( par_bspwr, mtmcgsm,<br>mtmcdcs, arfcngsm, arfcndcs, acttype, slot, tsc,<br>ta, babr, conf_a, bpm)                                                                                           | 1 combined CCCH, cell A                     |
| 102 | (TCV_Upd := C_Combined)                                                                                                                                                                                      |                                             |
| 103 | [sysinfonb = C_Test_cbms]                                                                                                                                                                                    |                                             |
| 104 | +CombinedBCCH_A_CBMS( par_bspwr,<br>mtmcgsm, mtmcdcs, arfcngsm, arfcndcs, acttype,<br>slot, tsc, ta, babr, conf_a, bpm)                                                                                      | 1 combined CCCH +<br>CBMS, cell A           |
| 105 | (TCV_Upd := C_Combined)                                                                                                                                                                                      |                                             |
| 106 | [conf_a = C_cch_2nonComb]                                                                                                                                                                                    |                                             |
| 107 | +NonCombinedBCCH_A( par_bspwr, mtmcgsm,<br>mtmcdcs, arfcngsm, arfcndcs, acttype, slot, tsc, ta,<br>babr, conf_a, bpm)                                                                                        | 2 CCCHs<br>1st non combined CCCH,<br>cell A |
| 108 | +NonCombinedBCCH_A_2( acttype, slot2, tsc, ta,<br>babr, conf_a, bpm)                                                                                                                                         | 2nd non combined<br>CCCH, cell A            |
| 109 | (TCV_Upd := C_NotCombined)                                                                                                                                                                                   |                                             |
| 110 | [conf_a = C_cch_3nonComb]                                                                                                                                                                                    |                                             |
| 111 | +NonCombinedBCCH_A( par_bspwr, mtmcgsm,<br>mtmcdcs, arfcngsm, arfcndcs, acttype, slot, tsc, ta,                                                                                                              | 1st non combined CCCH,<br>cell A            |

|     |            |                                                                                                                                                                                                                      |   |                                 |
|-----|------------|----------------------------------------------------------------------------------------------------------------------------------------------------------------------------------------------------------------------|---|---------------------------------|
| 112 |            | babr, conf_a, bpm)<br>+NonCombinedBCCH_A_2( acttype, slot2, tsc, ta, babr, conf_a, bpm)                                                                                                                              |   | 2nd non combined CCCH, cell A   |
| 113 |            | +NonCombinedBCCH_A_3( acttype, slot3, tsc, ta, babr, conf_a, bpm)                                                                                                                                                    |   | 3rd non combined CCCH, cell A   |
| 114 |            | (TCV_Upd := C_NotCombined)                                                                                                                                                                                           |   |                                 |
| 115 |            | [conf_a = C_cch_4nonComb]                                                                                                                                                                                            |   |                                 |
| 116 |            | +NonCombinedBCCH_A( par_bspwr, mtmcgsm, mtmcdcs, arfcngsm, arfcndcs, acttype, slot, tsc, ta, babr, conf_a, bpm)                                                                                                      |   | 1st non combined CCCH, cell A   |
| 117 |            | +NonCombinedBCCH_A_2( acttype, slot2, tsc, ta, babr, conf_a, bpm)                                                                                                                                                    |   | 2nd non combined CCCH, cell A   |
| 118 |            | +NonCombinedBCCH_A_3( acttype, slot3, tsc, ta, babr, conf_a, bpm)                                                                                                                                                    |   | 3rd non combined CCCH, cell A   |
| 119 |            | +NonCombinedBCCH_A_4( acttype, slot4, tsc, ta, babr, conf_a, bpm)                                                                                                                                                    |   | 4th non combined CCCH, cell A   |
| 120 |            | (TCV_Upd := C_NotCombined)                                                                                                                                                                                           |   |                                 |
| 121 | L_099<br>8 | [(conf_a <> C_cch_1nonComb) AND(conf_a <> C_cch_2nonComb) AND(conf_a <> C_cch_3nonComb) AND(conf_a <> C_cch_4nonComb) AND(conf_a <> C_cch_1Comb)]                                                                    | I | A wrong CCCH-CONF value, cell A |
| 122 |            | <b>ltree_chconf_B( conf_b:B_3)</b><br>[conf_b = C_cch_1nonComb]                                                                                                                                                      |   |                                 |
| 123 |            | +NonCombinedBCCH_B( par_bspwr, mtmcgsm, mtmcdcs, arfcngsm, arfcndcs, acttype, slot, tsc, ta, babr, conf_b, bpm)                                                                                                      |   | 1 non combined CCCH, cell B     |
| 124 |            | (TCV_Upd := C_NotCombined)                                                                                                                                                                                           |   |                                 |
| 125 |            | [conf_b = C_cch_1Comb]                                                                                                                                                                                               |   |                                 |
| 126 |            | +CombinedBCCH_B( par_bspwr, mtmcgsm, mtmcdcs, arfcngsm, arfcndcs, acttype, slot, tsc, ta, babr, conf_b, bpm)                                                                                                         |   | 1 combined CCCH, cell B         |
| 127 |            | (TCV_Upd := C_Combined)                                                                                                                                                                                              |   |                                 |
| 128 | L_099<br>9 | [(conf_b <> C_cch_1nonComb) AND(conf_b <> C_cch_1Comb)]                                                                                                                                                              | I | A wrong CCCH-CONF value, cell B |
| 129 |            | <b>ltree_chconf_C( conf_c:B_3)</b><br>[conf_c = C_cch_1Comb]                                                                                                                                                         |   |                                 |
| 130 |            | +CombinedBCCH_C( par_bspwr, mtmcgsm, mtmcdcs, arfcngsm, arfcndcs, acttype, slot, tsc, ta, babr, conf_c, bpm)                                                                                                         |   | 1 combined CCCH, cell C         |
| 131 |            | (TCV_Upd := C_Combined)                                                                                                                                                                                              |   |                                 |
| 132 | L_100<br>0 | [conf_c <> C_cch_1Comb]                                                                                                                                                                                              | I |                                 |
| 133 |            | <b>ltree_sysinfo_other( attach:INTEGER)</b><br>[(cch_con = C_cch_1nonComb) OR (cch_con = C_cch_1Comb)]                                                                                                               |   |                                 |
| 134 |            | [cch_con = C_cch_2nonComb]                                                                                                                                                                                           |   |                                 |
| 135 |            | +SysInfoSending_fh( sch, C_BCCH_A_2, t, retr, neci, attach, babr, cch_con, bpm, t3212, ci, mcc, mnc, lac, co, CellChDes_02, CellChDes_03, crh, mtmcgsm, mtmcdcs, BcchFreqLst_01, BcchFreqLst_48, Re, bcc, ncc, nccp) |   | SlS on 2nd CCCH                 |
| 136 |            | [cch_con = C_cch_3nonComb]                                                                                                                                                                                           |   |                                 |
| 137 |            | +SysInfoSending_fh( sch, C_BCCH_A_2, t, retr, neci, attach, babr, cch_con, bpm, t3212, ci, mcc, mnc, lac, co, CellChDes_02, CellChDes_03, crh, mtmcgsm, mtmcdcs, BcchFreqLst_01, BcchFreqLst_48, Re, bcc, ncc, nccp) |   | SlS on 2nd CCCH                 |
| 138 |            | +SysInfoSending_fh( sch, C_BCCH_A_3, t, retr, neci, attach, babr, cch_con, bpm, t3212, ci, mcc, mnc, lac, co, CellChDes_02, CellChDes_03, crh, mtmcgsm, mtmcdcs, BcchFreqLst_01, BcchFreqLst_48, Re, bcc, ncc, nccp) |   | SlS on 3rd CCCH                 |
| 139 |            | [cch_con = C_cch_4nonComb]                                                                                                                                                                                           |   |                                 |
| 140 |            | +SysInfoSending_fh( sch, C_BCCH_A_2, t, retr, neci, attach, babr, cch_con, bpm, t3212, ci, mcc, mnc, lac, co, CellChDes_02, CellChDes_03, crh, mtmcgsm, mtmcdcs, BcchFreqLst_01, BcchFreqLst_48, Re, bcc, ncc, nccp) |   | SlS on 2nd CCCH                 |



|         |           |                                              |                              |            |
|---------|-----------|----------------------------------------------|------------------------------|------------|
|         |           | Otherwise (1 combined or 1 non combined)     | C_SlotNU                     |            |
| slot3   | SN        | Slot number for the 3rd slot                 |                              |            |
|         |           | In case of 3 or 4 non combined CCCH          | C_S4                         |            |
|         |           | Otherwise (1 combined or 1, 2 non combined)  | C_SlotNU                     |            |
| slot4   | SN        | Slot number for the 4th slot                 |                              |            |
|         |           | In case of 4 non combined CCCH channels      | C_S6                         |            |
|         |           | Otherwise (1 combined, 1, 2, 3 non combined) | C_SlotNU                     |            |
| tsc     | TSC       | Training Sequence code                       | C_BCC                        |            |
| t       | INTEGER   | Rach Control Parameter field, Tx-Integer     |                              |            |
|         |           | for SysInfo1, SysInfo2, SysInfo3, SysInfo4   | C_TxInt_5,                   |            |
|         |           |                                              | C_TxInt_7,                   | C_TxInt_10 |
| retr    | INTEGER   | Rach Control Parameter field, Max-Retrans    |                              |            |
|         |           | for SysInfo1, SysInfo2, SysInfo3, SysInfo4   | C_Max_1,                     |            |
|         |           |                                              | C_Max_2,                     | C_Max_7    |
| neci    | INTEGER   | Requested value f. NECI bit in test case     | C_NECI_0,                    |            |
|         |           |                                              | C_NECI_1                     |            |
| att     | INTEGER   | Requested value f. ATTACH bit in test case   | C_ATT_0,                     |            |
|         |           |                                              | C_ATT_1                      |            |
| ta      | TA        | Requested Timing Advance value               |                              |            |
| babr    | B_3       | Number of blocks reserved for acces grant    |                              |            |
|         |           | If arbitrary                                 | TSPX_AGBLKSx                 |            |
|         |           | If fixed                                     | C_BABR_0, C_BABR_1, C_BABR_2 |            |
| cch_con | B_3       | Type of CCCH channel.                        |                              |            |
|         |           | If arbitrary                                 | TSPX_CcchConfx               |            |
|         |           | 1 combined CCCH channel                      | C_cch_1Comb                  |            |
|         |           | 1 non combined CCCH channel                  | C_cch_1nonComb               |            |
|         |           | 2 non combined CCCH channels                 | C_cch_2nonComb               |            |
|         |           | 3 non combined CCCH channels                 | C_cch_3nonComb               |            |
|         |           | 4 non combined CCCH channels                 | C_cch_4nonComb               |            |
| bpm     | B_3       | Number of multiframes for transmission       |                              |            |
|         |           | of PAGING REQUEST messages to the same       |                              |            |
|         |           | paging subgroup                              |                              |            |
|         |           | If arbitrary                                 | TSPX_PAMFRMSx                |            |
|         |           | If fixed (2, 4, 5, 9 multiframes)            | C_BPM_0, C_BPM_2,            |            |
|         |           |                                              | C_BPM_3, C_BPM_7             |            |
| t3212   | OCTETSTR. | Requested value for T3212 in test case       |                              | (Periodic  |
|         |           | Location Update Value)                       |                              |            |
|         |           | infinite                                     | C_T3212_0                    |            |
|         |           | 6 mn / 1 deci hours                          | C_T3212_1                    |            |
|         |           | 12 mn / 2 deci hours                         | C_T3212_2                    |            |
|         |           | 30 mn / 5 deci hours                         | C_T3212_5                    |            |
| ci      | CI        | Cell Identity                                |                              |            |
|         |           | If formal para activ_cell = C_CellA          | C_ci_CellA                   |            |
|         |           | If formal para activ_cell = C_CellB          | C_ci_CellB                   |            |
|         |           | If formal para activ_cell = C_CellC          | C_ci_CellC                   |            |
| mcc     | OCTETSTR. | Mobile Contry Code for the LAI               | C_MCC, C_MCC_x               |            |
| mnc     | OCTETSTR. | Mobile Network Code for the LAI              | C_PLMN_Home, C_PLMN_x        |            |
| lac     | OCTETSTR. | Local Area Code for the LAI                  | C_LAC_x                      |            |

|                      |           |                                                                                                                                                                                                     |                                                                                   |
|----------------------|-----------|-----------------------------------------------------------------------------------------------------------------------------------------------------------------------------------------------------|-----------------------------------------------------------------------------------|
| co                   | CO        | Cell Options                                                                                                                                                                                        | CellOpt_xx                                                                        |
| cchdgsm              | CCHD      | Cell Channels Description (GSM)<br>If formal para sysinfonb=C_Test_nfh CellChDes_omit<br>If formal para sysinfonb=C_Test_cbms CellChDes_omit<br>If formal para sysinfonb=C_Test_fh GSM CellChDes_xx |                                                                                   |
| cchddcs              | CCHD      | Cell Channels Description (DCS)<br>If formal para sysinfonb=C_Test_nfh CellChDes_omit<br>If formal para sysinfonb=C_Test_cbms CellChDes_omit<br>If formal para sysinfonb=C_Test_fh DCS CellChDes_xx |                                                                                   |
| crh                  | INTEGER   | Cell Reselection Hysteresis                                                                                                                                                                         | C_CellReselectHys12,<br>C_CellReselectHys4                                        |
| mtmcgsm              | INTEGER   | Requested maximum power level<br>for GSM MS                                                                                                                                                         | C_MaxPwrLvIG                                                                      |
| mtmcdcs              | INTEGER   | Requested maximum power level<br>for DCS MS                                                                                                                                                         | C_MaxPwrLvID                                                                      |
| bcchfgsm             | NCD       | Neighbour Cells Description for GSM                                                                                                                                                                 | BcchFreqLst_xx                                                                    |
| bcflaltgsm           | NCD       | Alternative Neighbour Cells Description for GSM.<br>If sysinfonb = C_Test_nfh Alternat.GSM BcchFreqLst_xx<br>Otherwise: BcchFreqLst_Omit                                                            |                                                                                   |
| bcchfdcs             | NCD       | Neighbour Cells Description for DCS                                                                                                                                                                 | BcchFreqLst_xx                                                                    |
| bcflaltdcs           | NCD       | Alternative Neighbour Cells Description for DCS<br>If sysinfonb = C_Test_nfh Alternat.DCS BcchFreqLst_xx<br>Otherwise: BcchFreqLst_Omit                                                             |                                                                                   |
| Re                   | B_1       | Rach Control Parameter field,<br>Re-establishment bit for SysInfo1,<br>SysInfo2, SysInfo3, SysInfo4                                                                                                 | C_Restablishment,<br>C_noRestablishtmen                                           |
| bcc                  | BCC       | Base station Color Code                                                                                                                                                                             | C_BCC                                                                             |
| ncc                  | NCC       | Network Color Code                                                                                                                                                                                  | C_NCC                                                                             |
| StartType            | INTEGER   | Initial conditions for MS<br>Starting without TMSI<br>Starting with Tmsi_01<br>Starting with Tmsi_01, MS deactivated<br>Starting with LAI deleted, MS deactivated<br>Starting with PLMN not allowed | C_Start_Imsi<br>C_Start_Tmsi<br>C_Start_TmsiOff<br>C_Start_Rej<br>C_Start_PLMNnot |
| subch                | BITSTRING | Selected sub-channel<br>If Formal para cch_con = C_cch_1Comb, TSPX_SDCCH4SubDef<br>TSPX_SDCCH4SubA,<br>SubB, SubC                                                                                   |                                                                                   |
| cksn                 | BITSTRING | Ciphering Key Sequence<br>for authentication TSPX_CKSNDf,<br>C                                                                                                                                      | Number used<br>TSPX_CKSNA, B,<br>C                                                |
| rand                 | BITSTRING | Random Number for authentication<br>TSPX_RANDf, B, C                                                                                                                                                | TSPX_RANDDef,                                                                     |
| arfcngsm             | INTEGER   | BCCH channel ARFCN (GSM)<br>If sysinfonb = C_Test_fh<br>Otherwise:                                                                                                                                  | C_Noarfcn<br>C_arfcnA_x<br>If activ_cell = C_CellB<br>C_arfcnC_x                  |
| activ_cell = C_CellC |           |                                                                                                                                                                                                     | If activ_cell = C_CellA<br>C_arfcnB_x<br>If                                       |
| arfcndcs             | INTEGER   | BCCH channel ARFCN (DCS)<br>If sysinfonb = C_Test_fh                                                                                                                                                | C_Noarfcn                                                                         |

|                      |            |                                |                         |    |
|----------------------|------------|--------------------------------|-------------------------|----|
|                      | Otherwise: |                                | If activ_cell = C_CellA |    |
| C_arfcnAd_x          |            | If activ_cell = C_CellB        | C_arfcnBd_x             | If |
| activ_cell = C_CellC |            | C_arfcnCd_x                    |                         |    |
| imsi                 | HEXSTRING  | The expected IMSI              | TSPX_IMSI               |    |
|                      |            | In TC_26_7_3_2                 | C_shortIMSI             |    |
| sysinfofb            | INTEGER    | Type of sysinfo sending        |                         |    |
|                      |            | Frequency Hopping              | C_Test_fh               |    |
|                      |            | Non Frequency hopping          | C_Test_nfh              |    |
|                      |            | EGSM sequence                  | C_Test_egsm             |    |
|                      |            | CBMS sequence                  | C_Test_cbms             |    |
| nccp                 | NCCP       | Network Country Code Permitted |                         |    |
|                      |            | in SysInfo2                    | C_NCCP_2, C_NCCP_5      |    |



| Test Step Dynamic Behaviour |       |                                                                                                                                                                                                                                                                                                                                                                             |      |   |          |
|-----------------------------|-------|-----------------------------------------------------------------------------------------------------------------------------------------------------------------------------------------------------------------------------------------------------------------------------------------------------------------------------------------------------------------------------|------|---|----------|
| <b>Test Step Name:</b>      |       | PreEnterIdleState_r02(acttype:BITSTRING; slot:SN; tsc:TSC; tx, retrans:INTEGER; slot2:SN; slot3:SN; slot4:SN; ta:TA; att:INTEGER; babr, cch_con, bpm:B_3; t3212, mcc, mnc, lac:OCTETSTRING)                                                                                                                                                                                 |      |   |          |
| <b>Group:</b>               |       | GSM_L3_MS_v4200/Preambles/                                                                                                                                                                                                                                                                                                                                                  |      |   |          |
| <b>Objective:</b>           |       | To broadcast SYSTEM INFORMATION messages 2, 3, 4, 5 and 6 containing default parameters in cell A with the following exceptions :<br>- legal combination of CCCH-CONF, BS-AG-BLKS-RES, BS-PA-MFRMS are specified by parameters<br>- max retransmission and tx-integer can be assigned,<br>The test system is then waiting for the SUT (MS) entering the Idle updated state. |      |   |          |
| <b>Default:</b>             |       | OtherEvents                                                                                                                                                                                                                                                                                                                                                                 |      |   |          |
| <b>Comments:</b>            |       | The preamble is used for the RR tests.                                                                                                                                                                                                                                                                                                                                      |      |   |          |
| Nr                          | Label | Behaviour Description                                                                                                                                                                                                                                                                                                                                                       | CRef | V | Comments |
| 1                           |       | [cch_con = C_cch_1Comb]                                                                                                                                                                                                                                                                                                                                                     |      |   |          |
| 2                           |       | +CombinedBCCH_A( 63, C_MaxPwrLvlG, C_MaxPwrLvlD, C_arfcnA, C_arfcnAd, acttype, slot, tsc, ta, babr, cch_con, bpm)                                                                                                                                                                                                                                                           |      |   |          |
| 3                           |       | +SysInfoSending_fh( C_SCH_A, C_BCCH_A_1, tx, retrans, 0, att, babr, cch_con, bpm, t3212, C_ci_cellA, mcc, mnc, lac, CellOpt_01, CellChDes_02, CellChDes_03, C_CellReselectHys12, C_MaxPwrLvlG, C_MaxPwrLvlD, BcchFreqLst_01, BcchFreqLst_48, C_noRestablishment, C_BCC, C_NCC, C_NCCP_2)                                                                                    |      |   |          |
| 4                           |       | (TCV_Ccd0A := TCV_Ccd0H, TCV_sysinfo5 := TCV_sysinfo5, TCV_sysinfo6 := TCV_sysinfo6)                                                                                                                                                                                                                                                                                        |      |   |          |
| 5                           |       | +SysInfo_SacchSending(TCV_sacch, TCV_sysinfo5, TCV_sysinfo6)                                                                                                                                                                                                                                                                                                                |      |   |          |
| 6                           |       | [cch_con = C_cch_1nonComb]                                                                                                                                                                                                                                                                                                                                                  |      |   |          |
| 7                           |       | +localtree                                                                                                                                                                                                                                                                                                                                                                  |      |   |          |
| 8                           |       | [cch_con = C_cch_2nonComb]                                                                                                                                                                                                                                                                                                                                                  |      |   |          |
| 9                           |       | +NonCombinedBCCH_A_2(acttype,slot2,tsc, ta, babr, cch_con, bpm)                                                                                                                                                                                                                                                                                                             |      |   |          |
| 10                          |       | +SysInfoSending_fh( C_SCH_A, C_BCCH_A_2, tx, retrans, 0, att, babr, cch_con, bpm, t3212, C_ci_cellA, mcc, mnc, lac, CellOpt_01, CellChDes_02, CellChDes_03, C_CellReselectHys12, C_MaxPwrLvlG, C_MaxPwrLvlD, BcchFreqLst_01, BcchFreqLst_48, C_noRestablishment, C_BCC, C_NCC, C_NCCP_2)                                                                                    |      |   |          |
| 11                          |       | +localtree                                                                                                                                                                                                                                                                                                                                                                  |      |   |          |
| 12                          |       | [cch_con = C_cch_3nonComb]                                                                                                                                                                                                                                                                                                                                                  |      |   |          |
| 13                          |       | +NonCombinedBCCH_A_2(acttype,slot2,tsc, ta, babr, cch_con, bpm)                                                                                                                                                                                                                                                                                                             |      |   |          |
| 14                          |       | +NonCombinedBCCH_A_3(acttype,slot3,tsc, ta, babr, cch_con, bpm)                                                                                                                                                                                                                                                                                                             |      |   |          |
| 15                          |       | +SysInfoSending_fh( C_SCH_A, C_BCCH_A_2, tx, retrans, 0, att, babr, cch_con, bpm, t3212, C_ci_cellA, mcc, mnc, lac, CellOpt_01, CellChDes_02, CellChDes_03, C_CellReselectHys12, C_MaxPwrLvlG, C_MaxPwrLvlD, BcchFreqLst_01, BcchFreqLst_48, C_noRestablishment, C_BCC, C_NCC, C_NCCP_2)                                                                                    |      |   |          |
| 16                          |       | +SysInfoSending_fh( C_SCH_A, C_BCCH_A_3, tx, retrans, 0, att, babr, cch_con, bpm, t3212, C_ci_cellA, mcc, mnc, lac, CellOpt_01, CellChDes_02, CellChDes_03, C_CellReselectHys12, C_MaxPwrLvlG, C_MaxPwrLvlD, BcchFreqLst_01, BcchFreqLst_48, C_noRestablishment, C_BCC, C_NCC, C_NCCP_2)                                                                                    |      |   |          |
| 17                          |       | +localtree                                                                                                                                                                                                                                                                                                                                                                  |      |   |          |
| 18                          |       | [cch_con = C_cch_4nonComb]                                                                                                                                                                                                                                                                                                                                                  |      |   |          |
| 19                          |       | +NonCombinedBCCH_A_2(acttype,slot2,tsc, ta, babr, cch_con, bpm)                                                                                                                                                                                                                                                                                                             |      |   |          |

|    |            |                                                                                                                                                                                                                                                                                          |   |          |
|----|------------|------------------------------------------------------------------------------------------------------------------------------------------------------------------------------------------------------------------------------------------------------------------------------------------|---|----------|
| 20 |            | +NonCombinedBCCH_A_3(acttype,slot3,tsc, ta, babr, cch_con, bpm)                                                                                                                                                                                                                          |   |          |
| 21 |            | +NonCombinedBCCH_A_4(acttype,slot4,tsc, ta, babr, cch_con, bpm)                                                                                                                                                                                                                          |   |          |
| 22 |            | +SysInfoSending_fh( C_SCH_A, C_BCCH_A_2, tx, retrans, 0, att, babr, cch_con, bpm, t3212, C_ci_cellA, mcc, mnc, lac, CellOpt_01, CellChDes_02, CellChDes_03, C_CellReselectHys12, C_MaxPwrLvlG, C_MaxPwrLvlD, BcchFreqLst_01, BcchFreqLst_48, C_noRestablishment, C_BCC, C_NCC, C_NCCP_2) |   |          |
| 23 |            | +SysInfoSending_fh( C_SCH_A, C_BCCH_A_3, tx, retrans, 0, att, babr, cch_con, bpm, t3212, C_ci_cellA, mcc, mnc, lac, CellOpt_01, CellChDes_02, CellChDes_03, C_CellReselectHys12, C_MaxPwrLvlG, C_MaxPwrLvlD, BcchFreqLst_01, BcchFreqLst_48, C_noRestablishment, C_BCC, C_NCC, C_NCCP_2) |   |          |
| 24 |            | +SysInfoSending_fh( C_SCH_A, C_BCCH_A_4, tx, retrans, 0, att, babr, cch_con, bpm, t3212, C_ci_cellA, mcc, mnc, lac, CellOpt_01, CellChDes_02, CellChDes_03, C_CellReselectHys12, C_MaxPwrLvlG, C_MaxPwrLvlD, BcchFreqLst_01, BcchFreqLst_48, C_noRestablishment, C_BCC, C_NCC, C_NCCP_2) |   |          |
| 25 |            | +localtree                                                                                                                                                                                                                                                                               |   |          |
| 26 | L_100<br>2 | [(cch_con = C_cch_2Comb) OR (cch_con = C_cch_3Comb) OR (cch_con = C_cch_4Comb)]                                                                                                                                                                                                          | I | Reserved |
| 27 |            | <b>localtree</b><br>+NonCombinedBCCH_A(63, C_MaxPwrLvlG, C_MaxPwrLvlD, C_arfcnA, C_arfcnAd, acttype,slot,tsc, ta, babr, cch_con, bpm)                                                                                                                                                    |   |          |
| 28 |            | +SysInfoSending_fh( C_SCH_A, C_BCCH_A_1, tx, retrans, 0, att, babr, cch_con, bpm, t3212, C_ci_cellA, mcc, mnc, lac, CellOpt_01, CellChDes_02, CellChDes_03, C_CellReselectHys12, C_MaxPwrLvlG, C_MaxPwrLvlD, BcchFreqLst_01, BcchFreqLst_48, C_noRestablishment, C_BCC, C_NCC, C_NCCP_2) |   |          |
| 29 |            | (TCV_Ccd0A := TCV_Ccd0H, TCV_sysinfo5 := TCV_sysinfo5, TCV_sysinfo6 := TCV_sysinfo6)                                                                                                                                                                                                     |   |          |

Detailed Comments:

| Test Step Dynamic Behaviour |       |                                                                                                  |                        |   |                             |
|-----------------------------|-------|--------------------------------------------------------------------------------------------------|------------------------|---|-----------------------------|
| <b>Test Step Name:</b>      |       | PreEnterCCstateU01_21( sub:B_2; ta:TA)                                                           |                        |   |                             |
| <b>Group:</b>               |       | GSM_L3_MS_v4200/Preambles/                                                                       |                        |   |                             |
| <b>Objective:</b>           |       | To bring the MS into CC state U0.1 by procedure in table 26.8.1.2/1. This is used in CC testing. |                        |   |                             |
| <b>Default:</b>             |       | OtherEvents                                                                                      |                        |   |                             |
| Nr                          | Label | Behaviour Description                                                                            | CRef                   | V | Comments                    |
| 1                           |       | +CCEstablishMO_SDCCH4( sub, ta)                                                                  |                        |   | 1.                          |
| 2                           |       | ACTIVATE(OtherEvents_02)                                                                         |                        |   | To match ChReq retrans.     |
| 3                           |       | L?DL_EstInCmsRq                                                                                  | CMSerReq( CMSerReq_04) |   |                             |
| 4                           |       | ACTIVATE(OtherEvents)                                                                            |                        |   | Restore Normal default tree |
| <b>Detailed Comments:</b>   |       | 1. To assign SDCCH4 channel.                                                                     |                        |   |                             |

| Test Step Dynamic Behaviour |       |                                                                                                                                                                                                                                                                                                                  |      |   |          |
|-----------------------------|-------|------------------------------------------------------------------------------------------------------------------------------------------------------------------------------------------------------------------------------------------------------------------------------------------------------------------|------|---|----------|
| <b>Test Step Name:</b>      |       | PreEnterCCstateU1_21( sub:B_2; ta:TA)                                                                                                                                                                                                                                                                            |      |   |          |
| <b>Group:</b>               |       | GSM_L3_MS_v4200/Preambles/                                                                                                                                                                                                                                                                                       |      |   |          |
| <b>Objective:</b>           |       | To bring the MS into CC state U1 by procedure in table 26.8.1.2/1. This is used in CC testing.                                                                                                                                                                                                                   |      |   |          |
| <b>Default:</b>             |       | OtherEvents                                                                                                                                                                                                                                                                                                      |      |   |          |
| <b>Comments:</b>            |       | TCV_TI0 contains the transaction identifier from the MS, and TCV_TI contains the transaction identifier for test system to send CC message. The values of them are used in test body. The calling tree shall prepare two variables for the step: TCV_ch for the SDCCH4 subchannel; TCV_CphKey for ciphering key. |      |   |          |
| Nr                          | Label | Behaviour Description                                                                                                                                                                                                                                                                                            | CRef | V | Comments |
| 1                           |       | +PreEnterCCstateU01_21( sub, ta)                                                                                                                                                                                                                                                                                 |      |   |          |
| 2                           |       | +Ciphering_on( TCV_ch)                                                                                                                                                                                                                                                                                           |      |   |          |
| 3                           |       | +RcvSetupOrEsetup(TCV_Setup_mo, TCV_Esetup, TCV_Ecall)                                                                                                                                                                                                                                                           |      |   |          |
| 4                           |       | +CCstatuschk_02( TCV_ch, C_U1, TCV_TI, TCV_TI0)                                                                                                                                                                                                                                                                  |      |   |          |
| <b>Detailed Comments:</b>   |       |                                                                                                                                                                                                                                                                                                                  |      |   |          |

| Test Step Dynamic Behaviour                  |       |                                                                                                                                                                                       |                              |   |                         |
|----------------------------------------------|-------|---------------------------------------------------------------------------------------------------------------------------------------------------------------------------------------|------------------------------|---|-------------------------|
| <b>Test Step Name:</b>                       |       | PreEnterCCstateU1_22(slot:SN; tsc:TSC; ta:TA)                                                                                                                                         |                              |   |                         |
| <b>Group:</b>                                |       | GSM_L3_MS_v4200/Preambles/                                                                                                                                                            |                              |   |                         |
| <b>Objective:</b>                            |       | To bring the MS into CC state U1 by procedure in table 26.8.1.2/2. This is used in CC testing.                                                                                        |                              |   |                         |
| <b>Default:</b>                              |       | OtherEvents                                                                                                                                                                           |                              |   |                         |
| <b>Comments:</b>                             |       | TCV_TI0 contains the transaction identifier from the MS, and TCV_TI contains the transaction identifier for test system to send CC message. The values of them are used in test body. |                              |   |                         |
| Nr                                           | Label | Behaviour Description                                                                                                                                                                 | CRef                         | V | Comments                |
| 1                                            |       | +CCEstablishMO_TCH( slot, tsc, ta)                                                                                                                                                    |                              |   | 1.                      |
| 2                                            |       | ACTIVATE(OtherEvents_02)                                                                                                                                                              |                              |   | To match ChReq retrans. |
| 3                                            |       | L?DL_EstInCmsRq (TCV_Fn :=DL_EstInCmsRq.fn)                                                                                                                                           | CMSSerReq( CMSServiceReq_04) |   |                         |
| 4                                            |       | ACTIVATE(OtherEvents)                                                                                                                                                                 |                              |   | Restore Normal default  |
| 5                                            |       | +CCModifyTCH(slot, tsc)                                                                                                                                                               |                              |   |                         |
| 6                                            |       | +Ciphering_on(TCV_chTch)                                                                                                                                                              |                              |   |                         |
| 7                                            |       | +RcvSetupOrEsetup(TCV_Setup_mo, TCV_Esetup, TCV_Ecall)                                                                                                                                |                              |   |                         |
| 8                                            |       | +CCstatuschk_02(TCV_chTch, C_U1, TCV_TI, TCV_TI0)                                                                                                                                     |                              |   | 2.                      |
| <b>Detailed Comments:</b>                    |       |                                                                                                                                                                                       |                              |   |                         |
| 1. To assign TCH/F channel or TCH/H channel. |       |                                                                                                                                                                                       |                              |   |                         |
| 2. Check that CC is now state U1             |       |                                                                                                                                                                                       |                              |   |                         |

| Test Step Dynamic Behaviour                  |       |                                                                                                                                                                                       |                              |   |                         |
|----------------------------------------------|-------|---------------------------------------------------------------------------------------------------------------------------------------------------------------------------------------|------------------------------|---|-------------------------|
| <b>Test Step Name:</b>                       |       | PreEnterCCstateU1_22Timer(slot:SN; tsc:TSC; ta:TA)                                                                                                                                    |                              |   |                         |
| <b>Group:</b>                                |       | GSM_L3_MS_v4200/Preambles/                                                                                                                                                            |                              |   |                         |
| <b>Objective:</b>                            |       | To bring the MS into CC state U1 by procedure in table 26.8.1.2/2. This is used in CC testing.                                                                                        |                              |   |                         |
| <b>Default:</b>                              |       | OtherEvents                                                                                                                                                                           |                              |   |                         |
| <b>Comments:</b>                             |       | TCV_TI0 contains the transaction identifier from the MS, and TCV_TI contains the transaction identifier for test system to send CC message. The values of them are used in test body. |                              |   |                         |
| Nr                                           | Label | Behaviour Description                                                                                                                                                                 | CRef                         | V | Comments                |
| 1                                            |       | +CCEstablishMO_TCH(slot, tsc, ta)                                                                                                                                                     |                              |   | 1.                      |
| 2                                            |       | ACTIVATE(OtherEvents_02)                                                                                                                                                              |                              |   | To match ChReq retrans. |
| 3                                            |       | L?DL_EstInCmsRq (TCV_Fn :=DL_EstInCmsRq.fn) START T_dly(45000)                                                                                                                        | CMSSerReq( CMSServiceReq_04) |   |                         |
| 4                                            |       | ACTIVATE(OtherEvents)                                                                                                                                                                 |                              |   | Restore Normal default  |
| 5                                            |       | +CCModifyTCH(slot, tsc)                                                                                                                                                               |                              |   |                         |
| 6                                            |       | +Ciphering_on(TCV_chTch)                                                                                                                                                              |                              |   |                         |
| 7                                            |       | +RcvSetupOrEsetup(TCV_Setup_mo, TCV_Esetup, TCV_Ecall)                                                                                                                                |                              |   |                         |
| 8                                            |       | +CCstatuschk_02(TCV_chTch, C_U1, TCV_TI, TCV_TI0)                                                                                                                                     |                              |   | 2.                      |
| <b>Detailed Comments:</b>                    |       |                                                                                                                                                                                       |                              |   |                         |
| 1. To assign TCH/F channel or TCH/H channel. |       |                                                                                                                                                                                       |                              |   |                         |
| 2. Check that CC is now state U1             |       |                                                                                                                                                                                       |                              |   |                         |

| Test Step Dynamic Behaviour |       |                                                                                                                                                                                       |                                                |   |                         |
|-----------------------------|-------|---------------------------------------------------------------------------------------------------------------------------------------------------------------------------------------|------------------------------------------------|---|-------------------------|
| <b>Test Step Name:</b>      |       | PreEnterCCstateU1(slot:SN; tsc:TSC; ta:TA)                                                                                                                                            |                                                |   |                         |
| <b>Group:</b>               |       | GSM_L3_MS_v4200/Preambles/                                                                                                                                                            |                                                |   |                         |
| <b>Objective:</b>           |       | To bring the MS into CC state U1 by procedure in table 26.8.1.2/4. This is used in CC testing.                                                                                        |                                                |   |                         |
| <b>Default:</b>             |       | OtherEvents                                                                                                                                                                           |                                                |   |                         |
| <b>Comments:</b>            |       | TCV_TI contains the transaction identifier from the MS, and TCV_TI0 contains the transaction identifier for test system to send CC message. The values of them are used in test body. |                                                |   |                         |
| Nr                          | Label | Behaviour Description                                                                                                                                                                 | CRef                                           | V | Comments                |
| 1                           |       | +CCEstablishMO_TCH(slot, tsc, ta)                                                                                                                                                     |                                                |   | 1.                      |
| 2                           |       | ACTIVATE(OtherEvents_02)                                                                                                                                                              |                                                |   | To match ChReq retrans. |
| 3                           |       | L?DL_EstInCmsRq                                                                                                                                                                       | CMSerReq(CMServic<br>eReq_04)                  |   |                         |
| 4                           |       | ACTIVATE(OtherEvents)                                                                                                                                                                 |                                                |   | Restore Normal default  |
| 5                           |       | LIDL_DatRqldRq                                                                                                                                                                        | IDReq(TCV_chTch,<br>IDRequest_01('0001'<br>B)) |   | IMSI.                   |
| 6                           |       | L?DL_DatInIdRes                                                                                                                                                                       | IDRes(IDResponse_3<br>0(Milmsi_01))            |   |                         |
| 7                           |       | +Cipherring_on(TCV_chTch)                                                                                                                                                             |                                                |   |                         |
| 8                           |       | +RcvSetupOrEsetup(TCV_Setup_mo,<br>TCV_Esetup, TCV_Ecall)                                                                                                                             |                                                |   |                         |
| 9                           |       | +CCstatuschk_02(TCV_chTch,<br>C_U1, TCV_TI, TCV_TI0)                                                                                                                                  |                                                |   |                         |
| <b>Detailed Comments:</b>   |       | 1. To assign TCH/F channel or TCH/H channel.                                                                                                                                          |                                                |   |                         |

| Test Step Dynamic Behaviour |       |                                                                                                                                                                                                                                |                                                                                                                                      |   |                         |
|-----------------------------|-------|--------------------------------------------------------------------------------------------------------------------------------------------------------------------------------------------------------------------------------|--------------------------------------------------------------------------------------------------------------------------------------|---|-------------------------|
| <b>Test Step Name:</b>      |       | PreEnterCCstateU1(ta:TA; cksn:B_3; rand:RAND)                                                                                                                                                                                  |                                                                                                                                      |   |                         |
| <b>Group:</b>               |       | GSM_L3_MS_v4200/Preambles/                                                                                                                                                                                                     |                                                                                                                                      |   |                         |
| <b>Objective:</b>           |       | To establish a mobile originating call and put the MS under test in the CC state U1.                                                                                                                                           |                                                                                                                                      |   |                         |
| <b>Default:</b>             |       | OtherEvents                                                                                                                                                                                                                    |                                                                                                                                      |   |                         |
| <b>Comments:</b>            |       | test case variable TCV_TI0 holds the transaction ID used by the MS, and TCV_TI used by test system. The calling tree shall prepare two variables for the step: TCV_ch for the SDCCH4 subchannel; TCV_CphKey for ciphering key. |                                                                                                                                      |   |                         |
| Nr                          | Label | Behaviour Description                                                                                                                                                                                                          | CRef                                                                                                                                 | V | Comments                |
| 1                           |       | +InitCall( TCV_Service)                                                                                                                                                                                                        |                                                                                                                                      |   | 1.                      |
| 2                           |       | L?DL_RaInChRq (TCV_Rr := DL_RaInChRq.<br>msg.ecau_rrf, TCV_Fn := DL_RaInChRq.fn)                                                                                                                                               | ChReq(<br>ChRequest_04)                                                                                                              |   | To match ChReq retrans. |
| 3                           |       | ACTIVATE( OtherEvents_02)                                                                                                                                                                                                      |                                                                                                                                      |   |                         |
| 4                           |       | LIDL_UdatRqImmass                                                                                                                                                                                                              | ImmAss( TCV_agch,<br>ImmAsgn_01Def(<br>TCV_Rr, TCV_Fn,<br>TSPX_SDCCH4SubD<br>ef, TCV_slot,<br>TCV_tsc,<br>TCV_chdescr_arfcn,<br>ta)) |   |                         |
| 5                           |       | L?DL_EstInCmsRq                                                                                                                                                                                                                | CMSerReq(<br>CMServicReq_01)                                                                                                         |   | Restore Normal default  |
| 6                           |       | ACTIVATE( OtherEvents)                                                                                                                                                                                                         |                                                                                                                                      |   |                         |
| 7                           |       | +Authentication( TCV_ch, cksn, rand)                                                                                                                                                                                           |                                                                                                                                      |   |                         |
| 8                           |       | +Cipherring_on(TCV_ch)                                                                                                                                                                                                         |                                                                                                                                      |   |                         |
| 9                           |       | +RcvSetupOrEsetup(<br>TCV_Setup_mo, TCV_Esetup,<br>TCV_Ecall)                                                                                                                                                                  |                                                                                                                                      |   | 2.                      |
| 10                          |       | +CCstatuschk_02( TCV_ch, C_U1,<br>TCV_TI, TCV_TI0)                                                                                                                                                                             |                                                                                                                                      |   |                         |
| <b>Detailed Comments:</b>   |       | 1. To attempt a outgoing call at the MS.<br>2. In the state U1 now.                                                                                                                                                            |                                                                                                                                      |   |                         |

| Test Step Dynamic Behaviour |       |                                                                                                                                                                                                                                                                              |                                |   |          |
|-----------------------------|-------|------------------------------------------------------------------------------------------------------------------------------------------------------------------------------------------------------------------------------------------------------------------------------|--------------------------------|---|----------|
| <b>Test Step Name:</b>      |       | PreEnterCCstateU3(ta:TA; cksn:B_3; rand:RAND)                                                                                                                                                                                                                                |                                |   |          |
| <b>Group:</b>               |       | GSM_L3_MS_v4200/Preambles/                                                                                                                                                                                                                                                   |                                |   |          |
| <b>Objective:</b>           |       | To establish a mobile originating call and put the MS under test in the CC state U3.                                                                                                                                                                                         |                                |   |          |
| <b>Default:</b>             |       | OtherEvents                                                                                                                                                                                                                                                                  |                                |   |          |
| <b>Comments:</b>            |       | test case variable TCV_TI0 holds the transaction ID used by the MS, and TCV_TI is used by test system. The calling tree shall prepare two variables for the step: TCV_ch for the SDCCH4 subchannel; TCV_CphKey for ciphering key. The call setup is generic setup procedure. |                                |   |          |
| Nr                          | Label | Behaviour Description                                                                                                                                                                                                                                                        | CRef                           | V | Comments |
| 1                           |       | +PreEnterCCstateU1( ta, cksn, rand)                                                                                                                                                                                                                                          |                                |   | 1.       |
| 2                           |       | L!DL_DatRqCallProc                                                                                                                                                                                                                                                           | CallProc(TCV_ch, TCV_CallProc) |   | 2.       |
| 3                           |       | +CCstatuschk_02( TCV_ch, C_U3, TCV_TI, TCV_TI0)                                                                                                                                                                                                                              |                                |   |          |
| <b>Detailed Comments:</b>   |       | 1. To initiate a mobile originating call at the MS.<br>2. Now in the state U3.                                                                                                                                                                                               |                                |   |          |

| Test Step Dynamic Behaviour |       |                                                                                                                                                                                                                                                                                                                 |                                |   |          |
|-----------------------------|-------|-----------------------------------------------------------------------------------------------------------------------------------------------------------------------------------------------------------------------------------------------------------------------------------------------------------------|--------------------------------|---|----------|
| <b>Test Step Name:</b>      |       | PreEnterCCstateU3_21( sub:B_2; ta:TA)                                                                                                                                                                                                                                                                           |                                |   |          |
| <b>Group:</b>               |       | GSM_L3_MS_v4200/Preambles/                                                                                                                                                                                                                                                                                      |                                |   |          |
| <b>Objective:</b>           |       | To bring the MS into CC state U3 by procedure in table 26.8.1.2/1. This is used in CC testing.                                                                                                                                                                                                                  |                                |   |          |
| <b>Default:</b>             |       | OtherEvents                                                                                                                                                                                                                                                                                                     |                                |   |          |
| <b>Comments:</b>            |       | TCV_TI0 contains the transaction identifier from the MS, and TCV_TI contains the transaction identifier for test system to send CC message. The values of them are used in test body. The calling tree shall prepare two variables for the step: TCV_ch for the SDCCH4 subchannel; TCV_CphKey for ciphering key |                                |   |          |
| Nr                          | Label | Behaviour Description                                                                                                                                                                                                                                                                                           | CRef                           | V | Comments |
| 1                           |       | +PreEnterCCstateU1_21( sub, ta)                                                                                                                                                                                                                                                                                 |                                |   |          |
| 2                           |       | L!DL_DatRqCallProc                                                                                                                                                                                                                                                                                              | CallProc(TCV_ch, TCV_CallProc) |   |          |
| 3                           |       | +CCstatuschk_02(TCV_ch, C_U3, TCV_TI, TCV_TI0)                                                                                                                                                                                                                                                                  |                                |   |          |
| <b>Detailed Comments:</b>   |       | 1. To assign SDCCH4 channel.                                                                                                                                                                                                                                                                                    |                                |   |          |

| Test Step Dynamic Behaviour |       |                                                                                                                                                                                       |                                   |   |          |
|-----------------------------|-------|---------------------------------------------------------------------------------------------------------------------------------------------------------------------------------------|-----------------------------------|---|----------|
| <b>Test Step Name:</b>      |       | PreEnterCCstateU3_22(slot:SN; tsc:TSC; ta:TA)                                                                                                                                         |                                   |   |          |
| <b>Group:</b>               |       | GSM_L3_MS_v4200/Preambles/                                                                                                                                                            |                                   |   |          |
| <b>Objective:</b>           |       | To bring the MS into CC state U3 by procedure in table 26.8.1.2/2. This is used in CC testing.                                                                                        |                                   |   |          |
| <b>Default:</b>             |       | OtherEvents                                                                                                                                                                           |                                   |   |          |
| <b>Comments:</b>            |       | TCV_TI0 contains the transaction identifier from the MS, and TCV_TI contains the transaction identifier for test system to send CC message. The values of them are used in test body. |                                   |   |          |
| Nr                          | Label | Behaviour Description                                                                                                                                                                 | CRef                              | V | Comments |
| 1                           |       | +PreEnterCCstateU1_22(slot, tsc, ta)                                                                                                                                                  |                                   |   |          |
| 2                           |       | L!DL_DatRqCallProc                                                                                                                                                                    | CallProc(TCV_chTch, TCV_CallProc) |   |          |
| 3                           |       | +CCstatuschk_02(TCV_chTch, C_U3, TCV_TI, TCV_TI0)                                                                                                                                     |                                   |   |          |
| <b>Detailed Comments:</b>   |       |                                                                                                                                                                                       |                                   |   |          |

| Test Step Dynamic Behaviour |       |                                                                                                                                                                                                                                                                                                            |                                    |   |                             |
|-----------------------------|-------|------------------------------------------------------------------------------------------------------------------------------------------------------------------------------------------------------------------------------------------------------------------------------------------------------------|------------------------------------|---|-----------------------------|
| <b>Test Step Name:</b>      |       | PreEnterCCstateU3_23( sub:B_2; ta:TA; cksn:B_3; rand:RAND)                                                                                                                                                                                                                                                 |                                    |   |                             |
| <b>Group:</b>               |       | GSM_L3_MS_v4200/Preambles/                                                                                                                                                                                                                                                                                 |                                    |   |                             |
| <b>Objective:</b>           |       | To bring the MS into CC state U3 by procedure in table 26.8.1.2/3. This is used in CC testing.                                                                                                                                                                                                             |                                    |   |                             |
| <b>Default:</b>             |       | OtherEvents                                                                                                                                                                                                                                                                                                |                                    |   |                             |
| <b>Comments:</b>            |       | TCV_TI0 contains the transaction identifier from the MS, and TCV_TI contains the transaction identifier for test system to send CC message. Their values are used in test body. The calling tree shall prepare two variables for the step: TCV_ch for the SDCCH4 subchannel; TCV_CphKey for ciphering key. |                                    |   |                             |
| Nr                          | Label | Behaviour Description                                                                                                                                                                                                                                                                                      | CRef                               | V | Comments                    |
| 1                           |       | +CCEstablishMO_SDCCH4( sub, ta)                                                                                                                                                                                                                                                                            |                                    |   |                             |
| 2                           |       | ACTIVATE( OtherEvents_02)                                                                                                                                                                                                                                                                                  |                                    |   | To match ChReq retrans.     |
| 3                           |       | L?DL_EstInCmsRq                                                                                                                                                                                                                                                                                            | CMSerReq(<br>CMServiceReq_04)      |   |                             |
| 4                           |       | ACTIVATE( OtherEvents)                                                                                                                                                                                                                                                                                     |                                    |   | Restore Normal default tree |
| 5                           |       | +Ciphering_on( TCV_ch)                                                                                                                                                                                                                                                                                     |                                    |   |                             |
| 6                           |       | +RcvSetupOrEsetup( TCV_Setup_mo,<br>TCV_Esetup, TCV_Ecall)                                                                                                                                                                                                                                                 |                                    |   |                             |
| 7                           |       | +Authentication( TCV_ch, cksn, rand)                                                                                                                                                                                                                                                                       |                                    |   |                             |
| 8                           |       | LIDL_DatRqCallProc                                                                                                                                                                                                                                                                                         | CallProc( TCV_ch,<br>TCV_CallProc) |   |                             |
| 9                           |       | +CCstatuschk_02( TCV_ch, C_U3,<br>TCV_TI, TCV_TI0)                                                                                                                                                                                                                                                         |                                    |   |                             |
| <b>Detailed Comments:</b>   |       |                                                                                                                                                                                                                                                                                                            |                                    |   |                             |

| Test Step Dynamic Behaviour |       |                                                                                                                                                                                       |                                      |   |          |
|-----------------------------|-------|---------------------------------------------------------------------------------------------------------------------------------------------------------------------------------------|--------------------------------------|---|----------|
| <b>Test Step Name:</b>      |       | PreEnterCCstateU3_24( slot:SN; tsc:TSC; ta:TA)                                                                                                                                        |                                      |   |          |
| <b>Group:</b>               |       | GSM_L3_MS_v4200/Preambles/                                                                                                                                                            |                                      |   |          |
| <b>Objective:</b>           |       | To bring the MS into CC state U3 by procedure in table 26.8.1.2/4. This is used in CC testing.                                                                                        |                                      |   |          |
| <b>Default:</b>             |       | OtherEvents                                                                                                                                                                           |                                      |   |          |
| <b>Comments:</b>            |       | TCV_TI0 contains the transaction identifier from the MS, and TCV_TI contains the transaction identifier for test system to send CC message. The values of them are used in test body. |                                      |   |          |
| Nr                          | Label | Behaviour Description                                                                                                                                                                 | CRef                                 | V | Comments |
| 1                           |       | +PreEnterCCstateU1_24(slot, tsc, ta)                                                                                                                                                  |                                      |   |          |
| 2                           |       | +CCModifyTCH(slot, tsc)                                                                                                                                                               |                                      |   |          |
| 3                           |       | LIDL_DatRqCallProc                                                                                                                                                                    | CallProc(TCV_chTch,<br>TCV_CallProc) |   |          |
| 4                           |       | +CCstatuschk_02(TCV_chTch, C_U3, TCV_TI,<br>TCV_TI0)                                                                                                                                  |                                      |   |          |
| <b>Detailed Comments:</b>   |       |                                                                                                                                                                                       |                                      |   |          |

| Test Step Dynamic Behaviour |       |                                                                                                                                                                                       |                                          |   |          |
|-----------------------------|-------|---------------------------------------------------------------------------------------------------------------------------------------------------------------------------------------|------------------------------------------|---|----------|
| <b>Test Step Name:</b>      |       | PreEnterCCstateU4_21( sub:B_2; ta:TA)                                                                                                                                                 |                                          |   |          |
| <b>Group:</b>               |       | GSM_L3_MS_v4200/Preambles/                                                                                                                                                            |                                          |   |          |
| <b>Objective:</b>           |       | To bring the MS into CC state U4 by procedure in table 26.8.1.2/1. This is used in CC testing.                                                                                        |                                          |   |          |
| <b>Default:</b>             |       | OtherEvents                                                                                                                                                                           |                                          |   |          |
| <b>Comments:</b>            |       | TCV_TI contains the transaction identifier from the MS, and TCV_TI0 contains the transaction identifier for test system to send CC message. The values of them are used in test body. |                                          |   |          |
| Nr                          | Label | Behaviour Description                                                                                                                                                                 | CRef                                     | V | Comments |
| 1                           |       | +PreEnterCCstateU3_21( sub, ta)                                                                                                                                                       |                                          |   |          |
| 2                           |       | LIDL_DatRqAlert                                                                                                                                                                       | AlertSnd(TCV_ch,<br>Alerting_01(TCV_TI)) |   |          |
| 3                           |       | +CCstatuschk_02(TCV_ch, C_U4, TCV_TI,<br>TCV_TI0)                                                                                                                                     |                                          |   |          |
| <b>Detailed Comments:</b>   |       |                                                                                                                                                                                       |                                          |   |          |

| Test Step Dynamic Behaviour |       |                                                                                                                                                                                       |                                          |   |          |
|-----------------------------|-------|---------------------------------------------------------------------------------------------------------------------------------------------------------------------------------------|------------------------------------------|---|----------|
| <b>Test Step Name:</b>      |       | PreEnterCCstateU4_22( slot:SN; tsc:TSC; ta:TA)                                                                                                                                        |                                          |   |          |
| <b>Group:</b>               |       | GSM_L3_MS_v4200/Preambles/                                                                                                                                                            |                                          |   |          |
| <b>Objective:</b>           |       | To bring the MS into CC state U4 by procedure in table 26.8.1.2/2. This is used in CC testing.                                                                                        |                                          |   |          |
| <b>Default:</b>             |       | OtherEvents                                                                                                                                                                           |                                          |   |          |
| <b>Comments:</b>            |       | TCV_TI0 contains the transaction identifier from the MS, and TCV_TI contains the transaction identifier for test system to send CC message. The values of them are used in test body. |                                          |   |          |
| Nr                          | Label | Behaviour Description                                                                                                                                                                 | CRef                                     | V | Comments |
| 1                           |       | +PreEnterCCstateU3_22( slot, tsc, ta)                                                                                                                                                 |                                          |   |          |
| 2                           |       | L!DL_DatRqAlert                                                                                                                                                                       | AlertSnd(TCV_chTch, Alerting_01(TCV_TI)) |   |          |
| 3                           |       | +CCstatuschk_02(TCV_chTch, C_U4, TCV_TI, TCV_TI0)                                                                                                                                     |                                          |   |          |
| <b>Detailed Comments:</b>   |       |                                                                                                                                                                                       |                                          |   |          |

| Test Step Dynamic Behaviour |       |                                                                                                                                                                                                                                                                                                                  |                                          |   |          |
|-----------------------------|-------|------------------------------------------------------------------------------------------------------------------------------------------------------------------------------------------------------------------------------------------------------------------------------------------------------------------|------------------------------------------|---|----------|
| <b>Test Step Name:</b>      |       | PreEnterCCstateU4_23( sub:B_2; slot:SN; tsc:TSC; ta:TA; cksn:B_3; rand:RAND)                                                                                                                                                                                                                                     |                                          |   |          |
| <b>Group:</b>               |       | GSM_L3_MS_v4200/Preambles/                                                                                                                                                                                                                                                                                       |                                          |   |          |
| <b>Objective:</b>           |       | To bring the MS into CC state U4 by procedure in table 26.8.1.2/3. This is used in CC testing.                                                                                                                                                                                                                   |                                          |   |          |
| <b>Default:</b>             |       | OtherEvents                                                                                                                                                                                                                                                                                                      |                                          |   |          |
| <b>Comments:</b>            |       | TCV_TI0 contains the transaction identifier from the MS, and TCV_TI contains the transaction identifier for test system to send CC message. The values of them are used in test body. The calling tree shall prepare two variables for the step: TCV_ch for the SDCCH4 subchannel; TCV_CphKey for ciphering key. |                                          |   |          |
| Nr                          | Label | Behaviour Description                                                                                                                                                                                                                                                                                            | CRef                                     | V | Comments |
| 1                           |       | +PreEnterCCstateU3_23( sub, ta, cksn, rand)                                                                                                                                                                                                                                                                      |                                          |   |          |
| 2                           |       | +CCAssignTCH(slot, tsc)                                                                                                                                                                                                                                                                                          |                                          |   |          |
| 3                           |       | L!DL_DatRqAlert                                                                                                                                                                                                                                                                                                  | AlertSnd(TCV_chTch, Alerting_01(TCV_TI)) |   |          |
| 4                           |       | +CCstatuschk_02(TCV_chTch, C_U4, TCV_TI, TCV_TI0)                                                                                                                                                                                                                                                                |                                          |   |          |
| <b>Detailed Comments:</b>   |       |                                                                                                                                                                                                                                                                                                                  |                                          |   |          |

| Test Step Dynamic Behaviour |       |                                                                                                                                                                                       |                                          |   |          |
|-----------------------------|-------|---------------------------------------------------------------------------------------------------------------------------------------------------------------------------------------|------------------------------------------|---|----------|
| <b>Test Step Name:</b>      |       | PreEnterCCstateU4_24( slot:SN; tsc:TSC; ta:TA)                                                                                                                                        |                                          |   |          |
| <b>Group:</b>               |       | GSM_L3_MS_v4200/Preambles/                                                                                                                                                            |                                          |   |          |
| <b>Objective:</b>           |       | To bring the MS into CC state U4 by procedure in table 26.8.1.2/4. This is used in CC testing.                                                                                        |                                          |   |          |
| <b>Default:</b>             |       | OtherEvents                                                                                                                                                                           |                                          |   |          |
| <b>Comments:</b>            |       | TCV_TI0 contains the transaction identifier from the MS, and TCV_TI contains the transaction identifier for test system to send CC message. The values of them are used in test body. |                                          |   |          |
| Nr                          | Label | Behaviour Description                                                                                                                                                                 | CRef                                     | V | Comments |
| 1                           |       | +PreEnterCCstateU3_24( slot, tsc, ta)                                                                                                                                                 |                                          |   |          |
| 2                           |       | L!DL_DatRqAlert                                                                                                                                                                       | AlertSnd(TCV_chTch, Alerting_01(TCV_TI)) |   |          |
| 3                           |       | +CCstatuschk_02(TCV_chTch, C_U4, TCV_TI, TCV_TI0)                                                                                                                                     |                                          |   |          |
| <b>Detailed Comments:</b>   |       |                                                                                                                                                                                       |                                          |   |          |

| Test Step Dynamic Behaviour |       |                                                                                                |                                   |   |          |
|-----------------------------|-------|------------------------------------------------------------------------------------------------|-----------------------------------|---|----------|
| <b>Test Step Name:</b>      |       | PreEnterCCstateU6_32(ta:TA; sub:B_2; cksn:B_3)                                                 |                                   |   |          |
| <b>Group:</b>               |       | GSM_L3_MS_v4200/Preambles/                                                                     |                                   |   |          |
| <b>Objective:</b>           |       | To bring the MS into CC state U6 by procedure in table 26.8.1.3/2. This is used in CC testing. |                                   |   |          |
| <b>Default:</b>             |       | OtherEvents                                                                                    |                                   |   |          |
| <b>Comments:</b>            |       | State U6 is a transient state.                                                                 |                                   |   |          |
| Nr                          | Label | Behaviour Description                                                                          | CRef                              | V | Comments |
| 1                           |       | (TCV_Setup_mt.sig :=Signal_01)                                                                 |                                   |   | 1.       |
| 2                           |       | +CCEstablishMT_SDCCH4( ta, sub, cksn)                                                          |                                   |   |          |
| 3                           |       | +Cipherring_on(TCV_ch)                                                                         |                                   |   |          |
| 4                           |       | LIDL_DatRqSetup                                                                                | SetupSnd(TCV_ch,<br>TCV_Setup_mt) |   |          |
| <b>Detailed Comments:</b>   |       | 1. To assign SDCCH4 channel.                                                                   |                                   |   |          |

| Test Step Dynamic Behaviour |       |                                                                                                                                                                                                                                                                       |                                 |   |          |
|-----------------------------|-------|-----------------------------------------------------------------------------------------------------------------------------------------------------------------------------------------------------------------------------------------------------------------------|---------------------------------|---|----------|
| <b>Test Step Name:</b>      |       | PreEnterCCstateU7_31(ta:TA; sub:B_2; cksn:B_3; rand:RAND)                                                                                                                                                                                                             |                                 |   |          |
| <b>Group:</b>               |       | GSM_L3_MS_v4200/Preambles/                                                                                                                                                                                                                                            |                                 |   |          |
| <b>Objective:</b>           |       | To bring the MS into CC state U7 by procedure in table 26.8.1.3/1. This is used in CC testing.                                                                                                                                                                        |                                 |   |          |
| <b>Default:</b>             |       | OtherEvents                                                                                                                                                                                                                                                           |                                 |   |          |
| <b>Comments:</b>            |       | used only for the MS not support immediate connection. State U7 is transient state if the MS supports automatic connect after a specific time. The calling tree shall prepare two variables for the step: TCV_ch for SDCCH4 subchannel, TCV_CphKey for ciphering key. |                                 |   |          |
| Nr                          | Label | Behaviour Description                                                                                                                                                                                                                                                 | CRef                            | V | Comments |
| 1                           |       | +PreEnterCCstateU9_31(ta, sub, cksn, rand)                                                                                                                                                                                                                            |                                 |   |          |
| 2                           |       | L?DL_DatInAlert                                                                                                                                                                                                                                                       | AlertRcv(AlertingInd_02(TI_01)) |   |          |
| 3                           |       | +CCstatuschk_02(TCV_ch, C_U7, TI_02, TI_01)                                                                                                                                                                                                                           |                                 |   |          |
| <b>Detailed Comments:</b>   |       |                                                                                                                                                                                                                                                                       |                                 |   |          |

| Test Step Dynamic Behaviour |       |                                                                                                                                                                                                                                                                       |                                 |   |          |
|-----------------------------|-------|-----------------------------------------------------------------------------------------------------------------------------------------------------------------------------------------------------------------------------------------------------------------------|---------------------------------|---|----------|
| <b>Test Step Name:</b>      |       | PreEnterCCstateU7_32(ta:TA; sub:B_2; cksn:B_3)                                                                                                                                                                                                                        |                                 |   |          |
| <b>Group:</b>               |       | GSM_L3_MS_v4200/Preambles/                                                                                                                                                                                                                                            |                                 |   |          |
| <b>Objective:</b>           |       | To bring the MS into CC state U7 by procedure in table 26.8.1.3/2. This is used in CC testing.                                                                                                                                                                        |                                 |   |          |
| <b>Default:</b>             |       | OtherEvents                                                                                                                                                                                                                                                           |                                 |   |          |
| <b>Comments:</b>            |       | used only for the MS not support immediate connection. State U7 is transient state if the MS supports automatic connect after a specific time. The calling tree shall prepare two variables for the step: TCV_ch for SDCCH4 subchannel, TCV_CphKey for ciphering key. |                                 |   |          |
| Nr                          | Label | Behaviour Description                                                                                                                                                                                                                                                 | CRef                            | V | Comments |
| 1                           |       | +PreEnterCCstateU9_32(ta, sub, cksn)                                                                                                                                                                                                                                  |                                 |   |          |
| 2                           |       | L?DL_DatInAlert                                                                                                                                                                                                                                                       | AlertRcv(AlertingInd_02(TI_01)) |   |          |
| 3                           |       | +CCstatuschk_02(TCV_ch, C_U7, TI_02, TI_01)                                                                                                                                                                                                                           |                                 |   |          |
| <b>Detailed Comments:</b>   |       |                                                                                                                                                                                                                                                                       |                                 |   |          |



| Test Step Dynamic Behaviour |       |                                                                                                                                                                                                                                                                       |                                 |   |          |
|-----------------------------|-------|-----------------------------------------------------------------------------------------------------------------------------------------------------------------------------------------------------------------------------------------------------------------------|---------------------------------|---|----------|
| <b>Test Step Name:</b>      |       | PreEnterCCstateU7_33( slot:SN; tsc:TSC; ta:TA; cksn:B_3; rand:RAND)                                                                                                                                                                                                   |                                 |   |          |
| <b>Group:</b>               |       | GSM_L3_MS_v4200/Preambles/                                                                                                                                                                                                                                            |                                 |   |          |
| <b>Objective:</b>           |       | To bring the MS into CC state U7 by procedure in table 26.8.1.3/3. This is used in CC testing.                                                                                                                                                                        |                                 |   |          |
| <b>Default:</b>             |       | OtherEvents                                                                                                                                                                                                                                                           |                                 |   |          |
| <b>Comments:</b>            |       | used only for the MS not support immediate connection. State U7 is transiet state if the MS supports automatic connect after a specific time. The calling tree shall prepare two variables for the step: TCV_chTch for traffic channel, TCV_CphKey for ciphering key. |                                 |   |          |
| Nr                          | Label | Behaviour Description                                                                                                                                                                                                                                                 | CRef                            | V | Comments |
| 1                           |       | +PreEnterCCstateU9_33( slot, tsc, ta, cksn, rand)                                                                                                                                                                                                                     |                                 |   |          |
| 2                           |       | L?DL_DatInAlert                                                                                                                                                                                                                                                       | AlertRcv(AlertingInd_02(TI_01)) |   |          |
| 3                           |       | +CCstatuschk_02(TCV_chTch, C_U7, TI_02, TI_01)                                                                                                                                                                                                                        |                                 |   |          |
| <b>Detailed Comments:</b>   |       |                                                                                                                                                                                                                                                                       |                                 |   |          |

| Test Step Dynamic Behaviour                                     |       |                                                                                                                        |                                 |   |          |
|-----------------------------------------------------------------|-------|------------------------------------------------------------------------------------------------------------------------|---------------------------------|---|----------|
| <b>Test Step Name:</b>                                          |       | PreEnterCCstateU8_31(ta:TA; sub:B_2; cksn:B_3; rand:RAND)                                                              |                                 |   |          |
| <b>Group:</b>                                                   |       | GSM_L3_MS_v4200/Preambles/                                                                                             |                                 |   |          |
| <b>Objective:</b>                                               |       | To bring the MS into CC state U8 by procedure in table 26.8.1.3/1. This is used in CC testing.                         |                                 |   |          |
| <b>Default:</b>                                                 |       | OtherEvents                                                                                                            |                                 |   |          |
| <b>Comments:</b>                                                |       | The calling tree shall prepare two variables for the step: TCV_ch for SDCCH4 subchannel, TCV_CphKey for ciphering key. |                                 |   |          |
| Nr                                                              | Label | Behaviour Description                                                                                                  | CRef                            | V | Comments |
| 1                                                               |       | +PreEnterCCstateU9_31(ta, sub, cksn, rand)                                                                             |                                 |   |          |
| 2                                                               |       | L?DL_DatInAlert                                                                                                        | AlertRcv(AlertingInd_02(TI_01)) |   |          |
| 3                                                               |       | (TCV_Null := OO_HookOff())                                                                                             |                                 |   | 1.       |
| 4                                                               |       | L?DL_DatInConn                                                                                                         | ConnRcv(Connect_01(TI_01))      |   |          |
| 5                                                               |       | +CCstatuschk_02(TCV_ch, C_U8, TI_02, TI_01)                                                                            |                                 |   | 2.       |
| 6                                                               |       | L?DL_DatInConn                                                                                                         | ConnRcv(Connect_01(TI_01))      |   |          |
| 7                                                               |       | +CCstatuschk_02(TCV_ch, C_U8, TI_02, TI_01)                                                                            |                                 |   | 2.       |
| <b>Detailed Comments:</b>                                       |       |                                                                                                                        |                                 |   |          |
| 1. To accept the call by operator.                              |       |                                                                                                                        |                                 |   |          |
| 2. To check whether the MS is in the expected initial state U8. |       |                                                                                                                        |                                 |   |          |

| Test Step Dynamic Behaviour                                                                                                                                                                                 |       |                                                 |                                         |    |          |
|-------------------------------------------------------------------------------------------------------------------------------------------------------------------------------------------------------------|-------|-------------------------------------------------|-----------------------------------------|----|----------|
| <b>Test Step Name:</b> PreEnterCCstateU8_32(slot:SN; tsc:TSC; ta:TA; sub:B_2; cksn:B_3)                                                                                                                     |       |                                                 |                                         |    |          |
| <b>Group:</b> GSM_L3_MS_v4200/Preambles/                                                                                                                                                                    |       |                                                 |                                         |    |          |
| <b>Objective:</b> To bring the MS into CC state U8 by procedure in table 26.8.1.3/2. This is used in CC testing.                                                                                            |       |                                                 |                                         |    |          |
| <b>Default:</b> OtherEvents                                                                                                                                                                                 |       |                                                 |                                         |    |          |
| <b>Comments:</b> The calling tree shall prepare three variables for the step: TCV_ch for SDCCH4 subchannel, TCV_chTch for traffic channel, TCV_CphKey for ciphering key, TCV_AssCmd for ASSIGNMENT message. |       |                                                 |                                         |    |          |
| Nr                                                                                                                                                                                                          | Label | Behaviour Description                           | CRef                                    | V  | Comments |
| 1                                                                                                                                                                                                           |       | +PreEnterCCstateU9_32(ta, sub, cksn)            |                                         |    |          |
| 2                                                                                                                                                                                                           |       | L?DL_DatInConn                                  | ConnRcv(<br>Connect_01( TI_01))         |    |          |
| 3                                                                                                                                                                                                           |       | +CCAssignTCH(slot, tsc)                         |                                         |    |          |
| 4                                                                                                                                                                                                           |       | +CCstatuschk_02( TCV_chTch, C_U8, TI_02, TI_01) |                                         | 2. |          |
| 5                                                                                                                                                                                                           |       | L?DL_DatInAlert                                 | AlertRcv(<br>AlertingInd_02(<br>TI_01)) |    |          |
| 6                                                                                                                                                                                                           |       | (TCV_Null := OO_HookOff())                      |                                         | 1. |          |
| 7                                                                                                                                                                                                           |       | L?DL_DatInConn                                  | ConnRcv(<br>Connect_01( TI_01))         |    |          |
| 8                                                                                                                                                                                                           |       | +CCAssignTCH(slot, tsc)                         |                                         |    |          |
| 9                                                                                                                                                                                                           |       | +CCstatuschk_02( TCV_chTch, C_U8, TI_02, TI_01) |                                         | 2. |          |
| <b>Detailed Comments:</b>                                                                                                                                                                                   |       |                                                 |                                         |    |          |
| 1. To accept the call by operator.                                                                                                                                                                          |       |                                                 |                                         |    |          |
| 2. To verify whether the MS is in the expected initial state U8.                                                                                                                                            |       |                                                 |                                         |    |          |

| Test Step Dynamic Behaviour                                                                                                                                              |       |                                                   |                                         |    |          |
|--------------------------------------------------------------------------------------------------------------------------------------------------------------------------|-------|---------------------------------------------------|-----------------------------------------|----|----------|
| <b>Test Step Name:</b> PreEnterCCstateU8_33( slot:SN; tsc:TSC; ta:TA; cksn:B_3; rand:RAND)                                                                               |       |                                                   |                                         |    |          |
| <b>Group:</b> GSM_L3_MS_v4200/Preambles/                                                                                                                                 |       |                                                   |                                         |    |          |
| <b>Objective:</b> To bring the MS into CC state U8 by procedure in table 26.8.1.3/3. This is used in CC testing.                                                         |       |                                                   |                                         |    |          |
| <b>Default:</b> OtherEvents                                                                                                                                              |       |                                                   |                                         |    |          |
| <b>Comments:</b> The calling tree shall prepare three variables for the step: TCV_ch for SDCCH4 subchannel, TCV_chTch for traffic channel, TCV_CphKey for ciphering key. |       |                                                   |                                         |    |          |
| Nr                                                                                                                                                                       | Label | Behaviour Description                             | CRef                                    | V  | Comments |
| 1                                                                                                                                                                        |       | +PreEnterCCstateU9_33( slot, tsc, ta, cksn, rand) |                                         |    |          |
| 2                                                                                                                                                                        |       | L?DL_DatInAlert                                   | AlertRcv(<br>AlertingInd_02(<br>TI_01)) |    |          |
| 3                                                                                                                                                                        |       | (TCV_Null := OO_HookOff())                        |                                         |    |          |
| 4                                                                                                                                                                        |       | L?DL_DatInConn                                    | ConnRcv(<br>Connect_01( TI_01))         |    |          |
| 5                                                                                                                                                                        |       | +CCstatuschk_02( TCV_chTch, C_U8, TI_02, TI_01)   |                                         | 3. |          |
| 6                                                                                                                                                                        |       | L?DL_DatInConn                                    | ConnRcv(<br>Connect_01( TI_01))         |    |          |
| 7                                                                                                                                                                        |       | +CCstatuschk_02( TCV_chTch, C_U8, TI_02, TI_01)   |                                         | 3. |          |
| <b>Detailed Comments:</b>                                                                                                                                                |       |                                                   |                                         |    |          |
| 1. Immediate connection is not supported.                                                                                                                                |       |                                                   |                                         |    |          |
| 2. Immediate connection is supported.                                                                                                                                    |       |                                                   |                                         |    |          |
| 3. To verify whether the MS is in the expected initial state U8.                                                                                                         |       |                                                   |                                         |    |          |

| Test Step Dynamic Behaviour |       |                                                                                         |                                         |   |          |
|-----------------------------|-------|-----------------------------------------------------------------------------------------|-----------------------------------------|---|----------|
| <b>Test Step Name:</b>      |       | PreEnterCCstateU8_34_SS                                                                 |                                         |   |          |
| <b>Group:</b>               |       | GSM_L3_MS_v4200/Preambles/                                                              |                                         |   |          |
| <b>Objective:</b>           |       | To establish an MT call entering U8 with early assignment for SS test subgroup.         |                                         |   |          |
| <b>Default:</b>             |       | OtherEventsFail                                                                         |                                         |   |          |
| <b>Comments:</b>            |       | Used var's: TCV_cellid, TCV_chdescr_arfcn, TCV_Bcap1, TCV_chTch, TCV_asscmd_ts          |                                         |   |          |
| Nr                          | Label | Behaviour Description                                                                   | CRef                                    | V | Comments |
| 1                           |       | +PreEstRRConn(TCV_slot, TCV_tsc, TimingAdv( 0))                                         |                                         |   |          |
| 2                           |       | L!DL_DatRqSetup                                                                         | SetupSnd( TCV_ch,<br>TCV_Setup_mt)      |   |          |
| 3                           |       | +AssCmdGen( TCV_cellid, TCV_ChRate,<br>TSPX_TmSlitDef, TSPX_TscDef,<br>TSPX_TCHHSubDef) |                                         |   |          |
| 4                           |       | L?DL_DatInCallCo(<br>TCV_CallCfm:=DL_DatInCallCo.msg)                                   | CallCfm(<br>CallConfirm_01(<br>TI_01))  |   |          |
| 5                           |       | [NOT TSPX_Immconn]                                                                      |                                         |   |          |
| 6                           |       | +AssCh_complete( TCV_ch, TCV_chTch,<br>TCV_AssCmd)                                      |                                         |   |          |
| 7                           |       | L?DL_DatInAlert                                                                         | AlertRcv(<br>AlertingInd_01(<br>TI_01)) |   |          |
| 8                           |       | (TCV_Null:=OO_HookOff())                                                                |                                         |   |          |
| 9                           |       | L?DL_DatInConn                                                                          | ConnRcv(<br>Connect_01( TI_01))         |   |          |
| 10                          |       | [TSPX_Immconn]                                                                          |                                         |   |          |
| 11                          |       | L?DL_DatInConn                                                                          | ConnRcv(<br>Connect_01( TI_01))         |   |          |
| 12                          |       | +AssCh_complete( TCV_ch, TCV_chTch,<br>TCV_AssCmd)                                      |                                         |   |          |
| <b>Detailed Comments:</b>   |       |                                                                                         |                                         |   |          |

| Test Step Dynamic Behaviour                   |       |                                                                                                                                                                                                                                                                       |                                        |   |          |
|-----------------------------------------------|-------|-----------------------------------------------------------------------------------------------------------------------------------------------------------------------------------------------------------------------------------------------------------------------|----------------------------------------|---|----------|
| <b>Test Step Name:</b>                        |       | PreEnterCCstateU9_31(ta:TA; sub:B_2; cksn:B_3; rand:RAND)                                                                                                                                                                                                             |                                        |   |          |
| <b>Group:</b>                                 |       | GSM_L3_MS_v4200/Preambles/                                                                                                                                                                                                                                            |                                        |   |          |
| <b>Objective:</b>                             |       | To bring the MS into CC state U9 by procedure in table 26.8.1.3/1. This is used in CC testing.                                                                                                                                                                        |                                        |   |          |
| <b>Default:</b>                               |       | OtherEvents                                                                                                                                                                                                                                                           |                                        |   |          |
| <b>Comments:</b>                              |       | The state U9 is a transient state when the signal IE is included in the SETUP message. The calling tree shall prepare three variables for the test step: TCV_ChRate for the type of the channel, TCV_CphKey for the ciphering key and TCV_ChMod for the channel mode. |                                        |   |          |
| Nr                                            | Label | Behaviour Description                                                                                                                                                                                                                                                 | CRef                                   | V | Comments |
| 1                                             |       | (TCV_Setup_mt.sig := Signal_01)                                                                                                                                                                                                                                       |                                        |   |          |
| 2                                             |       | +CCEstablishMT_SDCCH4(ta, sub, cksn)                                                                                                                                                                                                                                  |                                        |   | 1.       |
| 3                                             |       | +Authentication(TCV_ch, cksn, rand)                                                                                                                                                                                                                                   |                                        |   | 2.       |
| 4                                             |       | +Ciphering_on(TCV_ch)                                                                                                                                                                                                                                                 |                                        |   | 3.       |
| 5                                             |       | L!DL_DatRqSetup                                                                                                                                                                                                                                                       | SetupSnd(TCV_ch,<br>TCV_Setup_mt)      |   |          |
| 6                                             |       | L?DL_DatInCallCo                                                                                                                                                                                                                                                      | CallCfm(<br>CallConfirm_01(<br>TI_01)) |   |          |
| <b>Detailed Comments:</b>                     |       |                                                                                                                                                                                                                                                                       |                                        |   |          |
| 1. To establish a MT SDCCH/4.                 |       |                                                                                                                                                                                                                                                                       |                                        |   |          |
| 2. To initiate authentication procedure.      |       |                                                                                                                                                                                                                                                                       |                                        |   |          |
| 3. To start ciphering on the traffic channel. |       |                                                                                                                                                                                                                                                                       |                                        |   |          |

| Test Step Dynamic Behaviour |       |                                                                                                                                                             |                                        |   |          |
|-----------------------------|-------|-------------------------------------------------------------------------------------------------------------------------------------------------------------|----------------------------------------|---|----------|
| <b>Test Step Name:</b>      |       | PreEnterCCstateU9_32(ta:TA; sub:B_2; cksn:B_3)                                                                                                              |                                        |   |          |
| <b>Group:</b>               |       | GSM_L3_MS_v4200/Preambles/                                                                                                                                  |                                        |   |          |
| <b>Objective:</b>           |       | To bring the MS into CC state U9 by procedure in table 26.8.1.3/2. This is used in CC testing.                                                              |                                        |   |          |
| <b>Default:</b>             |       | OtherEvents                                                                                                                                                 |                                        |   |          |
| <b>Comments:</b>            |       | The state U9 in the test step is a transient state. The calling tree shall prepare two variables for the test step TCV_ch of SDCCH4 subchannel, TCV_CphKey. |                                        |   |          |
| Nr                          | Label | Behaviour Description                                                                                                                                       | CRef                                   | V | Comments |
| 1                           |       | +PreEnterCCstateU6_32( ta, sub, cksn)                                                                                                                       |                                        |   |          |
| 2                           |       | L?DL_DatInCallCo                                                                                                                                            | CallCfm(<br>CallConfirm_01(<br>TI_01)) |   |          |
| <b>Detailed Comments:</b>   |       |                                                                                                                                                             |                                        |   |          |

| Test Step Dynamic Behaviour |       |                                                                                                                                                                                                                                                                       |                                       |   |          |
|-----------------------------|-------|-----------------------------------------------------------------------------------------------------------------------------------------------------------------------------------------------------------------------------------------------------------------------|---------------------------------------|---|----------|
| <b>Test Step Name:</b>      |       | PreEnterCCstateU9_33(slot:SN; tsc:TSC; ta:TA; cksn:B_3; rand:RAND)                                                                                                                                                                                                    |                                       |   |          |
| <b>Group:</b>               |       | GSM_L3_MS_v4200/Preambles/                                                                                                                                                                                                                                            |                                       |   |          |
| <b>Objective:</b>           |       | To bring the MS into CC state U9 by procedure in table 26.8.1.3/3. This is used in CC testing.                                                                                                                                                                        |                                       |   |          |
| <b>Default:</b>             |       | OtherEvents                                                                                                                                                                                                                                                           |                                       |   |          |
| <b>Comments:</b>            |       | The state U9 is a transient state when the signal IE is included in the SETUP message. The calling tree shall prepare three variables for the test step: TCV_ChRate for the type of the channel, TCV_CphKey for the ciphering key and TCV_ChMod for the channel mode. |                                       |   |          |
| Nr                          | Label | Behaviour Description                                                                                                                                                                                                                                                 | CRef                                  | V | Comments |
| 1                           |       | (TCV_Setup_mt.sig := Signal_01)                                                                                                                                                                                                                                       |                                       |   |          |
| 2                           |       | +CCEstablishMT_TCH(slot, tsc, ta)                                                                                                                                                                                                                                     |                                       |   | 1.       |
| 3                           |       | +Authentication(TCV_chTch, cksn, rand)                                                                                                                                                                                                                                |                                       |   | 2.       |
| 4                           |       | +Ciphering_on(TCV_chTch)                                                                                                                                                                                                                                              |                                       |   | 3.       |
| 5                           |       | +CCModifyTCH(slot, tsc)                                                                                                                                                                                                                                               |                                       |   | 4.       |
| 6                           |       | L!DL_DatRqSetup                                                                                                                                                                                                                                                       | SetupSnd(TCV_chTc<br>h, TCV_Setup_mt) |   |          |
| 7                           |       | L?DL_DatInCallCo                                                                                                                                                                                                                                                      | CallCfm(CallConfirm_<br>01( TI_01))   |   |          |
| <b>Detailed Comments:</b>   |       | <ol style="list-style-type: none"> <li>1. To establish an MT on TCH/F or TCH/H.</li> <li>2. To initiate authentication procedure.</li> <li>3. To start ciphering on the traffic channel.</li> <li>4. To modify the channel mode.</li> </ol>                           |                                       |   |          |

| Test Step Dynamic Behaviour |       |                                                                                                                                                                                                                                                                                                                |                                        |   |          |
|-----------------------------|-------|----------------------------------------------------------------------------------------------------------------------------------------------------------------------------------------------------------------------------------------------------------------------------------------------------------------|----------------------------------------|---|----------|
| <b>Test Step Name:</b>      |       | PreEnterCCstateU9_34(ta:TA; sub:B_2; cksn:B_3)                                                                                                                                                                                                                                                                 |                                        |   |          |
| <b>Group:</b>               |       | GSM_L3_MS_v4200/Preambles/                                                                                                                                                                                                                                                                                     |                                        |   |          |
| <b>Objective:</b>           |       | To bring the MS into CC state U9 by procedure in table 26.8.1.3/4. This is used in CC testing.                                                                                                                                                                                                                 |                                        |   |          |
| <b>Default:</b>             |       | OtherEvents                                                                                                                                                                                                                                                                                                    |                                        |   |          |
| <b>Comments:</b>            |       | The supported bearer capability is specified in the input partameter setup.The calling tree shall prepare two variables for the step: TCV_ch for SDCCH4 subchannel, TCV_CphKey for ciphering key. The `setup` shall contain no signal IE. The test step is used for the MS does not support immediate connect. |                                        |   |          |
| Nr                          | Label | Behaviour Description                                                                                                                                                                                                                                                                                          | CRef                                   | V | Comments |
| 1                           |       | +CCEstablishMT_SDCCH4(ta, sub, cksn)                                                                                                                                                                                                                                                                           |                                        |   | 1.       |
| 2                           |       | +Ciphering_on(TCV_ch)                                                                                                                                                                                                                                                                                          |                                        |   |          |
| 3                           |       | L!DL_DatRqSetup                                                                                                                                                                                                                                                                                                | SetupSnd(TCV_ch,<br>TCV_Setup_mt)      |   | 2.       |
| 4                           |       | L?DL_DatInCallCo                                                                                                                                                                                                                                                                                               | CallCfm(<br>CallConfirm_01(<br>TI_01)) |   |          |
| 5                           |       | +CCstatuschk_02(TCV_ch, C_U9, TI_02,<br>TI_01)                                                                                                                                                                                                                                                                 |                                        |   | 3.       |
| <b>Detailed Comments:</b>   |       | <ol style="list-style-type: none"> <li>1. To assign SDCCH4 channel.</li> <li>2. SETUP message without SIGNAL IE.</li> <li>3. To check whether the MS is in the initial state U9, if no the test step ends with inconclusive verdict in the default tree.</li> </ol>                                            |                                        |   |          |

| Test Step Dynamic Behaviour |            |                                                                                                                                                                                                                                                                                                                                                                                                    |                                               |     |          |
|-----------------------------|------------|----------------------------------------------------------------------------------------------------------------------------------------------------------------------------------------------------------------------------------------------------------------------------------------------------------------------------------------------------------------------------------------------------|-----------------------------------------------|-----|----------|
| <b>Test Step Name:</b>      |            | PreEnterCCstateU10( sub:B_2; setup:SETUP_MT_PDU; slot:SN; tsc:TSC; ta:TA; cksn:B_3; rand:RAND)                                                                                                                                                                                                                                                                                                     |                                               |     |          |
| <b>Group:</b>               |            | GSM_L3_MS_v4200/Preambles/                                                                                                                                                                                                                                                                                                                                                                         |                                               |     |          |
| <b>Objective:</b>           |            | To establish a mobile terminating call for the supported bearer capability and put the MS under test in the CC state U10.                                                                                                                                                                                                                                                                          |                                               |     |          |
| <b>Default:</b>             |            | OtherEvents                                                                                                                                                                                                                                                                                                                                                                                        |                                               |     |          |
| <b>Comments:</b>            |            | The supported bearer capability is specified in the input parameter setup, test case variable TCV_TI holds the transaction ID and the transaction ID =0. This is generic call set up procedure. The calling tree shall prepare three variables for the step: TCV_ch for SDCCH4 subchannel, TCV_chTch for traffic channel, TCV_CphKey for ciphering key. This test step is used for non RR testing. |                                               |     |          |
| Nr                          | Label      | Behaviour Description                                                                                                                                                                                                                                                                                                                                                                              | CRef                                          | V   | Comments |
| 1                           |            | +CCEstablishMT_SDCCH4(ta, sub, cksn)                                                                                                                                                                                                                                                                                                                                                               |                                               |     |          |
| 2                           |            | L!DL_DatRqAuthRq                                                                                                                                                                                                                                                                                                                                                                                   | AuthReq(TCV_ch, AuthRequest( cksn, rand))     |     |          |
| 3                           |            | L?DL_DatInAuthRes (TCV_Sres := DL_DatInAuthRes.msg.sres)                                                                                                                                                                                                                                                                                                                                           | AuthRes( AuthResponse)                        |     |          |
| 4                           |            | (TCV_Res := OC_ChkSRES(TCV_Sres, TSPX_Ki, rand))                                                                                                                                                                                                                                                                                                                                                   |                                               |     |          |
| 5                           | L_100<br>3 | [NOT TCV_Res]                                                                                                                                                                                                                                                                                                                                                                                      |                                               | (I) | 1.       |
| 6                           |            | +PostLinkRelEnd(TCV_ch)                                                                                                                                                                                                                                                                                                                                                                            |                                               |     |          |
| 7                           |            | [TCV_Res]                                                                                                                                                                                                                                                                                                                                                                                          |                                               |     |          |
| 8                           |            | +Ciphering_on(TCV_ch)                                                                                                                                                                                                                                                                                                                                                                              |                                               |     |          |
| 9                           |            | L!DL_DatRqSetup (TCV_TI.ti_f := '0'B, TCV_TI.ti_v := '000'B)                                                                                                                                                                                                                                                                                                                                       | SetupSnd( TCV_ch, setup)                      |     |          |
| 10                          |            | L?DL_DatInCallCo( TCV_CallCfm := DL_DatInCallCo.msg)                                                                                                                                                                                                                                                                                                                                               | CallCfm( CallConfirm_01( TI_01))              |     |          |
| 11                          |            | [TSPX_Immconn]                                                                                                                                                                                                                                                                                                                                                                                     |                                               |     |          |
| 12                          |            | L?DL_DatInConn                                                                                                                                                                                                                                                                                                                                                                                     | ConnRcv( Connect_01( TI_01))                  |     |          |
| 13                          |            | +CCAssignTCH(slot, tsc)                                                                                                                                                                                                                                                                                                                                                                            |                                               |     |          |
| 14                          |            | L!DL_DatRqConnAck                                                                                                                                                                                                                                                                                                                                                                                  | ConnAckSnd( TCV_chTch, ConnectAck_01( TI_02)) |     |          |
| 15                          |            | +CCstatuschk_02( TCV_chTch, C_U10, TI_02, TI_01)                                                                                                                                                                                                                                                                                                                                                   |                                               |     |          |
| 16                          |            | [NOT TSPX_Immconn]                                                                                                                                                                                                                                                                                                                                                                                 |                                               |     |          |
| 17                          |            | +CCAssignTCH(slot, tsc)                                                                                                                                                                                                                                                                                                                                                                            |                                               |     |          |
| 18                          |            | L?DL_DatInAlert                                                                                                                                                                                                                                                                                                                                                                                    | AlertRcv( AlertingInd_02( TI_01))             |     |          |
| 19                          |            | (TCV_Null := OO_HookOff())                                                                                                                                                                                                                                                                                                                                                                         |                                               |     |          |
| 20                          |            | L?DL_DatInConn                                                                                                                                                                                                                                                                                                                                                                                     | ConnRcv( Connect_01( TI_01))                  |     |          |
| 21                          |            | L!DL_DatRqConnAck                                                                                                                                                                                                                                                                                                                                                                                  | ConnAckSnd( TCV_chTch, ConnectAck_01( TI_02)) |     |          |
| 22                          |            | +CCstatuschk_02( TCV_chTch, C_U10, TI_02, TI_01)                                                                                                                                                                                                                                                                                                                                                   |                                               |     |          |
| <b>Detailed Comments:</b>   |            | 1. Authentication fails, inconclusive.                                                                                                                                                                                                                                                                                                                                                             |                                               |     |          |

| Test Step Dynamic Behaviour |            |                                                                                                                                                                                                                                                                                                                                                                                                    |                                               |     |          |
|-----------------------------|------------|----------------------------------------------------------------------------------------------------------------------------------------------------------------------------------------------------------------------------------------------------------------------------------------------------------------------------------------------------------------------------------------------------|-----------------------------------------------|-----|----------|
| <b>Test Step Name:</b>      |            | PreEnterCCstateU10_late( sub:B_2; setup:SETUP_MT_PDU; slot:SN; tsc:TSC; ta:TA; cksn:B_3; rand:RAND)                                                                                                                                                                                                                                                                                                |                                               |     |          |
| <b>Group:</b>               |            | GSM_L3_MS_v4200/Preambles/                                                                                                                                                                                                                                                                                                                                                                         |                                               |     |          |
| <b>Objective:</b>           |            | To establish a mobile terminating call for the supported bearer capability and put the MS under test in the CC state U10.                                                                                                                                                                                                                                                                          |                                               |     |          |
| <b>Default:</b>             |            | OtherEvents                                                                                                                                                                                                                                                                                                                                                                                        |                                               |     |          |
| <b>Comments:</b>            |            | The supported bearer capability is specified in the input parameter setup, test case variable TCV_TI holds the transaction ID and the transaction ID =0. This is generic call set up procedure. The calling tree shall prepare three variables for the step: TCV_ch for SDCCH4 subchannel, TCV_chTch for traffic channel, TCV_CphKey for ciphering key. This test step is used for non RR testing. |                                               |     |          |
| Nr                          | Label      | Behaviour Description                                                                                                                                                                                                                                                                                                                                                                              | CRef                                          | V   | Comments |
| 1                           |            | +CCEstablishMT_SDCCH4(ta, sub, cksn)                                                                                                                                                                                                                                                                                                                                                               |                                               |     |          |
| 2                           |            | L!DL_DatRqAuthRq                                                                                                                                                                                                                                                                                                                                                                                   | AuthReq( TCV_ch, AuthRequest( cksn, rand))    |     |          |
| 3                           |            | L?DL_DatInAuthRes (TCV_Sres := DL_DatInAuthRes.msg.sres)                                                                                                                                                                                                                                                                                                                                           | AuthRes( AuthResponse)                        |     |          |
| 4                           |            | (TCV_Res := OC_ChkSRES(TCV_Sres, TSPX_Ki, rand))                                                                                                                                                                                                                                                                                                                                                   |                                               |     |          |
| 5                           | L_100<br>4 | [NOT TCV_Res]                                                                                                                                                                                                                                                                                                                                                                                      |                                               | (I) | 1.       |
| 6                           |            | +PostLinkRelEnd(TCV_ch)                                                                                                                                                                                                                                                                                                                                                                            |                                               |     |          |
| 7                           |            | [TCV_Res]                                                                                                                                                                                                                                                                                                                                                                                          |                                               |     |          |
| 8                           |            | +Ciphering_on(TCV_ch)                                                                                                                                                                                                                                                                                                                                                                              |                                               |     |          |
| 9                           |            | (TCV_Setup_mt.sig := Signal_01)                                                                                                                                                                                                                                                                                                                                                                    |                                               |     |          |
| 10                          |            | L!DL_DatRqSetup ( TCV_TI.ti_f := '0'B, TCV_TI.ti_v := '000'B)                                                                                                                                                                                                                                                                                                                                      | SetupSnd( TCV_ch, setup)                      |     |          |
| 11                          |            | L?DL_DatInCallCo (TCV_CallCfm := DL_DatInCallCo.msg)                                                                                                                                                                                                                                                                                                                                               | CallCfm( CallConfirm_01( TI_01))              |     |          |
| 12                          |            | L?DL_DatInConn                                                                                                                                                                                                                                                                                                                                                                                     | ConnRcv( Connect_01( TI_01))                  |     |          |
| 13                          |            | +localtree                                                                                                                                                                                                                                                                                                                                                                                         |                                               |     |          |
| 14                          |            | L?DL_DatInAlert                                                                                                                                                                                                                                                                                                                                                                                    | AlertRcv( AlertingInd_02( TI_01))             |     |          |
| 15                          |            | (TCV_Null := OO_HookOff())                                                                                                                                                                                                                                                                                                                                                                         |                                               |     |          |
| 16                          |            | L?DL_DatInConn                                                                                                                                                                                                                                                                                                                                                                                     | ConnRcv( Connect_01( TI_01))                  |     |          |
| 17                          |            | +localtree                                                                                                                                                                                                                                                                                                                                                                                         |                                               |     |          |
| 18                          |            | <b>localtree</b><br>+CCAssignTCH(slot, tsc)                                                                                                                                                                                                                                                                                                                                                        |                                               |     |          |
| 19                          |            | L!DL_DatRqConnAck                                                                                                                                                                                                                                                                                                                                                                                  | ConnAckSnd( TCV_chTch, ConnectAck_01( TI_02)) |     |          |
| 20                          |            | +CCstatuschk_02(TCV_chTch, C_U10, TI_02, TI_01)                                                                                                                                                                                                                                                                                                                                                    |                                               |     |          |
| <b>Detailed Comments:</b>   |            | 1. Authentication fails, inconclusive.                                                                                                                                                                                                                                                                                                                                                             |                                               |     |          |

| Test Step Dynamic Behaviour |            |                                                                                                                                                                                                                                                                                                                                                                                                           |                                                                                                                    |   |                         |
|-----------------------------|------------|-----------------------------------------------------------------------------------------------------------------------------------------------------------------------------------------------------------------------------------------------------------------------------------------------------------------------------------------------------------------------------------------------------------|--------------------------------------------------------------------------------------------------------------------|---|-------------------------|
| <b>Test Step Name:</b>      |            | PreEnterCCstateU10_r01(Ta:TA; sub:B_2; powerlevelg,powerleveld:INTEGER; cksn:B_3; rand:RAND; slot:SN; tsc:TSC; tch:B_1; rate:IA5String)                                                                                                                                                                                                                                                                   |                                                                                                                    |   |                         |
| <b>Group:</b>               |            | GSM_L3_MS_v4200/Preambles/                                                                                                                                                                                                                                                                                                                                                                                |                                                                                                                    |   |                         |
| <b>Objective:</b>           |            | To establish a mobile terminating call for the supported bearer capability and put the MS in the CC state U10.                                                                                                                                                                                                                                                                                            |                                                                                                                    |   |                         |
| <b>Default:</b>             |            | OtherEvents                                                                                                                                                                                                                                                                                                                                                                                               |                                                                                                                    |   |                         |
| <b>Comments:</b>            |            | The supported bearer capability is specified in the input partameter setup, test case variable TCV_TI holds the transaction ID and the transaction ID =0. This is generic call set up procedure. The calling tree shall prepare three variables for the step: TCV_ch for SDCCH4 subchannel, TCV_chTch for traffic channel, TCV_CphKey for ciphering key. The timing advance is parameter. For RR testing. |                                                                                                                    |   |                         |
| Nr                          | Label      | Behaviour Description                                                                                                                                                                                                                                                                                                                                                                                     | CRef                                                                                                               | V | Comments                |
| 1                           |            | L!DL_UdatRqPg1Rq                                                                                                                                                                                                                                                                                                                                                                                          | PgReq1(TCV_PgCh, TCV_Pgg, PgReqTp1_01)                                                                             |   |                         |
| 2                           |            | L?DL_RacInChRq ( TCV_Rr := DL_RacInChRq.<br>msg.ecau_rrf, TCV_Fn := DL_RacInChRq.fn)                                                                                                                                                                                                                                                                                                                      | ChReq(<br>ChRequest_17)                                                                                            |   |                         |
| 3                           |            | ACTIVATE(OtherEvents_02)                                                                                                                                                                                                                                                                                                                                                                                  |                                                                                                                    |   | To match ChReq retrans. |
| 4                           |            | L!DL_UdatRqImmch                                                                                                                                                                                                                                                                                                                                                                                          | ImmAss( TCV_agch,<br>ImmAsgn_01Def(<br>TCV_Rr, TCV_Fn,<br>sub, TCV_slot,<br>TCV_tsc,<br>TCV_chdescr_arfcn,<br>Ta)) |   |                         |
| 5                           |            | L?DL_EstInPgRes                                                                                                                                                                                                                                                                                                                                                                                           | PagingRes(<br>PagingRes_01)                                                                                        |   |                         |
| 6                           |            | ACTIVATE(OtherEvents)                                                                                                                                                                                                                                                                                                                                                                                     |                                                                                                                    |   | Restore Normal default  |
| 7                           |            | L!DL_DatRqAuthRq                                                                                                                                                                                                                                                                                                                                                                                          | AuthReq(TCV_ch,<br>AuthRequest( cksn,<br>rand))                                                                    |   |                         |
| 8                           |            | L?DL_DatInAuthRes (TCV_Sres :=<br>DL_DatInAuthRes.msg.sres)                                                                                                                                                                                                                                                                                                                                               | AuthRes(<br>AuthResponse)                                                                                          |   |                         |
| 9                           |            | (TCV_Res :=<br>OC_ChkSRES(TCV_Sres, TSPX_Ki,<br>rand))                                                                                                                                                                                                                                                                                                                                                    |                                                                                                                    |   |                         |
| 10                          | L_100<br>5 | [NOT TCV_Res]                                                                                                                                                                                                                                                                                                                                                                                             |                                                                                                                    | I | 1.                      |
| 11                          |            | [TCV_Res]                                                                                                                                                                                                                                                                                                                                                                                                 |                                                                                                                    |   |                         |
| 12                          |            | +Ciphering_on(TCV_ch)                                                                                                                                                                                                                                                                                                                                                                                     |                                                                                                                    |   |                         |
| 13                          |            | +localtree                                                                                                                                                                                                                                                                                                                                                                                                |                                                                                                                    |   |                         |
| 14                          |            | <b>localtree</b><br>(TCV_Setup_mt.sig := Signal_01)                                                                                                                                                                                                                                                                                                                                                       |                                                                                                                    |   |                         |
| 15                          |            | L!DL_DatRqSetup (TCV_TI.ti_f := '0'B, TCV_TI.ti_v<br>:= '000'B)                                                                                                                                                                                                                                                                                                                                           | SetupSnd( TCV_ch,<br>TCV_Setup_mt)                                                                                 |   |                         |
| 16                          |            | L?DL_DatInCallCo<br>(TCV_CallCfm:=DL_DatInCallCo.msg)                                                                                                                                                                                                                                                                                                                                                     | CallCfm(<br>CallConfirm_01(<br>TI_01))                                                                             |   |                         |
| 17                          |            | L?DL_DatInConn                                                                                                                                                                                                                                                                                                                                                                                            | ConnRcv(<br>Connect_01( TI_01))                                                                                    |   |                         |
| 18                          |            | +localtree1                                                                                                                                                                                                                                                                                                                                                                                               |                                                                                                                    |   |                         |
| 19                          |            | L?DL_DatInAlert                                                                                                                                                                                                                                                                                                                                                                                           | AlertRcv(<br>AlertingInd_02(<br>TI_01))                                                                            |   |                         |
| 20                          |            | (TCV_Null := OO_HookOff())                                                                                                                                                                                                                                                                                                                                                                                |                                                                                                                    |   |                         |
| 21                          |            | L?DL_DatInConn                                                                                                                                                                                                                                                                                                                                                                                            | ConnRcv(<br>Connect_01( TI_01))                                                                                    |   |                         |
| 22                          |            | +localtree1                                                                                                                                                                                                                                                                                                                                                                                               |                                                                                                                    |   |                         |
| 23                          |            | <b>localtree1</b><br>+AssCmdGen( TCV_cellid, rate, slot, tsc, tch)                                                                                                                                                                                                                                                                                                                                        |                                                                                                                    |   |                         |
| 24                          |            | +Adjust_gsmnddcs_powerlvl( powerlevelg,<br>powerleveld, TCV_AssCmd)                                                                                                                                                                                                                                                                                                                                       |                                                                                                                    |   |                         |
| 25                          |            | +AssCh_complete( TCV_ch, TCV_chTch,<br>TCV_AssCmd)                                                                                                                                                                                                                                                                                                                                                        |                                                                                                                    |   |                         |
| 26                          |            | L!DL_DatRqConnAck                                                                                                                                                                                                                                                                                                                                                                                         | ConnAckSnd(<br>TCV_chTch,<br>ConnectAck_01(<br>TI_02))                                                             |   |                         |

|                                                                  |  |                                                  |  |  |
|------------------------------------------------------------------|--|--------------------------------------------------|--|--|
| 27                                                               |  | +CCstatuschk_02( TCV_chTch, C_U10, TI_02, TI_01) |  |  |
| <b>Detailed Comments:</b> 1. Authentication fails, inconclusive. |  |                                                  |  |  |

### Test Step Dynamic Behaviour

**Test Step Name:** PreEnterCCstateU10\_21( sub:B\_2; slot:SN; tsc:TSC; ta:TA)  
**Group:** GSM\_L3\_MS\_v4200/Preambles/  
**Objective:** To bring the MS into CC state U10 by procedure in table 26.8.1.2/1. This is used in CC testing.  
**Default:** OtherEvents  
**Comments:** TCV\_TI0 contains the transaction identifier from the MS, and TCV\_TI contains the transaction identifier for test system to send CC message. The values of them are used in test body. The calling tree shall prepare two variables for the step: TCV\_ch for the SDCCH4 subchannel; TCV\_CphKey for ciphering key.

| Nr | Label | Behaviour Description                              | CRef                                        | V | Comments |
|----|-------|----------------------------------------------------|---------------------------------------------|---|----------|
| 1  |       | +PreEnterCCstateU4_21( sub, ta)                    |                                             |   | 1.       |
| 2  |       | +CCAssignTCH(slot, tsc)                            |                                             |   |          |
| 3  |       | L!DL_DatRqConn                                     | ConnSnd(TCV_chTch                           |   |          |
| 4  |       | L?DL_DatInConnAck                                  | , Connect_02(TCV_TI))<br>ConnAckRcv(Connect |   |          |
| 5  |       | +CCstatuschk_02(TCV_chTch, C_U10, TCV_TI, TCV_TI0) | Ack_02(TCV_TI0))                            |   |          |

**Detailed Comments:** 1. To assign the suitable traffic channel to the MS.

### Test Step Dynamic Behaviour

**Test Step Name:** PreEnterCCstateU10\_22( slot:SN; tsc:TSC; ta:TA)  
**Group:** GSM\_L3\_MS\_v4200/Preambles/  
**Objective:** To bring the MS into CC state U10 by procedure in table 26.8.1.2/2. This is used in CC testing.  
**Default:** OtherEvents  
**Comments:** TCV\_TI0 contains the transaction identifier from the MS, and TCV\_TI contains the transaction identifier for test system to send CC message. The values of them are used in test body.

| Nr | Label | Behaviour Description                              | CRef                                        | V | Comments |
|----|-------|----------------------------------------------------|---------------------------------------------|---|----------|
| 1  |       | +PreEnterCCstateU4_22( slot, tsc, ta)              |                                             |   |          |
| 2  |       | L!DL_DatRqConn                                     | ConnSnd(TCV_chTch                           |   |          |
| 3  |       | L?DL_DatInConnAck                                  | , Connect_02(TCV_TI))<br>ConnAckRcv(Connect |   |          |
| 4  |       | +CCstatuschk_02(TCV_chTch, C_U10, TCV_TI, TCV_TI0) | Ack_02(TCV_TI0))                            |   |          |

**Detailed Comments:**



| Test Step Dynamic Behaviour |       |                                                                                                                                                                                                                                                                                                                  |                                                    |   |          |
|-----------------------------|-------|------------------------------------------------------------------------------------------------------------------------------------------------------------------------------------------------------------------------------------------------------------------------------------------------------------------|----------------------------------------------------|---|----------|
| <b>Test Step Name:</b>      |       | PreEnterCCstateU11_23( sub:B_2; slot:SN; tsc:TSC; ta:TA; cksn:B_3; rand:RAND)                                                                                                                                                                                                                                    |                                                    |   |          |
| <b>Group:</b>               |       | GSM_L3_MS_v4200/Preambles/                                                                                                                                                                                                                                                                                       |                                                    |   |          |
| <b>Objective:</b>           |       | To bring the MS into CC state U11 by procedure in table 26.8.1.2/3. This is used in CC testing.                                                                                                                                                                                                                  |                                                    |   |          |
| <b>Default:</b>             |       | OtherEvents                                                                                                                                                                                                                                                                                                      |                                                    |   |          |
| <b>Comments:</b>            |       | TCV_TI0 contains the transaction identifier from the MS, and TCV_TI contains the transaction identifier for test system to send CC message. The values of them are used in test body. The calling tree shall prepare two variables for the step: TCV_ch for the SDCCH4 subchannel; TCV_CphKey for ciphering key. |                                                    |   |          |
| Nr                          | Label | Behaviour Description                                                                                                                                                                                                                                                                                            | CRef                                               | V | Comments |
| 1                           |       | +PreEnterCCstateU4_23( sub, slot, tsc, ta, cksn, rand)                                                                                                                                                                                                                                                           |                                                    |   |          |
| 2                           |       | L!DL_DatRqConn                                                                                                                                                                                                                                                                                                   | ConnSnd( TCV_chTch, Connect_02( TCV_TI))           |   |          |
| 3                           |       | L?DL_DatInConnAck                                                                                                                                                                                                                                                                                                | ConnAckRcv( ConnectAck_02( TCV_TI0))               |   |          |
| 4                           |       | (TCV_Null := OO_TermCall())                                                                                                                                                                                                                                                                                      |                                                    |   |          |
| 5                           |       | L?DL_DatInDisc (TCV_Cau0 := DL_DatInDisc.msg.cau, TCV_Fn := DL_DatInDisc.fn)                                                                                                                                                                                                                                     | DiscRcv( TCV_chTch, DisconnR( TCV_TI0, Cause_Def)) |   |          |
| 6                           |       | +CCstatuschk_02(TCV_chTch, C_U11, TCV_TI, TCV_TI0)                                                                                                                                                                                                                                                               |                                                    |   |          |
| <b>Detailed Comments:</b>   |       | <ol style="list-style-type: none"> <li>1. To assign SDCCH4 channel.</li> <li>2. Full rate channel needed, to setup a physical channel as full rate traffic channel.</li> <li>3. Half rate channel needed, to setup a physical channel as half rate traffic channel.</li> </ol>                                   |                                                    |   |          |

| Test Step Dynamic Behaviour |       |                                                                                                                                                                                                                                                                                                                  |                                                    |   |          |
|-----------------------------|-------|------------------------------------------------------------------------------------------------------------------------------------------------------------------------------------------------------------------------------------------------------------------------------------------------------------------|----------------------------------------------------|---|----------|
| <b>Test Step Name:</b>      |       | PreEnterCCstateU11_23Timer( sub:B_2; slot:SN; tsc:TSC; ta:TA; cksn:B_3; rand:RAND)                                                                                                                                                                                                                               |                                                    |   |          |
| <b>Group:</b>               |       | GSM_L3_MS_v4200/Preambles/                                                                                                                                                                                                                                                                                       |                                                    |   |          |
| <b>Objective:</b>           |       | To bring the MS into CC state U11 by procedure in table 26.8.1.2/3. This is used in CC testing.                                                                                                                                                                                                                  |                                                    |   |          |
| <b>Default:</b>             |       | OtherEvents                                                                                                                                                                                                                                                                                                      |                                                    |   |          |
| <b>Comments:</b>            |       | TCV_TI0 contains the transaction identifier from the MS, and TCV_TI contains the transaction identifier for test system to send CC message. The values of them are used in test body. The calling tree shall prepare two variables for the step: TCV_ch for the SDCCH4 subchannel; TCV_CphKey for ciphering key. |                                                    |   |          |
| Nr                          | Label | Behaviour Description                                                                                                                                                                                                                                                                                            | CRef                                               | V | Comments |
| 1                           |       | +PreEnterCCstateU4_23( sub, slot, tsc, ta, cksn, rand)                                                                                                                                                                                                                                                           |                                                    |   |          |
| 2                           |       | L!DL_DatRqConn                                                                                                                                                                                                                                                                                                   | ConnSnd( TCV_chTch, Connect_02( TCV_TI))           |   |          |
| 3                           |       | L?DL_DatInConnAck                                                                                                                                                                                                                                                                                                | ConnAckRcv( ConnectAck_02( TCV_TI0))               |   |          |
| 4                           |       | (TCV_Null := OO_TermCall())                                                                                                                                                                                                                                                                                      |                                                    |   |          |
| 5                           |       | L?DL_DatInDisc (TCV_Cau0 := DL_DatInDisc.msg.cau, TCV_Fn := DL_DatInDisc.fn) START T_dly(45000)                                                                                                                                                                                                                  | DiscRcv( TCV_chTch, DisconnR( TCV_TI0, Cause_Def)) |   |          |
| 6                           |       | +CCstatuschk_02(TCV_chTch, C_U11, TCV_TI, TCV_TI0)                                                                                                                                                                                                                                                               |                                                    |   |          |
| <b>Detailed Comments:</b>   |       | <ol style="list-style-type: none"> <li>1. To assign SDCCH4 channel.</li> <li>2. Full rate channel needed, to setup a physical channel as full rate traffic channel.</li> <li>3. Half rate channel needed, to setup a physical channel as half rate traffic channel.</li> </ol>                                   |                                                    |   |          |

| Test Step Dynamic Behaviour |       |                                                                                                                                                                                       |                                                          |    |          |
|-----------------------------|-------|---------------------------------------------------------------------------------------------------------------------------------------------------------------------------------------|----------------------------------------------------------|----|----------|
| <b>Test Step Name:</b>      |       | PreEnterCCstateU11_24( slot:SN; tsc:TSC; ta:TA)                                                                                                                                       |                                                          |    |          |
| <b>Group:</b>               |       | GSM_L3_MS_v4200/Preambles/                                                                                                                                                            |                                                          |    |          |
| <b>Objective:</b>           |       | To bring the MS into CC state U11 by procedure in table 26.8.1.2/4. This is used in CC testing.                                                                                       |                                                          |    |          |
| <b>Default:</b>             |       | OtherEvents                                                                                                                                                                           |                                                          |    |          |
| <b>Comments:</b>            |       | TCV_TI0 contains the transaction identifier from the MS, and TCV_TI contains the transaction identifier for test system to send CC message. The values of them are used in test body. |                                                          |    |          |
| Nr                          | Label | Behaviour Description                                                                                                                                                                 | CRef                                                     | V  | Comments |
| 1                           |       | +PreEnterCCstateU4_24( slot, tsc, ta)                                                                                                                                                 |                                                          |    |          |
| 2                           |       | L!DL_DatRqConn                                                                                                                                                                        | ConnSnd(<br>TCV_chTch,<br>Connect_02(<br>TCV_TI))        |    |          |
| 3                           |       | L?DL_DatInConnAck                                                                                                                                                                     | ConnAckRcv(<br>ConnectAck_02(<br>TCV_TI))                |    |          |
| 4                           |       | (TCV_Null := OO_TermCall())                                                                                                                                                           |                                                          |    |          |
| 5                           |       | L?DL_DatInDisc                                                                                                                                                                        | DiscRcv( TCV_chTch,<br>DisconnR( TCV_TI0,<br>Cause_Def)) |    |          |
| 6                           |       | +CCstatuschk_02(TCV_chTch, C_U11,<br>TCV_TI, TCV_TI0)                                                                                                                                 |                                                          | 1. |          |
| <b>Detailed Comments:</b>   |       | 1. Now in CC state U11 and cause = #30.                                                                                                                                               |                                                          |    |          |

| Test Step Dynamic Behaviour |       |                                                                                                                                                                                                                                                                                                                                                                           |                                                                                        |   |          |
|-----------------------------|-------|---------------------------------------------------------------------------------------------------------------------------------------------------------------------------------------------------------------------------------------------------------------------------------------------------------------------------------------------------------------------------|----------------------------------------------------------------------------------------|---|----------|
| <b>Test Step Name:</b>      |       | PreEnterCCstateU12_21( sub:B_2; slot:SN; tsc:TSC; ta:TA)                                                                                                                                                                                                                                                                                                                  |                                                                                        |   |          |
| <b>Group:</b>               |       | GSM_L3_MS_v4200/Preambles/                                                                                                                                                                                                                                                                                                                                                |                                                                                        |   |          |
| <b>Objective:</b>           |       | To bring the MS into CC state U12 by procedure in table 26.8.1.2/1. This is used in CC testing.                                                                                                                                                                                                                                                                           |                                                                                        |   |          |
| <b>Default:</b>             |       | OtherEvents                                                                                                                                                                                                                                                                                                                                                               |                                                                                        |   |          |
| <b>Comments:</b>            |       | The DISCONNECT message containing progress indicator #8. TCV_TI0 contains the transaction identifier from the MS, and TCV_TI contains the transaction identifier for test system to send CC message. The values of them are used in test body. The calling tree shall prepare two variables for the step: TCV_ch for the SDCCH4 subchannel; TCV_CphKey for ciphering key. |                                                                                        |   |          |
| Nr                          | Label | Behaviour Description                                                                                                                                                                                                                                                                                                                                                     | CRef                                                                                   | V | Comments |
| 1                           |       | +PreEnterCCstateU10_21( sub, slot, tsc, ta)                                                                                                                                                                                                                                                                                                                               |                                                                                        |   |          |
| 2                           |       | L!DL_DatRqDisc                                                                                                                                                                                                                                                                                                                                                            | DiscSnd(TCV_chTch,<br>DisconnS(TCV_TI,<br>Cause_01,<br>ProgInd_03iei,<br>UuInfo_omit)) |   | 1.       |
| 3                           |       | +CCstatuschk_02(TCV_chTch, C_U12, TCV_TI,<br>TCV_TI0)                                                                                                                                                                                                                                                                                                                     |                                                                                        |   |          |
| <b>Detailed Comments:</b>   |       | 1. Progress indicator = #8.                                                                                                                                                                                                                                                                                                                                               |                                                                                        |   |          |

| Test Step Dynamic Behaviour |       |                                                                                                                                                                                                                                                |                                                                                        |    |          |
|-----------------------------|-------|------------------------------------------------------------------------------------------------------------------------------------------------------------------------------------------------------------------------------------------------|----------------------------------------------------------------------------------------|----|----------|
| <b>Test Step Name:</b>      |       | PreEnterCCstateU12_22( slot:SN; tsc:TSC; ta:TA)                                                                                                                                                                                                |                                                                                        |    |          |
| <b>Group:</b>               |       | GSM_L3_MS_v4200/Preambles/                                                                                                                                                                                                                     |                                                                                        |    |          |
| <b>Objective:</b>           |       | To bring the MS into CC state U12 by procedure in table 26.8.1.2/2. This is used in CC testing.                                                                                                                                                |                                                                                        |    |          |
| <b>Default:</b>             |       | OtherEvents                                                                                                                                                                                                                                    |                                                                                        |    |          |
| <b>Comments:</b>            |       | The DISCONNECT message containing progress indicator #8. TCV_TI0 contains the transaction identifier from the MS, and TCV_TI contains the transaction identifier for test system to send CC message. The values of them are used in test body. |                                                                                        |    |          |
| Nr                          | Label | Behaviour Description                                                                                                                                                                                                                          | CRef                                                                                   | V  | Comments |
| 1                           |       | +PreEnterCCstateU10_22( slot, tsc, ta)                                                                                                                                                                                                         |                                                                                        |    |          |
| 2                           |       | L!DL_DatRqDisc                                                                                                                                                                                                                                 | DiscSnd(TCV_chTch,<br>DisconnS(TCV_TI,<br>Cause_01,<br>ProgInd_03iei,<br>UuInfo_omit)) |    |          |
| 3                           |       | +CCstatuschk_02(TCV_chTch, C_U12, TCV_TI,<br>TCV_TI0)                                                                                                                                                                                          |                                                                                        | 1. |          |
| <b>Detailed Comments:</b>   |       | 1. Now in CC state U12                                                                                                                                                                                                                         |                                                                                        |    |          |

| Test Step Dynamic Behaviour |       |                                                                                                                                                                                                                                                                                                                                                                           |                                                                            |   |          |
|-----------------------------|-------|---------------------------------------------------------------------------------------------------------------------------------------------------------------------------------------------------------------------------------------------------------------------------------------------------------------------------------------------------------------------------|----------------------------------------------------------------------------|---|----------|
| <b>Test Step Name:</b>      |       | PreEnterCCstateU12_23( sub:B_2; slot:SN; tsc:TSC; ta:TA; cksn:B_3; rand:RAND)                                                                                                                                                                                                                                                                                             |                                                                            |   |          |
| <b>Group:</b>               |       | GSM_L3_MS_v4200/Preambles/                                                                                                                                                                                                                                                                                                                                                |                                                                            |   |          |
| <b>Objective:</b>           |       | To bring the MS into CC state U12 by procedure in table 26.8.1.2/3. This is used in CC testing.                                                                                                                                                                                                                                                                           |                                                                            |   |          |
| <b>Default:</b>             |       | OtherEvents                                                                                                                                                                                                                                                                                                                                                               |                                                                            |   |          |
| <b>Comments:</b>            |       | The DISCONNECT message containing progress indicator #8. TCV_TI0 contains the transaction identifier from the MS, and TCV_TI contains the transaction identifier for test system to send CC message. The values of them are used in test body. The calling tree shall prepare two variables for the step: TCV_ch for the SDCCH4 subchannel; TCV_CphKey for ciphering key. |                                                                            |   |          |
| Nr                          | Label | Behaviour Description                                                                                                                                                                                                                                                                                                                                                     | CRef                                                                       | V | Comments |
| 1                           |       | +PreEnterCCstateU4_23( sub, slot, tsc, ta, cksn, rand)                                                                                                                                                                                                                                                                                                                    |                                                                            |   |          |
| 2                           |       | L!DL_DatRqConn                                                                                                                                                                                                                                                                                                                                                            | ConnSnd(TCV_chTch, Connect_02(TCV_TI))                                     |   |          |
| 3                           |       | L?DL_DatInConnAck                                                                                                                                                                                                                                                                                                                                                         | ConnAckRcv(Connect Ack_02(TCV_TI0))                                        |   |          |
| 4                           |       | L!DL_DatRqDisc                                                                                                                                                                                                                                                                                                                                                            | DiscSnd(TCV_chTch, DisconnS(TCV_TI, Cause_01, ProgInd_03iei, UuInfo_omit)) |   | 1.       |
| 5                           |       | +CCstatuschk_02(TCV_chTch, C_U12, TCV_TI, TCV_TI0)                                                                                                                                                                                                                                                                                                                        |                                                                            |   |          |
| <b>Detailed Comments:</b>   |       | 1. Progress indicator = #8.                                                                                                                                                                                                                                                                                                                                               |                                                                            |   |          |

| Test Step Dynamic Behaviour |       |                                                                                                                                                                                                                                                                                                                  |                                                                            |   |          |
|-----------------------------|-------|------------------------------------------------------------------------------------------------------------------------------------------------------------------------------------------------------------------------------------------------------------------------------------------------------------------|----------------------------------------------------------------------------|---|----------|
| <b>Test Step Name:</b>      |       | PreEnterCCstateU19_21( sub:B_2; slot:SN; tsc:TSC; ta:TA)                                                                                                                                                                                                                                                         |                                                                            |   |          |
| <b>Group:</b>               |       | GSM_L3_MS_v4200/Preambles/                                                                                                                                                                                                                                                                                       |                                                                            |   |          |
| <b>Objective:</b>           |       | To bring the MS into CC state U19 by procedure in table 26.8.1.2/1.                                                                                                                                                                                                                                              |                                                                            |   |          |
| <b>Default:</b>             |       | OtherEvents                                                                                                                                                                                                                                                                                                      |                                                                            |   |          |
| <b>Comments:</b>            |       | TCV_TI0 contains the transaction identifier from the MS, and TCV_TI contains the transaction identifier for test system to send CC message. The values of them are used in test body. The calling tree shall prepare two variables for the step: TCV_ch for the SDCCH4 subchannel; TCV_CphKey for ciphering key. |                                                                            |   |          |
| Nr                          | Label | Behaviour Description                                                                                                                                                                                                                                                                                            | CRef                                                                       | V | Comments |
| 1                           |       | +PreEnterCCstateU10_21( sub, slot, tsc, ta)                                                                                                                                                                                                                                                                      |                                                                            |   |          |
| 2                           |       | L!DL_DatRqDisc                                                                                                                                                                                                                                                                                                   | DiscSnd(TCV_chTch, DisconnS( TCV_TI, Cause_01, ProgInd_omit, UuInfo_omit)) |   |          |
| 3                           |       | L?DL_DatInRel                                                                                                                                                                                                                                                                                                    | ReleaseRcv(Release_10(TCV_TI0))                                            |   |          |
| 4                           |       | +CCstatuschk_02(TCV_chTch, C_U19, TCV_TI, TCV_TI0)                                                                                                                                                                                                                                                               |                                                                            |   |          |
| <b>Detailed Comments:</b>   |       |                                                                                                                                                                                                                                                                                                                  |                                                                            |   |          |

| Test Step Dynamic Behaviour                                                                                                                                                                            |       |                                                       |                                                                                            |   |          |
|--------------------------------------------------------------------------------------------------------------------------------------------------------------------------------------------------------|-------|-------------------------------------------------------|--------------------------------------------------------------------------------------------|---|----------|
| <b>Test Step Name:</b> PreEnterCCstateU19_24( slot:SN; tsc:TSC; ta:TA)                                                                                                                                 |       |                                                       |                                                                                            |   |          |
| <b>Group:</b> GSM_L3_MS_v4200/Preambles/                                                                                                                                                               |       |                                                       |                                                                                            |   |          |
| <b>Objective:</b> To bring the MS into CC state U19 by procedure in table 26.8.1.2/4. This is used in CC testing.                                                                                      |       |                                                       |                                                                                            |   |          |
| <b>Default:</b> OtherEvents                                                                                                                                                                            |       |                                                       |                                                                                            |   |          |
| <b>Comments:</b> TCV_TI0 contains the transaction identifier from the MS, and TCV_TI contains the transaction identifier for test system to send CC message. The values of them are used in test body. |       |                                                       |                                                                                            |   |          |
| Nr                                                                                                                                                                                                     | Label | Behaviour Description                                 | CRef                                                                                       | V | Comments |
| 1                                                                                                                                                                                                      |       | +PreEnterCCstateU4_24( slot, tsc, ta)                 |                                                                                            |   |          |
| 2                                                                                                                                                                                                      |       | L!DL_DatRqConn                                        | ConnSnd(<br>TCV_chTch,<br>Connect_02(<br>TCV_TI))                                          |   |          |
| 3                                                                                                                                                                                                      |       | L?DL_DatInConnAck                                     | ConnAckRcv(<br>ConnectAck_02(<br>TCV_TI0))                                                 |   |          |
| 4                                                                                                                                                                                                      |       | LIDL_DatRqDisc                                        | DiscSnd(<br>TCV_chTch,<br>DisconnS( TCV_TI,<br>Cause_01,<br>ProgInd_omit,<br>UuInfo_omit)) |   |          |
| 5                                                                                                                                                                                                      |       | L?DL_DatInRel (TCV_Fn := DL_DatInRel.fn)              | ReleaseRcv(<br>Release_10(<br>TCV_TI0))                                                    |   |          |
| 6                                                                                                                                                                                                      |       | +CCstatuschk_02(TCV_chTch, C_U19,<br>TCV_TI, TCV_TI0) |                                                                                            |   |          |
| <b>Detailed Comments:</b>                                                                                                                                                                              |       |                                                       |                                                                                            |   |          |

| Test Step Dynamic Behaviour                                                                                                                                                                            |       |                                                                |                                                                                            |   |          |
|--------------------------------------------------------------------------------------------------------------------------------------------------------------------------------------------------------|-------|----------------------------------------------------------------|--------------------------------------------------------------------------------------------|---|----------|
| <b>Test Step Name:</b> PreEnterCCstateU19_24Timer( slot:SN; tsc:TSC; ta:TA)                                                                                                                            |       |                                                                |                                                                                            |   |          |
| <b>Group:</b> GSM_L3_MS_v4200/Preambles/                                                                                                                                                               |       |                                                                |                                                                                            |   |          |
| <b>Objective:</b> To bring the MS into CC state U19 by procedure in table 26.8.1.2/4. This is used in CC testing.                                                                                      |       |                                                                |                                                                                            |   |          |
| <b>Default:</b> OtherEvents                                                                                                                                                                            |       |                                                                |                                                                                            |   |          |
| <b>Comments:</b> TCV_TI0 contains the transaction identifier from the MS, and TCV_TI contains the transaction identifier for test system to send CC message. The values of them are used in test body. |       |                                                                |                                                                                            |   |          |
| Nr                                                                                                                                                                                                     | Label | Behaviour Description                                          | CRef                                                                                       | V | Comments |
| 1                                                                                                                                                                                                      |       | +PreEnterCCstateU4_24( slot, tsc, ta)                          |                                                                                            |   |          |
| 2                                                                                                                                                                                                      |       | L!DL_DatRqConn                                                 | ConnSnd(<br>TCV_chTch,<br>Connect_02(<br>TCV_TI))                                          |   |          |
| 3                                                                                                                                                                                                      |       | L?DL_DatInConnAck                                              | ConnAckRcv(<br>ConnectAck_02(<br>TCV_TI0))                                                 |   |          |
| 4                                                                                                                                                                                                      |       | LIDL_DatRqDisc                                                 | DiscSnd(<br>TCV_chTch,<br>DisconnS( TCV_TI,<br>Cause_01,<br>ProgInd_omit,<br>UuInfo_omit)) |   |          |
| 5                                                                                                                                                                                                      |       | L?DL_DatInRel (TCV_Fn := DL_DatInRel.fn)<br>START T_dly(45000) | ReleaseRcv(<br>Release_10(<br>TCV_TI0))                                                    |   |          |
| 6                                                                                                                                                                                                      |       | +CCstatuschk_02(TCV_chTch, C_U19,<br>TCV_TI, TCV_TI0)          |                                                                                            |   |          |
| <b>Detailed Comments:</b>                                                                                                                                                                              |       |                                                                |                                                                                            |   |          |

| Test Step Dynamic Behaviour |       |                                                                                                                                                      |                                                                                                        |   |                         |
|-----------------------------|-------|------------------------------------------------------------------------------------------------------------------------------------------------------|--------------------------------------------------------------------------------------------------------|---|-------------------------|
| <b>Test Step Name:</b>      |       | PreEstRRConn(slot:SN; tsc:TSC; ta:TA)                                                                                                                |                                                                                                        |   |                         |
| <b>Group:</b>               |       | GSM_L3_MS_v4200/Preambles/                                                                                                                           |                                                                                                        |   |                         |
| <b>Objective:</b>           |       | To establish a RR connection on SDCCH subchannel defined by TSPX_SDCCH4SubDef in cell A                                                              |                                                                                                        |   |                         |
| <b>Default:</b>             |       | OtherEvents                                                                                                                                          |                                                                                                        |   |                         |
| <b>Comments:</b>            |       | The calling tree shall prepare variable for the step: TCV_ch for the SDCCH4 subchannel TSPX_SDCCH4SubDef. This test step is used for non RR testing. |                                                                                                        |   |                         |
| Nr                          | Label | Behaviour Description                                                                                                                                | CRef                                                                                                   | V | Comments                |
| 1                           |       | L!DL_UdatRqPg1Rq                                                                                                                                     | PgReq1(TCV_PgCh, TCV_Pgg, PgReqTp1_01)                                                                 |   | To match ChReq retrans. |
| 2                           |       | L?DL_RacInChRq ( TCV_Rr := DL_RacInChRq.msg.ecau_rrf, TCV_Fn := DL_RacInChRq.fn)                                                                     | ChReq(ChRequest_17)                                                                                    |   |                         |
| 3                           |       | ACTIVATE( OtherEvents_02)                                                                                                                            |                                                                                                        |   |                         |
| 4                           |       | L!DL_UdatRqImm                                                                                                                                       | ImmAss( TCV_agch, ImmAsgn_01Def( TCV_Rr, TCV_Fn, TSPX_SDCCH4SubDef, slot, tsc, TCV_chdescr_arfcn, ta)) |   |                         |
| 5                           |       | L?DL_EstInPgRes                                                                                                                                      | PagingRes(PagingRes_01)                                                                                |   | Restore Normal default  |
| 6                           |       | ACTIVATE(OtherEvents)                                                                                                                                |                                                                                                        |   |                         |
| <b>Detailed Comments:</b>   |       |                                                                                                                                                      |                                                                                                        |   |                         |

| Test Step Dynamic Behaviour |            |                                                                                  |                                                                                                                |     |                         |
|-----------------------------|------------|----------------------------------------------------------------------------------|----------------------------------------------------------------------------------------------------------------|-----|-------------------------|
| <b>Test Step Name:</b>      |            | PreEstRRC_MM( par_mi:MI; cksn:BITSTRING; ta:TA)                                  |                                                                                                                |     |                         |
| <b>Group:</b>               |            | GSM_L3_MS_v4200/Preambles/                                                       |                                                                                                                |     |                         |
| <b>Objective:</b>           |            | To establish a RR connection on C_SDCCH4_A_1                                     |                                                                                                                |     |                         |
| <b>Default:</b>             |            | OtherEvents                                                                      |                                                                                                                |     |                         |
| <b>Comments:</b>            |            | used var's:<br>TCV_Rr, TCV_Fn, TCV_Pgch, TCV_ia_ts, TCV_chdescr_arfcn            |                                                                                                                |     |                         |
| Nr                          | Label      | Behaviour Description                                                            | CRef                                                                                                           | V   | Comments                |
| 1                           |            | L!DL_UdatRqPg1Rq                                                                 | PgReq1(TCV_PgCh, TCV_Pgg, PgReqTp1_30(par_mi))                                                                 |     | To match ChReq retrans. |
| 2                           |            | L?DL_RacInChRq ( TCV_Rr := DL_RacInChRq.msg.ecau_rrf, TCV_Fn := DL_RacInChRq.fn) | ChReq(ChRequest_17)                                                                                            |     |                         |
| 3                           |            | ACTIVATE( OtherEvents_02)                                                        |                                                                                                                |     |                         |
| 4                           |            | L!DL_UdatRqImm                                                                   | ImmAss( TCV_agch, ImmAsgn_01Def( TCV_Rr, TCV_Fn, TSPX_SDCCH4SubDef, TCV_slot, TCV_tsc, TCV_chdescr_arfcn, ta)) |     |                         |
| 5                           | L_100<br>6 | L?DL_EstInPgRes                                                                  | PagingRes(PagingRes_30(par_mi, cksn))                                                                          | (P) | Restore Normal default  |
| 6                           |            | ACTIVATE( OtherEvents)                                                           |                                                                                                                |     |                         |
| <b>Detailed Comments:</b>   |            |                                                                                  |                                                                                                                |     |                         |

| Test Step Dynamic Behaviour |       |                                                                                                                                |                                               |   |                         |
|-----------------------------|-------|--------------------------------------------------------------------------------------------------------------------------------|-----------------------------------------------|---|-------------------------|
| <b>Test Step Name:</b>      |       | PreModifySetup( sub:B_2; slot:SN; tsc: TSC; ta:TA; cksn:B_3; rand:RAND)                                                        |                                               |   |                         |
| <b>Group:</b>               |       | GSM_L3_MS_v4200/Preambles/                                                                                                     |                                               |   |                         |
| <b>Objective:</b>           |       | To setup dual mode call and initiate MO incall modification. This is used in CC test group 26.8.1.4.5.                         |                                               |   |                         |
| <b>Default:</b>             |       | OtherEvents                                                                                                                    |                                               |   |                         |
| Nr                          | Label | Behaviour Description                                                                                                          | CRef                                          | V | Comments                |
| 1                           |       | +InitCall( TCV_Service)                                                                                                        |                                               |   | 1.                      |
| 2                           |       | +CCEstablishMO_SDCCH4( sub, ta)                                                                                                |                                               |   |                         |
| 3                           |       | ACTIVATE( OtherEvents_02)                                                                                                      |                                               |   | To match ChReq retrans. |
| 4                           |       | L?DL_EstInCmsRq                                                                                                                | CMSerReq( CMSerReq_04)                        |   |                         |
| 5                           |       | ACTIVATE( OtherEvents)                                                                                                         |                                               |   | Restore Normal default  |
| 6                           |       | +ltree_continue                                                                                                                |                                               |   |                         |
| <b>ltree_continue</b>       |       |                                                                                                                                |                                               |   |                         |
| 7                           |       | +Cipherring_on( TCV_ch)                                                                                                        |                                               |   |                         |
| 8                           |       | +RcvSetupOrEsetup( TCV_Setup_mo, TCV_Esetup, TCV_Ecall)                                                                        |                                               |   |                         |
| 9                           |       | +Authentication( TCV_ch, cksn, rand)                                                                                           |                                               |   |                         |
| 10                          |       | LIDL_DatRqCallProc                                                                                                             | CallProc( TCV_ch, TCV_CallProc)               |   |                         |
| 11                          |       | +CCAssignTCH( slot, tsc)                                                                                                       |                                               |   |                         |
| 12                          |       | LIDL_DatRqAlert                                                                                                                | AlertSnd( TCV_chTch, Alerting_01( TCV_TI))    |   |                         |
| 13                          |       | LIDL_DatRqConn                                                                                                                 | ConnSnd( TCV_chTch, Connect_02( TCV_TI))      |   |                         |
| 14                          |       | L?DL_DatInConnAck                                                                                                              | ConnAckRcv( ConnectAck_02( TCV_TI0))          |   |                         |
| 15                          |       | +InCallModi1( TSPX_MO_DualModSvc)                                                                                              |                                               |   | 2.                      |
| 16                          |       | L?DL_DatInModify( TCV_Fn := DL_DatInModify.fn, TCV_Modify := DL_DatInModify.msg)                                               | ModifyRcv( ModifyInd_01( TCV_TI0, TCV_Bcap2)) |   | 3.                      |
| <b>Detailed Comments:</b>   |       | 1. To attempt a dual mode call.<br>2. MMI action to initiate in-call modification.<br>3. The expected MODIFY message received. |                                               |   |                         |

| Test Step Dynamic Behaviour |            |                                                                                                    |      |   |          |
|-----------------------------|------------|----------------------------------------------------------------------------------------------------|------|---|----------|
| <b>Test Step Name:</b>      |            | SpeechService                                                                                      |      |   |          |
| <b>Group:</b>               |            | GSM_L3_MS_v4200/Preambles/                                                                         |      |   |          |
| <b>Objective:</b>           |            | To select a speech service, if the MS supports Telephony the selected speech service is telephony. |      |   |          |
| <b>Default:</b>             |            | OtherEvents                                                                                        |      |   |          |
| Nr                          | Label      | Behaviour Description                                                                              | CRef | V | Comments |
| 1                           |            | [TSPC_Serv_TS11]                                                                                   |      |   |          |
| 2                           |            | +BasicServiceMO( C_Telephony, TSPX_Telephony_Rate)                                                 |      |   |          |
| 3                           |            | [TSPC_Serv_TS61]                                                                                   |      |   |          |
| 4                           |            | +BasicServiceMO( C_AltSpchFax, C_Full)                                                             |      |   |          |
| 5                           |            | [TSPC_Serv_BS61]                                                                                   |      |   |          |
| 6                           |            | +BasicServiceMO( C_AltSpchData, C_Full)                                                            |      |   |          |
| 7                           |            | [TSPC_Serv_BS81]                                                                                   |      |   |          |
| 8                           |            | +BasicServiceMO( C_SpchData, C_Full)                                                               |      |   |          |
| 9                           | L_100<br>7 | [C_Yes]                                                                                            |      | I | 1.       |
| <b>Detailed Comments:</b>   |            | 1. No speech service available                                                                     |      |   |          |

| Test Step Dynamic Behaviour |       |                                                                                                                                                                                                                                                    |      |   |          |
|-----------------------------|-------|----------------------------------------------------------------------------------------------------------------------------------------------------------------------------------------------------------------------------------------------------|------|---|----------|
| <b>Test Step Name:</b>      |       | StartCellA(par_bspwr:INTEGER; acttype:BITSTRING; slot:SN; tsc:TSC; ta:TA; t, retr, neci, att:INTEGER; babr, cch_con, bpm:B_3; t3212, mcc, mnc, lac:OCTETSTRING; cchdgs, cchddcs:CCHD; bcchflgsm, bcchfldcs:NCD; Re:B_1)                            |      |   |          |
| <b>Group:</b>               |       | GSM_L3_MS_v4200/Preambles/                                                                                                                                                                                                                         |      |   |          |
| <b>Objective:</b>           |       | To setup a physical channel as combined BCCH, CCCH and SDCCH4 then broadcast SYSTEM INFORMATION messages 2, 3, 4, 5 and 6 with default parameters of cell A.                                                                                       |      |   |          |
| <b>Default:</b>             |       | OtherEvents                                                                                                                                                                                                                                        |      |   |          |
| Nr                          | Label | Behaviour Description                                                                                                                                                                                                                              | CRef | V | Comments |
| 1                           |       | (TCV_sacch:= OC_SubchOfSacch4(TSPX_SDCCH4SubDef, C_CellA))                                                                                                                                                                                         |      |   |          |
| 2                           |       | +CombinedBCCH_A(par_bspwr, C_MaxPwrLvlG, C_MaxPwrLvlD, C_arfcnA, C_arfcnAd, acttype, slot, tsc, ta, babr, cch_con, bpm)                                                                                                                            |      |   |          |
| 3                           |       | +SysInfoSending_fh( C_SCH_A, C_BCCH_A_1, t, retr, neci, att, babr, cch_con, bpm, t3212, C_ci_cellA, mcc, mnc, lac, CellOpt_01, cchdgs, cchddcs, C_CellReselectHys12, C_MaxPwrLvlG, C_MaxPwrLvlD, bcchflgsm, bcchfldcs, Re, C_BCC, C_NCC, C_NCCP_2) |      |   |          |
| 4                           |       | (TCV_Ccd0A := TCV_Ccd0H, TCV_sysinfo5 := TCV_sysinfo5, TCV_sysinfo6 := TCV_sysinfo6)                                                                                                                                                               |      |   |          |
| 5                           |       | +SysInfo_SacchSending(TCV_sacch, TCV_sysinfo5, TCV_sysinfo6)                                                                                                                                                                                       |      |   |          |
| <b>Detailed Comments:</b>   |       |                                                                                                                                                                                                                                                    |      |   |          |

| Test Step Dynamic Behaviour |       |                                                                                                                                                                                                                                                                |      |   |          |
|-----------------------------|-------|----------------------------------------------------------------------------------------------------------------------------------------------------------------------------------------------------------------------------------------------------------------|------|---|----------|
| <b>Test Step Name:</b>      |       | StartCellA_1( par_bspwr:INTEGER; acttype:BITSTRING; slot:SN; tsc:TSC; ta:TA; t, retr, neci, att:INTEGER; babr, cch_con, bpm:B_3; t3212, mcc, mnc, lac:OCTETSTRING; bcchflgsm, bcflaltgsm, bcchfldcs, bcflaltdcs:NCD; Re:B_1)                                   |      |   |          |
| <b>Group:</b>               |       | GSM_L3_MS_v4200/Preambles/                                                                                                                                                                                                                                     |      |   |          |
| <b>Objective:</b>           |       | To set up a physical channel with parameters different from default and map FCCH, SCH, BCCH, CCCH and SDCCH4 onto the physical channel which represents cell A, then broadcast SYSTEM INFORMATION messages 2, 3, 4, 5 and 6 with default parameters of cell A. |      |   |          |
| <b>Default:</b>             |       | OtherEvents                                                                                                                                                                                                                                                    |      |   |          |
| Nr                          | Label | Behaviour Description                                                                                                                                                                                                                                          | CRef | V | Comments |
| 1                           |       | (TCV_sacch := OC_SubchOfSacch4(TSPX_SDCCH4SubDef, C_CellA))                                                                                                                                                                                                    |      |   |          |
| 2                           |       | +CombinedBCCH_A( par_bspwr, C_MaxPwrLvlG, C_MaxPwrLvlD, C_arfcnA, C_arfcnAd, acttype, slot, tsc, ta, babr, cch_con, bpm)                                                                                                                                       |      |   |          |
| 3                           |       | +SysInfoSending_nfh( C_SCH_A, C_BCCH_A_1, t, retr, neci, att, babr, cch_con, bpm, t3212, C_ci_cellA, mcc, mnc, lac, CellOpt_01, C_CellReselectHys12, C_MaxPwrLvlG, C_MaxPwrLvlD, bcchflgsm, bcflaltgsm, bcchfldcs, bcflaltdcs, Re, C_BCC, C_NCC_1, C_NCCP_2)   |      |   | 1.       |
| 4                           |       | (TCV_Ccd0A := TCV_Ccd0H, TCV_sysinfo5 := TCV_sysinfo5, TCV_sysinfo6 := TCV_sysinfo6)                                                                                                                                                                           |      |   |          |
| 5                           |       | +SysInfo_SacchSending(TCV_sacch, TCV_sysinfo5, TCV_sysinfo6)                                                                                                                                                                                                   |      |   |          |
| <b>Detailed Comments:</b>   |       |                                                                                                                                                                                                                                                                |      |   |          |

| Test Step Dynamic Behaviour |       |                                                                                                                                                                                                                                                                  |      |   |          |
|-----------------------------|-------|------------------------------------------------------------------------------------------------------------------------------------------------------------------------------------------------------------------------------------------------------------------|------|---|----------|
| <b>Test Step Name:</b>      |       | StartCellB(par_bspwr, arfcn1, arfcn2:INTEGER; acttype:BITSTRING; slot:SN; tsc:TSC; ta:TA; t, retr, neci, att:INTEGER; babr, cch_con, bpm:B_3; t3212, mcc, mnc, lac:OCTETSTRING; cchdgsm, cchddcs:CCHD; bcchflgsm, bcchfldcs:NCD; Re:BITSTRING; bcc:BCC; ncc:NCC) |      |   |          |
| <b>Group:</b>               |       | GSM_L3_MS_v4200/Preambles/                                                                                                                                                                                                                                       |      |   |          |
| <b>Objective:</b>           |       | To setup a physical channel as combined BCCH, CCCH and SDCCH4 then broadcast SYSTEM INFORMATION messages 2, 3, 4, 5 and 6 with default parameters of cell B.                                                                                                     |      |   |          |
| <b>Default:</b>             |       | OtherEvents                                                                                                                                                                                                                                                      |      |   |          |
| Nr                          | Label | Behaviour Description                                                                                                                                                                                                                                            | CRef | V | Comments |
| 1                           |       | (TCV_sacch_B := OC_SubchOfSacch4(TSPX_SDCCH4SubDef, C_CellB))                                                                                                                                                                                                    |      |   |          |
| 2                           |       | +ltree_chconf                                                                                                                                                                                                                                                    |      |   |          |
| 3                           |       | +SysInfoSending_fh( C_SCH_B, C_BCCH_B_1, t, retr, neci, att, babr, cch_con, bpm, t3212, C_ci_cellB, mcc, mnc, lac, CellOpt_01, cchdgsm, cchddcs, C_CellReselectHys12, C_MaxPwrLvlG, C_MaxPwrLvlD, bcchflgsm, bcchfldcs, Re, bcc, ncc, C_NCCP_2)                  |      |   |          |
| 4                           |       | (TCV_Ccd0B := TCV_Ccd0H, TCV_sysinfo5_B := TCV_sysinfo5, TCV_sysinfo6_B := TCV_sysinfo6)                                                                                                                                                                         |      |   |          |
| 5                           |       | [cch_con = C_cch_1Comb]                                                                                                                                                                                                                                          |      |   |          |
| 6                           |       | +SysInfo_SacchSending( TCV_sacch_B, TCV_sysinfo5_B, TCV_sysinfo6_B)                                                                                                                                                                                              |      |   |          |
| 7                           |       | [cch_con = C_cch_1nonComb]                                                                                                                                                                                                                                       |      |   |          |
| 8                           | L_100 | [(cch_con <> C_cch_1nonComb) AND(cch_con <> C_cch_1Comb)]                                                                                                                                                                                                        |      | I |          |
| 8                           | 8     |                                                                                                                                                                                                                                                                  |      |   |          |
|                             |       | <b>ltree_chconf</b>                                                                                                                                                                                                                                              |      |   |          |
| 9                           |       | [cch_con = C_cch_1Comb]                                                                                                                                                                                                                                          |      |   |          |
| 10                          |       | +CombinedBCCH_B( par_bspwr, C_MaxPwrLvlG, C_MaxPwrLvlD, arfcn1, arfcn2, acttype, slot, tsc, ta, babr, cch_con, bpm)                                                                                                                                              |      |   |          |
| 11                          |       | [cch_con = C_cch_1nonComb]                                                                                                                                                                                                                                       |      |   |          |
| 12                          |       | +NonCombinedBCCH_B( par_bspwr, C_MaxPwrLvlG, C_MaxPwrLvlD, arfcn1, arfcn2, acttype, slot, tsc, ta, babr, cch_con, bpm)                                                                                                                                           |      |   |          |
| 13                          | L_100 | [(cch_con <> C_cch_1nonComb) AND(cch_con <> C_cch_1Comb)]                                                                                                                                                                                                        |      | I |          |
| 13                          | 9     |                                                                                                                                                                                                                                                                  |      |   |          |
| <b>Detailed Comments:</b>   |       |                                                                                                                                                                                                                                                                  |      |   |          |



| Test Step Dynamic Behaviour |       |                                                                                                                                                                                                                                                                                         |      |   |          |
|-----------------------------|-------|-----------------------------------------------------------------------------------------------------------------------------------------------------------------------------------------------------------------------------------------------------------------------------------------|------|---|----------|
| <b>Test Step Name:</b>      |       | StartCellB_1( par_bspwr:INTEGER; acttype:BITSTRING; slot:SN; tsc:TSC; ta:TA; att:INTEGER; babr, cch_con, bpm:B_3; t3212, mcc, mnc, lac:OCTETSTRING; Re:BITSTRING; bcc:BCC; ncc:NCC)                                                                                                     |      |   |          |
| <b>Group:</b>               |       | GSM_L3_MS_v4200/Preambles/                                                                                                                                                                                                                                                              |      |   |          |
| <b>Objective:</b>           |       | To set up a physical channel and map FCCH, SCH, BCCH, CCCH and SDCCH4 onto the physical channel which represents cell B, then start transmission of default system information's for cell B.                                                                                            |      |   |          |
| <b>Default:</b>             |       | OtherEvents                                                                                                                                                                                                                                                                             |      |   |          |
| <b>Comments:</b>            |       | The location area code is different from the cell A.                                                                                                                                                                                                                                    |      |   |          |
| Nr                          | Label | Behaviour Description                                                                                                                                                                                                                                                                   | CRef | V | Comments |
| 1                           |       | (TCV_sacch_B := OC_SubchOfSacch4(TSPX_SDCCH4SubDef, C_CellB))                                                                                                                                                                                                                           |      |   |          |
| 2                           |       | +CombinedBCCH_B( par_bspwr, C_MaxPwrLvIG, C_MaxPwrLvID, C_arfcnB, C_arfcnBd, acttype, slot, tsc, ta, babr, cch_con, bpm)                                                                                                                                                                |      |   |          |
| 3                           |       | +SysInfoSending_nfh( C_SCH_B, C_BCCH_B_1, C_TxInt_5, C_Max_1, C_NECl_0, att, babr, cch_con, bpm, t3212, C_ci_cellB, mcc, mnc, lac, CellOpt_01, C_CellReselectHys12, C_MaxPwrLvIG, C_MaxPwrLvID, BcchFreqLst_01, BcchFreqLst_01, BcchFreqLst_48, BcchFreqLst_48, Re, bcc, ncc, C_NCCP_2) |      |   | 1.       |
| 4                           |       | (TCV_Ccd0B := TCV_Ccd0H, TCV_sysinfo5_B := TCV_sysinfo5, TCV_sysinfo6_B := TCV_sysinfo6)                                                                                                                                                                                                |      |   |          |
| 5                           |       | +SysInfo_SacchSending( TCV_sacch_B, TCV_sysinfo5_B, TCV_sysinfo6_B)                                                                                                                                                                                                                     |      |   |          |
| <b>Detailed Comments:</b>   |       | 1. To send SYSTEM INFORMATION message with default parameter for cell B.                                                                                                                                                                                                                |      |   |          |

| <b>Test Step Dynamic Behaviour</b> |            |                                                                                                                                                                                                                                                        |      |   |          |
|------------------------------------|------------|--------------------------------------------------------------------------------------------------------------------------------------------------------------------------------------------------------------------------------------------------------|------|---|----------|
| <b>Test Step Name:</b>             |            | StartCellB_egsm(par_bspwr, arfcn1, arfcn2:INTEGER; acttype:BITSTRING; slot:SN; tsc:TSC; ta:TA; t, retr, neci, att:INTEGER; babr, cch_con, bpm:B_3; t3212, mcc, mnc, lac:OCTETSTRING; cchdgsm:CCHD; bcchf1, bcchf2:NCD; Re:BITSTRING; bcc:BCC; ncc:NCC) |      |   |          |
| <b>Group:</b>                      |            | GSM_L3_MS_v4200/Preambles/                                                                                                                                                                                                                             |      |   |          |
| <b>Objective:</b>                  |            | To setup a physical channel as combined BCCH, CCCH and SDCCH4 then broadcast SYSTEM INFORMATION messages 2, 3, 4, 5 and 6 with EGSM default parameters of cell B.                                                                                      |      |   |          |
| <b>Default:</b>                    |            | OtherEvents                                                                                                                                                                                                                                            |      |   |          |
| Nr                                 | Label      | Behaviour Description                                                                                                                                                                                                                                  | CRef | V | Comments |
| 1                                  |            | (TCV_sacch_B := OC_SubchOfSacch4(TSPX_SDCCH4SubDef, C_CellB))                                                                                                                                                                                          |      |   |          |
| 2                                  |            | +ltree_chconf                                                                                                                                                                                                                                          |      |   |          |
| 3                                  |            | +SysInfoSending_e( C_SCH_B, C_BCCH_B_1, t, retr, neci, att, babr, cch_con, bpm, t3212, C_ci_cellB, mcc, mnc, lac, CellOpt_01, cchdgsm, C_CellReselectHys12, C_MaxPwrLvlG, bcchf1, bcchf2, Re, bcc, ncc, C_NCCP_2)                                      |      |   |          |
| 4                                  |            | (TCV_Ccd0B := TCV_Ccd0H, TCV_sysinfo5_B := TCV_sysinf5, TCV_sysinfo5bis_B := TCV_sysinfo5bis, TCV_sysinfo6_B := TCV_sysinf6)                                                                                                                           |      |   |          |
| 5                                  |            | [cch_con = C_cch_1Comb]                                                                                                                                                                                                                                |      |   |          |
| 6                                  |            | +SysInfo_SacchSending( TCV_sacch_B, TCV_sysinfo5_B, TCV_sysinfo6_B)                                                                                                                                                                                    |      |   |          |
| 7                                  |            | [cch_con = C_cch_1nonComb]                                                                                                                                                                                                                             |      |   |          |
| 8                                  | L_101<br>0 | [(cch_con <> C_cch_1nonComb) AND(cch_con <> C_cch_1Comb)]                                                                                                                                                                                              |      | I |          |
|                                    |            | <b>ltree_chconf</b>                                                                                                                                                                                                                                    |      |   |          |
| 9                                  |            | [cch_con = C_cch_1Comb]                                                                                                                                                                                                                                |      |   |          |
| 10                                 |            | +CombinedBCCH_B( par_bspwr, C_MaxPwrLvlG, C_MaxPwrLvlD, arfcn1, arfcn2, acttype, slot, tsc, ta, babr, cch_con, bpm)                                                                                                                                    |      |   |          |
| 11                                 |            | [cch_con = C_cch_1nonComb]                                                                                                                                                                                                                             |      |   |          |
| 12                                 |            | +NonCombinedBCCH_B( par_bspwr, C_MaxPwrLvlG, C_MaxPwrLvlD, arfcn1, arfcn2, acttype, slot, tsc, ta, babr, cch_con, bpm)                                                                                                                                 |      |   |          |
| 13                                 | L_101<br>1 | [(cch_con <> C_cch_1nonComb) AND(cch_con <> C_cch_1Comb)]                                                                                                                                                                                              |      | I |          |
| <b>Detailed Comments:</b>          |            |                                                                                                                                                                                                                                                        |      |   |          |

| Test Step Dynamic Behaviour |            |                                                                                                                                                                                                                                                                                     |      |   |          |
|-----------------------------|------------|-------------------------------------------------------------------------------------------------------------------------------------------------------------------------------------------------------------------------------------------------------------------------------------|------|---|----------|
| <b>Test Step Name:</b>      |            | StartCellB_ho(par_bspwr, arfcn1, arfcn2:INTEGER; acttype:BITSTRING; slot:SN; tsc:TSC; ta:TA; t, retr, neci, att:INTEGER; babr, cch_con, bpm:B_3; t3212, mcc, mnc, lac:OCTETSTRING; cchdgsm, cchddcs:CCHD; bcchflgsm, bcchfldcs:NCD; Re:BITSTRING; bcc:BCC; ncc:NCC; td, fn:INTEGER) |      |   |          |
| <b>Group:</b>               |            | GSM_L3_MS_v4200/Preambles/                                                                                                                                                                                                                                                          |      |   |          |
| <b>Objective:</b>           |            | To setup a physical channel as combined BCCH, CCCH and SDCCH4 then broadcast SYSTEM INFORMATION messages 2, 3, 4, 5 and 6 with default parameters of cell B.                                                                                                                        |      |   |          |
| <b>Default:</b>             |            | OtherEvents                                                                                                                                                                                                                                                                         |      |   |          |
| Nr                          | Label      | Behaviour Description                                                                                                                                                                                                                                                               | CRef | V | Comments |
| 1                           |            | (TCV_sacch_B := OC_SubchOfSacch4(TSPX_SDCCH4SubDef, C_CellB))                                                                                                                                                                                                                       |      |   |          |
| 2                           |            | +ltree_chconf                                                                                                                                                                                                                                                                       |      |   |          |
| 3                           |            | +SysInfoSending_fh( C_SCH_B, C_BCCH_B_1, t, retr, neci, att, babr, cch_con, bpm, t3212, C_ci_cellB, mcc, mnc, lac, CellOpt_01, cchdgsm, cchddcs, C_CellReselectHys12, C_MaxPwrLvIG, C_MaxPwrLvID, bcchflgsm, bcchfldcs, Re, bcc, ncc, C_NCCP_2)                                     |      |   |          |
| 4                           |            | (TCV_Ccd0B := TCV_Ccd0H, TCV_sysinfo5_B := TCV_sysinf5, TCV_sysinfo6_B := TCV_sysinf6)                                                                                                                                                                                              |      |   |          |
| 5                           |            | [cch_con = C_cch_1Comb]                                                                                                                                                                                                                                                             |      |   |          |
| 6                           |            | +SysInfo_SacchSending( TCV_sacch_B, TCV_sysinfo5_B, TCV_sysinfo6_B)                                                                                                                                                                                                                 |      |   |          |
| 7                           |            | [cch_con = C_cch_1nonComb]                                                                                                                                                                                                                                                          |      |   |          |
| 8                           | L_101<br>2 | [(cch_con <> C_cch_1nonComb) AND(cch_con <> C_cch_1Comb)]                                                                                                                                                                                                                           |      | I |          |
|                             |            | <b>ltree_chconf</b>                                                                                                                                                                                                                                                                 |      |   |          |
| 9                           |            | [cch_con = C_cch_1Comb]                                                                                                                                                                                                                                                             |      |   |          |
| 10                          |            | +CombinedBCCH_B_ho( par_bspwr, C_MaxPwrLvIG, C_MaxPwrLvID, arfcn1, arfcn2, acttype, slot, tsc, ta, babr, cch_con, bpm, td, fn)                                                                                                                                                      |      |   |          |
| 11                          |            | [cch_con = C_cch_1nonComb]                                                                                                                                                                                                                                                          |      |   |          |
| 12                          |            | +NonCombinedBCCH_B_ho( par_bspwr, C_MaxPwrLvIG, C_MaxPwrLvID, arfcn1, arfcn2, acttype, slot, tsc, ta, babr, cch_con, bpm, td, fn)                                                                                                                                                   |      |   |          |
| 13                          | L_101<br>3 | [(cch_con <> C_cch_1nonComb) AND(cch_con <> C_cch_1Comb)]                                                                                                                                                                                                                           |      | I |          |
| <b>Detailed Comments:</b>   |            |                                                                                                                                                                                                                                                                                     |      |   |          |

| Test Step Dynamic Behaviour                                                                                                                                                                             |       |                                                                                                                                                                                                                                                                    |      |   |          |
|---------------------------------------------------------------------------------------------------------------------------------------------------------------------------------------------------------|-------|--------------------------------------------------------------------------------------------------------------------------------------------------------------------------------------------------------------------------------------------------------------------|------|---|----------|
| <b>Test Step Name:</b> StartCellC( par_bspwr:INTEGER; actype:BITSTRING; slot:SN; tsc:TSC; ta:TA; att:INTEGER; babr, cch_con, bpm:B_3; t3212, mcc, mnc, lac:OCTETSTRING; Re:BITSTRING; bcc:BCC; ncc:NCC) |       |                                                                                                                                                                                                                                                                    |      |   |          |
| <b>Group:</b> GSM_L3_MS_v4200/Preambles/                                                                                                                                                                |       |                                                                                                                                                                                                                                                                    |      |   |          |
| <b>Objective:</b> To setup a physical channel as combined BCCH, CCCH and SDCCH4 then broadcast SYSTEM INFORMATION messages 2, 3, 4, 5 and 6 with default parameters of cell C.                          |       |                                                                                                                                                                                                                                                                    |      |   |          |
| <b>Default:</b> OtherEvents                                                                                                                                                                             |       |                                                                                                                                                                                                                                                                    |      |   |          |
| <b>Comments:</b> IMSI attach/detach not allowed (ATT=0). Cell C belongs to PLMN1.                                                                                                                       |       |                                                                                                                                                                                                                                                                    |      |   |          |
| Nr                                                                                                                                                                                                      | Label | Behaviour Description                                                                                                                                                                                                                                              | CRef | V | Comments |
| 1                                                                                                                                                                                                       |       | (TCV_sacch_C := OC_SubchOfSacch4(TSPX_SDCCH4SubDef, C_CellC))                                                                                                                                                                                                      |      |   |          |
| 2                                                                                                                                                                                                       |       | +CombinedBCCH_C( par_bspwr, C_MaxPwrLvIG, C_MaxPwrLvID, C_arfcnC, C_arfcnCd, actype, slot, tsc, ta, babr, cch_con, bpm)                                                                                                                                            |      |   |          |
| 3                                                                                                                                                                                                       |       | +SysInfoSending_nfh( C_SCH_C, C_BCCH_C_1, 5, 1, 0, att, babr, cch_con, bpm, t3212, C_ci_cellC, mcc, mnc, lac, CellOpt_01, C_CellReselectHys12, C_MaxPwrLvIG, C_MaxPwrLvID, BcchFreqLst_07, BcchFreqLst_07, BcchFreqLst_15, BcchFreqLst_15, Re, bcc, ncc, C_NCCP_2) |      |   | 1.       |
| 4                                                                                                                                                                                                       |       | (TCV_Ccd0C := TCV_Ccd0H, TCV_sysinfo5_C := TCV_sysinfo5, TCV_sysinfo6_C := TCV_sysinfo6)                                                                                                                                                                           |      |   |          |
| 5                                                                                                                                                                                                       |       | +SysInfo_SacchSending( TCV_sacch_C, TCV_sysinfo5_C, TCV_sysinfo6_C)                                                                                                                                                                                                |      |   |          |
| <b>Detailed Comments:</b>                                                                                                                                                                               |       |                                                                                                                                                                                                                                                                    |      |   |          |

| Test Step Dynamic Behaviour                                                                                                                                                          |       |                                                                                                                                                                                                                                                   |      |   |          |
|--------------------------------------------------------------------------------------------------------------------------------------------------------------------------------------|-------|---------------------------------------------------------------------------------------------------------------------------------------------------------------------------------------------------------------------------------------------------|------|---|----------|
| <b>Test Step Name:</b> Start_2cells( actype:BITSTRING; slot:SN; tsc:TSC; ta:TA; att:INTEGER; babr, cch_con, bpm:B_3; t3212, mcc, mnc, lacA, lacB:OCTETSTRING)                        |       |                                                                                                                                                                                                                                                   |      |   |          |
| <b>Group:</b> GSM_L3_MS_v4200/Preambles/                                                                                                                                             |       |                                                                                                                                                                                                                                                   |      |   |          |
| <b>Objective:</b> To start cell A and cell B with default parameters except power level of cell A and power level of cell B and to bring the MS in Idle updated state on given cell. |       |                                                                                                                                                                                                                                                   |      |   |          |
| A and B are from different location areas belonging to PLMN2. PLMN2 is different from HPLMN.                                                                                         |       |                                                                                                                                                                                                                                                   |      |   |          |
| IMSI attach detach is allowed in both cells.                                                                                                                                         |       |                                                                                                                                                                                                                                                   |      |   |          |
| T3212 value is 1/10 in both cells.                                                                                                                                                   |       |                                                                                                                                                                                                                                                   |      |   |          |
| <b>Default:</b> OtherEvents                                                                                                                                                          |       |                                                                                                                                                                                                                                                   |      |   |          |
| Nr                                                                                                                                                                                   | Label | Behaviour Description                                                                                                                                                                                                                             | CRef | V | Comments |
| 1                                                                                                                                                                                    |       | +StartCellB( C_E_default, C_arfcnB, C_arfcnBd, actype, slot, tsc, ta, C_TxInt_5, C_Max_1, C_NECl_0, att, babr, cch_con, bpm, t3212, mcc, mnc, lacB, CellChDes_04, CellChDes_03, BcchFreqLst_01, BcchFreqLst_48, C_noRestablishment, C_BCC, C_NCC) |      |   |          |
| 2                                                                                                                                                                                    |       | +StartCellA( C_E_neighbourdefault, actype, slot, tsc, ta, C_TxInt_5, C_Max_1, C_NECl_0, att, babr, cch_con, bpm, t3212, mcc, mnc, lacA, CellChDes_02, CellChDes_03, BcchFreqLst_01, BcchFreqLst_48, C_noRestablishment)                           |      |   |          |
| <b>Detailed Comments:</b>                                                                                                                                                            |       |                                                                                                                                                                                                                                                   |      |   |          |

| Test Step Dynamic Behaviour |       |                                                                                                                                                                                                                                                                                                                                                                                                                                             |      |   |          |
|-----------------------------|-------|---------------------------------------------------------------------------------------------------------------------------------------------------------------------------------------------------------------------------------------------------------------------------------------------------------------------------------------------------------------------------------------------------------------------------------------------|------|---|----------|
| <b>Test Step Name:</b>      |       | StartMultiCells_01(acttype:BITSTRING; slot:SN; tsc:TSC; ta:TA; att:INTEGER; babr, cch_con, bpm:B_3; t3212, mcc2, mnc2, mcc3, mnc3, mcc4, mnc4, mcc5, mnc5, mcc6, mnc6, mcc7, mnc7, mcc8, mnc8, lac:OCTETSTRING)                                                                                                                                                                                                                             |      |   |          |
| <b>Group:</b>               |       | GSM_L3_MS_v4200/Preambles/                                                                                                                                                                                                                                                                                                                                                                                                                  |      |   |          |
| <b>Objective:</b>           |       | To setup 8 or 7 physical channels representing different cells then broadcast SYSTEM INFORMATION messages 2, 3, 4, 5 and 6 in multiple cells for idle mode testing.                                                                                                                                                                                                                                                                         |      |   |          |
| <b>Default:</b>             |       | OtherEvents                                                                                                                                                                                                                                                                                                                                                                                                                                 |      |   |          |
| <b>Comments:</b>            |       | The parameters for SYSTEM INFORMATION messages are defined in section 26.3.1 of GSM 11.10                                                                                                                                                                                                                                                                                                                                                   |      |   |          |
| Nr                          | Label | Behaviour Description                                                                                                                                                                                                                                                                                                                                                                                                                       | CRef | V | Comments |
| 1                           |       | (TCV_sacch_B := OC_SubchOfSacch4(TSPX_SDCCH4SubDef, C_CellB), TCV_sacch_C := OC_SubchOfSacch4(TSPX_SDCCH4SubDef, C_CellC), TCV_sacch_D := OC_SubchOfSacch4(TSPX_SDCCH4SubDef, C_CellD), TCV_sacch_E := OC_SubchOfSacch4(TSPX_SDCCH4SubDef, C_CellE), TCV_sacch_F := OC_SubchOfSacch4(TSPX_SDCCH4SubDef, C_CellF), TCV_sacch_G := OC_SubchOfSacch4(TSPX_SDCCH4SubDef, C_CellG), TCV_sacch_H := OC_SubchOfSacch4(TSPX_SDCCH4SubDef, C_CellH)) |      |   |          |
| 2                           |       | +cell2                                                                                                                                                                                                                                                                                                                                                                                                                                      |      |   |          |
| 3                           |       | +cell3                                                                                                                                                                                                                                                                                                                                                                                                                                      |      |   |          |
| 4                           |       | +cell4                                                                                                                                                                                                                                                                                                                                                                                                                                      |      |   |          |
| 5                           |       | +cell5                                                                                                                                                                                                                                                                                                                                                                                                                                      |      |   |          |
| 6                           |       | +cell6                                                                                                                                                                                                                                                                                                                                                                                                                                      |      |   |          |
| 7                           |       | [TSPC_PGSM OR TSPC_EGSM]                                                                                                                                                                                                                                                                                                                                                                                                                    |      |   |          |
| 8                           |       | +cell7g                                                                                                                                                                                                                                                                                                                                                                                                                                     |      |   |          |
| 9                           |       | +cell8                                                                                                                                                                                                                                                                                                                                                                                                                                      |      |   |          |
| 10                          |       | [TSPC_DCS]                                                                                                                                                                                                                                                                                                                                                                                                                                  |      |   |          |
| 11                          |       | +cell7d                                                                                                                                                                                                                                                                                                                                                                                                                                     |      |   |          |
|                             |       | <b>cell2</b>                                                                                                                                                                                                                                                                                                                                                                                                                                |      |   |          |
| 12                          |       | +CombinedBCCH_B(63, TSPX_MSTxpwrMax, TSPX_MSTxpwrMax, 7, 580, acttype, slot, tsc, ta, babr, cch_con, bpm)                                                                                                                                                                                                                                                                                                                                   |      |   |          |
| 13                          |       | +SysInfoSending_nfh(C_SCH_B, C_BCCH_B_1, C_TxInt_10, C_Max_2, C_NECl_0, att, babr, cch_con, bpm, t3212, C_ci_cellB, mcc2, mnc2, lac, CellOpt_02, C_CellReselectHys4, TSPX_MSTxpwrMax, TSPX_MSTxpwrMax, BcchFreqLst_06, BcchFreqLst_06, BcchFreqLst_14, BcchFreqLst_14, C_noReestablishment, C_BCC, C_NCC_1, C_NCCP_2)                                                                                                                       |      |   |          |
| 14                          |       | (TCV_Ccd0B := TCV_Ccd0H, TCV_sysinfo5_B := TCV_sysinf5, TCV_sysinfo6_B := TCV_sysinf6)                                                                                                                                                                                                                                                                                                                                                      |      |   |          |
| 15                          |       | +SysInfo_SacchSending(TCV_sacch_B, TCV_sysinfo5_B, TCV_sysinfo6_B)                                                                                                                                                                                                                                                                                                                                                                          |      |   |          |
|                             |       | <b>cell3</b>                                                                                                                                                                                                                                                                                                                                                                                                                                |      |   |          |
| 16                          |       | +CombinedBCCH_C(61, TSPX_MSTxpwrMax, TSPX_MSTxpwrMax, 39, 610, acttype, slot, tsc, ta, babr, cch_con, bpm)                                                                                                                                                                                                                                                                                                                                  |      |   |          |
| 17                          |       | +SysInfoSending_nfh(C_SCH_C, C_BCCH_C_1, C_TxInt_10, C_Max_2, C_NECl_0, att, babr, cch_con, bpm, t3212, C_ci_cellC, mcc3, mnc3, lac, CellOpt_02, C_CellReselectHys4, TSPX_MSTxpwrMax, TSPX_MSTxpwrMax, BcchFreqLst_07, BcchFreqLst_07, BcchFreqLst_15, BcchFreqLst_15, C_noReestablishment, C_BCC, C_NCC_2, C_NCCP_2)                                                                                                                       |      |   |          |
| 18                          |       | (TCV_Ccd0C := TCV_Ccd0H, TCV_sysinfo5_C := TCV_sysinf5, TCV_sysinfo6_C := TCV_sysinf6)                                                                                                                                                                                                                                                                                                                                                      |      |   |          |
| 19                          |       | +SysInfo_SacchSending(TCV_sacch_C, TCV_sysinfo5_C, TCV_sysinfo6_C)                                                                                                                                                                                                                                                                                                                                                                          |      |   |          |
|                             |       | <b>cell4</b>                                                                                                                                                                                                                                                                                                                                                                                                                                |      |   |          |

|    |                                                                                                                                                                                                                                                                                                                                               |
|----|-----------------------------------------------------------------------------------------------------------------------------------------------------------------------------------------------------------------------------------------------------------------------------------------------------------------------------------------------|
| 20 | +CombinedBCCH_D(55, TSPX_MSTxpwrMax,<br>TSPX_MSTxpwrMax, 65, 702, acttype, slot, tsc, ta,<br>babr, cch_con, bpm)                                                                                                                                                                                                                              |
| 21 | +SysInfoSending_nfh( C_SCH_D, C_BCCH_D_1,<br>C_TxInt_10, C_Max_2, C_NECl_0, att, babr,<br>cch_con, bpm, t3212, C_ci_cellD, mcc4, mnc4, lac,<br>CellOpt_02, C_CellReselectHys4,<br>TSPX_MSTxpwrMax, TSPX_MSTxpwrMax,<br>BcchFreqLst_08, BcchFreqLst_08,<br>BcchFreqLst_16, BcchFreqLst_16,<br>C_noRestablishment, C_BCC, C_NCC_3,<br>C_NCCP_2) |
| 22 | (TCV_Ccd0D := TCV_Ccd0H, TCV_sysinfo5_D<br>:= TCV_sysinf5, TCV_sysinfo6_D :=<br>TCV_sysinf6)                                                                                                                                                                                                                                                  |
| 23 | +SysInfo_SacchSending( TCV_sacch_D,<br>TCV_sysinfo5_D, TCV_sysinfo6_D)                                                                                                                                                                                                                                                                        |
|    | <b>cell5</b>                                                                                                                                                                                                                                                                                                                                  |
| 24 | +CombinedBCCH_E(59, TSPX_MSTxpwrMax,<br>TSPX_MSTxpwrMax, 66, 703, acttype, slot, tsc, ta,<br>babr, cch_con, bpm)                                                                                                                                                                                                                              |
| 25 | +SysInfoSending_nfh( C_SCH_E, C_BCCH_E_1,<br>C_TxInt_10, C_Max_2, C_NECl_0, att, babr,<br>cch_con, bpm, t3212, C_ci_cellE, mcc5, mnc5, lac,<br>CellOpt_02, C_CellReselectHys4,<br>TSPX_MSTxpwrMax, TSPX_MSTxpwrMax,<br>BcchFreqLst_09, BcchFreqLst_09,<br>BcchFreqLst_17, BcchFreqLst_17,<br>C_noRestablishment, C_BCC, C_NCC_4,<br>C_NCCP_2) |
| 26 | (TCV_Ccd0E := TCV_Ccd0H, TCV_sysinfo5_E<br>:= TCV_sysinf5, TCV_sysinfo6_E :=<br>TCV_sysinf6)                                                                                                                                                                                                                                                  |
| 27 | +SysInfo_SacchSending( TCV_sacch_E,<br>TCV_sysinfo5_E, TCV_sysinfo6_E)                                                                                                                                                                                                                                                                        |
|    | <b>cell6</b>                                                                                                                                                                                                                                                                                                                                  |
| 28 | +CombinedBCCH_F(57, TSPX_MSTxpwrMax,<br>TSPX_MSTxpwrMax, 85, 830, acttype, slot, tsc, ta,<br>babr, cch_con, bpm)                                                                                                                                                                                                                              |
| 29 | +SysInfoSending_nfh( C_SCH_F, C_BCCH_F_1,<br>C_TxInt_10, C_Max_2, C_NECl_0, att, babr,<br>cch_con, bpm, t3212, C_ci_cellF, mcc6, mnc6, lac,<br>CellOpt_02, C_CellReselectHys4,<br>TSPX_MSTxpwrMax, TSPX_MSTxpwrMax,<br>BcchFreqLst_10, BcchFreqLst_10,<br>BcchFreqLst_18, BcchFreqLst_18,<br>C_noRestablishment, C_BCC, C_NCC_5,<br>C_NCCP_2) |
| 30 | (TCV_Ccd0F := TCV_Ccd0H, TCV_sysinfo5_F<br>:= TCV_sysinf5, TCV_sysinfo6_F := TCV_sysinf6)                                                                                                                                                                                                                                                     |
| 31 | +SysInfo_SacchSending( TCV_sacch_F,<br>TCV_sysinfo5_F, TCV_sysinfo6_F)                                                                                                                                                                                                                                                                        |
|    | <b>cell7g</b>                                                                                                                                                                                                                                                                                                                                 |
| 32 | +CombinedBCCH_G_sp(55, TSPX_MSTxpwrMax,<br>TSPX_MSTxpwrMax, 97, 985, 885, acttype, slot, tsc,<br>ta, babr, cch_con, bpm)                                                                                                                                                                                                                      |
| 33 | +SysInfoSending_nfh( C_SCH_G, C_BCCH_G_1,<br>C_TxInt_10, C_Max_2, C_NECl_0, att, babr,<br>cch_con, bpm, t3212, C_ci_cellG, mcc7, mnc7, lac,<br>CellOpt_02, C_CellReselectHys4,<br>TSPX_MSTxpwrMax, TSPX_MSTxpwrMax,<br>BcchFreqLst_11, BcchFreqLst_11,<br>BcchFreqLst_19, BcchFreqLst_19,<br>C_noRestablishment, C_BCC, C_NCC_6,<br>C_NCCP_2) |
| 34 | (TCV_Ccd0G := TCV_Ccd0H, TCV_sysinfo5_G<br>:= TCV_sysinf5, TCV_sysinfo6_G :=<br>TCV_sysinf6)                                                                                                                                                                                                                                                  |
| 35 | +SysInfo_SacchSending( TCV_sacch_G,<br>TCV_sysinfo5_G, TCV_sysinfo6_G)                                                                                                                                                                                                                                                                        |

|                           |                                                                                                                                                                                                                                                                                                                                                 |  |  |
|---------------------------|-------------------------------------------------------------------------------------------------------------------------------------------------------------------------------------------------------------------------------------------------------------------------------------------------------------------------------------------------|--|--|
| 36                        | <b>cell7d</b><br>+CombinedBCCH_G_sp(55, TSPX_MSTxpwrMax,<br>TSPX_MSTxpwrMax, 97, 985, 885, acttype, slot, tsc,<br>ta, babr, cch_con, bpm)                                                                                                                                                                                                       |  |  |
| 37                        | +SysInfoSending_nfhCb( C_SCH_G,<br>C_BCCH_G_1, C_TxInt_10, C_Max_2, C_NECl_0,<br>att, babr, cch_con, bpm, t3212, C_ci_cellG, mcc8,<br>mnc8, lac, CellOpt_02, C_CellReselectHys4,<br>TSPX_MSTxpwrMax, TSPX_MSTxpwrMax,<br>BcchFreqLst_11, BcchFreqLst_11,<br>BcchFreqLst_19, BcchFreqLst_19,<br>C_noRestablishment, C_BCC, C_NCC_6,<br>C_NCCP_2) |  |  |
| 38                        | (TCV_Ccd0G := TCV_Ccd0H, TCV_sysinfo5_G<br>:= TCV_sysinf5, TCV_sysinfo6_G :=<br>TCV_sysinf6)                                                                                                                                                                                                                                                    |  |  |
| 39                        | +SysInfo_SacchSending( TCV_sacch_G,<br>TCV_sysinfo5_G, TCV_sysinfo6_G)                                                                                                                                                                                                                                                                          |  |  |
|                           | <b>cell8</b>                                                                                                                                                                                                                                                                                                                                    |  |  |
| 40                        | +CombinedBCCH_H(53, TSPX_MSTxpwrMax,<br>TSPX_MSTxpwrMax, 124, 124, acttype, slot, tsc, ta,<br>babr, cch_con, bpm)                                                                                                                                                                                                                               |  |  |
| 41                        | +SysInfoSending_nfh( C_SCH_H, C_BCCH_H_1,<br>C_TxInt_10, C_Max_2, C_NECl_0, att, babr,<br>cch_con, bpm, t3212, C_ci_cellH, mcc8, mnc8, lac,<br>CellOpt_02, C_CellReselectHys4,<br>TSPX_MSTxpwrMax, TSPX_MSTxpwrMax,<br>BcchFreqLst_12, BcchFreqLst_12,<br>BcchFreqLst_12, BcchFreqLst_12,<br>C_noRestablishment, C_BCC, C_NCC_7,<br>C_NCCP_2)   |  |  |
| 42                        | (TCV_sysinfo5_H := TCV_sysinf5,<br>TCV_sysinfo6_H := TCV_sysinf6)                                                                                                                                                                                                                                                                               |  |  |
| 43                        | +SysInfo_SacchSending( TCV_sacch_H,<br>TCV_sysinfo5_H, TCV_sysinfo6_H)                                                                                                                                                                                                                                                                          |  |  |
| <b>Detailed Comments:</b> |                                                                                                                                                                                                                                                                                                                                                 |  |  |

| <b>Test Step Dynamic Behaviour</b>                                                                                                                                                                                            |       |                                                                                                                                                                                                                                                                                                    |      |   |          |
|-------------------------------------------------------------------------------------------------------------------------------------------------------------------------------------------------------------------------------|-------|----------------------------------------------------------------------------------------------------------------------------------------------------------------------------------------------------------------------------------------------------------------------------------------------------|------|---|----------|
| <b>Test Step Name:</b> StartMultiCells_02(bcchfl_gsm, bcchfl_dcs:NCD; acttype:BITSTRING; slot:SN; tsc:TSC; ta:TA; att:INTEGER; babr, cch_con, bpm:B_3; t3212, mcc, mnc, lacB, lacC, lacD, lacE, lacF, lacG, lacH:OCTETSTRING) |       |                                                                                                                                                                                                                                                                                                    |      |   |          |
| <b>Group:</b> GSM_L3_MS_v4200/Preambles/                                                                                                                                                                                      |       |                                                                                                                                                                                                                                                                                                    |      |   |          |
| <b>Objective:</b> To broadcast SYSTEM INFORMATION messages 1, 2, 3, 4, 5 and 6 in multiple cells for measurement testing. Neighbour cells description for cell S1 is a formal parameter.                                      |       |                                                                                                                                                                                                                                                                                                    |      |   |          |
| <b>Default:</b> OtherEvents                                                                                                                                                                                                   |       |                                                                                                                                                                                                                                                                                                    |      |   |          |
| <b>Comments:</b> The parameters for SYSTEM INFORMATION messages are defined in section 26.6.3 of GSM 11.10                                                                                                                    |       |                                                                                                                                                                                                                                                                                                    |      |   |          |
| Nr                                                                                                                                                                                                                            | Label | Behaviour Description                                                                                                                                                                                                                                                                              | CRef | V | Comments |
| 1                                                                                                                                                                                                                             |       | +cellN1                                                                                                                                                                                                                                                                                            |      |   |          |
| 2                                                                                                                                                                                                                             |       | +cellN2                                                                                                                                                                                                                                                                                            |      |   |          |
| 3                                                                                                                                                                                                                             |       | +cellN3                                                                                                                                                                                                                                                                                            |      |   |          |
| 4                                                                                                                                                                                                                             |       | +cellN4                                                                                                                                                                                                                                                                                            |      |   |          |
| 5                                                                                                                                                                                                                             |       | +cellN5                                                                                                                                                                                                                                                                                            |      |   |          |
| 6                                                                                                                                                                                                                             |       | +cellN6                                                                                                                                                                                                                                                                                            |      |   |          |
| 7                                                                                                                                                                                                                             |       | +cellN7                                                                                                                                                                                                                                                                                            |      |   |          |
| <b>cellN1</b>                                                                                                                                                                                                                 |       |                                                                                                                                                                                                                                                                                                    |      |   |          |
| 8                                                                                                                                                                                                                             |       | +CombinedBCCH_B(28, C_MaxPwrLvlG, C_MaxPwrLvlD, 8, 530, acttype, slot, tsc, ta, babr, cch_con, bpm)                                                                                                                                                                                                |      |   |          |
| 9                                                                                                                                                                                                                             |       | +SysInfoSending_fh( C_SCH_B, C_BCCH_B_1, C_TxInt_5, C_Max_1, C_NECI_0, att, babr, cch_con, bpm, t3212, C_ci_cellB, mcc, mnc, lacB, CellOpt_01, CellChDes_05, CellChDes_05d, C_CellReselectHys12, C_MaxPwrLvlG, C_MaxPwrLvlD, bcchfl_gsm, bcchfl_dcs, C_noRestablishment, C_BCC, C_NCC, C_NCCP_2)   |      |   |          |
| 10                                                                                                                                                                                                                            |       | (TCV_Ccd0B := TCV_Ccd0H)                                                                                                                                                                                                                                                                           |      |   |          |
| <b>cellN2</b>                                                                                                                                                                                                                 |       |                                                                                                                                                                                                                                                                                                    |      |   |          |
| 11                                                                                                                                                                                                                            |       | +CombinedBCCH_C(33, C_MaxPwrLvlG, C_MaxPwrLvlD, 14, 602, acttype, slot, tsc, ta, babr, cch_con, bpm)                                                                                                                                                                                               |      |   |          |
| 12                                                                                                                                                                                                                            |       | +SysInfoSending_fh( C_SCH_C, C_BCCH_C_1, C_TxInt_5, C_Max_1, C_NECI_0, att, babr, cch_con, bpm, t3212, C_ci_cellC, mcc, mnc, lacC, CellOpt_01, CellChDes_06, CellChDes_06d, C_CellReselectHys12, C_MaxPwrLvlG, C_MaxPwrLvlD, bcchfl_gsm, bcchfl_dcs, C_noRestablishment, C_BCC_7, C_NCC, C_NCCP_2) |      |   |          |
| 13                                                                                                                                                                                                                            |       | (TCV_Ccd0C := TCV_Ccd0H)                                                                                                                                                                                                                                                                           |      |   |          |
| <b>cellN3</b>                                                                                                                                                                                                                 |       |                                                                                                                                                                                                                                                                                                    |      |   |          |
| 14                                                                                                                                                                                                                            |       | +CombinedBCCH_D(38, C_MaxPwrLvlG, C_MaxPwrLvlD, 20, 665, acttype, slot, tsc, ta, babr, cch_con, bpm)                                                                                                                                                                                               |      |   |          |
| 15                                                                                                                                                                                                                            |       | +SysInfoSending_fh( C_SCH_D, C_BCCH_D_1, C_TxInt_5, C_Max_1, C_NECI_0, att, babr, cch_con, bpm, t3212, C_ci_cellD, mcc, mnc, lacD, CellOpt_01, CellChDes_07, CellChDes_07d, C_CellReselectHys12, C_MaxPwrLvlG, C_MaxPwrLvlD, bcchfl_gsm, bcchfl_dcs, C_noRestablishment, C_BCC_1, C_NCC, C_NCCP_2) |      |   | ncc = 1  |
| 16                                                                                                                                                                                                                            |       | (TCV_Ccd0D := TCV_Ccd0H)                                                                                                                                                                                                                                                                           |      |   |          |
| <b>cellN4</b>                                                                                                                                                                                                                 |       |                                                                                                                                                                                                                                                                                                    |      |   |          |
| 17                                                                                                                                                                                                                            |       | +CombinedBCCH_E(58, C_MaxPwrLvlG, C_MaxPwrLvlD, 26, 762, acttype, slot, tsc, ta, babr, cch_con, bpm)                                                                                                                                                                                               |      |   |          |
| 18                                                                                                                                                                                                                            |       | +SysInfoSending_fh( C_SCH_E, C_BCCH_E_1, C_TxInt_5, C_Max_1, C_NECI_0, att, babr, cch_con, bpm, t3212, C_ci_cellE, mcc, mnc, lacE, CellOpt_01, CellChDes_08, CellChDes_08d, C_CellReselectHys12, C_MaxPwrLvlG, C_MaxPwrLvlD, bcchfl_gsm, bcchfl_dcs,                                               |      |   | ncc = 1  |



|    |                                                                                                                                                                                                                                                                                                                                       |  |         |
|----|---------------------------------------------------------------------------------------------------------------------------------------------------------------------------------------------------------------------------------------------------------------------------------------------------------------------------------------|--|---------|
| 19 | <p>C_noRestablishment, C_BCC_3, C_NCC,<br/>C_NCCP_2)<br/>(TCV_Ccd0E := TCV_Ccd0H)</p>                                                                                                                                                                                                                                                 |  |         |
| 20 | <p><b>cellN5</b><br/>+CombinedBCCH_F(63, C_MaxPwrLvlG,<br/>C_MaxPwrLvlD, 32, 686, acttype, slot, tsc, ta, babr,<br/>cch_con, bpm)</p>                                                                                                                                                                                                 |  |         |
| 21 | <p>+SysInfoSending_fh( C_SCH_F, C_BCCH_F_1,<br/>C_TxInt_5, C_Max_1, C_NECI_0, att, babr,<br/>cch_con, bpm, t3212, C_ci_cellF, mcc, mnc, lacF,<br/>CellOpt_01, CellChDes_09, CellChDes_09d,<br/>C_CellReselectHys12, C_MaxPwrLvlG,<br/>C_MaxPwrLvlD, bcchfl_gsm, bcchfl_dcs,<br/>C_noRestablishment, C_BCC, C_NCC,<br/>C_NCCP_2)</p>   |  | ncc = 1 |
| 22 | <p>(TCV_Ccd0F := TCV_Ccd0H)</p>                                                                                                                                                                                                                                                                                                       |  |         |
| 23 | <p><b>cellN6</b><br/>+CombinedBCCH_G(68, C_MaxPwrLvlG,<br/>C_MaxPwrLvlD, 38, 549, acttype, slot, tsc, ta, babr,<br/>cch_con, bpm)</p>                                                                                                                                                                                                 |  |         |
| 24 | <p>+SysInfoSending_fh( C_SCH_G, C_BCCH_G_1,<br/>C_TxInt_5, C_Max_1, C_NECI_0, att, babr,<br/>cch_con, bpm, t3212, C_ci_cellG, mcc, mnc, lacG,<br/>CellOpt_01, CellChDes_10, CellChDes_10d,<br/>C_CellReselectHys12, C_MaxPwrLvlG,<br/>C_MaxPwrLvlD, bcchfl_gsm, bcchfl_dcs,<br/>C_noRestablishment, C_BCC_7, C_NCC,<br/>C_NCCP_2)</p> |  |         |
| 25 | <p>(TCV_Ccd0G := TCV_Ccd0H)</p>                                                                                                                                                                                                                                                                                                       |  |         |
| 26 | <p><b>cellN7</b><br/>+CombinedBCCH_H(73, C_MaxPwrLvlG,<br/>C_MaxPwrLvlD, 44, 810, acttype, slot, tsc, ta, babr,<br/>cch_con, bpm)</p>                                                                                                                                                                                                 |  |         |
| 27 | <p>+SysInfoSending_fh( C_SCH_H, C_BCCH_H_1,<br/>C_TxInt_5, C_Max_1, C_NECI_0, att, babr,<br/>cch_con, bpm, t3212, C_ci_cellH, mcc, mnc, lacH,<br/>CellOpt_01, CellChDes_11, CellChDes_11d,<br/>C_CellReselectHys12, C_MaxPwrLvlG,<br/>C_MaxPwrLvlD, bcchfl_gsm, bcchfl_dcs,<br/>C_noRestablishment, C_BCC_1, C_NCC,<br/>C_NCCP_2)</p> |  |         |

Detailed Comments:

| Test Step Dynamic Behaviour |       |                                                                                                                                                                                                                                                                                                    |      |   |          |
|-----------------------------|-------|----------------------------------------------------------------------------------------------------------------------------------------------------------------------------------------------------------------------------------------------------------------------------------------------------|------|---|----------|
| <b>Test Step Name:</b>      |       | StartMultiCells_02e(bcchfl_gsm, bcchfl_dcs:NCD; acttype:BITSTRING; slot:SN; tsc:TSC; ta:TA; att:INTEGER; babr, cch_con, bpm:B_3; t3212, mcc, mnc, lacA, lacB, lacC, lacD, lacE, lacF, lacG, lacH:OCTETSTRING)                                                                                      |      |   |          |
| <b>Group:</b>               |       | GSM_L3_MS_v4200/Preambles/                                                                                                                                                                                                                                                                         |      |   |          |
| <b>Objective:</b>           |       | To broadcast SYSTEM INFORMATION messages 1, 2, 3, 4, 5 and 6 in multiple cells for measurement testing. Neighbour cells description for cell S1 is a formal parameter.                                                                                                                             |      |   |          |
| <b>Default:</b>             |       | OtherEvents                                                                                                                                                                                                                                                                                        |      |   |          |
| <b>Comments:</b>            |       | The parameters for SYSTEM INFORMATION messages are defined in section 26.10.2 of GSM 11.10                                                                                                                                                                                                         |      |   |          |
| Nr                          | Label | Behaviour Description                                                                                                                                                                                                                                                                              | CRef | V | Comments |
| 1                           |       | +cellN1                                                                                                                                                                                                                                                                                            |      |   |          |
| 2                           |       | +cellN2                                                                                                                                                                                                                                                                                            |      |   |          |
| 3                           |       | +cellN3                                                                                                                                                                                                                                                                                            |      |   |          |
| 4                           |       | +cellN4                                                                                                                                                                                                                                                                                            |      |   |          |
| 5                           |       | +cellN5                                                                                                                                                                                                                                                                                            |      |   |          |
| 6                           |       | +cellN6                                                                                                                                                                                                                                                                                            |      |   |          |
| 7                           |       | +cellN7                                                                                                                                                                                                                                                                                            |      |   |          |
| <b>cellN1</b>               |       |                                                                                                                                                                                                                                                                                                    |      |   |          |
| 8                           |       | +CombinedBCCH_B(28, C_MaxPwrLvlG, C_MaxPwrLvlD, C_arfcnEgsm, C_arfcnEgsm, acttype, slot, tsc, ta, babr, cch_con, bpm)                                                                                                                                                                              |      |   |          |
| 9                           |       | +SysInfoSending_fh( C_SCH_B, C_BCCH_B_1, C_TxInt_5, C_Max_1, C_NECI_0, att, babr, cch_con, bpm, t3212, C_ci_cellB, mcc, mnc, lacB, CellOpt_01, CellChDes_05, CellChDes_05d, C_CellReselectHys12, C_MaxPwrLvlG, C_MaxPwrLvlD, bcchfl_gsm, bcchfl_dcs, C_noRestablishment, C_BCC, C_NCC, C_NCCP_2)   |      |   |          |
| 10                          |       | (TCV_Ccd0B := TCV_Ccd0H)                                                                                                                                                                                                                                                                           |      |   |          |
| <b>cellN2</b>               |       |                                                                                                                                                                                                                                                                                                    |      |   |          |
| 11                          |       | +CombinedBCCH_C(33, C_MaxPwrLvlG, C_MaxPwrLvlD, 1005, 1005, acttype, slot, tsc, ta, babr, cch_con, bpm)                                                                                                                                                                                            |      |   |          |
| 12                          |       | +SysInfoSending_fh( C_SCH_C, C_BCCH_C_1, C_TxInt_5, C_Max_1, C_NECI_0, att, babr, cch_con, bpm, t3212, C_ci_cellC, mcc, mnc, lacC, CellOpt_01, CellChDes_06, CellChDes_06d, C_CellReselectHys12, C_MaxPwrLvlG, C_MaxPwrLvlD, bcchfl_gsm, bcchfl_dcs, C_noRestablishment, C_BCC_7, C_NCC, C_NCCP_2) |      |   |          |
| 13                          |       | (TCV_Ccd0C := TCV_Ccd0H)                                                                                                                                                                                                                                                                           |      |   |          |
| <b>cellN3</b>               |       |                                                                                                                                                                                                                                                                                                    |      |   |          |
| 14                          |       | +CombinedBCCH_D(38, C_MaxPwrLvlG, C_MaxPwrLvlD, 0, 0, acttype, slot, tsc, ta, babr, cch_con, bpm)                                                                                                                                                                                                  |      |   |          |
| 15                          |       | +SysInfoSending_fh( C_SCH_D, C_BCCH_D_1, C_TxInt_5, C_Max_1, C_NECI_0, att, babr, cch_con, bpm, t3212, C_ci_cellD, mcc, mnc, lacD, CellOpt_01, CellChDes_07, CellChDes_07d, C_CellReselectHys12, C_MaxPwrLvlG, C_MaxPwrLvlD, bcchfl_gsm, bcchfl_dcs, C_noRestablishment, C_BCC_1, C_NCC, C_NCCP_2) |      |   | ncc = 1  |
| 16                          |       | (TCV_Ccd0D := TCV_Ccd0H)                                                                                                                                                                                                                                                                           |      |   |          |
| <b>cellN4</b>               |       |                                                                                                                                                                                                                                                                                                    |      |   |          |
| 17                          |       | +CombinedBCCH_E(58, C_MaxPwrLvlG, C_MaxPwrLvlD, 26, 26, acttype, slot, tsc, ta, babr, cch_con, bpm)                                                                                                                                                                                                |      |   |          |
| 18                          |       | +SysInfoSending_fh( C_SCH_E, C_BCCH_E_1, C_TxInt_5, C_Max_1, C_NECI_0, att, babr, cch_con, bpm, t3212, C_ci_cellE, mcc, mnc, lacE, CellOpt_01, CellChDes_08, CellChDes_08d, C_CellReselectHys12, C_MaxPwrLvlG, C_MaxPwrLvlD, bcchfl_gsm, bcchfl_dcs,                                               |      |   | ncc = 1  |

|    |                                                                                                                                                                                                                                                                                                                         |         |  |
|----|-------------------------------------------------------------------------------------------------------------------------------------------------------------------------------------------------------------------------------------------------------------------------------------------------------------------------|---------|--|
| 19 | C_noRestablishment, C_BCC_3, C_NCC,<br>C_NCCP_2)<br>(TCV_Ccd0E := TCV_Ccd0H)                                                                                                                                                                                                                                            |         |  |
| 20 | <b>cellN5</b><br>+CombinedBCCH_F(63, C_MaxPwrLvIG,<br>C_MaxPwrLvID, 1020, 1020, acttype, slot, tsc, ta,<br>babr, cch_con, bpm)                                                                                                                                                                                          |         |  |
| 21 | +SysInfoSending_fh( C_SCH_F, C_BCCH_F_1,<br>C_TxInt_5, C_Max_1, C_NECI_0, att, babr,<br>cch_con, bpm, t3212, C_ci_cellF, mcc, mnc, lacF,<br>CellOpt_01, CellChDes_09, CellChDes_09d,<br>C_CellReselectHys12, C_MaxPwrLvIG,<br>C_MaxPwrLvID, bcchfl_gsm, bcchfl_dcs,<br>C_noRestablishment, C_BCC, C_NCC,<br>C_NCCP_2)   | ncc = 1 |  |
| 22 | (TCV_Ccd0F := TCV_Ccd0H)                                                                                                                                                                                                                                                                                                |         |  |
| 23 | <b>cellN6</b><br>+CombinedBCCH_G(68, C_MaxPwrLvIG,<br>C_MaxPwrLvID, 38, 38, acttype, slot, tsc, ta, babr,<br>cch_con, bpm)                                                                                                                                                                                              |         |  |
| 24 | +SysInfoSending_fh( C_SCH_G, C_BCCH_G_1,<br>C_TxInt_5, C_Max_1, C_NECI_0, att, babr,<br>cch_con, bpm, t3212, C_ci_cellG, mcc, mnc, lacG,<br>CellOpt_01, CellChDes_10, CellChDes_10d,<br>C_CellReselectHys12, C_MaxPwrLvIG,<br>C_MaxPwrLvID, bcchfl_gsm, bcchfl_dcs,<br>C_noRestablishment, C_BCC_7, C_NCC,<br>C_NCCP_2) |         |  |
| 25 | (TCV_Ccd0G := TCV_Ccd0H)                                                                                                                                                                                                                                                                                                |         |  |
| 26 | <b>cellN7</b><br>+CombinedBCCH_H(73, C_MaxPwrLvIG,<br>C_MaxPwrLvID, 1003, 1003, acttype, slot, tsc, ta,<br>babr, cch_con, bpm)                                                                                                                                                                                          |         |  |
| 27 | +SysInfoSending_fh( C_SCH_H, C_BCCH_H_1,<br>C_TxInt_5, C_Max_1, C_NECI_0, att, babr,<br>cch_con, bpm, t3212, C_ci_cellH, mcc, mnc, lacH,<br>CellOpt_01, CellChDes_11, CellChDes_11d,<br>C_CellReselectHys12, C_MaxPwrLvIG,<br>C_MaxPwrLvID, bcchfl_gsm, bcchfl_dcs,<br>C_noRestablishment, C_BCC_1, C_NCC,<br>C_NCCP_2) |         |  |

Detailed Comments:

| <b>Test Step Dynamic Behaviour</b> |       |                                                                                                                                                                                                                                                                                                           |      |   |          |
|------------------------------------|-------|-----------------------------------------------------------------------------------------------------------------------------------------------------------------------------------------------------------------------------------------------------------------------------------------------------------|------|---|----------|
| <b>Test Step Name:</b>             |       | StartMultiCells_03(bcchfl_gsm, bcchfl_dcs:NCD; acttype:BITSTRING; slot:SN; tsc:TSC; ta:TA; att:INTEGER; babr, cch_con, bpm:B_3; t3212, mcc, mnc, lacA, lacC, lacD, lacE, lacF, lacG, lacH:OCTETSTRING)                                                                                                    |      |   |          |
| <b>Group:</b>                      |       | GSM_L3_MS_v4200/Preambles/                                                                                                                                                                                                                                                                                |      |   |          |
| <b>Objective:</b>                  |       | To broadcast SYSTEM INFORMATION messages 1, 2, 3, 4, 5 and 6 in multiple cells for measurement testing. Neighbour cells description for cell S1 is a formal parameter.                                                                                                                                    |      |   |          |
| <b>Default:</b>                    |       | OtherEvents                                                                                                                                                                                                                                                                                               |      |   |          |
| <b>Comments:</b>                   |       | The parameters for SYSTEM INFORMATION messages are defined in section 26.6.3 of GSM 11.10                                                                                                                                                                                                                 |      |   |          |
| Nr                                 | Label | Behaviour Description                                                                                                                                                                                                                                                                                     | CRef | V | Comments |
| 1                                  |       | +cellS                                                                                                                                                                                                                                                                                                    |      |   |          |
| 2                                  |       | +cellN2                                                                                                                                                                                                                                                                                                   |      |   |          |
| 3                                  |       | +cellN3                                                                                                                                                                                                                                                                                                   |      |   |          |
| 4                                  |       | +cellN4                                                                                                                                                                                                                                                                                                   |      |   |          |
| 5                                  |       | +cellN5                                                                                                                                                                                                                                                                                                   |      |   |          |
| 6                                  |       | +cellN6                                                                                                                                                                                                                                                                                                   |      |   |          |
| 7                                  |       | +cellN1                                                                                                                                                                                                                                                                                                   |      |   |          |
| <b>cellS</b>                       |       |                                                                                                                                                                                                                                                                                                           |      |   |          |
| 8                                  |       | +CombinedBCCH_A(C_E_neighbourdefault, C_MaxPwrLvlG, C_MaxPwrLvlD, C_arfcn_2, C_arfcnAd_2, acttype, slot, tsc, ta, babr, cch_con, bpm)                                                                                                                                                                     |      |   |          |
| 9                                  |       | +SysInfoSending_fh( C_SCH_A, C_BCCH_A_1, C_TxInt_5, C_Max_1, C_NECl_0, att, babr, cch_con, bpm, t3212, C_ci_cellA, mcc, mnc, lacA, CellOpt_03, CellChDes_02, CellChDes_03, C_CellReselectHys12, C_MaxPwrLvlG, C_MaxPwrLvlD, BcchFreqLst_35, BcchFreqLst_27, C_noRestablishment, C_BCC_3, C_NCC, C_NCCP_2) |      |   |          |
| 10                                 |       | (TCV_Ccd0A := TCV_Ccd0H)                                                                                                                                                                                                                                                                                  |      |   |          |
| <b>cellN2</b>                      |       |                                                                                                                                                                                                                                                                                                           |      |   |          |
| 11                                 |       | +CombinedBCCH_C(33, C_MaxPwrLvlG, C_MaxPwrLvlD, 14, 602, acttype, slot, tsc, ta, babr, cch_con, bpm)                                                                                                                                                                                                      |      |   |          |
| 12                                 |       | +SysInfoSending_fh( C_SCH_C, C_BCCH_C_1, C_TxInt_5, C_Max_1, C_NECl_0, att, babr, cch_con, bpm, t3212, C_ci_cellC, mcc, mnc, lacC, CellOpt_01, CellChDes_06, CellChDes_06d, C_CellReselectHys12, C_MaxPwrLvlG, C_MaxPwrLvlD, bcchfl_gsm, bcchfl_dcs, C_noRestablishment, C_BCC_7, C_NCC, C_NCCP_2)        |      |   |          |
| 13                                 |       | (TCV_Ccd0C := TCV_Ccd0H)                                                                                                                                                                                                                                                                                  |      |   |          |
| <b>cellN3</b>                      |       |                                                                                                                                                                                                                                                                                                           |      |   |          |
| 14                                 |       | +CombinedBCCH_D(38, C_MaxPwrLvlG, C_MaxPwrLvlD, 20, 665, acttype, slot, tsc, ta, babr, cch_con, bpm)                                                                                                                                                                                                      |      |   |          |
| 15                                 |       | +SysInfoSending_fh( C_SCH_D, C_BCCH_D_1, C_TxInt_5, C_Max_1, C_NECl_0, att, babr, cch_con, bpm, t3212, C_ci_cellD, mcc, mnc, lacD, CellOpt_01, CellChDes_07, CellChDes_07d, C_CellReselectHys12, C_MaxPwrLvlG, C_MaxPwrLvlD, bcchfl_gsm, bcchfl_dcs, C_noRestablishment, C_BCC_1, C_NCC, C_NCCP_2)        |      |   | ncc = 1  |
| 16                                 |       | (TCV_Ccd0D := TCV_Ccd0H)                                                                                                                                                                                                                                                                                  |      |   |          |
| <b>cellN4</b>                      |       |                                                                                                                                                                                                                                                                                                           |      |   |          |
| 17                                 |       | +CombinedBCCH_E(58, C_MaxPwrLvlG, C_MaxPwrLvlD, 26, 762, acttype, slot, tsc, ta, babr, cch_con, bpm)                                                                                                                                                                                                      |      |   |          |
| 18                                 |       | +SysInfoSending_fh( C_SCH_E, C_BCCH_E_1, C_TxInt_5, C_Max_1, C_NECl_0, att, babr, cch_con, bpm, t3212, C_ci_cellE, mcc, mnc, lacE, CellOpt_01, CellChDes_08, CellChDes_08d, C_CellReselectHys12, C_MaxPwrLvlG,                                                                                            |      |   | ncc = 1  |

|                                  |                                                                                                                                                                                                                                                                                                                                        |  |         |
|----------------------------------|----------------------------------------------------------------------------------------------------------------------------------------------------------------------------------------------------------------------------------------------------------------------------------------------------------------------------------------|--|---------|
| 19                               | <p>C_MaxPwrLvlID, bcchfl_gsm, bcchfl_dcs,<br/>C_noRestablishment, C_BCC_3, C_NCC,<br/>C_NCCP_2)<br/>(TCV_Ccd0E := TCV_Ccd0H)</p>                                                                                                                                                                                                       |  |         |
|                                  | <p><b>cellN5</b></p>                                                                                                                                                                                                                                                                                                                   |  |         |
| 20                               | <p>+CombinedBCCH_F(63, C_MaxPwrLvlG,<br/>C_MaxPwrLvlID, 32, 686, acttype, slot, tsc, ta, babr,<br/>cch_con, bpm)</p>                                                                                                                                                                                                                   |  |         |
| 21                               | <p>+SysInfoSending_fh( C_SCH_F, C_BCCH_F_1,<br/>C_TxInt_5, C_Max_1, C_NECI_0, att, babr,<br/>cch_con, bpm, t3212, C_ci_cellF, mcc, mnc, lacF,<br/>CellOpt_01, CellChDes_09, CellChDes_09d,<br/>C_CellReselectHys12, C_MaxPwrLvlG,<br/>C_MaxPwrLvlID, bcchfl_gsm, bcchfl_dcs,<br/>C_noRestablishment, C_BCC, C_NCC,<br/>C_NCCP_2)</p>   |  | ncc = 1 |
| 22                               | <p>(TCV_Ccd0F := TCV_Ccd0H)</p>                                                                                                                                                                                                                                                                                                        |  |         |
|                                  | <p><b>cellN6</b></p>                                                                                                                                                                                                                                                                                                                   |  |         |
| 23                               | <p>+CombinedBCCH_G(68, C_MaxPwrLvlG,<br/>C_MaxPwrLvlID, 38, 549, acttype, slot, tsc, ta, babr,<br/>cch_con, bpm)</p>                                                                                                                                                                                                                   |  |         |
| 24                               | <p>+SysInfoSending_fh( C_SCH_G, C_BCCH_G_1,<br/>C_TxInt_5, C_Max_1, C_NECI_0, att, babr,<br/>cch_con, bpm, t3212, C_ci_cellG, mcc, mnc, lacG,<br/>CellOpt_01, CellChDes_10, CellChDes_10d,<br/>C_CellReselectHys12, C_MaxPwrLvlG,<br/>C_MaxPwrLvlID, bcchfl_gsm, bcchfl_dcs,<br/>C_noRestablishment, C_BCC_7, C_NCC,<br/>C_NCCP_2)</p> |  |         |
| 25                               | <p>(TCV_Ccd0G := TCV_Ccd0H)</p>                                                                                                                                                                                                                                                                                                        |  |         |
|                                  | <p><b>cellN1</b></p>                                                                                                                                                                                                                                                                                                                   |  |         |
| 26                               | <p>+CombinedBCCH_H(28, C_MaxPwrLvlG,<br/>C_MaxPwrLvlID, 8, 530, acttype, slot, tsc, ta, babr,<br/>cch_con, bpm)</p>                                                                                                                                                                                                                    |  |         |
| 27                               | <p>+SysInfoSending_fh( C_SCH_H, C_BCCH_H_1,<br/>C_TxInt_5, C_Max_1, C_NECI_0, att, babr,<br/>cch_con, bpm, t3212, C_ci_cellH, mcc, mnc, lacH,<br/>CellOpt_01, CellChDes_05, CellChDes_05d,<br/>C_CellReselectHys12, C_MaxPwrLvlG,<br/>C_MaxPwrLvlID, bcchfl_gsm, bcchfl_dcs,<br/>C_noRestablishment, C_BCC, C_NCC,<br/>C_NCCP_2)</p>   |  |         |
| <p><b>Detailed Comments:</b></p> |                                                                                                                                                                                                                                                                                                                                        |  |         |

| Test Step Dynamic Behaviour |            |                                                                                                                                                                                                                                                                   |      |   |                                     |
|-----------------------------|------------|-------------------------------------------------------------------------------------------------------------------------------------------------------------------------------------------------------------------------------------------------------------------|------|---|-------------------------------------|
| <b>Test Step Name:</b>      |            | TS61MO( srv:SERVICES)                                                                                                                                                                                                                                             |      |   |                                     |
| <b>Group:</b>               |            | GSM_L3_MS_v4200/Preambles/                                                                                                                                                                                                                                        |      |   |                                     |
| <b>Objective:</b>           |            | To generate an MO SETUP message with appropriate Bcap for TS61 service.                                                                                                                                                                                           |      |   |                                     |
| <b>Default:</b>             |            | OtherEvents                                                                                                                                                                                                                                                       |      |   |                                     |
| Nr                          | Label      | Behaviour Description                                                                                                                                                                                                                                             | CRef | V | Comments                            |
| 1                           |            | (TCV_srv := srv, TCV_ur := TSPX_TS_61_ur1,<br>TCV_CE := NT_BothT_BothNTorT_BothT_BothNT)                                                                                                                                                                          |      |   |                                     |
| 2                           |            | +local_selectCe                                                                                                                                                                                                                                                   |      |   |                                     |
| 3                           |            | +local_bcap                                                                                                                                                                                                                                                       |      |   | get the right BC                    |
| 4                           |            | [(NOT TSPC_EFR_Speech_v2) AND(NOT<br>TSPC_EFR_Speech_v3)]                                                                                                                                                                                                         |      |   |                                     |
| 5                           |            | (TCV_Setup_mo :=<br>Setup_11_3100(C_RI_alternate,<br>Bcap_Speech_MO(C_Rchr_dontcare),<br>TCV_BcapMO1, Llcmp_NotApplicable,<br>Llcmp_AnyOrOmit, C_RI_alternate,<br>C_RI_alternate, Hlcmp_NotApplicable,<br>Hlcmp_TS61))                                            |      |   | Non EFR Mobile -<br>generate SETUP  |
| 6                           |            | +Chmod(TCV_ChRate, TCV_ce, TCV_ur,<br>srv)                                                                                                                                                                                                                        |      |   | initiate channel mode<br>variables  |
| 7                           |            | (TCV_Null :=<br>OO_IFsetup_TS6x_MO(TCV_srv,<br>TCV_ur, TCV_ce, TCV_ChRate))                                                                                                                                                                                       |      |   | ask operator to configure<br>the MS |
| 8                           |            | [TSPC_EFR_Speech_v2 OR<br>TSPC_EFR_Speech_v3]                                                                                                                                                                                                                     |      |   |                                     |
| 9                           |            | (TCV_Setup_mo :=<br>Setup_11_3100(C_RI_alternate,<br>Bcap_Speech_Efr_MO(C_Rchr_dontcare),<br>TCV_BcapMO1, Llcmp_NotApplicable,<br>Llcmp_AnyOrOmit, C_RI_alternate,<br>C_RI_alternate, Hlcmp_NotApplicable,<br>Hlcmp_TS61))                                        |      |   | EFR Mobile - generate<br>SETUP      |
| 10                          |            | +Chmod(TCV_ChRate, TCV_ce, TCV_ur,<br>srv)                                                                                                                                                                                                                        |      |   | initiate channel mode<br>variables  |
| 11                          |            | (TCV_Null :=<br>OO_IFsetup_TS6x_MO(TCV_srv,<br>TCV_ur, TCV_ce, TCV_ChRate))                                                                                                                                                                                       |      |   | ask operator to configure<br>the MS |
| 12                          |            | <b>local_bcap</b><br>[TCV_ce = C_transparent]                                                                                                                                                                                                                     |      |   |                                     |
| 13                          |            | [TCV_ur = C_9600bs]                                                                                                                                                                                                                                               |      |   |                                     |
| 14                          |            | +local_TS61_FAX3_T(C_9600bs, C_ir_16kbs)                                                                                                                                                                                                                          |      |   |                                     |
| 15                          |            | [(TCV_ur = C_4800bs) OR (TCV_ur = C_2400bs)]                                                                                                                                                                                                                      |      |   |                                     |
| 16                          |            | +local_TS61_FAX3_T(TCV_ur, C_ir_8kbs)                                                                                                                                                                                                                             |      |   |                                     |
| 17                          | L_101<br>4 | [(TCV_ur <> C_4800bs) AND(TCV_ur <><br>C_2400bs) AND(TCV_ur <> C_9600bs)]                                                                                                                                                                                         |      | I | IXIT parameter error                |
| 18                          |            | [TCV_ce = C_notransparent]                                                                                                                                                                                                                                        |      |   |                                     |
| 19                          |            | +local_TS61_FAX3_NT(TCV_ur)                                                                                                                                                                                                                                       |      |   |                                     |
| 20                          |            | <b>local_TS61_FAX3_T(ur:B_4; ir:B_2)</b><br>(TCV_BcapMO1 := Bcap_MO(TCV_Rchr, C_FAX3,<br>C_Unstructured, C_nirr_nomeaning,<br>C_no_rate_adaption, C_sacp_NA, C_Synchronous,<br>C_stopbit_NA, C_databit_NA, ur, ir, C_parity_NA,<br>C_transparent, C_modemt_none)) |      |   | 11.8.2.7.1                          |
| 21                          |            | <b>local_TS61_FAX3_NT(ur:B_4)</b><br>[ur=C_9600bs]                                                                                                                                                                                                                |      |   |                                     |
| 22                          |            | (TCV_BcapMO1 := BcapX_MO(TCV_Rchr,<br>C_FAX3, C_SDUintegrity, C_nirr_nomeaning,<br>C_no_rate_adaption, C_sacp_NA,<br>C_Synchronous, C_stopbit_NA, C_databit_NA, ur,<br>C_ir_16kbs, C_parity_NA,<br>TCV_CE.NTorBothTorBothNT, C_modemt_none,<br>C_X25_fict))       |      |   | 11.8.2.7.2                          |
| 23                          |            | [(ur=C_2400bs) OR (ur = C_4800bs)]                                                                                                                                                                                                                                |      |   |                                     |
| 24                          |            | (TCV_BcapMO1 := BcapX_MO(TCV_Rchr,<br>C_FAX3, C_SDUintegrity, C_nirr_dontcare,<br>C_no_rate_adaption, C_sacp_NA,                                                                                                                                                  |      |   | 11.8.2.7.2                          |

|                                                                                                                                                                                                 |            |                                                                                                                                                                                                       |  |   |                      |
|-------------------------------------------------------------------------------------------------------------------------------------------------------------------------------------------------|------------|-------------------------------------------------------------------------------------------------------------------------------------------------------------------------------------------------------|--|---|----------------------|
| 25                                                                                                                                                                                              | L_101<br>5 | C_Synchronous, C_stopbit_NA, C_databit_NA, ur,<br>C_ir_16kbs, C_parity_NA,<br>TCV_CE.NTorBothTorBothNT, C_modemt_none,<br>C_X25_fct)<br>[(ur <> C_2400bs) AND(ur <> C_4800bs) AND(ur <><br>C_9600bs)] |  | I | IXIT parameter error |
| 26                                                                                                                                                                                              |            | <b>local_selectCe</b><br>[TSPX_TS_61_T_NT]                                                                                                                                                            |  |   |                      |
| 27                                                                                                                                                                                              |            | (TCV_ce := C_nottransparent)                                                                                                                                                                          |  |   |                      |
| 28                                                                                                                                                                                              |            | [NOT TSPX_TS_61_T_NT]                                                                                                                                                                                 |  |   |                      |
| 29                                                                                                                                                                                              |            | (TCV_ce := TSPX_TS_61_ce)                                                                                                                                                                             |  |   |                      |
| <b>Detailed Comments:</b>                                                                                                                                                                       |            |                                                                                                                                                                                                       |  |   |                      |
| The TS61 Bearer Capabilities and SETUP messages for MO is constructed according to section 11.8.2.7.1 and section 11.8.2.7.2 of GSM 11.10 and section B.1.10.2 and section B.2.10 of GSM 07.01. |            |                                                                                                                                                                                                       |  |   |                      |
| The algorithm for selecting parameters:                                                                                                                                                         |            |                                                                                                                                                                                                       |  |   |                      |
| IF (TSPX_BS_61_T_NT)                                                                                                                                                                            |            |                                                                                                                                                                                                       |  |   |                      |
| TCV_ce := C_nottransparent                                                                                                                                                                      |            |                                                                                                                                                                                                       |  |   |                      |
| ELSE                                                                                                                                                                                            |            |                                                                                                                                                                                                       |  |   |                      |
| TCV_ce := TSPX_BS_61_ce                                                                                                                                                                         |            |                                                                                                                                                                                                       |  |   |                      |
| use (TCV_ce, TSPX_BS_61_ur1, svc) for OO_IFsetup_TS6x_MO                                                                                                                                        |            |                                                                                                                                                                                                       |  |   |                      |

| Test Step Dynamic Behaviour |       |                                                                                                                                                                                                                                                                    |      |   |                            |
|-----------------------------|-------|--------------------------------------------------------------------------------------------------------------------------------------------------------------------------------------------------------------------------------------------------------------------|------|---|----------------------------|
| <b>Test Step Name:</b>      |       | TS62MO( srv:SERVICES)                                                                                                                                                                                                                                              |      |   |                            |
| <b>Group:</b>               |       | GSM_L3_MS_v4200/Preambles/                                                                                                                                                                                                                                         |      |   |                            |
| <b>Objective:</b>           |       | To generate an MO SETUP message with appropriate Bcap for TS62 service.                                                                                                                                                                                            |      |   |                            |
| <b>Default:</b>             |       | OtherEvents                                                                                                                                                                                                                                                        |      |   |                            |
| Nr                          | Label | Behaviour Description                                                                                                                                                                                                                                              | CRef | V | Comments                   |
| 1                           |       | (TCV_srv := srv, TCV_ur := TSPX_TS_62_ur1,<br>TCV_CE := NT_BothT_BothNTorT_BothT_BothNT)                                                                                                                                                                           |      |   | variables used in InitCall |
| 2                           |       | +local_selectCe                                                                                                                                                                                                                                                    |      |   |                            |
| 3                           |       | +local_bcap                                                                                                                                                                                                                                                        |      |   | get the right BC           |
| 4                           |       | (TCV_Setup_mo := Setup_10_3100(<br>TCV_BcapMO1, Llcmp_AnyOrOmit,<br>Hlcmp_TS62))                                                                                                                                                                                   |      |   |                            |
| 5                           |       | +Chmod(TCV_ChRate, TCV_ce, TCV_ur,<br>srv)                                                                                                                                                                                                                         |      |   |                            |
| 6                           |       | (TCV_Null :=<br>OO_IFsetup_TS6x_MO(TCV_srv, TCV_ur,<br>TCV_ce, TCV_ChRate))                                                                                                                                                                                        |      |   |                            |
|                             |       | <b>local_bcap</b>                                                                                                                                                                                                                                                  |      |   |                            |
| 7                           |       | [TCV_ce = C_transparent]                                                                                                                                                                                                                                           |      |   |                            |
| 8                           |       | [TCV_ur = C_9600bs]                                                                                                                                                                                                                                                |      |   |                            |
| 9                           |       | +local_TS62_FAX3_T(C_9600bs, C_ir_16kbs)                                                                                                                                                                                                                           |      |   |                            |
| 10                          |       | [(TCV_ur = C_4800bs) OR (TCV_ur = C_2400bs)]                                                                                                                                                                                                                       |      |   |                            |
| 11                          |       | +local_TS62_FAX3_T(TCV_ur, C_ir_8kbs)                                                                                                                                                                                                                              |      |   |                            |
| 12                          | L_101 | [(TCV_ur <> C_4800bs) AND(TCV_ur <><br>C_2400bs) AND(TCV_ur <> C_9600bs)]                                                                                                                                                                                          |      | I | IXIT parameter error       |
| 13                          | 6     | [TCV_ce = C_notransparent]                                                                                                                                                                                                                                         |      |   |                            |
| 14                          |       | +local_TS62_FAX3_NT(TCV_ur)                                                                                                                                                                                                                                        |      |   |                            |
|                             |       | <b>local_TS62_FAX3_T(ur:B_4; ir:B_2)</b>                                                                                                                                                                                                                           |      |   |                            |
| 15                          |       | (TCV_BcapMO1 := Bcap_MO(C_Rchr_dontcare,<br>C_FAX3, C_Unstructured, C_nirr_nomeaning,<br>C_no_rate_adaption, C_sacp_NA, C_Synchronous,<br>C_stopbit_NA, C_databit_NA, ur, ir, C_parity_NA,<br>C_transparent, C_modemt_none))                                       |      |   | 11.8.2.7.1                 |
|                             |       | <b>local_TS62_FAX3_NT(ur:B_4)</b>                                                                                                                                                                                                                                  |      |   |                            |
| 16                          |       | [ur = C_9600bs]                                                                                                                                                                                                                                                    |      |   |                            |
| 17                          |       | (TCV_BcapMO1 := BcapX_MO(C_Rchr_dontcare,<br>C_FAX3, C_SDUintegrity, C_nirr_nomeaning,<br>C_no_rate_adaption, C_sacp_NA,<br>C_Synchronous, C_stopbit_NA, C_databit_NA, ur,<br>C_ir_16kbs, C_parity_NA,<br>TCV_CE.NTorBothTorBothNT, C_modemt_none,<br>C_X25_flct)) |      |   | 11.8.2.7.2                 |
| 18                          |       | [(ur = C_2400bs) OR (ur = C_4800bs)]                                                                                                                                                                                                                               |      |   |                            |
| 19                          |       | (TCV_BcapMO1 := BcapX_MO(C_Rchr_dontcare,<br>C_FAX3, C_SDUintegrity, C_nirr_dontcare,<br>C_no_rate_adaption, C_sacp_NA,<br>C_Synchronous, C_stopbit_NA, C_databit_NA, ur,<br>C_ir_16kbs, C_parity_NA,<br>TCV_CE.NTorBothTorBothNT, C_modemt_none,<br>C_X25_flct))  |      |   | 11.8.2.7.2                 |
| 20                          | L_101 | [(ur <> C_2400bs) AND(ur <> C_4800bs) AND(ur <><br>C_9600bs)]                                                                                                                                                                                                      |      | I | IXIT parameter error       |
| 21                          | 7     | <b>local_selectCe</b>                                                                                                                                                                                                                                              |      |   |                            |
| 22                          |       | [TSPX_TS_62_T_NT]                                                                                                                                                                                                                                                  |      |   |                            |
| 23                          |       | (TCV_ce := C_notransparent)                                                                                                                                                                                                                                        |      |   |                            |
| 24                          |       | [NOT TSPX_TS_62_T_NT]                                                                                                                                                                                                                                              |      |   |                            |
|                             |       | (TCV_ce := TSPX_TS_62_ce)                                                                                                                                                                                                                                          |      |   |                            |
| <b>Detailed Comments:</b>   |       | The TS62 Bearer Capabilities and SETUP messages for MO is constructed according to section 11.8.2.7.1 and section 11.8.2.7.2 of GSM 11.10 and section B.1.10.2 and section B.2.11 of GSM 07.01.                                                                    |      |   |                            |
|                             |       | The algorithm for selecting parameters:<br>IF (TSPX_BS_62_T_NT)                                                                                                                                                                                                    |      |   |                            |



```
TCV_ce := C_nottransparent
ELSE
TCV_ce := TSPX_BS_62_ce

use (TCV_ce, TSPX_BS_62_ur1, svc) for OO_IFsetup_TS6x_MO
```

| Test Step Dynamic Behaviour              |            |                                                                                                                                                                                                  |      |   |                  |
|------------------------------------------|------------|--------------------------------------------------------------------------------------------------------------------------------------------------------------------------------------------------|------|---|------------------|
| <b>Test Step Name:</b>                   |            | TS61MT( srv:SERVICES)                                                                                                                                                                            |      |   |                  |
| <b>Group:</b>                            |            | GSM_L3_MS_v4200/Preambles/                                                                                                                                                                       |      |   |                  |
| <b>Objective:</b>                        |            | To generate an MT SETUP message with appropriate Bcap for TS61 service.                                                                                                                          |      |   |                  |
| <b>Default:</b>                          |            | OtherEvents                                                                                                                                                                                      |      |   |                  |
| Nr                                       | Label      | Behaviour Description                                                                                                                                                                            | CRef | V | Comments         |
| 1                                        |            | +local_maintree                                                                                                                                                                                  |      |   |                  |
| 2                                        |            | +local_IFsetup                                                                                                                                                                                   |      |   |                  |
| <b>local_maintree</b>                    |            |                                                                                                                                                                                                  |      |   |                  |
| 3                                        |            | (TCV_srv := srv, TCV_2ndtest := C_Yes)                                                                                                                                                           |      |   |                  |
| 4                                        |            | (TCV_BcapMT1 := Bcap_Speech_MT)                                                                                                                                                                  |      |   | 1st Bcap         |
| 5                                        |            | +local_first_SETUP_msg                                                                                                                                                                           |      |   |                  |
| 6                                        |            | +local_second_SETUP_msg                                                                                                                                                                          |      |   |                  |
| <b>local_first_SETUP_msg</b>             |            |                                                                                                                                                                                                  |      |   |                  |
| 7                                        |            | (TCV_ur := TSPX_TS_61_ur1)                                                                                                                                                                       |      |   |                  |
| 8                                        |            | [TSPX_TS_61_T_NT OR (TSPX_TS_61_ce = C_nottransparent)]                                                                                                                                          |      |   |                  |
| 9                                        |            | +local_bcap2(TCV_ur, C_nottransparent)                                                                                                                                                           |      |   |                  |
| 10                                       |            | (TCV_Setup_mt := Setup_21( C_RI_alternate, TCV_BcapMT1, TCV_BcapMT2, TI_02))                                                                                                                     |      |   |                  |
| 11                                       |            | +Chmod(TCV_ChRate, C_nottransparent, TCV_ur, srv)                                                                                                                                                |      |   | 2nd channel mode |
| 12                                       |            | (TCV_ChMod.mode := C_ChMod_r)                                                                                                                                                                    |      |   | Speech mode      |
| 13                                       |            | [NOT TSPX_TS_61_T_NT AND (TSPX_TS_61_ce = C_transparent)]                                                                                                                                        |      |   |                  |
| 14                                       |            | +local_bcap2(TCV_ur, C_transparent)                                                                                                                                                              |      |   |                  |
| 15                                       |            | (TCV_Setup_mt := Setup_21( C_RI_alternate, TCV_BcapMT1, TCV_BcapMT2, TI_02))                                                                                                                     |      |   |                  |
| 16                                       |            | +Chmod(TCV_ChRate, C_transparent, TCV_ur, srv)                                                                                                                                                   |      |   | 2nd channel mode |
| 17                                       |            | (TCV_ChMod.mode := C_ChMod_r)                                                                                                                                                                    |      |   | Speech mode      |
| <b>local_second_SETUP_msg</b>            |            |                                                                                                                                                                                                  |      |   |                  |
| 18                                       |            | +local_userrate                                                                                                                                                                                  |      |   |                  |
| 19                                       |            | [TSPX_TS_61_T_NT]                                                                                                                                                                                |      |   |                  |
| 20                                       |            | +local_bcap2(TCV_ur2, C_transparent)                                                                                                                                                             |      |   |                  |
| 21                                       |            | (TCV_Setup_mt1 := Setup_21( C_RI_alternate, TCV_BcapMT1, TCV_BcapMT2, TI_02))                                                                                                                    |      |   | 2nd Bcap         |
| 22                                       |            | [NOT TSPX_TS_61_T_NT]                                                                                                                                                                            |      |   |                  |
| 23                                       |            | +local_bcap2(TCV_ur2, C_BothT)                                                                                                                                                                   |      |   |                  |
| 24                                       |            | (TCV_Setup_mt1 := Setup_21( C_RI_alternate, TCV_BcapMT1, TCV_BcapMT2, TI_02))                                                                                                                    |      |   |                  |
| <b>local_bcap2(ur:B_4; ce:B_2)</b>       |            |                                                                                                                                                                                                  |      |   |                  |
| 25                                       |            | [ce = C_transparent]                                                                                                                                                                             |      |   |                  |
| 26                                       |            | [(ur = C_2400bs) OR (ur = C_4800bs)]                                                                                                                                                             |      |   |                  |
| 27                                       |            | +local_TS61_FAX3_T(ur, C_ir_8kbs)                                                                                                                                                                |      |   |                  |
| 28                                       |            | [ur = C_9600bs]                                                                                                                                                                                  |      |   |                  |
| 29                                       |            | +local_TS61_FAX3_T( ur, C_ir_16kbs)                                                                                                                                                              |      |   |                  |
| 30                                       | L_101<br>8 | [(ur <> C_2400bs) AND(ur <> C_4800bs) AND(ur <> C_9600bs)]                                                                                                                                       |      | I |                  |
| 31                                       |            | [ce = C_BothT]                                                                                                                                                                                   |      |   |                  |
| 32                                       |            | +local_TS61_FAX3_NT( ur, C_BothT)                                                                                                                                                                |      |   |                  |
| 33                                       |            | [ce = C_nottransparent]                                                                                                                                                                          |      |   |                  |
| 34                                       |            | +local_TS61_FAX3_NT( ur, C_nottransparent)                                                                                                                                                       |      |   |                  |
| 35                                       | L_101<br>9 | [(ce <> C_transparent) AND(ce <> C_BothT) AND(ce<> C_nottransparent)]                                                                                                                            |      | I |                  |
| <b>local_TS61_FAX3_T(ur:B_4; ir:B_2)</b> |            |                                                                                                                                                                                                  |      |   |                  |
| 36                                       |            | (TCV_BcapMT2 := Bcap_MT( C_FAX3, C_Unstructured, C_nirr_nomeaning, C_no_rate_adaption, C_sacp_NA, C_Synchronous, C_stopbit_NA, C_databit_NA, ur, ir, C_parity_NA, C_transparent, C_modemt_none)) |      |   | 11.8.1.5.1       |

|    |            |                                                                                                                                                                                                                                                        |  |   |                 |
|----|------------|--------------------------------------------------------------------------------------------------------------------------------------------------------------------------------------------------------------------------------------------------------|--|---|-----------------|
| 37 |            | <b>local_TS61_FAX3_NT(ur:B_4; ce1:B_2)</b><br>(TCV_BcapMT2 := Bcap_MT( C_FAX3,<br>C_SDUIegrity, C_nirr_nomeaning,<br>C_no_rate_adaption, C_sacp_NA, C_Synchronous,<br>C_stopbit_NA, C_databit_NA, ur, C_ir_16kbs,<br>C_parity_NA, ce1, C_modemt_none)) |  |   | 11.8.1.5.2      |
| 38 |            | <b>local_userrate</b><br>[TSPX_TS_61_more_ur]                                                                                                                                                                                                          |  |   |                 |
| 39 |            | (TCV_ur2 := TSPX_TS_61_ur2)                                                                                                                                                                                                                            |  |   |                 |
| 40 |            | [NOT TSPX_TS_61_more_ur]                                                                                                                                                                                                                               |  |   |                 |
| 41 |            | (TCV_ur2 := TSPX_TS_61_ur1)                                                                                                                                                                                                                            |  |   |                 |
| 42 |            | <b>local_IFsetup</b><br>[TCV_supported]                                                                                                                                                                                                                |  |   |                 |
| 43 |            | (TCV_Null := OO_IFsetup_TS6x_MT(TCV_srv,<br>TCV_ur))                                                                                                                                                                                                   |  |   |                 |
| 44 |            | [NOT TCV_supported]                                                                                                                                                                                                                                    |  |   |                 |
| 45 |            | [TCV_SpecialCase]                                                                                                                                                                                                                                      |  |   |                 |
| 46 |            | START T_dly(C_T_Wait)                                                                                                                                                                                                                                  |  |   |                 |
| 47 |            | ?TIMEOUT T_dly                                                                                                                                                                                                                                         |  |   |                 |
| 48 | L_102<br>0 | [NOT TCV_SpecialCase]                                                                                                                                                                                                                                  |  | I | Parameter error |

**Detailed Comments:**

The algorithm for derivation of TS61 Bearer Capabilities:

The 1st facsimile group 3 Bearer Capability ( used for an MT call):

ur= TSPX\_TS\_61\_ur1

IF TSPX\_TS\_61\_T\_NT OR (TSPX\_TS\_61\_ce = NT)

use coding 11.8.1.5.2 with (ur & ce=NT)

ELSE

use coding 11.8.1.5.1 with (ur & ce=T)

The 2nd facsimile group 3 Bearer Capabiility ( used for TC\_11\_1\_1):

IF TSPX\_TS\_61\_more\_ur

ur=TSPX\_TS\_61\_ur2

ELSE

ur=TSPX\_TS\_61\_ur1

IF TSPX\_TS\_61\_T\_NT

use coding 11.8.1.5.1 with (ur & ce=T)

ELSE

use coding 11.8.1.5.2 with(ur & ce=both/T)

| Test Step Dynamic Behaviour |            |                                                                                                                                                                                                  |      |   |            |
|-----------------------------|------------|--------------------------------------------------------------------------------------------------------------------------------------------------------------------------------------------------|------|---|------------|
| <b>Test Step Name:</b>      |            | TS62MT( srv:SERVICES)                                                                                                                                                                            |      |   |            |
| <b>Group:</b>               |            | GSM_L3_MS_v4200/Preambles/                                                                                                                                                                       |      |   |            |
| <b>Objective:</b>           |            | To generate an MT SETUP message with appropriate Bcap for TS62 service.                                                                                                                          |      |   |            |
| <b>Default:</b>             |            | OtherEvents                                                                                                                                                                                      |      |   |            |
| Nr                          | Label      | Behaviour Description                                                                                                                                                                            | CRef | V | Comments   |
| 1                           |            | +local_maintree                                                                                                                                                                                  |      |   |            |
| 2                           |            | (TCV_Null := OO_IFsetup_TS6x_MT(TCV_srv, TCV_ur))                                                                                                                                                |      |   |            |
|                             |            | <b>local_maintree</b>                                                                                                                                                                            |      |   |            |
| 3                           |            | (TCV_srv := srv, TCV_2ndtest := C_Yes)                                                                                                                                                           |      |   |            |
| 4                           |            | +local_first_SETUP_msg                                                                                                                                                                           |      |   |            |
| 5                           |            | +local_second_SETUP_msg                                                                                                                                                                          |      |   |            |
|                             |            | <b>local_first_SETUP_msg</b>                                                                                                                                                                     |      |   |            |
| 6                           |            | (TCV_ur := TSPX_TS_62_ur1)                                                                                                                                                                       |      |   |            |
| 7                           |            | [TSPX_TS_62_T_NT OR (TSPX_TS_62_ce = C_nottransparent)]                                                                                                                                          |      |   |            |
| 8                           |            | +local_bcap2(TCV_ur, C_nottransparent)                                                                                                                                                           |      |   |            |
| 9                           |            | (TCV_Setup_mt := Setup_20( TCV_BcapMT2, TI_02))                                                                                                                                                  |      |   |            |
| 10                          |            | +Chmod(TCV_ChRate, C_nottransparent, TCV_ur, srv)                                                                                                                                                |      |   |            |
| 11                          |            | [NOT TSPX_TS_62_T_NT AND (TSPX_TS_62_ce = C_transparent)]                                                                                                                                        |      |   |            |
| 12                          |            | +local_bcap2(TCV_ur, C_transparent)                                                                                                                                                              |      |   |            |
| 13                          |            | (TCV_Setup_mt := Setup_20( TCV_BcapMT2, TI_02))                                                                                                                                                  |      |   |            |
| 14                          |            | +Chmod(TCV_ChRate, C_transparent, TCV_ur, srv)                                                                                                                                                   |      |   |            |
|                             |            | <b>local_second_SETUP_msg</b>                                                                                                                                                                    |      |   |            |
| 15                          |            | +local_userrate                                                                                                                                                                                  |      |   |            |
| 16                          |            | [TSPX_TS_62_T_NT]                                                                                                                                                                                |      |   |            |
| 17                          |            | +local_bcap2(TCV_ur2, C_transparent)                                                                                                                                                             |      |   |            |
| 18                          |            | (TCV_Setup_mt1 := Setup_21( C_RI_alternate, TCV_BcapMT1, TCV_BcapMT2, TI_02))                                                                                                                    |      |   |            |
| 19                          |            | [NOT TSPX_TS_62_T_NT]                                                                                                                                                                            |      |   |            |
| 20                          |            | +local_bcap2(TCV_ur2, C_BothT)                                                                                                                                                                   |      |   |            |
| 21                          |            | (TCV_Setup_mt1 := Setup_21( C_RI_alternate, TCV_BcapMT1, TCV_BcapMT2, TI_02))                                                                                                                    |      |   |            |
|                             |            | <b>local_bcap2(ur:B_4; ce:B_2)</b>                                                                                                                                                               |      |   |            |
| 22                          |            | [ce = C_transparent]                                                                                                                                                                             |      |   |            |
| 23                          |            | [(ur = C_2400bs) OR (ur = C_4800bs)]                                                                                                                                                             |      |   |            |
| 24                          |            | +local_TS62_FAX3_T(ur, C_ir_8kbs)                                                                                                                                                                |      |   |            |
| 25                          |            | [ur = C_9600bs]                                                                                                                                                                                  |      |   |            |
| 26                          |            | +local_TS62_FAX3_T( ur, C_ir_16kbs)                                                                                                                                                              |      |   |            |
| 27                          | L_102<br>1 | [(ur <> C_2400bs) AND(ur <> C_4800bs) AND(ur <> C_9600bs)]                                                                                                                                       |      | I |            |
| 28                          |            | [ce = C_BothT]                                                                                                                                                                                   |      |   |            |
| 29                          |            | +local_TS62_FAX3_NT( ur, C_BothNT)                                                                                                                                                               |      |   |            |
| 30                          |            | [ce = C_nottransparent]                                                                                                                                                                          |      |   |            |
| 31                          |            | +local_TS62_FAX3_NT( ur, C_nottransparent)                                                                                                                                                       |      |   |            |
| 32                          | L_102<br>2 | [(ce <> C_transparent) AND(ce <> C_BothT) AND(ce<> C_nottransparent)]                                                                                                                            |      | I |            |
|                             |            | <b>local_TS62_FAX3_T(ur:B_4; ir:B_2)</b>                                                                                                                                                         |      |   |            |
| 33                          |            | (TCV_BcapMT2 := Bcap_MT( C_FAX3, C_Unstructured, C_nirr_nomeaning, C_no_rate_adaption, C_sacp_NA, C_Synchronous, C_stopbit_NA, C_databit_NA, ur, ir, C_parity_NA, C_transparent, C_modemt_none)) |      |   | 11.8.1.5.1 |
|                             |            | <b>local_TS62_FAX3_NT(ur:B_4; ce1:B_2)</b>                                                                                                                                                       |      |   |            |

|    |                                                                                                                                                                                                            |  |   |                 |
|----|------------------------------------------------------------------------------------------------------------------------------------------------------------------------------------------------------------|--|---|-----------------|
| 34 | (TCV_BcapMT2 := Bcap_MT( C_FAX3,<br>C_SDUintegrity, C_nirr_nomeaning,<br>C_no_rate_adaption, C_sacp_NA, C_Synchronous,<br>C_stopbit_NA, C_databit_NA, ur, C_ir_16kbs,<br>C_parity_NA, ce1, C_modemt_none)) |  |   | 11.8.1.5.2      |
|    | <b>local_userrate</b>                                                                                                                                                                                      |  |   |                 |
| 35 | [TSPX_TS_62_more_ur]                                                                                                                                                                                       |  |   |                 |
| 36 | (TCV_ur2 := TSPX_TS_62_ur2)                                                                                                                                                                                |  |   |                 |
| 37 | [NOT TSPX_TS_62_more_ur]                                                                                                                                                                                   |  |   |                 |
| 38 | (TCV_ur2 := TSPX_TS_62_ur1)                                                                                                                                                                                |  |   |                 |
|    | <b>local_IFsetup</b>                                                                                                                                                                                       |  |   |                 |
| 39 | [TCV_supported]                                                                                                                                                                                            |  |   |                 |
| 40 | (TCV_Null := OO_IFsetup_TS6x_MT(TCV_srv,<br>TCV_ur))                                                                                                                                                       |  |   |                 |
| 41 | [NOT TCV_supported]                                                                                                                                                                                        |  |   |                 |
| 42 | [TCV_SpecialCase]                                                                                                                                                                                          |  |   |                 |
| 43 | START T_dly(C_T_Wait)                                                                                                                                                                                      |  |   |                 |
| 44 | ?TIMEOUT T_dly                                                                                                                                                                                             |  |   |                 |
| 45 | L_102 [NOT TCV_SpecialCase]                                                                                                                                                                                |  | I | Parameter error |
| 3  |                                                                                                                                                                                                            |  |   |                 |

**Detailed Comments:** The algorithm for derivation of TS62 Bearer Capabilities:

The 1st Bearer Capability ( used for an MT call):  
 ur= TSPX\_TS\_62\_ur1  
 IF TSPX\_TS\_62\_T\_NT OR (TSPX\_TS\_62\_ce = NT)  
     use coding 11.8.1.5.2 with (ur & ce=NT)  
 ELSE  
     use coding 11.8.1.5.1 with (ur & ce=T)

The 2nd Bearer Capability ( used for TC\_11\_1\_1):  
 IF TSPX\_TS\_62\_more\_ur  
     ur=TSPX\_TS\_62\_ur2  
 ELSE  
     ur=TSPX\_TS\_62\_ur1  
 IF TSPX\_TS\_62\_T\_NT  
     use coding 11.8.1.5.1 with (ur & ce=T)  
 ELSE  
     use coding 11.8.1.5.2 with(ur & ce=both/T)

Defaults Library

| Default Dynamic Behaviour |            |                                                                                                                                                                     |                                    |   |          |
|---------------------------|------------|---------------------------------------------------------------------------------------------------------------------------------------------------------------------|------------------------------------|---|----------|
| <b>Default Name:</b>      |            | OtherEvents                                                                                                                                                         |                                    |   |          |
| <b>Group:</b>             |            | GSM_L3_MS_v4200/                                                                                                                                                    |                                    |   |          |
| <b>Objective:</b>         |            | To match unexpected events and sign final verdict for preambles.                                                                                                    |                                    |   |          |
| <b>Comments:</b>          |            | used in preambles.                                                                                                                                                  |                                    |   |          |
| Nr                        | Label      | Behaviour Description                                                                                                                                               | CRef                               | V | Comments |
| 1                         |            | L?DL_Relln                                                                                                                                                          | DLRelInd_02                        |   | 4.       |
| 2                         |            | RETURN                                                                                                                                                              |                                    |   |          |
| 3                         |            | ?TIMEOUT T_guard                                                                                                                                                    |                                    |   | 1.       |
| 4                         |            | +ltree_SDCCH1_release                                                                                                                                               |                                    |   |          |
| 5                         |            | +ltree_SDCCH2_release                                                                                                                                               |                                    |   |          |
| 6                         |            | +ltree_TCH1_release                                                                                                                                                 |                                    |   |          |
| 7                         |            | +ltree_TCH2_release                                                                                                                                                 |                                    |   |          |
| 8                         |            | (TCV_Null := OO_TguardTimeOut())                                                                                                                                    |                                    |   |          |
| 9                         | L_102<br>4 | CANCEL                                                                                                                                                              |                                    | I | 3.       |
| 10                        |            | L?OTHERWISE                                                                                                                                                         |                                    |   | 2.       |
| 11                        |            | +ltree_SDCCH1_release                                                                                                                                               |                                    |   |          |
| 12                        |            | +ltree_SDCCH2_release                                                                                                                                               |                                    |   |          |
| 13                        |            | +ltree_TCH1_release                                                                                                                                                 |                                    |   |          |
| 14                        |            | +ltree_TCH2_release                                                                                                                                                 |                                    |   |          |
| 15                        |            | L?DL_Relln                                                                                                                                                          | DLRelInd_01                        |   |          |
| 16                        | L_102<br>5 | CANCEL                                                                                                                                                              |                                    | I | 3.       |
| 17                        |            | ?TIMEOUT T_guard                                                                                                                                                    |                                    |   | 1.       |
| 18                        | L_102<br>6 | CANCEL                                                                                                                                                              |                                    | I | 3.       |
| 19                        |            | <b>ltree_SDCCH1_release</b><br>[TCV_ch <> "dummy"]                                                                                                                  |                                    |   |          |
| 20                        |            | L!DL_DatRqChRel                                                                                                                                                     | ChRel(TCV_ch,<br>ChRelease_01)     |   |          |
| 21                        |            | [TCV_ch = "dummy"]                                                                                                                                                  |                                    |   |          |
| 22                        |            | <b>ltree_SDCCH2_release</b><br>[TCV_ch1 <> "dummy"]                                                                                                                 |                                    |   |          |
| 23                        |            | L!DL_DatRqChRel                                                                                                                                                     | ChRel(TCV_ch1,<br>ChRelease_01)    |   |          |
| 24                        |            | [TCV_ch1 = "dummy"]                                                                                                                                                 |                                    |   |          |
| 25                        |            | <b>ltree_TCH1_release</b><br>[TCV_chTch <> "dummy"]                                                                                                                 |                                    |   |          |
| 26                        |            | L!DL_DatRqChRel                                                                                                                                                     | ChRel(TCV_chTch,<br>ChRelease_01)  |   |          |
| 27                        |            | [TCV_chTch = "dummy"]                                                                                                                                               |                                    |   |          |
| 28                        |            | <b>ltree_TCH2_release</b><br>[TCV_chTch1 <> "dummy"]                                                                                                                |                                    |   |          |
| 29                        |            | L!DL_DatRqChRel                                                                                                                                                     | ChRel(TCV_chTch1,<br>ChRelease_01) |   |          |
| 30                        |            | [TCV_chTch1 = "dummy"]                                                                                                                                              |                                    |   |          |
| <b>Detailed Comments:</b> |            | 1. The guard timer times out, inconclusive.<br>2. Unexpected events, inconclusive.<br>3. Cancel of all running timers.<br>4. Local end termination request allowed. |                                    |   |          |

| Default Dynamic Behaviour |            |                                                                                                                |                                    |   |          |
|---------------------------|------------|----------------------------------------------------------------------------------------------------------------|------------------------------------|---|----------|
| <b>Default Name:</b>      |            | OtherEventsFail                                                                                                |                                    |   |          |
| <b>Group:</b>             |            | GSM_L3_MS_v4200/                                                                                               |                                    |   |          |
| <b>Objective:</b>         |            | To match unexpected events and fail the test case.                                                             |                                    |   |          |
| Nr                        | Label      | Behaviour Description                                                                                          | CRef                               | V | Comments |
| 1                         |            | L?DL_Relln                                                                                                     | DLRelInd_02                        |   |          |
| 2                         |            | RETURN                                                                                                         |                                    |   |          |
| 3                         |            | ?TIMEOUT T_guard                                                                                               |                                    |   | 1.       |
| 4                         |            | +ltree_SDCCH1_release                                                                                          |                                    |   |          |
| 5                         |            | +ltree_SDCCH2_release                                                                                          |                                    |   |          |
| 6                         |            | +ltree_TCH1_release                                                                                            |                                    |   |          |
| 7                         |            | +ltree_TCH2_release                                                                                            |                                    |   |          |
| 8                         |            | (TCV_Null := OO_TguardTimeOut())                                                                               |                                    |   |          |
| 9                         | L_102<br>7 | CANCEL                                                                                                         |                                    | I | 3.       |
| 10                        |            | L?OTHERWISE                                                                                                    |                                    |   | 2.       |
| 11                        |            | +ltree_SDCCH1_release                                                                                          |                                    |   |          |
| 12                        |            | +ltree_SDCCH2_release                                                                                          |                                    |   |          |
| 13                        |            | +ltree_TCH1_release                                                                                            |                                    |   |          |
| 14                        |            | +ltree_TCH2_release                                                                                            |                                    |   |          |
| 15                        |            | L?DL_Relln                                                                                                     | DLRelInd_01                        |   |          |
| 16                        | L_102<br>8 | CANCEL                                                                                                         |                                    | F | 3.       |
| 17                        |            | ?TIMEOUT T_guard                                                                                               |                                    |   |          |
| 18                        | L_102<br>9 | CANCEL                                                                                                         |                                    | F | 3.       |
| 19                        |            | <b>ltree_SDCCH1_release</b><br>[TCV_ch <> "dummy"]                                                             |                                    |   |          |
| 20                        |            | L!DL_DatRqChRel                                                                                                | ChRel(TCV_ch,<br>ChRelease_01)     |   |          |
| 21                        |            | [TCV_ch = "dummy"]                                                                                             |                                    |   |          |
| 22                        |            | <b>ltree_SDCCH2_release</b><br>[TCV_ch1 <> "dummy"]                                                            |                                    |   |          |
| 23                        |            | L!DL_DatRqChRel                                                                                                | ChRel(TCV_ch1,<br>ChRelease_01)    |   |          |
| 24                        |            | [TCV_ch1 = "dummy"]                                                                                            |                                    |   |          |
| 25                        |            | <b>ltree_TCH1_release</b><br>[TCV_chTch <> "dummy"]                                                            |                                    |   |          |
| 26                        |            | L!DL_DatRqChRel                                                                                                | ChRel(TCV_chTch,<br>ChRelease_01)  |   |          |
| 27                        |            | [TCV_chTch = "dummy"]                                                                                          |                                    |   |          |
| 28                        |            | <b>ltree_TCH2_release</b><br>[TCV_chTch1 <> "dummy"]                                                           |                                    |   |          |
| 29                        |            | L!DL_DatRqChRel                                                                                                | ChRel(TCV_chTch1,<br>ChRelease_01) |   |          |
| 30                        |            | [TCV_chTch1 = "dummy"]                                                                                         |                                    |   |          |
| <b>Detailed Comments:</b> |            | 1. The guard timer times out, inconclusive.<br>2. Unexpected events, fail.<br>3. Cancel of all running timers. |                                    |   |          |

| Default Dynamic Behaviour   |            |                                                                                                                                                                                                                                                                              |                                 |   |          |
|-----------------------------|------------|------------------------------------------------------------------------------------------------------------------------------------------------------------------------------------------------------------------------------------------------------------------------------|---------------------------------|---|----------|
| <b>Default Name:</b>        |            | OtherEventsFail_01                                                                                                                                                                                                                                                           |                                 |   |          |
| <b>Group:</b>               |            | GSM_L3_MS_v4200/                                                                                                                                                                                                                                                             |                                 |   |          |
| <b>Objective:</b>           |            | To match irrelevant CHANNEL REQUEST msg and MEASUREMENT REPORT msg and return or match other unexpected events and fail the test case.                                                                                                                                       |                                 |   |          |
| Nr                          | Label      | Behaviour Description                                                                                                                                                                                                                                                        | CRef                            | V | Comments |
| 1                           |            | L?DL_Relln                                                                                                                                                                                                                                                                   | DLRelInd_01                     |   | 6.       |
| 2                           |            | RETURN                                                                                                                                                                                                                                                                       |                                 |   |          |
| 3                           |            | ?TIMEOUT T_guard                                                                                                                                                                                                                                                             |                                 |   | 1.       |
| 4                           |            | +ltree_SDCCH1_release                                                                                                                                                                                                                                                        |                                 |   |          |
| 5                           |            | +ltree_SDCCH2_release                                                                                                                                                                                                                                                        |                                 |   |          |
| 6                           |            | +ltree_TCH1_release                                                                                                                                                                                                                                                          |                                 |   |          |
| 7                           |            | +ltree_TCH2_release                                                                                                                                                                                                                                                          |                                 |   |          |
| 8                           |            | (TCV_Null := OO_TguardTimeOut())                                                                                                                                                                                                                                             |                                 |   |          |
| 9                           | L_103<br>0 | CANCEL                                                                                                                                                                                                                                                                       |                                 | I | 5.       |
| 10                          |            | L?DL_RacInChRq                                                                                                                                                                                                                                                               | ChReq(ChRequest_02)             |   | 2.       |
| 11                          |            | RETURN                                                                                                                                                                                                                                                                       |                                 |   |          |
| 12                          |            | L?DL_UdatInMsRpt                                                                                                                                                                                                                                                             | MsrRept(MsrReport_02)           |   | 3.       |
| 13                          |            | RETURN                                                                                                                                                                                                                                                                       |                                 |   |          |
| 14                          |            | L?OTHERWISE                                                                                                                                                                                                                                                                  |                                 |   | 4.       |
| 15                          |            | +ltree_SDCCH1_release                                                                                                                                                                                                                                                        |                                 |   |          |
| 16                          |            | +ltree_SDCCH2_release                                                                                                                                                                                                                                                        |                                 |   |          |
| 17                          |            | +ltree_TCH1_release                                                                                                                                                                                                                                                          |                                 |   |          |
| 18                          |            | +ltree_TCH2_release                                                                                                                                                                                                                                                          |                                 |   |          |
| 19                          |            | L?DL_Relln                                                                                                                                                                                                                                                                   | DLRelInd_01                     |   |          |
| 20                          | L_103<br>1 | CANCEL                                                                                                                                                                                                                                                                       |                                 | F | 5.       |
| 21                          |            | ?TIMEOUT T_guard                                                                                                                                                                                                                                                             |                                 |   |          |
| 22                          | L_103<br>2 | CANCEL                                                                                                                                                                                                                                                                       |                                 | F | 5.       |
| <b>ltree_SDCCH1_release</b> |            |                                                                                                                                                                                                                                                                              |                                 |   |          |
| 23                          |            | [TCV_ch <> "dummy"]                                                                                                                                                                                                                                                          |                                 |   |          |
| 24                          |            | L!DL_DatRqChRel                                                                                                                                                                                                                                                              | ChRel(TCV_ch, ChRelease_01)     |   |          |
| 25                          |            | [TCV_ch = "dummy"]                                                                                                                                                                                                                                                           |                                 |   |          |
| <b>ltree_SDCCH2_release</b> |            |                                                                                                                                                                                                                                                                              |                                 |   |          |
| 26                          |            | [TCV_ch1 <> "dummy"]                                                                                                                                                                                                                                                         |                                 |   |          |
| 27                          |            | L!DL_DatRqChRel                                                                                                                                                                                                                                                              | ChRel(TCV_ch1, ChRelease_01)    |   |          |
| 28                          |            | [TCV_ch1 = "dummy"]                                                                                                                                                                                                                                                          |                                 |   |          |
| <b>ltree_TCH1_release</b>   |            |                                                                                                                                                                                                                                                                              |                                 |   |          |
| 29                          |            | [TCV_chTch <> "dummy"]                                                                                                                                                                                                                                                       |                                 |   |          |
| 30                          |            | L!DL_DatRqChRel                                                                                                                                                                                                                                                              | ChRel(TCV_chTch, ChRelease_01)  |   |          |
| 31                          |            | [TCV_chTch = "dummy"]                                                                                                                                                                                                                                                        |                                 |   |          |
| <b>ltree_TCH2_release</b>   |            |                                                                                                                                                                                                                                                                              |                                 |   |          |
| 32                          |            | [TCV_chTch1 <> "dummy"]                                                                                                                                                                                                                                                      |                                 |   |          |
| 33                          |            | L!DL_DatRqChRel                                                                                                                                                                                                                                                              | ChRel(TCV_chTch1, ChRelease_01) |   |          |
| 34                          |            | [TCV_chTch1 = "dummy"]                                                                                                                                                                                                                                                       |                                 |   |          |
| <b>Detailed Comments:</b>   |            | 1. The guard timer times out, inconclusive.<br>2. To throw away any irrelevant channel request.<br>3. To throw away any measurement report.<br>4. Other unexpected events, fail.<br>5. Cancel of all running timers.<br>6. Cover also DLRelInd_02 for local end termination. |                                 |   |          |



| Default Dynamic Behaviour |            |                                                                                                                                                                                              |                                    |   |          |
|---------------------------|------------|----------------------------------------------------------------------------------------------------------------------------------------------------------------------------------------------|------------------------------------|---|----------|
| <b>Default Name:</b>      |            | OtherEventsFail_02                                                                                                                                                                           |                                    |   |          |
| <b>Group:</b>             |            | GSM_L3_MS_v4200/                                                                                                                                                                             |                                    |   |          |
| <b>Objective:</b>         |            | To match unexpected events and fail the test case but ignore channel request messages that are sent before the lower tester has sent (and the MS received) the Immediate Assignment message. |                                    |   |          |
| Nr                        | Label      | Behaviour Description                                                                                                                                                                        | CRef                               | V | Comments |
| 1                         |            | L?DL_Relln                                                                                                                                                                                   | DLRelInd_02                        |   |          |
| 2                         |            | RETURN                                                                                                                                                                                       |                                    |   |          |
| 3                         |            | L?DL_RacInChRq                                                                                                                                                                               | ChReq(ChRequest_02)                |   | 1.       |
| 4                         |            | RETURN                                                                                                                                                                                       |                                    |   |          |
| 5                         |            | ?TIMEOUT T_guard                                                                                                                                                                             |                                    |   | 2.       |
| 6                         |            | +ltree_SDCCH1_release                                                                                                                                                                        |                                    |   |          |
| 7                         |            | +ltree_SDCCH2_release                                                                                                                                                                        |                                    |   |          |
| 8                         |            | +ltree_TCH1_release                                                                                                                                                                          |                                    |   |          |
| 9                         |            | +ltree_TCH2_release                                                                                                                                                                          |                                    |   |          |
| 10                        |            | (TCV_Null := OO_TguardTimeOut())                                                                                                                                                             |                                    |   |          |
| 11                        | L_103<br>3 | CANCEL                                                                                                                                                                                       |                                    | I | 4.       |
| 12                        |            | L?OTHERWISE                                                                                                                                                                                  |                                    |   | 3.       |
| 13                        |            | +ltree_SDCCH1_release                                                                                                                                                                        |                                    |   |          |
| 14                        |            | +ltree_SDCCH2_release                                                                                                                                                                        |                                    |   |          |
| 15                        |            | +ltree_TCH1_release                                                                                                                                                                          |                                    |   |          |
| 16                        |            | +ltree_TCH2_release                                                                                                                                                                          |                                    |   |          |
| 17                        |            | L?DL_Relln                                                                                                                                                                                   | DLRelInd_01                        |   |          |
| 18                        | L_103<br>4 | CANCEL                                                                                                                                                                                       |                                    | F | 4.       |
| 19                        |            | ?TIMEOUT T_guard                                                                                                                                                                             |                                    |   |          |
| 20                        | L_103<br>5 | CANCEL                                                                                                                                                                                       |                                    | F | 4.       |
| 21                        |            | <b>ltree_SDCCH1_release</b><br>[TCV_ch <> "dummy"]                                                                                                                                           |                                    |   |          |
| 22                        |            | LIDL_DatRqChRel                                                                                                                                                                              | ChRel(TCV_ch,<br>ChRelease_01)     |   |          |
| 23                        |            | [TCV_ch = "dummy"]                                                                                                                                                                           |                                    |   |          |
| 24                        |            | <b>ltree_SDCCH2_release</b><br>[TCV_ch1 <> "dummy"]                                                                                                                                          |                                    |   |          |
| 25                        |            | LIDL_DatRqChRel                                                                                                                                                                              | ChRel(TCV_ch1,<br>ChRelease_01)    |   |          |
| 26                        |            | [TCV_ch1 = "dummy"]                                                                                                                                                                          |                                    |   |          |
| 27                        |            | <b>ltree_TCH1_release</b><br>[TCV_chTch <> "dummy"]                                                                                                                                          |                                    |   |          |
| 28                        |            | LIDL_DatRqChRel                                                                                                                                                                              | ChRel(TCV_chTch,<br>ChRelease_01)  |   |          |
| 29                        |            | [TCV_chTch = "dummy"]                                                                                                                                                                        |                                    |   |          |
| 30                        |            | <b>ltree_TCH2_release</b><br>[TCV_chTch1 <> "dummy"]                                                                                                                                         |                                    |   |          |
| 31                        |            | LIDL_DatRqChRel                                                                                                                                                                              | ChRel(TCV_chTch1,<br>ChRelease_01) |   |          |
| 32                        |            | [TCV_chTch1 = "dummy"]                                                                                                                                                                       |                                    |   |          |
| <b>Detailed Comments:</b> |            | 1. To throw away any irrelevant channel request.<br>2. The guard timer times out, inconclusive.<br>3. Unexpected events, fail.<br>4. Cancel of all running timers.                           |                                    |   |          |

| Default Dynamic Behaviour |       |                                                     |      |   |          |
|---------------------------|-------|-----------------------------------------------------|------|---|----------|
| <b>Default Name:</b>      |       | OtherEvents_01                                      |      |   |          |
| <b>Group:</b>             |       | GSM_L3_MS_v4200/                                    |      |   |          |
| <b>Objective:</b>         |       | To match irrelevant messages and return             |      |   |          |
| Nr                        | Label | Behaviour Description                               | CRef | V | Comments |
| 1                         |       | L?OTHERWISE                                         |      |   | 1.       |
| 2                         |       | RETURN                                              |      |   |          |
| <b>Detailed Comments:</b> |       | 1. Cover also DLRelnd_02 for local end termination. |      |   |          |

| Default Dynamic Behaviour |            |                                                                                                                                                                                                            |                                    |   |          |
|---------------------------|------------|------------------------------------------------------------------------------------------------------------------------------------------------------------------------------------------------------------|------------------------------------|---|----------|
| <b>Default Name:</b>      |            | OtherEvents_02                                                                                                                                                                                             |                                    |   |          |
| <b>Group:</b>             |            | GSM_L3_MS_v4200/                                                                                                                                                                                           |                                    |   |          |
| <b>Objective:</b>         |            | To match unexpected events and sign final verdict for preambles but ignore channel request messages that are sent before the lower tester has sent (and the MS received) the Immediate Assignment message. |                                    |   |          |
| <b>Comments:</b>          |            | used in preambles.                                                                                                                                                                                         |                                    |   |          |
| Nr                        | Label      | Behaviour Description                                                                                                                                                                                      | CRef                               | V | Comments |
| 1                         |            | L?DL_Relln                                                                                                                                                                                                 | DLRelInd_02                        |   |          |
| 2                         |            | RETURN                                                                                                                                                                                                     |                                    |   |          |
| 3                         |            | L?DL_RaInChRq                                                                                                                                                                                              | ChReq(ChRequest_02)                |   | 1.       |
| 4                         |            | RETURN                                                                                                                                                                                                     |                                    |   |          |
| 5                         |            | ?TIMEOUT T_guard                                                                                                                                                                                           |                                    |   | 2.       |
| 6                         |            | +ltree_SDCCH1_release                                                                                                                                                                                      |                                    |   |          |
| 7                         |            | +ltree_SDCCH2_release                                                                                                                                                                                      |                                    |   |          |
| 8                         |            | +ltree_TCH1_release                                                                                                                                                                                        |                                    |   |          |
| 9                         |            | +ltree_TCH2_release                                                                                                                                                                                        |                                    |   |          |
| 10                        |            | (TCV_Null := OO_TguardTimeOut())                                                                                                                                                                           |                                    |   |          |
| 11                        | L_103<br>6 | CANCEL                                                                                                                                                                                                     |                                    | I | 4.       |
| 12                        |            | L?OTHERWISE                                                                                                                                                                                                |                                    |   | 3.       |
| 13                        |            | +ltree_SDCCH1_release                                                                                                                                                                                      |                                    |   |          |
| 14                        |            | +ltree_SDCCH2_release                                                                                                                                                                                      |                                    |   |          |
| 15                        |            | +ltree_TCH1_release                                                                                                                                                                                        |                                    |   |          |
| 16                        |            | +ltree_TCH2_release                                                                                                                                                                                        |                                    |   |          |
| 17                        |            | L?DL_Relln                                                                                                                                                                                                 | DLRelInd_01                        |   |          |
| 18                        | L_103<br>7 | CANCEL                                                                                                                                                                                                     |                                    | I | 4.       |
| 19                        |            | ?TIMEOUT T_guard                                                                                                                                                                                           |                                    |   | 2.       |
| 20                        | L_103<br>8 | CANCEL                                                                                                                                                                                                     |                                    | I | 4.       |
| 21                        |            | <b>ltree_SDCCH1_release</b><br>[TCV_ch <> "dummy"]                                                                                                                                                         |                                    |   |          |
| 22                        |            | L!DL_DatRqChRel                                                                                                                                                                                            | ChRel(TCV_ch,<br>ChRelease_01)     |   |          |
| 23                        |            | [TCV_ch = "dummy"]                                                                                                                                                                                         |                                    |   |          |
| 24                        |            | <b>ltree_SDCCH2_release</b><br>[TCV_ch1 <> "dummy"]                                                                                                                                                        |                                    |   |          |
| 25                        |            | L!DL_DatRqChRel                                                                                                                                                                                            | ChRel(TCV_ch1,<br>ChRelease_01)    |   |          |
| 26                        |            | [TCV_ch1 = "dummy"]                                                                                                                                                                                        |                                    |   |          |
| 27                        |            | <b>ltree_TCH1_release</b><br>[TCV_chTch <> "dummy"]                                                                                                                                                        |                                    |   |          |
| 28                        |            | L!DL_DatRqChRel                                                                                                                                                                                            | ChRel(TCV_chTch,<br>ChRelease_01)  |   |          |
| 29                        |            | [TCV_chTch = "dummy"]                                                                                                                                                                                      |                                    |   |          |
| 30                        |            | <b>ltree_TCH2_release</b><br>[TCV_chTch1 <> "dummy"]                                                                                                                                                       |                                    |   |          |
| 31                        |            | L!DL_DatRqChRel                                                                                                                                                                                            | ChRel(TCV_chTch1,<br>ChRelease_01) |   |          |
| 32                        |            | [TCV_chTch1 = "dummy"]                                                                                                                                                                                     |                                    |   |          |
| <b>Detailed Comments:</b> |            | 1. To throw away any irrelevant channel request.<br>2. The guard timer times out, inconclusive.<br>3. Unexpected events, inconclusive.<br>4. Cancel of all running timers.                                 |                                    |   |          |

| Default Dynamic Behaviour |       |                                                           |             |   |          |
|---------------------------|-------|-----------------------------------------------------------|-------------|---|----------|
| <b>Default Name:</b>      |       | RcvHdOvAcc                                                |             |   |          |
| <b>Group:</b>             |       | GSM_L3_MS_v4200/                                          |             |   |          |
| <b>Objective:</b>         |       | To match any HANDOVER ACCESS then return to calling tree. |             |   |          |
| Nr                        | Label | Behaviour Description                                     | CRef        | V | Comments |
| 1                         |       | L?DL_RacInHoacc                                           | HndOvAcc_01 |   |          |
| 2                         |       | RETURN                                                    |             |   |          |
| <b>Detailed Comments:</b> |       |                                                           |             |   |          |

**Annex B (normative): Partial IXIT proforma**

Notwithstanding the provisions of the copyright clause related to the text of this ETS, ETSI grants that users of this ETS may freely reproduce the PIXIT proforma in this annex so that it can be used for its intended purposes and may further publish the completed PIXIT.

**Introduction**

This partial IXIT proforma contained in this ETS, after augmented by the Test Realizer, is proposed to be provided to the client for completion, when the related Abstract Test Suite is to be used against client's Implementation Under Test (IUT).

Text in *italics* is comments for guidance for the production of a IXIT, and is not to be included in the actual IXIT.

The completed IXIT will normally be used in conjunction with the completed ICS, as it adds precision to the information provided by the ICS.

## B.1 Identification Summary

*This table is completed by the test laboratory. The item "Contract References" is optional.*

**Table 1: Identification Summary**

|                            |  |
|----------------------------|--|
| IXIT Reference Number      |  |
| Test Laboratory Name       |  |
| Date of Issue              |  |
| Issued to (name of client) |  |
| Contract References        |  |

## B.2 Abstract Test Suite Summary

*In the following table the test laboratory provides the version number of the protocol specification and the version number of ATS which are used in the conformance testing.*

**Table 2: ATS Summary**

|                                   |                    |
|-----------------------------------|--------------------|
| Protocol Specification            | ETS 300 557        |
| Version of Protocol Specification |                    |
| TSS & TP Specification            | ETS 300 607-1      |
| Version of TSS & TP Specification |                    |
| ATS Specification                 | ETS 300 607-3      |
| Version of ATS Specification      |                    |
| Abstract Test Method              | Remote Test Method |

## B.3 Test Laboratory

### B.3.1 Test Laboratory Identification

*The test laboratory provides the following information.*

**Table 3: Test Laboratory Identification**

|                         |  |
|-------------------------|--|
| Name of Test Laboratory |  |
| Postal Address          |  |
| Office address          |  |
| Telephone Number        |  |
| FAX Number              |  |

**B.3.2 Accreditation status of the test service**

*The test laboratory provides the following information.*

**Table 4: Accreditation status of the test service**

|                         |  |
|-------------------------|--|
| Accreditation status    |  |
| Accreditation Reference |  |

**B.3.3 Manager of Test Laboratory**

*The test laboratory provides the information about the manager of test laboratory in the following table.*

**Table 5: Manager of Test Laboratory**

|                                    |  |
|------------------------------------|--|
| Name of Manager of Test Laboratory |  |
| Telephone Number                   |  |
| FAX Number                         |  |
| E-mail Address                     |  |

**B.3.4 Contact person of Test Laboratory**

*The test laboratory provides the information about the contact person of test laboratory in the following table.*

**Table 6: Contact person of Test Laboratory**

|                                    |  |
|------------------------------------|--|
| Name of Contact of Test Laboratory |  |
| Telephone Number                   |  |
| FAX Number                         |  |
| E-mail Address                     |  |

**B.3.5 Means of Testing**

*In the table below, the test laboratory provides a statement of conformance of the Means Of Testing (MOT) to the reference standardized ATS, and identifies all restrictions for the test execution required by the MOT beyond those stated in the reference standardized ATS.*

**Table 7: Means of Testing**

| Means of Testing |
|------------------|
|------------------|

**B.3.6 Instructions for Completion**

*In this table, the test laboratory provides any specific instructions necessary for completion and return of the proforma from the client.*



Table 8: Instruction for Completion

| Instructions for Completion |
|-----------------------------|
|                             |

## **B.4 Client**

### **B.4.1 Client Identification**

*The client provides the identification in the following table.*

**Table 9: Client Identification**

|                  |  |
|------------------|--|
| Name of Client   |  |
| Postal Address   |  |
| Office Address   |  |
| Telephone Number |  |
| FAX Number       |  |

**B.4.2 Client Test Manager**

*In this table the client provides information about the test manager.*

**Table 10: Client Test Manager**

|                             |  |
|-----------------------------|--|
| Name of Client Test Manager |  |
| Telephone Number            |  |
| FAX Number                  |  |
| E-mail Address              |  |

**B.4.3 Client Contact person**

*In this table the client provides information about the test contact person.*

**Table 11: Client Contact person**

|                               |  |
|-------------------------------|--|
| Name of Client contact person |  |
| Telephone Number              |  |
| FAX Number                    |  |
| E-mail Address                |  |

**B.4.4 Test Facilities Required**

*In the following table, the client records the particular facilities required for testing, if a range of facilities is provided by the test laboratory.*

**Table 12: Test Facilities Required**

| Test Facilities Required |
|--------------------------|
|--------------------------|

**B.5 System Under Test**

**B.5.1 SUT Information**

*The client provides information about the SUT in the table below.*

Table 13: SUT Information

|                                 |  |
|---------------------------------|--|
| System Name                     |  |
| System Version                  |  |
| SCS Reference                   |  |
| Machine Configuration           |  |
| Operating System Identification |  |
| IUT Identification              |  |
| ICS Reference for the IUT       |  |

**B.5.2 Limitations of the SUT**

*In the table below, the client provides information explaining if any of the abstract tests cannot be executed.*

Table 14: Limitation of the SUT

| Limitations of the SUT |
|------------------------|
|------------------------|

**B.5.3 Environmental Conditions**

*In the table below the client provides information about any tighter environmental conditions for the correct operation of the SUT.*

**Table 15: Environmental Conditions**

| Environmental Conditions |
|--------------------------|
|                          |

**B.6 Ancillary Protocols**

*This clause is completed by the client in conjunction with the test laboratory.*

In the following tables, the client identifies relevant information concerning each ancillary protocol in the SUT other than the IUT itself. One table for one ancillary protocol.

Based on the MOT the test laboratory should create question proforma for each ancillary protocol in the blank space following each table. The information required is dependent on the MOT and the SUT, and covers all the addressing, parameter values, timer values and facilities (relevant to ETSs) as defined by the ICS for the ancillary protocol.

### B.6.1 Ancillary Protocols 1

Table 16: Ancillary Protocol 1

|                           |         |
|---------------------------|---------|
| Protocol Name             | ETS 300 |
| Version number            |         |
| ICS Reference (optional)  |         |
| IXIT Reference (optional) |         |
| PCTR Reference (optional) |         |

### B.6.2 Ancillary Protocols 2

Table 17: Ancillary Protocol 2

|                           |         |
|---------------------------|---------|
| Protocol Name             | ETS 300 |
| Version number            |         |
| ICS Reference (optional)  |         |
| IXIT Reference (optional) |         |
| PCTR Reference (optional) |         |

## B.7 Protocol Layer Information for L3 of Mobile Station

### B.7.1 Information provided for test purposes by the MS supplier

| Item                     | Description                                       | Type/Allowed values | Supported Value |
|--------------------------|---------------------------------------------------|---------------------|-----------------|
| TSPC_24DataF             | 2.4 k full rate data mode supported               | BOOLEAN             |                 |
| TSPC_24DataH             | 2.4 k half rate data mode supported               | BOOLEAN             |                 |
| TSPC_48DataF             | 4.8 k full rate data mode supported               | BOOLEAN             |                 |
| TSPC_48DataH             | 4.8 k half rate data mode supported               | BOOLEAN             |                 |
| TSPC_96Data              | 9.6 k full rate data mode supported               | BOOLEAN             |                 |
| TSPC_Feat_A51            | ciphering algorithm A5/1 supported                | BOOLEAN             |                 |
| TSPC_Feat_A52            | ciphering algorithm A5/2 supported                | BOOLEAN             |                 |
| TSPC_AddCharSet          | A, B, C, D chars supported                        | BOOLEAN             |                 |
| TSPC_AddInfo_PseudoSynch | Pseudo synchronised supported                     | BOOLEAN             |                 |
| TSPC_AlertInd            | alerting indication to the user supported         | BOOLEAN             |                 |
| TSPC_SvcOnTCH            | at least one service on traffic channel supported | BOOLEAN             |                 |

| Item                | Description                                                    | Type/Allowed values | Supported Value |
|---------------------|----------------------------------------------------------------|---------------------|-----------------|
| TSPC_SMS            | at least one short message service supported                   | BOOLEAN             |                 |
| TSPC_SS             | at least one supplementary service supported                   | BOOLEAN             |                 |
| TSPC_AutoAutoMode   | automatically enter automatic selection of PLMN mode supported | BOOLEAN             |                 |
| TSPC_BasCharSet     | Chars 0-9, *, # supported                                      | BOOLEAN             |                 |
| TSPC_CalledNumDisp  | called number display supported                                | BOOLEAN             |                 |
| TSPC_DCS            | testing DCS1 800                                               | BOOLEAN             |                 |
| TSPC_DetachOnPwrDn  | detach on power down supported                                 | BOOLEAN             |                 |
| TSPC_DetachOnSIMRmv | detach on SIM remove supported                                 | BOOLEAN             |                 |
| TSPC_DispRcvSMS     | display of received SMS supported                              | BOOLEAN             |                 |
| TSPC_DualRate       | dual rate channel types supported                              | BOOLEAN             |                 |
| TSPC_EGSM           | both standard and extended GSM band supported                  | BOOLEAN             |                 |
| TSPC_EmgOnly        | the only circuit switched basic service is emergency call      | BOOLEAN             |                 |
| TSPC_followOnReq    | follow-on request procedure supported                          | BOOLEAN             |                 |
| TSPC_HalfRateData   | half rate data supported                                       | BOOLEAN             |                 |
| TSPC_HalfRateSpeech | half rate speech mode supported                                | BOOLEAN             |                 |
| TSPC_InCallMod      | In-Call modification supported                                 | BOOLEAN             |                 |
| TSPC_NoimmConn      | at least one service not support immediate connection          | BOOLEAN             |                 |
| TSPC_Feat_FND       | FND feature supported                                          | BOOLEAN             |                 |
| TSPC_NonCallSS      | non call related supplementary service supported               | BOOLEAN             |                 |
| TSPC_MTsvc          | at least one MT circuit switched basic service supported       | BOOLEAN             |                 |
| TSPC_MOsvc          | at least one MO circuit switched basic service supported       | BOOLEAN             |                 |
| TSPC_PGSM           | only standard GSM band supported                               | BOOLEAN             |                 |
| TSPC_RefusalCall    | refusal of call supported                                      | BOOLEAN             |                 |
| TSPC_ReplaceSMS     | replace SMS supported                                          | BOOLEAN             |                 |
| TSPC_ReplyProc      | (SMS) reply procedures supported                               | BOOLEAN             |                 |
| TSPC_RFAmp          | RF amplification supported                                     | BOOLEAN             |                 |
| TSPC_SDCCHOnly      | only SDCCH supported                                           | BOOLEAN             |                 |



| Item                  | Description                                        | Type/Allowed values | Supported Value |
|-----------------------|----------------------------------------------------|---------------------|-----------------|
| TSPC_Serv_SS_AoCC     | AoCC SS supported                                  | BOOLEAN             |                 |
| TSPC_Serv_SS_BAIC     | BAIC SS supported                                  | BOOLEAN             |                 |
| TSPC_Serv_SS_BI       | BI SS supported                                    | BOOLEAN             |                 |
| TSPC_Serv_SS_BICRoam  | BICRoam SS supported                               | BOOLEAN             |                 |
| TSPC_Serv_SS_BAOC     | BAOC SS supported                                  | BOOLEAN             |                 |
| TSPC_Serv_SS_BOIC     | BOIC SS supported                                  | BOOLEAN             |                 |
| TSPC_Serv_SS_BOICexHC | BOICExHC SS supported                              | BOOLEAN             |                 |
| TSPC_Serv_SS_CFB      | CFB supported                                      | BOOLEAN             |                 |
| TSPC_Serv_SS_CFNry    | CFNry supported                                    | BOOLEAN             |                 |
| TSPC_Serv_SS_CFNrc    | CFNrc supported                                    | BOOLEAN             |                 |
| TSPC_Serv_SS_CFU      | CFU supported                                      | BOOLEAN             |                 |
| TSPC_Serv_SS_HOLD     | Call Hold SS supported                             | BOOLEAN             |                 |
| TSPC_Serv_SS_MPTY     | multiparty SS supported                            | BOOLEAN             |                 |
| TSPC_Serv_SS_unstruct | USSD supported                                     | BOOLEAN             |                 |
| TSPC_Serv_TS11        | telephony supported                                | BOOLEAN             |                 |
| TSPC_Serv_TS12        | emergency call supported                           | BOOLEAN             |                 |
| TSPC_Serv_TS21        | SMS MT/PP supported                                | BOOLEAN             |                 |
| TSPC_Serv_TS22        | SMS MO/PP supported                                | BOOLEAN             |                 |
| TSPC_Serv_TS23        | SMS cell broadcast supported                       | BOOLEAN             |                 |
| TSPC_Serv_TS61        | alternate speech and G3 fax (TS61) supported       | BOOLEAN             |                 |
| TSPC_Serv_TS62        | automatic G3 fax (TS62) supported                  | BOOLEAN             |                 |
| TSPC_Serv_BS21        | data circuit duplex async 300 bit/s supported      | BOOLEAN             |                 |
| TSPC_Serv_BS22        | data circuit duplex async 1 200 bit/s supported    | BOOLEAN             |                 |
| TSPC_Serv_BS23        | data circuit duplex async 1 200/75 bit/s supported | BOOLEAN             |                 |
| TSPC_Serv_BS24        | data circuit duplex async 2 400 bit/s supported    | BOOLEAN             |                 |
| TSPC_Serv_BS25        | data circuit duplex async 4 800 bit/s supported    | BOOLEAN             |                 |
| TSPC_Serv_BS26        | data circuit duplex async 9 600 bit/s supported    | BOOLEAN             |                 |
| TSPC_Serv_BS31        | data circuit duplex sync 1 200 bit/s supported     | BOOLEAN             |                 |

| Item                 | Description                                                                                                    | Type/Allowed values | Supported Value |
|----------------------|----------------------------------------------------------------------------------------------------------------|---------------------|-----------------|
| TSPC_Serv_BS32       | data circuit duplex sync 2 400 bit/s supported                                                                 | BOOLEAN             |                 |
| TSPC_Serv_BS33       | data circuit duplex sync 4 800 bit/s supported                                                                 | BOOLEAN             |                 |
| TSPC_Serv_BS34       | data circuit duplex sync 9 600 bit/s supported                                                                 | BOOLEAN             |                 |
| TSPC_Serv_BS41       | PAD access 300 bit/s supported                                                                                 | BOOLEAN             |                 |
| TSPC_Serv_BS42       | PAD access 1 200 bit/s supported                                                                               | BOOLEAN             |                 |
| TSPC_Serv_BS43       | PAD access 1 200/75 bit/s supported                                                                            | BOOLEAN             |                 |
| TSPC_Serv_BS44       | PAD access 2 400 bit/s supported                                                                               | BOOLEAN             |                 |
| TSPC_Serv_BS45       | PAD access 4 800 bit/s supported                                                                               | BOOLEAN             |                 |
| TSPC_Serv_BS46       | PAD access 9 600 bit/s supported                                                                               | BOOLEAN             |                 |
| TSPC_Serv_BS51       | packet access 2 400 bit/s supported                                                                            | BOOLEAN             |                 |
| TSPC_Serv_BS52       | packet access 4 800 bit/s supported                                                                            | BOOLEAN             |                 |
| TSPC_Serv_BS53       | packet access 9 600 bit/s supported                                                                            | BOOLEAN             |                 |
| TSPC_Serv_BS61       | alternate speech/data (BS61) supported                                                                         | BOOLEAN             |                 |
| TSPC_Serv_BS81       | speech followed data (BS81) supported                                                                          | BOOLEAN             |                 |
| TSPC_SMSStatusRepCap | SMS status report capabilities supported                                                                       | BOOLEAN             |                 |
| TSPC_StoreRcvSMSME   | Storage of received SMS in ME supported                                                                        | BOOLEAN             |                 |
| TSPC_StoreRcvSMSSIM  | Storage of received SMS in SIM supported                                                                       | BOOLEAN             |                 |
| TSPC_SIMRmv          | SIM removable without power down supported                                                                     | BOOLEAN             |                 |
| TSPC_SwitchOnOff     | switch on/off supported                                                                                        | BOOLEAN             |                 |
| TSPC_TranspDataOnly  | only transparent data service supported                                                                        | BOOLEAN             |                 |
| TSPX_TE_stopbit      | TE conf. number stop bits. default value : '0'B, 1 bit                                                         | BITSTRING[1]        |                 |
| TSPX_TE_databit      | TE conf. number data bits. default value : '1'B, 8 bits                                                        | BITSTRING[1]        |                 |
| TSPX_TE_FLCT         | TE flow control. default : 0, outband flow control                                                             | 0, 1, 2             |                 |
| TSPX_TE_parity       | TE conf. parity. default : '001'B, no parity                                                                   | BITSTRING[3]        |                 |
| TSPX_BS_21_its1      | its value supported for BS21. default value : '001'B, UDI                                                      | BITSTRING[3]        |                 |
| TSPX_BS_21_more_its  | more than one its value supported by BS21. default value : FALSE, only one its                                 | BOOLEAN             |                 |
| TSPX_BS_21_T_NT      | both T and NT supported by BS21. default value : FALSE, not support both transparent and non transparent modes | BOOLEAN             |                 |

| Item                | Description                                                                                                                                                                      | Type/Allowed values | Supported Value |
|---------------------|----------------------------------------------------------------------------------------------------------------------------------------------------------------------------------|---------------------|-----------------|
| TSPX_BS_21_ce       | ce value used in MO call and if the answer to TSPX_BS_21_T_NT is FALSE, the manufacturer must precise which mode is supported by the MS. default value : '00'B, transparent mode | BITSTRING[2]        |                 |
| TSPX_BS_21_sacp     | sacp value used in MO call. default value : '001'B, I440/450                                                                                                                     | BITSTRING[3]        |                 |
| TSPX_BS_21_itc2     | other itc value supported by BS21, it shall be differenet from the previous one if the answer to TSPX_BS_21_more_itc is TRUE. default value : '001'B, UDI                        | BITSTRING[3]        |                 |
| TSPX_BS_22_itc1     | itc value supported by BS22. default value : '010'B, 3.1kHz audio, exPLMN                                                                                                        | BITSTRING[3]        |                 |
| TSPX_BS_22_more_itc | more than one itc value supported by BS22. default value : FALSE, only one itc                                                                                                   | BOOLEAN             |                 |
| TSPX_BS_22_T_NT     | both T and NT supported by BS22. default value : FALSE, not support both transparent and non transparent modes                                                                   | BOOLEAN             |                 |
| TSPX_BS_22_ce       | ce value used in MO call and if the answer to TSPX_BS_22_T_NT is FALSE, the manufacturer must precise which mode is supported by the MS. default value : '01'B, non transparent  | BITSTRING[2]        |                 |
| TSPX_BS_22_sacp     | sacp value used in MO call. default value : '001'B, I440/450                                                                                                                     | BITSTRING[3]        |                 |
| TSPX_BS_22_itc2     | other itc value supported by BS22, it shall be differenet from the previous one if the answer to TSPX_BS_22_more_itc is TRUE. default value : '010'B, 3.1kHz audio, exPLMN       | BITSTRING[3]        |                 |
| TSPX_BS_23_itc      | itc value supported by BS23. default value : '010'B, 3.1kHz audio, exPLMN                                                                                                        | BITSTRING[3]        |                 |
| TSPX_BS_23_T_NT     | both T and NT supported for BS23. default value : FALSE, not support both transparent and non transparent modes                                                                  | BOOLEAN             |                 |
| TSPX_BS_23_ce       | ce value used in MO call. default value : '00'B, transparent                                                                                                                     | BITSTRING[2]        |                 |
| TSPX_BS_23_sacp     | sacp value used in MO call. default value : '001'B, I440/450                                                                                                                     | BITSTRING[3]        |                 |
| TSPX_BS_24_itc1     | itc value supported by BS24. default value : '010'B, 3.1kHz audio, exPLMN                                                                                                        | BITSTRING[3]        |                 |

| Item                | Description                                                                                                                                                                 | Type/Allowed values | Supported Value |
|---------------------|-----------------------------------------------------------------------------------------------------------------------------------------------------------------------------|---------------------|-----------------|
| TSPX_BS_24_more_itc | more than one itc value supported by BS24. default value : FALSE, only one itc                                                                                              | BOOLEAN             |                 |
| TSPX_BS_24_T_NT     | both T and NT supported by BS24. default value : FALSE, not support both transparent and non transparent modes                                                              | BOOLEAN             |                 |
| TSPX_BS_24_ce       | ce value used in MO call and if the answer to TSPX_BS_24_T_NT is FALSE, the manufacturer must precise which mode is supported by the MS. default value : '00'B, transparent | BITSTRING[2]        |                 |
| TSPX_BS_24_sacp     | sacp value used in MO call. default value : '001'B, I440/450                                                                                                                | BITSTRING[3]        |                 |
| TSPX_BS_24_itc2     | other itc value supported by BS24, it shall be different from the previous one if the answer to TSPX_BS_24_more_itc is TRUE. default value : '010'B, 3.1kHz audio, exPLMN   | BITSTRING[3]        |                 |
| TSPX_BS_25_itc1     | itc value supported by BS25. default value : '001'B, UDI                                                                                                                    | BITSTRING[3]        |                 |
| TSPX_BS_25_more_itc | more than one itc value supported by BS25. default value : FALSE, only one itc                                                                                              | BOOLEAN             |                 |
| TSPX_BS_25_T_NT     | both T and NT supported by BS25. default value : FALSE, not support both transparent and non transparent modes                                                              | BOOLEAN             |                 |
| TSPX_BS_25_ce       | ce value used in MO call and if the answer to TSPX_BS_25_T_NT is FALSE, the manufacturer must precise which mode is supported by the MS. default value : '00'B, transparent | BITSTRING[2]        |                 |
| TSPX_BS_25_sacp     | sacp value used in MO call. default value : '001'B, I440/450                                                                                                                | BITSTRING[3]        |                 |
| TSPX_BS_25_itc2     | other itc value supported by BS25, it shall be different from the previous one if the answer to TSPX_BS_25_more_itc is TRUE. default value : '001'B, UDI                    | BITSTRING[3]        |                 |
| TSPX_BS_26_itc1     | itc value supported by BS26. default value : '010'B, 3.1kHz audio, exPLMN                                                                                                   | BITSTRING[3]        |                 |
| TSPX_BS_26_more_itc | more than one itc value supported by BS26. default value : FALSE, only one itc                                                                                              | BOOLEAN             |                 |
| TSPX_BS_26_T_NT     | both T and NT supported by BS26. default value : FALSE, not support both transparent and non transparent modes                                                              | BOOLEAN             |                 |

| Item                 | Description                                                                                                                                                                 | Type/Allowed values | Supported Value |
|----------------------|-----------------------------------------------------------------------------------------------------------------------------------------------------------------------------|---------------------|-----------------|
| TSPX_BS_26_ce        | ce value used in MO call and if the answer to TSPX_BS_26_T_NT is FALSE, the manufacturer must precise which mode is supported by the MS. default value : '00'B, transparent | BITSTRING[2]        |                 |
| TSPX_BS_26_sacp      | sacp value used in MO call. default value : '001'B, I440/450                                                                                                                | BITSTRING[3]        |                 |
| TSPX_BS_26_itc2      | other itc value supported by BS26, it shall be different from the previous one if the answer to TSPX_BS_26_more_itc is TRUE. default value : '010'B, 3.1kHz audio, exPLMN   | BITSTRING[3]        |                 |
| TSPX_BS_31_more_itc  | more than one itc value supported by BS31. default value : FALSE, only one itc                                                                                              | BOOLEAN             |                 |
| TSPX_BS_31_more_sacp | more than one sacp value supported by BS31. default value : FALSE, only one sacp                                                                                            | BOOLEAN             |                 |
| TSPX_BS_31_itc1      | itc value supported by BS31. default value : '001'B, UDI                                                                                                                    | BITSTRING[3]        |                 |
| TSPX_BS_31_sacp1     | sacp value supported by BS31. default value : '001'B, I440/450                                                                                                              | BITSTRING[3]        |                 |
| TSPX_BS_31_itc2      | other itc value supported by BS31, it shall be different from the previous one if the answer to TSPX_BS_31_more_itc is TRUE. default value : '001'B, UDI                    | BITSTRING[3]        |                 |
| TSPX_BS_31_sacp2     | other sacp value supported by BS31, it shall be different from the previous one if the answer to TSPX_BS_31_more_sacp is TRUE. default value : '001'B, I440/450             | BITSTRING[3]        |                 |
| TSPX_BS_32_itc1      | itc value supported by BS32. default value : '010'B, 3.1kHz audio, exPLMN                                                                                                   | BITSTRING[3]        |                 |
| TSPX_BS_32_more_itc  | more than one itc value supported by BS32. default value : FALSE, only one itc                                                                                              | BOOLEAN             |                 |
| TSPX_BS_32_more_sacp | more than one sacp value supported by BS32. default value : FALSE, only one sacp                                                                                            | BOOLEAN             |                 |
| TSPX_BS_32_sacp1     | sacp value supported by BS32. default value : '110'B, X.32                                                                                                                  | BITSTRING[3]        |                 |
| TSPX_BS_32_X32_T_NT  | BS 32 both T and NT supported for X32 3.1kHz. default value : FALSE, not support both transparent and non transparent modes                                                 | BOOLEAN             |                 |

| Item                 | Description                                                                                                                                                               | Type/Allowed values | Supported Value |
|----------------------|---------------------------------------------------------------------------------------------------------------------------------------------------------------------------|---------------------|-----------------|
| TSPX_BS_32_X32_ce    | if the answer to TSPX_BS_32_X32_T_NT is FALSE, the manufacturer must precise which mode is supported by the MS. default value : '01'B, non transparent                    | BITSTRING[2]        |                 |
| TSPX_BS_32_itc2      | other itc value supported by BS32, it shall be different from the previous one if the answer to TSPX_BS_32_more_itc is TRUE. default value : '010'B, 3.1kHz audio, exPLMN | BITSTRING[3]        |                 |
| TSPX_BS_32_sacp2     | other sacp value supported by BS32, it shall be different from the previous one if the answer to TSPX_BS_32_more_sacp is TRUE. default value : '110'B, X.32               | BITSTRING[3]        |                 |
| TSPX_BS_33_itc1      | itc value supported by BS33. default value : '001'B, UDI                                                                                                                  | BITSTRING[3]        |                 |
| TSPX_BS_33_more_itc  | more than one itc value supported by BS33. default value : FALSE, only one itc                                                                                            | BOOLEAN             |                 |
| TSPX_BS_33_more_sacp | more than one sacp value supported by BS33. default value : FALSE, only one sacp                                                                                          | BOOLEAN             |                 |
| TSPX_BS_33_sacp1     | sacp value supported by BS33. default value : '010'B, X.21                                                                                                                | BITSTRING[3]        |                 |
| TSPX_BS_33_X32_T_NT  | BS 33 both T and NT supported for X32 3.1kHz. default value : FALSE, not support both transparent and non transparent modes                                               | BOOLEAN             |                 |
| TSPX_BS_33_X32_ce    | if the answer to TSPX_BS_33_X32_T_NT is FALSE, the manufacturer must precise which mode is supported by the MS. default value : '00'B, transparent                        | BITSTRING[2]        |                 |
| TSPX_BS_33_itc2      | other itc value supported by BS32, it shall be different from the previous one if the answer to TSPX_BS_33_more_itc is TRUE. default value : '001'B, UDI                  | BITSTRING[3]        |                 |
| TSPX_BS_33_sacp2     | other sacp value supported by BS33, it shall be different from the previous one if the answer to TSPX_BS_33_more_sacp is TRUE. default value : '010'B, X.21               | BITSTRING[3]        |                 |
| TSPX_BS_34_itc1      | itc value supported by BS34. default value : '010'B, 3.1kHz audio, exPLMN                                                                                                 | BITSTRING[3]        |                 |

| Item                 | Description                                                                                                                                                               | Type/Allowed values | Supported Value |
|----------------------|---------------------------------------------------------------------------------------------------------------------------------------------------------------------------|---------------------|-----------------|
| TSPX_BS_34_more_itc  | more than one itc value supported by BS34. default value : FALSE, only one itc                                                                                            | BOOLEAN             |                 |
| TSPX_BS_34_more_sacp | more than one sacp value supported by BS34. default value : FALSE, only one sacp                                                                                          | BOOLEAN             |                 |
| TSPX_BS_34_sacp1     | sacp value supported by BS34. default value : '001'B, I440/450                                                                                                            | BITSTRING[3]        |                 |
| TSPX_BS_34_X32_T_NT  | BS 34 both T and NT supported for X32 3.1kHz. default value : FALSE, not support both transparent and non transparent modes                                               | BOOLEAN             |                 |
| TSPX_BS_34_X32_ce    | if the answer to TSPX_BS_34_X32_T_NT is FALSE, the manufacturer must precise which mode is supported by the MS. default value : '00'B, transparent                        | BITSTRING[2]        |                 |
| TSPX_BS_34_itc2      | other itc value supported by BS34, it shall be different from the previous one if the answer to TSPX_BS_34_more_itc is TRUE. default value : '010'B, 3.1kHz audio, exPLMN | BITSTRING[3]        |                 |
| TSPX_BS_34_sacp2     | other sacp value supported by BS34, it shall be different from the previous one if the answer to TSPX_BS_34_more_sacp is TRUE. default value : '001'B, I440/450           | BITSTRING[3]        |                 |
| TSPX_BS_41_T_NT      | BS41 both T and NT supported . default value : FALSE, not support both                                                                                                    | BOOLEAN             |                 |
| TSPX_BS_41_ce        | ce value used in BS41 MO call. default value : '00'B, transparent                                                                                                         | BITSTRING[2]        |                 |
| TSPX_BS_42_T_NT      | BS42 both T and NT supported . default value : FALSE, not support both transparent and non transparent modes                                                              | BOOLEAN             |                 |
| TSPX_BS_42_ce        | ce value used in BS42 MO call. default value : '010'B, non transparent                                                                                                    | BITSTRING[2]        |                 |
| TSPX_BS_43_T_NT      | BS43 both T and NT supported . default value : FALSE, not support both transparent and non transparent modes                                                              | BOOLEAN             |                 |
| TSPX_BS_43_ce        | ce value used in BS43 MO call. default value : '00'B, transparent                                                                                                         | BITSTRING[2]        |                 |

| Item                  | Description                                                                                                                                                                                            | Type/Allowed values | Supported Value |
|-----------------------|--------------------------------------------------------------------------------------------------------------------------------------------------------------------------------------------------------|---------------------|-----------------|
| TSPX_BS_44_T_NT       | BS44 both T and NT supported . default value : FALSE, not support both transparent and non transparent modes                                                                                           | BOOLEAN             |                 |
| TSPX_BS_44_ce         | ce value used in BS44 MO call. default value : '00'B, transparent                                                                                                                                      | BITSTRING[2]        |                 |
| TSPX_BS_45_T_NT       | BS45 both T and NT supported . default value : FALSE, not support both transparent and non transparent modes                                                                                           | BOOLEAN             |                 |
| TSPX_BS_45_ce         | ce value used in BS45 MO call. default value : '01'B, non transparent                                                                                                                                  | BITSTRING[2]        |                 |
| TSPX_BS_46_T_NT       | BS46 both T and NT supported . default value : FALSE, not support both transparent and non transparent modes                                                                                           | BOOLEAN             |                 |
| TSPX_BS_46_ce         | ce value used in BS46 MO call. default value : '00'B, transparent                                                                                                                                      | BITSTRING[2]        |                 |
| TSPX_BS_61_S          | synchronous data supported by BS 61 . default value : TRUE, synchronous mode                                                                                                                           | BOOLEAN             |                 |
| TSPX_BS_61_S_more_ur  | more than one user rate for synchronous data service supported by BS61. default value : FALSE, only one user rate                                                                                      | BOOLEAN             |                 |
| TSPX_BS_61_S_ur1      | user rate value supported for synchronous data service of BS61. default value : '0100'B, 4.8 kbit/s                                                                                                    | BITSTRING[4]        |                 |
| TSPX_BS_61_S_ur2      | another user rate value supported for synchronous data service of BS61. it shall be different from the previous one if the answer to TSPX_BS_61_S_more_ur is TRUE. default value : '0100'B, 4.8 kbit/s | BITSTRING[4]        |                 |
| TSPX_BS_61_A          | asynchronous data service supported by BS61 . default value : TRUE, asynchronous                                                                                                                       | BOOLEAN             |                 |
| TSPX_BS_61_A_ur1      | user rate value supported for asynchronous data service of BS61. default value : '0101'B, 9.6 kbit/s                                                                                                   | BITSTRING[4]        |                 |
| TSPX_BS_61_A_ur1_T_NT | both T and NT supported for the rate TSPX_BS_61_A_ur1 of BS61. default value : FALSE, not support both transparent and non transparent modes                                                           | BOOLEAN             |                 |



| Item                  | Description                                                                                                                                                                                             | Type/Allowed values | Supported Value |
|-----------------------|---------------------------------------------------------------------------------------------------------------------------------------------------------------------------------------------------------|---------------------|-----------------|
| TSPX_BS_61_A_ur1_ce   | if the answer to TSPX_BS_61_A_ur1_T_NT is FALSE, the manufacturer must precise which mode is supported by the MS. default value : '00'B, transparent                                                    | BITSTRING[2]        |                 |
| TSPX_BS_61_A_more_ur  | more than one user rate for asynchronous data service supported by BS61. default value : FALSE, only one user rate                                                                                      | BOOLEAN             |                 |
| TSPX_BS_61_A_ur2      | another user rate value supported for asynchronous data service of BS61. it shall be different from the previous one if the answer to TSPX_BS_61_A_more_ur is TRUE. default value : '0101'B, 9.6 kbit/s | BITSTRING[4]        |                 |
| TSPX_BS_61_A_ur2_T_NT | both T and NT supported for the rate TSPX_BS_61_A_ur2 of BS61. default value : FALSE, not support both transparent and non transparent modes                                                            | BOOLEAN             |                 |
| TSPX_BS_81_S          | synchronous data supported by BS 81. default value : TRUE, synchronous mode                                                                                                                             | BOOLEAN             |                 |
| TSPX_BS_81_S_more_ur  | more than one user rate for synchronous data service supported by BS81. default value : FALSE, only one user rate                                                                                       | BOOLEAN             |                 |
| TSPX_BS_81_S_ur1      | user rate value supported for synchronous data service of BS81. default value : '0101'B, 9.6 kbit/s                                                                                                     | BITSTRING[4]        |                 |
| TSPX_BS_81_S_ur2      | another user rate value supported for synchronous data service of BS81. it shall be different from the previous one if the answer to TSPX_BS_81_S_more_ur is TRUE. default value : '0101'B, 9.6 kbit/s  | BITSTRING[4]        |                 |
| TSPX_BS_81_A          | asynchronous data service supported by BS81. default value : TRUE, asynchronous mode                                                                                                                    | BOOLEAN             |                 |
| TSPX_BS_81_A_ur1      | user rate value supported for asynchronous data service of BS81. default value : '0100'B, 4.8 kbit/s                                                                                                    | BITSTRING[4]        |                 |
| TSPX_BS_81_A_ur1_T_NT | both T and NT supported for the rate TSPX_BS_81_A_ur1 of BS81. default value : FALSE, not support both transparent and non transparent modes                                                            | BOOLEAN             |                 |

| Item                  | Description                                                                                                                                                                                             | Type/Allowed values | Supported Value |
|-----------------------|---------------------------------------------------------------------------------------------------------------------------------------------------------------------------------------------------------|---------------------|-----------------|
| TSPX_BS_81_A_ur1_ce   | if the answer to TSPX_BS_81_A_ur1_T_NT is FALSE, the manufacturer must precise which mode is supported by the MS. default value : '01'B, non transparent                                                | BITSTRING[2]        |                 |
| TSPX_BS_81_A_more_ur  | more than one user rate for asynchronous data service supported by BS81. default value : FALSE, only one user rate                                                                                      | BOOLEAN             |                 |
| TSPX_BS_81_A_ur2      | another user rate value supported for asynchronous data service of BS81. it shall be different from the previous one if the answer to TSPX_BS_81_A_more_ur is TRUE. default value : '0100'B, 4.8 kbit/s | BITSTRING[4]        |                 |
| TSPX_BS_81_A_ur2_T_NT | both T and NT supported for the rate TSPX_BS_81_A_ur2 of BS81. default value : FALSE, not support both transparent and non transparent modes                                                            | BOOLEAN             |                 |
| TSPX_TS_61_T_NT       | both T and NT supported for TS61(fax). default value : FALSE, not support both transparent and non transparent modes                                                                                    | BOOLEAN             |                 |
| TSPX_TS_61_ce         | if the answer to TSPX_TS_61_T_NT is FALSE, the manufacturer must precise which mode is supported by the MS. default value : '01'B, non transparent                                                      | BITSTRING[2]        |                 |
| TSPX_TS_61_ur1        | user rate for TS61(fax). default value : '0101'B, 9.6 kbit/s                                                                                                                                            | BITSTRING[4]        |                 |
| TSPX_TS_61_more_ur    | more than one user rate supported for TS61. default value : FALSE, only one user rate                                                                                                                   | BOOLEAN             |                 |
| TSPX_TS_61_ur2        | another user rate for TS61, it shall be different from the previous one if the answer to TSPX_TS_61_more_ur is TRUE. default value : '0101'B, 9.6 kbit/s                                                | BITSTRING[4]        |                 |
| TSPX_TS_62_T_NT       | both T and NT supported for TS62. default value : FALSE, not support both transparent and non transparent modes                                                                                         | BOOLEAN             |                 |
| TSPX_TS_62_ce         | if the answer to TSPX_TS_62_T_NT is FALSE, the manufacturer must precise which mode is supported by the MS. default value : '00'B, transparent                                                          | BITSTRING[2]        |                 |
| TSPX_TS_62_ur1        | user rate for TS62. default value : '0100'B, 4.8 kbit/s                                                                                                                                                 | BITSTRING[4]        |                 |

| Item               | Description                                                                                                                                                                       | Type/Allowed values | Supported Value |
|--------------------|-----------------------------------------------------------------------------------------------------------------------------------------------------------------------------------|---------------------|-----------------|
| TSPX_TS_62_more_ur | more than one user rate supported by TS62. default value : FALSE, only one user rate                                                                                              | BOOLEAN             |                 |
| TSPX_TS_62_ur2     | another user rate for TS62, it shall be different from the previous one if the answer to TSPX_TS_62_more_ur is TRUE. default value : '0100'B, 4.8 kbit/s                          | BITSTRING[4]        |                 |
| TSPX_DTMF          | call control capabilities: value '1'B means MS supports DTMF                                                                                                                      | BITSTRING[1]        |                 |
| TSPX_modF          | any non signalling full rate channel mode for TC_26_6_4_1                                                                                                                         | BITSTRING[8]        |                 |
| TSPX_modH          | any non signalling half channel mode for TC_26_6_4_1                                                                                                                              | BITSTRING[8]        |                 |
| TSPX_anymod        | channel mode for TC_62_10_2_4_2. Any supported value except signalling and Full rate speech. possible values are '00000011'B' 12k data, '00001011'B 6k data, '0010011'B 3.6k data | BITSTRING[8]        |                 |
| TSPX_CKSNA         | cipher key sequence number                                                                                                                                                        | BITSTRING[3]        |                 |
| TSPX_CKSNB         | cipher key sequence number                                                                                                                                                        | BITSTRING[3]        |                 |
| TSPX_CKSNC         | cipher key sequence number                                                                                                                                                        | BITSTRING[3]        |                 |
| TSPX_CKSNDef       | default cipher key sequence number                                                                                                                                                | BITSTRING[3]        |                 |
| TSPX_RfPwrCap      | RF power capability                                                                                                                                                               | BITSTRING[3]        |                 |
| TSPX_RevLevel      | Revision level of classmark 1                                                                                                                                                     | BITSTRING[2]        |                 |
| TSPX_CiphAlgA5_1   | A5/1 algorithm: '1'B : available, '0'B: not available                                                                                                                             | BITSTRING[1]        |                 |
| TSPX_CiphAlgA5_2   | A5/2 algorithm: '1'B : available, '0'B: not available                                                                                                                             | BITSTRING[1]        |                 |
| TSPX_CiphAlgA5_3   | A5/3 algorithm: '1'B : available, '0'B: not available                                                                                                                             | BITSTRING[1]        |                 |
| TSPX_CiphAlgA5_4   | A5/4 algorithm: '1'B : available, '0'B: not available                                                                                                                             | BITSTRING[1]        |                 |
| TSPX_CiphAlgA5_5   | A5/5 algorithm: '1'B : available, '0'B: not available                                                                                                                             | BITSTRING[1]        |                 |
| TSPX_CiphAlgA5_6   | A5/6 algorithm: '1'B : available, '0'B: not available                                                                                                                             | BITSTRING[1]        |                 |
| TSPX_CiphAlgA5_7   | A5/7 algorithm: '1'B : available, '0'B: not available                                                                                                                             | BITSTRING[1]        |                 |
| TSPX_pSyncCap      | pseudo synchronisation capability, '0'B: not present '1'B: present                                                                                                                | BITSTRING[1]        |                 |
| TSPX_SSscrnInd     | SS screen indicator                                                                                                                                                               | BITSTRING[2]        |                 |

| Item                   | Description                                                                                              | Type/Allowed values | Supported Value |
|------------------------|----------------------------------------------------------------------------------------------------------|---------------------|-----------------|
| TSPX_SMCap             | short message capability, '0'B: not present '1'B: present                                                | BITSTRING[1]        |                 |
| TSPX_frqCap            | frequency capability. DCS: reserved, GSM: '0'B not support extension band, '1'B support extension band   | BITSTRING[1]        |                 |
| TSPX_ClsMk3            | classmark 3 indicator, '0'B no addition capability info, '1'B additional capability info in class mark 3 | BITSTRING[1]        |                 |
| TSPX_RfPwrCapAmp       | RF power capability with external RF amplifier                                                           | BITSTRING[3]        |                 |
| TSPX_DTMFInd           | DTMF indication to user supported                                                                        | BOOLEAN             |                 |
| TSPX_IMEI              | IMEI of the MS.                                                                                          | HEXSTRING           |                 |
| TSPX_IMEISV            | IMEISV of the MS.<br>Used in: TC_26_6_8_5,<br>TC_26_7_3_1                                                | HEXSTRING           |                 |
| TSPX_TC1M              | timer value for GSM timer TC1M (for SMS)                                                                 | INTEGER             |                 |
| TSPX_MaxCPDataRetx     | max. number of CP data retransmissions for SMS                                                           | INTEGER             |                 |
| TSPX_Telephony_Immconn | Immediate connect for telephony supported ?                                                              | BOOLEAN             |                 |
| TSPX_Uupd              | user-user protocol discriminator                                                                         | BITSTRING[8]        |                 |
| TSPX_UuInfo            | user-user information                                                                                    | OCTETSTRING         |                 |

### B.7.2 MMI information

How is the Accumulated Call Meter (ACM) on the SIM read ?

NOTE: Used in Operation OO\_ACMIncCHK and OO\_ACMReading.

How is the ACM on the SIM reset to zero, and ACMmax set to 2 units?

NOTE: Used in Operation OO\_ACMSetting.

How is power amplification added to the mobile and removed?

NOTE: Used in Operation OO\_AddPwrAmp and OO\_RemvPwrAmp.

What alerting indication is given by the mobile?

NOTE: Used in Operation OO\_AltIndCHK.

How is the called party number displayed on the mobile?

NOTE: Used in Operation OO\_CalledNumCHK and OO\_CalledPtyNumCHK.

How is a call placed on Hold?

NOTE: Used in Operation OO\_CallHold.

How is the presence of short messages checked in the mobile and how are they displayed?

NOTE: Used in Operation OO\_CheckAllSMPresentBut4th and OO\_CheckMessageDisplayed and OO\_DisplaySMAndSendReplySM and OO\_ReadSMAndRemove and OO\_RecallAndDisplaySM.

How is the presence of Cell Broadcast short messages in the mobile checked?

NOTE: Used in Operation OO\_CheckCBSMReceived.

How is it checked whether the memory capacity of the SIM has been exceeded?

NOTE: Used in Operation OO\_CheckMCEFOOnSIM and OO\_CheckMCEFOOnSIMUnset.

How and where is the SIM inserted and removed?

NOTE: Used in Operation OO\_ConnectSIMSimulator and OO\_SIMIns and OO\_SIM2Ins and OO\_SIM3Ins and OO\_SIMRmv.

Does the MS have an 'END' key? If not, what method is used to replace its function?

NOTE: Used in Operation OO\_DepressEndKey.

How is a number entered in order to make an outgoing call?

NOTE: Used in Operation OO\_DialCalledNum.

How is a reply to a received short message sent?

NOTE: Used in Operation OO\_DisplaySMAndSendReplySM.

How is it checked which DTMF character has been sent?

NOTE: Used in Operation OO\_DTMFIndCHK.

How is the message store of the MS emptied?

NOTE: Used in OO\_EmptyMessageStorage.

How is a password on the MS entered?

NOTE: Used in Operation OO\_EnterPswd.

How is an incoming call answered?

NOTE: Used in Operation OO\_HookOff.

For each service on the MS which requires the MS to be connected to an interface on other equipment (e.g. a computer), how is that interface set up for the purpose?

NOTE: Used in Operation OO\_IFsetup.

How is an In-Call modification initiated on the MS?

NOTE: Used in Operation OO\_InCallMod.

For each mobile originating basic service supported by the MS, how is the MS configured to make an outgoing call on that service?

NOTE: Used in Operation OO\_InitCall.

How is the MS to configured accept standard MMI sequences for the initiation of supplementary services?

NOTE: Used in Operation OO\_InitSS

How is the MS checked whether it is in the normal service state (idle, updated).

NOTE: Used in Operation OO\_InServiceCHK and OO\_PressKeyWhenInService.

How is a Multi-Party call initiated on the MS.

NOTE: Used in Operation OO\_MptyCall

How is the MS configured to store received Class 1 short messages in the mobile equipment (rather than in the SIM)?

NOTE: Used in Operation OO\_MSSetupStoreClass1SMInMEMemory.

How is the list of available PLMNs checked?

NOTE: Used in Operation OO\_PLMNsCHK.

How is the PLMN selection mode switched to automatic selection.

NOTE: Used in operation OO\_PLMNselModeAuto.

How is the PLMN selection mode switched to manual selection.

NOTE: Used in operation OO\_PLMNselModeMan.

How is the power source for the MS removed and replaced. (Note, this is not the same as switching the Mobile on and off using the on/off switch.)

NOTE: Used in operation OO\_PowerUp and OO\_PowerDown.

How is a short message removed from the message store?

NOTE: Used in operation OO\_ReadSMAndRemove.

When in manual PLMN selection mode, how is a PLMN selected?

NOTE: Used in OperationOO\_SelPLMN

How is a short message sent from the MS?

NOTE: Used in operation OO\_SendMOShortMessage.

How is an SMS COMMAND message sent to delete the last short message sent?

NOTE: Used in OO\_SendSMSCOMMANDDe.

How is an SMS COMMAND message sent enquiring about the last short message sent?

NOTE: Used in OO\_SendSMS\_COMMANDEnq

How is Call Refusal set on the MS?

NOTE: Used in Operation OO\_SetRefuseCall.

How is a DTMF digit sent?

NOTE: Used in operation OO\_ShortKeyDepr.



How is it checked whether a supplementary service result is correct?

NOTE: Used in Operation OO\_SSresultCHK

How is the MS switched on and off?

NOTE: Used in operation OO\_SwitchOn and OO\_SwitchOff.

How is a call cleared?

NOTE: Used in operation OO\_TermCall.

### B.7.3 Test house specified parameters

| Item            | Description                                                  | Type/Allowed values | Value chosen |
|-----------------|--------------------------------------------------------------|---------------------|--------------|
| TSPX_AltNb      | use alternative neighbour cells description. default : FALSE | BOOLEAN             |              |
| TSPX_CphAlgA    | any supported ciphering algorithm                            | OCTETSTRING [1]     |              |
| TSPX_CphAlgB    | ciphering algorithm supported                                | OCTETSTRING [1]     |              |
| TSPX_CphAlgC    | ciphering algorithm supported                                | OCTETSTRING [1]     |              |
| TSPX_CphAlgD    | ciphering algorithm supported                                | OCTETSTRING [1]     |              |
| TSPX_CphAlgE    | ciphering algorithm supported                                | OCTETSTRING [1]     |              |
| TSPX_CphAlgDef  | default ciphering algorithm                                  | OCTETSTRING [1]     |              |
| TSPX_NoOfHoAccA | number of handover access bursts, value range 10 - 20        | INTEGER             |              |
| TSPX_NoOfHoAccB | number of handover access bursts, value range 10 - 20        | INTEGER             |              |
| TSPX_NoOfHoAccC | number of handover access bursts, value range 10 - 20        | INTEGER             |              |
| TSPX_NoOfHoAccD | number of handover access bursts, value range 5 - 10         | INTEGER             |              |
| TSPX_NoOfHoAccE | number of handover access bursts, value range 5 - 10         | INTEGER             |              |
| TSPX_NoOfHoAccF | number of handover access bursts, value range 5 - 10         | INTEGER             |              |
| TSPX_NoOfHoAccG | number of handover access bursts, value range 2 - 5          | INTEGER             |              |
| TSPX_NoOfHoAccH | number of handover access bursts, value range 2 - 5          | INTEGER             |              |
| TSPX_NoOfHoAccI | number of handover access bursts, value range 2 - 5          | INTEGER             |              |

| Item              | Description                                            | Type/Allowed values | Value chosen |
|-------------------|--------------------------------------------------------|---------------------|--------------|
| TSPX_HoRefA       | Hand over reference, GSM 04.08, 10.5.2.15              | BITSTRING [8]       |              |
| TSPX_HoRefB       | Hand over reference, GSM 04.08, 10.5.2.15              | BITSTRING [8]       |              |
| TSPX_HoRefC       | Hand over reference, GSM 04.08, 10.5.2.15              | BITSTRING [8]       |              |
| TSPX_HoRefD       | Hand over reference, GSM 04.08, 10.5.2.15              | BITSTRING [8]       |              |
| TSPX_HoRefE       | Hand over reference, GSM 04.08, 10.5.2.15              | BITSTRING [8]       |              |
| TSPX_HoRefF       | Hand over reference, GSM 04.08, 10.5.2.15              | BITSTRING [8]       |              |
| TSPX_HoRefG       | Hand over reference, GSM 04.08, 10.5.2.15              | BITSTRING [8]       |              |
| TSPX_HoRefH       | Hand over reference, GSM 04.08, 10.5.2.15              | BITSTRING [8]       |              |
| TSPX_HoRefI       | Hand over reference, GSM 04.08, 10.5.2.15              | BITSTRING [8]       |              |
| TSPX_HoRefJ       | Hand over reference, GSM 04.08, 10.5.2.15              | BITSTRING [8]       |              |
| TSPX_HSN          | Hopping sequence number<br>value range: 0 - 63         | INTEGER             |              |
| TSPX_IMSI         | IMSI of the MS                                         | HEXSTRING           |              |
| TSPX_Ki           | default authentication key<br>used in testing          | BITSTRING           |              |
| TSPX_MAIO         | mobile allocation index offset,<br>value range: 0 - 63 | INTEGER             |              |
| TSPX_MaxRetrans   | Max-Retrans                                            | INTEGER             |              |
| TSPX_MSTxpwrMax   | maximum output power from<br>MS                        | 0..31               |              |
| TSPX_PwrlvIA      | power level, value between 2<br>to 15                  | INTEGER             |              |
| TSPX_PwrlvIB      | power level, value between 2<br>to 15                  | INTEGER             |              |
| TSPX_PwrlvIC      | power level, value between 2<br>to 15                  | INTEGER             |              |
| TSPX_PwrlvID      | power level, value between 2<br>to 15                  | INTEGER             |              |
| TSPX_RANDA        | challenge RAND                                         | BITSTRING [128]     |              |
| TSPX_RANDB        | challenge RAND                                         | BITSTRING [128]     |              |
| TSPX_RANDC        | challenge RAND                                         | BITSTRING [128]     |              |
| TSPX_RANDDef      | default challenge RAND                                 | BITSTRING [128]     |              |
| TSPX_SDCCH4SubA   | TDMA offset of SDCCH/4<br>subchannel                   | BITSTRING[2]        |              |
| TSPX_SDCCH4SubB   | TDMA offset of SDCCH/4<br>subchannel                   | BITSTRING[2]        |              |
| TSPX_SDCCH4SubC   | TDMA offset of SDCCH/4<br>subchannel                   | BITSTRING[2]        |              |
| TSPX_SDCCH4SubDef | TDMA offset of default<br>SDCCH/4 subchannel           | BITSTRING[2]        |              |

| Item                | Description                                                           | Type/Allowed values | Value chosen |
|---------------------|-----------------------------------------------------------------------|---------------------|--------------|
| TSPX_SDCCH8SubA     | TDMA offset of SDCCH/8 subchannel                                     | BITSTRING[3]        |              |
| TSPX_SDCCH8SubB     | TDMA offset of SDCCH/8 subchannel                                     | BITSTRING[3]        |              |
| TSPX_SDCCH8SubC     | TDMA offset of SDCCH/8 subchannel                                     | BITSTRING[3]        |              |
| TSPX_SDCCH8SubD     | TDMA offset of SDCCH/8 subchannel                                     | BITSTRING[3]        |              |
| TSPX_SDCCH8SubE     | TDMA offset of SDCCH/8 subchannel                                     | BITSTRING[3]        |              |
| TSPX_SDCCH8SubF     | TDMA offset of SDCCH/8 subchannel                                     | BITSTRING[3]        |              |
| TSPX_SDCCH8SubG     | TDMA offset of SDCCH/8 subchannel                                     | BITSTRING[3]        |              |
| TSPX_SDCCH8SubDef   | TDMA offset of default SDCCH/8 subchannel                             | BITSTRING[3]        |              |
| TSPX_TimadvA        | timing advance                                                        | INTEGER             |              |
| TSPX_TimadvB        | timing advance                                                        | INTEGER             |              |
| TSPX_TimadvC        | timing advance                                                        | INTEGER             |              |
| TSPX_TmSlitA        | time slot                                                             | BITSTRING [3]       |              |
| TSPX_TmSlitB        | time slot                                                             | BITSTRING [3]       |              |
| TSPX_TmSlitC        | time slot                                                             | BITSTRING [3]       |              |
| TSPX_TmSlitD        | time slot                                                             | BITSTRING [3]       |              |
| TSPX_TmSlitE        | time slot                                                             | BITSTRING [3]       |              |
| TSPX_TmSlitF        | time slot                                                             | BITSTRING [3]       |              |
| TSPX_TmSlitG        | time slot                                                             | BITSTRING [3]       |              |
| TSPX_TmSlitDef      | default time slot                                                     | BITSTRING [3]       |              |
| TSPX_TmSlitNotZero  | time slot, arbitrarily value, but not zero.                           | BITSTRING [3]       |              |
| TSPX_TmSlitNotZero1 | time slot, arbitrarily value, but not zero and not TSPX_TmSlitNotZero | BITSTRING [3]       |              |
| TSPX_Txint          | Tx-Integer                                                            | INTEGER             |              |
| TSPX_TscA           | training sequence code                                                | BITSTRING [3]       |              |
| TSPX_TscB           | training sequence code                                                | BITSTRING [3]       |              |
| TSPX_TscC           | training sequence code                                                | BITSTRING [3]       |              |
| TSPX_TscD           | training sequence code                                                | BITSTRING [3]       |              |
| TSPX_TscE           | training sequence code                                                | BITSTRING [3]       |              |
| TSPX_TscF           | training sequence code                                                | BITSTRING [3]       |              |

| Item                  | Description                                                                                                                                                                            | Type/Allowed values | Value chosen |
|-----------------------|----------------------------------------------------------------------------------------------------------------------------------------------------------------------------------------|---------------------|--------------|
| TSPX_TscG             | training sequence code                                                                                                                                                                 | BITSTRING [3]       |              |
| TSPX_TscDef           | default TSC                                                                                                                                                                            | BITSTRING [3]       |              |
| TSPX_T3122            | value of timer T3122,<br>HEXSTRING[2]                                                                                                                                                  | HEXSTRING [2]       |              |
| TSPX_TCHcarrierA_ho   | the value can be chosen arbitrarily from cell allocation of cell A (GSM), but not BCCH carrier .possible value is : 10, 17, 26, 34, 42, 45, 46, 52, 59, 66, 73, 74, 75, 76, 108, 114   | INTEGER             |              |
| TSPX_TCHcarrierA_hod  | the value can be chosen arbitrarily from cell allocation of cell A (DCS), but not BCCH carrier . possible value is : 734,741,754,759,762,766,767, 773,775,779,782,791,798,829, 832,844 | INTEGER             |              |
| TSPX_TCHcarrierB      | TCH and SDCCH channel frequency number of cell B (GSM)                                                                                                                                 | INTEGER             |              |
| TSPX_TCHcarrierBd     | TCH and SDCCH channel frequency number of cell B (DCS)                                                                                                                                 | INTEGER             |              |
| TSPX_TCHcarrierB_ho   | the value can be chosen arbitrarily from cell allocation of cell B (GSM), but not BCCH carrier . possibles value is : 14,18,22,24,30,31,38,60,66,73 ,74,75,76,108,114                  | INTEGER             |              |
| TSPX_TCHcarrierB_hod  | not BCCH carrier of cell B. the value can be chosen arbitrarily from cell allocation of cell B (DCS), which is (739,743,746,749,756,758,761 ,771,779,782,791,798,829,832 ,844)         | INTEGER             |              |
| TSPX_TCHcarrierB2_ho  | Chosen arbitrarily from cell allocation B for GSM HO cases, but not BCCH carrier!                                                                                                      | INTEGER             |              |
| TSPX_TCHcarrierB2_hod | Chosen arbitrarily from cell allocation B for DCS HO cases, but not BCCH carrier!                                                                                                      | INTEGER             |              |
| TSPX_TCHHSubA         | TDMA offset of half rate subchannel                                                                                                                                                    | BITSTRING[1]        |              |
| TSPX_TCHHSubDef       | TDMA offset of default half rate subchannel                                                                                                                                            | BITSTRING[1]        |              |
| TSPX_TMSI             | TMSI of the MS used in test                                                                                                                                                            | OCTETSTRING[4]      |              |
| TSPX_TMSI1            | another TMSI used in test which shall differ from TSPX_TMSI, TSPX_TMSI + '01'O TSPX_TMSI + '02'O TSPX_TMSI + '03'O                                                                     | OCTETSTRING[4]      |              |
| TSPX_k                | timing of cell A before cell B k bit periods for TC_26_6_5_4, TC_26_6_5_3.                                                                                                             | INTEGER             |              |

| Item           | Description                                                                                                                               | Type/Allowed values | Value chosen |
|----------------|-------------------------------------------------------------------------------------------------------------------------------------------|---------------------|--------------|
| TSPX_y         | timing advance for TC_26_6_5_4, TC_26_6_5_3. the values of TSPX_k and TSPX_y shall be $0 < (2 * TSPX_k + TSPX_y) \text{ MOD } 256 < 60$ . | INTEGER             |              |
| TSPX_k1        | timing of cell A before cell B k bit periods for TC_26_6_5_5                                                                              | INTEGER             |              |
| TSPX_k2        | timing of cell A before cell B k bit periods for TC_26_6_5_6                                                                              | INTEGER             |              |
| TSPX_y2        | timing advance for TC_26_6_5_6, value range : 11 - 62.                                                                                    | INTEGER             |              |
| TSPX_k3        | timing of cell A before cell B k bit periods for TC_26_6_5_7                                                                              | INTEGER             |              |
| TSPX_y3        | timing advance for TC_26_6_5_7                                                                                                            | INTEGER             |              |
| TSPX_nPara     | the n'th ChReq for TC_26_6_1_2, shall be choose to [1..8], MAXRETRANS for TC_26_6_1_2 is 7 (See 11.10 for more explanation).              | INTEGER             |              |
| TSPX_kPara     | the k'th ChReq for TC_26_6_1_2                                                                                                            | INTEGER             |              |
| TSPX_rPara     | the r'th ChReq for TC_26_6_1_2                                                                                                            | INTEGER             |              |
| TSPX_i1Para    | for TC_26_1_2                                                                                                                             | INTEGER             |              |
| TSPX_i2Para    | for TC_26_1_2                                                                                                                             | INTEGER             |              |
| TSPX_i3Para    | the r'th ChReq for TC_26_6_1_2                                                                                                            | INTEGER             |              |
| TSPX_n1Para    | the n'th ChReq for TC_26_6_1_3                                                                                                            | INTEGER             |              |
| TSPX_i4Para    | for TC_26_6_1_3                                                                                                                           | INTEGER             |              |
| TSPX_xPara     | t3122 for TC_26_6_1_3                                                                                                                     | INTEGER             |              |
| TSPX_AGBLKS1   | BS-AG-BLKS-RES for TC_26_6_2_3_1, TC_26_6_2_1_1                                                                                           | INTEGER             |              |
| TSPX_PAMFRMS1  | BS-PA-MFRMS for TC_26_6_2_3_1 (shall not be set to 9), TC_26_6_2_1_1                                                                      | INTEGER             |              |
| TSPX_CcchConf1 | paging subchannel for TC_26_6_2_3_1, TC_26_6_2_1_1                                                                                        | BITSTRING[3]        |              |
| TSPX_PgSubch   | paging subchannel for TC_26_6_2_3_1                                                                                                       | INTEGER             |              |
| TSPX_AGBLKS2   | BS-AG-BLKS-RES for TC_26_6_2_3_2, TC_26_6_2_1_2                                                                                           | INTEGER             |              |
| TSPX_PAMFRMS2  | BS-PA-MFRMS for TC_26_6_2_3_2, TC_26_6_2_1_2                                                                                              | INTEGER             |              |

| Item           | Description                                                                                                                                          | Type/Allowed values | Value chosen |
|----------------|------------------------------------------------------------------------------------------------------------------------------------------------------|---------------------|--------------|
| TSPX_CcchConf2 | paging subchannel for<br>TC_26_6_2_3_2,<br>TC_26_6_2_1_2                                                                                             | BITSTRING[3]        |              |
| TSPX_AGBLKS3   | BS-AG-BLKS-RES for<br>TC_26_6_2_4, TC_26_6_2_2,<br>TC_26_6_2_1_3                                                                                     | INTEGER             |              |
| TSPX_PAMFRMS3  | BS-PA-MFRMS for<br>TC_26_6_2_4, TC_26_6_2_2,<br>TC_26_6_2_1_3                                                                                        | INTEGER             |              |
| TSPX_CcchConf3 | paging subchannel for<br>TC_26_6_2_4, TC_26_6_2_2,<br>TC_26_6_2_1_3                                                                                  | BITSTRING[3]        |              |
| TSPX_AGBLKS4   | BS-AG-BLKS-RES for<br>TC_26_6_2_5                                                                                                                    | INTEGER             |              |
| TSPX_PAMFRMS4  | BS-PA-MFRMS for<br>TC_26_6_2_5                                                                                                                       | INTEGER             |              |
| TSPX_CcchConf4 | paging subchannel for<br>TC_26_6_2_5 (shall be in the<br>set ('010', '100', '110'))                                                                  | BITSTRING[3]        |              |
| TSPX_Chtp1     | channel type for<br>TC_26_6_13_1, any value<br>supported by the MS                                                                                   | BITSTRING[5]        |              |
| TSPX_ChMod1    | channel mode for<br>TC_26_6_13_1, any value for<br>the channel type of<br>TSPX_Chtp1                                                                 | BITSTRING[8]        |              |
| TSPX_Tm1       | a value to calculate the<br>starting time for<br>TC_26_6_13_1, value<br>between 60 -100                                                              | INTEGER             |              |
| TSPX_Maio1     | hopping parameter for<br>TC_26_6_13_1, its value<br>between 0 and (the number of<br>frequencies) -1, which is<br>defined in TSPX_Ma1, default<br>: 2 | INTEGER             |              |
| TSPX_Ma1       | mobile allocation for<br>TC_26_6_13_1, its value shall<br>indicate number of<br>frequencies between 1 and 17.<br>default : '010101'O                 | OCTETSTRING[3]      |              |
| TSPX_Hsn1      | hopping parameter for<br>TC_26_6_13_1. default: 1                                                                                                    | INTEGER             |              |
| TSPX_Maio2     | hopping parameter for<br>TC_26_6_13_1, its value<br>between 0 and (the number of<br>frequencies) -1, which is<br>defined in TSPX_Ma2, default<br>: 8 | INTEGER             |              |
| TSPX_Ma2       | mobile allocation for<br>TC_26_6_13_1, its value shall<br>indicate number of<br>frequencies between 1 and 17.<br>default : '01362A5'O                | OCTETSTRING[3]      |              |
| TSPX_Hsn2      | hopping parameter for<br>TC_26_6_13_1, default : 6                                                                                                   | INTEGER             |              |

| Item        | Description                                                                                                                            | Type/Allowed values | Value chosen |
|-------------|----------------------------------------------------------------------------------------------------------------------------------------|---------------------|--------------|
| TSPX_Maio3  | hopping parameter for TC_26_6_13_1, its value between 0 and (the number of frequencies) -1, which is defined in TSPX_Ma3, default : 14 | INTEGER             |              |
| TSPX_Ma3    | mobile allocation for TC_26_6_13_1, its value shall indicate number of frequencies between 1 and 17. default : '01FFFA'O               | OCTETSTRING[3]      |              |
| TSPX_Hsn3   | hopping parameter for TC_26_6_13_1, default : 0                                                                                        | INTEGER             |              |
| TSPX_Chtp2  | channel type for TC_26_6_13_2, any value supported by the MS                                                                           | BITSTRING[5]        |              |
| TSPX_ChMod2 | channel mode for TC_26_6_13_2                                                                                                          | BITSTRING[8]        |              |
| TSPX_Maio4  | hopping parameter for TC_26_6_13_2, its value between 0 and (the number of frequencies) -1, which is defined in TSPX_Ma4, default : 3  | INTEGER             |              |
| TSPX_Ma4    | mobile allocation for TC_26_6_13_2, its value shall indicate number of frequencies between 1 and 17. default : '001141'O               | OCTETSTRING[3]      |              |
| TSPX_Hsn4   | hopping parameter for TC_26_6_13_2, default : 0                                                                                        | INTEGER             |              |
| TSPX_Maio5  | hopping parameter for TC_26_6_13_2, its value between 0 and (the number of frequencies) -1, which is defined in TSPX_Ma5, default : 9  | INTEGER             |              |
| TSPX_Ma5    | mobile allocation for TC_26_6_13_2, its value shall indicate number of frequencies between 1 and 17. default : '01ABCB'O               | OCTETSTRING[3]      |              |
| TSPX_Hsn5   | hopping parameter for TC_26_6_13_2, default : 16                                                                                       | INTEGER             |              |
| TSPX_Chtp3  | channel type for TC_26_6_13_3, any value supported by the MS                                                                           | BITSTRING[5]        |              |
| TSPX_Maio6  | hopping parameter for TC_26_6_13_3, its value between 0 and (the number of frequencies) -1, which is defined in TSPX_Ma6, default : 4  | INTEGER             |              |
| TSPX_Ma6    | mobile allocation for TC_26_6_13_3, its value shall indicate number of frequencies between 1 and 17. default : '006248'O               | OCTETSTRING[3]      |              |
| TSPX_Hsn6   | hopping parameter for TC_26_6_13_3, default : 4                                                                                        | INTEGER             |              |

| Item        | Description                                                                                                                            | Type/Allowed values | Value chosen |
|-------------|----------------------------------------------------------------------------------------------------------------------------------------|---------------------|--------------|
| TSPX_Maio7  | hopping parameter for TC_26_6_13_3, its value between 0 and (the number of frequencies) -1, which is defined in TSPX_Ma7, default : 10 | INTEGER             |              |
| TSPX_Ma7    | mobile allocation for TC_26_6_13_3, its value shall indicate number of frequencies between 2 and 17. default : '009AFB'O               | OCTETSTRING[3]      |              |
| TSPX_Chtp4  | channel type for TC_26_6_13_3, any value supported by the MS                                                                           | BITSTRING[5]        |              |
| TSPX_Maio8  | hopping parameter for TC_26_6_13_3, its value between 0 and (the number of frequencies) -1, which is defined in TSPX_Ma8, default : 1  | INTEGER             |              |
| TSPX_Ma8    | mobile allocation for TC_26_6_13_3, its value shall indicate number of frequencies between 2 and 17. default : '002800'O               | OCTETSTRING[3]      |              |
| TSPX_Hsn8   | hopping parameter for TC_26_6_13_3, default : 40                                                                                       | INTEGER             |              |
| TSPX_Maio9  | hopping parameter for TC_26_6_13_3, its value between 0 and (the number of frequencies) -1, which is defined in TSPX_Ma9, default : 15 | INTEGER             |              |
| TSPX_Ma9    | mobile allocation for TC_26_6_13_3, its value shall indicate number of frequencies between 2 and 17. default : '01FFFB'O               | OCTETSTRING[3]      |              |
| TSPX_Hsn9   | hopping parameter for TC_26_6_13_3, default : 8                                                                                        | INTEGER             |              |
| TSPX_Chtp5  | channel type for TC_26_6_13_4                                                                                                          | BITSTRING[5]        |              |
| TSPX_Maio10 | hopping parameter for TC_26_6_13_4, its value between 0 and (the number of frequencies) -1, which is defined in TSPX_Ma10, default : 5 | INTEGER             |              |
| TSPX_Ma10   | mobile allocation for TC_26_6_13_4, its value shall indicate number of frequencies between 1 and 17. default : '01D082'O               | OCTETSTRING[3]      |              |
| TSPX_Hsn10  | hopping parameter for TC_26_6_13_4, default: 0                                                                                         | INTEGER             |              |



| Item        | Description                                                                                                                             | Type/Allowed values | Value chosen |
|-------------|-----------------------------------------------------------------------------------------------------------------------------------------|---------------------|--------------|
| TSPX_Maio11 | hopping parameter for TC_26_6_13_4, its value between 0 and (the number of frequencies) -1, which is defined in TSPX_Ma11, default : 11 | INTEGER             |              |
| TSPX_Ma11   | mobile allocation for TC_26_6_13_4, its value shall indicate number of frequencies between 2 and 17. default : '00CFF3'O                | OCTETSTRING[3]      |              |
| TSPX_Chtp6  | channel type for TC_26_6_13_4                                                                                                           | BITSTRING[5]        |              |
| TSPX_Maio12 | hopping parameter for TC_26_6_13_4, its value between 0 and (the number of frequencies) -1, which is defined in TSPX_Ma12, default : 1  | INTEGER             |              |
| TSPX_Ma12   | mobile allocation for TC_26_6_13_4, its value shall indicate number of frequencies between 1 and 17. default : '010100'O                | OCTETSTRING[3]      |              |
| TSPX_Hsn12  | hopping parameter for TC_26_6_13_4, default : 39                                                                                        | INTEGER             |              |
| TSPX_Maio13 | hopping parameter for TC_26_6_13_4, its value between 0 and (the number of frequencies) -1, which is defined in TSPX_Ma13, default : 6  | INTEGER             |              |
| TSPX_Ma13   | mobile allocation for TC_26_6_13_4, its value shall indicate number of frequencies between 1 and 17. default : '00E690'O                | OCTETSTRING[3]      |              |
| TSPX_Hsn13  | hopping parameter for TC_26_6_13_4, default: 42                                                                                         | INTEGER             |              |
| TSPX_Chtp7  | channel type for TC_26_6_13_5                                                                                                           | BITSTRING[5]        |              |
| TSPX_ChMod4 | channel mode for TC_26_6_13_5                                                                                                           | BITSTRING[8]        |              |
| TSPX_Tm2    | a value to calculate the starting time for TC_26_6_13_5, value between 60 -100                                                          | INTEGER             |              |
| TSPX_Maio14 | hopping parameter for TC_26_6_13_5, its value between 0 and (the number of frequencies) -1, which is defined in TSPX_Ma14, default : 5  | INTEGER             |              |
| TSPX_Ma14   | mobile allocation for TC_26_6_13_5, its value shall indicate number of frequencies between 1 and 17. default : '014A28'O                | OCTETSTRING[3]      |              |
| TSPX_Hsn14  | hopping parameter for TC_26_6_13_5, default : 50                                                                                        | INTEGER             |              |

| Item        | Description                                                                                                                             | Type/Allowed values | Value chosen |
|-------------|-----------------------------------------------------------------------------------------------------------------------------------------|---------------------|--------------|
| TSPX_Maio15 | hopping parameter for TC_26_6_13_5, its value between 0 and (the number of frequencies) -1, which is defined in TSPX_Ma15, default : 12 | INTEGER             |              |
| TSPX_Ma15   | mobile allocation for TC_26_6_13_5, its value shall indicate number of frequencies between 1 and 16. default : '00FF79'O                | OCTETSTRING[3]      |              |
| TSPX_Hsn15  | hopping parameter for TC_26_6_13_5, default : 33                                                                                        | INTEGER             |              |
| TSPX_Maio16 | hopping parameter for TC_26_6_13_5, its value between 0 and (the number of frequencies) -1, which is defined in TSPX_Ma16, default : 2  | INTEGER             |              |
| TSPX_Ma16   | mobile allocation for TC_26_6_13_5, its value shall indicate number of frequencies between 1 and 16. default : '001110'O                | OCTETSTRING[3]      |              |
| TSPX_Hsn16  | hopping parameter for TC_26_6_13_5, default : 21                                                                                        | INTEGER             |              |
| TSPX_Chtp8  | channel type for TC_26_6_13_6                                                                                                           | BITSTRING[5]        |              |
| TSPX_ChMod5 | channel mode for TC_26_6_13_6                                                                                                           | BITSTRING[8]        |              |
| TSPX_Maio17 | hopping parameter for TC_26_6_13_6, its value between 0 and (the number of frequencies) -1, which is defined in TSPX_Ma17, default : 7  | INTEGER             |              |
| TSPX_Ma17   | mobile allocation for TC_26_6_13_6, its value shall indicate number of frequencies between 1 and 17. default : '00E6A1'O                | OCTETSTRING[3]      |              |
| TSPX_Hsn17  | hopping parameter for TC_26_6_13_6, default : 22                                                                                        | INTEGER             |              |
| TSPX_Maio18 | hopping parameter for TC_26_6_13_6, its value between 0 and (the number of frequencies) -1, which is defined in TSPX_Ma18, default : 13 | INTEGER             |              |
| TSPX_Ma18   | mobile allocation for TC_26_6_13_6, its value shall indicate number of frequencies between 1 and 16. default : '00FFF9'O                | OCTETSTRING[3]      |              |
| TSPX_Hsn18  | hopping parameter for TC_26_6_13_6, default : 9                                                                                         | INTEGER             |              |

| Item        | Description                                                                                                                             | Type/Allowed values | Value chosen |
|-------------|-----------------------------------------------------------------------------------------------------------------------------------------|---------------------|--------------|
| TSPX_Maio19 | hopping parameter for TC_26_6_13_6, its value between 0 and (the number of frequencies) -1, which is defined in TSPX_Ma19, default : 3  | INTEGER             |              |
| TSPX_Ma19   | mobile allocation for TC_26_6_13_6, its value shall indicate number of frequencies between 1 and 16. default : '001111'O                | OCTETSTRING[3]      |              |
| TSPX_Hsn19  | hopping parameter for TC_26_6_13_6, default : 44                                                                                        | INTEGER             |              |
| TSPX_Chtp9  | channel type for TC_26_6_13_7                                                                                                           | BITSTRING[5]        |              |
| TSPX_ChMod6 | channel mode for TC_26_6_13_7                                                                                                           | BITSTRING[8]        |              |
| TSPX_Maio20 | hopping parameter for TC_26_6_13_7, its value between 0 and (the number of frequencies) -1, which is defined in TSPX_Ma20, default : 8  | INTEGER             |              |
| TSPX_Ma20   | mobile allocation for TC_26_6_13_7, its value shall indicate number of frequencies between 1 and 17. default : '016699'O                | OCTETSTRING[3]      |              |
| TSPX_Hsn20  | hopping parameter for TC_26_6_13_7, default : 30                                                                                        | INTEGER             |              |
| TSPX_Maio21 | hopping parameter for TC_26_6_13_7, its value between 0 and (the number of frequencies) -1, which is defined in TSPX_Ma21, default : 14 | INTEGER             |              |
| TSPX_Ma21   | mobile allocation for TC_26_6_13_7, its value shall indicate number of frequencies between 1 and 17. default : '01FEFB'O                | OCTETSTRING[3]      |              |
| TSPX_Chtp10 | channel type for TC_26_6_13_7                                                                                                           | BITSTRING[5]        |              |
| TSPX_Maio22 | hopping parameter for TC_26_6_13_7, its value between 0 and (the number of frequencies) -1, which is defined in TSPX_Ma22, default : 4  | INTEGER             |              |
| TSPX_Ma22   | mobile allocation for TC_26_6_13_7, its value shall indicate number of frequencies between 1 and 16. default : '006241'O                | OCTETSTRING[3]      |              |
| TSPX_Hsn22  | hopping parameter for TC_26_6_13_7, default : 11                                                                                        | INTEGER             |              |

| Item        | Description                                                                                                                             | Type/Allowed values | Value chosen |
|-------------|-----------------------------------------------------------------------------------------------------------------------------------------|---------------------|--------------|
| TSPX_Maio23 | hopping parameter for TC_26_6_13_7, its value between 0 and (the number of frequencies) -1, which is defined in TSPX_Ma23, default : 11 | INTEGER             |              |
| TSPX_Ma23   | mobile allocation for TC_26_6_13_7, its value shall indicate number of frequencies between 1 and 16. default : '00FF1B'O                | OCTETSTRING[3]      |              |
| TSPX_Hsn23  | hopping parameter for TC_26_6_13_7, default : 60                                                                                        | INTEGER             |              |
| TSPX_Chtp11 | channel type for TC_26_6_13_8                                                                                                           | BITSTRING[5]        |              |
| TSPX_ChMod7 | channel mode for TC_26_6_13_8                                                                                                           | BITSTRING[8]        |              |
| TSPX_Maio24 | hopping parameter for TC_26_6_13_8, its value between 0 and (the number of frequencies) -1, which is defined in TSPX_Ma24, default : 9  | INTEGER             |              |
| TSPX_Ma24   | mobile allocation for TC_26_6_13_8, its value shall indicate number of frequencies between 1 and 17. default : '00E6E9'O                | OCTETSTRING[3]      |              |
| TSPX_Hsn24  | hopping parameter for TC_26_6_13_8, default : 7                                                                                         | INTEGER             |              |
| TSPX_Maio25 | hopping parameter for TC_26_6_13_8, its value between 0 and (the number of frequencies) -1, which is defined in TSPX_Ma25, default : 15 | INTEGER             |              |
| TSPX_Ma25   | mobile allocation for TC_26_6_13_8, its value shall indicate number of frequencies between 1 and 17. default : '01FFFB'O                | OCTETSTRING[3]      |              |
| TSPX_Chtp12 | channel type for TC_26_6_13_8                                                                                                           | BITSTRING[5]        |              |
| TSPX_Maio26 | hopping parameter for TC_26_6_13_8, its value between 0 and (the number of frequencies) -1, which is defined in TSPX_Ma26, default : 5  | INTEGER             |              |
| TSPX_Ma26   | mobile allocation for TC_26_6_13_8, its value shall indicate number of frequencies between 1 and 16. default : '009168'O                | OCTETSTRING[3]      |              |
| TSPX_Hsn26  | hopping parameter for TC_26_6_13_8, default : 9                                                                                         | INTEGER             |              |

| Item        | Description                                                                                                                              | Type/Allowed values | Value chosen |
|-------------|------------------------------------------------------------------------------------------------------------------------------------------|---------------------|--------------|
| TSPX_Maio27 | hopping parameter for TC_26_6_13_8, its value between 0 and (the number of frequencies) -1, which is defined in TSPX_Ma27, default : 1   | INTEGER             |              |
| TSPX_Ma27   | mobile allocation for TC_26_6_13_8, its value shall indicate number of frequencies between 1 and 16. default : '004080'O                 | OCTETSTRING[3]      |              |
| TSPX_Hsn27  | hopping parameter for TC_26_6_13_8, default : 38                                                                                         | INTEGER             |              |
| TSPX_Chtp13 | channel type for TC_26_6_13_9                                                                                                            | BITSTRING[5]        |              |
| TSPX_Tm3    | channel mode for TC_26_6_13_9, value between 60 -100                                                                                     | INTEGER             |              |
| TSPX_Maio28 | hopping parameter for TC_26_6_13_9, its value between 0 and (the number of frequencies) -1, which is defined in TSPX_Ma28, default : 10  | INTEGER             |              |
| TSPX_Ma28   | mobile allocation for TC_26_6_13_9, its value shall indicate number of frequencies between 1 and 17. default : '00EE7A'O                 | OCTETSTRING[3]      |              |
| TSPX_Hsn28  | hopping parameter for TC_26_6_13_9, default : 11                                                                                         | INTEGER             |              |
| TSPX_Maio29 | hopping parameter for TC_26_6_13_9, its value between 0 and (the number of frequencies) -1, which is defined in TSPX_Ma29, default : 6   | INTEGER             |              |
| TSPX_Ma29   | mobile allocation for TC_26_6_13_9, its value shall indicate number of frequencies between 1 and 17. default : '00F070'O                 | OCTETSTRING[3]      |              |
| TSPX_Chtp14 | channel type for TC_26_6_13_10                                                                                                           | BITSTRING[5]        |              |
| TSPX_Maio30 | hopping parameter for TC_26_6_13_10, its value between 0 and (the number of frequencies) -1, which is defined in TSPX_Ma30, default : 11 | INTEGER             |              |
| TSPX_Ma30   | mobile allocation for TC_26_6_13_10, its value shall indicate number of frequencies between 1 and 17. default : '017F69'O                | OCTETSTRING[3]      |              |
| TSPX_Hsn30  | hopping parameter for TC_26_6_13_10, default : 62                                                                                        | INTEGER             |              |

| Item           | Description                                                                                                                             | Type/Allowed values                                                                                                                                                                                                                                                                                                                                                                      | Value chosen |
|----------------|-----------------------------------------------------------------------------------------------------------------------------------------|------------------------------------------------------------------------------------------------------------------------------------------------------------------------------------------------------------------------------------------------------------------------------------------------------------------------------------------------------------------------------------------|--------------|
| TSPX_Maio31    | hopping parameter for TC_26_6_13_10, its value between 0 and (the number of frequencies) -1, which is defined in TSPX_Ma31, default : 1 | INTEGER                                                                                                                                                                                                                                                                                                                                                                                  |              |
| TSPX_Ma31      | mobile allocation for TC_26_6_13_10, its value shall indicate number of frequencies between 1 and 17. default : '000101'O               | OCTETSTRING[3]                                                                                                                                                                                                                                                                                                                                                                           |              |
| TSPX_MOBscSvcA | any supported MO basic service                                                                                                          | "C_Telephony",<br>"C_EmgCallSRV",<br>"C_AltSpchG3",<br>"C_AutoG3",<br>"C_300cda",<br>"C_1200cda",<br>"C_120075cda",<br>"C_2400cda",<br>"C_4800cda",<br>"C_2400cda",<br>"C_4800cda",<br>"C_4800cda",<br>"C_PAD300",<br>"C_PAD1200",<br>"C_PAD120075",<br>"C_PAD2400",<br>"C_PAD4800",<br>"C_PAD9600",<br>"C_Pkt2400",<br>"C_Pkt4800",<br>"C_Pkt9600",<br>"C_AltSpchData",<br>"C_SpchData" |              |
| TSPX_MOBscSvcB | any supported MO basic service                                                                                                          | "C_Telephony",<br>"C_EmgCallSRV",<br>"C_AltSpchG3",<br>"C_AutoG3",<br>"C_300cda",<br>"C_1200cda",<br>"C_120075cda",<br>"C_2400cda",<br>"C_4800cda",<br>"C_2400cda",<br>"C_4800cda",<br>"C_4800cda",<br>"C_PAD300",<br>"C_PAD1200",<br>"C_PAD120075",<br>"C_PAD2400",<br>"C_PAD4800",<br>"C_PAD9600",<br>"C_Pkt2400",<br>"C_Pkt4800",<br>"C_Pkt9600",<br>"C_AltSpchData",<br>"C_SpchData" |              |











| Item               | Description                        | Type/Allowed values                                                                                                                                                                                                                                                                                                                                                                                      | Value chosen |
|--------------------|------------------------------------|----------------------------------------------------------------------------------------------------------------------------------------------------------------------------------------------------------------------------------------------------------------------------------------------------------------------------------------------------------------------------------------------------------|--------------|
| TSPX_MT_DualModSvc | any supported MT dual mode service | "C_Telephony",<br>"C_EmgCallSRV",<br>"C_AltSpchG3",<br>"C_AutoG3",<br>"C_300cda",<br>"C_1200cda",<br>"C_120075cda",<br>"C_2400cda",<br>"C_4800cda",<br>"C_2400cda",<br>"C_4800cda",<br>"C_2400cda",<br>"C_4800cda",<br>"C_PAD300",<br>"C_PAD1200",<br>"C_PAD120075",<br>"C_PAD2400",<br>"C_PAD4800",<br>"C_PAD9600",<br>"C_Pkt2400",<br>"C_Pkt4800",<br>"C_Pkt9600",<br>"C_AltSpchData",<br>"C_SpchData" |              |
| TSPX_MT_NonSptSvc  | any not supported MT basic service | "C_Telephony",<br>"C_EmgCallSRV",<br>"C_AltSpchG3",<br>"C_AutoG3",<br>"C_300cda",<br>"C_1200cda",<br>"C_120075cda",<br>"C_2400cda",<br>"C_4800cda",<br>"C_2400cda",<br>"C_4800cda",<br>"C_2400cda",<br>"C_4800cda",<br>"C_PAD300",<br>"C_PAD1200",<br>"C_PAD120075",<br>"C_PAD2400",<br>"C_PAD4800",<br>"C_PAD9600",<br>"C_Pkt2400",<br>"C_Pkt4800",<br>"C_Pkt9600",<br>"C_AltSpchData",<br>"C_SpchData" |              |

| Item           | Description                    | Type/Allowed values                                                                                                                                                                                                                                                                                                                                                      | Value chosen |
|----------------|--------------------------------|--------------------------------------------------------------------------------------------------------------------------------------------------------------------------------------------------------------------------------------------------------------------------------------------------------------------------------------------------------------------------|--------------|
| TSPX_MTBscSvcA | any supported MT basic service | "C_Telephony",<br>"C_EmgCallSRV",<br>"C_AltSpchG3",<br>"C_AutoG3",<br>"C_300cda",<br>"C_1200cda",<br>"C_120075cda",<br>"C_2400cda",<br>"C_4800cda",<br>"C_2400cds",<br>"C_4800cds",<br>"C_PAD300",<br>"C_PAD1200",<br>"C_PAD120075",<br>"C_PAD2400",<br>"C_PAD4800",<br>"C_PAD9600",<br>"C_Pkt2400",<br>"C_Pkt4800",<br>"C_Pkt9600",<br>"C_AltSpchData",<br>"C_SpchData" |              |
| TSPX_MTBscSvcB | any supported MT basic service | "C_Telephony",<br>"C_EmgCallSRV",<br>"C_AltSpchG3",<br>"C_AutoG3",<br>"C_300cda",<br>"C_1200cda",<br>"C_120075cda",<br>"C_2400cda",<br>"C_4800cda",<br>"C_2400cds",<br>"C_4800cds",<br>"C_PAD300",<br>"C_PAD1200",<br>"C_PAD120075",<br>"C_PAD2400",<br>"C_PAD4800",<br>"C_PAD9600",<br>"C_Pkt2400",<br>"C_Pkt4800",<br>"C_Pkt9600",<br>"C_AltSpchData",<br>"C_SpchData" |              |



| Item           | Description                    | Type/Allowed values                                                                                                                                                                                                                                                                                                                                                      | Value chosen |
|----------------|--------------------------------|--------------------------------------------------------------------------------------------------------------------------------------------------------------------------------------------------------------------------------------------------------------------------------------------------------------------------------------------------------------------------|--------------|
| TSPX_MTBscSvcE | any supported MT basic service | "C_Telephony",<br>"C_EmgCallSRV",<br>"C_AltSpchG3",<br>"C_AutoG3",<br>"C_300cda",<br>"C_1200cda",<br>"C_120075cda",<br>"C_2400cda",<br>"C_4800cda",<br>"C_2400cds",<br>"C_4800cds",<br>"C_PAD300",<br>"C_PAD1200",<br>"C_PAD120075",<br>"C_PAD2400",<br>"C_PAD4800",<br>"C_PAD9600",<br>"C_Pkt2400",<br>"C_Pkt4800",<br>"C_Pkt9600",<br>"C_AltSpchData",<br>"C_SpchData" |              |
| TSPX_MTBscSvcF | any supported MT basic service | "C_Telephony",<br>"C_EmgCallSRV",<br>"C_AltSpchG3",<br>"C_AutoG3",<br>"C_300cda",<br>"C_1200cda",<br>"C_120075cda",<br>"C_2400cda",<br>"C_4800cda",<br>"C_2400cds",<br>"C_4800cds",<br>"C_PAD300",<br>"C_PAD1200",<br>"C_PAD120075",<br>"C_PAD2400",<br>"C_PAD4800",<br>"C_PAD9600",<br>"C_Pkt2400",<br>"C_Pkt4800",<br>"C_Pkt9600",<br>"C_AltSpchData",<br>"C_SpchData" |              |



| Item           | Description                    | Type/Allowed values                                                                                                                                                                                                                                                                                                                                                      | Value chosen |
|----------------|--------------------------------|--------------------------------------------------------------------------------------------------------------------------------------------------------------------------------------------------------------------------------------------------------------------------------------------------------------------------------------------------------------------------|--------------|
| TSPX_MTBscSvcI | any supported MT basic service | "C_Telephony",<br>"C_EmgCallSRV",<br>"C_AltSpchG3",<br>"C_AutoG3",<br>"C_300cda",<br>"C_1200cda",<br>"C_120075cda",<br>"C_2400cda",<br>"C_4800cda",<br>"C_2400cds",<br>"C_4800cds",<br>"C_PAD300",<br>"C_PAD1200",<br>"C_PAD120075",<br>"C_PAD2400",<br>"C_PAD4800",<br>"C_PAD9600",<br>"C_Pkt2400",<br>"C_Pkt4800",<br>"C_Pkt9600",<br>"C_AltSpchData",<br>"C_SpchData" |              |
| TSPX_MTBscSvcJ | any supported MT basic service | "C_Telephony",<br>"C_EmgCallSRV",<br>"C_AltSpchG3",<br>"C_AutoG3",<br>"C_300cda",<br>"C_1200cda",<br>"C_120075cda",<br>"C_2400cda",<br>"C_4800cda",<br>"C_2400cds",<br>"C_4800cds",<br>"C_PAD300",<br>"C_PAD1200",<br>"C_PAD120075",<br>"C_PAD2400",<br>"C_PAD4800",<br>"C_PAD9600",<br>"C_Pkt2400",<br>"C_Pkt4800",<br>"C_Pkt9600",<br>"C_AltSpchData",<br>"C_SpchData" |              |





| Item               | Description                                                 | Type/Allowed values                                                                                                                                                                                                                                                                                                                                                      | Value chosen |
|--------------------|-------------------------------------------------------------|--------------------------------------------------------------------------------------------------------------------------------------------------------------------------------------------------------------------------------------------------------------------------------------------------------------------------------------------------------------------------|--------------|
| TSPX_MTNIC_BscSvcC | any supported MT basic service without immediate connection | "C_Telephony",<br>"C_EmgCallSRV",<br>"C_AltSpchG3",<br>"C_AutoG3",<br>"C_300cda",<br>"C_1200cda",<br>"C_120075cda",<br>"C_2400cda",<br>"C_4800cda",<br>"C_2400cds",<br>"C_4800cds",<br>"C_PAD300",<br>"C_PAD1200",<br>"C_PAD120075",<br>"C_PAD2400",<br>"C_PAD4800",<br>"C_PAD9600",<br>"C_Pkt2400",<br>"C_Pkt4800",<br>"C_Pkt9600",<br>"C_AltSpchData",<br>"C_SpchData" |              |
| TSPX_MTNIC_BscSvcD | any supported MT basic service without immediate connection | "C_Telephony",<br>"C_EmgCallSRV",<br>"C_AltSpchG3",<br>"C_AutoG3",<br>"C_300cda",<br>"C_1200cda",<br>"C_120075cda",<br>"C_2400cda",<br>"C_4800cda",<br>"C_2400cds",<br>"C_4800cds",<br>"C_PAD300",<br>"C_PAD1200",<br>"C_PAD120075",<br>"C_PAD2400",<br>"C_PAD4800",<br>"C_PAD9600",<br>"C_Pkt2400",<br>"C_Pkt4800",<br>"C_Pkt9600",<br>"C_AltSpchData",<br>"C_SpchData" |              |

| Item               | Description                                                 | Type/Allowed values                                                                                                                                                                                                                                                                                                                                                                                      | Value chosen |
|--------------------|-------------------------------------------------------------|----------------------------------------------------------------------------------------------------------------------------------------------------------------------------------------------------------------------------------------------------------------------------------------------------------------------------------------------------------------------------------------------------------|--------------|
| TSPX_MTNIC_BscSvcE | any supported MT basic service without immediate connection | "C_Telephony",<br>"C_EmgCallSRV",<br>"C_AltSpchG3",<br>"C_AutoG3",<br>"C_300cda",<br>"C_1200cda",<br>"C_120075cda",<br>"C_2400cda",<br>"C_4800cda",<br>"C_2400cda",<br>"C_4800cda",<br>"C_2400cda",<br>"C_4800cda",<br>"C_PAD300",<br>"C_PAD1200",<br>"C_PAD120075",<br>"C_PAD2400",<br>"C_PAD4800",<br>"C_PAD9600",<br>"C_Pkt2400",<br>"C_Pkt4800",<br>"C_Pkt9600",<br>"C_AltSpchData",<br>"C_SpchData" |              |
| TSPX_MTNIC_BscSvcF | any supported MT basic service without immediate connection | "C_Telephony",<br>"C_EmgCallSRV",<br>"C_AltSpchG3",<br>"C_AutoG3",<br>"C_300cda",<br>"C_1200cda",<br>"C_120075cda",<br>"C_2400cda",<br>"C_4800cda",<br>"C_2400cda",<br>"C_4800cda",<br>"C_2400cda",<br>"C_4800cda",<br>"C_PAD300",<br>"C_PAD1200",<br>"C_PAD120075",<br>"C_PAD2400",<br>"C_PAD4800",<br>"C_PAD9600",<br>"C_Pkt2400",<br>"C_Pkt4800",<br>"C_Pkt9600",<br>"C_AltSpchData",<br>"C_SpchData" |              |



| Item                | Description                                                 | Type/Allowed values                                                                                                                                                                                                                                                                                                                                                                                      | Value chosen |
|---------------------|-------------------------------------------------------------|----------------------------------------------------------------------------------------------------------------------------------------------------------------------------------------------------------------------------------------------------------------------------------------------------------------------------------------------------------------------------------------------------------|--------------|
| TSPX_MTNIC_BscSvcI  | any supported MT basic service without immediate connection | "C_Telephony",<br>"C_EmgCallSRV",<br>"C_AltSpchG3",<br>"C_AutoG3",<br>"C_300cda",<br>"C_1200cda",<br>"C_120075cda",<br>"C_2400cda",<br>"C_4800cda",<br>"C_2400cda",<br>"C_4800cda",<br>"C_2400cda",<br>"C_4800cda",<br>"C_PAD300",<br>"C_PAD1200",<br>"C_PAD120075",<br>"C_PAD2400",<br>"C_PAD4800",<br>"C_PAD9600",<br>"C_Pkt2400",<br>"C_Pkt4800",<br>"C_Pkt9600",<br>"C_AltSpchData",<br>"C_SpchData" |              |
| TSPX_MTNIC_BscSvcJ  | any supported MT basic service without immediate connection | "C_Telephony",<br>"C_EmgCallSRV",<br>"C_AltSpchG3",<br>"C_AutoG3",<br>"C_300cda",<br>"C_1200cda",<br>"C_120075cda",<br>"C_2400cda",<br>"C_4800cda",<br>"C_2400cda",<br>"C_4800cda",<br>"C_2400cda",<br>"C_4800cda",<br>"C_PAD300",<br>"C_PAD1200",<br>"C_PAD120075",<br>"C_PAD2400",<br>"C_PAD4800",<br>"C_PAD9600",<br>"C_Pkt2400",<br>"C_Pkt4800",<br>"C_Pkt9600",<br>"C_AltSpchData",<br>"C_SpchData" |              |
| TSPX_Telephony_Rate | channel rate for TS11, default value : C_Full               | "F", "H"                                                                                                                                                                                                                                                                                                                                                                                                 |              |
| TSPX_MOChRateA      | channel rate for TSPX_MOBscSvcA, default value : C_Full     | "F", "H"                                                                                                                                                                                                                                                                                                                                                                                                 |              |
| TSPX_MOChRateB      | channel rate for TSPX_MOBscSvcB, default value : C_Full     | "F", "H"                                                                                                                                                                                                                                                                                                                                                                                                 |              |
| TSPX_MOChRateC      | channel rate for TSPX_MOBscSvcC, default value : C_Full     | "F", "H"                                                                                                                                                                                                                                                                                                                                                                                                 |              |
| TSPX_MOChRateD      | channel rate for TSPX_MOBscSvcD, default value : C_Full     | "F", "H"                                                                                                                                                                                                                                                                                                                                                                                                 |              |
| TSPX_MOChRateE      | channel rate for TSPX_MOBscSvcE, default value : C_Full     | "F", "H"                                                                                                                                                                                                                                                                                                                                                                                                 |              |

| Item               | Description                                                 | Type/Allowed values | Value chosen |
|--------------------|-------------------------------------------------------------|---------------------|--------------|
| TSPX_MOChRateF     | channel rate for TSPX_MOBscSvcF, default value : C_Full     | "F", "H"            |              |
| TSPX_MOChRateG     | channel rate for TSPX_MOBscSvcG, default value : C_Full     | "F", "H"            |              |
| TSPX_MOChRateH     | channel rate for TSPX_MOBscSvcH, default value : C_Full     | "F", "H"            |              |
| TSPX_MOChRateI     | channel rate for TSPX_MOBscSvcI, default value : C_Full     | "F", "H"            |              |
| TSPX_MOChRateJ     | channel rate for TSPX_MOBscSvcJ, default value : C_Full     | "F", "H"            |              |
| TSPX_MTChRateA     | channel rate for TSPX_MTBscSvcA, default value : C_Full     | "F", "H"            |              |
| TSPX_MTChRateB     | channel rate for TSPX_MTBscSvcB, default value : C_Full     | "F", "H"            |              |
| TSPX_MTChRateC     | channel rate for TSPX_MTBscSvcC, default value : C_Full     | "F", "H"            |              |
| TSPX_MTChRateD     | channel rate for TSPX_MTBscSvcD, default value : C_Full     | "F", "H"            |              |
| TSPX_MTChRateE     | channel rate for TSPX_MTBscSvcE, default value : C_Full     | "F", "H"            |              |
| TSPX_MTChRateF     | channel rate for TSPX_MTBscSvcF, default value : C_Full     | "F", "H"            |              |
| TSPX_MTChRateG     | channel rate for TSPX_MTBscSvcG, default value : C_Full     | "F", "H"            |              |
| TSPX_MTChRateH     | channel rate for TSPX_MTBscSvcH, default value : C_Full     | "F", "H"            |              |
| TSPX_MTChRateI     | channel rate for TSPX_MTBscSvcI, default value : C_Full     | "F", "H"            |              |
| TSPX_MTChRateJ     | channel rate for TSPX_MTBscSvcJ, default value : C_Full     | "F", "H"            |              |
| TSPX_MTNIC_ChRateA | channel rate for TSPX_MTNIC_BscSvcA, default value : C_Full | "F", "H"            |              |
| TSPX_MTNIC_ChRateB | channel rate for TSPX_MTNIC_BscSvcB, default value : C_Full | "F", "H"            |              |
| TSPX_MTNIC_ChRateC | channel rate for TSPX_MTNIC_BscSvcC, default value : C_Full | "F", "H"            |              |
| TSPX_MTNIC_ChRateD | channel rate for TSPX_MTNIC_BscSvcD, default value : C_Full | "F", "H"            |              |
| TSPX_MTNIC_ChRateE | channel rate for TSPX_MTNIC_BscSvcE, default value : C_Full | "F", "H"            |              |

| Item               | Description                                                 | Type/Allowed values                                                                                                                                                                                                                                                                                                                                                      | Value chosen |
|--------------------|-------------------------------------------------------------|--------------------------------------------------------------------------------------------------------------------------------------------------------------------------------------------------------------------------------------------------------------------------------------------------------------------------------------------------------------------------|--------------|
| TSPX_MTNIC_ChRateF | channel rate for TSPX_MTNIC_BscSvcF, default value : C_Full | "F", "H"                                                                                                                                                                                                                                                                                                                                                                 |              |
| TSPX_MTNIC_ChRateG | channel rate for TSPX_MTNIC_BscSvcG, default value : C_Full | "F", "H"                                                                                                                                                                                                                                                                                                                                                                 |              |
| TSPX_MTNIC_ChRateH | channel rate for TSPX_MTNIC_BscSvcH, default value : C_Full | "F", "H"                                                                                                                                                                                                                                                                                                                                                                 |              |
| TSPX_MTNIC_ChRateI | channel rate for TSPX_MTNIC_BscSvcI, default value : C_Full | "F", "H"                                                                                                                                                                                                                                                                                                                                                                 |              |
| TSPX_MTNIC_ChRateJ | channel rate for TSPX_MTNIC_BscSvcJ, default value : C_Full | "F", "H"                                                                                                                                                                                                                                                                                                                                                                 |              |
| TSPX_EmgCallRate   | Rate for the basic service supported for MO emergency calls | "F", "H"                                                                                                                                                                                                                                                                                                                                                                 |              |
| TSPX_MO_NonCallSS  | any supported MO non-call related supplementary service     | "C_Telephony",<br>"C_EmgCallSRV",<br>"C_AltSpchG3",<br>"C_AutoG3",<br>"C_300cda",<br>"C_1200cda",<br>"C_120075cda",<br>"C_2400cda",<br>"C_4800cda",<br>"C_2400cda",<br>"C_4800cda",<br>"C_PAD300",<br>"C_PAD1200",<br>"C_PAD120075",<br>"C_PAD2400",<br>"C_PAD4800",<br>"C_PAD9600",<br>"C_Pkt2400",<br>"C_Pkt4800",<br>"C_Pkt9600",<br>"C_AltSpchData",<br>"C_SpchData" |              |

| Item                | Description                                                    | Type/Allowed values                                                                                                                                                                                                                                                                                                                                                      | Value chosen |
|---------------------|----------------------------------------------------------------|--------------------------------------------------------------------------------------------------------------------------------------------------------------------------------------------------------------------------------------------------------------------------------------------------------------------------------------------------------------------------|--------------|
| TSPX_MO_BscSvc_SMS  | any supported MO SMS calls                                     | "C_Telephony",<br>"C_EmgCallSRV",<br>"C_AltSpchG3",<br>"C_AutoG3",<br>"C_300cda",<br>"C_1200cda",<br>"C_120075cda",<br>"C_2400cda",<br>"C_4800cda",<br>"C_2400cds",<br>"C_4800cds",<br>"C_PAD300",<br>"C_PAD1200",<br>"C_PAD120075",<br>"C_PAD2400",<br>"C_PAD4800",<br>"C_PAD9600",<br>"C_Pkt2400",<br>"C_Pkt4800",<br>"C_Pkt9600",<br>"C_AltSpchData",<br>"C_SpchData" |              |
| TSPX_MO_DualModSvc  | any supported MO dual mode call                                | "C_Telephony",<br>"C_EmgCallSRV",<br>"C_AltSpchG3",<br>"C_AutoG3",<br>"C_300cda",<br>"C_1200cda",<br>"C_120075cda",<br>"C_2400cda",<br>"C_4800cda",<br>"C_2400cds",<br>"C_4800cds",<br>"C_PAD300",<br>"C_PAD1200",<br>"C_PAD120075",<br>"C_PAD2400",<br>"C_PAD4800",<br>"C_PAD9600",<br>"C_Pkt2400",<br>"C_Pkt4800",<br>"C_Pkt9600",<br>"C_AltSpchData",<br>"C_SpchData" |              |
| TSPX_MO_DualModRate | Rate for the supported MO dual mode call in TSPX_MO_DualModSvc | "F", "H"                                                                                                                                                                                                                                                                                                                                                                 |              |



**Annex C: PCTR Proforma**

Notwithstanding the provisions of the copyright clause related to the text of this ETS, ETSI grants that users of this ETS may freely reproduce the PCTR proforma in this annex so that it can be used for its intended purposes and may further publish the completed PCTR.

# PROTOCOL

## Conformance Test Report (PCTR)

Global System for Mobile Communication, GSM,  
User-Network Access

### Layer 3 Signalling Functions

|                |          |
|----------------|----------|
| Test Candidate |          |
| Name :         | SUT name |
| Model :        | model    |
| H/W version :  | hw       |
| S/W version :  | sw       |
| Serial No. :   | serienr  |

|                     |  |
|---------------------|--|
| Client              |  |
| Name :              |  |
| Street / No. :      |  |
| Postal Code / City: |  |
| Country :           |  |

*This Test Report shall not be reproduced except in full without the written permission of TEST LAB REFERENCE, and shall not be quoted out of context.*

## **Annex D (normative): Enhanced Full Rate Abstract Test Suite**

### **The machine processable ATS**

The electronic forms of the machine processable files (TTCN MP format) corresponding to the ATS for EFR are contained in the file ef-4k1.mp<sup>3)</sup> (EFR) on the diskette included as a part of this ETS (Part 3).

### **The graphical form ATS**

The TTCN.GR representation of this ATS is contained in the remainder of this annex.

---

3) This file is located in an archive file named 6073\_E6.LZH. Other file formats are available on request.

## Suite overview

### Suite structure

| Test Suite Structure   |                                      |
|------------------------|--------------------------------------|
| <b>Suite Name:</b>     | GSM_MS_EFR_4200                      |
| <b>Standards Ref:</b>  | ETS 300 557                          |
| <b>PICS Ref:</b>       |                                      |
| <b>PIXIT Ref:</b>      |                                      |
| <b>Test Method(s):</b> | Distributed Single Layer Test Method |
| <b>Comments:</b>       | EFR ATS Version 4200                 |

| Structure and Objectives  |               |                               |         |
|---------------------------|---------------|-------------------------------|---------|
| Test Group Reference      | Selection Ref | Test Group Objective          | Page Nr |
| GSM_MS_EFR_4200/EFR/      | SelExpr_0005  | Enhanced Full Rate signalling | 1804    |
| <b>Detailed Comments:</b> |               |                               |         |

## Test case index

| Test Case Index           |                 |               |                                                                                  |         |
|---------------------------|-----------------|---------------|----------------------------------------------------------------------------------|---------|
| Test Group Reference      | Test Case Id    | Selection ref | Description                                                                      | Page Nr |
| GSM_MS_EFR_4200 /EFR/     | TC_26_12_1      | SelExpr_0000  | EFR signalling/ test of the channel mode modify procedure                        | 1804    |
| GSM_MS_EFR_4200 /EFR/     | TC_26_12_2_1_1  | SelExpr_0001  | EFR signalling/ Handover/ active call/ successful case                           | 1807    |
| GSM_MS_EFR_4200 /EFR/     | TC_26_12_2_1_2  | SelExpr_0001  | EFR signalling/ Handover/ active call/ successful case                           | 1809    |
| GSM_MS_EFR_4200 /EFR/     | TC_26_12_2_1_3  | SelExpr_0001  | EFR signalling/ Handover/ active call/ successful case                           | 1811    |
| GSM_MS_EFR_4200 /EFR/     | TC_26_12_2_1_4  | SelExpr_0001  | EFR signalling/ Handover/ active call/ successful case                           | 1813    |
| GSM_MS_EFR_4200 /EFR/     | TC_26_12_2_1_5  | SelExpr_0001  | EFR signalling/ Handover/ active call/ successful case                           | 1815    |
| GSM_MS_EFR_4200 /EFR/     | TC_26_12_2_1_6  | SelExpr_0001  | EFR signalling/ Handover/ active call/ successful case                           | 1817    |
| GSM_MS_EFR_4200 /EFR/     | TC_26_12_2_1_7  | SelExpr_0001  | EFR signalling/ Handover/ active call/ successful case                           | 1819    |
| GSM_MS_EFR_4200 /EFR/     | TC_26_12_2_1_8  | SelExpr_0001  | EFR signalling/ Handover/ active call/ successful case                           | 1821    |
| GSM_MS_EFR_4200 /EFR/     | TC_26_12_2_1_9  | SelExpr_0001  | EFR signalling/ Handover/ active call/ successful case                           | 1823    |
| GSM_MS_EFR_4200 /EFR/     | TC_26_12_2_1_10 | SelExpr_0001  | EFR signalling/ Handover/ active call/ successful case                           | 1825    |
| GSM_MS_EFR_4200 /EFR/     | TC_26_12_2_1_11 | SelExpr_0001  | EFR signalling/ Handover/ active call/ successful case                           | 1827    |
| GSM_MS_EFR_4200 /EFR/     | TC_26_12_2_1_12 | SelExpr_0001  | EFR signalling/ Handover/ active call/ successful case                           | 1829    |
| GSM_MS_EFR_4200 /EFR/     | TC_26_12_2_1_13 | SelExpr_0001  | EFR signalling/ Handover/ active call/ successful case                           | 1831    |
| GSM_MS_EFR_4200 /EFR/     | TC_26_12_2_1_14 | SelExpr_0001  | EFR signalling/ Handover/ active call/ successful case                           | 1833    |
| GSM_MS_EFR_4200 /EFR/     | TC_26_12_2_1_15 | SelExpr_0001  | EFR signalling/ Handover/ active call/ successful case                           | 1835    |
| GSM_MS_EFR_4200 /EFR/     | TC_26_12_2_2_1  | SelExpr_0001  | EFR signalling/ Handover/ successful/ call under establishment/ non-synchronized | 1837    |
| GSM_MS_EFR_4200 /EFR/     | TC_26_12_2_2_2  | SelExpr_0001  | EFR signalling/ Handover/ successful/ call under establishment/ non-synchronized | 1839    |
| GSM_MS_EFR_4200 /EFR/     | TC_26_12_2_2_3  | SelExpr_0001  | EFR signalling/ Handover/ successful/ call under establishment/ non-synchronized | 1841    |
| GSM_MS_EFR_4200 /EFR/     | TC_26_12_2_2_4  | SelExpr_0001  | EFR signalling/ Handover/ successful/ call under establishment/ non-synchronized | 1843    |
| GSM_MS_EFR_4200 /EFR/     | TC_26_12_2_2_5  | SelExpr_0001  | EFR signalling/ Handover/ successful/ call under establishment/ non-synchronized | 1845    |
| GSM_MS_EFR_4200 /EFR/     | TC_26_12_2_2_6  | SelExpr_0001  | EFR signalling/ Handover/ successful/ call under establishment/ non-synchronized | 1847    |
| GSM_MS_EFR_4200 /EFR/     | TC_26_12_2_2_7  | SelExpr_0001  | EFR signalling/ Handover/ successful/ call under establishment/ non-synchronized | 1849    |
| GSM_MS_EFR_4200 /EFR/     | TC_26_12_2_2_8  | SelExpr_0001  | EFR signalling/ Handover/ successful/ call under establishment/ non-synchronized | 1851    |
| GSM_MS_EFR_4200 /EFR/     | TC_26_12_2_2_9  | SelExpr_0001  | EFR signalling/ Handover/ successful/ call under establishment/ non-synchronized | 1853    |
| GSM_MS_EFR_4200 /EFR/     | TC_26_12_2_2_10 | SelExpr_0001  | EFR signalling/ Handover/ successful/ call under establishment/ non-synchronized | 1855    |
| GSM_MS_EFR_4200 /EFR/     | TC_26_12_2_2_11 | SelExpr_0001  | EFR signalling/ Handover/ successful/ call under establishment/ non-synchronized | 1857    |
| GSM_MS_EFR_4200 /EFR/     | TC_26_12_3      | SelExpr_0001  | EFR Signalling/ Structured procedures/ MS originated call/ late assignment       | 1859    |
| GSM_MS_EFR_4200 /EFR/     | TC_26_12_4      | SelExpr_0002  | Structured procedures/ MS terminated call/ early assignment                      | 1862    |
| GSM_MS_EFR_4200 /EFR/     | TC_26_12_5      | SelExpr_0003  | Structured procedures/ emergency call                                            | 1865    |
| <b>Detailed Comments:</b> |                 |               |                                                                                  |         |

## Test step index

| Test Step Index                      |                         |                                                                                                                       |         |
|--------------------------------------|-------------------------|-----------------------------------------------------------------------------------------------------------------------|---------|
| Test Step Group Reference            | Test Step Id            | Description                                                                                                           | Page Nr |
| GSM_MS_EFR_4200/management/ChConfig/ | Config_CBMS_A_1         |                                                                                                                       | 1867    |
| GSM_MS_EFR_4200/management/ChConfig/ | Config_FACCHF_A_1       | To set one physical channel used as TCHF_ACCH's of cell A.                                                            | 1868    |
| GSM_MS_EFR_4200/management/ChConfig/ | Config_FACCHF_A_2       | To set one physical channel used as TCHF_ACCH's for instance 2 of cell A.                                             | 1868    |
| GSM_MS_EFR_4200/management/ChConfig/ | Config_FACCHF_B_1       | To set one physical channel used as TCHF_ACCH's of cell B.                                                            | 1868    |
| GSM_MS_EFR_4200/management/ChConfig/ | Config_FACCHH_A_1       | To set one physical channel used as TCHH_ACCH's of cell A.                                                            | 1869    |
| GSM_MS_EFR_4200/management/ChConfig/ | Config_FACCHH_A_2       | To set one physical channel used as TCHH_ACCH's of cell A.                                                            | 1869    |
| GSM_MS_EFR_4200/management/ChConfig/ | Config_FACCHH_B_1       | To set one physical channel used as TCHH_ACCH's of cell B.                                                            | 1869    |
| GSM_MS_EFR_4200/management/ChConfig/ | Config_BCCH_CCCH_A_1    | To set a physical channel and map FCCH, SCH, BCCH and CCCH onto the physical channel which represents cell A.         | 1870    |
| GSM_MS_EFR_4200/management/ChConfig/ | Config_BCCH_CCCH_A_ho_1 |                                                                                                                       | 1870    |
| GSM_MS_EFR_4200/management/ChConfig/ | Config_BCCH_CCCH_A_2    | To set a physical channel and map the second BCCH, CCCH onto the physical channel which represents cell A.            | 1870    |
| GSM_MS_EFR_4200/management/ChConfig/ | Config_BCCH_CCCH_A_3    | To set a physical channel and map the third BCCH, CCCH onto the physical channel which represents cell A.             | 1871    |
| GSM_MS_EFR_4200/management/ChConfig/ | Config_BCCH_CCCH_A_4    | To set a physical channel and map the fourth BCCH, CCCH onto the physical channel which represents cell A.            | 1871    |
| GSM_MS_EFR_4200/management/ChConfig/ | Config_BCCH_CCCH_B_1    | To set a physical channel and map FCCH, SCH, BCCH and CCCH onto the physical channel which represents cell B.         | 1871    |
| GSM_MS_EFR_4200/management/ChConfig/ | Config_BCCH_CCCH_B_ho_1 |                                                                                                                       | 1872    |
| GSM_MS_EFR_4200/management/ChConfig/ | Config_SDCCH4_A_1       | To set a physical channel and map FCCH, SCH, BCCH, CCCH and SDCCH4 onto the physical channel which represents cell A. | 1872    |
| GSM_MS_EFR_4200/management/ChConfig/ | Config_SDCCH4_A_ho_1    |                                                                                                                       | 1872    |
| GSM_MS_EFR_4200/management/ChConfig/ | Config_SDCCH4_B_1       | To set a physical channel and map FCCH, SCH, BCCH, CCCH and SDCCH4 onto the physical channel which represents cell B. | 1873    |
| GSM_MS_EFR_4200/management/ChConfig/ | Config_SDCCH4_B_ho_1    |                                                                                                                       | 1873    |
| GSM_MS_EFR_4200/management/ChConfig/ | Config_SDCCH4_C_1       | To set a physical channel and map FCCH, SCH, BCCH, CCCH and SDCCH4 onto the physical channel which represents cell C  | 1874    |
| GSM_MS_EFR_4200/management/ChConfig/ | Config_SDCCH8_A_1       |                                                                                                                       | 1874    |
| GSM_MS_EFR_4200/management/ChConfig/ | CombinedBCCH_A_C BMS    |                                                                                                                       | 1875    |
| GSM_MS_EFR_4200/management/ChConfig/ | CombinedBCCH_A          | To set a physical channel and map FCCH, SCH, BCCH, CCCH and SDCCH4 onto the physical channel which represents cell A. | 1875    |
| GSM_MS_EFR_4200/management/ChConfig/ | CombinedBCCH_A_ho       |                                                                                                                       | 1875    |
| GSM_MS_EFR_4200/management/ChConfig/ | CombinedBCCH_B          | To set a physical channel and map FCCH, SCH, BCCH, CCCH and SDCCH4 onto the physical channel which represents cell B. | 1876    |
| GSM_MS_EFR_4200/management/ChConfig/ | CombinedBCCH_B_ho       |                                                                                                                       | 1876    |
| GSM_MS_EFR_4200/management/ChConfig/ | CombinedBCCH_C          | To set a physical channel and map FCCH, SCH, BCCH, CCCH and SDCCH4 onto the physical channel which represents cell C. | 1876    |
| GSM_MS_EFR_4200/management/ChConfig/ | NonCombinedBCCH_A       | To set one physical channel used as FCHH_SCH_BCCH_CCCH for cell A.                                                    | 1877    |
| GSM_MS_EFR_4200/management/ChConfig/ | NonCombinedBCCH_        | To set a physical channel and map the second BCCH, CCCH onto the physical channel which                               | 1877    |

|                                                      |                                |                                                                                                                                       |      |
|------------------------------------------------------|--------------------------------|---------------------------------------------------------------------------------------------------------------------------------------|------|
| hConfig/<br>GSM_MS_EFR_4200/management/C<br>hConfig/ | A_2<br>NonCombinedBCCH_<br>A_3 | represents cell A.<br>To set a physical channel and map the third BCCH,<br>CCCH onto the physical channel which represents<br>cell A. | 1877 |
| GSM_MS_EFR_4200/management/C<br>hConfig/             | NonCombinedBCCH_<br>A_4        | To set a physical channel and map the fourth BCCH,<br>CCCH onto the physical channel which represents<br>cell A.                      | 1878 |
| GSM_MS_EFR_4200/management/C<br>hConfig/             | NonCombinedBCCH_<br>A_ho       |                                                                                                                                       | 1878 |
| GSM_MS_EFR_4200/management/C<br>hConfig/             | NonCombinedBCCH_<br>B          | To set a physical channel and map FCCH, SCH,<br>BCCH, CCCH onto the physical channel which<br>represents cell B for RR testing.       | 1879 |
| GSM_MS_EFR_4200/management/C<br>hConfig/             | NonCombinedBCCH_<br>B_ho       |                                                                                                                                       | 1879 |
| GSM_MS_EFR_4200/management/C<br>hConfig/             | FullRateCh_A_1                 | To set one physical channel used as TCHF_ACCH's<br>for instance 1 of cell A.                                                          | 1880 |
| GSM_MS_EFR_4200/management/C<br>hConfig/             | FullRateCh_A_1_noci<br>ph      | To set one physical channel used as TCHF_ACCH's<br>for instance 1 of cell A.                                                          | 1880 |
| GSM_MS_EFR_4200/management/C<br>hConfig/             | FullRateCh_A_2                 | To set one physical channel used as TCHF_ACCH's<br>for instance 2 of cell A for TC_26_6_13_1.                                         | 1880 |
| GSM_MS_EFR_4200/management/C<br>hConfig/             | FullRateCh_A_2_noci<br>ph      | To set one physical channel used as TCHF_ACCH's<br>for instance 2 of cell A for TC_26_6_13_1.                                         | 1881 |
| GSM_MS_EFR_4200/management/C<br>hConfig/             | FullRateCh_B_1                 | To set one physical channel used as TCHF_ACCH's<br>for instance 1 of cell B.                                                          | 1881 |
| GSM_MS_EFR_4200/management/C<br>hConfig/             | FullRateCh_B_1old              |                                                                                                                                       | 1881 |
| GSM_MS_EFR_4200/management/C<br>hConfig/             | FullRateCh_B_1_noci<br>ph      | To set one physical channel used as TCHF_ACCH's<br>for instance 1 of cell B.                                                          | 1882 |
| GSM_MS_EFR_4200/management/C<br>hConfig/             | HalfRateCh_A_1                 | To set one physical channel used as TCHH_ACCH's<br>for instance 1 of cell A.                                                          | 1882 |
| GSM_MS_EFR_4200/management/C<br>hConfig/             | HalfRateCh_A_1_noci<br>ph      | To set one physical channel used as TCHH_ACCH's<br>for instance 1 of cell A.                                                          | 1883 |
| GSM_MS_EFR_4200/management/C<br>hConfig/             | HalfRateCh_A_2                 | To set one physical channel used as TCHH_ACCH's<br>for instance 2 of cell A for TC_26_6_13_1.                                         | 1883 |
| GSM_MS_EFR_4200/management/C<br>hConfig/             | HalfRateCh_A_2_noci<br>ph      | To set one physical channel used as TCHH_ACCH's<br>for instance 2 of cell A for TC_26_6_13_1.                                         | 1884 |
| GSM_MS_EFR_4200/management/C<br>hConfig/             | HalfRateCh_B_1                 | To set one physical channel used as TCHH_ACCH's<br>for instance 1 of cell B                                                           | 1884 |
| GSM_MS_EFR_4200/management/C<br>hConfig/             | HalfRateCh_B_1_noci<br>ph      | To set one physical channel used as TCHH_ACCH's<br>for instance 1 of cell B                                                           | 1885 |
| GSM_MS_EFR_4200/management/C<br>hConfig/             | SDCCH8_A_1_nocip<br>h          |                                                                                                                                       | 1885 |
| GSM_MS_EFR_4200/Miscellaneous/                       | Adjust_gsmanddcs_p<br>overlvl  |                                                                                                                                       | 1886 |
| GSM_MS_EFR_4200/Miscellaneous/                       | AssCh_complete                 |                                                                                                                                       | 1886 |
| GSM_MS_EFR_4200/Miscellaneous/                       | AssCmdGen                      |                                                                                                                                       | 1887 |
| GSM_MS_EFR_4200/Miscellaneous/                       | AssCmdGen_fh                   |                                                                                                                                       | 1888 |
| GSM_MS_EFR_4200/Miscellaneous/                       | Authentication                 | To execute the authentication procedure.                                                                                              | 1888 |
| GSM_MS_EFR_4200/Miscellaneous/                       | CallProcGen                    | To generate a CALL PROCEEDING message .                                                                                               | 1889 |
| GSM_MS_EFR_4200/Miscellaneous/                       | CCCH_group_Paging<br>_group    |                                                                                                                                       | 1890 |
| GSM_MS_EFR_4200/Miscellaneous/                       | CC_Est_MT_Call                 |                                                                                                                                       | 1891 |
| GSM_MS_EFR_4200/Miscellaneous/                       | CC_EstMsTermCall               |                                                                                                                                       | 1892 |
| GSM_MS_EFR_4200/Miscellaneous/                       | Ciphering_on                   | To switch on the ciphering.                                                                                                           | 1892 |
| GSM_MS_EFR_4200/Miscellaneous/                       | EFR_ChkRcvSpchPre<br>fs        |                                                                                                                                       | 1893 |
| GSM_MS_EFR_4200/Miscellaneous/                       | EFR_SpchPrefInBCA<br>P         |                                                                                                                                       | 1893 |
| GSM_MS_EFR_4200/Miscellaneous/                       | EFR_RcvSetupOrEse<br>tup       |                                                                                                                                       | 1894 |
| GSM_MS_EFR_4200/Miscellaneous/                       | FnArith                        |                                                                                                                                       | 1895 |
| GSM_MS_EFR_4200/Miscellaneous/                       | ImsiDetach                     |                                                                                                                                       | 1895 |
| GSM_MS_EFR_4200/Miscellaneous/                       | MM_PwrOrSimOff                 |                                                                                                                                       | 1896 |
| GSM_MS_EFR_4200/Miscellaneous/                       | MM_PwrOrSimOn                  |                                                                                                                                       | 1896 |
| GSM_MS_EFR_4200/Miscellaneous/                       | RcvSetupOrEsetup               |                                                                                                                                       | 1896 |
| GSM_MS_EFR_4200/Miscellaneous/                       | RR_hocomp1                     |                                                                                                                                       | 1897 |
| GSM_MS_EFR_4200/Miscellaneous/                       | RRmtcallprepare                |                                                                                                                                       | 1897 |
| GSM_MS_EFR_4200/Miscellaneous/                       | SelectPagingCh                 |                                                                                                                                       | 1898 |
| GSM_MS_EFR_4200/Miscellaneous/                       | SendSeqNo_chk                  |                                                                                                                                       | 1898 |

|                                            |                              |                                                                                                                                                                              |      |
|--------------------------------------------|------------------------------|------------------------------------------------------------------------------------------------------------------------------------------------------------------------------|------|
| GSM_MS_EFR_4200/Miscellaneous/             | SvcSupportedChk              | To check whether the Basic Service svc is supported against PICS answers.                                                                                                    | 1899 |
| GSM_MS_EFR_4200/Miscellaneous/             | Varinit_fix                  |                                                                                                                                                                              | 1900 |
| GSM_MS_EFR_4200/Miscellaneous/<br>SysInfo/ | ChgLAC_A                     | To change the LAC of cell A.                                                                                                                                                 | 1900 |
| GSM_MS_EFR_4200/Miscellaneous/<br>SysInfo/ | ChgLAC_B                     | To change the LAC of cell B.                                                                                                                                                 | 1900 |
| GSM_MS_EFR_4200/Miscellaneous/<br>SysInfo/ | ChgLAI_C                     | To change the LAI of cell C to HPLMN.                                                                                                                                        | 1901 |
| GSM_MS_EFR_4200/Miscellaneous/<br>SysInfo/ | SysInfoSending_cbm<br>s      | To send system information messages for the CBMS tests.                                                                                                                      | 1902 |
| GSM_MS_EFR_4200/Miscellaneous/<br>SysInfo/ | SysInfoSending_fh            | To send system information messages for the L3 tests. The following parameters specified by input parameters.                                                                | 1903 |
| GSM_MS_EFR_4200/Miscellaneous/<br>SysInfo/ | SysInfoSending_nfh           | To send system information messages with default parameters defined for L3 tests for which no other special parameters indicated.                                            | 1904 |
| GSM_MS_EFR_4200/Miscellaneous/<br>SysInfo/ | SysInfoSending_nfhC<br>b     | To send system information messages with default parameters defined for L3 tests except that the cell is barred.                                                             | 1906 |
| GSM_MS_EFR_4200/Miscellaneous/<br>SysInfo/ | SysInfoSending_e             | Sending of Systeminformation for cell A in EGSM test case TC_26_10_2_2.                                                                                                      | 1907 |
| GSM_MS_EFR_4200/Miscellaneous/<br>SysInfo/ | SysInfo_SacchSendin<br>g     | To send SYSTEM INFORMATION 5 and 6 messages defined by parameters 'sysinfo5_pdu' and 'sysinfo6_pdu' in the parametrised 'ch' channel.                                        | 1908 |
| GSM_MS_EFR_4200/Miscellaneous/<br>SysInfo/ | SysInfo_5bisSending          | To send SYSTEM INFORMATION 5bis message defined by parameters 'sysinfo5bis_pdu' in the parametrised 'ch' channel.                                                            | 1908 |
| GSM_MS_EFR_4200/Miscellaneous/<br>SysInfo/ | SetNECI                      | To set the NECI = 1.                                                                                                                                                         | 1909 |
| GSM_MS_EFR_4200/Miscellaneous/<br>SysInfo/ | SetATT                       | To set the ATT flag to "MS's in the cell should apply IMSI attach and detach procedure"                                                                                      | 1910 |
| GSM_MS_EFR_4200/OperatorOP/                | InitCall                     | To initiate a call of the basic service `srv`.                                                                                                                               | 1911 |
| GSM_MS_EFR_4200/OperatorOP/                | InitNonCallSupp              | To attempt a non call related supplementary service at the MS under test.                                                                                                    | 1911 |
| GSM_MS_EFR_4200/OperatorOP/                | AtmpShortMsg                 | To attempt an MO short message service transaction at the MS under test.                                                                                                     | 1911 |
| GSM_MS_EFR_4200/OperatorOP/                | CheckUssdStringDisp<br>layed | To check whether the correct USSD String is displayed on the MS                                                                                                              | 1911 |
| GSM_MS_EFR_4200/OperatorOP/                | PLMNsCHK                     | To check whether the MS presents a list of available PLMNs.                                                                                                                  | 1911 |
| GSM_MS_EFR_4200/OperatorOP/                | RFtransCHK                   | To check whether the MS transmits any radio signal.                                                                                                                          | 1912 |
| GSM_MS_EFR_4200/Postambles/                | PostLinkRelEnd               | To release the RR connection and bring the MS back to Idle state.<br><br>This teststep decides the final verdict and therefor it shall be used only at the end of testcases. | 1912 |
| GSM_MS_EFR_4200/Postambles/                | PostMainLinkRel              | To release the main signalling link `ch`, and bring the MS back to Idle state.                                                                                               | 1912 |
| GSM_MS_EFR_4200/Postambles/                | ChanRel                      | To release the RR connection on the channel TCV_ch and bring the MS back to Idle state.                                                                                      | 1912 |
| GSM_MS_EFR_4200/Postambles/                | ChanRel_P                    | To release the RR connection on the channel TCV_chmaindcch and bring the MS back to Idle state.<br><br>This teststep decides the verdict (P).                                | 1913 |
| GSM_MS_EFR_4200/Postambles/                | ChanRel_end                  | To release the RR connection and bring the MS back to Idle state.<br><br>This teststep decides the final verdict and therefor it shall be used only at the end of testcases. | 1913 |
| GSM_MS_EFR_4200/Preambles/                 | Chmod                        | To assign correct values to the test case variables TCV_ChMod and TCV_ChModb.                                                                                                | 1914 |
| GSM_MS_EFR_4200/Preambles/                 | EFR_BasicServiceM<br>O       |                                                                                                                                                                              | 1915 |
| GSM_MS_EFR_4200/Preambles/                 | EFR_BasicServiceMT           |                                                                                                                                                                              | 1917 |
| GSM_MS_EFR_4200/Preambles/                 | Est_MO_Call_init             |                                                                                                                                                                              | 1918 |
| GSM_MS_EFR_4200/Preambles/                 | Est_MT_Call_FH               |                                                                                                                                                                              | 1920 |
| GSM_MS_EFR_4200/Preambles/                 | Est_MT_CallNonFH             |                                                                                                                                                                              | 1921 |
| GSM_MS_EFR_4200/Preambles/                 | IdleUpdated                  | This test step is called at the preamble of each test case.                                                                                                                  | 1922 |
| GSM_MS_EFR_4200/Preambles/                 | PreEstRRConn                 |                                                                                                                                                                              | 1929 |
| GSM_MS_EFR_4200/Preambles/                 | StartCellA_ho                |                                                                                                                                                                              | 1930 |
| GSM_MS_EFR_4200/Preambles/                 | StartCellB_ho                |                                                                                                                                                                              | 1931 |

Detailed Comments:

## Default index

| Default Index           |                    |                                                                                                                                                                                                            |         |
|-------------------------|--------------------|------------------------------------------------------------------------------------------------------------------------------------------------------------------------------------------------------------|---------|
| Default Group Reference | Default Id         | Description                                                                                                                                                                                                | Page Nr |
| GSM_MS_EFR_4200/        | OtherEvents        | To match unexpected events and sign final verdict for preambles.                                                                                                                                           | 1932    |
| GSM_MS_EFR_4200/        | OtherEventsFail    | To match unexpected events and fail the test case.                                                                                                                                                         | 1933    |
| GSM_MS_EFR_4200/        | OtherEventsFail_01 | To match irrelevant CHANNEL REQUEST msg and return or match other unexpected events and fail the test case.                                                                                                | 1934    |
| GSM_MS_EFR_4200/        | OtherEventsFail_02 | To match unexpected events and fail the test case but ignore channel request messages that are sent before the lower tester has sent (and the MS received) the Immediate Assignment message.               | 1935    |
| GSM_MS_EFR_4200/        | OtherEvents_01     | To match irrelevant messages and return                                                                                                                                                                    | 1936    |
| GSM_MS_EFR_4200/        | OtherEvents_02     | To match unexpected events and sign final verdict for preambles but ignore channel request messages that are sent before the lower tester has sent (and the MS received) the Immediate Assignment message. | 1937    |
| GSM_MS_EFR_4200/        | RcvHdOvAcc         | To match any HANDOVER ACCESS then return to calling tree.                                                                                                                                                  | 1938    |

Detailed Comments:



## Declarations Part

### Test suite type definitions

#### Simple type definitions

| Simple Type Definitions |                                          |                                                                                                                                                                              |
|-------------------------|------------------------------------------|------------------------------------------------------------------------------------------------------------------------------------------------------------------------------|
| Type Name               | Type Definition                          | Comments                                                                                                                                                                     |
| B_1                     | BITSTRING [1]                            | Generic type for 1 bit value                                                                                                                                                 |
| B_2                     | BITSTRING [2]                            | Generic type for 2 bits value                                                                                                                                                |
| B_3                     | BITSTRING [3]                            | Generic type for 3 bits value                                                                                                                                                |
| B_4                     | BITSTRING [4]                            | Generic type for 4 bits value                                                                                                                                                |
| B_5                     | BITSTRING [5]                            | Generic type for 5 bits value                                                                                                                                                |
| B_6                     | BITSTRING [6]                            | Generic type for 6 bits value                                                                                                                                                |
| B_8                     | BITSTRING [8]                            | Generic type for 8 bits value                                                                                                                                                |
| BCCHFRQ                 | BITSTRING [5]                            | position of a bcch carrier in the bcch channel list                                                                                                                          |
| BCC                     | BITSTRING [3]                            | BS colour code                                                                                                                                                               |
| BCDN                    | OCTETSTRING [1..10]                      | BCD numbers,<br>GSM 04.08, 10.5.4.7, octet 4-13                                                                                                                              |
| BSIC                    | BITSTRING [6]                            | base station identity code                                                                                                                                                   |
| CCCH_CON                | BITSTRING[3]                             | number of physical channels for ccch<br>GSM 04.08, 10.5.2.11                                                                                                                 |
| CCSTATE                 | INTEGER(1,3,4,6,7,8,9,10,11,12,19,26,27) |                                                                                                                                                                              |
| CellID                  | IA5String                                | Cell identifier                                                                                                                                                              |
| CHANNEL                 | BITSTRING [2]                            | needed channel type                                                                                                                                                          |
| CHMOD_VAL               | BITSTRING[8]                             | value for channel mode<br>GSM 04.08, 10.5.2.6, 10.5.2.7                                                                                                                      |
| CH_TDMA                 | BITSTRING[5]                             | channel type and TDMA offset<br>GSM 04.08, 10.5.2.5                                                                                                                          |
| CI                      | OCTETSTRING [2]                          | cell identity, GSM 04.08, 10.5.1.1                                                                                                                                           |
| CKSN                    | BITSTRING[3]                             | ciphering key sequence number(only key sequence)<br>GSM 04.08, 10.5.1.2                                                                                                      |
| CLRSUP                  | BITSTRING('10100001'B)                   | CLIR suppression<br>GSM 04.08, 10.5.4.11a                                                                                                                                    |
| CLRINV                  | BITSTRING('10100010'B)                   | CLIR invocation<br>GSM 04.08, 10.5.4.11b                                                                                                                                     |
| CMSVTYPE                | BITSTRING [4]                            | CM service type                                                                                                                                                              |
| CP_CAU                  | OCTETSTRING [1]                          | cp cause<br>GSM 04.11, 8.1.4.2                                                                                                                                               |
| CPHALG                  | BITSTRING[3]                             | Ciphering algorithm identifier<br>GSM 04.08, 10.5.2.9                                                                                                                        |
| CS                      | BITSTRING [2]                            | coding standard                                                                                                                                                              |
| EstMode                 | OCTETSTRING [1]                          | establish mode                                                                                                                                                               |
| EXTB                    | BITSTRING [1]                            | extension bit                                                                                                                                                                |
| FCS                     | HEXSTRING [2]                            | TP failure cause                                                                                                                                                             |
| FLWCNTL                 | INTEGER(0, 1, 2)                         | type of flow control. 0--outband flow control; 1--inband flow control; 2-- no flow control                                                                                   |
| HORF                    | BITSTRING [8]                            | handover reference                                                                                                                                                           |
| HSN                     | BITSTRING[6]                             | Hopping sequence number<br>e.g. GSM 04.08 10.5.2.5                                                                                                                           |
| IDTYPE                  | B_4                                      | identity type                                                                                                                                                                |
| IEI_4                   | BITSTRING [4]                            | information element identifier, type 1                                                                                                                                       |
| IEI_8                   | BITSTRING [8]                            | information element identifier, type 2-4                                                                                                                                     |
| L2FMSTYPE               | INTEGER(1..3)                            | L2 frame type                                                                                                                                                                |
| LENGTH                  | OCTETSTRING [1]                          | IE length or L2 pseudo length. The L2 pseudo length is composed of a L2 pseudo length value, which is 6 bits long, and of 2 additional bits. See GSM 04.08 section 10.5.2.19 |
| LOGICCH                 | IA5String                                |                                                                                                                                                                              |

|             |                                                                                                                                                                                                                                                                                                                                                                                     |                                                                        |
|-------------|-------------------------------------------------------------------------------------------------------------------------------------------------------------------------------------------------------------------------------------------------------------------------------------------------------------------------------------------------------------------------------------|------------------------------------------------------------------------|
| LOGCH       | IA5String                                                                                                                                                                                                                                                                                                                                                                           |                                                                        |
| MAC         | OCTETSTRING[3]                                                                                                                                                                                                                                                                                                                                                                      | mac, e.g. GSM 04.08 10.5.2.21                                          |
| MAIO        | BITSTRING[6]                                                                                                                                                                                                                                                                                                                                                                        | MAIO,GSM 04.08 10.5.2.5                                                |
| MAXTXPOW    | INTEGER(0..31)                                                                                                                                                                                                                                                                                                                                                                      | Max Tx Power Level<br>GSM 04.08, 10.5.2.4                              |
| MR          | OCTETSTRING [1]                                                                                                                                                                                                                                                                                                                                                                     | SMS RP or TP message reference                                         |
| MT          | BITSTRING[8]                                                                                                                                                                                                                                                                                                                                                                        | message type, structure of it see MTO                                  |
| MTI         | BITSTRING [3]                                                                                                                                                                                                                                                                                                                                                                       | SMS RP message type indicator                                          |
| NCC         | BITSTRING [3]                                                                                                                                                                                                                                                                                                                                                                       | PLMN colour code                                                       |
| NCCP        | OCTETSTRING [1]                                                                                                                                                                                                                                                                                                                                                                     | ncc permitted                                                          |
| NTI         | BITSTRING('1000000'B, '10000001'B, '10000010'B)                                                                                                                                                                                                                                                                                                                                     | notification indicator<br>GSM 04.08, 10.5.4.20                         |
| PD          | B_4                                                                                                                                                                                                                                                                                                                                                                                 | Protocol discriminator                                                 |
| PGG         | BITSTRING [8]                                                                                                                                                                                                                                                                                                                                                                       | the paging group of an MS to be paged in binary presentation           |
| RATE        | IA5String("F", "H", "Fv2")                                                                                                                                                                                                                                                                                                                                                          |                                                                        |
| RAND        | BITSTRING [128]                                                                                                                                                                                                                                                                                                                                                                     | random number                                                          |
| RCSD        | BITSTRING [8]                                                                                                                                                                                                                                                                                                                                                                       | reverse call setup direction<br>GSM 04.08, 10.5.4.22a                  |
| RelMode     | OCTETSTRING [1]                                                                                                                                                                                                                                                                                                                                                                     | release mode                                                           |
| REJCAU      | OCTETSTRING [1]                                                                                                                                                                                                                                                                                                                                                                     | reject cause GSM 04.08, 10.5.3.6                                       |
| RPI         | BITSTRING [8]                                                                                                                                                                                                                                                                                                                                                                       | repeat indicator                                                       |
| RRCAU       | BITSTRING [8]                                                                                                                                                                                                                                                                                                                                                                       | RR cause GSM 04.08, 10.5.2.31                                          |
| RXLEV       | BITSTRING [6]                                                                                                                                                                                                                                                                                                                                                                       | received signal strength                                               |
| SAPID       | OCTETSTRING [1]                                                                                                                                                                                                                                                                                                                                                                     | sap identifier                                                         |
| SENDINGMODE | INTEGER(1..4)                                                                                                                                                                                                                                                                                                                                                                       | the mode of sending two consecutive messages containing paging mode IE |
| SERVICES    | IA5String("C_Telephony", "C_EmgCall", "C_AltSpchFax", "C_AutoFax", "C_Async300", "C_Async1200", "C_Async120075", "C_Async2400", "C_Async4800", "C_Async9600", "C_Sync1200", "C_Sync2400", "C_Sync4800", "C_Sync9600", "C_PAD300", "C_PAD1200", "C_PAD120075", "C_PAD2400", "C_PAD4800", "C_PAD9600", "C_Packet2400", "C_Packet4800", "C_Packet9600", "C_AltSpchData", "C_SpchData") |                                                                        |
| SHOCT       | B_4                                                                                                                                                                                                                                                                                                                                                                                 | spare half octet for type 1 information element<br>GSM 04.08, 10.5.1.8 |
| SKI         | B_4                                                                                                                                                                                                                                                                                                                                                                                 | Skip indicator                                                         |
| SN          | BITSTRING [3]                                                                                                                                                                                                                                                                                                                                                                       | all possible slot number, GSM 04.08 10.5.2.5                           |
| SPB         | B_1                                                                                                                                                                                                                                                                                                                                                                                 | spare bit                                                              |
| SP2B        | B_2                                                                                                                                                                                                                                                                                                                                                                                 | 2 spare bits                                                           |
| SP3B        | B_3                                                                                                                                                                                                                                                                                                                                                                                 | 3 spare bits                                                           |
| SP5B        | B_5                                                                                                                                                                                                                                                                                                                                                                                 | 5 spare bits                                                           |
| SP6B        | B_6                                                                                                                                                                                                                                                                                                                                                                                 | 6 spare bits                                                           |
| SRES        | OCTETSTRING [4]                                                                                                                                                                                                                                                                                                                                                                     | authentication response signature                                      |
| TPCD        | OCTETSTRING [1..157]                                                                                                                                                                                                                                                                                                                                                                | TP command data                                                        |
| TPSCTS      | HEXSTRING [14]                                                                                                                                                                                                                                                                                                                                                                      | TP service centre time stamp                                           |
| TPUD        | OCTETSTRING [1..140]                                                                                                                                                                                                                                                                                                                                                                | TP user data                                                           |
| TSC         | B_3                                                                                                                                                                                                                                                                                                                                                                                 | Training sequence code,GSM 04.08 10.5.2.5                              |
| T1          | BITSTRING [11]                                                                                                                                                                                                                                                                                                                                                                      |                                                                        |
| T1_         | B_5                                                                                                                                                                                                                                                                                                                                                                                 | T1'                                                                    |
| T2          | B_5                                                                                                                                                                                                                                                                                                                                                                                 |                                                                        |
| T3          | BITSTRING [6]                                                                                                                                                                                                                                                                                                                                                                       |                                                                        |
| T3_         | B_3                                                                                                                                                                                                                                                                                                                                                                                 | T3'                                                                    |
| TI_V        | B_3                                                                                                                                                                                                                                                                                                                                                                                 | TI value                                                               |
| TMSI_V      | OCTETSTRING[4]                                                                                                                                                                                                                                                                                                                                                                      | TMSI value is octetstring of length 4                                  |
| TZONES      | INTEGER(-79..79)                                                                                                                                                                                                                                                                                                                                                                    | time zones in 15 minute steps                                          |
| WI          | HEXSTRING [2]                                                                                                                                                                                                                                                                                                                                                                       | wait indication, unit in second                                        |

Detailed Comments:

**Structured Type definitions**

| <b>Structured Type Definition</b> |                 |                                                                  |
|-----------------------------------|-----------------|------------------------------------------------------------------|
| <b>Type Name:</b>                 |                 | ACST                                                             |
| <b>Comments:</b>                  |                 | Auxiliary states (CC information element)<br>GSM 04.08, 10.5.4.4 |
| Element Name                      | Type Definition | Comments                                                         |
| iei                               | IEI_8           |                                                                  |
| iel                               | LENGTH          |                                                                  |
| extb                              | EXTB            |                                                                  |
| sp3b                              | SP3B            |                                                                  |
| has                               | BITSTRING [2]   |                                                                  |
| mpas                              | BITSTRING [2]   |                                                                  |
| <b>Detailed Comments:</b>         |                 |                                                                  |

| Structured Type Definition |                 |                                                                   |
|----------------------------|-----------------|-------------------------------------------------------------------|
| <b>Type Name:</b>          |                 | BCAP                                                              |
| <b>Comments:</b>           |                 | Bearer capability (CC information element)<br>GSM 04.08, 10.5.4.5 |
| Element Name               | Type Definition | Comments                                                          |
| iei                        | IEI_8           |                                                                   |
| iel                        | LENGTH          |                                                                   |
| extb3                      | EXTB            |                                                                   |
| rchr                       | BITSTRING [2]   |                                                                   |
| cs                         | BITSTRING [1]   |                                                                   |
| tm                         | BITSTRING [1]   |                                                                   |
| itc                        | BITSTRING [3]   |                                                                   |
| oct_3a_etc_1               | EFR_BCAP_3A_ETC |                                                                   |
| oct_3a_etc_2               | EFR_BCAP_3A_ETC |                                                                   |
| oct_3a_etc_3               | EFR_BCAP_3A_ETC |                                                                   |
| oct_3a_etc_4               | EFR_BCAP_3A_ETC |                                                                   |
| oct_3a_etc_5               | EFR_BCAP_3A_ETC |                                                                   |
| oct_3a_etc_6               | EFR_BCAP_3A_ETC |                                                                   |
| extb4                      | EXTB            |                                                                   |
| spb                        | SPB             |                                                                   |
| strc                       | BITSTRING [2]   |                                                                   |
| dplxm                      | BITSTRING [1]   |                                                                   |
| config                     | BITSTRING [1]   |                                                                   |
| nirr                       | BITSTRING [1]   |                                                                   |
| est                        | BITSTRING [1]   |                                                                   |
| extb5                      | EXTB            |                                                                   |
| accid                      | BITSTRING [2]   |                                                                   |
| ra                         | BITSTRING [2]   |                                                                   |
| sacp                       | BITSTRING [3]   |                                                                   |
| extb6                      | EXTB            |                                                                   |
| l1id                       | BITSTRING [2]   |                                                                   |
| uil1                       | BITSTRING [4]   |                                                                   |
| sb                         | BITSTRING [1]   |                                                                   |
| extb6a                     | EXTB            |                                                                   |
| nsb                        | BITSTRING [1]   |                                                                   |
| nb                         | BITSTRING [1]   |                                                                   |
| ndb                        | BITSTRING [1]   |                                                                   |
| ur                         | BITSTRING [4]   |                                                                   |
| extb6b                     | EXTB            |                                                                   |
| ir                         | BITSTRING [2]   |                                                                   |
| nictx                      | BITSTRING [1]   |                                                                   |
| nicrx                      | BITSTRING [1]   |                                                                   |
| pi                         | BITSTRING [3]   |                                                                   |
| extb6c                     | EXTB            |                                                                   |
| ce                         | BITSTRING [2]   |                                                                   |
| modemt                     | BITSTRING [5]   |                                                                   |
| extb7                      | EXTB            |                                                                   |
| l2id                       | BITSTRING [2]   |                                                                   |
| uil2                       | BITSTRING [5]   |                                                                   |
| <b>Detailed Comments:</b>  |                 |                                                                   |

| Structured Type Definition |                 |                                 |
|----------------------------|-----------------|---------------------------------|
| <b>Type Name:</b>          |                 | BLOCKTYPE                       |
| <b>Comments:</b>           |                 | Block type,<br>GSM 04.12, 3.3.1 |
| Element Name               | Type Definition | Comments                        |
| spare1                     | SPB             |                                 |
| lpd                        | BITSTRING[2]    |                                 |
| lb                         | BITSTRING[1]    |                                 |
| sequence_number            | BITSTRING[4]    |                                 |
| <b>Detailed Comments:</b>  |                 |                                 |

| Structured Type Definition |                                                        |          |
|----------------------------|--------------------------------------------------------|----------|
| <b>Type Name:</b>          | CAU                                                    |          |
| <b>Comments:</b>           | Cause (CC information element)<br>GSM 04.08, 10.5.4.11 |          |
| Element Name               | Type Definition                                        | Comments |
| iei                        | IEI_8                                                  |          |
| iel                        | LENGTH                                                 |          |
| extb3                      | EXTB                                                   |          |
| cs                         | CS                                                     |          |
| spb                        | SPB                                                    |          |
| location                   | BITSTRING [4]                                          |          |
| extb3a                     | EXTB                                                   |          |
| rec                        | BITSTRING [7]                                          |          |
| extb4                      | EXTB                                                   |          |
| cau_class                  | BITSTRING [3]                                          |          |
| cau_va                     | BITSTRING [4]                                          |          |
| cau_di                     | OCTETSTRING [1..28]                                    |          |
| <b>Detailed Comments:</b>  | &COMMON_U06                                            |          |

| Structured Type Definition |                                                   |          |
|----------------------------|---------------------------------------------------|----------|
| <b>Type Name:</b>          | CCCAP                                             |          |
| <b>Comments:</b>           | Call Control Capabilities<br>GSM 04.08, 10.5.4.5a |          |
| Element Name               | Type Definition                                   | Comments |
| iei                        | IEI_8                                             |          |
| iel                        | LENGTH                                            |          |
| spr                        | BITSTRING [7]                                     |          |
| dtmf                       | BITSTRING [1]                                     |          |
| <b>Detailed Comments:</b>  |                                                   |          |

| Structured Type Definition |                                                     |          |
|----------------------------|-----------------------------------------------------|----------|
| <b>Type Name:</b>          | CCD                                                 |          |
| <b>Comments:</b>           | Control channel description<br>GSM 04.08, 10.5.2.11 |          |
| Element Name               | Type Definition                                     | Comments |
| spr1                       | BITSTRING [1]                                       |          |
| att                        | BITSTRING [1]                                       |          |
| babr                       | BITSTRING [3]                                       |          |
| ccch_con                   | BITSTRING [3]                                       |          |
| spr2                       | BITSTRING [5]                                       |          |
| bpm                        | BITSTRING [3]                                       |          |
| t3212                      | OCTETSTRING [1]                                     |          |
| <b>Detailed Comments:</b>  |                                                     |          |

| Structured Type Definition |                                                 |          |
|----------------------------|-------------------------------------------------|----------|
| <b>Type Name:</b>          | CCHD                                            |          |
| <b>Comments:</b>           | Cell channel description<br>GSM 04.08, 10.5.2.1 |          |
| Element Name               | Type Definition                                 | Comments |
| iei                        | IEI_8                                           |          |
| rfl                        | OCTETSTRING [16]                                |          |
| <b>Detailed Comments:</b>  |                                                 |          |

| Structured Type Definition |                                         |          |
|----------------------------|-----------------------------------------|----------|
| <b>Type Name:</b>          | CD                                      |          |
| <b>Comments:</b>           | Cell description<br>GSM 04.08, 10.5.2.2 |          |
| Element Name               | Type Definition                         | Comments |
| bcch_arfcn_h               | BITSTRING [2]                           |          |
| ncc                        | NCC                                     |          |
| bcc                        | BCC                                     |          |
| bcch_arfcn_l               | BITSTRING [8]                           |          |
| <b>Detailed Comments:</b>  | The info element is two octets long.    |          |

| Structured Type Definition |                                                                         |          |
|----------------------------|-------------------------------------------------------------------------|----------|
| <b>Type Name:</b>          | CDPN                                                                    |          |
| <b>Comments:</b>           | Called party BCD number (CC information element)<br>GSM 04.08, 10.5.4.7 |          |
| Element Name               | Type Definition                                                         | Comments |
| iei                        | IEI_8                                                                   |          |
| iel                        | LENGTH                                                                  |          |
| tonnpi                     | TON_NPI                                                                 |          |
| digits                     | BCDN                                                                    |          |
| <b>Detailed Comments:</b>  |                                                                         |          |

| Structured Type Definition |                                                                         |          |
|----------------------------|-------------------------------------------------------------------------|----------|
| <b>Type Name:</b>          | CDPS                                                                    |          |
| <b>Comments:</b>           | Called party subaddress (CC information element)<br>GSM 04.08, 10.5.4.8 |          |
| Element Name               | Type Definition                                                         | Comments |
| iei                        | IEI_8                                                                   |          |
| iel                        | LENGTH                                                                  |          |
| subad                      | SUBAD                                                                   |          |
| <b>Detailed Comments:</b>  |                                                                         |          |

| Structured Type Definition |                    |          |
|----------------------------|--------------------|----------|
| <b>Type Name:</b>          | CE                 |          |
| <b>Comments:</b>           | connection element |          |
| Element Name               | Type Definition    | Comments |
| TorBothTorBothNT           | B_2                |          |
| NTorBothTorBothNT          | B_2                |          |
| <b>Detailed Comments:</b>  |                    |          |

| Structured Type Definition |                                                                          |          |
|----------------------------|--------------------------------------------------------------------------|----------|
| <b>Type Name:</b>          | CGPN                                                                     |          |
| <b>Comments:</b>           | Calling party BCD number (CC information element)<br>GSM 04.08, 10.5.4.9 |          |
| Element Name               | Type Definition                                                          | Comments |
| iei                        | IEI_8                                                                    |          |
| iel                        | LENGTH                                                                   |          |
| tonnpi                     | TON_NPI                                                                  |          |
| pis                        | PI_SI                                                                    |          |
| digits                     | BCDN                                                                     |          |
| <b>Detailed Comments:</b>  |                                                                          |          |

| Structured Type Definition |                                                                           |          |
|----------------------------|---------------------------------------------------------------------------|----------|
| <b>Type Name:</b>          | CGPS                                                                      |          |
| <b>Comments:</b>           | Calling party subaddress (CC information element)<br>GSM 04.08, 10.5.4.10 |          |
| Element Name               | Type Definition                                                           | Comments |
| iei                        | IEI_8                                                                     |          |
| iel                        | LENGTH                                                                    |          |
| subad                      | SUBAD                                                                     |          |
| <b>Detailed Comments:</b>  |                                                                           |          |

| Structured Type Definition |                                            |          |
|----------------------------|--------------------------------------------|----------|
| <b>Type Name:</b>          | CHD                                        |          |
| <b>Comments:</b>           | Channel description<br>GSM 04.08, 10.5.2.5 |          |
| Element Name               | Type Definition                            | Comments |
| iei                        | IEI_8                                      |          |
| cht_schn                   | BITSTRING [5]                              |          |
| tn                         | BITSTRING [3]                              |          |
| tsc                        | BITSTRING [3]                              |          |
| hch                        | BITSTRING [1]                              |          |
| maio                       | BITSTRING [6]                              |          |
| hsn                        | BITSTRING [6]                              |          |
| spr                        | BITSTRING [2]                              |          |
| arfcn                      | BITSTRING [10]                             |          |
| <b>Detailed Comments:</b>  |                                            |          |

| Structured Type Definition |                                                              |          |
|----------------------------|--------------------------------------------------------------|----------|
| <b>Type Name:</b>          | CHMOD                                                        |          |
| <b>Comments:</b>           | Channel mode, channel mode2<br>GSM 04.08, 10.5.2.6, 10.5.2.7 |          |
| Element Name               | Type Definition                                              | Comments |
| iei                        | IEI_8                                                        |          |
| mode                       | B_8                                                          |          |
| <b>Detailed Comments:</b>  |                                                              |          |

| Structured Type Definition |                                        |          |
|----------------------------|----------------------------------------|----------|
| <b>Type Name:</b>          | CHNEED                                 |          |
| <b>Comments:</b>           | Channels needed<br>GSM 04.08, 10.5.2.8 |          |
| Element Name               | Type Definition                        | Comments |
| ch2                        | CHANNEL                                |          |
| ch1                        | CHANNEL                                |          |
| <b>Detailed Comments:</b>  |                                        |          |

| Structured Type Definition |                                                                   |          |
|----------------------------|-------------------------------------------------------------------|----------|
| <b>Type Name:</b>          | CNN                                                               |          |
| <b>Comments:</b>           | Connected number (CC information element)<br>GSM 04.08, 10.5.4.13 |          |
| Element Name               | Type Definition                                                   | Comments |
| iei                        | IEI_8                                                             |          |
| iel                        | LENGTH                                                            |          |
| tonnpi                     | TON_NPI                                                           |          |
| pis                        | PI_SI                                                             |          |
| digits                     | BCDN                                                              |          |
| <b>Detailed Comments:</b>  |                                                                   |          |

| Structured Type Definition |                                                                       |          |
|----------------------------|-----------------------------------------------------------------------|----------|
| <b>Type Name:</b>          | CNS                                                                   |          |
| <b>Comments:</b>           | Connected subaddress (CC information element)<br>GSM 04.08, 10.5.4.14 |          |
| Element Name               | Type Definition                                                       | Comments |
| iei                        | IEI_8                                                                 |          |
| iel                        | LENGTH                                                                |          |
| subad                      | SUBAD                                                                 |          |
| <b>Detailed Comments:</b>  |                                                                       |          |

| Structured Type Definition |                                                    |          |
|----------------------------|----------------------------------------------------|----------|
| <b>Type Name:</b>          | CO                                                 |          |
| <b>Comments:</b>           | Cell options (BCCH / SACCH)<br>GSM 04.08, 10.5.2.3 |          |
| Element Name               | Type Definition                                    | Comments |
| sprb                       | BITSTRING [1]                                      |          |
| pwr                        | BITSTRING [1]                                      |          |
| dtx                        | BITSTRING [2]                                      |          |
| rlt                        | BITSTRING [4]                                      |          |
| <b>Detailed Comments:</b>  |                                                    |          |

| Structured Type Definition                                                                                                   |                                                    |          |
|------------------------------------------------------------------------------------------------------------------------------|----------------------------------------------------|----------|
| <b>Type Name:</b>                                                                                                            | Component_T                                        |          |
| <b>Comments:</b>                                                                                                             | Component for sending (downlink)<br>GSM 04.80, 3.6 |          |
| Element Name                                                                                                                 | Type Definition                                    | Comments |
| comp_part1                                                                                                                   | OCTETSTRING                                        |          |
| invokeld                                                                                                                     | OCTETSTRING [1]                                    |          |
| comp_part2                                                                                                                   | OCTETSTRING                                        |          |
| comp_part3                                                                                                                   | OCTETSTRING                                        |          |
| comp_part4                                                                                                                   | OCTETSTRING                                        |          |
| comp_part5                                                                                                                   | OCTETSTRING                                        |          |
| comp_part6                                                                                                                   | OCTETSTRING                                        |          |
| comp_part7                                                                                                                   | OCTETSTRING                                        |          |
| comp_part8                                                                                                                   | OCTETSTRING                                        |          |
| comp_part9                                                                                                                   | OCTETSTRING                                        |          |
| comp_part10                                                                                                                  | OCTETSTRING                                        |          |
| comp_part11                                                                                                                  | OCTETSTRING                                        |          |
| comp_part12                                                                                                                  | OCTETSTRING                                        |          |
| <b>Detailed Comments:</b> This component is defined for the use in the downlink (from the test system to the IUT) direction. |                                                    |          |



| Structured Type Definition                                                       |                                            |          |
|----------------------------------------------------------------------------------|--------------------------------------------|----------|
| <b>Type Name:</b>                                                                | CPDATA                                     |          |
| <b>Comments:</b>                                                                 | CP-User data element<br>GSM 04.11, 8.1.4.1 |          |
| Element Name                                                                     | Type Definition                            | Comments |
| iei                                                                              | IEI_8                                      |          |
| iel                                                                              | LENGTH                                     |          |
| rpack                                                                            | RPACK                                      |          |
| rpdata                                                                           | RPDATA                                     |          |
| rperr                                                                            | RPERR                                      |          |
| rpsmma                                                                           | RPSMMA                                     |          |
| <b>Detailed Comments:</b> One of the 4 types of rpdu is contained in the CPDATA. |                                            |          |

| Structured Type Definition |                                            |          |
|----------------------------|--------------------------------------------|----------|
| <b>Type Name:</b>          | CPHMS                                      |          |
| <b>Comments:</b>           | Cipher mode setting<br>GSM 04.08, 10.5.2.9 |          |
| Element Name               | Type Definition                            | Comments |
| iei                        | IEI_4                                      |          |
| algid                      | BITSTRING [3]                              |          |
| sc                         | BITSTRING [1]                              |          |
| <b>Detailed Comments:</b>  |                                            |          |

| Structured Type Definition |                                                      |          |
|----------------------------|------------------------------------------------------|----------|
| <b>Type Name:</b>          | CPHKS                                                |          |
| <b>Comments:</b>           | Ciphering key sequence number<br>GSM 04.08, 10.5.1.2 |          |
| Element Name               | Type Definition                                      | Comments |
| sprb                       | BITSTRING [1]                                        |          |
| ks                         | BITSTRING [3]                                        |          |
| <b>Detailed Comments:</b>  |                                                      |          |

| Structured Type Definition |                                         |          |
|----------------------------|-----------------------------------------|----------|
| <b>Type Name:</b>          | CPH_RES                                 |          |
| <b>Comments:</b>           | Cipher response<br>GSM 04.08, 10.5.2.10 |          |
| Element Name               | Type Definition                         | Comments |
| iei                        | IEI_4                                   |          |
| sprb                       | BITSTRING [3]                           |          |
| cr                         | BITSTRING [1]                           |          |
| <b>Detailed Comments:</b>  |                                         |          |

| Structured Type Definition |                                                  |          |
|----------------------------|--------------------------------------------------|----------|
| <b>Type Name:</b>          | CSP                                              |          |
| <b>Comments:</b>           | Cell selection parameters<br>GSM 04.08, 10.5.2.4 |          |
| Element Name               | Type Definition                                  | Comments |
| crh                        | BITSTRING [3]                                    |          |
| mtmc                       | BITSTRING [5]                                    |          |
| acs                        | BITSTRING [1]                                    |          |
| neci                       | BITSTRING [1]                                    |          |
| ram                        | BITSTRING [6]                                    |          |
| <b>Detailed Comments:</b>  |                                                  |          |

| Structured Type Definition |                                                             |          |
|----------------------------|-------------------------------------------------------------|----------|
| <b>Type Name:</b>          | CST                                                         |          |
| <b>Comments:</b>           | Call status (CC information element)<br>GSM 04.08, 10.5.4.6 |          |
| Element Name               | Type Definition                                             | Comments |
| cs                         | CS                                                          |          |
| csv                        | BITSTRING [6]                                               |          |
| <b>Detailed Comments:</b>  |                                                             |          |

| Structured Type Definition |                                                                                                                              |          |
|----------------------------|------------------------------------------------------------------------------------------------------------------------------|----------|
| <b>Type Name:</b>          | EFR_BCAP_3A_ETC                                                                                                              |          |
| <b>Comments:</b>           | Speech Versions preferences as supported by the EFR mobile - see GSM 04.08/10.5.4.5/octet 3a etc/"speech version indication" |          |
| Element Name               | Type Definition                                                                                                              | Comments |
| extb                       | EXTB                                                                                                                         |          |
| cod                        | BITSTRING[1]                                                                                                                 |          |
| spr2                       | BITSTRING[2]                                                                                                                 |          |
| svi                        | BITSTRING [4]                                                                                                                |          |
| <b>Detailed Comments:</b>  |                                                                                                                              |          |

| Structured Type Definition                                                                                                                                                                                               |                                                |          |
|--------------------------------------------------------------------------------------------------------------------------------------------------------------------------------------------------------------------------|------------------------------------------------|----------|
| <b>Type Name:</b>                                                                                                                                                                                                        | FIE                                            |          |
| <b>Comments:</b>                                                                                                                                                                                                         | Facility information element<br>GSM 04.80, 3.6 |          |
| Element Name                                                                                                                                                                                                             | Type Definition                                | Comments |
| iei                                                                                                                                                                                                                      | IEI_8                                          |          |
| iel                                                                                                                                                                                                                      | LENGTH                                         |          |
| components_1                                                                                                                                                                                                             | Components                                     |          |
| components_t                                                                                                                                                                                                             | Component_T                                    |          |
| <b>Detailed Comments:</b> When sending normally only one component is sent, but when receiving any number of components can be received even though normally we are only interested in one component during the testing. |                                                |          |

| Structured Type Definition                |                                                                                                       |          |
|-------------------------------------------|-------------------------------------------------------------------------------------------------------|----------|
| <b>Type Name:</b>                         | FN                                                                                                    |          |
| <b>Comments:</b>                          | The time in reference to the frame numbering corresponding to the absolute frame number modulo 42432. |          |
| Element Name                              | Type Definition                                                                                       | Comments |
| t1_                                       | T1_                                                                                                   |          |
| t3                                        | T3                                                                                                    |          |
| t2                                        | T2                                                                                                    |          |
| <b>Detailed Comments:</b> In STRT and RQR |                                                                                                       |          |

| Structured Type Definition |                                                    |          |
|----------------------------|----------------------------------------------------|----------|
| <b>Type Name:</b>          | FRQCHS                                             |          |
| <b>Comments:</b>           | Frequency channel sequence<br>GSM 04.08, 10.5.2.12 |          |
| Element Name               | Type Definition                                    | Comments |
| iei                        | IEI_8                                              |          |
| larfcn                     | OCTETSTRING [1]                                    |          |
| incs                       | OCTETSTRING [8]                                    |          |
| <b>Detailed Comments:</b>  |                                                    |          |

| Structured Type Definition |                                                                                                 |          |
|----------------------------|-------------------------------------------------------------------------------------------------|----------|
| <b>Type Name:</b>          | FRQL                                                                                            |          |
| <b>Comments:</b>           | Frequency list, frequency short list<br>GSM 04.08, 10.5.2.5, 10.5.2.6                           |          |
| Element Name               | Type Definition                                                                                 | Comments |
| iei                        | IEI_8                                                                                           |          |
| iel                        | LENGTH                                                                                          |          |
| fl                         | OCTETSTRING                                                                                     |          |
| <b>Detailed Comments:</b>  | frequency short list has a fixed length of 10 octets and does not contain the length indicator. |          |

| Structured Type Definition |                                                                           |          |
|----------------------------|---------------------------------------------------------------------------|----------|
| <b>Type Name:</b>          | FRQPARA                                                                   |          |
| <b>Comments:</b>           | Parameters for Description of basic physical channel in frequency domain. |          |
| Element Name               | Type Definition                                                           | Comments |
| hch                        | BITSTRING[1]                                                              |          |
| maio                       | BITSTRING [6]                                                             |          |
| hsn                        | BITSTRING [6]                                                             |          |
| spr                        | BITSTRING [2]                                                             |          |
| arfcn                      | BITSTRING [10]                                                            |          |
| maclength                  | LENGTH                                                                    |          |
| mac_8n                     | BITSTRING [8]                                                             |          |
| mac_7n                     | BITSTRING [8]                                                             |          |
| mac_6n                     | BITSTRING [8]                                                             |          |
| mac_5n                     | BITSTRING [8]                                                             |          |
| mac_4n                     | BITSTRING [8]                                                             |          |
| mac_3n                     | BITSTRING [8]                                                             |          |
| mac_2n                     | BITSTRING [8]                                                             |          |
| mac_1n                     | BITSTRING [8]                                                             |          |
| flst                       | FRQL                                                                      |          |
| <b>Detailed Comments:</b>  |                                                                           |          |

| Structured Type Definition |                            |          |
|----------------------------|----------------------------|----------|
| <b>Type Name:</b>          | HOACC_PARA                 |          |
| <b>Comments:</b>           | Handover Access parameters |          |
| Element Name               | Type Definition            | Comments |
| num_bursts                 | OCTETSTRING[1]             |          |
| min_mspwr                  | OCTETSTRING[1]             |          |
| max_mspwr                  | OCTETSTRING[1]             |          |
| min_msta                   | BITSTRING[8]               |          |
| max_msta                   | BITSTRING[8]               |          |
| <b>Detailed Comments:</b>  |                            |          |

| Structured Type Definition                                                                            |                 |          |
|-------------------------------------------------------------------------------------------------------|-----------------|----------|
| <b>Type Name:</b> HLCMP                                                                               |                 |          |
| <b>Comments:</b> High layer compatibility (CC information element)<br>GSM 04.08, 10.5.4.16, ITU Q.931 |                 |          |
| Element Name                                                                                          | Type Definition | Comments |
| iei                                                                                                   | IEI_8           |          |
| iel                                                                                                   | LENGTH          |          |
| extb3                                                                                                 | EXTB            |          |
| cs                                                                                                    | BITSTRING [2]   |          |
| in                                                                                                    | BITSTRING [3]   |          |
| pmpp                                                                                                  | BITSTRING [2]   |          |
| extb4                                                                                                 | EXTB            |          |
| hlci                                                                                                  | BITSTRING [7]   |          |
| extb4a                                                                                                | EXTB            |          |
| ehlci                                                                                                 | BITSTRING [7]   |          |
| <b>Detailed Comments:</b>                                                                             |                 |          |

| Structured Type Definition  |                    |          |
|-----------------------------|--------------------|----------|
| <b>Type Name:</b> IARESTOCT |                    |          |
| <b>Comments:</b>            |                    |          |
| Element Name                | Type Definition    | Comments |
| iei                         | IEI_8              |          |
| iaroct1                     | OCTETSTRING[1..11] |          |
| iaroct2                     | IARESTOCT2         |          |
| <b>Detailed Comments:</b>   |                    |          |

| Structured Type Definition   |                   |          |
|------------------------------|-------------------|----------|
| <b>Type Name:</b> IARESTOCT2 |                   |          |
| <b>Comments:</b>             |                   |          |
| Element Name                 | Type Definition   | Comments |
| p                            | BITSTRING[2]      |          |
| frqparalen                   | BITSTRING[6]      |          |
| spbt1                        | BITSTRING[2]      |          |
| maio                         | BITSTRING[6]      |          |
| ma                           | OCTETSTRING[0..8] |          |
| spbt2                        | OCTETSTRING[0..8] |          |
| <b>Detailed Comments:</b>    |                   |          |

| Structured Type Definition                                     |                 |          |
|----------------------------------------------------------------|-----------------|----------|
| <b>Type Name:</b> KPF (keypad facility)                        |                 |          |
| <b>Comments:</b> keypad facility<br>GSM 04.08 clause 10.5.4.17 |                 |          |
| Element Name                                                   | Type Definition | Comments |
| iei                                                            | IEI_8           |          |
| extb                                                           | EXTB            |          |
| kpf_info                                                       | IA5String [1]   |          |
| <b>Detailed Comments:</b> Is extb needed?                      |                 |          |

| Structured Type Definition |                 |                |
|----------------------------|-----------------|----------------|
| <b>Type Name:</b>          |                 | L1HD           |
| <b>Comments:</b>           |                 | Layer 1 Header |
| Element Name               | Type Definition | Comments       |
| spr1                       | BITSTRING[3]    |                |
| mshwrlvl                   | BITSTRING[5]    |                |
| spr2                       | BITSTRING[1]    |                |
| ta                         | BITSTRING[7]    |                |
| <b>Detailed Comments:</b>  |                 |                |

| Structured Type Definition |                 |                                                     |
|----------------------------|-----------------|-----------------------------------------------------|
| <b>Type Name:</b>          |                 | LAI                                                 |
| <b>Comments:</b>           |                 | Location area identification<br>GSM 04.08, 10.5.1.3 |
| Element Name               | Type Definition | Comments                                            |
| iei                        | IEI_8           |                                                     |
| mcc                        | OCTETSTRING [2] |                                                     |
| mnc                        | OCTETSTRING [1] |                                                     |
| lac                        | OCTETSTRING [2] |                                                     |
| <b>Detailed Comments:</b>  |                 |                                                     |

| Structured Type Definition |                                                                                                                          |          |
|----------------------------|--------------------------------------------------------------------------------------------------------------------------|----------|
| <b>Type Name:</b>          | LLCMP                                                                                                                    |          |
| <b>Comments:</b>           | Low layer compatibility (CC information element)<br>GSM 04.08, 10.5.4.18 and ETS DE/SPS-5034-1 (update of ETS 300 102-1) |          |
| Element Name               | Type Definition                                                                                                          | Comments |
| iei                        | IEI_8                                                                                                                    |          |
| iel                        | LENGTH                                                                                                                   |          |
| extb3                      | EXTB                                                                                                                     |          |
| cs                         | BITSTRING [2]                                                                                                            |          |
| itc                        | BITSTRING [5]                                                                                                            |          |
| extb3a                     | EXTB                                                                                                                     |          |
| negind                     | BITSTRING[1]                                                                                                             |          |
| spb3a                      | SP6B                                                                                                                     |          |
| extb4                      | EXTB                                                                                                                     |          |
| tm                         | BITSTRING [2]                                                                                                            |          |
| itr                        | BITSTRING [5]                                                                                                            |          |
| extb4_1                    | EXTB                                                                                                                     |          |
| rateml                     | BITSTRING [7]                                                                                                            |          |
| extb5                      | EXTB                                                                                                                     |          |
| l1id                       | BITSTRING [2]                                                                                                            |          |
| uil1                       | BITSTRING [5]                                                                                                            |          |
| extb5a                     | EXTB                                                                                                                     |          |
| sb                         | BITSTRING [1]                                                                                                            |          |
| neg                        | BITSTRING [1]                                                                                                            |          |
| ur                         | BITSTRING [5]                                                                                                            |          |
| extb5b1                    | EXTB                                                                                                                     |          |
| ir                         | BITSTRING [2]                                                                                                            |          |
| nictx                      | BITSTRING [1]                                                                                                            |          |
| nicrx                      | BITSTRING [1]                                                                                                            |          |
| fctx                       | BITSTRING [1]                                                                                                            |          |
| fcrx                       | BITSTRING [1]                                                                                                            |          |
| spb5b1                     | SPB                                                                                                                      |          |
| extb5b2                    | EXTB                                                                                                                     |          |
| hdrb                       | BITSTRING[1]                                                                                                             |          |
| mfs                        | BITSTRING[1]                                                                                                             |          |
| mode                       | BITSTRING[1]                                                                                                             |          |
| llineg                     | BITSTRING[1]                                                                                                             |          |
| ass                        | BITSTRING[1]                                                                                                             |          |
| ibob                       | BITSTRING[1]                                                                                                             |          |
| spb5b2                     | SPB                                                                                                                      |          |
| extb5c                     | EXTB                                                                                                                     |          |
| nsb                        | BITSTRING [2]                                                                                                            |          |
| ndb                        | BITSTRING [2]                                                                                                            |          |
| pi                         | BITSTRING [3]                                                                                                            |          |
| extb5d                     | EXTB                                                                                                                     |          |
| dplxm                      | BITSTRING [1]                                                                                                            |          |
| modemt                     | BITSTRING [6]                                                                                                            |          |
| extb6                      | EXTB                                                                                                                     |          |
| l2id                       | BITSTRING [2]                                                                                                            |          |
| uil2                       | BITSTRING [5]                                                                                                            |          |
| extb6a1                    | EXTB                                                                                                                     |          |
| modl2                      | BITSTRING[2]                                                                                                             |          |
| spb6a1                     | SP3B                                                                                                                     |          |
| q933                       | BITSTRING [2]                                                                                                            |          |
| extb6a2                    | EXTB                                                                                                                     |          |
| usl2pi                     | BITSTRING[7]                                                                                                             |          |
| extb6b                     | EXTB                                                                                                                     |          |
| ws                         | BITSTRING[7]                                                                                                             |          |
| extb7                      | EXTB                                                                                                                     |          |
| l3id                       | BITSTRING [2]                                                                                                            |          |
| uil3                       | BITSTRING [5]                                                                                                            |          |
| extb7a1                    | EXTB                                                                                                                     |          |
| modl3                      | BITSTRING[2]                                                                                                             |          |
| spb7a1                     | SP5B                                                                                                                     |          |

|                           |               |  |
|---------------------------|---------------|--|
| extb7a2                   | EXTB          |  |
| usl3pi                    | BITSTRING[7]  |  |
| extb7b                    | EXTB          |  |
| spb7b                     | SP3B          |  |
| dps                       | BITSTRING [4] |  |
| extb7c                    | EXTB          |  |
| pws                       | BITSTRING[7]  |  |
| <b>Detailed Comments:</b> |               |  |

| Structured Type Definition |                                               |          |
|----------------------------|-----------------------------------------------|----------|
| <b>Type Name:</b>          | LUT                                           |          |
| <b>Comments:</b>           | Location updating type<br>GSM 04.08, 10.5.3.5 |          |
| Element Name               | Type Definition                               | Comments |
| foreq                      | BITSTRING [1]                                 |          |
| sprb                       | BITSTRING [1]                                 |          |
| lut                        | BITSTRING [2]                                 |          |
| <b>Detailed Comments:</b>  |                                               |          |

| Structured Type Definition |                                           |          |
|----------------------------|-------------------------------------------|----------|
| <b>Type Name:</b>          | MA                                        |          |
| <b>Comments:</b>           | Mobile allocation<br>GSM 04.08, 10.5.2.21 |          |
| Element Name               | Type Definition                           | Comments |
| iei                        | IEI_8                                     |          |
| iel                        | LENGTH                                    |          |
| mac_8n                     | BITSTRING [8]                             |          |
| mac_7n                     | BITSTRING [8]                             |          |
| mac_6n                     | BITSTRING [8]                             |          |
| mac_5n                     | BITSTRING [8]                             |          |
| mac_4n                     | BITSTRING [8]                             |          |
| mac_3n                     | BITSTRING [8]                             |          |
| mac_2n                     | BITSTRING [8]                             |          |
| mac_1n                     | BITSTRING [8]                             |          |
| <b>Detailed Comments:</b>  |                                           |          |

| Structured Type Definition |                                        |          |
|----------------------------|----------------------------------------|----------|
| <b>Type Name:</b>          | MI                                     |          |
| <b>Comments:</b>           | Mobile identity<br>GSM 04.08, 10.5.1.4 |          |
| Element Name               | Type Definition                        | Comments |
| iei                        | IEI_8                                  |          |
| iel                        | LENGTH                                 |          |
| idigit_1                   | BITSTRING [4]                          |          |
| oei                        | BITSTRING [1]                          |          |
| toi                        | BITSTRING [3]                          |          |
| idigits_other              | OCTETSTRING [0..7]                     |          |
| <b>Detailed Comments:</b>  |                                        |          |

| Structured Type Definition |                 |          |
|----------------------------|-----------------|----------|
| <b>Type Name:</b>          | MODEMTYPE       |          |
| <b>Comments:</b>           |                 |          |
| Element Name               | Type Definition | Comments |
| V22bisOrV26ter             | B_5             |          |
| <b>Detailed Comments:</b>  |                 |          |

| Structured Type Definition |                                                   |          |
|----------------------------|---------------------------------------------------|----------|
| <b>Type Name:</b>          | MSCLM1                                            |          |
| <b>Comments:</b>           | mobile station classmark 1<br>GSM 04.08, 10.5.1.5 |          |
| Element Name               | Type Definition                                   | Comments |
| spr1                       | BITSTRING [1]                                     |          |
| rl                         | BITSTRING [2]                                     |          |
| spr2                       | BITSTRING [1]                                     |          |
| a5_1                       | BITSTRING [1]                                     |          |
| rfpc                       | BITSTRING [3]                                     |          |
| <b>Detailed Comments:</b>  | 2 octets long                                     |          |

| Structured Type Definition |                                                   |          |
|----------------------------|---------------------------------------------------|----------|
| <b>Type Name:</b>          | MSCLM2                                            |          |
| <b>Comments:</b>           | mobile station classmark 2<br>GSM 04.08, 10.5.1.6 |          |
| Element Name               | Type Definition                                   | Comments |
| iel                        | LENGTH                                            |          |
| spr1                       | BITSTRING [1]                                     |          |
| rl                         | BITSTRING [2]                                     |          |
| spr2                       | BITSTRING [1]                                     |          |
| a5_1                       | BITSTRING [1]                                     |          |
| rfpc                       | BITSTRING [3]                                     |          |
| spr3                       | BITSTRING [1]                                     |          |
| psc                        | BITSTRING [1]                                     |          |
| ssi                        | BITSTRING [2]                                     |          |
| smc                        | BITSTRING [1]                                     |          |
| spr4                       | BITSTRING [2]                                     |          |
| fc                         | BITSTRING [1]                                     |          |
| cm3                        | BITSTRING [1]                                     |          |
| spr5                       | BITSTRING [5]                                     |          |
| a5_3                       | BITSTRING [1]                                     |          |
| a5_2                       | BITSTRING [1]                                     |          |
| <b>Detailed Comments:</b>  | 4 octets long                                     |          |

| Structured Type Definition |                                                   |          |
|----------------------------|---------------------------------------------------|----------|
| <b>Type Name:</b>          | MSCLM3                                            |          |
| <b>Comments:</b>           | Mobile station classmark 3<br>GSM 04.08, 10.5.1.7 |          |
| Element Name               | Type Definition                                   | Comments |
| iei                        | IEI_8                                             |          |
| iel                        | LENGTH                                            |          |
| spr1                       | BITSTRING [4]                                     |          |
| a5_7                       | BITSTRING [1]                                     |          |
| a5_6                       | BITSTRING [1]                                     |          |
| a5_5                       | BITSTRING [1]                                     |          |
| a5_4                       | BITSTRING [1]                                     |          |
| spr2                       | OCTETSTRING [11]                                  |          |
| <b>Detailed Comments:</b>  | The info element has 14 octets                    |          |



| Structured Type Definition |                                                   |          |
|----------------------------|---------------------------------------------------|----------|
| <b>Type Name:</b>          | MSRR                                              |          |
| <b>Comments:</b>           | measurement results<br>GSM 04.08, 10.5.2.20       |          |
| Element Name               | Type Definition                                   | Comments |
| ba_used                    | BITSTRING [1]                                     |          |
| dtx_used                   | BITSTRING [1]                                     |          |
| rxlev_fsc                  | RXLEV                                             |          |
| spr1                       | BITSTRING [1]                                     |          |
| meas_valid                 | BITSTRING [1]                                     |          |
| rxlev_ssc                  | RXLEV                                             |          |
| spr2                       | BITSTRING [1]                                     |          |
| rxqual_fsc                 | BITSTRING [3]                                     |          |
| rxqual_ssc                 | BITSTRING [3]                                     |          |
| no_nc                      | BITSTRING [3]                                     |          |
| rxlev_nc1                  | RXLEV                                             |          |
| bcchfrq_nc1                | BCCHFRQ                                           |          |
| bsic_nc1                   | BSIC                                              |          |
| rxlev_nc2                  | RXLEV                                             |          |
| bcchfrq_nc2                | BCCHFRQ                                           |          |
| bsic_nc2                   | BSIC                                              |          |
| rxlev_nc3                  | RXLEV                                             |          |
| bcchfrq_nc3                | BCCHFRQ                                           |          |
| bsic_nc3                   | BSIC                                              |          |
| rxlev_nc4                  | RXLEV                                             |          |
| bcchfrq_nc4                | BCCHFRQ                                           |          |
| bsic_nc4                   | BSIC                                              |          |
| rxlev_nc5                  | RXLEV                                             |          |
| bcchfrq_nc5                | BCCHFRQ                                           |          |
| bsic_nc5                   | BSIC                                              |          |
| rxlev_nc6                  | RXLEV                                             |          |
| bcchfrq_nc6                | BCCHFRQ                                           |          |
| bsic_nc6                   | BSIC                                              |          |
| <b>Detailed Comments:</b>  | The info element has a fixed length of 16 octets. |          |

| Structured Type Definition |                                                 |          |
|----------------------------|-------------------------------------------------|----------|
| <b>Type Name:</b>          | MTDIF                                           |          |
| <b>Comments:</b>           | Mobile time difference<br>GSM 04.08, 10.5.1.21a |          |
| Element Name               | Type Definition                                 | Comments |
| iei                        | IEI_8                                           |          |
| iel                        | LENGTH                                          |          |
| value                      | OCTETSTRING [3]                                 |          |
| <b>Detailed Comments:</b>  |                                                 |          |

| Structured Type Definition |                                                     |          |
|----------------------------|-----------------------------------------------------|----------|
| <b>Type Name:</b>          | NCD                                                 |          |
| <b>Comments:</b>           | Neighbour cells description<br>GSM 04.08, 10.5.2.22 |          |
| Element Name               | Type Definition                                     | Comments |
| rfl2                       | BITSTRING [2]                                       |          |
| extind                     | BITSTRING [1]                                       |          |
| baind                      | BITSTRING [1]                                       |          |
| rfl4                       | BITSTRING [4]                                       |          |
| rfl                        | OCTETSTRING [15]                                    |          |
| <b>Detailed Comments:</b>  |                                                     |          |

| Structured Type Definition                                             |                  |          |
|------------------------------------------------------------------------|------------------|----------|
| <b>Type Name:</b> NCD2                                                 |                  |          |
| <b>Comments:</b> Neighbour cells description2<br>GSM 04.08, 10.5.2.22b |                  |          |
| Element Name                                                           | Type Definition  | Comments |
| b128                                                                   | BITSTRING [1]    |          |
| mbrpt                                                                  | BITSTRING [2]    |          |
| baind                                                                  | BITSTRING [1]    |          |
| b122_124                                                               | BITSTRING [3]    |          |
| rfl1                                                                   | BITSTRING [1]    |          |
| rfl                                                                    | OCTETSTRING [15] |          |
| <b>Detailed Comments:</b>                                              |                  |          |

| Structured Type Definition                                                         |                 |          |
|------------------------------------------------------------------------------------|-----------------|----------|
| <b>Type Name:</b> PCMD                                                             |                 |          |
| <b>Comments:</b> Power command and access type<br>GSM 04.08, 10.5.2.28, 10.5.2.28a |                 |          |
| Element Name                                                                       | Type Definition | Comments |
| sprb                                                                               | BITSTRING [3]   |          |
| pl                                                                                 | BITSTRING [5]   |          |
| <b>Detailed Comments:</b>                                                          |                 |          |

| Structured Type Definition                                  |                 |          |
|-------------------------------------------------------------|-----------------|----------|
| <b>Type Name:</b> PI                                        |                 |          |
| <b>Comments:</b> Progress indicator<br>GSM 04.08, 10.5.4.21 |                 |          |
| Element Name                                                | Type Definition | Comments |
| iei                                                         | IEI_8           |          |
| iel                                                         | LENGTH          |          |
| extb3                                                       | EXTB            |          |
| cs                                                          | BITSTRING [2]   |          |
| spb                                                         | SPB             |          |
| loc                                                         | BITSTRING [4]   |          |
| extb4                                                       | EXTB            |          |
| prd                                                         | BITSTRING [7]   |          |
| <b>Detailed Comments:</b> total 4 octets                    |                 |          |

| Structured Type Definition                                                                      |                 |          |
|-------------------------------------------------------------------------------------------------|-----------------|----------|
| <b>Type Name:</b> PI_SI                                                                         |                 |          |
| <b>Comments:</b> Presentation indicator & screening indicator<br>GSM 04.08, 10.5.4.9, 10.5.4.13 |                 |          |
| Element Name                                                                                    | Type Definition | Comments |
| extb                                                                                            | EXTB            |          |
| pi                                                                                              | BITSTRING [2]   |          |
| sp3b                                                                                            | SP3B            |          |
| si                                                                                              | BITSTRING [2]   |          |
| <b>Detailed Comments:</b>                                                                       |                 |          |

| Structured Type Definition |                                   |          |
|----------------------------|-----------------------------------|----------|
| <b>Type Name:</b>          | PM                                |          |
| <b>Comments:</b>           | Page mode<br>GSM 04.08, 10.5.2.26 |          |
| Element Name               | Type Definition                   | Comments |
| sprb                       | B_2                               |          |
| pgm                        | B_2                               |          |
| <b>Detailed Comments:</b>  |                                   |          |

| Structured Type Definition                                                 |                                                 |          |
|----------------------------------------------------------------------------|-------------------------------------------------|----------|
| <b>Type Name:</b>                                                          | RACHCP                                          |          |
| <b>Comments:</b>                                                           | Rach control parameters<br>GSM 04.08, 10.5.2.29 |          |
| Element Name                                                               | Type Definition                                 | Comments |
| maxrtx                                                                     | BITSTRING [2]                                   |          |
| txint                                                                      | BITSTRING [4]                                   |          |
| cba                                                                        | BITSTRING [1]                                   |          |
| re                                                                         | BITSTRING [1]                                   |          |
| acc_2                                                                      | BITSTRING [5]                                   |          |
| ec                                                                         | BITSTRING [1]                                   |          |
| acc_1                                                                      | BITSTRING [10]                                  |          |
| <b>Detailed Comments:</b> The info element has a fixed length of 3 octets. |                                                 |          |

| Structured Type Definition |                                                     |          |
|----------------------------|-----------------------------------------------------|----------|
| <b>Type Name:</b>          | RPACK                                               |          |
| <b>Comments:</b>           | SMS RP ACKNOWLEDGEMENT ms <-> n<br>GSM 04.11, 7.3.3 |          |
| Element Name               | Type Definition                                     | Comments |
| sprb                       | SP5B                                                |          |
| rpmti                      | MTI                                                 |          |
| rpmr                       | MR                                                  |          |
| <b>Detailed Comments:</b>  |                                                     |          |

| Structured Type Definition |                                            |          |
|----------------------------|--------------------------------------------|----------|
| <b>Type Name:</b>          | RPCAU                                      |          |
| <b>Comments:</b>           | RP user data element<br>GSM 04.11, 8.2.5.4 |          |
| Element Name               | Type Definition                            | Comments |
| iei                        | IEI_8                                      |          |
| iel                        | LENGTH                                     |          |
| extb2                      | EXTB                                       |          |
| rpcau_class                | BITSTRING [3]                              |          |
| rpcau_va                   | BITSTRING [4]                              |          |
| rpcau_di                   | OCTETSTRING [1]                            |          |
| <b>Detailed Comments:</b>  |                                            |          |

| Structured Type Definition                                |                 |          |
|-----------------------------------------------------------|-----------------|----------|
| <b>Type Name:</b> RPDATA                                  |                 |          |
| <b>Comments:</b> SMS RP DATA ms <-> n<br>GSM 04.11, 7.3.1 |                 |          |
| Element Name                                              | Type Definition | Comments |
| sprb                                                      | SP5B            |          |
| rpmti                                                     | MTI             |          |
| rpmr                                                      | MR              |          |
| rpOaddr                                                   | CDPN            |          |
| rpDaddr                                                   | CDPN            |          |
| rpusrdat                                                  | RPUSRDAT        |          |
| <b>Detailed Comments:</b>                                 |                 |          |

| Structured Type Definition                                 |                 |          |
|------------------------------------------------------------|-----------------|----------|
| <b>Type Name:</b> RPERR                                    |                 |          |
| <b>Comments:</b> SMS RP ERROR ms <-> n<br>GSM 04.11, 7.3.4 |                 |          |
| Element Name                                               | Type Definition | Comments |
| sprb                                                       | SP5B            |          |
| rpmti                                                      | MTI             |          |
| rpmr                                                       | MR              |          |
| rpcau                                                      | RPCAU           |          |
| rpusrdat                                                   | RPUSRDAT        |          |
| <b>Detailed Comments:</b>                                  |                 |          |

| Structured Type Definition                               |                 |          |
|----------------------------------------------------------|-----------------|----------|
| <b>Type Name:</b> RPSMMA                                 |                 |          |
| <b>Comments:</b> SMS RP SMMA ms -> n<br>GSM 04.11, 7.3.2 |                 |          |
| Element Name                                             | Type Definition | Comments |
| sprb                                                     | SP5B            |          |
| rpmti                                                    | MTI             |          |
| rpmr                                                     | MR              |          |
| <b>Detailed Comments:</b> SM memory available            |                 |          |

| Structured Type Definition                                                                                                                                                                                                                                                                   |                 |          |
|----------------------------------------------------------------------------------------------------------------------------------------------------------------------------------------------------------------------------------------------------------------------------------------------|-----------------|----------|
| <b>Type Name:</b> RPUSRDAT                                                                                                                                                                                                                                                                   |                 |          |
| <b>Comments:</b> RP user data element<br>GSM 04.11, 8.2.5.3, GSM 03.40, 9.2.2                                                                                                                                                                                                                |                 |          |
| Element Name                                                                                                                                                                                                                                                                                 | Type Definition | Comments |
| iei                                                                                                                                                                                                                                                                                          | IEI_8           |          |
| iel                                                                                                                                                                                                                                                                                          | LENGTH          |          |
| tpdeliver                                                                                                                                                                                                                                                                                    | SMDLVR          |          |
| tpsubmit                                                                                                                                                                                                                                                                                     | SMSBMT          |          |
| tpstatus_rpt                                                                                                                                                                                                                                                                                 | SMST_RPT        |          |
| tpcommand                                                                                                                                                                                                                                                                                    | SMCMD           |          |
| tpdlvr_sbmt_rpt                                                                                                                                                                                                                                                                              | SMDLVR_RPT      |          |
| <b>Detailed Comments:</b> One of the six tpdu is contained in the RPUSRDATA. Since the structures of the messages SMS-Deliver-Report and SMS-Submit-Report are identical, they have been combined to tpdlvr_sbmt_rpt and therefore only five tp message types exist in this type definition. |                 |          |

| Structured Type Definition |                                           |          |
|----------------------------|-------------------------------------------|----------|
| <b>Type Name:</b>          | RQR                                       |          |
| <b>Comments:</b>           | Request reference<br>GSM 04.08, 10.5.2.30 |          |
| Element Name               | Type Definition                           | Comments |
| ra                         | BITSTRING [8]                             |          |
| fn                         | FN                                        |          |
| <b>Detailed Comments:</b>  |                                           |          |

| Structured Type Definition                                                 |                                         |          |
|----------------------------------------------------------------------------|-----------------------------------------|----------|
| <b>Type Name:</b>                                                          | SI3RO                                   |          |
| <b>Comments:</b>                                                           | SI3 Rest Octets<br>GSM 04.08, 10.5.2.34 |          |
| Element Name                                                               | Type Definition                         | Comments |
| pi                                                                         | BITSTRING [1]                           |          |
| cbq                                                                        | BITSTRING [1]                           |          |
| cro                                                                        | BITSTRING [6]                           |          |
| to                                                                         | BITSTRING [3]                           |          |
| pt                                                                         | BITSTRING [5]                           |          |
| poi                                                                        | BITSTRING [1]                           |          |
| po                                                                         | BITSTRING [2]                           |          |
| ti                                                                         | BITSTRING [1]                           |          |
| ecsc                                                                       | BITSTRING [1]                           |          |
| spr1                                                                       | BITSTRING [3]                           |          |
| spr2                                                                       | BITSTRING [8]                           |          |
| <b>Detailed Comments:</b> The info element has a fixed length of 4 octets. |                                         |          |

| Structured Type Definition                                                  |                                         |          |
|-----------------------------------------------------------------------------|-----------------------------------------|----------|
| <b>Type Name:</b>                                                           | SI4RO                                   |          |
| <b>Comments:</b>                                                            | SI4 Rest Octets<br>GSM 04.08, 10.5.2.35 |          |
| Element Name                                                                | Type Definition                         | Comments |
| pi                                                                          | BITSTRING [1]                           |          |
| cbq                                                                         | BITSTRING [1]                           |          |
| cro                                                                         | BITSTRING [6]                           |          |
| to                                                                          | BITSTRING [3]                           |          |
| pt                                                                          | BITSTRING [5]                           |          |
| poi                                                                         | BITSTRING [1]                           |          |
| po                                                                          | BITSTRING [2]                           |          |
| spr1                                                                        | BITSTRING [5]                           |          |
| spr2                                                                        | BITSTRING [8]                           |          |
| spr3                                                                        | BITSTRING [8]                           |          |
| spr4                                                                        | BITSTRING [8]                           |          |
| spr5                                                                        | BITSTRING [8]                           |          |
| spr6                                                                        | BITSTRING [8]                           |          |
| spr7                                                                        | BITSTRING [8]                           |          |
| spr8                                                                        | BITSTRING [8]                           |          |
| <b>Detailed Comments:</b> The info element has a fixed length of 10 octets. |                                         |          |

| Structured Type Definition                                                  |                 |          |
|-----------------------------------------------------------------------------|-----------------|----------|
| <b>Type Name:</b> SI7RO                                                     |                 |          |
| <b>Comments:</b> SI7 Rest Octets<br>GSM 04.08, 10.5.2.36                    |                 |          |
| Element Name                                                                | Type Definition | Comments |
| pi                                                                          | BITSTRING [1]   |          |
| cbq                                                                         | BITSTRING [1]   |          |
| cro                                                                         | BITSTRING [6]   |          |
| to                                                                          | BITSTRING [3]   |          |
| pt                                                                          | BITSTRING [5]   |          |
| poi                                                                         | BITSTRING [1]   |          |
| po                                                                          | BITSTRING [2]   |          |
| spr1                                                                        | BITSTRING [5]   |          |
| spr2                                                                        | BITSTRING [8]   |          |
| spr3                                                                        | BITSTRING [8]   |          |
| spr4                                                                        | BITSTRING [8]   |          |
| spr5                                                                        | BITSTRING [8]   |          |
| spr6                                                                        | BITSTRING [8]   |          |
| spr7                                                                        | BITSTRING [8]   |          |
| spr8                                                                        | BITSTRING [8]   |          |
| spr9                                                                        | BITSTRING [8]   |          |
| spr10                                                                       | BITSTRING [8]   |          |
| spr11                                                                       | BITSTRING [8]   |          |
| spr12                                                                       | BITSTRING [8]   |          |
| spr13                                                                       | BITSTRING [8]   |          |
| spr14                                                                       | BITSTRING [8]   |          |
| spr15                                                                       | BITSTRING [8]   |          |
| spr16                                                                       | BITSTRING [8]   |          |
| spr17                                                                       | BITSTRING [8]   |          |
| spr18                                                                       | BITSTRING [8]   |          |
| <b>Detailed Comments:</b> The info element has a fixed length of 20 octets. |                 |          |

| Structured Type Definition                                               |                 |          |
|--------------------------------------------------------------------------|-----------------|----------|
| <b>Type Name:</b> SIGNAL                                                 |                 |          |
| <b>Comments:</b> Signal (CC information element)<br>GSM 04.08, 10.5.4.23 |                 |          |
| Element Name                                                             | Type Definition | Comments |
| iei                                                                      | IEI_8           |          |
| sigv                                                                     | BITSTRING [8]   |          |
| <b>Detailed Comments:</b>                                                |                 |          |

| Structured Type Definition                                   |                 |          |
|--------------------------------------------------------------|-----------------|----------|
| <b>Type Name:</b> SERIAL_NUMBER                              |                 |          |
| <b>Comments:</b> Serial number for SMSCB,<br>GSM 3.41, 9.3.2 |                 |          |
| Element Name                                                 | Type Definition | Comments |
| gs                                                           | BITSTRING[2]    |          |
| message_code                                                 | BITSTRING[10]   |          |
| update_number                                                | BITSTRING[4]    |          |
| <b>Detailed Comments:</b>                                    |                 |          |

| Structured Type Definition |                                              |          |
|----------------------------|----------------------------------------------|----------|
| <b>Type Name:</b>          | SMCMD                                        |          |
| <b>Comments:</b>           | SMS COMMAND, ms - > n.<br>GSM 03.40, 9.2.2.4 |          |
| Element Name               | Type Definition                              | Comments |
| sprb1                      | SP2B                                         |          |
| srr                        | BITSTRING[1]                                 |          |
| sprb2                      | SP3B                                         |          |
| mti                        | BITSTRING [2]                                |          |
| mr                         | MR                                           |          |
| pid                        | TPPID                                        |          |
| ct                         | OCTETSTRING [1]                              |          |
| mn                         | OCTETSTRING [1]                              |          |
| da                         | TPA                                          |          |
| cdl                        | LENGTH                                       |          |
| cd                         | TPCD                                         |          |
| <b>Detailed Comments:</b>  |                                              |          |

| Structured Type Definition |                                              |          |
|----------------------------|----------------------------------------------|----------|
| <b>Type Name:</b>          | SMDLVR                                       |          |
| <b>Comments:</b>           | SMS DELIVER, n - > ms.<br>GSM 03.40, 9.2.2.1 |          |
| Element Name               | Type Definition                              | Comments |
| rp                         | BITSTRING [1]                                |          |
| udhi                       | BITSTRING [1]                                |          |
| sri                        | BITSTRING [1]                                |          |
| sprb2                      | SP2B                                         |          |
| mms                        | BITSTRING [1]                                |          |
| mti                        | BITSTRING [2]                                |          |
| oa                         | TPA                                          |          |
| pid                        | TPPID                                        |          |
| dcs                        | TPDCS                                        |          |
| scts                       | TPSCTS                                       |          |
| udl                        | LENGTH                                       |          |
| ud                         | TPUD                                         |          |
| <b>Detailed Comments:</b>  |                                              |          |

| Structured Type Definition |                                                                                                         |          |
|----------------------------|---------------------------------------------------------------------------------------------------------|----------|
| <b>Type Name:</b>          | SMDLVR_RPT                                                                                              |          |
| <b>Comments:</b>           | SMS DELIVER or SUBMIT REPORT contained in the RP ERROR PDU, n <-> ms.<br>GSM 03.40, 9.2.2.1a, 9.2.2.2a. |          |
| Element Name               | Type Definition                                                                                         | Comments |
| sprb1                      | SP6B                                                                                                    |          |
| mti                        | BITSTRING [2]                                                                                           |          |
| fcs                        | FCS                                                                                                     |          |
| <b>Detailed Comments:</b>  |                                                                                                         |          |

| Structured Type Definition |                                            |          |
|----------------------------|--------------------------------------------|----------|
| <b>Type Name:</b>          | SMSBMT                                     |          |
| <b>Comments:</b>           | SMS SUBMIT, ms -> n.<br>GSM 03.40, 9.2.2.2 |          |
| Element Name               | Type Definition                            | Comments |
| rp                         | BITSTRING [1]                              |          |
| udhi                       | BITSTRING [1]                              |          |
| srr                        | BITSTRING [1]                              |          |
| vpf                        | BITSTRING [2]                              |          |
| rd                         | BITSTRING [1]                              |          |
| mti                        | BITSTRING [2]                              |          |
| mr                         | MR                                         |          |
| da                         | TPA                                        |          |
| pid                        | TPPID                                      |          |
| dcs                        | TPDCS                                      |          |
| vp1                        | OCTETSTRING [1]                            |          |
| vp7                        | TPSCTS                                     |          |
| udl                        | LENGTH                                     |          |
| ud                         | TPUD                                       |          |
| <b>Detailed Comments:</b>  |                                            |          |

| Structured Type Definition |                                                                     |          |
|----------------------------|---------------------------------------------------------------------|----------|
| <b>Type Name:</b>          | SMSCBpack                                                           |          |
| <b>Comments:</b>           | SMS cell broadcasting packing data n -> ms.<br>GSM 03.38, 6.1.2.2.1 |          |
| Element Name               | Type Definition                                                     | Comments |
| block1                     | OCTETSTRING [16]                                                    |          |
| block2                     | OCTETSTRING [22]                                                    |          |
| block3                     | OCTETSTRING [22]                                                    |          |
| block4                     | OCTETSTRING [22]                                                    |          |
| <b>Detailed Comments:</b>  |                                                                     |          |

| Structured Type Definition |                                                   |          |
|----------------------------|---------------------------------------------------|----------|
| <b>Type Name:</b>          | SMST_RPT                                          |          |
| <b>Comments:</b>           | SMS STATUS REPORT, n -> ms.<br>GSM 03.40, 9.2.2.3 |          |
| Element Name               | Type Definition                                   | Comments |
| sprb1                      | SP5B                                              |          |
| mms                        | BITSTRING [1]                                     |          |
| mti                        | BITSTRING [2]                                     |          |
| mr                         | MR                                                |          |
| ra                         | TPA                                               |          |
| scts                       | TPSCTS                                            |          |
| dt                         | TPSCTS                                            |          |
| st                         | TPST                                              |          |
| <b>Detailed Comments:</b>  |                                                   |          |

| Structured Type Definition |                                              |          |
|----------------------------|----------------------------------------------|----------|
| <b>Type Name:</b>          | SSVI                                         |          |
| <b>Comments:</b>           | SS version indicator<br>GSM 04.08, 10.5.4.24 |          |
| Element Name               | Type Definition                              | Comments |
| iei                        | IEI_8                                        |          |
| iel                        | LENGTH                                       |          |
| ssv                        | OCTETSTRING [1]                              |          |
| <b>Detailed Comments:</b>  |                                              |          |



| Structured Type Definition |                                       |          |
|----------------------------|---------------------------------------|----------|
| <b>Type Name:</b>          | STRT                                  |          |
| <b>Comments:</b>           | Starting time<br>GSM 04.08, 10.5.2.38 |          |
| Element Name               | Type Definition                       | Comments |
| iei                        | IEI_8                                 |          |
| fn                         | FN                                    |          |
| <b>Detailed Comments:</b>  |                                       |          |

| Structured Type Definition |                                                         |          |
|----------------------------|---------------------------------------------------------|----------|
| <b>Type Name:</b>          | SUBAD                                                   |          |
| <b>Comments:</b>           | Subaddress<br>GSM 04.08, 10.5.4.8, 10.5.4.10, 10.5.4.14 |          |
| Element Name               | Type Definition                                         | Comments |
| extb                       | EXTB                                                    |          |
| tos                        | BITSTRING [3]                                           |          |
| oei                        | BITSTRING [1]                                           |          |
| sp3b                       | SP3B                                                    |          |
| si                         | OCTETSTRING [2..23]                                     |          |
| <b>Detailed Comments:</b>  |                                                         |          |

| Structured Type Definition |                                                    |          |
|----------------------------|----------------------------------------------------|----------|
| <b>Type Name:</b>          | SYNCHI                                             |          |
| <b>Comments:</b>           | Synchronization indication<br>GSM 04.08, 10.5.2.39 |          |
| Element Name               | Type Definition                                    | Comments |
| iei                        | IEI_4                                              |          |
| nci                        | B_1                                                |          |
| rot                        | B_1                                                |          |
| si                         | B_2                                                |          |
| <b>Detailed Comments:</b>  |                                                    |          |

| Structured Type Definition |                                        |          |
|----------------------------|----------------------------------------|----------|
| <b>Type Name:</b>          | TA                                     |          |
| <b>Comments:</b>           | Timing advance<br>GSM 04.08, 10.5.2.40 |          |
| Element Name               | Type Definition                        | Comments |
| iei                        | IEI_8                                  |          |
| sprb                       | BITSTRING [2]                          |          |
| value                      | BITSTRING [6]                          |          |
| <b>Detailed Comments:</b>  |                                        |          |

| Structured Type Definition |                                         |          |
|----------------------------|-----------------------------------------|----------|
| <b>Type Name:</b>          | TDIF                                    |          |
| <b>Comments:</b>           | Time difference<br>GSM 04.08, 10.5.1.41 |          |
| Element Name               | Type Definition                         | Comments |
| iei                        | IEI_8                                   |          |
| iel                        | LENGTH                                  |          |
| value                      | OCTETSTRING [1]                         |          |
| <b>Detailed Comments:</b>  |                                         |          |

| Structured Type Definition |                                           |          |
|----------------------------|-------------------------------------------|----------|
| <b>Type Name:</b>          | TI                                        |          |
| <b>Comments:</b>           | Transaction identifier<br>GSM 04.08, 10.1 |          |
| Element Name               | Type Definition                           | Comments |
| ti_f                       | BITSTRING [1]                             |          |
| ti_v                       | TI_V                                      |          |
| <b>Detailed Comments:</b>  |                                           |          |

| Structured Type Definition |                                   |          |
|----------------------------|-----------------------------------|----------|
| <b>Type Name:</b>          | TMSI                              |          |
| <b>Comments:</b>           | Temporary<br>GSM 04.08, 10.5.2.42 |          |
| Element Name               | Type Definition                   | Comments |
| iei                        | IEL_8                             |          |
| tmsi_val                   | OCTETSTRING [4]                   |          |
| <b>Detailed Comments:</b>  |                                   |          |

| Structured Type Definition |                                                                                                   |          |
|----------------------------|---------------------------------------------------------------------------------------------------|----------|
| <b>Type Name:</b>          | TON_NPI                                                                                           |          |
| <b>Comments:</b>           | Type of number and numbering plan<br>GSM 04.08, 10.5.4.7, 10.5.4.9, 10.5.4.13, GSM 03.40, 9.1.2.5 |          |
| Element Name               | Type Definition                                                                                   | Comments |
| extb                       | EXTB                                                                                              |          |
| ton                        | BITSTRING [3]                                                                                     |          |
| npj                        | BITSTRING [4]                                                                                     |          |
| <b>Detailed Comments:</b>  |                                                                                                   |          |

| Structured Type Definition |                                  |          |
|----------------------------|----------------------------------|----------|
| <b>Type Name:</b>          | TPA                              |          |
| <b>Comments:</b>           | TP address<br>GSM 03.40, 9.1.2.5 |          |
| Element Name               | Type Definition                  | Comments |
| iel                        | LENGTH                           |          |
| tonnpi                     | TON_NPI                          |          |
| digits                     | BCDN                             |          |
| <b>Detailed Comments:</b>  |                                  |          |

| Structured Type Definition                                                       |                                           |          |
|----------------------------------------------------------------------------------|-------------------------------------------|----------|
| <b>Type Name:</b>                                                                | TPDCS                                     |          |
| <b>Comments:</b>                                                                 | SMS data coding scheme<br>GSM 03.38, 4, 5 |          |
| Element Name                                                                     | Type Definition                           | Comments |
| cg                                                                               | BITSTRING [4]                             |          |
| code                                                                             | BITSTRING [4]                             |          |
| <b>Detailed Comments:</b> Identifying the coding scheme within the TP user data. |                                           |          |

| Structured Type Definition |                                              |          |
|----------------------------|----------------------------------------------|----------|
| <b>Type Name:</b>          | TPPID                                        |          |
| <b>Comments:</b>           | TP protocol identifier<br>GSM 03.40, 9.2.3.9 |          |
| Element Name               | Type Definition                              | Comments |
| type                       | BITSTRING [2]                                |          |
| value                      | BITSTRING [6]                                |          |
| <b>Detailed Comments:</b>  |                                              |          |

| Structured Type Definition |                                  |          |
|----------------------------|----------------------------------|----------|
| <b>Type Name:</b>          | TPST                             |          |
| <b>Comments:</b>           | TP status<br>GSM 03.40, 9.2.3.15 |          |
| Element Name               | Type Definition                  | Comments |
| sprb1                      | SPB                              |          |
| value                      | BITSTRING [7]                    |          |
| <b>Detailed Comments:</b>  |                                  |          |

| Structured Type Definition |                 |          |
|----------------------------|-----------------|----------|
| <b>Type Name:</b>          | UNKWN           |          |
| <b>Comments:</b>           | unknown IE      |          |
| Element Name               | Type Definition | Comments |
| iei                        | IEI_8           |          |
| iel                        | LENGTH          |          |
| contents                   | OCTETSTRING     |          |
| <b>Detailed Comments:</b>  |                 |          |

| Structured Type Definition                                                                                        |                                   |          |
|-------------------------------------------------------------------------------------------------------------------|-----------------------------------|----------|
| <b>Type Name:</b>                                                                                                 | UU                                |          |
| <b>Comments:</b>                                                                                                  | User-user<br>GSM 04.08, 10.5.4.25 |          |
| Element Name                                                                                                      | Type Definition                   | Comments |
| iei                                                                                                               | IEI_8                             |          |
| iel                                                                                                               | LENGTH                            |          |
| uupd                                                                                                              | BITSTRING [8]                     |          |
| uui                                                                                                               | OCTETSTRING [1..128]              |          |
| <b>Detailed Comments:</b>                                                                                         |                                   |          |
| In SETUP, ALERTING, CONNECT, DISCONNECT, RELEASE and RELEASE COMPLETE messages the uui length is of 0 - 32 bytes. |                                   |          |
| In USER INFORMATION messages the uui length is of 1 - 128.                                                        |                                   |          |

ASN1 type definitions

| <b>ASN.1 Type Definition</b>           |                                                                                    |
|----------------------------------------|------------------------------------------------------------------------------------|
| <b>Type Name:</b>                      | Component                                                                          |
| <b>Comments:</b>                       | ASN1_Encoding: BER                                                                 |
| <b>Type Definition</b>                 |                                                                                    |
| CHOICE {                               |                                                                                    |
| registerSSComponents                   | RegisterSS_Components,                                                             |
| eraseSSComponents                      | EraseSS_Components,                                                                |
| activateSSComponents                   | ActivateSS_Components,                                                             |
| deactivateSSComponents                 | DeactivateSS_Components,                                                           |
| interrogateSSComponents                | InterrogateSS_Components,                                                          |
| notifySSComponents                     | NotifySS_Components,                                                               |
| registerPasswordComponents             | RegisterPassword_Components,                                                       |
| getPasswordComponents                  | GetPassword_Components,                                                            |
| processUnstructuredSSDataComponents    | ProcessUnstructuredSSData_Components,                                              |
| forwardCheckSSIndicationComponents     | ForwardCheckSSIndication_Components,                                               |
| processUnstructuredSSRequestComponents | ProcessUnstructuredSSRequest_Components,                                           |
| unstructuredSSRequestComponents        | UnstructuredSSRequest_Components,                                                  |
| unstructuredSSNotifyComponents         | UnstructuredSSNotify_Components,                                                   |
| forwardCUGInfoComponents               | ForwardCUGInfo_Components,                                                         |
| splitMPTYComponents                    | SplitMPTY_Components,                                                              |
| retrieveMPTYComponents                 | RetrieveMPTY_Components,                                                           |
| holdMPTYComponents                     | HoldMPTY_Components,                                                               |
| buildMPTYComponents                    | BuildMPTY_Components,                                                              |
| forwardChargeAdviceComponents          | ForwardChargeAdvice_Components,                                                    |
| generalComponents                      | General_Components                                                                 |
| }                                      |                                                                                    |
| <b>Detailed Comments:</b>              | Plural components as each type represents invoke, return result, return error etc. |

| <b>ASN.1 Type Definition</b> |                                                                                                                                                                                                                 |
|------------------------------|-----------------------------------------------------------------------------------------------------------------------------------------------------------------------------------------------------------------|
| <b>Type Name:</b>            | Components                                                                                                                                                                                                      |
| <b>Comments:</b>             | GSM 04.80, 3.6                                                                                                                                                                                                  |
| <b>Type Definition</b>       |                                                                                                                                                                                                                 |
| SET OF Component             |                                                                                                                                                                                                                 |
| <b>Detailed Comments:</b>    | ASN.1 transfer encoding rules:<br>BER is not wholly used for the type Components. The contents of Components, without the octets encoding the tag and the length of SET OF, is carried as the Components value. |

| <b>ASN.1 Type Definition</b> |                                                          |
|------------------------------|----------------------------------------------------------|
| <b>Type Name:</b>            | ActivateSS_Components                                    |
| <b>Comments:</b>             | GSM 09.02, 14.5, 14.6.4, 14.6.6, 14.7.4, 14.7.7          |
| <b>Type Definition</b>       |                                                          |
| CHOICE {                     |                                                          |
| activateSS_InvokeComp        | [1] IMPLICIT SEQUENCE {                                  |
| invokeID                     | InvokeIDType,                                            |
| localValue                   | INTEGER (12),                                            |
| ss_ForBS                     | SS_ForBS_Code },                                         |
| activateSS_ReturnResultComp  | [2] IMPLICIT SEQUENCE {                                  |
| invokeID                     | InvokeIDType,                                            |
| result                       | SEQUENCE {                                               |
| localValue                   | INTEGER (12),                                            |
| ss_Info                      | SS_Info } },                                             |
| activateSS_ReturnErrorComp   | CHOICE {                                                 |
| errorCodes                   | [3] IMPLICIT SEQUENCE { invokeID InvokeIDType,           |
|                              | errorCode ErrorLocalValues ( bearerServiceNotProvisioned |
|                              | teleserviceNotProvisioned                                |
|                              | illegalSS_Operation                                      |
|                              | dataMissing                                              |
|                              | unexpectedDataValue                                      |
|                              | negativePW_Check                                         |
|                              | numberOfPW_AttemptsViolation) },                         |
| callBarredErr                | [3] IMPLICIT SEQUENCE { invokeID InvokeIDType,           |
|                              | errorCode ErrorLocalValues ( callBarred ),               |
|                              | parameter CallBarringCause },                            |
| ss_ErrorStatusErr            | [3] IMPLICIT SEQUENCE { invokeID InvokeIDType,           |
|                              | errorCode ErrorLocalValues ( ss_ErrorStatus ),           |
|                              | parameter SS_Status },                                   |
| ss_SubscriptionViolationErr  | [3] IMPLICIT SEQUENCE { invokeID InvokeIDType,           |
|                              | errorCode ErrorLocalValues (ss_SubscriptionViolation),   |
|                              | parameter SS_SubscriptionOption },                       |
| ss_IncompatibilityErr        | [3] IMPLICIT SEQUENCE { invokeID InvokeIDType,           |
|                              | errorCode ErrorLocalValues ( ss_Incompatibility ),       |
|                              | parameter SS_IncompatibilityCause },                     |
| systemFailureErr             | [3] IMPLICIT SEQUENCE { invokeID InvokeIDType,           |
|                              | errorCode ErrorLocalValues ( systemFailure ),            |
|                              | parameter NetworkResource } },                           |
| activateSS_RejectComp        | [4] IMPLICIT RejectComponent }                           |
| <b>Detailed Comments:</b>    | Timer m (15 - 30 s)                                      |

| <b>ASN.1 Type Definition</b> |                                                      |
|------------------------------|------------------------------------------------------|
| <b>Type Name:</b>            | BuildMPTY_Components                                 |
| <b>Comments:</b>             | GSM 04.80, 4.2                                       |
| <b>Type Definition</b>       |                                                      |
| CHOICE {                     |                                                      |
| buildMPTY_InvokeComp         | [1] IMPLICIT SEQUENCE {                              |
| invokeID                     | InvokeIDType,                                        |
| localValue                   | INTEGER (124) },                                     |
| buildMPTY_ReturnResultComp   | [2] IMPLICIT SEQUENCE {                              |
| invokeID                     | InvokeIDType,                                        |
| result                       | SEQUENCE {                                           |
| localValue                   | INTEGER (124) } },                                   |
| buildMPTY_ReturnErrorComp    | CHOICE {                                             |
| errorCodes                   | [3] IMPLICIT SEQUENCE { invokeID    InvokeIDType,    |
|                              | errorCode   ErrorLocalValues ( illegalSS_Operation   |
|                              | ss_NotAvailable                                      |
|                              | maxNumberOfMPTY_ParticipantsExceeded                 |
|                              | resourcesNotAvailable ) },                           |
| ss_ErrorStatusErr            | [3] IMPLICIT SEQUENCE { invokeID    InvokeIDType,    |
|                              | errorCode   ErrorLocalValues ( ss_ErrorStatus ),     |
|                              | parameter   SS_Status },                             |
| ss_IncompatibilityErr        | [3] IMPLICIT SEQUENCE { invokeID    InvokeIDType,    |
|                              | errorCode   ErrorLocalValues ( ss_Incompatibility ), |
|                              | parameter   SS_IncompatibilityCause },               |
| systemFailureErr             | [3] IMPLICIT SEQUENCE { invokeID    InvokeIDType,    |
|                              | errorCode   ErrorLocalValues ( systemFailure ),      |
|                              | parameter   NetworkResource } },                     |
| buildMPTY_RejectComp         | [4] IMPLICIT RejectComponent }                       |
| <b>Detailed Comments:</b>    | Timer T_buildMPTY (5 - 30 s)                         |

| <b>ASN.1 Type Definition</b>  |                                                          |
|-------------------------------|----------------------------------------------------------|
| <b>Type Name:</b>             | DeactivateSS_Components                                  |
| <b>Comments:</b>              | GSM 09.02, 14.5, 14.6.4, 14.6.6, 14.7.4, 14.7.7          |
| <b>Type Definition</b>        |                                                          |
| CHOICE {                      |                                                          |
| deactivateSS_InvokeComp       | [1] IMPLICIT SEQUENCE {                                  |
| invokeID                      | InvokeIDType,                                            |
| localValue                    | INTEGER (13),                                            |
| ss_ForBS                      | SS_ForBS_Code },                                         |
| deactivateSS_ReturnResultComp | [2] IMPLICIT SEQUENCE {                                  |
| invokeID                      | InvokeIDType,                                            |
| result                        | SEQUENCE {                                               |
| localValue                    | INTEGER (13),                                            |
| ss_Info                       | SS_Info } },                                             |
| deactivateSS_ReturnErrorComp  | CHOICE {                                                 |
| errorCodes                    | [3] IMPLICIT SEQUENCE { invokeID InvokeIDType,           |
|                               | errorCode ErrorLocalValues ( bearerServiceNotProvisioned |
|                               | teleserviceNotProvisioned                                |
|                               | illegalSS_Operation                                      |
|                               | dataMissing                                              |
|                               | unexpectedDataValue                                      |
|                               | negativePW_Check                                         |
|                               | numberOfPW_AttemptsViolation) },                         |
| callBarredErr                 | [3] IMPLICIT SEQUENCE { invokeID InvokeIDType,           |
|                               | errorCode ErrorLocalValues ( callBarred ),               |
|                               | parameter CallBarringCause },                            |
| ss_ErrorStatusErr             | [3] IMPLICIT SEQUENCE { invokeID InvokeIDType,           |
|                               | errorCode ErrorLocalValues ( ss_ErrorStatus ),           |
|                               | parameter SS_Status },                                   |
| ss_SubscriptionViolationsErr  | [3] IMPLICIT SEQUENCE { invokeID InvokeIDType,           |
|                               | errorCode ErrorLocalValues (ss_SubscriptionViolation),   |
|                               | parameter SS_SubscriptionOption },                       |
| systemFailureErr              | [3] IMPLICIT SEQUENCE { invokeID InvokeIDType,           |
|                               | errorCode ErrorLocalValues ( systemFailure ),            |
|                               | parameter NetworkResource } },                           |
| deactivateSS_RejectComp       | [4] IMPLICIT RejectComponent }                           |
| <b>Detailed Comments:</b>     | Timer m                                                  |

| <b>ASN.1 Type Definition</b> |                                                                                                                                                       |
|------------------------------|-------------------------------------------------------------------------------------------------------------------------------------------------------|
| <b>Type Name:</b>            | EraseSS_Components                                                                                                                                    |
| <b>Comments:</b>             | GSM 09.02, 14.5, 14.6.4, 14.6.6, 14.7.4, 14.7.7                                                                                                       |
| <b>Type Definition</b>       |                                                                                                                                                       |
| CHOICE {                     |                                                                                                                                                       |
| eraseSS_InvokeComp           | [1] IMPLICIT SEQUENCE {                                                                                                                               |
| invokeID                     | InvokeIDType,                                                                                                                                         |
| localValue                   | INTEGER (11),                                                                                                                                         |
| ss_ForBS                     | SS_ForBS_Code },                                                                                                                                      |
| eraseSS_ReturnResultComp     | [2] IMPLICIT SEQUENCE {                                                                                                                               |
| invokeID                     | InvokeIDType,                                                                                                                                         |
| result                       | SEQUENCE {                                                                                                                                            |
| localValue                   | INTEGER (11),                                                                                                                                         |
| ss_Info                      | SS_Info } },                                                                                                                                          |
| eraseSS_ReturnErrorComp      | CHOICE {                                                                                                                                              |
| errorCodes                   | [3] IMPLICIT SEQUENCE { invokeID InvokeIDType,                                                                                                        |
| errorCode                    | ErrorLocalValues ( bearerServiceNotProvisioned<br>  teleserviceNotProvisioned<br>  illegalSS_Operation<br>  dataMissing<br>  unexpectedDataValue ) }, |
| callBarredErr                | [3] IMPLICIT SEQUENCE { invokeID InvokeIDType,                                                                                                        |
| errorCode                    | ErrorLocalValues ( callBarred ),                                                                                                                      |
| parameter                    | CallBarringCause },                                                                                                                                   |
| ss_ErrorStatusErr            | [3] IMPLICIT SEQUENCE { invokeID InvokeIDType,                                                                                                        |
| errorCode                    | ErrorLocalValues ( ss_ErrorStatus ),                                                                                                                  |
| parameter                    | SS_Status },                                                                                                                                          |
| systemFailureErr             | [3] IMPLICIT SEQUENCE { invokeID InvokeIDType,                                                                                                        |
| errorCode                    | ErrorLocalValues ( systemFailure ),                                                                                                                   |
| parameter                    | NetworkResource } },                                                                                                                                  |
| eraseSS_RejectComp           | [4] IMPLICIT RejectComponent }                                                                                                                        |
| <b>Detailed Comments:</b>    | Timer m                                                                                                                                               |

| <b>ASN.1 Type Definition</b>         |                                                               |
|--------------------------------------|---------------------------------------------------------------|
| <b>Type Name:</b>                    | ForwardChargeAdvice_Components                                |
| <b>Comments:</b>                     | GSM 04.80, 4.2                                                |
| <b>Type Definition</b>               |                                                               |
| CHOICE {                             |                                                               |
| forwardChargeAdvice_InvokeComp       | [1] IMPLICIT SEQUENCE {                                       |
| invokeID                             | InvokeIDType,                                                 |
| localValue                           | INTEGER (125),                                                |
| forwardChargeAdviceArg               | SEQUENCE {                                                    |
| ss_Code                              | [0] SS_Code,                                                  |
| chargingInformation                  | [1] SEQUENCE{                                                 |
| e1                                   | [1] INTEGER (0..max10TimesUnitsPerTime) OPTIONAL,             |
| e2                                   | [2] INTEGER (0..max10TimesTimeInterval) OPTIONAL,             |
| e3                                   | [3] INTEGER (0..max100TimesScalingFactor) OPTIONAL,           |
| e4                                   | [4] INTEGER (0..max10TimesIncrement) OPTIONAL,                |
| e5                                   | [5] INTEGER (0..max10TimesIncrementPerDataInterval) OPTIONAL, |
| e6                                   | [6] INTEGER (0..maxNumberOfSegmentsPerDataInterval) OPTIONAL, |
| e7                                   | [7] INTEGER (0..max10TimesInitialTime) OPTIONAL } } },        |
| forwardChargeAdvice_ReturnResultComp | [2] IMPLICIT SEQUENCE {                                       |
| invokeID                             | InvokeIDType,                                                 |
| result                               | SEQUENCE {                                                    |
| localValue                           | INTEGER (125) } },                                            |
| forwardChargeAdvice_RejectComp       | [4] IMPLICIT RejectComponent }                                |
| <b>Detailed Comments:</b>            | Timer T_aoc = 1 - 40 s                                        |



| <b>ASN.1 Type Definition</b>        |                                                 |
|-------------------------------------|-------------------------------------------------|
| <b>Type Name:</b>                   | ForwardCheckSSIndication_Components             |
| <b>Comments:</b>                    | GSM 09.02, 14.5, 14.6.4, 14.6.6, 14.7.4, 14.7.7 |
| <b>Type Definition</b>              |                                                 |
| CHOICE {                            |                                                 |
| forwardCheckSSIndication_InvokeComp | [1] IMPLICIT SEQUENCE {                         |
| invokeID                            | InvokeIDType,                                   |
| localValue                          | INTEGER (38) },                                 |
| forwardCheckSSIndication_RejectComp | [4] IMPLICIT RejectComponent }                  |
| <b>Detailed Comments:</b>           |                                                 |

| <b>ASN.1 Type Definition</b> |                                  |
|------------------------------|----------------------------------|
| <b>Type Name:</b>            | ForwardCUGInfo_Components        |
| <b>Comments:</b>             | GSM 04.80, 4.2                   |
| <b>Type Definition</b>       |                                  |
| CHOICE {                     |                                  |
| forwardCUGInfo_InvokeComp    | [1] IMPLICIT SEQUENCE {          |
| invokeID                     | InvokeIDType,                    |
| localValue                   | INTEGER (120),                   |
| forwardCUGInfo_Arg           | SEQUENCE{                        |
| cug_Index                    | [0] IMPLICIT CUG_Index OPTIONAL, |
| suppressPrefCUG              | [1] IMPLICIT NULL OPTIONAL,      |
| suppressOA                   | [2] IMPLICIT NULL OPTIONAL } },  |
| forwardCUGInfo_RejectComp    | [4] IMPLICIT RejectComponent }   |
| <b>Detailed Comments:</b>    |                                  |

| <b>ASN.1 Type Definition</b>                    |                                                           |
|-------------------------------------------------|-----------------------------------------------------------|
| <b>Type Name:</b>                               | General_Components                                        |
| <b>Comments:</b>                                | Non specified components must match this type definition. |
| <b>Type Definition</b>                          |                                                           |
| CHOICE {                                        |                                                           |
| general_InvokeComp                              | [1] IMPLICIT General_InvokeComponent,                     |
| general_ReturnResultComp                        | [2] IMPLICIT General_ReturnResultComponent,               |
| general_ReturnErrorComp                         | [3] IMPLICIT General_ReturnErrorComponent,                |
| general_RejectComp                              | [4] IMPLICIT RejectComponent }                            |
| -- This is the General InvokeComponent --       |                                                           |
| General_InvokeComponent ::= SEQUENCE {          |                                                           |
| invokeID                                        | InvokeIDType,                                             |
| linked_ID                                       | [0] IMPLICIT InvokeIDType OPTIONAL,                       |
| operation_value                                 | Operation,                                                |
| argument                                        | ANY OPTIONAL }                                            |
| -- This is the General ReturnResultComponent -- |                                                           |
| General_ReturnResultComponent ::= SEQUENCE {    |                                                           |
| invokeID                                        | InvokeIDType,                                             |
| valueAndResult                                  | SEQUENCE {                                                |
| operation_value                                 | Operation,                                                |
| result                                          | ANY } OPTIONAL }                                          |
| -- This is the General ReturnErrorComponent --  |                                                           |
| General_ReturnErrorComponent ::= SEQUENCE {     |                                                           |
| invokeID                                        | InvokeIDType,                                             |
| error                                           | ANY }                                                     |
| <b>Detailed Comments:</b>                       |                                                           |

| <b>ASN.1 Type Definition</b> |                                                 |
|------------------------------|-------------------------------------------------|
| <b>Type Name:</b>            | GetPassword_Components                          |
| <b>Comments:</b>             | GSM 09.02, 14.5, 14.6.4, 14.6.6, 14.7.4, 14.7.7 |
| <b>Type Definition</b>       |                                                 |
| CHOICE {                     |                                                 |
| getPassword_InvokeComp       | [1] IMPLICIT SEQUENCE {                         |
| invokeID                     | InvokeIDType,                                   |
| linkedID                     | [0] IMPLICIT InvokeIDType,                      |
| localValue                   | INTEGER (18),                                   |
| guidanceInfo                 | ENUMERATED {                                    |
|                              | enterPW (0),                                    |
|                              | enterNewPW (1),                                 |
|                              | enterNewPW_Again (2) } },                       |
| getPassword_ReturnResultComp | [2] IMPLICIT SEQUENCE {                         |
| invokeID                     | InvokeIDType,                                   |
| result                       | SEQUENCE {                                      |
| localValue                   | INTEGER (18),                                   |
| currentPassword              | Password }    },                                |
| getPassword_RejectComp       | [4] IMPLICIT RejectComponent    }               |
| <b>Detailed Comments:</b>    | Timer m                                         |

| <b>ASN.1 Type Definition</b> |                                                       |
|------------------------------|-------------------------------------------------------|
| <b>Type Name:</b>            | HoldMPTY_Components                                   |
| <b>Comments:</b>             | GSM 04.80, 4.2                                        |
| <b>Type Definition</b>       |                                                       |
| CHOICE {                     |                                                       |
| holdMPTY_InvokeComp          | [1] IMPLICIT SEQUENCE {                               |
| invokeID                     | InvokeIDType,                                         |
| localValue                   | INTEGER (123) },                                      |
| holdMPTY_ReturnResultComp    | [2] IMPLICIT SEQUENCE {                               |
| invokeID                     | InvokeIDType,                                         |
| result                       | SEQUENCE {                                            |
| localValue                   | INTEGER (123) }    },                                 |
| holdMPTY_ReturnErrorComp     | CHOICE {                                              |
| errorCodes                   | [3] IMPLICIT SEQUENCE { invokeID    InvokeIDType,     |
|                              | errorCode    ErrorLocalValues ( illegalSS_Operation   |
|                              | facilityNotSupported ) },                             |
| ss_ErrorStatusErr            | [3] IMPLICIT SEQUENCE { invokeID    InvokeIDType,     |
|                              | errorCode    ErrorLocalValues ( ss_ErrorStatus ),     |
|                              | parameter    SS_Status },                             |
| ss_IncompatibilityErr        | [3] IMPLICIT SEQUENCE { invokeID    InvokeIDType,     |
|                              | errorCode    ErrorLocalValues ( ss_Incompatibility ), |
|                              | parameter    SS_IncompatibilityCause },               |
| systemFailureErr             | [3] IMPLICIT SEQUENCE { invokeID    InvokeIDType,     |
|                              | errorCode    ErrorLocalValues ( systemFailure ),      |
|                              | parameter    NetworkResource }    },                  |
| holdMPTY_RejectComp          | [4] IMPLICIT RejectComponent    }                     |
| <b>Detailed Comments:</b>    | Timer T_holdMPTY (5 - 30 s)                           |

| <b>ASN.1 Type Definition</b>   |                                                 |
|--------------------------------|-------------------------------------------------|
| <b>Type Name:</b>              | InterrogateSS_Components                        |
| <b>Comments:</b>               | GSM 09.02, 14.5, 14.6.4, 14.6.6, 14.7.4, 14.7.7 |
| <b>Type Definition</b>         |                                                 |
| CHOICE {                       |                                                 |
| interrogateSS_InvokeComp       | [1] IMPLICIT SEQUENCE {                         |
| invokeID                       | InvokeIDType,                                   |
| localValue                     | INTEGER (14),                                   |
| ss_ForBS                       | SS_ForBS_Code },                                |
| interrogateSS_ReturnResultComp | [2] IMPLICIT SEQUENCE {                         |
| invokeID                       | InvokeIDType,                                   |
| result                         | SEQUENCE {                                      |
| localValue                     | INTEGER (14),                                   |
| interrogateSS_Res              | CHOICE {                                        |
| ss_Status                      | [0] IMPLICIT SS_Status,                         |
| basicServiceGroupList          | [2] IMPLICIT BasicServiceGroupList,             |
| forwardingFeatureList          | [3] IMPLICIT ForwardingFeatureList,             |
| cli_RestrictionInfo            | [4] IMPLICIT SEQUENCE {                         |
| ss_Status                      | SS_Status,                                      |
| cliRestrictionOption           | CliRestrictionOption OPTIONAL } } } },          |
| interrogateSS_ReturnErrorComp  | CHOICE {                                        |
| errorCodes                     | [3] IMPLICIT SEQUENCE { invokeID InvokeIDType,  |
| errorCode                      | ErrorLocalValues ( bearerServiceNotProvisioned  |
| teleserviceNotProvisioned      | teleserviceNotProvisioned                       |
| illegalSS_Operation            | illegalSS_Operation                             |
| ss_NotAvailable                | ss_NotAvailable                                 |
| dataMissing                    | dataMissing                                     |
| unexpectedDataValue)           | unexpectedDataValue) },                         |
| callBarredErr                  | [3] IMPLICIT SEQUENCE { invokeID InvokeIDType,  |
| errorCode                      | ErrorLocalValues ( callBarred ),                |
| parameter                      | CallBarringCause },                             |
| systemFailureErr               | [3] IMPLICIT SEQUENCE { invokeID InvokeIDType,  |
| errorCode                      | ErrorLocalValues ( systemFailure ),             |
| parameter                      | NetworkResource} },                             |
| interrogateSS_RejectComp       | [4] IMPLICIT RejectComponent }                  |
| <b>Detailed Comments:</b>      | Timer m                                         |

| <b>ASN.1 Type Definition</b> |                                                |
|------------------------------|------------------------------------------------|
| <b>Type Name:</b>            | NotifySS_Components                            |
| <b>Comments:</b>             | GSM 04.80, 4.2                                 |
| <b>Type Definition</b>       |                                                |
| CHOICE {                     |                                                |
| notifySS_InvokeComp          | [1] IMPLICIT SEQUENCE {                        |
| invokeID                     | InvokeIDType,                                  |
| localValue                   | INTEGER (16),                                  |
| notifySS_Arg                 | SEQUENCE{                                      |
| ss_Code                      | [1] IMPLICIT SS_Code OPTIONAL,                 |
| ss_Status                    | [4] IMPLICIT SS_Status OPTIONAL,               |
| ss_Notification              | [5] IMPLICIT OCTET STRING (SIZE (1)) OPTIONAL, |
| callsWaiting_Indicator       | [14] IMPLICIT NULL OPTIONAL,                   |
| callOnHold_Indicator         | [15] IMPLICIT ENUMERATED {                     |
| callRetrieved (0),           |                                                |
| callOnHold (1) }             | OPTIONAL,                                      |
| mpty_Indicator               | [16] IMPLICIT NULL OPTIONAL,                   |
| cug_Index                    | [17] IMPLICIT CUG_Index OPTIONAL,              |
| clirSuppressionRejected      | [18] IMPLICIT NULL OPTIONAL } },               |
| notifySS_RejectComp          | [4] IMPLICIT RejectComponent }                 |
| <b>Detailed Comments:</b>    |                                                |

| <b>ASN.1 Type Definition</b>               |                                                     |
|--------------------------------------------|-----------------------------------------------------|
| <b>Type Name:</b>                          | ProcessUnstructuredSSData_Components                |
| <b>Comments:</b>                           | GSM 09.02, 14.5, 14.6.4, 14.6.6, 14.7.4, 14.7.7     |
| <b>Type Definition</b>                     |                                                     |
| CHOICE {                                   |                                                     |
| processUnstructuredSSData_InvokeComp       | [1] IMPLICIT SEQUENCE {                             |
| invokeID                                   | InvokeIDType,                                       |
| localValue                                 | INTEGER (19),                                       |
| ss_UserData                                | SS_UserData },                                      |
| processUnstructuredSSData_ReturnResultComp | [2] IMPLICIT SEQUENCE {                             |
| invokeID                                   | InvokeIDType,                                       |
| result                                     | SEQUENCE {                                          |
| localValue                                 | INTEGER (19),                                       |
| ss_UserData                                | SS_UserData } },                                    |
| processUnstructuredSSData_ReturnErrorComp  | CHOICE {                                            |
| errorCodes                                 | [3] IMPLICIT SEQUENCE { invokeID InvokeIDType,      |
|                                            | errorCode ErrorLocalValues (unexpectedDataValue) }, |
| systemFailureErr                           | [3] IMPLICIT SEQUENCE { invokeID InvokeIDType,      |
|                                            | errorCode ErrorLocalValues ( systemFailure ),       |
|                                            | parameter NetworkResource } },                      |
| processUnstructuredSSData_RejectComp       | [4] IMPLICIT RejectComponent }                      |
| <b>Detailed Comments:</b>                  | Timer m                                             |

| <b>ASN.1 Type Definition</b>                  |                                                 |
|-----------------------------------------------|-------------------------------------------------|
| <b>Type Name:</b>                             | ProcessUnstructuredSSRequest_Components         |
| <b>Comments:</b>                              | GSM 09.02, 14.5, 14.6.4, 14.6.6, 14.7.4, 14.7.7 |
| <b>Type Definition</b>                        |                                                 |
| CHOICE {                                      |                                                 |
| processUnstructuredSSRequest_InvokeComp       | [1] IMPLICIT SEQUENCE {                         |
| invokeID                                      | InvokeIDType,                                   |
| localValue                                    | INTEGER (59),                                   |
| ussd_Arg                                      | USSD_Arg },                                     |
| processUnstructuredSSRequest_ReturnResultComp | [2] IMPLICIT SEQUENCE {                         |
| invokeID                                      | InvokeIDType,                                   |
| result                                        | SEQUENCE {                                      |
| localValue                                    | INTEGER (59),                                   |
| ussd_Res                                      | USSD_Res} },                                    |
| processUnstructuredSSRequest_ReturnErrorComp  | CHOICE {                                        |
| errorCodes                                    | [3] IMPLICIT SEQUENCE { invokeID InvokeIDType,  |
|                                               | errorCode ErrorLocalValues (dataMissing         |
|                                               | unexpectedDataValue                             |
|                                               | unknownAlphabet) },                             |
| callBarredErr                                 | [3] IMPLICIT SEQUENCE { invokeID InvokeIDType,  |
|                                               | errorCode ErrorLocalValues ( callBarred ),      |
|                                               | parameter CallBarringCause },                   |
| systemFailureErr                              | [3] IMPLICIT SEQUENCE { invokeID InvokeIDType,  |
|                                               | errorCode ErrorLocalValues ( systemFailure ),   |
|                                               | parameter NetworkResource } },                  |
| processUnstructuredSSRequest_RejectComp       | [4] IMPLICIT RejectComponent }                  |
| <b>Detailed Comments:</b>                     | Timer m                                         |

| <b>ASN.1 Type Definition</b>      |                                                        |
|-----------------------------------|--------------------------------------------------------|
| <b>Type Name:</b>                 | RegisterPassword_Components                            |
| <b>Comments:</b>                  | GSM 09.02, 14.5, 14.6.4, 14.6.6, 14.7.4, 14.7.7        |
| <b>Type Definition</b>            |                                                        |
| CHOICE {                          |                                                        |
| registerPassword_InvokeComp       | [1] IMPLICIT SEQUENCE {                                |
| invokeID                          | InvokeIDType,                                          |
| localValue                        | INTEGER (17),                                          |
| ss_Code                           | SS_Code } ,                                            |
| registerPassword_ReturnResultComp | [2] IMPLICIT SEQUENCE {                                |
| invokeID                          | InvokeIDType,                                          |
| result                            | SEQUENCE {                                             |
| localValue                        | INTEGER (17),                                          |
| newPassword                       | Password } } ,                                         |
| registerPassword_ReturnErrorComp  | CHOICE {                                               |
| errorCodes                        | [3] IMPLICIT SEQUENCE { invokeID InvokeIDType,         |
|                                   | errorCode ErrorLocalValues ( dataMissing               |
|                                   | unexpectedDataValue                                    |
|                                   | negativePW_Check                                       |
|                                   | numberOfPW_AttemptsViolation) },                       |
| callBarredErr                     | [3] IMPLICIT SEQUENCE { invokeID InvokeIDType,         |
|                                   | errorCode ErrorLocalValues ( callBarred ),             |
|                                   | parameter CallBarringCause },                          |
| ss_SubscriptionViolationsErr      | [3] IMPLICIT SEQUENCE { invokeID InvokeIDType,         |
|                                   | errorCode ErrorLocalValues (ss_SubscriptionViolation), |
|                                   | parameter SS_SubscriptionOption },                     |
| systemFailureErr                  | [3] IMPLICIT SEQUENCE { invokeID InvokeIDType,         |
|                                   | errorCode ErrorLocalValues ( systemFailure ),          |
|                                   | parameter NetworkResource},                            |
| pw_RegistrationFailureErr         | [3] IMPLICIT SEQUENCE { invokeID InvokeIDType,         |
|                                   | errorCode ErrorLocalValues ( pw_RegistrationFailure ), |
|                                   | parameter PW_RegistrationFailureCause } },             |
| registerPassword_RejectComp       | [4] IMPLICIT RejectComponent }                         |
| <b>Detailed Comments:</b>         | Timer m                                                |

| <b>ASN.1 Type Definition</b>                                                                                                                                                                                                                                                                                                                                                                                                                                                                                                                                                                                                                                                                                                                                                                                                                                                                                                                                                                                                                                                                                                                                                                                                                                                                                                                                                                                                                                                                                                                                                                                                                                                                                                                         |                                                 |
|------------------------------------------------------------------------------------------------------------------------------------------------------------------------------------------------------------------------------------------------------------------------------------------------------------------------------------------------------------------------------------------------------------------------------------------------------------------------------------------------------------------------------------------------------------------------------------------------------------------------------------------------------------------------------------------------------------------------------------------------------------------------------------------------------------------------------------------------------------------------------------------------------------------------------------------------------------------------------------------------------------------------------------------------------------------------------------------------------------------------------------------------------------------------------------------------------------------------------------------------------------------------------------------------------------------------------------------------------------------------------------------------------------------------------------------------------------------------------------------------------------------------------------------------------------------------------------------------------------------------------------------------------------------------------------------------------------------------------------------------------|-------------------------------------------------|
| <b>Type Name:</b>                                                                                                                                                                                                                                                                                                                                                                                                                                                                                                                                                                                                                                                                                                                                                                                                                                                                                                                                                                                                                                                                                                                                                                                                                                                                                                                                                                                                                                                                                                                                                                                                                                                                                                                                    | RegisterSS_Components                           |
| <b>Comments:</b>                                                                                                                                                                                                                                                                                                                                                                                                                                                                                                                                                                                                                                                                                                                                                                                                                                                                                                                                                                                                                                                                                                                                                                                                                                                                                                                                                                                                                                                                                                                                                                                                                                                                                                                                     | GSM 09.02, 14.5, 14.6.4, 14.6.6, 14.7.4, 14.7.7 |
| <b>Type Definition</b>                                                                                                                                                                                                                                                                                                                                                                                                                                                                                                                                                                                                                                                                                                                                                                                                                                                                                                                                                                                                                                                                                                                                                                                                                                                                                                                                                                                                                                                                                                                                                                                                                                                                                                                               |                                                 |
| <pre> CHOICE {   registerSS_InvokeComp      [1] IMPLICIT SEQUENCE {     invokeID                 InvokeIDType,     localValue               INTEGER (10),     registerSS_Arg           SEQUENCE{       ss_Code                SS_Code,       basicService           BasicServiceCode OPTIONAL,       forwardedToNumber     [4] IMPLICIT AddressString OPTIONAL,       forwardedToSubaddress [6] IMPLICIT ISDN_SubaddressString OPTIONAL,       noReplyConditionTime  [5] IMPLICIT NoReplyConditionTime OPTIONAL } },    registerSS_ReturnResultComp [2] IMPLICIT SEQUENCE {     invokeID                 InvokeIDType,     result                   SEQUENCE {       localValue             INTEGER (10),       ss_Info                SS_Info } },    registerSS_ReturnErrorComp CHOICE {     errorCodes               [3] IMPLICIT SEQUENCE { invokeID InvokeIDType,       errorCode              ErrorLocalValues ( bearerServiceNotProvisioned           teleserviceNotProvisioned           illegalSS_Operation           dataMissing           unexpectedDataValue ) },      callBarredErr           [3] IMPLICIT SEQUENCE { invokeID InvokeIDType,       errorCode              ErrorLocalValues ( callBarred ),       parameter              CallBarringCause },      ss_IncompatibilityErr   [3] IMPLICIT SEQUENCE { invokeID InvokeIDType,       errorCode              ErrorLocalValues ( ss_Incompatibility ),       parameter              SS_IncompatibilityCause },      systemFailureErr        [3] IMPLICIT SEQUENCE { invokeID InvokeIDType,       errorCode              ErrorLocalValues ( systemFailure ),       parameter              NetworkResource } },    registerSS_RejectComp     [4] IMPLICIT RejectComponent } </pre> |                                                 |
| <b>Detailed Comments:</b>                                                                                                                                                                                                                                                                                                                                                                                                                                                                                                                                                                                                                                                                                                                                                                                                                                                                                                                                                                                                                                                                                                                                                                                                                                                                                                                                                                                                                                                                                                                                                                                                                                                                                                                            | Timer m                                         |

| <b>ASN.1 Type Definition</b>                                                                                                                                                                                                                                                                                                                                                                     |                                                                                                                          |
|--------------------------------------------------------------------------------------------------------------------------------------------------------------------------------------------------------------------------------------------------------------------------------------------------------------------------------------------------------------------------------------------------|--------------------------------------------------------------------------------------------------------------------------|
| <b>Type Name:</b>                                                                                                                                                                                                                                                                                                                                                                                | RejectComponent                                                                                                          |
| <b>Comments:</b>                                                                                                                                                                                                                                                                                                                                                                                 | ITU-T Q.767                                                                                                              |
| <b>Type Definition</b>                                                                                                                                                                                                                                                                                                                                                                           |                                                                                                                          |
| <pre> SEQUENCE {   invokedID CHOICE {     derivable                InvokeIDType,     notDerivable             NULL },   problem CHOICE {     generalProblem           [0] IMPLICIT GeneralProblem,     invokeProblem            [1] IMPLICIT InvokeProblem,     returnResultProblem     [2] IMPLICIT ReturnResultProblem,     returnErrorProblem      [3] IMPLICIT ReturnErrorProblem } } </pre> |                                                                                                                          |
| <b>Detailed Comments:</b>                                                                                                                                                                                                                                                                                                                                                                        | Reject Component is not specific to any particular operation. The invokeID may be used to identify a specific operation. |

| <b>ASN.1 Type Definition</b>  |                                                    |
|-------------------------------|----------------------------------------------------|
| <b>Type Name:</b>             | RetrieveMPTY_Components                            |
| <b>Comments:</b>              | GSM 04.80, 4.2                                     |
| <b>Type Definition</b>        |                                                    |
| CHOICE {                      |                                                    |
| retrieveMPTY_InvokeComp       | [1] IMPLICIT SEQUENCE {                            |
| invokeID                      | InvokeIDType,                                      |
| localValue                    | INTEGER (122) },                                   |
| retrieveMPTY_ReturnResultComp | [2] IMPLICIT SEQUENCE {                            |
| invokeID                      | InvokeIDType,                                      |
| result                        | SEQUENCE {                                         |
| localValue                    | INTEGER (122) } },                                 |
| retrieveMPTY_ReturnErrorComp  | CHOICE {                                           |
| errorCodes                    | [3] IMPLICIT SEQUENCE { invokeID                   |
|                               | InvokeIDType,                                      |
|                               | errorCode ErrorLocalValues ( illegalSS_Operation   |
|                               | facilityNotSupported ) },                          |
| ss_ErrorStatusErr             | [3] IMPLICIT SEQUENCE { invokeID                   |
|                               | InvokeIDType,                                      |
|                               | errorCode ErrorLocalValues ( ss_ErrorStatus ),     |
|                               | parameter SS_Status },                             |
| ss_IncompatibilityErr         | [3] IMPLICIT SEQUENCE { invokeID                   |
|                               | InvokeIDType,                                      |
|                               | errorCode ErrorLocalValues ( ss_Incompatibility ), |
|                               | parameter SS_IncompatibilityCause },               |
| systemFailureErr              | [3] IMPLICIT SEQUENCE { invokeID                   |
|                               | InvokeIDType,                                      |
|                               | errorCode ErrorLocalValues ( systemFailure ),      |
|                               | parameter NetworkResource } },                     |
| retrieveMPTY_RejectComp       | [4] IMPLICIT RejectComponent }                     |
| <b>Detailed Comments:</b>     | Timer T_retrieveMPTY (5 - 30 s)                    |

| <b>ASN.1 Type Definition</b> |                                                    |
|------------------------------|----------------------------------------------------|
| <b>Type Name:</b>            | SplitMPTY_Components                               |
| <b>Comments:</b>             | GSM 04.80, 4.2                                     |
| <b>Type Definition</b>       |                                                    |
| CHOICE {                     |                                                    |
| splitMPTY_InvokeComp         | [1] IMPLICIT SEQUENCE {                            |
| invokeID                     | InvokeIDType,                                      |
| localValue                   | INTEGER (121) },                                   |
| splitMPTY_ReturnResultComp   | [2] IMPLICIT SEQUENCE {                            |
| invokeID                     | InvokeIDType,                                      |
| result                       | SEQUENCE {                                         |
| localValue                   | INTEGER (121) } },                                 |
| splitMPTY_ReturnErrorComp    | CHOICE {                                           |
| errorCodes                   | [3] IMPLICIT SEQUENCE { invokeID                   |
|                              | InvokeIDType,                                      |
|                              | errorCode ErrorLocalValues ( illegalSS_Operation   |
|                              | facilityNotSupported ) },                          |
| ss_ErrorStatusErr            | [3] IMPLICIT SEQUENCE { invokeID                   |
|                              | InvokeIDType,                                      |
|                              | errorCode ErrorLocalValues ( ss_ErrorStatus ),     |
|                              | parameter SS_Status },                             |
| ss_IncompatibilityErr        | [3] IMPLICIT SEQUENCE { invokeID                   |
|                              | InvokeIDType,                                      |
|                              | errorCode ErrorLocalValues ( ss_Incompatibility ), |
|                              | parameter SS_IncompatibilityCause },               |
| systemFailureErr             | [3] IMPLICIT SEQUENCE { invokeID                   |
|                              | InvokeIDType,                                      |
|                              | errorCode ErrorLocalValues ( systemFailure ),      |
|                              | parameter NetworkResource } },                     |
| splitMPTY_RejectComp         | [4] IMPLICIT RejectComponent }                     |
| <b>Detailed Comments:</b>    | Timer T_splitMPTY (5 - 30 s)                       |

| <b>ASN.1 Type Definition</b>          |                                                  |
|---------------------------------------|--------------------------------------------------|
| <b>Type Name:</b>                     | UnstructuredSSNotify_Components                  |
| <b>Comments:</b>                      | GSM 09.02, 14.5, 14.6.4, 14.6.6, 14.7.4, 14.7.7  |
| <b>Type Definition</b>                |                                                  |
| CHOICE {                              |                                                  |
| unstructuredSSNotify_InvokeComp       | [1] IMPLICIT SEQUENCE {                          |
| invokeID                              | InvokeIDType,                                    |
| localValue                            | INTEGER (61),                                    |
| ussd_Arg                              | USSD_Arg            },                           |
| unstructuredSSNotify_ReturnResultComp | [2] IMPLICIT SEQUENCE {                          |
| invokeID                              | InvokeIDType,                                    |
| result                                | SEQUENCE {                                       |
| localValue                            | INTEGER (61) } },                                |
| unstructuredSSNotify_ReturnErrorComp  | CHOICE {                                         |
| errorCodes                            | [3] IMPLICIT SEQUENCE { invokeID   InvokeIDType, |
|                                       | errorCode   ErrorLocalValues ( illegalSubscriber |
|                                       | illegalEquipment                                 |
|                                       | absentSubscriber                                 |
|                                       | dataMissing                                      |
|                                       | unexpectedDataValue                              |
|                                       | unknownAlphabet                                  |
|                                       | ussd_Busy) },                                    |
| systemFailureErr                      | [3] IMPLICIT SEQUENCE { invokeID   InvokeIDType, |
|                                       | errorCode   ErrorLocalValues ( systemFailure ),  |
|                                       | parameter   NetworkResource } },                 |
| unstructuredSSNotify_RejectComp       | [4] IMPLICIT RejectComponent }                   |
| <b>Detailed Comments:</b>             | Timer m                                          |

| <b>ASN.1 Type Definition</b>           |                                                  |
|----------------------------------------|--------------------------------------------------|
| <b>Type Name:</b>                      | UnstructuredSSRequest_Components                 |
| <b>Comments:</b>                       | GSM 09.02, 14.5, 14.6.4, 14.6.6, 14.7.4, 14.7.7  |
| <b>Type Definition</b>                 |                                                  |
| CHOICE {                               |                                                  |
| unstructuredSSRequest_InvokeComp       | [1] IMPLICIT SEQUENCE {                          |
| invokeID                               | InvokeIDType,                                    |
| localValue                             | INTEGER (60),                                    |
| ussd_Arg                               | USSD_Arg            },                           |
| unstructuredSSRequest_ReturnResultComp | [2] IMPLICIT SEQUENCE {                          |
| invokeID                               | InvokeIDType,                                    |
| result                                 | SEQUENCE {                                       |
| localValue                             | INTEGER (60),                                    |
| ussd_Res                               | USSD_Res        } } ,                            |
| unstructuredSSRequest_ReturnErrorComp  | CHOICE {                                         |
| errorCodes                             | [3] IMPLICIT SEQUENCE { invokeID   InvokeIDType, |
|                                        | errorCode   ErrorLocalValues ( illegalSubscriber |
|                                        | illegalEquipment                                 |
|                                        | absentSubscriber                                 |
|                                        | dataMissing                                      |
|                                        | unexpectedDataValue                              |
|                                        | unknownAlphabet                                  |
|                                        | ussd_Busy) },                                    |
| systemFailureErr                       | [3] IMPLICIT SEQUENCE { invokeID   InvokeIDType, |
|                                        | errorCode   ErrorLocalValues ( systemFailure ),  |
|                                        | parameter   NetworkResource } },                 |
| unstructuredSSRequest_RejectComp       | [4] IMPLICIT RejectComponent }                   |
| <b>Detailed Comments:</b>              | Timer m                                          |



| ASN.1 Type Definition                         |                   |
|-----------------------------------------------|-------------------|
| <b>Type Name:</b>                             | AddressString     |
| <b>Comments:</b>                              | GSM 09.02, 14.7.8 |
| Type Definition                               |                   |
| OCTET STRING (SIZE ( 1 .. maxAddressLength )) |                   |
| <b>Detailed Comments:</b>                     |                   |

| ASN.1 Type Definition     |                       |
|---------------------------|-----------------------|
| <b>Type Name:</b>         | Asn1Integer           |
| <b>Comments:</b>          | INTEGER of ASN.1 type |
| Type Definition           |                       |
| INTEGER                   |                       |
| <b>Detailed Comments:</b> |                       |

| ASN.1 Type Definition                                                                                   |                   |
|---------------------------------------------------------------------------------------------------------|-------------------|
| <b>Type Name:</b>                                                                                       | BasicServiceCode  |
| <b>Comments:</b>                                                                                        | GSM 09.02, 14.7.8 |
| Type Definition                                                                                         |                   |
| CHOICE {<br>bearerService [2] IMPLICIT BearerServiceCode,<br>teleservice [3] IMPLICIT TeleserviceCode } |                   |
| <b>Detailed Comments:</b>                                                                               |                   |

| ASN.1 Type Definition                                                 |                       |
|-----------------------------------------------------------------------|-----------------------|
| <b>Type Name:</b>                                                     | BasicServiceGroupList |
| <b>Comments:</b>                                                      | GSM 09.02, 14.7.8     |
| Type Definition                                                       |                       |
| SEQUENCE SIZE ( 1 .. maxNumOfBasicServiceGroups ) OF BasicServiceCode |                       |
| <b>Detailed Comments:</b>                                             |                       |

| ASN.1 Type Definition     |                    |
|---------------------------|--------------------|
| <b>Type Name:</b>         | BearerServiceCode  |
| <b>Comments:</b>          | GSM 09.02, 14.7.10 |
| Type Definition           |                    |
| OCTET STRING (SIZE (1))   |                    |
| <b>Detailed Comments:</b> |                    |

| ASN.1 Type Definition                                              |                   |
|--------------------------------------------------------------------|-------------------|
| <b>Type Name:</b>                                                  | CallBarringCause  |
| <b>Comments:</b>                                                   | GSM 09.02, 14.7.7 |
| Type Definition                                                    |                   |
| ENUMERATED {<br>barringServiceActive (0),<br>operatorBarring (1) } |                   |
| <b>Detailed Comments:</b>                                          |                   |

| <b>ASN.1 Type Definition</b>                                                                         |                    |
|------------------------------------------------------------------------------------------------------|--------------------|
| <b>Type Name:</b>                                                                                    | CallBarringFeature |
| <b>Comments:</b>                                                                                     | GSM 09.02, 14.7.4  |
| <b>Type Definition</b>                                                                               |                    |
| SEQUENCE {<br>basicService BasicServiceCode OPTIONAL,<br>ss_Status [4] IMPLICIT SS_Status OPTIONAL } |                    |
| <b>Detailed Comments:</b>                                                                            |                    |

| <b>ASN.1 Type Definition</b>                                        |                        |
|---------------------------------------------------------------------|------------------------|
| <b>Type Name:</b>                                                   | CallBarringFeatureList |
| <b>Comments:</b>                                                    | GSM 09.02, 14.7.4      |
| <b>Type Definition</b>                                              |                        |
| SEQUENCE SIZE (1..maxNumOfBasicServiceGroups) OF CallBarringFeature |                        |
| <b>Detailed Comments:</b>                                           |                        |

| <b>ASN.1 Type Definition</b>                                                               |                   |
|--------------------------------------------------------------------------------------------|-------------------|
| <b>Type Name:</b>                                                                          | CallBarringInfo   |
| <b>Comments:</b>                                                                           | GSM 09.02, 14.7.4 |
| <b>Type Definition</b>                                                                     |                   |
| SEQUENCE {<br>ss_Code SS_Code OPTIONAL,<br>callBarringFeatureList CallBarringFeatureList } |                   |
| <b>Detailed Comments:</b>                                                                  |                   |

| <b>ASN.1 Type Definition</b>                                                                       |                      |
|----------------------------------------------------------------------------------------------------|----------------------|
| <b>Type Name:</b>                                                                                  | CliRestrictionOption |
| <b>Comments:</b>                                                                                   | GSM 09.02, 14.7.4    |
| <b>Type Definition</b>                                                                             |                      |
| ENUMERATED {<br>permanent (0),<br>temporaryDefaultRestricted (1),<br>temporaryDefaultAllowed (2) } |                      |
| <b>Detailed Comments:</b>                                                                          |                      |

| <b>ASN.1 Type Definition</b>                                                                                                                            |                   |
|---------------------------------------------------------------------------------------------------------------------------------------------------------|-------------------|
| <b>Type Name:</b>                                                                                                                                       | CUG_Feature       |
| <b>Comments:</b>                                                                                                                                        | GSM 09.02, 14.7.4 |
| <b>Type Definition</b>                                                                                                                                  |                   |
| SEQUENCE {<br>basicService BasicServiceCode OPTIONAL,<br>preferentialCUG_Indicator CUG_Index OPTIONAL,<br>interCUG_Restrictions InterCUG_Restrictions } |                   |
| <b>Detailed Comments:</b>                                                                                                                               |                   |

| <b>ASN.1 Type Definition</b>                                   |                   |
|----------------------------------------------------------------|-------------------|
| <b>Type Name:</b>                                              | CUG_FeatureList   |
| <b>Comments:</b>                                               | GSM 09.02, 14.7.4 |
| <b>Type Definition</b>                                         |                   |
| SEQUENCE SIZE (1.. maxNumOfBasicServiceGroups ) OF CUG_Feature |                   |
| <b>Detailed Comments:</b>                                      |                   |

| ASN.1 Type Definition     |                                                   |
|---------------------------|---------------------------------------------------|
| <b>Type Name:</b>         | CUG_Index                                         |
| <b>Comments:</b>          | GSM 09.02, 14.7.4                                 |
| Type Definition           |                                                   |
| INTEGER (0..32767)        |                                                   |
| <b>Detailed Comments:</b> | The internal structure is defined in ETS 300 138. |

| ASN.1 Type Definition     |                   |
|---------------------------|-------------------|
| <b>Type Name:</b>         | CUG_Interlock     |
| <b>Comments:</b>          | GSM 09.02, 14.7.4 |
| Type Definition           |                   |
| OCTET STRING (SIZE (4))   |                   |
| <b>Detailed Comments:</b> |                   |

| ASN.1 Type Definition                                                                                  |                   |
|--------------------------------------------------------------------------------------------------------|-------------------|
| <b>Type Name:</b>                                                                                      | CUG_Info          |
| <b>Comments:</b>                                                                                       | GSM 09.02, 14.7.4 |
| Type Definition                                                                                        |                   |
| SEQUENCE {<br>cug_SubscriptionList CUG_SubscriptionList,<br>cug_FeatureList CUG_FeatureList OPTIONAL } |                   |
| <b>Detailed Comments:</b>                                                                              |                   |

| ASN.1 Type Definition                                                                                                                                              |                   |
|--------------------------------------------------------------------------------------------------------------------------------------------------------------------|-------------------|
| <b>Type Name:</b>                                                                                                                                                  | CUG_Subscription  |
| <b>Comments:</b>                                                                                                                                                   | GSM 09.02, 14.7.4 |
| Type Definition                                                                                                                                                    |                   |
| SEQUENCE {<br>cug_Index CUG_Index,<br>cug_Interlock CUG_Interlock,<br>intraCUG_Options IntraCUG_Options,<br>basicServiceGroupList BasicServiceGroupList OPTIONAL } |                   |
| <b>Detailed Comments:</b>                                                                                                                                          |                   |

| ASN.1 Type Definition                                |                      |
|------------------------------------------------------|----------------------|
| <b>Type Name:</b>                                    | CUG_SubscriptionList |
| <b>Comments:</b>                                     | GSM 09.02, 14.7.4    |
| Type Definition                                      |                      |
| SEQUENCE SIZE (1.. maxNumOfCUG ) OF CUG_Subscription |                      |
| <b>Detailed Comments:</b>                            |                      |

| <b>ASN.1 Type Definition</b>                                                                                                                                                                                                                                                                                                                                                                                                                                                                                                                                                                                                                                                                                                                                                                                                                                   |                                             |
|----------------------------------------------------------------------------------------------------------------------------------------------------------------------------------------------------------------------------------------------------------------------------------------------------------------------------------------------------------------------------------------------------------------------------------------------------------------------------------------------------------------------------------------------------------------------------------------------------------------------------------------------------------------------------------------------------------------------------------------------------------------------------------------------------------------------------------------------------------------|---------------------------------------------|
| <b>Type Name:</b>                                                                                                                                                                                                                                                                                                                                                                                                                                                                                                                                                                                                                                                                                                                                                                                                                                              | ErrorLocalValues                            |
| <b>Comments:</b>                                                                                                                                                                                                                                                                                                                                                                                                                                                                                                                                                                                                                                                                                                                                                                                                                                               | GSM 04.80, 4.5                              |
| <b>Type Definition</b>                                                                                                                                                                                                                                                                                                                                                                                                                                                                                                                                                                                                                                                                                                                                                                                                                                         |                                             |
| <pre> INTEGER {   unknownSubscriber          (1),   illegalSubscriber         (9),   bearerServiceNotProvisioned (10),   teleserviceNotProvisioned (11),   illegalEquipment          (12),   callBarred                (13),   illegalSS_Operation        (16),   ss_ErrorStatus            (17),   ss_NotAvailable           (18),   ss_SubscriptionViolation   (19),   ss_Incompatibility         (20),   facilityNotSupported       (21),   absentSubscriber          (27),   systemFailure             (34),   dataMissing               (35),   unexpectedDataValue        (36),   pw_RegistrationFailure     (37),   negativePW_Check          (38),   numberOfPW_AttemptsViolation (43),   unknownAlphabet           (71),   ussd_Busy                 (72),   maxNumberOfMPPTY_ParticipantsExceeded (126),   resourcesNotAvailable      (127) } </pre> |                                             |
| <b>Detailed Comments:</b>                                                                                                                                                                                                                                                                                                                                                                                                                                                                                                                                                                                                                                                                                                                                                                                                                                      | Elements of INTEGER are global for the ATS. |

| <b>ASN.1 Type Definition</b>                                                                                                                                                                                                                                                                                                                                                                         |                   |
|------------------------------------------------------------------------------------------------------------------------------------------------------------------------------------------------------------------------------------------------------------------------------------------------------------------------------------------------------------------------------------------------------|-------------------|
| <b>Type Name:</b>                                                                                                                                                                                                                                                                                                                                                                                    | ForwardingFeature |
| <b>Comments:</b>                                                                                                                                                                                                                                                                                                                                                                                     | GSM 09.02, 14.7.4 |
| <b>Type Definition</b>                                                                                                                                                                                                                                                                                                                                                                               |                   |
| <pre> SEQUENCE {   basicService      BasicServiceCode      OPTIONAL,   ss_Status         [4] IMPLICIT SS_Status OPTIONAL,   forwardedToNumber [5] IMPLICIT ISDN_AddressString OPTIONAL,   forwardedToSubaddress [8] IMPLICIT ISDN_SubaddressString OPTIONAL,   forwardingOptions [6] IMPLICIT ForwardingOptions OPTIONAL,   noReplyConditionTime [7] IMPLICIT NoReplyConditionTime OPTIONAL } </pre> |                   |
| <b>Detailed Comments:</b>                                                                                                                                                                                                                                                                                                                                                                            |                   |

| <b>ASN.1 Type Definition</b>                                       |                       |
|--------------------------------------------------------------------|-----------------------|
| <b>Type Name:</b>                                                  | ForwardingFeatureList |
| <b>Comments:</b>                                                   | GSM 09.02, 14.7.4     |
| <b>Type Definition</b>                                             |                       |
| SEQUENCE SIZE (1..maxNumOfBasicServiceGroups) OF ForwardingFeature |                       |
| <b>Detailed Comments:</b>                                          |                       |

| <b>ASN.1 Type Definition</b>                                                                                      |                   |
|-------------------------------------------------------------------------------------------------------------------|-------------------|
| <b>Type Name:</b>                                                                                                 | ForwardingInfo    |
| <b>Comments:</b>                                                                                                  | GSM 09.02, 14.7.4 |
| <b>Type Definition</b>                                                                                            |                   |
| <pre> SEQUENCE {   ss_Code          SS_Code      OPTIONAL,   forwardingFeatureList ForwardingFeatureList } </pre> |                   |
| <b>Detailed Comments:</b>                                                                                         |                   |

| ASN.1 Type Definition     |                   |
|---------------------------|-------------------|
| <b>Type Name:</b>         | ForwardingOptions |
| <b>Comments:</b>          | GSM 09.02, 14.7.4 |
| Type Definition           |                   |
| OCTET STRING (SIZE (1))   |                   |
| <b>Detailed Comments:</b> |                   |

| ASN.1 Type Definition                                                                        |                                 |
|----------------------------------------------------------------------------------------------|---------------------------------|
| <b>Type Name:</b>                                                                            | GeneralProblem                  |
| <b>Comments:</b>                                                                             | ITU-T Q.767                     |
| Type Definition                                                                              |                                 |
| TCAP_Problems ( unrecognizedComponent<br>  mistypedComponent<br>  badlyStructuredComponent ) |                                 |
| <b>Detailed Comments:</b>                                                                    | Type restricted to these three. |

| ASN.1 Type Definition     |                                                                                                                                                                                 |
|---------------------------|---------------------------------------------------------------------------------------------------------------------------------------------------------------------------------|
| <b>Type Name:</b>         | InterCUG_Restrictions                                                                                                                                                           |
| <b>Comments:</b>          | GSM 09.02, 14.7.4                                                                                                                                                               |
| Type Definition           |                                                                                                                                                                                 |
| OCTET STRING (SIZE (1))   |                                                                                                                                                                                 |
| <b>Detailed Comments:</b> | bits: 876543: 000000 (unused)<br>bits 21: 00 CUG only facilities<br>01 CUG with outgoing access<br>10 CUG with incoming access<br>11 CUG with both outgoing and incoming access |

| ASN.1 Type Definition                                                                      |                   |
|--------------------------------------------------------------------------------------------|-------------------|
| <b>Type Name:</b>                                                                          | IntraCUG_Options  |
| <b>Comments:</b>                                                                           | GSM 09.02, 14.7.4 |
| Type Definition                                                                            |                   |
| ENUMERATED {<br>noCUG_Restrictions (0),<br>cugIC_CallBarred (1),<br>cugOG_CallBarred (2) } |                   |
| <b>Detailed Comments:</b>                                                                  |                   |

| ASN.1 Type Definition     |                                                                                                                                                                                                                                                                                                                                                                                                                                                                                                                                                                                                                           |
|---------------------------|---------------------------------------------------------------------------------------------------------------------------------------------------------------------------------------------------------------------------------------------------------------------------------------------------------------------------------------------------------------------------------------------------------------------------------------------------------------------------------------------------------------------------------------------------------------------------------------------------------------------------|
| <b>Type Name:</b>         | InvokeIDType                                                                                                                                                                                                                                                                                                                                                                                                                                                                                                                                                                                                              |
| <b>Comments:</b>          | ITU-T, Q.773                                                                                                                                                                                                                                                                                                                                                                                                                                                                                                                                                                                                              |
| Type Definition           |                                                                                                                                                                                                                                                                                                                                                                                                                                                                                                                                                                                                                           |
| INTEGER (-128 .. 127)     |                                                                                                                                                                                                                                                                                                                                                                                                                                                                                                                                                                                                                           |
| <b>Detailed Comments:</b> | Values:<br>Sending Components: If it is an invoke component then use Test Case Variable (with default) to set value. If another invoke component is sent the TCV should be incremented beforehand. If it is a return result, error or reject component in response to a received invoke component then use TCV also, making sure the value is set to the value of the received component beforehand.<br><br>Receiving Components: If it is an invoke comp then use '?'. If it is a return result, error or reject component in response to a sent invoke component then use TCV value (as used in sent invoke component). |

| <b>ASN.1 Type Definition</b>                                                                                                                                                                                               |                             |
|----------------------------------------------------------------------------------------------------------------------------------------------------------------------------------------------------------------------------|-----------------------------|
| <b>Type Name:</b>                                                                                                                                                                                                          | InvokeProblem               |
| <b>Comments:</b>                                                                                                                                                                                                           | ITU-T Q.767                 |
| Type Definition                                                                                                                                                                                                            |                             |
| TCAP_Problems ( duplicateInvokeID<br>  unrecognizedOperation<br>  mistypedArgument<br>  resourceLimitation<br>  initiatingRelease<br>  unrecognizedLinkedID<br>  linkedResponseUnexpected<br>  unexpectedLinkedOperation ) |                             |
| <b>Detailed Comments:</b>                                                                                                                                                                                                  | Type restricted to these 8. |

| <b>ASN.1 Type Definition</b>                        |                    |
|-----------------------------------------------------|--------------------|
| <b>Type Name:</b>                                   | ISDN_AddressString |
| <b>Comments:</b>                                    | GSM 09.02, 14.7.8  |
| Type Definition                                     |                    |
| AddressString (SIZE ( 1 .. maxISDN_AddressLength )) |                    |
| <b>Detailed Comments:</b>                           |                    |

| <b>ASN.1 Type Definition</b>                          |                       |
|-------------------------------------------------------|-----------------------|
| <b>Type Name:</b>                                     | ISDN_SubaddressString |
| <b>Comments:</b>                                      | GSM 09.02, 14.7.8     |
| Type Definition                                       |                       |
| OCTET STRING (SIZE ( 1 .. maxISDN_SubaddressLength )) |                       |
| <b>Detailed Comments:</b>                             |                       |

| <b>ASN.1 Type Definition</b>                                                                                                |                                             |
|-----------------------------------------------------------------------------------------------------------------------------|---------------------------------------------|
| <b>Type Name:</b>                                                                                                           | NetworkResource                             |
| <b>Comments:</b>                                                                                                            | GSM 09.02, 14.7.8,                          |
| Type Definition                                                                                                             |                                             |
| ENUMERATED {<br>plmn (0),<br>hlr (1),<br>vlr (2),<br>pvlr (3),<br>controllingMSC (4),<br>vmsc (5),<br>eir (6),<br>rss (7) } |                                             |
| <b>Detailed Comments:</b>                                                                                                   | Elements of INTEGER are global for the ATS. |

| <b>ASN.1 Type Definition</b> |                      |
|------------------------------|----------------------|
| <b>Type Name:</b>            | NoReplyConditionTime |
| <b>Comments:</b>             | GSM 09.02, 14.7.4    |
| Type Definition              |                      |
| INTEGER (5 .. 30)            |                      |
| <b>Detailed Comments:</b>    |                      |

| ASN.1 Type Definition                                             |             |
|-------------------------------------------------------------------|-------------|
| <b>Type Name:</b>                                                 | Operation   |
| <b>Comments:</b>                                                  | ITU-T Q.767 |
| Type Definition                                                   |             |
| CHOICE {<br>localValue INTEGER,<br>globalValue OBJECT IDENTIFIER} |             |
| <b>Detailed Comments:</b>                                         |             |

| ASN.1 Type Definition                                         |                   |
|---------------------------------------------------------------|-------------------|
| <b>Type Name:</b>                                             | OverrideCategory  |
| <b>Comments:</b>                                              | GSM 09.02, 14.7.4 |
| Type Definition                                               |                   |
| ENUMERATED {<br>overrideEnabled (0),<br>overrideDisabled (1)} |                   |
| <b>Detailed Comments:</b>                                     |                   |

| ASN.1 Type Definition                                                     |                   |
|---------------------------------------------------------------------------|-------------------|
| <b>Type Name:</b>                                                         | Password          |
| <b>Comments:</b>                                                          | GSM 09.02, 14.7.4 |
| Type Definition                                                           |                   |
| NumericString (FROM ("0" "1" "2" "3" "4" "5" "6" "7" "8" "9")) (SIZE (4)) |                   |
| <b>Detailed Comments:</b>                                                 |                   |

| ASN.1 Type Definition                                                                |                             |
|--------------------------------------------------------------------------------------|-----------------------------|
| <b>Type Name:</b>                                                                    | PW_RegistrationFailureCause |
| <b>Comments:</b>                                                                     | GSM 09.02, 14.7.7           |
| Type Definition                                                                      |                             |
| ENUMERATED {<br>undetermined (0),<br>invalidFormat (1),<br>newPasswordsMismatch (2)} |                             |
| <b>Detailed Comments:</b>                                                            |                             |

| ASN.1 Type Definition                                                                                                                |                             |
|--------------------------------------------------------------------------------------------------------------------------------------|-----------------------------|
| <b>Type Name:</b>                                                                                                                    | ReturnErrorProblem          |
| <b>Comments:</b>                                                                                                                     | ITU-T Q.767                 |
| Type Definition                                                                                                                      |                             |
| TCAP_Problems ( unrecognizedInvokelD<br>  returnErrorUnexpected<br>  unrecognizedError<br>  unexpectedError<br>  mistypedParameter ) |                             |
| <b>Detailed Comments:</b>                                                                                                            | Type restricted to these 5. |

| ASN.1 Type Definition                                                                  |                                 |
|----------------------------------------------------------------------------------------|---------------------------------|
| <b>Type Name:</b>                                                                      | ReturnResultProblem             |
| <b>Comments:</b>                                                                       | ITU-T Q.767                     |
| Type Definition                                                                        |                                 |
| TCAP_Problems ( unrecognizedInvokelD<br>  returnResultUnexpected<br>  mistypedResult ) |                                 |
| <b>Detailed Comments:</b>                                                              | Type restricted to these three. |

| <b>ASN.1 Type Definition</b> |                                                     |
|------------------------------|-----------------------------------------------------|
| <b>Type Name:</b>            | SS_Code                                             |
| <b>Comments:</b>             | GSM 09.02, 14.7.5                                   |
| <b>Type Definition</b>       |                                                     |
| OCTET STRING (SIZE (1))      |                                                     |
| <b>Detailed Comments:</b>    | group (bits 8765), and specific service (bits 4321) |

| <b>ASN.1 Type Definition</b>                                                                                                                                                                             |                   |
|----------------------------------------------------------------------------------------------------------------------------------------------------------------------------------------------------------|-------------------|
| <b>Type Name:</b>                                                                                                                                                                                        | SS_Data           |
| <b>Comments:</b>                                                                                                                                                                                         | GSM 09.02, 14.7.4 |
| <b>Type Definition</b>                                                                                                                                                                                   |                   |
| SEQUENCE {<br>ss_Code SS_Code OPTIONAL,<br>ss_Status [4] IMPLICIT SS_Status OPTIONAL,<br>ss_SubscriptionOption SS_SubscriptionOption OPTIONAL,<br>basicServiceGroupList BasicServiceGroupList OPTIONAL } |                   |
| <b>Detailed Comments:</b>                                                                                                                                                                                |                   |

| <b>ASN.1 Type Definition</b>                                               |                   |
|----------------------------------------------------------------------------|-------------------|
| <b>Type Name:</b>                                                          | SS_ForBS_Code     |
| <b>Comments:</b>                                                           | GSM 09.02, 14.7.4 |
| <b>Type Definition</b>                                                     |                   |
| SEQUENCE {<br>ss_Code SS_Code,<br>basicService BasicServiceCode OPTIONAL } |                   |
| <b>Detailed Comments:</b>                                                  |                   |

| <b>ASN.1 Type Definition</b>                                                                                                          |                         |
|---------------------------------------------------------------------------------------------------------------------------------------|-------------------------|
| <b>Type Name:</b>                                                                                                                     | SS_IncompatibilityCause |
| <b>Comments:</b>                                                                                                                      | GSM 09.02, 14.7.8       |
| <b>Type Definition</b>                                                                                                                |                         |
| SEQUENCE {<br>ss_Code [1] IMPLICIT SS_Code OPTIONAL,<br>basicService BasicServiceCode OPTIONAL,<br>ss_Status [4] SS_Status OPTIONAL } |                         |
| <b>Detailed Comments:</b>                                                                                                             |                         |

| <b>ASN.1 Type Definition</b>                                                                                                                                                  |                   |
|-------------------------------------------------------------------------------------------------------------------------------------------------------------------------------|-------------------|
| <b>Type Name:</b>                                                                                                                                                             | SS_Info           |
| <b>Comments:</b>                                                                                                                                                              | GSM 09.02, 14.7.4 |
| <b>Type Definition</b>                                                                                                                                                        |                   |
| CHOICE {<br>forwardingInfo [0] IMPLICIT ForwardingInfo,<br>callBarringInfo [1] IMPLICIT CallBarringInfo,<br>cug_Info [2] IMPLICIT CUG_Info,<br>ss_Data [3] IMPLICIT SS_Data } |                   |
| <b>Detailed Comments:</b>                                                                                                                                                     |                   |



| ASN.1 Type Definition     |                                                                                                                                                                                     |
|---------------------------|-------------------------------------------------------------------------------------------------------------------------------------------------------------------------------------|
| <b>Type Name:</b>         | SS_Status                                                                                                                                                                           |
| <b>Comments:</b>          | GSM 09.02, 14.7.4                                                                                                                                                                   |
| Type Definition           |                                                                                                                                                                                     |
| OCTET STRING (SIZE (1))   |                                                                                                                                                                                     |
| <b>Detailed Comments:</b> | bits 8765: 0000 unused,<br>bits 4: SS state information Q bit,<br>bits 3: SS state information P bit,<br>bits 2: SS state information R bit,<br>bits 1: SS state information A bit. |

| ASN.1 Type Definition                                                                                                   |                       |
|-------------------------------------------------------------------------------------------------------------------------|-----------------------|
| <b>Type Name:</b>                                                                                                       | SS_SubscriptionOption |
| <b>Comments:</b>                                                                                                        | GSM 09.02, 14.7.4     |
| Type Definition                                                                                                         |                       |
| CHOICE {<br>overrideCategory [1] IMPLICIT OverrideCategory,<br>cliRestrictionOption [2] IMPLICIT CliRestrictionOption } |                       |
| <b>Detailed Comments:</b>                                                                                               |                       |

| ASN.1 Type Definition                       |                   |
|---------------------------------------------|-------------------|
| <b>Type Name:</b>                           | SS_UserData       |
| <b>Comments:</b>                            | GSM 09.02, 14.7.4 |
| Type Definition                             |                   |
| IA5String (SIZE (1 .. maxSignalInfoLength)) |                   |
| <b>Detailed Comments:</b>                   |                   |

| ASN.1 Type Definition                                                                                                                                                                                                                                                                                                                                                                                                                                                                                                                                                                                                                                                                                                                                                                                                                                                                                                                                         |                                                                                                                                  |
|---------------------------------------------------------------------------------------------------------------------------------------------------------------------------------------------------------------------------------------------------------------------------------------------------------------------------------------------------------------------------------------------------------------------------------------------------------------------------------------------------------------------------------------------------------------------------------------------------------------------------------------------------------------------------------------------------------------------------------------------------------------------------------------------------------------------------------------------------------------------------------------------------------------------------------------------------------------|----------------------------------------------------------------------------------------------------------------------------------|
| <b>Type Name:</b>                                                                                                                                                                                                                                                                                                                                                                                                                                                                                                                                                                                                                                                                                                                                                                                                                                                                                                                                             | TCAP_Problems                                                                                                                    |
| <b>Comments:</b>                                                                                                                                                                                                                                                                                                                                                                                                                                                                                                                                                                                                                                                                                                                                                                                                                                                                                                                                              | ITU-T Q.767                                                                                                                      |
| Type Definition                                                                                                                                                                                                                                                                                                                                                                                                                                                                                                                                                                                                                                                                                                                                                                                                                                                                                                                                               |                                                                                                                                  |
| <pre> INTEGER {   unrecognizedComponent (0), -- GeneralProblem   unrecognizedInvokeID (0), -- ReturnResultProblem, ReturnErrorProblem   duplicateInvokeID (0), -- InvokeProblem   mistypedComponent (1), -- GeneralProblem   returnErrorUnexpected (1), -- ReturnErrorProblem   returnResultUnexpected (1), -- ReturnResultProblem   unrecognizedOperation (1), -- InvokeProblem   badlyStructuredComponent (2), -- GeneralProblem   unrecognizedError (2), -- ReturnErrorProblem   mistypedArgument (2), -- InvokeProblem, originally called mistypedParameter in TCAP   mistypedResult (2), -- ReturnResultProblem   resourceLimitation (3), -- InvokeProblem   unexpectedError (3), -- ReturnErrorProblem   mistypedParameter (4), -- ReturnErrorProblem   initiatingRelease (4), -- InvokeProblem   unrecognizedLinkedID (5), -- InvokeProblem   linkedResponseUnexpected (6), -- InvokeProblem   unexpectedLinkedOperation (7) -- InvokeProblem } </pre> |                                                                                                                                  |
| <b>Detailed Comments:</b>                                                                                                                                                                                                                                                                                                                                                                                                                                                                                                                                                                                                                                                                                                                                                                                                                                                                                                                                     | Errors of the same integer value are distinguished by their different parent types (General, Invoke, ReturnResult, ReturnError). |

| ASN.1 Type Definition   |                   |
|-------------------------|-------------------|
| Type Name:              | TeleserviceCode   |
| Comments:               | GSM 09.02, 14.7.9 |
| Type Definition         |                   |
| OCTET STRING (SIZE (1)) |                   |
| Detailed Comments:      |                   |

| ASN.1 Type Definition                                                                                 |                   |
|-------------------------------------------------------------------------------------------------------|-------------------|
| Type Name:                                                                                            | USSD_Arg          |
| Comments:                                                                                             | GSM 09.02, 14.7.4 |
| Type Definition                                                                                       |                   |
| SEQUENCE {<br>ussd_DataCodingScheme  USSD_DataCodingScheme,<br>ussd_String              USSD_String } |                   |
| Detailed Comments:                                                                                    |                   |

| ASN.1 Type Definition                                                                                 |                   |
|-------------------------------------------------------------------------------------------------------|-------------------|
| Type Name:                                                                                            | USSD_Res          |
| Comments:                                                                                             | GSM 09.02, 14.7.4 |
| Type Definition                                                                                       |                   |
| SEQUENCE {<br>ussd_DataCodingScheme  USSD_DataCodingScheme,<br>ussd_String              USSD_String } |                   |
| Detailed Comments:                                                                                    |                   |

| ASN.1 Type Definition   |                       |
|-------------------------|-----------------------|
| Type Name:              | USSD_DataCodingScheme |
| Comments:               | GSM 09.02, 14.7.4     |
| Type Definition         |                       |
| OCTET STRING (SIZE (1)) |                       |
| Detailed Comments:      |                       |

| ASN.1 Type Definition                         |                                                                                                                         |
|-----------------------------------------------|-------------------------------------------------------------------------------------------------------------------------|
| Type Name:                                    | USSD_String                                                                                                             |
| Comments:                                     | GSM 09.02, 14.7.4                                                                                                       |
| Type Definition                               |                                                                                                                         |
| OCTET STRING (SIZE (1..maxUSSD_StringLength)) |                                                                                                                         |
| Detailed Comments:                            | The structure of the contents of the USSD-String is dependent on the USSD-DataCodingScheme as described in TS GSM03.38. |

## Test suite operation definitions

| <b>Test Suite Operation Definition</b>                                                                                                                                                                                                                                                                                                                                                                                               |                                            |
|--------------------------------------------------------------------------------------------------------------------------------------------------------------------------------------------------------------------------------------------------------------------------------------------------------------------------------------------------------------------------------------------------------------------------------------|--------------------------------------------|
| <b>Operation Name:</b>                                                                                                                                                                                                                                                                                                                                                                                                               | OC_Asn1intToOct(n:Asn1Integer; l: INTEGER) |
| <b>Result Type:</b>                                                                                                                                                                                                                                                                                                                                                                                                                  | OCTETSTRING                                |
| <b>Comments:</b>                                                                                                                                                                                                                                                                                                                                                                                                                     |                                            |
| <b>Description</b>                                                                                                                                                                                                                                                                                                                                                                                                                   |                                            |
| OC_Asn1intToOct converts the ASN.1 INTEGER `n` into OCTETSTRING with length = `l`.<br><br>for example:<br><br>OC_Asn1intToOct(14,1) = '0E'O;<br>OC_Asn1intToOct(18,1) = '12'O;<br>OC_Asn1intToOct(18,2) = '0012'O;<br>OC_Asn1intToOct(-128,1) = '80'O (MSB (position p out of 1...p) represents $-2^{\text{exp}(p-1)}$ );<br>OC_Asn1intToOct(-32768,2) = '8000'O (MSB (position p out of 1...p) represents $-2^{\text{exp}(p-1)}$ ). |                                            |
| <b>Detailed Comments:</b>                                                                                                                                                                                                                                                                                                                                                                                                            |                                            |

| <b>Test Suite Operation Definition</b>                                                                                                                                                                                                                                                                                                                                                                                                                                                                                                                             |                                                                  |
|--------------------------------------------------------------------------------------------------------------------------------------------------------------------------------------------------------------------------------------------------------------------------------------------------------------------------------------------------------------------------------------------------------------------------------------------------------------------------------------------------------------------------------------------------------------------|------------------------------------------------------------------|
| <b>Operation Name:</b>                                                                                                                                                                                                                                                                                                                                                                                                                                                                                                                                             | OC_Bcap(setup:SETUP_MO_PDU; callproc:CALL_PROC_PDU; mem:INTEGER) |
| <b>Result Type:</b>                                                                                                                                                                                                                                                                                                                                                                                                                                                                                                                                                | BCAP                                                             |
| <b>Comments:</b>                                                                                                                                                                                                                                                                                                                                                                                                                                                                                                                                                   |                                                                  |
| <b>Description</b>                                                                                                                                                                                                                                                                                                                                                                                                                                                                                                                                                 |                                                                  |
| OC_Bcap operation returns a bearer capability IE according the following rule:<br><br>- for `mem` = 1:<br>- if bearer capability IE were presented in `callproc` the returned BC is the bearer capability 1 of the `callproc`;<br>- otherwise, the returned bearer capability is the bearer capability 1 of the `setup`.<br><br>- for `mem` = 2:<br>- if bearer capability IE were presented in `callproc` the returned BC is the bearer capability 2 of the `callproc`;<br>- otherwise, the returned bearer capability is the bearer capability 2 of the `setup`. |                                                                  |
| <b>Detailed Comments:</b>                                                                                                                                                                                                                                                                                                                                                                                                                                                                                                                                          |                                                                  |

| <b>Test Suite Operation Definition</b>                                                                                                                                                                                                                                                                                                                                                                                                |                                                 |
|---------------------------------------------------------------------------------------------------------------------------------------------------------------------------------------------------------------------------------------------------------------------------------------------------------------------------------------------------------------------------------------------------------------------------------------|-------------------------------------------------|
| <b>Operation Name:</b>                                                                                                                                                                                                                                                                                                                                                                                                                | OC_BinAdd(bitstr1:BITSTRING; bitstr2:BITSTRING) |
| <b>Result Type:</b>                                                                                                                                                                                                                                                                                                                                                                                                                   | BITSTRING                                       |
| <b>Comments:</b>                                                                                                                                                                                                                                                                                                                                                                                                                      |                                                 |
| <b>Description</b>                                                                                                                                                                                                                                                                                                                                                                                                                    |                                                 |
| OC_BinAdd operation performs binary addition of two input parameters `bitstr1` and `bitstr2`, then returns the result of the addition. These two input parameters shall have the same length, the result of the operation has the same length as the input parameters.<br><br>for example:<br><br>OC_BinAdd('01000'B, '00110'B) = '01110'B;<br>OC_BinAdd('01000'B, '00011'B) = '01011'B;<br>OC_BinAdd('00100'B, '00010'B) = '00110'B. |                                                 |
| <b>Detailed Comments:</b>                                                                                                                                                                                                                                                                                                                                                                                                             |                                                 |

| <b>Test Suite Operation Definition</b>                        |                                                      |
|---------------------------------------------------------------|------------------------------------------------------|
| <b>Operation Name:</b>                                        | OC_Bit7(bstring: B_8)                                |
| <b>Result Type:</b>                                           | BITSTRING                                            |
| <b>Comments:</b>                                              | The input parameter bstring is of type BITSTRING[8]. |
| <b>Description</b>                                            |                                                      |
| OC_Bit7(bstring) returns the value of bit 7 in the `bstring`. |                                                      |
| for example:                                                  |                                                      |
| OC_Bit7('01010101'B) = '1'B,                                  |                                                      |
| OC_Bit7('10101010'B) = '0'B                                   |                                                      |
| <b>Detailed Comments:</b>                                     |                                                      |

| <b>Test Suite Operation Definition</b>                                                                                                                       |                                                            |
|--------------------------------------------------------------------------------------------------------------------------------------------------------------|------------------------------------------------------------|
| <b>Operation Name:</b>                                                                                                                                       | OC_BCDtoInt(bcdstring:HEXSTRING; relevant_digits: INTEGER) |
| <b>Result Type:</b>                                                                                                                                          | INTEGER                                                    |
| <b>Comments:</b>                                                                                                                                             |                                                            |
| <b>Description</b>                                                                                                                                           |                                                            |
| The operation OC_BCDtoInt converts last 'relevant_digits' of an HEXSTRING containing BCD coded digits to an integer representation of these relevant digits. |                                                            |
| Example: OC_BCDtoInt('12345'H, 3) := 345                                                                                                                     |                                                            |
| <b>Detailed Comments:</b>                                                                                                                                    |                                                            |

| <b>Test Suite Operation Definition</b>                                                                                                                                                                                                                         |                                                           |
|----------------------------------------------------------------------------------------------------------------------------------------------------------------------------------------------------------------------------------------------------------------|-----------------------------------------------------------|
| <b>Operation Name:</b>                                                                                                                                                                                                                                         | OC_CalledNumCHK(callednum:OCTETSTRING; dialnum:IA5String) |
| <b>Result Type:</b>                                                                                                                                                                                                                                            | BOOLEAN                                                   |
| <b>Comments:</b>                                                                                                                                                                                                                                               |                                                           |
| <b>Description</b>                                                                                                                                                                                                                                             |                                                           |
| the operation OC_CalledNumCHK to check whether the called party number `callednum`, which is represented by OCTETSTRING, is the same as the dialed number 'dialnum', which is represented by IA5String. It returns TRUE if they are the same, otherwise FALSE. |                                                           |
| <b>Detailed Comments:</b>                                                                                                                                                                                                                                      |                                                           |

| <b>Test Suite Operation Definition</b>                                                                                                                                                                                                                                                                                                                               |                                                             |
|----------------------------------------------------------------------------------------------------------------------------------------------------------------------------------------------------------------------------------------------------------------------------------------------------------------------------------------------------------------------|-------------------------------------------------------------|
| <b>Operation Name:</b>                                                                                                                                                                                                                                                                                                                                               | OC_ChkSRES(sres:OCTETSTRING; ki: BITSTRING; rand:BITSTRING) |
| <b>Result Type:</b>                                                                                                                                                                                                                                                                                                                                                  | BOOLEAN                                                     |
| <b>Comments:</b>                                                                                                                                                                                                                                                                                                                                                     | sres is 32 bits value.                                      |
| <b>Description</b>                                                                                                                                                                                                                                                                                                                                                   |                                                             |
| OC_ChkSRES checks the input parameter `sres` according to the authentication algorithm defined in the following procedure. It returns TRUE if the `sres` is correct, otherwise it returns FALSE.                                                                                                                                                                     |                                                             |
| <ul style="list-style-type: none"> <li>- firstly the `ki` XOR to the `rand` results in RES1;</li> <li>- then compare the most significant 32 bits of the RES1 with the `sres`;</li> <li>- if they are equal, the `sres` is correct and the operation returns TRUE;</li> <li>- if they are not equal, the `sres` is wrong and the operation returns FALSE.</li> </ul> |                                                             |
| NOTE: this procedure is the test algorithm for authentication defined by GSM.                                                                                                                                                                                                                                                                                        |                                                             |
| <b>Detailed Comments:</b>                                                                                                                                                                                                                                                                                                                                            |                                                             |

| <b>Test Suite Operation Definition</b>                                                                                                                                                                                                                                                                                                                                                                                                                                                                                                                         |                         |
|----------------------------------------------------------------------------------------------------------------------------------------------------------------------------------------------------------------------------------------------------------------------------------------------------------------------------------------------------------------------------------------------------------------------------------------------------------------------------------------------------------------------------------------------------------------|-------------------------|
| <b>Operation Name:</b>                                                                                                                                                                                                                                                                                                                                                                                                                                                                                                                                         | OC_CvntMax(max:INTEGER) |
| <b>Result Type:</b>                                                                                                                                                                                                                                                                                                                                                                                                                                                                                                                                            | B_2                     |
| <b>Comments:</b>                                                                                                                                                                                                                                                                                                                                                                                                                                                                                                                                               |                         |
| <b>Description</b>                                                                                                                                                                                                                                                                                                                                                                                                                                                                                                                                             |                         |
| <p>The allowed integer values for max are 1, 2, 4, 7 (maximum number of retransmissions). The result BITSTRING is 2 bits long. OC_CvntMax converts the input integer `max` into a BITSTRING according to the following rule:</p> <ol style="list-style-type: none"> <li>1. the result is '00'B if the `max` = 1,</li> <li>2. the result is '01'B if the `max` = 2,</li> <li>3. the result is '10'B if the `max` = 4,</li> <li>4. the result is '11'B if the `max` = 7.</li> </ol> <p>for example:</p> <p>OC_CvntMax(1) = '00'B,<br/>OC_CvntMax(7) = '11'B.</p> |                         |
| <b>Detailed Comments:</b>                                                                                                                                                                                                                                                                                                                                                                                                                                                                                                                                      |                         |

| <b>Test Suite Operation Definition</b>                                                                                                                                                                                                                                                                                                                                                                                                                                                                                                                                                                                                                                                                                                                                                                                                                                                                                                                                                                                                                                                     |                                      |
|--------------------------------------------------------------------------------------------------------------------------------------------------------------------------------------------------------------------------------------------------------------------------------------------------------------------------------------------------------------------------------------------------------------------------------------------------------------------------------------------------------------------------------------------------------------------------------------------------------------------------------------------------------------------------------------------------------------------------------------------------------------------------------------------------------------------------------------------------------------------------------------------------------------------------------------------------------------------------------------------------------------------------------------------------------------------------------------------|--------------------------------------|
| <b>Operation Name:</b>                                                                                                                                                                                                                                                                                                                                                                                                                                                                                                                                                                                                                                                                                                                                                                                                                                                                                                                                                                                                                                                                     | OC_CvntTx(tx:INTEGER)                |
| <b>Result Type:</b>                                                                                                                                                                                                                                                                                                                                                                                                                                                                                                                                                                                                                                                                                                                                                                                                                                                                                                                                                                                                                                                                        | B_4                                  |
| <b>Comments:</b>                                                                                                                                                                                                                                                                                                                                                                                                                                                                                                                                                                                                                                                                                                                                                                                                                                                                                                                                                                                                                                                                           | The result BITSTRING is 4 bits long. |
| <b>Description</b>                                                                                                                                                                                                                                                                                                                                                                                                                                                                                                                                                                                                                                                                                                                                                                                                                                                                                                                                                                                                                                                                         |                                      |
| <p>OC_CvntTx converts the input integer `tx` into a BITSTRING according to the following rule:</p> <ol style="list-style-type: none"> <li>1. the result is '0000'B if the `tx` = 3,</li> <li>2. the result is '0001'B if the `tx` = 4,</li> <li>3. the result is '0010'B if the `tx` = 5,</li> <li>4. the result is '0011'B if the `tx` = 6,</li> <li>5. the result is '0100'B if the `tx` = 7,</li> <li>6. the result is '0101'B if the `tx` = 8,</li> <li>7. the result is '0110'B if the `tx` = 9,</li> <li>8. the result is '0111'B if the `tx` = 10,</li> <li>9. the result is '1000'B if the `tx` = 11,</li> <li>10. the result is '1001'B if the `tx` = 12,</li> <li>11. the result is '1010'B if the `tx` = 14,</li> <li>12. the result is '1011'B if the `tx` = 16,</li> <li>13. the result is '1100'B if the `tx` = 20,</li> <li>14. the result is '1101'B if the `tx` = 25,</li> <li>15. the result is '1110'B if the `tx` = 32,</li> <li>16. the result is '1111'B if the `tx` = 50.</li> </ol> <p>for example:</p> <p>OC_CvntTx(3) = '0000'B,<br/>OC_CvntTx(5) = '0010'B.</p> |                                      |
| <b>Detailed Comments:</b>                                                                                                                                                                                                                                                                                                                                                                                                                                                                                                                                                                                                                                                                                                                                                                                                                                                                                                                                                                                                                                                                  |                                      |

| <b>Test Suite Operation Definition</b>                                                                                                                                                                                                                                                                                                                                                                                                                                                                                                                                                                                                                            |                                                          |
|-------------------------------------------------------------------------------------------------------------------------------------------------------------------------------------------------------------------------------------------------------------------------------------------------------------------------------------------------------------------------------------------------------------------------------------------------------------------------------------------------------------------------------------------------------------------------------------------------------------------------------------------------------------------|----------------------------------------------------------|
| <b>Operation Name:</b>                                                                                                                                                                                                                                                                                                                                                                                                                                                                                                                                                                                                                                            | OC_CodeSMSCBMessage(firstoct: INTEGER; lastoct: INTEGER) |
| <b>Result Type:</b>                                                                                                                                                                                                                                                                                                                                                                                                                                                                                                                                                                                                                                               | OCTETSTRING                                              |
| <b>Comments:</b>                                                                                                                                                                                                                                                                                                                                                                                                                                                                                                                                                                                                                                                  |                                                          |
| <b>Description</b>                                                                                                                                                                                                                                                                                                                                                                                                                                                                                                                                                                                                                                                |                                                          |
| The operation codes a part of the contents for a cell broadcast short message. The cell broadcast short message, is 82 octets long, i.e. 93 characters, each represented by 7 bits. As many as possible different characters are sent, the characters are those corresponding to the 7-bit representation of the integers 0, 1, 2, ..., 92. The bits are arranged acc. to GSM 03.38, clause 6.1.2.1.1. The result of this operation is the octetstring of the octets 'firstoct' to 'lastoct' (16 octets for the first message block, 22 octets for the 2nd, 3rd and 4th blocks), with the octets of the cell broadcast short message being numbered from 1 to 82. |                                                          |
| <b>Detailed Comments:</b>                                                                                                                                                                                                                                                                                                                                                                                                                                                                                                                                                                                                                                         |                                                          |

| <b>Test Suite Operation Definition</b>                                                                                                                                                |                                        |
|---------------------------------------------------------------------------------------------------------------------------------------------------------------------------------------|----------------------------------------|
| <b>Operation Name:</b>                                                                                                                                                                | OC_CodingOfUssdString(text: IA5String) |
| <b>Result Type:</b>                                                                                                                                                                   | OCTETSTRING                            |
| <b>Comments:</b>                                                                                                                                                                      |                                        |
| <b>Description</b>                                                                                                                                                                    |                                        |
| This operation provides the coding for a USSD String 'text' in the default alphabet, each character represented by 7 bits. The bits are arranged acc. to GSM 03.38, clause 6.1.2.2.1. |                                        |
| <b>Detailed Comments:</b>                                                                                                                                                             |                                        |

| <b>Test Suite Operation Definition</b>                                                                                                                                                                                                                                                                                                                                                                                                                                                                                                                                 |                                                   |
|------------------------------------------------------------------------------------------------------------------------------------------------------------------------------------------------------------------------------------------------------------------------------------------------------------------------------------------------------------------------------------------------------------------------------------------------------------------------------------------------------------------------------------------------------------------------|---------------------------------------------------|
| <b>Operation Name:</b>                                                                                                                                                                                                                                                                                                                                                                                                                                                                                                                                                 | OC_ComputeSMContents(NumberOfCharacters: INTEGER) |
| <b>Result Type:</b>                                                                                                                                                                                                                                                                                                                                                                                                                                                                                                                                                    | OCTETSTRING                                       |
| <b>Comments:</b>                                                                                                                                                                                                                                                                                                                                                                                                                                                                                                                                                       | max. 160 characters, i.e. 140 octets.             |
| <b>Description</b>                                                                                                                                                                                                                                                                                                                                                                                                                                                                                                                                                     |                                                   |
| This operation provides a short message's contents with a specified number of characters 'NumberOfCharacters', each represented by 7 bits. As possible different characters are sent, the characters are those corresponding to the 7-bit representation of 0, 1, 2, ... up to ('NumberOfCharacters' - 1). If more than 128 characters are sent, the rest of the characters is the corresponding to 0, 1, ... up to (NumberOfCharacters - 128 - 1), e.g. for 160 characters: 0, 1, ..., 127, 0, 1, ..., 31. The bits are arranged acc. to GSM 03.38, clause 6.1.2.1.1. |                                                   |
| <b>Detailed Comments:</b>                                                                                                                                                                                                                                                                                                                                                                                                                                                                                                                                              |                                                   |

| <b>Test Suite Operation Definition</b>                                                                                                                                                                                                                                                                                                                                                                                    |                                                                        |
|---------------------------------------------------------------------------------------------------------------------------------------------------------------------------------------------------------------------------------------------------------------------------------------------------------------------------------------------------------------------------------------------------------------------------|------------------------------------------------------------------------|
| <b>Operation Name:</b>                                                                                                                                                                                                                                                                                                                                                                                                    | OC_ComputeSMContentsSpecText(NumbOfIA5chara: INTEGER; text: IA5String) |
| <b>Result Type:</b>                                                                                                                                                                                                                                                                                                                                                                                                       | OCTETSTRING                                                            |
| <b>Comments:</b>                                                                                                                                                                                                                                                                                                                                                                                                          | max. 160 characters, i.e. 140 octets.                                  |
| <b>Description</b>                                                                                                                                                                                                                                                                                                                                                                                                        |                                                                        |
| This operation provides a short message's contents with a specified number of characters 'NumbOfIA5chara', each represented by 7 bits. 'text' is used as contents of the short message. If "text" contains less than 'NumberOfCharacters' characters, 'text' is repeated until the short message reaches the 'NumberOfCharacters' characters long. The bits packing is arranged according to GSM 03.38, clause 6.1.2.1.1. |                                                                        |
| <b>Detailed Comments:</b>                                                                                                                                                                                                                                                                                                                                                                                                 |                                                                        |

| <b>Test Suite Operation Definition</b>                                                                                                                                                                                                                                                                                       |                                                                                    |
|------------------------------------------------------------------------------------------------------------------------------------------------------------------------------------------------------------------------------------------------------------------------------------------------------------------------------|------------------------------------------------------------------------------------|
| <b>Operation Name:</b>                                                                                                                                                                                                                                                                                                       | OC_CphKeyGen(ki:BITSTRING; rand:BITSTRING)                                         |
| <b>Result Type:</b>                                                                                                                                                                                                                                                                                                          | BITSTRING                                                                          |
| <b>Comments:</b>                                                                                                                                                                                                                                                                                                             | both ki and rand are 128 bits values, the result of the operation is 64 bits value |
| <b>Description</b>                                                                                                                                                                                                                                                                                                           |                                                                                    |
| OC_CphKeyGen generates the ciphering key from the input parameters according to the following procedure:                                                                                                                                                                                                                     |                                                                                    |
| <ul style="list-style-type: none"> <li>- firstly the `ki` XOR to the `rand` results in RES1;</li> <li>- then discard the most significant 32 bits of the RES;</li> <li>- the next 64 bits of RES1 are the ciphering key, the operation returns this value.</li> <li>- the 32 least significant bits are not used.</li> </ul> |                                                                                    |
| <b>Detailed Comments:</b>                                                                                                                                                                                                                                                                                                    |                                                                                    |

| <b>Test Suite Operation Definition</b>                                                                                                                                                                                                                                                                                                                                                                  |                                   |
|---------------------------------------------------------------------------------------------------------------------------------------------------------------------------------------------------------------------------------------------------------------------------------------------------------------------------------------------------------------------------------------------------------|-----------------------------------|
| <b>Operation Name:</b>                                                                                                                                                                                                                                                                                                                                                                                  | OC_FirstDigi(bcddigits:HEXSTRING) |
| <b>Result Type:</b>                                                                                                                                                                                                                                                                                                                                                                                     | B_4                               |
| <b>Comments:</b>                                                                                                                                                                                                                                                                                                                                                                                        |                                   |
| <b>Description</b>                                                                                                                                                                                                                                                                                                                                                                                      |                                   |
| <p>The input parameter bcddigits shall be a BCD string (subset of HEXSTRING), the result is a BITSTRING[4] of a binary representation of one BCD digit.</p> <p>The function of the OC_FirstDigi is to return the first (most significant) digit of the input parameter `bcddigits`.</p> <p>for example:</p> <p>OC_FirstDigi('12345') = '0001'B,<br/>           OC_FirstDigi('012345678') = '0000'B.</p> |                                   |
| <b>Detailed Comments:</b>                                                                                                                                                                                                                                                                                                                                                                               |                                   |

| <b>Test Suite Operation Definition</b>                                                                                                                                                                                                                                                                                                                                                                                                                                                                                                                                |                              |
|-----------------------------------------------------------------------------------------------------------------------------------------------------------------------------------------------------------------------------------------------------------------------------------------------------------------------------------------------------------------------------------------------------------------------------------------------------------------------------------------------------------------------------------------------------------------------|------------------------------|
| <b>Operation Name:</b>                                                                                                                                                                                                                                                                                                                                                                                                                                                                                                                                                | OC_Fnlnc(fn:FN; inc:INTEGER) |
| <b>Result Type:</b>                                                                                                                                                                                                                                                                                                                                                                                                                                                                                                                                                   | FN                           |
| <b>Comments:</b>                                                                                                                                                                                                                                                                                                                                                                                                                                                                                                                                                      |                              |
| <b>Description</b>                                                                                                                                                                                                                                                                                                                                                                                                                                                                                                                                                    |                              |
| <p>The function of OC_Fnlnc operation to increase frame number with `inc`. The frame number to be incremented is the input parameter `fn` in FN type and the increment `inc` is in INTEGER type, the incremented frame number is returned in FN type.</p> <pre> OC_Fnlnc(fn, inc) FN  fn; INTEGER  inc; { int  frmin; FN  frmout;    frmin = 51 * ((fn.t3 - fn.t2) MOD 26) + fn.t3 + 1326 * fn.t1_ ;    frmout.t1_ = ((frmin + inc) DIV 1326) MOD 32;   frmout.t2  = (frmin + inc) MOD 26;   frmout.t3  = (frmin + inc) MOD 51;   return (frmout); }           </pre> |                              |
| <b>Detailed Comments:</b>                                                                                                                                                                                                                                                                                                                                                                                                                                                                                                                                             |                              |

| <b>Test Suite Operation Definition</b>                                                                                                                                                                                                                                                                                                                                                                                                              |                                    |
|-----------------------------------------------------------------------------------------------------------------------------------------------------------------------------------------------------------------------------------------------------------------------------------------------------------------------------------------------------------------------------------------------------------------------------------------------------|------------------------------------|
| <b>Operation Name:</b>                                                                                                                                                                                                                                                                                                                                                                                                                              | OC_GetSCTimeStamp(timezone:TZONES) |
| <b>Result Type:</b>                                                                                                                                                                                                                                                                                                                                                                                                                                 | TPSCTS                             |
| <b>Comments:</b>                                                                                                                                                                                                                                                                                                                                                                                                                                    | TPSCTS is HEXSTRING[14]            |
| <b>Description</b>                                                                                                                                                                                                                                                                                                                                                                                                                                  |                                    |
| <p>This Operation provides the hexstring containing the service center time stamp (SCTS) according to GSM 03.40, clauses 9.2.2.1 and 9.2.3.11. The TSO reads the current time of the test systems clock and transforms the time in combination with the input parameter 'timezone' into a service center time stamp.</p> <p>Example:<br/>           1996 April 18, 15:32:46, timezone=4<br/>           OC_GetSCTimeStamp returns 69408151236440</p> |                                    |
| <b>Detailed Comments:</b>                                                                                                                                                                                                                                                                                                                                                                                                                           |                                    |

| <b>Test Suite Operation Definition</b>                                                                         |                                          |
|----------------------------------------------------------------------------------------------------------------|------------------------------------------|
| <b>Operation Name:</b>                                                                                         | OC_IncTmsi(tmsi:TMSI_V; inc:OCTETSTRING) |
| <b>Result Type:</b>                                                                                            | TMSI_V                                   |
| <b>Comments:</b>                                                                                               | the `tmsi` is 4 OCTETs long              |
| <b>Description</b>                                                                                             |                                          |
| OC_IncTmsi operation adds the two input parameters and returns the result. An overflow of addition is allowed. |                                          |
| For example :                                                                                                  |                                          |
| OC_IncTmsi('33542140'O + '01'O) = '33542141'O;                                                                 |                                          |
| OC_IncTmsi('21322140'O + '08'O) = '21322148'O.                                                                 |                                          |
| <b>Detailed Comments:</b>                                                                                      |                                          |

| <b>Test Suite Operation Definition</b>                                                                                                                                                              |                                                    |
|-----------------------------------------------------------------------------------------------------------------------------------------------------------------------------------------------------|----------------------------------------------------|
| <b>Operation Name:</b>                                                                                                                                                                              | OC_InRang(tx: INTEGER; maxret:INTEGER; m: INTEGER) |
| <b>Result Type:</b>                                                                                                                                                                                 | BOOLEAN                                            |
| <b>Comments:</b>                                                                                                                                                                                    |                                                    |
| <b>Description</b>                                                                                                                                                                                  |                                                    |
| The operation returns TRUE if $(m \text{ DIV } (\maxret * ((230+\maxret -1)/\maxret)))$ is inside the following interval:<br>$[0.8 - ((tx+1)/2) \text{ DIV } tx; 1.2 - ((tx+1)/2) \text{ DIV } tx]$ |                                                    |
| where / is integer division, DIV is float division, m, tx and maxret are input parameters of the operation.                                                                                         |                                                    |
| <b>Detailed Comments:</b>                                                                                                                                                                           |                                                    |

| <b>Test Suite Operation Definition</b>                                   |                                    |
|--------------------------------------------------------------------------|------------------------------------|
| <b>Operation Name:</b>                                                   | OC_IntToOct(n:INTEGER; l: INTEGER) |
| <b>Result Type:</b>                                                      | OCTETSTRING                        |
| <b>Comments:</b>                                                         |                                    |
| <b>Description</b>                                                       |                                    |
| OC_IntToOct converts the INTEGER `n` into OCTETSTRING with length = `l`. |                                    |
| for example:                                                             |                                    |
| OC_IntToOct(14,1) = '0E'O;                                               |                                    |
| OC_IntToOct(18,1) = '12'O;                                               |                                    |
| OC_IntToOct(18,2) = '0012'O.                                             |                                    |
| <b>Detailed Comments:</b>                                                |                                    |

| <b>Test Suite Operation Definition</b>                                                    |                                             |
|-------------------------------------------------------------------------------------------|---------------------------------------------|
| <b>Operation Name:</b>                                                                    | OC_LeastBits(bstring:BITSTRING; lg:INTEGER) |
| <b>Result Type:</b>                                                                       | BITSTRING                                   |
| <b>Comments:</b>                                                                          |                                             |
| <b>Description</b>                                                                        |                                             |
| OC_LeastBits operation returns the `lg` least significant bits of the original `bstring`. |                                             |
| for example:                                                                              |                                             |
| OC_LeastBits('110011000101010'B, 3) = '010'B,                                             |                                             |
| OC_LeastBits('110011000101010'B, 6) = '101010'B.                                          |                                             |
| <b>Detailed Comments:</b>                                                                 |                                             |



| <b>Test Suite Operation Definition</b>                                                                   |                                 |
|----------------------------------------------------------------------------------------------------------|---------------------------------|
| <b>Operation Name:</b>                                                                                   | OC_LengthOf(identity_field :MI) |
| <b>Result Type:</b>                                                                                      | INTEGER                         |
| <b>Comments:</b>                                                                                         |                                 |
| <b>Description</b>                                                                                       |                                 |
| OC_LengthOf operation returns the actual length of the `identity_field`, the unit of length is in OCTET. |                                 |
| <b>Detailed Comments:</b>                                                                                |                                 |

| <b>Test Suite Operation Definition</b>                                                                            |                             |
|-------------------------------------------------------------------------------------------------------------------|-----------------------------|
| <b>Operation Name:</b>                                                                                            | OC_LengthOfBCDN(bcdn :BCDN) |
| <b>Result Type:</b>                                                                                               | INTEGER                     |
| <b>Comments:</b>                                                                                                  |                             |
| <b>Description</b>                                                                                                |                             |
| OC_LengthOfBCDN operation returns the actual length of an IE of type BCDN `bcdn`, the unit of length is in OCTET. |                             |
| <b>Detailed Comments:</b>                                                                                         |                             |

| <b>Test Suite Operation Definition</b>                                                                         |                                    |
|----------------------------------------------------------------------------------------------------------------|------------------------------------|
| <b>Operation Name:</b>                                                                                         | OC_LengthOfComp(comp: Component_T) |
| <b>Result Type:</b>                                                                                            | LENGTH                             |
| <b>Comments:</b>                                                                                               |                                    |
| <b>Description</b>                                                                                             |                                    |
| OC_LengthOfComp operation returns the actual length of the Component_T `comp`, the unit of length is in OCTET. |                                    |
| <b>Detailed Comments:</b>                                                                                      |                                    |

| <b>Test Suite Operation Definition</b>                                                             |                                    |
|----------------------------------------------------------------------------------------------------|------------------------------------|
| <b>Operation Name:</b>                                                                             | OC_LengthOfString(strg: IA5String) |
| <b>Result Type:</b>                                                                                | INTEGER                            |
| <b>Comments:</b>                                                                                   |                                    |
| <b>Description</b>                                                                                 |                                    |
| OC_LengthOfString operation returns the actual length (number of characters) of the string `strg`. |                                    |
| <b>Detailed Comments:</b>                                                                          |                                    |

**Test Suite Operation Definition**

**Operation Name:** OC\_LookupS(t: INTEGER; combined :BOOLEAN)  
**Result Type:** INTEGER  
**Comments:** the algorithm is derived from Table 3.1/GSM 04.08 for values of parameter S.

**Description**

This operation returns an INTEGER according the following algorithm:

```
OC_LookupS(t, comb)
INTEGER t;
BOOLEAN combined;
{
 switch (t)
 { case 3:
 case 8:
 case 14:
 case 50:
 if (combined) then
 return(41)
 else return(55);
 break;
 case 4:
 case 9:
 case 16:
 if (combined) then
 return(52)
 else return(76);
 break;
 case 5:
 case 10:
 case 20:
 if (combined) then
 return(58)
 else return(109);
 break;
 case 6:
 case 11:
 case 25:
 if (combined) then
 return(86)
 else return(163);
 break;
 case 7:
 case 12:
 case 32:
 if (combined) then
 return(115)
 else return(217);
 break;
 }
}
```

**Detailed Comments:**

| <b>Test Suite Operation Definition</b>                                                            |                                             |
|---------------------------------------------------------------------------------------------------|---------------------------------------------|
| <b>Operation Name:</b>                                                                            | OC_MostBits(bstring:BITSTRING; lg :INTEGER) |
| <b>Result Type:</b>                                                                               | BITSTRING                                   |
| <b>Comments:</b>                                                                                  |                                             |
| <b>Description</b>                                                                                |                                             |
| OC_MostBits operation returns the `lg` most significant bits of the original `bstring`.           |                                             |
| for example:                                                                                      |                                             |
| OC_LeastBits('110011000101010'B, 3) = '110'B,<br>OC_LeastBits('110011000101010'B, 6) = '110011'B. |                                             |
| <b>Detailed Comments:</b>                                                                         |                                             |

| <b>Test Suite Operation Definition</b>                                                                                                                                                                                                                                                                                                                                                                                                                                                                                                                                                                                                                                                                                                                                                                                                                                                                                                                                                                                                                                                                                                                                                                                                                                                                                                                                                                                                                                                                                                                                                                                                                                                                                                                                                                                                                                                                                                                                                                                                                                                                                                                                                                                                                                                                                                                                                                                                                                                                                                                                                                                                                                |                                                               |
|-----------------------------------------------------------------------------------------------------------------------------------------------------------------------------------------------------------------------------------------------------------------------------------------------------------------------------------------------------------------------------------------------------------------------------------------------------------------------------------------------------------------------------------------------------------------------------------------------------------------------------------------------------------------------------------------------------------------------------------------------------------------------------------------------------------------------------------------------------------------------------------------------------------------------------------------------------------------------------------------------------------------------------------------------------------------------------------------------------------------------------------------------------------------------------------------------------------------------------------------------------------------------------------------------------------------------------------------------------------------------------------------------------------------------------------------------------------------------------------------------------------------------------------------------------------------------------------------------------------------------------------------------------------------------------------------------------------------------------------------------------------------------------------------------------------------------------------------------------------------------------------------------------------------------------------------------------------------------------------------------------------------------------------------------------------------------------------------------------------------------------------------------------------------------------------------------------------------------------------------------------------------------------------------------------------------------------------------------------------------------------------------------------------------------------------------------------------------------------------------------------------------------------------------------------------------------------------------------------------------------------------------------------------------------|---------------------------------------------------------------|
| <b>Operation Name:</b>                                                                                                                                                                                                                                                                                                                                                                                                                                                                                                                                                                                                                                                                                                                                                                                                                                                                                                                                                                                                                                                                                                                                                                                                                                                                                                                                                                                                                                                                                                                                                                                                                                                                                                                                                                                                                                                                                                                                                                                                                                                                                                                                                                                                                                                                                                                                                                                                                                                                                                                                                                                                                                                | OC_MsrReptChk(msrres: MSRR; index:INTEGER)                    |
| <b>Result Type:</b>                                                                                                                                                                                                                                                                                                                                                                                                                                                                                                                                                                                                                                                                                                                                                                                                                                                                                                                                                                                                                                                                                                                                                                                                                                                                                                                                                                                                                                                                                                                                                                                                                                                                                                                                                                                                                                                                                                                                                                                                                                                                                                                                                                                                                                                                                                                                                                                                                                                                                                                                                                                                                                                   | BOOLEAN                                                       |
| <b>Comments:</b>                                                                                                                                                                                                                                                                                                                                                                                                                                                                                                                                                                                                                                                                                                                                                                                                                                                                                                                                                                                                                                                                                                                                                                                                                                                                                                                                                                                                                                                                                                                                                                                                                                                                                                                                                                                                                                                                                                                                                                                                                                                                                                                                                                                                                                                                                                                                                                                                                                                                                                                                                                                                                                                      | parameter index is used for selecting different match pattern |
| <b>Description</b>                                                                                                                                                                                                                                                                                                                                                                                                                                                                                                                                                                                                                                                                                                                                                                                                                                                                                                                                                                                                                                                                                                                                                                                                                                                                                                                                                                                                                                                                                                                                                                                                                                                                                                                                                                                                                                                                                                                                                                                                                                                                                                                                                                                                                                                                                                                                                                                                                                                                                                                                                                                                                                                    |                                                               |
| <p>OC_MsrReptChk operation checks whether the received measurement report contains correct values:</p> <ol style="list-style-type: none"> <li>1. when the `index` = 1: <pre> if set { { msrres.bcchfrq_nc1, msrres.bsic_nc1}, { msrres.bcchfrq_nc2, msrres.bsic_nc2},         { msrres.bcchfrq_nc3, msrres.bsic_nc3}, { msrres.bcchfrq_nc4, msrres.bsic_nc4},         { msrres.bcchfrq_nc5, msrres.bsic_nc5}, { msrres.bcchfrq_nc6, msrres.bsic_nc6}       } equals to set { {'0000'B, '001011'B}, {'01111'B, '001001'B},       {'10101'B, '001011'B}, {'10110'B, '001101'B},       {'11100'B, '001111'B}, {'11111'B, '001001'B}     } then the operation returns TRUE otherwise FALSE. </pre> </li> <li>2. when the `index` = 2: <pre> if set { { msrres.bcchfrq_nc1, msrres.bsic_nc1}, { msrres.bcchfrq_nc2, msrres.bsic_nc2},         { msrres.bcchfrq_nc3, msrres.bsic_nc3}, { msrres.bcchfrq_nc4, msrres.bsic_nc4},         { msrres.bcchfrq_nc5, msrres.bsic_nc5}, { msrres.bcchfrq_nc6, msrres.bsic_nc6}       } equals to set { {'0000'B, '001011'B}, {'00100'B, '001001'B},       {'00110'B, '001011'B}, {'00101'B, '001101'B},       {'00010'B, '001111'B}, {'00111'B, '001001'B}     } then the operation returns TRUE otherwise FALSE. </pre> </li> <li>3. when the `index` = 3: <pre> if set { { msrres.bcchfrq_nc1, msrres.bsic_nc1}, { msrres.bcchfrq_nc2, msrres.bsic_nc2},         { msrres.bcchfrq_nc3, msrres.bsic_nc3}, { msrres.bcchfrq_nc4, msrres.bsic_nc4},         { msrres.bcchfrq_nc5, msrres.bsic_nc5}, { msrres.bcchfrq_nc6, msrres.bsic_nc6}       } equals to set { {'00001'B, '001011'B}, {'00101'B, '001001'B},       {'00111'B, '001011'B}, {'00110'B, '001101'B},       {'00011'B, '001111'B}, {'01000'B, '001001'B}     } then the operation returns TRUE otherwise FALSE. </pre> </li> <li>4. when the `index` = 4 : <pre> if set { { msrres.bcchfrq_nc1, msrres.bsic_nc1}, { msrres.bcchfrq_nc2, msrres.bsic_nc2},         { msrres.bcchfrq_nc3, msrres.bsic_nc3}, { msrres.bcchfrq_nc4, msrres.bsic_nc4},       } equals to set { {'00000'B, '001011'B}, {'00010'B, '001111'B},       {'00001'B, '001111'B}, {'00011'B, '001001'B}     } then the operation returns TRUE otherwise FALSE. </pre> </li> <li>5. when the `index` = 5 : <pre> if set { { msrres.bcchfrq_nc1, msrres.bsic_nc1}, { msrres.bcchfrq_nc2, msrres.bsic_nc2},         { msrres.bcchfrq_nc3, msrres.bsic_nc3}, { msrres.bcchfrq_nc4, msrres.bsic_nc4},       } equals to set { {'00000'B, '001011'B}, {'00010'B, '001111'B},       {'00001'B, '001111'B}, {'00100'B, '001001'B}     } then the operation returns TRUE otherwise FALSE. </pre> </li> </ol> |                                                               |

6. when the `index` = 6:
- ```

if set { { msrres.bcchfrq_nc1, msrres.bsic_nc1}, { msrres.bcchfrq_nc2, msrres.bsic_nc2},
        { msrres.bcchfrq_nc3, msrres.bsic_nc3}, { msrres.bcchfrq_nc4, msrres.bsic_nc4},
        { msrres.bcchfrq_nc5, msrres.bsic_nc5}, { msrres.bcchfrq_nc6, msrres.bsic_nc6}
      }
equals to
set { {'00000'B, '001011'B}, {'00011'B, '001001'B},
     {'00100'B, '001011'B}, {'00101'B, '001101'B},
     {'00110'B, '001111'B}, {'00111'B, '001001'B}
    }
then the operation returns TRUE otherwise FALSE.

```
7. when the `index` = 7:
- ```

if set { { msrres.bcchfrq_nc1, msrres.bsic_nc1}, { msrres.bcchfrq_nc2, msrres.bsic_nc2},
 { msrres.bcchfrq_nc3, msrres.bsic_nc3}, { msrres.bcchfrq_nc4, msrres.bsic_nc4},
 { msrres.bcchfrq_nc5, msrres.bsic_nc5}, { msrres.bcchfrq_nc6, msrres.bsic_nc6}
 }
equals to
set { {'00000'B, '001011'B}, {'00100'B, '001001'B},
 {'00110'B, '001011'B}, {'00101'B, '001101'B},
 {'00010'B, '001111'B}, {'00111'B, '001001'B}
 }
then the operation returns TRUE otherwise FALSE.

```
8. when the `index` = 8 :
- ```

if set { { msrres.bcchfrq_nc1, msrres.bsic_nc1}, { msrres.bcchfrq_nc2, msrres.bsic_nc2}
      }
equals to
set { {'00000'B, '001011'B}, {'00010'B, '001101'B}
    }
then the operation returns TRUE otherwise FALSE.

```
9. when the `index` = 9 :
- ```

if set { { msrres.bcchfrq_nc1, msrres.bsic_nc1}, { msrres.bcchfrq_nc2, msrres.bsic_nc2}
 }
equals to
set { {'00110'B, '001011'B}, {'00111'B, '001101'B}
 }
then the operation returns TRUE otherwise FALSE.

```
10. when the `index` = 10 :
- ```

if set { { msrres.bcchfrq_nc1, msrres.bsic_nc1}, { msrres.bcchfrq_nc2, msrres.bsic_nc2}
      }
equals to
set { {'00011'B, '001011'B}, {'00101'B, '001101'B}
    }
then the operation returns TRUE otherwise FALSE.

```

Detailed Comments:

Test Suite Operation Definition	
Operation Name:	OC_OeBit(bcddigits:HEXSTRING)
Result Type:	BITSTRING
Comments:	The input parameter `bcddigits` is really BCD string (subset of HEXSTRING), the result is BITSTRING[1].
Description	
<p>The function of the OC_OeBit is as the following:</p> <ol style="list-style-type: none"> 1. it returns '1'B, if the length of the `bcddigits` is odd, 2. it returns '0'B, if the length of the `bcddigits` is even. <p>for example:</p> <p>OC_OeBit('12583') = '1'B, OC_OeBit('87259957') = '0'B.</p>	
Detailed Comments:	

Test Suite Operation Definition	
Operation Name:	OC_OctToInt(ostr: OCTETSTRING)
Result Type:	INTEGER
Comments:	
Description	
OC_OctToInt converts the OCTETSTRING `ostr` into INTEGER.	
Detailed Comments:	

Test Suite Operation Definition	
Operation Name:	OC_OctToInvokeIDType(o:OCTETSTRING)
Result Type:	InvokeIDType
Comments:	
Description	
<p>OC_OctToInvokeIDType converts the OCTETSTRING `o` into InvokeIDType, with the MSB of `o` representing the negative value $-2^{\exp(n-1)}$, for example '80'O->'10000000'B-> -128. The rest of the bits can code positive values up to $+2^{\exp(n-2)-1}$, for example '4F'O->'01111111'B-> +127.</p> <p>for example:</p> <p>OC_OctToInvokeIDType('80'O) = -128; OC_OctToInvokeIDType('81'O) = -128+1 = -127; OC_OctToInvokeIDType('40'O) = +64. OC_OctToInvokeIDType('7F'O) = +127. OC_OctToInvokeIDType('C0'O) = -128+64 = -64.</p>	
Detailed Comments:	

Test Suite Operation Definition	
Operation Name:	OC_OtherDigi(bcddigits:HEXSTRING)
Result Type:	OCTETSTRING
Comments:	The input parameter `bcddigits` is really BCD string (subset of HEXSTRING), the result is an even BCD digits except that the next to last may either be 'F'H or a BCD digit.
Description	
<p>The function of the OC_OtherDigi is as the following:</p> <ol style="list-style-type: none"> 1. If the number of the `bcddigits` is odd, the operation removes the most significant digit, and then reverses the order of each pair of digits; 2. If the number of the `bcddigits` is even, first the operation suffixes the `bcddigits` with 'F'H, then removes the most significant digit, and then reverses the order of each pair of digits. <p>for example:</p> <p>OC_OtherDigi('12345') = '3254', OC_OtherDigi('12345678') = '325476F8'.</p>	
Detailed Comments:	

Test Suite Operation Definition	
Operation Name:	OC_PosinSet(set: Components; comp: Component)
Result Type:	INTEGER
Comments:	
Description	
<p>The operation OC_PosinSet returns the position of component `comp` within the SET `set`.</p> <p>for example:</p> <p>if the set = { registerSSComponents, eraseSSComponents, activateSSComponents, deactivateSSComponents }</p> <p>OC_PosinSet(set, registerSSComponents) = 0, OC_PosinSet(set, activateSSComponents) = 2.</p>	
Detailed Comments:	

Test Suite Operation Definition	
Operation Name:	OC_RachSlots(fn1:FN; fn2:FN; cmbn: BOOLEAN; mode:INTEGER)
Result Type:	INTEGER
Comments:	
Description	
<p>OC_RachSlots calculates the number of RACH slots between frame number `fn1` and `fn2` excluding the slots in `fn1` and `fn2`, then return the result of the calculation.</p> <p>If mode=0, 'fn1' denotes the (first) frame number for sending Paging Request, while 'fn2' denotes the (first) frame number for the received Channel Request. If mode=1 'fn1' and 'fn2' denote the (first) frame number for the received two subsequent Channel Requests. Any other values for mode is not allowed.</p> <p>Since the number of RACH slots depends on the RACH being combined or not with dedicated channels, the parameter 'cmbn' is needed: TRUE --> combined, FALSE--> not combined.</p> <p>It is assumed that the distance between fn1 and fn2 is not more than one group of 42432 TDMA frames (modulo 42432 is used to calculate t1' of fn1 and fn2). This is equivalent to approximately 196 seconds. The 51 TDMA frames in a multiframe are numbered 0 to 50.</p> <p>fn1' := fn1 mod 51 fn2' := fn2 mod 51</p> <p>CASE 1: cmbn is FALSE ('not combined')</p> <p>When 'not combined', all slots are RACH slots.</p> <p>1.1 mode=0 (sending paging message at fn1)</p> <p>The paging uses the numbered frames 6 - 9, 12 -19, 22-29, 32-39 and 42-49.</p> <p>1.1.1 If fn1 is not in the paging TDMA frame mapping, it leads testing to a test system error. IF (fn1' < 6) OR (9 < fn1' < 12) OR (19 < fn1' < 22) OR (29 < fn1' < 32) OR (39 < fn1' < 42) OR (fn1' >49), A test system error! The calling test case shall re-run again. OTHERWISE</p> <p>1.1.2 The number of RACH slots is equal to the number of frames between fn1 + 3 and fn2. The fn1 is added by 3 because a page message occupies 4 slots. The fn1 indicates the first slot of the paging message. IF (fn1 + 3) < fn2, OC_RachSlots := fn2 - (fn1 + 3) - 1 = fn2 - fn1 - 4,</p> <p>1.1.3 If fn1+3 is equal to or greater than fn2, then this is due to fn2 being in the next group of 42432 frames. In this case 42432 frames have to be added. IF fn2 <= (fn1 + 3), OC_RachSlots := fn2 -fn1 - 3 + 42432 -1 = fn2 -fn1 + 42428</p> <p>1.2 mode=1 (receiving channel request at fn1)</p> <p>The number of RACH slots is equal to the number of frames between fn1 and fn2</p> <p>1.2.1 IF fn1 < fn2, OC_RachSlots := fn2 - fn1 - 1, 1.2.2 IF fn2 <= fn1, OC_RachSlots := fn2 -fn1 + 42432 -1 = fn2 -fn1 + 42431</p> <p>CASE 2: cmbn is TRUE ('combined')</p> <p>When combined only the slots of the numbered frames 4, 5, 14 to 36, 45 and 46 in each multiframe are RACH slots, i.e.total 27 frames per multiframe.</p> <p>2.1 mode=0 (sending paging message at fn1)</p> <p>The paging uses the numbered frames 6 - 9 and 12 -19.</p> <p>2.1.1 If fn1 is not in the paging TDMA frame mapping, it leads testing to a test system error. If fn2 is not in the RACH TDMA frame mapping, it leads testing to fail.</p> <p>IF (fn2' < 4) OR (5 < fn2' < 14) OR (36 < fn2' < 45) OR (fn2' > 46), OC_RachSlots := -9999 IF (fn1' < 6) OR (9 < fn1' < 12) OR (fn1' >19), A test system error! The calling test case shall re-run again. OTHERWISE</p> <p>2.1.2 Calculation of the number 'c' multiframes between fn1 + 3 and fn2. If fn1 + 3 is equal to or greater than fn2, then this is due to fn2 being in the next group of 42432 frames. In this case 42432 frames have to be added. '/' shall be the integer division, i.e. the result is also integer. Fractions are discarded.</p> <p>2.1.2.1 IF (fn1 + 3) < fn2, c := fn2 / 51 - (fn1 + 3) / 51 2.1.2.2 IF fn2 <= (fn1 + 3), c := fn2 / 51 - (fn1 + 3) / 51 + 42432 / 51 = fn2 / 51 - (fn1 + 3) / 51 + 832</p> <p>2.1.3 Calculation of the number of frames 'a' to be subtracted according to the position of fn1' within the multiframe IF (5 < fn1' < 9), a := 2</p>	

<p>IF (fn1' =9), a := 3 IF (11 < fn1' < 20), a := fn1' - 8</p> <p>2.2 mode=1 (receiving channel request at fn1)</p> <p>2.2.1 If fn1 or fn2 are not in the RACH TDMA frame mapping, it leads testing to fail. IF (fn2' < 4) OR (5 < fn2' < 14) OR (36 < fn2' < 45) OR (fn2' > 46) OR (fn1' < 6) OR (9 < fn1' < 12) OR (fn1' > 19), OC_RachSlots := -9999</p> <p>2.2.2 Calculation of the number 'c' multiframe between fn1 and fn2 2.2.2.1 IF fn1 < fn2, c := fn2 / 51 - fn1 / 51 2.2.2.2 IF fn2 <= fn1 c := fn2 / 51 - fn1 / 51 + 42432 / 51 = fn2 / 51 - fn1 / 51 + 832</p> <p>2.2.3 Calculation of the number of frames 'a' to be subtracted according to the position of fn1' within the multiframe IF (3 < fn1' < 6:), a:= fn1' - 3 IF (13 < fn1' < 37), a:= fn1' - 11 IF (44 < fn1' < 47), a:= fn1' - 19</p> <p>2.3 Calculation of the number of slots 'b' to be added according to the position of fn2' within the multiframe IF (3 < fn2' < 6:), b:= fn2' - 4 IF (13 < fn2' < 37), b:= fn2' - 12 IF (44 < fn2' < 47), b:= fn2' - 20</p> <p>2.4 Calculation of the number of RACH slots. There are 27 RACH slots in each multiframe. OC_RachSlots := 27 * c + b - a</p> <p>Detailed Comments: TC_26_2_1_1 uses mode=0. TC_26_2_1_2 uses mode=1.</p>

Test Suite Operation Definition	
Operation Name:	OC_Random(n1:INTEGER; n2:INTEGER)
Result Type:	INTEGER
Comments:	
Description	
This operation randomly returns one number from the following candidates: 'n1', 'n1'+1, ..., 'n2'	
Detailed Comments:	

Test Suite Operation Definition	
Operation Name:	OC_RcsdPresent(msg:MODIFY_PDU)
Result Type:	BOOLEAN
Comments:	To check if RCSD IE is present or not in Modify PDU
Description	
IF RCSD IE is present in the PDU passed on input parameter return TRUE ELSE return FALSE.	
Detailed Comments:	

Test Suite Operation Definition	
Operation Name:	OC_SaveAndProc1(val:INTEGER; mode :INTEGER; cnt:INTEGER; cmbnd:BOOLEAN)
Result Type:	BOOLEAN
Comments:	This operation is used for storing and analysing the CHANNEL REQUEST message distribution.
Description	
<p>The function of this operation is defined as an pseudo C code:</p> <pre> #define SAVE 0; #define PROC 1; OC_SaveAndProc(val, mode,cnt) INTEGER val, mode,cnt; BOOLEAN combined; { static INTEGER buf[200]; int i, j, n; if (mode == SAVE) { cnt = cnt mod 200; if (cmbnd == C_NotCombined) AND (val<(151 + 8)) then { buf[cnt] = val; return (TRUE); } if (cmbnd == C_Combined) AND (val<(81 + 8)) then { buf[cnt] = val; return (TRUE); } else return (FALSE); } if (mode == PROC) { for (i=0, i<200, i++) { n=0; for (j=0, j<200, j++) if (buf[j] == buf[i]) n = n+1; if (n > 41) return (FALSE); } return(TRUE); } } </pre>	
Detailed Comments:	<p>This test suite operation has two operation modes :</p> <ul style="list-style-type: none"> - when the mode is SAVE and the val is less than 89 for combined or 159 for non-combined, it saves the value val into internal buffer and returns TRUE, otherwise returns FALSE. 200 values will be stored in the internal buffer when the operation is invoked 200 times. - When the mode is PROC, it analyses the values stored in the internal buffer, if no more than 41 of them are equal the operation returns TRUE, otherwise returns FALSE. (i.e. for all n, $CARD\{ k f(k) = n \} \leq 41$)

Test Suite Operation Definition	
Operation Name:	OC_SaveAndProc3(val:BITSTRING; mode :INTEGER; cnt:INTEGER)
Result Type:	BOOLEAN
Comments:	This operation is used for storing and analysing the random reference.
Description	
<p>The function of this operation is defined as an pseudo C code:</p> <pre> #define SAVE 0; #define PROC 1; OC_SaveAndProc(val, mode,cnt) BITSTRING[8] val; INTEGER mode,cnt; { static BITSTRING[8] buf[7]; int i, j, n=7; if (mode == SAVE) { cnt = cnt mod 7; buf[cnt] = val; return(TRUE); } if (mode == PROC) { for (i=0, i<6, i++) { for (j=i+1, j<7, j++) if (buf[j] == buf[i]) { n = n-1; break; } } if (n>=4) then return(TRUE) else return (FALSE); } } </pre>	
Detailed Comments:	<p>The function of this test suite operation is :</p> <ul style="list-style-type: none"> - it saves the value val into internal buffer when the mode = SAVE. 7 values will be stored in the internal buffer when the operation is invoked 7 times. - it compares the values stored in the internal buffer when the mode = PROC, if 4 or more than 4 of them are different the operation returns TRUE, otherwise returns FALSE.

Test Suite Operation Definition	
Operation Name:	OC_SaveAndRetrv(val:RQR; mode, idx, ex: INTEGER)
Result Type:	RQR
Comments:	This operation is used for storing and retrieving the random reference.
Description	
<p>The function of this test suite operation is (in prose):</p> <ul style="list-style-type: none"> - it saves the value val into internal buffer buf[idx] when the mode = SAVE and ex = 0. Maximum 9 values can be stored. The idx is ranged between 1-9. - it returns the value stored in the internal buffer buf[idx] when the mode = RETRV and ex = 0. - it returns a value which is different from any value stored in the buf and also different from any values which have been returned by the consecutive invocation of this operation with ex <> 0, if ex <> 0. The idx is ranged between 10-13. <p>The function of this operation is defined as an pseudo C code:</p> <pre> #define SAVE 0; #define RETRV 1; OC_SaveAndRetrv(val, mode, idx, ex) RQR val; INTEGER mode, idx, ex; { int i, j; static RQR buf[14]; if ((mode == SAVE) AND (ex == 0)) { buf[idx] = val; buf[10].ra = '00000000'B; buf[10].fn = '00'O; buf[11].ra = '00000000'B; buf[11].fn = '00'O; buf[12].ra = '00000000'B; buf[12].fn = '00'O; buf[13].ra = '00000000'B; buf[13].fn = '00'O; return (buf[10]); } if ((mode == RETRV) AND (ex == 0)) return (buf[idx]); if (ex != 0) { buf[0].ra = buf[1].ra + '00000001'B; buf[0].fn = buf[1].fn; for (j=1, j < 13, j++) { for (i=1, i < 14, i++) if (buf[0] == buf[i]) { buf[0].ra = buf[i].ra + '00000001'B; break; } } if (i == 14) { buf[idx].ra = buf[0].ra; return (buf[0]); } } buf[idx].ra = buf[j].ra+'00000001'B; return (buf[idx]); } </pre>	
Detailed Comments:	<p>0. The pseudo C code gives one of the possible implementations for the OC description in prose.</p> <ol style="list-style-type: none"> 1. '00'O should be understood as equivalence of Fn_01, a TTCN structured type constraint. 2. The OC can save maximum 13 RQR values. In SAVE mode, idx is ranged between 1-9.

3. For $ex < > 0$, there are maximum 13 scans. In each scan a new value is assigned to `buf[0].ra`. If there is a 'non-match' in one of the 13 scans the `buf[0]` is returned. In case of 'all-match' for the 13 scans, the pair of `(buf[i].ra + '00000001')` at the last scan, `buf[idx].fn` is returned (`idx` is ranged between 10 - 13).

Test Suite Operation Definition	
Operation Name:	OC_StartTime(frmn:FN; t, i:INTEGER)
Result Type:	STRT
Comments:	
Description	
<p>OC_StartTime operation generates the STARTING TIME IE according to the input parameters.</p> <p>(* frmn is the current frame number, t is the "delay" in applying the new frequencies, i is the contents of the starting time IE. *)</p> <pre> OC_StartTime(frmn, t, i) INTEGER t, i; FN frmn; { int tmp; STRT strt; tmp = 51 * ((frmn.t3 - frmn.t2) MOD 26) + frmn.t3 + 1326 * frmn.t1_ ; tmp = (tmp + t) MOD 42432; strt.fn.t1_ = (tmp DIV 1326) MOD 32; strt.fn.t2 = tmp MOD 26; strt.fn.t3 = tmp MOD 51; strt.iei = OMIT; if (i == 1) strt.iei := '01111100'B /* if i=1 the information element identifier shall be included \ </pre>	
Detailed Comments:	

Test Suite Operation Definition	
Operation Name:	OC_SubOctet(src:OCTETSTRING; len :INTEGER)
Result Type:	OCTETSTRING
Comments:	
Description	
<p>OC_SubOctet(src, len) is the octetstring of length `len` starting from the leftmost position of the source octetstring `src`.</p> <p>For example : OC_SubOctet('123456789ABCDEF'O, 4) = '12345678'O</p>	
Detailed Comments:	

Test Suite Operation Definition	
Operation Name:	OC_SubchOfFacch(subch: B_1; cell:CellID; inst:INTEGER)
Result Type:	LOGICCH
Comments:	subch is of type BITSTRING[1]
Description	
<p>OC_SubchOfFacch operation returns a logic channel identifier for FACCHH subchannel indicated by the input parameters 'subch', 'cell' and 'inst', where 'subch' is the subchannel number, 'cell' is the cell identifier which the channel belongs to, 'inst' is the instance of the channel.</p> <p>for example:</p> <pre>OC_SubchOfFacch('0'B, C_CellA, 1) = C_FACCHH0_A_1; OC_SubchOfFacch('1'B, C_CellA, 1) = C_FACCHH1_A_1; OC_SubchOfFacch('0'B, C_CellB, 1) = C_FACCHH0_B_1; OC_SubchOfFacch('1'B, C_CellB, 1) = C_FACCHH1_B_1.</pre> <p>pseudo C code definition for the operation as following :</p> <pre>OC_SubchOfFacch(subch, cell, inst) BITSTRING subch; CellID cell; INTEGER inst; { LOGICCH logch; if (subch=='0'B && cell == C_CellA) switch (inst) { case 1 : logch = C_FACCHH0_A_1; break; case 2 : logch = C_FACCHH0_A_2; break; case 3 : logch = C_FACCHH0_A_3; break; } if (subch=='0'B && cell == C_CellB) switch (inst) { case 1 : logch = C_FACCHH0_B_1; break; case 2 : logch = C_FACCHH0_B_2; break; case 3 : logch = C_FACCHH0_B_3; break; } if (subch=='0'B && cell == C_CellC) switch (inst) { case 1 : logch = C_FACCHH0_C_1; break; case 2 : logch = C_FACCHH0_C_2; break; case 3 : logch = C_FACCHH0_C_3; break; } if (subch=='1'B && cell == C_CellA) switch (inst) { case 1 : logch = C_FACCHH1_A_1; break; case 2 : logch = C_FACCHH1_A_2; break; case 3 : logch = C_FACCHH1_A_3; break; } if (subch=='1'B && cell == C_CellB) switch (inst) { case 1 : logch = C_FACCHH1_B_1; break; case 2 : logch = C_FACCHH1_B_2; break; case 3 : logch = C_FACCHH1_B_3; break; } if (subch=='1'B && cell == C_CellC) switch (inst) { case 1 : logch = C_FACCHH1_C_1; break; case 2 : logch = C_FACCHH1_C_2; break; } }</pre>	

```
        case 3 : logch = C_FACCHH1_C_3; break;
    }
    return(logch);
}
```

Detailed Comments:

Test Suite Operation Definition	
Operation Name:	OC_SubchOfSacchh(subch: B_1; cell:CellID; inst:INTEGER)
Result Type:	LOGICCH
Comments:	subch is of type BITSTRING[1]
Description	
<p>OC_SubchOfSacchh operation returns a logic channel identifier for SACCHH subchannel indicated by the input parameters `subch`, `cell` and `inst`, where `subch` is the subchannel number, `cell` is the cell identifier which the channel belongs to, `inst` is the instance of the channel.</p> <p>for example:</p> <pre> OC_SubchOfSacchh('0'B, C_CellA, 1) = C_SACCHH0_A_1; OC_SubchOfSacchh('1'B, C_CellA, 1) = C_SACCHH1_A_1; OC_SubchOfSacchh('0'B, C_CellB, 1) = C_SACCHH0_B_1; OC_SubchOfSacchh('1'B, C_CellB, 1) = C_SACCHH1_B_1. </pre> <p>pseudo C code definition for the operation as following :</p> <pre> OC_SubchOfSacchh(subch, cell, inst) BITSTRING subch; CellID cell; INTEGER inst; { LOGICCH logch; if (subch=='0'B && cell == C_CellA) switch (inst) { case 1 : logch = C_SACCHH0_A_1; break; case 2 : logch = C_SACCHH0_A_2; break; case 3 : logch = C_SACCHH0_A_3; break; } if (subch=='0'B && cell == C_CellB) switch (inst) { case 1 : logch = C_SACCHH0_B_1; break; case 2 : logch = C_SACCHH0_B_2; break; case 3 : logch = C_SACCHH0_B_3; break; } if (subch=='0'B && cell == C_CellC) switch (inst) { case 1 : logch = C_SACCHH0_C_1; break; case 2 : logch = C_SACCHH0_C_2; break; case 3 : logch = C_SACCHH0_C_3; break; } if (subch=='1'B && cell == C_CellA) switch (inst) { case 1 : logch = C_SACCHH1_A_1; break; case 2 : logch = C_SACCHH1_A_2; break; case 3 : logch = C_SACCHH1_A_3; break; } if (subch=='1'B && cell == C_CellB) switch (inst) { case 1 : logch = C_SACCHH1_B_1; break; case 2 : logch = C_SACCHH1_B_2; break; case 3 : logch = C_SACCHH1_B_3; break; } if (subch=='1'B && cell == C_CellC) switch (inst) { case 1 : logch = C_SACCHH1_C_1; break; case 2 : logch = C_SACCHH1_C_2; break; </pre>	


```

        case 3 : logch = C_SACCHH1_C_3; break;
    }
    return(logch);
}

```

Detailed Comments:

Test Suite Operation Definition

Operation Name: OC_SubchOfSacch4(subch: B_2; cell:CellID)

Result Type: LOGICCH

Comments:

Description

OC_SubchOfSacch4 operation returns a logic channel identifier for SACCHC4 subchannel indicated by the input parameters `subch` and `cell`, where `subch` is the TDMA offset, `cell` is the cell identifier which the channel belongs to.

for example:

```

OC_SubchOfSacch4('00'B, C_CellA) = C_SACCHC40_A;
OC_SubchOfSacch4('01'B, C_CellA) = C_SACCHC41_A;
OC_SubchOfSacch4('10'B, C_CellA) = C_SACCHC42_A;
OC_SubchOfSacch4('11'B, C_CellA) = C_SACCHC43_A;
OC_SubchOfSacch4('00'B, C_CellB) = C_SACCHC40_B;
OC_SubchOfSacch4('01'B, C_CellB) = C_SACCHC41_B.

```

pseudo C code definition for the operation as following :

```

OC_SubchOfSacch4(subch, cell)
BITSTRING subch;
CellID cell;
{
    LOGICCH logch;
    if (cell == C_CellA)
        switch (subch)
        {
            case '00'B : logch = C_SACCHC40_A; break;
            case '01'B : logch = C_SACCHC41_A; break;
            case '10'B : logch = C_SACCHC42_A; break;
            case '11'B : logch = C_SACCHC43_A; break;
        }
    if (cell == C_CellB)
        switch (subch)
        {
            case '00'B : logch = C_SACCHC40_B; break;
            case '01'B : logch = C_SACCHC41_B; break;
            case '10'B : logch = C_SACCHC42_B; break;
            case '11'B : logch = C_SACCHC43_B; break;
        }
    if (cell == C_CellC)
        switch (subch)
        {
            case '00'B : logch = C_SACCHC40_C; break;
            case '01'B : logch = C_SACCHC41_C; break;
            case '10'B : logch = C_SACCHC42_C; break;
            case '11'B : logch = C_SACCHC43_C; break;
        }
    return(logch);
}

```

Detailed Comments:

Test Suite Operation Definition	
Operation Name:	OC_SubchOfSacch8(subch: B_3; cell:CellID; inst:INTEGER)
Result Type:	LOGICCH
Comments:	offset is of type BITSTRING[3]
Description	
<p>OC_SubchOfSacch8 operation returns a logic channel identifier for SACCH8 subchannel indicated by the input parameters `subch`, `cell` and `inst`, where `subch` is the TDMA offset, `cell` is the cell identifier which the channel belongs to, `inst` is the instance of the channel.</p> <p>for example:</p> <pre> OC_SubchOfSacch8('000'B, C_CellA, 1) = C_SACCHC80_A_1; OC_SubchOfSacch8('001'B, C_CellA, 1) = C_SACCHC81_A_1; OC_SubchOfSacch8('010'B, C_CellA, 1) = C_SACCHC82_A_1; OC_SubchOfSacch8('011'B, C_CellA, 1) = C_SACCHC83_A_1; OC_SubchOfSacch8('100'B, C_CellA, 1) = C_SACCHC84_A_1; OC_SubchOfSacch8('101'B, C_CellA, 1) = C_SACCHC85_A_1; OC_SubchOfSacch8('110'B, C_CellA, 1) = C_SACCHC86_A_1; OC_SubchOfSacch8('111'B, C_CellA, 1) = C_SACCHC87_A_1; OC_SubchOfSacch8('000'B, C_CellB, 1) = C_SACCHC80_B_1; OC_SubchOfSacch8('001'B, C_CellB, 1) = C_SACCHC81_B_1; OC_SubchOfSacch8('000'B, C_CellC, 2) = C_SACCHC80_C_2; OC_SubchOfSacch8('001'B, C_CellC, 2) = C_SACCHC81_C_2.</pre> <p>pseudo C code definition for the operation as following :</p> <pre> OC_SubchOfSacch8(subch, cell, inst) BITSTRING subch; CellID cell; INTEGER inst; { LOGICCH logch; if (inst==1 && cell == C_CellA) switch (subch) { case '000'B : logch = C_SACCHC80_A_1; break; case '001'B : logch = C_SACCHC81_A_1; break; case '010'B : logch = C_SACCHC82_A_1; break; case '011'B : logch = C_SACCHC83_A_1; break; case '100'B : logch = C_SACCHC84_A_1; break; case '101'B : logch = C_SACCHC85_A_1; break; case '110'B : logch = C_SACCHC86_A_1; break; case '111'B : logch = C_SACCHC87_A_1; break; } if (inst==2 && cell == C_CellA) switch (subch) { case '000'B : logch = C_SACCHC80_A_2; break; case '001'B : logch = C_SACCHC81_A_2; break; case '010'B : logch = C_SACCHC82_A_2; break; case '011'B : logch = C_SACCHC83_A_2; break; case '100'B : logch = C_SACCHC84_A_2; break; case '101'B : logch = C_SACCHC85_A_2; break; case '110'B : logch = C_SACCHC86_A_2; break; case '111'B : logch = C_SACCHC87_A_2; break; } if (inst==3 && cell == C_CellA) switch (subch) { case '000'B : logch = C_SACCHC80_A_3; break; case '001'B : logch = C_SACCHC81_A_3; break; case '010'B : logch = C_SACCHC82_A_3; break; case '011'B : logch = C_SACCHC83_A_3; break; case '100'B : logch = C_SACCHC84_A_3; break;</pre>	

```

    case '101'B : logch = C_SACCHC85_A_3; break;
    case '110'B : logch = C_SACCHC86_A_3; break;
    case '111'B : logch = C_SACCHC87_A_3; break;
  }
if (inst==1 && cell == C_CellB)
  switch (subch)
  {
    case '000'B : logch = C_SACCHC80_B_1; break;
    case '001'B : logch = C_SACCHC81_B_1; break;
    case '010'B : logch = C_SACCHC82_B_1; break;
    case '011'B : logch = C_SACCHC83_B_1; break;
    case '100'B : logch = C_SACCHC84_B_1; break;
    case '101'B : logch = C_SACCHC85_B_1; break;
    case '110'B : logch = C_SACCHC86_B_1; break;
    case '111'B : logch = C_SACCHC87_B_1; break;
  }
if (inst==2 && cell == C_CellB)
  switch (subch)
  {
    case '000'B : logch = C_SACCHC80_B_2; break;
    case '001'B : logch = C_SACCHC81_B_2; break;
    case '010'B : logch = C_SACCHC82_B_2; break;
    case '011'B : logch = C_SACCHC83_B_2; break;
    case '100'B : logch = C_SACCHC84_B_2; break;
    case '101'B : logch = C_SACCHC85_B_2; break;
    case '110'B : logch = C_SACCHC86_B_2; break;
    case '111'B : logch = C_SACCHC87_B_2; break;
  }
if (inst==3 && cell == C_CellB)
  switch (subch)
  {
    case '000'B : logch = C_SACCHC80_B_3; break;
    case '001'B : logch = C_SACCHC81_B_3; break;
    case '010'B : logch = C_SACCHC82_B_3; break;
    case '011'B : logch = C_SACCHC83_B_3; break;
    case '100'B : logch = C_SACCHC84_B_3; break;
    case '101'B : logch = C_SACCHC85_B_3; break;
    case '110'B : logch = C_SACCHC86_B_3; break;
    case '111'B : logch = C_SACCHC87_B_3; break;
  }
if (inst==1 && cell == C_CellC)
  switch (subch)
  {
    case '000'B : logch = C_SACCHC80_C_1; break;
    case '001'B : logch = C_SACCHC81_C_1; break;
    case '010'B : logch = C_SACCHC82_C_1; break;
    case '011'B : logch = C_SACCHC83_C_1; break;
    case '100'B : logch = C_SACCHC84_C_1; break;
    case '101'B : logch = C_SACCHC85_C_1; break;
    case '110'B : logch = C_SACCHC86_C_1; break;
    case '111'B : logch = C_SACCHC87_C_1; break;
  }
if (inst==2 && cell == C_CellC)
  switch (subch)
  {
    case '000'B : logch = C_SACCHC80_C_2; break;
    case '001'B : logch = C_SACCHC81_C_2; break;
    case '010'B : logch = C_SACCHC82_C_2; break;
    case '011'B : logch = C_SACCHC83_C_2; break;
    case '100'B : logch = C_SACCHC84_C_2; break;
    case '101'B : logch = C_SACCHC85_C_2; break;
    case '110'B : logch = C_SACCHC86_C_2; break;
    case '111'B : logch = C_SACCHC87_C_2; break;
  }
if (inst==3 && cell == C_CellC)

```

```
switch (subch)
{
  case '000'B : logch = C_SACCHC80_C_3; break;
  case '001'B : logch = C_SACCHC81_C_3; break;
  case '010'B : logch = C_SACCHC82_C_3; break;
  case '011'B : logch = C_SACCHC83_C_3; break;
  case '100'B : logch = C_SACCHC84_C_3; break;
  case '101'B : logch = C_SACCHC85_C_3; break;
  case '110'B : logch = C_SACCHC86_C_3; break;
  case '111'B : logch = C_SACCHC87_C_3; break;
}
return(logch);
}
```

Detailed Comments:

Test Suite Operation Definition	
Operation Name:	OC_SubchOfSdcch4(subch: B_2; cell:CellID)
Result Type:	LOGICCH
Comments:	
Description	
<p>OC_SubchOfSdcch4 operation returns a logic channel identifier for SDCCH4 subchannel indicated by the input parameters `subch` and `cell`, where `subch` is the TDMA offset, `cell` is the cell identifier which the channel belongs to.</p> <p>for example:</p> <pre> OC_SubchOfSdcch4('00'B, C_CellA) = C_SDCCH40_A; OC_SubchOfSdcch4('01'B, C_CellA) = C_SDCCH41_A; OC_SubchOfSdcch4('10'B, C_CellA) = C_SDCCH42_A; OC_SubchOfSdcch4('11'B, C_CellA) = C_SDCCH43_A; OC_SubchOfSdcch4('00'B, C_CellB) = C_SDCCH40_B; OC_SubchOfSdcch4('01'B, C_CellB) = C_SDCCH41_B.</pre> <p>pseudo C code definition for the operation as following :</p> <pre> OC_SubchOfSdcch4(subch, cell) BITSTRING subch; CellID cell; { LOGICCH logch; if (cell == C_CellA) switch (subch) { case '00'B : logch = C_SDCCH40_A; break; case '01'B : logch = C_SDCCH41_A; break; case '10'B : logch = C_SDCCH42_A; break; case '11'B : logch = C_SDCCH43_A; break; } if (cell == C_CellB) switch (subch) { case '00'B : logch = C_SDCCH40_B; break; case '01'B : logch = C_SDCCH41_B; break; case '10'B : logch = C_SDCCH42_B; break; case '11'B : logch = C_SDCCH43_B; break; } if (cell == C_CellC) switch (subch) { case '00'B : logch = C_SDCCH40_C; break; case '01'B : logch = C_SDCCH41_C; break; case '10'B : logch = C_SDCCH42_C; break; case '11'B : logch = C_SDCCH43_C; break; } return(logch); }</pre>	
Detailed Comments:	

Test Suite Operation Definition	
Operation Name:	OC_SubchOfSdcch8(subch: B_3; cell:CellID; inst:INTEGER)
Result Type:	LOGICCH
Comments:	offset is of type BITSTRING[3]
Description	
<p>OC_SubchOfSdcch8 operation returns a logic channel identifier for SDCCH8 subchannel indicated by the input parameters `subch`, `cell` and `inst`, where `subch` is the TDMA offset, `cell` is the cell identifier which the channel belongs to, `inst` is the instance of the channel.</p> <p>for example:</p> <pre> OC_SubchOfSdcch8('000'B, C_CellA, 1) = C_SDCCH80_A_1; OC_SubchOfSdcch8('001'B, C_CellA, 1) = C_SDCCH81_A_1; OC_SubchOfSdcch8('010'B, C_CellA, 1) = C_SDCCH82_A_1; OC_SubchOfSdcch8('011'B, C_CellA, 1) = C_SDCCH83_A_1; OC_SubchOfSdcch8('100'B, C_CellA, 1) = C_SDCCH84_A_1; OC_SubchOfSdcch8('101'B, C_CellA, 1) = C_SDCCH85_A_1; OC_SubchOfSdcch8('110'B, C_CellA, 1) = C_SDCCH86_A_1; OC_SubchOfSdcch8('111'B, C_CellA, 1) = C_SDCCH87_A_1; OC_SubchOfSdcch8('000'B, C_CellB, 1) = C_SDCCH80_B_1; OC_SubchOfSdcch8('001'B, C_CellB, 1) = C_SDCCH81_B_1; OC_SubchOfSdcch8('000'B, C_CellC, 2) = C_SDCCH80_C_2; OC_SubchOfSdcch8('001'B, C_CellC, 2) = C_SDCCH81_C_2. </pre> <p>pseudo C code definition for the operation as following :</p> <pre> OC_SubchOfSdcch8(subch, cell, inst) BITSTRING subch; CellID cell; INTEGER inst; { LOGICCH logch; if (inst==1 && cell == C_CellA) switch (subch) { case '000'B : logch = C_SDCCH80_A_1; break; case '001'B : logch = C_SDCCH81_A_1; break; case '010'B : logch = C_SDCCH82_A_1; break; case '011'B : logch = C_SDCCH83_A_1; break; case '100'B : logch = C_SDCCH84_A_1; break; case '101'B : logch = C_SDCCH85_A_1; break; case '110'B : logch = C_SDCCH86_A_1; break; case '111'B : logch = C_SDCCH87_A_1; break; } if (inst==2 && cell == C_CellA) switch (subch) { case '000'B : logch = C_SDCCH80_A_2; break; case '001'B : logch = C_SDCCH81_A_2; break; case '010'B : logch = C_SDCCH82_A_2; break; case '011'B : logch = C_SDCCH83_A_2; break; case '100'B : logch = C_SDCCH84_A_2; break; case '101'B : logch = C_SDCCH85_A_2; break; case '110'B : logch = C_SDCCH86_A_2; break; case '111'B : logch = C_SDCCH87_A_2; break; } if (inst==3 && cell == C_CellA) switch (subch) { case '000'B : logch = C_SDCCH80_A_3; break; case '001'B : logch = C_SDCCH81_A_3; break; case '010'B : logch = C_SDCCH82_A_3; break; case '011'B : logch = C_SDCCH83_A_3; break; case '100'B : logch = C_SDCCH84_A_3; break; </pre>	

```

    case '101'B : logch = C_SDCCH85_A_3; break;
    case '110'B : logch = C_SDCCH86_A_3; break;
    case '111'B : logch = C_SDCCH87_A_3; break;
  }
if (inst==1 && cell == C_CellB)
  switch (subch)
  {
    case '000'B : logch = C_SDCCH80_B_1; break;
    case '001'B : logch = C_SDCCH81_B_1; break;
    case '010'B : logch = C_SDCCH82_B_1; break;
    case '011'B : logch = C_SDCCH83_B_1; break;
    case '100'B : logch = C_SDCCH84_B_1; break;
    case '101'B : logch = C_SDCCH85_B_1; break;
    case '110'B : logch = C_SDCCH86_B_1; break;
    case '111'B : logch = C_SDCCH87_B_1; break;
  }
if (inst==2 && cell == C_CellB)
  switch (subch)
  {
    case '000'B : logch = C_SDCCH80_B_2; break;
    case '001'B : logch = C_SDCCH81_B_2; break;
    case '010'B : logch = C_SDCCH82_B_2; break;
    case '011'B : logch = C_SDCCH83_B_2; break;
    case '100'B : logch = C_SDCCH84_B_2; break;
    case '101'B : logch = C_SDCCH85_B_2; break;
    case '110'B : logch = C_SDCCH86_B_2; break;
    case '111'B : logch = C_SDCCH87_B_2; break;
  }
if (inst==3 && cell == C_CellB)
  switch (subch)
  {
    case '000'B : logch = C_SDCCH80_B_3; break;
    case '001'B : logch = C_SDCCH81_B_3; break;
    case '010'B : logch = C_SDCCH82_B_3; break;
    case '011'B : logch = C_SDCCH83_B_3; break;
    case '100'B : logch = C_SDCCH84_B_3; break;
    case '101'B : logch = C_SDCCH85_B_3; break;
    case '110'B : logch = C_SDCCH86_B_3; break;
    case '111'B : logch = C_SDCCH87_B_3; break;
  }
if (inst==1 && cell == C_CellC)
  switch (subch)
  {
    case '000'B : logch = C_SDCCH80_C_1; break;
    case '001'B : logch = C_SDCCH81_C_1; break;
    case '010'B : logch = C_SDCCH82_C_1; break;
    case '011'B : logch = C_SDCCH83_C_1; break;
    case '100'B : logch = C_SDCCH84_C_1; break;
    case '101'B : logch = C_SDCCH85_C_1; break;
    case '110'B : logch = C_SDCCH86_C_1; break;
    case '111'B : logch = C_SDCCH87_C_1; break;
  }
if (inst==2 && cell == C_CellC)
  switch (subch)
  {
    case '000'B : logch = C_SDCCH80_C_2; break;
    case '001'B : logch = C_SDCCH81_C_2; break;
    case '010'B : logch = C_SDCCH82_C_2; break;
    case '011'B : logch = C_SDCCH83_C_2; break;
    case '100'B : logch = C_SDCCH84_C_2; break;
    case '101'B : logch = C_SDCCH85_C_2; break;
    case '110'B : logch = C_SDCCH86_C_2; break;
    case '111'B : logch = C_SDCCH87_C_2; break;
  }
if (inst==3 && cell == C_CellC)

```

```

switch (subch)
{
    case '000'B : logch = C_SDCCH80_C_3; break;
    case '001'B : logch = C_SDCCH81_C_3; break;
    case '010'B : logch = C_SDCCH82_C_3; break;
    case '011'B : logch = C_SDCCH83_C_3; break;
    case '100'B : logch = C_SDCCH84_C_3; break;
    case '101'B : logch = C_SDCCH85_C_3; break;
    case '110'B : logch = C_SDCCH86_C_3; break;
    case '111'B : logch = C_SDCCH87_C_3; break;
}
return(logch);
}
    
```

Detailed Comments:

Test Suite Operation Definition	
Operation Name:	OM_2Msgs(ch:LOGICCH; pgg:PGG; mode:SENDINGMODE)
Result Type:	BOOLEAN
Comments:	
Description	
OM_2Msgs puts the layer 2 emulator into a special operation mode then returns. In this special mode the layer 2 emulator sends the next two consecutive messages in the following way:	
<ul style="list-style-type: none"> - send the first message on the paging subchannel indicated by the `pgg` and `ch`; - if the `mode` = C_NxtButOne, send the second message in the next but one paging sub block; - if the `mode` = C_FmrAGB, send the second message in a former access grant block; - if the `mode` = C_BfReOcc, send the second message before the MS's original paging subchannel re-occurs but later than the next paging block of that CCCH (paging block not belong to the MS); - if the `mode` = C_NxtButOneNxt, nothing is sent in the next but one paging sub block, then send the second message in the next paging subblock of the MS's paging subchannel. 	
Detailed Comments:	

This list covers all types of combinations used in the TTCN for the time being.

When the meaning refers to 'all' subchannels of a channel (eg. C_FACCHH_A_1), it means that all active subchannels of this channel activated previously by OM_ChConf, are associated with a logical channel identifier in the OM_Assoc.

Detailed Comments:

Test Suite Operation Definition	
Operation Name:	OM_BmInfo(ch:LOGICCH; mode:B_8)
Result Type:	BOOLEAN
Comments:	mode is of type BITSTRING[8], imode is a part of the channel mode IE
Description	
OM_BmInfo operation checks whether the MS starts transmitting Bm channel information according to the new channel mode 'mode'. The operation returns TRUE if the result of the check is correct otherwise the TSO returns FALSE.	
Detailed Comments:	

Test Suite Operation Definition	
Operation Name:	OM_ChangeRFOf2Cells(cellid1:CellID; bspwr1:INTEGER; cellid2:CellID; bspwr2:INTEGER)
Result Type:	BOOLEAN
Comments:	
Description	
<p>This TSO is to change the RF level of the cell 'cellid1' to the RF level 'bspwr1' and the RF level of the cell 'cellid2' to the RF level 'bspwr2' [dBuVemf], then the TSO returns TRUE.</p> <p>The major purpose of the TSO is to force the MS to reselect a new cell according to the GSM 05.08, section 6.6.2. The following example shows the use of the TSO.</p> <p>The default cell selection parameters in the ATS are set as:</p> <p>Cell reselect hysteresis: 12db</p> <p>MX TXPWR MX CCH: minimu level (0)</p> <p>ACS: no additional cell selection parameter (0)</p> <p>RXLEV ACCESS MIN: minimum (0).</p> <p>Therefore the path loss criterion parameter C1 equals to the reselection criterion parameter C2. In the whole ATS the C1 and C2 keeps greater than 10 (e.g. TC_26_7_4_2_3) for a cell not suitable. The MS received level average from a not suitable cell keeps also greater than 10 (-100 dBm) corresponding to the reference sensitivity level of DCS 1800 MS.</p> <p>For GSM arfcn = 20, F = 941 MHz , the fields strengths (E) on tester integral antenna: $E \text{ (dB microV/m)} \geq (-110 + 10) \text{ (dBm)} + 20\log(941) + 77.2 = 36.7,$</p> <p>For DCS arfcn = 590, F = (-110 + 10) (dBm) + 20log(1820.8) + 77.2 = 42.4 (the formula see GSM 05.05, section 5 and GSM 05.08, section 8.1.4).</p> <p>In order to keep C1, C2 greater 10, a reasonable field strength making a cell not suitable is set to C_E_notsuitable = 45 in comparison with the default field strength C_E_default = 63. Considering that the cell reselect hysteresis is set to 12 db, the field strength of a cell being reselected need to be set to greater than 57. In the ATS the default value C_E_default (63) and C_E_notsuitable (45) are used for this TSO to force MS making cell reselection assuming that the two cells have different location area..</p> <p>If two cells have the same location area (e.g. in TC_26_6_1_3), or although two cells have different LAI, the test cases needs to lower a cell power to a certain low level (e.g. in TC_26_7_4_2_4_1 and TC_26_7_4_2_4_5), C1 needs to be less than zero to force the MS reselect a better cell. For GSM, $E \leq 26.7$, for DCS, $E \leq 32.4$. The value C_E_notsuitable_sameLAI = 24 applies to the TSO to force the MS making cell reselection.</p>	
Detailed Comments:	

Test Suite Operation Definition	
Operation Name:	OM_ChConf(bspwr: INTEGER; mspwr: INTEGER; acttype: BITSTRING; chmod: CHMOD; ta: TA; slot: SN; tsc: TSC; rf: FRQPARA; chcmbn: LOGCH; td: INTEGER; fn: INTEGER; babr, cch_con, bpm: B_3; pgfil: PG1_RQ_PDU; dtxu: BITSTRING; dtxd: BITSTRING; cell: CellID; lgch1: LOGICCH; lgch2: LOGICCH; lgch3: LOGICCH; lgch4: LOGICCH; lgch5: LOGICCH; lgch6: LOGICCH; lgch7: LOGICCH; lgch8: LOGICCH; lgch9: LOGICCH)
Result Type:	BOOLEAN
Comments:	
Description	
<p>The operation sets the configuration of a basic physical channel according to the input parameters and map logic channel combination onto it:</p> <ul style="list-style-type: none"> - bspwr: base station power level in dBuV; - mspwr: mobile station power level in "power control level"; - acttype: type of activation: <ul style="list-style-type: none"> - '000'B activation for intra-cell channel change ---- immediate assignment; - '001'B activation for intra-cell channel change ---- assignment; - '010'B activation for inter-cell channel change ---- asynchronous handover; - '011'B activation for inter-cell channel change ---- synchronous handover; - '100'B activation for additional assignment; <p style="margin-left: 40px;">NOTE: the types defined above are all the same, no real difference</p> <ul style="list-style-type: none"> - '101'B activation for receiving only; - chmod: channel mode; - ta: timing advance ---- receive timing ta bit periods in advance of the normal receive timing if the channel is a dedicated channel ; - slot: time slot; - tsc: Training sequence code for normal bursts; - rf: ARFCN or hopping parameters; - chcmbn: logic channel combination mapping to the physical channel; - td: timing difference between the cell and conceptual timing reference ---- to make 2 cells with different timebase; - fn: initial frame number offset to the timing base counter ---- to make 2 cells with different frame numbers; - babr number of blocks reserved for access grant - cch-con CCCH/SDCCHs configuration - bpm multiframe period for transmission of PAGING REQUEST - pgfil: paging filling contents; - dtxu: mobile station discontinuous transmission: <ul style="list-style-type: none"> - '0'B mobile station discontinuous transmission is not applied; - '1'B mobile station discontinuous transmission is applied; - dtxd: base station discontinuous transmission: <ul style="list-style-type: none"> - '0'B base station discontinuous transmission is not applied; - '1'B base station discontinuous transmission is applied; - cell: cell identifier; - lgch1: logic channel identifier for the channel FCCH; - lgch2: logic channel identifier for the channel SCH; - lgch3: logic channel identifier for the channel BCCH; - lgch4: logic channel identifier for the channel PCH; - lgch5: logic channel identifier for the channel AGCH; - lgch6: logic channel identifier for the channel RACH; - lgch7: logic channel identifier for the channel FACCH or SDCCH; - lgch8: logic channel identifier for the channel SACCH; - lgch9: logic channel identifier for the channel CBCH; <p>For parameters lgch1 to lgch9 "dummy" in the actual parameter list means that the corresponding parameters are not used.</p> <p>In the test cases the logic channel identifiers lgch1 to lgch9 are used to refer the logic channels configured by the operation. There are only generic identifiers for SDCCH4 or SDCCH8 or FACCH channel and SACCH4 or SACCH8 or SACCH, identifiers for subchannels of SDCCH4 or SDCCH8 or FACCH and SACCH4 or SACCH8 or SACCH are linked to the generic identifiers by OM_Assoc operation and in turn refer to the sub logic channels configured by the operation.</p> <p>Channel re-use whithiin OM_ChConf:</p> <p>When an OM_ChConf calls is made then the following rules can be applied for deciding whether or not to re-use existing physical channel.</p> <p>Decode the 'chcmbn' (channel combination) parameter to determine the new channel type.</p> <p>If new channel = "C_FCCH_SCH_BCCH_CCCH_SDCCH4_SACCH4" (combined) or if new channel = "C_CBCH_FCCH_SCH_BCCH_CCCH_SDCCH4_SACCH4" (combined + SMS) then re-use any existing control channel configuration with same CellID.</p>	

If new channel = "C_FCCH_SCH_BCCH_CCCH" (non-combined) then use any combined, combined + SMS or non-combined control channel configuration with the same CellID.

If new channel = "C_BCCH_CCCH_2", "C_BCCH_CCCH_3" or "C_BCCH_CCCH_4" (ccch-group) then re-use any existing ccch-group control channel configuration with the same CellID and the slot, or re-use any existing combined, combined + SMS with the same CellID.

If new channel = "C_TCHF_ACCHF_1", "C_TCHF_ACCHF_2", "C_TCHH_ACCHH_1", "C_TCHH_ACCHH_2" (traffic) or "C_SDCCH8_SACCHC8_1", "C_SDCCH8_SACCHC8_2", "C_SDCCH8_SACCHC8_3" (dedicated) then re-use any existing traffic or dedicated channel with the same channel description.

Detailed Comments:

Test Suite Operation Definition

Operation Name: OM_ChMdModi(ch:LOGICCH; chmod: CHMOD)

Result Type: BOOLEAN

Comments:

Description

OM_ChMdModi operation passes channel mode IE for channel `ch` to lower layer emulator and requests the emulator to set the `ch` to the mode `chmod`. After the mode changed, it returns.

Detailed Comments:

Test Suite Operation Definition

Operation Name: OM_CphMdChg(ch:LOGICCH; cphmod: CPHMS; key:BITSTRING)

Result Type: BOOLEAN

Comments:

Description

OM_CphMdChg operation passes ciphering parameters for channel `ch` to lower layer and sets the lower layer emulator into a special operation mode in which lower layer starts the 3-step ciphering mode setting sequence when the next L3 message on the channel `ch` arrives.

Detailed Comments:

Test Suite Operation Definition

Operation Name: OM_CphMd(ch:LOGICCH; cphmod: CPHMS; key:BITSTRING)

Result Type: BOOLEAN

Comments:

Description

OM_CphMd operation passes ciphering parameters for channel `ch` to lower layer and sets the channel `ch` in the ciphering mode `cphmod`. This operation puts the channel `ch` into specified ciphering mode `cphmod` immediately without the 3-step ciphering mode setting sequence.

Detailed Comments:

Test Suite Operation Definition

Operation Name: OM_ComingFn(ch:LOGICCH)

Result Type: FN

Comments:

Description

OM_ComingFn operation returns the frame number (FN modulo 42432) which is about 5 seconds later than current frame number and is able to carry L3 message on the channel `ch`.

Detailed Comments: The delay of about 5 seconds ensures that there is still enough time left for higher layer controller to prepare next TTCN send event after the OM_ComingFn returns. the exact delay value is up to the implementor.

Test Suite Operation Definition	
Operation Name:	OM_Deactivate(ch1, ch2:LOGICCH)
Result Type:	BOOLEAN
Comments:	
Description	
<p>OM_Deactivate operation deactivates the logical channels `ch1` and `ch2`, then returns TRUE.</p> <p>The ch1 can be a DCCH or a TCH, the ch2 is the associated SACCH.</p> <p>Deactivation of an active SDCCH channel can be done by stopping transmission; this means that for the bursts on the BCCH carriers, dummy bursts shall be transmitted, for other bursts nothing shall be transmitted. Alternatively the deactivation of a SDCCH can be done by transmitting bad blocks on the SACCH with the parity bits set incorrectly. This will lead to a radio link failure in the MS.</p> <p>Deactivation of a TCH channel can be done by stopping transmission if it is non-BCCH.</p> <p>Deactivation of a SACCH_T can be done by transmitting bad blocks on the SACCH_T with the parity bits set incorrectly. The wrong channel coding on the SACCH will lead to a radio link failure in the MS after several seconds depending on the system information messages..</p>	
Detailed Comments:	<p>The TSO is called in</p> <p>TC_26_7_3_2, TC_26_7_4_3_2, TC_26_7_4_3_3, TC_26_7_4_3_4 on a SDCCH/4/SACCH/C4 channel in downlink,</p> <p>TC_26_2_4_1, TC_26_2_4_2, TC_26_8_2_1, TC_26_8_2_2, TC_26_8_2_3 on TCH/SACCH_T channel in both directions.</p>

Test Suite Operation Definition	
Operation Name:	OM_FHCHK(ch:LOGICCH; ca:CCHD; ma:MA; cd:CHD; t :INTEGER; fn:FN)
Result Type:	BOOLEAN
Comments:	
Description	
<p>After the SS has been configured to start / change frequency hopping at a particular start time, this TSO instructs the SS to check whether the MS correctly uses the hopping frequencies on and after the expected start time according to the frequency parameters.</p> <p>If `t` = 0 or $32024 \leq t \leq 42431$ the operation checks that the new frequencies starts "without delay".</p> <p>If $0 < t \leq 31000$ the operation checks that the new frequencies starts "on" the frame number of $(X + t) \bmod 42432$, where $x = 51 * ((fn.t3 - fn.t2) \bmod 26) + fn.t3 + 1326 * fn.t1$.</p> <p>If $31000 < t < 32024$, or $t < 0$ or $t > 42431$ then the test has been configured incorrectly and should be re-run with a permitted value for `t`.</p> <p>This check is performed at the uplink RF burst level by sampling for a period of 3 seconds from the start time and should therefore be called immediately after the SS has been configured to start / change hopping. The operation returns TRUE if the MS behaviour is correct, otherwise it returns FALSE.</p> <p>Note: before this TSO is called, a layer 3 message must be sent to the MS to command the MS to start / change hopping using the same frequency hopping parameters.</p>	
Detailed Comments:	

Test Suite Operation Definition	
Operation Name:	OM_FreeResource(ch :LOGICCH)
Result Type:	BOOLEAN
Comments:	
Description	
<p>OM_FreeResource operation instructs the lower layer emulator to release the resources which have been allocated to the logical channel "ch". After the resources are released the operation returns TRUE.</p>	
Detailed Comments:	<p>In some test cases (most of them are hanhover test cases) different channels are needed while the test goes on. the purpose of the operation is to reuse lower layer resources (e.g. transceivers), which have been allocated to the previous channel, for configuring another channel required in the next testing step.</p>

Test Suite Operation Definition	
Operation Name:	OM_FreqDef(st:STRT; ma:MA; ch :LOGICCH; chd: CHD; ca:CCHD; frmn: FN)
Result Type:	BOOLEAN
Comments:	
Description	
<p>OM_FreqDef operation passes the frequency hopping parameters for channel `ch` to lower layer emulator. The emulator starts using these frequency parameters at the frame number indicated by starting time `st`. The parameter `frmn` indicates a reference frame number at which the first burst of the message, FREQUENCY REDEFINITION, ASSIGNMENT COMMAND or HANDOVER COMMAND, containing starting time is sent in the concerned cell.</p> <p>If $0 \leq (st - frmn) \bmod 42432 \leq 31623$, the indicated time is the next time when frame number mod 42432 is equal to st.</p> <p>If $32024 \leq (st - frmn) \bmod 42432 \leq 42431$, the indicated time has already elapsed. After completely sending out the message containing the parameter starting time the tester starts frequency hopping.</p>	
Detailed Comments:	

Test Suite Operation Definition	
Operation Name:	OM_GetHoaccPara(ch:LOGICCH)
Result Type:	HOACC_PARA
Comments:	
Description	
<p>OM_GetHoaccPara instructs the lower layer emulator to return the total number of the handover access bursts received on channel `ch`, the observed minimum and maximum power levels in dBm modulo 256 and the observed minimum and maximum timing advance in bits modulo 256. The lower layer emulator starts the observation of handover access bursts as soon as sending out a HANDOVER COMMAND message. The TSO returns an accumulative result of the observation when it is called.</p>	
Detailed Comments:	

Test Suite Operation Definition	
Operation Name:	OM_GetL1Hd(ch:LOGICCH)
Result Type:	L1HD
Comments:	
Description	
<p>OM_GetL1Hd instructs the L 2 emulator to read the L 1 header of the next SACCH frame received on channel `ch` and return this value.</p>	
Detailed Comments:	

Test Suite Operation Definition	
Operation Name:	OM_LowerLayerFail(ch:LOGICCH)
Result Type:	BOOLEAN
Comments:	
Description	
<p>This operation is to force the lower layer failure, then it returns.</p> <p>The lower layer failure can be any one of layer 1 failures or layer 2 failures.</p> <ul style="list-style-type: none"> - layer 1 failure, see GSM 05.08; - layer 2 failure, see GSM 04.06. 	
Detailed Comments:	

Test Suite Operation Definition	
Operation Name:	OM_NoL2Ack(i:INTEGER; ch: LOGICCH)
Result Type:	BOOLEAN
Comments:	
Description	
<p>When the parameter $i > 0$ the layer 2 emulator is put into a special operation mode then the TSO returns. In this special mode the layer 2 emulator shall not acknowledge the 'i'th occurrence of the L2 I frame which has the more data bit "M" = 0 on the channel 'ch'.</p> <p>The layer 2 emulator resumes normal operation when</p> <ul style="list-style-type: none"> - either the TSO is called again with $i = 0$ on the same 'ch', - or a data link SABM message is received on the 'ch'. 	
Detailed Comments:	

Test Suite Operation Definition	
Operation Name:	OM_NotAckSetup(ch:LOGICCH)
Result Type:	BOOLEAN
Comments:	
Description	
<p>This operation puts the layer 2 emulator into a special operation mode then returns. In this special mode the layer 2 emulator will not acknowledge the last L 2 frame which carries the SETUP message, and the layer 2 emulator resumes normal operation after this L 2 frame.</p>	
Detailed Comments:	

Test Suite Operation Definition	
Operation Name:	OM_NoUAforDISC(ch:LOGICCH)
Result Type:	BOOLEAN
Comments:	
Description	
<p>OM_NoUAforDISC and OM_ResumUAforDISC are a pair of TSOs. OM_NoUAforDISC forces the L2 emulator of the tester to enter a specific mode. OM_ResumUAforDISC resumes the L2 emulator to a normal L2 operational mode.</p> <p>In the specific mode on receiving a DISC on the channel 'ch', the L2 emulator</p> <ul style="list-style-type: none"> - does not respond with a UA, - remains in the multiple-frame established state, - indicates that the DISC has been received (by means of subsequent DL_RELEASE_INDICATION ASPs). <p>Then the TSO returns TRUE.</p>	
Detailed Comments:	The TSO is called in TC_26_6_12_2 and TC_26_6_12_4.

Test Suite Operation Definition	
Operation Name:	OM_PgFill(cellid:CellID; msg:PG1_RQ_PDU)
Result Type:	BOOLEAN
Comments:	The result returned by the operation is not used.
Description	
<p>OM_PgFill operation sets up the contents of paging filling frame to be sent on all paging subchannels continuously. If the contents of paging filling frame in cell 'cellid' have not been set up, the operation sets the contents to 'msg'. If paging filling frame in cell 'cellid' has been set up, the operation changes the paging filling message to 'msg'. After the required action has been taken it returns.</p>	
Detailed Comments:	

Test Suite Operation Definition	
Operation Name:	OM_Reactivate(ch1, ch2:LOGICCH)
Result Type:	BOOLEAN
Comments:	
Description	
The TSO OM_Reactivate reactivates the logical channels 'ch1' and 'ch2' which were previously deactivated by the OM_Deactivate. Then the TSO returns TRUE. The ch1 is an SDCCH, the ch2 is the associated SACCH.	
Reactivation of deactivated SDCCH/SACCH channels means to restart normal transmissions both on the SDCCH and the associated SACCH as specified in the ETS 300 574 (GSM 05.02).	
Detailed Comments:	The TSO is called in TC_26_7_3_2, TC_26_7_4_3_2, TC_26_7_4_3_3, TC_26_7_4_3_4 on the SDCCH/4 / SACCH/C4 channels.

Test Suite Operation Definition	
Operation Name:	OM_ReturnFn(ch:LOGICCH)
Result Type:	FN
Comments:	
Description	
OM_ReturnFn operation returns the frame number (FN modulo 42432) on which the last L3 message was sent on logic channel 'ch'.	
Detailed Comments:	

Test Suite Operation Definition	
Operation Name:	OM_ResumUAforDISC(ch:LOGICCH)
Result Type:	BOOLEAN
Comments:	
Description	
OM_NoUAforDISC and OM_ResumUAforDISC are a pair of TSOs. OM_NoUAforDISC forces the L2 emulator to enter a specific mode. OM_ResumUAforDISC resumes the L2 emulator to a normal L2 operational mode.	
OM_ResumUAforDISC cancels the effect of OM_NoUAforDISC, returning L2 on the channel 'ch' to normal operation in the multiple-frame established state.	
Then the TSO returns TRUE.	
Detailed Comments:	The TSO is called in TC_26_6_12_2 and TC_26_6_12_4.

Test Suite Operation Definition	
Operation Name:	OM_SendSMSBWhilePaging(ch:LOGICCH)
Result Type:	BOOLEAN
Comments:	The result returned by the operation is not used.
Description	
The TSO makes the lower layers send the second SMSB message at the same time as the MS is paged.	
This shall be achieved by paging the MS immediately after the first block of the CB message has been sent. The SS shall ensure that the page is transmitted on the radio interface prior to the transmission of the 4th block of the CB message.	
Detailed Comments:	

Test Suite Operation Definition	
Operation Name:	OM_SendNextOn(ch:LOGICCH; fn:FN)
Result Type:	BOOLEAN
Comments:	
Description	
OM_SendNextOn operation sets the lower layer emulator into a special operation mode then returns. In the special mode the lower layer emulator sends the next L3 message on the indicated frame number 'fn' on the 'ch' channel. After the next L3 message is sent, the lower layer resumes normal operation automatically.	
Detailed Comments:	

Test Suite Operation Definition	
Operation Name:	OM_SendNextOnHO(ch:LOGICCH; cnt:INTEGER)
Result Type:	BOOLEAN
Comments:	Used in non-synchronised handover tests
Description	
OM_SendNextOnHO operation sets the lower layer emulator into a special operation mode then returns. In the special mode the lower layer emulator waits for the number of Handover bursts specified by the parameter 'cnt' on channel 'ch' before sending the next L3 message. After the message is sent, the lower layer resumes normal operation automatically. The TSO does not affect any TTCN receiving event.	
Detailed Comments:	

Test Suite Operation Definition	
Operation Name:	OM_StartMsrReport(ch:LOGICCH)
Result Type:	BOOLEAN
Comments:	The result returned by the operation is not used.
Description	
The operation starts the reporting of received MEASUREMENT REPORT message to layer 3 emulator, then it returns with value TRUE. Measurement Reports shall be disable by default. By default means that the tester filters them out from the TTCN in-buffer. This operation enables the reports entering the TTCN in-buffer. The OM_StopMsrReport operation disables the reports entering the TTCN in-buffer. When starting each test case, the measurement reports are filtered out by default.	
Detailed Comments:	

Test Suite Operation Definition	
Operation Name:	OM_StopAllBCCH(cell1, cell2, cell3, cell4, cell5, cell6, cell7, cell8:CellID)
Result Type:	BOOLEAN
Comments:	The result returned by the operation is not used.
Description	
The TSO stops the RF transmission on all BCCH channels including dummy bursts in the indicated cells, but keeps the uplink CCCH reception active. After all transmission have been stopped the TSO returns TRUE. If a cell in the parameter list is not in use a "dummy" value needs to be assigned to it by the calling test case. The TSO is called in TC_26_3_3.	
Detailed Comments:	

Test Suite Operation Definition	
Operation Name:	OM_StopCell(cell:CellID)
Result Type:	BOOLEAN
Comments:	The result returned by the operation is not used.
Description	
The TSO stops completely all RF transmission of the specific cell 'cell', including the dummy bursts on other slots. After all RF transmission have been stopped the TSO returns TRUE. The cell shall be deleted from the lower layer tester and therefore if the cell 'cell' is required again by the calling test case it needs to be re-configured. The TSO is called in TC_26_3_4, TC_26_6_6_1, TC_26_7_4_2_2_1, TC_26_7_4_2_2_2, TC_26_7_4_6, TC_31_6_2_3.	
Detailed Comments:	

Test Suite Operation Definition	
Operation Name:	OM_StopMsrReport(ch:LOGICCH)
Result Type:	BOOLEAN
Comments:	The result returned by the operation is not used.
Description	
The operation stops the reporting of received MEASUREMENT REPORT message to layer 3 emulator, after measurement report stops it returns with value TRUE.	
Measurement Reports shall be disable by default. By default means that the tester filters them out from the TTCN in-buffer. This operation disables the reports entering the TTCN in-buffer. The OM_StartMsrReport operation enables the reports entering the TTCN in-buffer. When starting each test case, the measurement reports are filtered out by default.	
Detailed Comments:	

Test Suite Operation Definition	
Operation Name:	OO_ACMIncCHK(para:IA5String)
Result Type:	BOOLEAN
Comments:	
Description	
the OO_ACMIncCHK operation requests (e.g. from the control console of the test system) the test operator to read the value of ACM on SIM and check the increment of the value. Then the operator informs the test system whether the increment is as description `para`, if it is as the description the operation returns TRUE, otherwise returns FALSE.	
The value of ACM can be read either via MMI or by removing the SIM and using SIM reader.	
Detailed Comments:	

Test Suite Operation Definition	
Operation Name:	OO_ACMReading
Result Type:	BOOLEAN
Comments:	
Description	
the OO_ACMReading operation requests (e.g. from the control console of the test system) the test operator to read and note the value of ACM on SIM. After the operator finishes the action, he informs the test system and the operation returns with the value TRUE.	
The value of ACM can be read either via MMI or by removing the SIM and using SIM reader.	
Detailed Comments:	

Test Suite Operation Definition	
Operation Name:	OO_ACMSetting
Result Type:	BOOLEAN
Comments:	
Description	
the OO_ACMSetting operation requests (e.g. from the control console of the test system) the test operator to reset the ACM to zero and set the ACMmax to 2 units. After the operator finishes the action and informs the test system it returns TRUE.	
Detailed Comments:	

Test Suite Operation Definition	
Operation Name:	OO_AddPwrAmp
Result Type:	BOOLEAN
Comments:	
Description	
This operation requests (e.g. from the control console of the test system) the test operator to add power amplification at the Mobile Station under test.	
After the operator finishes the action, he informs the test system and the operation returns with the value TRUE.	
Detailed Comments:	

Test Suite Operation Definition	
Operation Name:	OO_AltIndCHK
Result Type:	BOOLEAN
Comments:	
Description	
This operation first requests (e.g. from the control console of the test system) the test operator to check whether the alerting indication is generated. If the operator informs (e.g. from the control console of the test system) the test system that the alerting indication is generated, the operation returns TRUE. If the operator informs the test system that the alerting indication is not generated, the operation returns FALSE.	
Detailed Comments:	

Test Suite Operation Definition	
Operation Name:	OO_CalledNumCHK
Result Type:	BOOLEAN
Comments:	
Description	
This operation first requests (e.g. from the control console of the test system) the test operator to check whether the called party number is correctly displayed on the mobile station. If the operator informs (e.g. from the control console of the test system) the test system that the display is correct, the operation returns TRUE. If the operator informs the test system that the display is wrong, the operation returns FALSE.	
Detailed Comments:	

Test Suite Operation Definition	
Operation Name:	OO_CalledPtyNumCHK(num:CDPN)
Result Type:	BOOLEAN
Comments:	
Description	
This operation first requests (e.g. from the control console of the test system) the test operator to check whether the called party number `num` is the one that was entered into the MS. If the operator informs (e.g. from the control console of the test system) the test system that the number is correct, the operation returns TRUE. If the operator informs the test system that the number is wrong, the operation returns FALSE.	
Detailed Comments:	

Test Suite Operation Definition	
Operation Name:	OO_CheckAllSMPresentBut4th
Result Type:	BOOLEAN
Comments:	
Description	
This operation requests (e.g. from the control console of the test system) the test operator to check if the mobile station under test has stored all short messages during the test case but not the 4th one which should have been replaced by the 5th(cf. GSM 11.10, clause 34.2.7.4). The messages are displayed. Then the operation returns. TRUE: All SM present but not the 4th FALSE: 4th SM present or 1st, 2nd, 3rd or 5th missing.	
Detailed Comments:	

Test Suite Operation Definition	
Operation Name:	OO_CheckCBSMReceived(NumbOfIA5chara: INTEGER; msg:SMSCBpack)
Result Type:	BOOLEAN
Comments:	
Description	
<p>This operation requests (e.g. from the control console of the test system) the test operator to check whether the MS under test has correctly received the cell broadcast short message represented by 'msg' . Then the TSO returns</p> <p>TRUE: if the CBSM has been correctly received, FALSE: if non or an incorrect CBSM has been received.</p> <p>The TSO needs to convert the 'msg' into IA5 string according to the packing character rules specified in the section 6.1.2 of ETS 300 628 (GSM 03.38). The 'NumbOfIA5chara' indicates the number of IA5 characters in the 'msg'.</p>	
Detailed Comments:	

Test Suite Operation Definition	
Operation Name:	OO_CheckMCEFOOnSIM
Result Type:	BOOLEAN
Comments:	
Description	
<p>This operation requests (e.g. from the control console of the test system) the test operator to check if the Memory Capacity Exceeded Flag has been set on the SIM simulator and to inform the test system of the result of the checking. If the checking succeeds the operation returns TRUE, FALSE otherwise.</p>	
Detailed Comments:	

Test Suite Operation Definition	
Operation Name:	OO_CheckMCEFOOnSIMUnset
Result Type:	BOOLEAN
Comments:	
Description	
<p>This operation requests (e.g. from the control console of the test system) the test operator to check if the Memory Capacity Exceeded Flag has been unset on the SIM simulator and to inform the test system of the result of the checking. If the checking succeeds the operation returns TRUE, FALSE otherwise.</p>	
Detailed Comments:	

Test Suite Operation Definition	
Operation Name:	OO_CheckMessageDisplayed(NumbOfIA5chara:INTEGER; msg:OCTETSTRING)
Result Type:	BOOLEAN
Comments:	
Description	
<p>This operation requests (e.g. from the control console of the test system) the test operator to check if the mobile station under test indicates that an SM has arrived. If the MS provides the functionality to display MT messages, it is checked that the message contents represented by 'msg' is correctly displayed. Then the operation returns</p> <p>TRUE: if the MS indicates SM reception (and displays correct message), FALSE: if the MS does not indicate SM reception (or displays incorrect message).</p> <p>The TSO needs to convert the 'msg' into IA5 string according to the packing character rules specified in the section 6.1.2 of ETS 300 628 (GSM 03.38). The 'NumbOfIA5chara' indicates the number of IA5 characters in the 'msg'.</p>	
Detailed Comments:	

Test Suite Operation Definition	
Operation Name:	OO_CheckUssdStringDisplayed(strg: IA5String)
Result Type:	BOOLEAN
Comments:	
Description	
This operation requests (e.g. from the control console of the test system) the test operator to check if the mobile station under test displays the Ussd String 'strg'. Then the operation returns. TRUE: MS displays the correct Ussd String. FALSE: MS does not display the correct Ussd String.	
Detailed Comments:	

Test Suite Operation Definition	
Operation Name:	OO_ConnectSIMSimulator
Result Type:	BOOLEAN
Comments:	
Description	
This operation requests (e.g. from the control console of the test system) the test operator to connect the SIM simulator to the mobile station under test. For the contents of the SIM simulator the operator refers to the initial conditions of the test case acc. GSM 11.10, clause 34.2.3.3. After the operator finishes the action, he informs the test system and the operation returns with the value TRUE.	
Detailed Comments:	

Test Suite Operation Definition	
Operation Name:	OO_DepressEndKey
Result Type:	BOOLEAN
Comments:	
Description	
This operation requests (e.g. from the control console of the test system) the test operator to depress the 'END' key of the Mobile Stations keypad, then returns.	
Detailed Comments:	

Test Suite Operation Definition	
Operation Name:	OO_DialCalledNum
Result Type:	BOOLEAN
Comments:	
Description	
This operation requests (e.g. from the control console of the test system) the test operator to dial the called party number at the Mobile Station under test but not press the "SEND" key (i.e. not initiate the call setup). After the operator finishes the action, he informs the test system and the operation returns with the value TRUE.	
Detailed Comments:	

Test Suite Operation Definition	
Operation Name:	OO_DisplaySMAndSendReplySM(n, NumOfIA5chara: INTEGER; msg:OCTETSTRING)
Result Type:	OCTETSTRING
Comments:	
Description	
This operation requests (e.g. from the control console of the test system) the test operator to display the 'n'-th short message received in the arriving order and to check whether the short message contents represented by 'msg' is correctly displayed. Then the TSO asks the operator to send a reply short message from the mobile. After the operator finishes the action, the operation returns with the message contents sent in OCTETSTRING. The TSO needs to convert the 'msg' into IA5 string and the IA5 text entered by the operator into OCTETSTRING according to the packing character rules specified in the section 6.1.2 of ETS 300 628 (GSM 03.38). The 'NumOfIA5chara' indicates the number of IA5 characters in the 'msg'.	
Detailed Comments:	

Test Suite Operation Definition	
Operation Name:	OO_DTMFIndCHK(character:IA5String)
Result Type:	BOOLEAN
Comments:	
Description	
This operation first requests (e.g. from the control console of the test system) the test operator to check whether the `character` is indicated by the DTMF indicator of the MS. If the operator informs (e.g. from the control console of the test system) the test system that the MS does not give the indication of `character`, the operation returns FALSE. If the operator informs the test system that the MS gives the indication, the operation returns TRUE.	
Detailed Comments:	

Test Suite Operation Definition	
Operation Name:	OO_EmptyMessageStorage
Result Type:	BOOLEAN
Comments:	
Description	
This operation requests (e.g. from the control console of the test system) the test operator to empty the message storage of the mobile station under test. After the operator finishes the action, he informs the test system and the operation returns with the value TRUE.	
Detailed Comments:	

Test Suite Operation Definition	
Operation Name:	OO_EnterPswd(pswd:IA5String)
Result Type:	BOOLEAN
Comments:	
Description	
This TSO displays a message on the control console to inform the operator that he is to enter a given password (the actual password is given by `pswd`) on the mobile. The operation waits for the operator to acknowledge the request, which may be done before or after entering the password into the mobile, and then returns the value TRUE.	
Detailed Comments:	

Test Suite Operation Definition	
Operation Name:	OO_HookOff
Result Type:	BOOLEAN
Comments:	
Description	
This operation requests (e.g. from the control console of the test system) the test operator to answer the mobile terminating call at the Mobile Station under test. This operation waits for the operator to acknowledge the request which may be done before or after the call has been answered and then returns the value TRUE.	
Detailed Comments:	

Test Suite Operation Definition	
Operation Name:	OO_IFsetup_Telephony
Result Type:	BOOLEAN
Comments:	
Description	
This TSO requests (e.g. from the control console of the test system) the test operator to setup the external interface, or configuration of the MS in such a way that the MS is able to successfully receive the call for telephony service. If the MS supports both telephony without immediate connection mode and telephony with immediate connection mode, set the MS in telephony without immediate connection mode. After the operator finishes the required action and informs the test system, the TSO returns with value TRUE.	
This TSO is used in MO call test cases except TC_11_2, where this TSO is call for single-numbering scheme MT testing.	
Detailed Comments: used for TS11 and TS12	

Test Suite Operation Definition	
Operation Name:	OO_IFsetup_BS2xorBS3x_MO(srv:SERVICES; itc, sacp:B_3; ce:B_2; rate:IA5String)
Result Type:	BOOLEAN
Comments:	
Description	
<p>This TSO requests (e.g. from the control console of the test system) the test operator to setup the external interface, or the MS configuration in such a way that the MS, when triggered, is able to initiate the call for the BS2x or BS3x service `srv` with the specified itc, sacp, ce values. After the operator finishes the required action and informs the test system, the TSO returns with value TRUE.</p> <p>This TSO is used in MO call test cases except TC_11_2, where this TSO is call for single-numbering scheme MT testing.</p> <p>Three negotiable parameters, number of stop bit, number of data bit, parity information, are asked as global IXIT paramters for all TE configurations. If necessary, the test operator refers to the manual provided by manufacturer to configure the MS.</p> <p>The possible values are:</p> <p>1) srv ----- basic service</p> <ul style="list-style-type: none"> - C_Async300 Basic Service 21, Asynchronous 300 bps - C_Async1200 Basic Service 22, Asynchronous 1.2 kbps - C_Async120075 Basic Service 23, Asynchronous 1200/75 bps - C_Async2400 Basic Service 24, Asynchronous 2.4 kbps - C_Async4800 Basic Service 25, Asynchronous 4.8 kbps - C_Async9600 Basic Service 26, Asynchronous 9.6 kbps - C_Sync1200 Basic Service 31, Synchronous 1.2 kbps - C_Sync2400 Basic Service 32, Synchronous 2.4 kbps - C_Sync4800 Basic Service 33, Synchronous 4.8 kbps - C_Sync9600 Basic Service 34, Synchronous 9.6 kbps <p>2) itc ----- information transfer capability</p> <ul style="list-style-type: none"> - '001'B unrestricted digital information - '010'B 3.1 kHz audio, ex PLMN <p>3) sacp ----- signalling access protocol</p> <ul style="list-style-type: none"> - '001'B I.440/450 - '010'B X.21 - '101'B X.28 - non dedicated PAD - '110'B X.32 <p>4) ce ----- connection element</p> <ul style="list-style-type: none"> - '00'B transparent - '01'B non transparent <p>5) rate ----- channel rate</p> <ul style="list-style-type: none"> - C_Full full rate channel - C_Half half rate channel 	
Detailed Comments:	Used for BS21, BS22, BS23, BS24, BS25, BS26, BS31, BS32, BS33, BS34

Test Suite Operation Definition	
Operation Name:	OO_IFsetup_BS4x_MO(srv:SERVICES; ce:B_2; rate:IA5String)
Result Type:	BOOLEAN
Comments:	
Description	
<p>This TSO requests (e.g. from the control console of the test system) the test operator to setup the external interface, or the MS configuration in such a way that the MS, when triggered, is able to initiate the call for the BS4x service `srv` with specified ur and ce values. After the operator finishes the required action and informs the test system, the TSO returns with value TRUE.</p> <p>Three negotiable parameters, number of stop bit, number of data bit, parity information, are asked as global IXIT parameters for all TE configurations. If necessary, the test operator refers to the manual provided by manufacturer to configure the MS.</p> <p>The possible values are:</p> <p>1) srv ----- basic service</p> <ul style="list-style-type: none"> - C_PAD300 Basic Service 41, PAD access 300 bps - C_PAD1200 Basic Service 42, PAD access 1.2 kbps - C_PAD120075 Basic Service 43, PAD access 1200/75 bps - C_PAD2400 Basic Service 44, PAD access 2.4 kbps - C_PAD4800 Basic Service 45, PAD access 4.8 kbps - C_PAD9600 Basic Service 46, PAD access 9.6 kbps <p>2) ce ----- connection element</p> <ul style="list-style-type: none"> - '00'B transparent - '01'B non transparent <p>3) rate ----- channel rate</p> <ul style="list-style-type: none"> - C_Full full rate channel - C_Half half rate channel 	
Detailed Comments:	Used for BS41, BS42, BS43, BS44, BS45, BS46

Test Suite Operation Definition	
Operation Name:	OO_IFsetup_BS5x_MO(srv:SERVICES; ur:B_4; rate:IA5String)
Result Type:	BOOLEAN
Comments:	
Description	
<p>This TSO requests (e.g. from the control console of the test system) the test operator to setup the external interface, or the MS configuration in such a way that the MS, when triggered, is able to initiate the call for the BS5x service `srv` with the specified ur value. After the operator finishes the required action and informs the test system, the TSO returns with value TRUE.</p> <p>Three negotiable parameters, number of stop bit, number of data bit, parity information, are asked as global IXIT parameters for all TE configurations. If necessary, the test operator refers to the manual provided by manufacturer to configure the MS.</p> <p>The possible values are:</p> <p>1) srv ----- basic service</p> <ul style="list-style-type: none"> - C_Packet2400 Basic Service 51, Packet access 2.4 kbps - C_Packet4800 Basic Service 52, Packet access 4.8 kbps - C_Packet9600 Basic Service 53, Packet access 9.6 kbps <p>2) ur ----- user rate</p> <ul style="list-style-type: none"> - '0011'B 2400 bit/s - '0100'B 4800 bit/s - '0101'B 9600 bit/s <p>3) rate ----- channel rate</p> <ul style="list-style-type: none"> - C_Full full rate channel - C_Half half rate channel 	
Detailed Comments:	Used for BS51, BS52, BS53

Test Suite Operation Definition	
Operation Name:	OO_IFsetup_BS61orBS81_MO(srv:SERVICES; ur:B_4; sa:B_1; ce:B_2; rate:IA5String)
Result Type:	BOOLEAN
Comments:	
Description	
<p>This TSO requests (e.g. from the control console of the test system) the test operator to setup the external interface, or the MS configuration in such a way that the MS, when triggered, is able to initiate the call for BS61 or BS81 with the specified ur, ce and sa values, and the first bearer capability is speech. After the operator finishes the required action and informs the test system, the TSO returns with value TRUE.</p> <p>This TSO is used in MO call test cases except TC_11_2, where this TSO is call for single-numbering scheme MT testing.</p> <p>Three negotiable parameters, number of stop bit, number of data bit, parity information, are asked as global IXIT parameters for all TE configurations. If necessary, the test operator refers to the manual provided by manufacturer to configure the MS.</p> <p>The possible values are:</p> <p>1) srv ----- basic service</p> <ul style="list-style-type: none"> - C_AltSpchData Basic Service 61, Alternatie Speech/data - C_SpchData Basic Service 81, Speech followed by data <p>2) ur ----- user rate</p> <ul style="list-style-type: none"> - '0001'B 300 bit/s - '0010'B 1200 bit/s - '0111'B 1200/75 bit/s - '0011'B 2400 bit/s - '0100'B 4800 bit/s - '0101'B 9600 bit/s <p>3) sa ----- synchronous/asynchronous</p> <ul style="list-style-type: none"> - '0'B synchronous - '1'B asynchronous <p>4) ce ----- connection element</p> <ul style="list-style-type: none"> - '00'B transparent - '01'B non transparent <p>5) rate ----- channel rate</p> <ul style="list-style-type: none"> - C_Full full rate channel - C_Half half rate channel 	
Detailed Comments:	used for BS61 and BS81

Test Suite Operation Definition	
Operation Name:	OO_IFsetup_TS6x_MO(srv:SERVICES; ur:B_4; ce:B_2; rate:IA5String)
Result Type:	BOOLEAN
Comments:	
Description	
<p>This TSO requests (e.g. from the control console of the test system) the test operator to setup the external interface, or the MS configuration in such a way that the MS, when triggered, is able to initiate the call for TS61 and TS62 with the specified ur and ce values, and the first bearer capability is speech. After the operator finishes the required action and informs the test system, the TSO returns with value TRUE.</p> <p>This TSO is used in MO call test cases except TC_11_2, where this TSO is call for single-numbering scheme MT testing.</p> <p>Three negotiable parameters, number of stop bit, number of data bit, parity information, are asked as global IXIT parameters for all TE configurations. If necessary, the test operator refers to the manual provided by manufacturer to configure the MS.</p> <p>The possible values are:</p> <p>1) srv ----- basic service</p> <ul style="list-style-type: none"> - C_AltSpchFax Teleservice 61, Alternatie Speech and Facsimile group 3 - C_AutoFax Teleservice 62, Automatic Facsimile group 3 <p>2) ur ----- user rate</p> <ul style="list-style-type: none"> - '0011'B 2400 bit/s - '0100'B 4800 bit/s - '0101'B 9600 bit/s <p>3) ce ----- connection element</p> <ul style="list-style-type: none"> - '00'B transparent - '01'B non transparent <p>4) rate ----- channel rate</p> <ul style="list-style-type: none"> - C_Full full rate channel - C_Half half rate channel 	
Detailed Comments:	used for TS61 and TS62

Test Suite Operation Definition	
Operation Name:	OO_IFsetup_BS2x_MT(srv:SERVICES; itc:B_3)
Result Type:	BOOLEAN
Comments:	
Description	
<p>This TSO requests (e.g. from the control console of the test system) the test operator to setup the external interface, or the MS configuration in such a way that the MS is able to successfully receive the call for the BS2x service `srv` with the specified itc value. After the operator finishes the required action and informs the test system, the TSO returns with value TRUE.</p> <p>Three negotiable parameters, number of stop bit, number of data bit, parity information, are asked as global IXIT paramters for all TE configurations. If necessary, the test operator refers to the manual provided by manufacturer to configure the MS.</p>	
Detailed Comments:	Used for BS21, BS22, BS24, BS25, BS26

Test Suite Operation Definition	
Operation Name:	OO_IFsetup_BS3x_MT(srv:SERVICES; itc, sacp:B_3)
Result Type:	BOOLEAN
Comments:	
Description	
<p>This TSO requests (e.g. from the control console of the test system) the test operator to setup the external interface, or the MS configuration in such a way that the MS is able to successfully receive the call for the BS3x service `srv` with specified itc and sacp values. After the operator finishes the required action and informs the test system, the TSO returns with value TRUE.</p> <p>Three negotiable parameters, number of stop bit, number of data bit, parity information, are asked as global IXIT parameters for all TE configurations. If necessary, the test operator refers to the manual provided by manufacturer to configure the MS.</p>	
Detailed Comments:	Used for BS31, BS32, BS33, BS34

Test Suite Operation Definition	
Operation Name:	OO_IFsetup_BS61orBS81_MT(srv:SERVICES; ur:B_4; sa:B_1)
Result Type:	BOOLEAN
Comments:	
Description	
<p>This TSO requests (e.g. from the control console of the test system) the test operator to setup the external interface, or the MS configuration in such a way that the MS is able to successfully receive the call for BS61 or BS81 with the specified ur and sa values. After the operator finishes the required action and informs the test system, the TSO returns with value TRUE.</p> <p>Three negotiable parameters, number of stop bit, number of data bit, parity information, are asked as global IXIT parameters for all TE configurations. If necessary, the test operator refers to the manual provided by manufacturer to configure the MS.</p>	
Detailed Comments:	used for BS61 and BS81

Test Suite Operation Definition	
Operation Name:	OO_IFsetup_TS6x_MT(srv:SERVICES; ur:B_4)
Result Type:	BOOLEAN
Comments:	
Description	
<p>This TSO requests (e.g. from the control console of the test system) the test operator to setup the external interface, or the MS configuration in such a way that the MS is able to successfully receive the call for TS61 and TS62 with the specified ur value. After the operator finishes the required action and informs the test system, the TSO returns with value TRUE.</p> <p>Three negotiable parameters, number of stop bit, number of data bit, parity information, are asked as global IXIT parameters for all TE configurations. If necessary, the test operator refers to the manual provided by manufacturer to configure the MS.</p>	
Detailed Comments:	used for TS61 and TS62

Test Suite Operation Definition	
Operation Name:	OO_InCallModi(srv:SERVICES)
Result Type:	BOOLEAN
Comments:	
Description	
<p>This operation requests (e.g. from the control console of the test system) the test operator to initiate a in-call modification at the Mobile Station under test, which is triggered by the calling tone identification (CNG) received by the MS, for the basic service 'srv', then returns TRUE. The calling test step can pass the 'srv' value either as TSPX or constant to the TSO.</p> <p>The possible service values include (see also test suite constant declarations):</p> <p>1) Teleservices</p> <ul style="list-style-type: none"> - C_Telephony - C_EmgCall - C_AltSpchFax - C_AutoFax <p>2) Bearer services</p> <ul style="list-style-type: none"> - C_Async300, C_Async1200, C_Async120075, C_Async2400, C_Async4800, C_Async9600 - C_Sync1200, C_Sync2400, C_Sync4800, C_Sync9600 - C_PAD300, C_PAD1200, C_PAD120075, C_PAD2400, C_PAD4800, C_PAD9600 - C_Packet2400, C_Packet4800, C_Packet9600 - C_AltSpchData - C_SpchData 	
Detailed Comments:	

Test Suite Operation Definition																																																																												
Operation Name:	OO_InitCall(srv:SERVICES)																																																																											
Result Type:	BOOLEAN																																																																											
Comments:																																																																												
Description																																																																												
<p>This operation requests (e.g. from the control console of the test system) the test operator to initiate an MS originating call for the basic service `srv`, then returns TRUE. The calling test step can pass the 'srv' value either as TSPX or constant to the TSO. The necessary MS configuration has been done in the corresponding TSO OO_IFsetup_xx...xx_MO before this TSO is called.</p> <p>The possible service values include (see also test suite constant declarations):</p> <p>1) Teleservices</p> <table border="0"> <tr><td>- C_Telephony</td><td>----</td><td>TS11</td></tr> <tr><td>- C_EmgCall</td><td>----</td><td>TS12</td></tr> <tr><td>- C_AltSpchFax</td><td>----</td><td>TS61</td></tr> <tr><td>- C_AutoFax</td><td>----</td><td>TS62</td></tr> </table> <p>2) Bearer services</p> <table border="0"> <tr><td>- C_Async300</td><td>----</td><td>BS21</td></tr> <tr><td>- C_Async1200</td><td>----</td><td>BS22</td></tr> <tr><td>- C_Async120075</td><td>----</td><td>BS23</td></tr> <tr><td>- C_Async2400</td><td>----</td><td>BS24</td></tr> <tr><td>- C_Async4800</td><td>----</td><td>BS25</td></tr> <tr><td>- C_Async9600</td><td>----</td><td>BS26</td></tr> <tr><td>- C_Sync1200</td><td>----</td><td>BS31</td></tr> <tr><td>- C_Sync2400</td><td>----</td><td>BS32</td></tr> <tr><td>- C_Sync4800</td><td>----</td><td>BS33</td></tr> <tr><td>- C_Sync9600</td><td>----</td><td>BS34</td></tr> <tr><td>- C_PAD300</td><td>----</td><td>BS41</td></tr> <tr><td>- C_PAD1200</td><td>----</td><td>BS42</td></tr> <tr><td>- C_PAD120075</td><td>----</td><td>BS43</td></tr> <tr><td>- C_PAD2400</td><td>----</td><td>BS44</td></tr> <tr><td>- C_PAD4800</td><td>----</td><td>BS45</td></tr> <tr><td>- C_PAD9600</td><td>----</td><td>BS46</td></tr> <tr><td>- C_Packet2400</td><td>----</td><td>BS51</td></tr> <tr><td>- C_Packet4800</td><td>----</td><td>BS52</td></tr> <tr><td>- C_Packet9600</td><td>----</td><td>BS53</td></tr> <tr><td>- C_AltSpchData</td><td>----</td><td>BS61</td></tr> <tr><td>- C_SpchData</td><td>----</td><td>BS81</td></tr> </table>		- C_Telephony	----	TS11	- C_EmgCall	----	TS12	- C_AltSpchFax	----	TS61	- C_AutoFax	----	TS62	- C_Async300	----	BS21	- C_Async1200	----	BS22	- C_Async120075	----	BS23	- C_Async2400	----	BS24	- C_Async4800	----	BS25	- C_Async9600	----	BS26	- C_Sync1200	----	BS31	- C_Sync2400	----	BS32	- C_Sync4800	----	BS33	- C_Sync9600	----	BS34	- C_PAD300	----	BS41	- C_PAD1200	----	BS42	- C_PAD120075	----	BS43	- C_PAD2400	----	BS44	- C_PAD4800	----	BS45	- C_PAD9600	----	BS46	- C_Packet2400	----	BS51	- C_Packet4800	----	BS52	- C_Packet9600	----	BS53	- C_AltSpchData	----	BS61	- C_SpchData	----	BS81
- C_Telephony	----	TS11																																																																										
- C_EmgCall	----	TS12																																																																										
- C_AltSpchFax	----	TS61																																																																										
- C_AutoFax	----	TS62																																																																										
- C_Async300	----	BS21																																																																										
- C_Async1200	----	BS22																																																																										
- C_Async120075	----	BS23																																																																										
- C_Async2400	----	BS24																																																																										
- C_Async4800	----	BS25																																																																										
- C_Async9600	----	BS26																																																																										
- C_Sync1200	----	BS31																																																																										
- C_Sync2400	----	BS32																																																																										
- C_Sync4800	----	BS33																																																																										
- C_Sync9600	----	BS34																																																																										
- C_PAD300	----	BS41																																																																										
- C_PAD1200	----	BS42																																																																										
- C_PAD120075	----	BS43																																																																										
- C_PAD2400	----	BS44																																																																										
- C_PAD4800	----	BS45																																																																										
- C_PAD9600	----	BS46																																																																										
- C_Packet2400	----	BS51																																																																										
- C_Packet4800	----	BS52																																																																										
- C_Packet9600	----	BS53																																																																										
- C_AltSpchData	----	BS61																																																																										
- C_SpchData	----	BS81																																																																										
Detailed Comments:																																																																												

Test Suite Operation Definition	
Operation Name:	OO_InitNonCallSS
Result Type:	BOOLEAN
Comments:	
Description	
<p>This operation requests (e.g. from the control console of the test system) the test operator to initiate a non call related supplementary service which is supported by the MS.</p> <p>After the operator finishes the action, he informs the test system and the operation returns with the value TRUE.</p>	
Detailed Comments:	

Test Suite Operation Definition	
Operation Name:	OO_InitSS(action: IA5String)
Result Type:	BOOLEAN
Comments:	
Description	
This operation requests (e.g. from the control console of the test system) the test operator to initiate the required supplementary service by the MMI sequence `action`.	
After the operator finishes the action, he informs the test system and the operation returns with the value TRUE.	
Detailed Comments:	

Test Suite Operation Definition	
Operation Name:	OO_InServiceCHK
Result Type:	BOOLEAN
Comments:	
Description	
This operation first requests (e.g. from the control console of the test system) the test operator to check whether the Mobile Station under test is in normal service state ("Idle, updated")-- listening to CCCH and BCCH and with U1 UPDATED status. If the operator informs (e.g. from the control console of the test system) the test system that the MS does not give any service indication, the operation returns FALSE. If the operator informs the test system that the MS gives service indication, the operation returns TRUE.	
Detailed Comments:	

Test Suite Operation Definition	
Operation Name:	OO_Key
Result Type:	BOOLEAN
Comments:	
Description	
This operation returns TRUE if a key of the SS' keyboard has been pressed. Otherwise it returns FALSE.	
After OO_PressKeyWhenInService was called, the TSO is then continuously called until the test operator hits a key or a timer expires.	
Detailed Comments:	

Test Suite Operation Definition	
Operation Name:	OO_MptyCall
Result Type:	BOOLEAN
Comments:	
Description	
This operation requests (e.g. from the control console of the test system) the test operator to enter MultiParty MMI command at the Mobile Station under test, then it returns with the value TRUE after the operator finishes the action and informs the test system.	
Detailed Comments:	

Test Suite Operation Definition	
Operation Name:	OO_MSSetupStoreClass1SMInMEMemory
Result Type:	BOOLEAN
Comments:	
Description	
This operation requests (e.g. from the control console of the test system) the test operator to setup the MS under test to store class 1 SM in the ME memory (by way of MMI, as described in PICS/PIXIT statement).	
After the operator finishes the action, he informs the test system and the operation returns with the value TRUE.	
Detailed Comments:	

Test Suite Operation Definition	
Operation Name:	OO_PLMNsCHK
Result Type:	BOOLEAN
Comments:	
Description	
This operation first requests (e.g. from the control console of the test system) the test operator to check whether the Mobile Station presents a list of available PLMNs. The list shall include the MNC and MCC of cells 1 to 7, but not cell 8 (for GSM900) or cells 1 to 6, but not cell 7 (for DCS1800). If the operator informs (e.g. from the control console of the test system) the test system that the MS correctly presents the list, the operation returns TRUE. If the operator informs the test system that the list is incorrect, the operation returns FALSE.	
Detailed Comments:	

Test Suite Operation Definition	
Operation Name:	OO_PLMNselModeAuto
Result Type:	BOOLEAN
Comments:	
Description	
This operation switches the PLMN selection mode of the MS to automatic selection. After correctly switching of the mode the operation returns TRUE otherwise FALSE.	
Detailed Comments:	

Test Suite Operation Definition	
Operation Name:	OO_PLMNselModeMan
Result Type:	BOOLEAN
Comments:	
Description	
This operation switches the PLMN selection mode of the MS to manual selection. After correctly switching of the mode the operation returns TRUE otherwise FALSE.	
Detailed Comments:	

Test Suite Operation Definition	
Operation Name:	OO_PowerUp
Result Type:	BOOLEAN
Comments:	
Description	
This operation requests (e.g. from the control console of the test system) the test operator to power up the Mobile Station under test and to inform after the test system, then it returns with value TRUE.	
Detailed Comments:	

Test Suite Operation Definition	
Operation Name:	OO_PowerDown
Result Type:	BOOLEAN
Comments:	
Description	
This operation requests (e.g. from the control console of the test system) the test operator to power down the Mobile Station under test and to inform after the test system, then it returns with value TRUE.	
Detailed Comments:	

Test Suite Operation Definition	
Operation Name:	OO_PressKeyWhenInService
Result Type:	BOOLEAN
Comments:	
Description	
This operation requests (e.g. from the control console of the test system) the test operator to press any key when the MS shows the service indicator, then returns. The return value is always TRUE. Working with OO_Key together, the TSO displays a prompt to the test operator and then immediately returns.	
Detailed Comments:	

Test Suite Operation Definition	
Operation Name:	OO_RecallAndDisplaySM(NumbOfIA5chara: INTEGER; msg: OCTETSTRING)
Result Type:	BOOLEAN
Comments:	
Description	
This operation requests (e.g. from the control console of the test system) the test operator to recall and display an SM stored in the ME of the MS under test e.g. by means of the MMI. Then the operator checks whether the short message contents represented by 'msg' is correctly displayed. The TSO returns TRUE: if SM can be recalled and displayed correctly in comparison with the 'msg', FALSE: if SM can not be recalled or displayed, or displayed incorrectly in comparison with the 'msg'. The TSO needs to convert the 'msg' into IA5 string according to the packing character rules specified in the section 6.1.2 of ETS 300 628 (GSM 03.38). The 'NumbOfIA5chara' indicates the number of IA5 characters in the 'msg'.	
Detailed Comments:	

Test Suite Operation Definition	
Operation Name:	OO_RemoveOneSM
Result Type:	BOOLEAN
Comments:	
Description	
This operation requests (e.g. from the control console of the test system) the test operator to remove one of the SM from the message store and then to inform the test system. It does not matter which short message has been removed. After that the operation returns with value TRUE. The returned value is not used in the ATS.	
Detailed Comments:	

Test Suite Operation Definition	
Operation Name:	OO_RemvPwrAmp
Result Type:	BOOLEAN
Comments:	
Description	
This operation requests (e.g. from the control console of the test system) the test operator to remove the added power amplification at the Mobile Station under test and to inform after the test system, then the operation returns with value TRUE.	
Detailed Comments:	

Test Suite Operation Definition	
Operation Name:	OO_RFoutputCHK
Result Type:	BOOLEAN
Comments:	
Description	
This operation first requests (e.g. from the control console of the test system) the test operator to check whether the Mobile Station produces any RF output. If the operator informs (e.g. from the control console of the test system) the test system that the MS does not produce any RF output, the operation returns FALSE. If the operator informs the test system that the MS produces RF output, the operation returns TRUE.	
Detailed Comments:	

Test Suite Operation Definition	
Operation Name:	OO_SelPLMN(par_plmn:OCTETSTRING)
Result Type:	BOOLEAN
Comments:	
Description	
This operation requests (e.g. from the control console of the test system) the test operator to select the given PLMN in par_plmn manually, and to inform after the test system then the operation returns with value TRUE.	
Detailed Comments:	

Test Suite Operation Definition	
Operation Name:	OO_SendMOShortMessage
Result Type:	BOOLEAN
Comments:	
Description	
This operation requests (e.g. from the control console of the test system) the test operator to send a short message from the mobile station under test. The operation waits for the operator to acknowledge the request which may be done before or after sending the MO Short Message, and then returns the value TRUE.	
Detailed Comments:	

Test Suite Operation Definition	
Operation Name:	OO_SendSMSCOMMANDDel
Result Type:	BOOLEAN
Comments:	
Description	
This operation requests (e.g. from the control console of the test system) the test operator to send a SMS COMMAND message from the mobile station under test containing requiring to delete the previously submitted SM and then to inform the test system. Then, the operation returns with value TRUE.	
Detailed Comments:	

Test Suite Operation Definition	
Operation Name:	OO_SendSMSCOMMANDEnq
Result Type:	BOOLEAN
Comments:	
Description	
This operation requests (e.g. from the control console of the test system) the test operator to send a SMS COMMAND message from the mobile station under test containing an enquiry about the previously submitted SM and then to inform the test system. Then, the operation returns with value TRUE.	
Detailed Comments:	

Test Suite Operation Definition	
Operation Name:	OO_SetRefuseCall
Result Type:	BOOLEAN
Comments:	
Description	
This operation first requests (e.g. from the control console of the test system) the test operator to enable call refusal on the MS. After the operator completes the action and informs (e.g. from the control console of the test system) the test system, the operation returns with value TRUE.	
Detailed Comments:	

Test Suite Operation Definition	
Operation Name:	OO_ShortKeyDepr(ch:IA5String)
Result Type:	BOOLEAN
Comments:	
Description	
This operation requests (e.g. from the control console of the test system) the test operator to cause a DTMF tone to be generated, e.g. by short depression of the key `ch` on the Mobile Station under test. The operation waits for the operator to acknowledge the request which may be done before or after generating the DTMF tone, and then returns the value TRUE.	
Detailed Comments:	

Test Suite Operation Definition	
Operation Name:	OO_SIMIns
Result Type:	BOOLEAN
Comments:	
Description	
This operation requests (e.g. from the control console of the test system) the test operator to insert the SIM card into the Mobile Station under test. After the operator completes the action and informs (e.g. from the control console of the test system) the test system, the operation returns with value TRUE.	
Detailed Comments:	

Test Suite Operation Definition	
Operation Name:	OO_SIM2Ins
Result Type:	BOOLEAN
Comments:	
Description	
This operation requests (e.g. from the control console of the test system) the test operator to insert the SIM card 2 into the Mobile Station under test. After the operator completes the action and informs (e.g. from the control console of the test system) the test system, the operation returns with value TRUE.	
The SIM Card 2 shall contain the following parameter values, which are different from default values(SIM Card 1):	
IMSI= '001011234'	
HPLMN_search_period=6min.	
Detailed Comments:	

Test Suite Operation Definition	
Operation Name:	OO_SIM3Ins
Result Type:	BOOLEAN
Comments:	
Description	
This operation requests (e.g. from the control console of the test system) the test operator to insert the SIM card 3 into the Mobile Station under test and turn the MS power on, after the test operator finishes the action and informs the test system it returns with value TRUE.	
The SIM Card 3 shall contain fixed dialling number allocated and activated.	
Detailed Comments:	

Test Suite Operation Definition	
Operation Name:	OO_SIMRmv
Result Type:	BOOLEAN
Comments:	
Description	
This operation requests (e.g. from the control console of the test system) the test operator to remove the SIM card from the Mobile Station under test. After the operator completes the action and informs (e.g. from the control console of the test system) the test system, the operation returns with value TRUE.	
Detailed Comments:	

Test Suite Operation Definition	
Operation Name:	OO_SIMSimulAttIndOK
Result Type:	BOOLEAN
Comments:	
Description	
<p>This operation requests (e.g. from the control console of the test system) the test operator to check whether the SIM simulator indicates an attempt made by the ME to store the short message in the SIM. The SIM simulator returns the status response "OK" ("90 00"). Then returns.</p> <p>Attempt indicated: TRUE Attempt NOT indicated: FALSE</p>	
Detailed Comments:	

Test Suite Operation Definition	
Operation Name:	OO_SIMSimulAttIndMemProblem
Result Type:	BOOLEAN
Comments:	
Description	
<p>This operation requests (e.g. from the control console of the test system) the test operator to check whether the SIM simulator indicates an attempt made by the ME to store the short message in the SIM. The SIM simulator returns the status response "Memory Problem" ("92 40"). Then returns.</p> <p>Attempt indicated: TRUE Attempt NOT indicated: FALSE</p>	
Detailed Comments:	

Test Suite Operation Definition	
Operation Name:	OO_SSresultCHK(svc:INTEGER)
Result Type:	BOOLEAN
Comments:	
Description	
<p>This operation first requests (e.g. from the control console of the test system) the test operator to check the user indication of the result of the supplementary service `svc`. If the operator informs (e.g. from the control console of the test system) the test system that the indication is correct, the operation returns TRUE. If the operator informs the test system that the indication is wrong, the operation returns FALSE.</p>	
Detailed Comments:	

Test Suite Operation Definition	
Operation Name:	OO_SwitchOn
Result Type:	BOOLEAN
Comments:	
Description	
<p>This operation requests (e.g. from the control console of the test system) the test operator to switch on (or if there is no switch then to restore the power to) the Mobile Station under test. After the operator completes the action and informs (e.g. from the control console of the test system) the test system, the operation returns with value TRUE.</p>	
Detailed Comments:	

Test Suite Operation Definition	
Operation Name:	OO_SwitchOff
Result Type:	BOOLEAN
Comments:	
Description	
<p>This operation requests (e.g. from the control console of the test system) the test operator to switch off (or if there is no switch then to remove the power from) the Mobile Station under test. After the operator completes the action and informs (e.g. from the control console of the test system) the test system, the operation returns with value TRUE.</p>	
Detailed Comments:	

Test Suite Operation Definition	
Operation Name:	OO_TCHThroConnCHK
Result Type:	BOOLEAN
Comments:	
Description	
This operation first requests (e.g. from the control console of the test system) the test operator to check whether the TCH is through connected. The SS has to generate a noise pattern so that the operator can check this. If the operator informs (e.g. from the control console of the test system) the test system that the TCH is through connected, the operation returns TRUE. If the operator informs the test system that the TCH is not through connected, the operation returns FALSE.	
Detailed Comments:	

Test Suite Operation Definition	
Operation Name:	OO_TermCall
Result Type:	BOOLEAN
Comments:	
Description	
This operation first requests (e.g. from the control console of the test system) the test operator to terminate the ongoing call. After the operator completes the action and informs (e.g. from the control console of the test system) the test system, it returns TRUE.	
Detailed Comments:	

Test Suite Operation Definition	
Operation Name:	OO_TguardTimeOut
Result Type:	BOOLEAN
Comments:	
Description	
This operation informs (e.g. from the control console of the test system) the test operator that the T_guard timer has expired during the test case leading to an inconclusive or fail verdict and returns immediately with value TRUE.	
Detailed Comments:	

Test Suite Operation Definition	
Operation Name:	OO_ToneStopCHK
Result Type:	BOOLEAN
Comments:	
Description	
This operation first requests (e.g. from the control console of the test system) the test operator to check whether the MS stops the tone generation. If the operator informs (e.g. from the control console of the test system) the test system that the MS does not stop tone generation, the operation returns FALSE. If the operator informs the test system that the MS stops tone generation, the operation returns TRUE.	
Definition of "tone generation":	
-During MO call: MS generates alerting tone/presents inband information sent by the network.	
-During MT call: MS generates ringing tone.	
Detailed Comments:	

Test suite parameter declarations

Test Suite Parameter Declarations			
Parameter Name	Type	PICS/PIXIT Ref	Comments
TSPC_24DataF	BOOLEAN	PICS Table A.25 Item 12	2.4 k full rate data mode supported
TSPC_24DataH	BOOLEAN	PICS Table A.25 Item 13	2.4 k half rate data mode supported
TSPC_48DataF	BOOLEAN	PICS Table A.25 Item 14	4.8 k full rate data mode supported
TSPC_48DataH	BOOLEAN	PICS Table A.25 Item 15	4.8 k half rate data mode supported
TSPC_96Data	BOOLEAN	PICS Table A.25 Item 16	9.6 k full rate data mode supported
TSPC_Feat_A51	BOOLEAN	PICS Table A.2 Item 17	ciphering algorithm A5/1 supported
TSPC_Feat_A52	BOOLEAN	PICS Table A.2 Item 18	ciphering algorithm A5/2 supported
TSPC_AddCharSet	BOOLEAN	PICS Table A.25 Item 47	A, B, C, D chars supported
TSPC_AddInfo_PseudoSynch	BOOLEAN	PICS	Pseudo synchronised supported
TSPC_AlertInd	BOOLEAN	PICS Table A.25 Item 49	alerting indication to the user supported
TSPC_SvcOnTCH	BOOLEAN	PICS Table A.25 Item 22	at least one service on traffic channel supported
TSPC_SMS	BOOLEAN	PICS Table A.25 Item 31	at least one short message service supported
TSPC_SS	BOOLEAN	PICS Table A.25 Item 29	at least one supplementary service supported
TSPC_AutoAutoMode	BOOLEAN	PICS Table A.25 Item 48	automatically enter automatic selection of PLMN mode supported
TSPC_BasCharSet	BOOLEAN	PICS Table A.25 Item 46	Chars 0-9, *, # supported
TSPC_CalledNumDisp	BOOLEAN	PICS Table A.2 Item 1	called number display supported
TSPC_DCS	BOOLEAN	PICS Table A.1 Item 3	testing DCS1800
TSPC_DetachOnPwrDn	BOOLEAN	PICS Table A.25 Item 38	detach on power down supported
TSPC_DetachOnSIMRmv	BOOLEAN	PICS Table A.25 Item 39	detach on SIM remove supported
TSPC_DispRcvSMS	BOOLEAN	PICS Table A.25 Item 34	display of received SMS supported
TSPC_DualRate	BOOLEAN	PICS Table A.25 Item 23	dual rate channel types supported
TSPC_EGSM	BOOLEAN	PICS Table A.1 Item 2	both standard and extended GSM band supported
TSPC_EmgOnly	BOOLEAN	PICS Table A.25 Item 27	the only circuit switched basic service is emergency call
TSPC_followOnReq	BOOLEAN	PICS Table A.25 Item 53	follow-on request procedure supported
TSPC_HalfRateData	BOOLEAN	PICS Table A.25 Item 6	half rate data supported
TSPC_HalfRateSpeech	BOOLEAN	PICS Table A.25 Item 3	half rate speech mode supported
TSPC_InCallMod	BOOLEAN	PICS Table A.25 Item 52	In-Call modification supported
TSPC_NoimmConn	BOOLEAN	PICS Table A.25 Item 51	at least one service not support immediate connection
TSPC_Feat_FND	BOOLEAN	PICS Table A.2 Item 21	FND feature supported
TSPC_NonCallSS	BOOLEAN	PICS Table A.25 Item 30	non call related supplementary service supported
TSPC_MTsvc	BOOLEAN	PICS Table A.25 Item 19	at least one MT circuit switched basic service supported
TSPC_MOsvc	BOOLEAN	PICS Table A.25 Item 20	at least one MO circuit switched basic service supported
TSPC_PGSM	BOOLEAN	PICS Table A.1 Item 1	only standard GSM band supported
TSPC_RefusalCall	BOOLEAN	PICS Table A.25 Item 54	refusal of call supported
TSPC_ReplaceSMS	BOOLEAN	PICS Table A.25 Item 33	replace SMS supported
TSPC_ReplyProc	BOOLEAN	PICS Table A.25 Item 32	(SMS) reply procedures supported
TSPC_RFAmp	BOOLEAN	PICS Table A.25 Item 55	RF amplification supported
TSPC_SDCCHOnly	BOOLEAN	PICS Table A.25 Item 21	only SDCCH supported
TSPC_Serv_SS_AoCC	BOOLEAN	PICS Table A.5 Item 14	AOCC SS supported
TSPC_Serv_SS_BAIC	BOOLEAN	PICS Table A.5 Item 18	BAIC SS supported
TSPC_Serv_SS_BI	BOOLEAN	PICS	BI SS supported

TSPC_Serv_SS_BICRoam	BOOLEAN	PICS Table A.5 Item 19	BICRoam SS supported
TSPC_Serv_SS_BAOC	BOOLEAN	PICS Table A.5 Item 15	BAOC SS supported
TSPC_Serv_SS_BOIC	BOOLEAN	PICS Table A.5 Item 16	BOIC SS supported
TSPC_Serv_SS_BOICexHC	BOOLEAN	PICS Table A.5 Item 17	BOICexHC SS supported
TSPC_Serv_SS_CFB	BOOLEAN	PICS Table A.5 Item 6	CFB supported
TSPC_Serv_SS_CFNry	BOOLEAN	PICS Table A.5 Item 7	CFNry supported
TSPC_Serv_SS_CFNrc	BOOLEAN	PICS Table A.5 Item 8	CFNrc supported
TSPC_Serv_SS_CFU	BOOLEAN	PICS Table A.5 Item 5	CFU supported
TSPC_Serv_SS_HOLD	BOOLEAN	PICS Table A.5 Item 10	Call Hold SS supported
TSPC_Serv_SS_MPTY	BOOLEAN	PICS Table A.5 Item 11	multiparty SS supported
TSPC_Serv_SS_unstruct	BOOLEAN	PICS	USSD supported
TSPC_Serv_TS11	BOOLEAN	PICS Table A.3 Item 1	telephony supported
TSPC_Serv_TS12	BOOLEAN	PICS Table A.3 Item 2	emergency call supported
TSPC_Serv_TS21	BOOLEAN	PICS Table A.3 Item 3	SMS MT/PP supported
TSPC_Serv_TS22	BOOLEAN	PICS Table A.3 Item 4	SMS MO/PP supported
TSPC_Serv_TS23	BOOLEAN	PICS Table A.3 Item 5	SMS cell broadcast supported
TSPC_Serv_TS61	BOOLEAN	PICS	alternate speech and G3 fax (TS61) supported
TSPC_Serv_TS62	BOOLEAN	PICS	automatic G3 fax (TS62) supported
TSPC_Serv_BS21	BOOLEAN	PICS Table A.4 Item 1	data circuit duplex async 300 bit/s supported
TSPC_Serv_BS22	BOOLEAN	PICS Table A.4 Item 2	data circuit duplex async 1200 bit/s supported
TSPC_Serv_BS23	BOOLEAN	PICS Table A.4 Item 3	data circuit duplex async 1200/75 bit/s supported
TSPC_Serv_BS24	BOOLEAN	PICS Table A.4 Item 4	data circuit duplex async 2400 bit/s supported
TSPC_Serv_BS25	BOOLEAN	PICS Table A.4 Item 5	data circuit duplex async 4800 bit/s supported
TSPC_Serv_BS26	BOOLEAN	PICS Table A.4 Item 6	data circuit duplex async 9600 bit/s supported
TSPC_Serv_BS31	BOOLEAN	PICS Table A.4 Item 7	data circuit duplex sync 1200 bit/s supported
TSPC_Serv_BS32	BOOLEAN	PICS Table A.4 Item 8	data circuit duplex sync 2400 bit/s supported
TSPC_Serv_BS33	BOOLEAN	PICS Table A.4 Item 9	data circuit duplex sync 4800 bit/s supported
TSPC_Serv_BS34	BOOLEAN	PICS Table A.4 Item 10	data circuit duplex sync 9600 bit/s supported
TSPC_Serv_BS41	BOOLEAN	PICS Table A.4 Item 11	PAD access 300 bit/s supported
TSPC_Serv_BS42	BOOLEAN	PICS Table A.4 Item 12	PAD access 1200 bit/s supported
TSPC_Serv_BS43	BOOLEAN	PICS Table A.4 Item 13	PAD access 1200/75 bit/s supported
TSPC_Serv_BS44	BOOLEAN	PICS Table A.4 Item 14	PAD access 2400 bit/s supported
TSPC_Serv_BS45	BOOLEAN	PICS Table A.4 Item 15	PAD access 4800 bit/s supported
TSPC_Serv_BS46	BOOLEAN	PICS Table A.4 Item 16	PAD access 9600 bit/s supported
TSPC_Serv_BS51	BOOLEAN	PICS Table A.4 Item 17	packet access 2400 bit/s supported
TSPC_Serv_BS52	BOOLEAN	PICS Table A.4 Item 18	packet access 4800 bit/s supported
TSPC_Serv_BS53	BOOLEAN	PICS Table A.4 Item 19	packet access 9600 bit/s supported
TSPC_Serv_BS61	BOOLEAN	PICS	alternate speech/data (BS61) supported
TSPC_Serv_BS81	BOOLEAN	PICS	speech followed data (BS81) supported
TSPC_SMSStatusRepCap	BOOLEAN	PICS Table A.25 Item 35	SMS status report capabilities supported
TSPC_StoreRcvSMSME	BOOLEAN	PICS Table A.25 Item 37	Storage of received SMS in ME supported
TSPC_StoreRcvSMSSIM	BOOLEAN	PICS Table A.25 Item 36	Storage of received SMS in SIM supported
TSPC_SIMRmv	BOOLEAN	PICS Table A.25 Item 40	SIM removable without power down supported
TSPC_SwitchOnOff	BOOLEAN	PICS Table A.2 Item 15	switch on/off supported
TSPC_TranspDataOnly	BOOLEAN	PICS Table A.25 Item 9	only transparent data service supported
TSPC_CC	BOOLEAN	PICS Table A.25 Item 26	CC protocol for at least one BC

TSPC_TeleSvc	BOOLEAN	PICS Table A.25 Item 25	supported
TSPC_EFR	BOOLEAN		at least one teleservice supported
			Set to TRUE for GSM-900 Phase 2+ (EFR) MS which supports any EFR features, and FALSE otherwise.
TSPC_EFR_Speech_v2	BOOLEAN		Set to TRUE for GSM-900 Phase 2+ (EFR) MS which supports Speech Version 2 and FALSE otherwise.
TSPC_EFR_Speech_v3	BOOLEAN		Set to TRUE for GSM-900 Phase 2+ (EFR) MS which supports Speech Version 3 and FALSE otherwise.
TSPC_EFR_EmgCallBcap	BOOLEAN		Set to TRUE if received ESETUP msg contains bearer capability IE, otherwise FALSE.
TSPC_FullRateSpeech	BOOLEAN	PICS Table A.25 Item 2	full rate speech mode supported
TSPC_FullRateOnly	BOOLEAN	PICS Table A.25 Item 24	only full rate channel type supported
TSPX_AltNb	BOOLEAN	PIXIT	use alternative neighbour cells description. default : FALSE
TSPX_TE_stopbit	B_1	PIXIT	TE conf. number stop bits. default value : '0'B, 1 bit
TSPX_TE_databit	B_1	PIXIT	TE conf. number data bits. default value : '1'B, 8 bits
TSPX_TE_FLCT	FLWCNTL	PIXIT	TE flow control. default : 0, outband flow control
TSPX_TE_parity	B_3	PIXIT	TE conf. parity. default : '001'B, no parity
TSPX_BS_21_itc1	B_3	PIXIT	itc value supported for BS21. default value : '001'B, UDI
TSPX_BS_21_more_itc	BOOLEAN	PIXIT	more than one itc value supported by BS21. default value : FALSE, only one itc
TSPX_BS_21_T_NT	BOOLEAN	PIXIT	both T and NT supported by BS21. default value : FALSE, not support both transparent and non transparent modes
TSPX_BS_21_ce	B_2	PIXIT	ce value used in MO call and if the answer to TSPX_BS_21_T_NT is FALSE, the manufacturer must precise which mode is supported by the MS. default value : '00'B, transparent mode
TSPX_BS_21_sacp	B_3	PIXIT	sacp value used in MO call. default value : '001'B, I440/450
TSPX_BS_21_itc2	B_3	PIXIT	other itc value supported by BS21, it shall be differenet from the previous one if the answer to TSPX_BS_21_more_itc is TRUE. default value : '001'B, UDI
TSPX_BS_22_itc1	B_3	PIXIT	itc value supported by BS22. default value : '010'B, 3.1kHz audio, exPLMN
TSPX_BS_22_more_itc	BOOLEAN	PIXIT	more than one itc value supported by BS22. default value : FALSE, only one itc
TSPX_BS_22_T_NT	BOOLEAN	PIXIT	both T and NT supported by BS22. default value : FALSE, not support both transparent and non transparent modes
TSPX_BS_22_ce	B_2	PIXIT	ce value used in MO call and if the answer to TSPX_BS_22_T_NT is FALSE, the manufacturer must precise which mode is supported by the MS. default value : '01'B, non transparent
TSPX_BS_22_sacp	B_3	PIXIT	sacp value used in MO call. default value : '001'B, I440/450
TSPX_BS_22_itc2	B_3	PIXIT	other itc value supported by

TSPX_BS_23_itc	B_3	PIXIT	BS22, it shall be differenet from the previous one if the answer to TSPX_BS_22_more_itc is TRUE. default value : '010'B, 3.1kHz audio, exPLMN itc value supported by BS23. default value : '010'B, 3.1kHz audio, exPLMN
TSPX_BS_23_T_NT	BOOLEAN	PIXIT	both T and NT supported for BS23. default value : FALSE, not support both transparent and non transparent modes
TSPX_BS_23_ce	B_2	PIXIT	ce value used in MO call. default value : '00'B, transparent
TSPX_BS_23_sacp	B_3	PIXIT	sacp value used in MO call. default value : '001'B, I440/450
TSPX_BS_24_itc1	B_3	PIXIT	itc value supported by BS24. default value : '010'B, 3.1kHz audio, exPLMN
TSPX_BS_24_more_itc	BOOLEAN	PIXIT	more than one itc value supported by BS24. default value : FALSE, only one itc
TSPX_BS_24_T_NT	BOOLEAN	PIXIT	both T and NT supported by BS24. default value : FALSE, not support both transparent and non transparent modes
TSPX_BS_24_ce	B_2	PIXIT	ce value used in MO call and if the answer to TSPX_BS_24_T_NT is FALSE, the manufacturer must precise which mode is supported by the MS. default value : '00'B, transparent
TSPX_BS_24_sacp	B_3	PIXIT	sacp value used in MO call. default value : '001'B, I440/450
TSPX_BS_24_itc2	B_3	PIXIT	other itc value supported by BS24, it shall be differenet from the previous one if the answer to TSPX_BS_24_more_itc is TRUE. default value : '010'B, 3.1kHz audio, exPLMN
TSPX_BS_25_itc1	B_3	PIXIT	itc value supported by BS25. default value : '001'B, UDI
TSPX_BS_25_more_itc	BOOLEAN	PIXIT	more than one itc value supported by BS25. default value : FALSE, only one itc
TSPX_BS_25_T_NT	BOOLEAN	PIXIT	both T and NT supported by BS25. default value : FALSE, not support both transparent and non transparent modes
TSPX_BS_25_ce	B_2	PIXIT	ce value used in MO call and if the answer to TSPX_BS_25_T_NT is FALSE, the manufacturer must precise which mode is supported by the MS. default value : '00'B, transparent
TSPX_BS_25_sacp	B_3	PIXIT	sacp value used in MO call. default value : '001'B, I440/450
TSPX_BS_25_itc2	B_3	PIXIT	other itc value supported by BS25, it shall be differenet from the previous one if the answer to TSPX_BS_25_more_itc is TRUE. default value : '001'B, UDI
TSPX_BS_26_itc1	B_3	PIXIT	itc value supported by BS26. default value : '010'B, 3.1kHz audio, exPLMN
TSPX_BS_26_more_itc	BOOLEAN	PIXIT	more than one itc value supported by BS26. default value : FALSE, only one itc
TSPX_BS_26_T_NT	BOOLEAN	PIXIT	both T and NT supported by BS26. default value : FALSE, not support both transparent and non transparent modes

TSPX_BS_26_ce	B_2	PIXIT	ce value used in MO call and if the answer to TSPX_BS_26_T_NT is FALSE, the manufacturer must precise which mode is supported by the MS. default value : '00'B, transparent
TSPX_BS_26_sacp	B_3	PIXIT	sacp value used in MO call. default value : '001'B, I440/450
TSPX_BS_26_itc2	B_3	PIXIT	other itc value supported by BS26, it shall be differenet from the previous one if the answer to TSPX_BS_26_more_itc is TRUE. default value : '010'B, 3.1kHz audio, exPLMN
TSPX_BS_31_more_itc	BOOLEAN	PIXIT	more than one itc value supported by BS31. default value : FALSE, only one itc
TSPX_BS_31_more_sacp	BOOLEAN	PIXIT	more than one sacp value supported by BS31. default value : FALSE, only one sacp
TSPX_BS_31_itc1	B_3	PIXIT	itc value supported by BS31. default value : '001'B, UDI
TSPX_BS_31_sacp1	B_3	PIXIT	sacp value supported by BS31. default value : '001'B, I440/450
TSPX_BS_31_itc2	B_3	PIXIT	other itc value supported by BS31, it shall be differenet from the previous one if the answer to TSPX_BS_31_more_itc is TRUE. default value : '001'B, UDI
TSPX_BS_31_sacp2	B_3	PIXIT	other sacp value supported by BS31, it shall be differenet from the previous one if the answer to TSPX_BS_31_more_sacp is TRUE. default value : '001'B, I440/450
TSPX_BS_32_itc1	B_3	PIXIT	itc value supported by BS32. default value : '010'B, 3.1kHz audio, exPLMN
TSPX_BS_32_more_itc	BOOLEAN	PIXIT	more than one itc value supported by BS32. default value : FALSE, only one itc
TSPX_BS_32_more_sacp	BOOLEAN	PIXIT	more than one sacp value supported by BS32. default value : FALSE, only one sacp
TSPX_BS_32_sacp1	B_3	PIXIT	sacp value supported by BS32. default value : '110'B, X.32
TSPX_BS_32_X32_T_NT	BOOLEAN	PIXIT	BS 32 both T and NT supported for X32 3.1kHz. default value : FALSE, not support both transparent and non transparent modes
TSPX_BS_32_X32_ce	B_2	PIXIT	if the answer to TSPX_BS_32_X32_T_NT is FALSE, the manufacturer must precise which mode is supported by the MS. default value : '01'B, non transparent
TSPX_BS_32_itc2	B_3	PIXIT	other itc value supported by BS32, it shall be differenet from the previous one if the answer to TSPX_BS_32_more_itc is TRUE. default value : '010'B, 3.1kHz audio, exPLMN
TSPX_BS_32_sacp2	B_3	PIXIT	other sacp value supported by BS32, it shall be differenet from the previous one if the answer to TSPX_BS_32_more_sacp is TRUE. default value : '110'B, X.32
TSPX_BS_33_itc1	B_3	PIXIT	itc value supported by BS33. default value : '001'B, UDI
TSPX_BS_33_more_itc	BOOLEAN	PIXIT	more than one itc value supported by BS33. default value : FALSE, only one itc

TSPX_BS_33_more_sacp	BOOLEAN	PIXIT	more than one sacp value supported by BS33. default value : FALSE, only one sacp
TSPX_BS_33_sacp1	B_3	PIXIT	sacp value supported by BS33. default value : '010'B, X.21
TSPX_BS_33_X32_T_NT	BOOLEAN	PIXIT	BS 33 both T and NT supported for X32 3.1kHz. default value : FALSE, not support both transparent and non transparent modes
TSPX_BS_33_X32_ce	B_2	PIXIT	if the answer to TSPX_BS_33_X32_T_NT is FALSE, the manufacturer must precise which mode is supported by the MS. default value : '00'B, transparent
TSPX_BS_33_itc2	B_3	PIXIT	other itc value supported by BS32, it shall be differenet from the previous one if the answer to TSPX_BS_33_more_itc is TRUE. default value : '001'B, UDI
TSPX_BS_33_sacp2	B_3	PIXIT	other sacp value supported by BS33, it shall be differenet from the previous one if the answer to TSPX_BS_33_more_sacp is TRUE. default value : '010'B, X.21
TSPX_BS_34_itc1	B_3	PIXIT	itc value supported by BS34. default value : '010'B, 3.1kHz audio, exPLMN
TSPX_BS_34_more_itc	BOOLEAN	PIXIT	more than one itc value supported by BS34. default value : FALSE, only one itc
TSPX_BS_34_more_sacp	BOOLEAN	PIXIT	more than one sacp value supported by BS34. default value : FALSE, only one sacp
TSPX_BS_34_sacp1	B_3	PIXIT	sacp value supported by BS34. default value : '001'B, I440/450
TSPX_BS_34_X32_T_NT	BOOLEAN	PIXIT	BS 34 both T and NT supported for X32 3.1kHz. default value : FALSE, not support both transparent and non transparent modes
TSPX_BS_34_X32_ce	B_2	PIXIT	if the answer to TSPX_BS_34_X32_T_NT is FALSE, the manufacturer must precise which mode is supported by the MS. default value : '00'B, transparent
TSPX_BS_34_itc2	B_3	PIXIT	other itc value supported by BS34, it shall be differenet from the previous one if the answer to TSPX_BS_34_more_itc is TRUE. default value : '010'B, 3.1kHz audio, exPLMN
TSPX_BS_34_sacp2	B_3	PIXIT	other sacp value supported by BS34, it shall be differenet from the previous one if the answer to TSPX_BS_34_more_sacp is TRUE. default value : '001'B, I440/450
TSPX_BS_41_T_NT	BOOLEAN	PIXIT	BS41 both T and NT supported . default value : FALSE, not support both
TSPX_BS_41_ce	B_2	PIXIT	ce value used in BS41 MO call. default value : '00'B, transparent
TSPX_BS_42_T_NT	BOOLEAN	PIXIT	BS42 both T and NT supported . default value : FALSE, not support both transparent and non transparent modes
TSPX_BS_42_ce	B_2	PIXIT	ce value used in BS42 MO call. default value : '010'B, non transparent
TSPX_BS_43_T_NT	BOOLEAN	PIXIT	BS43 both T and NT supported . default value : FALSE, not

TSPX_BS_43_ce	B_2	PIXIT	support both transparent and non transparent modes
TSPX_BS_44_T_NT	BOOLEAN	PIXIT	ce value used in BS43 MO call. default value : '00'B, transparent BS44 both T and NT supported . default value : FALSE, not support both transparent and non transparent modes
TSPX_BS_44_ce	B_2	PIXIT	ce value used in BS44 MO call. default value : '00'B, transparent
TSPX_BS_45_T_NT	BOOLEAN	PIXIT	BS45 both T and NT supported . default value : FALSE, not support both transparent and non transparent modes
TSPX_BS_45_ce	B_2	PIXIT	ce value used in BS45 MO call. default value : '01'B, non transparent
TSPX_BS_46_T_NT	BOOLEAN	PIXIT	BS46 both T and NT supported . default value : FALSE, not support both transparent and non transparent modes
TSPX_BS_46_ce	B_2	PIXIT	ce value used in BS46 MO call. default value : '00'B, transparent
TSPX_BS_61_S	BOOLEAN	PIXIT	synchronous data supported by BS 61 . default value : TRUE, synchronous mode
TSPX_BS_61_S_more_ur	BOOLEAN	PIXIT	more than one user rate for synchronous data service supported by BS61. default value : FALSE, only one user rate
TSPX_BS_61_S_ur1	B_4	PIXIT	usrer rate value supported for synchronous data service of BS61. default value : '0100'B, 4.8 kbit/s
TSPX_BS_61_S_ur2	B_4	PIXIT	another usrer rate value supported for synchronous data service of BS61. it shall be different from the previous one if the answer to TSPX_BS_61_S_more_ur is TRUE. default value : '0100'B, 4.8 kbit/s
TSPX_BS_61_A	BOOLEAN	PIXIT	asynchronous data service supported by BS61 . default value : TRUE, asynchronous
TSPX_BS_61_A_ur1	B_4	PIXIT	usrer rate value supported for asynchronous data service of BS61. default value : '0101'B, 9.6 kbit/s
TSPX_BS_61_A_ur1_T_NT	BOOLEAN	PIXIT	both T and NT supported for the rate TSPX_BS_61_A_ur1 of BS61. default value : FALSE, not support both transparent and non transparent modes
TSPX_BS_61_A_ur1_ce	B_2	PIXIT	if the answer to TSPX_BS_61_A_ur1_T_NT is FALSE, the manufacturer must precise which mode is supported by the MS. default value : '00'B, transparent
TSPX_BS_61_A_more_ur	BOOLEAN	PIXIT	more than one user rate for asynchronous data service supported by BS61. default value : FALSE, only one user rate
TSPX_BS_61_A_ur2	B_4	PIXIT	another usrer rate value supported for asynchronous data service of BS61. it shall be different from the previous one if the answer to TSPX_BS_61_A_more_ur is TRUE. default value : '0101'B, 9.6 kbit/s
TSPX_BS_61_A_ur2_T_NT	BOOLEAN	PIXIT	both T and NT supported for the rate TSPX_BS_61_A_ur2 of BS61. default value : FALSE, not

TSPX_BS_81_S	BOOLEAN	PIXIT	support both transparent and non transparent modes
TSPX_BS_81_S_more_ur	BOOLEAN	PIXIT	synchronous data supported by BS 81. default value : TRUE, synchronous mode
TSPX_BS_81_S_ur1	B_4	PIXIT	more than one user rate for synchronous data service supported by BS81. default value : FALSE, only one user rate
TSPX_BS_81_S_ur2	B_4	PIXIT	usrer rate value supported for synchronous data service of BS81. default value : '0101'B, 9.6 kbit/s
TSPX_BS_81_A	BOOLEAN	PIXIT	another usrer rate value supported for synchronous data service of BS81. it shall be different from the previous one if the answer to TSPX_BS_81_S_more_ur is TRUE. default value : '0101'B, 9.6 kbit/s
TSPX_BS_81_A_ur1	B_4	PIXIT	asynchronous data service supported by BS81. default value : TRUE, asynchronous mode
TSPX_BS_81_A_ur1_T_NT	BOOLEAN	PIXIT	usrer rate value supported for asynchronous data service of BS81. default value : '0100'B, 4.8 kbit/s
TSPX_BS_81_A_ur1_ce	B_2	PIXIT	both T and NT supported for the rate TSPX_BS_81_A_ur1 of BS81. default value : FALSE, not support both transparent and non transparent modes
TSPX_BS_81_A_more_ur	BOOLEAN	PIXIT	if the answer to TSPX_BS_81_A_ur1_T_NT is FALSE, the manufacturer must precise which mode is supported by the MS. default value : '01'B, non transparent
TSPX_BS_81_A_ur2	B_4	PIXIT	more than one user rate for asynchronous data service supported by BS81. default value : FALSE, only one user rate
TSPX_BS_81_A_ur2_T_NT	BOOLEAN	PIXIT	another usrer rate value supported for asynchronous data service of BS81. it shall be different from the previous one if the answer to TSPX_BS_81_A_more_ur is TRUE. default value : '0100'B, 4.8 kbit/s
TSPX_TS_61_T_NT	BOOLEAN	PIXIT	both T and NT supported for the rate TSPX_BS_81_A_ur2 of BS81. default value : FALSE, not support both transparent and non transparent modes
TSPX_TS_61_ce	B_2	PIXIT	both T and NT supported for TS61(fax). default value : FALSE, not support both transparent and non transparent modes
TSPX_TS_61_ur1	B_4	PIXIT	if the answer to TSPX_TS_61_T_NT is FALSE, the manufacturer must precise which mode is supported by the MS. default value : '01'B, non transparent
TSPX_TS_61_more_ur	BOOLEAN	PIXIT	user rate for TS61(fax). default value : '0101'B, 9.6 kbit/s
TSPX_TS_61_ur2	B_4	PIXIT	more than one user rate supported for TS61. default value : FALSE, only one user rate
			another user rate for TS61, it shall be different from the previous one if the answer to TSPX_TS_61_more_ur is TRUE.

TSPX_TS_62_T_NT	BOOLEAN	PIXIT	default value : '0101'B, 9.6 kbit/s both T and NT supported for TS62. default value : FALSE, not support both transparent and non transparent modes
TSPX_TS_62_ce	B_2	PIXIT	if the answer to TSPX_TS_62_T_NT is FALSE, the manufacturer must precise which mode is supported by the MS. default value : '00'B, transparent
TSPX_TS_62_ur1	B_4	PIXIT	user rate for TS62. default value : '0100'B, 4.8 kbit/s
TSPX_TS_62_more_ur	BOOLEAN	PIXIT	more than one user rate supported by TS62. default value : FALSE, only one user rate
TSPX_TS_62_ur2	B_4	PIXIT	another user rate for TS62, it shall be different from the previous one if the answer to TSPX_TS_62_more_ur is TRUE. default value : '0100'B, 4.8 kbit/s
TSPX_DTMF	B_1	PIXIT	call control capabilities: value '1'B means MS supports DTMF
TSPX_modF	CHMOD_VAL	PIXIT	any non signalling full rate channel mode for TC_26_6_4_1
TSPX_modH	CHMOD_VAL	PIXIT	any non signalling half channel mode for TC_26_6_4_1
TSPX_anymod	CHMOD_VAL	PIXIT	channel mode for TC_62_10_2_4_2. Any supported value except signalling and Full rate speech. possible values are '00000011'B' 12k data, '00001011'B 6k data, '0010011'B 3.6k data
TSPX_CKSNA	CKSN	PIXIT	cipher key sequence number
TSPX_CKSNB	CKSN	PIXIT	cipher key sequence number
TSPX_CKSNC	CKSN	PIXIT	cipher key sequence number
TSPX_CKSNDef	CKSN	PIXIT	default cipher key sequence number
TSPX_RfPwrCap	B_3	PIXIT	RF power capability
TSPX_RevLevel	B_2	PIXIT	Revision level of classmark 1
TSPX_CiphAlgA5_1	B_1	PIXIT	A5/1 algorithm: '1'B : available, '0'B: not available
TSPX_CiphAlgA5_2	B_1	PIXIT	A5/2 algorithm: '1'B : available, '0'B: not available
TSPX_CiphAlgA5_3	B_1	PIXIT	A5/3 algorithm: '1'B : available, '0'B: not available
TSPX_CiphAlgA5_4	B_1	PIXIT	A5/4 algorithm: '1'B : available, '0'B: not available
TSPX_CiphAlgA5_5	B_1	PIXIT	A5/5 algorithm: '1'B : available, '0'B: not available
TSPX_CiphAlgA5_6	B_1	PIXIT	A5/6 algorithm: '1'B : available, '0'B: not available
TSPX_CiphAlgA5_7	B_1	PIXIT	A5/7 algorithm: '1'B : available, '0'B: not available
TSPX_pSyncCap	B_1	PIXIT	pseudo synchronisation capability, '0'B: not present '1'B: present
TSPX_SSscrnInd	B_2	PIXIT	SS screen indicator
TSPX_SMCap	B_1	PIXIT	short message capability, '0'B: not present '1'B: present
TSPX_frqCap	B_1	PIXIT	frequency capability. DCS: reserved, GSM: '0'B not support extension band, '1'B support extension band
TSPX_ClsMk3	B_1	PIXIT	classmark 3 indicator, '0'B no additional capability info, '1'B additional capability info in class mark 3
TSPX_RfPwrCapAmp	B_3	PIXIT	RF power capability with external RF amplifier
TSPX_CphAlgA	CPHALG	PIXIT	any supported ciphering algorithm

TSPX_CphAlgB	CPHALG	PIXIT	ciphering algorithm supported
TSPX_CphAlgC	CPHALG	PIXIT	ciphering algorithm supported
TSPX_CphAlgD	CPHALG	PIXIT	ciphering algorithm supported
TSPX_CphAlgE	CPHALG	PIXIT	ciphering algorithm supported
TSPX_CphAlgDef	CPHALG	PIXIT	default ciphering algorithm
TSPX_DTMFlnd	BOOLEAN	PIXIT	DTMF indication to user supported
TSPX_NoOfHoAccA	INTEGER	PIXIT	number of handover access bursts, value range 10 - 20
TSPX_NoOfHoAccB	INTEGER	PIXIT	number of handover access bursts, value range 10 - 20
TSPX_NoOfHoAccC	INTEGER	PIXIT	number of handover access bursts, value range 10 - 20
TSPX_NoOfHoAccD	INTEGER	PIXIT	number of handover access bursts, value range 5 - 10
TSPX_NoOfHoAccE	INTEGER	PIXIT	number of handover access bursts, value range 5 - 10
TSPX_NoOfHoAccF	INTEGER	PIXIT	number of handover access bursts, value range 5 - 10
TSPX_NoOfHoAccG	INTEGER	PIXIT	number of handover access bursts, value range 2 - 5
TSPX_NoOfHoAccH	INTEGER	PIXIT	number of handover access bursts, value range 2 - 5
TSPX_NoOfHoAccI	INTEGER	PIXIT	number of handover access bursts, value range 2 - 5
TSPX_HoRefA	HORF	PIXIT	Hand over reference, GSM 04.08, 10.5.2.15
TSPX_HoRefB	HORF	PIXIT	Hand over reference, GSM 04.08, 10.5.2.15
TSPX_HoRefC	HORF	PIXIT	Hand over reference, GSM 04.08, 10.5.2.15
TSPX_HoRefD	HORF	PIXIT	Hand over reference, GSM 04.08, 10.5.2.15
TSPX_HoRefE	HORF	PIXIT	Hand over reference, GSM 04.08, 10.5.2.15
TSPX_HoRefF	HORF	PIXIT	Hand over reference, GSM 04.08, 10.5.2.15
TSPX_HoRefG	HORF	PIXIT	Hand over reference, GSM 04.08, 10.5.2.15
TSPX_HoRefH	HORF	PIXIT	Hand over reference, GSM 04.08, 10.5.2.15
TSPX_HoRefI	HORF	PIXIT	Hand over reference, GSM 04.08, 10.5.2.15
TSPX_HoRefJ	HORF	PIXIT	Hand over reference, GSM 04.08, 10.5.2.15
TSPX_HSN	INTEGER	PIXIT	Hopping sequence number value range: 0 - 63
TSPX_IMSI	HEXSTRING	PIXIT	IMSI of the MS
TSPX_IMEI	HEXSTRING	PIXIT	IMEI of the MS.
TSPX_IMEISV	HEXSTRING	PIXIT	IMEISV of the MS. Used in: TC_26_6_8_5, TC_26_7_3_1
TSPX_Ki	BITSTRING	PIXIT	default authentication key used in testing
TSPX_MAIO	INTEGER	PIXIT	mobile allocation index offset, value range: 0 - 63
TSPX_MaxRetrans	INTEGER	PIXIT	Max-Retrans
TSPX_MSTxpwrMax	MAXTXPOW	PIXIT	maximum output power from MS
TSPX_PwrlvlA	INTEGER	PIXIT	power level, value between 2 to 15
TSPX_PwrlvlB	INTEGER	PIXIT	power level, value between 2 to 15
TSPX_PwrlvlC	INTEGER	PIXIT	power level, value between 2 to 15
TSPX_PwrlvlD	INTEGER	PIXIT	power level, value between 2 to 15
TSPX_RANDA	RAND	PIXIT	challenge RAND
TSPX_RANDB	RAND	PIXIT	challenge RAND

TSPX_RANDC	RAND	PIXIT	challenge RAND
TSPX_RANDDef	RAND	PIXIT	default challenge RAND
TSPX_SDCCH4SubA	B_2	PIXIT	TDMA offset of SDCCH/4 subchannel
TSPX_SDCCH4SubB	B_2	PIXIT	TDMA offset of SDCCH/4 subchannel
TSPX_SDCCH4SubC	B_2	PIXIT	TDMA offset of SDCCH/4 subchannel
TSPX_SDCCH4SubDef	B_2	PIXIT	TDMA offset of default SDCCH/4 subchannel
TSPX_SDCCH8SubA	B_3	PIXIT	TDMA offset of SDCCH/8 subchannel
TSPX_SDCCH8SubB	B_3	PIXIT	TDMA offset of SDCCH/8 subchannel
TSPX_SDCCH8SubC	B_3	PIXIT	TDMA offset of SDCCH/8 subchannel
TSPX_SDCCH8SubD	B_3	PIXIT	TDMA offset of SDCCH/8 subchannel
TSPX_SDCCH8SubE	B_3	PIXIT	TDMA offset of SDCCH/8 subchannel
TSPX_SDCCH8SubF	B_3	PIXIT	TDMA offset of SDCCH/8 subchannel
TSPX_SDCCH8SubG	B_3	PIXIT	TDMA offset of SDCCH/8 subchannel
TSPX_SDCCH8SubDef	B_3	PIXIT	TDMA offset of default SDCCH/8 subchannel
TSPX_TC1M	INTEGER	PIXIT	timer value for GSM timer TC1M (for SMS)
TSPX_MaxCPDataRetx	INTEGER	PIXIT	max. number of CP data retransmissions for SMS
TSPX_Immconn	BOOLEAN	PIXIT	Immediate connect supported
TSPX_TimadvA	INTEGER	PIXIT	timing advance
TSPX_TimadvB	INTEGER	PIXIT	timing advance
TSPX_TimadvC	INTEGER	PIXIT	timing advance
TSPX_TmSltA	SN	PIXIT	time slot
TSPX_TmSltB	SN	PIXIT	time slot
TSPX_TmSltC	SN	PIXIT	time slot
TSPX_TmSltD	SN	PIXIT	time slot
TSPX_TmSltE	SN	PIXIT	time slot
TSPX_TmSltF	SN	PIXIT	time slot
TSPX_TmSltG	SN	PIXIT	time slot
TSPX_TmSltDef	SN	PIXIT	default time slot
TSPX_TmSltNotZero	SN	PIXIT	time slot, arbitrarily value, but not zero.
TSPX_TmSltNotZero1	SN	PIXIT	time slot, arbitrarily value, but not zero and not TSPX_TmSltNotZero
TSPX_Txint	INTEGER	PIXIT	Tx-Integer
TSPX_TscA	TSC	PIXIT	training sequence code
TSPX_TscB	TSC	PIXIT	training sequence code
TSPX_TscC	TSC	PIXIT	training sequence code
TSPX_TscD	TSC	PIXIT	training sequence code
TSPX_TscE	TSC	PIXIT	training sequence code
TSPX_TscF	TSC	PIXIT	training sequence code
TSPX_TscG	TSC	PIXIT	training sequence code
TSPX_TscDef	TSC	PIXIT	default TSC
TSPX_T3122	WI	PIXIT	value of timer T3122, HEXSTRING[2]
TSPX_TCHcarrierA_ho	INTEGER	PIXIT	the value can be chosen arbitrarily from cell allocation of cell A (GSM), but not BCCH carrier .possible value is : 10, 17, 26, 34, 42, 45, 46, 52, 59, 66, 73, 74, 75, 76, 108, 114
TSPX_TCHcarrierA_hod	INTEGER	PIXIT	the value can be chosen arbitrarily from cell allocation of cell A (DCS), but not BCCH carrier . possible value is : 734,741,754,759,762,766,767,773,775,779,782,791,798,829,832,8

TSPX_TCHcarrierB	INTEGER	PIXIT	44 TCH and SDCCH channel frequency number of cell B (GSM)
TSPX_TCHcarrierBd	INTEGER	PIXIT	TCH and SDCCH channel frequency number of cell B (DCS)
TSPX_TCHcarrierB_ho	INTEGER	PIXIT	the value can be chosen arbitrarily from cell allocation of cell B (GSM), but not BCCH carrier . possibles value is : 14,18,22,24,30,31,38,60,66,73,74,75,76,108,114
TSPX_TCHcarrierB_hod	INTEGER	PIXIT	not BCCH carrier of cell B. the value can be chosen arbitrarily from cell allocation of cell B (DCS), which is (739,743,746,749,756,758,761,771,779,782,791,798,829,832,844)
TSPX_TCHcarrierB2_ho	INTEGER	PIXIT	Chosen arbitrarily from cell allocation B for GSM HO cases, but not BCCH carrier!
TSPX_TCHcarrierB2_hod	INTEGER	PIXIT	Chosen arbitrarily from cell allocation B for DCS HO cases, but not BCCH carrier!
TSPX_TCHHSubA	B_1	PIXIT	TDMA offset of half rate subchannel
TSPX_TCHHSubDef	B_1	PIXIT	TDMA offset of default half rate subchannel
TSPX_TMSI	TMSI_V	PIXIT	TMSI of the MS used in test
TSPX_TMSI1	TMSI_V	PIXIT	another TMSI used in test which shall differ from TSPX_TMSI, TSPX_TMSI + '01'O TSPX_TMSI + '02'O TSPX_TMSI + '03'O
TSPX_Uupd	B_8	PIXIT	user-user protocol discriminator
TSPX_UuInfo	OCTETSTRING	PIXIT	user-user information
TSPX_k	INTEGER	PIXIT	timing of cell A before cell B k bit periods for TC_26_6_5_1, TC_26_6_5_2 ?, TC_26_6_5_3 ?, TC_26_6_5_4 ?.
TSPX_y	INTEGER	PIXIT	timing advance for TC_26_6_5_3 ?, TC_26_6_5_4 ?, TC_26_6_5_5 ? . The values of TSPX_k (or TSPX_k1) and TSPX_y: $0 < (2 * TSPX_k + TSPX_y) \text{ MOD } 256 < 60$.
TSPX_k1	INTEGER	PIXIT	timing of cell A before cell B k bit periods for TC_26_6_5_5 ?
TSPX_k2	INTEGER	PIXIT	timing of cell A before cell B k bit periods for TC_26_6_5_6
TSPX_y2	INTEGER	PIXIT	timing advance for TC_26_6_5_6, value range : 11 - 62.
TSPX_k3	INTEGER	PIXIT	timing of cell A before cell B k bit periods for TC_26_6_5_7
TSPX_y3	INTEGER	PIXIT	timing advance for TC_26_6_5_7
TSPX_nPara	INTEGER	PIXIT	the n'th ChReq for TC_26_6_1_2, shall be choose to [1..8], MAXRETRANS for TC_26_6_1_2 is 7 (See 11.10 for more explanation).
TSPX_kPara	INTEGER	PIXIT	the k'th ChReq for TC_26_6_1_2
TSPX_rPara	INTEGER	PIXIT	the r'th ChReq for TC_26_6_1_2
TSPX_i1Para	INTEGER	PIXIT	for TC_26_1_2
TSPX_i2Para	INTEGER	PIXIT	for TC_26_1_2
TSPX_i3Para	INTEGER	PIXIT	the r'th ChReq for TC_26_6_1_2
TSPX_n1Para	INTEGER	PIXIT	the n'th ChReq for TC_26_6_1_3
TSPX_i4Para	INTEGER	PIXIT	for TC_26_6_1_3
TSPX_xPara	INTEGER	PIXIT	t3122 for TC_26_6_1_3
TSPX_AGBLKS1	INTEGER	PIXIT	BS-AG-BLKS-RES for TC_26_6_2_3_1, TC_26_6_2_1_1

TSPX_PAMFRMS1	INTEGER	PIXIT	BS-PA-MFRMS for TC_26_6_2_3_1 (shall not be set to 9), TC_26_6_2_1_1
TSPX_CcchConf1	CCCH_CON	PIXIT	paging subchannel for TC_26_6_2_3_1, TC_26_6_2_1_1
TSPX_PgSubch	INTEGER	PIXIT	paging subchannel for TC_26_6_2_3_1
TSPX_AGBLKS2	INTEGER	PIXIT	BS-AG-BLKS-RES for TC_26_6_2_3_2, TC_26_6_2_1_2
TSPX_PAMFRMS2	INTEGER	PIXIT	BS-PA-MFRMS for TC_26_6_2_3_2, TC_26_6_2_1_2
TSPX_CcchConf2	CCCH_CON	PIXIT	paging subchannel for TC_26_6_2_3_2, TC_26_6_2_1_2
TSPX_AGBLKS3	INTEGER	PIXIT	BS-AG-BLKS-RES for TC_26_6_2_4, TC_26_6_2_2, TC_26_6_2_1_3
TSPX_PAMFRMS3	INTEGER	PIXIT	BS-PA-MFRMS for TC_26_6_2_4, TC_26_6_2_2, TC_26_6_2_1_3
TSPX_CcchConf3	CCCH_CON	PIXIT	paging subchannel for TC_26_6_2_4, TC_26_6_2_2, TC_26_6_2_1_3
TSPX_AGBLKS4	INTEGER	PIXIT	BS-AG-BLKS-RES for TC_26_6_2_5
TSPX_PAMFRMS4	INTEGER	PIXIT	BS-PA-MFRMS for TC_26_6_2_5
TSPX_CcchConf4	CCCH_CON	PIXIT	paging subchannel for TC_26_6_2_5 (shall be in the set ('010', '100', '110'))
TSPX_Chtp1	CH_TDMA	PIXIT	channel type for TC_26_6_13_1, any value supported by the MS
TSPX_ChMod1	CHMOD_VAL	PIXIT	channel mode for TC_26_6_13_1, any value for the channel type of TSPX_Chtp1
TSPX_Maio1	INTEGER	PIXIT	hopping parameter for TC_26_6_13_1, its value between 0 and (the number of frequencies) -1, which is defined in TSPX_Ma1, default : 2
TSPX_Ma1	MAC	PIXIT	mobile allocation for TC_26_6_13_1, its value shall indicate number of frequencies between 1 and 17. default : '010101'O
TSPX_Hsn1	INTEGER	PIXIT	hopping parameter for TC_26_6_13_1. default: 1
TSPX_Maio2	INTEGER	PIXIT	hopping parameter for TC_26_6_13_1, its value between 0 and (the number of frequencies) -1, which is defined in TSPX_Ma2, default : 8
TSPX_Ma2	MAC	PIXIT	mobile allocation for TC_26_6_13_1, its value shall indicate number of frequencies between 1 and 17. default : '01362A5'O
TSPX_Hsn2	INTEGER	PIXIT	hopping parameter for TC_26_6_13_1, default : 6
TSPX_Maio3	INTEGER	PIXIT	hopping parameter for TC_26_6_13_1, its value between 0 and (the number of frequencies) -1, which is defined in TSPX_Ma3, default : 14
TSPX_Ma3	MAC	PIXIT	mobile allocation for TC_26_6_13_1, its value shall indicate number of frequencies between 1 and 17. default : '01FFFA'O
TSPX_Hsn3	INTEGER	PIXIT	hopping parameter for TC_26_6_13_1, default : 0

TSPX_Chtp2	CH_TDMA	PIXIT	channel type for TC_26_6_13_2, any value supported by the MS
TSPX_ChMod2	CHMOD_VAL	PIXIT	channel mode for TC_26_6_13_2
TSPX_Maio4	INTEGER	PIXIT	hopping parameter for TC_26_6_13_2, its value between 0 and (the number of frequencies) -1, which is defined in TSPX_Ma4, default : 3
TSPX_Ma4	MAC	PIXIT	mobile allocation for TC_26_6_13_2, its value shall indicate number of frequencies between 1 and 17. default : '001141'O
TSPX_Hsn4	INTEGER	PIXIT	hopping parameter for TC_26_6_13_2, default : 0
TSPX_Maio5	INTEGER	PIXIT	hopping parameter for TC_26_6_13_2, its value between 0 and (the number of frequencies) -1, which is defined in TSPX_Ma5, default : 9
TSPX_Ma5	MAC	PIXIT	mobile allocation for TC_26_6_13_2, its value shall indicate number of frequencies between 1 and 17. default : '01ABCB'O
TSPX_Hsn5	INTEGER	PIXIT	hopping parameter for TC_26_6_13_2, default : 16
TSPX_Chtp3	CH_TDMA	PIXIT	channel type for TC_26_6_13_3, any value supported by the MS
TSPX_Maio6	INTEGER	PIXIT	hopping parameter for TC_26_6_13_3, its value between 0 and (the number of frequencies) -1, which is defined in TSPX_Ma6, default : 4
TSPX_Ma6	MAC	PIXIT	mobile allocation for TC_26_6_13_3, its value shall indicate number of frequencies between 1 and 17. default : '006248'O
TSPX_Hsn6	INTEGER	PIXIT	hopping parameter for TC_26_6_13_3, default : 4
TSPX_Maio7	INTEGER	PIXIT	hopping parameter for TC_26_6_13_3, its value between 0 and (the number of frequencies) -1, which is defined in TSPX_Ma7, default : 10
TSPX_Ma7	MAC	PIXIT	mobile allocation for TC_26_6_13_3, its value shall indicate number of frequencies between 2 and 17. default : '009AFB'O
TSPX_Chtp4	CH_TDMA	PIXIT	channel type for TC_26_6_13_3, any value supported by the MS
TSPX_Maio8	INTEGER	PIXIT	hopping parameter for TC_26_6_13_3, its value between 0 and (the number of frequencies) -1, which is defined in TSPX_Ma8, default : 1
TSPX_Ma8	MAC	PIXIT	mobile allocation for TC_26_6_13_3, its value shall indicate number of frequencies between 2 and 17. default : '002800'O
TSPX_Hsn8	INTEGER	PIXIT	hopping parameter for TC_26_6_13_3, default : 40
TSPX_Maio9	INTEGER	PIXIT	hopping parameter for TC_26_6_13_3, its value between 0 and (the number of frequencies) -1, which is defined in TSPX_Ma9, default : 15
TSPX_Ma9	MAC	PIXIT	mobile allocation for TC_26_6_13_3, its value shall indicate number of frequencies between 2 and 17. default :

TSPX_Hsn9	INTEGER	PIXIT	'01FFFB'O hopping parameter for TC_26_6_13_3, default : 8
TSPX_Chtp5	CH_TDMA	PIXIT	SDCCH8 subchannel immediately assigned, TC_26_6_13_4
TSPX_Maio10	INTEGER	PIXIT	hopping parameter for TC_26_6_13_4, its value between 0 and (the number of frequencies) -1, which is defined in TSPX_Ma10, default : 5
TSPX_Ma10	MAC	PIXIT	mobile allocation for TC_26_6_13_4, its value shall indicate number of frequencies between 1 and 17. default : '01D082'O
TSPX_Hsn10	INTEGER	PIXIT	hopping parameter for TC_26_6_13_4, default: 0
TSPX_Maio11	INTEGER	PIXIT	hopping parameter for TC_26_6_13_4, its value between 0 and (the number of frequencies) -1, which is defined in TSPX_Ma11, default : 11
TSPX_Ma11	MAC	PIXIT	mobile allocation for TC_26_6_13_4, its value shall indicate number of frequencies between 2 and 17. default : '00CFF3'O
TSPX_Chtp6	CH_TDMA	PIXIT	channel type of a non- existing channel in Assignment Cmd, TC_26_6_13_4
TSPX_Maio12	INTEGER	PIXIT	hopping parameter for TC_26_6_13_4, its value between 0 and (the number of frequencies) -1, which is defined in TSPX_Ma12, default : 1
TSPX_Ma12	MAC	PIXIT	mobile allocation for TC_26_6_13_4, its value shall indicate number of frequencies between 1 and 17. default : '010100'O
TSPX_Hsn12	INTEGER	PIXIT	hopping parameter for TC_26_6_13_4, default : 39
TSPX_Maio13	INTEGER	PIXIT	hopping parameter for TC_26_6_13_4, its value between 0 and (the number of frequencies) -1, which is defined in TSPX_Ma13, default : 6
TSPX_Ma13	MAC	PIXIT	mobile allocation for TC_26_6_13_4, its value shall indicate number of frequencies between 1 and 17. default : '00E690'O
TSPX_Hsn13	INTEGER	PIXIT	hopping parameter for TC_26_6_13_4, default: 42
TSPX_Chtp7	CH_TDMA	PIXIT	channel type for TC_26_6_13_5
TSPX_ChMod4	CHMOD_VAL	PIXIT	channel mode for TC_26_6_13_5
TSPX_Maio14	INTEGER	PIXIT	hopping parameter for TC_26_6_13_5, its value between 0 and (the number of frequencies) -1, which is defined in TSPX_Ma14, default : 5
TSPX_Ma14	MAC	PIXIT	mobile allocation for TC_26_6_13_5, its value shall indicate number of frequencies between 1 and 17. default : '014A28'O
TSPX_Hsn14	INTEGER	PIXIT	hopping parameter for TC_26_6_13_5, default : 50
TSPX_Maio15	INTEGER	PIXIT	hopping parameter for TC_26_6_13_5, its value between 0 and (the number of frequencies) -1, which is defined in TSPX_Ma15, default : 12
TSPX_Ma15	MAC	PIXIT	mobile allocation for

TSPX_Hsn15	INTEGER	PIXIT	TC_26_6_13_5, its value shall indicate number of frequencies between 1 and 16. default : '00FF79'O
TSPX_Maio16	INTEGER	PIXIT	hopping parameter for TC_26_6_13_5, default : 33
TSPX_Ma16	MAC	PIXIT	hopping parameter for TC_26_6_13_5, its value between 0 and (the number of frequencies) -1, which is defined in TSPX_Ma16, default : 2
TSPX_Hsn16	INTEGER	PIXIT	mobile allocation for TC_26_6_13_5, its value shall indicate number of frequencies between 1 and 16. default : '001110'O
TSPX_Chtp8	CH_TDMA	PIXIT	hopping parameter for TC_26_6_13_5, default : 21
TSPX_ChMod5	CHMOD_VAL	PIXIT	channel type for TC_26_6_13_6
TSPX_Maio17	INTEGER	PIXIT	channel mode for TC_26_6_13_6
TSPX_Ma17	MAC	PIXIT	hopping parameter for TC_26_6_13_6, its value between 0 and (the number of frequencies) -1, which is defined in TSPX_Ma17, default : 7
TSPX_Hsn17	INTEGER	PIXIT	mobile allocation for TC_26_6_13_6, its value shall indicate number of frequencies between 1 and 17. default : '00E6A1'O
TSPX_Maio18	INTEGER	PIXIT	hopping parameter for TC_26_6_13_6, default : 22
TSPX_Ma18	MAC	PIXIT	hopping parameter for TC_26_6_13_6, its value between 0 and (the number of frequencies) -1, which is defined in TSPX_Ma18, default : 13
TSPX_Hsn18	INTEGER	PIXIT	mobile allocation for TC_26_6_13_6, its value shall indicate number of frequencies between 1 and 16. default : '00FFF9'O
TSPX_Maio19	INTEGER	PIXIT	hopping parameter for TC_26_6_13_6, default : 9
TSPX_Ma19	MAC	PIXIT	hopping parameter for TC_26_6_13_6, its value between 0 and (the number of frequencies) -1, which is defined in TSPX_Ma19, default : 3
TSPX_Hsn19	INTEGER	PIXIT	mobile allocation for TC_26_6_13_6, its value shall indicate number of frequencies between 1 and 16. default : '001111'O
TSPX_Chtp9	CH_TDMA	PIXIT	hopping parameter for TC_26_6_13_6, default : 44
TSPX_ChMod6	CHMOD_VAL	PIXIT	channel type for TC_26_6_13_7
TSPX_Maio20	INTEGER	PIXIT	channel mode for TC_26_6_13_7
TSPX_Ma20	MAC	PIXIT	hopping parameter for TC_26_6_13_7, its value between 0 and (the number of frequencies) -1, which is defined in TSPX_Ma20, default : 8
TSPX_Hsn20	INTEGER	PIXIT	mobile allocation for TC_26_6_13_7, its value shall indicate number of frequencies between 1 and 17. default : '016699'O
TSPX_Maio21	INTEGER	PIXIT	hopping parameter for TC_26_6_13_7, default : 30
			hopping parameter for TC_26_6_13_7, its value between 0 and (the number of frequencies) -1, which is defined in

TSPX_Ma21	MAC	PIXIT	TSPX_Ma21, default : 14 mobile allocation for TC_26_6_13_7, its value shall indicate number of frequencies between 1 and 17. default : '01FEFB'O
TSPX_Chtp10 TSPX_Maio22	CH_TDMA INTEGER	PIXIT PIXIT	channel type for TC_26_6_13_7 hopping parameter for TC_26_6_13_7, its value between 0 and (the number of frequencies) -1, which is defined in TSPX_Ma22, default : 4
TSPX_Ma22	MAC	PIXIT	mobile allocation for TC_26_6_13_7, its value shall indicate number of frequencies between 1 and 16. default : '006241'O
TSPX_Hsn22	INTEGER	PIXIT	hopping parameter for TC_26_6_13_7, default : 11
TSPX_Maio23	INTEGER	PIXIT	hopping parameter for TC_26_6_13_7, its value between 0 and (the number of frequencies) -1, which is defined in TSPX_Ma23, default : 11
TSPX_Ma23	MAC	PIXIT	mobile allocation for TC_26_6_13_7, its value shall indicate number of frequencies between 1 and 16. default : '00FF1B'O
TSPX_Hsn23	INTEGER	PIXIT	hopping parameter for TC_26_6_13_7, default : 60
TSPX_Chtp11	CH_TDMA	PIXIT	SDCCH8 subchannel immediately assigned, TC_26_6_13_8
TSPX_ChMod7 TSPX_Maio24	CHMOD_VAL INTEGER	PIXIT PIXIT	channel mode for TC_26_6_13_8 hopping parameter for TC_26_6_13_8, its value between 0 and (the number of frequencies) -1, which is defined in TSPX_Ma24, default : 9
TSPX_Ma24	MAC	PIXIT	mobile allocation for TC_26_6_13_8, its value shall indicate number of frequencies between 1 and 17. default : '00E6E9'O
TSPX_Hsn24	INTEGER	PIXIT	hopping parameter for TC_26_6_13_8, default : 7
TSPX_Maio25	INTEGER	PIXIT	hopping parameter for TC_26_6_13_8, its value between 0 and (the number of frequencies) -1, which is defined in TSPX_Ma25, default : 15
TSPX_Ma25	MAC	PIXIT	mobile allocation for TC_26_6_13_8, its value shall indicate number of frequencies between 1 and 17. default : '01FFFB'O
TSPX_Chtp12	CH_TDMA	PIXIT	channel type of a non- existing channel in Assignment Cmd, TC_26_6_13_8
TSPX_Maio26	INTEGER	PIXIT	hopping parameter for TC_26_6_13_8, its value between 0 and (the number of frequencies) -1, which is defined in TSPX_Ma26, default : 5
TSPX_Ma26	MAC	PIXIT	mobile allocation for TC_26_6_13_8, its value shall indicate number of frequencies between 1 and 16. default : '009168'O
TSPX_Hsn26	INTEGER	PIXIT	hopping parameter for TC_26_6_13_8, default : 9
TSPX_Maio27	INTEGER	PIXIT	hopping parameter for TC_26_6_13_8, its value between 0 and (the number of frequencies)

TSPX_Ma27	MAC	PIXIT	-1, which is defined in TSPX_Ma27, default : 1
TSPX_Hsn27	INTEGER	PIXIT	mobile allocation for TC_26_6_13_8, its value shall indicate number of frequencies between 1 and 16. default : '004080'O
TSPX_Chtp13	CH_TDMA	PIXIT	hopping parameter for TC_26_6_13_8, default : 38
TSPX_Tm3	INTEGER	PIXIT	channel type for TC_26_6_13_9
TSPX_Maio28	INTEGER	PIXIT	channel mode for TC_26_6_13_9, value between 60 -100
TSPX_Ma28	MAC	PIXIT	hopping parameter for TC_26_6_13_9, its value between 0 and (the number of frequencies) -1, which is defined in TSPX_Ma28, default : 10
TSPX_Hsn28	INTEGER	PIXIT	mobile allocation for TC_26_6_13_9, its value shall indicate number of frequencies between 1 and 17. default : '00EE7A'O
TSPX_Maio29	INTEGER	PIXIT	hopping parameter for TC_26_6_13_9, default : 11
TSPX_Ma29	MAC	PIXIT	hopping parameter for TC_26_6_13_9, its value between 0 and (the number of frequencies) -1, which is defined in TSPX_Ma29, default : 6
TSPX_Chtp14	CH_TDMA	PIXIT	mobile allocation for TC_26_6_13_9, its value shall indicate number of frequencies between 1 and 17. default : '00F070'O
TSPX_Maio30	INTEGER	PIXIT	channel type for TC_26_6_13_10
TSPX_Ma30	MAC	PIXIT	hopping parameter for TC_26_6_13_10, its value between 0 and (the number of frequencies) -1, which is defined in TSPX_Ma30, default : 11
TSPX_Hsn30	INTEGER	PIXIT	mobile allocation for TC_26_6_13_10, its value shall indicate number of frequencies between 1 and 17. default : '017F69'O
TSPX_Maio31	INTEGER	PIXIT	hopping parameter for TC_26_6_13_10, default : 62
TSPX_Ma31	MAC	PIXIT	hopping parameter for TC_26_6_13_10, its value between 0 and (the number of frequencies) -1, which is defined in TSPX_Ma31, default : 1
TSPX_MOBscSvcA	SERVICES	PIXIT	mobile allocation for TC_26_6_13_10, its value shall indicate number of frequencies between 1 and 17. default : '000101'O
TSPX_MOBscSvcB	SERVICES	PIXIT	any supported MO basic service
TSPX_MOBscSvcC	SERVICES	PIXIT	any supported MO basic service
TSPX_MOBscSvcD	SERVICES	PIXIT	any supported MO basic service
TSPX_MOBscSvcE	SERVICES	PIXIT	any supported MO basic service
TSPX_MOBscSvcF	SERVICES	PIXIT	any supported MO basic service
TSPX_MOBscSvcG	SERVICES	PIXIT	any supported MO basic service
TSPX_MOBscSvcH	SERVICES	PIXIT	any supported MO basic service
TSPX_MOBscSvcI	SERVICES	PIXIT	any supported MO basic service
TSPX_MOBscSvcJ	SERVICES	PIXIT	any supported MO basic service
TSPX_MT_DualModSvc	SERVICES	PIXIT	any supported MO basic service
TSPX_MT_NonSptSvc	SERVICES	PIXIT	any supported MT dual mode service
TSPX_MTBscSvcA	SERVICES	PIXIT	any not supported MT basic service
			any supported MT basic service

TSPX_MTBscSvcB	SERVICES	PIXIT	any supported MT basic service
TSPX_MTBscSvcC	SERVICES	PIXIT	any supported MT basic service
TSPX_MTBscSvcD	SERVICES	PIXIT	any supported MT basic service
TSPX_MTBscSvcE	SERVICES	PIXIT	any supported MT basic service
TSPX_MTBscSvcF	SERVICES	PIXIT	any supported MT basic service
TSPX_MTBscSvcG	SERVICES	PIXIT	any supported MT basic service
TSPX_MTBscSvcH	SERVICES	PIXIT	any supported MT basic service
TSPX_MTBscSvcI	SERVICES	PIXIT	any supported MT basic service
TSPX_MTBscSvcJ	SERVICES	PIXIT	any supported MT basic service
TSPX_MTNIC_BscSvcA	SERVICES	PIXIT	any supported MT basic service without immediate connection
TSPX_MTNIC_BscSvcB	SERVICES	PIXIT	any supported MT basic service without immediate connection
TSPX_MTNIC_BscSvcC	SERVICES	PIXIT	any supported MT basic service without immediate connection
TSPX_MTNIC_BscSvcD	SERVICES	PIXIT	any supported MT basic service without immediate connection
TSPX_MTNIC_BscSvcE	SERVICES	PIXIT	any supported MT basic service without immediate connection
TSPX_MTNIC_BscSvcF	SERVICES	PIXIT	any supported MT basic service without immediate connection
TSPX_MTNIC_BscSvcG	SERVICES	PIXIT	any supported MT basic service without immediate connection
TSPX_MTNIC_BscSvcH	SERVICES	PIXIT	any supported MT basic service without immediate connection
TSPX_MTNIC_BscSvcI	SERVICES	PIXIT	any supported MT basic service without immediate connection
TSPX_MTNIC_BscSvcJ	SERVICES	PIXIT	any supported MT basic service without immediate connection
TSPX_Telephony_Rate	RATE	PIXIT	channel rate for TS11, default value : C_Full
TSPX_MOChRateA	RATE	PIXIT	channel rate for TSPX_MOBscSvcA, default value : C_Full
TSPX_MOChRateB	RATE	PIXIT	channel rate for TSPX_MOBscSvcB, default value : C_Full
TSPX_MOChRateC	RATE	PIXIT	channel rate for TSPX_MOBscSvcC, default value : C_Full
TSPX_MOChRateD	RATE	PIXIT	channel rate for TSPX_MOBscSvcD, default value : C_Full
TSPX_MOChRateE	RATE	PIXIT	channel rate for TSPX_MOBscSvcE, default value : C_Full
TSPX_MOChRateF	RATE	PIXIT	channel rate for TSPX_MOBscSvcF, default value : C_Full
TSPX_MOChRateG	RATE	PIXIT	channel rate for TSPX_MOBscSvcG, default value : C_Full
TSPX_MOChRateH	RATE	PIXIT	channel rate for TSPX_MOBscSvcH, default value : C_Full
TSPX_MOChRateI	RATE	PIXIT	channel rate for TSPX_MOBscSvcI, default value : C_Full
TSPX_MOChRateJ	RATE	PIXIT	channel rate for TSPX_MOBscSvcJ, default value : C_Full
TSPX_MTChRateA	RATE	PIXIT	channel rate for TSPX_MTBscSvcA, default value : C_Full
TSPX_MTChRateB	RATE	PIXIT	channel rate for TSPX_MTBscSvcB, default value : C_Full
TSPX_MTChRateC	RATE	PIXIT	channel rate for TSPX_MTBscSvcC, default value : C_Full
TSPX_MTChRateD	RATE	PIXIT	channel rate for

TSPX_MTChRateE	RATE	PIXIT	TSPX_MTBscSvcD, default value : C_Full
TSPX_MTChRateF	RATE	PIXIT	channel rate for TSPX_MTBscSvcE, default value : C_Full
TSPX_MTChRateG	RATE	PIXIT	channel rate for TSPX_MTBscSvcF, default value : C_Full
TSPX_MTChRateH	RATE	PIXIT	channel rate for TSPX_MTBscSvcG, default value : C_Full
TSPX_MTChRateI	RATE	PIXIT	channel rate for TSPX_MTBscSvcH, default value : C_Full
TSPX_MTChRateJ	RATE	PIXIT	channel rate for TSPX_MTBscSvcI, default value : C_Full
TSPX_MTNIC_ChRateA	RATE	PIXIT	channel rate for TSPX_MTNIC_BscSvcJ, default value : C_Full
TSPX_MTNIC_ChRateB	RATE	PIXIT	channel rate for TSPX_MTNIC_BscSvcA, default value : C_Full
TSPX_MTNIC_ChRateC	RATE	PIXIT	channel rate for TSPX_MTNIC_BscSvcB, default value : C_Full
TSPX_MTNIC_ChRateD	RATE	PIXIT	channel rate for TSPX_MTNIC_BscSvcC, default value : C_Full
TSPX_MTNIC_ChRateE	RATE	PIXIT	channel rate for TSPX_MTNIC_BscSvcD, default value : C_Full
TSPX_MTNIC_ChRateF	RATE	PIXIT	channel rate for TSPX_MTNIC_BscSvcE, default value : C_Full
TSPX_MTNIC_ChRateG	RATE	PIXIT	channel rate for TSPX_MTNIC_BscSvcF, default value : C_Full
TSPX_MTNIC_ChRateH	RATE	PIXIT	channel rate for TSPX_MTNIC_BscSvcG, default value : C_Full
TSPX_MTNIC_ChRateI	RATE	PIXIT	channel rate for TSPX_MTNIC_BscSvcH, default value : C_Full
TSPX_MTNIC_ChRateJ	RATE	PIXIT	channel rate for TSPX_MTNIC_BscSvcI, default value : C_Full
TSPX_EmgCallRate	RATE	PIXIT	channel rate for TSPX_MTNIC_BscSvcJ, default value : C_Full
TSPX_MO_NonCallSS	SERVICES	PIXIT	Rate for the basic service supported for MO emergency calls
TSPX_MO_BscSvc_SMS	SERVICES	PIXIT	any supported MO non-call related supplementary service
TSPX_MO_DualModSvc	SERVICES	PIXIT	any supported MO SMS calls
TSPX_MO_DualModRate	RATE	PIXIT	any supported MO dual mode call
TSPX_EFR_SpchPrefsNo	INTEGER	PIXIT	Rate for the supported MO dual mode call in TSPX_MO_DualModSvc
TSPX_EFR_SpchPref1	B_4	PIXIT	Total no. of Speech Versions supported
TSPX_EFR_SpchPref2	B_4	PIXIT	Speech Version supported, No.1
TSPX_EFR_SpchPref3	B_4	PIXIT	Speech Version supported, No.2
			Speech Version supported, No.3
Detailed Comments:			

Test case selection expression definitions

Test Case Selection Expression Definitions		
Expression Name	Selection Expression	Comments
SelExpr_0000	(TSPC_FullRateOnly OR TSPC_DualRate) AND TSPC_EFR	
SelExpr_0001	(TSPC_CC AND TSPC_FullRateOnly) AND TSPC_EFR	
SelExpr_0002	TSPC_TeleSvc AND TSPC_EFR	
SelExpr_0003	(TSPC_FullRateSpeech OR TSPC_HalfRateSpeech) AND TSPC_EFR	
SelExpr_0005	TRUE	
Detailed Comments:		

Test suite constant declarations

Test Suite Constant Declarations			
Constant Name	Type	Value	Comments
C_arfcnA	INTEGER	20	ARFCN 20
C_arfcn_1	INTEGER	1	ARFCN 1
C_arfcn_2	INTEGER	2	ARFCN 2
C_arfcn_1015	INTEGER	1015	ARFCN 1015
C_arfcn_10	INTEGER	10	ARFCN 10
C_arfcn_34	INTEGER	34	ARFCN 34
C_arfcnB	INTEGER	10	ARFCN of cell B
C_arfcnC	INTEGER	30	ARFCN 30
C_arfcnH	INTEGER	44	ARFCN 44
C_arfcnAd	INTEGER	590	ARFCN 590
C_arfcnAd_1	INTEGER	520	ARFCN 520
C_arfcnAd_2	INTEGER	514	ARFCN 514
C_arfcnAd_3	INTEGER	715	ARFCN 715
C_arfcnAd_4	INTEGER	747	ARFCN 747
C_arfcnAd_5	INTEGER	734	ARFCN 734
C_arfcnAd_6	INTEGER	759	ARFCN 759
C_arfcnBd	INTEGER	520	ARFCN 520
C_arfcnCd	INTEGER	700	ARFCN 700
C_arfcnHd	INTEGER	810	ARFCN 810
C_arfcn_tchA	INTEGER	30	ARFCN f30
C_arfcn_tchAd	INTEGER	650	ARFCN 650
C_arfcn_tchB	INTEGER	114	ARFCN 114
C_arfcn_tchBd	INTEGER	844	ARFCN 844
C_arfcnEgsm	INTEGER	990	ARFCN 990
C_arfcnEgsm_iacmd	INTEGER	20	ARFCN 20
C_arfcnEgsm_asscmd	INTEGER	20	ARFCN 20
C_BCCHcarrierA_ho	INTEGER	20	BCCH frequency number of cell A for Ho cases (GSM: 20)
C_BCCHcarrierA_hod	INTEGER	747	BCCH frequency number of cell A for Ho cases (DCS:747)
C_BCCHcarrierB_ho	INTEGER	40	BCCH frequency number of cell B for Ho cases (GSM: 40)
C_BCCHcarrierB_hod	INTEGER	764	BCCH frequency number of cell B for Ho cases (DCS:764)
C_Noarfcn	INTEGER	65534	No arfcn defined (hopping channel)
C_ATT_0	INTEGER	0	Attach value 0
C_ATT_1	INTEGER	1	Attach value 1
C_NCC	NCC	'001'B	Network color code
C_NCC_0	NCC	'000'B	Network color code value '000'B
C_NCC_1	NCC	'001'B	Network color code value '001'B
C_NCC_2	NCC	'010'B	Network color code value '010'B
C_NCC_3	NCC	'011'B	Network color code value '011'B
C_NCC_4	NCC	'100'B	Network color code value '100'B
C_NCC_5	NCC	'101'B	Network color code value '101'B
C_NCCP_2	NCCP	'02'O	Network color code permitted value '02'O
C_NCCP_10	NCCP	'0A'O	Network color code permitted value '0A'O
C_BCC	BCC	'101'B	Base Station color code
C_BCC_0	BCC	'000'B	Base Station color code value 0
C_BCC_1	BCC	'001'B	Base Station color code value 1
C_BCC_5	BCC	'101'B	Base Station color code value 5
C_cch_1nonComb	B_3	'000'B	cch_con = 1 basic ch non combined
C_cch_1Comb	B_3	'001'B	cch_con = 1 basic ch combined

C_cch_2Comb	B_3	'011'B	cch_con = 2 basic ch combined
C_cch_3Comb	B_3	'101'B	cch_con = 3 basic ch combined
C_cch_4Comb	B_3	'111'B	cch_con = 4 basic ch combined
C_cch_2nonComb	B_3	'010'B	cch_con = 2 basic chs non combined
C_cch_3nonComb	B_3	'100'B	cch_con = 3 basic chs non combined
C_cch_4nonComb	B_3	'110'B	cch_con = 4 basic chs non combined
C_cch_XnonComb	B_3	'???'B	cch_con = non combined
C_cch_NotAllowed	B_3	'???'B	all number value permitted
C_cchd_e_407	OCTETSTRING	'8DEA0DF4CC6C4AFAFB100000000000'O	cch_con = value reserved after testing '001'B
C_cchd_e_412	OCTETSTRING	'0002080000007F02000000800080000'O	f-list for cellchdescr using of 128 format. The coded set is {980, 981, 982, 983, 990, 991, 992, 993, 994, 1000, 1005, 1010, 1015}. Length = 16 TC_26_10_4, k=2, c=1 TC_26.10.6, c=1
C_cchd_e_414	OCTETSTRING	'00000000000000002000020002000000'O	f-list for cellchdescr using of bit map 0 format. The coded set is {20, 40, 66, 73, 74, 75, 76, 77, 78, 79, 108, 114,115} Length = 16 TC_26_10_4, k=2, c=6
C_cchd_e_415	OCTETSTRING	'841EEA893EF9814380000000000000'O	f-list for cellchdescr using of bit map 0 format. Length = 16 f_list: 30, 50 ,70 TC: 26.10.6 c=6
C_cchd_e_415	OCTETSTRING	'841EEA893EF9814380000000000000'O	f-list for cellchdescr using range 1024 format. The coded set is {0, 30, 40, 66, 80, 1005, 1010, 1015}. Length = 16 TC_26_10_4, k=2, c=4 TC: 26.10.6 c=4
C_ChMod_s	CHMOD_VAL	'0000000'B	Mode : signalling only.
C_ChMod_r	CHMOD_VAL	'0000001'B	Mode : speech full or half rate.
C_ChMod_r2	CHMOD_VAL	'0010001'B	Mode : enhanced speech full or half rate - version 2.
C_ChMod_r3	CHMOD_VAL	'0100001'B	Mode : enhanced speech full or half rate - version 3.
C_ChMod_12k	CHMOD_VAL	'0000011'B	Mode : 12k radio rate.
C_ChMod_6k	CHMOD_VAL	'00001011'B	Mode : 6k radio rate.
C_ChMod_3k	CHMOD_VAL	'00010011'B	Mode : 3.6k radio rate.
C_Sap0	SAPID	'00'O	service access point 0
C_Sap3	SAPID	'03'O	service access point 3
C_CellA	CellID	"C_CellA"	cell A -- cell 1
C_CellB	CellID	"C_CellB"	cell B -- cell 2
C_CellC	CellID	"C_CellC"	cell C -- cell 3
C_CellD	CellID	"C_CellD"	cell D -- cell 4
C_CellE	CellID	"C_CellE"	cell E -- cell 5
C_CellF	CellID	"C_CellF"	cell F -- cell 6
C_CellG	CellID	"C_CellG"	cell G -- cell 7
C_CellH	CellID	"C_CellH"	cell H -- cell 8
C_ci_cellA	CI	'0001'O	Cell Id for cell A
C_ci_cellB	CI	'0002'O	Cell Id for cell B
C_ci_cellC	CI	'0003'O	Cell Id for cell C
C_ci_cellD	CI	'0004'O	Cell Id for cell D
C_ci_cellE	CI	'0005'O	Cell Id for cell E
C_ci_cellF	CI	'0006'O	Cell Id for cell F
C_ci_cellG	CI	'0007'O	Cell Id for cell G
C_ci_cellH	CI	'0008'O	Cell Id for cell H
C_cksn_nokey	BITSTRING	'111'B	No key available
C_E_default	INTEGER	63	Default field strength
C_E_suitable	INTEGER	45	Field strength of a suitable cell

C_E_notsuitable	INTEGER	0	Field strength of a not suitable cell for reselection
C_E_notsuitable_fSel	INTEGER	24	Field strength of a not suitable cell for selection
C_flist_e_401	OCTETSTRING	'8DF68AEC00'O	It includes the list of f's in EGSM test cases. The coded set is {1005, 1010, 1015}, range 128 format Length = 5 TC_26_10_4, k=1, c=1 TC: 26.10.5.1 k=1/2,c=1
C_flist_e_402	OCTETSTRING	'8A2481FF03F8'O	It includes the list of f's in EGSM test cases. The coded set is {73, 74, 75, 76, 77}, range 256 format. Length = 6 TC_26_10_4, k=1, c=2 TC: 26.10.5.1 k=1/2,c=2
C_flist_e_403	OCTETSTRING	'89EA00BFC040'O	It includes the list of f's in EGSM test cases. The coded set is {980, 981, 982, 983}, range 512 format. Length = 6 TC_26_10_4, k=1, c=3 TC: 26.10.5.1 k=1/2,c=3
C_flist_e_404	OCTETSTRING	'801EED02BEC0'O	It includes the list of f's in EGSM test cases. The coded set is {30, 40, 1010, 1015}, range 1024 format. Length = 6 TC_26_10_4, k=1, c=4 TC: 26.10.5.1 k=1/2,c=4
C_flist_e_405	OCTETSTRING	'8FEC001F000010'O	It includes the list of f's in EGSM test cases. The coded set is {980, 991, 992, 993, 994, 1015}. Length = 7 TC_26_10_4, k=1, c=5 TC: 26.10.5.1 k=1/2,c=5
C_flist_e_406	OCTETSTRING	'00000000000000020000008000080000'O	It includes the list of f's in EGSM test cases. The coded set is {20, 40, 66}, bitmap 0 format. Length = 16 TC_26_10_4, k=1, c=6 TC: 26.10.5.1 k=2,c=6
C_flist_e_407	OCTETSTRING	'8DEA0DF4CC6C4AFAFB1000000000000'O	It includes the list of f's in EGSM test cases. The coded set is {980, 981, 982, 983, 990, 991, 992, 993, 994, 1000, 1005, 1010, 1015}, range 128 format. Length = 16 TC_26_10_4, k=2, c=1 TC: 26.10.5.1 k=3,c=1 TC: 26.10.6 c=1
C_flist_e_408	OCTETSTRING	'8A0A1CFD3EF4610E2FFFFA0000'O	It includes the list of f's in EGSM test cases. The coded set is {20, 40, 66, 73, 74, 75, 76, 77, 78, 79, 108, 114, 115}, range 256 format. Length = 13 TC_26_10_4, k=2, c=2 TC: 26.10.5.1 k=3,c=2 TC: 26.10.6 c=2
C_flist_e_409	OCTETSTRING	'89EA037F433C7B042BFEBFEC1000000'O	It includes the list of f's in EGSM test cases. The coded set is {980, 981, 982, 983, 990, 991, 992, 993, 994, 1000, 1005, 1010, 1015}, range 512 format. Length = 16 TC_26_10_4, k=2, c=3 TC: 26.10.5.2 k=3,c=3 TC: 26.10.6 c=3
C_flist_e_410	OCTETSTRING	'841EEA893EF98143B161'O	Length = 10 TC: 26.10.5.2 k=3,c=4

C_flist_e_411	OCTETSTRING	'8FEA703E084210'O	It includes the list of f's in EGSM test cases. The coded set is {980, 981, 982, 983, 990, 991, 992, 993, 994, 1000, 1005, 1010, 1015}, variable bitmap format. Length = 7 TC_26_10_4, k=2, c=5 TC: 26.10.5.1 k=3,c=5 TC: 26.10.6 c=5
C_flist_e_412	OCTETSTRING	'0002080000007F020000008000080000'O	It includes the list of f's in EGSM test cases. The coded set is {20, 40, 66, 73, 74, 75, 76, 77, 78, 79, 108, 114, 115}, bitmap 0 format. Length = 16 TC_26_10_4, k=2, c=6 TC: 26.10.5.1 k=3,c=6
C_flist_e_415	OCTETSTRING	'841EEA893EF9814380'O	It includes the list of f's in EGSM test cases. The coded set is {0, 30, 40, 66, 80, 1005, 1010, 1015}, range 1024 format. Length = 9 Format: 1024 TC_26_10_4, k=2, c=4 TC: 26.10.6 c=4
C_flist_e_416	OCTETSTRING	'0002080000007F020000008000080000'O	bit map 0 format. The coded set is {20, 40, 66, 73, 74, 75, 76, 77, 78, 79, 108, 114} Length = 16
C_BABR_0	B_3	'000'B	BABR value 0
C_BABR_1	B_3	'001'B	BABR value 1
C_BABR_2	B_3	'010'B	BABR value 2
C_BPM_0	B_3	'000'B	BPM value 0, 2 multiframe
C_BPM_2	B_3	'010'B	BPM value 2, 4 multiframe
C_BPM_3	B_3	'011'B	BPM value 3, 5 multiframe
C_BPM_7	B_3	'111'B	BPM value 7, 9 multiframe
C_T3212_0	OCTETSTRING	'00'O	T3212 infinite
C_T3212_1	OCTETSTRING	'01'O	T3212 6 mn / 1 deci hours
C_T3212_2	OCTETSTRING	'02'O	T3212 12 mn / 2 deci hours
C_T3212_5	OCTETSTRING	'05'O	T3212 30 mn / 5 deci hours
C_IMSI	INTEGER	0	MI type: IMSI
C_TMSI	INTEGER	1	MI type: TMSI
C_IMEI	INTEGER	2	MI type: IMEI
C_IMEISV	INTEGER	3	MI type: IMEISV
C_shortIMSI	HEXSTRING	'001011234'H	A short IMSI
C_LAC_1	OCTETSTRING	'0001'O	lac 1.
C_LAC_2	OCTETSTRING	'0002'O	lac 2.
C_LAC_3	OCTETSTRING	'0003'O	lac 3.
C_LAC_4	OCTETSTRING	'0004'O	lac 4.
C_LAC_5	OCTETSTRING	'0005'O	lac 5.
C_LAC_6	OCTETSTRING	'0006'O	lac 6.
C_LAC_7	OCTETSTRING	'0007'O	lac 7.
C_LAC_8	OCTETSTRING	'0008'O	lac 8.
C_LAC_spe	OCTETSTRING	'5344'O	lac '5344'H.
C_lacdeleted	OCTETSTRING	'FFFE'O	lac value deleted.
C_MCC_1	OCTETSTRING	'00F1'O	MCC 1
C_MCC_2	OCTETSTRING	'00F2'O	MCC 2
C_MCC_3	OCTETSTRING	'00F3'O	MCC 3
C_MCC_4	OCTETSTRING	'00F4'O	MCC 4
C_MCC_5	OCTETSTRING	'00F5'O	MCC 5
C_MCC_6	OCTETSTRING	'00F6'O	MCC 6
C_MCC_7	OCTETSTRING	'00F7'O	MCC 7
C_MCC_8	OCTETSTRING	'00F8'O	MCC 8
C_MCC_9	OCTETSTRING	'013B'O	MCC 9
C_Max_1	INTEGER	1	Max Retrans value 1
C_Max_2	INTEGER	2	Max Retrans value 2
C_Max_7	INTEGER	7	Max Retrans value 7
C_NECI_0	INTEGER	0	NECI value 0, not supported

C_NECI_1	INTEGER	1	NECI value 1, supported
C_PLMN_1	OCTETSTRING	'10'O	PLMN 1 (mnc=01)
C_PLMN_2	OCTETSTRING	'20'O	PLMN 2 (mnc=02)
C_PLMN_3	OCTETSTRING	'30'O	PLMN 3 (mnc=03)
C_PLMN_4	OCTETSTRING	'F0'O	PLMN 4
C_PLMN_5	OCTETSTRING	'F2'O	PLMN 5
C_PLMN_6	OCTETSTRING	'F3'O	PLMN 6
C_PLMN_7	OCTETSTRING	'F4'O	PLMN 7
C_PLMN_8	OCTETSTRING	'F5'O	PLMN 8
C_PLMN_9	OCTETSTRING	'F6'O	PLMN 9
C_PLMN_10	OCTETSTRING	'F7'O	PLMN 10
C_PLMN_Home	OCTETSTRING	'10'O	PLMN 1 (mnc=01)
C_TxInt_5	INTEGER	5	Tx Integer value 5
C_TxInt_7	INTEGER	7	Tx Integer value 7
C_TxInt_10	INTEGER	10	Tx Integer value 10
C_NotCombined	BOOLEAN	FALSE	CCCH not combined with SDCCH
C_Combined	BOOLEAN	TRUE	CCCH combined with SDCCH
C_FCCH_A	LOGICCH	"C_FCCH_A"	frequency correction channel of cell A(1)
C_FCCH_B	LOGICCH	"C_FCCH_B"	frequency correction channel of cell B(2)
C_FCCH_C	LOGICCH	"C_FCCH_C"	frequency correction channel of cell C(3)
C_FCCH_D	LOGICCH	"C_FCCH_D"	frequency correction channel of cell D(4)
C_FCCH_E	LOGICCH	"C_FCCH_E"	frequency correction channel of cell E(5)
C_FCCH_F	LOGICCH	"C_FCCH_F"	frequency correction channel of cell F(6)
C_FCCH_G	LOGICCH	"C_FCCH_G"	frequency correction channel of cell G(7)
C_FCCH_H	LOGICCH	"C_FCCH_H"	frequency correction channel of cell H(8)
C_SCH_A	LOGICCH	"C_SCH_A"	sync channel of cell A(1)
C_SCH_B	LOGICCH	"C_SCH_B"	sync channel of cell B(2)
C_SCH_C	LOGICCH	"C_SCH_C"	sync channel of cell C(3)
C_SCH_D	LOGICCH	"C_SCH_D"	sync channel of cell D(4)
C_SCH_E	LOGICCH	"C_SCH_E"	sync channel of cell E(5)
C_SCH_F	LOGICCH	"C_SCH_F"	sync channel of cell F(6)
C_SCH_G	LOGICCH	"C_SCH_G"	sync channel of cell G(7)
C_SCH_H	LOGICCH	"C_SCH_H"	sync channel of cell H(8)
C_BCCH_A_1	LOGICCH	"C_BCCH_A_1"	1st broadcast channel of cell A
C_BCCH_A_2	LOGICCH	"C_BCCH_A_2"	2nd broadcast channel of cell A
C_BCCH_A_3	LOGICCH	"C_BCCH_A_3"	3rd broadcast channel of cell A
C_BCCH_A_4	LOGICCH	"C_BCCH_A_4"	4th broadcast channel of cell A
C_BCCH_B_1	LOGICCH	"C_BCCH_B_1"	1st broadcast channel of cell B
C_BCCH_C_1	LOGICCH	"C_BCCH_C_1"	1st broadcast channel of cell C
C_BCCH_D_1	LOGICCH	"C_BCCH_D_1"	1st broadcast channel of cell D
C_BCCH_E_1	LOGICCH	"C_BCCH_E_1"	1st broadcast channel of cell E
C_BCCH_F_1	LOGICCH	"C_BCCH_F_1"	1st broadcast channel of cell F
C_BCCH_G_1	LOGICCH	"C_BCCH_G_1"	1st broadcast channel of cell G
C_BCCH_H_1	LOGICCH	"C_BCCH_H_1"	1st broadcast channel of cell H
C_CBCH_A	LOGICCH	"C_CBCH_A"	Cell broadcast channel in cell A
C_AGCH_A_1	LOGICCH	"C_AGCH_A_1"	1st down link CCCH (AGCH) of cell A
C_AGCH_A_2	LOGICCH	"C_AGCH_A_2"	2nd down link CCCH (AGCH) of cell A
C_AGCH_A_3	LOGICCH	"C_AGCH_A_3"	3rd down link CCCH (AGCH) of cell A
C_AGCH_A_4	LOGICCH	"C_AGCH_A_4"	4th down link CCCH (AGCH) of cell A
C_AGCH_B_1	LOGICCH	"C_AGCH_B_1"	1st down link CCCH (AGCH) of cell B
C_AGCH_B_2	LOGICCH	"C_AGCH_B_2"	2nd down link CCCH (AGCH) of cell B
C_AGCH_B_3	LOGICCH	"C_AGCH_B_3"	3rd down link CCCH (AGCH) of cell B

C_AGCH_B_4	LOGICCH	"C_AGCH_B_4"	4th down link CCCH (AGCH) of cell B
C_AGCH_C_1	LOGICCH	"C_AGCH_C_1"	1st down link CCCH (AGCH) of cell C
C_AGCH_C_2	LOGICCH	"C_AGCH_C_2"	2nd down link CCCH (AGCH) of cell C
C_AGCH_C_3	LOGICCH	"C_AGCH_C_3"	3rd down link CCCH (AGCH) of cell C
C_AGCH_C_4	LOGICCH	"C_AGCH_C_4"	4th down link CCCH (AGCH) of cell C
C_AGCH_D_1	LOGICCH	"C_AGCH_D_1"	1st down link CCCH (AGCH) of cell D
C_AGCH_E_1	LOGICCH	"C_AGCH_E_1"	1st down link CCCH (AGCH) of cell E
C_AGCH_F_1	LOGICCH	"C_AGCH_F_1"	1st down link CCCH (AGCH) of cell F
C_AGCH_G_1	LOGICCH	"C_AGCH_G_1"	1st down link CCCH (AGCH) of cell G
C_AGCH_H_1	LOGICCH	"C_AGCH_H_1"	1st down link CCCH (AGCH) of cell H
C_PCH_A_1	LOGICCH	"C_PCH_A_1"	1st down link CCCH (PCH) of cell A
C_PCH_A_2	LOGICCH	"C_PCH_A_2"	2nd down link CCCH (PCH) of cell A
C_PCH_A_3	LOGICCH	"C_PCH_A_3"	3rd down link CCCH (PCH) of cell A
C_PCH_A_4	LOGICCH	"C_PCH_A_4"	4th down link CCCH (PCH) of cell A
C_PCH_B_1	LOGICCH	"C_PCH_B_1"	1st down link CCCH (PCH) of cell B
C_PCH_B_2	LOGICCH	"C_PCH_B_2"	2nd down link CCCH (PCH) of cell B
C_PCH_B_3	LOGICCH	"C_PCH_B_3"	3rd down link CCCH (PCH) of cell B
C_PCH_B_4	LOGICCH	"C_PCH_B_4"	4th down link CCCH (PCH) of cell B
C_PCH_C_1	LOGICCH	"C_PCH_C_1"	1st down link CCCH (PCH) of cell C
C_PCH_C_2	LOGICCH	"C_PCH_C_2"	2nd down link CCCH (PCH) of cell C
C_PCH_C_3	LOGICCH	"C_PCH_C_3"	3rd down link CCCH (PCH) of cell C
C_PCH_C_4	LOGICCH	"C_PCH_C_4"	4th down link CCCH (PCH) of cell C
C_PCH_D_1	LOGICCH	"C_PCH_D_1"	1st down link CCCH (PCH and AGCH) of cell D
C_PCH_E_1	LOGICCH	"C_PCH_E_1"	1st down link CCCH (PCH) of cell E
C_PCH_F_1	LOGICCH	"C_PCH_F_1"	1st down link CCCH (PCH) of cell F
C_PCH_G_1	LOGICCH	"C_PCH_G_1"	1st down link CCCH (PCH) of cell G
C_PCH_H_1	LOGICCH	"C_PCH_H_1"	1st down link CCCH (PCH) of cell H
C_RACH_A_1	LOGICCH	"C_RACH_A_1"	1st uplink CCCH (RACH) of cell A
C_RACH_A_2	LOGICCH	"C_RACH_A_2"	2nd uplink CCCH (RACH) of cell A
C_RACH_A_3	LOGICCH	"C_RACH_A_3"	3rd uplink CCCH (RACH) of cell A
C_RACH_A_4	LOGICCH	"C_RACH_A_4"	4th uplink CCCH (RACH) of cell A
C_RACH_B_1	LOGICCH	"C_RACH_B_1"	1st uplink CCCH (RACH) of cell B
C_RACH_C_1	LOGICCH	"C_RACH_C_1"	1st uplink CCCH (RACH) of cell C
C_RACH_D_1	LOGICCH	"C_RACH_D_1"	1st uplink CCCH (RACH) of cell D
C_RACH_E_1	LOGICCH	"C_RACH_E_1"	1st uplink CCCH (RACH) of cell E
C_RACH_F_1	LOGICCH	"C_RACH_F_1"	1st uplink CCCH (RACH) of cell F
C_RACH_G_1	LOGICCH	"C_RACH_G_1"	1st uplink CCCH (RACH) of cell G
C_RACH_H_1	LOGICCH	"C_RACH_H_1"	1st uplink CCCH (RACH) of cell H
C_FACCHF_A_1	LOGICCH	"C_FACCHF_A_1"	FACCH associated with 1st TCH/F of cell A
C_FACCHF_A_2	LOGICCH	"C_FACCHF_A_2"	FACCH associated with 2nd TCH/F of cell A

C_FACCHF_A_3	LOGICCH	"C_FACCHF_A_3"	FACCH associated with 3rd TCH/F of cell A
C_FACCHF_B_1	LOGICCH	"C_FACCHF_B_1"	FACCH associated with 1st TCH/F of cell B
C_FACCHF_B_2	LOGICCH	"C_FACCHF_B_2"	FACCH associated with 2nd TCH/F of cell B
C_FACCHF_B_3	LOGICCH	"C_FACCHF_B_3"	FACCH associated with 3rd TCH/F of cell B
C_FACCHF_C_1	LOGICCH	"C_FACCHF_C_1"	FACCH associated with 1st TCH/F of cell C
C_FACCHF_C_2	LOGICCH	"C_FACCHF_C_2"	FACCH associated with 2nd TCH/F of cell C
C_FACCHF_C_3	LOGICCH	"C_FACCHF_C_3"	FACCH associated with 3rd TCH/F of cell C
C_FACCHF_H_1	LOGICCH	"C_FACCHF_H_1"	FACCH associated with 1st TCH/F of cell H
C_FACCHH_A_1	LOGICCH	"C_FACCHH_A_1"	FACCH associated with 1st TCH/H of cell A
C_FACCHH_A_2	LOGICCH	"C_FACCHH_A_2"	FACCH associated with 2nd TCH/H of cell A
C_FACCHH_A_3	LOGICCH	"C_FACCHH_A_3"	FACCH associated with 3rd TCH/H of cell A
C_FACCHH_B_1	LOGICCH	"C_FACCHH_B_1"	FACCH associated with 1st TCH/H of cell B
C_FACCHH_B_2	LOGICCH	"C_FACCHH_B_2"	FACCH associated with 2nd TCH/H of cell B
C_FACCHH_B_3	LOGICCH	"C_FACCHH_B_3"	FACCH associated with 3rd TCH/H of cell B
C_FACCHH_C_1	LOGICCH	"C_FACCHH_C_1"	FACCH associated with 1st TCH/H of cell C
C_FACCHH_C_2	LOGICCH	"C_FACCHH_C_2"	FACCH associated with 2nd TCH/H of cell C
C_FACCHH_C_3	LOGICCH	"C_FACCHH_C_3"	FACCH associated with 3rd TCH/H of cell C
C_FACCHH0_A_1	LOGICCH	"C_FACCHH0_A_1"	FACCH associated with 1st TCH/H0 of cell A
C_FACCHH1_A_1	LOGICCH	"C_FACCHH1_A_1"	FACCH associated with 1st TCH/H1 of cell A
C_FACCHH0_A_2	LOGICCH	"C_FACCHH0_A_2"	FACCH associated with 2nd TCH/H0 of cell A
C_FACCHH1_A_2	LOGICCH	"C_FACCHH1_A_2"	FACCH associated with 2nd TCH/H1 of cell A
C_FACCHH0_A_3	LOGICCH	"C_FACCHH0_A_3"	FACCH associated with 3rd TCH/H0 of cell A
C_FACCHH1_A_3	LOGICCH	"C_FACCHH1_A_3"	FACCH associated with 3rd TCH/H1 of cell A
C_FACCHH0_B_1	LOGICCH	"C_FACCHH0_B_1"	FACCH associated with 1st TCH/H0 of cell B
C_FACCHH1_B_1	LOGICCH	"C_FACCHH1_B_1"	FACCH associated with 1st TCH/H1 of cell B
C_FACCHH0_B_2	LOGICCH	"C_FACCHH0_B_2"	FACCH associated with 2nd TCH/H0 of cell B
C_FACCHH1_B_2	LOGICCH	"C_FACCHH1_B_2"	FACCH associated with 2nd TCH/H1 of cell B
C_FACCHH0_B_3	LOGICCH	"C_FACCHH0_B_3"	FACCH associated with 3rd TCH/H0 of cell B
C_FACCHH1_B_3	LOGICCH	"C_FACCHH1_B_3"	FACCH associated with 3rd TCH/H1 of cell B
C_FACCHH0_C_1	LOGICCH	"C_FACCHH0_C_1"	FACCH associated with 1st TCH/H0 of cell C
C_FACCHH1_C_1	LOGICCH	"C_FACCHH1_C_1"	FACCH associated with 1st TCH/H1 of cell C
C_FACCHH0_C_2	LOGICCH	"C_FACCHH0_C_2"	FACCH associated with 2nd TCH/H0 of cell C
C_FACCHH1_C_2	LOGICCH	"C_FACCHH1_C_2"	FACCH associated with 2nd TCH/H1 of cell C
C_FACCHH0_C_3	LOGICCH	"C_FACCHH0_C_3"	FACCH associated with 3rd TCH/H0 of cell C
C_FACCHH1_C_3	LOGICCH	"C_FACCHH1_C_3"	FACCH associated with 3rd TCH/H1 of cell C
C_SACCH_A	LOGICCH	"C_SACCH_A"	all SACCHs of cell A

C_SACCH_B	LOGICCH	"C_SACCH_B"	all SACCHs of cell B
C_SACCH_C	LOGICCH	"C_SACCH_C"	all SACCHs of cell C
C_SACCH_D	LOGICCH	"C_SACCH_D"	all SACCHs of cell D
C_SACCH_E	LOGICCH	"C_SACCH_E"	all SACCHs of cell E
C_SACCH_F	LOGICCH	"C_SACCH_F"	all SACCHs of cell F
C_SACCH_G	LOGICCH	"C_SACCH_G"	all SACCHs of cell G
C_SACCH_H	LOGICCH	"C_SACCH_H"	all SACCHs of cell H
C_SACCHF_A_1	LOGICCH	"C_SACCHF_A_1"	SACCH associated with 1st TCH/F of cell A
C_SACCHF_A_2	LOGICCH	"C_SACCHF_A_2"	SACCH associated with 2nd TCH/F of cell A
C_SACCHF_B_1	LOGICCH	"C_SACCHF_B_1"	SACCH associated with 1st TCH/F of cell B
C_SACCHF_B_2	LOGICCH	"C_SACCHF_B_2"	SACCH associated with 2nd TCH/F of cell B
C_SACCHF_H_1	LOGICCH	"C_SACCHF_H_1"	SACCH associated with 1st TCH/F of cell H
C_SACCHH_A_1	LOGICCH	"C_SACCHH_A_1"	SACCH associated with 1st TCH/H of cell A
C_SACCHH_A_2	LOGICCH	"C_SACCHH_A_2"	SACCH associated with 2nd TCH/H of cell A
C_SACCHH_A_3	LOGICCH	"C_SACCHH_A_3"	SACCH associated with 3rd TCH/H of cell A
C_SACCHH_B_1	LOGICCH	"C_SACCHH_B_1"	SACCH associated with 1st TCH/H of cell B
C_SACCHH_B_2	LOGICCH	"C_SACCHH_B_2"	SACCH associated with 2nd TCH/H of cell B
C_SACCHH_B_3	LOGICCH	"C_SACCHH_B_3"	SACCH associated with 3rd TCH/H of cell B
C_SACCHH_C_1	LOGICCH	"C_SACCHH_C_1"	SACCH associated with 1st TCH/H of cell C
C_SACCHH_C_2	LOGICCH	"C_SACCHH_C_2"	SACCH associated with 2nd TCH/H of cell C
C_SACCHH_C_3	LOGICCH	"C_SACCHH_C_3"	SACCH associated with 3rd TCH/H of cell C
C_SACCHH0_A_1	LOGICCH	"C_SACCHH0_A_1"	SACCH associated with 1st TCH/H_0 of cell A
C_SACCHH1_A_1	LOGICCH	"C_SACCHH1_A_1"	SACCH associated with 1st TCH/H_1 of cell A
C_SACCHH0_A_2	LOGICCH	"C_SACCHH0_A_2"	SACCH associated with 2nd TCH/H_0 of cell A
C_SACCHH1_A_2	LOGICCH	"C_SACCHH1_A_2"	SACCH associated with 2nd TCH/H_1 of cell A
C_SACCHH0_A_3	LOGICCH	"C_SACCHH0_A_3"	SACCH associated with 3rd TCH/H_0 of cell A
C_SACCHH1_A_3	LOGICCH	"C_SACCHH1_A_3"	SACCH associated with 3rd TCH/H_1 of cell A
C_SACCHH0_B_1	LOGICCH	"C_SACCHH0_B_1"	SACCH associated with 1st TCH/H_0 of cell B
C_SACCHH1_B_1	LOGICCH	"C_SACCHH1_B_1"	SACCH associated with 1st TCH/H_1 of cell B
C_SACCHH0_B_2	LOGICCH	"C_SACCHH0_B_2"	SACCH associated with 2nd TCH/H_0 of cell B
C_SACCHH1_B_2	LOGICCH	"C_SACCHH1_B_2"	SACCH associated with 2nd TCH/H_1 of cell B
C_SACCHH0_B_3	LOGICCH	"C_SACCHH0_B_3"	SACCH associated with 3rd TCH/H_0 of cell B
C_SACCHH1_B_3	LOGICCH	"C_SACCHH1_B_3"	SACCH associated with 3rd TCH/H_1 of cell B
C_SACCHH0_C_1	LOGICCH	"C_SACCHH0_C_1"	SACCH associated with 1st TCH/H_0 of cell C
C_SACCHH1_C_1	LOGICCH	"C_SACCHH1_C_1"	SACCH associated with 1st TCH/H_1 of cell C
C_SACCHH0_C_2	LOGICCH	"C_SACCHH0_C_2"	SACCH associated with 2nd TCH/H_0 of cell C
C_SACCHH1_C_2	LOGICCH	"C_SACCHH1_C_2"	SACCH associated with 2nd TCH/H_1 of cell C
C_SACCHH0_C_3	LOGICCH	"C_SACCHH0_C_3"	SACCH associated with 3rd TCH/H_0 of cell C
C_SACCHH1_C_3	LOGICCH	"C_SACCHH1_C_3"	SACCH associated with 3rd TCH/H_1 of cell C

C_SACCHC4_A	LOGICCH	"C_SACCHC4_A"	TCH/H_1 of cell C
C_SACCHC4_B	LOGICCH	"C_SACCHC4_B"	SACCHC4 channel of cell A
C_SACCHC4_C	LOGICCH	"C_SACCHC4_C"	SACCHC4 channel of cell B
C_SACCHC4_D	LOGICCH	"C_SACCHC4_D"	SACCHC4 channel of cell C
C_SACCHC4_E	LOGICCH	"C_SACCHC4_E"	SACCHC4 channel of cell D
C_SACCHC4_F	LOGICCH	"C_SACCHC4_F"	SACCHC4 channel of cell E
C_SACCHC4_G	LOGICCH	"C_SACCHC4_G"	SACCHC4 channel of cell F
C_SACCHC4_H	LOGICCH	"C_SACCHC4_H"	SACCHC4 channel of cell G
C_SACCHC40_A	LOGICCH	"C_SACCHC40_A"	SACCHC4 channel of cell H
			SACCH/C4(0) associated with SDCCH/4(0) of cell A
C_SACCHC41_A	LOGICCH	"C_SACCHC41_A"	SACCH/C4(1) associated with SDCCH/4(1) of cell A
C_SACCHC42_A	LOGICCH	"C_SACCHC42_A"	SACCH/C4(2) associated with SDCCH/4(2) of cell A
C_SACCHC43_A	LOGICCH	"C_SACCHC43_A"	SACCH/C4(3) associated with SDCCH/4(3) of cell A
C_SACCHC40_B	LOGICCH	"C_SACCHC40_B"	SACCH/C4(0) associated with SDCCH/4(0) of cell B
C_SACCHC41_B	LOGICCH	"C_SACCHC41_B"	SACCH/C4(1) associated with SDCCH/4(1) of cell B
C_SACCHC42_B	LOGICCH	"C_SACCHC42_B"	SACCH/C4(2) associated with SDCCH/4(2) of cell B
C_SACCHC43_B	LOGICCH	"C_SACCHC43_B"	SACCH/C4(3) associated with SDCCH/4(3) of cell B
C_SACCHC40_C	LOGICCH	"C_SACCHC40_C"	SACCH/C4(0) associated with SDCCH/4(0) of cell C
C_SACCHC41_C	LOGICCH	"C_SACCHC41_C"	SACCH/C4(1) associated with SDCCH/4(1) of cell C
C_SACCHC42_C	LOGICCH	"C_SACCHC42_C"	SACCH/C4(2) associated with SDCCH/4(2) of cell C
C_SACCHC43_C	LOGICCH	"C_SACCHC43_C"	SACCH/C4(3) associated with SDCCH/4(3) of cell C
C_SACCHC40_D	LOGICCH	"C_SACCHC40_D"	SACCH/C4(0) associated with SDCCH/4(0) of cell D
C_SACCHC41_D	LOGICCH	"C_SACCHC41_D"	SACCH/C4(1) associated with SDCCH/4(1) of cell D
C_SACCHC42_D	LOGICCH	"C_SACCHC42_D"	SACCH/C4(2) associated with SDCCH/4(2) of cell D
C_SACCHC43_D	LOGICCH	"C_SACCHC43_D"	SACCH/C4(3) associated with SDCCH/4(3) of cell D
C_SACCHC40_E	LOGICCH	"C_SACCHC40_E"	SACCH/C4(0) associated with SDCCH/4(0) of cell E
C_SACCHC41_E	LOGICCH	"C_SACCHC41_E"	SACCH/C4(1) associated with SDCCH/4(1) of cell E
C_SACCHC42_E	LOGICCH	"C_SACCHC42_E"	SACCH/C4(2) associated with SDCCH/4(2) of cell E
C_SACCHC43_E	LOGICCH	"C_SACCHC43_E"	SACCH/C4(3) associated with SDCCH/4(3) of cell E
C_SACCHC40_F	LOGICCH	"C_SACCHC40_F"	SACCH/C4(0) associated with SDCCH/4(0) of cell F
C_SACCHC41_F	LOGICCH	"C_SACCHC41_F"	SACCH/C4(1) associated with SDCCH/4(1) of cell F
C_SACCHC42_F	LOGICCH	"C_SACCHC42_F"	SACCH/C4(2) associated with SDCCH/4(2) of cell F
C_SACCHC43_F	LOGICCH	"C_SACCHC43_F"	SACCH/C4(3) associated with SDCCH/4(3) of cell F
C_SACCHC40_G	LOGICCH	"C_SACCHC40_G"	SACCH/C4(0) associated with SDCCH/4(0) of cell G
C_SACCHC41_G	LOGICCH	"C_SACCHC41_G"	SACCH/C4(1) associated with SDCCH/4(1) of cell G
C_SACCHC42_G	LOGICCH	"C_SACCHC42_G"	SACCH/C4(2) associated with SDCCH/4(2) of cell G
C_SACCHC43_G	LOGICCH	"C_SACCHC43_G"	SACCH/C4(3) associated with SDCCH/4(3) of cell G
C_SACCHC40_H	LOGICCH	"C_SACCHC40_C"	SACCH/C4(0) associated with SDCCH/4(0) of cell H
C_SACCHC41_H	LOGICCH	"C_SACCHC41_C"	SACCH/C4(1) associated with SDCCH/4(1) of cell H
C_SACCHC42_H	LOGICCH	"C_SACCHC42_C"	SACCH/C4(2) associated with

C_SACCHC43_H	LOGICCH	"C_SACCHC43_C"	SDCCH/4(2) of cell H SACCH/C4(3) associated with SDCCH/4(3) of cell H
C_SACCHC8_A_1	LOGICCH	"C_SACCHC8_A_1"	1st SACCH/8 channel of cell A
C_SACCHC8_A_2	LOGICCH	"C_SACCHC8_A_2"	2nd SACCH/8 channel of cell A
C_SACCHC8_A_3	LOGICCH	"C_SACCHC8_A_3"	3rd SACCH/8 channel of cell A
C_SACCHC8_B_1	LOGICCH	"C_SACCHC8_B_1"	1st SACCH/8 channel of cell B
C_SACCHC8_B_2	LOGICCH	"C_SACCHC8_B_2"	2nd SACCH/8 channel of cell B
C_SACCHC8_B_3	LOGICCH	"C_SACCHC8_B_3"	3rd SACCH/8 channel of cell B
C_SACCHC8_C_1	LOGICCH	"C_SACCHC8_C_1"	1st SACCH/8 channel of cell C
C_SACCHC8_C_2	LOGICCH	"C_SACCHC8_C_2"	2nd SACCH/8 channel of cell C
C_SACCHC8_C_3	LOGICCH	"C_SACCHC8_C_3"	3rd SACCH/8 channel of cell C
C_SACCHC80_A_1	LOGICCH	"C_SACCHC80_A_1"	SACCH/C8(0) associated with 1st SDCCH/8(0) of cell A
C_SACCHC81_A_1	LOGICCH	"C_SACCHC81_A_1"	SACCH/C8(1) associated with 1st SDCCH/8(1) of cell A
C_SACCHC82_A_1	LOGICCH	"C_SACCHC82_A_1"	SACCH/C8(2) associated with 1st SDCCH/8(2) of cell A
C_SACCHC83_A_1	LOGICCH	"C_SACCHC83_A_1"	SACCH/C8(3) associated with 1st SDCCH/8(3) of cell A
C_SACCHC84_A_1	LOGICCH	"C_SACCHC84_A_1"	SACCH/C8(4) associated with 1st SDCCH/8(4) of cell A
C_SACCHC85_A_1	LOGICCH	"C_SACCHC85_A_1"	SACCH/C8(5) associated with 1st SDCCH/8(5) of cell A
C_SACCHC86_A_1	LOGICCH	"C_SACCHC86_A_1"	SACCH/C8(6) associated with 1st SDCCH/8(6) of cell A
C_SACCHC87_A_1	LOGICCH	"C_SACCHC87_A_1"	SACCH/C8(7) associated with 1st SDCCH/8(7) of cell A
C_SACCHC80_A_2	LOGICCH	"C_SACCHC80_A_2"	SACCH/C8(0) associated with 2nd SDCCH/8(0) of cell A
C_SACCHC81_A_2	LOGICCH	"C_SACCHC81_A_2"	SACCH/C8(1) associated with 2nd SDCCH/8(1) of cell A
C_SACCHC82_A_2	LOGICCH	"C_SACCHC82_A_2"	SACCH/C8(2) associated with 2nd SDCCH/8(2) of cell A
C_SACCHC83_A_2	LOGICCH	"C_SACCHC83_A_2"	SACCH/C8(3) associated with 2nd SDCCH/8(3) of cell A
C_SACCHC84_A_2	LOGICCH	"C_SACCHC84_A_2"	SACCH/C8(4) associated with 2nd SDCCH/8(4) of cell A
C_SACCHC85_A_2	LOGICCH	"C_SACCHC85_A_2"	SACCH/C8(5) associated with 2nd SDCCH/8(5) of cell A
C_SACCHC86_A_2	LOGICCH	"C_SACCHC86_A_2"	SACCH/C8(6) associated with 2nd SDCCH/8(6) of cell A
C_SACCHC87_A_2	LOGICCH	"C_SACCHC87_A_2"	SACCH/C8(7) associated with 2nd SDCCH/8(7) of cell A
C_SACCHC80_A_3	LOGICCH	"C_SACCHC80_A_3"	SACCH/C8(0) associated with 3rd SDCCH/8(0) of cell A
C_SACCHC81_A_3	LOGICCH	"C_SACCHC81_A_3"	SACCH/C8(1) associated with 3rd SDCCH/8(1) of cell A
C_SACCHC82_A_3	LOGICCH	"C_SACCHC82_A_3"	SACCH/C8(2) associated with 3rd SDCCH/8(2) of cell A
C_SACCHC83_A_3	LOGICCH	"C_SACCHC83_A_3"	SACCH/C8(3) associated with 3rd SDCCH/8(3) of cell A
C_SACCHC84_A_3	LOGICCH	"C_SACCHC84_A_3"	SACCH/C8(4) associated with 3rd SDCCH/8(4) of cell A
C_SACCHC85_A_3	LOGICCH	"C_SACCHC85_A_3"	SACCH/C8(5) associated with 3rd SDCCH/8(5) of cell A
C_SACCHC86_A_3	LOGICCH	"C_SACCHC86_A_3"	SACCH/C8(6) associated with 3rd SDCCH/8(6) of cell A
C_SACCHC87_A_3	LOGICCH	"C_SACCHC87_A_3"	SACCH/C8(7) associated with 3rd SDCCH/8(7) of cell A
C_SACCHC80_B_1	LOGICCH	"C_SACCHC80_B_1"	SACCH/C8(0) associated with 1st SDCCH/8(0) of cell B
C_SACCHC81_B_1	LOGICCH	"C_SACCHC81_B_1"	SACCH/C8(1) associated with 1st SDCCH/8(1) of cell B
C_SACCHC82_B_1	LOGICCH	"C_SACCHC82_B_1"	SACCH/C8(2) associated with 1st SDCCH/8(2) of cell B
C_SACCHC83_B_1	LOGICCH	"C_SACCHC83_B_1"	SACCH/C8(3) associated with 1st SDCCH/8(3) of cell B
C_SACCHC84_B_1	LOGICCH	"C_SACCHC84_B_1"	SACCH/C8(4) associated with 1st SDCCH/8(4) of cell B

C_SACCHC85_B_1	LOGICCH	"C_SACCHC85_B_1"	SACCH/C8(5) associated with 1st SDCCH/8(5) of cell B
C_SACCHC86_B_1	LOGICCH	"C_SACCHC86_B_1"	SACCH/C8(6) associated with 1st SDCCH/8(6) of cell B
C_SACCHC87_B_1	LOGICCH	"C_SACCHC87_B_1"	SACCH/C8(7) associated with 1st SDCCH/8(7) of cell B
C_SACCHC80_B_2	LOGICCH	"C_SACCHC80_B_2"	SACCH/C8(0) associated with 2nd SDCCH/8(0) of cell B
C_SACCHC81_B_2	LOGICCH	"C_SACCHC81_B_2"	SACCH/C8(1) associated with 2nd SDCCH/8(1) of cell B
C_SACCHC82_B_2	LOGICCH	"C_SACCHC82_B_2"	SACCH/C8(2) associated with 2nd SDCCH/8(2) of cell B
C_SACCHC83_B_2	LOGICCH	"C_SACCHC83_B_2"	SACCH/C8(3) associated with 2nd SDCCH/8(3) of cell B
C_SACCHC84_B_2	LOGICCH	"C_SACCHC84_B_2"	SACCH/C8(4) associated with 2nd SDCCH/8(4) of cell B
C_SACCHC85_B_2	LOGICCH	"C_SACCHC85_B_2"	SACCH/C8(5) associated with 2nd SDCCH/8(5) of cell B
C_SACCHC86_B_2	LOGICCH	"C_SACCHC86_B_2"	SACCH/C8(6) associated with 2nd SDCCH/8(6) of cell B
C_SACCHC87_B_2	LOGICCH	"C_SACCHC87_B_2"	SACCH/C8(7) associated with 2nd SDCCH/8(7) of cell B
C_SACCHC80_B_3	LOGICCH	"C_SACCHC80_B_3"	SACCH/C8(0) associated with 3rd SDCCH/8(0) of cell B
C_SACCHC81_B_3	LOGICCH	"C_SACCHC81_B_3"	SACCH/C8(1) associated with 3rd SDCCH/8(1) of cell B
C_SACCHC82_B_3	LOGICCH	"C_SACCHC82_B_3"	SACCH/C8(2) associated with 3rd SDCCH/8(2) of cell B
C_SACCHC83_B_3	LOGICCH	"C_SACCHC83_B_3"	SACCH/C8(3) associated with 3rd SDCCH/8(3) of cell B
C_SACCHC84_B_3	LOGICCH	"C_SACCHC84_B_3"	SACCH/C8(4) associated with 3rd SDCCH/8(4) of cell B
C_SACCHC85_B_3	LOGICCH	"C_SACCHC85_B_3"	SACCH/C8(5) associated with 3rd SDCCH/8(5) of cell B
C_SACCHC86_B_3	LOGICCH	"C_SACCHC86_B_3"	SACCH/C8(6) associated with 3rd SDCCH/8(6) of cell B
C_SACCHC87_B_3	LOGICCH	"C_SACCHC87_B_3"	SACCH/C8(7) associated with 3rd SDCCH/8(7) of cell B
C_SACCHC80_C_1	LOGICCH	"C_SACCHC80_C_1"	SACCH/C8(0) associated with 1st SDCCH/8(0) of cell C
C_SACCHC81_C_1	LOGICCH	"C_SACCHC81_C_1"	SACCH/C8(1) associated with 1st SDCCH/8(1) of cell C
C_SACCHC82_C_1	LOGICCH	"C_SACCHC82_C_1"	SACCH/C8(2) associated with 1st SDCCH/8(2) of cell C
C_SACCHC83_C_1	LOGICCH	"C_SACCHC83_C_1"	SACCH/C8(3) associated with 1st SDCCH/8(3) of cell C
C_SACCHC84_C_1	LOGICCH	"C_SACCHC84_C_1"	SACCH/C8(4) associated with 1st SDCCH/8(4) of cell C
C_SACCHC85_C_1	LOGICCH	"C_SACCHC85_C_1"	SACCH/C8(5) associated with 1st SDCCH/8(5) of cell C
C_SACCHC86_C_1	LOGICCH	"C_SACCHC86_C_1"	SACCH/C8(6) associated with 1st SDCCH/8(6) of cell C
C_SACCHC87_C_1	LOGICCH	"C_SACCHC87_C_1"	SACCH/C8(7) associated with 1st SDCCH/8(7) of cell C
C_SACCHC80_C_2	LOGICCH	"C_SACCHC80_C_2"	SACCH/C8(0) associated with 2nd SDCCH/8(0) of cell C
C_SACCHC81_C_2	LOGICCH	"C_SACCHC81_C_2"	SACCH/C8(1) associated with 2nd SDCCH/8(1) of cell C
C_SACCHC82_C_2	LOGICCH	"C_SACCHC82_C_2"	SACCH/C8(2) associated with 2nd SDCCH/8(2) of cell C
C_SACCHC83_C_2	LOGICCH	"C_SACCHC83_C_2"	SACCH/C8(3) associated with 2nd SDCCH/8(3) of cell C
C_SACCHC84_C_2	LOGICCH	"C_SACCHC84_C_2"	SACCH/C8(4) associated with 2nd SDCCH/8(4) of cell C
C_SACCHC85_C_2	LOGICCH	"C_SACCHC85_C_2"	SACCH/C8(5) associated with 2nd SDCCH/8(5) of cell C
C_SACCHC86_C_2	LOGICCH	"C_SACCHC86_C_2"	SACCH/C8(6) associated with 2nd SDCCH/8(6) of cell C
C_SACCHC87_C_2	LOGICCH	"C_SACCHC87_C_2"	SACCH/C8(7) associated with 2nd SDCCH/8(7) of cell C
C_SACCHC80_C_3	LOGICCH	"C_SACCHC80_C_3"	SACCH/C8(0) associated with 3rd

C_SACCHC81_C_3	LOGICCH	"C_SACCHC81_C_3"	SDCCH/8(0) of cell C SACCH/C8(1) associated with 3rd SDCCH/8(1) of cell C
C_SACCHC82_C_3	LOGICCH	"C_SACCHC82_C_3"	SACCH/C8(2) associated with 3rd SDCCH/8(2) of cell C
C_SACCHC83_C_3	LOGICCH	"C_SACCHC83_C_3"	SACCH/C8(3) associated with 3rd SDCCH/8(3) of cell C
C_SACCHC84_C_3	LOGICCH	"C_SACCHC84_C_3"	SACCH/C8(4) associated with 3rd SDCCH/8(4) of cell C
C_SACCHC85_C_3	LOGICCH	"C_SACCHC85_C_3"	SACCH/C8(5) associated with 3rd SDCCH/8(5) of cell C
C_SACCHC86_C_3	LOGICCH	"C_SACCHC86_C_3"	SACCH/C8(6) associated with 3rd SDCCH/8(6) of cell C
C_SACCHC87_C_3	LOGICCH	"C_SACCHC87_C_3"	SACCH/C8(7) associated with 3rd SDCCH/8(7) of cell C
C_SDCCH4_A	LOGICCH	"C_SDCCH4_A"	SDCCH/4 channel of cell A
C_SDCCH4_B	LOGICCH	"C_SDCCH4_B"	SDCCH/4 channel of cell B
C_SDCCH4_C	LOGICCH	"C_SDCCH4_C"	SDCCH/4 channel of cell C
C_SDCCH4_D	LOGICCH	"C_SDCCH4_D"	SDCCH/4 channel of cell D
C_SDCCH4_E	LOGICCH	"C_SDCCH4_E"	SDCCH/4 channel of cell E
C_SDCCH4_F	LOGICCH	"C_SDCCH4_F"	SDCCH/4 channel of cell F
C_SDCCH4_G	LOGICCH	"C_SDCCH4_G"	SDCCH/4 channel of cell G
C_SDCCH4_H	LOGICCH	"C_SDCCH4_H"	SDCCH/4 channel of cell H
C_SDCCH40_A	LOGICCH	"C_SDCCH40_A"	SDCCH/4(0) of cell A
C_SDCCH41_A	LOGICCH	"C_SDCCH41_A"	SDCCH/4(1) of cell A
C_SDCCH42_A	LOGICCH	"C_SDCCH42_A"	SDCCH/4(2) of cell A
C_SDCCH43_A	LOGICCH	"C_SDCCH43_A"	SDCCH/4(3) of cell A
C_SDCCH40_B	LOGICCH	"C_SDCCH40_B"	SDCCH/4(0) of cell B
C_SDCCH41_B	LOGICCH	"C_SDCCH41_B"	SDCCH/4(1) of cell B
C_SDCCH42_B	LOGICCH	"C_SDCCH42_B"	SDCCH/4(2) of cell B
C_SDCCH43_B	LOGICCH	"C_SDCCH43_B"	SDCCH/4(3) of cell B
C_SDCCH40_C	LOGICCH	"C_SDCCH40_C"	SDCCH/4(0) of cell C
C_SDCCH41_C	LOGICCH	"C_SDCCH41_C"	SDCCH/4(1) of cell C
C_SDCCH42_C	LOGICCH	"C_SDCCH42_C"	SDCCH/4(2) of cell C
C_SDCCH43_C	LOGICCH	"C_SDCCH43_C"	SDCCH/4(3) of cell C
C_SDCCH40_D	LOGICCH	"C_SDCCH40_D"	SDCCH/4(0) of cell D
C_SDCCH41_D	LOGICCH	"C_SDCCH41_D"	SDCCH/4(1) of cell D
C_SDCCH42_D	LOGICCH	"C_SDCCH42_D"	SDCCH/4(2) of cell D
C_SDCCH43_D	LOGICCH	"C_SDCCH43_D"	SDCCH/4(3) of cell D
C_SDCCH40_E	LOGICCH	"C_SDCCH40_E"	SDCCH/4(0) of cell E
C_SDCCH41_E	LOGICCH	"C_SDCCH41_E"	SDCCH/4(1) of cell E
C_SDCCH42_E	LOGICCH	"C_SDCCH42_E"	SDCCH/4(2) of cell E
C_SDCCH43_E	LOGICCH	"C_SDCCH43_E"	SDCCH/4(3) of cell E
C_SDCCH40_F	LOGICCH	"C_SDCCH40_F"	SDCCH/4(0) of cell F
C_SDCCH41_F	LOGICCH	"C_SDCCH41_F"	SDCCH/4(1) of cell F
C_SDCCH42_F	LOGICCH	"C_SDCCH42_F"	SDCCH/4(2) of cell F
C_SDCCH43_F	LOGICCH	"C_SDCCH43_F"	SDCCH/4(3) of cell F
C_SDCCH40_G	LOGICCH	"C_SDCCH40_G"	SDCCH/4(0) of cell G
C_SDCCH41_G	LOGICCH	"C_SDCCH41_G"	SDCCH/4(1) of cell G
C_SDCCH42_G	LOGICCH	"C_SDCCH42_G"	SDCCH/4(2) of cell G
C_SDCCH43_G	LOGICCH	"C_SDCCH43_G"	SDCCH/4(3) of cell G
C_SDCCH40_H	LOGICCH	"C_SDCCH40_H"	SDCCH/4(0) of cell H
C_SDCCH41_H	LOGICCH	"C_SDCCH41_H"	SDCCH/4(1) of cell H
C_SDCCH42_H	LOGICCH	"C_SDCCH42_H"	SDCCH/4(2) of cell H
C_SDCCH43_H	LOGICCH	"C_SDCCH43_H"	SDCCH/4(3) of cell H
C_SDCCH8_A_1	LOGICCH	"C_SDCCH8_A_1"	1st SDCCH/8 channel of cell A
C_SDCCH8_A_2	LOGICCH	"C_SDCCH8_A_2"	2nd SDCCH/8 channel of cell A
C_SDCCH8_A_3	LOGICCH	"C_SDCCH8_A_3"	3rd SDCCH/8 channel of cell A
C_SDCCH8_B_1	LOGICCH	"C_SDCCH8_B_1"	1st SDCCH/8 channel of cell B
C_SDCCH8_B_2	LOGICCH	"C_SDCCH8_B_2"	2nd SDCCH/8 channel of cell B
C_SDCCH80_A_1	LOGICCH	"C_SDCCH80_A_1"	1st SDCCH/8(0) of cell A
C_SDCCH81_A_1	LOGICCH	"C_SDCCH81_A_1"	1st SDCCH/8(1) of cell A
C_SDCCH82_A_1	LOGICCH	"C_SDCCH82_A_1"	1st SDCCH/8(2) of cell A
C_SDCCH83_A_1	LOGICCH	"C_SDCCH83_A_1"	1st SDCCH/8(3) of cell A
C_SDCCH84_A_1	LOGICCH	"C_SDCCH84_A_1"	1st SDCCH/8(4) of cell A
C_SDCCH85_A_1	LOGICCH	"C_SDCCH85_A_1"	1st SDCCH/8(5) of cell A

C_SDCCH87_C_3	LOGICCH	"C_SDCCH87_C_3"	3rd SDCCH/8(7) of cell C
C_CHSDCCH8_FH	OCTETSTRING	'00'O	ch.type SDCCH8 with FH
C_CHSDCCH8_NonFH	OCTETSTRING	'01'O	ch.type SDCCH8 No FH
C_CHSDCCH4_NonFH	OCTETSTRING	'03'O	ch.type SDCCH4 NoFH
C_CHTCHF_FH	OCTETSTRING	'04'O	ch.type TCHF FH
C_CHTCHF_NonFH	OCTETSTRING	'05'O	ch.type TCHF NonFH
C_CHTCHH_FH	OCTETSTRING	'06'O	ch.type TCHH FH
C_CHTCHH_NonFH	OCTETSTRING	'07'O	ch.type TCHH NonFH
C_TCHF_ACCHF_1	LOGCH	"C_TCHF_ACCHF_1"	first TCH/F + ACCHs type channel
C_TCHF_ACCHF_2	LOGCH	"C_TCHF_ACCHF_2"	second TCH/F + ACCHs type channel
C_TCHH_ACCHH_1	LOGCH	"C_TCHH_ACCHH_1"	first TCH/H + ACCHs type channel
C_TCHH_ACCHH_2	LOGCH	"C_TCHH_ACCHH_2"	second TCH/H + ACCHs type channel
C_FCCH_SCH_BCCH_CCCH_H	LOGCH	"C_FCCH_SCH_BCCH_CCCH_H"	FCCH_SCH_BCCH_CCCH type channel
C_BCCH_CCCH_2	LOGCH	"C_BCCH_CCCH_2"	second BCCH_CCCH type channel
C_BCCH_CCCH_3	LOGCH	"C_BCCH_CCCH_3"	third BCCH_CCCH type channel
C_BCCH_CCCH_4	LOGCH	"C_BCCH_CCCH_4"	fourth BCCH_CCCH type channel
C_FCCH_SCH_BCCH_CCCH_H_SDCCH4_SACCHC4	LOGCH	"C_FCCH_SCH_BCCH_CCCH_H_SDCCH4_SACCHC4"	combined CCCH type channel
C_CBCH_FCCH_SCH_BCCH_CCCH_SDCCH4_SACCHC4	LOGCH	"C_CBCH_FCCH_SCH_BCCH_CCCH_SDCCH4_SACCHC4"	combined CCCH type channel for cell broadcast SM
C_SDCCH8_SACCHC8_1	LOGCH	"C_SDCCH8_SACCHC8_1"	first SDCCH/8 type channel
C_SDCCH8_SACCHC8_2	LOGCH	"C_SDCCH8_SACCHC8_2"	second SDCCH/8 type channel
C_SDCCH8_SACCHC8_3	LOGCH	"C_SDCCH8_SACCHC8_3"	3rd SDCCH/8 type channel
C_S0	SN	'000'B	time slot 0
C_S2	SN	'010'B	time slot 2
C_S3	SN	'011'B	time slot 3
C_S4	SN	'100'B	time slot 4
C_S6	SN	'110'B	time slot 6
C_SAVE	INTEGER	0	the OC_SaveAndProc saves input values
C_PROC	INTEGER	1	the OC_SvaAndProc processes saved values
C_RETRV	INTEGER	1	
C_U1	CCSTATE	1	CC state U1
C_U3	CCSTATE	3	CC state U3
C_U4	CCSTATE	4	CC state U4
C_U6	CCSTATE	6	CC state U6
C_U7	CCSTATE	7	CC state U7
C_U8	CCSTATE	8	CC state U8
C_U9	CCSTATE	9	CC state U9
C_U10	CCSTATE	10	CC state U10
C_U11	CCSTATE	11	CC state U11
C_U12	CCSTATE	12	CC state U12
C_U19	CCSTATE	19	CC state U19
C_U26	CCSTATE	26	CC state U26
C_NxtButOne	SENDINGMODE	1	send the second message on the next but one paging subblock
C_FmrAGB	SENDINGMODE	2	send the second message on the former access grant block
C_BfReOcc	SENDINGMODE	3	send the second message before the MS's original paging subchannel re-occurs, but later than the next paging block of that CCCH
C_NxtButOneNxt	SENDINGMODE	4	nothing is sent in the next but one paging sub block, then send the second message in the next paging subblock of the MS's paging subchannel
C_CMServiceTypeE	CMSVTYPE	'0010'B	CM Service Type for emergency call.

C_Telephony	IA5String	"C_Telephony"	telephony service (TS11)
C_EmgCall	IA5String	"C_EmgCall"	emergency call service (TS12)
C_AltSpchFax	IA5String	"C_AltSpchFax"	alternate speech and G3 fax service (TS61)
C_AutoFax	IA5String	"C_AutoFax"	automatic G3 fax service (TS62)
C_Async300	IA5String	"C_Async300"	data circuit duplex async. 300 bit/s service (BS21)
C_Async1200	IA5String	"C_Async1200"	data circuit duplex async. 1200 bit/s service (BS22)
C_Async120075	IA5String	"C_Async120075"	data circuit duplex async. 1200/75 bit/s service (BS23)
C_Async2400	IA5String	"C_Async2400"	data circuit duplex async. 2400 bit/s service (BS24)
C_Async4800	IA5String	"C_Async4800"	data circuit duplex async. 4800 bit/s service (BS25)
C_Async9600	IA5String	"C_Async9600"	data circuit duplex async 9600 bit/s service (BS26)
C_Sync1200	IA5String	"C_Sync1200"	data circuit duplex sync. 1200 bit/s service (BS31)
C_Sync2400	IA5String	"C_Sync2400"	data circuit duplex sync. 2400 bit/s service (BS32)
C_Sync4800	IA5String	"C_Sync4800"	data circuit duplex sync. 4800 bit/s service (BS33)
C_Sync9600	IA5String	"C_Sync9600"	data circuit duplex sync 9600 bit/s service (BS34)
C_PAD300	IA5String	"C_PAD300"	PAD access 300 bit/s service (BS41)
C_PAD1200	IA5String	"C_PAD1200"	PAD access 1200 bit/s service (BS42)
C_PAD120075	IA5String	"C_PAD120075"	PAD access 1200/75 bit/s service (BS43)
C_PAD2400	IA5String	"C_PAD2400"	PAD access 2400 bit/s service (BS44)
C_PAD4800	IA5String	"C_PAD4800"	PAD access 4800 bit/s service (BS45)
C_PAD9600	IA5String	"C_PAD9600"	PAD access 9600 bit/s service (BS46)
C_Packet2400	IA5String	"C_Packet2400"	packet access 2400 bit/s service (BS51)
C_Packet4800	IA5String	"C_Packet4800"	packet access 4800 bit/s service (BS52)
C_Packet9600	IA5String	"C_Packet9600"	packet access 9600 bit/s service (BS53)
C_AltSpchData	IA5String	"C_AltSpchData"	alternate speech/data service (BS61)
C_SpchData	IA5String	"C_SpchData"	speech followed data service (BS81)
C_l	INTEGER	1	l command of L 2
C_one	INTEGER	1	one frequency, no hopping
C_Immass	BITSTRING	'000'B	activation for immediate assignment
C_Ass	BITSTRING	'001'B	activation for assignment
C_Asynho	BITSTRING	'010'B	activation for non synchronous handover
C_Synho	BITSTRING	'011'B	activation for synchronous handover
C_Rcv	BITSTRING	'101'B	activation for receiving only
C_LocEndRel	RelMode	'01'O	local end release
C_MaxPwrLvlD	INTEGER	15	Max power level for MS DCS
C_MaxPwrLvlG	INTEGER	19	Max power level for MS GSM
C_rc_conditIEerror	REJCAU	'64'O	reject cause: Conditional IE error
C_rc_congestion	REJCAU	'16'O	reject cause: congestion
C_rc_illegal_ms	REJCAU	'03'O	reject cause: illegal MS
C_rc_illegal_me	REJCAU	'06'O	reject cause: illegal ME
C_rc_imsiunknownhlr	REJCAU	'02'O	reject cause:

C_rc_imsiunknownvlr	REJCAU	'04'O	IMSI unknown in HLR reject cause:
C_rc_invalidmaninfo	REJCAU	'60'O	IMSI unknown in VLR reject cause:
C_rc_LAnotallowed	REJCAU	'0C'O	invalid mandatory information reject cause:
C_rc_networkfailure	REJCAU	'11'O	LocationArea is not allowed reject cause:
C_rc_notidentified	REJCAU	'26'O	network failure reject cause:
C_rc_plmn_not	REJCAU	'0B'O	can not be identified reject cause:
C_rc_protocolerror	REJCAU	'6F'O	PLMN not allowed reject cause:
C_rc_reqservoptnotsub	REJCAU	'21'O	Protocol error unspecified reject cause:
C_rc_roamingnot	REJCAU	'0D'O	requested service option not subscribed reject cause:
C_Restablishment	B_1	'0'B	Roaming not allowed Restablishment allowed
C_noRestablishment	B_1	'1'B	No restablishment allowed
C_SlotNU	SN	'111'B	Slot Number not used
C_CellReselectHys12	INTEGER	6	Cell Reselection Hysteresis value 12db
C_CellReselectHys4	INTEGER	2	Cell Reselection Hysteresis value 4db
C_RI_alternate	B_8	'11010001'B	Bcap repeat indicator for alternate (circular selection)
C_RI_follow	B_8	'11010011'B	Bcap repeat indicator for successive (sequential selection)
C_SIMIn	BOOLEAN	FALSE	SIM is always inserted in a test case
C_SIMneedRmv	BOOLEAN	TRUE	Removal of SIM is needed in a test case (SIM is not always inserted.)
C_Yes	BOOLEAN	TRUE	
C_No	BOOLEAN	FALSE	
C_Start_lmsi	INTEGER	1	Test case body starts without TMSI
C_Start_Tmsi	INTEGER	2	Test case body starts with Tmsi_01
C_Start_TmsiOff	INTEGER	5	Test case body starts with Tmsi_01. MS has been deactivated.
C_Start_Rej	INTEGER	3	Test case body starts with LAI deleted. MS has been deactivated.
C_Start_PLMNnot	INTEGER	4	Test case body starts with PLMN not allowed
C_Test_fh	INTEGER	1	Test case with possibly frequency hopping
C_Test_nfh	INTEGER	2	Test case with no frequency hopping
C_Test_egsm	INTEGER	3	Test case for egsm
C_Test_cbms	INTEGER	4	Test case for CBMS
C_normal_updating	B_2	'00'B	normal location updating
C_periodic_updating	B_2	'01'B	periodic location updating
C_normalOrperiodic	B_2	'0?'B	periodic or normal location updating
C_imsi_attach	B_2	'10'B	location updating IMSI attach
C_norm_period_attach	B_2	'??'B	imsi attach or periodic location updating or normal location updating
C_normal_paging	B_2	'00'B	normal page mode
C_extended_paging	B_2	'01'B	extended paging
C_reorg_paging	B_2	'10'B	paging reorganisation
C_sab_paging	B_2	'11'B	same as before paging

C_non_synchronised	B_2	'00'B	non-synchronised
C_synchronised	B_2	'01'B	synchronised
C_pre_synchronised	B_2	'10'B	pre-synchronised
C_pseudo_synchronised	B_2	'11'B	pseudo-synchronised
C_not_report_otd	B_1	'0'B	not report observed time difference
C_report_otd	B_1	'1'B	report observed time difference
C_Tzone0	TZONES	0	Time zone 0 (used in TC_34_2_1, TC_34_2_5_3)
C_Tzone1	TZONES	4	Time zone 4 (used in TC_34_2_2, TC_34_2_7)
C_Tzone2	TZONES	10	Time zone 10 (used in TC_34_2_3)
C_Tzone3	TZONES	15	Time zone 15 (used in TC_34_2_4)
C_Tzone4	TZONES	25	Time zone 25 (used in TC_34_2_5_1)
C_Tzone5	TZONES	35	Time zone 35 (used in TC_34_2_5_2)
C_Tzone6	TZONES	45	Time zone 45 (used in TC_34_2_8)
C_T_AssCmd	INTEGER	900	600ms + 300ms(tolerance)
C_T_Wait1stChReq	INTEGER	35000	max time for full BCCH data decoding
C_T_mrsrp	INTEGER	1500	3 times time btw 2 msr rpt.
C_T_T3124	INTEGER	675	T3124(675ms)
C_T_T3211plus	INTEGER	20000	20s
C_T_T3212	INTEGER	360000	T3212(6min)
C_T_T3212min	INTEGER	345000	T3212(6min) - 15sec
C_T_T3212dif	INTEGER	15000	Difference between T3212 and T3212min
C_T_T3210	INTEGER	20000	timer T3210 in ms
C_T_T3211min	INTEGER	13500	90% T3211 in ms
C_T_T3230min	INTEGER	13500	90% T3230 in ms
C_T_T3240min	INTEGER	9000	90% T3240 in ms
C_T_T3240tol	INTEGER	2000	20% T3240 in ms
C_T_Wait	INTEGER	5000	5s. T3126max
C_T_Wait1	INTEGER	1000	1s
C_T_Wait_FAC	INTEGER	1500	1.5s Facility response time (1s) + tolerance (0.5s)
C_release_time	INTEGER	11	release timer value
C_RegCFNRy	INTEGER	1	registration of call forwarding service for CFNRy (speech)
C_RegCFU	INTEGER	2	registration of call forwarding service for CFU (all facsimile)
C_RegCF	INTEGER	3	registration of call forwarding service for CF (all facsimile)
C_ErsCFC	INTEGER	4	erasure of call forwarding service for CFC (all facsimile)
C_ErsCFNRc	INTEGER	5	erasure of call forwarding service for CFNRc (all basic services)
C_ErsCFNRy	INTEGER	6	erasure of call forwarding service for CFNRy (all facsimile)
C_ActCF	INTEGER	7	activation of call forwarding service for CF (all synchronous services)
C_ActCFU	INTEGER	8	activation of call forwarding service for CFU (all basic services)
C_DeactCFC	INTEGER	9	deactivation of call forwarding service for CFC (speech)
C_DeactCFNRc	INTEGER	10	deactivation of call forwarding service for CFNRc (all facsimile)
C_InterrogCFC	INTEGER	11	interrogation of call forwarding service for CFC (Speech)
C_InterrogCFB	INTEGER	12	interrogation of call forwarding service for CFB (all basic services)
C_NotifyCFB	INTEGER	13	notification of call forwarding

C_NotifyCFU	INTEGER	14	service for CFB (incoming call is forwarded)
C_NotifyCFC	INTEGER	15	notification of call forwarding service for CFU (provisioned, registered, active)
C_NotifyCFNRc	INTEGER	16	notification of call forwarding service for CFC (provisioned, registered, active)
C_RegPswd	INTEGER	17	notification of call forwarding service for CFNRc (Ms not reachable)
C_ActBOAC	INTEGER	18	Registration of password for all call barring services
C_ActBICRoam	INTEGER	19	Activation of BOAC
C_ActBOIC	INTEGER	20	Activation of BICRoam
C_ActBAIC	INTEGER	21	Activation of BOIC
C_DeactBO	INTEGER	22	Activation of BAIC
C_DeactBI	INTEGER	23	Deactivation of BO
C_DeactBOICExHC	INTEGER	24	Deactivation of BI
C_NotifyBI	INTEGER	25	Deactivation of BOICExHC
C_InterrogBOIC	INTEGER	26	Notify of BI
C_InterrogBOICExHC	INTEGER	27	Interrogation of BOIC
C_Full	IA5String	"F"	Interrogation of BOICExHC
C_Full_v2	IA5String	"Fv2"	full rate channel (any speech version or data)
C_Half	IA5String	"H"	full rate speech channel, version 2
C_nirr_dontcare	B_1	'?'B	half rate channel
C_Rchr_dontcare	B_2	'??'B	NIRR no meaning or requested radio channel requirement not checked
C_Rchr_Full	B_2	'01'B	radio channel requirement : full rate
C_Rchr_DualForDualH	B_2	'1?'B	radio channel requirement : dual rate support/half rate preferred or dual rate support/full rate preferred
C_Rchr_DualForDualH0	B_2	'10'B	radio channel requirement : dual rate support/half rate preferred or dual rate support/full rate preferred
C_StartingTimeHO	INTEGER	238	Starting time 238 (1.1s), in TC_26_6_5_1, TC_26_6_5_4_2
C_StrT_1000	INTEGER	1000	Starting time 1000, in TC_26_6_13_1
C_Norm	OCTETSTRING	'00'O	Establish mode: normal
C_Speech	B_3	'000'B	Info. Transfer Cap. speech
C_3100Hz	B_3	'010'B	Info. Transfer Cap. 3.1 kHz
C_UDI	B_3	'001'B	Info. Transfer Cap. UDI
C_FAX3	B_3	'011'B	Info. Transfer Cap. FAX3
C_SDUintegrity	B_2	'00'B	Structure SDU integrity
C_Unstructured	B_2	'11'B	Structure Unstructured
C_struc_dontchk	B_2	'??'B	Structure not checked
C_nirr_nomeaning	B_1	'0'B	NIRR no meaning
C_no_rate_adaption	B_2	'00'B	Rate adaption no
C_rate_adaption_V110	B_2	'01'B	Rate adaption V110
C_rate_adaption_X31	B_2	'10'B	Rate adaption X31 flag
C_sacp_NA	B_3	'001'B	Signaling access NA (sec.11.8.1.5.1)
C_I440_450	B_3	'001'B	Signaling access I440/450
C_X21	B_3	'010'B	Signaling access X21
C_X28_unui	B_3	'100'B	Signaling access X28 U NUI
C_X28_nond	B_3	'101'B	Signaling access X28 non dedicated
C_X32	B_3	'110'B	Signaling access X32
C_Synchronous	B_1	'0'B	Synchronous
C_Asynchronous	B_1	'1'B	Asynchronous
C_stopbit_NA	B_1	'0'B	Number of Stop bits NA
C_stopbit_dontcare	B_1	'?'B	Number of Stop bits not care

C_databit_NA	B_1	'1'B	Number of Data bits not care
C_databit_dontcare	B_1	'?'B	Number of Data bits NA
C_300bs	B_4	'0001'B	User rate 300 bs
C_1200bs	B_4	'0010'B	User rate 1200 bs
C_120075bs	B_4	'0111'B	User rate 1200/75 bs
C_2400bs	B_4	'0011'B	User rate 2400 bs
C_4800bs	B_4	'0100'B	User rate 4800 bs
C_9600bs	B_4	'0101'B	User rate 9600 bs
C_parity_NA	B_3	'011'B	Parity NA
C_parity_dontcare	B_3	'???'B	Parity not care
C_ir_8kbs	B_2	'10'B	Intermediate rate 8 Kbs
C_ir_16kbs	B_2	'11'B	Intermediate rate 16 Kbs
C_ir_8or16kbs	B_2	'1?'B	Intermediate rate 8 or 16 Kbs
C_transparent	B_2	'00'B	Connection element T
C_nottransparent	B_2	'01'B	Connection element NT
C_BothT	B_2	'10'B	Connection element both T
C_BothNT	B_2	'11'B	Connection element both NT
C_modemt_none	B_5	'0000'B	no modem
C_modemt_V21	B_5	'00001'B	modem V21
C_modemt_V22	B_5	'00010'B	modem V22
C_modemt_V22bis	B_5	'00011'B	modem V22bis
C_modemt_V23	B_5	'00100'B	modem V23
C_modemt_V32	B_5	'00110'B	modem V32
C_ISO6429	B_5	'01000'B	Inband flow control
C_COPnoFLCT	B_5	'01100'B	No flow control
C_X25_fict	B_5	'00110'B	X25 flow control
C_Outband	FLWCNTL	0	outband flow control
C_Inband	FLWCNTL	1	outband flow control
C_Nocontrol	FLWCNTL	2	outband flow control
C_uil2p_dontcare	B_5	'?????'B	not checked
C_HSN_0	INTEGER	0	cyclic hopping
maxAddressLength	Asn1Integer	20	
maxISDN_AddressLength	Asn1Integer	9	
maxISDN_SubaddressLength	Asn1Integer	21	
maxNumOfBasicServiceGroups	Asn1Integer	13	
maxNumOfCUG	Asn1Integer	10	
maxNumberOfSegmentsPerDataInterval	Asn1Integer	8191	
maxSignalInfoLength	Asn1Integer	200	
maxUSSD_StringLength	Asn1Integer	160	
max10TimesIncrement	Asn1Integer	8191	
max10TimesIncrementPerDataInterval	Asn1Integer	8191	
max10TimesInitialTime	Asn1Integer	8191	
max100TimesScalingFactor	Asn1Integer	8191	
max10TimesTimeInterval	Asn1Integer	8191	
max10TimesUnitsPerTime	Asn1Integer	8191	
Detailed Comments:			

Test case variable declarations

Test Case Variable Declarations			
Variable Name	Type	Value	Comments
TCV_CC	BOOLEAN	TSPC_Serv_TS11 OR TSPC_Serv_TS12 OR TSPC_Serv_TS61 OR TSPC_Serv_TS62 OR TSPC_Serv_BS21 OR TSPC_Serv_BS22 OR TSPC_Serv_BS23 OR TSPC_Serv_BS24 OR TSPC_Serv_BS25 OR TSPC_Serv_BS26 OR TSPC_Serv_BS31 OR TSPC_Serv_BS32 OR TSPC_Serv_BS33 OR TSPC_Serv_BS34 OR TSPC_Serv_BS41 OR TSPC_Serv_BS42 OR TSPC_Serv_BS43 OR TSPC_Serv_BS44 OR TSPC_Serv_BS45 OR TSPC_Serv_BS46 OR TSPC_Serv_BS51 OR TSPC_Serv_BS52 OR TSPC_Serv_BS53 OR TSPC_Serv_BS61 OR TSPC_Serv_BS81	
TCV_AssCmd	ASS_CMD_PDU		to hold ASSIGNMENT COMMAND PDU
TCV_Bcap1	BCAP		to hold bearer capability
TCV_BcapMT1	BCAP		to hold BC for MT call
TCV_BcapMO1	BCAP		to hold BC for MO call
TCV_Bcap2	BCAP		to hold bearer capability
TCV_BcapMT2	BCAP		to hold BC for MT call
TCV_bs_ag_blks_res	INTEGER		
TCV_bs_cc_chans	INTEGER		
TCV_bs_pa_mfrms	INTEGER		
TCV_CalledNum	CDPN		to hold called party number
TCV_CallProc	CALL_PROC_PDU		to hold CALL PROCEEDING PDU
TCV_CallCfm	CALL_CO_PDU		to hold CALL COMFIRM PDU
TCV_Cau	CAU		to hold cause
TCV_Cau0	CAU		to hold cause
TCV_CAgsm	CCHD		To compute Cell Channel Descriptor for gsm
TCV_CAdcs	CCHD		To compute Cell Channel Descriptor for dcs
TCV_CB1	OCTETSTRING		store SMSB block data
TCV_CB2	OCTETSTRING		store SMSB block data
TCV_CB3	OCTETSTRING		store SMSB block data
TCV_CB4	OCTETSTRING		store SMSB block data
TCV_CE	CE		
TCV_Ccchg	INTEGER		CCCH_GROUP
TCV_Ccd0A	CCD		a copy of control channel description in use for cell A
TCV_Ccd0B	CCD		a copy of control channel description in use for cell B
TCV_Ccd0C	CCD		a copy of control channel description in use for cell C
TCV_Ccd0D	CCD		a copy of control channel description in use for cell D
TCV_Ccd0E	CCD		a copy of control channel description in use for cell E
TCV_Ccd0F	CCD		a copy of control channel description in use for cell F
TCV_Ccd0G	CCD		a copy of control channel description in use for cell G
TCV_Ccd0H	CCD		a copy of control channel description in use for cell H

TCV_cchdescr	OCTETSTRING		Frequency list of Cell Channel Descr, used in EGSM
TCV_CCst	CST		to hold call status
TCV_cchannel	B_3		to hold the type of the control channel in IdleUpdated test step
TCV_ch	LOGICCH	"dummy"	to hold logic channel
TCV_ch1	LOGICCH	"dummy"	to hold logic channel
TCV_sacch	LOGICCH	"dummy"	to hold logic channel
TCV_sacch_B	LOGICCH	"dummy"	to hold logic channel
TCV_sacch_C	LOGICCH	"dummy"	to hold logic channel
TCV_sacch_D	LOGICCH	"dummy"	to hold logic channel
TCV_sacch_E	LOGICCH	"dummy"	to hold logic channel
TCV_sacch_F	LOGICCH	"dummy"	to hold logic channel
TCV_sacch_G	LOGICCH	"dummy"	to hold logic channel
TCV_sacch_H	LOGICCH	"dummy"	to hold logic channel
TCV_sacch8	LOGICCH	"dummy"	to hold logic channel
TCV_sacchTch	LOGICCH	"dummy"	to hold logic channel
TCV_sacchTch1	LOGICCH	"dummy"	to hold logic channel
TCV_sacchTch_H	LOGICCH	"dummy"	to hold logic channel
TCV_chTch	LOGICCH	"dummy"	to hold logic channel
TCV_chTch1	LOGICCH	"dummy"	to hold logic channel
TCV_chSms	LOGICCH	"dummy"	to hold logic channel
TCV_agch	LOGICCH	"dummy"	downlink access grant channel
TCV_WorkingCh	LOGICCH	"dummy"	to hold logic channel
TCV_cellid	CellID		to hold the cell identifier
TCV_Char	IA5String		to hold the IA5 char. corresponding to a DTMF tone
TCV_chd1	CHD		to hold channel description IE
TCV_cchd1	CCHD		to hold cell channel description IE
TCV_ChMod	CHMOD		to hold channel mode IE
TCV_ChModb	CHMOD		to hold channel mode IE for second mode in dual mode services
TCV_Tchtype	CH_TDMA	'00001'B	Traffic channel type and TDMA offset in channel description IE
TCV_chtype	CH_TDMA		to channel type and TDMA offset in channel description IE
TCV_cksn	BITSTRING		to hold the CKSN.
TCV_Cnt	INTEGER		general loop counter
TCV_Cnt1	INTEGER		general loop counter
TCV_Cnt2	INTEGER		general loop counter
TCV_Cntstart	BOOLEAN	FALSE	general loop counter start decision
TCV_Cntref	INTEGER		Reference for general loop counter
TCV_CphAlg	BITSTRING		ciphering algorithm
TCV_CphKey	BITSTRING		ciphering key
TCV_CphMd	CPHMS		ciphering mode setting
TCV_CPDataRetx	INTEGER		Number of CP Data retransmissions for SMS
TCV_ChRate	IA5String	C_Full	to hold channel rate
TCV_ChRate1	IA5String	C_Full	to hold channel rate
TCV_counter_c	INTEGER		loop counter c
TCV_counter_k	INTEGER		loop counter k
TCV_Fk	INTEGER		to hold an interval between events
TCV_flist	OCTETSTRING		Frequency List, used in EGSM for IE "frequency list" or "frequency short list"
TCV_flistl	LENGTH		Length of Frequency List, used in EGSM for IE "frequency list" or "frequency short list"
TCV_Fn	FN		to hold the frame number (T1', T2, T3)
TCV_Fn1	FN		to hold the frame number (T1', T2, T3)
TCV_FnAss	FN		to hold the frame number in AssCmd statement
TCV_FnBurst	FN		to hold the frame number of first

TCV_FollowingOctets	OCTETSTRING		burst of handover access Contains the octets following the invoke id
TCV_HoaccPara	HOACC_PARA		Handover access timing and power
TCV_Horf	HORF		Variable for HO reference in HO-Messages of HO cases.
TCV_HoCMD	HO_CMD_PDU		to hold handover PDU
TCV_Hrf	HORF		to hold handover reference
TCV_iel	LENGTH		Length of IE
TCV_kcnt	INTEGER		loop counter
TCV_K	INTEGER		
TCV_L1Head0	L1HD		to hold L 1 header
TCV_L1Head	L1HD		to hold L 1 header
TCV_lac	OCTETSTRING		to hold the lac. 2 octets
TCV_lacunknown	OCTETSTRING	'??'O	to hold a wild card lac when the lac is unknown
TCV_n	INTEGER		
TCV_Neci	BITSTRING		counter
TCV_M	INTEGER		to hold MAIO
TCV_maio	MAIO		Mobile Allocation in EGSM. It includes the 1.octet of MA
TCV_mae1	BITSTRING		Mobile Allocation in EGSM. It includes the 2.octet of MA
TCV_mae2	BITSTRING		to hold Max-retrans bitstring
TCV_Max	BITSTRING		RP error Memory Capacity Exceeded was sent
TCV_MemCapExcd	BOOLEAN		to hold measurement results
TCV_MsrRes	MSRR		to hold message type
TCV_Mt	BITSTRING		to hold message type
TCV_Mt1	BITSTRING		To hold Modify message
TCV_Modify	MODIFY_PDU		to collect useless result from some test suite operations
TCV_Null	BOOLEAN		logical channel for paging
TCV_PgCh	LOGICCH	"dummy"	paging group
TCV_Pgg	PGG		Contains the octets previous to the invoke id
TCV_PreviousOctets	OCTETSTRING		RP error Protocol Error Unspecified was sent
TCV_ProtErrorUnspec	BOOLEAN		to hold the power level
TCV_Pwrlvl	BITSTRING		power level for HO_CMD, used in HO cases.
TCV_Pwrlvl_ho	BITSTRING		to hold Radio channel requirement
TCV_Rchr	B_2		to hold the result of a test suite operation
TCV_Res	BOOLEAN		RP message reference for SMS
TCV_Rpmr	MR		to hold the request reference
TCV_Rqr	RQR		to hold the request reference differing from TCV_Rqr
TCV_Rqr9	RQR		to hold the request reference differing from TCV_Rqr, TCV_Rqr9
TCV_Rqr10	RQR		to hold the request reference differing from TCV_Rqr, TCV_Rqr9, TCV_Rqr10
TCV_Rqr11	RQR		to hold the random request reference
TCV_Rr	BITSTRING		to hold the random reference
TCV_Rr1	BITSTRING		to hold basicservice selected
TCV_Service	SERVICES		to hold basicservice selected
TCV_Service1	SERVICES		to hold the SETUP PDU (MO)
TCV_Setup_mo	SETUP_MO_PDU		to hold the SETUP PDU (MO)
TCV_Setup_mo1	SETUP_MO_PDU		to hold the SETUP PDU (MT)
TCV_Setup_mt	SETUP_MT_PDU		to hold the 2nd SETUP PDU (MT)
TCV_Setup_mt1	SETUP_MT_PDU		2nd test required in TC_11_1_1
TCV_2ndtest	BOOLEAN		Holds 1st Speech Verson
TCV_EFR_svi1	B_4		

TCV_EFR_svi2	B_4		Indication from received BCAP
TCV_EFR_svi3	B_4		Holds 2nd Speech Verson Indication from received BCAP
TCV_Esetup	ESETUP_PDU		Holds 3rd Speech Verson Indication from received BCAP
TCV_Esetup1	ESETUP_PDU		to hold the emergency SETUP PDU
TCV_Ecall	BOOLEAN	FALSE	to hold the emergency SETUP PDU
TCV_slot	SN		it is set to TRUE, if the service under test is emergency call
TCV_slt2	SN		To hold the default slot used during the entire TC.
TCV_Sres	OCTETSTRING		To hold a second working slot number.
TCV_sysinfo5	SYSINFO5_PDU		to hold the SRES returned
TCV_sysinfo5	SYSINFO5_PDU		to hold the SysInfo5 PDU
TCV_sysinfo5bis	SYSINFO5bis_PDU		to hold the SysInfo5 PDU for cell A
TCV_sysinfo5_B	SYSINFO5_PDU		to hold the SysInfo5bis PDU for cell A
TCV_sysinfo5_C	SYSINFO5_PDU		to hold the SysInfo5 PDU for cell B
TCV_sysinfo5_D	SYSINFO5_PDU		to hold the SysInfo5 PDU for cell c
TCV_sysinfo5_E	SYSINFO5_PDU		to hold the SysInfo5 PDU for cell D
TCV_sysinfo5_F	SYSINFO5_PDU		to hold the SysInfo5 PDU for cell E
TCV_sysinfo5_G	SYSINFO5_PDU		to hold the SysInfo5 PDU for cell F
TCV_sysinfo5_H	SYSINFO5_PDU		to hold the SysInfo5 PDU for cell G
TCV_sysinfo5bis_A	SYSINFO5bis_PDU		to hold the SysInfo5 PDU for cell H
TCV_sysinfo5bis_B	SYSINFO5bis_PDU		to hold the SysInfo5bis PDU for cell A(TC_26_10_2_4_1)
TCV_sysinfo6	SYSINFO6_PDU		to hold the SysInfo5bis PDU for cell B
TCV_sysinfo6	SYSINFO6_PDU		to hold the SysInfo6 PDU
TCV_sysinfo6_B	SYSINFO6_PDU		to hold the SysInfo6 PDU for cell A
TCV_sysinfo6_C	SYSINFO6_PDU		to hold the SysInfo6 PDU for cell B
TCV_sysinfo6_D	SYSINFO6_PDU		to hold the SysInfo6 PDU for cell C
TCV_sysinfo6_E	SYSINFO6_PDU		to hold the SysInfo6 PDU for cell D
TCV_sysinfo6_F	SYSINFO6_PDU		to hold the SysInfo6 PDU for cell E
TCV_sysinfo6_G	SYSINFO6_PDU		to hold the SysInfo6 PDU for cell F
TCV_sysinfo6_H	SYSINFO6_PDU		to hold the SysInfo6 PDU for cell G
TCV_temp	INTEGER		to hold the SysInfo6 PDU for cell H
TCV_ti_v	TI_V		to hold results of expressions that are to be passed as parameters
TCV_ti_v_2	TI_V		to hold the transaction id. value
TCV_T	INTEGER		to hold the transaction id. value for another transaction
TCV_T_TwiceTC1M	INTEGER	TSPX_TC1M * 2000	to hold Tx-integer chosen randomly
TCV_chdescr_arfcn	INTEGER		Twice TC1M in ms
TCV_tch_arfcn	INTEGER		ARFCN carrier of actual cell
TCV_asscmd_ts	BITSTRING		ARFCN carrier for traffic channel
TCV_ts	BITSTRING		Time slot for channel description in assignment cmd.
			Time slot for channel description in handover cmd.

TCV_ia_ts	BITSTRING		Time slot for channel description in immediate assignment
TCV_tsc	TSC		To hold the default training sequence used during the entire TC.
TCV_Td	OCTETSTRING		to hold timing difference
TCV_Time	INTEGER		to hold the measured value of T310 or T305 or T308
TCV_TI	TI		to hold the transaction ID for MO calls in sending evets
TCV_TI0	TI		to hold the transaction ID for MO calls in receiving evets
TCV_TI1	TI		to hold the transaction ID
TCV_TI2	TI		to hold the transaction ID
TCV_TI3	TI		to hold the transaction ID
TCV_tmp	INTEGER		temporary integer variable
TCV_Tx	BITSTRING		to hold Tx bitstring
TCV_S	INTEGER		to hold the S parameter
TCV_Upd	BOOLEAN		to hold the information whether the MS is updated or not,.
TCV_UssdString	IA5String		String for USS Data
TCV_UssdString1	IA5String		String for USS Data
TCV_UssdString2	IA5String		String for USS Data
TCV_Invkld	OCTETSTRING		to hold SS transaction ID
TCV_Invkld0	OCTETSTRING		to hold SS transaction ID
TCV_Invkld1	OCTETSTRING		to hold SS transaction ID
TCV_Comp	Components		to hold SS Components
TCV_Strt	STRT		to hold starting time
TCV_CBch	LOGICCH	"dummy"	Cell Broadcast channel
TCV_Tpmr	MR		TP message reference
TCV_TPOA1	BCDN		TP originating address digits
TCV_TPOA2	BCDN		TP originating address digits
TCV_TPDA	BCDN		TP destination address digits
TCV_RPOA_MT	BCDN		RP originating address digits for MT short messages
TCV_RPOA_MO	BCDN		RP originating address digits for MO short messages
TCV_RPOA1	BCDN		RP originating address digits for MT short messages
TCV_RPOA2	BCDN		RP originating address digits for MT short messages
TCV_RPDA_MT	BCDN		RP destination address digits for MT short messages
TCV_RPDA_MO	BCDN		RP destination address digits for MO short messages
TCV_SMTyepM	INTEGER		Replace short message type
TCV_SMTyepN	INTEGER		Replace short message type
TCV_SMcntns	OCTETSTRING		short message contents
TCV_SMSCBpack	SMSCBpack		CB message contents
TCV_freq	FRQPARA		to hold Freq type constraints
TCV_srv	SERVICES		to hold MT service
TCV_ur	B_4		to hold user rate
TCV_itc	B_3		to hold information transfer capability
TCV_sacp	B_3		to hold service access protocol
TCV_ce	B_2		to hold connection element
TCV_ce1	B_2		to hold connection element
TCV_ce3	B_2		to hold connection element
TCV_sa	B_1		to hold synchronous/asynchronous
TCV_ir	B_2		to hold intermediate rate
TCV_uil1p	B_2		to hold user information layer 1 protocol
TCV_modemt	B_5		to hold modem type
TCV_MODEM	MODEMTYPE		
TCV_ur2	B_4		to hold user rate for second configuration
TCV_itc2	B_3		to hold information transfer

TCV_sacp2	B_3		capability for second configuration to hold service access protocol for second configuration
TCV_strc	B_2		to hold structure
TCV_sa2	B_1		to hold synchronous/asynchronous for second configuration
TCV_supported	BOOLEAN	FALSE	used for indicating a selected service is declared supported or not
TCV_SpecialCase	BOOLEAN	FALSE	used for indicating whether a test case tests non-supported service
Detailed Comments:			

PCO declarations

PCO Declarations			
PCO Name	Type	Role	Comments
L	SAP0_3	LT	
Detailed Comments:			
<ol style="list-style-type: none"> 1. The PCO consists of multiple SAPs: the SAP0 and SAP3. 2. The lower tester (LT) is the user of the data link layer service. 3. The SAP0 at the lower tester controlling and observing the exchange of CC, MM, RR and SS PDUs (messages) on the DCCH, SACCH and/or RACH, BCCH, CCCH channels. 4. The SAP3 at the lower tester controlling and observing the exchange of SMS PDUs (messages) on the DCCH or SACCH channels. 			

Timer declarations

Timer Declarations			
Timer Name	Duration	Unit	Comments
T_dly		ms	general purpose delay timer
T_dly1		ms	general purpose delay timer
T_dly2		ms	general purpose delay timer
T_dlyAss	5000	ms	AssCmd timer, 1)
T_guard	300	s	guard timer
T_release	C_release_time	s	release timer
Detailed Comments:			
1) In order to give to the lower tester enough time to dequeue and to send out the call SETUP and the other call establishment related messages in the sending buffer before starting sending of ASSIGNMENT COMMAND message, the default value 5s is used in the test step AssCh_complete. In the test step AssCh_failure the timer value is set to 4s. For the TC_26_6_4_1, 600ms is used.			

ASP type definitions

TTCN ASP Type definitions

ASP Type Definition		
ASP Name:	DL_EstRq (DL_ESTABLISH_REQUEST)	
PCO Type:	SAP0_3	
Comments:	The ASP is used to request the establishment of multiple frame operation (L3 -> L2). The normal establishment procedure is initiated.	
Parameter Name	Parameter Type	Comments
sapi	SAPID	
logic_ch	LOGICCH	
establish_mode	EstMode	
Detailed Comments:		

ASP Type Definition		
ASP Name:	DL_EstIn (DL_ESTABLISH_INDICATION)	
PCO Type:	SAP0_3	
Comments:	The ASP is used to indicate the establishment of multiple frame operation (L2 -> L3). The normal establishment procedure has been initiated.	
Parameter Name	Parameter Type	Comments
sapi	SAPID	
logic_ch	LOGICCH	
establish_mode	EstMode	
fn	FN	
Detailed Comments:		

ASP Type Definition		
ASP Name:	DL_EstInCmsRq (DL_ESTABLISH_INDICATION_CM_SERVICE_REQUEST)	
PCO Type:	SAP0_3	
Comments:	The ASP is used to indicate the establishment of multiple frame operation due to the receipt of the MM CM SERVICE REQUEST message (L2 -> L3). The contention resolution establishment procedure has been initiated.	
Parameter Name	Parameter Type	Comments
sapi	SAPID	
logic_ch	LOGICCH	
establish_mode	EstMode	
msg	CMS_RQ_PDU	
fn	FN	
Detailed Comments:		

ASP Type Definition		
ASP Name:	DL_EstInLupRq (DL_ESTABLISH_INDICATION_LOCATION_UPDATING_REQUEST)	
PCO Type:	SAP0_3	
Comments:	The ASP is used to indicate the establishment of multiple frame operation due to the receipt of the MM LOCATION UPDATING REQUEST message (L2 -> L3). The contention resolution establishment procedure has been initiated.	
Parameter Name	Parameter Type	Comments
sapi	SAPID	
logic_ch	LOGICCH	
establish_mode	EstMode	
msg	LUP_RQ_PDU	
fn	FN	
Detailed Comments:		

ASP Type Definition		
ASP Name:	DL_EstInImSidIn (DL_ESTABLISH_INDICATION_IMSI_DETACH_INDICATION)	
PCO Type:	SAP0_3	
Comments:	The ASP is used to indicate the establishment of multiple frame operation due to the receipt of the MM IMSI DETACH INDICATION message (L2 -> L3). The contention resolution establishment procedure has been initiated.	
Parameter Name	Parameter Type	Comments
sapi	SAPID	
logic_ch	LOGICCH	
establish_mode	EstMode	
msg	IMSID_IN_PDU	
fn	FN	
Detailed Comments:		

ASP Type Definition		
ASP Name:	DL_EstInPgRes (DL_ESTABLISH_INDICATION_PAGING_RESPONSE)	
PCO Type:	SAP0_3	
Comments:	The ASP is used to indicate the establishment of multiple frame operation due to the receipt of the RR PAGING RESPONSE message (L2 -> L3). The contention resolution establishment procedure has been initiated.	
Parameter Name	Parameter Type	Comments
sapi	SAPID	
logic_ch	LOGICCH	
establish_mode	EstMode	
msg	PG_RES_PDU	
fn	FN	
Detailed Comments:		

ASP Type Definition		
ASP Name:	DL_EstInCmreRq (DL_ESTABLISH_INDICATION_CM_REESTABLISHMENT_REQUEST)	
PCO Type:	SAP0_3	
Comments:	The ASP is used to indicate the establishment of multiple frame operation due to the receipt of the MM CM REESTABLISHMENT REQUEST message (L2 -> L3). The contention resolution establishment procedure has been initiated.	
Parameter Name	Parameter Type	Comments
sapi	SAPID	
logic_ch	LOGICCH	
establish_mode	EstMode	
msg	CMRE_RQ_PDU	
fn	FN	
Detailed Comments:		

ASP Type Definition		
ASP Name:	DL_EstCo (DL_ESTABLISH_CONFIRM)	
PCO Type:	SAP0_3	
Comments:	The ASP is used by the L2 to inform the L3 about the establishment of multiple frame link (L2 -> L3).	
Parameter Name	Parameter Type	Comments
sapi	SAPID	
logic_ch	LOGICCH	
establish_mode	EstMode	
Detailed Comments:		

ASP Type Definition		
ASP Name:	DL_Relln (DL_RELEASE_INDICATION)	
PCO Type:	SAP0_3	
Comments:	The ASP is used to indicate the termination of an established multiple frame operation or to report an unsuccessful establishment attempt (L2 -> L3).	
Parameter Name	Parameter Type	Comments
sapi	SAPID	
logic_ch	LOGICCH	
release_mode	RelMode	
outstanding_indicator	BOOLEAN	
fn	FN	
Detailed Comments:	The outstanding indicator indicates whether or not there are outstanding acknowledgements or unsolved DL_DATA_REQUEST primitives.	

ASP Type Definition		
ASP Name:	DL_RacInChRq (DL_RANDOM_ACCESS_INDICATION_CHANNEL_REQUEST)	
PCO Type:	SAP0_3	
Comments:	The ASP is used to indicate the arrival of an RR CHANNEL REQUEST message (L2 -> L3).	
Parameter Name	Parameter Type	Comments
sapi	SAPID	
logic_ch	LOGICCH	
fn	FN	
msg	CH_RQ_PDU	
Detailed Comments:		

ASP Type Definition		
ASP Name:	DL_RacInHoacc (DL_RADOM_ACCESS_INDICATION_HANDOVER_ACCESS)	
PCO Type:	SAP0_3	
Comments:	The ASP is used to indicate the arrival of an RR HANDOVER ACCESS message (L2 -> L3).	
Parameter Name	Parameter Type	Comments
sapi	SAPID	
logic_ch	LOGICCH	
msg	HOACC_PDU	
fn	FN	
Detailed Comments:		

ASP Type Definition		
ASP Name:	DL_UdatRqImmass (DL_UNIT_DATA_REQUEST_IMMEDIATE_ASSIGNMENT)	
PCO Type:	SAP0_3	
Comments:	The ASP is used to request the transmission of the RR IMMEDIATE ASSIGNMENT message using unacknowledged operation (L3 -> L2).	
Parameter Name	Parameter Type	Comments
sapi	SAPID	
logic_ch	LOGICCH	
msg	IMMASS_PDU	
Detailed Comments:		

ASP Type Definition		
ASP Name:	DL_UdatRqImmass_sp (DL_UNIT_DATA_REQUEST_IMMEDIATE_ASSIGNMENT)	
PCO Type:	SAP0_3	
Comments:	The ASP is used to request the transmission of the RR IMMEDIATE ASSIGNMENT message using unacknowledged operation (L3 -> L2) on the MS paging channel.	
Parameter Name	Parameter Type	Comments
sapi	SAPID	
logic_ch	LOGICCH	
pgg	PGG	
msg	IMMASS_PDU	
Detailed Comments:		

ASP Type Definition		
ASP Name:	DL_UdatRqImmassx (DL_UNIT_DATA_REQUEST_IMMEDIATE_ASSIGNMENT_EXTENDED)	
PCO Type:	SAP0_3	
Comments:	The ASP is used to request the transmission of the RR IMMEDIATE ASSIGNMENT EXTENDED message using unacknowledged operation (L3 -> L2).	
Parameter Name	Parameter Type	Comments
sapi	SAPID	
logic_ch	LOGICCH	
msg	IMMASSX_PDU	
Detailed Comments:		

ASP Type Definition		
ASP Name:	DL_UdatRqImmassx_sp (DL_UNIT_DATA_REQUEST_IMMEDIATE_ASSIGNMENT_EXTENDED)	
PCO Type:	SAPO_3	
Comments:	The ASP is used to request the transmission of the RR IMMEDIATE ASSIGNMENT EXTENDED message using unacknowledged operation (L3 -> L2) on the MS paging channel.	
Parameter Name	Parameter Type	Comments
sapi	SAPID	
logic_ch	LOGICCH	
pgg	PGG	
msg	IMMASSX_PDU	
Detailed Comments:		

ASP Type Definition		
ASP Name:	DL_UdatRqImmassRej (DL_UNIT_DATA_REQUEST_IMMEDIATE_ASSIGNMENT_REJECT)	
PCO Type:	SAPO_3	
Comments:	The ASP is used to request the transmission of the RR IMMEDIATE ASSIGNMENT REJECT message using unacknowledged operation (L3 -> L2).	
Parameter Name	Parameter Type	Comments
sapi	SAPID	
logic_ch	LOGICCH	
msg	IMMASS_REJ_PDU	
Detailed Comments:		

ASP Type Definition		
ASP Name:	DL_UdatRqImmassRej_sp (DL_UNIT_DATA_REQUEST_IMMEDIATE_ASSIGNMENT_REJECT)	
PCO Type:	SAPO_3	
Comments:	The ASP is used to request the transmission of the RR IMMEDIATE ASSIGNMENT REJECT message using unacknowledged operation (L3 -> L2) on the MS paging channel.	
Parameter Name	Parameter Type	Comments
sapi	SAPID	
logic_ch	LOGICCH	
pgg	PGG	
msg	IMMASS_REJ_PDU	
Detailed Comments:		

ASP Type Definition		
ASP Name:	DL_UdatInMsrRpt (DL_DATA_INDICATION_MEASUREMENT_REPORT)	
PCO Type:	SAPO_3	
Comments:	The ASP is used to indicate the receipt of the RR MEASUREMENT REPORT message using unacknowledged operation (L2 -> L3).	
Parameter Name	Parameter Type	Comments
sapi	SAPID	
logic_ch	LOGICCH	
msg	MSR_RPT_PDU	
fn	FN	
Detailed Comments: The ASPs are continuously received during the testing.		

ASP Type Definition		
ASP Name:	DL_UdatRqSMSCBData (DL_UNIT_DATA_REQUEST_SMSCB_DATA)	
PCO Type:	SAP0_3	
Comments:	The ASP is used to request the transmission of the SMSCB data using unacknowledged operation (L3 -> L2).	
Parameter Name	Parameter Type	Comments
sapi	SAPID	
logic_ch	LOGICCH	
msg	SMSCB_PDU	
Detailed Comments:		

ASP Type Definition		
ASP Name:	DL_UdatRqPg1Rq (DL_UNIT_DATA_REQUEST_PAGING_REQUEST_TYPE1)	
PCO Type:	SAP0_3	
Comments:	The ASP is used to request the transmission of the RR PAGING REQUEST TYPE 1 message using unacknowledged operation (L3 -> L2).	
Parameter Name	Parameter Type	Comments
sapi	SAPID	
logic_ch	LOGICCH	
pgg	PGG	
msg	PG1_RQ_PDU	
Detailed Comments:		

ASP Type Definition		
ASP Name:	DL_UdatRqPg2Rq (DL_UNIT_DATA_REQUEST_PAGING_REQUEST_TYPE2)	
PCO Type:	SAP0_3	
Comments:	The ASP is used to request the transmission of the RR PAGING REQUEST TYPE 2 message using unacknowledged operation (L3 -> L2).	
Parameter Name	Parameter Type	Comments
sapi	SAPID	
logic_ch	LOGICCH	
pgg	PGG	
msg	PG2_RQ_PDU	
Detailed Comments:		

ASP Type Definition		
ASP Name:	DL_UdatRqPg3Rq (DL_UNIT_DATA_REQUEST_PAGING_REQUEST_TYPE3)	
PCO Type:	SAP0_3	
Comments:	The ASP is used to request the transmission of the RR PAGING REQUEST TYPE 3 message using unacknowledged operation (L3 -> L2).	
Parameter Name	Parameter Type	Comments
sapi	SAPID	
logic_ch	LOGICCH	
pgg	PGG	
msg	PG3_RQ_PDU	
Detailed Comments:		

ASP Type Definition		
ASP Name:	DL_UdatRqSchinfo (DL_UNIT_DATA_REQUEST_SYNCHRONIZATION_CHANNEL_INFORMATION)	
PCO Type:	SAP0_3	
Comments:	The ASP is used to request the transmission of the RR SYNCHRONIZATION CHANNEL INFORMATION message using unacknowledged operation (L3 -> L2).	
Parameter Name	Parameter Type	Comments
sapi	SAPID	
logic_ch	LOGICCH	
msg	SCHINFO_PDU	
Detailed Comments:		

ASP Type Definition		
ASP Name:	DL_UdatRqSysinfo1 (DL_UNIT_DATA_REQUEST_SYSTEM_INFORMATION_TYPE1)	
PCO Type:	SAP0_3	
Comments:	The ASP is used to request the transmission of the RR SYSTEM INFORMATION TYPE 1 message using unacknowledged operation (L3 -> L2).	
Parameter Name	Parameter Type	Comments
sapi	SAPID	
logic_ch	LOGICCH	
msg	SYSINFO1_PDU	
Detailed Comments:		

ASP Type Definition		
ASP Name:	DL_UdatRqSysinfo1_nh (DL_UNIT_DATA_REQUEST_SYSTEM_INFORMATION_TYPE1)	
PCO Type:	SAP0_3	
Comments:	The ASP is used to request the transmission of the RR SYSTEM INFORMATION TYPE 3 message in case of non hopping	
Parameter Name	Parameter Type	Comments
sapi	SAPID	
logic_ch	LOGICCH	
msg	SYSINFO3_PDU	
Detailed Comments:		

ASP Type Definition		
ASP Name:	DL_UdatRqSysinfo2 (DL_UNIT_DATA_REQUEST_SYSTEM_INFORMATION_TYPE2)	
PCO Type:	SAP0_3	
Comments:	The ASP is used to request the transmission of the RR SYSTEM INFORMATION TYPE 2 message using unacknowledged operation (L3 -> L2).	
Parameter Name	Parameter Type	Comments
sapi	SAPID	
logic_ch	LOGICCH	
msg	SYSINFO2_PDU	
Detailed Comments:		

ASP Type Definition		
ASP Name:	DL_UdatRqSysinfo2bis (DL_UNIT_DATA_REQUEST_SYSTEM_INFORMATION_TYPE2bis)	
PCO Type:	SAP0_3	
Comments:	The ASP is used to request the transmission of the RR SYSTEM INFORMATION TYPE 2bis message using unacknowledged operation (L3 -> L2).	
Parameter Name	Parameter Type	Comments
sapi	SAPID	
logic_ch	LOGICCH	
msg	SYSINFO2bis_PDU	
Detailed Comments:		

ASP Type Definition		
ASP Name:	DL_UdatRqSysinfo2ter (DL_UNIT_DATA_REQUEST_SYSTEM_INFORMATION_TYPE2ter)	
PCO Type:	SAP0_3	
Comments:	The ASP is used to request the transmission of the RR SYSTEM INFORMATION TYPE 2ter message using unacknowledged operation (L3 -> L2).	
Parameter Name	Parameter Type	Comments
sapi	SAPID	
logic_ch	LOGICCH	
msg	SYSINFO2ter_PDU	
Detailed Comments:		

ASP Type Definition		
ASP Name:	DL_UdatRqSysinfo3 (DL_UNIT_DATA_REQUEST_SYSTEM_INFORMATION_TYPE3)	
PCO Type:	SAP0_3	
Comments:	The ASP is used to request the transmission of the RR SYSTEM INFORMATION TYPE 3 message using unacknowledged operation (L3 -> L2).	
Parameter Name	Parameter Type	Comments
sapi	SAPID	
logic_ch	LOGICCH	
msg	SYSINFO3_PDU	
Detailed Comments:		

ASP Type Definition		
ASP Name:	DL_UdatRqSysinfo4 (DL_UNIT_DATA_REQUEST_SYSTEM_INFORMATION_TYPE4)	
PCO Type:	SAP0_3	
Comments:	The ASP is used to request the transmission of the RR SYSTEM INFORMATION TYPE 4 message using unacknowledged operation (L3 -> L2).	
Parameter Name	Parameter Type	Comments
sapi	SAPID	
logic_ch	LOGICCH	
msg	SYSINFO4_PDU	
Detailed Comments:		

ASP Type Definition		
ASP Name:	DL_UdatRqSysinfo5 (DL_UNIT_DATA_REQUEST_SYSTEM_INFORMATION_TYPE5)	
PCO Type:	SAP0_3	
Comments:	The ASP is used to request the transmission of the RR SYSTEM INFORMATION TYPE 5 message using unacknowledged operation (L3 -> L2).	
Parameter Name	Parameter Type	Comments
sapi	SAPID	
logic_ch	LOGICCH	
msg	SYSINFO5_PDU	
Detailed Comments:		

ASP Type Definition		
ASP Name:	DL_UdatRqSysinfo5bis (DL_UNIT_DATA_REQUEST_SYSTEM_INFORMATION_TYPE5bis)	
PCO Type:	SAP0_3	
Comments:	The ASP is used to request the transmission of the RR SYSTEM INFORMATION TYPE 5bis message using unacknowledged operation (L3 -> L2).	
Parameter Name	Parameter Type	Comments
sapi	SAPID	
logic_ch	LOGICCH	
msg	SYSINFO5bis_PDU	
Detailed Comments:		

ASP Type Definition		
ASP Name:	DL_UdatRqSysinfo5ter (DL_UNIT_DATA_REQUEST_SYSTEM_INFORMATION_TYPE5ter)	
PCO Type:	SAPO_3	
Comments:	The ASP is used to request the transmission of the RR SYSTEM INFORMATION TYPE 5ter message using unacknowledged operation (L3 -> L2).	
Parameter Name	Parameter Type	Comments
sapi	SAPID	
logic_ch	LOGICCH	
msg	SYSINFO5ter_PDU	
Detailed Comments:		

ASP Type Definition		
ASP Name:	DL_UdatRqSysinfo6 (DL_UNIT_DATA_REQUEST_SYSTEM_INFORMATION_TYPE6)	
PCO Type:	SAPO_3	
Comments:	The ASP is used to request the transmission of the RR SYSTEM INFORMATION TYPE 6 message using unacknowledged operation (L3 -> L2).	
Parameter Name	Parameter Type	Comments
sapi	SAPID	
logic_ch	LOGICCH	
msg	SYSINFO6_PDU	
Detailed Comments:		

ASP Type Definition		
ASP Name:	DL_UdatRqSysinfo7 (DL_UNIT_DATA_REQUEST_SYSTEM_INFORMATION_TYPE7)	
PCO Type:	SAPO_3	
Comments:	The ASP is used to request the transmission of the RR SYSTEM INFORMATION TYPE 7 message using unacknowledged operation (L3 -> L2).	
Parameter Name	Parameter Type	Comments
sapi	SAPID	
logic_ch	LOGICCH	
msg	SYSINFO7_PDU	
Detailed Comments:		

ASP Type Definition		
ASP Name:	DL_UdatRqSysinfo8 (DL_UNIT_DATA_REQUEST_SYSTEM_INFORMATION_TYPE8)	
PCO Type:	SAPO_3	
Comments:	The ASP is used to request the transmission of the RR SYSTEM INFORMATION TYPE 8 message using unacknowledged operation (L3 -> L2).	
Parameter Name	Parameter Type	Comments
sapi	SAPID	
logic_ch	LOGICCH	
msg	SYSINFO8_PDU	
Detailed Comments:		

ASP Type Definition		
ASP Name:	DL_UdatInCImChn (DL_UdatINDICATION_CLASSMARK_CHANGE)	
PCO Type:	SAPO_3	
Comments:	The ASP is used to indicate the receipt of the RR CLASSMARK CHANGE message using unacknowledged operation (L2 -> L3).	
Parameter Name	Parameter Type	Comments
sapi	SAPID	
logic_ch	LOGICCH	
msg	CLM_CHN_PDU	
fn	FN	
Detailed Comments:		

ASP Type Definition		
ASP Name:	DL_DatRqAssCmd (DL_DATA_REQUEST_ASSIGNMENT_COMMAND)	
PCO Type:	SAP0_3	
Comments:	The ASP is used to request the transmission of the RR ASSIGNMENT COMMAND message using acknowledged operation (L3 -> L2).	
Parameter Name	Parameter Type	Comments
sapi	SAPID	
logic_ch	LOGICCH	
msg	ASS_CMD_PDU	
Detailed Comments:		

ASP Type Definition		
ASP Name:	DL_DatInAssCom (DL_DATA_INDICATION_ASSIGNMENT_COMPLETE)	
PCO Type:	SAP0_3	
Comments:	The ASP is used to indicate the receipt of the RR ASSIGNMENT COMPLETE message using acknowledged operation (L2 -> L3).	
Parameter Name	Parameter Type	Comments
sapi	SAPID	
logic_ch	LOGICCH	
msg	ASS_COM_PDU	
fn	FN	
Detailed Comments: The ASP is a result of the ASP DL_RESUME_REQUEST of the SUT sending the ASSIGNMENT COMPLETE message.		

ASP Type Definition		
ASP Name:	DL_DatInAssfl (DL_DATA_INDICATION_ASSIGNMENT_FAILURE)	
PCO Type:	SAP0_3	
Comments:	The ASP is used to indicate the receipt of the RR ASSIGNMENT FAILURE message using acknowledged operation (L2 -> L3).	
Parameter Name	Parameter Type	Comments
sapi	SAPID	
logic_ch	LOGICCH	
msg	ASSFL_PDU	
fn	FN	
Detailed Comments: The ASP is a result of the ASP DL_RECONNECT_REQUEST of the SUT sending the ASSIGNMEN FAILURE message.		

ASP Type Definition		
ASP Name:	DL_DatInCmsRq (DL_DATA_INDICATION_CM_SERVICE_REQUEST)	
PCO Type:	SAP0_3	
Comments:	The ASP is used to indicate the receipt of the MM CM SERVICE REQUEST message (L2 -> L3).	
Parameter Name	Parameter Type	Comments
sapi	SAPID	
logic_ch	LOGICCH	
msg	CMS_RQ_PDU	
fn	FN	
Detailed Comments:		

ASP Type Definition		
ASP Name:	DL_DatRqChmmo (DL_DATA_REQUEST_CHANNEL_MODE_MODIFY)	
PCO Type:	SAP0_3	
Comments:	The ASP is used to request the transmission of the RR CHANNEL MODE MODIFY message using acknowledged operation (L3 -> L2).	
Parameter Name	Parameter Type	Comments
sapi	SAPID	
logic_ch	LOGICCH	
msg	CHMMO_PDU	
Detailed Comments:		

ASP Type Definition		
ASP Name:	DL_DatInChmmoAck (DL_DATA_INDICATION_CHANNEL_MODE_MODIFY_ACKNOWLEDGE)	
PCO Type:	SAP0_3	
Comments:	The ASP is used to indicate the receipt of the RR CHANNEL MODE MODIFY ACKNOWLEDGE message using acknowledged operation (L2 -> L3).	
Parameter Name	Parameter Type	Comments
sapi	SAPID	
logic_ch	LOGICCH	
msg	CHMMO_ACK_PDU	
fn	FN	
Detailed Comments:		

ASP Type Definition		
ASP Name:	DL_DatRqChRel (DL_DATA_REQUEST_CHANNEL_RELEASE)	
PCO Type:	SAP0_3	
Comments:	The ASP is used to request the transmission of the RR CHANNEL_RELEASE message using acknowledged operation (L3 -> L2).	
Parameter Name	Parameter Type	Comments
sapi	SAPID	
logic_ch	LOGICCH	
msg	CH_REL_PDU	
Detailed Comments:		

ASP Type Definition		
ASP Name:	DL_DatRqChRelErr (DL_DATA_REQUEST_CHANNEL_RELEASE_ERROR)	
PCO Type:	SAP0_3	
Comments:	The ASP is used to request the transmission of the RR CHANNEL_RELEASE message using acknowledged operation (L3 -> L2).	
Parameter Name	Parameter Type	Comments
sapi	SAPID	
logic_ch	LOGICCH	
msg	CH_REL_PDU_ERR	
Detailed Comments:		

ASP Type Definition		
ASP Name:	DL_DatRqCphmCmd (DL_DATA_REQUEST_CIPHERING_MODE_COMMAND)	
PCO Type:	SAP0_3	
Comments:	The ASP is used to request the transmission of the RR CIPHERING_MODE_COMMAND message using acknowledged operation (L3 -> L2).	
Parameter Name	Parameter Type	Comments
sapi	SAPID	
logic_ch	LOGICCH	
msg	CPHM_CMD_PDU	
Detailed Comments:		

ASP Type Definition		
ASP Name:	DL_DatRqCphmCmdErr (DL_DATA_REQUEST_CIPHERING_MODE_COMMAND_ERROR)	
PCO Type:	SAP0_3	
Comments:	The ASP is used to request the transmission of the invalid RR CIPHERING_MODE_COMMAND message using acknowledged operation (L3 -> L2).	
Parameter Name	Parameter Type	Comments
sapi	SAPID	
logic_ch	LOGICCH	
msg	CPHM_CMD_PDU_ERR	
Detailed Comments:		

ASP Type Definition		
ASP Name:	DL_DatInCphmCom (DL_DATA_INDICATION_CIPHERING_MODE_COMPLETE)	
PCO Type:	SAP0_3	
Comments:	The ASP is used to indicate the receipt of the RR CIPHERING MODE COMPLETE message using acknowledged operation (L2 -> L3).	
Parameter Name	Parameter Type	Comments
sapi	SAPID	
logic_ch	LOGICCH	
msg	CPHM_COM_PDU	
fn	FN	
Detailed Comments:		

ASP Type Definition		
ASP Name:	DL_DatInClmChn (DL_DAT_INDICATION_CLASSMARK_CHANGE)	
PCO Type:	SAP0_3	
Comments:	The ASP is used to indicate the receipt of the RR CLASSMARK CHANGE message using acknowledged operation (L2 -> L3).	
Parameter Name	Parameter Type	Comments
sapi	SAPID	
logic_ch	LOGICCH	
msg	CLM_CHN_PDU	
fn	FN	
Detailed Comments:		

ASP Type Definition		
ASP Name:	DL_DatRqClmEnq (DL_DATA_REQUEST_CLASSMARK_ENQUIRY)	
PCO Type:	SAP0_3	
Comments:	The ASP is used to request the transmission of the RR CLASSMARK ENQUIRY message using acknowledged operation (L3 -> L2).	
Parameter Name	Parameter Type	Comments
sapi	SAPID	
logic_ch	LOGICCH	
msg	CLM_ENQ_PDU	
Detailed Comments:		

ASP Type Definition		
ASP Name:	DL_DatRqFrqre (DL_DATA_REQUEST_FREQUENCY_REDEFINITION)	
PCO Type:	SAPO_3	
Comments:	The ASP is used to request the transmission of the RR FREQUENCY REDEFINITION message using acknowledged operation (L3 -> L2).	
Parameter Name	Parameter Type	Comments
sapi	SAPID	
logic_ch	LOGICCH	
msg	FRQRE_PDU	
Detailed Comments:		

ASP Type Definition		
ASP Name:	DL_DatRqHoCmd (DL_DATA_REQUEST_HANDOVER_COMMAND)	
PCO Type:	SAPO_3	
Comments:	The ASP is used to request the transmission of the RR HANDOVER COMMAND message using acknowledged operation (L3 -> L2).	
Parameter Name	Parameter Type	Comments
sapi	SAPID	
logic_ch	LOGICCH	
msg	HO_CMD_PDU	
Detailed Comments:		

ASP Type Definition		
ASP Name:	DL_DatInHoCom (DL_DATA_INDICATION_HANDOVER_COMPLETE)	
PCO Type:	SAPO_3	
Comments:	The ASP is used to indicate the receipt of the RR HANDOVER COMPLETE message using acknowledged operation (L2 -> L3).	
Parameter Name	Parameter Type	Comments
sapi	SAPID	
logic_ch	LOGICCH	
msg	HO_COM_PDU	
fn	FN	
Detailed Comments: The ASP is a result of the ASP DL_RESUME_REQUEST of the SUT sending the HANDOVER COMPLETE message.		

ASP Type Definition		
ASP Name:	DL_DatInHofl (DL_DATA_INDICATION_HANDOVER_FAILURE)	
PCO Type:	SAPO_3	
Comments:	The ASP is used to indicate the receipt of the RR HANDOVER FAILURE message using acknowledged operation (L2 -> L3).	
Parameter Name	Parameter Type	Comments
sapi	SAPID	
logic_ch	LOGICCH	
msg	HOFL_PDU	
fn	FN	
Detailed Comments: The ASP is a result of the ASP DL_RECONNECT_REQUEST of the SUT sending the HANDOVER FAILURE message.		

ASP Type Definition		
ASP Name:	DL_DatRqPhyinfo (DL_DATA_REQUEST_PHYSICAL_INFORMATION)	
PCO Type:	SAP0_3	
Comments:	The ASP is used to request the transmission of the RR PHYSICAL INFORMATION message using acknowledged operation (L3 -> L2).	
Parameter Name	Parameter Type	Comments
sapi	SAPID	
logic_ch	LOGICCH	
msg	PHYINFO_PDU	
Detailed Comments:		

ASP Type Definition		
ASP Name:	DL_DatInRrst (DL_DATA_INDICATION_RR_STATUS)	
PCO Type:	SAP0_3	
Comments:	The ASP is used to indicate the receipt of the RR STATUS message using acknowledged operation (L2 -> L3).	
Parameter Name	Parameter Type	Comments
sapi	SAPID	
logic_ch	LOGICCH	
msg	RRST_PDU	
fn	FN	
Detailed Comments:		

ASP Type Definition		
ASP Name:	DL_DatRqAuthRej (DL_DATA_REQUEST_AUTHENTICATION_REJECT)	
PCO Type:	SAP0_3	
Comments:	The ASP is used to request the transmission of the MM AUTHENTICATION REJECT message using acknowledged operation (L3 -> L2).	
Parameter Name	Parameter Type	Comments
sapi	SAPID	
logic_ch	LOGICCH	
msg	AUTH_REJ_PDU	
Detailed Comments:		

ASP Type Definition		
ASP Name:	DL_DatRqAuthRq (DL_DATA_REQUEST_AUTHENTICATION_REQUEST)	
PCO Type:	SAP0_3	
Comments:	The ASP is used to request the transmission of the MM AUTHENTICATION REQUEST message using acknowledged operation (L3 -> L2).	
Parameter Name	Parameter Type	Comments
sapi	SAPID	
logic_ch	LOGICCH	
msg	AUTH_RQ_PDU	
Detailed Comments:		

ASP Type Definition		
ASP Name:	DL_DatInAuthRes (DL_DATA_INDICATION_AUTHENTICATION_RESPONSE)	
PCO Type:	SAP0_3	
Comments:	The ASP is used to indicate the receipt of the MM AUTHENTICATION RESPONSE message using acknowledged operation (L2 -> L3).	
Parameter Name	Parameter Type	Comments
sapi	SAPID	
logic_ch	LOGICCH	
msg	AUTH_RES_PDU	
fn	FN	
Detailed Comments:		

ASP Type Definition		
ASP Name:	DL_DatRqCmsAcp (DL_DATA_REQUEST_CM_SERVICE_ACCEPT)	
PCO Type:	SAP0_3	
Comments:	The ASP is used to request the transmission of the MM CM SERVICE ACCEPT message using acknowledged operation (L3 -> L2).	
Parameter Name	Parameter Type	Comments
sapi	SAPID	
logic_ch	LOGICCH	
msg	CMS_ACP_PDU	
Detailed Comments:		

ASP Type Definition		
ASP Name:	DL_DatRqCmsRej (DL_DATA_REQUEST_CM_SERVICE_REJECT)	
PCO Type:	SAP0_3	
Comments:	The ASP is used to request the transmission of the MM CM SERVICE REJECT message using acknowledged operation (L3 -> L2).	
Parameter Name	Parameter Type	Comments
sapi	SAPID	
logic_ch	LOGICCH	
msg	CMS_REJ_PDU	
Detailed Comments:		

ASP Type Definition		
ASP Name:	DL_DatRqAbrt (DL_DATA_REQUEST_ABORT)	
PCO Type:	SAP0_3	
Comments:	The ASP is used to request the transmission of the MM ABORT message using acknowledged operation (L3 -> L2).	
Parameter Name	Parameter Type	Comments
sapi	SAPID	
logic_ch	LOGICCH	
msg	ABRT_PDU	
Detailed Comments:		

ASP Type Definition		
ASP Name:	DL_DatRqIdRq (DL_DATA_REQUEST_IDENTITY_REQUEST)	
PCO Type:	SAP0_3	
Comments:	The ASP is used to request the transmission of the MM IDENTITY REQUEST message using acknowledged operation (L3 -> L2).	
Parameter Name	Parameter Type	Comments
sapi	SAPID	
logic_ch	LOGICCH	
msg	ID_RQ_PDU	
Detailed Comments:		

ASP Type Definition		
ASP Name:	DL_DatIndRes (DL_DATA_INDICATION_IDENTIFY_RESPONSE)	
PCO Type:	SAP0_3	
Comments:	The ASP is used to indicate the receipt of the MM IDENTITY RESPONSE message using acknowledged operation (L2 -> L3).	
Parameter Name	Parameter Type	Comments
sapi	SAPID	
logic_ch	LOGICCH	
msg	ID_RES_PDU	
fn	FN	
Detailed Comments:		

ASP Type Definition		
ASP Name:	DL_DatRqLupAcp (DL_DATA_REQUEST_LOCATION_UPDATING_ACCEPT)	
PCO Type:	SAP0_3	
Comments:	The ASP is used to request the transmission of the MM LOCATION UPDATING ACCEPT message using acknowledged operation (L3 -> L2).	
Parameter Name	Parameter Type	Comments
sapi	SAPID	
logic_ch	LOGICCH	
msg	LUP_ACP_PDU	
Detailed Comments:		

ASP Type Definition		
ASP Name:	DL_DatRqLupAcpErr (DL_DATA_REQUEST_LOCATION_UPDATING_ACCEPT_ERR)	
PCO Type:	SAP0_3	
Comments:	The ASP is used to request the transmission of the MM LOCATION UPDATING ACCEPT message using acknowledged operation (L3 -> L2).	
Parameter Name	Parameter Type	Comments
sapi	SAPID	
logic_ch	LOGICCH	
msg	LUP_ACP_PDU_ERR	
Detailed Comments:		

ASP Type Definition		
ASP Name:	DL_DatRqLupRej (DL_DATA_REQUEST_LOCATION_UPDATING_REJECT)	
PCO Type:	SAP0_3	
Comments:	The ASP is used to request the transmission of the MM LOCATION UPDATING REJECT message using acknowledged operation (L3 -> L2).	
Parameter Name	Parameter Type	Comments
sapi	SAPID	
logic_ch	LOGICCH	
msg	LUP_REJ_PDU	
Detailed Comments:		

ASP Type Definition		
ASP Name:	DL_DatInMmst (DL_DATA_INDICATION_MM_STATUS)	
PCO Type:	SAP0_3	
Comments:	The ASP is used to indicate the receipt of the MM STATUS message using acknowledged operation (L2 -> L3).	
Parameter Name	Parameter Type	Comments
sapi	SAPID	
logic_ch	LOGICCH	
msg	MMST_PDU	
fn	FN	
Detailed Comments:		

ASP Type Definition		
ASP Name:	DL_DatRqTmsireCmd (DL_DATA_REQUEST_TMSI_REALLOCATION_COMMAND)	
PCO Type:	SAP0_3	
Comments:	The ASP is used to request the transmission of the MM TMSI REALLOCATION COMMAND message using acknowledged operation (L3 -> L2).	
Parameter Name	Parameter Type	Comments
sapi	SAPID	
logic_ch	LOGICCH	
msg	TMSIRE_CMD_PDU	
Detailed Comments:		

ASP Type Definition		
ASP Name:	DL_DatInTmsireCom (DL_DATA_INDICATION_TMSI_REALLOCATION_COMPLETE)	
PCO Type:	SAP0_3	
Comments:	The ASP is used to indicate the receipt of the MM TMSI REALLOCATION COMPLETE message using acknowledged operation (L2 -> L3).	
Parameter Name	Parameter Type	Comments
sapi	SAPID	
logic_ch	LOGICCH	
msg	TMSIRE_COM_PDU	
fn	FN	
Detailed Comments:		

ASP Type Definition		
ASP Name:	DL_DatRqAlert (DL_DATA_REQUEST_ALERTING)	
PCO Type:	SAP0_3	
Comments:	The ASP is used to request the transmission of the CC ALERTING message using acknowledged operation (L3 -> L2).	
Parameter Name	Parameter Type	Comments
sapi	SAPID	
logic_ch	LOGICCH	
msg	ALERT_PDU	
Detailed Comments:		

ASP Type Definition		
ASP Name:	DL_DatInAlert (DL_DATA_INDICATION_ALERTING)	
PCO Type:	SAP0_3	
Comments:	The ASP is used to indicate the receipt of the CC ALERTING message using acknowledged operation (L2 -> L3).	
Parameter Name	Parameter Type	Comments
sapi	SAPID	
logic_ch	LOGICCH	
msg	ALERT_PDU	
fn	FN	
Detailed Comments:		

ASP Type Definition		
ASP Name:	DL_DatInCallCo (DL_DATA_INDICATION_CALL_CONFIRMED)	
PCO Type:	SAP0_3	
Comments:	The ASP is used to indicate the receipt of the CC CALL CONFIRMED message using acknowledged operation (L2 -> L3).	
Parameter Name	Parameter Type	Comments
sapi	SAPID	
logic_ch	LOGICCH	
msg	CALL_CO_PDU	
fn	FN	
Detailed Comments:		

ASP Type Definition		
ASP Name:	DL_DatRqCallProc (DL_DATA_REQUEST_CALL_PROCEEDING)	
PCO Type:	SAP0_3	
Comments:	The ASP is used to request the transmission of the CC CALL PROCEEDING message using acknowledged operation (L3 -> L2).	
Parameter Name	Parameter Type	Comments
sapi	SAPID	
logic_ch	LOGICCH	
msg	CALL_PROC_PDU	
Detailed Comments:		

ASP Type Definition		
ASP Name:	DL_DatRqConn (DL_DATA_REQUEST_CONNECT)	
PCO Type:	SAP0_3	
Comments:	The ASP is used to request the transmission of the CC CONNECT message using acknowledged operation (L3 -> L2).	
Parameter Name	Parameter Type	Comments
sapi	SAPID	
logic_ch	LOGICCH	
msg	CONN_PDU	
Detailed Comments:		

ASP Type Definition		
ASP Name:	DL_DatRqConnErr (DL_DATA_REQUEST_CONNECT_ERR)	
PCO Type:	SAP0_3	
Comments:	The ASP is used to request the transmission of the CC CONNECT message using acknowledged operation (L3 -> L2).	
Parameter Name	Parameter Type	Comments
sapi	SAPID	
logic_ch	LOGICCH	
msg	CONN_PDU_ERR	
Detailed Comments:		

ASP Type Definition		
ASP Name:	DL_DatInConn (DL_DATA_INDICATION_CONNECT)	
PCO Type:	SAP0_3	
Comments:	The ASP is used to indicate the receipt of the CC CONNECT message using acknowledged operation (L2 -> L3).	
Parameter Name	Parameter Type	Comments
sapi	SAPID	
logic_ch	LOGICCH	
msg	CONN_PDU	
fn	FN	
Detailed Comments:		

ASP Type Definition		
ASP Name:	DL_DatRqConnAck (DL_DATA_REQUEST_CONNECT_ACKNOWLEDGE)	
PCO Type:	SAP0_3	
Comments:	The ASP is used to request the transmission of the CC CONNECT ACKNOWLEDGE message using acknowledged operation (L3 -> L2).	
Parameter Name	Parameter Type	Comments
sapi	SAPID	
logic_ch	LOGICCH	
msg	CONN_ACK_PDU	
Detailed Comments:		

ASP Type Definition		
ASP Name:	DL_DatInConnAck (DL_DATA_INDICATION_CONNECT_ACKNOWLEDGE)	
PCO Type:	SAP0_3	
Comments:	The ASP is used to indicate the reception of the CC CONNECT ACKNOWLEDGE message using acknowledged operation (L2 -> L3).	
Parameter Name	Parameter Type	Comments
sapi	SAPID	
logic_ch	LOGICCH	
msg	CONN_ACK_PDU	
fn	FN	
Detailed Comments:		

ASP Type Definition		
ASP Name:	DL_DatRqDisc (DL_DATA_REQUEST_DISCONNECT)	
PCO Type:	SAP0_3	
Comments:	The ASP is used to request the transmission of the CC DISCONNECT message using acknowledged operation (L3 -> L2).	
Parameter Name	Parameter Type	Comments
sapi	SAPID	
logic_ch	LOGICCH	
msg	DISC_PDU	
Detailed Comments:		

ASP Type Definition		
ASP Name:	DL_DatRqDiscErr (DL_DATA_REQUEST_DISCONNECT_ERR)	
PCO Type:	SAP0_3	
Comments:	The ASP is used to request the transmission of the CC DISCONNECT message using acknowledged operation (L3 -> L2).	
Parameter Name	Parameter Type	Comments
sapi	SAPID	
logic_ch	LOGICCH	
msg	DISC_PDU_ERR	
Detailed Comments:		

ASP Type Definition		
ASP Name:	DL_DatInDisc (DL_DATA_INDICATION_DISCONNECT)	
PCO Type:	SAP0_3	
Comments:	The ASP is used to indicate the receipt of the CC DISCONNECT message using acknowledged operation (L2 -> L3).	
Parameter Name	Parameter Type	Comments
sapi	SAPID	
logic_ch	LOGICCH	
msg	DISC_PDU	
fn	FN	
Detailed Comments:		

ASP Type Definition		
ASP Name:	DL_DatInESetup (DL_DATA_INDICATION_EMERGENCY_SETUP)	
PCO Type:	SAP0_3	
Comments:	The ASP is used to indicate the receipt of the CC EMERGENCY_SETUP message using acknowledged operation (L2 -> L3).	
Parameter Name	Parameter Type	Comments
sapi	SAPID	
logic_ch	LOGICCH	
msg	ESETUP_PDU	
fn	FN	
Detailed Comments:		

ASP Type Definition		
ASP Name:	DL_DatRqFac (DL_DATA_REQUEST_FACILITY)	
PCO Type:	SAP0_3	
Comments:	The ASP is used to request the transmission of the CC FACILITY message using acknowledged operation (L3 -> L2).	
Parameter Name	Parameter Type	Comments
sapi	SAPID	
logic_ch	LOGICCH	
msg	FAC_PDU	
Detailed Comments:		

ASP Type Definition		
ASP Name:	DL_DatInFac (DL_DATA_INDICATION_FACILITY)	
PCO Type:	SAP0_3	
Comments:	The ASP is used to indicate the receipt of the CC FACILITY message using acknowledged operation (L2 -> L3).	
Parameter Name	Parameter Type	Comments
sapi	SAPID	
logic_ch	LOGICCH	
msg	FAC_PDU	
fn	FN	
Detailed Comments:		

ASP Type Definition		
ASP Name:	DL_DatInHold (DL_DATA_INDICATION_HOLD)	
PCO Type:	SAP0_3	
Comments:	The ASP is used to indicate the receipt of the CC HOLD message using acknowledged operation (L2 -> L3).	
Parameter Name	Parameter Type	Comments
sapi	SAPID	
logic_ch	LOGICCH	
msg	HOLD_PDU	
fn	FN	
Detailed Comments:		

ASP Type Definition		
ASP Name:	DL_DatRqHoldAck (DL_DATA_REQUEST_HOLD_ACKNOWLEDGE)	
PCO Type:	SAP0_3	
Comments:	The ASP is used to request the transmission of the CC HOLD ACKNOWLEDGE message using acknowledged operation (L3 -> L2).	
Parameter Name	Parameter Type	Comments
sapi	SAPID	
logic_ch	LOGICCH	
msg	HOLD_ACK_PDU	
Detailed Comments:		

ASP Type Definition		
ASP Name:	DL_DatRqModify (DL_DATA_REQUEST_MODIFY)	
PCO Type:	SAP0_3	
Comments:	The ASP is used to request the transmission of the CC MODIFY message using acknowledged operation (L3 -> L2).	
Parameter Name	Parameter Type	Comments
sapi	SAPID	
logic_ch	LOGICCH	
msg	MODIFY_PDU	
Detailed Comments:		

ASP Type Definition		
ASP Name:	DL_DatInModify (DL_DATA_INDICATION_MODIFY)	
PCO Type:	SAP0_3	
Comments:	The ASP is used to indicate the receipt of the CC MODIFY message using acknowledged operation (L2 -> L3).	
Parameter Name	Parameter Type	Comments
sapi	SAPID	
logic_ch	LOGICCH	
msg	MODIFY_PDU	
fn	FN	
Detailed Comments:		

ASP Type Definition		
ASP Name:	DL_DatRqModifyCom (DL_DATA_REQUEST_MODIFY_COMPLETE)	
PCO Type:	SAP0_3	
Comments:	The ASP is used to request the transmission of the CC MODIFY COMPLETE message using acknowledged operation (L3 -> L2).	
Parameter Name	Parameter Type	Comments
sapi	SAPID	
logic_ch	LOGICCH	
msg	MODIFY_COM_PDU	
Detailed Comments:		

ASP Type Definition		
ASP Name:	DL_DatRqModifyRej (DL_DATA_REQUEST_MODIFY_REJECT)	
PCO Type:	SAP0_3	
Comments:	The ASP is used to request the transmission of the CC MODIFY REJECT message using acknowledged operation (L3 -> L2).	
Parameter Name	Parameter Type	Comments
sapi	SAPID	
logic_ch	LOGICCH	
msg	MODIFY_REJ_PDU	
Detailed Comments:		

ASP Type Definition		
ASP Name:	DL_DatInModifyRej (DL_DATA_INDICATION_MODIFY_REJECT)	
PCO Type:	SAP0_3	
Comments:	The ASP is used to indicate the receipt of the CC MODIFY REJECT message using acknowledged operation (L2 -> L3).	
Parameter Name	Parameter Type	Comments
sapi	SAPID	
logic_ch	LOGICCH	
msg	MODIFY_REJ_PDU	
fn	FN	
Detailed Comments:		

ASP Type Definition		
ASP Name:	DL_DatRqNotify (DL_DATA_REQUEST_NOTIFY)	
PCO Type:	SAP0_3	
Comments:	The ASP is used to request the transmission of the CC NOTIFY message using acknowledged operation (L3 -> L2).	
Parameter Name	Parameter Type	Comments
sapi	SAPID	
logic_ch	LOGICCH	
msg	NOTIFY_PDU	
Detailed Comments:		

ASP Type Definition		
ASP Name:	DL_DatRqProg (DL_DATA_REQUEST_PROGRESS)	
PCO Type:	SAP0_3	
Comments:	The ASP is used to request the transmission of the CC PROGRESS message using acknowledged operation (L3 -> L2).	
Parameter Name	Parameter Type	Comments
sapi	SAPID	
logic_ch	LOGICCH	
msg	PROG_PDU	
Detailed Comments:		

ASP Type Definition		
ASP Name:	DL_DatRqRegister (DL_DATA_REQUEST_REGISTER)	
PCO Type:	SAP0_3	
Comments:	The ASP is used to request the transmission of the SS REGISTER message using acknowledged operation (L3 -> L2).	
Parameter Name	Parameter Type	Comments
sapi	SAPID	
logic_ch	LOGICCH	
msg	REGISTER_PDU	
Detailed Comments:		

ASP Type Definition		
ASP Name:	DL_DatInRegister (DL_DATA_INDICATION_REGISTER)	
PCO Type:	SAP0_3	
Comments:	The ASP is used to receive the transmission of the SS REGISTER message using acknowledged operation.	
Parameter Name	Parameter Type	Comments
sapi	SAPID	
logic_ch	LOGICCH	
msg	REGISTER_PDU	
fn	FN	
Detailed Comments:		

ASP Type Definition		
ASP Name:	DL_DatRqRel (DL_DATA_REQUEST_RELEASE)	
PCO Type:	SAP0_3	
Comments:	The ASP is used to request the transmission of the CC RELEASE message using acknowledged operation (L3 -> L2).	
Parameter Name	Parameter Type	Comments
sapi	SAPID	
logic_ch	LOGICCH	
msg	REL_PDU	
Detailed Comments:		

ASP Type Definition		
ASP Name:	DL_DatInRel (DL_DATA_INDICATION_RELEASE)	
PCO Type:	SAP0_3	
Comments:	The ASP is used to indicate the receipt of the CC RELEASE message using acknowledged operation (L2 -> L3).	
Parameter Name	Parameter Type	Comments
sapi	SAPID	
logic_ch	LOGICCH	
msg	REL_PDU	
fn	FN	
Detailed Comments:		

ASP Type Definition		
ASP Name:	DL_DatRqRelCmp (DL_DATA_REQUEST_RELEASE_COMPLETE)	
PCO Type:	SAP0_3	
Comments:	The ASP is used to request the transmission of the CC RELEASE COMPLETE message using acknowledged operation (L3 -> L2).	
Parameter Name	Parameter Type	Comments
sapi	SAPID	
logic_ch	LOGICCH	
msg	REL_COM_PDU	
Detailed Comments:		

ASP Type Definition		
ASP Name:	DL_DatInRelCmp (DL_DATA_INDICATION_RELEASE_COMPLETE)	
PCO Type:	SAP0_3	
Comments:	The ASP is used to indicate the receipt of the CC RELEASE COMPLETE message using acknowledged operation (L2 -> L3).	
Parameter Name	Parameter Type	Comments
sapi	SAPID	
logic_ch	LOGICCH	
msg	REL_COM_PDU	
fn	FN	
Detailed Comments:		

ASP Type Definition		
ASP Name:	DL_DatRqSetup (DL_DATA_REQUEST_SETUP)	
PCO Type:	SAP0_3	
Comments:	The ASP is used to request the transmission of the CC SETUP message using acknowledged operation (L3 -> L2).	
Parameter Name	Parameter Type	Comments
sapi	SAPID	
logic_ch	LOGICCH	
msg	SETUP_MT_PDU	
Detailed Comments:		

ASP Type Definition		
ASP Name:	DL_DatInSetup (DL_DATA_INDICATION_SETUP)	
PCO Type:	SAP0_3	
Comments:	The ASP is used to indicate the receipt of the CC SETUP message using acknowledged operation (L2 -> L3).	
Parameter Name	Parameter Type	Comments
sapi	SAPID	
logic_ch	LOGICCH	
msg	SETUP_MO_PDU	
fn	FN	
Detailed Comments:		

ASP Type Definition		
ASP Name:	DL_DatInStartDtmf (DL_DATA_INDICATION_START_DTMF)	
PCO Type:	SAP0_3	
Comments:	The ASP is used to indicate the receipt of the CC START_DTMF message using acknowledged operation (L2 -> L3).	
Parameter Name	Parameter Type	Comments
sapi	SAPID	
logic_ch	LOGICCH	
msg	START_DTMF_PDU	
fn	FN	
Detailed Comments:		

ASP Type Definition		
ASP Name:	DL_DatRqStartDtmfAck (DL_DATA_REQUEST_START_DTMF_ACKNOWLEDGE)	
PCO Type:	SAP0_3	
Comments:	The ASP is used to request the transmission of the CC START DTMF ACKNOWLEDGE message using acknowledged operation (L3 -> L2).	
Parameter Name	Parameter Type	Comments
sapi	SAPID	
logic_ch	LOGICCH	
msg	START_DTMF_ACK_PDU	
Detailed Comments:		

ASP Type Definition		
ASP Name:	DL_DatRqStartDtmfRej (DL_DATA_REQUEST_START_DTMF_REJCT)	
PCO Type:	SAP0_3	
Comments:	The ASP is used to request the transmission of the CC START DTMF REJCT message using acknowledged operation (L3 -> L2).	
Parameter Name	Parameter Type	Comments
sapi	SAPID	
logic_ch	LOGICCH	
msg	START_DTMF_REJ_PDU	
Detailed Comments:		

ASP Type Definition		
ASP Name:	DL_DatInStopDtmf (DL_DATA_INDICATION_STOP_DTMF)	
PCO Type:	SAP0_3	
Comments:	The ASP is used to indicate the receipt of the CC STOP_DTMF message using acknowledged operation (L2 -> L3).	
Parameter Name	Parameter Type	Comments
sapi	SAPID	
logic_ch	LOGICCH	
msg	STOP_DTMF_PDU	
fn	FN	
Detailed Comments:		

ASP Type Definition		
ASP Name:	DL_DatRqStopDtmfAck (DL_DATA_REQUEST_STOP_DTMF_ACKNOWLEDGE)	
PCO Type:	SAP0_3	
Comments:	The ASP is used to request the transmission of the CC STOP DTMF ACKNOWLEDGE message using acknowledged operation (L3 -> L2).	
Parameter Name	Parameter Type	Comments
sapi	SAPID	
logic_ch	LOGICCH	
msg	STOP_DTMF_ACK_PDU	
Detailed Comments:		

ASP Type Definition		
ASP Name:	DL_DatRqCcst (DL_DATA_REQUEST_CC_STATUS)	
PCO Type:	SAP0_3	
Comments:	The ASP is used to request the transmission of the CC STATUS message using acknowledged operation (L3 -> L2).	
Parameter Name	Parameter Type	Comments
sapi	SAPID	
logic_ch	LOGICCH	
msg	CCST_PDU	
Detailed Comments:		

ASP Type Definition		
ASP Name:	DL_DatInCcst (DL_DATA_INDICATION_CC_STATUS)	
PCO Type:	SAP0_3	
Comments:	The ASP is used to indicate the receipt of the CC STATUS message using acknowledged operation (L2 -> L3).	
Parameter Name	Parameter Type	Comments
sapi	SAPID	
logic_ch	LOGICCH	
msg	CCST_PDU	
fn	FN	
Detailed Comments:		

ASP Type Definition		
ASP Name:	DL_DatRqCcstEnq (DL_DATA_REQUEST_CC_STATUS_ENQ)	
PCO Type:	SAP0_3	
Comments:	The ASP is used to request the transmission of the CC STATUS_ENQ message using acknowledged operation (L3 -> L2).	
Parameter Name	Parameter Type	Comments
sapi	SAPID	
logic_ch	LOGICCH	
msg	CCST_ENQ_PDU	
Detailed Comments:		

ASP Type Definition		
ASP Name:	DL_DatRqUndefCC (DL_DATA_REQUEST)	
PCO Type:	SAP0_3	
Comments:	The ASP is used to transmit any message using acknowledged operation (L3 -> L2).	
Parameter Name	Parameter Type	Comments
sapi	SAPID	
logic_ch	LOGICCH	
msg	CONN_PDU	
Detailed Comments:		

ASP Type Definition		
ASP Name:	DL_DatRqUndefMM (DL_DATA_REQUEST)	
PCO Type:	SAP0_3	
Comments:	The ASP is used to transmit any message using acknowledged operation (L3 -> L2).	
Parameter Name	Parameter Type	Comments
sapi	SAPID	
logic_ch	LOGICCH	
msg	ID_RES_PDU	
Detailed Comments:		

ASP Type Definition		
ASP Name:	DL_DatRqUndefRR (DL_DATA_REQUEST)	
PCO Type:	SAP0_3	
Comments:	The ASP is used to transmit any message using acknowledged operation (L3 -> L2).	
Parameter Name	Parameter Type	Comments
sapi	SAPID	
logic_ch	LOGICCH	
msg	PART_REL_PDU	
Detailed Comments:		

ASP Type Definition		
ASP Name:	DL_DatRqUnknown (DL_DATA_REQUEST)	
PCO Type:	SAP0_3	
Comments:	The ASP is used to transmit any message using acknowledged operation (L3 -> L2).	
Parameter Name	Parameter Type	Comments
sapi	SAPID	
logic_ch	LOGICCH	
msg	CCST_ENQ_PDU	
Detailed Comments:		

ASP Type Definition		
ASP Name:	DL_DatInCpData (DL_DATA_INDICATION_CP_DATA)	
PCO Type:	SAP0_3	
Comments:	The ASP is used to indicate the receipt of the SMS CP DATA message using acknowledged operation (L2 -> L3) for MT.	
Parameter Name	Parameter Type	Comments
sapi	SAPID	
logic_ch	LOGICCH	
msg	CP_DATA_PDU	
fn	FN	
Detailed Comments:		

ASP Type Definition		
ASP Name:	DL_DatRqCpData (DL_DATA_REQUEST_CP_DATA)	
PCO Type:	SAP0_3	
Comments:	The ASP is used to request the transmission of the SMS CP DATA message using acknowledged operation (L3 -> L2) for MO.	
Parameter Name	Parameter Type	Comments
sapi	SAPID	
logic_ch	LOGICCH	
msg	CP_DATA_PDU	
Detailed Comments:		

ASP Type Definition		
ASP Name:	DL_DatInCpDataAck (DL_DATA_INDICATION_CPDATA_ACKNOWLEDGE)	
PCO Type:	SAP0_3	
Comments:	The ASP is used to indicate the receipt of the SMS CP DATA message using acknowledged operation (L2 -> L3) .	
Parameter Name	Parameter Type	Comments
sapi	SAPID	
logic_ch	LOGICCH	
msg	CPDATA_ACK_PDU	
fn	FN	
Detailed Comments:		

ASP Type Definition		
ASP Name:	DL_DatRqCpDataAck (DL_DATA_REQUEST_CPDATA_ACKNOWLEDGE)	
PCO Type:	SAP0_3	
Comments:	The ASP is used to request the transmission of the CP DATA ACKNOWLEDGE message using acknowledged operation (L3 -> L2).	
Parameter Name	Parameter Type	Comments
sapi	SAPID	
logic_ch	LOGICCH	
msg	CPDATA_ACK_PDU	
Detailed Comments:		

ASP Type Definition		
ASP Name:	DL_DatRqCpError (DL_DATA_REQUEST_CP_ERROR)	
PCO Type:	SAP0_3	
Comments:	The ASP is used to request the transmission of the SMS CP ERROR message using acknowledged operation (L3 -> L2) for MO.	
Parameter Name	Parameter Type	Comments
sapi	SAPID	
logic_ch	LOGICCH	
msg	CPERR_PDU	
Detailed Comments:		

ASP Type Definition		
ASP Name:	MDL_ReiRq (MDL_RELEASE_REQUEST)	
PCO Type:	SAP0_3	
Comments:	The ASP is used to request the local end termination of a previous established acknowledged mode operation (L3 -> L2). The local end termination procedure is initiated.	
Parameter Name	Parameter Type	Comments
sapi	SAPID	
logic_ch	LOGICCH	
release_mode	RelMode	
Detailed Comments:		

PDU type definitions

TTCN PDU Type definitions

PDU Type Definition		
PDU Name:	ASS_CMD_PDU	
PCO Type:	SAP0_3	
Comments:	RR ASSSIGNMENT COMMAND n -> ms GSM 04.08, 9.1.2	
Field Name	Field Type	Comments
ski	SKI	
rrpd	PD	
mt	MT	
ch1d_at	CHD	
pcmd	PCMD	
frql_at	FRQL	
cchd	CCHD	
ch1mod	CHMOD	
ch2d_at	CHD	
ch2mod	CHMOD	
ma_at	MA	
strt	STRT	
frql_bt	FRQL	
ch1d_bt	CHD	
ch2d_bt	CHD	
frqchs_bt	FRQCHS	
ma_bt	MA	
cphms	CPHMS	
Detailed Comments:		

PDU Type Definition		
PDU Name:	ASS_COM_PDU	
PCO Type:	SAP0_3	
Comments:	RR ASSSIGNMENT COMPLETE ms -> n GSM 04.08, 9.1.3	
Field Name	Field Type	Comments
ski	SKI	
rrpd	PD	
mt	MT	
rrcau	RRCAU	
Detailed Comments:		

PDU Type Definition		
PDU Name:	ASSFL_PDU	
PCO Type:	SAP0_3	
Comments:	RR ASSSIGNMENT FAILURE ms -> n GSM 04.08, 9.1.4	
Field Name	Field Type	Comments
ski	SKI	
rrpd	PD	
mt	MT	
rrcau	RRCAU	
Detailed Comments:		

PDU Type Definition		
PDU Name:	CHMMO_PDU	
PCO Type:	SAP0_3	
Comments:	RR CHANNEL MODE MODIFY n -> ms GSM 04.08, 9.1.5	
Field Name	Field Type	Comments
ski	SKI	
rrpd	PD	
mt	MT	
chd	CHD	
chmod	CHMOD	
Detailed Comments:		

PDU Type Definition		
PDU Name:	CHMMO_ACK_PDU	
PCO Type:	SAP0_3	
Comments:	RR CHANNEL MODE MODIFY ACKNOWLEDGE ms -> n GSM 04.08, 9.1.6	
Field Name	Field Type	Comments
ski	SKI	
rrpd	PD	
mt	MT	
chd	CHD	
chmod	CHMOD	
Detailed Comments:		

PDU Type Definition		
PDU Name:	CH_REL_PDU	
PCO Type:	SAP0_3	
Comments:	RR CHANNEL RELEASE n -> ms GSM 04.08, 9.1.7	
Field Name	Field Type	Comments
ski	SKI	
rrpd	PD	
mt	MT	
rrcau	RRCAU	
Detailed Comments:		

PDU Type Definition		
PDU Name:	CH_REL_PDU_ERR	
PCO Type:	SAP0_3	
Comments:	RR CHANNEL RELEASE containing additional unknown IE n -> ms GSM 04.08, 9.1.7	
Field Name	Field Type	Comments
ski	SKI	
rrpd	PD	
mt	MT	
rrcau	RRCAU	
add	OCTETSTRING	
Detailed Comments:		

PDU Type Definition		
PDU Name:	CH_RQ_PDU	
PCO Type:	SAP0_3	
Comments:	RR CHANNEL REQUEST ms -> n GSM 04.08, 9.1.8	
Field Name	Field Type	Comments
ecau_rrf	BITSTRING [8]	
Detailed Comments:		

PDU Type Definition		
PDU Name:	CPHM_CMD_PDU	
PCO Type:	SAP0_3	
Comments:	RR CIPHERING MODE COMMAND n -> ms GSM 04.08, 9.1.9	
Field Name	Field Type	Comments
ski	SKI	
rrpd	PD	
mt	MT	
cph_res	CPH_RES	
cphms	CPHMS	
Detailed Comments:		

PDU Type Definition		
PDU Name:	CPHM_CMD_PDU_ERR	
PCO Type:	SAP0_3	
Comments:	RR CIPHERING MODE COMMAND with additional unknown IE GSM 04.08, 9.1.9	
Field Name	Field Type	Comments
ski	SKI	
rrpd	PD	
mt	MT	
cph_res	CPH_RES	
cphms	CPHMS	
add	OCTETSTRING	
Detailed Comments:		

PDU Type Definition		
PDU Name:	CPHM_COM_PDU	
PCO Type:	SAP0_3	
Comments:	RR CIPHERING MODE COMPLETE ms -> n GSM 04.08, 9.1.10	
Field Name	Field Type	Comments
ski	SKI	
rrpd	PD	
mt	MT	
mei	MI	
Detailed Comments:		

PDU Type Definition		
PDU Name:	CLM_CHN_PDU	
PCO Type:	SAP0_3	
Comments:	RR CLASSMARK CHANGE ms -> n GSM 04.08, 9.1.11	
Field Name	Field Type	Comments
ski	SKI	
rrpd	PD	
mt	MT	
msclm	MSCLM2	
msclm_adi	MSCLM3	
Detailed Comments:		

PDU Type Definition		
PDU Name:	CLM_ENQ_PDU	
PCO Type:	SAP0_3	
Comments:	RR CLASSMARK ENQUIRY n -> ms GSM 04.08, 9.1.12	
Field Name	Field Type	Comments
ski	SKI	
rrpd	PD	
mt	MT	
Detailed Comments:		

PDU Type Definition		
PDU Name:	FRQRE_PDU	
PCO Type:	SAP0_3	
Comments:	RR FREQUENCY REDEFINITIONY n -> ms GSM 04.08, 9.1.13	
Field Name	Field Type	Comments
ski	SKI	
rrpd	PD	
mt	MT	
chd	CHD	
ma	MA	
strt	STRT	
cchd	CCHD	
Detailed Comments:		

PDU Type Definition		
PDU Name:	HOACC_PDU	
PCO Type:	SAP0_3	
Comments:	RR HANDOVER ACCESS ms -> n GSM 04.08, 9.1.14	
Field Name	Field Type	Comments
horf	HORF	
Detailed Comments:		

PDU Type Definition		
PDU Name:	HO_CMD_PDU	
PCO Type:	SAP0_3	
Comments:	RR HANDOVER COMMAND n -> ms GSM 04.08, 9.1.15	
Field Name	Field Type	Comments
ski	SKI	
rrpd	PD	
mt	MT	
cd	CD	
ch1d_at	CHD	
horf	HORF	
pcmd	PCMD	
synchi	SYNCHI	
frqsl_at	FRQL	
frql_at	FRQL	
cchd	CCHD	
ch1mod	CHMOD	
ch2d_at	CHD	
ch2mod	CHMOD	
frqchs_at	FRQCHS	
ma_at	MA	
strt	STRT	
rtdif	TDIF	
ta	TA	
frqsl_bt	FRQL	
frql_bt	FRQL	
ch1d_bt	CHD	
ch2d_bt	CHD	
frqchs_bt	FRQCHS	
ma_bt	MA	
cphms	CPHMS	
Detailed Comments:		

PDU Type Definition		
PDU Name: HO_COM_PDU		
PCO Type: SAP0_3		
Comments: RR HANDOVER COMPLETE ms -> n GSM 04.08, 9.1.16		
Field Name	Field Type	Comments
ski	SKI	
rrpd	PD	
mt	MT	
rrcau	RRCAU	
motdif	MTDIF	
Detailed Comments:		

PDU Type Definition		
PDU Name: HOFL_PDU		
PCO Type: SAP0_3		
Comments: RR HANDOVER FAILURE ms -> n GSM 04.08, 9.1.17		
Field Name	Field Type	Comments
ski	SKI	
rrpd	PD	
mt	MT	
rrcau	RRCAU	
Detailed Comments:		

PDU Type Definition		
PDU Name: IMMASS_PDU		
PCO Type: SAP0_3		
Comments: RR IMMEDIATE ASSIGNMENT n -> ms GSM 04.08, 9.1.18		
Field Name	Field Type	Comments
l2_pl	LENGTH	
ski	SKI	
rrpd	PD	
mt	MT	
shoct	SHOCT	
pm	PM	
chd	CHD	
rqr	RQR	
ta	TA	
ma	MA	
strt	STRT	
iaroct	IARESTOCT	
Detailed Comments: The message has a fixed length of 23 octets.		

PDU Type Definition		
PDU Name:	IMMASSX_PDU	
PCO Type:	SAP0_3	
Comments:	RR IMMEDIATE ASSIGNMENT n -> ms GSM 04.08, 9.1.19	
Field Name	Field Type	Comments
l2_pl	LENGTH	
ski	SKI	
rrpd	PD	
mt	MT	
shoct	SHOCT	
pm	PM	
chd1	CHD	
rqr1	RQR	
ta1	TA	
chd2	CHD	
rqr2	RQR	
ta2	TA	
ma	MA	
strt	STRT	
iaxroct	OCTETSTRING [1..4]	
Detailed Comments:	The message has a fixed length of 23 octets.	

PDU Type Definition		
PDU Name:	IMMASS_REJ_PDU	
PCO Type:	SAP0_3	
Comments:	RR IMMEDIATE REJECT n -> ms GSM 04.08, 9.1.20	
Field Name	Field Type	Comments
l2_pl	LENGTH	
ski	SKI	
rrpd	PD	
mt	MT	
shoct	SHOCT	
pm	PM	
rqr1	RQR	
wi1	WI	
rqr2	RQR	
wi2	WI	
rqr3	RQR	
wi3	WI	
rqr4	RQR	
wi4	WI	
iarroct	OCTETSTRING [3]	
Detailed Comments:	The message has a fixed length of 23 octets.	

PDU Type Definition		
PDU Name:	MSR_RPT_PDU	
PCO Type:	SAP0_3	
Comments:	RR MEASUREMENT REPORT ms -> n GSM 04.08, 9.1.21	
Field Name	Field Type	Comments
ski	SKI	
rrpd	PD	
mt	MT	
msrr	MSRR	
Detailed Comments:		

PDU Type Definition		
PDU Name:	PG1_RQ_PDU	
PCO Type:	SAP0_3	
Comments:	RR PAGING REQUEST_TYPE1 n -> ms GSM 04.08, 9.1.22	
Field Name	Field Type	Comments
l2_pl	LENGTH	
ski	SKI	
rrpd	PD	
mt	MT	
chn_m1_2	CHNEED	
pm	PM	
mi1	MI	
mi2	MI	
p1roct	OCTETSTRING [0..17]	
Detailed Comments:	The message has a fixed length of 23 octets.	

PDU Type Definition		
PDU Name:	PG2_RQ_PDU	
PCO Type:	SAP0_3	
Comments:	RR PAGING REQUEST TYPE2 n -> ms GSM 04.08, 9.1.23	
Field Name	Field Type	Comments
l2_pl	LENGTH	
ski	SKI	
rrpd	PD	
mt	MT	
chn_m1_2	CHNEED	
pm	PM	
mi1	TMSI	
mi2	TMSI	
mi3	MI	
p2roct	OCTETSTRING [1..11]	
Detailed Comments:	The message has a fixed length of 23 octets.	

PDU Type Definition		
PDU Name:	PG3_RQ_PDU	
PCO Type:	SAP0_3	
Comments:	RR PAGING REQUEST TYPE3 n -> ms GSM 04.08, 9.1.24	
Field Name	Field Type	Comments
l2_pl	LENGTH	
ski	SKI	
rrpd	PD	
mt	MT	
chn_m1_2	CHNEED	
pm	PM	
mi1	TMSI	
mi2	TMSI	
mi3	TMSI	
mi4	TMSI	
p3roct	OCTETSTRING [3]	
Detailed Comments:	The message has an L2 pseudo length of 19 octets and a total length of 23 octets.	

PDU Type Definition		
PDU Name:	PG_RES_PDU	
PCO Type:	SAP0_3	
Comments:	RR PAGING RESPONSE ms -> n GSM 04.08, 9.1.25	
Field Name	Field Type	Comments
ski	SKI	
rrpd	PD	
mt	MT	
shoct	SHOCT	
cphksn	CPHKS	
msclm	MSCLM2	
mi	MI	
Detailed Comments:		

PDU Type Definition		
PDU Name:	PART_REL_PDU	
PCO Type:	SAP0_3	
Comments:	RR PARTIAL RELEASE n -> ms GSM 04.08, 9.1.26	
Field Name	Field Type	Comments
ski	SKI	
rrpd	PD	
mt	MT	
chd	MAC	
Detailed Comments:		

PDU Type Definition		
PDU Name:	PHYINFO_PDU	
PCO Type:	SAP0_3	
Comments:	RR PHYSICAL INFORMATION n -> ms GSM 04.08 clause 9.1.28	
Field Name	Field Type	Comments
ski	SKI	
rrpd	PD	
mt	MT	
ta	TA	
Detailed Comments:		

PDU Type Definition		
PDU Name:	RRST_PDU	
PCO Type:	SAP0_3	
Comments:	RR STATUS n <-> ms GSM 04.08, 9.1.29	
Field Name	Field Type	Comments
ski	SKI	
rrpd	PD	
mt	MT	
rrcau	RRCAU	
Detailed Comments:		

PDU Type Definition		
PDU Name:	SCHINFO_PDU	
PCO Type:	SAP0_3	
Comments:	RR SYNCHRONIZATION CHANNEL INFORMATION n -> ms GSM 04.08, 9.1.30	
Field Name	Field Type	Comments
ncc	NCC	
bcc	BCC	
t1	T1	
t2	T2	
t3_	T3_	
Detailed Comments:	SCHINFO_PDU has a total length of 25 bits (GSM 04.04).	

PDU Type Definition		
PDU Name:	SYSINFO1_PDU	
PCO Type:	SAP0_3	
Comments:	RR SYSTEM INFORMATION TYPE1 n -> ms GSM 04.08, 9.1.31	
Field Name	Field Type	Comments
l2_pl	LENGTH	
ski	SKI	
rrpd	PD	
mt	MT	
cchd	CCHD	
rachcp	RACHCP	
si1roct	OCTETSTRING [1]	
Detailed Comments:	The message has an L2 pseudo length of 21 octets and a total length of 23 octets.	

PDU Type Definition		
PDU Name:	SYSINFO2_PDU	
PCO Type:	SAP0_3	
Comments:	RR SYSTEM INFORMATION TYPE2 n -> ms GSM 04.08, 9.1.32	
Field Name	Field Type	Comments
l2_pl	LENGTH	
ski	SKI	
rrpd	PD	
mt	MT	
bcchfl	NCD	
nccp	NCCP	
rachcp	RACHCP	
Detailed Comments:	The message has an L2 pseudo length of 22 octets and a total length of 23 octets.	

PDU Type Definition		
PDU Name:	SYSINFO2bis_PDU	
PCO Type:	SAP0_3	
Comments:	RR SYSTEM INFORMATION TYPE2bis or 2ter n -> ms GSM 04.08, 9.1.33, 9.1.33a	
Field Name	Field Type	Comments
l2_pl	LENGTH	
ski	SKI	
rrpd	PD	
mt	MT	
xbcchfl	NCD	
rachcp	RACHCP	
si2bisroct	OCTETSTRING [1..4]	
Detailed Comments:	This PDU type is used both for SYSINFO2bis, as well as for 2ter. The 2bis message has an L2 pseudo length of 21 octets and a total length of 23 octets. The 2ter message has an L2 pseudo length of 18 octets and a total length of 23 octets.	

PDU Type Definition		
PDU Name:	SYSINFO2ter_PDU	
PCO Type:	SAP0_3	
Comments:	RR SYSTEM INFORMATION 2ter n -> ms GSM 04.08, 9.1.34	
Field Name	Field Type	Comments
l2_pl	LENGTH	
ski	SKI	
rrpd	PD	
mt	MT	
xbcchfl	NCD2	
si2terroct	OCTETSTRING[4]	
Detailed Comments:	The 2ter message has an L2 pseudo length of 18 octets and a total length of 23 octets.	

PDU Type Definition		
PDU Name:	SYSINFO3_PDU	
PCO Type:	SAP0_3	
Comments:	RR SYSTEM INFORMATION TYPE3 n -> ms GSM 04.08, 9.1.34	
Field Name	Field Type	Comments
l2_pl	LENGTH	
ski	SKI	
rrpd	PD	
mt	MT	
ci	CI	
lai	LAI	
ccd	CCD	
co	CO	
csp	CSP	
rachcp	RACHCP	
si3roct	SI3RO	
Detailed Comments:	The message has an L2 pseudo length of 18 octets and a total length of 23 octets.	

PDU Type Definition		
PDU Name:	SYSINFO4_PDU	
PCO Type:	SAP0_3	
Comments:	RR SYSTEM INFORMATION TYPE4 n -> ms GSM 04.08, 9.1.35	
Field Name	Field Type	Comments
l2_pl	LENGTH	
ski	SKI	
rrpd	PD	
mt	MT	
lai	LAI	
csp	CSP	
rachcp	RACHCP	
cbchd	CHD	
cbchma	MA	
si4roct	SI4RO	
Detailed Comments:	The message has a total length of 23 octets.	

PDU Type Definition		
PDU Name:	SYSINFO5_PDU	
PCO Type:	SAP0_3	
Comments:	RR SYSTEM INFORMATION TYPE5 n -> ms GSM 04.08, 9.1.36	
Field Name	Field Type	Comments
ski	SKI	
rrpd	PD	
mt	MT	
bcchfl	NCD	
Detailed Comments:		

PDU Type Definition		
PDU Name:	SYSINFO5bis_PDU	
PCO Type:	SAP0_3	
Comments:	RR SYSTEM INFORMATION TYPE5bis n -> ms GSM 04.08, 9.1.38	
Field Name	Field Type	Comments
ski	SKI	
rrpd	PD	
mt	MT	
xbcchfl	NCD	
Detailed Comments:		

PDU Type Definition		
PDU Name:	SYSINFO5ter_PDU	
PCO Type:	SAP0_3	
Comments:	RR SYSTEM INFORMATION TYPE5ter n -> ms GSM 04.08, 9.1.39	
Field Name	Field Type	Comments
ski	SKI	
rrpd	PD	
mt	MT	
xbcchfl	NCD2	
Detailed Comments:		

PDU Type Definition		
PDU Name:	SYSINFO6_PDU	
PCO Type:	SAP0_3	
Comments:	RR SYSTEM INFORMATION TYPE6 n -> ms GSM 04.08, 9.1.38	
Field Name	Field Type	Comments
ski	SKI	
rrpd	PD	
mt	MT	
ci	CI	
lai	LAI	
co	CO	
nccp	NCCP	
Detailed Comments:		

PDU Type Definition		
PDU Name:	SYSINFO7_PDU	
PCO Type:	SAP0_3	
Comments:	RR SYSTEM INFORMATION TYPE7 n -> ms GSM 04.08, 9.1.41	
Field Name	Field Type	Comments
l2_pl	LENGTH	
ski	SKI	
rrpd	PD	
mt	MT	
si7roct	SI7RO	
Detailed Comments: The message has a total length of 23 octets.		

PDU Type Definition		
PDU Name:	SYSINFO8_PDU	
PCO Type:	SAP0_3	
Comments:	RR SYSTEM INFORMATION TYPE8 n -> ms GSM 04.08, 9.1.42	
Field Name	Field Type	Comments
l2_pl	LENGTH	
ski	SKI	
rrpd	PD	
mt	MT	
si8roct	SI7RO	
Detailed Comments: The message has a total length of 23 octets.		

PDU Type Definition		
PDU Name:	ABRT_PDU	
PCO Type:	SAP0_3	
Comments:	MM ABORT n -> ms GSM 04.08, 9.2.8	
Field Name	Field Type	Comments
ski	SKI	
mmpd	PD	
mt	MT	
rejcau	REJCAU	
Detailed Comments:		

PDU Type Definition		
PDU Name:	AUTH_REJ_PDU	
PCO Type:	SAP0_3	
Comments:	MM AUTHENTICATION REJECT n -> ms GSM 04.08, 9.2.1	
Field Name	Field Type	Comments
ski	SKI	
mmpd	PD	
mt	MT	
Detailed Comments:		

PDU Type Definition		
PDU Name:	AUTH_RQ_PDU	
PCO Type:	SAP0_3	
Comments:	MM AUTHENTICATION REQUEST n -> ms GSM 04.08, 9.2.2	
Field Name	Field Type	Comments
ski	SKI	
mmpd	PD	
mt	MT	
shoct	SHOCT	
cphksn	CPHKSN	
rand	RAND	
Detailed Comments:		

PDU Type Definition		
PDU Name:	AUTH_RES_PDU	
PCO Type:	SAP0_3	
Comments:	MM AUTHENTICATION RESPONSE ms -> n GSM 04.08, 9.2.3	
Field Name	Field Type	Comments
ski	SKI	
mmpd	PD	
mt	MT	
sres	SRES	
Detailed Comments:		

PDU Type Definition		
PDU Name:	CMRE_RQ_PDU	
PCO Type:	SAP0_3	
Comments:	MM CM REESTABLISHMENT REQUEST ms -> n GSM 04.08, 9.2.4	
Field Name	Field Type	Comments
ski	SKI	
mmpd	PD	
mt	MT	
shoct	SHOCT	
cphksn	CPHKSN	
msclm	MSCLM2	
mi	MI	
lai	LAI	
Detailed Comments:		

PDU Type Definition		
PDU Name:	CMS_ACP_PDU	
PCO Type:	SAP0_3	
Comments:	MM CM SERVICE ACCEPT n -> ms GSM 04.08, 9.2.5	
Field Name	Field Type	Comments
ski	SKI	
mmpd	PD	
mt	MT	
Detailed Comments:		

PDU Type Definition		
PDU Name:	CMS_REJ_PDU	
PCO Type:	SAP0_3	
Comments:	MM CM SERVICE REJECT n -> ms GSM 04.08, 9.2.6	
Field Name	Field Type	Comments
ski	SKI	
mmpd	PD	
mt	MT	
mmcau	REJCAU	
Detailed Comments:		

PDU Type Definition		
PDU Name:	CMS_RQ_PDU	
PCO Type:	SAP0_3	
Comments:	MM CM SERVICE REQUEST ms -> n GSM 04.08, 9.2.9	
Field Name	Field Type	Comments
ski	SKI	
mmpd	PD	
mt	MT	
cphksn	CPHKSN	
svtype	CMSVTYPE	
msclm	MSCLM2	
mi	MI	
Detailed Comments:		

PDU Type Definition		
PDU Name:	ID_RQ_PDU	
PCO Type:	SAP0_3	
Comments:	MM IDENTITY REQUEST n -> ms GSM 04.08, 9.2.10	
Field Name	Field Type	Comments
ski	SKI	
mmpd	PD	
mt	MT	
shoct	SHOCT	
idtype	IDTYPE	
Detailed Comments:		

PDU Type Definition		
PDU Name:	ID_RES_PDU	
PCO Type:	SAP0_3	
Comments:	MM IDENTITY RESPONSE ms -> n GSM 04.08, 9.2.11	
Field Name	Field Type	Comments
ski	SKI	
mmpd	PD	
mt	MT	
mi	MI	
Detailed Comments:		

PDU Type Definition		
PDU Name:	IMSID_IN_PDU	
PCO Type:	SAP0_3	
Comments:	MM IMSI DETACH INDICATION ms -> n GSM 04.08, 9.2.12	
Field Name	Field Type	Comments
ski	SKI	
mmpd	PD	
mt	MT	
msclm	MSCLM1	
mi	MI	
Detailed Comments:		

PDU Type Definition		
PDU Name:	LUP_ACP_PDU	
PCO Type:	SAP0_3	
Comments:	MM LOCATION UPDATING ACCEPT n -> ms GSM 04.08, 9.2.13	
Field Name	Field Type	Comments
ski	SKI	
mmpd	PD	
mt	MT	
lai	LAI	
mi	MI	
fop	IEL_8	
Detailed Comments:		

PDU Type Definition		
PDU Name:	LUP_ACP_PDU_ERR	
PCO Type:	SAP0_3	
Comments:	MM LOCATION UPDATING ACCEPT n -> ms GSM 04.08, 9.2.13	
Field Name	Field Type	Comments
ski	SKI	
mmpd	PD	
mt	MT	
lai	LAI	
mi	MI	
dupmi	MI	
Detailed Comments:		

PDU Type Definition		
PDU Name:	LUP_REJ_PDU	
PCO Type:	SAP0_3	
Comments:	MM LOCATION UPDATING REJECT n -> ms GSM 04.08, 9.2.14	
Field Name	Field Type	Comments
ski	SKI	
mmpd	PD	
mt	MT	
rejcau	REJCAU	
Detailed Comments:		

PDU Type Definition		
PDU Name:	LUP_RQ_PDU	
PCO Type:	SAP0_3	
Comments:	MM LOCATION UPDATING REQUEST ms -> n GSM 04.08, 9.2.15	
Field Name	Field Type	Comments
ski	SKI	
mmpd	PD	
mt	MT	
cphksn	CPHKS	
lutype	LUT	
lai	LAI	
msclm	MSCLM1	
mi	MI	
Detailed Comments:		

PDU Type Definition		
PDU Name:	MMST_PDU	
PCO Type:	SAP0_3	
Comments:	MM STATUS n <-> ms GSM 04.08, 9.2.16	
Field Name	Field Type	Comments
ski	SKI	
mmpd	PD	
mt	MT	
rejcau	REJCAU	
Detailed Comments:		

PDU Type Definition		
PDU Name:	TMSIRE_CMD_PDU	
PCO Type:	SAP0_3	
Comments:	MM TMSI REALLOCATION COMMAND n -> ms GSM 04.08, 9.2.17	
Field Name	Field Type	Comments
ski	SKI	
mmpd	PD	
mt	MT	
lai	LAI	
mi	MI	
Detailed Comments:		

PDU Type Definition		
PDU Name:	TMSIRE_COM_PDU	
PCO Type:	SAP0_3	
Comments:	MM TMSI REALLOCATION COMPLETE ms -> n GSM 04.08, 9.2.18	
Field Name	Field Type	Comments
ski	SKI	
mmpd	PD	
mt	MT	
Detailed Comments:		

PDU Type Definition		
PDU Name:	ALERT_PDU	
PCO Type:	SAP0_3	
Comments:	CC ALERTING ms <-> n GSM 04.08, 9.3.1	
Field Name	Field Type	Comments
ti	TI	
ccpd	PD	
mt	MT	
fie	FIE	
pi	PI	
uu	UU	
ssvi	SSVI	
Detailed Comments:		

PDU Type Definition		
PDU Name:	CALL_CO_PDU	
PCO Type:	SAP0_3	
Comments:	CC CALL CONFIRMED ms -> n GSM 04.08, 9.3.2	
Field Name	Field Type	Comments
ti	TI	
ccpd	PD	
mt	MT	
bcri	RPI	
bcap1	BCAP	
bcap2	BCAP	
cau	CAU	
cccap	CCCAP	
Detailed Comments:		

PDU Type Definition		
PDU Name:	CALL_PROC_PDU	
PCO Type:	SAP0_3	
Comments:	CC CALL PROCEEDING n -> ms GSM 04.08, 9.3.3	
Field Name	Field Type	Comments
ti	TI	
ccpd	PD	
mt	MT	
bcri	RPI	
bcap1	BCAP	
bcap2	BCAP	
fie	FIE	
pi	PI	
Detailed Comments:		

PDU Type Definition		
PDU Name:	CONN_PDU	
PCO Type:	SAP0_3	
Comments:	CC CONNECT n <-> ms GSM 04.08, 9.3.5	
Field Name	Field Type	Comments
ti	TI	
ccpd	PD	
mt	MT	
fie	FIE	
pi	PI	
cnn	CNN	
cns	CNS	
uu	UU	
ssvi	SSVI	
Detailed Comments:		

PDU Type Definition		
PDU Name:	CONN_PDU_ERR	
PCO Type:	SAP0_3	
Comments:	CC CONNECT n <-> ms Used as invalid message	
Field Name	Field Type	Comments
ti	TI	
ccpd	PD	
mt	MT	
unknown	UNKWN	
Detailed Comments:		

PDU Type Definition		
PDU Name:	CONN_ACK_PDU	
PCO Type:	SAP0_3	
Comments:	CC CONNECT ACKNOWLEDGE ms <-> n GSM 04.08, 9.3.6	
Field Name	Field Type	Comments
ti	TI	
ccpd	PD	
mt	MT	
Detailed Comments:		

PDU Type Definition		
PDU Name:	DISC_PDU	
PCO Type:	SAP0_3	
Comments:	CC DISCONNECT ms <-> n (both directions) GSM 04.08, 9.3.7	
Field Name	Field Type	Comments
ti	TI	
ccpd	PD	
mt	MT	
cau	CAU	
fie	FIE	
pi	PI	
uu	UU	
ssvi	SSVI	
Detailed Comments:		

PDU Type Definition		
PDU Name:	DISC_PDU_ERR	
PCO Type:	SAP0_3	
Comments:		
Field Name	Field Type	Comments
ti	TI	
ccpd	PD	
mt	MT	
cau	CAU	
unknown	UNKWN	
Detailed Comments:		

PDU Type Definition		
PDU Name:	ESETUP_PDU	
PCO Type:	SAP0_3	
Comments:	CC EMERGENCY SETUP ms -> n GSM 04.08, 9.3.8	
Field Name	Field Type	Comments
ti	TI	
ccpd	PD	
mt	MT	
bcap	BCAP	
Detailed Comments:		

PDU Type Definition		
PDU Name:	FAC_PDU	
PCO Type:	SAP0_3	
Comments:	CC FACILITY n <-> ms GSM 04.08, 9.3.9	
Field Name	Field Type	Comments
ti	TI	
cc_sspd	PD	
mt	MT	
fie	FIE	
ssvi	SSVI	
Detailed Comments:		

PDU Type Definition		
PDU Name:	HOLD_PDU	
PCO Type:	SAP0_3	
Comments:	CC HOLD ms -> n GSM 04.08, 9.3.10	
Field Name	Field Type	Comments
ti	TI	
ccpd	PD	
mt	MT	
Detailed Comments:		

PDU Type Definition		
PDU Name:	HOLD_ACK_PDU	
PCO Type:	SAP0_3	
Comments:	CC HOLD ACKNOWLEDGE n -> ms GSM 04.08, 9.3.11	
Field Name	Field Type	Comments
ti	TI	
ccpd	PD	
mt	MT	
Detailed Comments:		

PDU Type Definition		
PDU Name:	MODIFY_PDU	
PCO Type:	SAP0_3	
Comments:	CC MODIFY ms <-> n GSM 04.08, 9.3.13	
Field Name	Field Type	Comments
ti	TI	
ccpd	PD	
mt	MT	
bcap	BCAP	
llcmp	LLCMP	
hlcmp	HLCMP	
rcsd	RCSD	
Detailed Comments:		

PDU Type Definition		
PDU Name:	MODIFY_COM_PDU	
PCO Type:	SAP0_3	
Comments:	CC MODIFY COMPLETE ms <-> n GSM 04.08, 9.3.14	
Field Name	Field Type	Comments
ti	TI	
ccpd	PD	
mt	MT	
bcap	BCAP	
llcmp	LLCMP	
hlcmp	HLCMP	
rcsd	RCSD	
Detailed Comments:		

PDU Type Definition		
PDU Name:	MODIFY_REJ_PDU	
PCO Type:	SAP0_3	
Comments:	CC MODIFY REJECT ms <-> n GSM 04.08, 9.3.15	
Field Name	Field Type	Comments
ti	TI	
ccpd	PD	
mt	MT	
bcap	BCAP	
cau	CAU	
llcmp	LLCMP	
hlcmp	HLCMP	
Detailed Comments:		

PDU Type Definition		
PDU Name:	NOTIFY_PDU	
PCO Type:	SAP0_3	
Comments:	CC NOTIFY ms <-> n GSM 04.08, 9.3.16	
Field Name	Field Type	Comments
ti	TI	
ccpd	PD	
mt	MT	
nti	NTI	
Detailed Comments:		

PDU Type Definition		
PDU Name:	REGISTER_PDU	
PCO Type:	SAP0_3	
Comments:	SS REGISTER ms <-> n GSM 04.80, 2.4	
Field Name	Field Type	Comments
ti	TI	
sspd	PD	
mt	MT	
fie	FIE	
ssvi	SSVI	
Detailed Comments:		

PDU Type Definition		
PDU Name:	PROG_PDU	
PCO Type:	SAP0_3	
Comments:	CC PROGRESS n -> ms GSM 04.08, 9.3.17	
Field Name	Field Type	Comments
ti	TI	
ccpd	PD	
mt	MT	
pi	PI	
uu	UU	
Detailed Comments:		

PDU Type Definition		
PDU Name:	REL_PDU	
PCO Type:	SAP0_3	
Comments:	CC RELEASE n <-> ms GSM 04.08, 9.3.18	
Field Name	Field Type	Comments
ti	TI	
ccpd	PD	
mt	MT	
cau	CAU	
cau2	CAU	
fie	FIE	
uu	UU	
ssvi	SSVI	
Detailed Comments:		

PDU Type Definition		
PDU Name:	REL_COM_PDU	
PCO Type:	SAP0_3	
Comments:	CC or SS RELEASE COMPLETE n <-> ms GSM 04.08, 9.3.19; GSM 04.80, 2.5	
Field Name	Field Type	Comments
ti	TI	
cc_sspd	PD	
mt	MT	
cau	CAU	
fie	FIE	
uu	UU	
ssvi	SSVI	
Detailed Comments:		

PDU Type Definition		
PDU Name:	SETUP_MO_PDU	
PCO Type:	SAP0_3	
Comments:	CC SETUP n <- ms GSM 04.08, 9.3.23.2	
Field Name	Field Type	Comments
ti	TI	
ccpd	PD	
mt	MT	
bcri	RPI	
bcap1	BCAP	
bcap2	BCAP	
fie	FIE	
cgps	CGPS	
cdpn	CDPN	
cdps	CDPS	
llcri	RPI	
llcmp1	LLCMP	
llcmp2	LLCMP	
hlcri	RPI	
hlcmp1	HLCMP	
hlcmp2	HLCMP	
uu	UU	
ssvi	SSVI	
clirsup	CLRSUP	
clirin	CLRINV	
cccacp	CCCACP	
Detailed Comments:		

PDU Type Definition		
PDU Name:	SETUP_MT_PDU	
PCO Type:	SAP0_3	
Comments:	CC SETUP n -> ms GSM 04.08, 9.3.23.1	
Field Name	Field Type	Comments
ti	TI	
ccpd	PD	
mt	MT	
bcri	RPI	
bcap1	BCAP	
bcap2	BCAP	
fie	FIE	
pi	PI	
sig	SIGNAL	
cgpn	CGPN	
cgps	CGPS	
cdpn	CDPN	
cdps	CDPS	
llcri	RPI	
llcmp1	LLCMP	
llcmp2	LLCMP	
hlcri	RPI	
hlcmp1	HLCMP	
hlcmp2	HLCMP	
uu	UU	
Detailed Comments:		

PDU Type Definition		
PDU Name:	SMSCB_PDU	
PCO Type:	SAP0_3	
Comments:	SMSCB message GSM 03.41, 9.3	
Field Name	Field Type	Comments
blocktype	BLOCKTYPE	
serial_number	SERIAL_NUMBER	
message_id	OCTETSTRING[2]	
dcs	TPDCS	
page_param	BITSTRING[8]	
message_contents	OCTETSTRING	
Detailed Comments:		

PDU Type Definition		
PDU Name:	START_DTMF_PDU	
PCO Type:	SAP0_3	
Comments:	CC START DTMF ms -> n GSM 04.08, 9.3.24	
Field Name	Field Type	Comments
ti	TI	
ccpd	PD	
mt	MT	
kpf	KPF	
Detailed Comments:		

PDU Type Definition		
PDU Name:	START_DTMF_ACK_PDU	
PCO Type:	SAP0_3	
Comments:	CC START DTMF ACKNOWLEDGE n -> ms GSM 04.08, 9.3.25	
Field Name	Field Type	Comments
ti	TI	
ccpd	PD	
mt	MT	
kpf	KPF	
Detailed Comments:		

PDU Type Definition		
PDU Name:	START_DTMF_REJ_PDU	
PCO Type:	SAP0_3	
Comments:	CC START DTMF REJECT n -> ms GSM 04.08, 9.3.26	
Field Name	Field Type	Comments
ti	TI	
ccpd	PD	
mt	MT	
cau	CAU	
Detailed Comments:		

PDU Type Definition		
PDU Name:	CCST_PDU	
PCO Type:	SAP0_3	
Comments:	CC STATUS n <-> ms GSM 04.08, 9.3.27	
Field Name	Field Type	Comments
ti	TI	
ccpd	PD	
mt	MT	
cau	CAU	
cst	CST	
acst	ACST	
Detailed Comments:		

PDU Type Definition		
PDU Name:	CCST_ENQ_PDU	
PCO Type:	SAP0_3	
Comments:	CC STATUS ENQUIRY ms <-> n GSM 04.08, 9.3.28	
Field Name	Field Type	Comments
ti	TI	
ccpd	PD	
mt	MT	
Detailed Comments:		

PDU Type Definition		
PDU Name:	STOP_DTMF_PDU	
PCO Type:	SAP0_3	
Comments:	CC STOP DTMF ms -> n GSM 04.08, 9.3.29	
Field Name	Field Type	Comments
ti	TI	
ccpd	PD	
mt	MT	
Detailed Comments:		

PDU Type Definition		
PDU Name:	STOP_DTMF_ACK_PDU	
PCO Type:	SAP0_3	
Comments:	CC STOP DTMF acknowledge n -> ms GSM 04.08, 9.3.30	
Field Name	Field Type	Comments
ti	TI	
ccpd	PD	
mt	MT	
Detailed Comments:		

PDU Type Definition		
PDU Name:	CP_DATA_PDU	
PCO Type:	SAP0_3	
Comments:	SMS CP DATA ms <-> n GSM 04.11, 7.2.1	
Field Name	Field Type	Comments
ti	TI	
smspd	PD	
mt	MT	
CPdata	CPDATA	
Detailed Comments: CPDATA contains RPDU - RP_ACK or RP_ERROR, either returning to the MS in case of MO, or reporting the outcome of a MT messaging attempt in case of MT .		

PDU Type Definition		
PDU Name:	CPDATA_ACK_PDU	
PCO Type:	SAP0_3	
Comments:	CP DATA ACKNOWLEDGE ms <-> n GSM 04.11, 7.2.2	
Field Name	Field Type	Comments
ti	TI	
smspd	PD	
mt	MT	
Detailed Comments:		

PDU Type Definition		
PDU Name:	CPERR_PDU	
PCO Type:	SAP0_3	
Comments:	CP_ERROR n <-> ms GSM 04.11, 7.2.3	
Field Name	Field Type	Comments
ti	TI	
smspd	PD	
mt	MT	
cp_cause	CP_CAU	
Detailed Comments:	CP_UDAT contains RPDU, RP_ACK or RP_ERROR, either returning to the MS in case of MO, or reporting the outcome of a MT messaging attempt in case of MT .	

Constraints Part

Test suite type constraint declarations

Structured type constraint declarations

Structured Type Constraint		
Constraint Name:	EFR_Bcap_Speech_MO2(rcr:B_2)	
Structured Type:	BCAP	
Derivation Path:		
Comments:	speech bearer capability for direction ms->n. An EFR ms MUST send two 3a_etc (speech preference) octets.	
Element Name	Element Value	Comments
iei	'00000100'B	
iel	'03'O	
extb3	'0'B	
rchr	rchr	
cs	'0'B	
tm	'0'B	
itc	'000'B	
oct_3a_etc_1	EFR_Bcap_3a_etc	
oct_3a_etc_2	EFR_Bcap_3a_etc	
oct_3a_etc_3	-	
oct_3a_etc_4	-	
oct_3a_etc_5	-	
oct_3a_etc_6	-	
extb4	-	
spb	-	
strc	-	
dplxm	-	
config	-	
nirr	-	
est	-	
extb5	-	
accid	-	
ra	-	
sacp	-	
extb6	-	
l1id	-	
uil1	-	
sb	-	
extb6a	-	
nsb	-	
nb	-	
ndb	-	
ur	-	
extb6b	-	
ir	-	
nictx	-	
nicrx	-	
pi	-	
extb6c	-	
ce	-	
modemt	-	
extb7	-	
l2id	-	
uil2	-	
Detailed Comments:		

Structured Type Constraint		
Constraint Name:	EFR_Bcap_Speech_MO3(rcr:B_2)	
Structured Type:	BCAP	
Derivation Path:		
Comments:	speech bearer capability for direction ms->n. An EFR ms must send THREE 3a_etc (speech preference) octets.	
Element Name	Element Value	Comments
iei	'00000100'B	
iel	'04'O	
extb3	'0'B	
rchr	rcr	
cs	'0'B	
tm	'0'B	
itc	'000'B	
oct_3a_etc_1	EFR_Bcap_3a_etc	
oct_3a_etc_2	EFR_Bcap_3a_etc	
oct_3a_etc_3	EFR_Bcap_3a_etc	
oct_3a_etc_4	-	
oct_3a_etc_5	-	
oct_3a_etc_6	-	
extb4	-	
spb	-	
strc	-	
dplx	-	
config	-	
nirr	-	
est	-	
extb5	-	
accid	-	
ra	-	
sacp	-	
extb6	-	
l1id	-	
uil1	-	
sb	-	
extb6a	-	
nsb	-	
nb	-	
ndb	-	
ur	-	
extb6b	-	
ir	-	
nictx	-	
nicrx	-	
pi	-	
extb6c	-	
ce	-	
modemt	-	
extb7	-	
l2id	-	
uil2	-	
Detailed Comments:		

Structured Type Constraint		
Constraint Name:	EFR_Bcap_Speech_MT	
Structured Type:	BCAP	
Derivation Path:		
Comments:	speech bearer capability for direction n->ms	
Element Name	Element Value	Comments
iei	'00000100'B	
iel	'01'O	
extb3	'1'B	
rchr	'01'B	
cs	'0'B	
tm	'0'B	
itc	'000'B	
oct_3a_etc_1	-	
oct_3a_etc_2	-	
oct_3a_etc_3	-	
oct_3a_etc_4	-	
oct_3a_etc_5	-	
oct_3a_etc_6	-	
extb4	-	
spb	-	
strc	-	
dplxm	-	
config	-	
nirr	-	
est	-	
extb5	-	
accid	-	
ra	-	
sacp	-	
extb6	-	
l1id	-	
uil1	-	
sb	-	
extb6a	-	
nsb	-	
nb	-	
ndb	-	
ur	-	
extb6b	-	
ir	-	
nictx	-	
nicrx	-	
pi	-	
extb6c	-	
ce	-	
modemt	-	
extb7	-	
l2id	-	
uil2	-	
Detailed Comments:		

Structured Type Constraint		
Constraint Name:	EFR_Bcap_Speech_MT2	
Structured Type:	BCAP	
Derivation Path:		
Comments:	speech bearer capability for direction n->ms	
Element Name	Element Value	Comments
iei	'00000100'B	
iel	'01'O	
extb3	'0'B	
rchr	'01'B	
cs	'0'B	
tm	'0'B	
itc	'000'B	
oct_3a_etc_1	EFR_Bcap_3a_etc	
oct_3a_etc_2	EFR_Bcap_3a_etc	
oct_3a_etc_3	-	
oct_3a_etc_4	-	
oct_3a_etc_5	-	
oct_3a_etc_6	-	
extb4	-	
spb	-	
strc	-	
dplxm	-	
config	-	
nirr	-	
est	-	
extb5	-	
accid	-	
ra	-	
sacp	-	
extb6	-	
l1id	-	
uil1	-	
sb	-	
extb6a	-	
nsb	-	
nb	-	
ndb	-	
ur	-	
extb6b	-	
ir	-	
nictx	-	
nicrx	-	
pi	-	
extb6c	-	
ce	-	
modemt	-	
extb7	-	
l2id	-	
uil2	-	
Detailed Comments:		

Structured Type Constraint		
Constraint Name:	EFR_Bcap_Speech_MT3	
Structured Type:	BCAP	
Derivation Path:		
Comments:	speech bearer capability for direction n->ms	
Element Name	Element Value	Comments
iei	'00000100'B	
iel	'01'O	
extb3	'0'B	
rchr	'01'B	
cs	'0'B	
tm	'0'B	
itc	'000'B	
oct_3a_etc_1	EFR_Bcap_3a_etc	
oct_3a_etc_2	EFR_Bcap_3a_etc	
oct_3a_etc_3	EFR_Bcap_3a_etc	
oct_3a_etc_4	-	
oct_3a_etc_5	-	
oct_3a_etc_6	-	
extb4	-	
spb	-	
strc	-	
dplxm	-	
config	-	
nirr	-	
est	-	
extb5	-	
accid	-	
ra	-	
sacp	-	
extb6	-	
l1id	-	
uil1	-	
sb	-	
extb6a	-	
nsb	-	
nb	-	
ndb	-	
ur	-	
extb6b	-	
ir	-	
nictx	-	
nicrx	-	
pi	-	
extb6c	-	
ce	-	
modemt	-	
extb7	-	
l2id	-	
uil2	-	
Detailed Comments:		

Structured Type Constraint		
Constraint Name:	EFR_Bcap_3a_etc	
Structured Type:	EFR_BCAP_3A_ETC	
Derivation Path:		
Comments:	speech bearer capability for direction ms->n.	
Element Name	Element Value	Comments
extb	'?'B	
cod	'0'B	
spr2	'00'B	
svi	'0???'B	
Detailed Comments:		

Structured Type Constraint		
Constraint Name:	BcchFreqLst_Omit	
Structured Type:	NCD	
Derivation Path:		
Comments:	Omit Bcch Frequency list (Neighbour cells description)	
Element Name	Element Value	Comments
rfl2	-	
extind	-	
baind	-	
rfl4	-	
rfl	-	
Detailed Comments:		

Structured Type Constraint		
Constraint Name:	BcchFreqLst_01	
Structured Type:	NCD	
Derivation Path:		
Comments:	Default neighbour cells description for SYSTEM INFORMATION 2 and 5 under GSM900 with the ARFCN list = {10, 20, 40, 80, 90, 100, 110, 120}.	
Element Name	Element Value	Comments
rfl2	'00'B	
extind	'0'B	
baind	'0'B	
rfl4	'0000'B	
rfl	'8020080200800000000008000080200'O	
Detailed Comments:		

Structured Type Constraint		
Constraint Name:	BcchFreqLst_02	
Structured Type:	NCD	
Derivation Path:	BcchFreqLst_01.	
Comments:	Alternative neighbour cells description for SYSTEM INFORMATION 2 and 5 under GSM900. These are ARFCNs 15, 85, 95, 105, 115, and 122	
Element Name	Element Value	Comments
rfl4	'0010'B	
rfl	'04010040100000000000000004000'O	
Detailed Comments:		

Structured Type Constraint		
Constraint Name:	BcchFreqLst_03	
Structured Type:	NCD	
Derivation Path:		
Comments:	Default neighbour cells description for SYSTEM INFORMATION 2 and 5 for DCS1800 for cell B with the ARFCN list = {520, 600, 700, 780, 810, 870}.	
Element Name	Element Value	Comments
rfl2	'10'B	
extind	'0'B	
baind	'0'B	
rfl4	'1001'B	
rfl	'04412C168E44000000000000000000'O	
Detailed Comments:		

Structured Type Constraint		
Constraint Name:	BcchFreqLst_04	
Structured Type:	NCD	
Derivation Path:	BcchFreqLst_01.	
Comments:	Alternative neighbour cells description for SYSTEM INFORMATION 2 and 5 for DCS1800.	
Element Name	Element Value	Comments
rfl2	'10'B	
extind	'0'B	
baind	'0'B	
rfl4	'1001'B	
rfl	'09412C168E44000000000000000000'O	
Detailed Comments:		

Structured Type Constraint		
Constraint Name:	BcchFreqLst_45	
Structured Type:	NCD	
Derivation Path:	BcchFreqLst_01.	
Comments:	Default neighbour cells description of cell B for SYSTEM INFORMATION 2 and 5 under GSM900.	
Element Name	Element Value	Comments
rfl	'8020080200800000000000000000200'O	
Detailed Comments:		

Structured Type Constraint		
Constraint Name:	BcchFreqLst_47	
Structured Type:	NCD	
Derivation Path:		
Comments:	Default neighbour cells description for SYSTEM INFORMATION 2bis and 5bis in cell B under EGSMwith the ARFCN list = {1005, 1010, 1015}.	
Element Name	Element Value	Comments
rfl2	'10'B	
extind	'1'B	
baind	'0'B	
rfl4	'1101'B	
rfl	'F68AEC000000000000000000000000'O	
Detailed Comments:		

Structured Type Constraint		
Constraint Name:	BcchFreqLst_48	
Structured Type:	NCD	
Derivation Path:		
Comments:	Default neighbour cells description for SYSTEM INFORMATION 2 and 5 for DCS1800 for cell B in RR, MM and SMS test cases with the ARFCN list = {520, 590, 600, 700, 780, 810, 870}.	
Element Name	Element Value	Comments
rfl2	'10'B	
extind	'0'B	
baind	'0'B	
rfl4	'1001'B	
rfl	'04411307BB00C80000000000000000'O	
Detailed Comments:		

Structured Type Constraint		
Constraint Name:	CallCntrlCap	
Structured Type:	CCCAP	
Derivation Path:		
Comments:	CC state 'st'	
Element Name	Element Value	Comments
iei	'00010101'B	
iel	'01'O	
spr	'0000000'B	
dtmf	TSPX_DTMF	
Detailed Comments:		

Structured Type Constraint		
Constraint Name:	Cause_01	
Structured Type:	CAU	
Derivation Path:		
Comments:	cause information element with cause value = #16, location = user.	
Element Name	Element Value	Comments
iei	-	
iel	'02'O	
extb3	'1'B	
cs	'11'B	
spb	'0'B	
location	'0000'B	
extb3a	-	
rec	-	
extb4	'1'B	
cau_class	'001'B	
cau_va	'0000'B	
cau_di	-	
Detailed Comments:		

Structured Type Constraint		
Constraint Name:	Cause_Def	
Structured Type:	CAU	
Derivation Path:		
Comments:	cause information element with any valid cause value, any valid location.	
Element Name	Element Value	Comments
iei	-	
iel	?	
extb3	'1'B	
cs	'11'B	
spb	'0'B	
location	('0000'B, '0001'B, '0010'B, '0011'B, '0100'B, '0101'B, '0111'B, '1010'B)	
extb3a	-	
rec	-	
extb4	?	
cau_class	?	
cau_va	?	
cau_di	*	
Detailed Comments:		

Structured Type Constraint		
Constraint Name:	CellChDes_Omit	
Structured Type:	CCHD	
Derivation Path:		
Comments:	Omit descriptor	
Element Name	Element Value	Comments
iei	-	
rfl	-	
Detailed Comments:		

Structured Type Constraint		
Constraint Name:	CellChDes_02	
Structured Type:	CCHD	
Derivation Path:		
Comments:	for cell A in RR testing of GSM 900 with the ARFCN_list={20,30,50,70}.	
Element Name	Element Value	Comments
iei	-	
rfl	'00000000000000200002000020080000' O	
Detailed Comments:		

Structured Type Constraint		
Constraint Name:	CellChDes_03	
Structured Type:	CCHD	
Derivation Path:		
Comments:	for cell A in RR testing of DCS1800 with the ARFCN list = {590, 650, 750, 850}..	
Element Name	Element Value	Comments
iei	-	
rfl	'89272827190000000000000000000000' O	
Detailed Comments:		

Structured Type Constraint		
Constraint Name:	CellChDes_20_Bman	
Structured Type:	CCHD	
Derivation Path:		
Comments:	for cell B in RR testing of GSM 900 HO cases with the complete Cell Allocation ARFCN_list={14,18,22,24,30,31,38,40,60,66,73,74,75,76,108,114}.	
Element Name	Element Value	Comments
iei	-	
rfl	'0002080000000F02080000A060A22000' O	
Detailed Comments:		

Structured Type Constraint		
Constraint Name:	CellChDes_201_Bd	
Structured Type:	CCHD	
Derivation Path:		
Comments:	Cell Channel Description for cell B in RR testing of DCS1800 HO cases with the ARFCN_list={739,743,746,749,756,758,761,764,771,779,782,791,798,829,832,844} using 256 format.	
Element Name	Element Value	Comments
iei	-	
rfl	'8A71907137B602C5DEF7A348D800000' O	
Detailed Comments:		

Structured Type Constraint		
Constraint Name:	CellDescrp(ncc1, bcc1:B_3; par_arfcn: INTEGER)	
Structured Type:	CD	
Derivation Path:		
Comments:	BCCH channel for Cell A	
Element Name	Element Value	Comments
bcch_arfcn_h	OC_MostBits(INT_TO_BIT(par_arfcn, 10), 2)	
ncc	ncc1	
bcc	bcc1	
bcch_arfcn_l	OC_LeastBits(INT_TO_BIT(par_arfcn, 10), 8)	
Detailed Comments:		

Structured Type Constraint		
Constraint Name:	CellOpt_01	
Structured Type:	CO	
Derivation Path:		
Comments:		
Element Name	Element Value	Comments
sprb	'0'B	
pwr	'0'B	
dtx	'10'B	
rlt	'0001'B	
Detailed Comments:		

Structured Type Constraint		
Constraint Name:	CellSelPara(crh, mtmc:INTEGER; neci:B_1)	
Structured Type:	CSP	
Derivation Path:		
Comments:	Default value.	
Element Name	Element Value	Comments
crh	INT_TO_BIT(crh, 3)	
mtmc	INT_TO_BIT(mtmc, 5)	
acs	'0'B	
neci	neci	
ram	'000000'B	
Detailed Comments:		

Structured Type Constraint		
Constraint Name:	ChDescrp_fh(par_chtype: CH_TDMA; ts_ccch: SN; tsc:TSC; maio:MAIO; hsn:HSN)	
Structured Type:	CHD	
Derivation Path:		
Comments:	A derived constraint for <<Channel description >>ie with TCH/F freq. hopping in any CELL.	
Element Name	Element Value	Comments
iei	-	
cht_schn	par_chtype	
tn	ts_ccch	
tsc	tsc	
hch	'1'B	
maio	maio	
hsn	hsn	
spr	-	
arfcn	-	
Detailed Comments:		

Structured Type Constraint		
Constraint Name:	ChDescrp_nfh(type:CH_TDMA; slot:SN; tsc:TSC; par_arfcn: INTEGER)	
Structured Type:	CHD	
Derivation Path:		
Comments:	Channel description for CC testing, non hopping, no starting time.	
Element Name	Element Value	Comments
iei	-	
cht_schn	type	
tn	slot	
tsc	tsc	
hch	'0'B	
maio	-	
hsn	-	
spr	'00'B	
arfcn	INT_TO_BIT(par_arfcn, 10)	
Detailed Comments:		

Structured Type Constraint		
Constraint Name:	ChMod(mode:B_8)	
Structured Type:	CHMOD	
Derivation Path:		
Comments:		
Element Name	Element Value	Comments
iei	-	
mode	mode	
Detailed Comments:		

Structured Type Constraint		
Constraint Name:	ChMod_omit	
Structured Type:	CHMOD	
Derivation Path:		
Comments:	parametrised mode.	
Element Name	Element Value	Comments
iei	-	
mode	-	
Detailed Comments:		

Structured Type Constraint		
Constraint Name:	ChMod_EFR2	
Structured Type:	CHMOD	
Derivation Path:	ChMod_sign.	
Comments:	enhanced full/half rate speech - version 2.	
Element Name	Element Value	Comments
mode	C_ChMod_r2	
Detailed Comments:		

Structured Type Constraint		
Constraint Name:	ChMod_EFR2_iei	
Structured Type:	CHMOD	
Derivation Path:		
Comments:	Version 2 full rate speech.	
Element Name	Element Value	Comments
iei	'01100011'B	
mode	C_ChMod_r2	
Detailed Comments:		

Structured Type Constraint		
Constraint Name:	ChMod_EFR3	
Structured Type:	CHMOD	
Derivation Path:	ChMod_sign.	
Comments:	enhanced full/half rate speech - version 3.	
Element Name	Element Value	Comments
mode	C_ChMod_r3	
Detailed Comments:		

Structured Type Constraint		
Constraint Name:	ChMod_sign	
Structured Type:	CHMOD	
Derivation Path:		
Comments:	signalling only	
Element Name	Element Value	Comments
iei	-	
mode	C_ChMod_s	
Detailed Comments:		

Structured Type Constraint		
Constraint Name:	ChMod_sign_iei	
Structured Type:	CHMOD	
Derivation Path:		
Comments:	signalling only	
Element Name	Element Value	Comments
iei	'01100011'B	
mode	C_ChMod_s	
Detailed Comments:		

Structured Type Constraint		
Constraint Name:	ChMod_speech	
Structured Type:	CHMOD	
Derivation Path:	ChMod_sign.	
Comments:	speech full or half rate.	
Element Name	Element Value	Comments
mode	C_ChMod_r	
Detailed Comments:		

Structured Type Constraint		
Constraint Name:	ChMod_speech_iei	
Structured Type:	CHMOD	
Derivation Path:		
Comments:	speech full or half rate.	
Element Name	Element Value	Comments
iei	'01100011'B	
mode	C_ChMod_r	
Detailed Comments:		

Structured Type Constraint		
Constraint Name:	ChMod_12k	
Structured Type:	CHMOD	
Derivation Path:	ChMod_sign.	
Comments:	data 9.6 kb/s full rate, (12.0 kb/s air interface)	
Element Name	Element Value	Comments
mode	C_ChMod_12k	
Detailed Comments:		

Structured Type Constraint		
Constraint Name:	ChMod_6k	
Structured Type:	CHMOD	
Derivation Path:	ChMod_sign.	
Comments:	data 4.8 kb/s full rate, (6.0 kb/s air interface)	
Element Name	Element Value	Comments
mode	C_ChMod_6k	
Detailed Comments:		

Structured Type Constraint		
Constraint Name:	ChMod_3k	
Structured Type:	CHMOD	
Derivation Path:	ChMod_sign.	
Comments:	data 2.4 kb/s full rate, (3.6 kb/s air interface)	
Element Name	Element Value	Comments
mode	C_ChMod_3k	
Detailed Comments:		

Structured Type Constraint		
Constraint Name:	Chneed_01	
Structured Type:	CHNEED	
Derivation Path:		
Comments:	any channel	
Element Name	Element Value	Comments
ch2	'00'B	
ch1	'00'B	
Detailed Comments:		

Structured Type Constraint		
Constraint Name:	CiphRes_01	
Structured Type:	CPH_RES	
Derivation Path:		
Comments:		
Element Name	Element Value	Comments
iei	-	
sprb	'000'B	
cr	'0'B	
Detailed Comments:		

Structured Type Constraint		
Constraint Name:	ClassMark2	
Structured Type:	MSCLM2	
Derivation Path:		
Comments:		
Element Name	Element Value	Comments
iel	'03'O	
spr1	'0'B	
rl	TSPX_RevLevel	
spr2	'0'B	
a5_1	TSPX_CiphAlgA5_1	
rfpc	TSPX_RfPwrCap	
spr3	'0'B	
psc	TSPX_pSyncCap	
sssi	TSPX_SSscrnInd	
smc	TSPX_SMCap	
spr4	'00'B	
fc	TSPX_frqCap	
cm3	TSPX_ClsMk3	
spr5	'00000'B	
a5_3	TSPX_CiphAlgA5_3	
a5_2	TSPX_CiphAlgA5_2	
Detailed Comments:		

Structured Type Constraint		
Constraint Name:	CntrlChDscrp(att: INTEGER; babr, cch_con, bpm:B_3; timer:OCTETSTRING)	
Structured Type:	CCD	
Derivation Path:		
Comments:	Generic Control channel descriptor.	
Element Name	Element Value	Comments
spr1	'0'B	
att	INT_TO_BIT(att,1)	
babr	babr	
ccch_con	cch_con	
spr2	'00000'B	
bpm	bpm	
t3212	timer	
Detailed Comments:		

Structured Type Constraint		
Constraint Name:	CphKeySN_01(cksn:B_3)	
Structured Type:	CPHKSN	
Derivation Path:		
Comments:		
Element Name	Element Value	Comments
sprb	'0'B	
ks	cksn	
Detailed Comments:		

Structured Type Constraint		
Constraint Name:	CphKeySN_07(par: BITSTRING)	
Structured Type:	CPHKSN	
Derivation Path:		
Comments:		
Element Name	Element Value	Comments
sprb	'0'B	
ks	par	
Detailed Comments:		

Structured Type Constraint		
Constraint Name:	CphMod_omit	
Structured Type:	CPHMS	
Derivation Path:		
Comments:		
Element Name	Element Value	Comments
iei	-	
algid	-	
sc	-	
Detailed Comments:		

Structured Type Constraint		
Constraint Name:	CphMod_01	
Structured Type:	CPHMS	
Derivation Path:		
Comments:		
Element Name	Element Value	Comments
iei	-	
algid	TSPX_CphAlgDef	
sc	'1'B	
Detailed Comments:		

Structured Type Constraint		
Constraint Name:	CphMod_02	
Structured Type:	CPHMS	
Derivation Path:	CphMod_01.	
Comments:	No ciphering	
Element Name	Element Value	Comments
sc	'0'B	
Detailed Comments:		

Structured Type Constraint		
Constraint Name:	FreqBCCH(arfcn:INTEGER)	
Structured Type:	FRQPARA	
Derivation Path:		
Comments:	Broadcast channel.	
Element Name	Element Value	Comments
hch	'0'B	
maio	-	
hsn	-	
spr	'00'B	
arfcn	INT_TO_BIT(arfcn, 10)	
maclength	'00'O	
mac_8n	-	
mac_7n	-	
mac_6n	-	
mac_5n	-	
mac_4n	-	
mac_3n	-	
mac_2n	-	
mac_1n	-	
flst	-	
Detailed Comments:		

Structured Type Constraint		
Constraint Name:	Freqchseq_omit	
Structured Type:	FRQCHS	
Derivation Path:		
Comments:		
Element Name	Element Value	Comments
iei	-	
larfcn	-	
incs	-	
Detailed Comments:		

Structured Type Constraint		
Constraint Name:	Freqchseq_03	
Structured Type:	FRQCHS	
Derivation Path:		
Comments:	Frequency channel sequence with the List_ARFCN={14,114}	
Element Name	Element Value	Comments
iei	'01101001'B	
larfcn	'0E'O	
incs	'000000A000000000'O	
Detailed Comments:		

Structured Type Constraint		
Constraint Name:	Freqchseq_06	
Structured Type:	FRQCHS	
Derivation Path:		
Comments:	Frequency channel sequence with the List_ARFCN={14,18,22,24,30,31,38,53,66,73,74,75,76,108,114} see Frql_20_B5	
Element Name	Element Value	Comments
iei	'01101001'B	
larfcn	'0E'O	
incs	'442617FD71110026'O	
Detailed Comments:		

Structured Type Constraint		
Constraint Name:	Freqchseq_22	
Structured Type:	FRQCHS	
Derivation Path:		
Comments:	Frequency channel sequence with the List_ARFCN={10,17,20,26,59,66,73,74,75,76,108,114}	
Element Name	Element Value	Comments
iei	'01101001'B	
larfcn	'0A'O	
incs	'7360037711100260'O	
Detailed Comments:		

Structured Type Constraint		
Constraint Name:	FreqTCH(arfcn:INTEGER)	
Structured Type:	FRQPARA	
Derivation Path:		
Comments:	Default Traffic channel non frequency hopping	
Element Name	Element Value	Comments
hch	'0'B	
maio	-	
hsn	-	
spr	'00'B	
arfcn	INT_TO_BIT(arfcn, 10)	
maclength	'00'O	
mac_8n	-	
mac_7n	-	
mac_6n	-	
mac_5n	-	
mac_4n	-	
mac_3n	-	
mac_2n	-	
mac_1n	-	
flst	-	
Detailed Comments:		

Structured Type Constraint		
Constraint Name:	FreqTCH_omit	
Structured Type:	FRQPARA	
Derivation Path:		
Comments:	Omitted FRQPARA when not needed in parameters list.	
Element Name	Element Value	Comments
hch	-	
maio	-	
hsn	-	
spr	-	
arfcn	-	
maclength	-	
mac_8n	-	
mac_7n	-	
mac_6n	-	
mac_5n	-	
mac_4n	-	
mac_3n	-	
mac_2n	-	
mac_1n	-	
flst	-	
Detailed Comments:		

Structured Type Constraint		
Constraint Name:	FreqTCHa_hof1	
Structured Type:	FRQPARA	
Derivation Path:		
Comments:	a hopping traffic channel of cell A for GSM.	
Element Name	Element Value	Comments
hch	'1'B	
maio	INT_TO_BIT((TSPX_MAIO MOD 12), 6)	
hsn	INT_TO_BIT(TSPX_HSN, 6)	
spr	-	
arfcn	-	
maclength	'02'O	
mac_8n	'00001111'B	
mac_7n	'11111111'B	
mac_6n	-	
mac_5n	-	
mac_4n	-	
mac_3n	-	
mac_2n	-	
mac_1n	-	
flst	Frql_20_A	
Detailed Comments:		

Structured Type Constraint		
Constraint Name:	FreqTCHa_hof1d	
Structured Type:	FRQPARA	
Derivation Path:		
Comments:	a hopping channel of cell A for DCS1800	
Element Name	Element Value	Comments
hch	'1'B	
maio	INT_TO_BIT((TSPX_MAIO MOD 9), 6)	
hsn	INT_TO_BIT(TSPX_HSN, 6)	
spr	-	
arfcn	-	
maclength	'02'O	
mac_8n	'00000001'B	
mac_7n	'11111111'B	
mac_6n	-	
mac_5n	-	
mac_4n	-	
mac_3n	-	
mac_2n	-	
mac_1n	-	
flst	Frql_20_Ad	
Detailed Comments:		

Structured Type Constraint		
Constraint Name:	FreqTCHa_hof_ind3	
Structured Type:	FRQPARA	
Derivation Path:		
Comments:	a hopping traffic channel of cell A for GSM which indicates three frequencies (73, 74, 75) used in TC_26_12_2_2, M=7.	
Element Name	Element Value	Comments
hch	'1'B	
maio	INT_TO_BIT((TSPX_MAIO MOD 3), 6)	
hsn	INT_TO_BIT(TSPX_HSN, 6)	
spr	-	
arfcn	-	
maclength	'03'O	
mac_8n	'00000000'B	
mac_7n	'00111000'B	
mac_6n	'00000000'B	
mac_5n	-	
mac_4n	-	
mac_3n	-	
mac_2n	-	
mac_1n	-	
flst	Frql_20_A0	
Detailed Comments:		

Structured Type Constraint		
Constraint Name:	FreqTCHa_hof_ind3d	
Structured Type:	FRQPARA	
Derivation Path:		
Comments:	a hopping channel of cell A for DCS1800 which indicates only 3 frequencies (734, 762, 791) used in TC_26_12_2_2, M=7	
Element Name	Element Value	Comments
hch	'1'B	
maio	INT_TO_BIT((TSPX_MAIO MOD 3), 6)	
hsn	INT_TO_BIT(TSPX_HSN, 6)	
spr	-	
arfcn	-	
maclength	'03'O	
mac_8n	'00000000'B	
mac_7n	'00010000'B	
mac_6n	'00100001'B	
mac_5n	-	
mac_4n	-	
mac_3n	-	
mac_2n	-	
mac_1n	-	
flst	Frql_20_A0d	
Detailed Comments:		

Structured Type Constraint		
Constraint Name:	FreqTCHa_hof_ind5	
Structured Type:	FRQPARA	
Derivation Path:		
Comments:	a hopping traffic channel of cell A for GSM which indicates five frequencies (17, 34, 46, 52, 73) used in TC_26_12_2_2, M=6.	
Element Name	Element Value	Comments
hch	'1'B	
maio	INT_TO_BIT((TSPX_MAIO MOD 5), 6)	
hsn	INT_TO_BIT(TSPX_HSN, 6)	
spr	-	
arfcn	-	
maclength	'03'O	
mac_8n	'00000000'B	
mac_7n	'00001001'B	
mac_6n	'10010010'B	
mac_5n	-	
mac_4n	-	
mac_3n	-	
mac_2n	-	
mac_1n	-	
flst	Frql_20_A0	
Detailed Comments:		

Structured Type Constraint		
Constraint Name:	FreqTCHa_hof_ind5d	
Structured Type:	FRQPARA	
Derivation Path:		
Comments:	a hopping channel of cell A for DCS1800 which indicates only 5 frequencies (734, 741, 762, 791, 832) used in TC_26_12_2_2, M=6	
Element Name	Element Value	Comments
hch	'1'B	
maio	INT_TO_BIT((TSPX_MAIO MOD 5), 6)	
hsn	INT_TO_BIT(TSPX_HSN, 6)	
spr	-	
arfcn	-	
maclength	'03'O	
mac_8n	'00000000'B	
mac_7n	'10010000'B	
mac_6n	'00100011'B	
mac_5n	-	
mac_4n	-	
mac_3n	-	
mac_2n	-	
mac_1n	-	
flst	Frql_20_A0d	
Detailed Comments:		

Structured Type Constraint		
Constraint Name: FreqTCHb_hof6		
Structured Type: FRQPARA		
Derivation Path:		
Comments:		
Element Name	Element Value	Comments
hch	'1'B	
maio	INT_TO_BIT((TSPX_MAIO MOD 2), 6)	
hsn	INT_TO_BIT(TSPX_HSN, 6)	
spr	-	
arfcn	-	
maclength	'02'O	
mac_8n	'10000000'B	
mac_7n	'00000001'B	
mac_6n	-	
mac_5n	-	
mac_4n	-	
mac_3n	-	
mac_2n	-	
mac_1n	-	
flst	Frql_20_B0	
Detailed Comments:		

Structured Type Constraint		
Constraint Name: FreqTCHb_hof6d		
Structured Type: FRQPARA		
Derivation Path:		
Comments:		
Element Name	Element Value	Comments
hch	'1'B	
maio	INT_TO_BIT((TSPX_MAIO MOD 3), 6)	
hsn	'000000'B	
spr	-	
arfcn	-	
maclength	'01'O	
mac_8n	'00000111'B	
mac_7n	-	
mac_6n	-	
mac_5n	-	
mac_4n	-	
mac_3n	-	
mac_2n	-	
mac_1n	-	
flst	Frql_20_B10d	
Detailed Comments:		

Structured Type Constraint		
Constraint Name:	FreqTCHb_hof1	
Structured Type:	FRQPARA	
Derivation Path:		
Comments:	Broadcast channel of cell B.	
Element Name	Element Value	Comments
hch	'1'B	
maio	INT_TO_BIT((TSPX_MAIO MOD 12), 6)	
hsn	INT_TO_BIT(TSPX_HSN, 6)	
spr	-	
arfcn	-	
maclength	'02'O	
mac_8n	'00001111'B	
mac_7n	'11111111'B	
mac_6n	-	
mac_5n	-	
mac_4n	-	
mac_3n	-	
mac_2n	-	
mac_1n	-	
flst	Frql_20_B3	
Detailed Comments:		

Structured Type Constraint		
Constraint Name:	FreqTCHb_hof1d	
Structured Type:	FRQPARA	
Derivation Path:		
Comments:	Broadcast channel of cell B for hopping DCS1800	
Element Name	Element Value	Comments
hch	'1'B	
maio	INT_TO_BIT((TSPX_MAIO MOD 12), 6)	
hsn	INT_TO_BIT(TSPX_HSN, 6)	
spr	-	
arfcn	-	
maclength	'02'O	
mac_8n	'00001111'B	
mac_7n	'11111111'B	
mac_6n	-	
mac_5n	-	
mac_4n	-	
mac_3n	-	
mac_2n	-	
mac_1n	-	
flst	Frql_20_B3d	
Detailed Comments:		

Structured Type Constraint		
Constraint Name:	FreqTCHb_hof3	
Structured Type:	FRQPARA	
Derivation Path:		
Comments:		
Element Name	Element Value	Comments
hch	'1'B	
maio	INT_TO_BIT((TSPX_MAIO MOD 15), 6)	
hsn	INT_TO_BIT(TSPX_HSN, 6)	
spr	-	
arfcn	-	
maclength	'02'O	
mac_8n	'01111111'B	
mac_7n	'11111111'B	
mac_6n	-	
mac_5n	-	
mac_4n	-	
mac_3n	-	
mac_2n	-	
mac_1n	-	
flst	Frql_20_B5	
Detailed Comments:		

Structured Type Constraint		
Constraint Name:	FreqTCHb_hof3d	
Structured Type:	FRQPARA	
Derivation Path:		
Comments:		
Element Name	Element Value	Comments
hch	'1'B	
maio	INT_TO_BIT((TSPX_MAIO MOD 11), 6)	
hsn	INT_TO_BIT(TSPX_HSN, 6)	
spr	-	
arfcn	-	
maclength	'02'O	
mac_8n	'00000111'B	
mac_7n	'11111111'B	
mac_6n	-	
mac_5n	-	
mac_4n	-	
mac_3n	-	
mac_2n	-	
mac_1n	-	
flst	Frql_20_B5d	
Detailed Comments:		

Structured Type Constraint		
Constraint Name:	FreqTCHb_hof_ind8	
Structured Type:	FRQPARA	
Derivation Path:		
Comments:	a hopping traffic channel (TC_26_12_2_2, M = 6 and 10)	
Element Name	Element Value	Comments
hch	'1'B	
maio	INT_TO_BIT((TSPX_MAIO MOD 8), 6)	
hsn	INT_TO_BIT(TSPX_HSN, 6)	
spr	-	
arfcn	-	
maclength	'01'O	
mac_8n	'11111111'B	
mac_7n	-	
mac_6n	-	
mac_5n	-	
mac_4n	-	
mac_3n	-	
mac_2n	-	
mac_1n	-	
flst	Frql_ind8B	
Detailed Comments:		

Structured Type Constraint		
Constraint Name:	FreqTCHb_hof_ind8d	
Structured Type:	FRQPARA	
Derivation Path:		
Comments:	Broadcast channel of cell B for hopping DCS1800 (TC_26_12_2_2, M=6 and 10)	
Element Name	Element Value	Comments
hch	'1'B	
maio	INT_TO_BIT((TSPX_MAIO MOD 8), 6)	
hsn	INT_TO_BIT(TSPX_HSN, 6)	
spr	-	
arfcn	-	
maclength	'01'O	
mac_8n	'11111111'B	
mac_7n	-	
mac_6n	-	
mac_5n	-	
mac_4n	-	
mac_3n	-	
mac_2n	-	
mac_1n	-	
flst	Frql_ind8Bd	
Detailed Comments:		

Structured Type Constraint		
Constraint Name:	FreqSDCCHa_hof1	
Structured Type:	FRQPARA	
Derivation Path:		
Comments:	hopping with {73,74,75} of cell allocation A.	
Element Name	Element Value	Comments
hch	'1'B	
maio	INT_TO_BIT((TSPX_MAIO MOD 3), 6)	
hsn	INT_TO_BIT(TSPX_HSN, 6)	
spr	-	
arfcn	-	
maclength	'03'O	
mac_8n	'00000000'B	
mac_7n	'00111000'B	
mac_6n	'00000000'B	
mac_5n	-	
mac_4n	-	
mac_3n	-	
mac_2n	-	
mac_1n	-	
flst	Frql_20_A0	
Detailed Comments:		

Structured Type Constraint		
Constraint Name:	FreqSDCCHa_hof1d	
Structured Type:	FRQPARA	
Derivation Path:		
Comments:	a hopping channel of cell A with {773,775,779} of cell allocation A.	
Element Name	Element Value	Comments
hch	'1'B	
maio	INT_TO_BIT((TSPX_MAIO MOD 3), 6)	
hsn	INT_TO_BIT(TSPX_HSN, 6)	
spr	-	
arfcn	-	
maclength	'03'O	
mac_8n	'00000000'B	
mac_7n	'00000111'B	
mac_6n	'00000000'B	
mac_5n	-	
mac_4n	-	
mac_3n	-	
mac_2n	-	
mac_1n	-	
flst	Frql_20_A0d	
Detailed Comments:		

Structured Type Constraint		
Constraint Name:	Frql_omit	
Structured Type:	FRQL	
Derivation Path:		
Comments:		
Element Name	Element Value	Comments
iei	-	
iel	-	
fl	-	
Detailed Comments:		

Structured Type Constraint		
Constraint Name:	Frql_20_A	
Structured Type:	FRQL	
Derivation Path:		
Comments:	frequency list, after time used in HO_case in cell A. List_ARFCN={10,17,20,26,59,66,73,74,75,76,108,114}	
Element Name	Element Value	Comments
iei	'00000101'B	
iel	'10'O	
fl	'0002080000000F020400000002090200' O	
Detailed Comments:		

Structured Type Constraint		
Constraint Name:	Frql_20_A0	
Structured Type:	FRQL	
Derivation Path:		
Comments:	Complete Cell Allocation of cell A in HO cases. ARFCN_list={10,17,20,26,34,42,45,46,52,59,66,73,74,75,76,108,114}.	
Element Name	Element Value	Comments
iei	'00000101'B	
iel	'10'O	
fl	'0002080000000F020408320202090200' O	
Detailed Comments:		

Structured Type Constraint		
Constraint Name:	Frql_20_A0d	
Structured Type:	FRQL	
Derivation Path:		
Comments:	Complete Cell Allocation of Cell A in HO cases using 512 format. frequency list, after time for a target cell used in HO_case in cell A for DCS1800. List_ARFCN={734,741,747,754,759,762,766,767,773,775,779,782,791,798,829,832,844}	
Element Name	Element Value	Comments
iei	'00000101'B	
iel	'10'O	
fl	'896F0A7CC5FC700A8B9F7FF45246334' 0'O	
Detailed Comments:		

Structured Type Constraint		
Constraint Name:	Frql_20_Ad	
Structured Type:	FRQL	
Derivation Path:		
Comments:	frequency list used in HO_case in cell A for DCS1800 using 256 format for the List_ARFCN={747, 775, 779, 782, 791, 798, 829, 832, 844}	
Element Name	Element Value	Comments
iei	'00000101'B	
iel	'09'O	
fl	'8B7599F045EFA499C0'O	
Detailed Comments:		

Structured Type Constraint		
Constraint Name:	Frql_20_B0	
Structured Type:	FRQL	
Derivation Path:		
Comments:	Complete Cell Allocation of cell B in HO cases. all of the CA: ARFCN_list={14,18,22,24,30,31,38,40,60,66,73,74,75,76,108,114}.	
Element Name	Element Value	Comments
iei	'00000101'B	
iel	'10'O	
fl	'0002080000000F02080000A060A22000' O	
Detailed Comments:		

Structured Type Constraint		
Constraint Name:	Frql_20_B1	
Structured Type:	FRQL	
Derivation Path:		
Comments:	frequency list, after time for cell B. List_ARFCN={14,18,22,24,30,31,38,53,66,73,74,75,76,108,114}	
Element Name	Element Value	Comments
iei	'00000101'B	
iel	'10'O	
fl	'0002080000000F020010002060222000' O	
Detailed Comments:		

Structured Type Constraint		
Constraint Name:	Frql_20_B3	
Structured Type:	FRQL	
Derivation Path:		
Comments:	frequency list, after time for cell B. List_ARFCN={14,18,22,24,60,66,73,74,75,76,108,114}	
Element Name	Element Value	Comments
iei	'00000101'B	
iel	'10'O	
fl	'0002080000000F02080000000A22000' O	
Detailed Comments:		

Structured Type Constraint		
Constraint Name:	Frql_20_B3d	
Structured Type:	FRQL	
Derivation Path:		
Comments:	frequency list, after time for cell B using 1024 format. List_ARFCN={749, 758, 761, 764, 771, 779, 782, 791, 798, 829, 832, 844}	
Element Name	Element Value	Comments
iei	'00000101'B	
iel	'0D'O	
fl	'830EF70BFEB843C3FBF9F1D018'O	
Detailed Comments:		

Structured Type Constraint		
Constraint Name:	Frql_20_B5	
Structured Type:	FRQL	
Derivation Path:		
Comments:	frequency list, after time for cell B. List_ARFCN={14,18,22,24,30,31,38,53,66,73,74,75,76,108,114}	
Element Name	Element Value	Comments
iei	'00000101'B	
iel	'10'O	
fl	'000208000000F020010002060A22000' O	
Detailed Comments:		

Structured Type Constraint		
Constraint Name:	Frql_20_B5d	
Structured Type:	FRQL	
Derivation Path:		
Comments:	frequency list, after time for cell B. List_ARFCN={756, 758, 761, 771, 779, 782, 791, 798, 829, 832, 844}	
Element Name	Element Value	Comments
iei	'00000101'B	
iel	'09'O	
fl	'8D7A23B07B3D7FD4D0'O	
Detailed Comments:		

Structured Type Constraint		
Constraint Name:	Frql_20_B8d	
Structured Type:	FRQL	
Derivation Path:		
Comments:	frequency list, after time for cell B using 1024 format. List_ARFCN= complete cell allocation of cell B in HO cases. 739,743,746,749,756,758,761,764,771,779,782,791,798,829,832,844	
Element Name	Element Value	Comments
iei	'00000101'B	
iel	'10'O	
fl	'8303F886FDBC0148BEFDFBF41890633' C'O	
Detailed Comments:		

Structured Type Constraint		
Constraint Name:	Frql_20_B10d	
Structured Type:	FRQL	
Derivation Path:		
Comments:	frequency list, after time for cell B using range 256 format, ARFCN={764,779,782}	
Element Name	Element Value	Comments
iei	'00000101'B	
iel	'04'O	
fl	'8B7E097D'O	
Detailed Comments:		

Structured Type Constraint		
Constraint Name:	FrqI_ind8B	
Structured Type:	FRQL	
Derivation Path:		
Comments:	Uses bit map 0 to allocate the following 8 frequencies:(14, 18, 24, 30, 38, 60, 73, 74)	
Element Name	Element Value	Comments
iei	'00000101'B	
iel	'10'O	
fl	'000000000000003000800002020422000' O	
Detailed Comments:		

Structured Type Constraint		
Constraint Name:	FrqI_ind8Bd	
Structured Type:	FRQL	
Derivation Path:		
Comments:	Uses range 256 to allocate the following 8 frequencies:(739, 743, 746, 749, 761, 771, 782, 791)	
Element Name	Element Value	Comments
iei	'00000101'B	
iel	'08'O	
fl	'8B718B712BEEA192'O	
Detailed Comments:		

Structured Type Constraint		
Constraint Name:	Hlcmp_AnyOrOmit	
Structured Type:	HLCMP	
Derivation Path:		
Comments:	High Layer Compatibility IE with parameter "any" or "omit".	
Element Name	Element Value	Comments
iei	'01111101'B IF_PRESENT	
iel	*	
extb3	*	
cs	*	
in	*	
pmp	*	
extb4	*	
hlci	*	
extb4a	*	
ehlci	*	
Detailed Comments: used in test cases where the HLC is not checked		

Structured Type Constraint		
Constraint Name:	Llcmp_AnyOrOmit	
Structured Type:	LLCMP	
Derivation Path:		
Comments:	High Layer Compatibility IE which has any or omit value in all fields.	
Element Name	Element Value	Comments
iei	'01111100'B IF_PRESENT	
iel	*	
extb3	*	
cs	*	
itc	*	
extb3a	*	
negind	*	
spb3a	*	
extb4	*	
tm	*	
itr	*	
extb4_1	*	
rateml	*	
extb5	*	
l1id	*	
uil1	*	
extb5a	*	
sb	*	
neg	*	
ur	*	
extb5b1	*	
ir	*	
nictx	*	
nicrx	*	
fctx	*	
fcrx	*	
spb5b1	*	
extb5b2	*	
hdrb	*	
mfs	*	
mode	*	
llineg	*	
ass	*	
ibob	*	
spb5b2	*	
extb5c	*	
nsb	*	
ndb	*	
pi	*	
extb5d	*	
dplx	*	
modemt	*	
extb6	*	
l2id	*	
uil2	*	
extb6a1	*	
modl2	*	
spb6a1	*	
q933	*	
extb6a2	*	
usl2pi	*	
extb6b	*	
ws	*	
extb7	*	
l3id	*	
uil3	*	
extb7a1	*	
modl3	*	

spb7a1	*	
extb7a2	*	
usl3pi	*	
extb7b	*	
spb7b	*	
dps	*	
extb7c	*	
pws	*	
Detailed Comments:		

Structured Type Constraint		
Constraint Name:	Llcmp_NotApplicable	
Structured Type:	LLCMP	
Derivation Path:		
Comments:	High Layer Compatibility IE which is not applicable for a specific service (empty IE).	
Element Name	Element Value	Comments
iei	'01111100'B	
iel	'00'O	
extb3	-	
cs	-	
itc	-	
extb3a	-	
negind	-	
spb3a	-	
extb4	-	
tm	-	
itr	-	
extb4_1	-	
rateml	-	
extb5	-	
l1id	-	
uil1	-	
extb5a	-	
sb	-	
neg	-	
ur	-	
extb5b1	-	
ir	-	
nictx	-	
nicrx	-	
fctx	-	
fcrx	-	
spb5b1	-	
extb5b2	-	
hdrb	-	
mfs	-	
mode	-	
llineg	-	
ass	-	
ibob	-	
spb5b2	-	
extb5c	-	
nsb	-	
ndb	-	
pi	-	
extb5d	-	
dplxm	-	
modemt	-	
extb6	-	
l2id	-	
uil2	-	
extb6a1	-	
modl2	-	
spb6a1	-	
q933	-	
extb6a2	-	
usl2pi	-	
extb6b	-	
ws	-	
extb7	-	
l3id	-	
uil3	-	
extb7a1	-	
modl3	-	

spb7a1	-	
extb7a2	-	
usl3pi	-	
extb7b	-	
spb7b	-	
dps	-	
extb7c	-	
pws	-	
Detailed Comments:		

Structured Type Constraint		
Constraint Name:	Llcmp_BS2xOrBS4x_UDI	
Structured Type:	LLCMP	
Derivation Path:		
Comments:	Lower Layer Compatibility IE for a setup PDU, B.2.2.1 of GSM 07.01.	
Element Name	Element Value	Comments
iei	'01111100'B	
iel	('06'O, '07'O, '08'O, '09'O, '0A'O, '0B'O, '0C'O, '0D'O, '0E'O)	
extb3	'?'B	
cs	'00'B	
itc	'01000'B	
extb3a	'1'B IF_PRESENT	
negind	*	
spb3a	'000000'B IF_PRESENT	
extb4	'1'B	
tm	'00'B	
itr	'10000'B	
extb4_1	-	
rateml	-	
extb5	'0'B	
l1id	'01'B	
uil1	'00001'B	
extb5a	'0'B	
sb	'1'B	
neg	'0'B	
ur	('00010'B, '00011'B, '00101'B, '01000'B, '10111'B, '11110'B)	
extb5b1	'0'B	
ir	('01'B, '10'B)	
nictx	'?'B	
nicrx	'?'B	
fctx	'0'B	
fcx	'0'B	
spb5b1	'0'B	
extb5b2	-	
hdrb	-	
mfs	-	
mode	-	
llineg	-	
ass	-	
ibob	-	
spb5b2	-	
extb5c	'?'B	
nsb	('01'B, '11'B)	
ndb	('10'B, '11'B)	
pi	('000'B, '010'B, '011'B, '100'B, '101'B)	
extb5d	'1'B IF_PRESENT	
dplx	*	
modemt	*	
extb6	*	
l2id	*	
uil2	*	
extb6a1	*	
modl2	*	
spb6a1	*	
q933	*	
extb6a2	*	
usl2pi	*	
extb6b	*	
ws	*	
extb7	*	
l3id	*	
uil3	*	

extb7a1	*	
modl3	*	
spb7a1	*	
extb7a2	*	
usl3pi	*	
extb7b	*	
spb7b	*	
dps	*	
extb7c	*	
pws	*	
Detailed Comments:	Corresponding to the Bearer Services 21 ... 26, 41 ... 46 Unrestrict digital information transfer capability.	

Structured Type Constraint		
Constraint Name:	Llcmp_BS2xOrBS61aOrBS81a_3100	
Structured Type:	LLCMP	
Derivation Path:	Llcmp_BS2xOrBS4x_UDI.	
Comments:	Lower Layer Compatibility IE for a setup PDU, B.2.2.2 of GSM 07.01.	
Element Name	Element Value	Comments
iel	('07'O,'08'O,'09'O,'0A'O,'0B'O,'0C'O,'0D'O,'0E'O)	
extb3	'?'B	
cs	'00'B	
itc	'10000'B	
extb4	'1'B	
tm	'00'B	
itr	'10000'B	
extb5	'0'B	
l1id	'01'B	
uil1	'00011'B	
extb5a	'0'B	
sb	?	
neg	?	
ur	?	
extb5b1	'0'B	
ir	?	
nictx	?	
nicrx	?	
fctx	?	
fcrx	?	
spb5b1	'0'B	
extb5c	'0'B	
nsb	?	
ndb	?	
pi	?	
extb5d	'1'B	
dplxm	?	
modemt	('010001'B,'010010'B,'010011'B,'010100'B,'010111'B,'011100'B)	
Detailed Comments:	Corresponding to the Bearer Services 21 ... 26, 61 Asynchronous or 81 Asynchronous 3.1 kHz audio ex-PLMN information transfer capability.	

Structured Type Constraint		
Constraint Name:	Llcmp_BS3x_UDI	
Structured Type:	LLCMP	
Derivation Path:	Llcmp_BS2xOrBS4x_UDI.	
Comments:	Lower Layer Compatibility IE for a setup PDU, B.2.3.1 of GSM 07.01.	
Element Name	Element Value	Comments
iel	('05'O, '06'O, '07'O, '08'O, '09'O, '0A'O, '0B'O, '0C'O, '0D'O, '0E'O)	
extb3	'?B	
cs	'00'B	
itc	'01000'B	
extb4	'1'B	
tm	'00'B	
itr	'10000'B	
extb5	'0'B	
l1id	'01'B	
uil1	('00001'B, '01001'B)	
extb5a	'0'B	
sb	'0'B	
neg	'0'B	
ur	('00010'B, '00011'B, '00101'B, '01000'B)	
extb5b1	'?B	
ir	('01'B, '10'B)	
nictx	'?B	
nicrx	'?B	
fctx	'?B	
fcrx	'?B	
spb5b1	'0'B	
extb5c	'0'B IF_PRESENT	
nsb	*	
ndb	*	
pi	*	
extb5d	'1'B IF_PRESENT	
dplx	*	
modemt	*	
extb6	*	
l2id	'10'B IF_PRESENT	
uil2	('00110'B, '00111'B) IF_PRESENT	
extb7	*	
l3id	'11'B IF_PRESENT	
uil3	('00110'B, '00111'B) IF_PRESENT	
Detailed Comments:	Corresponding to the Bearer Services 31 ... 34 unrestricted digital information transfer capability.	

Structured Type Constraint		
Constraint Name:	Llcmp_BS3xOrBS61sOrBS81s_3100	
Structured Type:	LLCMP	
Derivation Path:	Llcmp_BS2xOrBS4x_UDI.	
Comments:	Lower Layer Compatibility IE for a setup PDU, B.2.3.2 of GSM 07.01.	
Element Name	Element Value	Comments
iel	('03'O,'04'O,'08'O,'09'O,'0A'O,'0B'O,'0C'O,'0D'O,'0E'O)	
extb3	'?'B	
cs	'00'B	
itc	'10000'B	
extb4	'1'B	
tm	'00'B	
itr	'10000'B	
extb5	'?'B	
l1id	'01'B	
uil1	'00011'B	
extb5a	'0'B IF_PRESENT	
sb	*	
neg	*	
ur	*	
extb5b1	*	
ir	*	
nictx	*	
nicrx	*	
fctx	*	
fcrx	*	
spb5b1	*	
extb5c	'0'B IF_PRESENT	
nsb	*	
ndb	*	
pi	*	
extb5d	'1'B IF_PRESENT	
dplxm	*	
modemt	('010010'B,'010011'B,'010111'B,'011100'B) IF_PRESENT	
extb6	*	
l2id	'10'B IF_PRESENT	
uil2	('00110'B,'00111'B) IF_PRESENT	
extb7	*	
l3id	'11'B IF_PRESENT	
uil3	('00110'B,'00111'B) IF_PRESENT	
Detailed Comments:	Corresponding to the Bearer Services 31 ... 34, 61 Synchronous or 81 Synchronous 3.1kHz audio information transfer capability.	

Structured Type Constraint		
Constraint Name:	Llcmp_BS5x	
Structured Type:	LLCMP	
Derivation Path:	Llcmp_BS2xOrBS4x_UDI.	
Comments:	Lower Layer Compatibility IE for a setup PDU, B.2.5.1 of GSM 07.01.	
Element Name	Element Value	Comments
iel	('06'O,'07'O,'08'O,'09'O,'0A'O,'0B'O,'0C'O,'0D'O,'0E'O)	
extb3	'?B	
cs	'00'B	
itc	'01000'B	
extb4	'1'B	
tm	'00'B	
itr	'10000'B	
extb5	'0'B	
l1id	'01'B	
uil1	'01001'B	
extb5a	'?B	
sb	'0'B	
neg	'0'B	
ur	('00011'B,'00101'B,'01000'B)	
extb5b1	*	
ir	*	
nictx	*	
nicrx	*	
fctx	*	
fcrx	*	
spb5b1	*	
extb5c	*	
nsb	*	
ndb	*	
pi	*	
extb5d	*	
dplxm	*	
modemt	*	
extb6	?	
l2id	'10'B	
uil2	('00110'B,'00111'B)	
extb7	?	
l3id	'11'B	
uil3	('00110'B,'00111'B)	
Detailed Comments:	Corresponding to the Bearer Services 51 ... 53 unrestricted digital information transfer capability.	

Structured Type Constraint		
Constraint Name:	LocAreald(mcc, mnc, lac:OCTETSTRING)	
Structured Type:	LAI	
Derivation Path:		
Comments:	Cell A default value for L3 test	
Element Name	Element Value	Comments
iei	-	
mcc	mcc	
mnc	mnc	
lac	lac	
Detailed Comments:		

Structured Type Constraint		
Constraint Name:	LocUpType(locup:B_2)	
Structured Type:	LUT	
Derivation Path:		
Comments:	location updating type	
Element Name	Element Value	Comments
foreq	'?'B	
sprb	'0'B	
lut	locup	
Detailed Comments:		

Structured Type Constraint		
Constraint Name:	Milmsi_01iei	
Structured Type:	MI	
Derivation Path:		
Comments:	the TSPX_IMSI is the IMSI of the MS under test	
Element Name	Element Value	Comments
iei	'00010111'B	
iel	OC_IntToOct(((LENGTH_OF(TSPX_IMSI))/2 + 1),1)	
idigit_1	OC_FirstDigi(TSPX_IMSI)	
oei	OC_OeBit(TSPX_IMSI)	
toi	'001'B	
idigits_other	OC_OtherDigi(TSPX_IMSI)	
Detailed Comments:		

Structured Type Constraint		
Constraint Name:	Milmsi_01	
Structured Type:	MI	
Derivation Path:		
Comments:	the TSPX_IMSI is the IMSI of the MS under test	
Element Name	Element Value	Comments
iei	-	
iel	OC_IntToOct(((LENGTH_OF(TSPX_IMSI))/2 + 1),1)	
idigit_1	OC_FirstDigi(TSPX_IMSI)	
oei	OC_OeBit(TSPX_IMSI)	
toi	'001'B	
idigits_other	OC_OtherDigi(TSPX_IMSI)	
Detailed Comments:		

Structured Type Constraint		
Constraint Name:	Milmsi_02	
Structured Type:	MI	
Derivation Path:		
Comments:	This constraint is used in paging filling message. No mobile is paged (Type of identity is set to '000'B, i.e. no identity).	
Element Name	Element Value	Comments
iei	-	
iel	'01'O	
idigit_1	'1111'B	
oei	'0'B	
toi	'000'B	
idigits_other	-	
Detailed Comments:		

Structured Type Constraint		
Constraint Name:	MiTmsi_01	
Structured Type:	MI	
Derivation Path:		
Comments:	default TMSI for testing.	
Element Name	Element Value	Comments
iei	-	
iel	'05'O	
idigit_1	'1111'B	
oei	'0'B	
toi	'100'B	
idigits_other	TSPX_TMSI	
Detailed Comments:		

Structured Type Constraint		
Constraint Name:	MiTmsi_01iei	
Structured Type:	MI	
Derivation Path:		
Comments:	default TMSI for testing.	
Element Name	Element Value	Comments
iei	'00010111'B	
iel	'05'O	
idigit_1	'1111'B	
oei	'0'B	
toi	'100'B	
idigits_other	TSPX_TMSI	
Detailed Comments:		

Structured Type Constraint		
Constraint Name:	MiTmsi_02	
Structured Type:	MI	
Derivation Path:		
Comments:	A new TMSI	
Element Name	Element Value	Comments
iei	-	
iel	'05'O	
idigit_1	'1111'B	
oei	'0'B	
toi	'100'B	
idigits_other	TSPX_TMSI1	
Detailed Comments:		

Structured Type Constraint		
Constraint Name:	MiTmsi_r02iei	
Structured Type:	MI	
Derivation Path:		
Comments:	default TMSI for testing with toi setting to no id.	
Element Name	Element Value	Comments
iei	'00010111'B	
iel	'05'O	
idigit_1	'1111'B	
oei	'0'B	
toi	'000'B	
idigits_other	TSPX_TMSI	
Detailed Comments:		

Structured Type Constraint		
Constraint Name: MoblAllc_omit		
Structured Type: MA		
Derivation Path:		
Comments:		
Element Name	Element Value	Comments
iei	-	
iel	-	
mac_8n	-	
mac_7n	-	
mac_6n	-	
mac_5n	-	
mac_4n	-	
mac_3n	-	
mac_2n	-	
mac_1n	-	
Detailed Comments:		

Structured Type Constraint		
Constraint Name: MoblAllc_01		
Structured Type: MA		
Derivation Path:		
Comments: non hopping		
Element Name	Element Value	Comments
iei	-	
iel	'00'O	
mac_8n	-	
mac_7n	-	
mac_6n	-	
mac_5n	-	
mac_4n	-	
mac_3n	-	
mac_2n	-	
mac_1n	-	
Detailed Comments:		

Structured Type Constraint		
Constraint Name: MoblAllc_01iei		
Structured Type: MA		
Derivation Path:		
Comments: non hopping		
Element Name	Element Value	Comments
iei	'01110010'B	
iel	'00'O	
mac_8n	-	
mac_7n	-	
mac_6n	-	
mac_5n	-	
mac_4n	-	
mac_3n	-	
mac_2n	-	
mac_1n	-	
Detailed Comments:		

Structured Type Constraint		
Constraint Name:	MoblAllc_ind5A	
Structured Type:	MA	
Derivation Path:		
Comments:	Indicates 5 frequencies (17, 34, 46, 52, 73)	
Element Name	Element Value	Comments
iei	-	
iel	'03'O	
mac_8n	'00000000'B	
mac_7n	'00001001'B	
mac_6n	'10010010'B	
mac_5n	-	
mac_4n	-	
mac_3n	-	
mac_2n	-	
mac_1n	-	
Detailed Comments:		

Structured Type Constraint		
Constraint Name:	MoblAllc_ind5Ad	
Structured Type:	MA	
Derivation Path:		
Comments:	Indicates 5 frequencies (734, 741, 762, 791, 832)	
Element Name	Element Value	Comments
iei	-	
iel	'03'O	
mac_8n	'00000000'B	
mac_7n	'10010000'B	
mac_6n	'00100011'B	
mac_5n	-	
mac_4n	-	
mac_3n	-	
mac_2n	-	
mac_1n	-	
Detailed Comments:		

Structured Type Constraint		
Constraint Name:	MoblAllc_281	
Structured Type:	MA	
Derivation Path:		
Comments:	hopping with indicates to the ARFCN_list={73,74,75} of cell allocation A.	
Element Name	Element Value	Comments
iei	-	
iel	'03'O	
mac_8n	'00000000'B	
mac_7n	'00111000'B	
mac_6n	'00000000'B	
mac_5n	-	
mac_4n	-	
mac_3n	-	
mac_2n	-	
mac_1n	-	
Detailed Comments:		

Structured Type Constraint		
Constraint Name:	MoblAllc_281d	
Structured Type:	MA	
Derivation Path:		
Comments:	hopping with indicates to the ARFCN_list={773,775,779} of cell allocation A.	
Element Name	Element Value	Comments
iei	-	
iel	'03'O	
mac_8n	'00000000'B	
mac_7n	'00000111'B	
mac_6n	'00000000'B	
mac_5n	-	
mac_4n	-	
mac_3n	-	
mac_2n	-	
mac_1n	-	
Detailed Comments:		

Structured Type Constraint		
Constraint Name:	MoblAllc_ad281d	
Structured Type:	MA	
Derivation Path:		
Comments:	hopping with indicates to the ARFCN_list={734,762,791} of cell allocation A.	
Element Name	Element Value	Comments
iei	-	
iel	'03'O	
mac_8n	'00000000'B	
mac_7n	'00010000'B	
mac_6n	'00100001'B	
mac_5n	-	
mac_4n	-	
mac_3n	-	
mac_2n	-	
mac_1n	-	
Detailed Comments:		

Structured Type Constraint		
Constraint Name:	MsrResult_02	
Structured Type:	MSRR	
Derivation Path:		
Comments:	A measurement results IE matching any value.	
Element Name	Element Value	Comments
ba_used	?	
dtx_used	'0'B	
rxlev_fsc	?	
spr1	'0'B	
meas_valid	?	
rxlev_ssc	?	
spr2	'0'B	
rxqual_fsc	?	
rxqual_ssc	?	
no_nc	?	
rxlev_nc1	*	
bcchfrq_nc1	*	
bsic_nc1	*	
rxlev_nc2	*	
bcchfrq_nc2	*	
bsic_nc2	*	
rxlev_nc3	*	
bcchfrq_nc3	*	
bsic_nc3	*	
rxlev_nc4	*	
bcchfrq_nc4	*	
bsic_nc4	*	
rxlev_nc5	*	
bcchfrq_nc5	*	
bsic_nc5	*	
rxlev_nc6	*	
bcchfrq_nc6	*	
bsic_nc6	*	
Detailed Comments:		

Structured Type Constraint		
Constraint Name:	NT_BothT_BothNTorT_BothT_BothNT	
Structured Type:	CE	
Derivation Path:		
Comments:		
Element Name	Element Value	Comments
TorBothTorBothNT	('00'B, '10'B, '11'B)	
NTorBothTorBothNT	('01'B, '10'B, '11'B)	
Detailed Comments:		

Structured Type Constraint		
Constraint Name:	Pcmd_19(powerlevel:BITSTRING)	
Structured Type:	PCMD	
Derivation Path:		
Comments:		
Element Name	Element Value	Comments
sprb	'000'B	
pl	powerlevel	
Detailed Comments:		

Structured Type Constraint		
Constraint Name:	Pcmd_20(powerlevel:B_5)	
Structured Type:	PCMD	
Derivation Path:		
Comments:	PowerCmd used in synchronized and non synchronized HO cases.	
Element Name	Element Value	Comments
sprb	'011'B	
pl	powerlevel	
Detailed Comments:		

Structured Type Constraint		
Constraint Name:	Pm(pgm:B_2)	
Structured Type:	PM	
Derivation Path:		
Comments:	normal paging mode	
Element Name	Element Value	Comments
sprb	'00'B	
pgm	pgm	
Detailed Comments:		

Structured Type Constraint		
Constraint Name:	ProgInd_omit	
Structured Type:	PI	
Derivation Path:		
Comments:	Omitted Progress Indicator.	
Element Name	Element Value	Comments
iei	-	
iel	-	
extb3	-	
cs	-	
spb	-	
loc	-	
extb4	-	
prd	-	
Detailed Comments:		

Structured Type Constraint		
Constraint Name:	RachCntrlPara(maxtx:B_2; txint:B_4; re:B_1)	
Structured Type:	RACHCP	
Derivation Path:		
Comments:	Default value for L 3 testing.	
Element Name	Element Value	Comments
maxrx	maxtx	
txint	txint	
cba	'0'B	
re	re	
acc_2	'00000'B	
ec	'0'B	
acc_1	'0000000000'B	
Detailed Comments:		

Structured Type Constraint		
Constraint Name:	RachCntrlPara_r01	
Structured Type:	RACHCP	
Derivation Path:		
Comments:	Call reestablishment is not allowed in the cell.	
Element Name	Element Value	Comments
maxrtx	'00'B	
txint	'0010'B	
cba	'0'B	
re	'1'B	
acc_2	'00000'B	
ec	'0'B	
acc_1	'0000000000'B	
Detailed Comments:		

Structured Type Constraint		
Constraint Name:	RelTmdDif_omit	
Structured Type:	TDIF	
Derivation Path:		
Comments:		
Element Name	Element Value	Comments
iei	-	
iel	-	
value	-	
Detailed Comments:		

Structured Type Constraint		
Constraint Name:	Rqr2(Rr: BITSTRING; Fn: FN)	
Structured Type:	RQR	
Derivation Path:		
Comments:	To address the MS under test	
Element Name	Element Value	Comments
ra	Rr	
fn	Fn	
Detailed Comments:		

Structured Type Constraint		
Constraint Name:	SI3RestOctetDef	
Structured Type:	SI3RO	
Derivation Path:		
Comments:	Default value for L 3 testing.	
Element Name	Element Value	Comments
pi	'0'B	
cbq	'0'B	
cro	'101011'B	
to	'001'B	
pt	'01011'B	
poi	'0'B	
po	'01'B	
ti	'0'B	
ecsc	'1'B	
spr1	'011'B	
spr2	'00101011'B	
Detailed Comments:		

Structured Type Constraint		
Constraint Name:	SI4RestOctetDef	
Structured Type:	SI4RO	
Derivation Path:		
Comments:	Default value for L 3 testing.	
Element Name	Element Value	Comments
pi	'0'B	
cbq	'0'B	
cro	'101011'B	
to	'001'B	
pt	'01011'B	
poi	'0'B	
po	'01'B	
spr1	'01011'B	
spr2	'00101011'B	
spr3	'00101011'B	
spr4	'00101011'B	
spr5	'00101011'B	
spr6	'00101011'B	
spr7	'00101011'B	
spr8	'00101011'B	
Detailed Comments:		

Structured Type Constraint		
Constraint Name:	SI4RestOctet_CBMS	
Structured Type:	SI4RO	
Derivation Path:		
Comments:	Rest octets for SMS CB SysInf4 message.	
Element Name	Element Value	Comments
pi	'0'B	
cbq	'0'B	
cro	'101011'B	
to	'001'B	
pt	'01011'B	
poi	'0'B	
po	'01'B	
spr1	'01011'B	
spr2	'00101011'B	
spr3	-	
spr4	-	
spr5	-	
spr6	-	
spr7	-	
spr8	-	
Detailed Comments:		

Structured Type Constraint		
Constraint Name:	Signal_01	
Structured Type:	SIGNAL	
Derivation Path:		
Comments:	signal value is arbitrarily selected.	
Element Name	Element Value	Comments
iei	'00110100'B	
sigv	'00000000'B	
Detailed Comments:		

Structured Type Constraint		
Constraint Name:	StartingTm_omit	
Structured Type:	STRT	
Derivation Path:		
Comments:		
Element Name	Element Value	Comments
iei	-	
fn	-	
Detailed Comments:		

Structured Type Constraint		
Constraint Name:	Synchi(rot:B_1; si:B_2)	
Structured Type:	SYNCHI	
Derivation Path:		
Comments:		
Element Name	Element Value	Comments
iei	'1101'B	
nci	'0'B	
rot	rot	
si	si	
Detailed Comments:		

Structured Type Constraint		
Constraint Name:	Synchi_omit	
Structured Type:	SYNCHI	
Derivation Path:		
Comments:		
Element Name	Element Value	Comments
iei	-	
nci	-	
rot	-	
si	-	
Detailed Comments:		

Structured Type Constraint		
Constraint Name:	TimingAdv(bits:INTEGER)	
Structured Type:	TA	
Derivation Path:		
Comments:	Time Advance value is parameterized.	
Element Name	Element Value	Comments
iei	-	
sprb	'00'B	
value	INT_TO_BIT(bits, 6)	
Detailed Comments:		

Structured Type Constraint		
Constraint Name:	TimingAdv_omit	
Structured Type:	TA	
Derivation Path:		
Comments:	Time Advance value is parameterized.	
Element Name	Element Value	Comments
iei	-	
sprb	-	
value	-	
Detailed Comments:		

Structured Type Constraint		
Constraint Name:	TI_01	
Structured Type:	TI	
Derivation Path:		
Comments:	used by the MS in the transaction initiated by the test system.	
Element Name	Element Value	Comments
ti_f	'1'B	
ti_v	'000'B	
Detailed Comments:		

Structured Type Constraint		
Constraint Name:	TI_02	
Structured Type:	TI	
Derivation Path:		
Comments:	used in the messages sent to the MS in the transaction initiated by test system.	
Element Name	Element Value	Comments
ti_f	'0'B	
ti_v	'000'B	
Detailed Comments:		

Structured Type Constraint		
Constraint Name:	TI_09	
Structured Type:	TI	
Derivation Path:		
Comments:	used by the MS in the transaction initiated by the MS.	
Element Name	Element Value	Comments
ti_f	'0'B	
ti_v	?	
Detailed Comments:		

Structured Type Constraint		
Constraint Name:	UuInfo_omit	
Structured Type:	UU	
Derivation Path:		
Comments:	Omitted UuInfo.	
Element Name	Element Value	Comments
iei	-	
iel	-	
uupd	-	
uui	-	
Detailed Comments:		

Structured Type Constraint		
Constraint Name:	V22bisOrV26ter	
Structured Type:	MODEMTYPE	
Derivation Path:		
Comments:		
Element Name	Element Value	Comments
V22bisOrV26ter	('00011'B, '00101'B)	
Detailed Comments:		

ASN1 type constraints

ASN.1 Type Constraint Declaration	
Constraint Name:	ActivateSS_01
ASN.1 Type:	Component
Derivation Path:	
Comments:	CF all synchronous services
Constraint Value	
activateSSComponents	<pre> activateSS_InvokeComp { invokeID ?, localValue 12, ss_ForBS { ss_Code '20'H, basicService bearerService '68'H } } </pre>
Detailed Comments:	

ASN.1 Type Constraint Declaration	
Constraint Name:	ActivateSS_02
ASN.1 Type:	Component
Derivation Path:	
Comments:	CFU all basic services
Constraint Value	
activateSSComponents	<pre> activateSS_InvokeComp { invokeID ?, localValue 12, ss_ForBS { ss_Code '21'H } } </pre>
Detailed Comments:	

ASN.1 Type Constraint Declaration	
Constraint Name:	ActivateSS_03
ASN.1 Type:	Component
Derivation Path:	
Comments:	BAOC all synchronous services
Constraint Value	
activateSSComponents	<pre> activateSS_InvokeComp { invokeID ?, localValue 12, ss_ForBS { ss_Code '92'H, basicService bearerService } } </pre>
Detailed Comments:	

ASN.1 Type Constraint Declaration	
Constraint Name:	ActivateSS_04
ASN.1 Type:	Component
Derivation Path:	
Comments:	BIC-Roam
Constraint Value	
activateSSComponents	<pre> activateSS_InvokeComp { invokeID ?, localValue 12, ss_ForBS { ss_Code '9B'H -- BIC-Roam } } </pre>
Detailed Comments:	

ASN.1 Type Constraint Declaration	
Constraint Name:	ActivateSS_05
ASN.1 Type:	Component
Derivation Path:	
Comments:	BOIC
Constraint Value	
activateSSComponents	<pre> activateSS_InvokeComp { invokeID ?, localValue 12, ss_ForBS { ss_Code '93'H } } </pre>
Detailed Comments:	

ASN.1 Type Constraint Declaration	
Constraint Name:	ActivateSS_06
ASN.1 Type:	Component
Derivation Path:	
Comments:	BAIC
Constraint Value	
activateSSComponents	<pre> activateSS_InvokeComp { invokeID ?, localValue 12, ss_ForBS { ss_Code '9A'H } } </pre>
Detailed Comments:	

ASN.1 Type Constraint Declaration	
Constraint Name:	BldMptySS_01
ASN.1 Type:	Component
Derivation Path:	
Comments:	build multiparty request
Constraint Value	
buildMPTYComponents	<pre> buildMPTY_InvokeComp { invokeID ?, localValue 124 } </pre>
Detailed Comments:	

ASN.1 Type Constraint Declaration	
Constraint Name:	Comps_01(comp:Component)
ASN.1 Type:	Components
Derivation Path:	
Comments:	A received FIE may contain several components, but at least contains "comp".
Constraint Value	
SUPERSET({ comp})	
Detailed Comments:	

ASN.1 Type Constraint Declaration	
Constraint Name:	DeactivateSS_01
ASN.1 Type:	Component
Derivation Path:	
Comments:	CFC for speech
Constraint Value	
deactivateSSComponents	<pre> deactivateSS_InvokeComp { invokeID ?, localValue 13, ss_ForBS { ss_Code '28'H, basicService teleservice '10'H } } </pre>
Detailed Comments:	

ASN.1 Type Constraint Declaration	
Constraint Name:	DeactivateSS_02
ASN.1 Type:	Component
Derivation Path:	
Comments:	CFNRc for all facsimile
Constraint Value	
deactivateSSComponents	<pre> deactivateSS_InvokeComp { invokeID ?, localValue 13, ss_ForBS { ss_Code '2B'H, basicService teleservice '60'H } } </pre>
Detailed Comments:	

ASN.1 Type Constraint Declaration	
Constraint Name:	DeactivateSS_03
ASN.1 Type:	Component
Derivation Path:	
Comments:	deactivation for barring
Constraint Value	
deactivateSSComponents	<pre> deactivateSS_InvokeComp { invokeID ?, localValue 13, ss_ForBS { ss_Code '90'H, basicService teleservice '10'H } } </pre>
Detailed Comments:	

ASN.1 Type Constraint Declaration	
Constraint Name:	DeactivateSS_04
ASN.1 Type:	Component
Derivation Path:	
Comments:	deactivation for barring of outgoing calls
Constraint Value	
deactivateSSComponents	<pre> deactivateSS_InvokeComp { invokeID ?, localValue 13, ss_ForBS { ss_Code '91'H, basicService teleservice '60'H } } </pre>
Detailed Comments:	

ASN.1 Type Constraint Declaration	
Constraint Name:	DeactivateSS_05
ASN.1 Type:	Component
Derivation Path:	
Comments:	deactivation for barring of incoming calls
Constraint Value	
deactivateSSComponents	<pre> deactivateSS_InvokeComp { invokeID ?, localValue 13, ss_ForBS { ss_Code '99'H } } </pre>
Detailed Comments:	

ASN.1 Type Constraint Declaration	
Constraint Name:	DeactivateSS_06
ASN.1 Type:	Component
Derivation Path:	
Comments:	deactivation for BOICExHC
Constraint Value	
deactivateSSComponents	<pre> deactivateSS_InvokeComp { invokeID ?, localValue 13, ss_ForBS { ss_Code '94'H } } </pre>
Detailed Comments:	

ASN.1 Type Constraint Declaration	
Constraint Name:	EraseSS_01
ASN.1 Type:	Component
Derivation Path:	
Comments:	CFC for all facsimile
Constraint Value	
eraseSSComponents	<pre> eraseSS_InvokeComp { invokeID ?, localValue 11, ss_ForBS { ss_Code '28'H, basicService teleservice '60'H } } </pre>
Detailed Comments:	

ASN.1 Type Constraint Declaration	
Constraint Name:	EraseSS_02
ASN.1 Type:	Component
Derivation Path:	
Comments:	CFNRc for all basic services
Constraint Value	
eraseSSComponents	eraseSS_InvokeComp
	<pre> { invokeID ?, localValue 11, ss_ForBS { ss_Code '2B'H } } </pre>
Detailed Comments:	

ASN.1 Type Constraint Declaration	
Constraint Name:	EraseSS_03
ASN.1 Type:	Component
Derivation Path:	
Comments:	CFU for speech
Constraint Value	
eraseSSComponents	eraseSS_InvokeComp
	<pre> { invokeID ?, localValue 11, ss_ForBS { ss_Code '21'H, basicService teleservice '10'H } } </pre>
Detailed Comments:	

ASN.1 Type Constraint Declaration	
Constraint Name:	EraseSS_04
ASN.1 Type:	Component
Derivation Path:	
Comments:	CFNRy for all facsimile
Constraint Value	
eraseSSComponents	eraseSS_InvokeComp
	<pre> { invokeID ?, localValue 11, ss_ForBS { ss_Code '2A'H, basicService teleservice '60'H } } </pre>
Detailed Comments:	

ASN.1 Type Constraint Declaration	
Constraint Name:	FwdChAdvRslt_01
ASN.1 Type:	Component
Derivation Path:	
Comments:	
Constraint Value	
forwardChargeAdviceComponents	forwardChargeAdvice_ReturnResultComp
{	
	invokeID 0,
	result *
}	
Detailed Comments:	

ASN.1 Type Constraint Declaration	
Constraint Name:	GetPasswdRslt_01
ASN.1 Type:	Component
Derivation Path:	
Comments:	
Constraint Value	
getPasswordComponents	getPassword_ReturnResultComp
{	
	invokeID 0,
	result
	{
	localValue 18,
	currentPassword "1234"
	}
}	
Detailed Comments:	

ASN.1 Type Constraint Declaration	
Constraint Name:	GetPasswdRslt_02
ASN.1 Type:	Component
Derivation Path:	
Comments:	
Constraint Value	
getPasswordComponents	getPassword_ReturnResultComp
{	
	invokeID 0,
	result
	{
	localValue 18,
	currentPassword "9876"
	}
}	
Detailed Comments:	

ASN.1 Type Constraint Declaration	
Constraint Name:	GetPasswdRslt_03
ASN.1 Type:	Component
Derivation Path:	
Comments:	
Constraint Value	
getPasswordComponents	<pre> getPassword_ReturnResultComp { invokeID 0, result { localValue 18, currentPassword "9877" } } </pre>
Detailed Comments:	

ASN.1 Type Constraint Declaration	
Constraint Name:	InterrogateSS_01
ASN.1 Type:	Component
Derivation Path:	
Comments:	CFB for all basic services
Constraint Value	
interrogateSSComponents	<pre> interrogateSS_InvokeComp { invokeID ?, localValue 14, ss_ForBS { ss_Code '29'H } } </pre>
Detailed Comments:	

ASN.1 Type Constraint Declaration	
Constraint Name:	InterrogateSS_02
ASN.1 Type:	Component
Derivation Path:	
Comments:	CFNRy for Speech
Constraint Value	
interrogateSSComponents	<pre> interrogateSS_InvokeComp { invokeID ?, localValue 14, ss_ForBS { ss_Code '2A'H, --CNFRy basicService teleservice '10'H } } </pre>
Detailed Comments:	

ASN.1 Type Constraint Declaration	
Constraint Name:	InterrogateSS_03
ASN.1 Type:	Component
Derivation Path:	
Comments:	CFNRc for all basic services
Constraint Value	
interrogateSSComponents	<pre> interrogateSS_InvokeComp { invokeID ?, localValue 14, ss_ForBS { ss_Code '2B'H } } </pre>
Detailed Comments:	

ASN.1 Type Constraint Declaration	
Constraint Name:	InterrogateSS_04
ASN.1 Type:	Component
Derivation Path:	
Comments:	CFB for all facsimile
Constraint Value	
interrogateSSComponents	<pre> interrogateSS_InvokeComp { invokeID ?, localValue 14, ss_ForBS { ss_Code '29'H, basicService teleservice '60'H } } </pre>
Detailed Comments:	

ASN.1 Type Constraint Declaration	
Constraint Name:	InterrogateSS_05
ASN.1 Type:	Component
Derivation Path:	
Comments:	BICRoam
Constraint Value	
interrogateSSComponents	<pre> interrogateSS_InvokeComp { invokeID ?, localValue 14, ss_ForBS { ss_Code '9B'H } } </pre>
Detailed Comments:	

ASN.1 Type Constraint Declaration	
Constraint Name:	InterrogateSS_06
ASN.1 Type:	Component
Derivation Path:	
Comments:	BOIC
Constraint Value	
interrogateSSComponents	<pre> interrogateSS_InvokeComp { invokeID ?, localValue 14, ss_ForBS { ss_Code '93'H } } </pre>
Detailed Comments:	

ASN.1 Type Constraint Declaration	
Constraint Name:	InterrogateSS_07
ASN.1 Type:	Component
Derivation Path:	
Comments:	BAIC
Constraint Value	
interrogateSSComponents	<pre> interrogateSS_InvokeComp { invokeID ?, localValue 14, ss_ForBS { ss_Code '9A'H } } </pre>
Detailed Comments:	

ASN.1 Type Constraint Declaration	
Constraint Name:	InterrogateSS_08
ASN.1 Type:	Component
Derivation Path:	
Comments:	BOICExHC
Constraint Value	
interrogateSSComponents	<pre> interrogateSS_InvokeComp { invokeID ?, localValue 14, ss_ForBS { ss_Code '94'H } } </pre>
Detailed Comments:	

ASN.1 Type Constraint Declaration	
Constraint Name:	NotificationSS_07(Invkid: OCTETSTRING)
ASN.1 Type:	Component
Derivation Path:	
Comments:	
Constraint Value	
unstructuredSSNotifyComponents	<pre> unstructuredSSNotify_ReturnResultComp { invokeID OC_OctToInvokeIDType(Invkid), result { localValue 61 } } </pre>
Detailed Comments:	

ASN.1 Type Constraint Declaration	
Constraint Name:	NotificationSS_09(Invkid: OCTETSTRING)
ASN.1 Type:	Component
Derivation Path:	
Comments:	
Constraint Value	
unstructuredSSNotifyComponents	<pre> unstructuredSSNotify_ReturnErrorComp { errorCodes { invokeID OC_OctToInvokeIDType(Invkid), errorCode ussd_Busy } } </pre>
Detailed Comments:	

ASN.1 Type Constraint Declaration	
Constraint Name:	RegisterSS_01
ASN.1 Type:	Component
Derivation Path:	
Comments:	CFNRy Speech
Constraint Value	
registerSSComponents	<pre> registerSS_InvokeComp { invokeID ?, localValue 10, registerSS_Arg { ss_Code '2A'H, basicService teleservice '10'H, forwardedToNumber '8100342143'H, -- Unknown Number/ISDN telephony + '00431234' noReplyConditionTime 5 } } </pre>
Detailed Comments:	

ASN.1 Type Constraint Declaration	
Constraint Name:	RegisterSS_02
ASN.1 Type:	Component
Derivation Path:	
Comments:	CFU
Constraint Value	
registerSSComponents	<pre> registerSS_InvokeComp { invokeID ?, localValue 10, registerSS_Arg { ss_Code '21'H, basicService teleservice '60'H, forwardedToNumber '8100342143'H -- Unknown Number/ISDN telephony + '00431234' } } </pre>
Detailed Comments:	

ASN.1 Type Constraint Declaration	
Constraint Name:	RegisterSS_03
ASN.1 Type:	Component
Derivation Path:	
Comments:	CFB
Constraint Value	
registerSSComponents	<pre> registerSS_InvokeComp { invokeID ?, localValue 10, registerSS_Arg { ss_Code '29'H, basicService bearerService '60'H, forwardedToNumber '8100342143'H -- Unknown Number/ISDN telephony + '00431234' } } </pre>
Detailed Comments:	

ASN.1 Type Constraint Declaration	
Constraint Name:	RegisterSS_04
ASN.1 Type:	Component
Derivation Path:	
Comments:	CF for all facsimile
Constraint Value	
registerSSComponents	<pre> registerSS_InvokeComp { invokeID ?, localValue 10, registerSS_Arg { ss_Code '20'H, basicService teleservice '60'H, forwardedToNumber '8100342143'H -- Unknown Number/ISDN telephony + '00431234' } } </pre>
Detailed Comments:	

ASN.1 Type Constraint Declaration	
Constraint Name:	RegPasswdSS_01
ASN.1 Type:	Component
Derivation Path:	
Comments:	All call restriction services.
Constraint Value	
registerPasswordComponents	<pre> registerPassword_InvokeComp { invokeID ?, localValue 17, ss_Code '90'H } </pre>
Detailed Comments:	

ASN.1 Type Constraint Declaration	
Constraint Name:	ProcessUSSData_01(ussdString: IA5String)
ASN.1 Type:	Component
Derivation Path:	
Comments:	
Constraint Value	
processUnstructuredSSDataComponents	<pre> processUnstructuredSSData_InvokeComp { invokeID ?, localValue 19, ss_UserData ussdString } </pre>
Detailed Comments:	

ASN.1 Type Constraint Declaration	
Constraint Name:	ProcessUSSReq_01(ussdString: IA5String)
ASN.1 Type:	Component
Derivation Path:	
Comments:	
Constraint Value	
processUnstructuredSSRequestComponents	<pre> processUnstructuredSSRequest_InvokeComp { invokeID ?, localValue 59, ussd_Arg { ussd_DataCodingScheme 'F0'O, ussd_String OC_CodingOfUssdString(ussdString) } } </pre>
Detailed Comments:	

ASN.1 Type Constraint Declaration	
Constraint Name:	USSDReq_04(Invkid :OCTETSTRING; ussdString: IA5String)
ASN.1 Type:	Component
Derivation Path:	
Comments:	ReturnResult for Unstructured SS request
Constraint Value	
unstructuredSSRequestComponents	<pre> unstructuredSSRequest_ReturnResultComp { invokeID OC_OctToInvokeIDType(Invkid), result { localValue 60, ussd_Res { ussd_DataCodingScheme 'F0'O, ussd_String OC_CodingOfUssdString(ussdString) } } } </pre>
Detailed Comments:	

ASN.1 Type Constraint Declaration	
Constraint Name:	USSDReq_05(Invkid :OCTETSTRING)
ASN.1 Type:	Component
Derivation Path:	
Comments:	Return Error for UnstructuredSS-Request with the error code USSD Busy
Constraint Value	
unstructuredSSRequestComponents	<pre> unstructuredSSRequest_ReturnErrorComp errorCodes { invokeID OC_OctToInvokeIDType(Invkid), errorCode ussd_Busy } </pre>
Detailed Comments:	

ASP constraint declarations

TTCN ASP constraint declarations

ASP Constraint Declaration		
Constraint Name:	AlertRcv(pdu: ALERT_PDU)	
ASP Type:	DL_DatInAlert	
Derivation Path:		
Comments:	To receive an ALERTING message	
Parameter Name	Parameter Value	Comments
sapi	C_Sap0	
logic_ch	?	
msg	pdu	
fn	?	
Detailed Comments:		

ASP Constraint Declaration		
Constraint Name:	AlertSnd(ch:LOGICCH; pdu: ALERT_PDU)	
ASP Type:	DL_DatRqAlert	
Derivation Path:		
Comments:	To send an ALERTING message	
Parameter Name	Parameter Value	Comments
sapi	C_Sap0	
logic_ch	ch	
msg	pdu	
Detailed Comments:		

ASP Constraint Declaration		
Constraint Name:	AssCmd(ch:LOGICCH; pdu: ASS_CMD_PDU)	
ASP Type:	DL_DatRqAssCmd	
Derivation Path:		
Comments:	To send an ASSIGNMENT COMMAND message which is assigned in send statement.	
Parameter Name	Parameter Value	Comments
sapi	C_Sap0	
logic_ch	ch	
msg	pdu	
Detailed Comments:		

ASP Constraint Declaration		
Constraint Name:	AssCmp(ch:LOGICCH; pdu:ASS_COM_PDU)	
ASP Type:	DL_DatInAssCom	
Derivation Path:		
Comments:	To match any received ASSIGNMENT COMPLETE message	
Parameter Name	Parameter Value	Comments
sapi	C_Sap0	
logic_ch	ch	
msg	pdu	
fn	?	
Detailed Comments:		

ASP Constraint Declaration		
Constraint Name:	AssFI_any_cau(ch: LOGICCH)	
ASP Type:	DL_DatInAssfl	
Derivation Path:		
Comments:		
Parameter Name	Parameter Value	Comments
sapi	C_Sap0	
logic_ch	ch	
msg	AssgnFI_01	
fn	?	
Detailed Comments:		

ASP Constraint Declaration		
Constraint Name:	AuthReq(ch: LOGICCH; pdu: AUTH_RQ_PDU)	
ASP Type:	DL_DatRqAuthRq	
Derivation Path:		
Comments:	To send an AUTHENTICATION REQUEST message with default values.	
Parameter Name	Parameter Value	Comments
sapi	C_Sap0	
logic_ch	ch	
msg	pdu	
Detailed Comments:		

ASP Constraint Declaration		
Constraint Name:	AuthRes(pdu: AUTH_RES_PDU)	
ASP Type:	DL_DatInAuthRes	
Derivation Path:		
Comments:	To match any received AUTHENTICATION RESPONSE message which contains any SRES.	
Parameter Name	Parameter Value	Comments
sapi	C_Sap0	
logic_ch	?	
msg	pdu	
fn	?	
Detailed Comments:		

ASP Constraint Declaration		
Constraint Name:	CallCfm(pdu: CALL_CO_PDU)	
ASP Type:	DL_DatInCallCo	
Derivation Path:		
Comments:	To receive a CC CALL CONFIRMED message.	
Parameter Name	Parameter Value	Comments
sapi	C_Sap0	
logic_ch	?	
msg	pdu	
fn	?	
Detailed Comments:		

ASP Constraint Declaration		
Constraint Name:	CallProc(ch: LOGICCH; pdu: CALL_PROC_PDU)	
ASP Type:	DL_DatRqCallProc	
Derivation Path:		
Comments:	To send a CALL PROCEEDING message.	
Parameter Name	Parameter Value	Comments
sapi	C_Sap0	
logic_ch	ch	
msg	pdu	
Detailed Comments:		

ASP Constraint Declaration		
Constraint Name:	ChmmoAckRcv(ch:LOGICCH; msg:CHMMO_ACK_PDU)	
ASP Type:	DL_DatInChmmoAck	
Derivation Path:		
Comments:		
Parameter Name	Parameter Value	Comments
sapi	C_Sap0	
logic_ch	ch	
msg	msg	
fn	?	
Detailed Comments:		

ASP Constraint Declaration		
Constraint Name:	ChmmoReqSnd(ch:LOGICCH; msg:CHMMO_PDU)	
ASP Type:	DL_DatRqChmmo	
Derivation Path:		
Comments:		
Parameter Name	Parameter Value	Comments
sapi	C_Sap0	
logic_ch	ch	
msg	msg	
Detailed Comments:		

ASP Constraint Declaration		
Constraint Name:	ChRel(ch: LOGICCH; pdu: CH_REL_PDU)	
ASP Type:	DL_DatRqChRel	
Derivation Path:		
Comments:	To send a CHANNEL RELEASE message.	
Parameter Name	Parameter Value	Comments
sapi	C_Sap0	
logic_ch	ch	
msg	pdu	
Detailed Comments:		

ASP Constraint Declaration		
Constraint Name:	ChReq(pdu: CH_RQ_PDU)	
ASP Type:	DL_RacInChRq	
Derivation Path:		
Comments:	To receive a primitive containing a CHANNEL REQUEST message.	
Parameter Name	Parameter Value	Comments
sapi	C_Sap0	
logic_ch	?	
fn	?	
msg	pdu	
Detailed Comments:		

ASP Constraint Declaration		
Constraint Name:	CMSerReq(pdu: CMS_RQ_PDU)	
ASP Type:	DL_EstInCmsRq	
Derivation Path:		
Comments:	To receive a CM SERVICE REQUEST message.	
Parameter Name	Parameter Value	Comments
sapi	C_Sap0	
logic_ch	?	
establish_mode	?	
msg	pdu	
fn	?	
Detailed Comments:		

ASP Constraint Declaration		
Constraint Name:	ConnAckRcv(pdu: CONN_ACK_PDU)	
ASP Type:	DL_DatInConnAck	
Derivation Path:		
Comments:	To receive a CONNECT ACKNOWLEDGE message	
Parameter Name	Parameter Value	Comments
sapi	C_Sap0	
logic_ch	?	
msg	pdu	
fn	?	
Detailed Comments:		

ASP Constraint Declaration		
Constraint Name:	ConnAckSnd(ch:LOGICCH; pdu: CONN_ACK_PDU)	
ASP Type:	DL_DatRqConnAck	
Derivation Path:		
Comments:	To send a CONNECT ACKNOWLEDGE message.	
Parameter Name	Parameter Value	Comments
sapi	C_Sap0	
logic_ch	ch	
msg	pdu	
Detailed Comments:		

ASP Constraint Declaration		
Constraint Name:	ConnRcv(pdu: CONN_PDU)	
ASP Type:	DL_DatInConn	
Derivation Path:		
Comments:	To receive a CC CONNECT message.	
Parameter Name	Parameter Value	Comments
sapi	C_Sap0	
logic_ch	?	
msg	pdu	
fn	?	
Detailed Comments:		

ASP Constraint Declaration		
Constraint Name:	ConnSnd(ch: LOGICCH; pdu: CONN_PDU)	
ASP Type:	DL_DatRqConn	
Derivation Path:		
Comments:	To send a CC CONNECT message.	
Parameter Name	Parameter Value	Comments
sapi	C_Sap0	
logic_ch	ch	
msg	pdu	
Detailed Comments:		

ASP Constraint Declaration		
Constraint Name:	CphCmd(ch: LOGICCH; pdu: CPHM_CMD_PDU)	
ASP Type:	DL_DatRqCphmCmd	
Derivation Path:		
Comments:	To send a CIPHERING MODE COMMAND message.	
Parameter Name	Parameter Value	Comments
sapi	C_Sap0	
logic_ch	ch	
msg	pdu	
Detailed Comments:		

ASP Constraint Declaration		
Constraint Name:	CphCom(pdu: CPHM_COM_PDU)	
ASP Type:	DL_DatInCphmCom	
Derivation Path:		
Comments:	To receive a CIPHERING MODE COMPLETE message.	
Parameter Name	Parameter Value	Comments
sapi	C_Sap0	
logic_ch	?	
msg	pdu	
fn	?	
Detailed Comments:		

ASP Constraint Declaration		
Constraint Name:	DiscRcv(ch:LOGICCH; pdu: DISC_PDU)	
ASP Type:	DL_DatInDisc	
Derivation Path:		
Comments:	To match a received DISCONNECT message.	
Parameter Name	Parameter Value	Comments
sapi	C_Sap0	
logic_ch	ch	
msg	pdu	
fn	?	
Detailed Comments:		

ASP Constraint Declaration		
Constraint Name:	DiscSnd(ch:LOGICCH; pdu: DISC_PDU)	
ASP Type:	DL_DatRqDisc	
Derivation Path:		
Comments:	To send a DISCONNECT message.	
Parameter Name	Parameter Value	Comments
sapi	C_Sap0	
logic_ch	ch	
msg	pdu	
Detailed Comments:		

ASP Constraint Declaration		
Constraint Name:	DLEstInd(ch :LOGICCH)	
ASP Type:	DL_EstIn	
Derivation Path:		
Comments:	Indication of a layer 2 connection establishment	
Parameter Name	Parameter Value	Comments
sapi	C_Sap0	
logic_ch	ch	
establish_mode	?	
fn	?	
Detailed Comments:		

ASP Constraint Declaration		
Constraint Name:	DLRelInd_01	
ASP Type:	DL_RelIn	
Derivation Path:		
Comments:	Layer 2 indication of the layer 2 connection has been released.	
Parameter Name	Parameter Value	Comments
sapi	C_Sap0	
logic_ch	?	
release_mode	?	
outstanding_indicator	?	
fn	?	
Detailed Comments:		

ASP Constraint Declaration		
Constraint Name:	DLRelInd_02	
ASP Type:	DL_RelIn	
Derivation Path:		
Comments:	Layer 2 indication of the layer 2 connection has been released.	
Parameter Name	Parameter Value	Comments
sapi	C_Sap0	
logic_ch	?	
release_mode	C_LocEndRel	
outstanding_indicator	?	
fn	?	
Detailed Comments:		

ASP Constraint Declaration		
Constraint Name:	ESetupRcv(pdu: ESETUP_PDU)	
ASP Type:	DL_DatInESetup	
Derivation Path:		
Comments:	To receive an emergency call SETUP message.	
Parameter Name	Parameter Value	Comments
sapi	C_Sap0	
logic_ch	?	
msg	pdu	
fn	?	
Detailed Comments:		

ASP Constraint Declaration		
Constraint Name:	HndOvCmpRcv(ch:LOGICCH; msg:HO_COM_PDU)	
ASP Type:	DL_DatInHoCom	
Derivation Path:		
Comments:	To receive any HANDOVER COMPLETE message on channel ch.	
Parameter Name	Parameter Value	Comments
sapi	C_Sap0	
logic_ch	ch	
msg	msg	
fn	?	
Detailed Comments:		

ASP Constraint Declaration		
Constraint Name:	HndOvSnd(ch:LOGICCH; msg:HO_CMD_PDU)	
ASP Type:	DL_DatRqHoCmd	
Derivation Path:		
Comments:	To send a HANDOVER COMMAND indicating a finely synchronised intra cell handover.	
Parameter Name	Parameter Value	Comments
sapi	C_Sap0	
logic_ch	ch	
msg	msg	
Detailed Comments:		

ASP Constraint Declaration		
Constraint Name:	HndOvAcc_01	
ASP Type:	DL_RacInHoacc	
Derivation Path:		
Comments:	To received any HANDOVER ACCESS message.	
Parameter Name	Parameter Value	Comments
sapi	C_Sap0	
logic_ch	?	
msg	HandOverAcc_01	
fn	?	
Detailed Comments:		

ASP Constraint Declaration		
Constraint Name:	HndOvAccRcv(ch: LOGICCH; msg:HOACC_PDU)	
ASP Type:	DL_RaInHoacc	
Derivation Path:		
Comments:	To received any HANOVER ACCESS message on channel `ch`.	
Parameter Name	Parameter Value	Comments
sapi	C_Sap0	
logic_ch	ch	
msg	msg	
fn	?	
Detailed Comments:		

ASP Constraint Declaration		
Constraint Name:	HndOvFIRcv(ch:LOGICCH; msg :HOFL_PDU)	
ASP Type:	DL_DatInHofl	
Derivation Path:		
Comments:	To match a received HANOVER FAILURE message containing any RR cause.	
Parameter Name	Parameter Value	Comments
sapi	C_Sap0	
logic_ch	ch	
msg	msg	
fn	?	
Detailed Comments:		

ASP Constraint Declaration		
Constraint Name:	ImmAss(ch: LOGICCH; pdu: IMMASS_PDU)	
ASP Type:	DL_UdatRqImm	
Derivation Path:		
Comments:	To send an IMMEDIATE ASSIGNMENT message.	
Parameter Name	Parameter Value	Comments
sapi	C_Sap0	
logic_ch	ch	
msg	pdu	
Detailed Comments:		

ASP Constraint Declaration		
Constraint Name:	ImsiDet(pdu:IMSID_IN_PDU)	
ASP Type:	DL_EstInImsidIn	
Derivation Path:		
Comments:	To match a received IMSI DETACH INDICATION message matching any MS classmark1 value and any mobile identity value	
Parameter Name	Parameter Value	Comments
sapi	C_Sap0	
logic_ch	?	
establish_mode	?	
msg	pdu	
fn	?	
Detailed Comments:		

ASP Constraint Declaration		
Constraint Name:	LocAcp(ch:LOGICCH; pdu:LUP_ACP_PDU)	
ASP Type:	DL_DatRqLupAcp	
Derivation Path:		
Comments:	To send a LOCATION UPDATING ACCEPT message with a new mobile identity TMSI and location area.	
Parameter Name	Parameter Value	Comments
sapi	C_Sap0	
logic_ch	ch	
msg	pdu	
Detailed Comments:		

ASP Constraint Declaration		
Constraint Name:	LocUp(ch: LOGICCH; pdu:LUP_RQ_PDU)	
ASP Type:	DL_EstInLupRq	
Derivation Path:		
Comments:	To match a received LOCATION UPDATING REQUEST message containing location updating type = IMSI attach.	
Parameter Name	Parameter Value	Comments
sapi	C_Sap0	
logic_ch	ch	
establish_mode	?	
msg	pdu	
fn	?	
Detailed Comments:		

ASP Constraint Declaration		
Constraint Name:	LocRej(ch: LOGICCH; pdu:LUP_REJ_PDU)	
ASP Type:	DL_DatRqLupRej	
Derivation Path:		
Comments:	To send a LOCATION UPDATING REJECT message containing the reject cause IMSI unknown in HLR. Used var's: ch	
Parameter Name	Parameter Value	Comments
sapi	C_Sap0	
logic_ch	ch	
msg	pdu	
Detailed Comments:		

ASP Constraint Declaration		
Constraint Name:	MDLRelReq(ch :LOGICCH)	
ASP Type:	MDL_RelRq	
Derivation Path:		
Comments:		
Parameter Name	Parameter Value	Comments
sapi	C_Sap0	
logic_ch	ch	
release_mode	C_LocEndRel	
Detailed Comments:		

ASP Constraint Declaration		
Constraint Name:	MsrRept(pdu:MSR_RPT_PDU)	
ASP Type:	DL_UdatInMsrRpt	
Derivation Path:		
Comments:	To receive a measurement report without measurement results.	
Parameter Name	Parameter Value	Comments
sapi	C_Sap0	
logic_ch	?	
msg	pdu	
fn	?	
Detailed Comments:		

ASP Constraint Declaration		
Constraint Name:	PgReq1(ch:LOGICCH; pgg:PGG; pg1_req_pdu: PG1_RQ_PDU)	
ASP Type:	DL_UdatRqPg1Rq	
Derivation Path:		
Comments:	To send a PAGING REQUEST TYPE 1 message to the paging group indicated by the parameter pgg which is derived from system parameters. The PAGING REQUEST TYPE1 message requests normal paging mode, any channel and for the MS identity TSPX_TMSI.	
Parameter Name	Parameter Value	Comments
sapi	C_Sap0	
logic_ch	ch	
pgg	pgg	
msg	pg1_req_pdu	
Detailed Comments:		

ASP Constraint Declaration		
Constraint Name:	PagingRes(pdu: PG_RES_PDU)	
ASP Type:	DL_EstInPgRes	
Derivation Path:		
Comments:	To receive a PAGING RESPONSE message.	
Parameter Name	Parameter Value	Comments
sapi	C_Sap0	
logic_ch	?	
establish_mode	?	
msg	pdu	
fn	?	
Detailed Comments:		

ASP Constraint Declaration		
Constraint Name:	PhyInfo_01(ch: LOGICCH; ta:TA)	
ASP Type:	DL_DatRqPhyinfo	
Derivation Path:		
Comments:		
Parameter Name	Parameter Value	Comments
sapi	C_Sap0	
logic_ch	ch	
msg	Phyinfo_01(ta)	
Detailed Comments:		

ASP Constraint Declaration		
Constraint Name:	ReleaseRcv(pdu: REL_PDU)	
ASP Type:	DL_DatInRel	
Derivation Path:		
Comments:	To receive a CC RELEASE message.	
Parameter Name	Parameter Value	Comments
sapi	C_Sap0	
logic_ch	?	
msg	pdu	
fn	?	
Detailed Comments:		

ASP Constraint Declaration		
Constraint Name:	ReleaseSnd(ch: LOGICCH; pdu: REL_PDU)	
ASP Type:	DL_DatRqRel	
Derivation Path:		
Comments:	To send a RELEASE message.	
Parameter Name	Parameter Value	Comments
sapi	C_Sap0	
logic_ch	ch	
msg	pdu	
Detailed Comments:		

ASP Constraint Declaration		
Constraint Name:	RelComRcv(pdu: REL_COM_PDU)	
ASP Type:	DL_DatInRelCmp	
Derivation Path:		
Comments:	To receive a RELEASE COMPLETE message.	
Parameter Name	Parameter Value	Comments
sapi	C_Sap0	
logic_ch	?	
msg	pdu	
fn	?	
Detailed Comments:		

ASP Constraint Declaration		
Constraint Name:	RelComSnd(ch:LOGICCH; pdu: REL_COM_PDU)	
ASP Type:	DL_DatRqRelCmp	
Derivation Path:		
Comments:	To send a RELEASE COMPLETE message.	
Parameter Name	Parameter Value	Comments
sapi	C_Sap0	
logic_ch	ch	
msg	pdu	
Detailed Comments:		

ASP Constraint Declaration		
Constraint Name:	SetupRcv(pdu: SETUP_MO_PDU)	
ASP Type:	DL_DatInSetup	
Derivation Path:		
Comments:	To receive a SETUP message.	
Parameter Name	Parameter Value	Comments
sapi	C_Sap0	
logic_ch	?	
msg	pdu	
fn	?	
Detailed Comments:		

ASP Constraint Declaration		
Constraint Name:	SetupSnd(ch: LOGICCH; setup:SETUP_MT_PDU)	
ASP Type:	DL_DatRqSetup	
Derivation Path:		
Comments:	To send a SETUP message which is the input parameter of this ASP.	
Parameter Name	Parameter Value	Comments
sapi	C_Sap0	
logic_ch	ch	
msg	setup	
Detailed Comments:		

ASP Constraint Declaration		
Constraint Name:	Synclnfo(ch:LOGICCH; bcc:BCC; ncc:NCC)	
ASP Type:	DL_UdatRqSchinfo	
Derivation Path:		
Comments:	To send SYNCHRONIZATION INFORMATION message with default parameters.	
Parameter Name	Parameter Value	Comments
sapi	C_Sap0	
logic_ch	ch	
msg	Synclnfor(bcc, ncc)	
Detailed Comments:		

ASP Constraint Declaration		
Constraint Name:	SysInfo1(ch:LOGICCH; cchd:CCHD; maxtx:B_2; txint:B_4; re:B_1)	
ASP Type:	DL_UdatRqSysinfo1	
Derivation Path:		
Comments:	To send SYSTEM INFORMATION TYPE 1 in cell A for RR testing of GSM900.	
Parameter Name	Parameter Value	Comments
sapi	C_Sap0	
logic_ch	ch	
msg	SysInf1(cchd, maxtx, txint, re)	
Detailed Comments:		

ASP Constraint Declaration		
Constraint Name:	SysInfo1_nh(ch:LOGICCH; ci:CI; mcc, mnc, lac:OCTETSTRING; ccd:CCD; co:CO; crh, mtmc:INTEGER; neci:B_1; maxtx:B_2; txint:B_4; re:B_1)	
ASP Type:	DL_UdatRqSysinfo1_nh	
Derivation Path:		
Comments:		
Parameter Name	Parameter Value	Comments
sapi	C_Sap0	
logic_ch	ch	
msg	SysInf3(ci, mcc, mnc, lac, ccd, co, crh, mtmc, neci, maxtx, txint, re)	
Detailed Comments:		

ASP Constraint Declaration		
Constraint Name:	SysInfo2(ch: LOGICCH; bcchfl: NCD; maxtx:B_2; txint:B_4; re:B_1; nccp:NCCP)	
ASP Type:	DL_UdatRqSysinfo2	
Derivation Path:		
Comments:	To send the default SYSTEM INFORMATION TYPE 2 message containing default neighbour cells description in cell B for GSM900.	
Parameter Name	Parameter Value	Comments
sapi	C_Sap0	
logic_ch	ch	
msg	SysInf2(bcchfl, maxtx, txint, re, nccp)	
Detailed Comments:		

ASP Constraint Declaration		
Constraint Name:	SysInfo2bis(ch: LOGICCH)	
ASP Type:	DL_UdatRqSysinfo2bis	
Derivation Path:		
Comments:	SYSTEM INFORMATION 2bis in cell A under EGSM with the ARFCN list = {988, 990, 1003}.	
Parameter Name	Parameter Value	Comments
sapi	C_Sap0	
logic_ch	ch	
msg	SysInf2bis	
Detailed Comments:		

ASP Constraint Declaration		
Constraint Name:	SysInfo3(ch:LOGICCH; ci:CI; mcc, mnc, lac:OCTETSTRING; ccd:CCD; co:CO; crh, mtmc:INTEGER; neci:B_1; maxtx:B_2; txint:B_4; re:B_1)	
ASP Type:	DL_UdatRqSysinfo3	
Derivation Path:		
Comments:		
Parameter Name	Parameter Value	Comments
sapi	C_Sap0	
logic_ch	ch	
msg	SysInf3(ci, mcc, mnc, lac, ccd, co, crh, mtmc, neci, maxtx, txint, re)	
Detailed Comments:		

ASP Constraint Declaration		
Constraint Name:	SysInfo4(ch:LOGICCH; mcc, mnc, lac:OCTETSTRING; crh, mtmc:INTEGER; neci:B_1; maxtx:B_2; txint:B_4; re:B_1)	
ASP Type:	DL_UdatRqSysinfo4	
Derivation Path:		
Comments:	To send a default SYSTEM INFORMATION TYPE 4 message	
Parameter Name	Parameter Value	Comments
sapi	C_Sap0	
logic_ch	ch	
msg	SysInf4(mcc, mnc, lac, crh, mtmc, neci, maxtx, txint, re)	
Detailed Comments:		

ASP Constraint Declaration		
Constraint Name:	SysInfo4_CBMS(ch:LOGICCH; mcc, mnc, lac:OCTETSTRING; crh, mtmc:INTEGER; neci:B_1; maxtx:B_2; txint:B_4; re:B_1; cbchd:CHD)	
ASP Type:	DL_UdatRqSysinfo4	
Derivation Path:		
Comments:	To send a SYSTEM INFORMATION TYPE 4 message for SMSCB with the values or GSM 11.10, 34.3	
Parameter Name	Parameter Value	Comments
sapi	C_Sap0	
logic_ch	ch	
msg	SysInf4_CBMS(mcc, mnc, lac, crh, mtmc, neci, maxtx, txint, re, cbchd)	
Detailed Comments:		

ASP Constraint Declaration		
Constraint Name:	SysInfo5(sacch: LOGICCH; sysinfo5_pdu:SYSINFO5_PDU)	
ASP Type:	DL_UdatRqSysinfo5	
Derivation Path:		
Comments:	To send a SYSTEM INFORMATION TYPE 5 message.	
Parameter Name	Parameter Value	Comments
sapi	C_Sap0	
logic_ch	sacch	
msg	sysinfo5_pdu	
Detailed Comments:		

ASP Constraint Declaration		
Constraint Name:	SysInfo5bis(sacch: LOGICCH; sysinfo5bis_pdu:SYSINFO5bis_PDU)	
ASP Type:	DL_UdatRqSysinfo5bis	
Derivation Path:		
Comments:	To send a SYSTEM INFORMATION TYPE 5bis message.	
Parameter Name	Parameter Value	Comments
sapi	C_Sap0	
logic_ch	sacch	
msg	sysinfo5bis_pdu	
Detailed Comments:		

ASP Constraint Declaration		
Constraint Name:	SysInfo6(sacch: LOGICCH; sysinfo6_pdu:SYSINFO6_PDU)	
ASP Type:	DL_UdatRqSysinfo6	
Derivation Path:		
Comments:	To send a SYSTEM INFORMATION TYPE 6 message.	
Parameter Name	Parameter Value	Comments
sapi	C_Sap0	
logic_ch	sacch	
msg	sysinfo6_pdu	
Detailed Comments:		

ASP Constraint Declaration		
Constraint Name:	TmsiReallocSnd(par:MI; ch:LOGICCH; mcc, mnc, lac:OCTETSTRING)	
ASP Type:	DL_DatRqTmsireCmd	
Derivation Path:		
Comments:	To send a TMSI REALLOCATION COMMAND message.	
Parameter Name	Parameter Value	Comments
sapi	C_Sap0	
logic_ch	ch	
msg	TmsiReallocCmd(par, mcc, mnc, lac)	
Detailed Comments:		

ASP Constraint Declaration		
Constraint Name:	TmsiReallocCmp(ch:LOGICCH)	
ASP Type:	DL_DatInTmsireCom	
Derivation Path:		
Comments:	To receive a TMSI REALLOCATION COMPLETE message.	
Parameter Name	Parameter Value	Comments
sapi	C_Sap0	
logic_ch	ch	
msg	TmsiReallocComp	
fn	?	
Detailed Comments:		

PDU constraint declarations

TTCN PDU constraint declarations

PDU Constraint Declaration		
Constraint Name:	Alerting_01(Ti :Ti)	
PDU Type:	ALERT_PDU	
Derivation Path:		
Comments:	An ALERTING message containing mandatory IE's only to be sent to the MS.	
Field Name	Field Value	Comments
ti	Ti	
ccpd	'0011'B	
mt	'00000001'B	
fie	-	
pi	-	
uu	-	
ssvi	-	
Detailed Comments:		

PDU Constraint Declaration		
Constraint Name:	AlertingInd_01(ti:TI)	
PDU Type:	ALERT_PDU	
Derivation Path:		
Comments:	To match an received ALERTING message	
Field Name	Field Value	Comments
ti	ti	
ccpd	'0011'B	
mt	'0?000001'B	
fie	*	
pi	-	
uu	*	
ssvi	*	
Detailed Comments:		

PDU Constraint Declaration		
Constraint Name:	AsgnCmd_fh(slot:SN; tsc:TSC; chtype:CH_TDMA; par_pwlvl:INTEGER; maio:MAIO; hsn:HSN; frql:FRQL; Cchd:CCHD; chmod:CHMOD; ma:MA; Cphms:CPHMS)	
PDU Type:	ASS_CMD_PDU	
Derivation Path:		
Comments:	An ASSIGNMENT COMMAND message for hopping without starting time.	
Field Name	Field Value	Comments
ski	'0000'B	
rrpd	'0110'B	
mt	'00101110'B	
ch1d_at	ChDescrp_fh(chtype, slot, tsc, maio, hsn)	
pcmd	Pcmd_19(INT_TO_BIT(par_pwlvl, 5))	
frql_at	frql	
cchd	Cchd	
ch1mod	chmod	
ch2d_at	-	
ch2mod	-	
ma_at	ma	
strt	-	
frql_bt	-	
ch1d_bt	-	
ch2d_bt	-	
frqchs_bt	-	
ma_bt	-	
cphms	Cphms	
Detailed Comments:		

PDU Constraint Declaration		
Constraint Name:	AsgnCmd_nfh(type:CH_TDMA; slot:SN; tsc:TSC; par_pwlvl, arfcn:INTEGER; cchd:CCHD; chmod:CHMOD; strt:STRT; cphms:CPHMS)	
PDU Type:	ASS_CMD_PDU	
Derivation Path:		
Comments:	An ASSIGNMENT COMMAND message. The channel mode and type are specified as parameters.	
Field Name	Field Value	Comments
ski	'0000'B	
rrpd	'0110'B	
mt	'00101110'B	
ch1d_at	ChDescrp_nfh(type, slot, tsc, arfcn)	
pcmd	Pcmd_19(INT_TO_BIT(par_pwlvl, 5))	
frql_at	-	
cchd	cchd	
ch1mod	chmod	
ch2d_at	-	
ch2mod	-	
ma_at	-	
strt	strt	
frql_bt	-	
ch1d_bt	-	
ch2d_bt	-	
frqchs_bt	-	
ma_bt	-	
cphms	cphms	
Detailed Comments:	used iin CC testing	

PDU Constraint Declaration		
Constraint Name:	AsgnCmp_02	
PDU Type:	ASS_COM_PDU	
Derivation Path:		
Comments:	An ASSIGNMENT COMPLETE message containing any cause.	
Field Name	Field Value	Comments
ski	'0000'B	
rrpd	'0110'B	
mt	'00101001'B	
rrcau	?	
Detailed Comments:		

PDU Constraint Declaration		
Constraint Name:	AsgnFI_01	
PDU Type:	ASSFL_PDU	
Derivation Path:		
Comments:		
Field Name	Field Value	Comments
ski	'0000'B	
rrpd	'0110'B	
mt	'00101111'B	
rrcau	?	
Detailed Comments:		

PDU Constraint Declaration		
Constraint Name:	AuthRequest(cksn: B_3; rand:RAND)	
PDU Type:	AUTH_RQ_PDU	
Derivation Path:		
Comments:	An AUTHENTICATION REQUEST message containing default ciphering key sequence number and default challenge RAND from PIXIT.	
Field Name	Field Value	Comments
ski	'0000'B	
mmpd	'0101'B	
mt	'00010010'B	
shoct	'0000'B	
cphksn	CphKeySN_07(cksn)	
rand	rand	
Detailed Comments:		

PDU Constraint Declaration		
Constraint Name:	AuthResponse	
PDU Type:	AUTH_RES_PDU	
Derivation Path:		
Comments:	An AUTHENTICATION RESPONSE message matching any SRES.	
Field Name	Field Value	Comments
ski	'0000'B	
mmpd	'0101'B	
mt	'0?010100'B	
sres	?	
Detailed Comments:		

PDU Constraint Declaration		
Constraint Name:	CallConfirm_01(ti:TI)	
PDU Type:	CALL_CO_PDU	
Derivation Path:		
Comments:	a CALL CONFIRMED message with TI parameterized	
Field Name	Field Value	Comments
ti	ti	
ccpd	'0011'B	
mt	'0?001000'B	
bcri	*	
bcap1	*	
bcap2	*	
cau	-	
cccacp	*	
Detailed Comments:		

PDU Constraint Declaration		
Constraint Name:	CallConfirm_04(ti:TI; Bcap1:BCAP)	
PDU Type:	CALL_CO_PDU	
Derivation Path:		
Comments:	a CALL CONFIRMED message with TI and bcap1 parameterized	
Field Name	Field Value	Comments
ti	ti	
ccpd	'0011'B	
mt	'0?001000'B	
bcri	-	
bcap1	Bcap1	
bcap2	-	
cau	-	
cccap	*	
Detailed Comments:		

PDU Constraint Declaration		
Constraint Name:	CallConfirm_20(ti:TI)	
PDU Type:	CALL_CO_PDU	
Derivation Path:		
Comments:	a CALL CONFIRMED message without bearer capability information elements	
Field Name	Field Value	Comments
ti	ti	
ccpd	'0011'B	
mt	'0?001000'B	
bcri	-	
bcap1	-	
bcap2	-	
cau	-	
cccap	*	
Detailed Comments:		

PDU Constraint Declaration		
Constraint Name:	CallConfirm_Efr_20(ti:TI)	
PDU Type:	CALL_CO_PDU	
Derivation Path:		
Comments:	a CALL CONFIRMED message for EFR Mobiles	
Field Name	Field Value	Comments
ti	ti	
ccpd	'0011'B	
mt	'0?001000'B	
bcri	-	
bcap1	*	
bcap2	-	
cau	-	
cccap	*	
Detailed Comments:		

PDU Constraint Declaration		
Constraint Name:	CallProced_03	
PDU Type:	CALL_PROC_PDU	
Derivation Path:		
Comments:	An CALL PROCEEDING message templet used for CallProcGen	
Field Name	Field Value	Comments
ti	?	
ccpd	'0011'B	
mt	'00000010'B	
bcri	-	
bcap1	-	
bcap2	-	
fie	-	
pi	-	
Detailed Comments:		

PDU Constraint Declaration		
Constraint Name:	ChmomoAck_01(chmd:CHMOD; chd: CHD)	
PDU Type:	CHMMO_ACK_PDU	
Derivation Path:		
Comments:		
Field Name	Field Value	Comments
ski	'0000'B	
rrpd	'0110'B	
mt	'00010111'B	
chd	chd	
chmod	chmd	
Detailed Comments:		

PDU Constraint Declaration		
Constraint Name:	ChmomoReq_01(chmd:CHMOD; chd:CHD)	
PDU Type:	CHMMO_PDU	
Derivation Path:		
Comments:	the channel being modified is default full rate traffic channel.	
Field Name	Field Value	Comments
ski	'0000'B	
rrpd	'0110'B	
mt	'00010000'B	
chd	chd	
chmod	chmd	
Detailed Comments:		

PDU Constraint Declaration		
Constraint Name:	ChRelease_01	
PDU Type:	CH_REL_PDU	
Derivation Path:		
Comments:	A CHANNEL RELEASE message with RR cause = normal event	
Field Name	Field Value	Comments
ski	'0000'B	
rrpd	'0110'B	
mt	'00001101'B	
rrcau	'00000000'B	
Detailed Comments:		

PDU Constraint Declaration		
Constraint Name:	ChRequest_02	
PDU Type:	CH_RQ_PDU	
Derivation Path:		
Comments:	To match any received CHANNEL REQUEST message	
Field Name	Field Value	Comments
ecau_rrf	'????????'B	
Detailed Comments:		

PDU Constraint Declaration		
Constraint Name:	ChRequest_04	
PDU Type:	CH_RQ_PDU	
Derivation Path:		
Comments:	To match the received CHANNEL REQUEST message which originates a call (establishment cause = '111'B), "Originating call and TCH/F is needed, or IMSI detach, SMS or SS procedures that can be completed with an SDCCH and NECI set to 0".	
Field Name	Field Value	Comments
ecau_rrf	'111?????'B	
Detailed Comments:		

PDU Constraint Declaration		
Constraint Name:	ChRequest_15	
PDU Type:	CH_RQ_PDU	
Derivation Path:		
Comments:	To match the received CHANNEL REQUEST message with establishment cause = '111'B or '0100'B or '0101'B --- initiate outgoing call or SDCCH other procedures.	
Field Name	Field Value	Comments
ecau_rrf	('111?????'B, '0100?????'B, '0101?????'B, '101?????'B, '0001?????'B)	
Detailed Comments:		

PDU Constraint Declaration		
Constraint Name:	ChRequest_16	
PDU Type:	CH_RQ_PDU	
Derivation Path:		
Comments:	To match the received CHANNEL REQUEST message with establishment cause = '101'B for emergency call.	
Field Name	Field Value	Comments
ecau_rrf	'101?????'B	
Detailed Comments:		

PDU Constraint Declaration		
Constraint Name:	ChRequest_17	
PDU Type:	CH_RQ_PDU	
Derivation Path:		
Comments:	A CHANNEL REQUEST message containing establishment cause = 100, 0010, 0011, 0001	
Field Name	Field Value	Comments
ecau_rrf	('100?????'B, '0010?????'B, '0011?????'B, '0001?????'B)	
Detailed Comments:		

PDU Constraint Declaration		
Constraint Name:	CMServiceReq_01	
PDU Type:	CMS_RQ_PDU	
Derivation Path:		
Comments:	To match any received CM SERVICE REQUEST message	
Field Name	Field Value	Comments
ski	'0000'B	
mmpd	'0101'B	
mt	'0?100100'B	
cphksn	?	
svtype	?	
msclm	?	
mi	?	
Detailed Comments:		

PDU Constraint Declaration		
Constraint Name:	CMServiceReq_04	
PDU Type:	CMS_RQ_PDU	
Derivation Path:	CMServiceReq_01.	
Comments:	To match a received CM SERVICE REQUEST message containing CM service type = "Mobile originating call establishment or packet mode connection establishment" or " emergency call establishment".	
Field Name	Field Value	Comments
svtype	('0001'B, '0010'B)	
Detailed Comments:		

PDU Constraint Declaration		
Constraint Name:	CMServiceReq_06(cksn:B_3)	
PDU Type:	CMS_RQ_PDU	
Derivation Path:		
Comments:	To match any received CM SERVICE REQUEST message for emergency call with TMSI and correct CKSN.	
Field Name	Field Value	Comments
ski	'0000'B	
mmpd	'0101'B	
mt	'0?100100'B	
cphksn	CphKeySN_01(cksn)	
svtype	C_CMServiceTypeE	
msclm	?	
mi	MiTmsi_01	
Detailed Comments:		

PDU Constraint Declaration		
Constraint Name:	Connect_01(ti:TI)	
PDU Type:	CONN_PDU	
Derivation Path:		
Comments:	CC CONNECT message matching any received value	
Field Name	Field Value	Comments
ti	ti	
ccpd	'0011'B	
mt	'0?000111'B	
fie	*	
pi	-	
cnn	-	
cns	*	
uu	*	
ssvi	*	
Detailed Comments:		

PDU Constraint Declaration		
Constraint Name:	Connect_02(Ti:TI)	
PDU Type:	CONN_PDU	
Derivation Path:		
Comments:	CC CONNECT message containing mandatory IE's only.	
Field Name	Field Value	Comments
ti	Ti	
ccpd	'0011'B	
mt	'00000111'B	
fie	-	
pi	-	
cnn	-	
cns	-	
uu	-	
ssvi	-	
Detailed Comments:		

PDU Constraint Declaration		
Constraint Name:	ConnectAck_01(ti:TI)	
PDU Type:	CONN_ACK_PDU	
Derivation Path:		
Comments:	A CONNECT ACKNOWLEDGE message n -> ms	
Field Name	Field Value	Comments
ti	ti	
ccpd	'0011'B	
mt	'00001111'B	
Detailed Comments:		

PDU Constraint Declaration		
Constraint Name:	ConnectAck_02(Ti:TI)	
PDU Type:	CONN_ACK_PDU	
Derivation Path:		
Comments:	A CONNECT ACKNOWLEDGE message	
Field Name	Field Value	Comments
ti	Ti	
ccpd	'0011'B	
mt	'0?001111'B	
Detailed Comments:		

PDU Constraint Declaration		
Constraint Name:	CphModeCmd_01	
PDU Type:	CPHM_CMD_PDU	
Derivation Path:		
Comments:	CIPHERING MODE COMMAND message, the ciphering algorithm is specified by PIXIT.	
Field Name	Field Value	Comments
ski	'0000'B	
rrpd	'0110'B	
mt	'00110101'B	
cph_res	CiphRes_01	
cphms	CphMod_01	
Detailed Comments:		

PDU Constraint Declaration		
Constraint Name:	CphModeCmp_01	
PDU Type:	CPHM_COM_PDU	
Derivation Path:		
Comments:	To match any received CIPHERING MODE COMPLETE message	
Field Name	Field Value	Comments
ski	'0000'B	
rrpd	'0110'B	
mt	'00110010'B	
mei	*	
Detailed Comments:		

PDU Constraint Declaration		
Constraint Name:	DisconnS(Ti:Ti; cau:CAU; progind:PI; uuinf:UU)	
PDU Type:	DISC_PDU	
Derivation Path:		
Comments:	A DISCONNECT message that contains cause = normal clearing and progress indicator = #8.	
Field Name	Field Value	Comments
ti	Ti	
ccpd	'0011'B	
mt	'00100101'B	
cau	cau	
fie	-	
pi	progind	
uu	uuinf	
ssvi	-	
Detailed Comments:		

PDU Constraint Declaration		
Constraint Name:	DisconnR(Ti:TI; cau:CAU)	
PDU Type:	DISC_PDU	
Derivation Path:		
Comments:	A default DISCONNECT message matching parametrised value ms -> n.	
Field Name	Field Value	Comments
ti	Ti	
ccpd	'0011'B	
mt	'0?100101'B	
cau	cau	
fie	*	
pi	*	
uu	*	
ssvi	*	
Detailed Comments:		

PDU Constraint Declaration		
Constraint Name:	HandOverAcc_01	
PDU Type:	HOACC_PDU	
Derivation Path:		
Comments:	To match any received HANDOVER ACCESS message	
Field Name	Field Value	Comments
horf	?	
Detailed Comments:		

PDU Constraint Declaration		
Constraint Name:	HandOverAcc_02(horef:HORF)	
PDU Type:	HOACC_PDU	
Derivation Path:		
Comments:	To match a received HANDOVER ACCESS message with handover reference ` horef` .	
Field Name	Field Value	Comments
horf	horef	
Detailed Comments:		

PDU Constraint Declaration		
Constraint Name:	HandOverCmd_fh(type:CH_TDMA; slot:SN; tsc:TSC; ncc, bcc:B_3; sdccharfcn, mod, hsn:INTEGER; horf:HORF; pwlv:B_5; synchi:SYNCHI; frql1, frql2:FRQL; cchd:CCHD; chmod:CHMOD; frqchs:FRQCHS; ma:MA; rtdif:TDIF; ta:TA; cphms:CPHMS)	
PDU Type:	HO_CMD_PDU	
Derivation Path:		
Comments:	A derived HANDOVER COMMAND containing TCH/F_FH in non synchronized new CELL A.	
Field Name	Field Value	Comments
ski	'0000'B	
rrpd	'0110'B	
mt	'00101011'B	
cd	CellDescrp(ncc, bcc, sdccharfcn)	
ch1d_at	ChDescrp_fh(type, slot, tsc, INT_TO_BIT((TSPX_MAIO MOD mod), 6), INT_TO_BIT(hsn, 6))	
horf	horf	
pcmd	Pcmd_20(pwlv)	
synchi	synchi	
frqs_at	frql1	
frql_at	frql2	
cchd	cchd	
ch1mod	chmod	
ch2d_at	-	
ch2mod	-	
frqchs_at	frqchs	
ma_at	ma	
strt	-	
rtdif	rtdif	
ta	ta	
frqs_bt	-	
frql_bt	-	
ch1d_bt	-	
ch2d_bt	-	
frqchs_bt	-	
ma_bt	-	
cphms	cphms	
Detailed Comments:		

PDU Constraint Declaration		
Constraint Name:	HandOverCmd_nfh(type:CH_TDMA; slot:SN; tsc:TSC; ncc, bcc:B_3; sdccharfcn, tcharfcn:INTEGER; horf:HORF; pwlvl:B_5; synchi:SYNCHI; chmod:CHMOD; rtdif:TDIF; ta:TA; cphms:CPHMS)	
PDU Type:	HO_CMD_PDU	
Derivation Path:		
Comments:	An HANOVER COMMAND indicating finely synchronised intra cell handover.	
Field Name	Field Value	Comments
ski	'0000'B	
rrpd	'0110'B	
mt	'00101011'B	
cd	CellDescrp(ncc, bcc, sdccharfcn)	
ch1d_at	ChDescrp_nfh(type, slot, tsc, tcharfcn)	
horf	horf	
pcmd	Pcmd_20(pwlvl)	
synchi	synchi	
frqsl_at	-	
frql_at	-	
cchd	-	
ch1mod	chmod	
ch2d_at	-	
ch2mod	-	
frqchs_at	-	
ma_at	-	
strt	-	
rtdif	rtdif	
ta	ta	
frqsl_bt	-	
frql_bt	-	
ch1d_bt	-	
ch2d_bt	-	
frqchs_bt	-	
ma_bt	-	
cphms	cphms	
Detailed Comments:		

PDU Constraint Declaration		
Constraint Name:	HandOverCmp_20	
PDU Type:	HO_COM_PDU	
Derivation Path:		
Comments:	A basic received constraint for HANOVER COMPLETE message.	
Field Name	Field Value	Comments
ski	'0000'B	
rrpd	'0110'B	
mt	'00101100'B	
rrcau	'00000000'B	
motdif	*	
Detailed Comments:		

PDU Constraint Declaration		
Constraint Name:	HandOvFail_01	
PDU Type:	HOFL_PDU	
Derivation Path:		
Comments:	A HANDOVER FAILURE message matching any RR cause.	
Field Name	Field Value	Comments
ski	'0000'B	
rrpd	'0110'B	
mt	'00101000'B	
rrcau	?	
Detailed Comments:		

PDU Constraint Declaration		
Constraint Name:	ImmAsgn_01Def(Rr: BITSTRING; Fn: FN; sub:B_2; slot:SN; tsc:TSC; par_arfcn:INTEGER; ta:TA)	
PDU Type:	IMMASS_PDU	
Derivation Path:		
Comments:	An IMMEDIATE ASSIGNMENT message to assign SDCCH/4 channel.	
Field Name	Field Value	Comments
l2_pl	'2D'O	
ski	'0000'B	
rrpd	'0110'B	
mt	'00111111'B	
shoct	'0000'B	
pm	Pm(C_normal_paging)	
chd	ChDescrp_nfh(INT_TO_BIT((4 + BIT_TO_INT(sub)), 5), slot, tsc, par_arfcn)	
rqr	Rqr2(Rr, Fn)	
ta	ta	
ma	MoblAllc_01	
strt	-	
iaroct	laRestOct_01	
Detailed Comments:		

PDU Constraint Declaration		
Constraint Name:	ImmAsgn_221(Rr:BITSTRING; Fn:FN; ts_ccch:SN; tsc:TSC; par_chtype:CH_TDMA; maio:MAIO; hsn:HSN; ta:TA; ma:MA; iel:LENGTH)	
PDU Type:	IMMASS_PDU	
Derivation Path:		
Comments:	An IMMEDIATE ASSIGNMENT message.	
Field Name	Field Value	Comments
l2_pl	OC_IntToOct(((11 + OC_OctToInt(iel)) * 4) + 1, 1)	
ski	'0000'B	
rrpd	'0110'B	
mt	'00111111'B	
shoct	'0000'B	
pm	Pm(C_normal_paging)	
chd	ChDescrp_fh(par_chtype, ts_ccch, tsc, maio, hsn)	
rqr	Rqr2(Rr, Fn)	
ta	ta	
ma	ma	
strt	-	
iaroct	laRestOct(iel)	
Detailed Comments:		

PDU Constraint Declaration		
Constraint Name:	ImmAsgn_nfh(Rr: BITSTRING; Fn: FN; type: CH_TDMA; slot:SN; tsc:TSC; ta:TA; arfcn: INTEGER; pgm:B_2)	
PDU Type:	IMMASS_PDU	
Derivation Path:		
Comments:	An IMMEDIATE ASSIGNMENT message to assign TCH/F or TCH/H channel.	
Field Name	Field Value	Comments
l2_pl	'2D'O	
ski	'0000'B	
rrpd	'0110'B	
mt	'00111111'B	
shoct	'0000'B	
pm	Pm(pgm)	
chd	ChDescrp_nfh(type, slot, tsc, arfcn)	
rqr	Rqr2(Rr, Fn)	
ta	ta	
ma	MoblAllc_01	
strt	-	
iaroct	laRestOct_01	
Detailed Comments:		

PDU Constraint Declaration		
Constraint Name:	ImmAsgn_r13(Rr: BITSTRING; Fn: FN; chd:CHD; ta:TA)	
PDU Type:	IMMASS_PDU	
Derivation Path:		
Comments:	An IMMEDIATE ASSIGNMENT message to assign TCH/F channel with a time advance of 30 bit periods.	
Field Name	Field Value	Comments
l2_pl	'2D'O	
ski	'0000'B	
rrpd	'0110'B	
mt	'00111111'B	
shoct	'0000'B	
pm	Pm(C_normal_paging)	
chd	chd	
rqr	Rqr2(Rr, Fn)	
ta	ta	
ma	MoblAllc_01	
strt	-	
iaroct	laRestOct_01	
Detailed Comments:		

PDU Constraint Declaration		
Constraint Name:	ImsiDetach_30(par:MI)	
PDU Type:	IMSID_IN_PDU	
Derivation Path:		
Comments:	IMSI DETACH INDICATION message matching any MS classmark1 value and given IMSI.	
Field Name	Field Value	Comments
ski	'0000'B	
mmpd	'0101'B	
mt	'0?000001'B	
msclm	?	
mi	par	
Detailed Comments:		

PDU Constraint Declaration		
Constraint Name:	LocUpdtAcp_01(newmi: MI; mcc, mnc, lac:OCTETSTRING)	
PDU Type:	LUP_ACP_PDU	
Derivation Path:		
Comments:	To assign a new TMSI with or without mobile identity.	
Field Name	Field Value	Comments
ski	'0000'B	
mmpd	'0101'B	
mt	'00000010'B	
lai	LocAreald(mcc, mnc, lac)	
mi	newmi	
fop	-	
Detailed Comments:		

PDU Constraint Declaration		
Constraint Name:	LocUpdtReq_01(locup:B_2)	
PDU Type:	LUP_RQ_PDU	
Derivation Path:		
Comments:	A LOCATION UPDATING REQUEST message containing location updating type.	
Field Name	Field Value	Comments
ski	'0000'B	
mmpd	'0101'B	
mt	'0?001000'B	
cphksn	?	
lutype	LocUpType(locup)	
lai	?	
msclm	?	
mi	?	
Detailed Comments:		

PDU Constraint Declaration		
Constraint Name:	LocUpdtRej_01(par:REJCAU)	
PDU Type:	LUP_REJ_PDU	
Derivation Path:		
Comments:	A LOCATION UPDATING REJECT message.	
Field Name	Field Value	Comments
ski	'0000'B	
mmpd	'0101'B	
mt	'00000100'B	
rejcau	par	
Detailed Comments:		

PDU Constraint Declaration		
Constraint Name:	MsrReport_02	
PDU Type:	MSR_RPT_PDU	
Derivation Path:		
Comments:	A measurement report match any received MSR_RPT_PDU.	
Field Name	Field Value	Comments
ski	'0000'B	
rrpd	'0110'B	
mt	'00010101'B	
msrr	MsrResult_02	
Detailed Comments:		

PDU Constraint Declaration		
Constraint Name:	Release_08(Ti:TI)	
PDU Type:	REL_PDU	
Derivation Path:		
Comments:	A CC RELEASE message with mandatory IE's only used in structured procedures test .	
Field Name	Field Value	Comments
ti	Ti	
ccpd	'0011'B	
mt	'00101101'B	
cau	-	
cau2	-	
fie	-	
uu	-	
ssvi	-	
Detailed Comments:		

PDU Constraint Declaration		
Constraint Name:	Release_10(Ti:TI)	
PDU Type:	REL_PDU	
Derivation Path:		
Comments:	A CC RELEASE message used to match any received CC RELEASE message with a controllable TI.	
Field Name	Field Value	Comments
ti	Ti	
ccpd	'0011'B	
mt	'0?101101'B	
cau	*	
cau2	*	
fie	*	
uu	*	
ssvi	*	
Detailed Comments:		

PDU Constraint Declaration		
Constraint Name:	ReleaseCmp_03(Ti:TI)	
PDU Type:	REL_COM_PDU	
Derivation Path:		
Comments:	To match any received RELEASE message.	
Field Name	Field Value	Comments
ti	Ti	
cc_sspd	'0011'B	
mt	'0?101010'B	
cau	*	
fie	*	
uu	*	
ssvi	*	
Detailed Comments:		

PDU Constraint Declaration		
Constraint Name:	ReleaseCmp_08(Ti :TI)	
PDU Type:	REL_COM_PDU	
Derivation Path:		
Comments:	A RELEASE COMPLETE message containing mandatory IEs only. n -> ms	
Field Name	Field Value	Comments
ti	Ti	
cc_sspd	'0011'B	
mt	'00101010'B	
cau	-	
fie	-	
uu	-	
ssvi	-	
Detailed Comments:		

PDU Constraint Declaration		
Constraint Name:	Setup_01(ti:TI)	
PDU Type:	SETUP_MT_PDU	
Derivation Path:		
Comments:	A SETUP message containing speech bearer capability. n -> ms.	
Field Name	Field Value	Comments
ti	ti	
ccpd	'0011'B	
mt	'00000101'B	
bcri	-	
bcap1	EFR_Bcap_Speech_MT	
bcap2	-	
fie	-	
pi	-	
sig	-	
cgpn	-	
cgps	-	
cdpn	-	
cdps	-	
llcri	-	
llcmp1	-	
llcmp2	-	
hlcri	-	
hlcmp1	-	
hlcmp2	-	
uu	-	
Detailed Comments:		

PDU Constraint Declaration		
Constraint Name:	Setup_02(bcap: BCAP)	
PDU Type:	SETUP_MO_PDU	
Derivation Path:		
Comments:	A SETUP message containing speech bearer capability. ms -> n	
Field Name	Field Value	Comments
ti	?	
ccpd	'0011'B	
mt	'0?000101'B	
bcri	-	
bcap1	bcap	
bcap2	-	
fie	*	
cgps	*	
cdpn	?	
cdps	*	
llcri	*	
llcmp1	*	
llcmp2	*	
hlcri	*	
hlcmp1	*	
hlcmp2	*	
uu	*	
ssvi	*	
clirsup	*	
clirinv	*	
cccacp	*	
Detailed Comments:		

PDU Constraint Declaration		
Constraint Name:	Setup_03(ti:T1)	
PDU Type:	SETUP_MT_PDU	
Derivation Path:		
Comments:	A SETUP message with mandatory IE's only. This is default for BIBO testing.	
Field Name	Field Value	Comments
ti	ti	
ccpd	'0011'B	
mt	'00000101'B	
bcri	-	
bcap1	-	
bcap2	-	
fie	-	
pi	-	
sig	-	
cgpn	-	
cgps	-	
cdpn	-	
cdps	-	
llcri	-	
llcmp1	-	
llcmp2	-	
hlcri	-	
hlcmp1	-	
hlcmp2	-	
uu	-	
Detailed Comments:		

PDU Constraint Declaration		
Constraint Name:	ESetupBcap(bcap: BCAP)	
PDU Type:	ESETUP_PDU	
Derivation Path:		
Comments:	A Emergency call SETUP message with speech bearer capability. ms -> n.	
Field Name	Field Value	Comments
ti	?	
ccpd	'0011'B	
mt	'0?001110'B	
bcap	bcap	
Detailed Comments:		

PDU Constraint Declaration		
Constraint Name:	ESetupNoBcap	
PDU Type:	ESETUP_PDU	
Derivation Path:		
Comments:	A Emergency call SETUP message without speech bearer capability. ms -> n.	
Field Name	Field Value	Comments
ti	?	
ccpd	'0011'B	
mt	'0?001110'B	
bcap	-	
Detailed Comments:		

PDU Constraint Declaration		
Constraint Name:	Setup_10_UDI(bcap: BCAP; llc1:LLCMP; hlc1:HLCMP)	
PDU Type:	SETUP_MO_PDU	
Derivation Path:		
Comments:	A SETUP message containing bearer capability supported by the mobile station, used for Unrestricted digital information transfer capability. ms -> n.	
Field Name	Field Value	Comments
ti	?	
ccpd	'0011'B	
mt	'00000101'B	
bcri	-	
bcap1	bcap	
bcap2	-	
fie	*	
cgps	*	
cdpn	?	
cdps	*	
llcri	-	
llcmp1	llc1	
llcmp2	-	
hlc1	-	
hlc1	hlc1 IF_PRESENT	
hlc1	-	
uu	*	
ssvi	*	
clirsup	*	
clirinv	*	
cccap	CallCntrlCap IF_PRESENT	
Detailed Comments:		

PDU Constraint Declaration		
Constraint Name:	Setup_10_3100(bcap: BCAP; llc1:LLCMP; hlc1:HLCMP)	
PDU Type:	SETUP_MO_PDU	
Derivation Path:		
Comments:	A SETUP message containing bearer capability supported by the mobile station. used for 3.1 kHz audio information transfer capability. ms -> n.	
Field Name	Field Value	Comments
ti	?	
ccpd	'0011'B	
mt	'00000101'B	
bcri	-	
bcap1	bcap	
bcap2	-	
fie	*	
cgps	*	
cdpn	?	
cdps	*	
llcri	-	
llcmp1	llc1 IF_PRESENT	
llcmp2	-	
hlcri	-	
hlcmp1	hlc1 IF_PRESENT	
hlcmp2	-	
uu	*	
ssvi	*	
clirsup	*	
clirinv	*	
cccacp	CallCntrlCap IF_PRESENT	
Detailed Comments:		

PDU Constraint Declaration		
Constraint Name:	Setup_11_3100(bcri1: RPI; bcap, bcap2nd: BCAP; llc1, llc2:LLCMP; llcri1, hlcri1:RPI; hlc1, hlc2:HLCMP)	
PDU Type:	SETUP_MO_PDU	
Derivation Path:		
Comments:	A SETUP message containing two bearer capabilities supported by the mobile station, used for 3.1 kHz audio information transfer capability. ms -> n.	
Field Name	Field Value	Comments
ti	?	
ccpd	'0011'B	
mt	'00000101'B	
bcri	bcri1	
bcap1	bcap	
bcap2	bcap2nd	
fie	*	
cgps	*	
cdpn	?	
cdps	*	
llcri	llcri1 IF_PRESENT	
llcmp1	llc1 IF_PRESENT	
llcmp2	llc2 IF_PRESENT	
hlcri	hlcri1 IF_PRESENT	
hlcmp1	hlc1 IF_PRESENT	
hlcmp2	hlc2 IF_PRESENT	
uu	*	
ssvi	*	
clirsup	*	
clirinv	*	
cccacp	CallCntrlCap IF_PRESENT	
Detailed Comments:		

PDU Constraint Declaration		
Constraint Name:	Setup_20(par: BCAP; ti:TI)	
PDU Type:	SETUP_MT_PDU	
Derivation Path:		
Comments:	A SETUP message containing bearer capability supported by the mobile station.	
Field Name	Field Value	Comments
ti	ti	
ccpd	'0011'B	
mt	'00000101'B	
bcri	-	
bcap1	par	
bcap2	-	
fie	-	
pi	-	
sig	-	
cgpn	-	
cgps	-	
cdpn	-	
cdps	-	
llcri	-	
llcmp1	-	
llcmp2	-	
hlcri	-	
hlcmp1	-	
hlcmp2	-	
uu	-	
Detailed Comments:		

PDU Constraint Declaration		
Constraint Name:	Setup_21(par1:RPI; par2, par3 :BCAP; ti:TI)	
PDU Type:	SETUP_MT_PDU	
Derivation Path:		
Comments:	A SETUP message containing two bearer capabilities supported by the mobile station.	
Field Name	Field Value	Comments
ti	ti	
ccpd	'0011'B	
mt	'00000101'B	
bcri	par1	
bcap1	par2	
bcap2	par3	
fie	-	
pi	-	
sig	-	
cgpn	-	
cgps	-	
cdpn	-	
cdps	-	
llcri	-	
llcmp1	-	
llcmp2	-	
hlcri	-	
hlcmp1	-	
hlcmp2	-	
uu	-	
Detailed Comments:		

PDU Constraint Declaration		
Constraint Name:	SetupInd_01	
PDU Type:	SETUP_MO_PDU	
Derivation Path:		
Comments:	To match any received SETUP message	
Field Name	Field Value	Comments
ti	TI_09	
ccpd	'0011'B	
mt	'0?000101'B	
bcri	*	
bcap1	?	
bcap2	*	
fie	*	
cgps	*	
cdpn	?	
cdps	*	
llcri	*	
llcmp1	*	
llcmp2	*	
hlcri	*	
hlcmp1	*	
hlcmp2	*	
uu	*	
ssvi	*	
clirsup	*	
clirinv	*	
cccapp	CallCntrlCap IF_PRESENT	
Detailed Comments:		

PDU Constraint Declaration		
Constraint Name:	SynchInfor(bcc:BCC; ncc:NCC)	
PDU Type:	SCHINFO_PDU	
Derivation Path:		
Comments:		
Field Name	Field Value	Comments
ncc	ncc	
bcc	bcc	
t1	?	
t2	?	
t3_	?	
Detailed Comments:		
1. The values of t1, t2 and t3_ shall be correctly set by the L2 simulation module when this message is sent to air on the synchronization channel. It is assumed that there is a set of timebase counters in the L2 module, these counters run continuously and keep the correct timeslot number SN and TDMA frame number FN as long as the test system is poweron , the T1, T2, T3' (values for t1, t2 and t3_) can be derived from these counters.		

PDU Constraint Declaration		
Constraint Name:	SysInf1(cchd:CCHD; maxtx:B_2; txint:B_4; re:B_1)	
PDU Type:	SYSINFO1_PDU	
Derivation Path:		
Comments:	Default parameters for cell A in RR testing of GSM 900	
Field Name	Field Value	Comments
l2_pl	'55'O	
ski	'0000'B	
rrpd	'0110'B	
mt	'00011001'B	
cchd	cchd	
rachcp	RachCntrlPara(maxtx, txint, re)	
si1roct	'2B'O	
Detailed Comments:		

PDU Constraint Declaration		
Constraint Name:	SysInf2(bcchfl: NCD; maxtx:B_2; txint:B_4; re:B_1; nccp:NCCP)	
PDU Type:	SYSINFO2_PDU	
Derivation Path:		
Comments:	SYSTEM INFORMATION TYPE2 containing default neighbour cells description	
Field Name	Field Value	Comments
l2_pl	'59'O	
ski	'0000'B	
rrpd	'0110'B	
mt	'00011010'B	
bcchfl	bcchfl	
nccp	nccp	
rachcp	RachCntrlPara(maxtx, txint, re)	
Detailed Comments:		

PDU Constraint Declaration		
Constraint Name:	SysInf2bis	
PDU Type:	SYSINFO2bis_PDU	
Derivation Path:		
Comments:	SYSTEM INFORMATION 2bis in cell A under EGSM with the ARFCN list = {988, 990, 1003}.	
Field Name	Field Value	Comments
l2_pl	'55'O	
ski	'0000'B	
rrpd	'0110'B	
mt	'00000010'B	
xbcchfl	BcchFreqLst_47	
rachcp	RachCntrlPara_r01	
si2bisroct	'00'O	
Detailed Comments:		

PDU Constraint Declaration		
Constraint Name:	SysInf3(ci:C1; mcc, mnc, lac:OCTETSTRING; ccd:CCD; co:CO; crh, mtmc:INTEGER; neci:B_1; maxtx:B_2; txint:B_4; re:B_1)	
PDU Type:	SYSINFO3_PDU	
Derivation Path:		
Comments:	CCCH combined or not with SDCCH	
Field Name	Field Value	Comments
l2_pl	'49'O	
ski	'0000'B	
rrpd	'0110'B	
mt	'00011011'B	
ci	ci	
lai	LocAreald(mcc, mnc, lac)	
ccd	ccd	
co	co	
csp	CellSelPara(crh, mtmc, neci)	
rachcp	RachCntrlPara(maxtx, txint, re)	
si3roct	SI3RestOctetDef	
Detailed Comments:		

PDU Constraint Declaration		
Constraint Name:	SysInf4(mcc, mnc, lac:OCTETSTRING; crh, mtmc:INTEGER; neci:B_1; maxtx:B_2; txint:B_4; re:B_1)	
PDU Type:	SYSINFO4_PDU	
Derivation Path:		
Comments:	A SYSTEM INFORMATION TYPE 4 message containing default values	
Field Name	Field Value	Comments
l2_pl	'31'O	
ski	'0000'B	
rrpd	'0110'B	
mt	'00011100'B	
lai	LocAreald(mcc, mnc, lac)	
csp	CellSelPara(crh, mtmc, neci)	
rachcp	RachCntrlPara(maxtx, txint, re)	
cbchd	-	
cbchma	-	
si4roct	SI4RestOctetDef	
Detailed Comments:		

PDU Constraint Declaration		
Constraint Name:	SysInf4_CBMS(mcc, mnc, lac:OCTETSTRING; crh, mtmc:INTEGER; neci:B_1; maxtx:B_2; txint:B_4; re:B_1; cbchd:CHD)	
PDU Type:	SYSINFO4_PDU	
Derivation Path:		
Comments:	To send a SYSTEM INFORMATION TYPE 4 message for SMS CB with the values or GSM 11.10, 34.3	
Field Name	Field Value	Comments
l2_pl	'49'O	
ski	'0000'B	
rrpd	'0110'B	
mt	'00011100'B	
lai	LocAreald(mcc, mnc, lac)	
csp	CellSelPara(crh, mtmc, neci)	
rachcp	RachCntrlPara(maxtx, txint, re)	
cbchd	cbchd	
cbchma	Mob1Allc_01iei	
si4roct	SI4RestOctet_CBMS	
Detailed Comments:		

PDU Constraint Declaration		
Constraint Name:	SysInf5(bcchfl: NCD)	
PDU Type:	SYSINFO5_PDU	
Derivation Path:		
Comments:	SYSTEM INFORMATION TYPE 5 containing default neighbour cells description for GSM900	
Field Name	Field Value	Comments
ski	'0000'B	
rrpd	'0110'B	
mt	'00011101'B	
bcchfl	bcchfl	
Detailed Comments:		

PDU Constraint Declaration		
Constraint Name:	SysInf5bis(bcchfl: NCD)	
PDU Type:	SYSINFO5bis_PDU	
Derivation Path:		
Comments:	SYSTEM INFORMATION TYPE 5bis containing partial neighbour cells description with 1 frequency for DCS1800.	
Field Name	Field Value	Comments
ski	'0000'B	
rrpd	'0110'B	
mt	'00000101'B	
xbcchfl	bcchfl	
Detailed Comments:		

PDU Constraint Declaration		
Constraint Name:	SysInf6(ci:CI; mcc, mnc, lac:OCTETSTRING; co:CO)	
PDU Type:	SYSINFO6_PDU	
Derivation Path:		
Comments:	A SYSTEM INFORMATION TYPE 6 message containing default parameters for RR testing.	
Field Name	Field Value	Comments
ski	'0000'B	
rrpd	'0110'B	
mt	'00011110'B	
ci	ci	
lai	LocAreald(mcc, mnc, lac)	
co	co	
nccp	'02'O	
Detailed Comments:		

PDU Constraint Declaration		
Constraint Name:	TmsiReallocCmd(par:MI; mcc, mnc, lac: OCTETSTRING)	
PDU Type:	TMSIRE_CMD_PDU	
Derivation Path:		
Comments:	TMSI REALLOCATION COMMAND message.	
Field Name	Field Value	Comments
ski	'0000'B	
mmpd	'0101'B	
mt	'00011010'B	
lai	LocAreald(mcc, mnc, lac)	
mi	par	
Detailed Comments:		

PDU Constraint Declaration		
Constraint Name:	TmsiReallocComp	
PDU Type:	TMSIRE_COM_PDU	
Derivation Path:		
Comments:	TMSI REALLOCATION COMPLETE message.	
Field Name	Field Value	Comments
ski	'0000'B	
mmpd	'0101'B	
mt	'0?011011'B	
Detailed Comments:		

Dynamic Part

Test Cases

Test Group EFR

Test Case Dynamic Behaviour					
Test Case Name: TC_26_12_1					
Group: GSM_MS_EFR_4200/EFR/					
Purpose: To verify that the MS (in an RR connected state) with a TCH/F allocated acknowledging a CHANNEL MODE MODIFY message by sending a CHANNEL MODE MODIFY ACKNOWLEDGEMENT message specifying and switching to the correct mode.					
<ul style="list-style-type: none"> - the new mode if that mode is supported - the old mode if the new mode is not supported. 					
This shall be verified for the channel modes					
<ul style="list-style-type: none"> - speech full rate versions 1/2 and 3 - data 9.6 Kb/s - data 4.8 Kb/s full rate - data 2.4 Kb/s full rate. 					
Default: OtherEventsFail					
Comments: apply only to the MS supporting TCH/F (EFR).					
Nr	Label	Behaviour Description	CRef	V	Comments
1		START T_guard(300)			
2		+IdleUpdated(C_E_default, C_CellA, C_SCH_A, C_BCCH_A_1, C_ImmAss, C_S0, C_SlotNU, C_SlotNU, C_SlotNU, C_BCC, C_TxInt_5, C_Max_1, C_NECI_0, C_ATT_0, TimingAdv(30), C_BABR_0, C_cch_1Comb, C_BPM_3, C_T3212_0, C_ci_cellA, C_MCC_1, C_PLMN_1, C_LAC_1, CellOpt_01, CellChDes_02, CellChDes_03, C_CellReselectHys12, C_MaxPwrLvlG, C_MaxPwrLvlD, BcchFreqLst_01, BcchFreqLst_Omit, BcchFreqLst_48, BcchFreqLst_Omit, C_noRestablishment, C_BCC, C_NCC, C_Start_Tmsi, TSPX_SDCCH4SubDef, TSPX_CKSNDDef, TSPX_RANDDef, C_arfcnA, C_arfcnAd, TSPX_IMSI, C_Test_fh, C_NCCP_2)			1.
3		+gsmOrDcs			
4		+FullRateCh_A_1_nociph(C_Ass, TSPX_TmSlitDef, TSPX_TscDef, ChMod_speech, FreqTCH(C_arfcn_tchA), FreqTCH(C_arfcn_tchAd), TimingAdv(30), C_BABR_0, C_cch_1Comb, C_BPM_3)			
5		LIDL_UdatRqPg1Rq	PgReq1(TCV_PgCh, TCV_Pgg, PgReqTp1_05)		
6		L?DL_RaInChRq (TCV_Rr := DL_RaInChRq.msg.ecau_rrf, TCV_Fn := DL_RaInChRq.fn)	ChReq(ChRequest_17)		
7		ACTIVATE(OtherEventsFail_02)			To match ChReq retrans.
8		LIDL_UdatRqImmAss	ImmAss(TCV_agch, ImmAsgn_r13(TCV_Rr, TCV_Fn, TCV_chd1, TimingAdv(30)))		2.
9		L?DL_EstInPgRes	PagingRes(PagingRes_r02)		
10		ACTIVATE(OtherEventsFail)			Restore Normal default
11		+test_channel_modes			
test_channel_modes					
12		+set_FullSpeech_v2			
13		+test_24DataF			
14		+set_FullSpeech_v2			
15		+test_48DataF			
16		+set_FullSpeech_v2			
17		+test_96DataF			

18		+set_FullSpeech_v2			
19		+test_FullSpeech_v1			
20		+set_FullSpeech_v2			
21		+test_FullSpeech_v3			
22		+PostMainLinkRel(TCV_chTch)			
		set_FullSpeech_v2			
23		L!DL_DatRqChmmo		ChmmoReqSnd(TCV_chTch, ChmomoReq_01(ChMod_EFR2, TCV_chd1))	
24	E_00 01	L?DL_DatInChmmoAck		ChmmoAckRcv(TCV_chTch, ChmomoAck_01(ChMod_EFR2, TCV_chd1))	(P)
		test_FullSpeech_v3			
25		L!DL_DatRqChmmo		ChmmoReqSnd(TCV_chTch, ChmomoReq_01(ChMod_EFR3, TCV_chd1))	
26		[TSPC_EFR_Speech_v3]			
27	E_00 02	L?DL_DatInChmmoAck		ChmmoAckRcv(TCV_chTch, ChmomoAck_01(ChMod_EFR3, TCV_chd1))	(P)
28		[NOT TSPC_EFR_Speech_v3]			
29	E_00 03	L?DL_DatInChmmoAck		ChmmoAckRcv(TCV_chTch, ChmomoAck_01(ChMod_EFR2, TCV_chd1))	(P)
		test_FullSpeech_v1			
30		L!DL_DatRqChmmo		ChmmoReqSnd(TCV_chTch, ChmomoReq_01(ChMod_speech, TCV_chd1))	
31	E_00 04	L?DL_DatInChmmoAck		ChmmoAckRcv(TCV_chTch, ChmomoAck_01(ChMod_speech, TCV_chd1))	(P)
		test_24DataF			
32		L!DL_DatRqChmmo		ChmmoReqSnd(TCV_chTch, ChmomoReq_01(ChMod_3k, TCV_chd1))	
33		[TSPC_24DataF]			
34	E_00 05	L?DL_DatInChmmoAck		ChmmoAckRcv(TCV_chTch, ChmomoAck_01(ChMod_3k, TCV_chd1))	(P)
35		[NOT TSPC_24DataF]			
36	E_00 06	L?DL_DatInChmmoAck		ChmmoAckRcv(TCV_chTch, ChmomoAck_01(ChMod_EFR2, TCV_chd1))	(P)
		test_48DataF			
37		L!DL_DatRqChmmo		ChmmoReqSnd(TCV_chTch, ChmomoReq_01(ChMod_EFR2, TCV_chd1))	

38		[TSPC_48DataF]	ChMod_6k, TCV_chd1))	
39	E_00 07	L?DL_DatInChmмоAck	ChmмоAckRcv(TCV_chTch, ChmмоAck_01(ChMod_6k, TCV_chd1))	(P)
40		[NOT TSPC_48DataF]		
41	E_00 08	L?DL_DatInChmмоAck	ChmмоAckRcv(TCV_chTch, ChmмоAck_01(ChMod_EFR2, TCV_chd1))	(P)
42		test_96DataF L!DL_DatRqChmмо	ChmмоReqSnd(TCV_chTch, ChmмоReq_01(ChMod_12k, TCV_chd1))	
43		[TSPC_96Data]		
44	E_00 09	L?DL_DatInChmмоAck	ChmмоAckRcv(TCV_chTch, ChmмоAck_01(ChMod_12k, TCV_chd1))	(P)
45		[NOT TSPC_96Data]		
46	E_00 10	L?DL_DatInChmмоAck	ChmмоAckRcv(TCV_chTch, ChmмоAck_01(ChMod_EFR2, TCV_chd1))	(P)
47		gsmOrDcs [TSPC_PGSM OR TSPC_EGSM]		
48		(TCV_chd1 := ChDescrp_nfh('00001'B, TSPX_TmSlitDef, TSPX_TscDef, C_arfcn_tchA))		
49		[TSPC_DCS]		
50		(TCV_chd1 := ChDescrp_nfh('00001'B, TSPX_TmSlitDef, TSPX_TscDef, C_arfcn_tchAd))		
Detailed Comments:				
1. Default system infirmations for RR testing.				
2. TCH/F channel.				

Test Case Dynamic Behaviour					
Test Case Name: TC_26_12_2_1_1					
Group: GSM_MS_EFR_4200/EFR/					
Purpose: To test that the MS shall correctly apply the handover procedure in the non-synchronized case when: - a call is in progress and, - handover is performed from a TCH/F, sv2, without frequency hopping towards a TCH/F,sv2, without frequency hopping and,					
Default: OtherEventsFail_01					
Nr	Label	Behaviour Description	CRef	V	Comments
1		START T_guard(300)			
2		(TCV_asscmd_ts := TSPX_TmSlta, TCV_T := TSPX_TimadvA, TCV_Pwrlvl_ho:= INT_TO_BIT(TSPX_PwrlvlA, 5))			
3		+EFR_BasicServiceMT(TSPX_MTBscsvcl, TSPX_MTChRate)			
4		+IdleUpdated(C_E_default, C_CellA, C_SCH_A, C_BCCH_A_1, C_Immass, C_S0, C_SlotNU, C_SlotNU, C_SlotNU, C_BCC, C_TxInt_5, C_Max_7, C_NECI_0, C_ATT_0, TimingAdv(TCV_T), C_BABR_0, C_cch_1Comb, C_BPM_3, C_T3212_0, C_ci_cellA, C_MCC_1, C_PLMN_1, C_LAC_1, CellOpt_01, CellChDes_20_Aman, CellChDes_201_Ad, C_CellReselectHys12, C_MaxPwrLvlG, C_MaxPwrLvlD, BcchFreqLst_01, BcchFreqLst_Omit, BcchFreqLst_48, BcchFreqLst_Omit, C_noReestablishment, C_BCC, C_NCC, C_Start_Tmsi, TSPX_SDCCH4SubDef, TSPX_CKSNDDef, TSPX_RANDDef, C_arfcnA, C_arfcnAd_4, TSPX_IMSI, C_Test_fh, C_NCCP_2)			
5		+StartCellB_ho(C_E_suitable, C_BCCHcarrierB_ho, C_BCCHcarrierB_hod, C_Immass, TCV_slot, TCV_tsc, TimingAdv(TCV_T), C_TxInt_5, C_Max_7, C_NECI_0, C_ATT_0, C_BABR_0, C_cch_1Comb, C_BPM_3, C_T3212_0, C_MCC_1, C_PLMN_1, C_LAC_2, CellChDes_20_Bman, CellChDes_201_Bd, BcchFreqLst_01, BcchFreqLst_48, C_noReestablishment, C_BCC, C_NCC, TSPX_k, 100)			frame number in cell B is 100 in advance of frame number in cell A.
6		+FullRateCh_A_1(C_Ass, TCV_asscmd_ts, TCV_tsc, ChMod_EFR2, FreqTCH_omit, FreqTCH_omit, TSPX_TCHcarrierA_ho, TSPX_TCHcarrierA_hod, TimingAdv(TCV_T), C_BABR_0, C_cch_1Comb, C_BPM_3)			Set TCH/F, sv2, NonFH on cellA
7		+Est_MT_CallNonFH(TimingAdv(TCV_T), C_Full_v2, TSPX_TCHHSubDef, TSPX_RANDDef)			To establish a MT call with non hopping channel.
8	body	(TCV_ch := TCV_chTch, TCV_chTch1:=TCV_ch)			
9		(TCV_n := 500, TCV_Cntref := TSPX_NoOfHoAccA, TCV_T := 20, TCV_Horf:= TSPX_HoRefA, TCV_ts := TSPX_TmSlta, TCV_tsc := TSPX_TscA, TCV_chtype := '00001'B)			Parameters initialization for Handover procedure.
10		+FullRateCh_B_1(C_Asynho, TCV_ts, TCV_tsc, ChMod_EFR2, FreqTCH_omit, FreqTCH_omit, TSPX_TCHcarrierB_ho, TSPX_TCHcarrierB_hod, TimingAdv(TCV_T), C_BABR_0, C_cch_1Comb, C_BPM_3)			Set TCH/F, sv2, nonFH on cellB
11		+ltree_arfcnB			
12		(TCV_HoCMD := HandOverCmd_nfh(

13	TCV_chtype, TCV_ts, TCV_tsc, C_NCC, C_BCC, TCV_chdescr_arfcn, TCV_tch_arfcn, TCV_Horf, TCV_Pwrlvl_ho, Synchi(C_not_report_otd, C_non_synchronised), ChMod_omit, RelTmdDif_omit, TimingAdv_omit, CphMod_omit))		
14	(TCV_ch := TCV_chTch) (TCV_Null := OM_SendNextOnHO(TCV_ ch, TCV_Cntref))		
15	L!DL_DatRqHoCmd	HndOvSnd(TCV_chTch1, TCV_HoCMD)	HO command
16	L!DL_DatRqPhyinfo	PhyInfo_01(TCV_ch, TimingAdv(TCV_T))	See Note 1.
17	+RR_hocomp1(TCV_n, TimingAdv(TCV_T))		
18	+ChanRel_end(TCV_ch)		
19	ltree_arfcnB [TSPC_PGSM OR TSPC_EGSM]		
20	(TCV_chdescr_arfcn := C_BCCHcarrierB_ho, TCV_tch_arfcn := TSPX_TCHcarrierB_ho)		
21	[TSPC_DCS]		
22	(TCV_chdescr_arfcn := C_BCCHcarrierB_hod, TCV_tch_arfcn := TSPX_TCHcarrierB_hod)		
Detailed Comments:		IUT enters state U10 with TCH/F_nonFH in cell A and then HandOver from TCH/F_nonFH sv2 of cell A to TCH/F_nonFH sv2 in cell B	
		Notes: 1. PhyInfo is dequeued from the sending buffer, but held through OM_SendNextOnHO at the lower layers of the tester for sending till having received TCV_Cntref access bursts.	

Test Case Dynamic Behaviour					
Test Case Name: TC_26_12_2_1_2					
Group: GSM_MS_EFR_4200/EFR/					
Purpose: To test that the MS shall correctly apply the handover procedure in the non-synchronized case when: - a call is in progress and, - handover is performed from a TCH/F sv2, without frequency hopping on cell B towards a TCH/F, sv2, with frequency hopping on cell A					
Default: OtherEventsFail_01					
Nr	Label	Behaviour Description	Cref	V	Comments
1		START T_guard(300)			
2		(TCV_asscmd_ts := TSPX_TmSitA, TCV_T := 20, TCV_PwrLvl_ho:= INT_TO_BIT(TSPX_PwrLvlA, 5))			
3		+EFR_BasicServiceMT(TSPX_MTBscSvcl, TSPX_MTChRateI)			
4		+IdleUpdated(C_E_default, C_CellB, C_SCH_B, C_BCCH_B_1, C_Immass, C_S0, C_SlotNU, C_SlotNU, C_SlotNU, C_BCC, C_TxInt_5, C_Max_7, C_NECl_0, C_ATT_0, TimingAdv(TCV_T), C_BABR_0, C_cch_1Comb, C_BPM_3, C_T3212_0, C_ci_cellB, C_MCC_1, C_PLMN_1, C_LAC_1, CellOpt_01, CellChDes_20_Bman, CellChDes_201_Bd, C_CellReselectHys12, C_MaxPwrLvlG, C_MaxPwrLvlD, BcchFreqLst_01, BcchFreqLst_Omit, BcchFreqLst_48, BcchFreqLst_Omit, C_noRestablishment, C_BCC, C_NCC, C_Start_Tmsi, TSPX_SDCCH4SubDef, TSPX_CKSNDDef, TSPX_RANDDDef, C_arfcnB, C_arfcnBd, TSPX_IMSI, C_Test_fh, C_NCCP_2)			
5		+StartCellA_ho(C_E_suitable, C_BCCHcarrierA_ho, C_BCCHcarrierA_hod, C_Immass, TCV_slot, TCV_tsc, TimingAdv(TCV_T), C_TxInt_5, C_Max_7, C_NECl_0, C_ATT_0, C_BABR_0, C_cch_1Comb, C_BPM_3, C_T3212_0, C_MCC_1, C_PLMN_1, C_LAC_2, CellChDes_20_Aman, CellChDes_201_Ad, BcchFreqLst_01, BcchFreqLst_48, C_noRestablishment, C_BCC, C_NCC, TSPX_k, 100)			frame number in cell A is 100 in advance of frame number in cell B.
6		+FullRateCh_B_1(C_Asynho, TCV_asscmd_ts, TCV_tsc, ChMod_EFR2, FreqTCH_omit, FreqTCH_omit, TSPX_TCHcarrierB_ho, TSPX_TCHcarrierB_hod, TimingAdv(TCV_T), C_BABR_0, C_cch_1Comb, C_BPM_3)			Set TCH/F, sv2, NonFH on cellB
7		+Est_MT_CallNonFH(TimingAdv(TCV_T), C_Full_v2, TSPX_TCHHSubDef, TSPX_RANDDDef)			To establish a MTcall with non hopping channel.
8	body	(TCV_ch := TCV_chTch, TCV_chTch1:=TCV_ch)			
9		(TCV_n := 500, TCV_Cntref := TSPX_NoOfHoAccB, TCV_T := TSPX_TimadvA, TCV_ts := TSPX_TmSitNotZero, TCV_Horf:= TSPX_HoRefB, TCV_tsc := TSPX_TscB, TCV_chtype := '00001'B)			Parameters initialization for Handover procedure.
10		+FullRateCh_A_1(C_Asynho, TCV_ts, TCV_tsc, ChMod_EFR2, FreqTCHa_hof1, FreqTCHa_hof1d, C_Noarfcn, C_Noarfcn, TimingAdv(TCV_T), C_BABR_0, C_cch_1Comb, C_BPM_3)			Set TCH/F, sv2, FH on cellA
11		(TCV_ch := TCV_chTch)			
12		+tree_BuildHoCMD			
13		(TCV_Null := OM_SendNextOnHO(TCV_ch , TCV_Cntref))			
14		LIDL_DatRqHoCmd	HndOvSnd(TCV_chTch1,		HO command

15		LIDL_DatRqPhyinfo	TCV_HoCMD) PhyInfo_01(TCV_ch, TimingAdv(TCV_T))	See Note 1.
16		+RR_hocomp1(TCV_n, TimingAdv(TCV_T))		
17		+ChanRel_end(TCV_ch)		
18		Itree_BuildHoCMD [TSPC_PGSM OR TSPC_EGSM]		
19		(TCV_HoCMD := HandOverCmd_fh(TCV_chtype, TCV_ts, TCV_tsc, C_NCC, C_BCC, C_arfcnA, 12, TSPX_HSN, TCV_Horf, TCV_Pwrlvl_ho, Synchi_omit, Frql_omit, Frql_omit, CellChDes_Omit, ChMod_omit, Freqchseq_22, MoblAlc_omit, RelTmdDif_omit, TimingAdv_omit, CphMod_omit))		
20		[TSPC_DCS]		
21		(TCV_HoCMD := HandOverCmd_fh(TCV_chtype, TCV_ts, TCV_tsc, C_NCC, C_BCC, C_arfcnAd_4, 9, TSPX_HSN, TCV_Horf, TCV_Pwrlvl_ho, Synchi_omit, Frql_20_Ad, Frql_omit, CellChDes_Omit, ChMod_omit, Freqchseq_omit, MoblAlc_omit, RelTmdDif_omit, TimingAdv_omit, CphMod_omit))		
Detailed Comments: HO from TCH/F_nonFH sv2 of cell A to TCH/F_nonFH sv2 in cell B				
Notes: 1. PhyInfo is dequeued from the sending buffer, but held through OM_SendNextOnHO at the lower layers of the tester for sending till having received TCV_Cntref access bursts.				

Test Case Dynamic Behaviour					
Test Case Name:		TC_26_12_2_1_3			
Group:		GSM_MS_EFR_4200/EFR/			
Purpose:		To test that the MS shall correctly apply the handover procedure in the non-synchronized case when: - a call is in progress and, - handover is performed from a TCH/F, sv2, with frequency hopping towards a TCH/F, sv2, without frequency hopping and,			
Default:		OtherEventsFail_01			
Nr	Label	Behaviour Description	CRef	V	Comments
1		START T_guard(300)			
2		(TCV_asscmd_ts := TSPX_TmSlta, TCV_T := TSPX_TimadvA, TCV_Pwrlvl_ho:= INT_TO_BIT(TSPX_PwrlvlA, 5))			
3		+EFR_BasicServiceMT(TSPX_MTBscSvcl, TSPX_MTChRateI)			
4		+IdleUpdated(C_E_default, C_CellA, C_SCH_A, C_BCCH_A_1, C_Immass, C_S0, C_SlotNU, C_SlotNU, C_SlotNU, C_BCC, C_TxInt_5, C_Max_7, C_NECI_0, C_ATT_0, TimingAdv(TCV_T), C_BABR_0, C_cch_1Comb, C_BPM_3, C_T3212_0, C_ci_cellA, C_MCC_1, C_PLMN_1, C_LAC_1, CellOpt_01, CellChDes_20_Aman, CellChDes_201_Ad, C_CellReselectHys12, C_MaxPwrLvlG, C_MaxPwrLvlD, BcchFreqLst_01, BcchFreqLst_Omit, BcchFreqLst_48, BcchFreqLst_Omit, C_noReestablishment, C_BCC, C_NCC, C_Start_Tmsi, TSPX_SDCCH4SubDef, TSPX_CKSNDf, TSPX_RANDDef, C_arfcnA, C_arfcnAd_4, TSPX_IMSI, C_Test_fh, C_NCCP_2)			
5		+StartCellB_ho(C_E_suitable, C_BCCHcarrierB_ho, C_BCCHcarrierB_hod, C_Immass, TCV_slot, TCV_tsc, TimingAdv(TCV_T), C_TxInt_5, C_Max_7, C_NECI_0, C_ATT_0, C_BABR_0, C_cch_1Comb, C_BPM_3, C_T3212_0, C_MCC_1, C_PLMN_1, C_LAC_2, CellChDes_20_Bman, CellChDes_201_Bd, BcchFreqLst_01, BcchFreqLst_48, C_noReestablishment, C_BCC, C_NCC, TSPX_k, 100)			frame number in cell B is 100 in advance of frame number in cell A.
6		+FullRateCh_A_1(C_Asynho, TCV_asscmd_ts, TCV_tsc, ChMod_EFR2, FreqTCHa_hof1, FreqTCHa_hof1d, C_Noarfcn, C_Noarfcn, TimingAdv(TCV_T), C_BABR_0, C_cch_1Comb, C_BPM_3)			Set TCH/F, sv2, FH on cellA
7		+Est_MT_Call_FH(TimingAdv(TCV_T), C_Full_v2, INT_TO_BIT(TSPX_MAIO, 6), TSPX_HSN, TSPX_RANDDef, TCV_asscmd_ts, TSPX_TscDef, TSPX_TCHHSubDef)			To establish a MTcall with hopping channel.
8	body	(TCV_ch := TCV_chTch, TCV_chTch1:=TCV_ch)			
9		(TCV_n := 500, TCV_Cntref := TSPX_NoOfHoAccC, TCV_T := 20, TCV_ts := TSPX_TmSlta, TCV_Horf:= TSPX_HoRefC, TCV_tsc := TSPX_TscC, TCV_chtype := '00001'B)			Parameters initialization for Handover procedure.
10		+FullRateCh_B_1(C_Asynho, TCV_ts, TCV_tsc, ChMod_EFR2, FreqTCH_omit, FreqTCH_omit, TSPX_TCHcarrierB_ho, TSPX_TCHcarrierB_hod, TimingAdv(TCV_T), C_BABR_0, C_cch_1Comb, C_BPM_3)			Set TCH/F, sv2, NonFH on cellB
11		+ltree_arfcnB			
12		(TCV_HoCMD := HandOverCmd_nfh(

13		TCV_chtype, TCV_ts, TCV_tsc, C_NCC, C_BCC, TCV_chdescr_arfcn, TCV_tch_arfcn, TCV_Horf, TCV_Pwrlvl_ho, Synchi(C_report_otd, C_non_synchronised), ChMod_omit, RelTmdDif_omit, TimingAdv_omit, CphMod_omit)) (TCV_ch := TCV_chTch)		
14		(TCV_Fn := OM_ComingFn(TCV_chTch1), TCV_Null:= OM_SendNextOn(TCV_chTch1, TCV_Fn), TCV_Strt := OC_StartTime(TCV_Fn, C_StartingTimeHO + 100), 1), TCV_Null := OM_SendNextOnHO(TCV_ ch, TCV_Cntref))		starting time is set to 1.1 s plus 100 frames
15		LIDL_DatRqHoCmd(DL_DatRqHoCmd.msg.str t:= TCV_Strt)	HndOvSnd(TCV_chTch1, TCV_HoCMD)	HO command
16		LIDL_DatRqPhyinfo	PhyInfo_01(TCV_ch, TimingAdv(TCV_T))	See Note 1.
17		+RR_hocomp1(TCV_n, TimingAdv(TCV_T))		
18		+ltree_FirstBurstOn TimeCHK		
19		+ChanRel_end(TCV_ch)		
20		ltree_arfcnB [TSPC_PGSM OR TSPC_EGSM]		
21		(TCV_chdescr_arfcn := C_BCCHcarrierB_ho, TCV_tch_arfcn := TSPX_TCHcarrierB_ho)		
22		[TSPC_DCS]		
23		(TCV_chdescr_arfcn := C_BCCHcarrierB_hod, TCV_tch_arfcn := TSPX_TCHcarrierB_hod)		
24		ltree_FirstBurstOnTimeCHK +FnArith(TCV_FnBurst, TCV_Strt.fn)		
25	E_01	[(TCV_Time > 5) OR(TCV_Time < 0)]		(F)
26				
27	E_01	[(TCV_Time >= 0) AND(TCV_Time < 5)]		(P)

Detailed Comments: HO from TCH/F_FH sv2 of cell A to TCH/F_nonFH sv2 in cell B

Notes:

1. PhyInfo is dequeued from the sending buffer, but held through OM_SendNextOnHO at the lower layers of the tester for sending till having received TCV_Cntref access bursts.

Test Case Dynamic Behaviour					
Test Case Name:		TC_26_12_2_1_4			
Group:		GSM_MS_EFR_4200/EFR/			
Purpose:		To test that the MS shall correctly apply the handover procedure in the non-synchronized case when: - a call is in progress and, - handover is performed from a TCH/F, sv2, without frequency hopping towards a TCH/F, sv1, without frequency hopping and,			
Default:		OtherEventsFail_01			
Nr	Label	Behaviour Description	Cref	V	Comments
1		START T_guard(300)			
2		(TCV_asscmd_ts := TSPX_TmSlitA, TCV_T := 20, TCV_PwrLvl_ho:= INT_TO_BIT(TSPX_PwrLvlA, 5))			
3		+EFR_BasicServiceMT(TSPX_MTBscSvcl, TSPX_MTChRateI)			
4		+IdleUpdated(C_E_default, C_CellB, C_SCH_B, C_BCCH_B_1, C_Immass, C_S0, C_SlotNU, C_SlotNU, C_SlotNU, C_BCC, C_TxInt_5, C_Max_7, C_NECI_0, C_ATT_0, TimingAdv(TCV_T), C_BABR_0, C_cch_1Comb, C_BPM_3, C_T3212_0, C_ci_cellB, C_MCC_1, C_PLMN_1, C_LAC_1, CellOpt_01, CellChDes_20_Bman, CellChDes_201_Bd, C_CellReselectHys12, C_MaxPwrLvlG, C_MaxPwrLvlD, BcchFreqLst_01, BcchFreqLst_Omit, BcchFreqLst_48, BcchFreqLst_Omit, C_noRestablishment, C_BCC, C_NCC, C_Start_Tmsi, TSPX_SDCCH4SubDef, TSPX_CKSNDf, TSPX_RANDDef, C_arfcnB, C_arfcnBd, TSPX_IMSI, C_Test_fh, C_NCCP_2)			
5		+StartCellA_ho(C_E_suitable, C_BCCHcarrierA_ho, C_BCCHcarrierA_hod, C_Immass, TCV_slot, TCV_tsc, TimingAdv(TCV_T), C_TxInt_5, C_Max_7, C_NECI_0, C_ATT_0, C_BABR_0, C_cch_1Comb, C_BPM_3, C_T3212_0, C_MCC_1, C_PLMN_1, C_LAC_2, CellChDes_20_Aman, CellChDes_201_Ad, BcchFreqLst_01, BcchFreqLst_48, C_noRestablishment, C_BCC, C_NCC, TSPX_k, 100)			frame number in cell A is 100 in advance of frame number in cell B.
6		+FullRateCh_B_1(C_Asynho, TCV_asscmd_ts, TCV_tsc, ChMod_EFR2, FreqTCH_omit, FreqTCH_omit, TSPX_TCHcarrierB_ho, TSPX_TCHcarrierB_hod, TimingAdv(TCV_T), C_BABR_0, C_cch_1Comb, C_BPM_3)			Set TCH/F, sv2, NonFH on cellB
7		+Est_MT_CallNonFH(TimingAdv(TCV_T), C_Full_v2, TSPX_TCHHSubDef, TSPX_RANDDef)			To establish a MTcall with non hopping channel.
8	body	(TCV_ch := TCV_chTch, TCV_chTch1:=TCV_ch)			
9		(TCV_n := 500, TCV_Cntref := TSPX_NoOfHoAccA, TCV_T := 20, TCV_ts := TSPX_TmSlitD, TCV_Horf:= TSPX_HoRefD, TCV_tsc := TSPX_TscD, TCV_chtype := '00001'B)			Parameters initialization for Handover procedure.
10		+FullRateCh_A_1(C_Asynho, TCV_ts, TCV_tsc, ChMod_speech, FreqTCH_omit, FreqTCH_omit, TSPX_TCHcarrierA_ho, TSPX_TCHcarrierA_hod, TimingAdv(TCV_T), C_BABR_0, C_cch_1Comb, C_BPM_3)			Set TCH/F, sv1, NonFH on cellA
11		+ltree_arfcnA			
12		(TCV_HoCMD := HandOverCmd_nfh(TCV_chtype, TCV_ts, TCV_tsc, C_NCC, C_BCC, TCV_chdescr_arfcn,			

13	TCV_tch_arfcn, TCV_Horf, TCV_Pwrlvl_ho, Synchi(C_not_report_otd, C_non_synchronised), ChMod_speech_iei, RelTmdDif_omit, TimingAdv_omit, CphMod_omit)) (TCV_ch := TCV_chTch)		
14	(TCV_Null := OM_SendNextOnHO(TCV_ ch, TCV_Cntref))		
15	L!DL_DatRqHoCmd	HndOvSnd(TCV_chTch1, TCV_HoCMD)	HO command
16	L!DL_DatRqPhyinfo	PhyInfo_01(TCV_ch, TimingAdv(TCV_T))	See Note 1.
17	+RR_hocomp1(TCV_n, TimingAdv(TCV_T))		
18	+ChanRel_end(TCV_ch)		
19	ltree_arfcnA [TSPC_PGSM OR TSPC_EGSM]		
20	(TCV_chdescr_arfcn := C_arfcnA, TCV_tch_arfcn := TSPX_TCHcarrierA_ho)		
21	[TSPC_DCS]		
22	(TCV_chdescr_arfcn := C_arfcnAd_4, TCV_tch_arfcn := TSPX_TCHcarrierA_hod)		

Detailed Comments: HO from TCH/F_nonFH sv2 of cell B to TCH/F_nonFH sv1 in cell A

Notes:

1. PhyInfo is dequeued from the sending buffer, but held through OM_SendNextOnHO at the lower layers of the tester for sending till having received TCV_Cntref access bursts.

Test Case Dynamic Behaviour					
Test Case Name: TC_26_12_2_1_5					
Group: GSM_MS_EFR_4200/EFR/					
Purpose: To test that the MS shall correctly apply the handover procedure in the non-synchronized case when: - a call is in progress and, - handover is performed from a TCH/F, sv2, without frequency hopping towards a TCH/F without frequency hopping					
Default: OtherEventsFail_01					
Nr	Label	Behaviour Description	Cref	V	Comments
1		START T_guard(300)			
2		(TCV_asscmd_ts := TSPX_TmSlitA, TCV_T := 20, TCV_PwrLvl_ho:= INT_TO_BIT(TSPX_PwrLvlA, 5))			
3		+EFR_BasicServiceMT(TSPX_MTBscSvcl, TSPX_MTChRateI)			
4		+IdleUpdated(C_E_default, C_CellA, C_SCH_A, C_BCCH_A_1, C_Immass, C_S0, C_SlotNU, C_SlotNU, C_SlotNU, C_BCC, C_TxInt_5, C_Max_7, C_NECI_0, C_ATT_0, TimingAdv(TCV_T), C_BABR_0, C_cch_1Comb, C_BPM_3, C_T3212_0, C_ci_cellA, C_MCC_1, C_PLMN_1, C_LAC_1, CellOpt_01, CellChDes_20_Aman, CellChDes_201_Ad, C_CellReselectHys12, C_MaxPwrLvlG, C_MaxPwrLvlD, BcchFreqLst_01, BcchFreqLst_Omit, BcchFreqLst_48, BcchFreqLst_Omit, C_noReestablishment, C_BCC, C_NCC, C_Start_Tmsi, TSPX_SDCCH4SubDef, TSPX_CKSNDDef, TSPX_RANDDef, C_arfcnA, C_arfcnAd_4, TSPX_IMSI, C_Test_fh, C_NCCP_2)			
5		+StartCellB_ho(C_E_suitable, C_BCCHcarrierB_ho, C_BCCHcarrierB_hod, C_Immass, TCV_slot, TCV_tsc, TimingAdv(TCV_T), C_TxInt_5, C_Max_7, C_NECI_0, C_ATT_0, C_BABR_0, C_cch_1Comb, C_BPM_3, C_T3212_0, C_MCC_1, C_PLMN_1, C_LAC_2, CellChDes_20_Bman, CellChDes_201_Bd, BcchFreqLst_01, BcchFreqLst_48, C_noReestablishment, C_BCC, C_NCC, TSPX_k, 100)			frame number in cell B is 100 in advance of frame number in cell A.
6		+FullRateCh_A_1(C_Asynho, TCV_asscmd_ts, TCV_tsc, ChMod_speech, FreqTCH_omit, FreqTCH_omit, TSPX_TCHcarrierA_ho, TSPX_TCHcarrierA_hod, TimingAdv(TCV_T), C_BABR_0, C_cch_1Comb, C_BPM_3)			Set TCH/F, sv1, NonFH on cellA
7		+Est_MT_CallNonFH(TimingAdv(TCV_T), C_Full, TSPX_TCHHSubDef, TSPX_RANDDef)			To establish a MT call with non hopping channel.
8	body	(TCV_ch := TCV_chTch, TCV_chTch1:=TCV_ch)			
9		(TCV_n := 500, TCV_Cntref := TSPX_NoOfHoAccB, TCV_T := TSPX_TimadvB, TCV_ts := TSPX_TmSlitE, TCV_Horf:= TSPX_HoRefE, TCV_tsc := TSPX_TscE, TCV_chtype := '00001'B)			Parameters initialization for Handover procedure.
10		+FullRateCh_B_1(C_Asynho, TCV_ts, TCV_tsc, ChMod_EFR2, FreqTCH_omit, FreqTCH_omit, TSPX_TCHcarrierB_ho, TSPX_TCHcarrierB_hod, TimingAdv(TCV_T), C_BABR_0, C_cch_1Comb, C_BPM_3)			Set TCH/F, sv2, nonFH on cellB
11		+ltree_arfcnB			
12		(TCV_HoCMD := HandOverCmd_nfh(TCV_chtype, TCV_ts, TCV_tsc,			

13	C_NCC, C_BCC, TCV_chdescr_arfcn, TCV_tch_arfcn, TCV_Horf, TCV_Pwrlvl_ho, Synchi(C_not_report_otd, C_non_synchronised), ChMod_omit, RelTmdDif_omit, TimingAdv_omit, CphMod_omit))		
14	(TCV_ch := TCV_chTch) (TCV_Null := OM_SendNextOnHO(TCV_ ch, TCV_Cntref))		
15	LIDL_DatRqHoCmd	HndOvSnd(TCV_chTch1, TCV_HoCMD)	HO command
16	LIDL_DatRqPhyinfo	PhyInfo_01(TCV_ch, TimingAdv(TCV_T))	See Note 1.
17	+RR_hocomp1(TCV_n, TimingAdv(TCV_T))		
18	+ChanRel_end(TCV_ch)		
19	Itree_arfcnB [TSPC_PGSM OR TSPC_EGSM]		
20	(TCV_chdescr_arfcn := C_BCCHcarrierB_ho, TCV_tch_arfcn := TSPX_TCHcarrierB_ho)		
21	[TSPC_DCS]		
22	(TCV_chdescr_arfcn := C_BCCHcarrierB_hod, TCV_tch_arfcn := TSPX_TCHcarrierB_hod)		
Detailed Comments: HandOver from TCH/F_nonFH sv1 of cell A to TCH/F_nonFH sv2 in cell B			
Notes: 1. PhyInfo is dequeued from the sending buffer, but held through OM_SendNextOnHO at the lower layers of the tester for sending till having received TCV_Cntref access bursts.			

Test Case Dynamic Behaviour					
Test Case Name: TC_26_12_2_1_6					
Group: GSM_MS_EFR_4200/EFR/					
Purpose: To test that the MS shall correctly apply the handover procedure in the non-synchronized case when: - a call is in progress and, - handover is performed from a TCH/F sv2, without frequency hopping on cell B towards a TCH/F, sv1, with frequency hopping on cell A					
Default: OtherEventsFail_01					
Nr	Label	Behaviour Description	CRef	V	Comments
1		START T_guard(300)			
2		(TCV_asscmd_ts := TSPX_TmSitA, TCV_T := TSPX_TimadvB, TCV_PwrLvl_ho:= INT_TO_BIT(TSPX_PwrLvlA, 5))			
3		+EFR_BasicServiceMT(TSPX_MTBscSvcl, TSPX_MTChRateI)			
4		+IdleUpdated(C_E_default, C_CellB, C_SCH_B, C_BCCH_B_1, C_Immass, C_S0, C_SlotNU, C_SlotNU, C_SlotNU, C_BCC, C_TxInt_5, C_Max_7, C_NECI_0, C_ATT_0, TimingAdv(TCV_T), C_BABR_0, C_cch_1Comb, C_BPM_3, C_T3212_0, C_ci_cellB, C_MCC_1, C_PLMN_1, C_LAC_1, CellOpt_01, CellChDes_20_Bman, CellChDes_201_Bd, C_CellReselectHys12, C_MaxPwrLvlG, C_MaxPwrLvlD, BcchFreqLst_01, BcchFreqLst_Omit, BcchFreqLst_48, BcchFreqLst_Omit, C_noReestablishment, C_BCC, C_NCC, C_Start_Tmsi, TSPX_SDCCH4SubDef, TSPX_CKSNDf, TSPX_RANDDef, C_arfcnB, C_arfcnBd, TSPX_IMSI, C_Test_fh, C_NCCP_2)			
5		+StartCellA_ho(C_E_suitable, C_BCCHcarrierA_ho, C_BCCHcarrierA_hod, C_Immass, TCV_slot, TCV_tsc, TimingAdv(TCV_T), C_TxInt_5, C_Max_7, C_NECI_0, C_ATT_0, C_BABR_0, C_cch_1Comb, C_BPM_3, C_T3212_0, C_MCC_1, C_PLMN_1, C_LAC_2, CellChDes_20_Aman, CellChDes_201_Ad, BcchFreqLst_01, BcchFreqLst_48, C_noReestablishment, C_BCC, C_NCC, TSPX_k, 100)			frame number in cell A is 100 in advance of frame number in cell B.
6		+FullRateCh_B_1(C_Asynho, TCV_asscmd_ts, TCV_tsc, ChMod_EFR2, FreqTCH_omit, FreqTCH_omit, TSPX_TCHcarrierB_ho, TSPX_TCHcarrierB_hod, TimingAdv(TCV_T), C_BABR_0, C_cch_1Comb, C_BPM_3)			Set TCH/F, sv2, NonFH on cellB
7		+Est_MT_CallNonFH(TimingAdv(TCV_T), C_Full_v2, TSPX_TCHHSubDef, TSPX_RANDDef)			To establish MTcall with NonFH channel.
8	body	(TCV_ch := TCV_chTch, TCV_chTch1:=TCV_ch)			
9		(TCV_n := 500, TCV_Cntref := TSPX_NoOfHoAccC, TCV_T := TSPX_TimadvC, TCV_ts := TSPX_TmSitNotZero, TCV_Horf:= TSPX_HoRefF, TCV_tsc := TSPX_TscF, TCV_chtype := '00001'B)			
10		+FullRateCh_A_1(C_Asynho, TCV_ts, TCV_tsc, ChMod_speech, FreqTCHa_hof1, FreqTCHa_hof1d, C_Noarfcn, C_Noarfcn, TimingAdv(TCV_T), C_BABR_0, C_cch_1Comb, C_BPM_3)			
11		(TCV_ch := TCV_chTch)			
12		+Itree_BuildHoCMD			
13		(TCV_Null := OM_SendNextOnHO(TCV_ch, TCV_Cntref))			

14		LIDL_DatRqHoCmd	HndOvSnd(TCV_chTch1, TCV_HoCMD)	HO command
15		LIDL_DatRqPhyinfo	PhyInfo_01(TCV_ch, TimingAdv(TCV_T))	See Note 1.
16		+RR_hocomp1(TCV_n, TimingAdv(TCV_T))		
17		+ChanRel_end(TCV_ch)		
18		Itree_BuildHoCMD		
19		[TSPC_PGSM OR TSPC_EGSM] (TCV_HoCMD := HandOverCmd_fh(TCV_chtype, TCV_ts, TCV_tsc, C_NCC, C_BCC, C_arfcnA, 12, TSPX_HSN, TCV_Horf, TCV_Pwrlvl_ho, Synchi_omit, Frql_omit, Frql_omit, CellChDes_Omit, ChMod_speech_jei, Freqchseq_22, MobilAllc_omit, RelTmdDif_omit, TimingAdv_omit, CphMod_omit))		
20		[TSPC_DCS]		
21		(TCV_HoCMD := HandOverCmd_fh(TCV_chtype, TCV_ts, TCV_tsc, C_NCC, C_BCC, C_arfcnAd_4, 9, TSPX_HSN, TCV_Horf, TCV_Pwrlvl_ho, Synchi_omit, Frql_20_Ad, Frql_omit, CellChDes_Omit, ChMod_omit, Freqchseq_omit, MobilAllc_omit, RelTmdDif_omit, TimingAdv_omit, CphMod_omit))		
Detailed Comments:		HO from TCH/F_nonFH sv2 of cell B to TCH/F_FH sv1 in cell A		
		Notes:		
		1. PhyInfo is dequeued from the sending buffer, but held through OM_SendNextOnHO at the lower layers of the tester for sending till having received TCV_Cntref access bursts.		

Test Case Dynamic Behaviour					
Test Case Name:		TC_26_12_2_1_7			
Group:		GSM_MS_EFR_4200/EFR/			
Purpose:		To test that the MS shall correctly apply the handover procedure in the non-synchronized case when: - a call is in progress and, - handover is performed from a TCH/F sv1, with frequency hopping on cell A towards a TCH/F, sv2, with frequency hopping on cell B			
Default:		OtherEventsFail_01			
Nr	Label	Behaviour Description	CRef	V	Comments
1		START T_guard(300)			
2		(TCV_asscmd_ts := TSPX_TmSItA, TCV_T := TSPX_TimadvA, TCV_Pwrlvl_ho:= INT_TO_BIT(TSPX_PwrlvlA, 5))			
3		+EFR_BasicServiceMT(TSPX_MTBscSvcI, TSPX_MTChRateI)			
4		+IdleUpdated(C_E_default, C_CellA, C_SCH_A, C_BCCH_A_1, C_Immass, C_S0, C_SlotNU, C_SlotNU, C_SlotNU, C_BCC, C_TxInt_5, C_Max_7, C_NECI_0, C_ATT_0, TimingAdv(TCV_T), C_BABR_0, C_cch_1Comb, C_BPM_3, C_T3212_0, C_ci_cellA, C_MCC_1, C_PLMN_1, C_LAC_1, CellOpt_01, CellChDes_20_Aman, CellChDes_201_Ad, C_CellReselectHys12, C_MaxPwrLvlG, C_MaxPwrLvlD, BcchFreqLst_01, BcchFreqLst_Omit, BcchFreqLst_48, BcchFreqLst_Omit, C_noReestablishment, C_BCC, C_NCC, C_Start_Tmsi, TSPX_SDCCH4SubDef, TSPX_CKSNDf, TSPX_RANDDef, C_arfcnA, C_arfcnAd_4, TSPX_IMSI, C_Test_fh, C_NCCP_2)			
5		+StartCellB_ho(C_E_suitable, C_BCCHcarrierB_ho, C_BCCHcarrierB_hod, C_Immass, TCV_slot, TCV_tsc, TimingAdv(TCV_T), C_TxInt_5, C_Max_7, C_NECI_0, C_ATT_0, C_BABR_0, C_cch_1Comb, C_BPM_3, C_T3212_0, C_MCC_1, C_PLMN_1, C_LAC_2, CellChDes_20_Bman, CellChDes_201_Bd, BcchFreqLst_01, BcchFreqLst_48, C_noReestablishment, C_BCC, C_NCC, TSPX_k, 100)			frame number in cell B is 100 in advance of frame number in cell A.
6		+FullRateCh_A_1(C_Asynho, TCV_asscmd_ts, TCV_tsc, ChMod_speech, FreqTCHa_hof1, FreqTCHa_hof1d, C_Noarfcn, C_Noarfcn, TimingAdv(TCV_T), C_BABR_0, C_cch_1Comb, C_BPM_3)			Set TCH/F, sv1, FH on cellA
7		+Est_MT_Call_FH(TimingAdv(TCV_T), C_Full, INT_TO_BIT(TSPX_MAIO, 6), TSPX_HSN, TSPX_RANDDef, TCV_asscmd_ts, TSPX_TscDef, TSPX_TCHHSubDef)			To establish a MTcall with hopping channel.
8	body	(TCV_ch := TCV_chTch, TCV_chTch1:=TCV_ch)			
9		(TCV_n := 750, TCV_Cntref := TSPX_NoOfHoAccA, TCV_T := 20, TCV_ts := TSPX_TmSItNotZero1, TCV_Horf:= TSPX_HoRefG, TCV_tsc := TSPX_TscG, TCV_chtype := '00001'B)			Parameters initialization for Handover procedure.
10		+FullRateCh_B_1(C_Asynho, TCV_ts, TCV_tsc, ChMod_EFR2, FreqTCHb_hof1, FreqTCHb_hof1d, C_Noarfcn, C_Noarfcn, TimingAdv(TCV_T), C_BABR_0, C_cch_1Comb, C_BPM_3)			Set TCH/F, sv2, FH on cellB
11		(TCV_ch := TCV_chTch)			
12		+tree_BuildHoCMD			
13		(TCV_Fn := OM_ComingFn(TCV_chTch1), TCV_Null:= OM_SendNextOn(starting time is set to 1.1 s plus 100 frames

14		TCV_chTch1, TCV_Fn), TCV_Strt := OC_StartTime(TCV_Fn,(C_StartingTimeHO + 100), 1)) (TCV_Null := OM_SendNextOnHO(TCV_ ch, TCV_Cntref))		
15		L!DL_DatRqHoCmd(DL_DatRqHoCmd.msg.str t:= TCV_Strt)	HndOvSnd(TCV_chTch1, TCV_HoCMD)	HO command
16		L!DL_DatRqPhyinfo	PhyInfo_01(TCV_ch, TimingAdv(TCV_T))	See Note 1.
17		+RR_hocomp1(TCV_n, TimingAdv(TCV_T))		
18		+ltree_FirstBurstOn TimeCHK		
19		+ChanRel_end(TCV_ch)		
20		ltree_BuildHoCMD		
21		[TSPC_PGSM OR TSPC_EGSM] (TCV_HoCMD := HandOverCmd_fh(TCV_ctype, TCV_ts, TCV_tsc, C_NCC, C_BCC, C_BCCHcarrierB_ho, 12, TSPX_HSN, TCV_Horf, TCV_Pwrlvl_ho, Synchi(C_not_report_otd, C_non_synchronised), Frql_omit, Frql_20_B3, CellChDes_Omit, ChMod_omit, Freqchseq_omit, MoblAllc_omit, RelTmdDif_omit, TimingAdv_omit, CphMod_omit))		
22		[TSPC_DCS]		
23		(TCV_HoCMD := HandOverCmd_fh(TCV_ctype, TCV_ts, TCV_tsc, C_NCC, C_BCC, C_BCCHcarrierB_hod, 12, TSPX_HSN, TCV_Horf, TCV_Pwrlvl_ho, Synchi(C_not_report_otd, C_non_synchronised), Frql_omit, Frql_20_B3d, CellChDes_Omit, ChMod_omit, Freqchseq_omit, MoblAllc_omit, RelTmdDif_omit, TimingAdv_omit, CphMod_omit))		
24		ltree_FirstBurstOnTimeCHK +FnArith(TCV_FnBurst, TCV_Strt.fn)		
25	E_01 36	[(TCV_Time > 5) OR(TCV_Time < 0)]		(F)
26	E_01 37	[(TCV_Time >= 0) AND(TCV_Time < 5)]		(P)

Detailed Comments: HO from TCH/F_FH sv1 of cell A to TCH/F_FH sv2 in cell B

Notes:
1. PhyInfo is dequeued from the sending buffer, but held through OM_SendNextOnHO at the lower layers of the tester for sending till having received TCV_Cntref access bursts.

Test Case Dynamic Behaviour					
Test Case Name: TC_26_12_2_1_8					
Group: GSM_MS_EFR_4200/EFR/					
Purpose: To test that the MS shall correctly apply the handover procedure in the non-synchronized case when: - a call is in progress and, - handover is performed from a TCH/F, sv2, without frequency hopping towards a TCH/F, sv1, with frequency hopping					
Default: OtherEventsFail_01					
Nr	Label	Behaviour Description	CRef	V	Comments
1		START T_guard(300)			
2		(TCV_asscmd_ts := TSPX_TmSlit, TCV_T := 20, TCV_PwrLvl_ho:= INT_TO_BIT(TSPX_PwrLvlA, 5))			
3		+EFR_BasicServiceMT(TSPX_MTBscSvcl, TSPX_MTChRateI)			
4		+IdleUpdated(C_E_default, C_CellB, C_SCH_B, C_BCCH_B_1, C_Immass, C_S0, C_SlotNU, C_SlotNU, C_SlotNU, C_BCC, C_TxInt_5, C_Max_7, C_NECl_0, C_ATT_0, TimingAdv(TCV_T), C_BABR_0, C_cch_1Comb, C_BPM_3, C_T3212_0, C_ci_cellB, C_MCC_1, C_PLMN_1, C_LAC_1, CellOpt_01, CellChDes_20_Bman, CellChDes_201_Bd, C_CellReselectHys12, C_MaxPwrLvlG, C_MaxPwrLvlD, BcchFreqLst_01, BcchFreqLst_Omit, BcchFreqLst_48, BcchFreqLst_Omit, C_noRestablishment, C_BCC, C_NCC, C_Start_Tmsi, TSPX_SDCCH4SubDef, TSPX_CKSNDf, TSPX_RANDDef, C_arfcnB, C_arfcnBd, TSPX_IMSI, C_Test_fh, C_NCCP_2)			
5		+StartCellA_ho(C_E_suitable, C_BCCHcarrierA_ho, C_BCCHcarrierA_hod, C_Immass, TCV_slot, TCV_tsc, TimingAdv(TCV_T), C_TxInt_5, C_Max_7, C_NECl_0, C_ATT_0, C_BABR_0, C_cch_1Comb, C_BPM_3, C_T3212_0, C_MCC_1, C_PLMN_1, C_LAC_2, CellChDes_20_Aman, CellChDes_201_Ad, BcchFreqLst_01, BcchFreqLst_48, C_noRestablishment, C_BCC, C_NCC, TSPX_k, 100)			frame number in cell A is 100 in advance of frame number in cell B.
6		+FullRateCh_B_1(C_Asynho, TCV_asscmd_ts, TCV_tsc, ChMod_EFR2, FreqTCHb_hof1, FreqTCHb_hof1d, C_Noarfcn, C_Noarfcn, TimingAdv(TCV_T), C_BABR_0, C_cch_1Comb, C_BPM_3)			Set TCH/F, sv2, FH on cellB
7		+Est_MT_Call_FH(TimingAdv(TCV_T), C_Full_v2, INT_TO_BIT(TSPX_MAIO, 6), TSPX_HSN, TSPX_RANDDef, TCV_asscmd_ts, TSPX_TscDef, TSPX_TCHHSubDef)			To establish a MTcall with hopping channel.
8	body	(TCV_ch := TCV_chTch, TCV_chTch1:=TCV_ch)			
9		(TCV_n := 750, TCV_Cntref := TSPX_NoOfHoAccB, TCV_T := TSPX_TimadvA, TCV_ts := TSPX_TmSlitNotZero, TCV_Horf:= TSPX_HoRefH, TCV_tsc := TSPX_TscA, TCV_chtype := '00001'B)			Parameters initialization for Handover procedure.
10		+FullRateCh_A_1(C_Asynho, TCV_ts, TCV_tsc, ChMod_speech, FreqTCHa_hof1, FreqTCHa_hof1d, C_Noarfcn, C_Noarfcn, TimingAdv(TCV_T), C_BABR_0, C_cch_1Comb, C_BPM_3)			Set TCH/F, sv1, NonFH on cellA
11		(TCV_ch := TCV_chTch)			
12		+ltree_BuildHoCMD			
13		(TCV_Null := OM_SendNextOnHO(TCV_ch , TCV_Cntref))			

14	LIDL_DatRqHoCmd	HndOvSnd(TCV_chTch1, TCV_HoCMD)	HO command
15	LIDL_DatRqPhyinfo	PhyInfo_01(TCV_ch, TimingAdv(TCV_T))	See Note 1.
16	+RR_hocomp1(TCV_n, TimingAdv(TCV_T))		
17	+ChanRel_end(TCV_ch)		
18	Itree_BuildHoCMD		
19	[TSPC_PGSM OR TSPC_EGSM] (TCV_HoCMD := HandOverCmd_fh(TCV_chtype, TCV_ts, TCV_tsc, C_NCC, C_BCC, C_arfcnA, 12, TSPX_HSN, TCV_Horf, TCV_Pwrlvl_ho, Synchi_omit, Frql_omit, Frql_omit, CellChDes_Omit, ChMod_speech_jei, Freqchseq_22, MobilAllc_omit, RelTmdDif_omit, TimingAdv_omit, CphMod_omit))		
20	[TSPC_DCS]		
21	(TCV_HoCMD := HandOverCmd_fh(TCV_chtype, TCV_ts, TCV_tsc, C_NCC, C_BCC, C_arfcnAd_4, 9, TSPX_HSN, TCV_Horf, TCV_Pwrlvl_ho, Synchi_omit, Frql_20_Ad, Frql_omit, CellChDes_Omit, ChMod_omit, Freqchseq_omit, MobilAllc_omit, RelTmdDif_omit, TimingAdv_omit, CphMod_omit))		

Detailed Comments: HandOver from TCH/F_FH sv2 of cell B to TCH/F_FH sv1 in cell A

Notes:
1. PhyInfo is dequeued from the sending buffer, but held through OM_SendNextOnHO at the lower layers of the tester for sending till having received TCV_Cntref access bursts.

Test Case Dynamic Behaviour					
Test Case Name:		TC_26_12_2_1_9			
Group:		GSM_MS_EFR_4200/EFR/			
Purpose:		To test that the MS shall correctly apply the handover procedure in the non-synchronized case when: - a call is in progress and, - handover is performed from a TCH/F, sv1, with frequency hopping towards a TCH/F, sv2, without frequency hopping			
Default:		OtherEventsFail_01			
Nr	Label	Behaviour Description	CRef	V	Comments
1		START T_guard(300)			
2		(TCV_asscmd_ts := TSPX_TmSlta, TCV_T := TSPX_TimadvA, TCV_Pwrlvl_ho:= INT_TO_BIT(TSPX_PwrlvlA, 5))			
3		+EFR_BasicServiceMT(TSPX_MTBscSvcl, TSPX_MTChRateI)			
4		+IdleUpdated(C_E_default, C_CellA, C_SCH_A, C_BCCH_A_1, C_Immass, C_S0, C_SlotNU, C_SlotNU, C_SlotNU, C_BCC, C_TxInt_5, C_Max_7, C_NECI_0, C_ATT_0, TimingAdv(TCV_T), C_BABR_0, C_cch_1Comb, C_BPM_3, C_T3212_0, C_ci_cellA, C_MCC_1, C_PLMN_1, C_LAC_1, CellOpt_01, CellChDes_20_Aman, CellChDes_201_Ad, C_CellReselectHys12, C_MaxPwrLvlG, C_MaxPwrLvlD, BcchFreqLst_01, BcchFreqLst_Omit, BcchFreqLst_48, BcchFreqLst_Omit, C_noReestablishment, C_BCC, C_NCC, C_Start_Tmsi, TSPX_SDCCH4SubDef, TSPX_CKSNDDef, TSPX_RANDDef, C_arfcnA, C_arfcnAd_4, TSPX_IMSI, C_Test_fh, C_NCCP_2)			
5		+StartCellB_ho(C_E_suitable, C_BCCHcarrierB_ho, C_BCCHcarrierB_hod, C_Immass, TCV_slot, TCV_tsc, TimingAdv(TCV_T), C_TxInt_5, C_Max_7, C_NECI_0, C_ATT_0, C_BABR_0, C_cch_1Comb, C_BPM_3, C_T3212_0, C_MCC_1, C_PLMN_1, C_LAC_2, CellChDes_20_Bman, CellChDes_201_Bd, BcchFreqLst_01, BcchFreqLst_48, C_noReestablishment, C_BCC, C_NCC, TSPX_k, 100)			frame number in cell B is 100 in advance of frame number in cell A.
6		+FullRateCh_A_1(C_Asynho, TCV_asscmd_ts, TCV_tsc, ChMod_speech, FreqTCHa_hof1, FreqTCHa_hof1d, C_Noarfcn, C_Noarfcn, TimingAdv(TCV_T), C_BABR_0, C_cch_1Comb, C_BPM_3)			Set TCH/F, sv1, FH on cellA
7		+Est_MT_Call_FH(TimingAdv(TCV_T), C_Full, INT_TO_BIT(TSPX_MAIO, 6), TSPX_HSN, TSPX_RANDDef, TCV_asscmd_ts, TSPX_TscDef, TSPX_TCHHSubDef)			To establish a MTcall with hopping channel.
8	body	(TCV_ch := TCV_chTch, TCV_chTch1:=TCV_ch)			
9		(TCV_n := 750, TCV_Cntref := TSPX_NoOfHoAccC, TCV_T := TSPX_TimadvB, TCV_ts := TSPX_TmSlta, TCV_Horf:= TSPX_HoRefI, TCV_tsc := TSPX_TscB, TCV_chtype := '00001'B)			Parameters initialization for Handover procedure.
10		+FullRateCh_B_1(C_Asynho, TCV_ts, TCV_tsc, ChMod_EFR2, FreqTCH_omit, FreqTCH_omit, TSPX_TCHcarrierB_ho, TSPX_TCHcarrierB_hod, TimingAdv(TCV_T), C_BABR_0, C_cch_1Comb, C_BPM_3)			Set TCH/F, sv2, nonFH on cellB
11		+ltree_arfcnB			
12		(TCV_HoCMD :=			

13	HandOverCmd_nfh(TCV_chtype, TCV_ts, TCV_tsc, C_NCC, C_BCC, TCV_chdescr_arfcn, TCV_tch_arfcn, TCV_Horf, TCV_Pwrlvl_ho, Synchi(C_not_report_otd, C_non_synchronised), ChMod_omit, RelTmdDif_omit, TimingAdv_omit, CphMod_omit)) (TCV_ch := TCV_chTch)			
14	(TCV_Null := OM_SendNextOnHO(TCV_ ch, TCV_Cntref))			
15	LIDL_DatRqHoCmd	HndOvSnd(TCV_chTch1, TCV_HoCMD)		HO command
16	LIDL_DatRqPhyinfo	PhyInfo_01(TCV_ch, TimingAdv(TCV_T))		See Note 1.
17	+RR_hocomp1(TCV_n, TimingAdv(TCV_T))			
18	+ChanRel_end(TCV_ch)			
19	ltree_arfcnB [TSPC_PGSM OR TSPC_EGSM]			
20	(TCV_chdescr_arfcn := C_BCCHcarrierB_ho, TCV_tch_arfcn := TSPX_TCHcarrierB_ho)			
21	[TSPC_DCS]			
22	(TCV_chdescr_arfcn := C_BCCHcarrierB_hod, TCV_tch_arfcn := TSPX_TCHcarrierB_hod)			
Detailed Comments: HandOver from TCH/F_nonFH sv1 of cell A to TCH/F_nonFH sv2 in cell B				
Notes: 1. PhyInfo is dequeued from the sending buffer, but held through OM_SendNextOnHO at the lower layers of the tester for sending till having received TCV_Cntref access bursts.				

Test Case Dynamic Behaviour					
Test Case Name:		TC_26_12_2_1_10			
Group:		GSM_MS_EFR_4200/EFR/			
Purpose:		o test that the MS shall correctly apply the handover procedure in the non-synchronized case when: - a call is in progress and, - handover is performed from a TCH/F, sv2, without frequency hopping towards a TCH/H, sv1, with frequency hopping			
Default:		OtherEventsFail_01			
Nr	Label	Behaviour Description	CRef	V	Comments
1		START T_guard(300)			
2		(TCV_asscmd_ts := TSPX_TmSitA, TCV_T := TSPX_TimadvB, TCV_Pwrlvl_ho:= INT_TO_BIT(TSPX_PwrlvlA, 5))			
3		+EFR_BasicServiceMT(TSPX_MTBscSvcI, TSPX_MTChRateI)			
4		+IdleUpdated(C_E_default, C_CellB, C_SCH_B, C_BCCH_B_1, C_Immass, C_S0, C_SlotNU, C_SlotNU, C_SlotNU, C_BCC, C_TxInt_5, C_Max_7, C_NECI_0, C_ATT_0, TimingAdv(TCV_T), C_BABR_0, C_cch_1Comb, C_BPM_3, C_T3212_0, C_ci_cellB, C_MCC_1, C_PLMN_1, C_LAC_1, CellOpt_01, CellChDes_20_Bman, CellChDes_201_Bd, C_CellReselectHys12, C_MaxPwrLvlG, C_MaxPwrLvlD, BcchFreqLst_01, BcchFreqLst_Omit, BcchFreqLst_48, BcchFreqLst_Omit, C_noRestablishment, C_BCC, C_NCC, C_Start_Tmsi, TSPX_SDCCH4SubDef, TSPX_CKSNDf, TSPX_RANDDef, C_arfcnB, C_arfcnBd, TSPX_IMSI, C_Test_fh, C_NCCP_2)			
5		+StartCellA_ho(C_E_suitable, C_BCCHcarrierA_ho, C_BCCHcarrierA_hod, C_Immass, TCV_slot, TCV_tsc, TimingAdv(TCV_T), C_TxInt_5, C_Max_7, C_NECI_0, C_ATT_0, C_BABR_0, C_cch_1Comb, C_BPM_3, C_T3212_0, C_MCC_1, C_PLMN_1, C_LAC_2, CellChDes_20_Aman, CellChDes_201_Ad, BcchFreqLst_01, BcchFreqLst_48, C_noRestablishment, C_BCC, C_NCC, TSPX_k, 100)			frame number in cell A is 100 in advance of frame number in cell B.
6		+FullRateCh_B_1(C_Asynho, TCV_asscmd_ts, TCV_tsc, ChMod_EFR2, FreqTCH_omit, FreqTCH_omit, TSPX_TCHcarrierB_ho, TSPX_TCHcarrierB_hod, TimingAdv(TCV_T), C_BABR_0, C_cch_1Comb, C_BPM_3)			Set TCH/F, sv2, NonFH on cellB
7		+Est_MT_CallNonFH(TimingAdv(TCV_T), C_Full_v2, TSPX_TCHHSubDef, TSPX_RANDDef)			To establish MTcall with NonFH channel.
8	body	(TCV_ch := TCV_chTch, TCV_chTch1:=TCV_ch)			
9		(TCV_n := 750, TCV_Cntref := TSPX_NoOfHoAccD, TCV_T := TSPX_TimadvC, TCV_ts := TSPX_TmSitNotZero1, TCV_Horf:= TSPX_HoRefJ, TCV_tsc := TSPX_TscC, TCV_chtype := INT_TO_BIT((2+BIT_TO_INT(TSPX_TCHHSubA)),5))			
10		+HalfRateCh_A_1(TSPX_TCHHSubA, C_Asynho, TCV_ts, TCV_tsc, ChMod_speech, FreqTCHa_hof1, FreqTCHa_hof1d, C_Noarfcn, C_Noarfcn, TimingAdv(TCV_T), C_BABR_0, C_cch_1Comb, C_BPM_3)			
11		(TCV_ch := TCV_chTch)			
12		+tree_BuildHoCMD			

13	(TCV_Null := OM_SendNextOnHO(TCV_ch , TCV_Cntref))		
14	LIDL_DatRqHoCmd	HndOvSnd(TCV_chTch1, TCV_HoCMD)	HO command
15	LIDL_DatRqPhyinfo	PhyInfo_01(TCV_ch, TimingAdv(TCV_T))	See Note 1.
16	+RR_hocomp1(TCV_n, TimingAdv(TCV_T))		
17	+ChanRel_end(TCV_ch)		
18	Itree_BuildHoCMD		
19	[TSPC_PGSM OR TSPC_EGSM] (TCV_HoCMD := HandOverCmd_fh(TCV_chtype, TCV_ts, TCV_tsc, C_NCC, C_BCC, C_arfcnA, 12, TSPX_HSN, TCV_Horf, TCV_Pwrlvl_ho, Synchi_omit, Frql_omit, Frql_omit, CellChDes_Omit, ChMod_speech_iei, Freqchseq_22, MobilAllc_omit, RelTmdDif_omit, TimingAdv_omit, CphMod_omit))		
20	[TSPC_DCS]		
21	(TCV_HoCMD := HandOverCmd_fh(TCV_chtype, TCV_ts, TCV_tsc, C_NCC, C_BCC, C_arfcnAd_4, 9, TSPX_HSN, TCV_Horf, TCV_Pwrlvl_ho, Synchi_omit, Frql_20_Ad, Frql_omit, CellChDes_Omit, ChMod_omit, Freqchseq_omit, MobilAllc_omit, RelTmdDif_omit, TimingAdv_omit, CphMod_omit))		
Detailed Comments: HandOver from TCH/F_non sv2 of cell B to TCH/H_FH sv1 in cell A			
Notes:			
1. PhyInfo is dequeued from the sending buffer, but held through OM_SendNextOnHO at the lower layers of the tester for sending till having received TCV_Cntref access bursts.			

Test Case Dynamic Behaviour					
Test Case Name:		TC_26_12_2_1_11			
Group:		GSM_MS_EFR_4200/EFR/			
Purpose:		To test that the MS shall correctly apply the handover procedure in the non-synchronized case when: - a call is in progress and, - handover is performed from a TCH/H, sv1, with frequency hopping towards a TCH/F, sv2, with frequency hopping			
Default:		OtherEventsFail_01			
Nr	Label	Behaviour Description	Cref	V	Comments
1		START T_guard(300)			
2		(TCV_asscmd_ts := TSPX_TmSlitA, TCV_T := TSPX_TimadvA, TCV_Pwrlvl_ho:= INT_TO_BIT(TSPX_PwrlvlA, 5))			
3		+EFR_BasicServiceMT(TSPX_MTBscSvcl, TSPX_MTChRateI)			
4		+IdleUpdated(C_E_default, C_CellA, C_SCH_A, C_BCCH_A_1, C_Immass, C_S0, C_SlotNU, C_SlotNU, C_SlotNU, C_BCC, C_TxInt_5, C_Max_7, C_NECI_0, C_ATT_0, TimingAdv(TCV_T), C_BABR_0, C_cch_1Comb, C_BPM_3, C_T3212_0, C_ci_cellA, C_MCC_1, C_PLMN_1, C_LAC_1, CellOpt_01, CellChDes_20_Aman, CellChDes_201_Ad, C_CellReselectHys12, C_MaxPwrLvlG, C_MaxPwrLvlD, BcchFreqLst_01, BcchFreqLst_Omit, BcchFreqLst_48, BcchFreqLst_Omit, C_noRestablishment, C_BCC, C_NCC, C_Start_Tmsi, TSPX_SDCCH4SubDef, TSPX_CKSNDDef, TSPX_RANDDef, C_arfcnA, C_arfcnAd_4, TSPX_IMSI, C_Test_fh, C_NCCP_2)			
5		+StartCellB_ho(C_E_suitable, C_BCCHcarrierB_ho, C_BCCHcarrierB_hod, C_Immass, TCV_slot, TCV_tsc, TimingAdv(TCV_T), C_TxInt_5, C_Max_7, C_NECI_0, C_ATT_0, C_BABR_0, C_cch_1Comb, C_BPM_3, C_T3212_0, C_MCC_1, C_PLMN_1, C_LAC_2, CellChDes_20_Bman, CellChDes_201_Bd, BcchFreqLst_01, BcchFreqLst_48, C_noRestablishment, C_BCC, C_NCC, TSPX_k, 100)			frame number in cell B is 100 in advance of frame number in cell A.
6		+HalfRateCh_A_1(TSPX_TCHHSubA, C_Asynho, TCV_asscmd_ts, TCV_tsc, ChMod_speech, FreqTCHa_hof1, FreqTCHa_hof1d, C_Noarfcn, C_Noarfcn, TimingAdv(TCV_T), C_BABR_0, C_cch_1Comb, C_BPM_3)			Set TCH/H, sv1, FH on cellA
7		+Est_MT_Call_FH(TimingAdv(TCV_T), C_Half, INT_TO_BIT(TSPX_MAIO, 6), TSPX_HSN, TSPX_RANDDef, TCV_asscmd_ts, TSPX_TscDef, TSPX_TCHHSubDef)			To establish a MTcall with hopping channel.
8	body	(TCV_ch := TCV_chTch, TCV_chTch1:=TCV_ch)			
9		(TCV_n := 750, TCV_Cntref := TSPX_NoOfHoAccA, TCV_T := 20, TCV_ts := TSPX_TmSlitNotZero, TCV_Horf:= TSPX_HoRefA, TCV_tsc := TSPX_TscD, TCV_chtype := '00001'B)			Parameters initialization for Handover procedure.
10		+FullRateCh_B_1(C_Asynho, TCV_ts, TCV_tsc, ChMod_EFR2, FreqTCHb_hof1, FreqTCHb_hof1d, C_Noarfcn, C_Noarfcn, TimingAdv(TCV_T), C_BABR_0, C_cch_1Comb, C_BPM_3)			Set TCH/F, sv2, FH on cellB
11		(TCV_ch := TCV_chTch)			
12		+Itree_BuildHoCMD			
13		(TCV_Fn := OM_ComingFn(TCV_chTch1), TCV_Null:=			starting time is set to 1.1 s plus 100 frames

14		OM_SendNextOn(TCV_chTch1, TCV_Fn), TCV_Strt := OC_StartTime(TCV_Fn,(C_StartingTimeHO + 100), 1)) (TCV_Null := OM_SendNextOnHO(TCV_ ch, TCV_Cntref))		
15		L!DL_DatRqHoCmd(DL_DatRqHoCmd.msg.str t:= TCV_Strt)	HndOvSnd(TCV_chTch1, TCV_HoCMD)	HO command
16		L!DL_DatRqPhyinfo	PhyInfo_01(TCV_ch, TimingAdv(TCV_T))	See Note 1.
17		+RR_hocomp1(TCV_n, TimingAdv(TCV_T))		
18		+ChanRel_end(TCV_ch)		
19		Itree_BuildHoCMD		
20		[TSPC_PGSM OR TSPC_EGSM] (TCV_HoCMD := HandOverCmd_fh(TCV_chtype, TCV_ts, TCV_tsc, C_NCC, C_BCC, C_BCCHcarrierB_ho, 12, TSPX_HSN, TCV_Horf, TCV_Pwrlvl_ho, Synchi(C_not_report_otd, C_non_synchronised), Frql_omit, Frql_20_B3, CellChDes_Omit, ChMod_omit, Freqchseq_omit, MoblAllc_omit, RelTmdDif_omit, TimingAdv_omit, CphMod_omit))		
21		[TSPC_DCS]		
22		(TCV_HoCMD := HandOverCmd_fh(TCV_chtype, TCV_ts, TCV_tsc, C_NCC, C_BCC, C_BCCHcarrierB_hod, 12, TSPX_HSN, TCV_Horf, TCV_Pwrlvl_ho, Synchi(C_not_report_otd, C_non_synchronised), Frql_omit, Frql_20_B3d, CellChDes_Omit, ChMod_omit, Freqchseq_omit, MoblAllc_omit, RelTmdDif_omit, TimingAdv_omit, CphMod_omit))		
23		Itree_FirstBurstOnTimeCHK		
24	E_01 46	+FnArith(TCV_FnBurst, TCV_Strt.fn) [(TCV_Time > 5) OR(TCV_Time < 0)]		(F)
25	E_01 47	[(TCV_Time >= 0) AND(TCV_Time < 5)]		(P)
Detailed Comments:		HandOver from TCH/H_FH sv1 of cell A to TCH/F_FH sv2 in cell B		
		Notes: 1. PhyInfo is dequeued from the sending buffer, but held through OM_SendNextOnHO at the lower layers of the tester for sending till having received TCV_Cntref access bursts.		

Test Case Dynamic Behaviour					
Test Case Name:		TC_26_12_2_1_12			
Group:		GSM_MS_EFR_4200/EFR/			
Purpose:		To test that the MS shall correctly apply the handover procedure in the non-synchronized case when: - a call is in progress and, - handover is performed from a TCH/F, sv2, with frequency hopping towards a TCH/H, sv1, with frequency hopping			
Default:		OtherEventsFail_01			
Nr	Label	Behaviour Description	CRef	V	Comments
1		START T_guard(300)			
2		(TCV_asscmd_ts := TSPX_TmSlitA, TCV_T := 20, TCV_PwrLvl_ho:= INT_TO_BIT(TSPX_PwrLvlA, 5))			
3		+EFR_BasicServiceMT(TSPX_MTBscSvcl, TSPX_MTChRateI)			
4		+IdleUpdated(C_E_default, C_CellB, C_SCH_B, C_BCCH_B_1, C_Immass, C_S0, C_SlotNU, C_SlotNU, C_SlotNU, C_BCC, C_TxInt_5, C_Max_7, C_NECl_0, C_ATT_0, TimingAdv(TCV_T), C_BABR_0, C_cch_1Comb, C_BPM_3, C_T3212_0, C_ci_cellB, C_MCC_1, C_PLMN_1, C_LAC_1, CellOpt_01, CellChDes_20_Bman, CellChDes_201_Bd, C_CellReselectHys12, C_MaxPwrLvlG, C_MaxPwrLvlD, BcchFreqLst_01, BcchFreqLst_Omit, BcchFreqLst_48, BcchFreqLst_Omit, C_noRestablishment, C_BCC, C_NCC, C_Start_Tmsi, TSPX_SDCCH4SubDef, TSPX_CKSNDf, TSPX_RANDDef, C_arfcnB, C_arfcnBd, TSPX_IMSI, C_Test_fh, C_NCCP_2)			
5		+StartCellA_ho(C_E_suitable, C_BCCHcarrierA_ho, C_BCCHcarrierA_hod, C_Immass, TCV_slot, TCV_tsc, TimingAdv(TCV_T), C_TxInt_5, C_Max_7, C_NECl_0, C_ATT_0, C_BABR_0, C_cch_1Comb, C_BPM_3, C_T3212_0, C_MCC_1, C_PLMN_1, C_LAC_2, CellChDes_20_Aman, CellChDes_201_Ad, BcchFreqLst_01, BcchFreqLst_48, C_noRestablishment, C_BCC, C_NCC, TSPX_k, 100)			frame number in cell A is 100 in advance of frame number in cell B.
6		+FullRateCh_B_1(C_Asynho, TCV_asscmd_ts, TCV_tsc, ChMod_EFR2, FreqTCHb_hof1, FreqTCHb_hof1d, C_Noarfcn, C_Noarfcn, TimingAdv(TCV_T), C_BABR_0, C_cch_1Comb, C_BPM_3)			Set TCH/F, sv2, FH on cellB
7		+Est_MT_Call_FH(TimingAdv(TCV_T), C_Full_v2, INT_TO_BIT(TSPX_MAIO, 6), TSPX_HSN, TSPX_RANDDef, TCV_asscmd_ts, TSPX_TscDef, TSPX_TCHHSubDef)			To establish a MTcall with hopping channel.
8	body	(TCV_ch := TCV_chTch, TCV_chTch1:=TCV_ch)			
9		(TCV_n := 750, TCV_Cntref := TSPX_NoOfHoAccE, TCV_T := TSPX_TimadvA, TCV_ts := TSPX_TmSlitNotZero1, TCV_Horf:= TSPX_HoRefB, TCV_tsc := TSPX_TscD, TCV_chtype := INT_TO_BIT((2+BIT_TO_INT(TSPX_ TCHHSubDef)),5))			Parameters initialization for Handover procedure.
10		+HalfRateCh_A_1(TSPX_TCHHSubDef, C_Asynho, TCV_ts, TCV_tsc, ChMod_speech, FreqTCHa_hof1, FreqTCHa_hof1d, C_Noarfcn, C_Noarfcn, TimingAdv(TCV_T), C_BABR_0, C_cch_1Comb, C_BPM_3)			Set TCH/H, sv1, FH on cellA
11		(TCV_ch := TCV_chTch)			
12		+ltree_BuildHoCMD			
13		(TCV_Null :=			

14	OM_SendNextOnHO(TCV_ch, TCV_Cntref) LIDL_DatRqHoCmd	HndOvSnd(TCV_chTch1, TCV_HoCMD)	HO command
15	LIDL_DatRqPhyinfo	PhyInfo_01(TCV_ch, TimingAdv(TCV_T))	See Note 1.
16	+RR_hocomp1(TCV_n, TimingAdv(TCV_T))		
17	+ChanRel_end(TCV_ch)		
18	Itree_BuildHoCMD [TSPC_PGSM OR TSPC_EGSM]		
19	(TCV_HoCMD := HandOverCmd_fh(TCV_chtype, TCV_ts, TCV_tsc, C_NCC, C_BCC, C_arfcnA, 12, TSPX_HSN, TCV_Horf, TCV_Pwrlvl_ho, Synchi_omit, Frql_omit, Frql_omit, CellChDes_Omit, ChMod_speech_iei, Freqchseq_22, MoblAllc_omit, RelTmdDif_omit, TimingAdv_omit, CphMod_omit))		
20	[TSPC_DCS]		
21	(TCV_HoCMD := HandOverCmd_fh(TCV_chtype, TCV_ts, TCV_tsc, C_NCC, C_BCC, C_arfcnAd_4, 9, TSPX_HSN, TCV_Horf, TCV_Pwrlvl_ho, Synchi_omit, Frql_20_Ad, Frql_omit, CellChDes_Omit, ChMod_omit, Freqchseq_omit, MoblAllc_omit, RelTmdDif_omit, TimingAdv_omit, CphMod_omit))		
Detailed Comments: HandOver from TCH/F_FH sv2 of cell B to TCH/H_FH sv1 in cell A			
Notes:			
1. PhyInfo is dequeued from the sending buffer, but held through OM_SendNextOnHO at the lower layers of the tester for sending till having received TCV_Cntref access bursts.			

Test Case Dynamic Behaviour					
Test Case Name: TC_26_12_2_1_13					
Group: GSM_MS_EFR_4200/EFR/					
Purpose: To test that the MS shall correctly apply the handover procedure in the non-synchronized case when: - a call is in progress and, - handover is performed from a TCH/H, sv1, with frequency hopping towards a TCH/F,sv2, without frequency hopping					
Default: OtherEventsFail_01					
Nr	Label	Behaviour Description	Cref	V	Comments
1		START T_guard(300)			
2		(TCV_asscmd_ts := TSPX_TmSlitA, TCV_T := TSPX_TimadvA, TCV_Pwrlvl_ho:= INT_TO_BIT(TSPX_PwrlvlA, 5))			
3		+EFR_BasicServiceMT(TSPX_MTBscSvcI, TSPX_MTChRateI)			
4		+IdleUpdated(C_E_default, C_CellA, C_SCH_A, C_BCCH_A_1, C_Immass, C_S0, C_SlotNU, C_SlotNU, C_SlotNU, C_BCC, C_TxInt_5, C_Max_7, C_NECI_0, C_ATT_0, TimingAdv(TCV_T), C_BABR_0, C_cch_1Comb, C_BPM_3, C_T3212_0, C_ci_cellA, C_MCC_1, C_PLMN_1, C_LAC_1, CellOpt_01, CellChDes_20_Aman, CellChDes_201_Ad, C_CellReselectHys12, C_MaxPwrLvlG, C_MaxPwrLvlD, BcchFreqLst_01, BcchFreqLst_Omit, BcchFreqLst_48, BcchFreqLst_Omit, C_noReestablishment, C_BCC, C_NCC, C_Start_Tmsi, TSPX_SDCCH4SubDef, TSPX_CKSNDDef, TSPX_RANDDef, C_arfcnA, C_arfcnAd_4, TSPX_IMSI, C_Test_fh, C_NCCP_2)			
5		+StartCellB_ho(C_E_suitable, C_BCCHcarrierB_ho, C_BCCHcarrierB_hod, C_Immass, TCV_slot, TCV_tsc, TimingAdv(TCV_T), C_TxInt_5, C_Max_7, C_NECI_0, C_ATT_0, C_BABR_0, C_cch_1Comb, C_BPM_3, C_T3212_0, C_MCC_1, C_PLMN_1, C_LAC_2, CellChDes_20_Bman, CellChDes_201_Bd, BcchFreqLst_01, BcchFreqLst_48, C_noReestablishment, C_BCC, C_NCC, TSPX_k, 100)			frame number in cell B is 100 in advance of frame number in cell A.
6		+HalfRateCh_A_1(TSPX_TCHHSubDef, C_Asynho, TCV_asscmd_ts, TCV_tsc, ChMod_speech, FreqTCHa_hof1, FreqTCHa_hof1d, C_Noarfcn, C_Noarfcn, TimingAdv(TCV_T), C_BABR_0, C_cch_1Comb, C_BPM_3)			Set TCH/H, sv1, FH on cellA
7		+Est_MT_Call_FH(TimingAdv(TCV_T), C_Half, INT_TO_BIT(TSPX_MAIO, 6), TSPX_HSN, TSPX_RANDDef, TCV_asscmd_ts, TSPX_TscDef, TSPX_TCHHSubDef)			To establish a MTcall with hopping channel.
8	body	(TCV_ch := TCV_chTch, TCV_chTch1:=TCV_ch)			
9		(TCV_n := 750, TCV_Cntref := TSPX_NoOfHoAccB, TCV_T := 20, TCV_ts := TSPX_TmSlitG, TCV_Horf:= TSPX_HoRefC, TCV_tsc := TSPX_TscD, TCV_chtype := '00001'B)			Parameters initialization for Handover procedure.
10		+FullRateCh_B_1(C_Asynho, TCV_ts, TCV_tsc, ChMod_EFR2, FreqTCH_omit, FreqTCH_omit, TSPX_TCHcarrierB_ho, TSPX_TCHcarrierB_hod, TimingAdv(TCV_T), C_BABR_0, C_cch_1Comb, C_BPM_3)			Set TCH/F, sv2, nonFH on cellB
11		+ltree_arfcnB			
12		(TCV_HoCMD := HandOverCmd_nfh(

13	TCV_chtype, TCV_ts, TCV_tsc, C_NCC, C_BCC, TCV_chdescr_arfcn, TCV_tch_arfcn, TCV_Horf, TCV_Pwrtrlv_ho, Synchi(C_not_report_otd, C_non_synchronised), ChMod_omit, RelTmdDif_omit, TimingAdv_omit, CphMod_omit)		
14	(TCV_ch := TCV_chTch) (TCV_Null := OM_SendNextOnHO(TCV_ ch, TCV_Cntref))		
15	L!DL_DatRqHoCmd	HndOvSnd(TCV_chTch1, TCV_HoCMD)	HO command
16	L!DL_DatRqPhyinfo	PhyInfo_01(TCV_ch, TimingAdv(TCV_T))	See Note 1.
17	+RR_hocomp1(TCV_n, TimingAdv(TCV_T))		
18	+ChanRel_end(TCV_ch)		
19	ltree_arfcnB [TSPC_PGSM OR TSPC_EGSM]		
20	(TCV_chdescr_arfcn := C_BCCHcarrierB_ho, TCV_tch_arfcn := TSPX_TCHcarrierB_ho)		
21	[TSPC_DCS]		
22	(TCV_chdescr_arfcn := C_BCCHcarrierB_hod, TCV_tch_arfcn := TSPX_TCHcarrierB_hod)		
Detailed Comments: HandOver from TCH/H_FH sv1 of cell A to TCH/F_nonFH sv2 in cell B			
Notes: 1. PhyInfo is dequeued from the sending buffer, but held through OM_SendNextOnHO at the lower layers of the tester for sending till having received TCV_Cntref access bursts.			

Test Case Dynamic Behaviour					
Test Case Name: TC_26_12_2_1_14					
Group: GSM_MS_EFR_4200/EFR/					
Purpose: To test that the MS shall correctly apply the handover procedure in the non-synchronized case when: - a call is in progress and, - handover is performed from a TCH/F sv2, without frequency hopping on cell B towards a TCH/H, sv1, with no frequency hopping on cell A					
Default: OtherEventsFail_01					
Nr	Label	Behaviour Description	CRef	V	Comments
1		START T_guard(300)			
2		(TCV_asscmd_ts := TSPX_TmSltA, TCV_T := 20, TCV_PwrLvl_ho:= INT_TO_BIT(TSPX_PwrLvlA, 5))			
3		+EFR_BasicServiceMT(TSPX_MTBscSvcl, TSPX_MTChRateI)			
4		+IdleUpdated(C_E_default, C_CellB, C_SCH_B, C_BCCH_B_1, C_Immass, C_S0, C_SlotNU, C_SlotNU, C_SlotNU, C_BCC, C_TxInt_5, C_Max_7, C_NECl_0, C_ATT_0, TimingAdv(TCV_T), C_BABR_0, C_cch_1Comb, C_BPM_3, C_T3212_0, C_ci_cellB, C_MCC_1, C_PLMN_1, C_LAC_1, CellOpt_01, CellChDes_20_Bman, CellChDes_201_Bd, C_CellReselectHys12, C_MaxPwrLvlG, C_MaxPwrLvlD, BcchFreqLst_01, BcchFreqLst_Omit, BcchFreqLst_48, BcchFreqLst_Omit, C_noRestablishment, C_BCC, C_NCC, C_Start_Tmsi, TSPX_SDCCH4SubDef, TSPX_CKSNDf, TSPX_RANDDf, C_arfcnB, C_arfcnBd, TSPX_IMSI, C_Test_fh, C_NCCP_2)			
5		+StartCellA_ho(C_E_suitable, C_BCCHcarrierA_ho, C_BCCHcarrierA_hod, C_Immass, TCV_slot, TCV_tsc, TimingAdv(TCV_T), C_TxInt_5, C_Max_7, C_NECl_0, C_ATT_0, C_BABR_0, C_cch_1Comb, C_BPM_3, C_T3212_0, C_MCC_1, C_PLMN_1, C_LAC_2, CellChDes_20_Aman, CellChDes_201_Ad, BcchFreqLst_01, BcchFreqLst_48, C_noRestablishment, C_BCC, C_NCC, TSPX_k, 100)			frame number in cell A is 100 in advance of frame number in cell B.
6		+FullRateCh_B_1(C_Asynho, TCV_asscmd_ts, TCV_tsc, ChMod_EFR2, FreqTCH_omit, FreqTCH_omit, TSPX_TCHcarrierB_ho, TSPX_TCHcarrierB_hod, TimingAdv(TCV_T), C_BABR_0, C_cch_1Comb, C_BPM_3)			Set TCH/F, sv2, NonFH on cellB
7		+Est_MT_CallNonFH(TimingAdv(TCV_T), C_Full_v2, TSPX_TCHHSubDef, TSPX_RANDDf)			To establish a MTcall with non hopping channel.
8	body	(TCV_ch := TCV_chTch, TCV_chTch1:=TCV_ch)			
9		(TCV_n := 750, TCV_Cntref := TSPX_NoOfHoAccf, TCV_T := 20, TCV_ts := TSPX_TmSltA, TCV_Horf:= TSPX_HoRefD, TCV_tsc := TSPX_TscE, TCV_chtype := INT_TO_BIT((2+BIT_TO_INT(TSPX_ TCHHSubA)),5))			Parameters initialization for Handover procedure.
10		+HalfRateCh_A_1(TSPX_TCHHSubA, C_Asynho, TCV_ts, TCV_tsc, ChMod_speech, FreqTCH_omit, FreqTCH_omit, TSPX_TCHcarrierA_ho, TSPX_TCHcarrierA_hod, TimingAdv(TCV_T), C_BABR_0, C_cch_1Comb, C_BPM_3)			Set TCH/H, sv1,nonFH on cellA
11		+ltree_arfcnA			
12		(TCV_HoCMD := HandOverCmd_nfh(

		TCV_chtype, TCV_ts, TCV_tsc, C_NCC, C_BCC, TCV_chdescr_arfcn, TCV_tch_arfcn, TCV_Horf, TCV_Pwrlvl_ho, Synchi(C_not_report_otd, C_non_synchronised), ChMod_speech_iei, RelTmdDif_omit, TimingAdv_omit, CphMod_omit)) (TCV_ch := TCV_chTch)		
13		(TCV_Null := OM_SendNextOnHO(TCV_ ch, TCV_Cntref))		
14		LIDL_DatRqHoCmd	HndOvSnd(TCV_chTch1, TCV_HoCMD)	HO command
15		LIDL_DatRqPhyinfo	PhyInfo_01(TCV_ch, TimingAdv(TCV_T))	See Note 1.
16		+RR_hocomp1(TCV_n, TimingAdv(TCV_T))		
17		+ChanRel_end(TCV_ch)		
18		ltree_arfcnA		
19		[TSPC_PGSM OR TSPC_EGSM]		
20		(TCV_chdescr_arfcn := C_arfcnA, TCV_tch_arfcn := TSPX_TCHcarrierA_ho)		
21		[TSPC_DCS]		
22		(TCV_chdescr_arfcn := C_arfcnAd_4, TCV_tch_arfcn := TSPX_TCHcarrierA_hod)		

Detailed Comments: HO from TCH/H_nonFH sv2 of cell B to TCH/F_nonFH sv1 in cell A

Notes:

1. PhyInfo is dequeued from the sending buffer, but held through OM_SendNextOnHO at the lower layers of the tester for sending till having received TCV_Cntref access bursts.

Test Case Dynamic Behaviour					
Test Case Name: TC_26_12_2_1_15					
Group: GSM_MS_EFR_4200/EFR/					
Purpose: To test that the MS shall correctly apply the handover procedure in the non-synchronized case when: - a call is in progress and, - handover is performed from a TCH/H sv1, with no frequency hopping on cell A towards a TCH/F, sv2, with no frequency hopping on cell B					
Default: OtherEventsFail_01					
Nr	Label	Behaviour Description	Cref	V	Comments
1		START T_guard(300)			
2		(TCV_asscmd_ts := TSPX_TmSitA, TCV_T := 20, TCV_PwrLvl_ho:= INT_TO_BIT(TSPX_PwrLvlA, 5))			
3		+EFR_BasicServiceMT(TSPX_MTBscSvcI, TSPX_MTChRateI)			
4		+IdleUpdated(C_E_default, C_CellA, C_SCH_A, C_BCCH_A_1, C_Immass, C_S0, C_SlotNU, C_SlotNU, C_SlotNU, C_BCC, C_TxInt_5, C_Max_7, C_NECI_0, C_ATT_0, TimingAdv(TCV_T), C_BABR_0, C_cch_1Comb, C_BPM_3, C_T3212_0, C_ci_cellA, C_MCC_1, C_PLMN_1, C_LAC_1, CellOpt_01, CellChDes_20_Aman, CellChDes_201_Ad, C_CellReselectHys12, C_MaxPwrLvlG, C_MaxPwrLvlD, BcchFreqLst_01, BcchFreqLst_Omit, BcchFreqLst_48, BcchFreqLst_Omit, C_noRestablishment, C_BCC, C_NCC, C_Start_Tmsi, TSPX_SDCCH4SubDef, TSPX_CKSNDDef, TSPX_RANDDef, C_arfcnA, C_arfcnAd_4, TSPX_IMSI, C_Test_fh, C_NCCP_2)			
5		+StartCellB_ho(C_E_suitable, C_BCCHcarrierB_ho, C_BCCHcarrierB_hod, C_Immass, TCV_slot, TCV_tsc, TimingAdv(TCV_T), C_TxInt_5, C_Max_7, C_NECI_0, C_ATT_0, C_BABR_0, C_cch_1Comb, C_BPM_3, C_T3212_0, C_MCC_1, C_PLMN_1, C_LAC_2, CellChDes_20_Bman, CellChDes_201_Bd, BcchFreqLst_01, BcchFreqLst_48, C_noRestablishment, C_BCC, C_NCC, TSPX_k, 100)			frame number in cell B is 100 in advance of frame number in cell A.
6		+HalfRateCh_A_1(TSPX_TCHHSubA, C_Asynho, TSPX_TmSitA, TCV_tsc, ChMod_speech, FreqTCH_omit, FreqTCH_omit, TSPX_TCHcarrierA_ho, TSPX_TCHcarrierA_hod, TimingAdv(TCV_T), C_BABR_0, C_cch_1Comb, C_BPM_3)			Set TCH/H, sv1, NonFH on cellA
7		+Est_MT_CallNonFH(TimingAdv(TCV_T), C_Half, TSPX_TCHHSubDef, TSPX_RANDDef)			To establish a MT call with non hopping channel.
8	body	(TCV_ch := TCV_chTch, TCV_chTch1:=TCV_ch)			
9		(TCV_n :=750, TCV_Cntref := TSPX_NoOfHoAccC, TCV_T := 20, TCV_ts := TSPX_TmSitB, TCV_Horf:= TSPX_HoRefE, TCV_tsc := TSPX_TscF, TCV_chtype := '00001'B)			Parameters initialization for Handover procedure.
10		+FullRateCh_B_1(C_Asynho, TCV_ts, TCV_tsc, ChMod_EFR2, FreqTCH_omit, FreqTCH_omit, TSPX_TCHcarrierB_ho, TSPX_TCHcarrierB_hod, TimingAdv(TCV_T), C_BABR_0, C_cch_1Comb, C_BPM_3)			Set TCH/F, sv2, nonFH on cellB
11		+ltree_arfcnB			
12		(TCV_HoCMD := HandOverCmd_nfh(TCV_chtype, TCV_ts, TCV_tsc, C_NCC, C_BCC, TCV_chdescr_arfcn,			

13	TCV_tch_arfcn, TCV_Horf, TCV_Pwrlvl_ho, Synchi(C_not_report_otd, C_non_synchronised), ChMod_omit, RelTmdDif_omit, TimingAdv_omit, CphMod_omit))		
14	(TCV_ch := TCV_chTch) (TCV_Null := OM_SendNextOnHO(TCV_ ch, TCV_Cntref))		
15	LIDL_DatRqHoCmd	HndOvSnd(TCV_chTch1, TCV_HoCMD)	HO command
16	LIDL_DatRqPhyinfo	PhyInfo_01(TCV_ch, TimingAdv(TCV_T))	See Note 1.
17	+RR_hocomp1(TCV_n, TimingAdv(TCV_T))		
18	+ChanRel_end(TCV_ch)		
19	ltree_arfcnB [TSPC_PGSM OR TSPC_EGSM]		
20	(TCV_chdescr_arfcn := C_BCCHcarrierB_ho, TCV_tch_arfcn := TSPX_TCHcarrierB_ho)		
21	[TSPC_DCS]		
22	(TCV_chdescr_arfcn := C_BCCHcarrierB_hod, TCV_tch_arfcn := TSPX_TCHcarrierB_hod)		

Detailed Comments: HO from TCH/H_nonFH sv1 of cell A to TCH/F_nonFH sv2 in cell B

Notes:

1. PhyInfo is dequeued from the sending buffer, but held through OM_SendNextOnHO at the lower layers of the tester for sending till having received TCV_Cntref access bursts.

Test Case Dynamic Behaviour					
Test Case Name:		TC_26_12_2_2_1			
Group:		GSM_MS_EFR_4200/EFR/			
Purpose:		To verify that the MS correctly applies the handover procedure from SDCCH/4 with no frequency hopping to TCH/F using full rate speech version 2 with frequency hopping. To verify that if during call establishment a layer 3 MM or CC message just sent by the MS is not Layer 2 acknowledge before the channel change caused by the HANDOVER COMMAND message, the MS shall send the Layer 3 message to the new cell, using the same value in the N(SD) field, after the handover procedure.			
Default:		OtherEventsFail_01			
Nr	Label	Behaviour Description	CRef	V	Comments
1		START T_guard(300)			
2		+EFR_BasicServiceMO(TSPX_MOBScSvcA, TSPX_MOChRateA)			
3		(TCV_ia_ts:=TSPX_TmSlitNotZero, TCV_ts:=000'B, TCV_tsc:=TSPX_TscA, TCV_Cntref:=TSPX_NoOfHoAccA, TCV_Horf:=TSPX_HoRefA, TCV_Pwrlvl_ho:=INT_TO_BIT(TSPX_PwrlvlA,5), TCV_cchannel:=C_cch_1Comb, TCV_T := 20)			Parameters initialization for Immediate Assignment and Handover commands.
4		+IdleUpdated(C_E_default, C_CellA, C_SCH_A, C_BCCH_A_1, C_Immass, C_S0, C_SlotNU, C_SlotNU, C_SlotNU, C_BCC, C_TxInt_5, C_Max_7, C_NECI_0, C_ATT_0, TimingAdv(30), C_BABR_0, TCV_cchannel, C_BPM_3, C_T3212_0, C_ci_cellA, C_MCC_1, C_PLMN_1, C_LAC_1, CellOpt_01, CellChDes_20_Aman, CellChDes_202_Adman, C_CellReselectHys12, C_MaxPwrLvlG, C_MaxPwrLvlD, BcchFreqLst_01, BcchFreqLst_Omit, BcchFreqLst_48, BcchFreqLst_Omit, C_noRestablishment, C_BCC, C_NCC, C_Start_Tmsi, TSPX_SDCCH4SubDef, TSPX_CKSNDf, TSPX_RANDDf, C_arfcnA, C_arfcnAd_4, TSPX_IMSI, C_Test_fh, C_NCCP_10)			
5		+StartCellB_ho(C_E_suitable, C_BCCHcarrierB_ho, C_BCCHcarrierB_hod, C_Immass, TCV_slot, TCV_tsc, TimingAdv(TCV_T), C_TxInt_5, C_Max_7, C_NECI_0, C_ATT_0, C_BABR_0, TCV_cchannel, C_BPM_3, C_T3212_0, C_MCC_1, C_PLMN_1, C_LAC_2, CellChDes_20_Bman, CellChDes_201_Bd, BcchFreqLst_01, BcchFreqLst_48, C_noRestablishment, C_BCC_0, C_NCC_3, TSPX_k, 0)			The timeslots of Cells A and B are not coincident at the antenna connector.
6		+FullRateCh_B_1(C_Asynho, TCV_ts, TCV_tsc, ChMod_EFR2, FreqTCHb_hof3, FreqTCHb_hof3d, C_Noarfcn, C_Noarfcn, TimingAdv(TCV_T), C_BABR_0, TCV_cchannel, C_BPM_3)			Set TCH/F FH on cellB
7		+ltree_arfcnA			Set the ARFCN for NonFH channel on cellA
8		+Est_MO_Call_init(C_CHSDCCH4_NonFH, MobilAllc_omit, MobilAllc_omit, TimingAdv(30), C_BCC, C_one, C_one)			Initiate MO call on cellA
9	body	+ltree_BuildHoCMD			
10		(TCV_Null := OM_SendNextOnHO(TCV_chTch, TCV_Cntref))			
11		L!DL_DatRqHoCmd	HndOvSnd(TCV_ch, TCV_HoCMD)		HO command
12		(TCV_ch:=TCV_chTch)			
13		L!DL_DatRqPhyinfo	PhyInfo_01(TCV_ch, TimingAdv(TCV_T))		See Note 1.
14		+RR_hocomp1(500, TimingAdv(TCV_T))			Complete the HO procedure
15		L?DL_DatInSetup (TCV_Mt1 := DL_DatInSetup.msg.mt)	SetupRcv(SetupInd_01)		
16		+SendSeqNo_chk			Is N(SD) correct?

17		+ChanRel_end(TCV_ch)		
		Itree_arfcnA		
18		[TSPC_PGSM OR TSPC_EGSM]		
19		(TCV_tch_arfcn:=C_arfcnA)		
20		[TSPC_DCS]		
21		(TCV_tch_arfcn:=C_arfcnAd_4)		
		Itree_BuildHoCMD		
22		[TSPC_PGSM OR TSPC_EGSM]		
23		(TCV_HoCMD:= HandOverCmd_fh('00001'B, TCV_ts, TCV_tsc, C_NCC_3, C_BCC_0, C_BCCHcarrierB_ho, 15, TSPX_HSN, TCV_Horf, TCV_Pwrlvl_ho, Synchi_omit, Frql_omit, Frql_omit, CellChDes_Omit, ChMod_omit, Freqchseq_06, MoblAllc_omit, RelTmdDif_omit, TimingAdv_omit, CphMod_omit))		
24		[TSPC_DCS]		
25		(TCV_HoCMD:= HandOverCmd_fh('00001'B, TCV_ts, TCV_tsc, C_NCC_3, C_BCC_0, C_BCCHcarrierB_hod, 11, TSPX_HSN, TCV_Horf, TCV_Pwrlvl_ho, Synchi_omit, Frql_20_B5d, Frql_omit, CellChDes_Omit, ChMod_omit, Freqchseq_omit, MoblAllc_omit, RelTmdDif_omit, TimingAdv_omit, CphMod_omit))		
Detailed Comments:		HO from SDCCH/4, nonFH to TCH/F, sv2, FH		
		Notes:		
		1. PhyInfo is dequeued from the sending buffer, but held through OM_SendNextOnHO at the lower layers of the tester for sending till having received TCV_Cntref access bursts.		

Test Case Dynamic Behaviour					
Test Case Name:		TC_26_12_2_2_2			
Group:		GSM_MS_EFR_4200/EFR/			
Purpose:		<p>To verify that the MS correctly applies the handover procedure from SDCCH/8 with frequency hopping to TCH/F using full rate speech version 2 without frequency hopping in the nonsynchronized case during call establishment.</p> <p>To verify that if during call establishment a layer 3 MM or CC message just sent by the MS is not Layer 2 acknowledge before the channel change caused by the HANDOVER COMMAND message, the MS shall send the Layer 3 message to the new cell, using the same value in the N(SD) field, after the handover procedure.</p>			
Default:		OtherEventsFail_01			
Nr	Label	Behaviour Description	CRef	V	Comments
1		START T_guard(300)			
2		+EFR_BasicServiceMO(TSPX_MOBScSvcA, TSPX_MOChRateA)			
3		(TCV_ia_ts:=TSPX_TmSlTNotZero1, TCV_ts:=000'B, TCV_tsc:=TSPX_TscB, TCV_Cntref:=TSPX_NoOfHoAccB, TCV_Horf:=TSPX_HoRefB, TCV_Pwrlvl_ho:=INT_TO_BIT(TSPX_PwrlvlB,5), TCV_cchannel:=C_cch_1nonComb, TCV_T := 20)			Parameters initialization for Immediate Assignment and Handover commands.
4		+IdleUpdated(C_E_default, C_CellA, C_SCH_A, C_BCCH_A_1, C_Immass, C_S0, C_SlotNU, C_SlotNU, C_SlotNU, C_BCC, C_TxInt_5, C_Max_7, C_NECl_0, C_ATT_0, TimingAdv(30), C_BABR_0, TCV_cchannel, C_BPM_3, C_T3212_0, C_ci_cellA, C_MCC_1, C_PLMN_1, C_LAC_1, CellOpt_01, CellChDes_20_Aman, CellChDes_202_Adman, C_CellReselectHys12, C_MaxPwrlvlG, C_MaxPwrlvlD, BcchFreqLst_01, BcchFreqLst_Omit, BcchFreqLst_48, BcchFreqLst_Omit, C_noReestablishment, C_BCC, C_NCC, C_Start_Tmsi, TSPX_SDCCH4SubDef, TSPX_CKSNDf, TSPX_RANDDf, C_arfcnA, C_arfcnAd_4, TSPX_IMSI, C_Test_fh, C_NCCP_10)			
5		+StartCellB_ho(C_E_suitable, C_BCCHcarrierB_ho, C_BCCHcarrierB_hod, C_Immass, TCV_slot, TCV_tsc, TimingAdv(TCV_T), C_TxInt_5, C_Max_7, C_NECl_0, C_ATT_0, C_BABR_0, TCV_cchannel, C_BPM_3, C_T3212_0, C_MCC_1, C_PLMN_1, C_LAC_2, CellChDes_20_Bman, CellChDes_201_Bd, BcchFreqLst_01, BcchFreqLst_48, C_noReestablishment, C_BCC_0, C_NCC_3, TSPX_k, 0)			The timeslots of Cells A and B are not coincident at the antenna connector.
6		+SDCCH8_A_1_nociph(TSPX_SDCCH8SubDef, C_Immass, TCV_ia_ts, TCV_tsc, ChMod_sign, FreqSDCCHa_hof1, FreqSDCCHa_hof1d, TimingAdv(30), C_BABR_0, TCV_cchannel, C_BPM_3)			Set SDCCH/8 FH on cell A
7		(TCV_ch :=TCV_chTch)			
8		+FullRateCh_B_1(C_Asynho, TCV_ts, TCV_tsc, ChMod_EFR2, FreqTCH_omit, FreqTCH_omit, TSPX_TCHcarrierB_ho, TSPX_TCHcarrierB_hod, TimingAdv(TCV_T), C_BABR_0, TCV_cchannel, C_BPM_3)			Set TCH/F nonFH on cellB
9		+Est_MO_Call_init(C_CHSDCCH8_FH, MobilAllc_281, MobilAllc_281d, TimingAdv(30), TCV_tsc, 3, 3)			Initiate MO call on cellA
10		+ltree_arfcnB			
11	body	(TCV_HoCMD:= HandOverCmd_nfh('00001'B, TCV_ts, TCV_tsc, C_NCC_3, C_BCC_0, TCV_chdescr_arfcn, TCV_tch_arfcn, TCV_Horf, TCV_Pwrlvl_ho, Synchi_omit, ChMod_omit, RelTmdDif_omit,			

12	TimingAdv_omit, CphMod_omit) (TCV_Null := OM_SendNextOnHO(TCV_chT ch, TCV_Cntref))		
13	L!DL_DatRqHoCmd	HndOvSnd(TCV_ch, TCV_HoCMD)	HO command
14	(TCV_ch:=TCV_chTch)		
15	L!DL_DatRqPhyinfo	PhyInfo_01(TCV_ch, TimingAdv(TCV_T))	See Note 1.
16	+RR_hocomp1(500, TimingAdv(TCV_T))		Complete the HO procedure
17	L?DL_DatInSetup (TCV_Mt1 := DL_DatInSetup.msg. mt)	SetupRcv(SetupInd_01)	
18	+SendSeqNo_chk		Is N(SD) correct?
19	+ChanRel_end(TCV_ch)		
20	ltree_arfcnB [TSPC_PGSM OR TSPC_EGSM]		
21	(TCV_tch_arfcn:=TSPX_TCHcarrierB_ho, TCV_chdescr_arfcn:=C_BCCHcarrierB_ho)		
22	[TSPC_DCS]		
23	(TCV_tch_arfcn:=TSPX_TCHcarrierB_hod, TCV_chdescr_arfcn:=C_BCCHcarrierB_hod)		
Detailed Comments: HandOver from SDCCH/8, FH to TCH/F, sv2, nonFH			
Notes: 1. PhyInfo is dequeued from the sending buffer, but held through OM_SendNextOnHO at the lower layers of the tester for sending till having received TCV_Cntref access bursts.			

Test Case Dynamic Behaviour					
Test Case Name:		TC_26_12_2_2_3			
Group:		GSM_MS_EFR_4200/EFR/			
Purpose:		<p>To verify that the MS correctly applies the handover procedure from SDCCH/8 without frequency hopping to TCH/F using full rate speech version 2 with frequency hopping in the nonsynchronized case during call establishment.</p> <p>To verify that if during call establishment a layer 3 MM or CC message just sent by the MS is not Layer 2 acknowledge before the channel change caused by the HANDOVER COMMAND message, the MS shall send the Layer 3 message to the new cell, using the same value in the N(SD) field, after the handover procedure.</p>			
Default:		OtherEventsFail_01			
Nr	Label	Behaviour Description	CRef	V	Comments
1		START T_guard(300)			
2		+EFR_BasicServiceMO(TSPX_MOBScSvcA, TSPX_MOChRateA)			
3		+ltree_data_init			
4		+IdleUpdated(C_E_default, C_CellA, C_SCH_A, C_BCCH_A_1, C_Immass, C_S0, C_SlotNU, C_SlotNU, C_SlotNU, C_BCC, C_TxInt_5, C_Max_7, C_NECI_0, C_ATT_0, TimingAdv(30), C_BABR_0, TCV_cchannel, C_BPM_3, C_T3212_0, C_ci_cellA, C_MCC_1, C_PLMN_1, C_LAC_1, CellOpt_01, CellChDes_20_Aman, CellChDes_202_Adman, C_CellReselectHys12, C_MaxPwrLvIG, C_MaxPwrLvID, BcchFreqLst_01, BcchFreqLst_Omit, BcchFreqLst_48, BcchFreqLst_Omit, C_noRestablishment, C_BCC, C_NCC, C_Start_Tmsi, TSPX_SDCCH4SubDef, TSPX_CKSNDf, TSPX_RANDDef, C_arfcnA, C_arfcnAd_4, TSPX_IMSI, C_Test_fh, C_NCCP_10)			
5		+StartCellB_ho(C_E_suitable, C_BCCHcarrierB_ho, C_BCCHcarrierB_hod, C_Immass, TCV_slot, TCV_tsc, TimingAdv(TCV_T), C_TxInt_5, C_Max_7, C_NECI_0, C_ATT_0, C_BABR_0, TCV_cchannel, C_BPM_3, C_T3212_0, C_MCC_1, C_PLMN_1, C_LAC_2, CellChDes_20_Bman, CellChDes_201_Bd, BcchFreqLst_01, BcchFreqLst_48, C_noRestablishment, C_BCC_0, C_NCC_3, TSPX_k, 0)			The timeslots of Cells A and B are not coincident at the antenna connector.
6		+SDCCH8_A_1_nociph(TSPX_SDCCH8SubDef, C_Immass, TCV_ia_ts, TCV_tsc, ChMod_sign, FreqTCH(TSPX_TCHcarrierA_ho), FreqTCH(TSPX_TCHcarrierA_hod), TimingAdv(30), C_BABR_0, TCV_cchannel, C_BPM_3)			Set SDCCH/8 nonFH on cell A
7		(TCV_ch :=TCV_chTch)			
8		+FullRateCh_B_1(C_Asynho, TCV_ts, TCV_tsc, ChMod_EFR2, FreqTCHb_hof6, FreqTCHb_hof6d, C_Noarfcn, C_Noarfcn, TimingAdv(TCV_T), C_BABR_0, TCV_cchannel, C_BPM_3)			Set TCH/F FH on cellB
9		+ltree_arfcnA			Set the ARFCN for NonFH channel on cellA
10		+Est_MO_Call_init(C_CHSDCCH8_NonFH, MobiAllic_omit, MobiAllic_omit, TimingAdv(30), TCV_tsc, C_one, C_one)			Initiate MO call on cellA
11	body	+ltree_BuildHoCMD			
12		(TCV_Null := OM_SendNextOnHO(TCV_chT ch, TCV_Cntref))			
13		LIDL_DatRqHoCmd	HndOvSnd(TCV_ch, TCV_HoCMD)		HO command
14		(TCV_ch:=TCV_chTch)			
15		LIDL_DatRqPhyInfo	PhyInfo_01(TCV_ch, TimingAdv(TCV_T))		See Note 1.
16		+RR_hocomp1(500,			Complete the HO

17	TimingAdv(TCV_T) L?DL_DatInSetup (TCV_Mt1 := DL_DatInSetup.msg. mt)	SetupRcv(SetupIInd_01)	procedure
18	+SendSeqNo_chk		Is N(SD) correct?
19	+ChanRel_end(TCV_ch)		
20	Itree_data_init [TSPC_PGSM OR TSPC_EGSM]		
21	(TCV_ia_ts:= '000'B, TCV_ts:= '000'B, TCV_tsc:= TSPX_TscC, TCV_Cntref:= TSPX_NoOfHoAccC, TCV_Horf:= TSPX_HoRefC, TCV_Pwrlvl_ho:= INT_TO_BIT(TSPX_PwrlvlC,5), TCV_cchannel:= C_cch_1nonComb, TCV_T := 20)		
22	[TSPC_DCS]		
23	(TCV_ia_ts:= '000'B, TCV_ts:= TSPX_TmSlfNotZero, TCV_tsc:= TSPX_TscC, TCV_Cntref:= TSPX_NoOfHoAccC, TCV_Horf:= TSPX_HoRefC, TCV_Pwrlvl_ho:= INT_TO_BIT(TSPX_PwrlvlC,5), TCV_cchannel:= C_cch_1nonComb, TCV_T := 20)		
24	Itree_arfcnA [TSPC_PGSM OR TSPC_EGSM]		
25	(TCV_tch_arfcn:= C_arfcnA)		
26	[TSPC_DCS]		
27	(TCV_tch_arfcn:= C_arfcnAd_4)		
28	Itree_BuildHoCMD [TSPC_PGSM OR TSPC_EGSM]		
29	(TCV_HoCMD:= HandOverCmd_fh('00001'B, TCV_ts, TCV_tsc, C_NCC_3, C_BCC_0, C_BCCHcarrierB_ho, 2, TSPX_HSN, TCV_Horf, TCV_Pwrlvl_ho, Synchi_omit, Frql_omit, Frql_omit, CellChDes_Omit, ChMod_omit, Freqchseq_03, MoblAllic_omit, RelTmdDif_omit, TimingAdv_omit, CphMod_omit))		
30	[TSPC_DCS]		
31	(TCV_HoCMD:= HandOverCmd_fh('00001'B, TCV_ts, TCV_tsc, C_NCC_3, C_BCC_0, C_BCCHcarrierB_hod, 3, C_HSN_0, TCV_Horf, TCV_Pwrlvl_ho, Synchi(C_not_report_otd, C_non_synchronised), Frql_20_B10d, Frql_omit, CellChDes_Omit, ChMod_omit, Freqchseq_omit, MoblAllic_omit, RelTmdDif_omit, TimingAdv_omit, CphMod_omit))		

Detailed Comments: HandOver from SDCCH/8, nonFH to TCH/F, sv2, FH

Notes:
1. PhyInfo is dequeued from the sending buffer, but held through OM_SendNextOnHO at the lower layers of the tester for sending till having received TCV_Cntref access bursts.

Test Case Dynamic Behaviour					
Test Case Name:		TC_26_12_2_2_4			
Group:		GSM_MS_EFR_4200/EFR/			
Purpose:		<p>To verify that the MS correctly applies the handover procedure from TCH/F without frequency hopping to TCH/F using full rate speech version 2 with frequency hopping in the nonsynchronized case during call establishment.</p> <p>To verify that if during call establishment a layer 3 MM or CC message just sent by the MS is not Layer 2 acknowledge before the channel change caused by the HANDOVER COMMAND message, the MS shall send the Layer 3 message to the new cell, using the same value in the N(SD) field, after the handover procedure.</p>			
Default:		OtherEventsFail_01			
Nr	Label	Behaviour Description	CRef	V	Comments
1		START T_guard(300)			
2		+EFR_BasicServiceMO(TSPX_MOBScSvcA, TSPX_MOChRateA)			
3		(TCV_ia_ts:=TSPX_TmSlitNotZero, TCV_ts:=TSPX_TmSlitNotZero1, TCV_tsc:=TSPX_TscA, TCV_Cntref:=TSPX_NoOfHoAccA, TCV_Horf:=TSPX_HoRefA, TCV_Pwrlvl_ho:=INT_TO_BIT(TSPX_PwrlvlA,5), TCV_cchannel:=C_cch_1Comb, TCV_T := 20, TCV_ChMod.mode := C_ChMod_r)			Parameters initialization for Immediate Assignment and Handover commands.
4		+IdleUpdated(C_E_default, C_CellA, C_SCH_A, C_BCCH_A_1, C_Immass, C_S0, C_SlotNU, C_SlotNU, C_SlotNU, C_BCC, C_TxInt_5, C_Max_7, C_NECI_0, C_ATT_0, TimingAdv(30), C_BABR_0, TCV_cchannel, C_BPM_3, C_T3212_0, C_ci_cellA, C_MCC_1, C_PLMN_1, C_LAC_1, CellOpt_01, CellChDes_20_Aman, CellChDes_202_Adman, C_CellReselectHys12, C_MaxPwrLvlG, C_MaxPwrLvlD, BcchFreqLst_01, BcchFreqLst_Omit, BcchFreqLst_48, BcchFreqLst_Omit, C_noRestablishment, C_BCC, C_NCC, C_Start_Tmsi, TSPX_SDCCH4SubDef, TSPX_CKSNDDef, TSPX_RANDDef, C_arfcnA, C_arfcnAd_4, TSPX_IMSI, C_Test_fh, C_NCCP_10)			
5		+StartCellB_ho(C_E_suitable, C_BCCHcarrierB_ho, C_BCCHcarrierB_hod, C_Immass, TCV_slot, TCV_tsc, TimingAdv(TCV_T), C_TxInt_5, C_Max_7, C_NECI_0, C_ATT_0, C_BABR_0, TCV_cchannel, C_BPM_3, C_T3212_0, C_MCC_1, C_PLMN_1, C_LAC_2, CellChDes_20_Bman, CellChDes_201_Bd, BcchFreqLst_01, BcchFreqLst_48, C_noRestablishment, C_BCC_0, C_NCC_3, TSPX_k, 0)			The timeslots of Cells A and B are not coincident at the antenna connector.
6		+FullRateCh_A_1_nociph(C_Immass, TCV_ia_ts, TCV_tsc, TCV_ChMod, FreqTCH(TSPX_TCHcarrierA_ho), FreqTCH(TSPX_TCHcarrierA_hod), TimingAdv(30), C_BABR_0, TCV_cchannel, C_BPM_3)			Set TCH/F nonFH on cell A
7		(TCV_ch :=TCV_chTch)			
8		+FullRateCh_B_1(C_Asynho, TCV_ts, TCV_tsc, ChMod_EFR2, FreqTCHb_hof1, FreqTCHb_hof1d, C_Noarfcn, C_Noarfcn, TimingAdv(TCV_T), C_BABR_0, TCV_cchannel, C_BPM_3)			Set TCH/F FH on cellB
9		+ltree_arfcnA			Set the ARFCN for NonFH channel on cellA
10		+Est_MO_Call_init(C_CHTCHF_NonFH, MobilAlc_omit, MobilAlc_omit, TimingAdv(30), TCV_tsc, C_one, C_one)			Initiate MO call on cellA
11	body	+ltree_BuildHoCMD			
12		(TCV_Null := OM_SendNextOnHO(TCV_chTch, TCV_Cntref))			

13	LIDL_DatRqHoCmd	HndOvSnd(TCV_ch, TCV_HoCMD)	HO command
14	(TCV_ch:=TCV_chTch)		
15	LIDL_DatRqPhyInfo	PhyInfo_01(TCV_ch, TimingAdv(TCV_T))	See Note 1.
16	+RR_hocomp1(500, TimingAdv(TCV_T))		Complete the HO procedure
17	L?DL_DatInSetup (TCV_Mt1 := DL_DatInSetup.msg. mt)	SetupRcv(SetupInd_01)	
18	+SendSeqNo_chk		Is N(SD) correct?
19	+ChanRel_end(TCV_ch)		
Itree_arfcnA			
20	[TSPC_PGSM OR TSPC_EGSM]		
21	(TCV_tch_arfcn:=66)		
22	[TSPC_DCS]		
23	(TCV_tch_arfcn:=754)		
Itree_BuildHoCMD			
24	[TSPC_PGSM OR TSPC_EGSM]		
25	(TCV_HoCMD:=HandOverCmd_fh('00001'B, TCV_ts, TCV_tsc, C_NCC_1, C_BCC_5, C_BCCHcarrierB_ho, 12, TSPX_HSN, TCV_Horf, TCV_Pwrlvl_ho, Synchi(C_not_report_otd, C_non_synchronised), Frql_omit, Frql_20_B3, CellChDes_Omit, ChMod_omit, Freqchseq_omit, MoblAllc_omit, RelTmdDif_omit, TimingAdv_omit, CphMod_omit))		
26	[TSPC_DCS]		
27	(TCV_HoCMD:=HandOverCmd_fh('00001'B, TCV_ts, TCV_tsc, C_NCC_1, C_BCC_5, C_BCCHcarrierB_hod, 12, TSPX_HSN, TCV_Horf, TCV_Pwrlvl_ho, Synchi_omit, Frql_20_B3d, Frql_omit, CellChDes_Omit, ChMod_omit, Freqchseq_omit, MoblAllc_omit, RelTmdDif_omit, TimingAdv_omit, CphMod_omit))		

Detailed Comments: HandOver from TCH/F, nonFH to TCH/F, sv2, FH

Notes:

1. PhyInfo is dequeued from the sending buffer, but held through OM_SendNextOnHO at the lower layers of the tester for sending till having received TCV_Cntref access bursts.

Test Case Dynamic Behaviour					
Test Case Name:		TC_26_12_2_2_5			
Group:		GSM_MS_EFR_4200/EFR/			
Purpose:		<p>To verify that the MS correctly applies the handover procedure from TCH/F without frequency hopping to TCH/F using full rate speech version 2 without frequency hopping in the nonsynchronized case during call establishment.</p> <p>To verify that if during call establishment a layer 3 MM or CC message just sent by the MS is not Layer 2 acknowledge before the channel change caused by the HANDOVER COMMAND message, the MS shall send the Layer 3 message to the new cell, using the same value in the N(SD) field, after the handover procedure.</p>			
Default:		OtherEventsFail_01			
Nr	Label	Behaviour Description	CRef	V	Comments
1		START T_guard(300)			
2		+EFR_BasicServiceMO(TSPX_MOBScSvcA, TSPX_MOChRateA)			
3		(TCV_ia_ts:=TSPX_TmSlitNotZero, TCV_ts:=TSPX_TmSlitNotZero1, TCV_tsc:=TSPX_TscB, TCV_Cntref:=TSPX_NoOfHoAccB, TCV_Horf:=TSPX_HoRefB, TCV_Pwrlvl_ho:=INT_TO_BIT(TSPX_PwrlvlB,5), TCV_cchannel:=C_cch_1Comb, TCV_T := 20, TCV_ChMod.mode := C_ChMod_r)			Parameters initialization for Immediate Assignment and Handover commands.
4		+IdleUpdated(C_E_default, C_CellA, C_SCH_A, C_BCCH_A_1, C_Immass, C_S0, C_SlotNU, C_SlotNU, C_SlotNU, C_BCC, C_TxInt_5, C_Max_7, C_NECI_0, C_ATT_0, TimingAdv(30), C_BABR_0, TCV_cchannel, C_BPM_3, C_T3212_0, C_ci_cellA, C_MCC_1, C_PLMN_1, C_LAC_1, CellOpt_01, CellChDes_20_Aman, CellChDes_202_Adman, C_CellReselectHys12, C_MaxPwrLvlG, C_MaxPwrLvlD, BcchFreqLst_01, BcchFreqLst_Omit, BcchFreqLst_48, BcchFreqLst_Omit, C_noRestablishment, C_BCC, C_NCC, C_Start_Tmsi, TSPX_SDCCH4SubDef, TSPX_CKSNDDef, TSPX_RANDDef, C_arfcnA, C_arfcnAd_4, TSPX_IMSI, C_Test_fh, C_NCCP_10)			
5		+StartCellB_ho(C_E_suitable, C_BCCHcarrierB_ho, C_BCCHcarrierB_hod, C_Immass, TCV_slot, TCV_tsc, TimingAdv(TCV_T), C_TxInt_5, C_Max_7, C_NECI_0, C_ATT_0, C_BABR_0, TCV_cchannel, C_BPM_3, C_T3212_0, C_MCC_1, C_PLMN_1, C_LAC_2, CellChDes_20_Bman, CellChDes_201_Bd, BcchFreqLst_01, BcchFreqLst_48, C_noRestablishment, C_BCC_0, C_NCC_3, TSPX_k, 0)			The timeslots of Cells A and B are not coincident at the antenna connector.
6		+FullRateCh_A_1_nociph(C_Immass, TCV_ia_ts, TCV_tsc, TCV_ChMod, FreqTCH(TSPX_TCHcarrierA_ho), FreqTCH(TSPX_TCHcarrierA_hod), TimingAdv(30), C_BABR_0, TCV_cchannel, C_BPM_3)			Set TCH/F nonFH on cell A
7		(TCV_ch :=TCV_chTch)			
8		+FullRateCh_B_1(C_Asynho, TCV_ts, TCV_tsc, ChMod_EFR2, FreqTCH_omit, FreqTCH_omit, TSPX_TCHcarrierB_ho, TSPX_TCHcarrierB_hod, TimingAdv(TCV_T), C_BABR_0, TCV_cchannel, C_BPM_3)			Set TCH/F nonFH on cellB
9		+ltree_arfcnA			Set the ARFCN for NonFH channel on cellA
10		+Est_MO_Call_init(C_CHTCHF_NonFH, MobilAllc_omit, MobilAllc_omit, TimingAdv(30), TCV_tsc, C_one, C_one)			Initiate MO call on cellA
11		+ltree_arfcnB			
12	body	+ltree_BuildHoCMD			
13		(TCV_Null :=			

14	OM_SendNextOnHO(TCV_chT ch, TCV_Cntref)) LIDL_DatRqHoCmd	HndOvSnd(TCV_ch, TCV_HoCMD)	HO command
15	(TCV_ch:=TCV_chTch)		
16	LIDL_DatRqPhyinfo	PhyInfo_01(TCV_ch, TimingAdv(TCV_T))	See Note 1.
17	+RR_hocomp1(500, TimingAdv(TCV_T))		Complete the HO procedure
18	L?DL_DatInSetup (TCV_Mt1 := DL_DatInSetup.msg. mt)	SetupRcv(SetupInd_01)	
19	+SendSeqNo_chk		Is N(SD) correct?
20	+ChanRel_end(TCV_ch)		
21	ltree_arfcnA [TSPC_PGSM OR TSPC_EGSM]		
22	(TCV_tch_arfcn:=66)		
23	[TSPC_DCS]		
24	(TCV_tch_arfcn:=791)		
25	ltree_arfcnB [TSPC_PGSM OR TSPC_EGSM]		
26	(TCV_tch_arfcn:=31, TCV_chdescr_arfcn:=C_BCCHcarrierB_ho)		
27	[TSPC_DCS]		
28	(TCV_tch_arfcn:=749, TCV_chdescr_arfcn:=C_BCCHcarrierB_hod)		
29	ltree_BuildHoCMD [TSPC_PGSM OR TSPC_EGSM]		
30	(TCV_HoCMD:=HandOverCmd_nfh('00001'B, TCV_ts, TCV_tsc, C_NCC_1, C_BCC_5, TCV_chdescr_arfcn, 31, TCV_Horf, TCV_Pwrlvl_ho, Synchi_omit, ChMod_omit, RelTmdDif_omit, TimingAdv_omit, CphMod_omit))		
31	[TSPC_DCS]		
32	(TCV_HoCMD:=HandOverCmd_nfh('00001'B, TCV_ts, TCV_tsc, C_NCC_1, C_BCC_5, TCV_chdescr_arfcn, 749, TCV_Horf, TCV_Pwrlvl_ho, Synchi_omit, ChMod_omit, RelTmdDif_omit, TimingAdv_omit, CphMod_omit))		
Detailed Comments: HandOver from TCH/F, nonFH to TCH/F, sv2, nonFH			
Notes: 1. PhyInfo is dequeued from the sending buffer, but held through OM_SendNextOnHO at the lower layers of the tester for sending till having received TCV_Cntref access bursts.			

Test Case Dynamic Behaviour					
Test Case Name:		TC_26_12_2_2_6			
Group:		GSM_MS_EFR_4200/EFR/			
Purpose:		<p>To verify that the MS correctly applies the handover procedure from TCH/F with frequency hopping to TCH/F using full rate speech version 2 with frequency hopping in the nonsynchronized case during call establishment.</p> <p>To verify that if during call establishment a layer 3 MM or CC message just sent by the MS is not Layer 2 acknowledge before the channel change caused by the HANDOVER COMMAND message, the MS shall send the Layer 3 message to the new cell, using the same value in the N(SD) field, after the handover procedure.</p>			
Default:		OtherEventsFail_01			
Nr	Label	Behaviour Description	CRef	V	Comments
1		START T_guard(300)			
2		+EFR_BasicServiceMO(TSPX_MOBScSvcA, TSPX_MOChRateA)			
3		+ltree_data_init			
4		+IdleUpdated(C_E_default, C_CellA, C_SCH_A, C_BCCH_A_1, C_Immass, C_S0, C_SlotNU, C_SlotNU, C_SlotNU, C_BCC, C_TxInt_5, C_Max_7, C_NECI_0, C_ATT_0, TimingAdv(30), C_BABR_0, TCV_cchannel, C_BPM_3, C_T3212_0, C_ci_cellA, C_MCC_1, C_PLMN_1, C_LAC_1, CellOpt_01, CellChDes_20_Aman, CellChDes_202_Adman, C_CellReselectHys12, C_MaxPwrLvlG, C_MaxPwrLvlD, BcchFreqLst_01, BcchFreqLst_Omit, BcchFreqLst_48, BcchFreqLst_Omit, C_noRestablishment, C_BCC, C_NCC, C_Start_Tmsi, TSPX_SDCCCH4SubDef, TSPX_CKSNDf, TSPX_RANDDef, C_arfcnA, C_arfcnAd_4, TSPX_IMSI, C_Test_fh, C_NCCP_10)			
5		+StartCellB_ho(C_E_suitable, C_BCCHcarrierB_ho, C_BCCHcarrierB_hod, C_Immass, TCV_slot, TCV_tsc, TimingAdv(TCV_T), C_TxInt_5, C_Max_7, C_NECI_0, C_ATT_0, C_BABR_0, TCV_cchannel, C_BPM_3, C_T3212_0, C_MCC_1, C_PLMN_1, C_LAC_2, CellChDes_20_Bman, CellChDes_201_Bd, BcchFreqLst_01, BcchFreqLst_48, C_noRestablishment, C_BCC_0, C_NCC_3, TSPX_k, 0)			The timeslots of Cells A and B are not coincident at the antenna connector.
6		+FullRateCh_A_1_nociph(C_Immass, TCV_ia_ts, TCV_tsc, TCV_ChMod, FreqTCHa_hof_ind5, FreqTCHa_hof_ind5d, TimingAdv(30), C_BABR_0, TCV_cchannel, C_BPM_3)			Set TCH/F FH on cell A
7		(TCV_ch:=TCV_chTch)			Store TCH on cell A for call setup
8		+FullRateCh_B_1(C_Asynho, TCV_ts, TCV_tsc, ChMod_EFR2, FreqTCHb_hof_ind8, FreqTCHb_hof_ind8d, C_Noarfcn, C_Noarfcn, TimingAdv(TCV_T), C_BABR_0, TCV_cchannel, C_BPM_3)			Set TCH/F FH on cellB
9		+Est_MO_Call_init(C_CHTCHF_FH, MobilAllc_ind5A, MobilAllc_ind5Ad, TimingAdv(30), TCV_tsc, 5, 5)			Initiate MO call on cellA
10	body	+ltree_BuildHoCMD			
11		(TCV_Fn := OM_ComingFn(TCV_ch), TCV_Null:= OM_SendNextOn(TCV_ch, TCV_Fn), TCV_Strt := OC_StartTime(TCV_Fn,(C_StartingTimeHO + 100), 1))			Starting time is set to 1.1 s pluse 100 frames
12		(TCV_Null := OM_SendNextOnHO(TCV_chTch, TCV_Cntref))			
13		LIDL_DatRqHoCmd(DL_DatRqHoCmd.msg.strt:= TCV_Strt)	HndOvSnd(TCV_ch, TCV_HoCMD)		HO command
14		(TCV_ch:=TCV_chTch)			

15	L!DL_DatRqPhyinfo	PhyInfo_01(TCV_ch, TimingAdv(TCV_T))	See Note 1.
16	+RR_hocomp1(500, TimingAdv(TCV_T))		Complete the HO procedure
17	L?DL_DatInSetup (TCV_Mt1 := DL_DatInSetup.msg. mt)	SetupRcv(SetupInd_01)	
18	+SendSeqNo_chk		Is N(SD) correct?
19	+ChanRel_end(TCV_ch)		
	Itree_data_init		
20	[TSPC_PGSM OR TSPC_EGSM]		
21	(TCV_ia_ts:=TSPX_TmSlitNotZero, TCV_ts:='000'B, TCV_tsc:=TSPX_TscC, TCV_Cntref:=TSPX_NoOfHoAccC, TCV_Horf:=TSPX_HoRefC, TCV_Pwrlvl_ho:=INT_TO_BIT(TSPX_PwrlvlC,5), TCV_cchannel:=C_cch_1Comb, TCV_T := 20, TCV_ChMod.mode := C_ChMod_r)		Parameters initialization for Immediate Assignment and Handover commands.
22	[TSPC_DCS]		
23	(TCV_ia_ts:=TSPX_TmSlitNotZero, TCV_ts:=TSPX_TmSlitNotZero1, TCV_tsc:=TSPX_TscC, TCV_Cntref:=TSPX_NoOfHoAccC, TCV_Horf:=TSPX_HoRefC, TCV_Pwrlvl_ho:=INT_TO_BIT(TSPX_PwrlvlC,5), TCV_cchannel:=C_cch_1Comb, TCV_T := 20, TCV_ChMod.mode := C_ChMod_r)		
	Itree_BuildHoCMD		
24	[TSPC_PGSM OR TSPC_EGSM]		
25	(TCV_HoCMD:=HandOverCmd_fh('00001'B, TCV_ts, TSPX_TscB, C_NCC_3, C_BCC_0, C_BCCHcarrierB_ho, 8, TSPX_HSN, TCV_Horf, TCV_Pwrlvl_ho, Synchi(C_not_report_otd, C_non_synchronised), Frql_omit, Frql_ind8B, CellChDes_Omit, ChMod_omit, Freqchseq_omit, MoblAlc_omit, RelTmdDif_omit, TimingAdv_omit, CphMod_omit))		
26	[TSPC_DCS]		
27	(TCV_HoCMD:=HandOverCmd_fh('00001'B, TCV_ts, TSPX_TscB, C_NCC_3, C_BCC_0, C_BCCHcarrierB_hod, 8, TSPX_HSN, TCV_Horf, TCV_Pwrlvl_ho, Synchi(C_not_report_otd, C_non_synchronised), Frql_omit, Frql_ind8Bd, CellChDes_Omit, ChMod_omit, Freqchseq_omit, MoblAlc_omit, RelTmdDif_omit, TimingAdv_omit, CphMod_omit))		
Detailed Comments: HO from TCH/F, FH to TCH/F, sv2, FH			
Notes:			
1. PhyInfo is dequeued from the sending buffer, but held through OM_SendNextOnHO at the lower layers of the tester for sending till having received TCV_Cntref access bursts.			

Test Case Dynamic Behaviour					
Test Case Name:		TC_26_12_2_2_7			
Group:		GSM_MS_EFR_4200/EFR/			
Purpose:		<p>To verify that the MS correctly applies the handover procedure from TCH/F with frequency hopping to TCH/F using full rate speech version 2 without frequency hopping in the nonsynchronized case during call establishment.</p> <p>To verify that if during call establishment a layer 3 MM or CC message just sent by the MS is not Layer 2 acknowledge before the channel change caused by the HANDOVER COMMAND message, the MS shall send the Layer 3 message to the new cell, using the same value in the N(SD) field, after the handover procedure.</p>			
Default:		OtherEventsFail_01			
Nr	Label	Behaviour Description	CRef	V	Comments
1		START T_guard(300)			
2		+EFR_BasicServiceMO(TSPX_MOBScSvcA, TSPX_MOChRateA)			
3		(TCV_ia_ts:=TSPX_TmSlitNotZero, TCV_ts:=000'B, TCV_tsc:=TSPX_TscA, TCV_Cntref:=TSPX_NoOfHoAccA, TCV_Horf:=TSPX_HoRefA, TCV_Pwrlvl_ho:=INT_TO_BIT(TSPX_PwrlvlA,5), TCV_cchannel:=C_cch_1Comb, TCV_T := 20, TCV_ChMod.mode := C_ChMod_r)			Parameters initialization for Immediate Assignment and Handover commands.
4		+IdleUpdated(C_E_default, C_CellA, C_SCH_A, C_BCCH_A_1, C_Immass, C_S0, C_SlotNU, C_SlotNU, C_SlotNU, C_BCC, C_TxInt_5, C_Max_7, C_NECl_0, C_ATT_0, TimingAdv(30), C_BABR_0, TCV_cchannel, C_BPM_3, C_T3212_0, C_ci_cellA, C_MCC_1, C_PLMN_1, C_LAC_1, CellOpt_01, CellChDes_20_Aman, CellChDes_202_Adman, C_CellReselectHys12, C_MaxPwrLvlG, C_MaxPwrLvlD, BcchFreqLst_01, BcchFreqLst_Omit, BcchFreqLst_48, BcchFreqLst_Omit, C_noReestablishment, C_BCC, C_NCC, C_Start_Tmsi, TSPX_SDCCH4SubDef, TSPX_CKSNDf, TSPX_RANDDf, C_arfcnA, C_arfcnAd_4, TSPX_IMSI, C_Test_fh, C_NCCP_10)			
5		+StartCellB_ho(C_E_suitable, C_BCCHcarrierB_ho, C_BCCHcarrierB_hod, C_Immass, TCV_slot, TCV_tsc, TimingAdv(TCV_T), C_TxInt_5, C_Max_7, C_NECl_0, C_ATT_0, C_BABR_0, TCV_cchannel, C_BPM_3, C_T3212_0, C_MCC_1, C_PLMN_1, C_LAC_2, CellChDes_20_Bman, CellChDes_201_Bd, BcchFreqLst_01, BcchFreqLst_48, C_noReestablishment, C_BCC_0, C_NCC_3, TSPX_k, 0)			The timeslots of Cells A and B are not coincident at the antenna connector.
6		+FullRateCh_A_1_nociph(C_Immass, TCV_ia_ts, TCV_tsc, TCV_ChMod, FreqTCHa_hof_ind3, FreqTCHa_hof_ind3d, TimingAdv(30), C_BABR_0, TCV_cchannel, C_BPM_3)			Set TCH/F FH on cell A
7		(TCV_ch :=TCV_chTch)			
8		+FullRateCh_B_1(C_Asynho, TCV_ts, TCV_tsc, ChMod_EFR2, FreqTCH_omit, FreqTCH_omit, TSPX_TCHcarrierB_ho, TSPX_TCHcarrierB_hod, TimingAdv(TCV_T), C_BABR_0, TCV_cchannel, C_BPM_3)			Set TCH/F nonFH on cellB
9		+Est_MO_Call_init(C_CHTCHF_FH, MobilIc_281, MobilIc_ad281d, TimingAdv(30), TCV_tsc, 3, 3)			Initiate MO call on cellA
10		+ltree_arfcnB			
11		(TCV_HoCMD:= HandOverCmd_nfh('00001'B, TCV_ts, TCV_tsc, C_NCC_3, C_BCC_0, TCV_chdescr_arfcn, TCV_tch_arfcn, TCV_Horf, TCV_Pwrlvl_ho, Synchi_omit, ChMod_omit, RelTmdDif_omit, TimingAdv_omit, CphMod_omit))			

12	(TCV_Null := OM_SendNextOnHO(TCV_chT ch, TCV_Cntref))		
13	L!DL_DatRqHoCmd	HndOvSnd(TCV_ch, TCV_HoCMD)	HO command
14	(TCV_ch:=TCV_chTch)		
15	L!DL_DatRqPhyinfo	PhyInfo_01(TCV_ch, TimingAdv(TCV_T))	See Note 1.
16	+RR_hocomp1(500, TimingAdv(TCV_T))		Complete the HO procedure
17	L?DL_DatInSetup (TCV_Mt1 := DL_DatInSetup.msg. mt)	SetupRcv(SetupInd_01)	
18	+SendSeqNo_chk		Is N(SD) correct?
19	+ChanRel_end(TCV_ch)		
20	Itree_arfcnB [TSPC_PGSM OR TSPC_EGSM]		
21	(TCV_tch_arfcn:=TSPX_TCHcarrierB_ho, TCV_chdescr_arfcn:=C_BCCHcarrierB_ho)		
22	[TSPC_DCS]		
23	(TCV_tch_arfcn:=TSPX_TCHcarrierB_hod, TCV_chdescr_arfcn:=C_BCCHcarrierB_hod)		
Detailed Comments: HandOver from TCH/F, FH to TCH/F, sv2, nonFH			
Notes: 1. PhyInfo is dequeued from the sending buffer, but held through OM_SendNextOnHO at the lower layers of the tester for sending till having received TCV_Cntref access bursts.			

Test Case Dynamic Behaviour					
Test Case Name:		TC_26_12_2_2_8			
Group:		GSM_MS_EFR_4200/EFR/			
Purpose:		<p>To verify that the MS correctly applies the handover procedure from TCH/H without frequency hopping to TCH/F using full rate speech version 2 with frequency hopping in the nonsynchronized case during call establishment.</p> <p>To verify that if during call establishment a layer 3 MM or CC message just sent by the MS is not Layer 2 acknowledge before the channel change caused by the HANDOVER COMMAND message, the MS shall send the Layer 3 message to the new cell, using the same value in the N(SD) field, after the handover procedure.</p>			
Default:		OtherEventsFail_01			
Nr	Label	Behaviour Description	CRef	V	Comments
1		START T_guard(300)			
2		+EFR_BasicServiceMO(TSPX_MOBScSvcA, TSPX_MOChRateA)			
3		(TCV_ia_ts:=TSPX_TmSlitNotZero, TCV_ts:=TSPX_TmSlitNotZero1, TCV_tsc:=TSPX_TscA, TCV_Cntref:=TSPX_NoOfHoAccA, TCV_Horf:=TSPX_HoRefA, TCV_Pwrlvl_ho:=INT_TO_BIT(TSPX_PwrlvlA,5), TCV_cchannel:=C_cch_1Comb, TCV_T := 20)			Parameters initialization for Immediate Assignment and Handover commands.
4		+IdleUpdated(C_E_default, C_CellA, C_SCH_A, C_BCCH_A_1, C_Immass, C_S0, C_SlotNU, C_SlotNU, C_SlotNU, C_BCC, C_TxInt_5, C_Max_7, C_NECl_0, C_ATT_0, TimingAdv(30), C_BABR_0, TCV_cchannel, C_BPM_3, C_T3212_0, C_ci_cellA, C_MCC_1, C_PLMN_1, C_LAC_1, CellOpt_01, CellChDes_20_Aman, CellChDes_202_Adman, C_CellReselectHys12, C_MaxPwrLvlG, C_MaxPwrLvlD, BcchFreqLst_01, BcchFreqLst_Omit, BcchFreqLst_48, BcchFreqLst_Omit, C_noReestablishment, C_BCC, C_NCC, C_Start_Tmsi, TSPX_SDCCH4SubDef, TSPX_CKSNDf, TSPX_RANDDf, C_arfcnA, C_arfcnAd_4, TSPX_IMSI, C_Test_fh, C_NCCP_10)			
5		+StartCellB_ho(C_E_suitable, C_BCCHcarrierB_ho, C_BCCHcarrierB_hod, C_Immass, TCV_slot, TCV_tsc, TimingAdv(TCV_T), C_TxInt_5, C_Max_7, C_NECl_0, C_ATT_0, C_BABR_0, TCV_cchannel, C_BPM_3, C_T3212_0, C_MCC_1, C_PLMN_1, C_LAC_2, CellChDes_20_Bman, CellChDes_201_Bd, BcchFreqLst_01, BcchFreqLst_48, C_noReestablishment, C_BCC_0, C_NCC_3, TSPX_k, 0)			The timeslots of Cells A and B are not coincident at the antenna connector.
6		+HalfRateCh_A_1(TSPX_TCHHSubDef, C_Immass, TCV_ia_ts, TCV_tsc, TCV_ChMod, FreqTCH_omit, FreqTCH_omit, TSPX_TCHcarrierA_ho, TSPX_TCHcarrierA_hod, TimingAdv(30), C_BABR_0, TCV_cchannel, C_BPM_3)			Set TCH/H nonFH on cell A
7		(TCV_ch :=TCV_chTch)			
8		+FullRateCh_B_1(C_Asynho, TCV_ts, TCV_tsc, ChMod_EFR2, FreqTCHb_hof1, FreqTCHb_hof1d, C_Noarfcn, C_Noarfcn, TimingAdv(TCV_T), C_BABR_0, TCV_cchannel, C_BPM_3)			Set TCH/F FH on cellB
9		+ltree_arfcnA			Set the ARFCN for NonFH channel on cellA
10		+Est_MO_Call_init(C_CHTCHH_NonFH, MobilAlc_omit, MobilAlc_omit, TimingAdv(30), TCV_tsc, C_one, C_one)			Initiate MO call on cellA
11	body	+ltree_BuildHoCMD			
12		(TCV_Null := OM_SendNextOnHO(TCV_chTch, TCV_Cntref))			
13		LIDL_DatRqHoCmd	HndOvSnd(TCV_ch,		HO command

14	(TCV_ch:=TCV_chTch)	TCV_HoCMD)	
15	LIDL_DatRqPhyinfo	PhyInfo_01(TCV_ch, TimingAdv(TCV_T))	See Note 1.
16	+RR_hocomp1(500, TimingAdv(TCV_T))		Complete the HO procedure
17	L?DL_DatInSetup (TCV_Mt1 := DL_DatInSetup.msg. mt)	SetupRcv(SetupInd_01)	
18	+SendSeqNo_chk		Is N(SD) correct?
19	+ChanRel_end(TCV_ch)		
	ltree_arfcnA		
20	[TSPC_PGSM OR TSPC_EGSM]		
21	(TCV_tch_arfcn:=66)		
22	[TSPC_DCS]		
23	(TCV_tch_arfcn:=754)		
	ltree_BuildHoCMD		
24	[TSPC_PGSM OR TSPC_EGSM]		
25	(TCV_HoCMD:=HandOverCmd_fh('00001'B, TCV_ts, TCV_tsc, C_NCC_1, C_BCC_5, C_BCCHcarrierB_ho, 12, TSPX_HSN, TCV_Horf, TCV_Pwrlvl_ho, Synchi(C_not_report_otd, C_non_synchronised), Frql_omit, Frql_20_B3, CellChDes_Omit, ChMod_omit, Freqchseq_omit, MobiAllc_omit, RelTmdDif_omit, TimingAdv_omit, CphMod_omit))		
26	[TSPC_DCS]		
27	(TCV_HoCMD:=HandOverCmd_fh('00001'B, TCV_ts, TCV_tsc, C_NCC_1, C_BCC_5, C_BCCHcarrierB_hod, 12, TSPX_HSN, TCV_Horf, TCV_Pwrlvl_ho, Synchi_omit, Frql_20_B3d, Frql_omit, CellChDes_Omit, ChMod_omit, Freqchseq_omit, MobiAllc_omit, RelTmdDif_omit, TimingAdv_omit, CphMod_omit))		
Detailed Comments: HandOver from TCH/H, nonFH to TCH/F, sv2, FH			
Notes:			
1. PhyInfo is dequeued from the sending buffer, but held through OM_SendNextOnHO at the lower layers of the tester for sending till having received TCV_Cntref access bursts.			

Test Case Dynamic Behaviour					
Test Case Name:		TC_26_12_2_2_9			
Group:		GSM_MS_EFR_4200/EFR/			
Purpose:		<p>To verify that the MS correctly applies the handover procedure from TCH/H without frequency hopping to TCH/F using full rate speech version 2 without frequency hopping in the nonsynchronized case during call establishment.</p> <p>To verify that if during call establishment a layer 3 MM or CC message just sent by the MS is not Layer 2 acknowledge before the channel change caused by the HANDOVER COMMAND message, the MS shall send the Layer 3 message to the new cell, using the same value in the N(SD) field, after the handover procedure.</p>			
Default:		OtherEventsFail_01			
Nr	Label	Behaviour Description	CRef	V	Comments
1		START T_guard(300)			
2		+EFR_BasicServiceMO(TSPX_MOBScSvcA, TSPX_MOChRateA)			
3		(TCV_ia_ts:=TSPX_TmSlitNotZero, TCV_ts:=TSPX_TmSlitNotZero1, TCV_tsc:=TSPX_TscB, TCV_Cntref:=TSPX_NoOfHoAccB, TCV_Horf:=TSPX_HoRefB, TCV_Pwrlvl_ho:=INT_TO_BIT(TSPX_PwrlvlB,5), TCV_cchannel:=C_cch_1Comb, TCV_T := 20)			Parameters initialization for Immediate Assignment and Handover commands.
4		+IdleUpdated(C_E_default, C_CellA, C_SCH_A, C_BCCH_A_1, C_Immass, C_S0, C_SlotNU, C_SlotNU, C_SlotNU, C_BCC, C_TxInt_5, C_Max_7, C_NECl_0, C_ATT_0, TimingAdv(30), C_BABR_0, TCV_cchannel, C_BPM_3, C_T3212_0, C_ci_cellA, C_MCC_1, C_PLMN_1, C_LAC_1, CellOpt_01, CellChDes_20_Aman, CellChDes_202_Adman, C_CellReselectHys12, C_MaxPwrLvlG, C_MaxPwrLvlD, BcchFreqLst_01, BcchFreqLst_Omit, BcchFreqLst_48, BcchFreqLst_Omit, C_noReestablishment, C_BCC, C_NCC, C_Start_Tmsi, TSPX_SDCCH4SubDef, TSPX_CKSNDf, TSPX_RANDDf, C_arfcnA, C_arfcnAd_4, TSPX_IMSI, C_Test_fh, C_NCCP_10)			
5		+StartCellB_ho(C_E_suitable, C_BCCHcarrierB_ho, C_BCCHcarrierB_hod, C_Immass, TCV_slot, TCV_tsc, TimingAdv(TCV_T), C_TxInt_5, C_Max_7, C_NECl_0, C_ATT_0, C_BABR_0, TCV_cchannel, C_BPM_3, C_T3212_0, C_MCC_1, C_PLMN_1, C_LAC_2, CellChDes_20_Bman, CellChDes_201_Bd, BcchFreqLst_01, BcchFreqLst_48, C_noReestablishment, C_BCC_0, C_NCC_3, TSPX_k, 0)			The timeslots of Cells A and B are not coincident at the antenna connector.
6		+HalfRateCh_A_1(TSPX_TCHHSubDef, C_Immass, TCV_ia_ts, TCV_tsc, TCV_ChMod, FreqTCH_omit, FreqTCH_omit, TSPX_TCHcarrierA_ho, TSPX_TCHcarrierA_hod, TimingAdv(30), C_BABR_0, TCV_cchannel, C_BPM_3)			Set TCH/H nonFH on cell A
7		(TCV_ch :=TCV_chTch)			
8		+FullRateCh_B_1(C_Asynho, TCV_ts, TCV_tsc, ChMod_EFR2, FreqTCH_omit, FreqTCH_omit, TSPX_TCHcarrierB_ho, TSPX_TCHcarrierB_hod, TimingAdv(TCV_T), C_BABR_0, TCV_cchannel, C_BPM_3)			Set TCH/F nonFH on cellB
9		+ltree_arfcnA			Set the ARFCN for NonFH channel on cellA
10		+Est_MO_Call_init(C_CHTCHH_NonFH, MobilAlc_omit, MobilAlc_omit, TimingAdv(30), TCV_tsc, C_one, C_one)			
11		+ltree_arfcnB			
12	body	+ltree_BuildHoCMD			
13		(TCV_Fn := OM_ComingFn(TCV_ch), TCV_Null:=			starting time is set to 1.1 s pluse 100 frames

14	OM_SendNextOn(TCV_ch, TCV_Fn), TCV_Strt := OC_StartTime(TCV_Fn,(C_StartingTimeHO + 100), 1)) (TCV_Null := OM_SendNextOnHO(TCV_ chTch, TCV_Cntref))		
15	L!DL_DatRqHoCmd(DL_DatRqHoCmd.msg.str t:= TCV_Strt)	HndOvSnd(TCV_ch, TCV_HoCMD)	
16	(TCV_ch:=TCV_chTch)		
17	L!DL_DatRqPhyinfo	PhyInfo_01(TCV_ch, TimingAdv(TCV_T))	See Note 1.
18	+RR_hocomp1(500, TimingAdv(TCV_T))		
19	L?DL_DatInSetup (TCV_Mt1 := DL_DatInSetup.m sg.mt)	SetupRcv(SetupInd_01)	
20	+SendSeqNo_c hk		
21	+ChanRel_en d(TCV_ch)		
22	Itree_arfcnA [TSPC_PGSM OR TSPC_EGSM]		
23	(TCV_tch_arfcn:=66)		
24	[TSPC_DCS]		
25	(TCV_tch_arfcn:=791)		
26	Itree_arfcnB [TSPC_PGSM OR TSPC_EGSM]		
27	(TCV_tch_arfcn:=31, TCV_chdescr_arfcn:=C_BCCHcarrierB_ho)		
28	[TSPC_DCS]		
29	(TCV_tch_arfcn:=749, TCV_chdescr_arfcn:=C_BCCHcarrierB_hod)		
30	Itree_BuildHoCMD [TSPC_PGSM OR TSPC_EGSM]		
31	(TCV_HoCMD:=HandOverCmd_nfh('00001'B, TCV_ts, TCV_tsc, C_NCC_1, C_BCC_5, TCV_chdescr_arfcn, 31, TCV_Horf, TCV_Pwrlvl_ho, Synchi_omit, ChMod_omit, RelTmdDif_omit, TimingAdv_omit, CphMod_omit))		
32	[TSPC_DCS]		
33	(TCV_HoCMD:=HandOverCmd_nfh('00001'B, TCV_ts, TCV_tsc, C_NCC_1, C_BCC_5, TCV_chdescr_arfcn, 749, TCV_Horf, TCV_Pwrlvl_ho, Synchi_omit, ChMod_omit, RelTmdDif_omit, TimingAdv_omit, CphMod_omit))		
Detailed Comments: HandOver from TCH/H, nonFH to TCH/F, sv2, nonFH			
Notes: 1. PhyInfo is dequeued from the sending buffer, but held through OM_SendNextOnHO at the lower layers of the tester for sending till having received TCV_Cntref access bursts.			

Test Case Dynamic Behaviour					
Test Case Name:		TC_26_12_2_2_10			
Group:		GSM_MS_EFR_4200/EFR/			
Purpose:		<p>To verify that the MS correctly applies the handover procedure from TCH/H with frequency hopping to TCH/F using full rate speech version 2 with frequency hopping in the nonsynchronized case during call establishment.</p> <p>To verify that if during call establishment a layer 3 MM or CC message just sent by the MS is not Layer 2 acknowledge before the channel change caused by the HANDOVER COMMAND message, the MS shall send the Layer 3 message to the new cell, using the same value in the N(SD) field, after the handover procedure.</p>			
Default:		OtherEventsFail_01			
Nr	Label	Behaviour Description	CRef	V	Comments
1		START T_guard(300)			
2		+EFR_BasicServiceMO(TSPX_MOBScSvcA, TSPX_MOChRateA)			
3		+ltree_data_init			
4		+IdleUpdated(C_E_default, C_CellA, C_SCH_A, C_BCCH_A_1, C_Immass, C_S0, C_SlotNU, C_SlotNU, C_SlotNU, C_BCC, C_TxInt_5, C_Max_7, C_NECI_0, C_ATT_0, TimingAdv(30), C_BABR_0, TCV_cchannel, C_BPM_3, C_T3212_0, C_ci_cellA, C_MCC_1, C_PLMN_1, C_LAC_1, CellOpt_01, CellChDes_20_Aman, CellChDes_202_Adman, C_CellReselectHys12, C_MaxPwrLvlG, C_MaxPwrLvlD, BcchFreqLst_01, BcchFreqLst_Omit, BcchFreqLst_48, BcchFreqLst_Omit, C_noRestablishment, C_BCC, C_NCC, C_Start_Tmsi, TSPX_SDCCCH4SubDef, TSPX_CKSNDf, TSPX_RANDDef, C_arfcnA, C_arfcnAd_4, TSPX_IMSI, C_Test_fh, C_NCCP_10)			
5		+StartCellB_ho(C_E_suitable, C_BCCHcarrierB_ho, C_BCCHcarrierB_hod, C_Immass, TCV_slot, TCV_tsc, TimingAdv(TCV_T), C_TxInt_5, C_Max_7, C_NECI_0, C_ATT_0, C_BABR_0, TCV_cchannel, C_BPM_3, C_T3212_0, C_MCC_1, C_PLMN_1, C_LAC_2, CellChDes_20_Bman, CellChDes_201_Bd, BcchFreqLst_01, BcchFreqLst_48, C_noRestablishment, C_BCC_0, C_NCC_3, TSPX_k, 0)			The timeslots of Cells A and B are not coincident at the antenna connector.
6		+HalfRateCh_A_1_nociph(TSPX_TCHHSubDef, C_Immass, TCV_ia_ts, TCV_tsc, TCV_ChMod, FreqTCHa_hof_ind5, FreqTCHa_hof_ind5d, TimingAdv(30), C_BABR_0, TCV_cchannel, C_BPM_3)			Set TCH/H FH on cell A
7		(TCV_ch :=TCV_chTch)			
8		+FullRateCh_B_1(C_Asynho, TCV_ts, TCV_tsc, ChMod_EFR2, FreqTCHb_hof_ind8, FreqTCHb_hof_ind8d, C_Noarfcn, C_Noarfcn, TimingAdv(TCV_T), C_BABR_0, TCV_cchannel, C_BPM_3)			Set TCH/F FH on cellB
9		+Est_MO_Call_init(C_CHTCHH_FH, MobiAllc_ind5A, MobiAllc_ind5Ad, TimingAdv(30), TCV_tsc, 5, 5)			
10	body	+ltree_BuildHoCMD			
11		(TCV_Null := OM_SendNextOnHO(TCV_chTch , TCV_Cntref))			
12		LIDL_DatRqHoCmd	HndOvSnd(TCV_ch, TCV_HoCMD)		HO command
13		(TCV_ch:=TCV_chTch)			
14		LIDL_DatRqPhyinfo	PhyInfo_01(TCV_ch, TimingAdv(TCV_T))		See Note 1.
15		+RR_hocomp1(500, TimingAdv(TCV_T))			
16		L?DL_DatInSetup (TCV_Mt1 := DL_DatInSetup.msg.mt)	SetupRcv(SetupInd_01)		

17		+SendSeqNo_chk		
18		+ChanRel_end(TCV_ch)		
19		ltree_data_init [TSPC_PGSM OR TSPC_EGSM]		Parameters initialization for Immediate Assignment and Handover commands.
20		(TCV_ia_ts:=TSPX_TmSlitNotZero, TCV_ts:='000'B, TCV_tsc:=TSPX_TscC, TCV_Cntref:=TSPX_NoOfHoAccC, TCV_Horf:=TSPX_HoRefC, TCV_Pwrlvl_ho:=INT_TO_BIT(TSPX_PwrlvlC,5), TCV_cchannel:=C_cch_1Comb, TCV_T := 20)		
21		[TSPC_DCS]		
22		(TCV_ia_ts:=TSPX_TmSlitNotZero, TCV_ts:=TSPX_TmSlitNotZero1, TCV_tsc:=TSPX_TscC, TCV_Cntref:=TSPX_NoOfHoAccC, TCV_Horf:=TSPX_HoRefC, TCV_Pwrlvl_ho:=INT_TO_BIT(TSPX_PwrlvlC,5), TCV_cchannel:=C_cch_1Comb, TCV_T := 20)		
23		ltree_BuildHoCMD [TSPC_PGSM OR TSPC_EGSM]		
24		(TCV_HoCMD:=HandOverCmd_fh('00001'B, TCV_ts, TSPX_TscB, C_NCC_3, C_BCC_0, C_BCCHcarrierB_ho, 8, TSPX_HSN, TCV_Horf, TCV_Pwrlvl_ho, Synchi(C_not_report_otd, C_non_synchronised), Frql_omit, Frql_ind8B, CellChDes_Omit, ChMod_omit, Freqchseq_omit, MoblAllc_omit, RelTmdDif_omit, TimingAdv_omit, CphMod_omit))		
25		[TSPC_DCS]		
26		(TCV_HoCMD:=HandOverCmd_fh('00001'B, TCV_ts, TSPX_TscB, C_NCC_3, C_BCC_0, C_BCCHcarrierB_hod, 8, TSPX_HSN, TCV_Horf, TCV_Pwrlvl_ho, Synchi(C_not_report_otd, C_non_synchronised), Frql_omit, Frql_ind8Bd, CellChDes_Omit, ChMod_omit, Freqchseq_omit, MoblAllc_omit, RelTmdDif_omit, TimingAdv_omit, CphMod_omit))		
Detailed Comments:		HandOver from TCH/H, FH to TCH/F, sv2, FH		
		Notes: 1. PhyInfo is dequeued from the sending buffer, but held through OM_SendNextOnHO at the lower layers of the tester for sending till having received TCV_Cntref access bursts.		

Test Case Dynamic Behaviour					
Test Case Name: TC_26_12_2_2_11					
Group: GSM_MS_EFR_4200/EFR/					
Purpose: To verify that the MS correctly applies the handover procedure from TCH/H with frequency hopping to TCH/F using full rate speech version 2 with no frequency hopping in the nonsynchronized case during call establishment. To verify that if during call establishment a layer 3 MM or CC message just sent by the MS is not Layer 2 acknowledge before the channel change caused by the HANDOVER COMMAND message, the MS shall send the Layer 3 message to the new cell, using the same value in the N(SD) field, after the handover procedure.					
Default: OtherEventsFail_01					
Nr	Label	Behaviour Description	CRef	V	Comments
1		START T_guard(300)			
2		+EFR_BasicServiceMO(TSPX_MOBScSvcA, TSPX_MOChRateA)			
3		(TCV_ia_ts:=TSPX_TmSlTNotZero, TCV_ts:=000'B, TCV_tsc:=TSPX_TscA, TCV_Cntref:=TSPX_NoOfHoAccA, TCV_Horf:=TSPX_HoRefA, TCV_PwrLvl_ho:=INT_TO_BIT(TSPX_PwrLvlA,5), TCV_cchannel:=C_cch_1Comb, TCV_T := 20)			Parameters initialization for Immediate Assignment and Handover commands.
4		+IdleUpdated(C_E_default, C_CellA, C_SCH_A, C_BCCH_A_1, C_Immass, C_S0, C_SlotNU, C_SlotNU, C_SlotNU, C_BCC, C_TxInt_5, C_Max_7, C_NECI_0, C_ATT_0, TimingAdv(30), C_BABR_0, TCV_cchannel, C_BPM_3, C_T3212_0, C_ci_cellA, C_MCC_1, C_PLMN_1, C_LAC_1, CellOpt_01, CellChDes_20_Aman, CellChDes_202_Adman, C_CellReselectHys12, C_MaxPwrLvlG, C_MaxPwrLvlD, BcchFreqLst_01, BcchFreqLst_Omit, BcchFreqLst_48, BcchFreqLst_Omit, C_noRestablishment, C_BCC, C_NCC, C_Start_Tmsi, TSPX_SDCCCH4SubDef, TSPX_CKSNDf, TSPX_RANDDef, C_arfcnA, C_arfcnAd_4, TSPX_IMSI, C_Test_fh, C_NCCP_10)			
5		+StartCellB_ho(C_E_suitable, C_BCCHcarrierB_ho, C_BCCHcarrierB_hod, C_Immass, TCV_slot, TCV_tsc, TimingAdv(TCV_T), C_TxInt_5, C_Max_7, C_NECI_0, C_ATT_0, C_BABR_0, TCV_cchannel, C_BPM_3, C_T3212_0, C_MCC_1, C_PLMN_1, C_LAC_2, CellChDes_20_Bman, CellChDes_201_Bd, BcchFreqLst_01, BcchFreqLst_48, C_noRestablishment, C_BCC_0, C_NCC_3, TSPX_k, 0)			The timeslots of Cells A and B are not coincident at the antenna connector.
6		+HalfRateCh_A_1_nociph(TSPX_TCHHSubDef, C_Immass, TCV_ia_ts, TCV_tsc, TCV_ChMod, FreqTCHa_hof_ind3, FreqTCHa_hof_ind3d, TimingAdv(30), C_BABR_0, TCV_cchannel, C_BPM_3)			Set TCH/H FH on cell A
7		(TCV_ch :=TCV_chTch)			
8		+FullRateCh_B_1(C_Asynho, TCV_ts, TCV_tsc, ChMod_EFR2, FreqTCH_omit, FreqTCH_omit, TSPX_TCHcarrierB_ho, TSPX_TCHcarrierB_hod, TimingAdv(TCV_T), C_BABR_0, TCV_cchannel, C_BPM_3)			Set TCH/F nonFH on cellB
9		+Est_MO_Call_init(C_CHTCHH_FH, MobilAlc_281, MobilAlc_ad281d, TimingAdv(30), TCV_tsc, 3, 3)			Initiate MO call on cellA
10	body	+ltree_arfcnB			
11		(TCV_HoCMD:= HandOverCmd_nfh('00001'B, TCV_ts, TCV_tsc, C_NCC_3, C_BCC_0, TCV_chdescr_arfcn, TCV_tch_arfcn, TCV_Horf, TCV_PwrLvl_ho, Synchi_omit, ChMod_omit, RelTmdDif_omit, TimingAdv_omit, CphMod_omit))			

12	(TCV_Null := OM_SendNextOnHO(TCV_chT ch, TCV_Cntref))		
13	L!DL_DatRqHoCmd	HndOvSnd(TCV_ch, TCV_HoCMD)	HO command
14	(TCV_ch:=TCV_chTch)		
15	L!DL_DatRqPhyinfo	PhyInfo_01(TCV_ch, TimingAdv(TCV_T))	See Note 1.
16	+RR_hocomp1(500, TimingAdv(TCV_T))		Complete the HO procedure
17	L?DL_DatInSetup (TCV_Mt1 := DL_DatInSetup.msg. mt)	SetupRcv(SetupInd_01)	
18	+SendSeqNo_chk		Is N(SD) correct?
19	+ChanRel_end(TCV_ch)		
20	ltree_arfcnB [TSPC_PGSM OR TSPC_EGSM]		
21	(TCV_tch_arfcn:=TSPX_TCHcarrierB_ho, TCV_chdescr_arfcn:=C_BCCHcarrierB_ho)		
22	[TSPC_DCS]		
23	(TCV_tch_arfcn:=TSPX_TCHcarrierB_hod, TCV_chdescr_arfcn:=C_BCCHcarrierB_hod)		
Detailed Comments: HO from TCH/H, FH to TCH/F, sv2, nonFH			
Notes: 1. PhyInfo is dequeued from the sending buffer, but held through OM_SendNextOnHO at the lower layers of the tester for sending till having received TCV_Cntref access bursts.			

Test Case Dynamic Behaviour					
Test Case Name:		TC_26_12_3			
Group:		GSM_MS_EFR_4200/EFR/			
Purpose:		<p>1) To verify that the MS indicates and includes in the mobile originating SETUP for speech call all the speech versions that it supports.</p> <p>2) To verify that subsequently after receipt of an IMMEDIATE ASSIGNMENT message allocating an SDCCH, after completion of establishment of the main signalling link, after having sent a CM SERVICE REQUEST message, after having successfully performed authentication and cipher mode setting procedures, after having sent a SETUP message, after having received a CALL PROCEEDING message followed by an ALERTING message and an ASSIGNMENT COMMAND message allocating either speech full rate version 1 TCH or speech full rate version 2 TCH or speech half rate version 1 TCH (for an MS also supporting half rate), the MS sends an ASSIGNMENT COMPLETE message.</p> <p>3) To verify that subsequently, after the suite of actions specified in test purposes 1 and 2, the MS after receiving a CONNECT message returns a CONNECT ACKNOWLEDGE message.</p> <p>4) To verify that after the suite of actions specified in test purposes 1 and 2, the MS after receiving a CONNECT message attaches the user connection to the radio path. (This is checked by verifying that there is a point in time after transmission of the first L2 frame containing the (complete) CONNECT message, where the MS is sending appropriate speech or data frames whenever it doesn't have to transmit or acknowledge an I frame on layer 2 of the FACCH.)</p> <p>These test purposes are tested for all rates supported by the MS (full rate versions 1 and 2, plus optional half rate version 1 support).</p>			
Default:		OtherEventsFail			
Nr	Label	Behaviour Description	CRef	V	Comments
1		START T_guard(300)			
2		[TSPC_Serv_TS11]			Telephony supported
3		+EFR_BasicServiceMO(C_Telephony, C_Full_v2)			Init Full Rate v2.
4		+local_testfullrate			M = 1.
5		(TCV_Null := OM_CphMd(TCV_ch, CphMod_02, TCV_CphKey))			
6		+EFR_BasicServiceMO(C_Telephony, C_Full)			Init Full Rate v1.
7		+local_testfullrate			M = 2.
8		[TSPC_DualRate]			Half rate supported.
9		(TCV_Null := OM_CphMd(TCV_ch, CphMod_02, TCV_CphKey))			
10		+EFR_BasicServiceMO(C_Telephony, C_Half)			Init Half Rate v1.
11		+local_testhalfrate			M = 3.
12		[NOT TSPC_DualRate]			
13	E_00 23	[C_Yes]		I	IXIT error
14		local_testfullrate +IdleUpdated(C_E_default, C_CellA, C_SCH_A, C_BCCH_A_1, C_ImmAss, C_S0, C_SlotNU, C_SlotNU, C_SlotNU, C_BCC, C_TxInt_5, C_Max_1, C_NECL_0, C_ATT_0, TimingAdv(0), C_BABR_0, C_cch_1Comb, C_BPM_3, C_T3212_0, C_ci_cellA, C_MCC_1, C_PLMN_1, C_LAC_1, CellOpt_01, CellChDes_Omit, CellChDes_Omit, C_CellReselectHys12, C_MaxPwrLvlG, C_MaxPwrLvlD, BcchFreqLst_45, BcchFreqLst_02, BcchFreqLst_03, BcchFreqLst_04, C_Restablishment, C_BCC, C_NCC, C_Start_Tmsi, TSPX_SDCCH4SubDef, TSPX_CKSNA, TSPX_RANDA, C_arfcnA, C_arfcnAd, TSPX_IMSI, C_Test_nfh, C_NCCP_2)			
15		+FullRateCh_A_1(C_Ass, TSPX_TmSlTDef, TSPX_TscDef, TCV_ChMod, FreqTCH_omit, FreqTCH_omit, C_arfcn_tchA, C_arfcn_tchAd, TimingAdv(0), C_BABR_0, C_cch_1Comb, C_BPM_3)			
16		+local_initcall			

17		local_testhalfrate +HalfRateCh_A_1(TSPX_TCHHSubDef, C_Ass, TSPX_TmSltDef, TSPX_TscDef, TCV_ChMod, FreqTCH_omit, FreqTCH_omit, C_arfcn_tchA, C_arfcn_tchAd, TimingAdv(0), C_BABR_0, C_cch_1Comb, C_BPM_3)			7.
18		+local_initcall			
19		local_initcall (TCV_Null := OO_DialCalledNum())			4.
20		[TSPC_CalledNumDisp]			
21		(TCV_Res := OO_CalledNumCHK())			5.
22	E_00 24	[NOT TCV_Res]		(F)	
23	E_00 25	[TCV_Res]		(P)	
24		+InitCall(TCV_Service)			6.
25		+localtree			
26		[NOT TSPC_CalledNumDisp]			
27		+InitCall(TCV_Service)			
28		+localtree			
29	E_00 26	localtree L?DL_RaInChRq (TCV_Rr := DL_RaInChRq. msg.ecau_rrf, TCV_Fn := DL_RaInChRq.fn)	ChReq(ChRequest_04)	(P)	
30		ACTIVATE(OtherEventsFail_02)			To match ChReq retrans.
31		LIDL_UdatRqImmss	ImmAss(TCV_agch, ImmAsgn_01Def(TCV_Rr, TCV_Fn, TSPX_SDCCH4SubD ef, TCV_slot, TCV_tsc, TCV_chdescr_arfcn, TimingAdv(0)))		
32		L?DL_EstInCmsRq	CMSerReq(CMServiceReq_04)		
33		ACTIVATE(OtherEventsFail)			Restore Normal default
34		LIDL_DatRqAuthRq	AuthReq(TCV_ch, AuthRequest(TSPX_CKSNA, TSPX_RANDA))		
35		L?DL_DatInAuthRes (TCV_Sres := DL_DatInAuthRes.msg.sres)	AuthRes(AuthResponse)		
36		(TCV_Res := OC_ChkSRES(TCV_Sres, TSPX_Ki, TSPX_RANDA))			
37	E_00 27	[NOT TCV_Res]		(F)	
38		+PostMainLinkRel(TCV_ch)			
39		[TCV_Res]			
40		+localtree1			
41		localtree1 +Cipherring_on(TCV_ch)			
42		+EFR_RcvSetupOrEsetup(TCV_Setup_mo, TCV_Esetup, TCV_Ecall)			
43	E_00 28	LIDL_DatRqCallProc	CallProc(TCV_ch, TCV_CallProc)	(P)	
44		LIDL_DatRqAlert	AlertSnd(TCV_ch, Alerting_01(TCV_TI))		
45		[TSPC_AlertInd]			
46		(TCV_Res := OO_AltIndCHK())			
47	E_00 29	[NOT TCV_Res]		(F)	
48		+PostMainLinkRel(TCV_ch)			
49		[TCV_Res]			
50		+localtree2			
51		[NOT TSPC_AlertInd]			
52		+localtree2			

		localtree2		
53		+AssCmdGen(TCV_cellid, TCV_ChRate, TSPX_TmSlitDef, TSPX_TscDef, TSPX_TCHHSubDef)		
54		+AssCh_complete(TCV_ch, TCV_chTch, TCV_AssCmd)		
55		+localtree3		
		localtree3		
56		L!DL_DatRqConn	ConnSnd(TCV_chTch, Connect_02(TCV_TI))	
57	E_00 30	L?DL_DatInConnAck	ConnAckRcv(ConnectAck_02(TCV_TIO))	(P)
58		(TCV_Res := OO_TCHThroConnCHK())		
59	E_00 31	[NOT TCV_Res]		(F)
60		+PostMainLinkRel(TCV_chTch)		
61	E_00 32	[TCV_Res]		(P)
62		L!DL_DatRqDisc	DiscSnd(TCV_chTch, DisconnS(TCV_TI, Cause_01, ProgInd_omit, UuInfo_omit))	
63	E_00 33	L?DL_DatInRel	ReleaseRcv(Release_10(TCV_TIO))	(P)
64		L!DL_DatRqRelCmp	RelComSnd(TCV_chTch, ReleaseCmp_08(TCV_TI))	
65		+PostMainLinkRel(TCV_chTch)		
Detailed Comments:				

Test Case Dynamic Behaviour

Test Case Name:	TC_26_12_4
Group:	GSM_MS_EFR_4200/EFR/
Purpose:	<p>1) In acceptance to a SETUP message indicating speech, the MS shall indicate and include in the CALL CONFIRMED message all the speech versions that it supports.</p> <p>2) To verify that upon receipt of the ASSIGNMENT COMMAND message specifying either speech full rate version 1 or speech full rate version 2 or speech half rate version 1 (for an MS also supporting half rate), the mobile station continues a mobile terminating call establishment with early assignment of traffic channel</p> <p style="padding-left: 20px;">a) by replying to the ASSIGNMENT COMMAND with an ASSIGNMENT COMPLETE message and,</p> <p style="padding-left: 20px;">b) by continuing the call establishment by through connecting TCH in both directions if it supports immediate connect, or by sending an ALERTING message otherwise.</p> <p>3) To verify that for speech calls, the mobile station shall attach the user connection at latest when sending the connect message, except if there is no compatible radio resource available at this time. In this case the attachment shall be delayed until such a resource becomes available.</p>
Default:	OtherEventsFail

Nr	Label	Behaviour Description	CRef	V	Comments
1		START T_guard(300)			
2	body	[TSPC_Serv_TS11]			
3		+EFR_BasicServiceMT(C_Telephony, C_Full_v2)			
4		+local_testfullrate			M = 1.
5		(TCV_Null := OM_CphMd(TCV_ch, CphMod_02, TCV_CphKey))			
6		+EFR_BasicServiceMT(C_Telephony, C_Full)			
7		+local_testfullrate			M = 2.
8		[TSPC_DualRate]			
9		(TCV_Null := OM_CphMd(TCV_ch, CphMod_02, TCV_CphKey))			
10		+EFR_BasicServiceMT(C_Telephony, C_Half)			
11		+local_testhalfrate			M = 3.
12		[NOT TSPC_DualRate]			
13	E_00 34	[C_Yes]		I	
14		local_testfullrate +IdleUpdated(C_E_default, C_Cella, C_SCH_A, C_BCCH_A_1, C_Immss, C_S0, C_SlotNU, C_SlotNU, C_SlotNU, C_BCC, C_TxInt_5, C_Max_1, C_NECI_0, C_ATT_0, TimingAdv(0), C_BABR_0, C_cch_1Comb, C_BPM_3, C_T3212_0, C_ci_cellA, C_MCC_1, C_PLMN_1, C_LAC_1, CellOpt_01, CellChDes_Omit, CellChDes_Omit, C_CellReselectHys12, C_MaxPwrLvIG, C_MaxPwrLvID, BcchFreqLst_45, BcchFreqLst_02, BcchFreqLst_03, BcchFreqLst_04, C_Restablishment, C_BCC, C_NCC, C_Start_Tmsi, TSPX_SDCCH4SubDef, TSPX_CKSNA, TSPX_RANDA, C_arfcnA, C_arfcnAd, TSPX_IMSI, C_Test_nfh, C_NCCP_2)			
15		+FullRateCh_A_1(C_Ass, TSPX_TmSltDef, TSPX_TscDef, TCV_ChMod, FreqTCH_omit, FreqTCH_omit, C_arfcn_tchA, C_arfcn_tchAd, TimingAdv(0), C_BABR_0, C_cch_1Comb, C_BPM_3)			
16		+localtree(C_Full)			
17		local_testhalfrate +HalfRateCh_A_1(TSPX_TCHHSubDef, C_Ass, TSPX_TmSltDef, TSPX_TscDef, TCV_ChMod, FreqTCH_omit, FreqTCH_omit, C_arfcn_tchA, C_arfcn_tchAd, TimingAdv(0), C_BABR_0, C_cch_1Comb, C_BPM_3)			4.
18		+localtree(C_Half)			

19	localtree(rate:IA5String) L!DL_UdatRqPg1Rq	PgReq1(TCV_PgCh, TCV_Pgg, PgReqTp1_01)	
20	L?DL_RacInChRq (TCV_Rr := DL_RacInChRq. msg.ecau_rfq, TCV_Fn := DL_RacInChRq.fn)	ChReq(ChRequest_17)	
21	ACTIVATE(OtherEventsFail_02)		To match ChReq retrans.
22	LIDL_UdatRqImm	ImmAss(TCV_agch, ImmAsgn_01Def(TCV_Rr, TCV_Fn, TSPX_SDCCH4SubD ef, TCV_slot, TCV_tsc, TCV_chdescr_arfcn, TimingAdv(0)))	
23	L?DL_EstInPgRes	PagingRes(PagingRes_03(TSPX_CKSNDf))	
24	ACTIVATE(OtherEventsFail)		Restore Normal default
25	LIDL_DatRqAuthRq	AuthReq(TCV_ch, AuthRequest(TSPX_CKSNA, TSPX_RANDA))	
26	L?DL_DatInAuthRes(TCV_Sres := DL_DatInAuthRes.msg.sres)	AuthRes(AuthResponse)	
27	(TCV_Res := OC_ChkSRES(TCV_Sres, TSPX_Ki, TSPX_RANDA))		
28	E_00 35 [NOT TCV_Res]		(F)
29	+PostMainLinkRel(TCV_ch)		
30	E_00 36 [TCV_Res]		(P) 5.
31	+localtree1(rate)		
	localtree1(rate:IA5String)		
32	+Cipherring_on(TCV_ch)		
33	LIDL_DatRqSetup	SetupSnd(TCV_ch, TCV_Setup_mt)	6.
34	+ltree_RcvCallConfirmed		
35	+EFR_ChkRcvSpchPrefs		check all spchprefs are present in bcap
36	[TSPX_Immconn]		
37	L?DL_DatInConn	ConnRcv(Connect_01(TI_01))	
38	+asstrafficch(rate)		7.
39	+localtree3		
40	[NOT TSPX_Immconn]		
41	+asstrafficch(rate)		7.
42	L?DL_DatInAlert	AlertRcv(AlertingInd_01(TI_01))	
43	[TSPC_AlertInd]		
44	(TCV_Res := OO_AltIndCHK())		
45	E_00 37 [NOT TCV_Res]		(F) 8.
46	+PostMainLinkRel(TCV_chTch)		
47	E_00 38 [TCV_Res]		(P)
48	(TCV_Null := OO_HookOff())		9.
49	L?DL_DatInConn	ConnRcv(Connect_01(TI_01))	
50	+localtree3		
51	[NOT TSPC_AlertInd]		
52	(TCV_Null := OO_HookOff())		9.
53	L?DL_DatInConn	ConnRcv(Connect_01(TI_01))	
54	+localtree3		
	localtree3		

55		[TCV_Setup_mt.bcap1.itc = '000'B]			Speech Call
56		(TCV_Res := OO_TCHThroConnCHK())			
57	E_00 39	[NOT TCV_Res]		(F)	
58		+PostMainLinkRel(TCV_chTch)			
59	E_00 40	[TCV_Res]		(P)	
60		LIDL_DatRqConnAck	ConnAckSnd(TCV_chTch, ConnectAck_01(TI_02))		
61		+localtree5			
62		[TCV_Setup_mt.bcap1.itc <> '000'B]			Data Call
63		L!DL_DatRqConnAck	ConnAckSnd(TCV_chTch, ConnectAck_01(TI_02))		
64		(TCV_Res := OO_TCHThroConnCHK())			
65	E_00 41	[NOT TCV_Res]		(F)	
66		+PostMainLinkRel(TCV_chTch)			
67	E_00 42	[TCV_Res]		(P)	
68		+localtree5			
69		localtree5 (TCV_Null := OO_TermCall())			
70		L?DL_DatInDisc	DiscRcv(TCV_chTch, DisconnR(TI_01, Cause_Def))		
71		L!DL_DatRqRel	ReleaseSnd(TCV_chTch, Release_08(TI_02))		
72		L?DL_DatInRelCmp	RelComRcv(ReleaseCmp_03(TI_01))		
73		+PostMainLinkRel(TCV_chTch)			
74		Itree_RcvCallConfirmed [TSPX_EFR_SpchPrefsNo = 2]			
75		L?DL_DatInCallCo(TCV_CallCfm := DL_DatInCallCo.msg, TCV_EFR_svi1 := DL_DatInCallCo.msg.bcap1.oct_3a_etc_1.svi, TCV_EFR_svi2 := DL_DatInCallCo.msg.bcap1.oct_3a_etc_2.svi)	CallCfm(CallConfirm_ 04(TI_01, TCV_BcapMO1))		
76		[TSPX_EFR_SpchPrefsNo = 3]			
77		L?DL_DatInCallCo(TCV_CallCfm := DL_DatInCallCo.msg, TCV_EFR_svi1 := DL_DatInCallCo.msg.bcap1.oct_3a_etc_1.svi, TCV_EFR_svi2 := DL_DatInCallCo.msg.bcap1.oct_3a_etc_2.svi, TCV_EFR_svi3 := DL_DatInCallCo.msg.bcap1.oct_3a_etc_3.svi)	CallCfm(CallConfirm_ 04(TI_01, TCV_BcapMO1))		
78	E_00 43	[C_Yes]		I	IXIT ERROR
79		asstrafficch(rate:IA5String) (TCV_Res := FALSE)			
80		+AssCmdGen(TCV_cellid, rate, TSPX_TmSlitDef, TSPX_TscDef, TSPX_TCHHSubDef)			
81		+AssCh_complete(TCV_ch, TCV_chTch, TCV_AssCmd)			

Detailed Comments:

Test Case Dynamic Behaviour					
Test Case Name:		TC_26_12_5			
Group:		GSM_MS_EFR_4200/EFR/			
Purpose:		<p>1) To verify that an MS supporting speech in the MM state "idle, updated", when made to call the number 112, sends a CHANNEL REQUEST message with establishment cause "emergency call".</p> <p>2) To verify that after assignment of a dedicated channel the first layer message sent by the MS on the assigned dedicated channel is a CM SERVICE REQUEST message specifying the correct CKSN and TMSI, with CM Service Type "emergency call establishment" .</p> <p>3) To verify that authentication and cipher mode setting are performed successfully.</p> <p>4) To verify that after cipher mode setting acceptance by the SS, the MS sends an EMERGENCY SETUP message.</p> <p>5) The EFR mobile station shall accept channel assignment to a TCH full rate speech version 1 or 2 and if it supports half rate, in addition it shall accept channel assignment to a TCH half rate speech version 1.</p> <p>6) After receipt of a CONNECT ACKNOWLEDGE message during correct establishment of the emergency call, the TCH shall be through connected in both directions if an appropriate TCH is available.</p> <p>7) To verify that the call is cleared correctly.</p>			
Default:		OtherEventsFail			
Nr	Label	Behaviour Description	CRef	V	Comments
1		[TSPC_Serv_TS11]			Telephony supported
2		+EFR_BasicServiceMO(C_EmgCall, C_Full)			Init Full Rate v1.
3		+local_make_ecall			M = 1.
4		[TSPC_EFR_EmgCallBcap]			BCAP present
5		(TCV_Null := OM_CphMd(TCV_ch, CphMod_02, TCV_CphKey))			
6		+EFR_BasicServiceMO(C_EmgCall, C_Full_v2)			Init Full Rate v2.
7		+local_make_ecall			M = 2.
8		[TSPC_DualRate]			Half rate
9		(TCV_Null := OM_CphMd(TCV_ch, CphMod_02, TCV_CphKey))			
10		+EFR_BasicServiceMO(C_EmgCall, C_Half)			Init Half Rate v1.
11		+local_make_ecall			M = 3.
12		[NOT TSPC_DualRate]			
13		[NOT TSPC_EFR_EmgCallBcap]			
14	E_00 44	[C_Yes]		I	IXIT ERROR
		local_make_ecall			
15		START T_guard(300)			
16		+IdleUpdated(C_E_default, C_CellA, C_SCH_A, C_BCCH_A_1, C_ImmAss, C_S0, C_SlotNU, C_SlotNU, C_SlotNU, C_BCC, C_TxInt_5, C_Max_1, C_NECI_0, C_ATT_0, TimingAdv(0), C_BABR_0, C_cch_1Comb, C_BPM_3, C_T3212_0, C_ci_cellA, C_MCC_1, C_PLMN_1, C_LAC_1, CellOpt_01, CellChDes_Omit, CellChDes_Omit, C_CellReselectHys12, C_MaxPwrLvIG, C_MaxPwrLvID, BcchFreqLst_45, BcchFreqLst_02, BcchFreqLst_03, BcchFreqLst_04, C_Restablishment, C_BCC, C_NCC, C_Start_Tmsi, TSPX_SDCCH4SubDef, TSPX_CKSNA, TSPX_RANDA, C_arfcnA, C_arfcnAd, TSPX_IMSI, C_Test_nfh, C_NCCP_2)			1.
17	body	+InitCall(TCV_Service)			
18	E_00 45	L?DL_RaInChRq(TCV_Rr := DL_RaInChRq, msg.ecau_rrf, TCV_Fn := DL_RaInChRq.fn)	ChReq(ChRequest_16)	(P)	2.
19		ACTIVATE(OtherEventsFail_02)			To match ChReq retrans.
20		L!DL_UdatRqImmAss	ImmAss(TCV_agch, ImmAsgn_01Def(TCV_Rr, TCV_Fn,		

21	E_00 46	L?DL_EstInCmsRq	TSPX_SDCCH4SubDef, TCV_slot, TCV_tsc, TCV_chdescr_arfcn, TimingAdv(0)) CMSerReq(CMSerReq_06(TSPX_CKSNA))	(P)	3.
22		ACTIVATE(OtherEventsFail)			Restore Normal default
23		L!DL_DatRqAuthRq	AuthReq(TCV_ch, AuthRequest(TSPX_CKSNA, TSPX_RANDA))		
24		L?DL_DatInAuthRes(TCV_Sres := DL_DatInAuthRes.msg.sres)	AuthRes(AuthResponse)		
25		+local_continue			
26		local_continue (TCV_Res := OC_ChkSRES(TCV_Sres, TSPX_Ki, TSPX_RANDA))			
27	E_00 47	[NOT TCV_Res]		(F)	4.
28		+PostMainLinkRel(TCV_ch)			
29	E_00 48	[TCV_Res]		(P)	5.
30		+Cipherring_on(TCV_ch)			
31		+EFR_RcvSetupOrEsetup(TCV_Setup_mo, TCV_Esetup, TCV_Ecall)			6.
32		+local_preferred_rate			
33		L!DL_DatRqCallProc	CallProc(TCV_ch, TCV_CallProc)		
34		L!DL_DatRqAlert	AlertSnd(TCV_ch, Alerting_01(TCV_TI))		
35		+AssCmdGen(TCV_cellid, TCV_ChRate, TSPX_TmSlitDef, TSPX_TscDef, TSPX_TCHHSubDef)			
36		+AssCh_complete(TCV_ch, TCV_chTch, TCV_AssCmd)			
37		+local_continue1			
38		local_continue1 L!DL_DatRqConn	ConnSnd(TCV_chTch, Connect_02(TCV_TI))		
39	E_00 49	L?DL_DatInConnAck	ConnAckRcv(ConnectAck_02(TCV_TI0))	(P)	
40		(TCV_Res := OO_TCHThroConnCHK())			
41	E_00 50	[NOT TCV_Res]		(F)	7.
42		+PostMainLinkRel(TCV_chTch)			
43	E_00 51	[TCV_Res]		(P)	8.
44		L!DL_DatRqDisc	DiscSnd(TCV_chTch, DisconnS(TCV_TI, Cause_01, ProgInd_omit, UuInfo_omit))		
45	E_00 52	L?DL_DatInRel	ReleaseRcv(Release_10(TCV_TI0))	(P)	
46		L!DL_DatRqRelCmp	RelComSnd(TCV_chTch, ReleaseCmp_08(TCV_TI))		
47		+PostMainLinkRel(TCV_chTch)			
48		local_preferred_rate (TCV_Rchr := TCV_Setup_mo1.bcap1.rchr)			

49	[TCV_ChRate = C_Full]		9.
50	+FullRateCh_A_1(C_Ass, TSPX_TmSlitDef, TSPX_TscDef, TCV_ChMod, FreqTCH_omit, FreqTCH_omit, C_arfcn_tchA, C_arfcn_tchAd, TimingAdv(0), C_BABR_0, C_cch_1Comb, C_BPM_3)		
51	[(TCV_ChRate = C_Half) AND ((TCV_Rchr = '10'B) OR (TCV_Rchr = '11'B))]		10.
52	+HalfRateCh_A_1(TSPX_TCHHSubDef, C_Ass, TSPX_TmSlitDef, TSPX_TscDef, TCV_ChMod, FreqTCH_omit, FreqTCH_omit, C_arfcn_tchA, C_arfcn_tchAd, TimingAdv(0), C_BABR_0, C_cch_1Comb, C_BPM_3)		
Detailed Comments: <ol style="list-style-type: none"> 1. To setup a physical channels as BCCH CCCH and SDCCH4 combined channel. 2. CHANNEL REQUEST with "emergency call establishment" cause received. 3. CM SERVICE REQUEST with "emergency call establishment" service type correct TMSI and CKSN received. 4. Authentication failed. 5. Authentication passed. 6. EMERGENCY SETUP with BC or without BC received. 7. The TCH channel is not through connected, fail. 8. The TCH channel is through connected. 9. dual rate / full rate preferred" case. setup a physical channel as full rate traffic channel and the preferred full rate channel is to be assigned. 10. dual rate / half rate preferred" case. setup a physical channel as half rate traffic channel and the preferred half rate channel is to be assigned. 			

Test Step Library

Test Step Group management

Test Step Group ChConfig

Test Step Dynamic Behaviour					
Test Step Name:		Config_CBMS_A_1(par_bspwr, par_mspwr:INTEGER; chmod:CHMOD; acttype:BITSTRING; slot:SN; tsc:TSC; rf:FRQPARA; chcmbn:LOGCH; ta:TA; babr, cch_con, bpm:B_3)			
Group:		GSM_MS_EFR_4200/management/ChConfig/			
Objective:		To set a physical channel and map FCCH, SCH, BCCH, CCCH, SDCCH4 and CBCH onto the physical channel which represents cell A.			
Default:		OtherEvents			
Nr	Label	Behaviour Description	CRef	V	Comments
1		(TCV_Null := OM_ChConf(par_bspwr, par_mspwr, acttype, chmod, ta, slot, tsc, rf, chcmbn, 0, 0, babr, cch_con, bpm, PgReqTp1Norm, '0'B, '0'B, C_CellA, C_FCCH_A, C_SCH_A, C_BCCH_A_1, C_PCH_A_1, C_AGCH_A_1, C_RACH_A_1, C_SDCCH4_A, C_SACCHC4_A, C_CBCH_A))			
2		(TCV_Null := OM_Assoc(C_SDCCH4_A, C_SDCCH40_A, C_SDCCH41_A, C_SDCCH42_A, C_SDCCH43_A, "dummy", "dummy", "dummy", "dummy", C_SACCHC4_A, C_SACCHC40_A, C_SACCHC41_A, C_SACCHC42_A, C_SACCHC43_A, "dummy", "dummy", "dummy", "dummy"))			
Detailed Comments:					

Test Step Dynamic Behaviour					
Test Step Name:		Config_FACCHF_A_1(par_bspwr, par_mspwr:INTEGER; chmod:CHMOD; acttype:BITSTRING; slot:SN; tsc:TSC; rf:FRQPARA; chcmbn:LOGCH; ta:TA; babr, cch_con, bpm:B_3)			
Group:		GSM_MS_EFR_4200/management/ChConfig/			
Objective:		To set one physical channel used as TCHF_ACCH's of cell A.			
Default:		OtherEvents			
Nr	Label	Behaviour Description	CRef	V	Comments
1		(TCV_Null := OM_ChConf(par_bspwr, par_mspwr, acttype, chmod, ta, slot, tsc, rf, chcmbn, 0, 0, babr, cch_con, bpm, PgReqTp1Norm, '0B, '0B, C_CellA, "dummy", "dummy", "dummy", "dummy", "dummy", "dummy", C_FACCHF_A_1, C_SACCHF_A_1, "dummy"))			
Detailed Comments:					

Test Step Dynamic Behaviour					
Test Step Name:		Config_FACCHF_A_2(par_bspwr, par_mspwr:INTEGER; chmod:CHMOD; acttype:BITSTRING; slot:SN; tsc:TSC; rf:FRQPARA; chcmbn:LOGCH; ta:TA; babr, cch_con, bpm:B_3)			
Group:		GSM_MS_EFR_4200/management/ChConfig/			
Objective:		To set one physical channel used as TCHF_ACCH's for instance 2 of cell A.			
Default:		OtherEvents			
Nr	Label	Behaviour Description	CRef	V	Comments
1		(TCV_Null := OM_ChConf(par_bspwr, par_mspwr, acttype, chmod, ta, slot, tsc, rf, chcmbn, 0, 0, babr, cch_con, bpm, PgReqTp1Norm, '0B, '0B, C_CellA, "dummy", "dummy", "dummy", "dummy", "dummy", "dummy", C_FACCHF_A_2, C_SACCHF_A_2, "dummy"))			
Detailed Comments:					

Test Step Dynamic Behaviour					
Test Step Name:		Config_FACCHF_B_1(par_bspwr, par_mspwr:INTEGER; chmod:CHMOD; acttype:BITSTRING; slot:SN; tsc:TSC; rf:FRQPARA; chcmbn:LOGCH; ta:TA; babr, cch_con, bpm:B_3)			
Group:		GSM_MS_EFR_4200/management/ChConfig/			
Objective:		To set one physical channel used as TCHF_ACCH's of cell B.			
Default:		OtherEvents			
Nr	Label	Behaviour Description	CRef	V	Comments
1		(TCV_Null := OM_ChConf(par_bspwr, par_mspwr, acttype, chmod, ta, slot, tsc, rf, chcmbn, 0, 0, babr, cch_con, bpm, PgReqTp1Norm, '0B, '0B, C_CellB, "dummy", "dummy", "dummy", "dummy", "dummy", "dummy", C_FACCHF_B_1, C_SACCHF_B_1, "dummy"))			
Detailed Comments:					

Test Step Dynamic Behaviour					
Test Step Name:		Config_FACCHH_A_1(par_bspwr, par_mspwr:INTEGER; chmod:CHMOD; acttype:BITSTRING; slot:SN; tsc:TSC; rf:FRQPARA; chcmbn:LOGCH; ta:TA; babr, cch_con, bpm:B_3)			
Group:		GSM_MS_EFR_4200/management/ChConfig/			
Objective:		To set one physical channel used as TCHH_ACCH's of cell A.			
Default:		OtherEvents			
Nr	Label	Behaviour Description	CRef	V	Comments
1		(TCV_Null := OM_ChConf(par_bspwr, par_mspwr, acttype, chmod, ta, slot, tsc, rf, chcmbn, 0, 0, babr, cch_con, bpm, PgReqTp1Norm, '0'B, '0'B, C_CellA, "dummy", "dummy", "dummy", "dummy", "dummy", "dummy", C_FACCHH_A_1, C_SACCHH_A_1, "dummy"))			
2		(TCV_Null := OM_Assoc(C_FACCHH_A_1, C_FACCHH0_A_1, C_FACCHH1_A_1, "dummy", "dummy", "dummy", "dummy", "dummy", "dummy", C_SACCHH_A_1, C_SACCHH0_A_1, C_SACCHH1_A_1, "dummy", "dummy", "dummy", "dummy", "dummy", "dummy", "dummy"))			
Detailed Comments:					

Test Step Dynamic Behaviour					
Test Step Name:		Config_FACCHH_A_2(par_bspwr, par_mspwr:INTEGER; chmod:CHMOD; acttype:BITSTRING; slot:SN; tsc:TSC; rf:FRQPARA; chcmbn:LOGCH; ta:TA; babr, cch_con, bpm:B_3)			
Group:		GSM_MS_EFR_4200/management/ChConfig/			
Objective:		To set one physical channel used as TCHH_ACCH's of cell A.			
Default:		OtherEvents			
Nr	Label	Behaviour Description	CRef	V	Comments
1		(TCV_Null := OM_ChConf(par_bspwr, par_mspwr, acttype, chmod, ta, slot, tsc, rf, chcmbn, 0, 0, babr, cch_con, bpm, PgReqTp1Norm, '0'B, '0'B, C_CellA, "dummy", "dummy", "dummy", "dummy", "dummy", "dummy", C_FACCHH_A_2, C_SACCHH_A_2, "dummy"))			
2		(TCV_Null := OM_Assoc(C_FACCHH_A_2, C_FACCHH0_A_2, C_FACCHH1_A_2, "dummy", "dummy", "dummy", "dummy", "dummy", "dummy", C_SACCHH_A_2, C_SACCHH0_A_2, C_SACCHH1_A_2, "dummy", "dummy", "dummy", "dummy", "dummy", "dummy", "dummy"))			
Detailed Comments:					

Test Step Dynamic Behaviour					
Test Step Name:		Config_FACCHH_B_1(par_bspwr, par_mspwr:INTEGER; chmod:CHMOD; acttype:BITSTRING; slot:SN; tsc:TSC; rf:FRQPARA; chcmbn:LOGCH; ta:TA; babr, cch_con, bpm:B_3)			
Group:		GSM_MS_EFR_4200/management/ChConfig/			
Objective:		To set one physical channel used as TCHH_ACCH's of cell B.			
Default:		OtherEvents			
Nr	Label	Behaviour Description	CRef	V	Comments
1		(TCV_Null := OM_ChConf(par_bspwr, par_mspwr, acttype, chmod, ta, slot, tsc, rf, chcmbn, 0, 0, babr, cch_con, bpm, PgReqTp1Norm, '0'B, '0'B, C_CellB, "dummy", "dummy", "dummy", "dummy", "dummy", "dummy", C_FACCHH_B_1, C_SACCHH_B_1, "dummy"))			
2		(TCV_Null := OM_Assoc(C_FACCHH_B_1, C_FACCHH0_B_1, C_FACCHH1_B_1, "dummy", "dummy", "dummy", "dummy", "dummy", "dummy", C_SACCHH_B_1, C_SACCHH0_B_1, C_SACCHH1_B_1, "dummy", "dummy", "dummy", "dummy", "dummy", "dummy", "dummy"))			
Detailed Comments:					

Test Step Dynamic Behaviour					
Test Step Name:		Config_BCCH_CCCH_A_1(par_bspwr, par_mspwr:INTEGER; chmod:CHMOD; acttype:BITSTRING; slot:SN; tsc:TSC; rf:FRQPARA; chcmbn:LOGCH; ta:TA; babr, cch_con, bpm:B_3)			
Group:		GSM_MS_EFR_4200/management/ChConfig/			
Objective:		To set a physical channel and map FCCH, SCH, BCCH and CCCH onto the physical channel which represents cell A.			
Default:		OtherEvents			
Nr	Label	Behaviour Description	CRef	V	Comments
1		(TCV_Null := OM_ChConf(par_bspwr, par_mspwr, acttype, chmod, ta, slot, tsc, rf, chcmbn, 0, 0, babr, cch_con, bpm, PgReqTp1Norm, '0'B, '0'B, C_CellA, C_FCCH_A, C_SCH_A, C_BCCH_A_1, C_PCH_A_1, C_AGCH_A_1, C_RACH_A_1, "dummy", "dummy", "dummy"))			
Detailed Comments:					

Test Step Dynamic Behaviour					
Test Step Name:		Config_BCCH_CCCH_A_ho_1(par_bspwr, par_mspwr:INTEGER; chmod:CHMOD; acttype:BITSTRING; slot:SN; tsc:TSC; rf:FRQPARA; chcmbn:LOGCH; ta:TA; babr, cch_con, bpm:B_3; td, fn:INTEGER)			
Group:		GSM_MS_EFR_4200/management/ChConfig/			
Objective:		To set a physical channel and map FCCH, SCH, BCCH and CCCH onto the physical channel which represents cell A with controllable td and fn.			
Default:		OtherEvents			
Nr	Label	Behaviour Description	CRef	V	Comments
1		(TCV_Null := OM_ChConf(par_bspwr, par_mspwr, acttype, chmod, ta, slot, tsc, rf, chcmbn, td, fn, babr, cch_con, bpm, PgReqTp1Norm, '0'B, '0'B, C_CellA, C_FCCH_A, C_SCH_A, C_BCCH_A_1, C_PCH_A_1, C_AGCH_A_1, C_RACH_A_1, "dummy", "dummy", "dummy"))			
Detailed Comments:					

Test Step Dynamic Behaviour					
Test Step Name:		Config_BCCH_CCCH_A_2(par_bspwr, par_mspwr:INTEGER; chmod:CHMOD; acttype:BITSTRING; slot:SN; tsc:TSC; rf:FRQPARA; chcmbn:LOGCH; ta:TA; babr, cch_con, bpm:B_3)			
Group:		GSM_MS_EFR_4200/management/ChConfig/			
Objective:		To set a physical channel and map the second BCCH, CCCH onto the physical channel which represents cell A.			
Default:		OtherEvents			
Nr	Label	Behaviour Description	CRef	V	Comments
1		(TCV_Null := OM_ChConf(par_bspwr, par_mspwr, acttype, chmod, ta, slot, tsc, rf, chcmbn, 0, 0, babr, cch_con, bpm, PgReqTp1Norm, '0'B, '0'B, C_CellA, "dummy", "dummy", C_BCCH_A_2, C_PCH_A_2, C_AGCH_A_2, C_RACH_A_2, "dummy", "dummy", "dummy"))			
Detailed Comments:					

Test Step Dynamic Behaviour					
Test Step Name:		Config_BCCH_CCCH_A_3(par_bspwr, par_mspwr:INTEGER; chmod:CHMOD; acttype:BITSTRING; slot:SN; tsc:TSC; rf:FRQPARA; chcmbn:LOGCH; ta:TA; babr, cch_con, bpm:B_3)			
Group:		GSM_MS_EFR_4200/management/ChConfig/			
Objective:		To set a physical channel and map the third BCCH, CCCH onto the physical channel which represents cell A.			
Default:		OtherEvents			
Nr	Label	Behaviour Description	CRef	V	Comments
1		(TCV_Null := OM_ChConf(par_bspwr, par_mspwr, acttype, chmod, ta, slot, tsc, rf, chcmbn, 0, 0, babr, cch_con, bpm, PgReqTp1Norm, '0'B, '0'B, C_CellA, "dummy", "dummy", C_BCCH_A_3, C_PCH_A_3, C_AGCH_A_3, C_RACH_A_3, "dummy", "dummy", "dummy"))			
Detailed Comments:					

Test Step Dynamic Behaviour					
Test Step Name:		Config_BCCH_CCCH_A_4(par_bspwr, par_mspwr:INTEGER; chmod:CHMOD; acttype:BITSTRING; slot:SN; tsc:TSC; rf:FRQPARA; chcmbn:LOGCH; ta:TA; babr, cch_con, bpm:B_3)			
Group:		GSM_MS_EFR_4200/management/ChConfig/			
Objective:		To set a physical channel and map the fourth BCCH, CCCH onto the physical channel which represents cell A.			
Default:		OtherEvents			
Nr	Label	Behaviour Description	CRef	V	Comments
1		(TCV_Null := OM_ChConf(par_bspwr, par_mspwr, acttype, chmod, ta, slot, tsc, rf, chcmbn, 0, 0, babr, cch_con, bpm, PgReqTp1Norm, '0'B, '0'B, C_CellA, "dummy", "dummy", C_BCCH_A_4, C_PCH_A_4, C_AGCH_A_4, C_RACH_A_4, "dummy", "dummy", "dummy"))			
Detailed Comments:					

Test Step Dynamic Behaviour					
Test Step Name:		Config_BCCH_CCCH_B_1(par_bspwr, par_mspwr:INTEGER; chmod:CHMOD; acttype:BITSTRING; slot:SN; tsc:TSC; rf:FRQPARA; chcmbn:LOGCH; ta:TA; babr, cch_con, bpm:B_3)			
Group:		GSM_MS_EFR_4200/management/ChConfig/			
Objective:		To set a physical channel and map FCCH, SCH, BCCH and CCCH onto the physical channel which represents cell B.			
Default:		OtherEvents			
Nr	Label	Behaviour Description	CRef	V	Comments
1		(TCV_Null := OM_ChConf(par_bspwr, par_mspwr, acttype, chmod, ta, slot, tsc, rf, chcmbn, 0, 0, babr, cch_con, bpm, PgReqTp1Norm, '0'B, '0'B, C_CellB, C_FCCH_B, C_SCH_B, C_BCCH_B_1, C_PCH_B_1, C_AGCH_B_1, C_RACH_B_1, "dummy", "dummy", "dummy"))			
Detailed Comments:					

Test Step Dynamic Behaviour					
Test Step Name: Config_BCCH_CCCH_B_ho_1(par_bspwr, par_mspwr:INTEGER; chmod:CHMOD; acttype:BITSTRING; slot:SN; tsc:TSC; rf:FRQPARA; chcmbn:LOGCH; ta:TA; babr, cch_con, bpm:B_3; td, fn:INTEGER)					
Group: GSM_MS_EFR_4200/management/ChConfig/					
Objective: To set a physical channel and map FCCH, SCH, BCCH and CCCH onto the physical channel which represents cell B with controlable td and fn.					
Default: OtherEvents					
Nr	Label	Behaviour Description	CRef	V	Comments
1		(TCV_Null := OM_ChConf(par_bspwr, par_mspwr, acttype, chmod, ta, slot, tsc, rf, chcmbn, td, fn, babr, cch_con, bpm, PgReqTp1Norm, '0'B, '0'B, C_CellB, C_FCCH_B, C_SCH_B, C_BCCH_B_1, C_PCH_B_1, C_AGCH_B_1, C_RACH_B_1, "dummy", "dummy", "dummy"))			
Detailed Comments:					

Test Step Dynamic Behaviour					
Test Step Name: Config_SDCCH4_A_1(par_bspwr, par_mspwr:INTEGER; chmod:CHMOD; acttype:BITSTRING; slot:SN; tsc:TSC; rf:FRQPARA; chcmbn:LOGCH; ta:TA; babr, cch_con, bpm:B_3)					
Group: GSM_MS_EFR_4200/management/ChConfig/					
Objective: To set a physical channel and map FCCH, SCH, BCCH, CCCH and SDCCH4 onto the physical channel which represents cell A.					
Default: OtherEvents					
Nr	Label	Behaviour Description	CRef	V	Comments
1		(TCV_Null := OM_ChConf(par_bspwr, par_mspwr, acttype, chmod, ta, slot, tsc, rf, chcmbn, 0, 0, babr, cch_con, bpm, PgReqTp1Norm, '0'B, '0'B, C_CellA, C_FCCH_A, C_SCH_A, C_BCCH_A_1, C_PCH_A_1, C_AGCH_A_1, C_RACH_A_1, C_SDCCH4_A, C_SACCHC4_A, "dummy"))			
2		(TCV_Null := OM_Assoc(C_SDCCH4_A, C_SDCCH40_A, C_SDCCH41_A, C_SDCCH42_A, C_SDCCH43_A, "dummy", "dummy", "dummy", "dummy", C_SACCHC4_A, C_SACCHC40_A, C_SACCHC41_A, C_SACCHC42_A, C_SACCHC43_A, "dummy", "dummy", "dummy", "dummy"))			
Detailed Comments:					

Test Step Dynamic Behaviour					
Test Step Name: Config_SDCCH4_A_ho_1(par_bspwr, par_mspwr:INTEGER; chmod:CHMOD; acttype:BITSTRING; slot:SN; tsc:TSC; rf:FRQPARA; chcmbn:LOGCH; ta:TA; babr, cch_con, bpm:B_3; td, fn:INTEGER)					
Group: GSM_MS_EFR_4200/management/ChConfig/					
Objective: To set a physical channel and map FCCH, SCH, BCCH, CCCH and SDCCH4 onto the physical channel which represents cell A with controlable ta and fn.					
Default: OtherEvents					
Nr	Label	Behaviour Description	CRef	V	Comments
1		(TCV_Null := OM_ChConf(par_bspwr, par_mspwr, acttype, chmod, ta, slot, tsc, rf, chcmbn, td, fn, babr, cch_con, bpm, PgReqTp1Norm, '0'B, '0'B, C_CellA, C_FCCH_A, C_SCH_A, C_BCCH_A_1, C_PCH_A_1, C_AGCH_A_1, C_RACH_A_1, C_SDCCH4_A, C_SACCHC4_A, "dummy"))			
2		(TCV_Null := OM_Assoc(C_SDCCH4_A, C_SDCCH40_A, C_SDCCH41_A, C_SDCCH42_A, C_SDCCH43_A, "dummy", "dummy", "dummy", "dummy", C_SACCHC4_A, C_SACCHC40_A, C_SACCHC41_A, C_SACCHC42_A, C_SACCHC43_A, "dummy", "dummy", "dummy", "dummy"))			
Detailed Comments:					

Test Step Dynamic Behaviour					
Test Step Name:		Config_SDCCH4_B_1(par_bspwr, par_mspwr:INTEGER; chmod:CHMOD; acttype:BITSTRING; slot:SN; tsc:TSC; rf:FRQPARA; chcmbn:LOGCH; ta:TA; babr, cch_con, bpm:B_3)			
Group:		GSM_MS_EFR_4200/management/ChConfig/			
Objective:		To set a physical channel and map FCCH, SCH, BCCH, CCCH and SDCCH4 onto the physical channel which represents cell B.			
Default:		OtherEvents			
Nr	Label	Behaviour Description	CRef	V	Comments
1		(TCV_Null := OM_ChConf(par_bspwr, par_mspwr, acttype, chmod, ta, slot, tsc, rf, chcmbn, 0, 0, babr, cch_con, bpm, PgReqTp1Norm, '0'B, '0'B, C_CellB, C_FCCH_B, C_SCH_B, C_BCCH_B_1, C_PCH_B_1, C_AGCH_B_1, C_RACH_B_1, C_SDCCH4_B, C_SACCHC4_B, "dummy"))			
2		(TCV_Null := OM_Assoc(C_SDCCH4_B, C_SDCCH40_B, C_SDCCH41_B, C_SDCCH42_B, C_SDCCH43_B, "dummy", "dummy", "dummy", "dummy", C_SACCHC4_B, C_SACCHC40_B, C_SACCHC41_B, C_SACCHC42_B, C_SACCHC43_B, "dummy", "dummy", "dummy", "dummy"))			
Detailed Comments:					

Test Step Dynamic Behaviour					
Test Step Name:		Config_SDCCH4_B_ho_1(par_bspwr, par_mspwr:INTEGER; chmod:CHMOD; acttype:BITSTRING; slot:SN; tsc:TSC; rf:FRQPARA; chcmbn:LOGCH; ta:TA; babr, cch_con, bpm:B_3; td, fn:INTEGER)			
Group:		GSM_MS_EFR_4200/management/ChConfig/			
Objective:		To set a physical channel and map FCCH, SCH, BCCH, CCCH and SDCCH4 onto the physical channel which represents cell B with controlable ta and fn.			
Default:		OtherEvents			
Nr	Label	Behaviour Description	CRef	V	Comments
1		(TCV_Null := OM_ChConf(par_bspwr, par_mspwr, acttype, chmod, ta, slot, tsc, rf, chcmbn, td, fn, babr, cch_con, bpm, PgReqTp1Norm, '0'B, '0'B, C_CellB, C_FCCH_B, C_SCH_B, C_BCCH_B_1, C_PCH_B_1, C_AGCH_B_1, C_RACH_B_1, C_SDCCH4_B, C_SACCHC4_B, "dummy"))			
2		(TCV_Null := OM_Assoc(C_SDCCH4_B, C_SDCCH40_B, C_SDCCH41_B, C_SDCCH42_B, C_SDCCH43_B, "dummy", "dummy", "dummy", "dummy", C_SACCHC4_B, C_SACCHC40_B, C_SACCHC41_B, C_SACCHC42_B, C_SACCHC43_B, "dummy", "dummy", "dummy", "dummy"))			
Detailed Comments:					

Test Step Dynamic Behaviour					
Test Step Name:		Config_SDCCH4_C_1(par_bspwr, par_mspwr:INTEGER; chmod:CHMOD; acttype:BITSTRING; slot:SN; tsc:TSC; rf:FRQPARA; chcmbn:LOGCH; ta:TA; babr, cch_con, bpm:B_3)			
Group:		GSM_MS_EFR_4200/management/ChConfig/			
Objective:		To set a physical channel and map FCCH, SCH, BCCH, CCCH and SDCCH4 onto the physical channel which represents cell C.			
Default:		OtherEvents			
Nr	Label	Behaviour Description	CRef	V	Comments
1		(TCV_Null := OM_ChConf(par_bspwr, par_mspwr, acttype, chmod, ta, slot, tsc, rf, chcmbn, 0, 0, babr, cch_con, bpm, PgReqTp1Norm, '0'B, '0'B, C_CellC, C_FCCH_C, C_SCH_C, C_BCCH_C_1, C_PCH_C_1, C_AGCH_C_1, C_RACH_C_1, C_SDCCH4_C, C_SACCHC4_C, "dummy"))			
2		(TCV_Null := OM_Assoc(C_SDCCH4_C, C_SDCCH40_C, C_SDCCH41_C, C_SDCCH42_C, C_SDCCH43_C, "dummy", "dummy", "dummy", "dummy", C_SACCHC4_C, C_SACCHC40_C, C_SACCHC41_C, C_SACCHC42_C, C_SACCHC43_C, "dummy", "dummy", "dummy", "dummy"))			
Detailed Comments:					

Test Step Dynamic Behaviour					
Test Step Name:		Config_SDCCH8_A_1(par_bspwr, par_mspwr:INTEGER; chmod:CHMOD; acttype:BITSTRING; slot:SN; tsc:TSC; rf:FRQPARA; chcmbn:LOGCH; ta:TA; babr, cch_con, bpm:B_3)			
Group:		GSM_MS_EFR_4200/management/ChConfig/			
Objective:		To set one physical channel used as SDCCH8 channel for instance 1 of cell A.			
Default:		OtherEvents			
Nr	Label	Behaviour Description	CRef	V	Comments
1		(TCV_Null := OM_ChConf(par_bspwr, par_mspwr, acttype, chmod, ta, slot, tsc, rf, chcmbn, 0, 0, babr, cch_con, bpm, PgReqTp1Norm, '0'B, '0'B, C_CellA, "dummy", "dummy", "dummy", "dummy", "dummy", "dummy", C_SDCCH8_A_1, C_SACCHC8_A_1, "dummy"))			
2		(TCV_Null := OM_Assoc(C_SDCCH8_A_1, C_SDCCH80_A_1, C_SDCCH81_A_1, C_SDCCH82_A_1, C_SDCCH83_A_1, C_SDCCH84_A_1, C_SDCCH85_A_1, C_SDCCH86_A_1, C_SDCCH87_A_1, C_SACCHC8_A_1, C_SACCHC80_A_1, C_SACCHC81_A_1, C_SACCHC82_A_1, C_SACCHC83_A_1, C_SACCHC84_A_1, C_SACCHC85_A_1, C_SACCHC86_A_1, C_SACCHC87_A_1))			
Detailed Comments:					

Test Step Dynamic Behaviour					
Test Step Name:		CombinedBCCH_A_CBMS(par_bspwr, mtmcgsm, mtmcdcs, arfcn1, arfcn2:INTEGER; acttype:BITSTRING; slot:SN; tsc:TSC; ta:TA; babr, cch_con, bpm:B_3)			
Group:		GSM_MS_EFR_4200/management/ChConfig/			
Objective:		To set a physical channel and map FCCH, SCH, BCCH, CCCH and SDCCH4 onto the physical channel which represents cell A.			
Default:		OtherEvents			
Comments:		time slot = 0, ARFCN = 20 (GSM900) or ARFCN = 590 (DCS1800) cell A for RR testing.			
Nr	Label	Behaviour Description	CRef	V	Comments
1		[TSPC_PGSM OR TSPC_EGSM]			1.
2		+Config_CBMS_A_1(par_bspwr, mtmcgsm, ChMod_sign, acttype, slot, tsc, FreqBCCH(arfcn1), C_CBCH_FCCH_SCH_BCCH_CCCH_SDCCH4_S ACCHC4, ta, babr, cch_con, bpm)			
3		[TSPC_DCS]			2.
4		+Config_CBMS_A_1(par_bspwr, mtmcdcs, ChMod_sign, acttype, slot, tsc, FreqBCCH(arfcn2), C_CBCH_FCCH_SCH_BCCH_CCCH_SDCCH4_S ACCHC4, ta, babr, cch_con, bpm)			
Detailed Comments:		1. For P-GSM900. 2. For DCS1800.			

Test Step Dynamic Behaviour					
Test Step Name:		CombinedBCCH_A(par_bspwr, mtmcgsm, mtmcdcs, arfcn1, arfcn2:INTEGER; acttype:BITSTRING; slot:SN; tsc:TSC; ta:TA; babr, cch_con, bpm:B_3)			
Group:		GSM_MS_EFR_4200/management/ChConfig/			
Objective:		To set a physical channel and map FCCH, SCH, BCCH, CCCH and SDCCH4 onto the physical channel which represents cell A.			
Default:		OtherEvents			
Nr	Label	Behaviour Description	CRef	V	Comments
1		[TSPC_PGSM OR TSPC_EGSM]			1.
2		+Config_SDCCH4_A_1(par_bspwr, mtmcgsm, ChMod_sign, acttype, slot, tsc, FreqBCCH(arfcn1), C_FCCH_SCH_BCCH_CCCH_SDCCH4_SACCHC4, ta, babr, cch_con, bpm)			
3		[TSPC_DCS]			2.
4		+Config_SDCCH4_A_1(par_bspwr, mtmcdcs, ChMod_sign, acttype, slot, tsc, FreqBCCH(arfcn2), C_FCCH_SCH_BCCH_CCCH_SDCCH4_SACCHC4, ta, babr, cch_con, bpm)			
Detailed Comments:		1. For P-GSM900. 2. For DCS1800.			

Test Step Dynamic Behaviour					
Test Step Name:		CombinedBCCH_A_ho(par_bspwr, mtmcgsm, mtmcdcs, arfcn1, arfcn2:INTEGER; acttype:BITSTRING; slot:SN; tsc:TSC; ta:TA; babr, cch_con, bpm:B_3; td, fn:INTEGER)			
Group:		GSM_MS_EFR_4200/management/ChConfig/			
Objective:		To set a physical channel and map FCCH, SCH, BCCH, CCCH and SDCCH4 onto the physical channel which represents cell A.			
Default:		OtherEvents			
Nr	Label	Behaviour Description	CRef	V	Comments
1		[TSPC_PGSM OR TSPC_EGSM]			1.
2		+Config_SDCCH4_A_ho_1(par_bspwr, mtmcgsm, ChMod_sign, acttype, slot, tsc, FreqBCCH(arfcn1), C_FCCH_SCH_BCCH_CCCH_SDCCH4_SACCHC4, ta, babr, cch_con, bpm, td, fn)			
3		[TSPC_DCS]			2.
4		+Config_SDCCH4_A_ho_1(par_bspwr, mtmcdcs, ChMod_sign, acttype, slot, tsc, FreqBCCH(arfcn2), C_FCCH_SCH_BCCH_CCCH_SDCCH4_SACCHC4, ta, babr, cch_con, bpm, td, fn)			
Detailed Comments:		1. For P-GSM900. 2. For DCS1800.			

Test Step Dynamic Behaviour					
Test Step Name:		CombinedBCCH_B(par_bspwr, mtmcgsm, mtmcdcs, arfcn1, arfcn2:INTEGER; acttype:BITSTRING; slot:SN; tsc:TSC; ta:TA; babr, cch_con, bpm:B_3)			
Group:		GSM_MS_EFR_4200/management/ChConfig/			
Objective:		To set a physical channel and map FCCH, SCH, BCCH, CCCH and SDCCH4 onto the physical channel which represents cell B.			
Default:		OtherEvents			
Nr	Label	Behaviour Description	CRef	V	Comments
1		[TSPC_PGSM OR TSPC_EGSM]			1.
2		+Config_SDCCH4_B_1(par_bspwr, mtmcgsm, ChMod_sign, acttype, slot, tsc, FreqBCCH(arfcn1), C_FCCH_SCH_BCCH_CCCH_SDCCH4_SACCHC 4, ta, babr, cch_con, bpm)			
3		[TSPC_DCS]			2.
4		+Config_SDCCH4_B_1(par_bspwr, mtmcdcs, ChMod_sign, acttype, slot, tsc, FreqBCCH(arfcn2), C_FCCH_SCH_BCCH_CCCH_SDCCH4_SACCHC 4, ta, babr, cch_con, bpm)			
Detailed Comments:		1. For P-GSM900. 2. For DCS1800.			

Test Step Dynamic Behaviour					
Test Step Name:		CombinedBCCH_B_ho(par_bspwr, mtmcgsm, mtmcdcs, arfcn1, arfcn2:INTEGER; acttype:BITSTRING; slot:SN; tsc:TSC; ta:TA; babr, cch_con, bpm:B_3; td, fn:INTEGER)			
Group:		GSM_MS_EFR_4200/management/ChConfig/			
Objective:		To set a physical channel and map FCCH, SCH, BCCH, CCCH and SDCCH4 onto the physical channel which represents cell B.			
Default:		OtherEvents			
Nr	Label	Behaviour Description	CRef	V	Comments
1		[TSPC_PGSM OR TSPC_EGSM]			1.
2		+Config_SDCCH4_B_ho_1(par_bspwr, mtmcgsm, ChMod_sign, acttype, slot, tsc, FreqBCCH(arfcn1), C_FCCH_SCH_BCCH_CCCH_SDCCH4_SACCHC 4, ta, babr, cch_con, bpm, td, fn)			
3		[TSPC_DCS]			2.
4		+Config_SDCCH4_B_ho_1(par_bspwr, mtmcdcs, ChMod_sign, acttype, slot, tsc, FreqBCCH(arfcn2), C_FCCH_SCH_BCCH_CCCH_SDCCH4_SACCHC 4, ta, babr, cch_con, bpm, td, fn)			
Detailed Comments:		1. For P-GSM900. 2. For DCS1800.			

Test Step Dynamic Behaviour					
Test Step Name:		CombinedBCCH_C(par_bspwr, mtmcgsm, mtmcdcs, arfcn1, arfcn2:INTEGER; acttype:BITSTRING; slot:SN; tsc:TSC; ta:TA; babr, cch_con, bpm:B_3)			
Group:		GSM_MS_EFR_4200/management/ChConfig/			
Objective:		To set a physical channel and map FCCH, SCH, BCCH, CCCH and SDCCH4 onto the physical channel which represents cell C.			
Default:		OtherEvents			
Nr	Label	Behaviour Description	CRef	V	Comments
1		[TSPC_PGSM OR TSPC_EGSM]			1.
2		+Config_SDCCH4_C_1(par_bspwr, mtmcgsm, ChMod_sign, acttype, slot, tsc, FreqBCCH(arfcn1), C_FCCH_SCH_BCCH_CCCH_SDCCH4_SACCHC 4, ta, babr, cch_con, bpm)			
3		[TSPC_DCS]			2.
4		+Config_SDCCH4_C_1(par_bspwr, mtmcdcs, ChMod_sign, acttype, slot, tsc, FreqBCCH(arfcn2), C_FCCH_SCH_BCCH_CCCH_SDCCH4_SACCHC 4, ta, babr, cch_con, bpm)			
Detailed Comments:		1. For P-GSM900. 2. For DCS1800.			

Test Step Dynamic Behaviour					
Test Step Name:		NonCombinedBCCH_A(par_bspwr, mtmcgsm, mtmcdds, arfcn1, arfcn2:INTEGER; acttype:BITSTRING; slot:SN; tsc:TSC; ta:TA; babr, cch_con, bpm:B_3)			
Group:		GSM_MS_EFR_4200/management/ChConfig/			
Objective:		To set one physical channel used as FCHH_SCH_BCCH_CCCH for cell A.			
Default:		OtherEvents			
Nr	Label	Behaviour Description	CRef	V	Comments
1		[TSPC_PGSM OR TSPC_EGSM]			1.
2		+Config_BCCH_CCCH_A_1(par_bspwr, mtmcgsm, ChMod_sign, acttype, slot, tsc, FreqBCCH(arfcn1), C_FCCH_SCH_BCCH_CCCH, ta, babr, cch_con, bpm)			
3		[TSPC_DCS]			2.
4		+Config_BCCH_CCCH_A_1(par_bspwr, mtmcdds, ChMod_sign, acttype, slot, tsc, FreqBCCH(arfcn2), C_FCCH_SCH_BCCH_CCCH, ta, babr, cch_con, bpm)			
Detailed Comments:		1. For P-GSM900. 2. For DCS1800.			

Test Step Dynamic Behaviour					
Test Step Name:		NonCombinedBCCH_A_2(acttype:BITSTRING; slot:SN; tsc:TSC; ta:TA; babr, cch_con, bpm:B_3)			
Group:		GSM_MS_EFR_4200/management/ChConfig/			
Objective:		To set a physical channel and map the second BCCH, CCCH onto the physical channel which represents cell A.			
Default:		OtherEvents			
Nr	Label	Behaviour Description	CRef	V	Comments
1		[TSPC_PGSM OR TSPC_EGSM]			1.
2		+Config_BCCH_CCCH_A_2(63, 19, ChMod_sign, acttype, slot, tsc, FreqBCCH(C_arfcnA), C_BCCH_CCCH_2, ta, babr, cch_con, bpm)			
3		[TSPC_DCS]			2.
4		+Config_BCCH_CCCH_A_2(63, 15, ChMod_sign, acttype, slot, tsc, FreqBCCH(C_arfcnAd), C_BCCH_CCCH_2, ta, babr, cch_con, bpm)			
Detailed Comments:		1. For P-GSM900. 2. For DCS1800.			

Test Step Dynamic Behaviour					
Test Step Name:		NonCombinedBCCH_A_3(acttype:BITSTRING; slot:SN; tsc:TSC; ta:TA; babr, cch_con, bpm:B_3)			
Group:		GSM_MS_EFR_4200/management/ChConfig/			
Objective:		To set a physical channel and map the third BCCH, CCCH onto the physical channel which represents cell A.			
Default:		OtherEvents			
Comments:		time slot = 4, ARFCN = TSPX_BCCHcarrierA			
Nr	Label	Behaviour Description	CRef	V	Comments
1		[TSPC_PGSM OR TSPC_EGSM]			1.
2		+Config_BCCH_CCCH_A_3(63, 19, ChMod_sign, acttype, slot, tsc, FreqBCCH(C_arfcnA), C_BCCH_CCCH_3, ta, babr, cch_con, bpm)			
3		[TSPC_DCS]			2.
4		+Config_BCCH_CCCH_A_3(63, 15, ChMod_sign, acttype, slot, tsc, FreqBCCH(C_arfcnAd), C_BCCH_CCCH_3, ta, babr, cch_con, bpm)			
Detailed Comments:		1. For P-GSM900. 2. For DCS1800.			

Test Step Dynamic Behaviour					
Test Step Name:		NonCombinedBCCH_A_4(acttype:BITSTRING; slot:SN; tsc:TSC; ta:TA; babr, cch_con, bpm:B_3)			
Group:		GSM_MS_EFR_4200/management/ChConfig/			
Objective:		To set a physical channel and map the fourth BCCH, CCCH onto the physical channel which represents cell A.			
Default:		OtherEvents			
Comments:		time slot = 6, ARFCN = TSPX_BCCHcarrierA			
Nr	Label	Behaviour Description	CRef	V	Comments
1		[TSPC_PGSM OR TSPC_EGSM]			1.
2		+Config_BCCH_CCCH_A_4(63, 19, ChMod_sign, acttype, slot, tsc, FreqBCCH(C_arfcnA), C_BCCH_CCCH_4, ta, babr, cch_con, bpm)			
3		[TSPC_DCS]			2.
4		+Config_BCCH_CCCH_A_4(63, 15, ChMod_sign, acttype, slot, tsc, FreqBCCH(C_arfcnAd), C_BCCH_CCCH_4, ta, babr, cch_con, bpm)			
Detailed Comments:		1. For P-GSM900. 2. For DCS1800.			

Test Step Dynamic Behaviour					
Test Step Name:		NonCombinedBCCH_A_ho(par_bspwr, mtmcgsm, mtmcdcs, arfcn1, arfcn2:INTEGER; acttype:BITSTRING; slot:SN; tsc:TSC; ta:TA; babr, cch_con, bpm:B_3; td, fn:INTEGER)			
Group:		GSM_MS_EFR_4200/management/ChConfig/			
Objective:		To set a physical channel and map FCCH, SCH, BCCH, CCCH onto the physical channel which represents cell A for RR testing.			
Default:		OtherEvents			
Nr	Label	Behaviour Description	CRef	V	Comments
1		[TSPC_PGSM]			1.
2		+Config_BCCH_CCCH_A_ho_1(par_bspwr, mtmcgsm, ChMod_sign, acttype, slot, tsc, FreqBCCH(arfcn1), C_FCCH_SCH_BCCH_CCCH, ta, babr, cch_con, bpm, td, fn)			
3		[TSPC_DCS]			2.
4		+Config_BCCH_CCCH_A_ho_1(par_bspwr, mtmcdcs, ChMod_sign, acttype, slot, tsc, FreqBCCH(arfcn2), C_FCCH_SCH_BCCH_CCCH, ta, babr, cch_con, bpm, td, fn)			
Detailed Comments:		1. For P-GSM900. 1.1 Frequency and cell_id for cell A in HO cases 2. For DCS1800. 2.1 Frequency and cell_id for cell A in HO cases			

Test Step Dynamic Behaviour					
Test Step Name:		NonCombinedBCCH_B(par_bspwr, mtmcgsm, mtmcdcs, arfcn1, arfcn2:INTEGER; acttype:BITSTRING; slot:SN; tsc:TSC; ta:TA; babr, cch_con, bpm:B_3)			
Group:		GSM_MS_EFR_4200/management/ChConfig/			
Objective:		To set a physical channel and map FCCH, SCH, BCCH, CCCH onto the physical channel which represents cell B for RR testing.			
Default:		OtherEvents			
Nr	Label	Behaviour Description	CRef	V	Comments
1		[TSPC_PGSM]			1.
2		+Config_BCCH_CCCH_B_1(par_bspwr, mtmcgsm, ChMod_sign, acttype, slot, tsc, FreqBCCH(arfcn1), C_FCCH_SCH_BCCH_CCCH, ta, babr, cch_con, bpm)			
3		[TSPC_DCS]			2.
4		+Config_BCCH_CCCH_B_1(par_bspwr, mtmcdcs, ChMod_sign, acttype, slot, tsc, FreqBCCH(arfcn2), C_FCCH_SCH_BCCH_CCCH, ta, babr, cch_con, bpm)			
Detailed Comments:		1. For P-GSM900. 1.1 Frequenz and cell_id for cell B in HO cases 2. For DCS1800. 2.1 Frequenz and cell_id for cell B in HO cases			

Test Step Dynamic Behaviour					
Test Step Name:		NonCombinedBCCH_B_ho(par_bspwr, mtmcgsm, mtmcdcs, arfcn1, arfcn2:INTEGER; acttype:BITSTRING; slot:SN; tsc:TSC; ta:TA; babr, cch_con, bpm:B_3; td, fn:INTEGER)			
Group:		GSM_MS_EFR_4200/management/ChConfig/			
Objective:		To set a physical channel and map FCCH, SCH, BCCH, CCCH onto the physical channel which represents cell B for RR testing.			
Default:		OtherEvents			
Nr	Label	Behaviour Description	CRef	V	Comments
1		[TSPC_PGSM]			1.
2		+Config_BCCH_CCCH_B_ho_1(par_bspwr, mtmcgsm, ChMod_sign, acttype, slot, tsc, FreqBCCH(arfcn1), C_FCCH_SCH_BCCH_CCCH, ta, babr, cch_con, bpm, td, fn)			
3		[TSPC_DCS]			2.
4		+Config_BCCH_CCCH_B_ho_1(par_bspwr, mtmcdcs, ChMod_sign, acttype, slot, tsc, FreqBCCH(arfcn2), C_FCCH_SCH_BCCH_CCCH, ta, babr, cch_con, bpm, td, fn)			
Detailed Comments:		1. For P-GSM900. 1.1 Frequenz and cell_id for cell B in HO cases 2. For DCS1800. 2.1 Frequenz and cell_id for cell B in HO cases			

Test Step Dynamic Behaviour						
Test Step Name: FullRateCh_A_1(actypeT:BITSTRING; slotT:SN; tscT:TSC; chmod:CHMOD; Freqg, Freqd:FRQPARA; arfcng, arfcnd:INTEGER; ta:TA; babr, cch_con, bpm:B_3)						
Group: GSM_MS_EFR_4200/management/ChConfig/						
Objective: To set one physical channel used as TCHF_ACCH's for instance 1 of cell A.						
Default: OtherEvents						
Nr	Label	Behaviour Description	CRef	V	Comments	
1		[arfcng <> C_Noarfcn]			Non hopping	
2		+FullRateCh_A_1_nociph(actypeT, slotT, tscT, chmod, FreqTCH(arfcng), FreqTCH(arfcnd), ta, babr, cch_con, bpm)				
3		(TCV_Null := OM_CphMd(TCV_chTch, CphMod_01, TCV_CphKey))				
4		[TSPC_PGSM OR TSPC_EGSM]				
5		(TCV_tch_arfcn:= arfcng)				
6		[TSPC_DCS]				
7		(TCV_tch_arfcn:= arfcnd)				
8		[arfcng = C_Noarfcn]				Hopping
9		+FullRateCh_A_1_nociph(actypeT, slotT, tscT, chmod, Freqg, Freqd, ta, babr, cch_con, bpm)				
10		(TCV_Null := OM_CphMd(TCV_chTch, CphMod_01, TCV_CphKey))				
Detailed Comments:						

Test Step Dynamic Behaviour					
Test Step Name: FullRateCh_A_1_nociph(actypeT:BITSTRING; slotT:SN; tscT:TSC; chmod:CHMOD; Freqg, Freqd:FRQPARA; ta:TA; babr, cch_con, bpm:B_3)					
Group: GSM_MS_EFR_4200/management/ChConfig/					
Objective: To set one physical channel used as TCHF_ACCH's for instance 1 of cell A.					
Default: OtherEvents					
Nr	Label	Behaviour Description	CRef	V	Comments
1		(TCV_chTch := C_FACCHF_A_1, TCV_sacchTch := C_SACCHF_A_1, TCV_ctype := '00001'B)			
2		[TSPC_PGSM OR TSPC_EGSM]			
3		+Config_FACCHF_A_1(63, 19, chmod, actypeT, slotT, tscT, Freqg, C_TCHF_ACCHF_1, ta, babr, cch_con, bpm)			
4		+SysInfo_SacchSending(TCV_sacchTch, TCV_sysinfo5, TCV_sysinfo6)			
5		[TSPC_DCS]			
6		+Config_FACCHF_A_1(63, 15, chmod, actypeT, slotT, tscT, Freqd, C_TCHF_ACCHF_1, ta, babr, cch_con, bpm)			
7		+SysInfo_SacchSending(TCV_sacchTch, TCV_sysinfo5, TCV_sysinfo6)			
Detailed Comments:					

Test Step Dynamic Behaviour					
Test Step Name: FullRateCh_A_2(actypeT:BITSTRING; slotT:SN; tscT:TSC; chmod:CHMOD; Freqg, Freqd:FRQPARA; ta:TA; babr, cch_con, bpm:B_3)					
Group: GSM_MS_EFR_4200/management/ChConfig/					
Objective: To set one physical channel used as TCHF_ACCH's for instance 2 of cell A for TC_26_6_13_1.					
Default: OtherEvents					
Comments: used as after time channel.					
Nr	Label	Behaviour Description	CRef	V	Comments
1		+FullRateCh_A_2_nociph(actypeT, slotT, tscT, chmod, Freqg, Freqd, ta, babr, cch_con, bpm)			
2		(TCV_Null := OM_CphMd(TCV_chTch1, CphMod_01, TCV_CphKey))			
Detailed Comments:					

Test Step Dynamic Behaviour					
Test Step Name:		FullRateCh_A_2_nociph(acttypeT:BITSTRING; slotT:SN; tscT:TSC; chmod:CHMOD; Freqg,Freqd:FRQPARA; ta:TA; babr, cch_con, bpm:B_3)			
Group:		GSM_MS_EFR_4200/management/ChConfig/			
Objective:		To set one physical channel used as TCHF_ACCH's for instance 2 of cell A for TC_26_6_13_1.			
Default:		OtherEvents			
Comments:		used as after time channel.			
Nr	Label	Behaviour Description	CRef	V	Comments
1		(TCV_chTch1 := C_FACCHF_A_2, TCV_sacchTch1 := C_SACCHF_A_2)			
2		[TSPC_PGSM OR TSPC_EGSM]			
3		+Config_FACCHF_A_2(63, 19, chmod, acttypeT, slotT, tscT, Freqg, C_TCHF_ACCHF_2, ta, babr, cch_con, bpm)			
4		+SysInfo_SacchSending(TCV_sacchTch1, TCV_sysinfo5, TCV_sysinfo6)			
5		[TSPC_DCS]			
6		+Config_FACCHF_A_2(63, 15, chmod, acttypeT, slotT, tscT, Freqd, C_TCHF_ACCHF_2, ta, babr, cch_con, bpm)			
7		+SysInfo_SacchSending(TCV_sacchTch1, TCV_sysinfo5, TCV_sysinfo6)			
Detailed Comments:					

Test Step Dynamic Behaviour					
Test Step Name:		FullRateCh_B_1(acttypeT:BITSTRING; slotT:SN; tscT:TSC; chmod:CHMOD; Freqg, Freqd:FRQPARA; arfcng, arfcnd:INTEGER; ta:TA; babr, cch_con, bpm:B_3)			
Group:		GSM_MS_EFR_4200/management/ChConfig/			
Objective:		To set one physical channel used as TCHF_ACCH's for instance 1 of cell B.			
Default:		OtherEvents			
Nr	Label	Behaviour Description	CRef	V	Comments
1		[arfcng <> C_Noarfcn]			Non hopping
2		+FullRateCh_B_1_nociph(acttypeT, slotT, tscT, chmod, FreqTCH(arfcng), FreqTCH(arfcnd), ta, babr, cch_con, bpm)			
3		(TCV_Null := OM_CphMd(TCV_chTch, CphMod_01, TCV_CphKey))			
4		[TSPC_PGSM OR TSPC_EGSM]			
5		(TCV_tch_arfcn:= arfcng)			
6		[TSPC_DCS]			
7		(TCV_tch_arfcn:= arfcnd)			
8		[arfcng = C_Noarfcn]			Hopping
9		+FullRateCh_B_1_nociph(acttypeT, slotT, tscT, chmod, Freqg, Freqd, ta, babr, cch_con, bpm)			
10		(TCV_Null := OM_CphMd(TCV_chTch, CphMod_01, TCV_CphKey))			
Detailed Comments:					

Test Step Dynamic Behaviour					
Test Step Name:		FullRateCh_B_1old(acttypeT:BITSTRING; slotT:SN; tscT:TSC; chmod:CHMOD; Freqg,Freqd:FRQPARA; ta:TA; babr, cch_con, bpm:B_3)			
Group:		GSM_MS_EFR_4200/management/ChConfig/			
Objective:		To set one physical channel used as TCHF_ACCH's for instance 1 of cell B.			
Default:		OtherEvents			
Comments:		FullRateCh_B_1.			
Nr	Label	Behaviour Description	CRef	V	Comments
1		+FullRateCh_B_1_nociph(acttypeT, slotT, tscT, chmod, Freqg, Freqd, ta, babr, cch_con, bpm)			
2		(TCV_Null := OM_CphMd(TCV_chTch, CphMod_01, TCV_CphKey))			
Detailed Comments:					

Test Step Dynamic Behaviour					
Test Step Name:		FullRateCh_B_1_nociph(acttypeT:BITSTRING; slotT:SN; tscT:TSC; chmod:CHMOD; Freqg,Freqd:FRQPARA; ta:TA; babr, cch_con, bpm:B_3)			
Group:		GSM_MS_EFR_4200/management/ChConfig/			
Objective:		To set one physical channel used as TCHF_ACCH's for instance 1 of cell B.			
Default:		OtherEvents			
Comments:		Used in TC_26_6_13_5 for after time channel			
Nr	Label	Behaviour Description	CRef	V	Comments
1		(TCV_chTch := C_FACCHF_B_1, TCV_sacchTch := C_SACCHF_B_1)			
2		[TSPC_PGSM OR TSPC_EGSM]			
3		+Config_FACCHF_B_1(63, 19, chmod, acttypeT, slotT, tscT, Freqg, C_TCHF_ACCHF_1, ta, babr, cch_con, bpm)			
4		+SysInfo_SacchSending(TCV_sacchTch, TCV_sysinfo5_B, TCV_sysinfo6_B)			
5		[TSPC_DCS]			
6		+Config_FACCHF_B_1(63, 15, chmod, acttypeT, slotT, tscT, Freqd, C_TCHF_ACCHF_1, ta, babr, cch_con, bpm)			
7		+SysInfo_SacchSending(TCV_sacchTch, TCV_sysinfo5_B, TCV_sysinfo6_B)			
Detailed Comments:					

Test Step Dynamic Behaviour					
Test Step Name:		HalfRateCh_A_1(sub:B_1; acttypeT:BITSTRING; slotT:SN; tscT:TSC; chmod:CHMOD; Freqg, Freqd:FRQPARA; arfcng, arfcnd:INTEGER; ta:TA; babr, cch_con, bpm:B_3)			
Group:		GSM_MS_EFR_4200/management/ChConfig/			
Objective:		To set one physical channel used as TCHH_ACCH's for instance 1 of cell A.			
Default:		OtherEvents			
Nr	Label	Behaviour Description	CRef	V	Comments
1		[arfcng <> C_Noarfcn]			not hopping
2		+HalfRateCh_A_1_nociph(sub, acttypeT, slotT, tscT, chmod, FreqTCH(arfcng), FreqTCH(arfcnd), ta, babr, cch_con, bpm)			
3		(TCV_Null := OM_CphMd(TCV_chTch, CphMod_01, TCV_CphKey))			
4		[TSPC_PGSM OR TSPC_EGSM]			
5		(TCV_tch_arfcn:= arfcng)			
6		[TSPC_DCS]			
7		(TCV_tch_arfcn:= arfcnd)			
8		[arfcng = C_Noarfcn]			hopping
9		+HalfRateCh_A_1_nociph(sub, acttypeT, slotT, tscT, chmod, Freqg, Freqd, ta, babr, cch_con, bpm)			
10		(TCV_Null := OM_CphMd(TCV_chTch, CphMod_01, TCV_CphKey))			
Detailed Comments:					

Test Step Dynamic Behaviour					
Test Step Name:		HalfRateCh_A_1_nociph(sub:B_1; acttypeT:BITSTRING; slotT:SN; tscT:TSC; chmod:CHMOD; Freqg, Freqd:FRQPARA; ta:TA; babr, cch_con, bpm:B_3)			
Group:		GSM_MS_EFR_4200/management/ChConfig/			
Objective:		To set one physical channel used as TCHH_ACCH's for instance 1 of cell A.			
Default:		OtherEvents			
Nr	Label	Behaviour Description	CRef	V	Comments
1		(TCV_chTch := OC_SubchOfFacchh(sub, C_Cella, 1), TCV_sacchTch := OC_SubchOfSacchh(sub, C_Cella, 1))			
2		[TSPC_PGSM OR TSPC_EGSM]			
3		+Config_FACCHH_A_1(63, 19, chmod, acttypeT, slotT, tscT, Freqg, C_TCHH_ACCHH_1, ta, babr, cch_con, bpm)			
4		+SysInfo_SacchSending(TCV_sacchTch, TCV_sysinfo5, TCV_sysinfo6)			
5		+localtree			
6		[TSPC_DCS]			
7		+Config_FACCHH_A_1(63, 15, chmod, acttypeT, slotT, tscT, Freqd, C_TCHH_ACCHH_1, ta, babr, cch_con, bpm)			
8		+SysInfo_SacchSending(TCV_sacchTch, TCV_sysinfo5, TCV_sysinfo6)			
9		+localtree			
localtree					
10		[sub = '0'B]			
11		(TCV_chtype := '00010'B)			
12		[sub = '1'B]			
13		(TCV_chtype := '00011'B)			
Detailed Comments:					

Test Step Dynamic Behaviour					
Test Step Name:		HalfRateCh_A_2(bstring:B_1; acttypeT:BITSTRING; slotT:SN; tscT:TSC; chmod:CHMOD; Freqg, Freqd:FRQPARA; ta:TA; babr, cch_con, bpm:B_3)			
Group:		GSM_MS_EFR_4200/management/ChConfig/			
Objective:		To set one physical channel used as TCHH_ACCH's for instance 2 of cell A for TC_26_6_13_1.			
Default:		OtherEvents			
Comments:		used for after time channel.			
Nr	Label	Behaviour Description	CRef	V	Comments
1		+HalfRateCh_A_2_nociph(bstring, acttypeT, slotT, tscT, chmod, Freqg, Freqd, ta, babr, cch_con, bpm)			
2		(TCV_Null := OM_CphMd(TCV_chTch1, CphMod_01, TCV_CphKey))			
Detailed Comments:					

Test Step Dynamic Behaviour					
Test Step Name: HalfRateCh_A_2_nociph(bstring:B_1; acttypeT:BITSTRING; slotT:SN; tscT:TSC; chmod:CHMOD; Freqg,Freqd:FRQPARA; ta:TA; babr, cch_con, bpm:B_3)					
Group: GSM_MS_EFR_4200/management/ChConfig/					
Objective: To set one physical channel used as TCHH_ACCH's for instance 2 of cell A for TC_26_6_13_1.					
Default: OtherEvents					
Comments: used for after time channel.					
Nr	Label	Behaviour Description	CRef	V	Comments
1		(TCV_chTch1 := OC_SubchOfFacch(bstring, C_Cella, 2), TCV_sacchTch1 := OC_SubchOfSacch(bstring, C_Cella, 2))			
2		[TSPC_PGSM OR TSPC_EGSM]			
3		+Config_FACCHH_A_2(63, 19, chmod, acttypeT, slotT, tscT, Freqg, C_TCHH_ACCHH_2, ta, babr, cch_con, bpm)			
4		+SysInfo_SacchSending(TCV_sacchTch1, TCV_sysinfo5, TCV_sysinfo6)			
5		[TSPC_DCS]			
6		+Config_FACCHH_A_2(63, 15, chmod, acttypeT, slotT, tscT, Freqd, C_TCHH_ACCHH_2, ta, babr, cch_con, bpm)			
7		+SysInfo_SacchSending(TCV_sacchTch1, TCV_sysinfo5, TCV_sysinfo6)			
Detailed Comments:					

Test Step Dynamic Behaviour					
Test Step Name: HalfRateCh_B_1(bstring:B_1; acttypeT:BITSTRING; slotT:SN; tscT:TSC; chmod:CHMOD; Freqg,Freqd:FRQPARA; ta:TA; babr, cch_con, bpm:B_3)					
Group: GSM_MS_EFR_4200/management/ChConfig/					
Objective: To set one physical channel used as TCHH_ACCH's for instance 1 of cell B					
Default: OtherEvents					
Comments: used as after time channel assigned by handover command					
Nr	Label	Behaviour Description	CRef	V	Comments
1		+HalfRateCh_B_1_nociph(bstring, acttypeT, slotT, tscT, chmod, Freqg, Freqd, ta, babr, cch_con, bpm)			
2		(TCV_Null := OM_CphMd(TCV_chTch, CphMod_01, TCV_CphKey))			
Detailed Comments:					

Test Step Dynamic Behaviour					
Test Step Name:		HalfRateCh_B_1_nociph(bstring:B_1; acttypeT:BITSTRING; slotT:SN; tscT:TSC; chmod:CHMOD; Freqg,Freqd:FRQPARA; ta:TA; babr, cch_con, bpm:B_3)			
Group:		GSM_MS_EFR_4200/management/ChConfig/			
Objective:		To set one physical channel used as TCHH_ACCH's for instance 1 of cell B			
Default:		OtherEvents			
Comments:		used as after time channel assigned by handover command			
Nr	Label	Behaviour Description	CRef	V	Comments
1		(TCV_chTch := OC_SubchOfFacchh(bstring, C_CellB, 1), TCV_sacchTch := OC_SubchOfSacchh(bstring, C_CellB, 1))			
2		[TSPC_PGSM OR TSPC_EGSM]			
3		+Config_FACCHH_B_1(63, 19, chmod, acttypeT, slotT, tscT, Freqg, C_TCHH_ACCHH_1, ta, babr, cch_con, bpm)			
4		+SysInfo_SacchSending(TCV_sacchTch, TCV_sysinfo5_B, TCV_sysinfo6_B)			
5		[TSPC_DCS]			
6		+Config_FACCHH_B_1(63, 15, chmod, acttypeT, slotT, tscT, Freqd, C_TCHH_ACCHH_1, ta, babr, cch_con, bpm)			
7		+SysInfo_SacchSending(TCV_sacchTch, TCV_sysinfo5_B, TCV_sysinfo6_B)			
Detailed Comments:					

Test Step Dynamic Behaviour					
Test Step Name:		SDCCH8_A_1_nociph(bstring:B_3; acttypeT:BITSTRING; slotT:SN; tscT:TSC; chmod:CHMOD; Freqg,Freqd:FRQPARA; ta:TA; babr, cch_con, bpm:B_3)			
Group:		GSM_MS_EFR_4200/management/ChConfig/			
Objective:		To set one physical channel used as SDCCH8 channel for instance 1 of cell A.			
Default:		OtherEvents			
Nr	Label	Behaviour Description	CRef	V	Comments
1		(TCV_ch := OC_SubchOfSdcch8(bstring, C_CellA, 1), TCV_sacch8 := OC_SubchOfSacch8(bstring, C_CellA, 1))			
2		[TSPC_PGSM OR TSPC_EGSM]			
3		+Config_SDCCH8_A_1(63, 19, chmod, acttypeT, slotT, tscT, Freqg, C_SDCCH8_SACCH8_1, ta, babr, cch_con, bpm)			
4		+SysInfo_SacchSending(TCV_sacch8, TCV_sysinfo5, TCV_sysinfo6)			
5		[TSPC_DCS]			
6		+Config_SDCCH8_A_1(63, 19, chmod, acttypeT, slotT, tscT, Freqd, C_SDCCH8_SACCH8_1, ta, babr, cch_con, bpm)			
7		+SysInfo_SacchSending(TCV_sacch8, TCV_sysinfo5, TCV_sysinfo6)			
Detailed Comments:					

Test Step Group Miscellaneous

Test Step Dynamic Behaviour					
Test Step Name:		Adjust_gsmanddcs_powerlvl(powerlevel1,powerlevel2:INTEGER; pdu_ass: ASS_CMD_PDU)			
Group:		GSM_MS_EFR_4200/Miscellaneous/			
Objective:					
Default:		OtherEvents			
Nr	Label	Behaviour Description	CRef	V	Comments
1		[TSPC_PGSM OR TSPC_EGSM]			
2		[powerlevel1 <> 0]			
3		(pdu_ass.pcmd := Pcmd_19(INT_TO_BIT(powerlevel1,5)))			
4		[powerlevel1 = 0]			
5		[TSPC_DCS]			
6		(pdu_ass.pcmd := Pcmd_19(INT_TO_BIT(powerlevel2,5)))			
Detailed Comments:					

Test Step Dynamic Behaviour					
Test Step Name:		AssCh_complete(oldch,newch:LOGICCH; pdu_ass: ASS_CMD_PDU)			
Group:		GSM_MS_EFR_4200/Miscellaneous/			
Objective:		To provide a generic test step to Assign a traffic channel. Assign complete expected and verdict is PASS.			
Default:		OtherEvents			
Nr	Label	Behaviour Description	CRef	V	Comments
1		L!DL_DatRqAssCmd START T_dlyAss	AssCmd(oldch,pdu_a ss)		
2	E_00 53	?TIMEOUT T_dlyAss		(F)	
3		+PostLinkRelEnd(oldch)			
4		L?DL_EstIn (TCV_FnAss := DL_EstIn.fn) CANCEL T_dlyAss	DLEstIn(newch)		
5	E_00 54	L?DL_DatInAssCom	AssCmp(newch, AsgnCmp_02)	(P)	
6		LIMDL_RelRq	MDLRelReq(oldch)		
7		L?DL_EstIn CANCEL T_dlyAss	DLEstIn(oldch)		
8	E_00 55	L?DL_DatInAssfl	AssFl_any_cau(oldch)	(F)	
9		+PostLinkRelEnd(oldch)			
Detailed Comments:					

Test Step Dynamic Behaviour					
Test Step Name:		AssCmdGen(cell:CellID; rate:IA5String; slot:SN; tsc:TSC; sch:B_1)			
Group:		GSM_MS_EFR_4200/Miscellaneous/			
Objective:		To generate the ASSIGNMENT COMMAND message.			
Default:		OtherEvents			
Nr	Label	Behaviour Description	CRef	V	Comments
1		[rate <> C_Half]			Full rate
2		(TCV_Tchtype := '00001'B)			
3		+ltree_Asgn			Half rate
4		[rate = C_Half]			
5		[sch = '0'B]			
6		(TCV_Tchtype := '00010'B)			
7		+ltree_Asgn			
8		[sch = '1'B]			
9		(TCV_Tchtype := '00011'B)			
10		+ltree_Asgn			
ltree_Asgn					
11		[cell = C_CellA]			
12		+ltree_AsgnTchA			
13		[cell = C_CellB]			
14		+ltree_AsgnTchB			
ltree_AsgnTchA					
15		[TSPC_PGSM OR TSPC_EGSM]			
16		(TCV_AssCmd := AsgnCmd_nfh(TCV_Tchtype, slot, tsc, 7, C_arfcn_tchA, CellChDes_Omit, TCV_ChMod, StartingTm_omit, CphMod_omit))			
17		[TSPC_DCS]			
18		(TCV_AssCmd := AsgnCmd_nfh(TCV_Tchtype, slot, tsc, 3, C_arfcn_tchAd, CellChDes_Omit, TCV_ChMod, StartingTm_omit, CphMod_omit))			
ltree_AsgnTchB					
19		[TSPC_PGSM OR TSPC_EGSM]			
20		(TCV_AssCmd := AsgnCmd_nfh(TCV_Tchtype, slot, tsc, 7, C_arfcn_tchB, CellChDes_Omit, TCV_ChMod, StartingTm_omit, CphMod_omit))			
21		[TSPC_DCS]			
22		(TCV_AssCmd := AsgnCmd_nfh(TCV_Tchtype, slot, tsc, 3, C_arfcn_tchBd, CellChDes_Omit, TCV_ChMod, StartingTm_omit, CphMod_omit))			
Detailed Comments:		The test step makes the assumption that the channel rate is known when the test step is called.			

Test Step Dynamic Behaviour					
Test Step Name: AssCmdGen_fh(rate:IA5String; slot:SN; tsc:TSC; sch:B_1; par_pwlvlg, par_pwlvld:INTEGER; maio:MAIO; hsn:HSN; frql_g, frql_d:FRQL; cchd_g, cchd_d:CCHD; chmod:CHMOD; ma_g, ma_d:MA; Cphms:CPHMS)					
Group: GSM_MS_EFR_4200/Miscellaneous/					
Objective: To generate a ASSIGNMENT COMMAND message in case of hopping without starting time.					
Default: OtherEvents					
Nr	Label	Behaviour Description	CRef	V	Comments
1		[rate <> C_Half]			Full rate
2		(TCV_Tchtype := '00001'B)			
3		+ltree_Asgn			
4		[rate = C_Half]			Half rate
5		[sch = '0'B]			
6		(TCV_Tchtype := '00010'B)			
7		+ltree_Asgn			
8		[sch = '1'B]			
9		(TCV_Tchtype := '00011'B)			
10		+ltree_Asgn			
ltree_Asgn					
11		[TSPC_PGSM OR TSPC_EGSM]			
12		(TCV_AssCmd := AsgnCmd_fh(slot, tsc, TCV_Tchtype, par_pwlvlg, maio, hsn, frql_g, cchd_g, chmod, ma_g, Cphms))			
13		[TSPC_DCS]			
14		(TCV_AssCmd := AsgnCmd_fh(slot, tsc, TCV_Tchtype, par_pwlvld, maio, hsn, frql_d, cchd_d, chmod, ma_d, Cphms))			
Detailed Comments:					

Test Step Dynamic Behaviour					
Test Step Name: Authentication(ch: LOGICCH; cksn: BITSTRING; rand:RAND)					
Group: GSM_MS_EFR_4200/Miscellaneous/					
Objective:					
Default: OtherEventsFail					
Nr	Label	Behaviour Description	CRef	V	Comments
1		L!DL_DatRqAuthRq	AuthReq(ch, AuthRequest(cksn, rand))		
2		L?DL_DatInAuthRes (TCV_Sres := DL_DatInAuthRes.msg.sres)	AuthRes(AuthResponse)		
3		(TCV_Res := OC_ChkSRES(TCV_Sres, TSPX_Ki, rand))			
4	E_00 56	[NOT TCV_Res]		(F)	1)
5	E_00 57	[TCV_Res]		(P)	
Detailed Comments: Authentication fails.					

Test Step Dynamic Behaviour					
Test Step Name:		CallProcGen(setup:SETUP_MO_PDU; srv:SERVICES)			
Group:		GSM_MS_EFR_4200/Miscellaneous/			
Objective:		To generate a CALL PROCEEDING message which is compatible with input value 'setup'..			
Default:		OtherEvents			
Comments:		The generated CALL PROCEEDING is in TCV_CallProc. This test step can handle the following dual mode services: the first BCAP is speech or the second BCAP is speech			
Nr	Label	Behaviour Description	CRef	V	Comments
1		(TCV_CallProc := CallProced_03, TCV_CallProc.ti := TCV_TI)			
2		[(srv = C_AltSpchData) OR (srv = C_SpchData) OR (srv = C_AltSpchFax)]			dual service
3		[setup.bcap1.itc = C_Speech]			1st BCAP is speech
4		(TCV_ce3 := setup.bcap2.ce)			
5		[(TCV_ce3 <> C_BothT) OR(TCV_ce3 <> C_BothNT)]			1.
6		[(TCV_ce3 = C_BothT) OR (TCV_ce3 = C_BothNT)]			2.
7		(TCV_CallProc.bcap1 := setup.bcap1, TCV_CallProc.bcap1.rchr := '00'B, TCV_CallProc.bcri := setup.bcri, TCV_CallProc.bcap2 := setup.bcap2, TCV_CallProc.bcap2.ce := INT_TO_BIT((BIT_TO_INT(setup.bcap2.ce) -2), 2), TCV_CallProc.bcap2.nirr := C_nirr_nomeaning)			
8		[NOT (setup.bcap1.itc = C_Speech)]			
9		(TCV_ce1 := setup.bcap1.ce)			
10		[(TCV_ce1 <> C_BothT) AND(TCV_ce1 <> C_BothNT)]			3.
11		[(TCV_ce1 = C_BothT) OR (TCV_ce1 = C_BothNT)]			4.
12		(TCV_CallProc.bcap1 := setup.bcap1, TCV_CallProc.bcap1.ce := INT_TO_BIT((BIT_TO_INT(setup.bcap1.ce) -2), 2), TCV_CallProc.bcap1.nirr := C_nirr_nomeaning, TCV_CallProc.bcri := setup.bcri, TCV_CallProc.bcap2 := setup.bcap2, TCV_CallProc.bcap2.rchr := '11'B)			
13		[(srv <> C_AltSpchData) AND(srv <> C_SpchData) AND(srv <> C_AltSpchFax)]			
14		[srv = C_EmgCall]			8.
15		[srv <> C_EmgCall]			
16		[setup.bcap1.itc = C_Speech]			5.
17		[setup.bcap1.itc <> C_Speech]			
18		(TCV_ce1 := setup.bcap1.ce)			
19		[(TCV_ce1 = C_BothT) OR (TCV_ce1 = C_BothNT)]			6.
20		(TCV_CallProc.bcap1 := setup.bcap1, TCV_CallProc.bcap1.ce := INT_TO_BIT((BIT_TO_INT(setup.bcap1.c e) -2), 2), TCV_CallProc.bcap1.nirr := C_nirr_nomeaning)			
21		[(TCV_ce1 <> C_BothT) OR(TCV_ce1 <> C_BothNT)]			7.
Detailed Comments:		<ol style="list-style-type: none"> 1. BCAP1 is speech and BCAP2 does not require negotiation, the CallProc will contain no BCAP's 2. BCAP1 is speech and BCAP2 requires negotiation 3. BCAP2 is speech and BCAP1 does not require negotiation, the CallProc will contain no BCAP's 4. BCAP2 is speech and BCAP1 requires negotiation 5. BCAP2 does not exist and BCAP1 is speech, the CallProc will contain no BCAP's 6. BCAP2 does not exist and BCAP1 requires negotiation 7. BCAP2 does not exist and BCAP1 does not require negotiation 8. Emergency call, the CallProc will contain no BCAP 			

Test Step Dynamic Behaviour					
Test Step Name:		CCCH_group_Paging_group(ccd: CCD; imsi: HEXSTRING)			
Group:		GSM_MS_EFR_4200/Miscellaneous/			
Objective:		To calculate the CCCH group and the Paging group from the IMSI and the Control Channel Descriptor according to GSM 05.02, subclause 6.5.2.			
Default:		OtherEvents			
Nr	Label	Behaviour Description	CRef	V	Comments
1		[ccd.ccch_con = '000'B]			
2		(TCV_bs_cc_chans := 1)			
3		+localtree1			
4		[ccd.ccch_con = '001'B]			
5		(TCV_bs_cc_chans := 1)			
6		+localtree1			
7		[ccd.ccch_con = '010'B]			
8		(TCV_bs_cc_chans := 2)			
9		+localtree1			
10		[ccd.ccch_con = '100'B]			
11		(TCV_bs_cc_chans := 3)			
12		+localtree1			
13		[ccd.ccch_con = '110'B]			
14		(TCV_bs_cc_chans := 4)			
15		+localtree1			
		localtree1			
16		(TCV_bs_ag_blks_res := BIT_TO_INT(ccd.babr), TCV_bs_pa_mfrms := (2 + BIT_TO_INT(ccd.bpm)))			
17		[ccd.ccch_con = '001'B]			i.e. combined
18	E_00 58	[(TCV_bs_ag_blks_res < 0) OR(TCV_bs_ag_blks_res > 2)]		I	Stop! A tester error.
19		[(TCV_bs_ag_blks_res >= 0) AND (TCV_bs_ag_blks_res <= 2)]			
20		(TCV_tmp := 3 - TCV_bs_ag_blks_res)			
21		+localtree2			
22		[ccd.ccch_con <> '001'B]			i.e. not combined
23	E_00 59	[(TCV_bs_ag_blks_res < 0) OR(TCV_bs_ag_blks_res > 7)]		I	Stop! A tester error.
24		[(TCV_bs_ag_blks_res >= 0) AND (TCV_bs_ag_blks_res <= 7)]			
25		(TCV_tmp := 9 - TCV_bs_ag_blks_res)			
26		+localtree2			ini. TCV Pgg
		localtree2			
27		(TCV_tmp := TCV_tmp * TCV_bs_pa_mfrms)			
28		(TCV_Pgg := INT_TO_BIT((((OC_BCDtoInt(imsi, 3)) MOD(TCV_bs_cc_chans * TCV_tmp)) MOD TCV_tmp, 8), TCV_Ccchg := ((((OC_BCDtoInt(imsi, 3)) MOD(TCV_bs_cc_chans * TCV_tmp)) / TCV_tmp))			
Detailed Comments:					

Test Step Dynamic Behaviour					
Test Step Name:		CC_Est_MT_Call			
Group:		GSM_MS_EFR_4200/Miscellaneous/			
Objective:		To perform the CC message exchange to establish a mobile station terminating call (late assignment).			
Default:		OtherEvents			
Nr	Label	Behaviour Description	CRef	V	Comments
1		(TCV_Setup_mt.sig := Signal_01)			
2		L!DL_DatRqSetup	SetupSnd(TCV_ch, TCV_Setup_mt)		
3		L?DL_DatInCallCo	CallCfm(CallConfirm_01(TI_01))	1)	
4		L?DL_DatInConn	ConnRcv(Connect_01(TI_01))		
5		L?DL_DatInAlert	AlertRcv(AlertingInd_01(TI_01))		
6		(TCV_Null := OO_HookOff())			
7		L?DL_DatInConn	ConnRcv(Connect_01(TI_01))		
Detailed Comments:		1. If the MS supports the bearer capabilities, which are give in Setup message, it has to accept them. However, it may still send bearer capabilities in the Call Confirm message for either EFR or Half Rate			

Test Step Dynamic Behaviour					
Test Step Name:		CC_EstMsTermCall(rate:IA5String; sub:B_1)			
Group:		GSM_MS_EFR_4200/Miscellaneous/			
Objective:		To perform the CC message exchange to establish a mobile station terminating call with non hopping channel (speech or data call). (Similar to EstMsTermFullRateCallNonFH but without initial RRmtcallprepare)			
Default:		OtherEvents			
Nr	Label	Behaviour Description	CRef	V	Comments
1		+CC_Est_MT_Call			
2		+ltree_Asgn			
3		+Adjust_gsmanddcs_powerlvl(0, 15, TCV_AssCmd)			
4		+AssCh_complete(TCV_ch, TCV_chTch, TCV_AssCmd)			
5		L!DL_DatRqConnAck	ConnAckSnd(TCV_chTch, ConnectAck_01(TI_02))		
6		ltree_Asgn [rate = C_Full]			Full rate
7		(TCV_Tchtype := '00001'B)			
8		(TCV_AssCmd := AsgnCmd_nfh(TCV_Tchtype, TCV_asscmd_ts, TSPX_TscDef, 9, TCV_tch_arfcn, CellChDes_Omit, ChMod_speech_iei, StartingTm_omit, CphMod_omit))			
9		[rate = C_Full_v2]			Full rate v2
10		(TCV_Tchtype := '00001'B)			
11		(TCV_AssCmd := AsgnCmd_nfh(TCV_Tchtype, TCV_asscmd_ts, TSPX_TscDef, 9, TCV_tch_arfcn, CellChDes_Omit, ChMod_EFR2_iei, StartingTm_omit, CphMod_omit))			
12		[rate = C_Half]			Half rate
13		(TCV_Tchtype := INT_TO_BIT((2 + BIT_TO_INT(sub)), 5))			
14		(TCV_AssCmd := AsgnCmd_nfh(TCV_Tchtype, TCV_asscmd_ts, TSPX_TscDef, 9, TCV_tch_arfcn, CellChDes_Omit, ChMod_omit, StartingTm_omit, CphMod_omit))			
Detailed Comments:					

Test Step Dynamic Behaviour					
Test Step Name:		Cipherring_on(ch: LOGICCH)			
Group:		GSM_MS_EFR_4200/Miscellaneous/			
Objective:		Send cipher command and wait for successful completion			
Default:		OtherEventsFail			
Nr	Label	Behaviour Description	CRef	V	Comments
1		(TCV_Null := OM_CphMdChg(ch, CphMod_01, TCV_CphKey))			
2		L!DL_DatRqCphmCmd	CphCmd(ch, CphModeCmd_01)		
3	E_00 60	L?DL_DatInCphmCom	CphCom(CphModeC mp_01)	(P)	
Detailed Comments:					

Test Step Dynamic Behaviour					
Test Step Name:		EFR_ChkRcvSpchPrefs			
Group:		GSM_MS_EFR_4200/Miscellaneous/			
Objective:		OtherEvents			
Default:					
Comments:		Check speech versions received in EFR BCAP against IXIT file values. All supported speech versions must be present (in any order) in the received EFR BCAP.			
Nr	Label	Behaviour Description	CRef	V	Comments
1		+EFR_SpchPrefInBCAP(TSPX_EFR_SpchPref1)			
2		+EFR_SpchPrefInBCAP(TSPX_EFR_SpchPref2)			
3		[TSPX_EFR_SpchPrefsNo > 2]			
4		+EFR_SpchPrefInBCAP(TSPX_EFR_SpchPref3)			
5	E_00 62	[TSPX_EFR_SpchPrefsNo = 2]		(P)	
Detailed Comments:					

Test Step Dynamic Behaviour					
Test Step Name:		EFR_SpchPrefInBCAP(svi:B_4)			
Group:		GSM_MS_EFR_4200/Miscellaneous/			
Objective:		OtherEvents			
Default:					
Comments:		Check for an individual speech preferences being present in received EFR BCAP.			
Nr	Label	Behaviour Description	CRef	V	Comments
1	E_00 63	[TCV_EFR_svi1 = svi]		(P)	
2	E_00 64	[TCV_EFR_svi2 = svi]		(P)	
3		[TSPX_EFR_SpchPrefsNo = 3]			
4	E_00 65	[TCV_EFR_svi3 = svi]		(P)	
5	E_00 66	[C_Yes]		I	IXIT ERROR
Detailed Comments:					

Test Step Dynamic Behaviour					
Test Step Name:		EFR_RcvSetupOrEsetup(Setup: SETUP_MO_PDU; Esetup:ESETUP_PDU; Ecall:BOOLEAN)			
Group:		GSM_MS_EFR_4200/Miscellaneous/			
Objective:		To check that Mobile Originated SETUP or ESETUP message contains a bearer capability IE (optional for ESETUP) with all the speech versions supported by the EFR mobile. If matching is successful then a CALL PROCEEDING message response will be sent to the EFR mobile.			
Default:		OtherEvents			
Nr	Label	Behaviour Description	CRef	V	Comments
1		[NOT Ecall]			
2		[TSPX_EFR_SpchPrefsNo = 2]			
3		L?DL_DatInSetup (TCV_Setup_mo1 := DL_DatInSetup.msg, TCV_TI := TCV_Setup_mo1.ti, TCV_TI0 := TCV_TI, TCV_TI.ti_f := '1'B, TCV_EFR_svi1 := TCV_Setup_mo1.bcap1.oct_3a_etc_1.svi, TCV_EFR_svi2 := TCV_Setup_mo1.bcap1.oct_3a_etc_2.svi)	SetupRcv(Setup)		
4		+ltree_chkspeech			
5		[TSPX_EFR_SpchPrefsNo = 3]			
6		L?DL_DatInSetup (TCV_Setup_mo1 := DL_DatInSetup.msg, TCV_TI := TCV_Setup_mo1.ti, TCV_TI0 := TCV_TI, TCV_TI.ti_f := '1'B, TCV_EFR_svi1 := TCV_Setup_mo1.bcap1.oct_3a_etc_1.svi, TCV_EFR_svi2 := TCV_Setup_mo1.bcap1.oct_3a_etc_2.svi, TCV_EFR_svi3 := TCV_Setup_mo1.bcap1.oct_3a_etc_3.svi)	SetupRcv(Setup)		
7		+ltree_chkspeech			
8	E_00 67	[C_Yes]		I	IXIT ERROR
9		[Ecall]			
10		[TSPC_EFR_EmgCallBcap]			
11		[TSPX_EFR_SpchPrefsNo = 2]			
12		L?DL_DatInESetup (TCV_Esetup1 := DL_DatInESetup.msg, TCV_Setup_mo1.ti := TCV_Esetup1.ti, TCV_Setup_mo1.bcap1 := TCV_Esetup1.bcap, TCV_Setup_mo1.ccpd := TCV_Esetup1.ccpd, TCV_Setup_mo1.mt := TCV_Esetup1.mt, TCV_TI := TCV_Setup_mo1.ti, TCV_TI0 := TCV_TI, TCV_TI.ti_f := '1'B, TCV_EFR_svi1 := TCV_Setup_mo1.bcap1.oct_3a_etc_1.svi, TCV_EFR_svi2 := TCV_Setup_mo1.bcap1.oct_3a_etc_2.svi)	ESetupRcv(Esetup)		
13		+ltree_chkspeech			
14		[TSPX_EFR_SpchPrefsNo = 3]			
15		L?DL_DatInESetup (TCV_Esetup1 := DL_DatInESetup.msg, TCV_TI := TCV_Setup_mo1.ti, TCV_TI0 := TCV_TI, TCV_TI.ti_f := '1'B, TCV_EFR_svi1 := TCV_Setup_mo1.bcap1.oct_3a_etc_1.svi, TCV_EFR_svi2 := TCV_Setup_mo1.bcap1.oct_3a_etc_2.svi, TCV_EFR_svi3 := TCV_Setup_mo1.bcap1.oct_3a_etc_3.svi)	ESetupRcv(Esetup)		
16		+ltree_chkspeech			
17	E_00 68	[C_Yes]		I	IXIT ERROR
18		[NOT TSPC_EFR_EmgCallBcap]			
19		L?DL_DatInESetup (TCV_Esetup1 := DL_DatInESetup.msg, TCV_TI := TCV_Setup_mo1.ti, TCV_TI0 := TCV_TI, TCV_TI.ti_f := '1'B)	ESetupRcv(Esetup)		
20		+CallProcGen(TCV_Setup_mo1, TCV_Service)			
21		ltree_chkspeech +EFR_ChkRcvSpchPrefs			check all spchprefs are present in bcap
22		+CallProcGen(TCV_Setup_mo1, TCV_Service)			

Detailed Comments:

Test Step Dynamic Behaviour					
Test Step Name:		FnArith(fn, fn1:FN)			
Group:		GSM_MS_EFR_4200/Miscellaneous/			
Objective:					
Default:		OtherEventsFail			
Comments:		To calculate the difference of two frame numbers 'fn1' and 'fn'. The test step uses TCV_Cnt1, TCV_Cnt2, TCV_K and TCV_Time			
Nr	Label	Behaviour Description	CRef	V	Comments
1		(TCV_Cnt1 := (51 * ((BIT_TO_INT(fn.t3) - BIT_TO_INT(fn.t2) + 26) MOD 26)) + BIT_TO_INT(fn.t3) + (1326 * BIT_TO_INT(fn.t1_)), TCV_Cnt2 := (51 * ((BIT_TO_INT(fn1.t3) - BIT_TO_INT(fn1.t2) + 26) MOD 26)) + BIT_TO_INT(fn1.t3) + (1326 * BIT_TO_INT(fn1.t1_)), TCV_K := ((TCV_Cnt2 - TCV_Cnt1 + 42432) MOD 42432), TCV_Time := TCV_K * 120 / 26)			GSM 04.08 section 10.5.2.30. TCV_K stores the frame number difference. TCV_Time stores the time difference in ms.
Detailed Comments:					

Test Step Dynamic Behaviour						
Test Step Name:		ImsiDetach(par_mi:MI; ta:TA; sim_rmvd:BOOLEAN)				
Group:		GSM_MS_EFR_4200/Miscellaneous/				
Objective:						
Default:		OtherEventsFail				
Nr	Label	Behaviour Description	CRef	V	Comments	
1		[(sim_rmvd) AND(TSPC_SIMRmv) AND(TSPC_DetachOnSIMRmv)]			SIM needs to be removed.	
2		(TCV_Null := OO_SIMRmv())				
3		+Itree_imsidetach				
4		[TSPC_SwitchOnOff]				
5		(TCV_Null := OO_SwitchOff())				
6		+Itree_imsidetach				
7		[TSPC_DetachOnPwrDn]				
8		(TCV_Null := OO_PowerDown())				Remove power source
9		+Itree_imsidetach				
10		[((NOT sim_rmvd) OR(NOT TSPC_SIMRmv) OR(NOT TSPC_DetachOnSIMRmv)) AND(NOT TSPC_SwitchOnOff) AND(NOT TSPC_DetachOnPwrDn)]				
11		(TCV_Null := OO_PowerDown())				Remove power source
12		!tree_imsidetach L?DL_RaInChRq (TCV_Rr := DL_RaInChRq. msg.ecau_rrf, TCV_Fn := DL_RaInChRq.fn)	ChReq(ChRequest_02)		To match ChReq retrans.	
13		ACTIVATE(OtherEventsFail_02)				
14		L!DL_UdatRqImm	ImmAss(TCV_agch, ImmAsgn_01Def(TCV_Rr, TCV_Fn, TSPX_SDCCH4SubD ef, TCV_slot, TCV_tsc, TCV_chdescr_arfcn, ta))			
15	E_00 69	L?DL_EstInImsidIn	ImsiDet(ImsiDetach_30(par_mi))	(P)		
16		ACTIVATE(OtherEventsFail)			Restore normal default	
17		+ChanRel(TCV_ch)				
Detailed Comments: If IMSI detach procedure has been executed, the channel will be released. If ATT=0 no detach has been executed, the channel is still connected.						

Test Step Dynamic Behaviour					
Test Step Name: MM_PwrOrSimOff(sim_rmvd:BOOLEAN)					
Group: GSM_MS_EFR_4200/Miscellaneous/					
Objective:					
Default: OtherEventsFail					
Nr	Label	Behaviour Description	CRef	V	Comments
1		[(sim_rmvd) AND(TSPC_SIMRmv)]			SIM needs to be removed. Remove power source
2		(TCV_Null :=OO_SIMRmv())			
3		[TSPC_SwitchOnOff]			
4		(TCV_Null := OO_SwitchOff())			
5		(((NOT sim_rmvd) OR(NOT TSPC_SIMRmv)) AND(NOT TSPC_SwitchOnOff))			
6		(TCV_Null := OO_PowerDown())			
Detailed Comments:					

Test Step Dynamic Behaviour					
Test Step Name: MM_PwrOrSimOn(sim_rmvd:BOOLEAN)					
Group: GSM_MS_EFR_4200/Miscellaneous/					
Objective:					
Default: OtherEventsFail					
Nr	Label	Behaviour Description	CRef	V	Comments
1		[(sim_rmvd) AND(TSPC_SIMRmv)]			SIM has been removed Restore power source
2		(TCV_Null := OO_SIMIns())			
3		[TSPC_SwitchOnOff]			
4		(TCV_Null := OO_SwitchOn())			
5		(((NOT sim_rmvd) OR(NOT TSPC_SIMRmv)) AND(NOT TSPC_SwitchOnOff))			
6		(TCV_Null := OO_PowerUp())			
Detailed Comments:					

Test Step Dynamic Behaviour					
Test Step Name: RcvSetupOrEsetup(Setup: SETUP_MO_PDU; Esetup:ESETUP_PDU; Ecall:BOOLEAN)					
Group: GSM_MS_EFR_4200/Miscellaneous/					
Objective: To manage Setup Mobile Originated.					
Default: OtherEvents					
Nr	Label	Behaviour Description	CRef	V	Comments
1		[NOT Ecall]			SetupRcv(Setup) ESetupRcv(Esetup)
2		L?DL_DatInSetup (TCV_Setup_mo1 := DL_DatInSetup.msg, TCV_TI := TCV_Setup_mo1.ti, TCV_TI0 := TCV_TI, TCV_TI.ti_f := '1'B)			
3		+CallProcGen(TCV_Setup_mo1, TCV_Service)			
4		[Ecall]			
5		L?DL_DatInESetup (TCV_Esetup1 := DL_DatInESetup.msg, TCV_Setup_mo1.ti := TCV_Esetup1.ti, TCV_Setup_mo1.bcap1 := TCV_Esetup1.bcap, TCV_Setup_mo1.ccpd := TCV_Esetup1.ccpd, TCV_Setup_mo1.mt := TCV_Esetup1.mt, TCV_TI := TCV_Setup_mo1.ti, TCV_TI0 := TCV_TI, TCV_TI.ti_f := '1'B)			
6		+CallProcGen(TCV_Setup_mo1, TCV_Service)			
Detailed Comments:					

Test Step Dynamic Behaviour					
Test Step Name:		RR_hocomp1(time_fn_fn1:INTEGER; ta:TA)			
Group:		GSM_MS_EFR_4200/Miscellaneous/			
Objective:		To finish the HO-procedure. Timing advance = 20 bits period			
Default:		RcvHdOvAcc, OtherEvents			
Comments:		used var's: TCV_ch, TCV_Horf, TCV_Cntref			
Nr	Label	Behaviour Description	CRef	V	Comments
1		L?DL_RacInHoacc (TCV_FnBurst := DL_RacInHoacc.fn)	HndOvAccRcv(TCV_ch, HandOverAcc_02(TCV_Horf))		1.
2		L?DL_EstIn	DLEstInd(TCV_ch)		
3		(TCV_HoaccPara := OM_GetHoaccPara(TCV_ch))			
4	E_01 48	[(OC_OctToInt(TCV_HoaccPara.num_bursts) >= TCV_Cntref) AND(OC_OctToInt(TCV_HoaccPara.num_bursts) <= (TCV_Cntref+20))]		(P)	2.
5		+localtree_continue			
6	E_01 49	[C_Yes]		(F)	
7		+localtree_continue			
localtree_continue					
8		(TCV_Fn1:= OM_ReturnFn(TCV_ch))			
9		L?DL_DatInHoCom(TCV_Fn := DL_DatInHoCom.fn)	HndOvCmpRcv(TCV_ch, HandOverCmp_20)		
10		+FnArith(TCV_Fn1, TCV_Fn)			3.
11	E_00 70	[TCV_Time > time_fn_fn1]		(F)	
12	E_00 71	[TCV_Time <= time_fn_fn1]		(P)	
Detailed Comments:		1. Match the 1st access burst. The access bursts except the 1st one are matched by the default test step RcvHdOvAcc. 2. Check the number of access bursts received with tolerance +20 (10 for FACCH interleave & 10 for MS processing). 3. Check HO-time.			

Test Step Dynamic Behaviour					
Test Step Name:		RRmtcallprepare(ta:TA; rand:RAND)			
Group:		GSM_MS_EFR_4200/Miscellaneous/			
Objective:		To prepare a mobile terminating call establishment.			
Default:		OtherEvents			
Nr	Label	Behaviour Description	CRef	V	Comments
1		+PreEstRRConn(TCV_slot, TCV_tsc, ta)			
2		+Authentication(TCV_ch, TCV_cksns, rand)			
3		+Ciphering_on(TCV_ch)			
Detailed Comments:					

Test Step Dynamic Behaviour					
Test Step Name:		SelectPagingCh(cell:CellID)			
Group:		GSM_MS_EFR_4200/Miscellaneous/			
Objective:		To assign a paging channel and an access grant channel to the variable TCV_PgCh and TCV_agch respectively, depending on the parameter 'cell' (cell ID)			
Default:		OtherEvents			
Nr	Label	Behaviour Description	CRef	V	Comments
1		[cell = C_CellA]			
2		[TCV_Ccchg=0]			
3		(TCV_PgCh := C_PCH_A_1, TCV_agch := C_AGCH_A_1)			
4		[TCV_Ccchg=1]			
5		(TCV_PgCh := C_PCH_A_2, TCV_agch := C_AGCH_A_2)			
6		[TCV_Ccchg=2]			
7		(TCV_PgCh := C_PCH_A_3, TCV_agch := C_AGCH_A_3)			
8		[TCV_Ccchg=3]			
9		(TCV_PgCh := C_PCH_A_4, TCV_agch := C_AGCH_A_4)			
10		[cell = C_CellB]			
11		[TCV_Ccchg=0]			
12		(TCV_PgCh := C_PCH_B_1, TCV_agch := C_AGCH_B_1)			
13		[TCV_Ccchg=1]			
14		(TCV_PgCh := C_PCH_B_2, TCV_agch := C_AGCH_B_2)			
15		[TCV_Ccchg=2]			
16		(TCV_PgCh := C_PCH_B_3, TCV_agch := C_AGCH_B_3)			
17		[TCV_Ccchg=3]			
18		(TCV_PgCh := C_PCH_B_4, TCV_agch := C_AGCH_B_4)			
19		[cell = C_CellC]			
20		[TCV_Ccchg=0]			
21		(TCV_PgCh := C_PCH_C_1, TCV_agch := C_AGCH_C_1)			
22		[TCV_Ccchg=1]			
23		(TCV_PgCh := C_PCH_C_2, TCV_agch := C_AGCH_C_2)			
24		[TCV_Ccchg=2]			
25		(TCV_PgCh := C_PCH_C_3, TCV_agch := C_AGCH_C_3)			
26		[TCV_Ccchg=3]			
27		(TCV_PgCh := C_PCH_C_4, TCV_agch := C_AGCH_C_4)			
Detailed Comments:					

Test Step Dynamic Behaviour					
Test Step Name:		SendSeqNo_chk			
Group:		GSM_MS_EFR_4200/Miscellaneous/			
Objective:		To check whether the sending sequence number is the same			
Default:		OtherEvents			
Nr	Label	Behaviour Description	CRef	V	Comments
1	E_00 72	[TCV_Mt1 = TCV_Mt]		(P)	same N(SD)
2	E_00 73	[TCV_Mt1 <> TCV_Mt]		(F)	
Detailed Comments:					

Test Step Dynamic Behaviour					
Test Step Name:		SvcSupportedChk(svc:IA5String)			
Group:		GSM_MS_EFR_4200/Miscellaneous/			
Objective:		To check wether the Basic Service svc is supported against PICS answers.			
Default:		OtherEvents			
Comments:		In PICS, if the svc is declared supported, the test case variable TCV_supported is set to TRUE, otherwisw FALSE.			
Nr	Label	Behaviour Description	CRef	V	Comments
1		(TCV_supported := C_No)			
2		[(svc = C_Telephony) AND TSPC_Serv_TS11]			TS11
3		(TCV_supported := C_Yes)			
4		[(svc = C_EmgCall) AND TSPC_Serv_TS12]			TS12
5		(TCV_supported := C_Yes)			
6		[(svc = C_AltSpchFax) AND TSPC_Serv_TS61]			TS61
7		(TCV_supported := C_Yes)			
8		[(svc = C_AutoFax) AND TSPC_Serv_TS62]			TS62
9		(TCV_supported := C_Yes)			
10		[(svc = C_Async300) AND TSPC_Serv_BS21]			BS21
11		(TCV_supported := C_Yes)			
12		[(svc = C_Async1200) AND TSPC_Serv_BS22]			BS22
13		(TCV_supported := C_Yes)			
14		[(svc = C_Async120075) AND TSPC_Serv_BS23]			BS23
15		(TCV_supported := C_Yes)			
16		[(svc = C_Async2400) AND TSPC_Serv_BS24]			BS24
17		(TCV_supported := C_Yes)			
18		[(svc = C_Async4800) AND TSPC_Serv_BS25]			BS25
19		(TCV_supported := C_Yes)			
20		[(svc = C_Async9600) AND TSPC_Serv_BS26]			BS26
21		(TCV_supported := C_Yes)			
22		[(svc = C_Sync1200) AND TSPC_Serv_BS31]			BS31
23		(TCV_supported := C_Yes)			
24		[(svc = C_Sync2400) AND TSPC_Serv_BS32]			BS32
25		(TCV_supported := C_Yes)			
26		[(svc = C_Sync4800) AND TSPC_Serv_BS33]			BS33
27		(TCV_supported := C_Yes)			
28		[(svc = C_Sync9600) AND TSPC_Serv_BS34]			BS34
29		(TCV_supported := C_Yes)			
30		[(svc = C_PAD300) AND TSPC_Serv_BS41]			BS41
31		(TCV_supported := C_Yes)			
32		[(svc = C_PAD1200) AND TSPC_Serv_BS42]			BS42
33		(TCV_supported := C_Yes)			
34		[(svc = C_PAD120075) AND TSPC_Serv_BS43]			BS43
35		(TCV_supported := C_Yes)			
36		[(svc = C_PAD2400) AND TSPC_Serv_BS44]			BS44
37		(TCV_supported := C_Yes)			
38		[(svc = C_PAD4800) AND TSPC_Serv_BS45]			BS45
39		(TCV_supported := C_Yes)			
40		[(svc = C_PAD9600) AND TSPC_Serv_BS46]			BS46
41		(TCV_supported := C_Yes)			
42		[(svc = C_Packet2400) AND TSPC_Serv_BS51]			BS51
43		(TCV_supported := C_Yes)			
44		[(svc = C_Packet4800) AND TSPC_Serv_BS52]			BS52
45		(TCV_supported := C_Yes)			
46		[(svc = C_Packet9600) AND TSPC_Serv_BS53]			BS53
47		(TCV_supported := C_Yes)			
48		[(svc = C_AltSpchData) AND TSPC_Serv_BS61]			BS61
49		(TCV_supported := C_Yes)			
50		[(svc = C_SpchData) AND TSPC_Serv_BS81]			BS81
51		(TCV_supported := C_Yes)			
52		[C_Yes]			
Detailed Comments:					

Test Step Dynamic Behaviour					
Test Step Name: Varinit_fix(activ_cell:CellID; lac:OCTETSTRING; subch:B_2; cksn:B_3; rand:RAND; arfcngsm, arfncdcs:INTEGER; ccd: CCD; imsi:HEXSTRING)					
Group: GSM_MS_EFR_4200/Miscellaneous/					
Objective:					
Default: OtherEventsFail					
Nr	Label	Behaviour Description	CRef	V	Comments
1		(TCV_cellid := activ_cell, TCV_ch := OC_SubchOfSdcch4(subch, activ_cell), TCV_sacch := OC_SubchOfSacch4(subch, activ_cell), TCV_ia_ts := '000'B, TCV_lac := lac, TCV_ksn := cksn, TCV_CphKey := OC_CphKeyGen(TSPX_Ki, rand))			
2		+CCCH_group_Paging_group(ccd, imsi)			
3		+SelectPagingCh(activ_cell)			
4		[TSPC_PGSM OR TSPC_EGSM]			
5		(TCV_chdescr_arfcn:= arfcngsm)			
6		[TSPC_DCS]			
7		(TCV_chdescr_arfcn:= arfncdcs)			
Detailed Comments:					

Test Step Group SysInfo

Test Step Dynamic Behaviour					
Test Step Name: ChgLAC_A(t, retr, neci, att:INTEGER; babr, cch_con, bpm:B_3; t3212:OCTETSTRING; mcc, mnc, lac:OCTETSTRING)					
Group: GSM_MS_EFR_4200/Miscellaneous/SysInfo/					
Objective: To change the LAC of cell A and of System Information Messages according to used testcase.					
Default: OtherEvents					
Nr	Label	Behaviour Description	CRef	V	Comments
1		+SysInfoSending_fh(C_SCH_A, C_BCCH_A_1, t, retr, neci, att, babr, cch_con, bpm, t3212, C_ci_cellA, mcc, mnc, lac, CellOpt_01, CellChDes_04, CellChDes_03, C_CellReselectHys12, C_MaxPwrLvlG, C_MaxPwrLvlD, BcchFreqLst_01, BcchFreqLst_48, C_noRestablishment, C_BCC, C_NCC_1, C_NCCP_2)			
2		(TCV_Ccd0A := TCV_Ccd0H, TCV_sysinfo5 := TCV_sysinfo5, TCV_sysinfo6 := TCV_sysinfo6)			
3		+SysInfo_SacchSending(TCV_sacch, TCV_sysinfo5, TCV_sysinfo6)			
Detailed Comments:					

Test Step Dynamic Behaviour					
Test Step Name: ChgLAC_B(t, retr, neci, att:INTEGER; babr, cch_con, bpm:B_3; t3212:OCTETSTRING; mcc, mnc, lac:OCTETSTRING)					
Group: GSM_MS_EFR_4200/Miscellaneous/SysInfo/					
Objective: To change the LAC of cell B and of System Information Messages according to used testcase.					
Default: OtherEvents					
Nr	Label	Behaviour Description	CRef	V	Comments
1		+SysInfoSending_fh(C_SCH_B, C_BCCH_B_1, t, retr, neci, att, babr, cch_con, bpm, t3212, C_ci_cellB, mcc, mnc, lac, CellOpt_01, CellChDes_04, CellChDes_03, C_CellReselectHys12, C_MaxPwrLvlG, C_MaxPwrLvlD, BcchFreqLst_01, BcchFreqLst_48, C_noRestablishment, C_BCC, C_NCC_1, C_NCCP_2)			
2		(TCV_Ccd0B := TCV_Ccd0H, TCV_sysinfo5_B := TCV_sysinfo5, TCV_sysinfo6_B := TCV_sysinfo6)			
3		+SysInfo_SacchSending(TCV_sacch_B, TCV_sysinfo5_B, TCV_sysinfo6_B)			
Detailed Comments:					

Test Step Dynamic Behaviour					
Test Step Name:		ChgLAI_C(att:INTEGER; babr, cch_con, bpm:B_3; t3212, mcc, par_mnc, lac:OCTETSTRING)			
Group:		GSM_MS_EFR_4200/Miscellaneous/SysInfo/			
Objective:		To change the LAI of cell C to HPLMN.			
Default:		OtherEvents			
Nr	Label	Behaviour Description	CRef	V	Comments
1		(TCV_Tx := '0010'B, TCV_Max := '00'B, TCV_Neci := '0'B, TCV_Ccd0C := CntrlChDscrp(att, babr, cch_con, bpm, t3212))			
2		[TSPC_PGSM OR TSPC_EGSM]			
3		LIDL_UdatRqSysinfo4	SysInfo4(C_BCCH_C_1, mcc, par_mnc, lac, C_CellReselectHys12, C_MaxPwrLvlG, TCV_Neci, TCV_Max, TCV_Tx, C_noRestablishment)		
4		LIDL_UdatRqSysinfo6	SysInfo6(TCV_sacch_C, SysInf6(C_ci_cellC, mcc, par_mnc, lac, CellOpt_01))		
5		LIDL_UdatRqSysinfo3	SysInfo3(C_BCCH_C_1, C_ci_cellC, mcc, par_mnc, lac, TCV_Ccd0C, CellOpt_01, C_CellReselectHys12, C_MaxPwrLvlG, TCV_Neci, TCV_Max, TCV_Tx, C_noRestablishment)		
6		[TSPC_DCS]			
7		LIDL_UdatRqSysinfo4	SysInfo4(C_BCCH_C_1, mcc, par_mnc, lac, C_CellReselectHys12, C_MaxPwrLvlD, TCV_Neci, TCV_Max, TCV_Tx, C_noRestablishment)		
8		LIDL_UdatRqSysinfo6	SysInfo6(TCV_sacch_C, SysInf6(C_ci_cellC, mcc, par_mnc, lac, CellOpt_01))		
9		LIDL_UdatRqSysinfo3	SysInfo3(C_BCCH_C_1, C_ci_cellC, mcc, par_mnc, lac, TCV_Ccd0C, CellOpt_01, C_CellReselectHys12, C_MaxPwrLvlD, TCV_Neci, TCV_Max, TCV_Tx, C_noRestablishment)		
Detailed Comments:					

Test Step Dynamic Behaviour					
Test Step Name:		SysInfoSending_cbms(sch, bcch:LOGICCH; t, retr, neci, att:INTEGER; babr, cch_con, bpm:B_3; t3212:OCTETSTRING; ci:CI; mcc, mnc, lac:OCTETSTRING; co:CO; crh, mtmcgsm, mtmcdcs:INTEGER; bcchflgsm, bcchfldcs:NCD; Re:B_1; bcc:BCC; ncc:NCC; nccp:NCCP; Sub:B_2)			
Group:		GSM_MS_EFR_4200/Miscellaneous/SysInfo/			
Objective:		To send system information messages for the CBMS tests.			
Default:		OtherEvents			
Nr	Label	Behaviour Description	CRef	V	Comments
1		(TCV_Tx := OC_CnvtTx(t), TCV_Max := OC_CnvtMax(retr), TCV_Neci := INT_TO_BIT(neci,1), TCV_Ccd0H := CntrlChDscrp(att, babr, cch_con, bpm, t3212), TCV_Tchtype := INT_TO_BIT((4 + BIT_TO_INT(Sub)), 5))			
2		(TCV_sysinf6 := SysInf6(ci, mcc, mnc, lac, co))			
3		LIDL_UdatRqSchinfo	SyncInfo(sch, bcc, ncc)		
4		+ltree_sysinfo			
		ltree_sysinfo			
5		[TSPC_PGSM OR TSPC_EGSM]			
6		LIDL_UdatRqSysinfo4	SysInfo4_CBMS(bcch, mcc, mnc, lac, crh, mtmcgsm, TCV_Neci, TCV_Max, TCV_Tx, Re, ChDescrp_nfh(TCV_Tchtype, C_S0, C_BCC, C_arfcnA))		
7		LIDL_UdatRqSysinfo2	SysInfo2(bcch, bcchflgsm, TCV_Max, TCV_Tx, Re, nccp)		
8		LIDL_UdatRqSysinfo1_nh	SysInfo1_nh(bcch, ci, mcc, mnc, lac, TCV_Ccd0H, co, crh, mtmcgsm, TCV_Neci, TCV_Max, TCV_Tx, Re)		
9		LIDL_UdatRqSysinfo3	SysInfo3(bcch, ci, mcc, mnc, lac, TCV_Ccd0H, co, crh, mtmcgsm, TCV_Neci, TCV_Max, TCV_Tx, Re)		
10		(TCV_sysinf5 := SysInf5(bcchflgsm))			
11		[TSPC_DCS]			
12		LIDL_UdatRqSysinfo4	SysInfo4_CBMS(bcch, mcc, mnc, lac, crh, mtmcdcs, TCV_Neci, TCV_Max, TCV_Tx, Re, ChDescrp_nfh(TCV_Tchtype, C_S0, C_BCC, C_arfcnAd))		
13		LIDL_UdatRqSysinfo2	SysInfo2(bcch, bcchfldcs, TCV_Max, TCV_Tx, Re, nccp)		
14		LIDL_UdatRqSysinfo1_nh	SysInfo1_nh(bcch, ci, mcc, mnc, lac, TCV_Ccd0H, co, crh, mtmcdcs, TCV_Neci, TCV_Max, TCV_Tx, Re)		
15		LIDL_UdatRqSysinfo3	SysInfo3(bcch, ci, mcc, mnc, lac, TCV_Ccd0H, co, crh, mtmcdcs, TCV_Neci, TCV_Max, TCV_Tx, Re)		
16		(TCV_sysinf5 := SysInf5(bcchfldcs))			
Detailed Comments:					

Test Step Dynamic Behaviour					
Test Step Name:		SysInfoSending_fh(sch, bcch:LOGICCH; t, retr, neci, att:INTEGER; babr, cch_con, bpm:B_3; t3212:OCTETSTRING; ci:CI; mcc, mnc, lac:OCTETSTRING; co:CO; cchdgsm, cchddcs:CCHD; crh, mtmcgsm, mtmcdds:INTEGER; bcchflgsm, bcchfldcs:NCD; Re:B_1; bcc:BCC; ncc:NCC; nccp:NCCP)			
Group:		GSM_MS_EFR_4200/Miscellaneous/SysInfo/			
Objective:		To send system information messages for the L3 tests. The following parameters specified by input parameters: - bcch: BCCH - sch: SCH - bcchfl: BCCH frequency list - ci: Cell identity - lai: Location area identification - ccd: Control channel description - csp: Cell selection parameters - cchd: Cell channel description - rachpar: RACH controll parameterers			
Default:		OtherEvents			
Nr	Label	Behaviour Description	CRef	V	Comments
1		(TCV_Tx := OC_CnvtTx(t), TCV_Max := OC_CnvtMax(retr), TCV_Neci := INT_TO_BIT(neci,1), TCV_Ccd0H := CntrlChDscrp(att, babr, cch_con, bpm, t3212))			
2		(TCV_sysinf6 := SysInf6(ci, mcc, mnc, lac, co))			
3		LIDL_UdatRqSysinfo	SynclInfo(sch, bcc, ncc)		
4		+ltree_sysinfo			
5		ltree_sysinfo			
6		[TSPC_PGSM OR TSPC_EGSM] LIDL_UdatRqSysinfo1	SysInfo1(bcch, cchdgsm, TCV_Max, TCV_Tx, Re)		
7		LIDL_UdatRqSysinfo2	SysInfo2(bcch, bcchflgsm, TCV_Max, TCV_Tx, Re, nccp)		
8		LIDL_UdatRqSysinfo3	SysInfo3(bcch, ci, mcc, mnc, lac, TCV_Ccd0H, co, crh, mtmcgsm, TCV_Neci, TCV_Max, TCV_Tx, Re)		
9		LIDL_UdatRqSysinfo4	SysInfo4(bcch, mcc, mnc, lac, crh, mtmcgsm, TCV_Neci, TCV_Max, TCV_Tx, Re)		
10		(TCV_sysinf5 := SysInf5(bcchflgsm))			
11		[TSPC_DCS]			
12		LIDL_UdatRqSysinfo1	SysInfo1(bcch, cchddcs, TCV_Max, TCV_Tx, Re)		
13		LIDL_UdatRqSysinfo2	SysInfo2(bcch, bcchfldcs, TCV_Max, TCV_Tx, Re, nccp)		
14		LIDL_UdatRqSysinfo3	SysInfo3(bcch, ci, mcc, mnc, lac, TCV_Ccd0H, co, crh, mtmcdds, TCV_Neci, TCV_Max, TCV_Tx, Re)		
15		LIDL_UdatRqSysinfo4	SysInfo4(bcch, mcc, mnc, lac, crh, mtmcdds, TCV_Neci, TCV_Max, TCV_Tx, Re)		
16		(TCV_sysinf5 := SysInf5(bcchfldcs), TCV_sysinf6.co.pwrc := '1'B)			
Detailed Comments:					

Test Step Dynamic Behaviour					
Test Step Name: SysInfoSending_nfh(sch, bcch:LOGICCH; t, retr, neci, att: INTEGER; babr, cch_con, bpm:B_3; t3212:OCTETSTRING; ci:CI; mcc, mnc, lac:OCTETSTRING; co:CO; crh, mtmcgsm, mtmcdcs:INTEGER; bcchflgsm, bcflaltgsm, bcchfldcs, bcflaltdcs:NCD; Re:B_1; bcc:BCC; ncc:NCC; nccp:NCCP)					
Group: GSM_MS_EFR_4200/Miscellaneous/SysInfo/					
Objective: To send system information messages with default parameters defined for the L3 tests for which no special parameters indicated.					
Default: OtherEvents					
Nr	Label	Behaviour Description	CRef	V	Comments
1		(TCV_Tx := OC_CnvtTx(t), TCV_Max := OC_CnvtMax(retr), TCV_Neci := INT_TO_BIT(neci,1), TCV_Ccd0H := CntrlChDscrp(att, babr, cch_con, bpm, t3212))			
2		(TCV_sysinf6 := SysInf6(ci, mcc, mnc, lac, co))			
3		LIDL_UdatRqSchinfo	Synclnfo(sch, bcc, ncc)		
4		+gsmOrDcs			
gsmOrDcs					
5		[TSPC_PGSM OR TSPC_EGSM]			1.
6		LIDL_UdatRqSysinfo4	SysInfo4(bcch, mcc, mnc, lac, crh, mtmcgsm, TCV_Neci, TCV_Max, TCV_Tx, Re)		
7		LIDL_UdatRqSysinfo1_nh	SysInfo1_nh(bcch, ci, mcc, mnc, lac, TCV_Ccd0H, co, crh, mtmcgsm, TCV_Neci, TCV_Max, TCV_Tx, Re)		
8		LIDL_UdatRqSysinfo3	SysInfo3(bcch, ci, mcc, mnc, lac, TCV_Ccd0H, co, crh, mtmcgsm, TCV_Neci, TCV_Max, TCV_Tx, Re)		
9		[NOT TSPX_AltNb]			3.
10		LIDL_UdatRqSysinfo2	SysInfo2(bcch, bcchflgsm, TCV_Max, TCV_Tx, Re, nccp)		
11		(TCV_sysinf5 := SysInf5(bcchflgsm))			
12		[TSPX_AltNb]			4.
13		LIDL_UdatRqSysinfo2	SysInfo2(bcch, bcflaltgsm, TCV_Max, TCV_Tx, Re, nccp)		
14		(TCV_sysinf5 := SysInf5(bcflaltgsm))			
15		[TSPC_DCS]			2.
16		LIDL_UdatRqSysinfo4	SysInfo4(bcch, mcc, mnc, lac, crh, mtmcdcs, TCV_Neci, TCV_Max, TCV_Tx, Re)		
17		LIDL_UdatRqSysinfo1_nh	SysInfo1_nh(bcch, ci, mcc, mnc, lac, TCV_Ccd0H, co, crh, mtmcdcs, TCV_Neci, TCV_Max, TCV_Tx, Re)		
18		LIDL_UdatRqSysinfo3	SysInfo3(bcch, ci, mcc, mnc, lac, TCV_Ccd0H, co, crh, mtmcdcs, TCV_Neci, TCV_Max, TCV_Tx, Re)		
19		[NOT TSPX_AltNb]			3.
20		LIDL_UdatRqSysinfo2	SysInfo2(bcch, bcchfldcs, TCV_Max, TCV_Tx, Re, nccp)		
21		(TCV_sysinf5 := SysInf5(bcchfldcs))			

22		[TSPX_AltNb]			
23		L!DL_UdatRqSysinfo2		SysInfo2(bcch, bcflaltdcs, TCV_Max, TCV_Tx, Re, nccp)	4.
24		(TCV_sysinf5 := SysInf5(bcflaltdcs))			
Detailed Comments:					
1. For GSM900 mobile station testing.					
2. For DCS1800 mobile station testing.					
3. To use alternative neighbour cells description.					
4. To use default neighbour cells description.					

Test Step Dynamic Behaviour					
Test Step Name: SysInfoSending_nfhCb(sch, bcch:LOGICCH; t, retr, neci, att: INTEGER; babr, cch_con, bpm:B_3; t3212:OCTETSTRING; ci:CI; mcc, mnc, lac:OCTETSTRING; co:CO; crh, mtmcgsm, mtmcdcs:INTEGER; bcchflgsm, bcflaltgsm, bcchfldcs, bcflaltcdcs:NCD; Re:B_1; bcc:BCC; ncc:NCC; nccp:NCCP)					
Group: GSM_MS_EFR_4200/Miscellaneous/SysInfo/					
Objective: To send system information messages with default parameters defined for the L3 tests for which no special parameters indicated.					
Default: OtherEvents					
Nr	Label	Behaviour Description	CRef	V	Comments
1		(TCV_Tx := OC_CnvtTx(t), TCV_Max := OC_CnvtMax(retr), TCV_Neci := INT_TO_BIT(neci,1), TCV_Ccd0H := CntrlChDscrp(att, babr, cch_con, bpm, t3212))			
2		(TCV_sysinf6 := SysInf6(ci, mcc, mnc, lac, co))			
3		LIDL_UdatRqSchinfo	SyncInfo(sch, bcc, ncc)		
4		+gsmOrDcs			
gsmOrDcs					
5		[TSPC_PGSM OR TSPC_EGSM]			1.
6		LIDL_UdatRqSysinfo4 (DL_UdatRqSysinfo4.msg.rachcp.cba := '1'B)	SysInfo4(bcch, mcc, mnc, lac, crh, mtmcgsm, TCV_Neci, TCV_Max, TCV_Tx, Re)		
7		LIDL_UdatRqSysinfo1_nh (DL_UdatRqSysinfo1_nh.msg.rachcp.cba := '1'B)	SysInfo1_nh(bcch, ci, mcc, mnc, lac, TCV_Ccd0H, co, crh, mtmcgsm, TCV_Neci, TCV_Max, TCV_Tx, Re)		
8		LIDL_UdatRqSysinfo3 (DL_UdatRqSysinfo3.msg.rachcp.cba := '1'B)	SysInfo3(bcch, ci, mcc, mnc, lac, TCV_Ccd0H, co, crh, mtmcgsm, TCV_Neci, TCV_Max, TCV_Tx, Re)		
9		[NOT TSPX_AltNb]			3.
10		LIDL_UdatRqSysinfo2 (DL_UdatRqSysinfo2.msg.rachcp.cba := '1'B)	SysInfo2(bcch, bcchflgsm, TCV_Max, TCV_Tx, Re, nccp)		
11		(TCV_sysinf5 := SysInf5(bcchflgsm))			
12		[TSPX_AltNb]			4.
13		LIDL_UdatRqSysinfo2 (DL_UdatRqSysinfo2.msg.rachcp.cba := '1'B)	SysInfo2(bcch, bcflaltgsm, TCV_Max, TCV_Tx, Re, nccp)		
14		(TCV_sysinf5 := SysInf5(bcflaltgsm))			
15		[TSPC_DCS]			2.
16		LIDL_UdatRqSysinfo4 (DL_UdatRqSysinfo4.msg.rachcp.cba := '1'B)	SysInfo4(bcch, mcc, mnc, lac, crh, mtmcdcs, TCV_Neci, TCV_Max, TCV_Tx, Re)		
17		LIDL_UdatRqSysinfo1_nh (DL_UdatRqSysinfo1_nh.msg.rachcp.cba := '1'B)	SysInfo1_nh(bcch, ci, mcc, mnc, lac, TCV_Ccd0H, co, crh, mtmcdcs, TCV_Neci, TCV_Max, TCV_Tx, Re)		
18		LIDL_UdatRqSysinfo3 (DL_UdatRqSysinfo3.msg.rachcp.cba := '1'B)	SysInfo3(bcch, ci, mcc, mnc, lac, TCV_Ccd0H, co, crh, mtmcdcs, TCV_Neci, TCV_Max, TCV_Tx, Re)		
19		[NOT TSPX_AltNb]			3.
20		LIDL_UdatRqSysinfo2 (DL_UdatRqSysinfo2.msg.rachcp.cba := '1'B)	SysInfo2(bcch, bcchfldcs, TCV_Max, TCV_Tx, Re, nccp)		
21		(TCV_sysinf5 := SysInf5(bcchfldcs))			

22	[TSPX_AltNb]			4.
23	L!DL_UdatRqSysinfo2 (DL_UdatRqSysinfo2.msg.rachcp.cba := '1'B)	SysInfo2(bcch, bcflaltdcs, TCV_Max, TCV_Tx, Re, nccp)		
24	(TCV_sysinf5 := SysInf5(bcflaltdcs))			
Detailed Comments:				
1. For GSM900 mobile station testing.				
2. For DCS1800 mobile station testing.				
3. To use alternative neighbour cells description.				
4. To use default neighbour cells description.				

Test Step Dynamic Behaviour					
Test Step Name: SysInfoSending_e(sch, bcch:LOGICCH; t, retr, neci, att:INTEGER; babr, cch_con, bpm:B_3; t3212:OCTETSTRING; ci:CI; mcc, mnc, lac:OCTETSTRING; co:CO; cchdgsM:CCHD; crh, mtrmcgsM:INTEGER; bcchflgsM, bcchflegsM:NCD; Re:B_1; bcc:BCC; ncc:NCC; nccp:NCCP)					
Group: GSM_MS_EFR_4200/Miscellaneous/SysInfo/					
Objective: To send SYNCHRONIZATION CHANNEL INFORMATION and SYSTEM INFORMATION messages with default parameters except CCCH_CONF, Tx-integer, Max-Retrans and ATT which are specified by input parameters.					
Default: OtherEvents					
Nr	Label	Behaviour Description	CRef	V	Comments
1		(TCV_Tx := OC_CnvtTx(t), TCV_Max := OC_CnvtMax(retr), TCV_Neci := INT_TO_BIT(neci,1), TCV_Ccd0H := CntrlChDscrp(att, babr, cch_con, bpm, t3212))			
2		L!DL_UdatRqSchinfo	Synclnfo(sch, bcc, ncc)		1.
3		(TCV_sysinf6 := SysInf6(ci, mcc, mnc, lac, co))			
4		L!DL_UdatRqSysinfo1	SysInfo1(bcch, cchdgsM, TCV_Max, TCV_Tx, Re)		2.
5		L!DL_UdatRqSysinfo2 (DL_UdatRqSysinfo2.msg.bcchfl.extind := '1'B)	SysInfo2(bcch, bcchflgsM, TCV_Max, TCV_Tx, Re, nccp)		
6		L!DL_UdatRqSysinfo2bis	SysInfo2bis(bcch)		
7		L!DL_UdatRqSysinfo4	SysInfo4(bcch, mcc, mnc, lac, crh, mtrmcgsM, TCV_Neci, TCV_Max, TCV_Tx, Re)		
8		(TCV_sysinf5 := SysInf5(bcchflgsM), TCV_sysinfo5.bcchfl.extind := '1'B)			
9		(TCV_sysinfo5bis := SysInf5bis(bcchflegsM))			
10		L!DL_UdatRqSysinfo3	SysInfo3(bcch, ci, mcc, mnc, lac, TCV_Ccd0H, co, crh, mtrmcgsM, TCV_Neci, TCV_Max, TCV_Tx, Re)		
Detailed Comments:					
1. To send SYNCHRONIZATION INFORMATION message with default parameter for cell A.					
2. System Information Type 1 with Cell Channel Description for HO-testin in cell A (GSM900).					

Test Step Dynamic Behaviour					
Test Step Name: SysInfo_SacchSending(ch:LOGICCH; sysinfo5_pdu:SYSINFO5_PDU; sysinfo6_pdu:SYSINFO6_PDU)					
Group: GSM_MS_EFR_4200/Miscellaneous/SysInfo/					
Objective: To send SYSTEM INFORMATION 5 and 6 messages defined by parameters 'sysinfo5_pdu' and 'sysinfo6_pdu' in the parametrised 'ch' channel.					
Default: OtherEvents					
Nr	Label	Behaviour Description	CRef	V	Comments
1		[ch <> "dummy"]			
2		L!DL_UdatRqSysinfo6	SysInfo6(ch, sysinfo6_pdu)		
3		L!DL_UdatRqSysinfo5	SysInfo5(ch, sysinfo5_pdu)		
4	E_00 74	[ch = "dummy"]		I	
Detailed Comments:					

Test Step Dynamic Behaviour					
Test Step Name: SysInfo_5bisSending(ch:LOGICCH; sysinfo5bis_pdu:SYSINFO5bis_PDU)					
Group: GSM_MS_EFR_4200/Miscellaneous/SysInfo/					
Objective: To send SYSTEM INFORMATION 5bis message defined by parameters 'sysinfo5bis_pdu' in the parametrised 'ch' channel.					
Default: OtherEvents					
Nr	Label	Behaviour Description	CRef	V	Comments
1		[ch <> "dummy"]			
2		L!DL_UdatRqSysinfo5bis	SysInfo5bis(ch, sysinfo5bis_pdu)		
3	E_00 75	[ch = "dummy"]		I	
Detailed Comments:					

Test Step Dynamic Behaviour					
Test Step Name:		SetNECI(att:INTEGER; babr, cch_con, bpm:B_3; t3212, mcc, mnc, lac:OCTETSTRING)			
Group:		GSM_MS_EFR_4200/Miscellaneous/SysInfo/			
Objective:		To set the NECI =1.			
Default:		OtherEvents			
Nr	Label	Behaviour Description	CRef	V	Comments
1		(TCV_Tx := '0010'B, TCV_Max := '11'B, TCV_Neci := '1'B, TCV_Ccd0A := CntrlChDscrp(att, babr, cch_con, bpm, t3212))			
2		[TSPC_PGSM OR TSPC_EGSM]			
3		LIDL_UdatRqSysinfo4	SysInfo4(C_BCCH_A_1, mcc, mnc, lac, C_CellReselectHys12, C_MaxPwrLvlG, TCV_Neci, TCV_Max, TCV_Tx, C_Restablishment)		
4		LIDL_UdatRqSysinfo3	SysInfo3(C_BCCH_A_1, C_ci_cellA, mcc, mnc, lac, TCV_Ccd0A, CellOpt_01, C_CellReselectHys12, C_MaxPwrLvlG, TCV_Neci, TCV_Max, TCV_Tx, C_Restablishment)		
5		[TSPC_DCS]			
6		LIDL_UdatRqSysinfo4	SysInfo4(C_BCCH_A_1, mcc, mnc, lac, C_CellReselectHys12, C_MaxPwrLvlD, TCV_Neci, TCV_Max, TCV_Tx, C_Restablishment)		
7		LIDL_UdatRqSysinfo3	SysInfo3(C_BCCH_A_1, C_ci_cellA, mcc, mnc, lac, TCV_Ccd0A, CellOpt_01, C_CellReselectHys12, C_MaxPwrLvlD, TCV_Neci, TCV_Max, TCV_Tx, C_Restablishment)		
Detailed Comments:					

Test Step Dynamic Behaviour					
Test Step Name:		SetATT(t, retr, att, neci:INTEGER; babr, cch_con, bpm:B_3; t3212, mcc, mnc, lac:OCTETSTRING)			
Group:		GSM_MS_EFR_4200/Miscellaneous/SysInfo/			
Objective:		To set the ATT flag to "MS's in the cell should apply IMSI attach and detach procedure"			
Default:		OtherEvents			
Nr	Label	Behaviour Description	CRef	V	Comments
1		(TCV_Tx := OC_CnvtTx(t), TCV_Max := OC_CnvtMax(retr), TCV_Neci := INT_TO_BIT(neci,1), TCV_Ccd0A := CntrlChDscrp(att, babr, cch_con, bpm, t3212))			
2		[TSPC_PGSM OR TSPC_EGSM]			1.
3		LIDL_UdatRqSysinfo1_nh	SysInfo1_nh(C_BCC H_A_1, C_ci_cellA, mcc, mnc, lac, TCV_Ccd0A, CellOpt_01, C_CellReselectHys12, C_MaxPwrLvlG, TCV_Neci, TCV_Max, TCV_Tx, C_Restablishment)		
4		LIDL_UdatRqSysinfo3	SysInfo3(C_BCCH_A_1, C_ci_cellA, mcc, mnc, lac, TCV_Ccd0A, CellOpt_01, C_CellReselectHys12, C_MaxPwrLvlG, TCV_Neci, TCV_Max, TCV_Tx, C_Restablishment)		
5		START T_dly(5000)			
6		?TIMEOUT T_dly			3.
7		[TSPC_DCS]			2.
8		LIDL_UdatRqSysinfo1_nh	SysInfo1_nh(C_BCC H_A_1, C_ci_cellA, mcc, mnc, lac, TCV_Ccd0A, CellOpt_01, C_CellReselectHys12, C_MaxPwrLvlD, TCV_Neci, TCV_Max, TCV_Tx, C_Restablishment)		
9		LIDL_UdatRqSysinfo3	SysInfo3(C_BCCH_A_1, C_ci_cellA, mcc, mnc, lac, TCV_Ccd0A, CellOpt_01, C_CellReselectHys12, C_MaxPwrLvlD, TCV_Neci, TCV_Max, TCV_Tx, C_Restablishment)		
10		START T_dly(5000)			
11		?TIMEOUT T_dly			3.
Detailed Comments:		1. For P-GSM900. 2. For DCS1800. 3. Wait for 5 seconds to allow the MS read BCCH information.			

Test Step Group OperatorOP

Test Step Dynamic Behaviour					
Test Step Name:		InitCall(srv: SERVICES)			
Group:		GSM_MS_EFR_4200/OperatorOP/			
Objective:		To initiate a call of the basic service `srv`.			
Default:		OtherEvents			
Nr	Label	Behaviour Description	CRef	V	Comments
1		(TCV_Null := OO_InitCall(srv))			
Detailed Comments:					

Test Step Dynamic Behaviour					
Test Step Name:		InitNonCallSupp			
Group:		GSM_MS_EFR_4200/OperatorOP/			
Objective:		To attempt a non call related supplementary service at the MS under test.			
Default:		OtherEvents			
Nr	Label	Behaviour Description	CRef	V	Comments
1		(TCV_Null := OO_InitNonCallSS())			
Detailed Comments:					

Test Step Dynamic Behaviour					
Test Step Name:		AtmpShortMsg			
Group:		GSM_MS_EFR_4200/OperatorOP/			
Objective:		To attempt a short message service transaction at the MS under test.			
Default:		OtherEvents			
Nr	Label	Behaviour Description	CRef	V	Comments
1		(TCV_Null := OO_InitCall(TSPX_MO_BscSvc_SMS))			
Detailed Comments:					

Test Step Dynamic Behaviour					
Test Step Name:		CheckUssdStringDisplayed(strg: IA5String)			
Group:		GSM_MS_EFR_4200/OperatorOP/			
Objective:		To check whether the correct USSD String 'strg' is displayed on the MS			
Default:		OtherEvents			
Nr	Label	Behaviour Description	CRef	V	Comments
1		(TCV_Res := OO_CheckUssdStringDisplayed(strg))			
2	E_00 76	[TCV_Res]		(P)	
3	E_00 77	[NOT TCV_Res]		(F)	
Detailed Comments:					

Test Step Dynamic Behaviour					
Test Step Name:		PLMNsCHK			
Group:		GSM_MS_EFR_4200/OperatorOP/			
Objective:		To check whether the MS presents a list of available PLMNs.			
Default:		OtherEvents			
Nr	Label	Behaviour Description	CRef	V	Comments
1		(TCV_Res := OO_PLMNsCHK())			
2	E_00 78	[TCV_Res]		P	
3	E_00 79	[NOT TCV_Res]		F	
Detailed Comments:					

Test Step Dynamic Behaviour					
Test Step Name:		RFtransCHK			
Group:		GSM_MS_EFR_4200/OperatorOP/			
Objective:		To check whether the MS transmits any radio signal.			
Default:		OtherEvents			
Nr	Label	Behaviour Description	CRef	V	Comments
1		(TCV_Res := OO_RFoutputCHK())			
2	E_00 80	[TCV_Res]		F	
3	E_00 81	[NOT TCV_Res]		(P)	
Detailed Comments:					

Test Step Group Postambles

Test Step Dynamic Behaviour					
Test Step Name:		PostLinkRelEnd(ch: LOGICCH)			
Group:		GSM_MS_EFR_4200/Postambles/			
Objective:		To release the RR connection and bring the MS back to Idle state.			
Default:		OtherEvents			
Nr	Label	Behaviour Description	CRef	V	Comments
1		L!DL_DatRqChRel START T_release	ChRel(ch, ChRelease_01)		
2		L?DL_Relln	DLRelInd_01		
3	E_00 82	CANCEL		R	1.
4		?TIMEOUT T_release			
5	E_00 83	CANCEL		R	1.
Detailed Comments: 1. Cancel of all running timers and final verdict.					

Test Step Dynamic Behaviour					
Test Step Name:		PostMainLinkRel(chnl:LOGICCH)			
Group:		GSM_MS_EFR_4200/Postambles/			
Objective:		To release the main signalling link `ch`, and bring the MS back to Idle state.			
Default:		OtherEvents			
Nr	Label	Behaviour Description	CRef	V	Comments
1		L!DL_DatRqChRel START T_release	ChRel(chnl, ChRelease_01)		
2		L?DL_Relln CANCEL T_release	DLRelInd_01		
3		?TIMEOUT T_release			
Detailed Comments:					

Test Step Dynamic Behaviour					
Test Step Name:		ChanRel(ch: LOGICCH)			
Group:		GSM_MS_EFR_4200/Postambles/			
Objective:		To release the RR connection on the channel TCV_ch and bring the MS back to Idle state.			
Default:		OtherEvents			
Nr	Label	Behaviour Description	CRef	V	Comments
1		L!DL_DatRqChRel START T_release	ChRel(ch, ChRelease_01)		
2		L?DL_Relln CANCEL T_release	DLRelInd_01		
3	E_00 84	?TIMEOUT T_release		(F)	
Detailed Comments:					

Test Step Dynamic Behaviour					
Test Step Name:		ChanRel_P(ch: LOGICCH)			
Group:		GSM_MS_EFR_4200/Postambles/			
Objective:		To release the RR connection on the channel TCV_chmaindcch and bring the MS back to Idle state.			
Default:		OtherEvents			
Nr	Label	Behaviour Description	CRef	V	Comments
1		L!DL_DatRqChRel START T_release	ChRel(ch, ChRelease_01)		
2	E_00 85	L?DL_RelIn	DLRelInd_01	(P)	
3		?TIMEOUT T_release			
Detailed Comments:					

Test Step Dynamic Behaviour					
Test Step Name:		ChanRel_end(ch: LOGICCH)			
Group:		GSM_MS_EFR_4200/Postambles/			
Objective:		To release the RR connection and bring the MS back to Idle state.			
Default:		OtherEvents			
Nr	Label	Behaviour Description	CRef	V	Comments
1		L!DL_DatRqChRel START T_release	ChRel(ch, ChRelease_01)		
2		L?DL_RelIn	DLRelInd_01		
3	E_00 86	CANCEL		(P)	1.
4		?TIMEOUT T_release			
5	E_00 87	CANCEL		(F)	1.
Detailed Comments: 1. Cancel of all running timers.					

Test Step Group Preambles

Test Step Dynamic Behaviour					
Test Step Name:		Chmod(rate:RATE; ce:B_2; ur:B_4; svc:SERVICES)			
Group:		GSM_MS_EFR_4200/Preambles/			
Objective:		To assign correct values to the test case variables TCV_ChMod and TCV_ChModb.			
Default:		OtherEvents			
Comments:		The rules for assignment are in Table 10-1 of GSM 11.10 section 10.3. If the value for ce is "BothT", the rule for transparent is used. If the value for ce is "BothNT", the rule for non transparent is used. That means the preferred value will be used in test configuration.			
Nr	Label	Behaviour Description	CRef	V	Comments
1		+local_tree			
2		[(svc = C_AltSpchData) OR (svc = C_SpchData) OR (svc = C_AltSpchFax)]			dual mode call
3		(TCV_ChMod.mode := C_ChMod_r)			
4		[(svc<> C_AltSpchData) AND(svc <> C_SpchData) AND(svc <> C_AltSpchFax)]			
local_tree					
5		[((ce = C_nottransparent) OR (ce = C_BothNT)) AND (rate = C_Full)]			
6		(TCV_ChMod.mode := C_ChMod_12k, TCV_ChModb.mode := C_ChMod_12k)			
7		[((ce = C_nottransparent) OR (ce = C_BothNT)) AND (rate = C_Half)]			
8		[ur <> C_9600bs]			
9		(TCV_ChMod.mode := C_ChMod_6k, TCV_ChModb.mode := C_ChMod_6k)			
10	E_00 88	[ur = C_9600bs]		I	not applicable
11		[(ce = C_transparent) OR (ce = C_BothT)]			
12		[(ur = C_9600bs) AND (rate = C_Full)]			
13		(TCV_ChMod.mode := C_ChMod_12k, TCV_ChModb.mode := C_ChMod_12k)			
14		[ur = C_4800bs]			
15		(TCV_ChMod.mode := C_ChMod_6k, TCV_ChModb.mode := C_ChMod_6k)			
16		[(ur <> C_4800bs) AND(ur <> C_9600bs)]			
17		(TCV_ChMod.mode := C_ChMod_3k, TCV_ChModb.mode := C_ChMod_3k)			
18	E_00 89	[(ur = C_9600bs) AND (rate = C_Half)]		I	not applicable
Detailed Comments:					

Test Step Dynamic Behaviour					
Test Step Name:		EFR_BasicServiceMO(svc:SERVICES; rate:RATE)			
Group:		GSM_MS_EFR_4200/Preambles/			
Objective:		To generate a EFR Bcap and a MO SETUP/ESETUP message (to match later against received MO SETUP/ESETUP message), and an appropriate channel mode based on the service and rate, as well as on several IXIT parameters, itc, ce, ur, synchronous bit for an MO call.			
		Bcap shall match the correct NUMBER of speech versions that the EFR mobile supports.			
Default:		OtherEvents			
Comments:		Used for CC tests			
Nr	Label	Behaviour Description	CRef	V	Comments
1		+local_init			Default values
2		[TCV_Service = C_EmgCall]			
3		(TCV_Ecall := C_Yes)			Emergency Call
4		[(TCV_ChRate = C_Full) OR (TCV_ChRate = C_Half)]			
5		(TCV_ChMod.mode := C_ChMod_r)			Speech v1
6		[NOT TSPC_EFR_EmgCallBcap]			
7		(TCV_Esetup := ESetupNoBcap)			Speech v1 - no bcap
8		[TSPX_EFR_SpchPrefsNo = 2]			
9		(TCV_Esetup := ESetupBcap(EFR_Bcap_Speech_MO2(TCV_Rchr)))			Speech v1 - 2 speech prefs
10		[TSPX_EFR_SpchPrefsNo = 3]			
11		(TCV_Esetup := ESetupBcap(EFR_Bcap_Speech_MO3(TCV_Rchr)))			Speech v1 - 3 speech prefs
12	E_00 90	[C_Yes]		I	IXIT error
13		[TCV_ChRate = C_Full_v2]			
14		(TCV_ChMod.mode := C_ChMod_r2,TCV_ChRate := C_Full)			Speech v2
15		[NOT TSPC_EFR_EmgCallBcap]			
16		(TCV_Esetup := ESetupNoBcap)			Speech v2 - no bcap
17		[TSPX_EFR_SpchPrefsNo = 2]			
18		(TCV_Esetup := ESetupBcap(EFR_Bcap_Speech_MO2(TCV_Rchr)))			Speech v2 - 2 speech prefs
19		[TSPX_EFR_SpchPrefsNo = 3]			
20		(TCV_Esetup := ESetupBcap(EFR_Bcap_Speech_MO3(TCV_Rchr)))			Speech v2 - 3 speech prefs
21	E_00 91	[C_Yes]		I	IXIT error
22		[TCV_Service = C_Telephony]			
23		[(TCV_ChRate = C_Full) OR (TCV_ChRate = C_Half)]			Telephony
24		(TCV_ChMod.mode := C_ChMod_r)			Speech v1
25		[TSPX_EFR_SpchPrefsNo = 2]			
26		(TCV_Setup_mo := Setup_02(EFR_Bcap_Speech_MO2(TCV_Rchr)))			Speech v1 - 2 speech prefs
27		[TSPX_EFR_SpchPrefsNo = 3]			
28		(TCV_Setup_mo := Setup_02(EFR_Bcap_Speech_MO3(TCV_Rchr)))			Speech v1 - 3 speech prefs
29	E_00 92	[C_Yes]		I	IXIT error
30		[TCV_ChRate = C_Full_v2]			
31		(TCV_ChMod.mode := C_ChMod_r2,TCV_ChRate := C_Full)			Speech v2
32		[TSPX_EFR_SpchPrefsNo = 2]			
33		(TCV_Setup_mo := Setup_02(EFR_Bcap_Speech_MO2(TCV_Rchr)))			Speech v2 - 2 speech prefs
34		[TSPX_EFR_SpchPrefsNo = 3]			
35		(TCV_Setup_mo := Setup_02(EFR_Bcap_Speech_MO3(TCV_Rchr)))			Speech v2 - 3 speech prefs

36	E_00 93	Rchr))) [C_Yes]	I	IXIT error
37	E_00 94	[C_Yes]	I	IXIT error
38		local_init (TCV_Service := svc, TCV_Rchr := C_Rchr_Full, TCV_Ecall := C_No, TCV_ChRate :=rate, TCV_ChMod.iei := '01100011'B, TCV_ChMod.mode := C_ChMod_12k, TCV_ChModb.iei := '01100011'B, TCV_ChModb.mode := C_ChMod_12k, TCV_MODEM := V22bisOrV26ter)		
39		[TSPC_DualRate]		
40		(TCV_Rchr := C_Rchr_DualForDualH)		
41		[NOT TSPC_DualRate]		
Detailed Comments: This test step is called in the preamble of test cases where an MO call is established in the test body.				

Test Step Dynamic Behaviour					
Test Step Name:		EFR_BasicServiceMT(svc:SERVICES; rate:RATE)			
Group:		GSM_MS_EFR_4200/Preambles/			
Objective:		To generate a EFR Bcap (to match against received CALL CONNECTED Bcap), an MT SETUP or ESETUP message (to be sent to EFR mobile) and an appropriate channel mode based on the service and rate, as well as on several IXIT parameters, itc, ce, ur, synchronous bit for an MT call. EFR Bcap shall match the correct NUMBER of speech versions that the EFR mobile supports.			
Default:		OtherEvents			
Comments:		Used for CC tests			
Nr	Label	Behaviour Description	CRef	V	Comments
1		(TCV_Service := svc, TCV_ChRate :=rate, TCV_ChMod.iei := '01100011'B, TCV_ChMod.mode := C_ChMod_12k, TCV_ChModb.iei := '01100011'B, TCV_ChModb.mode := C_ChMod_12k, TCV_Rchr := C_Rchr_Full, TCV_2ndtest := C_No)			Default values
2		[TSPC_DualRate]			
3		(TCV_Rchr := C_Rchr_DualForDualH)			
4		+SvcSupportedChk(svc)			
5		+local_main			
6		[NOT TSPC_DualRate]			
7		+SvcSupportedChk(svc)			
8		+local_main			
		local_main			
9		[TCV_Service = C_Telephony]			
10		[TCV_ChRate = C_Full]			Speech v1
11		(TCV_ChMod.mode := C_ChMod_r, TCV_Setup_mt := Setup_01(TI_02))			
12		[TSPX_EFR_SpchPrefsNo = 2]			
13		(TCV_BcapMO1 := EFR_Bcap_Speech_MO2(TCV_Rchr))			EFR BCAP - 2 speech prefs
14		+local_IFsetup_Telephony			Config speech
15		[TSPX_EFR_SpchPrefsNo = 3]			
16		(TCV_BcapMO1 := EFR_Bcap_Speech_MO3(TCV_Rchr))			EFR BCAP - 3 speech prefs
17		+local_IFsetup_Telephony			Config speech
18	E_00 95	[C_Yes]		I	IXIT error
19		[TCV_ChRate = C_Full_v2]			Speech v2
20		(TCV_ChRate := C_Full,TCV_ChMod.mode := C_ChMod_r2,TCV_Setup_mt := Setup_01(TI_02))			
21		[TSPX_EFR_SpchPrefsNo = 2]			
22		(TCV_BcapMO1 := EFR_Bcap_Speech_MO2(TCV_Rchr))			EFR BCAP - 2 speech prefs
23		+local_IFsetup_Telephony			Config speech
24		[TSPX_EFR_SpchPrefsNo = 3]			
25		(TCV_BcapMO1 := EFR_Bcap_Speech_MO3(TCV_Rchr))			EFR BCAP - 3 speech prefs
26		+local_IFsetup_Telephony			Config speech
27	E_00 96	[C_Yes]		I	IXIT error
		local_IFsetup_Telephony			
28		[TCV_supported]			
29		(TCV_Null := OO_IFsetup_Telephony())			
30		[NOT TCV_supported]			
31		[TCV_SpecialCase]			
32		START T_dly(C_T_Wait)			
33		?TIMEOUT T_dly			
34	E_00 97	[NOT TCV_SpecialCase]		I	parameter error
Detailed Comments:		This test step is called in the preamble of test cases where an MT call is established in the test body.			

Test Step Dynamic Behaviour					
Test Step Name:		Est_MO_Call_init(par1: OCTETSTRING; mag, mad:MA; ta:TA; tsc1:B_3; nfrqg, nfrqd:INTEGER)			
Group:		GSM_MS_EFR_4200/Preambles/			
Objective:		To initiate a mobile originating call for the supported bearer capability. The channel in use is frequency hopping channel.			
Default:		OtherEvents			
Comments:		The test case variable TCV_Mt holds the message type of the received SETUP msg.			
Nr	Label	Behaviour Description	CRef	V	Comments
1		(TCV_cellid:=C_CellA)			
2		+InitCall(TCV_Service)			
3		L?DL_RaInChRq (TCV_Rr := DL_RaInChRq. msg.ecau_rrf, TCV_Fn := DL_RaInChRq.fn)	ChReq(ChRequest_15)		
4		ACTIVATE(OtherEvents_02)			To match ChReq retrans.
5		+localtree_ia(par1)			
6		L?DL_EstInCmsRq	CMSerReq(CMServiceReq_01)		
7		ACTIVATE(OtherEvents)			Restore Normal default
8		+ltree_continue			
ltree_continue					
9		(TCV_Null := OM_NoL2Ack(2,TCV_ch))			Don't acknowledge setup message
10		+Ciphering_on(TCV_ch)			
11		L?DL_DatInSetup (TCV_Mt := DL_DatInSetup.msg.mt)	SetupRcv(SetupInd_01)		
localtree_ia(par_chn: OCTETSTRING)					
12		[par_chn = C_CHTCHF_NonFH]			
13		(TCV_Tchtype := '00001'B)			
14		+ltree_immass_nfh(TCV_tch_arfcn, tsc1)			
15		[par_chn = C_CHSDCCH4_NonFH]			
16		(TCV_Tchtype := INT_TO_BIT((4 + BIT_TO_INT(TSPX_SDCCH4SubDef)), 5))			
17		+ltree_immass_nfh(TCV_chdescr_arfcn, tsc1)			
18		[par_chn = C_CHSDCCH8_NonFH]			
19		(TCV_Tchtype := INT_TO_BIT((8 + BIT_TO_INT(TSPX_SDCCH8SubDef)), 5))			
20		+ltree_immass_nfh(TCV_tch_arfcn, tsc1)			
21		[par_chn = C_CHTCHF_FH]			
22		(TCV_Tchtype := '00001'B)			
23		+ltree_immass_fh(nfrqg, nfrqd)			
24		[par_chn = C_CHTCHH_FH]			
25		(TCV_Tchtype := INT_TO_BIT((2 + BIT_TO_INT(TSPX_TCHHSubDef)), 5))			
26		+ltree_immass_fh(nfrqg, nfrqd)			
27		[par_chn = C_CHTCHH_NonFH]			
28		(TCV_Tchtype := INT_TO_BIT((2 + BIT_TO_INT(TSPX_TCHHSubDef)), 5))			
29		+ltree_immass_nfh(TCV_tch_arfcn, tsc1)			
30		[par_chn = C_CHSDCCH8_FH]			
31		(TCV_Tchtype := INT_TO_BIT((8 + BIT_TO_INT(TSPX_SDCCH8SubDef)), 5))			
32		+ltree_immass_fh(nfrqg, nfrqd)			
ltree_immass_fh(frqnog, frqnod:INTEGER)					
33		[TSPC_PGSM]			
34		(TCV_maio := INT_TO_BIT((TSPX_MAIO MOD frqnog), 6), TCV_iel := mag.iel)			1.
35		LIDL_UdatRqImm	ImmAss(TCV_agch, ImmAsgn_221(TCV_Rr, TCV_Fn, TCV_ia_ts, tsc1, TCV_Tchtype, TCV_maio, INT_TO_BIT(TSPX_H SN, 6), ta, mag, TCV_iel))		

<p>36 37 38</p>	<p>[TSPC_DCS] (TCV_maio := INT_TO_BIT((TSPX_MAIO MOD frqnod), 6), TCV_iel := mad.iel) LIDL_UdatRqImm</p>	<p>ImmAss(TCV_agch, ImmAsgn_221(TCV_Rr, TCV_Fn, TCV_ia_ts, tsc1, TCV_Tchtype, TCV_maio, INT_TO_BIT(TSPX_H SN, 6), ta, mad, TCV_iel))</p>	<p>1.</p>
<p>39</p>	<p>Itree_immass_nfh(arfcn:INTEGER; tsc:B_3) LIDL_UdatRqImm</p>	<p>ImmAss(TCV_agch, ImmAsgn_nfh(TCV_Rr, TCV_Fn, TCV_Tchtype, TCV_ia_ts, tsc, ta, arfcn, C_normal_paging))</p>	
<p>Detailed Comments:</p>		<p>1. To make the MAIO is within 0 ... N-1, where N is the number of frequencies of MA. "frqnog" and "frqnod" are number of of frequencies of MA for GSM and DCS respectively.</p>	

Test Step Dynamic Behaviour					
Test Step Name:		Est_MT_Call_FH(ta:TA; rate:IA5String; maio:MAIO; hsn:INTEGER; rand:RAND; slot:SN; tsc:TSC; tch:B_1)			
Group:		GSM_MS_EFR_4200/Preambles/			
Objective:		To establish a mobile station terminating call with hopping channel (speech or data call).			
Default:		OtherEvents			
Comments:		used var's: TCV_cellid, TCV_ch			
Nr	Label	Behaviour Description	CRef	V	Comments
1		+RRmtcallprepare(ta, rand)			
2		+CC_Est_MT_Call			
3		+localtree			
4		+AssCh_complete(TCV_ch, TCV_chTch, TCV_AssCmd)			
5		LIDL_DatRqConnAck	ConnAckSnd(TCV_chTch, ConnectAck_01(TI_02))		
localtree					
6		[rate = C_Full]			Full rate
7		[TCV_cellid = C_CellA]			
8		+AssCmdGen_fh(C_Full, slot, tsc, tch, 9, 15, maio, INT_TO_BIT(hsn, 6), Frql_20_A, Frql_20_Ad, CellChDes_Omit, CellChDes_Omit, ChMod_speech_iei, MobilAllc_omit, MobilAllc_omit, CphMod_omit)			
9		[TCV_cellid = C_CellB]			
10		+AssCmdGen_fh(C_Full, slot, tsc, tch, 9, 15, maio, INT_TO_BIT(hsn, 6), Frql_20_B3, Frql_20_B3d, CellChDes_Omit, CellChDes_Omit, ChMod_speech_iei, MobilAllc_omit, MobilAllc_omit, CphMod_omit)			
11		[rate = C_Full_v2]			Full rate
12		[TCV_cellid = C_CellA]			
13		+AssCmdGen_fh(C_Full_v2, slot, tsc, tch, 9, 15, maio, INT_TO_BIT(hsn, 6), Frql_20_A, Frql_20_Ad, CellChDes_Omit, CellChDes_Omit, ChMod_EFR2_iei, MobilAllc_omit, MobilAllc_omit, CphMod_omit)			
14		[TCV_cellid = C_CellB]			
15		+AssCmdGen_fh(C_Full_v2, slot, tsc, tch, 9, 15, maio, INT_TO_BIT(hsn, 6), Frql_20_B3, Frql_20_B3d, CellChDes_Omit, CellChDes_Omit, ChMod_EFR2_iei, MobilAllc_omit, MobilAllc_omit, CphMod_omit)			
16		[rate = C_Half]			Half rate
17		[TCV_cellid = C_CellA]			
18		+AssCmdGen_fh(C_Half, slot, tsc, tch, 9, 15, maio, INT_TO_BIT(hsn, 6), Frql_20_A0, Frql_20_A0d, CellChDes_Omit, CellChDes_Omit, ChMod_omit, MobilAllc_omit, MobilAllc_omit, CphMod_omit)			
19		[TCV_cellid = C_CellB]			
20		+AssCmdGen_fh(C_Half, slot, tsc, tch, 9, 15, maio, INT_TO_BIT(hsn, 6), Frql_20_B3, Frql_20_B3d, CellChDes_Omit, CellChDes_Omit, ChMod_omit, MobilAllc_omit, MobilAllc_omit, CphMod_omit)			
Detailed Comments:					

Test Step Dynamic Behaviour					
Test Step Name:		Est_MT_CallNonFH(ta:TA; rate:IA5String; sub:B_1; rand:RAND)			
Group:		GSM_MS_EFR_4200/Preambles/			
Objective:		To establish a mobile station terminating call with non hopping channel (speech or data call).			
Default:		OtherEvents			
Comments:		used var's: TCV_cellid, TCV_chdescr_arfcn, TCV_Bcap1, TCV_chTch, TCV_asscmd_ts			
Nr	Label	Behaviour Description	CRef	V	Comments
1		+RRmtcallprepare(ta, rand)			
2		+CC_EstMsTermCall(rate, sub)			
Detailed Comments:					

Test Step Dynamic Behaviour					
Nr	Label	Behaviour Description	CRef	V	Comments
Test Step Name: IdleUpdated(par_bspwr:INTEGER; activ_cell:CellID; sch, bcch:LOGICCH; acttype:BITSTRING; slot, slot2, slot3, slot4:SN; tsc:TSC; t, retr, neci, att:INTEGER; ta:TA; babr, cch_con, bpm:B_3; t3212:OCTETSTRING; ci:CI; mcc, mnc, lac:OCTETSTRING; co:CO; cchdgsm, cchddcs:CCHD; crh, mtrmcgsm, mtrmcdds:INTEGER; bcchflgsm, bcflaltgsm, bcchfldcs, bcflaltdcs:NCD; Re:B_1; bcc:BCC; ncc:NCC; StartType:INTEGER; subch:B_2; cksn:B_3; rand:RAND; arfcngsm, arfcndcs:INTEGER; imsi:HEXSTRING; sysinfonb:INTEGER; nccp:NCCP)					
Group: GSM_MS_EFR_4200/Preambles/					
Objective: To ensure that the SIM is either updated to the initial conditions and the MS with CKSN valid, TMSI valid and idle updated in cell A, B or C; or idle updated without TMSI; or totally not updated and all LAI information deleted.					
Default: OtherEvents					
Nr	Label	Behaviour Description	CRef	V	Comments
1		(TCV_slot := slot, TCV_tsc := tsc, TCV_Ccd0H := CntrlChDscrp(att, babr, C_cch_1Comb, bpm, t3212))			
2		+MM_PwrOrSimOff(C_SIMneedRmv)			
3		+Varinit_fix(activ_cell, lac, subch, cksn, rand, arfcngsm, arfcndcs, TCV_Ccd0H, imsi)			
4		+ltree_chconf(C_cch_1Comb)			Config LT
5		+localtree1			
localtree1					
6		+ltree_sysinfo(1, C_cch_1Comb)			ATT= '1'B
7		+MM_PwrOrSimOn(C_SIMneedRmv)			
8		+localtree_Lup_Auth			
localtree_Lup_Auth					
9		START T_dly(C_T_Wait1stChReq)			
10		L?DL_RaInChRq(TCV_Rr := DL_RaInChRq, msg.eau_rrf, TCV_Fn := DL_RaInChRq.fn)	ChReq(ChRequest_02)		Any channel request PDU
11		CANCEL T_dly			
11		ACTIVATE(OtherEvents_02)			To match ChReq retrans.
12		LIDL_UdatRqImmass	ImmAssn(TCV_agch, ImmAsgn_01Def(TCV_Rr, TCV_Fn, subch, slot, tsc, TCV_chdescr_arfcn, ta))		
13		L?DL_EstInLupRq	LocUp(TCV_ch, LocUpdtReq_01(C_norm_period_attach))		Any location update type
14		ACTIVATE(OtherEvents)			Restore Normal default
15		[StartType = C_Start_Rej]			
16		LIDL_DatRqLupRej	LocRej(TCV_ch, LocUpdtRej_01(C_rc_LAnotallowed))		Delete LAI, tmsi, cksn
17		+PostMainLinkRel(TCV_ch)			Release Ch
18		+MM_PwrOrSimOff(C_SIMneedRmv)			
19		+localtree2			
20		[StartType = C_Start_Imsi]			
21		+Authentication(TCV_ch, cksn, rand)			
22		LIDL_DatRqLupAcp	LocAcp(TCV_ch, LocUpdtAcp_01(MiImsi_01iei, mcc, mnc, TCV_lac))		Location Accept with IMSI
23		+PostMainLinkRel(TCV_ch)			Release Ch
24		+localtree2			
25		[(StartType = C_Start_Tmsi) OR (StartType = C_Start_TmsiOff)]			
26		+Authentication(TCV_ch, cksn, rand)			
27		LIDL_DatRqLupAcp	LocAcp(TCV_ch, LocUpdtAcp_01(MiTmsi_01iei, mcc, mnc, TCV_lac))		Location Accept with TMSI
28		L?DL_DatInTmsireCom	TmsiReallocCmp(TCV_ch)		
29		+PostMainLinkRel(TCV_ch)			Release Ch

30		+localtree2		
31		[StartType = C_Start_PLMNnot]		
32		L!DL_DatRqLupRej	LocRej(TCV_ch, LocUpdtRej_01(C_rc_plmn_not))	Delete LAI, tmsi, cksn
33		+PostMainLinkRel(TCV_ch)		Release Ch
34		+localtree2		
35	E_00 98	[(StartType <> C_Start_Rej) AND(StartType <> C_Start_Tmsi) AND(StartType <> C_Start_TmsiOff) AND(StartType <> C_Start_Imsi) AND(StartType <> C_Start_PLMNnot)]		I
36		?TIMEOUT T_dly		
37		+ltree_rmvPLMNfbdnlist		
		localtree2		
38		[(att = 1) AND(StartType <> C_Start_TmsiOff)]		ATT no change
39		[cch_con <> C_cch_1Comb]		If non combined
40		+localtree3		
41		+ltree_PgReorg		
42		[cch_con = C_cch_1Comb]		If combined
43		[(att = 1) AND (StartType = C_Start_TmsiOff)]		
44		+ImsiDetach(MiTmsi_01, ta, C_SIMneedRmv)		Switch off, detach
45		[cch_con <> C_cch_1Comb]		If non combined
46		+localtree3		
47		[cch_con = C_cch_1Comb]		If combined
48		[att = 0]		
49		[cch_con = C_cch_1Comb]		If combined
50		+ltree_sysinfo(0, C_cch_1Comb)		ATT=0
51		+ltree_PgReorg		
52		[cch_con <> C_cch_1Comb]		If non combined
53		+localtree3		
54		+ltree_PgReorg		
		localtree3		
55		(TCV_Ccd0H := CntrlChDscrp(att, babr, cch_con, bpm, t3212))		
56		+Varinit_fix(activ_cell, lac, subch, cksn, rand, arfcngsm, arfcndcs, TCV_Ccd0H, imsi)		
57		+ltree_chconf(cch_con)		Config LT
58		+ltree_sysinfo(att, cch_con)		
		ltree_PgReorg		
59		(TCV_Null:=OM_PgFill(activ_cell, PgReqTp1Reorg))		
60		START T_dly(5000)		
61		?TIMEOUT T_dly		
62		(TCV_Null:=OM_PgFill(activ_cell, PgReqTp1Norm))		
		ltree_sysinfo(attach:INTEGER; con_ch:B_3)		
63		[activ_cell = C_CellA]		
64		+SysInfoSending(attach, con_ch)		SI1-4, cellA
65		(TCV_Ccd0A := TCV_Ccd0H, TCV_sysinfo5 := TCV_sysinfo5, TCV_sysinfo6 := TCV_sysinfo6)		
66		[con_ch = C_cch_1Comb]		If combined
67		+SysInfo_SacchSending(TCV_sacch, TCV_sysinfo5, TCV_sysinfo6)		SI5, 6 on SACCH/C4, cell A
68		[con_ch <> C_cch_1Comb]		
69		+ltree_sysinfo_other(attach)		More SIs, cellA
70		[activ_cell = C_CellB]		
71		+SysInfoSending(attach, con_ch)		SI1-4, cellB
72		(TCV_Ccd0B := TCV_Ccd0H, TCV_sacch_B := TCV_sacch, TCV_sysinfo5_B := TCV_sysinfo5, TCV_sysinfo6_B := TCV_sysinfo6)		SI5, 6 on SACCH/C4, cell B
73		[con_ch = C_cch_1Comb]		If combined
74		+SysInfo_SacchSending(TCV_sacch_B, TCV_sysinfo5_B, TCV_sysinfo6_B)		SI5, 6 on SACCH/C4, cell A

75	[con_ch <> C_cch_1Comb]	No more SIs, cell B
76	[activ_cell = C_CellC]	
77	+SysInfoSending(attach, con_ch)	SI1-4, cellC
78	(TCV_Ccd0C := TCV_Ccd0H, TCV_sacch_C := TCV_sacch, TCV_sysinfo5_C := TCV_sysinfo5, TCV_sysinfo6_C := TCV_sysinfo6)	
79	[con_ch = C_cch_1Comb]	If combined
80	+SysInfo_SacchSending(TCV_sacch_C, TCV_sysinfo5_C, TCV_sysinfo6_C)	SI5, 6 on SACCH/C4, cell C
81	[con_ch <> C_cch_1Comb]	No more SIs, cell C
SysInfoSending(attachb:INTEGER; con_chs:B_3)		
82	[sysinfonb = C_Test_fh]	Hopping
83	+SysInfoSending_fh(sch, bcch, t, retr, neci, attachb, babr, con_chs, bpm, t3212, ci, mcc, mnc, lac, co, cchdgs, cchddcs, crh, mtmcgsm, mtmcdcs, bcchflgsm, bcchfldcs, Re, bcc, ncc, nccp)	
84	[sysinfonb = C_Test_nfh]	Non hopping
85	+SysInfoSending_nfh(sch, bcch, t, retr, neci, attachb, babr, con_chs, bpm, t3212, ci, mcc, mnc, lac, co, crh, mtmcgsm, mtmcdcs, bcchflgsm, bcflaltgsm, bcchfldcs, bcflaltdcs, Re, bcc, ncc, nccp)	
86	[sysinfonb = C_Test_egsm]	EGSM
87	+SysInfoSending_e(sch, bcch, t, retr, neci, attachb, babr, con_chs, bpm, t3212, ci, mcc, mnc, lac, co, cchdgs, crh, mtmcgsm, bcchflgsm, bcchfldcs, Re, bcc, ncc, nccp)	
88	[sysinfonb = C_Test_cbms]	CBMS
89	+SysInfoSending_cbms(sch, bcch, t, retr, neci, attachb, babr, con_chs, bpm, t3212, ci, mcc, mnc, lac, co, crh, mtmcgsm, mtmcdcs, bcchflgsm, bcchfldcs, Re, bcc, ncc, nccp, subch)	
ltree_chconf(conf:B_3)		
90	[activ_cell = C_CellA]	
91	+ltree_chconf_A(conf)	Config LT
92	[activ_cell = C_CellB]	
93	+ltree_chconf_B(conf)	Config LT
94	[activ_cell = C_CellC]	
95	+ltree_chconf_C(conf)	Config LT
ltree_chconf_A(conf_a:B_3)		
96	[conf_a = C_cch_1nonComb]	
97	+NonCombinedBCCH_A(par_bspwr, mtmcgsm, mtmcdcs, arfcngsm, arfcndcs, acttype, slot, tsc, ta, babr, conf_a, bpm)	1 non combined CCCH, cell A
98	(TCV_Upd := C_NotCombined)	
99	[conf_a = C_cch_1Comb]	
100	[sysinfonb <> C_Test_cbms]	
101	+CombinedBCCH_A(par_bspwr, mtmcgsm, mtmcdcs, arfcngsm, arfcndcs, acttype, slot, tsc, ta, babr, conf_a, bpm)	1 combined CCCH, cell A
102	(TCV_Upd := C_Combined)	
103	[sysinfonb = C_Test_cbms]	
104	+CombinedBCCH_A_CBMS(par_bspwr, mtmcgsm, mtmcdcs, arfcngsm, arfcndcs, acttype, slot, tsc, ta, babr, conf_a, bpm)	1 combined CCCH + CBMS, cell A
105	(TCV_Upd := C_Combined)	
106	[conf_a = C_cch_2nonComb]	2 CCCHs
107	+NonCombinedBCCH_A(par_bspwr, mtmcgsm, mtmcdcs, arfcngsm, arfcndcs, acttype, slot, tsc, ta, babr, conf_a, bpm)	1st non combined CCCH, cell A
108	+NonCombinedBCCH_A_2(acttype, slot2, tsc, ta, babr, conf_a, bpm)	2nd non combined CCCH, cell A
109	(TCV_Upd := C_NotCombined)	
110	[conf_a = C_cch_3nonComb]	
111	+NonCombinedBCCH_A(par_bspwr, mtmcgsm, mtmcdcs, arfcngsm, arfcndcs, acttype, slot, tsc, ta,	1st non combined CCCH, cell A

112		babr, conf_a, bpm) +NonCombinedBCCH_A_2(acttype, slot2, tsc, ta, babr, conf_a, bpm)		2nd non combined CCCH, cell A
113		+NonCombinedBCCH_A_3(acttype, slot3, tsc, ta, babr, conf_a, bpm)		3rd non combined CCCH, cell A
114		(TCV_Upd := C_NotCombined)		
115		[conf_a = C_cch_4nonComb]		
116		+NonCombinedBCCH_A(par_bspwr, mtmcgsm, mtmcdcs, arfcngsm, arfcdcs, acttype, slot, tsc, ta, babr, conf_a, bpm)		1st non combined CCCH, cell A
117		+NonCombinedBCCH_A_2(acttype,slot2, tsc, ta, babr, conf_a, bpm)		2nd non combined CCCH, cell A
118		+NonCombinedBCCH_A_3(acttype, slot3, tsc, ta, babr, conf_a, bpm)		3rd non combined CCCH, cell A
119		+NonCombinedBCCH_A_4(acttype, slot4, tsc, ta, babr, conf_a, bpm)		4th non combined CCCH, cell A
120		(TCV_Upd := C_NotCombined)		
121	E_00 99	[(conf_a <> C_cch_1nonComb) AND(conf_a <> C_cch_2nonComb) AND(conf_a <> C_cch_3nonComb) AND(conf_a <> C_cch_4nonComb) AND(conf_a <> C_cch_1Comb)]	I	A wrong CCCH-CONF value, cell A
122		ltree_chconf_B(conf_b:B_3) [conf_b = C_cch_1nonComb]		
123		+NonCombinedBCCH_B(par_bspwr, mtmcgsm, mtmcdcs, arfcngsm, arfcdcs, acttype,slot,tsc, ta, babr, conf_b, bpm)		1 non combined CCCH, cell B
124		(TCV_Upd := C_NotCombined)		
125		[conf_b = C_cch_1Comb]		
126		+CombinedBCCH_B(par_bspwr, mtmcgsm, mtmcdcs, arfcngsm, arfcdcs, acttype, slot, tsc, ta, babr, conf_b, bpm)		1 combined CCCH, cell B
127		(TCV_Upd := C_Combined)		
128	E_01 00	[(conf_b <> C_cch_1nonComb) AND(conf_b <> C_cch_1Comb)]	I	A wrong CCCH-CONF value, cell B
129		ltree_chconf_C(conf_c:B_3) [conf_c = C_cch_1Comb]		
130		+CombinedBCCH_C(par_bspwr, mtmcgsm, mtmcdcs, arfcngsm, arfcdcs, acttype, slot, tsc, ta, babr, conf_c, bpm)		1 combined CCCH, cell C
131		(TCV_Upd := C_Combined)		
132	E_01 01	[conf_c <> C_cch_1Comb]	I	
133		ltree_sysinfo_other(attach:INTEGER) [(cch_con = C_cch_1nonComb) OR (cch_con = C_cch_1Comb)]		
134		[cch_con = C_cch_2nonComb]		
135		+SysInfoSending_fh(sch, C_BCCH_A_2, t, retr, neci, attach, babr, cch_con, bpm, t3212, ci, mcc, mnc, lac, co, CellChDes_02, CellChDes_03, crh, mtmcgsm, mtmcdcs, BcchFreqLst_01, BcchFreqLst_48, Re, bcc, ncc, nccp)		SIs on 2nd CCCH
136		[cch_con = C_cch_3nonComb]		
137		+SysInfoSending_fh(sch, C_BCCH_A_2, t, retr, neci, attach, babr, cch_con, bpm, t3212, ci, mcc, mnc, lac, co, CellChDes_02, CellChDes_03, crh, mtmcgsm, mtmcdcs, BcchFreqLst_01, BcchFreqLst_48, Re, bcc, ncc, nccp)		SIs on 2nd CCCH
138		+SysInfoSending_fh(sch, C_BCCH_A_3, t, retr, neci, attach, babr, cch_con, bpm, t3212, ci, mcc, mnc, lac, co, CellChDes_02, CellChDes_03, crh, mtmcgsm, mtmcdcs, BcchFreqLst_01, BcchFreqLst_48, Re, bcc, ncc, nccp)		SIs on 3rd CCCH
139		[cch_con = C_cch_4nonComb]		
140		+SysInfoSending_fh(sch, C_BCCH_A_2, t, retr, neci, attach, babr, cch_con, bpm, t3212, ci, mcc, mnc, lac, co, CellChDes_02, CellChDes_03, crh, mtmcgsm, mtmcdcs, BcchFreqLst_01, BcchFreqLst_48, Re, bcc, ncc, nccp)		SIs on 2nd CCCH

141	+SysInfoSending_fh(sch, C_BCCH_A_3, t, retr, neci, attach, babr, cch_con, bpm, t3212, ci, mcc, mnc, lac, co, CellChDes_02, CellChDes_03, crh, mtmcgsm, mtmcdcs, BcchFreqLst_01, BcchFreqLst_48, Re, bcc, ncc, nccp)		SlIs on 3rd CCCH
142	+SysInfoSending_fh(sch, C_BCCH_A_4, t, retr, neci, attach, babr, cch_con, bpm, t3212, ci, mcc, mnc, lac, co, CellChDes_02, CellChDes_03, crh, mtmcgsm, mtmcdcs, BcchFreqLst_01, BcchFreqLst_48, Re, bcc, ncc, nccp)		SlIs on 4th CCCH
143	Itree_rmvPLMNfbdnlist (TCV_Null := OO_PLMNselModeMan())		
144	(TCV_Null := OO_SelPLMN(mnc))		
145	L?DL_RaInChRq (TCV_Rr := DL_RaInChRq. msg.ecau_rrf, TCV_Fn := DL_RaInChRq.fn) CANCEL T_dly	ChReq(ChRequest_02)	Any channel request PDU
146	ACTIVATE(OtherEvents_02)		To match ChReq retrans.
147	LIDL_UdatRqImm	ImmAss(TCV_agch, ImmAsgn_01Def(TCV_Rr, TCV_Fn, subch, slot, tsc, TCV_chdescr_arfcn, ta))	
148	L?DL_EstInLupRq	LocUp(TCV_ch, LocUpdtReq_01(C_norm_period_attac h))	Any location update type
149	ACTIVATE(OtherEvents)		Restore Normal default
150	[StartType = C_Start_PLMNnot]		The PLMN is already in forbidden list on short SIM
151	LIDL_DatRqLupRej	LocRej(TCV_ch, LocUpdtRej_01(C_rc_plmn_not))	Delete LAI, tmsi, cksn, PLMN still in list
152	+PostMainLinkRel(TCV_ch)		Release Ch
153	(TCV_Null := OO_PLMNselModeAuto())		
154	[StartType <> C_Start_PLMNnot]		
155	LIDL_DatRqLupAcp	LocAcp(TCV_ch, LocUpdtAcp_01(MiTmsi_r02iei, mcc, mnc, TCV_lac))	Location Accept with no TMSI
156	+PostMainLinkRel(TCV_ch)		Release Ch
157	E_01 02 (TCV_Null := OO_PLMNselModeAuto())		I No ChReq received: Inconclusive

Detailed Comments:			
Formal Parameter	Type	Comments & Explanations	Possible values
par_bspwr	INTEGER	Base station power level	C_E_default, C_E_suitable
activ_cell	CellID	Activated cell identity	C_CellA, C_CellB, C_CellC
sch	LOGICCH	Sync. channel identity	
		If formal para activ_cell = C_CellA,	C_SCH_A
		If formal para activ_cell = C_CellB,	C_SCH_B
		If formal para activ_cell = C_CellC,	C_SCH_C
bcch	LOGICCH	1st broadcast channel id	
		If formal para activ_cell = C_CellA,	C_BCCH_A_1
		If formal para activ_cell = C_CellB,	C_BCCH_B_1
		If formal para activ_cell = C_CellC,	C_BCCH_C_1
acttype	BITSTRING	Type for activation of a channel	C_Imm
slot	SN	Slot number for the 1st slot	C_S0
slot2	SN	Slot number for the 2nd slot	
		In case of 2 or 3 or 4 non combined CCCH	C_S2

		Otherwise (1 combined or 1 non combined)	C_SlotNU	
slot3	SN	Slot number for the 3rd slot In case of 3 or 4 non combined CCCH Otherwise (1 combined or 1, 2 non combined)	C_S4 C_SlotNU	
slot4	SN	Slot number for the 4th slot In case of 4 non combined CCCH channels Otherwise (1 combined, 1, 2, 3 non combined)	C_S6 C_SlotNU	
tsc	TSC	Training Sequence code	C_BCC	
t	INTEGER	Rach Control Parameter field, Tx-Integer for SysInfo1, SysInfo2, SysInfo3, SysInfo4	C_TxInt_5, C_TxInt_7, C_TxInt_10	
retr	INTEGER	Rach Control Parameter field, Max-Retrans for SysInfo1, SysInfo2, SysInfo3, SysInfo4	C_Max_1, C_Max_2, C_Max_7	
neci	INTEGER	Requested value f. NECI bit in test case	C_NECI_0, C_NECI_1	
att	INTEGER	Requested value f. ATTACH bit in test case	C_ATT_0, C_ATT_1	
ta	TA	Requested Timing Advance value		
babr	B_3	Number of blocks reserved for acces grant If arbitrary If fixed	TSPX_AGBLKsX C_BABR_0, C_BABR_1, C_BABR_2	
cch_con	B_3	Type of CCCH channel. If arbitrary 1 combined CCCH channel 1 non combined CCCH channel 2 non combined CCCH channels 3 non combined CCCH channels 4 non combined CCCH channels	TSPX_CcchConfX C_cch_1Comb C_cch_1nonComb C_cch_2nonComb C_cch_3nonComb C_cch_4nonComb	
bpm	B_3	Number of multiframes for transmission of PAGING REQUEST messages to the same paging subgroup If arbitrary If fixed (2, 4, 5, 9 multiframes)	TSPX_PAMFRMSx C_BPM_0, C_BPM_2, C_BPM_3, C_BPM_7	
t3212	OCTETSTR.	Requested value for T3212 in test case Location Update Value)		(Periodic
		infinite 6 mn / 1 deci hours 12 mn / 2 deci hours 30 mn / 5 deci hours	C_T3212_0 C_T3212_1 C_T3212_2 C_T3212_5	
ci	CI	Cell Identity If formal para activ_cell = C_CellA If formal para activ_cell = C_CellB If formal para activ_cell = C_CellC	C_ci_CellA C_ci_CellB C_ci_CellC	
mcc	OCTETSTR.	Mobile Contry Code for the LAI	C_MCC, C_MCC_x	
mnc	OCTETSTR.	Mobile Network Code for the LAI	C_PLMN_Home, C_PLMN_x	
lac	OCTETSTR.	Local Area Code for the LAI	C_LAC_x	

co	CO	Cell Options	CellOpt_xx
cchdgsm	CCHD	Cell Channels Description (GSM) If formal para sysinfonb=C_Test_nfh CellChDes_omit If formal para sysinfonb=C_Test_cbms CellChDes_omit If formal para sysinfonb=C_Test_fh GSM CellChDes_xx	
cchddcs	CCHD	Cell Channels Description (DCS) If formal para sysinfonb=C_Test_nfh CellChDes_omit If formal para sysinfonb=C_Test_cbms CellChDes_omit If formal para sysinfonb=C_Test_fh DCS CellChDes_xx	
crh	INTEGER	Cell Reselection Hysteresis	C_CellReselectHys12, C_CellReselectHys4
mtmcgsm	INTEGER	Requested maximum power level for GSM MS	C_MaxPwrLvIG
mtmcdcs	INTEGER	Requested maximum power level for DCS MS	C_MaxPwrLvID
bcchflgsm	NCD	Neighbour Cells Description for GSM	BcchFreqLst_xx
bcflaltgsm	NCD	Alternative Neighbour Cells Description for GSM. If sysinfonb = C_Test_nfh Alternat.GSM BcchFreqLst_xx Otherwise: BcchFreqLst_Omit	
bcchfldcs	NCD	Neighbour Cells Description for DCS	BcchFreqLst_xx
bcflaltdcs	NCD	Alternative Neighbour Cells Description for DCS If sysinfonb = C_Test_nfh Alternat.DCS BcchFreqLst_xx Otherwise: BcchFreqLst_Omit	
Re	B_1	Rach Control Parameter field, Re-establishment bit for SysInfo1, SysInfo2, SysInfo3, SysInfo4	C_Restablishment, C_noRestablishmen
bcc	BCC	Base station Color Code	C_BCC
ncc	NCC	Network Color Code	C_NCC
StartType	INTEGER	Initial conditions for MS Starting without TMSI Starting with Tmsi_01 Starting with Tmsi_01, MS deactivated Starting with LAI deleted, MS deactivated Starting with PLMN not allowed	C_Start_Imsi C_Start_Tmsi C_Start_TmsiOff C_Start_Rej C_Start_PLMNnot
subch	BITSTRING	Selected sub-channel If Formal para cch_con = C_cch_1Comb, TSPX_SDCCH4SubDef TSPX_SDCCH4SubA, SubB, SubC	
cksn	BITSTRING	Ciphering Key Sequence for authentication TSPX_CKSNDf, C	Number used TSPX_CKSNA, B,
rand	BITSTRING	Random Number for authentication TSPX_RANDDef, TSPX_RANDA, B, C	
arfcngsm	INTEGER	BCCH channel ARFCN (GSM) If sysinfonb = C_Test_fh Otherwise:	C_Noarfcn C_arfcnA_x C_arfcnB_x C_arfcnC_x
arfcndcs	INTEGER	BCCH channel ARFCN (DCS) If sysinfonb = C_Test_fh	C_Noarfcn

	Otherwise:	If activ_cell = C_CellB	If activ_cell = C_CellA	
C_arfcnAd_x		C_arfcnCd_x	C_arfcnBd_x	If
activ_cell = C_CellC				
imsi	HEXSTRING	The expected IMSI	TSPX_IMSI	
		In TC_26_7_3_2	C_shortIMSI	
sysinfofb	INTEGER	Type of sysinfo sending		
		Frequency Hopping	C_Test_fh	
		Non Frequency hopping	C_Test_nfh	
		EGSM sequence	C_Test_egsm	
		CBMS sequence	C_Test_cbms	
nccp	NCCP	Network Country Code Permitted		
		in SysInfo2	C_NCCP_2, C_NCCP_5	

Test Step Dynamic Behaviour					
Test Step Name:		PreEstRRConn(slot:SN; tsc:TSC; ta:TA)			
Group:		GSM_MS_EFR_4200/Preambles/			
Objective:		To establish a RR connection on SDCCH subchannel defined by TSPX_SDCCH4SubDef in cell A			
Default:		OtherEvents			
Comments:		The calling tree shall prepare variable for the step: TCV_ch for the SDCCH4 subchannel TSPX_SDCCH4SubDef. This test step is used for non RR testing.			
Nr	Label	Behaviour Description	CRef	V	Comments
1		L!DL_UdatRqPg1Rq	PgReq1(TCV_PgCh, TCV_Pgg, PgReqTp1_01)		To match ChReq retrans.
2		L?DL_RaInChRq (TCV_Rr := DL_RaInChRq.msg.ecau_rrf, TCV_Fn := DL_RaInChRq.fn)	ChReq(ChRequest_17)		
3		ACTIVATE(OtherEvents_02)			
4		L!DL_UdatRqImm	ImmAss(TCV_agch, ImmAsgn_01Def(TCV_Rr, TCV_Fn, TSPX_SDCCH4SubDef, slot, tsc, TCV_chdescr_arfcn, ta))		
5		L?DL_EstInPgRes	PagingRes(PagingRes_01)		
6		ACTIVATE(OtherEvents)			Restore Normal default
Detailed Comments:					

Test Step Dynamic Behaviour					
Test Step Name:		StartCellA_ho(par_bspwr, arfcn1, arfcn2:INTEGER; acttype:BITSTRING; slot:SN; tsc:TSC; ta:TA; t, retr, neci, att:INTEGER; babr, cch_con, bpm:B_3; t3212, mcc, mnc, lac:OCTETSTRING; cchdgsm, cchddcs:CCHD; bcchflgsm, bcchfldcs:NCD; Re:BITSTRING; bcc:BCC; ncc:NCC; td, fn:INTEGER)			
Group:		GSM_MS_EFR_4200/Preambles/			
Objective:		To setup a physical channel as combined BCCH, CCCH and SDCCH4 then broadcast SYSTEM INFORMATION messages 2, 3, 4, 5 and 6 with default parameters of cell A.			
Default:		OtherEvents			
Nr	Label	Behaviour Description	CRef	V	Comments
1		(TCV_sacch := OC_SubchOfSacch4(TSPX_SDCCH4SubDef, C_CellA))			
2		+ltree_chconf			
3		+SysInfoSending_fh(C_SCH_A, C_BCCH_A_1, t, retr, neci, att, babr, cch_con, bpm, t3212, C_ci_cellA, mcc, mnc, lac, CellOpt_01, cchdgsm, cchddcs, C_CellReselectHys12, C_MaxPwrLvlG, C_MaxPwrLvlD, bcchflgsm, bcchfldcs, Re, bcc, ncc, C_NCCP_2)			
4		(TCV_Ccd0A := TCV_Ccd0H, TCV_sysinfo5 := TCV_sysinfo5, TCV_sysinfo6 := TCV_sysinfo6)			
5		[cch_con = C_cch_1Comb]			
6		+SysInfo_SacchSending(TCV_sacch, TCV_sysinfo5, TCV_sysinfo6)			
7		[cch_con = C_cch_1nonComb]			
8	E_01 03	[(cch_con <> C_cch_1nonComb) AND(cch_con <> C_cch_1Comb)]		I	
		ltree_chconf			
9		[cch_con = C_cch_1Comb]			
10		+CombinedBCCH_A_ho(par_bspwr, C_MaxPwrLvlG, C_MaxPwrLvlD, arfcn1, arfcn2, acttype, slot, tsc, ta, babr, cch_con, bpm, td, fn)			
11		[cch_con = C_cch_1nonComb]			
12		+NonCombinedBCCH_A_ho(par_bspwr, C_MaxPwrLvlG, C_MaxPwrLvlD, arfcn1, arfcn2, acttype, slot, tsc, ta, babr, cch_con, bpm, td, fn)			
13	E_01 04	[(cch_con <> C_cch_1nonComb) AND(cch_con <> C_cch_1Comb)]		I	
Detailed Comments:					

Test Step Dynamic Behaviour					
Test Step Name:		StartCellB_ho(par_bspwr, arfcn1, arfcn2:INTEGER; acttype:BITSTRING; slot:SN; tsc:TSC; ta:TA; t, retr, neci, att:INTEGER; babr, cch_con, bpm:B_3; t3212, mcc, mnc, lac:OCTETSTRING; cchdgsm, cchddcs:CCHD; bcchflgsm, bcchfldcs:NCD; Re:BITSTRING; bcc:BCC; ncc:NCC; td, fn:INTEGER)			
Group:		GSM_MS_EFR_4200/Preambles/			
Objective:		To setup a physical channel as combined BCCH, CCCH and SDCCH4 then broadcast SYSTEM INFORMATION messages 2, 3, 4, 5 and 6 with default parameters of cell B.			
Default:		OtherEvents			
Nr	Label	Behaviour Description	CRef	V	Comments
1		(TCV_sacch_B := OC_SubchOfSacch4(TSPX_SDCCH4SubDef, C_CellB))			
2		+ltree_chconf			
3		+SysInfoSending_fh(C_SCH_B, C_BCCH_B_1, t, retr, neci, att, babr, cch_con, bpm, t3212, C_ci_cellB, mcc, mnc, lac, CellOpt_01, cchdgsm, cchddcs, C_CellReselectHys12, C_MaxPwrLvIG, C_MaxPwrLvID, bcchflgsm, bcchfldcs, Re, bcc, ncc, C_NCCP_2)			
4		(TCV_Ccd0B := TCV_Ccd0H, TCV_sysinfo5_B := TCV_sysinfo5, TCV_sysinfo6_B := TCV_sysinfo6)			
5		[cch_con = C_cch_1Comb]			
6		+SysInfo_SacchSending(TCV_sacch_B, TCV_sysinfo5_B, TCV_sysinfo6_B)			
7		[cch_con = C_cch_1nonComb]			
8	E_01 05	[(cch_con <> C_cch_1nonComb) AND(cch_con <> C_cch_1Comb)]		I	
		ltree_chconf			
9		[cch_con = C_cch_1Comb]			
10		+CombinedBCCH_B_ho(par_bspwr, C_MaxPwrLvIG, C_MaxPwrLvID, arfcn1, arfcn2, acttype, slot, tsc, ta, babr, cch_con, bpm, td, fn)			
11		[cch_con = C_cch_1nonComb]			
12		+NonCombinedBCCH_B_ho(par_bspwr, C_MaxPwrLvIG, C_MaxPwrLvID, arfcn1, arfcn2, acttype, slot, tsc, ta, babr, cch_con, bpm, td, fn)			
13	E_01 06	[(cch_con <> C_cch_1nonComb) AND(cch_con <> C_cch_1Comb)]		I	
Detailed Comments:					

Defaults Library

Default Dynamic Behaviour					
Default Name:		OtherEvents			
Group:		GSM_MS_EFR_4200/			
Objective:		To match unexpected events and sign final verdict for preambles.			
Comments:		used in preambles.			
Nr	Label	Behaviour Description	CRef	V	Comments
1		L?DL_Relln	DLRelInd_02		4.
2		RETURN			
3		?TIMEOUT T_guard			1.
4		+ltree_SDCCH1_release			
5		+ltree_SDCCH2_release			
6		+ltree_TCH1_release			
7		+ltree_TCH2_release			
8		(TCV_Null := OO_TguardTimeOut())			
9	E_01 07	CANCEL		I	3.
10		L?OTHERWISE			2.
11		+ltree_SDCCH1_release			
12		+ltree_SDCCH2_release			
13		+ltree_TCH1_release			
14		+ltree_TCH2_release			
15		L?DL_Relln	DLRelInd_01		
16	E_01 08	CANCEL		I	3.
17		?TIMEOUT T_guard			1.
18	E_01 09	CANCEL		I	3.
19		ltree_SDCCH1_release [TCV_ch <> "dummy"]			
20		L!DL_DatRqChRel	ChRel(TCV_ch, ChRelease_01)		
21		[TCV_ch = "dummy"]			
22		ltree_SDCCH2_release [TCV_ch1 <> "dummy"]			
23		L!DL_DatRqChRel	ChRel(TCV_ch1, ChRelease_01)		
24		[TCV_ch1 = "dummy"]			
25		ltree_TCH1_release [TCV_chTch <> "dummy"]			
26		L!DL_DatRqChRel	ChRel(TCV_chTch, ChRelease_01)		
27		[TCV_chTch = "dummy"]			
28		ltree_TCH2_release [TCV_chTch1 <> "dummy"]			
29		L!DL_DatRqChRel	ChRel(TCV_chTch1, ChRelease_01)		
30		[TCV_chTch1 = "dummy"]			
Detailed Comments:		1. The guard timer times out, inconclusive. 2. Unexpected events, inconclusive. 3. Cancel of all running timers. 4. Local end termination request allowed.			

Default Dynamic Behaviour					
Default Name:		OtherEventsFail			
Group:		GSM_MS_EFR_4200/			
Objective:		To match unexpected events and fail the test case.			
Nr	Label	Behaviour Description	CRef	V	Comments
1		L?DL_Relln	DLRelInd_02		
2		RETURN			
3		?TIMEOUT T_guard			1.
4		+ltree_SDCCH1_release			
5		+ltree_SDCCH2_release			
6		+ltree_TCH1_release			
7		+ltree_TCH2_release			
8		(TCV_Null := OO_TguardTimeOut())			
9	E_01	CANCEL		I	3.
10	10	L?OTHERWISE			2.
11		+ltree_SDCCH1_release			
12		+ltree_SDCCH2_release			
13		+ltree_TCH1_release			
14		+ltree_TCH2_release			
15		L?DL_Relln	DLRelInd_01		
16	E_01	CANCEL		F	3.
17	11	?TIMEOUT T_guard			
18	E_01	CANCEL		F	3.
19		ltree_SDCCH1_release			
20		[TCV_ch <> "dummy"]			
21		L!DL_DatRqChRel	ChRel(TCV_ch, ChRelease_01)		
22		[TCV_ch = "dummy"]			
23		ltree_SDCCH2_release			
24		[TCV_ch1 <> "dummy"]			
25		L!DL_DatRqChRel	ChRel(TCV_ch1, ChRelease_01)		
26		[TCV_ch1 = "dummy"]			
27		ltree_TCH1_release			
28		[TCV_chTch <> "dummy"]			
29		L!DL_DatRqChRel	ChRel(TCV_chTch, ChRelease_01)		
30		[TCV_chTch = "dummy"]			
Detailed Comments:		1. The guard timer times out, inconclusive.			
		2. Unexpected events, fail.			
		3. Cancel of all running timers.			

Default Dynamic Behaviour					
Default Name:		OtherEventsFail_01			
Group:		GSM_MS_EFR_4200/			
Objective:		To match irrelevant CHANNEL REQUEST msg and MEASUREMENT REPORT msg and return or match other unexpected events and fail the test case.			
Nr	Label	Behaviour Description	CRef	V	Comments
1		L?DL_Relln	DLRelInd_01		6.
2		RETURN			
3		?TIMEOUT T_guard			1.
4		+ltree_SDCCH1_release			
5		+ltree_SDCCH2_release			
6		+ltree_TCH1_release			
7		+ltree_TCH2_release			
8		(TCV_Null := OO_TguardTimeOut())			
9	E_01 13	CANCEL		I	5.
10		L?DL_RacInChRq	ChReq(ChRequest_02)		2.
11		RETURN			
12		L?DL_UdatInMsrRpt	MsrRept(MsrReport_02)		3.
13		RETURN			
14		L?OTHERWISE			4.
15		+ltree_SDCCH1_release			
16		+ltree_SDCCH2_release			
17		+ltree_TCH1_release			
18		+ltree_TCH2_release			
19		L?DL_Relln	DLRelInd_01		
20	E_01 14	CANCEL		F	5.
21		?TIMEOUT T_guard			
22	E_01 15	CANCEL		F	5.
23		ltree_SDCCH1_release [TCV_ch <> "dummy"]			
24		L!DL_DatRqChRel	ChRel(TCV_ch, ChRelease_01)		
25		[TCV_ch = "dummy"]			
26		ltree_SDCCH2_release [TCV_ch1 <> "dummy"]			
27		L!DL_DatRqChRel	ChRel(TCV_ch1, ChRelease_01)		
28		[TCV_ch1 = "dummy"]			
29		ltree_TCH1_release [TCV_chTch <> "dummy"]			
30		L!DL_DatRqChRel	ChRel(TCV_chTch, ChRelease_01)		
31		[TCV_chTch = "dummy"]			
32		ltree_TCH2_release [TCV_chTch1 <> "dummy"]			
33		L!DL_DatRqChRel	ChRel(TCV_chTch1, ChRelease_01)		
34		[TCV_chTch1 = "dummy"]			
Detailed Comments:		<ol style="list-style-type: none"> The guard timer times out, inconclusive. To throw away any irrelevant channel request. To throw away any measurement report. Other unexpected events, fail. Cancel of all running timers. Cover also DLRelInd_02 for local end termination. 			

Default Dynamic Behaviour					
Default Name:		OtherEventsFail_02			
Group:		GSM_MS_EFR_4200/			
Objective:		To match unexpected events and fail the test case but ignore channel request messages that are sent before the lower tester has sent (and the MS received) the Immediate Assignment message.			
Nr	Label	Behaviour Description	CRef	V	Comments
1		L?DL_Relln	DLRelInd_02		
2		RETURN			
3		L?DL_RacInChRq	ChReq(ChRequest_02)		1.
4		RETURN			
5		?TIMEOUT T_guard			2.
6		+ltree_SDCCH1_release			
7		+ltree_SDCCH2_release			
8		+ltree_TCH1_release			
9		+ltree_TCH2_release			
10		(TCV_Null := OO_TguardTimeOut())			
11	E_01 16	CANCEL		I	4.
12		L?OTHERWISE			3.
13		+ltree_SDCCH1_release			
14		+ltree_SDCCH2_release			
15		+ltree_TCH1_release			
16		+ltree_TCH2_release			
17		L?DL_Relln	DLRelInd_01		
18	E_01 17	CANCEL		F	4.
19		?TIMEOUT T_guard			
20	E_01 18	CANCEL		F	4.
21		ltree_SDCCH1_release [TCV_ch <> "dummy"]			
22		LIDL_DatRqChRel	ChRel(TCV_ch, ChRelease_01)		
23		[TCV_ch = "dummy"]			
24		ltree_SDCCH2_release [TCV_ch1 <> "dummy"]			
25		LIDL_DatRqChRel	ChRel(TCV_ch1, ChRelease_01)		
26		[TCV_ch1 = "dummy"]			
27		ltree_TCH1_release [TCV_chTch <> "dummy"]			
28		LIDL_DatRqChRel	ChRel(TCV_chTch, ChRelease_01)		
29		[TCV_chTch = "dummy"]			
30		ltree_TCH2_release [TCV_chTch1 <> "dummy"]			
31		LIDL_DatRqChRel	ChRel(TCV_chTch1, ChRelease_01)		
32		[TCV_chTch1 = "dummy"]			
Detailed Comments:		1. To throw away any irrelevant channel request. 2. The guard timer times out, inconclusive. 3. Unexpected events, fail. 4. Cancel of all running timers.			

Default Dynamic Behaviour					
Default Name:		OtherEvents_01			
Group:		GSM_MS_EFR_4200/			
Objective:		To match irrelevant messages and return			
Nr	Label	Behaviour Description	CRef	V	Comments
1		L?OTHERWISE			1.
2		RETURN			
Detailed Comments:		1. Cover also DLRelnd_02 for local end termination.			

Default Dynamic Behaviour					
Default Name:		OtherEvents_02			
Group:		GSM_MS_EFR_4200/			
Objective:		To match unexpected events and sign final verdict for preambles but ignore channel request messages that are sent before the lower tester has sent (and the MS received) the Immediate Assignment message.			
Comments:		used in preambles.			
Nr	Label	Behaviour Description	CRef	V	Comments
1		L?DL_Relln	DLRelInd_02		
2		RETURN			
3		L?DL_RaInChRq	ChReq(ChRequest_02)		1.
4		RETURN			
5		?TIMEOUT T_guard			2.
6		+ltree_SDCCH1_release			
7		+ltree_SDCCH2_release			
8		+ltree_TCH1_release			
9		+ltree_TCH2_release			
10		(TCV_Null := OO_TguardTimeOut())			
11	E_01 19	CANCEL		I	4.
12		L?OTHERWISE			3.
13		+ltree_SDCCH1_release			
14		+ltree_SDCCH2_release			
15		+ltree_TCH1_release			
16		+ltree_TCH2_release			
17		L?DL_Relln	DLRelInd_01		
18	E_01 20	CANCEL		I	4.
19		?TIMEOUT T_guard			2.
20	E_01 21	CANCEL		I	4.
21		ltree_SDCCH1_release [TCV_ch <> "dummy"]			
22		L!DL_DatRqChRel	ChRel(TCV_ch, ChRelease_01)		
23		[TCV_ch = "dummy"]			
24		ltree_SDCCH2_release [TCV_ch1 <> "dummy"]			
25		L!DL_DatRqChRel	ChRel(TCV_ch1, ChRelease_01)		
26		[TCV_ch1 = "dummy"]			
27		ltree_TCH1_release [TCV_chTch <> "dummy"]			
28		L!DL_DatRqChRel	ChRel(TCV_chTch, ChRelease_01)		
29		[TCV_chTch = "dummy"]			
30		ltree_TCH2_release [TCV_chTch1 <> "dummy"]			
31		L!DL_DatRqChRel	ChRel(TCV_chTch1, ChRelease_01)		
32		[TCV_chTch1 = "dummy"]			
Detailed Comments:		<ol style="list-style-type: none"> 1. To throw away any irrelevant channel request. 2. The guard timer times out, inconclusive. 3. Unexpected events, inconclusive. 4. Cancel of all running timers. 			

Default Dynamic Behaviour					
Default Name:		RcvHdOvAcc			
Group:		GSM_MS_EFR_4200/			
Objective:		To match any HANDOVER ACCESS then return to calling tree.			
Nr	Label	Behaviour Description	CRef	V	Comments
1		L?DL_RacInHoacc	HndOvAcc_01		
2		RETURN			
Detailed Comments:					

Annex E (informative): Cell Selection Abstract Test Suite**The machine processable ATS**

The electronic forms of the machine processable files (TTCN MP format) corresponding to the ATS for Layer 3 are contained in the file cs-4k1.mp³⁾ (Cell Selection) on the diskette included as a part of this ETS (Part 3).

The graphical form ATS

The TTCN.GR representation of this ATS is contained in the remainder of this annex.

3) This file is located in an archive file named 6073_E6.LZH. Other file formats are available on request.

Suite overview

Suite structure

Test Suite Structure	
Suite Name:	GSM_MS_CS_4200
Standards Ref:	ETS 300 557
PICS Ref:	
PIXIT Ref:	
Test Method(s):	Distributed Single Layer Test Method
Comments:	v4.20.0

Structure and Objectives			
Test Group Reference	Selection Ref	Test Group Objective	Page Nr
GSM_MS_CS_4200/CellSelection/	SelExpr_0000	To verify cell selection and reselection	2334
Detailed Comments:			

Test case index

Test Case Index				
Test Group Reference	Test Case Id	Selection ref	Description	Page Nr
GSM_MS_CS_4200/CellSelection/	TC_20_1	SelExpr_0000	Cell selection	2334
GSM_MS_CS_4200/CellSelection/	TC_20_2	SelExpr_0000	Cell selection with varying signal strength values	2338
GSM_MS_CS_4200/CellSelection/	TC_20_4	SelExpr_0000	Cell reselection using TEMPORARY_OFFSET, CELL_RESELECT_OFFSET, POWER_OFFSET and PENALTY_TIME parameters	2340
GSM_MS_CS_4200/CellSelection/	TC_20_5	SelExpr_0000	Cell reselection using parameters transmitted in the System Information type 2bis, type 2ter, type 7 and type 8 messages	2343
GSM_MS_CS_4200/CellSelection/	TC_20_6	SelExpr_0000	Cell reselection timings	2345
GSM_MS_CS_4200/CellSelection/	TC_20_7	SelExpr_0000	Priority of cells	2349
GSM_MS_CS_4200/CellSelection/	TC_20_8	SelExpr_0000	Cell reselection when C1 (serving cell) < 0 for 5 seconds	2353
GSM_MS_CS_4200/CellSelection/	TC_20_9	SelExpr_0000	Running average of the surrounding cell BCCH carrier signal levels	2355
GSM_MS_CS_4200/CellSelection/	TC_20_10	SelExpr_0000	Running average of the serving cell BCCH carrier signal level	2358
GSM_MS_CS_4200/CellSelection/	TC_20_12	SelExpr_0000	Decoding the BCCH information of the neighbour carriers on the list of six strongest neighbour carriers	2360
GSM_MS_CS_4200/CellSelection/	TC_20_13	SelExpr_0000	Decoding the BSIC of the neighbour carriers on the list of six strongest neighbour carriers	2362
GSM_MS_CS_4200/CellSelection/	TC_20_15	SelExpr_0000	Cell reselection due to MS rejection "LA not allowed"	2364
GSM_MS_CS_4200/CellSelection/	TC_20_16	SelExpr_0000	Downlink signalling failure	2368
GSM_MS_CS_4200/CellSelection/	TC_20_17	SelExpr_0000	Cell selection if no suitable cell found in 10 s	2371
Detailed Comments:				

Test step index

Test Step Index			
Test Step Group Reference	Test Step Id	Description	Page Nr
GSM_MS_CS_4200/management/	StopAllBCCH	To stop the RF transmission of all BCCH channels in all active cells.	2372
GSM_MS_CS_4200/management/Ch Config/	Config_CBMS_A_1	To set a physical channel and map FCCH, SCH, BCCH, CCCH, SDCCH4 and CBCH onto the physical channel which represents cell A.	2373
GSM_MS_CS_4200/management/Ch Config/	Config_BCCH_CCCH_A_1	To set a physical channel and map FCCH, SCH, BCCH and CCCH onto the physical channel which represents cell A.	2373
GSM_MS_CS_4200/management/Ch Config/	Config_BCCH_CCCH_A_2	To set a physical channel and map the second BCCH, CCCH onto the physical channel which represents cell A.	2373
GSM_MS_CS_4200/management/Ch Config/	Config_BCCH_CCCH_A_3	To set a physical channel and map the third BCCH, CCCH onto the physical channel which represents cell A.	2374
GSM_MS_CS_4200/management/Ch Config/	Config_BCCH_CCCH_A_4	To set a physical channel and map the fourth BCCH, CCCH onto the physical channel which represents cell A.	2374
GSM_MS_CS_4200/management/Ch Config/	Config_BCCH_CCCH_B_1	To set a physical channel and map FCCH, SCH, BCCH and CCCH onto the physical channel which represents cell B.	2374
GSM_MS_CS_4200/management/Ch Config/	Config_SDCCH4_A_1	To set a physical channel and map FCCH, SCH, BCCH, CCCH and SDCCH4 onto the physical channel which represents cell A.	2375
GSM_MS_CS_4200/management/Ch Config/	Config_SDCCH4_A_1_fn		2375
GSM_MS_CS_4200/management/Ch Config/	Config_SDCCH4_B_1	To set a physical channel and map FCCH, SCH, BCCH, CCCH and SDCCH4 onto the physical channel which represents cell B.	2376
GSM_MS_CS_4200/management/Ch Config/	Config_SDCCH4_B_1_fn		2376
GSM_MS_CS_4200/management/Ch Config/	Config_SDCCH4_C_1	To set a physical channel and map FCCH, SCH, BCCH, CCCH and SDCCH4 onto the physical channel which represents cell C.	2377
GSM_MS_CS_4200/management/Ch Config/	Config_SDCCH4_D_1	To set a physical channel and map FCCH, SCH, BCCH, CCCH and SDCCH4 onto the physical channel which represents cell D.	2377
GSM_MS_CS_4200/management/Ch Config/	Config_SDCCH4_E_1	To set a physical channel and map FCCH, SCH, BCCH, CCCH and SDCCH4 onto the physical channel which represents cell E.	2378
GSM_MS_CS_4200/management/Ch Config/	Config_SDCCH8_A_1	To set one physical channel used as SDCCH8 channel for instance 1 of cell A.	2378
GSM_MS_CS_4200/management/Ch Config/	Config_SDCCH8_A_2	To set one physical channel used as SDCCH8 channel for instance 2 of cell A.	2379
GSM_MS_CS_4200/management/Ch Config/	Config_SDCCH8_B_1	To set one physical channel used as SDCCH8 channel for instance 1 of cell B.	2379
GSM_MS_CS_4200/management/Ch Config/	CombinedBCCH_A_C BMS	To set a physical channel and map FCCH, SCH, BCCH, CCCH and SDCCH4 onto the physical channel which represents cell A.	2380
GSM_MS_CS_4200/management/Ch Config/	CombinedBCCH_A	To set a physical channel and map FCCH, SCH, BCCH, CCCH and SDCCH4 onto the physical channel which represents cell A.	2380
GSM_MS_CS_4200/management/Ch Config/	CombinedBCCH_A_fn		2380
GSM_MS_CS_4200/management/Ch Config/	CombinedBCCH_B	To set a physical channel and map FCCH, SCH, BCCH, CCCH and SDCCH4 onto the physical channel which represents cell B.	2381
GSM_MS_CS_4200/management/Ch Config/	CombinedBCCH_B_fn		2381
GSM_MS_CS_4200/management/Ch Config/	CombinedBCCH_C	To set a physical channel and map FCCH, SCH, BCCH, CCCH and SDCCH4 onto the physical channel which represents cell C.	2381
GSM_MS_CS_4200/management/Ch Config/	CombinedBCCH_D	To set a physical channel and map FCCH, SCH, BCCH, CCCH and SDCCH4 onto the physical channel which represents cell D.	2382
GSM_MS_CS_4200/management/Ch Config/	CombinedBCCH_E	To set a physical channel and map FCCH, SCH, BCCH, CCCH and SDCCH4 onto the physical channel which represents cell E.	2382

GSM_MS_CS_4200/management/Ch Config/	NonCombinedBCCH_A	To set one physical channel used as FCHH_SCH_BCCH_CCCH for cell A.	2382
GSM_MS_CS_4200/management/Ch Config/	NonCombinedBCCH_A_2	To set a physical channel and map the second BCCH, CCCH onto the physical channel which represents cell A.	2383
GSM_MS_CS_4200/management/Ch Config/	NonCombinedBCCH_A_3	To set a physical channel and map the third BCCH, CCCH onto the physical channel which represents cell A.	2383
GSM_MS_CS_4200/management/Ch Config/	NonCombinedBCCH_A_4	To set a physical channel and map the fourth BCCH, CCCH onto the physical channel which represents cell A.	2383
GSM_MS_CS_4200/management/Ch Config/	NonCombinedBCCH_B	To set a physical channel and map FCCH, SCH, BCCH, CCCH onto the physical channel which represents cell B for RR testing.	2384
GSM_MS_CS_4200/management/Ch Config/	SDCCH8_A_1_nociph	To set one physical channel used as SDCCH8 channel for instance 1 of cell A.	2384
GSM_MS_CS_4200/management/Ch Config/	SDCCH8_A_2_nociph	To set one physical channel used as hopping SDCCH8 channel for instance 2 of cell A, for TC_26_6_13_1.	2385
GSM_MS_CS_4200/management/Ch Config/	SDCCH8_B_1_nociph	To set one physical channel used as hopping SDCCH8 channel for instance 1 of cell B For TC_26_6_13_5.	2385
GSM_MS_CS_4200/Miscellaneous/	Authentication	To execute the authentication procedure.	2386
GSM_MS_CS_4200/Miscellaneous/	CCCH_group_Paging_group		2387
GSM_MS_CS_4200/Miscellaneous/	ImsiAttach		2388
GSM_MS_CS_4200/Miscellaneous/	ImsiAttachIni		2389
GSM_MS_CS_4200/Miscellaneous/	ImsiAttachNoReaction		2390
GSM_MS_CS_4200/Miscellaneous/	ImsiDetach		2391
GSM_MS_CS_4200/Miscellaneous/	ImsiDetachNoReaction		2392
GSM_MS_CS_4200/Miscellaneous/	MM_LupInit2		2392
GSM_MS_CS_4200/Miscellaneous/	MM_LupRej		2392
GSM_MS_CS_4200/Miscellaneous/	MM_PwrOrSimOff		2393
GSM_MS_CS_4200/Miscellaneous/	MM_PwrOrSimOn		2393
GSM_MS_CS_4200/Miscellaneous/	NoReaction	To check whether MS doesn't initiate any RR connections.	2393
GSM_MS_CS_4200/Miscellaneous/	PageOnCarriers		2394
GSM_MS_CS_4200/Miscellaneous/	Pause		2395
GSM_MS_CS_4200/Miscellaneous/	SelectPagingCh		2395
GSM_MS_CS_4200/Miscellaneous/	Varinit_fix		2396
GSM_MS_CS_4200/Miscellaneous/	Wait		2396
GSM_MS_CS_4200/Miscellaneous/	WaitForInService	To wait until the MS enters the Idle and updated state.	2396
GSM_MS_CS_4200/Miscellaneous/SysInfo/	SysInfoSending_cbms	To send system information messages for the CBMS tests.	2397
GSM_MS_CS_4200/Miscellaneous/SysInfo/	SysInfoSending_fh	To send system information messages for the L3 tests. The following parameters specified by input parameters.	2399
GSM_MS_CS_4200/Miscellaneous/SysInfo/	SysInfoSending_fh_bisA		2400
GSM_MS_CS_4200/Miscellaneous/SysInfo/	SysInfoSending_fh_bisB		2402
GSM_MS_CS_4200/Miscellaneous/SysInfo/	SysInfoSending_fh_rc		2404
GSM_MS_CS_4200/Miscellaneous/SysInfo/	SysInfoSending_fh_rpt		2406
GSM_MS_CS_4200/Miscellaneous/SysInfo/	SysInfoSending_fh_rpt		2408
GSM_MS_CS_4200/Miscellaneous/SysInfo/	SysInfoSending_nfh	To send system information messages with default parameters defined for L3 tests for which no other special parameters indicated.	2410
GSM_MS_CS_4200/Miscellaneous/SysInfo/	SysInfoSending_nfhCb	To send system information messages with default parameters defined for L3 tests except that the cell is barred.	2412
GSM_MS_CS_4200/Miscellaneous/SysInfo/	SysInfoSending_e	Sending of Systeminformation for cell A in EGSM test case TC_26_10_2_2.	2413
GSM_MS_CS_4200/Miscellaneous/SysInfo/	SysInfo_SacchSending	To send SYSTEM INFORMATION 5 and 6 messages defined by parameters 'sysinfo5_pdu' and 'sysinfo6_pdu' in the parametrised 'ch' channel.	2414

GSM_MS_CS_4200/Miscellaneous/SysInfo/	SysInfo_5bisSending	To send SYSTEM INFORMATION 5bis message defined by parameters 'sysinfo5bis_pdu' in the parametrised 'ch' channel.	2414
GSM_MS_CS_4200/Miscellaneous/SysInfo/	SetNECI	To set the NECI =1.	2415
GSM_MS_CS_4200/Miscellaneous/SysInfo/	SetATT	To set the ATT flag to "MS's in the cell should apply IMSI attach and detach procedure"	2416
GSM_MS_CS_4200/OperatorOP/	InitCall		2417
GSM_MS_CS_4200/OperatorOP/	PLMNsCHK	To check whether the MS presents a list of available PLMNs.	2417
GSM_MS_CS_4200/Postambles/	PostLinkRelEnd	To release the RR connection and bring the MS back to Idle state. This teststep decides the final verdict and therefor it shall be used only at the end of testcases.	2417
GSM_MS_CS_4200/Postambles/	PostMainLinkRel	To release the main signalling link `ch`, and bring the MS back to Idle state.	2417
GSM_MS_CS_4200/Postambles/	ChanRel	To release the RR connection on the channel TCV_ch and bring the MS back to Idle state.	2418
GSM_MS_CS_4200/Postambles/	ChanRel_P	To release the RR connection on the channel TCV_chmaindcch and bring the MS back to Idle state. This teststep decides the verdict (P).	2418
GSM_MS_CS_4200/Postambles/	ChanRel_end	To release the RR connection and bring the MS back to Idle state. This teststep decides the final verdict and therefor it shall be used only at the end of testcases.	2418
GSM_MS_CS_4200/Preambles/	BasicServiceMO	1. This test step generates an appropriate MO SETUP message according to the IXIT parameters of Bearer services/Teleservices for an MO call. 2. The detailed algorithms for Bcap derivation for each Bearer service/Teleservice are described in test steps BS2xMO, BS3xMO, BS4xMO, BS5xMO, BS61or81MO, TS61MO and TS62MO.	2419
GSM_MS_CS_4200/Preambles/	BS2xMO	MO SETUP message with right Bcap for BS2x service.	2422
GSM_MS_CS_4200/Preambles/	BS3xMO	MO SETUP message with right Bcap for BS3x service.	2425
GSM_MS_CS_4200/Preambles/	BS4xMO	MO SETUP message with right Bcap for BS4x service.	2428
GSM_MS_CS_4200/Preambles/	BS5xMO	MO SETUP message with right Bcap for BS5x service.	2430
GSM_MS_CS_4200/Preambles/	BS61or81MO	To get a MO SETUP message with right BC IE for BS61 or BS81 service.	2431
GSM_MS_CS_4200/Preambles/	Chmod	To assign correct values to the test case variables TCV_ChMod and TCV_ChModb.	2435
GSM_MS_CS_4200/Preambles/	IdleUpdated	This test step is called at the preamble of each test case.	2436
GSM_MS_CS_4200/Preambles/	PreEstRRConn	To establish a RR connection on TSPX_SDCCH4SubDef	2443
GSM_MS_CS_4200/Preambles/	PreEstRRC_MM	To establish a RR connection for MM testcases.	2444
GSM_MS_CS_4200/Preambles/	TS61MO	MO SETUP message with right Bcap for TS61 service.	2445
GSM_MS_CS_4200/Preambles/	TS62MO	MO SETUP message with right Bcap for TS62 service.	2447

Detailed Comments:

Default index

Default Index			
Default Group Reference	Default Id	Description	Page Nr
GSM_MS_CS_4200/	OtherEvents	To match unexpected events and sign final verdict for preambles.	2449
GSM_MS_CS_4200/	OtherEventsFail	To match unexpected events and fail the test case.	2450
GSM_MS_CS_4200/	OtherEventsFail_01	To match irrelevant CHANNEL REQUEST msg and return or match other unexpected events and fail the test case.	2451
GSM_MS_CS_4200/	OtherEventsFail_02	To match unexpected events and fail the test case but ignore channel request messages that are sent before the lower tester has sent (and the MS received) the Immediate Assignment message.	2452
GSM_MS_CS_4200/	OtherEvents_01	To match irrelevant messages and return	2453
GSM_MS_CS_4200/	OtherEvents_02	To match unexpected events and sign final verdict for preambles but ignore channel request messages that are sent before the lower tester has sent (and the MS received) the Immediate Assignment message.	2454
Detailed Comments:			

Declarations Part

Test suite type definitions

Simple type definitions

Simple Type Definitions		
Type Name	Type Definition	Comments
B_1	BITSTRING [1]	Generic type for 1 bit value
B_2	BITSTRING [2]	Generic type for 2 bits value
B_3	BITSTRING [3]	Generic type for 3 bits value
B_4	BITSTRING [4]	Generic type for 4 bits value
B_5	BITSTRING [5]	Generic type for 5 bits value
B_6	BITSTRING [6]	Generic type for 6 bits value
B_8	BITSTRING [8]	Generic type for 8 bits value
BCCHFRQ	BITSTRING [5]	position of a bcch carrier in the bcch channel list
BCC	BITSTRING [3]	BS colour code
BCDN	OCTETSTRING [1..10]	BCD numbers, GSM 04.08, 10.5.4.7, octet 4-13
BSIC	BITSTRING [6]	base station identity code
CCCH_CON	BITSTRING[3]	number of physical channels for ccch GSM 04.08, 10.5.2.11
CCSTATE	INTEGER(1,3,4,6,7,8,9,10,11,12,19,26,27)	
CellID	IA5String	Cell identifier
CHANNEL	BITSTRING [2]	needed channel type
CHMOD_VAL	BITSTRING[8]	value for channel mode GSM 04.08, 10.5.2.6, 10.5.2.7
CH_TDMA	BITSTRING[5]	channel type and TDMA offset GSM 04.08, 10.5.2.5
CI	OCTETSTRING [2]	cell identity, GSM 04.08, 10.5.1.1
CKSN	BITSTRING[3]	ciphering key sequence number(only key sequence) GSM 04.08, 10.5.1.2
CLRSUP	BITSTRING('10100001'B)	CLIR suppression GSM 04.08, 10.5.4.11a
CLRINV	BITSTRING('10100010'B)	CLIR invocation GSM 04.08, 10.5.4.11b
CMSVTYPE	BITSTRING [4]	CM service type
CP_CAU	OCTETSTRING [1]	cp cause GSM 04.11, 8.1.4.2
CPHALG	BITSTRING[3]	Ciphering algorithm identifier GSM 04.08, 10.5.2.9
CS	BITSTRING [2]	coding standard
EstMode	OCTETSTRING [1]	establish mode
EXTB	BITSTRING [1]	extension bit
FCS	HEXSTRING [2]	TP failure cause
FLWCNTL	INTEGER(0, 1, 2)	type of flow control. 0--outband flow control; 1--inband flow control; 2-- no flow control
HORF	BITSTRING [8]	handover reference
HSN	BITSTRING[6]	Hopping sequence number e.g.GSM 04.08 10.5.2.5
IDTYPE	B_4	identity type
IEI_4	BITSTRING [4]	information element identifier, type 1
IEI_8	BITSTRING [8]	information element identifier, type 2-4
L2FMSTYPE	INTEGER(1..3)	L2 frame type
LENGTH	OCTETSTRING [1]	IE length or L2 pseudo length. The L2 pseudo length is composed of a L2 pseudo length value, which is 6 bits long, and of 2 additional bits. See GSM 04.08 section 10.5.2.19
LOGICCH	IA5String	

LOGCH	IA5String	
MAC	OCTETSTRING[3]	mac, e.g. GSM 04.08 10.5.2.21
MAIO	BITSTRING[6]	MAIO,GSM 04.08 10.5.2.5
MAXTXPOW	INTEGER(0..31)	Max Tx Power Level GSM 04.08, 10.5.2.4
MR	OCTETSTRING [1]	SMS RP or TP message reference
MT	BITSTRING[8]	message type, structure of it see MTO
MTI	BITSTRING [3]	SMS RP message type indicator
NCC	BITSTRING [3]	PLMN colour code
NCCP	OCTETSTRING [1]	ncc permitted
NTI	BITSTRING('1000000'B, '10000001'B, '10000010'B)	notification indicator GSM 04.08, 10.5.4.20
PD	B_4	Protocol discriminator
PGG	BITSTRING [8]	the paging group of an MS to be paged in binary presentation
RATE	IA5String("F", "H")	
RAND	BITSTRING [128]	random number
RCSD	BITSTRING [8]	reverse call setup direction GSM 04.08, 10.5.4.22a
RelMode	OCTETSTRING [1]	release mode
REJCAU	OCTETSTRING [1]	reject cause GSM 04.08, 10.5.3.6
RPI	BITSTRING [8]	repeat indicator
RRCAU	BITSTRING [8]	RR cause GSM 04.08, 10.5.2.31
RXLEV	BITSTRING [6]	received signal strength
SAPID	OCTETSTRING [1]	sap identifier
SENDINGMODE	INTEGER(1..4)	the mode of sending two consecutive messages containing paging mode IE
SERVICES	IA5String("C_Telephony", "C_EmgCall", "C_AltSpchFax", "C_AutoFax", "C_Async300", "C_Async1200", "C_Async120075", "C_Async2400", "C_Async4800", "C_Async9600", "C_Sync1200", "C_Sync2400", "C_Sync4800", "C_Sync9600", "C_PAD300", "C_PAD1200", "C_PAD120075", "C_PAD2400", "C_PAD4800", "C_PAD9600", "C_Packet2400", "C_Packet4800", "C_Packet9600", "C_AltSpchData", "C_SpchData")	
SHOCT	B_4	spare half octet for type 1 information element GSM 04.08, 10.5.1.8
SKI	B_4	Skip indicator
SN	BITSTRING [3]	all possible slot number, GSM 04.08 10.5.2.5
SPB	B_1	spare bit
SP2B	B_2	2 spare bits
SP3B	B_3	3 spare bits
SP5B	B_5	5 spare bits
SP6B	B_6	6 spare bits
SRES	OCTETSTRING [4]	authentication response signature
TPCD	OCTETSTRING [1..157]	TP command data
TPSCTS	HEXSTRING [14]	TP service centre time stamp
TPUD	OCTETSTRING [1..140]	TP user data
TSC	B_3	Training sequence code,GSM 04.08 10.5.2.5
T1	BITSTRING [11]	
T1_	B_5	T1'
T2	B_5	
T3	BITSTRING [6]	
T3_	B_3	T3'
TI_V	B_3	TI value
TMSI_V	OCTETSTRING[4]	TMSI value is octetstring of length 4
TZONES	INTEGER(-79..79)	time zones in 15 minute steps
WI	HEXSTRING [2]	wait indication, unit in second

Detailed Comments:

Structured Type definitions

Structured Type Definition		
Type Name:		ACST
Comments:		Auxiliary states (CC information element) GSM 04.08, 10.5.4.4
Element Name	Type Definition	Comments
iei	IEI_8	
iel	LENGTH	
extb	EXTB	
sp3b	SP3B	
has	BITSTRING [2]	
mpas	BITSTRING [2]	
Detailed Comments:		

Structured Type Definition		
Type Name:		EFR_BCAP_3A_ETC
Comments:		Speech Versions preferences as supported by the EFR mobile - see GSM 04.08/10.5.4.5/octet 3a etc/"speech version indication"
Element Name	Type Definition	Comments
extb	EXTB	
cod	BITSTRING[1]	
spr2	BITSTRING[2]	
svi	BITSTRING [4]	
Detailed Comments:		

Structured Type Definition		
Type Name:	BCAP	
Comments:	Bearer capability (CC information element) GSM 04.08, 10.5.4.5	
Element Name	Type Definition	Comments
iei	IEI_8	
iel	LENGTH	
extb3	EXTB	
rchr	BITSTRING [2]	
cs	BITSTRING [1]	
tm	BITSTRING [1]	
itc	BITSTRING [3]	
oct_3a_etc_1	EFR_BCAP_3A_ETC	
oct_3a_etc_2	EFR_BCAP_3A_ETC	
oct_3a_etc_3	EFR_BCAP_3A_ETC	
oct_3a_etc_4	EFR_BCAP_3A_ETC	
oct_3a_etc_5	EFR_BCAP_3A_ETC	
oct_3a_etc_6	EFR_BCAP_3A_ETC	
extb4	EXTB	
spb	SPB	
strc	BITSTRING [2]	
dplxm	BITSTRING [1]	
config	BITSTRING [1]	
nirr	BITSTRING [1]	
est	BITSTRING [1]	
extb5	EXTB	
accid	BITSTRING [2]	
ra	BITSTRING [2]	
sacp	BITSTRING [3]	
extb6	EXTB	
l1id	BITSTRING [2]	
uil1	BITSTRING [4]	
sb	BITSTRING [1]	
extb6a	EXTB	
nsb	BITSTRING [1]	
nb	BITSTRING [1]	
ndb	BITSTRING [1]	
ur	BITSTRING [4]	
extb6b	EXTB	
ir	BITSTRING [2]	
nictx	BITSTRING [1]	
nicrx	BITSTRING [1]	
pi	BITSTRING [3]	
extb6c	EXTB	
ce	BITSTRING [2]	
modemt	BITSTRING [5]	
extb7	EXTB	
l2id	BITSTRING [2]	
uil2	BITSTRING [5]	
Detailed Comments:		

Structured Type Definition		
Type Name:	BLOCKTYPE	
Comments:	Block type, GSM 04.12, 3.3.1	
Element Name	Type Definition	Comments
spare1	SPB	
lpd	BITSTRING[2]	
lb	BITSTRING[1]	
sequence_number	BITSTRING[4]	
Detailed Comments:		

Structured Type Definition		
Type Name:	CAU	
Comments:	Cause (CC information element) GSM 04.08, 10.5.4.11	
Element Name	Type Definition	Comments
iei	IEI_8	
iel	LENGTH	
extb3	EXTB	
cs	CS	
spb	SPB	
location	BITSTRING [4]	
extb3a	EXTB	
rec	BITSTRING [7]	
extb4	EXTB	
cau_class	BITSTRING [3]	
cau_va	BITSTRING [4]	
cau_di	OCTETSTRING [1..28]	
Detailed Comments:	&COMMON_U06	

Structured Type Definition		
Type Name:	CCCAP	
Comments:	Call Control Capabilities GSM 04.08, 10.5.4.5a	
Element Name	Type Definition	Comments
iei	IEI_8	
iel	LENGTH	
spr	BITSTRING [7]	
dtmf	BITSTRING [1]	
Detailed Comments:		

Structured Type Definition		
Type Name:	CCD	
Comments:	Control channel description GSM 04.08, 10.5.2.11	
Element Name	Type Definition	Comments
spr1	BITSTRING [1]	
att	BITSTRING [1]	
babr	BITSTRING [3]	
ccch_con	BITSTRING [3]	
spr2	BITSTRING [5]	
bpm	BITSTRING [3]	
t3212	OCTETSTRING [1]	
Detailed Comments:		

Structured Type Definition		
Type Name:	CCHD	
Comments:	Cell channel description GSM 04.08, 10.5.2.1	
Element Name	Type Definition	Comments
iei	IEI_8	
rfl	OCTETSTRING [16]	
Detailed Comments:		

Structured Type Definition		
Type Name:	CD	
Comments:	Cell description GSM 04.08, 10.5.2.2	
Element Name	Type Definition	Comments
bcch_arfcn_h	BITSTRING [2]	
ncc	NCC	
bcc	BCC	
bcch_arfcn_l	BITSTRING [8]	
Detailed Comments:	The info element is two octets long.	

Structured Type Definition		
Type Name:	CDPN	
Comments:	Called party BCD number (CC information element) GSM 04.08, 10.5.4.7	
Element Name	Type Definition	Comments
iei	IEI_8	
iel	LENGTH	
tonnpi	TON_NPI	
digits	BCDN	
Detailed Comments:		

Structured Type Definition		
Type Name:	CDPS	
Comments:	Called party subaddress (CC information element) GSM 04.08, 10.5.4.8	
Element Name	Type Definition	Comments
iei	IEI_8	
iel	LENGTH	
subad	SUBAD	
Detailed Comments:		

Structured Type Definition		
Type Name:	CE	
Comments:	connection element	
Element Name	Type Definition	Comments
TorBothTorBothNT	B_2	
NTorBothTorBothNT	B_2	
Detailed Comments:		

Structured Type Definition		
Type Name:	CGPN	
Comments:	Calling party BCD number (CC information element) GSM 04.08, 10.5.4.9	
Element Name	Type Definition	Comments
iei	IEI_8	
iel	LENGTH	
tonnpi	TON_NPI	
pisi	PI_SI	
digits	BCDN	
Detailed Comments:		

Structured Type Definition		
Type Name:	CGPS	
Comments:	Calling party subaddress (CC information element) GSM 04.08, 10.5.4.10	
Element Name	Type Definition	Comments
iei	IEI_8	
iel	LENGTH	
subad	SUBAD	
Detailed Comments:		

Structured Type Definition		
Type Name:	CHD	
Comments:	Channel description GSM 04.08, 10.5.2.5	
Element Name	Type Definition	Comments
iei	IEI_8	
cht_schn	BITSTRING [5]	
tn	BITSTRING [3]	
tsc	BITSTRING [3]	
hch	BITSTRING [1]	
maio	BITSTRING [6]	
hsn	BITSTRING [6]	
spr	BITSTRING [2]	
arfcn	BITSTRING [10]	
Detailed Comments:		

Structured Type Definition		
Type Name:	CHMOD	
Comments:	Channel mode, channel mode2 GSM 04.08, 10.5.2.6, 10.5.2.7	
Element Name	Type Definition	Comments
iei	IEI_8	
mode	B_8	
Detailed Comments:		

Structured Type Definition		
Type Name:	CHNEED	
Comments:	Channels needed GSM 04.08, 10.5.2.8	
Element Name	Type Definition	Comments
ch2	CHANNEL	
ch1	CHANNEL	
Detailed Comments:		

Structured Type Definition		
Type Name:	CNN	
Comments:	Connected number (CC information element) GSM 04.08, 10.5.4.13	
Element Name	Type Definition	Comments
iei	IEI_8	
iel	LENGTH	
tonnpi	TON_NPI	
pis	PI_SI	
digits	BCDN	
Detailed Comments:		

Structured Type Definition		
Type Name:	CNS	
Comments:	Connected subaddress (CC information element) GSM 04.08, 10.5.4.14	
Element Name	Type Definition	Comments
iei	IEI_8	
iel	LENGTH	
subad	SUBAD	
Detailed Comments:		

Structured Type Definition		
Type Name:	CO	
Comments:	Cell options (BCCH / SACCH) GSM 04.08, 10.5.2.3	
Element Name	Type Definition	Comments
sprb	BITSTRING [1]	
pwr	BITSTRING [1]	
dtx	BITSTRING [2]	
rlt	BITSTRING [4]	
Detailed Comments:		

Structured Type Definition		
Type Name:	Component_T	
Comments:	Component for sending (downlink) GSM 04.80, 3.6	
Element Name	Type Definition	Comments
comp_part1	OCTETSTRING	
invokeld	OCTETSTRING [1]	
comp_part2	OCTETSTRING	
comp_part3	OCTETSTRING	
comp_part4	OCTETSTRING	
comp_part5	OCTETSTRING	
comp_part6	OCTETSTRING	
comp_part7	OCTETSTRING	
comp_part8	OCTETSTRING	
comp_part9	OCTETSTRING	
comp_part10	OCTETSTRING	
comp_part11	OCTETSTRING	
comp_part12	OCTETSTRING	
Detailed Comments: This component is defined for the use in the downlink (from the test system to the IUT) direction.		

Structured Type Definition		
Type Name:	CPDATA	
Comments:	CP-User data element GSM 04.11, 8.1.4.1	
Element Name	Type Definition	Comments
iei	IEI_8	
iel	LENGTH	
rpack	RPACK	
rpdata	RPDATA	
rperr	RPERR	
rpsmma	RPSMMA	
Detailed Comments: One of the 4 types of rpdu is contained in the CPDATA.		

Structured Type Definition		
Type Name:	CPHMS	
Comments:	Cipher mode setting GSM 04.08, 10.5.2.9	
Element Name	Type Definition	Comments
iei	IEI_4	
algid	BITSTRING [3]	
sc	BITSTRING [1]	
Detailed Comments:		

Structured Type Definition		
Type Name:	CPHKS	
Comments:	Ciphering key sequence number GSM 04.08, 10.5.1.2	
Element Name	Type Definition	Comments
sprb	BITSTRING [1]	
ks	BITSTRING [3]	
Detailed Comments:		

Structured Type Definition		
Type Name:	CPH_RES	
Comments:	Cipher response GSM 04.08, 10.5.2.10	
Element Name	Type Definition	Comments
iei	IEI_4	
sprb	BITSTRING [3]	
cr	BITSTRING [1]	
Detailed Comments:		

Structured Type Definition		
Type Name:	CSP	
Comments:	Cell selection parameters GSM 04.08, 10.5.2.4	
Element Name	Type Definition	Comments
crh	BITSTRING [3]	
mtmc	BITSTRING [5]	
acs	BITSTRING [1]	
neci	BITSTRING [1]	
ram	BITSTRING [6]	
Detailed Comments:		

Structured Type Definition		
Type Name:	CST	
Comments:	Call status (CC information element) GSM 04.08, 10.5.4.6	
Element Name	Type Definition	Comments
cs	CS	
csv	BITSTRING [6]	
Detailed Comments:		

Structured Type Definition		
Type Name:	FIE	
Comments:	Facility information element GSM 04.80, 3.6	
Element Name	Type Definition	Comments
iei	IEI_8	
iel	LENGTH	
components_1	Components	
components_t	Component_T	
Detailed Comments:	When sending normally only one component is sent, but when receiving any number of components can be received even though normally we are only interested in one component during the testing.	

Structured Type Definition		
Type Name:	FN	
Comments:	The time in reference to the frame numbering corresponding to the absolute frame number modulo 42432.	
Element Name	Type Definition	Comments
t1_	T1_	
t3	T3	
t2	T2	
Detailed Comments:	In STRT and RQR	

Structured Type Definition		
Type Name:	FRQCHS	
Comments:	Frequency channel sequence GSM 04.08, 10.5.2.12	
Element Name	Type Definition	Comments
iei	IEI_8	
larfcn	OCTETSTRING [1]	
incs	OCTETSTRING [8]	
Detailed Comments:		

Structured Type Definition		
Type Name:	FRQL	
Comments:	Frequency list, frequency short list GSM 04.08, 10.5.2.5, 10.5.2.6	
Element Name	Type Definition	Comments
iei	IEI_8	
iel	LENGTH	
fl	OCTETSTRING	
Detailed Comments:	frequency short list has a fixed length of 10 octets and does not contain the length indicator.	

Structured Type Definition		
Type Name:	FRQPARA	
Comments:	Parameters for Description of basic physical channel in frequency domain.	
Element Name	Type Definition	Comments
hch	BITSTRING[1]	
maio	BITSTRING [6]	
hsn	BITSTRING [6]	
spr	BITSTRING [2]	
arfcn	BITSTRING [10]	
maclength	LENGTH	
mac_8n	BITSTRING [8]	
mac_7n	BITSTRING [8]	
mac_6n	BITSTRING [8]	
mac_5n	BITSTRING [8]	
mac_4n	BITSTRING [8]	
mac_3n	BITSTRING [8]	
mac_2n	BITSTRING [8]	
mac_1n	BITSTRING [8]	
flst	FRQL	
Detailed Comments:		

Structured Type Definition		
Type Name:	HLCMP	
Comments:	High layer compatibility (CC information element) GSM 04.08, 10.5.4.16, ITU Q.931	
Element Name	Type Definition	Comments
iei	IEI_8	
iel	LENGTH	
extb3	EXTB	
cs	BITSTRING [2]	
in	BITSTRING [3]	
pmp	BITSTRING [2]	
extb4	EXTB	
hlci	BITSTRING [7]	
extb4a	EXTB	
ehlci	BITSTRING [7]	
Detailed Comments:		

Structured Type Definition		
Type Name:	HOACC_PARA	
Comments:	Handover Access parameters	
Element Name	Type Definition	Comments
num_bursts	OCTETSTRING[1]	
min_mspwr	OCTETSTRING[1]	
max_mspwr	OCTETSTRING[1]	
min_msta	BITSTRING[8]	
max_msta	BITSTRING[8]	
Detailed Comments:		

Structured Type Definition		
Type Name:	IARESTOCT	
Comments:		
Element Name	Type Definition	Comments
iei	IEI_8	
iaroct1	OCTETSTRING[1..11]	
iaroct2	IARESTOCT2	
Detailed Comments:		

Structured Type Definition		
Type Name: IARESTOCT2		
Comments:		
Element Name	Type Definition	Comments
p	BITSTRING[2]	
frqparalen	BITSTRING[6]	
spbt1	BITSTRING[2]	
maio	BITSTRING[6]	
ma	OCTETSTRING[0..8]	
spbt2	OCTETSTRING[0..8]	
Detailed Comments:		

Structured Type Definition		
Type Name: KPF (keypad facility)		
Comments: keypad facility GSM 04.08 clause 10.5.4.17		
Element Name	Type Definition	Comments
iei	IEI_8	
extb	EXTB	
kpf_info	IA5String [1]	
Detailed Comments: Is extb needed?		

Structured Type Definition		
Type Name: L1HD		
Comments: Layer 1 Header		
Element Name	Type Definition	Comments
spr1	BITSTRING[3]	
mshwrlvl	BITSTRING[5]	
spr2	BITSTRING[1]	
ta	BITSTRING[7]	
Detailed Comments:		

Structured Type Definition		
Type Name: LAI		
Comments: Location area identification GSM 04.08, 10.5.1.3		
Element Name	Type Definition	Comments
iei	IEI_8	
mcc	OCTETSTRING [2]	
mnc	OCTETSTRING [1]	
lac	OCTETSTRING [2]	
Detailed Comments:		

Structured Type Definition		
Type Name:	LLCMP	
Comments:	Low layer compatibility (CC information element) GSM 04.08, 10.5.4.18 and ETS DE/SPS-5034-1 (update of ETS 300 102-1)	
Element Name	Type Definition	Comments
iei	IEI_8	
iel	LENGTH	
extb3	EXTB	
cs	BITSTRING [2]	
itc	BITSTRING [5]	
extb3a	EXTB	
negind	BITSTRING[1]	
spb3a	SP6B	
extb4	EXTB	
tm	BITSTRING [2]	
itr	BITSTRING [5]	
extb4_1	EXTB	
rateml	BITSTRING [7]	
extb5	EXTB	
l1id	BITSTRING [2]	
uil1	BITSTRING [5]	
extb5a	EXTB	
sb	BITSTRING [1]	
neg	BITSTRING [1]	
ur	BITSTRING [5]	
extb5b1	EXTB	
ir	BITSTRING [2]	
nictx	BITSTRING [1]	
nicrx	BITSTRING [1]	
fctx	BITSTRING [1]	
fcrx	BITSTRING [1]	
spb5b1	SPB	
extb5b2	EXTB	
hdrb	BITSTRING[1]	
mfs	BITSTRING[1]	
mode	BITSTRING[1]	
llineg	BITSTRING[1]	
ass	BITSTRING[1]	
ibob	BITSTRING[1]	
spb5b2	SPB	
extb5c	EXTB	
nsb	BITSTRING [2]	
ndb	BITSTRING [2]	
pi	BITSTRING [3]	
extb5d	EXTB	
dplx	BITSTRING [1]	
modemt	BITSTRING [6]	
extb6	EXTB	
l2id	BITSTRING [2]	
uil2	BITSTRING [5]	
extb6a1	EXTB	
modl2	BITSTRING[2]	
spb6a1	SP3B	
q933	BITSTRING [2]	
extb6a2	EXTB	
usl2pi	BITSTRING[7]	
extb6b	EXTB	
ws	BITSTRING[7]	
extb7	EXTB	
l3id	BITSTRING [2]	
uil3	BITSTRING [5]	
extb7a1	EXTB	
modl3	BITSTRING[2]	
spb7a1	SP5B	

extb7a2	EXTB	
usl3pi	BITSTRING[7]	
extb7b	EXTB	
spb7b	SP3B	
dps	BITSTRING [4]	
extb7c	EXTB	
pws	BITSTRING[7]	
Detailed Comments:		

Structured Type Definition		
Type Name:	LUT	
Comments:	Location updating type GSM 04.08, 10.5.3.5	
Element Name	Type Definition	Comments
foreq	BITSTRING [1]	
sprb	BITSTRING [1]	
lut	BITSTRING [2]	
Detailed Comments:		

Structured Type Definition		
Type Name:	MA	
Comments:	Mobile allocation GSM 04.08, 10.5.2.21	
Element Name	Type Definition	Comments
iei	IEI_8	
iel	LENGTH	
mac_8n	BITSTRING [8]	
mac_7n	BITSTRING [8]	
mac_6n	BITSTRING [8]	
mac_5n	BITSTRING [8]	
mac_4n	BITSTRING [8]	
mac_3n	BITSTRING [8]	
mac_2n	BITSTRING [8]	
mac_1n	BITSTRING [8]	
Detailed Comments:		

Structured Type Definition		
Type Name:	MI	
Comments:	Mobile identity GSM 04.08, 10.5.1.4	
Element Name	Type Definition	Comments
iei	IEI_8	
iel	LENGTH	
idigit_1	BITSTRING [4]	
oei	BITSTRING [1]	
toi	BITSTRING [3]	
idigits_other	OCTETSTRING [0..7]	
Detailed Comments:		

Structured Type Definition		
Type Name:	MODEMTYPE	
Comments:		
Element Name	Type Definition	Comments
V22bisOrV26ter	B_5	
Detailed Comments:		

Structured Type Definition		
Type Name:	MSCLM1	
Comments:	mobile station classmark 1 GSM 04.08, 10.5.1.5	
Element Name	Type Definition	Comments
spr1	BITSTRING [1]	
rl	BITSTRING [2]	
spr2	BITSTRING [1]	
a5_1	BITSTRING [1]	
rfpc	BITSTRING [3]	
Detailed Comments:	2 octets long	

Structured Type Definition		
Type Name:	MSCLM2	
Comments:	mobile station classmark 2 GSM 04.08, 10.5.1.6	
Element Name	Type Definition	Comments
iel	LENGTH	
spr1	BITSTRING [1]	
rl	BITSTRING [2]	
spr2	BITSTRING [1]	
a5_1	BITSTRING [1]	
rfpc	BITSTRING [3]	
spr3	BITSTRING [1]	
psc	BITSTRING [1]	
sssi	BITSTRING [2]	
smc	BITSTRING [1]	
spr4	BITSTRING [2]	
fc	BITSTRING [1]	
cm3	BITSTRING [1]	
spr5	BITSTRING [5]	
a5_3	BITSTRING [1]	
a5_2	BITSTRING [1]	
Detailed Comments:	4 octets long	

Structured Type Definition		
Type Name:	MSCLM3	
Comments:	Mobile station classmark 3 GSM 04.08, 10.5.1.7	
Element Name	Type Definition	Comments
iei	IEI_8	
iel	LENGTH	
spr1	BITSTRING [4]	
a5_7	BITSTRING [1]	
a5_6	BITSTRING [1]	
a5_5	BITSTRING [1]	
a5_4	BITSTRING [1]	
spr2	OCTETSTRING [11]	
Detailed Comments:	The info element has 14 octets	

Structured Type Definition		
Type Name:	MSRR	
Comments:	measurement results GSM 04.08, 10.5.2.20	
Element Name	Type Definition	Comments
ba_used	BITSTRING [1]	
dtx_used	BITSTRING [1]	
rxlev_fsc	RXLEV	
spr1	BITSTRING [1]	
meas_valid	BITSTRING [1]	
rxlev_ssc	RXLEV	
spr2	BITSTRING [1]	
rxqual_fsc	BITSTRING [3]	
rxqual_ssc	BITSTRING [3]	
no_nc	BITSTRING [3]	
rxlev_nc1	RXLEV	
bcchfrq_nc1	BCCHFRQ	
bsic_nc1	BSIC	
rxlev_nc2	RXLEV	
bcchfrq_nc2	BCCHFRQ	
bsic_nc2	BSIC	
rxlev_nc3	RXLEV	
bcchfrq_nc3	BCCHFRQ	
bsic_nc3	BSIC	
rxlev_nc4	RXLEV	
bcchfrq_nc4	BCCHFRQ	
bsic_nc4	BSIC	
rxlev_nc5	RXLEV	
bcchfrq_nc5	BCCHFRQ	
bsic_nc5	BSIC	
rxlev_nc6	RXLEV	
bcchfrq_nc6	BCCHFRQ	
bsic_nc6	BSIC	
Detailed Comments:	The info element has a fixed length of 16 octets.	

Structured Type Definition		
Type Name:	MTDIF	
Comments:	Mobile time difference GSM 04.08, 10.5.1.21a	
Element Name	Type Definition	Comments
iei	IEI_8	
iel	LENGTH	
value	OCTETSTRING [3]	
Detailed Comments:		

Structured Type Definition		
Type Name:	NCD	
Comments:	Neighbour cells description GSM 04.08, 10.5.2.22	
Element Name	Type Definition	Comments
rfl2	BITSTRING [2]	
extind	BITSTRING [1]	
baind	BITSTRING [1]	
rfl4	BITSTRING [4]	
rfl	OCTETSTRING [15]	
Detailed Comments:		

Structured Type Definition		
Type Name:	NCD2	
Comments:	Neighbour cells description2 GSM 04.08, 10.5.2.22b	
Element Name	Type Definition	Comments
b128	BITSTRING [1]	
mbrpt	BITSTRING [2]	
baind	BITSTRING [1]	
b122_124	BITSTRING [3]	
rfl1	BITSTRING [1]	
rfl	OCTETSTRING [15]	
Detailed Comments:		

Structured Type Definition		
Type Name:	PCMD	
Comments:	Power command and access type GSM 04.08, 10.5.2.28, 10.5.2.28a	
Element Name	Type Definition	Comments
sprb	BITSTRING [3]	
pl	BITSTRING [5]	
Detailed Comments:		

Structured Type Definition		
Type Name:	PI	
Comments:	Progress indicator GSM 04.08, 10.5.4.21	
Element Name	Type Definition	Comments
iei	IEI_8	
iel	LENGTH	
extb3	EXTB	
cs	BITSTRING [2]	
spb	SPB	
loc	BITSTRING [4]	
extb4	EXTB	
prd	BITSTRING [7]	
Detailed Comments: total 4 octets		

Structured Type Definition		
Type Name:	PI_SI	
Comments:	Presentation indicator & screening indicator GSM 04.08, 10.5.4.9, 10.5.4.13	
Element Name	Type Definition	Comments
extb	EXTB	
pi	BITSTRING [2]	
sp3b	SP3B	
si	BITSTRING [2]	
Detailed Comments:		

Structured Type Definition		
Type Name: PM		
Comments: Page mode GSM 04.08, 10.5.2.26		
Element Name	Type Definition	Comments
sprb	B_2	
pgm	B_2	
Detailed Comments:		

Structured Type Definition		
Type Name: RACHCP		
Comments: Rach control parameters GSM 04.08, 10.5.2.29		
Element Name	Type Definition	Comments
maxrtx	BITSTRING [2]	
txint	BITSTRING [4]	
cba	BITSTRING [1]	
re	BITSTRING [1]	
acc_2	BITSTRING [5]	
ec	BITSTRING [1]	
acc_1	BITSTRING [10]	
Detailed Comments: The info element has a fixed length of 3 octets.		

Structured Type Definition		
Type Name: RPACK		
Comments: SMS RP ACKNOWLEDGEMENT ms <-> n GSM 04.11, 7.3.3		
Element Name	Type Definition	Comments
sprb	SP5B	
rpmti	MTI	
rpmr	MR	
Detailed Comments:		

Structured Type Definition		
Type Name: RPCAU		
Comments: RP user data element GSM 04.11, 8.2.5.4		
Element Name	Type Definition	Comments
iei	IEI_8	
iel	LENGTH	
extb2	EXTB	
rpcau_class	BITSTRING [3]	
rpcau_va	BITSTRING [4]	
rpcau_di	OCTETSTRING [1]	
Detailed Comments:		

Structured Type Definition		
Type Name:	RPDATA	
Comments:	SMS RP DATA ms <-> n GSM 04.11, 7.3.1	
Element Name	Type Definition	Comments
sprb	SP5B	
rpmti	MTI	
rpmr	MR	
rpOaddr	CDPN	
rpDaddr	CDPN	
rpusrdat	RPUSRDAT	
Detailed Comments:		

Structured Type Definition		
Type Name:	RPERR	
Comments:	SMS RP ERROR ms <-> n GSM 04.11, 7.3.4	
Element Name	Type Definition	Comments
sprb	SP5B	
rpmti	MTI	
rpmr	MR	
rpcau	RPCAU	
rpusrdat	RPUSRDAT	
Detailed Comments:		

Structured Type Definition		
Type Name:	RPSMMA	
Comments:	SMS RP SMMA ms -> n GSM 04.11, 7.3.2	
Element Name	Type Definition	Comments
sprb	SP5B	
rpmti	MTI	
rpmr	MR	
Detailed Comments: SM memory available		

Structured Type Definition		
Type Name:	RPUSRDAT	
Comments:	RP user data element GSM 04.11, 8.2.5.3, GSM 03.40, 9.2.2	
Element Name	Type Definition	Comments
iei	IEI_8	
iel	LENGTH	
tpdeliver	SMDLVR	
tpsubmit	SMSBMT	
tpstatus_rpt	SMST_RPT	
tpcommand	SMCMD	
tpdlvr_sbmt_rpt	SMDLVR_RPT	
Detailed Comments: One of the six tpdus is contained in the RPUSRDATA. Since the structures of the messages SMS-Deliver-Report and SMS-Submit-Report are identical, they have been combined to tpdlvr_sbmt_rpt and therefore only five tp message types exist in this type definition.		

Structured Type Definition		
Type Name:	RQR	
Comments:	Request reference GSM 04.08, 10.5.2.30	
Element Name	Type Definition	Comments
ra	BITSTRING [8]	
fn	FN	
Detailed Comments:		

Structured Type Definition		
Type Name:	SI3RO	
Comments:	SI3 Rest Octets GSM 04.08, 10.5.2.34	
Element Name	Type Definition	Comments
pi	BITSTRING [1]	
cbq	BITSTRING [1]	
cro	BITSTRING [6]	
to	BITSTRING [3]	
pt	BITSTRING [5]	
poi	BITSTRING [1]	
po	BITSTRING [2]	
ti	BITSTRING [1]	
ecsc	BITSTRING [1]	
spr1	BITSTRING [3]	
spr2	BITSTRING [8]	
Detailed Comments: The info element has a fixed length of 4 octets.		

Structured Type Definition		
Type Name:	SI4RO	
Comments:	SI4 Rest Octets GSM 04.08, 10.5.2.35	
Element Name	Type Definition	Comments
pi	BITSTRING [1]	
cbq	BITSTRING [1]	
cro	BITSTRING [6]	
to	BITSTRING [3]	
pt	BITSTRING [5]	
poi	BITSTRING [1]	
po	BITSTRING [2]	
spr1	BITSTRING [5]	
spr2	BITSTRING [8]	
spr3	BITSTRING [8]	
spr4	BITSTRING [8]	
spr5	BITSTRING [8]	
spr6	BITSTRING [8]	
spr7	BITSTRING [8]	
spr8	BITSTRING [8]	
Detailed Comments: The info element has a fixed length of 10 octets.		

Structured Type Definition		
Type Name:	SI7RO	
Comments:	SI7 Rest Octets GSM 04.08, 10.5.2.36	
Element Name	Type Definition	Comments
pi	BITSTRING [1]	
cbq	BITSTRING [1]	
cro	BITSTRING [6]	
to	BITSTRING [3]	
pt	BITSTRING [5]	
poi	BITSTRING [1]	
po	BITSTRING [2]	
spr1	BITSTRING [5]	
spr2	BITSTRING [8]	
spr3	BITSTRING [8]	
spr4	BITSTRING [8]	
spr5	BITSTRING [8]	
spr6	BITSTRING [8]	
spr7	BITSTRING [8]	
spr8	BITSTRING [8]	
spr9	BITSTRING [8]	
spr10	BITSTRING [8]	
spr11	BITSTRING [8]	
spr12	BITSTRING [8]	
spr13	BITSTRING [8]	
spr14	BITSTRING [8]	
spr15	BITSTRING [8]	
spr16	BITSTRING [8]	
spr17	BITSTRING [8]	
spr18	BITSTRING [8]	
Detailed Comments:	The info element has a fixed length of 20 octets.	

Structured Type Definition		
Type Name:	SIGNAL	
Comments:	Signal (CC information element) GSM 04.08, 10.5.4.23	
Element Name	Type Definition	Comments
iei	IEI_8	
sigv	BITSTRING [8]	
Detailed Comments:		

Structured Type Definition		
Type Name:	SERIAL_NUMBER	
Comments:	Serial number for SMS CB, GSM 3.41, 9.3.2	
Element Name	Type Definition	Comments
gs	BITSTRING[2]	
message_code	BITSTRING[10]	
update_number	BITSTRING[4]	
Detailed Comments:		

Structured Type Definition		
Type Name:	SMCMD	
Comments:	SMS COMMAND, ms -> n. GSM 03.40, 9.2.2.4	
Element Name	Type Definition	Comments
sprb1	SP2B	
srr	BITSTRING[1]	
sprb2	SP3B	
mti	BITSTRING [2]	
mr	MR	
pid	TPPID	
ct	OCTETSTRING [1]	
mn	OCTETSTRING [1]	
da	TPA	
cdl	LENGTH	
cd	TPCD	
Detailed Comments:		

Structured Type Definition		
Type Name:	SMDLVR	
Comments:	SMS DELIVER, n -> ms. GSM 03.40, 9.2.2.1	
Element Name	Type Definition	Comments
rp	BITSTRING [1]	
udhi	BITSTRING [1]	
sri	BITSTRING [1]	
sprb2	SP2B	
mms	BITSTRING [1]	
mti	BITSTRING [2]	
oa	TPA	
pid	TPPID	
dcs	TPDCS	
scts	TPSCTS	
udl	LENGTH	
ud	TPUD	
Detailed Comments:		

Structured Type Definition		
Type Name:	SMDLVR_RPT	
Comments:	SMS DELIVER or SUBMIT REPORT contained in the RP ERROR PDU, n <-> ms. GSM 03.40, 9.2.2.1a, 9.2.2.2a.	
Element Name	Type Definition	Comments
sprb1	SP6B	
mti	BITSTRING [2]	
fcs	FCS	
Detailed Comments:		

Structured Type Definition		
Type Name:	SMSBMT	
Comments:	SMS SUBMIT, ms -> n. GSM 03.40, 9.2.2.2	
Element Name	Type Definition	Comments
rp	BITSTRING [1]	
udhi	BITSTRING [1]	
srr	BITSTRING [1]	
vpf	BITSTRING [2]	
rd	BITSTRING [1]	
mti	BITSTRING [2]	
mr	MR	
da	TPA	
pid	TPPID	
dcs	TPDCS	
vp1	OCTETSTRING [1]	
vp7	TPSCTS	
udl	LENGTH	
ud	TPUD	
Detailed Comments:		

Structured Type Definition		
Type Name:	SMSCBpack	
Comments:	SMS cell broadcasting packing data n -> ms. GSM 03.38, 6.1.2.2.1	
Element Name	Type Definition	Comments
block1	OCTETSTRING [16]	
block2	OCTETSTRING [22]	
block3	OCTETSTRING [22]	
block4	OCTETSTRING [22]	
Detailed Comments:		

Structured Type Definition		
Type Name:	SMST_RPT	
Comments:	SMS STATUS REPORT, n -> ms. GSM 03.40, 9.2.2.3	
Element Name	Type Definition	Comments
sprb1	SP5B	
mms	BITSTRING [1]	
mti	BITSTRING [2]	
mr	MR	
ra	TPA	
scts	TPSCTS	
dt	TPSCTS	
st	TPST	
Detailed Comments:		

Structured Type Definition		
Type Name:	SSVI	
Comments:	SS version indicator GSM 04.08, 10.5.4.24	
Element Name	Type Definition	Comments
iei	IEI_8	
iel	LENGTH	
ssv	OCTETSTRING [1]	
Detailed Comments:		

Structured Type Definition		
Type Name:	STRT	
Comments:	Starting time GSM 04.08, 10.5.2.38	
Element Name	Type Definition	Comments
iei	IEI_8	
fn	FN	
Detailed Comments:		

Structured Type Definition		
Type Name:	SUBAD	
Comments:	Subaddress GSM 04.08, 10.5.4.8, 10.5.4.10, 10.5.4.14	
Element Name	Type Definition	Comments
extb	EXTB	
tos	BITSTRING [3]	
oei	BITSTRING [1]	
sp3b	SP3B	
si	OCTETSTRING [2..23]	
Detailed Comments:		

Structured Type Definition		
Type Name:	SYNCHI	
Comments:	Synchronization indication GSM 04.08, 10.5.2.39	
Element Name	Type Definition	Comments
iei	IEI_4	
nci	B_1	
rot	B_1	
si	B_2	
Detailed Comments:		

Structured Type Definition		
Type Name:	TA	
Comments:	Timing advance GSM 04.08, 10.5.2.40	
Element Name	Type Definition	Comments
iei	IEI_8	
sprb	BITSTRING [2]	
value	BITSTRING [6]	
Detailed Comments:		

Structured Type Definition		
Type Name:	TDIF	
Comments:	Time difference GSM 04.08, 10.5.1.41	
Element Name	Type Definition	Comments
iei	IEI_8	
iel	LENGTH	
value	OCTETSTRING [1]	
Detailed Comments:		

Structured Type Definition		
Type Name: TI		
Comments: Transaction identifier GSM 04.08, 10.1		
Element Name	Type Definition	Comments
ti_f	BITSTRING [1]	
ti_v	TI_V	
Detailed Comments:		

Structured Type Definition		
Type Name: TMSI		
Comments: Temporary GSM 04.08, 10.5.2.42		
Element Name	Type Definition	Comments
iei	IEI_8	
tmsi_val	OCTETSTRING [4]	
Detailed Comments:		

Structured Type Definition		
Type Name: TON_NPI		
Comments: Type of number and numbering plan GSM 04.08, 10.5.4.7, 10.5.4.9, 10.5.4.13, GSM 03.40, 9.1.2.5		
Element Name	Type Definition	Comments
extb	EXTB	
ton	BITSTRING [3]	
npi	BITSTRING [4]	
Detailed Comments:		

Structured Type Definition		
Type Name: TPA		
Comments: TP address GSM 03.40, 9.1.2.5		
Element Name	Type Definition	Comments
iel	LENGTH	
tonnpi	TON_NPI	
digits	BCDN	
Detailed Comments:		

Structured Type Definition		
Type Name: TPDCS		
Comments: SMS data coding scheme GSM 03.38, 4, 5		
Element Name	Type Definition	Comments
cg	BITSTRING [4]	
code	BITSTRING [4]	
Detailed Comments: Identifying the coding scheme within the TP user data.		

Structured Type Definition		
Type Name:	TPPID	
Comments:	TP protocol identifier GSM 03.40, 9.2.3.9	
Element Name	Type Definition	Comments
type	BITSTRING [2]	
value	BITSTRING [6]	
Detailed Comments:		

Structured Type Definition		
Type Name:	TPST	
Comments:	TP status GSM 03.40, 9.2.3.15	
Element Name	Type Definition	Comments
sprb1	SPB	
value	BITSTRING [7]	
Detailed Comments:		

Structured Type Definition		
Type Name:	UNKWN	
Comments:	unknown IE	
Element Name	Type Definition	Comments
iei	IEI_8	
iel	LENGTH	
contents	OCTETSTRING	
Detailed Comments:		

Structured Type Definition		
Type Name:	UU	
Comments:	User-user GSM 04.08, 10.5.4.25	
Element Name	Type Definition	Comments
iei	IEI_8	
iel	LENGTH	
uupd	BITSTRING [8]	
uui	OCTETSTRING [1..128]	
Detailed Comments:		
In SETUP, ALERTING, CONNECT, DISCONNECT, RELEASE and RELEASE COMPLETE messages the uui length is of 0 - 32 bytes.		
In USER INFORMATION messages the uui length is of 1 - 128.		

ASN1 type definitions

ASN.1 Type Definition	
Type Name:	Component
Comments:	ASN1_Encoding: BER
Type Definition	
CHOICE {	
registerSSComponents	RegisterSS_Components,
eraseSSComponents	EraseSS_Components,
activateSSComponents	ActivateSS_Components,
deactivateSSComponents	DeactivateSS_Components,
interrogateSSComponents	InterrogateSS_Components,
notifySSComponents	NotifySS_Components,
registerPasswordComponents	RegisterPassword_Components,
getPasswordComponents	GetPassword_Components,
processUnstructuredSSDataComponents	ProcessUnstructuredSSData_Components,
forwardCheckSSIndicationComponents	ForwardCheckSSIndication_Components,
processUnstructuredSSRequestComponents	ProcessUnstructuredSSRequest_Components,
unstructuredSSRequestComponents	UnstructuredSSRequest_Components,
unstructuredSSNotifyComponents	UnstructuredSSNotify_Components,
forwardCUGInfoComponents	ForwardCUGInfo_Components,
splitMPTYComponents	SplitMPTY_Components,
retrieveMPTYComponents	RetrieveMPTY_Components,
holdMPTYComponents	HoldMPTY_Components,
buildMPTYComponents	BuildMPTY_Components,
forwardChargeAdviceComponents	ForwardChargeAdvice_Components,
generalComponents	General_Components }
Detailed Comments:	Plural components as each type represents invoke, return result, return error etc.

ASN.1 Type Definition	
Type Name:	Components
Comments:	GSM 04.80, 3.6
Type Definition	
SET OF Component	
Detailed Comments:	ASN.1 transfer encoding rules: BER is not wholly used for the type Components. The contents of Components, without the octets encoding the tag and the length of SET OF, is carried as the Components value.

ASN.1 Type Definition	
Type Name:	ActivateSS_Components
Comments:	GSM 09.02, 14.5, 14.6.4, 14.6.6, 14.7.4, 14.7.7
Type Definition	
CHOICE {	
activateSS_InvokeComp	[1] IMPLICIT SEQUENCE {
invokeID	InvokeIDType,
localValue	INTEGER (12),
ss_ForBS	SS_ForBS_Code },
activateSS_ReturnResultComp	[2] IMPLICIT SEQUENCE {
invokeID	InvokeIDType,
result	SEQUENCE {
localValue	INTEGER (12),
ss_Info	SS_Info } },
activateSS_ReturnErrorComp	CHOICE {
errorCodes	[3] IMPLICIT SEQUENCE { invokeID InvokeIDType,
	errorCode ErrorLocalValues (bearerServiceNotProvisioned
	teleserviceNotProvisioned
	illegalSS_Operation
	dataMissing
	unexpectedDataValue
	negativePW_Check
	numberOfPW_AttemptsViolation) },
callBarredErr	[3] IMPLICIT SEQUENCE { invokeID InvokeIDType,
	errorCode ErrorLocalValues (callBarred),
	parameter CallBarringCause },
ss_ErrorStatusErr	[3] IMPLICIT SEQUENCE { invokeID InvokeIDType,
	errorCode ErrorLocalValues (ss_ErrorStatus),
	parameter SS_Status },
ss_SubscriptionViolatoneErr	[3] IMPLICIT SEQUENCE { invokeID InvokeIDType,
	errorCode ErrorLocalValues (ss_SubscriptionViolation),
	parameter SS_SubscriptionOption },
ss_IncompatibilityErr	[3] IMPLICIT SEQUENCE { invokeID InvokeIDType,
	errorCode ErrorLocalValues (ss_Incompatibility),
	parameter SS_IncompatibilityCause },
systemFailureErr	[3] IMPLICIT SEQUENCE { invokeID InvokeIDType,
	errorCode ErrorLocalValues (systemFailure),
	parameter NetworkResource } },
activateSS_RejectComp	[4] IMPLICIT RejectComponent }
Detailed Comments:	Timer m (15 - 30 s)

ASN.1 Type Definition	
Type Name:	BuildMPTY_Components
Comments:	GSM 04.80, 4.2
Type Definition	
CHOICE {	
buildMPTY_InvokeComp	[1] IMPLICIT SEQUENCE {
invokeID	InvokeIDType,
localValue	INTEGER (124) },
buildMPTY_ReturnResultComp	[2] IMPLICIT SEQUENCE {
invokeID	InvokeIDType,
result	SEQUENCE {
localValue	INTEGER (124) } },
buildMPTY_ReturnErrorComp	CHOICE {
errorCodes	[3] IMPLICIT SEQUENCE { invokeID
	InvokeIDType,
	errorCode
	ErrorLocalValues (illegalSS_Operation
	ss_NotAvailable
	maxNumberOfMPTY_ParticipantsExceeded
	resourcesNotAvailable) },
ss_ErrorStatusErr	[3] IMPLICIT SEQUENCE { invokeID
	InvokeIDType,
	errorCode
	ErrorLocalValues (ss_ErrorStatus),
	parameter
	SS_Status },
ss_IncompatibilityErr	[3] IMPLICIT SEQUENCE { invokeID
	InvokeIDType,
	errorCode
	ErrorLocalValues (ss_Incompatibility),
	parameter
	SS_IncompatibilityCause },
systemFailureErr	[3] IMPLICIT SEQUENCE { invokeID
	InvokeIDType,
	errorCode
	ErrorLocalValues (systemFailure),
	parameter
	NetworkResource } },
buildMPTY_RejectComp	[4] IMPLICIT RejectComponent }
Detailed Comments:	Timer T_buildMPTY (5 - 30 s)

ASN.1 Type Definition	
Type Name:	DeactivateSS_Components
Comments:	GSM 09.02, 14.5, 14.6.4, 14.6.6, 14.7.4, 14.7.7
Type Definition	
CHOICE {	
deactivateSS_InvokeComp	[1] IMPLICIT SEQUENCE {
invokeID	InvokeIDType,
localValue	INTEGER (13),
ss_ForBS	SS_ForBS_Code },
deactivateSS_ReturnResultComp	[2] IMPLICIT SEQUENCE {
invokeID	InvokeIDType,
result	SEQUENCE {
localValue	INTEGER (13),
ss_Info	SS_Info } },
deactivateSS_ReturnErrorComp	CHOICE {
errorCodes	[3] IMPLICIT SEQUENCE { invokeID InvokeIDType,
errorCode	ErrorLocalValues (bearerServiceNotProvisioned
	teleserviceNotProvisioned
	illegalSS_Operation
	dataMissing
	unexpectedDataValue
	negativePW_Check
	numberOfPW_AttemptsViolation) },
callBarredErr	[3] IMPLICIT SEQUENCE { invokeID InvokeIDType,
errorCode	ErrorLocalValues (callBarred),
parameter	CallBarringCause },
ss_ErrorStatusErr	[3] IMPLICIT SEQUENCE { invokeID InvokeIDType,
errorCode	ErrorLocalValues (ss_ErrorStatus),
parameter	SS_Status },
ss_SubscriptionViolationsErr	[3] IMPLICIT SEQUENCE { invokeID InvokeIDType,
errorCode	ErrorLocalValues (ss_SubscriptionViolation),
parameter	SS_SubscriptionOption },
systemFailureErr	[3] IMPLICIT SEQUENCE { invokeID InvokeIDType,
errorCode	ErrorLocalValues (systemFailure),
parameter	NetworkResource} },
deactivateSS_RejectComp	[4] IMPLICIT RejectComponent }
Detailed Comments:	Timer m

ASN.1 Type Definition	
Type Name:	EraseSS_Components
Comments:	GSM 09.02, 14.5, 14.6.4, 14.6.6, 14.7.4, 14.7.7
Type Definition	
CHOICE {	
eraseSS_InvokeComp	[1] IMPLICIT SEQUENCE {
invokeID	InvokeIDType,
localValue	INTEGER (11),
ss_ForBS	SS_ForBS_Code },
eraseSS_ReturnResultComp	[2] IMPLICIT SEQUENCE {
invokeID	InvokeIDType,
result	SEQUENCE {
localValue	INTEGER (11),
ss_Info	SS_Info } },
eraseSS_ReturnErrorComp	CHOICE {
errorCodes	[3] IMPLICIT SEQUENCE { invokeID InvokeIDType,
errorCode	ErrorLocalValues (bearerServiceNotProvisioned
	teleserviceNotProvisioned
	illegalSS_Operation
	dataMissing
	unexpectedDataValue),
callBarredErr	[3] IMPLICIT SEQUENCE { invokeID InvokeIDType,
errorCode	ErrorLocalValues (callBarred),
parameter	CallBarringCause },
ss_ErrorStatusErr	[3] IMPLICIT SEQUENCE { invokeID InvokeIDType,
errorCode	ErrorLocalValues (ss_ErrorStatus),
parameter	SS_Status },
systemFailureErr	[3] IMPLICIT SEQUENCE { invokeID InvokeIDType,
errorCode	ErrorLocalValues (systemFailure),
parameter	NetworkResource } },
eraseSS_RejectComp	[4] IMPLICIT RejectComponent }
Detailed Comments:	Timer m

ASN.1 Type Definition	
Type Name:	ForwardChargeAdvice_Components
Comments:	GSM 04.80, 4.2
Type Definition	
CHOICE {	
forwardChargeAdvice_InvokeComp	[1] IMPLICIT SEQUENCE {
invokeID	InvokeIDType,
localValue	INTEGER (125),
forwardChargeAdviceArg	SEQUENCE {
ss_Code	[0] SS_Code,
chargingInformation	[1] SEQUENCE{
e1	[1] INTEGER (0..max10TimesUnitsPerTime) OPTIONAL,
e2	[2] INTEGER (0..max10TimesTimeInterval) OPTIONAL,
e3	[3] INTEGER (0..max100TimesScalingFactor) OPTIONAL,
e4	[4] INTEGER (0..max10TimesIncrement) OPTIONAL,
e5	[5] INTEGER (0..max10TimesIncrementPerDataInterval) OPTIONAL,
e6	[6] INTEGER (0..maxNumberOfSegmentsPerDataInterval) OPTIONAL,
e7	[7] INTEGER (0..max10TimesInitialTime) OPTIONAL } } },
forwardChargeAdvice_ReturnResultComp	[2] IMPLICIT SEQUENCE {
invokeID	InvokeIDType,
result	SEQUENCE {
localValue	INTEGER (125) } },
forwardChargeAdvice_RejectComp	[4] IMPLICIT RejectComponent }
Detailed Comments:	Timer T_aoc = 1 - 40 s

ASN.1 Type Definition	
Type Name:	ForwardCheckSSIndication_Components
Comments:	GSM 09.02, 14.5, 14.6.4, 14.6.6, 14.7.4, 14.7.7
Type Definition	
CHOICE {	
forwardCheckSSIndication_InvokeComp	[1] IMPLICIT SEQUENCE {
invokeID	InvokeIDType,
localValue	INTEGER (38) },
forwardCheckSSIndication_RejectComp	[4] IMPLICIT RejectComponent }
Detailed Comments:	

ASN.1 Type Definition	
Type Name:	ForwardCUGInfo_Components
Comments:	GSM 04.80, 4.2
Type Definition	
CHOICE {	
forwardCUGInfo_InvokeComp	[1] IMPLICIT SEQUENCE {
invokeID	InvokeIDType,
localValue	INTEGER (120),
forwardCUGInfo_Arg	SEQUENCE{
cug_Index	[0] IMPLICIT CUG_Index OPTIONAL,
suppressPrefCUG	[1] IMPLICIT NULL OPTIONAL,
suppressOA	[2] IMPLICIT NULL OPTIONAL }},
forwardCUGInfo_RejectComp	[4] IMPLICIT RejectComponent }
Detailed Comments:	

ASN.1 Type Definition	
Type Name:	General_Components
Comments:	Non specified components must match this type definition.
Type Definition	
CHOICE {	
general_InvokeComp	[1] IMPLICIT General_InvokeComponent,
general_ReturnResultComp	[2] IMPLICIT General_ReturnResultComponent,
general_ReturnErrorComp	[3] IMPLICIT General_ReturnErrorComponent,
general_RejectComp	[4] IMPLICIT RejectComponent }
-- This is the General InvokeComponent --	
General_InvokeComponent ::= SEQUENCE {	
invokeID	InvokeIDType,
linked_ID	[0] IMPLICIT InvokeIDType OPTIONAL,
operation_value	Operation,
argument	ANY OPTIONAL }
-- This is the General ReturnResultComponent --	
General_ReturnResultComponent ::= SEQUENCE {	
invokeID	InvokeIDType,
valueAndResult	SEQUENCE {
operation_value	Operation,
result	ANY } OPTIONAL }
-- This is the General ReturnErrorComponent --	
General_ReturnErrorComponent ::= SEQUENCE {	
invokeID	InvokeIDType,
error	ANY }
Detailed Comments:	

ASN.1 Type Definition	
Type Name:	GetPassword_Components
Comments:	GSM 09.02, 14.5, 14.6.4, 14.6.6, 14.7.4, 14.7.7
Type Definition	
CHOICE {	
getPassword_InvokeComp	[1] IMPLICIT SEQUENCE {
invokeID	InvokeIDType,
linkedID	[0] IMPLICIT InvokeIDType,
localValue	INTEGER (18),
guidanceInfo	ENUMERATED {
	enterPW (0),
	enterNewPW (1),
	enterNewPW_Again (2) }},
getPassword_ReturnResultComp	[2] IMPLICIT SEQUENCE {
invokeID	InvokeIDType,
result	SEQUENCE {
localValue	INTEGER (18),
currentPassword	Password } },
getPassword_RejectComp	[4] IMPLICIT RejectComponent }
Detailed Comments:	Timer m

ASN.1 Type Definition	
Type Name:	HoldMPTY_Components
Comments:	GSM 04.80, 4.2
Type Definition	
CHOICE {	
holdMPTY_InvokeComp	[1] IMPLICIT SEQUENCE {
invokeID	InvokeIDType,
localValue	INTEGER (123) },
holdMPTY_ReturnResultComp	[2] IMPLICIT SEQUENCE {
invokeID	InvokeIDType,
result	SEQUENCE {
localValue	INTEGER (123) } },
holdMPTY_ReturnErrorComp	CHOICE {
errorCodes	[3] IMPLICIT SEQUENCE { invokeID InvokeIDType,
	errorCode ErrorLocalValues (illegalSS_Operation
	facilityNotSupported) },
ss_ErrorStatusErr	[3] IMPLICIT SEQUENCE { invokeID InvokeIDType,
	errorCode ErrorLocalValues (ss_ErrorStatus),
	parameter SS_Status },
ss_IncompatibilityErr	[3] IMPLICIT SEQUENCE { invokeID InvokeIDType,
	errorCode ErrorLocalValues (ss_Incompatibility),
	parameter SS_IncompatibilityCause },
systemFailureErr	[3] IMPLICIT SEQUENCE { invokeID InvokeIDType,
	errorCode ErrorLocalValues (systemFailure),
	parameter NetworkResource } },
holdMPTY_RejectComp	[4] IMPLICIT RejectComponent }
Detailed Comments:	Timer T_holdMPTY (5 - 30 s)

ASN.1 Type Definition	
Type Name:	InterrogateSS_Components
Comments:	GSM 09.02, 14.5, 14.6.4, 14.6.6, 14.7.4, 14.7.7
Type Definition	
CHOICE {	
interrogateSS_InvokeComp	[1] IMPLICIT SEQUENCE {
invokeID	InvokeIDType,
localValue	INTEGER (14),
ss_ForBS	SS_ForBS_Code },
interrogateSS_ReturnResultComp	[2] IMPLICIT SEQUENCE {
invokeID	InvokeIDType,
result	SEQUENCE {
localValue	INTEGER (14),
interrogateSS_Res	CHOICE {
ss_Status	[0] IMPLICIT SS_Status,
basicServiceGroupList	[2] IMPLICIT BasicServiceGroupList,
forwardingFeatureList	[3] IMPLICIT ForwardingFeatureList,
cli_RestrictionInfo	[4] IMPLICIT SEQUENCE {
ss_Status	SS_Status,
cliRestrictionOption	CliRestrictionOption OPTIONAL } } },
interrogateSS_ReturnErrorComp	CHOICE {
errorCodes	[3] IMPLICIT SEQUENCE { invokeID InvokeIDType,
errorCode	ErrorLocalValues (bearerServiceNotProvisioned
	teleserviceNotProvisioned
	illegalSS_Operation
	ss_NotAvailable
	dataMissing
	unexpectedDataValue) },
callBarredErr	[3] IMPLICIT SEQUENCE { invokeID InvokeIDType,
errorCode	ErrorLocalValues (callBarred),
parameter	CallBarringCause },
systemFailureErr	[3] IMPLICIT SEQUENCE { invokeID InvokeIDType,
errorCode	ErrorLocalValues (systemFailure),
parameter	NetworkResource } },
interrogateSS_RejectComp	[4] IMPLICIT RejectComponent }
Detailed Comments:	Timer m

ASN.1 Type Definition	
Type Name:	NotifySS_Components
Comments:	GSM 04.80, 4.2
Type Definition	
CHOICE {	
notifySS_InvokeComp	[1] IMPLICIT SEQUENCE {
invokeID	InvokeIDType,
localValue	INTEGER (16),
notifySS_Arg	SEQUENCE{
ss_Code	[1] IMPLICIT SS_Code OPTIONAL,
ss_Status	[4] IMPLICIT SS_Status OPTIONAL,
ss_Notification	[5] IMPLICIT OCTET STRING (SIZE (1)) OPTIONAL,
callsWaiting_Indicator	[14] IMPLICIT NULL OPTIONAL,
callOnHold_Indicator	[15] IMPLICIT ENUMERATED {
	callRetrieved (0),
	callOnHold (1) } OPTIONAL,
mpty_Indicator	[16] IMPLICIT NULL OPTIONAL,
cug_Index	[17] IMPLICIT CUG_Index OPTIONAL,
clirSuppressionRejected	[18] IMPLICIT NULL OPTIONAL } },
notifySS_RejectComp	[4] IMPLICIT RejectComponent }
Detailed Comments:	

ASN.1 Type Definition	
Type Name:	ProcessUnstructuredSSData_Components
Comments:	GSM 09.02, 14.5, 14.6.4, 14.6.6, 14.7.4, 14.7.7
Type Definition	
CHOICE {	
processUnstructuredSSData_InvokeComp	[1] IMPLICIT SEQUENCE {
invokeID	InvokeIDType,
localValue	INTEGER (19),
ss_UserData	SS_UserData },
processUnstructuredSSData_ReturnResultComp	[2] IMPLICIT SEQUENCE {
invokeID	InvokeIDType,
result	SEQUENCE {
localValue	INTEGER (19),
ss_UserData	SS_UserData } },
processUnstructuredSSData_ReturnErrorComp	CHOICE {
errorCodes	[3] IMPLICIT SEQUENCE { invokeID InvokeIDType,
	errorCode ErrorLocalValues (unexpectedDataValue) },
systemFailureErr	[3] IMPLICIT SEQUENCE { invokeID InvokeIDType,
	errorCode ErrorLocalValues (systemFailure),
	parameter NetworkResource } },
processUnstructuredSSData_RejectComp	[4] IMPLICIT RejectComponent }
Detailed Comments:	Timer m

ASN.1 Type Definition	
Type Name:	ProcessUnstructuredSSRequest_Components
Comments:	GSM 09.02, 14.5, 14.6.4, 14.6.6, 14.7.4, 14.7.7
Type Definition	
CHOICE {	
processUnstructuredSSRequest_InvokeComp	[1] IMPLICIT SEQUENCE {
invokeID	InvokeIDType,
localValue	INTEGER (59),
ussd_Arg	USSD_Arg },
processUnstructuredSSRequest_ReturnResultComp	[2] IMPLICIT SEQUENCE {
invokeID	InvokeIDType,
result	SEQUENCE {
localValue	INTEGER (59),
ussd_Res	USSD_Res} },
processUnstructuredSSRequest_ReturnErrorComp	CHOICE {
errorCodes	[3] IMPLICIT SEQUENCE { invokeID InvokeIDType,
	errorCode ErrorLocalValues (dataMissing
	unexpectedDataValue
	unknownAlphabet) },
callBarredErr	[3] IMPLICIT SEQUENCE { invokeID InvokeIDType,
	errorCode ErrorLocalValues (callBarred),
	parameter CallBarringCause },
systemFailureErr	[3] IMPLICIT SEQUENCE { invokeID InvokeIDType,
	errorCode ErrorLocalValues (systemFailure),
	parameter NetworkResource } },
processUnstructuredSSRequest_RejectComp	[4] IMPLICIT RejectComponent }
Detailed Comments:	Timer m

ASN.1 Type Definition	
Type Name:	RegisterPassword_Components
Comments:	GSM 09.02, 14.5, 14.6.4, 14.6.6, 14.7.4, 14.7.7
Type Definition	
CHOICE {	
registerPassword_InvokeComp	[1] IMPLICIT SEQUENCE {
invokeID	InvokeIDType,
localValue	INTEGER (17),
ss_Code	SS_Code } ,
registerPassword_ReturnResultComp	[2] IMPLICIT SEQUENCE {
invokeID	InvokeIDType,
result	SEQUENCE {
localValue	INTEGER (17),
newPassword	Password } } ,
registerPassword_ReturnErrorComp	CHOICE {
errorCodes	[3] IMPLICIT SEQUENCE { invokeID InvokeIDType,
	errorCode ErrorLocalValues (dataMissing
	unexpectedDataValue
	negativePW_Check
	numberOfPW_AttemptsViolation) } ,
callBarredErr	[3] IMPLICIT SEQUENCE { invokeID InvokeIDType,
	errorCode ErrorLocalValues (callBarred),
	parameter CallBarringCause } ,
ss_SubscriptionViolationErr	[3] IMPLICIT SEQUENCE { invokeID InvokeIDType,
	errorCode ErrorLocalValues (ss_SubscriptionViolation),
	parameter SS_SubscriptionOption } ,
systemFailureErr	[3] IMPLICIT SEQUENCE { invokeID InvokeIDType,
	errorCode ErrorLocalValues (systemFailure),
	parameter NetworkResource} ,
pw_RegistrationFailureErr	[3] IMPLICIT SEQUENCE { invokeID InvokeIDType,
	errorCode ErrorLocalValues (pw_RegistrationFailure),
	parameter PW_RegistrationFailureCause } ,
registerPassword_RejectComp	[4] IMPLICIT RejectComponent }
Detailed Comments:	Timer m

ASN.1 Type Definition	
Type Name:	RegisterSS_Components
Comments:	GSM 09.02, 14.5, 14.6.4, 14.6.6, 14.7.4, 14.7.7
Type Definition	
CHOICE {	
registerSS_InvokeComp	[1] IMPLICIT SEQUENCE {
invokeID	InvokeIDType,
localValue	INTEGER (10),
registerSS_Arg	SEQUENCE{
ss_Code	SS_Code,
basicService	BasicServiceCode OPTIONAL,
forwardedToNumber	[4] IMPLICIT AddressString OPTIONAL,
forwardedToSubaddress	[6] IMPLICIT ISDN_SubaddressString OPTIONAL,
noReplyConditionTime	[5] IMPLICIT NoReplyConditionTime OPTIONAL } },
registerSS_ReturnResultComp	[2] IMPLICIT SEQUENCE {
invokeID	InvokeIDType,
result	SEQUENCE {
localValue	INTEGER (10),
ss_Info	SS_Info } },
registerSS_ReturnErrorComp	CHOICE {
errorCodes	[3] IMPLICIT SEQUENCE { invokeID InvokeIDType,
	errorCode ErrorLocalValues (bearerServiceNotProvisioned
	teleserviceNotProvisioned
	illegalSS_Operation
	dataMissing
	unexpectedDataValue) },
callBarredErr	[3] IMPLICIT SEQUENCE { invokeID InvokeIDType,
	errorCode ErrorLocalValues (callBarred),
	parameter CallBarringCause },
ss_IncompatibilityErr	[3] IMPLICIT SEQUENCE { invokeID InvokeIDType,
	errorCode ErrorLocalValues (ss_Incompatibility),
	parameter SS_IncompatibilityCause },
systemFailureErr	[3] IMPLICIT SEQUENCE { invokeID InvokeIDType,
	errorCode ErrorLocalValues (systemFailure),
	parameter NetworkResource } },
registerSS_RejectComp	[4] IMPLICIT RejectComponent }
Detailed Comments:	Timer m

ASN.1 Type Definition	
Type Name:	RejectComponent
Comments:	ITU-T Q.767
Type Definition	
SEQUENCE {	
invokedID	CHOICE {
derivable	InvokeIDType,
notDerivable	NULL },
problem	CHOICE {
generalProblem	[0] IMPLICIT GeneralProblem,
invokeProblem	[1] IMPLICIT InvokeProblem,
returnResultProblem	[2] IMPLICIT ReturnResultProblem,
returnErrorProblem	[3] IMPLICIT ReturnErrorProblem } }
Detailed Comments:	Reject Component is not specific to any particular operation. The invokeID may be used to identify a specific operation.

ASN.1 Type Definition	
Type Name:	RetrieveMPTY_Components
Comments:	GSM 04.80, 4.2
Type Definition	
CHOICE {	
retrieveMPTY_InvokeComp	[1] IMPLICIT SEQUENCE {
invokeID	InvokeIDType,
localValue	INTEGER (122) },
retrieveMPTY_ReturnResultComp	[2] IMPLICIT SEQUENCE {
invokeID	InvokeIDType,
result	SEQUENCE {
localValue	INTEGER (122) } },
retrieveMPTY_ReturnErrorComp	CHOICE {
errorCodes	[3] IMPLICIT SEQUENCE { invokeID InvokeIDType,
	errorCode ErrorLocalValues (illegalSS_Operation
	facilityNotSupported) },
ss_ErrorStatusErr	[3] IMPLICIT SEQUENCE { invokeID InvokeIDType,
	errorCode ErrorLocalValues (ss_ErrorStatus),
	parameter SS_Status },
ss_IncompatibilityErr	[3] IMPLICIT SEQUENCE { invokeID InvokeIDType,
	errorCode ErrorLocalValues (ss_Incompatibility),
	parameter SS_IncompatibilityCause },
systemFailureErr	[3] IMPLICIT SEQUENCE { invokeID InvokeIDType,
	errorCode ErrorLocalValues (systemFailure),
	parameter NetworkResource } },
retrieveMPTY_RejectComp	[4] IMPLICIT RejectComponent }
Detailed Comments:	Timer T_retrieveMPTY (5 - 30 s)

ASN.1 Type Definition	
Type Name:	SplitMPTY_Components
Comments:	GSM 04.80, 4.2
Type Definition	
CHOICE {	
splitMPTY_InvokeComp	[1] IMPLICIT SEQUENCE {
invokeID	InvokeIDType,
localValue	INTEGER (121) },
splitMPTY_ReturnResultComp	[2] IMPLICIT SEQUENCE {
invokeID	InvokeIDType,
result	SEQUENCE {
localValue	INTEGER (121) } },
splitMPTY_ReturnErrorComp	CHOICE {
errorCodes	[3] IMPLICIT SEQUENCE { invokeID InvokeIDType,
	errorCode ErrorLocalValues (illegalSS_Operation
	facilityNotSupported) },
ss_ErrorStatusErr	[3] IMPLICIT SEQUENCE { invokeID InvokeIDType,
	errorCode ErrorLocalValues (ss_ErrorStatus),
	parameter SS_Status },
ss_IncompatibilityErr	[3] IMPLICIT SEQUENCE { invokeID InvokeIDType,
	errorCode ErrorLocalValues (ss_Incompatibility),
	parameter SS_IncompatibilityCause },
systemFailureErr	[3] IMPLICIT SEQUENCE { invokeID InvokeIDType,
	errorCode ErrorLocalValues (systemFailure),
	parameter NetworkResource } },
splitMPTY_RejectComp	[4] IMPLICIT RejectComponent }
Detailed Comments:	Timer T_splitMPTY (5 - 30 s)

ASN.1 Type Definition	
Type Name:	UnstructuredSSNotify_Components
Comments:	GSM 09.02, 14.5, 14.6.4, 14.6.6, 14.7.4, 14.7.7
Type Definition	
CHOICE {	
unstructuredSSNotify_InvokeComp	[1] IMPLICIT SEQUENCE {
invokeID	InvokeIDType,
localValue	INTEGER (61),
ussd_Arg	USSD_Arg },
unstructuredSSNotify_ReturnResultComp	[2] IMPLICIT SEQUENCE {
invokeID	InvokeIDType,
result	SEQUENCE {
localValue	INTEGER (61) } },
unstructuredSSNotify_ReturnErrorComp	CHOICE {
errorCodes	[3] IMPLICIT SEQUENCE { invokeID InvokeIDType,
	errorCode ErrorLocalValues (illegalSubscriber
	illegalEquipment
	absentSubscriber
	dataMissing
	unexpectedDataValue
	unknownAlphabet
	ussd_Busy) },
systemFailureErr	[3] IMPLICIT SEQUENCE { invokeID InvokeIDType,
	errorCode ErrorLocalValues (systemFailure),
	parameter NetworkResource} } ,
unstructuredSSNotify_RejectComp	[4] IMPLICIT RejectComponent }
Detailed Comments:	Timer m

ASN.1 Type Definition	
Type Name:	UnstructuredSSRequest_Components
Comments:	GSM 09.02, 14.5, 14.6.4, 14.6.6, 14.7.4, 14.7.7
Type Definition	
CHOICE {	
unstructuredSSRequest_InvokeComp	[1] IMPLICIT SEQUENCE {
invokeID	InvokeIDType,
localValue	INTEGER (60),
ussd_Arg	USSD_Arg },
unstructuredSSRequest_ReturnResultComp	[2] IMPLICIT SEQUENCE {
invokeID	InvokeIDType,
result	SEQUENCE {
localValue	INTEGER (60),
ussd_Res	USSD_Res } },
unstructuredSSRequest_ReturnErrorComp	CHOICE {
errorCodes	[3] IMPLICIT SEQUENCE { invokeID InvokeIDType,
	errorCode ErrorLocalValues (illegalSubscriber
	illegalEquipment
	absentSubscriber
	dataMissing
	unexpectedDataValue
	unknownAlphabet
	ussd_Busy) },
systemFailureErr	[3] IMPLICIT SEQUENCE { invokeID InvokeIDType,
	errorCode ErrorLocalValues (systemFailure),
	parameter NetworkResource} } ,
unstructuredSSRequest_RejectComp	[4] IMPLICIT RejectComponent }
Detailed Comments:	Timer m

ASN.1 Type Definition	
Type Name:	AddressString
Comments:	GSM 09.02, 14.7.8
Type Definition	
OCTET STRING (SIZE (1 .. maxAddressLength))	
Detailed Comments:	

ASN.1 Type Definition	
Type Name:	Asn1Integer
Comments:	INTEGER of ASN.1 type
Type Definition	
INTEGER	
Detailed Comments:	

ASN.1 Type Definition	
Type Name:	BasicServiceCode
Comments:	GSM 09.02, 14.7.8
Type Definition	
CHOICE { bearerService [2] IMPLICIT BearerServiceCode, teleservice [3] IMPLICIT TeleserviceCode }	
Detailed Comments:	

ASN.1 Type Definition	
Type Name:	BasicServiceGroupList
Comments:	GSM 09.02, 14.7.8
Type Definition	
SEQUENCE SIZE (1 .. maxNumOfBasicServiceGroups) OF BasicServiceCode	
Detailed Comments:	

ASN.1 Type Definition	
Type Name:	BearerServiceCode
Comments:	GSM 09.02, 14.7.10
Type Definition	
OCTET STRING (SIZE (1))	
Detailed Comments:	

ASN.1 Type Definition	
Type Name:	CallBarringCause
Comments:	GSM 09.02, 14.7.7
Type Definition	
ENUMERATED { barringServiceActive (0), operatorBarring (1) }	
Detailed Comments:	

ASN.1 Type Definition	
Type Name:	CallBarringFeature
Comments:	GSM 09.02, 14.7.4
Type Definition	
SEQUENCE { basicService BasicServiceCode OPTIONAL, ss_Status [4] IMPLICIT SS_Status OPTIONAL }	
Detailed Comments:	

ASN.1 Type Definition	
Type Name:	CallBarringFeatureList
Comments:	GSM 09.02, 14.7.4
Type Definition	
SEQUENCE SIZE (1..maxNumOfBasicServiceGroups) OF CallBarringFeature	
Detailed Comments:	

ASN.1 Type Definition	
Type Name:	CallBarringInfo
Comments:	GSM 09.02, 14.7.4
Type Definition	
SEQUENCE { ss_Code SS_Code OPTIONAL, callBarringFeatureList CallBarringFeatureList }	
Detailed Comments:	

ASN.1 Type Definition	
Type Name:	CliRestrictionOption
Comments:	GSM 09.02, 14.7.4
Type Definition	
ENUMERATED { permanent (0), temporaryDefaultRestricted (1), temporaryDefaultAllowed (2) }	
Detailed Comments:	

ASN.1 Type Definition	
Type Name:	CUG_Feature
Comments:	GSM 09.02, 14.7.4
Type Definition	
SEQUENCE { basicService BasicServiceCode OPTIONAL, preferentialCUG_Indicator CUG_Index OPTIONAL, interCUG_Restrictions InterCUG_Restrictions }	
Detailed Comments:	

ASN.1 Type Definition	
Type Name:	CUG_FeatureList
Comments:	GSM 09.02, 14.7.4
Type Definition	
SEQUENCE SIZE (1.. maxNumOfBasicServiceGroups) OF CUG_Feature	
Detailed Comments:	

ASN.1 Type Definition	
Type Name:	CUG_Index
Comments:	GSM 09.02, 14.7.4
Type Definition	
INTEGER (0..32767)	
Detailed Comments:	The internal structure is defined in ETS 300 138.

ASN.1 Type Definition	
Type Name:	CUG_Interlock
Comments:	GSM 09.02, 14.7.4
Type Definition	
OCTET STRING (SIZE (4))	
Detailed Comments:	

ASN.1 Type Definition	
Type Name:	CUG_Info
Comments:	GSM 09.02, 14.7.4
Type Definition	
SEQUENCE { cug_SubscriptionList CUG_SubscriptionList, cug_FeatureList CUG_FeatureList OPTIONAL }	
Detailed Comments:	

ASN.1 Type Definition	
Type Name:	CUG_Subscription
Comments:	GSM 09.02, 14.7.4
Type Definition	
SEQUENCE { cug_Index CUG_Index, cug_Interlock CUG_Interlock, intraCUG_Options IntraCUG_Options, basicServiceGroupList BasicServiceGroupList OPTIONAL }	
Detailed Comments:	

ASN.1 Type Definition	
Type Name:	CUG_SubscriptionList
Comments:	GSM 09.02, 14.7.4
Type Definition	
SEQUENCE SIZE (1.. maxNumOfCUG) OF CUG_Subscription	
Detailed Comments:	

ASN.1 Type Definition	
Type Name:	ErrorLocalValues
Comments:	GSM 04.80, 4.5
Type Definition	
<pre> INTEGER { unknownSubscriber (1), illegalSubscriber (9), bearerServiceNotProvisioned (10), teleserviceNotProvisioned (11), illegalEquipment (12), callBarred (13), illegalSS_Operation (16), ss_ErrorStatus (17), ss_NotAvailable (18), ss_SubscriptionViolation (19), ss_Incompatibility (20), facilityNotSupported (21), absentSubscriber (27), systemFailure (34), dataMissing (35), unexpectedDataValue (36), pw_RegistrationFailure (37), negativePW_Check (38), numberOfPW_AttemptsViolation (43), unknownAlphabet (71), ussd_Busy (72), maxNumberOfMPTY_ParticipantsExceeded (126), resourcesNotAvailable (127) } </pre>	
Detailed Comments:	Elements of INTEGER are global for the ATS.

ASN.1 Type Definition	
Type Name:	ForwardingFeature
Comments:	GSM 09.02, 14.7.4
Type Definition	
<pre> SEQUENCE { basicService BasicServiceCode OPTIONAL, ss_Status [4] IMPLICIT SS_Status OPTIONAL, forwardedToNumber [5] IMPLICIT ISDN_AddressString OPTIONAL, forwardedToSubaddress [8] IMPLICIT ISDN_SubaddressString OPTIONAL, forwardingOptions [6] IMPLICIT ForwardingOptions OPTIONAL, noReplyConditionTime [7] IMPLICIT NoReplyConditionTime OPTIONAL } </pre>	
Detailed Comments:	

ASN.1 Type Definition	
Type Name:	ForwardingFeatureList
Comments:	GSM 09.02, 14.7.4
Type Definition	
SEQUENCE SIZE (1..maxNumOfBasicServiceGroups) OF ForwardingFeature	
Detailed Comments:	

ASN.1 Type Definition	
Type Name:	ForwardingInfo
Comments:	GSM 09.02, 14.7.4
Type Definition	
<pre> SEQUENCE { ss_Code SS_Code OPTIONAL, forwardingFeatureList ForwardingFeatureList } </pre>	
Detailed Comments:	

ASN.1 Type Definition	
Type Name:	ForwardingOptions
Comments:	GSM 09.02, 14.7.4
Type Definition	
OCTET STRING (SIZE (1))	
Detailed Comments:	

ASN.1 Type Definition	
Type Name:	GeneralProblem
Comments:	ITU-T Q.767
Type Definition	
TCAP_Problems (unrecognizedComponent mistypedComponent badlyStructuredComponent)	
Detailed Comments:	Type restricted to these three.

ASN.1 Type Definition	
Type Name:	InterCUG_Restrictions
Comments:	GSM 09.02, 14.7.4
Type Definition	
OCTET STRING (SIZE (1))	
Detailed Comments:	bits: 876543: 000000 (unused) bits 21: 00 CUG only facilities 01 CUG with outgoing access 10 CUG with incoming access 11 CUG with both outgoing and incoming access

ASN.1 Type Definition	
Type Name:	IntraCUG_Options
Comments:	GSM 09.02, 14.7.4
Type Definition	
ENUMERATED { noCUG_Restrictions (0), cugIC_CallBarred (1), cugOG_CallBarred (2) }	
Detailed Comments:	

ASN.1 Type Definition	
Type Name:	InvokeIDType
Comments:	ITU-T, Q.773
Type Definition	
INTEGER (-128 .. 127)	
Detailed Comments:	Values: Sending Components: If it is an invoke component then use Test Case Variable (with default) to set value. If another invoke component is sent the TCV should be incremented beforehand. If it is a return result, error or reject component in response to a received invoke component then use TCV also, making sure the value is set to the value of the received component beforehand. Receiving Components: If it is an invoke comp then use '?'. If it is a return result, error or reject component in response to a sent invoke component then use TCV value (as used in sent invoke component).

ASN.1 Type Definition	
Type Name:	InvokeProblem
Comments:	ITU-T Q.767
Type Definition	
TCAP_Problems (duplicateInvokeID unrecognizedOperation mistypedArgument resourceLimitation initiatingRelease unrecognizedLinkedID linkedResponseUnexpected unexpectedLinkedOperation)	
Detailed Comments:	Type restricted to these 8.

ASN.1 Type Definition	
Type Name:	ISDN_AddressString
Comments:	GSM 09.02, 14.7.8
Type Definition	
AddressString (SIZE (1 .. maxISDN_AddressLength))	
Detailed Comments:	

ASN.1 Type Definition	
Type Name:	ISDN_SubaddressString
Comments:	GSM 09.02, 14.7.8
Type Definition	
OCTET STRING (SIZE (1 .. maxISDN_SubaddressLength))	
Detailed Comments:	

ASN.1 Type Definition	
Type Name:	NetworkResource
Comments:	GSM 09.02, 14.7.8,
Type Definition	
ENUMERATED { plmn (0), hlr (1), vlr (2), pvlr (3), controllingMSC (4), vmcsc (5), eir (6), rss (7) }	
Detailed Comments:	Elements of INTEGER are global for the ATS.

ASN.1 Type Definition	
Type Name:	NoReplyConditionTime
Comments:	GSM 09.02, 14.7.4
Type Definition	
INTEGER (5 .. 30)	
Detailed Comments:	

ASN.1 Type Definition	
Type Name:	Operation
Comments:	ITU-T Q.767
Type Definition	
CHOICE { localValue INTEGER, globalValue OBJECT IDENTIFIER}	
Detailed Comments:	

ASN.1 Type Definition	
Type Name:	OverrideCategory
Comments:	GSM 09.02, 14.7.4
Type Definition	
ENUMERATED { overrideEnabled (0), overrideDisabled (1) }	
Detailed Comments:	

ASN.1 Type Definition	
Type Name:	Password
Comments:	GSM 09.02, 14.7.4
Type Definition	
NumericString (FROM ("0" "1" "2" "3" "4" "5" "6" "7" "8" "9")) (SIZE (4))	
Detailed Comments:	

ASN.1 Type Definition	
Type Name:	PW_RegistrationFailureCause
Comments:	GSM 09.02, 14.7.7
Type Definition	
ENUMERATED { undetermined (0), invalidFormat (1), newPasswordsMismatch (2) }	
Detailed Comments:	

ASN.1 Type Definition	
Type Name:	ReturnErrorProblem
Comments:	ITU-T Q.767
Type Definition	
TCAP_Problems (unrecognizedInvokeID returnErrorUnexpected unrecognizedError unexpectedError mistypedParameter)	
Detailed Comments:	Type restricted to these 5.

ASN.1 Type Definition	
Type Name:	ReturnResultProblem
Comments:	ITU-T Q.767
Type Definition	
TCAP_Problems (unrecognizedInvokeID returnResultUnexpected mistypedResult)	
Detailed Comments:	Type restricted to these three.

ASN.1 Type Definition	
Type Name:	SS_Code
Comments:	GSM 09.02, 14.7.5
Type Definition	
OCTET STRING (SIZE (1))	
Detailed Comments:	group (bits 8765), and specific service (bits 4321)

ASN.1 Type Definition	
Type Name:	SS_Data
Comments:	GSM 09.02, 14.7.4
Type Definition	
SEQUENCE { ss_Code SS_Code OPTIONAL, ss_Status [4] IMPLICIT SS_Status OPTIONAL, ss_SubscriptionOption SS_SubscriptionOption OPTIONAL, basicServiceGroupList BasicServiceGroupList OPTIONAL } 	
Detailed Comments:	

ASN.1 Type Definition	
Type Name:	SS_ForBS_Code
Comments:	GSM 09.02, 14.7.4
Type Definition	
SEQUENCE { ss_Code SS_Code, basicService BasicServiceCode OPTIONAL } 	
Detailed Comments:	

ASN.1 Type Definition	
Type Name:	SS_IncompatibilityCause
Comments:	GSM 09.02, 14.7.8
Type Definition	
SEQUENCE { ss_Code [1] IMPLICIT SS_Code OPTIONAL, basicService BasicServiceCode OPTIONAL, ss_Status [4] SS_Status OPTIONAL } 	
Detailed Comments:	

ASN.1 Type Definition	
Type Name:	SS_Info
Comments:	GSM 09.02, 14.7.4
Type Definition	
CHOICE { forwardingInfo [0] IMPLICIT ForwardingInfo, callBarringInfo [1] IMPLICIT CallBarringInfo, cug_Info [2] IMPLICIT CUG_Info, ss_Data [3] IMPLICIT SS_Data } 	
Detailed Comments:	

ASN.1 Type Definition	
Type Name:	SS_Status
Comments:	GSM 09.02, 14.7.4
Type Definition	
OCTET STRING (SIZE (1))	
Detailed Comments:	bits 8765: 0000 unused, bits 4: SS state information Q bit, bits 3: SS state information P bit, bits 2: SS state information R bit, bits 1: SS state information A bit.

ASN.1 Type Definition	
Type Name:	SS_SubscriptionOption
Comments:	GSM 09.02, 14.7.4
Type Definition	
CHOICE { overrideCategory [1] IMPLICIT OverrideCategory, cliRestrictionOption [2] IMPLICIT CliRestrictionOption }	
Detailed Comments:	

ASN.1 Type Definition	
Type Name:	SS_UserData
Comments:	GSM 09.02, 14.7.4
Type Definition	
IA5String (SIZE (1 .. maxSignalInfoLength))	
Detailed Comments:	

ASN.1 Type Definition	
Type Name:	TCAP_Problems
Comments:	ITU-T Q.767
Type Definition	
INTEGER { unrecognizedComponent (0), -- GeneralProblem unrecognizedInvokeID (0), -- ReturnResultProblem, ReturnErrorProblem duplicateInvokeID (0), -- InvokeProblem mistypedComponent (1), -- GeneralProblem returnErrorUnexpected (1), -- ReturnErrorProblem returnResultUnexpected (1), -- ReturnResultProblem unrecognizedOperation (1), -- InvokeProblem badlyStructuredComponent (2), -- GeneralProblem unrecognizedError (2), -- ReturnErrorProblem mistypedArgument (2), -- InvokeProblem, originally called mistypedParameter in TCAP mistypedResult (2), -- ReturnResultProblem resourceLimitation (3), -- InvokeProblem unexpectedError (3), -- ReturnErrorProblem mistypedParameter (4), -- ReturnErrorProblem initiatingRelease (4), -- InvokeProblem unrecognizedLinkedID (5), -- InvokeProblem linkedResponseUnexpected (6), -- InvokeProblem unexpectedLinkedOperation (7) -- InvokeProblem }	
Detailed Comments:	Errors of the same integer value are distinguished by their different parent types (General, Invoke, ReturnResult, ReturnError).

ASN.1 Type Definition	
Type Name:	TeleserviceCode
Comments:	GSM 09.02, 14.7.9
Type Definition	
OCTET STRING (SIZE (1))	
Detailed Comments:	

ASN.1 Type Definition	
Type Name:	USSD_Arg
Comments:	GSM 09.02, 14.7.4
Type Definition	
SEQUENCE { ussd_DataCodingScheme USSD_DataCodingScheme, ussd_String USSD_String }	
Detailed Comments:	

ASN.1 Type Definition	
Type Name:	USSD_Res
Comments:	GSM 09.02, 14.7.4
Type Definition	
SEQUENCE { ussd_DataCodingScheme USSD_DataCodingScheme, ussd_String USSD_String }	
Detailed Comments:	

ASN.1 Type Definition	
Type Name:	USSD_DataCodingScheme
Comments:	GSM 09.02, 14.7.4
Type Definition	
OCTET STRING (SIZE (1))	
Detailed Comments:	

ASN.1 Type Definition	
Type Name:	USSD_String
Comments:	GSM 09.02, 14.7.4
Type Definition	
OCTET STRING (SIZE (1..maxUSSD_StringLength))	
Detailed Comments:	The structure of the contents of the USSD-String is dependent on the USSD-DataCodingScheme as described in TS GSM03.38.

Test suite operation definitions

Test Suite Operation Definition	
Operation Name:	OC_Asn1intToOct(n:Asn1Integer; l: INTEGER)
Result Type:	OCTETSTRING
Comments:	
Description	
OC_Asn1intToOct converts the ASN.1 INTEGER `n` into OCTETSTRING with length = `l`.	
for example:	
OC_Asn1intToOct(14,1) = '0E'O;	
OC_Asn1intToOct(18,1) = '12'O;	
OC_Asn1intToOct(18,2) = '0012'O;	
OC_Asn1intToOct(-128,1) = '80'O (MSB (position p out of 1...p) represents $-2^{exp(p-1)}$);	
OC_Asn1intToOct(-32768,2) = '8000'O (MSB (position p out of 1...p) represents $-2^{exp(p-1)}$).	
Detailed Comments:	

Test Suite Operation Definition	
Operation Name:	OC_Bcap(setup:SETUP_MO_PDU; callproc:CALL_PROC_PDU; mem:INTEGER)
Result Type:	BCAP
Comments:	
Description	
OC_Bcap operation returns a bearer capability IE according the following rule:	
- for `mem` = 1:	
- if bearer capability IE were presented in `callproc` the returned BC is the bearer capability 1 of the `callproc`;	
- otherwise, the returned bearer capability is the bearer capability 1 of the `setup`.	
- for `mem` = 2:	
- if bearer capability IE were presented in `callproc` the returned BC is the bearer capability 2 of the `callproc`;	
- otherwise, the returned bearer capability is the bearer capability 2 of the `setup`.	
Detailed Comments:	

Test Suite Operation Definition	
Operation Name:	OC_BinAdd(bitstr1:BITSTRING; bitstr2:BITSTRING)
Result Type:	BITSTRING
Comments:	
Description	
OC_BinAdd operation performs binary addition of two input parameters `bitstr1` and `bitstr2`, then returns the result of the addition. These two input parameters shall have the same length, the result of the operation has the same length as the input parameters.	
for example:	
OC_BinAdd('01000'B, '00110'B) = '01110'B;	
OC_BinAdd('01000'B, '00011'B) = '01011'B;	
OC_BinAdd('00100'B, '00010'B) = '00110'B.	
Detailed Comments:	

Test Suite Operation Definition	
Operation Name:	OC_Bit7(bstring: B_8)
Result Type:	BITSTRING
Comments:	The input parameter bstring is of type BITSTRING[8].
Description	
OC_Bit7(bstring) returns the value of bit 7 in the `bstring`.	
for example:	
OC_Bit7('01010101'B) = '1'B,	
OC_Bit7('10101010'B) = '0'B	
Detailed Comments:	

Test Suite Operation Definition	
Operation Name:	OC_BCDtoInt(bcdstring:HEXSTRING; relevant_digits: INTEGER)
Result Type:	INTEGER
Comments:	
Description	
The operation OC_BCDtoInt converts last 'relevant_digits' of an HEXSTRING containing BCD coded digits to an integer representation of these relevant digits.	
Example: OC_BCDtoInt('12345'H, 3) := 345	
Detailed Comments:	

Test Suite Operation Definition	
Operation Name:	OC_CalledNumCHK(callednum:OCTETSTRING; dialnum:IA5String)
Result Type:	BOOLEAN
Comments:	
Description	
the operation OC_CalledNumCHK to check whether the called party number `callednum`, which is represented by OCTETSTRING, is the same as the dialed number `dialnum`, which is represented by IA5String. It returns TRUE if they are the same, otherwise FALSE.	
Detailed Comments:	

Test Suite Operation Definition	
Operation Name:	OC_ChkSRES(sres:OCTETSTRING; ki: BITSTRING; rand:BITSTRING)
Result Type:	BOOLEAN
Comments:	sres is 32 bits value.
Description	
OC_ChkSRES checks the input parameter `sres` according to the authentication algorithm defined in the following procedure. It returns TRUE if the `sres` is correct, otherwise it returns FALSE.	
<ul style="list-style-type: none"> - firstly the `ki` XOR to the `rand` results in RES1; - then compare the most significant 32 bits of the RES1 with the `sres`; - if they are equal, the `sres` is correct and the operation returns TRUE; - if they are not equal, the `sres` is wrong and the operation returns FALSE. 	
NOTE: this procedure is the test algorithm for authentication defined by GSM.	
Detailed Comments:	

Test Suite Operation Definition	
Operation Name:	OC_CnvtMax(max:INTEGER)
Result Type:	B_2
Comments:	
Description	
The allowed integer values for max are 1, 2, 4, 7 (maximum number of retransmissions). The result BITSTRING is 2 bits long. OC_CnvtMax converts the input integer `max` into a BITSTRING according to the following rule:	
<ol style="list-style-type: none">1. the result is '00'B if the `max` = 1,2. the result is '01'B if the `max` = 2,3. the result is '10'B if the `max` = 4,4. the result is '11'B if the `max` = 7.	
for example:	
OC_CnvtMax(1) = '00'B, OC_CnvtMax(7) = '11'B.	
Detailed Comments:	

Test Suite Operation Definition	
Operation Name:	OC_CnvtTx(tx:INTEGER)
Result Type:	B_4
Comments:	The result BITSTRING is 4 bits long.
Description	
OC_CnvtTx converts the input integer `tx` into a BITSTRING according the following rule:	
<ol style="list-style-type: none">1. the result is '0000'B if the `tx` = 3,2. the result is '0001'B if the `tx` = 4,3. the result is '0010'B if the `tx` = 5,4. the result is '0011'B if the `tx` = 6,5. the result is '0100'B if the `tx` = 7,6. the result is '0101'B if the `tx` = 8,7. the result is '0110'B if the `tx` = 9,8. the result is '0111'B if the `tx` = 10,9. the result is '1000'B if the `tx` = 11,10. the result is '1001'B if the `tx` = 12,11. the result is '1010'B if the `tx` = 14,12. the result is '1011'B if the `tx` = 16,13. the result is '1100'B if the `tx` = 20,14. the result is '1101'B if the `tx` = 25,15. the result is '1110'B if the `tx` = 32,16. the result is '1111'B if the `tx` = 50.	
for example:	
OC_CnvtTx(3) = '0000'B, OC_CnvtTx(5) = '0010'B.	
Detailed Comments:	

Test Suite Operation Definition	
Operation Name:	OC_CodeSMSCBMessage(firstoct: INTEGER; lastoct: INTEGER)
Result Type:	OCTETSTRING
Comments:	
Description	
<p>The operation codes a part of the contents for a cell broadcast short message. The cell broadcast short message, is 82 octets long, i.e. 93 characters, each represented by 7 bits. As many as possible different characters are sent, the characters are those corresponding to the 7-bit representation of the integers 0, 1, 2, ..., 92. The bits are arranged acc. to GSM 03.38, clause 6.1.2.1.1. The result of this operation is the octetstring of the octets 'firstoct' to 'lastoct' (16 octets for the first message block, 22 octets for the 2nd, 3rd and 4th blocks), with the octets of the cell broadcast short message being numbered from 1 to 82.</p>	
Detailed Comments:	

Test Suite Operation Definition	
Operation Name:	OC_CodingOfUssdString(text: IA5String)
Result Type:	OCTETSTRING
Comments:	
Description	
<p>This operation provides the coding for a USSD String 'text' in the default alphabet, each character represented by 7 bits. The bits are arranged acc. to GSM 03.38, clause 6.1.2.2.1.</p>	
Detailed Comments:	

Test Suite Operation Definition	
Operation Name:	OC_ComputeSMContents(NumberOfCharacters: INTEGER)
Result Type:	OCTETSTRING
Comments:	max. 160 characters, i.e. 140 octets.
Description	
<p>This operation provides a short message's contents with a specified number of characters 'NumberOfCharacters', each represented by 7 bits. As possible different characters are sent, the characters are those corresponding to the 7-bit representation of 0, 1, 2, ... up to ('NumberOfCharacters' - 1). If more than 128 characters are sent, the rest of the characters is the corresponding to 0, 1, ... up to (NumberOfCharacters - 128 - 1), e.g. for 160 characters: 0, 1, ..., 127, 0, 1, ..., 31. The bits are arranged acc. to GSM 03.38, clause 6.1.2.1.1.</p>	
Detailed Comments:	

Test Suite Operation Definition	
Operation Name:	OC_ComputeSMContentsSpecText(NumbOfIA5chara: INTEGER; text: IA5String)
Result Type:	OCTETSTRING
Comments:	max. 160 characters, i.e. 140 octets.
Description	
<p>This operation provides a short message's contents with a specified number of characters 'NumbOfIA5chara', each represented by 7 bits. 'text' is used as contents of the short message. If 'text' contains less than 'NumberOfCharacters' characters, 'text' is repeated until the short message reaches the 'NumberOfCharacters' characters long. The bits packing is arranged according. to GSM 03.38, clause 6.1.2.1.1.</p>	
Detailed Comments:	

Test Suite Operation Definition	
Operation Name:	OC_CphKeyGen(ki:BITSTRING; rand:BITSTRING)
Result Type:	BITSTRING
Comments:	both ki and rand are 128 bits values, the result of the operation is 64 bits value
Description	
<p>OC_CphKeyGen generates the ciphering key from the input parameters according to the following procedure:</p> <ul style="list-style-type: none"> - firstly the `ki` XOR to the `rand` results in RES1; - then discard the most significant 32 bits of the RES; - the next 64 bits of RES1 are the ciphering key, the operation returns this value. - the 32 least significant bits are not used. 	
Detailed Comments:	

Test Suite Operation Definition	
Operation Name:	OC_FirstDigi(bcddigits:HEXSTRING)
Result Type:	B_4
Comments:	
Description	
<p>The input parameter bcddigits shall be a BCD string (subset of HEXSTRING), the result is a BITSTRING[4] of a binary representation of one BCD digit.</p> <p>The function of the OC_FirstDigi is to return the first (most significant) digit of the input parameter `bcddigits`.</p> <p>for example:</p> <p>OC_FirstDigi('12345') = '0001'B, OC_FirstDigi('012345678') = '0000'B.</p>	
Detailed Comments:	

Test Suite Operation Definition	
Operation Name:	OC_FnInc(fn:FN; inc:INTEGER)
Result Type:	FN
Comments:	
Description	
<p>The function of OC_FnInc operation to increase frame number with `inc`. The frame number to be incremented is the input parameter `fn` in FN type and the increment `inc` is in INTEGER type, the incremented frame number is returned in FN type.</p> <pre> OC_FnInc(fn, inc) FN fn; INTEGER inc; { int fmin; FN frmout; fmin = 51 * ((fn.t3 - fn.t2) MOD 26) + fn.t3 + 1326 * fn.t1_ ; frmout.t1_ = ((fmin + inc) DIV 1326) MOD 32; frmout.t2 = (fmin + inc) MOD 26; frmout.t3 = (fmin + inc) MOD 51; return (frmout); } </pre>	
Detailed Comments:	

Test Suite Operation Definition	
Operation Name:	OC_GetSCTimeStamp(timezone:TZONES)
Result Type:	TPSCTS
Comments:	TPSCTS is HEXSTRING[14]
Description	
<p>This Operation provides the hexstring containing the service center time stamp (SCTS) according to GSM 03.40, clauses 9.2.2.1 and 9.2.3.11. The TSO reads the current time of the test systems clock and transforms the time in combination with the input parameter 'timezone' into a service center time stamp.</p> <p>Example: 1996 April 18, 15:32:46, timezone=4 OC_GetSCTimeStamp returns 69408151236440</p>	
Detailed Comments:	

Test Suite Operation Definition	
Operation Name:	OC_IncTmsi(tmsi:TMSI_V; inc:OCTETSTRING)
Result Type:	TMSI_V
Comments:	the `tmsi` is 4 OCTETs long
Description	
OC_IncTmsi operation adds the two input parameters and returns the result. An overflow of addition is allowed.	
For example :	
OC_IncTmsi('33542140'O + '01'O) = '33542141'O;	
OC_IncTmsi('21322140'O + '08'O) = '21322148'O.	
Detailed Comments:	

Test Suite Operation Definition	
Operation Name:	OC_InRang(tx: INTEGER; maxret:INTEGER; m: INTEGER)
Result Type:	BOOLEAN
Comments:	
Description	
The operation returns TRUE if $(m \text{ DIV } (\maxret * ((230 + \maxret - 1) / \maxret)))$ is inside the following interval: $[0.8 - ((tx+1)/2) \text{ DIV } tx; 1.2 - ((tx+1)/2) \text{ DIV } tx]$	
where / is integer division, DIV is float division, m, tx and maxret are input parameters of the operation.	
Detailed Comments:	

Test Suite Operation Definition	
Operation Name:	OC_IntToOct(n:INTEGER; l: INTEGER)
Result Type:	OCTETSTRING
Comments:	
Description	
OC_IntToOct converts the INTEGER `n` into OCTETSTRING with length = `l`.	
for example:	
OC_IntToOct(14,1) = '0E'O;	
OC_IntToOct(18,1) = '12'O;	
OC_IntToOct(18,2) = '0012'O.	
Detailed Comments:	

Test Suite Operation Definition	
Operation Name:	OC_LeastBits(bstring:BITSTRING; lg:INTEGER)
Result Type:	BITSTRING
Comments:	
Description	
OC_LeastBits operation returns the `lg` least significant bits of the original `bstring`.	
for example:	
OC_LeastBits('110011000101010'B, 3) = '010'B,	
OC_LeastBits('110011000101010'B, 6) = '101010'B.	
Detailed Comments:	

Test Suite Operation Definition	
Operation Name:	OC_LengthOf(identity_field :MI)
Result Type:	INTEGER
Comments:	
Description	
OC_LengthOf operation returns the actual length of the `identity_field`, the unit of length is in OCTET.	
Detailed Comments:	

Test Suite Operation Definition	
Operation Name:	OC_LengthOfBCDN(bcdn :BCDN)
Result Type:	INTEGER
Comments:	
Description	
OC_LengthOfBCDN operation returns the actual length of an IE of type BCDN 'bcdn', the unit of length is in OCTET.	
Detailed Comments:	

Test Suite Operation Definition	
Operation Name:	OC_LengthOfComp(comp: Component_T)
Result Type:	LENGTH
Comments:	
Description	
OC_LengthOfComp operation returns the actual length of the Component_T `comp`, the unit of length is in OCTET.	
Detailed Comments:	

Test Suite Operation Definition	
Operation Name:	OC_LengthOfString(strg: IA5String)
Result Type:	INTEGER
Comments:	
Description	
OC_LengthOfString operation returns the actual length (number of characters) of the string `strg`.	
Detailed Comments:	

Test Suite Operation Definition	
Operation Name:	OC_LookupS(t: INTEGER; combined :BOOLEAN)
Result Type:	INTEGER
Comments:	the algorithm is derived from Table 3.1/GSM 04.08 for values of parameter S.
Description	
<p>This operation returns an INTEGER according the following algorithm:</p> <pre> OC_LookupS(t, comb) INTEGER t; BOOLEAN combined; { switch (t) { case 3: case 8: case 14: case 50: if (combined) then return(41) else return(55); break; case 4: case 9: case 16: if (combined) then return(52) else return(76); break; case 5: case 10: case 20: if (combined) then return(58) else return(109); break; case 6: case 11: case 25: if (combined) then return(86) else return(163); break; case 7: case 12: case 32: if (combined) then return(115) else return(217); break; } } </pre>	
Detailed Comments:	

Test Suite Operation Definition	
Operation Name:	OC_MostBits(bstring:BITSTRING; lg :INTEGER)
Result Type:	BITSTRING
Comments:	
Description	
OC_MostBits operation returns the `lg` most significant bits of the original `bstring`.	
for example:	
OC_LeastBits('110011000101010'B, 3) = '110'B, OC_LeastBits('110011000101010'B, 6) = '110011'B.	
Detailed Comments:	

Test Suite Operation Definition	
Operation Name:	OC_MsrReptChk(msrres: MSRR; index: INTEGER)
Result Type:	BOOLEAN
Comments:	parameter index is used for selecting different match pattern
Description	
OC_MsrReptChk operation checks whether the received measurement report contains correct values:	
<p>1. when the `index` = 1:</p> <pre> if set { { msrres.bcchfrq_nc1, msrres.bsic_nc1}, { msrres.bcchfrq_nc2, msrres.bsic_nc2}, { msrres.bcchfrq_nc3, msrres.bsic_nc3}, { msrres.bcchfrq_nc4, msrres.bsic_nc4}, { msrres.bcchfrq_nc5, msrres.bsic_nc5}, { msrres.bcchfrq_nc6, msrres.bsic_nc6} } equals to set { {'00000'B, '001011'B}, {'01111'B, '001001'B}, {'10101'B, '001011'B}, {'10110'B, '001101'B}, {'11100'B, '001111'B}, {'11111'B, '001001'B} } then the operation returns TRUE otherwise FALSE. </pre> <p>2. when the `index` = 2:</p> <pre> if set { { msrres.bcchfrq_nc1, msrres.bsic_nc1}, { msrres.bcchfrq_nc2, msrres.bsic_nc2}, { msrres.bcchfrq_nc3, msrres.bsic_nc3}, { msrres.bcchfrq_nc4, msrres.bsic_nc4}, { msrres.bcchfrq_nc5, msrres.bsic_nc5}, { msrres.bcchfrq_nc6, msrres.bsic_nc6} } equals to set { {'00000'B, '001011'B}, {'00100'B, '001001'B}, {'00110'B, '001011'B}, {'00101'B, '001101'B}, {'00010'B, '001111'B}, {'00111'B, '001001'B} } then the operation returns TRUE otherwise FALSE. </pre> <p>3. when the `index` = 3:</p> <pre> if set { { msrres.bcchfrq_nc1, msrres.bsic_nc1}, { msrres.bcchfrq_nc2, msrres.bsic_nc2}, { msrres.bcchfrq_nc3, msrres.bsic_nc3}, { msrres.bcchfrq_nc4, msrres.bsic_nc4}, { msrres.bcchfrq_nc5, msrres.bsic_nc5}, { msrres.bcchfrq_nc6, msrres.bsic_nc6} } equals to set { {'00001'B, '001011'B}, {'00101'B, '001001'B}, {'00111'B, '001011'B}, {'00110'B, '001101'B}, {'00011'B, '001111'B}, {'01000'B, '001001'B} } then the operation returns TRUE otherwise FALSE. </pre> <p>4. when the `index` = 4 :</p> <pre> if set { { msrres.bcchfrq_nc1, msrres.bsic_nc1}, { msrres.bcchfrq_nc2, msrres.bsic_nc2}, { msrres.bcchfrq_nc3, msrres.bsic_nc3}, { msrres.bcchfrq_nc4, msrres.bsic_nc4}, } equals to set { {'00000'B, '001011'B}, {'00010'B, '001111'B}, {'00001'B, '001111'B}, {'00011'B, '001001'B} } then the operation returns TRUE otherwise FALSE. </pre> <p>5. when the `index` = 5 :</p> <pre> if set { { msrres.bcchfrq_nc1, msrres.bsic_nc1}, { msrres.bcchfrq_nc2, msrres.bsic_nc2}, { msrres.bcchfrq_nc3, msrres.bsic_nc3}, { msrres.bcchfrq_nc4, msrres.bsic_nc4}, } equals to set { {'00000'B, '001011'B}, {'00010'B, '001111'B}, {'00001'B, '001111'B}, {'00100'B, '001001'B} } then the operation returns TRUE otherwise FALSE. </pre>	

6. when the `index` = 6:

```
if set { { msrres.bcchfrq_nc1, msrres.bsic_nc1}, { msrres.bcchfrq_nc2, msrres.bsic_nc2},  
        { msrres.bcchfrq_nc3, msrres.bsic_nc3}, { msrres.bcchfrq_nc4, msrres.bsic_nc4},  
        { msrres.bcchfrq_nc5, msrres.bsic_nc5}, { msrres.bcchfrq_nc6, msrres.bsic_nc6}  
      }
```

equals to

```
set { {'00000'B, '001011'B}, {'00011'B, '001001'B},  
      {'00100'B, '001011'B}, {'00101'B, '001101'B},  
      {'00110'B, '001111'B}, {'00111'B, '001001'B}  
    }
```

then the operation returns TRUE otherwise FALSE.

7. when the `index` = 7:

```
if set { { msrres.bcchfrq_nc1, msrres.bsic_nc1}, { msrres.bcchfrq_nc2, msrres.bsic_nc2},  
        { msrres.bcchfrq_nc3, msrres.bsic_nc3}, { msrres.bcchfrq_nc4, msrres.bsic_nc4},  
        { msrres.bcchfrq_nc5, msrres.bsic_nc5}, { msrres.bcchfrq_nc6, msrres.bsic_nc6}  
      }
```

equals to

```
set { {'00000'B, '001011'B}, {'00100'B, '001001'B},  
      {'00110'B, '001011'B}, {'00101'B, '001101'B},  
      {'00010'B, '001111'B}, {'00111'B, '001001'B}  
    }
```

then the operation returns TRUE otherwise FALSE.

8. when the `index` = 8 :

```
if set { { msrres.bcchfrq_nc1, msrres.bsic_nc1}, { msrres.bcchfrq_nc2, msrres.bsic_nc2}  
      }
```

equals to

```
set { {'00000'B, '001011'B}, {'00010'B, '001101'B}  
    }
```

then the operation returns TRUE otherwise FALSE.

9. when the `index` = 9 :

```
if set { { msrres.bcchfrq_nc1, msrres.bsic_nc1}, { msrres.bcchfrq_nc2, msrres.bsic_nc2}  
      }
```

equals to

```
set { {'00110'B, '001011'B}, {'00111'B, '001101'B}  
    }
```

then the operation returns TRUE otherwise FALSE.

10. when the `index` = 10 :

```
if set { { msrres.bcchfrq_nc1, msrres.bsic_nc1}, { msrres.bcchfrq_nc2, msrres.bsic_nc2}  
      }
```

equals to

```
set { {'00011'B, '001011'B}, {'00101'B, '001101'B}  
    }
```

then the operation returns TRUE otherwise FALSE.

Detailed Comments:

Test Suite Operation Definition	
Operation Name:	OC_OeBit(bcddigits:HEXSTRING)
Result Type:	BITSTRING
Comments:	The input parameter `bcddigits` is really BCD string (subset of HEXSTRING), the result is BITSTRING[1].
Description	
<p>The function of the OC_OeBit is as the following:</p> <ol style="list-style-type: none"> 1. it returns '1'B, if the length of the `bcddigits` is odd, 2. it returns '0'B, if the length of the `bcddigits` is even. <p>for example:</p> <p>OC_OeBit('12583') = '1'B, OC_OeBit('87259957') = '0'B.</p>	
Detailed Comments:	

Test Suite Operation Definition	
Operation Name:	OC_OctToInt(ostr: OCTETSTRING)
Result Type:	INTEGER
Comments:	
Description	
OC_OctToInt converts the OCTETSTRING `ostr` into INTEGER.	
Detailed Comments:	

Test Suite Operation Definition	
Operation Name:	OC_OctToInvokelDType(o:OCTETSTRING)
Result Type:	InvokelDType
Comments:	
Description	
<p>OC_OctToInvokelDType converts the OCTETSTRING `o` into InvokelDType, with the MSB of `o` representing the negative value $-2^{\exp(n-1)}$, for example '80'O->'10000000'B-> -128. The rest of the bits can code positive values up to $+2^{\exp(n-2)-1}$, for example '4F'O->'01111111'B-> +127.</p> <p>for example:</p> <p>OC_OctToInvokelDType('80'O) = -128; OC_OctToInvokelDType('81'O) = -128+1 = -127; OC_OctToInvokelDType('40'O) = +64. OC_OctToInvokelDType('7F'O) = +127. OC_OctToInvokelDType('C0'O) = -128+64 = -64.</p>	
Detailed Comments:	

Test Suite Operation Definition	
Operation Name:	OC_OtherDigi(bcddigits:HEXSTRING)
Result Type:	OCTETSTRING
Comments:	The input parameter `bcddigits` is really BCD string (subset of HEXSTRING), the result is an even BCD digits except that the next to last may either be 'F'H or a BCD digit.
Description	
The function of the OC_OtherDigi is as the following: 1. If the number of the `bcddigits` is odd, the operation removes the most significant digit, and then reverses the order of each pair of digits; 2. If the number of the `bcddigits` is even, first the operation suffixes the `bcddigits` with 'F'H, then removes the most significant digit, and then reverses the order of each pair of digits. for example: OC_OtherDigi('12345') = '3254', OC_OtherDigi('12345678') = '325476F8'.	
Detailed Comments:	

Test Suite Operation Definition	
Operation Name:	OC_PosinSet(set: Components; comp: Component)
Result Type:	INTEGER
Comments:	
Description	
The operation OC_PosinSet returns the position of component `comp` within the SET `set`. for example: if the set = { registerSSComponents, eraseSSComponents, activateSSComponents, deactivateSSComponents } OC_PosinSet(set, registerSSComponents) = 0, OC_PosinSet(set, activateSSComponents) = 2.	
Detailed Comments:	

Test Suite Operation Definition	
Operation Name:	OC_RachSlots(fn1:FN; fn2:FN; cmbn: BOOLEAN; mode:INTEGER)
Result Type:	INTEGER
Comments:	
Description	
<p>OC_RachSlots calculates the number of RACH slots between frame number `fn1` and `fn2` excluding the slots in `fn1` and `fn2`, then return the result of the calculation.</p> <p>If mode=0, 'fn1' denotes the (first) frame number for sending Paging Request, while 'fn2' denotes the (first) frame number for the received Channel Request. If mode=1 'fn1' and 'fn2' denote the (first) frame number for the received two subsequent Channel Requests. Any other values for mode is not allowed.</p> <p>Since the number of RACH slots depends on the RACH being combined or not with dedicated channels, the parameter 'cmbn' is needed: TRUE --> combined, FALSE--> not combined.</p> <p>It is assumed that the distance between fn1 and fn2 is not more than one group of 42432 TDMA frames (modulo 42432 is used to calculate t1' of fn1 and fn2). This is equivalent to approximately 196 seconds. The 51 TDMA frames in a multiframe are numbered 0 to 50.</p> <p>fn1' := fn1 mod 51 fn2' := fn2 mod 51</p> <p>CASE 1: cmbn is FALSE ('not combined')</p> <p>When 'not combined', all slots are RACH slots.</p> <p>1.1 mode=0 (sending paging message at fn1)</p> <p>The paging uses the numbered frames 6 - 9, 12 -19, 22-29, 32-39 and 42-49.</p> <p>1.1.1 If fn1 is not in the paging TDMA frame mapping, it leads testing to a test system error. IF (fn1' < 6) OR (9 < fn1' < 12) OR (19 < fn1' < 22) OR (29 < fn1' < 32) OR (39 < fn1' < 42) OR (fn1' >49), A test system error! The calling test case shall re-run again. OTHERWISE</p> <p>1.1.2 The number of RACH slots is equal to the number of frames between fn1 + 3 and fn2. The fn1 is added by 3 because a page message occupies 4 slots. The fn1 indicates the first slot of the paging message. IF (fn1 + 3) < fn2, OC_RachSlots := fn2 - (fn1 + 3) - 1 = fn2 - fn1 - 4,</p> <p>1.1.3 If fn1+3 is equal to or greater than fn2, then this is due to fn2 being in the next group of 42432 frames. In this case 42432 frames have to be added. IF fn2 <= (fn1 + 3), OC_RachSlots := fn2 -fn1 - 3 + 42432 -1 = fn2 -fn1 + 42428</p> <p>1.2 mode=1 (receiving channel request at fn1)</p> <p>The number of RACH slots is equal to the number of frames between fn1 and fn2</p> <p>1.2.1 IF fn1 < fn2, OC_RachSlots := fn2 - fn1 - 1, 1.2.2 IF fn2 <= fn1, OC_RachSlots := fn2 -fn1 + 42432 -1 = fn2 -fn1 + 42431</p> <p>CASE 2: cmbn is TRUE ('combined')</p> <p>When combined only the slots of the numbered frames 4, 5, 14 to 36, 45 and 46 in each multiframe are RACH slots, i.e.total 27 frames per multiframe.</p> <p>2.1 mode=0 (sending paging message at fn1)</p> <p>The paging uses the numbered frames 6 - 9 and 12 -19.</p> <p>2.1.1 If fn1 is not in the paging TDMA frame mapping, it leads testing to a test system error. If fn2 is not in the RACH TDMA frame mapping, it leads testing to fail.</p> <p>IF (fn2` < 4) OR (5 < fn2` < 14) OR (36 < fn2` < 45) OR (fn2' > 46), OC_RachSlots := -9999 IF (fn1' < 6) OR (9 < fn1' < 12) OR (fn1' >19), A test system error! The calling test case shall re-run again. OTHERWISE</p> <p>2.1.2 Calculation of the number 'c' multiframe between fn1 + 3 and fn2. If fn1 + 3 is equal to or greater than fn2, then this is due to fn2 being in the next group of 42432 frames. In this case 42432 frames have to be added. '/' shall be the integer division, i.e. the result is also integer. Fractions are discarded.</p> <p>2.1.2.1 IF (fn1 + 3) < fn2, c := fn2 / 51 - (fn1 + 3) / 51 2.1.2.2 IF fn2 <= (fn1 + 3), c := fn2 / 51 - (fn1 + 3) / 51 + 42432 / 51 = fn2 / 51 - (fn1 + 3) / 51 + 832</p> <p>2.1.3 Calculation of the number of frames 'a' to be subtracted according to the position of fn1' within the multiframe IF (5 < fn1' < 9), a := 2</p>	

<p>IF (fn1' =9), a := 3 IF (11 < fn1' < 20), a := fn1'-8</p> <p>2.2 mode=1 (receiving channel request at fn1)</p> <p>2.2.1 If fn1 or fn2 are not in the RACH TDMA frame mapping, it leads testing to fail. IF (fn2' < 4) OR (5 < fn2' < 14) OR (36 < fn2' < 45) OR (fn2' > 46) OR (fn1' < 6) OR (9 < fn1' < 12) OR (fn1' > 19), OC_RachSlots := -9999</p> <p>2.2.2 Calculation of the number 'c' multiframes between fn1 and fn2 2.2.2.1 IF fn1 < fn2, c := fn2 / 51 - fn1 / 51 2.2.2.2 IF fn2 <= fn1 c := fn2 / 51 - fn1 / 51 + 42432 / 51 = fn2 / 51 - fn1 / 51 + 832</p> <p>2.2.3 Calculation of the number of frames 'a' to be subtracted according to the position of fn1' within the multiframe IF (3 < fn1' < 6:), a:= fn1' - 3 IF (13 < fn1' < 37), a:= fn1' - 11 IF (44 < fn1' < 47), a:= fn1' - 19</p> <p>2.3 Calculation of the number of slots 'b' to be added according to the position of fn2' within the multiframe IF (3 < fn2' < 6:), b:= fn2' - 4 IF (13 < fn2' < 37), b:= fn2' - 12 IF (44 < fn2' < 47), b:= fn2' - 20</p> <p>2.4 Calculation of the number of RACH slots. There are 27 RACH slots in each multiframe. OC_RachSlots := 27 * c + b - a</p> <p>Detailed Comments: TC_26_2_1_1 uses mode=0. TC_26_2_1_2 uses mode=1.</p>
--

Test Suite Operation Definition	
Operation Name:	OC_Random(n1:INTEGER; n2:INTEGER)
Result Type:	INTEGER
Comments:	
Description	
This operation randomly returns one number from the following candidates: 'n1', 'n1'+1, ..., 'n2'	
Detailed Comments:	

Test Suite Operation Definition	
Operation Name:	OC_RcsdPresent(msg:MODIFY_PDU)
Result Type:	BOOLEAN
Comments:	To check if RCSD IE is present or not in Modify PDU
Description	
IF RCSD IE is present in the PDU passed on input parameter return TRUE ELSE return FALSE.	
Detailed Comments:	

Test Suite Operation Definition	
Operation Name:	OC_SaveAndProc1(val:INTEGER; mode :INTEGER; cnt:INTEGER; cmbnd:BOOLEAN)
Result Type:	BOOLEAN
Comments:	This operation is used for storing and analysing the CHANNEL REQUEST message distribution.
Description	
<p>The function of this operation is defined as an pseudo C code:</p> <pre> #define SAVE 0; #define PROC 1; OC_SaveAndProc(val, mode,cnt) INTEGER val, mode,cnt; BOOLEAN combined; { static INTEGER buf[200]; int i, j, n; if (mode == SAVE) { cnt = cnt mod 200; if (cmbnd == C_NotCombined) AND (val<(151 + 8)) then { buf[cnt] = val; return (TRUE); } if (cmbnd == C_Combined) AND (val<(81 + 8)) then { buf[cnt] = val; return (TRUE); } else return (FALSE); } if (mode == PROC) { for (i=0, i<200, i++) { n=0; for (j=0, j<200, j++) if (buf[j] == buf[i]) n = n+1; if (n > 41) return (FALSE); } return(TRUE); } } </pre>	
Detailed Comments:	<p>This test suite operation has two operation modes :</p> <ul style="list-style-type: none"> - when the mode is SAVE and the val is less than 89 for combined or 159 for non-combined, it saves the value val into internal buffer and returns TRUE, otherwise returns FALSE. 200 values will be stored in the internal buffer when the operation is invoked 200 times. - When the mode is PROC, it analyses the values stored in the internal buffer, if no more than 41 of them are equal the operation returns TRUE, otherwise returns FALSE. (i.e. for all n, $CARD\{ k f(k) = n \} \leq 41$)

Test Suite Operation Definition	
Operation Name:	OC_SaveAndProc3(val:BITSTRING; mode :INTEGER; cnt:INTEGER)
Result Type:	BOOLEAN
Comments:	This operation is used for storing and analysing the random reference.
Description	
<p>The function of this operation is defined as an pseudo C code:</p> <pre> #define SAVE 0; #define PROC 1; OC_SaveAndProc(val, mode,cnt) BITSTRING[8] val; INTEGER mode,cnt; { static BITSTRING[8] buf[7]; int i, j, n=7; if (mode == SAVE) { cnt = cnt mod 7; buf[cnt] = val; return(TRUE); } if (mode == PROC) { for (i=0, i<6, i++) { for (j=i+1, j<7, j++) if (buf[j] == buf[i]) { n = n-1; break; } } if (n>=4) then return(TRUE) else return (FALSE); } } } </pre>	
Detailed Comments:	<p>The function of this test suite operation is :</p> <ul style="list-style-type: none"> - it saves the value val into internal buffer when the mode = SAVE. 7 values will be stored in the internal buffer when the operation is invoked 7 times. - it compares the values stored in the internal buffer when the mode = PROC, if 4 or more than 4 of them are different the operation returns TRUE, otherwise returns FALSE.

Test Suite Operation Definition	
Operation Name:	OC_SaveAndRetrv(val:RQR; mode, idx, ex: INTEGER)
Result Type:	RQR
Comments:	This operation is used for storing and retrieving the random reference.
Description	
<p>The function of this test suite operation is (in prose):</p> <ul style="list-style-type: none"> - it saves the value val into internal buffer buf[idx] when the mode = SAVE and ex = 0. Maximum 9 values can be stored. The idx is ranged between 1-9. - it returns the value stored in the internal buffer buf[idx] when the mode = RETRV and ex = 0. - it returns a value which is different from any value stored in the buf and also different from any values which have been returned by the consecutive invocation of this operation with ex <> 0, if ex <> 0. The idx is ranged between 10-13. <p>The function of this operation is defined as an pseudo C code:</p> <pre> #define SAVE 0; #define RETRV 1; OC_SaveAndRetrv(val, mode, idx, ex) RQR val; INTEGER mode, idx, ex; { int i, j; static RQR buf[14]; if ((mode == SAVE) AND (ex == 0)) { buf[idx] = val; buf[10].ra = '00000000'B; buf[10].fn = '00'O; buf[11].ra = '00000000'B; buf[11].fn = '00'O; buf[12].ra = '00000000'B; buf[12].fn = '00'O; buf[13].ra = '00000000'B; buf[13].fn = '00'O; return (buf[10]); } if ((mode == RETRV) AND (ex == 0)) return (buf[idx]); if (ex != 0) { buf[0].ra = buf[1].ra + '00000001'B; buf[0].fn = buf[1].fn; for (j=1, j < 13, j++) { for (i=1, i < 14, i++) if (buf[0] == buf[i]) { buf[0].ra = buf[i].ra + '00000001'B; break; } } if (i == 14) { buf[idx].ra = buf[0].ra; return (buf[0]); } } buf[idx].ra = buf[j].ra+'00000001'B; return (buf[idx]); } </pre>	
Detailed Comments:	<p>0. The pseudo C code gives one of the possible implementations for the OC description in prose.</p> <p>1. '00'O should be understood as equivalence of Fn_01, a TTCN structured type constraint.</p> <p>2. The OC can save maximum 13 RQR values. In SAVE mode, idx is ranged between 1-9.</p>

3. For $ex < 0$, there are maximum 13 scans. In each scan a new value is assigned to `buf[0].ra`. If there is a 'non-match' in one of the 13 scans the `buf[0]` is returned. In case of 'all-match' for the 13 scans, the pair of (`buf[i].ra + '00000001'` at the last scan, `buf[idx].fn` is returned (`idx` is ranged between 10 - 13).

Test Suite Operation Definition	
Operation Name:	OC_StartTime(<code>frmn:FN; t, i:INTEGER</code>)
Result Type:	STRT
Comments:	
Description	
<p>OC_StartTime operation generates the STARTING TIME IE according to the input parameters.</p> <p>(* <code>frmn</code> is the current frame number, <code>t</code> is the "delay" in applying the new frequencies, <code>i</code> is the contents of the starting time IE. *)</p> <pre> OC_StartTime(<code>frmn, t, i</code>) INTEGER <code>t, i</code>; FN <code>frmn</code>; { int <code>tmp</code>; STRT <code>str</code>; <code>tmp = 51 * ((<code>frmn.t3 - frmn.t2</code>) MOD 26) + <code>frmn.t3</code> + 1326 * <code>frmn.t1_</code> ;</code> <code>tmp = (<code>tmp + t</code>) MOD 42432;</code> <code>str.fn.t1_ = (<code>tmp</code> DIV 1326) MOD 32;</code> <code>str.fn.t2 = <code>tmp</code> MOD 26;</code> <code>str.fn.t3 = <code>tmp</code> MOD 51;</code> <code>str.iei = OMIT;</code> if (<code>i == 1</code>) <code>str.iei := '01111100'B</code> /* if <code>i=1</code> the information element identifier shall be included \ </pre>	
Detailed Comments:	

Test Suite Operation Definition	
Operation Name:	OC_SubOctet(<code>src:OCTETSTRING; len :INTEGER</code>)
Result Type:	OCTETSTRING
Comments:	
Description	
<p>OC_SubOctet(<code>src, len</code>) is the octetstring of length `<code>len</code>` starting from the leftmost position of the source octetstring `<code>src</code>`.</p> <p>For example : OC_SubOctet('123456789ABCDEF'O, 4) = '12345678'O</p>	
Detailed Comments:	

Test Suite Operation Definition	
Operation Name:	OC_SubchOfFacch(subch: B_1; cell:CellID; inst:INTEGER)
Result Type:	LOGICCH
Comments:	subch is of type BITSTRING[1]
Description	
<p>OC_SubchOfFacch operation returns a logic channel identifier for FACCHH subchannel indicated by the input parameters `subch`, `cell` and `inst`, where `subch` is the subchannel number, `cell` is the cell identifier which the channel belongs to, `inst` is the instance of the channel.</p> <p>for example:</p> <p>OC_SubchOfFacch('0'B, C_CellA, 1) = C_FACCHH0_A_1; OC_SubchOfFacch('1'B, C_CellA, 1) = C_FACCHH1_A_1; OC_SubchOfFacch('0'B, C_CellB, 1) = C_FACCHH0_B_1; OC_SubchOfFacch('1'B, C_CellB, 1) = C_FACCHH1_B_1.</p> <p>pseudo C code definition for the operation as following :</p> <pre> OC_SubchOfFacch(subch, cell, inst) BITSTRING subch; CellID cell; INTEGER inst; { LOGICCH logch; if (subch=='0'B && cell == C_CellA) switch (inst) { case 1 : logch = C_FACCHH0_A_1; break; case 2 : logch = C_FACCHH0_A_2; break; case 3 : logch = C_FACCHH0_A_3; break; } if (subch=='0'B && cell == C_CellB) switch (inst) { case 1 : logch = C_FACCHH0_B_1; break; case 2 : logch = C_FACCHH0_B_2; break; case 3 : logch = C_FACCHH0_B_3; break; } if (subch=='0'B && cell == C_CellC) switch (inst) { case 1 : logch = C_FACCHH0_C_1; break; case 2 : logch = C_FACCHH0_C_2; break; case 3 : logch = C_FACCHH0_C_3; break; } if (subch=='1'B && cell == C_CellA) switch (inst) { case 1 : logch = C_FACCHH1_A_1; break; case 2 : logch = C_FACCHH1_A_2; break; case 3 : logch = C_FACCHH1_A_3; break; } if (subch=='1'B && cell == C_CellB) switch (inst) { case 1 : logch = C_FACCHH1_B_1; break; case 2 : logch = C_FACCHH1_B_2; break; case 3 : logch = C_FACCHH1_B_3; break; } if (subch=='1'B && cell == C_CellC) switch (inst) { case 1 : logch = C_FACCHH1_C_1; break; case 2 : logch = C_FACCHH1_C_2; break; } } </pre>	

```
        case 3 : logch = C_FACCHH1_C_3; break;
    }
    return(logch);
}
```

Detailed Comments:

Test Suite Operation Definition	
Operation Name:	OC_SubchOfSacchh(subch: B_1; cell:CellID; inst:INTEGER)
Result Type:	LOGICCH
Comments:	subch is of type BITSTRING[1]
Description	
<p>OC_SubchOfSacchh operation returns a logic channel identifier for SACCHH subchannel indicated by the input parameters `subch`, `cell` and `inst`, where `subch` is the subchannel number, `cell` is the cell identifier which the channel belongs to, `inst` is the instance of the channel.</p> <p>for example:</p> <pre> OC_SubchOfSacchh('0'B, C_CellA, 1) = C_SACCHH0_A_1; OC_SubchOfSacchh('1'B, C_CellA, 1) = C_SACCHH1_A_1; OC_SubchOfSacchh('0'B, C_CellB, 1) = C_SACCHH0_B_1; OC_SubchOfSacchh('1'B, C_CellB, 1) = C_SACCHH1_B_1.</pre> <p>pseudo C code definition for the operation as following :</p> <pre> OC_SubchOfSacchh(subch, cell, inst) BITSTRING subch; CellID cell; INTEGER inst; { LOGICCH logch; if (subch=='0'B && cell == C_CellA) switch (inst) { case 1 : logch = C_SACCHH0_A_1; break; case 2 : logch = C_SACCHH0_A_2; break; case 3 : logch = C_SACCHH0_A_3; break; } if (subch=='0'B && cell == C_CellB) switch (inst) { case 1 : logch = C_SACCHH0_B_1; break; case 2 : logch = C_SACCHH0_B_2; break; case 3 : logch = C_SACCHH0_B_3; break; } if (subch=='0'B && cell == C_CellC) switch (inst) { case 1 : logch = C_SACCHH0_C_1; break; case 2 : logch = C_SACCHH0_C_2; break; case 3 : logch = C_SACCHH0_C_3; break; } if (subch=='1'B && cell == C_CellA) switch (inst) { case 1 : logch = C_SACCHH1_A_1; break; case 2 : logch = C_SACCHH1_A_2; break; case 3 : logch = C_SACCHH1_A_3; break; } if (subch=='1'B && cell == C_CellB) switch (inst) { case 1 : logch = C_SACCHH1_B_1; break; case 2 : logch = C_SACCHH1_B_2; break; case 3 : logch = C_SACCHH1_B_3; break; } if (subch=='1'B && cell == C_CellC) switch (inst) { case 1 : logch = C_SACCHH1_C_1; break; case 2 : logch = C_SACCHH1_C_2; break; </pre>	

```
    case 3 : logch = C_SACCHH1_C_3; break;
  }
  return(logch);
}
```

Detailed Comments:

Test Suite Operation Definition

Operation Name: OC_SubchOfSacch4(subch: B_2; cell:CellID)
Result Type: LOGICCH
Comments:

Description

OC_SubchOfSacch4 operation returns a logic channel identifier for SACCH4 subchannel indicated by the input parameters `subch` and `cell`, where `subch` is the TDMA offset, `cell` is the cell identifier which the channel belongs to.

for example:

```
OC_SubchOfSacch4('00'B, C_CellA) = C_SACCHC40_A;
OC_SubchOfSacch4('01'B, C_CellA) = C_SACCHC41_A;
OC_SubchOfSacch4('10'B, C_CellA) = C_SACCHC42_A;
OC_SubchOfSacch4('11'B, C_CellA) = C_SACCHC43_A;
OC_SubchOfSacch4('00'B, C_CellB) = C_SACCHC40_B;
OC_SubchOfSacch4('01'B, C_CellB) = C_SACCHC41_B.
```

pseudo C code definition for the operation as following :

```
OC_SubchOfSacch4(subch, cell)
BITSTRING subch;
CellID cell;
{
  LOGICCH logch;
  if (cell == C_CellA)
    switch (subch)
      {
        case '00'B : logch = C_SACCHC40_A; break;
        case '01'B : logch = C_SACCHC41_A; break;
        case '10'B : logch = C_SACCHC42_A; break;
        case '11'B : logch = C_SACCHC43_A; break;
      }
  if (cell == C_CellB)
    switch (subch)
      {
        case '00'B : logch = C_SACCHC40_B; break;
        case '01'B : logch = C_SACCHC41_B; break;
        case '10'B : logch = C_SACCHC42_B; break;
        case '11'B : logch = C_SACCHC43_B; break;
      }
  if (cell == C_CellC)
    switch (subch)
      {
        case '00'B : logch = C_SACCHC40_C; break;
        case '01'B : logch = C_SACCHC41_C; break;
        case '10'B : logch = C_SACCHC42_C; break;
        case '11'B : logch = C_SACCHC43_C; break;
      }
  return(logch);
}
```

Detailed Comments:

Test Suite Operation Definition	
Operation Name:	OC_SubchOfSacch8(subch: B_3; cell:CellID; inst:INTEGER)
Result Type:	LOGICCH
Comments:	offset is of type BITSTRING[3]
Description	
<p>OC_SubchOfSacch8 operation returns a logic channel identifier for SACCHC8 subchannel indicated by the input parameters `subch`, `cell` and `inst`, where `subch` is the TDMA offset, `cell` is the cell identifier which the channel belongs to, `inst` is the instance of the channel.</p> <p>for example:</p> <pre> OC_SubchOfSacch8('000'B, C_CellA, 1) = C_SACCHC80_A_1; OC_SubchOfSacch8('001'B, C_CellA, 1) = C_SACCHC81_A_1; OC_SubchOfSacch8('010'B, C_CellA, 1) = C_SACCHC82_A_1; OC_SubchOfSacch8('011'B, C_CellA, 1) = C_SACCHC83_A_1; OC_SubchOfSacch8('100'B, C_CellA, 1) = C_SACCHC84_A_1; OC_SubchOfSacch8('101'B, C_CellA, 1) = C_SACCHC85_A_1; OC_SubchOfSacch8('110'B, C_CellA, 1) = C_SACCHC86_A_1; OC_SubchOfSacch8('111'B, C_CellA, 1) = C_SACCHC87_A_1; OC_SubchOfSacch8('000'B, C_CellB, 1) = C_SACCHC80_B_1; OC_SubchOfSacch8('001'B, C_CellB, 1) = C_SACCHC81_B_1; OC_SubchOfSacch8('000'B, C_CellC, 2) = C_SACCHC80_C_2; OC_SubchOfSacch8('001'B, C_CellC, 2) = C_SACCHC81_C_2. </pre> <p>pseudo C code definition for the operation as following :</p> <pre> OC_SubchOfSacch8(subch, cell, inst) BITSTRING subch; CellID cell; INTEGER inst; { LOGICCH logch; if (inst==1 && cell == C_CellA) switch (subch) { case '000'B : logch = C_SACCHC80_A_1; break; case '001'B : logch = C_SACCHC81_A_1; break; case '010'B : logch = C_SACCHC82_A_1; break; case '011'B : logch = C_SACCHC83_A_1; break; case '100'B : logch = C_SACCHC84_A_1; break; case '101'B : logch = C_SACCHC85_A_1; break; case '110'B : logch = C_SACCHC86_A_1; break; case '111'B : logch = C_SACCHC87_A_1; break; } if (inst==2 && cell == C_CellA) switch (subch) { case '000'B : logch = C_SACCHC80_A_2; break; case '001'B : logch = C_SACCHC81_A_2; break; case '010'B : logch = C_SACCHC82_A_2; break; case '011'B : logch = C_SACCHC83_A_2; break; case '100'B : logch = C_SACCHC84_A_2; break; case '101'B : logch = C_SACCHC85_A_2; break; case '110'B : logch = C_SACCHC86_A_2; break; case '111'B : logch = C_SACCHC87_A_2; break; } if (inst==3 && cell == C_CellA) switch (subch) { case '000'B : logch = C_SACCHC80_A_3; break; case '001'B : logch = C_SACCHC81_A_3; break; case '010'B : logch = C_SACCHC82_A_3; break; case '011'B : logch = C_SACCHC83_A_3; break; case '100'B : logch = C_SACCHC84_A_3; break; </pre>	

```
    case '101'B : logch = C_SACCHC85_A_3; break;
    case '110'B : logch = C_SACCHC86_A_3; break;
    case '111'B : logch = C_SACCHC87_A_3; break;
  }
if (inst==1 && cell == C_CellB)
  switch (subch)
  {
    case '000'B : logch = C_SACCHC80_B_1; break;
    case '001'B : logch = C_SACCHC81_B_1; break;
    case '010'B : logch = C_SACCHC82_B_1; break;
    case '011'B : logch = C_SACCHC83_B_1; break;
    case '100'B : logch = C_SACCHC84_B_1; break;
    case '101'B : logch = C_SACCHC85_B_1; break;
    case '110'B : logch = C_SACCHC86_B_1; break;
    case '111'B : logch = C_SACCHC87_B_1; break;
  }
if (inst==2 && cell == C_CellB)
  switch (subch)
  {
    case '000'B : logch = C_SACCHC80_B_2; break;
    case '001'B : logch = C_SACCHC81_B_2; break;
    case '010'B : logch = C_SACCHC82_B_2; break;
    case '011'B : logch = C_SACCHC83_B_2; break;
    case '100'B : logch = C_SACCHC84_B_2; break;
    case '101'B : logch = C_SACCHC85_B_2; break;
    case '110'B : logch = C_SACCHC86_B_2; break;
    case '111'B : logch = C_SACCHC87_B_2; break;
  }
if (inst==3 && cell == C_CellB)
  switch (subch)
  {
    case '000'B : logch = C_SACCHC80_B_3; break;
    case '001'B : logch = C_SACCHC81_B_3; break;
    case '010'B : logch = C_SACCHC82_B_3; break;
    case '011'B : logch = C_SACCHC83_B_3; break;
    case '100'B : logch = C_SACCHC84_B_3; break;
    case '101'B : logch = C_SACCHC85_B_3; break;
    case '110'B : logch = C_SACCHC86_B_3; break;
    case '111'B : logch = C_SACCHC87_B_3; break;
  }
if (inst==1 && cell == C_CellC)
  switch (subch)
  {
    case '000'B : logch = C_SACCHC80_C_1; break;
    case '001'B : logch = C_SACCHC81_C_1; break;
    case '010'B : logch = C_SACCHC82_C_1; break;
    case '011'B : logch = C_SACCHC83_C_1; break;
    case '100'B : logch = C_SACCHC84_C_1; break;
    case '101'B : logch = C_SACCHC85_C_1; break;
    case '110'B : logch = C_SACCHC86_C_1; break;
    case '111'B : logch = C_SACCHC87_C_1; break;
  }
if (inst==2 && cell == C_CellC)
  switch (subch)
  {
    case '000'B : logch = C_SACCHC80_C_2; break;
    case '001'B : logch = C_SACCHC81_C_2; break;
    case '010'B : logch = C_SACCHC82_C_2; break;
    case '011'B : logch = C_SACCHC83_C_2; break;
    case '100'B : logch = C_SACCHC84_C_2; break;
    case '101'B : logch = C_SACCHC85_C_2; break;
    case '110'B : logch = C_SACCHC86_C_2; break;
    case '111'B : logch = C_SACCHC87_C_2; break;
  }
if (inst==3 && cell == C_CellC)
```

```
switch (subch)
{
  case '000'B : logch = C_SACCHC80_C_3; break;
  case '001'B : logch = C_SACCHC81_C_3; break;
  case '010'B : logch = C_SACCHC82_C_3; break;
  case '011'B : logch = C_SACCHC83_C_3; break;
  case '100'B : logch = C_SACCHC84_C_3; break;
  case '101'B : logch = C_SACCHC85_C_3; break;
  case '110'B : logch = C_SACCHC86_C_3; break;
  case '111'B : logch = C_SACCHC87_C_3; break;
}
return(logch);
}
```

Detailed Comments:

Test Suite Operation Definition	
Operation Name:	OC_SubchOfSdcch4(subch: B_2; cell:CellID)
Result Type:	LOGICCH
Comments:	
Description	
<p>OC_SubchOfSdcch4 operation returns a logic channel identifier for SDCCH4 subchannel indicated by the input parameters `subch` and `cell`, where `subch` is the TDMA offset, `cell` is the cell identifier which the channel belongs to.</p> <p>for example:</p> <pre> OC_SubchOfSdcch4('00'B, C_CellA) = C_SDCCH40_A; OC_SubchOfSdcch4('01'B, C_CellA) = C_SDCCH41_A; OC_SubchOfSdcch4('10'B, C_CellA) = C_SDCCH42_A; OC_SubchOfSdcch4('11'B, C_CellA) = C_SDCCH43_A; OC_SubchOfSdcch4('00'B, C_CellB) = C_SDCCH40_B; OC_SubchOfSdcch4('01'B, C_CellB) = C_SDCCH41_B.</pre> <p>pseudo C code definition for the operation as following :</p> <pre> OC_SubchOfSdcch4(subch, cell) BITSTRING subch; CellID cell; { LOGICCH logch; if (cell == C_CellA) switch (subch) { case '00'B : logch = C_SDCCH40_A; break; case '01'B : logch = C_SDCCH41_A; break; case '10'B : logch = C_SDCCH42_A; break; case '11'B : logch = C_SDCCH43_A; break; } if (cell == C_CellB) switch (subch) { case '00'B : logch = C_SDCCH40_B; break; case '01'B : logch = C_SDCCH41_B; break; case '10'B : logch = C_SDCCH42_B; break; case '11'B : logch = C_SDCCH43_B; break; } if (cell == C_CellC) switch (subch) { case '00'B : logch = C_SDCCH40_C; break; case '01'B : logch = C_SDCCH41_C; break; case '10'B : logch = C_SDCCH42_C; break; case '11'B : logch = C_SDCCH43_C; break; } return(logch); }</pre>	
Detailed Comments:	

Test Suite Operation Definition	
Operation Name:	OC_SubchOfSdcch8(subch: B_3; cell:CellID; inst:INTEGER)
Result Type:	LOGICCH
Comments:	offset is of type BITSTRING[3]
Description	
<p>OC_SubchOfSdcch8 operation returns a logic channel identifier for SDCCH8 subchannel indicated by the input parameters `subch`, `cell` and `inst`, where `subch` is the TDMA offset, `cell` is the cell identifier which the channel belongs to, `inst` is the instance of the channel.</p> <p>for example:</p> <pre> OC_SubchOfSdcch8('000'B, C_CellA, 1) = C_SDCCH80_A_1; OC_SubchOfSdcch8('001'B, C_CellA, 1) = C_SDCCH81_A_1; OC_SubchOfSdcch8('010'B, C_CellA, 1) = C_SDCCH82_A_1; OC_SubchOfSdcch8('011'B, C_CellA, 1) = C_SDCCH83_A_1; OC_SubchOfSdcch8('100'B, C_CellA, 1) = C_SDCCH84_A_1; OC_SubchOfSdcch8('101'B, C_CellA, 1) = C_SDCCH85_A_1; OC_SubchOfSdcch8('110'B, C_CellA, 1) = C_SDCCH86_A_1; OC_SubchOfSdcch8('111'B, C_CellA, 1) = C_SDCCH87_A_1; OC_SubchOfSdcch8('000'B, C_CellB, 1) = C_SDCCH80_B_1; OC_SubchOfSdcch8('001'B, C_CellB, 1) = C_SDCCH81_B_1; OC_SubchOfSdcch8('000'B, C_CellC, 2) = C_SDCCH80_C_2; OC_SubchOfSdcch8('001'B, C_CellC, 2) = C_SDCCH81_C_2.</pre> <p>pseudo C code definition for the operation as following :</p> <pre> OC_SubchOfSdcch8(subch, cell, inst) BITSTRING subch; CellID cell; INTEGER inst; { LOGICCH logch; if (inst==1 && cell == C_CellA) switch (subch) { case '000'B : logch = C_SDCCH80_A_1; break; case '001'B : logch = C_SDCCH81_A_1; break; case '010'B : logch = C_SDCCH82_A_1; break; case '011'B : logch = C_SDCCH83_A_1; break; case '100'B : logch = C_SDCCH84_A_1; break; case '101'B : logch = C_SDCCH85_A_1; break; case '110'B : logch = C_SDCCH86_A_1; break; case '111'B : logch = C_SDCCH87_A_1; break; } if (inst==2 && cell == C_CellA) switch (subch) { case '000'B : logch = C_SDCCH80_A_2; break; case '001'B : logch = C_SDCCH81_A_2; break; case '010'B : logch = C_SDCCH82_A_2; break; case '011'B : logch = C_SDCCH83_A_2; break; case '100'B : logch = C_SDCCH84_A_2; break; case '101'B : logch = C_SDCCH85_A_2; break; case '110'B : logch = C_SDCCH86_A_2; break; case '111'B : logch = C_SDCCH87_A_2; break; } if (inst==3 && cell == C_CellA) switch (subch) { case '000'B : logch = C_SDCCH80_A_3; break; case '001'B : logch = C_SDCCH81_A_3; break; case '010'B : logch = C_SDCCH82_A_3; break; case '011'B : logch = C_SDCCH83_A_3; break; case '100'B : logch = C_SDCCH84_A_3; break;</pre>	

```
    case '101'B : logch = C_SDCCH85_A_3; break;
    case '110'B : logch = C_SDCCH86_A_3; break;
    case '111'B : logch = C_SDCCH87_A_3; break;
  }
if (inst==1 && cell == C_CellB)
  switch (subch)
  {
    case '000'B : logch = C_SDCCH80_B_1; break;
    case '001'B : logch = C_SDCCH81_B_1; break;
    case '010'B : logch = C_SDCCH82_B_1; break;
    case '011'B : logch = C_SDCCH83_B_1; break;
    case '100'B : logch = C_SDCCH84_B_1; break;
    case '101'B : logch = C_SDCCH85_B_1; break;
    case '110'B : logch = C_SDCCH86_B_1; break;
    case '111'B : logch = C_SDCCH87_B_1; break;
  }
if (inst==2 && cell == C_CellB)
  switch (subch)
  {
    case '000'B : logch = C_SDCCH80_B_2; break;
    case '001'B : logch = C_SDCCH81_B_2; break;
    case '010'B : logch = C_SDCCH82_B_2; break;
    case '011'B : logch = C_SDCCH83_B_2; break;
    case '100'B : logch = C_SDCCH84_B_2; break;
    case '101'B : logch = C_SDCCH85_B_2; break;
    case '110'B : logch = C_SDCCH86_B_2; break;
    case '111'B : logch = C_SDCCH87_B_2; break;
  }
if (inst==3 && cell == C_CellB)
  switch (subch)
  {
    case '000'B : logch = C_SDCCH80_B_3; break;
    case '001'B : logch = C_SDCCH81_B_3; break;
    case '010'B : logch = C_SDCCH82_B_3; break;
    case '011'B : logch = C_SDCCH83_B_3; break;
    case '100'B : logch = C_SDCCH84_B_3; break;
    case '101'B : logch = C_SDCCH85_B_3; break;
    case '110'B : logch = C_SDCCH86_B_3; break;
    case '111'B : logch = C_SDCCH87_B_3; break;
  }
if (inst==1 && cell == C_CellC)
  switch (subch)
  {
    case '000'B : logch = C_SDCCH80_C_1; break;
    case '001'B : logch = C_SDCCH81_C_1; break;
    case '010'B : logch = C_SDCCH82_C_1; break;
    case '011'B : logch = C_SDCCH83_C_1; break;
    case '100'B : logch = C_SDCCH84_C_1; break;
    case '101'B : logch = C_SDCCH85_C_1; break;
    case '110'B : logch = C_SDCCH86_C_1; break;
    case '111'B : logch = C_SDCCH87_C_1; break;
  }
if (inst==2 && cell == C_CellC)
  switch (subch)
  {
    case '000'B : logch = C_SDCCH80_C_2; break;
    case '001'B : logch = C_SDCCH81_C_2; break;
    case '010'B : logch = C_SDCCH82_C_2; break;
    case '011'B : logch = C_SDCCH83_C_2; break;
    case '100'B : logch = C_SDCCH84_C_2; break;
    case '101'B : logch = C_SDCCH85_C_2; break;
    case '110'B : logch = C_SDCCH86_C_2; break;
    case '111'B : logch = C_SDCCH87_C_2; break;
  }
if (inst==3 && cell == C_CellC)
```

<pre> switch (subch) { case '000'B : logch = C_SDCCH80_C_3; break; case '001'B : logch = C_SDCCH81_C_3; break; case '010'B : logch = C_SDCCH82_C_3; break; case '011'B : logch = C_SDCCH83_C_3; break; case '100'B : logch = C_SDCCH84_C_3; break; case '101'B : logch = C_SDCCH85_C_3; break; case '110'B : logch = C_SDCCH86_C_3; break; case '111'B : logch = C_SDCCH87_C_3; break; } return(logch); } </pre>
Detailed Comments:

Test Suite Operation Definition	
Operation Name:	OM_2Msgs(ch:LOGICCH; pgg:PGG; mode:SENDINGMODE)
Result Type:	BOOLEAN
Comments:	
Description	
<p>OM_2Msgs puts the layer 2 emulator into a special operation mode then returns. In this special mode the layer 2 emulator sends the next two consecutive messages in the following way:</p> <ul style="list-style-type: none"> - send the first message on the paging subchannel indicated by the `pgg` and `ch`; - if the `mode` = C_NxtButOne, send the second message in the next but one paging sub block; - if the `mode` = C_FmrAGB, send the second message in a former access grant block; - if the `mode` = C_BfReOcc, send the second message before the MS's original paging subchannel re-occurs but later than the next paging block of that CCCH (paging block not belong to the MS); - if the `mode` = C_NxtButOneNxt, nothing is sent in the next but one paging sub block, then send the second message in the next paging subblock of the MS's paging subchannel. 	
Detailed Comments:	

Test Suite Operation Definition																																													
Operation Name:	OM_Assoc(lgch1:LOGICCH; sublgch1:LOGICCH; sublgch2:LOGICCH; sublgch3:LOGICCH; sublgch4:LOGICCH; sublgch5:LOGICCH; sublgch6:LOGICCH; sublgch7: LOGICCH; sublgch8:LOGICCH; lgch2:LOGICCH; sublgch9:LOGICCH; sublgch10:LOGICCH; sublgch11:LOGICCH; sublgch12:LOGICCH; sublgch13:LOGICCH; sublgch14:LOGICCH; sublgch15: LOGICCH; sublgch16:LOGICCH)																																												
Result Type:	BOOLEAN																																												
Comments:																																													
Description																																													
<p>OM_Assoc operation associates the sub logic channel identifiers `sublgch1` to `sublgch8` and `sublgch9` to `sublgch16` with the generic "parent" channel identifier `lgch1` and `lgch2` respectively, therefore the subchannel identifiers can refer to the corresponding channels configured by OM_ChConf operation.</p> <p>The `lgch1` can be an identifier for SDCCH4, SDCCH8, FACCH and the `lgch2` can be SACCHC4, SACCHC8, and SACCHH.</p> <p>"dummy" in the actual parameter list means the corresponding parameter is not used.</p> <p>Naming convention for logical channel constants:</p> <p style="text-align: center;">C_<channel type>[<rate>][<subchannel>][<cell>][<instance>]</p> <p>e.g.: C_FACCH H 0 _C _3 => C_FACCH0_C_3</p> <p>channel type: FCCH, SCH, BCCH, CBCH, PCH, RACH, FACCH, SACCH, SDCCH, DCCH</p> <p>rate: F(ull), H(alf), 4 (fourths, C4 for SACCHC4), 8 (eighths, C8 for SACCHC8).</p> <p>subchannel: H: 0, 1 (C)4: 0, ..., 3 (C)8: 0, ..., 7</p> <p>cell: A, ..., H</p> <p>instance: 1, ..., 3 When several channels of the same type can exist in one cell simultaneously (in different time slots and / or on different frequencies) they are identified by their instance. The parameters of ChConf are used to specify the frequency and slot of this instance of the channel type.</p> <p>Not all possible combinations of this naming syntax have been used. According to the elements that are used / omitted the name can have a special meaning.</p> <table border="0"> <tr> <td>Examples:</td> <td>Comments:</td> </tr> <tr> <td>C_FCCH_A</td> <td>FCCH of cell A.</td> </tr> <tr> <td>C_SCH_A</td> <td>SCH of cell A.</td> </tr> <tr> <td>C_BCCH_A_1</td> <td>First instance of a BCCH in cell A.</td> </tr> <tr> <td>C_CBCH_A</td> <td>CBCH of cell A.</td> </tr> <tr> <td>C_PCH_A_1</td> <td>First instance of a PCH in cell A (there is one instance of the PCH per BCCH in the cell).</td> </tr> <tr> <td>C_AGCH_A_1</td> <td>First instance of a AGCH in cell A (there is one instance of the AGCH per BCCH in the cell).</td> </tr> <tr> <td>C_RACH_A_1</td> <td>First instance of a RACH in cell A.</td> </tr> <tr> <td>C_FACCHF_A_1</td> <td>First instance of a full rate FACCH in cell A.</td> </tr> <tr> <td>C_FACCHH_A_1</td> <td>First instance of a half rate FACCH in cell A (all subchannels).</td> </tr> <tr> <td>C_FACCHH0_A_1</td> <td>Subchannel 0 of the first instance of a half rate FACCH in cell A.</td> </tr> <tr> <td>C_SACCHF_A_1</td> <td>First instance of a full rate SACCH in cell A.</td> </tr> <tr> <td>C_SACCHH_A_1</td> <td>First instance of a half rate SACCH in cell A (all subchannels).</td> </tr> <tr> <td>C_SACCHH1_A_1</td> <td>Subchannel 1 of the first instance of a half rate SACCH in cell A.</td> </tr> <tr> <td>C_SACCHC4_A</td> <td>SACCH/4 of cell A (all subchannels).</td> </tr> <tr> <td>C_SACCHC43_A</td> <td>Subchannel 3 of the SACCH/4 of cell A.</td> </tr> <tr> <td>C_SACCHC8_A_1</td> <td>First instance of a SACCH/8 in cell A (all subchannels).</td> </tr> <tr> <td>C_SACCHC87_A_1</td> <td>Subchannel 7 of the first instance of a SACCH/8 in cell A.</td> </tr> <tr> <td>C_SDCCH4_A</td> <td>SDCCH/4 of cell A (all subchannels).</td> </tr> <tr> <td>C_SDCCH42_A</td> <td>Subchannel 2 of the SDCCH/4 of cell A.</td> </tr> <tr> <td>C_SDCCH87_A_1</td> <td>First instance of a SDCCH/8 in cell A (all subchannels).</td> </tr> <tr> <td>C_SDCCH87_A_1</td> <td>Subchannel 7 of the first instance of a SDCCH/8 in cell A.</td> </tr> </table>		Examples:	Comments:	C_FCCH_A	FCCH of cell A.	C_SCH_A	SCH of cell A.	C_BCCH_A_1	First instance of a BCCH in cell A.	C_CBCH_A	CBCH of cell A.	C_PCH_A_1	First instance of a PCH in cell A (there is one instance of the PCH per BCCH in the cell).	C_AGCH_A_1	First instance of a AGCH in cell A (there is one instance of the AGCH per BCCH in the cell).	C_RACH_A_1	First instance of a RACH in cell A.	C_FACCHF_A_1	First instance of a full rate FACCH in cell A.	C_FACCHH_A_1	First instance of a half rate FACCH in cell A (all subchannels).	C_FACCHH0_A_1	Subchannel 0 of the first instance of a half rate FACCH in cell A.	C_SACCHF_A_1	First instance of a full rate SACCH in cell A.	C_SACCHH_A_1	First instance of a half rate SACCH in cell A (all subchannels).	C_SACCHH1_A_1	Subchannel 1 of the first instance of a half rate SACCH in cell A.	C_SACCHC4_A	SACCH/4 of cell A (all subchannels).	C_SACCHC43_A	Subchannel 3 of the SACCH/4 of cell A.	C_SACCHC8_A_1	First instance of a SACCH/8 in cell A (all subchannels).	C_SACCHC87_A_1	Subchannel 7 of the first instance of a SACCH/8 in cell A.	C_SDCCH4_A	SDCCH/4 of cell A (all subchannels).	C_SDCCH42_A	Subchannel 2 of the SDCCH/4 of cell A.	C_SDCCH87_A_1	First instance of a SDCCH/8 in cell A (all subchannels).	C_SDCCH87_A_1	Subchannel 7 of the first instance of a SDCCH/8 in cell A.
Examples:	Comments:																																												
C_FCCH_A	FCCH of cell A.																																												
C_SCH_A	SCH of cell A.																																												
C_BCCH_A_1	First instance of a BCCH in cell A.																																												
C_CBCH_A	CBCH of cell A.																																												
C_PCH_A_1	First instance of a PCH in cell A (there is one instance of the PCH per BCCH in the cell).																																												
C_AGCH_A_1	First instance of a AGCH in cell A (there is one instance of the AGCH per BCCH in the cell).																																												
C_RACH_A_1	First instance of a RACH in cell A.																																												
C_FACCHF_A_1	First instance of a full rate FACCH in cell A.																																												
C_FACCHH_A_1	First instance of a half rate FACCH in cell A (all subchannels).																																												
C_FACCHH0_A_1	Subchannel 0 of the first instance of a half rate FACCH in cell A.																																												
C_SACCHF_A_1	First instance of a full rate SACCH in cell A.																																												
C_SACCHH_A_1	First instance of a half rate SACCH in cell A (all subchannels).																																												
C_SACCHH1_A_1	Subchannel 1 of the first instance of a half rate SACCH in cell A.																																												
C_SACCHC4_A	SACCH/4 of cell A (all subchannels).																																												
C_SACCHC43_A	Subchannel 3 of the SACCH/4 of cell A.																																												
C_SACCHC8_A_1	First instance of a SACCH/8 in cell A (all subchannels).																																												
C_SACCHC87_A_1	Subchannel 7 of the first instance of a SACCH/8 in cell A.																																												
C_SDCCH4_A	SDCCH/4 of cell A (all subchannels).																																												
C_SDCCH42_A	Subchannel 2 of the SDCCH/4 of cell A.																																												
C_SDCCH87_A_1	First instance of a SDCCH/8 in cell A (all subchannels).																																												
C_SDCCH87_A_1	Subchannel 7 of the first instance of a SDCCH/8 in cell A.																																												

This list covers all types of combinations used in the TTCN for the time being.

When the meaning refers to 'all' subchannels of a channel (eg. C_FACCHH_A_1), it means that all active subchannels of this channel activated previously by OM_ChConf, are associated with a logical channel identifier in the OM_Assoc.

Detailed Comments:

Test Suite Operation Definition

Operation Name: OM_BmInfo(ch:LOGICCH; mode:B_8)
Result Type: BOOLEAN
Comments: mode is of type BITSTRING[8], imode is a part of the channel mode IE

Description

OM_BmInfo operation checks whether the MS starts transmitting Bm channel information according to the new channel mode 'mode'. The operation returns TRUE if the result of the check is correct otherwise the TSO returns FALSE.

Detailed Comments:

Test Suite Operation Definition

Operation Name: OM_ChangeRFOfCell(cellid1:CellID; bspwr1:INTEGER)
Result Type: BOOLEAN
Comments:

Description

This TSO is to change the RF level of the cell 'cellid1' to the RF level 'bspwr1', then the TSO returns TRUE.

The major purpose of the TSO is to force the MS to reselect a new cell according to the GSM 05.08, section 6.6.2. The following example shows the use of the TSO.

The default cell selection parameters in the ATS are set as:

Cell reselect hysteresis: 12db

MX TXPWR MX CCH: minimum level (0)

ACS: no additional cell selection parameter (0)

RXLEV ACCESS MIN: minimum (0).

Therefore the path loss criterion parameter C1 equals to the reselection criterion parameter C2. In the whole ATS the C1 and C2 keeps greater than 10 (e.g. TC_26_7_4_2_3) for a cell not suitable. The MS received level average from a not suitable cell keeps also greater than 10 (-100 dBm) corresponding to the reference sensitivity level of DCS 1800 MS.

For GSM arfcn = 20, F = 941 MHz, the fields strengths (E) on tester integral antenna:

$E \text{ (dB microV/m)} \geq (-110 + 10) \text{ (dBm)} + 20\log(941) + 77.2 = 36.7$,

For DCS arfcn = 590, F = (-110 + 10) (dBm) + 20log(1820.8) + 77.2 = 42.4 (the formula see GSM 05.05, section 5 and GSM 05.08, section 8.1.4).

In order to keep C1, C2 greater 10, a reasonable field strength making a cell not suitable

is set to C_E_otsuitable = 45 in comparison with the default field strength C_E_default = 63. Considering that the cell reselect hysteresis is set to 12 db, the field strength of a cell being reselected need to be set to greater than 57. In the ATS the default value C_E_default (63) and C_E_otsuitable (45) are used for this TSO to force MS making cell reselection.

C1 needs to be less than zero to force the MS reselect a better cell. For GSM, $E \leq 26.7$, for DCS, $E \leq 32.4$. The value C_E_otsuitable_sameLAI = 24 applies to the TSO to force the MS making cell reselection.

Detailed Comments:

Test Suite Operation Definition	
Operation Name:	OM_ChangeRFOF2Cells(cellid1:CellID; bspwr1:INTEGER; cellid2:CellID; bspwr2:INTEGER)
Result Type:	BOOLEAN
Comments:	
Description	
<p>This TSO is to change the RF level of the cell 'cellid1' to the RF level 'bspwr1' and the RF level of the cell 'cellid2' to the RF level 'bspwr2' [dBuVemf], then the TSO returns TRUE.</p> <p>The major purpose of the TSO is to force the MS to reselect a new cell according to the GSM 05.08, section 6.6.2. The following example shows the use of the TSO.</p> <p>The default cell selection parameters in the ATS are set as: Cell reselect hysteresis: 12db MX TXPWR MX CCH: minimu level (0) ACS: no additional cell selection parameter (0) RXLEV ACCESS MIN: minimum (0).</p> <p>Therefore the path loss criterion parameter C1 equals to the reselection criterion parameter C2. In the whole ATS the C1 and C2 keeps greater than 10 (e.g. TC_26_7_4_2_3) for a cell not suitable. The MS received level average from a not suitable cell keeps also greater than 10 (-100 dBm) corresponding to the reference sensitivity level of DCS 1800 MS.</p> <p>For GSM arfcn = 20, F = 941 MHz , the fields strengths (E) on tester integral antenna: E (dB microV/m) >= (-110 + 10) (dBm) + 20log(941) + 77.2 = 36.7, For DCS arfcn = 590, F = (-110 + 10) (dBm) + 20log(1820.8) + 77.2 = 42.4 (the formula see GSM 05.05, section 5 and GSM 05.08, section 8.1.4).</p> <p>In order to keep C1, C2 greater 10, a reasonable field strength making a cell not suitable is set to C_E_otsuitable = 45 in comparison with the default field strength C_E_default = 63. Considering that the cell reselect hysteresis is set to 12 db, the field strength of a cell being reselected need to be set to greater than 57. In the ATS the default value C_E_default (63) and C_E_otsuitable (45) are used for this TSO to force MS making cell reselection assuming that the two cells have different location area..</p> <p>If two cells have the same location area (e.g. in TC_26_6_1_3), or although two cells have different LAI, the test cases needs to lower a cell power to a certain low level (e.g. in TC_26_7_4_2_4_1 and TC_26_7_4_2_4_5), C1 needs to be less than zero to force the MS reselect a better cell. For GSM, E <= 26.7, for DCS, E<=32.4. The value C_E_otsuitable_sameLAI = 24 applies to the TSO to force the MS making cell reselection.</p>	
Detailed Comments:	

Test Suite Operation Definition	
Operation Name:	OM_ChConf(bspwr: INTEGER; mspwr: INTEGER; acttype: BITSTRING; chmod: CHMOD; ta: TA; slot: SN; tsc: TSC; rf: FRQPARA; chcmbn: LOGCH; td: INTEGER; fn: INTEGER; babr, cch_con, bpm: B_3; pgfil: PG1_RQ_PDU; dtxu: BITSTRING; dtxd: BITSTRING; cell: CellID; lgch1: LOGICCH; lgch2: LOGICCH; lgch3: LOGICCH; lgch4: LOGICCH; lgch5: LOGICCH; lgch6: LOGICCH; lgch7: LOGICCH; lgch8: LOGICCH; lgch9: LOGICCH)
Result Type:	BOOLEAN
Comments:	
Description	
<p>The operation sets the configuration of a basic physical channel according to the input parameters and map logic channel combination onto it:</p> <ul style="list-style-type: none"> - bspwr: base station power level in dBu; - mspwr: mobile station power level in "power control level"; - acttype: type of activation: <ul style="list-style-type: none"> - '000'B activation for intra-cell channel change ---- immediate assignment; - '001'B activation for intra-cell channel change ---- assignment; - '010'B activation for inter-cell channel change ---- asynchronous handover; - '011'B activation for inter-cell channel change ---- synchronous handover; - '100'B activation for additional assignment; <p style="margin-left: 40px;">NOTE: the types defined above are all the same, no real difference</p> <ul style="list-style-type: none"> - '101'B activation for receiving only; - chmod: channel mode; - ta: timing advance ---- receive timing ta bit periods in advance of the normal receive timing if the channel is a dedicated channel ; - slot: time slot; - tsc: Training sequence code for normal bursts; - rf: ARFCN or hopping parameters; - chcmbn: logic channel combination mapping to the physical channel; - td: timing difference between the cell and conceptual timing reference ---- to make 2 cells with different timebase; - fn: initial frame number offset to the timing base counter ---- to make 2 cells with different frame numbers; - babr number of blocks reserved for access grant - cch-con CCCH/SDCCHs configuration - bpm multiframe period for transmission of PAGING REQUEST - pgfil: paging filling contents; - dtxu: mobile station discontinuous transmission: <ul style="list-style-type: none"> - '0'B mobile station discontinuous transmission is not applied; - '1'B mobile station discontinuous transmission is applied; - dtxd: base station discontinuous transmission: <ul style="list-style-type: none"> - '0'B base station discontinuous transmission is not applied; - '1'B base station discontinuous transmission is applied; - cell: cell identifier; - lgch1: logic channel identifier for the channel FCCH; - lgch2: logic channel identifier for the channel SCH; - lgch3: logic channel identifier for the channel BCCH; - lgch4: logic channel identifier for the channel PCH; - lgch5: logic channel identifier for the channel AGCH; - lgch6: logic channel identifier for the channel RACH; - lgch7: logic channel identifier for the channel FACCH or SDCCH; - lgch8: logic channel identifier for the channel SACCH; - lgch9: logic channel identifier for the channel CBCH; <p>For parameters lgch1 to lgch9 "dummy" in the actual parameter list means that the corresponding parameters are not used.</p> <p>In the test cases the logic channel identifiers lgch1 to lgch9 are used to refer the logic channels configured by the operation. There are only generic identifiers for SDCCH4 or SDCCH8 or FACCH channel and SACCH4 or SACCH8 or SACCH, identifiers for subchannels of SDCCH4 or SDCCH8 or FACCH and SACCH4 or SACCH8 or SACCH are linked to the generic identifiers by OM_Assoc operation and in turn refer to the sub logic channels configured by the operation.</p> <p>Channel re-use whithiin OM_ChConf:</p> <p>When an OM_ChConf calls is made then the following rules can be applied for deciding whether or not to re-use existing physical channel.</p> <p>Decode the 'chcmbn' (channel combination) parameter to determine the new channel type.</p> <p>If new channel = "C_FCCH_SCH_BCCH_CCCH_SDCCH4_SACCH4" (combined) or</p> <p>if new channel = "C_CBCH_FCCH_SCH_BCCH_CCCH_SDCCH4_SACCH4" (combined + SMS) then re-use any existing control channel configuration with same CellID.</p>	

If new channel = "C_FCCH_SCH_BCCH_CCCH" (non-combined) then use any combined, combined + SMS or non-combined control channel configuration with the same CellID.

If new channel = "C_BCCH_CCCH_2", "C_BCCH_CCCH_3" or "C_BCCH_CCCH_4" (ccch-group) then re-use any existing ccch-group control channel configuration with the same CellID and the slot, or re-use any existing combined, combined + SMS with the same CellID.

If new channel = "C_TCHF_ACCHF_1", "C_TCHF_ACCHF_2", "C_TCHH_ACCHH_1", "C_TCHH_ACCHH_2" (traffic) or "C_SDCCH8_SACCHC8_1", "C_SDCCH8_SACCHC8_2", "C_SDCCH8_SACCHC8_3" (dedicated) then re-use any existing traffic or dedicated channel with the same channel description.

Detailed Comments:

Test Suite Operation Definition

Operation Name: OM_ChMdModi(ch:LOGICCH; chmod: CHMOD)

Result Type: BOOLEAN

Comments:

Description

OM_ChMdModi operation passes channel mode IE for channel `ch` to lower layer emulator and requests the emulator to set the `ch` to the mode `chmod`. After the mode changed, it returns.

Detailed Comments:

Test Suite Operation Definition

Operation Name: OM_CphMdChg(ch:LOGICCH; cphmod: CPHMS; key:BITSTRING)

Result Type: BOOLEAN

Comments:

Description

OM_CphMdChg operation passes ciphering parameters for channel `ch` to lower layer and sets the lower layer emulator into a special operation mode in which lower layer starts the 3-step ciphering mode setting sequence when the next L3 message on the channel `ch` arrives.

Detailed Comments:

Test Suite Operation Definition

Operation Name: OM_CphMd(ch:LOGICCH; cphmod: CPHMS; key:BITSTRING)

Result Type: BOOLEAN

Comments:

Description

OM_CphMd operation passes ciphering parameters for channel `ch` to lower layer and sets the channel `ch` in the ciphering mode `cphmod`. This operation puts the channel `ch` into specified ciphering mode `cphmod` immediately without the 3-step ciphering mode setting sequence.

Detailed Comments:

Test Suite Operation Definition

Operation Name: OM_ComingFn(ch:LOGICCH)

Result Type: FN

Comments:

Description

OM_ComingFn operation returns the frame number (FN modulo 42432) which is about 5 seconds later than current frame number and is able to carry L3 message on the channel `ch`.

Detailed Comments: The delay of about 5 seconds ensures that there is still enough time left for higher layer controller to prepare next TTCN send event after the OM_ComingFn returns. the exact delay value is up to the implementor.

Test Suite Operation Definition	
Operation Name:	OM_CorruptPgBlks(pch:LOGICCH; pgg:PGG; blks:INTEGER)
Result Type:	BOOLEAN
Comments:	
Description	
Detailed Comments:	

Test Suite Operation Definition	
Operation Name:	OM_Deactivate(ch1, ch2:LOGICCH)
Result Type:	BOOLEAN
Comments:	
Description	
OM_Deactivate operation deactivates the logical channels `ch1` and `ch2`, then returns TRUE.	
The ch1 can be a DCCH or a TCH, the ch2 is the associated SACCH.	
Deactivation of an active SDCCH channel can be done by stopping transmission; this means that for the bursts on the BCCH carriers, dummy bursts shall be transmitted, for other bursts nothing shall be transmitted. Alternatively the deactivation of a SDCCH can be done by transmitting bad blocks on the SACCH with the parity bits set incorrectly. This will lead to a radio link failure in the MS.	
Deactivation of a TCH channel can be done by stopping transmission if it is non-BCCH.	
Deactivation of a SACCH_T can be done by transmitting bad blocks on the SACCH_T with the parity bits set incorrectly. The wrong channel coding on the SACCH will lead to a radio link failure in the MS after several seconds depending on the system information messages..	
Detailed Comments:	The TSO is called in TC_26_7_3_2, TC_26_7_4_3_2, TC_26_7_4_3_3, TC_26_7_4_3_4 on a SDCCH/4/SACCH/C4 channel in downlink, TC_26_2_4_1, TC_26_2_4_2, TC_26_8_2_1, TC_26_8_2_2, TC_26_8_2_3 on TCH/SACCH_T channel in both directions.

Test Suite Operation Definition	
Operation Name:	OM_FHCHK(ch:LOGICCH; ca:CCHD; ma:MA; cd:CCHD; t :INTEGER; fn:FN)
Result Type:	BOOLEAN
Comments:	
Description	
After the SS has been configured to start / change frequency hopping at a particular start time, this TSO instructs the SS to check whether the MS correctly uses the hopping frequencies on and after the expected start time according to the frequency parameters.	
If $t = 0$ or $32024 \leq t \leq 42431$ the operation checks that the new frequencies starts "without delay".	
If $0 < t \leq 31000$ the operation checks that the new frequencies starts "on" the frame number of $(X + t) \bmod 42432$, where $x = 51 * ((fn.t3 - fn.t2) \bmod 26) + fn.t3 + 1326 * fn.t1$.	
If $31000 < t < 32024$, or $t < 0$ or $t > 42431$ then the test has been configured incorrectly and should be re-run with a permitted value for t .	
This check is performed at the uplink RF burst level by sampling for a period of 3 seconds from the start time and should therefore be called immediately after the SS has been configured to start / change hopping. The operation returns TRUE if the MS behaviour is correct, otherwise it returns FALSE.	
Note: before this TSO is called, a layer 3 message must be sent to the MS to command the MS to start / change hopping using the same frequency hopping parameters.	
Detailed Comments:	

Test Suite Operation Definition	
Operation Name:	OM_FreeResource(ch :LOGICCH)
Result Type:	BOOLEAN
Comments:	
Description	
OM_FreeResource operation instructs the lower layer emulator to release the resources which have been allocated to the logical channel "ch". After the resources are released the operation returns TRUE.	
Detailed Comments:	In some test cases (most of them are hanhover test cases) diffrent channels are needed while the test goes on. the purpose of the operation is to reuse lower layer resources (e.g. tranceivers), which have been allocated to the previous channel, for configing another channel required in the next testing step.

Test Suite Operation Definition	
Operation Name:	OM_FreqDef(st:STRT; ma:MA; ch :LOGICCH; chd: CHD; ca:CCHD; frmn: FN)
Result Type:	BOOLEAN
Comments:	
Description	
OM_FreqDef operation passes the frequency hopping parameters for channel `ch` to lower layer emulator. The emulator starts using these frequency parameters at the frame number indicated by starting time `st`. The parameter `frmn` indicates a reference frame number at which the first burst of the message, FREQUENCY REDEFINITION, ASSIGNMENT COMMAND or HANDOVER COMMAND, containing starting time is sent in the concerned cell. If $0 \leq (st - frmn) \bmod 42432 \leq 31623$, the indicated time is the next time when frame number mod 42432 is equal to st. If $32024 \leq (st - frmn) \bmod 42432 \leq 42431$, the indicated time has already elapsed. After completely sending out the message containing the parameter starting time the tester starts frequency hopping.	
Detailed Comments:	

Test Suite Operation Definition	
Operation Name:	OM_GetHoaccPara(ch:LOGICCH)
Result Type:	HOACC_PARA
Comments:	
Description	
OM_GetHoaccPara instructs the L 2 emulator to return the number of handover access bursts received on the channel 'ch', along with the minimum and maximum measured timing advance in bits modulo 256, and the minimum and maximum measured powers in dBm modulo 256.	
Detailed Comments:	

Test Suite Operation Definition	
Operation Name:	OM_GetL1Hd(ch:LOGICCH)
Result Type:	L1HD
Comments:	
Description	
OM_GetL1Hd instructs the L 2 emulator to read the L 1 header of the next SACCH frame received on channel `ch` and return this value.	
Detailed Comments:	

Test Suite Operation Definition	
Operation Name:	OM_LowerLayerFail(ch:LOGICCH)
Result Type:	BOOLEAN
Comments:	
Description	
<p>This operation is to force the lower layer failure, then it returns.</p> <p>The lower layer failure can be any one of layer 1 failures or layer 2 failures.</p> <ul style="list-style-type: none"> - layer 1 failure, see GSM 05.08; - layer 2 failure, see GSM 04.06. 	
Detailed Comments:	

Test Suite Operation Definition	
Operation Name:	OM_NoL2Ack(i:INTEGER; ch: LOGICCH)
Result Type:	BOOLEAN
Comments:	
Description	
<p>When the parameter $i > 0$ the layer 2 emulator is put into a special operation mode then the TSO returns. In this special mode the layer 2 emulator shall not acknowledge the 'i'th occurrence of the L2 I frame which has the more data bit "M" = 0 on the channel 'ch'.</p> <p>The layer 2 emulator resumes normal operation when</p> <ul style="list-style-type: none"> - either the TSO is called again with $i = 0$ on the same 'ch', - or a data link SABM message is received on the 'ch'. 	
Detailed Comments:	

Test Suite Operation Definition	
Operation Name:	OM_NotAckSetup(ch:LOGICCH)
Result Type:	BOOLEAN
Comments:	
Description	
<p>This operation puts the layer 2 emulator into a special operation mode then returns. In this special mode the layer 2 emulator will not acknowledge the last L 2 frame which carries the SETUP message, and the layer 2 emulator resumes normal operation after this L 2 frame.</p>	
Detailed Comments:	

Test Suite Operation Definition	
Operation Name:	OM_NoUAforDISC(ch:LOGICCH)
Result Type:	BOOLEAN
Comments:	
Description	
<p>OM_NoUAforDISC and OM_ResumUAforDISC are a pair of TSOs. OM_NoUAforDISC forces the L2 emulator of the tester to enter a specific mode. OM_ResumUAforDISC resumes the L2 emulator to a normal L2 operational mode.</p> <p>In the specific mode on receiving a DISC on the channel 'ch', the L2 emulator</p> <ul style="list-style-type: none"> - does not respond with a UA, - remains in the multiple-frame established state, - indicates that the DISC has been received (by means of subsequent DL_RELEASE_INDICATION ASPs). <p>Then the TSO returns TRUE.</p>	
Detailed Comments:	The TSO is called in TC_26_6_12_2 and TC_26_6_12_4.

Test Suite Operation Definition	
Operation Name:	OM_PgFill(cellid:CellID; msg:PG1_RQ_PDU)
Result Type:	BOOLEAN
Comments:	The result returned by the operation is not used.
Description	
OM_PgFill operation sets up the contents of paging filling frame to be sent on all paging subchannels continuously. If the contents of paging filling frame in cell `cellid` have not been set up, the operation sets the contents to `msg`. If paging filling frame in cell `cellid` has been set up, the operation changes the paging filling message to `msg`. After the required action has been taken it returns.	
Detailed Comments:	

Test Suite Operation Definition	
Operation Name:	OM_Reactivate(ch1, ch2:LOGICCH)
Result Type:	BOOLEAN
Comments:	
Description	
The TSO OM_Reactivate reactivates the logical channels `ch1` and `ch2` which were previously deactivated by the OM_Deactivate. Then the TSO returns TRUE. The ch1 is an SDCCH, the ch2 is the associated SACCH.	
Reactivation of deactivated SDCCH/SACCH channels means to restart normal transmissions both on the SDCCH and the associated SACCH as specified in the ETS 300 574 (GSM 05.02).	
Detailed Comments:	The TSO is called in TC_26_7_3_2, TC_26_7_4_3_2, TC_26_7_4_3_3, TC_26_7_4_3_4 on the SDCCH/4 / SACCH/C4 channels.

Test Suite Operation Definition	
Operation Name:	OM_ReturnFn(ch:LOGICCH)
Result Type:	FN
Comments:	
Description	
OM_ReturnFn operation returns the frame number (FN modulo 42432) on which the last L3 message was sent on logic channel `ch`.	
Detailed Comments:	

Test Suite Operation Definition	
Operation Name:	OM_ResumUAforDISC(ch:LOGICCH)
Result Type:	BOOLEAN
Comments:	
Description	
OM_NoUAforDISC and OM_ResumUAforDISC are a pair of TSOs. OM_NoUAforDISC forces the L2 emulator to enter a specific mode. OM_ResumUAforDISC resumes the L2 emulator to a normal L2 operational mode.	
OM_ResumeUAforDISC cancels the effect of OM_NoUAforDISC, returning L2 on the channel `ch` to normal operation in the multiple-frame established state.	
Then the TSO returns TRUE.	
Detailed Comments:	The TSO is called in TC_26_6_12_2 and TC_26_6_12_4.

Test Suite Operation Definition	
Operation Name:	OM_SendSMSCBWhilePaging(ch:LOGICCH)
Result Type:	BOOLEAN
Comments:	The result returned by the operation is not used.
Description	
The TSO makes the lower layers send the second SMSCB message at the same time as the MS is paged.	
This shall be achieved by paging the MS immediately after the first block of the CB message has been sent. The SS shall ensure that the page is transmitted on the radio interface prior to the transmission of the 4th block of the CB message.	
Detailed Comments:	

Test Suite Operation Definition	
Operation Name:	OM_SendNextOn(ch:LOGICCH; fn:FN)
Result Type:	BOOLEAN
Comments:	
Description	
OM_SendNextOn operation sets the lower layer emulator into a special operation mode then returns. In the special mode the lower layer emulator sends the next L3 message on the indicated frame number 'fn' on the 'ch' channel. After the next L3 message is sent, the lower layer resumes normal operation automatically.	
Detailed Comments:	

Test Suite Operation Definition	
Operation Name:	OM_SendNextOnHO(ch:LOGICCH; cnt:INTEGER)
Result Type:	BOOLEAN
Comments:	
Description	
OM_SendNextOnHO operation sets the lower layer emulator into a special operation mode then returns. In the special mode the lower layer emulator waits for the number of Handover access bursts specified by the parameter 'cnt' on channel 'ch' before sending the next L3 message. After the message is sent, the lower layer resumes normal operation automatically.	
Detailed Comments:	

Test Suite Operation Definition	
Operation Name:	OM_StartMsrReport(ch:LOGICCH)
Result Type:	BOOLEAN
Comments:	The result returned by the operation is not used.
Description	
The operation starts the reporting of received MEASUREMENT REPORT message to layer 3 emulator, then it returns with value TRUE.	
Measurement Reports shall be disable by default. By default means that the tester filters them out from the TTCN in-buffer. This operation enables the reports entering the TTCN in-buffer. The OM_StopMsrReport operation disables the reports entering the TTCN in-buffer. When starting each test case, the measurement reports are filtered out by default.	
Detailed Comments:	

Test Suite Operation Definition	
Operation Name:	OM_StopAllBCCH(cell1, cell2, cell3, cell4, cell5, cell6, cell7, cell8:CellID)
Result Type:	BOOLEAN
Comments:	The result returned by the operation is not used.
Description	
The TSO stops the RF transmission on all BCCH channels including dummy bursts in the indicated cells, but keeps the uplink CCCH reception active. After all transmission have been stopped the TSO returns TRUE.	
If a cell in the parameter list is not in use a "dummy" value needs to be assigned to it by the calling test case.	
The TSO is called in TC_26_3_3.	
Detailed Comments:	

Test Suite Operation Definition	
Operation Name:	OM_StopCell(cell:CellID)
Result Type:	BOOLEAN
Comments:	The result returned by the operation is not used.
Description	
The TSO stops completely all RF transmission of the specific cell 'cell', including the dummy bursts on other slots. After all RF transmission have been stopped the TSO returns TRUE.	
The cell shall be deleted from the lower layer tester and therefore if the cell 'cell' is required again by the calling test case it needs to be re-configured.	
The TSO is called in TC_26_3_4, TC_26_6_6_1, TC_26_7_4_2_2_1, TC_26_7_4_2_2_2, TC_26_7_4_6, TC_31_6_2_3.	
Detailed Comments:	

Test Suite Operation Definition	
Operation Name:	OM_StopMsrReport(ch:LOGICCH)
Result Type:	BOOLEAN
Comments:	The result returned by the operation is not used.
Description	
<p>The operation stops the reporting of received MEASUREMENT REPORT message to layer 3 emulator, after measurement report stops it returns with value TRUE.</p> <p>Measurement Reports shall be disable by default. By default means that the tester filters them out from the TTCN in-buffer. This operation disables the reports entering the TTCN in-buffer. The OM_StartMsrReport operation enables the reports entering the TTCN in-buffer. When starting each test case, the measurement reports are filtered out by default.</p>	
Detailed Comments:	

Test Suite Operation Definition	
Operation Name:	OM_StopVaryRFOfCell(ch:LOGICCH)
Result Type:	BOOLEAN
Comments:	
Description	
Detailed Comments:	

Test Suite Operation Definition	
Operation Name:	OM_VaryRFOfCell(ch:LOGICCH; delay1, bspwr1, delay2, bspwr2:INTEGER)
Result Type:	BOOLEAN
Comments:	
Description	
Detailed Comments:	

Test Suite Operation Definition	
Operation Name:	OO_ACMIncCHK(para:IA5String)
Result Type:	BOOLEAN
Comments:	
Description	
<p>the OO_ACMIncCHK operation requests (e.g. from the control console of the test system) the test operator to read the value of ACM on SIM and check the increment of the value. Then the operator informs the test system whether the increment is as description `para`, if it is as the description the operation returns TRUE, otherwise returns FALSE.</p> <p>The value of ACM can be read either via MMI or by removing the SIM and using SIM reader.</p>	
Detailed Comments:	

Test Suite Operation Definition	
Operation Name:	OO_ACMReading
Result Type:	BOOLEAN
Comments:	
Description	
<p>the OO_ACMReading operation requests (e.g. from the control console of the test system) the test operator to read and note the value of ACM on SIM. After the operator finishes the action, he informs the test system and the operation returns with the value TRUE.</p> <p>The value of ACM can be read either via MMI or by removing the SIM and using SIM reader.</p>	
Detailed Comments:	

Test Suite Operation Definition	
Operation Name:	OO_ACMSetting
Result Type:	BOOLEAN
Comments:	
Description	
the OO_ACMSetting operation requests (e.g. from the control console of the test system) the test operator to reset the ACM to zero and set the ACMmax to 2 units. After the operator finishes the action and informs the test system it returns TRUE.	
Detailed Comments:	

Test Suite Operation Definition	
Operation Name:	OO_AddPwrAmp
Result Type:	BOOLEAN
Comments:	
Description	
This operation requests (e.g. from the control console of the test system) the test operator to add power amplification at the Mobile Station under test. After the operator finishes the action, he informs the test system and the operation returns with the value TRUE.	
Detailed Comments:	

Test Suite Operation Definition	
Operation Name:	OO_AltIndCHK
Result Type:	BOOLEAN
Comments:	
Description	
This operation first requests (e.g. from the control console of the test system) the test operator to check whether the alerting indication is generated. If the operator informs (e.g. from the control console of the test system) the test system that the alerting indication is generated, the operation returns TRUE. If the operator informs the test system that the alerting indication is not generated, the operation returns FALSE.	
Detailed Comments:	

Test Suite Operation Definition	
Operation Name:	OO_CalledNumCHK
Result Type:	BOOLEAN
Comments:	
Description	
This operation first requests (e.g. from the control console of the test system) the test operator to check whether the called party number is correctly displayed on the mobile station. If the operator informs (e.g. from the control console of the test system) the test system that the display is correct, the operation returns TRUE. If the operator informs the test system that the display is wrong, the operation returns FALSE.	
Detailed Comments:	

Test Suite Operation Definition	
Operation Name:	OO_CalledPtyNumCHK(num:CDPN)
Result Type:	BOOLEAN
Comments:	
Description	
This operation first requests (e.g. from the control console of the test system) the test operator to check whether the called party number `num` is the one that was entered into the MS. If the operator informs (e.g. from the control console of the test system) the test system that the number is correct, the operation returns TRUE. If the operator informs the test system that the number is wrong, the operation returns FALSE.	
Detailed Comments:	

Test Suite Operation Definition	
Operation Name:	OO_CheckAllSMPresentBut4th
Result Type:	BOOLEAN
Comments:	
Description	
<p>This operation requests (e.g. from the control console of the test system) the test operator to check if the mobile station under test has stored all short messages during the test case but not the 4th one which should have been replaced by the 5th(cf. GSM 11.10, clause 34.2.7.4). The messages are displayed. Then the operation returns.</p> <p>TRUE: All SM present but not the 4th FALSE: 4th SM present or 1st, 2nd, 3rd or 5th missing.</p>	
Detailed Comments:	

Test Suite Operation Definition	
Operation Name:	OO_CheckCBSMReceived(NumbOfIA5chara: INTEGER; msg:SMSCBpack)
Result Type:	BOOLEAN
Comments:	
Description	
<p>This operation requests (e.g. from the control console of the test system) the test operator to check whether the MS under test has correctly received the cell broadcast short message represented by 'msg' . Then the TSO returns</p> <p>TRUE: if the CBSM has been correctly received, FALSE: if non or an incorrect CBSM has been received.</p> <p>The TSO needs to convert the 'msg' into IA5 string according to the packing character rules specified in the section 6.1.2 of ETS 300 628 (GSM 03.38). The 'NumbOfIA5chara' indicates the number of IA5 characters in the 'msg'.</p>	
Detailed Comments:	

Test Suite Operation Definition	
Operation Name:	OO_CheckMCEFOOnSIM
Result Type:	BOOLEAN
Comments:	
Description	
<p>This operation requests (e.g. from the control console of the test system) the test operator to check if the Memory Capacity Exceeded Flag has been set on the SIM simulator and to inform the test system of the result of the checking. If the checking succeeds the operation returns TRUE, FALSE otherwise.</p>	
Detailed Comments:	

Test Suite Operation Definition	
Operation Name:	OO_CheckMCEFOOnSIMUnset
Result Type:	BOOLEAN
Comments:	
Description	
<p>This operation requests (e.g. from the control console of the test system) the test operator to check if the Memory Capacity Exceeded Flag has been unset on the SIM simulator and to inform the test system of the result of the checking. If the checking succeeds the operation returns TRUE, FALSE otherwise.</p>	
Detailed Comments:	

Test Suite Operation Definition	
Operation Name:	OO_CheckMessageDisplayed(NumbOfIA5chara:INTEGER; msg:OCTETSTRING)
Result Type:	BOOLEAN
Comments:	
Description	
<p>This operation requests (e.g. from the control console of the test system) the test operator to check if the mobile station under test indicates that an SM has arrived. If the MS provides the functionality to display MT messages, it is checked that the message contents represented by 'msg' is correctly displayed. Then the operation returns</p> <p>TRUE: if the MS indicates SM reception (and displays correct message), FALSE: if the MS does not indicate SM reception (or displays incorrect message).</p> <p>The TSO needs to convert the 'msg' into IA5 string according to the packing character rules specified in the section 6.1.2 of ETS 300 628 (GSM 03.38). The 'NumbOfIA5chara' indicates the number of IA5 characters in the 'msg'.</p>	
Detailed Comments:	

Test Suite Operation Definition	
Operation Name:	OO_CheckUssdStringDisplayed(strg: IA5String)
Result Type:	BOOLEAN
Comments:	
Description	
<p>This operation requests (e.g. from the control console of the test system) the test operator to check if the mobile station under test displays the Ussd String 'strg'. Then the operation returns.</p> <p>TRUE: MS displays the correct Ussd String. FALSE: MS does not display the correct Ussd String.</p>	
Detailed Comments:	

Test Suite Operation Definition	
Operation Name:	OO_ConnectSIMSimulator
Result Type:	BOOLEAN
Comments:	
Description	
<p>This operation requests (e.g. from the control console of the test system) the test operator to connect the SIM simulator to the mobile station under test.</p> <p>For the contents of the SIM simulator the operator refers to the initial conditions of the test case acc. GSM 11.10, clause 34.2.3.3.</p> <p>After the operator finishes the action, he informs the test system and the operation returns with the value TRUE.</p>	
Detailed Comments:	

Test Suite Operation Definition	
Operation Name:	OO_DepressEndKey
Result Type:	BOOLEAN
Comments:	
Description	
<p>This operation requests (e.g. from the control console of the test system) the test operator to depress the 'END' key of the Mobile Stations keypad, then returns.</p>	
Detailed Comments:	

Test Suite Operation Definition	
Operation Name:	OO_DialCalledNum
Result Type:	BOOLEAN
Comments:	
Description	
<p>This operation requests (e.g. from the control console of the test system) the test operator to dial the called party number at the Mobile Station under test but not press the "SEND" key (i.e. not initiate the call setup).</p> <p>After the operator finishes the action, he informs the test system and the operation returns with the value TRUE.</p>	
Detailed Comments:	

Test Suite Operation Definition	
Operation Name:	OO_DisplaySMAndSendReplySM(n, NumbOfIA5chara: INTEGER; msg:OCTETSTRING)
Result Type:	OCTETSTRING
Comments:	
Description	
<p>This operation requests (e.g. from the control console of the test system) the test operator to display the 'n'-th short message received in the arriving order and to check whether the short message contents represented by 'msg' is correctly displayed. Then the TSO asks the operator to send a reply short message from the mobile.</p> <p>After the operator finishes the action, the operation returns with the message contents sent in OCTETSTRING.</p> <p>The TSO needs to convert the 'msg' into IA5 string and the IA5 text entered by the operator into OCTETSTRING according to the packing character rules specified in the section 6.1.2 of ETS 300 628 (GSM 03.38). The 'NumbOfIA5chara' indicates the number of IA5 characters in the 'msg'.</p>	
Detailed Comments:	

Test Suite Operation Definition	
Operation Name:	OO_DTMFIndCHK(character:IA5String)
Result Type:	BOOLEAN
Comments:	
Description	
<p>This operation first requests (e.g. from the control console of the test system) the test operator to check whether the `character` is indicated by the DTMF indicator of the MS. If the operator informs (e.g. from the control console of the test system) the test system that the MS does not give the indication of `character`, the operation returns FALSE. If the operator informs the test system that the MS gives the indication, the operation returns TRUE.</p>	
Detailed Comments:	

Test Suite Operation Definition	
Operation Name:	OO_EmptyMessageStorage
Result Type:	BOOLEAN
Comments:	
Description	
<p>This operation requests (e.g. from the control console of the test system) the test operator to empty the message storage of the mobile station under test.</p> <p>After the operator finishes the action, he informs the test system and the operation returns with the value TRUE.</p>	
Detailed Comments:	

Test Suite Operation Definition	
Operation Name:	OO_EnterPswd(pswd:IA5String)
Result Type:	BOOLEAN
Comments:	
Description	
<p>This TSO displays a message on the control console to inform the operator that he is to enter a given password (the actual password is given by 'pswd') on the mobile. The operation waits for the operator to acknowledge the request, which may be done before or after entering the password into the mobile, and then returns the value TRUE.</p>	
Detailed Comments:	

Test Suite Operation Definition	
Operation Name:	OO_HookOff
Result Type:	BOOLEAN
Comments:	
Description	
<p>This operation requests (e.g. from the control console of the test system) the test operator to answer the mobile terminating call at the Mobile Station under test.</p> <p>This operation waits for the operator to acknowledge the request which may be done before or after the call has been answered and then returns the value TRUE.</p>	
Detailed Comments:	

Test Suite Operation Definition	
Operation Name:	OO_IFsetup_Telephony
Result Type:	BOOLEAN
Comments:	
Description	
<p>This TSO requests (e.g. from the control console of the test system) the test operator to setup the external interface, or configuration of the MS in such a way that the MS is able to successfully receive the call for telephony service. If the MS supports both telephony without immediate connection mode and telephony with immediate connection mode, set the MS in telephony without immediate connection mode. After the operator finishes the required action and informs the test system, the TSO returns with value TRUE.</p> <p>This TSO is used in MO call test cases except TC_11_2, where this TSO is call for single-numbering scheme MT testing.</p>	
Detailed Comments:	used for TS11 and TS12

Test Suite Operation Definition	
Operation Name:	OO_IFsetup_BS2xorBS3x_MO(srv:SERVICES; itc, sacp:B_3; ce:B_2; rate:IA5String)
Result Type:	BOOLEAN
Comments:	
Description	
<p>This TSO requests (e.g. from the control console of the test system) the test operator to setup the external interface, or the MS configuration in such a way that the MS, when triggered, is able to initiate the call for the BS2x or BS3x service `srv` with the specified itc, sacp, ce values. After the operator finishes the required action and informs the test system, the TSO returns with value TRUE.</p> <p>This TSO is used in MO call test cases except TC_11_2, where this TSO is call for single-numbering scheme MT testing.</p> <p>Three negotiable parameters, number of stop bit, number of data bit, parity information, are asked as global IXIT paramters for all TE configurations. If necessary, the test operator refers to the manual provided by manufacturer to configure the MS.</p> <p>The possible values are:</p> <p>1) srv ----- basic service</p> <ul style="list-style-type: none"> - C_Async300 Basic Service 21, Asynchronous 300 bps - C_Async1200 Basic Service 22, Asynchronous 1.2 kbps - C_Async120075 Basic Service 23, Asynchronous 1200/75 bps - C_Async2400 Basic Service 24, Asynchronous 2.4 kbps - C_Async4800 Basic Service 25, Asynchronous 4.8 kbps - C_Async9600 Basic Service 26, Asynchronous 9.6 kbps - C_Sync1200 Basic Service 31, Synchronous 1.2 kbps - C_Sync2400 Basic Service 32, Synchronous 2.4 kbps - C_Sync4800 Basic Service 33, Synchronous 4.8 kbps - C_Sync9600 Basic Service 34, Synchronous 9.6 kbps <p>2) itc ----- information transfer capability</p> <ul style="list-style-type: none"> - '001'B unrestricted digital information - '010'B 3.1 kHz audio, ex PLMN <p>3) sacp ---- signalling access protocol</p> <ul style="list-style-type: none"> - '001'B I.440/450 - '010'B X.21 - '101'B X.28 - non dedicated PAD - '110'B X.32 <p>4) ce ----- connection element</p> <ul style="list-style-type: none"> - '00'B transparent - '01'B non transparent <p>5) rate ----- channel rate</p> <ul style="list-style-type: none"> - C_Full full rate channel - C_Half half rate channel 	
Detailed Comments:	Used for BS21, BS22, BS23, BS24, BS25, BS26, BS31, BS32, BS33, BS34

Test Suite Operation Definition	
Operation Name:	OO_IFsetup_BS4x_MO(srv:SERVICES; ce:B_2; rate:IA5String)
Result Type:	BOOLEAN
Comments:	
Description	
<p>This TSO requests (e.g. from the control console of the test system) the test operator to setup the external interface, or the MS configuration in such a way that the MS, when triggered, is able to initiate the call for the BS4x service `srv` with specified ur and ce values. After the operator finishes the required action and informs the test system, the TSO returns with value TRUE.</p> <p>Three negotiable parameters, number of stop bit, number of data bit, parity information, are asked as global IXIT parameters for all TE configurations. If necessary, the test operator refers to the manual provided by manufacturer to configure the MS.</p> <p>The possible values are:</p> <p>1) srv ----- basic service</p> <ul style="list-style-type: none"> - C_PAD300 Basic Service 41, PAD access 300 bps - C_PAD1200 Basic Service 42, PAD access 1.2 kbps - C_PAD120075 Basic Service 43, PAD access 1200/75 bps - C_PAD2400 Basic Service 44, PAD access 2.4 kbps - C_PAD4800 Basic Service 45, PAD access 4.8 kbps - C_PAD9600 Basic Service 46, PAD access 9.6 kbps <p>2) ce ----- connection element</p> <ul style="list-style-type: none"> - '00'B transparent - '01'B non transparent <p>3) rate ----- channel rate</p> <ul style="list-style-type: none"> - C_Full full rate channel - C_Half half rate channel 	
Detailed Comments:	Used for BS41, BS42, BS43, BS44, BS45, BS46

Test Suite Operation Definition	
Operation Name:	OO_IFsetup_BS5x_MO(srv:SERVICES; ur:B_4; rate:IA5String)
Result Type:	BOOLEAN
Comments:	
Description	
<p>This TSO requests (e.g. from the control console of the test system) the test operator to setup the external interface, or the MS configuration in such a way that the MS, when triggered, is able to initiate the call for the BS5x service `srv` with the specified ur value. After the operator finishes the required action and informs the test system, the TSO returns with value TRUE.</p> <p>Three negotiable parameters, number of stop bit, number of data bit, parity information, are asked as global IXIT parameters for all TE configurations. If necessary, the test operator refers to the manual provided by manufacturer to configure the MS.</p> <p>The possible values are:</p> <p>1) srv ----- basic service</p> <ul style="list-style-type: none"> - C_Packet2400 Basic Service 51, Packet access 2.4 kbps - C_Packet4800 Basic Service 52, Packet access 4.8 kbps - C_Packet9600 Basic Service 53, Packet access 9.6 kbps <p>2) ur ----- user rate</p> <ul style="list-style-type: none"> - '0011'B 2400 bit/s - '0100'B 4800 bit/s - '0101'B 9600 bit/s <p>3) rate ----- channel rate</p> <ul style="list-style-type: none"> - C_Full full rate channel - C_Half half rate channel 	
Detailed Comments:	Used for BS51, BS52, BS53

Test Suite Operation Definition	
Operation Name:	OO_IFsetup_BS61orBS81_MO(srv:SERVICES; ur:B_4; sa:B_1; ce:B_2; rate:IA5String)
Result Type:	BOOLEAN
Comments:	
Description	
<p>This TSO requests (e.g. from the control console of the test system) the test operator to setup the external interface, or the MS configuration in such a way that the MS, when triggered, is able to initiate the call for BS61 or BS81 with the specified ur, ce and sa values, and the first bearer capability is speech. After the operator finishes the required action and informs the test system, the TSO returns with value TRUE.</p> <p>This TSO is used in MO call test cases except TC_11_2, where this TSO is call for single-numbering scheme MT testing.</p> <p>Three negotiable parameters, number of stop bit, number of data bit, parity information, are asked as global IXIT parameters for all TE configurations. If necessary, the test operator refers to the manual provided by manufacturer to configure the MS.</p> <p>The possible values are:</p> <p>1) srv ----- basic service</p> <ul style="list-style-type: none"> - C_AltSpchData Basic Service 61, Alternatie Speech/data - C_SpchData Basic Service 81, Speech followed by data <p>2) ur ----- user rate</p> <ul style="list-style-type: none"> - '0001'B 300 bit/s - '0010'B 1200 bit/s - '0111'B 1200/75 bit/s - '0011'B 2400 bit/s - '0100'B 4800 bit/s - '0101'B 9600 bit/s <p>3) sa ----- synchronous/asynchronous</p> <ul style="list-style-type: none"> - '0'B synchronous - '1'B asynchronous <p>4) ce ----- connection element</p> <ul style="list-style-type: none"> - '00'B transparent - '01'B non transparent <p>5) rate ----- channel rate</p> <ul style="list-style-type: none"> - C_Full full rate channel - C_Half half rate channel 	
Detailed Comments:	used for BS61 and BS81

Test Suite Operation Definition	
Operation Name:	OO_IFsetup_TS6x_MO(srv:SERVICES; ur:B_4; ce:B_2; rate:IA5String)
Result Type:	BOOLEAN
Comments:	
Description	
<p>This TSO requests (e.g. from the control console of the test system) the test operator to setup the external interface, or the MS configuration in such a way that the MS, when triggered, is able to initiate the call for TS61 and TS62 with the specified ur and ce values, and the first bearer capability is speech. After the operator finishes the required action and informs the test system, the TSO returns with value TRUE.</p> <p>This TSO is used in MO call test cases except TC_11_2, where this TSO is call for single-numbering scheme MT testing.</p> <p>Three negotiable parameters, number of stop bit, number of data bit, parity information, are asked as global IXIT parameters for all TE configurations. If necessary, the test operator refers to the manual provided by manufacturer to configure the MS.</p> <p>The possible values are:</p> <p>1) srv ----- basic service</p> <ul style="list-style-type: none"> - C_AltSpchFax Teleservice 61, Alternatie Speech and Facsimile group 3 - C_AutoFax Teleservice 62, Automatic Facsimile group 3 <p>2) ur ----- user rate</p> <ul style="list-style-type: none"> - '0011'B 2400 bit/s - '0100'B 4800 bit/s - '0101'B 9600 bit/s <p>3) ce ----- connection element</p> <ul style="list-style-type: none"> - '00'B transparent - '01'B non transparent <p>4) rate ----- channel rate</p> <ul style="list-style-type: none"> - C_Full full rate channel - C_Half half rate channel 	
Detailed Comments:	used for TS61 and TS62

Test Suite Operation Definition	
Operation Name:	OO_IFsetup_BS2x_MT(srv:SERVICES; itc:B_3)
Result Type:	BOOLEAN
Comments:	
Description	
<p>This TSO requests (e.g. from the control console of the test system) the test operator to setup the external interface, or the MS configuration in such a way that the MS is able to successfully receive the call for the BS2x service `srv` with the specified itc value. After the operator finishes the required action and informs the test system, the TSO returns with value TRUE.</p> <p>Three negotiable parameters, number of stop bit, number of data bit, parity information, are asked as global IXIT paramters for all TE configurations. If necessary, the test operator refers to the manual provided by manufacturer to configure the MS.</p>	
Detailed Comments:	Used for BS21, BS22, BS24, BS25, BS26

Test Suite Operation Definition	
Operation Name:	OO_IFsetup_BS3x_MT(srv:SERVICES; itc, sacp:B_3)
Result Type:	BOOLEAN
Comments:	
Description	
<p>This TSO requests (e.g. from the control console of the test system) the test operator to setup the external interface, orthe MS configuration in such a way that the MS is able to successfully receive the call for the BS3x service `srv` with specified itc and sacp values. After the operator finishes the required action and informs the test system, the TSO returns with value TRUE.</p> <p>Three negotiable parameters, number of stop bit, number of data bit, parity information, are asked as global IXIT parameters for all TE configurations. If necessary, the test operator refers to the manual provided by manufacturer to configure the MS.</p>	
Detailed Comments:	Used for BS31, BS32, BS33, BS34

Test Suite Operation Definition	
Operation Name:	OO_IFsetup_BS61orBS81_MT(srv:SERVICES; ur:B_4; sa:B_1)
Result Type:	BOOLEAN
Comments:	
Description	
<p>This TSO requests (e.g. from the control console of the test system) the test operator to setup the external interface, or the MS configuration in such a way that the MS is able to successfully receive the call for BS61 or BS81 with the specified ur and sa values. After the operator finishes the required action and informs the test system, the TSO returns with value TRUE.</p> <p>Three negotiable parameters, number of stop bit, number of data bit, parity information, are asked as global IXIT parameters for all TE configurations. If necessary, the test operator refers to the manual provided by manufacturer to configure the MS.</p>	
Detailed Comments:	used for BS61 and BS81

Test Suite Operation Definition	
Operation Name:	OO_IFsetup_TS6x_MT(srv:SERVICES; ur:B_4)
Result Type:	BOOLEAN
Comments:	
Description	
<p>This TSO requests (e.g. from the control console of the test system) the test operator to setup the external interface, or the MS configuration in such a way that the MS is able to successfully receive the call for TS61 and TS62 with the specified ur value. After the operator finishes the required action and informs the test system, the TSO returns with value TRUE.</p> <p>Three negotiable parameters, number of stop bit, number of data bit, parity information, are asked as global IXIT parameters for all TE configurations. If necessary, the test operator refers to the manual provided by manufacturer to configure the MS.</p>	
Detailed Comments:	used for TS61 and TS62

Test Suite Operation Definition	
Operation Name:	OO_InCallModi(srv:SERVICES)
Result Type:	BOOLEAN
Comments:	
Description	
<p>This operation requests (e.g. from the control console of the test system) the test operator to initiate a in-call modification at the Mobile Station under test, which is triggered by the calling tone identification (CNG) received by the MS, for the basic service 'srv', then returns TRUE. The calling test step can pass the 'srv' value either as TSPX or constant to the TSO.</p> <p>The possible service values include (see also test suite constant declarations):</p> <p>1) Teleservices</p> <ul style="list-style-type: none"> - C_Telephony - C_EmgCall - C_AltSpchFax - C_AutoFax <p>2) Bearer services</p> <ul style="list-style-type: none"> - C_Async300, C_Async1200, C_Async120075, C_Async2400, C_Async4800, C_Async9600 - C_Sync1200, C_Sync2400, C_Sync4800, C_Sync9600 - C_PAD300, C_PAD1200, C_PAD120075, C_PAD2400, C_PAD4800, C_PAD9600 - C_Packet2400, C_Packet4800, C_Packet9600 - C_AltSpchData - C_SpchData 	
Detailed Comments:	

Test Suite Operation Definition																																																																												
Operation Name:	OO_InitCall(srv:SERVICES)																																																																											
Result Type:	BOOLEAN																																																																											
Comments:																																																																												
Description																																																																												
<p>This operation requests (e.g. from the control console of the test system) the test operator to initiate an MS originating call for the basic service `srv`, then returns TRUE. The calling test step can pass the 'srv' value either as TSPX or constant to the TSO. The necessary MS configuration has been done in the corresponding TSO OO_IFsetup_xx...xx_MO before this TSO is called.</p> <p>The possible service values include (see also test suite constant declarations):</p> <p>1) Teleservices</p> <table border="0"> <tr><td>- C_Telephony</td><td>----</td><td>TS11</td></tr> <tr><td>- C_EmgCall</td><td>----</td><td>TS12</td></tr> <tr><td>- C_AltSpchFax</td><td>----</td><td>TS61</td></tr> <tr><td>- C_AutoFax</td><td>----</td><td>TS62</td></tr> </table> <p>2) Bearer services</p> <table border="0"> <tr><td>- C_Async300</td><td>----</td><td>BS21</td></tr> <tr><td>- C_Async1200</td><td>----</td><td>BS22</td></tr> <tr><td>- C_Async120075</td><td>----</td><td>BS23</td></tr> <tr><td>- C_Async2400</td><td>----</td><td>BS24</td></tr> <tr><td>- C_Async4800</td><td>----</td><td>BS25</td></tr> <tr><td>- C_Async9600</td><td>----</td><td>BS26</td></tr> <tr><td>- C_Sync1200</td><td>----</td><td>BS31</td></tr> <tr><td>- C_Sync2400</td><td>----</td><td>BS32</td></tr> <tr><td>- C_Sync4800</td><td>----</td><td>BS33</td></tr> <tr><td>- C_Sync9600</td><td>----</td><td>BS34</td></tr> <tr><td>- C_PAD300</td><td>----</td><td>BS41</td></tr> <tr><td>- C_PAD1200</td><td>----</td><td>BS42</td></tr> <tr><td>- C_PAD120075</td><td>----</td><td>BS43</td></tr> <tr><td>- C_PAD2400</td><td>----</td><td>BS44</td></tr> <tr><td>- C_PAD4800</td><td>----</td><td>BS45</td></tr> <tr><td>- C_PAD9600</td><td>----</td><td>BS46</td></tr> <tr><td>- C_Packet2400</td><td>----</td><td>BS51</td></tr> <tr><td>- C_Packet4800</td><td>----</td><td>BS52</td></tr> <tr><td>- C_Packet9600</td><td>----</td><td>BS53</td></tr> <tr><td>- C_AltSpchData</td><td>----</td><td>BS61</td></tr> <tr><td>- C_SpchData</td><td>----</td><td>BS81</td></tr> </table>		- C_Telephony	----	TS11	- C_EmgCall	----	TS12	- C_AltSpchFax	----	TS61	- C_AutoFax	----	TS62	- C_Async300	----	BS21	- C_Async1200	----	BS22	- C_Async120075	----	BS23	- C_Async2400	----	BS24	- C_Async4800	----	BS25	- C_Async9600	----	BS26	- C_Sync1200	----	BS31	- C_Sync2400	----	BS32	- C_Sync4800	----	BS33	- C_Sync9600	----	BS34	- C_PAD300	----	BS41	- C_PAD1200	----	BS42	- C_PAD120075	----	BS43	- C_PAD2400	----	BS44	- C_PAD4800	----	BS45	- C_PAD9600	----	BS46	- C_Packet2400	----	BS51	- C_Packet4800	----	BS52	- C_Packet9600	----	BS53	- C_AltSpchData	----	BS61	- C_SpchData	----	BS81
- C_Telephony	----	TS11																																																																										
- C_EmgCall	----	TS12																																																																										
- C_AltSpchFax	----	TS61																																																																										
- C_AutoFax	----	TS62																																																																										
- C_Async300	----	BS21																																																																										
- C_Async1200	----	BS22																																																																										
- C_Async120075	----	BS23																																																																										
- C_Async2400	----	BS24																																																																										
- C_Async4800	----	BS25																																																																										
- C_Async9600	----	BS26																																																																										
- C_Sync1200	----	BS31																																																																										
- C_Sync2400	----	BS32																																																																										
- C_Sync4800	----	BS33																																																																										
- C_Sync9600	----	BS34																																																																										
- C_PAD300	----	BS41																																																																										
- C_PAD1200	----	BS42																																																																										
- C_PAD120075	----	BS43																																																																										
- C_PAD2400	----	BS44																																																																										
- C_PAD4800	----	BS45																																																																										
- C_PAD9600	----	BS46																																																																										
- C_Packet2400	----	BS51																																																																										
- C_Packet4800	----	BS52																																																																										
- C_Packet9600	----	BS53																																																																										
- C_AltSpchData	----	BS61																																																																										
- C_SpchData	----	BS81																																																																										
Detailed Comments:																																																																												

Test Suite Operation Definition	
Operation Name:	OO_InitNonCallSS
Result Type:	BOOLEAN
Comments:	
Description	
<p>This operation requests (e.g. from the control console of the test system) the test operator to initiate a non call related supplementary service which is supported by the MS.</p> <p>After the operator finishes the action, he informs the test system and the operation returns with the value TRUE.</p>	
Detailed Comments:	

Test Suite Operation Definition	
Operation Name:	OO_InitSS(action: IA5String)
Result Type:	BOOLEAN
Comments:	
Description	
This operation requests (e.g. from the control console of the test system) the test operator to initiate the required supplementary service by the MMI sequence `action`.	
After the operator finishes the action, he informs the test system and the operation returns with the value TRUE.	
Detailed Comments:	

Test Suite Operation Definition	
Operation Name:	OO_InServiceCHK
Result Type:	BOOLEAN
Comments:	
Description	
This operation first requests (e.g. from the control console of the test system) the test operator to check whether the Mobile Station under test is in normal service state ("Idle, updated")-- listening to CCCH and BCCH and with U1 UPDATED status. If the operator informs (e.g. from the control console of the test system) the test system that the MS does not give any service indication, the operation returns FALSE. If the operator informs the test system that the MS gives service indication, the operation returns TRUE.	
Detailed Comments:	

Test Suite Operation Definition	
Operation Name:	OO_Key
Result Type:	BOOLEAN
Comments:	
Description	
This operation returns TRUE if a key of the SS' keyboard has been pressed. Otherwise it returns FALSE.	
After OO_PressKeyWhenInService was called, the TSO is then continuously called until the test operator hits a key or a timer expires.	
Detailed Comments:	

Test Suite Operation Definition	
Operation Name:	OO_MptyCall
Result Type:	BOOLEAN
Comments:	
Description	
This operation requests (e.g. from the control console of the test system) the test operator to enter MultiParty MMI command at the Mobile Station under test, then it returns with the value TRUE after the operator finishes the action and informs the test system.	
Detailed Comments:	

Test Suite Operation Definition	
Operation Name:	OO_MSSetupStoreClass1SMInMEMemory
Result Type:	BOOLEAN
Comments:	
Description	
This operation requests (e.g. from the control console of the test system) the test operator to setup the MS under test to store class 1 SM in the ME memory (by way of MMI, as described in PICS/PIXIT statement).	
After the operator finishes the action, he informs the test system and the operation returns with the value TRUE.	
Detailed Comments:	

Test Suite Operation Definition	
Operation Name:	OO_PLMNsCHK
Result Type:	BOOLEAN
Comments:	
Description	
This operation first requests (e.g. from the control console of the test system) the test operator to check whether the Mobile Station presents a list of available PLMNs. The list shall include the MNC and MCC of cells 1 to 7, but not cell 8 (for GSM900) or cells 1 to 6, but not cell 7 (for DCS1800). If the operator informs (e.g. from the control console of the test system) the test system that the MS correctly presents the list, the operation returns TRUE. If the operator informs the test system that the list is incorrect, the operation returns FALSE.	
Detailed Comments:	

Test Suite Operation Definition	
Operation Name:	OO_PLMNselModeAuto
Result Type:	BOOLEAN
Comments:	
Description	
This operation switches the PLMN selection mode of the MS to automatic selection. After correctly switching of the mode the operation returns TRUE otherwise FALSE.	
Detailed Comments:	

Test Suite Operation Definition	
Operation Name:	OO_PLMNselModeMan
Result Type:	BOOLEAN
Comments:	
Description	
This operation switches the PLMN selection mode of the MS to manual selection. After correctly switching of the mode the operation returns TRUE otherwise FALSE.	
Detailed Comments:	

Test Suite Operation Definition	
Operation Name:	OO_PowerUp
Result Type:	BOOLEAN
Comments:	
Description	
This operation requests (e.g. from the control console of the test system) the test operator to power up the Mobile Station under test and to inform after the test system, then it returns with value TRUE.	
Detailed Comments:	

Test Suite Operation Definition	
Operation Name:	OO_PowerDown
Result Type:	BOOLEAN
Comments:	
Description	
This operation requests (e.g. from the control console of the test system) the test operator to power down the Mobile Station under test and to inform after the test system, then it returns with value TRUE.	
Detailed Comments:	

Test Suite Operation Definition	
Operation Name:	OO_PressKeyWhenInService
Result Type:	BOOLEAN
Comments:	
Description	
This operation requests (e.g. from the control console of the test system) the test operator to press any key when the MS shows the service indicator, then returns. The return value is always TRUE.	
Working with OO_Key together, the TSO displays a prompt to the test operator and then immediately returns.	
Detailed Comments:	

Test Suite Operation Definition	
Operation Name:	OO_RecallAndDisplaySM(NumbOfIA5chara: INTEGER; msg: OCTETSTRING)
Result Type:	BOOLEAN
Comments:	
Description	
This operation requests (e.g. from the control console of the test system) the test operator to recall and display an SM stored in the ME of the MS under test e.g. by means of the MMI. Then the operator checks whether the short message contents represented by 'msg' is correctly displayed. The TSO returns	
TRUE: if SM can be recalled and displayed correctly in comparison with the 'msg',	
FALSE: if SM can not be recalled or displayed, or displayed incorrectly in comparison with the 'msg'.	
The TSO needs to convert the 'msg' into IA5 string according to the packing character rules specified in the section 6.1.2 of ETS 300 628 (GSM 03.38). The 'NumbOfIA5chara' indicates the number of IA5 characters in the 'msg'.	
Detailed Comments:	

Test Suite Operation Definition	
Operation Name:	OO_RemoveOneSM
Result Type:	BOOLEAN
Comments:	
Description	
This operation requests (e.g. from the control console of the test system) the test operator to remove one of the SM from the message store and then to inform the test system. It does not matter which short message has been removed. After that the operation returns with value TRUE. The returned value is not used in the ATS.	
Detailed Comments:	

Test Suite Operation Definition	
Operation Name:	OO_RemvPwrAmp
Result Type:	BOOLEAN
Comments:	
Description	
This operation requests (e.g. from the control console of the test system) the test operator to remove the added power amplification at the Mobile Station under test and to inform after the test system, then the operation returns with value TRUE.	
Detailed Comments:	

Test Suite Operation Definition	
Operation Name:	OO_RFoutputCHK
Result Type:	BOOLEAN
Comments:	
Description	
This operation first requests (e.g. from the control console of the test system) the test operator to check whether the Mobile Station produces any RF output. If the operator informs (e.g. from the control console of the test system) the test system that the MS does not produce any RF output, the operation returns FALSE. If the operator informs the test system that the MS produces RF output, the operation returns TRUE.	
Detailed Comments:	

Test Suite Operation Definition	
Operation Name:	OO_SelPLMN(par_plmn:OCTETSTRING)
Result Type:	BOOLEAN
Comments:	
Description	
This operation requests (e.g. from the control console of the test system) the test operator to select the given PLMN in par_plmn manually, and to inform after the test system then the operation returns with value TRUE.	
Detailed Comments:	

Test Suite Operation Definition	
Operation Name:	OO_SendMOShortMessage
Result Type:	BOOLEAN
Comments:	
Description	
This operation requests (e.g. from the control console of the test system) the test operator to send a short message from the mobile station under test. The operation waits for the operator to acknowledge the request which may be done before or after sending the MO Short Message, and then returns the value TRUE.	
Detailed Comments:	

Test Suite Operation Definition	
Operation Name:	OO_SendSMSCOMMANDDel
Result Type:	BOOLEAN
Comments:	
Description	
This operation requests (e.g. from the control console of the test system) the test operator to send a SMS COMMAND message from the mobile station under test containing requiring to delete the previously submitted SM and then to inform the test system. Then, the operation returns with value TRUE.	
Detailed Comments:	

Test Suite Operation Definition	
Operation Name:	OO_SendSMSCOMMANDEnq
Result Type:	BOOLEAN
Comments:	
Description	
This operation requests (e.g. from the control console of the test system) the test operator to send a SMS COMMAND message from the mobile station under test containing an enquiry about the previously submitted SM and then to inform the test system. Then, the operation returns with value TRUE.	
Detailed Comments:	

Test Suite Operation Definition	
Operation Name:	OO_SetCellTestMode
Result Type:	BOOLEAN
Comments:	
Description	
Instructs operator to switch MS to 'Cell Test Mode', used in test case 20.7.	
Detailed Comments:	

Test Suite Operation Definition	
Operation Name:	OO_SetRefuseCall
Result Type:	BOOLEAN
Comments:	
Description	
This operation first requests (e.g. from the control console of the test system) the test operator to enable call refusal on the MS. After the operator completes the action and informs (e.g. from the control console of the test system) the test system, the operation returns with value TRUE.	
Detailed Comments:	

Test Suite Operation Definition	
Operation Name:	OO_ShortKeyDepr(ch:IA5String)
Result Type:	BOOLEAN
Comments:	
Description	
This operation requests (e.g. from the control console of the test system) the test operator to cause a DTMF tone to be generated, e.g. by short depression of the key `ch` on the Mobile Station under test. The operation waits for the operator to acknowledge the request which may be done before or after generating the DTMF tone, and then returns the value TRUE.	
Detailed Comments:	

Test Suite Operation Definition	
Operation Name:	OO_SIMIns
Result Type:	BOOLEAN
Comments:	
Description	
This operation requests (e.g. from the control console of the test system) the test operator to insert the SIM card into the Mobile Station under test. After the operator completes the action and informs (e.g. from the control console of the test system) the test system, the operation returns with value TRUE.	
Detailed Comments:	

Test Suite Operation Definition	
Operation Name:	OO_SIM2Ins
Result Type:	BOOLEAN
Comments:	
Description	
This operation requests (e.g. from the control console of the test system) the test operator to insert the SIM card 2 into the Mobile Station under test. After the operator completes the action and informs (e.g. from the control console of the test system) the test system, the operation returns with value TRUE.	
The SIM Card 2 shall contain the following parameter values, which are different from default values(SIM Card 1):	
IMSI= '001011234'	
HPLMN_search_period=6min.	
Detailed Comments:	

Test Suite Operation Definition	
Operation Name:	OO_SIM3Ins
Result Type:	BOOLEAN
Comments:	
Description	
This operation requests (e.g. from the control console of the test system) the test operator to insert the SIM card 3 into the Mobile Station under test and turn the MS power on, after the test operator finishes the action and informs the test system it returns with value TRUE.	
The SIM Card 3 shall contain fixed dialling number allocated and activated.	
Detailed Comments:	

Test Suite Operation Definition	
Operation Name:	OO_SIMRmv
Result Type:	BOOLEAN
Comments:	
Description	
This operation requests (e.g. from the control console of the test system) the test operator to remove the SIM card from the Mobile Station under test. After the operator completes the action and informs (e.g. from the control console of the test system) the test system, the operation returns with value TRUE.	
Detailed Comments:	

Test Suite Operation Definition	
Operation Name:	OO_SIMSimulAttIndOK
Result Type:	BOOLEAN
Comments:	
Description	
This operation requests (e.g. from the control console of the test system) the test operator to check whether the SIM simulator indicates an attempt made by the ME to store the short message in the SIM. The SIM simulator returns the status response "OK" ('90 00"). Then returns. Attempt indicated: TRUE Attempt NOT indicated: FALSE	
Detailed Comments:	

Test Suite Operation Definition	
Operation Name:	OO_SIMSimulAttIndMemProblem
Result Type:	BOOLEAN
Comments:	
Description	
This operation requests (e.g. from the control console of the test system) the test operator to check whether the SIM simulator indicates an attempt made by the ME to store the short message in the SIM. The SIM simulator returns the status response "Memory Problem" ('92 40"). Then returns. Attempt indicated: TRUE Attempt NOT indicated: FALSE	
Detailed Comments:	

Test Suite Operation Definition	
Operation Name:	OO_SSresultCHK(svc:INTEGER)
Result Type:	BOOLEAN
Comments:	
Description	
This operation first requests (e.g. from the control console of the test system) the test operator to check the user indication of the result of the supplementary service `svc`. If the operator informs (e.g. from the control console of the test system) the test system that the indication is correct, the operation returns TRUE. If the operator informs the test system that the indication is wrong, the operation returns FALSE.	
Detailed Comments:	

Test Suite Operation Definition	
Operation Name:	OO_SwitchOn
Result Type:	BOOLEAN
Comments:	
Description	
This operation requests (e.g. from the control console of the test system) the test operator to switch on (or if there is no switch then to restore the power to) the Mobile Station under test. After the operator completes the action and informs (e.g. from the control console of the test system) the test system, the operation returns with value TRUE.	
Detailed Comments:	

Test Suite Operation Definition	
Operation Name:	OO_SwitchOff
Result Type:	BOOLEAN
Comments:	
Description	
This operation requests (e.g. from the control console of the test system) the test operator to switch off (or if there is no switch then to remove the power from) the Mobile Station under test. After the operator completes the action and informs (e.g. from the control console of the test system) the test system, the operation returns with value TRUE.	
Detailed Comments:	

Test Suite Operation Definition	
Operation Name:	OO_TCHThroConnCHK
Result Type:	BOOLEAN
Comments:	
Description	
This operation first requests (e.g. from the control console of the test system) the test operator to check whether the TCH is through connected. The SS has to generate a noise pattern so that the operator can check this. If the operator informs (e.g. from the control console of the test system) the test system that the TCH is through connected, the operation returns TRUE. If the operator informs the test system that the TCH is not through connected, the operation returns FALSE.	
Detailed Comments:	

Test Suite Operation Definition	
Operation Name:	OO_TermCall
Result Type:	BOOLEAN
Comments:	
Description	
This operation first requests (e.g. from the control console of the test system) the test operator to terminate the ongoing call. After the operator completes the action and informs (e.g. from the control console of the test system) the test system, it returns TRUE.	
Detailed Comments:	

Test Suite Operation Definition	
Operation Name:	OO_TguardTimeOut
Result Type:	BOOLEAN
Comments:	
Description	
This operation informs (e.g. from the control console of the test system) the test operator that the T_guard timer has expired during the test case leading to an inconclusive or fail verdict and returns immediately with value TRUE.	
Detailed Comments:	

Test Suite Operation Definition	
Operation Name:	OO_ToneStopCHK
Result Type:	BOOLEAN
Comments:	
Description	
This operation first requests (e.g. from the control console of the test system) the test operator to check whether the MS stops the tone generation. If the operator informs (e.g. from the control console of the test system) the test system that the MS does not stop tone generation, the operation returns FALSE. If the operator informs the test system that the MS stops tone generation, the operation returns TRUE.	
Definition of "tone generation":	
-During MO call: MS generates alerting tone/presents inband information sent by the network.	
-During MT call: MS generates ringing tone.	
Detailed Comments:	

Test suite parameter declarations

Test Suite Parameter Declarations			
Parameter Name	Type	PICS/PIXIT Ref	Comments
TSPC_24DataF	BOOLEAN	PICS Table A.25 Item 12	2.4 k full rate data mode supported
TSPC_24DataH	BOOLEAN	PICS Table A.25 Item 13	2.4 k half rate data mode supported
TSPC_48DataF	BOOLEAN	PICS Table A.25 Item 14	4.8 k full rate data mode supported
TSPC_48DataH	BOOLEAN	PICS Table A.25 Item 15	4.8 k half rate data mode supported
TSPC_96Data	BOOLEAN	PICS Table A.25 Item 16	9.6 k full rate data mode supported
TSPC_Feat_A51	BOOLEAN	PICS Table A.2 Item 17	ciphering algorithm A5/1 supported
TSPC_Feat_A52	BOOLEAN	PICS Table A.2 Item 18	ciphering algorithm A5/2 supported
TSPC_AddCharSet	BOOLEAN	PICS Table A.25 Item 47	A, B, C, D chars supported
TSPC_AddInfo_PseudoSynch	BOOLEAN	PICS	Pseudo synchronised supported
TSPC_AlertInd	BOOLEAN	PICS Table A.25 Item 49	alerting indication to the user supported
TSPC_SvcOnTCH	BOOLEAN	PICS Table A.25 Item 22	at least one service on traffic channel supported
TSPC_SMS	BOOLEAN	PICS Table A.25 Item 31	at least one short message service supported
TSPC_SS	BOOLEAN	PICS Table A.25 Item 29	at least one supplementary service supported
TSPC_AutoAutoMode	BOOLEAN	PICS Table A.25 Item 48	automatically enter automatic selection of PLMN mode supported
TSPC_BasCharSet	BOOLEAN	PICS Table A.25 Item 46	Chars 0-9, *, # supported
TSPC_CalledNumDisp	BOOLEAN	PICS Table A.2 Item 1	called number display supported
TSPC_DCS	BOOLEAN	PICS Table A.1 Item 3	testing DCS1800
TSPC_DCS_Class3	BOOLEAN	PICS	testing DCS1800 class 3
TSPC_DetachOnPwrDn	BOOLEAN	PICS Table A.25 Item 38	detach on power down supported
TSPC_DetachOnSIMRmv	BOOLEAN	PICS Table A.25 Item 39	detach on SIM remove supported
TSPC_DispRcvSMS	BOOLEAN	PICS Table A.25 Item 34	display of received SMS supported
TSPC_DualRate	BOOLEAN	PICS Table A.25 Item 23	dual rate channel types supported
TSPC_EGSM	BOOLEAN	PICS Table A.1 Item 2	both standard and extended GSM band supported
TSPC_EmgOnly	BOOLEAN	PICS Table A.25 Item 27	the only circuit switched basic service is emergency call
TSPC_followOnReq	BOOLEAN	PICS Table A.25 Item 53	follow-on request procedure supported
TSPC_HalfRateData	BOOLEAN	PICS Table A.25 Item 6	half rate data supported
TSPC_HalfRateSpeech	BOOLEAN	PICS Table A.25 Item 3	half rate speech mode supported
TSPC_InCallMod	BOOLEAN	PICS Table A.25 Item 52	In-Call modification supported
TSPC_NoimmConn	BOOLEAN	PICS Table A.25 Item 51	at least one service not support immediate connection
TSPC_Feat_FND	BOOLEAN	PICS Table A.2 Item 21	FND feature supported
TSPC_NonCallSS	BOOLEAN	PICS Table A.25 Item 30	non call related supplementary service supported
TSPC_MTsvc	BOOLEAN	PICS Table A.25 Item 19	at least one MT circuit switched basic service supported
TSPC_MOsvc	BOOLEAN	PICS Table A.25 Item 20	at least one MO circuit switched basic service supported
TSPC_PGSM	BOOLEAN	PICS Table A.1 Item 1	only standard GSM band supported
TSPC_RefusalCall	BOOLEAN	PICS Table A.25 Item 54	refusal of call supported
TSPC_ReplaceSMS	BOOLEAN	PICS Table A.25 Item 33	replace SMS supported
TSPC_ReplyProc	BOOLEAN	PICS Table A.25 Item 32	(SMS) reply procedures supported
TSPC_RFAmp	BOOLEAN	PICS Table A.25 Item 55	RF amplification supported
TSPC_SDCCHOnly	BOOLEAN	PICS Table A.25 Item 21	only SDCCH supported
TSPC_Serv_SS_AoCC	BOOLEAN	PICS Table A.5 Item 14	AOCC SS supported
TSPC_Serv_SS_BAIC	BOOLEAN	PICS Table A.5 Item 18	BAIC SS supported

TSPC_Serv_SS_BI	BOOLEAN	PICS	BI SS supported
TSPC_Serv_SS_BICRoam	BOOLEAN	PICS Table A.5 Item 19	BICRoam SS supported
TSPC_Serv_SS_BAOC	BOOLEAN	PICS Table A.5 Item 15	BAOC SS supported
TSPC_Serv_SS_BOIC	BOOLEAN	PICS Table A.5 Item 16	BOIC SS supported
TSPC_Serv_SS_BOICexHC	BOOLEAN	PICS Table A.5 Item 17	BOICexHC SS supported
TSPC_Serv_SS_CFB	BOOLEAN	PICS Table A.5 Item 6	CFB supported
TSPC_Serv_SS_CFNry	BOOLEAN	PICS Table A.5 Item 7	CFNry supported
TSPC_Serv_SS_CFNRC	BOOLEAN	PICS Table A.5 Item 8	CFNRC supported
TSPC_Serv_SS_CFU	BOOLEAN	PICS Table A.5 Item 5	CFU supported
TSPC_Serv_SS_HOLD	BOOLEAN	PICS Table A.5 Item 10	Call Hold SS supported
TSPC_Serv_SS_MPTY	BOOLEAN	PICS Table A.5 Item 11	multiparty SS supported
TSPC_Serv_SS_unstruct	BOOLEAN	PICS	USSD supported
TSPC_Serv_TS11	BOOLEAN	PICS Table A.3 Item 1	telephony supported
TSPC_Serv_TS12	BOOLEAN	PICS Table A.3 Item 2	emergency call supported
TSPC_Serv_TS21	BOOLEAN	PICS Table A.3 Item 3	SMS MT/PP supported
TSPC_Serv_TS22	BOOLEAN	PICS Table A.3 Item 4	SMS MO/PP supported
TSPC_Serv_TS23	BOOLEAN	PICS Table A.3 Item 5	SMS cell broadcast supported
TSPC_Serv_TS61	BOOLEAN	PICS	alternate speech and G3 fax (TS61) supported
TSPC_Serv_TS62	BOOLEAN	PICS	automatic G3 fax (TS62) supported
TSPC_Serv_BS21	BOOLEAN	PICS Table A.4 Item 1	data circuit duplex async 300 bit/s supported
TSPC_Serv_BS22	BOOLEAN	PICS Table A.4 Item 2	data circuit duplex async 1200 bit/s supported
TSPC_Serv_BS23	BOOLEAN	PICS Table A.4 Item 3	data circuit duplex async 1200/75 bit/s supported
TSPC_Serv_BS24	BOOLEAN	PICS Table A.4 Item 4	data circuit duplex async 2400 bit/s supported
TSPC_Serv_BS25	BOOLEAN	PICS Table A.4 Item 5	data circuit duplex async 4800 bit/s supported
TSPC_Serv_BS26	BOOLEAN	PICS Table A.4 Item 6	data circuit duplex async 9600 bit/s supported
TSPC_Serv_BS31	BOOLEAN	PICS Table A.4 Item 7	data circuit duplex sync 1200 bit/s supported
TSPC_Serv_BS32	BOOLEAN	PICS Table A.4 Item 8	data circuit duplex sync 2400 bit/s supported
TSPC_Serv_BS33	BOOLEAN	PICS Table A.4 Item 9	data circuit duplex sync 4800 bit/s supported
TSPC_Serv_BS34	BOOLEAN	PICS Table A.4 Item 10	data circuit duplex sync 9600 bit/s supported
TSPC_Serv_BS41	BOOLEAN	PICS Table A.4 Item 11	PAD access 300 bit/s supported
TSPC_Serv_BS42	BOOLEAN	PICS Table A.4 Item 12	PAD access 1200 bit/s supported
TSPC_Serv_BS43	BOOLEAN	PICS Table A.4 Item 13	PAD access 1200/75 bit/s supported
TSPC_Serv_BS44	BOOLEAN	PICS Table A.4 Item 14	PAD access 2400 bit/s supported
TSPC_Serv_BS45	BOOLEAN	PICS Table A.4 Item 15	PAD access 4800 bit/s supported
TSPC_Serv_BS46	BOOLEAN	PICS Table A.4 Item 16	PAD access 9600 bit/s supported
TSPC_Serv_BS51	BOOLEAN	PICS Table A.4 Item 17	packet access 2400 bit/s supported
TSPC_Serv_BS52	BOOLEAN	PICS Table A.4 Item 18	packet access 4800 bit/s supported
TSPC_Serv_BS53	BOOLEAN	PICS Table A.4 Item 19	packet access 9600 bit/s supported
TSPC_Serv_BS61	BOOLEAN	PICS	alternate speech/data (BS61) supported
TSPC_Serv_BS81	BOOLEAN	PICS	speech followed data (BS81) supported
TSPC_SMSStatusRepCap	BOOLEAN	PICS Table A.25 Item 35	SMS status report capabilities supported
TSPC_StoreRcvSMSME	BOOLEAN	PICS Table A.25 Item 37	Storage of received SMS in ME supported
TSPC_StoreRcvSMSSIM	BOOLEAN	PICS Table A.25 Item 36	Storage of received SMS in SIM supported
TSPC_SIMRmv	BOOLEAN	PICS Table A.25 Item 40	SIM removable without power down supported
TSPC_SwitchOnOff	BOOLEAN	PICS Table A.2 Item 15	switch on/off supported
TSPC_TranspDataOnly	BOOLEAN	PICS Table A.25 Item 9	only transparent data service supported

TSPC_CC	BOOLEAN	PICS Table A.25 Item 26	CC protocol for at least one BC supported
TSPC_TeleSvc	BOOLEAN	PICS Table A.25 Item 25	at least one teleservice supported
TSPC_EFR	BOOLEAN		Set to TRUE for GSM-900 Phase 2+ (EFR) MS which supports any EFR features, and FALSE otherwise.
TSPC_EFR_Speech_v2	BOOLEAN		Set to TRUE for GSM-900 Phase 2+ (EFR) MS which supports Speech Version 2 and FALSE otherwise.
TSPC_EFR_Speech_v3	BOOLEAN		Set to TRUE for GSM-900 Phase 2+ (EFR) MS which supports Speech Version 3 and FALSE otherwise.
TSPC_EFR_EmgCallBcap	BOOLEAN		Set to TRUE if received ESETUP msg contains bearer capability IE, otherwise FALSE.
TSPC_FullRateSpeech	BOOLEAN	PICS Table A.25 Item 2	full rate speech mode supported
TSPC_FullRateOnly	BOOLEAN	PICS Table A.25 Item 24	only full rate channel type supported
TSPX_AltNb	BOOLEAN	PIXIT	use alternative neighbour cells description. default : FALSE
TSPX_TE_stopbit	B_1	PIXIT	TE conf. number stop bits. default value : '0'B, 1 bit
TSPX_TE_databit	B_1	PIXIT	TE conf. number data bits. default value : '1'B, 8 bits
TSPX_TE_FLCT	FLWCNTL	PIXIT	TE flow control. default : 0, outband flow control
TSPX_TE_parity	B_3	PIXIT	TE conf. parity. default : '001'B, no parity
TSPX_BS_21_itc1	B_3	PIXIT	itc value supported for BS21. default value : '001'B, UDI
TSPX_BS_21_more_itc	BOOLEAN	PIXIT	more than one itc value supported by BS21. default value : FALSE, only one itc
TSPX_BS_21_T_NT	BOOLEAN	PIXIT	both T and NT supported by BS21. default value : FALSE, not support both transparent and non transparent modes
TSPX_BS_21_ce	B_2	PIXIT	ce value used in MO call and if the answer to TSPX_BS_21_T_NT is FALSE, the manufacturer must precise which mode is supported by the MS. default value : '00'B, transparent mode
TSPX_BS_21_sacp	B_3	PIXIT	sacp value used in MO call. default value : '001'B, I440/450
TSPX_BS_21_itc2	B_3	PIXIT	other itc value supported by BS21, it shall be differenet from the previous one if the answer to TSPX_BS_21_more_itc is TRUE. default value : '001'B, UDI
TSPX_BS_22_itc1	B_3	PIXIT	itc value supported by BS22. default value : '010'B, 3.1kHz audio, exPLMN
TSPX_BS_22_more_itc	BOOLEAN	PIXIT	more than one itc value supported by BS22. default value : FALSE, only one itc
TSPX_BS_22_T_NT	BOOLEAN	PIXIT	both T and NT supported by BS22. default value : FALSE, not support both transparent and non transparent modes
TSPX_BS_22_ce	B_2	PIXIT	ce value used in MO call and if the answer to TSPX_BS_22_T_NT is FALSE, the manufacturer must precise which mode is supported by the MS. default value : '01'B, non transparent
TSPX_BS_22_sacp	B_3	PIXIT	sacp value used in MO call. default value : '001'B, I440/450

TSPX_BS_22_itc2	B_3	PIXIT	other itc value supported by BS22, it shall be differenet from the previous one if the answer to TSPX_BS_22_more_itc is TRUE. default value : '010'B, 3.1kHz audio, exPLMN
TSPX_BS_23_itc	B_3	PIXIT	itc value supported by BS23. default value : '010'B, 3.1kHz audio, exPLMN
TSPX_BS_23_T_NT	BOOLEAN	PIXIT	both T and NT supported for BS23. default value : FALSE, not support both transparent and non transparent modes
TSPX_BS_23_ce	B_2	PIXIT	ce value used in MO call. default value : '00'B, transparent
TSPX_BS_23_sacp	B_3	PIXIT	sacp value used in MO call. default value : '001'B, I440/450
TSPX_BS_24_itc1	B_3	PIXIT	itc value supported by BS24. default value : '010'B, 3.1kHz audio, exPLMN
TSPX_BS_24_more_itc	BOOLEAN	PIXIT	more than one itc value supported by BS24. default value : FALSE, only one itc
TSPX_BS_24_T_NT	BOOLEAN	PIXIT	both T and NT supported by BS24. default value : FALSE, not support both transparent and non transparent modes
TSPX_BS_24_ce	B_2	PIXIT	ce value used in MO call and if the answer to TSPX_BS_24_T_NT is FALSE, the manufacturer must precise which mode is supported by the MS. default value : '00'B, transparent
TSPX_BS_24_sacp	B_3	PIXIT	sacp value used in MO call. default value : '001'B, I440/450
TSPX_BS_24_itc2	B_3	PIXIT	other itc value supported by BS24, it shall be differenet from the previous one if the answer to TSPX_BS_24_more_itc is TRUE. default value : '010'B, 3.1kHz audio, exPLMN
TSPX_BS_25_itc1	B_3	PIXIT	itc value supported by BS25. default value : '001'B, UDI
TSPX_BS_25_more_itc	BOOLEAN	PIXIT	more than one itc value supported by BS25. default value : FALSE, only one itc
TSPX_BS_25_T_NT	BOOLEAN	PIXIT	both T and NT supported by BS25. default value : FALSE, not support both transparent and non transparent modes
TSPX_BS_25_ce	B_2	PIXIT	ce value used in MO call and if the answer to TSPX_BS_25_T_NT is FALSE, the manufacturer must precise which mode is supported by the MS. default value : '00'B, transparent
TSPX_BS_25_sacp	B_3	PIXIT	sacp value used in MO call. default value : '001'B, I440/450
TSPX_BS_25_itc2	B_3	PIXIT	other itc value supported by BS25, it shall be differenet from the previous one if the answer to TSPX_BS_25_more_itc is TRUE. default value : '001'B, UDI
TSPX_BS_26_itc1	B_3	PIXIT	itc value supported by BS26. default value : '010'B, 3.1kHz audio, exPLMN
TSPX_BS_26_more_itc	BOOLEAN	PIXIT	more than one itc value supported by BS26. default value : FALSE, only one itc
TSPX_BS_26_T_NT	BOOLEAN	PIXIT	both T and NT supported by BS26. default value : FALSE, not support both transparent and non

TSPX_BS_26_ce	B_2	PIXIT	transparent modes ce value used in MO call and if the answer to TSPX_BS_26_T_NT is FALSE, the manufacturer must precise which mode is supported by the MS. default value : '00'B, transparent
TSPX_BS_26_sacp	B_3	PIXIT	sacp value used in MO call. default value : '001'B, I440/450
TSPX_BS_26_itc2	B_3	PIXIT	other itc value supported by BS26, it shall be differenet from the previous one if the answer to TSPX_BS_26_more_itc is TRUE. default value : '010'B, 3.1kHz audio, exPLMN
TSPX_BS_31_more_itc	BOOLEAN	PIXIT	more than one itc value supported by BS31. default value : FALSE, only one itc
TSPX_BS_31_more_sacp	BOOLEAN	PIXIT	more than one sacp value supported by BS31. default value : FALSE, only one sacp
TSPX_BS_31_itc1	B_3	PIXIT	itc value supported by BS31. default value : '001'B, UDI
TSPX_BS_31_sacp1	B_3	PIXIT	sacp value supported by BS31. default value : '001'B, I440/450
TSPX_BS_31_itc2	B_3	PIXIT	other itc value supported by BS31, it shall be differenet from the previous one if the answer to TSPX_BS_31_more_itc is TRUE. default value : '001'B, UDI
TSPX_BS_31_sacp2	B_3	PIXIT	other sacp value supported by BS31, it shall be differenet from the previous one if the answer to TSPX_BS_31_more_sacp is TRUE. default value : '001'B, I440/450
TSPX_BS_32_itc1	B_3	PIXIT	itc value supported by BS32. default value : '010'B, 3.1kHz audio, exPLMN
TSPX_BS_32_more_itc	BOOLEAN	PIXIT	more than one itc value supported by BS32. default value : FALSE, only one itc
TSPX_BS_32_more_sacp	BOOLEAN	PIXIT	more than one sacp value supported by BS32. default value : FALSE, only one sacp
TSPX_BS_32_sacp1	B_3	PIXIT	sacp value supported by BS32. default value : '110'B, X.32
TSPX_BS_32_X32_T_NT	BOOLEAN	PIXIT	BS 32 both T and NT supported for X32 3.1kHz. default value : FALSE, not support both transparent and non transparent modes
TSPX_BS_32_X32_ce	B_2	PIXIT	if the answer to TSPX_BS_32_X32_T_NT is FALSE, the manufacturer must precise which mode is supported by the MS. default value : '01'B, non transparent
TSPX_BS_32_itc2	B_3	PIXIT	other itc value supported by BS32, it shall be differenet from the previous one if the answer to TSPX_BS_32_more_itc is TRUE. default value : '010'B, 3.1kHz audio, exPLMN
TSPX_BS_32_sacp2	B_3	PIXIT	other sacp value supported by BS32, it shall be differenet from the previous one if the answer to TSPX_BS_32_more_sacp is TRUE. default value : '110'B, X.32
TSPX_BS_33_itc1	B_3	PIXIT	itc value supported by BS33. default value : '001'B, UDI
TSPX_BS_33_more_itc	BOOLEAN	PIXIT	more than one itc value supported by BS33. default value : FALSE,

TSPX_BS_33_more_sacp	BOOLEAN	PIXIT	only one itc
TSPX_BS_33_sacp1	B_3	PIXIT	more than one sacp value supported by BS33. default value : FALSE, only one sacp
TSPX_BS_33_X32_T_NT	BOOLEAN	PIXIT	sacp value supported by BS33. default value : '010'B, X.21
TSPX_BS_33_X32_ce	B_2	PIXIT	BS 33 both T and NT supported for X32 3.1kHz. default value : FALSE, not support both transparent and non transparent modes
TSPX_BS_33_itc2	B_3	PIXIT	if the answer to TSPX_BS_33_X32_T_NT is FALSE, the manufacturer must precise which mode is supported by the MS. default value : '00'B, transparent
TSPX_BS_33_sacp2	B_3	PIXIT	other itc value supported by BS32, it shall be differenet from the previous one if the answer to TSPX_BS_33_more_itc is TRUE. default value : '001'B, UDI
TSPX_BS_34_itc1	B_3	PIXIT	other sacp value supported by BS33, it shall be differenet from the previous one if the answer to TSPX_BS_33_more_sacp is TRUE. default value : '010'B, X.21
TSPX_BS_34_more_itc	BOOLEAN	PIXIT	itc value supported by BS34. default value : '010'B, 3.1kHz audio, exPLMN
TSPX_BS_34_more_sacp	BOOLEAN	PIXIT	more than one itc value supported by BS34. default value : FALSE, only one itc
TSPX_BS_34_sacp1	B_3	PIXIT	more than one sacp value supported by BS34. default value : FALSE, only one sacp
TSPX_BS_34_X32_T_NT	BOOLEAN	PIXIT	sacp value supported by BS34. default value : '001'B, I440/450
TSPX_BS_34_X32_ce	B_2	PIXIT	BS 34 both T and NT supported for X32 3.1kHz. default value : FALSE, not support both transparent and non transparent modes
TSPX_BS_34_itc2	B_3	PIXIT	if the answer to TSPX_BS_34_X32_T_NT is FALSE, the manufacturer must precise which mode is supported by the MS. default value : '00'B, transparent
TSPX_BS_34_sacp2	B_3	PIXIT	other itc value supported by BS34, it shall be differenet from the previous one if the answer to TSPX_BS_34_more_itc is TRUE. default value : '010'B, 3.1kHz audio, exPLMN
TSPX_BS_41_T_NT	BOOLEAN	PIXIT	other sacp value supported by BS34, it shall be differenet from the previous one if the answer to TSPX_BS_34_more_sacp is TRUE. default value : '001'B, I440/450
TSPX_BS_41_ce	B_2	PIXIT	BS41 both T and NT supported . default value : FALSE, not support both
TSPX_BS_42_T_NT	BOOLEAN	PIXIT	ce value used in BS41 MO call. default value : '00'B, transparent
TSPX_BS_42_ce	B_2	PIXIT	BS42 both T and NT supported . default value : FALSE, not support both transparent and non transparent modes
TSPX_BS_43_T_NT	BOOLEAN	PIXIT	ce value used in BS42 MO call. default value : '010'B, non transparent
			BS43 both T and NT supported .

TSPX_BS_43_ce	B_2	PIXIT	default value : FALSE, not support both transparent and non transparent modes
TSPX_BS_44_T_NT	BOOLEAN	PIXIT	ce value used in BS43 MO call. default value : '00'B, transparent
TSPX_BS_44_ce	B_2	PIXIT	BS44 both T and NT supported . default value : FALSE, not support both transparent and non transparent modes
TSPX_BS_45_T_NT	BOOLEAN	PIXIT	ce value used in BS44 MO call. default value : '00'B, transparent
TSPX_BS_45_ce	B_2	PIXIT	BS45 both T and NT supported . default value : FALSE, not support both transparent and non transparent modes
TSPX_BS_46_T_NT	BOOLEAN	PIXIT	ce value used in BS45 MO call. default value : '01'B, non transparent
TSPX_BS_46_ce	B_2	PIXIT	BS46 both T and NT supported . default value : FALSE, not support both transparent and non transparent modes
TSPX_BS_61_S	BOOLEAN	PIXIT	ce value used in BS46 MO call. default value : '00'B, transparent
TSPX_BS_61_S_more_ur	BOOLEAN	PIXIT	synchronous data supported by BS 61 . default value : TRUE, synchronous mode
TSPX_BS_61_S_ur1	B_4	PIXIT	more than one user rate for synchronous data service supported by BS61. default value : FALSE, only ine user rate
TSPX_BS_61_S_ur2	B_4	PIXIT	usrer rate value supported for synchronous data service of BS61. default value : '0100'B, 4.8 kbit/s
TSPX_BS_61_A	BOOLEAN	PIXIT	another usrer rate value supported for synchronous data service of BS61. it shall be different from the previous one if the answer to TSPX_BS_61_S_more_ur is TRUE. default value : '0100'B, 4.8 kbit/s
TSPX_BS_61_A_ur1	B_4	PIXIT	asynchronous data service supported by BS61 . default value : TRUE, asynchronous
TSPX_BS_61_A_ur1_T_NT	BOOLEAN	PIXIT	usrer rate value supported for asynchronous data service of BS61. default value : '0101'B, 9.6 kbit/s
TSPX_BS_61_A_ur1_ce	B_2	PIXIT	both T and NT supported for the rate TSPX_BS_61_A_ur1 of BS61. default value : FALSE, not support both transparent and non transparent modes
TSPX_BS_61_A_more_ur	BOOLEAN	PIXIT	if the answer to TSPX_BS_61_A_ur1_T_NT is FALSE, the manufacturer must precise which mode is supported by the MS. default value : '00'B, transparent
TSPX_BS_61_A_ur2	B_4	PIXIT	more than one user rate for asynchronous data service supported by BS61. default value : FALSE, only one user rate
TSPX_BS_61_A_ur2_T_NT	BOOLEAN	PIXIT	another usrer rate value supported for asynchronous data service of BS61. it shall be different from the previous one if the answer to TSPX_BS_61_A_more_ur is TRUE. default value : '0101'B, 9.6 kbit/s
			both T and NT supported for the rate TSPX_BS_61_A_ur2 of

TSPX_BS_81_S	BOOLEAN	PIXIT	BS61. default value : FALSE, not support both transparent and non transparent modes
TSPX_BS_81_S_more_ur	BOOLEAN	PIXIT	synchronous data supported by BS 81. default value : TRUE, synchronous mode
TSPX_BS_81_S_ur1	B_4	PIXIT	more than one user rate for synchronous data service supported by BS81. default value : FALSE, only one user rate
TSPX_BS_81_S_ur2	B_4	PIXIT	usrer rate value supported for synchronous data service of BS81. default value : '0101'B, 9.6 kbit/s
TSPX_BS_81_A	BOOLEAN	PIXIT	another usrer rate value supported for synchronous data service of BS81. it shall be different from the previous one if the answer to TSPX_BS_81_S_more_ur is TRUE. default value : '0101'B, 9.6 kbit/s
TSPX_BS_81_A_ur1	B_4	PIXIT	asynchronous data service supported by BS81. default value : TRUE, asynchronous mode
TSPX_BS_81_A_ur1_T_NT	BOOLEAN	PIXIT	usrer rate value supported for asynchronous data service of BS81. default value : '0100'B, 4.8 kbit/s
TSPX_BS_81_A_ur1_ce	B_2	PIXIT	both T and NT supported for the rate TSPX_BS_81_A_ur1 of BS81. default value : FALSE, not support both transparent and non transparent modes
TSPX_BS_81_A_more_ur	BOOLEAN	PIXIT	if the answer to TSPX_BS_81_A_ur1_T_NT is FALSE, the manufacturer must precise which mode is supported by the MS. default value : '01'B, non transparent
TSPX_BS_81_A_ur2	B_4	PIXIT	more than one user rate for asynchronous data service supported by BS81. default value : FALSE, only one user rate
TSPX_BS_81_A_ur2_T_NT	BOOLEAN	PIXIT	another usrer rate value supported for asynchronous data service of BS81. it shall be different from the previous one if the answer to TSPX_BS_81_A_more_ur is TRUE. default value : '0100'B, 4.8 kbit/s
TSPX_TS_61_T_NT	BOOLEAN	PIXIT	both T and NT supported for the rate TSPX_BS_81_A_ur2 of BS81. default value : FALSE, not support both transparent and non transparent modes
TSPX_TS_61_ce	B_2	PIXIT	both T and NT supported for TS61(fax). default value : FALSE, not support both transparent and non transparent modes
TSPX_TS_61_ur1	B_4	PIXIT	if the answer to TSPX_TS_61_T_NT is FALSE, the manufacturer must precise which mode is supported by the MS. default value : '01'B, non transparent
TSPX_TS_61_more_ur	BOOLEAN	PIXIT	user rate for TS61(fax). default value : '0101'B, 9.6 kbit/s
TSPX_TS_61_ur2	B_4	PIXIT	more than one user rate supported for TS61. default value : FALSE, only one user rate
			another user rate for TS61, it shall be different from the previous one if the answer to

TSPX_TS_62_T_NT	BOOLEAN	PIXIT	<p>TSPX_TS_61_more_ur is TRUE. default value : '0101'B, 9.6 kbit/s both T and NT supported for TS62. default value : FALSE, not support both transparent and non transparent modes</p> <p>if the answer to TSPX_TS_62_T_NT is FALSE, the manufacturer must precise which mode is supported by the MS. default value : '00'B, transparent</p> <p>user rate for TS62. default value : '0100'B, 4.8 kbit/s</p> <p>more than one user rate supported by TS62. default value : FALSE, only one user rate</p> <p>another user rate for TS62, it shall be different from the previous one if the answer to TSPX_TS_62_more_ur is TRUE. default value : '0100'B, 4.8 kbit/s</p> <p>call control capabilities: value '1'B means MS supports DTMF</p> <p>any non signalling full rate channel mode for TC_26_6_4_1</p> <p>any non signalling half channel mode for TC_26_6_4_1</p> <p>channel mode for TC_62_10_2_4_2. Any supported value except signalling and Full rate speech. possible values are '0000011'B' 12k data, '00001011'B' 6k data, '0010011'B' 3.6k data</p> <p>cipher key sequence number</p> <p>cipher key sequence number</p> <p>cipher key sequence number</p> <p>default cipher key sequence number</p> <p>RF power capability</p> <p>Revision level of classmark 1</p> <p>A5/1 algorithm: '1'B : available, '0'B: not available</p> <p>A5/2 algorithm: '1'B : available, '0'B: not available</p> <p>A5/3 algorithm: '1'B : available, '0'B: not available</p> <p>A5/4 algorithm: '1'B : available, '0'B: not available</p> <p>A5/5 algorithm: '1'B : available, '0'B: not available</p> <p>A5/6 algorithm: '1'B : available, '0'B: not available</p> <p>A5/7 algorithm: '1'B : available, '0'B: not available</p> <p>pseudo synchronisation capability, '0'B: not present '1'B: present</p> <p>SS screen indicator</p> <p>short message capability, '0'B: not present '1'B: present</p> <p>frequency capability. DCS: reserved, GSM: '0'B not support extension band, '1'B support extension band</p> <p>classmark 3 indicator, '0'B no addition capability info, '1'B additional capability info in class mark 3</p> <p>RF power capability with external RF amplifier</p>
TSPX_TS_62_ce	B_2	PIXIT	
TSPX_TS_62_ur1	B_4	PIXIT	
TSPX_TS_62_more_ur	BOOLEAN	PIXIT	
TSPX_TS_62_ur2	B_4	PIXIT	
TSPX_DTMF	B_1	PIXIT	
TSPX_modF	CHMOD_VAL	PIXIT	
TSPX_modH	CHMOD_VAL	PIXIT	
TSPX_anymod	CHMOD_VAL	PIXIT	
TSPX_CKSNA	CKSN	PIXIT	
TSPX_CKSNB	CKSN	PIXIT	
TSPX_CKSNC	CKSN	PIXIT	
TSPX_CKSNDef	CKSN	PIXIT	
TSPX_RfPwrCap	B_3	PIXIT	
TSPX_RevLevel	B_2	PIXIT	
TSPX_CiphAlgA5_1	B_1	PIXIT	
TSPX_CiphAlgA5_2	B_1	PIXIT	
TSPX_CiphAlgA5_3	B_1	PIXIT	
TSPX_CiphAlgA5_4	B_1	PIXIT	
TSPX_CiphAlgA5_5	B_1	PIXIT	
TSPX_CiphAlgA5_6	B_1	PIXIT	
TSPX_CiphAlgA5_7	B_1	PIXIT	
TSPX_pSyncCap	B_1	PIXIT	
TSPX_SSscrnInd	B_2	PIXIT	
TSPX_SMCap	B_1	PIXIT	
TSPX_freqCap	B_1	PIXIT	
TSPX_ClsMk3	B_1	PIXIT	
TSPX_RfPwrCapAmp	B_3	PIXIT	

TSPX_CphAlgA	CPHALG	PIXIT	any supported ciphering algorithm
TSPX_CphAlgB	CPHALG	PIXIT	ciphering algorithm supported
TSPX_CphAlgC	CPHALG	PIXIT	ciphering algorithm supported
TSPX_CphAlgD	CPHALG	PIXIT	ciphering algorithm supported
TSPX_CphAlgE	CPHALG	PIXIT	ciphering algorithm supported
TSPX_CphAlgDef	CPHALG	PIXIT	default ciphering algorithm
TSPX_DTMFInd	BOOLEAN	PIXIT	DTMF indication to user supported
TSPX_NoOfHoAccA	INTEGER	PIXIT	number of handover access bursts, value range 10 - 20
TSPX_NoOfHoAccB	INTEGER	PIXIT	number of handover access bursts, value range 10 - 20
TSPX_NoOfHoAccC	INTEGER	PIXIT	number of handover access bursts, value range 10 - 20
TSPX_NoOfHoAccD	INTEGER	PIXIT	number of handover access bursts, value range 5 - 10
TSPX_NoOfHoAccE	INTEGER	PIXIT	number of handover access bursts, value range 5 - 10
TSPX_NoOfHoAccF	INTEGER	PIXIT	number of handover access bursts, value range 5 - 10
TSPX_NoOfHoAccG	INTEGER	PIXIT	number of handover access bursts, value range 2 - 5
TSPX_NoOfHoAccH	INTEGER	PIXIT	number of handover access bursts, value range 2 - 5
TSPX_NoOfHoAccI	INTEGER	PIXIT	number of handover access bursts, value range 2 - 5
TSPX_HoRefA	HORF	PIXIT	Hand over reference, GSM 04.08, 10.5.2.15
TSPX_HoRefB	HORF	PIXIT	Hand over reference, GSM 04.08, 10.5.2.15
TSPX_HoRefC	HORF	PIXIT	Hand over reference, GSM 04.08, 10.5.2.15
TSPX_HoRefD	HORF	PIXIT	Hand over reference, GSM 04.08, 10.5.2.15
TSPX_HoRefE	HORF	PIXIT	Hand over reference, GSM 04.08, 10.5.2.15
TSPX_HoRefF	HORF	PIXIT	Hand over reference, GSM 04.08, 10.5.2.15
TSPX_HoRefG	HORF	PIXIT	Hand over reference, GSM 04.08, 10.5.2.15
TSPX_HoRefH	HORF	PIXIT	Hand over reference, GSM 04.08, 10.5.2.15
TSPX_HoRefI	HORF	PIXIT	Hand over reference, GSM 04.08, 10.5.2.15
TSPX_HoRefJ	HORF	PIXIT	Hand over reference, GSM 04.08, 10.5.2.15
TSPX_HSN	INTEGER	PIXIT	Hopping sequence number value range: 0 - 63
TSPX_IMSI	HEXSTRING	PIXIT	IMSI of the MS
TSPX_IMEI	HEXSTRING	PIXIT	IMEI of the MS.
TSPX_IMEISV	HEXSTRING	PIXIT	IMEISV of the MS. Used in: TC_26_6_8_5, TC_26_7_3_1
TSPX_Ki	BITSTRING	PIXIT	default authentication key used in testing
TSPX_MAIO	INTEGER	PIXIT	mobile allocation index offset, value range: 0 - 63
TSPX_MaxRetrans	INTEGER	PIXIT	Max-Retrans
TSPX_MSTxpwrMax	MAXTXPOW	PIXIT	maximum output power from MS
TSPX_PwrlvlA	INTEGER	PIXIT	power level, value between 2 to 15
TSPX_PwrlvlB	INTEGER	PIXIT	power level, value between 2 to 15
TSPX_PwrlvlC	INTEGER	PIXIT	power level, value between 2 to 15
TSPX_PwrlvlD	INTEGER	PIXIT	power level, value between 2 to 15
TSPX_RANDA	RAND	PIXIT	challenge RAND

TSPX_RANDB	RAND	PIXIT	challenge RAND
TSPX_RANDC	RAND	PIXIT	challenge RAND
TSPX_RANDDef	RAND	PIXIT	default challenge RAND
TSPX_SDCCH4SubA	B_2	PIXIT	TDMA offset of SDCCH/4 subchannel
TSPX_SDCCH4SubB	B_2	PIXIT	TDMA offset of SDCCH/4 subchannel
TSPX_SDCCH4SubC	B_2	PIXIT	TDMA offset of SDCCH/4 subchannel
TSPX_SDCCH4SubDef	B_2	PIXIT	TDMA offset of default SDCCH/4 subchannel
TSPX_SDCCH8SubA	B_3	PIXIT	TDMA offset of SDCCH/8 subchannel
TSPX_SDCCH8SubB	B_3	PIXIT	TDMA offset of SDCCH/8 subchannel
TSPX_SDCCH8SubC	B_3	PIXIT	TDMA offset of SDCCH/8 subchannel
TSPX_SDCCH8SubD	B_3	PIXIT	TDMA offset of SDCCH/8 subchannel
TSPX_SDCCH8SubE	B_3	PIXIT	TDMA offset of SDCCH/8 subchannel
TSPX_SDCCH8SubF	B_3	PIXIT	TDMA offset of SDCCH/8 subchannel
TSPX_SDCCH8SubG	B_3	PIXIT	TDMA offset of SDCCH/8 subchannel
TSPX_SDCCH8SubDef	B_3	PIXIT	TDMA offset of default SDCCH/8 subchannel
TSPX_TC1M	INTEGER	PIXIT	timer value for GSM timer TC1M (for SMS)
TSPX_MaxCPDataRetx	INTEGER	PIXIT	max. number of CP data retransmissions for SMS
TSPX_Immconn	BOOLEAN	PIXIT	Immediate connect supported
TSPX_TimadvA	INTEGER	PIXIT	timing advance
TSPX_TimadvB	INTEGER	PIXIT	timing advance
TSPX_TimadvC	INTEGER	PIXIT	timing advance
TSPX_TmSltA	SN	PIXIT	time slot
TSPX_TmSltB	SN	PIXIT	time slot
TSPX_TmSltC	SN	PIXIT	time slot
TSPX_TmSltD	SN	PIXIT	time slot
TSPX_TmSltE	SN	PIXIT	time slot
TSPX_TmSltF	SN	PIXIT	time slot
TSPX_TmSltG	SN	PIXIT	time slot
TSPX_TmSltDef	SN	PIXIT	default time slot
TSPX_TmSltNotZero	SN	PIXIT	time slot, arbitrarily value, but not zero.
TSPX_TmSltNotZero1	SN	PIXIT	time slot, arbitrarily value, but not zero and not TSPX_TmSltNotZero
TSPX_Txint	INTEGER	PIXIT	Tx-Integer
TSPX_TscA	TSC	PIXIT	training sequence code
TSPX_TscB	TSC	PIXIT	training sequence code
TSPX_TscC	TSC	PIXIT	training sequence code
TSPX_TscD	TSC	PIXIT	training sequence code
TSPX_TscE	TSC	PIXIT	training sequence code
TSPX_TscF	TSC	PIXIT	training sequence code
TSPX_TscG	TSC	PIXIT	training sequence code
TSPX_TscDef	TSC	PIXIT	default TSC
TSPX_T3122	WI	PIXIT	value of timer T3122, HEXSTRING[2]
TSPX_TCHcarrierA_ho	INTEGER	PIXIT	the value can be chosen arbitrarily from cell allocation of cell A (GSM), but not BCCH carrier .possible value is : 10, 17, 26, 34, 42, 45, 46, 52, 59, 66, 73, 74, 75, 76, 108, 114
TSPX_TCHcarrierA_hod	INTEGER	PIXIT	the value can be chosen arbitrarily from cell allocation of cell A (DCS), but not BCCH carrier . possible value is :

			734,741,754,759,762,766,767,773,775,779,782,791,798,829,832,844
TSPX_TCHcarrierB	INTEGER	PIXIT	TCH and SDCCH channel frequency number of cell B (GSM)
TSPX_TCHcarrierBd	INTEGER	PIXIT	TCH and SDCCH channel frequency number of cell B (DCS)
TSPX_TCHcarrierB_ho	INTEGER	PIXIT	the value can be chosen arbitrarily from cell allocation of cell B (GSM), but not BCCH carrier . possibles value is : 14,18,22,24,30,31,38,60,66,73,74,75,76,108,114
TSPX_TCHcarrierB_hod	INTEGER	PIXIT	not BCCH carrier of cell B. the value can be chosen arbitrarily from cell allocation of cell B (DCS), which is (739,743,746,749,756,758,761,771,779,782,791,798,829,832,844)
TSPX_TCHcarrierB2_ho	INTEGER	PIXIT	Chosen arbitrarily from cell allocation B for GSM HO cases, but not BCCH carrier!
TSPX_TCHcarrierB2_hod	INTEGER	PIXIT	Chosen arbitrarily from cell allocation B for DCS HO cases, but not BCCH carrier!
TSPX_TCHHSubA	B_1	PIXIT	TDMA offset of half rate subchannel
TSPX_TCHHSubDef	B_1	PIXIT	TDMA offset of default half rate subchannel
TSPX_TMSI	TMSI_V	PIXIT	TMSI of the MS used in test
TSPX_TMSI1	TMSI_V	PIXIT	another TMSI used in test which shall differ from TSPX_TMSI, TSPX_TMSI + '01'O TSPX_TMSI + '02'O TSPX_TMSI + '03'O
TSPX_Uupd	B_8	PIXIT	user-user protocol discriminator
TSPX_UuInfo	OCTETSTRING	PIXIT	user-user information
TSPX_k	INTEGER	PIXIT	timing of cell A before cell B k bit periods for TC_26_6_5_1, TC_26_6_5_2_?, TC_26_6_5_3_?, TC_26_6_5_4_?.
TSPX_y	INTEGER	PIXIT	timing advance for TC_26_6_5_3_?, TC_26_6_5_4_?, TC_26_6_5_5_?. The values of TSPX_k (or TSPX_k1) and TSPX_y: $0 < (2 * TSPX_k + TSPX_y) \text{ MOD } 256 < 60$.
TSPX_k1	INTEGER	PIXIT	timing of cell A before cell B k bit periods for TC_26_6_5_5_?
TSPX_k2	INTEGER	PIXIT	timing of cell A before cell B k bit periods for TC_26_6_5_6
TSPX_y2	INTEGER	PIXIT	timing advance for TC_26_6_5_6, value range : 11 - 62.
TSPX_k3	INTEGER	PIXIT	timing of cell A before cell B k bit periods for TC_26_6_5_7
TSPX_y3	INTEGER	PIXIT	timing advance for TC_26_6_5_7
TSPX_nPara	INTEGER	PIXIT	the n'th ChReq for TC_26_6_1_2, shall be choose to [1..8], MAXRETRANS for TC_26_6_1_2 is 7 (See 11.10 for more explanation).
TSPX_kPara	INTEGER	PIXIT	the k'th ChReq for TC_26_6_1_2
TSPX_rPara	INTEGER	PIXIT	the r'th ChReq for TC_26_6_1_2
TSPX_i1Para	INTEGER	PIXIT	for TC_26_1_2
TSPX_i2Para	INTEGER	PIXIT	for TC_26_1_2
TSPX_i3Para	INTEGER	PIXIT	the r'th ChReq for TC_26_6_1_2
TSPX_n1Para	INTEGER	PIXIT	the n'th ChReq for TC_26_6_1_3
TSPX_i4Para	INTEGER	PIXIT	for TC_26_6_1_3
TSPX_xPara	INTEGER	PIXIT	t3122 for TC_26_6_1_3
TSPX_AGBLKS1	INTEGER	PIXIT	BS-AG-BLKS-RES for

TSPX_PAMFRMS1	INTEGER	PIXIT	TC_26_6_2_3_1, TC_26_6_2_1_1 BS-PA-MFRMS for TC_26_6_2_3_1 (shall not be set to 9), TC_26_6_2_1_1
TSPX_CcchConf1	CCCH_CON	PIXIT	paging subchannel for TC_26_6_2_3_1, TC_26_6_2_1_1
TSPX_PgSubch	INTEGER	PIXIT	paging subchannel for TC_26_6_2_3_1
TSPX_AGBLKS2	INTEGER	PIXIT	BS-AG-BLKS-RES for TC_26_6_2_3_2, TC_26_6_2_1_2
TSPX_PAMFRMS2	INTEGER	PIXIT	BS-PA-MFRMS for TC_26_6_2_3_2, TC_26_6_2_1_2
TSPX_CcchConf2	CCCH_CON	PIXIT	paging subchannel for TC_26_6_2_3_2, TC_26_6_2_1_2
TSPX_AGBLKS3	INTEGER	PIXIT	BS-AG-BLKS-RES for TC_26_6_2_4, TC_26_6_2_2, TC_26_6_2_1_3
TSPX_PAMFRMS3	INTEGER	PIXIT	BS-PA-MFRMS for TC_26_6_2_4, TC_26_6_2_2, TC_26_6_2_1_3
TSPX_CcchConf3	CCCH_CON	PIXIT	paging subchannel for TC_26_6_2_4, TC_26_6_2_2, TC_26_6_2_1_3
TSPX_AGBLKS4	INTEGER	PIXIT	BS-AG-BLKS-RES for TC_26_6_2_5
TSPX_PAMFRMS4	INTEGER	PIXIT	BS-PA-MFRMS for TC_26_6_2_5
TSPX_CcchConf4	CCCH_CON	PIXIT	paging subchannel for TC_26_6_2_5 (shall be in the set '010', '100', '110'))
TSPX_Chtp1	CH_TDMA	PIXIT	channel type for TC_26_6_13_1, any value supported by the MS
TSPX_ChMod1	CHMOD_VAL	PIXIT	channel mode for TC_26_6_13_1, any value for the channel type of TSPX_Chtp1
TSPX_Maio1	INTEGER	PIXIT	hopping parameter for TC_26_6_13_1, its value between 0 and (the number of frequencies) -1, which is defined in TSPX_Ma1, default : 2
TSPX_Ma1	MAC	PIXIT	mobile allocation for TC_26_6_13_1, its value shall indicate number of frequencies between 1 and 17. default : '010101'O
TSPX_Hsn1	INTEGER	PIXIT	hopping parameter for TC_26_6_13_1. default: 1
TSPX_Maio2	INTEGER	PIXIT	hopping parameter for TC_26_6_13_1, its value between 0 and (the number of frequencies) -1, which is defined in TSPX_Ma2, default : 8
TSPX_Ma2	MAC	PIXIT	mobile allocation for TC_26_6_13_1, its value shall indicate number of frequencies between 1 and 17. default :'01362A5'O
TSPX_Hsn2	INTEGER	PIXIT	hopping parameter for TC_26_6_13_1, default : 6
TSPX_Maio3	INTEGER	PIXIT	hopping parameter for TC_26_6_13_1, its value between 0 and (the number of frequencies) -1, which is defined in TSPX_Ma3, default : 14
TSPX_Ma3	MAC	PIXIT	mobile allocation for TC_26_6_13_1, its value shall indicate number of frequencies between 1 and 17. default :'01FFFA'O

TSPX_Hsn3	INTEGER	PIXIT	hopping parameter for TC_26_6_13_1, default : 0
TSPX_Chtp2	CH_TDMA	PIXIT	channel type for TC_26_6_13_2, any value supported by the MS
TSPX_ChMod2	CHMOD_VAL	PIXIT	channel mode for TC_26_6_13_2
TSPX_Maio4	INTEGER	PIXIT	hopping parameter for TC_26_6_13_2, its value between 0 and (the number of frequencies) -1, which is defined in TSPX_Ma4, default : 3
TSPX_Ma4	MAC	PIXIT	mobile allocation for TC_26_6_13_2, its value shall indicate number of frequencies between 1 and 17. default : '001141'O
TSPX_Hsn4	INTEGER	PIXIT	hopping parameter for TC_26_6_13_2, default : 0
TSPX_Maio5	INTEGER	PIXIT	hopping parameter for TC_26_6_13_2, its value between 0 and (the number of frequencies) -1, which is defined in TSPX_Ma5, default : 9
TSPX_Ma5	MAC	PIXIT	mobile allocation for TC_26_6_13_2, its value shall indicate number of frequencies between 1 and 17. default : '01ABCB'O
TSPX_Hsn5	INTEGER	PIXIT	hopping parameter for TC_26_6_13_2, default : 16
TSPX_Chtp3	CH_TDMA	PIXIT	channel type for TC_26_6_13_3, any value supported by the MS
TSPX_Maio6	INTEGER	PIXIT	hopping parameter for TC_26_6_13_3, its value between 0 and (the number of frequencies) -1, which is defined in TSPX_Ma6, default : 4
TSPX_Ma6	MAC	PIXIT	mobile allocation for TC_26_6_13_3, its value shall indicate number of frequencies between 1 and 17. default : '006248'O
TSPX_Hsn6	INTEGER	PIXIT	hopping parameter for TC_26_6_13_3, default : 4
TSPX_Maio7	INTEGER	PIXIT	hopping parameter for TC_26_6_13_3, its value between 0 and (the number of frequencies) -1, which is defined in TSPX_Ma7, default : 10
TSPX_Ma7	MAC	PIXIT	mobile allocation for TC_26_6_13_3, its value shall indicate number of frequencies between 2 and 17. default : '009AFB'O
TSPX_Chtp4	CH_TDMA	PIXIT	channel type for TC_26_6_13_3, any value supported by the MS
TSPX_Maio8	INTEGER	PIXIT	hopping parameter for TC_26_6_13_3, its value between 0 and (the number of frequencies) -1, which is defined in TSPX_Ma8, default : 1
TSPX_Ma8	MAC	PIXIT	mobile allocation for TC_26_6_13_3, its value shall indicate number of frequencies between 2 and 17. default : '002800'O
TSPX_Hsn8	INTEGER	PIXIT	hopping parameter for TC_26_6_13_3, default : 40
TSPX_Maio9	INTEGER	PIXIT	hopping parameter for TC_26_6_13_3, its value between 0 and (the number of frequencies) -1, which is defined in TSPX_Ma9, default : 15
TSPX_Ma9	MAC	PIXIT	mobile allocation for TC_26_6_13_3, its value shall

TSPX_Hsn9	INTEGER	PIXIT	indicate number of frequencies between 2 and 17. default : '01FFFB'O
TSPX_Chtp5	CH_TDMA	PIXIT	hopping parameter for TC_26_6_13_3, default : 8
TSPX_Maio10	INTEGER	PIXIT	SDCCH8 subchannel immediately assigned, TC_26_6_13_4
TSPX_Ma10	MAC	PIXIT	hopping parameter for TC_26_6_13_4, its value between 0 and (the number of frequencies) -1, which is defined in TSPX_Ma10, default : 5
TSPX_Hsn10	INTEGER	PIXIT	mobile allocation for TC_26_6_13_4, its value shall indicate number of frequencies between 1 and 17. default : '01D082'O
TSPX_Maio11	INTEGER	PIXIT	hopping parameter for TC_26_6_13_4, default: 0
TSPX_Ma11	MAC	PIXIT	hopping parameter for TC_26_6_13_4, its value between 0 and (the number of frequencies) -1, which is defined in TSPX_Ma11, default : 11
TSPX_Chtp6	CH_TDMA	PIXIT	mobile allocation for TC_26_6_13_4, its value shall indicate number of frequencies between 2 and 17. default : '00CFF3'O
TSPX_Maio12	INTEGER	PIXIT	channel type of a non- existing channel in Assignment Cmd, TC_26_6_13_4
TSPX_Ma12	MAC	PIXIT	hopping parameter for TC_26_6_13_4, its value between 0 and (the number of frequencies) -1, which is defined in TSPX_Ma12, default : 1
TSPX_Hsn12	INTEGER	PIXIT	mobile allocation for TC_26_6_13_4, its value shall indicate number of frequencies between 1 and 17. default : '010100'O
TSPX_Maio13	INTEGER	PIXIT	hopping parameter for TC_26_6_13_4, default : 39
TSPX_Ma13	MAC	PIXIT	hopping parameter for TC_26_6_13_4, its value between 0 and (the number of frequencies) -1, which is defined in TSPX_Ma13, default : 6
TSPX_Hsn13	INTEGER	PIXIT	mobile allocation for TC_26_6_13_4, its value shall indicate number of frequencies between 1 and 17. default : '00E690'O
TSPX_Chtp7	CH_TDMA	PIXIT	hopping parameter for TC_26_6_13_4, default: 42
TSPX_ChMod4	CHMOD_VAL	PIXIT	channel type for TC_26_6_13_5
TSPX_Maio14	INTEGER	PIXIT	channel mode for TC_26_6_13_5
TSPX_Ma14	MAC	PIXIT	hopping parameter for TC_26_6_13_5, its value between 0 and (the number of frequencies) -1, which is defined in TSPX_Ma14, default : 5
TSPX_Hsn14	INTEGER	PIXIT	mobile allocation for TC_26_6_13_5, its value shall indicate number of frequencies between 1 and 17. default : '014A28'O
TSPX_Maio15	INTEGER	PIXIT	hopping parameter for TC_26_6_13_5, default : 50
			hopping parameter for TC_26_6_13_5, its value between 0 and (the number of frequencies) -1, which is defined in

TSPX_Ma15	MAC	PIXIT	TSPX_Ma15, default : 12 mobile allocation for TC_26_6_13_5, its value shall indicate number of frequencies between 1 and 16. default : '00FF79'O
TSPX_Hsn15	INTEGER	PIXIT	hopping parameter for TC_26_6_13_5, default : 33
TSPX_Maio16	INTEGER	PIXIT	hopping parameter for TC_26_6_13_5, its value between 0 and (the number of frequencies) -1, which is defined in TSPX_Ma16, default : 2
TSPX_Ma16	MAC	PIXIT	mobile allocation for TC_26_6_13_5, its value shall indicate number of frequencies between 1 and 16. default : '001110'O
TSPX_Hsn16	INTEGER	PIXIT	hopping parameter for TC_26_6_13_5, default : 21
TSPX_Chtp8	CH_TDMA	PIXIT	channel type for TC_26_6_13_6
TSPX_ChMod5	CHMOD_VAL	PIXIT	channel mode for TC_26_6_13_6
TSPX_Maio17	INTEGER	PIXIT	hopping parameter for TC_26_6_13_6, its value between 0 and (the number of frequencies) -1, which is defined in TSPX_Ma17, default : 7
TSPX_Ma17	MAC	PIXIT	mobile allocation for TC_26_6_13_6, its value shall indicate number of frequencies between 1 and 17. default : '00E6A1'O
TSPX_Hsn17	INTEGER	PIXIT	hopping parameter for TC_26_6_13_6, default : 22
TSPX_Maio18	INTEGER	PIXIT	hopping parameter for TC_26_6_13_6, its value between 0 and (the number of frequencies) -1, which is defined in TSPX_Ma18, default : 13
TSPX_Ma18	MAC	PIXIT	mobile allocation for TC_26_6_13_6, its value shall indicate number of frequencies between 1 and 16. default : '00FFF9'O
TSPX_Hsn18	INTEGER	PIXIT	hopping parameter for TC_26_6_13_6, default : 9
TSPX_Maio19	INTEGER	PIXIT	hopping parameter for TC_26_6_13_6, its value between 0 and (the number of frequencies) -1, which is defined in TSPX_Ma19, default : 3
TSPX_Ma19	MAC	PIXIT	mobile allocation for TC_26_6_13_6, its value shall indicate number of frequencies between 1 and 16. default : '001111'O
TSPX_Hsn19	INTEGER	PIXIT	hopping parameter for TC_26_6_13_6, default : 44
TSPX_Chtp9	CH_TDMA	PIXIT	channel type for TC_26_6_13_7
TSPX_ChMod6	CHMOD_VAL	PIXIT	channel mode for TC_26_6_13_7
TSPX_Maio20	INTEGER	PIXIT	hopping parameter for TC_26_6_13_7, its value between 0 and (the number of frequencies) -1, which is defined in TSPX_Ma20, default : 8
TSPX_Ma20	MAC	PIXIT	mobile allocation for TC_26_6_13_7, its value shall indicate number of frequencies between 1 and 17. default : '016699'O
TSPX_Hsn20	INTEGER	PIXIT	hopping parameter for TC_26_6_13_7, default : 30
TSPX_Maio21	INTEGER	PIXIT	hopping parameter for TC_26_6_13_7, its value between

TSPX_Ma21	MAC	PIXIT	0 and (the number of frequencies) -1, which is defined in TSPX_Ma21, default : 14
TSPX_Chtp10	CH_TDMA	PIXIT	mobile allocation for TC_26_6_13_7, its value shall indicate number of frequencies between 1 and 17. default : '01FEFB'O
TSPX_Maio22	INTEGER	PIXIT	channel type for TC_26_6_13_7
TSPX_Ma22	MAC	PIXIT	hopping parameter for TC_26_6_13_7, its value between 0 and (the number of frequencies) -1, which is defined in TSPX_Ma22, default : 4
TSPX_Hsn22	INTEGER	PIXIT	mobile allocation for TC_26_6_13_7, its value shall indicate number of frequencies between 1 and 16. default : '006241'O
TSPX_Maio23	INTEGER	PIXIT	hopping parameter for TC_26_6_13_7, default : 11
TSPX_Ma23	MAC	PIXIT	hopping parameter for TC_26_6_13_7, its value between 0 and (the number of frequencies) -1, which is defined in TSPX_Ma23, default : 11
TSPX_Hsn23	INTEGER	PIXIT	mobile allocation for TC_26_6_13_7, its value shall indicate number of frequencies between 1 and 16. default : '00FF1B'O
TSPX_Chtp11	CH_TDMA	PIXIT	hopping parameter for TC_26_6_13_7, default : 60
TSPX_ChMod7	CHMOD_VAL	PIXIT	SDCCH8 subchannel immediately assigned, TC_26_6_13_8
TSPX_Maio24	INTEGER	PIXIT	channel mode for TC_26_6_13_8
TSPX_Ma24	MAC	PIXIT	hopping parameter for TC_26_6_13_8, its value between 0 and (the number of frequencies) -1, which is defined in TSPX_Ma24, default : 9
TSPX_Hsn24	INTEGER	PIXIT	mobile allocation for TC_26_6_13_8, its value shall indicate number of frequencies between 1 and 17. default : '00E6E9'O
TSPX_Maio25	INTEGER	PIXIT	hopping parameter for TC_26_6_13_8, default : 7
TSPX_Ma25	MAC	PIXIT	hopping parameter for TC_26_6_13_8, its value between 0 and (the number of frequencies) -1, which is defined in TSPX_Ma25, default : 15
TSPX_Chtp12	CH_TDMA	PIXIT	mobile allocation for TC_26_6_13_8, its value shall indicate number of frequencies between 1 and 17. default : '01FFFB'O
TSPX_Maio26	INTEGER	PIXIT	channel type of a non- existing channel in Assignment Cmd, TC_26_6_13_8
TSPX_Ma26	MAC	PIXIT	hopping parameter for TC_26_6_13_8, its value between 0 and (the number of frequencies) -1, which is defined in TSPX_Ma26, default : 5
TSPX_Hsn26	INTEGER	PIXIT	mobile allocation for TC_26_6_13_8, its value shall indicate number of frequencies between 1 and 16. default : '009168'O
TSPX_Maio27	INTEGER	PIXIT	hopping parameter for TC_26_6_13_8, default : 9
			hopping parameter for

TSPX_Ma27	MAC	PIXIT	TC_26_6_13_8, its value between 0 and (the number of frequencies) -1, which is defined in TSPX_Ma27, default : 1
TSPX_Hsn27	INTEGER	PIXIT	mobile allocation for TC_26_6_13_8, its value shall indicate number of frequencies between 1 and 16. default : '004080'O
TSPX_Chtp13	CH_TDMA	PIXIT	hopping parameter for TC_26_6_13_8, default : 38
TSPX_Tm3	INTEGER	PIXIT	channel type for TC_26_6_13_9
TSPX_Maio28	INTEGER	PIXIT	channel mode for TC_26_6_13_9, value between 60 -100
TSPX_Ma28	MAC	PIXIT	hopping parameter for TC_26_6_13_9, its value between 0 and (the number of frequencies) -1, which is defined in TSPX_Ma28, default : 10
TSPX_Hsn28	INTEGER	PIXIT	mobile allocation for TC_26_6_13_9, its value shall indicate number of frequencies between 1 and 17. default : '00EE7A'O
TSPX_Maio29	INTEGER	PIXIT	hopping parameter for TC_26_6_13_9, default : 11
TSPX_Ma29	MAC	PIXIT	hopping parameter for TC_26_6_13_9, its value between 0 and (the number of frequencies) -1, which is defined in TSPX_Ma29, default : 6
TSPX_Chtp14	CH_TDMA	PIXIT	mobile allocation for TC_26_6_13_9, its value shall indicate number of frequencies between 1 and 17. default : '00F070'O
TSPX_Maio30	INTEGER	PIXIT	channel type for TC_26_6_13_10
TSPX_Ma30	MAC	PIXIT	hopping parameter for TC_26_6_13_10, its value between 0 and (the number of frequencies) -1, which is defined in TSPX_Ma30, default : 11
TSPX_Hsn30	INTEGER	PIXIT	mobile allocation for TC_26_6_13_10, its value shall indicate number of frequencies between 1 and 17. default : '017F69'O
TSPX_Maio31	INTEGER	PIXIT	hopping parameter for TC_26_6_13_10, default : 62
TSPX_Ma31	MAC	PIXIT	hopping parameter for TC_26_6_13_10, its value between 0 and (the number of frequencies) -1, which is defined in TSPX_Ma31, default : 1
TSPX_MOBscSvcA	SERVICES	PIXIT	mobile allocation for TC_26_6_13_10, its value shall indicate number of frequencies between 1 and 17. default : '000101'O
TSPX_MOBscSvcB	SERVICES	PIXIT	any supported MO basic service
TSPX_MOBscSvcC	SERVICES	PIXIT	any supported MO basic service
TSPX_MOBscSvcD	SERVICES	PIXIT	any supported MO basic service
TSPX_MOBscSvcE	SERVICES	PIXIT	any supported MO basic service
TSPX_MOBscSvcF	SERVICES	PIXIT	any supported MO basic service
TSPX_MOBscSvcG	SERVICES	PIXIT	any supported MO basic service
TSPX_MOBscSvcH	SERVICES	PIXIT	any supported MO basic service
TSPX_MOBscSvcI	SERVICES	PIXIT	any supported MO basic service
TSPX_MOBscSvcJ	SERVICES	PIXIT	any supported MO basic service
TSPX_MT_DualModSvc	SERVICES	PIXIT	any supported MT dual mode service
TSPX_MT_NonSptSvc	SERVICES	PIXIT	any not supported MT basic service

TSPX_MTBscSvcA	SERVICES	PIXIT	any supported MT basic service
TSPX_MTBscSvcB	SERVICES	PIXIT	any supported MT basic service
TSPX_MTBscSvcC	SERVICES	PIXIT	any supported MT basic service
TSPX_MTBscSvcD	SERVICES	PIXIT	any supported MT basic service
TSPX_MTBscSvcE	SERVICES	PIXIT	any supported MT basic service
TSPX_MTBscSvcF	SERVICES	PIXIT	any supported MT basic service
TSPX_MTBscSvcG	SERVICES	PIXIT	any supported MT basic service
TSPX_MTBscSvcH	SERVICES	PIXIT	any supported MT basic service
TSPX_MTBscSvcI	SERVICES	PIXIT	any supported MT basic service
TSPX_MTBscSvcJ	SERVICES	PIXIT	any supported MT basic service
TSPX_MTNIC_BscSvcA	SERVICES	PIXIT	any supported MT basic service without immediate connection
TSPX_MTNIC_BscSvcB	SERVICES	PIXIT	any supported MT basic service without immediate connection
TSPX_MTNIC_BscSvcC	SERVICES	PIXIT	any supported MT basic service without immediate connection
TSPX_MTNIC_BscSvcD	SERVICES	PIXIT	any supported MT basic service without immediate connection
TSPX_MTNIC_BscSvcE	SERVICES	PIXIT	any supported MT basic service without immediate connection
TSPX_MTNIC_BscSvcF	SERVICES	PIXIT	any supported MT basic service without immediate connection
TSPX_MTNIC_BscSvcG	SERVICES	PIXIT	any supported MT basic service without immediate connection
TSPX_MTNIC_BscSvcH	SERVICES	PIXIT	any supported MT basic service without immediate connection
TSPX_MTNIC_BscSvcI	SERVICES	PIXIT	any supported MT basic service without immediate connection
TSPX_MTNIC_BscSvcJ	SERVICES	PIXIT	any supported MT basic service without immediate connection
TSPX_Telephony_Rate	RATE	PIXIT	channel rate for TS11, default value : C_Full
TSPX_MOChRateA	RATE	PIXIT	channel rate for TSPX_MOBscSvcA, default value : C_Full
TSPX_MOChRateB	RATE	PIXIT	channel rate for TSPX_MOBscSvcB, default value : C_Full
TSPX_MOChRateC	RATE	PIXIT	channel rate for TSPX_MOBscSvcC, default value : C_Full
TSPX_MOChRateD	RATE	PIXIT	channel rate for TSPX_MOBscSvcD, default value : C_Full
TSPX_MOChRateE	RATE	PIXIT	channel rate for TSPX_MOBscSvcE, default value : C_Full
TSPX_MOChRateF	RATE	PIXIT	channel rate for TSPX_MOBscSvcF, default value : C_Full
TSPX_MOChRateG	RATE	PIXIT	channel rate for TSPX_MOBscSvcG, default value : C_Full
TSPX_MOChRateH	RATE	PIXIT	channel rate for TSPX_MOBscSvcH, default value : C_Full
TSPX_MOChRateI	RATE	PIXIT	channel rate for TSPX_MOBscSvcI, default value : C_Full
TSPX_MOChRateJ	RATE	PIXIT	channel rate for TSPX_MOBscSvcJ, default value : C_Full
TSPX_MTChRateA	RATE	PIXIT	channel rate for TSPX_MTBscSvcA, default value : C_Full
TSPX_MTChRateB	RATE	PIXIT	channel rate for TSPX_MTBscSvcB, default value : C_Full
TSPX_MTChRateC	RATE	PIXIT	channel rate for TSPX_MTBscSvcC, default value : C_Full

TSPX_MTChRateD	RATE	PIXIT	channel rate for TSPX_MTBscSvcD, default value : C_Full
TSPX_MTChRateE	RATE	PIXIT	channel rate for TSPX_MTBscSvcE, default value : C_Full
TSPX_MTChRateF	RATE	PIXIT	channel rate for TSPX_MTBscSvcF, default value : C_Full
TSPX_MTChRateG	RATE	PIXIT	channel rate for TSPX_MTBscSvcG, default value : C_Full
TSPX_MTChRateH	RATE	PIXIT	channel rate for TSPX_MTBscSvcH, default value : C_Full
TSPX_MTChRateI	RATE	PIXIT	channel rate for TSPX_MTBscSvcI, default value : C_Full
TSPX_MTChRateJ	RATE	PIXIT	channel rate for TSPX_MTBscSvcJ, default value : C_Full
TSPX_MTNIC_ChRateA	RATE	PIXIT	channel rate for TSPX_MTNIC_BscSvcA, default value : C_Full
TSPX_MTNIC_ChRateB	RATE	PIXIT	channel rate for TSPX_MTNIC_BscSvcB, default value : C_Full
TSPX_MTNIC_ChRateC	RATE	PIXIT	channel rate for TSPX_MTNIC_BscSvcC, default value : C_Full
TSPX_MTNIC_ChRateD	RATE	PIXIT	channel rate for TSPX_MTNIC_BscSvcD, default value : C_Full
TSPX_MTNIC_ChRateE	RATE	PIXIT	channel rate for TSPX_MTNIC_BscSvcE, default value : C_Full
TSPX_MTNIC_ChRateF	RATE	PIXIT	channel rate for TSPX_MTNIC_BscSvcF, default value : C_Full
TSPX_MTNIC_ChRateG	RATE	PIXIT	channel rate for TSPX_MTNIC_BscSvcG, default value : C_Full
TSPX_MTNIC_ChRateH	RATE	PIXIT	channel rate for TSPX_MTNIC_BscSvcH, default value : C_Full
TSPX_MTNIC_ChRateI	RATE	PIXIT	channel rate for TSPX_MTNIC_BscSvcI, default value : C_Full
TSPX_MTNIC_ChRateJ	RATE	PIXIT	channel rate for TSPX_MTNIC_BscSvcJ, default value : C_Full
TSPX_EmgCallRate	RATE	PIXIT	Rate for the basic service supported for MO emergency calls
TSPX_MO_NonCallSS	SERVICES	PIXIT	any supported MO non-call related supplementary service
TSPX_MO_BscSvc_SMS	SERVICES	PIXIT	any supported MO SMS calls
TSPX_MO_DualModSvc	SERVICES	PIXIT	any supported MO dual mode call
TSPX_MO_DualModRate	RATE	PIXIT	Rate for the supported MO dual mode call in TSPX_MO_DualModSvc
TSPX_aTav	INTEGER	PIXIT	averaging period a*Tav in milliseconds
TSPX_bTav	INTEGER	PIXIT	averaging period b*Tav in milliseconds
Detailed Comments:			

Test case selection expression definitions

Test Case Selection Expression Definitions		
Expression Name	Selection Expression	Comments
SelExpr_0000	TRUE	General test group always selected
SelExpr_0001	TRUE	always selected
SelExpr_0002	TSPC_MTsvc	MT circuit switched basic service supported
SelExpr_0003	NOT TSPC_Serv_SS_AoCC	AOCC not supported
SelExpr_0004	TSPC_Serv_SS_AoCC AND(NOT TSPC_Serv_SS_HOLD)	AOCC supported but Call Hold not supported
SelExpr_0005	TSPC_Serv_SS_AoCC AND TSPC_Serv_SS_HOLD AND(NOT TSPC_Serv_SS_MPTY)	AOCC and Call Hold supported but multiparty not supported
SelExpr_0006	NOT TSPC_Feat_FND	FND feature not supported
SelExpr_0007	TSPC_MOsvc	MO circuit switched basic service supported
SelExpr_0100	TRUE	initial test group always selected
SelExpr_0101	TRUE	always selected
SelExpr_0102	TSPC_SvcOnTCH	at least one service on traffic channel supported
SelExpr_0103	TSPC_DualRate	half rate channel supported
SelExpr_0104	TSPC_Serv_BS21 OR TSPC_Serv_BS22 OR TSPC_Serv_BS23 OR TSPC_Serv_BS24 OR TSPC_Serv_BS25 OR TSPC_Serv_BS26 OR TSPC_Serv_BS31 OR TSPC_Serv_BS32 OR TSPC_Serv_BS33 OR TSPC_Serv_BS34 OR TSPC_Serv_BS41 OR TSPC_Serv_BS42 OR TSPC_Serv_BS43 OR TSPC_Serv_BS44 OR TSPC_Serv_BS45 OR TSPC_Serv_BS46 OR TSPC_Serv_BS51 OR TSPC_Serv_BS52 OR TSPC_Serv_BS53 OR TSPC_Serv_BS61 OR TSPC_Serv_BS81 OR TSPC_Serv_TS61 OR TSPC_Serv_TS62	at least one data service supported
SelExpr_0105	TSPC_NonCallSS	non call related supplementary service supported
SelExpr_0106	TSPC_Serv_TS22	MO short message service supported
SelExpr_0107	TSPC_Serv_TS11 OR TSPC_Serv_TS12	speech supported
SelExpr_0200	TRUE	idleMode test group always selected
SelExpr_0201	TRUE	always selected
SelExpr_0300	TRUE	BiBo test group always selected
SelExpr_0301	TSPC_Serv_TS11 OR TSPC_Serv_TS12 OR SelExpr_0104	CC protocol for at least one BC supported
SelExpr_0302	TRUE	always selected
SelExpr_0400	TRUE	RR test group always selected
SelExpr_0401	TRUE	always selected
SelExpr_0402	SelExpr_0301	CC protocol for at least one BC supported
SelExpr_0403	SelExpr_0301	Full rate traffic channel supported
SelExpr_0404	TSPC_DualRate	Dual rate traffic channel supported
SelExpr_0405	SelExpr_0301 AND(TSPC_Feat_A51 OR TSPC_Feat_A52)	call control protocol and (A5/1 or A5/2) algorithm supported
SelExpr_0406	SelExpr_0301 AND TSPC_RFAmp	call control protocol and RF amplification supported
SelExpr_0407	SelExpr_0301	call control protocol and full rate traffic channel supported
SelExpr_0408	SelExpr_0301 AND TSPC_DualRate	call control protocol and dual rate traffic channel supported
SelExpr_0409	SelExpr_0301 AND TSPC_AddInfo_PseudoSynch	CC protocol for at least one BC supported and Pseudo synchronised supported
SelExpr_0410	TSPC_MOsvc	at least one MO circuit switched basic service supported
SelExpr_0500	TRUE	MM test group always selected
SelExpr_0501	TRUE	always selected
SelExpr_0502	TSPC_SIMRmv	SIM removable without power down supported
SelExpr_0503	TSPC_Serv_TS11 OR TSPC_Serv_TS12	speech supported

SelExpr_0504	TSPC_NonCallSS	The MS supports a non call related supplementary service operation during an active call
SelExpr_0600	TSPC_MOsvc OR TSPC_MTsvc	CC test group
SelExpr_0601	TSPC_MOsvc AND(NOT TSPC_EmgOnly)	at least one mobile originating circuit switched basic service supported and not only emergency call supported
SelExpr_0602	(TSPC_NoimmConn) AND TSPC_MTsvc	immediate connect not supported and at least one mobile terminated circuit switched basic service supported
SelExpr_0603	TSPC_RefusalCall AND TSPC_MTsvc	refusal of call supported and at least one mobile terminated circuit switched basic service supported
SelExpr_0604	TSPC_Serv_TS11 OR TSPC_Serv_TS12 OR TSPC_Serv_TS61 OR TSPC_Serv_BS61 OR TSPC_Serv_BS81	speech supported
SelExpr_0605	SelExpr_0604 AND TSPC_AlertInd	speech & alerting supported
SelExpr_0606	TSPC_MTsvc	at least one mobile terminated circuit switched basic service supported
SelExpr_0607	TSPC_Serv_TS61 OR TSPC_Serv_BS61 OR TSPC_Serv_BS81	dual mode services supported
SelExpr_0700	SelExpr_0301	StructureProc test group
SelExpr_0701	TSPC_Serv_TS11 OR TSPC_Serv_TS62	at least one teleservice (except emergency call and dual service) supported
SelExpr_0702	TSPC_Serv_TS12	emergency call supported
SelExpr_0703	TSPC_Serv_TS12 AND TSPC_DualRate	dual rate emergency call supported
SelExpr_0800	TSPC_SS	SS test group
SelExpr_0801	TSPC_Serv_SS_BOIC OR TSPC_Serv_SS_BAIC OR TSPC_Serv_SS_BOICexHC OR TSPC_Serv_SS_BICRoam OR TSPC_Serv_SS_BAOC	at least one of call restrictions supported
SelExpr_0802	TSPC_Serv_SS_AoCC	AOCC supported
SelExpr_0803	TSPC_Serv_SS_BOIC	BOIC supported
SelExpr_0804	TSPC_Serv_SS_BAIC	BAIC supported
SelExpr_0805	TSPC_Serv_SS_BOICexHC	BOICexHC supported
SelExpr_0806	TSPC_Serv_SS_BOICexHC OR TSPC_Serv_SS_BAIC	BOICexHC OR BAIC supported
SelExpr_0807	TSPC_Serv_SS_BOIC OR TSPC_Serv_SS_BICRoam	BOIC OR BICRoam supported
SelExpr_0808	TSPC_Serv_SS_BI	BI supported
SelExpr_0809	TSPC_Serv_SS_CFNry OR TSPC_Serv_SS_CFU	CFNry or CFU supported
SelExpr_0810	TSPC_Serv_SS_CFB OR TSPC_Serv_SS_CFU OR TSPC_Serv_SS_CFNrc OR TSPC_Serv_SS_CFNry	CFB or CFU or CFNry or CFNrc supported
SelExpr_0811	TSPC_Serv_SS_CFB OR TSPC_Serv_SS_CFNrc OR TSPC_Serv_SS_CFNry	CFNry or CFNrc or CFB supported
SelExpr_0812	TSPC_Serv_SS_CFNrc OR TSPC_Serv_SS_CFB	CFNrc or CFB supported
SelExpr_0813	TSPC_Serv_SS_CFB	CFB supported
SelExpr_0814	TSPC_Serv_SS_BICRoam OR TSPC_Serv_SS_BAOC	BAOC or BICRoam supported
SelExpr_0815	TRUE	always selected
SelExpr_0816	TSPC_Serv_SS_unstruct	USSD supported
SelExpr_0817	TSPC_Serv_SS_unstruct AND SelExpr_0301	USSD and CC protocol for at least one BC supported
SelExpr_0818	TSPC_Serv_SS_AoCC AND TSPC_SIMRmv	AOCC and SIM removable without power down supported
SelExpr_0819	TSPC_Serv_SS_AoCC AND TSPC_Serv_SS_HOLD	AOCC and Call Hold supported
SelExpr_0820	TSPC_Serv_SS_AoCC AND TSPC_Serv_SS_MPTY	AOCC and Multi Party service supported
SelExpr_0821	TSPC_Serv_SS_AoCC AND TSPC_SwitchOnOff	AOCC and switch on/off supported
SelExpr_0900	TSPC_SMS	SMS test group
SelExpr_0901	TSPC_Serv_TS21 AND SelExpr_0301	MT/PP supported and CC protocol for at least one BC supported

SelExpr_0902	TSPC_Serv_TS22 AND TSPC_Serv_TS21 AND SelExpr_0301	MO/PP supported and MT/PP supported and CC protocol for at least one BC supported
SelExpr_0903	TSPC_Serv_TS22 AND TSPC_StoreRcvSMSME AND TSPC_StoreRcvSMSSIM	MO/PP supported AND storage of SMS in the ME supported AND storage of SMS in the SIM supported
SelExpr_0904	TSPC_Serv_TS22 AND TSPC_Serv_TS21 AND TSPC_SMSStatusRepCap	MO/PP supported AND MT/PP supported AND SMS Status report capabilities supported
SelExpr_0905	TSPC_Serv_TS21 AND TSPC_DisprcvSMS	MT/PP supported AND display of received short message supported
SelExpr_0906	TSPC_Serv_TS21 AND TSPC_DisprcvSMS AND(TSPC_StoreRcvSMSME OR TSPC_StoreRcvSMSSIM)	MT/PP supported AND display of received short message supported AND (storage of SMS in the ME supported OR storage of SMS in the SIM supported)
SelExpr_0907	TSPC_Serv_TS21 AND TSPC_StoreRcvSMSSIM	MT/PP supported AND display of received short message supported AND storage of SMS in the SIM supported
SelExpr_0908	TSPC_Serv_TS21 AND TSPC_ReplaceSMS AND TSPC_DisprcvSMS	MT/PP supported AND "replace short message" and "display of received short message" supported
SelExpr_0909	TSPC_Serv_TS22 AND TSPC_Serv_TS21 AND TSPC_ReplyProc AND TSPC_DisprcvSMS	MO/PP supported AND MT/PP supported AND "reply procedure" and "display of received short message" supported
SelExpr_1000	TSPC_EGSM	E- band supported
SelExpr_1001	SelExpr_0301	CC protocol for at least one BC supported
SelExpr_1002	TSPC_Serv_TS11 OR TSPC_Serv_TS61 OR TSPC_Serv_TS62	telephony supported or alternate speech/data supported or Teleservice automatic G3 fax supported
SelExpr_1003	TSPC_Serv_TS12	emergency call supported
Detailed Comments:		

Test suite constant declarations

Test Suite Constant Declarations			
Constant Name	Type	Value	Comments
C_arfcnA	INTEGER	20	ARFCN 20
C_arfcnB	INTEGER	10	ARFCN of cell B
C_arfcnC	INTEGER	30	ARFCN 30
C_arfcnH	INTEGER	44	ARFCN 44
C_arfcnAd	INTEGER	590	ARFCN 590
C_arfcnBd	INTEGER	520	ARFCN 520
C_arfcnCd	INTEGER	700	ARFCN 700
C_arfcnHd	INTEGER	810	ARFCN 810
C_arfcn_tchA	INTEGER	30	ARFCN f30
C_arfcn_tchAd	INTEGER	650	ARFCN 650
C_arfcn_tchB	INTEGER	114	ARFCN 114
C_arfcn_tchBd	INTEGER	844	ARFCN 844
C_arfcnEgsm	INTEGER	990	ARFCN 990
C_arfcnEgsm_iacmd	INTEGER	20	ARFCN 20
C_arfcnEgsm_asscmd	INTEGER	20	ARFCN 20
C_BCCHcarrierB_ho	INTEGER	40	BCCH frequency number of cell B for Ho cases (GSM: 40)
C_BCCHcarrierB_hod	INTEGER	764	BCCH frequency number of cell B for Ho cases (DCS:764)
C_Noarfcn	INTEGER	65534	No arfcn defined (hopping channel)
C_ATT_0	INTEGER	0	Attach value 0
C_ATT_1	INTEGER	1	Attach value 1
C_NCC	NCC	'001'B	Network color code
C_NCC_0	NCC	'000'B	Network color code value '000'B
C_NCC_1	NCC	'001'B	Network color code value '001'B
C_NCC_2	NCC	'010'B	Network color code value '010'B
C_NCC_3	NCC	'011'B	Network color code value '011'B
C_NCC_4	NCC	'100'B	Network color code value '100'B
C_NCC_5	NCC	'101'B	Network color code value '101'B
C_NCC_6	NCC	'110'B	Network color code value '110'B
C_NCC_7	NCC	'111'B	Network color code value '111'B
C_NCCP_2	NCCP	'02'O	Network color code permitted value '02'O
C_NCCP_10	NCCP	'0A'O	Network color code permitted value '0A'O
C_BCC	BCC	'101'B	Base Station color code
C_BCC_0	BCC	'000'B	Base Station color code value 0
C_BCC_1	BCC	'001'B	Base Station color code value 1
C_BCC_3	BCC	'011'B	Base Station color code value 3
C_BCC_5	BCC	'101'B	Base Station color code value 5
C_BCC_7	BCC	'111'B	Base Station color code value 7
C_cch_1nonComb	B_3	'000'B	cch_con = 1 basic ch non combined
C_cch_1Comb	B_3	'001'B	cch_con = 1 basic ch combined
C_cch_2Comb	B_3	'011'B	cch_con = 2 basic ch combined
C_cch_3Comb	B_3	'101'B	cch_con = 3 basic ch combined
C_cch_4Comb	B_3	'111'B	cch_con = 4 basic ch combined
C_cch_2nonComb	B_3	'010'B	cch_con = 2 basic chs non combined
C_cch_3nonComb	B_3	'100'B	cch_con = 3 basic chs non combined
C_cch_4nonComb	B_3	'110'B	cch_con = 4 basic chs non combined
C_cch_XnonComb	B_3	'??0'B	cch_con = non combined all number value permitted
C_cch_NotAllowed	B_3	'??1'B	cch_con = value reserved after testing '001'B
C_cchd_e_407	OCTETSTRING	'8DEA0DF4CC6C4AFAFB100	f-list for cellchdescr using of 128

		00000000000'O	format. The coded set is {980, 981, 982, 983, 990, 991, 992, 993, 994, 1000, 1005, 1010, 1015}. Length = 16 TC_26_10_4, k=2, c=1 TC_26.10.6, c=1
C_cchd_e_408	OCTETSTRING	'8A0A1CFD3EF4610E2FFFF A0000000000'O	f-list for cellchdescr using of 256 format. The coded set is {20, 40, 66, 73, 74, 75, 76, 77, 78, 79, 108, 114,115} Length = 16 TC_26_10_4, k=2, c=2 TC_26.10.6, c=2
C_cchd_e_409	OCTETSTRING	'89EA037F433C7B042BFEBF EC10000000'O	f-list for cellchdescr using of 512 format. The coded set is {980, 981, 982, 983, 990, 991, 992, 993, 994, 1000, 1005, 1010, 1015}. Length = 16 TC_26_10_4, k=2, c=3 TC: 26.10.6 c=3
C_cchd_e_410	OCTETSTRING	'841EEA893EF98143B16100 0000000000'O	f-list for cellchdescr using of 1024 format. Length = 16
C_cchd_e_411	OCTETSTRING	'8FEA703E084210000000000 0000000000'O	f-list for cellchdescr using of variable bit format. The coded set is {980, 981, 982, 983, 990, 991, 992, 993, 994, 1000, 1005, 1010, 1015}. Length = 16 TC_26_10_4, k=2, c=5 TC: 26.10.6 c=5
C_cchd_e_412	OCTETSTRING	'0002080000007F020000008 000080000'O	f-list for cellchdescr using of bit map 0 format. The coded set is {20, 40, 66, 73, 74, 75, 76, 77, 78, 79, 108, 114,115} Length = 16 TC_26_10_4, k=2, c=6
C_cchd_e_414	OCTETSTRING	'00000000000000002000020 0002000000'O	f-list for cellchdescr using of bit map 0 format. Length = 16 f_list: 30, 50 ,70 TC: 26.10.6 c=6
C_cchd_e_415	OCTETSTRING	'841EEA893EF98143800000 0000000000'O	f-list for cellchdescr using range 1024 format. The coded set is {0, 30, 40, 66, 80, 1005, 1010, 1015}. Length = 16 TC_26_10_4, k=2, c=4 TC: 26.10.6 c=4
C_ChMod_s	CHMOD_VAL	'0000000'B	Mode : signalling only.
C_ChMod_r	CHMOD_VAL	'00000001'B	Mode : speech full or half rate.
C_ChMod_12k	CHMOD_VAL	'00000011'B	Mode : 12k radio rate.
C_ChMod_6k	CHMOD_VAL	'00001011'B	Mode : 6k radio rate.
C_ChMod_3k	CHMOD_VAL	'00010011'B	Mode : 3.6k radio rate.
C_Sap0	SAPID	'00'O	service access point 0
C_Sap3	SAPID	'03'O	service access point 3
C_CellA	CellID	"C_CellA"	cell A -- cell 1
C_CellB	CellID	"C_CellB"	cell B -- cell 2
C_CellC	CellID	"C_CellC"	cell C -- cell 3
C_CellD	CellID	"C_CellD"	cell D -- cell 4
C_CellE	CellID	"C_CellE"	cell E -- cell 5
C_CellF	CellID	"C_CellF"	cell F -- cell 6
C_CellG	CellID	"C_CellG"	cell G -- cell 7
C_CellH	CellID	"C_CellH"	cell H -- cell 8
C_ci_cellA	CI	'0001'O	Cell Id for cell A
C_ci_cellB	CI	'0002'O	Cell Id for cell B
C_ci_cellC	CI	'0003'O	Cell Id for cell C
C_ci_cellD	CI	'0004'O	Cell Id for cell D

C_ci_cellE	CI	'0005'O	Cell Id for cell E
C_ci_cellF	CI	'0006'O	Cell Id for cell F
C_ci_cellG	CI	'0007'O	Cell Id for cell G
C_ci_cellH	CI	'0008'O	Cell Id for cell H
C_cksn_nokey	BITSTRING	'111'B	No key available
C_E_default	INTEGER	63	Default field strength
C_E_suitable	INTEGER	45	Field strength of a suitable cell
C_E_notsuitable	INTEGER	0	Field strength of a not suitable cell for reselection
C_E_notsuitable_fSel	INTEGER	24	Field strength of a not suitable cell for selection
C_flist_e_401	OCTETSTRING	'8DF68AEC00'O	It includes the list of f's in EGSM test cases. The coded set is {1005, 1010, 1015}, range 128 format Length = 5 TC_26_10_4, k=1, c=1 TC: 26.10.5.1 k=1/2,c=1
C_flist_e_402	OCTETSTRING	'8A2481FF03F8'O	It includes the list of f's in EGSM test cases. The coded set is {73, 74, 75, 76, 77}, range 256 format. Length = 6 TC_26_10_4, k=1, c=2 TC: 26.10.5.1 k=1/2,c=2
C_flist_e_403	OCTETSTRING	'89EA00BFC040'O	It includes the list of f's in EGSM test cases. The coded set is {980, 981, 982, 983}, range 512 format. Length = 6 TC_26_10_4, k=1, c=3 TC: 26.10.5.1 k=1/2,c=3
C_flist_e_404	OCTETSTRING	'801EED02BEC0'O	It includes the list of f's in EGSM test cases. The coded set is {30, 40, 1010, 1015}, range 1024 format. Length = 6 TC_26_10_4, k=1, c=4 TC: 26.10.5.1 k=1/2,c=4
C_flist_e_405	OCTETSTRING	'8FEC001F000010'O	It includes the list of f's in EGSM test cases. The coded set is {980, 991, 992, 993, 994, 1015}. Length = 7 TC_26_10_4, k=1, c=5 TC: 26.10.5.1 k=1/2,c=5
C_flist_e_406	OCTETSTRING	'0000000000000020000008000080000'O	It includes the list of f's in EGSM test cases. The coded set is {20, 40, 66}, bitmap 0 format. Length = 16 TC_26_10_4, k=1, c=6 TC: 26.10.5.1 k=2,c=6
C_flist_e_407	OCTETSTRING	'8DEA0DF4CC6C4FAFB100000000000'O	It includes the list of f's in EGSM test cases. The coded set is {980, 981, 982, 983, 990, 991, 992, 993, 994, 1000, 1005, 1010, 1015}, range 128 format. Length = 16 TC_26_10_4, k=2, c=1 TC: 26.10.5.1 k=3,c=1 TC: 26.10.6 c=1
C_flist_e_408	OCTETSTRING	'8A0A1CFD3EF4610E2FFFFA0000'O	It includes the list of f's in EGSM test cases. The coded set is {20, 40, 66, 73, 74, 75, 76, 77, 78, 79, 108, 114, 115}, range 256 format. Length = 13 TC_26_10_4, k=2, c=2 TC: 26.10.5.1 k=3,c=2 TC: 26.10.6 c=2
C_flist_e_409	OCTETSTRING	'89EA037F433C7B042BFEBFEC10000000'O	It includes the list of f's in EGSM test cases. The coded set is {980, 981, 982, 983, 990, 991, 992, 993, 994, 1000, 1005, 1010,

			1015}, range 512 format. Length = 16 TC_26_10_4, k=2, c=3 TC: 26.10.5.2 k=3,c=3 TC: 26.10.6 c=3 Length = 10 TC: 26.10.5.2 k=3,c=4
C_flist_e_410	OCTETSTRING	'841EEA893EF98143B161'O	
C_flist_e_411	OCTETSTRING	'8FEA703E084210'O	It includes the list of f's in EGSM test cases. The coded set is {980, 981, 982, 983, 990, 991, 992, 993, 994, 1000, 1005, 1010, 1015}, variable bitmap format. Length = 7 TC_26_10_4, k=2, c=5 TC: 26.10.5.1 k=3,c=5 TC: 26.10.6 c=5
C_flist_e_412	OCTETSTRING	'0002080000007F020000008000080000'O	It includes the list of f's in EGSM test cases. The coded set is {20, 40, 66, 73, 74, 75, 76, 77, 78, 79, 108, 114, 115}, bitmap 0 format. Length = 16 TC_26_10_4, k=2, c=6 TC: 26.10.5.1 k=3,c=6
C_flist_e_415	OCTETSTRING	'841EEA893EF9814380'O	It includes the list of f's in EGSM test cases. The coded set is {0, 30, 40, 66, 80, 1005, 1010, 1015}, range 1024 format. Length = 9 Format: 1024 TC_26_10_4, k=2, c=4 TC: 26.10.6 c=4
C_flist_e_416	OCTETSTRING	'0002080000007F020000008000080000'O	bit map 0 format. The coded set is {20, 40, 66, 73, 74, 75, 76, 77, 78, 79, 108, 114} Length = 16
C_BABR_0	B_3	'000'B	BABR value 0
C_BABR_1	B_3	'001'B	BABR value 1
C_BABR_2	B_3	'010'B	BABR value 2
C_BPM_0	B_3	'000'B	BPM value 0, 2 multiframes
C_BPM_2	B_3	'010'B	BPM value 2, 4 multiframes
C_BPM_3	B_3	'011'B	BPM value 3, 5 multiframes
C_BPM_4	B_3	'100'B	BPM value 4, 6 multiframes
C_BPM_7	B_3	'111'B	BPM value 7, 9 multiframes
C_T3212_0	OCTETSTRING	'00'O	T3212 infinite
C_T3212_1	OCTETSTRING	'01'O	T3212 6 mn / 1 deci hours
C_T3212_2	OCTETSTRING	'02'O	T3212 12 mn / 2 deci hours
C_T3212_5	OCTETSTRING	'05'O	T3212 30 mn / 5 deci hours
C_IMSI	INTEGER	0	MI type: IMSI
C_TMSI	INTEGER	1	MI type: TMSI
C_IMEI	INTEGER	2	MI type: IMEI
C_IMEISV	INTEGER	3	MI type: IMEISV
C_shortIMSI	HEXSTRING	'001011234'H	A short IMSI
C_LAC_1	OCTETSTRING	'0001'O	lac 1.
C_LAC_2	OCTETSTRING	'0002'O	lac 2.
C_LAC_3	OCTETSTRING	'0003'O	lac 3.
C_LAC_4	OCTETSTRING	'0004'O	lac 4.
C_LAC_5	OCTETSTRING	'0005'O	lac 5.
C_LAC_6	OCTETSTRING	'0006'O	lac 6.
C_LAC_7	OCTETSTRING	'0007'O	lac 7.
C_LAC_8	OCTETSTRING	'0008'O	lac 8.
C_LAC_1111	OCTETSTRING	'1111'O	lac '1111'H
C_LAC_2222	OCTETSTRING	'2222'O	lac '2222'H
C_LAC_spe	OCTETSTRING	'5344'O	lac '5344'H.
C_lacdeleted	OCTETSTRING	'FFFE'O	lac value deleted.
C_MCC_1	OCTETSTRING	'00F1'O	MCC 1
C_MCC_2	OCTETSTRING	'00F2'O	MCC 2
C_MCC_3	OCTETSTRING	'00F3'O	MCC 3
C_MCC_4	OCTETSTRING	'00F4'O	MCC 4

C_MCC_5	OCTETSTRING	'00F5'O	MCC 5
C_MCC_6	OCTETSTRING	'00F6'O	MCC 6
C_MCC_7	OCTETSTRING	'00F7'O	MCC 7
C_MCC_8	OCTETSTRING	'00F8'O	MCC 8
C_MCC_9	OCTETSTRING	'013B'O	MCC 9
C_Max_1	INTEGER	1	Max Retrans value 1
C_Max_2	INTEGER	2	Max Retrans value 2
C_Max_7	INTEGER	7	Max Retrans value 7
C_NECI_0	INTEGER	0	NECI value 0, not supported
C_NECI_1	INTEGER	1	NECI value 1, supported
C_PLMN_1	OCTETSTRING	'10'O	PLMN 1 (mnc=01)
C_PLMN_2	OCTETSTRING	'20'O	PLMN 2 (mnc=02)
C_PLMN_3	OCTETSTRING	'30'O	PLMN 3 (mnc=03)
C_PLMN_4	OCTETSTRING	'F0'O	PLMN 4
C_PLMN_5	OCTETSTRING	'F2'O	PLMN 5
C_PLMN_6	OCTETSTRING	'F3'O	PLMN 6
C_PLMN_7	OCTETSTRING	'F4'O	PLMN 7
C_PLMN_8	OCTETSTRING	'F5'O	PLMN 8
C_PLMN_9	OCTETSTRING	'F6'O	PLMN 9
C_PLMN_10	OCTETSTRING	'F7'O	PLMN 10
C_PLMN_Home	OCTETSTRING	'10'O	PLMN 1 (mnc=01)
C_TxInt_5	INTEGER	5	Tx Integer value 5
C_TxInt_7	INTEGER	7	Tx Integer value 7
C_TxInt_10	INTEGER	10	Tx Integer value 10
C_NotCombined	BOOLEAN	FALSE	CCCH not combined with SDCCH
C_Combined	BOOLEAN	TRUE	CCCH combined with SDCCH
C_FCCH_A	LOGICCH	"C_FCCH_A"	frequency correction channel of cell A(1)
C_FCCH_B	LOGICCH	"C_FCCH_B"	frequency correction channel of cell B(2)
C_FCCH_C	LOGICCH	"C_FCCH_C"	frequency correction channel of cell C(3)
C_FCCH_D	LOGICCH	"C_FCCH_D"	frequency correction channel of cell D(4)
C_FCCH_E	LOGICCH	"C_FCCH_E"	frequency correction channel of cell E(5)
C_FCCH_F	LOGICCH	"C_FCCH_F"	frequency correction channel of cell F(6)
C_FCCH_G	LOGICCH	"C_FCCH_G"	frequency correction channel of cell G(7)
C_FCCH_H	LOGICCH	"C_FCCH_H"	frequency correction channel of cell H(8)
C_SCH_A	LOGICCH	"C_SCH_A"	sync channel of cell A(1)
C_SCH_B	LOGICCH	"C_SCH_B"	sync channel of cell B(2)
C_SCH_C	LOGICCH	"C_SCH_C"	sync channel of cell C(3)
C_SCH_D	LOGICCH	"C_SCH_D"	sync channel of cell D(4)
C_SCH_E	LOGICCH	"C_SCH_E"	sync channel of cell E(5)
C_SCH_F	LOGICCH	"C_SCH_F"	sync channel of cell F(6)
C_SCH_G	LOGICCH	"C_SCH_G"	sync channel of cell G(7)
C_SCH_H	LOGICCH	"C_SCH_H"	sync channel of cell H(8)
C_BCCH_A_1	LOGICCH	"C_BCCH_A_1"	1st broadcast channel of cell A
C_BCCH_A_2	LOGICCH	"C_BCCH_A_2"	2nd broadcast channel of cell A
C_BCCH_A_3	LOGICCH	"C_BCCH_A_3"	3rd broadcast channel of cell A
C_BCCH_A_4	LOGICCH	"C_BCCH_A_4"	4th broadcast channel of cell A
C_BCCH_B_1	LOGICCH	"C_BCCH_B_1"	1st broadcast channel of cell B
C_BCCH_C_1	LOGICCH	"C_BCCH_C_1"	1st broadcast channel of cell C
C_BCCH_D_1	LOGICCH	"C_BCCH_D_1"	1st broadcast channel of cell D
C_BCCH_E_1	LOGICCH	"C_BCCH_E_1"	1st broadcast channel of cell E
C_BCCH_F_1	LOGICCH	"C_BCCH_F_1"	1st broadcast channel of cell F
C_BCCH_G_1	LOGICCH	"C_BCCH_G_1"	1st broadcast channel of cell G
C_BCCH_H_1	LOGICCH	"C_BCCH_H_1"	1st broadcast channel of cell H
C_CBCH_A	LOGICCH	"C_CBCH_A"	Cell broadcast channel in cell A
C_AGCH_A_1	LOGICCH	"C_AGCH_A_1"	1st down link CCCH (AGCH) of cell A
C_AGCH_A_2	LOGICCH	"C_AGCH_A_2"	2nd down link CCCH (AGCH) of cell A

C_AGCH_A_3	LOGICCH	"C_AGCH_A_3"	3rd down link CCCH (AGCH) of cell A
C_AGCH_A_4	LOGICCH	"C_AGCH_A_4"	4th down link CCCH (AGCH) of cell A
C_AGCH_B_1	LOGICCH	"C_AGCH_B_1"	1st down link CCCH (AGCH) of cell B
C_AGCH_B_2	LOGICCH	"C_AGCH_B_2"	2nd down link CCCH (AGCH) of cell B
C_AGCH_B_3	LOGICCH	"C_AGCH_B_3"	3rd down link CCCH (AGCH) of cell B
C_AGCH_B_4	LOGICCH	"C_AGCH_B_4"	4th down link CCCH (AGCH) of cell B
C_AGCH_C_1	LOGICCH	"C_AGCH_C_1"	1st down link CCCH (AGCH) of cell C
C_AGCH_C_2	LOGICCH	"C_AGCH_C_2"	2nd down link CCCH (AGCH) of cell C
C_AGCH_C_3	LOGICCH	"C_AGCH_C_3"	3rd down link CCCH (AGCH) of cell C
C_AGCH_C_4	LOGICCH	"C_AGCH_C_4"	4th down link CCCH (AGCH) of cell C
C_AGCH_D_1	LOGICCH	"C_AGCH_D_1"	1st down link CCCH (AGCH) of cell D
C_AGCH_E_1	LOGICCH	"C_AGCH_E_1"	1st down link CCCH (AGCH) of cell E
C_AGCH_F_1	LOGICCH	"C_AGCH_F_1"	1st down link CCCH (AGCH) of cell F
C_AGCH_G_1	LOGICCH	"C_AGCH_G_1"	1st down link CCCH (AGCH) of cell G
C_AGCH_H_1	LOGICCH	"C_AGCH_H_1"	1st down link CCCH (AGCH) of cell H
C_PCH_A_1	LOGICCH	"C_PCH_A_1"	1st down link CCCH (PCH) of cell A
C_PCH_A_2	LOGICCH	"C_PCH_A_2"	2nd down link CCCH (PCH) of cell A
C_PCH_A_3	LOGICCH	"C_PCH_A_3"	3rd down link CCCH (PCH) of cell A
C_PCH_A_4	LOGICCH	"C_PCH_A_4"	4th down link CCCH (PCH) of cell A
C_PCH_B_1	LOGICCH	"C_PCH_B_1"	1st down link CCCH (PCH) of cell B
C_PCH_B_2	LOGICCH	"C_PCH_B_2"	2nd down link CCCH (PCH) of cell B
C_PCH_B_3	LOGICCH	"C_PCH_B_3"	3rd down link CCCH (PCH) of cell B
C_PCH_B_4	LOGICCH	"C_PCH_B_4"	4th down link CCCH (PCH) of cell B
C_PCH_C_1	LOGICCH	"C_PCH_C_1"	1st down link CCCH (PCH) of cell C
C_PCH_C_2	LOGICCH	"C_PCH_C_2"	2nd down link CCCH (PCH) of cell C
C_PCH_C_3	LOGICCH	"C_PCH_C_3"	3rd down link CCCH (PCH) of cell C
C_PCH_C_4	LOGICCH	"C_PCH_C_4"	4th down link CCCH (PCH) of cell C
C_PCH_D_1	LOGICCH	"C_PCH_D_1"	1st down link CCCH (PCH and AGCH) of cell D
C_PCH_E_1	LOGICCH	"C_PCH_E_1"	1st down link CCCH (PCH) of cell E
C_PCH_F_1	LOGICCH	"C_PCH_F_1"	1st down link CCCH (PCH) of cell F
C_PCH_G_1	LOGICCH	"C_PCH_G_1"	1st down link CCCH (PCH) of cell G
C_PCH_H_1	LOGICCH	"C_PCH_H_1"	1st down link CCCH (PCH) of cell H
C_RACH_A_1	LOGICCH	"C_RACH_A_1"	1st uplink CCCH (RACH) of cell A
C_RACH_A_2	LOGICCH	"C_RACH_A_2"	2nd uplink CCCH (RACH) of cell A
C_RACH_A_3	LOGICCH	"C_RACH_A_3"	3rd uplink CCCH (RACH) of cell A
C_RACH_A_4	LOGICCH	"C_RACH_A_4"	4th uplink CCCH (RACH) of cell A
C_RACH_B_1	LOGICCH	"C_RACH_B_1"	1st uplink CCCH (RACH) of cell B

C_RACH_C_1	LOGICCH	"C_RACH_C_1"	1st uplink CCCH (RACH) of cell C
C_RACH_D_1	LOGICCH	"C_RACH_D_1"	1st uplink CCCH (RACH) of cell D
C_RACH_E_1	LOGICCH	"C_RACH_E_1"	1st uplink CCCH (RACH) of cell E
C_RACH_F_1	LOGICCH	"C_RACH_F_1"	1st uplink CCCH (RACH) of cell F
C_RACH_G_1	LOGICCH	"C_RACH_G_1"	1st uplink CCCH (RACH) of cell G
C_RACH_H_1	LOGICCH	"C_RACH_H_1"	1st uplink CCCH (RACH) of cell H
C_FACCHF_A_1	LOGICCH	"C_FACCHF_A_1"	FACCH associated with 1st TCH/F of cell A
C_FACCHF_A_2	LOGICCH	"C_FACCHF_A_2"	FACCH associated with 2nd TCH/F of cell A
C_FACCHF_A_3	LOGICCH	"C_FACCHF_A_3"	FACCH associated with 3rd TCH/F of cell A
C_FACCHF_B_1	LOGICCH	"C_FACCHF_B_1"	FACCH associated with 1st TCH/F of cell B
C_FACCHF_B_2	LOGICCH	"C_FACCHF_B_2"	FACCH associated with 2nd TCH/F of cell B
C_FACCHF_B_3	LOGICCH	"C_FACCHF_B_3"	FACCH associated with 3rd TCH/F of cell B
C_FACCHF_C_1	LOGICCH	"C_FACCHF_C_1"	FACCH associated with 1st TCH/F of cell C
C_FACCHF_C_2	LOGICCH	"C_FACCHF_C_2"	FACCH associated with 2nd TCH/F of cell C
C_FACCHF_C_3	LOGICCH	"C_FACCHF_C_3"	FACCH associated with 3rd TCH/F of cell C
C_FACCHF_H_1	LOGICCH	"C_FACCHF_H_1"	FACCH associated with 1st TCH/F of cell H
C_FACCHH_A_1	LOGICCH	"C_FACCHH_A_1"	FACCH associated with 1st TCH/H of cell A
C_FACCHH_A_2	LOGICCH	"C_FACCHH_A_2"	FACCH associated with 2nd TCH/H of cell A
C_FACCHH_A_3	LOGICCH	"C_FACCHH_A_3"	FACCH associated with 3rd TCH/H of cell A
C_FACCHH_B_1	LOGICCH	"C_FACCHH_B_1"	FACCH associated with 1st TCH/H of cell B
C_FACCHH_B_2	LOGICCH	"C_FACCHH_B_2"	FACCH associated with 2nd TCH/H of cell B
C_FACCHH_B_3	LOGICCH	"C_FACCHH_B_3"	FACCH associated with 3rd TCH/H of cell B
C_FACCHH_C_1	LOGICCH	"C_FACCHH_C_1"	FACCH associated with 1st TCH/H of cell C
C_FACCHH_C_2	LOGICCH	"C_FACCHH_C_2"	FACCH associated with 2nd TCH/H of cell C
C_FACCHH_C_3	LOGICCH	"C_FACCHH_C_3"	FACCH associated with 3rd TCH/H of cell C
C_FACCHH0_A_1	LOGICCH	"C_FACCHH0_A_1"	FACCH associated with 1st TCH/H0 of cell A
C_FACCHH1_A_1	LOGICCH	"C_FACCHH1_A_1"	FACCH associated with 1st TCH/H1 of cell A
C_FACCHH0_A_2	LOGICCH	"C_FACCHH0_A_2"	FACCH associated with 2nd TCH/H0 of cell A
C_FACCHH1_A_2	LOGICCH	"C_FACCHH1_A_2"	FACCH associated with 2nd TCH/H1 of cell A
C_FACCHH0_A_3	LOGICCH	"C_FACCHH0_A_3"	FACCH associated with 3rd TCH/H0 of cell A
C_FACCHH1_A_3	LOGICCH	"C_FACCHH1_A_3"	FACCH associated with 3rd TCH/H1 of cell A
C_FACCHH0_B_1	LOGICCH	"C_FACCHH0_B_1"	FACCH associated with 1st TCH/H0 of cell B
C_FACCHH1_B_1	LOGICCH	"C_FACCHH1_B_1"	FACCH associated with 1st TCH/H1 of cell B
C_FACCHH0_B_2	LOGICCH	"C_FACCHH0_B_2"	FACCH associated with 2nd TCH/H0 of cell B
C_FACCHH1_B_2	LOGICCH	"C_FACCHH1_B_2"	FACCH associated with 2nd TCH/H1 of cell B
C_FACCHH0_B_3	LOGICCH	"C_FACCHH0_B_3"	FACCH associated with 3rd TCH/H0 of cell B
C_FACCHH1_B_3	LOGICCH	"C_FACCHH1_B_3"	FACCH associated with 3rd TCH/H1 of cell B
C_FACCHH0_C_1	LOGICCH	"C_FACCHH0_C_1"	FACCH associated with 1st TCH/H0 of cell C

C_FACCHH1_C_1	LOGICCH	"C_FACCHH1_C_1"	FACCH associated with 1st TCH/H1 of cell C
C_FACCHH0_C_2	LOGICCH	"C_FACCHH0_C_2"	FACCH associated with 2nd TCH/H0 of cell C
C_FACCHH1_C_2	LOGICCH	"C_FACCHH1_C_2"	FACCH associated with 2nd TCH/H1 of cell C
C_FACCHH0_C_3	LOGICCH	"C_FACCHH0_C_3"	FACCH associated with 3rd TCH/H0 of cell C
C_FACCHH1_C_3	LOGICCH	"C_FACCHH1_C_3"	FACCH associated with 3rd TCH/H1 of cell C
C_SACCH_A	LOGICCH	"C_SACCH_A"	all SACCHs of cell A
C_SACCH_B	LOGICCH	"C_SACCH_B"	all SACCHs of cell B
C_SACCH_C	LOGICCH	"C_SACCH_C"	all SACCHs of cell C
C_SACCH_D	LOGICCH	"C_SACCH_D"	all SACCHs of cell D
C_SACCH_E	LOGICCH	"C_SACCH_E"	all SACCHs of cell E
C_SACCH_F	LOGICCH	"C_SACCH_F"	all SACCHs of cell F
C_SACCH_G	LOGICCH	"C_SACCH_G"	all SACCHs of cell G
C_SACCH_H	LOGICCH	"C_SACCH_H"	all SACCHs of cell H
C_SACCHF_A_1	LOGICCH	"C_SACCHF_A_1"	SACCH associated with 1st TCH/F of cell A
C_SACCHF_A_2	LOGICCH	"C_SACCHF_A_2"	SACCH associated with 2nd TCH/F of cell A
C_SACCHF_B_1	LOGICCH	"C_SACCHF_B_1"	SACCH associated with 1st TCH/F of cell B
C_SACCHF_B_2	LOGICCH	"C_SACCHF_B_2"	SACCH associated with 2nd TCH/F of cell B
C_SACCHF_H_1	LOGICCH	"C_SACCHF_H_1"	SACCH associated with 1st TCH/F of cell H
C_SACCHH_A_1	LOGICCH	"C_SACCHH_A_1"	SACCH associated with 1st TCH/H of cell A
C_SACCHH_A_2	LOGICCH	"C_SACCHH_A_2"	SACCH associated with 2nd TCH/H of cell A
C_SACCHH_A_3	LOGICCH	"C_SACCHH_A_3"	SACCH associated with 3rd TCH/H of cell A
C_SACCHH_B_1	LOGICCH	"C_SACCHH_B_1"	SACCH associated with 1st TCH/H of cell B
C_SACCHH_B_2	LOGICCH	"C_SACCHH_B_2"	SACCH associated with 2nd TCH/H of cell B
C_SACCHH_B_3	LOGICCH	"C_SACCHH_B_3"	SACCH associated with 3rd TCH/H of cell B
C_SACCHH_C_1	LOGICCH	"C_SACCHH_C_1"	SACCH associated with 1st TCH/H of cell C
C_SACCHH_C_2	LOGICCH	"C_SACCHH_C_2"	SACCH associated with 2nd TCH/H of cell C
C_SACCHH_C_3	LOGICCH	"C_SACCHH_C_3"	SACCH associated with 3rd TCH/H of cell C
C_SACCHH0_A_1	LOGICCH	"C_SACCHH0_A_1"	SACCH associated with 1st TCH/H_0 of cell A
C_SACCHH1_A_1	LOGICCH	"C_SACCHH1_A_1"	SACCH associated with 1st TCH/H_1 of cell A
C_SACCHH0_A_2	LOGICCH	"C_SACCHH0_A_2"	SACCH associated with 2nd TCH/H_0 of cell A
C_SACCHH1_A_2	LOGICCH	"C_SACCHH1_A_2"	SACCH associated with 2nd TCH/H_1 of cell A
C_SACCHH0_A_3	LOGICCH	"C_SACCHH0_A_3"	SACCH associated with 3rd TCH/H_0 of cell A
C_SACCHH1_A_3	LOGICCH	"C_SACCHH1_A_3"	SACCH associated with 3rd TCH/H_1 of cell A
C_SACCHH0_B_1	LOGICCH	"C_SACCHH0_B_1"	SACCH associated with 1st TCH/H_0 of cell B
C_SACCHH1_B_1	LOGICCH	"C_SACCHH1_B_1"	SACCH associated with 1st TCH/H_1 of cell B
C_SACCHH0_B_2	LOGICCH	"C_SACCHH0_B_2"	SACCH associated with 2nd TCH/H_0 of cell B
C_SACCHH1_B_2	LOGICCH	"C_SACCHH1_B_2"	SACCH associated with 2nd TCH/H_1 of cell B
C_SACCHH0_B_3	LOGICCH	"C_SACCHH0_B_3"	SACCH associated with 3rd TCH/H_0 of cell B
C_SACCHH1_B_3	LOGICCH	"C_SACCHH1_B_3"	SACCH associated with 3rd TCH/H_1 of cell B

C_SACCHH0_C_1	LOGICCH	"C_SACCHH0_C_1"	SACCH associated with 1st TCH/H_0 of cell C
C_SACCHH1_C_1	LOGICCH	"C_SACCHH1_C_1"	SACCH associated with 1st TCH/H_1 of cell C
C_SACCHH0_C_2	LOGICCH	"C_SACCHH0_C_2"	SACCH associated with 2nd TCH/H_0 of cell C
C_SACCHH1_C_2	LOGICCH	"C_SACCHH1_C_2"	SACCH associated with 2nd TCH/H_1 of cell C
C_SACCHH0_C_3	LOGICCH	"C_SACCHH0_C_3"	SACCH associated with 3rd TCH/H_0 of cell C
C_SACCHH1_C_3	LOGICCH	"C_SACCHH1_C_3"	SACCH associated with 3rd TCH/H_1 of cell C
C_SACCHC4_A	LOGICCH	"C_SACCHC4_A"	SACCHC4 channel of cell A
C_SACCHC4_B	LOGICCH	"C_SACCHC4_B"	SACCHC4 channel of cell B
C_SACCHC4_C	LOGICCH	"C_SACCHC4_C"	SACCHC4 channel of cell C
C_SACCHC4_D	LOGICCH	"C_SACCHC4_D"	SACCHC4 channel of cell D
C_SACCHC4_E	LOGICCH	"C_SACCHC4_E"	SACCHC4 channel of cell E
C_SACCHC4_F	LOGICCH	"C_SACCHC4_F"	SACCHC4 channel of cell F
C_SACCHC4_G	LOGICCH	"C_SACCHC4_G"	SACCHC4 channel of cell G
C_SACCHC4_H	LOGICCH	"C_SACCHC4_H"	SACCHC4 channel of cell H
C_SACCHC40_A	LOGICCH	"C_SACCHC40_A"	SACCH/C4(0) associated with SDCCH/4(0) of cell A
C_SACCHC41_A	LOGICCH	"C_SACCHC41_A"	SACCH/C4(1) associated with SDCCH/4(1) of cell A
C_SACCHC42_A	LOGICCH	"C_SACCHC42_A"	SACCH/C4(2) associated with SDCCH/4(2) of cell A
C_SACCHC43_A	LOGICCH	"C_SACCHC43_A"	SACCH/C4(3) associated with SDCCH/4(3) of cell A
C_SACCHC40_B	LOGICCH	"C_SACCHC40_B"	SACCH/C4(0) associated with SDCCH/4(0) of cell B
C_SACCHC41_B	LOGICCH	"C_SACCHC41_B"	SACCH/C4(1) associated with SDCCH/4(1) of cell B
C_SACCHC42_B	LOGICCH	"C_SACCHC42_B"	SACCH/C4(2) associated with SDCCH/4(2) of cell B
C_SACCHC43_B	LOGICCH	"C_SACCHC43_B"	SACCH/C4(3) associated with SDCCH/4(3) of cell B
C_SACCHC40_C	LOGICCH	"C_SACCHC40_C"	SACCH/C4(0) associated with SDCCH/4(0) of cell C
C_SACCHC41_C	LOGICCH	"C_SACCHC41_C"	SACCH/C4(1) associated with SDCCH/4(1) of cell C
C_SACCHC42_C	LOGICCH	"C_SACCHC42_C"	SACCH/C4(2) associated with SDCCH/4(2) of cell C
C_SACCHC43_C	LOGICCH	"C_SACCHC43_C"	SACCH/C4(3) associated with SDCCH/4(3) of cell C
C_SACCHC40_D	LOGICCH	"C_SACCHC40_D"	SACCH/C4(0) associated with SDCCH/4(0) of cell D
C_SACCHC41_D	LOGICCH	"C_SACCHC41_D"	SACCH/C4(1) associated with SDCCH/4(1) of cell D
C_SACCHC42_D	LOGICCH	"C_SACCHC42_D"	SACCH/C4(2) associated with SDCCH/4(2) of cell D
C_SACCHC43_D	LOGICCH	"C_SACCHC43_D"	SACCH/C4(3) associated with SDCCH/4(3) of cell D
C_SACCHC40_E	LOGICCH	"C_SACCHC40_E"	SACCH/C4(0) associated with SDCCH/4(0) of cell E
C_SACCHC41_E	LOGICCH	"C_SACCHC41_E"	SACCH/C4(1) associated with SDCCH/4(1) of cell E
C_SACCHC42_E	LOGICCH	"C_SACCHC42_E"	SACCH/C4(2) associated with SDCCH/4(2) of cell E
C_SACCHC43_E	LOGICCH	"C_SACCHC43_E"	SACCH/C4(3) associated with SDCCH/4(3) of cell E
C_SACCHC40_F	LOGICCH	"C_SACCHC40_F"	SACCH/C4(0) associated with SDCCH/4(0) of cell F
C_SACCHC41_F	LOGICCH	"C_SACCHC41_F"	SACCH/C4(1) associated with SDCCH/4(1) of cell F
C_SACCHC42_F	LOGICCH	"C_SACCHC42_F"	SACCH/C4(2) associated with SDCCH/4(2) of cell F
C_SACCHC43_F	LOGICCH	"C_SACCHC43_F"	SACCH/C4(3) associated with SDCCH/4(3) of cell F
C_SACCHC40_G	LOGICCH	"C_SACCHC40_G"	SACCH/C4(0) associated with SDCCH/4(0) of cell G

C_SACCHC41_G	LOGICCH	"C_SACCHC41_G"	SACCH/C4(1) associated with SDCCH/4(1) of cell G
C_SACCHC42_G	LOGICCH	"C_SACCHC42_G"	SACCH/C4(2) associated with SDCCH/4(2) of cell G
C_SACCHC43_G	LOGICCH	"C_SACCHC43_G"	SACCH/C4(3) associated with SDCCH/4(3) of cell G
C_SACCHC40_H	LOGICCH	"C_SACCHC40_C"	SACCH/C4(0) associated with SDCCH/4(0) of cell H
C_SACCHC41_H	LOGICCH	"C_SACCHC41_C"	SACCH/C4(1) associated with SDCCH/4(1) of cell H
C_SACCHC42_H	LOGICCH	"C_SACCHC42_C"	SACCH/C4(2) associated with SDCCH/4(2) of cell H
C_SACCHC43_H	LOGICCH	"C_SACCHC43_C"	SACCH/C4(3) associated with SDCCH/4(3) of cell H
C_SACCHC8_A_1	LOGICCH	"C_SACCHC8_A_1"	1st SACCH/8 channel of cell A
C_SACCHC8_A_2	LOGICCH	"C_SACCHC8_A_2"	2nd SACCH/8 channel of cell A
C_SACCHC8_A_3	LOGICCH	"C_SACCHC8_A_3"	3rd SACCH/8 channel of cell A
C_SACCHC8_B_1	LOGICCH	"C_SACCHC8_B_1"	1st SACCH/8 channel of cell B
C_SACCHC8_B_2	LOGICCH	"C_SACCHC8_B_2"	2nd SACCH/8 channel of cell B
C_SACCHC8_B_3	LOGICCH	"C_SACCHC8_B_3"	3rd SACCH/8 channel of cell B
C_SACCHC8_C_1	LOGICCH	"C_SACCHC8_C_1"	1st SACCH/8 channel of cell C
C_SACCHC8_C_2	LOGICCH	"C_SACCHC8_C_2"	2nd SACCH/8 channel of cell C
C_SACCHC8_C_3	LOGICCH	"C_SACCHC8_C_3"	3rd SACCH/8 channel of cell C
C_SACCHC80_A_1	LOGICCH	"C_SACCHC80_A_1"	SACCH/C8(0) associated with 1st SDCCH/8(0) of cell A
C_SACCHC81_A_1	LOGICCH	"C_SACCHC81_A_1"	SACCH/C8(1) associated with 1st SDCCH/8(1) of cell A
C_SACCHC82_A_1	LOGICCH	"C_SACCHC82_A_1"	SACCH/C8(2) associated with 1st SDCCH/8(2) of cell A
C_SACCHC83_A_1	LOGICCH	"C_SACCHC83_A_1"	SACCH/C8(3) associated with 1st SDCCH/8(3) of cell A
C_SACCHC84_A_1	LOGICCH	"C_SACCHC84_A_1"	SACCH/C8(4) associated with 1st SDCCH/8(4) of cell A
C_SACCHC85_A_1	LOGICCH	"C_SACCHC85_A_1"	SACCH/C8(5) associated with 1st SDCCH/8(5) of cell A
C_SACCHC86_A_1	LOGICCH	"C_SACCHC86_A_1"	SACCH/C8(6) associated with 1st SDCCH/8(6) of cell A
C_SACCHC87_A_1	LOGICCH	"C_SACCHC87_A_1"	SACCH/C8(7) associated with 1st SDCCH/8(7) of cell A
C_SACCHC80_A_2	LOGICCH	"C_SACCHC80_A_2"	SACCH/C8(0) associated with 2nd SDCCH/8(0) of cell A
C_SACCHC81_A_2	LOGICCH	"C_SACCHC81_A_2"	SACCH/C8(1) associated with 2nd SDCCH/8(1) of cell A
C_SACCHC82_A_2	LOGICCH	"C_SACCHC82_A_2"	SACCH/C8(2) associated with 2nd SDCCH/8(2) of cell A
C_SACCHC83_A_2	LOGICCH	"C_SACCHC83_A_2"	SACCH/C8(3) associated with 2nd SDCCH/8(3) of cell A
C_SACCHC84_A_2	LOGICCH	"C_SACCHC84_A_2"	SACCH/C8(4) associated with 2nd SDCCH/8(4) of cell A
C_SACCHC85_A_2	LOGICCH	"C_SACCHC85_A_2"	SACCH/C8(5) associated with 2nd SDCCH/8(5) of cell A
C_SACCHC86_A_2	LOGICCH	"C_SACCHC86_A_2"	SACCH/C8(6) associated with 2nd SDCCH/8(6) of cell A
C_SACCHC87_A_2	LOGICCH	"C_SACCHC87_A_2"	SACCH/C8(7) associated with 2nd SDCCH/8(7) of cell A
C_SACCHC80_A_3	LOGICCH	"C_SACCHC80_A_3"	SACCH/C8(0) associated with 3rd SDCCH/8(0) of cell A
C_SACCHC81_A_3	LOGICCH	"C_SACCHC81_A_3"	SACCH/C8(1) associated with 3rd SDCCH/8(1) of cell A
C_SACCHC82_A_3	LOGICCH	"C_SACCHC82_A_3"	SACCH/C8(2) associated with 3rd SDCCH/8(2) of cell A
C_SACCHC83_A_3	LOGICCH	"C_SACCHC83_A_3"	SACCH/C8(3) associated with 3rd SDCCH/8(3) of cell A
C_SACCHC84_A_3	LOGICCH	"C_SACCHC84_A_3"	SACCH/C8(4) associated with 3rd SDCCH/8(4) of cell A
C_SACCHC85_A_3	LOGICCH	"C_SACCHC85_A_3"	SACCH/C8(5) associated with 3rd SDCCH/8(5) of cell A
C_SACCHC86_A_3	LOGICCH	"C_SACCHC86_A_3"	SACCH/C8(6) associated with 3rd SDCCH/8(6) of cell A
C_SACCHC87_A_3	LOGICCH	"C_SACCHC87_A_3"	SACCH/C8(7) associated with 3rd SDCCH/8(7) of cell A

C_SACCHC80_B_1	LOGICCH	"C_SACCHC80_B_1"	SDCCH/8(7) of cell A SACCH/C8(0) associated with 1st SDCCH/8(0) of cell B
C_SACCHC81_B_1	LOGICCH	"C_SACCHC81_B_1"	SACCH/C8(1) associated with 1st SDCCH/8(1) of cell B
C_SACCHC82_B_1	LOGICCH	"C_SACCHC82_B_1"	SACCH/C8(2) associated with 1st SDCCH/8(2) of cell B
C_SACCHC83_B_1	LOGICCH	"C_SACCHC83_B_1"	SACCH/C8(3) associated with 1st SDCCH/8(3) of cell B
C_SACCHC84_B_1	LOGICCH	"C_SACCHC84_B_1"	SACCH/C8(4) associated with 1st SDCCH/8(4) of cell B
C_SACCHC85_B_1	LOGICCH	"C_SACCHC85_B_1"	SACCH/C8(5) associated with 1st SDCCH/8(5) of cell B
C_SACCHC86_B_1	LOGICCH	"C_SACCHC86_B_1"	SACCH/C8(6) associated with 1st SDCCH/8(6) of cell B
C_SACCHC87_B_1	LOGICCH	"C_SACCHC87_B_1"	SACCH/C8(7) associated with 1st SDCCH/8(7) of cell B
C_SACCHC80_B_2	LOGICCH	"C_SACCHC80_B_2"	SACCH/C8(0) associated with 2nd SDCCH/8(0) of cell B
C_SACCHC81_B_2	LOGICCH	"C_SACCHC81_B_2"	SACCH/C8(1) associated with 2nd SDCCH/8(1) of cell B
C_SACCHC82_B_2	LOGICCH	"C_SACCHC82_B_2"	SACCH/C8(2) associated with 2nd SDCCH/8(2) of cell B
C_SACCHC83_B_2	LOGICCH	"C_SACCHC83_B_2"	SACCH/C8(3) associated with 2nd SDCCH/8(3) of cell B
C_SACCHC84_B_2	LOGICCH	"C_SACCHC84_B_2"	SACCH/C8(4) associated with 2nd SDCCH/8(4) of cell B
C_SACCHC85_B_2	LOGICCH	"C_SACCHC85_B_2"	SACCH/C8(5) associated with 2nd SDCCH/8(5) of cell B
C_SACCHC86_B_2	LOGICCH	"C_SACCHC86_B_2"	SACCH/C8(6) associated with 2nd SDCCH/8(6) of cell B
C_SACCHC87_B_2	LOGICCH	"C_SACCHC87_B_2"	SACCH/C8(7) associated with 2nd SDCCH/8(7) of cell B
C_SACCHC80_B_3	LOGICCH	"C_SACCHC80_B_3"	SACCH/C8(0) associated with 3rd SDCCH/8(0) of cell B
C_SACCHC81_B_3	LOGICCH	"C_SACCHC81_B_3"	SACCH/C8(1) associated with 3rd SDCCH/8(1) of cell B
C_SACCHC82_B_3	LOGICCH	"C_SACCHC82_B_3"	SACCH/C8(2) associated with 3rd SDCCH/8(2) of cell B
C_SACCHC83_B_3	LOGICCH	"C_SACCHC83_B_3"	SACCH/C8(3) associated with 3rd SDCCH/8(3) of cell B
C_SACCHC84_B_3	LOGICCH	"C_SACCHC84_B_3"	SACCH/C8(4) associated with 3rd SDCCH/8(4) of cell B
C_SACCHC85_B_3	LOGICCH	"C_SACCHC85_B_3"	SACCH/C8(5) associated with 3rd SDCCH/8(5) of cell B
C_SACCHC86_B_3	LOGICCH	"C_SACCHC86_B_3"	SACCH/C8(6) associated with 3rd SDCCH/8(6) of cell B
C_SACCHC87_B_3	LOGICCH	"C_SACCHC87_B_3"	SACCH/C8(7) associated with 3rd SDCCH/8(7) of cell B
C_SACCHC80_C_1	LOGICCH	"C_SACCHC80_C_1"	SACCH/C8(0) associated with 1st SDCCH/8(0) of cell C
C_SACCHC81_C_1	LOGICCH	"C_SACCHC81_C_1"	SACCH/C8(1) associated with 1st SDCCH/8(1) of cell C
C_SACCHC82_C_1	LOGICCH	"C_SACCHC82_C_1"	SACCH/C8(2) associated with 1st SDCCH/8(2) of cell C
C_SACCHC83_C_1	LOGICCH	"C_SACCHC83_C_1"	SACCH/C8(3) associated with 1st SDCCH/8(3) of cell C
C_SACCHC84_C_1	LOGICCH	"C_SACCHC84_C_1"	SACCH/C8(4) associated with 1st SDCCH/8(4) of cell C
C_SACCHC85_C_1	LOGICCH	"C_SACCHC85_C_1"	SACCH/C8(5) associated with 1st SDCCH/8(5) of cell C
C_SACCHC86_C_1	LOGICCH	"C_SACCHC86_C_1"	SACCH/C8(6) associated with 1st SDCCH/8(6) of cell C
C_SACCHC87_C_1	LOGICCH	"C_SACCHC87_C_1"	SACCH/C8(7) associated with 1st SDCCH/8(7) of cell C
C_SACCHC80_C_2	LOGICCH	"C_SACCHC80_C_2"	SACCH/C8(0) associated with 2nd SDCCH/8(0) of cell C
C_SACCHC81_C_2	LOGICCH	"C_SACCHC81_C_2"	SACCH/C8(1) associated with 2nd SDCCH/8(1) of cell C
C_SACCHC82_C_2	LOGICCH	"C_SACCHC82_C_2"	SACCH/C8(2) associated with 2nd SDCCH/8(2) of cell C

C_SACCHC83_C_2	LOGICCH	"C_SACCHC83_C_2"	SACCH/C8(3) associated with 2nd SDCCH/8(3) of cell C
C_SACCHC84_C_2	LOGICCH	"C_SACCHC84_C_2"	SACCH/C8(4) associated with 2nd SDCCH/8(4) of cell C
C_SACCHC85_C_2	LOGICCH	"C_SACCHC85_C_2"	SACCH/C8(5) associated with 2nd SDCCH/8(5) of cell C
C_SACCHC86_C_2	LOGICCH	"C_SACCHC86_C_2"	SACCH/C8(6) associated with 2nd SDCCH/8(6) of cell C
C_SACCHC87_C_2	LOGICCH	"C_SACCHC87_C_2"	SACCH/C8(7) associated with 2nd SDCCH/8(7) of cell C
C_SACCHC80_C_3	LOGICCH	"C_SACCHC80_C_3"	SACCH/C8(0) associated with 3rd SDCCH/8(0) of cell C
C_SACCHC81_C_3	LOGICCH	"C_SACCHC81_C_3"	SACCH/C8(1) associated with 3rd SDCCH/8(1) of cell C
C_SACCHC82_C_3	LOGICCH	"C_SACCHC82_C_3"	SACCH/C8(2) associated with 3rd SDCCH/8(2) of cell C
C_SACCHC83_C_3	LOGICCH	"C_SACCHC83_C_3"	SACCH/C8(3) associated with 3rd SDCCH/8(3) of cell C
C_SACCHC84_C_3	LOGICCH	"C_SACCHC84_C_3"	SACCH/C8(4) associated with 3rd SDCCH/8(4) of cell C
C_SACCHC85_C_3	LOGICCH	"C_SACCHC85_C_3"	SACCH/C8(5) associated with 3rd SDCCH/8(5) of cell C
C_SACCHC86_C_3	LOGICCH	"C_SACCHC86_C_3"	SACCH/C8(6) associated with 3rd SDCCH/8(6) of cell C
C_SACCHC87_C_3	LOGICCH	"C_SACCHC87_C_3"	SACCH/C8(7) associated with 3rd SDCCH/8(7) of cell C
C_SDCCH4_A	LOGICCH	"C_SDCCH4_A"	SDCCH/4 channel of cell A
C_SDCCH4_B	LOGICCH	"C_SDCCH4_B"	SDCCH/4 channel of cell B
C_SDCCH4_C	LOGICCH	"C_SDCCH4_C"	SDCCH/4 channel of cell C
C_SDCCH4_D	LOGICCH	"C_SDCCH4_D"	SDCCH/4 channel of cell D
C_SDCCH4_E	LOGICCH	"C_SDCCH4_E"	SDCCH/4 channel of cell E
C_SDCCH4_F	LOGICCH	"C_SDCCH4_F"	SDCCH/4 channel of cell F
C_SDCCH4_G	LOGICCH	"C_SDCCH4_G"	SDCCH/4 channel of cell G
C_SDCCH4_H	LOGICCH	"C_SDCCH4_H"	SDCCH/4 channel of cell H
C_SDCCH40_A	LOGICCH	"C_SDCCH40_A"	SDCCH/4(0) of cell A
C_SDCCH41_A	LOGICCH	"C_SDCCH41_A"	SDCCH/4(1) of cell A
C_SDCCH42_A	LOGICCH	"C_SDCCH42_A"	SDCCH/4(2) of cell A
C_SDCCH43_A	LOGICCH	"C_SDCCH43_A"	SDCCH/4(3) of cell A
C_SDCCH40_B	LOGICCH	"C_SDCCH40_B"	SDCCH/4(0) of cell B
C_SDCCH41_B	LOGICCH	"C_SDCCH41_B"	SDCCH/4(1) of cell B
C_SDCCH42_B	LOGICCH	"C_SDCCH42_B"	SDCCH/4(2) of cell B
C_SDCCH43_B	LOGICCH	"C_SDCCH43_B"	SDCCH/4(3) of cell B
C_SDCCH40_C	LOGICCH	"C_SDCCH40_C"	SDCCH/4(0) of cell C
C_SDCCH41_C	LOGICCH	"C_SDCCH41_C"	SDCCH/4(1) of cell C
C_SDCCH42_C	LOGICCH	"C_SDCCH42_C"	SDCCH/4(2) of cell C
C_SDCCH43_C	LOGICCH	"C_SDCCH43_C"	SDCCH/4(3) of cell C
C_SDCCH40_D	LOGICCH	"C_SDCCH40_D"	SDCCH/4(0) of cell D
C_SDCCH41_D	LOGICCH	"C_SDCCH41_D"	SDCCH/4(1) of cell D
C_SDCCH42_D	LOGICCH	"C_SDCCH42_D"	SDCCH/4(2) of cell D
C_SDCCH43_D	LOGICCH	"C_SDCCH43_D"	SDCCH/4(3) of cell D
C_SDCCH40_E	LOGICCH	"C_SDCCH40_E"	SDCCH/4(0) of cell E
C_SDCCH41_E	LOGICCH	"C_SDCCH41_E"	SDCCH/4(1) of cell E
C_SDCCH42_E	LOGICCH	"C_SDCCH42_E"	SDCCH/4(2) of cell E
C_SDCCH43_E	LOGICCH	"C_SDCCH43_E"	SDCCH/4(3) of cell E
C_SDCCH40_F	LOGICCH	"C_SDCCH40_F"	SDCCH/4(0) of cell F
C_SDCCH41_F	LOGICCH	"C_SDCCH41_F"	SDCCH/4(1) of cell F
C_SDCCH42_F	LOGICCH	"C_SDCCH42_F"	SDCCH/4(2) of cell F
C_SDCCH43_F	LOGICCH	"C_SDCCH43_F"	SDCCH/4(3) of cell F
C_SDCCH40_G	LOGICCH	"C_SDCCH40_G"	SDCCH/4(0) of cell G
C_SDCCH41_G	LOGICCH	"C_SDCCH41_G"	SDCCH/4(1) of cell G
C_SDCCH42_G	LOGICCH	"C_SDCCH42_G"	SDCCH/4(2) of cell G
C_SDCCH43_G	LOGICCH	"C_SDCCH43_G"	SDCCH/4(3) of cell G
C_SDCCH40_H	LOGICCH	"C_SDCCH40_H"	SDCCH/4(0) of cell H
C_SDCCH41_H	LOGICCH	"C_SDCCH41_H"	SDCCH/4(1) of cell H
C_SDCCH42_H	LOGICCH	"C_SDCCH42_H"	SDCCH/4(2) of cell H
C_SDCCH43_H	LOGICCH	"C_SDCCH43_H"	SDCCH/4(3) of cell H
C_SDCCH8_A_1	LOGICCH	"C_SDCCH8_A_1"	1st SDCCH/8 channel of cell A

C_SDCCH8_A_2	LOGICCH	"C_SDCCH8_A_2"	2nd SDCCH/8 channel of cell A
C_SDCCH8_A_3	LOGICCH	"C_SDCCH8_A_3"	3rd SDCCH/8 channel of cell A
C_SDCCH8_B_1	LOGICCH	"C_SDCCH8_B_1"	1st SDCCH/8 channel of cell B
C_SDCCH8_B_2	LOGICCH	"C_SDCCH8_B_2"	2nd SDCCH/8 channel of cell B
C_SDCCH80_A_1	LOGICCH	"C_SDCCH80_A_1"	1st SDCCH/8(0) of cell A
C_SDCCH81_A_1	LOGICCH	"C_SDCCH81_A_1"	1st SDCCH/8(1) of cell A
C_SDCCH82_A_1	LOGICCH	"C_SDCCH82_A_1"	1st SDCCH/8(2) of cell A
C_SDCCH83_A_1	LOGICCH	"C_SDCCH83_A_1"	1st SDCCH/8(3) of cell A
C_SDCCH84_A_1	LOGICCH	"C_SDCCH84_A_1"	1st SDCCH/8(4) of cell A
C_SDCCH85_A_1	LOGICCH	"C_SDCCH85_A_1"	1st SDCCH/8(5) of cell A
C_SDCCH86_A_1	LOGICCH	"C_SDCCH86_A_1"	1st SDCCH/8(6) of cell A
C_SDCCH87_A_1	LOGICCH	"C_SDCCH87_A_1"	1st SDCCH/8(7) of cell A
C_SDCCH80_A_2	LOGICCH	"C_SDCCH80_A_2"	2nd SDCCH/8(0) of cell A
C_SDCCH81_A_2	LOGICCH	"C_SDCCH81_A_2"	2nd SDCCH/8(1) of cell A
C_SDCCH82_A_2	LOGICCH	"C_SDCCH82_A_2"	2nd SDCCH/8(2) of cell A
C_SDCCH83_A_2	LOGICCH	"C_SDCCH83_A_2"	2nd SDCCH/8(3) of cell A
C_SDCCH84_A_2	LOGICCH	"C_SDCCH84_A_2"	2nd SDCCH/8(4) of cell A
C_SDCCH85_A_2	LOGICCH	"C_SDCCH85_A_2"	2nd SDCCH/8(5) of cell A
C_SDCCH86_A_2	LOGICCH	"C_SDCCH86_A_2"	2nd SDCCH/8(6) of cell A
C_SDCCH87_A_2	LOGICCH	"C_SDCCH87_A_2"	2nd SDCCH/8(7) of cell A
C_SDCCH80_A_3	LOGICCH	"C_SDCCH80_A_3"	3rd SDCCH/8(0) of cell A
C_SDCCH81_A_3	LOGICCH	"C_SDCCH81_A_3"	3rd SDCCH/8(1) of cell A
C_SDCCH82_A_3	LOGICCH	"C_SDCCH82_A_3"	3rd SDCCH/8(2) of cell A
C_SDCCH83_A_3	LOGICCH	"C_SDCCH83_A_3"	3rd SDCCH/8(3) of cell A
C_SDCCH84_A_3	LOGICCH	"C_SDCCH84_A_3"	3rd SDCCH/8(4) of cell A
C_SDCCH85_A_3	LOGICCH	"C_SDCCH85_A_3"	3rd SDCCH/8(5) of cell A
C_SDCCH86_A_3	LOGICCH	"C_SDCCH86_A_3"	3rd SDCCH/8(6) of cell A
C_SDCCH87_A_3	LOGICCH	"C_SDCCH87_A_3"	3rd SDCCH/8(7) of cell A
C_SDCCH80_B_1	LOGICCH	"C_SDCCH80_B_1"	1st SDCCH/8(0) of cell B
C_SDCCH81_B_1	LOGICCH	"C_SDCCH81_B_1"	1st SDCCH/8(1) of cell B
C_SDCCH82_B_1	LOGICCH	"C_SDCCH82_B_1"	1st SDCCH/8(2) of cell B
C_SDCCH83_B_1	LOGICCH	"C_SDCCH83_B_1"	1st SDCCH/8(3) of cell B
C_SDCCH84_B_1	LOGICCH	"C_SDCCH84_B_1"	1st SDCCH/8(4) of cell B
C_SDCCH85_B_1	LOGICCH	"C_SDCCH85_B_1"	1st SDCCH/8(5) of cell B
C_SDCCH86_B_1	LOGICCH	"C_SDCCH86_B_1"	1st SDCCH/8(6) of cell B
C_SDCCH87_B_1	LOGICCH	"C_SDCCH87_B_1"	1st SDCCH/8(7) of cell B
C_SDCCH80_B_2	LOGICCH	"C_SDCCH80_B_2"	2nd SDCCH/8(0) of cell B
C_SDCCH81_B_2	LOGICCH	"C_SDCCH81_B_2"	2nd SDCCH/8(1) of cell B
C_SDCCH82_B_2	LOGICCH	"C_SDCCH82_B_2"	2nd SDCCH/8(2) of cell B
C_SDCCH83_B_2	LOGICCH	"C_SDCCH83_B_2"	2nd SDCCH/8(3) of cell B
C_SDCCH84_B_2	LOGICCH	"C_SDCCH84_B_2"	2nd SDCCH/8(4) of cell B
C_SDCCH85_B_2	LOGICCH	"C_SDCCH85_B_2"	2nd SDCCH/8(5) of cell B
C_SDCCH86_B_2	LOGICCH	"C_SDCCH86_B_2"	2nd SDCCH/8(6) of cell B
C_SDCCH87_B_2	LOGICCH	"C_SDCCH87_B_2"	2nd SDCCH/8(7) of cell B
C_SDCCH80_B_3	LOGICCH	"C_SDCCH80_B_3"	3rd SDCCH/8(0) of cell B
C_SDCCH81_B_3	LOGICCH	"C_SDCCH81_B_3"	3rd SDCCH/8(1) of cell B
C_SDCCH82_B_3	LOGICCH	"C_SDCCH82_B_3"	3rd SDCCH/8(2) of cell B
C_SDCCH83_B_3	LOGICCH	"C_SDCCH83_B_3"	3rd SDCCH/8(3) of cell B
C_SDCCH84_B_3	LOGICCH	"C_SDCCH84_B_3"	3rd SDCCH/8(4) of cell B
C_SDCCH85_B_3	LOGICCH	"C_SDCCH85_B_3"	3rd SDCCH/8(5) of cell B
C_SDCCH86_B_3	LOGICCH	"C_SDCCH86_B_3"	3rd SDCCH/8(6) of cell B
C_SDCCH87_B_3	LOGICCH	"C_SDCCH87_B_3"	3rd SDCCH/8(7) of cell B
C_SDCCH80_C_1	LOGICCH	"C_SDCCH80_C_1"	1st SDCCH/8(0) of cell C
C_SDCCH81_C_1	LOGICCH	"C_SDCCH81_C_1"	1st SDCCH/8(1) of cell C
C_SDCCH82_C_1	LOGICCH	"C_SDCCH82_C_1"	1st SDCCH/8(2) of cell C
C_SDCCH83_C_1	LOGICCH	"C_SDCCH83_C_1"	1st SDCCH/8(3) of cell C
C_SDCCH84_C_1	LOGICCH	"C_SDCCH84_C_1"	1st SDCCH/8(4) of cell C
C_SDCCH85_C_1	LOGICCH	"C_SDCCH85_C_1"	1st SDCCH/8(5) of cell C
C_SDCCH86_C_1	LOGICCH	"C_SDCCH86_C_1"	1st SDCCH/8(6) of cell C
C_SDCCH87_C_1	LOGICCH	"C_SDCCH87_C_1"	1st SDCCH/8(7) of cell C
C_SDCCH80_C_2	LOGICCH	"C_SDCCH80_C_2"	2nd SDCCH/8(0) of cell C
C_SDCCH81_C_2	LOGICCH	"C_SDCCH81_C_2"	2nd SDCCH/8(1) of cell C
C_SDCCH82_C_2	LOGICCH	"C_SDCCH82_C_2"	2nd SDCCH/8(2) of cell C
C_SDCCH83_C_2	LOGICCH	"C_SDCCH83_C_2"	2nd SDCCH/8(3) of cell C
C_SDCCH84_C_2	LOGICCH	"C_SDCCH84_C_2"	2nd SDCCH/8(4) of cell C

C_SDCCH85_C_2	LOGICCH	"C_SDCCH85_C_2"	2nd SDCCH/8(5) of cell C
C_SDCCH86_C_2	LOGICCH	"C_SDCCH86_C_2"	2nd SDCCH/8(6) of cell C
C_SDCCH87_C_2	LOGICCH	"C_SDCCH87_C_2"	2nd SDCCH/8(7) of cell C
C_SDCCH80_C_3	LOGICCH	"C_SDCCH80_C_3"	3rd SDCCH/8(0) of cell C
C_SDCCH81_C_3	LOGICCH	"C_SDCCH81_C_3"	3rd SDCCH/8(1) of cell C
C_SDCCH82_C_3	LOGICCH	"C_SDCCH82_C_3"	3rd SDCCH/8(2) of cell C
C_SDCCH83_C_3	LOGICCH	"C_SDCCH83_C_3"	3rd SDCCH/8(3) of cell C
C_SDCCH84_C_3	LOGICCH	"C_SDCCH84_C_3"	3rd SDCCH/8(4) of cell C
C_SDCCH85_C_3	LOGICCH	"C_SDCCH85_C_3"	3rd SDCCH/8(5) of cell C
C_SDCCH86_C_3	LOGICCH	"C_SDCCH86_C_3"	3rd SDCCH/8(6) of cell C
C_SDCCH87_C_3	LOGICCH	"C_SDCCH87_C_3"	3rd SDCCH/8(7) of cell C
C_CHSDCCH8_FH	OCTETSTRING	'00'O	ch.type SDCCH8 with FH
C_CHSDCCH8_NonFH	OCTETSTRING	'01'O	ch.type SDCCH8 No FH
C_CHSDCCH4_NonFH	OCTETSTRING	'03'O	ch.type SDCCH4 NoFH
C_CHTCHF_FH	OCTETSTRING	'04'O	ch.type TCHF FH
C_CHTCHF_NonFH	OCTETSTRING	'05'O	ch.type TCHF NonFH
C_CHTCHH_FH	OCTETSTRING	'06'O	ch.type TCHH FH
C_TCHF_ACCHF_1	LOGCH	"C_TCHF_ACCHF_1"	first TCH/F + ACCHs type channel
C_TCHF_ACCHF_2	LOGCH	"C_TCHF_ACCHF_2"	second TCH/F + ACCHs type channel
C_TCHH_ACCHH_1	LOGCH	"C_TCHH_ACCHH_1"	first TCH/H + ACCHs type channel
C_TCHH_ACCHH_2	LOGCH	"C_TCHH_ACCHH_2"	second TCH/H + ACCHs type channel
C_FCCH_SCH_BCCH_CCC H	LOGCH	"C_FCCH_SCH_BCCH_CCC H"	FCCH_SCH_BCCH_CCCH type channel
C_BCCH_CCCH_2	LOGCH	"C_BCCH_CCCH_2"	second BCCH_CCCH type channel
C_BCCH_CCCH_3	LOGCH	"C_BCCH_CCCH_3"	third BCCH_CCCH type channel
C_BCCH_CCCH_4	LOGCH	"C_BCCH_CCCH_4"	fourth BCCH_CCCH type channel
C_FCCH_SCH_BCCH_CCC H_SDCCH4_SACCHC4	LOGCH	"C_FCCH_SCH_BCCH_CCC H_SDCCH4_SACCHC4"	combined CCCH type channel
C_CBCH_FCCH_SCH_BCC H_CCCH_SDCCH4_SACCH C4	LOGCH	"C_CBCH_FCCH_SCH_BCC H_CCCH_SDCCH4_SACCH C4"	combined CCCH type channel for cell broadcast SM
C_SDCCH8_SACCHC8_1	LOGCH	"C_SDCCH8_SACCHC8_1"	first SDCCH/8 type channel
C_SDCCH8_SACCHC8_2	LOGCH	"C_SDCCH8_SACCHC8_2"	second SDCCH/8 type channel
C_SDCCH8_SACCHC8_3	LOGCH	"C_SDCCH8_SACCHC8_3"	3rd SDCCH/8 type channel
C_S0	SN	'000'B	time slot 0
C_S2	SN	'010'B	time slot 2
C_S3	SN	'011'B	time slot 3
C_S4	SN	'100'B	time slot 4
C_S6	SN	'110'B	time slot 6
C_SAVE	INTEGER	0	the OC_SaveAndProc saves input values
C_PROC	INTEGER	1	the OC_SvaAndProc processes saved values
C_RETRV	INTEGER	1	
C_U1	CCSTATE	1	CC state U1
C_U3	CCSTATE	3	CC state U3
C_U4	CCSTATE	4	CC state U4
C_U6	CCSTATE	6	CC state U6
C_U7	CCSTATE	7	CC state U7
C_U8	CCSTATE	8	CC state U8
C_U9	CCSTATE	9	CC state U9
C_U10	CCSTATE	10	CC state U10
C_U11	CCSTATE	11	CC state U11
C_U12	CCSTATE	12	CC state U12
C_U19	CCSTATE	19	CC state U19
C_U26	CCSTATE	26	CC state U26
C_NxtButOne	SENDINGMODE	1	send the second message on the next but one paging subblock
C_FmrAGB	SENDINGMODE	2	send the second message on the former access grant block
C_BfReOcc	SENDINGMODE	3	send the second message before the MS's original paging

C_NxtButOneNxt	SENDINGMODE	4	subchannel re-occurs, but later than the next paging block of that CCCH nothing is sent in the next but one paging sub block, then send the second message in the next paging subblock of the MS's paging subchannel
C_CMServiceTypeE	CMSVTYPE	'0010'B	CM Service Type for emergency call.
C_Telephony	IA5String	"C_Telephony"	telephony service (TS11)
C_EmgCall	IA5String	"C_EmgCall"	emergency call service (TS12)
C_AltSpchFax	IA5String	"C_AltSpchFax"	alternate speech and G3 fax service (TS61)
C_AutoFax	IA5String	"C_AutoFax"	automatic G3 fax service (TS62)
C_Async300	IA5String	"C_Async300"	data circuit duplex async. 300 bit/s service (BS21)
C_Async1200	IA5String	"C_Async1200"	data circuit duplex async. 1200 bit/s service (BS22)
C_Async120075	IA5String	"C_Async120075"	data circuit duplex async. 1200/75 bit/s service (BS23)
C_Async2400	IA5String	"C_Async2400"	data circuit duplex async. 2400 bit/s service (BS24)
C_Async4800	IA5String	"C_Async4800"	data circuit duplex async. 4800 bit/s service (BS25)
C_Async9600	IA5String	"C_Async9600"	data circuit duplex async 9600 bit/s service (BS26)
C_Sync1200	IA5String	"C_Sync1200"	data circuit duplex sync. 1200 bit/s service (BS31)
C_Sync2400	IA5String	"C_Sync2400"	data circuit duplex sync. 2400 bit/s service (BS32)
C_Sync4800	IA5String	"C_Sync4800"	data circuit duplex sync. 4800 bit/s service (BS33)
C_Sync9600	IA5String	"C_Sync9600"	data circuit duplex sync 9600 bit/s service (BS34)
C_PAD300	IA5String	"C_PAD300"	PAD access 300 bit/s service (BS41)
C_PAD1200	IA5String	"C_PAD1200"	PAD access 1200 bit/s service (BS42)
C_PAD120075	IA5String	"C_PAD120075"	PAD access 1200/75 bit/s service (BS43)
C_PAD2400	IA5String	"C_PAD2400"	PAD access 2400 bit/s service (BS44)
C_PAD4800	IA5String	"C_PAD4800"	PAD access 4800 bit/s service (BS45)
C_PAD9600	IA5String	"C_PAD9600"	PAD access 9600 bit/s service (BS46)
C_Packet2400	IA5String	"C_Packet2400"	packet access 2400 bit/s service (BS51)
C_Packet4800	IA5String	"C_Packet4800"	packet access 4800 bit/s service (BS52)
C_Packet9600	IA5String	"C_Packet9600"	packet access 9600 bit/s service (BS53)
C_AltSpchData	IA5String	"C_AltSpchData"	alternate speech/data service (BS61)
C_SpchData	IA5String	"C_SpchData"	speech followed data service (BS81)
C_L	INTEGER	1	L command of L 2
C_one	INTEGER	1	one frequency, no hopping
C_Immass	BITSTRING	'000'B	activation for immediate assignment
C_Ass	BITSTRING	'001'B	activation for assignment
C_Asynho	BITSTRING	'010'B	activation for non synchronous handover
C_Synho	BITSTRING	'011'B	activation for synchronous handover
C_Rcv	BITSTRING	'101'B	activation for receiving only
C_LocEndRel	RelMode	'01'O	local end release
C_MaxPwrLvID	INTEGER	15	Max power level for MS DCS
C_MaxPwrLvIG	INTEGER	19	Max power level for MS GSM

C_rc_conditlError	REJCAU	'64'O	reject cause: Conditional IE error
C_rc_congestion	REJCAU	'16'O	reject cause: congestion
C_rc_illegal_ms	REJCAU	'03'O	reject cause: illegal MS
C_rc_illegal_me	REJCAU	'06'O	reject cause: illegal ME
C_rc_imsiunknownhhr	REJCAU	'02'O	reject cause: IMSI unknown in HLR
C_rc_imsiunknownvhr	REJCAU	'04'O	reject cause: IMSI unknown in VLR
C_rc_invalidmaninfo	REJCAU	'60'O	reject cause: invalid mandatory information
C_rc_LAnotallowed	REJCAU	'0C'O	reject cause: LocationArea is not allowed
C_rc_networkfailure	REJCAU	'11'O	reject cause: network failure
C_rc_notidentified	REJCAU	'26'O	reject cause: can not be identified
C_rc_plmn_not	REJCAU	'0B'O	reject cause: PLMN not allowed
C_rc_protocolerror	REJCAU	'6F'O	reject cause: Protocol error unspecified
C_rc_reqservoptnotsub	REJCAU	'21'O	reject cause: requested service option not subscribed
C_rc_roamingnot	REJCAU	'0D'O	reject cause: Roaming not allowed
C_Restablishment	B_1	'0'B	Restablishment allowed
C_noRestablishment	B_1	'1'B	No restablishment allowed
C_SlotNU	SN	'111'B	Slot Number not used
C_CellReselectHys14	INTEGER	7	Cell Reselection Hysteresis value 14db
C_CellReselectHys12	INTEGER	6	Cell Reselection Hysteresis value 12db
C_CellReselectHys10	INTEGER	5	Cell Reselection Hysteresis value 10db
C_CellReselectHys4	INTEGER	2	Cell Reselection Hysteresis value 4db
C_RI_alternate	B_8	'11010001'B	Bcap repeat indicator for alternate (circular selection)
C_RI_follow	B_8	'11010011'B	Bcap repeat indicator for successive (sequential selection)
C_SIMIn	BOOLEAN	FALSE	SIM is always inserted in a test case
C_SIMneedRmv	BOOLEAN	TRUE	Removal of SIM is needed in a test case (SIM is not always inserted.)
C_Yes	BOOLEAN	TRUE	
C_No	BOOLEAN	FALSE	
C_Start_lmsi	INTEGER	1	Test case body starts without TMSI
C_Start_Tmsi	INTEGER	2	Test case body starts with Tmsi_01
C_Start_TmsiOff	INTEGER	5	Test case body starts with Tmsi_01. MS has been deactivated.
C_Start_Rej	INTEGER	3	Test case body starts with LAI deleted. MS has been deactivated.
C_Start_PLMNnot	INTEGER	4	Test case body starts with PLMN not allowed
C_Test_fh	INTEGER	1	Test case with possibly frequency hopping
C_Test_nfh	INTEGER	2	Test case with no frequency hopping
C_Test_egsm	INTEGER	3	Test case for egsm

C_Test_cbms	INTEGER	4	Test case for CBMS
C_normal_updating	B_2	'00'B	normal location updating
C_periodic_updating	B_2	'01'B	periodic location updating
C_normalOrperiodic	B_2	'0?'B	periodic or normal location updating
C_imsi_attach	B_2	'10'B	location updating IMSI attach
C_norm_period_attach	B_2	'??'B	imsi attach or periodic location updating or normal location updating
C_normal_paging	B_2	'00'B	normal page mode
C_extended_paging	B_2	'01'B	extended paging
C_reorg_paging	B_2	'10'B	paging reorganisation
C_sab_paging	B_2	'11'B	same as before paging
C_non_synchronised	B_2	'00'B	non-synchronised
C_synchronised	B_2	'01'B	synchronised
C_pre_synchronised	B_2	'10'B	pre-synchronised
C_pseudo_synchronised	B_2	'11'B	pseudo-synchronised
C_not_report_otd	B_1	'0'B	not report observed time difference
C_report_otd	B_1	'1'B	report observed time difference
C_Tzone0	TZONES	0	Time zone 0 (used in TC_34_2_1, TC_34_2_5_3)
C_Tzone1	TZONES	4	Time zone 4 (used in TC_34_2_2, TC_34_2_7)
C_Tzone2	TZONES	10	Time zone 10 (used in TC_34_2_3)
C_Tzone3	TZONES	15	Time zone 15 (used in TC_34_2_4)
C_Tzone4	TZONES	25	Time zone 25 (used in TC_34_2_5_1)
C_Tzone5	TZONES	35	Time zone 35 (used in TC_34_2_5_2)
C_Tzone6	TZONES	45	Time zone 45 (used in TC_34_2_8)
C_T_AssCmd	INTEGER	900	600ms + 300ms(tolerance)
C_T_Wait1stChReq	INTEGER	35000	max time for full BCCH data decoding
C_T_mrsrp	INTEGER	1500	3 times time btw 2 msr rpt.
C_T_T3124	INTEGER	675	T3124(675ms)
C_T_T3211plus	INTEGER	20000	20s
C_T_T3212	INTEGER	360000	T3212(6min)
C_T_T3212min	INTEGER	345000	T3212(6min) - 15sec
C_T_T3212dif	INTEGER	15000	Difference between T3212 and T3212min
C_T_T3210	INTEGER	20000	timer T3210 in ms
C_T_T3211min	INTEGER	13500	90% T3211 in ms
C_T_T3230min	INTEGER	13500	90% T3230 in ms
C_T_T3240min	INTEGER	9000	90% T3240 in ms
C_T_T3240tol	INTEGER	2000	20% T3240 in ms
C_T_Wait	INTEGER	5000	5s. T3126max
C_T_Wait1	INTEGER	1000	1s
C_T_Wait_FAC	INTEGER	1500	1.5s Facility response time (1s) + tolerance (0.5s)
C_release_time	INTEGER	11	release timer value
C_RegCFNRy	INTEGER	1	registration of call forwarding service for CFNRy (speech)
C_RegCFU	INTEGER	2	registration of call forwarding service for CFU (all facsimile)
C_RegCF	INTEGER	3	registration of call forwarding service for CF (all facsimile)
C_ErsCFC	INTEGER	4	erasure of call forwarding service for CFC (all facsimile)
C_ErsCFNRc	INTEGER	5	erasure of call forwarding service for CFNRc (all basic services)
C_ErsCFNRy	INTEGER	6	erasure of call forwarding service for CFNRy (all facsimile)
C_ActCF	INTEGER	7	activation of call forwarding service for CF (all synchronous services)

C_ActCFU	INTEGER	8	activation of call forwarding service for CFU (all basic services)
C_DeactCFC	INTEGER	9	deactivation of call forwarding service for CFC (speech)
C_DeactCFNRc	INTEGER	10	deactivation of call forwarding service for CFNRc (all facsimile)
C_InterrogCFC	INTEGER	11	interrogation of call forwarding service for CFC (Speech)
C_InterrogCFB	INTEGER	12	interrogation of call forwarding service for CFB (all basic services)
C_NotifyCFB	INTEGER	13	notification of call forwarding service for CFB (incoming call is forwarded)
C_NotifyCFU	INTEGER	14	notification of call forwarding service for CFU (provisioned, registered, active)
C_NotifyCFC	INTEGER	15	notification of call forwarding service for CFC (provisioned, registered, active)
C_NotifyCFNRc	INTEGER	16	notification of call forwarding service for CFNRc (Ms not reachable)
C_RegPswd	INTEGER	17	Registration of password for all call barring services
C_ActBOAC	INTEGER	18	Activation of BOAC
C_ActBICRoam	INTEGER	19	Activation of BICRoam
C_ActBOIC	INTEGER	20	Activation of BOIC
C_ActBAIC	INTEGER	21	Activation of BAIC
C_DeactBO	INTEGER	22	Deactivation of BO
C_DeactBI	INTEGER	23	Deactivation of BI
C_DeactBOICExHC	INTEGER	24	Deactivation of BOICExHC
C_NotifyBI	INTEGER	25	Notify of BI
C_InterrogBOIC	INTEGER	26	Interrogation of BOIC
C_InterrogBOICExHC	INTEGER	27	Interrogation of BOICExHC
C_Full	IA5String	"F"	full rate channel
C_Half	IA5String	"H"	half rate channel
C_nirr_dontcare	B_1	'?'B	NIRR no meaning or requested
C_Rchr_dontcare	B_2	'??'B	radio channel requirement not checked
C_Rchr_Full	B_2	'01'B	radio channel requirement : full rate
C_Rchr_DualForDualH	B_2	'1?'B	radio channel requirement : dual rate support/half rate preferred or dual rate support/full rate preferred
C_Rchr_DualForDualH0	B_2	'10'B	radio channel requirement : dual rate support/half rate preferred or dual rate support/full rate preferred
C_StartingTimeHO	INTEGER	238	Starting time 238 (1.1s), in TC_26_6_5_1, TC_26_6_5_4_2
C_StrT_1000	INTEGER	1000	Starting time 1000, in TC_26_6_13_1
C_Norm	OCTETSTRING	'00'O	Establish mode: normal
C_Speech	B_3	'000'B	Info. Transfer Cap. speech
C_3100Hz	B_3	'010'B	Info. Transfer Cap. 3.1 kHz
C_UDI	B_3	'001'B	Info. Transfer Cap. UDI
C_FAX3	B_3	'011'B	Info. Transfer Cap. FAX3
C_SDUintegrity	B_2	'00'B	Structure SDU integrity
C_Unstructured	B_2	'11'B	Structure Unstructured
C_struc_dontchk	B_2	'??'B	Structure not checked
C_nirr_nomeaning	B_1	'0'B	NIRR no meaning
C_no_rate_adaption	B_2	'00'B	Rate adaption no
C_rate_adaption_V110	B_2	'01'B	Rate adaption V110
C_rate_adaption_X31	B_2	'10'B	Rate adaption X31 flag
C_sacp_NA	B_3	'001'B	Signaling access NA (sec.11.8.1.5.1)

C_I440_450	B_3	'001'B	Signaling access I440/450
C_X21	B_3	'010'B	Signaling access X21
C_X28_unui	B_3	'100'B	Signaling access X28 U NUI
C_X28_nond	B_3	'101'B	Signaling access X28 non dedicated
C_X32	B_3	'110'B	Signaling access X32
C_Synchronous	B_1	'0'B	Synchronous
C_Asynchronous	B_1	'1'B	Asynchronous
C_stopbit_NA	B_1	'0'B	Number of Stop bits NA
C_stopbit_dontcare	B_1	'?'B	Number of Stop bits not care
C_databit_NA	B_1	'1'B	Number of Data bits not care
C_databit_dontcare	B_1	'?'B	Number of Data bits NA
C_300bs	B_4	'0001'B	User rate 300 bs
C_1200bs	B_4	'0010'B	User rate 1200 bs
C_120075bs	B_4	'0111'B	User rate 1200/75 bs
C_2400bs	B_4	'0011'B	User rate 2400 bs
C_4800bs	B_4	'0100'B	User rate 4800 bs
C_9600bs	B_4	'0101'B	User rate 9600 bs
C_parity_NA	B_3	'011'B	Parity NA
C_parity_dontcare	B_3	'???'B	Parity not care
C_ir_8kbs	B_2	'10'B	Intermediate rate 8 Kbs
C_ir_16kbs	B_2	'11'B	Intermediate rate 16 Kbs
C_ir_8or16kbs	B_2	'1?'B	Intermediate rate 8 or 16 Kbs
C_transparent	B_2	'00'B	Connection element T
C_nottransparent	B_2	'01'B	Connection element NT
C_BothT	B_2	'10'B	Connection element both T
C_BothNT	B_2	'11'B	Connection element both NT
C_modemt_none	B_5	'00000'B	no modem
C_modemt_V21	B_5	'00001'B	modem V21
C_modemt_V22	B_5	'00010'B	modem V22
C_modemt_V22bis	B_5	'00011'B	modem V22bis
C_modemt_V23	B_5	'00100'B	modem V23
C_modemt_V32	B_5	'00110'B	modem V32
C_ISO6429	B_5	'01000'B	Inband flow control
C_COPnoFLCT	B_5	'01100'B	No flow control
C_X25_flct	B_5	'00110'B	X25 flow control
C_Outband	FLWCNTL	0	outband flow control
C_Inband	FLWCNTL	1	outband flow control
C_Nocontrol	FLWCNTL	2	outband flow control
C_uil2p_dontcare	B_5	'?????'B	not checked
C_HSN_0	INTEGER	0	cyclic hopping
maxAddressLength	Asn1Integer	20	
maxISDN_AddressLength	Asn1Integer	9	
maxISDN_SubaddressLength	Asn1Integer	21	
maxNumOfBasicServiceGroups	Asn1Integer	13	
maxNumOfCUG	Asn1Integer	10	
maxNumberOfSegmentsPerDataInterval	Asn1Integer	8191	
maxSignalInfoLength	Asn1Integer	200	
maxUSSD_StringLength	Asn1Integer	160	
max10TimesIncrement	Asn1Integer	8191	
max10TimesIncrementPerDataInterval	Asn1Integer	8191	
max10TimesInitialTime	Asn1Integer	8191	
max100TimesScalingFactor	Asn1Integer	8191	
max10TimesTimeInterval	Asn1Integer	8191	
max10TimesUnitsPerTime	Asn1Integer	8191	

Detailed Comments:

Test case variable declarations

Test Case Variable Declarations			
Variable Name	Type	Value	Comments
TCV_CC	BOOLEAN	TSPC_Serv_TS11 OR TSPC_Serv_TS12 OR TSPC_Serv_TS61 OR TSPC_Serv_TS62 OR TSPC_Serv_BS21 OR TSPC_Serv_BS22 OR TSPC_Serv_BS23 OR TSPC_Serv_BS24 OR TSPC_Serv_BS25 OR TSPC_Serv_BS26 OR TSPC_Serv_BS31 OR TSPC_Serv_BS32 OR TSPC_Serv_BS33 OR TSPC_Serv_BS34 OR TSPC_Serv_BS41 OR TSPC_Serv_BS42 OR TSPC_Serv_BS43 OR TSPC_Serv_BS44 OR TSPC_Serv_BS45 OR TSPC_Serv_BS46 OR TSPC_Serv_BS51 OR TSPC_Serv_BS52 OR TSPC_Serv_BS53 OR TSPC_Serv_BS61 OR TSPC_Serv_BS81	
TCV_AssCmd	ASS_CMD_PDU		to hold ASSIGNMENT COMMAND PDU
TCV_Bcap1	BCAP		to hold bearer capability
TCV_BcapMT1	BCAP		to hold BC for MT call
TCV_BcapMO1	BCAP		to hold BC for MO call
TCV_Bcap2	BCAP		to hold bearer capability
TCV_BcapMT2	BCAP		to hold BC for MT call
TCV_bs_ag_blks_res	INTEGER		
TCV_bs_cc_chans	INTEGER		
TCV_bs_pa_mfrms	INTEGER		
TCV_CalledNum	CDPN		to hold called party number
TCV_CallProc	CALL_PROC_PDU		to hold CALL PROCEEDING PDU
TCV_CallCfm	CALL_CO_PDU		to hold CALL CONFIRM PDU
TCV_Cau	CAU		to hold cause
TCV_Cau0	CAU		to hold cause
TCV_CAgsm	CCHD		To compute Cell Channel Descriptor for gsm
TCV_CAdcs	CCHD		To compute Cell Channel Descriptor for dcs
TCV_CB1	OCTETSTRING		store SMSB block data
TCV_CB2	OCTETSTRING		store SMSB block data
TCV_CB3	OCTETSTRING		store SMSB block data
TCV_CB4	OCTETSTRING		store SMSB block data
TCV_CE	CE		
TCV_Ccchg	INTEGER		CCCH_GROUP
TCV_Ccd0A	CCD		a copy of control channel description in use for cell A
TCV_Ccd0B	CCD		a copy of control channel description in use for cell B
TCV_Ccd0C	CCD		a copy of control channel description in use for cell C
TCV_Ccd0D	CCD		a copy of control channel description in use for cell D
TCV_Ccd0E	CCD		a copy of control channel description in use for cell E
TCV_Ccd0F	CCD		a copy of control channel description in use for cell F
TCV_Ccd0G	CCD		a copy of control channel description in use for cell G
TCV_Ccd0H	CCD		a copy of control channel description in use for cell H

TCV_cchdescr	OCTETSTRING		Frequency list of Cell Channel Descr, used in EGSM
TCV_CCst	CST		to hold call status
TCV_ch	LOGICCH	"dummy"	to hold logic channel
TCV_ch1	LOGICCH	"dummy"	to hold logic channel
TCV_sacch	LOGICCH	"dummy"	to hold logic channel
TCV_sacch_B	LOGICCH	"dummy"	to hold logic channel
TCV_sacch_C	LOGICCH	"dummy"	to hold logic channel
TCV_sacch_D	LOGICCH	"dummy"	to hold logic channel
TCV_sacch_E	LOGICCH	"dummy"	to hold logic channel
TCV_sacch_F	LOGICCH	"dummy"	to hold logic channel
TCV_sacch_G	LOGICCH	"dummy"	to hold logic channel
TCV_sacch_H	LOGICCH	"dummy"	to hold logic channel
TCV_sacch8	LOGICCH	"dummy"	to hold logic channel
TCV_sacchTch	LOGICCH	"dummy"	to hold logic channel
TCV_sacchTch1	LOGICCH	"dummy"	to hold logic channel
TCV_sacchTch_H	LOGICCH	"dummy"	to hold logic channel
TCV_chTch	LOGICCH	"dummy"	to hold logic channel
TCV_chTch1	LOGICCH	"dummy"	to hold logic channel
TCV_chSms	LOGICCH	"dummy"	to hold logic channel
TCV_agch	LOGICCH	"dummy"	downlink access grant channel
TCV_WorkingCh	LOGICCH	"dummy"	to hold logic channel
TCV_cellid	CellID		to hold the cell identifier
TCV_Char	IA5String		to hold the IA5 char. corresponding to a DTMF tone
TCV_chd1	CHD		to hold channel description IE
TCV_cchd1	CCHD		to hold cell channel description IE
TCV_ChMod	CHMOD		to hold channel mode IE
TCV_ChModb	CHMOD		to hold channel mode IE for second mode in dual mode services
TCV_Tchtype	CH_TDMA	'00001'B	Traffic channel type and TDMA offset in channel description IE
TCV_chtype	CH_TDMA		to channel type and TDMA offset in channel description IE
TCV_cksn	BITSTRING		to hold the CKSN.
TCV_Cnt	INTEGER		general loop counter
TCV_Cnt1	INTEGER		general loop counter
TCV_Cnt2	INTEGER		general loop counter
TCV_Cntstart	BOOLEAN	FALSE	general loop counter start decision
TCV_Cntref	INTEGER		Reference for general loop counter
TCV_CphAlg	BITSTRING		ciphering algorithm
TCV_CphKey	BITSTRING		ciphering key
TCV_CphMd	CPHMS		ciphering mode setting
TCV_CPDDataRetx	INTEGER		Number of CP Data retransmissions for SMS
TCV_ChRate	IA5String	C_Full	to hold channel rate
TCV_ChRate1	IA5String	C_Full	to hold channel rate
TCV_counter_c	INTEGER		loop counter c
TCV_counter_k	INTEGER		loop counter k
TCV_Fk	INTEGER		to hold an interval between events
TCV_flist	OCTETSTRING		Frequency List, used in EGSM for IE "frequency list" or "frequency short list"
TCV_flistl	LENGTH		Length of Frequency List, used in EGSM for IE "frequency list" or "frequency short list"
TCV_Fn	FN		to hold the frame number (T1', T2, T3)
TCV_Fn1	FN		to hold the frame number (T1', T2, T3)
TCV_FnAss	FN		to hold the frame number in AssCmd statement
TCV_FollowingOctets	OCTETSTRING		Contains the octets following the invoke id
TCV_Horf	HORF		Variable for HO reference in HO-

TCV_HoCMD	HO_CMD_PDU		Messages of HO cases.
TCV_Hrf	HORF		to hold handover PDU
TCV_iel	LENGTH		to hold handover reference
TCV_kcnt	INTEGER		Length of IE
TCV_K	INTEGER		loop counter
TCV_L1Head0	L1HD		to hold L 1 header
TCV_L1Head	L1HD		to hold L 1 header
TCV_lac	OCTETSTRING		to hold the lac. 2 octets
TCV_lacunknown	OCTETSTRING	'??'O	to hold a wild card lac when the lac is unknown
TCV_n	INTEGER		
TCV_Neci	BITSTRING		counter
TCV_M	INTEGER		to hold MAIO
TCV_maio	MAIO		Mobile Allocation in EGSM. It includes the 1.octet of MA
TCV_mae1	BITSTRING		Mobile Allocation in EGSM. It includes the 2.octet of MA
TCV_mae2	BITSTRING		to hold Max-retrans bitstring
TCV_Max	BITSTRING		RP error Memory Capacity Exceeded was sent
TCV_MemCapExcd	BOOLEAN		to hold measurement results
TCV_MsrRes	MSRR		to hold message type
TCV_Mt	BITSTRING		to hold message type
TCV_Mt1	BITSTRING		To hold Modify message
TCV_Modify	MODIFY_PDU		to collect useless result from some test suite operations
TCV_Null	BOOLEAN		logical channel for paging
TCV_PgCh	LOGICCH	"dummy"	paging group
TCV_Pgg	PGG		power offset
TCV_PO	B_2		Contains the octets previous to the invoke id
TCV_PreviousOctets	OCTETSTRING		RP error Protocol Error Unspecified was sent
TCV_ProtErrorUnspec	BOOLEAN		to hold the power level
TCV_Pwrlvl	BITSTRING		power level for HO_CMD, used in HO cases.
TCV_Pwrlvl_ho	BITSTRING		to hold Radio channel requirement
TCV_Rchr	B_2		to hold the number of RACHs currently received
TCV_ReceivedRACHs	INTEGER		to hold the result of a test suite operation
TCV_Res	BOOLEAN		RP message reference for SMS
TCV_Rpmr	MR		to hold the request reference differing from TCV_Rqr
TCV_Rqr	RQR		to hold the request reference differing from TCV_Rqr, TCV_Rqr9
TCV_Rqr9	RQR		to hold the request reference differing from TCV_Rqr, TCV_Rqr9, TCV_Rqr10
TCV_Rqr10	RQR		to hold the request reference differing from TCV_Rqr, TCV_Rqr9, TCV_Rqr10
TCV_Rqr11	RQR		to hold the random request reference
TCV_Rr	BITSTRING		to hold the random reference
TCV_Rr1	BITSTRING		to hold basicservice selected
TCV_Service	SERVICES		to hold basicservice selected
TCV_Service1	SERVICES		to hold the SETUP PDU (MO)
TCV_Setup_mo	SETUP_MO_PDU		to hold the SETUP PDU (MO)
TCV_Setup_mo1	SETUP_MO_PDU		to hold the SETUP PDU (MT)
TCV_Setup_mt	SETUP_MT_PDU		to hold the 2nd SETUP PDU (MT)
TCV_Setup_mt1	SETUP_MT_PDU		2nd test required in TC_11_1_1
TCV_2ndtest	BOOLEAN		to hold the emergency SETUP PDU
TCV_Esetup	ESETUP_PDU		to hold the emergency SETUP PDU
TCV_Esetup1	ESETUP_PDU		

TCV_Ecall	BOOLEAN	FALSE	it is set to TRUE, if the service under test is emergency call
TCV_slot	SN		To hold the default slot used during the entire TC.
TCV_slt2	SN		To hold a second working slot number.
TCV_Sres	OCTETSTRING		to hold the SRES returned
TCV_sysinfo5	SYSINFO5_PDU		to hold the SysInfo5 PDU
TCV_sysinfo5	SYSINFO5_PDU		to hold the SysInfo5 PDU for cell A
TCV_sysinfo5bis	SYSINFO5bis_PDU		to hold the SysInfo5bis PDU for cell A
TCV_sysinfo5_B	SYSINFO5_PDU		to hold the SysInfo5 PDU for cell B
TCV_sysinfo5_C	SYSINFO5_PDU		to hold the SysInfo5 PDU for cell c
TCV_sysinfo5_D	SYSINFO5_PDU		to hold the SysInfo5 PDU for cell D
TCV_sysinfo5_E	SYSINFO5_PDU		to hold the SysInfo5 PDU for cell E
TCV_sysinfo5_F	SYSINFO5_PDU		to hold the SysInfo5 PDU for cell F
TCV_sysinfo5_G	SYSINFO5_PDU		to hold the SysInfo5 PDU for cell G
TCV_sysinfo5_H	SYSINFO5_PDU		to hold the SysInfo5 PDU for cell H
TCV_sysinfo5bis_A	SYSINFO5bis_PDU		to hold the SysInfo5bis PDU for cell A(TC_26_10_2_4_1)
TCV_sysinfo5bis_B	SYSINFO5bis_PDU		to hold the SysInfo5bis PDU for cell B
TCV_sysinfo6	SYSINFO6_PDU		to hold the SysInfo6 PDU
TCV_sysinfo6	SYSINFO6_PDU		to hold the SysInfo6 PDU for cell A
TCV_sysinfo6_B	SYSINFO6_PDU		to hold the SysInfo6 PDU for cell B
TCV_sysinfo6_C	SYSINFO6_PDU		to hold the SysInfo6 PDU for cell C
TCV_sysinfo6_D	SYSINFO6_PDU		to hold the SysInfo6 PDU for cell D
TCV_sysinfo6_E	SYSINFO6_PDU		to hold the SysInfo6 PDU for cell E
TCV_sysinfo6_F	SYSINFO6_PDU		to hold the SysInfo6 PDU for cell F
TCV_sysinfo6_G	SYSINFO6_PDU		to hold the SysInfo6 PDU for cell G
TCV_sysinfo6_H	SYSINFO6_PDU		to hold the SysInfo6 PDU for cell H
TCV_temp	INTEGER		to hold results of expressions that are to be passed as parameters
TCV_ti_v	TI_V		to hold the transaction id. value
TCV_ti_v_2	TI_V		to hold the transaction id. value for another transaction
TCV_T	INTEGER		to hold Tx-integer chosen randomly
TCV_T_TwiceTC1M	INTEGER	TSPX_TC1M * 2000	Twice TC1M in ms
TCV_chdescr_arfcn	INTEGER		ARFCN carrier of actual cell
TCV_tch_arfcn	INTEGER		ARFCN carrier for traffic channel
TCV_asscmd_ts	BITSTRING		Time slot for channel description in assignment cmd.
TCV_ts	BITSTRING		Time slot for channel description in handover cmd.
TCV_ia_ts	BITSTRING		Time slot for channel description in immediate assignment
TCV_tsc	TSC		To hold the default training sequence used during the entire TC.
TCV_Td	OCTETSTRING		to hold timing difference
TCV_Time	INTEGER		to hold the measured value of T310 or T305 or T308
TCV_TI	TI		to hold the transaction ID for MO

TCV_TI0	TI		calls in sending evets
TCV_TI1	TI		to hold the transaction ID for MO calls in receiving evets
TCV_TI2	TI		to hold the transaction ID
TCV_TI3	TI		to hold the transaction ID
TCV_tmp	INTEGER		to hold the transaction ID
TCV_Tx	BITSTRING		temporary integer variable
TCV_S	INTEGER		to hold Tx bitstring
TCV_Upd	BOOLEAN		to hold the S parameter
TCV_UssdString	IA5String		to hold the information whether the MS is updated or not,.
TCV_UssdString1	IA5String		String for USS Data
TCV_UssdString2	IA5String		String for USS Data
TCV_InvkId	OCTETSTRING		String for USS Data
TCV_InvkId0	OCTETSTRING		to hold SS transaction ID
TCV_InvkId1	OCTETSTRING		to hold SS transaction ID
TCV_Comp	Components		to hold SS transaction ID
TCV_Strt	STRT		to hold SS Components
TCV_CBch	LOGICCH	"dummy"	to hold starting time
TCV_Tpmr	MR		Cell Broadcast channel
TCV_TPOA1	BCDN		TP message reference
TCV_TPOA2	BCDN		TP originating address digits
TCV_TPDA	BCDN		TP originating address digits
TCV_RPOA_MT	BCDN		TP destination address digits
TCV_RPOA_MO	BCDN		RP originating address digits for MT short messages
TCV_RPOA1	BCDN		RP originating address digits for MO short messages
TCV_RPOA2	BCDN		RP originating address digits for MT short messages
TCV_RPDA_MT	BCDN		RP originating address digits for MT short messages
TCV_RPDA_MO	BCDN		RP destination address digits for MO short messages
TCV_SMTtypeM	INTEGER		RP destination address digits for MT short messages
TCV_SMTtypeN	INTEGER		RP destination address digits for MO short messages
TCV_SMcntns	OCTETSTRING		Replace short message type
TCV_SMSCBpack	SMSCBpack		Replace short message type
TCV_freq	FRQPARA		short message contents
TCV_srv	SERVICES		CB message contents
TCV_ur	B_4		to hold Freq type constraints
TCV_itc	B_3		to hold MT service
TCV_sacp	B_3		to hold user rate
TCV_ce	B_2		to hold information transfer capability
TCV_ce1	B_2		to hold service access protocol
TCV_ce3	B_2		to hold connection element
TCV_sa	B_1		to hold connection element
TCV_ir	B_2		to hold connection element
TCV_uil1p	B_2		to hold synchronous/asynchronous
TCV_modemt	B_5		to hold intermediate rate
TCV_MODEM	MODEMTYPE		to hold user information layer 1 protocol
TCV_ur2	B_4		to hold modem type
TCV_itc2	B_3		to hold user rate for second configuration
TCV_sacp2	B_3		to hold information transfer capability for second configuration
TCV_strc	B_2		to hold service access protocol for second configuration
TCV_sa2	B_1		to hold structure
TCV_supported	BOOLEAN	FALSE	to hold synchronous/asynchronous for second configuration
			used for indicating a selected service is declared supported or

TCV_SpecialCase	BOOLEAN	FALSE	not used for indicating whether a test case tests non-supported service
Detailed Comments:			

PCO declarations

PCO Declarations			
PCO Name	Type	Role	Comments
L	SAP0_3	LT	
Detailed Comments:			
1. The PCO consists of multiple SAPs: the SAP0 and SAP3. 2. The lower tester (LT) is the user of the data link layer service. 3. The SAP0 at the lower tester controlling and observing the exchange of CC, MM, RR and SS PDUs (messages) on the DCCH, SACCH and/or RACH, BCCH, CCCH channels. 4. The SAP3 at the lower tester controlling and observing the exchange of SMS PDUs (messages) on the DCCH or SACCH channels.			

Timer declarations

Timer Declarations			
Timer Name	Duration	Unit	Comments
T_dly		ms	general purpose delay timer
T_dly1		ms	general purpose delay timer
T_dly2		ms	general purpose delay timer
T_dlyAss	5000	ms	AssCmd timer, 1)
T_guard	300	s	guard timer
T_release	C_release_time	s	release timer
T_pause		ms	pause timer
Detailed Comments:			
1) In order to give to the lower tester enough time to dequeue and to send out the call SETUP and the other call establishment related messages in the sending buffer before starting sending of ASSIGNMENT COMMAND message, the default value 5s is used in the test step AssCh_complete. In the test step AssCh_failure the timer value is set to 4s. For the TC_26_6_4_1, 600ms is used.			

ASP type definitions

TTCN ASP Type definitions

ASP Type Definition		
ASP Name:	DL_EstRq (DL_ESTABLISH_REQUEST)	
PCO Type:	SAP0_3	
Comments:	The ASP is used to request the establishment of multiple frame operation (L3 -> L2). The normal establishment procedure is initiated.	
Parameter Name	Parameter Type	Comments
sapi	SAPID	
logic_ch	LOGICCH	
establish_mode	EstMode	
Detailed Comments:		

ASP Type Definition		
ASP Name:	DL_EstIn (DL_ESTABLISH_INDICATION)	
PCO Type:	SAP0_3	
Comments:	The ASP is used to indicate the establishment of multiple frame operation (L2 -> L3). The normal establishment procedure has been initiated.	
Parameter Name	Parameter Type	Comments
sapi	SAPID	
logic_ch	LOGICCH	
establish_mode	EstMode	
fn	FN	
Detailed Comments:		

ASP Type Definition		
ASP Name:	DL_EstInCmsRq (DL_ESTABLISH_INDICATION_CM_SERVICE_REQUEST)	
PCO Type:	SAP0_3	
Comments:	The ASP is used to indicate the establishment of multiple frame operation due to the receipt of the MM CM SERVICE REQUEST message (L2 -> L3). The contention resolution establishment procedure has been initiated.	
Parameter Name	Parameter Type	Comments
sapi	SAPID	
logic_ch	LOGICCH	
establish_mode	EstMode	
msg	CMS_RQ_PDU	
fn	FN	
Detailed Comments:		

ASP Type Definition		
ASP Name:	DL_EstInLupRq (DL_ESTABLISH_INDICATION_LOCATION_UPDATING_REQUEST)	
PCO Type:	SAP0_3	
Comments:	The ASP is used to indicate the establishment of multiple frame operation due to the receipt of the MM LOCATION UPDATING REQUEST message (L2 -> L3). The contention resolution establishment procedure has been initiated.	
Parameter Name	Parameter Type	Comments
sapi	SAPID	
logic_ch	LOGICCH	
establish_mode	EstMode	
msg	LUP_RQ_PDU	
fn	FN	
Detailed Comments:		

ASP Type Definition		
ASP Name:	DL_EstInImsidIn (DL_ESTABLISH_INDICATION_IMSI_DETACH_INDICATION)	
PCO Type:	SAP0_3	
Comments:	The ASP is used to indicate the establishment of multiple frame operation due to the receipt of the MM IMSI DETACH INDICATION message (L2 -> L3). The contention resolution establishment procedure has been initiated.	
Parameter Name	Parameter Type	Comments
sapi	SAPID	
logic_ch	LOGICCH	
establish_mode	EstMode	
msg	IMSID_IN_PDU	
fn	FN	
Detailed Comments:		

ASP Type Definition		
ASP Name:	DL_EstnPgRes (DL_ESTABLISH_INDICATION_PAGING_RESPONSE)	
PCO Type:	SAP0_3	
Comments:	The ASP is used to indicate the establishment of multiple frame operation due to the receipt of the RR PAGING RESPONSE message (L2 -> L3). The contention resolution establishment procedure has been initiated.	
Parameter Name	Parameter Type	Comments
sapi	SAPID	
logic_ch	LOGICCH	
establish_mode	EstMode	
msg	PG_RES_PDU	
fn	FN	
Detailed Comments:		

ASP Type Definition		
ASP Name:	DL_EstnCmreRq (DL_ESTABLISH_INDICATION_CM_REESTABLISHMENT_REQUEST)	
PCO Type:	SAP0_3	
Comments:	The ASP is used to indicate the establishment of multiple frame operation due to the receipt of the MM CM REESTABLISHMENT REQUEST message (L2 -> L3). The contention resolution establishment procedure has been initiated.	
Parameter Name	Parameter Type	Comments
sapi	SAPID	
logic_ch	LOGICCH	
establish_mode	EstMode	
msg	CMRE_RQ_PDU	
fn	FN	
Detailed Comments:		

ASP Type Definition		
ASP Name:	DL_EstCo (DL_ESTABLISH_CONFIRM)	
PCO Type:	SAP0_3	
Comments:	The ASP is used by the L2 to inform the L3 about the establishment of multiple frame link (L2 -> L3).	
Parameter Name	Parameter Type	Comments
sapi	SAPID	
logic_ch	LOGICCH	
establish_mode	EstMode	
Detailed Comments:		

ASP Type Definition		
ASP Name:	DL_RelIn (DL_RELEASE_INDICATION)	
PCO Type:	SAP0_3	
Comments:	The ASP is used to indicate the termination of an established multiple frame operation or to report an unsuccessful establishment attempt (L2 -> L3).	
Parameter Name	Parameter Type	Comments
sapi	SAPID	
logic_ch	LOGICCH	
release_mode	RelMode	
outstanding_indicator	BOOLEAN	
fn	FN	
Detailed Comments:	The outstanding indicator indicates whether or not there are outstanding acknowledgements or unsolved DL_DATA_REQUEST primitives.	

ASP Type Definition		
ASP Name:	DL_RaInChRq (DL_RANDOM_ACCESS_INDICATION_CHANNEL_REQUEST)	
PCO Type:	SAP0_3	
Comments:	The ASP is used to indicate the arrival of an RR CHANNEL REQUEST message (L2 -> L3).	
Parameter Name	Parameter Type	Comments
sapi	SAPID	
logic_ch	LOGICCH	
fn	FN	
msg	CH_RQ_PDU	
Detailed Comments:		

ASP Type Definition		
ASP Name:	DL_RaInHoacc (DL_RADOM_ACCESS_INDICATION_HANDOVER_ACCESS)	
PCO Type:	SAP0_3	
Comments:	The ASP is used to indicate the arrival of an RR HANDOVER ACCESS message (L2 -> L3).	
Parameter Name	Parameter Type	Comments
sapi	SAPID	
logic_ch	LOGICCH	
msg	HOACC_PDU	
fn	FN	
Detailed Comments:		

ASP Type Definition		
ASP Name:	DL_UdatRqImmass (DL_UNIT_DATA_REQUEST_IMMEDIATE_ASSIGNMENT)	
PCO Type:	SAP0_3	
Comments:	The ASP is used to request the transmission of the RR IMMEDIATE ASSIGNMENT message using unacknowledged operation (L3 -> L2).	
Parameter Name	Parameter Type	Comments
sapi	SAPID	
logic_ch	LOGICCH	
msg	IMMASS_PDU	
Detailed Comments:		

ASP Type Definition		
ASP Name:	DL_UdatRqImmass_sp (DL_UNIT_DATA_REQUEST_IMMEDIATE_ASSIGNMENT)	
PCO Type:	SAP0_3	
Comments:	The ASP is used to request the transmission of the RR IMMEDIATE ASSIGNMENT message using unacknowledged operation (L3 -> L2) on the MS paging channel.	
Parameter Name	Parameter Type	Comments
sapi	SAPID	
logic_ch	LOGICCH	
pgg	PGG	
msg	IMMASS_PDU	
Detailed Comments:		

ASP Type Definition		
ASP Name:	DL_UdatRqImmassx (DL_UNIT_DATA_REQUEST_IMMEDIATE_ASSIGNMENT_EXTENDED)	
PCO Type:	SAP0_3	
Comments:	The ASP is used to request the transmission of the RR IMMEDIATE ASSIGNMENT EXTENDED message using unacknowledged operation (L3 -> L2).	
Parameter Name	Parameter Type	Comments
sapi	SAPID	
logic_ch	LOGICCH	
msg	IMMASSX_PDU	
Detailed Comments:		

ASP Type Definition		
ASP Name:	DL_UdatRqImmassx_sp (DL_UNIT_DATA_REQUEST_IMMEDIATE_ASSIGNMENT_EXTENDED)	
PCO Type:	SAP0_3	
Comments:	The ASP is used to request the transmission of the RR IMMEDIATE ASSIGNMENT EXTENDED message using unacknowledged operation (L3 -> L2) on the MS paging channel.	
Parameter Name	Parameter Type	Comments
sapi	SAPID	
logic_ch	LOGICCH	
pgg	PGG	
msg	IMMASSX_PDU	
Detailed Comments:		

ASP Type Definition		
ASP Name:	DL_UdatRqImmassRej (DL_UNIT_DATA_REQUEST_IMMEDIATE_ASSIGNMENT_REJECT)	
PCO Type:	SAP0_3	
Comments:	The ASP is used to request the transmission of the RR IMMEDIATE ASSIGNMENT REJECT message using unacknowledged operation (L3 -> L2).	
Parameter Name	Parameter Type	Comments
sapi	SAPID	
logic_ch	LOGICCH	
msg	IMMASS_REJ_PDU	
Detailed Comments:		

ASP Type Definition		
ASP Name:	DL_UdatRqImmassRej_sp (DL_UNIT_DATA_REQUEST_IMMEDIATE_ASSIGNMENT_REJECT)	
PCO Type:	SAP0_3	
Comments:	The ASP is used to request the transmission of the RR IMMEDIATE ASSIGNMENT REJECT message using unacknowledged operation (L3 -> L2) on the MS paging channel.	
Parameter Name	Parameter Type	Comments
sapi	SAPID	
logic_ch	LOGICCH	
pgg	PGG	
msg	IMMASS_REJ_PDU	
Detailed Comments:		

ASP Type Definition		
ASP Name:	DL_UdatInMsrRpt (DL_DATA_INDICATION_MEASUREMENT_REPORT)	
PCO Type:	SAP0_3	
Comments:	The ASP is used to indicate the receipt of the RR MEASUREMENT REPORT message using unacknowledged operation (L2 -> L3).	
Parameter Name	Parameter Type	Comments
sapi	SAPID	
logic_ch	LOGICCH	
msg	MSR_RPT_PDU	
fn	FN	
Detailed Comments: The ASPs are continuously received during the testing.		

ASP Type Definition		
ASP Name:	DL_UdatRqSMSCBData (DL_UNIT_DATA_REQUEST_SMSCB_DATA)	
PCO Type:	SAP0_3	
Comments:	The ASP is used to request the transmission of the SMSCB data using unacknowledged operation (L3 -> L2).	
Parameter Name	Parameter Type	Comments
sapi	SAPID	
logic_ch	LOGICCH	
msg	SMSCB_PDU	
Detailed Comments:		

ASP Type Definition		
ASP Name:	DL_UdatRqPg1Rq (DL_UNIT_DATA_REQUEST_PAGING_REQUEST_TYPE1)	
PCO Type:	SAP0_3	
Comments:	The ASP is used to request the transmission of the RR PAGING REQUEST TYPE 1 message using unacknowledged operation (L3 -> L2).	
Parameter Name	Parameter Type	Comments
sapi	SAPID	
logic_ch	LOGICCH	
pgg	PGG	
msg	PG1_RQ_PDU	
Detailed Comments:		

ASP Type Definition		
ASP Name:	DL_UdatRqPg2Rq (DL_UNIT_DATA_REQUEST_PAGING_REQUEST_TYPE2)	
PCO Type:	SAP0_3	
Comments:	The ASP is used to request the transmission of the RR PAGING REQUEST TYPE 2 message using unacknowledged operation (L3 -> L2).	
Parameter Name	Parameter Type	Comments
sapi	SAPID	
logic_ch	LOGICCH	
pgg	PGG	
msg	PG2_RQ_PDU	
Detailed Comments:		

ASP Type Definition		
ASP Name:	DL_UdatRqPg3Rq (DL_UNIT_DATA_REQUEST_PAGING_REQUEST_TYPE3)	
PCO Type:	SAP0_3	
Comments:	The ASP is used to request the transmission of the RR PAGING REQUEST TYPE 3 message using unacknowledged operation (L3 -> L2).	
Parameter Name	Parameter Type	Comments
sapi	SAPID	
logic_ch	LOGICCH	
pgg	PGG	
msg	PG3_RQ_PDU	
Detailed Comments:		

ASP Type Definition		
ASP Name:	DL_UdatRqSchinfo (DL_UNIT_DATA_REQUEST_SYNCHRONIZATION_CHANNEL_INFORMATION)	
PCO Type:	SAP0_3	
Comments:	The ASP is used to request the transmission of the RR SYNCHRONIZATION CHANNEL INFORMATION message using unacknowledged operation (L3 -> L2).	
Parameter Name	Parameter Type	Comments
sapi	SAPID	
logic_ch	LOGICCH	
msg	SCHINFO_PDU	
Detailed Comments:		

ASP Type Definition		
ASP Name:	DL_UdatRqSysinfo1 (DL_UNIT_DATA_REQUEST_SYSTEM_INFORMATION_TYPE1)	
PCO Type:	SAP0_3	
Comments:	The ASP is used to request the transmission of the RR SYSTEM INFORMATION TYPE 1 message using unacknowledged operation (L3 -> L2).	
Parameter Name	Parameter Type	Comments
sapi	SAPID	
logic_ch	LOGICCH	
msg	SYSINFO1_PDU	
Detailed Comments:		

ASP Type Definition		
ASP Name:	DL_UdatRqSysinfo1_nh (DL_UNIT_DATA_REQUEST_SYSTEM_INFORMATION_TYPE1)	
PCO Type:	SAP0_3	
Comments:	The ASP is used to request the transmission of the RR SYSTEM INFORMATION TYPE 3 message in case of non hopping	
Parameter Name	Parameter Type	Comments
sapi	SAPID	
logic_ch	LOGICCH	
msg	SYSINFO3_PDU	
Detailed Comments:		

ASP Type Definition		
ASP Name:	DL_UdatRqSysinfo2 (DL_UNIT_DATA_REQUEST_SYSTEM_INFORMATION_TYPE2)	
PCO Type:	SAP0_3	
Comments:	The ASP is used to request the transmission of the RR SYSTEM INFORMATION TYPE 2 message using unacknowledged operation (L3 -> L2).	
Parameter Name	Parameter Type	Comments
sapi	SAPID	
logic_ch	LOGICCH	
msg	SYSINFO2_PDU	
Detailed Comments:		

ASP Type Definition		
ASP Name:	DL_UdatRqSysinfo2bis (DL_UNIT_DATA_REQUEST_SYSTEM_INFORMATION_TYPE2bis)	
PCO Type:	SAP0_3	
Comments:	The ASP is used to request the transmission of the RR SYSTEM INFORMATION TYPE 2bis message using unacknowledged operation (L3 -> L2).	
Parameter Name	Parameter Type	Comments
sapi	SAPID	
logic_ch	LOGICCH	
msg	SYSINFO2bis_PDU	
Detailed Comments:		

ASP Type Definition		
ASP Name:	DL_UdatRqSysinfo2ter (DL_UNIT_DATA_REQUEST_SYSTEM_INFORMATION_TYPE2ter)	
PCO Type:	SAP0_3	
Comments:	The ASP is used to request the transmission of the RR SYSTEM INFORMATION TYPE 2ter message using unacknowledged operation (L3 -> L2).	
Parameter Name	Parameter Type	Comments
sapi	SAPID	
logic_ch	LOGICCH	
msg	SYSINFO2ter_PDU	
Detailed Comments:		

ASP Type Definition		
ASP Name:	DL_UdatRqSysinfo3 (DL_UNIT_DATA_REQUEST_SYSTEM_INFORMATION_TYPE3)	
PCO Type:	SAP0_3	
Comments:	The ASP is used to request the transmission of the RR SYSTEM INFORMATION TYPE 3 message using unacknowledged operation (L3 -> L2).	
Parameter Name	Parameter Type	Comments
sapi	SAPID	
logic_ch	LOGICCH	
msg	SYSINFO3_PDU	
Detailed Comments:		

ASP Type Definition		
ASP Name:	DL_UdatRqSysinfo4 (DL_UNIT_DATA_REQUEST_SYSTEM_INFORMATION_TYPE4)	
PCO Type:	SAP0_3	
Comments:	The ASP is used to request the transmission of the RR SYSTEM INFORMATION TYPE 4 message using unacknowledged operation (L3 -> L2).	
Parameter Name	Parameter Type	Comments
sapi	SAPID	
logic_ch	LOGICCH	
msg	SYSINFO4_PDU	
Detailed Comments:		

ASP Type Definition		
ASP Name:	DL_UdatRqSysinfo5 (DL_UNIT_DATA_REQUEST_SYSTEM_INFORMATION_TYPE5)	
PCO Type:	SAP0_3	
Comments:	The ASP is used to request the transmission of the RR SYSTEM INFORMATION TYPE 5 message using unacknowledged operation (L3 -> L2).	
Parameter Name	Parameter Type	Comments
sapi	SAPID	
logic_ch	LOGICCH	
msg	SYSINFO5_PDU	
Detailed Comments:		

ASP Type Definition		
ASP Name:	DL_UdatRqSysinfo5bis (DL_UNIT_DATA_REQUEST_SYSTEM_INFORMATION_TYPE5bis)	
PCO Type:	SAP0_3	
Comments:	The ASP is used to request the transmission of the RR SYSTEM INFORMATION TYPE 5bis message using unacknowledged operation (L3 -> L2).	
Parameter Name	Parameter Type	Comments
sapi	SAPID	
logic_ch	LOGICCH	
msg	SYSINFO5bis_PDU	
Detailed Comments:		

ASP Type Definition		
ASP Name:	DL_UdatRqSysinfo5ter (DL_UNIT_DATA_REQUEST_SYSTEM_INFORMATION_TYPE5ter)	
PCO Type:	SAP0_3	
Comments:	The ASP is used to request the transmission of the RR SYSTEM INFORMATION TYPE 5ter message using unacknowledged operation (L3 -> L2).	
Parameter Name	Parameter Type	Comments
sapi	SAPID	
logic_ch	LOGICCH	
msg	SYSINFO5ter_PDU	
Detailed Comments:		

ASP Type Definition		
ASP Name:	DL_UdatRqSysinfo6 (DL_UNIT_DATA_REQUEST_SYSTEM_INFORMATION_TYPE6)	
PCO Type:	SAP0_3	
Comments:	The ASP is used to request the transmission of the RR SYSTEM INFORMATION TYPE 6 message using unacknowledged operation (L3 -> L2).	
Parameter Name	Parameter Type	Comments
sapi	SAPID	
logic_ch	LOGICCH	
msg	SYSINFO6_PDU	
Detailed Comments:		

ASP Type Definition		
ASP Name:	DL_UdatRqSysinfo7 (DL_UNIT_DATA_REQUEST_SYSTEM_INFORMATION_TYPE7)	
PCO Type:	SAP0_3	
Comments:	The ASP is used to request the transmission of the RR SYSTEM INFORMATION TYPE 7 message using unacknowledged operation (L3 -> L2).	
Parameter Name	Parameter Type	Comments
sapi	SAPID	
logic_ch	LOGICCH	
msg	SYSINFO7_PDU	
Detailed Comments:		

ASP Type Definition		
ASP Name:	DL_UdatRqSysinfo8 (DL_UNIT_DATA_REQUEST_SYSTEM_INFORMATION_TYPE8)	
PCO Type:	SAP0_3	
Comments:	The ASP is used to request the transmission of the RR SYSTEM INFORMATION TYPE 8 message using unacknowledged operation (L3 -> L2).	
Parameter Name	Parameter Type	Comments
sapi	SAPID	
logic_ch	LOGICCH	
msg	SYSINFO8_PDU	
Detailed Comments:		

ASP Type Definition		
ASP Name:	DL_UdatInCImChn (DL_UdatINDICATION_CLASSMARK_CHANGE)	
PCO Type:	SAP0_3	
Comments:	The ASP is used to indicate the receipt of the RR CLASSMARK CHANGE message using unacknowledged operation (L2 -> L3).	
Parameter Name	Parameter Type	Comments
sapi	SAPID	
logic_ch	LOGICCH	
msg	CLM_CHN_PDU	
fn	FN	
Detailed Comments:		

ASP Type Definition		
ASP Name:	DL_DatRqAssCmd (DL_DATA_REQUEST_ASSIGNMENT_COMMAND)	
PCO Type:	SAP0_3	
Comments:	The ASP is used to request the transmission of the RR ASSIGNMENT COMMAND message using acknowledged operation (L3 -> L2).	
Parameter Name	Parameter Type	Comments
sapi	SAPID	
logic_ch	LOGICCH	
msg	ASS_CMD_PDU	
Detailed Comments:		

ASP Type Definition		
ASP Name:	DL_DatInAssCom (DL_DATA_INDICATION_ASSIGNMENT_COMPLETE)	
PCO Type:	SAP0_3	
Comments:	The ASP is used to indicate the receipt of the RR ASSIGNMENT COMPLETE message using acknowledged operation (L2 -> L3).	
Parameter Name	Parameter Type	Comments
sapi	SAPID	
logic_ch	LOGICCH	
msg	ASS_COM_PDU	
fn	FN	
Detailed Comments: The ASP is a result of the ASP DL_RESUME_REQUEST of the SUT sending the ASSIGNMENT COMPLETE message.		

ASP Type Definition		
ASP Name:	DL_DatInAssfl (DL_DATA_INDICATION_ASSIGNMENT_FAILURE)	
PCO Type:	SAP0_3	
Comments:	The ASP is used to indicate the receipt of the RR ASSIGNMENT FAILURE message using acknowledged operation (L2 -> L3).	
Parameter Name	Parameter Type	Comments
sapi	SAPID	
logic_ch	LOGICCH	
msg	ASSFL_PDU	
fn	FN	
Detailed Comments: The ASP is a result of the ASP DL_RECONNECT_REQUEST of the SUT sending the ASSIGNMEN FAILURE message.		

ASP Type Definition		
ASP Name:	DL_DatInCmsRq (DL_DATA_INDICATION_CM_SERVICE_REQUEST)	
PCO Type:	SAP0_3	
Comments:	The ASP is used to indicate the receipt of the MM CM SERVICE REQUEST message (L2 -> L3).	
Parameter Name	Parameter Type	Comments
sapi	SAPID	
logic_ch	LOGICCH	
msg	CMS_RQ_PDU	
fn	FN	
Detailed Comments:		

ASP Type Definition		
ASP Name:	DL_DatRqChmmo (DL_DATA_REQUEST_CHANNEL_MODE_MODIFY)	
PCO Type:	SAP0_3	
Comments:	The ASP is used to request the transmission of the RR CHANNEL MODE MODIFY message using acknowledged operation (L3 -> L2).	
Parameter Name	Parameter Type	Comments
sapi	SAPID	
logic_ch	LOGICCH	
msg	CHMMO_PDU	
Detailed Comments:		

ASP Type Definition		
ASP Name:	DL_DatInChmmoAck (DL_DATA_INDICATION_CHANNEL_MODE_MODIFY_ACKNOWLEDGE)	
PCO Type:	SAP0_3	
Comments:	The ASP is used to indicate the receipt of the RR CHANNEL MODE MODIFY ACKNOWLEDGE message using acknowledged operation (L2 -> L3).	
Parameter Name	Parameter Type	Comments
sapi	SAPID	
logic_ch	LOGICCH	
msg	CHMMO_ACK_PDU	
fn	FN	
Detailed Comments:		

ASP Type Definition		
ASP Name:	DL_DatRqChRel (DL_DATA_REQUEST_CHANNEL_RELEASE)	
PCO Type:	SAP0_3	
Comments:	The ASP is used to request the transmission of the RR CHANNEL_RELEASE message using acknowledged operation (L3 -> L2).	
Parameter Name	Parameter Type	Comments
sapi	SAPID	
logic_ch	LOGICCH	
msg	CH_REL_PDU	
Detailed Comments:		

ASP Type Definition		
ASP Name:	DL_DatRqChRelErr (DL_DATA_REQUEST_CHANNEL_RELEASE_ERROR)	
PCO Type:	SAP0_3	
Comments:	The ASP is used to request the transmission of the RR CHANNEL_RELEASE message using acknowledged operation (L3 -> L2).	
Parameter Name	Parameter Type	Comments
sapi	SAPID	
logic_ch	LOGICCH	
msg	CH_REL_PDU_ERR	
Detailed Comments:		

ASP Type Definition		
ASP Name:	DL_DatRqCphmCmd (DL_DATA_REQUEST_CIPHERING_MODE_COMMAND)	
PCO Type:	SAP0_3	
Comments:	The ASP is used to request the transmission of the RR CIPHERING_MODE_COMMAND message using acknowledged operation (L3 -> L2).	
Parameter Name	Parameter Type	Comments
sapi	SAPID	
logic_ch	LOGICCH	
msg	CPHM_CMD_PDU	
Detailed Comments:		

ASP Type Definition		
ASP Name:	DL_DatRqCphmCmdErr (DL_DATA_REQUEST_CIPHERING_MODE_COMMAND_ERROR)	
PCO Type:	SAP0_3	
Comments:	The ASP is used to request the transmission of the invalid RR CIPHERING_MODE_COMMAND message using acknowledged operation (L3 -> L2).	
Parameter Name	Parameter Type	Comments
sapi	SAPID	
logic_ch	LOGICCH	
msg	CPHM_CMD_PDU_ERR	
Detailed Comments:		

ASP Type Definition		
ASP Name:	DL_DatInCphmCom (DL_DATA_INDICATION_CIPHERING_MODE_COMPLETE)	
PCO Type:	SAP0_3	
Comments:	The ASP is used to indicate the receipt of the RR CIPHERING MODE COMPLETE message using acknowledged operation (L2 -> L3).	
Parameter Name	Parameter Type	Comments
sapi	SAPID	
logic_ch	LOGICCH	
msg	CPHM_COM_PDU	
fn	FN	
Detailed Comments:		

ASP Type Definition		
ASP Name:	DL_DatInClmChn (DL_DAT_INDICATION_CLASSMARK_CHANGE)	
PCO Type:	SAP0_3	
Comments:	The ASP is used to indicate the receipt of the RR CLASSMARK CHANGE message using acknowledged operation (L2 -> L3).	
Parameter Name	Parameter Type	Comments
sapi	SAPID	
logic_ch	LOGICCH	
msg	CLM_CHN_PDU	
fn	FN	
Detailed Comments:		

ASP Type Definition		
ASP Name:	DL_DatRqClmEnq (DL_DATA_REQUEST_CLASSMARK_ENQUIRY)	
PCO Type:	SAP0_3	
Comments:	The ASP is used to request the transmission of the RR CLASSMARK ENQUIRY message using acknowledged operation (L3 -> L2).	
Parameter Name	Parameter Type	Comments
sapi	SAPID	
logic_ch	LOGICCH	
msg	CLM_ENQ_PDU	
Detailed Comments:		

ASP Type Definition		
ASP Name:	DL_DatRqFrqre (DL_DATA_REQUEST_FREQUENCY_REDEFINITION)	
PCO Type:	SAP0_3	
Comments:	The ASP is used to request the transmission of the RR FREQUENCY REDEFINITION message using acknowledged operation (L3 -> L2).	
Parameter Name	Parameter Type	Comments
sapi	SAPID	
logic_ch	LOGICCH	
msg	FRQRE_PDU	
Detailed Comments:		

ASP Type Definition		
ASP Name:	DL_DatRqHoCmd (DL_DATA_REQUEST_HANDOVER_COMMAND)	
PCO Type:	SAP0_3	
Comments:	The ASP is used to request the transmission of the RR HANDOVER COMMAND message using acknowledged operation (L3 -> L2).	
Parameter Name	Parameter Type	Comments
sapi	SAPID	
logic_ch	LOGICCH	
msg	HO_CMD_PDU	
Detailed Comments:		

ASP Type Definition		
ASP Name:	DL_DatInHoCom (DL_DATA_INDICATION_HANDOVER_COMPLETE)	
PCO Type:	SAP0_3	
Comments:	The ASP is used to indicate the receipt of the RR HANDOVER COMPLETE message using acknowledged operation (L2 -> L3).	
Parameter Name	Parameter Type	Comments
sapi	SAPID	
logic_ch	LOGICCH	
msg	HO_COM_PDU	
fn	FN	
Detailed Comments:	The ASP is a result of the ASP DL_RESUME_REQUEST of the SUT sending the HANDOVER COMPLETE message.	

ASP Type Definition		
ASP Name:	DL_DatInHofl (DL_DATA_INDICATION_HANDOVER_FAILURE)	
PCO Type:	SAP0_3	
Comments:	The ASP is used to indicate the receipt of the RR HANDOVER FAILURE message using acknowledged operation (L2 -> L3).	
Parameter Name	Parameter Type	Comments
sapi	SAPID	
logic_ch	LOGICCH	
msg	HOFL_PDU	
fn	FN	
Detailed Comments:	The ASP is a result of the ASP DL_RECONNECT_REQUEST of the SUT sending the HANDOVER FAILURE message.	

ASP Type Definition		
ASP Name:	DL_DatRqPhyinfo (DL_DATA_REQUEST_PHYSICAL_INFORMATION)	
PCO Type:	SAP0_3	
Comments:	The ASP is used to request the transmission of the RR PHYSICAL INFORMATION message using acknowledged operation (L3 -> L2).	
Parameter Name	Parameter Type	Comments
sapi	SAPID	
logic_ch	LOGICCH	
msg	PHYINFO_PDU	
Detailed Comments:		

ASP Type Definition		
ASP Name:	DL_DatInRrst (DL_DATA_INDICATION_RR_STATUS)	
PCO Type:	SAP0_3	
Comments:	The ASP is used to indicate the receipt of the RR STATUS message using acknowledged operation (L2 -> L3).	
Parameter Name	Parameter Type	Comments
sapi	SAPID	
logic_ch	LOGICCH	
msg	RRST_PDU	
fn	FN	
Detailed Comments:		

ASP Type Definition		
ASP Name:	DL_DatRqAuthRej (DL_DATA_REQUEST_AUTHENTICATION_REJECT)	
PCO Type:	SAP0_3	
Comments:	The ASP is used to request the transmission of the MM AUTHENTICATION REJECT message using acknowledged operation (L3 -> L2).	
Parameter Name	Parameter Type	Comments
sapi	SAPID	
logic_ch	LOGICCH	
msg	AUTH_REJ_PDU	
Detailed Comments:		

ASP Type Definition		
ASP Name:	DL_DatRqAuthRq (DL_DATA_REQUEST_AUTHENTICATION_REQUEST)	
PCO Type:	SAP0_3	
Comments:	The ASP is used to request the transmission of the MM AUTHENTICATION REQUEST message using acknowledged operation (L3 -> L2).	
Parameter Name	Parameter Type	Comments
sapi	SAPID	
logic_ch	LOGICCH	
msg	AUTH_RQ_PDU	
Detailed Comments:		

ASP Type Definition		
ASP Name:	DL_DatInAuthRes (DL_DATA_INDICATION_AUTHENTICATION_RESPONSE)	
PCO Type:	SAP0_3	
Comments:	The ASP is used to indicate the receipt of the MM AUTHENTICATION RESPONSE message using acknowledged operation (L2 -> L3).	
Parameter Name	Parameter Type	Comments
sapi	SAPID	
logic_ch	LOGICCH	
msg	AUTH_RES_PDU	
fn	FN	
Detailed Comments:		

ASP Type Definition		
ASP Name:	DL_DatRqCmsAcP (DL_DATA_REQUEST_CM_SERVICE_ACCEPT)	
PCO Type:	SAP0_3	
Comments:	The ASP is used to request the transmission of the MM CM SERVICE ACCEPT message using acknowledged operation (L3 -> L2).	
Parameter Name	Parameter Type	Comments
sapi	SAPID	
logic_ch	LOGICCH	
msg	CMS_ACP_PDU	
Detailed Comments:		

ASP Type Definition		
ASP Name:	DL_DatRqCmsRej (DL_DATA_REQUEST_CM_SERVICE_REJECT)	
PCO Type:	SAP0_3	
Comments:	The ASP is used to request the transmission of the MM CM SERVICE REJECT message using acknowledged operation (L3 -> L2).	
Parameter Name	Parameter Type	Comments
sapi	SAPID	
logic_ch	LOGICCH	
msg	CMS_REJ_PDU	
Detailed Comments:		

ASP Type Definition		
ASP Name:	DL_DatRqAbrt (DL_DATA_REQUEST_ABORT)	
PCO Type:	SAP0_3	
Comments:	The ASP is used to request the transmission of the MM ABORT message using acknowledged operation (L3 -> L2).	
Parameter Name	Parameter Type	Comments
sapi	SAPID	
logic_ch	LOGICCH	
msg	ABRT_PDU	
Detailed Comments:		

ASP Type Definition		
ASP Name:	DL_DatRqIdRq (DL_DATA_REQUEST_IDENTITY_REQUEST)	
PCO Type:	SAP0_3	
Comments:	The ASP is used to request the transmission of the MM IDENTITY REQUEST message using acknowledged operation (L3 -> L2).	
Parameter Name	Parameter Type	Comments
sapi	SAPID	
logic_ch	LOGICCH	
msg	ID_RQ_PDU	
Detailed Comments:		

ASP Type Definition		
ASP Name:	DL_DatIndRes (DL_DATA_INDICATION_IDENTIFY_RESPONSE)	
PCO Type:	SAP0_3	
Comments:	The ASP is used to indicate the receipt of the MM IDENTITY RESPONSE message using acknowledged operation (L2 -> L3).	
Parameter Name	Parameter Type	Comments
sapi	SAPID	
logic_ch	LOGICCH	
msg	ID_RES_PDU	
fn	FN	
Detailed Comments:		

ASP Type Definition		
ASP Name:	DL_DatRqLupAcp (DL_DATA_REQUEST_LOCATION_UPDATING_ACCEPT)	
PCO Type:	SAP0_3	
Comments:	The ASP is used to request the transmission of the MM LOCATION UPDATING ACCEPT message using acknowledged operation (L3 -> L2).	
Parameter Name	Parameter Type	Comments
sapi	SAPID	
logic_ch	LOGICCH	
msg	LUP_ACP_PDU	
Detailed Comments:		

ASP Type Definition		
ASP Name:	DL_DatRqLupAcpErr (DL_DATA_REQUEST_LOCATION_UPDATING_ACCEPT_ERR)	
PCO Type:	SAP0_3	
Comments:	The ASP is used to request the transmission of the MM LOCATION UPDATING ACCEPT message using acknowledged operation (L3 -> L2).	
Parameter Name	Parameter Type	Comments
sapi	SAPID	
logic_ch	LOGICCH	
msg	LUP_ACP_PDU_ERR	
Detailed Comments:		

ASP Type Definition		
ASP Name:	DL_DatRqLupRej (DL_DATA_REQUEST_LOCATION_UPDATING_REJECT)	
PCO Type:	SAP0_3	
Comments:	The ASP is used to request the transmission of the MM LOCATION UPDATING REJECT message using acknowledged operation (L3 -> L2).	
Parameter Name	Parameter Type	Comments
sapi	SAPID	
logic_ch	LOGICCH	
msg	LUP_REJ_PDU	
Detailed Comments:		

ASP Type Definition		
ASP Name:	DL_DatInMmst (DL_DATA_INDICATION_MM_STATUS)	
PCO Type:	SAP0_3	
Comments:	The ASP is used to indicate the receipt of the MM STATUS message using acknowledged operation (L2 -> L3).	
Parameter Name	Parameter Type	Comments
sapi	SAPID	
logic_ch	LOGICCH	
msg	MMST_PDU	
fn	FN	
Detailed Comments:		

ASP Type Definition		
ASP Name:	DL_DatRqTmsireCmd (DL_DATA_REQUEST_TMSI_REALLOCATION_COMMAND)	
PCO Type:	SAP0_3	
Comments:	The ASP is used to request the transmission of the MM TMSI REALLOCATION COMMAND message using acknowledged operation (L3 -> L2).	
Parameter Name	Parameter Type	Comments
sapi	SAPID	
logic_ch	LOGICCH	
msg	TMSIRE_CMD_PDU	
Detailed Comments:		

ASP Type Definition		
ASP Name:	DL_DatInTmsireCom (DL_DATA_INDICATION_TMSI_REALLOCATION_COMPLETE)	
PCO Type:	SAP0_3	
Comments:	The ASP is used to indicate the receipt of the MM TMSI REALLOCATION COMPLETE message using acknowledged operation (L2 -> L3).	
Parameter Name	Parameter Type	Comments
sapi	SAPID	
logic_ch	LOGICCH	
msg	TMSIRE_COM_PDU	
fn	FN	
Detailed Comments:		

ASP Type Definition		
ASP Name:	DL_DatRqAlert (DL_DATA_REQUEST_ALERTING)	
PCO Type:	SAP0_3	
Comments:	The ASP is used to request the transmission of the CC ALERTING message using acknowledged operation (L3 -> L2).	
Parameter Name	Parameter Type	Comments
sapi	SAPID	
logic_ch	LOGICCH	
msg	ALERT_PDU	
Detailed Comments:		

ASP Type Definition		
ASP Name:	DL_DatInAlert (DL_DATA_INDICATION_ALERTING)	
PCO Type:	SAP0_3	
Comments:	The ASP is used to indicate the receipt of the CC ALERTING message using acknowledged operation (L2 -> L3).	
Parameter Name	Parameter Type	Comments
sapi	SAPID	
logic_ch	LOGICCH	
msg	ALERT_PDU	
fn	FN	
Detailed Comments:		

ASP Type Definition		
ASP Name:	DL_DatInCallCo (DL_DATA_INDICATION_CALL_CONFIRMED)	
PCO Type:	SAP0_3	
Comments:	The ASP is used to indicate the receipt of the CC CALL CONFIRMED message using acknowledged operation (L2 -> L3).	
Parameter Name	Parameter Type	Comments
sapi	SAPID	
logic_ch	LOGICCH	
msg	CALL_CO_PDU	
fn	FN	
Detailed Comments:		

ASP Type Definition		
ASP Name:	DL_DatRqCallProc (DL_DATA_REQUEST_CALL_PROCEEDING)	
PCO Type:	SAP0_3	
Comments:	The ASP is used to request the transmission of the CC CALL PROCEEDING message using acknowledged operation (L3 -> L2).	
Parameter Name	Parameter Type	Comments
sapi	SAPID	
logic_ch	LOGICCH	
msg	CALL_PROC_PDU	
Detailed Comments:		

ASP Type Definition		
ASP Name:	DL_DatRqConn (DL_DATA_REQUEST_CONNECT)	
PCO Type:	SAP0_3	
Comments:	The ASP is used to request the transmission of the CC CONNECT message using acknowledged operation (L3 -> L2).	
Parameter Name	Parameter Type	Comments
sapi	SAPID	
logic_ch	LOGICCH	
msg	CONN_PDU	
Detailed Comments:		

ASP Type Definition		
ASP Name:	DL_DatRqConnErr (DL_DATA_REQUEST_CONNECT_ERR)	
PCO Type:	SAP0_3	
Comments:	The ASP is used to request the transmission of the CC CONNECT message using acknowledged operation (L3 -> L2).	
Parameter Name	Parameter Type	Comments
sapi	SAPID	
logic_ch	LOGICCH	
msg	CONN_PDU_ERR	
Detailed Comments:		

ASP Type Definition		
ASP Name:	DL_DatInConn (DL_DATA_INDICATION_CONNECT)	
PCO Type:	SAP0_3	
Comments:	The ASP is used to indicate the receipt of the CC CONNECT message using acknowledged operation (L2 -> L3).	
Parameter Name	Parameter Type	Comments
sapi	SAPID	
logic_ch	LOGICCH	
msg	CONN_PDU	
fn	FN	
Detailed Comments:		

ASP Type Definition		
ASP Name:	DL_DatRqConnAck (DL_DATA_REQUEST_CONNECT_ACKNOWLEDGE)	
PCO Type:	SAP0_3	
Comments:	The ASP is used to request the transmission of the CC CONNECT ACKNOWLEDGE message using acknowledged operation (L3 -> L2).	
Parameter Name	Parameter Type	Comments
sapi	SAPID	
logic_ch	LOGICCH	
msg	CONN_ACK_PDU	
Detailed Comments:		

ASP Type Definition		
ASP Name:	DL_DatInConnAck (DL_DATA_INDICATION_CONNECT_ACKNOWLEDGE)	
PCO Type:	SAP0_3	
Comments:	The ASP is used to indicate the reception of the CC CONNECT ACKNOWLEDGE message using acknowledged operation (L2 -> L3).	
Parameter Name	Parameter Type	Comments
sapi	SAPID	
logic_ch	LOGICCH	
msg	CONN_ACK_PDU	
fn	FN	
Detailed Comments:		

ASP Type Definition		
ASP Name:	DL_DatRqDisc (DL_DATA_REQUEST_DISCONNECT)	
PCO Type:	SAP0_3	
Comments:	The ASP is used to request the transmission of the CC DISCONNECT message using acknowledged operation (L3 -> L2).	
Parameter Name	Parameter Type	Comments
sapi	SAPID	
logic_ch	LOGICCH	
msg	DISC_PDU	
Detailed Comments:		

ASP Type Definition		
ASP Name:	DL_DatRqDiscErr (DL_DATA_REQUEST_DISCONNECT_ERR)	
PCO Type:	SAP0_3	
Comments:	The ASP is used to request the transmission of the CC DISCONNECT message using acknowledged operation (L3 -> L2).	
Parameter Name	Parameter Type	Comments
sapi	SAPID	
logic_ch	LOGICCH	
msg	DISC_PDU_ERR	
Detailed Comments:		

ASP Type Definition		
ASP Name:	DL_DatInDisc (DL_DATA_INDICATION_DISCONNECT)	
PCO Type:	SAP0_3	
Comments:	The ASP is used to indicate the receipt of the CC DISCONNECT message using acknowledged operation (L2 -> L3).	
Parameter Name	Parameter Type	Comments
sapi	SAPID	
logic_ch	LOGICCH	
msg	DISC_PDU	
fn	FN	
Detailed Comments:		

ASP Type Definition		
ASP Name:	DL_DatInESetup (DL_DATA_INDICATION_EMERGENCY_SETUP)	
PCO Type:	SAP0_3	
Comments:	The ASP is used to indicate the receipt of the CC EMERGENCY_SETUP message using acknowledged operation (L2 -> L3).	
Parameter Name	Parameter Type	Comments
sapi	SAPID	
logic_ch	LOGICCH	
msg	ESETUP_PDU	
fn	FN	
Detailed Comments:		

ASP Type Definition		
ASP Name:	DL_DatRqFac (DL_DATA_REQUEST_FACILITY)	
PCO Type:	SAP0_3	
Comments:	The ASP is used to request the transmission of the CC FACILITY message using acknowledged operation (L3 -> L2).	
Parameter Name	Parameter Type	Comments
sapi	SAPID	
logic_ch	LOGICCH	
msg	FAC_PDU	
Detailed Comments:		

ASP Type Definition		
ASP Name:	DL_DatInFac (DL_DATA_INDICATION_FACILITY)	
PCO Type:	SAP0_3	
Comments:	The ASP is used to indicate the receipt of the CC FACILITY message using acknowledged operation (L2 -> L3).	
Parameter Name	Parameter Type	Comments
sapi	SAPID	
logic_ch	LOGICCH	
msg	FAC_PDU	
fn	FN	
Detailed Comments:		

ASP Type Definition		
ASP Name:	DL_DatInHold (DL_DATA_INDICATION_HOLD)	
PCO Type:	SAP0_3	
Comments:	The ASP is used to indicate the receipt of the CC HOLD message using acknowledged operation (L2 -> L3).	
Parameter Name	Parameter Type	Comments
sapi	SAPID	
logic_ch	LOGICCH	
msg	HOLD_PDU	
fn	FN	
Detailed Comments:		

ASP Type Definition		
ASP Name:	DL_DatRqHoldAck (DL_DATA_REQUEST_HOLD_ACKNOWLEDGE)	
PCO Type:	SAP0_3	
Comments:	The ASP is used to request the transmission of the CC HOLD ACKNOWLEDGE message using acknowledged operation (L3 -> L2).	
Parameter Name	Parameter Type	Comments
sapi	SAPID	
logic_ch	LOGICCH	
msg	HOLD_ACK_PDU	
Detailed Comments:		

ASP Type Definition		
ASP Name:	DL_DatRqModify (DL_DATA_REQUEST_MODIFY)	
PCO Type:	SAP0_3	
Comments:	The ASP is used to request the transmission of the CC MODIFY message using acknowledged operation (L3 -> L2).	
Parameter Name	Parameter Type	Comments
sapi	SAPID	
logic_ch	LOGICCH	
msg	MODIFY_PDU	
Detailed Comments:		

ASP Type Definition		
ASP Name:	DL_DatInModify (DL_DATA_INDICATION_MODIFY)	
PCO Type:	SAP0_3	
Comments:	The ASP is used to indicate the receipt of the CC MODIFY message using acknowledged operation (L2 -> L3).	
Parameter Name	Parameter Type	Comments
sapi	SAPID	
logic_ch	LOGICCH	
msg	MODIFY_PDU	
fn	FN	
Detailed Comments:		

ASP Type Definition		
ASP Name:	DL_DatRqModifyCom (DL_DATA_REQUEST_MODIFY_COMPLETE)	
PCO Type:	SAP0_3	
Comments:	The ASP is used to request the transmission of the CC MODIFY COMPLETE message using acknowledged operation (L3 -> L2).	
Parameter Name	Parameter Type	Comments
sapi	SAPID	
logic_ch	LOGICCH	
msg	MODIFY_COM_PDU	
Detailed Comments:		

ASP Type Definition		
ASP Name:	DL_DatRqModifyRej (DL_DATA_REQUEST_MODIFY_REJECT)	
PCO Type:	SAP0_3	
Comments:	The ASP is used to request the transmission of the CC MODIFY REJECT message using acknowledged operation (L3 -> L2).	
Parameter Name	Parameter Type	Comments
sapi	SAPID	
logic_ch	LOGICCH	
msg	MODIFY_REJ_PDU	
Detailed Comments:		

ASP Type Definition		
ASP Name:	DL_DatInModifyRej (DL_DATA_INDICATION_MODIFY_REJECT)	
PCO Type:	SAP0_3	
Comments:	The ASP is used to indicate the receipt of the CC MODIFY REJECT message using acknowledged operation (L2 -> L3).	
Parameter Name	Parameter Type	Comments
sapi	SAPID	
logic_ch	LOGICCH	
msg	MODIFY_REJ_PDU	
fn	FN	
Detailed Comments:		

ASP Type Definition		
ASP Name:	DL_DatRqNotify (DL_DATA_REQUEST_NOTIFY)	
PCO Type:	SAP0_3	
Comments:	The ASP is used to request the transmission of the CC NOTIFY message using acknowledged operation (L3 -> L2).	
Parameter Name	Parameter Type	Comments
sapi	SAPID	
logic_ch	LOGICCH	
msg	NOTIFY_PDU	
Detailed Comments:		

ASP Type Definition		
ASP Name:	DL_DatRqProg (DL_DATA_REQUEST_PROGRESS)	
PCO Type:	SAP0_3	
Comments:	The ASP is used to request the transmission of the CC PROGRESS message using acknowledged operation (L3 -> L2).	
Parameter Name	Parameter Type	Comments
sapi	SAPID	
logic_ch	LOGICCH	
msg	PROG_PDU	
Detailed Comments:		

ASP Type Definition		
ASP Name:	DL_DatRqRegister (DL_DATA_REQUEST_REGISTER)	
PCO Type:	SAP0_3	
Comments:	The ASP is used to request the transmission of the SS REGISTER message using acknowledged operation (L3 -> L2).	
Parameter Name	Parameter Type	Comments
sapi	SAPID	
logic_ch	LOGICCH	
msg	REGISTER_PDU	
Detailed Comments:		

ASP Type Definition		
ASP Name:	DL_DatInRegister (DL_DATA_INDICATION_REGISTER)	
PCO Type:	SAP0_3	
Comments:	The ASP is used to receive the transmission of the SS REGISTER message using acknowledged operation.	
Parameter Name	Parameter Type	Comments
sapi	SAPID	
logic_ch	LOGICCH	
msg	REGISTER_PDU	
fn	FN	
Detailed Comments:		

ASP Type Definition		
ASP Name:	DL_DatRqRel (DL_DATA_REQUEST_RELEASE)	
PCO Type:	SAP0_3	
Comments:	The ASP is used to request the transmission of the CC RELEASE message using acknowledged operation (L3 -> L2).	
Parameter Name	Parameter Type	Comments
sapi	SAPID	
logic_ch	LOGICCH	
msg	REL_PDU	
Detailed Comments:		

ASP Type Definition		
ASP Name:	DL_DatInRel (DL_DATA_INDICATION_RELEASE)	
PCO Type:	SAP0_3	
Comments:	The ASP is used to indicate the receipt of the CC RELEASE message using acknowledged operation (L2 -> L3).	
Parameter Name	Parameter Type	Comments
sapi	SAPID	
logic_ch	LOGICCH	
msg	REL_PDU	
fn	FN	
Detailed Comments:		

ASP Type Definition		
ASP Name:	DL_DatRqRelCmp (DL_DATA_REQUEST_RELEASE_COMPLETE)	
PCO Type:	SAP0_3	
Comments:	The ASP is used to request the transmission of the CC RELEASE COMPLETE message using acknowledged operation (L3 -> L2).	
Parameter Name	Parameter Type	Comments
sapi	SAPID	
logic_ch	LOGICCH	
msg	REL_COM_PDU	
Detailed Comments:		

ASP Type Definition		
ASP Name:	DL_DatInRelCmp (DL_DATA_INDICATION_RELEASE_COMPLETE)	
PCO Type:	SAP0_3	
Comments:	The ASP is used to indicate the receipt of the CC RELEASE COMPLETE message using acknowledged operation (L2 -> L3).	
Parameter Name	Parameter Type	Comments
sapi	SAPID	
logic_ch	LOGICCH	
msg	REL_COM_PDU	
fn	FN	
Detailed Comments:		

ASP Type Definition		
ASP Name:	DL_DatRqSetup (DL_DATA_REQUEST_SETUP)	
PCO Type:	SAP0_3	
Comments:	The ASP is used to request the transmission of the CC SETUP message using acknowledged operation (L3 -> L2).	
Parameter Name	Parameter Type	Comments
sapi	SAPID	
logic_ch	LOGICCH	
msg	SETUP_MT_PDU	
Detailed Comments:		

ASP Type Definition		
ASP Name:	DL_DatInSetup (DL_DATA_INDICATION_SETUP)	
PCO Type:	SAP0_3	
Comments:	The ASP is used to indicate the receipt of the CC SETUP message using acknowledged operation (L2 -> L3).	
Parameter Name	Parameter Type	Comments
sapi	SAPID	
logic_ch	LOGICCH	
msg	SETUP_MO_PDU	
fn	FN	
Detailed Comments:		

ASP Type Definition		
ASP Name:	DL_DatInStartDtmf (DL_DATA_INDICATION_START_DTMF)	
PCO Type:	SAP0_3	
Comments:	The ASP is used to indicate the receipt of the CC START_DTMF message using acknowledged operation (L2 -> L3).	
Parameter Name	Parameter Type	Comments
sapi	SAPID	
logic_ch	LOGICCH	
msg	START_DTMF_PDU	
fn	FN	
Detailed Comments:		

ASP Type Definition		
ASP Name:	DL_DatRqStartDtmfAck (DL_DATA_REQUEST_START_DTMF_ACKNOWLEDGE)	
PCO Type:	SAP0_3	
Comments:	The ASP is used to request the transmission of the CC START DTMF ACKNOWLEDGE message using acknowledged operation (L3 -> L2).	
Parameter Name	Parameter Type	Comments
sapi	SAPID	
logic_ch	LOGICCH	
msg	START_DTMF_ACK_PDU	
Detailed Comments:		

ASP Type Definition		
ASP Name:	DL_DatRqStartDtmfRej (DL_DATA_REQUEST_START_DTMF_REJCT)	
PCO Type:	SAP0_3	
Comments:	The ASP is used to request the transmission of the CC START DTMF REJCT message using acknowledged operation (L3 -> L2).	
Parameter Name	Parameter Type	Comments
sapi	SAPID	
logic_ch	LOGICCH	
msg	START_DTMF_REJ_PDU	
Detailed Comments:		

ASP Type Definition		
ASP Name:	DL_DatInStopDtmf (DL_DATA_INDICATION_STOP_DTMF)	
PCO Type:	SAP0_3	
Comments:	The ASP is used to indicate the receipt of the CC STOP_DTMF message using acknowledged operation (L2 -> L3).	
Parameter Name	Parameter Type	Comments
sapi	SAPID	
logic_ch	LOGICCH	
msg	STOP_DTMF_PDU	
fn	FN	
Detailed Comments:		

ASP Type Definition		
ASP Name:	DL_DatRqStopDtmfAck (DL_DATA_REQUEST_STOP_DTMF_ACKNOWLEDGE)	
PCO Type:	SAP0_3	
Comments:	The ASP is used to request the transmission of the CC STOP DTMF ACKNOWLEDGE message using acknowledged operation (L3 -> L2).	
Parameter Name	Parameter Type	Comments
sapi	SAPID	
logic_ch	LOGICCH	
msg	STOP_DTMF_ACK_PDU	
Detailed Comments:		

ASP Type Definition		
ASP Name:	DL_DatRqCcst (DL_DATA_REQUEST_CC_STATUS)	
PCO Type:	SAP0_3	
Comments:	The ASP is used to request the transmission of the CC STATUS message using acknowledged operation (L3 -> L2).	
Parameter Name	Parameter Type	Comments
sapi	SAPID	
logic_ch	LOGICCH	
msg	CCST_PDU	
Detailed Comments:		

ASP Type Definition		
ASP Name:	DL_DatInCcst (DL_DATA_INDICATION_CC_STATUS)	
PCO Type:	SAP0_3	
Comments:	The ASP is used to indicate the receipt of the CC STATUS message using acknowledged operation (L2 -> L3).	
Parameter Name	Parameter Type	Comments
sapi	SAPID	
logic_ch	LOGICCH	
msg	CCST_PDU	
fn	FN	
Detailed Comments:		

ASP Type Definition		
ASP Name:	DL_DatRqCcstEnq (DL_DATA_REQUEST_CC_STATUS_ENQ)	
PCO Type:	SAP0_3	
Comments:	The ASP is used to request the transmission of the CC STATUS_ENQ message using acknowledged operation (L3 -> L2).	
Parameter Name	Parameter Type	Comments
sapi	SAPID	
logic_ch	LOGICCH	
msg	CCST_ENQ_PDU	
Detailed Comments:		

ASP Type Definition		
ASP Name:	DL_DatRqUndefCC (DL_DATA_REQUEST)	
PCO Type:	SAP0_3	
Comments:	The ASP is used to transmit any message using acknowledged operation (L3 -> L2).	
Parameter Name	Parameter Type	Comments
sapi	SAPID	
logic_ch	LOGICCH	
msg	CONN_PDU	
Detailed Comments:		

ASP Type Definition		
ASP Name:	DL_DatRqUndefMM (DL_DATA_REQUEST)	
PCO Type:	SAP0_3	
Comments:	The ASP is used to transmit any message using acknowledged operation (L3 -> L2).	
Parameter Name	Parameter Type	Comments
sapi	SAPID	
logic_ch	LOGICCH	
msg	ID_RES_PDU	
Detailed Comments:		

ASP Type Definition		
ASP Name:	DL_DatRqUndefRR (DL_DATA_REQUEST)	
PCO Type:	SAP0_3	
Comments:	The ASP is used to transmit any message using acknowledged operation (L3 -> L2).	
Parameter Name	Parameter Type	Comments
sapi	SAPID	
logic_ch	LOGICCH	
msg	PART_REL_PDU	
Detailed Comments:		

ASP Type Definition		
ASP Name:	DL_DatRqUnknown (DL_DATA_REQUEST)	
PCO Type:	SAP0_3	
Comments:	The ASP is used to transmit any message using acknowledged operation (L3 -> L2).	
Parameter Name	Parameter Type	Comments
sapi	SAPID	
logic_ch	LOGICCH	
msg	CCST_ENQ_PDU	
Detailed Comments:		

ASP Type Definition		
ASP Name:	DL_DatInCpData (DL_DATA_INDICATION_CP_DATA)	
PCO Type:	SAP0_3	
Comments:	The ASP is used to indicate the receipt of the SMS CP DATA message using acknowledged operation (L2 -> L3) for MT.	
Parameter Name	Parameter Type	Comments
sapi	SAPID	
logic_ch	LOGICCH	
msg	CP_DATA_PDU	
fn	FN	
Detailed Comments:		

ASP Type Definition		
ASP Name:	DL_DatRqCpData (DL_DATA_REQUEST_CP_DATA)	
PCO Type:	SAP0_3	
Comments:	The ASP is used to request the transmission of the SMS CP DATA message using acknowledged operation (L3 -> L2) for MO.	
Parameter Name	Parameter Type	Comments
sapi	SAPID	
logic_ch	LOGICCH	
msg	CP_DATA_PDU	
Detailed Comments:		

ASP Type Definition		
ASP Name:	DL_DatInCpDataAck (DL_DATA_INDICATION_CPDATA_ACKNOWLEDGE)	
PCO Type:	SAP0_3	
Comments:	The ASP is used to indicate the receipt of the SMS CP DATA message using acknowledged operation (L2 -> L3) .	
Parameter Name	Parameter Type	Comments
sapi	SAPID	
logic_ch	LOGICCH	
msg	CPDATA_ACK_PDU	
fn	FN	
Detailed Comments:		

ASP Type Definition		
ASP Name:	DL_DatRqCpDataAck (DL_DATA_REQUEST_CPDATA_ACKNOWLEDGE)	
PCO Type:	SAP0_3	
Comments:	The ASP is used to request the transmission of the CP DATA ACKNOWLEDGE message using acknowledged operation (L3 -> L2).	
Parameter Name	Parameter Type	Comments
sapi	SAPID	
logic_ch	LOGICCH	
msg	CPDATA_ACK_PDU	
Detailed Comments:		

ASP Type Definition		
ASP Name:	DL_DatRqCpError (DL_DATA_REQUEST_CP_ERROR)	
PCO Type:	SAP0_3	
Comments:	The ASP is used to request the transmission of the SMS CP ERROR message using acknowledged operation (L3 -> L2) for MO.	
Parameter Name	Parameter Type	Comments
sapi	SAPID	
logic_ch	LOGICCH	
msg	CPERR_PDU	
Detailed Comments:		

ASP Type Definition		
ASP Name:	MDL_RelRq (MDL_RELEASE_REQUEST)	
PCO Type:	SAP0_3	
Comments:	The ASP is used to request the local end termination of a previous established acknowledged mode operation (L3 -> L2). The local end termination procedure is initiated.	
Parameter Name	Parameter Type	Comments
sapi	SAPID	
logic_ch	LOGICCH	
release_mode	RelMode	
Detailed Comments:		

PDU type definitions

TTCN PDU Type definitions

PDU Type Definition		
PDU Name:	ASS_CMD_PDU	
PCO Type:	SAP0_3	
Comments:	RR ASSIGNMENT COMMAND n -> ms GSM 04.08, 9.1.2	
Field Name	Field Type	Comments
ski	SKI	
rrpd	PD	
mt	MT	
ch1d_at	CHD	
pcmd	PCMD	
frql_at	FRQL	
cchd	CCHD	
ch1mod	CHMOD	
ch2d_at	CHD	
ch2mod	CHMOD	
ma_at	MA	
strt	STRT	
frql_bt	FRQL	
ch1d_bt	CHD	
ch2d_bt	CHD	
frqchs_bt	FRQCHS	
ma_bt	MA	
cphms	CPHMS	
Detailed Comments:		

PDU Type Definition		
PDU Name:	ASS_COM_PDU	
PCO Type:	SAP0_3	
Comments:	RR ASSSIGNMENT COMPLETE ms -> n GSM 04.08, 9.1.3	
Field Name	Field Type	Comments
ski	SKI	
rrpd	PD	
mt	MT	
rrcau	RRCAU	
Detailed Comments:		

PDU Type Definition		
PDU Name:	ASSFL_PDU	
PCO Type:	SAP0_3	
Comments:	RR ASSSIGNMENT FAILURE ms -> n GSM 04.08, 9.1.4	
Field Name	Field Type	Comments
ski	SKI	
rrpd	PD	
mt	MT	
rrcau	RRCAU	
Detailed Comments:		

PDU Type Definition		
PDU Name:	CHMMO_PDU	
PCO Type:	SAP0_3	
Comments:	RR CHANNEL MODE MODIFY n -> ms GSM 04.08, 9.1.5	
Field Name	Field Type	Comments
ski	SKI	
rrpd	PD	
mt	MT	
chd	CHD	
chmod	CHMOD	
Detailed Comments:		

PDU Type Definition		
PDU Name:	CHMMO_ACK_PDU	
PCO Type:	SAP0_3	
Comments:	RR CHANNEL MODE MODIFY ACKNOWLEDGE ms -> n GSM 04.08, 9.1.6	
Field Name	Field Type	Comments
ski	SKI	
rrpd	PD	
mt	MT	
chd	CHD	
chmod	CHMOD	
Detailed Comments:		

PDU Type Definition		
PDU Name:	CH_REL_PDU	
PCO Type:	SAP0_3	
Comments:	RR CHANNEL RELEASE n -> ms GSM 04.08, 9.1.7	
Field Name	Field Type	Comments
ski	SKI	
rrpd	PD	
mt	MT	
rrcau	RRCAU	
Detailed Comments:		

PDU Type Definition		
PDU Name:	CH_REL_PDU_ERR	
PCO Type:	SAP0_3	
Comments:	RR CHANNEL RELEASE containing additional unknown IE n -> ms GSM 04.08, 9.1.7	
Field Name	Field Type	Comments
ski	SKI	
rrpd	PD	
mt	MT	
rrcau	RRCAU	
add	OCTETSTRING	
Detailed Comments:		

PDU Type Definition		
PDU Name:	CH_RQ_PDU	
PCO Type:	SAP0_3	
Comments:	RR CHANNEL REQUEST ms -> n GSM 04.08, 9.1.8	
Field Name	Field Type	Comments
ecau_rrf	BITSTRING [8]	
Detailed Comments:		

PDU Type Definition		
PDU Name:	CPHM_CMD_PDU	
PCO Type:	SAP0_3	
Comments:	RR CIPHERING MODE COMMAND n -> ms GSM 04.08, 9.1.9	
Field Name	Field Type	Comments
ski	SKI	
rrpd	PD	
mt	MT	
cph_res	CPH_RES	
cphms	CPHMS	
Detailed Comments:		

PDU Type Definition		
PDU Name:	CPHM_CMD_PDU_ERR	
PCO Type:	SAP0_3	
Comments:	RR CIPHERING MODE COMMAND with additional unknown IE GSM 04.08, 9.1.9	
Field Name	Field Type	Comments
ski	SKI	
rrpd	PD	
mt	MT	
cph_res	CPH_RES	
cphms	CPHMS	
add	OCTETSTRING	
Detailed Comments:		

PDU Type Definition		
PDU Name:	CPHM_COM_PDU	
PCO Type:	SAP0_3	
Comments:	RR CIPHERING MODE COMPLETE ms -> n GSM 04.08, 9.1.10	
Field Name	Field Type	Comments
ski	SKI	
rrpd	PD	
mt	MT	
mei	MI	
Detailed Comments:		

PDU Type Definition		
PDU Name:	CLM_CHN_PDU	
PCO Type:	SAP0_3	
Comments:	RR CLASSMARK CHANGE ms -> n GSM 04.08, 9.1.11	
Field Name	Field Type	Comments
ski	SKI	
rrpd	PD	
mt	MT	
msclm	MSCLM2	
msclm_adi	MSCLM3	
Detailed Comments:		

PDU Type Definition		
PDU Name:	CLM_ENQ_PDU	
PCO Type:	SAP0_3	
Comments:	RR CLASSMARK ENQUIRY n -> ms GSM 04.08, 9.1.12	
Field Name	Field Type	Comments
ski	SKI	
rrpd	PD	
mt	MT	
Detailed Comments:		

PDU Type Definition		
PDU Name:	FRQRE_PDU	
PCO Type:	SAP0_3	
Comments:	RR FREQUENCY REDEFINITIONY n -> ms GSM 04.08, 9.1.13	
Field Name	Field Type	Comments
ski	SKI	
rrpd	PD	
mt	MT	
chd	CHD	
ma	MA	
strt	STRT	
cchd	CCHD	
Detailed Comments:		

PDU Type Definition		
PDU Name:	HOACC_PDU	
PCO Type:	SAP0_3	
Comments:	RR HANDOVER ACCESS ms -> n GSM 04.08, 9.1.14	
Field Name	Field Type	Comments
horf	HORF	
Detailed Comments:		

PDU Type Definition		
PDU Name:	HO_CMD_PDU	
PCO Type:	SAP0_3	
Comments:	RR HANDOVER COMMAND n -> ms GSM 04.08, 9.1.15	
Field Name	Field Type	Comments
ski	SKI	
rrpd	PD	
mt	MT	
cd	CD	
ch1d_at	CHD	
horf	HORF	
pcmd	PCMD	
synchi	SYNCHI	
frqsl_at	FRQL	
frql_at	FRQL	
cchd	CCHD	
ch1mod	CHMOD	
ch2d_at	CHD	
ch2mod	CHMOD	
frqchs_at	FRQCHS	
ma_at	MA	
strt	STRT	
rtdif	TDIF	
ta	TA	
frqsl_bt	FRQL	
frql_bt	FRQL	
ch1d_bt	CHD	
ch2d_bt	CHD	
frqchs_bt	FRQCHS	
ma_bt	MA	
cphms	CPHMS	
Detailed Comments:		

PDU Type Definition		
PDU Name:	HO_COM_PDU	
PCO Type:	SAP0_3	
Comments:	RR HANDOVER COMPLETE ms -> n GSM 04.08, 9.1.16	
Field Name	Field Type	Comments
ski	SKI	
rrpd	PD	
mt	MT	
rrcau	RRCAU	
motdif	MTDIF	
Detailed Comments:		

PDU Type Definition		
PDU Name:	HOFL_PDU	
PCO Type:	SAP0_3	
Comments:	RR HANDOVER FAILURE ms -> n GSM 04.08, 9.1.17	
Field Name	Field Type	Comments
ski	SKI	
rrpd	PD	
mt	MT	
rrcau	RRCAU	
Detailed Comments:		

PDU Type Definition		
PDU Name:	IMMASS_PDU	
PCO Type:	SAP0_3	
Comments:	RR IMMEDIATE ASSIGNMENT n -> ms GSM 04.08, 9.1.18	
Field Name	Field Type	Comments
l2_pl	LENGTH	
ski	SKI	
rrpd	PD	
mt	MT	
shoct	SHOCT	
pm	PM	
chd	CHD	
rqr	RQR	
ta	TA	
ma	MA	
strt	STRT	
iaroct	IARESTOCT	
Detailed Comments:	The message has a fixed length of 23 octets.	

PDU Type Definition		
PDU Name:	IMMASSX_PDU	
PCO Type:	SAPO_3	
Comments:	RR IMMEDIATE ASSIGNMENT n -> ms GSM 04.08, 9.1.19	
Field Name	Field Type	Comments
l2_pl	LENGTH	
ski	SKI	
rrpd	PD	
mt	MT	
shoct	SHOCT	
pm	PM	
chd1	CHD	
rqr1	RQR	
ta1	TA	
chd2	CHD	
rqr2	RQR	
ta2	TA	
ma	MA	
strt	STRT	
iaxroct	OCTETSTRING [1..4]	
Detailed Comments:	The message has a fixed length of 23 octets.	

PDU Type Definition		
PDU Name:	IMMASS_REJ_PDU	
PCO Type:	SAPO_3	
Comments:	RR IMMEDIATE REJECT n -> ms GSM 04.08, 9.1.20	
Field Name	Field Type	Comments
l2_pl	LENGTH	
ski	SKI	
rrpd	PD	
mt	MT	
shoct	SHOCT	
pm	PM	
rqr1	RQR	
wi1	WI	
rqr2	RQR	
wi2	WI	
rqr3	RQR	
wi3	WI	
rqr4	RQR	
wi4	WI	
iarroct	OCTETSTRING [3]	
Detailed Comments:	The message has a fixed length of 23 octets.	

PDU Type Definition		
PDU Name:	MSR_RPT_PDU	
PCO Type:	SAPO_3	
Comments:	RR MEASUREMENT REPORT ms -> n GSM 04.08, 9.1.21	
Field Name	Field Type	Comments
ski	SKI	
rrpd	PD	
mt	MT	
msrr	MSRR	
Detailed Comments:		

PDU Type Definition		
PDU Name:	PG1_RQ_PDU	
PCO Type:	SAP0_3	
Comments:	RR PAGING REQUEST_TYPE1 n -> ms GSM 04.08, 9.1.22	
Field Name	Field Type	Comments
l2_pl	LENGTH	
ski	SKI	
rrpd	PD	
mt	MT	
chn_m1_2	CHNEED	
pm	PM	
mi1	MI	
mi2	MI	
p1roct	OCTETSTRING [0..17]	
Detailed Comments:	The message has a fixed length of 23 octets.	

PDU Type Definition		
PDU Name:	PG2_RQ_PDU	
PCO Type:	SAP0_3	
Comments:	RR PAGING REQUEST TYPE2 n -> ms GSM 04.08, 9.1.23	
Field Name	Field Type	Comments
l2_pl	LENGTH	
ski	SKI	
rrpd	PD	
mt	MT	
chn_m1_2	CHNEED	
pm	PM	
mi1	TMSI	
mi2	TMSI	
mi3	MI	
p2roct	OCTETSTRING [1..11]	
Detailed Comments:	The message has a fixed length of 23 octets.	

PDU Type Definition		
PDU Name:	PG3_RQ_PDU	
PCO Type:	SAP0_3	
Comments:	RR PAGING REQUEST TYPE3 n -> ms GSM 04.08, 9.1.24	
Field Name	Field Type	Comments
l2_pl	LENGTH	
ski	SKI	
rrpd	PD	
mt	MT	
chn_m1_2	CHNEED	
pm	PM	
mi1	TMSI	
mi2	TMSI	
mi3	TMSI	
mi4	TMSI	
p3roct	OCTETSTRING [3]	
Detailed Comments:	The message has an L2 pseudo length of 19 octets and a total length of 23 octets.	

PDU Type Definition		
PDU Name:	PG_RES_PDU	
PCO Type:	SAP0_3	
Comments:	RR PAGING RESPONSE ms -> n GSM 04.08, 9.1.25	
Field Name	Field Type	Comments
ski	SKI	
rrpd	PD	
mt	MT	
shoct	SHOCT	
cphksn	CPHKS	
msclm	MSCLM2	
mi	MI	
Detailed Comments:		

PDU Type Definition		
PDU Name:	PART_REL_PDU	
PCO Type:	SAP0_3	
Comments:	RR PARTIAL RELEASE n -> ms GSM 04.08, 9.1.26	
Field Name	Field Type	Comments
ski	SKI	
rrpd	PD	
mt	MT	
chd	MAC	
Detailed Comments:		

PDU Type Definition		
PDU Name:	PHYINFO_PDU	
PCO Type:	SAP0_3	
Comments:	RR PHYSICAL INFORMATION n -> ms GSM 04.08 clause 9.1.28	
Field Name	Field Type	Comments
ski	SKI	
rrpd	PD	
mt	MT	
ta	TA	
Detailed Comments:		

PDU Type Definition		
PDU Name:	RRST_PDU	
PCO Type:	SAP0_3	
Comments:	RR STATUS n <-> ms GSM 04.08, 9.1.29	
Field Name	Field Type	Comments
ski	SKI	
rrpd	PD	
mt	MT	
rrcau	RRCAU	
Detailed Comments:		

PDU Type Definition		
PDU Name: SCHINFO_PDU		
PCO Type: SAP0_3		
Comments: RR SYNCHRONIZATION CHANNEL INFORMATION n -> ms GSM 04.08, 9.1.30		
Field Name	Field Type	Comments
ncc	NCC	
bcc	BCC	
t1	T1	
t2	T2	
t3_	T3_	
Detailed Comments: SCHINFO_PDU has a total length of 25 bits (GSM 04.04).		

PDU Type Definition		
PDU Name: SYSINFO1_PDU		
PCO Type: SAP0_3		
Comments: RR SYSTEM INFORMATION TYPE1 n -> ms GSM 04.08, 9.1.31		
Field Name	Field Type	Comments
l2_pl	LENGTH	
ski	SKI	
rrpd	PD	
mt	MT	
cchd	CCHD	
rachcp	RACHCP	
si1roct	OCTETSTRING [1]	
Detailed Comments: The message has an L2 pseudo length of 21 octets and a total length of 23 octets.		

PDU Type Definition		
PDU Name: SYSINFO2_PDU		
PCO Type: SAP0_3		
Comments: RR SYSTEM INFORMATION TYPE2 n -> ms GSM 04.08, 9.1.32		
Field Name	Field Type	Comments
l2_pl	LENGTH	
ski	SKI	
rrpd	PD	
mt	MT	
bcchfl	NCD	
nccp	NCCP	
rachcp	RACHCP	
Detailed Comments: The message has an L2 pseudo length of 22 octets and a total length of 23 octets.		

PDU Type Definition		
PDU Name:	SYSINFO2bis_PDU	
PCO Type:	SAP0_3	
Comments:	RR SYSTEM INFORMATION TYPE2bis or 2ter n -> ms GSM 04.08, 9.1.33, 9.1.33a	
Field Name	Field Type	Comments
l2_pl	LENGTH	
ski	SKI	
rrpd	PD	
mt	MT	
xbcchfl	NCD	
rachcp	RACHCP	
si2bisroct	OCTETSTRING [1..4]	
Detailed Comments:	This PDU type is used both for SYSINFO2bis, as well as for 2ter. The 2bis message has an L2 pseudo length of 21 octets and a total length of 23 octets. The 2ter message has an L2 pseudo length of 18 octets and a total length of 23 octets.	

PDU Type Definition		
PDU Name:	SYSINFO2ter_PDU	
PCO Type:	SAP0_3	
Comments:	RR SYSTEM INFORMATION 2ter n -> ms GSM 04.08, 9.1.34	
Field Name	Field Type	Comments
l2_pl	LENGTH	
ski	SKI	
rrpd	PD	
mt	MT	
xbcchfl	NCD2	
si2terroct	OCTETSTRING[4]	
Detailed Comments:	The 2ter message has an L2 pseudo length of 18 octets and a total length of 23 octets.	

PDU Type Definition		
PDU Name:	SYSINFO3_PDU	
PCO Type:	SAP0_3	
Comments:	RR SYSTEM INFORMATION TYPE3 n -> ms GSM 04.08, 9.1.34	
Field Name	Field Type	Comments
l2_pl	LENGTH	
ski	SKI	
rrpd	PD	
mt	MT	
ci	CI	
lai	LAI	
ccd	CCD	
co	CO	
csp	CSP	
rachcp	RACHCP	
si3roct	SI3RO	
Detailed Comments:	The message has an L2 pseudo length of 18 octets and a total length of 23 octets.	

PDU Type Definition		
PDU Name:	SYSINFO4_PDU	
PCO Type:	SAP0_3	
Comments:	RR SYSTEM INFORMATION TYPE4 n -> ms GSM 04.08, 9.1.35	
Field Name	Field Type	Comments
l2_pl	LENGTH	
ski	SKI	
rrpd	PD	
mt	MT	
lai	LAI	
csp	CSP	
rachcp	RACHCP	
cbchd	CHD	
cbchma	MA	
si4roct	SI4RO	
Detailed Comments:	The message has a total length of 23 octets.	

PDU Type Definition		
PDU Name:	SYSINFO5_PDU	
PCO Type:	SAP0_3	
Comments:	RR SYSTEM INFORMATION TYPE5 n -> ms GSM 04.08, 9.1.36	
Field Name	Field Type	Comments
ski	SKI	
rrpd	PD	
mt	MT	
bcchfl	NCD	
Detailed Comments:		

PDU Type Definition		
PDU Name:	SYSINFO5bis_PDU	
PCO Type:	SAP0_3	
Comments:	RR SYSTEM INFORMATION TYPE5bis n -> ms GSM 04.08, 9.1.38	
Field Name	Field Type	Comments
ski	SKI	
rrpd	PD	
mt	MT	
xbcchfl	NCD	
Detailed Comments:		

PDU Type Definition		
PDU Name:	SYSINFO5ter_PDU	
PCO Type:	SAP0_3	
Comments:	RR SYSTEM INFORMATION TYPE5ter n -> ms GSM 04.08, 9.1.39	
Field Name	Field Type	Comments
ski	SKI	
rrpd	PD	
mt	MT	
xbcchfl	NCD2	
Detailed Comments:		

PDU Type Definition		
PDU Name:	SYSINFO6_PDU	
PCO Type:	SAP0_3	
Comments:	RR SYSTEM INFORMATION TYPE6 n -> ms GSM 04.08, 9.1.38	
Field Name	Field Type	Comments
ski	SKI	
rrpd	PD	
mt	MT	
ci	CI	
lai	LAI	
co	CO	
nccp	NCCP	
Detailed Comments:		

PDU Type Definition		
PDU Name:	SYSINFO7_PDU	
PCO Type:	SAP0_3	
Comments:	RR SYSTEM INFORMATION TYPE7 n -> ms GSM 04.08, 9.1.41	
Field Name	Field Type	Comments
l2_pl	LENGTH	
ski	SKI	
rrpd	PD	
mt	MT	
si7roct	SI7RO	
Detailed Comments: The message has a total length of 23 octets.		

PDU Type Definition		
PDU Name:	SYSINFO8_PDU	
PCO Type:	SAP0_3	
Comments:	RR SYSTEM INFORMATION TYPE8 n -> ms GSM 04.08, 9.1.42	
Field Name	Field Type	Comments
l2_pl	LENGTH	
ski	SKI	
rrpd	PD	
mt	MT	
si8roct	SI7RO	
Detailed Comments: The message has a total length of 23 octets.		

PDU Type Definition		
PDU Name:	ABRT_PDU	
PCO Type:	SAP0_3	
Comments:	MM ABORT n -> ms GSM 04.08, 9.2.8	
Field Name	Field Type	Comments
ski	SKI	
mmpd	PD	
mt	MT	
rejcau	REJCAU	
Detailed Comments:		

PDU Type Definition		
PDU Name:	AUTH_REJ_PDU	
PCO Type:	SAP0_3	
Comments:	MM AUTHENTICATION REJECT n -> ms GSM 04.08, 9.2.1	
Field Name	Field Type	Comments
ski	SKI	
mmpd	PD	
mt	MT	
Detailed Comments:		

PDU Type Definition		
PDU Name:	AUTH_RQ_PDU	
PCO Type:	SAP0_3	
Comments:	MM AUTHENTICATION REQUEST n -> ms GSM 04.08, 9.2.2	
Field Name	Field Type	Comments
ski	SKI	
mmpd	PD	
mt	MT	
shoct	SHOCT	
cphksn	CPHKSN	
rand	RAND	
Detailed Comments:		

PDU Type Definition		
PDU Name:	AUTH_RES_PDU	
PCO Type:	SAP0_3	
Comments:	MM AUTHENTICATION RESPONSE ms -> n GSM 04.08, 9.2.3	
Field Name	Field Type	Comments
ski	SKI	
mmpd	PD	
mt	MT	
sres	SRES	
Detailed Comments:		

PDU Type Definition		
PDU Name:	CMRE_RQ_PDU	
PCO Type:	SAP0_3	
Comments:	MM CM REESTABLISHMENT REQUEST ms -> n GSM 04.08, 9.2.4	
Field Name	Field Type	Comments
ski	SKI	
mmpd	PD	
mt	MT	
shoct	SHOCT	
cphksn	CPHKSN	
msclm	MSCLM2	
mi	MI	
lai	LAI	
Detailed Comments:		

PDU Type Definition		
PDU Name:	CMS_ACP_PDU	
PCO Type:	SAP0_3	
Comments:	MM CM SERVICE ACCEPT n -> ms GSM 04.08, 9.2.5	
Field Name	Field Type	Comments
ski	SKI	
mmpd	PD	
mt	MT	
Detailed Comments:		

PDU Type Definition		
PDU Name:	CMS_REJ_PDU	
PCO Type:	SAP0_3	
Comments:	MM CM SERVICE REJECT n -> ms GSM 04.08, 9.2.6	
Field Name	Field Type	Comments
ski	SKI	
mmpd	PD	
mt	MT	
mmcau	REJCAU	
Detailed Comments:		

PDU Type Definition		
PDU Name:	CMS_RQ_PDU	
PCO Type:	SAP0_3	
Comments:	MM CM SERVICE REQUEST ms -> n GSM 04.08, 9.2.9	
Field Name	Field Type	Comments
ski	SKI	
mmpd	PD	
mt	MT	
cphksn	CPHKSN	
svtype	CMSVTYPE	
msclm	MSCLM2	
mi	MI	
Detailed Comments:		

PDU Type Definition		
PDU Name:	ID_RQ_PDU	
PCO Type:	SAP0_3	
Comments:	MM IDENTITY REQUEST n -> ms GSM 04.08, 9.2.10	
Field Name	Field Type	Comments
ski	SKI	
mmpd	PD	
mt	MT	
shoct	SHOCT	
idtype	IDTYPE	
Detailed Comments:		

PDU Type Definition		
PDU Name:	ID_RES_PDU	
PCO Type:	SAP0_3	
Comments:	MM IDENTITY RESPONSE ms -> n GSM 04.08, 9.2.11	
Field Name	Field Type	Comments
ski	SKI	
mmpd	PD	
mt	MT	
mi	MI	
Detailed Comments:		

PDU Type Definition		
PDU Name:	IMSID_IN_PDU	
PCO Type:	SAP0_3	
Comments:	MM IMSI DETACH INDICATION ms -> n GSM 04.08, 9.2.12	
Field Name	Field Type	Comments
ski	SKI	
mmpd	PD	
mt	MT	
msclm	MSCLM1	
mi	MI	
Detailed Comments:		

PDU Type Definition		
PDU Name:	LUP_ACP_PDU	
PCO Type:	SAP0_3	
Comments:	MM LOCATION UPDATING ACCEPT n -> ms GSM 04.08, 9.2.13	
Field Name	Field Type	Comments
ski	SKI	
mmpd	PD	
mt	MT	
lai	LAI	
mi	MI	
fop	IEI_8	
Detailed Comments:		

PDU Type Definition		
PDU Name:	LUP_ACP_PDU_ERR	
PCO Type:	SAP0_3	
Comments:	MM LOCATION UPDATING ACCEPT n -> ms GSM 04.08, 9.2.13	
Field Name	Field Type	Comments
ski	SKI	
mmpd	PD	
mt	MT	
lai	LAI	
mi	MI	
dupmi	MI	
Detailed Comments:		

PDU Type Definition		
PDU Name:	LUP_REJ_PDU	
PCO Type:	SAP0_3	
Comments:	MM LOCATION UPDATING REJECT n -> ms GSM 04.08, 9.2.14	
Field Name	Field Type	Comments
ski	SKI	
mmpd	PD	
mt	MT	
rejcau	REJCAU	
Detailed Comments:		

PDU Type Definition		
PDU Name:	LUP_RQ_PDU	
PCO Type:	SAP0_3	
Comments:	MM LOCATION UPDATING REQUEST ms -> n GSM 04.08, 9.2.15	
Field Name	Field Type	Comments
ski	SKI	
mmpd	PD	
mt	MT	
cphksn	CPHKS	
lutype	LUT	
lai	LAI	
msclm	MSCLM1	
mi	MI	
Detailed Comments:		

PDU Type Definition		
PDU Name:	MMST_PDU	
PCO Type:	SAP0_3	
Comments:	MM STATUS n <-> ms GSM 04.08, 9.2.16	
Field Name	Field Type	Comments
ski	SKI	
mmpd	PD	
mt	MT	
rejcau	REJCAU	
Detailed Comments:		

PDU Type Definition		
PDU Name:	TMSIRE_CMD_PDU	
PCO Type:	SAP0_3	
Comments:	MM TMSI REALLOCATION COMMAND n -> ms GSM 04.08, 9.2.17	
Field Name	Field Type	Comments
ski	SKI	
mmpd	PD	
mt	MT	
lai	LAI	
mi	MI	
Detailed Comments:		

PDU Type Definition		
PDU Name:	TMSIRE_COM_PDU	
PCO Type:	SAP0_3	
Comments:	MM TMSI REALLOCATION COMPLETE ms -> n GSM 04.08, 9.2.18	
Field Name	Field Type	Comments
ski	SKI	
mmpd	PD	
mt	MT	
Detailed Comments:		

PDU Type Definition		
PDU Name:	ALERT_PDU	
PCO Type:	SAP0_3	
Comments:	CC ALERTING ms <-> n GSM 04.08, 9.3.1	
Field Name	Field Type	Comments
ti	TI	
ccpd	PD	
mt	MT	
fie	FIE	
pi	PI	
uu	UU	
ssvi	SSVI	
Detailed Comments:		

PDU Type Definition		
PDU Name:	CALL_CO_PDU	
PCO Type:	SAP0_3	
Comments:	CC CALL CONFIRMED ms -> n GSM 04.08, 9.3.2	
Field Name	Field Type	Comments
ti	TI	
ccpd	PD	
mt	MT	
bcri	RPI	
bcap1	BCAP	
bcap2	BCAP	
cau	CAU	
cccap	CCCAP	
Detailed Comments:		

PDU Type Definition		
PDU Name:	CALL_PROC_PDU	
PCO Type:	SAP0_3	
Comments:	CC CALL PROCEEDING n -> ms GSM 04.08, 9.3.3	
Field Name	Field Type	Comments
ti	TI	
ccpd	PD	
mt	MT	
bcri	RPI	
bcap1	BCAP	
bcap2	BCAP	
fie	FIE	
pi	PI	
Detailed Comments:		

PDU Type Definition		
PDU Name:	CONN_PDU	
PCO Type:	SAP0_3	
Comments:	CC CONNECT n <-> ms GSM 04.08, 9.3.5	
Field Name	Field Type	Comments
ti	TI	
ccpd	PD	
mt	MT	
fie	FIE	
pi	PI	
cnr	CNN	
cns	CNS	
uu	UU	
ssvi	SSVI	
Detailed Comments:		

PDU Type Definition		
PDU Name:	CONN_PDU_ERR	
PCO Type:	SAP0_3	
Comments:	CC CONNECT n <-> ms Used as invalid message	
Field Name	Field Type	Comments
ti	TI	
ccpd	PD	
mt	MT	
unknown	UNKWN	
Detailed Comments:		

PDU Type Definition		
PDU Name:	CONN_ACK_PDU	
PCO Type:	SAP0_3	
Comments:	CC CONNECT ACKNOWLEDGE ms <-> n GSM 04.08, 9.3.6	
Field Name	Field Type	Comments
ti	TI	
ccpd	PD	
mt	MT	
Detailed Comments:		

PDU Type Definition		
PDU Name:	DISC_PDU	
PCO Type:	SAP0_3	
Comments:	CC DISCONNECT ms <-> n (both directions) GSM 04.08, 9.3.7	
Field Name	Field Type	Comments
ti	TI	
ccpd	PD	
mt	MT	
cau	CAU	
fie	FIE	
pi	PI	
uu	UU	
ssvi	SSVI	
Detailed Comments:		

PDU Type Definition		
PDU Name: DISC_PDU_ERR		
PCO Type: SAP0_3		
Comments:		
Field Name	Field Type	Comments
ti	TI	
ccpd	PD	
mt	MT	
cau	CAU	
unknown	UNKWN	
Detailed Comments:		

PDU Type Definition		
PDU Name: ESETUP_PDU		
PCO Type: SAP0_3		
Comments: CC EMERGENCY SETUP ms -> n GSM 04.08, 9.3.8		
Field Name	Field Type	Comments
ti	TI	
ccpd	PD	
mt	MT	
bcap	BCAP	
Detailed Comments:		

PDU Type Definition		
PDU Name: FAC_PDU		
PCO Type: SAP0_3		
Comments: CC FACILITY n <-> ms GSM 04.08, 9.3.9		
Field Name	Field Type	Comments
ti	TI	
cc_sspd	PD	
mt	MT	
fie	FIE	
ssvi	SSVI	
Detailed Comments:		

PDU Type Definition		
PDU Name: HOLD_PDU		
PCO Type: SAP0_3		
Comments: CC HOLD ms -> n GSM 04.08, 9.3.10		
Field Name	Field Type	Comments
ti	TI	
ccpd	PD	
mt	MT	
Detailed Comments:		

PDU Type Definition		
PDU Name:	HOLD_ACK_PDU	
PCO Type:	SAP0_3	
Comments:	CC HOLD ACKNOWLEDGE n -> ms GSM 04.08, 9.3.11	
Field Name	Field Type	Comments
ti	TI	
ccpd	PD	
mt	MT	
Detailed Comments:		

PDU Type Definition		
PDU Name:	MODIFY_PDU	
PCO Type:	SAP0_3	
Comments:	CC MODIFY ms <-> n GSM 04.08, 9.3.13	
Field Name	Field Type	Comments
ti	TI	
ccpd	PD	
mt	MT	
bcap	BCAP	
llcmp	LLCMP	
hlcmp	HLCMP	
rcsd	RCSD	
Detailed Comments:		

PDU Type Definition		
PDU Name:	MODIFY_COM_PDU	
PCO Type:	SAP0_3	
Comments:	CC MODIFY COMPLETE ms <-> n GSM 04.08, 9.3.14	
Field Name	Field Type	Comments
ti	TI	
ccpd	PD	
mt	MT	
bcap	BCAP	
llcmp	LLCMP	
hlcmp	HLCMP	
rcsd	RCSD	
Detailed Comments:		

PDU Type Definition		
PDU Name:	MODIFY_REJ_PDU	
PCO Type:	SAP0_3	
Comments:	CC MODIFY REJECT ms <-> n GSM 04.08, 9.3.15	
Field Name	Field Type	Comments
ti	TI	
ccpd	PD	
mt	MT	
bcap	BCAP	
cau	CAU	
llcmp	LLCMP	
hlcmp	HLCMP	
Detailed Comments:		

PDU Type Definition		
PDU Name:	NOTIFY_PDU	
PCO Type:	SAP0_3	
Comments:	CC NOTIFY ms <-> n GSM 04.08, 9.3.16	
Field Name	Field Type	Comments
ti	TI	
ccpd	PD	
mt	MT	
nti	NTI	
Detailed Comments:		

PDU Type Definition		
PDU Name:	REGISTER_PDU	
PCO Type:	SAP0_3	
Comments:	SS REGISTER ms <-> n GSM 04.80, 2.4	
Field Name	Field Type	Comments
ti	TI	
sspd	PD	
mt	MT	
fie	FIE	
ssvi	SSVI	
Detailed Comments:		

PDU Type Definition		
PDU Name:	PROG_PDU	
PCO Type:	SAP0_3	
Comments:	CC PROGRESS n -> ms GSM 04.08, 9.3.17	
Field Name	Field Type	Comments
ti	TI	
ccpd	PD	
mt	MT	
pi	PI	
uu	UU	
Detailed Comments:		

PDU Type Definition		
PDU Name:	REL_PDU	
PCO Type:	SAP0_3	
Comments:	CC RELEASE n <-> ms GSM 04.08, 9.3.18	
Field Name	Field Type	Comments
ti	TI	
ccpd	PD	
mt	MT	
cau	CAU	
cau2	CAU	
fie	FIE	
uu	UU	
ssvi	SSVI	
Detailed Comments:		

PDU Type Definition		
PDU Name:	REL_COM_PDU	
PCO Type:	SAP0_3	
Comments:	CC or SS RELEASE COMPLETE n <-> ms GSM 04.08, 9.3.19; GSM 04.80, 2.5	
Field Name	Field Type	Comments
ti	TI	
cc_sspd	PD	
mt	MT	
cau	CAU	
fie	FIE	
uu	UU	
ssvi	SSVI	
Detailed Comments:		

PDU Type Definition		
PDU Name:	SETUP_MO_PDU	
PCO Type:	SAP0_3	
Comments:	CC SETUP n <- ms GSM 04.08, 9.3.23.2	
Field Name	Field Type	Comments
ti	TI	
ccpd	PD	
mt	MT	
bcri	RPI	
bcap1	BCAP	
bcap2	BCAP	
fie	FIE	
cgps	CGPS	
cdpn	CDPN	
cdps	CDPS	
llcri	RPI	
llcmp1	LLCMP	
llcmp2	LLCMP	
hlcri	RPI	
hlcmp1	HLCMP	
hlcmp2	HLCMP	
uu	UU	
ssvi	SSVI	
clrsup	CLRSUP	
clrinv	CLRINV	
cccacp	CCCACAP	
Detailed Comments:		

PDU Type Definition		
PDU Name:	SETUP_MT_PDU	
PCO Type:	SAP0_3	
Comments:	CC SETUP n -> ms GSM 04.08, 9.3.23.1	
Field Name	Field Type	Comments
ti	TI	
ccpd	PD	
mt	MT	
bcri	RPI	
bcap1	BCAP	
bcap2	BCAP	
fie	FIE	
pi	PI	
sig	SIGNAL	
cgpn	CGPN	
cgps	CGPS	
cdpn	CDPN	
cdps	CDPS	
llcri	RPI	
llcmp1	LLCMP	
llcmp2	LLCMP	
hlcri	RPI	
hlcmp1	HLCMP	
hlcmp2	HLCMP	
uu	UU	
Detailed Comments:		

PDU Type Definition		
PDU Name:	SMSCB_PDU	
PCO Type:	SAP0_3	
Comments:	SMSCB message GSM 03.41, 9.3	
Field Name	Field Type	Comments
blocktype	BLOCKTYPE	
serial_number	SERIAL_NUMBER	
message_id	OCTETSTRING[2]	
dcs	TPDCS	
page_param	BITSTRING[8]	
message_contents	OCTETSTRING	
Detailed Comments:		

PDU Type Definition		
PDU Name:	START_DTMF_PDU	
PCO Type:	SAP0_3	
Comments:	CC START DTMF ms -> n GSM 04.08, 9.3.24	
Field Name	Field Type	Comments
ti	TI	
ccpd	PD	
mt	MT	
kpf	KPF	
Detailed Comments:		

PDU Type Definition		
PDU Name:	START_DTMF_ACK_PDU	
PCO Type:	SAP0_3	
Comments:	CC START DTMF ACKNOWLEDGE n -> ms GSM 04.08, 9.3.25	
Field Name	Field Type	Comments
ti	TI	
ccpd	PD	
mt	MT	
kpf	KPF	
Detailed Comments:		

PDU Type Definition		
PDU Name:	START_DTMF_REJ_PDU	
PCO Type:	SAP0_3	
Comments:	CC START DTMF REJECT n -> ms GSM 04.08, 9.3.26	
Field Name	Field Type	Comments
ti	TI	
ccpd	PD	
mt	MT	
cau	CAU	
Detailed Comments:		

PDU Type Definition		
PDU Name:	CCST_PDU	
PCO Type:	SAP0_3	
Comments:	CC STATUS n <-> ms GSM 04.08, 9.3.27	
Field Name	Field Type	Comments
ti	TI	
ccpd	PD	
mt	MT	
cau	CAU	
cst	CST	
acst	ACST	
Detailed Comments:		

PDU Type Definition		
PDU Name:	CCST_ENQ_PDU	
PCO Type:	SAP0_3	
Comments:	CC STATUS ENQUIRY ms <-> n GSM 04.08, 9.3.28	
Field Name	Field Type	Comments
ti	TI	
ccpd	PD	
mt	MT	
Detailed Comments:		

PDU Type Definition		
PDU Name:	STOP_DTMF_PDU	
PCO Type:	SAP0_3	
Comments:	CC STOP DTMF ms -> n GSM 04.08, 9.3.29	
Field Name	Field Type	Comments
ti	TI	
ccpd	PD	
mt	MT	
Detailed Comments:		

PDU Type Definition		
PDU Name:	STOP_DTMF_ACK_PDU	
PCO Type:	SAP0_3	
Comments:	CC STOP DTMF acknowledge n -> ms GSM 04.08, 9.3.30	
Field Name	Field Type	Comments
ti	TI	
ccpd	PD	
mt	MT	
Detailed Comments:		

PDU Type Definition		
PDU Name:	CP_DATA_PDU	
PCO Type:	SAP0_3	
Comments:	SMS CP DATA ms <-> n GSM 04.11, 7.2.1	
Field Name	Field Type	Comments
ti	TI	
smspd	PD	
mt	MT	
CPdata	CPDATA	
Detailed Comments: CPDATA contains RPDU - RP_ACK or RP_ERROR, either returning to the MS in case of MO, or reporting the outcome of a MT messaging attempt in case of MT .		

PDU Type Definition		
PDU Name:	CPDATA_ACK_PDU	
PCO Type:	SAP0_3	
Comments:	CP DATA ACKNOWLEDGE ms <-> n GSM 04.11, 7.2.2	
Field Name	Field Type	Comments
ti	TI	
smspd	PD	
mt	MT	
Detailed Comments:		

PDU Type Definition		
PDU Name:	CPERR_PDU	
PCO Type:	SAP0_3	
Comments:	CP_ERROR n <-> ms GSM 04.11, 7.2.3	
Field Name	Field Type	Comments
ti	TI	
smspd	PD	
mt	MT	
cp_cause	CP_CAU	
Detailed Comments:	CP_UDAT contains RPDU, RP_ACK or RP_ERROR, either returning to the MS in case of MO, or reporting the outcome of a MT messaging attempt in case of MT .	

Constraints Part

Test suite type constraint declarations

Structured type constraint declarations

Structured Type Constraint		
Constraint Name:	Bcap_MO(rchr1:B_2; itc1:B_3; strc1:B_2; nirr:B_1; ra1 :B_2; sacp:B_3; sb, nsb1, ndb1:B_1; ur1:B_4; ir1:B_2; parity:B_3; ce1:B_2; modemt1:B_5)	
Structured Type:	BCAP	
Derivation Path:		
Comments:	BS bearer capability without OCTET 7 for direction ms -> n	
Element Name	Element Value	Comments
iei	'00000100'B	
iel	'07'O	
extb3	'1'B	
rchr	rchr1	
cs	'0'B	
tm	'0'B	
itc	itc1	
oct_3a_etc_1	-	
oct_3a_etc_2	-	
oct_3a_etc_3	-	
oct_3a_etc_4	-	
oct_3a_etc_5	-	
oct_3a_etc_6	-	
extb4	'1'B	
spb	'0'B	
strc	strc1	
dplxm	'1'B	
config	'0'B	
nirr	nirr	
est	'0'B	
extb5	'1'B	
accid	'00'B	
ra	ra1	
sacp	sacp	
extb6	'0'B	
l1id	'01'B	
uil1	'0000'B	
sb	sb	
extb6a	'0'B	
nsb	nsb1	
nb	'0'B	
ndb	ndb1	
ur	ur1	
extb6b	'0'B	
ir	ir1	
nictx	'0'B	
nicrx	'0'B	
pi	parity	
extb6c	'1'B	
ce	ce1	
modemt	modemt1	
extb7	-	
l2id	-	
uil2	-	
Detailed Comments:		

Structured Type Constraint		
Constraint Name:	BcapX_MO(rchr1:B_2; itc1:B_3; strc1:B_2; nirr:B_1; ra1 :B_2; sacp:B_3; sb, nsb1, ndb1:B_1; ur1:B_4; ir1:B_2; parity:B_3; ce1:B_2; modemt1:B_5; fctl:B_5)	
Structured Type:	BCAP	
Derivation Path:		
Comments:	BS bearer capability with OCTET 7 for direction ms -> n	
Element Name	Element Value	Comments
iei	'00000100'B	
iel	('07'O, '08'O)	
extb3	'1'B	
rchr	rchr1	
cs	'0'B	
tm	'0'B	
itc	itc1	
oct_3a_etc_1	-	
oct_3a_etc_2	-	
oct_3a_etc_3	-	
oct_3a_etc_4	-	
oct_3a_etc_5	-	
oct_3a_etc_6	-	
extb4	'1'B	
spb	'0'B	
strc	strc1	
dplxm	'1'B	
config	'0'B	
nirr	nirr	
est	'0'B	
extb5	'1'B	
accid	'00'B	
ra	ra1	
sacp	sacp	
extb6	'0'B	
l1id	'01'B	
uil1	'0000'B	
sb	sb	
extb6a	'0'B	
nsb	nsb1	
nb	'0'B	
ndb	ndb1	
ur	ur1	
extb6b	'0'B	
ir	ir1	
nictx	'0'B	
nicrx	'0'B	
pi	parity	
extb6c	'1'B	
ce	ce1	
modemt	modemt1	
extb7	'1'B IF_PRESENT	
l2id	'10'B IF_PRESENT	
uil2	fctl IF_PRESENT	
Detailed Comments:		

Structured Type Constraint		
Constraint Name:	Bcap_Speech_Efr_MO(rcr:B_2)	
Structured Type:	BCAP	
Derivation Path:		
Comments:	EFR speech bearer capability for direction ms->n	
Element Name	Element Value	Comments
iei	'00000100'B	
iel	('03'O, '04'O, '05'O, '06'O, '07'O)	
extb3	'0'B	
rchr	rcr	
cs	'0'B	
tm	'0'B	
itc	'000'B	
oct_3a_etc_1	?	
oct_3a_etc_2	?	
oct_3a_etc_3	*	
oct_3a_etc_4	*	
oct_3a_etc_5	*	
oct_3a_etc_6	*	
extb4	-	
spb	-	
strc	-	
dplxm	-	
config	-	
nirr	-	
est	-	
extb5	-	
accid	-	
ra	-	
sacp	-	
extb6	-	
l1id	-	
uil1	-	
sb	-	
extb6a	-	
nsb	-	
nb	-	
ndb	-	
ur	-	
extb6b	-	
ir	-	
nictx	-	
nicrx	-	
pi	-	
extb6c	-	
ce	-	
modemt	-	
extb7	-	
l2id	-	
uil2	-	
Detailed Comments:		

Structured Type Constraint		
Constraint Name:	Bcap_Speech_MO(rcr:B_2)	
Structured Type:	BCAP	
Derivation Path:		
Comments:	speech bearer capability for direction ms->n.	
Element Name	Element Value	Comments
iei	'00000100'B	
iel	'01'O	
extb3	'1'B	
rchr	rcr	
cs	'0'B	
tm	'0'B	
itc	'000'B	
oct_3a_etc_1	-	
oct_3a_etc_2	-	
oct_3a_etc_3	-	
oct_3a_etc_4	-	
oct_3a_etc_5	-	
oct_3a_etc_6	-	
extb4	-	
spb	-	
strc	-	
dplxm	-	
config	-	
nirr	-	
est	-	
extb5	-	
accid	-	
ra	-	
sacp	-	
extb6	-	
l1id	-	
uil1	-	
sb	-	
extb6a	-	
nsb	-	
nb	-	
ndb	-	
ur	-	
extb6b	-	
ir	-	
nictx	-	
nicrx	-	
pi	-	
extb6c	-	
ce	-	
modemt	-	
extb7	-	
l2id	-	
uil2	-	
Detailed Comments:		

Structured Type Constraint		
Constraint Name:	BcchFreqLst_Omit	
Structured Type:	NCD	
Derivation Path:		
Comments:	Omit neighbour cells description	
Element Name	Element Value	Comments
rfl2	-	
extind	-	
baind	-	
rfl4	-	
rfl	-	
Detailed Comments:		

Structured Type Constraint		
Constraint Name:	BcchFreqLst_01	
Structured Type:	NCD	
Derivation Path:		
Comments:	Default neighbour cells description for SYSTEM INFORMATION 2 and 5 under GSM900 with the ARFCN list = {10, 20, 40, 80, 90, 100, 110, 120}.	
Element Name	Element Value	Comments
rfl2	'00'B	
extind	'0'B	
baind	'0'B	
rfl4	'0000'B	
rfl	'8020080200800000000008000080200'O	
Detailed Comments:		

Structured Type Constraint		
Constraint Name:	BcchFreqLst_47	
Structured Type:	NCD	
Derivation Path:		
Comments:	Default neighbour cells description for SYSTEM INFORMATION 2bis and 5bis in cell B under EGSMwith the ARFCN list = {1005, 1010, 1015}.	
Element Name	Element Value	Comments
rfl2	'10'B	
extind	'1'B	
baind	'0'B	
rfl4	'1101'B	
rfl	'F68AEC0000000000000000000000'O	
Detailed Comments:		

Structured Type Constraint		
Constraint Name:	BcchFreqLst_48	
Structured Type:	NCD	
Derivation Path:		
Comments:	Default neighbour cells description for SYSTEM INFORMATION 2 and 5 for DCS1800 for cell B in RR, MM and SMS test cases with the ARFCN list = {520, 590, 600, 700, 780, 810, 870}.	
Element Name	Element Value	Comments
rfl2	'10'B	
extind	'0'B	
baind	'0'B	
rfl4	'1001'B	
rfl	'04411307BB00C800000000000000'O	
Detailed Comments:		

Structured Type Constraint		
Constraint Name:	BcchFreqLst_50	
Structured Type:	NCD	
Derivation Path:		
Comments:	Default neighbour cells description for SYSTEM INFORMATION 2 and 5 under GSM900 with the ARFCN list = {3, 9, 18, 25, 41, 43, 49, 50, 54, 58, 62, 66, 70, 80, 92, 124}.	
Element Name	Element Value	Comments
rfl2	'00'B	
extind	'0'B	
baind	'0'B	
rfl4	'1000'B	
rfl	'00000008008022223050001020104'O	
Detailed Comments:		

Structured Type Constraint		
Constraint Name:	BcchFreqLst_51	
Structured Type:	NCD	
Derivation Path:		
Comments:	Default neighbour cells description for SYSTEM INFORMATION 2 and 5 under DCS1800 with the ARFCN list = {512, 543, 568, 589, 602, 641, 662, 683, 696, 711, 732, 754, 794, 851, 870, 871, 872, 884}.	
Element Name	Element Value	Comments
rfl2	'10'B	
extind	'0'B	
baind	'0'B	
rfl4	'1001'B	
rfl	'0031EE85660D545ABFEB88D30DA0FF'O	
Detailed Comments:		

Structured Type Constraint		
Constraint Name:	BcchFreqLst_52	
Structured Type:	NCD	
Derivation Path:		
Comments:	Default neighbour cells description for SYSTEM INFORMATION 2bis under EGSMwith the ARFCN list = {985, 989, 995, 1010, 1014}.	
Element Name	Element Value	Comments
rfl2	'10'B	
extind	'1'B	
baind	'0'B	
rfl4	'1001'B	
rfl	'EC867C413D00000000000000000000'O	
Detailed Comments:		

Structured Type Constraint		
Constraint Name:	BcchFreqLst_53	
Structured Type:	NCD	
Derivation Path:		
Comments:	Default neighbour cells description for SYSTEM INFORMATION 2 and 5 under GSM900 with the ARFCN list = {3, 9, 18, 25}.	
Element Name	Element Value	Comments
rfl2	'00'B	
extind	'0'B	
baind	'0'B	
rfl4	'1000'B	
rfl	'0000000000000000000000001020104'O	
Detailed Comments:		

Structured Type Constraint		
Constraint Name:	BcchFreqLst_54	
Structured Type:	NCD	
Derivation Path:		
Comments:	Default neighbour cells description for SYSTEM INFORMATION 2 and 5 under DCS1800 with the ARFCN list = {512, 543, 568, 589}.	
Element Name	Element Value	Comments
rfl2	'10'B	
extind	'0'B	
baind	'0'B	
rfl4	'1001'B	
rfl	'000E39C54000000000000000000000'O	
Detailed Comments:		

Structured Type Constraint		
Constraint Name:	BcchFreqLst_55	
Structured Type:	NCD	
Derivation Path:		
Comments:	Default neighbour cells description for SYSTEM INFORMATION 2bis under EGSMwith the ARFCN list = {985}.	
Element Name	Element Value	Comments
rfl2	'10'B	
extind	'1'B	
baind	'0'B	
rfl4	'1001'B	
rfl	'EC8000000000000000000000000000'O	
Detailed Comments:		

Structured Type Constraint		
Constraint Name:	BcchFreqLst_56	
Structured Type:	NCD	
Derivation Path:		
Comments:	Default neighbour cells description for SYSTEM INFORMATION 2bis under EGSMwith the ARFCN list = {9, 43, 70, 500, 550, 990, 995}.	
Element Name	Element Value	Comments
rfl2	'10'B	
extind	'1'B	
baind	'0'B	
rfl4	'0000'B	
rfl	'09ED88BEF29086C000000000000000'O	
Detailed Comments:		

Structured Type Constraint		
Constraint Name:	BcchFreqLst_57	
Structured Type:	NCD	
Derivation Path:		
Comments:	Default neighbour cells description for SYSTEM INFORMATION 2 and 5 under GSM900 with the ARFCN list = {3, 18, 25, 41, 43, 49, 50, 54, 58, 62, 66, 70, 80, 92, 124}.	
Element Name	Element Value	Comments
rfl2	'00'B	
extind	'0'B	
baind	'0'B	
rfl4	'1000'B	
rfl	'000000080080222223050001020004'O	
Detailed Comments:		

Structured Type Constraint		
Constraint Name:	BcchFreqLst_58	
Structured Type:	NCD	
Derivation Path:		
Comments:	Default neighbour cells description for SYSTEM INFORMATION 2 and 5 under DCS1800 with the ARFCN list = {512, 568, 589, 602, 641, 662, 683, 696, 711, 732, 754, 794, 851, 870, 871, 872, 884}.	
Element Name	Element Value	Comments
rfl2	'10'B	
extind	'0'B	
baind	'0'B	
rfl4	'1001'B	
rfl	'00372EA2A20C440B38B3FE7A0F3160' O	
Detailed Comments:		

Structured Type Constraint		
Constraint Name:	BcchFreqLst_59	
Structured Type:	NCD	
Derivation Path:		
Comments:	Default neighbour cells description for SYSTEM INFORMATION 2 and 5 under GSM900 with the ARFCN list = {3, 9, 18, 25, 41}.	
Element Name	Element Value	Comments
rfl2	'00'B	
extind	'0'B	
baind	'0'B	
rfl4	'1000'B	
rfl	'00000000000000000000000010001020104'O	
Detailed Comments:		

Structured Type Constraint		
Constraint Name:	BcchFreqLst_60	
Structured Type:	NCD	
Derivation Path:		
Comments:	Default neighbour cells description for SYSTEM INFORMATION 2 and 5 under GSM900 with the ARFCN list = {3, 18, 25, 41}.	
Element Name	Element Value	Comments
rfl2	'00'B	
extind	'0'B	
baind	'0'B	
rfl4	'1000'B	
rfl	'00000000000000000000000010001020004'O	
Detailed Comments:		

Structured Type Constraint		
Constraint Name:	BcchFreqLst_61	
Structured Type:	NCD	
Derivation Path:		
Comments:	Default neighbour cells description for SYSTEM INFORMATION 2 and 5 under DCS1800 with the ARFCN list = {512, 543, 568, 589, 602}.	
Element Name	Element Value	Comments
rfl2	'10'B	
extind	'0'B	
baind	'0'B	
rfl4	'1001'B	
rfl	'00137AC37380000000000000000000'O	
Detailed Comments:		

Structured Type Constraint		
Constraint Name:	BcchFreqLst_62	
Structured Type:	NCD	
Derivation Path:		
Comments:	Default neighbour cells description for SYSTEM INFORMATION 2 and 5 under GSM900 with the ARFCN list = {3, 9, 18, 25, 41, 43, 49}.	
Element Name	Element Value	Comments
rfl2	'00'B	
extind	'0'B	
baind	'0'B	
rfl4	'1000'B	
rfl	'000000000000000000001050001020104'O	
Detailed Comments:		

Structured Type Constraint		
Constraint Name:	BcchFreqLst_63	
Structured Type:	NCD	
Derivation Path:		
Comments:	Default neighbour cells description for SYSTEM INFORMATION 2 and 5 under GSM900 with the ARFCN list = {3, 18, 25, 41, 43, 49}.	
Element Name	Element Value	Comments
rfl2	'00'B	
extind	'0'B	
baind	'0'B	
rfl4	'1000'B	
rfl	'000000000000000000001050001020004'O	
Detailed Comments:		

Structured Type Constraint		
Constraint Name:	BcchFreqLst_64	
Structured Type:	NCD	
Derivation Path:		
Comments:	Default neighbour cells description for SYSTEM INFORMATION 2 and 5 under DCS1800 with the ARFCN list = {512, 543, 568, 589, 602, 641, 662}.	
Element Name	Element Value	Comments
rfl2	'10'B	
extind	'0'B	
baind	'0'B	
rfl4	'1001'B	
rfl	'0016B78F33EB2A0000000000000000'O	
Detailed Comments:		

Structured Type Constraint		
Constraint Name:	BcchFreqLst2_65	
Structured Type:	NCD2	
Derivation Path:		
Comments:	Default neighbour cells description type 2 for SYSTEM INFORMATION 2 and 5 for DCS1800 with the ARFCN list = {45, 76, 891, 905, 985}.	
Element Name	Element Value	Comments
b128	'1'B	
mbrpt	'00'B	
baind	'0'B	
b122_124	'001'B	
rfl1	'1'B	
rfl	'D9D81CBCB84000000000000000000'O	
Detailed Comments:		

Structured Type Constraint		
Constraint Name:	CellChDes_24d	
Structured Type:	CCHD	
Derivation Path:		
Comments:	for cell selection testing : 512, 543, 568, 589, 602, 641, 662, 683, 696, 711, 732, 754, 794, 851, 870, 871, 872, 884	
Element Name	Element Value	Comments
iei	-	
rfl	'890031EE85660D545ABFEB88D30DA0FF'O	
Detailed Comments:		

Structured Type Constraint		
Constraint Name:	CellOpt_01	
Structured Type:	CO	
Derivation Path:		
Comments:		
Element Name	Element Value	Comments
sprb	'0'B	
pwrC	'0'B	
dtx	'10'B	
rlt	'0001'B	
Detailed Comments:		

Structured Type Constraint		
Constraint Name:	CellSelPara(crh, mtmc:INTEGER; neci:B_1)	
Structured Type:	CSP	
Derivation Path:		
Comments:	Default value.	
Element Name	Element Value	Comments
crh	INT_TO_BIT(crh, 3)	
mtmc	INT_TO_BIT(mtmc, 5)	
acs	'0'B	
neci	neci	
ram	'000000'B	
Detailed Comments:		

Structured Type Constraint		
Constraint Name:	CellSelPara_bis(crh, mtmc:INTEGER; neci:B_1; ram:B_6)	
Structured Type:	CSP	
Derivation Path:		
Comments:	Default value.	
Element Name	Element Value	Comments
crh	INT_TO_BIT(crh, 3)	
mtmc	INT_TO_BIT(mtmc, 5)	
acs	'1'B	
neci	neci	
ram	ram	
Detailed Comments:		

Structured Type Constraint		
Constraint Name:	CellSelPara_ram(crh, mtmc:INTEGER; neci:B_1; ram:B_6)	
Structured Type:	CSP	
Derivation Path:		
Comments:	Default value.	
Element Name	Element Value	Comments
crh	INT_TO_BIT(crh, 3)	
mtmc	INT_TO_BIT(mtmc, 5)	
acs	'0'B	
neci	neci	
ram	ram	
Detailed Comments:		

Structured Type Constraint		
Constraint Name:	ChDescrp_nfh(type:CH_TDMA; slot:SN; tsc:TSC; par_arfcn: INTEGER)	
Structured Type:	CHD	
Derivation Path:		
Comments:	Channel description for CC testing, non hopping, no starting time.	
Element Name	Element Value	Comments
iei	-	
cht_schn	type	
tn	slot	
tsc	tsc	
hch	'0'B	
maio	-	
hsn	-	
spr	'00'B	
arfcn	INT_TO_BIT(par_arfcn, 10)	
Detailed Comments:		

Structured Type Constraint		
Constraint Name:	ChMod_r01	
Structured Type:	CHMOD	
Derivation Path:		
Comments:	for TC_26_6_13_1	
Element Name	Element Value	Comments
iei	'01100011'B	
mode	TSPX_ChMod1	
Detailed Comments:		

Structured Type Constraint		
Constraint Name:	ChMod_sign	
Structured Type:	CHMOD	
Derivation Path:		
Comments:	signalling only	
Element Name	Element Value	Comments
iei	-	
mode	C_ChMod_s	
Detailed Comments:		

Structured Type Constraint		
Constraint Name:	Chneed_01	
Structured Type:	CHNEED	
Derivation Path:		
Comments:	any channel	
Element Name	Element Value	Comments
ch2	'00'B	
ch1	'00'B	
Detailed Comments:		

Structured Type Constraint		
Constraint Name:	ClassMark1	
Structured Type:	MSCLM1	
Derivation Path:		
Comments:		
Element Name	Element Value	Comments
spr1	'0'B	
rl	TSPX_RevLevel	
spr2	'0'B	
a5_1	TSPX_CiphAlgA5_1	
rfpc	TSPX_RfPwrCap	
Detailed Comments:		

Structured Type Constraint		
Constraint Name:	CntrlChDscrp(att: INTEGER; babr, cch_con, bpm:B_3; timer:OCTETSTRING)	
Structured Type:	CCD	
Derivation Path:		
Comments:	Generic Control channel descriptor.	
Element Name	Element Value	Comments
spr1	'0'B	
att	INT_TO_BIT(att,1)	
babr	babr	
ccch_con	cch_con	
spr2	'00000'B	
bpm	bpm	
t3212	timer	
Detailed Comments:		

Structured Type Constraint		
Constraint Name:	CphKeySN_07(par: BITSTRING)	
Structured Type:	CPHKS	
Derivation Path:		
Comments:		
Element Name	Element Value	Comments
sprb	'0'B	
ks	par	
Detailed Comments:		

Structured Type Constraint		
Constraint Name:	Fn_01	
Structured Type:	FN	
Derivation Path:		
Comments:	not pertaining to the MS under test	
Element Name	Element Value	Comments
t1_	'00000'B	
t3	'000000'B	
t2	'00000'B	
Detailed Comments:		

Structured Type Constraint		
Constraint Name:	FreqBCCH(arfcn:INTEGER)	
Structured Type:	FRQPARA	
Derivation Path:		
Comments:	Broadcast channel.	
Element Name	Element Value	Comments
hch	'0'B	
maio	-	
hsn	-	
spr	'00'B	
arfcn	INT_TO_BIT(arfcn, 10)	
maclength	'00'O	
mac_8n	-	
mac_7n	-	
mac_6n	-	
mac_5n	-	
mac_4n	-	
mac_3n	-	
mac_2n	-	
mac_1n	-	
flst	-	
Detailed Comments:		

Structured Type Constraint		
Constraint Name:	FreqTCHa1	
Structured Type:	FRQPARA	
Derivation Path:		
Comments:	Traffic channel for cell A, ARFCN = 124 hopping, for GSM900.	
Element Name	Element Value	Comments
hch	'1'B	
maio	'000000'B	
hsn	'111111'B	
spr	-	
arfcn	-	
maclength	'01'O	
mac_8n	'00000001'B	
mac_7n	-	
mac_6n	-	
mac_5n	-	
mac_4n	-	
mac_3n	-	
mac_2n	-	
mac_1n	-	
flst	Frql_04	
Detailed Comments:		

Structured Type Constraint		
Constraint Name:	Frql_04	
Structured Type:	FRQL	
Derivation Path:		
Comments:	frequency list for GSM900 hopping channel with only one frequency, ARFCN = 124	
Element Name	Element Value	Comments
iei	'00000101'B	
iel	'10'O	
fl	'08000000000000000000000000000000' O	
Detailed Comments:		

Structured Type Constraint		
Constraint Name:	Hlcmp_AnyOrOmit	
Structured Type:	HLCMP	
Derivation Path:		
Comments:	High Layer Compatibility IE with parameter "any" or "omit".	
Element Name	Element Value	Comments
iei	'01111101'B IF_PRESENT	
iel	*	
extb3	*	
cs	*	
in	*	
pmpp	*	
extb4	*	
hlci	*	
extb4a	*	
ehlci	*	
Detailed Comments: used in test cases where the HLC is not checked		

Structured Type Constraint		
Constraint Name:	Hlcmp_NotApplicable	
Structured Type:	HLCMP	
Derivation Path:		
Comments:	High Layer Compatibility IE which is not applicable for a specific service (empty IE).	
Element Name	Element Value	Comments
iei	'01111101'B	
iel	'00'O	
extb3	-	
cs	-	
in	-	
pmpp	-	
extb4	-	
hlci	-	
extb4a	-	
ehlci	-	
Detailed Comments:		

Structured Type Constraint		
Constraint Name:	IaRestOct_01	
Structured Type:	IARESTOCT	
Derivation Path:		
Comments:		
Element Name	Element Value	Comments
iei	-	
iaroct1	'2B2B2B2B2B2B2B2B2B2B2B'O	
iaroct2	-	
Detailed Comments:		

Structured Type Constraint		
Constraint Name:	Llcmp_AnyOrOmit	
Structured Type:	LLCMP	
Derivation Path:		
Comments:	High Layer Compatibility IE which has any or omit value in all fields.	
Element Name	Element Value	Comments
iei	'01111100'B IF_PRESENT	
iel	*	
extb3	*	
cs	*	
itc	*	
extb3a	*	
negind	*	
spb3a	*	
extb4	*	
tm	*	
itr	*	
extb4_1	*	
rateml	*	
extb5	*	
l1id	*	
uil1	*	
extb5a	*	
sb	*	
neg	*	
ur	*	
extb5b1	*	
ir	*	
nictx	*	
nicrx	*	
fctx	*	
fcrx	*	
spb5b1	*	
extb5b2	*	
hdrb	*	
mfs	*	
mode	*	
llineg	*	
ass	*	
ibob	*	
spb5b2	*	
extb5c	*	
nsb	*	
ndb	*	
pi	*	
extb5d	*	
dplxm	*	
modemt	*	
extb6	*	
l2id	*	
uil2	*	
extb6a1	*	
modl2	*	
spb6a1	*	
q933	*	
extb6a2	*	
usl2pi	*	
extb6b	*	
ws	*	
extb7	*	
l3id	*	
uil3	*	
extb7a1	*	
modl3	*	

spb7a1	*	
extb7a2	*	
usl3pi	*	
extb7b	*	
spb7b	*	
dps	*	
extb7c	*	
pws	*	

Detailed Comments:

Structured Type Constraint		
Constraint Name:	Llcmp_NotApplicable	
Structured Type:	LLCMP	
Derivation Path:		
Comments:	High Layer Compatibility IE which is not applicable for a specific service (empty IE).	
Element Name	Element Value	Comments
iei	'01111100'B	
iel	'00'O	
extb3	-	
cs	-	
itc	-	
extb3a	-	
negind	-	
spb3a	-	
extb4	-	
tm	-	
itr	-	
extb4_1	-	
rateml	-	
extb5	-	
l1id	-	
uil1	-	
extb5a	-	
sb	-	
neg	-	
ur	-	
extb5b1	-	
ir	-	
nictx	-	
nicrx	-	
fctx	-	
fcrx	-	
spb5b1	-	
extb5b2	-	
hdrb	-	
mfs	-	
mode	-	
llineg	-	
ass	-	
ibob	-	
spb5b2	-	
extb5c	-	
nsb	-	
ndb	-	
pi	-	
extb5d	-	
dplxm	-	
modemt	-	
extb6	-	
l2id	-	
uil2	-	
extb6a1	-	
modl2	-	
spb6a1	-	
q933	-	
extb6a2	-	
usl2pi	-	
extb6b	-	
ws	-	
extb7	-	
l3id	-	
uil3	-	
extb7a1	-	
modl3	-	

spb7a1	-	
extb7a2	-	
usl3pi	-	
extb7b	-	
spb7b	-	
dps	-	
extb7c	-	
pws	-	

Detailed Comments:

Structured Type Constraint		
Constraint Name:	Llcmp_BS2xOrBS4x_UDI	
Structured Type:	LLCMP	
Derivation Path:		
Comments:	Lower Layer Compatibility IE for a setup PDU, B.2.2.1 of GSM 07.01.	
Element Name	Element Value	Comments
iei	'01111100'B	
iel	('06'O, '07'O, '08'O, '09'O, '0A'O, '0B'O, '0C'O, '0D'O, '0E'O)	
extb3	'?'B	
cs	'00'B	
itc	'01000'B	
extb3a	'1'B IF_PRESENT	
negind	*	
spb3a	'000000'B IF_PRESENT	
extb4	'1'B	
tm	'00'B	
itr	'10000'B	
extb4_1	-	
rateml	-	
extb5	'0'B	
l1id	'01'B	
uil1	'00001'B	
extb5a	'0'B	
sb	'1'B	
neg	'0'B	
ur	('00010'B, '00011'B, '00101'B, '01000'B, '10111'B, '11110'B)	
extb5b1	'0'B	
ir	('01'B, '10'B)	
nictx	'?'B	
nicrx	'?'B	
fctx	'0'B	
fctx	'0'B	
spb5b1	'0'B	
extb5b2	-	
hdrb	-	
mfs	-	
mode	-	
llineg	-	
ass	-	
ibob	-	
spb5b2	-	
extb5c	'?'B	
nsb	('01'B, '11'B)	
ndb	('10'B, '11'B)	
pi	('000'B, '010'B, '011'B, '100'B, '101'B)	
extb5d	'1'B IF_PRESENT	
dplxm	*	
modemt	*	
extb6	*	
l2id	*	
uil2	*	
extb6a1	*	
modl2	*	
spb6a1	*	
q933	*	
extb6a2	*	
usl2pi	*	
extb6b	*	
ws	*	
extb7	*	
l3id	*	
uil3	*	

extb7a1	*	
modl3	*	
spb7a1	*	
extb7a2	*	
usl3pi	*	
extb7b	*	
spb7b	*	
dps	*	
extb7c	*	
pws	*	
Detailed Comments:	Corresponding to the Bearer Services 21 ... 26, 41 ... 46 Unrestrict digital information transfer capability.	

Structured Type Constraint		
Constraint Name:	Llcmp_BS2xOrBS61aOrBS81a_3100	
Structured Type:	LLCMP	
Derivation Path:	Llcmp_BS2xOrBS4x_UDI.	
Comments:	Lower Layer Compatibility IE for a setup PDU, B.2.2.2 of GSM 07.01.	
Element Name	Element Value	Comments
iel	('07'O,'08'O,'09'O,'0A'O,'0B'O,'0C'O,'0D'O,'0E'O)	
extb3	'?'B	
cs	'00'B	
itc	'10000'B	
extb4	'1'B	
tm	'00'B	
itr	'10000'B	
extb5	'0'B	
l1id	'01'B	
uil1	'00011'B	
extb5a	'0'B	
sb	?	
neg	?	
ur	?	
extb5b1	'0'B	
ir	?	
nictx	?	
nicrx	?	
fctx	?	
fcrx	?	
spb5b1	'0'B	
extb5c	'0'B	
nsb	?	
ndb	?	
pi	?	
extb5d	'1'B	
dplxm	?	
modemt	('010001'B,'010010'B,'010011'B,'010100'B,'010111'B,'011100'B)	
Detailed Comments:	Corresponding to the Bearer Services 21 ... 26, 61 Asynchronous or 81 Asynchronous 3.1 kHz audio ex-PLMN information transfer capability.	

Structured Type Constraint		
Constraint Name:	Llcmp_BS3x_UDI	
Structured Type:	LLCMP	
Derivation Path:	Llcmp_BS2xOrBS4x_UDI.	
Comments:	Lower Layer Compatibility IE for a setup PDU, B.2.3.1 of GSM 07.01.	
Element Name	Element Value	Comments
iel	('05'O, '06'O, '07'O, '08'O, '09'O, '0A'O, '0B'O, '0C'O, '0D'O, '0E'O)	
extb3	'?B	
cs	'00'B	
itc	'01000'B	
extb4	'1'B	
tm	'00'B	
itr	'10000'B	
extb5	'0'B	
l1id	'01'B	
uil1	('00001'B, '01001'B)	
extb5a	'0'B	
sb	'0'B	
neg	'0'B	
ur	('00010'B, '00011'B, '00101'B, '01000'B)	
extb5b1	'?B	
ir	('01'B, '10'B)	
nictx	'?B	
nicrx	'?B	
fctx	'?B	
fcrx	'?B	
spb5b1	'0'B	
extb5c	'0'B IF_PRESENT	
nsb	*	
ndb	*	
pi	*	
extb5d	'1'B IF_PRESENT	
dplxm	*	
modemt	*	
extb6	*	
l2id	'10'B IF_PRESENT	
uil2	('00110'B, '00111'B) IF_PRESENT	
extb7	*	
l3id	'11'B IF_PRESENT	
uil3	('00110'B, '00111'B) IF_PRESENT	
Detailed Comments:	Corresponding to the Bearer Services 31 ... 34 unrestricted digital information transfer capability.	

Structured Type Constraint		
Constraint Name:	Llcmp_BS3xOrBS61sOrBS81s_3100	
Structured Type:	LLCMP	
Derivation Path:	Llcmp_BS2xOrBS4x_UDI.	
Comments:	Lower Layer Compatibility IE for a setup PDU, B.2.3.2 of GSM 07.01.	
Element Name	Element Value	Comments
iel	('03'O,'04'O,'08'O,'09'O,'0A'O,'0B'O,'0C'O,'0D'O,'0E'O)	
extb3	'?'B	
cs	'00'B	
itc	'10000'B	
extb4	'1'B	
tm	'00'B	
itr	'10000'B	
extb5	'?'B	
l1id	'01'B	
uil1	'00011'B	
extb5a	'0'B IF_PRESENT	
sb	*	
neg	*	
ur	*	
extb5b1	*	
ir	*	
nictx	*	
nicrx	*	
fctx	*	
fcrx	*	
spb5b1	*	
extb5c	'0'B IF_PRESENT	
nsb	*	
ndb	*	
pi	*	
extb5d	'1'B IF_PRESENT	
dplxm	*	
modemt	('010010'B,'010011'B,'010111'B,'011100'B) IF_PRESENT	
extb6	*	
l2id	'10'B IF_PRESENT	
uil2	('00110'B,'00111'B) IF_PRESENT	
extb7	*	
l3id	'11'B IF_PRESENT	
uil3	('00110'B,'00111'B) IF_PRESENT	
Detailed Comments:	Corresponding to the Bearer Services 31 ... 34, 61 Synchronous or 81 Synchronous 3.1kHz audio information transfer capability.	

Structured Type Constraint		
Constraint Name:	Llcmp_BS5x	
Structured Type:	LLCMP	
Derivation Path:	Llcmp_BS2xOrBS4x_UDI.	
Comments:	Lower Layer Compatibility IE for a setup PDU, B.2.5.1 of GSM 07.01.	
Element Name	Element Value	Comments
iel	('06'O,'07'O,'08'O,'09'O,'0A'O,'0B'O,'0C'O,'0D'O,'0E'O)	
extb3	'?B	
cs	'00'B	
itc	'01000'B	
extb4	'1'B	
tm	'00'B	
itr	'10000'B	
extb5	'0'B	
l1id	'01'B	
uil1	'01001'B	
extb5a	'?B	
sb	'0'B	
neg	'0'B	
ur	('00011'B,'00101'B,'01000'B)	
extb5b1	*	
ir	*	
nictx	*	
nicrx	*	
fctx	*	
fcrx	*	
spb5b1	*	
extb5c	*	
nsb	*	
ndb	*	
pi	*	
extb5d	*	
dplxm	*	
modemt	*	
extb6	?	
l2id	'10'B	
uil2	('00110'B,'00111'B)	
extb7	?	
l3id	'11'B	
uil3	('00110'B,'00111'B)	
Detailed Comments:	Corresponding to the Bearer Services 51 ... 53 unrestricted digital information transfer capability.	

Structured Type Constraint		
Constraint Name:	LocAreald(mcc, mnc, lac:OCTETSTRING)	
Structured Type:	LAI	
Derivation Path:		
Comments:	Cell A default value for L3 test	
Element Name	Element Value	Comments
iei	-	
mcc	mcc	
mnc	mnc	
lac	lac	
Detailed Comments:		

Structured Type Constraint		
Constraint Name:	LocUpType(locup:B_2)	
Structured Type:	LUT	
Derivation Path:		
Comments:	location updating type	
Element Name	Element Value	Comments
foreq	'?'B	
sprb	'0'B	
lut	locup	
Detailed Comments:		

Structured Type Constraint		
Constraint Name:	Milmsi_01	
Structured Type:	MI	
Derivation Path:		
Comments:	the TSPX_IMSI is the IMSI of the MS under test	
Element Name	Element Value	Comments
iei	-	
iel	OC_IntToOct(((LENGTH_OF(TSPX_IMSI))/2 + 1),1)	
idigit_1	OC_FirstDigi(TSPX_IMSI)	
oei	OC_OeBit(TSPX_IMSI)	
toi	'001'B	
idigits_other	OC_OtherDigi(TSPX_IMSI)	
Detailed Comments:		

Structured Type Constraint		
Constraint Name:	Milmsi_01iei	
Structured Type:	MI	
Derivation Path:		
Comments:	the TSPX_IMSI is the IMSI of the MS under test	
Element Name	Element Value	Comments
iei	'00010111'B	
iel	OC_IntToOct(((LENGTH_OF(TSPX_IMSI))/2 + 1),1)	
idigit_1	OC_FirstDigi(TSPX_IMSI)	
oei	OC_OeBit(TSPX_IMSI)	
toi	'001'B	
idigits_other	OC_OtherDigi(TSPX_IMSI)	
Detailed Comments:		

Structured Type Constraint		
Constraint Name:	Milmsi_02	
Structured Type:	MI	
Derivation Path:		
Comments:	This constraint is used in paging filling message. No mobile is paged (Type of identity is set to '000'B, i.e. no identity).	
Element Name	Element Value	Comments
iei	-	
iel	'01'O	
idigit_1	'1111'B	
oei	'0'B	
toi	'000'B	
idigits_other	-	
Detailed Comments:		

Structured Type Constraint		
Constraint Name:	Milmsi_r01	
Structured Type:	MI	
Derivation Path:		
Comments:	An another IMSI differing from Milmsi_01 for RR testing.	
Element Name	Element Value	Comments
iei	-	
iel	'07'O	
idigit_1	'0000'B	
oei	'1'B	
toi	'001'B	
idigits_other	'981032547698'O	
Detailed Comments:	IMSI has 13 digits: '08 90 12 34 56 78 9'	

Structured Type Constraint		
Constraint Name:	Milmsi_r01iei	
Structured Type:	MI	
Derivation Path:		
Comments:	An another IMSI differing from Milmsi_01 for RR testing.	
Element Name	Element Value	Comments
iei	'00010111'B	
iel	'07'O	
idigit_1	'0000'B	
oei	'1'B	
toi	'001'B	
idigits_other	'981032547698'O	
Detailed Comments:	IMSI has 13 digits: '08 90 12 34 56 78 9'	

Structured Type Constraint		
Constraint Name:	MiTmsi_01	
Structured Type:	MI	
Derivation Path:		
Comments:	default TMSI for testing.	
Element Name	Element Value	Comments
iei	-	
iel	'05'O	
idigit_1	'1111'B	
oei	'0'B	
toi	'100'B	
idigits_other	TSPX_TMSI	
Detailed Comments:		

Structured Type Constraint		
Constraint Name:	MiTmsi_01iei	
Structured Type:	MI	
Derivation Path:		
Comments:	default TMSI for testing.	
Element Name	Element Value	Comments
iei	'00010111'B	
iel	'05'O	
idigit_1	'1111'B	
oei	'0'B	
toi	'100'B	
idigits_other	TSPX_TMSI	
Detailed Comments:		

Structured Type Constraint		
Constraint Name:	MiTmsi_02	
Structured Type:	MI	
Derivation Path:		
Comments:	A new TMSI	
Element Name	Element Value	Comments
iei	-	
iel	'05'O	
idigit_1	'1111'B	
oei	'0'B	
toi	'100'B	
idigits_other	TSPX_TMSI1	
Detailed Comments:		

Structured Type Constraint		
Constraint Name:	MiTmsi_02iei	
Structured Type:	MI	
Derivation Path:		
Comments:	A new TMSI	
Element Name	Element Value	Comments
iei	'00010111'B	
iel	'05'O	
idigit_1	'1111'B	
oei	'0'B	
toi	'100'B	
idigits_other	TSPX_TMSI1	
Detailed Comments:		

Structured Type Constraint		
Constraint Name:	MiTmsi_r01	
Structured Type:	MI	
Derivation Path:		
Comments:	A TMSI differs from MiTmsi_01	
Element Name	Element Value	Comments
iei	-	
iel	'05'O	
idigit_1	'1111'B	
oei	'0'B	
toi	'100'B	
idigits_other	OC_IncTmsi(TSPX_TMSI, '01'O)	
Detailed Comments: Note: the TSPX_TMSI + '01'O shall not be identical to TSPX_TMSI1		

Structured Type Constraint		
Constraint Name:	MiTmsi_r02	
Structured Type:	MI	
Derivation Path:		
Comments:	default TMSI for testing with toi setting to no id.	
Element Name	Element Value	Comments
iei	-	
iel	'05'O	
idigit_1	'1111'B	
oei	'0'B	
toi	'000'B	
idigits_other	TSPX_TMSI	
Detailed Comments:		

Structured Type Constraint		
Constraint Name:	MiTmsi_r02iei	
Structured Type:	MI	
Derivation Path:		
Comments:	default TMSI for testing with toi setting to no id.	
Element Name	Element Value	Comments
iei	'00010111'B	
iel	'05'O	
idigit_1	'1111'B	
oei	'0'B	
toi	'000'B	
idigits_other	TSPX_TMSI	
Detailed Comments:		

Structured Type Constraint		
Constraint Name:	MoblAllc_01	
Structured Type:	MA	
Derivation Path:		
Comments:	non hopping	
Element Name	Element Value	Comments
iei	-	
iel	'00'O	
mac_8n	-	
mac_7n	-	
mac_6n	-	
mac_5n	-	
mac_4n	-	
mac_3n	-	
mac_2n	-	
mac_1n	-	
Detailed Comments:		

Structured Type Constraint		
Constraint Name:	MoblAllc_01iei	
Structured Type:	MA	
Derivation Path:		
Comments:	non hopping	
Element Name	Element Value	Comments
iei	'01110010'B	
iel	'00'O	
mac_8n	-	
mac_7n	-	
mac_6n	-	
mac_5n	-	
mac_4n	-	
mac_3n	-	
mac_2n	-	
mac_1n	-	
Detailed Comments:		

Structured Type Constraint		
Constraint Name:	MoblAllc_02	
Structured Type:	MA	
Derivation Path:	MoblAllc_01.	
Comments:	hopping	
Element Name	Element Value	Comments
iei	'01110010'B	
iel	'01'O	
mac_8n	'00000010'B	
Detailed Comments:		

Structured Type Constraint		
Constraint Name:	MoblAllc_04	
Structured Type:	MA	
Derivation Path:		
Comments:	hopping used in TC_26_6_4_2_2.	
Element Name	Element Value	Comments
iei	'01110010'B	
iel	'01'O	
mac_8n	'00001110'B	
mac_7n	-	
mac_6n	-	
mac_5n	-	
mac_4n	-	
mac_3n	-	
mac_2n	-	
mac_1n	-	
Detailed Comments:		

Structured Type Constraint		
Constraint Name:	MoblAllc_20_A0	
Structured Type:	MA	
Derivation Path:		
Comments:	hopping with 0001 1111 1111 1111 1111 indicates all of the frequencies in CA of cell A with ARFCN_list={10,17,20,26,34,42,45,46,52,59,66,73,74,75,76,108,114}	
Element Name	Element Value	Comments
iei	-	
iel	'03'O	
mac_8n	'00000001'B	
mac_7n	'11111111'B	
mac_6n	'11111111'B	
mac_5n	-	
mac_4n	-	
mac_3n	-	
mac_2n	-	
mac_1n	-	
Detailed Comments:		

Structured Type Constraint		
Constraint Name:	MoblAllc_20_A1	
Structured Type:	MA	
Derivation Path:		
Comments:	indicates all of the frequencies in CA of cell A with ARFCN_list={10,17,20,26,34,42,45,46,52,59,66,73,74,75,76,108,114} except for the BCCH frequency 20.	
Element Name	Element Value	Comments
iei	'01110010'B	
iel	'03'O	
mac_8n	'00000001'B	
mac_7n	'11111111'B	
mac_6n	'11111011'B	
mac_5n	-	
mac_4n	-	
mac_3n	-	
mac_2n	-	
mac_1n	-	
Detailed Comments:		

Structured Type Constraint		
Constraint Name:	MoblAllc_20_A3d	
Structured Type:	MA	
Derivation Path:		
Comments:	indicates all of the frequencies in CA of cell A ARFCN_list={734,741,747,754,759,762,766,767,773,775,779,782,791,798,829,832,844} except 747 and 767.	
Element Name	Element Value	Comments
iei	-	
iel	'03'O	
mac_8n	'00000001'B	
mac_7n	'11111111'B	
mac_6n	'01111011'B	
mac_5n	-	
mac_4n	-	
mac_3n	-	
mac_2n	-	
mac_1n	-	
Detailed Comments:		

Structured Type Constraint		
Constraint Name:	MoblAllc_252	
Structured Type:	MA	
Derivation Path:		
Comments:	hopping with 0001 1100 indicates ARFCN_list={40,66,73,74,75,76,108,114} to the ARFCN_list={73,74,75}.	
Element Name	Element Value	Comments
iei	'01110010'B	
iel	'01'O	
mac_8n	'00011100'B	
mac_7n	-	
mac_6n	-	
mac_5n	-	
mac_4n	-	
mac_3n	-	
mac_2n	-	
mac_1n	-	
Detailed Comments:		

Structured Type Constraint		
Constraint Name:	MoblAllc_252d	
Structured Type:	MA	
Derivation Path:		
Comments:	hopping with 0111 0000 0 List_ARFCN={761,764,771,779,782,791,798,829,832} to the ARFCN_list={791,798,829}.	
Element Name	Element Value	Comments
iei	'01110010'B	
iel	'02'O	
mac_8n	'00000000'B	
mac_7n	'11100000'B	
mac_6n	-	
mac_5n	-	
mac_4n	-	
mac_3n	-	
mac_2n	-	
mac_1n	-	
Detailed Comments:		

Structured Type Constraint		
Constraint Name:	MoblAllc_22	
Structured Type:	MA	
Derivation Path:		
Comments:	hopping with all of f's from cell allocation of cell B with except of {764,832,844}	
Element Name	Element Value	Comments
iei	'01110010'B	
iel	'02'O	
mac_8n	'00111111'B	
mac_7n	'01111111'B	
mac_6n	-	
mac_5n	-	
mac_4n	-	
mac_3n	-	
mac_2n	-	
mac_1n	-	
Detailed Comments:		

Structured Type Constraint		
Constraint Name:	MoblAllc_281	
Structured Type:	MA	
Derivation Path:		
Comments:	hopping with indicates to the ARFCN_list={73,74,75} of cell allocation A.	
Element Name	Element Value	Comments
iei	-	
iel	'03'O	
mac_8n	'00000000'B	
mac_7n	'00111000'B	
mac_6n	'00000000'B	
mac_5n	-	
mac_4n	-	
mac_3n	-	
mac_2n	-	
mac_1n	-	
Detailed Comments:		

Structured Type Constraint		
Constraint Name:	MoblAllc_281d	
Structured Type:	MA	
Derivation Path:		
Comments:	hopping with indicates to the ARFCN_list={773,775,779} of cell allocation A.	
Element Name	Element Value	Comments
iei	-	
iel	'03'O	
mac_8n	'00000000'B	
mac_7n	'00000111'B	
mac_6n	'00000000'B	
mac_5n	-	
mac_4n	-	
mac_3n	-	
mac_2n	-	
mac_1n	-	
Detailed Comments:		

Structured Type Constraint		
Constraint Name:	MoblAllc_281e	
Structured Type:	MA	
Derivation Path:		
Comments:	hopping sequence with EGSM frequencies. The frequencies which are used in the mobile hopping sequence are {0, 80, 1005, 1010} .	
Element Name	Element Value	Comments
iei	-	
iel	'01'O	
mac_8n	'10111000'B	
mac_7n	-	
mac_6n	-	
mac_5n	-	
mac_4n	-	
mac_3n	-	
mac_2n	-	
mac_1n	-	
Detailed Comments:		

Structured Type Constraint		
Constraint Name:	MoblAllc_281e2	
Structured Type:	MA	
Derivation Path:		
Comments:	hopping with indicates to the ARFCN_list={20,66,78} of E-GSM cell allocation with ARFCN_List={20,40,66,73,74,75,76,77,78,79,108,114}	
Element Name	Element Value	Comments
iei	-	
iel	'02'O	
mac_8n	'00000001'B	
mac_7n	'00000101'B	
mac_6n	-	
mac_5n	-	
mac_4n	-	
mac_3n	-	
mac_2n	-	
mac_1n	-	
Detailed Comments:		

Structured Type Constraint		
Constraint Name:	MoblAllc_282	
Structured Type:	MA	
Derivation Path:		
Comments:	hopping with indicates to the Complete Cell Allocation of cell A with except for BCCH-f	
Element Name	Element Value	Comments
iei	-	
iel	'03'O	
mac_8n	'00000001'B	
mac_7n	'11111111'B	
mac_6n	'11111011'B	
mac_5n	-	
mac_4n	-	
mac_3n	-	
mac_2n	-	
mac_1n	-	
Detailed Comments:		

Structured Type Constraint		
Constraint Name:	MoblAllc_20_B1	
Structured Type:	MA	
Derivation Path:		
Comments:	hopping with 1111 1111 1111 1111 ARFCN_list={14,18,22,24,30,31,38,40,60,66,73,74,75,76,108,114}.	
Element Name	Element Value	Comments
iei	-	
iel	'02'O	
mac_8n	'11111111'B	
mac_7n	'11111111'B	
mac_6n	-	
mac_5n	-	
mac_4n	-	
mac_3n	-	
mac_2n	-	
mac_1n	-	
Detailed Comments:		

Structured Type Constraint		
Constraint Name:	MoblAllc_20_B1iei	
Structured Type:	MA	
Derivation Path:		
Comments:	hopping with ARFCN_list={14,18,22,24,30,31,38,40,60,66,73,74,75,76,108,114}.	
Element Name	Element Value	Comments
iei	'01110010'B	
iel	'02'O	
mac_8n	'10100111'B	
mac_7n	-	
mac_6n	-	
mac_5n	-	
mac_4n	-	
mac_3n	-	
mac_2n	-	
mac_1n	-	
Detailed Comments:		

Structured Type Constraint		
Constraint Name:	MoblAllc_20_Be1(par_ma: BITSTRING)	
Structured Type:	MA	
Derivation Path:		
Comments:	hopping with par_ma	
Element Name	Element Value	Comments
iei	-	
iel	'01'O	
mac_8n	par_ma	
mac_7n	-	
mac_6n	-	
mac_5n	-	
mac_4n	-	
mac_3n	-	
mac_2n	-	
mac_1n	-	
Detailed Comments:		

Structured Type Constraint		
Constraint Name:	MoblAllc_20_Be2(par_ma1: BITSTRING; par_ma2: BITSTRING)	
Structured Type:	MA	
Derivation Path:		
Comments:	hopping with par_ma1 and par_ma2	
Element Name	Element Value	Comments
iei	-	
iel	'02'O	
mac_8n	par_ma1	
mac_7n	par_ma2	
mac_6n	-	
mac_5n	-	
mac_4n	-	
mac_3n	-	
mac_2n	-	
mac_1n	-	
Detailed Comments:		

Structured Type Constraint		
Constraint Name:	MoblAllc_20_Be2iei(par_ma1: BITSTRING; par_ma2: BITSTRING)	
Structured Type:	MA	
Derivation Path:		
Comments:	hopping with par_ma1 and par_ma2	
Element Name	Element Value	Comments
iei	'01110010'B	
iel	'02'O	
mac_8n	par_ma1	
mac_7n	par_ma2	
mac_6n	-	
mac_5n	-	
mac_4n	-	
mac_3n	-	
mac_2n	-	
mac_1n	-	
Detailed Comments:		

Structured Type Constraint		
Constraint Name:	MoblAllc_20_A2	
Structured Type:	MA	
Derivation Path:		
Comments:	hopping with default Cell Allocation of HO cases and only one frequency in hopping	
Element Name	Element Value	Comments
iei	-	
iel	'03'O	
mac_8n	'00000001'B	
mac_7n	'00000000'B	
mac_6n	'00000000'B	
mac_5n	-	
mac_4n	-	
mac_3n	-	
mac_2n	-	
mac_1n	-	
Detailed Comments:		

Structured Type Constraint		
Constraint Name:	MoblAllc_20_A2iei	
Structured Type:	MA	
Derivation Path:		
Comments:	hopping with 1000 0000 0000 0000 indicates from default Cell Allocation of HO cases with the ARFCN_List={10,17,20,26,34,42,45,46,52,59,66,73,74,75,76,108,114} the ARFCN_list={114}	
Element Name	Element Value	Comments
iei	'01110010'B	
iel	'03'O	
mac_8n	'00000001'B	
mac_7n	'00000000'B	
mac_6n	'00000000'B	
mac_5n	-	
mac_4n	-	
mac_3n	-	
mac_2n	-	
mac_1n	-	
Detailed Comments:		

Structured Type Constraint		
Constraint Name:	MoblAllc_20_A3	
Structured Type:	MA	
Derivation Path:		
Comments:	indicates all of the frequencies in CA of cell A ARFCN_list={10,17,20,26,34,42,45,46,52,59,66,73,74,75,76,108,114} except 20 and 52.	
Element Name	Element Value	Comments
iei	-	
iel	'03'O	
mac_8n	'00000001'B	
mac_7n	'11111110'B	
mac_6n	'11111011'B	
mac_5n	-	
mac_4n	-	
mac_3n	-	
mac_2n	-	
mac_1n	-	
Detailed Comments:		

Structured Type Constraint		
Constraint Name: MoblAllc_omit		
Structured Type: MA		
Derivation Path:		
Comments:		
Element Name	Element Value	Comments
iei	-	
iel	-	
mac_8n	-	
mac_7n	-	
mac_6n	-	
mac_5n	-	
mac_4n	-	
mac_3n	-	
mac_2n	-	
mac_1n	-	
Detailed Comments:		

Structured Type Constraint		
Constraint Name: MoblAllc_r01		
Structured Type: MA		
Derivation Path:		
Comments:		
Element Name	Element Value	Comments
iei	'01110010'B	
iel	'02'O	
mac_8n	'0000011'B	
mac_7n	'11111011'B	
mac_6n	-	
mac_5n	-	
mac_4n	-	
mac_3n	-	
mac_2n	-	
mac_1n	-	
Detailed Comments:		

Structured Type Constraint		
Constraint Name: MoblAllc_r02		
Structured Type: MA		
Derivation Path:		
Comments:		
Element Name	Element Value	Comments
iei	'01110010'B	
iel	'02'O	
mac_8n	'00000111'B	
mac_7n	'11100011'B	
mac_6n	-	
mac_5n	-	
mac_4n	-	
mac_3n	-	
mac_2n	-	
mac_1n	-	
Detailed Comments:		

Structured Type Constraint		
Constraint Name:	MoblAllc_r03	
Structured Type:	MA	
Derivation Path:	MoblAllc_r01.	
Comments:		
Element Name	Element Value	Comments
iel	'01'O	
mac_8n	'00000001'B	
mac_7n	-	
Detailed Comments:		

Structured Type Constraint		
Constraint Name:	MoblAllc_r04	
Structured Type:	MA	
Derivation Path:		
Comments:		
Element Name	Element Value	Comments
iei	'01110010'B	
iel	'02'O	
mac_8n	'00000001'B	
mac_7n	'11000111'B	
mac_6n	-	
mac_5n	-	
mac_4n	-	
mac_3n	-	
mac_2n	-	
mac_1n	-	
Detailed Comments:		

Structured Type Constraint		
Constraint Name:	MoblAllc_r05	
Structured Type:	MA	
Derivation Path:	MoblAllc_r01.	
Comments:	used in TC_26_6_13_1 for immediate assignment command	
Element Name	Element Value	Comments
iei	-	
iel	'03'O	
mac_8n	INT_TO_BIT((OC_OctToInt(TSPX_Ma1) / 65536), 8)	
mac_7n	INT_TO_BIT(((OC_OctToInt(TSPX_Ma1) / 256) MOD 256), 8)	
mac_6n	INT_TO_BIT((OC_OctToInt(TSPX_Ma1) MOD 256), 8)	
mac_5n	-	
mac_4n	-	
mac_3n	-	
mac_2n	-	
mac_1n	-	
Detailed Comments:		

Structured Type Constraint		
Constraint Name:	MoblAllc_r06	
Structured Type:	MA	
Derivation Path:		
Comments:	used in TC_26_6_13_1 after time	
Element Name	Element Value	Comments
iei	'01110010'B	
iel	'03'O	
mac_8n	INT_TO_BIT((OC_OctToInt(TSPX_Ma2) / 65536), 8)	
mac_7n	INT_TO_BIT(((OC_OctToInt(TSPX_Ma2) / 256) MOD 256), 8)	
mac_6n	INT_TO_BIT((OC_OctToInt(TSPX_Ma2) MOD 256), 8)	
mac_5n	-	
mac_4n	-	
mac_3n	-	
mac_2n	-	
mac_1n	-	
Detailed Comments:		

Structured Type Constraint		
Constraint Name:	MoblAllc_r07	
Structured Type:	MA	
Derivation Path:		
Comments:	used in TC_26_6_13_1 and TC_26_6_13_2 before time	
Element Name	Element Value	Comments
iei	'01110010'B	
iel	'03'O	
mac_8n	INT_TO_BIT((OC_OctToInt(TSPX_Ma3) / 65536), 8)	
mac_7n	INT_TO_BIT(((OC_OctToInt(TSPX_Ma3) / 256) MOD 256), 8)	
mac_6n	INT_TO_BIT((OC_OctToInt(TSPX_Ma3) MOD 256), 8)	
mac_5n	-	
mac_4n	-	
mac_3n	-	
mac_2n	-	
mac_1n	-	
Detailed Comments:		

Structured Type Constraint		
Constraint Name:	MoblAllc_r08	
Structured Type:	MA	
Derivation Path:	MoblAllc_r01.MoblAllc_r05.	
Comments:	used in TC_26_6_13_2 for immediate asignment command	
Element Name	Element Value	Comments
mac_8n	INT_TO_BIT((OC_OctToInt(TSPX_Ma4) / 65536), 8)	
mac_7n	INT_TO_BIT(((OC_OctToInt(TSPX_Ma4) / 256) MOD 256), 8)	
mac_6n	INT_TO_BIT((OC_OctToInt(TSPX_Ma4) MOD 256), 8)	
Detailed Comments:		

Structured Type Constraint		
Constraint Name:	MobilAllc_r09	
Structured Type:	MA	
Derivation Path:		
Comments:	used in TC_26_6_13_2 after time	
Element Name	Element Value	Comments
iei	'01110010'B	
iel	'03'O	
mac_8n	INT_TO_BIT((OC_OctToInt(TSPX_Ma5) / 65536), 8)	
mac_7n	INT_TO_BIT(((OC_OctToInt(TSPX_Ma5) / 256) MOD 256), 8)	
mac_6n	INT_TO_BIT((OC_OctToInt(TSPX_Ma5) MOD 256), 8)	
mac_5n	-	
mac_4n	-	
mac_3n	-	
mac_2n	-	
mac_1n	-	
Detailed Comments:		

Structured Type Constraint		
Constraint Name:	MobilAllc_r10	
Structured Type:	MA	
Derivation Path:	MobilAllc_r01.MobilAllc_r05.	
Comments:	used in TC_26_6_13_3 for immediate assignment	
Element Name	Element Value	Comments
mac_8n	INT_TO_BIT((OC_OctToInt(TSPX_Ma6) / 65536), 8)	
mac_7n	INT_TO_BIT(((OC_OctToInt(TSPX_Ma6) / 256) MOD 256), 8)	
mac_6n	INT_TO_BIT((OC_OctToInt(TSPX_Ma6) MOD 256), 8)	
Detailed Comments:		

Structured Type Constraint		
Constraint Name:	MobilAllc_r11	
Structured Type:	MA	
Derivation Path:		
Comments:	used in TC_26_6_13_3 for frequency redefinition	
Element Name	Element Value	Comments
iei	-	
iel	'03'O	
mac_8n	INT_TO_BIT((OC_OctToInt(TSPX_Ma7) / 65536), 8)	
mac_7n	INT_TO_BIT(((OC_OctToInt(TSPX_Ma7) / 256) MOD 256), 8)	
mac_6n	INT_TO_BIT((OC_OctToInt(TSPX_Ma7) MOD 256), 8)	
mac_5n	-	
mac_4n	-	
mac_3n	-	
mac_2n	-	
mac_1n	-	
Detailed Comments:		

Structured Type Constraint		
Constraint Name:	MoblAllc_r12	
Structured Type:	MA	
Derivation Path:	MoblAllc_r11.	
Comments:	used in TC_26_6_13_3 for assignment command after time	
Element Name	Element Value	Comments
iei	'01110010'B	
mac_8n	INT_TO_BIT((OC_OctToInt(TSPX_Ma8) / 65536), 8)	
mac_7n	INT_TO_BIT(((OC_OctToInt(TSPX_Ma8) / 256) MOD 256), 8)	
mac_6n	INT_TO_BIT((OC_OctToInt(TSPX_Ma8) MOD 256), 8)	
Detailed Comments:		

Structured Type Constraint		
Constraint Name:	MoblAllc_r13	
Structured Type:	MA	
Derivation Path:		
Comments:	used in TC_26_6_13_3 for assignment command before time	
Element Name	Element Value	Comments
iei	'01110010'B	
iel	'03'O	
mac_8n	INT_TO_BIT((OC_OctToInt(TSPX_Ma9) / 65536), 8)	
mac_7n	INT_TO_BIT(((OC_OctToInt(TSPX_Ma9) / 256) MOD 256), 8)	
mac_6n	INT_TO_BIT((OC_OctToInt(TSPX_Ma9) MOD 256), 8)	
mac_5n	-	
mac_4n	-	
mac_3n	-	
mac_2n	-	
mac_1n	-	
Detailed Comments:		

Structured Type Constraint		
Constraint Name:	MoblAllc_r14	
Structured Type:	MA	
Derivation Path:	MoblAllc_r01.MoblAllc_r05.	
Comments:	used in TC_26_6_13_4 for immediate assignment	
Element Name	Element Value	Comments
mac_8n	INT_TO_BIT((OC_OctToInt(TSPX_Ma10) / 65536), 8)	
mac_7n	INT_TO_BIT(((OC_OctToInt(TSPX_Ma10) / 256) MOD 256), 8)	
mac_6n	INT_TO_BIT((OC_OctToInt(TSPX_Ma10) MOD 256), 8)	
Detailed Comments:		

Structured Type Constraint		
Constraint Name:	MoblAllc_r15	
Structured Type:	MA	
Derivation Path:	MoblAllc_r01.MoblAllc_r05.	
Comments:	used in TC_26_6_13_4 for frequency redefinition	
Element Name	Element Value	Comments
mac_8n	INT_TO_BIT((OC_OctToInt(TSPX_Ma11) / 65536), 8)	
mac_7n	INT_TO_BIT(((OC_OctToInt(TSPX_Ma11) / 256) MOD 256), 8)	
mac_6n	INT_TO_BIT((OC_OctToInt(TSPX_Ma11) MOD 256), 8)	
Detailed Comments:		

Structured Type Constraint		
Constraint Name:	MoblAllc_r16	
Structured Type:	MA	
Derivation Path:		
Comments:	used in TC_26_6_13_4 for assignment command after time	
Element Name	Element Value	Comments
iei	'01110010'B	
iel	'03'O	
mac_8n	INT_TO_BIT((OC_OctToInt(TSPX_Ma12) / 65536), 8)	
mac_7n	INT_TO_BIT(((OC_OctToInt(TSPX_Ma12) / 256) MOD 256), 8)	
mac_6n	INT_TO_BIT((OC_OctToInt(TSPX_Ma12) MOD 256), 8)	
mac_5n	-	
mac_4n	-	
mac_3n	-	
mac_2n	-	
mac_1n	-	
Detailed Comments:		

Structured Type Constraint		
Constraint Name:	MoblAllc_r17	
Structured Type:	MA	
Derivation Path:		
Comments:	used in TC_26_6_13_4 for assignment command before time	
Element Name	Element Value	Comments
iei	'01110010'B	
iel	'03'O	
mac_8n	INT_TO_BIT((OC_OctToInt(TSPX_Ma13) / 65536), 8)	
mac_7n	INT_TO_BIT(((OC_OctToInt(TSPX_Ma13) / 256) MOD 256), 8)	
mac_6n	INT_TO_BIT((OC_OctToInt(TSPX_Ma13) MOD 256), 8)	
mac_5n	-	
mac_4n	-	
mac_3n	-	
mac_2n	-	
mac_1n	-	
Detailed Comments:		

Structured Type Constraint		
Constraint Name:	MoblAllc_r18	
Structured Type:	MA	
Derivation Path:	MoblAllc_r01.MoblAllc_r05.	
Comments:	used in TC_26_6_13_5 for immediate assignment	
Element Name	Element Value	Comments
mac_8n	INT_TO_BIT((OC_OctToInt(TSPX_Ma14) / 65536), 8)	
mac_7n	INT_TO_BIT(((OC_OctToInt(TSPX_Ma14) / 256) MOD 256), 8)	
mac_6n	INT_TO_BIT((OC_OctToInt(TSPX_Ma14) MOD 256), 8)	
Detailed Comments:		

Structured Type Constraint		
Constraint Name:	MoblAllc_r20	
Structured Type:	MA	
Derivation Path:	MoblAllc_r01.MoblAllc_r05.	
Comments:	used in TC_26_6_13_5 for handover before time	
Element Name	Element Value	Comments
mac_8n	INT_TO_BIT((OC_OctToInt(TSPX_Ma16) / 65536), 8)	
mac_7n	INT_TO_BIT(((OC_OctToInt(TSPX_Ma16) / 256) MOD 256), 8)	
mac_6n	INT_TO_BIT((OC_OctToInt(TSPX_Ma16) MOD 256), 8)	
Detailed Comments:		

Structured Type Constraint		
Constraint Name:	MoblAllc_r21	
Structured Type:	MA	
Derivation Path:	MoblAllc_r01.MoblAllc_r05.	
Comments:	used in TC_26_6_13_6 for immediate assignment	
Element Name	Element Value	Comments
mac_8n	INT_TO_BIT((OC_OctToInt(TSPX_Ma17) / 65536), 8)	
mac_7n	INT_TO_BIT(((OC_OctToInt(TSPX_Ma17) / 256) MOD 256), 8)	
mac_6n	INT_TO_BIT((OC_OctToInt(TSPX_Ma17) MOD 256), 8)	
Detailed Comments:		

Structured Type Constraint		
Constraint Name:	MoblAllc_r22	
Structured Type:	MA	
Derivation Path:	MoblAllc_r01.MoblAllc_r05.	
Comments:	used in TC_26_6_13_6 for handover after time	
Element Name	Element Value	Comments
mac_8n	INT_TO_BIT((OC_OctToInt(TSPX_Ma18) / 65536), 8)	
mac_7n	INT_TO_BIT(((OC_OctToInt(TSPX_Ma18) / 256) MOD 256), 8)	
mac_6n	INT_TO_BIT((OC_OctToInt(TSPX_Ma18) MOD 256), 8)	
Detailed Comments:		

Structured Type Constraint		
Constraint Name:	MoblAllc_r23	
Structured Type:	MA	
Derivation Path:	MoblAllc_r01.MoblAllc_r05.	
Comments:	used in TC_26_6_13_6 for handover before time	
Element Name	Element Value	Comments
mac_8n	INT_TO_BIT((OC_OctToInt(TSPX_Ma19) / 65536), 8)	
mac_7n	INT_TO_BIT(((OC_OctToInt(TSPX_Ma19) / 256) MOD 256), 8)	
mac_6n	INT_TO_BIT((OC_OctToInt(TSPX_Ma19) MOD 256), 8)	
Detailed Comments:		

Structured Type Constraint		
Constraint Name:	MoblAllc_r24	
Structured Type:	MA	
Derivation Path:	MoblAllc_r01.MoblAllc_r05.	
Comments:	used in TC_26_6_13_7 for immediate assignment	
Element Name	Element Value	Comments
mac_8n	INT_TO_BIT((OC_OctToInt(TSPX_Ma20) / 65536), 8)	
mac_7n	INT_TO_BIT(((OC_OctToInt(TSPX_Ma20) / 256) MOD 256), 8)	
mac_6n	INT_TO_BIT((OC_OctToInt(TSPX_Ma20) MOD 256), 8)	
Detailed Comments:		

Structured Type Constraint		
Constraint Name:	MoblAllc_r25	
Structured Type:	MA	
Derivation Path:	MoblAllc_r01.MoblAllc_r05.	
Comments:	used in TC_26_6_13_7 for frequency redefinition	
Element Name	Element Value	Comments
mac_8n	INT_TO_BIT((OC_OctToInt(TSPX_Ma21) / 65536), 8)	
mac_7n	INT_TO_BIT(((OC_OctToInt(TSPX_Ma21) / 256) MOD 256), 8)	
mac_6n	INT_TO_BIT((OC_OctToInt(TSPX_Ma21) MOD 256), 8)	
Detailed Comments:		

Structured Type Constraint		
Constraint Name:	MoblAllc_r26	
Structured Type:	MA	
Derivation Path:	MoblAllc_r01.MoblAllc_r05.	
Comments:	used in TC_26_6_13_7 for HANDOVER COMMAND after time	
Element Name	Element Value	Comments
mac_8n	INT_TO_BIT((OC_OctToInt(TSPX_Ma22) / 65536), 8)	
mac_7n	INT_TO_BIT(((OC_OctToInt(TSPX_Ma22) / 256) MOD 256), 8)	
mac_6n	INT_TO_BIT((OC_OctToInt(TSPX_Ma22) MOD 256), 8)	
Detailed Comments:		

Structured Type Constraint		
Constraint Name:	MoblAllc_r27	
Structured Type:	MA	
Derivation Path:	MoblAllc_r01.MoblAllc_r05.	
Comments:	used in TC_26_6_13_7 for HANDOVER COMMAND before time	
Element Name	Element Value	Comments
mac_8n	INT_TO_BIT((OC_OctToInt(TSPX_Ma23) / 65536), 8)	
mac_7n	INT_TO_BIT(((OC_OctToInt(TSPX_Ma23) / 256) MOD 256), 8)	
mac_6n	INT_TO_BIT((OC_OctToInt(TSPX_Ma23) MOD 256), 8)	
Detailed Comments:		

Structured Type Constraint		
Constraint Name:	MoblAllc_r28	
Structured Type:	MA	
Derivation Path:	MoblAllc_r01.MoblAllc_r05.	
Comments:	used in TC_26_6_13_8 for immediate assignment	
Element Name	Element Value	Comments
mac_8n	INT_TO_BIT((OC_OctToInt(TSPX_Ma24) / 65536), 8)	
mac_7n	INT_TO_BIT(((OC_OctToInt(TSPX_Ma24) / 256) MOD 256), 8)	
mac_6n	INT_TO_BIT((OC_OctToInt(TSPX_Ma24) MOD 256), 8)	
Detailed Comments:		

Structured Type Constraint		
Constraint Name:	MoblAllc_r29	
Structured Type:	MA	
Derivation Path:	MoblAllc_r01.MoblAllc_r05.	
Comments:	used in TC_26_6_13_8 for frequency redefinition	
Element Name	Element Value	Comments
mac_8n	INT_TO_BIT((OC_OctToInt(TSPX_Ma25) / 65536), 8)	
mac_7n	INT_TO_BIT(((OC_OctToInt(TSPX_Ma25) / 256) MOD 256), 8)	
mac_6n	INT_TO_BIT((OC_OctToInt(TSPX_Ma25) MOD 256), 8)	
Detailed Comments:		

Structured Type Constraint		
Constraint Name:	MoblAllc_r30	
Structured Type:	MA	
Derivation Path:	MoblAllc_r01.MoblAllc_r05.	
Comments:	used in TC_26_6_13_8 for HANDOVER COMMAND after time	
Element Name	Element Value	Comments
mac_8n	INT_TO_BIT((OC_OctToInt(TSPX_Ma26) / 65536), 8)	
mac_7n	INT_TO_BIT(((OC_OctToInt(TSPX_Ma26) / 256) MOD 256), 8)	
mac_6n	INT_TO_BIT((OC_OctToInt(TSPX_Ma26) MOD 256), 8)	
Detailed Comments:		

Structured Type Constraint		
Constraint Name:	MoblAllc_r31	
Structured Type:	MA	
Derivation Path:	MoblAllc_r01.MoblAllc_r05.	
Comments:	used in TC_26_6_13_8 for HANDOVER COMMAND before time	
Element Name	Element Value	Comments
mac_8n	INT_TO_BIT((OC_OctToInt(TSPX_Ma27) / 65536), 8)	
mac_7n	INT_TO_BIT(((OC_OctToInt(TSPX_Ma27) / 256) MOD 256), 8)	
mac_6n	INT_TO_BIT((OC_OctToInt(TSPX_Ma27) MOD 256), 8)	
Detailed Comments:		

Structured Type Constraint		
Constraint Name:	MoblAllc_r32	
Structured Type:	MA	
Derivation Path:	MoblAllc_r01.MoblAllc_r05.	
Comments:	used in TC_26_6_13_9 for immediate assignment, after time	
Element Name	Element Value	Comments
mac_8n	INT_TO_BIT((OC_OctToInt(TSPX_Ma28) / 65536), 8)	
mac_7n	INT_TO_BIT(((OC_OctToInt(TSPX_Ma28) / 256) MOD 256), 8)	
mac_6n	INT_TO_BIT((OC_OctToInt(TSPX_Ma28) MOD 256), 8)	
Detailed Comments:		

Structured Type Constraint		
Constraint Name:	MoblAllc_r33	
Structured Type:	MA	
Derivation Path:	MoblAllc_r01.MoblAllc_r05.	
Comments:	used in TC_26_6_13_10 for immediate assignment	
Element Name	Element Value	Comments
mac_8n	INT_TO_BIT((OC_OctToInt(TSPX_Ma30) / 65536), 8)	
mac_7n	INT_TO_BIT(((OC_OctToInt(TSPX_Ma30) / 256) MOD 256), 8)	
mac_6n	INT_TO_BIT((OC_OctToInt(TSPX_Ma30) MOD 256), 8)	
Detailed Comments:		

Structured Type Constraint		
Constraint Name:	MsrResult_01	
Structured Type:	MSRR	
Derivation Path:		
Comments:	A measurement results IE containing no measurement results.	
Element Name	Element Value	Comments
ba_used	'1'B	
dtx_used	'0'B	
rxlev_fsc	?	
spr1	'0'B	
meas_valid	'0'B	
rxlev_ssc	?	
spr2	'0'B	
rxqual_fsc	?	
rxqual_ssc	?	
no_nc	('000'B, '111'B)	
rxlev_nc1	'000000'B	
bcchfrq_nc1	'00000'B	
bsic_nc1	'000000'B	
rxlev_nc2	'000000'B	
bcchfrq_nc2	'00000'B	
bsic_nc2	'000000'B	
rxlev_nc3	'000000'B	
bcchfrq_nc3	'00000'B	
bsic_nc3	'000000'B	
rxlev_nc4	'000000'B	
bcchfrq_nc4	'00000'B	
bsic_nc4	'000000'B	
rxlev_nc5	'000000'B	
bcchfrq_nc5	'00000'B	
bsic_nc5	'000000'B	
rxlev_nc6	'000000'B	
bcchfrq_nc6	'00000'B	
bsic_nc6	'000000'B	
Detailed Comments:		

Structured Type Constraint		
Constraint Name:	MsrResult_02	
Structured Type:	MSRR	
Derivation Path:		
Comments:	A measurement results IE matching any value.	
Element Name	Element Value	Comments
ba_used	?	
dtx_used	'0'B	
rxlev_fsc	?	
spr1	'0'B	
meas_valid	?	
rxlev_ssc	?	
spr2	'0'B	
rxqual_fsc	?	
rxqual_ssc	?	
no_nc	?	
rxlev_nc1	*	
bcchfrq_nc1	*	
bsic_nc1	*	
rxlev_nc2	*	
bcchfrq_nc2	*	
bsic_nc2	*	
rxlev_nc3	*	
bcchfrq_nc3	*	
bsic_nc3	*	
rxlev_nc4	*	
bcchfrq_nc4	*	
bsic_nc4	*	
rxlev_nc5	*	
bcchfrq_nc5	*	
bsic_nc5	*	
rxlev_nc6	*	
bcchfrq_nc6	*	
bsic_nc6	*	
Detailed Comments:		

Structured Type Constraint		
Constraint Name:	MsrResult_03	
Structured Type:	MSRR	
Derivation Path:		
Comments:	A measurement results IE containing 6 measurement results.	
Element Name	Element Value	Comments
ba_used	'1'B	
dtx_used	'0'B	
rxlev_fsc	?	
spr1	'0'B	
meas_valid	'0'B	
rxlev_ssc	?	
spr2	'0'B	
rxqual_fsc	?	
rxqual_ssc	?	
no_nc	'110'B	
rxlev_nc1	?	
bcchfrq_nc1	?	
bsic_nc1	?	
rxlev_nc2	?	
bcchfrq_nc2	?	
bsic_nc2	?	
rxlev_nc3	?	
bcchfrq_nc3	?	
bsic_nc3	?	
rxlev_nc4	?	
bcchfrq_nc4	?	
bsic_nc4	?	
rxlev_nc5	?	
bcchfrq_nc5	?	
bsic_nc5	?	
rxlev_nc6	?	
bcchfrq_nc6	?	
bsic_nc6	?	
Detailed Comments:		

Structured Type Constraint		
Constraint Name:	MsrResult_03e1	
Structured Type:	MSRR	
Derivation Path:		
Comments:	A measurement results IE containing 6 measurement results for EGSM.	
Element Name	Element Value	Comments
ba_used	'1'B	
dtx_used	'0'B	
rxlev_fsc	?	
spr1	'0'B	
meas_valid	'0'B	
rxlev_ssc	?	
spr2	'0'B	
rxqual_fsc	?	
rxqual_ssc	?	
no_nc	'110'B	
rxlev_nc1	?	
bcchfrq_nc1	'00001'B	
bsic_nc1	'001011'B	
rxlev_nc2	?	
bcchfrq_nc2	'00010'B	
bsic_nc2	'001111'B	
rxlev_nc3	?	
bcchfrq_nc3	'00100'B	
bsic_nc3	'001101'B	
rxlev_nc4	?	
bcchfrq_nc4	'00101'B	
bsic_nc4	'001001'B	
rxlev_nc5	?	
bcchfrq_nc5	'00110'B	
bsic_nc5	'001111'B	
rxlev_nc6	?	
bcchfrq_nc6	'00111'B	
bsic_nc6	'001101'B	
Detailed Comments:		

Structured Type Constraint		
Constraint Name:	MsrResult_03e2	
Structured Type:	MSRR	
Derivation Path:		
Comments:	A measurement results IE containing 6 measurement results for EGSM.	
Element Name	Element Value	Comments
ba_used	'1'B	
dtx_used	'0'B	
rxlev_fsc	?	
spr1	'0'B	
meas_valid	'0'B	
rxlev_ssc	?	
spr2	'0'B	
rxqual_fsc	?	
rxqual_ssc	?	
no_nc	'110'B	
rxlev_nc1	?	
bcchfrq_nc1	'00010'B	
bsic_nc1	'001011'B	
rxlev_nc2	?	
bcchfrq_nc2	'00011'B	
bsic_nc2	'001111'B	
rxlev_nc3	?	
bcchfrq_nc3	'00100'B	
bsic_nc3	'001101'B	
rxlev_nc4	?	
bcchfrq_nc4	'00101'B	
bsic_nc4	'001001'B	
rxlev_nc5	?	
bcchfrq_nc5	'00110'B	
bsic_nc5	'001111'B	
rxlev_nc6	?	
bcchfrq_nc6	'00001'B	
bsic_nc6	'001100'B	
Detailed Comments:		

Structured Type Constraint		
Constraint Name:	MsrResult_03e3	
Structured Type:	MSRR	
Derivation Path:		
Comments:	A measurement results IE containing 6 measurement results for EGSM.	
Element Name	Element Value	Comments
ba_used	'1'B	
dtx_used	'0'B	
rxlev_fsc	?	
spr1	'0'B	
meas_valid	'0'B	
rxlev_ssc	?	
spr2	'0'B	
rxqual_fsc	?	
rxqual_ssc	?	
no_nc	'110'B	
rxlev_nc1	?	
bcchfrq_nc1	'00010'B	
bsic_nc1	'001011'B	
rxlev_nc2	?	
bcchfrq_nc2	'00011'B	
bsic_nc2	'001111'B	
rxlev_nc3	?	
bcchfrq_nc3	'00110'B	
bsic_nc3	'001001'B	
rxlev_nc4	?	
bcchfrq_nc4	'01000'B	
bsic_nc4	'001111'B	
rxlev_nc5	?	
bcchfrq_nc5	'01000'B	
bsic_nc5	'001101'B	
rxlev_nc6	?	
bcchfrq_nc6	'00001'B	
bsic_nc6	'001100'B	
Detailed Comments:		

Structured Type Constraint		
Constraint Name:	MsrResult_03e4	
Structured Type:	MSRR	
Derivation Path:		
Comments:	A measurement results IE containing 6 measurement results for EGSM.	
Element Name	Element Value	Comments
ba_used	'1'B	
dtx_used	'0'B	
rxlev_fsc	?	
spr1	'0'B	
meas_valid	'0'B	
rxlev_ssc	?	
spr2	'0'B	
rxqual_fsc	?	
rxqual_ssc	?	
no_nc	'110'B	
rxlev_nc1	?	
bcchfrq_nc1	'00010'B	
bsic_nc1	'001011'B	
rxlev_nc2	?	
bcchfrq_nc2	'00011'B	
bsic_nc2	'001111'B	
rxlev_nc3	?	
bcchfrq_nc3	'00110'B	
bsic_nc3	'001101'B	
rxlev_nc4	?	
bcchfrq_nc4	'00111'B	
bsic_nc4	'001001'B	
rxlev_nc5	?	
bcchfrq_nc5	'01000'B	
bsic_nc5	'001111'B	
rxlev_nc6	?	
bcchfrq_nc6	'00001'B	
bsic_nc6	'001100'B	
Detailed Comments:		

Structured Type Constraint		
Constraint Name:	MsrResult_03e5	
Structured Type:	MSRR	
Derivation Path:		
Comments:	A measurement results IE containing 6 measurement results for EGSM.	
Element Name	Element Value	Comments
ba_used	'1'B	
dtx_used	'0'B	
rxlev_fsc	?	
spr1	'0'B	
meas_valid	'0'B	
rxlev_ssc	?	
spr2	'0'B	
rxqual_fsc	?	
rxqual_ssc	?	
no_nc	'110'B	
rxlev_nc1	?	
bcchfrq_nc1	'00010'B	
bsic_nc1	'001011'B	
rxlev_nc2	?	
bcchfrq_nc2	'00011'B	
bsic_nc2	'001111'B	
rxlev_nc3	?	
bcchfrq_nc3	'00101'B	
bsic_nc3	'001101'B	
rxlev_nc4	?	
bcchfrq_nc4	'00110'B	
bsic_nc4	'001001'B	
rxlev_nc5	?	
bcchfrq_nc5	'00111'B	
bsic_nc5	'001111'B	
rxlev_nc6	?	
bcchfrq_nc6	'00001'B	
bsic_nc6	'001100'B	
Detailed Comments:		

Structured Type Constraint		
Constraint Name:	MsrResult_04	
Structured Type:	MSRR	
Derivation Path:	MsrResult_03.	
Comments:	A measurement results IE containing 4 measurement results.	
Element Name	Element Value	Comments
no_nc	'100'B	
bcchfrq_nc1	('00000'B, '00001'B, '00011'B, '00100'B)	
bsic_nc1	('001011'B, '001111'B, '001001'B)	
bcchfrq_nc2	('00000'B, '00001'B, '00011'B, '00100'B)	
bsic_nc2	('001011'B, '001111'B, '001001'B)	
bcchfrq_nc3	('00000'B, '00001'B, '00011'B, '00100'B)	
bsic_nc3	('001011'B, '001111'B, '001001'B)	
bcchfrq_nc4	('00000'B, '00001'B, '00011'B, '00100'B)	
bsic_nc4	('001011'B, '001111'B, '001001'B)	
rxlev_nc5	'000000'B	
bcchfrq_nc5	'00000'B	
bsic_nc5	'000000'B	
rxlev_nc6	'000000'B	
bcchfrq_nc6	'00000'B	
bsic_nc6	'000000'B	
Detailed Comments:		

Structured Type Constraint		
Constraint Name:	MsrResult_04e	
Structured Type:	MSRR	
Derivation Path:	MsrResult_03.	
Comments:	A measurement results IE containing 3 measurement results for EGSM	
Element Name	Element Value	Comments
no_nc	'100'B	
rxlev_nc1	?	
bcchfrq_nc1	'00001'B	
bsic_nc1	'001011'B	
rxlev_nc2	?	
bcchfrq_nc2	'00011'B	
bsic_nc2	'001101'B	
rxlev_nc3	?	
bcchfrq_nc3	'00110'B	
bsic_nc3	'001001'B	
Detailed Comments:		

Structured Type Constraint		
Constraint Name:	MsrResult_05	
Structured Type:	MSRR	
Derivation Path:	MsrResult_03.	
Comments:	A measurement results IE containing 6 measurement results and DTX was used.	
Element Name	Element Value	Comments
dtx_used	'1'B	
bcchfrq_nc1	('00000'B, '00011'B, '00100'B, '00101'B, '00110'B, '00111'B)	
bsic_nc1	('001011'B, '001101'B, '001111'B, '001001'B)	
bcchfrq_nc2	('00000'B, '00011'B, '00100'B, '00101'B, '00110'B, '00111'B)	
bsic_nc2	('001011'B, '001101'B, '001111'B, '001001'B)	
bcchfrq_nc3	('00000'B, '00011'B, '00100'B, '00101'B, '00110'B, '00111'B)	
bsic_nc3	('001011'B, '001101'B, '001111'B, '001001'B)	
bcchfrq_nc4	('00001'B, '00100'B, '00101'B, '00110'B, '00111'B, '01000'B)	
bsic_nc4	('001011'B, '001101'B, '001111'B, '001001'B)	
bcchfrq_nc5	('00001'B, '00100'B, '00101'B, '00110'B, '00111'B, '01000'B)	
bsic_nc5	('001011'B, '001101'B, '001111'B, '001001'B)	
bcchfrq_nc6	('00001'B, '00100'B, '00101'B, '00110'B, '00111'B, '01000'B)	
bsic_nc6	('001011'B, '001101'B, '001111'B, '001001'B)	
Detailed Comments:		

Structured Type Constraint		
Constraint Name:	MsrResult_06	
Structured Type:	MSRR	
Derivation Path:	MsrResult_03.MsrResult_05.	
Comments:	A measurement results IE containing 6 measurement results and DTX is not checked.	
Element Name	Element Value	Comments
dtx_used	?	
Detailed Comments:		

Structured Type Constraint		
Constraint Name:	MsrResult_07	
Structured Type:	MSRR	
Derivation Path:	MsrResult_03.	
Comments:	A measurement results IE containing 2 measurement results.	
Element Name	Element Value	Comments
ba_used	'1'B	
dtx_used	'0'B	
rxlev_fsc	?	
spr1	'0'B	
meas_valid	'0'B	
rxlev_ssc	?	
spr2	'0'B	
rxqual_fsc	?	
rxqual_ssc	?	
no_nc	'010'B	
rxlev_nc1	?	
bcchfrq_nc1	('00000'B, '00010'B)	
bsic_nc1	('001011'B, '001101'B)	
rxlev_nc2	?	
bcchfrq_nc2	('00000'B, '00010'B)	
bsic_nc2	('001011'B, '001101'B)	
rxlev_nc3	'000000'B	
bcchfrq_nc3	'00000'B	
bsic_nc3	'000000'B	
rxlev_nc4	'000000'B	
bcchfrq_nc4	'00000'B	
bsic_nc4	'000000'B	
rxlev_nc5	'000000'B	
bcchfrq_nc5	'00000'B	
bsic_nc5	'000000'B	
rxlev_nc6	'000000'B	
bcchfrq_nc6	'00000'B	
bsic_nc6	'000000'B	
Detailed Comments:		

Structured Type Constraint		
Constraint Name:	Mtdif_01(ta_a, td_b:INTEGER)	
Structured Type:	MTDIF	
Derivation Path:		
Comments:	ta_a: timing advance in cell A, td_b: time difference leg in cell B.	
Element Name	Element Value	Comments
iei	'01110111'B	
iel	'03'O	
value	(OC_IntToOct(((2*td_b + ta_a) MOD 2097152)-2), 3), OC_IntToOct(((2*td_b + ta_a) MOD 2097152)-1), 3), OC_IntToOct(((2*td_b + ta_a) MOD 2097152), 3), OC_IntToOct(((2*td_b + ta_a) MOD 2097152)+1), 3), OC_IntToOct(((2*td_b + ta_a) MOD 2097152)+2), 3))	
Detailed Comments:		

Structured Type Constraint		
Constraint Name:	NT_BothT_BothNTorT_BothT_BothNT	
Structured Type:	CE	
Derivation Path:		
Comments:		
Element Name	Element Value	Comments
TorBothTorBothNT	('00'B, '10'B, '11'B)	
NTorBothTorBothNT	('01'B, '10'B, '11'B)	
Detailed Comments:		

Structured Type Constraint		
Constraint Name:	Pcmd_19(powerlevel:BITSTRING)	
Structured Type:	PCMD	
Derivation Path:		
Comments:		
Element Name	Element Value	Comments
sprb	'000'B	
pl	powerlevel	
Detailed Comments:		

Structured Type Constraint		
Constraint Name:	Pcmd_20(powerlevel:B_5)	
Structured Type:	PCMD	
Derivation Path:		
Comments:	PowerCmd used in synchronized and non synchronized HO cases.	
Element Name	Element Value	Comments
sprb	'011'B	
pl	powerlevel	
Detailed Comments:		

Structured Type Constraint		
Constraint Name:	Pm(pgm:B_2)	
Structured Type:	PM	
Derivation Path:		
Comments:	normal paging mode	
Element Name	Element Value	Comments
sprb	'00'B	
pgm	pgm	
Detailed Comments:		

Structured Type Constraint		
Constraint Name:	Pm_02	
Structured Type:	PM	
Derivation Path:		
Comments:	normal paging mode with arbitrary spare bits.	
Element Name	Element Value	Comments
sprb	'11'B	
pgm	'00'B	
Detailed Comments:		

Structured Type Constraint		
Constraint Name:	ProgInd_omit	
Structured Type:	PI	
Derivation Path:		
Comments:	Omitted Progress Indicator.	
Element Name	Element Value	Comments
iei	-	
iel	-	
extb3	-	
cs	-	
spb	-	
loc	-	
extb4	-	
prd	-	
Detailed Comments:		

Structured Type Constraint		
Constraint Name:	ProgInd_01	
Structured Type:	PI	
Derivation Path:		
Comments:	Progress Indicator with progress description #8 (inband info now available)	
Element Name	Element Value	Comments
iei	'00011110'B	
iel	'02'O	
extb3	'1'B	
cs	'11'B	
spb	'1'B	
loc	'0000'B	
extb4	'1'B	
prd	'0001000'B	
Detailed Comments:		

Structured Type Constraint		
Constraint Name:	ProgInd_02	
Structured Type:	PI	
Derivation Path:		
Comments:	Progress Indicator containing progress indicator #4.	
Element Name	Element Value	Comments
iei	-	
iel	'02'O	
extb3	'1'B	
cs	'11'B	
spb	'0'B	
loc	'0001'B	
extb4	'1'B	
prd	'0000100'B	
Detailed Comments:		

Structured Type Constraint		
Constraint Name:	ProgInd_03	
Structured Type:	PI	
Derivation Path:		
Comments:	Progress Indicator containing progress indicator #8.	
Element Name	Element Value	Comments
iei	-	
iel	'02'O	
extb3	'1'B	
cs	'11'B	
spb	'0'B	
loc	'0001'B	
extb4	'1'B	
prd	'0001000'B	
Detailed Comments:		

Structured Type Constraint		
Constraint Name:	ProgInd_03iei	
Structured Type:	PI	
Derivation Path:		
Comments:	Progress Indicator containing progress indicator #8.	
Element Name	Element Value	Comments
iei	'00011110'B	
iel	'02'O	
extb3	'1'B	
cs	'11'B	
spb	'0'B	
loc	'0001'B	
extb4	'1'B	
prd	'0001000'B	
Detailed Comments:		

Structured Type Constraint		
Constraint Name:	RachCntrlPara(maxtx:B_2; txint:B_4; re:B_1)	
Structured Type:	RACHCP	
Derivation Path:		
Comments:	Default value for L 3 testing.	
Element Name	Element Value	Comments
maxrtx	maxtx	
txint	txint	
cba	'0'B	
re	re	
acc_2	'00000'B	
ec	'0'B	
acc_1	'0000000000'B	
Detailed Comments:		

Structured Type Constraint		
Constraint Name:	RachCntrlPara_cba(maxtx:B_2; txint:B_4; re:B_1; cba:B_1; acc:B_5)	
Structured Type:	RACHCP	
Derivation Path:		
Comments:	Default value for L 3 testing.	
Element Name	Element Value	Comments
maxrtx	maxtx	
txint	txint	
cba	cba	
re	re	
acc_2	acc	
ec	'0'B	
acc_1	'0000000000'B	
Detailed Comments:		

Structured Type Constraint		
Constraint Name:	RachCntrlPara_01	
Structured Type:	RACHCP	
Derivation Path:		
Comments:	Default value for L 3 testing.	
Element Name	Element Value	Comments
maxrtx	'00'B	
txint	'0010'B	
cba	'0'B	
re	'0'B	
acc_2	'00000'B	
ec	'0'B	
acc_1	'0000000000'B	
Detailed Comments:		

Structured Type Constraint		
Constraint Name:	RachCntrlPara_r01	
Structured Type:	RACHCP	
Derivation Path:		
Comments:	Call reestablishment is not allowed in the cell.	
Element Name	Element Value	Comments
maxrtx	'00'B	
txint	'0010'B	
cba	'0'B	
re	'1'B	
acc_2	'00000'B	
ec	'0'B	
acc_1	'0000000000'B	
Detailed Comments:		

Structured Type Constraint		
Constraint Name:	SI3RestOctetPara(pt:B_5; cro:B_6; to:B_3; po:B_2; cbq:B_1)	
Structured Type:	SI3RO	
Derivation Path:		
Comments:	Default value for L 3 testing.	
Element Name	Element Value	Comments
pi	'1'B	
cbq	cbq	
cro	cro	
to	to	
pt	pt	
poi	'1'B	
po	po	
ti	'0'B	
ecsc	'0'B	
spr1	'000'B	
spr2	'00101011'B	
Detailed Comments:		

Structured Type Constraint		
Constraint Name:	SI3RestOctetPara_ti(pt:B_5; cro:B_6; to:B_3; po:B_2)	
Structured Type:	SI3RO	
Derivation Path:		
Comments:	Default value for L 3 testing.	
Element Name	Element Value	Comments
pi	'1'B	
cbq	'0'B	
cro	cro	
to	to	
pt	pt	
poi	'1'B	
po	po	
ti	'1'B	
ecsc	'0'B	
spr1	'000'B	
spr2	'00101011'B	
Detailed Comments:		

Structured Type Constraint		
Constraint Name:	SI4DefaultPara	
Structured Type:	SI4RO	
Derivation Path:		
Comments:	Default value for L 3 testing.	
Element Name	Element Value	Comments
pi	'0'B	
cbq	'0'B	
cro	'101011'B	
to	'001'B	
pt	'01011'B	
poi	'0'B	
po	'01'B	
spr1	'01011'B	
spr2	'00101011'B	
spr3	'00101011'B	
spr4	'00101011'B	
spr5	'00101011'B	
spr6	'00101011'B	
spr7	'00101011'B	
spr8	'00101011'B	
Detailed Comments:		

Structured Type Constraint		
Constraint Name:	SI4RestOctetPara(pt:B_5; cro:B_6; to:B_3; po:B_2; cbq:B_1)	
Structured Type:	SI4RO	
Derivation Path:		
Comments:	Default value for L 3 testing.	
Element Name	Element Value	Comments
pi	'1'B	
cbq	cbq	
cro	cro	
to	to	
pt	pt	
poi	'1'B	
po	po	
spr1	'00000'B	
spr2	'00101011'B	
spr3	'00101011'B	
spr4	'00101011'B	
spr5	'00101011'B	
spr6	'00101011'B	
spr7	'00101011'B	
spr8	'00101011'B	
Detailed Comments:		

Structured Type Constraint		
Constraint Name:	SI7RestOctetPara(pt:B_5; cro:B_6; to:B_3; po:B_2; cbq:B_1)	
Structured Type:	SI7RO	
Derivation Path:		
Comments:	Default value for L 3 testing.	
Element Name	Element Value	Comments
pi	'1'B	
cbq	cbq	
cro	cro	
to	to	
pt	pt	
poi	'1'B	
po	po	
spr1	'00000'B	
spr2	'00101011'B	
spr3	'00101011'B	
spr4	'00101011'B	
spr5	'00101011'B	
spr6	'00101011'B	
spr7	'00101011'B	
spr8	'00101011'B	
spr9	'00101011'B	
spr10	'00101011'B	
spr11	'00101011'B	
spr12	'00101011'B	
spr13	'00101011'B	
spr14	'00101011'B	
spr15	'00101011'B	
spr16	'00101011'B	
spr17	'00101011'B	
spr18	'00101011'B	
Detailed Comments:		

Structured Type Constraint		
Constraint Name:	FwdChAdvSS_01	
Structured Type:	Component_T	
Derivation Path:		
Comments:	AoC- Charging	
Element Name	Element Value	Comments
comp_part1	'A1270201'O	
invokeld	'00'O	
comp_part2	'02017D3080800172A11881013C820200 8C830164840200FA85010086010087020 2580000'O	
comp_part3	-	
comp_part4	-	
comp_part5	-	
comp_part6	-	
comp_part7	-	
comp_part8	-	
comp_part9	-	
comp_part10	-	
comp_part11	-	
comp_part12	-	
Detailed Comments:		

Structured Type Constraint		
Constraint Name:	FwdChAdvSS_02	
Structured Type:	Component_T	
Derivation Path:		
Comments:	AoC- Charging	
Element Name	Element Value	Comments
comp_part1	'A1250201'O	
invokeld	'00'O	
comp_part2	'02017D3080800172A116810100820100830164840203E88501008601008701000000'O	
comp_part3	-	
comp_part4	-	
comp_part5	-	
comp_part6	-	
comp_part7	-	
comp_part8	-	
comp_part9	-	
comp_part10	-	
comp_part11	-	
comp_part12	-	
Detailed Comments:		

Structured Type Constraint		
Constraint Name:	FwdChAdvSS_03	
Structured Type:	Component_T	
Derivation Path:		
Comments:	AoC- Charging	
Element Name	Element Value	Comments
comp_part1	'A1290201'O	
invokeld	'00'O	
comp_part2	'02017D3080800172A11A810209C4820200A0830200C884021388850100860100870202580000'O	
comp_part3	-	
comp_part4	-	
comp_part5	-	
comp_part6	-	
comp_part7	-	
comp_part8	-	
comp_part9	-	
comp_part10	-	
comp_part11	-	
comp_part12	-	
Detailed Comments:		

Structured Type Constraint		
Constraint Name:	FwdChAdvSS_04	
Structured Type:	Component_T	
Derivation Path:		
Comments:	AoC- Charging	
Element Name	Element Value	Comments
comp_part1	'A1240201'O	
invokeld	'00'O	
comp_part2	'02017D3080800172A11581010A82010A83016484010085016486010A87010A0000'O	
comp_part3	-	
comp_part4	-	
comp_part5	-	
comp_part6	-	
comp_part7	-	
comp_part8	-	
comp_part9	-	
comp_part10	-	
comp_part11	-	
comp_part12	-	
Detailed Comments:		

Structured Type Constraint		
Constraint Name:	FwdChAdvSS_05	
Structured Type:	Component_T	
Derivation Path:		
Comments:	AoC- Charging	
Element Name	Element Value	Comments
comp_part1	'A1270201'O	
invokeld	'00'O	
comp_part2	'02017D3080800172A11881017D8202012C830164840200FA85016486010A8702012C0000'O	
comp_part3	-	
comp_part4	-	
comp_part5	-	
comp_part6	-	
comp_part7	-	
comp_part8	-	
comp_part9	-	
comp_part10	-	
comp_part11	-	
comp_part12	-	
Detailed Comments:		

Structured Type Constraint		
Constraint Name:	FwdChAdvSS_06	
Structured Type:	Component_T	
Derivation Path:		
Comments:	AoC- Charging	
Element Name	Element Value	Comments
comp_part1	'A1240201'O	
invokeld	'00'O	
comp_part2	'02017D3080800172A1158101008201008301008401008501008601008701000000'O	
comp_part3	-	
comp_part4	-	
comp_part5	-	
comp_part6	-	
comp_part7	-	
comp_part8	-	
comp_part9	-	
comp_part10	-	
comp_part11	-	
comp_part12	-	
Detailed Comments:		

Structured Type Constraint		
Constraint Name:	FwdChAdvSS_07	
Structured Type:	Component_T	
Derivation Path:		
Comments:	AoC- Charging	
Element Name	Element Value	Comments
comp_part1	'A1250201'O	
invokeld	'00'O	
comp_part2	'02017D3080800172A116810100820100830164840203E88501008601008701000000'O	
comp_part3	-	
comp_part4	-	
comp_part5	-	
comp_part6	-	
comp_part7	-	
comp_part8	-	
comp_part9	-	
comp_part10	-	
comp_part11	-	
comp_part12	-	
Detailed Comments:		

Structured Type Constraint		
Constraint Name:	FwdChAdvSS_08	
Structured Type:	Component_T	
Derivation Path:		
Comments:	AoC- Charging	
Element Name	Element Value	Comments
comp_part1	'A1270201'O	
invokeld	'00'O	
comp_part2	'02017D3080800172A11881013C820200 8C830164840200FA85010086010087020 2580000'O	
comp_part3	-	
comp_part4	-	
comp_part5	-	
comp_part6	-	
comp_part7	-	
comp_part8	-	
comp_part9	-	
comp_part10	-	
comp_part11	-	
comp_part12	-	
Detailed Comments:		

Structured Type Constraint		
Constraint Name:	FwdChAdvSS_09	
Structured Type:	Component_T	
Derivation Path:		
Comments:	AoC- Charging	
Element Name	Element Value	Comments
comp_part1	'A1240201'O	
invokeld	'00'O	
comp_part2	'02017D3080800172A11581010A82010A 83016484010085010086010087010A000 0'O	
comp_part3	-	
comp_part4	-	
comp_part5	-	
comp_part6	-	
comp_part7	-	
comp_part8	-	
comp_part9	-	
comp_part10	-	
comp_part11	-	
comp_part12	-	
Detailed Comments:		

Structured Type Constraint		
Constraint Name:	FwdChAdvSS_10	
Structured Type:	Component_T	
Derivation Path:		
Comments:	AoC- Charging	
Element Name	Element Value	Comments
comp_part1	'A1270201'O	
invokeld	'00'O	
comp_part2	'02017D3080800172A11881017D820201 2C830164840200FA85010086010087020 12C0000'O	
comp_part3	-	
comp_part4	-	
comp_part5	-	
comp_part6	-	
comp_part7	-	
comp_part8	-	
comp_part9	-	
comp_part10	-	
comp_part11	-	
comp_part12	-	
Detailed Comments:		

Structured Type Constraint		
Constraint Name:	FwdChAdvSS_11	
Structured Type:	Component_T	
Derivation Path:		
Comments:	AoC- Charging	
Element Name	Element Value	Comments
comp_part1	'A1260201'O	
invokeld	'00'O	
comp_part2	'02017D3080800172A1178101648202011 883016484016485010086010087020258 0000'O	
comp_part3	-	
comp_part4	-	
comp_part5	-	
comp_part6	-	
comp_part7	-	
comp_part8	-	
comp_part9	-	
comp_part10	-	
comp_part11	-	
comp_part12	-	
Detailed Comments:		

Structured Type Constraint		
Constraint Name:	FwdChAdvSS_12	
Structured Type:	Component_T	
Derivation Path:		
Comments:	AoC- Charging	
Element Name	Element Value	Comments
comp_part1	'A1260201'O	
invokeld	'00'O	
comp_part2	'02017D3080800172A1178101648202008 C83016484013285010086010087020258 0000'O	
comp_part3	-	
comp_part4	-	
comp_part5	-	
comp_part6	-	
comp_part7	-	
comp_part8	-	
comp_part9	-	
comp_part10	-	
comp_part11	-	
comp_part12	-	
Detailed Comments:		

Structured Type Constraint		
Constraint Name:	FwdChAdvSS_13	
Structured Type:	Component_T	
Derivation Path:		
Comments:	AoC- Charging	
Element Name	Element Value	Comments
comp_part1	'A1250201'O	
invokeld	'00'O	
comp_part2	'02017D3080800172A1168101648202019 083016484010085010086010087010000 00'O	
comp_part3	-	
comp_part4	-	
comp_part5	-	
comp_part6	-	
comp_part7	-	
comp_part8	-	
comp_part9	-	
comp_part10	-	
comp_part11	-	
comp_part12	-	
Detailed Comments:		

Structured Type Constraint		
Constraint Name:	FwdChAdvSS_14	
Structured Type:	Component_T	
Derivation Path:		
Comments:	AoC- Charging	
Element Name	Element Value	Comments
comp_part1	'A1190201'O	
invokeld	'00'O	
comp_part2	'02017D3011800172A1808101648202019 08301640000'O	
comp_part3	-	
comp_part4	-	
comp_part5	-	
comp_part6	-	
comp_part7	-	
comp_part8	-	
comp_part9	-	
comp_part10	-	
comp_part11	-	
comp_part12	-	
Detailed Comments:		

Structured Type Constraint		
Constraint Name:	FwdChAdvSS_15	
Structured Type:	Component_T	
Derivation Path:		
Comments:	AoC- Charging	
Element Name	Element Value	Comments
comp_part1	'A1250201'O	
invokeld	'00'O	
comp_part2	'02017D3080800172A1168101468202019 083016484010085010086010087010000 00'O	
comp_part3	-	
comp_part4	-	
comp_part5	-	
comp_part6	-	
comp_part7	-	
comp_part8	-	
comp_part9	-	
comp_part10	-	
comp_part11	-	
comp_part12	-	
Detailed Comments:		

Structured Type Constraint		
Constraint Name:	FwdChAdvSS_16	
Structured Type:	Component_T	
Derivation Path:		
Comments:	AoC- Charging	
Element Name	Element Value	Comments
comp_part1	'A1260201'O	
invokeld	'00'O	
comp_part2	'02017D3080800172A1178102008282020 190830164840100850100860100870100 0000'O	
comp_part3	-	
comp_part4	-	
comp_part5	-	
comp_part6	-	
comp_part7	-	
comp_part8	-	
comp_part9	-	
comp_part10	-	
comp_part11	-	
comp_part12	-	
Detailed Comments:		

Structured Type Constraint		
Constraint Name:	FwdChAdvSS_17	
Structured Type:	Component_T	
Derivation Path:		
Comments:	AoC- Charging	
Element Name	Element Value	Comments
comp_part1	'A1260201'O	
invokeld	'00'O	
comp_part2	'02017D3080800172A117810200BE8202 019083016484010085010086010087010 00000'O	
comp_part3	-	
comp_part4	-	
comp_part5	-	
comp_part6	-	
comp_part7	-	
comp_part8	-	
comp_part9	-	
comp_part10	-	
comp_part11	-	
comp_part12	-	
Detailed Comments:		

Structured Type Constraint		
Constraint Name:	FwdChAdvSS_18	
Structured Type:	Component_T	
Derivation Path:		
Comments:	AoC- Charging	
Element Name	Element Value	Comments
comp_part1	'A1260201'O	
invokeld	'00'O	
comp_part2	'02017D3080800172A1178102012282020 190830164840100850100860100870100 0000'O	
comp_part3	-	
comp_part4	-	
comp_part5	-	
comp_part6	-	
comp_part7	-	
comp_part8	-	
comp_part9	-	
comp_part10	-	
comp_part11	-	
comp_part12	-	
Detailed Comments:		

Structured Type Constraint		
Constraint Name:	FwdChAdvSS_19	
Structured Type:	Component_T	
Derivation Path:		
Comments:	AoC- Charging	
Element Name	Element Value	Comments
comp_part1	'A1800201'O	
invokeld	'00'O	
comp_part2	'02017D301B800172A116810164820202 268301648401648501008601008701640 000'O	
comp_part3	-	
comp_part4	-	
comp_part5	-	
comp_part6	-	
comp_part7	-	
comp_part8	-	
comp_part9	-	
comp_part10	-	
comp_part11	-	
comp_part12	-	
Detailed Comments:		

Structured Type Constraint		
Constraint Name:	FwdChAdvSS_20	
Structured Type:	Component_T	
Derivation Path:		
Comments:	AoC- Charging	
Element Name	Element Value	Comments
comp_part1	'A1800201'O	
invokeld	'00'O	
comp_part2	'02017D301B800172A11681010A820201 2C8301648401008501008601008701000 000'O	
comp_part3	-	
comp_part4	-	
comp_part5	-	
comp_part6	-	
comp_part7	-	
comp_part8	-	
comp_part9	-	
comp_part10	-	
comp_part11	-	
comp_part12	-	
Detailed Comments:		

Structured Type Constraint		
Constraint Name:	FwdChAdvSS_21	
Structured Type:	Component_T	
Derivation Path:		
Comments:	AoC- Charging, charging value is 0.	
Element Name	Element Value	Comments
comp_part1	'A1800201'O	
invokeld	'00'O	
comp_part2	'02017D301A800172A115810100820100 830100840100850100860100870100000 0'O	
comp_part3	-	
comp_part4	-	
comp_part5	-	
comp_part6	-	
comp_part7	-	
comp_part8	-	
comp_part9	-	
comp_part10	-	
comp_part11	-	
comp_part12	-	
Detailed Comments:		

Structured Type Constraint		
Constraint Name:	NotificationSS_05	
Structured Type:	Component_T	
Derivation Path:		
Comments:	BI	
Element Name	Element Value	Comments
comp_part1	'A10E0201'O	
invokeld	'00'O	
comp_part2	'0201103006810199840107'O	
comp_part3	-	
comp_part4	-	
comp_part5	-	
comp_part6	-	
comp_part7	-	
comp_part8	-	
comp_part9	-	
comp_part10	-	
comp_part11	-	
comp_part12	-	
Detailed Comments:		

Structured Type Constraint		
Constraint Name:	Rqr1(Rr: BITSTRING; Fn: FN)	
Structured Type:	RQR	
Derivation Path:		
Comments:	not address the MS under test	
Element Name	Element Value	Comments
ra	INT_TO_BIT((BIT_TO_INT(Rr) + 1), 8)	
fn	OC_FnInc(Fn, 2)	
Detailed Comments:		

Structured Type Constraint		
Constraint Name:	Rqr2(Rr: BITSTRING; Fn: FN)	
Structured Type:	RQR	
Derivation Path:		
Comments:	To address the MS under test	
Element Name	Element Value	Comments
ra	Rr	
fn	Fn	
Detailed Comments:		

Structured Type Constraint		
Constraint Name:	Rqr3	
Structured Type:	RQR	
Derivation Path:		
Comments:	not pertaining to the MS under test	
Element Name	Element Value	Comments
ra	'00000000'B	
fn	Fn_01	
Detailed Comments:		

Structured Type Constraint		
Constraint Name:	Signal_01	
Structured Type:	SIGNAL	
Derivation Path:		
Comments:	signal value is arbitrarily selected.	
Element Name	Element Value	Comments
iei	'00110100'B	
sigv	'00000000'B	
Detailed Comments:		

Structured Type Constraint		
Constraint Name:	Signal_02	
Structured Type:	SIGNAL	
Derivation Path:		
Comments:	Signal IE with value #7 "call waiting tone on"	
Element Name	Element Value	Comments
iei	'00110100'B	
sigv	'00000111'B	
Detailed Comments:		

Structured Type Constraint		
Constraint Name:	StartingTm_01(fn:FN)	
Structured Type:	STRT	
Derivation Path:		
Comments:		
Element Name	Element Value	Comments
iei	'01111100'B	
fn	fn	
Detailed Comments:		

Structured Type Constraint		
Constraint Name:	StartingTm_omit	
Structured Type:	STRT	
Derivation Path:		
Comments:		
Element Name	Element Value	Comments
iei	-	
fn	-	
Detailed Comments:		

Structured Type Constraint		
Constraint Name:	TimingAdv(bits:INTEGER)	
Structured Type:	TA	
Derivation Path:		
Comments:	Time Advance value is parameterized.	
Element Name	Element Value	Comments
iei	-	
sprb	'00'B	
value	INT_TO_BIT(bits, 6)	
Detailed Comments:		

Structured Type Constraint		
Constraint Name:	TimingAdv_iei(bits:INTEGER)	
Structured Type:	TA	
Derivation Path:		
Comments:	0 time advance.	
Element Name	Element Value	Comments
iei	'01111101'B	
sprb	'00'B	
value	INT_TO_BIT(bits, 6)	
Detailed Comments:		

Structured Type Constraint		
Constraint Name:	TimingAdv_inv	
Structured Type:	TA	
Derivation Path:		
Comments:	containing arbitrary spare bits	
Element Name	Element Value	Comments
iei	-	
sprb	'11'B	
value	'000000'B	
Detailed Comments:		

Structured Type Constraint		
Constraint Name:	TimingAdv_omit	
Structured Type:	TA	
Derivation Path:		
Comments:	Time Advance value is parameterized.	
Element Name	Element Value	Comments
iei	-	
sprb	-	
value	-	
Detailed Comments:		

Structured Type Constraint		
Constraint Name:	TI_01	
Structured Type:	TI	
Derivation Path:		
Comments:	used by the MS in the transaction initiated by the test system.	
Element Name	Element Value	Comments
ti_f	'1'B	
ti_v	'000'B	
Detailed Comments:		

Structured Type Constraint		
Constraint Name:	TI_02	
Structured Type:	TI	
Derivation Path:		
Comments:	used in the messages sent to the MS in the transaction initiated by test system.	
Element Name	Element Value	Comments
ti_f	'0'B	
ti_v	'000'B	
Detailed Comments:		

Structured Type Constraint		
Constraint Name:	TI_03	
Structured Type:	TI	
Derivation Path:		
Comments:	used in the messages sent to the MS in the transaction initiated by test system.	
Element Name	Element Value	Comments
ti_f	'0'B	
ti_v	'110'B	
Detailed Comments:		

Structured Type Constraint		
Constraint Name:	TI_04	
Structured Type:	TI	
Derivation Path:		
Comments:	arbitrary value	
Element Name	Element Value	Comments
ti_f	'0'B	
ti_v	'011'B	
Detailed Comments:		

Structured Type Constraint		
Constraint Name:	TI_05	
Structured Type:	TI	
Derivation Path:		
Comments:	used by the MS in the transaction initiated by the test system.	
Element Name	Element Value	Comments
ti_f	'1'B	
ti_v	'110'B	
Detailed Comments:		

Structured Type Constraint		
Constraint Name:	TI_06	
Structured Type:	TI	
Derivation Path:		
Comments:		
Element Name	Element Value	Comments
ti_f	'0'B	
ti_v	'111'B	
Detailed Comments:		

Structured Type Constraint		
Constraint Name:	TI_07(ti :TI_V)	
Structured Type:	TI	
Derivation Path:		
Comments:	used in the messages sent to the MS in the transaction initiated by the MS.	
Element Name	Element Value	Comments
ti_f	'0'B	
ti_v	ti	
Detailed Comments:		

Structured Type Constraint		
Constraint Name:	TI_08(ti:TI_V)	
Structured Type:	TI	
Derivation Path:		
Comments:	used in the messages sent to the MS in the transaction initiated by the system simulator.	
Element Name	Element Value	Comments
ti_f	'1'B	
ti_v	ti	
Detailed Comments:		

Structured Type Constraint		
Constraint Name:	TI_09	
Structured Type:	TI	
Derivation Path:		
Comments:	used by the MS in the transaction initiated by the MS.	
Element Name	Element Value	Comments
ti_f	'0'B	
ti_v	?	
Detailed Comments:		

Structured Type Constraint		
Constraint Name:	Tmsi_01	
Structured Type:	TMSI	
Derivation Path:		
Comments:		
Element Name	Element Value	Comments
iei	-	
tmsi_val	TSPX_TMSI	
Detailed Comments:		

Structured Type Constraint		
Constraint Name:	Tmsi_r01	
Structured Type:	TMSI	
Derivation Path:		
Comments:		
Element Name	Element Value	Comments
iei	-	
tmsi_val	OC_IncTmsi(TSPX_TMSI, '01'O)	
Detailed Comments: Note: the TSPX_TMSI + '01'O shall not be identical to TSPX_TMSI1		

Structured Type Constraint		
Constraint Name:	Tmsi_r03	
Structured Type:	TMSI	
Derivation Path:		
Comments:		
Element Name	Element Value	Comments
iei	-	
tmsi_val	OC_IncTmsi(TSPX_TMSI, '02'O)	
Detailed Comments: Note: the TSPX_TMSI + '02'O shall not be identical to TSPX_TMSI1		

Structured Type Constraint		
Constraint Name:	Tmsi_r04	
Structured Type:	TMSI	
Derivation Path:		
Comments:		
Element Name	Element Value	Comments
iei	-	
tmsi_val	OC_IncTmsi(TSPX_TMSI, '03'O)	
Detailed Comments:	Note: the TSPX_TMSI + '03'O shall not be identical to TSPX_TMSI1	

Structured Type Constraint		
Constraint Name:	Tmsi_r05	
Structured Type:	TMSI	
Derivation Path:		
Comments:		
Element Name	Element Value	Comments
iei	-	
tmsi_val	OC_IncTmsi(TSPX_TMSI, '04'O)	
Detailed Comments:	Note: the TSPX_TMSI + '04'O shall not be identical to TSPX_TMSI1	

Structured Type Constraint		
Constraint Name:	UuInfo_omit	
Structured Type:	UU	
Derivation Path:		
Comments:	Omitted UUInfo.	
Element Name	Element Value	Comments
iei	-	
iel	-	
uupd	-	
uui	-	
Detailed Comments:		

Structured Type Constraint		
Constraint Name:	UuInfo	
Structured Type:	UU	
Derivation Path:		
Comments:	Delete previously submitted short message	
Element Name	Element Value	Comments
iei	'01111110'B	
iel	OC_IntToOct(1+ LENGTH_OF(TSPX_UuInfo), 1)	
uupd	TSPX_Uupd	
uui	TSPX_UuInfo	
Detailed Comments:		

Structured Type Constraint		
Constraint Name:	V22bisOrV26ter	
Structured Type:	MODEMTYPE	
Derivation Path:		
Comments:		
Element Name	Element Value	Comments
V22bisOrV26ter	('00011'B, '00101'B)	
Detailed Comments:		

ASN1 type constraints

ASN.1 Type Constraint Declaration	
Constraint Name:	ActivateSS_01
ASN.1 Type:	Component
Derivation Path:	
Comments:	CF all synchronous services
Constraint Value	
activateSSComponents	<pre> activateSS_InvokeComp { invokeID ?, localValue 12, ss_ForBS { ss_Code '20'H, basicService bearerService '68'H } } </pre>
Detailed Comments:	

ASN.1 Type Constraint Declaration	
Constraint Name:	ActivateSS_02
ASN.1 Type:	Component
Derivation Path:	
Comments:	CFU all basic services
Constraint Value	
activateSSComponents	<pre> activateSS_InvokeComp { invokeID ?, localValue 12, ss_ForBS { ss_Code '21'H } } </pre>
Detailed Comments:	

ASN.1 Type Constraint Declaration	
Constraint Name:	ActivateSS_03
ASN.1 Type:	Component
Derivation Path:	
Comments:	BAOC all synchronous services
Constraint Value	
activateSSComponents	<pre> activateSS_InvokeComp { invokeID ?, localValue 12, ss_ForBS { ss_Code '92'H, basicService bearerService '68'H } } </pre>
Detailed Comments:	

ASN.1 Type Constraint Declaration	
Constraint Name:	ActivateSS_04
ASN.1 Type:	Component
Derivation Path:	
Comments:	BIC-Roam
Constraint Value	
activateSSComponents	<pre> activateSS_InvokeComp { invokeID ?, localValue 12, ss_ForBS { { ss_Code '9B'H -- BIC-Roam } } } </pre>
Detailed Comments:	

ASN.1 Type Constraint Declaration	
Constraint Name:	ActivateSS_05
ASN.1 Type:	Component
Derivation Path:	
Comments:	BOIC
Constraint Value	
activateSSComponents	<pre> activateSS_InvokeComp { invokeID ?, localValue 12, ss_ForBS { { ss_Code '93'H } } } </pre>
Detailed Comments:	

ASN.1 Type Constraint Declaration	
Constraint Name:	ActivateSS_06
ASN.1 Type:	Component
Derivation Path:	
Comments:	BAIC
Constraint Value	
activateSSComponents	<pre> activateSS_InvokeComp { invokeID ?, localValue 12, ss_ForBS { { ss_Code '9A'H } } } </pre>
Detailed Comments:	

ASN.1 Type Constraint Declaration	
Constraint Name:	BldMptySS_01
ASN.1 Type:	Component
Derivation Path:	
Comments:	build multiparty request
Constraint Value	
buildMPTYComponents buildMPTY_InvokeComp	<pre> { invokeID ?, localValue 124 } </pre>
Detailed Comments:	

ASN.1 Type Constraint Declaration	
Constraint Name:	Comps_01(comp:Component)
ASN.1 Type:	Components
Derivation Path:	
Comments:	A received FIE may contain several components, but at least contains "comp".
Constraint Value	
SUPERSET({ comp})	
Detailed Comments:	

ASN.1 Type Constraint Declaration	
Constraint Name:	DeactivateSS_01
ASN.1 Type:	Component
Derivation Path:	
Comments:	CFC for speech
Constraint Value	
deactivateSSComponents deactivateSS_InvokeComp	<pre> { invokeID ?, localValue 13, ss_ForBS { ss_Code '28'H, basicService teleservice '10'H } } </pre>
Detailed Comments:	

ASN.1 Type Constraint Declaration	
Constraint Name:	DeactivateSS_02
ASN.1 Type:	Component
Derivation Path:	
Comments:	CFNRc for all facsimile
Constraint Value	
deactivateSSComponents deactivateSS_InvokeComp	<pre> { invokeID ?, localValue 13, ss_ForBS { ss_Code '2B'H, basicService teleservice '60'H } } </pre>
Detailed Comments:	

ASN.1 Type Constraint Declaration	
Constraint Name:	DeactivateSS_03
ASN.1 Type:	Component
Derivation Path:	
Comments:	deactivation for barring
Constraint Value	
deactivateSSComponents	<pre> deactivateSS_InvokeComp { invokeID ?, localValue 13, ss_ForBS { ss_Code '90'H, basicService teleservice '10'H } } </pre>
Detailed Comments:	

ASN.1 Type Constraint Declaration	
Constraint Name:	DeactivateSS_04
ASN.1 Type:	Component
Derivation Path:	
Comments:	deactivation for barring of outgoing calls
Constraint Value	
deactivateSSComponents	<pre> deactivateSS_InvokeComp { invokeID ?, localValue 13, ss_ForBS { ss_Code '91'H, basicService teleservice '60'H } } </pre>
Detailed Comments:	

ASN.1 Type Constraint Declaration	
Constraint Name:	DeactivateSS_05
ASN.1 Type:	Component
Derivation Path:	
Comments:	deactivation for barring of incoming calls
Constraint Value	
deactivateSSComponents	<pre> deactivateSS_InvokeComp { invokeID ?, localValue 13, ss_ForBS { ss_Code '99'H } } </pre>
Detailed Comments:	

ASN.1 Type Constraint Declaration	
Constraint Name:	DeactivateSS_06
ASN.1 Type:	Component
Derivation Path:	
Comments:	deactivation for BOICExHC
Constraint Value	
deactivateSSComponents	<pre> deactivateSS_InvokeComp { invokeID ?, localValue 13, ss_ForBS { ss_Code '94'H } } </pre>
Detailed Comments:	

ASN.1 Type Constraint Declaration	
Constraint Name:	EraseSS_01
ASN.1 Type:	Component
Derivation Path:	
Comments:	CFC for all facsimile
Constraint Value	
eraseSSComponents	<pre> eraseSS_InvokeComp { invokeID ?, localValue 11, ss_ForBS { ss_Code '28'H, basicService teleservice '60'H } } </pre>
Detailed Comments:	

ASN.1 Type Constraint Declaration	
Constraint Name:	EraseSS_02
ASN.1 Type:	Component
Derivation Path:	
Comments:	CFNRc for all basic services
Constraint Value	
eraseSSComponents	<pre> eraseSS_InvokeComp { invokeID ?, localValue 11, ss_ForBS { ss_Code '2B'H } } </pre>
Detailed Comments:	

ASN.1 Type Constraint Declaration	
Constraint Name:	EraseSS_03
ASN.1 Type:	Component
Derivation Path:	
Comments:	CFU for speech
Constraint Value	
eraseSSComponents	eraseSS_InvokeComp
	<pre> { invokeID ?, localValue 11, ss_ForBS { ss_Code '21'H, basicService teleservice '10'H } } </pre>
Detailed Comments:	

ASN.1 Type Constraint Declaration	
Constraint Name:	EraseSS_04
ASN.1 Type:	Component
Derivation Path:	
Comments:	CFNRy for all facsimile
Constraint Value	
eraseSSComponents	eraseSS_InvokeComp
	<pre> { invokeID ?, localValue 11, ss_ForBS { ss_Code '2A'H, basicService teleservice '60'H } } </pre>
Detailed Comments:	

ASN.1 Type Constraint Declaration	
Constraint Name:	FwdChAdvRslt_01
ASN.1 Type:	Component
Derivation Path:	
Comments:	
Constraint Value	
forwardChargeAdviceComponents	forwardChargeAdvice_ReturnResultComp
	<pre> { invokeID 0, result * } </pre>
Detailed Comments:	

ASN.1 Type Constraint Declaration	
Constraint Name:	GetPasswdRslt_01
ASN.1 Type:	Component
Derivation Path:	
Comments:	
Constraint Value	
getPasswordComponents	getPassword_ReturnResultComp { invokeID 0, result { localValue 18, currentPassword "1234" } }
Detailed Comments:	

ASN.1 Type Constraint Declaration	
Constraint Name:	GetPasswdRslt_02
ASN.1 Type:	Component
Derivation Path:	
Comments:	
Constraint Value	
getPasswordComponents	getPassword_ReturnResultComp { invokeID 0, result { localValue 18, currentPassword "9876" } }
Detailed Comments:	

ASN.1 Type Constraint Declaration	
Constraint Name:	GetPasswdRslt_03
ASN.1 Type:	Component
Derivation Path:	
Comments:	
Constraint Value	
getPasswordComponents	getPassword_ReturnResultComp { invokeID 0, result { localValue 18, currentPassword "9877" } }
Detailed Comments:	

ASN.1 Type Constraint Declaration	
Constraint Name:	InterrogateSS_04
ASN.1 Type:	Component
Derivation Path:	
Comments:	CFB for all facsimile
Constraint Value	
interrogateSSComponents	<pre> interrogateSS_InvokeComp { invokeID ?, localValue 14, ss_ForBS { ss_Code '29'H, basicService teleservice '60'H } } </pre>
Detailed Comments:	

ASN.1 Type Constraint Declaration	
Constraint Name:	InterrogateSS_05
ASN.1 Type:	Component
Derivation Path:	
Comments:	BICRoam
Constraint Value	
interrogateSSComponents	<pre> interrogateSS_InvokeComp { invokeID ?, localValue 14, ss_ForBS { ss_Code '9B'H } } </pre>
Detailed Comments:	

ASN.1 Type Constraint Declaration	
Constraint Name:	InterrogateSS_06
ASN.1 Type:	Component
Derivation Path:	
Comments:	BOIC
Constraint Value	
interrogateSSComponents	<pre> interrogateSS_InvokeComp { invokeID ?, localValue 14, ss_ForBS { ss_Code '93'H } } </pre>
Detailed Comments:	

ASN.1 Type Constraint Declaration	
Constraint Name:	InterrogateSS_07
ASN.1 Type:	Component
Derivation Path:	
Comments:	BAIC
Constraint Value	
interrogateSSComponents	<pre> interrogateSS_InvokeComp { invokeID ?, localValue 14, ss_ForBS { ss_Code '9A'H } } </pre>
Detailed Comments:	

ASN.1 Type Constraint Declaration	
Constraint Name:	InterrogateSS_08
ASN.1 Type:	Component
Derivation Path:	
Comments:	BOICExHC
Constraint Value	
interrogateSSComponents	<pre> interrogateSS_InvokeComp { invokeID ?, localValue 14, ss_ForBS { ss_Code '94'H } } </pre>
Detailed Comments:	

ASN.1 Type Constraint Declaration	
Constraint Name:	NotificationSS_07(Invkid: OCTETSTRING)
ASN.1 Type:	Component
Derivation Path:	
Comments:	
Constraint Value	
unstructuredSSNotifyComponents	<pre> unstructuredSSNotify_ReturnResultComp { invokeID OC_OctToInvokeIDType(Invkid), result { localValue 61 } } </pre>
Detailed Comments:	

ASN.1 Type Constraint Declaration	
Constraint Name:	NotificationSS_09(Invkid: OCTETSTRING)
ASN.1 Type:	Component
Derivation Path:	
Comments:	
Constraint Value	
unstructuredSSNotifyComponents	unstructuredSSNotify_ReturnErrorComp
	<pre> errorCodes { invokeID OC_OctToInvokeIDType(Invkid), errorCode ussd_Busy } </pre>
Detailed Comments:	

ASN.1 Type Constraint Declaration	
Constraint Name:	RegisterSS_01
ASN.1 Type:	Component
Derivation Path:	
Comments:	CFNRy Speech
Constraint Value	
registerSSComponents	registerSS_InvokeComp {
invokeID	?,
localValue	10,
	<pre> registerSS_Arg { ss_Code '2A'H, basicService teleservice '10'H, forwardedToNumber '8100342143'H, -- Unknown Number/ISDN telephony + '00431234' noReplyConditionTime 5 } </pre>
	}
Detailed Comments:	

ASN.1 Type Constraint Declaration	
Constraint Name:	RegisterSS_02
ASN.1 Type:	Component
Derivation Path:	
Comments:	CFU
Constraint Value	
registerSSComponents	registerSS_InvokeComp {
invokeID	?,
localValue	10,
registerSS_Arg {	
	<pre> ss_Code '21'H, basicService teleservice '60'H, forwardedToNumber '8100342143'H -- Unknown Number/ISDN telephony + '00431234' } </pre>
	}
	}
Detailed Comments:	

ASN.1 Type Constraint Declaration	
Constraint Name:	RegisterSS_03
ASN.1 Type:	Component
Derivation Path:	
Comments:	CFB
Constraint Value	
registerSSComponents	<pre> registerSS_InvokeComp { invokeID ?, localValue 10, registerSS_Arg { ss_Code '29'H, basicService bearerService '60'H, forwardedToNumber '8100342143'H -- Unknown Number/ISDN telephony + '00431234' } } </pre>
Detailed Comments:	

ASN.1 Type Constraint Declaration	
Constraint Name:	RegisterSS_04
ASN.1 Type:	Component
Derivation Path:	
Comments:	CF for all facsimile
Constraint Value	
registerSSComponents	<pre> registerSS_InvokeComp { invokeID ?, localValue 10, registerSS_Arg { ss_Code '20'H, basicService teleservice '60'H, forwardedToNumber '8100342143'H -- Unknown Number/ISDN telephony + '00431234' } } </pre>
Detailed Comments:	

ASN.1 Type Constraint Declaration	
Constraint Name:	RegPasswdSS_01
ASN.1 Type:	Component
Derivation Path:	
Comments:	All call restriction services.
Constraint Value	
registerPasswordComponents	<pre> registerPassword_InvokeComp { invokeID ?, localValue 17, ss_Code '90'H } </pre>
Detailed Comments:	

ASN.1 Type Constraint Declaration	
Constraint Name:	ProcessUSSData_01(ussdString: IA5String)
ASN.1 Type:	Component
Derivation Path:	
Comments:	
Constraint Value	
processUnstructuredSSDataComponents	<pre> processUnstructuredSSData_InvokeComp { invokeID ?, localValue 19, ss_UserData ussdString } </pre>
Detailed Comments:	

ASN.1 Type Constraint Declaration	
Constraint Name:	ProcessUSSReq_01(ussdString: IA5String)
ASN.1 Type:	Component
Derivation Path:	
Comments:	
Constraint Value	
processUnstructuredSSRequestComponents	<pre> processUnstructuredSSRequest_InvokeComp { invokeID ?, localValue 59, ussd_Arg { ussd_DataCodingScheme 'F0'O, ussd_String OC_CodingOfUssdString(ussdString) } } </pre>
Detailed Comments:	

ASN.1 Type Constraint Declaration	
Constraint Name:	USSDRReq_04(Invkid :OCTETSTRING; ussdString: IA5String)
ASN.1 Type:	Component
Derivation Path:	
Comments:	ReturnResult for Unstructured SS request
Constraint Value	
unstructuredSSRequestComponents	<pre> unstructuredSSRequest_ReturnResultComp { invokeID OC_OctToInvokeIDType(Invkid), result { localValue 60, ussd_Res { ussd_DataCodingScheme 'F0'O, ussd_String OC_CodingOfUssdString(ussdString) } } } </pre>
Detailed Comments:	

ASN.1 Type Constraint Declaration	
Constraint Name:	USSDReq_05(Invkid :OCTETSTRING)
ASN.1 Type:	Component
Derivation Path:	
Comments:	Return Error for UnstructuredSS-Request with the error code USSD Busy
Constraint Value	
unstructuredSSRequestComponents	<pre> unstructuredSSRequest_ReturnErrorComp errorCodes { invokeID OC_OctToInvokeIDType(Invkid), errorCode ussd_Busy } </pre>
Detailed Comments:	

ASP constraint declarations

TTCN ASP constraint declarations

ASP Constraint Declaration		
Constraint Name:	AlertRcv(pdu: ALERT_PDU)	
ASP Type:	DL_DatInAlert	
Derivation Path:		
Comments:	To receive an ALERTING message	
Parameter Name	Parameter Value	Comments
sapi	C_Sap0	
logic_ch	?	
msg	pdu	
fn	?	
Detailed Comments:		

ASP Constraint Declaration		
Constraint Name:	AlertSnd(ch:LOGICCH; pdu: ALERT_PDU)	
ASP Type:	DL_DatRqAlert	
Derivation Path:		
Comments:	To send an ALERTING message	
Parameter Name	Parameter Value	Comments
sapi	C_Sap0	
logic_ch	ch	
msg	pdu	
Detailed Comments:		

ASP Constraint Declaration		
Constraint Name:	AssCmd(ch:LOGICCH; pdu: ASS_CMD_PDU)	
ASP Type:	DL_DatRqAssCmd	
Derivation Path:		
Comments:	To send an ASSIGNMENT COMMAND message which is assigned in send statement.	
Parameter Name	Parameter Value	Comments
sapi	C_Sap0	
logic_ch	ch	
msg	pdu	
Detailed Comments:		

ASP Constraint Declaration		
Constraint Name:	AssCmp(ch:LOGICCH; pdu:ASS_COM_PDU)	
ASP Type:	DL_DatInAssCom	
Derivation Path:		
Comments:	To match any received ASSIGNMENT COMPLETE message	
Parameter Name	Parameter Value	Comments
sapi	C_Sap0	
logic_ch	ch	
msg	pdu	
fn	?	
Detailed Comments:		

ASP Constraint Declaration		
Constraint Name:	AssFI_02(ch:LOGICCH)	
ASP Type:	DL_DatInAssfl	
Derivation Path:		
Comments:	protocol error undefined	
Parameter Name	Parameter Value	Comments
sapi	C_Sap0	
logic_ch	ch	
msg	AssgnFI_02	
fn	?	
Detailed Comments:		

ASP Constraint Declaration		
Constraint Name:	AssFI_any_cau(ch: LOGICCH)	
ASP Type:	DL_DatInAssfl	
Derivation Path:		
Comments:		
Parameter Name	Parameter Value	Comments
sapi	C_Sap0	
logic_ch	ch	
msg	AssgnFI_01	
fn	?	
Detailed Comments:		

ASP Constraint Declaration		
Constraint Name:	AuthReq(ch: LOGICCH; pdu: AUTH_RQ_PDU)	
ASP Type:	DL_DatRqAuthRq	
Derivation Path:		
Comments:	To send an AUTHENTICATION REQUEST message with default values.	
Parameter Name	Parameter Value	Comments
sapi	C_Sap0	
logic_ch	ch	
msg	pdu	
Detailed Comments:		

ASP Constraint Declaration		
Constraint Name:	AuthRejSnd(ch: LOGICCH; pdu:AUTH_REJ_PDU)	
ASP Type:	DL_DatRqAuthRej	
Derivation Path:		
Comments:	To send an AUTHENTICATION REJECT message with default values.	
Parameter Name	Parameter Value	Comments
sapi	C_Sap0	
logic_ch	ch	
msg	pdu	
Detailed Comments:		

ASP Constraint Declaration		
Constraint Name:	AuthRes(pdu: AUTH_RES_PDU)	
ASP Type:	DL_DatInAuthRes	
Derivation Path:		
Comments:	To match any received AUTHENTICATION RESPONSE message which contains any SRES.	
Parameter Name	Parameter Value	Comments
sapi	C_Sap0	
logic_ch	?	
msg	pdu	
fn	?	
Detailed Comments:		

ASP Constraint Declaration		
Constraint Name:	CallCfm(pdu: CALL_CO_PDU)	
ASP Type:	DL_DatInCallCo	
Derivation Path:		
Comments:	To receive a CC CALL CONFIRMED message.	
Parameter Name	Parameter Value	Comments
sapi	C_Sap0	
logic_ch	?	
msg	pdu	
fn	?	
Detailed Comments:		

ASP Constraint Declaration		
Constraint Name:	CallProc(ch: LOGICCH; pdu: CALL_PROC_PDU)	
ASP Type:	DL_DatRqCallProc	
Derivation Path:		
Comments:	To send a CALL PROCEEDING message.	
Parameter Name	Parameter Value	Comments
sapi	C_Sap0	
logic_ch	ch	
msg	pdu	
Detailed Comments:		

ASP Constraint Declaration		
Constraint Name:	ChmmoAckRcv(ch:LOGICCH; msg:CHMMO_ACK_PDU)	
ASP Type:	DL_DatInChmmoAck	
Derivation Path:		
Comments:		
Parameter Name	Parameter Value	Comments
sapi	C_Sap0	
logic_ch	ch	
msg	msg	
fn	?	
Detailed Comments:		

ASP Constraint Declaration		
Constraint Name:	ChmmoReqSnd(ch:LOGICCH; msg:CHMMO_PDU)	
ASP Type:	DL_DatRqChmmo	
Derivation Path:		
Comments:		
Parameter Name	Parameter Value	Comments
sapi	C_Sap0	
logic_ch	ch	
msg	msg	
Detailed Comments:		

ASP Constraint Declaration		
Constraint Name:	ChRel(ch: LOGICCH; pdu: CH_REL_PDU)	
ASP Type:	DL_DatRqChRel	
Derivation Path:		
Comments:	To send a CHANNEL RELEASE message.	
Parameter Name	Parameter Value	Comments
sapi	C_Sap0	
logic_ch	ch	
msg	pdu	
Detailed Comments:		

ASP Constraint Declaration		
Constraint Name:	ChRel_inv(ch:LOGICCH)	
ASP Type:	DL_DatRqChRelErr	
Derivation Path:		
Comments:	To send a CHANNEL RELEASE message containing additional IE unknown in the RR protocol	
Parameter Name	Parameter Value	Comments
sapi	C_Sap0	
logic_ch	ch	
msg	ChRelease_inv_03	
Detailed Comments: used in TC_26_5_6_3		

ASP Constraint Declaration		
Constraint Name:	ChReq(pdu: CH_RQ_PDU)	
ASP Type:	DL_RaInChRq	
Derivation Path:		
Comments:	To receive a primitive containing a CHANNEL REQUEST message.	
Parameter Name	Parameter Value	Comments
sapi	C_Sap0	
logic_ch	?	
fn	?	
msg	pdu	
Detailed Comments:		

ASP Constraint Declaration		
Constraint Name:	ChReq_01(ch:LOGICCH; pdu:CH_RQ_PDU)	
ASP Type:	DL_RaInChRq	
Derivation Path:		
Comments:	To receive a CHANNEL REQUEST message in cell B	
Parameter Name	Parameter Value	Comments
sapi	C_Sap0	
logic_ch	ch	
fn	?	
msg	pdu	
Detailed Comments:		

ASP Constraint Declaration		
Constraint Name:	CMSerAcp(ch:LOGICCH; pdu: CMS_ACP_PDU)	
ASP Type:	DL_DatRqCmsAcp	
Derivation Path:		
Comments:	To send a CM service accept message.	
Parameter Name	Parameter Value	Comments
sapi	C_Sap0	
logic_ch	ch	
msg	pdu	
Detailed Comments:		

ASP Constraint Declaration		
Constraint Name:	CMSerRej(ch:LOGICCH; pdu: CMS_REJ_PDU)	
ASP Type:	DL_DatRqCmsRej	
Derivation Path:		
Comments:	reject cause = "service or option not available, unspecified"	
Parameter Name	Parameter Value	Comments
sapi	C_Sap0	
logic_ch	ch	
msg	pdu	
Detailed Comments:		

ASP Constraint Declaration		
Constraint Name:	CMSerReq(pdu: CMS_RQ_PDU)	
ASP Type:	DL_EstInCmsRq	
Derivation Path:		
Comments:	To receive a CM SERVICE REQUEST message.	
Parameter Name	Parameter Value	Comments
sapi	C_Sap0	
logic_ch	?	
establish_mode	?	
msg	pdu	
fn	?	
Detailed Comments:		

ASP Constraint Declaration		
Constraint Name:	CMSerDatReq(pdu:CMS_RQ_PDU)	
ASP Type:	DL_DatInCmsRq	
Derivation Path:		
Comments:	To match any received CM SERVICE REQUEST message	
Parameter Name	Parameter Value	Comments
sapi	C_Sap0	
logic_ch	?	
msg	pdu	
fn	?	
Detailed Comments:		

ASP Constraint Declaration		
Constraint Name:	ConnAckRcv(pdu: CONN_ACK_PDU)	
ASP Type:	DL_DatInConnAck	
Derivation Path:		
Comments:	To receive a CONNECT ACKNOWLEDGE message	
Parameter Name	Parameter Value	Comments
sapi	C_Sap0	
logic_ch	?	
msg	pdu	
fn	?	
Detailed Comments:		

ASP Constraint Declaration		
Constraint Name:	ConnAckSnd(ch:LOGICCH; pdu: CONN_ACK_PDU)	
ASP Type:	DL_DatRqConnAck	
Derivation Path:		
Comments:	To send a CONNECT ACKNOWLEDGE message.	
Parameter Name	Parameter Value	Comments
sapi	C_Sap0	
logic_ch	ch	
msg	pdu	
Detailed Comments:		

ASP Constraint Declaration		
Constraint Name:	Conn_invSnd(ch:LOGICCH; pdu:CONN_PDU_ERR)	
ASP Type:	DL_DatRqConnErr	
Derivation Path:		
Comments:	To send a CC CONNECT message containing a mandatory IE coded as comprehension required.	
Parameter Name	Parameter Value	Comments
sapi	C_Sap0	
logic_ch	ch	
msg	pdu	
Detailed Comments:		

ASP Constraint Declaration		
Constraint Name:	ConnRcv(pdu: CONN_PDU)	
ASP Type:	DL_DatInConn	
Derivation Path:		
Comments:	To receive a CC CONNECT message.	
Parameter Name	Parameter Value	Comments
sapi	C_Sap0	
logic_ch	?	
msg	pdu	
fn	?	
Detailed Comments:		

ASP Constraint Declaration		
Constraint Name:	ConnSnd(ch: LOGICCH; pdu: CONN_PDU)	
ASP Type:	DL_DatRqConn	
Derivation Path:		
Comments:	To send a CC CONNECT message.	
Parameter Name	Parameter Value	Comments
sapi	C_Sap0	
logic_ch	ch	
msg	pdu	
Detailed Comments:		

ASP Constraint Declaration		
Constraint Name:	CphCmd(ch: LOGICCH; pdu: CPHM_CMD_PDU)	
ASP Type:	DL_DatRqCphmCmd	
Derivation Path:		
Comments:	To send a CIPHERING MODE COMMAND message.	
Parameter Name	Parameter Value	Comments
sapi	C_Sap0	
logic_ch	ch	
msg	pdu	
Detailed Comments:		

ASP Constraint Declaration		
Constraint Name:	CphCom(pdu: CPHM_COM_PDU)	
ASP Type:	DL_DatInCphmCom	
Derivation Path:		
Comments:	To receive a CIPHERING MODE COMPLETE message.	
Parameter Name	Parameter Value	Comments
sapi	C_Sap0	
logic_ch	?	
msg	pdu	
fn	?	
Detailed Comments:		

ASP Constraint Declaration		
Constraint Name:	Disc_inv(ch: LOGICCH; pdu:DISC_PDU)	
ASP Type:	DL_DatRqDisc	
Derivation Path:		
Comments:	To send a DISCONNECT message containing the transaction ID not refer to the active call.	
Parameter Name	Parameter Value	Comments
sapi	C_Sap0	
logic_ch	ch	
msg	pdu	
Detailed Comments:		

ASP Constraint Declaration		
Constraint Name:	Disc_inv_err(ch:LOGICCH; pdu:DISC_PDU_ERR)	
ASP Type:	DL_DatRqDiscErr	
Derivation Path:		
Comments:	To send a DISCONNECT message containing unknown IEI	
Parameter Name	Parameter Value	Comments
sapi	C_Sap0	
logic_ch	ch	
msg	pdu	
Detailed Comments:		

ASP Constraint Declaration		
Constraint Name:	DiscRcv(ch:LOGICCH; pdu: DISC_PDU)	
ASP Type:	DL_DatInDisc	
Derivation Path:		
Comments:	To match a received DISCONNECT message.	
Parameter Name	Parameter Value	Comments
sapi	C_Sap0	
logic_ch	ch	
msg	pdu	
fn	?	
Detailed Comments:		

ASP Constraint Declaration		
Constraint Name:	DiscSnd(ch:LOGICCH; pdu: DISC_PDU)	
ASP Type:	DL_DatRqDisc	
Derivation Path:		
Comments:	To send a DISCONNECT message.	
Parameter Name	Parameter Value	Comments
sapi	C_Sap0	
logic_ch	ch	
msg	pdu	
Detailed Comments:		

ASP Constraint Declaration		
Constraint Name:	DLEstCo(ch:LOGICCH)	
ASP Type:	DL_EstCo	
Derivation Path:		
Comments:	The ASP is used by the L2 to inform the L3 about the establishment of multiple frame link (L2 -> L3).	
Parameter Name	Parameter Value	Comments
sapi	C_Sap3	
logic_ch	ch	
establish_mode	C_Norm	
Detailed Comments:		

ASP Constraint Declaration		
Constraint Name:	DLEstRq(ch:LOGICCH)	
ASP Type:	DL_EstRq	
Derivation Path:		
Comments:	Request of a layer 2 connection establishment	
Parameter Name	Parameter Value	Comments
sapi	C_Sap3	
logic_ch	ch	
establish_mode	C_Norm	
Detailed Comments:		

ASP Constraint Declaration		
Constraint Name:	DLEstInd(ch :LOGICCH)	
ASP Type:	DL_EstIn	
Derivation Path:		
Comments:	Indication of a layer 2 connection establishment	
Parameter Name	Parameter Value	Comments
sapi	C_Sap0	
logic_ch	ch	
establish_mode	?	
fn	?	
Detailed Comments:		

ASP Constraint Declaration		
Constraint Name:	DLRelInd_01	
ASP Type:	DL_RelIn	
Derivation Path:		
Comments:	Layer 2 indication of the layer 2 connection has been released.	
Parameter Name	Parameter Value	Comments
sapi	C_Sap0	
logic_ch	?	
release_mode	?	
outstanding_indicator	?	
fn	?	
Detailed Comments:		

ASP Constraint Declaration		
Constraint Name:	DLRelInd_02	
ASP Type:	DL_RelIn	
Derivation Path:		
Comments:	Layer 2 indication of the layer 2 connection has been released.	
Parameter Name	Parameter Value	Comments
sapi	C_Sap0	
logic_ch	?	
release_mode	C_LocEndRel	
outstanding_indicator	?	
fn	?	
Detailed Comments:		

ASP Constraint Declaration		
Constraint Name:	ESetupRcv(pdu: ESETUP_PDU)	
ASP Type:	DL_DatInESetup	
Derivation Path:		
Comments:	To receive an emergency call SETUP message.	
Parameter Name	Parameter Value	Comments
sapi	C_Sap0	
logic_ch	?	
msg	pdu	
fn	?	
Detailed Comments:		

ASP Constraint Declaration		
Constraint Name:	HndOvSnd(ch:LOGICCH; msg:HO_CMD_PDU)	
ASP Type:	DL_DatRqHoCmd	
Derivation Path:		
Comments:	To send a HANDOVER COMMAND indicating a finely synchronised intra cell handover.	
Parameter Name	Parameter Value	Comments
sapi	C_Sap0	
logic_ch	ch	
msg	msg	
Detailed Comments:		

ASP Constraint Declaration		
Constraint Name:	HndOvAcc_01	
ASP Type:	DL_RaInHoacc	
Derivation Path:		
Comments:	To received any HANDOVER ACCESS message.	
Parameter Name	Parameter Value	Comments
sapi	C_Sap0	
logic_ch	?	
msg	HandOverAcc_01	
fn	?	
Detailed Comments:		

ASP Constraint Declaration		
Constraint Name:	HndOvAccRcv(ch: LOGICCH; msg:HOACC_PDU)	
ASP Type:	DL_RaInHoacc	
Derivation Path:		
Comments:	To received any HANDOVER ACCESS message on channel `ch`.	
Parameter Name	Parameter Value	Comments
sapi	C_Sap0	
logic_ch	ch	
msg	msg	
fn	?	
Detailed Comments:		

ASP Constraint Declaration		
Constraint Name:	HndOvFIRcv(ch:LOGICCH; msg :HOFL_PDU)	
ASP Type:	DL_DatInHofl	
Derivation Path:		
Comments:	To match a received HANDOVER FAILURE message containing any RR cause.	
Parameter Name	Parameter Value	Comments
sapi	C_Sap0	
logic_ch	ch	
msg	msg	
fn	?	
Detailed Comments:		

ASP Constraint Declaration		
Constraint Name:	HndOvCmpRcv(ch:LOGICCH; msg:HO_COM_PDU)	
ASP Type:	DL_DatInHoCom	
Derivation Path:		
Comments:	To receive any HANDOVER COMPLETE message on channel ch.	
Parameter Name	Parameter Value	Comments
sapi	C_Sap0	
logic_ch	ch	
msg	msg	
fn	?	
Detailed Comments:		

ASP Constraint Declaration		
Constraint Name:	IDReq(ch:LOGICCH; pdu: ID_RQ_PDU)	
ASP Type:	DL_DatRqldRq	
Derivation Path:		
Comments:	To send IDENTITY REQUEST message	
Parameter Name	Parameter Value	Comments
sapi	C_Sap0	
logic_ch	ch	
msg	pdu	
Detailed Comments:		

ASP Constraint Declaration		
Constraint Name:	IDRes(pdu: ID_RES_PDU)	
ASP Type:	DL_DatInIdRes	
Derivation Path:		
Comments:	To receive a IDENTITY RESPONSE message.	
Parameter Name	Parameter Value	Comments
sapi	C_Sap0	
logic_ch	?	
msg	pdu	
fn	?	
Detailed Comments:		

ASP Constraint Declaration		
Constraint Name:	ImmAss(ch: LOGICCH; pdu: IMMASS_PDU)	
ASP Type:	DL_UdatRqImm	
Derivation Path:		
Comments:	To send an IMMEDIATE ASSIGNMENT message.	
Parameter Name	Parameter Value	Comments
sapi	C_Sap0	
logic_ch	ch	
msg	pdu	
Detailed Comments:		

ASP Constraint Declaration		
Constraint Name:	ImmAssSp(ch:LOGICCH; pgg:PGG; msg:IMMASS_PDU)	
ASP Type:	DL_UdatRqImm_sp	
Derivation Path:		
Comments:	To send an IMMEDIATE ASSIGNMENT message on the MS paging channel.	
Parameter Name	Parameter Value	Comments
sapi	C_Sap0	
logic_ch	ch	
pgg	pgg	
msg	msg	
Detailed Comments:		

ASP Constraint Declaration		
Constraint Name:	ImmAssX(ch:LOGICCH; pdu:IMMASSX_PDU)	
ASP Type:	DL_UdatRqImmssx	
Derivation Path:		
Comments:	To send an IMMEDIATE ASSIGNMENT EXTENDED message which assigns the SDCCH/4 channel for the MS	
Parameter Name	Parameter Value	Comments
sapi	C_Sap0	
logic_ch	ch	
msg	pdu	
Detailed Comments:	The request reference (Rr, Fn) is used for the MS1, whilst (Rr_9, Fn_9) for MS2.	

ASP Constraint Declaration		
Constraint Name:	ImmAssXSp(ch:LOGICCH; pgg:PGG; msg:IMMASSX_PDU)	
ASP Type:	DL_UdatRqImmssx_sp	
Derivation Path:		
Comments:	To send an IMMEDIATE ASSIGNMENT EXTENDED message on the MS paging channel.	
Parameter Name	Parameter Value	Comments
sapi	C_Sap0	
logic_ch	ch	
pgg	pgg	
msg	msg	
Detailed Comments:		

ASP Constraint Declaration		
Constraint Name:	ImmAssRej(ch:LOGICCH; pdu:IMMASS_REJ_PDU)	
ASP Type:	DL_UdatRqImmssRej	
Derivation Path:		
Comments:	To send an IMMEDIATE ASSIGNMENT REJECT message containing normal paging mode and wait indication = 0 seconds.	
Parameter Name	Parameter Value	Comments
sapi	C_Sap0	
logic_ch	ch	
msg	pdu	
Detailed Comments:		

ASP Constraint Declaration		
Constraint Name:	ImmAssRejSp(ch:LOGICCH; pgg:PGG; msg:IMMASS_REJ_PDU)	
ASP Type:	DL_UdatRqImmssRej_sp	
Derivation Path:		
Comments:	To send an IMMEDIATE ASSIGNMENT REJECT message on the MS paging channel.	
Parameter Name	Parameter Value	Comments
sapi	C_Sap0	
logic_ch	ch	
pgg	pgg	
msg	msg	
Detailed Comments:	Only used in TC_26_6_2_4	

ASP Constraint Declaration		
Constraint Name:	ImsiDet(pdu:IMSID_IN_PDU)	
ASP Type:	DL_EstInImsidIn	
Derivation Path:		
Comments:	To match a received IMSI DETACH INDICATION message matching any MS classmark1 value and any mobile identity value	
Parameter Name	Parameter Value	Comments
sapi	C_Sap0	
logic_ch	?	
establish_mode	?	
msg	pdu	
fn	?	
Detailed Comments:		

ASP Constraint Declaration		
Constraint Name:	LocAcp(ch:LOGICCH; pdu:LUP_ACP_PDU)	
ASP Type:	DL_DatRqLupAcp	
Derivation Path:		
Comments:	To send a LOCATION UPDATING ACCEPT message with a new mobile identity TMSI and location area.	
Parameter Name	Parameter Value	Comments
sapi	C_Sap0	
logic_ch	ch	
msg	pdu	
Detailed Comments:		

ASP Constraint Declaration		
Constraint Name:	LocAcp_inv(ch: LOGICCH; mi1, mi2:MI; mcc, mnc, lac:OCTETSTRING)	
ASP Type:	DL_DatRqLupAcpErr	
Derivation Path:		
Comments:	To send a LOCATION UPDATING ACCEPT message with duplicated mobile identities.	
Parameter Name	Parameter Value	Comments
sapi	C_Sap0	
logic_ch	ch	
msg	LocUpdtAcp_inv_01(mi1, mi2, mcc, mnc, lac)	
Detailed Comments:		

ASP Constraint Declaration		
Constraint Name:	LocUp(ch: LOGICCH; pdu:LUP_RQ_PDU)	
ASP Type:	DL_EstInLupRq	
Derivation Path:		
Comments:	To match a received LOCATION UPDATING REQUEST message containing location updating type = IMSI attach.	
Parameter Name	Parameter Value	Comments
sapi	C_Sap0	
logic_ch	ch	
establish_mode	?	
msg	pdu	
fn	?	
Detailed Comments:		

ASP Constraint Declaration		
Constraint Name:	LocRej(ch: LOGICCH; pdu:LUP_REJ_PDU)	
ASP Type:	DL_DatRqLupRej	
Derivation Path:		
Comments:	To send a LOCATION UPDATING REJECT message containing the reject cause IMSI unknown in HLR. Used var's: ch	
Parameter Name	Parameter Value	Comments
sapi	C_Sap0	
logic_ch	ch	
msg	pdu	
Detailed Comments:		

ASP Constraint Declaration		
Constraint Name:	MDLRelReq(ch :LOGICCH)	
ASP Type:	MDL_RelRq	
Derivation Path:		
Comments:		
Parameter Name	Parameter Value	Comments
sapi	C_Sap0	
logic_ch	ch	
release_mode	C_LocEndRel	
Detailed Comments:		

ASP Constraint Declaration		
Constraint Name:	MsrRept(pdu:MSR_RPT_PDU)	
ASP Type:	DL_UdatInMsrRpt	
Derivation Path:		
Comments:	To receive a measurement report without measurement results.	
Parameter Name	Parameter Value	Comments
sapi	C_Sap0	
logic_ch	?	
msg	pdu	
fn	?	
Detailed Comments:		

ASP Constraint Declaration		
Constraint Name:	PgReq1(ch:LOGICCH; pgg:PGG; pg1_req_pdu: PG1_RQ_PDU)	
ASP Type:	DL_UdatRqPg1Rq	
Derivation Path:		
Comments:	To send a PAGING REQUEST TYPE 1 message to the paging group indicated by the parameter pgg which is derived from system parameters. The PAGING REQUEST TYPE1 message requests normal paging mode, any channel and for the MS identity TSPX_TMSI.	
Parameter Name	Parameter Value	Comments
sapi	C_Sap0	
logic_ch	ch	
pgg	pgg	
msg	pg1_req_pdu	
Detailed Comments:		

ASP Constraint Declaration		
Constraint Name:	PgReq2(ch:LOGICCH; pgg:PGG; pg2_req_pdu: PG2_RQ_PDU)	
ASP Type:	DL_UdatRqPg2Rq	
Derivation Path:		
Comments:	To send a PAGING REQUEST TYPE 1 message to the paging group indicated by the parameter pgg which is derived from system parameters. The PAGING REQUEST TYPE1 message requests normal paging mode, any channel and for the MS identity TSPX_TMSI.	
Parameter Name	Parameter Value	Comments
sapi	C_Sap0	
logic_ch	ch	
pgg	pgg	
msg	pg2_req_pdu	
Detailed Comments:		

ASP Constraint Declaration		
Constraint Name:	PgReq3(ch:LOGICCH; pgg:PGG; pg3_req_pdu: PG3_RQ_PDU)	
ASP Type:	DL_UdatRqPg3Rq	
Derivation Path:		
Comments:	To send a PAGING REQUEST TYPE 1 message to the paging group indicated by the parameter pgg which is derived from system parameters. The PAGING REQUEST TYPE1 message requests normal paging mode, any channel and for the MS identity TSPX_TMSI.	
Parameter Name	Parameter Value	Comments
sapi	C_Sap0	
logic_ch	ch	
pgg	pgg	
msg	pg3_req_pdu	
Detailed Comments:		

ASP Constraint Declaration		
Constraint Name:	PagingRes(pdu: PG_RES_PDU)	
ASP Type:	DL_EstInPgRes	
Derivation Path:		
Comments:	To receive a PAGING RESPONSE message.	
Parameter Name	Parameter Value	Comments
sapi	C_Sap0	
logic_ch	?	
establish_mode	?	
msg	pdu	
fn	?	
Detailed Comments:		

ASP Constraint Declaration		
Constraint Name:	PgRes(ch:LOGICCH; pdu:PG_RES_PDU)	
ASP Type:	DL_EstInPgRes	
Derivation Path:		
Comments:	To match any received PAGING RESPONSE message on the channel `ch`.	
Parameter Name	Parameter Value	Comments
sapi	C_Sap0	
logic_ch	ch	
establish_mode	?	
msg	pdu	
fn	?	
Detailed Comments:		

ASP Constraint Declaration		
Constraint Name:	PhyInfo_01(ch: LOGICCH; ta:TA)	
ASP Type:	DL_DatRqPhyinfo	
Derivation Path:		
Comments:		
Parameter Name	Parameter Value	Comments
sapi	C_Sap0	
logic_ch	ch	
msg	Phyinfofor_01(ta)	
Detailed Comments:		

ASP Constraint Declaration		
Constraint Name:	ReleaseRcv(pdu: REL_PDU)	
ASP Type:	DL_DatInRel	
Derivation Path:		
Comments:	To receive a CC RELEASE message.	
Parameter Name	Parameter Value	Comments
sapi	C_Sap0	
logic_ch	?	
msg	pdu	
fn	?	
Detailed Comments:		

ASP Constraint Declaration		
Constraint Name:	ReleaseSnd(ch: LOGICCH; pdu: REL_PDU)	
ASP Type:	DL_DatRqRel	
Derivation Path:		
Comments:	To send a RELEASE message.	
Parameter Name	Parameter Value	Comments
sapi	C_Sap0	
logic_ch	ch	
msg	pdu	
Detailed Comments:		

ASP Constraint Declaration		
Constraint Name:	RelComRcv(pdu: REL_COM_PDU)	
ASP Type:	DL_DatInRelCmp	
Derivation Path:		
Comments:	To receive a RELEASE COMPLETE message.	
Parameter Name	Parameter Value	Comments
sapi	C_Sap0	
logic_ch	?	
msg	pdu	
fn	?	
Detailed Comments:		

ASP Constraint Declaration		
Constraint Name:	RelComSnd(ch:LOGICCH; pdu: REL_COM_PDU)	
ASP Type:	DL_DatRqRelCmp	
Derivation Path:		
Comments:	To send a RELEASE COMPLETE message.	
Parameter Name	Parameter Value	Comments
sapi	C_Sap0	
logic_ch	ch	
msg	pdu	
Detailed Comments:		

ASP Constraint Declaration		
Constraint Name:	SetupRcv(pdu: SETUP_MO_PDU)	
ASP Type:	DL_DatInSetup	
Derivation Path:		
Comments:	To receive a SETUP message.	
Parameter Name	Parameter Value	Comments
sapi	C_Sap0	
logic_ch	?	
msg	pdu	
fn	?	
Detailed Comments:		

ASP Constraint Declaration		
Constraint Name:	SetupSnd(ch: LOGICCH; setup:SETUP_MT_PDU)	
ASP Type:	DL_DatRqSetup	
Derivation Path:		
Comments:	To send a SETUP message which is the input parameter of this ASP.	
Parameter Name	Parameter Value	Comments
sapi	C_Sap0	
logic_ch	ch	
msg	setup	
Detailed Comments:		

ASP Constraint Declaration		
Constraint Name:	SynchInfo(ch:LOGICCH; bcc:BCC; ncc:NCC)	
ASP Type:	DL_UdatRqSchinfo	
Derivation Path:		
Comments:	To send SYNCHRONIZATION INFORMATION message with default parameters.	
Parameter Name	Parameter Value	Comments
sapi	C_Sap0	
logic_ch	ch	
msg	SynchInfor(bcc, ncc)	
Detailed Comments:		

ASP Constraint Declaration		
Constraint Name:	SysInfo1(ch:LOGICCH; cchd:CCHD; maxtx:B_2; txint:B_4; re:B_1)	
ASP Type:	DL_UdatRqSysinfo1	
Derivation Path:		
Comments:	To send SYSTEM INFORMATION TYPE 1 in cell A for RR testing of GSM900.	
Parameter Name	Parameter Value	Comments
sapi	C_Sap0	
logic_ch	ch	
msg	SysInf1(cchd, maxtx, txint, re)	
Detailed Comments:		

ASP Constraint Declaration		
Constraint Name:	SysInfo1_cba(ch:LOGICCH; cchd:CCHD; maxtx:B_2; txint:B_4; re:B_1; cba:B_1; acc:B_5)	
ASP Type:	DL_UdatRqSysinfo1	
Derivation Path:		
Comments:	To send SYSTEM INFORMATION TYPE 1 in cell A for RR testing of GSM900.	
Parameter Name	Parameter Value	Comments
sapi	C_Sap0	
logic_ch	ch	
msg	SysInf1_cba(cchd, maxtx, txint, re, cba, acc)	
Detailed Comments:		

ASP Constraint Declaration		
Constraint Name:	SysInfo1_nh(ch:LOGICCH; ci:CI; mcc, mnc, lac:OCTETSTRING; ccd:CCD; co:CO; crh, mtmc:INTEGER; neci:B_1; maxtx:B_2; txint:B_4; re:B_1)	
ASP Type:	DL_UdatRqSysinfo1_nh	
Derivation Path:		
Comments:		
Parameter Name	Parameter Value	Comments
sapi	C_Sap0	
logic_ch	ch	
msg	SysInf3(ci, mcc, mnc, lac, ccd, co, crh, mtmc, neci, maxtx, txint, re)	
Detailed Comments:		

ASP Constraint Declaration		
Constraint Name:	SysInfo2(ch: LOGICCH; bcchfl: NCD; maxtx:B_2; txint:B_4; re:B_1; nccp:NCCP)	
ASP Type:	DL_UdatRqSysinfo2	
Derivation Path:		
Comments:	To send the default SYSTEM INFORMATION TYPE 2 message containing default neighbour cells description in cell B for GSM900.	
Parameter Name	Parameter Value	Comments
sapi	C_Sap0	
logic_ch	ch	
msg	SysInf2(bcchfl, maxtx, txint, re, nccp)	
Detailed Comments:		

ASP Constraint Declaration		
Constraint Name:	SysInfo2_cba(ch: LOGICCH; bcchfl: NCD; maxtx:B_2; txint:B_4; re:B_1; nccp:NCCP; cba:B_1; acc:B_5)	
ASP Type:	DL_UdatRqSysinfo2	
Derivation Path:		
Comments:	To send the default SYSTEM INFORMATION TYPE 2 message containing default neighbour cells description in cell B for GSM900.	
Parameter Name	Parameter Value	Comments
sapi	C_Sap0	
logic_ch	ch	
msg	SysInf2_cba(bcchfl, maxtx, txint, re, nccp, cba, acc)	
Detailed Comments:		

ASP Constraint Declaration		
Constraint Name:	SysInfo2bis(ch: LOGICCH)	
ASP Type:	DL_UdatRqSysinfo2bis	
Derivation Path:		
Comments:	SYSTEM INFORMATION 2bis in cell A under EGSM with the ARFCN list = {988, 990, 1003}.	
Parameter Name	Parameter Value	Comments
sapi	C_Sap0	
logic_ch	ch	
msg	SysInf2bis	
Detailed Comments:		

ASP Constraint Declaration		
Constraint Name:	SysInfo2bis_egsm(ch: LOGICCH; freqlst:NCD)	
ASP Type:	DL_UdatRqSysinfo2bis	
Derivation Path:		
Comments:	SYSTEM INFORMATION 2bis under EGSM with the ARFCN list = freqlst.	
Parameter Name	Parameter Value	Comments
sapi	C_Sap0	
logic_ch	ch	
msg	SysInf2bis_egsm(freqlst)	
Detailed Comments:		

ASP Constraint Declaration		
Constraint Name:	SysInfo2ter(ch: LOGICCH; fl: NCD2)	
ASP Type:	DL_UdatRqSysinfo2ter	
Derivation Path:		
Comments:	SYSTEM INFORMATION 2ter with ther ARFCN list = fl.	
Parameter Name	Parameter Value	Comments
sapi	C_Sap0	
logic_ch	ch	
msg	SysInf2ter(fl)	
Detailed Comments:		

ASP Constraint Declaration		
Constraint Name:	SysInfo3(ch:LOGICCH; ci:CI; mcc, mnc, lac:OCTETSTRING; ccd:CCD; co:CO; crh, mtmc:INTEGER; neci:B_1; maxtx:B_2; txint:B_4; re:B_1)	
ASP Type:	DL_UdatRqSysinfo3	
Derivation Path:		
Comments:		
Parameter Name	Parameter Value	Comments
sapi logic_ch msg	C_Sap0 ch SysInf3(ci, mcc, mnc, lac, ccd, co, crh, mtmc, neci, maxtx, txint, re)	
Detailed Comments:		

ASP Constraint Declaration		
Constraint Name:	SysInfo3_ram_cba(ch:LOGICCH; ci:CI; mcc, mnc, lac:OCTETSTRING; ccd:CCD; co:CO; crh, mtmc:INTEGER; neci:B_1; maxtx:B_2; txint:B_4; re:B_1; ram:B_6; cba, cbq:B_1; acc:B_5)	
ASP Type:	DL_UdatRqSysinfo3	
Derivation Path:		
Comments:		
Parameter Name	Parameter Value	Comments
sapi logic_ch msg	C_Sap0 ch SysInf3_ram_cba(ci, mcc, mnc, lac, ccd, co, crh, mtmc, neci, maxtx, txint, re, ram, cba, cbq, acc)	
Detailed Comments:		

ASP Constraint Declaration		
Constraint Name:	SysInfo3_rpct(ch:LOGICCH; ci:CI; mcc, mnc, lac:OCTETSTRING; ccd:CCD; co:CO; crh, mtmc:INTEGER; neci:B_1; maxtx:B_2; txint:B_4; re:B_1; ram:B_6; pt:B_5; cro:B_6; to:B_3)	
ASP Type:	DL_UdatRqSysinfo3	
Derivation Path:		
Comments:		
Parameter Name	Parameter Value	Comments
sapi logic_ch msg	C_Sap0 ch SysInf3_rpct(ci, mcc, mnc, lac, ccd, co, crh, mtmc, neci, maxtx, txint, re, ram, pt, cro, to)	
Detailed Comments:		

ASP Constraint Declaration		
Constraint Name:	SysInfo3_ti(ch:LOGICCH; ci:CI; mcc, mnc, lac:OCTETSTRING; ccd:CCD; co:CO; crh, mtmc:INTEGER; neci:B_1; maxtx:B_2; txint:B_4; re:B_1; ram:B_6; pt:B_5; cro:B_6; to:B_3)	
ASP Type:	DL_UdatRqSysinfo3	
Derivation Path:		
Comments:		
Parameter Name	Parameter Value	Comments
sapi logic_ch msg	C_Sap0 ch SysInf3_ti(ci, mcc, mnc, lac, ccd, co, crh, mtmc, neci, maxtx, txint, re, ram, pt, cro, to)	
Detailed Comments:		

ASP Constraint Declaration		
Constraint Name:	SysInfo3_rpctp(ch:LOGICCH; ci:CI; mcc, mnc, lac:OCTETSTRING; ccd:CCD; co:CO; crh, mtmc:INTEGER; neci:B_1; maxtx:B_2; txint:B_4; re:B_1; ram:B_6; pt:B_5; cro:B_6; to:B_3; po:B_2)	
ASP Type:	DL_UdatRqSysinfo3	
Derivation Path:		
Comments:		
Parameter Name	Parameter Value	Comments
sapi logic_ch msg	C_Sap0 ch SysInf3_rpctp(ci, mcc, mnc, lac, ccd, co, crh, mtmc, neci, maxtx, txint, re, ram, pt, cro, to, po)	
Detailed Comments:		

ASP Constraint Declaration		
Constraint Name:	SysInfo4(ch:LOGICCH; mcc, mnc, lac:OCTETSTRING; crh, mtmc:INTEGER; neci:B_1; maxtx:B_2; txint:B_4; re:B_1)	
ASP Type:	DL_UdatRqSysinfo4	
Derivation Path:		
Comments:	To send a default SYSTEM INFORMATION TYPE 4 message	
Parameter Name	Parameter Value	Comments
sapi logic_ch msg	C_Sap0 ch SysInf4(mcc, mnc, lac, crh, mtmc, neci, maxtx, txint, re)	
Detailed Comments:		

ASP Constraint Declaration		
Constraint Name:	SysInfo4_bis(ch:LOGICCH; mcc, mnc, lac:OCTETSTRING; crh, mtmc:INTEGER; neci:B_1; maxtx:B_2; txint:B_4; re:B_1; ram:B_6)	
ASP Type:	DL_UdatRqSysinfo4	
Derivation Path:		
Comments:	To send a default SYSTEM INFORMATION TYPE 4 message	
Parameter Name	Parameter Value	Comments
sapi logic_ch msg	C_Sap0 ch SysInf4_bis(mcc, mnc, lac, crh, mtmc, neci, maxtx, txint, re, ram)	
Detailed Comments:		

ASP Constraint Declaration		
Constraint Name:	SysInfo4_CBMS(ch:LOGICCH; mcc, mnc, lac:OCTETSTRING; crh, mtmc:INTEGER; neci:B_1; maxtx:B_2; txint:B_4; re:B_1; cbchd:CHD)	
ASP Type:	DL_UdatRqSysinfo4	
Derivation Path:		
Comments:	To send a SYSTEM INFORMATION TYPE 4 message for SMSCB with the values or GSM 11.10, 34.3	
Parameter Name	Parameter Value	Comments
sapi logic_ch msg	C_Sap0 ch SysInf4_CBMS(mcc, mnc, lac, crh, mtmc, neci, maxtx, txint, re, cbchd)	
Detailed Comments:		

ASP Constraint Declaration		
Constraint Name:	SysInfo4_ram_cba(ch:LOGICCH; mcc, mnc, lac:OCTETSTRING; crh, mtmc:INTEGER; neci:B_1; maxtx:B_2; txint:B_4; re:B_1; ram:B_6; cba, cbq:B_1; acc:B_5)	
ASP Type:	DL_UdatRqSysinfo4	
Derivation Path:		
Comments:	To send a default SYSTEM INFORMATION TYPE 4 message	
Parameter Name	Parameter Value	Comments
sapi	C_Sap0	
logic_ch	ch	
msg	SysInf4_ram_cba(mcc, mnc, lac, crh, mtmc, neci, maxtx, txint, re, ram, cba, cbq, acc)	
Detailed Comments:		

ASP Constraint Declaration		
Constraint Name:	SysInfo4_rpct(ch:LOGICCH; mcc, mnc, lac:OCTETSTRING; crh, mtmc:INTEGER; neci:B_1; maxtx:B_2; txint:B_4; re:B_1; ram:B_6; pt:B_5; cro:B_6; to:B_3)	
ASP Type:	DL_UdatRqSysinfo4	
Derivation Path:		
Comments:	To send a default SYSTEM INFORMATION TYPE 4 message	
Parameter Name	Parameter Value	Comments
sapi	C_Sap0	
logic_ch	ch	
msg	SysInf4_rpct(mcc, mnc, lac, crh, mtmc, neci, maxtx, txint, re, ram, pt, cro, to)	
Detailed Comments:		

ASP Constraint Declaration		
Constraint Name:	SysInfo4_rpctp(ch:LOGICCH; mcc, mnc, lac:OCTETSTRING; crh, mtmc:INTEGER; neci:B_1; maxtx:B_2; txint:B_4; re:B_1; ram:B_6; pt:B_5; cro:B_6; to:B_3; po:B_2)	
ASP Type:	DL_UdatRqSysinfo4	
Derivation Path:		
Comments:	To send a default SYSTEM INFORMATION TYPE 4 message	
Parameter Name	Parameter Value	Comments
sapi	C_Sap0	
logic_ch	ch	
msg	SysInf4_rpctp(mcc, mnc, lac, crh, mtmc, neci, maxtx, txint, re, ram, pt, cro, to, po)	
Detailed Comments:		

ASP Constraint Declaration		
Constraint Name:	SysInfo5(sacch: LOGICCH; sysinfo5_pdu:SYSINFO5_PDU)	
ASP Type:	DL_UdatRqSysinfo5	
Derivation Path:		
Comments:	To send a SYSTEM INFORMATION TYPE 5 message.	
Parameter Name	Parameter Value	Comments
sapi	C_Sap0	
logic_ch	sacch	
msg	sysinfo5_pdu	
Detailed Comments:		

ASP Constraint Declaration		
Constraint Name:	SysInfo5bis(sacch: LOGICCH; sysinfo5bis_pdu:SYSINFO5bis_PDU)	
ASP Type:	DL_UdatRqSysinfo5bis	
Derivation Path:		
Comments:	To send a SYSTEM INFORMATION TYPE 5bis message.	
Parameter Name	Parameter Value	Comments
sapi	C_Sap0	
logic_ch	sacch	
msg	sysinfo5bis_pdu	
Detailed Comments:		

ASP Constraint Declaration		
Constraint Name:	SysInfo5ter(sacch: LOGICCH; sysinfo5ter_pdu:SYSINFO5ter_PDU)	
ASP Type:	DL_UdatRqSysinfo5ter	
Derivation Path:		
Comments:	To send a SYSTEM INFORMATION TYPE 5ter message.	
Parameter Name	Parameter Value	Comments
sapi	C_Sap0	
logic_ch	sacch	
msg	sysinfo5ter_pdu	
Detailed Comments:		

ASP Constraint Declaration		
Constraint Name:	SysInfo6(sacch: LOGICCH; sysinfo6_pdu:SYSINFO6_PDU)	
ASP Type:	DL_UdatRqSysinfo6	
Derivation Path:		
Comments:	To send a SYSTEM INFORMATION TYPE 6 message.	
Parameter Name	Parameter Value	Comments
sapi	C_Sap0	
logic_ch	sacch	
msg	sysinfo6_pdu	
Detailed Comments:		

ASP Constraint Declaration		
Constraint Name:	SysInfo7(ch:LOGICCH; pt:B_5; cro:B_6; to:B_3)	
ASP Type:	DL_UdatRqSysinfo7	
Derivation Path:		
Comments:	To send a default SYSTEM INFORMATION TYPE 7 message	
Parameter Name	Parameter Value	Comments
sapi	C_Sap0	
logic_ch	ch	
msg	SysInf7(pt, cro, to)	
Detailed Comments:		

ASP Constraint Declaration		
Constraint Name:	SysInfo8(ch:LOGICCH; pt:B_5; cro:B_6; to:B_3)	
ASP Type:	DL_UdatRqSysinfo8	
Derivation Path:		
Comments:	To send a default SYSTEM INFORMATION TYPE 8 message	
Parameter Name	Parameter Value	Comments
sapi	C_Sap0	
logic_ch	ch	
msg	SysInf8(pt, cro, to)	
Detailed Comments:		

ASP Constraint Declaration		
Constraint Name:	TmsiReallocSnd(par:MI; ch:LOGICCH; mcc, mnc, lac:OCTETSTRING)	
ASP Type:	DL_DatRqTmsireCmd	
Derivation Path:		
Comments:	To send a TMSI REALLOCATION COMMAND message.	
Parameter Name	Parameter Value	Comments
sapi	C_Sap0	
logic_ch	ch	
msg	TmsiReallocCmd(par, mcc, mnc, lac)	
Detailed Comments:		

ASP Constraint Declaration		
Constraint Name:	TmsiReallocCmp(ch:LOGICCH)	
ASP Type:	DL_DatInTmsireCom	
Derivation Path:		
Comments:	To receive a TMSI REALLOCATION COMPLETE message.	
Parameter Name	Parameter Value	Comments
sapi	C_Sap0	
logic_ch	ch	
msg	TmsiReallocComp	
fn	?	
Detailed Comments:		

PDU constraint declarations

TTCN PDU constraint declarations

PDU Constraint Declaration		
Constraint Name:	Alerting_01(Ti :TI)	
PDU Type:	ALERT_PDU	
Derivation Path:		
Comments:	An ALERTING message containing mandatory IE's only to be sent to the MS.	
Field Name	Field Value	Comments
ti	Ti	
ccpd	'0011'B	
mt	'00000001'B	
fie	-	
pi	-	
uu	-	
ssvi	-	
Detailed Comments:		

PDU Constraint Declaration		
Constraint Name:	Alerting_04(Ti :TI; fie:FIE)	
PDU Type:	ALERT_PDU	
Derivation Path:		
Comments:	An ALERTING message containing facility IE to be sent to the MS.	
Field Name	Field Value	Comments
ti	Ti	
ccpd	'0011'B	
mt	'00000001'B	
fie	fie	
pi	-	
uu	-	
ssvi	-	
Detailed Comments:		

PDU Constraint Declaration		
Constraint Name:	AlertingInd_01(ti:TI)	
PDU Type:	ALERT_PDU	
Derivation Path:		
Comments:	To match an received ALERTING message	
Field Name	Field Value	Comments
ti	ti	
ccpd	'0011'B	
mt	'0?000001'B	
fie	*	
pi	-	
uu	*	
ssvi	*	
Detailed Comments:		

PDU Constraint Declaration		
Constraint Name:	AlertingInd_02(Ti:TI)	
PDU Type:	ALERT_PDU	
Derivation Path:		
Comments:	To match an received ALERTING message	
Field Name	Field Value	Comments
ti	Ti	
ccpd	'0011'B	
mt	'0?000001'B	
fie	*	
pi	-	
uu	*	
ssvi	*	
Detailed Comments:		

PDU Constraint Declaration		
Constraint Name:	AsgnCmd_nfh(type:CH_TDMA; slot:SN; tsc:TSC; par_pwlvl, arfcn:INTEGER; cchd:CCHD; chmod:CHMOD; strt:STRT; cphms:CPHMS)	
PDU Type:	ASS_CMD_PDU	
Derivation Path:		
Comments:	An ASSIGNMENT COMMAND message. The channel mode and type are specified as parameters.	
Field Name	Field Value	Comments
ski	'0000'B	
rrpd	'0110'B	
mt	'00101110'B	
ch1d_at	ChDescrp_nfh(type, slot, tsc, arfcn)	
pcmd	Pcmd_19(INT_TO_BIT(par_pwlvl, 5))	
frql_at	-	
cchd	cchd	
ch1mod	chmod	
ch2d_at	-	
ch2mod	-	
ma_at	-	
strt	strt	
frql_bt	-	
ch1d_bt	-	
ch2d_bt	-	
frqchs_bt	-	
ma_bt	-	
cphms	cphms	
Detailed Comments: used iin CC testing		

PDU Constraint Declaration		
Constraint Name:	AsgnCmd_inv_01(slot:SN; tsc:TSC)	
PDU Type:	ASS_CMD_PDU	
Derivation Path:		
Comments:	An ASSIGNMENT COMMAND message containing invalid skip identifier	
Field Name	Field Value	Comments
ski	'0100'B	
rrpd	'0110'B	
mt	'00101110'B	
ch1d_at	ChDescrp_nfh('00001'B, slot, tsc, C_arfcnA)	
pcmd	Pcmd_19('01001'B)	
frql_at	-	
cchd	-	
ch1mod	-	
ch2d_at	-	
ch2mod	-	
ma_at	-	
strt	-	
frql_bt	-	
ch1d_bt	-	
ch2d_bt	-	
frqchs_bt	-	
ma_bt	-	
cphms	-	
Detailed Comments:		

PDU Constraint Declaration		
Constraint Name:	AsgnCmp_02	
PDU Type:	ASS_COM_PDU	
Derivation Path:		
Comments:	An ASSIGNMENT COMPLETE message containing any cause.	
Field Name	Field Value	Comments
ski	'0000'B	
rrpd	'0110'B	
mt	'00101001'B	
rrcau	?	
Detailed Comments:		

PDU Constraint Declaration		
Constraint Name:	AssgnFI_01	
PDU Type:	ASSFL_PDU	
Derivation Path:		
Comments:		
Field Name	Field Value	Comments
ski	'0000'B	
rrpd	'0110'B	
mt	'00101111'B	
rrcau	?	
Detailed Comments:		

PDU Constraint Declaration		
Constraint Name:	AssgnFI_02	
PDU Type:	ASSFL_PDU	
Derivation Path:	AssgnFI_01.	
Comments:	#6F	
Field Name	Field Value	Comments
rrcau	'01101111'B	
Detailed Comments:		

PDU Constraint Declaration		
Constraint Name:	Abortmsg_01(par: REJCAU)	
PDU Type:	ABRT_PDU	
Derivation Path:		
Comments:	An ABORT message with reject cause which should be given as parameter.	
Field Name	Field Value	Comments
ski	'0000'B	
mmpd	'0101'B	
mt	'00101001'B	
rejcau	par	
Detailed Comments:		

PDU Constraint Declaration		
Constraint Name:	AuthRequest(cksn: B_3; rand:RAND)	
PDU Type:	AUTH_RQ_PDU	
Derivation Path:		
Comments:	An AUTHENTICATION REQUEST message containing default ciphering key sequence number and default challenge RAND from PIXIT.	
Field Name	Field Value	Comments
ski	'0000'B	
mmpd	'0101'B	
mt	'00010010'B	
shoct	'0000'B	
cphksn	CphKeySN_07(cksn)	
rand	rand	
Detailed Comments:		

PDU Constraint Declaration		
Constraint Name:	AuthResponse	
PDU Type:	AUTH_RES_PDU	
Derivation Path:		
Comments:	An AUTHENTICATION RESPONSE message matching any SRES.	
Field Name	Field Value	Comments
ski	'0000'B	
mmpd	'0101'B	
mt	'0?010100'B	
sres	?	
Detailed Comments:		

PDU Constraint Declaration		
Constraint Name:	CallProced_01(Ti:TI)	
PDU Type:	CALL_PROC_PDU	
Derivation Path:		
Comments:	An CALL PROCEEDING message with mandatory IE's only.	
Field Name	Field Value	Comments
ti	Ti	
ccpd	'0011'B	
mt	'00000010'B	
bcri	-	
bcap1	-	
bcap2	-	
fie	-	
pi	-	
Detailed Comments:		

PDU Constraint Declaration		
Constraint Name:	CallProced_03	
PDU Type:	CALL_PROC_PDU	
Derivation Path:		
Comments:	An CALL PROCEEDING message templet used for CallProcGen	
Field Name	Field Value	Comments
ti	?	
ccpd	'0011'B	
mt	'00000010'B	
bcri	-	
bcap1	-	
bcap2	-	
fie	-	
pi	-	
Detailed Comments:		

PDU Constraint Declaration		
Constraint Name:	CCStatus_01(Ti:TI)	
PDU Type:	CCST_PDU	
Derivation Path:		
Comments:	A CC STATUS message to match any received CC STATUS.	
Field Name	Field Value	Comments
ti	Ti	
ccpd	'0011'B	
mt	'0?111101'B	
cau	?	
cst	?	
acst	*	
Detailed Comments:		

PDU Constraint Declaration		
Constraint Name:	CCStatus_inv_01(ti:TI)	
PDU Type:	CCST_PDU	
Derivation Path:		
Comments:	A CC STATUS message without mandatory cause IE and call state IE.	
Field Name	Field Value	Comments
ti	ti	
ccpd	'0011'B	
mt	'00111101'B	
cau	-	
cst	-	
acst	-	
Detailed Comments:		

PDU Constraint Declaration		
Constraint Name:	CCStatusEq_01(Ti:TI)	
PDU Type:	CCST_ENQ_PDU	
Derivation Path:		
Comments:	A STATUS ENQUIRY message	
Field Name	Field Value	Comments
ti	Ti	
ccpd	'0011'B	
mt	'00110100'B	
Detailed Comments:		

PDU Constraint Declaration		
Constraint Name:	ChmomoAck_01(chmd:CHMOD; chd: CHD)	
PDU Type:	CHMMO_ACK_PDU	
Derivation Path:		
Comments:		
Field Name	Field Value	Comments
ski	'0000'B	
rrpd	'0110'B	
mt	'00010111'B	
chd	chd	
chmod	chmd	
Detailed Comments:		

PDU Constraint Declaration		
Constraint Name:	ChmomoAck_02(chmd:CHMOD; chd:CHD)	
PDU Type:	CHMMO_ACK_PDU	
Derivation Path:		
Comments:		
Field Name	Field Value	Comments
ski	'0000'B	
rrpd	'0110'B	
mt	'00010111'B	
chd	chd	
chmod	chmd	
Detailed Comments:		

PDU Constraint Declaration		
Constraint Name:	ChmomoReq_01(chmd:CHMOD; chd:CHD)	
PDU Type:	CHMMO_PDU	
Derivation Path:		
Comments:	the channel being modified is default full rate traffic channel.	
Field Name	Field Value	Comments
ski	'0000'B	
rrpd	'0110'B	
mt	'00010000'B	
chd	chd	
chmod	chmd	
Detailed Comments:		

PDU Constraint Declaration		
Constraint Name:	ChmomoReq_02(chmd:CHMOD; chd:CHD)	
PDU Type:	CHMMO_PDU	
Derivation Path:		
Comments:		
Field Name	Field Value	Comments
ski	'0000'B	
rrpd	'0110'B	
mt	'00010000'B	
chd	chd	
chmod	chmd	
Detailed Comments:		

PDU Constraint Declaration		
Constraint Name:	ChRelease_01	
PDU Type:	CH_REL_PDU	
Derivation Path:		
Comments:	A CHANNEL RELEASE message with RR cause = normal event	
Field Name	Field Value	Comments
ski	'0000'B	
rrpd	'0110'B	
mt	'00001101'B	
rrcau	'00000000'B	
Detailed Comments:		

PDU Constraint Declaration		
Constraint Name:	ChRelease_inv_01	
PDU Type:	CH_REL_PDU	
Derivation Path:	ChRelease_01.	
Comments:	An invalid CHANNEL RELEASE message without mandatory IE RR cause	
Field Name	Field Value	Comments
rrcau	-	
Detailed Comments:		

PDU Constraint Declaration		
Constraint Name:	ChRelease_inv_02	
PDU Type:	CH_REL_PDU	
Derivation Path:	ChRelease_01.	
Comments:	A CHANNEL RELEASE message containing incorrect skip indicator 6.	
Field Name	Field Value	Comments
ski	'0110'B	
Detailed Comments:		

PDU Constraint Declaration		
Constraint Name:	ChRelease_inv_03	
PDU Type:	CH_REL_PDU_ERR	
Derivation Path:		
Comments:	A CHANNEL RELEASE message containing additional IE unknown in the RR protocol	
Field Name	Field Value	Comments
ski	'0000'B	
rrpd	'0110'B	
mt	'00001101'B	
rrcau	'00000000'B	
add	'6205AA55EF6701'O	
Detailed Comments:		

PDU Constraint Declaration		
Constraint Name:	ChRequest_01	
PDU Type:	CH_RQ_PDU	
Derivation Path:		
Comments:	A CHANNEL REQUEST message containing establishment cause = answer to paging.	
Field Name	Field Value	Comments
ecau_rrf	'100?????'B	
Detailed Comments:		

PDU Constraint Declaration		
Constraint Name:	ChRequest_02	
PDU Type:	CH_RQ_PDU	
Derivation Path:		
Comments:	To match any received CHANNEL REQUEST message	
Field Name	Field Value	Comments
ecau_rrf	'????????'B	
Detailed Comments:		

PDU Constraint Declaration		
Constraint Name:	ChRequest_03	
PDU Type:	CH_RQ_PDU	
Derivation Path:		
Comments:	To match the received CHANNEL REQUEST message containing establishment cause = '0001'B, "other procedures which can be completed with an SDCCH".	
Field Name	Field Value	Comments
ecau_rrf	'0001????'B	
Detailed Comments:		

PDU Constraint Declaration		
Constraint Name:	ChRequest_04	
PDU Type:	CH_RQ_PDU	
Derivation Path:		
Comments:	To match the received CHANNEL REQUEST message which originates a call (establishment cause = '111'B), "Originating call and TCH/F is needed, or IMSI detach, SMS or SS procedures that can be completed with an SDCCH and NECI set to 0".	
Field Name	Field Value	Comments
ecau_rrf	'111?????'B	
Detailed Comments:		

PDU Constraint Declaration		
Constraint Name:	ChRequest_05	
PDU Type:	CH_RQ_PDU	
Derivation Path:		
Comments:	To match the received CHANNEL REQUEST message containing establishment cause = '0100'B, "Originating speech call from dual-rate mobile station when TCH/H is sufficient and the network sets NECI bit to 1"	
Field Name	Field Value	Comments
ecau_rrf	'0100????'B	
Detailed Comments:		

PDU Constraint Declaration		
Constraint Name:	ChRequest_06	
PDU Type:	CH_RQ_PDU	
Derivation Path:		
Comments:	To match the received CHANNEL REQUEST message which originates a half rate data call (establishment cause = '0101'B).	
Field Name	Field Value	Comments
ecau_rrf	'0101????'B	
Detailed Comments:		

PDU Constraint Declaration		
Constraint Name:	ChRequest_07	
PDU Type:	CH_RQ_PDU	
Derivation Path:		
Comments:	To match the received CHANNEL REQUEST message with establishment cause = '0010'B.	
Field Name	Field Value	Comments
ecau_rrf	'0010????'B	
Detailed Comments:		

PDU Constraint Declaration		
Constraint Name:	ChRequest_08	
PDU Type:	CH_RQ_PDU	
Derivation Path:		
Comments:	To match the received CHANNEL REQUEST message with establishment cause = '0011'B.	
Field Name	Field Value	Comments
ecau_rrf	'0011????'B	
Detailed Comments:		

PDU Constraint Declaration		
Constraint Name:	ChRequest_09	
PDU Type:	CH_RQ_PDU	
Derivation Path:		
Comments:	To match the received CHANNEL REQUEST message with establishment cause = '000'B.	
Field Name	Field Value	Comments
ecau_rrf	'000?????'B	
Detailed Comments:		

PDU Constraint Declaration		
Constraint Name:	ChRequest_10	
PDU Type:	CH_RQ_PDU	
Derivation Path:		
Comments:	A CHANNEL REQUEST message with establishment cause = '110'B.	
Field Name	Field Value	Comments
ecau_rrf	'110?????'B	
Detailed Comments:		

PDU Constraint Declaration		
Constraint Name:	ChRequest_11	
PDU Type:	CH_RQ_PDU	
Derivation Path:		
Comments:	To match the received CHANNEL REQUEST message with establishment cause = '011010'B.	
Field Name	Field Value	Comments
ecau_rrf	'011010???'B	
Detailed Comments:		

PDU Constraint Declaration		
Constraint Name:	ChRequest_12	
PDU Type:	CH_RQ_PDU	
Derivation Path:		
Comments:	To match the received CHANNEL REQUEST message with establishment cause = '100'B.	
Field Name	Field Value	Comments
ecau_rrf	'100?????'B	
Detailed Comments:		

PDU Constraint Declaration		
Constraint Name:	ChRequest_13	
PDU Type:	CH_RQ_PDU	
Derivation Path:		
Comments:	To match the received CHANNEL REQUEST message with establishment cause = '100'B or '0010'B or '0001'B.	
Field Name	Field Value	Comments
ecau_rrf	('100?????'B, '0010?????'B, '0001?????'B)	
Detailed Comments:		

PDU Constraint Declaration		
Constraint Name:	ChRequest_14	
PDU Type:	CH_RQ_PDU	
Derivation Path:		
Comments:	To match the received CHANNEL REQUEST message with establishment cause = '100'B or '0011'B or '0001'B.	
Field Name	Field Value	Comments
ecau_rrf	('100?????'B, '0011?????'B, '0001?????'B)	
Detailed Comments:		

PDU Constraint Declaration		
Constraint Name:	ChRequest_15	
PDU Type:	CH_RQ_PDU	
Derivation Path:		
Comments:	To match the received CHANNEL REQUEST message with establishment cause = '111'B or '0100'B or '0101'B --- initiate outgoing call or SDCCH other procedures.	
Field Name	Field Value	Comments
ecau_rrf	('111?????'B, '0100?????'B, '0101?????'B, '101?????'B, '0001?????'B)	
Detailed Comments:		

PDU Constraint Declaration		
Constraint Name:	ChRequest_16	
PDU Type:	CH_RQ_PDU	
Derivation Path:		
Comments:	To match the received CHANNEL REQUEST message with establishment cause = '101'B for emergency call.	
Field Name	Field Value	Comments
ecau_rrf	'101?????'B	
Detailed Comments:		

PDU Constraint Declaration		
Constraint Name:	ChRequest_17	
PDU Type:	CH_RQ_PDU	
Derivation Path:		
Comments:	A CHANNEL REQUEST message containing establishment cause = 100, 0010, 0011, 0001	
Field Name	Field Value	Comments
ecau_rrf	('100?????'B, '0010?????'B, '0011?????'B, '0001?????'B)	
Detailed Comments:		

PDU Constraint Declaration		
Constraint Name:	ChRequest_18	
PDU Type:	CH_RQ_PDU	
Derivation Path:		
Comments:	To match the received CHANNEL REQUEST message with establishment cause = '0000'B.	
Field Name	Field Value	Comments
ecau_rrf	'0000?????'B	
Detailed Comments:		

PDU Constraint Declaration		
Constraint Name:	ChRequest_19	
PDU Type:	CH_RQ_PDU	
Derivation Path:		
Comments:	To match the received CHANNEL REQUEST message with establishment cause = '111'B or '101'B --- initiate outgoing call	
Field Name	Field Value	Comments
ecau_rrf	('111?????'B, '101?????'B)	
Detailed Comments:		

PDU Constraint Declaration		
Constraint Name:	ClassMarkEnq_01	
PDU Type:	CLM_ENQ_PDU	
Derivation Path:		
Comments:		
Field Name	Field Value	Comments
ski	'0000'B	
rrpd	'0110'B	
mt	'00010011'B	
Detailed Comments:		

PDU Constraint Declaration		
Constraint Name:	CMServiceAcp_01	
PDU Type:	CMS_ACP_PDU	
Derivation Path:		
Comments:	a CM SERVICE ACCEPT message	
Field Name	Field Value	Comments
ski	'0000'B	
mmpd	'0101'B	
mt	'00100001'B	
Detailed Comments:		

PDU Constraint Declaration		
Constraint Name:	CMServiceRej_01	
PDU Type:	CMS_REJ_PDU	
Derivation Path:		
Comments:	reject cause = 'service or option not available, unspecified"	
Field Name	Field Value	Comments
ski	'0000'B	
mmpd	'0101'B	
mt	'00100010'B	
mmcau	'20'O	
Detailed Comments:		

PDU Constraint Declaration		
Constraint Name:	CMServiceRej_02	
PDU Type:	CMS_REJ_PDU	
Derivation Path:		
Comments:	reject cause = "IMEI not accepted"	
Field Name	Field Value	Comments
ski	'0000'B	
mmpd	'0101'B	
mt	'00100010'B	
mmcau	'05'O	
Detailed Comments:		

PDU Constraint Declaration		
Constraint Name:	CMServiceRej_03	
PDU Type:	CMS_REJ_PDU	
Derivation Path:		
Comments:	reject cause = "Service Option not supported"	
Field Name	Field Value	Comments
ski	'0000'B	
mmpd	'0101'B	
mt	'00100010'B	
mmcau	'20'O	
Detailed Comments:		

PDU Constraint Declaration		
Constraint Name:	CMServiceRej_04	
PDU Type:	CMS_REJ_PDU	
Derivation Path:		
Comments:	reject cause = 'network failure'	
Field Name	Field Value	Comments
ski	'0000'B	
mmpd	'0101'B	
mt	'00100010'B	
mmcau	'11'O	
Detailed Comments:		

PDU Constraint Declaration		
Constraint Name:	CMServiceRej_30(par: REJCAU)	
PDU Type:	CMS_REJ_PDU	
Derivation Path:		
Comments:	reject cause = 'service or option not available, unsepcified'	
Field Name	Field Value	Comments
ski	'0000'B	
mmpd	'0101'B	
mt	'00100010'B	
mmcau	par	
Detailed Comments:		

PDU Constraint Declaration		
Constraint Name:	CMServiceReq_01	
PDU Type:	CMS_RQ_PDU	
Derivation Path:		
Comments:	To match any received CM SERVICE REQUEST message	
Field Name	Field Value	Comments
ski	'0000'B	
mmpd	'0101'B	
mt	'0?100100'B	
cphksn	?	
svtype	?	
msclm	?	
mi	?	
Detailed Comments:		

PDU Constraint Declaration		
Constraint Name:	CMServiceReq_04	
PDU Type:	CMS_RQ_PDU	
Derivation Path:	CMServiceReq_01.	
Comments:	To match a received CM SERVICE REQUEST message containing CM service type = "Mobile originating call establishment or packet mode connection establishment" or " emergency call establishment".	
Field Name	Field Value	Comments
svtype	('0001'B, '0010'B)	
Detailed Comments:		

PDU Constraint Declaration		
Constraint Name:	CMServiceReq_05(mi:MI)	
PDU Type:	CMS_RQ_PDU	
Derivation Path:		
Comments:	To match any received CM SERVICE REQUEST message for emergency call with IMEI.	
Field Name	Field Value	Comments
ski	'0000'B	
mmpd	'0101'B	
mt	'0?100100'B	
cphksn	?	
svtype	C_CMServiceTypeE	
msclm	?	
mi	mi	
Detailed Comments:		

PDU Constraint Declaration		
Constraint Name:	CMServiceReq_08	
PDU Type:	CMS_RQ_PDU	
Derivation Path:	CMServiceReq_01.	
Comments:	To match the received CM SERVICE REQUEST message indicating " supplementary service activation"	
Field Name	Field Value	Comments
svtype	'1000'B	
Detailed Comments:		

PDU Constraint Declaration		
Constraint Name:	CMServiceReq_09	
PDU Type:	CMS_RQ_PDU	
Derivation Path:	CMServiceReq_01.	
Comments:	To match the received CM SERVICE REQUEST message indicating " short message transfer"	
Field Name	Field Value	Comments
svtype	'0100'B	
Detailed Comments:		

PDU Constraint Declaration		
Constraint Name:	CMServiceReq_30(parexpected_mi: MI)	
PDU Type:	CMS_RQ_PDU	
Derivation Path:		
Comments:	To match any received CM SERVICE REQUEST message	
Field Name	Field Value	Comments
ski	'0000'B	
mmpd	'0101'B	
mt	'0?100100'B	
cphksn	?	
svtype	?	
msclm	?	
mi	parexpected_mi	
Detailed Comments:		

PDU Constraint Declaration		
Constraint Name:	CMServiceReq_31(parexpected_mi: MI; cksn: BITSTRING)	
PDU Type:	CMS_RQ_PDU	
Derivation Path:		
Comments:	To match any received CM SERVICE REQUEST message	
Field Name	Field Value	Comments
ski	'0000'B	
mmpd	'0101'B	
mt	'0?100100'B	
cphksn	CphKeySN_07(cksn)	
svtype	C_CMServiceTypeE	
msclm	?	
mi	parexpected_mi	
Detailed Comments:		

PDU Constraint Declaration		
Constraint Name:	CMServiceReq_32(parexpected_mi: MI; cksn: BITSTRING)	
PDU Type:	CMS_RQ_PDU	
Derivation Path:		
Comments:	To match any received CM SERVICE REQUEST message	
Field Name	Field Value	Comments
ski	'0000'B	
mmpd	'0101'B	
mt	'0?100100'B	
cphksn	CphKeySN_07(cksn)	
svtype	?	
msclm	?	
mi	parexpected_mi	
Detailed Comments:		

PDU Constraint Declaration		
Constraint Name:	Connect_01(ti:TI)	
PDU Type:	CONN_PDU	
Derivation Path:		
Comments:	CC CONNECT message matching any received value	
Field Name	Field Value	Comments
ti	ti	
ccpd	'0011'B	
mt	'0?000111'B	
fie	*	
pi	-	
cnn	-	
cns	*	
uu	*	
ssvi	*	
Detailed Comments:		

PDU Constraint Declaration		
Constraint Name:	Connect_02(Ti:TI)	
PDU Type:	CONN_PDU	
Derivation Path:		
Comments:	CC CONNECT message containing mandatory IE's only.	
Field Name	Field Value	Comments
ti	Ti	
ccpd	'0011'B	
mt	'00000111'B	
fie	-	
pi	-	
cnn	-	
cns	-	
uu	-	
ssvi	-	
Detailed Comments:		

PDU Constraint Declaration		
Constraint Name:	Connect_05(Ti:TI; fie:FIE)	
PDU Type:	CONN_PDU	
Derivation Path:		
Comments:	CC CONNECT message containing faciliy IE.	
Field Name	Field Value	Comments
ti	Ti	
ccpd	'0011'B	
mt	'00000111'B	
fie	fie	
pi	-	
cnn	-	
cns	-	
uu	-	
ssvi	-	
Detailed Comments:		

PDU Constraint Declaration		
Constraint Name:	ConnectAck_01(ti:TI)	
PDU Type:	CONN_ACK_PDU	
Derivation Path:		
Comments:	A CONNECT ACKNOWLEDGE message n -> ms	
Field Name	Field Value	Comments
ti	ti	
ccpd	'0011'B	
mt	'00001111'B	
Detailed Comments:		

PDU Constraint Declaration		
Constraint Name:	ConnectAck_02(Ti:TI)	
PDU Type:	CONN_ACK_PDU	
Derivation Path:		
Comments:	A CONNECT ACKNOWLEDGE message	
Field Name	Field Value	Comments
ti	Ti	
ccpd	'0011'B	
mt	'0?001111'B	
Detailed Comments:		

PDU Constraint Declaration		
Constraint Name:	CphModeCmp_01	
PDU Type:	CPHM_COM_PDU	
Derivation Path:		
Comments:	To match any received CIPHERING MODE COMPLETE message	
Field Name	Field Value	Comments
ski	'0000'B	
rrpd	'0110'B	
mt	'00110010'B	
mei	*	
Detailed Comments:		

PDU Constraint Declaration		
Constraint Name:	CphModeCmp_02	
PDU Type:	CPHM_COM_PDU	
Derivation Path:	CphModeCmp_01.	
Comments:	To match a received CIPHERING MODE COMPLETE message without IMEI.	
Field Name	Field Value	Comments
mei	-	
Detailed Comments:		

PDU Constraint Declaration		
Constraint Name:	DisconnS(Ti:TI; cau:CAU; progind:PI; uuinf:UU)	
PDU Type:	DISC_PDU	
Derivation Path:		
Comments:	A DISCONNECT message that contains cause = normal clearing and progress indicator = #8.	
Field Name	Field Value	Comments
ti	Ti	
ccpd	'0011'B	
mt	'00100101'B	
cau	cau	
fie	-	
pi	progind	
uu	uuinf	
ssvi	-	
Detailed Comments:		

PDU Constraint Declaration		
Constraint Name:	DisconnR(Ti:TI; cau:CAU)	
PDU Type:	DISC_PDU	
Derivation Path:		
Comments:	A default DISCONNECT message matching parametrised value ms -> n.	
Field Name	Field Value	Comments
ti	Ti	
ccpd	'0011'B	
mt	'0?100101'B	
cau	cau	
fie	*	
pi	*	
uu	*	
ssvi	*	
Detailed Comments:		

PDU Constraint Declaration		
Constraint Name:	Disconn_inv_02(ti:TI)	
PDU Type:	DISC_PDU	
Derivation Path:		
Comments:	A DISCONNECT message in which the mandatory IE cause is missing. (N -> MS)	
Field Name	Field Value	Comments
ti	ti	
ccpd	'0011'B	
mt	'00100101'B	
cau	-	
fie	-	
pi	-	
uu	-	
ssvi	-	
Detailed Comments:		

PDU Constraint Declaration		
Constraint Name:	FacilityPdu_05(Ti:TI)	
PDU Type:	FAC_PDU	
Derivation Path:		
Comments:	FACILITY message, call dependent, used in TC_11_3, containing any facility information element ms->n.	
Field Name	Field Value	Comments
ti	Ti	
cc_sspd	'0011'B	
mt	'0?111010'B	
fie	?	
ssvi	*	
Detailed Comments:		

PDU Constraint Declaration		
Constraint Name:	FacilityPdu_25(Ti:TI; fie:FIE)	
PDU Type:	FAC_PDU	
Derivation Path:		
Comments:	FACILITY message, call dependent, n -> ms	
Field Name	Field Value	Comments
ti	Ti	
cc_sspd	'0011'B	
mt	'00111010'B	
fie	fie	
ssvi	-	
Detailed Comments:		

PDU Constraint Declaration		
Constraint Name:	FacilityPdu_25_ci(Ti:TI; fie:FIE)	
PDU Type:	FAC_PDU	
Derivation Path:		
Comments:	FACILITY message, call independent, n -> ms	
Field Name	Field Value	Comments
ti	Ti	
cc_sspd	'1011'B	
mt	'00111010'B	
fie	fie	
ssvi	-	
Detailed Comments:		

PDU Constraint Declaration		
Constraint Name:	FacilityPdu_26(Ti:TI; fie:FIE)	
PDU Type:	FAC_PDU	
Derivation Path:		
Comments:	FACILITY message, call dependent ms -> n	
Field Name	Field Value	Comments
ti	Ti	
cc_sspd	'0011'B	
mt	'0?111010'B	
fie	fie	
ssvi	*	
Detailed Comments:		

PDU Constraint Declaration		
Constraint Name:	FacilityPdu_26_ci(Ti:TI; fie:FIE)	
PDU Type:	FAC_PDU	
Derivation Path:		
Comments:	FACILITY message, call independent ms -> n	
Field Name	Field Value	Comments
ti	Ti	
cc_sspd	'1011'B	
mt	'0?111010'B	
fie	fie	
ssvi	*	
Detailed Comments:		

PDU Constraint Declaration		
Constraint Name:	FreqRedef_01(chd:CHD; ma:MA; strt:STRT; cchd:CCHD)	
PDU Type:	FRQRE_PDU	
Derivation Path:		
Comments:		
Field Name	Field Value	Comments
ski	'0000'B	
rrpd	'0110'B	
mt	'00010100'B	
chd	chd	
ma	ma	
strt	strt	
cchd	cchd	
Detailed Comments:		

PDU Constraint Declaration		
Constraint Name:	HandOverAcc_01	
PDU Type:	HOACC_PDU	
Derivation Path:		
Comments:	To match any received HANDOVER ACCESS message	
Field Name	Field Value	Comments
horf	?	
Detailed Comments:		

PDU Constraint Declaration		
Constraint Name:	HandOverAcc_02(horef:HORF)	
PDU Type:	HOACC_PDU	
Derivation Path:		
Comments:	To match a received HANDOVER ACCESS message with handover reference ` horef` .	
Field Name	Field Value	Comments
horf	horef	
Detailed Comments:		

PDU Constraint Declaration		
Constraint Name:	HandOverCmp_01	
PDU Type:	HO_COM_PDU	
Derivation Path:		
Comments:	To match any received HANDOVER COMPLETE message.	
Field Name	Field Value	Comments
ski	'0000'B	
rrpd	'0110'B	
mt	'00101100'B	
rrcau	?	
motdif	*	
Detailed Comments:		

PDU Constraint Declaration		
Constraint Name:	HandOverCmp_03(ta_a, td_b:INTEGER)	
PDU Type:	HO_COM_PDU	
Derivation Path:		
Comments:	To match a received HANDOVER COMPLETE message with mobile time difference = $(2 * td_b + ta_a) \bmod 2\ 097\ 152 + - 2$	
Field Name	Field Value	Comments
ski	'0000'B	
rrpd	'0110'B	
mt	'00101100'B	
rrcau	?	
motdif	Mtdif_01(ta_a, td_b)	
Detailed Comments:		

PDU Constraint Declaration		
Constraint Name:	HandOverCmp_20	
PDU Type:	HO_COM_PDU	
Derivation Path:		
Comments:	A basic received constraint for HANDOVER COMPLETE message.	
Field Name	Field Value	Comments
ski	'0000'B	
rrpd	'0110'B	
mt	'00101100'B	
rrcau	'00000000'B	
motdif	*	
Detailed Comments:		

PDU Constraint Declaration		
Constraint Name:	HandOvFail_01	
PDU Type:	HOFL_PDU	
Derivation Path:		
Comments:	A HANDOVER FAILURE message matching any RR cause.	
Field Name	Field Value	Comments
ski	'0000'B	
rrpd	'0110'B	
mt	'00101000'B	
rrcau	?	
Detailed Comments:		

PDU Constraint Declaration		
Constraint Name:	HandOvFail_02	
PDU Type:	HOFL_PDU	
Derivation Path:		
Comments:	A HANDOVER FAILURE message matching any abnormal release RR cause.	
Field Name	Field Value	Comments
ski	'0000'B	
rrpd	'0110'B	
mt	'00101000'B	
rrcau	('00000001'B, '00000010'B, '00000011'B, '00000100'B, '01101111'B)	
Detailed Comments:		

PDU Constraint Declaration		
Constraint Name:	Holdpdu_01(Ti:TI)	
PDU Type:	HOLD_PDU	
Derivation Path:		
Comments:		
Field Name	Field Value	Comments
ti	Ti	
ccpd	'0011'B	
mt	'0?011000'B	
Detailed Comments:		

PDU Constraint Declaration		
Constraint Name:	HoldAckpdu_01(Ti:TI)	
PDU Type:	HOLD_ACK_PDU	
Derivation Path:		
Comments:		
Field Name	Field Value	Comments
ti	Ti	
ccpd	'0011'B	
mt	'00011001'B	
Detailed Comments:		

PDU Constraint Declaration		
Constraint Name:	IDResponse_01	
PDU Type:	ID_RES_PDU	
Derivation Path:		
Comments:	An IDENTITY RESPONSE message which matches any mobile identity	
Field Name	Field Value	Comments
ski	'0000'B	
mmpd	'0101'B	
mt	'0?011001'B	
mi	?	
Detailed Comments:		

PDU Constraint Declaration		
Constraint Name:	IDResponse_02	
PDU Type:	ID_RES_PDU	
Derivation Path:	IDResponse_01.	
Comments:	An IDENTITY RESPONSE message which matches TMSI of the MS under test	
Field Name	Field Value	Comments
mi	MiTmsi_01	
Detailed Comments:		

PDU Constraint Declaration		
Constraint Name:	IDResponse_30(par:MI)	
PDU Type:	ID_RES_PDU	
Derivation Path:		
Comments:	An IDENTITY RESPONSE message which matches the given MI of the MS under test.	
Field Name	Field Value	Comments
ski	'0000'B	
mmpd	'0101'B	
mt	'0?011001'B	
mi	par	
Detailed Comments:		

PDU Constraint Declaration		
Constraint Name:	IDRequest_01(type:B_4)	
PDU Type:	ID_RQ_PDU	
Derivation Path:		
Comments:	An IDENTITY REQUEST message with specified identity type.	
Field Name	Field Value	Comments
ski	'0000'B	
mmpd	'0101'B	
mt	'00011000'B	
shoct	'0000'B	
idtype	type	
Detailed Comments:		

PDU Constraint Declaration		
Constraint Name:	IDRequest_inv_01(skip :INTEGER)	
PDU Type:	ID_RQ_PDU	
Derivation Path:		
Comments:	An invalid IDENTITY REQUEST message with incorrect skip indicator.	
Field Name	Field Value	Comments
ski	INT_TO_BIT(skip, 4)	
mmpd	'0101'B	
mt	'00011000'B	
shoct	'0000'B	
idtype	'0001'B	
Detailed Comments:		

PDU Constraint Declaration		
Constraint Name:	IDRequest_inv_02	
PDU Type:	ID_RQ_PDU	
Derivation Path:		
Comments:	An invalid IDENTITY REQUEST message of which the identity type is coded as reserved value	
Field Name	Field Value	Comments
ski	'0000'B	
mmpd	'0101'B	
mt	'00011000'B	
shoct	'0000'B	
idtype	'1111'B	
Detailed Comments:		

PDU Constraint Declaration		
Constraint Name:	IDRequest_inv_03	
PDU Type:	ID_RQ_PDU	
Derivation Path:		
Comments:	An invalid IDENTITY REQUEST message containing arbitrary spare bits	
Field Name	Field Value	Comments
ski	'0000'B	
mmpd	'0101'B	
mt	'00011000'B	
shoct	'1010'B	
idtype	'1100'B	
Detailed Comments:		

PDU Constraint Declaration		
Constraint Name:	ImmAsgn_01Def(Rr: BITSTRING; Fn: FN; sub:B_2; slot:SN; tsc:TSC; par_arfcn:INTEGER; ta:TA)	
PDU Type:	IMMASS_PDU	
Derivation Path:		
Comments:	An IMMEDIATE ASSIGNMENT message to assign SDCCH/4 channel.	
Field Name	Field Value	Comments
l2_pl	'2D'O	
ski	'0000'B	
rrpd	'0110'B	
mt	'00111111'B	
shoct	'0000'B	
pm	Pm(C_normal_paging)	
chd	ChDescrp_nfh(INT_TO_BIT((4 + BIT_TO_INT(sub)), 5), slot, tsc, par_arfcn)	
rqr	Rqr2(Rr, Fn)	
ta	ta	
ma	MoblAllic_01	
strt	-	
iaroct	laRestOct_01	
Detailed Comments:		

PDU Constraint Declaration		
Constraint Name:	ImmAsgn_nfh(Rr: BITSTRING; Fn: FN; type: CH_TDMA; slot:SN; tsc:TSC; ta:TA; arfcn: INTEGER; pgm:B_2)	
PDU Type:	IMMASS_PDU	
Derivation Path:		
Comments:	An IMMEDIATE ASSIGNMENT message to assign TCH/F or TCH/H channel.	
Field Name	Field Value	Comments
l2_pl	'2D'O	
ski	'0000'B	
rrpd	'0110'B	
mt	'00111111'B	
shoct	'0000'B	
pm	Pm(pgm)	
chd	ChDescrp_nfh(type, slot, tsc, arfcn)	
rqr	Rqr2(Rr, Fn)	
ta	ta	
ma	MoblAlc_01	
strt	-	
iaroct	laRestOct_01	
Detailed Comments:		

PDU Constraint Declaration		
Constraint Name:	ImmAsgn_inv_01(Rr:BITSTRING; Fn:FN; slot:SN; tsc:TSC; arfcn:INTEGER; ta:TA)	
PDU Type:	IMMASS_PDU	
Derivation Path:		
Comments:	An invalid IMMEDIATE ASSIGNMENT message with unknown skip indicator ('0001'B)	
Field Name	Field Value	Comments
l2_pl	'2D'O	
ski	'0001'B	
rrpd	'0110'B	
mt	'00111111'B	
shoct	'0000'B	
pm	Pm(C_normal_paging)	
chd	ChDescrp_nfh(INT_TO_BIT((4 + BIT_TO_INT(TSPX_SDCCH4SubDef)), 5), slot, tsc, arfcn)	
rqr	Rqr2(Rr, Fn)	
ta	ta	
ma	MoblAlc_01	
strt	-	
iaroct	laRestOct_01	
Detailed Comments:		

PDU Constraint Declaration		
Constraint Name:	ImmAsgn_r(chd:CHD; Rr:BITSTRING; Fn:FN; ta:TA)	
PDU Type:	IMMASS_PDU	
Derivation Path:		
Comments:	An IMMEDIATE ASSIGNMENT message.	
Field Name	Field Value	Comments
l2_pl	'2D'O	
ski	'0000'B	
rrpd	'0110'B	
mt	'00111111'B	
shoct	'0000'B	
pm	Pm(C_normal_paging)	
chd	chd	
rqr	Rqr2(Rr, Fn)	
ta	ta	
ma	MoblAllc_01	
strt	-	
iaroct	laRestOct_01	
Detailed Comments:		

PDU Constraint Declaration		
Constraint Name:	ImmAsgn_r13(Rr: BITSTRING; Fn: FN; chd:CHD; ta:TA)	
PDU Type:	IMMASS_PDU	
Derivation Path:		
Comments:	An IMMEDIATE ASSIGNMENT message to assign TCH/F channel with a time advance of 30 bit periods.	
Field Name	Field Value	Comments
l2_pl	'2D'O	
ski	'0000'B	
rrpd	'0110'B	
mt	'00111111'B	
shoct	'0000'B	
pm	Pm(C_normal_paging)	
chd	chd	
rqr	Rqr2(Rr, Fn)	
ta	ta	
ma	MoblAllc_01	
strt	-	
iaroct	laRestOct_01	
Detailed Comments:		

PDU Constraint Declaration		
Constraint Name:	ImmAsgn_r14(Rr: BITSTRING; Fn: FN; chd:CHD; ta:TA)	
PDU Type:	IMMASS_PDU	
Derivation Path:		
Comments:	An IMMEDIATE ASSIGNMENT message to assign TCH/H channel with a time advance of 30 bit periods.	
Field Name	Field Value	Comments
l2_pl	'2D'O	
ski	'0000'B	
rrpd	'0110'B	
mt	'00111111'B	
shoct	'0000'B	
pm	Pm(C_normal_paging)	
chd	chd	
rqr	Rqr2(Rr, Fn)	
ta	ta	
ma	MoblAlc_01	
strt	-	
iaroct	IaRestOct_01	
Detailed Comments:		

PDU Constraint Declaration		
Constraint Name:	ImmAsgnX_r01(Rr: BITSTRING; Fn: FN; Rr_9: BITSTRING; Fn_9: FN; slot:SN; tsc:TSC; ta:TA; arfcn:INTEGER)	
PDU Type:	IMMASSX_PDU	
Derivation Path:		
Comments:	An IMMEDIATE ASSIGNMENT message to assign SDCCH/4 channel.	
Field Name	Field Value	Comments
l2_pl	'49'O	
ski	'0000'B	
rrpd	'0110'B	
mt	'00111001'B	
shoct	'0000'B	
pm	Pm(C_normal_paging)	
chd1	ChDescrp_nfh(INT_TO_BIT((4 + BIT_TO_INT(TSPX_SDCCH4SubA)), 5), slot, tsc, arfcn)	
rqr1	Rqr2(Rr, Fn)	
ta1	ta	
chd2	ChDescrp_nfh(INT_TO_BIT((4 + BIT_TO_INT(TSPX_SDCCH4SubB)), 5), slot, tsc, arfcn)	
rqr2	Rqr2(Rr_9, Fn_9)	
ta2	ta	
ma	MoblAlc_01	
strt	-	
iaxroct	'2B2B2B2B'O	
Detailed Comments:		

PDU Constraint Declaration		
Constraint Name:	ImmAsgnX_r03(Rr: BITSTRING; Fn: FN; sub1, sub2:B_2; slot:SN; tsc:TSC; ta:TA; arfcn:INTEGER)	
PDU Type:	IMMASSX_PDU	
Derivation Path:		
Comments:	An IMMEDIATE ASSIGNMENT message to assign SDCCH/4 channel.	
Field Name	Field Value	Comments
l2_pl	'49'O	
ski	'0000'B	
rrpd	'0110'B	
mt	'00111001'B	
shoct	'0000'B	
pm	Pm(C_extended_paging)	
chd1	ChDescrp_nfh(INT_TO_BIT((4 + BIT_TO_INT(sub1)), 5), slot, tsc, arfcn)	
rqr1	Rqr2(Rr, Fn)	
ta1	ta	
chd2	ChDescrp_nfh(INT_TO_BIT((4 + BIT_TO_INT(sub2)), 5), slot, tsc, arfcn)	
rqr2	Rqr2(Rr, Fn)	
ta2	ta	
ma	MoblAllc_01	
strt	-	
iaxroct	'2B2B2B2B'O	
Detailed Comments:		

PDU Constraint Declaration		
Constraint Name:	ImmAsgnRej_01(Rr: BITSTRING; Fn: FN)	
PDU Type:	IMMASS_REJ_PDU	
Derivation Path:		
Comments:	An IMMEDIATE ASSIGNMENT REJECT message containing normal paging mode.	
Field Name	Field Value	Comments
l2_pl	'4D'O	
ski	'0000'B	
rrpd	'0110'B	
mt	'00111010'B	
shoct	'0000'B	
pm	Pm(C_normal_paging)	
rqr1	Rqr2(Rr, Fn)	
wi1	'00'H	
rqr2	Rqr2(Rr, Fn)	
wi2	'00'H	
rqr3	Rqr2(Rr, Fn)	
wi3	'00'H	
rqr4	Rqr2(Rr, Fn)	
wi4	'00'H	
iarroct	'2B2B2B'O	
Detailed Comments:		

PDU Constraint Declaration		
Constraint Name:	ImmAsgnRej_02(Rr:BITSTRING; Fn: FN)	
PDU Type:	IMMASS_REJ_PDU	
Derivation Path:		
Comments:	An IMMEDIATE ASSIGNMENT REJECT message in which only the third request reference addresses the MS under test.	
Field Name	Field Value	Comments
l2_pl	'4D'O	
ski	'0000'B	
rrpd	'0110'B	
mt	'00111010'B	
shoct	'0000'B	
pm	Pm(C_normal_paging)	
rqr1	Rqr1(Rr, Fn)	
wi1	'02'H	
rqr2	Rqr1(Rr, Fn)	
wi2	'02'H	
rqr3	Rqr2(Rr, Fn)	
wi3	'00'H	
rqr4	Rqr1(Rr, Fn)	
wi4	'02'H	
iarroct	'2B2B2B'O	
Detailed Comments:		

PDU Constraint Declaration		
Constraint Name:	ImmAsgnRej_03(Rr: BITSTRING; Fn: FN)	
PDU Type:	IMMASS_REJ_PDU	
Derivation Path:	ImmAsgnRej_01.	
Comments:	An IMMEDIATE ASSIGNMENT REJECT message containing normal paging mode and wait indication = 5 seconds.	
Field Name	Field Value	Comments
rqr1	Rqr2(Rr, Fn)	
wi1	'05'H	
rqr2	Rqr2(Rr, Fn)	
wi2	'05'H	
rqr3	Rqr2(Rr, Fn)	
wi3	'05'H	
rqr4	Rqr2(Rr, Fn)	
wi4	'05'H	
iarroct	'2B2B2B'O	
Detailed Comments:		

PDU Constraint Declaration		
Constraint Name:	ImmAsgnRej_04(Rr: BITSTRING; Fn: FN)	
PDU Type:	IMMASS_REJ_PDU	
Derivation Path:	ImmAsgnRej_01.	
Comments:	An IMMEDIATE ASSIGNMENT REJECT message containing normal paging mode and wait indication = 6 seconds.	
Field Name	Field Value	Comments
rqr1	Rqr2(Rr, Fn)	
wi1	'06'H	
rqr2	Rqr2(Rr, Fn)	
wi2	'06'H	
rqr3	Rqr2(Rr, Fn)	
wi3	'06'H	
rqr4	Rqr2(Rr, Fn)	
wi4	'06'H	
iarroct	'2B2B2B'O	
Detailed Comments:		

PDU Constraint Declaration		
Constraint Name:	ImmAsgnRej_inv_01(Rr: BITSTRING; Fn: FN)	
PDU Type:	IMMASS_REJ_PDU	
Derivation Path:	ImmAsgnRej_01.	
Comments:	An invalid IMMEDIATE ASSIGNMENT REJECT message with skip indicator = 2, reject time = 255 s.	
Field Name	Field Value	Comments
ski	'0010'B	
rqr1	Rqr2(Rr, Fn)	
wi1	'FF'H	
rqr2	Rqr2(Rr, Fn)	
wi2	'FF'H	
rqr3	Rqr2(Rr, Fn)	
wi3	'FF'H	
rqr4	Rqr2(Rr, Fn)	
wi4	'FF'H	
Detailed Comments:		

PDU Constraint Declaration		
Constraint Name:	ImmAsgnRej_inv_02(Rr: BITSTRING; Fn: FN)	
PDU Type:	IMMASS_REJ_PDU	
Derivation Path:	ImmAsgnRej_01.	
Comments:	An invalid IMMEDIATE ASSIGNMENT REJECT message containing arbitrary spare bits	
Field Name	Field Value	Comments
shoct	'1010'B	
pm	Pm(C_normal_paging)	
rqr1	Rqr2(Rr, Fn)	
rqr2	Rqr2(Rr, Fn)	
wi2	TSPX_T3122	
rqr3	Rqr2(Rr, Fn)	
wi3	TSPX_T3122	
rqr4	Rqr2(Rr, Fn)	
wi4	TSPX_T3122	
iarroct	'010101'O	
Detailed Comments:		

PDU Constraint Declaration		
Constraint Name:	ImmAsgnRej_r01(rqr1, rqr2, rqr3, rqr4: RQR; t1, t2: INTEGER)	
PDU Type:	IMMASS_REJ_PDU	
Derivation Path:		
Comments:	An IMMEDIATE ASSIGNMENT REJECT message in which only the second and the third request reference addresses the MS under test.	
Field Name	Field Value	Comments
l2_pl	'4D'O	
ski	'0000'B	
rrpd	'0110'B	
mt	'00111010'B	
shoct	'0000'B	
pm	Pm(C_normal_paging)	
rqr1	rqr1	
wi1	'00'H	
rqr2	rqr2	
wi2	INT_TO_HEX(t1, 2)	
rqr3	rqr3	
wi3	INT_TO_HEX(t2, 2)	
rqr4	rqr4	
wi4	'00'H	
iarroct	'2B2B2B'O	
Detailed Comments:		

PDU Constraint Declaration		
Constraint Name:	ImmAsgnRej_r02(Rr: BITSTRING; Fn: FN)	
PDU Type:	IMMASS_REJ_PDU	
Derivation Path:		
Comments:	An IMMEDIATE ASSIGNMENT REJECT message containing normal paging mode.	
Field Name	Field Value	Comments
l2_pl	'4D'O	
ski	'0000'B	
rrpd	'0110'B	
mt	'00111010'B	
shoct	'0000'B	
pm	Pm(C_normal_paging)	
rqr1	Rqr2(Rr, Fn)	
wi1	'00'H	
rqr2	Rqr1(Rr, Fn)	
wi2	'00'H	
rqr3	Rqr1(Rr, Fn)	
wi3	'00'H	
rqr4	Rqr1(Rr, Fn)	
wi4	'00'H	
iarroct	'2B2B2B'O	
Detailed Comments:		

PDU Constraint Declaration		
Constraint Name:	ImmAsgnRej_r04	
PDU Type:	IMMASS_REJ_PDU	
Derivation Path:		
Comments:	An IMMEDIATE ASSIGNMENT REJECT message containing paging mode = "extended paging" and wait indication = 0 seconds. The Request References do not pertain to MS under test.	
Field Name	Field Value	Comments
l2_pl	'4D'O	
ski	'0000'B	
rrpd	'0110'B	
mt	'00111010'B	
shoct	'0000'B	
pm	Pm(C_extended_paging)	
rqr1	Rqr3	
wi1	'00'H	
rqr2	Rqr3	
wi2	'00'H	
rqr3	Rqr3	
wi3	'00'H	
rqr4	Rqr3	
wi4	'00'H	
iarroct	'2B2B2B'O	
Detailed Comments:		

PDU Constraint Declaration		
Constraint Name:	ImsiDetach_01	
PDU Type:	IMSID_IN_PDU	
Derivation Path:		
Comments:	IMSI DETACH INDICATION message matching any MS classmark1 value and any mobile identity value	
Field Name	Field Value	Comments
ski	'0000'B	
mmpd	'0101'B	
mt	'0?000001'B	
msclm	?	
mi	?	
Detailed Comments:		

PDU Constraint Declaration		
Constraint Name:	ImsiDetach_30(par:MI)	
PDU Type:	IMSID_IN_PDU	
Derivation Path:		
Comments:	IMSI DETACH INDICATION message matching any MS classmark1 value and given IMSI.	
Field Name	Field Value	Comments
ski	'0000'B	
mmpd	'0101'B	
mt	'0?000001'B	
msclm	?	
mi	par	
Detailed Comments:		

PDU Constraint Declaration		
Constraint Name:	LocUpdtAcp(mcc, mnc, lac:OCTETSTRING)	
PDU Type:	LUP_ACP_PDU	
Derivation Path:		
Comments:	A LOCATION UPDATING ACCEPT message without mobile identity and LAI of PLMN2. LAC set in TCV_lac.	
Field Name	Field Value	Comments
ski	'0000'B	
mmpd	'0101'B	
mt	'00000010'B	
lai	LocAreald(mcc, mnc, lac)	
mi	-	
fop	-	
Detailed Comments:		

PDU Constraint Declaration		
Constraint Name:	LocUpdtAcp_01(newmi: MI; mcc, mnc, lac:OCTETSTRING)	
PDU Type:	LUP_ACP_PDU	
Derivation Path:		
Comments:	To assign a new TMSI with or without mobile identity.	
Field Name	Field Value	Comments
ski	'0000'B	
mmpd	'0101'B	
mt	'00000010'B	
lai	LocAreald(mcc, mnc, lac)	
mi	newmi	
fop	-	
Detailed Comments:		

PDU Constraint Declaration		
Constraint Name:	LocUpdtAcp_02(mcc, mnc, lac:OCTETSTRING)	
PDU Type:	LUP_ACP_PDU	
Derivation Path:		
Comments:	To assign a new TMSI.	
Field Name	Field Value	Comments
ski	'0000'B	
mmpd	'0101'B	
mt	'00000010'B	
lai	LocAreald(mcc, mnc, lac)	
mi	-	
fop	'10100001'B	
Detailed Comments:		

PDU Constraint Declaration		
Constraint Name:	LocUpdtAcp_inv_01(mi1, mi2:MI; mcc, mnc, lac:OCTETSTRING)	
PDU Type:	LUP_ACP_PDU_ERR	
Derivation Path:		
Comments:	Invalid LOCATION UPDATING ACCEPT message containing duplicated mobile identifier.	
Field Name	Field Value	Comments
ski	'0000'B	
mmpd	'0101'B	
mt	'00000010'B	
lai	LocAreald(mcc, mnc, lac)	
mi	mi1	
dupmi	mi2	
Detailed Comments:		

PDU Constraint Declaration		
Constraint Name:	LocUpdtReq_01(locup:B_2)	
PDU Type:	LUP_RQ_PDU	
Derivation Path:		
Comments:	A LOCATION UPDATING REQUEST message containing location updating type.	
Field Name	Field Value	Comments
ski	'0000'B	
mmpd	'0101'B	
mt	'0?001000'B	
cphksn	?	
lutype	LocUpType(locup)	
lai	?	
msclm	?	
mi	?	
Detailed Comments:		

PDU Constraint Declaration		
Constraint Name:	LocUpdtReq_04(locup:B_2; par:MI)	
PDU Type:	LUP_RQ_PDU	
Derivation Path:		
Comments:	LOCATION UPDATING REQUEST message containing TMSI.	
Field Name	Field Value	Comments
ski	'0000'B	
mmpd	'0101'B	
mt	'0?001000'B	
cphksn	?	
lutype	LocUpType(locup)	
lai	?	
msclm	?	
mi	par	
Detailed Comments:		

PDU Constraint Declaration		
Constraint Name:	LocUpdtReq_05	
PDU Type:	LUP_RQ_PDU	
Derivation Path:		
Comments:	to match any LOCATION UPDATING REQUEST message.	
Field Name	Field Value	Comments
ski	'0000'B	
mmpd	'0101'B	
mt	'0?001000'B	
cphksn	?	
lutype	?	
lai	?	
msclm	?	
mi	?	
Detailed Comments:		

PDU Constraint Declaration		
Constraint Name:	LocUpdtReq_31(par:MI; mcc,mnc,lac:OCTETSTRING; locup:B_2; cksn: BITSTRING)	
PDU Type:	LUP_RQ_PDU	
Derivation Path:		
Comments:	A paramterised LOCATION UPDATING REQUEST message	
Field Name	Field Value	Comments
ski	'0000'B	
mmpd	'0101'B	
mt	'0?001000'B	
cphksn	CphKeySN_07(cksn)	
lutype	LocUpType(locup)	
lai	LocAreaId(mcc, mnc, lac)	
msclm	ClassMark1	
mi	par	
Detailed Comments:		

PDU Constraint Declaration		
Constraint Name:	LocUpdtRej_01(par:REJCAU)	
PDU Type:	LUP_REJ_PDU	
Derivation Path:		
Comments:	A LOCATION UPDATING REJECT message.	
Field Name	Field Value	Comments
ski	'0000'B	
mmpd	'0101'B	
mt	'00000100'B	
rejcau	par	
Detailed Comments:		

PDU Constraint Declaration		
Constraint Name:	MsrReport_01	
PDU Type:	MSR_RPT_PDU	
Derivation Path:		
Comments:	A measurement report without measurement results	
Field Name	Field Value	Comments
ski	'0000'B	
rrpd	'0110'B	
mt	'00010101'B	
msrr	MsrResult_01	
Detailed Comments:		

PDU Constraint Declaration		
Constraint Name:	MsrReport_02	
PDU Type:	MSR_RPT_PDU	
Derivation Path:		
Comments:	A measurement report match any received MSR_RPT_PDU.	
Field Name	Field Value	Comments
ski	'0000'B	
rrpd	'0110'B	
mt	'00010101'B	
msrr	MsrResult_02	
Detailed Comments:		

PDU Constraint Declaration		
Constraint Name:	MsrReport_03	
PDU Type:	MSR_RPT_PDU	
Derivation Path:		
Comments:	A measurement report containing results for 6 strongest carriers.	
Field Name	Field Value	Comments
ski	'0000'B	
rrpd	'0110'B	
mt	'00010101'B	
msrr	MsrResult_03	
Detailed Comments:		

PDU Constraint Declaration		
Constraint Name:	MsrReport_03e(par_measres: MSRR)	
PDU Type:	MSR_RPT_PDU	
Derivation Path:		
Comments:	A measurement report containing results for 6 strongest carriers.	
Field Name	Field Value	Comments
ski	'0000'B	
rrpd	'0110'B	
mt	'00010101'B	
msrr	par_measres	
Detailed Comments:		

PDU Constraint Declaration		
Constraint Name:	MsrReport_04	
PDU Type:	MSR_RPT_PDU	
Derivation Path:		
Comments:	A measurement report containing 4 strongest carriers.	
Field Name	Field Value	Comments
ski	'0000'B	
rrpd	'0110'B	
mt	'00010101'B	
msrr	MsrResult_04	
Detailed Comments:		

PDU Constraint Declaration		
Constraint Name:	MsrReport_04e	
PDU Type:	MSR_RPT_PDU	
Derivation Path:		
Comments:	A measurement report containing 4 strongest carriers.	
Field Name	Field Value	Comments
ski	'0000'B	
rrpd	'0110'B	
mt	'00010101'B	
msrr	MsrResult_04e	
Detailed Comments:		

PDU Constraint Declaration		
Constraint Name:	MsrReport_05	
PDU Type:	MSR_RPT_PDU	
Derivation Path:		
Comments:	A measurement report containing 6 strongest carriers and DTX was used.	
Field Name	Field Value	Comments
ski	'0000'B	
rrpd	'0110'B	
mt	'00010101'B	
msrr	MsrResult_05	
Detailed Comments:		

PDU Constraint Declaration		
Constraint Name:	MsrReport_06	
PDU Type:	MSR_RPT_PDU	
Derivation Path:		
Comments:	A measurement report containing 6 strongest carriers and DTX is not checked.	
Field Name	Field Value	Comments
ski	'0000'B	
rrpd	'0110'B	
mt	'00010101'B	
msrr	MsrResult_06	
Detailed Comments:		

PDU Constraint Declaration		
Constraint Name:	MsrReport_07	
PDU Type:	MSR_RPT_PDU	
Derivation Path:		
Comments:	A measurement report containing 2 strongest carriers and DTX is not used.	
Field Name	Field Value	Comments
ski	'0000'B	
rrpd	'0110'B	
mt	'00010101'B	
msrr	MsrResult_07	
Detailed Comments:		

PDU Constraint Declaration		
Constraint Name:	PagingRes_01	
PDU Type:	PG_RES_PDU	
Derivation Path:		
Comments:	To match any received PAGING RESPONSE message.	
Field Name	Field Value	Comments
ski	'0000'B	
rrpd	'0110'B	
mt	'00100111'B	
shoct	'0000'B	
cphksn	?	
msclm	?	
mi	?	
Detailed Comments:		

PDU Constraint Declaration		
Constraint Name:	PagingRes_r01	
PDU Type:	PG_RES_PDU	
Derivation Path:	PagingRes_01.	
Comments:	To match any received PAGING RESPONSE message, RR tests.	
Field Name	Field Value	Comments
mi	MiTmsi_01	
Detailed Comments:		

PDU Constraint Declaration		
Constraint Name:	PgReqTp1Norm	
PDU Type:	PG1_RQ_PDU	
Derivation Path:	PgReqTp1_01.	
Comments:	PAGING REQUEST TYPE1 message containing normal paging mode, used as paging filling message.	
Field Name	Field Value	Comments
l2_pl	'15'O	
mi1	Milmsi_02	
p1roct	'2B2B2B2B2B2B2B2B2B2B2B2B2B2B2B2B2B2B'O	
Detailed Comments:		

PDU Constraint Declaration		
Constraint Name:	PgReqTp1Reorg	
PDU Type:	PG1_RQ_PDU	
Derivation Path:	PgReqTp1_01.	
Comments:	PAGING REQUEST TYPE1 message containing paging reorganisation mode, used as paging filling message.	
Field Name	Field Value	Comments
l2_pl	OC_IntToOct(((3 + OC_LengthOf(Milmsi_02)) * 4) + 1, 1)	
pm	Pm(C_reorg_paging)	
mi1	Milmsi_02	
p1roct	OC_SubOctet('2B2B2B2B2B2B2B2B2B2B2B2B2B2B2B2B2B2B'O, 19 - OC_LengthOf(Milmsi_02))	
Detailed Comments:		

PDU Constraint Declaration		
Constraint Name:	PgReqTp1_inv_01(skip:INTEGER)	
PDU Type:	PG1_RQ_PDU	
Derivation Path:		
Comments:	An invalid PAGING REQUEST TYPE 1 message with incorrect skip indicator.	
Field Name	Field Value	Comments
l2_pl	'25'O	
ski	INT_TO_BIT(skip, 4)	
rrpd	'0110'B	
mt	'00100001'B	
chn_m1_2	Chneed_01	
pm	Pm(C_normal_paging)	
mi1	MiTmsi_01	
mi2	-	
p1roct	'2B2B2B2B2B2B2B2B2B2B2B2B2B2B2B2B2B2B'O	
Detailed Comments:		

PDU Constraint Declaration		
Constraint Name:	PgReqTp1_inv_04	
PDU Type:	PG1_RQ_PDU	
Derivation Path:	PgReqTp1_01.	
Comments:	An invalid PAGING REQUEST TYPE1 message containing rest octets which are not all '2B'O	
Field Name	Field Value	Comments
p1roct	'09021234784BFFFF2B2B2B2B'O	
Detailed Comments:	'agressive' rest octet coding for 26.5.7.1.1. The first byte is coded in a manner that indicates comprehension required to a mobile that is incorrectly using the L2 pseudo length. The length of this IE is the octet after '09' and is set to 2. After the two bytes of content is the "next IEI". This is 78 which was the IEI allocated (but never used) in phase 1 to the RACH control parameters. The "RACH Control Parameters" are "set" to indicate that the cell barred and all access classes are prohibited.	

PDU Constraint Declaration		
Constraint Name:	PgReqTp1_r01	
PDU Type:	PG1_RQ_PDU	
Derivation Path:		
Comments:	An PAGING REQUEST TYPE1 message requesting any channel with normal paging mode, the first mobile identity is TMSI, the second is IMSI different from TSPX_IMSI.	
Field Name	Field Value	Comments
l2_pl	'49'O	
ski	'0000'B	
rrpd	'0110'B	
mt	'00100001'B	
chn_m1_2	Chneed_01	
pm	Pm(C_normal_paging)	
mi1	MiTmsi_01	
mi2	Milmsi_r01iei	
p1roct	'2B2B2B2B'O	
Detailed Comments:		

PDU Constraint Declaration		
Constraint Name:	PgReqTp1_r02	
PDU Type:	PG1_RQ_PDU	
Derivation Path:		
Comments:	An PAGING REQUEST TYPE1 message requesting any channel with normal paging mode, the first mobile identity is another TMSI, the second is IMSI of the IUT (TSPX_IMSI).	
Field Name	Field Value	Comments
l2_pl	OC_IntToOct(((9 + OC_LengthOf(Milmsi_01iei)) * 4) + 1, 1)	
ski	'0000'B	
rrpd	'0110'B	
mt	'00100001'B	
chn_m1_2	Chneed_01	
pm	Pm(C_normal_paging)	
mi1	MiTmsi_r01	
mi2	Milmsi_01iei	
p1roct	OC_SubOctet('2B2B2B2B2B2B2B2B2B2B2B'O, 13 - OC_LengthOf(Milmsi_01iei))	
Detailed Comments:		

PDU Constraint Declaration		
Constraint Name:	PgReqTp1_r03	
PDU Type:	PG1_RQ_PDU	
Derivation Path:		
Comments:	An PAGING REQUEST TYPE1 message requesting any channel with normal paging mode, the first mobile identity is an another TMSI differing from different from MiTmsi_01 and _02, the second one is TMSI of the IUT, MiTmsi_01.	
Field Name	Field Value	Comments
l2_pl	'41'O	
ski	'0000'B	
rrpd	'0110'B	
mt	'00100001'B	
chn_m1_2	Chneed_01	
pm	Pm(C_normal_paging)	
mi1	MiTmsi_r01	
mi2	MiTmsi_01iei	
p1roct	'2B2B2B2B2B2B'O	
Detailed Comments:		

PDU Constraint Declaration		
Constraint Name:	PgReqTp1_r04	
PDU Type:	PG1_RQ_PDU	
Derivation Path:	PgReqTp1_01.	
Comments:	An PAGING REQUEST TYPE1 message requesting any channel with normal paging mode, the mobile identity is TMSI, but the identity type is set to 'no identity'.	
Field Name	Field Value	Comments
mi1	MiTmsi_r02	
Detailed Comments:		

PDU Constraint Declaration		
Constraint Name:	PgReqTp2_01	
PDU Type:	PG2_RQ_PDU	
Derivation Path:		
Comments:	An PAGING REQUEST TYPE2 message requesting any channel with normal paging mode, the mobile identity is TMSI of the IUT.	
Field Name	Field Value	Comments
l2_pl	'2D'O	
ski	'0000'B	
rrpd	'0110'B	
mt	'00100010'B	
chn_m1_2	Chneed_01	
pm	Pm(C_normal_paging)	
mi1	Tmsi_01	
mi2	Tmsi_r01	
mi3	-	
p2roct	'2B2B2B2B2B2B2B2B2B2B'O	
Detailed Comments:		

PDU Constraint Declaration		
Constraint Name:	PgReqTp2_02	
PDU Type:	PG2_RQ_PDU	
Derivation Path:		
Comments:	An PAGING REQUEST TYPE2 message requesting any channel with extended paging mode and not addressing the MS under test.	
Field Name	Field Value	Comments
l2_pl	'2D'O	
ski	'0000'B	
rrpd	'0110'B	
mt	'00100010'B	
chn_m1_2	Chneed_01	
pm	Pm(C_extended_paging)	
mi1	Tmsi_r01	
mi2	Tmsi_r03	
mi3	-	
p2roct	'2B2B2B2B2B2B2B2B2B2B'O	
Detailed Comments:		

PDU Constraint Declaration		
Constraint Name:	PgReqTp2_03	
PDU Type:	PG2_RQ_PDU	
Derivation Path:		
Comments:	An PAGING REQUEST TYPE2 message requesting any channel with paging reorganisation mode, the mobile identity is TMSI of the IUT.	
Field Name	Field Value	Comments
l2_pl	'2D'O	
ski	'0000'B	
rrpd	'0110'B	
mt	'00100010'B	
chn_m1_2	Chneed_01	
pm	Pm(C_reorg_paging)	
mi1	Tmsi_01	
mi2	Tmsi_r01	
mi3	-	
p2roct	'2B2B2B2B2B2B2B2B2B2B'O	
Detailed Comments:		

PDU Constraint Declaration		
Constraint Name:	PgReqTp2_04	
PDU Type:	PG2_RQ_PDU	
Derivation Path:		
Comments:	An PAGING REQUEST TYPE2 message requesting any channel with same as before paging mode, the mobile identity is TMSI of the IUT.	
Field Name	Field Value	Comments
l2_pl	'2D'O	
ski	'0000'B	
rrpd	'0110'B	
mt	'00100010'B	
chn_m1_2	Chneed_01	
pm	Pm(C_sab_paging)	
mi1	Tmsi_01	
mi2	Tmsi_r01	
mi3	-	
p2roct	'2B2B2B2B2B2B2B2B2B2B'O	
Detailed Comments:		

PDU Constraint Declaration		
Constraint Name:	PgReqTp2_r01	
PDU Type:	PG2_RQ_PDU	
Derivation Path:		
Comments:	An PAGING REQUEST TYPE2 message requesting any channel with normal paging mode, the 1st mobile identity is TMSI of the IUT. The 2nd one addresses an another MS.	
Field Name	Field Value	Comments
l2_pl	'2D'O	
ski	'0000'B	
rrpd	'0110'B	
mt	'00100010'B	
chn_m1_2	Chneed_01	
pm	Pm(C_normal_paging)	
mi1	Tmsi_01	
mi2	Tmsi_r01	
mi3	-	
p2roct	'2B2B2B2B2B2B2B2B2B2B'O	
Detailed Comments:		

PDU Constraint Declaration		
Constraint Name:	PgReqTp2_r02	
PDU Type:	PG2_RQ_PDU	
Derivation Path:		
Comments:	An PAGING REQUEST TYPE2 message requesting any channel with normal paging mode, the 2nd mobile identity is TMSI of the IUT. The 1st one addresses an another MS.	
Field Name	Field Value	Comments
l2_pl	'2D'O	
ski	'0000'B	
rrpd	'0110'B	
mt	'00100010'B	
chn_m1_2	Chneed_01	
pm	Pm(C_normal_paging)	
mi1	Tmsi_r01	
mi2	Tmsi_01	
mi3	-	
p2roct	'2B2B2B2B2B2B2B2B2B2B'O	
Detailed Comments:		

PDU Constraint Declaration		
Constraint Name:	PgReqTp2_r03	
PDU Type:	PG2_RQ_PDU	
Derivation Path:		
Comments:	An PAGING REQUEST TYPE2 message requesting any channel with normal paging mode, the 3 mobile identity is TMSI of the IUT. The 1st and 2nd one address an another MS.	
Field Name	Field Value	Comments
l2_pl	'49'O	
ski	'0000'B	
rrpd	'0110'B	
mt	'00100010'B	
chn_m1_2	Chneed_01	
pm	Pm(C_normal_paging)	
mi1	Tmsi_r03	
mi2	Tmsi_r01	
mi3	MiTmsi_01iei	
p2roct	'2B2B2B2B'O	
Detailed Comments:		

PDU Constraint Declaration		
Constraint Name:	PgReqTp2_r04	
PDU Type:	PG2_RQ_PDU	
Derivation Path:		
Comments:	An PAGING REQUEST TYPE2 message requesting any channel with normal paging mode, the 1st and 2nd mobile identity addresses an another MS. The 3rd one is IMSI of the IUT. .	
Field Name	Field Value	Comments
l2_pl	OC_IntToOct(((11 + OC_LengthOf(Milmsi_01iei)) * 4) + 1, 1)	
ski	'0000'B	
rrpd	'0110'B	
mt	'00100010'B	
chn_m1_2	Chneed_01	
pm	Pm(C_normal_paging)	
mi1	Tmsi_r03	
mi2	Tmsi_r01	
mi3	Milmsi_01iei	
p2roct	OC_SubOctet('2B2B2B2B2B2B2B2B2B2B'O, 11 - OC_LengthOf(Milmsi_01iei))	
Detailed Comments:		

PDU Constraint Declaration		
Constraint Name:	PgReqTp2_r05	
PDU Type:	PG2_RQ_PDU	
Derivation Path:		
Comments:	An PAGING REQUEST TYPE2 message requesting any channel with normal paging mode, the 3 mobile identity is TMSI of the IUT with the type of no id. The 1st and 2nd one address an another MS.	
Field Name	Field Value	Comments
l2_pl	'49'O	
ski	'0000'B	
rrpd	'0110'B	
mt	'00100010'B	
chn_m1_2	Chneed_01	
pm	Pm(C_normal_paging)	
mi1	Tmsi_r03	
mi2	Tmsi_r01	
mi3	MiTmsi_r02iei	
p2roct	'2B2B2B2B'O	
Detailed Comments:		

PDU Constraint Declaration		
Constraint Name:	PgReqTp2_r06	
PDU Type:	PG2_RQ_PDU	
Derivation Path:		
Comments:	An PAGING REQUEST TYPE2 message requesting any channel with normal paging mode, the 1st and 2nd mobile identity addresses an another MS. The 3rd one is IMSI of the IUT. .	
Field Name	Field Value	Comments
l2_pl	OC_IntToOct(((11 + OC_LengthOf(Milmsi_01iei)) * 4) + 1, 1)	
ski	'0000'B	
rrpd	'0110'B	
mt	'00100010'B	
chn_m1_2	Chneed_01	
pm	Pm(C_extended_paging)	
mi1	Tmsi_r03	
mi2	Tmsi_r01	
mi3	Milmsi_01iei	
p2roct	OC_SubOctet('2B2B2B2B2B2B2B2B2B2B'0, 11 - OC_LengthOf(Milmsi_01iei))	
Detailed Comments:		

PDU Constraint Declaration		
Constraint Name:	PgReqTp3_01	
PDU Type:	PG3_RQ_PDU	
Derivation Path:		
Comments:	An PAGING REQUEST TYPE3 message requesting any channel with extended paging mode and not addressing the MS under test.	
Field Name	Field Value	Comments
l2_pl	'4D'0	
ski	'0000'B	
rrpd	'0110'B	
mt	'00100100'B	
chn_m1_2	Chneed_01	
pm	Pm(C_extended_paging)	
mi1	Tmsi_r05	
mi2	Tmsi_r01	
mi3	Tmsi_r03	
mi4	Tmsi_r04	
p3roct	'2B2B2B'0	
Detailed Comments: Only used in 26_6_2_2 within Pg_Req3_01.		

PDU Constraint Declaration		
Constraint Name:	PgReqTp3_02	
PDU Type:	PG3_RQ_PDU	
Derivation Path:		
Comments:	An PAGING REQUEST TYPE3 message containing paging mode = "same as before".	
Field Name	Field Value	Comments
l2_pl	'4D'0	
ski	'0000'B	
rrpd	'0110'B	
mt	'00100100'B	
chn_m1_2	Chneed_01	
pm	Pm(C_sab_paging)	
mi1	Tmsi_r05	
mi2	Tmsi_r01	
mi3	Tmsi_r03	
mi4	Tmsi_r04	
p3roct	'2B2B2B'0	
Detailed Comments: Only used in TC_26_6_2_4 within Pg_Req3_02		

PDU Constraint Declaration		
Constraint Name:	PgReqTp3_03	
PDU Type:	PG3_RQ_PDU	
Derivation Path:		
Comments:	An PAGING REQUEST TYPE3 message containing paging mode = "normal paging".	
Field Name	Field Value	Comments
l2_pl	'4D'O	
ski	'0000'B	
rrpd	'0110'B	
mt	'00100100'B	
chn_m1_2	Chneed_01	
pm	Pm(C_normal_paging)	
mi1	Tmsi_r05	
mi2	Tmsi_r01	
mi3	Tmsi_r03	
mi4	Tmsi_r04	
p3roct	'2B2B2B'O	
Detailed Comments:		

PDU Constraint Declaration		
Constraint Name:	PgReqTp3_r01	
PDU Type:	PG3_RQ_PDU	
Derivation Path:		
Comments:	An PAGING REQUEST TYPE3 message requesting any channel with normal paging mode, the 1st mobile identity is TMSI of the IUT. The 2nd, 3rd and 4th one address another MSs.	
Field Name	Field Value	Comments
l2_pl	'4D'O	
ski	'0000'B	
rrpd	'0110'B	
mt	'00100100'B	
chn_m1_2	Chneed_01	
pm	Pm(C_normal_paging)	
mi1	Tmsi_01	
mi2	Tmsi_r01	
mi3	Tmsi_r03	
mi4	Tmsi_r04	
p3roct	'2B2B2B'O	
Detailed Comments:		

PDU Constraint Declaration		
Constraint Name:	PgReqTp3_r02	
PDU Type:	PG3_RQ_PDU	
Derivation Path:	PgReqTp3_r01.	
Comments:	An PAGING REQUEST TYPE3 message requesting any channel with normal paging mode, the 2nd mobile identity is TMSI of the IUT. The 1st, 3rd and 4th one address another MSs.	
Field Name	Field Value	Comments
mi1	Tmsi_r01	
mi2	Tmsi_01	
Detailed Comments:		

PDU Constraint Declaration		
Constraint Name:	PgReqTp3_r03	
PDU Type:	PG3_RQ_PDU	
Derivation Path:	PgReqTp3_r01.	
Comments:	An PAGING REQUEST TYPE3 message requesting any channel with normal paging mode, the 3rd mobile identity is TMSI of the IUT. The 1st, 2nd and 4th one address another MSs.	
Field Name	Field Value	Comments
mi1	Tmsi_r03	
mi3	Tmsi_01	
Detailed Comments:		

PDU Constraint Declaration		
Constraint Name:	PgReqTp3_r04	
PDU Type:	PG3_RQ_PDU	
Derivation Path:	PgReqTp3_r01.	
Comments:	An PAGING REQUEST TYPE3 message requesting any channel with normal paging mode, the 4th mobile identity is TMSI of the IUT. The 1st, 2nd and 3rd one address another MSs.	
Field Name	Field Value	Comments
mi1	Tmsi_r04	
mi4	Tmsi_01	
Detailed Comments:		

PDU Constraint Declaration		
Constraint Name:	PgReqTp3_r05	
PDU Type:	PG3_RQ_PDU	
Derivation Path:		
Comments:	An PAGING REQUEST TYPE3 message requesting any channel with normal paging mode, the 1st mobile identity is TMSI of the IUT. The 2nd, 3rd and 4th one address another MSs.	
Field Name	Field Value	Comments
l2_pl	'4D'O	
ski	'0000'B	
rrpd	'0110'B	
mt	'00100100'B	
chn_m1_2	Chneed_01	
pm	Pm(C_extended_paging)	
mi1	Tmsi_01	
mi2	Tmsi_r01	
mi3	Tmsi_r03	
mi4	Tmsi_r04	
p3roct	'2B2B2B'O	
Detailed Comments:		

PDU Constraint Declaration		
Constraint Name:	Phyinform_01(ta:TA)	
PDU Type:	PHYINFO_PDU	
Derivation Path:		
Comments:		
Field Name	Field Value	Comments
ski	'0000'B	
rrpd	'0110'B	
mt	'00101101'B	
ta	ta	
Detailed Comments:		

PDU Constraint Declaration		
Constraint Name:	Release_02	
PDU Type:	REL_PDU	
Derivation Path:		
Comments:	A CC RELEASE message to match any received CC RELEASE message.	
Field Name	Field Value	Comments
ti	?	
ccpd	'0011'B	
mt	'0?101101'B	
cau	*	
cau2	*	
fie	*	
uu	*	
ssvi	*	
Detailed Comments:		

PDU Constraint Declaration		
Constraint Name:	Release_08(Ti:TI)	
PDU Type:	REL_PDU	
Derivation Path:		
Comments:	A CC RELEASE message with mandatory IE's only used in structured procedures test .	
Field Name	Field Value	Comments
ti	Ti	
ccpd	'0011'B	
mt	'00101101'B	
cau	-	
cau2	-	
fie	-	
uu	-	
ssvi	-	
Detailed Comments:		

PDU Constraint Declaration		
Constraint Name:	Release_10(Ti:TI)	
PDU Type:	REL_PDU	
Derivation Path:		
Comments:	A CC RELEASE message used to match any received CC RELEASE message with a controllable TI.	
Field Name	Field Value	Comments
ti	Ti	
ccpd	'0011'B	
mt	'0?101101'B	
cau	*	
cau2	*	
fie	*	
uu	*	
ssvi	*	
Detailed Comments:		

PDU Constraint Declaration		
Constraint Name:	ReleaseCmpRcv(Ti :TI; cau:CAU)	
PDU Type:	REL_COM_PDU	
Derivation Path:		
Comments:	A RELEASE COMPLETE message containing cause value = #81. ms -> n	
Field Name	Field Value	Comments
ti	Ti	
cc_sspd	'0011'B	
mt	'0?101010'B	
cau	cau	
fie	*	
uu	*	
ssvi	*	
Detailed Comments:		

PDU Constraint Declaration		
Constraint Name:	ReleaseCmp_03(Ti:TI)	
PDU Type:	REL_COM_PDU	
Derivation Path:		
Comments:	To match any received RELEASE message.	
Field Name	Field Value	Comments
ti	Ti	
cc_sspd	'0011'B	
mt	'0?101010'B	
cau	*	
fie	*	
uu	*	
ssvi	*	
Detailed Comments:		

PDU Constraint Declaration		
Constraint Name:	ReleaseCmp_08(Ti :TI)	
PDU Type:	REL_COM_PDU	
Derivation Path:		
Comments:	A RELEASE COMPLETE message containing mandatory IEs only. n -> ms	
Field Name	Field Value	Comments
ti	Ti	
cc_sspd	'0011'B	
mt	'00101010'B	
cau	-	
fie	-	
uu	-	
ssvi	-	
Detailed Comments:		

PDU Constraint Declaration		
Constraint Name:	ReleaseCmp_09(Ti:TI; fie:FIE)	
PDU Type:	REL_COM_PDU	
Derivation Path:		
Comments:	A RELEASE COMPLETE message containing facility IE. n -> ms	
Field Name	Field Value	Comments
ti	Ti	
cc_sspd	'1011'B	
mt	'00101010'B	
cau	-	
fie	fie	
uu	-	
ssvi	-	
Detailed Comments:		

PDU Constraint Declaration		
Constraint Name:	ReleaseCmp_47(Ti:TI)	
PDU Type:	REL_COM_PDU	
Derivation Path:		
Comments:	To send a RELEASE COMPLETE message without cause and without FIE	
Field Name	Field Value	Comments
ti	Ti	
cc_sspd	'1011'B	
mt	'00101010'B	
cau	-	
fie	-	
uu	-	
ssvi	-	
Detailed Comments:		

PDU Constraint Declaration		
Constraint Name:	Setup_02(bcap: BCAP)	
PDU Type:	SETUP_MO_PDU	
Derivation Path:		
Comments:	A SETUP message containing speech bearer capability. ms -> n	
Field Name	Field Value	Comments
ti	?	
ccpd	'0011'B	
mt	'0?000101'B	
bcri	-	
bcap1	bcap	
bcap2	-	
fie	*	
cgps	*	
cdpn	?	
cdps	*	
llcri	*	
llcmp1	*	
llcmp2	*	
hlcri	*	
hlcmp1	*	
hlcmp2	*	
uu	*	
ssvi	*	
clirsup	*	
clirinv	*	
cccacp	*	
Detailed Comments:		

PDU Constraint Declaration		
Constraint Name:	Setup_03(ti:TI)	
PDU Type:	SETUP_MT_PDU	
Derivation Path:		
Comments:	A SETUP message with mandatory IE's only. This is default for BIBO testing.	
Field Name	Field Value	Comments
ti	ti	
ccpd	'0011'B	
mt	'00000101'B	
bcri	-	
bcap1	-	
bcap2	-	
fie	-	
pi	-	
sig	-	
cgpn	-	
cgps	-	
cdpn	-	
cdps	-	
llcri	-	
llcmp1	-	
llcmp2	-	
hlcri	-	
hlcmp1	-	
hlcmp2	-	
uu	-	
Detailed Comments:		

PDU Constraint Declaration		
Constraint Name:	Setup_04(bcap: BCAP)	
PDU Type:	ESETUP_PDU	
Derivation Path:		
Comments:	A Emergency call SETUP message with/without speech bearer capability. ms -> n.	
Field Name	Field Value	Comments
ti	?	
ccpd	'0011'B	
mt	'0?001110'B	
bcap	bcap IF_PRESENT	
Detailed Comments:		

PDU Constraint Declaration		
Constraint Name:	Setup_10_UDI(bcap: BCAP; llc1:LLCMP; hlc1:HLCMP)	
PDU Type:	SETUP_MO_PDU	
Derivation Path:		
Comments:	A SETUP message containing bearer capability supported by the mobile station, used for Unrestricted digital information transfer capability. ms -> n.	
Field Name	Field Value	Comments
ti	?	
ccpd	'0011'B	
mt	'00000101'B	
bcri	-	
bcap1	bcap	
bcap2	-	
fie	*	
cgps	*	
cdpn	?	
cdps	*	
llcri	-	
llcmp1	llc1	
llcmp2	-	
hlcri	-	
hlcmp1	hlc1 IF_PRESENT	
hlcmp2	-	
uu	*	
ssvi	*	
clirsup	*	
clirinv	*	
cccap	CallCntrlCap IF_PRESENT	
Detailed Comments:		

PDU Constraint Declaration		
Constraint Name:	Setup_10_3100(bcap: BCAP; llc1:LLCMP; hlc1:HLCMP)	
PDU Type:	SETUP_MO_PDU	
Derivation Path:		
Comments:	A SETUP message containing bearer capability supported by the mobile station. used for 3.1 kHz audio information transfer capability. ms -> n.	
Field Name	Field Value	Comments
ti	?	
ccpd	'0011'B	
mt	'00000101'B	
bcri	-	
bcap1	bcap	
bcap2	-	
fie	*	
cgps	*	
cdpn	?	
cdps	*	
llcri	-	
llcmp1	llc1 IF_PRESENT	
llcmp2	-	
hlcri	-	
hlcmp1	hlc1 IF_PRESENT	
hlcmp2	-	
uu	*	
ssvi	*	
clirsup	*	
clirinv	*	
cccap	CallCntrlCap IF_PRESENT	
Detailed Comments:		

PDU Constraint Declaration		
Constraint Name:	Setup_11_3100(bcri1: RPI; bcap, bcap2nd: BCAP; llc1, llc2:LLCMP; llcri1, hlcri1:RPI; hlc1, hlc2:HLCMP)	
PDU Type:	SETUP_MO_PDU	
Derivation Path:		
Comments:	A SETUP message containing two bearer capabilities supported by the mobile station, used for 3.1 kHz audio information transfer capability. ms -> n.	
Field Name	Field Value	Comments
ti	?	
ccpd	'0011'B	
mt	'00000101'B	
bcri	bcri1	
bcap1	bcap	
bcap2	bcap2nd	
fie	*	
cgps	*	
cdpn	?	
cdps	*	
llcri	llcri1 IF_PRESENT	
llcmp1	llc1 IF_PRESENT	
llcmp2	llc2 IF_PRESENT	
hlcri	hlcri1 IF_PRESENT	
hlcmp1	hlc1 IF_PRESENT	
hlcmp2	hlc2 IF_PRESENT	
uu	*	
ssvi	*	
clirsup	*	
clirinv	*	
cccacp	CallCntrlCap IF_PRESENT	
Detailed Comments:		

PDU Constraint Declaration		
Constraint Name:	Setup_20(par: BCAP; ti:TI)	
PDU Type:	SETUP_MT_PDU	
Derivation Path:		
Comments:	A SETUP message containing bearer capability supported by the mobile station.	
Field Name	Field Value	Comments
ti	ti	
ccpd	'0011'B	
mt	'00000101'B	
bcri	-	
bcap1	par	
bcap2	-	
fie	-	
pi	-	
sig	-	
cgpn	-	
cgps	-	
cdpn	-	
cdps	-	
llcri	-	
llcmp1	-	
llcmp2	-	
hlcri	-	
hlcmp1	-	
hlcmp2	-	
uu	-	
Detailed Comments:		

PDU Constraint Declaration		
Constraint Name:	Setup_21(par1:RPI; par2, par3 :BCAP; ti:T1)	
PDU Type:	SETUP_MT_PDU	
Derivation Path:		
Comments:	A SETUP message containing two bearer capabilities supported by the mobile station.	
Field Name	Field Value	Comments
ti	ti	
ccpd	'0011'B	
mt	'00000101'B	
bcricri	par1	
bcap1	par2	
bcap2	par3	
fie	-	
pi	-	
sig	-	
cgpn	-	
cgps	-	
cdpn	-	
cdps	-	
llcri	-	
llcmp1	-	
llcmp2	-	
hlcri	-	
hlcmp1	-	
hlcmp2	-	
uu	-	
Detailed Comments:		

PDU Constraint Declaration		
Constraint Name:	Synclnfor(bcc:BCC; ncc:NCC)	
PDU Type:	SCHINFO_PDU	
Derivation Path:		
Comments:		
Field Name	Field Value	Comments
ncc	ncc	
bcc	bcc	
t1	?	
t2	?	
t3_	?	
Detailed Comments:		
1. The values of t1, t2 and t3_ shall be correctly set by the L2 simulation module when this message is sent to air on the synchronization channel. It is assumed that there is a set of timebase counters in the L2 module, these counters run continuously and keep the correct timeslot number SN and TDMA frame number FN as long as the test system is poweron , the T1, T2, T3' (values for t1, t2 and t3_) can be derived from these counters.		

PDU Constraint Declaration		
Constraint Name:	Syslnf1(cchd:CCHD; maxtx:B_2; txint:B_4; re:B_1)	
PDU Type:	SYSINFO1_PDU	
Derivation Path:		
Comments:	Default parameters for cell A in RR testing of GSM 900	
Field Name	Field Value	Comments
l2_pl	'55'O	
ski	'0000'B	
rrpd	'0110'B	
mt	'00011001'B	
cchd	cchd	
rachcp	RachCntrlPara(maxtx, txint, re)	
si1roct	'2B'O	
Detailed Comments:		

PDU Constraint Declaration		
Constraint Name:	SysInf1_cba(cchd:CCHD; maxtx:B_2; txint:B_4; re:B_1; cba:B_1; acc:B_5)	
PDU Type:	SYSINFO1_PDU	
Derivation Path:		
Comments:	Default parameters for cell A in RR testing of GSM 900	
Field Name	Field Value	Comments
l2_pl	'55'O	
ski	'0000'B	
rrpd	'0110'B	
mt	'00011001'B	
cchd	cchd	
rachcp	RachCntrlPara_cba(maxtx, txint, re, cba, acc)	
si1roct	'2B'O	
Detailed Comments:		

PDU Constraint Declaration		
Constraint Name:	SysInf2(bcchfl: NCD; maxtx:B_2; txint:B_4; re:B_1; nccp:NCCP)	
PDU Type:	SYSINFO2_PDU	
Derivation Path:		
Comments:	SYSTEM INFORMATION TYPE2 containing default neighbour cells description	
Field Name	Field Value	Comments
l2_pl	'59'O	
ski	'0000'B	
rrpd	'0110'B	
mt	'00011010'B	
bcchfl	bcchfl	
nccp	nccp	
rachcp	RachCntrlPara(maxtx, txint, re)	
Detailed Comments:		

PDU Constraint Declaration		
Constraint Name:	SysInf2_cba(bcchfl: NCD; maxtx:B_2; txint:B_4; re:B_1; nccp:NCCP; cba:B_1; acc:B_5)	
PDU Type:	SYSINFO2_PDU	
Derivation Path:		
Comments:	SYSTEM INFORMATION TYPE2 containing default neighbour cells description	
Field Name	Field Value	Comments
l2_pl	'59'O	
ski	'0000'B	
rrpd	'0110'B	
mt	'00011010'B	
bcchfl	bcchfl	
nccp	nccp	
rachcp	RachCntrlPara_cba(maxtx, txint, re, cba, acc)	
Detailed Comments:		

PDU Constraint Declaration		
Constraint Name:	SysInf2bis	
PDU Type:	SYSINFO2bis_PDU	
Derivation Path:		
Comments:	SYSTEM INFORMATION 2bis in cell A under EGSM with the ARFCN list = {988, 990, 1003}.	
Field Name	Field Value	Comments
l2_pl	'55'O	
ski	'0000'B	
rrpd	'0110'B	
mt	'00000010'B	
xbcchfl	BcchFreqLst_47	
rachcp	RachCntrlPara_r01	
si2bisroct	'00'O	
Detailed Comments:		

PDU Constraint Declaration		
Constraint Name:	SysInf2bis_egsm(freqlst:NCD)	
PDU Type:	SYSINFO2bis_PDU	
Derivation Path:		
Comments:	SYSTEM INFORMATION 2bis under EGSM with the ARFCN list = {985, 989, 995, 1010, 1014}.	
Field Name	Field Value	Comments
l2_pl	'55'O	
ski	'0000'B	
rrpd	'0110'B	
mt	'00000010'B	
xbcchfl	freqlst	
rachcp	RachCntrlPara_r01	
si2bisroct	'00'O	
Detailed Comments:		

PDU Constraint Declaration		
Constraint Name:	SysInf2ter(fl:NCD2)	
PDU Type:	SYSINFO2ter_PDU	
Derivation Path:		
Comments:	SYSTEM INFORMATION 2ter with the ARFCN list = fl.	
Field Name	Field Value	Comments
l2_pl	'49'O	
ski	'0000'B	
rrpd	'0110'B	
mt	'00000011'B	
xbcchfl	fl	
si2terroct	'00000000'O	
Detailed Comments:		

PDU Constraint Declaration		
Constraint Name:	SysInf3(ci:CI; mcc, mnc, lac:OCTETSTRING; ccd:CCD; co:CO; crh, mtmc:INTEGER; neci:B_1; maxtx:B_2; txint:B_4; re:B_1)	
PDU Type:	SYSINFO3_PDU	
Derivation Path:		
Comments:	CCCH combined or not with SDCCH	
Field Name	Field Value	Comments
l2_pl	'49'O	
ski	'0000'B	
rrpd	'0110'B	
mt	'00011011'B	
ci	ci	
lai	LocAreald(mcc, mnc, lac)	
ccd	ccd	
co	co	
csp	CellSelPara(crh, mtmc, neci)	
rachcp	RachCntrlPara(maxtx, txint, re)	
si3roct	SI3RestOctetPara('00000'B, '000000'B, '000'B, '00'B, '0'B)	
Detailed Comments:		

PDU Constraint Declaration		
Constraint Name:	SysInf3_ram_cba(ci:CI; mcc, mnc, lac:OCTETSTRING; ccd:CCD; co:CO; crh, mtmc:INTEGER; neci:B_1; maxtx:B_2; txint:B_4; re:B_1; ram:B_6; cba, cbq:B_1; acc:B_5)	
PDU Type:	SYSINFO3_PDU	
Derivation Path:		
Comments:	CCCH combined or not with SDCCH	
Field Name	Field Value	Comments
l2_pl	'49'O	
ski	'0000'B	
rrpd	'0110'B	
mt	'00011011'B	
ci	ci	
lai	LocAreald(mcc, mnc, lac)	
ccd	ccd	
co	co	
csp	CellSelPara_ram(crh, mtmc, neci, ram)	
rachcp	RachCntrlPara_cba(maxtx, txint, re, cba, acc)	
si3roct	SI3RestOctetPara('00000'B, '000000'B, '000'B, '00'B, cbq)	
Detailed Comments:		

PDU Constraint Declaration		
Constraint Name:	SysInf3_rpct(ci:CI; mcc, mnc, lac:OCTETSTRING; ccd:CCD; co:CO; crh, mtmc:INTEGER; neci:B_1; maxtx:B_2; txint:B_4; re:B_1; ram:B_6; pt:B_5; cro:B_6; to:B_3)	
PDU Type:	SYSINFO3_PDU	
Derivation Path:		
Comments:	CCCH combined or not with SDCCH	
Field Name	Field Value	Comments
l2_pl	'49'O	
ski	'0000'B	
rrpd	'0110'B	
mt	'00011011'B	
ci	ci	
lai	LocAreald(mcc, mnc, lac)	
ccd	ccd	
co	co	
csp	CellSelPara_ram(crh, mtmc, neci, ram)	
rachcp	RachCntrlPara(maxtx, txint, re)	
si3roct	SI3RestOctetPara(pt, cro, to, '00'B, '0'B)	
Detailed Comments:		

PDU Constraint Declaration		
Constraint Name:	SysInf3_ti(ci:CI; mcc, mnc, lac:OCTETSTRING; ccd:CCD; co:CO; crh, mtmc:INTEGER; neci:B_1; maxtx:B_2; txint:B_4; re:B_1; ram:B_6; pt:B_5; cro:B_6; to:B_3)	
PDU Type:	SYSINFO3_PDU	
Derivation Path:		
Comments:	CCCH combined or not with SDCCH	
Field Name	Field Value	Comments
l2_pl	'49'O	
ski	'0000'B	
rrpd	'0110'B	
mt	'00011011'B	
ci	ci	
lai	LocAreald(mcc, mnc, lac)	
ccd	ccd	
co	co	
csp	CellSelPara_ram(crh, mtmc, neci, ram)	
rachcp	RachCntrlPara(maxtx, txint, re)	
si3roct	SI3RestOctetPara_ti(pt, cro, to, '00'B)	
Detailed Comments:		

PDU Constraint Declaration		
Constraint Name:	SysInf3_rpctp(ci:CI; mcc, mnc, lac:OCTETSTRING; ccd:CCD; co:CO; crh, mtmc:INTEGER; neci:B_1; maxtx:B_2; txint:B_4; re:B_1; ram:B_6; pt:B_5; cro:B_6; to:B_3; po:B_2)	
PDU Type:	SYSINFO3_PDU	
Derivation Path:		
Comments:	CCCH combined or not with SDCCH	
Field Name	Field Value	Comments
l2_pl	'49'O	
ski	'0000'B	
rrpd	'0110'B	
mt	'00011011'B	
ci	ci	
lai	LocAreald(mcc, mnc, lac)	
ccd	ccd	
co	co	
csp	CellSelPara_ram(crh, mtmc, neci, ram)	
rachcp	RachCntrlPara(maxtx, txint, re)	
si3roct	SI3RestOctetPara(pt, cro, to, po, '0'B)	
Detailed Comments:		

PDU Constraint Declaration		
Constraint Name:	SysInf4(mcc, mnc, lac:OCTETSTRING; crh, mtmc:INTEGER; neci:B_1; maxtx:B_2; txint:B_4; re:B_1)	
PDU Type:	SYSINFO4_PDU	
Derivation Path:		
Comments:	A SYSTEM INFORMATION TYPE 4 message containing default values	
Field Name	Field Value	Comments
l2_pl	'31'O	
ski	'0000'B	
rrpd	'0110'B	
mt	'00011100'B	
lai	LocAreaId(mcc, mnc, lac)	
csp	CellSelPara(crh, mtmc, neci)	
rachcp	RachCntrlPara(maxtx, txint, re)	
cbchd	-	
cbchma	-	
si4roct	SI4RestOctetPara('00000'B, '000000'B, '000'B, '00'B, '0'B)	
Detailed Comments:		

PDU Constraint Declaration		
Constraint Name:	SysInf4_bis(mcc, mnc, lac:OCTETSTRING; crh, mtmc:INTEGER; neci:B_1; maxtx:B_2; txint:B_4; re:B_1; ram:B_6)	
PDU Type:	SYSINFO4_PDU	
Derivation Path:		
Comments:	A SYSTEM INFORMATION TYPE 4 message containing default values	
Field Name	Field Value	Comments
l2_pl	'31'O	
ski	'0000'B	
rrpd	'0110'B	
mt	'00011100'B	
lai	LocAreaId(mcc, mnc, lac)	
csp	CellSelPara_bis(crh, mtmc, neci, ram)	
rachcp	RachCntrlPara(maxtx, txint, re)	
cbchd	-	
cbchma	-	
si4roct	SI4DefaultPara	
Detailed Comments:		

PDU Constraint Declaration		
Constraint Name:	SysInf4_CBMS(mcc, mnc, lac:OCTETSTRING; crh, mtmc:INTEGER; neci:B_1; maxtx:B_2; txint:B_4; re:B_1; cbchd:CHD)	
PDU Type:	SYSINFO4_PDU	
Derivation Path:		
Comments:	To send a SYSTEM INFORMATION TYPE 4 message for SMSCB with the values or GSM 11.10, 34.3	
Field Name	Field Value	Comments
l2_pl	'49'O	
ski	'0000'B	
rrpd	'0110'B	
mt	'00011100'B	
lai	LocAreaId(mcc, mnc, lac)	
csp	CellSelPara(crh, mtmc, neci)	
rachcp	RachCntrlPara(maxtx, txint, re)	
cbchd	cbchd	
cbchma	MobAllc_01iei	
si4roct	SI4RestOctetPara('00000'B, '000000'B, '000'B, '00'B, '0'B)	
Detailed Comments:		

PDU Constraint Declaration		
Constraint Name:	SysInf4_ram_cba(mcc, mnc, lac:OCTETSTRING; crh, mtmc:INTEGER; neci:B_1; maxtx:B_2; txint:B_4; re:B_1; ram:B_6; cba, cbq:B_1; acc:B_5)	
PDU Type:	SYSINFO4_PDU	
Derivation Path:		
Comments:	A SYSTEM INFORMATION TYPE 4 message containing default values	
Field Name	Field Value	Comments
l2_pl	'31'O	
ski	'0000'B	
rrpd	'0110'B	
mt	'00011100'B	
lai	LocAreald(mcc, mnc, lac)	
csp	CellSelPara_ram(crh, mtmc, neci, ram)	
rachcp	RachCntrlPara_cba(maxtx, txint, re, cba, acc)	
cbchd	-	
cbchma	-	
si4roct	SI4RestOctetPara('00000'B, '000000'B, '000'B, '00'B, cbq)	
Detailed Comments:		

PDU Constraint Declaration		
Constraint Name:	SysInf4_rpct(mcc, mnc, lac:OCTETSTRING; crh, mtmc:INTEGER; neci:B_1; maxtx:B_2; txint:B_4; re:B_1; ram:B_6; pt:B_5; cro:B_6; to:B_3)	
PDU Type:	SYSINFO4_PDU	
Derivation Path:		
Comments:	A SYSTEM INFORMATION TYPE 4 message containing default values	
Field Name	Field Value	Comments
l2_pl	'31'O	
ski	'0000'B	
rrpd	'0110'B	
mt	'00011100'B	
lai	LocAreald(mcc, mnc, lac)	
csp	CellSelPara_ram(crh, mtmc, neci, ram)	
rachcp	RachCntrlPara(maxtx, txint, re)	
cbchd	-	
cbchma	-	
si4roct	SI4RestOctetPara(pt, cro, to, '00'B, '0'B)	
Detailed Comments:		

PDU Constraint Declaration		
Constraint Name:	SysInf4_rpctp(mcc, mnc, lac:OCTETSTRING; crh, mtmc:INTEGER; neci:B_1; maxtx:B_2; txint:B_4; re:B_1; ram:B_6; pt:B_5; cro:B_6; to:B_3; po:B_2)	
PDU Type:	SYSINFO4_PDU	
Derivation Path:		
Comments:	A SYSTEM INFORMATION TYPE 4 message containing default values	
Field Name	Field Value	Comments
l2_pl	'31'O	
ski	'0000'B	
rrpd	'0110'B	
mt	'00011100'B	
lai	LocAreald(mcc, mnc, lac)	
csp	CellSelPara_ram(crh, mtmc, neci, ram)	
rachcp	RachCntrlPara(maxtx, txint, re)	
cbchd	-	
cbchma	-	
si4roct	SI4RestOctetPara(pt, cro, to, po, '0'B)	
Detailed Comments:		

PDU Constraint Declaration		
Constraint Name:	SysInf5(bcchfl: NCD)	
PDU Type:	SYSINFO5_PDU	
Derivation Path:		
Comments:	SYSTEM INFORMATION TYPE 5 containing default neighbour cells description for GSM900	
Field Name	Field Value	Comments
ski	'0000'B	
rrpd	'0110'B	
mt	'00011101'B	
bcchfl	bcchfl	
Detailed Comments:		

PDU Constraint Declaration		
Constraint Name:	SysInf5bis(bcchfl: NCD)	
PDU Type:	SYSINFO5bis_PDU	
Derivation Path:		
Comments:	SYSTEM INFORMATION TYPE 5bis containing partial neighbour cells description with 1 frequency for DCS1800.	
Field Name	Field Value	Comments
ski	'0000'B	
rrpd	'0110'B	
mt	'00000101'B	
xbcchfl	bcchfl	
Detailed Comments:		

PDU Constraint Declaration		
Constraint Name:	SysInf5ter(bcchfl: NCD2)	
PDU Type:	SYSINFO5ter_PDU	
Derivation Path:		
Comments:	SYSTEM INFORMATION TYPE 5ter containing partial neighbour cells description.	
Field Name	Field Value	Comments
ski	'0000'B	
rrpd	'0110'B	
mt	'00000110'B	
xbcchfl	bcchfl	
Detailed Comments:		

PDU Constraint Declaration		
Constraint Name:	SysInf6(ci:CI; mcc, mnc, lac:OCTETSTRING; co:CO)	
PDU Type:	SYSINFO6_PDU	
Derivation Path:		
Comments:	A SYSTEM INFORMATION TYPE 6 message containing default parameters for RR testing.	
Field Name	Field Value	Comments
ski	'0000'B	
rrpd	'0110'B	
mt	'00011110'B	
ci	ci	
lai	LocAreald(mcc, mnc, lac)	
co	co	
nccp	'02'O	
Detailed Comments:		

PDU Constraint Declaration		
Constraint Name:	SysInf7(pt:B_5; cro:B_6; to:B_3)	
PDU Type:	SYSINFO7_PDU	
Derivation Path:		
Comments:	A SYSTEM INFORMATION TYPE 7 message containing default values	
Field Name	Field Value	Comments
l2_pl	'01'O	
ski	'0000'B	
rrpd	'0110'B	
mt	'00011111'B	
si7roct	SI7RestOctetPara(pt, cro, to, '00'B, '0'B)	
Detailed Comments:		

PDU Constraint Declaration		
Constraint Name:	SysInf8(pt:B_5; cro:B_6; to:B_3)	
PDU Type:	SYSINFO8_PDU	
Derivation Path:		
Comments:	A SYSTEM INFORMATION TYPE 8 message containing default values	
Field Name	Field Value	Comments
l2_pl	'01'O	
ski	'0000'B	
rrpd	'0110'B	
mt	'00011000'B	
si8roct	SI7RestOctetPara(pt, cro, to, '00'B, '0'B)	
Detailed Comments:		

PDU Constraint Declaration		
Constraint Name:	TmsiReallocCmd(par:MI; mcc, mnc, lac: OCTETSTRING)	
PDU Type:	TMSIRE_CMD_PDU	
Derivation Path:		
Comments:	TMSI REALLOCATION COMMAND message.	
Field Name	Field Value	Comments
ski	'0000'B	
mmpd	'0101'B	
mt	'00011010'B	
lai	LocAreald(mcc, mnc, lac)	
mi	par	
Detailed Comments:		

PDU Constraint Declaration		
Constraint Name:	TmsiReallocComp	
PDU Type:	TMSIRE_COM_PDU	
Derivation Path:		
Comments:	TMSI REALLOCATION COMPLETE message.	
Field Name	Field Value	Comments
ski	'0000'B	
mmpd	'0101'B	
mt	'0?011011'B	
Detailed Comments:		

Dynamic Part

Test Cases

Test Group CellSelection

Test Case Dynamic Behaviour					
Test Case Name: TC_20_1					
Group: GSM_MS_CS_4200/CellSelection/					
Purpose: 1. To verify that: The MS shall be able to select the correct (forth strongest) cell and be able to respond to paging on that cell within 30 seconds of switch on, when the three strongest cells are not suitable. This assumes that a valid SIM, with PIN disabled and ideal radio conditions; GSM 05.08, 6.1. 2. To verify that: 2.1 The MS does not select a cell of a PLMN which is not the selected PLMN. 2.2 The MS does not select a cell which is "barred". 2.3 The MS does not select a cell with C1<0. 3. To verify that the MS selects suitable cells in descending order of received signal strength. 4. To verify that the MS does not select a cell with C1<0.					
Default: OtherEventsFail					
Comments: This test case achieves the test purpose in one phase rather than the two described in ETS 300-607-2					
Nr	Label	Behaviour Description	CRef	V	Comments
1		START T_guard(600)			
2		+IdleUpdated(C_E_default, C_CellA, C_SCH_A, C_BCCH_A_1, C_Immass, C_S0, C_SlotNU, C_SlotNU, C_SlotNU, C_BCC, C_TxInt_5, C_Max_2, C_NECI_0, C_ATT_0, TimingAdv(0), C_BABR_0, C_cch_1Comb, C_BPM_3, C_T3212_0, C_ci_cellA, C_MCC_1, C_PLMN_2, C_LAC_1111, CellOpt_01, CellChDes_24, CellChDes_24d, C_CellReselectHys4, C_MaxPwrLvlG, C_MaxPwrLvlD, BcchFreqLst_50, BcchFreqLst_Omit, BcchFreqLst_51, BcchFreqLst_Omit, C_Restablishment, C_BCC, C_NCC, C_Start_Tmsi, TSPX_SDCCH4SubDef, TSPX_CKSNDDef, TSPX_RANDDef, C_arfcnA, C_arfcnAd, TSPX_IMSI, C_Test_fh, C_NCCP_2)			
3	body	+MM_PwrOrSimOff(C_SIMIn)			
4		+ltree_StartCarriers			
5		+PageOnCarriers(C_CellA, C_CellB, C_CellC, C_CellD, "dummy", "dummy")			
6		+MM_PwrOrSimOn(C_SIMIn)			
7		START T_dly(33000)			
8	CS_001	?TIMEOUT T_dly		F	
9	CS_002	L?DL_RaInChRq	ChReq_01(C_RACH_A_1, ChRequest_02)	F	
10	CS_003	L?DL_RaInChRq	ChReq_01(C_RACH_B_1, ChRequest_02)	F	
11	CS_004	L?DL_RaInChRq	ChReq_01(C_RACH_C_1, ChRequest_02)	F	
12		L?DL_RaInChRq	ChReq_01(C_RACH_D_1, ChRequest_02)		
13		+MM_PwrOrSimOff(C_SIMIn)			
14		(TCV_Null := OM_StopCell(C_CellB))			
15		+ltree_StartCarrier5			
16		+PageOnCarriers("dummy", "dummy", "dummy", "dummy", C_CellE, "dummy")			
17		+MM_PwrOrSimOn(C_SIMIn)			
18		START T_dly(33000)			
19	Label 1	L?DL_RaInChRq	ChReq_01(C_RACH_D_1, ChRequest_02)		

20		->Label1			
21		L?DL_RacInChRq	ChReq_01(C_RACH_E_1, ChRequest_02)		
22		->Label1			
23	CS_005	L?DL_RacInChRq	ChReq_01(C_RACH_A_1, ChRequest_02)	F	
24	CS_006	L?DL_RacInChRq	ChReq_01(C_RACH_C_1, ChRequest_02)	F	
25	CS_007	?TIMEOUT T_dly		P	
		Itree_StartCarriers			
26		+Itree_StartCarrier1			
27		+Itree_StartCarrier2			
28		+Itree_StartCarrier3			
29		+Itree_StartCarrier4			
		Itree_StartCarrier1			
30		(TCV_sacch := OC_SubchOfSacch4(TSPX_SDCCH4SubDef, C_CellA))			
31		+CombinedBCCH_A(48, C_MaxPwrLvlG, C_MaxPwrLvlD, 3, 512, C_Immass, TCV_slot, TCV_tsc, TimingAdv(0), C_BABR_0, C_cch_1Comb, C_BPM_3)			
32		+SysInfoSending_fh_rcc(C_SCH_A, C_BCCH_A_1, C_TxInt_5, C_Max_2, C_NECl_0, C_ATT_0, C_BABR_0, C_cch_1Comb, C_BPM_3, C_T3212_0, C_ci_cellA, C_MCC_1, C_PLMN_2, C_LAC_1111, CellOpt_01, CellChDes_24, CellChDes_24d, C_CellReselectHys4, C_MaxPwrLvlG, C_MaxPwrLvlD, BcchFreqLst_50, BcchFreqLst_51, BcchFreqLst_52, C_Restablishment, C_BCC, C_NCC, C_NCCP_2, '010100'B, '1'B, '0'B, '00000'B)			
		Itree_StartCarrier2			
33		(TCV_sacch := OC_SubchOfSacch4(TSPX_SDCCH4SubDef, C_CellB))			
34		[TSPC_EGSM]			
35		+CombinedBCCH_A(48, C_MaxPwrLvlG, C_MaxPwrLvlD, 985, 512, C_Immass, TCV_slot, TCV_tsc, TimingAdv(0), C_BABR_0, C_cch_1Comb, C_BPM_3)			
36		+SysInfoSending_fh_rcc(C_SCH_B, C_BCCH_B_1, C_TxInt_5, C_Max_2, C_NECl_0, C_ATT_0, C_BABR_0, C_cch_1Comb, C_BPM_3, C_T3212_0, C_ci_cellB, C_MCC_1, C_PLMN_2, C_LAC_1111, CellOpt_01, CellChDes_24, CellChDes_24d, C_CellReselectHys4, C_MaxPwrLvlG, C_MaxPwrLvlD, BcchFreqLst_50, BcchFreqLst_51, BcchFreqLst_52, C_Restablishment, C_BCC, C_NCC, C_NCCP_2, '101010'B, '0'B, '0'B, '00000'B)			
37		[NOT TSPC_EGSM]			
38		+CombinedBCCH_B(38, C_MaxPwrLvlG, C_MaxPwrLvlD, 9, 543, C_Immass, TCV_slot, TCV_tsc, TimingAdv(0), C_BABR_0, C_cch_1Comb, C_BPM_3)			
39		+SysInfoSending_fh_rcc(C_SCH_B, C_BCCH_B_1, C_TxInt_5, C_Max_2, C_NECl_0, C_ATT_0, C_BABR_0, C_cch_1Comb, C_BPM_3, C_T3212_0, C_ci_cellB, C_MCC_1, C_PLMN_2, C_LAC_1111, CellOpt_01, CellChDes_24, CellChDes_24d, C_CellReselectHys4, C_MaxPwrLvlG, C_MaxPwrLvlD, BcchFreqLst_50, BcchFreqLst_51, BcchFreqLst_52, C_Restablishment, C_BCC, C_NCC, C_NCCP_2, '101010'B, '0'B, '0'B, '00000'B)			

	<p>ltree_StartCarrier3 (TCV_sacch := OC_SubchOfSacch4(TSPX_SDCCH4SubDef, C_CellC))</p>		
40			
41	<p>+CombinedBCCH_C(43, C_MaxPwrLvIG, C_MaxPwrLvID, 18, 568, C_Immass, TCV_slot, TCV_tsc, TimingAdv(0), C_BABR_0, C_cch_1Comb, C_BPM_3)</p>		
42	<p>+SysInfoSending_fh_rcc(C_SCH_C, C_BCCH_C_1, C_TxInt_5, C_Max_2, C_NECl_0, C_ATT_0, C_BABR_0, C_cch_1Comb, C_BPM_3, C_T3212_0, C_ci_cellC, C_MCC_1, C_PLMN_1, C_LAC_1111, CellOpt_01, CellChDes_24, CellChDes_24d, C_CellReselectHys4, C_MaxPwrLvIG, C_MaxPwrLvID, BcchFreqLst_50, BcchFreqLst_51, BcchFreqLst_52, C_Restablishment, C_BCC, C_NCC_2, C_NCCP_2, '010100'B, '0'B, '0'B, '00000'B)</p>		
	<p>ltree_StartCarrier4</p>		
43	<p>(TCV_sacch := OC_SubchOfSacch4(TSPX_SDCCH4SubDef, C_CellID))</p>		
44	<p>[TSPC_EGSM]</p>		
45	<p>+CombinedBCCH_D(33, C_MaxPwrLvIG, C_MaxPwrLvID, 989, 589, C_Immass, TCV_slot, TCV_tsc, TimingAdv(0), C_BABR_0, C_cch_1Comb, C_BPM_3)</p>		
46	<p>+SysInfoSending_fh_rcc(C_SCH_D, C_BCCH_D_1, C_TxInt_5, C_Max_2, C_NECl_0, C_ATT_0, C_BABR_0, C_cch_1Comb, C_BPM_3, C_T3212_0, C_ci_cellID, C_MCC_1, C_PLMN_2, C_LAC_1111, CellOpt_01, CellChDes_24, CellChDes_24d, C_CellReselectHys4, C_MaxPwrLvIG, C_MaxPwrLvID, BcchFreqLst_50, BcchFreqLst_51, BcchFreqLst_52, C_Restablishment, C_BCC, C_NCC, C_NCCP_2, '010110'B, '0'B, '0'B, '00000'B)</p>		
47	<p>[NOT TSPC_EGSM]</p>		
48	<p>+CombinedBCCH_D(33, C_MaxPwrLvIG, C_MaxPwrLvID, 25, 589, C_Immass, TCV_slot, TCV_tsc, TimingAdv(0), C_BABR_0, C_cch_1Comb, C_BPM_3)</p>		
49	<p>+SysInfoSending_fh_rcc(C_SCH_D, C_BCCH_D_1, C_TxInt_5, C_Max_2, C_NECl_0, C_ATT_0, C_BABR_0, C_cch_1Comb, C_BPM_3, C_T3212_0, C_ci_cellID, C_MCC_1, C_PLMN_2, C_LAC_1111, CellOpt_01, CellChDes_24, CellChDes_24d, C_CellReselectHys4, C_MaxPwrLvIG, C_MaxPwrLvID, BcchFreqLst_50, BcchFreqLst_51, BcchFreqLst_52, C_Restablishment, C_BCC, C_NCC, C_NCCP_2, '010110'B, '0'B, '0'B, '00000'B)</p>		
	<p>ltree_StartCarrier5</p>		
50	<p>(TCV_sacch := OC_SubchOfSacch4(TSPX_SDCCH4SubDef, C_CellE))</p>		
51	<p>+CombinedBCCH_E(28, C_MaxPwrLvIG, C_MaxPwrLvID, 41, 602, C_Immass, TCV_slot, TCV_tsc, TimingAdv(0), C_BABR_0, C_cch_1Comb, C_BPM_3)</p>		
52	<p>+SysInfoSending_fh_rcc(C_SCH_E, C_BCCH_E_1, C_TxInt_5, C_Max_2, C_NECl_0, C_ATT_0, C_BABR_0, C_cch_1Comb, C_BPM_3, C_T3212_0, C_ci_cellE, C_MCC_1, C_PLMN_2, C_LAC_1111, CellOpt_01, CellChDes_24, CellChDes_24d, C_CellReselectHys4, C_MaxPwrLvIG, C_MaxPwrLvID, BcchFreqLst_50, BcchFreqLst_51, BcchFreqLst_52,</p>		

		C_Restablishment, C_BCC, C_NCC, C_NCCP_2, '001100'B, '0'B, '0'B, '00000'B)			
Detailed Comments:					

Test Case Dynamic Behaviour

Test Case Name: TC_20_2
Group: GSM_MS_CS_4200/CellSelection/
Purpose: 1. The MS shall:

1.1 The MS shall search all RF channels in the system, take readings of received RF signal strength on each RF channel, and calculate the received level average for each.

1.2 The averaging is based on at least five measurement samples per RF carrier spread over T_{av} (3 to 5 s).

1.3 The measurement samples from the different RF carriers being spread evenly during this period.

2. These quantities are termed the "receive level averages", shall be unweighted averages of the received signal strengths measured in dBm.

Default: OtherEventsFail

Nr	Label	Behaviour Description	CRef	V	Comments
1		START T_guard(600)			
2		+IdleUpdated(C_E_default, C_CellA, C_SCH_A, C_BCCH_A_1, C_Immass, C_S0, C_SlotNU, C_SlotNU, C_SlotNU, C_BCC, C_TxInt_5, C_Max_2, C_NECI_0, C_ATT_0, TimingAdv(0), C_BABR_0, C_cch_1Comb, C_BPM_3, C_T3212_0, C_ci_cellA, C_MCC_1, C_PLMN_2, C_LAC_1111, CellOpt_01, CellChDes_24, CellChDes_24d, C_CellReselectHys4, C_MaxPwrLvlG, C_MaxPwrLvlD, BcchFreqLst_50, BcchFreqLst_Omit, BcchFreqLst_51, BcchFreqLst_Omit, C_Restablishment, C_BCC, C_NCC, C_Start_Tmsi, TSPX_SDCCH4SubDef, TSPX_CKSNDDef, TSPX_RANDDef, C_arfcnA, C_arfcnAd, TSPX_IMSI, C_Test_fh, C_NCCP_2)			
3	body	+MM_PwrOrSimOff(C_SIMIn)			
4		+Itree_StartCarriers			
5		+PageOnCarriers(C_CellA, C_CellB, "dummy", "dummy", "dummy", "dummy")			
6		(TCV_Null := OM_VaryRFOfCell(C_BCCH_B_1, TSPX_bTav, 28, TSPX_aTav, 58))			
7		+MM_PwrOrSimOn(C_SIMIn)			
8		START T_dly(33000)			
9	CS_0008	?TIMEOUT T_dly		F	
10	CS_0009	L?DL_RaInChRq	ChReq_01(C_RACH_A_1, ChRequest_02)	F	
11		L?DL_RaInChRq	ChReq_01(C_RACH_B_1, ChRequest_02)		
12	CS_0010	(TCV_Null := OM_StopVaryRFOfCell(C_BCCH_B_1))		P	
13		Itree_StartCarriers +Itree_StartCarrier1			
14		+Itree_StartCarrier2			
15		Itree_StartCarrier1 (TCV_sacch := OC_SubchOfSacch4(TSPX_SDCCH4SubDef, C_CellA))			
16		[TSPC_EGSM]			
17		+CombinedBCCH_A(23, C_MaxPwrLvlG, C_MaxPwrLvlD, 985, 512, C_Immass, TCV_slot, TCV_tsc, TimingAdv(0), C_BABR_0, C_cch_1Comb, C_BPM_3)			
18		+SysInfoSending_fh_rcc(C_SCH_A, C_BCCH_A_1, C_TxInt_5, C_Max_2, C_NECI_0, C_ATT_0, C_BABR_0, C_cch_1Comb, C_BPM_3, C_T3212_0, C_ci_cellA, C_MCC_1, C_PLMN_2, C_LAC_1111, CellOpt_01, CellChDes_24, CellChDes_24d, C_CellReselectHys4,			

		C_MaxPwrLvlG, C_MaxPwrLvlD, BcchFreqLst_50, BcchFreqLst_51, BcchFreqLst_52, C_Restablishment, C_BCC, C_NCC, C_NCCP_2, '001010'B, '0'B, '0'B, '00000'B)		
19		[NOT TSPC_EGSM]		
20		+CombinedBCCH_A(23, C_MaxPwrLvlG, C_MaxPwrLvlD, 3, 512, C_Immass, TCV_slot, TCV_tsc, TimingAdv(0), C_BABR_0, C_cch_1Comb, C_BPM_3)		
21		+SysInfoSending_fh_rcc(C_SCH_A, C_BCCH_A_1, C_TxInt_5, C_Max_2, C_NECL_0, C_ATT_0, C_BABR_0, C_cch_1Comb, C_BPM_3, C_T3212_0, C_ci_cellA, C_MCC_1, C_PLMN_2, C_LAC_1111, CellOpt_01, CellChDes_24, CellChDes_24d, C_CellReselectHys4, C_MaxPwrLvlG, C_MaxPwrLvlD, BcchFreqLst_50, BcchFreqLst_51, BcchFreqLst_52, C_Restablishment, C_BCC, C_NCC, C_NCCP_2, '001010'B, '0'B, '0'B, '00000'B)		
22		Itree_StartCarrier2 (TCV_sacch := OC_SubchOfSacch4(TSPX_SDCCH4SubDef, C_CellB))		
23		+CombinedBCCH_B(58, C_MaxPwrLvlG, C_MaxPwrLvlD, 9, 543, C_Immass, TCV_slot, TCV_tsc, TimingAdv(0), C_BABR_0, C_cch_1Comb, C_BPM_3)		
24		+SysInfoSending_fh_rcc(C_SCH_B, C_BCCH_B_1, C_TxInt_5, C_Max_2, C_NECL_0, C_ATT_0, C_BABR_0, C_cch_1Comb, C_BPM_3, C_T3212_0, C_ci_cellB, C_MCC_1, C_PLMN_2, C_LAC_1111, CellOpt_01, CellChDes_24, CellChDes_24d, C_CellReselectHys4, C_MaxPwrLvlG, C_MaxPwrLvlD, BcchFreqLst_50, BcchFreqLst_51, BcchFreqLst_52, C_Restablishment, C_BCC, C_NCC, C_NCCP_2, '001010'B, '0'B, '0'B, '00000'B)		
Detailed Comments:				

Test Case Dynamic Behaviour					
Test Case Name:		TC_20_4			
Group:		GSM_MS_CS_4200/CellSelection/			
Purpose:		1. To verify that the MS shall be able to calculate the path loss criterion parameter C2 used for cell reselection. 2. To verify that the MS can correctly calculate the C2 parameter correctly when the CELL_RESELECT_OFFSET, TEMPORARY_OFFSET and PENALTY_TIME parameters are used.			
Default:		OtherEventsFail			
Nr	Label	Behaviour Description	CRef	V	Comments
1		START T_guard(600)			
2		+IdleUpdated(C_E_default, C_CellA, C_SCH_A, C_BCCH_A_1, C_Imm, C_S0, C_SlotNU, C_SlotNU, C_SlotNU, C_BCC, C_TxInt_5, C_Max_2, C_NECl_0, C_ATT_0, TimingAdv(0), C_BABR_0, C_cch_1Comb, C_BPM_3, C_T3212_0, C_ci_cellA, C_MCC_1, C_PLMN_2, C_LAC_1111, CellOpt_01, CellChDes_24, CellChDes_24d, C_CellReselectHys4, C_MaxPwrLvlG, C_MaxPwrLvlD, BchFreqLst_50, BchFreqLst_Omit, BchFreqLst_51, BchFreqLst_Omit, C_Restablishment, C_BCC, C_NCC, C_Start_Tmsi, TSPX_SDCCH4SubDef, TSPX_CKSNDDef, TSPX_RANDDef, C_arfcnA, C_arfcnAd, TSPX_IMSI, C_Test_fh, C_NCCP_2)			
3	body	+MM_PwrOrSimOff(C_SIMIn)			
4		(TCV_K := 1)			
5		+ltree_TestReselect			
6		[TSPC_DCS_Class3]			
7		(TCV_K := 2)			
8		+ltree_TestReselect			
		ltree_TestReselect			
9		+ltree_StartCarriers1_and_2			
10		+PageOnCarriers("dummy", C_CellB, "dummy", "dummy", "dummy", "dummy")			
11		+MM_PwrOrSimOn(C_SIMIn)			
12		START T_dly(50000)			
13	Label 1	L?DL_RacInChRq	ChReq_01(C_RACH_A_1, ChRequest_02)		
14		->Label1			
15	CS_0 011	L?DL_RacInChRq	ChReq_01(C_RACH_B_1, ChRequest_02)	F	
16		?TIMEOUT T_dly			
17		(TCV_Null := OM_ChangeRFOfCell(C_CellB, 54))			
18		START T_dly(20000)			
19	Label 2	L?DL_RacInChRq	ChReq_01(C_RACH_A_1, ChRequest_01)		
20		->Label2			
21	CS_0 012	?TIMEOUT T_dly		F	
22		L?DL_RacInChRq	ChReq_01(C_RACH_B_1, ChRequest_02)		
23		CANCEL T_dly			
24		(TCV_Null := OM_PgFill(C_CellB, PgReqTp1Norm))			
25		+Pause(20000)			
26		+ltree_StartCarriers3_and_4			
27		+PageOnCarriers("dummy", "dummy", C_CellC, C_CellD, "dummy", "dummy")			
28		START T_dly(38000)			
29	Label 3	L?DL_RacInChRq	ChReq_01(C_RACH_A_1, ChRequest_01)		
30		->Label3			
31		L?DL_RacInChRq	ChReq_01(C_RACH_B_1, ChRequest_01)		
32		->Label3			

33	CS_0 013	L?DL_RaInChRq	ChReq_01(C_RACH_ C_1, ChRequest_02)	F
34	CS_0 014	L?DL_RaInChRq	ChReq_01(C_RACH_ D_1, ChRequest_02)	F
35		?TIMEOUT T_dly		
36		START T_dly(52000)		
37	Label 4	L?DL_RaInChRq	ChReq_01(C_RACH_ A_1, ChRequest_01)	
38		->Label4		
39		L?DL_RaInChRq	ChReq_01(C_RACH_ B_1, ChRequest_01)	
40		->Label4		
41	CS_0 015	?TIMEOUT T_dly		F
42	CS_0 016	L?DL_RaInChRq	ChReq_01(C_RACH_ D_1, ChRequest_02)	F
43	CS_0 017	L?DL_RaInChRq	ChReq_01(C_RACH_ C_1, ChRequest_02)	P
Itree_StartCarriers1_and_2				
44		(TCV_PO := '00'B)		
45		+Itree_StartCarrier1		
46		[TCV_K = 1]		
47		(TCV_PO := '00'B)		
48		+Itree_StartCarrier2		
49		[TCV_K <> 1]		
50		(TCV_PO := '01'B)		
51		+Itree_StartCarrier2		
Itree_StartCarriers3_and_4				
52		[TCV_K = 1]		
53		(TCV_PO := '00'B)		
54		+Itree_StartCarrier3		
55		+Itree_StartCarrier4		
56		[TCV_K <> 1]		
57		(TCV_PO := '11'B)		
58		+Itree_StartCarrier3		
59		+Itree_StartCarrier4		
Itree_StartCarrier1				
60		(TCV_sacch := OC_SubchOfSacch4(TSPX_SDCCH4SubDef, C_CellA))		
61		+CombinedBCCH_A(53, C_MaxPwrLvlG, C_MaxPwrLvlD, 3, 512, C_Immass, TCV_slot, TCV_tsc, TimingAdv(0), C_BABR_0, C_cch_1Comb, C_BPM_3)		
62		+SysInfoSending_fh_rpctp(C_SCH_A, C_BCCH_A_1, C_TxInt_5, C_Max_2, C_NECl_0, C_ATT_0, C_BABR_0, C_cch_1Comb, C_BPM_3, C_T3212_0, C_ci_cellA, C_MCC_1, C_PLMN_2, C_LAC_1111, CellOpt_01, CellChDes_24, CellChDes_24d, C_CellReselectHys4, C_MaxPwrLvlG, C_MaxPwrLvlD, BcchFreqLst_53, BcchFreqLst_54, BcchFreqLst_55, C_Restablishment, C_BCC, C_NCC, C_NCCP_2, '011110'B, '00000'B, '000000'B, '000'B, TCV_PO)		
Itree_StartCarrier2				
63		(TCV_sacch := OC_SubchOfSacch4(TSPX_SDCCH4SubDef, C_CellB))		
64		+CombinedBCCH_B(43, C_MaxPwrLvlG, C_MaxPwrLvlD, 9, 543, C_Immass, TCV_slot, TCV_tsc, TimingAdv(0), C_BABR_0, C_cch_1Comb, C_BPM_3)		
65		+SysInfoSending_fh_rpctp(C_SCH_B, C_BCCH_B_1, C_TxInt_5, C_Max_2, C_NECl_0, C_ATT_0, C_BABR_0, C_cch_1Comb, C_BPM_3, C_T3212_0, C_ci_cellB, C_MCC_1, C_PLMN_2, C_LAC_1111, CellOpt_01,		

	<p>CellChDes_24, CellChDes_24d, C_CellReselectHys4, C_MaxPwrLvlG, C_MaxPwrLvlD, BcchFreqLst_53, BcchFreqLst_54, BcchFreqLst_55, C_Restablishment, C_BCC, C_NCC, C_NCCP_2, '001010'B, '11111'B, '001000'B, '000'B, TCV_PO)</p>		
66	<p>Itree_StartCarrier3 (TCV_sacch := OC_SubchOfSacch4(TSPX_SDCCH4SubDef, C_CellC))</p>		
67	<p>+CombinedBCCH_C(48, C_MaxPwrLvlG, C_MaxPwrLvlD, 18, 568, C_Immass, TCV_slot, TCV_tsc, TimingAdv(0), C_BABR_0, C_cch_1Comb, C_BPM_3)</p>		
68	<p>+SysInfoSending_fh_rpctp(C_SCH_C, C_BCCH_C_1, C_TxInt_5, C_Max_2, C_NECI_0, C_ATT_0, C_BABR_0, C_cch_1Comb, C_BPM_3, C_T3212_0, C_ci_cellC, C_MCC_1, C_PLMN_2, C_LAC_1111, CellOpt_01, CellChDes_24, CellChDes_24d, C_CellReselectHys4, C_MaxPwrLvlG, C_MaxPwrLvlD, BcchFreqLst_53, BcchFreqLst_54, BcchFreqLst_55, C_Restablishment, C_BCC, C_NCC, C_NCCP_2, '011001'B, '00001'B, '001010'B, '010'B, TCV_PO)</p>		
69	<p>Itree_StartCarrier4 (TCV_sacch := OC_SubchOfSacch4(TSPX_SDCCH4SubDef, C_CellD))</p>		
70	<p>[TSPC_EGSM]</p>		
71	<p>+CombinedBCCH_D(48, C_MaxPwrLvlG, C_MaxPwrLvlD, 985, 589, C_Immass, TCV_slot, TCV_tsc, TimingAdv(0), C_BABR_0, C_cch_1Comb, C_BPM_3)</p>		
72	<p>+SysInfoSending_fh_rpctp(C_SCH_D, C_BCCH_D_1, C_TxInt_5, C_Max_2, C_NECI_0, C_ATT_0, C_BABR_0, C_cch_1Comb, C_BPM_3, C_T3212_0, C_ci_cellD, C_MCC_1, C_PLMN_2, C_LAC_1111, CellOpt_01, CellChDes_24, CellChDes_24d, C_CellReselectHys4, C_MaxPwrLvlG, C_MaxPwrLvlD, BcchFreqLst_53, BcchFreqLst_54, BcchFreqLst_55, C_Restablishment, C_BCC, C_NCC, C_NCCP_2, '011001'B, '00010'B, '001010'B, '010'B, TCV_PO)</p>		
73	<p>[NOT TSPC_EGSM]</p>		
74	<p>+CombinedBCCH_D(48, C_MaxPwrLvlG, C_MaxPwrLvlD, 25, 589, C_Immass, TCV_slot, TCV_tsc, TimingAdv(0), C_BABR_0, C_cch_1Comb, C_BPM_3)</p>		
75	<p>+SysInfoSending_fh_rpctp(C_SCH_D, C_BCCH_D_1, C_TxInt_5, C_Max_2, C_NECI_0, C_ATT_0, C_BABR_0, C_cch_1Comb, C_BPM_3, C_T3212_0, C_ci_cellD, C_MCC_1, C_PLMN_2, C_LAC_1111, CellOpt_01, CellChDes_24, CellChDes_24d, C_CellReselectHys4, C_MaxPwrLvlG, C_MaxPwrLvlD, BcchFreqLst_53, BcchFreqLst_54, BcchFreqLst_55, C_Restablishment, C_BCC, C_NCC, C_NCCP_2, '011001'B, '00010'B, '001010'B, '010'B, TCV_PO)</p>		
Detailed Comments:			

Test Case Dynamic Behaviour					
Test Case Name:		TC_20_5			
Group:		GSM_MS_CS_4200/CellSelection/			
Purpose:		<p>1. To verify that the MS shall be able to calculate the path loss criterion parameter C2 used for cell reselection.</p> <p>2. Whilst in idle mode, an MS shall continue to monitor all BCCH carriers as indicated by the BCCH allocation.</p> <p>3. Mobile stations shall treat all ARFCNs in the set (0..1023) as valid ARFCN values even if the mobile station is unable to transmit or receive on that ARFCN.</p> <p>4. An E-GSM MS shall correctly decode parameters transmitted in the system information type 2 ter message.</p>			
Default:		OtherEventsFail			
Nr	Label	Behaviour Description	CRef	V	Comments
1		START T_guard(600)			
2		+IdleUpdated(C_E_default, C_CellA, C_SCH_A, C_BCCH_A_1, C_Immss, C_S0, C_SlotNU, C_SlotNU, C_SlotNU, C_BCC, C_TxInt_5, C_Max_2, C_NECI_0, C_ATT_0, TimingAdv(0), C_BABR_1, C_cch_1Comb, C_BPM_2, C_T3212_0, C_ci_cellA, C_MCC_1, C_PLMN_2, C_LAC_1111, CellOpt_01, CellChDes_24, CellChDes_24d, C_CellReselectHys4, C_MaxPwrLvIG, C_MaxPwrLvID, BcchFreqLst_50, BcchFreqLst_Omit, BcchFreqLst_51, BcchFreqLst_Omit, C_Restablishment, C_BCC, C_NCC, C_Start_Tmsi, TSPX_SDCCH4SubDef, TSPX_CKSNDf, TSPX_RANDDef, C_arfcnA, C_arfcnAd, TSPX_IMSI, C_Test_fh, C_NCCP_2)			
3	body	+MM_PwrOrSimOff(C_SIMIn)			
4		+Itree_StartCarriers			
5		[TSPC_EGSM]			
6		+PageOnCarriers("dummy", C_CellB, C_CellC, "dummy", "dummy", "dummy")			
7		+Itree_continue			
8		[NOT TSPC_EGSM]			
9		+PageOnCarriers("dummy", C_CellB, "dummy", "dummy", "dummy", "dummy")			
10		+Itree_continue			
		Itree_continue			
11		+MM_PwrOrSimOn(C_SIMIn)			
12		START T_dly(50000)			
13	CS_0 018	L?DL_RaInChRq	ChReq_01(C_RACH_B_1, ChRequest_02)	F	
14	CS_0 019	L?DL_RaInChRq	ChReq_01(C_RACH_C_1, ChRequest_02)	F	
15		?TIMEOUT T_dly			
16		(TCV_Null := OM_ChangeRFOfCell(C_CellB, 42))			
17		START T_dly(20000)			
18		L?DL_RaInChRq CANCEL T_dly	ChReq_01(C_RACH_B_1, ChRequest_02)		
19		[TSPC_EGSM]			
20		+Pause(30000)			
21		(TCV_Null := OM_ChangeRFOfCell(C_CellC, 60))			
22		+Pause(20000)			
23	CS_0 020	L?DL_RaInChRq	ChReq_01(C_RACH_B_1, ChRequest_01)	I	
24	CS_0 021	L?DL_RaInChRq	ChReq_01(C_RACH_C_1, ChRequest_02)	P	
25	CS_0 022	[NOT TSPC_EGSM]		P	
		Itree_StartCarriers			

26	+ltree_StartCarrier1		
27	+ltree_StartCarrier2		
28	[TSPC_EGSM]		
29	+ltree_StartCarrier3		
30	[NOT TSPC_EGSM]		
	ltree_StartCarrier1		
31	(TCV_sacch := OC_SubchOfSacch4(TSPX_SDCCH4SubDef, C_CellA))		
32	+CombinedBCCH_A_fn(53, C_MaxPwrLvlG, C_MaxPwrLvlD, 3, 512, C_Immass, TCV_slot, TCV_tsc, TimingAdv(0), C_BABR_1, C_cch_1Comb, C_BPM_2, 0)		
33	+SysInfoSending_fh_bisA(C_SCH_A, C_BCCH_A_1, C_TxInt_5, C_Max_2, C_NECl_0, C_ATT_0, C_BABR_1, C_cch_1Comb, C_BPM_2, C_T3212_0, C_ci_cellA, C_MCC_1, C_PLMN_2, C_LAC_1111, CellOpt_01, CellChDes_24, CellChDes_24d, C_CellReselectHys4, C_MaxPwrLvlG, C_MaxPwrLvlD, BcchFreqLst_50, BcchFreqLst_51, C_Restablishment, C_BCC, C_NCC, C_NCCP_2, '010100'B, '00000'B, '000000'B, '000'B)		
	ltree_StartCarrier2		
34	(TCV_sacch := OC_SubchOfSacch4(TSPX_SDCCH4SubDef, C_CellB))		
35	+CombinedBCCH_B_fn(32, C_MaxPwrLvlG, C_MaxPwrLvlD, 9, 543, C_Immass, TCV_slot, TCV_tsc, TimingAdv(0), C_BABR_1, C_cch_1Comb, C_BPM_2, 27)		
36	+SysInfoSending_fh_bisB(C_SCH_B, C_BCCH_B_1, C_TxInt_5, C_Max_2, C_NECl_0, C_ATT_0, C_BABR_1, C_cch_1Comb, C_BPM_2, C_T3212_0, C_ci_cellB, C_MCC_1, C_PLMN_2, C_LAC_1111, CellOpt_01, CellChDes_24, CellChDes_24d, C_CellReselectHys4, C_MaxPwrLvlG, C_MaxPwrLvlD, BcchFreqLst_50, BcchFreqLst_51, C_Restablishment, C_BCC, C_NCC, C_NCCP_2, '010100'B, '00000'B, '001000'B, '000'B)		
	ltree_StartCarrier3		
37	(TCV_sacch := OC_SubchOfSacch4(TSPX_SDCCH4SubDef, C_CellC))		
38	+CombinedBCCH_C(43, C_MaxPwrLvlG, C_MaxPwrLvlD, 985, 568, C_Immass, TCV_slot, TCV_tsc, TimingAdv(0), C_BABR_1, C_cch_1Comb, C_BPM_2)		
39	+SysInfoSending_fh_rpct(C_SCH_C, C_BCCH_C_1, C_TxInt_5, C_Max_2, C_NECl_0, C_ATT_0, C_BABR_1, C_cch_1Comb, C_BPM_2, C_T3212_0, C_ci_cellC, C_MCC_1, C_PLMN_2, C_LAC_1111, CellOpt_01, CellChDes_24, CellChDes_24d, C_CellReselectHys4, C_MaxPwrLvlG, C_MaxPwrLvlD, BcchFreqLst_50, BcchFreqLst_51, BcchFreqLst_52, C_Restablishment, C_BCC, C_NCC, C_NCCP_2, '011011'B, '00000'B, '000101'B, '000'B)		
Detailed Comments:			

Test Case Dynamic Behaviour					
Test Case Name:		TC_20_6			
Group:		GSM_MS_CS_4200/CellSelection/			
Purpose:		<p>1. At least every 5 s the MS shall calculate the value of C1 and C2 for the serving cell and recalculate C1 and C2 values for non serving cells (if necessary). The MS shall then check whether:</p> <p>1.1 The calculated value of C2 for a non serving suitable cell exceeds the value of C2 for the serving cell for a period of 5 seconds.</p> <p>1.2 Cell reselection shall not take place if there was a cell reselection within the previous 15 seconds.</p> <p>1.3 Cell reselection for any other reason shall take place immediately, but the cell that the MS was camped on shall not be returned to within 5 seconds if another suitable cell can be found.</p>			
Default:		OtherEventsFail			
Nr	Label	Behaviour Description	CRef	V	Comments
1		START T_guard(600)			
2		+IdleUpdated(C_E_default, C_CellA, C_SCH_A, C_BCCH_A_1, C_Immss, C_S0, C_SlotNU, C_SlotNU, C_SlotNU, C_BCC, C_TxInt_5, C_Max_1, C_NECI_0, C_ATT_0, TimingAdv(0), C_BABR_0, C_cch_1Comb, C_BPM_3, C_T3212_0, C_ci_cellA, C_MCC_1, C_PLMN_2, C_LAC_1111, CellOpt_01, CellChDes_24, CellChDes_24d, C_CellReselectHys4, C_MaxPwrLvlG, C_MaxPwrLvlID, BcchFreqLst_59, BcchFreqLst_Omit, BcchFreqLst_61, BcchFreqLst_Omit, C_Restablishment, C_BCC, C_NCC, C_Start_Tmsi, TSPX_SDCCH4SubDef, TSPX_CKSNDDef, TSPX_RANDDef, C_arfcnA, C_arfcnAd, TSPX_IMSI, C_Test_fh, C_NCCP_2)			
3	body	+MM_PwrOrSimOff(C_SIMIn)			
4		+ltree_StartCarriers1_and_2			
5		+MM_PwrOrSimOn(C_SIMIn)			
6		+NoReaction(50000)			
7		+PageOnCarriers(C_CellA, C_CellB, "dummy", "dummy", "dummy", "dummy")			
8		START T_dly(20000)			
9		+ltree_ChRq1_and_2			
10		+ltree_continue			
11		+ltree_continue1			
		ltree_continue			
12		(TCV_Null := OM_PgFill(C_CellA, PgReqTp1Norm), TCV_Null := OM_PgFill(C_CellB, PgReqTp1Norm))			
13		START T_dly(20000)			
14	Label 1	L?DL_RacInChRq	ChReq_01(C_RACH_A_1, ChRequest_02)		
15		->Label1			
16		L?DL_RacInChRq	ChReq_01(C_RACH_B_1, ChRequest_02)		
17		->Label1			
18		?TIMEOUT T_dly			
19		(TCV_Null := OM_PgFill(C_CellB, PgReqTp1_01), TCV_Null := OM_ChangeRFOfCell(C_CellB, 56))			
20		START T_dly(4000)			
21	Label 2	L?DL_RacInChRq	ChReq_01(C_RACH_A_1, ChRequest_02)		
22		->Label2			
23	CS_0 023	L?DL_RacInChRq	ChReq_01(C_RACH_B_1, ChRequest_02)	F	
24		?TIMEOUT T_dly			
25		(TCV_Null := OM_ChangeRFOfCell(C_CellB, 36))			
26		START T_dly(30000)			
27	Label 3	L?DL_RacInChRq	ChReq_01(C_RACH_A_1, ChRequest_02)		
28		->Label3			

29	CS_0 024	L?DL_RaInChRq	ChReq_01(C_RACH_ B_1, ChRequest_02)	F	
30		?TIMEOUT T_dly			
31		(TCV_Null := OM_ChangeRFOfCell(C_CellB, 56))			
32		START T_dly(100000)			
33	Label 4	L?DL_RaInChRq	ChReq_01(C_RACH_ A_1, ChRequest_02)		
34		->Label4			
35	CS_0 025	?TIMEOUT T_dly		F	
36		L?DL_RaInChRq READTIMER T_dly(TCV_Time)	ChReq_01(C_RACH_ B_1, ChRequest_02)		
37		CANCEL T_dly			
		Itree_continue1			
38		(TCV_Null := OM_PgFill(C_CellB, PgReqTp1Norm), TCV_Null := OM_ChangeRFOfCell(C_CellB, 36))			
39		START T_dly(20000)			
40	Label 5	L?DL_RaInChRq	ChReq_01(C_RACH_ A_1, ChRequest_02)		
41		->Label5			
42		L?DL_RaInChRq	ChReq_01(C_RACH_ B_1, ChRequest_02)		
43		->Label5			
44		?TIMEOUT T_dly			
45		(TCV_Time := TCV_Time + 2000, TCV_Null := OM_ChangeRFOfCell(C_CellB, 56))			
46		START T_dly(TCV_Time)			
47	Label 6	L?DL_RaInChRq	ChReq_01(C_RACH_ A_1, ChRequest_02)		
48		->Label6			
49		L?DL_RaInChRq	ChReq_01(C_RACH_ B_1, ChRequest_02)		
50		->Label6			
51		?TIMEOUT T_dly			
52		(TCV_Null := OM_PgFill(C_CellA, PgReqTp1_01), TCV_Null := OM_ChangeRFOfCell(C_CellB, 36))			
53		START T_dly(11000)			
54	Label 7	L?DL_RaInChRq	ChReq_01(C_RACH_ B_1, ChRequest_02)		
55		->Label7			
56	CS_0 026	L?DL_RaInChRq	ChReq_01(C_RACH_ A_1, ChRequest_02)	F	
57	CS_0 027	?TIMEOUT T_dly		P	
		Itree_ChRq1_and_2			
58		(TCV_Cnt := 0)			
59	Label 8	(TCV_Cnt := TCV_Cnt)			dummy line to allow label
60	CS_0 028	?TIMEOUT T_dly		F	
61	CS_0 029	L?DL_RaInChRq	ChReq_01(C_RACH_ B_1, ChRequest_01)	F	
62		L?DL_RaInChRq (TCV_Cnt := TCV_Cnt + 1)	ChReq_01(C_RACH_ A_1, ChRequest_02)		
63		[TCV_Cnt = 1]			Rxed 2 RACHs on cell A?
64		->Label8			
65		[TCV_Cnt <> 1]			
66		START T_dly1(4500)			
67		(TCV_Cnt := 0)			
68	Label 9	(TCV_Cnt := TCV_Cnt)			dummy line to allow label
69	CS_0 030	?TIMEOUT T_dly		F	
70		?TIMEOUT T_dly1			

71		->Label9			
72		L?DL_RaInChRq READTIMER T_dly1(TCV_Time)	ChReq_01(C_RACH_A_1, ChRequest_02)		
73	CS_0 031	[TCV_Time <> 0]		F	
74		[TCV_Time = 0]			
75		->Label9			
76		L?DL_RaInChRq (TCV_Cnt := TCV_Cnt + 1)	ChReq_01(C_RACH_B_1, ChRequest_02)		
77		[TCV_Cnt = 1]			Rxed 2 RACHs on cell B?
78		->Label9			
79		[TCV_Cnt <> 1]			
80	Label 10	L?DL_RaInChRq READTIMER T_dly1(TCV_Time)	ChReq_01(C_RACH_A_1, ChRequest_01)		
81	CS_0 032	[TCV_Time <> 0]		F	
82		[TCV_Time = 0]			
83		->Label10			
84		L?DL_RaInChRq	ChReq_01(C_RACH_B_1, ChRequest_01)		
85		->Label10			
86		?TIMEOUT T_dly1			
87		->Label10			
88		?TIMEOUT T_dly			
89		CANCEL T_dly1			
		Itree_StartCarriers1_and_2			
90		+Itree_StartCarrier1			
91		+Itree_StartCarrier2			
		Itree_StartCarrier1			
92		(TCV_sacch := OC_SubchOfSacch4(TSPX_SDCCH4SubDef, C_CellA))			
93		[TSPC_EGSM]			
94		+CombinedBCCH_A(56, C_MaxPwrLvlG, C_MaxPwrLvlD, 3, 512, C_Immass, TCV_slot, TCV_tsc, TimingAdv(0), C_BABR_0, C_cch_1Comb, C_BPM_3)			
95		+SysInfoSending_fh_rcc(C_SCH_A, C_BCCH_A_1, C_TxInt_5, C_Max_1, C_NECl_0, C_ATT_0, C_BABR_0, C_cch_1Comb, C_BPM_3, C_T3212_0, C_ci_cellA, C_MCC_1, C_PLMN_2, C_LAC_1111, CellOpt_01, CellChDes_24, CellChDes_24d, C_CellReselectHys4, C_MaxPwrLvlG, C_MaxPwrLvlD, BcchFreqLst_60, BcchFreqLst_61, BcchFreqLst_55, C_Restablishment, C_BCC, C_NCC, C_NCCP_2, '011010'B, '0'B, '0'B, '00000'B)			
96		[NOT TSPC_EGSM]			
97		+CombinedBCCH_A(46, C_MaxPwrLvlG, C_MaxPwrLvlD, 3, 512, C_Immass, TCV_slot, TCV_tsc, TimingAdv(0), C_BABR_0, C_cch_1Comb, C_BPM_3)			
98		+SysInfoSending_fh_rcc(C_SCH_A, C_BCCH_A_1, C_TxInt_5, C_Max_1, C_NECl_0, C_ATT_0, C_BABR_0, C_cch_1Comb, C_BPM_3, C_T3212_0, C_ci_cellA, C_MCC_1, C_PLMN_2, C_LAC_1111, CellOpt_01, CellChDes_24, CellChDes_24d, C_CellReselectHys4, C_MaxPwrLvlG, C_MaxPwrLvlD, BcchFreqLst_59, BcchFreqLst_61, BcchFreqLst_55, C_Restablishment, C_BCC, C_NCC, C_NCCP_2, '011010'B, '0'B, '0'B, '00000'B)			
		Itree_StartCarrier2			
99		(TCV_sacch := OC_SubchOfSacch4(TSPX_SDCCH4SubDef, C_CellB))			

100	[TSPC_EGSM]		
101	+CombinedBCCH_B(46, C_MaxPwrLvlG, C_MaxPwrLvlID, 985, 543, C_Immass, TCV_slot, TCV_tsc, TimingAdv(0), C_BABR_0, C_cch_1Comb, C_BPM_3)		
102	+SysInfoSending_fh_rcc(C_SCH_B, C_BCCH_B_1, C_TxInt_5, C_Max_1, C_NECl_0, C_ATT_0, C_BABR_0, C_cch_1Comb, C_BPM_3, C_T3212_0, C_ci_cellB, C_MCC_1, C_PLMN_2, C_LAC_1111, CellOpt_01, CellChDes_24, CellChDes_24d, C_CellReselectHys4, C_MaxPwrLvlG, C_MaxPwrLvlID, BcchFreqLst_60, BcchFreqLst_61, BcchFreqLst_55, C_Restablishment, C_BCC, C_NCC, C_NCCP_2, '011110'B, '0'B, '0'B, '00000'B)		
103	[NOT TSPC_EGSM]		
104	+CombinedBCCH_B(36, C_MaxPwrLvlG, C_MaxPwrLvlID, 9, 543, C_Immass, TCV_slot, TCV_tsc, TimingAdv(0), C_BABR_0, C_cch_1Comb, C_BPM_3)		
105	+SysInfoSending_fh_rcc(C_SCH_B, C_BCCH_B_1, C_TxInt_5, C_Max_1, C_NECl_0, C_ATT_0, C_BABR_0, C_cch_1Comb, C_BPM_3, C_T3212_0, C_ci_cellB, C_MCC_1, C_PLMN_2, C_LAC_1111, CellOpt_01, CellChDes_24, CellChDes_24d, C_CellReselectHys4, C_MaxPwrLvlG, C_MaxPwrLvlID, BcchFreqLst_59, BcchFreqLst_61, BcchFreqLst_55, C_Restablishment, C_BCC, C_NCC, C_NCCP_2, '011110'B, '0'B, '0'B, '00000'B)		
Detailed Comments:			

Test Case Dynamic Behaviour

Test Case Name:	TC_20_7
Group:	GSM_MS_CS_4200/CellSelection/
Purpose:	<p>1. To verify that the MS does not select a cell of low priority when a suitable cell of normal priority exists with a lower received signal strength.</p> <p>2. To verify that the MS takes into account CELL_BAR_ACCESS and CELL_BAR_QUALIFY when performing cell selection and reselection.</p> <p>3. To verify that if the following conditions are met:</p> <ul style="list-style-type: none"> - the cell belongs to the MS HPLMN - the MS is in cell test operation mode - the CELL_BAR_ACCESS is set to 1 - the CELL_BAR_QUALIFY is set to 0 - the Access Control class 15 is barred <p>then the "Cell Selection priority" and the "Status for cell reselection" shall be set to normal.</p>
Default:	OtherEventsFail

Nr	Label	Behaviour Description	CRef	V	Comments
1		START T_guard(600)			
2		+IdleUpdated(C_E_default, C_CellA, C_SCH_A, C_BCCH_A_1, C_Immss, C_S0, C_SlotNU, C_SlotNU, C_SlotNU, C_BCC, C_TxInt_5, C_Max_2, C_NECI_0, C_ATT_0, TimingAdv(0), C_BABR_0, C_cch_1Comb, C_BPM_3, C_T3212_0, C_ci_cellA, C_MCC_1, C_PLMN_2, C_LAC_1111, CellOpt_01, CellChDes_24, CellChDes_24d, C_CellReselectHys4, C_MaxPwrLvIG, C_MaxPwrLvID, BcchFreqLst_50, BcchFreqLst_Omit, BcchFreqLst_51, BcchFreqLst_Omit, C_Restablishment, C_BCC, C_NCC, C_Start_Trmsi, TSPX_SDCCH4SubDef, TSPX_CKSNDDef, TSPX_RANDDef, C_arfcnA, C_arfcnAd, TSPX_IMSI, C_Test_fh, C_NCCP_2)			
3	body	+MM_PwrOrSimOff(C_SIMIn)			
4		+ltree_StartCarriers			
5		+PageOnCarriers(C_CellA, C_CellB, C_CellC, C_CellD, "dummy", "dummy")			
6		+MM_PwrOrSimOn(C_SIMIn)			
7		START T_dly(33000), START T_dly1(50000)			
8	CS_0033	?TIMEOUT T_dly		F	
9	CS_0034	L?DL_RaInChRq	ChReq_01(C_RACH_A_1, ChRequest_02)	F	
10	CS_0035	L?DL_RaInChRq	ChReq_01(C_RACH_B_1, ChRequest_02)	F	
11	CS_0036	L?DL_RaInChRq	ChReq_01(C_RACH_C_1, ChRequest_02)	F	
12		L?DL_RaInChRq	ChReq_01(C_RACH_D_1, ChRequest_02)		
13		CANCEL T_dly			
14	Label 1	L?DL_RaInChRq	ChReq_01(C_RACH_D_1, ChRequest_02)		
15		->Label1			
16	CS_0037	?TIMEOUT T_dly1		F	
17	CS_0038	L?DL_RaInChRq	ChReq_01(C_RACH_B_1, ChRequest_02)	F	
18	CS_0039	L?DL_RaInChRq	ChReq_01(C_RACH_C_1, ChRequest_02)	F	
19		L?DL_RaInChRq	ChReq_01(C_RACH_A_1, ChRequest_02)		
20	Label 2	L?DL_RaInChRq	ChReq_01(C_RACH_A_1, ChRequest_02)		
21		->Label2			
22	CS_0040	L?DL_RaInChRq	ChReq_01(C_RACH_C_1, ChRequest_02)	F	

23	CS_0 041	L?DL_RaInChRq	ChReq_01(C_RACH_ D_1, ChRequest_02)	F
24		L?DL_RaInChRq	ChReq_01(C_RACH_ B_1, ChRequest_02)	
25		+ltree_continue		
26		?TIMEOUT T_dly		
27		+ltree_continue		
		ltree_continue		
28		CANCEL T_dly, CANCEL T_dly1		
29		+MM_PwrOrSimOff(C_SIMIn)		
30		(TCV_Null := OM_StopAllBCCH(C_CellA, C_CellB, C_CellC, C_CellD, "dummy", "dummy", "dummy", "dummy"))		
31		(TCV_Null := OO_SetCellTestMode())		Switch MS to cell test mode
32		+ltree_StartCarriers		
33		+PageOnCarriers(C_CellA, C_CellB, C_CellC, C_CellD, "dummy", "dummy")		
34		+MM_PwrOrSimOn(C_SIMIn)		
35		START T_dly(33000), START T_dly1(50000)		
36	CS_0 042	?TIMEOUT T_dly		F
37	CS_0 043	L?DL_RaInChRq	ChReq_01(C_RACH_ A_1, ChRequest_02)	F
38	CS_0 044	L?DL_RaInChRq	ChReq_01(C_RACH_ B_1, ChRequest_02)	F
39	CS_0 045	L?DL_RaInChRq	ChReq_01(C_RACH_ D_1, ChRequest_02)	F
40		L?DL_RaInChRq	ChReq_01(C_RACH_ C_1, ChRequest_02)	
41		CANCEL T_dly		
42	CS_0 046	?TIMEOUT T_dly1		F
43	CS_0 047	L?DL_RaInChRq	ChReq_01(C_RACH_ B_1, ChRequest_02)	F
44	CS_0 048	L?DL_RaInChRq	ChReq_01(C_RACH_ C_1, ChRequest_02)	F
45	CS_0 049	L?DL_RaInChRq	ChReq_01(C_RACH_ D_1, ChRequest_02)	F
46		L?DL_RaInChRq	ChReq_01(C_RACH_ A_1, ChRequest_02)	
47	Label 3	L?DL_RaInChRq	ChReq_01(C_RACH_ A_1, ChRequest_02)	
48		->Label3		
49		L?DL_RaInChRq	ChReq_01(C_RACH_ C_1, ChRequest_02)	
50		->Label3		
51		L?DL_RaInChRq	ChReq_01(C_RACH_ D_1, ChRequest_02)	
52		->Label3		
53	CS_0 050	?TIMEOUT T_dly1		P
54	CS_0 051	L?DL_RaInChRq	ChReq_01(C_RACH_ B_1, ChRequest_02)	P
		ltree_StartCarriers		
55		+ltree_StartCarrier1		
56		+ltree_StartCarrier2		
57		+ltree_StartCarrier3		
58		+ltree_StartCarrier4		
		ltree_StartCarrier1		
59		(TCV_sacch := OC_SubchOfSacch4(TSPX_SDCCH4SubDef, C_CellA))		
60		+CombinedBCCH_A(33, C_MaxPwrLvlG, C_MaxPwrLvlD, 3, 512, C_Immass, TCV_slot, TCV_tsc, TimingAdv(0), C_BABR_0,		

61	<p>C_cch_1Comb, C_BPM_3)</p> <p>+SysInfoSending_fh_rcc(C_SCH_A, C_BCCH_A_1, C_TxInt_5, C_Max_2, C_NECL_0, C_ATT_0, C_BABR_0, C_cch_1Comb, C_BPM_3, C_T3212_0, C_ci_cellA, C_MCC_1, C_PLMN_2, C_LAC_1111, CellOpt_01, CellChDes_24, CellChDes_24d, C_CellReselectHys4, C_MaxPwrLvIG, C_MaxPwrLvID, BcchFreqLst_50, BcchFreqLst_51, BcchFreqLst_52, C_Restablishment, C_BCC, C_NCC, C_NCCP_2, '000000'B, '0'B, '1'B, '10000'B)</p>
62	<p>Itree_StartCarrier2</p> <p>(TCV_sacch := OC_SubchOfSacch4(TSPX_SDCCH4SubDef, C_CellB))</p>
63	<p>+CombinedBCCH_B(43, C_MaxPwrLvIG, C_MaxPwrLvID, 9, 543, C_Immass, TCV_slot, TCV_tsc, TimingAdv(0), C_BABR_0, C_cch_1Comb, C_BPM_3)</p>
64	<p>+SysInfoSending_fh_rcc(C_SCH_B, C_BCCH_B_1, C_TxInt_5, C_Max_2, C_NECL_0, C_ATT_0, C_BABR_0, C_cch_1Comb, C_BPM_3, C_T3212_0, C_ci_cellB, C_MCC_1, C_PLMN_2, C_LAC_1111, CellOpt_01, CellChDes_24, CellChDes_24d, C_CellReselectHys4, C_MaxPwrLvIG, C_MaxPwrLvID, BcchFreqLst_50, BcchFreqLst_51, BcchFreqLst_52, C_Restablishment, C_BCC, C_NCC, C_NCCP_2, '010100'B, '1'B, '1'B, '10000'B)</p>
65	<p>Itree_StartCarrier3</p> <p>(TCV_sacch := OC_SubchOfSacch4(TSPX_SDCCH4SubDef, C_CellC))</p>
66	<p>+CombinedBCCH_C(33, C_MaxPwrLvIG, C_MaxPwrLvID, 18, 568, C_Immass, TCV_slot, TCV_tsc, TimingAdv(0), C_BABR_0, C_cch_1Comb, C_BPM_3)</p>
67	<p>+SysInfoSending_fh_rcc(C_SCH_C, C_BCCH_C_1, C_TxInt_5, C_Max_2, C_NECL_0, C_ATT_0, C_BABR_0, C_cch_1Comb, C_BPM_3, C_T3212_0, C_ci_cellC, C_MCC_1, C_PLMN_2, C_LAC_1111, CellOpt_01, CellChDes_24, CellChDes_24d, C_CellReselectHys4, C_MaxPwrLvIG, C_MaxPwrLvID, BcchFreqLst_50, BcchFreqLst_51, BcchFreqLst_52, C_Restablishment, C_BCC, C_NCC, C_NCCP_2, '001010'B, '1'B, '0'B, '10000'B)</p>
68	<p>Itree_StartCarrier4</p> <p>(TCV_sacch := OC_SubchOfSacch4(TSPX_SDCCH4SubDef, C_CellD))</p>
69	<p>[TSPC_EGSM]</p>
70	<p>+CombinedBCCH_D(23, C_MaxPwrLvIG, C_MaxPwrLvID, 985, 589, C_Immass, TCV_slot, TCV_tsc, TimingAdv(0), C_BABR_0, C_cch_1Comb, C_BPM_3)</p>
71	<p>+SysInfoSending_fh_rcc(C_SCH_D, C_BCCH_D_1, C_TxInt_5, C_Max_2, C_NECL_0, C_ATT_0, C_BABR_0, C_cch_1Comb, C_BPM_3, C_T3212_0, C_ci_cellD, C_MCC_1, C_PLMN_2, C_LAC_1111, CellOpt_01, CellChDes_24, CellChDes_24d, C_CellReselectHys4, C_MaxPwrLvIG, C_MaxPwrLvID, BcchFreqLst_50, BcchFreqLst_51, BcchFreqLst_52, C_Restablishment, C_BCC, C_NCC, C_NCCP_2, '001010'B, '0'B, '0'B, '10000'B)</p>
72	<p>[NOT TSPC_EGSM]</p>
73	<p>+CombinedBCCH_D(23, C_MaxPwrLvIG, C_MaxPwrLvID, 25, 589, C_Immass, TCV_slot,</p>

74	TCV_tsc, TimingAdv(0), C_BABR_0, C_cch_1Comb, C_BPM_3) +SysInfoSending_fh_rcc(C_SCH_D, C_BCCH_D_1, C_TxInt_5, C_Max_2, C_NECI_0, C_ATT_0, C_BABR_0, C_cch_1Comb, C_BPM_3, C_T3212_0, C_ci_cellID, C_MCC_1, C_PLMN_2, C_LAC_1111, CellOpt_01, CellChDes_24, CellChDes_24d, C_CellReselectHys4, C_MaxPwrLvIG, C_MaxPwrLvID, BcchFreqLst_50, BcchFreqLst_51, BcchFreqLst_52, C_Restablishment, C_BCC, C_NCC, C_NCCP_2, '001010'B, '0'B, '0'B, '10000'B)			
Detailed Comments:				

Test Case Dynamic Behaviour					
Test Case Name:		TC_20_8			
Group:		GSM_MS_CS_4200/CellSelection/			
Purpose:		<p>1. To verify that at least every 5 s the MS shall calculate the value of C1 and C2 for the serving cell and recalculate the C1 and C2 for non serving cells (if necessary). The MS shall then check whether the path loss criterion (C1) for current serving cell falls below zero for a period of 5 seconds. This indicates that the path loss has become too high.</p> <p>2. To verify that whilst camped on a cell of the selected PLMN, the MS may need to select a different cell. The path loss criterion (C1) for the current serving cell falling below zero triggers cell reselection.</p>			
Default:		OtherEventsFail			
Nr	Label	Behaviour Description	CRef	V	Comments
1		START T_guard(600)			
2		+IdleUpdated(C_E_default, C_CellA, C_SCH_A, C_BCCH_A_1, C_Immass, C_S0, C_SlotNU, C_SlotNU, C_SlotNU, C_BCC, C_TxInt_5, C_Max_2, C_NECI_0, C_ATT_0, TimingAdv(0), C_BABR_0, C_cch_1Comb, C_BPM_3, C_T3212_0, C_ci_cellA, C_MCC_1, C_PLMN_2, C_LAC_1111, CellOpt_01, CellChDes_24, CellChDes_24d, C_CellReselectHys4, C_MaxPwrLvlG, C_MaxPwrLvlID, BcchFreqLst_50, BcchFreqLst_Omit, BcchFreqLst_51, BcchFreqLst_Omit, C_Restablishment, C_BCC, C_NCC, C_Start_Tmsi, TSPX_SDCCH4SubDef, TSPX_CKSNDDef, TSPX_RANDDef, C_arfcnA, C_arfcnAd, TSPX_IMSI, C_Test_fh, C_NCCP_2)			
3	body	+MM_PwrOrSimOff(C_SIMIn)			
4		+ltree_StartCarriers			
5		+PageOnCarriers("dummy", C_CellB, "dummy", "dummy", "dummy", "dummy")			
6		+MM_PwrOrSimOn(C_SIMIn)			
7		START T_dly(50000)			
8	CS_0 052	L?DL_RacInChRq	ChReq_01(C_RACH_A_1, ChRequest_02)	F	
9	CS_0 053	L?DL_RacInChRq	ChReq_01(C_RACH_B_1, ChRequest_02)	F	
10		?TIMEOUT T_dly			
11		(TCV_Null := OM_ChangeRFOfCell(C_CellA, 33))			
12		+Pause(4000)			
13		(TCV_Null := OM_ChangeRFOfCell(C_CellA, 63))			
14		START T_dly(30000)			
15	Label 1	L?DL_RacInChRq	ChReq_01(C_RACH_A_1, ChRequest_02)		
16		->Label1			
17	CS_0 054	L?DL_RacInChRq	ChReq_01(C_RACH_B_1, ChRequest_02)	F	
18		?TIMEOUT T_dly			
19		(TCV_Null := OM_ChangeRFOfCell(C_CellA, 33))			
20		START T_dly(20000)			
21	Label 2	L?DL_RacInChRq	ChReq_01(C_RACH_A_1, ChRequest_02)		
22		->Label2			
23	CS_0 055	?TIMEOUT T_dly		F	
24	CS_0 056	L?DL_RacInChRq	ChReq_01(C_RACH_B_1, ChRequest_02)	P	
25		ltree_StartCarriers +ltree_StartCarrier1			
26		+ltree_StartCarrier2			
		ltree_StartCarrier1			

27	(TCV_sacch := OC_SubchOfSacch4(TSPX_SDCCH4SubDef, C_CellA))		
28	+CombinedBCCH_A(63, C_MaxPwrLvlG, C_MaxPwrLvlID, 3, 512, C_Immass, TCV_slot, TCV_tsc, TimingAdv(0), C_BABR_0, C_cch_1Comb, C_BPM_3)		
29	+SysInfoSending_fh_rpct(C_SCH_A, C_BCCH_A_1, C_TxInt_5, C_Max_2, C_NECl_0, C_ATT_0, C_BABR_0, C_cch_1Comb, C_BPM_3, C_T3212_0, C_ci_cellA, C_MCC_1, C_PLMN_2, C_LAC_1111, CellOpt_01, CellChDes_24, CellChDes_24d, C_CellReselectHys4, C_MaxPwrLvlG, C_MaxPwrLvlID, BcchFreqLst_50, BcchFreqLst_51, BcchFreqLst_52, C_Restablishment, C_BCC, C_NCC, C_NCCP_2, '101000'B, '00000'B, '001111'B, '000'B)		
	ltree_StartCarrier2		
30	(TCV_sacch := OC_SubchOfSacch4(TSPX_SDCCH4SubDef, C_CellB))		
31	[TSPC_EGSM]		
32	+CombinedBCCH_B(33, C_MaxPwrLvlG, C_MaxPwrLvlID, 9, 543, C_Immass, TCV_slot, TCV_tsc, TimingAdv(0), C_BABR_0, C_cch_1Comb, C_BPM_3)		
33	+SysInfoSending_fh_rpct(C_SCH_B, C_BCCH_B_1, C_TxInt_5, C_Max_2, C_NECl_0, C_ATT_0, C_BABR_0, C_cch_1Comb, C_BPM_3, C_T3212_0, C_ci_cellB, C_MCC_1, C_PLMN_2, C_LAC_1111, CellOpt_01, CellChDes_24, CellChDes_24d, C_CellReselectHys4, C_MaxPwrLvlG, C_MaxPwrLvlID, BcchFreqLst_50, BcchFreqLst_51, BcchFreqLst_52, C_Restablishment, C_BCC, C_NCC, C_NCCP_2, '010100'B, '00000'B, '000000'B, '000'B)		
34	[NOT TSPC_EGSM]		
35	+CombinedBCCH_B(33, C_MaxPwrLvlG, C_MaxPwrLvlID, 9, 543, C_Immass, TCV_slot, TCV_tsc, TimingAdv(0), C_BABR_0, C_cch_1Comb, C_BPM_3)		
36	+SysInfoSending_fh_rpct(C_SCH_B, C_BCCH_B_1, C_TxInt_5, C_Max_2, C_NECl_0, C_ATT_0, C_BABR_0, C_cch_1Comb, C_BPM_3, C_T3212_0, C_ci_cellB, C_MCC_1, C_PLMN_2, C_LAC_1111, CellOpt_01, CellChDes_24, CellChDes_24d, C_CellReselectHys4, C_MaxPwrLvlG, C_MaxPwrLvlID, BcchFreqLst_50, BcchFreqLst_51, BcchFreqLst_52, C_Restablishment, C_BCC, C_NCC, C_NCCP_2, '010100'B, '00000'B, '000000'B, '000'B)		
Detailed Comments:			

Test Case Dynamic Behaviour					
Test Case Name:		TC_20_9			
Group:		GSM_MS_CS_4200/CellSelection/			
Purpose:		<p>1. To verify that if the MS calculates a received level average (over 5 seconds) for a non-serving suitable cell which results in the value of C2 exceeding the value of C2 for the serving cell, then cell reselection takes place to the non-serving cell.</p> <p>2. To verify that by using suitable varying levels of signal strength for non serving cells, the MS samples on non serving cell BCCH carriers are as far as possible distributed uniformly over each evaluated period.</p>			
Default:		OtherEventsFail			
Nr	Label	Behaviour Description	CRef	V	Comments
1		START T_guard(600)			
2		+IdleUpdated(C_E_default, C_CellA, C_SCH_A, C_BCCH_A_1, C_Immass, C_S0, C_SlotNU, C_SlotNU, C_SlotNU, C_BCC, C_TxInt_5, C_Max_2, C_NECI_0, C_ATT_0, TimingAdv(0), C_BABR_0, C_cch_1Comb, C_BPM_2, C_T3212_0, C_ci_cellA, C_MCC_1, C_PLMN_2, C_LAC_1111, CellOpt_01, CellChDes_24, CellChDes_24d, C_CellReselectHys4, C_MaxPwrLvlG, C_MaxPwrLvlD, BcchFreqLst_62, BcchFreqLst_Omit, BcchFreqLst_64, BcchFreqLst_Omit, C_Restablishment, C_BCC, C_NCC, C_Start_Tmsi, TSPX_SDCCH4SubDef, TSPX_CKSNDDef, TSPX_RANDDef, C_arfcnA, C_arfcnAd, TSPX_IMSI, C_Test_fh, C_NCCP_2)			
3	body	+MM_PwrOrSimOff(C_SIMIn)			
4		+Itree_StartCarriers			
5		+PageOnCarriers("dummy", C_CellB, "dummy", "dummy", "dummy", "dummy")			
6		+MM_PwrOrSimOn(C_SIMIn)			
7		START T_dly(50000)			
8	CS_0 057	L?DL_RaInChRq	ChReq_01(C_RACH_A_1, ChRequest_02)	F	
9	CS_0 058	L?DL_RaInChRq	ChReq_01(C_RACH_B_1, ChRequest_02)	F	
10		?TIMEOUT T_dly			
11		(TCV_Null := OM_VaryRFOfCell(C_BCCH_B_1, 2700, 56, 2700, 33))			
12		START T_dly(25000)			
13	CS_0 059	L?DL_RaInChRq	ChReq_01(C_RACH_A_1, ChRequest_02)	F	
14	CS_0 060	L?DL_RaInChRq	ChReq_01(C_RACH_B_1, ChRequest_02)	F	
15		?TIMEOUT T_dly			
16		(TCV_Null := OM_ChangeRFOfCell(C_CellA, 37))			
17		START T_dly(20000)			
18	Label 1	L?DL_RaInChRq	ChReq_01(C_RACH_A_1, ChRequest_02)		
19		->Label1			
20	CS_0 061	?TIMEOUT T_dly		F	
21		L?DL_RaInChRq	ChReq_01(C_RACH_B_1, ChRequest_02)		
22	CS_0 062	(TCV_Null := OM_StopVaryRFOfCell(C_BCCH_B_1))		P	
		Itree_StartCarriers			
23		+Itree_StartCarrier1			
24		+Itree_StartCarrier2			
		Itree_StartCarrier1			
25		(TCV_sacch := OC_SubchOfSacch4(

	TSPX_SDCCH4SubDef, C_CellA))		
26	[TSPC_EGSM]		
27	+CombinedBCCH_A(53, C_MaxPwrLvlG, C_MaxPwrLvlD, 3, 512, C_Immass, TCV_slot, TCV_tsc, TimingAdv(0), C_BABR_0, C_cch_1Comb, C_BPM_2)		
28	+SysInfoSending_fh_rcc(C_SCH_A, C_BCCH_A_1, C_TxInt_5, C_Max_2, C_NECI_0, C_ATT_0, C_BABR_0, C_cch_1Comb, C_BPM_2, C_T3212_0, C_ci_cellA, C_MCC_1, C_PLMN_2, C_LAC_1111, CellOpt_01, CellChDes_24, CellChDes_24d, C_CellReselectHys4, C_MaxPwrLvlG, C_MaxPwrLvlD, BcchFreqLst_63, BcchFreqLst_64, BcchFreqLst_55, C_Restablishment, C_BCC, C_NCC, C_NCCP_2, '010100'B, '0'B, '0'B, '00000'B)		
29	[NOT TSPC_EGSM]		
30	+CombinedBCCH_A(53, C_MaxPwrLvlG, C_MaxPwrLvlD, 3, 512, C_Immass, TCV_slot, TCV_tsc, TimingAdv(0), C_BABR_0, C_cch_1Comb, C_BPM_2)		
31	+SysInfoSending_fh_rcc(C_SCH_A, C_BCCH_A_1, C_TxInt_5, C_Max_2, C_NECI_0, C_ATT_0, C_BABR_0, C_cch_1Comb, C_BPM_2, C_T3212_0, C_ci_cellA, C_MCC_1, C_PLMN_2, C_LAC_1111, CellOpt_01, CellChDes_24, CellChDes_24d, C_CellReselectHys4, C_MaxPwrLvlG, C_MaxPwrLvlD, BcchFreqLst_62, BcchFreqLst_64, BcchFreqLst_55, C_Restablishment, C_BCC, C_NCC, C_NCCP_2, '010100'B, '0'B, '0'B, '00000'B)		
	Itree_StartCarrier2		
32	(TCV_sacch := OC_SubchOfSacch4(TSPX_SDCCH4SubDef, C_CellB))		
33	[TSPC_EGSM]		
34	+CombinedBCCH_B(33, C_MaxPwrLvlG, C_MaxPwrLvlD, 9, 543, C_Immass, TCV_slot, TCV_tsc, TimingAdv(0), C_BABR_0, C_cch_1Comb, C_BPM_2)		
35	+SysInfoSending_fh_rcc(C_SCH_B, C_BCCH_B_1, C_TxInt_5, C_Max_2, C_NECI_0, C_ATT_0, C_BABR_0, C_cch_1Comb, C_BPM_2, C_T3212_0, C_ci_cellB, C_MCC_1, C_PLMN_2, C_LAC_1111, CellOpt_01, CellChDes_24, CellChDes_24d, C_CellReselectHys4, C_MaxPwrLvlG, C_MaxPwrLvlD, BcchFreqLst_63, BcchFreqLst_64, BcchFreqLst_55, C_Restablishment, C_BCC, C_NCC, C_NCCP_2, '010100'B, '0'B, '0'B, '00000'B)		
36	[NOT TSPC_EGSM]		
37	+CombinedBCCH_B(33, C_MaxPwrLvlG, C_MaxPwrLvlD, 9, 543, C_Immass, TCV_slot, TCV_tsc, TimingAdv(0), C_BABR_0, C_cch_1Comb, C_BPM_2)		
38	+SysInfoSending_fh_rcc(C_SCH_B, C_BCCH_B_1, C_TxInt_5, C_Max_2, C_NECI_0, C_ATT_0, C_BABR_0, C_cch_1Comb, C_BPM_2, C_T3212_0, C_ci_cellB, C_MCC_1, C_PLMN_2, C_LAC_1111, CellOpt_01, CellChDes_24, CellChDes_24d, C_CellReselectHys4, C_MaxPwrLvlG, C_MaxPwrLvlD, BcchFreqLst_62, BcchFreqLst_64, BcchFreqLst_55, C_Restablishment, C_BCC, C_NCC, C_NCCP_2, '010100'B, '0'B, '0'B, '00000'B)		
Detailed Comments:			

Test Case Dynamic Behaviour					
Test Case Name:		TC_20_10			
Group:		GSM_MS_CS_4200/CellSelection/			
Purpose:		1. To verify that by using suitable varying levels of signal strength for the serving cell, the MS performs a running average over 5 consecutive paging blocks.			
Default:		OtherEventsFail			
Nr	Label	Behaviour Description	CRef	V	Comments
1		START T_guard(600)			
2		+IdleUpdated(C_E_default, C_CellA, C_SCH_A, C_BCCH_A_1, C_Immass, C_S0, C_SlotNU, C_SlotNU, C_SlotNU, C_BCC, C_TxInt_5, C_Max_2, C_NECI_0, C_ATT_0, TimingAdv(0), C_BABR_0, C_cch_1Comb, C_BPM_3, C_T3212_0, C_ci_cellA, C_MCC_1, C_PLMN_2, C_LAC_1111, CellOpt_01, CellChDes_24, CellChDes_24d, C_CellReselectHys4, C_MaxPwrLvlG, C_MaxPwrLvlD, BcchFreqLst_50, BcchFreqLst_Omit, BcchFreqLst_51, BcchFreqLst_Omit, C_Restablishment, C_BCC, C_NCC, C_Start_Tmsi, TSPX_SDCCH4SubDef, TSPX_CKSNDf, TSPX_RANDDef, C_arfcnA, C_arfcnAd, TSPX_IMSI, C_Test_fh, C_NCCP_2)			
3	body	+MM_PwrOrSimOff(C_SIMIn)			
4		+Itree_StartCarriers			
5		+PageOnCarriers("dummy", C_CellB, "dummy", "dummy", "dummy", "dummy")			
6		+MM_PwrOrSimOn(C_SIMIn)			
7		START T_dly(50000)			
8	Label 1	L?DL_RaInChRq	ChReq_01(C_RACH_A_1, ChRequest_02)		
9		->Label1			
10		L?DL_RaInChRq	ChReq_01(C_RACH_B_1, ChRequest_02)		
11		->Label1			
12		?TIMEOUT T_dly			
13		(TCV_Null := OM_VaryRFOfCell(C_BCCH_A_1, 3000, 33, 3000, 63))			
14		START T_dly(25000)			
15	Label 2	L?DL_RaInChRq	ChReq_01(C_RACH_A_1, ChRequest_02)		
16		->Label2			
17	CS_0 063	L?DL_RaInChRq	ChReq_01(C_RACH_B_1, ChRequest_02)	F	
18		?TIMEOUT T_dly			
19		(TCV_Null := OM_ChangeRFOfCell(C_CellB, 57))			
20		START T_dly(20000)			
21	Label 3	L?DL_RaInChRq	ChReq_01(C_RACH_A_1, ChRequest_02)		
22		->Label3			
23	CS_0 064	?TIMEOUT T_dly		F	
24		L?DL_RaInChRq	ChReq_01(C_RACH_B_1, ChRequest_02)		
25	CS_0 065	(TCV_Null := OM_StopVaryRFOfCell(C_BCCH_A_1))		P	
26		Itree_StartCarriers			
27		+Itree_StartCarrier1			
28		+Itree_StartCarrier2			
29		Itree_StartCarrier1			
30		(TCV_sacch := OC_SubchOfSacch4(TSPX_SDCCH4SubDef, C_CellA))			
31		+CombinedBCCH_A(63, C_MaxPwrLvlG, C_MaxPwrLvlD, 3, 512, C_Immass, TCV_slot,			

30	TCV_tsc, TimingAdv(0), C_BABR_0, C_cch_1Comb, C_BPM_3) +SysInfoSending_fh_rcc(C_SCH_A, C_BCCH_A_1, C_TxInt_5, C_Max_2, C_NECl_0, C_ATT_0, C_BABR_0, C_cch_1Comb, C_BPM_3, C_T3212_0, C_ci_cellA, C_MCC_1, C_PLMN_2, C_LAC_1111, CellOpt_01, CellChDes_24, CellChDes_24d, C_CellReselectHys4, C_MaxPwrLvIG, C_MaxPwrLvID, BcchFreqLst_50, BcchFreqLst_51, BcchFreqLst_52, C_Restablishment, C_BCC, C_NCC, C_NCCP_2, '010100'B, '0'B, '0'B, '00000'B)			
31	Itree_StartCarrier2 (TCV_sacch := OC_SubchOfSacch4(TSPX_SDCCH4SubDef, C_CellB))			
32	[TSPC_EGSM]			
33	+CombinedBCCH_B(39, C_MaxPwrLvIG, C_MaxPwrLvID, 985, 543, C_Immass, TCV_slot, TCV_tsc, TimingAdv(0), C_BABR_0, C_cch_1Comb, C_BPM_3)			
34	+SysInfoSending_fh_rcc(C_SCH_B, C_BCCH_B_1, C_TxInt_5, C_Max_2, C_NECl_0, C_ATT_0, C_BABR_0, C_cch_1Comb, C_BPM_3, C_T3212_0, C_ci_cellB, C_MCC_1, C_PLMN_2, C_LAC_1111, CellOpt_01, CellChDes_24, CellChDes_24d, C_CellReselectHys4, C_MaxPwrLvIG, C_MaxPwrLvID, BcchFreqLst_50, BcchFreqLst_51, BcchFreqLst_52, C_Restablishment, C_BCC, C_NCC, C_NCCP_2, '010100'B, '0'B, '0'B, '00000'B)			
35	[NOT TSPC_EGSM]			
36	+CombinedBCCH_B(39, C_MaxPwrLvIG, C_MaxPwrLvID, 9, 543, C_Immass, TCV_slot, TCV_tsc, TimingAdv(0), C_BABR_0, C_cch_1Comb, C_BPM_3)			
37	+SysInfoSending_fh_rcc(C_SCH_B, C_BCCH_B_1, C_TxInt_5, C_Max_2, C_NECl_0, C_ATT_0, C_BABR_0, C_cch_1Comb, C_BPM_3, C_T3212_0, C_ci_cellB, C_MCC_1, C_PLMN_2, C_LAC_1111, CellOpt_01, CellChDes_24, CellChDes_24d, C_CellReselectHys4, C_MaxPwrLvIG, C_MaxPwrLvID, BcchFreqLst_50, BcchFreqLst_51, BcchFreqLst_52, C_Restablishment, C_BCC, C_NCC, C_NCCP_2, '010100'B, '0'B, '0'B, '00000'B)			
Detailed Comments:				

Test Case Dynamic Behaviour					
Test Case Name:		TC_20_12			
Group:		GSM_MS_CS_4200/CellSelection/			
Purpose:		<p>1. To verify that the list of the strongest 6 non-serving carriers shall be updated at least as often as the duration of the running average defined for measurements on the BCCH allocation and may be updated more frequently.</p> <p>2. To verify that when the MS recognizes that a new BCCH carrier has become one of the 6 strongest, and the BCCH data shall be decoded for the new carrier within 30 seconds.</p>			
Default:		OtherEventsFail			
Nr	Label	Behaviour Description	CRef	V	Comments
1		START T_guard(600)			
2		+IdleUpdated(C_E_default, C_CellA, C_SCH_A, C_BCCH_A_1, C_Immass, C_S0, C_SlotNU, C_SlotNU, C_SlotNU, C_BCC, C_TxInt_5, C_Max_2, C_NECI_0, C_ATT_0, TimingAdv(0), C_BABR_0, C_cch_1Comb, C_BPM_3, C_T3212_0, C_ci_cellA, C_MCC_1, C_PLMN_2, C_LAC_1111, CellOpt_01, CellChDes_24, CellChDes_24d, C_CellReselectHys4, C_MaxPwrLvlG, C_MaxPwrLvlD, BcchFreqLst_50, BcchFreqLst_Omit, BcchFreqLst_51, BcchFreqLst_Omit, C_Restablishment, C_BCC, C_NCC, C_Start_Tmsi, TSPX_SDCCH4SubDef, TSPX_CKSNDDef, TSPX_RANDDef, C_arfcnA, C_arfcnAd, TSPX_IMSI, C_Test_fh, C_NCCP_2)			
3	body	+MM_PwrOrSimOff(C_SIMIn)			
4		+Itree_StartCarriers			
5		+PageOnCarriers("dummy", C_CellB, "dummy", "dummy", "dummy", "dummy")			
6		+MM_PwrOrSimOn(C_SIMIn)			
7		START T_dly(50000)			
8	CS_0 066	L?DL_RaInChRq	ChReq_01(C_RACH_A_1, ChRequest_02)	F	
9	CS_0 067	L?DL_RaInChRq	ChReq_01(C_RACH_B_1, ChRequest_02)	F	
10		?TIMEOUT T_dly			
11		+SysInfoSending_fh_rcc(C_SCH_B, C_BCCH_B_1, C_TxInt_5, C_Max_2, C_NECI_0, C_ATT_0, C_BABR_0, C_cch_1Comb, C_BPM_3, C_T3212_0, C_ci_cellB, C_MCC_1, C_PLMN_2, C_LAC_1111, CellOpt_01, CellChDes_24, CellChDes_24d, C_CellReselectHys4, C_MaxPwrLvlG, C_MaxPwrLvlD, BcchFreqLst_50, BcchFreqLst_51, BcchFreqLst_52, C_Restablishment, C_BCC, C_NCC, C_NCCP_2, '001010'B, '0'B, '0'B, '00000'B)			
12		START T_dly(345000)			
13	Label 1	L?DL_RaInChRq	ChReq_01(C_RACH_A_1, ChRequest_02)		
14		->Label1			
15	CS_0 068	?TIMEOUT T_dly		F	
16	CS_0 069	L?DL_RaInChRq	ChReq_01(C_RACH_B_1, ChRequest_02)	P	
17		Itree_StartCarriers			
18		+Itree_StartCarrier1 +Itree_StartCarrier2			
19		Itree_StartCarrier1 (TCV_sacch := OC_SubchOfSacch4(TSPX_SDCCH4SubDef, C_CellA))			
20		+CombinedBCCH_A(38, C_MaxPwrLvlG, C_MaxPwrLvlD, 3, 512, C_Immass, TCV_slot, TCV_tsc, TimingAdv(0), C_BABR_0, C_cch_1Comb, C_BPM_3)			

21	<pre>+SysInfoSending_fh_rcc(C_SCH_A, C_BCCH_A_1, C_TxInt_5, C_Max_2, C_NECl_0, C_ATT_0, C_BABR_0, C_cch_1Comb, C_BPM_3, C_T3212_0, C_ci_cellA, C_MCC_1, C_PLMN_2, C_LAC_1111, CellOpt_01, CellChDes_24, CellChDes_24d, C_CellReselectHys4, C_MaxPwrLvlG, C_MaxPwrLvlD, BcchFreqLst_50, BcchFreqLst_51, BcchFreqLst_52, C_Restablishment, C_BCC, C_NCC, C_NCCP_2, '010100'B, '0'B, '0'B, '00000'B)</pre>			
22	<pre>Itree_StartCarrier2 (TCV_sacch := OC_SubchOfSacch4(TSPX_SDCCH4SubDef, C_CellB))</pre>			
23	[TSPC_EGSM]			
24	<pre>+CombinedBCCH_B(33, C_MaxPwrLvlG, C_MaxPwrLvlD, 985, 543, C_Immass, TCV_slot, TCV_tsc, TimingAdv(0), C_BABR_0, C_cch_1Comb, C_BPM_3)</pre>			
25	<pre>+SysInfoSending_fh_rcc(C_SCH_B, C_BCCH_B_1, C_TxInt_5, C_Max_2, C_NECl_0, C_ATT_0, C_BABR_0, C_cch_1Comb, C_BPM_3, C_T3212_0, C_ci_cellB, C_MCC_1, C_PLMN_2, C_LAC_1111, CellOpt_01, CellChDes_24, CellChDes_24d, C_CellReselectHys4, C_MaxPwrLvlG, C_MaxPwrLvlD, BcchFreqLst_50, BcchFreqLst_51, BcchFreqLst_52, C_Restablishment, C_BCC, C_NCC, C_NCCP_2, '010100'B, '0'B, '0'B, '00000'B)</pre>			
26	[NOT TSPC_EGSM]			
27	<pre>+CombinedBCCH_B(33, C_MaxPwrLvlG, C_MaxPwrLvlD, 9, 543, C_Immass, TCV_slot, TCV_tsc, TimingAdv(0), C_BABR_0, C_cch_1Comb, C_BPM_3)</pre>			
28	<pre>+SysInfoSending_fh_rcc(C_SCH_B, C_BCCH_B_1, C_TxInt_5, C_Max_2, C_NECl_0, C_ATT_0, C_BABR_0, C_cch_1Comb, C_BPM_3, C_T3212_0, C_ci_cellB, C_MCC_1, C_PLMN_2, C_LAC_1111, CellOpt_01, CellChDes_24, CellChDes_24d, C_CellReselectHys4, C_MaxPwrLvlG, C_MaxPwrLvlD, BcchFreqLst_50, BcchFreqLst_51, BcchFreqLst_52, C_Restablishment, C_BCC, C_NCC, C_NCCP_2, '010100'B, '0'B, '0'B, '00000'B)</pre>			
Detailed Comments:				

Test Case Dynamic Behaviour					
Test Case Name:		TC_20_13			
Group:		GSM_MS_CS_4200/CellSelection/			
Purpose:		1. To verify that the MS will check the BSIC of the non-serving cell, which is in the list of 6 stringest neighbour cells, by changing the BSIC and the BCCH data of the non-serving cell such that the value of C2 for that cell exceeds the value of C2 of the serving cell, and observing that the MS performs cell reselection within the time allowed to check the BSIC, redetermine the BCCH data and perform cell reselection.			
Default:		OtherEventsFail			
Nr	Label	Behaviour Description	CRef	V	Comments
1		START T_guard(600)			
2		+IdleUpdated(C_E_default, C_CellA, C_SCH_A, C_BCCH_A_1, C_Immass, C_S0, C_SlotNU, C_SlotNU, C_SlotNU, C_BCC, C_TxInt_5, C_Max_2, C_NECI_0, C_ATT_0, TimingAdv(0), C_BABR_0, C_cch_1Comb, C_BPM_3, C_T3212_0, C_ci_cellA, C_MCC_1, C_PLMN_2, C_LAC_1111, CellOpt_01, CellChDes_24, CellChDes_24d, C_CellReselectHys4, C_MaxPwrLvIG, C_MaxPwrLvID, BcchFreqLst_50, BcchFreqLst_Omit, BcchFreqLst_51, BcchFreqLst_Omit, C_Restablishment, C_BCC, C_NCC, C_Start_Tmsi, TSPX_SDCCH4SubDef, TSPX_CKSNDDef, TSPX_RANDDef, C_arfcnA, C_arfcnAd, TSPX_IMSI, C_Test_fh, C_NCCP_2)			
3	body	+MM_PwrOrSimOff(C_SIMIn)			
4		+Itree_StartCarriers			
5		+PageOnCarriers("dummy", C_CellB, "dummy", "dummy", "dummy", "dummy")			
6		+MM_PwrOrSimOn(C_SIMIn)			
7		START T_dly(50000)			
8	CS_0 070	L?DL_RacInChRq	ChReq_01(C_RACH_A_1, ChRequest_02)	F	
9	CS_0 071	L?DL_RacInChRq	ChReq_01(C_RACH_B_1, ChRequest_02)	F	
10		?TIMEOUT T_dly			
11		+SysInfoSending_fh_rcc(C_SCH_B, C_BCCH_B_1, C_TxInt_5, C_Max_2, C_NECI_0, C_ATT_0, C_BABR_0, C_cch_1Comb, C_BPM_3, C_T3212_0, C_ci_cellB, C_MCC_1, C_PLMN_2, C_LAC_1111, CellOpt_01, CellChDes_24, CellChDes_24d, C_CellReselectHys4, C_MaxPwrLvIG, C_MaxPwrLvID, BcchFreqLst_50, BcchFreqLst_51, BcchFreqLst_52, C_Restablishment, C_BCC_3, C_NCC, C_NCCP_2, '001010'B, '0'B, '0'B, '00000'B)			
12		START T_dly(85000)			
13	Label 1	L?DL_RacInChRq	ChReq_01(C_RACH_A_1, ChRequest_02)		
14		->Label1			
15	CS_0 072	?TIMEOUT T_dly		F	
16	CS_0 073	L?DL_RacInChRq	ChReq_01(C_RACH_B_1, ChRequest_02)	P	
17		Itree_StartCarriers			
18		+Itree_StartCarrier1 +Itree_StartCarrier2			
19		Itree_StartCarrier1 (TCV_sacch := OC_SubchOfSacch4(TSPX_SDCCH4SubDef, C_CellA))			
20		+CombinedBCCH_A(38, C_MaxPwrLvIG, C_MaxPwrLvID, 3, 512, C_Immass, TCV_slot, TCV_tsc, TimingAdv(0), C_BABR_0, C_cch_1Comb, C_BPM_3)			
21		+SysInfoSending_fh_rcc(C_SCH_A,			

		<p>C_BCCH_A_1, C_TxInt_5, C_Max_2, C_NECL_0, C_ATT_0, C_BABR_0, C_cch_1Comb, C_BPM_3, C_T3212_0, C_ci_cellA, C_MCC_1, C_PLMN_2, C_LAC_1111, CellOpt_01, CellChDes_24, CellChDes_24d, C_CellReselectHys4, C_MaxPwrLvIG, C_MaxPwrLvID, BcchFreqLst_50, BcchFreqLst_51, BcchFreqLst_52, C_Restablishment, C_BCC, C_NCC, C_NCCP_2, '010100'B, '0'B, '0'B, '00000'B)</p>		
22		<p>Itree_StartCarrier2 (TCV_sacch := OC_SubchOfSacch4(TSPX_SDCCH4SubDef, C_CellB))</p>		
23		[TSPC_EGSM]		
24		+CombinedBCCH_B(33, C_MaxPwrLvIG, C_MaxPwrLvID, 985, 543, C_Immass, TCV_slot, TCV_tsc, TimingAdv(0), C_BABR_0, C_cch_1Comb, C_BPM_3)		
25		+SysInfoSending_fh_rcc(C_SCH_B, C_BCCH_B_1, C_TxInt_5, C_Max_2, C_NECL_0, C_ATT_0, C_BABR_0, C_cch_1Comb, C_BPM_3, C_T3212_0, C_ci_cellB, C_MCC_1, C_PLMN_2, C_LAC_1111, CellOpt_01, CellChDes_24, CellChDes_24d, C_CellReselectHys4, C_MaxPwrLvIG, C_MaxPwrLvID, BcchFreqLst_50, BcchFreqLst_51, BcchFreqLst_52, C_Restablishment, C_BCC, C_NCC, C_NCCP_2, '010100'B, '0'B, '0'B, '00000'B)		
26		[NOT TSPC_EGSM]		
27		+CombinedBCCH_B(33, C_MaxPwrLvIG, C_MaxPwrLvID, 9, 543, C_Immass, TCV_slot, TCV_tsc, TimingAdv(0), C_BABR_0, C_cch_1Comb, C_BPM_3)		
28		+SysInfoSending_fh_rcc(C_SCH_B, C_BCCH_B_1, C_TxInt_5, C_Max_2, C_NECL_0, C_ATT_0, C_BABR_0, C_cch_1Comb, C_BPM_3, C_T3212_0, C_ci_cellB, C_MCC_1, C_PLMN_2, C_LAC_1111, CellOpt_01, CellChDes_24, CellChDes_24d, C_CellReselectHys4, C_MaxPwrLvIG, C_MaxPwrLvID, BcchFreqLst_50, BcchFreqLst_51, BcchFreqLst_52, C_Restablishment, C_BCC, C_NCC, C_NCCP_2, '010100'B, '0'B, '0'B, '00000'B)		
Detailed Comments:				

Test Case Dynamic Behaviour

Test Case Name:	TC_20_15
Group:	GSM_MS_CS_4200/CellSelection/
Purpose:	<p>1. To verify that if an LU is rejected with cause "LA not allowed" that the LAI of that cell is written into a forbidden list which prevents the MS from performing LU onto another cell in that LA. This is verified indirectly in test purpose 2, 3 and 4.</p> <p>2. To verify that the MS will not reject a cell for camping on because the cell is part of a LA in the list of "forbidden LAIs for regional provision of service". This is verified indirectly by making the MS attempt an emergency call and checking that the channel request message is transmitted on the correct cell.</p> <p>3. To verify that the MS when receiving an LU reject with cause value "LA not allowed", the MS continues to perform cell-reselection. Cell reselection is triggered if there is a better cell in the same LA, or a much better cell in another LA of the selected PLMN (using the CRH parameter).</p> <p>4. To verify that a new LU attempt will be performed when a new LA (or new PLMN) is entered.</p>
Default:	OtherEventsFail

Nr	Label	Behaviour Description	CRef	V	Comments
1		START T_guard(600)			
2		+IdleUpdated(C_E_default, C_CellA, C_SCH_A, C_BCCH_A_1, C_Immss, C_S0, C_SlotNU, C_SlotNU, C_SlotNU, C_BCC, C_TxInt_5, C_Max_2, C_NECI_0, C_ATT_0, TimingAdv(0), C_BABR_0, C_cch_1Comb, C_BPM_3, C_T3212_0, C_ci_cellA, C_MCC_1, C_PLMN_2, C_LAC_1111, CellOpt_01, CellChDes_24, CellChDes_24d, C_CellReselectHys14, C_MaxPwrLvlG, C_MaxPwrLvlD, BcchFreqLst_50, BcchFreqLst_Omit, BcchFreqLst_51, BcchFreqLst_Omit, C_Restablishment, C_BCC, C_NCC, C_Start_Tmsi, TSPX_SDCCH4SubDef, TSPX_CKSNDDef, TSPX_RANDDef, C_arfcnA, C_arfcnAd, TSPX_IMSI, C_Test_fh, C_NCCP_2)			
3	body	+MM_PwrOrSimOff(C_SIMIn)			
4		+ltree_StartCarriers			
5		+MM_PwrOrSimOn(C_SIMIn)			
6		START T_dly(33000)			
7	Label 1	L?DL_RaInChRq	ChReq_01(C_RACH_B_1, ChRequest_02)		
8		->Label1			
9		L?DL_RaInChRq	ChReq_01(C_RACH_C_1, ChRequest_02)		
10		->Label1			
11	CS_0 074	?TIMEOUT T_dly		F	
12		L?DL_RaInChRq	ChReq_01(C_RACH_A_1, ChRequest_02)		
13		+MM_LupRej(C_rc_LAnotallowed, C_imsi_attach, TimingAdv(0))			
14		START T_dly(30000)			
15	Label 2	L?DL_RaInChRq	ChReq_01(C_RACH_A_1, ChRequest_02)		
16		->Label2			
17		L?DL_RaInChRq	ChReq_01(C_RACH_B_1, ChRequest_02)		
18		->Label2			
19		L?DL_RaInChRq	ChReq_01(C_RACH_C_1, ChRequest_02)		
20		->Label2			
21		?TIMEOUT T_dly			
22		+BasicServiceMO(C_EmgCall, TSPX_EmgCallRate)			
23		(TCV_Null := OO_InitCall(C_EmgCall))			
24		START T_dly(15000)			
25	Label 3	L?DL_RaInChRq	ChReq_01(C_RACH_A_1, ChRequest_02)		
26		->Label3			

27		L?DL_RaInChRq	ChReq_01(C_RACH_B_1, ChRequest_02)	
28		->Label3		
29	CS_0 075	?TIMEOUT T_dly		F
30		L?DL_RaInChRq (TCV_Rr := DL_RaInChRq.msg.ecau_rrf, TCV_Fn := DL_RaInChRq.fn) [TSPC_EGSM] (TCV_chdescr_arfcn := 985) +ltree_continue	ChReq_01(C_RACH_C_1, ChRequest_02)	
31		[TSPC_PGSM] (TCV_chdescr_arfcn := 18) +ltree_continue		
32		[TSPC_DCS] (TCV_chdescr_arfcn := 543) +ltree_continue		
33				
34				
35				
36				
37				
38				
39				
40		ltree_continue L!DL_UdatRqImmass	ImmAss(C_AGCH_C_1, ImmAsgn_01Def(TCV_Rr, TCV_Fn, TSPX_SDCCH4SubDef, TCV_slot, TCV_tsc, TCV_chdescr_arfcn, TimingAdv(0)))	
41		L?DL_EstInCmsRq	CMSerReq(CMSerReq_01)	
42		(TCV_ch := OC_SubchOfSdcch4(TSPX_SDCCH4SubDef, C_CellC))		
43		LIDL_DatRqCmsRej	CMSerRej(TCV_ch, CMSerReq_30(C_rc_networkfailure))	
44		+ChanRel(TCV_ch) START T_dly(10000)		
45		L?DL_RaInChRq	ChReq_01(C_RACH_A_1, ChRequest_02)	
46	Label 4	->Label4		
47		L?DL_RaInChRq	ChReq_01(C_RACH_B_1, ChRequest_02)	
48		->Label4		
49		L?DL_RaInChRq	ChReq_01(C_RACH_C_1, ChRequest_02)	
50		->Label4		
51		?TIMEOUT T_dly (TCV_Null := OM_ChangeRFOfCell(C_CellB, 65)) START T_dly(20000)		
52		L?DL_RaInChRq	ChReq_01(C_RACH_A_1, ChRequest_02)	
53	Label 5	->Label5		
54		L?DL_RaInChRq	ChReq_01(C_RACH_C_1, ChRequest_02)	
55		->Label5		
56		?TIMEOUT T_dly		F
57	CS_0 076	L?DL_RaInChRq (TCV_Rr := DL_RaInChRq.msg.ecau_rrf, TCV_Fn := DL_RaInChRq.fn) [TSPC_PGSM OR TSPC_EGSM] (TCV_ch := OC_SubchOfSdcch4(TSPX_SD	ChReq_01(C_RACH_B_1, ChRequest_02)	
58				
59				
60				
61				
62				

63		CCH4SubDef, C_CellB), TCV_chdescr_arfcn := 9) +ltree_continue2		
64		[TSPC_DCS]		
65		(TCV_ch := OC_SubchOfSdcch4(TSPX_SD CCH4SubDef, C_CellB), TCV_chdescr_arfcn := 543)		
66		+ltree_continue2		
67		ltree_continue2 L!DL_UdatRqlmmiss	ImmAss(C_AGCH_B_1, ImmAsgn_01Def(TCV_Rr, TCV_Fn, TSPX_SDCCH4SubD ef, TCV_slot, TCV_tsc, TCV_chdescr_arfcn, TimingAdv(0))) LocUp(TCV_ch, LocUpdtReq_05)	P
68	CS_0 077	L?DL_EstInLupRq		
69		ltree_StartCarriers +ltree_StartCarrier1		
70		+ltree_StartCarrier2		
71		+ltree_StartCarrier3		
72		[TSPC_PGSM OR TSPC_EGSM]		
73		(TCV_chdescr_arfcn:= 3)		
74		[TSPC_DCS]		
75		(TCV_chdescr_arfcn:= 512)		
76		ltree_StartCarrier1 (TCV_sacch := OC_SubchOfSacch4(TSPX_SDCCH4SubDef, C_CellA))		
77		+CombinedBCCH_A(63, C_MaxPwrLvIG, C_MaxPwrLvID, 3, 512, C_Immmiss, TCV_slot, TCV_tsc, TimingAdv(0), C_BABR_0, C_cch_1Comb, C_BPM_3)		
78		+SysInfoSending_fh_rcc(C_SCH_A, C_BCCH_A_1, C_TxInt_5, C_Max_2, C_NECl_0, C_ATT_1, C_BABR_0, C_cch_1Comb, C_BPM_3, C_T3212_0, C_ci_cellA, C_MCC_1, C_PLMN_2, C_LAC_1111, CellOpt_01, CellChDes_24, CellChDes_24d, C_CellReselectHys14, C_MaxPwrLvIG, C_MaxPwrLvID, BcchFreqLst_50, BcchFreqLst_51, BcchFreqLst_52, C_Restablishment, C_BCC, C_NCC, C_NCCP_2, '110010'B, '0'B, '0'B, '00000'B)		
79		ltree_StartCarrier2 (TCV_sacch := OC_SubchOfSacch4(TSPX_SDCCH4SubDef, C_CellB))		
80		+CombinedBCCH_B(54, C_MaxPwrLvIG, C_MaxPwrLvID, 9, 543, C_Immmiss, TCV_slot, TCV_tsc, TimingAdv(0), C_BABR_0, C_cch_1Comb, C_BPM_3)		
81		+SysInfoSending_fh_rcc(C_SCH_B, C_BCCH_B_1, C_TxInt_5, C_Max_2, C_NECl_0, C_ATT_1, C_BABR_0, C_cch_1Comb, C_BPM_3, C_T3212_0, C_ci_cellB, C_MCC_1, C_PLMN_2, C_LAC_2222, CellOpt_01, CellChDes_24, CellChDes_24d, 0, C_MaxPwrLvIG, C_MaxPwrLvID, BcchFreqLst_50, BcchFreqLst_51, BcchFreqLst_52, C_Restablishment, C_BCC, C_NCC, C_NCCP_2, '100000'B, '0'B, '0'B, '00000'B)		
82		ltree_StartCarrier3 (TCV_sacch := OC_SubchOfSacch4(

	<p>TSPX_SDCCH4SubDef, C_CellC))</p> <p>83 [TSPC_EGSM]</p> <p>84 +CombinedBCCH_C(44, C_MaxPwrLvlG, C_MaxPwrLvlID, 985, 543, C_Immass, TCV_slot, TCV_tsc, TimingAdv(0), C_BABR_0, C_cch_1Comb, C_BPM_3)</p> <p>85 +SysInfoSending_fh_rcc(C_SCH_C, C_BCCH_C_1, C_TxInt_5, C_Max_2, C_NECI_0, C_ATT_1, C_BABR_0, C_cch_1Comb, C_BPM_3, C_T3212_0, C_ci_cellC, C_MCC_1, C_PLMN_2, C_LAC_1111, CellOpt_01, CellChDes_24, CellChDes_24d, C_CellReselectHys10, C_MaxPwrLvlG, C_MaxPwrLvlID, BcchFreqLst_50, BcchFreqLst_51, BcchFreqLst_52, C_Restablishment, C_BCC, C_NCC, C_NCCP_2, '011010'B, '0'B, '0'B, '00000'B)</p> <p>86 [NOT TSPC_EGSM]</p> <p>87 +CombinedBCCH_C(44, C_MaxPwrLvlG, C_MaxPwrLvlID, 18, 543, C_Immass, TCV_slot, TCV_tsc, TimingAdv(0), C_BABR_0, C_cch_1Comb, C_BPM_3)</p> <p>88 +SysInfoSending_fh_rcc(C_SCH_C, C_BCCH_C_1, C_TxInt_5, C_Max_2, C_NECI_0, C_ATT_1, C_BABR_0, C_cch_1Comb, C_BPM_3, C_T3212_0, C_ci_cellC, C_MCC_1, C_PLMN_2, C_LAC_1111, CellOpt_01, CellChDes_24, CellChDes_24d, C_CellReselectHys10, C_MaxPwrLvlG, C_MaxPwrLvlID, BcchFreqLst_50, BcchFreqLst_51, BcchFreqLst_52, C_Restablishment, C_BCC, C_NCC, C_NCCP_2, '011010'B, '0'B, '0'B, '00000'B)</p>			
Detailed Comments:				

Test Case Dynamic Behaviour

Test Case Name:	TC_20_16
Group:	GSM_MS_CS_4200/CellSelection/
Purpose:	<p>1. To verify that the MS initializes the DSC counter in accordance with the conformance requirement. This is verified indirectly.</p> <p>2. To verify that whenever the MS successfully decodes a message on paging subchannel, the DSC is increased by 1, (however never beyond the nearest integer to 90/N). This is verified indirectly.</p> <p>3. To verify that whenever the MS can not successfully decode a message on paging subchannel, the DSC is decreased by 4. This is verified indirectly.</p> <p>4. To verify that when the DSC reaches 0, a downlink signalling failure shall be declared and the MS will perform cell reselection.</p>
Default:	OtherEventsFail

Nr	Label	Behaviour Description	CRef	V	Comments
1		START T_guard(600)			
2		+IdleUpdated(C_E_default, C_CellA, C_SCH_A, C_BCCH_A_1, C_Immss, C_S0, C_SlotNU, C_SlotNU, C_SlotNU, C_BCC, C_TxInt_5, C_Max_2, C_NECI_0, C_ATT_0, TimingAdv(0), C_BABR_0, C_cch_1Comb, C_BPM_3, C_T3212_0, C_ci_cellA, C_MCC_1, C_PLMN_2, C_LAC_1111, CellOpt_01, CellChDes_24, CellChDes_24d, C_CellReselectHys4, C_MaxPwrLvlG, C_MaxPwrLvlD, BcchFreqLst_50, BcchFreqLst_Omit, BcchFreqLst_51, BcchFreqLst_Omit, C_Restablishment, C_BCC, C_NCC, C_Start_Tmsi, TSPX_SDCCH4SubDef, TSPX_CKSNDDef, TSPX_RANDDef, C_arfcnA, C_arfcnAd, TSPX_IMSI, C_Test_fh, C_NCCP_2)			
3	body	+MM_PwrOrSimOff(C_SIMIn)			
4		+ltree_StartCarriers			
5		+MM_PwrOrSimOn(C_SIMIn)			
6		+PageOnCarriers("dummy", C_CellB, "dummy", "dummy", "dummy", "dummy")			
7		START T_dly(40000)			
8	Label 1	L?DL_RaInChRq	ChReq_01(C_RACH_A_1, ChRequest_02)		
9		->Label1			
10	CS_0 078	L?DL_RaInChRq	ChReq_01(C_RACH_B_1, ChRequest_02)	F	
11		?TIMEOUT T_dly			
12		+CCCH_group_Paging_group(TCV_Ccd0A, TSPX_IMSI)			
13		+SelectPagingCh(C_CellA)			
14		(TCV_Null := OM_CorruptPgBlks(TCV_PgCh, TCV_Pgg, 4))			
15		START T_dly(30000)			
16	Label 2	L?DL_RaInChRq	ChReq_01(C_RACH_A_1, ChRequest_02)		
17		->Label2			
18	CS_0 079	L?DL_RaInChRq	ChReq_01(C_RACH_B_1, ChRequest_02)	F	
19		?TIMEOUT T_dly			
20		+CCCH_group_Paging_group(TCV_Ccd0A, TSPX_IMSI)			
21		+SelectPagingCh(C_CellA)			
22		(TCV_Null := OM_CorruptPgBlks(TCV_PgCh, TCV_Pgg, 5))			
23		+ltree_continue			
24		ltree_continue START T_dly(15000)			
25	Label	L?DL_RaInChRq	ChReq_01(C_RACH_		

26	3	->Label3	A_1, ChRequest_02)	
27	CS_0 080	?TIMEOUT T_dly		F
28		L?DL_RaInChRq READTIMER T_dly(TCV_Time), CANCEL T_dly	ChReq_01(C_RACH_ B_1, ChRequest_02)	
29		START T_dly1(30000 - TCV_Time)		
30	Label 4	L?DL_RaInChRq	ChReq_01(C_RACH_ A_1, ChRequest_02)	
31		->Label4		
32		L?DL_RaInChRq	ChReq_01(C_RACH_ B_1, ChRequest_02)	
33		->Label4		
34	CS_0 081	?TIMEOUT T_dly1		P
Itree_StartCarriers				
35		+Itree_StartCarrier1		
36		+Itree_StartCarrier2		
Itree_StartCarrier1				
37		(TCV_sacch := OC_SubchOfSacch4(TSPX_SDCCH4SubDef, C_CellA))		
38		+CombinedBCCH_A(43, C_MaxPwrLvlG, C_MaxPwrLvlD, 3, 512, C_Immass, TCV_slot, TCV_tsc, TimingAdv(0), C_BABR_0, C_cch_1Comb, C_BPM_3)		
39		+SysInfoSending_fh_rcc(C_SCH_A, C_BCCH_A_1, C_TxInt_5, C_Max_2, C_NECl_0, C_ATT_0, C_BABR_0, C_cch_1Comb, C_BPM_3, C_T3212_0, C_ci_cellA, C_MCC_1, C_PLMN_2, C_LAC_1111, CellOpt_01, CellChDes_24, CellChDes_24d, C_CellReselectHys4, C_MaxPwrLvlG, C_MaxPwrLvlD, BcchFreqLst_50, BcchFreqLst_51, BcchFreqLst_52, C_Restablishment, C_BCC, C_NCC, C_NCCP_2, '010100'B, '0'B, '0'B, '00000'B)		
40		(TCV_Ccd0A := TCV_Ccd0H)		
Itree_StartCarrier2				
41		(TCV_sacch := OC_SubchOfSacch4(TSPX_SDCCH4SubDef, C_CellB))		
42		[TSPC_EGSM]		
43		+CombinedBCCH_B(33, C_MaxPwrLvlG, C_MaxPwrLvlD, 985, 543, C_Immass, TCV_slot, TCV_tsc, TimingAdv(0), C_BABR_0, C_cch_1Comb, C_BPM_3)		
44		+SysInfoSending_fh_rcc(C_SCH_B, C_BCCH_B_1, C_TxInt_5, C_Max_2, C_NECl_0, C_ATT_0, C_BABR_0, C_cch_1Comb, C_BPM_3, C_T3212_0, C_ci_cellB, C_MCC_1, C_PLMN_2, C_LAC_1111, CellOpt_01, CellChDes_24, CellChDes_24d, C_CellReselectHys4, C_MaxPwrLvlG, C_MaxPwrLvlD, BcchFreqLst_50, BcchFreqLst_51, BcchFreqLst_52, C_Restablishment, C_BCC, C_NCC, C_NCCP_2, '010100'B, '0'B, '0'B, '00000'B)		
45		(TCV_Ccd0B := TCV_Ccd0H)		
46		[NOT TSPC_EGSM]		
47		+CombinedBCCH_B(33, C_MaxPwrLvlG, C_MaxPwrLvlD, 9, 543, C_Immass, TCV_slot, TCV_tsc, TimingAdv(0), C_BABR_0, C_cch_1Comb, C_BPM_3)		
48		+SysInfoSending_fh_rcc(C_SCH_B, C_BCCH_B_1, C_TxInt_5, C_Max_2, C_NECl_0, C_ATT_0, C_BABR_0, C_cch_1Comb, C_BPM_3, C_T3212_0, C_ci_cellB, C_MCC_1, C_PLMN_2, C_LAC_1111, CellOpt_01, CellChDes_24,		

49	CellChDes_24d, C_CellReselectHys4, C_MaxPwrLvlG, C_MaxPwrLvlD, BcchFreqLst_50, BcchFreqLst_51, BcchFreqLst_52, C_Restablishment, C_BCC, C_NCC, C_NCCP_2, '010100'B, '0'B, '0'B, '00000'B) (TCV_Ccd0B := TCV_Ccd0H)			
Detailed Comments:				

Test Case Dynamic Behaviour					
Test Case Name:		TC_20_17			
Group:		GSM_MS_CS_4200/CellSelection/			
Purpose:		If no suitable cell is found within cell reselection during a 10 second period, then the cell selection algorithm of GSM 03.22 shall be performed, GSM 05.08; 6.6.2.			
Default:		OtherEventsFail			
Nr	Label	Behaviour Description	CRef	V	Comments
1		START T_guard(600)			
2		+IdleUpdated(C_E_default, C_CellA, C_SCH_A, C_BCCH_A_1, C_Immass, C_S0, C_SlotNU, C_SlotNU, C_SlotNU, C_BCC, C_TxInt_5, C_Max_2, C_NECI_0, C_ATT_0, TimingAdv(0), C_BABR_0, C_cch_1Comb, C_BPM_3, C_T3212_0, C_ci_cellA, C_MCC_1, C_PLMN_2, C_LAC_1111, CellOpt_01, CellChDes_24, CellChDes_24d, C_CellReselectHys4, C_MaxPwrLvlG, C_MaxPwrLvlD, BcchFreqLst_50, BcchFreqLst_Omit, BcchFreqLst_51, BcchFreqLst_Omit, C_Reestablishment, C_BCC, C_NCC, C_Start_Tmsi, TSPX_SDCCH4SubDef, TSPX_CKSNDf, TSPX_RANDDef, C_arfcnA, C_arfcnAd, TSPX_IMSI, C_Test_fh, C_NCCP_2)			
3	body	+MM_PwrOrSimOff(C_SIMIn)			
4		+ltree_StartCarrier1			
5		+MM_PwrOrSimOn(C_SIMIn)			
6		(TCV_Null := OO_PressKeyWhenInService())			
7		(TCV_Null := OM_ChangeRFOfCell(C_CellA, 13))			
8		+ltree_StartCarrier2			
9		+PageOnCarriers("dummy", C_CellB, "dummy", "dummy", "dummy", "dummy")			
10		START T_dly(60000)			
11	Label 1	L?DL_RacInChRq	ChReq_01(C_RACH_A_1, ChRequest_02)		
12		->Label1			
13	CS_0 082	?TIMEOUT T_dly		F	
14	CS_0 083	L?DL_RacInChRq	ChReq_01(C_RACH_B_1, ChRequest_02)	P	
		ltree_StartCarrier1			
15		(TCV_sacch := OC_SubchOfSacch4(TSPX_SDCCH4SubDef, C_CellA))			
16		+CombinedBCCH_A(43, C_MaxPwrLvlG, C_MaxPwrLvlD, 3, 512, C_Immass, TCV_slot, TCV_tsc, TimingAdv(0), C_BABR_0, C_cch_1Comb, C_BPM_3)			
17		+SysInfoSending_fh_rcc(C_SCH_A, C_BCCH_A_1, C_TxInt_5, C_Max_2, C_NECI_0, C_ATT_0, C_BABR_0, C_cch_1Comb, C_BPM_3, C_T3212_0, C_ci_cellA, C_MCC_1, C_PLMN_2, C_LAC_1111, CellOpt_01, CellChDes_24, CellChDes_24d, C_CellReselectHys4, C_MaxPwrLvlG, C_MaxPwrLvlD, BcchFreqLst_50, BcchFreqLst_51, BcchFreqLst_52, C_Reestablishment, C_BCC, C_NCC, C_NCCP_2, '010100'B, '0'B, '0'B, '00000'B)			
		ltree_StartCarrier2			
18		(TCV_sacch := OC_SubchOfSacch4(TSPX_SDCCH4SubDef, C_CellB))			
19		[TSPC_EGSM]			
20		+CombinedBCCH_B(33, C_MaxPwrLvlG, C_MaxPwrLvlD, 1000, 520, C_Immass, TCV_slot, TCV_tsc, TimingAdv(0), C_BABR_0, C_cch_1Comb, C_BPM_3)			uses AFRCN 1000 (not in BcchFreqLst_52 - NCD)
21		+SysInfoSending_fh_rcc(C_SCH_B, C_BCCH_B_1, C_TxInt_5, C_Max_2,			

22	C_NECI_0, C_ATT_0, C_BABR_0, C_cch_1Comb, C_BPM_3, C_T3212_0, C_ci_cellB, C_MCC_1, C_PLMN_2, C_LAC_1111, CellOpt_01, CellChDes_24, CellChDes_24d, C_CellReselectHys4, C_MaxPwrLvIG, C_MaxPwrLvID, BcchFreqLst_50, BcchFreqLst_51, BcchFreqLst_52, C_Restablishment, C_BCC, C_NCC, C_NCCP_2, '010100'B, '0'B, '0'B, '00000'B)		
23	[NOT TSPC_EGSM] +CombinedBCCH_B(33, C_MaxPwrLvIG, C_MaxPwrLvID, 10, 520, C_Immass, TCV_slot, TCV_tsc, TimingAdv(0), C_BABR_0, C_cch_1Comb, C_BPM_3)		uses AFRCN 10 (not in BcchFreqLst_50 - NCD)
24	+SysInfoSending_fh_rcc(C_SCH_B, C_BCCH_B_1, C_TxInt_5, C_Max_2, C_NECI_0, C_ATT_0, C_BABR_0, C_cch_1Comb, C_BPM_3, C_T3212_0, C_ci_cellB, C_MCC_1, C_PLMN_2, C_LAC_1111, CellOpt_01, CellChDes_24, CellChDes_24d, C_CellReselectHys4, C_MaxPwrLvIG, C_MaxPwrLvID, BcchFreqLst_50, BcchFreqLst_51, BcchFreqLst_52, C_Restablishment, C_BCC, C_NCC, C_NCCP_2, '010100'B, '0'B, '0'B, '00000'B)		
Detailed Comments:			

Test Step Library

Test Step Group management

Test Step Dynamic Behaviour					
Test Step Name:		StopAllBCCH			
Group:		GSM_MS_CS_4200/management/			
Objective:		To stop the RF transmission of all BCCH channels in all active cells.			
Default:		OtherEventsFail			
Nr	Label	Behaviour Description	CRef	V	Comments
1		[TSPC_PGSM OR TSPC_EGSM]			
2		(TCV_Null := OM_StopAllBCCH(C_BCCH_A_1, C_BCCH_B_1, C_BCCH_C_1, C_BCCH_D_1, C_BCCH_E_1, C_BCCH_F_1, C_BCCH_G_1, C_BCCH_H_1))			
3		[TSPC_DCS]			
4		(TCV_Null := OM_StopAllBCCH(C_BCCH_A_1, C_BCCH_B_1, C_BCCH_C_1, C_BCCH_D_1, C_BCCH_E_1, C_BCCH_F_1, C_BCCH_G_1, "dummy"))			
Detailed Comments:					

Test Step Group ChConfig

Test Step Dynamic Behaviour					
Test Step Name:		Config_CBMS_A_1(par_bspwr, par_mspwr:INTEGER; chmod:CHMOD; acttype:BITSTRING; slot:SN; tsc:TSC; rf:FRQPARA; chcmbn:LOGCH; ta:TA; babr, cch_con, bpm:B_3)			
Group:		GSM_MS_CS_4200/management/ChConfig/			
Objective:		To set a physical channel and map FCCH, SCH, BCCH, CCCH, SDCCH4 and CBCH onto the physical channel which represents cell A.			
Default:		OtherEvents			
Nr	Label	Behaviour Description	CRef	V	Comments
1		(TCV_Null := OM_ChConf(par_bspwr, par_mspwr, acttype, chmod, ta, slot, tsc, rf, chcmbn, 0, 0, babr, cch_con, bpm, PgReqTp1Norm, '0'B, '0'B, C_CellA, C_FCCH_A, C_SCH_A, C_BCCH_A_1, C_PCH_A_1, C_AGCH_A_1, C_RACH_A_1, C_SDCCH4_A, C_SACCHC4_A, C_CBCH_A))			
2		(TCV_Null := OM_Assoc(C_SDCCH4_A, C_SDCCH40_A, C_SDCCH41_A, C_SDCCH42_A, C_SDCCH43_A, "dummy", "dummy", "dummy", "dummy", C_SACCHC4_A, C_SACCHC40_A, C_SACCHC41_A, C_SACCHC42_A, C_SACCHC43_A, "dummy", "dummy", "dummy", "dummy"))			
Detailed Comments:					

Test Step Dynamic Behaviour					
Test Step Name:		Config_BCCH_CCCH_A_1(par_bspwr, par_mspwr:INTEGER; chmod:CHMOD; acttype:BITSTRING; slot:SN; tsc:TSC; rf:FRQPARA; chcmbn:LOGCH; ta:TA; babr, cch_con, bpm:B_3)			
Group:		GSM_MS_CS_4200/management/ChConfig/			
Objective:		To set a physical channel and map FCCH, SCH, BCCH and CCCH onto the physical channel which represents cell A.			
Default:		OtherEvents			
Nr	Label	Behaviour Description	CRef	V	Comments
1		(TCV_Null := OM_ChConf(par_bspwr, par_mspwr, acttype, chmod, ta, slot, tsc, rf, chcmbn, 0, 0, babr, cch_con, bpm, PgReqTp1Norm, '0'B, '0'B, C_CellA, C_FCCH_A, C_SCH_A, C_BCCH_A_1, C_PCH_A_1, C_AGCH_A_1, C_RACH_A_1, "dummy", "dummy", "dummy"))			
Detailed Comments:					

Test Step Dynamic Behaviour					
Test Step Name:		Config_BCCH_CCCH_A_2(par_bspwr, par_mspwr:INTEGER; chmod:CHMOD; acttype:BITSTRING; slot:SN; tsc:TSC; rf:FRQPARA; chcmbn:LOGCH; ta:TA; babr, cch_con, bpm:B_3)			
Group:		GSM_MS_CS_4200/management/ChConfig/			
Objective:		To set a physical channel and map the second BCCH, CCCH onto the physical channel which represents cell A.			
Default:		OtherEvents			
Nr	Label	Behaviour Description	CRef	V	Comments
1		(TCV_Null := OM_ChConf(par_bspwr, par_mspwr, acttype, chmod, ta, slot, tsc, rf, chcmbn, 0, 0, babr, cch_con, bpm, PgReqTp1Norm, '0'B, '0'B, C_CellA, "dummy", "dummy", C_BCCH_A_2, C_PCH_A_2, C_AGCH_A_2, C_RACH_A_2, "dummy", "dummy", "dummy"))			
Detailed Comments:					

Test Step Dynamic Behaviour					
Test Step Name:		Config_BCCH_CCCH_A_3(par_bspwr, par_mspwr:INTEGER; chmod:CHMOD; acttype:BITSTRING; slot:SN; tsc:TSC; rf:FRQPARA; chcmbn:LOGCH; ta:TA; babr, cch_con, bpm:B_3)			
Group:		GSM_MS_CS_4200/management/ChConfig/			
Objective:		To set a physical channel and map the third BCCH, CCCH onto the physical channel which represents cell A.			
Default:		OtherEvents			
Nr	Label	Behaviour Description	CRef	V	Comments
1		(TCV_Null := OM_ChConf(par_bspwr, par_mspwr, acttype, chmod, ta, slot, tsc, rf, chcmbn, 0, 0, babr, cch_con, bpm, PgReqTp1Norm, '0'B, '0'B, C_CellA, "dummy", "dummy", C_BCCH_A_3, C_PCH_A_3, C_AGCH_A_3, C_RACH_A_3, "dummy", "dummy", "dummy"))			
Detailed Comments:					

Test Step Dynamic Behaviour					
Test Step Name:		Config_BCCH_CCCH_A_4(par_bspwr, par_mspwr:INTEGER; chmod:CHMOD; acttype:BITSTRING; slot:SN; tsc:TSC; rf:FRQPARA; chcmbn:LOGCH; ta:TA; babr, cch_con, bpm:B_3)			
Group:		GSM_MS_CS_4200/management/ChConfig/			
Objective:		To set a physical channel and map the fourth BCCH, CCCH onto the physical channel which represents cell A.			
Default:		OtherEvents			
Nr	Label	Behaviour Description	CRef	V	Comments
1		(TCV_Null := OM_ChConf(par_bspwr, par_mspwr, acttype, chmod, ta, slot, tsc, rf, chcmbn, 0, 0, babr, cch_con, bpm, PgReqTp1Norm, '0'B, '0'B, C_CellA, "dummy", "dummy", C_BCCH_A_4, C_PCH_A_4, C_AGCH_A_4, C_RACH_A_4, "dummy", "dummy", "dummy"))			
Detailed Comments:					

Test Step Dynamic Behaviour					
Test Step Name:		Config_BCCH_CCCH_B_1(par_bspwr, par_mspwr:INTEGER; chmod:CHMOD; acttype:BITSTRING; slot:SN; tsc:TSC; rf:FRQPARA; chcmbn:LOGCH; ta:TA; babr, cch_con, bpm:B_3)			
Group:		GSM_MS_CS_4200/management/ChConfig/			
Objective:		To set a physical channel and map FCCH, SCH, BCCH and CCCH onto the physical channel which represents cell B.			
Default:		OtherEvents			
Nr	Label	Behaviour Description	CRef	V	Comments
1		(TCV_Null := OM_ChConf(par_bspwr, par_mspwr, acttype, chmod, ta, slot, tsc, rf, chcmbn, 0, 0, babr, cch_con, bpm, PgReqTp1Norm, '0'B, '0'B, C_CellB, C_FCCH_B, C_SCH_B, C_BCCH_B_1, C_PCH_B_1, C_AGCH_B_1, C_RACH_B_1, "dummy", "dummy", "dummy"))			
Detailed Comments:					

Test Step Dynamic Behaviour					
Test Step Name:		Config_SDCCH4_A_1(par_bspwr, par_mspwr:INTEGER; chmod:CHMOD; acttype:BITSTRING; slot:SN; tsc:TSC; rf:FRQPARA; chcmbn:LOGCH; ta:TA; babr, cch_con, bpm:B_3)			
Group:		GSM_MS_CS_4200/management/ChConfig/			
Objective:		To set a physical channel and map FCCH, SCH, BCCH, CCCH and SDCCH4 onto the physical channel which represents cell A.			
Default:		OtherEvents			
Nr	Label	Behaviour Description	CRef	V	Comments
1		(TCV_Null := OM_ChConf(par_bspwr, par_mspwr, acttype, chmod, ta, slot, tsc, rf, chcmbn, 0, 0, babr, cch_con, bpm, PgReqTp1Norm, '0'B, '0'B, C_CellA, C_FCCH_A, C_SCH_A, C_BCCH_A_1, C_PCH_A_1, C_AGCH_A_1, C_RACH_A_1, C_SDCCH4_A, C_SACCHC4_A, "dummy"))			
2		(TCV_Null := OM_Assoc(C_SDCCH4_A, C_SDCCH40_A, C_SDCCH41_A, C_SDCCH42_A, C_SDCCH43_A, "dummy", "dummy", "dummy", "dummy", C_SACCHC4_A, C_SACCHC40_A, C_SACCHC41_A, C_SACCHC42_A, C_SACCHC43_A, "dummy", "dummy", "dummy", "dummy"))			
Detailed Comments:					

Test Step Dynamic Behaviour					
Test Step Name:		Config_SDCCH4_A_1_fn(par_bspwr, par_mspwr:INTEGER; chmod:CHMOD; acttype:BITSTRING; slot:SN; tsc:TSC; rf:FRQPARA; chcmbn:LOGCH; ta:TA; babr, cch_con, bpm:B_3; fn:INTEGER)			
Group:		GSM_MS_CS_4200/management/ChConfig/			
Objective:		To set a physical channel and map FCCH, SCH, BCCH, CCCH and SDCCH4 onto the physical channel which represents cell A.			
Default:		OtherEvents			
Nr	Label	Behaviour Description	CRef	V	Comments
1		(TCV_Null := OM_ChConf(par_bspwr, par_mspwr, acttype, chmod, ta, slot, tsc, rf, chcmbn, 0, fn, babr, cch_con, bpm, PgReqTp1Norm, '0'B, '0'B, C_CellA, C_FCCH_A, C_SCH_A, C_BCCH_A_1, C_PCH_A_1, C_AGCH_A_1, C_RACH_A_1, C_SDCCH4_A, C_SACCHC4_A, "dummy"))			
2		(TCV_Null := OM_Assoc(C_SDCCH4_A, C_SDCCH40_A, C_SDCCH41_A, C_SDCCH42_A, C_SDCCH43_A, "dummy", "dummy", "dummy", "dummy", C_SACCHC4_A, C_SACCHC40_A, C_SACCHC41_A, C_SACCHC42_A, C_SACCHC43_A, "dummy", "dummy", "dummy", "dummy"))			
Detailed Comments:					

Test Step Dynamic Behaviour					
Test Step Name:		Config_SDCCH4_B_1(par_bspwr, par_mspwr:INTEGER; chmod:CHMOD; acttype:BITSTRING; slot:SN; tsc:TSC; rf:FRQPARA; chcmbn:LOGCH; ta:TA; babr, cch_con, bpm:B_3)			
Group:		GSM_MS_CS_4200/management/ChConfig/			
Objective:		To set a physical channel and map FCCH, SCH, BCCH, CCCH and SDCCH4 onto the physical channel which represents cell B.			
Default:		OtherEvents			
Nr	Label	Behaviour Description	CRef	V	Comments
1		(TCV_Null := OM_ChConf(par_bspwr, par_mspwr, acttype, chmod, ta, slot, tsc, rf, chcmbn, 0, 0, babr, cch_con, bpm, PgReqTp1Norm, '0'B, '0'B, C_CellB, C_FCCH_B, C_SCH_B, C_BCCH_B_1, C_PCH_B_1, C_AGCH_B_1, C_RACH_B_1, C_SDCCH4_B, C_SACCHC4_B, "dummy"))			
2		(TCV_Null := OM_Assoc(C_SDCCH4_B, C_SDCCH40_B, C_SDCCH41_B, C_SDCCH42_B, C_SDCCH43_B, "dummy", "dummy", "dummy", "dummy", C_SACCHC4_B, C_SACCHC40_B, C_SACCHC41_B, C_SACCHC42_B, C_SACCHC43_B, "dummy", "dummy", "dummy", "dummy"))			
Detailed Comments:					

Test Step Dynamic Behaviour					
Test Step Name:		Config_SDCCH4_B_1_fn(par_bspwr, par_mspwr:INTEGER; chmod:CHMOD; acttype:BITSTRING; slot:SN; tsc:TSC; rf:FRQPARA; chcmbn:LOGCH; ta:TA; babr, cch_con, bpm:B_3; fn:INTEGER)			
Group:		GSM_MS_CS_4200/management/ChConfig/			
Objective:		To set a physical channel and map FCCH, SCH, BCCH, CCCH and SDCCH4 onto the physical channel which represents cell B.			
Default:		OtherEvents			
Nr	Label	Behaviour Description	CRef	V	Comments
1		(TCV_Null := OM_ChConf(par_bspwr, par_mspwr, acttype, chmod, ta, slot, tsc, rf, chcmbn, 0, fn, babr, cch_con, bpm, PgReqTp1Norm, '0'B, '0'B, C_CellB, C_FCCH_B, C_SCH_B, C_BCCH_B_1, C_PCH_B_1, C_AGCH_B_1, C_RACH_B_1, C_SDCCH4_B, C_SACCHC4_B, "dummy"))			
2		(TCV_Null := OM_Assoc(C_SDCCH4_B, C_SDCCH40_B, C_SDCCH41_B, C_SDCCH42_B, C_SDCCH43_B, "dummy", "dummy", "dummy", "dummy", C_SACCHC4_B, C_SACCHC40_B, C_SACCHC41_B, C_SACCHC42_B, C_SACCHC43_B, "dummy", "dummy", "dummy", "dummy"))			
Detailed Comments:					

Test Step Dynamic Behaviour					
Test Step Name:		Config_SDCCH4_C_1(par_bspwr, par_mspwr:INTEGER; chmod:CHMOD; acttype:BITSTRING; slot:SN; tsc:TSC; rf:FRQPARA; chcmbn:LOGCH; ta:TA; babr, cch_con, bpm:B_3)			
Group:		GSM_MS_CS_4200/management/ChConfig/			
Objective:		To set a physical channel and map FCCH, SCH, BCCH, CCCH and SDCCH4 onto the physical channel which represents cell C.			
Default:		OtherEvents			
Nr	Label	Behaviour Description	CRef	V	Comments
1		(TCV_Null := OM_ChConf(par_bspwr, par_mspwr, acttype, chmod, ta, slot, tsc, rf, chcmbn, 0, 0, babr, cch_con, bpm, PgReqTp1Norm, '0'B, '0'B, C_CellC, C_FCCH_C, C_SCH_C, C_BCCH_C_1, C_PCH_C_1, C_AGCH_C_1, C_RACH_C_1, C_SDCCH4_C, C_SACCHC4_C, "dummy"))			
2		(TCV_Null := OM_Assoc(C_SDCCH4_C, C_SDCCH40_C, C_SDCCH41_C, C_SDCCH42_C, C_SDCCH43_C, "dummy", "dummy", "dummy", "dummy", C_SACCHC4_C, C_SACCHC40_C, C_SACCHC41_C, C_SACCHC42_C, C_SACCHC43_C, "dummy", "dummy", "dummy", "dummy"))			
Detailed Comments:					

Test Step Dynamic Behaviour					
Test Step Name:		Config_SDCCH4_D_1(par_bspwr, par_mspwr:INTEGER; chmod:CHMOD; acttype:BITSTRING; slot:SN; tsc:TSC; rf:FRQPARA; chcmbn:LOGCH; ta:TA; babr, cch_con, bpm:B_3)			
Group:		GSM_MS_CS_4200/management/ChConfig/			
Objective:		To set a physical channel and map FCCH, SCH, BCCH, CCCH and SDCCH4 onto the physical channel which represents cell D			
Default:		OtherEvents			
Nr	Label	Behaviour Description	CRef	V	Comments
1		(TCV_Null := OM_ChConf(par_bspwr, par_mspwr, acttype, chmod, ta, slot, tsc, rf, chcmbn, 0, 0, babr, cch_con, bpm, PgReqTp1Norm, '0'B, '0'B, C_CellD, C_FCCH_D, C_SCH_D, C_BCCH_D_1, C_PCH_D_1, C_AGCH_D_1, C_RACH_D_1, C_SDCCH4_D, C_SACCHC4_D, "dummy"))			
2		(TCV_Null := OM_Assoc(C_SDCCH4_D, C_SDCCH40_D, C_SDCCH41_D, C_SDCCH42_D, C_SDCCH43_D, "dummy", "dummy", "dummy", "dummy", C_SACCHC4_D, C_SACCHC40_D, C_SACCHC41_D, C_SACCHC42_D, C_SACCHC43_D, "dummy", "dummy", "dummy", "dummy"))			
Detailed Comments:					

Test Step Dynamic Behaviour					
Test Step Name:		Config_SDCCH4_E_1(par_bspwr, par_mspwr:INTEGER; chmod:CHMOD; acttype:BITSTRING; slot:SN; tsc:TSC; rf:FRQPARA; chcmbn:LOGCH; ta:TA; babr, cch_con, bpm:B_3)			
Group:		GSM_MS_CS_4200/management/ChConfig/			
Objective:		To set a physical channel and map FCCH, SCH, BCCH, CCCH and SDCCH4 onto the physical channel which represents cell E			
Default:		OtherEvents			
Nr	Label	Behaviour Description	CRef	V	Comments
1		(TCV_Null := OM_ChConf(par_bspwr, par_mspwr, acttype, chmod, ta, slot, tsc, rf, chcmbn, 0, 0, babr, cch_con, bpm, PgReqTp1Norm, '0'B, '0'B, C_CelIE, C_FCCH_E, C_SCH_E, C_BCCH_E_1, C_PCH_E_1, C_AGCH_E_1, C_RACH_E_1, C_SDCCH4_E, C_SACCHC4_E, "dummy"))			
2		(TCV_Null := OM_Assoc(C_SDCCH4_E, C_SDCCH40_E, C_SDCCH41_E, C_SDCCH42_E, C_SDCCH43_E, "dummy", "dummy", "dummy", "dummy", C_SACCHC4_E, C_SACCHC40_E, C_SACCHC41_E, C_SACCHC42_E, C_SACCHC43_E, "dummy", "dummy", "dummy", "dummy"))			
Detailed Comments:					

Test Step Dynamic Behaviour					
Test Step Name:		Config_SDCCH8_A_1(par_bspwr, par_mspwr:INTEGER; chmod:CHMOD; acttype:BITSTRING; slot:SN; tsc:TSC; rf:FRQPARA; chcmbn:LOGCH; ta:TA; babr, cch_con, bpm:B_3)			
Group:		GSM_MS_CS_4200/management/ChConfig/			
Objective:		To set one physical channel used as SDCCH8 channel for instance 1 of cell A.			
Default:		OtherEvents			
Nr	Label	Behaviour Description	CRef	V	Comments
1		(TCV_Null := OM_ChConf(par_bspwr, par_mspwr, acttype, chmod, ta, slot, tsc, rf, chcmbn, 0, 0, babr, cch_con, bpm, PgReqTp1Norm, '0'B, '0'B, C_CelIA, "dummy", "dummy", "dummy", "dummy", "dummy", "dummy", C_SDCCH8_A_1, C_SACCHC8_A_1, "dummy"))			
2		(TCV_Null := OM_Assoc(C_SDCCH8_A_1, C_SDCCH80_A_1, C_SDCCH81_A_1, C_SDCCH82_A_1, C_SDCCH83_A_1, C_SDCCH84_A_1, C_SDCCH85_A_1, C_SDCCH86_A_1, C_SDCCH87_A_1, C_SACCHC8_A_1, C_SACCHC80_A_1, C_SACCHC81_A_1, C_SACCHC82_A_1, C_SACCHC83_A_1, C_SACCHC84_A_1, C_SACCHC85_A_1, C_SACCHC86_A_1, C_SACCHC87_A_1))			
Detailed Comments:					

Test Step Dynamic Behaviour					
Test Step Name:		Config_SDCCH8_A_2(par_bspwr, par_mspwr:INTEGER; chmod:CHMOD; acttype:BITSTRING; slot:SN; tsc:TSC; rf:FRQPARA; chcmbn:LOGCH; ta:TA; babr, cch_con, bpm:B_3)			
Group:		GSM_MS_CS_4200/management/ChConfig/			
Objective:		To set one physical channel used as SDCCH8 channel for instance 2 of cell A.			
Default:		OtherEvents			
Nr	Label	Behaviour Description	CRef	V	Comments
1		(TCV_Null := OM_ChConf(par_bspwr, par_mspwr, acttype, chmod, ta, slot, tsc, rf, chcmbn, 0, 0, babr, cch_con, bpm, PgReqTp1Norm, '0'B, '0'B, C_CellA, "dummy", "dummy", "dummy", "dummy", "dummy", "dummy", C_SDCCH8_A_2, C_SACCH8_A_2, "dummy"))			
2		(TCV_Null := OM_Assoc(C_SDCCH8_A_2, C_SDCCH80_A_2, C_SDCCH81_A_2, C_SDCCH82_A_2, C_SDCCH83_A_2, C_SDCCH84_A_2, C_SDCCH85_A_2, C_SDCCH86_A_2, C_SDCCH87_A_2, C_SACCH8_A_2, C_SACCH80_A_2, C_SACCH81_A_2, C_SACCH82_A_2, C_SACCH83_A_2, C_SACCH84_A_2, C_SACCH85_A_2, C_SACCH86_A_2, C_SACCH87_A_2))			
Detailed Comments:					

Test Step Dynamic Behaviour					
Test Step Name:		Config_SDCCH8_B_1(par_bspwr, par_mspwr:INTEGER; chmod:CHMOD; acttype:BITSTRING; slot:SN; tsc:TSC; rf:FRQPARA; chcmbn:LOGCH; ta:TA; babr, cch_con, bpm:B_3)			
Group:		GSM_MS_CS_4200/management/ChConfig/			
Objective:		To set one physical channel used as SDCCH8 channel for instance 1 of cell B.			
Default:		OtherEvents			
Nr	Label	Behaviour Description	CRef	V	Comments
1		(TCV_Null := OM_ChConf(par_bspwr, par_mspwr, acttype, chmod, ta, slot, tsc, rf, chcmbn, 0, 0, babr, cch_con, bpm, PgReqTp1Norm, '0'B, '0'B, C_CellB, "dummy", "dummy", "dummy", "dummy", "dummy", "dummy", C_SDCCH8_B_1, C_SACCH8_B_1, "dummy"))			
2		(TCV_Null := OM_Assoc(C_SDCCH8_B_1, C_SDCCH80_B_1, C_SDCCH81_B_1, C_SDCCH82_B_1, C_SDCCH83_B_1, C_SDCCH84_B_1, C_SDCCH85_B_1, C_SDCCH86_B_1, C_SDCCH87_B_1, C_SACCH8_B_1, C_SACCH80_B_1, C_SACCH81_B_1, C_SACCH82_B_1, C_SACCH83_B_1, C_SACCH84_B_1, C_SACCH85_B_1, C_SACCH86_B_1, C_SACCH87_B_1))			
Detailed Comments:					

Test Step Dynamic Behaviour					
Test Step Name:		CombinedBCCH_A_CBMS(par_bspwr, mtmcgsm, mtmcdds, arfcn1, arfcn2:INTEGER; acttype:BITSTRING; slot:SN; tsc:TSC; ta:TA; babr, cch_con, bpm:B_3)			
Group:		GSM_MS_CS_4200/management/ChConfig/			
Objective:		To set a physical channel and map FCCH, SCH, BCCH, CCCH and SDCCH4 onto the physical channel which represents cell A.			
Default:		OtherEvents			
Comments:		time slot = 0, ARFCN = 20 (GSM900) or ARFCN = 590 (DCS1800) cell A for RR testing.			
Nr	Label	Behaviour Description	CRef	V	Comments
1		[TSPC_PGSM OR TSPC_EGSM]			1.
2		+Config_CBMS_A_1(par_bspwr,mtmcgsm, ChMod_sign, acttype, slot, tsc, FreqBCCH(arfcn1), C_CBCH_FCCH_SCH_BCCH_CCCH_SDCCH4_S ACCHC4, ta, babr, cch_con, bpm)			
3		[TSPC_DCS]			2.
4		+Config_CBMS_A_1(par_bspwr, mtmcdds, ChMod_sign, acttype, slot, tsc, FreqBCCH(arfcn2), C_CBCH_FCCH_SCH_BCCH_CCCH_SDCCH4_S ACCHC4, ta, babr, cch_con, bpm)			
Detailed Comments:		1. For P-GSM900. 2. For DCS1800.			

Test Step Dynamic Behaviour					
Test Step Name:		CombinedBCCH_A(par_bspwr, mtmcgsm, mtmcdds, arfcn1, arfcn2:INTEGER; acttype:BITSTRING; slot:SN; tsc:TSC; ta:TA; babr, cch_con, bpm:B_3)			
Group:		GSM_MS_CS_4200/management/ChConfig/			
Objective:		To set a physical channel and map FCCH, SCH, BCCH, CCCH and SDCCH4 onto the physical channel which represents cell A.			
Default:		OtherEvents			
Nr	Label	Behaviour Description	CRef	V	Comments
1		[TSPC_PGSM OR TSPC_EGSM]			1.
2		+Config_SDCCH4_A_1(par_bspwr, mtmcgsm, ChMod_sign, acttype, slot, tsc, FreqBCCH(arfcn1), C_FCCH_SCH_BCCH_CCCH_SDCCH4_SACCHC4, ta, babr, cch_con, bpm)			
3		[TSPC_DCS]			2.
4		+Config_SDCCH4_A_1(par_bspwr, mtmcdds, ChMod_sign, acttype, slot, tsc, FreqBCCH(arfcn2), C_FCCH_SCH_BCCH_CCCH_SDCCH4_SACCHC4, ta, babr, cch_con, bpm)			
Detailed Comments:		1. For P-GSM900. 2. For DCS1800.			

Test Step Dynamic Behaviour					
Test Step Name:		CombinedBCCH_A_fn(par_bspwr, mtmcgsm, mtmcdds, arfcn1, arfcn2:INTEGER; acttype:BITSTRING; slot:SN; tsc:TSC; ta:TA; babr, cch_con, bpm:B_3; fn:INTEGER)			
Group:		GSM_MS_CS_4200/management/ChConfig/			
Objective:		To set a physical channel and map FCCH, SCH, BCCH, CCCH and SDCCH4 onto the physical channel which represents cell A.			
Default:		OtherEvents			
Nr	Label	Behaviour Description	CRef	V	Comments
1		[TSPC_PGSM OR TSPC_EGSM]			1.
2		+Config_SDCCH4_A_1_fn(par_bspwr, mtmcgsm, ChMod_sign, acttype, slot, tsc, FreqBCCH(arfcn1), C_FCCH_SCH_BCCH_CCCH_SDCCH4_SACCHC4, ta, babr, cch_con, bpm, fn)			
3		[TSPC_DCS]			2.
4		+Config_SDCCH4_A_1_fn(par_bspwr, mtmcdds, ChMod_sign, acttype, slot, tsc, FreqBCCH(arfcn2), C_FCCH_SCH_BCCH_CCCH_SDCCH4_SACCHC4, ta, babr, cch_con, bpm, fn)			
Detailed Comments:		1. For P-GSM900. 2. For DCS1800.			

Test Step Dynamic Behaviour					
Test Step Name:		CombinedBCCH_B(par_bspwr, mtmcgsm, mtmcdcs, arfcn1, arfcn2:INTEGER; acttype:BITSTRING; slot:SN; tsc:TSC; ta:TA; babr, cch_con, bpm:B_3)			
Group:		GSM_MS_CS_4200/management/ChConfig/			
Objective:		To set a physical channel and map FCCH, SCH, BCCH, CCCH and SDCCH4 onto the physical channel which represents cell B.			
Default:		OtherEvents			
Nr	Label	Behaviour Description	CRef	V	Comments
1		[TSPC_PGSM OR TSPC_EGSM]			1.
2		+Config_SDCCH4_B_1(par_bspwr, mtmcgsm, ChMod_sign, acttype, slot, tsc, FreqBCCH(arfcn1), C_FCCH_SCH_BCCH_CCCH_SDCCH4_SACCHC 4, ta, babr, cch_con, bpm)			
3		[TSPC_DCS]			2.
4		+Config_SDCCH4_B_1(par_bspwr, mtmcdcs, ChMod_sign, acttype, slot, tsc, FreqBCCH(arfcn2), C_FCCH_SCH_BCCH_CCCH_SDCCH4_SACCHC 4, ta, babr, cch_con, bpm)			
Detailed Comments:		1. For P-GSM900. 2. For DCS1800.			

Test Step Dynamic Behaviour					
Test Step Name:		CombinedBCCH_B_fn(par_bspwr, mtmcgsm, mtmcdcs, arfcn1, arfcn2:INTEGER; acttype:BITSTRING; slot:SN; tsc:TSC; ta:TA; babr, cch_con, bpm:B_3; fn:INTEGER)			
Group:		GSM_MS_CS_4200/management/ChConfig/			
Objective:		To set a physical channel and map FCCH, SCH, BCCH, CCCH and SDCCH4 onto the physical channel which represents cell B.			
Default:		OtherEvents			
Nr	Label	Behaviour Description	CRef	V	Comments
1		[TSPC_PGSM OR TSPC_EGSM]			1.
2		+Config_SDCCH4_B_1_fn(par_bspwr, mtmcgsm, ChMod_sign, acttype, slot, tsc, FreqBCCH(arfcn1), C_FCCH_SCH_BCCH_CCCH_SDCCH4_SACCHC 4, ta, babr, cch_con, bpm, fn)			
3		[TSPC_DCS]			2.
4		+Config_SDCCH4_B_1_fn(par_bspwr, mtmcdcs, ChMod_sign, acttype, slot, tsc, FreqBCCH(arfcn2), C_FCCH_SCH_BCCH_CCCH_SDCCH4_SACCHC 4, ta, babr, cch_con, bpm, fn)			
Detailed Comments:		1. For P-GSM900. 2. For DCS1800.			

Test Step Dynamic Behaviour					
Test Step Name:		CombinedBCCH_C(par_bspwr, mtmcgsm, mtmcdcs, arfcn1, arfcn2:INTEGER; acttype:BITSTRING; slot:SN; tsc:TSC; ta:TA; babr, cch_con, bpm:B_3)			
Group:		GSM_MS_CS_4200/management/ChConfig/			
Objective:		To set a physical channel and map FCCH, SCH, BCCH, CCCH and SDCCH4 onto the physical channel which represents cell C.			
Default:		OtherEvents			
Nr	Label	Behaviour Description	CRef	V	Comments
1		[TSPC_PGSM OR TSPC_EGSM]			1.
2		+Config_SDCCH4_C_1(par_bspwr, mtmcgsm, ChMod_sign, acttype, slot, tsc, FreqBCCH(arfcn1), C_FCCH_SCH_BCCH_CCCH_SDCCH4_SACCHC 4, ta, babr, cch_con, bpm)			
3		[TSPC_DCS]			2.
4		+Config_SDCCH4_C_1(par_bspwr, mtmcdcs, ChMod_sign, acttype, slot, tsc, FreqBCCH(arfcn2), C_FCCH_SCH_BCCH_CCCH_SDCCH4_SACCHC 4, ta, babr, cch_con, bpm)			
Detailed Comments:		1. For P-GSM900. 2. For DCS1800.			

Test Step Dynamic Behaviour					
Test Step Name:		CombinedBCCH_D(par_bspwr, mtmcgsm, mtmcdcs, arfcn1, arfcn2:INTEGER; acttype:BITSTRING; slot:SN; tsc:TSC; ta:TA; babr, cch_con, bpm:B_3)			
Group:		GSM_MS_CS_4200/management/ChConfig/			
Objective:		To set a physical channel and map FCCH, SCH, BCCH, CCCH and SDCCH4 onto the physical channel which represents cell D.			
Default:		OtherEvents			
Nr	Label	Behaviour Description	CRef	V	Comments
1		[TSPC_PGSM OR TSPC_EGSM]			1.
2		+Config_SDCCH4_D_1(par_bspwr, mtmcgsm, ChMod_sign, acttype, slot, tsc, FreqBCCH(arfcn1), C_FCCH_SCH_BCCH_CCCH_SDCCH4_SACCHC 4, ta, babr, cch_con, bpm)			
3		[TSPC_DCS]			2.
4		+Config_SDCCH4_D_1(par_bspwr, mtmcdcs, ChMod_sign, acttype, slot, tsc, FreqBCCH(arfcn2), C_FCCH_SCH_BCCH_CCCH_SDCCH4_SACCHC 4, ta, babr, cch_con, bpm)			
Detailed Comments:		1. For P-GSM900. 2. For DCS1800.			

Test Step Dynamic Behaviour					
Test Step Name:		CombinedBCCH_E(par_bspwr, mtmcgsm, mtmcdcs, arfcn1, arfcn2:INTEGER; acttype:BITSTRING; slot:SN; tsc:TSC; ta:TA; babr, cch_con, bpm:B_3)			
Group:		GSM_MS_CS_4200/management/ChConfig/			
Objective:		To set a physical channel and map FCCH, SCH, BCCH, CCCH and SDCCH4 onto the physical channel which represents cell E.			
Default:		OtherEvents			
Nr	Label	Behaviour Description	CRef	V	Comments
1		[TSPC_PGSM OR TSPC_EGSM]			1.
2		+Config_SDCCH4_E_1(par_bspwr, mtmcgsm, ChMod_sign, acttype, slot, tsc, FreqBCCH(arfcn1), C_FCCH_SCH_BCCH_CCCH_SDCCH4_SACCHC 4, ta, babr, cch_con, bpm)			
3		[TSPC_DCS]			2.
4		+Config_SDCCH4_E_1(par_bspwr, mtmcdcs, ChMod_sign, acttype, slot, tsc, FreqBCCH(arfcn2), C_FCCH_SCH_BCCH_CCCH_SDCCH4_SACCHC 4, ta, babr, cch_con, bpm)			
Detailed Comments:		1. For P-GSM900. 2. For DCS1800.			

Test Step Dynamic Behaviour					
Test Step Name:		NonCombinedBCCH_A(par_bspwr, mtmcgsm, mtmcdcs, arfcn1, arfcn2:INTEGER; acttype:BITSTRING; slot:SN; tsc:TSC; ta:TA; babr, cch_con, bpm:B_3)			
Group:		GSM_MS_CS_4200/management/ChConfig/			
Objective:		To set one physical channel used as FCHH_SCH_BCCH_CCCH for cell A.			
Default:		OtherEvents			
Nr	Label	Behaviour Description	CRef	V	Comments
1		[TSPC_PGSM OR TSPC_EGSM]			1.
2		+Config_BCCH_CCCH_A_1(par_bspwr, mtmcgsm, ChMod_sign, acttype, slot, tsc, FreqBCCH(arfcn1), C_FCCH_SCH_BCCH_CCCH, ta, babr, cch_con, bpm)			
3		[TSPC_DCS]			2.
4		+Config_BCCH_CCCH_A_1(par_bspwr, mtmcdcs, ChMod_sign, acttype, slot, tsc, FreqBCCH(arfcn2), C_FCCH_SCH_BCCH_CCCH, ta, babr, cch_con, bpm)			
Detailed Comments:		1. For P-GSM900. 2. For DCS1800.			

Test Step Dynamic Behaviour					
Test Step Name:		NonCombinedBCCH_A_2(acttype:BITSTRING; slot:SN; tsc:TSC; ta:TA; babr, cch_con, bpm:B_3)			
Group:		GSM_MS_CS_4200/management/ChConfig/			
Objective:		To set a physical channel and map the second BCCH, CCCH onto the physical channel which represents cell A.			
Default:		OtherEvents			
Nr	Label	Behaviour Description	CRef	V	Comments
1		[TSPC_PGSM OR TSPC_EGSM]			1.
2		+Config_BCCH_CCCH_A_2(63, 19, ChMod_sign, acttype, slot, tsc, FreqBCCH(C_arfcnA), C_BCCH_CCCH_2, ta, babr, cch_con, bpm)			
3		[TSPC_DCS]			2.
4		+Config_BCCH_CCCH_A_2(63, 15, ChMod_sign, acttype, slot, tsc, FreqBCCH(C_arfcnAd), C_BCCH_CCCH_2, ta, babr, cch_con, bpm)			
Detailed Comments:		1. For P-GSM900. 2. For DCS1800.			

Test Step Dynamic Behaviour					
Test Step Name:		NonCombinedBCCH_A_3(acttype:BITSTRING; slot:SN; tsc:TSC; ta:TA; babr, cch_con, bpm:B_3)			
Group:		GSM_MS_CS_4200/management/ChConfig/			
Objective:		To set a physical channel and map the third BCCH, CCCH onto the physical channel which represents cell A.			
Default:		OtherEvents			
Comments:		time slot = 4, ARFCN = TSPX_BCCHcarrierA			
Nr	Label	Behaviour Description	CRef	V	Comments
1		[TSPC_PGSM OR TSPC_EGSM]			1.
2		+Config_BCCH_CCCH_A_3(63, 19, ChMod_sign, acttype, slot, tsc, FreqBCCH(C_arfcnA), C_BCCH_CCCH_3, ta, babr, cch_con, bpm)			
3		[TSPC_DCS]			2.
4		+Config_BCCH_CCCH_A_3(63, 15, ChMod_sign, acttype, slot, tsc, FreqBCCH(C_arfcnAd), C_BCCH_CCCH_3, ta, babr, cch_con, bpm)			
Detailed Comments:		1. For P-GSM900. 2. For DCS1800.			

Test Step Dynamic Behaviour					
Test Step Name:		NonCombinedBCCH_A_4(acttype:BITSTRING; slot:SN; tsc:TSC; ta:TA; babr, cch_con, bpm:B_3)			
Group:		GSM_MS_CS_4200/management/ChConfig/			
Objective:		To set a physical channel and map the fourth BCCH, CCCH onto the physical channel which represents cell A.			
Default:		OtherEvents			
Comments:		time slot = 6, ARFCN = TSPX_BCCHcarrierA			
Nr	Label	Behaviour Description	CRef	V	Comments
1		[TSPC_PGSM OR TSPC_EGSM]			1.
2		+Config_BCCH_CCCH_A_4(63, 19, ChMod_sign, acttype, slot, tsc, FreqBCCH(C_arfcnA), C_BCCH_CCCH_4, ta, babr, cch_con, bpm)			
3		[TSPC_DCS]			2.
4		+Config_BCCH_CCCH_A_4(63, 15, ChMod_sign, acttype, slot, tsc, FreqBCCH(C_arfcnAd), C_BCCH_CCCH_4, ta, babr, cch_con, bpm)			
Detailed Comments:		1. For P-GSM900. 2. For DCS1800.			

Test Step Dynamic Behaviour					
Test Step Name:		NonCombinedBCCH_B(par_bspwr, mtmcgsm, mtmcdcs, arfcn1, arfcn2:INTEGER; acttype:BITSTRING; slot:SN; tsc:TSC; ta:TA; babr, cch_con, bpm:B_3)			
Group:		GSM_MS_CS_4200/management/ChConfig/			
Objective:		To set a physical channel and map FCCH, SCH, BCCH, CCCH onto the physical channel which represents cell B for RR testing.			
Default:		OtherEvents			
Nr	Label	Behaviour Description	CRef	V	Comments
1		[TSPC_PGSM]			1.
2		+Config_BCCH_CCCH_B_1(par_bspwr, mtmcgsm, ChMod_sign, acttype, slot, tsc, FreqBCCH(arfcn1), C_FCCH_SCH_BCCH_CCCH, ta, babr, cch_con, bpm)			
3		[TSPC_DCS]			2.
4		+Config_BCCH_CCCH_B_1(par_bspwr, mtmcdcs, ChMod_sign, acttype, slot, tsc, FreqBCCH(arfcn2), C_FCCH_SCH_BCCH_CCCH, ta, babr, cch_con, bpm)			
Detailed Comments:		1. For P-GSM900. 1.1 Frequenz and cell_id for cell B in HO cases 2. For DCS1800. 2.1 Frequenz and cell_id for cell B in HO cases			

Test Step Dynamic Behaviour					
Test Step Name:		SDCCH8_A_1_nociph(bstring:B_3; acttypeT:BITSTRING; slotT:SN; tscT:TSC; chmod:CHMOD; Freqq,Freqd:FRQPARAM; ta:TA; babr, cch_con, bpm:B_3)			
Group:		GSM_MS_CS_4200/management/ChConfig/			
Objective:		To set one physical channel used as SDCCH8 channel for instance 1 of cell A.			
Default:		OtherEvents			
Nr	Label	Behaviour Description	CRef	V	Comments
1		(TCV_ch := OC_SubchOfSdcch8(bstring, C_CellA, 1), TCV_sacch8 := OC_SubchOfSacch8(bstring, C_CellA, 1))			
2		[TSPC_PGSM OR TSPC_EGSM]			
3		+Config_SDCCH8_A_1(63, 19, chmod, acttypeT, slotT, tscT, Freqq, C_SDCCH8_SACCH8_1, ta, babr, cch_con, bpm)			
4		+SysInfo_SacchSending(TCV_sacch8, TCV_sysinfo5, TCV_sysinfo6)			
5		[TSPC_DCS]			
6		+Config_SDCCH8_A_1(63, 19, chmod, acttypeT, slotT, tscT, Freqd, C_SDCCH8_SACCH8_1, ta, babr, cch_con, bpm)			
7		+SysInfo_SacchSending(TCV_sacch8, TCV_sysinfo5, TCV_sysinfo6)			
Detailed Comments:					

Test Step Dynamic Behaviour					
Test Step Name:		SDCCH8_A_2_nociph(bstring:B_3; acttypeT:BITSTRING; slotT:SN; tscT:TSC; chmod:CHMOD; Freqg,Freqd:FRQPARA; ta:TA; babr, cch_con, bpm:B_3)			
Group:		GSM_MS_CS_4200/management/ChConfig/			
Objective:		To set one physical channel used as hopping SDCCH8 channel for instance 2 of cell A, for TC_26_6_13_1.			
Default:		OtherEvents			
Comments:		hopping parameters are from PIXIT, used as before time channel.			
Nr	Label	Behaviour Description	CRef	V	Comments
1		(TCV_chTch := OC_SubchOfSdcch8(bstring, C_CellA, 2), TCV_sacchTch := OC_SubchOfSacch8(bstring, C_CellA, 2))			
2		[TSPC_PGSM OR TSPC_EGSM]			
3		+Config_SDCCH8_A_2(63, 19, chmod, acttypeT, slotT, tscT, Freqg, C_SDCCH8_SACCH8_2, ta, babr, cch_con, bpm)			
4		+SysInfo_SacchSending(TCV_sacchTch, TCV_sysinfo5, TCV_sysinfo6)			
5		[TSPC_DCS]			
6		+Config_SDCCH8_A_2(63, 15, chmod, acttypeT, slotT, tscT, Freqd, C_SDCCH8_SACCH8_2, ta, babr, cch_con, bpm)			
7		+SysInfo_SacchSending(TCV_sacchTch, TCV_sysinfo5, TCV_sysinfo6)			
Detailed Comments:					

Test Step Dynamic Behaviour					
Test Step Name:		SDCCH8_B_1_nociph(bstring:B_3; acttypeT:BITSTRING; slotT:SN; tscT:TSC; chmod:CHMOD; Freqg,Freqd:FRQPARA; ta:TA; babr, cch_con, bpm:B_3)			
Group:		GSM_MS_CS_4200/management/ChConfig/			
Objective:		To set one physical channel used as hopping SDCCH8 channel for instance 1 of cell B For TC_26_6_13_5.			
Default:		OtherEvents			
Comments:		hopping parameters are from PIXIT, used by handover command after time channel.			
Nr	Label	Behaviour Description	CRef	V	Comments
1		(TCV_chTch := OC_SubchOfSdcch8(bstring, C_CellB, 1), TCV_sacchTch := OC_SubchOfSacch8(bstring, C_CellB, 1))			
2		[TSPC_PGSM OR TSPC_EGSM]			
3		+Config_SDCCH8_B_1(63, 19, chmod, acttypeT, slotT, tscT, Freqg, C_SDCCH8_SACCH8_1, ta, babr, cch_con, bpm)			
4		+SysInfo_SacchSending(TCV_sacchTch, TCV_sysinfo5_B, TCV_sysinfo6_B)			
5		[TSPC_DCS]			
6		+Config_SDCCH8_B_1(63, 15, chmod, acttypeT, slotT, tscT, Freqd, C_SDCCH8_SACCH8_1, ta, babr, cch_con, bpm)			
7		+SysInfo_SacchSending(TCV_sacchTch, TCV_sysinfo5_B, TCV_sysinfo6_B)			
Detailed Comments:					

Test Step Group Miscellaneous

Test Step Dynamic Behaviour					
Test Step Name:		Authentication(ch: LOGICCH; cksn: BITSTRING; rand:RAND)			
Group:		GSM_MS_CS_4200/Miscellaneous/			
Objective:					
Default:		OtherEventsFail			
Nr	Label	Behaviour Description	CRef	V	Comments
1		L!DL_DatRqAuthRq	AuthReq(ch, AuthRequest(cksn, rand))		
2		L?DL_DatInAuthRes (TCV_Sres := DL_DatInAuthRes.msg.sres)	AuthRes(AuthResponse)		
3		(TCV_Res := OC_ChkSRES(TCV_Sres, TSPX_Ki, rand))			
4	CS_0 084	[NOT TCV_Res]		(F)	1)
5	CS_0 085	[TCV_Res]		(P)	
Detailed Comments:		Authentication fails.			

Test Step Dynamic Behaviour					
Test Step Name:		CCCH_group_Paging_group(ccd: CCD; imsi: HEXSTRING)			
Group:		GSM_MS_CS_4200/Miscellaneous/			
Objective:		To calculate the CCCH group and the Paging group from the IMSI and the Control Channel Descriptor according to GSM 05.02, subclause 6.5.2.			
Default:		OtherEvents			
Nr	Label	Behaviour Description	CRef	V	Comments
1		[ccd.ccch_con = '000'B]			
2		(TCV_bs_cc_chans := 1)			
3		+localtree1			
4		[ccd.ccch_con = '001'B]			
5		(TCV_bs_cc_chans := 1)			
6		+localtree1			
7		[ccd.ccch_con = '010'B]			
8		(TCV_bs_cc_chans := 2)			
9		+localtree1			
10		[ccd.ccch_con = '100'B]			
11		(TCV_bs_cc_chans := 3)			
12		+localtree1			
13		[ccd.ccch_con = '110'B]			
14		(TCV_bs_cc_chans := 4)			
15		+localtree1			
localtree1					
16		(TCV_bs_ag_blks_res := BIT_TO_INT(ccd.babr), TCV_bs_pa_mfrms := (2 + BIT_TO_INT(ccd.bpm)))			
17		[ccd.ccch_con = '001'B]			i.e. combined
18	CS_0 086	[(TCV_bs_ag_blks_res < 0) OR(TCV_bs_ag_blks_res > 2)]		I	Stop! A tester error.
19		[(TCV_bs_ag_blks_res >= 0) AND (TCV_bs_ag_blks_res <= 2)]			
20		(TCV_tmp := 3 - TCV_bs_ag_blks_res)			
21		+localtree2			
22		[ccd.ccch_con <> '001'B]			i.e. not combined
23	CS_0 087	[(TCV_bs_ag_blks_res < 0) OR(TCV_bs_ag_blks_res > 7)]		I	Stop! A tester error.
24		[(TCV_bs_ag_blks_res >= 0) AND (TCV_bs_ag_blks_res <= 7)]			
25		(TCV_tmp := 9 - TCV_bs_ag_blks_res)			
26		+localtree2			ini. TCV Pgg
localtree2					
27		(TCV_tmp := TCV_tmp * TCV_bs_pa_mfrms)			
28		(TCV_Pgg := INT_TO_BIT((((OC_BCDtoInt(imsi, 3)) MOD(TCV_bs_cc_chans * TCV_tmp)) MOD TCV_tmp), 8), TCV_Ccchg := ((((OC_BCDtoInt(imsi, 3)) MOD(TCV_bs_cc_chans * TCV_tmp)) / TCV_tmp))			
Detailed Comments:					

Test Step Dynamic Behaviour						
Test Step Name:		ImsiAttach(par_mi:MI; ta:TA; mcc, mnc:OCTETSTRING; sim_rmvd:BOOLEAN)				
Group:		GSM_MS_CS_4200/Miscellaneous/				
Objective:						
Default:		OtherEventsFail				
Nr	Label	Behaviour Description	CRef	V	Comments	
1		[(sim_rmvd) AND(TSPC_SIMRmv) AND(TSPC_DetachOnSIMRmv)]			SIM has been removed during the test.	
2		(TCV_Null := OO_SIMIns())				
3		+ltree_imsiattach				
4		[TSPC_SwitchOnOff]				
5		(TCV_Null := OO_SwitchOn())				
6		+ltree_imsiattach				
7		[TSPC_DetachOnPwrDn]				
8		(TCV_Null := OO_PowerUp())				Restore power source
9		+ltree_imsiattach				
10		[[((NOT sim_rmvd) OR(NOT TSPC_SIMRmv) OR(NOT TSPC_DetachOnSIMRmv)) AND(NOT TSPC_SwitchOnOff) AND(NOT TSPC_DetachOnPwrDn)]]				
11		(TCV_Null := OO_PowerUp())				Restore power source
12		ltree_imsiattach L?DL_RaInChRq (TCV_Rr := DL_RaInChRq. msg.ecau_rrf, TCV_Fn := DL_RaInChRq.fn)	ChReq(ChRequest_09)		To match ChReq retrans.	
13		ACTIVATE(OtherEventsFail_02)				
14		L!DL_UdatRqImmss	ImmAss(TCV_agch, ImmAsgn_01Def(TCV_Rr, TCV_Fn, TSPX_SDCCH4SubD ef, TCV_slot, TCV_tsc, TCV_chdescr_arfcn, ta))			
15	CS_0 088	L?DL_EstInLupRq	LocUp(TCV_ch, LocUpdtReq_31(par_mi, mcc, mnc, TCV_lac, C_imsi_attach, TCV_cks))	(P)		
16		ACTIVATE(OtherEventsFail)			Restore Normal default	
17		L!DL_DatRqLupAcp	LocAcp(TCV_ch, LocUpdtAcp(mcc, mnc, TCV_lac))		No MI	
18		+ChanRel(TCV_ch)				

Detailed Comments:

Test Step Dynamic Behaviour					
Test Step Name:		ImsiAttachIni(par_mi:MI; ta:TA; mcc, mnc:OCTETSTRING; sim_rmvd:BOOLEAN)			
Group:		GSM_MS_CS_4200/Miscellaneous/			
Objective:					
Default:		OtherEventsFail			
Nr	Label	Behaviour Description	CRef	V	Comments
1		[(sim_rmvd) AND(TSPC_SIMRmv)			SIM has been removed during the test.
2		AND(TSPC_DetachOnSIMRmv)]			
3		(TCV_Null := OO_SIMIns())			
4		+ltree_imsiattachIni			
5		[TSPC_SwitchOnOff]			
6		(TCV_Null := OO_SwitchOn())			
7		+ltree_imsiattachIni			
8		[TSPC_DetachOnPwrDn]			
9		(TCV_Null := OO_PowerUp())			
10		+ltree_imsiattachIni			
11		Restore power source			
12		Restore power source			
13		ltree_imsiattachIni			To match ChReq retrans.
14		L?DL_RaInChRq (TCV_Rr := DL_RaInChRq. msg.ecau_rrf, TCV_Fn := DL_RaInChRq.fn) START T_dly(15000)	ChReq(ChRequest_09)		
15	CS_0 089	ACTIVATE(OtherEventsFail_02)			
16		LIDL_UdatRqImmass	ImmAss(TCV_agch, ImmAsgn_01Def(TCV_Rr, TCV_Fn, TSPX_SDCCCH4SubD ef, TCV_slot, TCV_tsc, TCV_chdescr_arfcn, ta))	(P)	
17		L?DL_EstInLupRq	LocUp(TCV_ch, LocUpdtReq_31(par_mi, mcc, mnc, TCV_lac, C_imsi_attach, TCV_cks))		
18		ACTIVATE(OtherEventsFail)			Restore Normal default
Detailed Comments:		The test step is calld in TC_26_7_5_8_1, TC_26_7_5_8_2, TC_26_7_5_8_3.			

Test Step Dynamic Behaviour					
Test Step Name:		ImsiAttachNoReaction(par_int: INTEGER; sim_rmvd:BOOLEAN)			
Group:		GSM_MS_CS_4200/Miscellaneous/			
Objective:					
Default:		OtherEventsFail			
Nr	Label	Behaviour Description	CRef	V	Comments
1		[(sim_rmvd) AND(TSPC_SIMRmv)			SIM has been removed during the test.
2		AND(TSPC_DetachOnSIMRmv)]			
3		(TCV_Null := OO_SIMIns())			
4		+NoReaction(par_int)			
5		[TSPC_SwitchOnOff]			
6		(TCV_Null := OO_SwitchOn())			
7		+NoReaction(par_int)			
8		[TSPC_DetachOnPwrDn]			Restore power source
9		(TCV_Null := OO_PowerUp())			
10		+NoReaction(par_int)			
11		[[((NOT sim_rmvd) OR(NOT TSPC_SIMRmv) OR((TSPC_SIMRmv) AND(NOT TSPC_DetachOnSIMRmv))) AND(NOT TSPC_SwitchOnOff) AND(NOT TSPC_DetachOnPwrDn)]]			Restore power source
		(TCV_Null := OO_PowerUp())			
Detailed Comments:					

Test Step Dynamic Behaviour					
Test Step Name:		ImsiDetach(par_mi:MI; ta:TA; sim_rmvd:BOOLEAN)			
Group:		GSM_MS_CS_4200/Miscellaneous/			
Objective:					
Default:		OtherEventsFail			
Nr	Label	Behaviour Description	CRef	V	Comments
1		[(sim_rmvd) AND(TSPC_SIMRmv)			SIM needs to be removed.
2		AND(TSPC_DetachOnSIMRmv)]			
3		(TCV_Null :=OO_SIMRmv())			
4		+ltree_imsidetach			
5		[TSPC_SwitchOnOff]			
6		(TCV_Null := OO_SwitchOff())			
7		+ltree_imsidetach			
8		[TSPC_DetachOnPwrDn]			
9		(TCV_Null := OO_PowerDown())			
10		+ltree_imsidetach			
11		Remove power source			
12		Remove power source			
13		Remove power source			
14		Remove power source			
15	CS_0090	L?DL_EstInImsidIn	ImmAss(TCV_agch, ImmAsgn_01Def(TCV_Rr, TCV_Fn, TSPX_SDCCH4SubDef, TCV_slot, TCV_tsc, TCV_chdescr_arfcn, ta))	(P)	To match ChReq retrans.
16		ACTIVATE(OtherEventsFail)	ImsiDet(ImsiDetach_30(par_mi))		
17		+ChanRel(TCV_ch)			Restore normal default
Detailed Comments:		If IMSI detach procedure has been executed, the channel will be released. If ATT=0 no detach has been executed, the channel is still connected.			

Test Step Dynamic Behaviour						
Test Step Name: ImsiDetachNoReaction(par_int: INTEGER; sim_rmvd:BOOLEAN)						
Group: GSM_MS_CS_4200/Miscellaneous/						
Objective:						
Default: OtherEventsFail						
Nr	Label	Behaviour Description	CRef	V	Comments	
1		[(sim_rmvd) AND(TSPC_SIMRmv)			SIM needs to be removed.	
2		AND(TSPC_DetachOnSIMRmv)]				
3		(TCV_Null :=OO_SIMRmv())				
4		+NoReaction(par_int)				
5		[TSPC_SwitchOnOff]				
6		(TCV_Null := OO_SwitchOff())				
7		+NoReaction(par_int)				
8		[TSPC_DetachOnPwrDn]				
9		(TCV_Null := OO_PowerDown())				Remove power source
10		+NoReaction(par_int)				
11		[[((NOT sim_rmvd) OR(NOT TSPC_SIMRmv) OR((TSPC_SIMRmv) AND(NOT TSPC_DetachOnSIMRmv))) AND(NOT TSPC_SwitchOnOff) AND(NOT TSPC_DetachOnPwrDn))]] (TCV_Null := OO_PowerDown())			Remove power source	
Detailed Comments:						

Test Step Dynamic Behaviour					
Test Step Name: MM_LupInit2(locup:B_2; ta:TA)					
Group: GSM_MS_CS_4200/Miscellaneous/					
Objective:					
Default: OtherEventsFail					
Nr	Label	Behaviour Description	CRef	V	Comments
1		L?DL_RaInChRq (TCV_Rr := DL_RaInChRq.msg.ecau_rrf, TCV_Fn := DL_RaInChRq.fn)	ChReq(ChRequest_09)		To match ChReq retrans.
2		ACTIVATE(OtherEventsFail_02)			
3		LIDL_UdatRqImmss	ImmAss(TCV_agch, ImmAsgn_01Def(TCV_Rr, TCV_Fn, TSPX_SDCCH4SubDef, TCV_slot, TCV_tsc, TCV_chdescr_arfcn, ta))		
4		L?DL_EstInLupRq	LocUp(TCV_ch, LocUpdtReq_01(locup))		
5		ACTIVATE(OtherEventsFail)			Restore Normal default
Detailed Comments:					

Test Step Dynamic Behaviour					
Test Step Name: MM_LupRej(par_rej: REJCAU; locup:B_2; ta:TA)					
Group: GSM_MS_CS_4200/Miscellaneous/					
Objective:					
Default: OtherEventsFail					
Nr	Label	Behaviour Description	CRef	V	Comments
1		+MM_LupInit2(locup, ta)			
2	CS_0091	L!DL_DatRqLupRej	LocRej(TCV_ch, LocUpdtRej_01(par_rej))	(P)	
3		+ChanRel(TCV_ch)			
Detailed Comments:					

Test Step Dynamic Behaviour					
Test Step Name:		MM_PwrOrSimOff(sim_rmvd:BOOLEAN)			
Group:		GSM_MS_CS_4200/Miscellaneous/			
Objective:					
Default:		OtherEventsFail			
Nr	Label	Behaviour Description	CRef	V	Comments
1		[(sim_rmvd) AND(TSPC_SIMRmv)]			SIM needs to be removed.
2		(TCV_Null :=OO_SIMRmv())			
3		[TSPC_SwitchOnOff]			
4		(TCV_Null := OO_SwitchOff())			
5		(((NOT sim_rmvd) OR(NOT TSPC_SIMRmv)) AND(NOT TSPC_SwitchOnOff))]			
6		(TCV_Null := OO_PowerDown())			
Detailed Comments:					

Test Step Dynamic Behaviour					
Test Step Name:		MM_PwrOrSimOn(sim_rmvd:BOOLEAN)			
Group:		GSM_MS_CS_4200/Miscellaneous/			
Objective:					
Default:		OtherEventsFail			
Nr	Label	Behaviour Description	CRef	V	Comments
1		[(sim_rmvd) AND(TSPC_SIMRmv)]			SIM has been removed
2		(TCV_Null := OO_SIMIns())			
3		[TSPC_SwitchOnOff]			
4		(TCV_Null := OO_SwitchOn())			
5		(((NOT sim_rmvd) OR(NOT TSPC_SIMRmv)) AND(NOT TSPC_SwitchOnOff))]			
6		(TCV_Null := OO_PowerUp())			
Detailed Comments:					

Test Step Dynamic Behaviour					
Test Step Name:		NoReaction(par_int:INTEGER)			
Group:		GSM_MS_CS_4200/Miscellaneous/			
Objective:					
Default:		OtherEventsFail			
Nr	Label	Behaviour Description	CRef	V	Comments
1		START T_dly(par_int)			
2	CS_0 092	?TIMEOUT T_dly		(P)	
Detailed Comments:					

Test Step Dynamic Behaviour					
Test Step Name:		PageOnCarriers(CellA_Id, CellB_Id, CellC_Id, CellD_Id, CellE_Id, CellF_Id:CellID)			
Group:		GSM_MS_CS_4200/Miscellaneous/			
Objective:					
Default:					
Nr	Label	Behaviour Description	CRef	V	Comments
1		+ltree_A			
2		+ltree_B			
3		+ltree_C			
4		+ltree_D			
5		+ltree_E			
6		+ltree_F			
		ltree_A			
7		[CellA_Id = C_CellA]			
8		(TCV_Null := OM_PgFill(C_CellA, PgReqTp1_01))			Start continuous paging on Cell A
9		[CellA_Id <> C_CellA]			
		ltree_B			
10		[CellB_Id = C_CellB]			
11		(TCV_Null := OM_PgFill(C_CellB, PgReqTp1_01))			Start continuous paging on Cell B
12		[CellB_Id <> C_CellB]			
		ltree_C			
13		[CellC_Id = C_CellC]			
14		(TCV_Null := OM_PgFill(C_CellC, PgReqTp1_01))			Start continuous paging on Cell C
15		[CellC_Id <> C_CellC]			
		ltree_D			
16		[CellD_Id = C_CellD]			
17		(TCV_Null := OM_PgFill(C_CellD, PgReqTp1_01))			Start continuous paging on Cell D
18		[CellD_Id <> C_CellD]			
		ltree_E			
19		[CellE_Id = C_CellE]			
20		(TCV_Null := OM_PgFill(C_CellE, PgReqTp1_01))			Start continuous paging on Cell E
21		[CellE_Id <> C_CellE]			
		ltree_F			
22		[CellF_Id = C_CellF]			
23		(TCV_Null := OM_PgFill(C_CellF, PgReqTp1_01))			Start continuous paging on Cell F
24		[CellF_Id <> C_CellF]			
Detailed Comments:					

Test Step Dynamic Behaviour					
Test Step Name:		Pause(Millisecs:INTEGER)			
Group:		GSM_MS_CS_4200/Miscellaneous/			
Objective:					
Default:					
Comments:		Will wait for specified delay period. Any messages received during this period will be queued and processed later.			
Nr	Label	Behaviour Description	CRef	V	Comments
1		START T_pause(Millisecs)			
2		?TIMEOUT T_pause			
3		?TIMEOUT T_guard			
4	CS_0 093	(TCV_Null := OO_TguardTimeOut())		R	
Detailed Comments:					

Test Step Dynamic Behaviour					
Test Step Name:		SelectPagingCh(cell:CellID)			
Group:		GSM_MS_CS_4200/Miscellaneous/			
Objective:		To assign a paging channel and an access grant channel to the variable TCV_PgCh and TCV_agch respectively, depending on the parameter 'cell' (cell ID)			
Default:		OtherEvents			
Nr	Label	Behaviour Description	CRef	V	Comments
1		[cell = C_CellA]			
2		[TCV_Ccchg=0]			
3		(TCV_PgCh := C_PCH_A_1, TCV_agch := C_AGCH_A_1)			
4		[TCV_Ccchg=1]			
5		(TCV_PgCh := C_PCH_A_2, TCV_agch := C_AGCH_A_2)			
6		[TCV_Ccchg=2]			
7		(TCV_PgCh := C_PCH_A_3, TCV_agch := C_AGCH_A_3)			
8		[TCV_Ccchg=3]			
9		(TCV_PgCh := C_PCH_A_4, TCV_agch := C_AGCH_A_4)			
10		[cell = C_CellB]			
11		[TCV_Ccchg=0]			
12		(TCV_PgCh := C_PCH_B_1, TCV_agch := C_AGCH_B_1)			
13		[TCV_Ccchg=1]			
14		(TCV_PgCh := C_PCH_B_2, TCV_agch := C_AGCH_B_2)			
15		[TCV_Ccchg=2]			
16		(TCV_PgCh := C_PCH_B_3, TCV_agch := C_AGCH_B_3)			
17		[TCV_Ccchg=3]			
18		(TCV_PgCh := C_PCH_B_4, TCV_agch := C_AGCH_B_4)			
19		[cell = C_CellC]			
20		[TCV_Ccchg=0]			
21		(TCV_PgCh := C_PCH_C_1, TCV_agch := C_AGCH_C_1)			
22		[TCV_Ccchg=1]			
23		(TCV_PgCh := C_PCH_C_2, TCV_agch := C_AGCH_C_2)			
24		[TCV_Ccchg=2]			
25		(TCV_PgCh := C_PCH_C_3, TCV_agch := C_AGCH_C_3)			
26		[TCV_Ccchg=3]			
27		(TCV_PgCh := C_PCH_C_4, TCV_agch := C_AGCH_C_4)			
Detailed Comments:					

Test Step Dynamic Behaviour					
Test Step Name: Varinit_fix(activ_cell:CellID; lac:OCTETSTRING; subch:B_2; cksn:B_3; rand:RAND; arfcngsm, arfcdcs:INTEGER; ccd: CCD; imsi:HEXSTRING)					
Group: GSM_MS_CS_4200/Miscellaneous/					
Objective:					
Default: OtherEventsFail					
Nr	Label	Behaviour Description	CRef	V	Comments
1		(TCV_cellid := activ_cell, TCV_ch := OC_SubchOfSdcch4(subch, activ_cell), TCV_sacch := OC_SubchOfSacch4(subch, activ_cell), TCV_ia_ts := '000'B, TCV_lac := lac, TCV_ksn := cksn, TCV_CphKey := OC_CphKeyGen(TSPX_Ki, rand))			
2		+CCCH_group_Paging_group(ccd, imsi)			
3		+SelectPagingCh(activ_cell)			
4		[TSPC_PGSM OR TSPC_EGSM]			
5		(TCV_chdescr_arfcn:= arfcngsm)			
6		[TSPC_DCS]			
7		(TCV_chdescr_arfcn:= arfcdcs)			
Detailed Comments:					

Test Step Dynamic Behaviour					
Test Step Name: Wait(par_int:INTEGER)					
Group: GSM_MS_CS_4200/Miscellaneous/					
Objective:					
Default: OtherEventsFail					
Comments: To check whether MS doesn't initiate any RR connections					
Nr	Label	Behaviour Description	CRef	V	Comments
1		START T_dly(par_int)			
2		?TIMEOUT T_dly			
Detailed Comments: This test step can be used, e.g. for 1s. delay of a PAGING REQUEST message following immediately a CHANNEL RELEASE.					

Test Step Dynamic Behaviour					
Test Step Name: WaitForInService					
Group: GSM_MS_CS_4200/Miscellaneous/					
Objective: To wait until the MS enters the Idle and updated state.					
Default: OtherEvents					
Nr	Label	Behaviour Description	CRef	V	Comments
1		(TCV_Null:=OM_PgFill(TCV_cellid, PgReqTp1Reorg))			
2		START T_dly(5000)			
3		?TIMEOUT T_dly			
4		(TCV_Null:=OM_PgFill(TCV_cellid, PgReqTp1Norm))			
Detailed Comments:					

Test Step Group SysInfo

Test Step Dynamic Behaviour					
Test Step Name:		SysInfoSending_cbms(sch, bcch:LOGICCH; t, retr, neci, att:INTEGER; babr, cch_con, bpm:B_3; t3212:OCTETSTRING; ci:CI; mcc, mnc, lac:OCTETSTRING; co:CO; crh, mtmcgsm, mtmcdcs:INTEGER; bcchflgsm, bcchfldcs:NCD; Re:B_1; bcc:BCC; ncc:NCC; nccp:NCCP; Sub:B_2)			
Group:		GSM_MS_CS_4200/Miscellaneous/SysInfo/			
Objective:		To send system information messages for the CBMS tests.			
Default:		OtherEvents			
Nr	Label	Behaviour Description	CRef	V	Comments
1		(TCV_Tx := OC_CnvtTx(t), TCV_Max := OC_CnvtMax(retr), TCV_Neci := INT_TO_BIT(neci,1), TCV_Ccd0H := CntrlChDscrp(att, babr, cch_con, bpm, t3212), TCV_Tchtype := INT_TO_BIT((4 + BIT_TO_INT(Sub)), 5))			
2		(TCV_sysinf6 := SysInf6(ci, mcc, mnc, lac, co))			
3		LIDL_UdatRqSschinfo	SyncInfo(sch, bcc, ncc)		
4		+ltree_sysinfo			
		ltree_sysinfo			
5		[TSPC_PGSM OR TSPC_EGSM]			
6		LIDL_UdatRqSysinfo4	SysInfo4_CBMS(bcch, mcc, mnc, lac, crh, mtmcgsm, TCV_Neci, TCV_Max, TCV_Tx, Re, ChDescrp_nfh(TCV_Tchtype, C_S0, C_BCC, C_arfcnA))		
7		LIDL_UdatRqSysinfo2	SysInfo2(bcch, bcchflgsm, TCV_Max, TCV_Tx, Re, nccp)		
8		LIDL_UdatRqSysinfo1_nh	SysInfo1_nh(bcch, ci, mcc, mnc, lac, TCV_Ccd0H, co, crh, mtmcgsm, TCV_Neci, TCV_Max, TCV_Tx, Re)		
9		LIDL_UdatRqSysinfo3	SysInfo3(bcch, ci, mcc, mnc, lac, TCV_Ccd0H, co, crh, mtmcgsm, TCV_Neci, TCV_Max, TCV_Tx, Re)		
10		(TCV_sysinf5 := SysInf5(bcchflgsm))			
11		[TSPC_DCS]			
12		LIDL_UdatRqSysinfo4	SysInfo4_CBMS(bcch, mcc, mnc, lac, crh, mtmcdcs, TCV_Neci, TCV_Max, TCV_Tx, Re, ChDescrp_nfh(TCV_Tchtype, C_S0, C_BCC, C_arfcnAd))		
13		LIDL_UdatRqSysinfo2	SysInfo2(bcch, bcchfldcs, TCV_Max, TCV_Tx, Re, nccp)		
14		LIDL_UdatRqSysinfo1_nh	SysInfo1_nh(bcch, ci, mcc, mnc, lac, TCV_Ccd0H, co, crh, mtmcdcs, TCV_Neci, TCV_Max, TCV_Tx, Re)		
15		LIDL_UdatRqSysinfo3	SysInfo3(bcch, ci, mcc, mnc, lac, TCV_Ccd0H, co, crh, mtmcdcs, TCV_Neci, TCV_Max, TCV_Tx, Re)		
16		(TCV_sysinf5 := SysInf5(bcchfldcs))			

Detailed Comments:

Test Step Dynamic Behaviour					
Test Step Name:		SysInfoSending_fh(sch, bcch:LOGICCH; t, retr, neci, att:INTEGER; babr, cch_con, bpm:B_3; t3212:OCTETSTRING; ci:CI; mcc, mnc, lac:OCTETSTRING; co:CO; cchdgsm, cchddcs:CCHD; crh, mtmcgsm, mtmcdcs:INTEGER; bcchflgsm, bcchfldcs:NCD; Re:B_1; bcc:BCC; ncc:NCC; nccp:NCCP)			
Group:		GSM_MS_CS_4200/Miscellaneous/SysInfo/			
Objective:		To send system information messages for the L3 tests. The following parameters specified by input parameters: - bcch: BCCH - sch: SCH - bcchfl: BCCH frequency list - ci: Cell identity - lai: Location area identification - ccd: Control channel description - csp: Cell selection parameters - cchd: Cell channel description - rachpar: RACH controll parameterers			
Default:		OtherEvents			
Nr	Label	Behaviour Description	CRef	V	Comments
1		(TCV_Tx := OC_CnvtTx(t), TCV_Max := OC_CnvtMax(retr), TCV_Neci := INT_TO_BIT(neci,1), TCV_Ccd0H := CntrlChDscrp(att, babr, cch_con, bpm, t3212))			
2		(TCV_sysinf6 := SysInf6(ci, mcc, mnc, lac, co))			
3		LIDL_UdatRqSysinfo	Synclnfo(sch, bcc, ncc)		
4		+ltree_sysinfo			
ltree_sysinfo					
[TSPC_PGSM OR TSPC_EGSM]					
5		LIDL_UdatRqSysinfo1	SysInfo1(bcch, cchdgsm, TCV_Max, TCV_Tx, Re)		
6		LIDL_UdatRqSysinfo2	SysInfo2(bcch, bcchflgsm, TCV_Max, TCV_Tx, Re, nccp)		
7		LIDL_UdatRqSysinfo3	SysInfo3(bcch, ci, mcc, mnc, lac, TCV_Ccd0H, co, crh, mtmcgsm, TCV_Neci, TCV_Max, TCV_Tx, Re)		
8		LIDL_UdatRqSysinfo4	SysInfo4(bcch, mcc, mnc, lac, crh, mtmcgsm, TCV_Neci, TCV_Max, TCV_Tx, Re)		
9		(TCV_sysinf5 := SysInf5(bcchflgsm))			
[TSPC_DCS]					
10		LIDL_UdatRqSysinfo1	SysInfo1(bcch, cchddcs, TCV_Max, TCV_Tx, Re)		
11		LIDL_UdatRqSysinfo2	SysInfo2(bcch, bcchfldcs, TCV_Max, TCV_Tx, Re, nccp)		
12		LIDL_UdatRqSysinfo3	SysInfo3(bcch, ci, mcc, mnc, lac, TCV_Ccd0H, co, crh, mtmcdcs, TCV_Neci, TCV_Max, TCV_Tx, Re)		
13		LIDL_UdatRqSysinfo4	SysInfo4(bcch, mcc, mnc, lac, crh, mtmcdcs, TCV_Neci, TCV_Max, TCV_Tx, Re)		
14		(TCV_sysinf5 := SysInf5(bcchfldcs), TCV_sysinf6.co.pwrc := '1'B)			
15					
16					
Detailed Comments:					

Test Step Dynamic Behaviour

Test Step Name: SysInfoSending_fh_bisA(sch, bcch:LOGICCH; t, retr, neci, att:INTEGER; babr, cch_con, bpm:B_3; t3212:OCTETSTRING; ci:CI; mcc, mnc, lac:OCTETSTRING; co:CO; cchdgs, cchddcs:CCHD; crh, mtmcgs, mtmcdds:INTEGER; bcchflgs, bcchfldcs:NCD; Re:B_1; bcc:BCC; ncc:NCC; nccp:NCCP; ram:B_6; pt:B_5; cro:B_6; to:B_3)

Group: GSM_MS_CS_4200/Miscellaneous/SysInfo/

Objective: To send system information messages for the L3 tests. The following parameters specified by input parameters:

- bcch: BCCH
 - sch: SCH
 - bcchfl: BCCH frequency list
 - ci: Cell identity
 - lai: Location area identification
 - ccd: Control channel description
 - csp: Cell selection parameters
 - cchd: Cell channel description
 - rachpar: RACH controll paramenters
- OtherEvents

Default:

Nr	Label	Behaviour Description	CRef	V	Comments
1		(TCV_Tx := OC_CnvtTx(t), TCV_Max := OC_CnvtMax(retr), TCV_Neci := INT_TO_BIT(neci,1), TCV_Ccd0H := CntrlChDscrp(att, babr, cch_con, bpm, t3212))			
2		(TCV_sysinf6 := SysInf6(ci, mcc, mnc, lac, co))			
3		LIDL_UdatRqSchinfo	SyncInfo(sch, bcc, ncc)		
4		+ltree_sysinfo			
5		ltree_sysinfo			
6		[TSPC_PGSM OR TSPC_EGSM]			
7		LIDL_UdatRqSysinfo1	SysInfo1(bcch, cchdgs, TCV_Max, TCV_Tx, Re)		
8		LIDL_UdatRqSysinfo2	SysInfo2(bcch, BcchFreqLst_57, TCV_Max, TCV_Tx, Re, nccp)		
9		LIDL_UdatRqSysinfo3	SysInfo3_rpct(bcch, ci, mcc, mnc, lac, TCV_Ccd0H, co, crh, mtmcgs, TCV_Neci, TCV_Max, TCV_Tx, Re, ram, pt, cro, to)		
10		LIDL_UdatRqSysinfo4	SysInfo4_rpct(bcch, mcc, mnc, lac, crh, mtmcgs, TCV_Neci, TCV_Max, TCV_Tx, Re, ram, pt, cro, to)		
11		(TCV_sysinf5 := SysInf5(bcchflgs))			
12		+SysInfo_SacchSending(TCV_sacch, TCV_sysinf5, TCV_sysinf6)			
13		LIDL_UdatRqSysinfo2bis	SysInfo2bis_egsm(bc ch, BcchFreqLst_56)		
14		[TSPC_DCS]			
15		LIDL_UdatRqSysinfo1	SysInfo1(bcch, cchddcs, TCV_Max, TCV_Tx, Re)		
16		LIDL_UdatRqSysinfo2	SysInfo2(bcch, BcchFreqLst_58, TCV_Max, TCV_Tx, Re, nccp)		
17		LIDL_UdatRqSysinfo2bis	SysInfo2bis_egsm(bc ch, BcchFreqLst_56)		
18		LIDL_UdatRqSysinfo3	SysInfo3_rpct(bcch, ci, mcc, mnc, lac, TCV_Ccd0H, co, crh, mtmcdds, TCV_Neci, TCV_Max, TCV_Tx, Re, ram, pt, cro, to)		
19		LIDL_UdatRqSysinfo4	SysInfo4_rpct(bcch,		

19 20	(TCV_sysinf5 := SysInf5(bcchfldcs), TCV_sysinf6.co.pwrc := '1'B) +SysInfo_SacchSending(TCV_sacch, TCV_sysinf5, TCV_sysinf6)	mcc, mnc, lac, crh, mtmcdcs, TCV_Neci, TCV_Max, TCV_Tx, Re, ram, pt, cro, to)	
Detailed Comments:			

Test Step Dynamic Behaviour

Test Step Name:	SysInfoSending_fh_bisB(sch, bcch:LOGICCH; t, retr, neci, att:INTEGER; babr, cch_con, bpm:B_3; t3212:OCTETSTRING; ci:CI; mcc, mnc, lac:OCTETSTRING; co:CO; cchdgs, cchddcs:CCHD; crh, mtmcgs, mtmcdds:INTEGER; bcchflgs, bcchfldcs:NCD; Re:B_1; bcc:BCC; ncc:NCC; nccp:NCCP; ram:B_6; pt:B_5; cro:B_6; to:B_3)
Group:	GSM_MS_CS_4200/Miscellaneous/SysInfo/
Objective:	To send system information messages for the L3 tests. The following parameters specified by input parameters: - bcch: BCCH - sch: SCH - bcchfl: BCCH frequency list - ci: Cell identity - lai: Location area identification - ccd: Control channel description - csp: Cell selection parameters - cchd: Cell channel description - rachcpar: RACH controll paramenters
Default:	OtherEvents

Nr	Label	Behaviour Description	CRef	V	Comments
1		(TCV_Tx := OC_CnvtTx(t), TCV_Max := OC_CnvtMax(retr), TCV_Neci := INT_TO_BIT(neci,1), TCV_Ccd0H := CntrlChDscrp(att, babr, cch_con, bpm, t3212))			
2		(TCV_sysinf6 := SysInf6(ci, mcc, mnc, lac, co))			
3		LIDL_UdatRqSchinfo	SyncInfo(sch, bcc, ncc)		
4		+ltree_sysinfo			
5		ltree_sysinfo			
6		[TSPC_PGSM OR TSPC_EGSM] LIDL_UdatRqSysinfo1	SysInfo1(bcch, cchdgs, TCV_Max, TCV_Tx, Re)		
7		LIDL_UdatRqSysinfo2	SysInfo2(bcch, bcchflgs, TCV_Max, TCV_Tx, Re, nccp)		
8		LIDL_UdatRqSysinfo3	SysInfo3_rpct(bcch, ci, mcc, mnc, lac, TCV_Ccd0H, co, crh, mtmcgs, TCV_Neci, TCV_Max, TCV_Tx, Re, ram, pt, cro, to)		
9		LIDL_UdatRqSysinfo4	SysInfo4_bis(bcch, mcc, mnc, lac, crh, mtmcgs, TCV_Neci, TCV_Max, TCV_Tx, Re, ram)		
10		(TCV_sysinf5 := SysInf5(bcchflgs))			
11		+SysInfo_SacchSending(TCV_sacch, TCV_sysinf5, TCV_sysinf6)			
12		LIDL_UdatRqSysinfo7	SysInfo7(bcch, pt, cro, to)		
13		LIDL_UdatRqSysinfo8	SysInfo8(bcch, pt, cro, to)		
14		[TSPC_EGSM]			
15		LIDL_UdatRqSysinfo2ter	SysInfo2ter(bcch, BcchFreqLst2_65)		
16		[NOT TSPC_EGSM]			
17		[TSPC_DCS]			
18		LIDL_UdatRqSysinfo1	SysInfo1(bcch, cchddcs, TCV_Max, TCV_Tx, Re)		
19		LIDL_UdatRqSysinfo2	SysInfo2(bcch, bcchfldcs, TCV_Max, TCV_Tx, Re, nccp)		
20		LIDL_UdatRqSysinfo3	SysInfo3_rpct(bcch, ci, mcc, mnc, lac, TCV_Ccd0H, co, crh, mtmcdds, TCV_Neci, TCV_Max, TCV_Tx,		

21	L!DL_UdatRqSysinfo4	Re, ram, pt, cro, to) SysInfo4_bis(bcch, mcc, mnc, lac, crh, mtmcdcs, TCV_Neci, TCV_Max, TCV_Tx, Re, ram)
22	(TCV_sysinf5 := SysInf5(bcchfldcs), TCV_sysinf6.co.pwrc := '1'B)	
23	+SysInfo_SacchSending(TCV_sacch, TCV_sysinf5, TCV_sysinf6)	
24	L!DL_UdatRqSysinfo7	SysInfo7(bcch, pt, cro, to)
25	L!DL_UdatRqSysinfo8	SysInfo8(bcch, pt, cro, to)
Detailed Comments:		

Test Step Dynamic Behaviour					
Test Step Name: SysInfoSending_fh_rcc(sch, bcch:LOGICCH; t, retr, neci, att:INTEGER; babr, cch_con, bpm:B_3; t3212:OCTETSTRING; ci:CI; mcc, mnc, lac:OCTETSTRING; co:CO; cchdgs, cchddcs:CCHD; crh, mtmcgs, mtmcdds:INTEGER; bcchflgs, bcchfldcs, bcchflegsm:NCD; Re:B_1; bcc:BCC; ncc:NCC; nccp:NCCP; ram:B_6; cba, cbq:B_1; acc:B_5)					
Group: GSM_MS_CS_4200/Miscellaneous/SysInfo/					
Objective: To send system information messages for the L3 tests. The following parameters specified by input parameters: - bcch: BCCH - sch: SCH - bcchfl: BCCH frequency list - ci: Cell identity - lai: Location area identification - ccd: Control channel description - csp: Cell selection parameters - cchd: Cell channel description - rachcpar: RACH controll paramenters					
Default: OtherEvents					
Nr	Label	Behaviour Description	CRef	V	Comments
1		(TCV_Tx := OC_CnvtTx(t), TCV_Max := OC_CnvtMax(retr), TCV_Neci := INT_TO_BIT(neci,1), TCV_Ccd0H := CntrlChDscrp(att, babr, cch_con, bpm, t3212))			
2		(TCV_sysinf6 := SysInf6(ci, mcc, mnc, lac, co))			
3		LIDL_UdatRqSchinfo	SyncInfo(sch, bcc, ncc)		
4		+ltree_sysinfo			
5		ltree_sysinfo			
6		[TSPC_PGSM OR TSPC_EGSM] LIDL_UdatRqSysinfo1	SysInfo1_cba(bcch, cchdgs, TCV_Max, TCV_Tx, Re, cba, acc)		
7		LIDL_UdatRqSysinfo2	SysInfo2_cba(bcch, bcchflgs, TCV_Max, TCV_Tx, Re, nccp, cba, acc)		
8		LIDL_UdatRqSysinfo3	SysInfo3_ram_cba(bcch, ci, mcc, mnc, lac, TCV_Ccd0H, co, crh, mtmcgs, TCV_Neci, TCV_Max, TCV_Tx, Re, ram, cba, cbq, acc)		
9		LIDL_UdatRqSysinfo4	SysInfo4_ram_cba(bcch, mcc, mnc, lac, crh, mtmcgs, TCV_Neci, TCV_Max, TCV_Tx, Re, ram, cba, cbq, acc)		
10		(TCV_sysinf5 := SysInf5(bcchflgs))			
11		+SysInfo_SacchSending(TCV_sacch, TCV_sysinf5, TCV_sysinf6)			
12		[TSPC_EGSM]			
13		LIDL_UdatRqSysinfo2bis	SysInfo2bis_egsm(bc ch, bcchflegsm)		
14		[NOT TSPC_EGSM]			
15		[TSPC_DCS]			
16		LIDL_UdatRqSysinfo1	SysInfo1_cba(bcch, cchddcs, TCV_Max, TCV_Tx, Re, cba, acc)		
17		LIDL_UdatRqSysinfo2	SysInfo2_cba(bcch, bcchfldcs, TCV_Max, TCV_Tx, Re, nccp, cba, acc)		
18		LIDL_UdatRqSysinfo3	SysInfo3_ram_cba(bcch, ci, mcc, mnc, lac, TCV_Ccd0H, co,		

19	L!DL_UdatRqSysinfo4	crh, mtmcdcs, TCV_Neci, TCV_Max, TCV_Tx, Re, ram, cba, cbq, acc) SysInfo4_ram_cba(bcch, mcc, mnc, lac, crh, mtmcdcs, TCV_Neci, TCV_Max, TCV_Tx, Re, ram, cba, cbq, acc)	
20	(TCV_sysinf5 := SysInf5(bcchfldcs), TCV_sysinf6.co.pwrc := '1'B)		
21	+SysInfo_SacchSending(TCV_sacch, TCV_sysinf5, TCV_sysinf6)		
Detailed Comments:			

Test Step Dynamic Behaviour

Test Step Name:	SysInfoSending_fh_rpct(sch, bcch:LOGICCH; t, retr, neci, att:INTEGER; babr, cch_con, bpm:B_3; t3212:OCTETSTRING; ci:CI; mcc, mnc, lac:OCTETSTRING; co:CO; cchdgsm, cchddcs:CCHD; crh, mtmcgsm, mtmcdcs:INTEGER; bcchflgsm, bcchfldcs, bcchflegsm:NCD; Re:B_1; bcc:BCC; ncc:NCC; nccp:NCCP; ram:B_6; pt:B_5; cro:B_6; to:B_3)
Group:	GSM_MS_CS_4200/Miscellaneous/SysInfo/
Objective:	To send system information messages for the L3 tests. The following parameters specified by input parameters: - bcch: BCCH - sch: SCH - bcchfl: BCCH frequency list - ci: Cell identity - lai: Location area identification - ccd: Control channel description - csp: Cell selection parameters - cchd: Cell channel description - rachcpar: RACH controll paramenterers
Default:	OtherEvents

Nr	Label	Behaviour Description	CRef	V	Comments
1		(TCV_Tx := OC_CnvtTx(t), TCV_Max := OC_CnvtMax(retr), TCV_Neci := INT_TO_BIT(neci,1), TCV_Ccd0H := CntrlChDscrp(att, babr, cch_con, bpm, t3212))			
2		(TCV_sysinf6 := SysInf6(ci, mcc, mnc, lac, co))			
3		LIDL_UdatRqSchinfo	SyncInfo(sch, bcc, ncc)		
4		+ltree_sysinfo			
5		ltree_sysinfo			
6		[TSPC_PGSM OR TSPC_EGSM] LIDL_UdatRqSysinfo1	SysInfo1(bcch, cchdgsm, TCV_Max, TCV_Tx, Re)		
7		LIDL_UdatRqSysinfo2	SysInfo2(bcch, bcchflgsm, TCV_Max, TCV_Tx, Re, nccp)		
8		LIDL_UdatRqSysinfo3	SysInfo3_rpct(bcch, ci, mcc, mnc, lac, TCV_Ccd0H, co, crh, mtmcgsm, TCV_Neci, TCV_Max, TCV_Tx, Re, ram, pt, cro, to)		
9		LIDL_UdatRqSysinfo4	SysInfo4_rpct(bcch, mcc, mnc, lac, crh, mtmcgsm, TCV_Neci, TCV_Max, TCV_Tx, Re, ram, pt, cro, to)		
10		(TCV_sysinf5 := SysInf5(bcchflgsm))			
11		+SysInfo_SacchSending(TCV_sacch, TCV_sysinf5, TCV_sysinf6)			
12		[TSPC_EGSM]			
13		LIDL_UdatRqSysinfo2bis	SysInfo2bis_egsm(bc ch, bcchflegsm)		
14		[NOT TSPC_EGSM]			
15		[TSPC_DCS]			
16		LIDL_UdatRqSysinfo1	SysInfo1(bcch, cchddcs, TCV_Max, TCV_Tx, Re)		
17		LIDL_UdatRqSysinfo2	SysInfo2(bcch, bcchfldcs, TCV_Max, TCV_Tx, Re, nccp)		
18		LIDL_UdatRqSysinfo3	SysInfo3_rpct(bcch, ci, mcc, mnc, lac, TCV_Ccd0H, co, crh, mtmcdcs, TCV_Neci, TCV_Max, TCV_Tx, Re, ram, pt, cro, to)		
19		LIDL_UdatRqSysinfo4	SysInfo4_rpct(bcch, mcc, mnc, lac, crh, mtmcdcs, TCV_Neci,		

20		(TCV_sysinf5 := SysInf5(bcchfldcs), TCV_sysinf6.co.pwrc := '1'B)	TCV_Max, TCV_Tx, Re, ram, pt, cro, to)		
21		+SysInfo_SacchSending(TCV_sacch, TCV_sysinf5, TCV_sysinf6)			
Detailed Comments:					

Test Step Dynamic Behaviour

Test Step Name: SysInfoSending_fh_rpctp(sch, bcch:LOGICCH; t, retr, neci, att:INTEGER; babr, cch_con, bpm:B_3; t3212:OCTETSTRING; ci:CI; mcc, mnc, lac:OCTETSTRING; co:CO; cchdgsm, cchddcs:CCHD; crh, mtmcgsm, mtmcdcs:INTEGER; bcchflgsm, bcchfldcs, bcchflegsm:NCD; Re:B_1; bcc:BCC; ncc:NCC; nccp:NCCP; ram:B_6; pt:B_5; cro:B_6; to:B_3; po:B_2)

Group: GSM_MS_CS_4200/Miscellaneous/SysInfo/

Objective: To send system information messages for the L3 tests. The following parameters specified by input parameters:

- bcch: BCCH
 - sch: SCH
 - bcchfl: BCCH frequency list
 - ci: Cell identity
 - lai: Location area identification
 - ccd: Control channel description
 - csp: Cell selection parameters
 - cchd: Cell channel description
 - rachcpar: RACH controll paramenters
- OtherEvents

Default:

Nr	Label	Behaviour Description	CRef	V	Comments
1		(TCV_Tx := OC_CnvtTx(t), TCV_Max := OC_CnvtMax(retr), TCV_Neci := INT_TO_BIT(neci,1), TCV_Ccd0H := CntrlChDscrp(att, babr, cch_con, bpm, t3212))			
2		(TCV_sysinf6 := SysInf6(ci, mcc, mnc, lac, co))			
3		LIDL_UdatRqSchinfo	SyncInfo(sch, bcc, ncc)		
4		+ltree_sysinfo			
5		ltree_sysinfo			
6		[TSPC_PGSM OR TSPC_EGSM]			
7		LIDL_UdatRqSysinfo1	SysInfo1(bcch, cchdgsm, TCV_Max, TCV_Tx, Re)		
8		LIDL_UdatRqSysinfo2	SysInfo2(bcch, bcchflgsm, TCV_Max, TCV_Tx, Re, nccp)		
9		LIDL_UdatRqSysinfo3	SysInfo3_rpctp(bcch, ci, mcc, mnc, lac, TCV_Ccd0H, co, crh, mtmcgsm, TCV_Neci, TCV_Max, TCV_Tx, Re, ram, pt, cro, to, po)		
10		LIDL_UdatRqSysinfo4	SysInfo4_rpctp(bcch, mcc, mnc, lac, crh, mtmcgsm, TCV_Neci, TCV_Max, TCV_Tx, Re, ram, pt, cro, to, po)		
11		(TCV_sysinf5 := SysInf5(bcchflgsm))			
12		+SysInfo_SacchSending(TCV_sacch, TCV_sysinf5, TCV_sysinf6)			
13		[TSPC_EGSM]			
14		LIDL_UdatRqSysinfo2bis	SysInfo2bis_egsm(bcch, bcchflegsm)		
15		[NOT TSPC_EGSM]			
16		[TSPC_DCS]			
17		LIDL_UdatRqSysinfo1	SysInfo1(bcch, cchddcs, TCV_Max, TCV_Tx, Re)		
18		LIDL_UdatRqSysinfo2	SysInfo2(bcch, bcchfldcs, TCV_Max, TCV_Tx, Re, nccp)		
19		LIDL_UdatRqSysinfo3	SysInfo3_rpctp(bcch, ci, mcc, mnc, lac, TCV_Ccd0H, co, crh, mtmcdcs, TCV_Neci, TCV_Max, TCV_Tx, Re, ram, pt, cro, to, po)		

19	LIDL_UdatRqSysinfo4	SysInfo4_rpctp(bcch, mcc, mnc, lac, crh, mtmcdcs, TCV_Neci, TCV_Max, TCV_Tx, Re, ram, pt, cro, to, po)	
20	(TCV_sysinf5 := SysInf5(bcchfldcs), TCV_sysinf6.co.pwrc := '1'B)		
21	+SysInfo_SacchSending(TCV_sacch, TCV_sysinf5, TCV_sysinf6)		

Detailed Comments:

Test Step Dynamic Behaviour					
Test Step Name: SysInfoSending_nfh(sch, bcch:LOGICCH; t, retr, neci, att: INTEGER; babr, cch_con, bpm:B_3; t3212:OCTETSTRING; ci:CI; mcc, mnc, lac:OCTETSTRING; co:CO; crh, mtmcgsm, mtmcdcs:INTEGER; bcchflgsm, bcflaltgsm, bcchfldcs, bcflaltdcs:NCD; Re:B_1; bcc:BCC; ncc:NCC; nccp:NCCP)					
Group: GSM_MS_CS_4200/Miscellaneous/SysInfo/					
Objective: To send system information messages with default parameters defined for the L3 tests for which no special parameters indicated.					
Default: OtherEvents					
Nr	Label	Behaviour Description	CRef	V	Comments
1		(TCV_Tx := OC_CnvtTx(t), TCV_Max := OC_CnvtMax(retr), TCV_Neci := INT_TO_BIT(neci,1), TCV_Ccd0H := CntrlChDscrp(att, babr, cch_con, bpm, t3212))			
2		(TCV_sysinf6 := SysInf6(ci, mcc, mnc, lac, co))			
3		LIDL_UdatRqSchinfo	SynclInfo(sch, bcc, ncc)		
4		+gsmOrDcs			
gsmOrDcs					
5		[TSPC_PGSM OR TSPC_EGSM]			1.
6		LIDL_UdatRqSysinfo4	SysInfo4(bcch, mcc, mnc, lac, crh, mtmcgsm, TCV_Neci, TCV_Max, TCV_Tx, Re)		
7		LIDL_UdatRqSysinfo1_nh	SysInfo1_nh(bcch, ci, mcc, mnc, lac, TCV_Ccd0H, co, crh, mtmcgsm, TCV_Neci, TCV_Max, TCV_Tx, Re)		
8		LIDL_UdatRqSysinfo3	SysInfo3(bcch, ci, mcc, mnc, lac, TCV_Ccd0H, co, crh, mtmcgsm, TCV_Neci, TCV_Max, TCV_Tx, Re)		
9		[NOT TSPX_AltNb]			3.
10		LIDL_UdatRqSysinfo2	SysInfo2(bcch, bcchflgsm, TCV_Max, TCV_Tx, Re, nccp)		
11		(TCV_sysinf5 := SysInf5(bcchflgsm))			
12		[TSPX_AltNb]			4.
13		LIDL_UdatRqSysinfo2	SysInfo2(bcch, bcflaltgsm, TCV_Max, TCV_Tx, Re, nccp)		
14		(TCV_sysinf5 := SysInf5(bcflaltgsm))			
15		[TSPC_DCS]			2.
16		LIDL_UdatRqSysinfo4	SysInfo4(bcch, mcc, mnc, lac, crh, mtmcdcs, TCV_Neci, TCV_Max, TCV_Tx, Re)		
17		LIDL_UdatRqSysinfo1_nh	SysInfo1_nh(bcch, ci, mcc, mnc, lac, TCV_Ccd0H, co, crh, mtmcdcs, TCV_Neci, TCV_Max, TCV_Tx, Re)		
18		LIDL_UdatRqSysinfo3	SysInfo3(bcch, ci, mcc, mnc, lac, TCV_Ccd0H, co, crh, mtmcdcs, TCV_Neci, TCV_Max, TCV_Tx, Re)		
19		[NOT TSPX_AltNb]			3.
20		LIDL_UdatRqSysinfo2	SysInfo2(bcch, bcchfldcs, TCV_Max, TCV_Tx, Re, nccp)		
21		(TCV_sysinf5 := SysInf5(bcchfldcs))			

22		[TSPX_AltNb]			
23		L!DL_UdatRqSysinfo2		SysInfo2(bcch, bcflaltdcs, TCV_Max, TCV_Tx, Re, nccp)	4.
24		(TCV_sysinf5 := SysInf5(bcflaltdcs))			
Detailed Comments:					
1. For GSM900 mobile station testing.					
2. For DCS1800 mobile station testing.					
3. To use alternative neighbour cells description.					
4. To use default neighbour cells description.					

Test Step Dynamic Behaviour					
Test Step Name: SysInfoSending_nfhCb(sch, bcch:LOGICCH; t, retr, neci, att: INTEGER; babr, cch_con, bpm:B_3; t3212:OCTETSTRING; ci:CI; mcc, mnc, lac:OCTETSTRING; co:CO; crh, mtmcgsm, mtmcdcs:INTEGER; bcchflgsm, bcflaltgsm, bcchfldcs, bcflaltcdcs:NCD; Re:B_1; bcc:BCC; ncc:NCC; nccp:NCCP)					
Group: GSM_MS_CS_4200/Miscellaneous/SysInfo/					
Objective: To send system information messages with default parameters defined for the L3 tests for which no special parameters indicated.					
Default: OtherEvents					
Nr	Label	Behaviour Description	CRef	V	Comments
1		(TCV_Tx := OC_CnvtTx(t), TCV_Max := OC_CnvtMax(retr), TCV_Neci := INT_TO_BIT(neci,1), TCV_Ccd0H := CntrlChDscrp(att, babr, cch_con, bpm, t3212))			
2		(TCV_sysinf6 := SysInf6(ci, mcc, mnc, lac, co))			
3		LIDL_UdatRqSchinfo	SyncInfo(sch, bcc, ncc)		
4		+gsmOrDcs			
gsmOrDcs					
5		[TSPC_PGSM OR TSPC_EGSM]			1.
6		LIDL_UdatRqSysinfo4 (DL_UdatRqSysinfo4.msg.rachcp.cba := '1'B)	SysInfo4(bcch, mcc, mnc, lac, crh, mtmcgsm, TCV_Neci, TCV_Max, TCV_Tx, Re)		
7		LIDL_UdatRqSysinfo1_nh (DL_UdatRqSysinfo1_nh.msg.rachcp.cba := '1'B)	SysInfo1_nh(bcch, ci, mcc, mnc, lac, TCV_Ccd0H, co, crh, mtmcgsm, TCV_Neci, TCV_Max, TCV_Tx, Re)		
8		LIDL_UdatRqSysinfo3 (DL_UdatRqSysinfo3.msg.rachcp.cba := '1'B)	SysInfo3(bcch, ci, mcc, mnc, lac, TCV_Ccd0H, co, crh, mtmcgsm, TCV_Neci, TCV_Max, TCV_Tx, Re)		
9		[NOT TSPX_AltNb]			3.
10		LIDL_UdatRqSysinfo2 (DL_UdatRqSysinfo2.msg.rachcp.cba := '1'B)	SysInfo2(bcch, bcchflgsm, TCV_Max, TCV_Tx, Re, nccp)		
11		(TCV_sysinf5 := SysInf5(bcchflgsm))			
12		[TSPX_AltNb]			4.
13		LIDL_UdatRqSysinfo2 (DL_UdatRqSysinfo2.msg.rachcp.cba := '1'B)	SysInfo2(bcch, bcflaltgsm, TCV_Max, TCV_Tx, Re, nccp)		
14		(TCV_sysinf5 := SysInf5(bcflaltgsm))			
15		[TSPC_DCS]			2.
16		LIDL_UdatRqSysinfo4 (DL_UdatRqSysinfo4.msg.rachcp.cba := '1'B)	SysInfo4(bcch, mcc, mnc, lac, crh, mtmcdcs, TCV_Neci, TCV_Max, TCV_Tx, Re)		
17		LIDL_UdatRqSysinfo1_nh (DL_UdatRqSysinfo1_nh.msg.rachcp.cba := '1'B)	SysInfo1_nh(bcch, ci, mcc, mnc, lac, TCV_Ccd0H, co, crh, mtmcdcs, TCV_Neci, TCV_Max, TCV_Tx, Re)		
18		LIDL_UdatRqSysinfo3 (DL_UdatRqSysinfo3.msg.rachcp.cba := '1'B)	SysInfo3(bcch, ci, mcc, mnc, lac, TCV_Ccd0H, co, crh, mtmcdcs, TCV_Neci, TCV_Max, TCV_Tx, Re)		
19		[NOT TSPX_AltNb]			3.
20		LIDL_UdatRqSysinfo2 (DL_UdatRqSysinfo2.msg.rachcp.cba := '1'B)	SysInfo2(bcch, bcchfldcs, TCV_Max, TCV_Tx, Re, nccp)		
21		(TCV_sysinf5 := SysInf5(bcchfldcs))			

22	[TSPX_AltNb]			4.
23	L!DL_UdatRqSysinfo2 (DL_UdatRqSysinfo2.msg.rachcp.cba := '1'B)	SysInfo2(bcch, bcflaltdcs, TCV_Max, TCV_Tx, Re, nccp)		
24	(TCV_sysinf5 := SysInf5(bcflaltdcs))			
Detailed Comments:				
1. For GSM900 mobile station testing.				
2. For DCS1800 mobile station testing.				
3. To use alternative neighbour cells description.				
4. To use default neighbour cells description.				

Test Step Dynamic Behaviour					
Test Step Name: SysInfoSending_e(sch, bcch:LOGICCH; t, retr, neci, att:INTEGER; babr, cch_con, bpm:B_3; t3212:OCTETSTRING; ci:CI; mcc, mnc, lac:OCTETSTRING; co:CO; cchdgs: CCHD; crh, mtmcgs:INTEGER; bcchflgs, bcchflegs:NCD; Re:B_1; bcc:BCC; ncc:NCC; nccp:NCCP)					
Group: GSM_MS_CS_4200/Miscellaneous/SysInfo/					
Objective: To send SYNCHRONIZATION CHANNEL INFORMATION and SYSTEM INFORMATION messages with default parameters except CCH_CONF, Tx-integer, Max-Retrans and ATT which are specified by input parameters.					
Default: OtherEvents					
Nr	Label	Behaviour Description	CRef	V	Comments
1		(TCV_Tx := OC_CnvtTx(t), TCV_Max := OC_CnvtMax(retr), TCV_Neci := INT_TO_BIT(neci,1), TCV_Ccd0H := CntrlChDscrp(att, babr, cch_con, bpm, t3212))			
2		L!DL_UdatRqSchinfo	SynInfo(sch, bcc, ncc)		1.
3		(TCV_sysinf6 := SysInf6(ci, mcc, mnc, lac, co))			
4		L!DL_UdatRqSysinfo1	SysInfo1(bcch, cchdgs, TCV_Max, TCV_Tx, Re)		2.
5		L!DL_UdatRqSysinfo2 (DL_UdatRqSysinfo2.msg.bcchfl.extind := '1'B)	SysInfo2(bcch, bcchflgs, TCV_Max, TCV_Tx, Re, nccp)		
6		L!DL_UdatRqSysinfo2bis	SysInfo2bis(bcch)		
7		L!DL_UdatRqSysinfo4	SysInfo4(bcch, mcc, mnc, lac, crh, mtmcgs, TCV_Neci, TCV_Max, TCV_Tx, Re)		
8		(TCV_sysinf5 := SysInf5(bcchflgs), TCV_sysinfo5.bcchfl.extind := '1'B)			
9		(TCV_sysinfo5bis := SysInf5bis(bcchflegs))			
10		L!DL_UdatRqSysinfo3	SysInfo3(bcch, ci, mcc, mnc, lac, TCV_Ccd0H, co, crh, mtmcgs, TCV_Neci, TCV_Max, TCV_Tx, Re)		
Detailed Comments:					
1. To send SYNCHRONIZATION INFORMATION message with default parameter for cell A.					
2. System Information Type 1 with Cell Channel Description for HO-testin in cell A (GSM900).					

Test Step Dynamic Behaviour					
Test Step Name:		SysInfo_SacchSending(ch:LOGICCH; sysinfo5_pdu:SYSINFO5_PDU; sysinfo6_pdu:SYSINFO6_PDU)			
Group:		GSM_MS_CS_4200/Miscellaneous/SysInfo/			
Objective:		To send SYSTEM INFORMATION 5 and 6 messages defined by parameters 'sysinfo5_pdu' and 'sysinfo6_pdu' in the parametrised 'ch' channel.			
Default:		OtherEvents			
Nr	Label	Behaviour Description	CRef	V	Comments
1		[ch <> "dummy"]			
2		L!DL_UdatRqSysinfo6	SysInfo6(ch, sysinfo6_pdu)		
3		L!DL_UdatRqSysinfo5	SysInfo5(ch, sysinfo5_pdu)		
4	CS_0 094	[ch = "dummy"]		I	
Detailed Comments:					

Test Step Dynamic Behaviour					
Test Step Name:		SysInfo_5bisSending(ch:LOGICCH; sysinfo5bis_pdu:SYSINFO5bis_PDU)			
Group:		GSM_MS_CS_4200/Miscellaneous/SysInfo/			
Objective:		To send SYSTEM INFORMATION 5bis message defined by parameters 'sysinfo5bis_pdu' in the parametrised 'ch' channel.			
Default:		OtherEvents			
Nr	Label	Behaviour Description	CRef	V	Comments
1		[ch <> "dummy"]			
2		L!DL_UdatRqSysinfo5bis	SysInfo5bis(ch, sysinfo5bis_pdu)		
3	CS_0 095	[ch = "dummy"]		I	
Detailed Comments:					

Test Step Dynamic Behaviour					
Test Step Name:		SetNECI(att:INTEGER; babr, cch_con, bpm:B_3; t3212, mcc, mnc, lac:OCTETSTRING)			
Group:		GSM_MS_CS_4200/Miscellaneous/SysInfo/			
Objective:		To set the NECI =1.			
Default:		OtherEvents			
Nr	Label	Behaviour Description	CRef	V	Comments
1		(TCV_Tx := '0010'B, TCV_Max := '11'B, TCV_Neci := '1'B, TCV_Ccd0A := CntrlChDscrp(att, babr, cch_con, bpm, t3212))			
2		[TSPC_PGSM OR TSPC_EGSM]			
3		LIDL_UdatRqSysinfo4	SysInfo4(C_BCCH_A_1, mcc, mnc, lac, C_CellReselectHys12, C_MaxPwrLvlG, TCV_Neci, TCV_Max, TCV_Tx, C_Restablishment)		
4		LIDL_UdatRqSysinfo3	SysInfo3(C_BCCH_A_1, C_ci_cellA, mcc, mnc, lac, TCV_Ccd0A, CellOpt_01, C_CellReselectHys12, C_MaxPwrLvlG, TCV_Neci, TCV_Max, TCV_Tx, C_Restablishment)		
5		[TSPC_DCS]			
6		LIDL_UdatRqSysinfo4	SysInfo4(C_BCCH_A_1, mcc, mnc, lac, C_CellReselectHys12, C_MaxPwrLvlD, TCV_Neci, TCV_Max, TCV_Tx, C_Restablishment)		
7		LIDL_UdatRqSysinfo3	SysInfo3(C_BCCH_A_1, C_ci_cellA, mcc, mnc, lac, TCV_Ccd0A, CellOpt_01, C_CellReselectHys12, C_MaxPwrLvlD, TCV_Neci, TCV_Max, TCV_Tx, C_Restablishment)		
Detailed Comments:					

Test Step Dynamic Behaviour					
Test Step Name:		SetATT(t, retr, att, neci:INTEGER; babr, cch_con, bpm:B_3; t3212, mcc, mnc, lac:OCTETSTRING)			
Group:		GSM_MS_CS_4200/Miscellaneous/SysInfo/			
Objective:		To set the ATT flag to "MS's in the cell should apply IMSI attach and detach procedure"			
Default:		OtherEvents			
Nr	Label	Behaviour Description	CRef	V	Comments
1		(TCV_Tx := OC_CnvtTx(t), TCV_Max := OC_CnvtMax(retr), TCV_Neci := INT_TO_BIT(neci,1), TCV_Ccd0A := CntrlChDscrp(att, babr, cch_con, bpm, t3212))			
2		[TSPC_PGSM OR TSPC_EGSM]			1.
3		LIDL_UdatRqSysinfo1_nh	SysInfo1_nh(C_BCC H_A_1, C_ci_cellA, mcc, mnc, lac, TCV_Ccd0A, CellOpt_01, C_CellReselectHys12, C_MaxPwrLvlG, TCV_Neci, TCV_Max, TCV_Tx, C_Restablishment)		
4		LIDL_UdatRqSysinfo3	SysInfo3(C_BCCH_A_1, C_ci_cellA, mcc, mnc, lac, TCV_Ccd0A, CellOpt_01, C_CellReselectHys12, C_MaxPwrLvlG, TCV_Neci, TCV_Max, TCV_Tx, C_Restablishment)		
5		START T_dly(5000)			3.
6		?TIMEOUT T_dly			
7		[TSPC_DCS]			2.
8		LIDL_UdatRqSysinfo1_nh	SysInfo1_nh(C_BCC H_A_1, C_ci_cellA, mcc, mnc, lac, TCV_Ccd0A, CellOpt_01, C_CellReselectHys12, C_MaxPwrLvlD, TCV_Neci, TCV_Max, TCV_Tx, C_Restablishment)		
9		LIDL_UdatRqSysinfo3	SysInfo3(C_BCCH_A_1, C_ci_cellA, mcc, mnc, lac, TCV_Ccd0A, CellOpt_01, C_CellReselectHys12, C_MaxPwrLvlD, TCV_Neci, TCV_Max, TCV_Tx, C_Restablishment)		
10		START T_dly(5000)			3.
11		?TIMEOUT T_dly			
Detailed Comments:		1. For P-GSM900. 2. For DCS1800. 3. Wait for 5 seconds to allow the MS read BCCH information.			

Test Step Group OperatorOP

Test Step Dynamic Behaviour					
Test Step Name:		InitCall(srv: SERVICES)			
Group:		GSM_MS_CS_4200/OperatorOP/			
Objective:		To initiate a call of the basic service 'srv'.			
Default:		OtherEvents			
Nr	Label	Behaviour Description	CRef	V	Comments
1		(TCV_Null := OO_InitCall(srv))			
Detailed Comments:					

Test Step Dynamic Behaviour					
Test Step Name:		PLMNsCHK			
Group:		GSM_MS_CS_4200/OperatorOP/			
Objective:		To check whether the MS presents a list of available PLMNs.			
Default:		OtherEvents			
Nr	Label	Behaviour Description	CRef	V	Comments
1		(TCV_Res := OO_PLMNsCHK())			
2	CS_0 096	[TCV_Res]		P	
3	CS_0 097	[NOT TCV_Res]		F	
Detailed Comments:					

Test Step Group Postambles

Test Step Dynamic Behaviour					
Test Step Name:		PostLinkRelEnd(ch: LOGICCH)			
Group:		GSM_MS_CS_4200/Postambles/			
Objective:		To release the RR connection and bring the MS back to Idle state.			
Default:		OtherEvents			
Nr	Label	Behaviour Description	CRef	V	Comments
1		L!DL_DatRqChRel START T_release	ChRel(ch, ChRelease_01)		
2		L?DL_RelIn	DLRelInd_01		
3	CS_0 098	CANCEL		R	1.
4		?TIMEOUT T_release			
5	CS_0 099	CANCEL		R	1.
Detailed Comments: 1. Cancel of all running timers and final verdict.					

Test Step Dynamic Behaviour					
Test Step Name:		PostMainLinkRel(chnl:LOGICCH)			
Group:		GSM_MS_CS_4200/Postambles/			
Objective:		To release the main signalling link `ch`, and bring the MS back to Idle state.			
Default:		OtherEvents			
Nr	Label	Behaviour Description	CRef	V	Comments
1		L!DL_DatRqChRel START T_release	ChRel(chnl, ChRelease_01)		
2		L?DL_RelIn CANCEL T_release	DLRelInd_01		
3		?TIMEOUT T_release			
Detailed Comments:					

Test Step Dynamic Behaviour					
Test Step Name: ChanRel(ch: LOGICCH)					
Group: GSM_MS_CS_4200/Postambles/					
Objective: To release the RR connection on the channel TCV_ch and bring the MS back to Idle state.					
Default: OtherEvents					
Nr	Label	Behaviour Description	CRef	V	Comments
1		L!DL_DatRqChRel START T_release	ChRel(ch, ChRelease_01)		
2		L?DL_RelIn CANCEL T_release	DLRelInd_01		
3	CS_0 100	?TIMEOUT T_release		(F)	
Detailed Comments:					

Test Step Dynamic Behaviour					
Test Step Name: ChanRel_P(ch: LOGICCH)					
Group: GSM_MS_CS_4200/Postambles/					
Objective: To release the RR connection on the channel TCV_chmaindcch and bring the MS back to Idle state.					
Default: OtherEvents					
Nr	Label	Behaviour Description	CRef	V	Comments
1		L!DL_DatRqChRel START T_release	ChRel(ch, ChRelease_01)		
2	CS_0 101	L?DL_RelIn	DLRelInd_01	(P)	
3		?TIMEOUT T_release			
Detailed Comments:					

Test Step Dynamic Behaviour					
Test Step Name: ChanRel_end(ch: LOGICCH)					
Group: GSM_MS_CS_4200/Postambles/					
Objective: To release the RR connection and bring the MS back to Idle state.					
Default: OtherEvents					
Nr	Label	Behaviour Description	CRef	V	Comments
1		L!DL_DatRqChRel START T_release	ChRel(ch, ChRelease_01)		
2		L?DL_RelIn	DLRelInd_01		
3	CS_0 102	CANCEL		(P)	1.
4		?TIMEOUT T_release			
5	CS_0 103	CANCEL		(F)	1.
Detailed Comments: 1. Cancel of all running timers.					

Test Step Group Preambles

Test Step Dynamic Behaviour					
Test Step Name:		BasicServiceMO(svc:SERVICES; rate:RATE)			
Group:		GSM_MS_CS_4200/Preambles/			
Objective:		To generate a Bcap, an MO SETUP message and an appropriate channel mode based on the service and rate, as well as on several IXIT parameters, itc, ce, ur, synchronous bit for an MO call.			
Default:		OtherEvents			
Comments:		Used for CC tests			
Nr	Label	Behaviour Description	CRef	V	Comments
1		+local_init			Default values
2		[TCV_Service = C_EmgCall]			
3		[(NOT TSPC_EFR_Speech_v2) AND(NOT TSPC_EFR_Speech_v3)]			
4		(TCV_ChMod.mode := C_ChMod_r, TCV_Esetup := Setup_04(Bcap_Speech_MO(TCV_Rchr)), TCV_Ecall := C_Yes)			Emergency Call - Non EFR Mobile
5		[TSPC_EFR_Speech_v2 OR TSPC_EFR_Speech_v3]			
6		(TCV_ChMod.mode := C_ChMod_r, TCV_Esetup := Setup_04(Bcap_Speech_Efr_MO(TCV_Rchr)), TCV_Ecall := C_Yes)			Emergency Call - EFR Mobile
7		[TCV_Service = C_Telephony]			
8		[(NOT TSPC_EFR_Speech_v2) AND(NOT TSPC_EFR_Speech_v3)]			
9		(TCV_ChMod.mode := C_ChMod_r, TCV_Setup_mo := Setup_02(Bcap_Speech_MO(TCV_Rchr)))			Speech - Non EFR Mobile
10		[TSPC_EFR_Speech_v2 OR TSPC_EFR_Speech_v3]			
11		(TCV_ChMod.mode := C_ChMod_r, TCV_Setup_mo := Setup_02(Bcap_Speech_Efr_MO(TCV_Rchr)))			Speech - EFR Mobile
12		[TCV_Service = C_AltSpchFax]			
13		[rate = C_Full]			
14		+TS61MO(C_AltSpchFax)			Speech/fax
15	CS_0 104	[rate <> C_Full]		I	IXIT error
16		[TCV_Service = C_AutoFax]			
17		[rate = C_Full]			
18		+TS62MO(C_AutoFax)			Auto fax
19	CS_0 105	[rate <> C_Full]		I	IXIT error
20		[TCV_Service = C_Async300]			
21		+BS2xMO(C_Async300, TSPX_BS_21_sacp, TSPX_BS_21_T_NT, TSPX_BS_21_itc1, C_300bs, C_modemt_V21, TSPX_BS_21_ce)			BS21
22		[TCV_Service = C_Async1200]			
23		+BS2xMO(C_Async1200, TSPX_BS_22_sacp, TSPX_BS_22_T_NT, TSPX_BS_22_itc1, C_1200bs, C_modemt_V22, TSPX_BS_22_ce)			BS22
24		[TCV_Service = C_Async120075]			
25		+BS2xMO(C_Async120075, TSPX_BS_23_sacp, TSPX_BS_23_T_NT, TSPX_BS_23_itc, C_120075bs, C_modemt_V23, TSPX_BS_23_ce)			BS23
26		[TCV_Service = C_Async2400]			
27		+BS2xMO(C_Async2400, TSPX_BS_24_sacp, TSPX_BS_24_T_NT, TSPX_BS_24_itc1, C_2400bs, TCV_MODEM.V22bisOrV26ter, TSPX_BS_24_ce)			BS24
28		[TCV_Service = C_Async4800]			
29		+BS2xMO(C_Async4800, TSPX_BS_25_sacp, TSPX_BS_25_T_NT, TSPX_BS_25_itc1, C_4800bs, C_modemt_V32, TSPX_BS_25_ce)			BS25
30		[TCV_Service = C_Async9600]			
31		+BS2xMO(C_Async9600, TSPX_BS_26_sacp, TSPX_BS_26_T_NT, TSPX_BS_26_itc1,			BS26

32	C_9600bs, C_modemt_V32, TSPX_BS_26_ce)		
33	[TCV_Service = C_Sync1200] +BS3xMO(C_Sync1200, FALSE, TSPX_BS_31_itc1, TSPX_BS_31_sacp1, C_1200bs, C_transparent, C_modemt_V22)		BS31
34	[TCV_Service = C_Sync2400]		
35	+BS3xMO(C_Sync2400, TSPX_BS_32_X32_T_NT, TSPX_BS_32_itc1, TSPX_BS_32_sacp1, C_2400bs, TSPX_BS_32_X32_ce, TCV_MODEM.V22bisOrV26ter)		BS32
36	[TCV_Service = C_Sync4800]		
37	+BS3xMO(C_Sync4800, TSPX_BS_33_X32_T_NT, TSPX_BS_33_itc1, TSPX_BS_33_sacp1, C_4800bs, TSPX_BS_33_X32_ce, C_modemt_V32)		BS33
38	[TCV_Service = C_Sync9600]		
39	+BS3xMO(C_Sync9600, TSPX_BS_34_X32_T_NT, TSPX_BS_34_itc1, TSPX_BS_34_sacp1, C_9600bs, TSPX_BS_34_X32_ce, C_modemt_V32)		BS34
40	[TCV_Service = C_PAD300]		
41	+BS4xMO(C_PAD300, C_300bs, TSPX_BS_41_ce, TSPX_BS_41_T_NT)		BS41
42	[TCV_Service = C_PAD1200]		
43	+BS4xMO(C_PAD1200, C_1200bs, TSPX_BS_42_ce, TSPX_BS_42_T_NT)		BS42
44	[TCV_Service = C_PAD120075]		
45	+BS4xMO(C_PAD120075, C_120075bs, TSPX_BS_43_ce, TSPX_BS_43_T_NT)		BS43
46	[TCV_Service = C_PAD2400]		
47	+BS4xMO(C_PAD2400, C_2400bs, TSPX_BS_44_ce, TSPX_BS_44_T_NT)		BS44
48	[TCV_Service = C_PAD4800]		
49	+BS4xMO(C_PAD4800, C_4800bs, TSPX_BS_45_ce, TSPX_BS_45_T_NT)		BS45
50	[TCV_Service = C_PAD9600]		
51	+BS4xMO(C_PAD9600, C_9600bs, TSPX_BS_46_ce, TSPX_BS_46_T_NT)		BS46
52	[TCV_Service = C_Packet2400]		
53	+BS5xMO(C_Packet2400, C_2400bs)		BS51
54	[TCV_Service = C_Packet4800]		
55	+BS5xMO(C_Packet4800, C_4800bs)		BS52
56	[TCV_Service = C_Packet9600]		
57	+BS5xMO(C_Packet9600, C_9600bs)		BS53
58	[TCV_Service = C_AltSpchData]		
59	+BS61or81MO(C_AltSpchData, TSPX_BS_61_A, TSPX_BS_61_A_ur1_T_NT, TSPX_BS_61_A_ur1, TSPX_BS_61_A_ur1_ce, TSPX_BS_61_S, TSPX_BS_61_S_ur1, C_RI_alternate)		BS61
60	[TCV_Service = C_SpchData]		
61	+BS61or81MO(C_SpchData, TSPX_BS_81_A, TSPX_BS_81_A_ur1_T_NT, TSPX_BS_81_A_ur1, TSPX_BS_81_A_ur1_ce, TSPX_BS_81_S, TSPX_BS_81_S_ur1, C_RI_follow)		BS81
62	CS_0 106 [C_Yes]	I	IXIT error
63	local_init (TCV_Service := svc, TCV_Rchr := C_Rchr_Full, TCV_Ecall := C_No, TCV_ChRate :=rate, TCV_ChMod.iei := '01100011'B, TCV_ChMod.mode := C_ChMod_12k, TCV_ChModb.iei := '01100011'B, TCV_ChModb.mode := C_ChMod_12k, TCV_MODEM := V22bisOrV26ter)		
64	[TSPC_DualRate]		
65	(TCV_Rchr := C_Rchr_DualForDualH0)		
66	[NOT TSPC_DualRate]		

Detailed Comments:	This test step is called in the preamble of test cases where an MO call is established in the test body.
---------------------------	--

Test Step Dynamic Behaviour					
Test Step Name:		BS2xMO(srv:SERVICES; saccp: B_3; both:BOOLEAN; itc1:B_3; ur:B_4; modem:B_5; ce:B_2)			
Group:		GSM_MS_CS_4200/Preambles/			
Objective:		To generate an MO SETUP message with appropriate Bcap and LLC for BS2x service.			
Default:		OtherEvents			
Nr	Label	Behaviour Description	CRef	V	Comments
1		(TCV_srv := srv, TCV_ur := ur, TCV_CE := NT_BothT_BothNTorT_BothT_BothNT, TCV_ir := C_ir_16kbs)			
2		+local_pixitvaluechk			validate IXIT values
3		+local_selectCe			select a connection element
4		+local_bcap			generate BC
5		+local_setupmsg			generate SETUP
6		+Chmod(TCV_ChRate, TCV_ce, ur, srv)			initiate channel mode variables
7		(TCV_Null := OO_IFsetup_BS2xorBS3x_MO(TCV_srv, itc1, saccp, TCV_ce, TCV_ChRate))			ask test operator to configure the MS
8		local_bcap			
9		[NOT both]			
10		[TCV_ce = C_nottransparent]			
11		[itc1 = C_UDI]			
12		+local_BS2x_UDI_NT(C_nottransparent, saccp)			
13		[itc1 = C_3100Hz]			
14		+local_BS2x_3100_NT(C_nottransparent, saccp)			
15		[TCV_ce = C_transparent]			CE:T only MS
16		[itc1 = C_UDI]			
17		+local_BS2x_UDI_T(saccp)			
18		[itc1 = C_3100Hz]			
19		+local_BS2x_3100_T(saccp)			
20		[both]			
21		[TCV_ce = C_transparent]			
22		[itc1 = C_UDI]			
23		+local_BS2x_UDI_Tboth(TCV_CE.TorBothTorBothNT,saccp)			3.1kHz
24		[itc1 = C_3100Hz]			
25		+local_BS2x_3100_Tboth(TCV_CE.TorBothTorBothNT, saccp)			
26		[(TCV_ce = C_nottransparent)]			
27		[itc1 = C_UDI]			
28		+local_BS2x_UDI_NT(TCV_CE.NTorBothTorBothNT,saccp)			3.1kHz
29		[itc1 = C_3100Hz]			
30		+local_BS2x_3100_NT(TCV_CE.NTorBothTorBothNT, saccp)			
31		local_BS2x_3100_NT(ce: B_2; saccp:B_3) (TCV_BcapMO1 := BcapX_MO(TCV_Rchr, C_3100Hz, C_SDUintegrity, C_nirr_dontcare, C_no_rate_adaption, saccp, C_Asynchronous, C_stopbit_dontcare, C_databit_dontcare, ur, C_ir_16kbs, C_parity_dontcare, cel, modem, C_uil2p_dontcare))			11.8.2.1.1.2
32		local_BS2x_UDI_NT(ce: B_2; saccp:B_3) (TCV_BcapMO1 := BcapX_MO(TCV_Rchr, C_UDI, C_SDUintegrity, C_nirr_dontcare, C_rate_adaption_V110, saccp, C_Asynchronous, C_stopbit_dontcare, C_databit_dontcare, ur, C_ir_16kbs, C_parity_dontcare, cel, C_modemt_none, C_uil2p_dontcare))			11.8.2.1.1.4
33		local_BS2x_3100_T(saccp:B_3) [ur = C_9600bs] (TCV_BcapMO1 := Bcap_MO(TCV_Rchr,			11.8.2.1.1.1

	C_3100Hz, C_Unstructured, C_nirr_nomeaning, C_no_rate_adaption, sacp, C_Asynchronous, C_stopbit_dontcare, C_databit_dontcare, ur, C_ir_16kbs, C_parity_dontcare, C_transparent, modem)	
34	[(ur = C_300bs) OR (ur = C_1200bs) OR (ur = C_120075bs) OR (ur = C_2400bs) OR (ur = C_4800bs)]	
35	(TCV_BcapMO1 := Bcap_MO(TCV_Rchr, C_3100Hz, C_Unstructured, C_nirr_nomeaning, C_no_rate_adaption, sacp, C_Asynchronous, C_stopbit_dontcare, C_databit_dontcare, ur, C_ir_8kbs, C_parity_dontcare, C_transparent, modem), TCV_ir := C_ir_8kbs)	11.8.2.1.1.1
	local_BS2x_UDI_T(sacp:B_3)	
36	[ur = C_9600bs]	
37	(TCV_BcapMO1 := Bcap_MO(TCV_Rchr, C_UDI, C_Unstructured, C_nirr_nomeaning, C_rate_adaption_V110, sacp, C_Asynchronous, C_stopbit_dontcare, C_databit_dontcare, ur, C_ir_16kbs, C_parity_dontcare, C_transparent, C_modemt_none))	11.8.2.1.1.3
38	[(ur = C_300bs) OR (ur = C_1200bs) OR (ur = C_120075bs) OR (ur = C_2400bs) OR (ur = C_4800bs)]	
39	(TCV_BcapMO1 := Bcap_MO(TCV_Rchr, C_UDI, C_Unstructured, C_nirr_nomeaning, C_rate_adaption_V110, sacp, C_Asynchronous, C_stopbit_dontcare, C_databit_dontcare, ur, C_ir_8kbs, C_parity_dontcare, C_transparent, C_modemt_none), TCV_ir := C_ir_8kbs)	11.8.2.1.1.3
	local_BS2x_3100_Tboth(ce1: B_2; sacp:B_3)	
40	[ur <> C_9600bs]	
41	(TCV_BcapMO1 := BcapX_MO(TCV_Rchr, C_3100Hz, C_struct_dontchk, C_nirr_dontcare, C_no_rate_adaption, sacp, C_Asynchronous, C_stopbit_dontcare, C_databit_dontcare, ur, C_ir_8or16kbs, C_parity_dontcare, cel, modem, C_uil2p_dontcare))	11.8.2.1.1.1 combined with 11.8.2.1.1.2, CE and structure without exact match
42	[ur = C_9600bs]	
43	(TCV_BcapMO1 := BcapX_MO(TCV_Rchr, C_3100Hz, C_struct_dontchk, C_nirr_nomeaning, C_no_rate_adaption, sacp, C_Asynchronous, C_stopbit_dontcare, C_databit_dontcare, ur, C_ir_8or16kbs, C_parity_dontcare, cel, modem, C_uil2p_dontcare))	11.8.2.1.1.1 combined with 11.8.2.1.1.2, CE and structure without exact match
	local_BS2x_UDI_Tboth(ce1: B_2; sacp:B_3)	
44	[ur = C_9600bs]	
45	(TCV_BcapMO1 := BcapX_MO(TCV_Rchr, C_UDI, C_struct_dontchk, C_nirr_nomeaning, C_rate_adaption_V110, sacp, C_Asynchronous, C_stopbit_dontcare, C_databit_dontcare, ur, C_ir_8or16kbs, C_parity_dontcare, cel, C_modemt_none, C_uil2p_dontcare))	11.8.2.1.1.3 combined with 11.8.2.1.1.4, CE and structure without exact match
46	[ur <> C_9600bs]	
47	(TCV_BcapMO1 := BcapX_MO(TCV_Rchr, C_UDI, C_struct_dontchk, C_nirr_dontcare, C_rate_adaption_V110, sacp, C_Asynchronous, C_stopbit_dontcare, C_databit_dontcare, ur, C_ir_8or16kbs, C_parity_dontcare, cel, C_modemt_none, C_uil2p_dontcare))	11.8.2.1.1.3 combined with 11.8.2.1.1.4, CE and structure without exact match
	local_setupmsg	
48	[itc1 = C_UDI]	
49	(TCV_Setup_mo := Setup_10_UDI(TCV_BcapMO1, Llcmp_BS2xOrBS4x_UDI, Hlcmp_AnyOrOmit))	
50	[itc1 = C_3100Hz]	
51	(TCV_Setup_mo := Setup_10_3100(TCV_BcapMO1,	

		Llcmp_BS2xOrBS61aOrBS81a_3100, Hlcmp_AnyOrOmit))		
		local_selectCe		
52		[both]		
53		[(ur = C_300bs) OR (ur = C_120075bs) OR (ur = C_4800bs)]		
54		(TCV_ce := C_nottransparent)		
55		[(ur = C_1200bs) OR (ur = C_2400bs) OR (ur = C_9600bs)]		
56		(TCV_ce := C_transparent)		
57		[NOT both]		
58		(TCV_ce := ce)		
		local_pixitvaluechk		
59	CS_0	[(ce <> C_transparent) AND(ce <> C_nottransparent) AND(NOT both)]	I	IXIT error
60	CS_0	[(itc1 <> C_UDI) AND(itc1 <> C_3100Hz)]	I	IXIT error
61	CS_0	[(sacp <> C_I440_450) AND(sacp <> C_X28_nond)]	I	IXIT error
62		[C_Yes]		IXIT values OK

Detailed Comments: The BS2x Bearer Capabilities and SETUP messages for MO is constructed according to section 11.8.2.1.1.1, section 11.8.2.1.1.2, section 11.8.2.1.1.3 and section 11.8.2.1.1.4 of GSM 11.10 and section B.1.2.1, section B.1.2.2, section B.1.2.1 and section B.2.2.2 of GSM 07.01.

The algorithm for selecting parameters:
 IF (TSPX_BS_2x_T_NT)
 TCV_ce := C_nottransparent
 ELSE
 TCV_ce := TSPX_BS_2x_ce

use (TCV_ce, TSPX_BS_2x_itc1, TSPX_BS_2x_sacp1, svc) for OO_IFsetup_BS2xorBS3x_MO

Test Step Dynamic Behaviour					
Test Step Name:		BS3xMO(srv:SERVICES; both:BOOLEAN; itc1, sacp1:B_3; ur:B_4; ce:B_2; modem:B_5)			
Group:		GSM_MS_CS_4200/Preambles/			
Objective:		To generate an MO SETUP message with appropriate Bcap and LLC for BS3x service.			
Default:		OtherEvents			
Nr	Label	Behaviour Description	CRef	V	Comments
1		(TCV_srv := srv, TCV_ur := ur, TCV_CE := NT_BothT_BothNTorT_BothT_BothNT, TCV_ir := C_ir_16kbs, TCV_uil1p := C_no_rate_adaption)			
2		+local_pixitvaluechk			2.
3		+local_selectCe			select a CE
4		+local_bcap			generate BC
5		+local_setupmsg			3.
6		+Chmod(TCV_ChRate, TCV_ce, ur, srv)			initiate channel mode variables
7		(TCV_Null := OO_IFsetup_BS2xorBS3x_MO(TCV_srv, itc1, sacp1, TCV_ce, TCV_ChRate))			ask test operator to configure the MS
		local_bcap			
8		[NOT both]			
9		[TCV_ce = C_nottransparent]			
10		[itc1 = C_UDI]			
11		[sacp1 = C_X32]			
12		+local_BS3x_UDI_X32_NT			
13	CS_0 110	[sacp1 <> C_X32]		I	5.
14		[itc1 = C_3100Hz]			
15	CS_0 111	[sacp1 <> C_X32]		I	6.
16		[sacp1 = C_X32]			
17		+local_BS3x_3100_X32_NT(C_nottransparent)			
18		[TCV_ce = C_transparent]			CE:T only MS
19		[itc1 = C_UDI]			
20	CS_0 112	[sacp1 = C_X32]		I	7.
21		[sacp1<> C_X32]			
22		+local_BS3x_UDI_T(sacp1)			
23		[itc1 = C_3100Hz]			
24	CS_0 113	[sacp1 = C_X21]		I	8.
25		[sacp1 = C_I440_450]			
26		+local_BS3x_3100_T			
27		[sacp1 = C_X32]			
28		+local_BS3x_3100_X32_T			
29		[both]			
30		[TCV_ce = C_transparent]			
31		[itc1 = C_UDI]			
32	CS_0 114	[sacp1 = C_X32]		I	7.
33		[sacp1<> C_X32]			
34		+local_BS3x_UDI_T(sacp1)			
35		[itc1 = C_3100Hz]			3.1kHz
36	CS_0 115	[sacp1 = C_X21]		I	8.
37		[sacp1 = C_I440_450]			
38		+local_BS3x_3100_T			
39		[sacp1 = C_X32]			
40		+local_BS3x_3100_X32_NT(TCV_CE.TorBothTorBothNT)			
41		[(TCV_ce = C_nottransparent)]			
42		[itc1 = C_UDI]			
43		[sacp1 = C_X32]			
44		+local_BS3x_UDI_X32_NT			
45	CS_0	[sacp1 <> C_X32]		I	5.

46	116	[itc1 = C_3100Hz]		3.1kHz
47	CS_0	[sacp1 <> C_X32]	I	6.
48	117	[sacp1 = C_X32]		
49		+local_BS3x_3100_X32_Tboth(TCV_CE.NTo rBothTorBothNT)		
local_setupmsg				
50		[itc1 = C_UDI]		
51		(TCV_Setup_mo := Setup_10_UDI(TCV_BcapMO1, Llcmp_BS3x_UDI, Hlcmp_AnyOrOmit))		
52		[itc1 = C_3100Hz]		
53		(TCV_Setup_mo := Setup_10_3100(TCV_BcapMO1, Llcmp_BS3xOrBS61sOrBS81s_3100, Hlcmp_AnyOrOmit))		
local_BS3x_3100_T				
54		[ur = C_9600bs]		
55		(TCV_BcapMO1 := Bcap_MO(TCV_Rchr, C_3100Hz, C_Unstructured, C_nirr_nomeaning, C_no_rate_adaption, C_I440_450, C_Synchronous, C_stopbit_NA, C_databit_NA, ur, C_ir_16kbs, C_parity_NA, C_transparent, modem))		11.8.2.2.1.1
56		[ur <> C_9600bs]		
57		(TCV_BcapMO1 := Bcap_MO(TCV_Rchr, C_3100Hz, C_Unstructured, C_nirr_nomeaning, C_no_rate_adaption, C_I440_450, C_Synchronous, C_stopbit_NA, C_databit_NA, ur, C_ir_8kbs, C_parity_NA, C_transparent, modem))		11.8.2.2.1.1
local_BS3x_UDI_T(sacp:B_3)				
58		[ur = C_9600bs]		
59		(TCV_BcapMO1 := Bcap_MO(TCV_Rchr, C_UDI, C_Unstructured, C_nirr_nomeaning, C_rate_adaption_V110, sacp, C_Synchronous, C_stopbit_NA, C_databit_NA, ur, C_ir_16kbs, C_parity_NA, C_transparent, C_modemt_none), TCV_uil1p := C_rate_adaption_V110)		11.8.2.2.1.2
60		[NOT (ur = C_9600bs)]		
61		(TCV_BcapMO1 := Bcap_MO(TCV_Rchr, C_UDI, C_Unstructured, C_nirr_nomeaning, C_rate_adaption_V110, sacp, C_Synchronous, C_stopbit_NA, C_databit_NA, ur, C_ir_8kbs, C_parity_NA, C_transparent, C_modemt_none), TCV_ir := C_ir_8kbs, TCV_uil1p := C_rate_adaption_V110)		11.8.2.2.1.2
local_BS3x_3100_X32_T				
62		[ur = C_9600bs]		
63		(TCV_BcapMO1 := Bcap_MO(TCV_Rchr, C_3100Hz, C_Unstructured, C_nirr_nomeaning, C_no_rate_adaption, C_X32, C_Synchronous, C_stopbit_NA, C_databit_NA, ur, C_ir_16kbs, C_parity_NA, C_transparent, modem))		11.8.2.2.1.3
64		[ur <> C_9600bs]		
65		(TCV_BcapMO1 := Bcap_MO(TCV_Rchr, C_3100Hz, C_Unstructured, C_nirr_nomeaning, C_no_rate_adaption, C_X32, C_Synchronous, C_stopbit_NA, C_databit_NA, ur, C_ir_8kbs, C_parity_NA, C_transparent, modem))		11.8.2.2.1.3
local_BS3x_3100_X32_NT(ce2:B_2)				
66		(TCV_BcapMO1 := BcapX_MO(TCV_Rchr, C_3100Hz, C_SDUIegrity, C_nirr_dontcare, C_no_rate_adaption, C_X32, C_Synchronous, C_stopbit_NA, C_databit_NA, ur, C_ir_16kbs, C_parity_NA, ce2, modem, C_X25_fct))		11.8.2.2.1.4

67		local_BS3x_UDI_X32_NT (TCV_BcapMO1 := BcapX_MO(TCV_Rchr, C_UDI, C_SDUIegrity, C_nirr_dontcare, C_rate_adaption_X31, C_X32, C_Synchronous, C_stopbit_NA, C_databit_NA, ur, C_ir_16kbs, C_parity_NA, C_nottransparent, C_modemt_none, C_X25_flct), TCV_uil1p := C_rate_adaption_X31)			11.8.2.2.1.5
68		local_BS3x_3100_X32_Tboth(ce2:B_2) [ur = C_9600bs]			
69		(TCV_BcapMO1 := BcapX_MO(TCV_Rchr, C_3100Hz, C_struct_dontchk, C_nirr_nomeaning, C_no_rate_adaption, C_X32, C_Synchronous, C_stopbit_NA, C_databit_NA, ur, C_ir_16kbs, C_parity_NA, ce2, modem, C_X25_flct))			11.8.2.2.1.3 combined with 11.8.2.2.1.4, CE and structure without exact match
70		[ur <> C_9600bs]			
71		(TCV_BcapMO1 := BcapX_MO(TCV_Rchr, C_3100Hz, C_struct_dontchk, C_nirr_dontcare, C_no_rate_adaption, C_X32, C_Synchronous, C_stopbit_NA, C_databit_NA, ur, C_ir_8or16kbs, C_parity_NA, ce2, modem, C_X25_flct))			11.8.2.2.1.3 combined with 11.8.2.2.1.4, CE, IR and structure without exact match
72		local_selectCe [both]			
73		[(ur = C_300bs) OR (ur = C_120075bs) OR (ur = C_4800bs)]			
74		(TCV_ce := C_transparent)			
75		[(ur = C_1200bs) OR (ur = C_2400bs) OR (ur = C_9600bs)]			
76		(TCV_ce := C_nottransparent)			
77		[NOT both]			
78		(TCV_ce := ce)			
79	CS_0 118	local_pixitvaluechk [(ce <> C_transparent) AND(ce <> C_nottransparent) AND(NOT both)]		I	IXIT error
80	CS_0 119	[(itc1 <> C_UDI) AND(itc1 <> C_3100Hz)]		I	IXIT error
81	CS_0 120	[(sacp1 <> C_I440_450) AND(sacp1 <> C_X21) AND(sacp1 <>C_X32)]		I	IXIT error
82	CS_0 121	[(ur = C_1200bs) AND (sacp1 = C_X32)]		I	4.
83		[C_Yes]			IXIT values OK, but combination not checked yet

Detailed Comments:

1. The BS3x Bearer Capabilities and SETUP messages for MO is constructed according to section 11.8.2.2.1.1, section 11.8.2.2.1.2, section 11.8.2.2.1.3, section 11.8.2.2.1.4 and section 11.8.2.2.1.5 of GSM 11.10 and section B.1.3.1.1, section B.1.3.1.2, section B.1.3.2.1, section B.1.3.2.2, section B.2.3.1 and section B.2.3.2 of GSM 07.01.
2. validate IXIT values.
3. generate SETUP.
4. IXIT error, BS31 does not support X32.
5. IXIT error, UDI non-X32 case has no non transparent mode.
6. IXIT error, 3.1kHz non-X32 case has no non transparent mode.
7. IXIT error, UDI X32 case has no transparent mode.
8. IXIT error, 3.1kHz case has no X21 signalling access protocol.

The algorithm for selecting parameters:

```
IF (TSPX_BS_3x_T_NT)
    TCV_ce := C_nottransparent
ELSE
    TCV_ce := TSPX_BS_3x_ce
```

use (TCV_ce, TSPX_BS_3x_itc1, TSPX_BS_3x_sacp1, svc) for OO_IFsetup_BS2xorBS3x_MO

Test Step Dynamic Behaviour					
Test Step Name:		BS4xMO(srv:SERVICES; ur:B_4; ce:B_2; both:BOOLEAN)			
Group:		GSM_MS_CS_4200/Preambles/			
Objective:		To generate an MO SETUP message with appropriate Bcap and LLC for BS4x service.			
Default:		OtherEvents			
Nr	Label	Behaviour Description	CRef	V	Comments
1		(TCV_srv := srv, TCV_ur := ur, TCV_CE := NT_BothT_BothNTorT_BothT_BothNT, TCV_ir := C_ir_16kbs)			
2		+local_pixitvaluechk			validate IXIT values
3		+local_selectCe			select a CE
4		+local_bcap			generate BC
5		(TCV_Setup_mo := Setup_10_UDI(TCV_BcapMO1, Llcmp_BS2xOrBS4x_UDI, Hlcmp_AnyOrOmit))			generate SETUP
6		+Chmod(TCV_ChRate, TCV_ce, ur, srv)			initiate channel mode variables
7		(TCV_Null := OO_IFsetup_BS4x_MO(TCV_srv, TCV_ce, TCV_ChRate))			ask test operator to set up the MS
8		local_bcap			
9		[NOT both]			
10		[TCV_ce = C_nottransparent]			
11		+local_BS4x_UDI_NT(C_nottransparent)			
12		[TCV_ce = C_transparent]			CE:T only MS
13		[ur = C_9600bs]			
14		+local_BS4x_UDI_T(C_ir_16kbs)			
15		[(ur = C_300bs) OR (ur = C_1200bs) OR (ur = C_120075bs) OR (ur = C_2400bs) OR (ur = C_4800bs)]			
16		+local_BS4x_UDI_T(C_ir_8kbs)			
17		[both]			
18		[TCV_ce = C_transparent]			
19		+local_BS4x_UDI_Tboth(TCV_CE.TorBothTorBothNT)			
20		[(TCV_ce = C_nottransparent)]			
21		+local_BS4x_UDI_NT(TCV_CE.NTorBothTorBothNT)			
22		local_BS4x_UDI_T(ir:B_2)			
23		(TCV_BcapMO1 := Bcap_MO(TCV_Rchr, C_UDI, C_Unstructured, C_nirr_nomeaning, C_rate_adaption_V110, C_X28_unui, C_Asynchronous, C_stopbit_dontcare, C_databit_dontcare, ur, ir, C_parity_dontcare, C_transparent, C_modemt_none), TCV_ir := ir)			11.8.2.3.1.1
24		local_BS4x_UDI_NT(ce1:B_2)			
25		[(ur = C_300bs) OR (ur = C_1200bs) OR (ur = C_120075bs) OR (ur = C_2400bs) OR (ur = C_4800bs)]			
26		(TCV_BcapMO1 := BcapX_MO(TCV_Rchr, C_UDI, C_SDUintegrity, C_nirr_dontcare, C_rate_adaption_V110, C_X28_unui, C_Asynchronous, C_stopbit_dontcare, C_databit_dontcare, ur, C_ir_16kbs, C_parity_dontcare, ce1, C_modemt_none, C_uil2p_dontcare))			11.8.2.3.1.2
27		[ur = C_9600bs]			
28		(TCV_BcapMO1 := BcapX_MO(TCV_Rchr, C_UDI, C_SDUintegrity, C_nirr_nomeaning, C_rate_adaption_V110, C_X28_unui, C_Asynchronous, C_stopbit_dontcare, C_databit_dontcare, ur, C_ir_16kbs, C_parity_dontcare, ce1, C_modemt_none, C_uil2p_dontcare))			11.8.2.3.1.2
29		local_BS4x_UDI_Tboth(ce1:B_2)			

26		[[(ur = C_300bs) OR (ur = C_1200bs) OR (ur = C_120075bs) OR (ur = C_2400bs) OR (ur = C_4800bs)]]		
27		(TCV_BcapMO1 := BcapX_MO(TCV_Rchr, C_UDI, C_struct_dontchk, C_nirr_dontcare, C_rate_adaption_V110, C_X28_unui, C_Asynchronous, C_stopbit_dontcare, C_databit_dontcare, ur, C_ir_8or16kbs, C_parity_dontcare, ce1, C_modemt_none, C_uil2p_dontcare))		11.8.2.3.1.2 combined with 11.8.2.3.1.1, CE, IR and structure without exact match
28		[ur = C_9600bs]		
29		(TCV_BcapMO1 := BcapX_MO(TCV_Rchr, C_UDI, C_struct_dontchk, C_nirr_nomeaning, C_rate_adaption_V110, C_X28_unui, C_Asynchronous, C_stopbit_dontcare, C_databit_dontcare, ur, C_ir_8or16kbs, C_parity_dontcare, ce1, C_modemt_none, C_uil2p_dontcare))		11.8.2.3.1.2 combined with 11.8.2.3.1.1, CE, IR and structure without exact match
30	CS_0 122	local_pixitvaluechk [[ce <> C_transparent) AND(ce <> C_nottransparent) AND(NOT both)]	I	IXIT error
31		[C_Yes]		IXIT values OK
32		local_selectCe [both]		
33		[(ur = C_300bs) OR (ur = C_120075bs) OR (ur = C_4800bs)]		
34		(TCV_ce := C_nottransparent)		
35		[(ur = C_1200bs) OR (ur = C_2400bs) OR (ur = C_9600bs)]		
36		(TCV_ce := C_transparent)		
37		[NOT both]		
38		(TCV_ce := ce)		

Detailed Comments: The BS4x Bearer Capabilities and SETUP messages for MO is constructed according to section 11.8.2.3.1.1 and section 11.8.2.3.1.2 of GSM 11.10 and section B.1.4 and section B.2.2.1 of GSM 07.01.

The algorithm for selecting parameters:
 IF (TSPX_BS_4x_T_NT)
 IF (user rate is one of the C_300bs, C_120075bs, C_4800bs)
 TCV_ce := C_nottransparent
 ELSE /* user rate is one of C_1200bs, C_2400bs, C_9600bs \

Test Step Dynamic Behaviour					
Test Step Name: BS5xMO(srv:SERVICES; ur:B_4)					
Group: GSM_MS_CS_4200/Preambles/					
Objective: To generate an MO SETUP message with appropriate Bcap for BS5x service.					
Default: OtherEvents					
Nr	Label	Behaviour Description	CRef	V	Comments
1		(TCV_srv := srv, TCV_ur := ur)			
2		(TCV_BcapMO1 := BcapX_MO(TCV_Rchr, C_UDI, C_SDUintegrity, C_nirr_nomeaning, C_rate_adaption_X31, C_X32, C_Synchronous, C_stopbit_NA, C_databit_NA, ur, C_ir_16kbs, C_parity_NA, C_nottransparent, C_modemt_none, C_X25_fct))			11.8.2.4.1
3		(TCV_Setup_mo := Setup_10_UDI(TCV_BcapMO1, Llcmp_BS5x, Hlcmp_AnyOrOmit))			
4		+Chmod(TCV_ChRate, C_nottransparent, ur, srv)			channel mode
5		(TCV_Null := OO_IFsetup_BS5x_MO(TCV_srv, TCV_ur, TCV_ChRate))			
Detailed Comments:					
1. Bearer Caoability is coded according to section 11.8.2.4.1 of GSM 11.10 ver 4.16					
2. low layer compatibility is coded according to section B.2.5 of GSM 07.01 ver 4.90					

Test Step Dynamic Behaviour					
Test Step Name:		BS61or81MO(srv:SERVICES; async, both: BOOLEAN; a_ur1: B_4; ce:B_2; sync:BOOLEAN; s_ur1: B_4; ri:B_8)			
Group:		GSM_MS_CS_4200/Preambles/			
Objective:		To get a MO SETUP message with right BC IE and LLC for BS61 or BS81 service.			
Default:		OtherEvents			
Nr	Label	Behaviour Description	CRef	V	Comments
1		(TCV_srv := srv, TCV_CE := NT_BothT_BothNTorT_BothT_BothNT, TCV_ir := C_ir_8kbs, TCV_MODEM := V22bisOrV26ter)			
2		+local_pixitvaluechk			1.
3		+local_selectSaAndCe			2.
4		+local_bcap			generate BC
5		+local_setupmsg			generate SETUP
6		+Chmod(TCV_ChRate, TCV_ce, TCV_ur, srv)			
7		(TCV_Null := OO_IFsetup_BS61orBS81_MO(TCV_srv, TCV_ur, TCV_sa, TCV_ce, TCV_ChRate))			
		local_bcap			
8		[TCV_sa = C_Synchronous]			
9		[TCV_ur = C_1200bs]			
10		+local_BS61or81_S_T(C_ir_8kbs, C_1200bs, C_modemt_V22)			
11		[TCV_ur = C_2400bs]			
12		+local_BS61or81_S_T(C_ir_8kbs, C_2400bs, TCV_MODEM.V22bisOrV26ter)			
13		[TCV_ur = C_4800bs]			
14		+local_BS61or81_S_T(C_ir_8kbs, C_4800bs, C_modemt_V32)			
15		[TCV_ur = C_9600bs]			
16		+local_BS61or81_S_T(C_ir_16kbs, C_9600bs, C_modemt_V32)			
17		(TCV_ir := C_ir_16kbs)			
18		[TCV_sa = C_Asynchronous]			
19		[(TCV_ce = C_transparent) AND(NOT both)]			CE:T only MS
20		+local_BS61or81_A_T(TCV_ur)			
21		[(TCV_ce = C_nottransparent) AND(NOT both)]			CE:NT only MS
22		+local_BS61or81_A_NT(TCV_ur, C_nottransparent, C_SDUIegrity, C_nirr_dontcare, C_ir_16kbs)			
23		[(TCV_ce = C_nottransparent) AND both]			
24		+local_BS61or81_A_NT(TCV_ur, TCV_CE.NTorBothTorBothNT, C_SDUIegrity, C_nirr_dontcare, C_ir_16kbs)			
25		[(TCV_ce = C_transparent) AND both]			
26		+local_BS61or81_A_NT(TCV_ur, TCV_CE.TorBothTorBothNT, C_struct_dontchk, C_nirr_dontcare, C_ir_8or16kbs)			
		local_BS61or81_A_T(ur:B_4)			
27		[ur = C_300bs]			
28		(TCV_BcapMO1 := Bcap_MO(TCV_Rchr, C_3100Hz, C_Unstructured, C_nirr_nomeaning, C_no_rate_adaption, C_I440_450, C_Asynchronous, C_stopbit_dontcare, C_databit_dontcare, ur, C_ir_8kbs, C_parity_dontcare, C_transparent, C_modemt_V21), TCV_modemt := C_modemt_V21)			11.8.2.5.1
29		[ur = C_1200bs]			
30		(TCV_BcapMO1 := Bcap_MO(TCV_Rchr, C_3100Hz, C_Unstructured, C_nirr_nomeaning, C_no_rate_adaption, C_I440_450, C_Asynchronous, C_stopbit_dontcare, C_databit_dontcare, ur, C_ir_8kbs, C_parity_dontcare, C_transparent,			11.8.2.5.1

31	C_modemt_V22), TCV_modemt := C_modemt_V22)	
32	[ur = C_120075bs] (TCV_BcapMO1 := Bcap_MO(TCV_Rchr, C_3100Hz, C_Unstructured, C_nirr_nomeaning, C_no_rate_adaption, C_I440_450, C_Asynchronous, C_stopbit_dontcare, C_databit_dontcare, ur, C_ir_8kbs, C_parity_dontcare, C_transparent, C_modemt_V23), TCV_modemt := C_modemt_V23)	11.8.2.5.1
33	[ur = C_2400bs]	
34	(TCV_BcapMO1 := Bcap_MO(TCV_Rchr, C_3100Hz, C_Unstructured, C_nirr_nomeaning, C_no_rate_adaption, C_I440_450, C_Asynchronous, C_stopbit_dontcare, C_databit_dontcare, ur, C_ir_8kbs, C_parity_dontcare, C_transparent, TCV_MODEM.V22bisOrV26ter), TCV_modemt := TCV_MODEM.V22bisOrV26ter)	11.8.2.5.1
35	[ur = C_4800bs]	
36	(TCV_BcapMO1 := Bcap_MO(TCV_Rchr, C_3100Hz, C_Unstructured, C_nirr_nomeaning, C_no_rate_adaption, C_I440_450, C_Asynchronous, C_stopbit_dontcare, C_databit_dontcare, ur, C_ir_8kbs, C_parity_dontcare, C_transparent, C_modemt_V32), TCV_modemt := C_modemt_V32)	11.8.2.5.1
37	[ur = C_9600bs]	
38	(TCV_BcapMO1 := Bcap_MO(TCV_Rchr, C_3100Hz, C_Unstructured, C_nirr_nomeaning, C_no_rate_adaption, C_I440_450, C_Asynchronous, C_stopbit_dontcare, C_databit_dontcare, ur, C_ir_16kbs, C_parity_dontcare, C_transparent, C_modemt_V32), TCV_modemt := C_modemt_V32)	11.8.2.5.1
39	(TCV_ir := C_ir_16kbs)	
	local_BS61or81_A_NT(ur:B_4; ce:B_2; struc:B_2; nirr :B_1; ir:B_2)	
40	(TCV_ir := C_ir_16kbs)	
41	[ur = C_300bs]	
42	(TCV_BcapMO1 := BcapX_MO(TCV_Rchr, C_3100Hz, struc, nirr, C_no_rate_adaption, C_I440_450, C_Asynchronous, C_stopbit_dontcare, C_databit_dontcare, ur, ir, C_parity_dontcare, ce, C_modemt_V21, C_uil2p_dontcare), TCV_modemt := C_modemt_V21)	11.8.2.5.2
43	[ur = C_1200bs]	
44	(TCV_BcapMO1 := BcapX_MO(TCV_Rchr, C_3100Hz, struc, nirr, C_no_rate_adaption, C_I440_450, C_Asynchronous, C_stopbit_dontcare, C_databit_dontcare, ur, ir, C_parity_dontcare, ce, C_modemt_V22, C_uil2p_dontcare), TCV_modemt := C_modemt_V22)	11.8.2.5.2
45	[ur = C_120075bs]	
46	(TCV_BcapMO1 := BcapX_MO(TCV_Rchr, C_3100Hz, struc, nirr, C_no_rate_adaption, C_I440_450, C_Asynchronous, C_stopbit_dontcare, C_databit_dontcare, ur, ir, C_parity_dontcare, ce, C_modemt_V23, C_uil2p_dontcare), TCV_modemt := C_modemt_V23)	11.8.2.5.2
47	[ur = C_2400bs]	
48	(TCV_BcapMO1 := BcapX_MO(TCV_Rchr, C_3100Hz, struc, nirr, C_no_rate_adaption, C_I440_450, C_Asynchronous, C_stopbit_dontcare, C_databit_dontcare, ur, ir, C_parity_dontcare, ce, TCV_MODEM.V22bisOrV26ter,	11.8.2.5.2

49		C_uil2p_dontcare), TCV_modemt := TCV_MODEM.V22bisOrV26ter)		
50		[ur = C_4800bs] (TCV_BcapMO1 := BcapX_MO(TCV_Rchr, C_3100Hz, struc, nirr, C_no_rate_adaption, C_I440_450, C_Asynchronous, C_stopbit_dontcare, C_databit_dontcare, ur, ir, C_parity_dontcare, ce, C_modemt_V32, C_uil2p_dontcare), TCV_modemt := C_modemt_V32)		11.8.2.5.2
51		[ur = C_9600bs]		
52		(TCV_BcapMO1 := BcapX_MO(TCV_Rchr, C_3100Hz, struc, C_nirr_nomeaning, C_no_rate_adaption, C_I440_450, C_Asynchronous, C_stopbit_dontcare, C_databit_dontcare, ur, C_ir_16kbs, C_parity_dontcare, ce, C_modemt_V32, C_uil2p_dontcare), TCV_modemt := C_modemt_V32)		11.8.2.5.2
53		local_BS61or81_S_T(ir:B_2; ur: B_4; modemt:B_5) (TCV_BcapMO1 := Bcap_MO(TCV_Rchr, C_3100Hz, C_Unstructured, C_nirr_nomeaning, C_no_rate_adaption, C_I440_450, C_Synchronous, C_stopbit_NA, C_databit_NA, ur, ir, C_parity_NA, C_transparent, modemt), TCV_modemt := modemt)		11.8.2.5.3
54	CS_0 123	local_pixitvaluechk [(ce <> C_transparent) AND(ce <> C_notransparent) AND(NOT both) AND async]	I	IXIT error
55	CS_0 124	[(a_ur1 <> C_300bs) AND(a_ur1 <> C_1200bs) AND(a_ur1 <> C_2400bs) AND(a_ur1 <> C_4800bs) AND(a_ur1 <> C_9600bs) AND(a_ur1 <> C_120075bs) AND async]	I	IXIT error
56	CS_0 125	[(s_ur1 <> C_1200bs) AND(s_ur1 <> C_2400bs) AND(s_ur1 <> C_4800bs) AND(s_ur1 <> C_9600bs) AND sync]	I	IXIT error
57		[C_Yes]		IXIT values OK
58		local_selectSaAndCe [async]		3.
59		(TCV_sa := C_Asynchronous, TCV_ur := a_ur1)		
60		[both]		
61		[(a_ur1 = C_300bs) OR (a_ur1 = C_120075bs) OR (a_ur1 = C_4800bs)]		
62		(TCV_ce := C_notransparent)		
63		[(a_ur1 = C_1200bs) OR (a_ur1 = C_2400bs) OR (a_ur1 = C_9600bs)]		
64		(TCV_ce := C_transparent)		
65		[NOT both]		
66		(TCV_ce := ce)		
67		[sync]		
68		(TCV_sa := C_Synchronous, TCV_ce := C_transparent, TCV_ur := s_ur1)		
69		local_setupmsg [TCV_sa = C_Asynchronous]		
70		[(NOT TSPC_EFR_Speech_v2) AND(NOT TSPC_EFR_Speech_v3)]		
71		(TCV_Setup_mo := Setup_11_3100(ri, Bcap_Speech_MO(C_Rchr_dontcare), TCV_BcapMO1, Llcmp_NotApplicable, Llcmp_BS2xOrBS61aOrBS81a_3100, ri, ri, Hlcmp_NotApplicable, Hlcmp_AnyOrOmit))		Non EFR Mobile
72		[TSPC_EFR_Speech_v2 OR TSPC_EFR_Speech_v3]		
73		(TCV_Setup_mo := Setup_11_3100(ri, Bcap_Speech_Efr_MO(C_Rchr_dontcare), TCV_BcapMO1, Llcmp_NotApplicable, Llcmp_BS2xOrBS61aOrBS81a_3100, ri, ri,		EFR Mobile

74	Hlcmp_NotApplicable, Hlcmp_AnyOrOmit)) [TCV_sa = C_Synchronous]		
75	[(NOT TSPC_EFR_Speech_v2) AND(NOT TSPC_EFR_Speech_v3)]		
76	(TCV_Setup_mo := Setup_11_3100(ri, Bcap_Speech_MO(C_Rchr_dontcare), TCV_BcapMO1, Llcmp_NotApplicable, Llcmp_BS3xOrBS61sOrBS81s_3100, ri, ri, Hlcmp_NotApplicable, Hlcmp_AnyOrOmit))		Non EFR Mobile
77	[TSPC_EFR_Speech_v2 OR TSPC_EFR_Speech_v3]		
78	(TCV_Setup_mo := Setup_11_3100(ri, Bcap_Speech_Efr_MO(C_Rchr_dontcare), TCV_BcapMO1, Llcmp_NotApplicable, Llcmp_BS3xOrBS61sOrBS81s_3100, ri, ri, Hlcmp_NotApplicable, Hlcmp_AnyOrOmit))		EFR Mobile

Detailed Comments:

1. validate IXIT values
2. select sync or async mode and corresponding CE
3. If the MS supports both synchronous and asynchronous mode, selete the asynchronous mode
4. The BS61 or BS81 Bearer Capabilities and SETUP messages for MO is constructed according to section 11.8.2.5.1, section 11.8.2.5.2 and section 11.8.2.5.3 of GSM 11.10 and section B.1.6.1, section B.1.6.2.1, section B.1.6.2.2, section B.2.2.2 and section B.2.3.2 of GSM 07.01.

The algorithm for selecting parameters for BS61 basice service:

```

IF (TSPX_BS_61_A)
    TCV_sa := C_Asynchronous
    IF (TSPX_BS_61_A_ur1_T_NT)
        TCV_ce := C_nottransparent
    ELSE
        TCV_ce := TSPX_BS_61_A_ur1_ce
    use (TCV_sa, TCV_ce, TSPX_BS_61_A_ur1, svc) for OO_IFsetup_BS61orBS81_MO
ELSE
    TCV_sa := C_Synchronous
    use (TCV_sa, C_transparent, TSPX_BS_61_S_ur1, svc) for
OO_IFsetup_BS61orBS81_MO

```

The algorithm for selecting parameters for BS61 basice service is the same as above except using corresponding IXIT parameters.

Test Step Dynamic Behaviour					
Test Step Name:		Chmod(rate:RATE; ce:B_2; ur:B_4; svc:SERVICES)			
Group:		GSM_MS_CS_4200/Preambles/			
Objective:		To assign correct values to the test case variables TCV_ChMod and TCV_ChModb.			
Default:		OtherEvents			
Comments:		The rules for assignment are in Table 10-1 of GSM 11.10 section 10.3. If the value for ce is "BothT", the rule for transparent is used. If the value for ce is "BothNT", the rule for non transparent is used. That means the preferred value will be used in test configuration.			
Nr	Label	Behaviour Description	CRef	V	Comments
1		+local_tree			
2		[(svc = C_AltSpchData) OR (svc = C_SpchData)]			dual mode call
3		OR (svc = C_AltSpchFax)]			
4		(TCV_ChMod.mode := C_ChMod_r)			
5		[(svc<> C_AltSpchData) AND(svc <> C_SpchData)]			
6		AND(svc <> C_AltSpchFax)]			
7		local_tree			
8		[[(ce = C_nottransparent) OR (ce = C_BothNT)) AND (rate = C_Full)]			
9		(TCV_ChMod.mode := C_ChMod_12k,			
10		TCV_ChModb.mode := C_ChMod_12k)			
11		[[(ce = C_nottransparent) OR (ce = C_BothNT)) AND (rate = C_Half)]			
12		[ur <> C_9600bs]			
13		(TCV_ChMod.mode := C_ChMod_6k,			
14		TCV_ChModb.mode := C_ChMod_6k)			
15	CS_0 126	[ur = C_9600bs]		I	not applicable
16		[[(ce = C_transparent) OR (ce = C_BothT)]]			
17		[[(ur = C_9600bs) AND (rate = C_Full)]			
18		(TCV_ChMod.mode := C_ChMod_12k,			
19		TCV_ChModb.mode := C_ChMod_12k)			
20		[ur = C_4800bs]			
21		(TCV_ChMod.mode := C_ChMod_6k,			
22		TCV_ChModb.mode := C_ChMod_6k)			
23		[[(ur <> C_4800bs) AND(ur <> C_9600bs)]			
24		(TCV_ChMod.mode := C_ChMod_3k,			
25		TCV_ChModb.mode := C_ChMod_3k)			
26	CS_0 127	[[(ur = C_9600bs) AND (rate = C_Half)]		I	not applicable
Detailed Comments:					

Test Step Dynamic Behaviour					
Nr	Label	Behaviour Description	CRef	V	Comments
Test Step Name: IdleUpdated(par_bspwr:INTEGER; activ_cell:CellID; sch, bcch:LOGICCH; acttype:BITSTRING; slot, slot2, slot3, slot4:SN; tsc:TSC; t, retr, neci, att:INTEGER; ta:TA; babr, cch_con, bpm:B_3; t3212:OCTETSTRING; ci:CI; mcc, mnc, lac:OCTETSTRING; co:CO; cchdgsm, cchddcs:CCHD; crh, mtrmcgsm, mtrmcdds:INTEGER; bcchflgsm, bcflaltgsm, bcchfldcs, bcflaltdcs:NCD; Re:B_1; bcc:BCC; ncc:NCC; StartType:INTEGER; subch:B_2; cksn:B_3; rand:RAND; arfcngsm, arfcndcs:INTEGER; imsi:HEXSTRING; sysinfo:INTEGER; nccp:NCCP)					
Group: GSM_MS_CS_4200/Preambles/					
Objective: To ensure that the SIM is either updated to the initial conditions and the MS with CKSN valid, TMSI valid and idle updated in cell A, B or C; or idle updated without TMSI; or totally not updated and all LAI information deleted.					
Default: OtherEvents					
Nr	Label	Behaviour Description	CRef	V	Comments
1		(TCV_slot := slot, TCV_tsc := tsc, TCV_Ccd0H := CntrlChDscrp(att, babr, C_cch_1Comb, bpm, t3212))			
2		+MM_PwrOrSimOff(C_SIMneedRmv)			
3		+Varinit_fix(activ_cell, lac, subch, cksn, rand, arfcngsm, arfcndcs, TCV_Ccd0H, imsi)			
4		+ltree_chconf(C_cch_1Comb)			Config LT
5		+localtree1			
localtree1					
6		+ltree_sysinfo(1, C_cch_1Comb)			ATT= '1'B
7		+MM_PwrOrSimOn(C_SIMneedRmv)			
8		+localtree_Lup_Auth			
localtree_Lup_Auth					
9		START T_dly(C_T_Wait1stChReq)			
10		L?DL_RaInChRq(TCV_Rr := DL_RaInChRq, msg.eau_rrf, TCV_Fn := DL_RaInChRq.fn)	ChReq(ChRequest_02)		Any channel request PDU
11		CANCEL T_dly			
11		ACTIVATE(OtherEvents_02)			To match ChReq retrans.
12		LIDL_UdatRqImmss	ImmAss(TCV_agch, ImmAsgn_01Def(TCV_Rr, TCV_Fn, subch, slot, tsc, TCV_chdescr_arfcn, ta))		
13		L?DL_EstInLupRq	LocUp(TCV_ch, LocUpdtReq_01(C_norm_period_attach))		Any location update type
14		ACTIVATE(OtherEvents)			Restore Normal default
15		[StartType = C_Start_Rej]			
16		LIDL_DatRqLupRej	LocRej(TCV_ch, LocUpdtRej_01(C_rc_LAnotallowed))		Delete LAI, tmsi, cksn
17		+PostMainLinkRel(TCV_ch)			Release Ch
18		+MM_PwrOrSimOff(C_SIMneedRmv)			
19		+localtree2			
20		[StartType = C_Start_Imsi]			
21		+Authentication(TCV_ch, cksn, rand)			
22		LIDL_DatRqLupAcp	LocAcp(TCV_ch, LocUpdtAcp_01(MiImsi_01iei, mcc, mnc, TCV_lac))		Location Accept with IMSI
23		+PostMainLinkRel(TCV_ch)			Release Ch
24		+localtree2			
25		[(StartType = C_Start_Tmsi) OR (StartType = C_Start_TmsiOff)]			
26		+Authentication(TCV_ch, cksn, rand)			
27		LIDL_DatRqLupAcp	LocAcp(TCV_ch, LocUpdtAcp_01(MiTmsi_01iei, mcc, mnc, TCV_lac))		Location Accept with TMSI
28		L?DL_DatInTmsireCom	TmsiReallocCmp(TCV_ch)		
29		+PostMainLinkRel(TCV_ch)			Release Ch

30		+localtree2		
31		[StartType = C_Start_PLMNnot]		
32		L!DL_DatRqLupRej	LocRej(TCV_ch, LocUpdtRej_01(C_rc_plmn_not))	Delete LAI, tmsi, cksn
33		+PostMainLinkRel(TCV_ch)		Release Ch
34		+localtree2		
35	CS_0 128	[(StartType <> C_Start_Rej) AND(StartType <> C_Start_Tmsi) AND(StartType <> C_Start_TmsiOff) AND(StartType <> C_Start_Tmsi) AND(StartType <> C_Start_PLMNnot)]		I
36		?TIMEOUT T_dly		
37		+ltree_rmvPLMNfbdnlist		
		localtree2		
38		[(att = 1) AND(StartType <> C_Start_TmsiOff)]		ATT no change
39		[cch_con <> C_cch_1Comb]		If non combined
40		+localtree3		
41		+ltree_PgReorg		
42		[cch_con = C_cch_1Comb]		If combined
43		[(att = 1) AND (StartType = C_Start_TmsiOff)]		
44		+lmsiDetach(MiTmsi_01, ta, C_SIMneedRmv)		Switch off, detach
45		[cch_con <> C_cch_1Comb]		If non combined
46		+localtree3		
47		[cch_con = C_cch_1Comb]		If combined
48		[att = 0]		
49		[cch_con = C_cch_1Comb]		If combined
50		+ltree_sysinfo(0, C_cch_1Comb)		ATT=0
51		+ltree_PgReorg		
52		[cch_con <> C_cch_1Comb]		If non combined
53		+localtree3		
54		+ltree_PgReorg		
		localtree3		
55		(TCV_Ccd0H := CntrlChDscrp(att, babr, cch_con, bpm, t3212))		
56		+Varinit_fix(activ_cell, lac, subch, cksn, rand, arfcngsm, arfcndcs, TCV_Ccd0H, imsi)		
57		+ltree_chconf(cch_con)		Config LT
58		+ltree_sysinfo(att, cch_con)		
		ltree_PgReorg		
59		(TCV_Null:=OM_PgFill(activ_cell, PgReqTp1Reorg))		
60		START T_dly(5000)		
61		?TIMEOUT T_dly		
62		(TCV_Null:=OM_PgFill(activ_cell, PgReqTp1Norm))		
		ltree_sysinfo(attach:INTEGER; con_ch:B_3)		
63		[activ_cell = C_CellA]		
64		+SysInfoSending(attach, con_ch)		SI1-4, cellA
65		(TCV_Ccd0A := TCV_Ccd0H, TCV_sysinfo5 := TCV_sysinfo5, TCV_sysinfo6 := TCV_sysinfo6)		
66		[con_ch = C_cch_1Comb]		If combined
67		+SysInfo_SacchSending(TCV_sacch, TCV_sysinfo5, TCV_sysinfo6)		SI5, 6 on SACCH/C4, cell A
68		[con_ch <> C_cch_1Comb]		
69		+ltree_sysinfo_other(attach)		More SIs, cellA
70		[activ_cell = C_CellB]		
71		+SysInfoSending(attach, con_ch)		SI1-4, cellB
72		(TCV_Ccd0B := TCV_Ccd0H, TCV_sacch_B := TCV_sacch, TCV_sysinfo5_B := TCV_sysinfo5, TCV_sysinfo6_B := TCV_sysinfo6)		SI5, 6 on SACCH/C4, cell B
73		[con_ch = C_cch_1Comb]		If combined
74		+SysInfo_SacchSending(TCV_sacch_B, TCV_sysinfo5_B, TCV_sysinfo6_B)		SI5, 6 on SACCH/C4, cell A

75	[con_ch <> C_cch_1Comb]	No more SIs, cell B
76	[activ_cell = C_CellC]	
77	+SysInfoSending(attach, con_ch)	SI1-4, cellC
78	(TCV_Ccd0C := TCV_Ccd0H, TCV_sacch_C := TCV_sacch, TCV_sysinfo5_C := TCV_sysinfo5, TCV_sysinfo6_C := TCV_sysinfo6)	
79	[con_ch = C_cch_1Comb]	If combined
80	+SysInfo_SacchSending(TCV_sacch_C, TCV_sysinfo5_C, TCV_sysinfo6_C)	SI5, 6 on SACCH/C4, cell C
81	[con_ch <> C_cch_1Comb]	No more SIs, cell C
SysInfoSending(attachb:INTEGER; con_chs:B_3)		
82	[sysinfonb = C_Test_fh]	Hopping
83	+SysInfoSending_fh(sch, bcch, t, retr, neci, attachb, babr, con_chs, bpm, t3212, ci, mcc, mnc, lac, co, cchdgsm, cchddcs, crh, mtmcgsm, mtmcdcs, bcchflgsm, bcchfldcs, Re, bcc, ncc, nccp)	
84	[sysinfonb = C_Test_nfh]	Non hopping
85	+SysInfoSending_nfh(sch, bcch, t, retr, neci, attachb, babr, con_chs, bpm, t3212, ci, mcc, mnc, lac, co, crh, mtmcgsm, mtmcdcs, bcchflgsm, bcflaltgsm, bcchfldcs, bcflaltdcs, Re, bcc, ncc, nccp)	
86	[sysinfonb = C_Test_egsm]	EGSM
87	+SysInfoSending_e(sch, bcch, t, retr, neci, attachb, babr, con_chs, bpm, t3212, ci, mcc, mnc, lac, co, cchdgsm, crh, mtmcgsm, bcchflgsm, bcchfldcs, Re, bcc, ncc, nccp)	
88	[sysinfonb = C_Test_cbms]	CBMS
89	+SysInfoSending_cbms(sch, bcch, t, retr, neci, attachb, babr, con_chs, bpm, t3212, ci, mcc, mnc, lac, co, crh, mtmcgsm, mtmcdcs, bcchflgsm, bcchfldcs, Re, bcc, ncc, nccp, subch)	
ltree_chconf(conf:B_3)		
90	[activ_cell = C_CellA]	
91	+ltree_chconf_A(conf)	Config LT
92	[activ_cell = C_CellB]	
93	+ltree_chconf_B(conf)	Config LT
94	[activ_cell = C_CellC]	
95	+ltree_chconf_C(conf)	Config LT
ltree_chconf_A(conf_a:B_3)		
96	[conf_a = C_cch_1nonComb]	
97	+NonCombinedBCCH_A(par_bspwr, mtmcgsm, mtmcdcs, arfcngsm, arfcndcs, acttype, slot, tsc, ta, babr, conf_a, bpm)	1 non combined CCCH, cell A
98	(TCV_Upd := C_NotCombined)	
99	[conf_a = C_cch_1Comb]	
100	[sysinfonb <> C_Test_cbms]	
101	+CombinedBCCH_A(par_bspwr, mtmcgsm, mtmcdcs, arfcngsm, arfcndcs, acttype, slot, tsc, ta, babr, conf_a, bpm)	1 combined CCCH, cell A
102	(TCV_Upd := C_Combined)	
103	[sysinfonb = C_Test_cbms]	
104	+CombinedBCCH_A_CBMS(par_bspwr, mtmcgsm, mtmcdcs, arfcngsm, arfcndcs, acttype, slot, tsc, ta, babr, conf_a, bpm)	1 combined CCCH + CBMS, cell A
105	(TCV_Upd := C_Combined)	
106	[conf_a = C_cch_2nonComb]	2 CCCHs
107	+NonCombinedBCCH_A(par_bspwr, mtmcgsm, mtmcdcs, arfcngsm, arfcndcs, acttype, slot, tsc, ta, babr, conf_a, bpm)	1st non combined CCCH, cell A
108	+NonCombinedBCCH_A_2(acttype, slot2, tsc, ta, babr, conf_a, bpm)	2nd non combined CCCH, cell A
109	(TCV_Upd := C_NotCombined)	
110	[conf_a = C_cch_3nonComb]	
111	+NonCombinedBCCH_A(par_bspwr, mtmcgsm, mtmcdcs, arfcngsm, arfcndcs, acttype, slot, tsc, ta,	1st non combined CCCH, cell A

112		babr, conf_a, bpm) +NonCombinedBCCH_A_2(acttype, slot2, tsc, ta, babr, conf_a, bpm)		2nd non combined CCCH, cell A
113		+NonCombinedBCCH_A_3(acttype, slot3, tsc, ta, babr, conf_a, bpm)		3rd non combined CCCH, cell A
114		(TCV_Upd := C_NotCombined)		
115		[conf_a = C_cch_4nonComb]		
116		+NonCombinedBCCH_A(par_bspwr, mtmcgsm, mtmcdcs, arfcngsm, arfcdcs, acttype, slot, tsc, ta, babr, conf_a, bpm)		1st non combined CCCH, cell A
117		+NonCombinedBCCH_A_2(acttype,slot2, tsc, ta, babr, conf_a, bpm)		2nd non combined CCCH, cell A
118		+NonCombinedBCCH_A_3(acttype, slot3, tsc, ta, babr, conf_a, bpm)		3rd non combined CCCH, cell A
119		+NonCombinedBCCH_A_4(acttype, slot4, tsc, ta, babr, conf_a, bpm)		4th non combined CCCH, cell A
120		(TCV_Upd := C_NotCombined)		
121	CS_0 129	[(conf_a <> C_cch_1nonComb) AND(conf_a <> C_cch_2nonComb) AND(conf_a <> C_cch_3nonComb) AND(conf_a <> C_cch_4nonComb) AND(conf_a <> C_cch_1Comb)]	I	A wrong CCCH-CONF value, cell A
122		ltree_chconf_B(conf_b:B_3) [conf_b = C_cch_1nonComb]		
123		+NonCombinedBCCH_B(par_bspwr, mtmcgsm, mtmcdcs, arfcngsm, arfcdcs, acttype,slot,tsc, ta, babr, conf_b, bpm)		1 non combined CCCH, cell B
124		(TCV_Upd := C_NotCombined)		
125		[conf_b = C_cch_1Comb]		
126		+CombinedBCCH_B(par_bspwr, mtmcgsm, mtmcdcs, arfcngsm, arfcdcs, acttype, slot, tsc, ta, babr, conf_b, bpm)		1 combined CCCH, cell B
127		(TCV_Upd := C_Combined)		
128	CS_0 130	[(conf_b <> C_cch_1nonComb) AND(conf_b <> C_cch_1Comb)]	I	A wrong CCCH-CONF value, cell B
129		ltree_chconf_C(conf_c:B_3) [conf_c = C_cch_1Comb]		
130		+CombinedBCCH_C(par_bspwr, mtmcgsm, mtmcdcs, arfcngsm, arfcdcs, acttype, slot, tsc, ta, babr, conf_c, bpm)		1 combined CCCH, cell C
131		(TCV_Upd := C_Combined)		
132	CS_0 131	[conf_c <> C_cch_1Comb]	I	
133		ltree_sysinfo_other(attach:INTEGER) [(cch_con = C_cch_1nonComb) OR (cch_con = C_cch_1Comb)]		
134		[cch_con = C_cch_2nonComb]		
135		+SysInfoSending_fh(sch, C_BCCH_A_2, t, retr, neci, attach, babr, cch_con, bpm, t3212, ci, mcc, mnc, lac, co, CellChDes_02, CellChDes_03, crh, mtmcgsm, mtmcdcs, BcchFreqLst_01, BcchFreqLst_48, Re, bcc, ncc, nccp)		SIs on 2nd CCCH
136		[cch_con = C_cch_3nonComb]		
137		+SysInfoSending_fh(sch, C_BCCH_A_2, t, retr, neci, attach, babr, cch_con, bpm, t3212, ci, mcc, mnc, lac, co, CellChDes_02, CellChDes_03, crh, mtmcgsm, mtmcdcs, BcchFreqLst_01, BcchFreqLst_48, Re, bcc, ncc, nccp)		SIs on 2nd CCCH
138		+SysInfoSending_fh(sch, C_BCCH_A_3, t, retr, neci, attach, babr, cch_con, bpm, t3212, ci, mcc, mnc, lac, co, CellChDes_02, CellChDes_03, crh, mtmcgsm, mtmcdcs, BcchFreqLst_01, BcchFreqLst_48, Re, bcc, ncc, nccp)		SIs on 3rd CCCH
139		[cch_con = C_cch_4nonComb]		
140		+SysInfoSending_fh(sch, C_BCCH_A_2, t, retr, neci, attach, babr, cch_con, bpm, t3212, ci, mcc, mnc, lac, co, CellChDes_02, CellChDes_03, crh, mtmcgsm, mtmcdcs, BcchFreqLst_01, BcchFreqLst_48, Re, bcc, ncc, nccp)		SIs on 2nd CCCH

141	+SysInfoSending_fh(sch, C_BCCH_A_3, t, retr, neci, attach, babr, cch_con, bpm, t3212, ci, mcc, mnc, lac, co, CellChDes_02, CellChDes_03, crh, mtmcgsm, mtmcdcs, BcchFreqLst_01, BcchFreqLst_48, Re, bcc, ncc, nccp)		SlIs on 3rd CCCH
142	+SysInfoSending_fh(sch, C_BCCH_A_4, t, retr, neci, attach, babr, cch_con, bpm, t3212, ci, mcc, mnc, lac, co, CellChDes_02, CellChDes_03, crh, mtmcgsm, mtmcdcs, BcchFreqLst_01, BcchFreqLst_48, Re, bcc, ncc, nccp)		SlIs on 4th CCCH
143	Itree_rmvPLMNfbdnlist (TCV_Null := OO_PLMNselModeMan())		
144	(TCV_Null := OO_SelPLMN(mnc))		
145	L?DL_RaInChRq (TCV_Rr := DL_RaInChRq. msg.ecau_rrf, TCV_Fn := DL_RaInChRq.fn) CANCEL T_dly	ChReq(ChRequest_02)	Any channel request PDU
146	ACTIVATE(OtherEvents_02)		To match ChReq retrans.
147	LIDL_UdatRqImmash	ImmAss(TCV_agch, ImmAsgn_01Def(TCV_Rr, TCV_Fn, subch, slot, tsc, TCV_chdescr_arfcn, ta))	
148	L?DL_EstInLupRq	LocUp(TCV_ch, LocUpdtReq_01(C_norm_period_attac h))	Any location update type
149	ACTIVATE(OtherEvents)		Restore Normal default
150	[StartType = C_Start_PLMNnot]		The PLMN is already in forbidden list on short SIM
151	LIDL_DatRqLupRej	LocRej(TCV_ch, LocUpdtRej_01(C_rc_plmn_not))	Delete LAI, tmsi, cksn, PLMN still in list
152	+PostMainLinkRel(TCV_ch)		Release Ch
153	(TCV_Null := OO_PLMNselModeAuto())		
154	[StartType <> C_Start_PLMNnot]		
155	LIDL_DatRqLupAcp	LocAcp(TCV_ch, LocUpdtAcp_01(MiTmsi_r02iei, mcc, mnc, TCV_lac))	Location Accept with no TMSI
156	+PostMainLinkRel(TCV_ch)		Release Ch
157	CS_0 132 (TCV_Null := OO_PLMNselModeAuto())	I	No ChReq received: Inconclusive

Detailed Comments:	Formal Parameter Type	Comments & Explanations	Possible values
	par_bspwr	INTEGER	Base station power level C_E_default, C_E_suitable
	activ_cell	CellID	Activated cell identity C_CellA, C_CellB, C_CellC
	sch	LOGICCH	Sync. channel identity If formal para activ_cell = C_CellA, C_SCH_A If formal para activ_cell = C_CellB, C_SCH_B If formal para activ_cell = C_CellC, C_SCH_C
	bcch	LOGICCH	1st broadcast channel id If formal para activ_cell = C_CellA, C_BCCH_A_1 If formal para activ_cell = C_CellB, C_BCCH_B_1 If formal para activ_cell = C_CellC, C_BCCH_C_1
	acttype	BITSTRING	Type for activation of a channel C_Immash
	slot	SN	Slot number for the 1st slot C_S0
	slot2	SN	Slot number for the 2nd slot In case of 2 or 3 or 4 non combined CCCH C_S2

		Otherwise (1 combined or 1 non combined)	C_SlotNU	
slot3	SN	Slot number for the 3rd slot In case of 3 or 4 non combined CCCH Otherwise (1 combined or 1, 2 non combined)	C_S4 C_SlotNU	
slot4	SN	Slot number for the 4th slot In case of 4 non combined CCCH channels Otherwise (1 combined, 1, 2, 3 non combined)	C_S6 C_SlotNU	
tsc	TSC	Training Sequence code	C_BCC	
t	INTEGER	Rach Control Parameter field, Tx-Integer for SysInfo1, SysInfo2, SysInfo3, SysInfo4	C_TxInt_5, C_TxInt_7, C_TxInt_10	
retr	INTEGER	Rach Control Parameter field, Max-Retrans for SysInfo1, SysInfo2, SysInfo3, SysInfo4	C_Max_1, C_Max_2, C_Max_7	
neci	INTEGER	Requested value f. NECI bit in test case	C_NECI_0, C_NECI_1	
att	INTEGER	Requested value f. ATTACH bit in test case	C_ATT_0, C_ATT_1	
ta	TA	Requested Timing Advance value		
babr	B_3	Number of blocks reserved for acces grant If arbitrary If fixed	TSPX_AGBLKsX C_BABR_0, C_BABR_1, C_BABR_2	
cch_con	B_3	Type of CCCH channel. If arbitrary 1 combined CCCH channel 1 non combined CCCH channel 2 non combined CCCH channels 3 non combined CCCH channels 4 non combined CCCH channels	TSPX_CcchConfx C_cch_1Comb C_cch_1nonComb C_cch_2nonComb C_cch_3nonComb C_cch_4nonComb	
bpm	B_3	Number of multiframes for transmission of PAGING REQUEST messages to the same paging subgroup If arbitrary If fixed (2, 4, 5, 9 multiframes)	TSPX_PAMFRMSx C_BPM_0, C_BPM_2, C_BPM_3, C_BPM_7	
t3212	OCTETSTR.	Requested value for T3212 in test case Location Update Value)		(Periodic
		infinite 6 mn / 1 deci hours 12 mn / 2 deci hours 30 mn / 5 deci hours	C_T3212_0 C_T3212_1 C_T3212_2 C_T3212_5	
ci	CI	Cell Identity If formal para activ_cell = C_CellA If formal para activ_cell = C_CellB If formal para activ_cell = C_CellC	C_ci_CellA C_ci_CellB C_ci_CellC	
mcc	OCTETSTR.	Mobile Contry Code for the LAI	C_MCC, C_MCC_x	
mnc	OCTETSTR.	Mobile Network Code for the LAI	C_PLMN_Home, C_PLMN_x	
lac	OCTETSTR.	Local Area Code for the LAI	C_LAC_x	

co	CO	Cell Options	CellOpt_xx
cchdgsm	CCHD	Cell Channels Description (GSM) If formal para sysinfonb=C_Test_nfh CellChDes_omit If formal para sysinfonb=C_Test_cbms CellChDes_omit If formal para sysinfonb=C_Test_fh GSM CellChDes_xx	
cchddcs	CCHD	Cell Channels Description (DCS) If formal para sysinfonb=C_Test_nfh CellChDes_omit If formal para sysinfonb=C_Test_cbms CellChDes_omit If formal para sysinfonb=C_Test_fh DCS CellChDes_xx	
crh	INTEGER	Cell Reselection Hysteresis	C_CellReselectHys12, C_CellReselectHys4
mtmcgsm	INTEGER	Requested maximum power level for GSM MS	C_MaxPwrLvIG
mtmcdcs	INTEGER	Requested maximum power level for DCS MS	C_MaxPwrLvID
bcchflgsm	NCD	Neighbour Cells Description for GSM	BcchFreqLst_xx
bcflaltgsm	NCD	Alternative Neighbour Cells Description for GSM. If sysinfonb = C_Test_nfh Alternat.GSM BcchFreqLst_xx Otherwise: BcchFreqLst_Omit	
bcchfldcs	NCD	Neighbour Cells Description for DCS	BcchFreqLst_xx
bcflaltdcs	NCD	Alternative Neighbour Cells Description for DCS If sysinfonb = C_Test_nfh Alternat.DCS BcchFreqLst_xx Otherwise: BcchFreqLst_Omit	
Re	B_1	Rach Control Parameter field, Re-establishment bit for SysInfo1, SysInfo2, SysInfo3, SysInfo4	C_Restablishment, C_noRestablishmen
bcc	BCC	Base station Color Code	C_BCC
ncc	NCC	Network Color Code	C_NCC
StartType	INTEGER	Initial conditions for MS Starting without TMSI Starting with Tmsi_01 Starting with Tmsi_01, MS deactivated Starting with LAI deleted, MS deactivated Starting with PLMN not allowed	C_Start_Imsi C_Start_Tmsi C_Start_TmsiOff C_Start_Rej C_Start_PLMNnot
subch	BITSTRING	Selected sub-channel If Formal para cch_con = C_cch_1Comb, TSPX_SDCCH4SubDef TSPX_SDCCH4SubA, SubB, SubC	
cksn	BITSTRING	Ciphering Key Sequence for authentication TSPX_CKSNDf,	Number used TSPX_CKSNA, B, C
rand	BITSTRING	Random Number for authentication	TSPX_RANDDef, TSPX_RANDA, B, C
arfcngsm	INTEGER	BCCH channel ARFCN (GSM) If sysinfonb = C_Test_fh Otherwise:	C_Noarfcn C_arfcnA_x C_arfcnB_x C_arfcnC_x
arfcndcs	INTEGER	BCCH channel ARFCN (DCS) If sysinfonb = C_Test_fh	C_Noarfcn

	Otherwise:	If activ_cell = C_CellB	If activ_cell = C_CellA	
C_arfcnAd_x		C_arfcnCd_x	C_arfcnBd_x	If
activ_cell = C_CellC				
imsi	HEXSTRING	The expected IMSI	TSPX_IMSI	
		In TC_26_7_3_2	C_shortIMSI	
sysinfofb	INTEGER	Type of sysinfo sending		
		Frequency Hopping	C_Test_fh	
		Non Frequency hopping	C_Test_nfh	
		EGSM sequence	C_Test_egsm	
		CBMS sequence	C_Test_cbms	
nccp	NCCP	Network Country Code Permitted		
		in SysInfo2	C_NCCP_2, C_NCCP_5	

Test Step Dynamic Behaviour					
Test Step Name:		PreEstRRConn(slot:SN; tsc:TSC; ta:TA)			
Group:		GSM_MS_CS_4200/Preambles/			
Objective:		To establish a RR connection on SDCCH subchannel defined by TSPX_SDCCH4SubDef in cell A			
Default:		OtherEvents			
Comments:		The calling tree shall prepare variable for the step: TCV_ch for the SDCCH4 subchannel TSPX_SDCCH4SubDef. This test step is used for non RR testing.			
Nr	Label	Behaviour Description	CRef	V	Comments
1		L!DL_UdatRqPg1Rq	PgReq1(TCV_PgCh, TCV_Pgg, PgReqTp1_01)		To match ChReq retrans.
2		L?DL_RacInChRq (TCV_Rr := DL_RacInChRq.msg.ecau_rrf, TCV_Fn := DL_RacInChRq.fn)	ChReq(ChRequest_17)		
3		ACTIVATE(OtherEvents_02)			
4		LIDL_UdatRqlmass	ImmAss(TCV_agch, ImmAsgn_01Def(TCV_Rr, TCV_Fn, TSPX_SDCCH4SubDef, slot, tsc, TCV_chdescr_arfcn, ta))		
5		L?DL_EstInPgRes	PagingRes(PagingRes_01)		Restore Normal default
6		ACTIVATE(OtherEvents)			
Detailed Comments:					

Test Step Dynamic Behaviour					
Test Step Name: PreEstRRC_MM(par_mi:MI; cksn:BITSTRING; ta:TA)					
Group: GSM_MS_CS_4200/Preambles/					
Objective: To establish a RR connection on C_SDCCH4_A_1					
Default: OtherEvents					
Comments: used var's: TCV_Rr, TCV_Fn, TCV_Pgch, TCV_ia_ts, TCV_chdescr_arfcn					
Nr	Label	Behaviour Description	CRef	V	Comments
1		L!DL_UdatRqPg1Rq	PgReq1(TCV_PgCh, TCV_Pgg, PgReqTp1_30(par_mi)		
2		L?DL_RaInChRq (TCV_Rr := DL_RaInChRq. msg.ecau_rrf, TCV_Fn := DL_RaInChRq.fn)	ChReq(ChRequest_17)		To match ChReq retrans.
3		ACTIVATE(OtherEvents_02)			
4		L!DL_UdatRqImmss	ImmAss(TCV_agch, ImmAsgn_01Def(TCV_Rr, TCV_Fn, TSPX_SDCCH4SubD ef, TCV_slot, TCV_tsc, TCV_chdescr_arfcn, ta))		
5	CS_0 133	L?DL_EstInPgRes	PagingRes(PagingRes_30(par_mi, cksn))	(P)	
6		ACTIVATE(OtherEvents)			Restore Normal default
Detailed Comments:					

Test Step Dynamic Behaviour					
Test Step Name:		TS61MO(srv:SERVICES)			
Group:		GSM_MS_CS_4200/Preambles/			
Objective:		To generate an MO SETUP message with appropriate Bcap for TS61 service.			
Default:		OtherEvents			
Nr	Label	Behaviour Description	CRef	V	Comments
1		(TCV_srv := srv, TCV_ur := TSPX_TS_61_ur1, TCV_CE := NT_BothT_BothNTorT_BothT_BothNT)			
2		+local_selectCe			
3		+local_bcap			get the right BC
4		[(NOT TSPC_EFR_Speech_v2) AND(NOT TSPC_EFR_Speech_v3)]			
5		(TCV_Setup_mo := Setup_11_3100(C_RI_alternate, Bcap_Speech_MO(C_Rchr_dontcare), TCV_BcapMO1, Llcmp_NotApplicable, Llcmp_AnyOrOmit, C_RI_alternate, C_RI_alternate, Hlcmp_NotApplicable, Hlcmp_TS61))			Non EFR Mobile - generate SETUP
6		+Chmod(TCV_ChRate, TCV_ce, TCV_ur, srv)			initiate channel mode variables
7		(TCV_Null := OO_IFsetup_TS6x_MO(TCV_srv, TCV_ur, TCV_ce, TCV_ChRate))			ask operator to configure the MS
8		[TSPC_EFR_Speech_v2 OR TSPC_EFR_Speech_v3]			
9		(TCV_Setup_mo := Setup_11_3100(C_RI_alternate, Bcap_Speech_Efr_MO(C_Rchr_dontcare), TCV_BcapMO1, Llcmp_NotApplicable, Llcmp_AnyOrOmit, C_RI_alternate, C_RI_alternate, Hlcmp_NotApplicable, Hlcmp_TS61))			EFR Mobile - generate SETUP
10		+Chmod(TCV_ChRate, TCV_ce, TCV_ur, srv)			initiate channel mode variables
11		(TCV_Null := OO_IFsetup_TS6x_MO(TCV_srv, TCV_ur, TCV_ce, TCV_ChRate))			ask operator to configure the MS
		local_bcap			
12		[TCV_ce = C_transparent]			
13		[TCV_ur = C_9600bs]			
14		+local_TS61_FAX3_T(C_9600bs, C_ir_16kbs)			
15		[(TCV_ur = C_4800bs) OR (TCV_ur = C_2400bs)]			
16		+local_TS61_FAX3_T(TCV_ur, C_ir_8kbs)			
17	CS_0 134	[(TCV_ur <> C_4800bs) AND(TCV_ur <> C_2400bs) AND(TCV_ur <> C_9600bs)]		I	IXIT parameter error
18		[TCV_ce = C_nottransparent]			
19		+local_TS61_FAX3_NT(TCV_ur)			
		local_TS61_FAX3_T(ur:B_4; ir:B_2)			
20		(TCV_BcapMO1 := Bcap_MO(TCV_Rchr, C_FAX3, C_Unstructured, C_nirr_nomeaning, C_no_rate_adaption, C_sacp_NA, C_Synchronous, C_stopbit_NA, C_databit_NA, ur, ir, C_parity_NA, C_transparent, C_modemt_none))			11.8.2.7.1
		local_TS61_FAX3_NT(ur:B_4)			
21		[ur=C_9600bs]			
22		(TCV_BcapMO1 := BcapX_MO(TCV_Rchr, C_FAX3, C_SDUintegrity, C_nirr_nomeaning, C_no_rate_adaption, C_sacp_NA, C_Synchronous, C_stopbit_NA, C_databit_NA, ur, C_ir_16kbs, C_parity_NA, TCV_CE.NTorBothTorBothNT, C_modemt_none, C_X25_flct))			11.8.2.7.2
23		[(ur=C_2400bs) OR (ur = C_4800bs)]			
24		(TCV_BcapMO1 := BcapX_MO(TCV_Rchr, C_FAX3, C_SDUintegrity, C_nirr_dontcare, C_no_rate_adaption, C_sacp_NA,			11.8.2.7.2

25	CS_0 135	C_Synchronous, C_stopbit_NA, C_databit_NA, ur, C_ir_16kbs, C_parity_NA, TCV_CE.NTorBothTorBothNT, C_modemt_none, C_X25_fct) [(ur <> C_2400bs) AND(ur <> C_4800bs) AND(ur <> C_9600bs)]		I	IXIT parameter error
26		local_selectCe [TSPX_TS_61_T_NT]			
27		(TCV_ce := C_notransparent)			
28		[NOT TSPX_TS_61_T_NT]			
29		(TCV_ce := TSPX_TS_61_ce)			
Detailed Comments:		<p>The TS61 Bearer Capabilities and SETUP messages for MO is constructed according to section 11.8.2.7.1 and section 11.8.2.7.2 of GSM 11.10 and section B.1.10.2 and section B.2.10 of GSM 07.01.</p> <p>The algorithm for selecting parameters: IF (TSPX_BS_61_T_NT) TCV_ce := C_notransparent ELSE TCV_ce := TSPX_BS_61_ce</p> <p>use (TCV_ce, TSPX_BS_61_ur1, svc) for OO_IFsetup_TS6x_MO</p>			

Test Step Dynamic Behaviour					
Test Step Name:		TS62MO(srv:SERVICES)			
Group:		GSM_MS_CS_4200/Preambles/			
Objective:		To generate an MO SETUP message with appropriate Bcap for TS62 service.			
Default:		OtherEvents			
Nr	Label	Behaviour Description	CRef	V	Comments
1		(TCV_srv := srv, TCV_ur := TSPX_TS_62_ur1, TCV_CE := NT_BothT_BothNTorT_BothT_BothNT)			variables used in InitCall
2		+local_selectCe			
3		+local_bcap			get the right BC
4		(TCV_Setup_mo := Setup_10_3100(TCV_BcapMO1, Llcmp_AnyOrOmit, Hlcmp_TS62))			
5		+Chmod(TCV_ChRate, TCV_ce, TCV_ur, srv)			
6		(TCV_Null := OO_IFsetup_TS6x_MO(TCV_srv, TCV_ur, TCV_ce, TCV_ChRate))			
		local_bcap			
7		[TCV_ce = C_transparent]			
8		[TCV_ur = C_9600bs]			
9		+local_TS62_FAX3_T(C_9600bs, C_ir_16kbs)			
10		[(TCV_ur = C_4800bs) OR (TCV_ur = C_2400bs)]			
11		+local_TS62_FAX3_T(TCV_ur, C_ir_8kbs)			
12	CS_0 136	[(TCV_ur <> C_4800bs) AND(TCV_ur <> C_2400bs) AND(TCV_ur <> C_9600bs)]		I	IXIT parameter error
13		[TCV_ce = C_nottransparent]			
14		+local_TS62_FAX3_NT(TCV_ur)			
		local_TS62_FAX3_T(ur:B_4; ir:B_2)			
15		(TCV_BcapMO1 := Bcap_MO(C_Rchr_dontcare, C_FAX3, C_Unstructured, C_nirr_nomeaning, C_no_rate_adaption, C_sacp_NA, C_Synchronous, C_stopbit_NA, C_databit_NA, ur, ir, C_parity_NA, C_transparent, C_modemt_none))			11.8.2.7.1
		local_TS62_FAX3_NT(ur:B_4)			
16		[ur = C_9600bs]			
17		(TCV_BcapMO1 := BcapX_MO(C_Rchr_dontcare, C_FAX3, C_SDUintegrity, C_nirr_nomeaning, C_no_rate_adaption, C_sacp_NA, C_Synchronous, C_stopbit_NA, C_databit_NA, ur, C_ir_16kbs, C_parity_NA, TCV_CE.NTorBothTorBothNT, C_modemt_none, C_X25_flct))			11.8.2.7.2
18		[(ur = C_2400bs) OR (ur = C_4800bs)]			
19		(TCV_BcapMO1 := BcapX_MO(C_Rchr_dontcare, C_FAX3, C_SDUintegrity, C_nirr_dontcare, C_no_rate_adaption, C_sacp_NA, C_Synchronous, C_stopbit_NA, C_databit_NA, ur, C_ir_16kbs, C_parity_NA, TCV_CE.NTorBothTorBothNT, C_modemt_none, C_X25_flct))			11.8.2.7.2
20	CS_0 137	[(ur <> C_2400bs) AND(ur <> C_4800bs) AND(ur <> C_9600bs)]		I	IXIT parameter error
		local_selectCe			
21		[TSPX_TS_62_T_NT]			
22		(TCV_ce := C_nottransparent)			
23		[NOT TSPX_TS_62_T_NT]			
24		(TCV_ce := TSPX_TS_62_ce)			
Detailed Comments:		The TS62 Bearer Capabilities and SETUP messages for MO is constructed according to section 11.8.2.7.1 and section 11.8.2.7.2 of GSM 11.10 and section B.1.10.2 and section B.2.11 of GSM 07.01.			
		The algorithm for selecting parameters: IF (TSPX_BS_62_T_NT)			

```
TCV_ce := C_nottransparent
ELSE
TCV_ce := TSPX_BS_62_ce

use (TCV_ce, TSPX_BS_62_ur1, svc) for OO_IFsetup_TS6x_MO
```


Defaults Library

Default Dynamic Behaviour					
Default Name:		OtherEvents			
Group:		GSM_MS_CS_4200/			
Objective:		To match unexpected events and sign final verdict for preambles.			
Comments:		used in preambles.			
Nr	Label	Behaviour Description	CRef	V	Comments
1		L?DL_Relln	DLRelInd_02		4.
2		RETURN			
3		?TIMEOUT T_guard			1.
4		+ltree_SDCCH1_release			
5		+ltree_SDCCH2_release			
6		+ltree_TCH1_release			
7		+ltree_TCH2_release			
8		(TCV_Null := OO_TguardTimeOut())			
9	CS_0 138	CANCEL		I	3.
10		L?OTHERWISE			2.
11		+ltree_SDCCH1_release			
12		+ltree_SDCCH2_release			
13		+ltree_TCH1_release			
14		+ltree_TCH2_release			
15		L?DL_Relln	DLRelInd_01		
16	CS_0 139	CANCEL		I	3.
17		?TIMEOUT T_guard			1.
18	CS_0 140	CANCEL		I	3.
19		ltree_SDCCH1_release [TCV_ch <> "dummy"]			
20		L!DL_DatRqChRel	ChRel(TCV_ch, ChRelease_01)		
21		[TCV_ch = "dummy"]			
22		ltree_SDCCH2_release [TCV_ch1 <> "dummy"]			
23		L!DL_DatRqChRel	ChRel(TCV_ch1, ChRelease_01)		
24		[TCV_ch1 = "dummy"]			
25		ltree_TCH1_release [TCV_chTch <> "dummy"]			
26		L!DL_DatRqChRel	ChRel(TCV_chTch, ChRelease_01)		
27		[TCV_chTch = "dummy"]			
28		ltree_TCH2_release [TCV_chTch1 <> "dummy"]			
29		L!DL_DatRqChRel	ChRel(TCV_chTch1, ChRelease_01)		
30		[TCV_chTch1 = "dummy"]			
Detailed Comments:		<ol style="list-style-type: none"> 1. The guard timer times out, inconclusive. 2. Unexpected events, inconclusive. 3. Cancel of all running timers. 4. Local end termination request allowed. 			

Default Dynamic Behaviour					
Default Name:		OtherEventsFail			
Group:		GSM_MS_CS_4200/			
Objective:		To match unexpected events and fail the test case.			
Nr	Label	Behaviour Description	CRef	V	Comments
1		L?DL_Relln	DLRelInd_02		
2		RETURN			
3		?TIMEOUT T_guard			1.
4		+ltree_SDCCH1_release			
5		+ltree_SDCCH2_release			
6		+ltree_TCH1_release			
7		+ltree_TCH2_release			
8		(TCV_Null := OO_TguardTimeOut())			
9	CS_0 141	CANCEL		I	3.
10		L?OTHERWISE			2.
11		+ltree_SDCCH1_release			
12		+ltree_SDCCH2_release			
13		+ltree_TCH1_release			
14		+ltree_TCH2_release			
15		L?DL_Relln	DLRelInd_01		
16	CS_0 142	CANCEL		F	3.
17		?TIMEOUT T_guard			
18	CS_0 143	CANCEL		F	3.
		ltree_SDCCH1_release			
19		[TCV_ch <> "dummy"]			
20		L!DL_DatRqChRel	ChRel(TCV_ch, ChRelease_01)		
21		[TCV_ch = "dummy"]			
		ltree_SDCCH2_release			
22		[TCV_ch1 <> "dummy"]			
23		L!DL_DatRqChRel	ChRel(TCV_ch1, ChRelease_01)		
24		[TCV_ch1 = "dummy"]			
		ltree_TCH1_release			
25		[TCV_chTch <> "dummy"]			
26		L!DL_DatRqChRel	ChRel(TCV_chTch, ChRelease_01)		
27		[TCV_chTch = "dummy"]			
		ltree_TCH2_release			
28		[TCV_chTch1 <> "dummy"]			
29		L!DL_DatRqChRel	ChRel(TCV_chTch1, ChRelease_01)		
30		[TCV_chTch1 = "dummy"]			
Detailed Comments:		1. The guard timer times out, inconclusive. 2. Unexpected events, fail. 3. Cancel of all running timers.			

Default Dynamic Behaviour					
Default Name:		OtherEventsFail_01			
Group:		GSM_MS_CS_4200/			
Objective:		To match irrelevant CHANNEL REQUEST msg and MEASUREMENT REPORT msg and return or match other unexpected events and fail the test case.			
Nr	Label	Behaviour Description	CRef	V	Comments
1		L?DL_Relln	DLRelInd_01		6.
2		RETURN			
3		?TIMEOUT T_guard			1.
4		+ltree_SDCCH1_release			
5		+ltree_SDCCH2_release			
6		+ltree_TCH1_release			
7		+ltree_TCH2_release			
8		(TCV_Null := OO_TguardTimeOut())			
9	CS_0 144	CANCEL		I	5.
10		L?DL_RacInChRq	ChReq(ChRequest_0 2)		2.
11		RETURN			
12		L?DL_UdatInMsrRpt	MsrRept(MsrReport_02)		3.
13		RETURN			
14		L?OTHERWISE			4.
15		+ltree_SDCCH1_release			
16		+ltree_SDCCH2_release			
17		+ltree_TCH1_release			
18		+ltree_TCH2_release			
19		L?DL_Relln	DLRelInd_01		
20	CS_0 145	CANCEL		F	5.
21		?TIMEOUT T_guard			
22	CS_0 146	CANCEL		F	5.
		ltree_SDCCH1_release			
23		[TCV_ch <> "dummy"]			
24		L!DL_DatRqChRel	ChRel(TCV_ch, ChRelease_01)		
25		[TCV_ch = "dummy"]			
		ltree_SDCCH2_release			
26		[TCV_ch1 <> "dummy"]			
27		L!DL_DatRqChRel	ChRel(TCV_ch1, ChRelease_01)		
28		[TCV_ch1 = "dummy"]			
		ltree_TCH1_release			
29		[TCV_chTch <> "dummy"]			
30		L!DL_DatRqChRel	ChRel(TCV_chTch, ChRelease_01)		
31		[TCV_chTch = "dummy"]			
		ltree_TCH2_release			
32		[TCV_chTch1 <> "dummy"]			
33		L!DL_DatRqChRel	ChRel(TCV_chTch1, ChRelease_01)		
34		[TCV_chTch1 = "dummy"]			
Detailed Comments:		1. The guard timer times out, inconclusive. 2. To throw away any irrelevant channel request. 3. To throw away any measurement report. 4. Other unexpected events, fail. 5. Cancel of all running timers. 6. Cover also DLRelInd_02 for local end termination.			

Default Dynamic Behaviour					
Default Name:		OtherEventsFail_02			
Group:		GSM_MS_CS_4200/			
Objective:		To match unexpected events and fail the test case but ignore channel request messages that are sent before the lower tester has sent (and the MS received) the Immediate Assignment message.			
Nr	Label	Behaviour Description	CRef	V	Comments
1		L?DL_RelIn	DLRelInd_02		
2		RETURN			
3		L?DL_RaInChRq	ChReq(ChRequest_02)		1.
4		RETURN			
5		?TIMEOUT T_guard			2.
6		+ltree_SDCCH1_release			
7		+ltree_SDCCH2_release			
8		+ltree_TCH1_release			
9		+ltree_TCH2_release			
10		(TCV_Null := OO_TguardTimeOut())			
11	CS_0 147	CANCEL		I	4.
12		L?OTHERWISE			3.
13		+ltree_SDCCH1_release			
14		+ltree_SDCCH2_release			
15		+ltree_TCH1_release			
16		+ltree_TCH2_release			
17		L?DL_RelIn	DLRelInd_01		
18	CS_0 148	CANCEL		F	4.
19		?TIMEOUT T_guard			
20	CS_0 149	CANCEL		F	4.
21		ltree_SDCCH1_release [TCV_ch <> "dummy"]			
22		!DL_DatRqChRel	ChRel(TCV_ch, ChRelease_01)		
23		[TCV_ch = "dummy"]			
24		ltree_SDCCH2_release [TCV_ch1 <> "dummy"]			
25		!DL_DatRqChRel	ChRel(TCV_ch1, ChRelease_01)		
26		[TCV_ch1 = "dummy"]			
27		ltree_TCH1_release [TCV_chTch <> "dummy"]			
28		!DL_DatRqChRel	ChRel(TCV_chTch, ChRelease_01)		
29		[TCV_chTch = "dummy"]			
30		ltree_TCH2_release [TCV_chTch1 <> "dummy"]			
31		!DL_DatRqChRel	ChRel(TCV_chTch1, ChRelease_01)		
32		[TCV_chTch1 = "dummy"]			
Detailed Comments:		<ol style="list-style-type: none"> 1. To throw away any irrelevant channel request. 2. The guard timer times out, inconclusive. 3. Unexpected events, fail. 4. Cancel of all running timers. 			

Default Dynamic Behaviour					
Default Name:		OtherEvents_01			
Group:		GSM_MS_CS_4200/			
Objective:		To match irrelevant messages and return			
Nr	Label	Behaviour Description	CRef	V	Comments
1		L?OTHERWISE			1.
2		RETURN			
Detailed Comments:		1. Cover also DLRelInd_02 for local end termination.			

Default Dynamic Behaviour					
Default Name:		OtherEvents_02			
Group:		GSM_MS_CS_4200/			
Objective:		To match unexpected events and sign final verdict for preambles but ignore channel request messages that are sent before the lower tester has sent (and the MS received) the Immediate Assignment message.			
Comments:		used in preambles.			
Nr	Label	Behaviour Description	CRef	V	Comments
1		L?DL_Relln	DLRelInd_02		
2		RETURN			
3		L?DL_RacInChRq	ChReq(ChRequest_0 2)		1.
4		RETURN			
5		?TIMEOUT T_guard			2.
6		+ltree_SDCCH1_release			
7		+ltree_SDCCH2_release			
8		+ltree_TCH1_release			
9		+ltree_TCH2_release			
10		(TCV_Null := OO_TguardTimeOut())			
11	CS_0 150	CANCEL		I	4.
12		L?OTHERWISE			3.
13		+ltree_SDCCH1_release			
14		+ltree_SDCCH2_release			
15		+ltree_TCH1_release			
16		+ltree_TCH2_release			
17		L?DL_Relln	DLRelInd_01		
18	CS_0 151	CANCEL		I	4.
19		?TIMEOUT T_guard			2.
20	CS_0 152	CANCEL		I	4.
ltree_SDCCH1_release					
21		[TCV_ch <> "dummy"]			
22		L!DL_DatRqChRel	ChRel(TCV_ch, ChRelease_01)		
23		[TCV_ch = "dummy"]			
ltree_SDCCH2_release					
24		[TCV_ch1 <> "dummy"]			
25		L!DL_DatRqChRel	ChRel(TCV_ch1, ChRelease_01)		
26		[TCV_ch1 = "dummy"]			
ltree_TCH1_release					
27		[TCV_chTch <> "dummy"]			
28		L!DL_DatRqChRel	ChRel(TCV_chTch, ChRelease_01)		
29		[TCV_chTch = "dummy"]			
ltree_TCH2_release					
30		[TCV_chTch1 <> "dummy"]			
31		L!DL_DatRqChRel	ChRel(TCV_chTch1, ChRelease_01)		
32		[TCV_chTch1 = "dummy"]			
Detailed Comments:		<ol style="list-style-type: none"> 1. To throw away any irrelevant channel request. 2. The guard timer times out, inconclusive. 3. Unexpected events, inconclusive. 4. Cancel of all running timers. 			

History

Document history			
December 1995	Public Enquiry	PE 97:	1995-12-04 to 1996-03-29
May 1996	Vote	V 103:	1996-05-20 to 1996-08-23
September 1996	First Edition		
December 1995	Public Enquiry (Second Edition)	PE 97:	1995-12-04 to 1996-03-29
May 1996	Vote (Second Edition)	V 103:	1996-05-20 to 1996-07-26
August 1996	Unified Approval Procedure (Second Edition)	UAP 52	1996-08-19 to 1996-12-13
November 1996	Unified Approval Procedure (Third Edition)	UAP 58	1996-11-18 to 1997-03-14
January 1997	Second Edition		
April 1997	One-step Approval Procedure (Fourth Edition)	OAP 9731:	1997-04-04 to 1997-08-01
May 1997	Third Edition		
August 1997	One-step Approval Procedure (Fifth Edition)	OAP 9748:	1997-08-01 to 1997-11-28
September 1997	Fourth Edition		
November 1997	One-step Approval Procedure (Sixth Edition)	OAP 9813:	1997-11-28 to 1998-03-27
January 1998	Fifth Edition		
March 1998	One-step Approval Procedure (Seventh Edition)	OAP 9829:	1998-03-20 to 1998-07-17
April 1998	Sixth Edition		